

SILVER CREST®



ELECTRIC STOVE SEK 2000 B2 ELEKTRO-STANDKAMIN SEK 2000 B2 CHEMINÉE ÉLECTRIQUE SEK 2000 B2

(GB) (IE) (NI) (CY) (MT)

ELECTRIC STOVE

Operation and Safety Instructions

⚠ This product is only suitable for well insulated spaces or occasional use.

(FR) (BE) (CH)

CHEMINÉE ÉLECTRIQUE

Instructions d'utilisation et consignes de sécurité

⚠ Ce produit ne peut être utilisé que dans des locaux bien isolés ou de manière occasionnelle.

(CZ)

ELEKTRICKÝ KRB

Pokyny pro obsluhu a bezpečnostní pokyny

⚠ Tento výrobek je vhodný pouze pro dobře izolované prostory nebo občasně používání.

(SK)

ELEKTRICKÝ KRB

Návod na obsluhu a bezpečnostné pokyny

⚠ Tento výrobek je určený iba do dobre izolovaných priestorov alebo na príležitostné použitie.

(DK)

ELEKTRISK KAMIN

Drifts- og sikkerhedsinstruktioner

⚠ Dette produkt er kun til velisolerede rum eller egnet til lejlighedsvis brug.

(DE) (AT) (CH)

ELEKTRO-STANDKAMIN

Bedienungs- und Sicherheitshinweise

⚠ Dieses Produkt ist nur für gut isolierte Räume oder für den gelegentlichen Gebrauch geeignet.

(NL) (BE)

VRIJSTAANDE ELEKTRISCHE HAARD

Bedienings- en veiligheidsinstructies

⚠ Dit product is uitsluitend geschikt voor goed geïsoleerde plaatsen of voor incidenteel gebruik.

(PL)

KOMINEK ELEKTRYCZNY STOJĄCY

Wskazówki użytkowania i bezpieczeństwa

⚠ Ten produkt jest odpowiedni tylko do sporadycznego użytku lub do stosowania w dobrze izolowanych pomieszczeniach.

(ES)

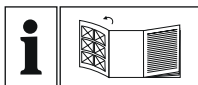
CHIMENEA ELÉCTRICA

Instrucciones de utilización y de seguridad

⚠ Producto indicado únicamente para su uso en espacios bien aislados o para uso ocasional.

IAN 365183_2101

OS



GB IE NI CY MT

Before reading, unfold the page containing the illustrations and familiarise yourself with all functions of the device.

DE AT CH

Klappen Sie vor dem Lesen die Seite mit den Abbildungen aus und machen Sie sich anschließend mit allen Funktionen des Gerätes vertraut.

FR BE CH

Avant de lire le mode d'emploi, ouvrez la page contenant les illustrations et familiarisez-vous ensuite avec toutes les fonctions de l'appareil.

NL BE

Vouw vóór het lezen de pagina met de afbeeldingen open en maak u vertrouwd met alle functies van het apparaat.

CZ

Před čtením si otevřete stranu s obrázky a potom se seznamte se všemi funkcemi přístroje.

PL

Przed rozpoczęciem czytania rozłóż stronę zawierającą rysunki, a następnie zapoznaj się ze wszystkimi funkcjami urządzenia.

SK

Prv než začnete čítať tento návod, rozložte si stránku s obrázkami a oboznámte sa so všetkými funkciami zariadenia.

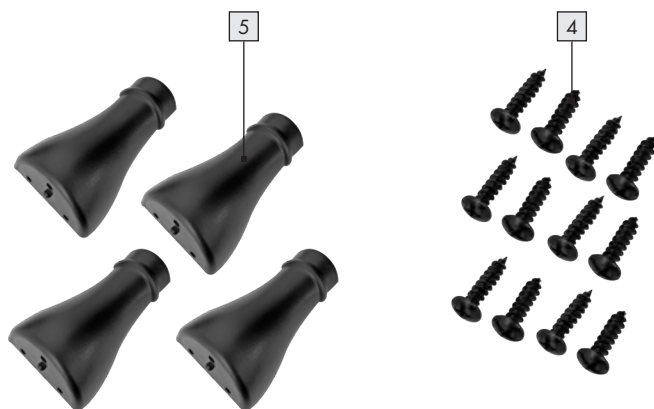
ES

Antes de empezar a leer abra la página que contiene las imágenes y, en seguida, familiarícese con todas las funciones del dispositivo.

DK

Før du læser, skal du udfolde begge sider med illustrationer og gøre dig bekendt med alle funktionerne i enheden.

GB/IE/NI/CY/MT	Operation and Safety Instructions	Page	5
DE/AT/CH	Bedienungs- und Sicherheitshinweise	Seite	17
FR/BE/CH	Instructions d'utilisation et consignes de sécurité	Page	29
NL/BE	Bedienings- en veiligheidsinstructies	Pagina	43
CZ	Návod k obsluze a bezpečnostní pokyny	Strana	55
PL	Wskazówki użytkowania i bezpieczeństwa	Strona	67
SK	Návod na obsluhu a bezpečnostné pokyny	Strana	81
ES	Instrucciones de utilización y de seguridad	Página	93
DK	Drifts- og sikkerhedsinstruktioner	Side	105



1. Introduction	Page 6
1.1 Intended use	Page 6
1.2 Scope of delivery	Page 6
1.3 Equipment	Page 6
1.4 Technical data	Page 6
2. Safety information	Page 8
2.1 General safety information	Page 8
2.2 Electric shock protection	Page 8
2.3 Fire hazard protection	Page 10
2.4 Injury prevention	Page 10
2.5 Child safety	Page 11
3. Installation preparation	Page 12
4. Stand installation	Page 12
5. Starting-up	Page 13
5.1 Device operation	Page 13
5.2 Overheat protection	Page 13
6. Maintenance and cleaning	Page 14
7. Disposal	Page 14
8. ROWI Germany GmbH Warranty	Page 14
9. Service	Page 15

ELECTRIC STOVE SEK 2000 B2

1. Introduction

Congratulations for purchasing your new device. You have selected a high-quality product. The instruction manual is an integral part of this product. It contains important information regarding safety, device handling and disposal. Familiarise yourself with all operating and safety instructions before using the product. Only use the product as described and for the areas of use specified. Please make sure to hand over all documents when handing the product over to third parties.

1.1 Intended use

This device is only intended for heating closed and dry rooms during transitional periods. The device is not intended for use in rooms exposed to potentially hazardous conditions, such as corrosive or explosive atmospheres (dust, vapour or gas). Do not use the device outdoors. Any other use or modification of the device is regarded as improper use and poses a considerable risk of accidents. We shall not assume liability for any damages resulting from improper use. The device is intended for private use only.

1.2 Scope of delivery

1 Electric stove
1 Instruction manual
4 Stands
12 Screws

1.3 Equipment

- 1 Electric stove
- 2 Operating panel
- 3 Thermostat
- 4 Screws M4 x 15 mm
- 5 Stands
- 6 Ventilation grille

1.4 Technical data

Voltage rating:	220-240 V~, 50 Hz
Power rating:	1750 W – 1950 W
Protection class:	I
Environmental conditions:	0 °C to +35 °C
Device dimensions:	approx. 38 x 23 x 51 cm
Heat output:	
Heating level 1:	950 W
Heating level 2:	1950 W

Information requirements for electric local space heaters

Model identifier(s): SEK 2000 B2

Item	Symbol	Value	Unit
------	--------	-------	------

Heat output

Nominal heat output	P_{nom}	2,0	kW
---------------------	-----------	-----	----

Minimum heat output (indicative)	P_{min}	1,0	kW
----------------------------------	-----------	-----	----

Maximum continuous heat output	$P_{max,c}$	1,9	kW
--------------------------------	-------------	-----	----

Auxiliary electricity consumption

At nominal heat output	$e_{l,max}$	0	kW
------------------------	-------------	---	----

At minimum heat output	$e_{l,min}$	0	kW
------------------------	-------------	---	----

In standby mode	$e_{l,SB}$	N/A	kW
-----------------	------------	-----	----

Item	Unit
------	------

Type of heat input, for electric storage local space heaters only (select one)

manual heat charge control, with integrated thermostat [no]

manual heat charge control with room and/or outdoor temperature feedback [no]

electronic heat charge control with room and/or outdoor temperature feedback [no]

fan assisted heat output [no]

Type of heat output/room temperature control (select one)

single stage heat output and no room temperature control [no]

two or more manual stages, no room temperature control [no]

with mechanic thermostat room temperature control [yes]

with electronic room temperature control [no]

electronic room temperature control plus day timer [no]

electronic room temperature control plus week timer [no]

Other control options (multiple selections possible)

room temperature control, with presence detection [no]

room temperature control, with open window detection [no]

with distance control option [no]

with adaptive start control [no]

with working time limitation [no]

with black bulb sensor [no]

ROWI Germany GmbH
Werner-von-Siemens-Str. 27
76694 Forst
GERMANY

2. Safety information



Please read all safety information and instructions.



Failure to comply with the safety instructions and precautions may result in serious injury and/or property damage.

For future reference, keep all safety instructions and precautions in a safe place!

2.1 General safety information



The device is only intended for indoor use!

- Read this instruction manual carefully before using the device. They are an integral part of the device and must be available at all times.
- Only use the device for the intended purposes described.
- Please verify that the mains voltage required (see type plate on the device) corresponds to your mains voltage.
- In the event of any malfunctions, the device may only be repaired by our authorised service centre.
- The device may only be installed on a firm, level, dry and non-combustible surface.
- Please ensure that the power socket is easily accessible to be able to quickly disconnect the power plug from the mains, if necessary.

2.2 Electric shock protection



Danger to life by electrical current!

Contacting the live cables or components is dangerous to your life!

- Only connect the device to a correctly installed grounded power socket.
- If the device falls to the ground or sustains a severe impact, or if it falls into water, stop using it immediately. In such cases, please contact our service centre.
- If the power supply cable of this device is damaged it should be replaced by the manufacturer or by its customer service or a similarly qualified person, to avoid danger.
- Never use the device in the direct vicinity of a sink, bath tub, shower or swimming pool as water spray may enter the appliance.
- Never allow water or other liquids to enter the device. Therefore:
 - never use the device outdoors,
 - never place containers filled with liquids, such as drinking glasses, vases, etc., on the device,
 - never use in a very humid environment such as a bathroom. If any liquids do get into the device, unplug the power cord immediately and ensure the device is repaired by a qualified technician.
- Never attempt to reach through the protective grilles into the interior of the device using your fingers or any other objects.
- Never touch the device, the mains cable or the mains plug with wet hands.
- Always unplug the mains cable by pulling the plug. Never pull on the cable itself.
- Ensure the power cable does not kink or become trapped.
- Take care to ensure that the power cord is not damaged by sharp edges.
- Keep the mains cable away from hot surfaces (e.g. cookers/stoves).
- If you do not intend to use the appliance for an extended period of time, unplug the appliance from the wall socket. Only then is the device completely free of electrical current.
- Extension cord use is prohibited.
- Using an external timer or a separate remote control system, such as a radio socket with the device is prohibited.

2.3 Fire hazard protection



Fire risk!

Since the device operates at high temperatures, observe the following safety instructions to prevent fire hazards.



Risk of overheating!

To avoid overheating of the device, never cover it with anything.

- Do not place any flammable objects (e.g. curtains, paper, etc.) in the immediate vicinity of the device during operation.
- Never use the device to dry textiles or other things on, above or in front of the device.
- When setting up the device, observe a minimum clearance of 0.5 m from other devices or the wall.
- Never operate the device in potentially explosive atmospheres or in the vicinity of flammable gases or liquids.
- Never place the device directly under a wall-mounted power socket as the heat generated could damage its electrical components.
- Always ensure that air can always enter and exit the device freely. Failure to do so may result in heat build-up in the device.
- Never leave the device running unattended. Damage is almost always indicated by the formation of intense odours. If this occurs, unplug the power cord immediately and arrange for the device to be inspected.

2.4 Injury prevention

- Observe the following instructions to prevent injuries.
- Please take care to ensure that the mains power cable never becomes a tripping hazard or causes someone to get caught in it or step on it.

- Maintain an adequate distance from the device so that hair or clothing is not sucked into the device by the fan.



Beware of hot surfaces!

Some parts of the product can become very hot and cause burns. Pay particular attention when children and vulnerable people are present.

2.5 Child safety

- Children are usually unable to assess hazards correctly and are often vulnerable to personal injury. Please keep this in mind:
- This device may only be used under adult supervision to ensure that children do not play with it.
- Always ensure that the device is out of the reach of children.
- Be careful to ensure that the packaging film does not become a lethal trap for children. Packaging film is not a toy.
- This device can be used by children aged from 8 years and above and by physically, sensory or mentally restricted persons if they are supervised or given instructions on safe use and understand the hazards involved. This device is not a toy for children to play with! Cleaning and user maintenance shall not be carried out by children without supervision.
- Children under the age of 3 are to be kept away from the device unless they are continually supervised.
- Children between the age of 3 and 8 are only allowed to switch the device on or off if they are supervised or given instructions on safe use and understand the hazards involved, provided that it has been placed or installed in its intended normal operating position.
- Children between the ages of 3 and 8 shall not plug in, regulate, clean the heater or perform user maintenance.

3. Installation preparation

- Remove all packaging materials and all transport bracing from the device.
- Check the delivery contents for completeness and any signs of damage.

4. Stand installation

- After you have completely unpacked the device, place it upside down on a clean surface so that you can fully see the underside (Fig. 1).



- Take a stand [5] and insert 3 screws [4] through the holes (Fig. 2).



- There are 3 matching holes in each corner of the device. Now take the stand [5] with the screws [4] and place it exactly over the matching holes.
- When the screws [4] are inserted in the correct holes, tighten them with a screwdriver (Fig. 3).



- Please proceed in the same way with all four stands [5] until they have all been assembled.
- The device can now be placed on its stands [5]. The device is ready for start-up (Fig. 4).



5. Starting-up

Please find a suitable location for the device before starting it up.


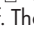

For safe and trouble-free running of the device, choose an installation location which meets the following requirements:

- The floor should be firm, flat and horizontal.
- The device should be set up at least one metre away from furniture, curtains and other easily flammable objects.
- Do not place the device in a hot, wet or very humid environment.
- A grounded socket protected by a residual-current device with overload protection should be available in the vicinity of the device.
- The power socket should be easily accessible so that the mains connection cable can be easily disconnected, if necessary.
- Extension cords are prohibited.

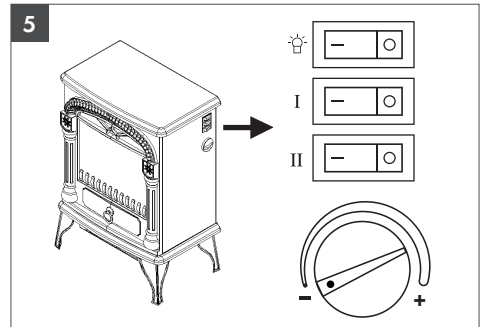
- Plug the device cable into the grounded power socket.

IMPORTANT! The cable must remain on the rear-side of the device and must not come into contact with any hot elements.

5.1 Device operation

- The device is operated via the operation panel [2] and the thermostat [3] on the right-hand side (Fig. 5).
- The first switch with the [] symbol switches the flame effect on and off. The flame effect can be used with or without the heating function. If the switch is set to the [] symbol, the flame effect is switched off. If you press the switch to the left [-], you will activate the device.
- For a low amount of heating, switch the first heating level with the [I] symbol to the [-] symbol to turn it on and to the [] symbol to turn it off. The heating function can be used with or without the flame effect.

- For full heating power, switch on both heating levels [I] and [II] using the on/off switches.
- Heating level [II] only functions if the switch for heating level [I] is also set to the [-] symbol. The temperature of the two heating stages can be controlled using the thermostat [3] by setting it between the [-] and [+] settings. Turning the thermostat [3] clockwise until you hear an audible click will switch on the device. [-] represents the lowest temperature (left) and [+] (right) the highest temperature.




PLEASE NOTE! Thanks to automatic operation, the hot-air control (thermostat) maintains the pre-programmed temperature at a constant level.

- First, turn the thermostat [3] to the right in the direction of the maximum value. Leave the switch in this position until the air in the room has reached your desired temperature.


PLEASE NOTE! When you use the device for the first time, a slight odour may occur.

5.2 Overheat protection

For your safety, this device features overheating protection. If the temperature inside the device becomes too high, it will switch off automatically. In this case, proceed as follows:

1. Disconnect the power plug from the mains.
2. Wait until the device has cooled down for at least 20 minutes.
3. Ensure that the ventilation grilles  are not obstructed and clean them with a soft, dry cloth.
4. Restart the device. After you have done this, you can continue to use the device as normal. If the fault occurs repeatedly and no apparent fault can be found, arrange for the unit to be repaired or stop using it immediately.

6. Maintenance and cleaning

- **CAUTION! RISK OF ELECTRIC SHOCK!**
Before cleaning, always unplug the device from the mains and allow it to cool down completely.
- Clean the outside of the device with a soft, dry cloth. Do not use liquids under any circumstances, especially ones containing petrol, or cleaning agents, as these will damage the device.
- Remove dust and dirt from the ventilation grilles  regularly using a vacuum cleaner.

7. Disposal



The device packaging is made of environmentally friendly materials that you can dispose of at your local recycling centres.



The product and packaging materials are recyclable, dispose of it separately for better waste treatment. The Triman logo is valid in France only.



Please note the labelling of the packaging materials during waste separation, these are marked with abbreviations and numbers which indicate the following: 1-7: Plastics/20-22: Paper and cardboard/80-98: Composite materials.



Do not dispose of the product with your regular household waste. Bring it to a municipal collection point for recycling! For information on how to dispose of the old device, contact your local authority or city council.

8. ROWI Germany GmbH Warranty

Dear Customer,

This appliance has a 3-year warranty valid from the date of purchase. If this product has any faults, you, the buyer, have certain statutory rights. Your statutory rights are not restricted in any way by the warranty described below.

Warranty conditions

The validity period of the warranty starts from the date of purchase. Please keep your original receipt in a safe place. This document will be required as proof of purchase.

If any material or production fault occurs within three years of the date of purchase of the product, we will either repair or replace the product for you or refund the purchase price at our discretion. This warranty service is dependent on you presenting the defective appliance and the proof of purchase (receipt) and a short written description of the fault and its time of occurrence.

If the defect is covered by the warranty, your product will either be repaired or replaced by us. The repair or replacement of a product does not signify the beginning of a new warranty period.

Warranty period and statutory claims for defects

The warranty period is not prolonged by repairs effected under the warranty. This also applies to replaced and repaired components. Any damage and defects present at the time of purchase must be reported immediately after unpacking. Repairs carried out after expiry of the warranty period shall be subject to a fee.

Scope of the warranty

This appliance has been manufactured in accordance with strict quality guidelines and inspected meticulously prior to delivery.

The warranty covers material faults or production faults. The warranty does not extend to product parts subject to normal wear and tear or fragile parts such as switches, batteries or those made of glass.

The warranty does not apply if the product has been damaged, improperly used or improperly maintained. The directions in the operating instructions for the product regarding proper use of the product are to be strictly followed. Uses and actions that are discouraged in the operating instructions or which are warned against must be avoided.

This product is intended solely for private use and not for commercial purposes. The warranty shall be deemed void in cases of misuse or improper handling, use of force and modifications/repairs which have not been carried out by one of our authorised Service centres.

Warranty claim procedure

To ensure quick processing of your case, please observe the following instructions:

- Please have the till receipt and the item number (IAN 365183_2101) available as proof of purchase.
- You will find the item number on the type plate on the product, on the front page of the instructions (bottom left), or as a sticker on the rear or bottom of the appliance.
- If functional or other defects occur, please contact the service department listed either by **telephone** or by **e-mail**.
- You can return a defective product to us free of charge to the service address that will be provided to you. Ensure that you enclose the proof of purchase (till receipt) and information about what the defect is and when it occurred.



At www.lidl-service.com you can download this manual as well as many other manuals, product videos and software. This QR code will take you directly to the Lidl service page (www.lidl-service.com) and allow you to open your operating instructions simply by entering the article number (IAN 365183_2101).

9. Service

If any problems occur during use of your ROWI Germany product, please proceed as follows:

Contact us

You can contact the service team of ROWI Germany at:

ROWI Germany GmbH
Werner-von-Siemens-Str. 27
76694 Forst
GERMANY
lidl-services@rowi-group.com
Service-Hotline: +800 7694 7694
(free call from a German landline)

IAN 365183_2101

Most problems can be resolved with the skilled technical support of our Service Team.



1. Einleitung	Seite 18
1.1 Bestimmungsgemäße Verwendung	Seite 18
1.2 Lieferumfang	Seite 18
1.3 Ausstattung	Seite 18
1.4 Technische Daten	Seite 18
2. Sicherheitshinweise	Seite 20
2.1 Allgemeine Sicherheitshinweise	Seite 20
2.2 Schutz vor elektrischem Schlag	Seite 21
2.3 Schutz vor Brandgefahr	Seite 22
2.4 Schutz vor Verletzungen	Seite 23
2.5 Zur Sicherheit Ihres Kindes	Seite 24
3. Vorbereitung zur Montage	Seite 25
4. Montage der Standfüße	Seite 25
5. Inbetriebnahme	Seite 26
5.1 Bedienung am Gerät	Seite 26
5.2 Überhitzungsschutz	Seite 26
6. Wartung und Reinigung	Seite 27
7. Entsorgung	Seite 27
8. Garantie der ROWI Germany GmbH	Seite 27
9. Service	Seite 28

ELEKTRO-STANDKAMIN SEK 2000 B2

1. Einleitung

Wir beglückwünschen Sie zum Kauf Ihres neuen Gerätes. Sie haben sich damit für ein hochwertiges Produkt entschieden. Die Bedienungsanleitung ist Teil dieses Produkts. Sie enthält wichtige Hinweise für Sicherheit, Gebrauch und Entsorgung. Machen Sie sich vor der Benutzung des Produkts mit allen Bedien- und Sicherheitshinweisen vertraut. Benutzen Sie das Produkt nur wie beschrieben und für die angegebenen Einsatzbereiche. Händigen Sie alle Unterlagen bei Weitergabe des Produkts an Dritte mit aus.

1.1 Bestimmungsgemäße Verwendung

Dieses Gerät ist nur zum Beheizen, während der Übergangszeit, von geschlossenen und trockenen Räumen bestimmt. Das Gerät ist nicht zur Verwendung in Räumen vorgesehen, in denen besondere Bedingungen vorherrschen, wie z. B. korrosive oder explosionsfähige Atmosphäre (Staub, Dampf oder Gas). Verwenden Sie das Gerät nicht im Freien. Jede andere Verwendung oder Veränderung des Gerätes gilt als nicht bestimmungsgemäß und birgt erhebliche Unfallgefahren. Für aus bestimmungswidriger Verwendung entstandene Schäden übernehmen wir keine Haftung. Das Gerät ist nur für den privaten Einsatz bestimmt.

1.2 Lieferumfang

1 Elektro-Standkamin
1 Bedienungsanleitung
4 Standfüße
12 Schrauben

1.3 Ausstattung

- 1 Elektro-Standkamin
- 2 Bedienpanel
- 3 Temperaturregler
- 4 Schrauben M4 x 15 mm
- 5 Standfüße
- 6 Lüftungsgitter

1.4 Technische Daten

Bemessungsspannung:	220-240 V~, 50 Hz
Bemessungsaufnahme:	1750 W - 1950 W
Schutzklasse:	I
Umgebungsbedingungen:	0 °C bis +35 °C
Abmessungen des Gerätes:	ca. 38 x 23 x 51 cm
Heizleistung:	
Heizstufe 1:	950 W
Heizstufe 2:	1950 W

Erforderliche Angaben zu elektrischen Einzelraumheizgeräten

Modellkennung: SEK 2000 B2

Angabe	Symbol	Wert	Einheit
--------	--------	------	---------

Wärmeleistung

Nennwärmeleistung	P_{nom}	2,0	kW
-------------------	-----------	-----	----

Mindestwärmeleistung (Richtwert)	P_{min}	1,0	kW
----------------------------------	-----------	-----	----

Maximale kontinuierliche Wärmeleistung	$P_{max,c}$	1,9	kW
--	-------------	-----	----

Hilfsstromverbrauch

Bei Nennwärmeleistung	el_{max}	0	kW
-----------------------	------------	---	----

Bei Mindestwärmeleistung	el_{min}	0	kW
--------------------------	------------	---	----

Im Bereitschaftszustand	el_{SB}	N/A	kW
-------------------------	-----------	-----	----

Angabe	Einheit
--------	---------

Nur bei elektrischen Speicher-Einzelraumheizgeräten: Art der Regelung der Wärmezufuhr (bitte eine Möglichkeit auswählen)

manuelle Regelung der Wärmezufuhr mit integriertem Thermostat	[nein]
---	--------

manuelle Regelung der Wärmezufuhr mit Rückmeldung der Raum- und/oder Außentemperatur	[nein]
--	--------

elektronische Regelung der Wärmezufuhr mit Rückmeldung der Raum- und/oder Außentemperatur	[nein]
---	--------

Wärmeabgabe mit Gebläseunterstützung	[nein]
--------------------------------------	--------

Art der Wärmeleistung/Raumtemperaturkontrolle (bitte eine Möglichkeit auswählen)

einstufige Wärmeleistung, keine Raumtemperaturkontrolle	[nein]
---	--------

zwei oder mehr manuell einstellbare Stufen, keine Raumtemperaturkontrolle	[nein]
---	--------

Raumtemperaturkontrolle mit mechanischem Thermostat	[ja]
---	------

mit elektronischer Raumtemperaturkontrolle	[nein]
--	--------

elektronische Raumtemperaturkontrolle und Tageszeitregelung	[nein]
---	--------

elektronische Raumtemperaturkontrolle und Wochentagsregelung	[nein]
--	--------

Sonstige Regelungsoptionen (Mehrfachnennungen möglich)

Raumtemperaturkontrolle mit Präsenzerkennung	[nein]
--	--------

Raumtemperaturkontrolle mit Erkennung offener Fenster	[nein]
---	--------

mit Fernbedienungsoption	[nein]
--------------------------	--------

mit adaptiver Regelung des Heizbeginns	[nein]
--	--------

mit Betriebszeitbegrenzung	[nein]
----------------------------	--------

mit Schwarzkugelsensor	[nein]
------------------------	--------

ROWI Germany GmbH
 Werner-von-Siemens-Str. 27
 76694 Forst
 DEUTSCHLAND

2. Sicherheitshinweise



Lesen Sie alle Sicherheitshinweise und Anweisungen.



Versäumnisse bei der Einhaltung der Sicherheitshinweise und Anweisungen können schwere Verletzungen und/oder Sachschäden verursachen.

Bewahren Sie alle Sicherheitshinweise und Anweisungen für die Zukunft auf!

2.1 Allgemeine Sicherheitshinweise



Das Gerät ist nur für den Betrieb im Innenbereich geeignet!

- Lesen Sie vor dem Gebrauch sorgfältig diese Bedienungsanleitung. Sie ist Bestandteil des Gerätes und muss jederzeit verfügbar sein.
- Verwenden Sie das Gerät nur für den beschriebenen Verwendungszweck.
- Überprüfen Sie, ob die erforderliche Netzspannung (siehe Typenschild am Gerät) mit Ihrer Netzspannung übereinstimmt.
- Bei eventuellen Funktionsstörungen darf die Instandsetzung des Gerätes nur durch unser Service-Center erfolgen.
- Das Gerät darf ausschließlich auf einem festen, ebenen, trockenen und nicht brennbaren Untergrund aufgestellt werden.
- Achten Sie darauf, dass die Steckdose gut zugänglich ist, damit Sie eventuell den Netzstecker schnell ziehen können.

2.2 Schutz vor elektrischem Schlag



Lebensgefahr durch elektrischen Strom!

Beim Kontakt mit unter Spannung stehenden Leitungen oder Bauteilen besteht Lebensgefahr!

- Schließen Sie das Gerät nur an eine vorschriftsmäßig installierte Schutzkontaktsteckdose an.
- Sollte das Gerät zu Boden gefallen sein oder einen harten Schlag abbekommen haben, oder sollte es ins Wasser gefallen sein, dürfen Sie es nicht weiterbenutzen. Wenden Sie sich in diesem Fall an unser Service-Center.
- Wenn die Netzanschlussleitung dieses Gerätes beschädigt wird, muss sie durch den Hersteller oder eine ähnlich qualifizierte Person ersetzt werden, um Gefährdungen zu vermeiden.
- Benutzen Sie das Gerät niemals in unmittelbarer Nähe eines Spülbeckens, einer Badewanne, einer Dusche oder eines Schwimmbeckens, da Spritzwasser in das Gerät gelangen könnte.
- In das Gerät dürfen keinesfalls Wasser oder andere Flüssigkeiten gelangen. Daher:
 - niemals im Freien einsetzen,
 - niemals mit Flüssigkeit gefüllte Gefäße, wie Trinkgläser, Vasen etc. auf das Gerät stellen,
 - niemals in sehr feuchter Umgebung wie z. B. einem Badezimmer einsetzen. Falls doch einmal Flüssigkeit in das Gerät gelangt, ziehen Sie sofort den Netzstecker und lassen das Gerät von qualifiziertem Fachpersonal reparieren.
- Versuchen Sie niemals mit Fingern oder Gegenständen durch die Schutzgitter in das Innere des Gerätes zu fassen.
- Fassen Sie das Gerät, die Netzanschlussleitung oder den Netzstecker niemals mit feuchten Händen an.
- Ziehen Sie die Netzanschlussleitung stets am Stecker heraus. Ziehen Sie niemals am Kabel selber.
- Achten Sie darauf, dass die Netzanschlussleitung nie geknickt oder gequetscht wird.

- Achten Sie darauf, dass die Netzanschlussleitung nicht durch scharfe Kanten beschädigt wird.
- Halten Sie die Netzanschlussleitung von heißen Flächen (z. B. Herdplatte) fern.
- Wenn Sie das Gerät längere Zeit nicht benutzen, ziehen Sie den Stecker aus der Steckdose. Nur dann ist das Gerät völlig stromfrei.
- Die Benutzung von Verlängerungskabeln ist untersagt.
- Das Gerät darf nicht mit einer externen Zeitschaltuhr oder einem separaten Fernwirkssystem, wie zum Beispiel einer Funksteckdose, betrieben werden.

2.3 Schutz vor Brandgefahr



Brandgefahr!

Da das Gerät mit hohen Temperaturen arbeitet, beachten Sie die folgenden Sicherheitshinweise, damit kein Brand entstehen kann.



Überhitzungsgefahr!

Um eine Überhitzung des Heizgeräts zu vermeiden, darf das Heizgerät nicht abgedeckt werden.

- Während des Betriebes dürfen sich keine brennbaren Gegenstände (z. B. Vorhänge, Papier usw.) in unmittelbarer Umgebung des Gerätes befinden.
- Benutzen Sie das Gerät niemals dazu, Textilien oder andere Dinge auf, über oder vor dem Gerät zu trocknen.
- Halten Sie beim Aufstellen des Gerätes ringsherum einen Mindestabstand von 0,5 m zu anderen Geräten oder der Wand ein.
- Betreiben Sie das Gerät nie in explosionsgefährdeten Räumen oder in der Nähe von brennbaren Gasen oder Flüssigkeiten.

- Das Gerät darf niemals direkt unter einer Wandsteckdose aufgestellt werden, da die entstehende Hitze zu Schäden an der elektrischen Installation führen könnte.
- Achten Sie immer darauf, dass die Luft frei ein- und austreten kann. Ansonsten kann es zu einem Hitzestau in dem Gerät kommen.
- Lassen Sie das Gerät nie unbeaufsichtigt laufen. Schäden kündigen sich fast immer durch intensive Geruchsbildung an. Ziehen Sie in diesem Falle sofort den Netzstecker und lassen Sie das Gerät überprüfen.

2.4 Schutz vor Verletzungen

- Beachten Sie folgende Hinweise, um Verletzungen zu vermeiden.
- Achten Sie darauf, dass die Netzanschlussleitung nie zur Stolperfalle wird oder sich jemand darin verfangen oder darauftreten kann.
- Halten Sie ausreichend Abstand von dem Gerät, damit nicht die Haare oder Kleidungsstücke vom Ventilator in das Gerät gesaugt werden.



Warnung vor heißen Oberflächen!

Einige Teile des Produktes können sehr heiß werden und Verbrennungen verursachen. Besondere Vorsicht ist geboten, wenn Kinder und schutzbedürftige Personen anwesend sind.

2.5 Zur Sicherheit Ihres Kindes

- Kinder können Gefahren oft nicht richtig einschätzen und sich dadurch Verletzungen zuziehen. Beachten Sie daher:
- Dieses Produkt darf nur unter Aufsicht von Erwachsenen verwendet werden, um sicherzustellen, dass Kinder nicht mit dem Gerät spielen.
- Achten Sie sorgfältig darauf, dass sich das Gerät immer außerhalb der Reichweite von Kindern befindet.
- Achten Sie darauf, dass die Verpackungsfolie nicht zur tödlichen Falle für Kinder wird. Verpackungsfolien sind kein Spielzeug.
- Dieses Gerät kann von Kindern ab 8 Jahren und darüber sowie von Personen mit verringerten physischen, sensorischen oder mentalen Fähigkeiten oder Mangel an Erfahrung und Wissen benutzt werden, wenn sie beaufsichtigt oder bezüglich des sicheren Gebrauchs des Gerätes unterwiesen wurden und die daraus resultierenden Gefahren verstehen. Kinder dürfen nicht mit dem Gerät spielen. Reinigung und Benutzer-Wartung dürfen nicht von Kindern ohne Beaufsichtigung durchgeführt werden.
- Kinder jünger als 3 Jahre sind fernzuhalten, es sei denn, sie werden ständig überwacht.
- Kinder ab 3 Jahren und jünger als 8 Jahre dürfen das Gerät nur ein- und ausschalten, wenn sie beaufsichtigt werden oder bezüglich des sicheren Gebrauchs des Gerätes unterwiesen wurden und die daraus resultierenden Gefahren verstanden haben, vorausgesetzt, dass das Gerät in seiner normalen Gebrauchslage platziert oder installiert ist.
- Kinder ab 3 Jahren und jünger als 8 Jahre dürfen nicht den Stecker in die Steckdose stecken, das Gerät nicht regulieren, das Gerät nicht reinigen und/oder nicht die Wartung durch den Benutzer durchführen.

3. Vorbereitung zur Montage

- Entfernen Sie sämtliches Verpackungsmaterial und alle Transportsicherungen vom Gerät.
- Prüfen Sie den Lieferumfang auf Vollständigkeit und Beschädigungen.

4. Montage der Standfüße

- Nachdem Sie das Gerät vollständig ausgepackt haben, stellen Sie es verkehrt herum auf eine saubere Unterlage, damit Sie den Boden vollständig sehen können (Abb. 1).



- Nehmen Sie nun einen Standfuß **5** und stecken 3 Schrauben **4** durch die Löcher (Abb. 2).



- In jeder Ecke des Gerätes befinden sich 3 passende Löcher. Nehmen Sie nun den Standfuß **5** mit den Schrauben **4** und setzen ihn deckungsgleich auf die übereinstimmenden Löcher.
- Wenn die Schrauben **4** in den richtigen Löchern sind, drehen Sie diese mit Hilfe eines Schraubenziehers fest (Abb. 3).



- Bitte verfahren Sie mit allen vier Standfüßen **5** so, bis Sie alle montiert haben.
- Nun können Sie das Gerät auf die Standfüße **5** stellen. Das Gerät ist bereit zur Inbetriebnahme (Abb. 4).



5. Inbetriebnahme

Bitte suchen Sie sich eine geeignete Stelle für das Gerät, bevor Sie es in Betrieb nehmen.

Für einen sicheren und fehlerfreien Betrieb des Gerätes muss der Aufstellort folgende Voraussetzungen erfüllen:

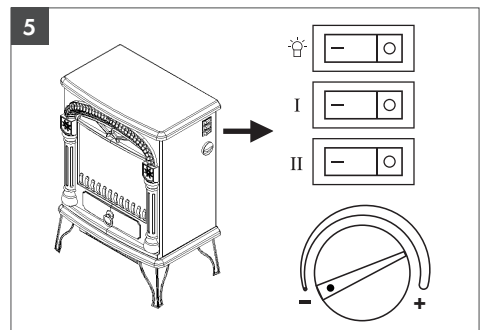
- Der Boden muss fest, flach und waagrecht sein.
 - Das Gerät sollte mindestens einen Meter von Möbeln, Vorhängen und anderen leicht entflammenden Objekten entfernt stehen.
 - Stellen Sie das Gerät nicht in einer heißen, nassen oder sehr feuchten Umgebung auf.
 - In der Nähe sollte eine geerdete, durch einen FI-Schutzschalter abgesicherte Steckdose vorhanden sein.
 - Die Steckdose muss leicht zugänglich sein, so dass die Netzanschlussleitung notfalls leicht abgezogen werden kann.
 - Es dürfen keine Verlängerungskabel benutzt werden.
- Stecken Sie nun das Kabel des Gerätes in die geerdete Steckdose.

WICHTIG! Das Kabel muss auf der Rückseite des Gerätes verbleiben und darf keine heißen Elemente berühren.

5.1 Bedienung am Gerät

- Das Gerät wird über das Bedienpanel [2] und den Temperaturregler [3] auf der rechten Seite bedient (Abb. 5).
- Mit dem ersten Schalter mit Symbol [☀] kann der Flammeneffekt ein- und ausgeschaltet werden. Der Flammeneffekt kann mit und ohne Heizfunktion genutzt werden. Ist der Schalter auf das Symbol [○] gedrückt, ist der Flammeneffekt ausgeschaltet. Drücken Sie den Schalter nach links [-], aktivieren Sie ihn.
- Für eine geringe Erwärmung schalten Sie die erste Heizstufe mit Symbol [I] am Einschalter auf Symbol [-] an und bei Symbol [○] aus. Die Heizfunktion kann mit und ohne Flammeneffekt genutzt werden.

- Für die volle Heizleistung schalten Sie die Heizstufen [I] und [II] mit den Ein-/Auschaltern ein.
- Die Heizstufe [II] funktioniert nur, wenn auch der Schalter für Heizstufe [I] auf Symbol [-] steht. Die Temperatur innerhalb der beiden Heizstufen können Sie über den Temperaturregler [3] von [-] bis [+] steuern. Schalten Sie nun das Gerät ein, indem Sie den Temperaturregler [3] im Uhrzeigersinn bis zu einem hörbaren Klicken drehen. [-] stellt dabei die geringste Temperatur (links) und [+] (rechts) die höchste Temperatur dar.




HINWEIS! Dank des automatischen Betriebs hält die Heißluftsteuerung (Thermostat) die vorprogrammierte Temperatur konstant.

- Drehen Sie zuerst den Temperaturregler [3] nach rechts in Richtung des Maximalwerts. Lassen Sie den Schalter in dieser Position, bis die Raumluft die gewünschte Temperatur erreicht hat.


HINWEIS! Beim Erstgebrauch kann es kurzzeitig zu leichter Geruchsbildung kommen.

5.2 Überhitzungsschutz

Zu Ihrer Sicherheit besitzt dieses Gerät einen Überhitzungsschutz. Falls die Temperatur im Inneren des Gerätes zu hoch wird, schaltet es sich automatisch aus. Gehen Sie in diesem Fall wie folgt vor:

1. Ziehen Sie den Netzstecker.
2. Lassen Sie das Gerät mindestens 20 Minuten lang abkühlen.
3. Überprüfen Sie, ob die Lüftungsgitter  frei sind und reinigen Sie diese mit einem weichen, trockenen Tuch.
4. Starten Sie das Gerät nun erneut. Danach können Sie es normal weiterbetreiben. Sollte keine Ursache feststellbar sein und der Fehler wiederholt auftreten, lassen Sie das Gerät reparieren oder nehmen es außer Betrieb.

6. Wartung und Reinigung

- **VORSICHT! GEFAHR DURCH ELEKTRISCHEN SCHLAG!** Ziehen Sie vor der Reinigung den Netzstecker aus der Steckdose und lassen Sie das Gerät immer vollständig abkühlen.
- Reinigen Sie das Gerät äußerlich mit einem weichen, trockenen Tuch. Verwenden Sie in keinem Fall Flüssigkeiten, insbesondere benzinhaltige, und keine Reinigungsmittel, da diese das Gerät beschädigen.
- Befreien Sie die Lüftungsgitter  regelmäßig von Staub und Schmutz mithilfe eines Staubsaugers.

7. Entsorgung



Die Verpackung besteht aus umweltfreundlichen Materialien, die Sie über die örtlichen Recyclingstellen entsorgen können.



Das Produkt und die Verpackungsmaterialien sind recycelbar, entsorgen Sie diese getrennt für eine bessere Abfallbehandlung. Das Triman-Logo gilt nur für Frankreich.



Beachten Sie die Kennzeichnung der Verpackungsmaterialien bei der Abfalltrennung, diese sind gekennzeichnet mit Abkürzungen und Nummern mit folgender Bedeutung: 1–7: Kunststoffe/20–22: Papier und Pappe/80–98: Verbundstoffe.



Entsorgen Sie das Produkt nicht im Hausmüll, sondern über kommunale Sammelstellen zur stofflichen Verwertung! Möglichkeiten zur Entsorgung des ausgedienten Gerätes erfahren Sie bei Ihrer Gemeinde- oder Stadtverwaltung.

8. Garantie der ROWI Germany GmbH

Sehr geehrte Kundin, sehr geehrter Kunde, Sie erhalten auf dieses Gerät 3 Jahre Garantie ab Kaufdatum. Im Falle von Mängeln dieses Produkts stehen Ihnen gegen den Verkäufer des Produkts gesetzliche Rechte zu. Diese gesetzlichen Rechte werden durch unsere im Folgenden dargestellte Garantie nicht eingeschränkt.

Garantiebedingungen

Die Garantiefrist beginnt mit dem Kaufdatum. Bitte bewahren Sie den Original Kassenbon gut auf. Dieser wird als Nachweis für den Kauf benötigt.

Tritt innerhalb von drei Jahren ab dem Kaufdatum dieses Produkts ein Material- oder Fabrikationsfehler auf, wird das Produkt von uns – nach unserer Wahl – für Sie kostenlos repariert, ersetzt oder der Kaufpreis erstattet. Diese Garantieleistung setzt voraus, dass innerhalb der Drei-Jahres-Frist das defekte Gerät und der Kaufbeleg (Kassenbon) vorgelegt und schriftlich kurz beschrieben wird, worin der Mangel besteht und wann er aufgetreten ist.

Wenn der Defekt von unserer Garantie gedeckt ist, erhalten Sie das reparierte oder ein neues Produkt zurück. Mit Reparatur oder Austausch des Produkts beginnt kein neuer Garantiezeitraum.

Garantiezeit und gesetzliche Mängelansprüche

Die Garantiezeit wird durch die Gewährleistung nicht verlängert. Dies gilt auch für ersetzte und reparierte Teile. Eventuell schon beim Kauf vorhandene Schäden und Mängel müssen sofort nach dem Auspacken gemeldet werden. Nach Ablauf der Garantiezeit anfallende Reparaturen sind kostenpflichtig.

Garantieumfang

Das Gerät wurde nach strengen Qualitätsrichtlinien sorgfältig produziert und vor Anlieferung gewissenhaft geprüft.

Die Garantieleistung gilt für Material- oder Fabrikationsfehler. Diese Garantie erstreckt sich nicht auf Produktteile, die normaler Abnutzung ausgesetzt sind und daher als Verschleißteile angesehen werden können oder für Beschädigungen an zerbrechlichen Teilen, z. B. Schalter, Akkus oder die aus Glas gefertigt sind.

Diese Garantie verfällt, wenn das Produkt beschädigt, nicht sachgemäß benutzt oder gewartet wurde. Für eine sachgemäße Benutzung des Produkts sind alle in der Bedienungsanleitung aufgeführten Anweisungen genau einzuhalten. Verwendungszwecke und Handlungen, von denen in der Bedienungsanleitung abgeraten oder vor denen gewarnt wird, sind unbedingt zu vermeiden.

Das Produkt ist lediglich für den privaten und nicht für den gewerblichen Gebrauch bestimmt. Bei missbräuchlicher und unsachgemäßer Behandlung, Gewaltanwendung und bei Eingriffen, die nicht von unserer autorisierten Service-Niederlassung vorgenommen wurden, erlischt die Garantie.

Abwicklung im Garantiefall

Um eine schnelle Bearbeitung Ihres Anliegens zu gewährleisten, folgen Sie bitte den folgenden Hinweisen:

- Bitte halten Sie für alle Anfragen den Kassenbon und die Artikelnummer (IAN 365183_2101) als Nachweis für den Kauf bereit.
- Die Artikelnummer entnehmen Sie bitte dem Typenschild am Produkt, dem Titelblatt Ihrer Anleitung (unten links) oder dem Aufkleber auf der Rück- oder Unterseite des Produktes.
- Sollten Funktionsfehler oder sonstige Mängel auftreten, kontaktieren Sie zunächst die nachfolgend benannte Serviceabteilung **telefonisch** oder per **E-Mail**.
- Ein als defekt erfasstes Produkt können Sie dann unter Beifügung des Kaufbelegs (Kassenbon)

und der Angabe, worin der Mangel besteht und wann er aufgetreten ist, für Sie portofrei an die Ihnen mitgeteilte Service-Anschrift übersenden.



Auf www.lidl-service.com können Sie diese und viele weitere Handbücher, Produktvideos und Installationssoftware herunterladen. Mit diesem QR-Code gelangen Sie direkt auf die Lidl-Service-Seite (www.lidl-service.com) und können mittels der Eingabe der Artikelnummer (IAN 365183_2101) Ihre Bedienungsanleitung öffnen.

9. Service

Sollten beim Betrieb Ihres ROWI Germany-Produktes Probleme auftreten, gehen Sie bitte wie folgt vor:

Kontaktaufnahme

Das ROWI Germany Service-Team erreichen Sie unter:

ROWI Germany GmbH
Werner-von-Siemens-Str. 27
76694 Forst
DEUTSCHLAND
lidl-services@rowi-group.com
Service-Hotline: +800 7694 7694
(kostenlos aus dem Festnetz)

IAN 365183_2101

Die meisten Probleme können bereits im Rahmen der kompetenten, technischen Beratung unseres Service-Teams behoben werden.

1. Introduction	Page 30
1.1 Utilisation conforme	Page 30
1.2 Contenu de la livraison	Page 30
1.3 Équipement	Page 30
1.4 Données techniques	Page 30
2. Consignes de sécurité	Page 32
2.1 Consignes générales de sécurité	Page 32
2.2 Protection contre le choc électrique	Page 33
2.3 Protection contre le risque d'incendie	Page 34
2.4 Protection contre les blessures	Page 35
2.5 Pour la sécurité de votre enfant	Page 36
3. Préparation en vue du montage	Page 37
4. Montage des pieds supports	Page 37
5. Mise en service	Page 38
5.1 Opération sur l'appareil	Page 38
5.2 Protection anti-surchauffe	Page 39
6. Maintenance et nettoyage	Page 39
7. Mise au rebut	Page 39
8. Garantie de ROWI Germany GmbH	Page 40
9. Service	Page 41

CHEMINÉE ÉLECTRIQUE SEK 2000 B2

1. Introduction

Nous vous félicitons pour l'achat de votre nouvel appareil. Vous avez ainsi fait le choix d'un produit de qualité. Le mode d'emploi fait partie intégrante de ce produit. Il contient des indications importantes concernant la sécurité, l'utilisation et la mise au rebut du produit. Familiarisez-vous avec toutes les recommandations d'utilisation et de sécurité avant d'utiliser le produit. Utilisez le produit uniquement selon la description faite et pour les applications indiquées. Si vous transmettez le produit à un tiers, joignez-y tous les documents le concernant.

1.1 Utilisation conforme

Cet appareil est uniquement destiné au chauffage de locaux fermés et secs en intersaison. L'appareil n'est pas prévu pour être utilisé dans des pièces dans lesquelles règnent certaines conditions comme une atmosphère corrosive ou explosive (poussière, vapeur ou gaz). N'utilisez pas l'appareil à l'extérieur. Toute autre utilisation ou modification de l'appareil sera considérée comme inappropriée et entraînera des risques d'accident. Nous déclinons toute responsabilité pour des dommages résultant d'une utilisation inappropriée. L'appareil n'est conçu que pour un usage privé.

1.2 Contenu de la livraison

1 Cheminée électrique
1 Mode d'emploi
4 Pieds supports
12 Vis

1.3 Équipement

- 1 Cheminée électrique
- 2 Panneau de commande
- 3 Régulateur de température
- 4 Vis M4 x 15 mm
- 5 Pieds supports
- 6 Grille d'aération

1.4 Données techniques

Tension nominale :	220-240 V~, 50 Hz
Puissance nominale :	1750 W – 1950 W
Classe de protection :	I
Conditions environnementales :	0 °C à +35 °C
Dimensions de l'appareil :	env. 38 x 23 x 51 cm
Puissance de chauffage :	
Niveau de chauffage 1 :	950 W
Niveau de chauffage 2 :	1950 W

Exigences d'informations applicables aux dispositifs de chauffage décentralisés électriques

Référence du modèle : SEK 2000 B2

Caractéristique	Symbole	Valeur	Unité
Puissance thermique			
Puissance thermique nominale	P_{nom}	2,0	kW
Puissance thermique minimale (indicative)	P_{min}	1,0	kW
Puissance thermique maximale continue	$P_{max,c}$	1,9	kW
Consommation d'électricité auxiliaire			
À la puissance thermique nominale	e_{max}	0	kW
À la puissance thermique minimale	e_{min}	0	kW
En mode veille	e_{SB}	N/A	kW
Caractéristique	Unité		

Type d'apport de chaleur, pour les dispositifs de chauffage décentralisés électriques à accumulation uniquement (sélectionner un seul type)

contrôle thermique manuel de la charge avec thermostat intégré	[non]
contrôle thermique manuel de la charge avec réception d'informations sur la température de la pièce et/ou extérieure	[non]
contrôle thermique électronique de la charge avec réception d'informations sur la température de la pièce et/ou extérieure	[non]
puissance thermique réglable par ventilateur	[non]

Type de contrôle de la puissance thermique/ de la température de la pièce (sélectionner un seul type)

contrôle de la puissance thermique à un palier, pas de contrôle de la température de la pièce	[non]
contrôle à deux ou plusieurs paliers manuels, pas de contrôle de la température de la pièce	[non]
contrôle de la température de la pièce avec thermostat mécanique	[oui]
contrôle électronique de la température de la pièce	[non]
contrôle électronique de la température de la pièce et programmeur journalier	[non]
contrôle électronique de la température de la pièce et programmeur hebdomadaire	[non]
Autres options de contrôle (sélectionner une ou plusieurs options)	
contrôle de la température de la pièce, avec détecteur de présence	[non]
contrôle de la température de la pièce, avec détecteur de fenêtre ouverte	[non]
option contrôle à distance	[non]
contrôle adaptatif de l'activation	[non]
limitation de la durée d'activation	[non]
capteur à globe noir	[non]

ROWI Germany GmbH
Werner-von-Siemens-Str. 27
76694 Forst
ALLEMAGNE

2. Consignes de sécurité



Lisez toutes les recommandations et consignes de sécurité.



Un non-respect des recommandations et consignes de sécurité peut causer des blessures sérieuses et/ou des dommages matériels.

Conservez toutes les recommandations et consignes de sécurité pour pouvoir y revenir ultérieurement !

2.1 Consignes générales de sécurité



L'appareil ne peut être utilisé qu'à l'intérieur !

- Lisez attentivement ce mode d'emploi avant utilisation. Il fait partie intégrante de l'appareil et doit être disponible à tout moment.
- Utilisez l'appareil uniquement aux fins décrites.
- Vérifiez que la tension secteur requise (voir la plaque signalétique de l'appareil) correspond à votre tension secteur.
- En cas de dysfonctionnement, l'appareil ne peut être réparé que par notre centre de service après-vente.
- L'appareil ne doit être installé que sur une surface solide, plane, sèche et non combustible.
- Veillez à ce que la prise de courant soit facilement accessible, de manière à pouvoir tirer rapidement la prise mâle.

2.2 Protection contre le choc électrique



Danger de mort du fait du courant électrique !

Tout contact avec les lignes ou les composants sous tension peut être mortel !

- Ne branchez l'appareil que sur une prise mise à la terre correctement installée.
- Si l'appareil est tombé au sol ou a été heurté violemment ou s'il est tombé dans l'eau, vous ne pouvez plus l'utiliser. Dans ce cas, contactez notre centre de service après-vente.
- Si le câble d'alimentation de cet appareil est endommagé, il doit être remplacé par le fabricant ou par une personne également qualifiée pour éviter toute mise en danger.
- N'utilisez jamais l'appareil à proximité immédiate d'un évier, d'une baignoire, d'une douche ou d'une piscine, car des éclaboussures d'eau pourraient y pénétrer.
- Ne laissez jamais d'eau ou d'autres liquides pénétrer dans l'appareil. Aussi :
 - ne l'utilisez jamais à l'extérieur,
 - ne posez jamais de récipients remplis de liquide, tels que des verres, des vases, etc. sur l'appareil,
 - n'utilisez jamais l'appareil dans un environnement humide tel qu'une salle de bain. Si du liquide pénètre dans l'appareil, débranchez-le immédiatement et faites-le réparer par du personnel qualifié.
- N'essayez jamais d'atteindre l'intérieur de l'appareil avec vos doigts ou des objets à travers la grille de protection.
- Ne touchez jamais l'appareil, le cordon d'alimentation ou la prise mâle avec des mains mouillées.
- Débranchez toujours le câble d'alimentation de la fiche. Ne tirez jamais sur le câble lui-même.
- Veillez à ce que le câble d'alimentation ne soit ni plié, ni coincé.
- Veillez à ce que le câble d'alimentation ne soit pas endommagé par des bords coupants.

- Maintenez le câble d'alimentation éloigné des surfaces chaudes (par exemple une plaque de cuisson).
- Si vous n'allez pas utiliser l'appareil pendant longtemps, débranchez-le de la prise. Ce n'est qu'après seulement que l'appareil est complètement hors tension.
- L'utilisation de rallonges est interdite.
- L'appareil ne doit pas être utilisé avec une minuterie externe ou un système de télécommande distinct, tel qu'une prise radiocommandée.

2.3 Protection contre le risque d'incendie



Risque d'incendie !

Étant donné que l'appareil fonctionne à des températures élevées, respectez les consignes de sécurité suivantes afin d'éviter tout risque d'incendie.



Risque de surchauffe !

Pour éviter une surchauffe de l'appareil de chauffage, il ne doit pas être recouvert.

- Pendant le fonctionnement, aucun objet inflammable (des rideaux, du papier, etc.) ne doit se trouver à proximité immédiate de l'appareil.
- N'utilisez jamais l'appareil pour sécher des textiles ou tout autre objet, que ce soit au-dessus, devant ou sur l'appareil.
- Lors de l'installation de l'appareil, maintenez une distance minimale de 0,5 m par rapport aux autres appareils ou au mur.
- N'utilisez jamais l'appareil dans des atmosphères potentiellement explosives ou à proximité de gaz ou de liquides inflammables.

- Ne placez jamais l'appareil directement sous une prise murale, car la chaleur qui s'en dégage risquerait d'endommager l'installation électrique.
- Veillez à ce que l'air soit toujours libre d'entrer et de sortir. Sinon, cela risquerait d'entraîner une accumulation de chaleur dans l'appareil.
- Ne laissez jamais l'appareil fonctionner sans surveillance. Les dommages se manifestent presque toujours par des odeurs intenses. Dans ce cas, débranchez immédiatement la prise mâle et faites vérifier l'appareil.

2.4 Protection contre les blessures

- Suivez les consignes ci-dessous pour éviter les blessures.
- Veillez à ce que le cordon d'alimentation ne présente aucun risque de trébucher et que personne ne puisse se prendre les pieds dedans ou marcher dessus.
- Éloignez-vous suffisamment de l'appareil pour éviter que vos cheveux ou vos vêtements ne soient aspirés par le ventilateur.



Attention aux surfaces brûlantes !

Certaines parties du produit peuvent devenir très chaudes et provoquer des brûlures. Une prudence toute particulière devra être respectée en présence d'enfants ou de personnes vulnérables.

2.5 Pour la sécurité de votre enfant

- Souvent, les enfants ne peuvent pas évaluer correctement les dangers et peuvent donc se blesser. Aussi, veillez à ce que :
- Ce produit ne soit utilisé que sous la surveillance d'un adulte afin d'empêcher les enfants de jouer avec l'appareil.
- Veillez à ce que l'appareil soit toujours hors de portée des enfants.
- Veillez à ce que le film d'emballage ne devienne pas un piège mortel pour les enfants. Les films d'emballage ne sont pas des jouets.
- Cet appareil peut cependant être utilisé par des enfants à partir de 8 ans et par des personnes ayant des capacités physiques, sensorielles ou mentales réduites ou n'ayant pas d'expérience et/ou de connaissances suffisantes, s'ils sont surveillés ou s'ils ont été instruits pour utiliser l'appareil dans des conditions de sécurité appropriées et s'ils comprennent les risques qui en résultent. Les enfants ne doivent pas jouer avec l'appareil. Le nettoyage et l'entretien ne doivent pas être effectués par des enfants sans surveillance.
- Les enfants de moins de 3 ans doivent être tenus éloignés du produit sauf s'ils font l'objet d'une surveillance constante.
- Les enfants à partir de 3 ans et de moins de 8 ans ne peuvent allumer et éteindre l'appareil que s'ils sont surveillés ou s'ils ont été informés de la manière sûre de l'utiliser et qu'ils en comprennent les dangers, à condition que l'appareil soit dans une position d'utilisation normale.
- Les enfants à partir de 3 ans et de moins de 8 ans ne sont pas autorisés à brancher la prise mâle dans la prise, à régler l'appareil, à le nettoyer et/ou l'utilisateur n'est pas autorisé à réaliser lui-même la maintenance du produit.

3. Préparation en vue du montage

- Retirez tous les emballages et toutes les sécurités de transport de l'appareil.
- Vérifiez que le contenu de la livraison est complet et n'est pas endommagé.

4. Montage des pieds supports

- Après avoir entièrement déballé l'appareil, placez-le à l'envers sur une surface propre de manière à pouvoir voir l'intégralité de son fond (Fig. 1).



- Prenez ensuite un pied support [5] et insérez 3 vis [4] dans les trous (Fig. 2).



- Il y a 3 trous correspondants dans chaque coin de l'appareil. Prenez le pied support [5] avec les vis [4] et placez-le de manière congruente sur les trous correspondants.
- Une fois que les vis [4] sont dans les trous appropriés, serrez-les avec un tournevis (Fig. 3).



- Veuillez poursuivre avec les quatre pieds supports [5] jusqu'à ce que vous ayez tout assemblé.
- Maintenant, vous pouvez mettre l'appareil sur les pieds supports [5]. L'appareil est prêt pour la mise en service (Fig. 4).



5. Mise en service

Cherchez un emplacement approprié pour l'appareil avant de le mettre en service.


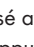
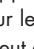
Pour un fonctionnement sûr et sans défaut de l'appareil, l'endroit où il est installé doit satisfaire aux exigences suivantes :

- Le sol doit être solide, plan et horizontal.
- L'appareil doit se trouver à au moins un mètre de meubles, rideaux et autres objets facilement inflammables.
- Ne placez pas l'appareil dans un environnement chaud, mouillé ou très humide.
- Une prise de terre sécurisée par un disjoncteur FI doit se trouver à proximité.
- La prise doit être accessible pour pouvoir débrancher facilement le câble d'alimentation électrique en cas d'urgence.
- Aucune rallonge ne peut être utilisée.

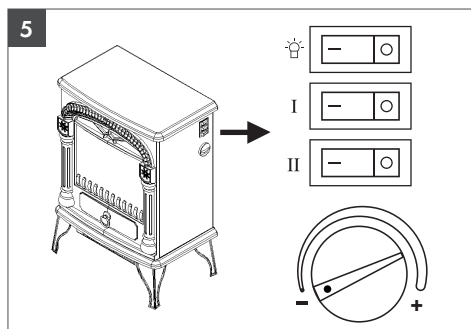
- Branchez le câble de l'appareil dans la prise de terre.

IMPORTANT ! Le câble doit rester à l'arrière de l'appareil et ne doit toucher aucun élément chaud.

5.1 Opération sur l'appareil

- L'appareil est commandé via le panneau de commande **2** et le régulateur de température **3** sur le côté droit (Fig. 5).
- Le premier interrupteur portant le symbole [] peut être utilisé pour activer et désactiver l'effet de flamme. L'effet de flamme peut être utilisé avec et sans fonction de chauffage. Si vous appuyez sur l'interrupteur portant le symbole [] l'effet de flamme est désactivé. Poussez l'interrupteur vers la gauche [-], et activez-le.
- Pour un réchauffage léger, activez le premier niveau de chauffage avec le symbole [I] en appuyant sur le [-] et désactivez-le en appuyant sur le symbole []. La fonction de chauffage peut être utilisée avec ou sans effet de flamme.

- Pour une puissance de chauffage maximale, activez les niveaux de chauffage [I] et [II] à l'aide des interrupteurs Allumer/Éteindre.
- Le niveau de chauffage [II] ne fonctionne que si l'interrupteur de niveau de chauffage [I] est sur le symbole [-]. La température dans les deux niveaux de chauffage peut être contrôlée via le régulateur de température **3** de [-] à [+]. steuern. Allumez maintenant l'appareil en tournant le régulateur de température **3** dans le sens des aiguilles d'une montre jusqu'à un clic audible. [-] représente la température la plus basse (à gauche) et [+] (à droite) la température la plus élevée.




REMARQUE ! Grâce au fonctionnement automatique, la commande d'air chaud (thermostat) maintient la température préprogrammée constante.

- Tournez tout d'abord le régulateur de température **3** vers la droite, vers la valeur maximale. Laissez l'interrupteur dans cette position jusqu'à ce que l'air de la pièce ait atteint la température désirée.


REMARQUE ! La première utilisation peut donner lieu à un léger dégagement d'odeur pendant un court instant.

5.2 Protection anti-surchauffe

Pour votre sécurité, cet appareil est doté d'une protection contre la surchauffe. Si la température à l'intérieur de l'appareil devient trop élevée, il s'éteint automatiquement. Dans ce cas, procédez comme suit :

1. Tirez la prise mâle.
2. Laissez l'appareil refroidir pendant au moins 20 minutes.
3. Vérifiez que les grilles d'aération  sont dégagées et nettoyez-les avec un chiffon doux et sec.
4. Redémarrez l'appareil. Ensuite, vous pouvez continuer à l'utiliser normalement. Si aucune cause n'est trouvée et que le défaut persiste, faites réparer l'appareil ou mettez-le hors service.

6. Maintenance et nettoyage

- **ATTENTION ! DANGER DE CHOC ÉLECTRIQUE !** Avant le nettoyage, débranchez la prise secteur et laissez toujours l'appareil refroidir complètement.
- Nettoyez l'extérieur de l'appareil avec un chiffon doux et sec. N'utilisez jamais de liquide, en particulier de liquide contenant de l'essence, et de détergent, car ils risqueraient d'endommager l'appareil.
- Débarrassez régulièrement les grilles d'aération  de la poussière et de la saleté à l'aide d'un aspirateur.

7. Mise au rebut



L'emballage est constitué de matériaux respectant l'environnement, que vous pourrez mettre au rebut dans un centre de recyclage local.



Le produit et les matériaux d'emballage sont recyclables, mettez-les au rebut séparément pour un meilleur traitement des déchets. Le logo Triman n'est valable qu'en France.



Veillez noter l'étiquetage des matériaux d'emballage lors du tri des déchets, celui-ci est caractérisé par des abréviations et des chiffres avec la signification suivante : 1-7 : matières plastiques/20-22 : papier et carton/80-98 : matériaux composites.



Ne mettez pas le produit au rebut dans les ordures ménagères, mais rapportez-le à un point de collecte local pour que les matériaux soient recyclés ! Pour plus d'informations sur l'élimination de l'appareil usagé, contactez les autorités locales ou municipales.

8. Garantie de ROWI Germany GmbH

Chère cliente, cher client,
Cet appareil est garanti 3 ans à partir de la date d'achat. Si ce produit venait à présenter des vices, vous disposez de droits légaux face au vendeur de ce produit. Vos droits légaux ne sont pas restreints par notre garantie présentée ci-dessous.

Conditions de garantie

La période de garantie débute à la date de l'achat. Veuillez bien conserver le ticket de caisse d'origine. Celui-ci servira de preuve d'achat.

Si dans un délai de trois ans suivant la date d'achat de ce produit, un vice de matériel ou de fabrication venait à apparaître, le produit sera réparé ou remplacé gratuitement ou le prix d'achat sera remboursé par nos soins, selon notre choix. Cette prestation de garantie nécessite dans un délai de trois ans la présentation de l'appareil défectueux et du justificatif d'achat (ticket de caisse) ainsi que la description brève du vice et du moment de son apparition.

Si le vice est couvert par notre garantie, vous recevrez le produit réparé ou un nouveau produit en retour. Aucune nouvelle période de garantie ne débute avec la réparation ou l'échange du produit.

Période de garantie et réclamation légale pour vices cachés

L'exercice de la garantie ne prolonge pas la période de garantie. Cette disposition s'applique également aux pièces remplacées ou réparées. Les dommages et vices éventuellement déjà présents à l'achat doivent être signalés immédiatement après le déballage. Toute réparation survenant après la période sous garantie fera l'objet d'une facturation.

Étendue de la garantie

L'appareil a été fabriqué avec soin conformément à des directives de qualité strictes et consciencieusement contrôlé avant sa livraison.

La prestation de garantie est valable pour des vices de matériel et de fabrication. Cette garantie ne s'étend pas aux pièces du produit qui sont exposées

à une usure normale et peuvent de ce fait être considérées comme pièces d'usure, ni aux détériorations de pièces fragiles, par ex. connecteur, accu ou pièces en verre.

Cette garantie devient caduque si le produit est détérioré, utilisé ou entretenu de manière non conforme. Toutes les instructions listées dans le manuel d'utilisation doivent être exactement respectées pour une utilisation conforme du produit. Des buts d'utilisation et actions qui sont déconseillés dans le manuel d'utilisation, ou dont vous êtes avertis doivent également être évités.

Le produit est uniquement destiné à un usage privé et ne convient pas à un usage professionnel. La garantie est annulée en cas d'entretien incorrect et inapproprié, d'usage de la force et en cas d'intervention non réalisée par notre centre de service après-vente agréé.

Procédure en cas de garantie

Afin de garantir un traitement rapide de votre demande, veuillez suivre les indications suivantes :

- Veuillez avoir à portée de main pour toutes questions le ticket de caisse et la référence article (IAN 365183_2101) en tant que justificatif de votre achat.
- Vous trouverez la référence sur la plaque signalétique, sur la page de garde de votre manuel d'utilisation (en bas à gauche) ou sous forme d'autocollant au dos ou sur le dessous de produit.
- Si des erreurs de fonctionnement ou d'autres défauts apparaissent, contactez tout d'abord le service après-vente indiqué ci-après par **téléphone** ou par **e-mail**.
- Vous pouvez ensuite retourner un produit enregistré comme étant défectueux en joignant le ticket de caisse et en indiquant en quoi consiste le vice et quand il est survenu, sans devoir l'affranchir à l'adresse de service après-vente communiquée.



Sur www.lidl-service.com vous pouvez télécharger ces manuels ainsi que de nombreux autres, vidéos et logiciels d'installation. Avec ce code QR, vous pouvez accéder directement à la page de service Lidl (www.lidl-service.com) et ouvrir votre manuel d'utilisation en entrant le numéro d'article (IAN 365183_2101).

9. Service

Si vous rencontrez des problèmes lors du fonctionnement de votre produit ROWI Germany, veuillez procéder comme suit :

Prise de contact

Vous pouvez contacter l'équipe du service après-vente de ROWI Germany à l'adresse suivante :

ROWI Germany GmbH
Werner-von-Siemens-Str. 27
76694 Forst
ALLEMAGNE
lidl-services@rowi-group.com
Service-Hotline : +800 7694 7694
(appel gratuit sur la ligne fixe)

IAN 365183_2101

Les problèmes peuvent, dans leur grande majorité, être déjà résolus dans le cadre du service de conseil technique compétent de notre équipe de service après-vente.



1. Inleiding	Pagina 44
1.1 Reglementair gebruik	Pagina 44
1.2 Leveringsomvang	Pagina 44
1.3 Uitrusting	Pagina 44
1.4 Technische gegevens	Pagina 44
2. Veiligheidsinstructies	Pagina 46
2.1 Algemene veiligheidsinstructies	Pagina 46
2.2 Gevaar op elektrische shock	Pagina 47
2.3 Beveiliging tegen brandgevaar	Pagina 48
2.4 Beveiliging tegen letsels	Pagina 49
2.5 Ter bescherming van uw kind	Pagina 50
3. Voorbereiding voor de montage	Pagina 51
4. Montage van de standpoten	Pagina 51
5. Ingebruikname	Pagina 52
5.1 Bediening aan het apparaat	Pagina 52
5.2 Oververhittingsbescherming	Pagina 52
6. Onderhoud en reiniging	Pagina 53
7. Afvalverwijdering	Pagina 53
8. Garantie van ROWI Germany GmbH	Pagina 53
9. Service	Pagina 54

VRIJSTAANDE ELEKTRISCHE HAARD SEK 2000 B2

1. Inleiding

Proficiat met de aankoop van uw nieuwe apparaat. U hebt gekozen voor een hoogwaardig product. De bedieningshandleiding maakt onderdeel uit van dit product. Ze bevat belangrijke aanwijzingen omtrent veiligheid, gebruik en afvalverwijdering. Zorg dat u voor het gebruik van het product vertrouwd bent met alle bedienings- en veiligheidsinstructies. Gebruik het product uitsluitend zoals beschreven en voor de vermelde toepassingen. Overhandig alle documenten bij het doorgeven van het product aan derden.

1.1 Reglementair gebruik

Dit apparaat is enkel bestemd voor het verwarmen, tijdens de overgangsperiode, van gesloten en droge ruimtes. Het apparaat is niet voorzien voor het gebruik in ruimtes waarin bijzondere voorwaarden overheersen, zoals bijv. corrosieve of ontplofbare atmosfeer (stof, damp of gas). Gebruik het apparaat nooit in open lucht. Elk ander gebruik of wijziging van het apparaat geldt als niet reglementair en houdt ernstige gevaren in op ongevallen. Voor schade ontstaan uit onreglementair gebruik zijn we niet aansprakelijk. Het apparaat is enkel bestemd voor privaat gebruik.

1.2 Leveringsomvang

1 Vrijstaande elektrische haard
1 Bedieningshandleiding
4 Standpoten
12 Schroeven

1.3 Uitrusting

- 1 Vrijstaande elektrische haard
- 2 Bedieningspaneel
- 3 Temperatuurregeling
- 4 Schroeven M4 x 15 mm
- 5 Standpoten
- 6 Ventilatioerooster

1.4 Technische gegevens

Bemetingsspanning:	220-240 V~, 50 Hz
Bemetingsoptname:	1750 W - 1950 W
Veiligheidsklasse:	I
Omgevingsvoorwaarden:	0 °C tot +35 °C
Afmetingen van het apparaat:	ca. 38 x 23 x 51 cm
Verwarmingsvermogen:	
Verwarmingsniveau 1:	950 W
Verwarmingsniveau 2:	1950 W

Informatie-eisen voor elektrische toestellen voor lokale ruimteverwarming

Modelaanduiding: SEK 2000 B2

Item	Symbol	Waarde	Eenheid
Warmteafgifte			
Nominale warmteafgifte	P_{nom}	2,0	kW
Minimale warmteafgifte (indicatief)	P_{min}	1,0	kW
Maximale continue warmteafgifte	$P_{max,c}$	1,9	kW
Aanvullend elektriciteitsverbruik			
Bij nominale warmteafgifte	$e_{l,max}$	0	kW
Bij minimale warmteafgifte	$e_{l,min}$	0	kW
In stand-bymodus	$e_{l,SB}$	N/A	kW
Item			Eenheid

Type warmte-input, uitsluitend voor elektrische warmteopslagtoestellen (selecteer één)

Handmatige sturing van de warmteopslag, met geïntegreerde thermostaat	[nee]
Handmatige sturing van de warmteopslag, met kamer- en/of buitentemperatuur-feedback	[nee]
Elektronische sturing van de warmteopslag, met kamer- en/of buitentemperatuur-feedback	[nee]
Door een ventilator bijgestane warmteafgifte	[nee]

Type warmteafgifte/sturing kamertemperatuur (selecteer één)

Eentrapswarmteafgifte, geen sturing van de kamertemperatuur	[nee]
Twee of meer handmatig in te stellen trappen, geen sturing van de kamertemperatuur	[nee]
Met mechanische sturing van de kamertemperatuur door thermostaat	[ja]
Met elektronische sturing van de kamertemperatuur	[nee]
Elektronische sturing van de kamertemperatuur plus dag-tijdschakelaar	[nee]
Elektronische sturing van de kamertemperatuur plus week-tijdschakelaar	[nee]

Andere sturingsopties (meerdere selecties mogelijk)

Sturing van de kamertemperatuur, met aanwezigheidsdetectie	[nee]
Sturing van de kamertemperatuur, met openraamdetectie	[nee]
Met de optie van afstandsbediening	[nee]
Met adaptieve sturing van de start	[nee]
Met beperking van de werkingstijd	[nee]
Met black-bulbsensor	[nee]

ROWI Germany GmbH
 Werner-von-Siemens-Str. 27
 76694 Forst
 DUITSLAND

2. Veiligheidsinstructies



Lees alle veiligheidsinstructies en aanwijzingen.



Verzuim tegen het naleven van de veiligheidsinstructies en aanwijzingen kunnen ernstige letsels en/of materiële schade veroorzaken.

Bewaar alle veiligheidsinstructies en aanwijzingen voor de toekomst!

2.1 Algemene veiligheidsinstructies



Het apparaat is alleen geschikt voor werking binnen!

- Lees voor het gebruik zorgvuldig deze bedieningshandleiding. Ze maakt deel uit van het apparaat en moet altijd beschikbaar zijn.
- Gebruik het apparaat alleen voor het beschreven gebruiksdoeleinde.
- Controleer of de vereiste netspanning (zie typeplaatje op het apparaat) met uw netspanning overeenkomt.
- Bij eventuele functiestoringen mag de instandhouding van het apparaat alleen door ons servicecenter gebeuren.
- Het apparaat mag alleen op een stevige, effen, droge en niet-brandbare ondergrond worden geplaatst.
- Let erop dat de stekkerdoos goed toegankelijk is zodat u eventueel de netstekker snel kunt uittrekken.

2.2 Gevaar op elektrische shock



Levensgevaar door elektrische stroom!

Bij contact met onder spanning staande kabels of componenten bestaat er levensgevaar!

- Sluit het apparaat alleen aan op een reglementair geïnstalleerde veiligheidscontactdoos.
- Als het apparaat op de grond gevallen is of een harde slag gekregen heeft of als het in het water zou gevallen zijn, mag u het niet verder gebruiken. Neem in dit geval contact op met ons servicecentrum.
- Als de netaansluitkabel van dit apparaat beschadigd is, moet hij door de fabrikant of een dergelijke gekwalificeerde persoon worden vervangen om gevaren te vermijden.
- Gebruik het apparaat nooit in de onmiddellijke omgeving van een badkuip, een douche of een zwembad aangezien opspattend water in het apparaat kan geraken.
- In het apparaat mogen in geen geval water of andere vloeistoffen geraken. Daarom:
 - nooit in open lucht gebruiken,
 - nooit met vloeistof gevulde vaten zoals drinkglazen, vazen enz. op het apparaat plaatsen,
 - nooit in zeer vochtige omgeving zoals bijv. een badkamer gebruiken. Als er toch eens vloeistof in het apparaat geraakt, trek dan onmiddellijk de netstekker uit en laat het apparaat door gekwalificeerd deskundig personeel repareren.
- Probeer nooit met vingers of voorwerpen door het veiligheidsrooster in het apparaat te grijpen.
- Raak het apparaat, de netaansluitkabel of de netstekker nooit met vochtige handen aan.
- Trek de netaansluitkabel steeds aan de stekker uit. Trek nooit aan de kabel zelf.
- Let erop dat de netaansluitkabel niet geknikt of geklemd wordt.

- Let erop dat de netaansluitkabel niet door scherpe randen beschadigd wordt.
- Houd de netaansluitkabel uit de buurt van hete oppervlakken (bijv. fornuis).
- Als u het apparaat gedurende langere tijd niet gebruikt, trekt u de stekker uit de stekkerdoos. Alleen dan is het apparaat volledig stroomloos.
- Het gebruik van verlengsnoeren is verboden.
- Het apparaat mag niet met een externe timer of een apart afstandssysteem zoals bijvoorbeeld een draadloze stekkerdoos worden bediend.

2.3 Beveiliging tegen brandgevaar



Brandgevaar!

Aangezien het apparaat op hoge temperaturen werkt, neemt u de volgende veiligheidsinstructies in acht zodat er geen brand kan ontstaan.



Risico op oververhitting!

Om een oververhitting van het verwarmingsapparaat te vermijden, mag het verwarmingsapparaat niet worden afgedekt.

- Tijdens de werking mogen zich geen brandbare voorwerpen (bijv. gordijnen, papier enz.) in onmiddellijke omgeving van het apparaat bevinden.
- Gebruik het apparaat nooit om textielen of andere dingen op, boven of voor het apparaat te drogen.
- Behoud bij het opstellen van het apparaat rondom rond een minimumafstand van 0,5 m tot andere apparaten of de wand.

- Gebruik het apparaat nooit in ontplofbare ruimtes of in de buurt van brandbare gassen of vloeistoffen.
- Het apparaat mag nooit rechtstreeks onder een wandstekkerdoos worden opgesteld aangezien de ontstane hitte zou kunnen leiden tot schade aan de elektrische installatie.
- Let er altijd op dat de lucht vrij kan in- en uitstromen. Anders kan het tot een opstapeling van hitte in het apparaat komen.
- Laat het apparaat nooit zonder toezicht draaien. Schade kondigt zich bijna altijd aan met intensieve geurvorming. Trek in dit geval onmiddellijk de netstekker uit en laat het apparaat controleren.

2.4 Beveiliging tegen letsels

- Let op volgende instructies om letsels te vermijden.
- Let erop dat de netaansluitkabel nooit struikelgevaar vormt of dat er iemand in verstrikt kan raken of erop kan stappen.
- Houd voldoende afstand tot het apparaat zodat haren of kledingstukken niet door de ventilator in het apparaat worden gezogen.



Waarschuwing voor warme oppervlakken!

Sommige onderdelen van het product kunnen zeer warm worden en brandwonden veroorzaken. Bijzondere voorzichtigheid is geboden als kinderen en personen die bescherming vereisen aanwezig zijn.

2.5 Ter bescherming van uw kind

- Kinderen kunnen gevaren vaak niet juist inschatten en daardoor verwond raken. Let er daarom op:
- Dit product mag alleen onder toezicht van volwassenen worden gebruikt om te verzekeren dat kinderen niet met het apparaat spelen.
- Let er zorgvuldig op dat het apparaat zich altijd buiten het bereik van kinderen bevindt.
- Let erop dat de verpakkingsfolie geen dodelijk gevaar voor kinderen vormt. Verpakkingsfolie is geen speelgoed.
- Dit apparaat kan door kinderen vanaf 8 jaar en ouder, evenals door personen met verminderde fysieke, sensorische of mentale vaardigheden of gebrek aan ervaring en kennis worden gebruikt als deze onder toezicht staan of werden ingelicht over het veilig gebruik van het apparaat en de daaruit ontstane gevaren. Kinderen mogen niet spelen met het apparaat. Reiniging en gebruikersonderhoud mogen niet door kinderen zonder toezicht worden uitgevoerd.
- Kinderen jonger dan 3 jaar moeten buiten het bereik worden gehouden, hetzij ze voortdurend worden gecontroleerd.
- Kinderen vanaf 3 jaar en jonger dan 8 jaar mogen het apparaat enkel in- en uitschakelen als ze onder toezicht staan of werden ingelicht over het veilig gebruik van het apparaat en de daaruit ontstane gevaren, verondersteld dat het apparaat in zijn normale gebruikspositie is geplaatst of geïnstalleerd.
- Kinderen vanaf 3 jaar en jonger dan 8 jaar mogen de stekker niet in het stopcontact steken, het apparaat niet regelen, het apparaat niet reinigen en/of het onderhoud door de gebruiker niet uitvoeren.

3. Voorbereiding voor de montage

- Verwijder alle verpakkingsmateriaal en alle transportbeveiligingen van het apparaat.
- Controleer de leveringsomvang op volledigheid en beschadigingen.

4. Montage van de standpoten

- Nadat u het apparaat volledig hebt uitgepakt, plaatst u het omgekeerd op een schone ondergrond, zodat u de bodem volledig kunt zien (afb. 1).



- Neem nu een standpoot [5] en steek 3 schroeven [4] door de openingen (afb. 2).



- Er zijn 3 passende gaten in elke hoek van het apparaat. Neem nu de standpoot [5] met de schroeven [4] en plaats deze identiek op de overeenstemmende openingen.
- Als de schroeven [4] in de juiste openingen zijn, draait u deze met behulp van een schroevendraaier vast (afb. 3).



- Ga met alle vier standpoten [5] zo te werk tot u ze allemaal hebt gemonteerd.
- Nu kunt u het apparaat op de standpoten [5] plaatsen. Het apparaat is gereed voor ingebruikname (afb. 4).



5. Ingebruikname

Zoek een geschikte plek voor het apparaat alvorens het in werking te nemen.

Voor een veilige en storingsvrije werking van het apparaat moet de opstelplaats aan volgende voorwaarden voldoen:

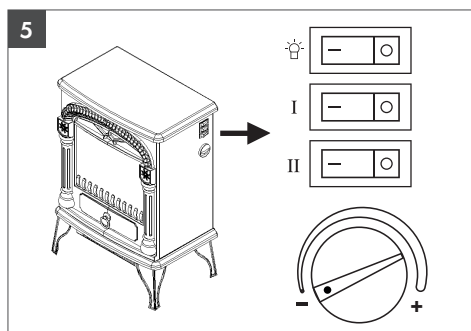
- De bodem moet stevig, vlak en horizontaal zijn.
 - Het apparaat moet minstens een meter van meubels, gordijnen en andere licht ontvlambare objecten verwijderd staan.
 - Plaats het apparaat niet in een warme, natte of zeer vochtige omgeving.
 - In de buurt moet een gearde, door een FI-veiligheidsschakelaar beveiligde stekkerdoos beschikbaar zijn.
 - De stekkerdoos moet gemakkelijk toegankelijk zijn zodat de netaansluitkabel bij nood kan worden uitgetrokken.
 - Er mogen geen verlengsnoeren worden gebruikt.
- Steek nu de kabel van het apparaat in de gearde stekkerdoos.

BELANGRIJK! De kabel moet aan de achterzijde van het apparaat blijven en mag geen hete elementen raken.

5.1 Bediening aan het apparaat

- Het apparaat wordt via het bedieningspaneel [2] en de temperatuurregeling [3] aan de rechterzijde bediend (afb. 5).
- Met de eerste schakelaar met symbool [-☀] kan het vlameffect worden in- en uitgeschakeld. Het vlameffect kan met en zonder verwarmfunctie worden gebruikt. Is de schakelaar op het symbool [O] ingedrukt dan is het vlameffect uitgeschakeld. Druk op de schakelaar naar links [-], activeer deze.
- Voor een geringe opwarming schakelt u de eerste verwarmfase met symbool [I] aan de schakelaar op symbool [-] in en bij symbool [O] uit. Het verwarmfunctie kan met en zonder vlameffect worden gebruikt.

- Voor het volledige verwarmvermogen schakelt u de verwarmfasen [I] en [II] met de aan-/uitschakelaar in.
- De verwarmfase [II] functioneert alleen als ook de schakelaar voor verwarmfase [I] op symbool [-] staat. De temperatuur binnen de beide verwarmniveaus kunt u via de temperatuurregeling [3] van [-] tot [+] sturen. Schakel nu het apparaat in door de temperatuurregeling [3] naar rechts te draaien tot het hoorbaar vastklikt. [-] stelt daarbij de laagste temperatuur (links) en [+] (rechts) de hoogste temperatuur voor.




INSTRUCTIE! Dankzij de automatische werking houdt de heteluchtbesturing (thermostaat) de voorprogrammeerde temperatuur constant.

- Draai eerst de temperatuurregeling [3] naar rechts in de richting van de maximale waarde. Laat de schakelaar in deze positie tot de kamerlucht de gewenste temperatuur bereikt heeft.

INSTRUCTIE! Tijdens het eerste gebruik kan er tijdelijk lichte geurvorming ontstaan.

5.2 Oververhittingsbescherming

Voor uw veiligheid heeft dit apparaat een oververhittingsbescherming. Als de temperatuur in het apparaat te hoog wordt, schakelt het automatisch uit. Ga in dat geval als volgt te werk:

1. Trek de netstekker uit.
2. Laat het apparaat minstens 20 minuten afkoelen.
3. Controleer of de ventilatieroosters  vrij zijn en reinig deze met een zachte, droge doek.
4. Start het apparaat nu opnieuw. Daarna kunt u het normaal verder gebruiken. Als er geen oorzaak kan worden vastgesteld en de storing blijft bestaan, laat u het apparaat repareren of stelt u het buiten werking.

6. Onderhoud en reiniging

- **OPGELET! GEVAAR DOOR EEN ELEKTRISCHE SHOCK!** Trek voor de reiniging de netstekker uit de stekkerdoos en laat het apparaat altijd volledig afkoelen.
- Reinig het apparaat aan de buitenkant met een zachte, droge doek. Gebruik in geen geval vloeistoffen, in het bijzonder geen vloeistoffen die benzine bevatten, en geen reinigingsmiddelen aangezien deze het apparaat beschadigen.
- Bevrijd de ventilatieroosters  regelmatig van stof en vuil met behulp van een stofzuiger.

7. Afvalverwijdering



De verpakking is vervaardigd van milieuvriendelijke materialen die via een lokaal recyclingstation kunnen worden afgevoerd.



Het product en de verpakkingsmaterialen zijn recyclebaar; verwijder deze afzonderlijk voor een betere afvalbehandeling. Het Triman-logo geldt alleen voor Frankrijk.



Let bij het scheiden van het afval op de markeringen van de verpakkingsmaterialen, deze zijn gekenmerkt met afkortingen en nummers met de volgende betekenis: 1-7: Kunststof/ 20-22: Papier en karton/ 80-98: Composietmaterialen.



Verwijder het product niet bij het huisvuil, maar via gemeentelijke inzamelpunten voor recycling! Gemeentelijke instellingen kunnen u informeren omtrent de mogelijkheden voor de afvoer van afgedankte apparatuur.

8. Garantie van ROWI Germany GmbH

Geachte klant,

Op deze machine hebt u vanaf de aankoopdatum drie jaar garantie. In het geval van defecten aan dit product hebt u wettelijke rechten ten opzichte van de verkoper van het product. Deze wettelijke rechten worden niet beperkt door de onderstaande garantievoorwaarden.

Garantievoorwaarden

De garantietermijn begint op de aankoopdatum. Berg de originele aankoopbewijs goed op. Dit document hebt u nodig als aankoopbewijs.

Wanneer binnen drie jaar na de aankoopdatum van dit product een materiaal- of fabricagefout optreedt zullen wij het product kosteloos naar eigen goeddunken repareren of vervangen. Deze garantie wordt uitsluitend verleend wanneer de defecte machine binnen de periode van drie jaar samen met het aankoopbewijs (kassabon) en een beknopte schriftelijk beschrijving van het defect en wanneer dit zich heeft voorgedaan wordt aangeboden.

Als het defect wordt gedekt door onze garantie, ontvangt u het gerepareerde of een nieuw product terug. Een reparatie of vervanging van het product is niet het begin van een nieuwe garantieperiode.

Garantieperiode en wettelijke aansprakelijkheid voor defecten

De garantieperiode wordt niet verlengd door de garantie. Dat geldt ook voor vervangen en gerepareerde onderdelen. Eventueel al bij de koop aanwezige schades en defecten moeten direct na het uitpakken van de machine worden gemeld. Na het verstrijken van de garantieperiode moeten alle voorkomende reparaties worden betaald.

Omvang van de garantie

De machine werd zorgvuldig geproduceerd volgens strenge kwaliteitsnormen en voor de uitlevering grondig getest.

De garantie geldt voor materiaal- of fabricagefouten. Deze garantie dekt geen onderdelen van het product die onderhevig zijn aan normale slijtage, en daarom kunnen worden beschouwd als slijtageonderdelen, of schade aan kwetsbare onderdelen, zoals schakelaars, zijn batterijen of onderdelen van glas.

Deze garantie vervalt wanneer het product beschadigd is, onjuist is gebruikt of werd gerepareerd. Neem voor een juist gebruik van het product alle instructies in de gebruiksaanwijzing nauwgezet in acht. Gebruiksdoelen en handelingen die in de gebruiksaanwijzing worden afgeraden of waarvoor wordt gewaarschuwd moeten absoluut worden voorkomen.

Het product is uitsluitend bedoeld voor huishoudelijk gebruik en niet voor commerciële toepassingen. De garantie vervalt bij misbruik en onoordeelkundige behandeling, bij het gebruik van geweld en na ingrepen die niet zijn uitgevoerd door door ons geautoriseerde servicebedrijven.

Afwikkeling het geval van garantie

Om uw klacht zo snel mogelijk af te kunnen handelen verzoeken we de onderstaande instructies in acht te nemen:

- Houd bij alle vragen als bewijs van aankoop uw aankoopbewijs en het artikelnummer (IAN 365183_2101) bij de hand.
- Het artikelnummer vindt u op het typeplaatje, als gravering, op het titelblad van de gebruiksaanwijzing (links onder) of als sticker op de rug- of onderzijde.
- Neem eerst **telefonisch** of via **e-mail** contact op met de hieronder vermelde service-afdeling wanneer de machine niet meer werkt of anderszins defecten vertoont.
- Een product waarvan is vastgesteld dat het defect is kunt u samen met het aankoopbewijs (kassabon) en een beknopte beschrijving van het defect en wanneer dit is opgetreden zonder

portokosten toesturen aan het u meegeedeelde service-adres.



Op www.lidl-service.com kunnen u deze en vele andere handleidingen, productvideo's en software downloaden. Met deze QR-Code komt u direct op de Lidl-Service-Site (www.lidl-service.com) terecht en kunt u door het invoeren van het artikelnummer (IAN 365183_2101) uw handleiding openen.

9. Service

Als er tijdens de werking van uw ROWI Germany-product problemen optreden, gaat u als volgt te werk.

Contact

Het ROWI Germany Service-Team bereikt u op:

ROWI Germany GmbH
Werner-von-Siemens-Str. 27
76694 Forst
DUITSLAND
lidl-services@rowi-group.com
Service-Hotline: +800 7694 7694
(gratis met vast netwerk)

IAN 365183_2101

De meeste problemen kunnen al met een deskundig technisch advies door ons service-team worden opgelost.

1. Úvod	Strana 56
1.1 Použití se stanoveným účelem	Strana 56
1.2 Obsah dodání	Strana 56
1.3 Vybavení	Strana 56
1.4 Technické údaje	Strana 56
2. Bezpečnostní pokyny	Strana 58
2.1 Všeobecná upozornění	Strana 58
2.2 Ochrana před úderem elektrickým proudem	Strana 58
2.3 Ochrana před nebezpečím požáru	Strana 60
2.4 Ochrana před poraněním	Strana 60
2.5 K bezpečnosti vašeho dítěte	Strana 61
3. Příprava k montáži	Strana 62
4. Montáž stojných patek	Strana 62
5. Uvedení do provozu	Strana 63
5.1 Obsluha na přístroji	Strana 63
5.2 Ochrana proti přehřátí	Strana 63
6. Údržba a čištění	Strana 64
7. Likvidace	Strana 64
8. Záruka ROWI Germany GmbH	Strana 64
9. Servis	Strana 65

ELEKTRICKÝ KRB SEK 2000 B2

1. Úvod

Blahopřejeme vám k nákupu vašeho nového přístroje. Rozhodli jste se pro velmi kvalitní produkt. Návod k použití je součástí produktu. Obsahuje důležité pokyny pro bezpečnost, použití a likvidaci. Před použitím produktu se seznamte se všemi pokyny k obsluze a bezpečnostními pokyny. Používejte produkt pouze tak, jak je to popsáno a pro určené oblasti použití. Produkt předejte třetí osobě společně se všemi podklady.

1.1 Použití se stanoveným účelem

Tento produkt je určen pouze k vytápění, po přechodnou dobu, uzavřených a suchých prostorách. Přístroj není k použití v prostorách, ve kterých jsou zvláštní podmínky, jako např. korozní nebo výbušná atmosféra (prach, pára nebo plyn). Nepoužívejte přístroj venku. Každé jiné použití nebo změna přístroje je považována za změnu v rozporu se stanoveným účelem a přináší značné riziko úrazu. Za škody vzniklé použitím v rozporu se stanoveným účelem nepřijímáme žádnou zodpovědnost. Přístroj je určený pouze pro soukromé použití.

1.2 Obsah dodání

1 Elektrický krb
1 Návod k použití
4 Stojné patky
12 Šroubů

1.3 Vybavení

- 1 Elektrický krb
- 2 Ovládací panel
- 3 Regulátor teploty
- 4 Šrouby M4 x 15 mm
- 5 Stojné patky
- 6 Větrací mřížka

1.4 Technické údaje

Jmenovité napětí:	220-240 V~, 50 Hz
Jmenovitý příkon:	1750 W - 1950 W
Třída ochrany:	I
Okolní podmínky:	0 °C až +35 °C
Rozměry přístroje:	ca. 38 x 23 x 51 cm
Topný výkon:	
Stupeň vytápění 1:	950 W
Stupeň vytápění 2:	1950 W

Požadavky na informace týkající se elektrických lokálních topidel

Označení modelu: SEK 2000 B2

Údaj	Značka	Hodnota	Jednotka
Tepelný výkon			
Jmenovitý tepelný výkon	P_{nom}	2,0	kW
Minimální tepelný výkon (orientační)	P_{min}	1,0	kW
Maximální trvalý tepelný výkon	$P_{max,c}$	1,9	kW
Spotřeba pomocného proudu			
Při jmenovitém tepelném výkonu	el_{max}	0	kW
Při minimálním tepelném výkonu	el_{min}	0	kW
V pohotovostním režimu	el_{SB}	N/A	kW

Údaj	Jednotka
------	----------

Pouze u akumulčních elektrických lokálních topidel: typ příjmu tepla (vyberte jeden)

ruční řízení akumulace tepla s integrovaným termostatem	[ne]
ruční řízení akumulace tepla se zpětnou vazbou informující o teplotě v místnosti a/ nebo venkovní teplotě	[ne]
elektronické řízení akumulace tepla se zpětnou vazbou informující o teplotě v místnosti a/ nebo venkovní teplotě	[ne]
výdej tepla s ventilátorem	[ne]

Typ výdeje tepla/regulace teploty v místnosti (vyberte jeden)

jeden stupeň tepelného výkonu, bez regulace teploty v místnosti	[ne]
dva nebo více ručních stupňů, bez regulace teploty v místnosti	[ne]
s mechanickým termostatem pro regulaci teploty v místnosti	[ano]
s elektronickou regulací teploty v místnosti	[ne]
s elektronickou regulací teploty v místnosti a denním programem	[ne]
s elektronickou regulací teploty v místnosti a týdenním programem	[ne]
Další možnosti regulace (Ize vybrat více možností)	
regulace teploty v místnosti s detekcí přítomnosti osob	[ne]
regulace teploty v místnosti s detekcí otevřeného okna	[ne]
s dálkovým ovládním	[ne]
s adaptivně řízeným spouštěním	[ne]
s omezením doby činnosti	[ne]
s černým kulovým čidlem	[ne]

ROWI Germany GmbH
Werner-von-Siemens-Str. 27
76694 Forst
NĚMECKO

2. Bezpečnostní pokyny



Přečtěte si všechny bezpečnostní pokyny a návody.



Opominutí při dodržování bezpečnostních pokynů a návodů mohou vést k těžkým poškozením a/nebo věcným škodám.

Uchovejte všechny bezpečnostní pokyny a návody pro budoucí použití!

2.1 Všeobecná upozornění



Přístroj je určený pouze pro provoz v místnostech!

- Před použitím si pečlivě přečtěte tento návod k použití. Je součástí přístroje a musí být kdykoliv k dispozici.
- Přístroj používejte pouze pro popsany účel použití.
- Zkontrolujte, zda se požadované napětí sítě (viz typový štítek na přístroje) shoduje s vaším napětím sítě.
- Při eventuálních poruchách funkcí smí opravu přístroje provést pouze naše servisní centrum.
- Přístroj smí být postaven výhradně na pevném, rovném, suchém a nehořlavém podkladu.
- Dbejte na to, aby byla zásuvka dobře přístupná, abyste eventuálně mohli rychle vytáhnout síťovou zástrčku.

2.2 Ochrana před úderem elektrickým proudem



Ohrožení života elektrickým proudem!

Při kontaktu vedení nebo součástek pod napětím vzniká ohrožení života!

- Připojte přístroj pouze na předpisově instalovanou chráněnou zásuvku.
- V případě, že by přístroj upadl nebo dostal silnou ránu, nebo upadl do vody, nesmíte ho již dále používat. V tomto případě se obraťte na naše servisní centrum.
- Pokud se poškodí přívodní kabel přístroje, musí být vyměněn výrobcem nebo podobnou kvalifikovanou osobou, aby se zamezilo ohrožení.
- Nikdy nepoužívejte přístroj v bezprostřední blízkosti dřezu, vany, sprchy nebo bazénu, protože by stříkající voda mohla vniknout do přístroje.
- Do přístroje nesmí v žádném případě vniknout voda nebo jiné tekutiny. Proto:
 - ho nikdy nepoužívejte ve venkovním prostoru,
 - na přístroj nikdy nestavte nádoby naplněné tekutinami, jako jsou sklenice, vázy atd.,
 - nikdy ho nepoužívejte ve velmi vlhkém prostředí jako např. v koupelně. V případě, že do přístroje vnikne tekutina, okamžitě vytáhněte zástrčku a nechte přístroj opravit kvalifikovaným personálem.
- Nikdy nepokoušejte sahat ochrannou mřížkou do vnitřku přístroje prsty nebo předměty.
- Nikdy na přístroj, síťový přívod nebo síťovou zástrčku nesahejte vlhkýma rukama.
- Neustále vytahujte síťový přívod ze zástrčky. Nikdy netahejte za samotný kabel.
- Dbejte na to, aby nebyl přívodní kabel zlomený nebo uskřípnutý.
- Dbejte na to, aby nebyl přívodní kabel ostrými hranami poškozený.
- Chraňte přívodní kabel před horkými plochami (např. sporákovou deskou).
- Pokud nebudete přístroj delší dobu používat, vytáhněte zástrčku ze zásuvky. Pouze tehdy je přístroj zcela bez proudu.
- Je zakázáno používat prodlužovací kabel.
- Přístroj nesmí být provozován s externím časovým spínačem nebo zvláštním systémem dálkového řízení, jako například s rádiovou zásuvkou.

2.3 Ochrana před nebezpečím požáru



Nebezpečí požáru!

Protože přístroj pracuje s vysokými teplotami, dodržujte následující bezpečnostní pokyny, aby nemohl vzniknout požár.



Nebezpečí přehřátí!

Abyste zamezili přehřátí přístroje, nesmí být přístroj zakrytý.

- Během provozu se v bezprostředním okolí přístroje nesmí nacházet žádné hořlavé předměty (např. závěsy, papír atd.).
- Nikdy nepoužívejte přístroj k tomu, abyste na něm nebo nad ním sušili textilie nebo jiné věci.
- Při instalaci přístroje dodržujte kolem jiných přístrojů nebo ke zdi minimální odstup 0,5 m.
- Nikdy neprovozujte přístroj v místnostech ohrožených výbuchem nebo v blízkosti hořlavých plynů nebo kapalin.
- Přístroj nesmí být nikdy instalován pod nástěnnou zásuvkou, protože by mohlo vznikající horko vést k poškození elektrické instalace.
- Vždy dbejte na to, aby mohl vzduch volně vcházet a vycházet. Jinak by mohlo dojít k přehřátí přístroje.
- Nikdy nenechávejte běžet přístroj bez dozoru. Vady se téměř vždy projeví intenzívním tvorbou zápachu. V těchto případech okamžitě vytáhněte síťovou zástrčku a nechte přístroj zkontrolovat.

2.4 Ochrana před poraněním

- Dodržujte následující pokyny, aby se zabránilo poraněním.
- Dbejte na to, aby se nikdy nestal přírodní kabel rizikem pro zakonnutí nebo se v něm někdo nezapletl nebo na něho mohl postavit.
- Dodržujte dostatečný odstup od přístroje, aby nemohly být vlasy nebo oděv ventilátorem nasáty do přístroje.



Varování před horkými povrchy!

Některé díly produktu mohou být velmi horké a způsobit popáleniny. Zvláštní pozornost by měla být věnována, pokud jsou přítomny děti a osoby s potřebou dohledu.

2.5 K bezpečnosti vašeho dítěte

- Děti často nedokážou nebezpečí správně odhadnout a tím si mohou způsobit poranění. Proto dodržujte:
- Tento výrobek smí být používán pouze pod dozorem dospělých, pro zajištění, že si děti nebudou s přístrojem hrát.
- Pečlivě dbejte na to, aby se přístroj nacházel vždy mimo dosah dětí.
- Dbejte na to, aby se obalová fólie nestala smrtelnou pastí pro děti. Obalové fólie nejsou hračka.
- Tento přístroj mohou používat děti od 8 let a stejně tak osoby se sníženými fyzickými, senzorickými a mentálními schopnostmi nebo s nedostatkem zkušeností a vědomostí, pokud jsou pod dohledem nebo byly seznámeny s bezpečným použitím přístroje a rozumí nebezpečí, které hrozí. Děti si nesmí s přístrojem hrát. Čištění a údržba uživatelem nesmí být prováděna dětmi bez dozoru.
- Děti mladší 3 let musí být v dostatečné vzdálenosti a stále pod dohledem.
- Děti od 3 let a mladší 8 let mohou přístroj pouze zapnout a vypnout, pokud jsou pod dohledem nebo byly seznámeny s bezpečným použitím přístroje a porozuměly rizikům, které z použití vyplývají, předpokládá se, že přístroj je umístěn a instalován ve své normální poloze k použití.
- Děti od 3 let a mladší 8 let nesmí zapojovat zástrčku do zásuvky, regulovat přístroj, čistit a/nebo provádět údržbu uživatelem.

3. Příprava k montáži

- Odstraňte z přístroje veškerý obalový materiál a všechna transportní zabezpečení.
- Zkontrolujte úplnost a poškození rozsahu dodávky.

4. Montáž stojných patek

- Poté co jste přístroj zcela vybalili, ho postavte obráceně na čistou podložku, abyste mohli zcela vidět spodek (Obr. 1).



- Nyní uchopte stojnou patku [5] a zasuňte 3 šrouby [4] otvory (Obr. 2).



- V každém rohu přístroje se nachází 3 odpovídající otvorů. Nyní uchopte stojnou patku [5] se šrouby [4] a vložte ji shodně do shodných otvorů.
- Když se šrouby [4] nacházejí ve správných otvorech, utáhněte je s pomocí šroubováku (Obr. 3).



- Pokračujte se všemi čtyřmi stojnými patkami [5] tak, až jsou všechny namontované.
- Nyní můžete přístroj postavit na [5] stojné patky. Přístroj je připraven pro uvedení do provozu (Obr. 4).



5. Uvedení do provozu

Prosím vyhledejte vhodné místo pro přístroj, než ho uvedete do provozu.


Pro bezpečný a bezvadný provoz přístroje musí místo instalace splňovat následující předpoklady:

- Zem musí být pevná, plochá a vodorovná.
- Přístroj by měl stát minimálně metr od nábytku, závěsů a jiných lehce vznětlivých objektů.
- Nestavte přístroj do horkého, mokrého nebo velmi vlhkého prostředí.
- V blízkosti by měla být uzemněná zásuvka, která je zajištěná ochranným spínačem FI.
- Zásuvka musí být lehce dostupná, takže lze v případě potřeby lehce vytáhnout přívodný kabel.
- Nesmí se používat prodlužovací kabely.

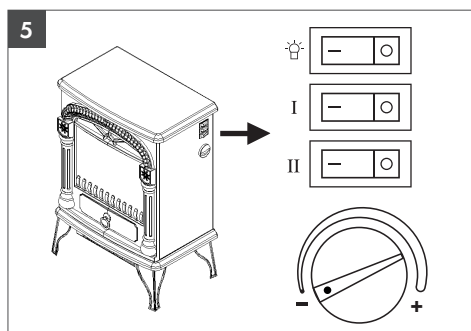
- Nyní zasuněte kabel přístroje do uzemněné zásuvky.

DŮLEŽITÉ! Kabel musí zůstat na zadní straně přístroje a nesmí se dotýkat žádných horkých prvků.

5.1 Obsluha na přístroji

- Přístroj se ovládá ovládacím panelem [2] a regulátorem teploty [3] na pravé straně (Obr. 5).
- Při prvním zapnutí se symbolem [] lze zapnout a vypnout efekt plamene. Efekt plamene lze použít s a bez funkce vytápění. Pokud je stisknutý spínač na symbolu [O] je efekt plamene vypnutý. Stisknutím spínače doleva [-], ho aktivujete.
- Pro malé zahřátí zapnete první stupeň vytápění se symbolem [I] na vypínači na symbol [-] a u symbolu [O] ho vypnete. Efekt vytápění lze použít s a bez funkce plamene.

- Po úplný výkon vytápění zapněte a vypněte stupně vytápění [I] a [II] s vypínači.
- Stupeň vytápění [II] funguje pouze tehdy, když stojí vypínač pro stupeň vytápění [I] na symbolu [-]. Teplotu v rámci obou stupňů vytápění můžete řídit regulátorem teploty [3] od [-] až [+]. Nyní zapněte přístroj, tím že budete otáčet regulátorem teploty [3] ve směru hodinových ručiček až se ozve kliknutí. [-] přitom představuje nejnižší teplotu (vlevo) a [+] (vpravo) nejvyšší teplotu.



NÁZNAK! Díky automatickému provozu drží ovládání horkého vzduchu (termostat) předem naprogramovanou teplotu konstantní.

- Nejprve otáčejte regulátor teploty [3] doprava ve směru maximální hodnoty. Nechte vypínač v této poloze, až vzduch místnosti dosáhne požadované teploty.

NÁZNAK! Při prvním použití může krátkodobě dojít k lehkému zápachu.


5.2 Ochrana proti přehřátí

Pro vaši bezpečnost vlastní tento přístroj ochranu proti přehřátí. V případě, že bude teplota uvnitř přístroje příliš vysoká, automaticky se vypne. V tomto případě postupujte takto:

1. Vytáhněte síťovou zástrčku.
2. Nechte přístroj minimálně 20 minut zchladnout.
3. Zkontrolujte, zda jsou ochranné mřížky [6] volně a vyčistěte je měkkým, suchým hadrem.

4. Nyní opět spusťte přístroj. Poté ho můžete normálně provozovat dále. Pokud by se nedala příčina zjistit a chyba se opakovala, nechte přístroj opravit nebo ho vyřadte z provozu

6. Údržba čištění

- **POZOR! NEBEZPEČÍ ÚDERU ELEKTRICKÝM PROUDEM!** Před čištěním vytáhněte zástrčku ze zásuvky a nechte přístroj zcela vychladnout.
- Přístroj vyčistěte z vnějšku měkkým, suchým hadrem. V žádném případě nepoužívejte kapaliny, obzvlášť s obsahem benzínu a žádné čisticí prostředky, protože tento přístroj poškodí.
- Zbavte větrací mřížku  pravidelně prachu a nečistoty s pomocí vysavače.

7. Likvidace



Balení se skládá z materiálů šetrných k životnímu prostředí, které můžete likvidovat na místních recyklačních místech.



Výrobek a obalové materiály jsou recyklovatelné, zlikvidujte je odděleně pro lepší odstranění odpadu. Logo Triman platí jen pro Francii.



Dbejte na označení obalového materiálu při třídění odpadu, jsou zde uvedeny zkratky a čísla s následujícím významem:



1–7: Plasty/20–22: Papír a lepenka/80–98: Spojovací materiál.



Nevyhazujte produkt do domácího odpadu, ale likvidujte ho přes místní sběrná místa určená k recyklaci! Možnosti k likvidaci vysloužilého přístroje zjistíte na svém obecním nebo městském úřadě.

8. Záruka ROWI Germany GmbH

Vážené zákaznice, vážení zákazníci, na tento přístroj obdržíte 3 roky záruku od data nákupu. V případě nedostatků produktu máte k dispozici proti prodejci zákonná práva. Tato zákonná práva nejsou omezena naší zárukou uvedenou v následující části.

Podmínky záruky

Záruční doba začíná datem nákupu. Prosím, pečlivě uschovejte originální doklad o nákupu. Tento doklad je vyžadován jako doklad o nákupu.

Pokud se na produktu vyskytne vada materiálu nebo výrobní vada během tří let od data nákupu, nahradíme nebo opravíme produkt zdarma - podle našeho rozhodnutí. Toto poskytnutí záruky předpokládá, že v rámci tříleté lhůty předložíte vadný přístroj a doklad o nákupu (účtenku) a krátce popíšete, o jakou závadu jde a kdy se vyskytla.

Pokud je závada zahrnuta v naší záruce, obdržíte zpět opravený nebo nový produkt. Opravou nebo výměnou produktu nezačíná nová záruční doba.

Záruční doba a zákonné nároky na nedostatek

Záruční doba se neprodlužuje zárukou. Ta platí pouze pro nahrazené nebo opravené díly. Eventuální škody a nedostatky zjištěné ihned při nákupu musí být nahlášeny ihned po vybalení. Případné opravy po uplynutí záruční doby jsou zpoplatněny.

Rozsah záruky

Přístroj byl pečlivě vyroben podle přísných směrníc kvality a před expedicí svědomitě zkontrolován.

Rozsah záruky za materiální a výrobní vady. Tato záruka se nevztahuje na produktové díly, které jsou vystaveny normálnímu opotřebení a proto mohou být považovány za díly k opotřebení nebo na poškození křehkých dílů, např. spínače, baterie nebo díly vyrobené ze skla.

Tato záruka zaniká, pokud byl produkt poškozený, neodborně používán nebo udržbovaný. Pro použití produktu se stanoveným účelem je nutné přesně dodržet všechny návody uvedené v návodu k obsluze. Účelům použití a manipulacím, od kterých

návod k použití odrazuje nebo před kterými varuje, je nutné se vyhnout.

Produkt je určen pouze pro soukromé a nikoli průmyslové použití. Při hrubém nebo nevhodném zacházení, použití násilí a při zásazích, které nebyly provedeny naší autorizovanou pobočkou servisu, záruka zaniká.

Vyřízení v případě záruky

Abychom mohli zaručit rychlé zpracování vašeho požadavku postupujte, prosím, podle následujících pokynů:

- Prosím, připravte si účtenku a číslo výrobku (IAN 365183_2101) pro všechny dotazy jako důkaz o nákupu.
- Číslo výrobku najdete na typovém štítku, rytině, na titulní stránce návodu (dole vlevo) nebo na nálepce na zadní nebo spodní straně.
- Pokud se vyskytnou funkční vady nebo jiné nedostatky, nejdříve kontaktujte **telefonicky** nebo **e-mailem** níže uvedené oddělení servisu.
- Produkt uznáný jako vadný pak můžete bezplatně poslat na uvedenou adresu servisu s příloženým dokladem o koupi (účtenkou) a informacemi o nedostatku a kdy se vyskytl.



Na www.lidl-service.com si můžete stáhnout další příručky, produktová videa a software. Pomocí tohoto QR kódu se dostanete přímo na stránku servisu Lidl (www.lidl-service.com) a pomocí zadání čísla výrobku (IAN 365183_2101) můžete otevřít váš návod k obsluze.

9. Servis

Pokud by se při provozu výrobků ROWI Germany vyskytly problémy, postupujte, prosím, následovně:

Kontakt

Servisní tým ROWI Germany naleznete na:

ROWI Germany GmbH

Werner-von-Siemens-Str. 27

76694 Forst

NĚMECKO

lidl-services@rowi-group.com

Servisní hotline: +800 7694 7694

(zdarma z pevné linky)

IAN 365183_2101

Většinu problémů lze již odstranit v rámci kompetentního, technického poradenství našeho servisního týmu.



1. Wstęp	Strona 68
1.1 Użytkowanie zgodnie z przeznaczeniem	Strona 68
1.2 Zakres dostawy	Strona 68
1.3 Wyposażenie	Strona 68
1.4 Dane techniczne	Strona 68
2. Wskazówki bezpieczeństwa	Strona 70
2.1 Ogólne wskazówki bezpieczeństwa	Strona 70
2.2 Ochrona przed porażeniem prądem elektrycznym	Strona 71
2.3 Ochrona przed zagrożeniem pożarem	Strona 72
2.4 Ochrona przed obrażeniami	Strona 73
2.5 Dla bezpieczeństwa państwa dziecka	Strona 74
3. Przygotowanie do montażu	Strona 75
4. Montaż nóżek	Strona 75
5. Uruchamianie	Strona 76
5.1 Obsługa z poziomu urządzenia	Strona 76
5.2 Ochrona przed przegrzaniem	Strona 77
6. Konserwacja i czyszczenie	Strona 77
7. Utylizacja	Strona 77
8. Gwarancja ROWI Germany GmbH	Strona 77
9. Serwis	Strona 79

KOMINEK ELEKTRYCZNY STOJĄCY SEK 2000 B2

1. Wstęp

Gratulujemy Państwu zakupu nowego urządzenia. Podejmując decyzję o zakupie zdecydowali się Państwo na produkt wysokiej jakości. Instrukcja obsługi stanowi element składowy produktu. Zawiera ona ważne informacje na temat bezpieczeństwa, użytkowania i utylizacji. Przed rozpoczęciem użytkowania produktu należy zapoznać się ze wszystkimi informacjami dotyczącymi obsługi i bezpieczeństwa. Produkt należy użytkować wyłącznie zgodnie z zamieszczonym tu opisem oraz w podanym zakresie zastosowań. W przypadku przekazania urządzenia osobie trzeciej należy dołączyć również całą dokumentację.

1.1 Użytkowanie zgodnie z przeznaczeniem

Urządzenie jest przeznaczone wyłącznie do ogrzewania zamkniętych i suchych pomieszczeń w okresie przejściowym. Urządzenie nie jest przeznaczone do używania w pomieszczeniach, w których panują szczególne warunki, np. atmosfera sprzyjająca powstawaniu korozji bądź grożąca wybuchem (kurz, para wodna lub gaz). Urządzenia nie należy używać na wolnym powietrzu. Każdy inny sposób korzystania z urządzenia lub jego modyfikację uważa się za niezgodne z przeznaczeniem i niesie z sobą znaczne ryzyko wypadku. Nie ponosimy odpowiedzialności za szkody powstałe w wyniku użytkowania niezgodnego z przeznaczeniem. Urządzenie przeznaczone jest wyłącznie do użytku prywatnego.

1.2 Zakres dostawy

1 Kominek elektryczny stojący
1 Instrukcja obsługi
4 Nóżki
12 Śrub

1.3 Wyposażenie

- 1 Kominek elektryczny stojący
- 2 Panel obsługi
- 3 Regulator temperatury
- 4 Śruby M4 x 15 mm
- 5 Nóżki
- 6 Kratka wentylacyjna

1.4 Dane techniczne

Napięcie znamionowe: 220-240 V~, 50 Hz
Moc znamionowa: 1750 W - 1950 W
Klasa ochrony: I
Warunki otoczenia: 0 °C do +35 °C
Wymiary urządzenia: ok. 38 x 23 x 51 cm
Wydajność grzewcza:
Poziom grzewczy 1: 950 W
Poziom grzewczy 2: 1950 W

Wymogi w zakresie informacji dotyczące elektrycznych miejscowych ogrzewaczy pomieszczeń

Identyfikator(-y) modelu: SEK 2000 B2

Parametr	Oznaczenie	Wartość	Jednostka
----------	------------	---------	-----------

Moc cieplna

Nominalna moc cieplna	P_{nom}	2,0	kW
-----------------------	-----------	-----	----

Minimalna moc cieplna (orientacyjna)	P_{min}	1,0	kW
--------------------------------------	-----------	-----	----

Maksymalna stała moc cieplna	$P_{max,c}$	1,9	kW
------------------------------	-------------	-----	----

Żużycie energii elektrycznej na potrzeby własne

Przy nominalnej mocy cieplnej	e_{max}	0	kW
-------------------------------	-----------	---	----

Przy minimalnej mocy cieplnej	e_{min}	0	kW
-------------------------------	-----------	---	----

W trybie czuwania	e_{SB}	N/A	kW
-------------------	----------	-----	----

Parametr	Jednostka
----------	-----------

Sposób doprowadzania ciepła wyłącznie w przypadku elektrycznych akumulacyjnych miejscowych ogrzewaczy pomieszczeń (należy wybrać jedną opcję)

ręczny regulator doprowadzania ciepła z wbudowanym termostatem [nie]

ręczny regulator doprowadzania ciepła z pomiarem temperatury w pomieszczeniu lub na zewnątrz [nie]

elektroniczny regulator doprowadzania ciepła z pomiarem temperatury w pomieszczeniu lub na zewnątrz [nie]

moc cieplna regulowana wentylatorem [nie]

Rodzaj mocy cieplnej/ regulacja temperatury w pomieszczeniu (należy wybrać jedną opcję)

jednostopniowa moc cieplna bez regulacji temperatury w pomieszczeniu [nie]

co najmniej dwa ręczne stopnie bez regulacji temperatury w pomieszczeniu [nie]

mechaniczna regulacja temperatury w pomieszczeniu za pomocą termostatu [tak]

elektroniczna regulacja temperatury w pomieszczeniu [nie]

elektroniczna regulacja temperatury w pomieszczeniu ze sterownikiem dobowym [nie]

elektroniczna regulacja temperatury w pomieszczeniu ze sterownikiem tygodniowym [nie]

Inne opcje regulacji (można wybrać kilka)

regulacja temperatury w pomieszczeniu z wykrywaniem obecności [nie]

regulacja temperatury w pomieszczeniu z wykrywaniem otwartego okna [nie]

z regulacją na odległość [nie]

z adaptacyjną regulacją startu [nie]

z ograniczeniem czasu pracy [nie]

z czujnikiem ciepła promieniowania [nie]

ROWI Germany GmbH
Werner-von-Siemens-Str. 27
76694 Forst
NIEMCY

2. Wskazówki bezpieczeństwa



Należy przeczytać wszystkie wskazówki bezpieczeństwa i zalecenia.



Nieprzestrzeganie wskazówek bezpieczeństwa i zaleceń może doprowadzić do ciężkich obrażeń i/lub szkód materialnych.

Należy zachować wszystkie wskazówki bezpieczeństwa i zalecenia do wykorzystania w przyszłości!

2.1 Ogólne wskazówki bezpieczeństwa



Urządzenie nadaje się tylko do pracy w pomieszczeniach zamkniętych!

- Przed użyciem proszę dokładnie przeczytać tę instrukcję obsługi. Stanowi ona część urządzenia i musi być dostępna w każdym czasie.
- Z urządzenia należy korzystać wyłącznie we wskazanym celu.
- Proszę skontrolować, czy wymagane napięcie sieciowe (patrz tabliczka znamionowa na urządzeniu) jest zgodne z Państwa napięciem sieciowym.
- W razie ewentualnych zakłóceń działania urządzenie może być uruchamiane wyłącznie przez nasze centrum serwisowe.
- Urządzenie może być ustawiane wyłącznie na stabilnym, równym, suchym i niepalnym podłożu.
- Proszę uważać, by dostęp do gniazdka elektrycznego był dobry, by ewentualnie można było szybko wyciągnąć wtyczkę sieciową.

2.2 Ochrona przed porażeniem prądem elektrycznym



Zagrożenie dla życia przez porażenie prądem!

W przypadku kontaktu z przewodami lub podzespołami znajdującymi się pod napięciem istnieje zagrożenie dla życia!

- Urządzenie należy podłączać wyłącznie do zainstalowanego zgodnie z przepisami zabezpieczonego gniazdka.
- Jeżeli urządzenie upadnie na podłogę bądź zostanie w inny sposób uderzone albo wpadnie do wody, wówczas dalsze korzystanie z niego jest niedozwolone. W takim wypadku proszę zwrócić się do naszego centrum serwisowego.
- Jeżeli przewód sieciowy urządzenia zostanie uszkodzony, wówczas celem uniknięcia zagrożeń musi on zostać wymieniony przez producenta albo osobę o porównywalnych kwalifikacjach.
- Urządzenia nigdy nie należy używać w bezpośrednim pobliżu zlewu, wanny, prysznicza bądź basenu kąpielowego, ponieważ grozi to dostaniem się rozpryskującej się wody do urządzenia.
- Do urządzenia pod żadnym pozorem nie może dostać się woda lub inne ciecze. W związku z tym:
 - nigdy nie używać na wolnym powietrzu,
 - nigdy nie stawiać wypełnionych płynem naczyń, takich jak szklanki, wazony itp. na urządzeniu,
 - nigdy nie używać w bardzo wilgotnym otoczeniu, np. w łazience. Jeżeli mimo to płyn dostanie się do urządzenia, należy natychmiast wyciągnąć wtyczkę sieciową i przekazać urządzenie do naprawy wykwalifikowanym fachowcom.
- Nigdy nie należy próbować dotykać wnętrza urządzenia palcami lub innymi przedmiotami przez kratę ochronną.
- Urządzenia, przewodu sieciowego i wtyczki sieciowej nigdy nie należy dotykać wilgotnymi rękoma.
- Przewód sieciowy należy zawsze wyciągać, trzymając za wtyczkę. Nigdy nie należy ciągnąć samego kabla.

- Należy uważać, by przewód sieciowy nigdy nie był załamany bądź zgnieciony.
- Należy uważać, by przewód sieciowy nie został uszkodzony przez ostre krawędzie.
- Przewód sieciowy należy trzymać z dala od gorących powierzchni (np. płyt grzewczych).
- Jeżeli przez dłuższy czas nie używają Państwo urządzenia, należy wyciągnąć wtyczkę z gniazda. Tylko wtedy urządzenie jest całkowicie odłączone od napięcia.
- Nie wolno stosować przedłużaczy.
- Urządzenie nie może być obsługiwane zewnętrznym włącznikiem czasowym lub przez odrębny system sterowania, na przykład ze zdalnie sterowanego gniazdka elektrycznego.

2.3 Ochrona przed zagrożeniem pożarem



Zagrożenie pożarowe!

Ponieważ urządzenie pracuje w wysokich temperaturach, proszę przestrzegać poniższych wskazówek bezpieczeństwa, by zapobiec wybuchowi pożaru.



Ryzyko przegrzania!

Aby zapobiec przegrzaniu urządzenia, nie należy przykrywać urządzenia.

- W trakcie eksploatacji w bezpośrednim pobliżu urządzenia nie mogą znajdować się żadne łatwopalne przedmioty (np. zasłony, papier itp.).
- Nigdy nie należy korzystać z urządzenia, by suszyć nad lub przed nim tekstylia i inne rzeczy.
- Podczas ustawiania urządzenia należy zachować wokół niego minimalny odstęp 0,5 m od innych urządzeń bądź ściany.

- Z urządzenia nigdy nie należy korzystać w pomieszczeniach zagrożonych wybuchem lub w pobliżu palnych gazów i cieczy.
- Urządzenia nigdy nie wolno stawiać bezpośrednio pod gniazdkiem sieciowym w ścianie, ponieważ generowane ciepło może prowadzić do uszkodzeń instalacji elektrycznej.
- Należy zawsze zwracać uwagę, by powietrze mogło swobodnie wnikać do urządzenia i wydostawać się niego. W przeciwnym razie może dojść do zastoju ciepłego w urządzeniu.
- Nigdy nie należy pozostawiać działającego urządzenia bez nadzoru. Szkody objawiają się niemal zawsze powstaniem intensywnego zapachu. W takim wypadku należy natychmiast wyciągnąć wtyczkę sieciową i zlecić kontrolę urządzenia.

2.4 Ochrona przed obrażeniami

- Aby uniknąć obrażeń, należy przestrzegać następujących wskazówek.
- Należy uważać, by kabel sieciowy nie groził nikomu potknięciem oraz by nikt się w niego nie zaplątał ani na niego nie nastąpił.
- Proszę zachowywać wystarczający odstęp od urządzenia, by włosy lub elementy odzieży nie mogły zostać wciągnięte do urządzenia przez wentylator.



Ostrzeżenie przed gorącymi powierzchniami!

Niektóre części produktu mogą się bardzo mocno nagrzewać i powodować oparzenia. Należy zachować szczególną ostrożność w obecności dzieci lub osób wymagających szczególnej opieki.

2.5 Dla bezpieczeństwa państwa dziecka

- Dzieci często nie potrafią właściwie ocenić niebezpieczeństwa, narażając się na urazy. W związku z tym informujemy, że:
- Niniejszy produkt może być używany wyłącznie pod nadzorem osób dorosłych, by zagwarantować, że dzieci nie będą bawić się urządzeniem.
- Proszę uważać, by urządzenie zawsze znajdowało się poza zasięgiem dzieci.
- Należy uważać, by folia opakowaniowa nie stała się śmiertelnym zagrożeniem dla dzieci. Folia opakowaniowa nie są zabawkami.
- Urządzenie może być używane przez dzieci powyżej 8 roku życia, jak również osoby o ograniczonych możliwościach psychicznych, sensorycznych bądź mentalnych i osoby o niewystarczającym doświadczeniu i wiedzy tylko w przypadku, gdy korzystanie odbywa się pod nadzorem bądź gdy osoby te zostały poinstruowane w zakresie bezpiecznego korzystania z urządzenia i rozumieją związane z nim zagrożenia. Dzieciom nie wolno jest bawić się urządzeniem. Czyszczenie i konserwacja użytkownika nie mogą być przeprowadzane przez dzieci bez nadzoru.
- Dzieci do lat 3 należy trzymać z dala od urządzenia, chyba że znajdują się one pod stałym nadzorem.
- Dzieci pomiędzy 3. a 8. rokiem życia mogą włączać i wyłączać urządzenie, o ile znajdują się pod nadzorem dorosłych lub zostały poinstruowane na temat bezpiecznej eksploatacji urządzenia i mają świadomość związanych z nią zagrożeń – pod warunkiem, że urządzenie jest umieszczone lub zamontowane w normalnym położeniu roboczym.
- Dzieci pomiędzy 3 a 8 rokiem życia nie mogą podłączać wtyczki do gniazda, regulować i czyścić grzejnika i/lub wykonywać czynności związanych z jego konserwacją!

3. Przygotowanie do montażu

- Usunąć z urządzenia wszystkie materiały opakowaniowe i zabezpieczenia transportowe.
- Skontrolować zakres dostawy pod kątem kompletności i uszkodzeń.

4. Montaż nóżek

- Po całkowitym wypakowaniu urządzenia postawić je odwrotnie na czystym podłożu, tak by spód był całkowicie widoczny (rys. 1).



- Następnie wziąć jedną nóżkę [5] i przełożyć 3 śruby [4] przez otwory (rys. 2).



- W każdym rogu urządzenia znajdują się 3 pasujące otwory. Wziąć nóżkę [5] ze śrubami [4] i umieścić, dopasowując, na pasujących otworach.
- Gdy śruby [4] znajdują się w odpowiednich otworach, należy je dokręcić przy pomocy śrubokrętu (rys. 3).



- W ten sam sposób należy postąpić w przypadku wszystkich czterech nóżek [5], tak by wszystkie zostały zamontowane.
- Następnie urządzenie można ustawić na nóżkach [5]. Urządzenie jest gotowe do uruchomienia (rys. 4).



5. Uruchamianie

Przed rozpoczęciem eksploatacji należy znaleźć dla urządzenia odpowiednie miejsce.

Aby zapewnić nienaganną i bezpieczną pracę urządzenia, miejsce montażu musi spełniać poniższe warunki:

- Podłoga musi być stabilna, płaska i pozioma.
- Urządzenie powinno stać co najmniej metr od mebli, zasłon i innych łatwopalnych obiektów.
- Urządzenia nie należy montować w gorącym, mokrym lub bardzo wilgotnym otoczeniu.
- W pobliżu powinno znajdować się uziemione, zabezpieczone wyłącznikiem różnicowoprądowym gniazdko.
- Wtyczka musi być łatwo dostępna, aby w razie konieczności możliwe było natychmiastowe wyjęcie przewodu zasilającego z gniazdka elektrycznego.
- Nie wolno używać przedłużaczy.

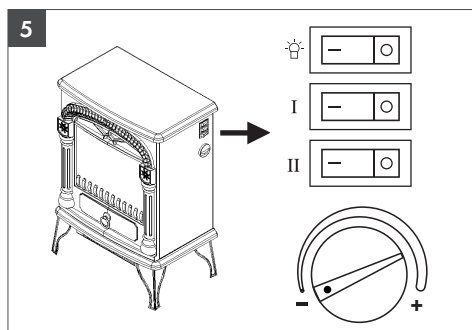
- Podłączyć przewód urządzenia do uziemionego gniazdka.

WAŻNE! Przewód musi znajdować się z tyłu urządzenia i nie może stykać się z żadnymi gorącymi elementami.

5.1 Obsługa z poziomu urządzenia

- Urządzenie obsługiwane jest poprzez panel obsługi [2] i regulator temperatury [3], które znajdują się z prawej strony (rys. 5.).
- Przy pomocy pierwszego przełącznika z symbolem [☀] można włączyć i wyłączyć efekt płomieni. Z efektu płomieni można korzystać wraz z funkcją grzania i bez niej. Jeżeli przełącznik jest wciśnięty w stronę symbolu [O], efekt płomieni jest wyłączony. Przesunięcie przełącznika w lewo [-] aktywuje go.
- W celu nieznacznego ogrzania należy włączyć pierwszy poziom grzania oznaczony symbolem [I] przy przełączniku na symbol [-]; wyłączenie następuje poprzez przesunięcie przełącznika na symbol [O]. Z funkcją grzania można korzystać wraz z efektem płomieni i bez niej.

- Aby ogrzewać pełną mocą, wyłącznikami i wyłącznikami należy włączyć poziomy grzania [I] i [II].
- Poziom grzania [II] działa tylko wtedy, gdy również przełącznik poziomu [I] skierowany jest na symbol [-]. W obrębie obydwu poziomów grzania temperaturę można ustawiać przy pomocy regulatora temperatury [3] w zakresie od [-] do [+]. Włączyć urządzenie, przekręcając regulator temperatury [3] zgodnie z ruchem wskazówek zegara do chwili, gdy rozlegnie się słyszalne kliknięcie. [-] stanowi przy tym najniższą temperaturę (z lewej strony), zaś [+] (z prawej strony) stanowi temperaturę najwyższą.




WSKAZÓWKA! Dzięki automatycznej obsłudze, sterowanie gorącym powietrzem (termostat) utrzymuje uprzednio zaprogramowaną temperaturę.

- Najpierw regulator temperatury [3] należy przekręcić w prawo w kierunku wartości maksymalnej. Pozostawić przełącznik w tej pozycji do chwili osiągnięcia przez powietrze w pomieszczeniu żądanej temperatury.


WSKAZÓWKA! Przy pierwszym użyciu przez krótką chwilę mogą być wyczuwalne słabe zapachy.

5.2 Ochrona przed przegrzaniem

Dla Państwa bezpieczeństwa urządzenie posiada zabezpieczenie przed przegrzaniem. Jeżeli temperatura wewnątrz urządzenia będzie zbyt wysoka, urządzenie wyłączy się automatycznie. W takim przypadku należy postępować w następujący sposób:

1. Wyciągnąć wtyczkę sieciową.
2. Pozostawić urządzenie do ochłodzenia na co najmniej 20 minut.
3. Proszę sprawdzić, czy kratki wywiewne  są drożne i oczyścić je miękką suchą szmatką.
4. Ponownie włączyć urządzenie. Potem mogą Państwo normalnie korzystać z urządzenia. Jeżeli nie jest możliwe ustalenie przyczyny i problem wystąpi ponownie, proszę zlecić naprawę urządzenia bądź zaprzestać jego eksploatacji.

6. Konserwacja i czyszczenie

- **OSTROŻNIE! ZAGROŻENIE PORAZENIEM PRĄDEM ELEKTRYCZNYM!** Przed czyszczeniem wyciągnąć wtyczkę sieciową z gniazdka i pozostawić urządzenie do całkowitego ostygnięcia.
- Czyścić urządzenie z zewnątrz przy pomocy miękkiej suchej szmatki. W żadnym wypadku nie używać płynów, w szczególności zawierających benzynę, ani środków czyszczących, ponieważ uszkadzają one urządzenie.
- Regularnie oczyszczać kratki wywiewne  z kurzu i zabrudzeń przy pomocy odkurzacza.

7. Utylizacja



Opakowanie składa się z materiałów przyjaznych dla środowiska, które można oddać do lokalnego zakładu zajmującego się recyklingiem.



Produkt i materiał opakowania nadają się do ponownego przetworzenia, należy je zutylizować osobno w celu lepszego przetworzenia odpadów. Logo Triman jest ważne tylko dla Francji.



Podczas segregacji odpadów proszę zwrócić uwagę na oznaczenie materiałów opakowaniowych – są one oznaczone skrótami i numerami o poniższym znaczeniu: 1–7: tworzywa sztuczne/ 20–22: papier i karton/80–98: produkty kompozytowe.



Nie wyrzucać produktu do śmieci pochodzących z gospodarstwa domowego, lecz należy oddać go do gminnego punktu zbiórki do celu przetworzenia odpadu! Informacje na temat sposobów utylizacji wysłużonego urządzenia uzyskają Państwa w swoim urzędzie gminy lub urzędzie miejskim.

8. Gwarancja ROWI Germany GmbH

Szanowna Klientko, szanowny Kliencie, niniejsze urządzenie objęte jest 3-letnim okresem gwarancji liczącym od daty zakupu. W przypadku wad produktu ustawowe prawa przysługują Państwu wobec sprzedawcy produktu. Wyżej wymienione ustawowe prawa nie są ograniczone przez udzielaną przez nas poniższą gwarancję.

Warunki gwarancji

Okres gwarancji rozpoczyna się w dniu dokonania zakupu. Proszę zachować oryginał paragonu kasowego. Dokument ten będzie potrzebny jako dowód dokonania zakupu.

Jeżeli w ciągu trzech lat od daty zakupu produktu ujawni się wada materiałowa bądź produkcyjna, wówczas – według naszego uznania – dokonamy bezpłatnej naprawy lub wymiany produktu. Wyżej wymienione świadczenie gwarancyjne obowiązuje pod warunkiem, że w okresie trzech lat uszkodzone urządzenie i dowód zakupu (paragon) zostaną okazane wraz z krótkim opisem wady oraz wskazaniem momentu jej wystąpienia.

Jeżeli nasza gwarancja obejmuje dane uszkodzenie, wówczas otrzymają Państwo z powrotem naprawione bądź nowe urządzenie.

Okres gwarancji oraz ustawowe roszczenia z tytułu wad

Wraz z wymianą urządzenia zgodnie z aktualnym kodeksem cywilnym § 581 ust. 1 rozpoczyna gwarancji się ponownie. Dotyczy to także wymienionych lub naprawionych części. Ewentualne szkody i wady stwierdzone w momencie zakupu należy zgłosić natychmiast po rozpakowaniu. Naprawy dokonywane po upływie okresu gwarancji są odpłatne.

Zakres gwarancji

Urządzenie zostało starannie wyprodukowane zgodnie z surowymi wytycznymi w zakresie jakości oraz gruntownie sprawdzone przed opuszczeniem zakładu produkcyjnego.

Świadczenia gwarancyjne obejmują wady materiałowe i produkcyjne. Niniejsza gwarancja nie obejmuje tych elementów produktu, które podlegają normalnemu zużyciu, w związku z czym mogą być uważane za części ulegające zużyciu, a także uszkodzeń elementów delikatnych, takich jak przełączniki, akumulatory lub części wykonane ze szkła.

Gwarancja wygasa, jeżeli produkt został uszkodzony bądź nie był właściwie użytkowany lub konserwowany. Celem właściwego użytkowania produktu należy dokładnie stosować się do wszystkich wskazówek zawartych w instrukcji obsługi. Należy bezwzględnie unikać celów i czynności, których realizację i wykonywanie odradza się w instrukcji obsługi lub przed których realizacją i wykonywaniem instrukcja owa przestrzega.

Produkt przeznaczony jest do użytku w celach prywatnych i nie jest przeznaczony do wykorzystania w przemyśle. Gwarancja wygasa w przypadku nadużywania i niewłaściwego użytkowania, użycia z wykorzystaniem siły, a także w przypadku ingerencji, które nie są dokonywane w naszym autoryzowanym oddziale serwisu.

Postępowanie w przypadku realizacji gwarancji

W celu zapewnienia szybkiego rozpatrzenia Państwa sprawy prosimy o zastosowanie się do poniższych wskazówek:

- Prosimy, by mieli Państwo zawsze przygotowany paragon kasowy i numer artykułu (IAN 365183_2101) jako dowód zakupu.
- Numer artykułu znajduje się na tabliczce znamionowej, grawerunku, stronie tytułowej instrukcji obsługi (u dołu po lewej stronie) albo na naklejce umieszczonej z tyłu bądź na spodzie.
- W przypadku wystąpienia usterek w działaniu bądź innych wad prosimy o skontaktowanie się **telefonicznie** lub poprzez **e-mail** z niżej wskazanym oddziałem serwisu.
- Produkt, w przypadku którego stwierdzono uszkodzenie, pod warunkiem dołączenia potwierdzenia zakupu (paragonu kasowego) i wskazania istoty oraz momentu ujawnienia się wady, można następnie bezpłatnie przesać na wskazany Państwu adres serwisu.



Ze strony www.lidl-service.com mogą Państwo pobrać ten i wiele innych podręczników użytkownika, dotyczących produktów nagrań wideo oraz oprogramowanie. Za pomocą tego kodu QR możesz przejść bezpośrednio do strony serwisowej Lidl (www.lidl-service.com) i otworzyć instrukcję obsługi, wprowadzając numer artykułu (IAN 365183_2101).

9. Serwis

Jeśli w trakcie pracy Państwa produktów firmy ROWI Germany wystąpią problemy, prosimy postępować według poniższej procedury:

Dane kontaktowe

Poniżej przedstawiamy dane kontaktowe firmy ROWI Germany:

ROWI Germany GmbH

Werner-von-Siemens-Str. 27

76694 Forst,

NIEMCY

lidl-services@rowi-group.com

Infolinia serwisowa: +800 7694 7694

(bezpłatna z telefonów stacjonarnych)

IAN 365183_2101

Rozwiązanie większości problemów jest możliwe w ramach kompetentnego doradztwa technicznego naszego zespołu serwisowego.



1. Úvod	Strana 82
1.1 Použitie v súlade s určením	Strana 82
1.2 Obsah balenia	Strana 82
1.3 Vybavenie	Strana 82
1.4 Technické údaje	Strana 82
2. Bezpečnostné pokyny	Strana 84
2.1 Všeobecné upozornenia	Strana 84
2.2 Ochrana pred zásahom elektrickým prúdom	Strana 85
2.3 Ochrana pred nebezpečenstvom požiaru	Strana 86
2.4 Ochrana pred zraneniami	Strana 87
2.5 Kvôli bezpečnosti vášho dieťaťa	Strana 88
3. Príprava na montáž	Strana 89
4. Montáž nožičiek	Strana 89
5. Uvedenie do prevádzky	Strana 90
5.1 Obsluha zariadenia	Strana 90
5.2 Tepelný istič	Strana 90
6. Údržba a čistenie	Strana 91
7. Likvidácia	Strana 91
8. Záruka spoločnosti ROWI Germany GmbH	Strana 91
9. Servis	Strana 92

ELEKTRICKÝ KRB SEK 2000 B2

1. Úvod

Blahoželáme vám ku kúpe vášho nového zariadenia. Rozhodli ste sa pre vysokokvalitný výrobok. Návod na obsluhu je súčasťou výrobku. Obsahuje dôležité informácie týkajúce sa bezpečnosti, používania a likvidácie. Pred použitím výrobku sa oboznámte s návodom na obsluhu a všetkými bezpečnostnými pokynmi. Výrobok používajte len tak, ako je uvedené a iba v uvedených oblastiach použitia. Pri postúpení výrobku tretím osobám odovzdajte aj všetky podklady k nemu.

1.1 Použitie v súlade s určením

Toto zariadenie je určené len na vykurovanie uzavretých a suchých miestností počas prechodného obdobia. Zariadenie nie je určené na použitie v priestoroch, v ktorých dominujú špeciálne podmienky, ako napr. korozívna alebo výbušná atmosféra (prach, para alebo plyn). Zariadenie nepoužívajte vonku. Akékoľvek iné použitie alebo zmena zariadenia sa považuje za použitie, ktoré je v rozpore s jeho účelom, a skrýva v sebe vážne nebezpečenstvo úrazu. Za škody vzniknuté v dôsledku nesprávneho použitia nepreberáme žiadnu záruku. Zariadenie je určené len na súkromné použitie.

1.2 Obsah balenia

- 1 Elektrický krb
- 1 Návod na obsluhu
- 4 Nožičky
- 12 Skrutiek

1.3 Vybavenie

- 1 Elektrický krb
- 2 Obslužný panel
- 3 Regulátor teploty
- 4 Skrutky M4 x 15 mm
- 5 Nožičky
- 6 Vetracia mriežka

1.4 Technické údaje

Menovité napätie:	220-240 V~, 50 Hz
Menovitý príkon:	1750 W - 1950 W
Trieda ochrany:	I
Okolité podmienky:	0 °C až +35 °C
Rozmery zariadenia:	ca. 38 x 23 x 51 cm
Vykurovací výkon:	
Stupeň vykurovania 1:	950 W
Stupeň vykurovania 2:	1950 W

Požiadavky na informácie pre elektrické lokálne ohrievače priestoru

Identifikačný (-é) kód (-y) modelu: SEK 2000 B2

Položka	Symbol	Hodnota	Jednotka
Tepelný výkon			
Menovitý tepelný výkon	P_{nom}	2,0	kW
Minimálny tepelný výkon (orientačne)	P_{min}	1,0	kW
Maximálny priebežný tepelný výkon	$P_{max,c}$	1,9	kW
Vlastná spotreba elektrickej energie			
Pri menovitom tepelnom výkone	$e_{l_{max}}$	0	kW
Pri minimálnom tepelnom výkone	$e_{l_{min}}$	0	kW
V pohotovostnom režime	$e_{l_{SB}}$	N/A	kW

Položka	Jednotka
---------	----------

Spôsob prívodu tepla, iba pre elektrické akumulčné lokálne ohrievače priestoru (vyberte jeden)

manuálne ovládanie množstva tepla so zabudovaným termostatom	[nie]
manuálne ovládanie množstva tepla so spätnou väzbou izbovej a/alebo vonkajšej teploty	[nie]
elektronické ovládanie množstva tepla so spätnou väzbou izbovej a/alebo vonkajšej teploty	[nie]
tepelný výkon s pomocou ventilátora	[nie]

Druh ovládania tepelného výkonu/izbovej teploty (vyberte jeden)

jednourovňový tepelný výkon bez ovládania izbovej teploty	[nie]
dve alebo viac manuálnych úrovní bez ovládania izbovej teploty	[nie]
s ovládaním izbovej teploty mechanickým termostatom	[áno]
s elektronickým ovládaním izbovej teploty	[nie]
elektronické ovládanie izbovej teploty a denný časovač	[nie]
elektronické ovládanie izbovej teploty a týždenný časovač	[nie]
Ďalšie možnosti ovládania (možnosť viacnásobného výberu)	
ovládanie izbovej teploty s detekciou prítomnosti	[nie]
ovládanie izbovej teploty s detekciou otvoreného okna	[nie]
s možnosťou diaľkového ovládania	[nie]
s prispôsobivým ovládaním spustenia	[nie]
s obmedzením času prevádzky	[nie]
so snímačom čiernej žiarovky	[nie]

ROWI Germany GmbH
 Werner-von-Siemens-Str. 27
 76694 Forst
 NEMECKO

2. Bezpečnostné pokyny



Prečítajte si všetky bezpečnostné pokyny a inštrukcie.



Nedodržanie bezpečnostných pokynov a inštrukcií môže spôsobiť vážne zranenia a/alebo materiálne škody.

Uschovajte všetky bezpečnostné predpisy a inštrukcie aj do budúcnosti!

2.1 Všeobecné upozornenia



Zariadenie je určené len na použitie v interiéri!

- Pred použitím si dôkladne prečítajte tento návod na obsluhu. Je súčasťou zariadenia a musí byť neustále k dispozícii.
- Zariadenie používajte len na popísaný účel použitia.
- Skontrolujte, či sa potrebné sieťové napätie (pozri typový štítok na zariadení) zhoduje s vaším napätím v sieti.
- V prípade funkčných porúch smie zariadenie opravovať len naše servisné stredisko.
- Zariadenie smie byť umiestnené výhradne na pevnom, rovnom, suchom a nie horľavom podklade.
- Dbajte na to, aby bola zásuvka dobre dostupná, aby sa sieťová zástrčka dala v prípade potreby rýchlo vytiahnuť.

2.2 Ochrana pred zásahom elektrickým prúdom



Nebezpečenstvo ohrozenia života zásahom elektrické ho prúdu!

Pri kontakte s vedeniami alebo komponentmi pod napätím vzniká nebezpečenstvo ohrozenia života!

- Zariadenie pripájajte len do zásuvky s ochranným kolíkom, ktorá bola namontovaná v súlade s predpismi.
- Ak by zariadenie spadlo na podlahu, alebo by ho zasiahol silný úder, alebo by spadlo do vody, nesmiete ho ďalej používať. V takomto prípade sa obráťte na naše servisné stredisko.
- Ak je poškodený sieťový kábel tohto zariadenia, výrobca alebo podobná kvalifikovaná osoba ho musí vymeniť, aby sa zabránilo ohrozeniam.
- Zariadenie nikdy nepoužívajte v bezprostrednej blízkosti drezu, vane, sprchy alebo bazéna, lebo striekajúca voda by mohla vniknúť do zariadenia.
- Do zariadenia v žiadnom prípade nesmie vniknúť voda alebo iné kvapaliny. A z toho dôvodu:
 - nikdy nepoužívajte vonku,
 - nikdy na zariadenie neukladajte nádoby naplnené tekutinou, ako sú poháre na nápoje, vázy atď.,
 - nikdy nepoužívajte vo veľmi vlhkom prostredí, ako je napr. kúpeľňa. Ak sa kvapalina predsa len dostane do zariadenia, okamžite vytiahnite sieťovú zástrčku a zariadenie nechajte opraviť kvalifikovaným odborným personálom.
- Nikdy sa nepokúšajte prstami alebo predmetmi cez ochrannú mriežku siahť do vnútra zariadenia.
- Zariadenia, sieťového kábla alebo zástrčky sa nikdy nedotýkajte vlhkými rukami.
- Sieťový kábel vždy vyťahujte uchopením za zástrčku. Nikdy neťahajte za samotný kábel.
- Dbajte na to, aby sieťový kábel nebol ohnutý a ani pritlačený.

- Dbajte na to, aby nedošlo k poškodeniu sieťového kábla na ostrých hranách.
- Sieťový kábel chráňte pred horúcimi plochami (napr. platňa sporáka).
- Keď zariadenie dlhší čas nepoužívate, vytiahnite zástrčku zo zásuvky. Len vtedy bude zariadenie úplne bez prívodu prúdu.
- Používanie predlžovacích káblov je zakázané.
- Zariadenie nemôže byť prevádzkované s externým časovačom alebo samostatným diaľkovým ovládacím systémom, ako je napr. rádiom ovládaná zásuvka.

2.3 Ochrana pred nebezpečenstvom požiaru



Nebezpečenstvo požiaru!

Kdeže zariadenie pracuje s vysokými teplotami, riad'te sa nasledujúcimi bezpečnostnými pokynmi, aby nemohlo dôjsť k požiaru.



Riziko prehriatia!

Teplo vzdušný ventilátor sa nesmie zakrývať, aby sa zabránilo prehriatiu ventilátora.

- Počas prevádzky sa nesmú v bezprostrednom okolí zariadenia nachádzať žiadne horľavé predmety (napr. závesy, papier atď.).
- Zariadenie nikdy nepoužívajte na to, aby ste na ňom, nad ním alebo pred ním sušili nejaké textilie alebo iné veci.
- Pri inštalovaní zariadenia udržiavajte okolo neho minimálny odstup 0,5 m od iných zariadení alebo od steny.
- Zariadenie nikdy neprevádzkujte v priestoroch ohrozených výbuchom alebo v blízkosti horľavých plynov alebo kvapalín.
- Zariadenie nesmie byť nikdy nainštalované priamo pod zásuvkou v stene, lebo vznikajúce teplo by mohlo viesť k poškodeniu elektrickej inštalácie.

- Dbajte na to, aby mohol vzduch stále voľne vstupovať a vystupovať. V opačnom prípade môže dôjsť k nahromadeniu tepla v zariadení.
- Zariadenie nikdy nenechávajte fungovať bez dohľadu. Poškodenia sa takmer vždy prejavia prostredníctvom intenzívneho zápachu. V takomto prípade okamžite vyťahnite sieťovú zástrčku a zariadenie nechajte skontrolovať.

2.4 Ochrana pred zraneniami

- Riadte sa nasledujúcimi upozoreniami, aby ste zabránili zraneniam.
- Dávajte pozor, aby sieťový kábel nevytváral riziko zakopnutia a aby sa nikto nemohol do neho zapliesť alebo naň stúpiť.
- Udržiavajte si dostatočný odstup od zariadenia, aby ventilátor nemohol nasáť vaše vlasy alebo kusy oblečenia.



Varovanie pred horúcimi povrchmi!

Niektoré časti výrobku sa môžu veľmi zohriať a spôsobiť popáleniny. Buďte mimoriadne opatrní, ak sú prítomné deti a soby odkázané na ochranu.

2.5 Kvôli bezpečnosti vášho dieťaťa

- Deti často nedokážu správne posúdiť riziko a v dôsledku toho si spôsobia zranenia. Preto dodržiavajte nasledovné:
- Tento výrobok sa môže používať len pod dohľadom dospelých osôb, aby sa zabezpečilo, že sa deti nebudú do zariadením hrať.
- Starostlivo dbajte na to, aby sa zariadenie nachádzalo vždy mimo dosahu detí.
- Dávajte pozor, aby sa obalová fólia nestala smrteľnou pascou pre deti. Obalové fólie nie sú na hranie.
- Toto zariadenie môžu používať deti staršie ako 8 rokov, ako aj osoby so zníženými fyzickými, zmyslovými alebo mentálnymi schopnosťami alebo osoby s nedostatočnými skúsenosťami a vedomosťami, pokiaľ sú pod dozorom alebo pokiaľ boli poučené o bezpečnom používaní zariadenia a chápu z toho vyplývajúce nebezpečenstvá. Deti sa so zariadením nesmú hrať. Deti bez dozoru nesmú vykonávať čistenie a údržbu.
- Deti mladšie ako 3 roky musia byť mimo dosahu zariadenia, iba ak by boli pod neustálym dohľadom.
- Deti od 3 do 8 rokov smú zapínať a vypínať zariadenie len pod dozorom, alebo ak boli poučené o bezpečnom používaní zariadenia a pochopili z toho vyplývajúce nebezpečenstvá, za predpokladu, že zariadenie je umiestnené alebo nainštalované vo svojej normálnej pracovnej polohe.
- Deti od 3 do 8 rokov nesmú zasúvať zástrčku do zásuvky, ovládať zariadenie, čistiť ho a/alebo vykonávať údržbu bežnú pre používateľa.

3. Príprava na montáž

- Zo zariadenia odstráňte všetok obalový materiál a prepravné poistky.
- Skontrolujte obsah balenia, či je kompletný a nie je poškodený.

4. Montáž nožičiek

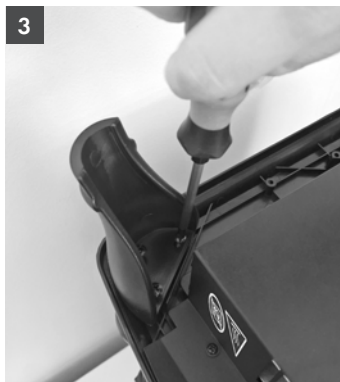
- Keď ste zariadenie kompletne vybalili, položte ho otočené naopak na čistú podložku, aby ste videli celé dno zariadenia (obr. 1).



- Potom si vezmite jednu nožičku [5] a 3 skrutky [4] prestrčte cez otvory (obr. 2).



- V každom rohu zariadenia sa nachádza 3 zodpovedajúce otvorov. Potom si vezmite nožičku [5] so skrutkami [4] a nasadte ju tak, aby lícovala s príslušnými otvormi.
- Keď sú skrutky [4] v správnych otvoroch, pevne ich zatiahnite pomocou skrutkovača (obr. 3).



- Pri všetkých štyroch nožičkách [5] postupujte rovnako, kým ich nebudete mať všetky namontované.
- Potom môžete zariadenie postaviť na nožičky [5]. Zariadenie je pripravené na uvedenie do prevádzky (obr. 4).



5. Uvedenie do prevádzky

Pred uvedením zariadenia do prevádzky nájdite preň vhodné miesto.


Kvôli bezpečnej a bezchybnej prevádzke zariadeniamusí miesto inštalácie spĺňať tieto podmienky:

- Podlaha musí byť pevná, rovná a vodorovná.
- Zariadenie by malo byť vzdialené minimálne jeden meter od nábytku, závesov a iných ľahko horľavých predmetov.
- Zariadenie neinštalujte do horúceho, mokrého alebo veľmi vlhkého prostredia.
- V blízkosti by mala byť uzemnená zásuvka s ochranným spínačom FI.
- Zásuvka musí byť ľahko dostupná, aby sa v prípade potreby dal ľahko vytiahnuť sieťový kábel.
- Nesmú sa používať žiadne predlžovacie káble.

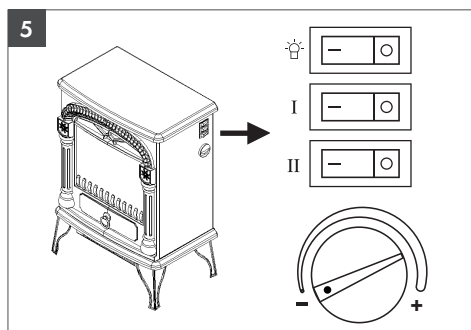
- Potom zasuňte kábel zariadenia do uzemnenej zásuvky.

DÔLEŽITÉ! Kábel musí zostať na zadnej strane zariadenia a nesmie sa dotýkať horúcich častí.

5.1 Obsluha zariadenia

- Zariadenie sa ovláda pomocou obslužného panela [2] a regulátora teploty [3] na pravej strane (obr. 5).
- Prvým spínačom so symbolom [] sa môže zapínať a vypínať efekt plameňa. Efekt plameňa môžete používať s funkciou vykurovania a aj bez nej. Keď je spínač zatlačený na symbole [O], efekt plameňa je vypnutý. Keď spínač zatlačíte doľava [-], aktivujete ho.
- Pre nižšie vykurovanie zapnite prvý stupeň vykurovania so symbolom [I] na vypínači na symbol [-] vypnite pri symbole [O]. Efekt vykurovania môžete používať s funkciou plameňa a aj bez nej.

- Kvôli plnému vykurovaciemu výkonu zapnite stupeň vykurovania [I] a [II] pomocou zapínačov/vypínačov.
- Stupeň vykurovania [II] funguje len vtedy, keď je aj spínač pre stupeň vykurovania [I] na symbole [-]. Teplotu v rámci dvoch stupňov vykurovania môžete ovládať regulátorom teploty [3] od [-] po [+]. Potom zariadenie zapnete tým, že regulátor teploty [3] budete otáčať v smere hodinových ručičiek dovtedy, kým nebudete počuť jasné kliknutie. [-] predstavuje prítom najnižšiu teplotu (vľavo) a [+] (vpravo) najvyššiu teplotu.




UPOZORNENIE! Vďaka automatizovanej prevádzke ovládanie horúceho vzduchu (termostat) udržiava konštantnú vopred naprogramovanú teplotu.

- Najprv otočte regulátor teploty [3] doprava smerom k maximálnej hodnote. Spínač ponechajte v tejto polohe dovtedy, kým vzduch v miestnosti nedosiahne požadovanú teplotu.


UPOZORNENIE! Pri prvom použití sa môže krátko tvoriť mierny zápach.

5.2 Tepelný istič

Kvôli vašej bezpečnosti má toto zariadenie tepelný istič. Ak bude teplota vo vnútri zariadenia príliš vysoká, automaticky sa zariadenie vypne. V tomto prípade postupujte takto:

1. Vytiahnite sieťovú zástrčku.
2. Zariadenie nechajte aspoň 20 minút schladnúť.
3. Skontrolujte, či sú vetracie mriežky  voľné a vyčistite ich mäkkou suchou handrou.
4. Opätovne zariadenie spustíte. Potom ho môžete normálne prevádzkovať ďalej. Ak by nebolo možné zistiť príčinu a chyba by sa vyskytla opakovaně, nechajte zariadenie opraviť alebo ho vyradte z prevádzky.

6. Údržba a čistenie

- **OPATRNE! NEBEZPEČENSTVO ZÁSAHU ELEKTRICKÝM PRÚDOM!** Pred čistením vytriahnite sieťovú zástrčku zo zásuvky a zariadenie vždy nechajte úplne vychladnúť.
- Zariadenie zvonku vyčistite mäkkou suchou handričkou. V žiadnom prípade nepoužívajte kvapaliny, najmä čistiace prostriedky obsahujúce benzín a také, ktoré by mohli toto zariadenie poškodiť.
- Vetracie mriežky  pravidelne pomocou vysávača zbavujte prachu a nečistôt.

7. Likvidácia



Obal sa skladá z ekologických materiálov, ktoré môžete likvidovať prostredníctvom miestnych recyklačných stredísk.



Výrobok a obalové materiály sú recyklovateľné, zlikvidujte ich oddelene pre lepšie spracovanie odpadu. Triman-Logo platí iba pre Francúzsko.



Všimnite si označenie obalových materiálov pri separovanom zbere. Sú označené skratkami a číslami s nasledovným významom: 1 - 7: Plasty/20 - 22: Papier a lepenka/80 - 98: kompozitné materiály.



Výrobok nelikvidujte s domácim odpadom, ale prostredníctvom komunálnych zberných miest, ktoré recyklujú materiály! O možnostiach likvidácie starých výrobkov sa informujte na vašom obecnom alebo mestskom úrade.

8. Záruka spoločnosti ROWI Germany GmbH

Vážená zákazníčka, vážený zákazník, na toto náradie máte 3-ročnú záruku od dátumu kúpy. V prípade nedostatkov tohto výrobku máte zákonné práva voči predajcovi výrobku. Tieto zákonné práva neobmedzuje naša nižšie uvedená záruka.

Záručné podmienky

Záručná lehota začína plynúť dátumom kúpy. Originál pokladničného bloku si dobre uschovajte. Budete ho potrebovať ako doklad o kúpe.

Ak by sa v rámci troch rokov od dátumu kúpy tohto výrobku vyskytla nejaká materiálová alebo výrobná chyba, výrobok vám podľa vlastného uváženia bezplatne opravíme alebo vymeníme. Toto záručné plnenie predpokladá, že v rámci tejto trojročnej lehoty predložíte pokazené náradie a doklad o kúpe (pokladničný blok) a písomne krátko uvediete, o aký druh nedostatku ide a kedy sa vyskytol.

Pokiaľ sa na tento nedostatok vzťahuje naša záruka, vrátíme vám opravený alebo nový výrobok. S opravou alebo výmenou výrobku nezačína plynúť nové záručné obdobie.

Záručné obdobie a zákonné nároky na odstránenie nedostatkov

Záručná doba sa poskytnutím záručného plnenia nepredlžuje. Platí to aj pre vymenené a opravené súčiastky. Poškodenia a nedostatky, ktoré boli prítomné už pri kúpe sa musia okamžite po vybalení nahlásiť. Pozárúčne opravy nie sú bezplatné.

Rozsah záruky

Náradie bolo vyrobené starostlivo v súlade s prísnyimi smernicami o kvalite a pred expedíciou dôkladne prekontrolované.

Záručné plnenie sa vzťahuje na materiálové alebo výrobné chyby. Táto záruka sa nevzťahuje na tie časti výrobku, ktoré sú vystavené normálnemu opotrebovaniu a z toho dôvodu sa môžu považovať za opotrebitelné súčiastky a na poškodenia rozbitných komponentov, napr. spínačov, akumulátorov alebo súčiastok vyrobených zo skla.

Táto záruka zaniká, ak sa výrobok používal poškodený, nesprávne alebo ak sa vykonávala jeho údržba neodborne. Na správne používanie výrobku sa musia presne dodržiavať všetky pokyny uvedené v návode na obsluhu. Bezpodmienečne sa vyhňte takému spôsobu použitia a manipulácii, od ktorých vás návod na obsluhu odrádza alebo pred ktorými vás vystríha.

Výrobok je určený len na súkromné a nie na priemyselné použitie. V prípade nesprávnej a neodbornej manipulácie, použitia násilia a v prípade zásahov, ktoré nevykonala naša autorizovaná pobočka servisu, záruka zaniká.

Spracovanie záručného prípadu

Aby sme vedeli zabezpečiť rýchle spracovanie vášho prípadu, postupujte podľa týchto pokynov:

- V prípade akýchkoľvek otázok si pripravte pokladničný blok a číslo výrobku (IAN 365183_2101) ako doklad o kúpe.
- Číslo výrobku nájdete na výrobnom štítku, na gravírovaní, na titulnom liste vášho návodu (dole vľavo) alebo nalepené na zadnej alebo spodnej strane.
- Pokiaľ by sa vyskytli funkčné poruchy alebo iné nedostatky, obráťte sa **telefonicky** alebo prostredníctvom **e-mailu** najprv na nižšie uvedené servisné oddelenie.
- Výrobok, ktorý bol zaevidovaný ako chybný, môžete potom odoslať s pripojeným dokladom o kúpe (pokladničným blokom) a so špecifikáciou nedostatku a toho, kedy vznikol, bez poštovného na adresu servisu, ktorá vám bola oznámená.



Na www.lidl-service.com si môžete stiahnuť túto príručku a mnoho iných príručiek, videí o výrobkoch a softvéri. Pomocou tohto QR kódu sa dostanete priamo na stránku servisu spol. Lidl (www.lidl-service.com) a po zadaní čísla výrobku (IAN 365183_2101) si môžete otvoriť váš návod na obsluhu.

9. Servis

Ak by sa počas prevádzky vášho produktu značky ROWI Germany vyskytli problémy, postupujte nasledovne:

Nadviazanie kontaktu

Servisný tím ROWI Germany kontaktujte na:

ROWI Germany GmbH
Werner-von-Siemens-Str. 27
76694 Forst
NEMECKO
lidl-services@rowi-group.com
Zákaznícka linka: +800 7694 7694
(z pevnej siete bezplatná)

IAN 365183_2101

Väčšinu problémov možno vyriešiť už v rámci kvalifikovaného technického poradenstva poskytovaného naším servisným tímom.

1. Introducción	Página	94
1.1 Uso previsto	Página	94
1.2 Volumen de suministro	Página	94
1.3 Equipamiento	Página	94
1.4 Datos técnicos	Página	94
2. Instrucciones de seguridad	Página	96
2.1 Información general de seguridad	Página	96
2.2 Protección contra descargas eléctricas	Página	97
2.3 Protección contra el riesgo de incendio	Página	98
2.4 Protección contra lesiones	Página	99
2.5 Para la seguridad de su hijo	Página	100
3. Preparación para el montaje	Página	101
4. Montaje de los pies	Página	101
5. Puesta en marcha	Página	102
5.1 Funcionamiento en el aparato	Página	102
5.2 Protección contra el sobrecalentamiento	Página	102
6. Mantenimiento y limpieza	Página	103
7. Eliminación	Página	103
8. Garantía de ROWI Germany GmbH	Página	103
9. Servicio	Página	104

CHIMENEA ELÉCTRICA SEK 2000 B2

1. Introducción

Le damos la enhorabuena por haber adquirido su nuevo aparato. Se ha decidido por un producto de alta calidad. El manual de instrucciones es parte integrante de este producto. Este contiene información importante para la seguridad, el uso y la eliminación. Antes de utilizar el producto, familiarícese con todas las instrucciones de funcionamiento y de seguridad. Utilice el producto únicamente tal como se describe y para las áreas de uso especificadas. En caso de traspaso del producto a terceros, entregue toda la documentación.

1.1 Uso previsto

Este aparato está destinado únicamente para calentar estancias cerradas y secas durante un período transitorio. El aparato no está previsto para utilizarse en estancias en las que prevalecen condiciones especiales como ambientes corrosivos o explosivos (polvo, humedad o gas). No utilice el aparato al aire libre. Cualquier otro uso o modificación del aparato no se considera uso previsto y conlleva un riesgo considerable de accidentes. No asumimos ninguna responsabilidad por los daños resultantes de un uso inadecuado. El aparato está destinado exclusivamente para el uso privado.

1.2 Volumen de suministro

- 1 Chimenea eléctrica
- 1 Manual de instrucciones
- 4 Patas
- 12 Tornillos

1.3 Equipamiento

- 1 Chimenea eléctrica
- 2 Panel de servicio
- 3 Regulador de temperatura
- 4 Tornillos M4 x 15 mm
- 5 Pies
- 6 Rejilla de ventilación

1.4 Datos técnicos

Tensión nominal:	220-240 V~, 50 Hz
Dimensión de registro:	1750 W - 1950 W
Clase de protección:	I
Condiciones ambientales:	0 °C hasta +35 °C
Dimensiones del aparato:	aprox. 38 x 23 x 51 cm
Capacidad de calefacción:	
Nivel de calentamiento 1:	950 W
Nivel de calentamiento 2:	1950 W

Requisitos de información que deben cumplir los aparatos de calefacción local eléctricos

Identificador(es) del modelo: SEK 2000 B2

Partida	Símbolo	Valor	Unidad
---------	---------	-------	--------

Potencia calorífica

Potencia calorífica nominal	P_{nom}	2,0	kW
-----------------------------	-----------	-----	----

Potencia calorífica mínima (indicativa)	P_{min}	1,0	kW
---	-----------	-----	----

Potencia calorífica máxima continuada	$P_{max,c}$	1,9	kW
---------------------------------------	-------------	-----	----

Consumo auxiliar de electricidad

A potencia calorífica nominal	$e_{l_{max}}$	0	kW
-------------------------------	---------------	---	----

A potencia calorífica mínima	$e_{l_{min}}$	0	kW
------------------------------	---------------	---	----

En modo de espera	$e_{l_{SB}}$	N/A	kW
-------------------	--------------	-----	----

Partida	Unidad
---------	--------

Tipo de aportación de calor, únicamente para los aparatos de calefacción local eléctricos de acumulación (seleccione uno)

control manual de la carga de calor, con termostato integrado	[no]
---	------

control manual de la carga de calor con respuesta a la temperatura interior o exterior	[no]
--	------

control electrónico de la carga de calor con respuesta a la temperatura interior o exterior	[no]
---	------

potencia calorífica asistida por ventiladores	[no]
---	------

Tipo de control de potencia calorífica/de temperatura interior (seleccione uno)

potencia calorífica de un solo nivel, sin control de temperatura interior	[no]
---	------

Dos o más niveles manuales, sin control de temperatura interior	[no]
---	------

con control de temperatura interior mediante termostato mecánico	[sí]
--	------

con control electrónico de temperatura interior	[no]
---	------

control electrónico de temperatura interior y temporizador diario	[no]
---	------

control electrónico de temperatura interior y temporizador semanal	[no]
--	------

Otras opciones de control (pueden seleccionarse varias)

control de temperatura interior con detección de presencia	[no]
--	------

control de temperatura interior con detección de ventanas abiertas	[no]
--	------

con opción de control a distancia	[no]
-----------------------------------	------

con control de puesta en marcha adaptable	[no]
---	------

con limitación de tiempo de funcionamiento	[no]
--	------

con sensor de lámpara negra	[no]
-----------------------------	------

ROWI Germany GmbH
 Werner-von-Siemens-Str. 27
 76694 Forst
 ALEMANIA

2. Instrucciones de seguridad



Lea todas las indicaciones e instrucciones de seguridad.



No cumplir las indicaciones de seguridad e instrucciones puede causar lesiones graves y/o daños materiales.

Guarde todas las indicaciones de seguridad e instrucciones para consultar en el futuro!

2.1 Información general de seguridad



El aparato ha sido diseñado para ser utilizado únicamente en interiores!

- Lea atentamente este manual de instrucciones antes de usar el aparato. Este es parte del aparato y debe estar disponible en todo momento.
- Utilice el aparato únicamente para el propósito descrito.
- Compruebe si la tensión de red necesaria (véase la placa de características en el aparato) coincide con la tensión de su red.
- En caso de avería, el aparato solo podrá repararlo nuestro Equipo de Servicio.
- El aparato solo puede instalarse en una superficie firme, nivelada, seca e incombustible.
- Asegúrese de que la toma de corriente sea fácilmente accesible para que pueda desconectar el enchufe rápidamente en caso de que sea necesario.

2.2 Protección contra descargas eléctricas



¡Peligro de muerte por corriente eléctrica!

¡Existe peligro de muerte por contacto con cables o componentes bajo tensión!

- Conecte el aparato solo a una toma de corriente con conexión a tierra correctamente instalada.
- Si el aparato se ha caído al suelo o ha recibido un golpe fuerte, o si ha caído al agua, no lo siga utilizando. En este caso, póngase en contacto con nuestro equipo de servicio.
- Si el cable de alimentación de red de este aparato está dañado, el fabricante o una persona igualmente cualificada deberá sustituirlo para evitar peligros.
- Nunca utilice el aparato en las inmediaciones de un fregadero, una bañera, una ducha o una piscina, ya que puede entrar agua salpicada en el aparato.
- No permita que entre agua u otros líquidos en el aparato. Por eso es por lo que no debe:
 - utilizarlo nunca al aire libre,
 - colocar nunca recipientes llenos de líquidos, como vasos, jarrones, etc., sobre el aparato,
 - utilizar nunca en un ambiente muy húmedo, como un baño. En caso de que entre líquido en el aparato, desenchufe inmediatamente el cable de alimentación y haga que personal de servicio cualificado repare el aparato.
- Nunca intente tocar el interior del aparato con los dedos u objetos a través de la rejilla de protección.
- Nunca toque el aparato, el cable de red o el enchufe de red con las manos mojadas.
- Desconecte siempre el cable de alimentación del enchufe. No tire nunca del cable.
- Asegúrese de que el cable de alimentación nunca esté doblado ni apretado.

- Asegúrese de que no se dañe el cable de alimentación por bordes afilados.
- Mantenga el cable de alimentación alejado de superficies calientes (p. ej. fogones).
- Si no va a utilizar el aparato durante mucho tiempo, desenchufe el cable de alimentación de la red. Solo así, el aparato estará completamente libre de corriente.
- Está prohibido el uso de cables alargadores.
- El aparato no debe ser operado con un temporizador externo o un sistema de telecontrol separado, como por ejemplo un enchufe de control remoto.

2.3 Protección contra el riesgo de incendio



¡Peligro de incendio!

Dado que el aparato funciona a altas temperaturas, preste atención a las siguientes instrucciones de seguridad para evitar incendios.



¡Peligro de sobrecalentamiento!

Para evitar un sobrecalentamiento del aparato calefactor, este no debe cubrirse.

- Durante el funcionamiento, no debe haber objetos combustibles (por ejemplo, cortinas, papel, etc.) en las inmediaciones del aparato.
- No utilice nunca el aparato para secar tejidos u otros objetos colocándolos sobre, por encima o delante del aparato.
- Cuando instale el aparato, mantenga una distancia mínima de 0,5 m de otros dispositivos o de la pared.
- No utilice nunca el aparato en espacios potencialmente explosivos ni en las proximidades de gases o líquidos inflamables.

- Nunca coloque el aparato directamente debajo de una toma de corriente, ya que el calor generado podría dañar la instalación eléctrica.
- Asegúrese siempre de que el aire pueda entrar y salir libremente. De lo contrario, puede producirse una acumulación de calor en el aparato.
- Nunca deje el aparato funcionando sin supervisión. Los daños se indican casi siempre por la formación intensiva de olores. En este caso, desconecte inmediatamente el enchufe de la red y haga revisar el aparato.

2.4 Protección contra lesiones

- Siga las siguientes instrucciones para evitar lesiones.
- Asegúrese de que el cable de conexión a la red eléctrica no suponga un peligro de tropiezo o de que alguien pueda quedar atrapado en él o pisarlo.
- Mantenga suficiente distancia del aparato para evitar que el ventilador aspire el pelo o la ropa.



¡Advertencia sobre superficies calientes!

Algunas piezas del producto pueden calentarse mucho y causar quemaduras. Se ruega prestar especial atención en presencia de niños y personas vulnerables que necesiten protección.

2.5 Para la seguridad de su hijo

- A menudo, los niños no pueden evaluar correctamente los peligros y, por lo tanto, son propensos a sufrir lesiones. Por eso, tenga en cuenta que:
- Este producto solo puede utilizarse bajo la supervisión de un adulto para garantizar que los niños no jueguen con él.
- Asegúrese de que el aparato esté siempre fuera del alcance de los niños.
- Asegúrese de que el plástico del embalaje no se convierta en una trampa mortal para los niños. El embalaje no es un juguete.
- Este aparato puede ser utilizado por niños de 8 años de edad o mayores y por personas con capacidades físicas, sensoriales o mentales reducidas o con falta de experiencia y conocimientos si han sido supervisados o instruidos en el uso seguro del dispositivo y comprenden los peligros resultantes. Los niños no deben jugar con el aparato. Los niños no deben realizar la limpieza y el mantenimiento del usuario sin supervisión.
- Mantener alejados a los niños menores de 3 años, a menos que sean constantemente vigilados.
- Los niños menores de 3 años y menores de 8 solo podrán encender y apagar el aparato si son supervisados o instruidos en el uso seguro del aparato y han comprendido los riesgos resultantes, siempre que el aparato se coloque o instale en su posición normal de uso.
- Los niños menores de 3 años y menores de 8 años no deben enchufar el aparato en una toma de corriente, ajustarlo, limpiarlo ni realizar el mantenimiento por parte del usuario.

3. Preparación para el montaje

- Retire todo el material de embalaje y todos los seguros para el transporte del aparato.
- Compruebe la integridad y los daños en el volumen de suministro.

4. Montaje de los pies

- Una vez que haya desmontado completamente el aparato, colóquelo boca abajo sobre una superficie limpia para que pueda ver el suelo completamente (imagen 1).



- Ahora tome uno de los pies [5] e inserte 3 tornillos [4] a través de los orificios (imagen 2).



- Hay 3 coincidentes orificios en cada esquina del aparato. Ahora tome el pie [5] con los tornillos [4] y colóquelo de forma coherente en los orificios correspondientes.
- Cuando los tornillos [4] estén en los orificios correctos, apriételos con un destornillador (imagen 3).



- Por favor, proceda de la misma manera con los cuatro pies [5] hasta que los haya montado todos.
- Ahora puede colocar el aparato sobre sus pies [5]. El aparato está listo para la puesta en marcha (imagen 4).



5. Puesta en marcha

Antes de la puesta en marcha, busque una ubicación adecuada para el aparato.


Para un funcionamiento seguro y sin errores del aparato, el lugar de instalación debe cumplir los siguientes requisitos:

- El suelo debe ser firme, plano y nivelado.
- El aparato debe estar al menos a un metro de distancia de muebles, cortinas y otros objetos inflamables.
- No instale el aparato en un ambiente caliente, húmedo o muy húmedo.
- En las proximidades debe haber un enchufe con toma de tierra que esté protegido por un disyuntor (ELCB).
- El enchufe debe ser de fácil acceso para poder desconectar fácilmente el cable de conexión a la red si es necesario.
- No utilice cables alargadores.

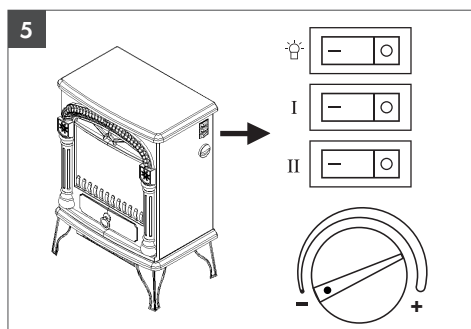
- Enchufe ahora el cable del aparato en el enchufe con toma de tierra.

¡IMPORTANTE! El cable debe permanecer en la parte posterior del aparato y no debe tocar ningún elemento caliente.

5.1 Funcionamiento en el aparato

- El manejo se realiza a través del panel de control **2** y del regulador de temperatura **3** en el lado derecho (imagen 5).
- Con el primer interruptor con el símbolo  se puede activar y desactivar el efecto de llama. El efecto llama se puede utilizar con o sin función de calefacción. Si se pulsa el interruptor en el símbolo **[O]** se desconecta el efecto llama. Si pulsa el interruptor hacia la izquierda **[-]**, lo activa.
- Para una calefacción baja, conecte la primera etapa de calefacción con el símbolo **[I]** en el interruptor de encendido **[-]** y apáguela con el símbolo **[O]**. El función de calefacción se puede utilizar con o sin efecto llama se puede.

- Para obtener la máxima potencia de calefacción, conecte las etapas de calefacción **[I]** y **[II]** con los interruptores de encendido/apagado.
- El nivel de calefacción **[II]** solo funciona si el interruptor de nivel de calefacción **[I]** también está ajustado en el símbolo **[-]**. La temperatura dentro de las dos etapas de calefacción puede controlarla a través del regulador de temperatura **3** desde **[-]** hasta **[+]**. Ahora encienda el aparato girando el regulador de temperatura **3** en el sentido de las agujas del reloj hasta que oiga un clic. **[-]** representa la temperatura más baja (izquierda) y **[+]** (derecha) la temperatura más alta.




¡AVISO! Gracias al funcionamiento automático, el control de aire caliente (termostato) mantiene constante la temperatura preprogramada.

- Primero gire el regulador de temperatura **3** hacia la derecha en la dirección del valor máximo. Deje el interruptor en esta posición hasta que el aire de la habitación haya alcanzado la temperatura deseada.


¡AVISO! Cuando se utiliza por primera vez, puede formarse un ligero olor durante un corto período de tiempo.

5.2 Protección contra el sobrecalentamiento

Para su seguridad, este aparato tiene una protección contra sobrecalentamiento. Si la temperatura en el interior del aparato se vuelve demasiado alta, se apaga automáticamente. En este caso, proceda como sigue:

1. Desconecte el enchufe de la red.
2. Deje enfriar el aparato como mínimo 20 minutos.
3. Compruebe que las rejillas de ventilación  estén libres y límpielas con un paño suave y seco.
4. Vuelva a encender el aparato. Después de esto, puede continuar operándolo de forma normal. Si no se puede encontrar ninguna causa y el error ocurre repetidamente, haga que reparen el aparato o póngalo fuera de funcionamiento.

6. Mantenimiento y limpieza

- **¡CUIDADO! ¡PELIGRO DE DESCARGA ELÉCTRICA!** Antes de limpiar el aparato, desenchúfelo de la toma de corriente y deje que se enfríe completamente.
- Limpie el exterior del aparato con un paño suave y seco. No utilice líquidos, especialmente los que contengan gasolina, ni productos de limpieza, ya que pueden dañar el aparato.
- Utilice una aspiradora para eliminar regularmente el polvo y la suciedad de las rejillas de ventilación .

7. Eliminación



El embalaje está hecho de materiales respetuosos con el medio ambiente que puede desechar en los puntos de reciclaje locales.



El producto y el material de embalaje son reciclables. Separe los materiales para un mejor tratamiento de los residuos. El logotipo Triman se aplica solo para Francia.



Tenga en cuenta el etiquetado de los materiales de embalaje durante la separación de residuos, que se marcan con abreviaturas y números con el siguiente significado: 1-7: Plástico/20-22: Papel y cartón/80-98: Materiales compuestos.



No deseche el producto en la basura doméstica, sino en puntos de recogida municipales para su reciclaje. Puede consultar las opciones de eliminación del aparato consultando en su administración local o regional.

8. Garantía de ROWI Germany GmbH

Estimado cliente,

Tiene 3 años de garantía sobre este aparato a partir de la fecha de compra. En caso de defectos en este producto le corresponden derechos legales frente al vendedor del producto. Estos derechos legales no se ven limitados por nuestra garantía, que le presentamos a continuación.

Condiciones de la garantía

El plazo de garantía se inicia desde la fecha de compra. Por favor conserve el tique de compra original. Este documento se necesita como prueba de la compra.

Si se produce un defecto de material o fabricación dentro de tres años a partir de la fecha de compra, repararemos o sustituiremos – según sea el caso – el producto de forma gratuita para usted. Este servicio de la garantía requiere que dentro del plazo de tres años se presente el aparato defectuoso y el comprobante de compra (tique de compra) y se describa cuál es el defecto y cuándo se ha producido.

Si el defecto está cubierto por nuestra garantía, recibirá el producto reparado o uno nuevo. Con la reparación o cambio del producto no se inicia ningún periodo de garantía nuevo.

Periodo de garantía y reclamación por vicios

El plazo de garantía no se prolongará. Esto se aplica también a piezas reemplazadas o reparadas. Los posibles daños y defectos presentes al realizar la compra se deben de comunicar de forma inmediata después de abrir el embalaje. Las reparaciones que se produzcan tras el vencimiento del plazo de garantía están sujetas a gastos.

Alcance de la garantía

El aparato se ha producido cuidadosamente siguiendo estrictas directivas de calidad y se ha comprobado meticulosamente antes de la entrega.

El servicio de garantía es válido para defectos de material o fabricación. La garantía no se extiende a las piezas del producto que están expuestas al desgaste normal y por lo tanto se pueden considerar como piezas de desgaste o a los daños de piezas quebradizas, p. ej. interruptor, batería o piezas hechas de cristal.

La garantía será nula cuando el producto no se ha usado o mantenido de forma adecuada. Para un uso adecuado del producto se deben cumplir de forma precisa todas las indicaciones que aparecen en el manual de instrucciones. Se deben evitar sin falta los usos y acciones que se desaconsejan o de los que se hacen advertencias en el manual de instrucciones.

El producto es específico solo para el uso privado y no para el uso industrial. En caso de tratamiento abusivo e inadecuado, uso de la violencia e intervenciones, que no están efectuados por establecimientos de servicio autorizados, vence la garantía.

Desarrollo en caso de garantía

Para garantizar una tramitación rápida de su solicitud, siga los siguientes consejos:

- Por favor tenga preparado para todas las consultas el tique de compra y el número del artículo (IAN 365183_2101) como comprobante de la compra.
- El número de artículo lo puede consultar en la placa de identificación, un grabado, en la portada del manual (parte inferior a la izquierda) o en la pegatina de la parte trasera o inferior.
- En caso de que se produzca algún error en el funcionamiento u otro defecto, póngase primero en contacto por **teléfono** o **email** con el departamento de servicio, que se menciona más adelante.
- Puede enviar libre de franqueo un producto considerado defectuoso junto al comprobante de compra (tique de compra) e información

sobre cuál es el defecto y cuándo se ha producido a la dirección de servicio que se le ha comunicado.



En www.lidl-service.com puede descargar estos y muchos otros manuales, vídeos de productos y software. Este código QR le lleva directamente a la página de servicio de Lidl (www.lidl-service.com) y puede abrir el manual de instrucciones introduciendo el número de artículo (IAN 365183_2101).

9. Servicio

Si se presentan problemas en el funcionamiento de su producto de ROWI Germany, proceda de la siguiente manera:

Póngase en contacto con nosotros

Puede ponerse en contacto con el equipo de servicio de ROWI Germany a través de:

ROWI Germany GmbH

Werner-von-Siemens-Str. 27

76694 Forst

ALEMANIA

lidl-services@rowi-group.com

Línea de atención al cliente: +800 7694 7694

(llamada gratuita desde el teléfono fijo)

IAN 365183_2101

La mayoría de los problemas se pueden resolver a través del asesoramiento técnico competente de nuestro equipo de servicio.

1. Indledning	Side 106
1.1 Tilsigtet brug	Side 106
1.2 Medfølger ved levering	Side 106
1.3 Udstyr	Side 106
1.4 Tekniske data	Side 106
2. Sikkerhedshenvisninger	Side 108
2.1 Generelle sikkerhedshenvisninger	Side 108
2.2 Beskyttelse mod elektrisk stød	Side 108
2.3 Beskyttelse mod brandfare	Side 110
2.4 Beskyttelse mod skader	Side 110
2.5 Af hensyn til dit barns sikkerhed	Side 111
3. Forberedelse af montage	Side 112
4. Montering af fødderne	Side 112
5. Ibrugtagning	Side 113
5.1 Betjening på apparatet	Side 113
5.2 Overophedningsbeskyttelse	Side 113
6. Vedligeholdelse og rengøring	Side 114
7. Bortskaffelse	Side 114
8. ROWI Germany GmbH's garanti	Side 114
9. Service	Side 115

ELEKTRISK KAMIN SEK 2000 B2

1. Indledning

Tillykke med købet af dit nye varmeapparat. Dermed har du valgt et produkt af høj kvalitet. Brugsanvisningen er del af produktet. Den indeholder vigtige information om sikkerhed, brug og bortskaffelse. Forud for ibrugtagning bør du gøre dig fortrolig med alle betjenings- og sikkerhedshenvisningerne. Produktet må udelukkende bruges som beskrevet og til det angivne anvendelsesområde. Dersom produktet overdrages til tredjepart medfølger alle dertilhørende dokumenter.

1.1 Tilsigtet brug

Dette apparat er til opvarmning af midlertidigt lukkede og tørre rum. Apparatet er ikke til brug i rum med særlige betingelser, som f.eks. ætsende eller eksplosive atmosfærer (støv, damp eller gas). Brug ikke apparatet udendørs. Enhver anden brug af apparatet gælder ikke som tiltænkt anvendelse og indebærer betydelige ulykkesrisici. Vi påtager os intet ansvar for skader som følge af ikke tiltænkt anvendelse. Apparatet er kun til privat brug.

1.2 Medfølger ved levering

1 Elektrisk kamin
1 Brugsanvisning
4 Fødder
12 Skruer

1.3 Udstyr

- 1 Elektrisk kamin
- 2 Betjeningspanel
- 3 Temperaturregulator
- 4 Skruer M4 x 15 mm
- 5 Fødder
- 6 Ventilationsgitter

1.4 Tekniske data

Nominel spænding:	220-240 V~, 50 Hz
Nominel effekt:	1750 W - 1950 W
Beskyttelsesklasse:	I
Omgivelsesbetingelser:	0 °C til +35 °C
Dimensioner for apparatet:	ca. 38 x 23 x 51 cm
Varmeydelse:	
Varmetrin 1:	950 W
Varmetrin 2:	1950 W

Informationskrav for elektriske produkter til lokal rumopvarmning

Modelidentifikation(er): SEK 2000 B2

Element	Symbol	Værdi	Enhed
---------	--------	-------	-------

Varmeydelse

Nominel varmeydelse P_{nom} 2,0 kW

Mindste varmeydelse (vejledende) P_{min} 1,0 kW

Maksimal kontinuerlig varmeydelse $P_{max,c}$ 1,9 kW

Supplerende strømforbrug

Ved nominel varmeydelse el_{max} 0 kW

Ved mindste varmeydelse el_{min} 0 kW

I standbytilstand el_{SB} N/A kW

Element	Enhed
---------	-------

Type varmetilførsel, kun for elektriske akkumulerende produkter til lokal rumopvarmning (vælg en type)

Manuel varmelagringsstyring med integreret termostat [nej]

Manuel varmelagringsstyring med indendørs og/ eller udendørs temperaturmåling [nej]

Elektronisk varmelagringsstyring med indendørs og/eller udendørs temperaturmåling [nej]

Varmeblæser [nej]

Type varmeydelse/rumtemperaturstyring (vælg en type)

Ët-trinsvarmeydelse uden rumtemperaturstyring [nej]

To eller flere manuelle trin uden rumtemperaturstyring [nej]

Med mekanisk rumtemperaturstyring [ja]

Med elektronisk rumtemperaturstyring [nej]

Elektronisk rumtemperaturstyring og døgn timer [nej]

Elektronisk rumtemperaturstyring og ugetimer [nej]

Andre styringsmuligheder (flere muligheder kan vælges)

Rumtemperaturstyring med bevægelsessensor [nej]

Rumtemperaturstyring med temperaturfaldssensor [nej]

Med telestyringsoption [nej]

Med adaptiv startstyring [nej]

Med drifttidsbegrænsning [nej]

Med sort globe-sensor [nej]

ROWI Germany GmbH
Werner-von-Siemens-Str. 27
76694 Forst
TYSKLAND

2. Sikkerhedshenvisninger



Læs alle sikkerhedshenvisninger og instruktioner.



Hvis sikkerhedshenvisningerne og instruktionerne ikke overholdes, kan det medføre alvorlige kvæstelser og/eller materielle skader.

Opbevar alle sikkerhedshenvisninger og instruktioner for fremtiden!

2.1 Generelle sikkerhedshenvisninger



Apparatet er kun egnet til indendørs brug.

- Læs denne brugsanvisning grundigt inden brug. Det er en del af enheden og skal altid være tilgængelig.
- Brug kun enheden til det beskrevne formål.
- Inden apparatet tilsluttet bør du sammenligne tilslutningsdataene på mærkepladen (spænding og frekvens) med dataene for dit el-net. Vær opmærksom på, og dataene stemmer overens, så der ikke opstår skader på apparatet.
- I tilfælde af fejl kan enheden kun repareres af vores servicecenter.
- Enheden må kun placeres på en fast, plan, tør og ikke-brændbar overflade.
- Sørg for, at stikkontakten er let tilgængelig, så du hurtigt kan trække stikket ud.

2.2 Beskyttelse mod elektrisk stød



Livsfare fra elektrisk stød!

Der er risiko for elektrisk stød, hvis der berøres den strømførende leder!

- Tilslut kun enheden til et korrekt installeret beskyttende kontaktstik.
- Hvis enheden er faldet til jorden eller har fået et hårdt slag, eller hvis den er faldet i vand, må du ikke fortsætte med at bruge den. Kontakt i dette tilfælde vores servicecenter.
- Hvis strømledningen til dette apparat er beskadiget, skal den udsiftes af fabrikanten eller dennes kundetjeneste eller en tilsvarende kvalificeret person, for at indgå fare.
- Brug aldrig apparatet i umiddelbar nærhed af en håndvask, et badekar, et brusebad eller en swimmingpool, da der kan komme vandstænk ind i apparatet.
- Beskyt apparatet mod indtrængning af væske. Derfor:
 - brug aldrig udendørs,
 - anbring aldrig beholdere fyldt med væsker såsom drikkeglas, vaser osv. på enheden,
 - brug aldrig i et meget fugtigt miljø som f.eks. et badeværelse. Hvis der kommer væske ind i enheden, skal du straks trække stikket ud og lade enheden reparere af kvalificeret personale.
- Forsøg aldrig at sætte dine fingre eller genstande gennem beskyttelsesristen ind i enhedens indre.
- Rør aldrig ved enheden, netledningen eller stikket med våde hænder.
- Træk altid i ledningen ved stikket. Træk aldrig i selve kablet.
- Vær opmærksom på, at strømledningen ikke er bukket eller klemmt.
- Sørg for, strømledningen er ubeskadiget og ikke ligger over varme flader og/eller skarpe kanter.
- Hold strømforsyningskablet væk fra varme overflader (f.eks. på komfuret).
- Hvis du ikke skal bruge enheden i lang tid, skal du trække stikket ud af stikkontakten. Først da er enheden fuldstændig strømfri.
- Brug ikke forlængerledning eller multistik.
- Enheden må ikke betjenes med en ekstern timer eller et separat fjernbetjeningsystem, såsom et radiostyret stik.

2.3 Beskyttelse mod brandfare



BRANDFARE!

Da apparatet arbejder ved høje temperaturer, skal du overholde følgende sikkerhedsanvisninger for at undgå brand.



ADVARSEL!

For at undgå overophedning af varmeapparatet, må det ikke tildækkes.

- Ingen brændbare genstande (f.eks. Gardiner, papir osv.) må være i enhedens umiddelbare nærhed under drift.
- Brug aldrig enheden til at tørre tekstiler eller andre ting på, over eller foran enheden.
- Når du opsætter enheden, skal du holde en afstand på mindst 0,5 m fra andre enheder eller væggen.
- Brug aldrig enheden i rum med eksplosionsfare eller i nærheden af brandfarlige gasser eller væsker.
- Enheden må aldrig installeres direkte under et stikkontakt, da den genererede varme kan beskadige den elektriske installation.
- Sørg altid for, at luften frit kan komme ind og ud. Ellers kan der opbygge varme i enheden.
- Lad aldrig enheden køre uden opsyn. Skader meddeles næsten altid ved intens lugt. I dette tilfælde skal du straks trække stikket ud og kontrollere enheden.

2.4 Beskyttelse mod skader

- Overhold følgende oplysninger for at undgå kvæstelser.
- Sørg for, at netledningen aldrig bliver en snublefare, eller at nogen kan blive fanget i den eller træde på den.
- Hold tilstrækkelig afstand fra enheden, så hår eller tøj ikke suges ind i enheden af blæseren.



ADVARSEL OM VARME OVERFLADER!

Visse dele af produktet kan blive meget varme og medføre forbrændinger. Der skal udvises særlig forsigtighed, når børn og udsatte personer er til stede.

2.5 Af hensyn til dit barns sikkerhed

- Børn er ofte ude af stand til korrekt at vurdere farer og bliver såret som følge heraf. Vær derfor opmærksom på:
- Dette produkt må kun bruges under tilsyn af voksne for at sikre, at børn ikke leger med enheden.
- Sørg for, at enheden altid er utilgængeligt for børn.
- Sørg for, at emballagefilmen ikke bliver en dødbringende fælde for børn. Emballagefolie er ikke legetøj.
- Dette apparat kan anvendes af børn fra 8 år såvel som af personer med nedsatte fysiske, sensoriske eller mentale evner eller mangel på erfaring og viden, såfremt pågældende er under opsyn eller er instrueret i sikker brug af apparatet og forstår de dermed følgende farer. Børn må ikke lege med apparatet. Rengøring og vedligeholdelse fra brugerens side må ikke udføres af børn uden opsyn.
- Børn under 3 år skal holdes væk fra apparatet, med mindre de er under konstant opsyn.
- Børn fra 3 år og under 8 år må kun tænde og slukke for apparatet, når de er under opsyn eller er blevet instrueret i sikker brug af apparatet og forstår de dermed følgende farer, under forudsætning af at apparatet er placeret eller installeret på et normalt sted. Børn fra 3 år og under 8 år må ikke sætte stikket i kontakten, ikke regulere apparatet, ikke rengøre og/eller vedligeholde det.
- Børn fra 3 år og yngre end 8 år må ikke sætte stikket i stikkontakten, regulere enheden, rengøre enheden og / eller udføre vedligeholdelse af brugeren.

3. Forberedelse af montage

- Fjern al emballage og alle transportsikringer fra apparatet.
- Kontroller, at alt er indeholdt i leveringen og ubeskadiget.

4. Montering af fødderne

- Stil apparatet på hovedet på et rent underlag, efter det er helt udpakket, så du kan se hele bunden (ill. 1).



- Tag en enkelt fod [5] og stik 3 skruer [4] gennem hullerne (ill. 2).



- Der er 3 passende huller i hvert hjørne af apparatet. Tag nu foden [5] med skruerne [4] og sæt den i de passende huller.
- Når skruerne [4] sidder i de rigtige huller, skrues de i med en skruetrækker (ill. 3).



- Gør det samme med alle fire fødder [5] indtil alle er monteret.
- Nu kan apparatet stilles på fødderne [5]. Apparatet er nu klar til ibrugtagning (ill. 4).



5. Ibrugtagning

Find et passende sted til apparatet, inden det tages i brug.

De følgende forudsætninger for opstillingsstedet skal være opfyldte for at sikre sikker og fejlfri drift:

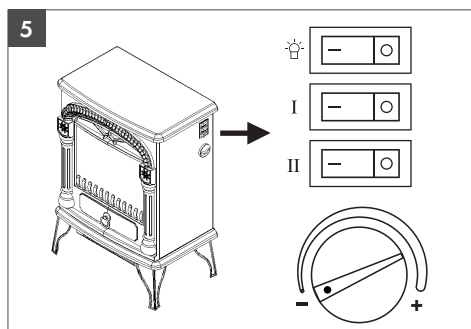
- Gulvet skal være fast, fladt og vandret.
 - Apparatet bør mindst være en meter væk fra møbler, forhæng og andre let antændelige objekter.
 - Opstil ikke apparatet i varme, våde eller meget fugtige omgivelser.
 - Der bør være en jordet stikdåse, der er sikret med et FI-relæ, i nærheden.
 - Stikdåsen skal være let tilgængelig, så strømledningen nemt kan trækkes ud.
 - Der må ikke bruges forlængerledninger.
- Sæt apparatets ledning i den jordede stikdåse.

VIGTIGT! Ledningen skal blive på apparatets bagside og må ikke berøre varme elementer.

5.1 Betjening på apparatet

- Apparatet betjenes via betjeningspanelet [2] og temperaturregulatoren [3] på højre side (ill. 5).
- Med den første knap med symbolet [☼] kan flammeeffekten tændes og slukkes. Flammeeffekten kan bruges med og uden varmfunktionen. Hvis knappen er stille på [○], er flammeeffekten slukket. Hvis knappen skubbes mod venstre [-], aktiveres den.
- For at få ringe opvarmning tændes det første varmetrin med symbolet [I] på knappen med symbolet [-] og slukkes med [○]. Varmefunktionen kan bruges med og uden flammeeffekten. Varmefunktionen kan bruges med og uden flammeeffekten.

- For fuld varmeeffekt skal varmetrin [I] og [II] aktiveres med tænd-/slukknapperne.
- Varmetrinnene [II] virker kun, når varmetrinsknappen også står [I] på symbolet [-]. Temperaturen på de to varmetrin kan styres [3] fra [-] til [+] via temperaturregulatoren. Tænd kun for apparatet ved at dreje temperaturregulatoren [3] med uret til du hører et klik. [-] angiver den laveste temperatur (venstre), og [+] (højre) den højeste temperatur.




BEMÆRK! Takket være den automatiske drift holder varmluftstyringen (termostat) den forprogrammerede temperatur konstant.

- Drej først temperaturregulatoren [3] mod højre i retning af maksimalværdien. Lad knappen stå i denne position, indtil rummet har den ønskede temperatur.

BEMÆRK! Produktet kan afgive lidt lugt første gang det tages i brug.

5.2 Overophedningsbeskyttelse


Dette apparat har en overophedningsbeskyttelse af hensyn til din sikkerhed. Hvis temperaturen inden i apparatet bliver for høj, slukker det automatisk. I så fald skal du gå frem som følger:

1. Træk strømstikket ud.
2. Lad apparatet køle af i mindst 20 minutter.
3. Kontroller, om ventilationsgitteret  er frit og rengør det med en blød, tør klud.
4. Tænd for apparatet igen. Herefter kan det bruges normalt. Hvis det ikke er muligt at fastslå årsagen, og fejlen fortsat optræder, så få repareret apparatet eller hold op med at bruge det.



Produktet må ikke bortskaffes sammen med husholdningsaffaldet, men via et lokalt opsamlingssted med henblik på genanvendelse. Du finder yderligere information om mulighederne for bortskaffelse af det udtjente apparat ved at kontakte din kommune eller lokale forvaltning.

6. Vedligeholdelse og rengøring

- **FORSIGTIG! FARE SOM FØLGE AF ELEKTRISK STØD!** Træk stikket ud af stikkontakten og lad apparatet køle helt af, inden det rengøres.
- Rengør apparatet udvendigt med en blød, ren klud. Anvend under ingen omstændigheder væsker, især benzinholdige, og ingen rengøringsmidler, da disse beskadiger apparatet.
- Fjern regelmæssigt støv og snavs fra ventilationsgitteret  vha. en støvsuger.

7. Bortskaffelse



Emballagen består af miljøvenligt materiale, du kan bortskaffe hos den lokale genbrugscentral.



Produktet og emballagematerialerne kan genbruges, bortskaffes separat for bedre affaldsbehandling. Triman-logoet gælder kun for Frankrig.



Bemærk mærkningen på emballagen i forbindelse med affaldssorteringen. Det er markeret med forkortelser og nummer, der har følgende betydning: 1-7: Kunststoffer/20-22: Papir og pap/80-98: Komposit.



8. ROWI Germany GmbH 's garanti

Kære kunde

På dette produkt får du 3 års garanti fra købsdatoen. I tilfælde af mangler ved produktet har du en række juridiske rettigheder i forhold til sælgeren af produktet. Dine juridiske rettigheder forringes ikke af den nedenfor anførte garanti.

Garantibetingelser

Garantiperioden begynder på købsdatoen. Opbevar venligst din originale kvittering et sikkert sted. Dette dokument er nødvendigt for at kunne dokumentere købet.

Hvis der inden for tre år fra købsdatoen for dette produkt opstår en materiale- eller fabriktionsfejl, vil produktet – efter vores valg – blive repareret eller ombyttet gratis for dig. Denne garantiydelse forudsætter, at det defekte produkt og købsbeviset (kvittering) afleveres inden for tre-års-fristen, og der gives en kort skriftlig beskrivelse af, hvori manglen består, og hvornår den er opstået.

Hvis defekten er dækket af vores garanti, får du et repareret eller et nyt produkt retur. Reparation eller ombytning af produktet udløser ikke en ny garantiperiode.

Garantiperiode og juridiske mangelkrav

Garantiperioden forlænges ikke, hvis der gøres brug af garantien. Det gælder også for udskiftede og reparerede dele. Skader og mangler, som eventuelt allerede fandtes ved køb, samt manglende dele, skal anmeldes straks efter udpakningen. Når garantiperioden er udløbet, er reparation af skader betalingspligtig.

Garantiens omfang

Produktet er produceret omhyggeligt efter strenge kvalitetsretningslinjer og testet grundigt inden leveringen. Garantien dækker materiale- og fabriktionsfejl. Denne garanti omfatter ikke produktdele, der er udsat for normal slitage, og derfor kan betragtes som sliddele, eller for skader på skrøbelige dele, som f.eks. kontakter, batterier eller dele som er lavet af glas.

Denne garanti bortfalder, hvis produktet er blevet beskadiget, ikke er forskriftsmæssigt anvendt eller vedligeholdt. For at sikre forskriftsmæssig anvendelse af produktet skal alle anvisninger nævnt i betjeningsvejledningen nøje overholdes. Anvendelsesformål og handlinger, som frarådes eller der advares imod i betjeningsvejledningen, skal ubetinget undgås. Produktet er kun beregnet til privat og ikke til kommercielt brug. Ved misbrug og u hensigtsmæssig brug, anvendelse af vold og ved indgreb, som ikke er foretaget af vores autoriserede serviceafdeling, bortfalder garantien.

Afvikling af garantisager

For at sikre en hurtig behandling af din anmeldelse bør du følge nedenstående anvisninger:

- Ved alle forespørgsler bedes du have kvitteringen og artikelnummeret (IAN 365183_2101) klar som dokumentation for købet.
- Artikelnummeret kan du finde på typeskiltet, som indgravering, på vejledningens forside (nederst til venstre) eller som et klæbemærke på bag- eller undersiden.
- Hvis der opstår funktionsfejl eller øvrige mangler, bedes du først kontakte nedennævnte serviceafdeling **telefonisk** eller via **e-mail**.
- Et produkt, der er registreret som defekt, kan du derefter indsende portofrit til den oplyste serviceadresse med vedlæggelse af købsbevis (kvittering) og en beskrivelse af, hvori manglen består, og hvornår den er opstået.



På www.lidl-service.com kan du downloade denne og mange andre håndbøger, produktvideoer og software. Med denne QR-kode leder vi dig direkte videre til Lidt-services side (www.lidl-service.com) og, hvor du med artikelnummeret (IAN 365183_2101) kan åbne din brugsanvisning.

9. Service

Dersom der opstår problemer ved ibrugtagningen af dit ROWI Germany-produkt, beder vi dig gøre følgende:

Kontakt detaljer

Du kan kontakte ROWI Germany serviceteam her:

ROWI Germany GmbH
Werner-von-Siemens-Str. 27
76694 Forst
TYSKLAND
lidl-services@rowi-group.com
Service-Hotline: +800 7694 7694
(gratis fra fastnet)

IAN 365183_2101

De fleste problemer løser vores kompetente, tekniske rådgivere i vores serviceteam.

ROWI GERMANY GMBH

WERNER-VON-SIEMENS-STR. 27

DE-76694 FORST

GERMANY

Last Information · Stand der Informationen ·

Update · Version des informations · Stand van

de informatie · Stav informací · Stan informáci ·

Stav informácií · Versión de la información

Oplysningers tilstand: 06/2021

ID No.: SEK2000B2-062021-LB08-01

IAN 365183_2101