



KAPP- UND GEHRUNGSSÄGE PKS 1500 B3 **CROSS CUT MITRE SAW PKS 1500 B3** **SCIE À ONGLET PKS 1500 B3**

(GB) (IE)

CROSS CUT MITRE SAW

Operating and Safety Instructions
Translation of Original Operating Manual

(FR) (BE)

SCIE À ONGLET

Consignes d'utilisation et de sécurité
Traduction des instructions d'origine

(CZ)

ZKRACOVACÍ A POKOSOVÁ PILA

Pokyny pro obsluhu a bezpečnostní pokyny
Překlad originálního provozního návodu

(SK)

SKRACOVACIA A POKOSOVÁ PÍLA

Pokyny pro obsluhu a bezpečnostní pokyny
Překlad originálního provozního návodu

(DK)

KAP-/GERINGSSAV PKS 1500 B3

Drifts- og sikkerhedsinstruktioner
Oversættelse af den originale driftsvejledning

(DE) (AT) (CH)

KAPP- UND GEHRUNGSSÄGE

Bedienungs- und Sicherheitshinweise
Originalbetriebsanleitung

(NL) (BE)

KAP- EN VERSTEKZAAG

Bedienings- en veiligheidsinstructies
Vertaling van de originele handleiding

(PL)

TARCZÓWKA ZE SKRĘTNĄ TARCZĄ

Pokyny pro obsluhu a bezpečnostní pokyny
Překlad originálního provozního návodu

(ES)

SIERRA TRONZADORA E INGLETADORA

Instrucciones de utilización y de seguridad
Traducción del manual de instrucciones original



GB IE

Before reading, unfold the page containing the illustrations and familiarise yourself with all functions of the device.

DE AT CH

Klappen Sie vor dem Lesen die Seite mit den Abbildungen aus und machen Sie sich anschließend mit allen Funktionen des Gerätes vertraut.

FR BE

Avant de lire le mode d'emploi, ouvrez la page contenant les illustrations et familiarisez-vous ensuite avec toutes les fonctions de l'appareil.

NL BE

Vouw vóór het lezen de pagina met de afbeeldingen open en maak u vertrouwd met alle functies van het apparaat.

CZ

Před čtením si otevřete stranu s obrázky a potom se seznámte se všemi funkcemi přístroje.

PL

Przed przeczytaniem proszę rozłożyć stronę z ilustracjami, a następnie proszę zapoznać się z wszystkimi funkcjami urządzenia.

SK

Pred čítaním si odklopte stranu s obrázkami a potom sa oboznámte so všetkými funkciami prístroja.

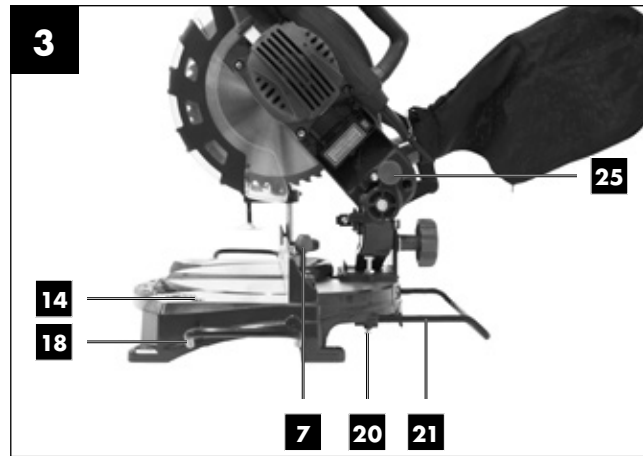
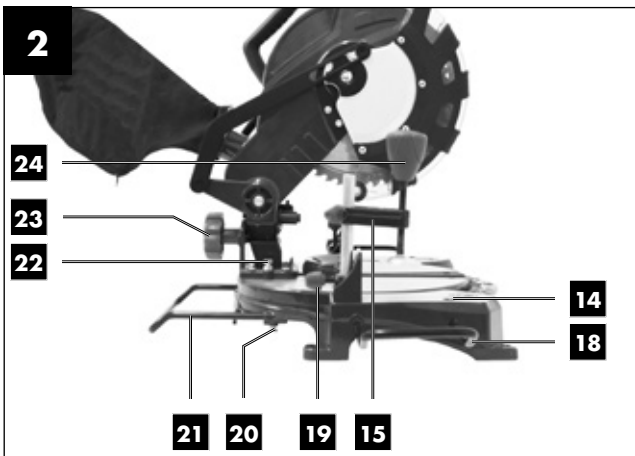
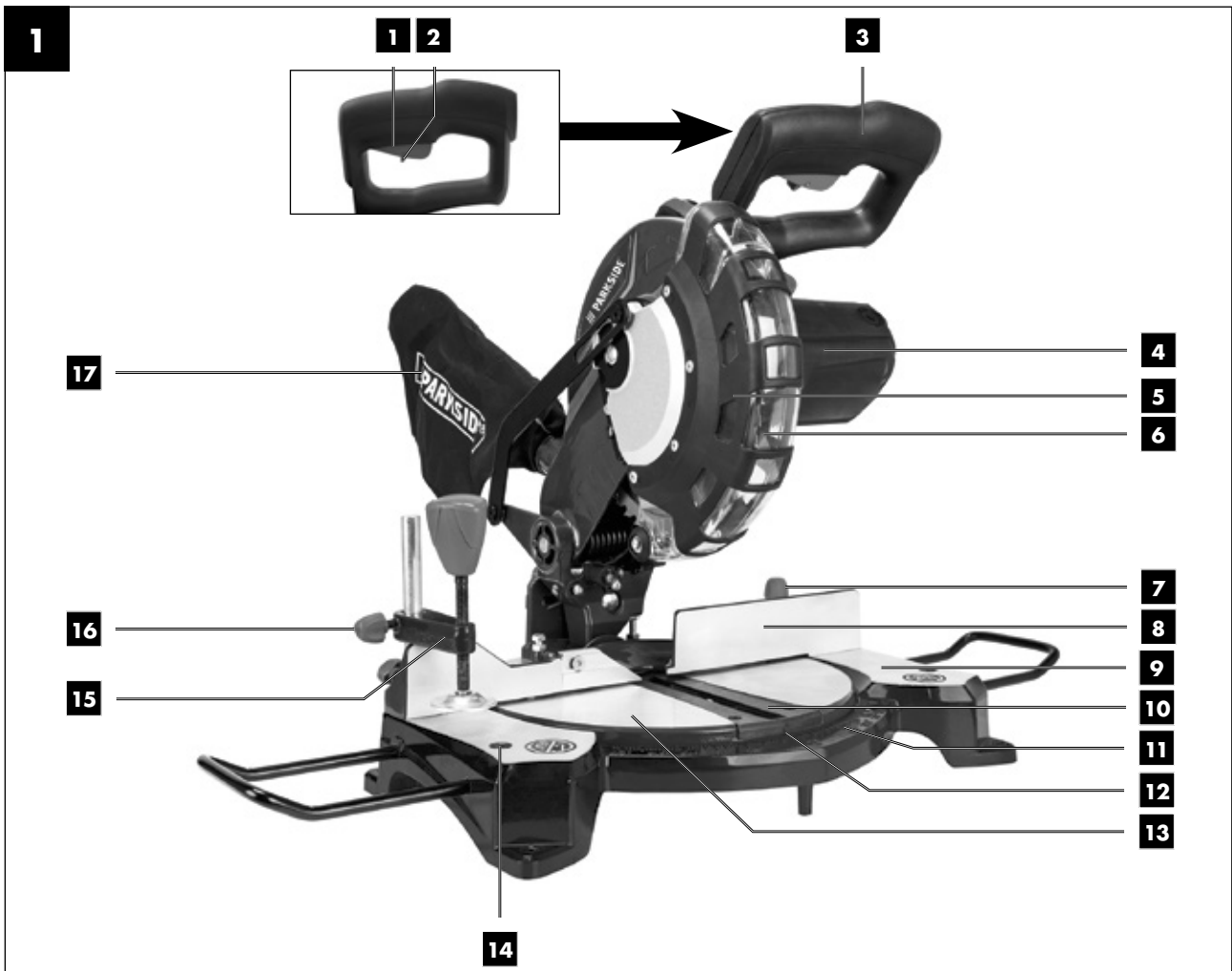
ES

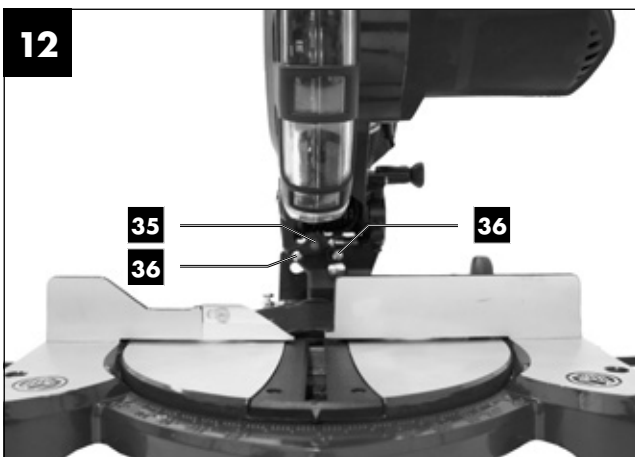
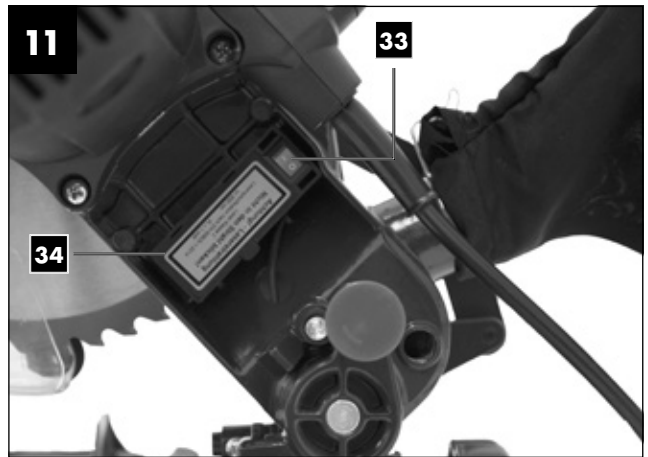
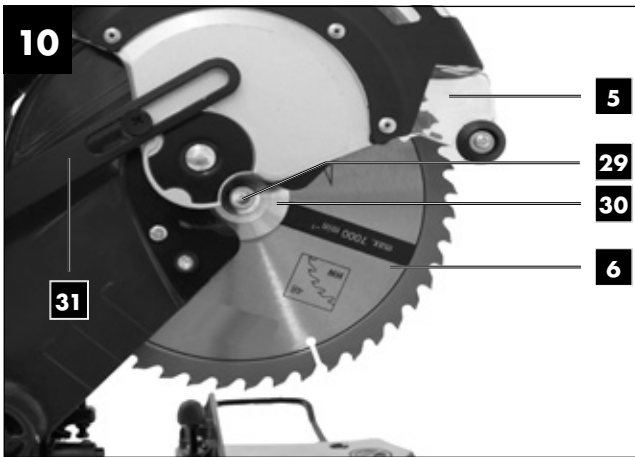
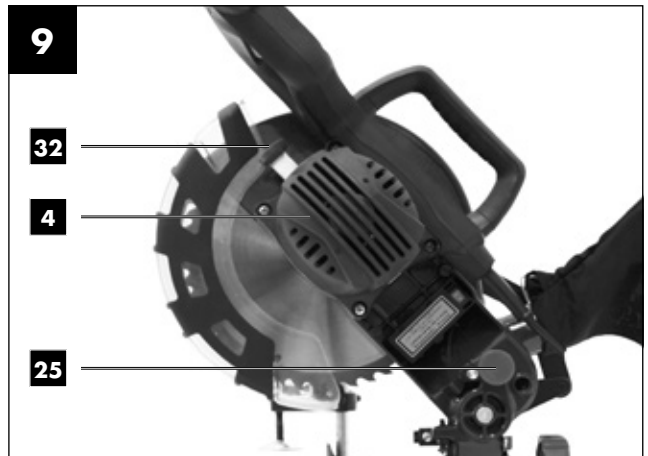
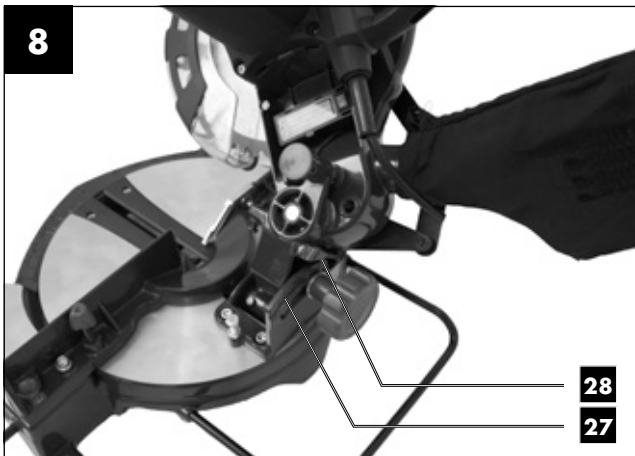
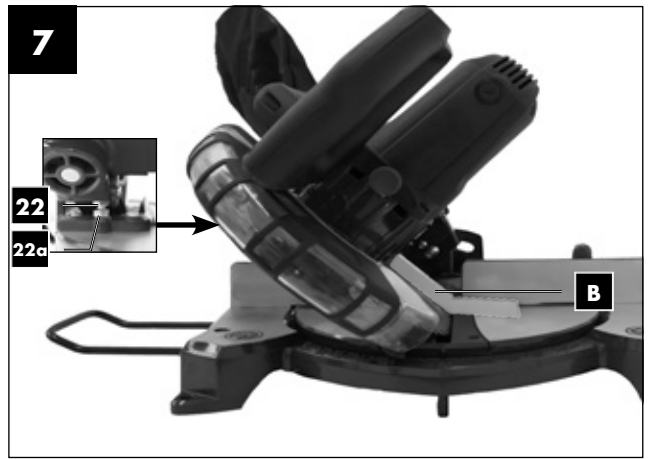
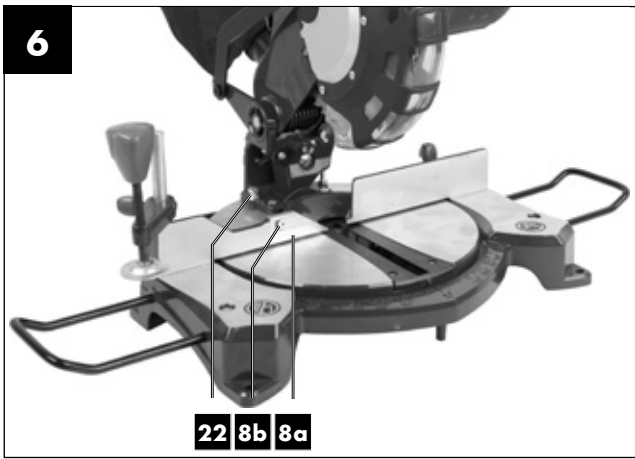
Antes de empezar a leer abra la página que contiene las imágenes y, en seguida, familiarícese con todas las funciones del dispositivo.

DK

Før du læser, vend siden med billeder frem og bliv bekendt med alle apparatets funktioner.

GB / IE	Operating and Safety Instructions	Page	01
DE / AT / CH	Bedienungs- und Sicherheitshinweise	Seite	15
FR / BE	Consignes d'utilisation et de sécurité	Page	30
NL / BE	Bedienings- en veiligheidsinstructies	Pagina	45
CZ	Pokyny pro obsluhu a bezpečnostní pokyny	Strana	60
PL	Wskazówki dotyczące obsługi i bezpieczeństwa	Strona	74
SK	Pokyny pre obsluhu a bezpečnostné pokyny	Strana	89
ES	Instrucciones de utilización y de seguridad	Página	103
DK	Drifts- og sikkerhedsinstruktioner	Side	118





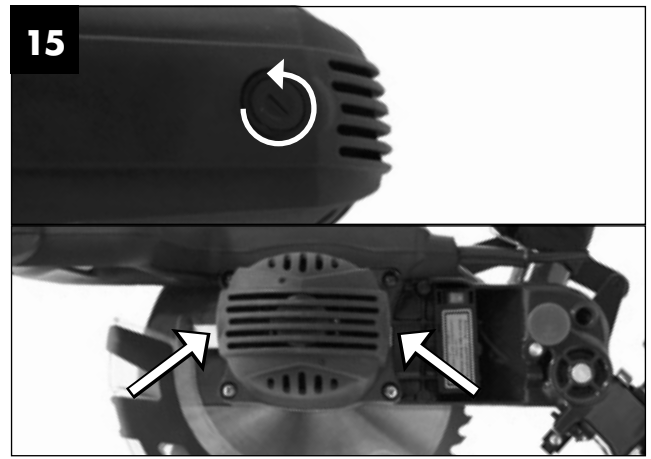
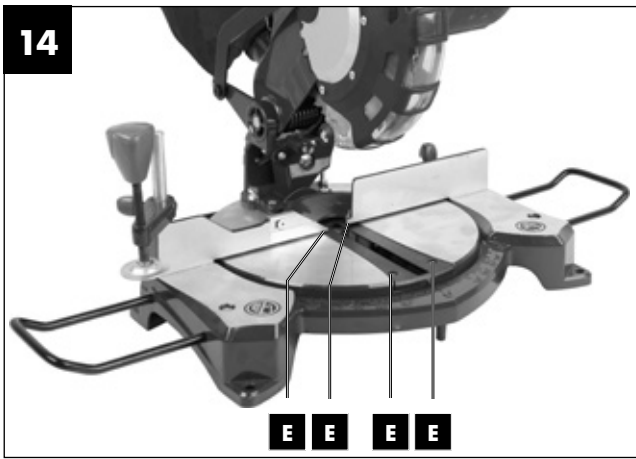


Table of contents:	Page:
1. Explanation of the symbols on the equipment	2
2. Introduction.....	3
3. Device description (fig. 1-13).....	3
4. Scope of delivery	4
5. Proper use.....	4
6. Safety information.....	4
7. Technical data	8
8. Before starting the equipment	8
9. Attachment and operation.....	9
10. Transport (fig. 13)	11
11. Maintenance	11
12. Storage	11
13. Electrical connection	12
14. Disposal and recycling	12
15. Troubleshooting.....	13
16. Warranty certificate.....	14
17. Exploded view.....	133
18. Declaration of conformity.....	135

1. Explanation of the symbols on the equipment



GB IE

Before commissioning, read and observe the operating instructions and safety instructions!



GB IE

Wear safety goggles!



GB IE

Wear ear-muffs!



GB IE

Wear a breathing mask!



GB IE

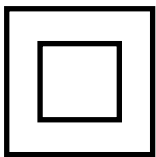
Important! Risk of injury. Never reach into the running saw blade!



Achtung! - Laserstrahlung
Nicht in den Strahl blicken!
Laser Klasse 2
Laserspezifikation nach EN 60825-1:2014
λ = 650 nm P_e < 1 mW

GB IE

Important! Laser radiation



GB IE

Protection Class II (double insulated)

2. Introduction

Manufacturer:

scheppach

Fabrikation von Holzbearbeitungsmaschinen GmbH
Günzburger Straße 69
D-89335 Ichenhausen

Dear Customer,

we hope your new tool brings you much enjoyment and success.

Note:

According to the applicable product liability laws, the manufacturer of the device does not assume liability for damages to the product or damages caused by the product that occurs due to:

- Improper handling,
- Non-compliance of the operating instructions,
- Repairs by third parties, not by authorized service technicians,
- Installation and replacement of non-original spare parts,
- Application other than specified,
- A breakdown of the electrical system that occurs due to the non-compliance of the electric regulations and VDE regulations 0100, DIN 57113 / VDE0113.

Please consider:

Read through the complete text in the operating instructions before installing and commissioning the device.

The operating instructions are intended to help the user to become familiar with the machine and take advantage of its application possibilities in accordance with the recommendations. The operating instructions contain important information on how to operate the machine safely, professionally and economically, how to avoid danger, costly repairs, reduce downtimes and how to increase reliability and service life of the machine. In addition to the safety regulations in the operating instructions, you have to meet the applicable regulations that apply for the operation of the machine in your country.

Keep the operating instructions package with the machine at all times and store it in a plastic cover to protect it from dirt and moisture. Read the instruction manual each time before operating the machine and carefully follow its information.

The machine can only be operated by persons who were instructed concerning the operation of the machine and who are informed about the associated dangers. The minimum age requirement must be complied with.

In addition to the safety instructions contained in this operating manual and the specific regulations of your country, the technical rules generally accepted for the operation of machines of the same type must be observed.

We accept no liability for damage or accidents which arise due to non-observance of these instructions and the safety information.

3. Device description (fig. 1-13)

1. ON/OFF switch
 2. Lock switch
 3. Handle
 4. Machine head
 5. Moving saw blade guard
 6. Saw blade
 7. Set screw for rotary table
 8. Stop rail
 - 8a. Adjustable stop rail
 - 8b. Set screw
 9. Fixed saw table
 10. Table insert
 11. Scale
 12. Pointer
 13. Rotary table
 14. Locking screw for workpiece support
 15. Clamping device (workpiece clamp)
 16. Set screw
 17. Sawdust bag
 18. Workpiece support
 19. Locking screw for clamping device
 20. Locking screw for drag guide
 21. Support stand
 22. Adjusting screw (45°)
 - 22a. Locknut adjusting screw (45°)
 23. Locking screw
 24. Clamping handle
 25. Locking bolt
 26. Adjusting screw (90°)
 - 26a. Locknut adjusting screw (90°)
 27. Scale
 28. Pointer
 29. Flange screw
 30. Outer flange
 31. Guide bracket
 32. Saw shaft lock
 33. ON/OFF switch laser
 34. Battery cover
 35. Laser
 36. Screw (laser)
 37. Transport handle
- (A) 90° stop angle (not supplied)
(B) 45° stop angle (not supplied)
(C) Allen key, 6 mm
(D) Allen key, 3 mm
(E) Phillips head screw (table insert)

4. Scope of delivery

- Cross cut mitre saw
- Dust bag
- Workpiece clamp
- Allen key 6 mm (C)
- Allen key 3 mm (D)
- 2 work piece supports
- Support stand
- 2 carbon brushes
- 2 batteries (AAA)
- Operating manual

5. Proper use

The cross cut mitre saw is designed to crosscut wood and plastic respective of the machine's size. The saw is not designed for cutting firewood.

Warning!

Do not use the saw to cut materials other than those specified described in manual.

Warning!

The supplied saw blade is only intended for the sawing of wood! Do not use this blade for the sawing of firewood!

The equipment is to be used only for its prescribed purpose. Any other use is deemed to be a case of misuse. The user / operator and not the manufacturer will be liable for any damage or injuries of any kind caused as a result of this.

The equipment is to be operated only with suitable saw blades. It is prohibited to use any type of cutting-off wheel.

To use the equipment properly you must also observe the safety information, the assembly instructions and the operating instructions to be found in this manual.

All persons who use and service the equipment have to be acquainted with this manual and must be informed about the equipment's potential hazards.

It is also imperative to observe the accident prevention regulations in force in your area.

The same applies for the general rules of health and safety at work.

The manufacturer will not be liable for any changes made to the equipment nor for any damage resulting from such changes.

Even when the equipment is used as prescribed it is still impossible to eliminate certain residual risk factors. The following hazards may arise in connection with the machine's construction and design:

- Contact with the saw blade in the uncovered saw zone.
- Reaching into the running saw blade (cut injuries).
- Kick-back of workpieces and parts of workpieces.
- Saw blade fracturing.
- Catapulting of faulty carbide tips from the saw blade.
- Damage to hearing if ear-muffs are not used as necessary.
- Harmful emissions of wood dust when used in closed rooms.

Please note that our equipment has not been designed for use in commercial, trade or industrial applications. Our warranty will be voided if the equipment is used in commercial, trade or industrial businesses or for equivalent purposes.

6. Safety information

General power tool safety information

⚠ WARNING! Read all safety warnings, instructions, illustrations and technical data provided with this power tool. Failure to follow the warnings and instructions may result in electric shock, fire and/or serious injury.

Save all warnings and instructions for future reference.

The term "power tool" in the warnings refers to your mains-operated (corded) power tool or battery-operated (cordless) power tool.

1. Work area safety

- Keep work area clean and well lit.** Cluttered or dark areas invite accidents.
- Do not operate power tools in explosive atmospheres, such as in the presence of flammable liquids, gases or dust.** Power tools create sparks which may ignite the dust or fumes.
- Keep children and bystanders away while operating a power tool.** Distractions can cause you to lose control.

2. Electrical safety

- Power tool plugs must match the outlet. Never modify the plug in any way. Do not use any adapter plugs with earthed (grounded) power tools.** Unmodified plugs and matching outlets will reduce risk of electric shock.
- Avoid body contact with earthed or grounded surfaces, such as pipes, radiators, ranges and refrigerators. There is an increased risk of electric shock if your body is earthed or grounded.**
- Do not expose power tools to rain or wet conditions.** Water entering a power tool will increase the risk of electric shock.
- Do not abuse the cord. Never use the cord for carrying, pulling or unplugging the power tool. Keep cord away from heat, oil, sharp edges or moving parts.** Damaged or entangled cords increase the risk of electric shock.
- When operating a power tool outdoors, use an extension cord suitable for outdoor use.** Use of a cord suitable for outdoor use reduces the risk of electric shock.
- If operating a power tool in a damp location is unavoidable, use a residual current device (RCD) protected supply.** Use of an RCD reduces the risk of electric shock.

3. Personal safety

- a) **Stay alert, watch what you are doing and use common sense when operating a power tool. Do not use a power tool while you are tired or under the influence of drugs, alcohol or medication.** A moment of inattention while operating power tools may result in serious personal injury.
- b) **Use personal protective equipment. Always wear eye protection.** Protective equipment such as a dust mask, non-skid safety shoes, hard hat or hearing protection used for appropriate conditions will reduce personal injuries.
- c) **Prevent unintentional starting. Ensure the switch is in the off-position before connecting to power source and/or battery pack, picking up or carrying the tool.** Carrying power tools with your finger on the switch or energising power tools that have the switch on invites accidents.
- d) **Remove any adjusting key or wrench before turning the power tool on.** A wrench or a key left attached to a rotating part of the power tool may result in personal injury.
- e) **Do not overreach. Keep proper footing and balance at all times.** This enables better control of the power tool in unexpected situations.
- f) **Dress properly. Do not wear loose clothing or jewellery. Keep your hair and clothing away from moving parts.** Loose clothes, jewellery or long hair can be caught in moving parts.
- g) **If devices are provided for the connection of dust extraction and collection facilities, ensure these are connected and properly used.** Use of dust collection can reduce dust-related hazards.
- h) **Do not let familiarity gained from frequent use of tools allow you to become complacent and ignore tool safety principles.** A careless action can cause severe injury within a fraction of a second.

4. Power tool use and care

- a) **Do not force the power tool. Use the correct power tool for your application.** The correct power tool will do the job better and safer at the rate for which it was designed.
- b) **Do not use the power tool if the switch does not turn it on and off. Any power tool that cannot be controlled with the switch is dangerous and must be repaired.**
- c) **Disconnect the plug from the power source and/or remove the battery pack, if detachable, from the power tool before making any adjustments, changing accessories, or storing power tools.** Such preventive safety measures reduce the risk of starting the power tool accidentally.
- d) **Store idle power tools out of the reach of children and do not allow persons unfamiliar with the power tool or these instructions to operate the power tool.** Power tools are dangerous in the hands of untrained users.

- e) **Maintain power tools and accessories. Check for misalignment or binding of moving parts, breakage of parts and any other condition that may affect the power tool's operation. If damaged, have the power tool repaired before use.** Many accidents are caused by poorly maintained power tools.
- f) **Keep cutting tools sharp and clean. Properly maintained cutting tools with sharp cutting edges are less likely to bind and are easier to control.**
- g) **Use the power tool, accessories and tool bits etc. in accordance with these instructions, taking into account the working conditions and the work to be performed.** Use of the power tool for operations different from those intended could result in a hazardous situation.
- h) **Keep handles and grasping surfaces dry, clean and free from oil and grease.** Slippery handles and grasping surfaces do not allow for safe handling and control of the tool in unexpected situations.

5. Service

- a) **Have your power tool serviced by a qualified repair person using only identical replacement parts.** This will ensure that the safety of the power tool is maintained.

Warning!

This electric tool generates an electromagnetic field during operation. This field can impair active or passive medical implants under certain conditions. In order to prevent the risk of serious or deadly injuries, we recommend that persons with medical implants consult with their physician and the manufacturer of the medical implant prior to operating the electric tool.

Safety instructions for mitre saws

- a) **Mitre saws are intended to cut wood or wood-like products, they cannot be used with abrasive cut-off wheels for cutting ferrous material such as bars, rods, studs, etc.** Abrasive dust causes moving parts such as the lower guard to jam. Sparks from abrasive cutting will burn the lower guard, the kerf insert and other plastic parts.
- b) **Use clamps to support the workpiece whenever possible. If supporting the workpiece by hand, you must always keep your hand at least 100 mm from either side of the saw blade. Do not use this saw to cut pieces that are too small to be securely clamped or held by hand.** If your hand is placed too close to the saw blade, there is an increased risk of injury from blade contact.
- c) **The workpiece must be stationary and clamped or held against both the fence and the table. Do not feed the workpiece into the blade or cut "freehand" in any way.** Unrestrained or moving workpieces could be thrown at high speeds, causing injury.

- d) **Push the saw through the workpiece. Do not pull the saw through the workpiece. To make a cut, raise the saw head and pull it out over the workpiece without cutting, start the motor, press the saw head down and push the saw through the workpiece.** Cutting on the pull stroke is likely to cause the saw blade to climb on top of the workpiece and violently throw the blade assembly towards the operator.
- e) **Never cross your hand over the intended line of cutting either in front or behind the saw blade.** Supporting the workpiece "cross handed" i.e. holding the workpiece to the right of the saw blade with your left hand or vice versa is very dangerous.
- f) **Do not reach behind the fence with either hand closer than 100 mm from either side of the saw blade, to remove wood scraps, or for any other reason while the blade is spinning.** The proximity of the spinning saw blade to your hand may not be obvious and you may be seriously injured.
- g) **Inspect your workpiece before cutting. If the workpiece is bowed or warped, clamp it with the outside bowed face toward the fence. Always make certain that there is no gap between the workpiece, fence and table along the line of the cut.** Bent or warped workpieces can twist or shift and may cause binding on the spinning saw blade while cutting. There should be no nails or foreign objects in the workpiece.
- h) **Do not use the saw until the table is clear of all tools, wood scraps, etc., except for the workpiece.** Small debris or loose pieces of wood or other objects that contact the revolving blade can be thrown with high speed.
- i) **Cut only one workpiece at a time.** Stacked multiple workpieces cannot be adequately clamped or braced and may bind on the blade or shift during cutting.
- j) **Ensure the mitre saw is mounted or placed on a level, firm work surface before use.** A level and firm work surface reduces the risk of the mitre saw becoming unstable.
- k) **Plan your work. Every time you change the bevel or mitre angle setting, make sure the adjustable fence is set correctly to support the workpiece and will not interfere with the blade or the guarding system.** Without turning the tool "ON" and with no workpiece on the table, move the saw blade through a complete simulated cut to assure there will be no interference or danger of cutting the fence.
- l) **Provide adequate support such as table extensions, saw horses, etc. for a workpiece that is wider or longer than the table top.** Workpieces longer or wider than the mitre saw table can tip if not securely supported. If the cut-off piece or workpiece tips, it can lift the lower guard or be thrown by the spinning blade.
- m) **Do not use another person as a substitute for a table extension or as additional support.** Unstable support for the workpiece can cause the blade to bind or the workpiece to shift during the cutting operation pulling you and the helper into the spinning blade.
- n) **The cut-off piece must not be jammed or pressed by any means against the spinning saw blade.** If confined, i.e. using length stops, the cut-off piece could get wedged against the blade and thrown violently.
- o) **Always use a clamp or a fixture designed to properly support round material such as rods or tubing.** Rods have a tendency to roll while being cut, causing the blade to "bite" and pull the work with your hand into the blade.
- p) **Let the blade reach full speed before contacting the workpiece.** This will reduce the risk of the workpiece being thrown.
- q) **If the workpiece or blade becomes jammed, turn the mitre saw off. Wait for all moving parts to stop and disconnect the plug from the power source and/or remove the battery pack. Then work to free the jammed material.** Continued sawing with a jammed workpiece could cause loss of control or damage to the mitre saw.
- r) **After finishing the cut, release the switch, hold the saw head down and wait for the blade to stop before removing the cut-off piece.** Reaching with your hand near the coasting blade is dangerous.
- s) **Hold the handle firmly when making an incomplete cut or when releasing the switch before the saw head is completely in the down position.** The braking action of the saw may cause the saw head to be suddenly pulled downward, causing a risk of injury.

Safety Instructions for the handling of saw blades

1. Do not use damaged or deformed saw blades.
2. Do not use any insertion tools with cracks. Sort out cracked insertion tools. Repairs are not permitted.
3. Do not use saw blades made of high speed steel.
4. Check the condition of the saw blades before using the cross cut mitre saw.
5. Make sure that a suitable saw blade for the material to be cut is selected.
6. Only use saw blades recommended by the manufacturer. Saw blades designed to cut wood and similar materials must comply with EN 847-1.
7. Do not use saw blades made of high-speed alloy steel (HSS steel).
8. Only use saw blades for which the maximum permissible speed is not lower than the maximum spindle speed of the cross cut mitre saw and which are suitable for the material to be cut.
9. Observe the saw blade direction of rotation.
10. Only insert the saw blade if you have mastered their use.
11. Observe the maximum speed. The maximum speed specified on the insertion tool may not be exceeded. If specified, observe the speed range.
12. Clean grease, oil and water off of the clamping surfaces.
13. Do not use any loose reducing rings or bushes for the reducing of holes on saw blades.
14. Make sure that fixed reducer rings for securing the insertion tool have the same diameter and have at least 1/3 of the cutting diameter.

15. Make sure that fixed reducer rings are parallel to each other.
16. Handle insertion tool with caution. They are ideally stored in the originally package or special containers. Wear protective gloves in order to improve grip and to further reduce the risk of injury.
17. Prior to the use of insertion tools, make sure that all protective devices are properly fastened.
18. Prior to use, make sure that the insertion tool meets the technical requirements of this electric tool and is properly fastened.
19. Only use the supplied saw blade for cutting wood, never for the processing of metals.
20. Only use saw blade diameters in accordance with the markings on the saw.
21. Use additional workpiece supports, if required for workpiece stability.
22. Workpiece support extensions must always be secured and used during work.
23. Replace table inserts when worn!
24. Avoid overheating of the saw teeth.
25. When sawing plastic, avoid melting of the plastic. Use the appropriate saw blades for this purpose. Replace damaged or worn saw blades immediately. When the saw blade overheats, stop the machine. Allow the saw blade to cool down before using the power tool again.



Attention: Laser radiation
Do not stare into the beam
Class 2 laser



Protect yourself and you environment from accidents using suitable precautionary measures!

- Do not look directly into the laser beam with unprotected eyes.
- Never look into the path of the beam.
- Never point the laser beam towards reflecting surfaces and persons or animals. Even a laser beam with a low output can cause damage to the eyes.
- Caution - methods other than those specified here can result in dangerous radiation exposure.
- Never open the laser module. Unexpected exposure to the beam can occur.
- If you do not use the device for a long time, the batteries should be removed.
- The laser may not be replaced with a different type of laser.
- Repairs of the laser may only be carried out by the laser manufacturer or an authorised representative.

Safety instructions for handling batteries

1. Always make sure that the batteries are inserted with the correct polarity (+ and -), as indicated on the battery.
2. Do not short-circuit batteries.
3. Do not charge non-rechargeable batteries.
4. Do not overcharge batteries!
5. Do not mix old and new batteries or batteries of different types or manufacturers! Replace an entire set of batteries at the same time.


6. Immediately remove used batteries from the device and dispose of them properly! Do not dispose batteries with household waste. Defective or used batteries must be recycled according to Directive 2006/66 / EC. Give back batteries and / or the device has been offered to the collective facilities. About disposal facilities you can inform by your municipal or city government.
7. Do not allow batteries to heat up!
8. Do not weld or solder directly on batteries!
9. Do not dismantle batteries!
10. Do not allow batteries to deform!
11. Do not throw batteries into fire!
12. Keep batteries out of the reach of children.
13. Do not allow children to replace batteries without supervision!
14. Do not keep batteries near fire, ovens or other sources of heat. Do not use batteries in direct sunlight or store them in vehicles in hot weather.
15. Keep unused batteries in the original packaging and keep them away from metal objects. Do not mix unpacked batteries or toss them together! This can lead to a short-circuit of the battery and thus damage, burns or even the risk of fire.
16. Remove batteries from the equipment when it will not be used for an extended period of time, unless it is for emergencies!
17. NEVER handle batteries that have leaked without appropriate protection. If the leaked fluid comes into contact with your skin, the skin in this area should be rinsed off under running water immediately. Always prevent the fluid from coming into contact with the eyes and mouth. In the event of contact, please seek immediate medical attention.
18. Clean the battery contacts and corresponding contacts in the device prior to inserting the batteries.

Residual risks

The machine has been built according to the state of the art and the recognised technical safety requirements. However, individual residual risks can arise during operation.

- Health hazard due to electrical power, with the use of improper electrical connection cables.
- Furthermore, despite all precautions having been met, some non-obvious residual risks may still remain.
- Residual risks can be minimised if the "Safety information" and the "Proper use" are observed along with the whole of the operating instructions.
- Do not load the machine unnecessarily: excessive pressure when sawing will quickly damage the saw blade, which results in reduced output of the machine in the processing and in cut precision.
- When cutting plastic material, please always use clamps: the parts which should be cut must always be fixed between the clamps.
- Avoid accidental starting of the machine: the operating button may not be pressed when inserting the plug in an outlet.
- Use the tool that is recommended in this manual. In doing so, your machine provides optimal performance.
- Hands may never enter the processing zone when the machine is in operation.
- Release the handle button and switch off the machine prior to any operations.

7. Technical data

AC motor.....	220 - 240 V~ 50Hz
Power S1.....	1200 Watt
Operating mode.....	S6 25%* 1500W
Idle speed n_0	5000 min ⁻¹
Carbide saw blade.....	∅ 210 x ∅ 30 x 2,6 mm
Number of teeth.....	48
Maximum saw blade tooth width.....	3 mm
Swivel range.....	-45° / 0° / +45°
Mitre cut.....	0° - 45° to the left
Saw width at 90°.....	120 x 60 mm
Saw width at 45°.....	80 x 60 mm
Saw width at 2 x 45° (double mitre cut).....	80 x 35 mm
Protection class.....	II / 
Weight.....	approx. 7.6 kg
Laser class.....	2
Wavelength of laser.....	650 nm
Laser output.....	< 1 mW

* S6, continuous operation periodic duty. Identical duty cycles with a period at load followed by a period at no load. Running time 10 minutes; duty cycle is 25% of the running time.

The work piece must have a minimum height of 3 mm and a minimum width of 10 mm. Make sure that the workpiece is always secured with the clamping device.

Noise

Total noise values determined in accordance with EN 62841.	
Sound pressure level L_{pA}	99.6 dB(A)
Uncertainty K_{pA}	3 dB
Sound power level L_{WA}	112.6 dB(A)
Uncertainty K_{WA}	3 dB

Wear hearing protection.

The effects of noise can cause a loss of hearing

The above-mentioned noise emission values were measured in accordance with a standardised test procedure and can be used to compare one power tool with another.

The above-mentioned noise emission values can also be used for the preliminary assessment of exposure.

Warning:

- The noise emissions during the actual use of the power tool may differ from the above-mentioned values depending on the power tool being used, in particular on the type of workpiece being processed.
- Try to keep emissions as low as possible, for example by limiting your working time. In this regard, all the operational cycle phases must be taken into consideration (such as the times when the tool is switched off or running idle).

8. Before starting the equipment

- Open the packaging and remove the device carefully.
- Remove the packaging material as well as the packaging and transport bracing (if available).
- Check that the delivery is complete.
- Check the device and accessory parts for transport damage.
- If possible, store the packaging until the warranty period has expired.

ATTENTION

The device and packaging materials are not toys! Children must not be allowed to play with plastic bags, film and small parts! There is a risk of swallowing and suffocation!

Always ensure that the machine is stable and can stand securely, i. e. bolted down on a workbench.

- The equipment must be set up where it can stand securely. Secure the machine on a workbench or a base frame with 4 screws (not included in delivery) using the holes on the fixed saw table (9).
- All covers and safety devices have to be properly fitted before the equipment is switched on.
- It must be possible for the blade to run freely.
- When working with wood that has been processed before, watch out for foreign bodies such as nails or screws, etc.
- Before you press the ON/OFF switch check that the saw blade is fitted correctly. Moving parts must run smoothly.
- Before you connect the equipment to the power supply make sure the data on the rating plate are identical to the mains data.

8.1 Assembling the work piece clamping device (fig. 2)

- Loosen the locking screw (19) and attach the work piece clamping device (15) to the left or right of the fixed saw bench.
- Afterwards, retighten the locking screws (19).

8.2 Assembling the work piece supports (fig. 2 - 3)

- Loosen the locking screw (14) and guide the work piece support through the specified hole on the side of the fixed saw bench.
- Make sure that the work piece support (18) is also guided through the two plates on the underneath.
- Afterwards, retighten the locking screw (14).
- Repeat this process on the other side.

8.3 Assembling the support stand (fig. 2 - 3)

- Loosen the locking screw (20) on the underneath of the saw and guide the support stand (21) through the specified holes on the back of the saw.
- Afterwards, retighten the locking screw (20).

8.4 Sawdust bag (fig. 4)

The saw is equipped with a sawdust bag (17) for sawdust and chips.

- Squeeze together the metal ring on the dust bag and attach it to the outlet opening in the motor area.
- The sawdust bag (17) can be emptied by means of a zipper at the bottom.

Connection to an external dust extractor

- Connect the vacuum hose with the dust extraction spout.
- The industrial vacuum cleaner must be suitable for the material being worked.
- When vacuuming dust that is especially detrimental to health or carcinogenic, use a special vacuum cleaner.

8.5 Checking the moving saw blade guard safety device (5)

The saw blade guard protects against accidental contact with the saw blade and from chips flying around.

Check function

To do so, fold the saw downwards:

- The saw blade guard must provide free access to the saw blade without touching other parts.
- When folding the saw upwards into the starting position, the saw blade guard must cover the saw blade automatically.

9. Attachment and operation

9.1 Attaching the cross cut mitre saw (fig.1 - 3)

- Release the rotary table (13) by loosening the set screw (7).
- Using the handle (3), set the rotary table (13) to the desired angle.

NOTE

The cross cut mitre saw can be pivoted left and right with the rotary table. Exact angle adjustment is possible on the basis of the scale. The angle can be precisely and quickly adjusted from 0° to 45° with locking positions at 15°, 22.5° and 30°.

- Retighten the set screw (7) in order to secure the rotary table.
- Pressing the machine head (4) lightly downwards and removing the locking bolt (25) from the motor bracket at the same time disengages the saw from the lowest position.
- Swing the machine head (4) up.
- It is possible to secure the clamping device (15) to the left or right on the stationary saw table (9). Insert the clamping device (15) in the hole on the rear side of the stop rail (8) and secure it with the star grip screw (19).
- It is possible to tilt the machine head (4) a max. 45° to the left by loosening the locking screw (23).
- Workpiece supports (18) must always be secured and used during work.

9.2 Precision adjustment of the stop for crosscut at 90° (fig. 5)

No stop angle included.

- Lower the machine head (4) and secure it using the locking bolt (25).
- Loosen the locking screw (23).
- Position the angle stop (A) between the saw blade (6) and the rotary table (13).

- Loosen the lock nut (26a).
- Adjust the adjusting screw (26) until the angle between the saw blade (6) and rotary table (13) is 90°.
- Re-tighten the lock nut (26a).

9.3 Crosscut at 90° and rotary table at 0° (fig. 1/2/3/6)

Important! To make 90° crosscuts, the adjustable stop rail (8a) must be fixed at the inner position.

- Open the set screw (8b) for the adjustable stop rail (8a) and push the adjustable stop rail (8a) inwards.
- The adjustable stop rail (8a) must be fixed far enough in front of the innermost position that the distance between the adjustable stop rail (8a) and the saw blade (6) amounts to a maximum of 8 mm.
- Before making a cut, check that the adjustable stop rail (8a) and the saw blade (6) cannot collide.
- Secure the set screw (8b) again.
- Move the machine head (4) to its upper position.
- Place the piece of wood to be cut at the stop rail (8) and on the rotary table (13).
- Lock the material with the clamping devices (15) on the fixed saw table (9) to prevent the material from moving during the cutting operation. See section 9.12.
- Release the lock switch (2) and press the ON/OFF switch (1) to start the motor.
- Use the handle (3) to move the machine head (4) steadily and with light pressure downwards until the saw blade (6) has completely cut through the work piece.
- When the cutting operation is completed, move the machine head back to its upper (home) position and release the ON/OFF button (1).

Attention!

The machine executes an upward stroke automatically due to the return spring, i.e. do not release the handle (3) after completing the cut; instead allow the machine head to move upwards slowly whilst applying light counter pressure.

9.4 Crosscut at 90° and rotary table between 0° and 45° (fig. 1/2/3/6)

The cross cut mitre saw can be used to make crosscuts of 0° -45° to the left and 0° -45° to the right in relation to the stop rail.

Important!

To make 90° crosscuts, the adjustable stop rail (8a) must be fixed at the inner position.

- Open the set screw (8b) for the adjustable stop rail (8a) and push the adjustable stop rail (8a) inwards.
- The adjustable stop rail (8a) must be fixed far enough in front of the innermost position that the distance between the adjustable stop rail (8a) and the saw blade (6) amounts to a maximum of 8 mm.
- Before making a cut, check that the adjustable stop rail (8a) and the saw blade (6) cannot collide.
- Secure the set screw (8b) again.
- Release the rotary table (13) by loosening the set screw (7).
- Using the handle (3), set the rotary table (13) to the desired angle.
- Retighten the set screw (7) in order to secure the rotary table.
- Cut as described under section 9.3.

9.5 Precision adjustment of the stop for mitre cut at 45° (fig. 1/2/3/6/7/8)

No stop angle included.

- Lower the machine head (4) and secure it using the locking bolt (25).
- Fix the rotary table (13) in the 0° position.
- Important. For mitre cuts, the adjustable stop rail (8a) must be fixed at the inner position.
- Open the set screw (8b) for the adjustable stop rail (8a) and push the adjustable stop rail (8a) outwards.
- The adjustable stop rail (8a) must be fixed far enough in front of the innermost position that the distance between the adjustable stop rail (8a) and the saw blade (6) amounts to a maximum of 8 mm.
- Before making a cut, check that the adjustable stop rail (8a) and the saw blade (6) cannot collide.
- Secure the set screw (8b) again.
- Loosen the locking screw (23) and use the handle (3) to angle the machine head (4) 45° to the left.
- 45° - position angle stop (B) between the saw blade (6) and rotary table (13).
- Loosen the locknut (22a) and adjust the adjusting screw (22) until the angle between the saw blade (6) and the rotary table (13) is precisely 45°.
- Re-tighten the locknut (22a).
- Subsequently check the position of the angle indicator. If necessary, loosen the pointer (28) using a Philips screwdriver, set to position 45° on the angle scale (27) and re-tighten the retaining screw.

9.6 Mitre cut between 0° and 45° and rotary table at 0° (fig. 1/2/3/6)

The cross cut mitre saw can be used to make mitre cuts between 0° and 45° in relation to the work face.

Important!

For mitre cuts, the adjustable stop rail (8a) must be fixed at the inner position.

Attention!

For mitre cuts between 0° and 45°, mount the clamping device (workpiece clamp) (15) only on the right side.

- Open the set screw (8b) for the adjustable stop rail (8a) and push the adjustable stop rail (8a) outwards.
- The adjustable stop rail (8a) must be fixed far enough in front of the innermost position that the distance between the adjustable stop rail (8a) and the saw blade (6) amounts to a maximum of 8 mm.
- Before making a cut, check that the adjustable stop rail (8a) and the saw blade (6) cannot collide.
- Secure the set screw (8b) again.
- Move the machine head (4) to the top position.
- Fix the rotary table (13) in the 0° position.
- Loosen the locking screw (23) and use the handle (3) to angle the machine head (4) to the left, until the pointer (28) indicates the desired angle measurement on the scale (27).
- Re-tighten the locking screw (23).
- Cut as described in section 9.3.

9.7 Mitre cut between 0° and 45° and rotary table between 0° and 45° (fig. 1/2/3/6)

The cross cut mitre saw can be used to make mitre cuts to the left of 0° - 45° in relation to the work face and, at the same time, 0° - 45° to the left or 0° - 45° to the right in relation to the stop rail (double mitre cut).

Attention!

For mitre cuts (inclined saw head), the adjustable stop rail (8a) must be fixed in the outer position.

Attention!

For mitre cuts between 0° and 45°, mount the clamping device (workpiece clamp) (15) only on the right side.

- Open the set screw (8b) for the adjustable stop rail (8a) and push the adjustable stop rail (8a) outwards.
- The adjustable stop rail (8a) must be fixed far enough in front of the innermost position that the distance between the adjustable stop rail (8a) and the saw blade (6) amounts to a maximum of 8 mm.
- Before making a cut, check that the adjustable stop rail (8a) and the saw blade (6) cannot collide.
- Secure the set screw (8b) again.
- Move the machine head (4) to its upper position.
- Release the rotary table (13) by loosening the set screw (7).
- Using the handle (3), set the rotary table (13) to the desired angle.
- Retighten the set screw (7) in order to secure the rotary table.
- Undo the locking screw (23).
- Use the handle (3) to tilt the machine head (4) to the left until it coincides with the required angle value (in this connection see also section 9.6).
- Re-tighten the locking screw (23).
- Cut as described under section 9.3.

9.8 Changing the saw blade (fig. 1/2/3/9/10)

Remove the power plug!

Important!

Wear safety gloves when changing the saw blade.

Risk of injury!

- Swing the machine head (4) upwards and secure with the locking bolt (25).
- Fold the saw blade guard (5) upwards until the saw blade guard (5) is above the flange screw (29).
- With one hand insert the Allen key (C) in the flange screw (29).
- Hold the Allen key (C) and slowly close the saw blade guard (5) until it touches the Allen key (C).
- Firmly press the saw shaft lock (32) and slowly rotate the flange screw (29) in clockwise direction. The saw shaft lock (32) engages after no more than one rotation.
- Now, using a little more force, slacken the flange screw (29) in the clockwise direction.
- Turn the flange screw (29) right out and remove the outer flange (30).
- Take the blade (6) off the inner flange and pull out downwards.
- Carefully clean the flange screw (29), outer flange (30) and inner flange.
- Fit and fasten the new saw blade (6) in reverse order.

- Important! The cutting angle of the teeth, in other words the direction of rotation of the saw blade (6) must coincide with the direction of the arrow on the housing.
- Before continuing your work make sure that all safety devices are in good working condition.
- Important! Every time that you change the saw blade (6), check to see that it spins freely in the table insert (10) in both perpendicular and 45° angle settings.

Important!

The work to change and align the saw blade (6) must be carried out correctly.

9.9 Replacing laser batteries (fig. 11)

- Remove the laser battery cover (34). Remove the 2 batteries.
- Replace both batteries with the same or an equivalent type. Make sure that they are inserted with the same polarity as the used batteries.
- Close the battery cover.

9.10 Switch ON / switch OFF the laser (fig. 11)

To switch on:

Move the ON/OFF switch (33) of the laser to the "1" position. A laser line is projected onto the material you wish to process, providing an exact guide for the cut.

To switch off:

Move the ON/OFF switch of the laser to the "0" position.

9.11 Adjusting the laser (fig. 12)

If the laser (35) ceases to indicate the correct cutting line, you can readjust the laser. To do so, open the screws (36) and set the laser by moving sideways so that the laser beam strikes the teeth of the saw blade (6).

9.12 Using the clamping handle (fig. 1/2)

The height of the clamping device (15) can be adjusted via the set screw (16).

- Lower the clamping device onto the workpiece.
- Tighten the set screw (16) firmly.
- Turn the clamping handle (24) clockwise to clamp the workpiece.
- To release the workpiece, proceed in reverse order.

10. Transport (fig. 13)

- Tighten the set screw (7) in order to lock the rotary table (13)
- Press the machine head (4) downwards and secure with the locking bolt (25). The saw is now locked in the lower position.
- Carry the equipment by the transport handle (37).
- When reassembling the equipment proceed as described under section 8 - 9.

11. Maintenance

⚠ Warning!

Prior to any adjustment, maintenance or service work disconnect the mains power plug!

General maintenance measures

Wipe chips and dust off the machine from time to time using a cloth. In order to extend the service life of the tool, oil the rotary parts once monthly. Do not oil the motor.

When cleaning the plastic do not use corrosive products.

Cleaning the moving saw blade guard safety device (5)

Always check the saw blade guard for debris before using the machine.

Remove old sawdust and splinters using a brush or similar tool.

Replacing the table insert (fig. 14)

Danger!

With a damaged table insert (10) there is a risk of small parts getting stuck between table insert and saw blade, blocking the saw blade.

Immediately replace damaged table inserts!

1. Remove table insert screws (E).
2. Remove table insert.
3. Install new table insert.
4. Tighten the table insert screws (E).

Brush inspection

Check the carbon brushes after the first 50 operating hours with a new machine, or when new brushes have been fitted. After carrying out the first check, repeat the check every 10 operating hours.

If the carbon is worn to a length of 6 mm, or if the spring or contact wire are burned or damaged, it is necessary to replace both brushes. If the brushes are found to be usable following removal, it is possible to reinstall them.

When servicing the carbon brushes, open the two latches counterclockwise (as shown in figure 15). Then remove the carbon brushes.

Replace the carbon brushes in the reverse order.

Service information

Please note that the following parts of this product are subject to normal or natural wear and that the following parts are therefore also required for use as consumables.

Wear parts*: carbon brushes, saw blade, table inserts, sawdust bags

* Not necessarily included in the scope of delivery!

12. Storage

Store the device and its accessories in a dark, dry and frost-proof place that is inaccessible to children. The optimum storage temperature is between 5 and 30°C.

Store the electrical tool in its original packaging.

Cover the electrical tool in order to protect it from dust and moisture.

Store the operating manual with the electrical tool.

13. Electrical connection

The electrical motor installed is connected and ready for operation. The connection complies with the applicable VDE and DIN provisions. The customer's mains connection as well as the extension cable used must also comply with these regulations.

Important information

In the event of an overloading the motor will switch itself off. After a cool-down period (time varies) the motor can be switched back on again.

Damaged electrical connection cable

The insulation on electrical connection cables is often damaged.

This may have the following causes:

- Passage points, where connection cables are passed through windows or doors.
- Kinks where the connection cable has been improperly fastened or routed.
- Places where the connection cables have been cut due to being driven over.
- Insulation damage due to being ripped out of the wall outlet.
- Cracks due to the insulation ageing.

Such damaged electrical connection cables must not be used and are life-threatening due to the insulation damage.

Check the electrical connection cables for damage regularly. Make sure that the connection cable does not hang on the power network during the inspection.

Check the electrical connection cables for damage regularly. Make sure that the connection cable does not hang on the power network during the inspection.

The printing of the type designation on the connection cable is mandatory.

Safety instructions for the replacement of damaged or defective power supply cables

Type X:

If the power cord of this device is damaged, it must be replaced by the manufacturer, their service department or a similarly qualified person to avoid dangers.

AC motor:

The mains voltage must be 220 - 240 V~.

- Extension cables up to 25 m long must have a cross-section of 1.5 mm².
- Connections and repairs of electrical equipment may only be carried out by an electrician.

Please provide the following information in the event of any enquiries:

- Type of current for the motor
- Machine data - type plate

14. Disposal and recycling

The equipment is supplied in packaging to prevent it from being damaged in transit. The raw materials in this packaging can be reused or recycled.

The equipment and its accessories are made of various types of material, such as metal and plastic. Defective components must be disposed of as special waste. Ask your dealer or your local council.



The packaging is wholly composed of environmentally-friendly materials that can be disposed of at a local recycling centre.

Contact your local refuse disposal authority for more details of how to dispose of your worn-out electrical devices.

Old devices must not be disposed of with household waste!



This symbol indicates that this product must not be disposed of together with domestic waste in compliance with the Directive (2012/19/EU) pertaining to waste electrical and electronic equipment (WEEE). This product must be disposed of at a designated collection point. This can occur, for example, by handing it in at an authorised collecting point for the recycling of waste electrical and electronic equipment. Improper handling of waste equipment may have negative consequences for the environment and human health due to potentially hazardous substances that are often contained in electrical and electronic equipment. By properly disposing of this product, you are also contributing to the effective use of natural resources. You can obtain information on collection points for waste equipment from your municipal administration, public waste disposal authority, an authorised body for the disposal of waste electrical and electronic equipment or your waste disposal company.

Batteries and rechargeable batteries do not belong in the household waste!



As the consumer you are required by law to bring all batteries and rechargeable batteries, regardless whether they contain harmful substances* or not, to a collection point run by the local authority or to a retailer, so that they can be disposed of in an environmentally friendly manner.

*labelled with: Cd = cadmium, Hg = mercury, Pb = lead

Remove the batteries from the laser before disposing of the machine and the batteries.

15. Troubleshooting

Fault	Possible cause	Remedy
Motor does not work	Motor, cable or plug defective, fuses burnt	Arrange for inspection of the machine by a specialist. Never repair the motor yourself. Danger! Check fuses and replace as necessary
The motor starts up slowly and does not reach operating speed.	Voltage too low, coils damaged, capacitor burnt	Contact the utility provider to check the voltage. Arrange for inspection of the motor by a specialist. Arrange for replacement of the capacitor by a specialist
Motor makes excessive noise	Coils damaged, motor defective	Arrange for inspection of the motor by a specialist
The motor does not reach its full power.	Circuits in the network are overloaded (lamps, other motors, etc.)	Do not use any other equipment or motors on the same circuit
Motor overheats easily.	Overloading of the motor, insufficient cooling of the motor	Avoid overloading the motor while cutting, remove dust from the motor in order to ensure optimal cooling of the motor
Saw cut is rough or wavy	Saw blade dull, tooth shape not appropriate for the material thickness	Re-sharpen saw blade and/or use suitable saw blade
Workpiece pulls away and/or splinters	Excessive cutting pressure and/or saw blade not suitable for use	Insert suitable saw blade

16. Warranty certificate

Dear Customer,

All of our products undergo strict quality checks to ensure that they reach you in perfect condition. In the unlikely event that your device develops a fault, please contact our service department at the address shown on this guarantee card. Of course, if you would prefer to call us then we are also happy to offer our assistance under the service number printed below. Please note the following terms under which guarantee claims can be made:

- These guarantee terms cover additional guarantee rights and do not affect your statutory warranty rights. We do not charge you for this guarantee.
- Our guarantee only covers problems caused by material or manufacturing defects, and it is restricted to the rectification of these defects or replacement of the device. Please note that our devices have not been designed for use in commercial, trade or industrial applications. Consequently, the guarantee is invalidated if the equipment is used in commercial, trade or industrial applications or for other equivalent activities. The following are also excluded from our guarantee: compensation for transport damage, damage caused by failure to comply with the installation/assembly instructions or damage caused by unprofessional installation, failure to comply with the operating instructions (e.g. connection to the wrong mains voltage or current type), misuse or inappropriate use (such as overloading of the device or use of non-approved tools or accessories), failure to comply with the maintenance and safety regulations, ingress of foreign bodies into the device (e.g. sand, stones or dust), effects of force or external influences (e.g. damage caused by the device being dropped) and normal wear resulting from proper operation of the device.

The guarantee is rendered null and void if any attempt is made to tamper with the device.

- The guarantee is valid for a period of 3 years starting from the purchase date of the device. Guarantee claims should be submitted before the end of the guarantee period within two weeks of the defect being noticed. No guarantee claims will be accepted after the end of the guarantee period. The original guarantee period remains applicable to the device even if repairs are carried out or parts are replaced. In such cases, the work performed or parts fitted will not result in an extension of the guarantee period, and no new guarantee will become active for the work performed or parts fitted. This also applies when an on-site service is used.
- In order to assert your guarantee claim, please contact the service partner shown below. If the complaint is within the guarantee period, we will provide you with a return slip, with which you can return your defective device free of charge to us. It would help us if you could describe the nature of the problem in as much detail as possible. If the defect is covered by our guarantee then your device will either be repaired immediately and returned to you, or we will send you a new device.

Of course, we are also happy offer a chargeable repair service for any defects which are not covered by the scope of this guarantee or for units which are no longer covered. To take advantage of this service, please send the device to our service address.

Service-Hotline (GB/IE):

00800 4003 4003
(0,00 EUR/Min.)

Service-Email (GB):

service.GB@schepach.com

Service-Email (IE):

service.IE@schepach.com

Service Address (GB/IE):

Forest Park & Garden
Coed Court, Taffsmead Road
Treforest, Ind. Estate, Pontypridd CF375SW



At www.lidl-service.com you can download this and many more manuals, product videos plus installation software.

The QR code takes you directly to the Lidl service page (www.lidl-service.com) and you can open your operating manual by entering the article number (IAN) 373880_2104.

Inhalt:	Seite:
1. Erklärung der Symbole auf dem Gerät.....	16
2. Einleitung	17
3. Gerätebeschreibung (Abb. 1-13).....	17
4. Lieferumfang.....	18
5. Bestimmungsgemäße Verwendung.....	18
6. Sicherheitshinweise	18
7. Technische Daten	22
8. Vor Inbetriebnahme.....	23
9. Aufbau und Bedienung.....	24
10. Transport (Abb. 13).....	26
11. Wartung.....	26
12. Lagerung.....	26
13. Elektrischer Anschluss.....	27
14. Entsorgung und Wiederverwertung.....	27
15. Störungsabhilfe	28
16. Garantiekunde	29
17. Explosionszeichnung.....	133
18. Konformitätserklärung.....	135

1. Erklärung der Symbole auf dem Gerät



DE AT CH

Vor Inbetriebnahme Bedienungsanleitung und Sicherheitshinweise lesen und beachten!



DE AT CH

Schutzbrille tragen!



DE AT CH

Gehörschutz tragen!



DE AT CH

Atemschutz tragen!



DE AT CH

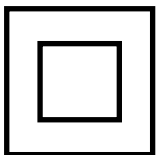
Achtung! Verletzungsgefahr! Nicht in das laufende Sägeblatt greifen!



Achtung! - Laserstrahlung
Nicht in den Strahl blicken!
Laser Klasse 2
Laserspezifikation nach EN 60825-1:2014
λ = 650 nm P_e < 1 mW

DE AT CH

Achtung! Laserstrahlung



DE AT CH

Schutzklasse II (Doppelisolierung)

2. Einleitung

Hersteller:

scheppach

Fabrikation von Holzbearbeitungsmaschinen GmbH
Günzburger Straße 69
D-89335 Ichenhausen

Verehrter Kunde,

Wir wünschen Ihnen viel Freude und Erfolg beim Arbeiten mit Ihrem neuen Gerät.

Hinweis:

Der Hersteller dieses Gerätes haftet nach dem geltenden Produkthaftungsgesetz nicht für Schäden, die an diesem Gerät oder durch dieses Gerät entstehen bei:

- unsachgemäßer Behandlung,
- Nichtbeachtung der Bedienungsanweisung,
- Reparaturen durch Dritte, nicht autorisierte Fachkräfte,
- Einbau und Austausch von nicht originalen Ersatzteilen,
- nicht bestimmungsgemäßer Verwendung,
- Ausfällen der elektrischen Anlage bei Nichtbeachtung der elektrischen Vorschriften und VDE-Bestimmungen 0100, DIN 57113 / VDE0113.

Beachten Sie:

Lesen Sie vor der Montage und vor Inbetriebnahme den gesamten Text der Bedienungsanleitung durch.

Diese Bedienungsanleitung soll es Ihnen erleichtern, Ihr Gerät kennenzulernen und dessen bestimmungsgemäßen Einsatzmöglichkeiten zu nutzen.

Die Bedienungsanleitung enthält wichtige Hinweise, wie Sie mit dem Gerät sicher, fachgerecht und wirtschaftlich arbeiten, und wie Sie Gefahren vermeiden, Reparaturkosten sparen, Ausfallzeiten verringern und die Zuverlässigkeit und Lebensdauer des Gerätes erhöhen.

Zusätzlich zu den Sicherheitsbestimmungen dieser Bedienungsanleitung müssen Sie unbedingt die für den Betrieb des Gerätes geltenden Vorschriften Ihres Landes beachten.

Bewahren Sie die Bedienungsanleitung, in einer Plastikhülle geschützt vor Schmutz und Feuchtigkeit, bei dem Gerät auf. Sie muss von jeder Bedienungsperson vor Aufnahme der Arbeit gelesen und sorgfältig beachtet werden.

An dem Gerät dürfen nur Personen arbeiten, die im Gebrauch des Gerätes unterwiesen und über die damit verbundenen Gefahren unterrichtet sind. Das geforderte Mindestalter ist einzuhalten.

Neben den in dieser Bedienungsanleitung enthaltenen Sicherheitshinweisen und den besonderen Vorschriften Ihres Landes sind die für den Betrieb von baugleichen Maschinen allgemein anerkannten technischen Regeln zu beachten.

Wir übernehmen keine Haftung für Unfälle oder Schäden, die durch Nichtbeachten dieser Anleitung und den Sicherheitshinweisen entstehen.

3. Gerätebeschreibung (Abb. 1-13)

1. Ein-/Ausschalter
 2. Sperrschalter
 3. Handgriff
 4. Maschinenkopf
 5. Sägeblattschutz beweglich
 6. Sägeblatt
 7. Feststellschraube für Drehtisch
 8. Anschlagsschiene
 - 8a. Verschiebbare Anschlagsschiene
 - 8b. Feststellschraube
 9. Feststehender Sägefisch
 10. Tischeinlage
 11. Skala
 12. Zeiger
 13. Drehtisch
 14. Feststellschraube für Werkstückauflage
 15. Spannvorrichtung (Werkstückspanner)
 16. Feststellschraube
 17. Spänefangsack
 18. Werkstückauflage
 19. Feststellschraube für Spannvorrichtung
 20. Feststellschraube für Kippssicherung
 21. Standbügel
 22. Justierschraube (45°)
 - 22a. Sicherungsmutter Justierschraube (45°)
 23. Feststellschraube
 24. Klemmgriff
 25. Sicherungsbolzen
 26. Justierschraube (90°)
 - 26a. Sicherungsmutter Justierschraube (90°)
 27. Skala
 28. Zeiger
 29. Flanschschrabe
 30. Außenflansch
 31. Führungsbügel
 32. Sägewellensperre
 33. Ein-/Ausschalter Laser
 34. Batterieabdeckung
 35. Laser
 36. Schraube (Laser)
 37. Transportgriff
- (A) 90° Anschlagwinkel (Im Lieferumfang nicht enthalten)
(B) 45° Anschlagwinkel (Im Lieferumfang nicht enthalten)
(C) Innensechskantschlüssel, 6 mm
(D) Innensechskantschlüssel, 3 mm
(E) Kreuzschlitzschraube (Tischeinlage)

4. Lieferumfang

- Kapp- und Gehrungssäge
- Spänesack
- Werkstückspanner
- Innensechskantschlüssel 6 mm (C)
- Innensechskantschlüssel 3 mm (D)
- 2x Werkstückauflagen
- Standbügel
- 2x Kohlebürsten
- 2x Batterien (AAA)
- Bedienungsanleitung

5. Bestimmungsgemäße Verwendung

Die Kapp- und Gehrungssäge dient zum Kappen von Holz und Kunststoff, entsprechend der Maschinengröße. Die Säge ist nicht zum Schneiden von Brennholz geeignet.

Warnung!

Verwenden Sie das Gerät nicht zum Schneiden anderer Materialien als in der Bedienungsanleitung beschrieben.

Warnung!

Das mitgelieferte Sägeblatt ist ausschließlich zum Sägen von Holz bestimmt! Verwenden Sie dieses nicht zum Sägen von Brennholz!

Die Maschine darf nur nach ihrer Bestimmung verwendet werden. Jede weitere darüber hinausgehende Verwendung ist nicht bestimmungsgemäß. Für daraus hervorgerufene Schäden oder Verletzungen aller Art haftet der Benutzer/Bediener und nicht der Hersteller.

Es dürfen nur für die Maschine geeignete Sägeblätter verwendet werden. Die Verwendung von Trennscheiben aller Art ist untersagt.

Bestandteil der bestimmungsgemäßen Verwendung ist auch die Beachtung der Sicherheitshinweise, sowie die Montageanleitung und Betriebshinweise in der Bedienungsanleitung.

Personen, welche die Maschine bedienen und warten, müssen mit dieser vertraut und über mögliche Gefahren unterrichtet sein.

Darüber hinaus sind die geltenden Unfallverhütungsvorschriften genauestens einzuhalten.

Sonstige allgemeine Regeln in arbeitsmedizinischen und sicherheitstechnischen Bereichen sind zu beachten.

Veränderungen an der Maschine schließen eine Haftung des Herstellers und daraus entstehende Schäden gänzlich aus.

Trotz bestimmungsmäßiger Verwendung können bestimmte Restrisikofaktoren nicht vollständig ausgeräumt werden. Bedingt durch Konstruktion und Aufbau der Maschine können folgende Punkte auftreten:

- Berührung des Sägeblattes im nicht abgedeckten Sägebereich.
- Eingreifen in das laufende Sägeblatt (Schnittverletzung).
- Rückschlag von Werkstücken und Werkstückteilen.
- Sägeblattbrüche.
- Herausschleudern von fehlerhaften Hartmetallteilen des Sägeblattes.
- Gehörschäden bei Nichtverwendung des nötigen Gehörschutzes.
- Gesundheitsschädliche Emissionen von Holzstäuben bei Verwendung in geschlossenen Räumen.

Bitte beachten Sie, dass unsere Geräte bestimmungsgemäß nicht für den gewerblichen, handwerklichen oder industriellen Einsatz konstruiert wurden. Wir übernehmen keine Gewährleistung, wenn das Gerät in Gewerbe-, Handwerks- oder Industriebetrieben sowie bei gleichzusetzenden Tätigkeiten eingesetzt wird.

6. Sicherheitshinweise

Allgemeine Sicherheitshinweise für Elektrowerkzeuge

⚠ WARNING! Lesen Sie alle Sicherheitshinweise, Anweisungen, Bebilderungen und technischen Daten, mit denen dieses Elektrowerkzeug versehen ist. Versäumnisse bei der Einhaltung der Sicherheitshinweise und Anweisungen können elektrischen Schlag, Brand und/oder schwere Verletzungen verursachen.

Bewahren Sie alle Sicherheitshinweise und Anweisungen für die Zukunft auf.

Der in den Sicherheitshinweisen verwendete Begriff „Elektrowerkzeug“ bezieht sich auf netzbetriebene Elektrowerkzeuge (mit Netzleitung) oder auf akkubetriebene Elektrowerkzeuge (ohne Netzleitung).

1. Arbeitsplatzsicherheit

- Halten Sie Ihren Arbeitsbereich sauber und gut beleuchtet.** Unordnung oder unbeleuchtete Arbeitsbereiche können zu Unfällen führen.
- Arbeiten Sie mit dem Elektrowerkzeug nicht in explosionsgefährdeter Umgebung, in der sich brennbare Flüssigkeiten, Gase oder Stäube befinden.** Elektrowerkzeuge erzeugen Funken, die den Staub oder die Dämpfe entzünden können.
- Halten Sie Kinder und andere Personen während der Benutzung des Elektrowerkzeugs fern.** Bei Ablenkung können Sie die Kontrolle über das Elektrowerkzeug verlieren.

2. Elektrische Sicherheit

- Der Anschlussstecker des Elektrowerkzeuges muss in die Steckdose passen.** Der Stecker darf in keiner Weise verändert werden. Verwenden Sie keine Adapterstecker gemeinsam mit schutzgeerdeten Elektrowerkzeugen. Unveränderte Stecker und passende Steckdosen verringern das Risiko eines elektrischen Schlages.
- Vermeiden Sie Körperkontakt mit geerdeten Oberflächen wie von Rohren, Heizungen, Herden und Kühlschränken. Es besteht ein erhöhtes Risiko durch elektrischen Schlag, wenn Ihr Körper geerdet ist.**
- Halten Sie Elektrowerkzeuge von Regen oder Nässe fern.** Das Eindringen von Wasser in ein Elektrowerkzeug erhöht das Risiko eines elektrischen Schlages.

- d) **Zweckentfremden Sie die Anschlussleitung nicht, um das Elektrowerkzeug zu tragen, aufzuhängen oder um den Stecker aus der Steckdose zu ziehen.** Halten Sie die Anschlussleitung fern von Hitze, Öl, scharfen Kanten oder sich bewegenden Teilen. Beschädigte oder verwickelte Anschlussleitungen erhöhen das Risiko eines elektrischen Schlages.
- e) **Wenn Sie mit einem Elektrowerkzeug im Freien arbeiten, verwenden Sie nur Verlängerungsleitungen, die auch für den Außenbereich geeignet sind.** Die Anwendung einer für den Außenbereich geeigneten Verlängerungsleitung verringert das Risiko eines elektrischen Schlages.
- f) **Wenn der Betrieb des Elektrowerkzeuges in feuchter Umgebung nicht vermeidbar ist, verwenden Sie einen Fehlerstromschutzschalter.** Der Einsatz eines Fehlerstromschutzschalters vermindert das Risiko eines elektrischen Schlages.

3. Sicherheit von Personen

- a) **Seien Sie aufmerksam, achten Sie darauf, was Sie tun, und gehen Sie mit Vernunft an die Arbeit mit einem Elektrowerkzeug. Benutzen Sie kein Elektrowerkzeug, wenn Sie müde sind oder unter dem Einfluss von Drogen, Alkohol oder Medikamenten stehen.** Ein Moment der Unachtsamkeit beim Gebrauch des Elektrowerkzeuges kann zu ernsthaften Verletzungen führen.
- b) **Tragen Sie persönliche Schutzausrüstung und immer eine Schutzbrille.** Das Tragen persönlicher Schutzausrüstung, wie Staubmaske, rutschfeste Sicherheitsschuhe, Schutzhelm oder Gehörschutz, je nach Art und Einsatz des Elektrowerkzeuges, verringert das Risiko von Verletzungen.
- c) **Vermeiden Sie eine unbeabsichtigte Inbetriebnahme. Vergewissern Sie sich, dass das Elektrowerkzeug ausgeschaltet ist, bevor Sie es an die Stromversorgung und/oder den Akku anschließen, es aufnehmen oder tragen.** Wenn Sie beim Tragen des Elektrowerkzeuges den Finger am Schalter haben oder das Elektrowerkzeug eingeschaltet an die Stromversorgung anschließen, kann dies zu Unfällen führen.
- d) **Entfernen Sie Einstellwerkzeuge oder Schraubenschlüssel, bevor Sie das Elektrowerkzeug einschalten.** Ein Werkzeug oder Schlüssel, der sich in einem drehenden Teil des Elektrowerkzeuges befindet, kann zu Verletzungen führen.
- e) **Vermeiden Sie eine abnormale Körperhaltung. Sorgen Sie für einen sicheren Stand und halten Sie jederzeit das Gleichgewicht.** Dadurch können Sie das Elektrowerkzeug in unerwarteten Situationen besser kontrollieren.
- f) **Tragen Sie geeignete Kleidung. Tragen Sie keine weite Kleidung oder Schmuck. Halten Sie Haare und Kleidung fern von sich bewegenden Teilen.** Lockere Kleidung, Schmuck oder lange Haare können von sich bewegenden Teilen erfasst werden.
- g) **Wenn Staubabsaug- und -auffangeinrichtungen montiert werden können, sind diese anzuschließen und richtig zu verwenden.** Verwendung einer Staubabsaugung kann Gefährdungen durch Staub verringern.
- h) **Wiegen Sie sich nicht in falscher Sicherheit und setzen Sie sich nicht über die Sicherheitsregeln für Elektrowerkzeuge hinweg, auch wenn Sie nach vielfachem Gebrauch mit dem Elektrowerkzeug vertraut sind.** Achtloses Handeln kann binnen Sekundenbruchteilen zu schweren Verletzungen führen.

4. Verwendung und Behandlung des Elektrowerkzeuges

- a) **Überlasten Sie das Elektrowerkzeug nicht.** Verwenden Sie für Ihre Arbeit das dafür bestimmte Elektrowerkzeug. Mit dem passenden Elektrowerkzeug arbeiten Sie besser und sicherer im angegebenen Leistungsbereich.
- b) **Benutzen Sie kein Elektrowerkzeug, dessen Schalter defekt ist. Ein Elektrowerkzeug, das sich nicht mehr ein- oder ausschalten lässt, ist gefährlich und muss repariert werden.**
- c) **Ziehen Sie den Stecker aus der Steckdose und/oder entfernen Sie einen abnehmbaren Akku, bevor Sie Geräteeinstellungen vornehmen, Einsatzwerkzeugteile wechseln oder das Elektrowerkzeug weglegen.** Diese Vorsichtsmaßnahme verhindert den unbeabsichtigten Start des Elektrowerkzeuges.
- d) **Bewahren Sie unbenutzte Elektrowerkzeuge außerhalb der Reichweite von Kindern auf.** Lassen Sie keine Personen das Elektrowerkzeug benutzen, die mit diesem nicht vertraut sind oder diese Anweisungen nicht gelesen haben. Elektrowerkzeuge sind gefährlich, wenn sie von unerfahrenen Personen benutzt werden.
- e) **Pflegen Sie Elektrowerkzeuge und Einsatzwerkzeug mit Sorgfalt.** Kontrollieren Sie, ob bewegliche Teile einwandfrei funktionieren und nicht klemmen, ob Teile gebrochen oder so beschädigt sind, dass die Funktion des Elektrowerkzeuges beeinträchtigt ist. Lassen Sie beschädigte Teile vor dem Einsatz des Elektrowerkzeuges reparieren. Viele Unfälle haben ihre Ursache in schlecht gewarteten Elektrowerkzeugen.
- f) **Halten Sie Schneidwerkzeuge scharf und sauber. Sorgfältig gepflegte Schneidwerkzeuge mit scharfen Schneidkanten verklemmen sich weniger und sind leichter zu führen.**
- g) **Verwenden Sie Elektrowerkzeug, Zubehör, Einsatzwerkzeuge usw. entsprechend diesen Anweisungen.** Berücksichtigen Sie dabei die Arbeitsbedingungen und die auszuführende Tätigkeit. Der Gebrauch von Elektrowerkzeugen für andere als die vorgesehenen Anwendungen kann zu gefährlichen Situationen führen.
- h) **Halten Sie Griffe und Griffflächen trocken, sauber und frei von Öl und Fett.** Rutschige Griffe und Griffflächen erlauben keine sichere Bedienung und Kontrolle des Elektrowerkzeuges in unvorhergesehenen Situationen.

5. Service

- a) **Lassen Sie Ihr Elektrowerkzeug nur von qualifiziertem Fachpersonal und nur mit Original-Ersatzteilen reparieren.** Damit wird sichergestellt, dass die Sicherheit des Elektrowerkzeuges erhalten bleibt.

Warnung!

Dieses Elektrowerkzeug erzeugt während des Betriebes ein elektromagnetisches Feld. Dieses Feld kann unter bestimmten Umständen aktive oder passive medizinische Implantate beeinträchtigen. Um die Gefahr von ernsthaften oder tödlichen Verletzungen zu verringern, empfehlen wir Personen mit medizinischen Implantaten ihren Arzt und den Hersteller vom medizinischen Implantat zu konsultieren, bevor das Elektrowerkzeug bedient wird.

Sicherheitshinweise für Gehrungskappsägen

- a) **Gehrungskappsägen sind zum Schneiden von Holz oder holzartigen Produkten vorgesehen, sie können nicht zum Schneiden von Eisenwerkstoffen wie Stäben, Stangen, Schrauben usw. verwendet werden.** Abrasiver Staub führt zum Blockieren von beweglichen Teilen wie der unteren Schutzhaube. Schneidfunken verbrennen die untere Schutzhaube, die Einlegeplatte und andere Kunststoffteile.
- b) **Fixieren Sie das Werkstück nach Möglichkeit mit Zwingen. Wenn Sie das Werkstück mit der Hand festhalten, müssen Sie ihre Hand immer mindestens 100 mm von jeder Seite des Sägeblatts entfernt halten. Verwenden Sie diese Säge nicht zum Schneiden von Stücken, die zu klein sind, um sie einzuspannen oder mit der Hand zu halten.** Wenn ihre Hand zu nahe am Sägeblatt ist, besteht ein erhöhtes Verletzungsrisiko durch Kontakt mit dem Sägeblatt.
- c) **Das Werkstück muss unbeweglich sein und entweder festgespannt oder gegen den Anschlag und den Tisch gedrückt werden. Schieben Sie das Werkstück nicht in das Sägeblatt und schneiden Sie nie „freihändig“.** Lose oder sich bewegende Werkstücke könnten mit hoher Geschwindigkeit herausgeschleudert werden und zu Verletzungen führen.
- d) **Schieben Sie die Säge durch das Werkstück. Vermeiden Sie es, die Säge durch das Werkstück zu ziehen. Für einen Schnitt heben Sie den Sägekopf und ziehen ihn über das Werkstück, ohne zu schneiden. Dann schalten Sie den Motor ein, schwenken den Sägekopf nach unten und drücken die Säge durch das Werkstück.** Bei ziehendem Schnitt besteht die Gefahr, dass das Sägeblatt am Werkstück aufsteigt und die Sägeblatteinheit dem Bediener gewaltsam entgegengeschleudert wird.
- e) **Kreuzen Sie nie die Hand über die vorgesehene Schnittlinie, weder vor noch hinter dem Sägeblatt.** Abstützen des Werkstücks „mit gekreuzten Händen“, d. h. Halten des Werkstücks rechts neben dem Sägeblatt mit der linken Hand oder umgekehrt, ist sehr gefährlich.

- f) **Greifen Sie bei rotierendem Sägeblatt nicht hinter den Anschlag. Unterschreiten Sie nie einen Sicherheitsabstand von 100 mm zwischen Hand und rotierendem Sägeblatt (gilt auf beiden Seiten des Sägeblatts, z. B. beim Entfernen von Holzabfällen).** Die Nähe des rotierenden Sägeblatts zu ihrer Hand ist möglicherweise nicht erkennbar, und Sie können schwer verletzt werden.
- g) **Prüfen Sie das Werkstück vor dem Schneiden. Wenn das Werkstück gebogen oder verzogen ist, spannen Sie es mit der nach außen gekrümmten Seite zum Anschlag. Stellen Sie immer sicher, dass entlang der Schnittlinie kein Spalt zwischen Werkstück, Anschlag und Tisch ist.** Gebogene oder verzogene Werkstücke können sich verdrehen oder verlagern und ein Klemmen des rotierenden Sägeblatts beim Schneiden verursachen. Es dürfen keine Nägel oder Fremdkörper im Werkstück sein.
- h) **Verwenden Sie die Säge erst, wenn der Tisch frei von Werkzeugen, Holzabfällen usw. ist; nur das Werkstück darf sich auf dem Tisch befinden.** Kleine Abfälle, lose Holzstücke oder andere Gegenstände, die mit dem rotierenden Blatt in Berührung kommen, können mit hoher Geschwindigkeit weggeschleudert werden.
- i) **Schneiden Sie jeweils nur ein Werkstück.** Mehrfach gestapelte Werkstücke lassen sich nicht angemessen spannen oder festhalten und können beim Sägen ein Klemmen des Blatts verursachen oder verrutschen.
- j) **Sorgen Sie dafür, dass die Gehrungskappsäge vor Gebrauch auf einer ebenen, festen Arbeitsfläche steht.** Eine ebene und feste Arbeitsfläche verringert die Gefahr, dass die Gehrungskappsäge instabil wird.
- k) **Planen Sie ihre Arbeit. Achten Sie bei jedem Verstellen der Sägeblattneigung oder des Gehrungswinkels darauf, dass der verstellbare Anschlag richtig justiert ist und das Werkstück abstürzt, ohne mit dem Blatt oder der Schutzhaube in Berührung zu kommen.** Ohne die Maschine einzuschalten und ohne Werkstück auf dem Tisch ist eine vollständige Schnittbewegung des Sägeblatts zu simulieren, um sicherzustellen, dass es nicht zu Behinderungen oder der Gefahr des Schneidens in den Anschlag kommt.
- l) **Sorgen Sie bei Werkstücken, die breiter oder länger als die Tischoberseite sind, für eine angemessene Abstützung, z. B. durch Tischverlängerungen oder Sägeböcke.** Werkstücke, die länger oder breiter als der Tisch der Gehrungskappsäge sind, können kippen, wenn sie nicht fest abgestützt sind. Wenn ein abgeschnittenes Stock Holz oder das Werkstück kippt, kann es die untere Schutzhaube anheben oder unkontrolliert vom rotierenden Blatt weggeschleudert werden.
- m) **Ziehen Sie keine anderen Personen als Ersatz für eine Tischverlängerung oder zur zusätzlichen Abstützung heran.** Eine instabile Abstützung des Werkstücks kann zum Klemmen des Blatts führen. Auch kann sich das Werkstück während des Schnitts verschieben und Sie und den Helfer in das rotierende Blatt ziehen.

- n) **Das abgeschnittene Stück darf nicht gegen das rotierende Sägeblatt gedrückt werden.** Wenn wenig Platz ist, z. B. bei Verwendung von Längsanschlügen, kann sich das abgeschnittene Stück mit dem Blatt verkeilen und gewaltsam weggeschleudert werden.
- o) **Verwenden Sie immer eine Zwinde oder eine geeignete Vorrichtung, um Rundmaterial wie Stangen oder Rohre ordnungsgemäß abzustützen.** Stangen neigen beim Schneiden zum Wegrollen, wodurch sich das Blatt „festbeißen“ und das Werkstück mit Ihrer Hand in das Blatt gezogen werden kann.
- p) **Lassen Sie das Blatt die volle Drehzahl erreichen, bevor Sie in das Werkstück schneiden.** Dies verringert das Risiko, dass das Werkstück fortgeschleudert wird.
- q) **Wenn das Werkstück eingeklemmt wird oder das Blatt blockiert, schalten Sie die Gehungskappsäge aus. Warten Sie, bis alle beweglichen Teile zum Stillstand gekommen sind, ziehen Sie den Netzstecker und/oder nehmen Sie den Akku heraus. Entfernen Sie anschließend das eingeklemmte Material.** Wenn Sie bei einer solchen Blockierung weitersägen, kann es zum Verlust der Kontrolle oder zu Beschädigungen der Gehungskappsäge kommen.
- r) **Lassen Sie nach beendetem Schnitt den Schalter los, halten Sie den Sägekopf unten und warten Sie den Stillstand des Blatts ab, bevor Sie das abgeschnittene Stück entfernen.** Es ist sehr gefährlich, mit der Hand in die Nähe des auslaufenden Blatts zu reichen.
- s) **Halten Sie den Handgriff gut fest, wenn Sie einen unvollständigen Sägeschnitt ausführen oder wenn Sie den Schalter loslassen, bevor der Sägekopf seine untere Lage erreicht hat.** Durch die Bremswirkung der Säge kann der Sägekopf ruckartig nach unten gezogen werden, was zu einem Verletzungsrisiko führt.

Sicherheitshinweise für den Umgang mit Sägeblättern

1. Verwenden Sie keine beschädigten oder deformierten Sägeblätter.
2. Verwenden Sie keine Sägeblätter mit Rissen. Mustern Sie gerissene Sägeblätter aus. Eine Instandsetzung ist nicht zulässig.
3. Verwenden Sie keine aus Schnellarbeitsstahl gefertigten Sägeblätter.
4. Kontrollieren Sie den Zustand der Sägeblätter, bevor Sie die Kapp- und Gehungssäge benutzen.
5. Verwenden Sie ausschließlich Sägeblätter, die für den zu schneidenden Werkstoff geeignet sind.
6. Verwenden Sie nur die vom Hersteller festgelegten Sägeblätter. Die Sägeblätter müssen, wenn Sie zum Bearbeiten von Holz oder ähnlichen Werkstoffen vorgesehen sind, EN 847-1 entsprechen.
7. Verwenden Sie keine Sägeblätter aus hochlegiertem Schnellarbeitsstahl (HSS).
8. Verwenden Sie nur Sägeblätter, deren höchstzulässige Drehzahl nicht geringer ist als die maximale Spindeldrehzahl der Kapp- und Gehungssäge und die für den zu schneidenden Werkstoff geeignet sind.

9. Beachten Sie die Drehrichtung des Sägeblatts.
10. Setzen Sie nur Sägeblätter ein, wenn Sie den Umgang damit beherrschen.
11. Beachten Sie die Höchstdrehzahl. Die auf dem Sägeblatt angegebene Höchstdrehzahl darf nicht überschritten werden. Halten Sie, falls angegeben, den Drehzahlbereich ein.
12. Reinigen Sie die Spannflächen von Verschmutzungen, Fett, Öl und Wasser.
13. Verwenden Sie keine losen Reduzierringe oder -buchsen zum Reduzieren von Bohrungen bei Sägeblättern.
14. Achten Sie darauf, dass fixierte Reduzierringe zum Sichern des Sägeblatts den gleichen Durchmesser und mindestens 1/3 des Schnittdurchmessers haben.
15. Stellen Sie sicher, dass fixierte Reduzierringe parallel zueinander sind.
16. Handhaben Sie Sägeblätter mit Vorsicht. Bewahren Sie sie am besten in der Originalverpackung oder speziellen Behältnissen auf. Tragen Sie Schutzhandschuhe, um die Griffsicherheit zu verbessern und das Verletzungsrisiko weiter zu mindern.
17. Stellen Sie vor der Benutzung von Sägeblättern sicher, dass alle Schutzvorrichtungen ordnungsgemäß befestigt sind.
18. Vergewissern Sie sich vor dem Einsatz, dass das von Ihnen benutzte Sägeblatt den technischen Anforderungen dieser Kapp- und Gehungssäge entspricht und ordnungsgemäß befestigt ist.
19. Benutzen Sie das mitgelieferte Sägeblatt nur für Sägearbeiten in Holz, niemals zum Bearbeiten von Metallen.
20. Verwenden Sie nur eine Sägeblatt mit einem Durchmesser entsprechend den Angaben auf der Säge.
21. Verwenden Sie zusätzliche Werkstück-Auflagen, wenn dies für die Stabilität des Werkstück notwendig ist.
22. Die Verlängerungen der Werkstückauflage müssen während der Arbeit immer befestigt und verwendet werden.
23. Ersetzen Sie die abgenutzte Tischeinlage!
24. Vermeiden Sie ein Überhitzen der Sägezähne.
25. Vermeiden Sie beim Sägen von Kunststoffen, dass der Kunststoff schmilzt. Verwenden Sie dazu die richtigen Sägeblätter. Tauschen Sie die beschädigten oder abgenutzten Sägeblätter rechtzeitig aus. Wenn sich das Sägeblatt überhitzt, stoppen Sie die Maschine. Lassen Sie das Sägeblatt zuerst abkühlen, bevor Sie mit dem Elektrowerkzeug erneut arbeiten.



Achtung: Laserstrahlung
Nicht in den Strahl blicken
Laserklasse 2



Schützen Sie sich und Ihre Umwelt durch geeignete Vorsichtsmaßnahmen vor Unfallgefahren!

- Nicht direkt mit ungeschütztem Auge in den Laserstrahl blicken.
- Niemals direkt in den Strahlengang blicken.
- Den Laserstrahl nie auf reflektierende Flächen und Personen oder Tiere richten. Auch ein Laserstrahl mit geringer Leistung kann Schäden am Auge verursachen.

- Vorsicht - wenn andere als die hier angegebenen Verfahrensweisen ausgeführt werden, kann dies zu einer gefährlichen Strahlungsexposition führen.
- Lasermodul niemals öffnen. Es könnte unerwartet zu einer Strahlenexposition kommen.
- Wenn Sie das Gerät längere Zeit nicht benutzen, sollten die Batterien entfernt werden.
- Der Laser darf nicht gegen einen Laser anderen Typs ausgetauscht werden.
- Reparaturen am Laser dürfen nur vom Hersteller des Lasers oder einem autorisierten Vertreter vorgenommen werden.

Sicherheitshinweise zum Umgang mit Batterien


1. Jederzeit darauf achten, dass die Batterien mit der richtigen Polarität (+ und -) eingesetzt werden, wie sie auf der Batterie angegeben ist.
2. Batterien nicht kurzschließen.
3. Nicht wiederaufladbare Batterien nicht laden.
4. Batterie nicht überentladen!
5. Alte und neue Batterien sowie Batterien unterschiedlichen Typs oder Herstellers nicht mischen! Alle Batterien eines Satzes gleichzeitig wechseln.
6. Verbrauchte Batterien unverzüglich aus dem Gerät entfernen und richtig entsorgen! Werfen Sie Batterien nicht in den Hausmüll. Defekte oder verbrauchte Batterien müssen gemäß Richtlinie 2006/66/EC recycelt werden. Geben Sie Batterien und / oder das Gerät über die angebotene Sammeleinrichtungen zurück. Über Entsorgungsmöglichkeiten können Sie sich bei Ihrer Gemeinde- oder Stadtverwaltung informieren.
7. Batterien nicht erhitzen!
8. Nicht direkt an Batterien schweißen oder löten!
9. Batterien nicht auseinander nehmen!
10. Batterien nicht deformieren!
11. Batterien nicht ins Feuer werfen!
12. Batterien außerhalb der Reichweite von Kindern aufbewahren.
13. Kindern nicht ohne Aufsicht das Wechseln von Batterien gestatten!
14. Bewahren Sie Batterien nicht in der Nähe von Feuer, Herden oder anderen Wärmequellen auf. Legen Sie die Batterie nicht in direkte Sonneneinstrahlung, benutzen oder lagern Sie diese nicht bei heißem Wetter in Fahrzeugen.
15. Unbenutzte Batterien in der Originalverpackung aufbewahren und von Metallgegenständen fern halten. Ausgepackte Batterien nicht mischen oder durcheinander werfen! Dies kann zum Kurzschluss der Batterie und damit zu Beschädigungen, zu Verbrennungen oder gar zu Brandgefahr führen.
16. Batterien aus dem Gerät entnehmen, wenn dieses für längere Zeit nicht benutzt wird, außer es ist für Notfälle!
17. Batterien, die ausgelaufen sind NIEMALS ohne entsprechenden Schutz anfassen. Wenn die ausgelaufene Flüssigkeit mit der Haut in Berührung kommt, sollten Sie die Haut in diesem Bereich sofort unter laufendem Wasser abspülen. Verhindern Sie in jedem Fall, dass Augen und Mund mit der Flüssigkeit in Berührung kommen. Suchen Sie in einem solchen Fall bitte umgehend einen Arzt auf.
18. Batteriekontakte und auch die Gegenkontakte im Gerät vor dem Einlegen der Batterien reinigen.

Restrisiken

Das Elektrowerkzeug ist nach dem Stand der Technik und den anerkannten sicherheitstechnischen Regeln gebaut. Dennoch können beim Arbeiten einzelne Restrisiken auftreten.

- Gefährdung der Gesundheit durch Strom bei Verwendung nicht ordnungsgemäßer Elektro-Anschlussleitungen.
- Desweiteren können trotz aller getroffener Vorkehrungen nicht offensichtliche Restrisiken bestehen.
- Restrisiken können minimiert werden, wenn die „Sicherheitshinweise“ und die „Bestimmungsgemäße Verwendung“, sowie die Bedienungsanweisung insgesamt beachtet werden.
- Belasten Sie die Maschine nicht unnötig: zu starker Druck beim Sägen beschädigt das Sägeblatt schnell, was zu einer Leistungsverminderung der Maschine bei der Verarbeitung und in der Schnittgenauigkeit führt.
- Beim Schneiden von Plastikmaterial verwenden Sie bitte immer Klemmen: die Teile, die gesägt werden sollen, müssen immer zwischen den Klemmen fixiert werden.
- Vermeiden Sie zufällige Inbetriebsetzungen der Maschine: beim Einführen des Steckers in die Steckdose darf die Starttaste nicht gedrückt werden.
- Verwenden Sie das Werkzeug, das in diesem Handbuch empfohlen wird. So erreichen Sie, dass Ihre Maschine optimale Leistungen erbringt.
- Halten Sie Ihre Hände vom Arbeitsbereich fern, wenn die Maschine in Betrieb ist.
- Bevor Sie Einstell- oder Wartungsarbeiten vornehmen, lassen Sie die Starttaste los und ziehen den Netzstecker.

7. Technische Daten

Wechselstrommotor.....	220 - 240 V~ 50Hz
Nennleistung S1	1200 Watt
Betriebsart.....	S6 25%* 1500W
Leerlaufdrehzahl n ₀	5000 min ⁻¹
Hartmetallsägeblatt.....	∅ 210 x ∅ 30 x 2,6 mm
Anzahl der Zähne	48
Maximale Zahnbreite des Sägeblattes.....	3 mm
Schwenkbereich	-45° / 0° / +45°
Gehrungsschnitt.....	0° bis 45° nach links
Sägebreite bei 90°	120 x 60 mm
Sägebreite bei 45°	80 x 60 mm
Sägebreite bei 2 x 45° (Doppelgehrungsschnitt).....	80 x 35 mm
Schutzklasse	II / 
Gewicht.....	ca. 7,6 kg
Laserklasse.....	2
Wellenlänge Laser	650 nm
Leistung Laser.....	< 1 mW

* Betriebsart S6, ununterbrochener periodischer Betrieb. Der Betrieb setzt sich aus einer Anlaufzeit, einer Zeit mit konstanter Belastung und einer Leerlaufzeit zusammen. Die Spieldauer beträgt 10 min, die relative Einschaltzeitdauer beträgt 25% der Spieldauer.

Das Werkstück muss mindestens eine Höhe von 3 mm und eine Breite von 10 mm haben. Achten Sie darauf, dass das Werkstück immer mit der Spannvorrichtung gesichert wird.

Geräusch

Die Geräuschwerte wurden entsprechend EN 62841 ermittelt.

Schalldruckpegel L_{pA} 99,6 dB(A)

Unsicherheit K_{pA} 3 dB

Schalleistungspegel L_{WA} 112,6 dB(A)

Unsicherheit K_{WA} 3 dB

Tragen Sie einen Gehörschutz.

Die Einwirkung von Lärm kann Gehörverlust bewirken.

Die angegebenen Geräuschemissionswerte sind nach einem genormten Prüfverfahren gemessen worden und können zum Vergleich eines Elektrowerkzeugs mit einem anderen verwendet werden.

Die angegebenen Geräuschemissionswerte können auch zu einer vorläufigen Einschätzung der Belastung verwendet werden.

Warnung:

- Die Geräuschemissionen können während der tatsächlichen Benutzung des Elektrowerkzeugs von den Angabewerten abweichen, abhängig von der Art und Weise, in der das Elektrowerkzeug verwendet wird, insbesondere, welche Art von Werkstück bearbeitet wird.
- Versuchen Sie, die Belastung so gering wie möglich zu halten. Beispielhafte Maßnahmen die Begrenzung der Arbeitszeit. Dabei sind alle Anteile des Betriebszyklus zu berücksichtigen (beispielsweise Zeiten, in denen das Elektrowerkzeug abgeschaltet ist, und solche, in denen es zwar eingeschaltet ist, aber ohne Belastung läuft).

8. Vor Inbetriebnahme

- Öffnen Sie die Verpackung und nehmen Sie das Gerät vorsichtig heraus.
- Entfernen Sie das Verpackungsmaterial sowie Verpackungs- und Transportsicherungen (falls vorhanden).
- Überprüfen Sie, ob der Lieferumfang vollständig ist.
- Kontrollieren Sie das Gerät und die Zubehörteile auf Transportschäden.
- Bewahren Sie die Verpackung nach Möglichkeit bis zum Ablauf der Garantiezeit auf.

ACHTUNG

Gerät und Verpackungsmaterialien sind kein Kinderspielzeug! Kinder dürfen nicht mit Kunststoffbeuteln, Folien und Kleinteilen spielen! Es besteht Verschluckungs- und Erstickungsgefahr!

Sorgen Sie immer für Standsicherheit und Sicherung der Maschine, indem Sie diese z.B. an einer Werkbank befestigen.

- Die Maschine muss standsicher aufgestellt werden. Sichern Sie die Maschine durch die Bohrungen am feststehenden Sägefisch (9) mit 4 Schrauben (nicht im Lieferumfang enthalten) auf einer Werkbank, einem Untergestell o. ä..
- Vor Inbetriebnahme müssen alle Abdeckungen und Sicherheitsvorrichtungen ordnungsgemäß montiert sein.
- Das Sägeblatt muss frei laufen können.

- Bei bereits bearbeitetem Holz auf Fremdkörper, wie z.B. Nägel oder Schrauben, usw. achten.
- Bevor Sie den Ein-/Ausschalter betätigen, vergewissern Sie sich, ob das Sägeblatt richtig montiert ist und bewegliche Teile leichtgängig sind.
- Überzeugen Sie sich vor dem Anschließen der Maschine, dass die Daten auf dem Typenschild mit den Netzdaten übereinstimmen.

8.1 Montage des Werkstückspanners (Abb. 2)

- Lösen Sie die Feststellschraube (19) und montieren den Werkstückspanner (15) links oder rechts am feststehenden Sägefisch.
- Anschließend ziehen Sie die Feststellschraube (19) wieder an.

8.2 Montage der Werkstückauflagen (Abb. 2 - 3)

- Lösen Sie die Feststellschraube (14) und führen die Werkstückauflage durch die vorgesehene Bohrung seitlich am feststehenden Sägefisch.
- Achten Sie darauf, dass die Werkstückauflage (18) ebenso durch die beiden Laschen an der Unterseite geführt wird.
- Anschließend ziehen Sie die Feststellschraube (14) wieder fest.
- Diesen Vorgang wiederholen Sie ebenso auf der anderen Seite.

8.3 Montage des Standbügels (Abb. 2 - 3)

- Lösen Sie die Feststellschraube (20) an der Unterseite der Säge und führen den Standbügel (21) durch die vorgesehenen Bohrungen an der Rückseite der Säge.
- Anschließend ziehen Sie die Feststellschraube (20) wieder an.

8.4 Spänefangsack (Abb. 4)

Die Säge ist mit einem Spänefangsack (17) für Späne ausgestattet.

- Drücken Sie die Metallringflügel des Staubbeutels zusammen und bringen Sie ihn an der Auslassöffnung im Motorbereich an.
- Der Spänefangsack (17) kann über den Reißverschluss auf der Unterseite entleert werden.

Anschluss an eine externe Staubabsaugung

- Schließen Sie den Absaugschlauch an die Staubabsaugung an.
- Die Staubabsaugung muss für das zu bearbeitende Material geeignet sein.
- Benutzen Sie zum Absaugen von besonders gesundheitsschädlichen oder krebserregenden Stäuben eine spezielle Absaugvorrichtung.

8.5 Prüfung Sicherheitseinrichtung Sägeblattschutz beweglich (5)

Der Sägeblattschutz schützt vor versehentlichem Berühren des Sägeblattes und vor herumfliegenden Spänen.

Funktion überprüfen.

Dazu die Säge nach unten klappen:

- Der Sägeblattschutz muss das Sägeblatt beim Herunterschwenken freigeben, ohne andere Teile zu berühren.
- Beim Hochklappen der Säge in die Ausgangsstellung muss der Sägeblattschutz automatisch das Sägeblatt abdecken.

9. Aufbau und Bedienung

9.1 Kapp- und Gehrungssäge aufbauen (Abb. 1 - 3)

- Den Drehtisch (13) durch Lockern der Feststellschraube (7) lösen.
- Mit dem Handgriff (3) den Drehtisch (13) auf den gewünschten Winkel einstellen.

HINWEIS

Die Kappsäge kann mit dem Drehtisch nach links und rechts gedreht werden. Anhand der Skala ist eine absolut exakte Winklereinstellung möglich. Die Winkel 0° bis 45° können durch Rastereinstellungen nach jeweils 15° , $22,5^\circ$, 30° präzise und schnell eingestellt werden.

- Die Feststellschraube (7) wieder festziehen, um den Drehtisch zu fixieren.
- Durch leichtes Drücken des Maschinenkopfes (4) nach unten und gleichzeitiges Herausziehen des Sicherungsbolzens (25) aus der Motorhalterung, wird die Säge aus der unteren Stellung entriegelt.
- Maschinenkopf (4) nach oben schwenken.
- Die Spannvorrichtung (15) kann sowohl links als auch rechts an dem feststehenden Sägefisch (9) befestigt werden. Stecken Sie die Spannvorrichtung (15) in die dafür vorgesehene Bohrung an der Hinterseite der Anschlagsschiene (8) und sichern diese über die Feststellschraube (19).
- Der Maschinenkopf (4) kann durch Lösen der Feststellschraube (23), nach links auf max. 45° geneigt werden.
- Die Werkstückauflagen (18) müssen während der Arbeit immer befestigt und verwendet werden.

9.2 Feinjustierung des Anschlags für Kappschnitt 90° (Abb. 5)

Anschlagwinkel nicht im Lieferumfang enthalten.

- Den Maschinenkopf (4) nach unten senken und mit dem Sicherungsbolzen (25) fixieren.
- Feststellschraube (23) lockern.
- Anschlagwinkel (A) zwischen Sägeblatt (6) und Drehtisch (13) anlegen.
- Lösen Sie die Sicherungsmutter (26a).
- Die Justierschraube (26) soweit verstellen, bis der Winkel zwischen Sägeblatt (6) und Drehtisch (13) 90° beträgt.
- Ziehen Sie die Sicherungsmutter (26a) wieder fest.

9.3 Kappschnitt 90° und Drehtisch 0°

(Abb. 1/2/3/6)

Achtung! Die verschiebbare Anschlagsschiene (8a) muss für 90° - Kappschnitte in der inneren Position fixiert werden.

- Öffnen Sie die Feststellschraube (8b) der verschiebbaren Anschlagsschiene (8a) und schieben Sie die verschiebbare Anschlagsschiene (8a) nach innen.
- Die verschiebbare Anschlagsschiene (8a) muss soweit vor der innersten Position arretiert werden, dass der Abstand zwischen Anschlagsschiene (8a) und Sägeblatt (6) maximal 8 mm beträgt.
- Prüfen Sie vor dem Schnitt, dass zwischen der Anschlagsschiene (8a) und dem Sägeblatt (6) keine Kollision möglich ist.
- Feststellschraube (8b) wieder anziehen.
- Maschinenkopf (4) in die obere Position bringen.
- Legen Sie das zu schneidende Holz an die Anschlagsschiene (8) und auf den Drehtisch (13).

- Das Material mit den Spannvorrichtungen (15) auf dem feststehenden Sägefisch (9) feststellen, um ein Verschieben während des Schneidvorgangs zu verhindern. Siehe Punkt 9.12.
- Sperrschalter (2) entriegeln und Ein-/Ausschalter (1) drücken, um den Motor einzuschalten.
- Maschinenkopf (4) mit dem Handgriff (3) gleichmäßig und mit leichtem Druck nach unten bewegen, bis das Sägeblatt (6) das Werkstück durchgeschnitten hat.
- Nach Beendigung des Sägevorgangs Maschinenkopf wieder in die obere Ruhestellung bringen und Ein-/Ausschalter (1) loslassen.

Achtung!

Durch die Rückholfeder schlägt die Maschine automatisch nach oben. Handgriff (3) nach Schnittende nicht loslassen, sondern Maschinenkopf langsam und unter leichtem Gegenruck nach oben bewegen.

9.4 Kappschnitt 90° und Drehtisch 0° - 45° (Abb. 1/2/3/6)

Mit der Kapp- und Gehrungssäge können Schrägschnitte nach links und rechts von 0° - 45° ausgeführt werden.

Achtung!

Die verschiebbare Anschlagsschiene (8a) muss für 90° -Kappschnitte in der inneren Position fixiert werden.

- Öffnen Sie die Feststellschraube (8b) der verschiebbaren Anschlagsschiene (8a) und schieben Sie die verschiebbare Anschlagsschiene (8a) nach innen.
- Die verschiebbare Anschlagsschiene (8a) muss soweit vor der innersten Position arretiert werden, dass der Abstand zwischen Anschlagsschiene (8a) und Sägeblatt (6) maximal 8 mm beträgt.
- Prüfen Sie vor dem Schnitt, dass zwischen der Anschlagsschiene (8a) und dem Sägeblatt (6) keine Kollision möglich ist.
- Feststellschraube (8b) wieder anziehen
- Den Drehtisch (13) durch Lockern der Feststellschraube (7) lösen.
- Mit dem Handgriff (3) den Drehtisch (13) auf den gewünschten Winkel einstellen
- Die Feststellschraube (7) wieder festziehen, um den Drehtisch zu fixieren.
- Schnitt wie unter Punkt 9.3 beschrieben ausführen.

9.5 Feinjustierung des Anschlags für Gehrungsschnitt 45° (Abb. 1/2/3/6/7/8)

Anschlagwinkel nicht im Lieferumfang enthalten.

- Den Maschinenkopf (4) nach unten senken und mit dem Sicherungsbolzen (25) fixieren.
- Den Drehtisch (13) auf 0° Stellung fixieren.
- Achtung! Die verschiebbare Anschlagsschiene (8a) muss für Gehrungsschnitte (geneigter Sägekopf) in der äußeren Position fixiert werden.
- Öffnen Sie die Feststellschraube (8b) der verschiebbaren Anschlagsschiene (8a) und schieben Sie die verschiebbaren Anschlagsschiene (8a) nach außen.
- Die verschiebbare Anschlagsschiene (8a) muss soweit vor der innersten Position arretiert werden, dass der Abstand zwischen Anschlagsschiene (8a) und Sägeblatt (6) maximal 8 mm beträgt.

- Prüfen Sie vor dem Schnitt, dass zwischen der Anschlagsschiene (8a) und dem Sägeblatt (6) keine Kollision möglich ist.
- Feststellschraube (8b) wieder anziehen.
- Die Feststellschraube (23) lösen und mit dem Handgriff (3) den Maschinenkopf (4) nach links, auf 45° neigen.
- 45°-Anschlagwinkel (B) zwischen Sägeblatt (6) und Drehtisch (13) anlegen.
- Sicherungsmutter (22a) lösen und Justierschraube (22) soweit verstellen, bis der Winkel zwischen Sägeblatt (6) und Drehtisch (13) genau 45° beträgt.
- Ziehen Sie die Sicherungsmutter (22a) wieder fest.
- Überprüfen Sie abschließend die Position der Winkelanzeige. Falls erforderlich, Zeiger (28) mit Kreuzschlitzschraubendreher lösen, auf 45°-Position der Skala (27) setzen und Halteschraube wieder festziehen.

9.6 Gehrungsschnitt 0° - 45° und Drehtisch 0° (Abb. 1/2/3/6)

Mit der Kapp- und Gehrungssäge können Gehrungsschnitte nach links von 0° - 45° zur Arbeitsfläche ausgeführt werden.

Achtung!

Die verschiebbare Anschlagsschiene (8a) muss für Gehrungsschnitte (geneigter Sägekopf) in der äußeren Position fixiert werden.

Achtung!

Bei Gehrungsschnitten 0° - 45° ist die Spannvorrichtung (Werkstückspanner) (15) nur rechts zu montieren.

- Öffnen Sie die Feststellschraube (8b) der verschiebbaren Anschlagsschienen (8a) und schieben Sie die verschiebbaren Anschlagsschienen (8a) nach außen.
- Die verschiebbare Anschlagsschiene (8a) muss soweit vor der innersten Position arretiert werden, dass der Abstand zwischen Anschlagsschiene (8a) und Sägeblatt (6) maximal 8 mm beträgt.
- Prüfen Sie vor dem Schnitt, dass zwischen der Anschlagsschiene (8a) und dem Sägeblatt (6) keine Kollision möglich ist.
- Feststellschraube (8b) wieder anziehen
- Maschinenkopf (4) in die obere Stellung bringen.
- Den Drehtisch (13) auf 0° Stellung fixieren.
- Die Feststellschraube (23) lösen und mit dem Handgriff (3) den Maschinenkopf (4) nach links neigen, bis der Zeiger (28) auf das gewünschte Winkelmaß an der Skala (27) zeigt.
- Feststellschraube (23) wieder festziehen.
- Schnitt wie unter Punkt 9.3 beschrieben durchführen.

9.7 Gehrungsschnitt 0° - 45° und Drehtisch 0° - 45° (Abb. 1/2/3/6)

Mit der Kapp- und Gehrungssäge können Gehrungsschnitte nach links von 0° - 45° zur Arbeitsfläche und gleichzeitig 0° - 45° zur Anschlagsschiene ausgeführt werden (Doppelgehrungsschnitt).

Achtung!

Die verschiebbare Anschlagsschiene (8a) muss für Gehrungsschnitte (geneigter Sägekopf) in der äußeren Position fixiert werden.

Achtung!

Bei Gehrungsschnitten 0° - 45° ist die Spannvorrichtung (Werkstückspanner) (15) nur rechts zu montieren.

- Öffnen Sie die Feststellschraube (8b) der verschiebbaren Anschlagsschienen (8a) und schieben Sie die verschiebbaren Anschlagsschienen (8a) nach außen.
- Die verschiebbare Anschlagsschiene (8a) muss soweit vor der innersten Position arretiert werden, dass der Abstand zwischen Anschlagsschiene (8a) und Sägeblatt (6) maximal 8 mm beträgt.
- Prüfen Sie vor dem Schnitt, dass zwischen der Anschlagsschiene (8a) und dem Sägeblatt (6) keine Kollision möglich ist.
- Feststellschraube (8b) wieder anziehen
- Maschinenkopf (4) in die obere Stellung bringen.
- Den Drehtisch (13) durch Lockern der Feststellschraube (7) lösen.
- Mit dem Handgriff (3) den Drehtisch (13) auf den gewünschten Winkel einstellen
- Die Feststellschraube (7) wieder festziehen, um den Drehtisch zu fixieren.
- Die Feststellschraube (23) lösen.
- Mit dem Handgriff (3) den Maschinenkopf (4) nach links, auf das gewünschte Winkelmaß neigen (siehe hierzu auch Punkt 9.6).
- Feststellschraube (23) wieder festziehen.
- Schnitt wie unter Punkt 9.3 beschrieben ausführen.

9.8 Austausch des Sägeblatts (Abb. 1/2/3/9/10) Netzstecker ziehen!

Achtung!

Tragen Sie zum Wechseln des Sägeblatts Schutzhandschuhe! Verletzungsgefahr!

- Den Maschinenkopf (4) nach oben schwenken und mit dem Sicherungsbolzen (25) arretieren.
- Sägeblattschutz (5) soweit nach oben klappen, dass der Sägeblattschutz (5) über der Flanschschraube (29) ist.
- Mit einer Hand den Innensechskantschlüssel (C) auf die Flanschschraube (29) setzen.
- Innensechskantschlüssel (C) festhalten und Sägeblattschutz (5) langsam schließen, bis dieser am Innensechskantschlüssel (C) ansteht.
- Sägewellensperre (32) fest drücken und Flanschschraube (29) langsam im Uhrzeigersinn drehen. Nach max. einer Umdrehung rastet die Sägewellensperre (32) ein.
- Jetzt mit etwas mehr Kraftaufwand Flanschschraube (29) im Uhrzeigersinn lösen.
- Flanschschraube (29) ganz heraus drehen und Außenflansch (30) abnehmen.
- Das Sägeblatt (6) vom Innenflansch abnehmen und nach unten herausziehen.
- Flanschschraube (29), Außenflansch (30) und Innenflansch sorgfältig reinigen.
- Das neue Sägeblatt (6) in umgekehrter Reihenfolge wieder einsetzen und festziehen.
- Achtung! Die Schnittrichtung der Zähne d.h. die Drehrichtung des Sägeblattes (6), muss mit der Richtung des Pfeils auf dem Gehäuse übereinstimmen.
- Vor dem Weiterarbeiten die Funktionsfähigkeit der Schutzeinrichtungen prüfen.

- Achtung! Nach jedem Sägeblattwechsel prüfen, ob das Sägeblatt (6) in senkrechter Stellung sowie auf 45° gekippt, frei in der Tischeinlage (10) läuft.

Achtung!

Das Wechseln und Ausrichten des Sägeblattes (6) muss ordnungsgemäß ausgeführt werden.

9.9 Wechseln der Laserbatterien (Abb. 11)

- Entfernen Sie die Batterieabdeckung (34). Entnehmen Sie die 2 Batterien.
- Ersetzen Sie beide Batterien durch die gleichen oder gleichwertige Batterietypen. Achten Sie darauf, dass sie in der gleichen Polrichtung eingesetzt sind wie die verbrauchten Batterien.
- Schließen Sie die Batterieabdeckung.

9.10 Ein- / Ausschalten des Lasers (Abb. 11)

Einschalten:

Ein- / Ausschalter (33) Laser in Stellung „I“ bewegen. Auf das zu bearbeitende Werkstück wird eine Laserlinie projiziert, welche die genaue Schnittführung anzeigt.

Ausschalten:

Ein- / Ausschalter Laser in Stellung „0“ bewegen.

9.11 Justieren des Lasers (Abb. 12)

Falls der Laser (35) nicht mehr die korrekte Schnittlinie anzeigt, kann dieser nachjustiert werden. Öffnen Sie hierzu die Schrauben (36) und stellen Sie den Laser durch seitliches verschieben so ein, dass der Laserstrahl die Schneidzähne des Sägeblattes (6) trifft.

9.12 Bedienung des Werkstückspanners (Abb. 1/2)

Über die Feststellschraube (16) kann der Werkstückspanner (15) in der Höhe eingestellt werden.

- Senken Sie den Werkstückspanner auf das Werkstück ab.
- Ziehen Sie die Feststellschraube (16) fest an.
- Klemmgriff (24) im Uhrzeigersinn drehen, um das Werkstück zu spannen.
- Um das Werkstück zu lösen, gehen Sie in umgekehrter Reihenfolge vor.

10. Transport (Abb. 13)

- Feststellschraube (7) festziehen, um den Drehtisch (13) zu verriegeln.
- Maschinenkopf (4) nach unten drücken und mit Sicherungsbolzen (25) arretieren. Die Säge ist nun in der unteren Stellung verriegelt.
- Maschine am Transportgriff (37) tragen.
- Zum erneuten Aufbau der Maschine, wie unter Kapitel 8 - 9 beschrieben vorgehen.

11. Wartung

⚠ Warnung!

Vor jeglicher Einstellung, Instandhaltung oder Instandsetzung Netzstecker ziehen!

Allgemeine Wartungsmaßnahmen

Wischen Sie von Zeit zu Zeit mit einem Tuch Späne und Staub von der Maschine ab. Ölen Sie zur Verlängerung des Werkzeuglebens einmal pro Monat die Drehteile. Ölen Sie nicht den Motor.

Benutzen Sie zur Reinigung des Kunststoffes keine ätzenden Mittel.

Reinigung Sicherheitseinrichtung Sägeblattschutz beweglich (5)

Prüfen Sie vor jeglicher Inbetriebnahme den Sägeblattschutz auf Verunreinigungen.

Entfernen Sie alte Sägespäne sowie Holzsplitter unter Zuhilfenahme eines Pinsels oder eines ähnlich geeigneten Werkzeuges.

Tischeinlage wechseln (Abb. 14)

Gefahr!

Bei einer beschädigten Tischeinlage (10) besteht die Gefahr, dass sich kleine Gegenstände zwischen Tischeinlage und Sägeblatt verkleben und das Sägeblatt blockieren.

Tauschen Sie beschädigte Tischeinlagen sofort aus!

1. Schrauben (E) der Tischeinlage herausdrehen.
2. Tischeinlage abnehmen.
3. Neue Tischeinlage einsetzen.
4. Schrauben (E) an Tischeinlage festziehen.

Bürsteninspektion

Prüfen Sie die Kohlebürsten bei einer neuen Maschine nach den ersten 50 Betriebsstunden, oder wenn neue Bürsten montiert wurden. Prüfen Sie sie nach der ersten Prüfung alle 10 Betriebsstunden.

Wenn der Kohlenstoff auf 6 mm Länge abgenutzt ist, die Feder oder der Nebenschlußdraht verbrannt oder beschädigt sind, müssen Sie beide Bürsten ersetzen. Wenn die Bürsten nach dem Ausbau für einsatzfähig befunden werden, können Sie sie wieder einbauen.

Zur Wartung der Kohlebürsten öffnen Sie die beiden Verriegelungen (wie in Abbildung 15 dargestellt) entgegen dem Uhrzeigersinn. Entnehmen Sie anschließend die Kohlebürsten. Setzen Sie die Kohlebürsten in umgedrehter Reihenfolge wieder ein.

Service-Informationen

Es ist zu beachten, dass bei diesem Produkt folgende Teile einem gebrauchsgemäßen oder natürlichen Verschleiß unterliegen bzw. folgende Teile als Verbrauchsmaterialien benötigt werden.

Verschleißteile*: Kohlebürsten, Sägeblatt, Tischeinlagen, Spänefangsäcke

* nicht zwingend im Lieferumfang enthalten!

12. Lagerung

Lagern Sie das Gerät und dessen Zubehör an einem dunklen, trockenen und frostfreiem sowie für Kinder unzugänglichem Ort. Die optimale Lagertemperatur liegt zwischen 5 und 30°C. Bewahren Sie das Elektrowerkzeug in der Originalverpackung auf.

Decken Sie das Elektrowerkzeug ab, um es vor Staub oder Feuchtigkeit zu schützen.

Bewahren Sie die Bedienungsanleitung bei dem Elektrowerkzeug auf.

13. Elektrischer Anschluss

Der installierte Elektromotor ist betriebsfertig angeschlossen. Der Anschluss entspricht den einschlägigen VDE- und DIN-Bestimmungen. Der kundenseitige Netzanschluss sowie die verwendete Verlängerungsleitung müssen diesen Vorschriften entsprechen.

Wichtige Hinweise

Bei Überlastung des Motors schaltet dieser selbständig ab. Nach einer Abkühlzeit (zeitlich unterschiedlich) lässt sich der Motor wieder einschalten.

Schadhafte Elektro-Anschlussleitung

An elektrischen Anschlussleitungen entstehen oft Isolationsschäden.

Ursachen hierfür können sein:

- Druckstellen, wenn Anschlussleitungen durch Fenster oder Türspalten geführt werden.
- Knickstellen durch unsachgemäße Befestigung oder Führung der Anschlussleitung.
- Schnittstellen durch Überfahren der Anschlussleitung.
- Isolationsschäden durch Herausreißen aus der Wandsteckdose.
- Risse durch Alterung der Isolation.

Solch schadhafte Elektro-Anschlussleitungen dürfen nicht verwendet werden und sind aufgrund der Isolationsschäden lebensgefährlich.

Elektrische Anschlussleitungen regelmäßig auf Schäden überprüfen. Achten Sie darauf, dass beim Überprüfen die Anschlussleitung nicht am Stromnetz hängt.

Elektrische Anschlussleitungen müssen den einschlägigen VDE- und DIN-Bestimmungen entsprechen. Verwenden Sie nur Anschlussleitungen mit Kennzeichnung „H05VV-F“.

Ein Aufdruck der Typenbezeichnung auf dem Anschlusskabel ist Vorschrift.

Sicherheitshinweise für den Austausch beschädigter oder defekter Netzanschlussleitungen

Typ X:

Wenn die Netzanschlussleitung dieses Gerätes beschädigt wird, muss sie durch eine besondere Anschlussleitung ersetzt werden, die vom Hersteller oder seinem Kundendienst erhältlich ist.

Wechselstrommotor:

Die Netzspannung muss 220 - 240 V~ betragen.

- Verlängerungsleitungen bis 25 m Länge müssen einen Querschnitt von 1,5 Quadratmillimeter aufweisen.
- Anschlüsse und Reparaturen der elektrischen Ausrüstung dürfen nur von einer Elektro-Fachkraft durchgeführt werden.

Bei Rückfragen bitte folgende Daten angeben:

- Stromart des Motors
- Daten des Motor-Typenschildes

14. Entsorgung und Wiederverwertung

Das Gerät befindet sich in einer Verpackung um Transportschäden zu verhindern. Diese Verpackung ist Rohstoff und ist somit wieder verwendbar oder kann dem Rohstoffkreislauf zurückgeführt werden.

Das Gerät und dessen Zubehör bestehen aus verschiedenen Materialien, wie z.B. Metall und Kunststoffe. Führen Sie defekte Bauteile der Sondermüllentsorgung zu. Fragen Sie im Fachgeschäft oder in der Gemeindeverwaltung nach!



Die Verpackung besteht aus umweltfreundlichen Materialien, die Sie über die örtlichen Recyclingstellen entsorgen können.

Möglichkeiten zur Entsorgung des ausgedienten Gerätes erfahren Sie bei Ihrer Gemeinde- oder Stadtverwaltung.

Altgeräte dürfen nicht in den Hausmüll!



Dieses Symbol weist darauf hin, dass dieses Produkt gemäß Richtlinie über Elektro- und Elektronik-Altgeräte (2012/19/EU) und nationalen Gesetzen nicht über den Hausmüll entsorgt werden darf. Dieses Produkt muss bei einer dafür vorgesehenen Sammelstelle abgegeben werden. Dies kann z. B. durch Rückgabe beim Kauf eines ähnlichen Produkts oder durch Abgabe bei einer autorisierten Sammelstelle für die Wiederaufbereitung von Elektro- und Elektronik-Altgeräten geschehen. Der unsachgemäße Umgang mit Altgeräten kann aufgrund potentiell gefährlicher Stoffe, die häufig in Elektro und Elektronik-Altgeräten enthalten sind, negative Auswirkungen auf die Umwelt und die menschliche Gesundheit haben. Durch die sachgemäße Entsorgung dieses Produkts tragen Sie außerdem zu einer effektiven Nutzung natürlicher Ressourcen bei. Informationen zu Sammelstellen für Altgeräte erhalten Sie bei Ihrer Stadtverwaltung, dem öffentlich-rechtlichen Entsorgungsträger, einer autorisierten Stelle für die Entsorgung von Elektro- und Elektronik-Altgeräten oder Ihrer Müllabfuhr.

Batterien und Akkus dürfen nicht in den Hausmüll!



Als Verbraucher sind Sie gesetzlich verpflichtet, alle Batterien und Akkus, egal ob sie Schadstoffe* enthalten oder nicht, bei einer Sammelstelle in Ihrer Gemeinde/Ihrem Stadtteil oder im Handel abzugeben, damit sie einer umweltschonenden Entsorgung zugeführt werden können.

* gekennzeichnet mit: Cd = Cadmium, Hg = Quecksilber, Pb = Blei

Entnehmen Sie die Batterien aus dem Laser, bevor Sie das Gerät und die Batterien entsorgen.

15. Störungsabhilfe

Störung	Mögliche Ursache	Abhilfe
Motor funktioniert nicht	Motor, Kabel oder Stecker defekt, Netzsicherungen durchgebrannt.	Maschine vom Fachmann überprüfen lassen. Nie Motor selbst reparieren. Gefahr! Netzsicherungen kontrollieren, evtl. austauschen
Der Motor geht langsam an und erreicht die Betriebsgeschwindigkeit nicht.	Spannung zu niedrig, Wicklungen beschädigt, Kondensator durchgebrannt.	Spannung durch Elektrizitätswerk kontrollieren lassen. Motor durch einen Fachmann kontrollieren lassen. Kondensator durch einen Fachmann austauschen lassen.
Motor macht zu viel Lärm.	Wicklungen beschädigt, Motor defekt.	Motor durch einen Fachmann kontrollieren lassen.
Motor erreicht volle Leistung nicht.	Stromkreise in Netzanlage überlastet (Lampen, andere Motoren, etc.).	Verwenden Sie keine andere Geräte oder Motoren auf demselben Stromkreis.
Motor überhitzt sich leicht.	Überlastung des Motors, ungenügende Kühlung des Motors.	Überlastung des Motors beim Schneiden verhindern, Staub vom Motor entfernen, damit eine optimale Kühlung des Motors gewährleistet ist.
Sägeschnitt ist rau oder gewellt.	Sägeblatt stumpf, Zahnform nicht geeignet für die Materialdicke.	Sägeblatt nachschärfen bzw. geeignetes Sägeblatt einsetzen.
Werkstück reißt aus bzw. splittert.	Schnittdruck zu hoch bzw. Sägeblatt für Einsatz nicht geeignet.	Geeignetes Sägeblatt einsetzen.

16. Garantieurkunde

Sehr geehrte Kundin, sehr geehrter Kunde,

unsere Produkte unterliegen einer strengen Qualitätskontrolle. Sollte dieses Gerät dennoch einmal nicht einwandfrei funktionieren, bedauern wir dies sehr und bitten Sie, sich an unseren Servicedienst unter der auf dieser Garantiekarte angegebenen Adresse zu wenden. Gern stehen wir Ihnen auch telefonisch über die unten angegebene Servicrufnummer zur Verfügung. Für die Geltendmachung von Garantieansprüchen gilt Folgendes:

- Diese Garantiebedingungen regeln zusätzliche Garantieleistungen. Ihre gesetzlichen Gewährleistungsansprüche werden von dieser Garantie nicht berührt. Unsere Garantieleistung ist für Sie kostenlos.
- Die Garantieleistung erstreckt sich ausschließlich auf Mängel, die auf Material- oder Herstellungsfehler zurückzuführen sind und ist auf die Behebung dieser Mängel bzw. den Austausch des Gerätes beschränkt. Bitte beachten Sie, dass unsere Geräte bestimmungsgemäß nicht für den gewerblichen, handwerklichen oder industriellen Einsatz konstruiert wurden. Ein Garantievertrag kommt daher nicht zustande, wenn das Gerät in Gewerbe-, Handwerks- oder Industriebetrieben sowie bei gleichzusetzenden Tätigkeiten eingesetzt wird. Von unserer Garantie sind ferner Ersatzleistungen für Transportschäden, Schäden durch Nichtbeachtung der Montageanleitung oder aufgrund nicht fachgerechter Installation, Nichtbeachtung der Gebrauchsanleitung (wie durch z. B. Anschluss an eine falsche Netzspannung oder Stromart), missbräuchliche oder unsachgemäße Anwendungen (wie z. B. Überlastung des Gerätes oder Verwendung von nicht zugelassenen Einsatzwerkzeugen oder Zubehör), Nichtbeachtung der Wartungs- und Sicherheitsbestimmungen, Eindringen von Fremdkörpern in das Gerät (wie z. B. Sand, Steine oder Staub), Gewaltanwendung oder Fremdeinwirkungen (wie z. B. Schäden durch Herunterfallen) sowie durch verwendungsgemäßen, üblichen Verschleiß ausgeschlossen.

Der Garantieanspruch erlischt, wenn an dem Gerät bereits Eingriffe vorgenommen wurden.

- Die Garantiezeit beträgt 3 Jahre und beginnt mit dem Kaufdatum des Gerätes. Garantieansprüche sind vor Ablauf der Garantiezeit innerhalb von zwei Wochen, nachdem Sie den Defekt erkannt haben, geltend zu machen. Die Geltendmachung von Garantieansprüchen nach Ablauf der Garantiezeit ist ausgeschlossen. Die Reparatur oder der Austausch des Gerätes führt weder zu einer Verlängerung der Garantiezeit noch wird eine neue Garantiezeit durch diese Leistung für das Gerät oder für etwaige eingebaute Ersatzteile in Gang gesetzt. Dies gilt auch bei Einsatz eines Vor-Ort-Services.
- Für die Geltendmachung Ihres Garantieanspruches wenden Sie sich bitte an die unten angegebene Service-Adresse. Sofern die Reklamation innerhalb der Garantiezeit liegt, werden wir Ihnen einen Retourenschein zur Verfügung stellen, mit dem Sie Ihr defektes Gerät kostenfrei an uns zurücksenden können. Beschreiben Sie uns bitte den Reklamationsgrund möglichst genau. Ist der Defekt des Gerätes von unserer Garantieleistung erfasst, erhalten Sie umgehend ein repariertes oder neues Gerät zurück.

Selbstverständlich beheben wir gegen Erstattung der Kosten auch gerne Defekte am Gerät, die vom Garantiumfang nicht oder nicht mehr erfasst sind. Dazu senden Sie das Gerät bitte an unsere Serviceadresse.

Service-Hotline (DE):

00800 4003 4003
(0,00 EUR/Min.)

Service-Hotline (AT):

00800 4003 4003
(0,00 EUR/Min.)

Service-Hotline (CH):

00800 4003 4003
(0,00 EUR/Min.)

Service-E-Mail (DE):

service.DE@scheppach.com

Service-E-Mail (AT):

service.AT@scheppach.com

Service-E-Mail (CH):

service.CH@scheppach.com

Service-Adresse (DE):

scheppach Fabrikation von
Holzbearbeitungsmaschinen GmbH
Günzburger Str. 69
DE - 89335 Ichenhausen

Service-Adresse (AT):

Gausch Hubert
Bairisch Kölldorf 267
AT - 8344 Bad Gleichenberg

Service-Adresse (CH):

Klaus-Häberling AG
Industriestraße 6
CH - 8610 Uster



Auf www.lidl-service.com können Sie diese und viele weitere Handbücher, Produktvideos und Installationssoftware herunterladen.

Mit dem QR-Code gelangen Sie direkt auf die Lidl-Service-Seite (www.lidl-service.com) und können mittels der Eingabe der Artikelnummer (IAN) 373880_2104 ihre Bedienungsanleitung öffnen.

Table des matières:	Page:
1. Légende des symboles figurant sur l'appareil.....	31
2. Introduction.....	32
3. Description de la machine (il. 1-13).....	32
4. Ensemble de livraison.....	33
5. Utilisation conforme.....	33
6. Consignes de sécurité.....	33
7. Caractéristiques techniques.....	37
8. Avant la mise en service.....	38
9. Montage et utilisation.....	38
10. Transport (il. 13).....	41
11. Maintenance.....	41
12. Stockage.....	41
13. Raccordement électrique.....	41
14. Mise au rebut et recyclage.....	42
15. Dépannage.....	43
16. Certificat de garantie.....	44
17. Vue éclatée.....	133
18. Déclaration de conformité.....	135

1. Légende des symboles figurant sur l'appareil



FR BE

Avant la mise en service, lisez le manuel d'utilisation et les consignes de sécurité, et respectez-les!



FR BE

Portez des lunettes de protection!



FR BE

Portez une protection auditive!



FR BE

Portez un masque anti-poussière!



FR BE

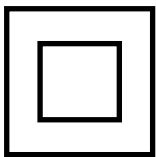
Attention! Risque de blessure! Ne mettez pas vos doigts sur la lame en rotation!



Achtung! - Laserstrahlung
Nicht in den Strahl blicken!
Laser Klasse 2
Laserspezifikation nach EN 60825-1:2014
λ = 650 nm P_e < 1 mW

FR BE

Attention! Rayonnement Laser



FR BE

Classe de protection II (double isolation)

2. Introduction

Fabricant: scheppach

Fabrikation von Holzbearbeitungsmaschinen GmbH
Günzburger Straße 69
D-89335 Ichenhausen

Chers clients,

Nous vous souhaitons beaucoup de plaisir et de succès lors de l'utilisation de votre nouvel appareil.

Remarque:

Selon la loi en vigueur sur la responsabilité du fait des produits, le fabricant n'est pas tenu responsable pour tous les dommages à cet appareil ou pour tous les dommages survenant lors de l'utilisation de cet appareil, dans les cas suivants :

- Mauvaise manipulation,
- Non-respect des instructions d'utilisation,
- Travaux de réparation effectués par des tiers, par des spécialistes non agréés,
- Remplacement et installation de pièces de rechange qui ne sont pas d'origine,
- Utilisation non conforme,
- Lors d'une défaillance du système électrique en cas de non-conformité avec les réglementations électriques et les normes VDE 0100, DIN 57113 / VDE0113.

Nous vous conseillons :

De lire intégralement le manuel d'utilisation, avant d'effectuer le montage et la mise en service.

Le présent manuel d'utilisation vous facilitera la prise en main et la connaissance de la machine, tout en vous permettant d'en utiliser pleinement le potentiel dans le cadre d'une utilisation conforme.

Les instructions importantes qu'il contient vous apprendront comment travailler avec la machine de manière sûre, rationnelle et économique ; comment éviter les dangers, réduire les coûts de réparation et réduire les périodes d'indisponibilité ; comment enfin augmenter la fiabilité et la durée de vie de la machine.

En plus des consignes de sécurité contenues dans ce manuel d'utilisation, vous devez respecter scrupuleusement les réglementations et les lois applicables lors de l'utilisation de la machine dans votre pays.

Conservez le manuel d'utilisation dans une pochette plastique pour le protéger de la saleté et de l'humidité, auprès de la machine. Avant de commencer à travailler avec la machine, chaque utilisateur doit lire le manuel d'utilisation puis le suivre attentivement.

Seules les personnes formées à l'utilisation de la machine et conscientes des risques associés sont autorisées à travailler avec la machine. L'âge minimum requis doit être respecté.

En plus des consignes de sécurité contenus dans cette notice et de la réglementation en vigueur dans votre pays, vous devez respecter les règles de sécurité généralement reconnues et applicables à des machines comparables.

Nous n'assumons aucune responsabilité concernant les accidents et dommages qui surviendraient à la suite du non-respect des instructions du manuel d'utilisation et des consignes de sécurité.

3. Description de la machine (il. 1-13)

1. Interrupteur Marche /Arrêt
 2. Interrupteur de blocage
 3. Poignée
 4. Tête de la machine
 5. Protecteur de lame mobile
 6. Lame
 7. Vis d'arrêt du plateau tournant
 8. Rail de la butée
 - 8a. Butée mobile
 - 8b. Vis de blocage
 9. Table fixe
 10. Insert de table
 11. Graduation
 12. Pointeur
 13. Plateau tournant
 14. Vis d'arrêt du support de pièce rétractable
 15. Presseur (dispositif de serrage des pièces)
 16. Vis de blocage
 17. Sac collecteur
 18. Support de pièce rétractable
 19. Vis de blocage du presseur
 20. Vis de blocage du étrier anti-basculement
 21. Étrier de support
 22. Vis de réglage (45°)
 - 22a. Écrou d'arrêt vis de réglage (45°)
 23. Vis de fixation
 24. Poignée de serrage
 25. Arrêt de sécurité
 26. Vis de réglage (90°)
 - 26a. Écrou d'arrêt vis de réglage (90°)
 27. Graduation
 28. Pointeur
 29. Vis de bride
 30. Bride extérieure
 31. Étrier de guidage
 32. Blocage de l'arbre d'entraînement
 33. Interrupteur Marche/Arrêt du laser
 34. Couvercle de la batterie
 35. Laser
 36. Vis (laser)
 37. Poignée de transport
- (A) Équerre à 90° (non comprise dans la livraison)
(B) Équerre à 45° (non comprise dans la livraison)
(C) Clé Allen, 6 mm
(D) Clé Allen, 3 mm
(E) Vis cruciforme (plateau de table)

4. Ensemble de livraison

- Scie à onglet
- Sac de copeaux
- Dispositif de serrage des pièces
- Clé allen de 6 mm (C)
- Clé allen de 3 mm (D)
- 2 supports de pièce Standbügel
- 2 Balais de charbon
- 2 piles (AAA)
- Notice d'utilisation

5. Utilisation conforme

La scie à onglet et radiale sert à découper le bois et le plastique selon la taille de la machine. La scie ne convient pas pour scier du bois de chauffage.

Avertissement!

N'utilisez pas la machine pour couper d'autres matériaux que ceux spécifiés dans le manuel d'utilisation.

Avertissement!

La lame de scie fournie a pour unique vocation de scier le bois! N'utilisez pas cette lame pour scier du bois de chauffage!

La machine doit exclusivement être utilisée conformément à son affectation. Toute utilisation allant au-delà de cette affectation est considérée comme non conforme. Pour les dommages en résultant ou les blessures en tout genre, le fabricant décline toute responsabilité et l'utilisateur est seul responsable.

Seules des lames de scie adaptées à la machine peuvent être utilisées. Il est interdit d'utiliser des disques à tronçonner.

Une utilisation conforme consiste à respecter les consignes de sécurité, ainsi que les instructions de montage et les consignes d'utilisation du manuel d'utilisation.

Les personnes utilisant la machine et en assurant la maintenance doivent bien la connaître et avoir été informées des dangers encourus.

En outre, les consignes de prévention des accidents doivent être respectées de la manière la plus scrupuleuse possible.

Toutes les autres règles édictées par la médecine du travail et les consignes de sécurité générales doivent être respectées.

Toute modification de la machine annule toute responsabilité du fabricant quant aux dommages en résultant.

Une utilisation conforme ne permet pas d'exclure totalement certains risques résiduels. De par la construction et la structure de la machine, les accidents suivants peuvent se produire :

- Contact avec la lame de scie dans la zone de sciage non protégée.
- Contact avec la lame de scie en cours de fonctionnement (blessure par coupure).
- Mouvement de recul des pièces et chutes.
- Cassure de la lame de scie.
- Projection d'éléments de métal dur défaillants de la lame de scie.
- Perte d'audition en cas de non utilisation d'une protection auditive qui est impérativement nécessaire.
- Émissions de sciure de bois nocives pour la santé lors d'une utilisation en espace clos.

Veillez au fait que nos appareils n'ont pas été conçus pour être utilisés dans un environnement professionnel, industriel ou artisanal. Nous déclinons toute responsabilité si l'appareil venait à être utilisé professionnellement, artisanalement ou par des sociétés industrielles, ainsi que pour toute activité équivalente.

6. Consignes de sécurité

Consignes de sécurité générales relatives aux outils électriques

⚠ AVERTISSEMENT! Lisez et consultez toutes les consignes de sécurité, conseils, photos descriptives et caractéristiques concernant cette machine. Le non-respect des consignes et des instructions de sécurité peut provoquer un choc électrique, un incendie et/ou des blessures graves.

Conservez toutes les consignes de sécurité ainsi que les instructions d'utilisation pour le futur.

Le terme d'« outil électrique » utilisé dans les consignes de sécurité désigne les outils électriques sur secteur (avec câble secteur) et les outils électriques sur batterie (sans câble secteur).

1. Sécurité au poste de travail

- a) Maintenez votre poste de travail propre et bien éclairé.** Le désordre et les lieux de travail peu éclairés peuvent être à l'origine d'accidents.
- b) N'utilisez pas l'outil électrique dans des atmosphères explosibles en présence de liquides inflammables, de gaz ou de poussière.** Les outils électriques génèrent des étincelles qui peuvent enflammer la poussière ou les vapeurs.
- c) Tenez les enfants et autres personnes loin de l'outil pendant son fonctionnement.** Vous pouvez perdre le contrôle de l'outil si vous êtes distrait.

2. Sécurité électrique

- a) La fiche de l'outil doit s'insérer correctement dans la prise de courant.** Ne modifiez la fiche d'aucune façon. N'utilisez pas d'adaptateur de prise de courant pour les outils mis à la terre. Les fiches non modifiées ainsi que les prises conformes réduisent le risque de choc électrique.
- b) Evitez tout contact corporel avec les surfaces mises à la terre tels que tuyaux, radiateurs, fours et réfrigérateurs. Il y a un risque accru de choc électrique si votre corps est mis à la terre.**
- c) Maintenez tous les outils électriques à l'abri de la pluie ou de l'humidité.** Toute pénétration d'eau dans un outil électrique augmente le risque de choc électrique.
- d) Ne pas utiliser le câble de raccordement pour transporter ou suspendre l'outil électrique, ni pour débrancher le connecteur de la prise de courant.** Maintenir le câble de raccordement à l'abri de la chaleur, de l'huile, des arêtes coupantes ou des pièces mobiles. Des câbles de raccordement endommagés ou emmêlés augmentent le risque de choc électrique.

- e) **Si l'outil électrique est utilisé à l'extérieur, n'utiliser que des rallonges autorisées pour l'extérieur.** Le recours à une rallonge convenant à l'extérieur réduit le risque de choc électrique.
- f) **Si l'utilisation d'un outil électrique dans un environnement humide ne peut être évité, vous devez utiliser un disjoncteur différentiel.** L'utilisation d'un disjoncteur différentiel permettra de réduire le risque de choc électrique.

3. Sécurité des personnes

- a) **Faites attention à ce que vous faites et utilisez les outils électriques de façon appropriée. N'utilisez pas les outils électriques lorsque vous êtes fatigué ou sous l'influence de drogues, d'alcool ou de médicaments.** Un seul moment d'inattention pendant l'utilisation d'outils électriques peut entraîner des blessures graves..
- b) **Portez un équipement de sécurité et des lunettes de protection.** Portez un équipement de protection individuelle, comme un masque anti-poussière, des chaussures de sécurité antidérapantes, un casque de protection ou une protection auditive, choisissez les protections adaptées au type et à l'utilisation de l'outil pour réduire le risque de blessures.
- c) **Faites attention à ne pas mettre l'outil en route par inadvertance. Assurez-vous que l'outil est hors tension avant de le connecter au réseau ou d'insérer une batterie, avant de le saisir ou de le porter.** Si vous avez votre doigt sur l'interrupteur lorsque vous transportez l'outil ou si la machine est en marche lorsque vous la connectez au réseau, il y a risque d'accident.
- d) **Avant d'activer l'outil électrique, retirer les outils de réglage ou clés.** Tout outil ou clé se trouvant dans une pièce rotative de l'outil électrique peut entraîner des blessures.
- e) **Évitez les postures anormales. Tenez-vous correctement et faites attention à votre équilibre.** Ainsi, vous pourrez réagir plus facilement en présence de situations inattendues pendant l'utilisation de l'outil.
- f) **Porter des vêtements adaptés. Ne pas porter de vêtements amples ou de bijoux. Maintenir les cheveux et vêtements à bonne distance des pièces mobiles.** Les vêtements amples, bijoux ou cheveux longs risquent d'être happés par les pièces mobiles.
- g) **Si un dispositif d'aspiration de poussière ou un sac collecteur peuvent être fixés à l'outil, vous devez vous assurer qu'il sont bien et correctement utilisés.** L'utilisation d'un dispositif d'aspiration de poussière peut réduire les risques dus à l'inhalation de poussière.
- h) **Ne vous considérez jamais en sécurité et ne vous surestimez pas en négligeant les règles de sécurité applicables lors de l'utilisation d'outils électriques, même si vous avez une grande habitude d'utilisation de cet outil électrique.** Une négligence lors de l'utilisation de cet outil peut être à l'origine de graves blessures.

4. Utilisation et entretien de l'outil électrique

- a) **Ne pas surcharger l'outil électrique.** Utiliser l'outil électrique qui convient au travail à réaliser. L'outil électrique adapté fonctionne en effet de manière plus satisfaisante et plus sûre dans la plage de puissance indiquée.
- b) **N'utilisez pas les outils électriques qui ont des interrupteurs défectueux. Les outils électriques qui ne peuvent pas être mis en marche ou arrêtés sont dangereux et doivent être réparés.**
- c) **Débranchez l'outil ou retirez la batterie avant d'effectuer des réglages, de remplacer des pièces ou de le ranger.** Ces mesures de précaution éviteront de faire démarrer l'outil involontairement.
- d) **Conservez l'outil hors de portée des enfants.** Ne laissez aucune personne non familiarisée à l'utilisation de cette machine ou n'ayant pas lu ces instructions, utiliser cet outil électrique. Les outils électriques sont dangereux lorsqu'ils sont utilisés par des personnes non expérimentées.
- e) **Entretenez votre outil électrique et sa lame avec précaution.** Vérifiez l'état des éléments mobiles pour assurer un fonctionnement optimal de l'outil. Vérifiez si certaines pièces sont endommagées au point de rendre l'outil inutilisable. Faites réparer les pièces endommagées avant d'utiliser l'outil. De nombreux accidents sont causés par des outils électriques mal entretenus.
- f) **Maintenez vos outils affûtés et propres. Des outils soigneusement entretenus avec des tranchants affûtés sont moins sujets au grippage et sont plus faciles à guider.**
- g) **Utilisez les outils électriques, les pièces détachées etc., en conformité avec ces instructions.** Prenez en compte les conditions de travail et les travaux à effectuer. L'utilisation d'outils électriques pour des applications autres que celles auxquelles ils sont destinés, peut provoquer des situations dangereuses.
- h) **Veillez à ce que les poignées et surfaces de préhension restent sèches, propres et nettes d'huile ou de graisse.** Les poignées et surfaces de préhension glissantes ne permettent pas d'utiliser et de contrôler correctement l'outil électrique dans les situations inattendues.

5. Entretien

- a) **Faites réparer votre outil exclusivement par des réparateurs qualifiés et utilisez toujours des pièces de rechange d'origine pour les réparations.** Ceci permet d'être certain que l'outil conserve ses qualités en matière de sécurité d'utilisation.

Avertissement!

Pendant son fonctionnement, cet outil électrique génère un champ électromagnétique. Ce champ peut dans certaines circonstances nuire aux implants médicaux actifs ou passifs. Pour réduire les risques de blessures graves voire mortelles, nous recommandons aux personnes porteuses d'implants médicaux de consulter leur médecin, ainsi que le fabricant de leur implant avant d'utiliser l'outil électrique.

Instructions de sécurité pour les scies à onglets

- a) **Les scies à onglets sont destinées à couper le bois ou des produits assimilés et ne peuvent pas être utilisées avec un disque à tronçonner pour la coupe de matériaux ferreux tels que des barres, tiges, boulons, etc.** La poussière abrasive provoque le grippage des pièces mobiles telles que le protecteur de lame. Les étincelles générées par une coupe abrasive provoquent l'inflammation du protecteur de lame, de l'insert de table et des autres éléments en plastique.
- b) **Utilisez dans la mesure du possible des presseurs pour maintenir la pièce. Lors du maintien de la pièce à la main, il faut toujours placer la main à une distance d'au moins 100 mm de chaque côté de la lame de scie. N'utilisez pas cette scie pour couper des pièces qui sont trop petites pour pouvoir être maintenues en toute sécurité ou tenues à la main.** Une main placée trop près de la lame de scie augmente le risque de blessure par contact avec la lame.
- c) **La pièce doit être fixe et serrée ou maintenue contre le guide et la table. Ne faites jamais avancer la pièce vers la lame ou sciez jamais "à main levée".** Des pièces non maintenues ou mobiles peuvent être éjectées à des vitesses élevées et provoquer de ce fait des blessures.
- d) **Sciez la pièce en exerçant une pression sur la scie. Ne sciez pas la pièce en exerçant une traction sur la scie. Pour effectuer une coupe, levez la tête de scie et placez-la au-dessus de la pièce sans la couper, lancez le moteur, appuyez sur la tête de la scie et sciez la pièce en exerçant une pression sur la tête de la scie.** Une opération de coupe tirante est susceptible de provoquer le déplacement de la lame de scie vers le dessus de la pièce et de propulser violemment ainsi la lame vers l'opérateur.
- e) **Ne laissez jamais votre main croiser la ligne de coupe prévue que ce soit devant ou derrière la lame de scie.** Maintenir la pièce en la maintenant du côté droit de la lame de scie avec la main gauche ou inversement est très dangereux.
- f) **N'approchez jamais les mains de la partie arrière de la butée à une distance de moins de 100 mm de chaque côté de la lame de scie, afin de retirer des copeaux de bois, ou pour toute autre raison lorsque la lame tourne.** Vous risquez de mal apprécier la distance entre votre main et la lame de scie et vous blesser gravement.
- g) **Examinez la pièce avant de la couper. Si la pièce est courbée ou gauchie, serrez-la en plaçant l'extérieur de la face courbée vers la butée. Veillez toujours à ce qu'il n'y ait pas d'espace entre la pièce, le butée et la table le long du trait de scie.** Les pièces déformées ou gauchies peuvent tourner sur elles-mêmes ou se décaler et provoquer un blocage de la lame de scie en rotation lors de la coupe. La pièce ne doit comporter aucun clou ni aucun corps étranger.
- h) **N'utilisez pas la scie tant que la table n'est pas dégagée de tous les outils, de bois, etc., à l'exception de la pièce.** Les petites chutes, les morceaux de bois détachés ou d'autres objets qui entreraient en contact avec la lame en rotation peuvent être éjectés à une vitesse élevée.
- i) **Ne coupez qu'une seule pièce à la fois.** Plusieurs pièces empilées ne peuvent être serrées ou maintenues de manière appropriée et peuvent bloquer la lame ou se déplacer lors de la coupe.
- j) **Assurez-vous que la scie à onglets est placée sur une surface de travail plate et rigide avant utilisation.** Une surface de travail lisse et rigide réduit le risque d'instabilité de la scie à onglets.
- k) **Planifiez votre travail. A chaque changement de réglage de l'angle de biseau ou d'onglet, assurez-vous que la butée réglable est réglée correctement afin de maintenir la pièce et n'entre pas en collision avec la lame ou le protecteur de lame.** Sans mettre l'outil en "MARCHE" et sans aucune pièce placée sur la table, déplacez la lame de scie en simulant une coupe complète afin de vous assurer de l'absence de tout obstacle ou de tout risque de sectionnement de la butée.
- l) **En présence de pièces plus larges ou plus longues que le plateau de la table, installez des supports tels que des rallonges de table ou des servantes, par exemple, afin de supporter les correctement les pièces.** Des pièces plus longues ou plus larges que la table de la scie à onglets peuvent basculer si elles ne sont pas soutenues de manière sûre. Un basculement de la pièce sciée ou de la pièce à scier peut soulever le protecteur de lame ou la pièce coupée, ou être éjectée par la lame en rotation.
- m) **Ne demandez pas à une tierce personne de supporter la pièce ou de vous aider à la maintenir.** Un support instable de la pièce peut entraîner le blocage de la lame ou le décalage de la pièce lors de la coupe, vous entraînant, de même que l'assistant, vers la lame en rotation.
- n) **La chute de la pièce coupée ne doit pas être poussée contre la lame de scie en rotation.** Lorsqu'il y a peu d'espace, par exemple lors de l'utilisation de la butée parallèle, la chute peut se gripper contre la lame et être éjectée violemment.
- o) **Utilisez toujours un presseur ou un dispositif de serrage conçu pour maintenir correctement les matériaux ronds tels que les tiges ou les tubes.** Les tiges ont tendance à rouler lors de leur coupe et à se gripper dans la lame attirant votre main et la pièce vers la lame.
- p) **Laissez la lame atteindre sa vitesse maximale avant qu'elle n'entre en contact avec la pièce.** Cela réduit le risque d'éjection de la pièce.
- q) **Lorsque la pièce ou la lame est coincée, arrêtez la scie à onglets. Attendez l'arrêt complet de toutes les parties mobiles et débranchez la prise de la source d'alimentation et/ou retirez la batterie. Dégagez ensuite le matériau coincé.** Si vous continuez à scier lorsque la pièce est coincée, vous risquez de perdre le contrôle de la scie ou d'endommager la scie à onglets.

r) Une fois la coupe achevée, relâchez l'interrupteur, abaissez la tête de la scie et attendez l'arrêt de la lame avant de retirer la pièce coupée.

Il est dangereux d'approcher la main de la lame lorsqu'elle est encore en rotation.

s) Maintenez la poignée fermement lors de la réalisation d'une coupe partielle ou lorsque vous relâchez l'interrupteur avant que la tête de la scie ait été ramenée à sa position inférieure.

Lors du freinage de la scie peut provoquer une saccade et faire descendre de la tête de la scie, provoquant de ce fait un risque de blessure.

Consignes de sécurité concernant le maniement des lames de scie

1. N'utilisez pas de lames de scie endommagées ou déformées.
2. N'utilisez pas de lames présentant des fissures. Mettez les lames présentant des fissures hors service. Il est interdit de les réparer.
3. N'utilisez pas de lames en acier rapide.
4. Contrôlez l'état des lames de scie avant d'utiliser la scie à onglet et radiale.
5. Veillez à choisir systématiquement une lame de scie correspondant au matériau à découper.
6. Utilisez uniquement les lames de scie déterminées par le fabricant. Les lames de scies destinées à la coupe du bois et de matériaux assimilés doivent impérativement être conformes à la norme EN 847-1.
7. N'utilisez pas de lames de scie en acier rapide fortement alliés (acier HSS).
8. Utilisez uniquement des lames de scie dont la vitesse maximale autorisée n'est pas inférieure à la vitesse de broche maximale de la scie à onglet et radiale. Elles devront en outre être adaptées au matériau à découper.
9. Respectez le sens de rotation de la lame de scie.
10. Ne remplacez la lame de scie que si vous êtes familiarisé avec son maniement.
11. Respectez la vitesse de rotation maximale. La vitesse de rotation maximale indiquée sur la lame ne doit pas être dépassée. Si une plage de vitesse de rotation est indiquée, respectez-la.
12. Éliminez les impuretés, la graisse, l'huile et l'eau des surfaces de serrage.
13. N'utilisez pas de bagues ou de douilles de réduction indépendantes pour réduire les alésages des lames de scie circulaire.
14. Veillez à ce que les bagues de réduction fixées servant à sécuriser la position de la lame présentent le même diamètre et soient égales à au moins 1/3 du diamètre de coupe.
15. Veillez à ce que les bagues de réduction fixées soient parallèles les unes aux autres.
16. Manipulez les lames avec prudence. Conservez-les de préférence dans leur emballage d'origine ou dans des protections spéciales. Portez des gants pour une prise en main plus sûre et pour réduire encore le risque de blessures.
17. Avant d'utiliser les lames, veillez à ce que tous les dispositifs de protection soient bien fixés.

18. Avant utilisation, assurez-vous que la lame de scie que vous utilisez satisfait aux exigences techniques de cette scie à onglet et radiale et qu'elle est correctement fixée.
19. Utilisez la lame de scie fournie exclusivement pour scier du bois et jamais pour scier du métal.
20. Utilisez exclusivement des lames dont le diamètre correspond aux indications apposées sur la scie à onglet.
21. Utilisez des supports supplémentaires pour maintenir la pièce en position stable lorsque nécessaire.
22. Les supports de pièces rétractables doivent toujours être utilisés et fixés pendant le travail.
23. Remplacez les inserts de table usagés!
24. Évitez une surchauffe des dents de la lame de scie.
25. Éviter que le plastique ne fonde en sciant les plastiques. Pour ce faire, utiliser des lames de scie adaptées. Remplacez à temps les lames de scie endommagées ou usées. Si la lame de scie surchauffe, arrêtez la machine. Laissez d'abord la lame de scie refroidir avant de travailler à nouveau avec l'outil électrique.

Attention: Faisceau laser

Ne regardez pas en direction du faisceau

Laser de classe 2



Protégez-vous et protégez votre environnement en appliquant des mesures de prévention des accidents adaptées !

- Ne fixez pas le rayon laser avec vos yeux sans protection.
- Ne regardez jamais directement dans le faisceau laser.
- Le faisceau laser ne doit jamais être dirigé vers des surfaces réfléchissantes, ni vers des animaux ou des personnes. Même un faisceau laser de faible puissance peut provoquer des dommages aux yeux.
- Attention! - si vous procédez autrement qu'en suivant les présentes recommandations, il y a un risque d'exposition dangereuse au faisceau laser.
- N'ouvrez jamais le module du laser. Une exposition fortuite pourrait se produire.
- Si vous n'utilisez pas la machine pendant une période prolongée, il est conseillé d'enlever les piles.
- Le laser ne doit pas être échangé contre un autre type de laser.
- Les réparations du laser ne peuvent être effectuées que par le fabricant du laser ou un représentant agréé.

Consignes de sécurité relatives à la manipulation des piles

1. À tout moment, veiller à la polarité correcte des piles (+ et -) (indiquée dessus).
2. Ne pas court-circuiter les piles.
3. Ne pas charger les piles non rechargeables.
4. Ne pas charger les piles de manière excessive !
5. Ne pas mélanger piles anciennes et neuves, ni des piles de différents types ou fabricants ! Remplacer en même temps toutes les piles d'un jeu.

6. Retirer immédiatement les piles usées de l'appareil et les mettre au rebut conformément aux dispositions ! Ne jetez pas les batteries avec les ordures ménagères. Les batteries défectueuses ou usagées doivent être recyclées conformément à la directive 2006/66/EC. Remettez les batteries et/ou l'appareil aux centres de tri qui vous sont proposés. Vous pouvez obtenir les informations correspondantes auprès de l'administration de votre commune.
7. Ne pas chauffer les piles !
8. Ne pas souder ou braser directement les piles !
9. Ne pas séparer les piles !
10. Ne pas déformer les piles !
11. Ne pas jeter les piles au feu !
12. Tenir les piles hors de portée des enfants.
13. Ne pas laisser les enfants changer les piles sans surveillance !
14. Ne pas conserver les piles à proximité d'un feu, d'une cuisinière ou d'une autre source de chaleur. Ne pas exposer les piles aux rayons directs du soleil. Ne pas utiliser ou les laisser dans un véhicule lorsqu'il fait chaud.
15. Conserver les piles non utilisées dans leur emballage d'origine et à bonne distance des objets métalliques. Ne pas mélanger les piles déballées ! Cela peut provoquer un court-circuit des piles et par conséquent, leur endommagement, voire provoquer un incendie.
16. Lorsque l'appareil n'est pas utilisé de manière prolongée, retirer les piles de l'appareil sauf en cas d'urgence !
17. Les piles périmées ne doivent JAMAIS être touchées sans une protection adaptée. Si du liquide s'échappe et entre en contact avec la peau, rincer immédiatement la zone concernée à l'eau courante. Éviter tout contact de ce liquide avec les yeux et la bouche. Consulter immédiatement un médecin.
18. Nettoyer les contacts des piles, ainsi que les contacts de l'appareil avant de mettre en place les piles.


Risques résiduels

La machine est construite en l'état des connaissances techniques actuelles et selon les règles techniques de sécurité reconnues. Toutefois, des risques résiduels peuvent subsister lors de son utilisation.

- Danger pour la santé dû au courant électrique lors de l'utilisation de câbles de raccordement électriques non conformes.
- Malgré la mise en application de toutes les mesures préventives, des risques résiduels non évidents peuvent subsister.
- Les risques résiduels peuvent être minimisés en observant les consignes de sécurité, en respectant l'utilisation conforme ainsi que les consignes du manuel d'utilisation.
- Ne surchargez pas la machine inutilement : une pression trop importante lors du sciage endommage rapidement la lame de scie, ce qui peut nuire à la précision de coupe et aux performances de la machine lors de son utilisation.
- Lors du sciage de plastique, utilisez toujours des presseurs : les pièces à scier doivent toujours être fixées entre les presseurs.
- Évitez toute mise en service impromptue de la machine: lors de l'introduction de la fiche dans la prise, la touche de mise en marche ne doit pas être actionnée.
- Utilisez la lame recommandée dans le présent manuel. Votre scie conservera ainsi des performances optimales.

- Faites en sorte de ne pas placer vos mains dans la zone de coupe si la machine est en cours de fonctionnement.
- Avant d'entreprendre une opération de réglage ou d'entretien, relâchez la touche de la poignée et débranchez la machine.

7. Caractéristiques techniques

Moteur à courant alternatif.....	220 - 240 V~ 50Hz
Puissance S1.....	1200 Watt
Type de service.....	S6 25%* 1500W
Vitesse de rotation à vide n_0	5000 min ⁻¹
Lame de scie en métal dur.....	∅ 210 x ∅ 30 x 2,6 mm
Nombre de dents.....	48
Largeur maximale des dents de la lame de scie.....	3 mm
Plage de rotation.....	-45° / 0° / +45°
Coupe d'onglet.....	0° bis 45° vers la gauche
Largeur de coupe à 90°.....	120 x 60 mm
Largeur de coupe à 45°.....	80 x 60 mm
Largeur de coupe à 2 x 45° (coupe à double onglet).....	80 x 35 mm
Classe de protection.....	II / 
Poids.....	env. 7,6 kg
Classe du laser.....	2
Longueur d'ondes du laser.....	650 nm
Puissance laser.....	< 1 mW

* Type de service S6, service périodique à charge intermittente. Le fonctionnement comporte une durée de mise en route, une durée de fonctionnement à régime constant et une durée de fonctionnement à vide. Le cycle de fonctionnement est de 10 minutes, la durée de fonctionnement effective est de 25% du cycle.

La pièce à scier doit avoir une hauteur de 3 mm et une largeur de 10 mm au minimum.

Veillez à ce que la pièce à scier soit toujours fixée avec le dispositif de serrage.

Bruit

Les valeurs du bruit émis ont été déterminées conformément à la norme EN 62841.

Niveau pression acoustique L_{pA}	99,6 dB(A)
Incertitude K_{pA}	3 dB
Niveau de puissance acoustique L_{WA}	112,6 dB(A)
Incertitude K_{WA}	3 dB

Portez une protection auditive.

Les nuisances sonores peuvent entraîner une perte d'audition.

Les valeurs d'émission de bruit ont été mesurées selon un processus d'essai normalisé et peuvent servir à comparer les valeurs d'un outil électrique à un autre.

Les valeurs d'émission de bruit indiquées peuvent également servir à évaluer préalablement les risques encourus lors de l'exposition.

Avertissement:

- Lors de l'utilisation réelle de l'outil électrique, les valeurs d'émission de bruit peuvent différer des valeurs indiquées en fonction de l'utilisation de l'outil électrique et particulièrement en fonction du matériau usiné.
- Essayez de réduire les contraintes au maximum. Par exemple en limitant la durée du travail. Il faut tenir compte de l'ensemble du cycle (par exemple, les temps pendant lesquels la machine est arrêtée et les temps pendant lesquels, la machine est en fonction mais tourne à vide).

8. Avant la mise en service

- Ouvrez l'emballage et sortez-en la machine soigneusement.
- Retirez les matériaux d'emballage ainsi que les sécurités mises en place pour le transport (le cas échéant).
- Vérifiez que les fournitures sont complètes.
- Inspectez l'outil et les accessoires, assurez-vous qu'il n'y a pas eu de dommages liés au transport.
- Conservez l'emballage jusqu'à la fin de la période de garantie, si possible.

ATTENTION

L'appareil et les matériaux d'emballage ne sont pas des jouets ! Les enfants ne doivent en aucun cas jouer avec les sacs en plastique, films d'emballage et pièces de petite taille ! Il y a un risque d'ingestion et d'asphyxie !

Veillez toujours à la stabilité et à la sécurité de la machine, en la fixant à un établi p. ex.

- La machine doit être mise en place de façon à être stable. Fixez la machine en utilisant les orifices de la table de scie fixe (9) à l'aide de 4 vis (non comprises dans la livraison) sur un établi, un support ou autre.
- Avant la mise en service, les protections et dispositifs de sécurité doivent être montés dans les règles de l'art.
- La lame de scie doit pouvoir tourner librement.
- Veillez aux corps étrangers présents dans les bois de récupération, comme par exemple, les clous et vis, etc.
- Avant d'actionner l'interrupteur marche / arrêt, assurez-vous que la lame de scie est montée correctement. Les éléments mobiles doivent fonctionner librement.
- Avant le raccordement, vérifiez si les données de la plaque signalétique correspondent bien aux données du réseau.

8.1 Montage de l'étau à pièce (il. 2)

- Desserrez la vis de blocage (19) et montez l'étau à pièce (15) à gauche ou à droite de la table de scie fixe.
- Resserrez ensuite la vis de blocage (19).

8.2 Montage des supports de pièce (il. 2 - 3)

- Desserrez la vis de blocage (14) et faites passer le support de pièce à travers l'alésage prévu à cet effet sur le côté de la table de scie fixe.
- Veillez à ce que le support de pièce (18) passe également à travers les deux brides au niveau de la partie inférieure.
- Resserrez ensuite la vis de blocage (14).
- Répétez ce processus de l'autre côté.

8.3 Montage de l'étrier de support (il. 2 - 3)

- Desserrez les vis de blocage (20) au niveau de la partie inférieure de la scie et faites passer l'étrier de support (21) à travers les alésages prévus à cet effet au dos de la scie.
- Resserrez ensuite les vis de blocage (20).

8.4 Sac collecteur de sciure (Il. 4)

La scie est équipée d'un sac collecteur (17) pour la sciure.

- Rapprochez les extrémités du collier-ressort du sac collecteur de sciure et placez-le sur l'embouchure de l'embout situé à l'arrière du moteur.
- Le sac collecteur de sciure (17) peut être vidé grâce à une fermeture à glissière située sur sa face arrière.

Raccordement à un dispositif d'aspiration indépendant

- Raccordez le tuyau à l'embouchure d'aspiration de poussière.
- Le dispositif d'aspiration doit être adapté au matériau usiné.
- Pour aspirer les poussières particulièrement nocives ou cancérogènes, utilisez un dispositif d'aspiration spécial.

8.5 Vérification de la mobilité du dispositif de sécurité de protection de la lame (5)

Le protecteur de lame protège d'un contact avec la lame et des projections de sciures rotation.

Vérification du fonctionnement.

Pour ce faire abaissez la tête de la scie vers le bas :

- Le protecteur de lame doit découvrir la lame lorsque l'on abaisse la tête de la scie, sans toucher d'autre élément.
- Lorsque l'on relève la tête de la scie, le protecteur de lame de scie doit recouvrir automatiquement la lame.

9. Montage et utilisation

9.1 Assemblage de la scie à onglet et radiale (il. 1 - 3)

- Desserrez la platine rotative (13) en desserrant la vis de fixation (7).
- À l'aide de la poignée (3), régler la platine rotative (13) sur l'angle souhaité.

REMARQUE

La scie radiale peut être pivotée avec la platine rotative vers la gauche et vers la droite. L'échelle permet de réaliser un réglage d'angle parfaitement exact. Les angles 0° à 45° peuvent être réglés de manière précise et rapide par des réglages de la trame à 15°, 22,5°, 30°.

- Resserrez la vis de fixation (7) pour fixer la platine rotative.
- En appuyant légèrement sur la tête de la machine (4) tout en tirant l'arrêt de sécurité (25) du support-moteur, la scie est déverrouillée de sa position inférieure.
- Relevez la tête de la machine (4).
- Les presseurs (15) peuvent être fixés aussi bien à gauche qu'à droite sur la table de scie fixe (9). Insérez les presseurs (15) dans les orifices prévus à l'arrière de la butée (8) et bloquez-les à l'aide des boutons moletés (19).
- La tête de machine (4) peut être inclinée vers la gauche de max. 45° en desserrant la vis de fixation (23).
- Pendant le travail, les supports de pièce rétractables (18) doivent toujours être fixés et utilisés.

9.2 Réglage de précision de la butée pour coupe à 90° (il. 5)

L'équerre ne fait pas partie de la livraison.

- Abaissez la tête de la machine (4) et fixez-la à l'aide de l'arrêt de sécurité (25).
- Desserrez la vis de blocage (23).
- Placez l'équerre (A) contre la lame de scie (6) et le plateau tournant (13).
- Desserrez l'écrou de sécurité (26a).
- Tournez la vis de réglage (26) jusqu'à ce que l'angle entre la lame de scie (6) et le plateau tournant (13) soit de 90°.
- Resserrez l'écrou de sécurité (26a).

9.3 Coupe à 90° et plateau tournant à 0° (il. 1/2/3/6)

Attention! Les butées mobiles (8a) doivent être fixées à leur position intérieure pour effectuer les coupes pendulaires à 90°.

- Ouvrez la vis de blocage (8b) du rail de butée mobile (8a) et poussez ce même rail (8a) vers l'intérieur.
- Les butées mobiles (8a) doivent être bloquées à leur position intérieure de façon à ce que l'écart entre les butées (8a) et la lame de scie (6) soit de 8 mm maximum.
- Avant d'effectuer une coupe, vérifiez qu'il n'y a pas de collision possible entre la lame de scie (6) et la butée mobile (8a).
- Resserrez les vis de blocage (8b).
- Placez la tête de la machine (4) en position haute.
- Placez le bois à couper contre le rail de butée (8) et sur le plateau tournant (13).
- Fixer le matériau avec les dispositifs de serrage (15) sur la table de scie fixe (9) afin d'empêcher un déplacement pendant le processus de coupe. Voir le point 9.12.
- Déverrouiller la commande de blocage (2) et actionner sur l'interrupteur On/Off (1) pour mettre le moteur en marche.
- Déplacez la tête de la machine (4) à l'aide de la poignée (3) lentement et avec une légère pression vers le bas, jusqu'à ce que la lame de scie (6) coupe la pièce.
- Après avoir terminé la coupe, remplacez la tête de la machine en position haute, de repos et relâchez l'interrupteur Marche/Arrêt (1).

Attention!

Sous l'effet du ressort de rappel, la tête de la machine se déplace automatiquement vers le haut, ne relâchez pas la poignée (3) après la fin de la coupe, mais relevez-la lentement vers le haut en appliquant une légère contre-pression.

9.4 Coupe à 90° et plateau tournant orienté entre 0° et 45° (il. 1/2/3/6)

La scie à onglet et radiale permet de réaliser des coupes de biais vers la gauche et vers la droite de 0° à 45°.

Attention !

La butée mobile (8a) doit être fixée vers l'intérieur pour les coupes à 90°.

- Ouvrez la vis de blocage (8b) du rail de butée mobile (8a) et poussez ce même rail (8a) vers l'intérieur.
- Les butées mobiles (8a) doit être bloquée de manière à ce que l'écart entre la butée (8a) et la lame de scie (6) soit de 8 mm au minimum.
- Avant de procéder à la coupe, vérifiez qu'il n'existe aucun risque de collision entre la butée (8a) et la lame de scie (6).
- Resserrez la vis de blocage (8b).

- Desserrez la platine rotative (13) en desserrant la vis de fixation (7).
- À l'aide de la poignée (3), régler la platine rotative (13) sur l'angle souhaité.
- Resserrez la vis de fixation (7) pour fixer la platine rotative.
- Effectuez la coupe comme décrit au point 9.3.

9.5 Réglage de précision de la butée pour coupe d'onglet à 45° (il. 1/2/3/6/7/8)

L'équerre ne fait pas partie de la livraison.

- Abaissez la tête de la machine (4) et fixez-la à l'aide de l'arrêt de sécurité (25).
- Fixez le plateau tournant (13) en position 0°.
- Attention ! Les butées mobiles (8a) doivent être fixées à leur position extérieure pour effectuer les coupes de biais (tête de la machine inclinée) (côté gauche).
- Desserrez la vis de blocage (8b) de la butée mobile (8a) et faites coulisser la butée mobile (8a) vers l'extérieur.
- La butée mobile (8a) doit être fixée à sa position intérieure de façon à ce que l'écart entre la butée (8a) et la lame de scie (6) soit au minimum de 8 mm.
- Avant d'effectuer une coupe, vérifiez qu'il n'y a pas de collision possible entre la lame de scie (6) et la butée mobile (8a).
- Resserrez les vis de blocage (8b).
- Desserrez la vis de fixation (23) et à l'aide de la poignée (3), incliner la tête de machine (4) de 45° vers la gauche.
- Placez l'équerre 45° (B) contre la lame de scie (6) et le plateau tournant (13).
- Desserrez l'écrou de sécurité (22a) et déplacez la vis de réglage (22) jusqu'à ce que l'angle entre la lame de scie (6) et le plateau tournant (13) soit parfaitement à 45°.
- Resserrez l'écrou de sécurité (22a).
- Vérifiez ensuite la position de l'affichage de l'angle, au besoin, desserrez le pointeur (28) à l'aide d'un tournevis cruciforme, placez-le à la position des 45° de la graduation angulaire (27) et resserrez la vis de maintien.

9.6 Coupe d'onglet de 0° à 45° et plateau tournant à 0° (il. 1/2/3/6)

La scie à onglet et radiale permet de réaliser des coupes d'onglet vers la gauche de 0° à 45° par rapport à la surface de travail.

Attention !

Les butées mobiles (8a) doivent être fixées à leur position extérieure pour effectuer les coupes de biais (tête de la machine inclinée).

Attention !

En principe, en cas de coupes d'onglet de 0° à 45° le presseur (dispositif de serrage des pièces) (15) doit être monté à la droite.

- Desserrez la vis de blocage (8b) de la butée mobile (8a) et faites coulisser la butée mobile (8a) vers l'extérieur.
- La butée mobile (8a) doit être fixée à sa position intérieure de façon à ce que l'écart entre la butée (8a) et la lame de scie (6) soit au minimum de 8 mm.
- Avant d'effectuer une coupe, vérifiez qu'il n'y a pas de collision possible entre la lame de scie (6) et la butée mobile (8a).
- Resserrez la vis de blocage (8b).
- Placez la tête de machine (4) à sa position supérieure.
- Fixez le plateau tournant (13) en position 0°.

- Desserrer la vis de fixation (23) et à l'aide de la poignée (3), incliner la tête de machine (4) vers la gauche jusqu'à ce que le pointeur (28) soit sur la mesure d'angle sélectionnée selon l'échelle (27).
- Resserer la vis de fixation (23).
- Réalisez la coupe comme décrit au point 9.3.

9.7 Coupe d'onglet de 0° à 45° et plateau tournant de 0° à 45° (il. 1/2/3/6)

La scie à onglet et radiale permet de réaliser des coupes d'onglet vers la gauche de 0° à 45° par rapport à la surface de travail et simultanément de 0° à 45° par rapport au rail de butée (double coupe d'onglet).

Attention !

Les butées mobiles (8a) doivent être fixées à leur position extérieure pour effectuer les coupes de biais (tête de la machine inclinée).

Attention !

En principe, en cas de coupes d'onglet de 0° à 45° le presseur (dispositif de serrage des pièces) (15) doit être monté à la droite.

- Desserrer la vis de blocage (8b) de la butée mobile (8a) et faites coulisser la butée mobile (8a) vers l'extérieur.
- La butée mobile (8a) doit être fixée à sa position intérieure de façon à ce que l'écart entre la butée (8a) et la lame de scie (6) soit au minimum de 8 mm.
- Avant de procéder à la coupe, vérifiez qu'il n'existe aucun risque de collision entre la butée (8a) et la lame de scie (6).
- Resserer la vis de blocage (8b).
- Placez la tête de la machine (4) en position haute.
- Desserrer la platine rotative (13) en desserrant la vis de fixation (7).
- À l'aide de la poignée (3), régler la platine rotative (13) sur l'angle souhaité.
- Resserer la vis de fixation (7) pour fixer la platine rotative.
- Desserrer la vis de fixation (23).
- À l'aide de la poignée (3) inclinez la tête de la machine (4) vers la gauche à l'angle souhaité (voir également le point 9.6 à ce sujet).
- Resserer la vis de fixation (23).
- Réalisez la coupe comme décrit au point 9.3.

9.8 Remplacement de la lame de scie (il. 1/2/3/9/10)

Débranchez la fiche de la prise de courant du secteur !

Attention !

Portez des gants de protection pour changer la lame de scie ! Risque de blessure !

- Pivoter la tête de machine (4) vers le haut et la fixer à l'aide du boulon d'arrêt (25).
- Remontez le protecteur de lame (5) jusqu'à ce qu'il passe au-delà de la vis de bride (29).
- De l'autre main, placez la clé Allen (C) sur la vis de bride (29).
- Maintenez la clé Allen (C) et fermez doucement le capot de protection de la lame de la scie (5) jusqu'à ce que celui-ci soit proche de la clé Allen (C).
- Maintenez le blocage de l'arbre de scie (32) enfoncé et tournez lentement la vis de bride (29) dans le sens des aiguilles d'une montre. Après un tour au maximum le dispositif de blocage de scie (32) s'encliquette.

- Desserrer à présent, avec un peu plus de force, la vis de bride (29) en la tournant dans le sens des aiguilles d'une montre.
- Tournez la vis de bride (29) pour la sortir complètement et retirez la bride extérieure (30).
- Enlevez la lame de scie (6) de la bride intérieure en la tirant vers le bas et retirez-la.
- Nettoyez minutieusement la vis de bride (29), la bride extérieure (30) et la bride intérieure.
- Placez la nouvelle lame de scie (6) en procédant dans l'ordre inverse et serrez-la à fond.
- Attention ! L'inclinaison des dents doit correspondre au sens de la flèche située sur le carter, autrement dit au sens de rotation de la lame de scie (6).
- Avant de continuer le travail, vérifiez que le fonctionnement des équipements de protection est correct.
- Attention ! Après chaque changement de lame de scie, il faut contrôler si la lame de scie (6) tourne bien librement sans toucher l'insert de table (10) lorsque la lame est en position verticale et lorsqu'elle est inclinée à 45°.

Attention !

Le remplacement et le réglage de la lame de scie (6) doit être réalisé dans les règles de l'art.

9.9 Remplacement des batteries laser (il. 11)

- Retirez le cache de batterie (34). Retirez les 2 batteries.
- Remplacez les deux batteries par des modèles de même type ou de type comparable. Veillez à respecter la polarité.
- Refermez le couvercle des batteries.

9.10 Marche / Arrêt du laser (il. 11)

Marche:

Placer le bouton marche / arrêt (33) en position « 1 ». Le faisceau laser indiquant le tracé de découpe est projeté sur la pièce à usiner.

Arrêt:

Placer le bouton marche / arrêt en position « 0 ».

9.11 Ajuster le laser (il. 12)

Si le laser (35) n'affiche plus la ligne de coupe correcte, il est possible de le rajuster. A cet effet, ouvrez les vis (36) et réglez le laser en le poussant latéralement de manière que le rayon laser touche les dents de coupe de la lame de scie (6).

9.12 Commande du dispositif de serrage des pièces (il. 1, 2)

La vis de fixation (16) permet de régler en hauteur le dispositif de serrage des pièces (15).

- Abaissez le dispositif de serrage des pièces sur la pièce usinée.
- Serrez à fond la vis de fixation (16).
- Tourner la poignée de serrage (24) dans le sens horaire afin de serrer la pièce usinée.
- Pour desserrer la pièce usinée, procédez dans l'ordre inverse.

10. Transport (il. 13)

- Serrez la poignée (7) afin de verrouiller le plateau tournant (13).
- Abaissez la tête de la machine (4) vers le bas et bloquez-la avec l'arrêt de sécurité (25). La scie est à présent verrouillée en position inférieure.
- Tenir la machine par la poignée (37).
- Pour remettre la machine en place, procédez comme décrit au point 8 - 9.

11. Maintenance

⚠ Avertissement!

Avant tout réglage, entretien ou réparation, débranchez la fiche du secteur!

Mesures de maintenance générales

Essayez de temps en temps la machine à l'aide d'un chiffon afin d'en éliminer la sciure et la poussière. Huilez les pièces mobiles une fois par mois pour prolonger la durée de vie de l'outil. Ne pas huiler le moteur.

Pour nettoyer le plastique, n'utilisez pas de produits corrosifs.

Nettoyage du protecteur de lame mobile (5)

Avant chaque utilisation, vérifiez si le protecteur de lame est encrassé.

Enlevez les éclats de bois et la sciure en utilisant un pinceau ou d'un autre outil approprié.

Remplacement de l'insert de table (il. 14)

Danger!

Lorsque l'insert de table (10) est endommagé, il y a le risque que de petits éléments se coincent entre l'insert et la lame de scie et la bloquent.

Remplacez immédiatement un insert de table endommagé!

1. Dévisser les vis (E) du plateau de table.
2. Retirer le plateau de table.
3. Mettre le nouveau plateau de table en place.
4. Serrer à fond les vis (E) du plateau de table.

Inspection des charbons

En présence d'une machine neuve, vérifiez les charbons après les 50 premières heures de service ou lorsque de nouveaux charbons ont été mis en place. À l'issue du premier contrôle, procédez à un contrôle toutes les 10 heures de service.

Si le carbone est usé sur 6 mm ou si les ressorts ou le fil de connexion de dérivation sont brûlés ou endommagés, les deux charbons doivent être remplacés. Si les charbons sont considérés comme utilisables après démontage, il est possible de les remonter.

Pour effectuer l'entretien des charbons, ouvrez les deux opercules (voir Il. 15) en les tournant dans le sens anti-horaire. Enlevez les charbons et mettez les nouveaux charbons en place dans l'ordre inverse.

Informations concernant le service après-vente

Il faut tenir compte du fait que pour ce produit les pièces suivantes sont soumises à une usure liée à l'utilisation et sont donc des consommables non couverts par la garantie.

Pièces d'usure*: Charbons, lame de scie, insert de table, sac collecteur de sciure

*Ne font pas partie de l'ensemble de livraison !

12. Stockage

Entreposez l'appareil et ses accessoires dans un lieu sombre, sec et à l'abri du gel. Cet emplacement doit être hors de portée des enfants. La température de stockage optimale se situe entre +5° et +30 °C.

Conservez l'outil électrique dans son emballage d'origine.

Recouvrez l'outil électrique afin de le protéger de la poussière ou de l'humidité.

Conservez le manuel d'utilisation à proximité de l'outil électrique.

13. Raccordement électrique

Le moteur électrique installé est prêt à fonctionner une fois raccordé. Le raccordement correspond aux dispositions de la VDE et DIN en vigueur. Le branchement au secteur effectué par le client ainsi que la rallonge électrique utilisée doivent correspondre à ces prescriptions.

Consignes importantes

En cas de surcharge du moteur, ce dernier s'arrête de lui-même. Après un temps de refroidissement (d'une durée variable), le moteur peut être remis en marche.

Câble d'alimentation électrique défectueux

Des détériorations de l'isolation sont souvent présentes sur les câbles de raccordement électriques.

Les causes peuvent en être :

- Des écrasements, si les câbles de raccordement passent par des fenêtres ou interstices de portes.
- Des pliures dues à une fixation ou à un cheminement incorrects des câbles de raccordement.
- Des ruptures si l'on a roulé sur le câble.
- Des détériorations de l'isolation dues à un arrachement hors de la prise murale.
- Des fissures dues au vieillissement de l'isolation.

Des câbles de raccordement électriques endommagés de la sorte ne doivent pas être utilisés et, en raison de leur isolation défectueuse, sont mortellement dangereux.

Vérifiez régulièrement que les câbles de raccordement électriques ne sont pas endommagés. Lors du contrôle, veillez à ce que le câble de raccordement ne soit pas connecté au réseau. Les câbles de raccordement électriques doivent correspondre aux dispositions VDE et DIN en vigueur. N'utilisez que des câbles de raccordement portant le marquage „H05VV-F“.

L'indication de la désignation du type sur le câble de raccordement est obligatoire.

Consignes de sécurité pour le remplacement de câbles de raccordement secteur endommagés ou défectueux

Type X:

Si le câble de raccordement au réseau de cet appareil est endommagé, il doit être remplacé par un câble de raccordement spécial par le fabricant ou son service après-vente.

Moteur à courant alternatif:

La tension du réseau doit être de 220 - 240 V~.

- Les conducteurs des rallonges d'une longueur maxi. de 25 m doivent avoir une section de 1,5 mm².
- Les raccordements et réparations de l'équipement électrique doivent être réalisés par un électricien.

Pour toute question, veuillez indiquer les données suivantes :

- Type de courant du moteur
- Données figurant sur la plaque signalétique de la machine

14. Mise au rebut et recyclage

L'appareil se trouve dans un emballage permettant d'éviter les dommages dus au transport. Cet emballage est une matière première et peut donc être réutilisé ultérieurement ou être réintroduit dans le circuit des matières premières.

L'appareil et ses accessoires sont en matériaux divers, comme par exemple des métaux et matières plastiques. Pour une mise au rebut conforme à la réglementation, l'appareil ou les pièces qui le composent doivent être déposés dans un centre de collecte approprié. Si vous ne connaissez pas de centre de collecte, veuillez vous renseigner auprès de votre revendeur ou de l'administration de votre commune !



L'emballage se compose exclusivement de matières recyclables qui peuvent être mises au rebut dans les déchetteries locales.

Renseignez-vous auprès de votre mairie ou de l'administration municipale concernant les possibilités de mise au rebut des appareils usagés.

Ne jetez pas les anciens appareils avec les déchets ménagers!



Ce symbole indique que conformément à la directive relative aux déchets d'équipements électriques et électroniques (2012/19/UE) et aux lois nationales, ce produit ne doit pas être jeté avec les déchets ménagers. Ce produit doit être remis à un centre de collecte prévu à cet effet. Le produit peut par exemple, être retourné lors de l'achat d'un produit similaire ou être remis à un centre de collecte agréé pour le recyclage d'appareils électriques et électroniques usagés. En raison des substances potentiellement dangereuses souvent contenues dans les appareils électriques et électroniques usagés, la manipulation non conforme des appareils usagés peut avoir un impact négatif sur l'environnement et la santé humaine. Une élimination conforme de ce produit contribue en outre à une utilisation efficace des ressources naturelles. Pour plus d'informations sur les centres de collecte des appareils usagés, veuillez contacter votre municipalité, le service communal d'élimination des déchets, un organisme agréé pour éliminer les déchets d'équipements électriques et électroniques ou le service d'enlèvement des déchets.

Ne pas jeter les piles et accus avec les déchets ménagers!



En tant que consommateur, vous êtes légalement tenu de porter les piles et accus, qu'ils contiennent des polluants* ou non, à un centre de collecte de votre commune/quartier ou du commerce, de sorte qu'ils puissent être éliminés dans le respect de l'environnement.

* marqué par: Cd = cadmium, Hg = mercure, Pb = plomb
Retirez les piles du laser avant d'éliminer la machine et les piles.

15. Dépannage

Problème	Cause possible	Solution
Le moteur ne fonctionne pas	Moteur, câble ou connecteur défectueux, fusibles grillés	Faites vérifier la machine par un spécialiste. Ne jamais réparer le moteur vous-même. Danger ! Contrôlez les fusibles, remplacez-les au besoin
Le moteur fonctionne lentement et n'atteint pas la vitesse de service.	Tension trop faible, bobinages endommagés, condensateur grillé	Faites contrôler la tension par votre fournisseur en électricité. Faites contrôler le moteur par un spécialiste. Faites remplacer le condensateur par un spécialiste.
Le moteur est trop bruyant	Bobinages endommagés, moteur défectueux	Faites contrôler le moteur par un spécialiste.
Le moteur ne fonctionne pas à plein régime.	Circuit de l'installation électrique surchargé (lampes, autres moteurs, etc.)	N'utilisez aucun autre appareil ou moteur sur le même circuit électrique.
Le moteur surchauffe facilement.	Surcharge du moteur, refroidissement insuffisant du moteur	Évitez la surcharge du moteur lors de la coupe, éliminez la poussière du moteur pour assurer un refroidissement optimal du moteur.
Le trait de scie n'est pas net et pas droit	Lame de scie émoussée, forme des dents inadaptée à l'épaisseur du matériau	Ré-affûtez la lame de scie ou utilisez une lame adaptée
La pièce sciée est cassée ou présente des éclats	Pression sur la pièce trop élevée lors de la coupe ou lame de scie inadaptée	Utilisez une lame de scie adaptée.

16. Certificat de garantie

Chère Cliente, Cher Client,

Nos produits sont soumis à un contrôle de qualité très strict. Si cet appareil devait toutefois ne pas fonctionner impeccablement, nous en serions désolés. Dans un tel cas, nous vous prions de bien vouloir prendre contact avec notre service après-vente à l'adresse indiquée sur le bulletin de garantie ou vous adresser au marché de la construction le plus proche. Pour faire valoir une demande de garantie, ce qui suit est valable :

1. Les conditions de garantie règlent les prestations de garantie supplémentaires. Vos droits de garantie légaux ne sont en rien altérés par la garantie présente. Notre prestation de garantie est gratuite.
2. La prestation de garantie s'applique exclusivement aux défauts occasionnés par des vices de fabrication ou de matériau et est limitée à l'élimination de ces défauts ou encore au remplacement de l'appareil. Veillez au fait que nos appareils, conformément à leur affectation, n'ont pas été construits pour être utilisés dans un environnement professionnel, industriel ou artisanal. Un contrat de garantie ne peut avoir lieu dès lors que l'appareil est utilisé à des activités dans des entreprises professionnelles, artisanales ou industrielles ou toute autre activité du même genre. Sont également exclus de notre garantie : les prestations de substitution de dommages dus aux transports, les dommages occasionnés par le non-respect des instructions de montage ou en raison d'une installation non conforme, du non-respect du mode d'emploi (comme par exemple le raccordement à une mauvaise tension réseau ou à un mauvais type de courant), les applications abusives ou non conformes (comme par exemple une surcharge de l'appareil ou encore l'emploi d'accessoires non homologués), le non-respect des prescriptions de maintenance et de sécurité, l'infiltration de corps étrangers dans l'appareil (comme par exemple du sable, des pierres ou de la poussière), l'emploi de la force ou l'influence extérieure (comme par exemple les dommages dus à une chute), ainsi que l'usure normale conforme à l'utilisation. Ceci est particulièrement valable pour les accumulateurs pour lesquels nous offrons toutefois une période de garantie de 12 mois.

Le droit à la garantie disparaît dès lors que des interventions ont lieu sur l'appareil.

3. Le délai de garantie s'élève à 3 ans et commence à la date de l'achat de l'appareil. Les demandes de garanties doivent être présentées avant écoulement du délai de garantie, dans les deux semaines suivant le moment auquel le défaut a été reconnu. Toute reconnaissance de demande de garantie après écoulement du délai de garantie est exclue. La réparation ou l'échange de l'appareil n'entraîne nullement une prolongation de la durée de garantie. Elle ne fait pas non plus commencer un nouveau délai de garantie, en raison de cette prestation, pour l'appareil ou pour toute autre pièce de rechange intégrée. Ceci est également valable lorsqu'un service après-vente sur place a été consulté.
4. Pour faire valoir votre droit à la garantie, contactez le service après-vente à l'adresse indiquée ci-dessous. Si vous formulez votre réclamation pendant la période de validité de la garantie, nous vous ferons parvenir un bon de retour qui vous permettra de nous retourner sans frais l'appareil défectueux. Décrivez la raison de la réclamation le plus précisément possible. Si le défaut de l'appareil est compris dans notre prestation de garantie, nous vous retournerons sans délai un appareil réparé ou encore un nouveau.

Hotline du service (FR):

00800 4003 4003
(0,00 €/Min.)

Service-hotline (BE):

00800 4003 4003
(0,00 €/Min.)

Email du service (FR):

service.FR@schepach.com

E-mailadres (BE):

service.BE@schepach.com

Adresse du service (FR):

Schepach France Strassburg
2, Impasse Jean Millot
FR - 6700 Strasbourg

Serviceadres (BE):

EURO Elektrowerkzeug- und Maschinen Service
Bürgerbuschweg 20
DE - 51381 Leverkusen



À l'adresse www.lidl-service.com, vous pouvez télécharger ce manuel et bien d'autres, les vidéos de produit et les logiciels d'installation.

Le QR-Code vous permet d'accéder directement à la page de service Lidl (www.lidl-service.com) et d'ouvrir votre notice d'utilisation à l'aide du numéro d'article (IAN) 373880_2104.

1.	Verklaring van de symbolen op het apparaat	46
2.	Inleiding	47
3.	Beschrijving van het toestel (afb. 1-13)	47
4.	Meegeleverd	48
5.	Beoogd gebruik	48
6.	Veiligheidsvoorschriften	48
7.	Technische gegevens	52
8.	Voor de ingebruikname	53
9.	Montage en bediening	54
10.	Vervoer (afb. 13)	56
11.	Onderhoud	56
12.	Opslag	56
13.	Elektrische aansluiting	56
14.	Afvalverwerking en hergebruik	57
15.	Verhelpen van storingen	58
16.	Garantiebewijs	59
17.	Explosietekening	133
18.	Conformiteitsverklaring	135

1. Verklaring van de symbolen op het apparaat



NL BE

Lees voorafgaand aan de inbedrijfstelling de gebruikshandleiding en de veiligheidsvoorschriften!



NL BE

Draag een veiligheidsbril



NL BE

Draag gehoorbescherming!



NL BE

Draag een stofmasker!



NL BE

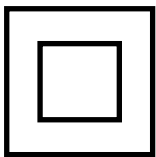
Let op! Gevaar voor letsel! Raak het draaiende zaagblad niet aan!



Achtung! - Laserstrahlung
Nicht in den Strahl blicken!
Laser Klasse 2
Laserspezifikation nach EN 60825-1:2014
λ = 650 nm P_e < 1 mW

NL BE

Let op! Laserstraling



NL BE

Beschermingsklasse II (dubbel geïsoleerd)

2. Inleiding

Fabrikant: scheppach

Fabrikation von Holzbearbeitungsmaschinen GmbH
Günzburger Straße 69
D-89335 Ichenhausen

Geachte klant,

Wij wensen u veel plezier en succes bij het werken met uw nieuwe apparaat.

Aanwijzing:

De fabrikant van dit apparaat is volgens de van kracht zijnde wet inzake productaansprakelijkheid niet aansprakelijk voor schade die aan dit apparaat of door dit apparaat ontstaan bij:

- ondeskundige behandeling,
- veronachtzaming van de instructies voor de bediening,
- reparaties door derden, niet geautoriseerde vakmensen,
- inbouw en vervanging van niet-originele onderdelen,
- niet doelmatig gebruik,
- uitvallen van de elektrische installatie bij het niet in acht nemen van de elektrische voorschriften en VDE-voorschriften 0100, DIN 57113 / VDE0113.

Let op:

Lees voor de montage en voor de ingebruikname de complete tekst van de gebruikshandleiding door.

De gebruiksaanwijzing is bedoeld om het gemakkelijker te maken, uw apparaat te leren kennen en de beoogde toepassingsmogelijkheden van het apparaat te benutten.

De gebruikshandleiding bevat belangrijke aanwijzingen, hoe u met het apparaat veilig, vakkundig en economisch werkt en hoe u gevaren vermijdt, reparatiekosten uitspaart, uitvaltijden vermindert en de betrouwbaarheid en levensduur van het apparaat verhoogt.

Aanvullend op de veiligheidsbepalingen van deze gebruikshandleiding moet u absoluut de voor de werking van het apparaat geldende voorschriften van uw land in acht nemen.

Bewaar de gebruiksaanwijzing bij het apparaat in een plastic hoes, beschermd tegen vuil en vocht. De gebruiksaanwijzing moet door elke bediener van het apparaat voor aanvang van het werk gelezen en zorgvuldig nageleefd worden.

Aan het apparaat mogen alleen personen werken, die voor het gebruik van het apparaat geïnstrueerd en over de daarmee verbonden gevaren geïnformeerd zijn. De vereiste minimumleeftijd moet aangehouden worden.

Naast de in deze gebruikshandleiding opgenomen veiligheidsvoorschriften en de bijzondere voorschriften van uw land moet u de algemeen erkende technische voorschriften in acht nemen voor de werking van machines van hetzelfde type.

Wij kunnen niet aansprakelijk worden gesteld voor ongevallen of schade, veroorzaakt door niet-naleving van deze handleiding of de veiligheidsvoorschriften.

3. Beschrijving van het toestel (afb. 1-13)

1. Aan/uit-schakelaar
 2. Blokkeerschakelaar
 3. Handgreep
 4. Machinekop
 5. Beweegbare zaagbladbescherming
 6. Zaagblad
 7. Borgschroef voor draaitafel
 8. Aanslagrail
 - 8a. Verschuifbare aanslagrail
 - 8b. Vastzetschroef
 9. Vaste zaagtafel
 10. Tafelinzetstuk
 11. Schaalverdeling
 12. Aanwijzer
 13. Draaitafel
 14. Vastzetschroef voor werkstuksteun
 15. Spaninrichting (werkstuklem)
 16. Vastzetschroef
 17. Spaanopvangzak
 18. Werkstuksteun
 19. Vastzetschroef voor spaninrichting
 20. Vastzetschroef voor kantelbeveiliging
 21. Standbeugel
 22. Justeerschroef (45°)
 - 22a. Borgmoer justeerschroef (45°)
 23. Vastzetschroef
 24. Klemgreep
 25. Borgbout
 26. Stelschroef (90°)
 - 26a. Borgmoer justeerschroef (90°)
 27. Schaalverdeling
 28. Aanwijzer
 29. Flensbout
 30. Buitenflens
 31. Geleidebeugel
 32. Zaagasblokkering
 33. Aan/uit-schakelaar laser
 34. Batterijdeksel
 35. Laser
 36. Schroef (laser)
 37. Transportgreep
- (A) 90° aanslagwinkelhaak (niet bij de omvang van de levering begrepen)
- (B) 45° aanslagwinkelhaak (niet bij de omvang van de levering begrepen)
- (C) Inbussleutel 6 mm
- (D) Binnenzeskantsleutel, 3 mm
- (E) Kruiskopschroef (tafelinzetstuk)

4. Meegeleverd

- Afkort- en verstekzaag
- Spaanopvangzak
- Werkstukkleem
- Inbussleutel 6 mm (C)
- Inbussleutel 3 mm (D)
- 2 werkstuksteunen
- Standbeugel
- 2 koolborstels
- 2 batterijen (AAA)
- Gebruikshandleiding

5. Beoogd gebruik

De afkort- en verstekzaag wordt gebruikt voor het afkorten van hout en kunststof, overeenkomstig de machinegrootte. De zaag is niet geschikt voor het zagen van brandhout.

Waarschuwing!

Gebruik het apparaat uitsluitend voor het zagen van materialen die in de gebruikshandleiding zijn gespecificeerd.

Waarschuwing!

Het meegeleverde zaagblad is uitsluitend bestemd voor het zagen van hout! Gebruik deze niet voor het zagen van brandhout!

De machine mag uitsluitend voor het voorgeschreven doel worden gebruikt. Elk ander of verdergaand gebruik is niet volgens de voorschriften. De gebruiker/bediener en niet de fabrikant is aansprakelijk voor ontstane schade of elke vorm van letsel.

Er mogen uitsluitend voor de machine geschikte zaagbladen worden gebruikt. Het gebruik van alle type snijwielen is verboden.

Ook de naleving van de veiligheidsvoorschriften, de montagehandleiding en de aanwijzingen in de gebruikshandleiding maken deel uit van het beoogd gebruik.

Personen die de machine bedienen of die onderhoud aan de machine verrichten, moeten hiermee bekend zijn en op de hoogte zijn van de mogelijke gevaren.

Bovendien moeten de van kracht zijnde voorschriften ter voorkoming van ongevallen strikt worden nageleefd.

Andere algemene arbo-, gezondheids- en veiligheidsvoorschriften moeten in acht worden genomen.

De fabrikant is niet aansprakelijk voor wijzigingen die aan de machine worden aangebracht en de hieruit voortvloeiende schade.

Ondanks beoogd gebruik kunnen bepaalde restrisicofactoren niet volledig worden vermeden. Op grond van de constructie en opbouw van de machine kan het volgende optreden:

- Aanraken van het zaagblad in het niet afgedekte zaaggebied.
- In het draaiende zaagblad grijpen (snijwonden).
- Terugslag van werkstukken en delen van werkstukken.
- Zaagbladbreuk.
- Wegslingeren van slechte hardmetalen delen van het zaagblad.
- Gehoorschade wanneer de vereiste gehoorbescherming niet wordt gedragen.
- Schadelijke emissies van houtstof bij gebruik in afgesloten ruimtes.

Let erop dat onze apparaten volgens het beoogd gebruik niet voor bedrijfsmatige, ambachtelijke of industriële toepassingen zijn ontworpen. Wij aanvaarden geen aansprakelijkheid wanneer het apparaat in bedrijfsmatige, ambachtelijke of industriële ondernemingen of bij soortgelijke werkzaamheden wordt ingezet.

6. Veiligheidsvoorschriften

Algemene veiligheidsvoorschriften voor elektrische apparaten

⚠ WAARSCHUWING! Lees alle veiligheidsvoorschriften, aanwijzingen, afbeeldingen en technische gegevens die bij dit elektrisch apparaat zijn meegeleverd. Het niet naleven van de veiligheidsvoorschriften en -aanwijzingen kunnen elektrische schok, brand en/of ernstige verwondingen veroorzaken.

Bewaar alle veiligheidsvoorschriften en -aanwijzingen voor toekomstig gebruik.

Het in de veiligheidsvoorschriften gebruikte begrip "Elektrisch gereedschap" is van toepassing op netgevoed elektrisch gereedschap (met netsnoer) of op accugevoed elektrisch gereedschap (zonder netsnoer).

1. Veiligheid op de werkplek

- a) Houd uw werkomgeving schoon en goed verlicht.** Rommel of slecht verlichte werkplaatsen kunnen leiden tot ongevallen.
- b) Werk met het elektrisch gereedschap niet in een explosiegevaarlijke omgeving, waarin zich brandbare vloeistoffen, gas of stof bevinden.** Elektrisch gereedschap kan vonken veroorzaken, die het stof of de dampen kunnen ontsteken.
- c) Houd kinderen en andere personen tijdens het gebruik uit de buurt van het elektrische gereedschap.** Bij afbuiging kunt u de controle over het elektrische apparaat verliezen.

2. Elektrische veiligheid

- a) De aansluitstekker van het elektrische gereedschap moet in het stopcontact passen.** De stekker mag op geen enkele wijze worden gewijzigd. Gebruik geen adapterstekker samen met geaard elektrisch gereedschap. Ongewijzigde stekkers en passende stopcontacten verminderen het risico op elektrische schok.
- b) Let op dat uw lichaam geen contact maakt met geaarde onderdelen zoals bijv. buizen, radiatoren, elektrische haarden, koelkasten. Er bestaat een verhoogd risico op een elektrische schok als uw lichaam geaard is.**
- c) Houd elektrisch gereedschap uit de buurt van regen of vocht.** Het indringen van water in een elektrisch apparaat vergroot het risico op een elektrische schok.

- d) **Gebruik het snoer niet om het elektrische gereedschap te dragen, aan op te hangen of om de stekker uit het stopcontact te trekken.** Houd het snoer uit de buurt van hitte, scherpe randen of bewegende delen. Beschadigde of opgewikkelde snoeren verhogen het risico op een elektrische schok.
- e) **Als u met een elektrisch gereedschap in de open lucht werkt, gebruik dan alleen een verlengsnoer dat ook geschikt is voor gebruik buitenshuis.** De toepassing van een voor buitenshuis gebruik geschikt verlengsnoer vermindert het risico op een elektrische schok.
- f) **Als het gebruik van het elektrische gereedschap in een vochtige omgeving niet kan worden vermeden, gebruik dan een aardlekschakelaar.** Het gebruik van een aardlekschakelaar voorkomt het risico op een elektrische schok.

3. Veiligheid van personen

- a) **Wees altijd voorzichtig, let op waar u mee bezig bent en ga verstandig te werk bij werkzaamheden met elektrisch gereedschap. Maak geen gebruik van elektrisch gereedschap als u moe bent of onder invloed bent van drugs, alcohol of medicamenten.** Een moment van onachtzaamheid bij gebruik van het elektrisch gereedschap kan leiden tot ernstig letsel.
- b) **Draag persoonlijke beschermingsmiddelen en ook altijd een veiligheidsbril.** Het dragen van persoonlijke beschermingsmiddelen zoals een stofmasker, antislip-veiligheidsschoenen, een helm of gehoorbescherming, al naar gelang het soort gereedschap en de toepassing ervan, verkleint het risico op verwondingen.
- c) **Voorkom onbedoelde inbedrijfstelling. Controleer of het elektrisch gereedschap is uitgeschakeld voordat u het op de stroomvoorziening en/of de accu aansluit, het gereedschap oppakt of draagt.** Als u tijdens het dragen van het apparaat met de vinger op de schakelaar zit of het elektrisch gereedschap ingeschakeld aan de netvoeding aansluit, kan dit tot ongelukken leiden.
- d) **Verwijder instelgereedschap of steeksleutels voordat u het elektrisch gereedschap inschakelt.** Een gereedschap of sleutel dat/die zich in een draaiend onderdeel van het elektrische gereedschap bevindt, kan verwondingen veroorzaken.
- e) **Voorkom een onnatuurlijke lichaamshouding. Zorg voor een stabiele positie en zorg ervoor dat u altijd stabiel staat.** Daardoor kunt u het elektrische gereedschap in onverwachte situaties beter onder controle houden.
- f) **Draag geschikte kleding. Draag geen wijde kleding of sieraden. Houd haren en kleding uit de buurt van bewegende delen.** Loszittende kleding, sieraden of lange haren kunnen worden vastgegrepen door bewegende delen.
- g) **Als stofafzuig- en -opvanginrichtingen kunnen worden gemonteerd, moeten deze worden aangesloten en juist worden toegepast.** Het gebruik van een stofafzuiging kan gevaar door stof verminderen.
- h) **Voorkom een vals gevoel van zekerheid en houd u altijd aan de veiligheidsvoorschriften voor elektrische apparaten, ook als u ervaren bent met het elektrisch apparaat.** Achteloos handelen kan in een fractie van een seconde tot ernstige verwondingen leiden.

4. Gebruik en behandeling van het elektrisch gereedschap

- a) **Zorg dat het elektrische gereedschap niet overbelast raakt.** Gebruik voor de werkzaamheden het daarvoor bedoelde elektrische gereedschap. Met het juiste elektrisch gereedschap werkt u beter en veiliger in het aangegeven vermogensbereik.
- b) **Gebruik geen elektrisch gereedschap, waarvan de schakelaar defect is. Een elektrisch gereedschap, dat niet meer in- of uitgeschakeld kan worden, is gevaarlijk en moet gerepareerd worden.**
- c) **Trek de stekker uit het stopcontact en/of verwijder de uitneembare accu voordat u de apparaatinstellingen wijzigt, inzetstukken vervangt of het elektrische apparaat weglegt.** Deze voorzorgsmaatregelen voorkomen dat het elektrische gereedschap onbedoeld start.
- d) **Bewaar ongebruikt elektrisch gereedschap buiten het bereik van kinderen.** Laat het elektrisch apparaat niet gebruiken door personen die er niet mee vertrouwd zijn of deze aanwijzingen niet hebben gelezen. Elektrische gereedschappen zijn gevaarlijk als deze door onervaren personen worden gebruikt.
- e) **Voer zorgvuldig onderhoud uit aan elektrische apparaten en inzetstukken.** Controleer of bewegende delen probleemloos functioneren en niet klemmen, of onderdelen gebroken of beschadigd zijn, waardoor de functie van het elektrische gereedschap wordt beïnvloed. Laat beschadigde onderdelen voor gebruik van het elektrische apparaat eerst repareren. Veel ongevallen ontstaan door slecht onderhouden elektrisch gereedschap.
- f) **Houd snijgereedschap scherp en schoon. Zorgvuldig onderhouden snijgereedschap met scherpe snijranden komt minder snel vast te zitten en is makkelijker te gebruiken.**
- g) **Gebruik elektrische apparaten, accessoires en inzetstukken, etc. overeenkomstig deze aanwijzingen.** Houd daarbij rekening met de omstandigheden waarin gewerkt wordt en de uit te voeren werkzaamheden. Het gebruik van elektrisch gereedschap voor andere toepassingen dan het voorgeschreven gebruik kan leiden tot gevaarlijke situaties.
- h) **Houd grepen en greepoppervlakken droog, schoon en vrij van olie en vet.** Als grepen en greepoppervlakken glad zijn, kan het elektrisch gereedschap in onvoorziene situaties niet veilig bediend en onder controle gehouden worden.

5. Service

- a) **Laat uw elektrisch gereedschap uitsluitend door gekwalificeerd deskundig personeel repareren met uitsluitend originele reserveonderdelen.** Hiermee blijft veilig gebruik van het elektrisch gereedschap gewaarborgd.

Waarschuwing!

Dit elektrisch apparaat genereert een elektromagnetisch veld als het is ingeschakeld. Dit veld kan onder bepaalde omstandigheden interfereren met actieve of passieve medische implantaten. Om het risico op ernstig of dodelijk letsel te beperken, raden we personen met medische implantaten aan om hun arts en de fabrikant van het medische implantaat te raadplegen voordat de machine wordt gebruikt.

Veiligheidsvoorschriften voor afkort- en verstekzagen

- a) **Afkort- en verstekzagen zijn bedoeld voor het zagen van hout en houtachtige materialen. Ze zijn niet geschikt voor het zagen van ijzerhoudende materialen, zoals staven, stangen, bouten enz.** Bewegende delen zoals de onderste beschermkap kunnen blokkeren door de schurende werking van het stof. Zaagvonken veroorzaken verbranding van de onderste beschermkap, de inlegplaat en andere kunststof onderdelen.
- b) **Zet het werkstuk indien mogelijk vast met klemmen. Als u het werkstuk met de hand vasthoudt, moet u uw hand altijd minimaal 100 mm verwijderd houden van elke zijde van het zaagblad. Zaag met deze zaag geen werkstukken die te klein zijn om vast te klemmen of met uw hand vast te houden.** Als uw hand te dicht bij het zaagblad is, bestaat er een verhoogd risico op letsel door contact met het zaagblad.
- c) **Het werkstuk mag niet kunnen worden bewogen en moet worden vastgeklemd of tegen de aanslag en de tafel worden aangedrukt. Duw het werkstuk niet in het zaagblad en zaag het nooit uit de vrije hand.** Losse en bewegende werkstukken kunnen met hoge snelheid worden weggeslingerd en letsel veroorzaken.
- d) **Beweeg de zaag door het werkstuk. Voorkom dat u de zaag door het werkstuk trekt. Om een zaagsnede te maken, moet u eerst de zaagkop omhoog bewegen en zonder te zagen over het werkstuk trekken. Schakel vervolgens de motor in, zwenk de zaagkop naar beneden en duw de zaag door het werkstuk.** Bij een trekkende zaagbeweging bestaat het risico dat het zaagblad bij het werkstuk omhoog komt en de gebruiker hard door de zaagbladenheid wordt geraakt.
- e) **Kom nooit met uw hand voorbij de beoogde zaaglijn, noch voor noch achter het zaagblad.** Het is erg gevaarlijk om het werkstuk met gekruiste handen te ondersteunen door het werkstuk met uw linkerhand rechts van het zaagblad vast te houden, of omgekeerd.
- f) **Kom niet met uw hand achter de aanslag als het zaagblad draait. Overschrijd nooit de veiligheidsafstand van 100 mm tussen uw hand en het draaiende zaagblad (dit geldt voor beide zijden van het zaagblad, bijv. om houtresten te verwijderen).** U hebt wellicht niet in de gaten dat uw hand zich dicht bij het draaiende zaagblad bevindt, wat ernstig letsel tot gevolg kan hebben.
- g) **Controleer het werkstuk vóór het zagen. Als het werkstuk gebogen of kromgetrokken is, moet u het met de naar buiten gekromde zijde op de aanslag vastklemmen. Zorg er altijd voor dat er langs de zaaglijn geen spleet is tussen het werkstuk, de aanslag en de tafel.** Gebogen of kromgetrokken werkstukken kunnen verdraaien of verschuiven, waardoor het draaiende zaagblad tijdens het zagen kan vastlopen. In het werkstuk mogen geen spijkers of andere vreemde objecten zitten.
- h) **Gebruik de zaag pas als er geen gereedschappen, houtresten en dergelijke meer op de tafel liggen; alleen het werkstuk mag op de tafel liggen.** Klein afvalresten, losse stukken hout en andere voorwerpen die met het draaiende zaagblad in contact komen, kunnen met hoge snelheid worden weggeslingerd.
- i) **Zaag altijd maar één werkstuk tegelijk.** Als er meerdere op elkaar gestapelde werkstukken worden gezaagd, kunnen ze niet goed vastgeklemd of vastgehouden worden, waardoor het zaagblad kan vastlopen of de werkstukken kunnen wegglijden.
- j) **Zorg ervoor dat de afkort- en verstekzaag vóór gebruik op een vlak en stevig werkoppervlak staat.** Een vlak en stevig werkoppervlak verkleint het risico op instabiliteit van de afkort- en verstekzaag.
- k) **Plan uw werkzaamheden. Let er bij het instellen van de zaagbladhelling of verstekhoek op dat de verstelbare aanslag correct is afgesteld en dat het werkstuk wordt ondersteund, zonder in contact te komen met het zaagblad of de beschermkap.** Simuleer, zonder werkstuk op de tafel en zonder de machine in te schakelen, een volledige zaagbeweging met het zaagblad om te controleren of er geen belemmeringen zijn en er geen gevaar is dat in de aanslag wordt gezaagd.
- l) **Bij werkstukken die breder of langer zijn dan het tafelblad, moet u voor voldoende ondersteuning zorgen, bijvoorbeeld met tafelverlengingen of zaagbokken.** Werkstukken die langer of breder zijn dan de tafel van de afkort- en verstekzaag, kunnen omkantelen als ze niet stevig worden ondersteund. Als een afgezaagd stuk hout of het werkstuk omkantelt, kan het de onderste beschermkap optillen of ongecontroleerd door het draaiende zaagblad worden weggeslingerd.
- m) **Zet geen andere personen in als vervanging van een tafelverlenging of extra ondersteuning.** Bij een instabiele ondersteuning van het werkstuk kan het zaagblad vastlopen. Ook kan het werkstuk dan tijdens de zaagbeweging verschuiven, waardoor u of uw assistent in het draaiende zaagblad wordt getrokken.

- n) **Het afgezaagde deel mag niet tegen het draaiende zaagblad worden gedrukt.** Als er weinig ruimte is, bijvoorbeeld bij gebruik van lengteaanslagen, kan het afgezaagde deel in het zaagblad vastklemmen en met geweld worden weggeslingerd.
- o) **Gebruik altijd een klem of een geschikte voorziening om ronde voorwerpen zoals staven of buizen naar behoren te ondersteunen.** Staven hebben de neiging om weg te rollen tijdens het zagen, waardoor het zaagblad zich vastgrijpt en het werkstuk met uw hand in het zaagblad kan worden getrokken.
- p) **Laat het zaagblad op volle snelheid komen voordat u het in het werkstuk zaagt.** Dit verkleint het risico dat het werkstuk wordt weggeslingerd.
- q) **Als het werkstuk wordt vastgeklemd of het zaagblad vastloopt, moet u de afkort- en verstekzaag uitschakelen. Wacht tot alle bewegende delen tot stilstand zijn gekomen, trek de stekker uit het stopcontact en/of verwijder de accu. Verwijder vervolgens het vastgeklemd materiaal.** Als u bij een dergelijk blokkering doorgaat met zagen, kunt u de controle verliezen of kan de afkort- en verstekzaag beschadigd raken.
- r) **Als de zaagsnede is voltooid, laat u de schakelaar los, houdt u de zaagkop omlaag en wacht u tot het zaagblad is gestopt voordat u het afgezaagde deel verwijdert.** Het is erg gevaarlijk om met uw hand in de buurt van het uitlopende zaagblad te komen.
- s) **Houd de handgreep stevig vast als u een onvolledige zaagsnede uitvoert of als u de schakelaar loslaat voordat de zaagkop de onderste positie heeft bereikt.** Door de remwerking van de zaag kan de zaagkop abrupt omlaag worden getrokken, wat tot verwonding kan leiden.

Veiligheidsvoorschriften voor de behandeling van zaagbladen

1. Gebruik geen beschadigde of vervormde zaagbladen.
2. Gebruik geen zaagbladen met barsten of scheuren. Gooi zaagbladen met barsten weg. Reparatie is niet toegestaan.
3. Gebruik geen zaagbladen die van sneldraaistaal zijn vervaardigd.
4. Controleer de staat van de zaagbladen voordat u de afkort- en verstekzaag gebruikt.
5. Gebruik uitsluitend zaagbladen die geschikt zijn voor het te zagen materiaal.
6. Gebruik uitsluitend de door de fabrikant aanbevolen zaagbladen. De zaagbladen moeten, als ze bedoeld zijn om hout of dergelijk materiaal te bewerken, voldoen aan EN 847-1.
7. Gebruik geen zaagbladen van hooggelegeerd sneldraaistaal (HSS).
8. Gebruik alleen zaagbladen waarvan het maximale toegestane toerental niet lager is dan het maximale spiltorental van de afkort- en verstekzaag en die geschikt zijn voor het te bewerken materiaal.
9. Let op de draairichting van het zaagblad.
10. Gebruik zaagbladen alleen dan, als u ook weet hoe u ermee om moet gaan.

11. Houd rekening met het maximale toerental. Het maximale toerental dat op het zaagblad staat vermeld, mag niet worden overschreden. Houd u, indien aangegeven, aan het toerentalbereik.
12. De klemoppervlakken moeten van vuil, vet, olie en water worden ontdaan.
13. Gebruik geen losse pasringen of -bussen om de boring van zaagbladen te verkleinen.
14. Zorg ervoor dat de bevestigde pasringen voor de boring van het zaagblad dezelfde diameter hebben en dat ze minimaal 1/3 van de snijdiameter hebben.
15. Zorg, dat bevestigde pasringen evenwijdig staan aan elkaar.
16. Wees voorzichtig bij het hanteren van de zaagbladen. Bewaar ze liefst in de originele verpakking of in speciale houders. Draag veiligheidshandschoenen om de grip te vergroten en de kans op persoonlijk letsel nog verder terug te dringen.
17. Controleer voordat u zaagbladen gebruikt, of de veiligheidsvoorzieningen correct zijn bevestigd.
18. Controleer vóór gebruik of het toegepaste zaagblad aan de technische eisen van deze afkort- en verstekzaag voldoet en of het op de juiste wijze bevestigd is.
19. Gebruik het meegeleverde zaagblad alleen voor het zagen van hout en nooit voor het bewerken van metalen.
20. Gebruik alleen zaagbladen met een diameter die op de zaag staat aangegeven.
21. Gebruik extra werkstuksteunen als dit nodig is voor de stabiliteit van het werkstuk.
22. De verlengstukken van de werkstuksteun moeten tijdens de werkzaamheden altijd bevestigd en gebruikt worden.
23. Vervang een versleten tafelinzetstuk!
24. Voorkom oververhitting van de zaagtanden.
25. Voorkom bij het zagen van kunststof dat de kunststof smelt. Gebruik hiervoor de juiste zaagbladen. Vervang beschadigde of versleten zaagbladen tijdig. Stop de machine als het zaagblad oververhit raakt. Laat het zaagblad afkoelen voordat u verder werkt met het elektrische gereedschap.



**Let op: Laserstraling
Niet in de laserstraal kijken
Laserklasse 2**



Bescherm uzelf en uw omgeving door het nemen van de juiste voorzorgsmaatregelen ten behoeve van ongevallenpreventie!

- Niet direct in de laserstraal kijken zonder oogbescherming.
- Nooit direct in de straalbundel kijken.
- Richt de laserstraal nooit op reflecterende oppervlakken en personen of dieren. Ook een laserstraal met een laag vermogen kan oogletsel veroorzaken.
- Let op! Als andere dan de hier aangegeven handelswijzen worden toegepast, kan dit tot een gevaarlijke stralingsexplosie leiden.
- Lasermodule nooit openen. Dit kan tot onverwachte blootstelling aan straling leiden.

- Als u het apparaat langere tijd niet gebruikt, moet u de accu's verwijderen.
- De laser mag niet door laser van een ander type worden vervangen.
- Reparaties aan de laser mogen uitsluitend door de fabrikant van de laser of een bevoegde dealer worden uitgevoerd.

Veiligheidsvoorschriften voor de omgang met accu's


1. Zorg er altijd voor dat de accu's met de juiste polariteit (+ en -) worden geplaatst, zoals aangegeven op de accu.
2. Voorkom dat de accu's worden kortgesloten.
3. Niet-oplaadbare accu's mag u niet opladen.
4. Voorkom dat de accu te veel wordt ontladen!
5. Combineer geen oude en nieuwe accu's of accu's van verschillende typen of fabrikanten! Vervang de set accu's gelijktijdig.
6. Verwijder lege accu's direct uit het apparaat en voer ze op de juiste wijze af! Gooi accu's niet bij het huishoudelijk afval. Defecte of verbruikte accu's moeten overeenkomstig richtlijn 2006/66/EC worden gerecycled. Lever accu's en/of het apparaat in bij de hiertoe bestemde afvalverwerkingsstations. U kunt bij uw gemeente of plaatselijke overheidsinstantie informatie krijgen over afvalverwijdering.
7. Accu's niet verwarmen!
8. Niet rechtstreeks op accu's solderen of lassen!
9. Accu's niet demonteren!
10. Accu's niet vervormen!
11. Accu's niet in open vuur werpen!
12. Bewaar accu's buiten het bereik van kinderen.
13. Voorkom dat kinderen zonder toezicht de accu's kunnen vervangen!
14. Bewaar accu's niet in de buurt van open vuur, kachels of andere warmtebronnen. Plaats de accu niet in direct zonlicht en gebruik of bewaar ze niet bij warm weer in de auto.
15. Bewaar ongebruikte accu's in hun originele verpakking en uit de buurt van metalen voorwerpen. Voorkom dat uitgepakte accu's worden gemengd of bij elkaar worden gelegd! Dit kan kortsluiting van de accu veroorzaken en beschadiging, brandwonden of zelfs brandgevaar tot gevolg hebben.
16. Verwijder de accu's uit het apparaat wanneer ze langere tijd niet wordt gebruikt, tenzij het gaat om noodgevallen!
17. Raak lekkende accu's NOOIT aan zonder adequate beschermingsuitrusting. Indien de gelekte vloeistof in aanraking komt met de huid, moet dat gebied van de huid onmiddellijk onder stromend water worden afgespoeld. Voorkom in ieder geval dat de vloeistof in aanraking komt met de ogen en de mond. Neem in dat geval onmiddellijk contact op met een arts.
18. Reinig de accupolen en de contactpunten in het apparaat voordat u de accu's plaatst.

Restrisico's

Het elektrisch apparaat is vervaardigd volgens de stand van de techniek en de erkende veiligheids-technische regels. Toch kan tijdens de werkzaamheden sprake zijn van enkele restrisico's.

- Gevaar voor de gezondheid, veroorzaakt door elektriciteit bij gebruik van onjuiste snoeren.
- Daarnaast kan er, ondanks alle voorzorgsmaatregelen, sprake zijn van niet-zichtbare restrisico's.
- De restrisico's kunnen tot een minimum worden beperkt wanneer aan de "Veiligheidsmaatregelen" en het "Gebruik volgens bestemming" wordt voldaan en de gebruiksaanwijzing in zijn geheel wordt opgevolgd.
- Voorkom onnodige belasting van de machine: als bij het zagen teveel druk wordt uitgeoefend, zal het zaagblad snel beschadigen, wat leidt tot geringere prestaties van de machine bij de verwerking en minder nauwkeurige zaagsnedes.
- Gebruik altijd klemmen wanneer u kunststof moet zagen: de te zagen delen moeten altijd met klemmen worden vastgezet.
- Voorkom dat u de machine onbedoeld inschakelt: als u de stekker in het stopcontact steekt, mag de startknop niet worden ingedrukt.
- Gebruik gereedschap dat in deze handleiding wordt aanbevolen. U verkrijgt dan optimale prestaties met uw machine.
- Houd uw handen buiten de werkomgeving, wanneer de machine in bedrijf is.
- Voordat u instel- of onderhoudswerkzaamheden uitvoert, laat u de startknop los en trekt u de stekker uit het stopcontact.

7. Technische gegevens

Wisselstroommotor.....	220 - 240 V~ 50Hz
Vermogen S1	1200 Watt
Bedrijfsmodus	S6 25%* 1500 W
Stationair toerental n ₀	5000 min ⁻¹
Hardmetalen zaagblad	∅ 210 x ∅ 30 x 2,6 mm
Aantal tanden.....	48
Maximale tandbreedte van het zaagblad	3 mm
Dracibereik	-45° / 0° / +45°
Versteksnede.....	0° tot 45° naar links
Zaagbreedte bij 90°	120 x 60 mm
Zaagbreedte bij 45°	80 x 60 mm
Zaagbreedte bij 2 x 45° (dubbele versteksnede).....	80 x 35 mm
Beschermingsklasse	II / 
Gewicht.....	ca. 7,6 kg
Laserklasse.....	2
Aslengte laser	650 nm
Vermogen laser	< 1 mW

* Bedrijfsmodus S6, ononderbroken periodiek bedrijf. Het gebruik is opgebouwd uit een opstarttijd, een tijd met een constante belasting en een uitlooptijd. De cyclusduur bedraagt 10 minuten en de relatieve inschakelduur bedraagt 25% van de cyclustijd.

Het werkstuk moet minimaal een hoogte van 3 mm en een breedte van 10 mm hebben.

Zorg ervoor dat het werkstuk altijd met de klemrichting is geborgd.

Geluid

Het geluid van deze zaag is bepaald conform EN 62841.

Geluidsdruk niveau L_{pA}	99,6 dB(A)
Onzekerheid K_{pA}	3 dB
Geluidsvermogensniveau L_{WA}	112,6 dB(A)
Onzekerheid K_{WA}	3 dB

Draag gehoorbescherming.

Het effect van lawaai kan gehoorverlies zijn.

De opgegeven geluidsemissiewaarden zijn gemeten volgens een standaardtestmethode en kunnen worden gebruikt om elektrische apparaten met elkaar te vergelijken.

De aangegeven geluidsemissiewaarden kunnen ook worden gebruikt als eerste indicatie van de belasting.

Waarschuwing:

- De geluidsemissies kunnen van de opgegeven waarde afwijken wanneer de machine daadwerkelijk wordt gebruikt. Dit is afhankelijk van de wijze waarop het elektrisch apparaat wordt gebruikt en de aard van het werkstuk dat wordt bewerkt.
- Probeer om de belasting zo gering mogelijk te houden. Zo zijn er maatregelen om de werktijd te beperken. Hierbij moeten alle aspecten van de bedrijfscyclus in aanmerking worden genomen (zoals de tijd dat de machine uitgeschakeld is en de tijd dat deze ingeschakeld is, maar onbelast draait).

8. Voor de ingebruikname

- Open de verpakking en haal het apparaat er voorzichtig uit.
- Verwijder het verpakkingsmateriaal evenals de verpakkings- en transportbeveiligingen (indien voorhanden).
- Controleer of de inhoud van de levering volledig is.
- Controleer het apparaat en de hulpstukken op transport schade.
- Bewaar de verpakking indien mogelijk tot na het verstrijken van de garantietijd.

LET OP

Het apparaat en de verpakkingsmaterialen zijn geen kinderspeelgoed! Kinderen mogen niet met plastic zakken, folies en kleine onderdelen spelen! Er bestaat gevaar voor inslikken en verstikkingsgevaar!

Zorg altijd voor een stabiele positie en zekering van de machine, door deze bijv. op een werkbank te bevestigen.

- De machine moet stabiel staan. Zet de machine via de gaten in de vaste zaagtafel (9) stevig met 4 bouten (niet bij de levering inbegrepen) vast op een werkbank, onderstel of iets dergelijks.
- Voor ingebruikname moeten alle afdekkingen en veiligheidsvoorzieningen conform de voorschriften zijn gemonteerd.
- Het zaagblad moet vrij kunnen draaien.
- Let bij al bewerkt hout op vreemde voorwerpen, zoals bijv. spijkers of schroeven enz.

- Controleer, voordat u op de aan/uit-schakelaar drukt, of het zaagblad correct gemonteerd is en of de bewegende delen soepel lopen.
- Overtuig u voor het aansluiten van de machine, dat de gegevens op het typeplaatje overeenkomen met de netwerkgegevens.

8.1 Montage van de werkstukkleem (afb. 2)

- Draai de borgschroef (19) los en monteer de werkstukkleem (15) links of rechts van de bevestigde zaagtafel.
- Draai vervolgens de borgschroef (19) weer vast.

8.2 Montage van de werkstuksteunen (afb. 2 - 3)

- Draai de borgschroef (14) los en voer de werkstuksteun door het daartoe bestemde gat aan de zijkant van de vaste zaagtafel.
- Zorg ervoor dat de werkstuksteun (18) ook door beide ogen aan de onderkant wordt gevoerd.
- Draai vervolgens de borgschroef (14) weer vast.
- Herhaal deze procedure aan de andere kant.

8.3 Montage van de standbeugel (afb. 2 - 3)

- Draai de borgschroef (20) aan de onderkant van de zaag los en voer de standbeugel (21) door de daartoe bestemde gaten die aan de achterkant van de zaag.
- Draai vervolgens de borgschroef (20) weer vast.

8.4 Spaanopvangzak (afb. 4)

De zaag is voorzien van een opvangzak (17) voor spanen.

- Knijp de uiteinden van de metalen klem van de stofzak samen en breng de zak aan op de uitlaatopening bij de motor.
- De spaanzak (17) kan via de ritssluiting aan de onderkant worden leeggemaakt.

Externe stofafvoerinrichting

- Sluit de zuigslang op de stofafzuiging aan.
- Het afzuigstelsel moet geschikt zijn voor het te bewerken materiaal.
- Gebruik voor het afzuigen van bijzonder schadelijke of kankerverwekkende stofsoorten een speciale afzuiginrichting.

8.5 Veiligheidsvoorziening beweegbare zaagbladbescherming controleren (5)

De zaagbladbescherming biedt bescherming tegen onbedoeld contact met het zaagblad en tegen rondvliegende spanen.

Werking controleren.

Klap hiervoor de zaag naar beneden:

- De zaagbladbescherming moet het zaagblad bij het omhoog zwenken vrijgeven zonder andere delen aan te raken.
- Als de zaag naar de uitgangspositie omhoog wordt geklappt, moet de zaagbladbescherming automatisch het zaagblad afdekken.

9. Montage en bediening

9.1 Afkort- en verstekzaag monteren (afb. 1 - 3)

- De draaitafel (13) losdraaien door de borgschroef (7) los te draaien.
- Met de handgreep (3) de draaitafel (13) op de gewenste hoek instellen.

AANWIJZING

De afkortzaag kan met de draaitafel naar links en rechts gedraaid worden. Met de schaalverdeling is een nauwkeurige hoekinstelling mogelijk. De hoek van 0° tot 45° kan snel en nauwkeurig worden vastgezet op 15°, 22,5° en 30°.

- De borgschroef (7) weer vastdraaien om de draaitafel te fixeren.
- Door de machinekop (4) licht naar beneden te drukken en gelijktijdig de borgpen (25) uit de motorbeugel te trekken, wordt de zaag uit de onderste stand ontgrendeld.
- Draai de machinekop (4) omhoog.
- De klemrichting (15) kan zowel links als rechts aan de vaste zaagtafel (9) bevestigd worden. Steek de klemrichtingen (15) in de hiervoor bedoelde boorgaten aan de achterkant van de aanslagrail (8) en borg deze met behulp van de schroeven met stergreep (19).
- De machinekop (4) kan door de vastzetschroef (23) los te draaien, naar links tot max. 45° schuin geplaatst worden.
- Werkstukhouder (18) moeten altijd worden vastgezet en gebruikt tijdens het werk.

9.2 Fijne instelling van de aanslag voor kapsnede 90° (afb. 5)

De aanslagwinkelhaak is niet bij de levering begrepen.

- De machinekop (4) naar beneden laten zakken en met de borgpen (25) vastzetten.
- De borgschroef (23) losdraaien.
- De aanslaghoek (A) tussen zaagblad (6) en draaitafel (13) plaatsen.
- Draai de borgmoer (26a) los.
- De stelschroef (26) zover verstellen, tot de hoek tussen zaagblad (6) en draaitafel (13) 90° bedraagt.
- Draai de borgmoer (26a) weer vast.

9.3 Kapsnede 90° en draaitafel 0° (afb. 1/2/3/6)

Let op! De verschuifbare aanslagrails (8a) moeten voor afkortbewerkingen van 90° op de binnenste positie worden vastgezet.

- Open de vastzetschroef (8b) van de verschuifbare aanslagrail (8a) en schuif de verschuifbare aanslagrail (8a) naar binnen.
- De verschuifbare aanslagrails (8a) moeten zover voor de binnenste positie worden vastgezet, dat de afstand tussen de aanslagrails (8a) en het zaagblad (6) maximaal 8 mm bedraagt.
- Controleer vóór de zaagsnede of de aanslagrails (8a) en het zaagblad (6) niet met elkaar in botsing kunnen komen.
- Draai de vastzetschroeven (8b) weer vast.
- Machinekop (4) naar de bovenste stand brengen.
- Het te snijden hout tegen de aanslagrail (8) en op de draaitafel (13) leggen.
- Het materiaal met de spaninrichtingen (15) op de vaststaande zaagtafel (9) vastzetten, om verschuiven tijdens het zagen te voorkomen. Zie punt 9.12.

- Ontgrendel de blokkeerschakelaar (2) en druk op de aan/uit-schakelaar (1) om de motor in te schakelen.
- Met de handgreep (3) de machinekop (4) gelijkmatig en met lichte druk omlaag bewegen tot het zaagblad (6) het werkstuk heeft doorsneden.
- Na het zagen de machinekop terug naar zijn bovenste ruststand brengen en AAN / UIT-schakelaar (1) loslaten.

Let op!

Door de terughaalveer slaat de machine vanzelf omhoog, daarom de handgreep (3) aan het einde van de zaagsnede niet loslaten, maar de machinekop langzaam en onder lichte tegendruk omhoog bewegen.

9.4 Afkortsnede 90° en draaitafel 0° - 45° (afb. 1/2/3/6)

Met de afkort- en verstekzaag kunnen schuine zaagsneden naar links en rechts van 0° - 45° worden uitgevoerd.

Let op!

De verschuifbare aanslagrail (8a) moet voor 90° afkortsneden in de binnenste positie worden gefixeerd.

- Open de vastzetschroef (8b) van de verschuifbare aanslagrail (8a) en schuif de verschuifbare aanslagrail (8a) naar binnen.
- De verschuifbare aanslagrail (8a) moet zodanig voor de binnenste positie worden gearêteerd dat de afstand tussen aanslagrail (8a) en zaagblad (6) maximaal 8 mm bedraagt.
- Controleer voor het zagen dat tussen de aanslagrail (8a) en het zaagblad (6) geen botsing mogelijk is.
- Vastzetschroef (8b) terug aanhalen.
- De draaitafel (13) losdraaien door de borgschroef (7) los te draaien.
- Met de handgreep (3) de draaitafel (13) op de gewenste hoek instellen.
- De borgschroef (7) weer vastdraaien om de draaitafel te fixeren.
- De bewerking uitvoeren als onder punt 9.3 beschreven.

9.5 Nauwkeurig instellen van de aanslag voor versteksnede 45° (afb. 1/2/3/6/7/8)

De aanslagwinkelhaak is niet bij de levering begrepen.

- De machinekop (4) naar beneden laten zakken en met de borgpen (25) vastzetten.
- De draaitafel (13) op de 0°-stand fixeren.
- Let op! De linkerzijde van de verschuifbare aanslagrails (8a) moet voor versteksnedes (schuin geplaatste zaagkop) in de buitenste positie worden vastgezet.
- Open de borgschroef (8b) van de verschuifbare aanslagrail (8a) en schuif de verschuifbare aanslagrail (8a) naar buiten.
- De verschuifbare aanslagrail (8a) moet zodanig voor de binnenste positie worden gearêteerd dat de afstand tussen aanslagrail (8a) en zaagblad (6) maximaal 8 mm bedraagt.
- Controleer voor het zagen dat tussen de aanslagrail (8a) en het zaagblad (6) geen botsing mogelijk is.
- Draai de vastzetschroeven (8b) weer vast.
- De vastzetschroef (23) losdraaien en met de handgreep (3) de machinekop (4) naar links, schuin plaatsen op 45°.
- De 45°-aanslaghoek (B) tussen zaagblad (6) en draaitafel (13) plaatsen.

- Maak de borgmoer (22a) los en verstel de stelschroef (22) tot de hoek tussen zaagblad (6) en draaitafel (13) precies 45° bedraagt.
- Draai de borgmoer (22a) weer vast.
- Controleer ten slotte de positie van de hoekweergave. Indien nodig, de naald (28) met een kruiskopschroevendraaier losdraaien, op de 45°-positie van de hoekschaal (27) zetten en de borgschroef weer vastdraaien.

9.6 Versteksneede 0°- 45° en draaitafel 0° (afb. 1/2/3/6)

Met de afkort- en verstekzaag kunnen versteksnedes naar links van 0°- 45° ten opzichte van het werkoppervlak worden uitgevoerd.

Let op!

De linkerzijde van de verschuifbare aanslagrails (8a) moet voor versteksnedes (schuin geplaatste zaagkop) in de buitenste positie worden vastgezet.

Let op!

Voor versteksnedes van 0° tot 45° moet de spanrichting (werkstukkleem) (15) slechts aan rechts worden gemonteerd.

- Open de borgschroef (8b) van de verschuifbare aanslagrail (8a) en schuif de verschuifbare aanslagrail (8a) naar buiten.
- De verschuifbare aanslagrail (8a) moet zodanig voor de binnenste positie worden gearrêteerd dat de afstand tussen aanslagrail (8a) en zaagblad (6) maximaal 8 mm bedraagt.
- Controleer voor het zagen dat tussen de aanslagrail (8a) en het zaagblad (6) geen botsing mogelijk is.
- Fastzetschroef (8b) terug aanhalen.
- De machinekop (4) in de bovenste stand brengen.
- De draaitafel (13) op de 0°-stand fixeren.
- De vastzetschroef (23) losdraaien en met de handgreep (3) de machinekop (4) naar links, schuin plaatsen, tot de aanwijzer (28) naar de gewenste hoek van de schaalverdeling (27) wijst.
- De vastzetschroef (23) weer vastdraaien.
- De bewerking uitvoeren als onder punt 9.3 beschreven.

9.7 Versteksneede 0°- 45° en draaitafel 0°- 45° (afb. 1/2/3/6)

Met de afkort- en verstekzaag kunnen versteksnedes naar links van 0°- 45° ten opzichte van het werkoppervlak en tegelijk van 0°- 45° ten opzichte van de aanslagrail worden uitgevoerd (dubbele versteksneede).

Let op!

De verschuifbare aanslagrails (8a) moet voor versteksnedes (schuin geplaatste zaagkop) in de buitenste positie worden vastgezet.

Let op!

Voor versteksnedes van 0° tot 45° moet de spanrichting (werkstukkleem) (15) slechts aan rechts worden gemonteerd.

- Open de borgschroef (8b) van de verschuifbare aanslagrail (8a) en schuif de verschuifbare aanslagrail (8a) naar buiten.
- De verschuifbare aanslagrail (8a) moet zodanig voor de binnenste positie worden gearrêteerd dat de afstand tussen aanslagrail (8a) en zaagblad (6) maximaal 8 mm bedraagt.
- Controleer voor het zagen dat tussen de aanslagrail (8a) en het zaagblad (6) geen botsing mogelijk is.
- Vastzetschroef (8b) terug aanhalen.

- De machinekop (4) in de bovenste stand brengen.
- De draaitafel (13) losdraaien door de borgschroef (7) los te draaien.
- Met de handgreep (3) de draaitafel (13) op de gewenste hoek instellen.
- De borgschroef (7) weer vastdraaien om de draaitafel te fixeren.
- De vastzetschroef (23) losdraaien.
- Met de handgreep (3) de machinekop (4) naar links buiten en op de gewenste hoek van de schaal instellen (zie daartoe ook punt 9.6).
- De vastzetschroef (23) weer vastdraaien.
- De bewerking uitvoeren als onder punt 9.3 beschreven.

9.8 Verwisselen van zaagblad (afb. 1/2/3/9/10) Netstekker loskoppelen!

Let op!

Draag veiligheidshandschoenen bij het wisselen van het zaagblad! Gevaar voor letsel!

- De machinekop (4) naar boven zwenken en met de borgbout (25) vastzetten.
- Klap de zaagbladbescherming (5) zover omhoog dat de zaagbladbescherming (5) zich boven de flensbout (29) bevindt.
- Zet met de ene hand de binnenzeskant- of inbussleutel (C) op de flensbout (29).
- Inbussleutel (C) vasthouden en de zaagbladsteun (5) langzaam sluiten, tot deze tegen de inbussleutel (C) aan staat.
- Zaagasvergrendeling (32) hard indrukken en flensschroef (29) langzaam met de wijzers van de klok mee draaien. Na maximaal een hele slag klikt de zaagasvergrendeling (32) vast.
- Draai dan met wat meer kracht de flensschroef (29) met de wijzers van de klok mee los.
- Flensschroef (29) er helemaal uit draaien en buitenflens (30) wegnemen.
- Neem het zaagblad (6) van de binnenflens af en trek het naar beneden eruit.
- Flensschroef (29), buitenflens (30) en binnenflens zorgvuldig schoonmaken.
- Het nieuwe zaagblad (6) in omgekeerde volgorde monteren en aanhalen.
- Let op! De afschuining van de tanden, d.w.z. de draairichting van het zaagblad (6), moet overeenkomen met de richting van de pijl op het huis.
- Controleer voor het vervolgen van de werkzaamheden de werking van de veiligheidsvoorzieningen.
- Let op! Telkens na het verwisselen van zaagblad controleren of het zaagblad (6) al loodrecht staande alsook op 45° gekanteld in het tafelinzetstuk (10) vrij draait.

Let op!

Het verwisselen en richten van het zaagblad (6) dient naar behoren te worden uitgevoerd.

9.9 Vervangen van de laserbatterijen (afb. 11)

- Verwijder de batterijdeksel (34). Verwijder de 2 accu's.
- Vervang beide batterijen door dezelfde batterijen of een gelijkwaardig type. Let erop dat ze in dezelfde polariteitsrichting worden geplaatst als de oude batterijen.
- Sluit het batterijdeksel.

9.10 Laser in- en uitschakelen (afb. 11)

Inschakelen:

Aan/Uit-schakelaar (33) naar de stand "1" brengen. Een laserlijn wordt op het te bewerken stuk geprojecteerd die exact aangeeft langs waar het snijden dient te gebeuren.

Uitschakelen:

Aan/Uit-schakelaar naar de stand "0" brengen.

9.11 Justeren van de laser (afb. 12)

Wanneer de laser (35) niet meer de correcte snijlijn aangeeft kan die worden bijgesteld. Draai hiervoor de schroeven (36) los en stel de laser door zijdelingse verschuiving in zodat de laserstraal de snijtanden van het zaagblad (6) raakt.

9.12 Bediening van de werkstukkleem (afb. 1, 2)

Door het verstellen van de vastzetschroef (16) kan de werkstukkleem (15) in de hoogte worden veresteld.

- Laat de werkstukkleem op het werkstuk zakken.
- Haal de vastzetschroef (16) goed aan.
- Draai de klemgreep (24) rechtsom om het werkstuk vast te klemmen.
- Om het werkstuk los te maken, gaat u in omgekeerde volgorde te werk.

10. Vervoer (afb. 13)

- Vastzetgreep (7) aanhalen om de draaitafel (13) te vergrendelen.
- Machinekop (4) omlaagdrukken en arreteren d.m.v. de borgbout (25). De zaag is nu in de onderste positie vergrendeld.
- De machine aan de handgreep (37) dragen.
- Om de machine opnieuw op te bouwen gaat u te werk zoals beschreven onder 8 - 9.

11. Onderhoud

⚠ Waarschuwing!

Trek altijd de stekker uit het stopcontact voordat u instellings-, instandhoudings- of reparatiewerkzaamheden uitvoert!

Algemene onderhoudswerkzaamheden

Veeg van tijd tot tijd met een doek de spaanders en het stof van de machine. Olie om de levensduur van het apparaat te verlengen eenmaal per maand de draaiende delen. De motor niet oliën.

Gebruik voor de reiniging van de kunststof geen bijtende middelen.

Veiligheidsvoorziening beweegbare zaagbladbescherming (5) reinigen

Controleer voor ingebruikname altijd de zaagbladbescherming op vervuiling.

Verwijder oud zaagsel en oude houtsplinters met behulp van een borstel of een vergelijkbaar geschikt gereedschap.

Tafelinzetstuk vervangen (afb. 14)

Gevaar!

Als het tafelinzetstuk (10) beschadigd is, bestaat het risico dat kleine voorwerpen tussen het tafelinzetstuk en het zaagblad vast komen te zitten en het zaagblad blokkeren.

Vervang beschadigde tafelinzetstukken onmiddellijk!

1. Draai de schroeven (E) op het tafelinzetstuk los.
2. Verwijder het tafelinzetstuk.
3. Plaats een nieuw tafelinzetstuk.
4. Draai de schroeven (E) op het tafelinzetstuk vast.

Borstelinspectie

Controleer de borstels van de koolborstels bij een nieuwe machine na de eerste 50 bedrijfsuren, of wanneer er nieuwe borstels gemonteerd zijn. Controleer na de eerste controle om de 10 bedrijfsuren.

Wanneer de koolstof tot een lengte van 6 mm versleten is of de veer of shunt draad verbrand of beschadigd is, moet u beide borstels vervangen. Wanneer de borstels na het demonteren als inzetbaar beschouwd worden, kunt u ze weer inbouwen.

Open beide vergrendelingen linksom (zoals in afbeelding 15 weergegeven) om onderhoud aan de koolborstels te verrichten. Verwijder vervolgens de koolborstels.

Plaats de koolborstels in omgekeerde volgorde terug.

Service-informatie

Let op dat bij dit product de volgende delen onderhevig zijn aan gebruiksmatige of natuurlijke slijtage, resp. de volgende delen als verbruiksmateriaal wordt gebruikt.

Slijtstukken*: koolborstels, zaagblad, tafelinzetstukken, spaanopvangzakken

* niet persé in de leveringsomvang opgenomen!

12. Opslag

Sla het apparaat en de hulpstukken op een donkere, droge en vorstvrije plaats en voor kinderen ontoegankelijke plaats op. De optimale opslagtemperatuur ligt tussen 5 en 30°C.

Bewaar het elektrisch apparaat in de originele verpakking.

Dek het elektrisch apparaat af ter bescherming tegen stof en vocht.

Bewaar de gebruikshandleiding bij het elektrische apparaat.

13. Elektrische aansluiting

De geïnstalleerde elektromotor is bedrijfsklaar aangesloten. De aansluiting voldoet aan de relevante VDE- en DIN-voorschriften. De netaansluiting van de klant en het gebruikte verlengsnoer moeten eveneens aan deze voorschriften voldoen.

Belangrijke aanwijzingen

Bij overbelasting van de motor schakelt deze vanzelf uit. Na een afkoeltijd (deze tijd is verschillend) kan de motor weer worden ingeschakeld.

Defecte elektrische aansluitkabel

Bij elektrische aansluitkabels treedt vaak schade aan de isolatie op.

Mogelijke oorzaken zijn:

- Versleten plekken, als aansluitkabels door venster- of deuropeningen worden geleid.
- Knikken door een onakkundige bevestiging of geleiding van de aansluitkabel.
- Snijplekken omdat over de aansluitkabel is gereden.
- Beschadigde isolatie omdat de stekker uit het stopcontact is getrokken.
- Scheuren door veroudering van de isolatie.

Dergelijke defecte elektrische aansluitkabels mogen niet worden gebruikt en zijn levensgevaarlijk als de isolatie is beschadigd.

Controleer de elektrische aansluitkabels regelmatig op schade. Let erop dat bij het controleren de aansluitkabel niet op het elektriciteitsnet is aangesloten.

Elektrische aansluitkabels moeten aan de relevante VDE- en DIN-voorschriften voldoen. Gebruik uitsluitend netsnoeren met de aanduiding "H05VV-F".

Op de aansluitkabel moet de typeaanduiding vermeld staan.

Veiligheidsvoorschriften voor het vervangen van beschadigde of defecte netsnoeren

Type X:

Als het netsnoer van dit apparaat beschadigd is, moet dit worden vervangen door een speciaal uitgevoerd netsnoer, dat verkrijgbaar is bij de fabrikant of diens klantenservice.

Wisselstroommotor:

De netspanning moet 220 - 240 V~ zijn.

- Verlengsnoeren moeten tot een lengte van 25 m een doorsnede hebben van 1,5 vierkante millimeter.
- Aansluitingen en reparaties van de elektrische uitrusting mogen uitsluitend door een elektromonteur worden uitgevoerd.

Vermeld in geval van vragen de volgende gegevens:

- Stroomtype van de motor
- Gegevens van het typeplaatje van de motor

14. Afvalverwerking en hergebruik

Het apparaat zit in een verpakking om transportschade te voorkomen. Deze verpakking is een grondstof en kan dus opnieuw gebruikt worden of kan terugkeren in de kringloop van grondstoffen.

Het apparaat en de accessoires ervan bestaan uit verschillende soorten materiaal, zoals metaal en kunststoffen. Verwijder defecte componenten als speciaal afval. Informeer hiernaar bij uw speciaalzaak of bij de gemeente!



De verpakking is gemaakt van milieuvriendelijke materialen die u bij lokale recyclingcentra kunt inleveren.

Informatie over het afvoeren van versleten apparatuur kunt u opvragen bij uw gemeente.

Oude apparatuur mag niet bij het huisafval worden gegooid!



Dit symbool geeft aan dat dit product conform de richtlijn inzake verbruikte elektrische en elektronische apparatuur (2012/19/EU) en nationale wettelijke bepalingen niet bij het huishoudelijk vuil mag worden gegooid.

Dit product moet bij een hiervoor bestemde verzamelpunt worden afgegeven. Dit kan bijv. door teruggave bij de aanschaf van een soortgelijk product of door inlevering bij een erkend verzamelpunt voor het recyclen van verbruikte elektrische en elektronische apparatuur. Het onjuist handelen van oude apparatuur kan door mogelijke gevaarlijke stoffen, die veelal in verbruikte elektrische en elektronische apparatuur zijn verwerkt, negatieve effecten op het milieu en de gezondheid van de mens hebben. Door een juiste afvoer van dit product levert u bovendien een bijdrage aan een effectief gebruik van natuurlijke resources. Informatie inzake inzamelpunten voor verbruikte apparatuur kunt u opvragen bij de gemeente, de publieke afvalverwerker, een erkend afvalverwerkingsstation voor het afvoeren van verbruikte elektrische en elektronische apparatuur of uw afvalverwerkingsstation.

Batterijen en accu's horen niet bij het huishoudelijk afval!



Als gebruiker bent u wettelijk verplicht om alle batterijen en accu's, ongeacht of deze schadelijke stoffen* bevatten of niet, bij een inzamelpunt in uw gemeente/district of in de handel af te geven zodat ze milieuvriendelijk kunnen worden afgevoerd.

* aangeduid met: Cd = Cadmium, Hg = kwikzilver, Pb = lood
Haal de batterijen uit de laser voordat u het apparaat en de batterijen weggooit.

15. Verhelpen van storingen

Storing	Mogelijke oorzaak	Oplossing
De motor functioneert niet	Motor, kabel of stekker defect, Netzekering doorgebrand.	Laat de machine door een vakman controleren. Repareer de motor nooit zelf. Gevaar! Netzekeringen controleren, evt. vervangen
De motor draait langzaam en bereikt het bedrijfstoerental niet.	Spanning te laag, wikkelingen beschadigd of condensator doorgebrand.	Laat de spanning controleren door de energiemaatschappij. Laat de motor controleren door een vakman. Laat de condensator vervangen door een vakman.
De motor maakt te veel lawaai.	Wikkelingen beschadigd, motor defect.	Laat de motor controleren door een vakman.
De motor bereikt het maximale vermogen niet.	Groep van stroomnet overbelast (lampen, andere motoren enz.).	Gebruik geen andere apparaten of motoren op de groep.
Motor raakt snel oververhit.	Overbelasting van de motor, ontoereikende koeling van de motor.	Voorkom overbelasting van de motor tijdens het zagen, verwijder stof van de motor om een optimale koeling van de motor te garanderen.
Zaagsnede is ruw of gegolfd.	Zaagblad bot, tandvorm niet geschikt voor materiaaldikte.	Zaagblad slijpen of een geschikt zaagblad plaatsen.
Werkstuk breekt uit of versplintert.	Zaagdruk te hoog of zaagblad niet geschikt voor gebruik.	Plaats een geschikt zaagblad.

16. Garantiebewijs

Geachte klant,

onze producten zijn aan een strenge kwaliteitscontrole onderhevig. Mocht dit apparaat echter ooit niet naar behoren functioneren, spijt het ons ten zeerste en vragen u zich tot onze servicedienst onder het adres vermeld op dit garantiebewijs te wenden. Wij staan ook graag telefonisch tot uw dienst via het hieronder vermelde servicetelefoonnummer. Voor vorderingen in verband met garantie geldt het volgende:

- Deze garantievoorwaarden regelen bijkomende garantieprestaties. Uw wettelijke garantieclaims blijven onaangetast door deze garantie. Onze garantieprestatie is voor uw gratis.
- De garantieprestatie heeft uitsluitend betrekking op gebreken die te wijten zijn aan materiaal- of fabricagefouten en is beperkt tot het verhelpen van deze gebreken of het vervangen van het apparaat. Wij wijzen erop dat onze apparaten overeenkomstig hun bestemming niet geconstrueerd zijn voor commercieel, ambachtelijk of industrieel gebruik. Een garantieovereenkomst komt daarom niet tot stand als het apparaat in ambachtelijke of industriële bedrijven alsmede bij gelijk te stellen activiteiten wordt gebruikt. Uitgesloten van onze garantie zijn verder schadeloosstellingen voor transportschade, schade door nietnaleving van de montage-instructies of op grond van ondeskundige installatie, niet-naleving van de handleiding (zoals door b.v. aansluiting op een verkeerde netspanning of stroomsoort), oneigenlijke of onoordeelkundige toepassingen (zoals b.v. overbelasting van het apparaat of gebruik van niet toegestane inzetgereedschappen of toebehoren), niet-naleving van de onderhouds- en veiligheidsbepalingen, binnendringen van vreemde voorwerpen in het apparaat (zoals b.v. zand, stenen of stof), gebruikmaking van geweld of invloeden van buitenaf (zoals b.v. schade door neervallen) alsmede door normale slijtage die zich bij het doelmatig gebruik van het apparaat voordoet.

Er kan geen aanspraak op garantie worden gemaakt als op het apparaat reeds ingrepen werden uitgevoerd.

- De garantieperiode bedraagt 3 jaar en gaat in op de datum van aankoop van het apparaat. Garantieclaims dienen voor het verloop van de garantieperiode binnen de twee weken na het vaststellen van het defect geldend te worden gemaakt. Het geldend maken van garantieclaims na verloop van de garantieperiode is uitgesloten. De herstelling of vervanging van het apparaat leidt noch tot een verlenging van de garantieperiode noch wordt door deze prestatie een nieuwe garantieperiode voor het apparaat of voor eventueel ingebouwde wisselstukken op gang gebracht. Dit geldt ook bij het ter plaatse uitvoeren van een serviceactiviteit.
- Om een garantieclaim geldend te maken neem contact op met het hieronder vermelde serviceadres. Als de klacht binnen de garantieperiode valt, ontvangt u van ons een retourbon waarmee u uw defecte apparaat gratis naar ons kunt retourneren. Wij verzoeken u de reden van de klacht zo nauwkeurig mogelijk te beschrijven. Valt het defect van het apparaat binnen onze garantieprestatie bezorgen wij u per omgaande een hersteld of nieuw apparaat terug.

Uiteraard staan wij ook tot u dienst om mits betaling van de kosten defecten van het apparaat te verhelpen die buiten de garantieomvang vallen. Te dien einde stuurt u het apparaat aan ons serviceadres op.

Service-hotline / Hotline du service (NL/BE):

00800 4003 4003
(0,00 €/Min.)

E-mailadres / Email du service (NL):

service.NL@scheppach.com

E-mailadres / Email du service (BE):

service.BE@scheppach.com

Serviceadres / Adresse du service (NL/BE):

EURO Elektrowerkzeug- und Maschinen Service
Bürgerbuschweg 20
DE - 51381 Leverkusen



Op www.lidl-service.com kunt u deze en talloze andere handleidingen, productvideo's en installatiesoftware downloaden.

Met de QR-code komt u direct op de Lidl-Service-pagina (www.lidl-service.com) en kunt u met het invoeren van het artikelnummer (IAN) 373880_2104 uw gebruikshandleiding openen.

1.	Vysvětlení symbolů na přístroji	61
2.	Úvod	62
3.	Popis přístroje (obr. 1-13).....	62
4.	Rozsah dodávky.....	63
5.	Použití v souladu s určením.....	63
6.	Bezpečnostní pokyny	63
7.	Technické údaje.....	67
8.	Před uvedením do provozu.....	67
9.	Montáž a obsluha.....	68
10.	Doprava (obr. 13).....	70
11.	Údržba.....	70
12.	Skladování	70
13.	Elektrické připojení	71
14.	Likvidace a recyklace.....	71
15.	Odstraňování poruch.....	72
16.	Záruční list	73
17.	Rozpadový výkres.....	133
18.	Prohlášení o shodě.....	135

1. Vysvětlení symbolů na přístroji



(CZ)

Před uvedením do provozu si přečtěte a dodržujte návod k obsluze a bezpečnostní pokyny!



(CZ)

Noste ochranné brýle!



(CZ)

Noste ochranná sluchátka!



(CZ)

Bude-li se při práci prášit, noste ochranu dýchacích cest!



(CZ)

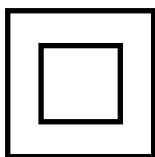
Pozor! Nebezpečí zranění! Nedotýkejte se pilového listu v provozu!



Achtung! - Laserstrahlung
Nicht in den Strahl blicken!
Laser Klasse 2
Laserspezifikation nach EN 60825-1:2014
λ = 650 nm P_e < 1 mW

(CZ)

Pozor! Laserové záření



(CZ)

Třída ochrany II (dvojitá izolace)

2. Úvod

Výrobce: scheppach

Fabrikation von Holzbearbeitungsmaschinen GmbH
Günzburger Straße 69
D-89335 Ichenhausen

Vážený zákazník,

přejeme vám mnoho radosti a úspěchu při práci s novým zařízením.

Upozornění:

Výrobce tohoto zařízení neručí podle platného zákona o odpovědnosti za vady výrobku za škody, které vzniknou na tomto zařízení nebo jeho prostřednictvím v případě:

- neodborné manipulace,
- nedodržování návodu k obsluze,
- oprav prostřednictvím třetích osob, neautorizovaných odborníků,
- montáže a výměny neoriginálních náhradních dílů,
- použití, které není v souladu s určením,
- Výpadky elektrického zařízení v případě nedodržení elektrických předpisů a ustanovení VDE 0100, DIN 57113 / VDE0113.

Mějte na paměti:

Před montáží a zprovozněním si přečtěte celý text návodu k obsluze.

Tento návod k obsluze vám má usnadnit seznámení se zařízením a jeho používání v souladu s určením.

Návod k obsluze obsahuje důležité pokyny, jak se zařízením pracovat bezpečně, odborně a ekonomicky, abyste se vyhnuli rizikům, ušetřili náklady za opravy, omezili dobu nečinnosti a zvýšili spolehlivost a životnost zařízení.

Kromě bezpečnostních ustanovení tohoto návodu k obsluze musíte bezpodmínečně dodržovat předpisy své země, které platí pro provoz zařízení.

Uchovávejte návod k obsluze u zařízení v plastovém obalu, který jej bude chránit před znečištěním a vlhkostí. Před započítím práce si jej musí každý pracovník obsluhy přečíst a pečlivě jej dodržovat.

Se zařízením směji pracovat jen osoby, které jsou poučeny o jeho použití a informovány o nebezpečích, která jsou s ním spojena. Dodržujte minimální požadovaný věk obsluhy.

Kromě bezpečnostních pokynů, které jsou obsaženy v tomto návodu k obsluze, a zvláštních předpisů vaší země, je při provozu konstrukčně stejných strojů zapotřebí dodržovat všeobecně uznávaná technická pravidla.

Nepřebíráme žádnou záruku za nehody nebo škody způsobené nedodržením tohoto návodu a bezpečnostních pokynů.

3. Popis přístroje (obr. 1-13)

1. Spínač / vypínač
2. Závěrný spínač
3. Rukojeť
4. Hlava stroje
5. Pohyblivá ochrana pilového kotouče
6. Pilový kotouč
7. Upevňovací šroub pro otočný stůl
8. Dorazová lišta
- 8a. Posuvná dorazová lišta
- 8b. Zajišťovací šroub
9. Pevný pilový stůl
10. Stolní vložka
11. Stupnice
12. Ukazatel
13. Otočný stůl
14. Upevňovací šroub pro uložení obrobků
15. Upínací zařízení (Upínací obrobku)
16. Zajišťovací šroub
17. Vak na třísky
18. Uložení obrobků
19. Zajišťovací šroub pro upínací zařízení
20. Zajišťovací šroub pro pojistka proti převržení
21. Stojací rameno
22. Nastavovací šroub (45°)
- 22a. Pojistná matice seřizovací šroub (45°)
23. Zajišťovací šroub
24. Upínací rukojeť
25. Zajišťovací čep
26. Seřizovací šroub (90°)
- 26a. Pojistná matice seřizovací šroub (90°)
27. Stupnice
28. Ukazatel
29. Přírubový šroub
30. Vnější příruba
31. Vodicí třmen
32. Blokování hřídele pily
33. Spínač / vypínač laseru
34. Kryt baterie
35. Laser
36. Šroub (laser)
37. Převrácení úchyt

- (A) 90° příložný úhelník (není obsažen v rozsahu dodávky)
- (B) 45° příložný úhelník (není obsažen v rozsahu dodávky)
- (C) Klíč s vnitřním šestihranem, 6 mm
- (D) Klíč s vnitřním šestihranem, 3 mm
- (E) Šroub s křížovou hlavou (stolní vložka)

4. Rozsah dodávky

- Zarovnávací a pokosová pila
- Vak na piliny
- Upínač obrobku
- Inbusový klíč 6 mm (C)
- Inbusový klíč 3 mm (D)
- 2 pravítka
- Stojací rameno
- 2 uhlíkové kartáče
- 2 baterie (AAA)
- Návod k obsluze

5. Použití v souladu s určením

Zarovnávací a pokosová pila slouží k zarovnávání dřeva a plastu úměrně velikosti stroje. Pila není vhodná k řezání palivového dříví.

Varování!

Přístroj nepoužívejte k řezání jiných materiálů, než je popsáno v návodu k obsluze.

Varování!

Dodávaný pilový list je určen výlučně k řezání dřeva! Nepoužívejte jej k řezání palivového dříví!

Stroj se smí používat pouze v souladu s jeho určením. Jakékoliv jiné použití je v rozporu s určením. Za škody nebo zranění všeho druhu, které vzniknou na základě použití v rozporu s určením, zodpovídá uživatel/obsluhující osoba a ne výrobce.

Smí se používat pouze pilové kotouče vhodné pro konkrétní stroj. Je zakázáno používat řezné kotouče všech druhů.

Součástí použití k určenému účelu je dodržování bezpečnostních pokynů a také montážní návod a provozní pokyny v návodu k obsluze.

Osoby provádějící obsluhu a údržbu stroje s ním musí být seznámeny a informovány o potenciálních nebezpečích.

Kromě toho je třeba co nejpřesněji dodržovat platné předpisy pro prevenci nehodovostí.

Je třeba dodržovat ostatní všeobecná pravidla pro oblasti pracovního lékařství a bezpečnostně technická pravidla.

Změny stroje zcela vylučují ručení výrobce za škody, které takto vzniknou.

I přes používání v souladu s určením nelze zcela zamezit určitým rizikovým faktorům. Na základě konstrukce a uspořádání stroje se mohou vyskytnout následující body:

- Kontakt pilového kotouče v nezakryté oblasti řezání.
- Sáhnutí do běžícího pilového kotouče (řezné poranění).
- Zpětný ráz obrobků a částí obrobků.
- Zlomení pilového kotouče.
- Vymrštění vadných dílů pilového kotouče z tvrdokovu.
- Poškození sluchu, pokud se nepoužívá nezbytná ochrana sluchu.
- Zdraví škodlivé emise dřevěného prachu při používání v uzavřených místnostech.

Respektujte prosím, že náš přístroj v souladu s určením není konstruován pro komerční, řemeslné a průmyslové použití. Nepřebíráme zodpovědnost v případě, když se přístroj použije v komerčních, řemeslných nebo průmyslových provozech, a při srovnatelných činnostech.

6. Bezpečnostní pokyny

Obecné bezpečnostní pokyny pro elektrické nástroje

⚠ VAROVÁNÍ! Přečtěte si všechny bezpečnostní pokyny, instrukce, ilustrace a technické údaje, kterými je tento elektrický nástroj opatřen. Pokud opomenete dodržovat bezpečnostní pokyny a instrukce, může takové opomenutí způsobit zásah elektrickým proudem, požár a/nebo těžká zranění.

Uchovejte si do budoucna veškeré bezpečnostní pokyny a instrukce.

Pojem „elektrický nástroj“, který je uveden v bezpečnostních pokynech, se vztahuje na elektrický nástroj (se síťovým kabelem), poháněný proudem ze sítě nebo na elektrický nástroj poháněný akumulátorem (bez síťového kabelu).

1. Bezpečnost na pracovišti

- Udržujte svou pracovní oblast čistou a dobře osvětlenou.** Pracovní oblasti, ve kterých je nepořádek nebo nejsou osvětlené, mohou vést k nehodám.
- Neppracujte s tímto elektrickým nástrojem v prostředí ohroženém výbuchem, ve kterém se nacházejí hořlavé kapaliny, plyny nebo prach.** Elektrické nástroje vytvářejí jiskry, které by mohly zapálit prach nebo výpary.
- Udržujte děti nebo jiné osoby během používání elektrického nástroje v patřičné vzdálenosti.** Při nesoustředěnosti můžete ztratit kontrolu nad elektrickým nástrojem.

2. Elektrická bezpečnost

- Přípojná zástrčka elektrického nástroje musí být vhodná pro danou zásuvku.** Zástrčka se nesmí žádným způsobem měnit. V kombinaci s uzemněnými elektrickými nástroji nepoužívejte žádné zásuvkové adaptéry. Nezměněné zástrčky a vhodné zásuvky zmenšují riziko zasažení elektrickým proudem.
- Zabraňte kontaktu těla s uzemněnými povrchy jako trubkami, topeními, sporáky a chladničkami. Je-li vaše tělo uzemněné, hrozí zvýšené riziko zasažení elektrickým proudem.**
- Elektrické nástroje chraňte před deštěm a vlhkem.** Vniknutí vody do elektrického nástroje zvyšuje riziko zásahu elektrickým proudem.
- Přípojovací vedení nepoužívejte k přenášení a zavěšení elektrického nástroje, nebo k vytažení zástrčky ze zásuvky.** Přípojovací vedení chraňte před horkem, olejem, ostrými hranami nebo pohyblivými díly. Poškozené nebo zamotané přípojné vedení zvyšuje riziko zasažení elektrickým proudem.
- Používáte-li elektrický nástroj venku, používejte prodlužovací kabely vhodné i pro venkovní použití.** Používání vhodného prodlužovacího vedení vhodného pro venkovní použití snižuje riziko zasažení elektrickým proudem.

- f) **Pokud není možno zabránit provozu elektrického nástroje ve vlhkém prostředí, použijte proudový chránič.** Použití vložky pro proudový chránič zmírňuje riziko zasažení elektrickým proudem.

3. Bezpečnost osob

- a) **Při práci s elektrickým nástrojem buďte pozorní a neustále dávejte pozor na to, co děláte a postupujte vždy s rozvahou. Nepoužívejte elektrický nástroj, jste-li unavení nebo pod vlivem drog, alkoholu nebo léků.** Okamžik nepozornosti při používání elektrického nástroje může vést k vážným zraněním.
- b) **Používejte osobní ochranné pracovní prostředky a vždy ochranné brýle.** Použití osobních ochranných prostředků jako je protiprachová maska, protiskluzová bezpečnostní obuv, ochranná přilba nebo ochrana sluchu podle druhu a způsobu použití elektrických nástrojů zmenšuje riziko zranění.
- c) **Zabraňte neúmyslnému uvedení do provozu. Než elektrický nástroj připojíte k napájení proudem a/nebo akumulátoru a než jej budete zvedat nebo nosit, ujistěte se, že je vypnutý.** Máte-li při přenášení elektrického nástroje prst na spínači nebo zapojíte-li elektrický nástroj do zásuvky zapnutý, může to vést nehodám.
- d) **Před zapnutím elektrického nástroje odstraňte veškeré seřizovací nástroje nebo klíče.** Nástroj nebo klíč, který se nachází v otáčejícím se dílu elektrického nástroje, může vést ke zraněním.
- e) **Vyhnete se nestabilnímu držení těla. Zajistěte si stabilní postoj a vždy udržujte rovnováhu.** Tak můžete elektrický nástroj v nečekaných situacích lépe udržet pod kontrolou.
- f) **Noste vhodný oděv. Nenoste volný oděv nebo šperky. Udržujte vlasy a oděv v bezpečné vzdálenosti od pohybujících se dílů.** Volný oděv, šperky nebo dlouhé vlasy mohou být zachyceny rotujícími díly.
- g) **Je-li možné namontovat zařízení pro odsávání a zachycování prachu, je třeba je namontovat a správně používat.** Používání odsávání prachu může snížit ohrožení prachem.
- h) **Nenechte se ukolébat falešným pocitem bezpečí a nepřeskočte bezpečnostní pravidla pro elektrické nástroje, i když je po častém používání elektrického nástroje znáte.** Nedbalé chování může vést ve zlomku sekundy k těžkým zraněním.

4. Používání a manipulace s elektrickým nástrojem

- a) **Nepřetěžujte elektrický nástroj.** Pro svou práci použijte vhodný elektrický nástroj. S vhodným elektrickým nástrojem budete pracovat lépe a bezpečněji v udávaném rozsahu výkonu.
- b) **Nepoužívejte elektrický nástroj, jehož vypínač je vadný. Elektrický nástroj, který již nelze zapnout nebo vypnout, je nebezpečný a musí být opraven.**

- c) **Než budete provádět nastavení nástroje, měnit díly vložného nástroje nebo elektrický nástroj odložte, vytáhněte zástrčku ze zásuvky a/ nebo vyjměte vyjímatelný akumulátor.** Tato preventivní bezpečnostní opatření brání neúmyslnému spuštění elektrického nástroje.
- d) **Uchovávejte nepoužívané elektrické nástroje mimo dosah dětí.** Nenechte elektrický nástroj používat osoby, které s ním nejsou seznámeny nebo si nepřečetly tento návod. Elektrické nástroje představují nebezpečí, jsou-li používány nezkušenými osobami.
- e) **O elektrické nástroje a nástavec pečlivě pečujte.** Kontrolujte, zda pohyblivé díly fungují bezvadně a nejsou vzpříčené, zda nejsou prasklé nebo tak poškozené, že je omezena funkčnost elektrického nástroje. Poškozené díly nechte před používáním elektrického nástroje opravit. Příčinou mnoha nehod je špatně udržovaný elektrický nástroj.
- f) **Udržujte řezné nástroje ostré a čisté. Pečlivě udržované řezné nástroje s ostrými břity se méně přičí a lze je snadněji vést.**
- g) **Používejte elektrický nástroj, příslušenství, nástavce atd. v souladu s instrukcemi.** Zohledněte přítom pracovní podmínky a prováděnou činnost. Používání elektrických nástrojů pro jiné než určené aplikace může vést k nebezpečným situacím.
- h) **Rukojeti a úchopné plochy udržujte suché, čisté a bez oleje a tuku.** Kluzké rukojeti a úchopné plochy neumožňují bezpečnou obsluhu a kontrolu elektrického nástroje v nepředvídatelných situacích.

5. Servis

- a) **Nechte svůj elektrický nástroj opravovat pouze kvalifikovaný odborný personál a pouze za použití originálních náhradních dílů.** To zajistí, aby zůstala zachována bezpečnost elektrického nástroje.

Varování!

Tento elektrický nástroj vytváří během provozu elektromagnetické pole. Toto pole může za určitých podmínek ovlivňovat aktivní nebo pasivní zdravotní implantáty. Pro snížení rizika vážných nebo smrtelných úrazů doporučujeme osobám se zdravotními implantáty, aby se před obsluhou tohoto elektrického nástroje obrátily na svého lékaře nebo na výrobce zdravotního implantátu.

Bezpečnostní pokyny pro pokosové pily

- a) **Pokosové pily jsou určeny k řezání dřeva a výrobků ze dřeva, nelze je používat k řezání materiálů na bázi železa, jako jsou tyče, pruty, šrouby atd.** Abrazivní prach vede k zablokování pohyblivých dílů jako je dolní ochranný kryt. Jiskry z řezání spalují dolní ochranný kryt, vkladací desku a další plastové díly.
- b) **Obrobek podle možností upevněte pomocí svorek. Když obrobek přidržujete rukou, musíte mít vždy ruku minimálně 100 mm daleko od každé strany kotouče. Neřezejte žádné obroby, které jsou příliš malé, aby mohly být bezpečně udrženy v ruce.** Pokud máte tuku příliš blízko u pilového kotouče, hrozí zvýšené nebezpečí úrazu po dotyku kotouče.

- c) **Obrobek se nesmí pohybovat a musí být buď upnutý nebo přitlačený proti dorazu a stolu. Obrobek nikdy neposouvejte proti pilovému kotouči a nikdy neřezejte „z volné ruky“.** Volné nebo pohybující se obrobky mohou být velkou rychlostí vymršťeny a způsobit zranění.
- d) **Pilu posouvejte skrze obrobek. Pilu skrze obrobek netáhněte. Pro řez zvedněte pilovou hlavu a táhněte ji po obrobku, aniž byste řezali. Poté zapněte motor, sklopte pilovou hlavu dolů a tlačte pilu skrze obrobek.** Při řezání tahem hrozí nebezpečí, že se pilový kotouč na obrobku vzpříčí a jednotka pilového kotouče se velkou silou vymršťí proti obsluze.
- e) **Nikdy rukou nezkřížte určenou linii řezu před ani za pilovým kotoučem.** Podepření obrobku „zkříženými rukama“, tzn. držení obrobku vpravo vedle pilového kotouče levou rukou nebo naopak je velmi nebezpečné.
- f) **Když se pilový kotouč otáčí, nesahejte za doraz. Nikdy nezmenšujete bezpečnostní vzdálenost 100 mm mezi rukou a rotujícím pilovým kotoučem (platí na obou stranách pilového kotouče, např. při odstraňování odřezků).** Blízkost rotujícího pilového kotouče vaší ruce možná nepůjde rozpoznat můžete se těžce zranit.
- g) **Před řezáním obrobek zkontrolujte. Když je obrobek ohnutý nebo protažený, upněte jej pomocí vně zakřivené strany k dorazu. Vždy zajistěte, aby podél linie řezu nebyla mezi obrobkem, dorazem a stolem mezera.** Ohnuté nebo protažené obrobky se mohou pootočit nebo přemístit a způsobit vzpříčení rotujícího pilového kotouče při řezání. V obrobku nesmí být hřebíky ani cizí tělesa.
- h) **Pilu použijte teprve tehdy, když je stůl zbavený nástrojů a odřezků atd.; na stole se smí nacházet pouze obrobek.** Malé odpady, volné kousky dřeva nebo jiné předměty, které se dostanou do styku s rotujícím kotoučem, mohou být odmršťeny vysokou rychlostí.
- i) **Řezejte vždy jen jeden obrobek.** Více obrobků na sobě nelze přiměřeně upnout nebo podržet a mohou se při řezání způsobit vzpříčení nebo sklouznutí kotouče.
- j) **Postarejte se, aby pokosová pila před použitím stále na rovné, pevné pracovní ploše.** Rovná a pevná pracovní plocha snižuje nebezpečí, že pokosová pila ztratí stabilitu.
- k) **Svou práci si naplánujte. Při každé změně sklonu pilového kotouče nebo úhlu zkosení na to, aby byl stavitelný doraz správně seřizený a obrobek podepřený, aniž by se dotkly kotouče nebo ochranného krytu.** Proved'te simulovaný pohyb bez pohybu kotouče v celé plánované délce řezu bez zapnutí stroje a bez obrobku na stole, abyste zaručili, že u dorazu nedojde k omezení nebo ohrožení řezu.
- l) **U obrobků širších nebo delších než je horní strana stolu se postarejte o přiměřené podepření např. pomocí prodloužení stolu nebo kozy.** Obrobky delší nebo širší než stůl pokosové pily se mohou převrátit, když nejsou pevně podepřeny. Když se odříznutý kus dřeva nebo obrobek převrátí, může dojít ke zvednutí dolního ochranného krytu nebo jej může rotující kotouč nekontrolovaně vymršťit.

- m) **K prodloužení stolu nebo dodatečnému podepření nevyužívejte dalších osob.** Nestabilní podepření obrobku může vést ke vzpříčení kotouče. Obrobek se také může během řezu posunout a může vás a pomocníky přitáhnout do rotujícího kotouče.
- n) **Odříznutý kus se nesmí přitlačit proti rotujícímu pilovému kotouči.** Pokud máte málo místa, např. při používání podélných dorazů, může se odřezávaný kus vzpříčit vůči kotouči a může být prudce vymršťen.
- o) **Vždy používejte svorku nebo vhodný přípravek na řádné podepření oválného materiálu jako tyče nebo trubky.** Tyče mají během řezání tendenci se odvalovat, přičemž se kotouč „zakousne“ a obrobek může vtáhnout vaši ruku do kotouče.
- p) **Než začnete řezat, nechte kotouč dosáhnout plných otáček.** Snižte to riziko odmršťení obrobku.
- q) **Když se obrobek vzpříčí, nebo kotouč zablokuje, pokosovou pilu vypněte. Počkejte, až se zastaví všechny pohyblivé díly, vytáhněte zástrčku a/nebo vyjměte akumulátor. Následně odstraňte vzpříčený materiál.** Pokud budete v případě takového zablokování dále řezat, může dojít ke ztrátě kontroly nebo poškození pokosové pily.
- r) **Po ukončení řezu pusťte vypínač, podržte pilovou hlavu dole a vyčkejte, až se kotouč zastaví, teprve poté odstraňte uříznutý kus.** Je velmi nebezpečné sahat ruku do blízkosti dobíhajícího kotouče.
- s) **Když provádíte neúplný řez nebo když pustíte vypínač, držte pevně rukojeť, dokud pilová hlava nedosáhne dolní polohy.** Kvůli brzdění pily může být pilová hlava stažena trhnutím směrem dolů, což vede k nebezpečí zranění.

Bezpečnostní pokyny pro manipulaci s pilovými listy

1. Nepoužívejte poškozené nebo deformované pilové kotouče.
2. Nepoužívejte prasklé pilové kotouče. Prasklé pilové kotouče vyřad'te z používání. Opravy nejsou povoleny.
3. Nepoužívejte pilové kotouče vyrobené z rychlořezné oceli.
4. Před použitím zkontrolujte stav pilových kotoučů a listů zarovnávací a pokosové pily.
5. Používejte výhradně jen pilové kotouče vhodné pro řezaný materiál.
6. Používejte jen výrobcem určené pilové kotouče. Pokud jsou pilové kotouče určené k obrábění dřeva nebo podobných materiálů, musí odpovídat EN 847-1.
7. Nepoužívejte pilové kotouče z vysoce legované rychlořezné oceli (HSS).
8. Používejte pouze pilové listy, jejichž maximální povolený počet otáček nebude menší než maximální počet otáček vřetena zarovnávací a pokosové pily a které budou vhodné pro řezaný materiál.
9. Při tom dávejte pozor na směr otáčení pilového kotouče.
10. Pilové kotouče používejte pouze tehdy, pokud ovládáte manipulaci s nimi.
11. Dodržujte nejvyšší počet otáček. Maximální počet otáček uvedený na pilovém kotouči nesmí být překročen. Je-li uveden, dodržujte rozsah otáček.

12. Z povrchu čelistí odstraňte nečistoty, mastnotu, olej a vodu.
13. Pro zmenšení otvorů v pilových kotoučích nepoužívejte volné redukční kroužky ani pouzdra.
14. Dbejte na to, aby upevněné redukční kroužky jistící pilový kotouč měly stejný průměr a alespoň 1/3 průměru řezu.
15. Zajistěte, aby byly připevňované redukční kroužky umístěny vůči sobě paralelně.
16. S pilovými kotouči manipulujte opatrně. Nejlepším způsobem jejich uložení je originální obal nebo speciální obaly. Používejte ochranné rukavice, abyste zlepšili bezpečnost úchopu a dále snížili riziko zranění.
17. Před použitím pilových kotoučů se ujistěte, že jsou správně připevněny všechny ochranné prostředky.
18. Před použitím se ujistěte, že vámi používaný pilový kotouč splňuje technické požadavky této zarovnávací a pokosové pily a že je řádně připevněn.
19. Dodávaný pilový kotouč používejte pouze k řezání dřeva, nikdy k obrábění kovů.
20. Používejte pouze pilový kotouč o průměru odpovídajícím údajům na pile.
21. Je-li to zapotřebí pro stabilitu obrobku, použijte dodatečná uložení obrobků.
22. Během práce se musí vždy upevnit a používat prodloužení uložení obrobku.
23. Vyměňte opotřebenou stolní vložku!
24. Zamezte přehřátí zubů pily.
25. Při řezání plastů zabraňte roztavení plastu. Používejte správné pilové kotouče. Poškozené nebo opotřebené pilové kotouče včas vyměňte. Když se pilový list přehřeje, stroj se zastaví. Než budete s elektrickým nástrojem znovu pracovat, nechte pilový list nejprve vychladnout.



Pozor: Laserové záření
Nedívejte se do paprsku
Laser třídy 2



Chraňte sebe a své okolí vhodnými preventivními opatřeními před nebezpečím nehody!

- Nikdy se nedívejte nechráněnými očima přímo do laserového paprsku.
- Nikdy se nedívejte přímo do dráhy paprsku.
- Laserový paprsek nikdy nemiřte na odrazivé plochy, ani na osoby nebo zvířata. I laserový paprsek o nízkém výkonu může poškodit oči.
- Pozor – při provádění jiných postupů než zde uvedených může dojít k nebezpečné expozici laserovým zářením.
- Laserový modul nikdy neotvírejte. Mohlo by nečekaně dojít k vystavení záření.
- Pokud se zařízení nebude delší dobu používat, měli byste vyjmout baterie.
- Laser nesmí být vyměňován za laser jiného typu.
- Opravy laseru smí provádět pouze výrobce laseru nebo autorizovaný zástupce.

Bezpečnostní pokyny pro manipulaci s bateriemi

1. Vždy dávejte pozor na to, abyste baterie vkládaly se správnou polaritou (+ a -), která je uvedena na baterii.
2. Baterie nezkratujte.
3. Nenabíjejte baterie, které nejsou akumulátorové.
4. Baterie nepřebíjejte!
5. Nevkládejte současně staré a nové baterie, ani baterie různých typů nebo od různých výrobců. Baterie z jedné sady vždy vyměňujte současně.
6. Použité baterie ihned vyjměte z přístroje a správně zlikvidujte! Baterie nevyhazujte do komunálního odpadu. Vadné nebo spotřebované baterie se musí recyklovat podle směrnice 2006/66/ES. Baterie a/nebo zařízení odevzdejte prostřednictvím sběrných míst. O možnostech likvidace se informujte na místním obecním nebo městském úřadě.
7. Baterie nezahřívějte!
8. Přimo na bateriích nesvařujte ani neletujte!
9. Baterie nerozebírejte!
10. Baterie nedeformujte!
11. Baterie nevhazujte do ohně!
12. Baterie ukládejte mimo dosah dětí.
13. Děti nesmí provádět výměnu baterií bez dohledu!
14. Baterie neukládejte v blízkosti ohně, vařičů nebo jiných zdrojů tepla. Baterie nevystavujte přímému slunečnímu svitu a v horkém počasí je nepoužívejte ani neukládejte ve vozidlech.
15. Nepoužívané baterie uchovávejte v originálním obalu a neukládejte je do blízkosti kovových předmětů. Vybalené baterie nemíchejte ani neukládejte v nepořádku! To může způsobit zkratování baterie, což může způsobit škody, popáleniny, nebo dokonce nebezpečí požáru.
16. Nebude-li přístroj delší dobu používán a nebude-li určen pro případy nouze, baterie z něj vyjměte!
17. Vyteklých baterií se NIKDY nedotýkejte bez vhodné ochrany. Dostane-li se vyteklá kapalina do styku s pokožkou, je třeba zasaženou oblast pokožky ihned omýt tekoucí vodou. V každém případě zabraňte styku kapaliny s očima a ústy. V takovém případě neprodleně vyhledejte lékaře.
18. Před vložením baterií očistěte kontakty baterie i kontakty v přístroji.


Zbytková rizika

Elektrický nástroj je zkonstruován podle stavu techniky a uznávaných bezpečnostně technických předpisů. Přesto se mohou během práce vyskytnout jednotlivá zbytková rizika.

- Ohrožení zdraví zásahem elektrickým proudem při použití elektrických přírodních kabelů, které nejsou v pořádku.
- Navzdory všem přijatým preventivním opatřením mohou vzniknout zbytková rizika, která nejsou zjevná.
- Zbytková rizika mohou být minimalizována, budete-li dodržovat jak „Bezpečnostní pokyny“, tak „Určené použití“ a pokyny k obsluze.
- Stroj nadměrně nezatěžujte: příliš silný tlak při řezání rychle poškozuje pilový list, což vede ke snížení výkonu stroje při obrábění a jeho přesnosti při řezání.
- Při řezání umělých hmot používejte prosím vždy svorky: části, které mají být odříznuty, musí být vždy upevněny do svorek.

- Zabraňte náhodnému spuštění stroje: při vložení zástrčky do zásuvky nesmí být stisknuta spouštěcí tlačítka.
- Používejte nástroje, které jsou doporučeny v této příručce. Tím dosáhnete toho, že bude váš stroj poskytovat optimální výkon.
- Při provozu stroje nekládejte ruce do pracovního prostoru.
- Před provedením nastavení nebo údržby uvolněte spouštěcí tlačítka a vytáhněte síťovou zástrčku.

7. Technické údaje

Motor na střídavý proud.....	220 - 240 V~ 50Hz
Jmenovitý výkon S1	1200 Watt
Druh provozního režimu.....	S6 25%* 1500W
Volnoběžné otáčky n_0	5000 min ⁻¹
Pilový kotouč z tvrdokovu	∅ 210 x ∅ 30 x 2,6 mm
Počet zubů	48
maximální šířka zubu pilového listu.....	3 mm
Rozsah otáčení	-45° / 0° / +45°
Řez pod úhlem	0° až 45° doleva
Šířka pily při 90°	120 x 60 mm
Šířka řezu při 45°	80 x 60 mm
Šířka pily při 2 x 45° (dvojitý zkosený řez)	80 x 35 mm
Třída ochrany	II / 
Hmotnost.....	cca 7,6 kg
Laserová třída	2
Vlnová délka laseru.....	650 nm
Výkon laseru	< 1 mW

* Provozní režim S6, nepřetržitý periodický provoz. Provoz se skládá z doby náběhu, doby s konstantním zatížením a doby volnoběhu. Provozní cyklus činí 10 minut, relativní cyklus nasazení činí 25 % provozního cyklu.

Opracovávaný předmět musí být vysoký alespoň 3 mm a široký alespoň 10 mm.

Dávejte pozor, aby byl opracovávaný předmět vždy zajištěn držákem.

Hluk

Hluk této pily byl změřen podle normy EN 62841.

Hladina akustického tlaku L_{pA}	99,6 dB(A)
Kolisavost K_{pA}	3 dB
Hladina akustického výkonu L_{WA}	112,6 dB(A)
Kolisavost K_{WA}	3 dB

Používejte ochranu sluchu.

Působení hluku může vést ke ztrátě sluchu.

Uvedené hodnoty hlukových emisí byly měřeny normovaným zkušebním postupem a mohou být použity ke srovnání elektrického nástroje s jiným.

Uvedené hodnoty hlukových emisí lze použít rovněž k předběžnému odhadu zatížení.

Varování:

- Hodnoty hlukových emisí se mohou během reálného používání elektrického nástroje lišit od uvedených hodnot v závislosti na způsobu použití elektrického nástroje, především podle toho, jaký obrobek se bude obrábět.

- Pokuste se udržet zatížení na co nejnižší úrovni. Například opatřeními na omezení pracovní doby. Přitom je třeba zohlednit všechny části provozního cyklu (například doby, kdy je elektrický nástroj vypnutý, a doby, kdy je sice zapnutý, běží však naprázdno).

8. Před uvedením do provozu

- Otevřete balení a opatrně vyjměte přístroj.
- Odstraňte materiál obalu a obalové a přepravní pojistky (pokud je jimi výrobek opatřen).
- Zkontrolujte, zda je rozsah dodávky úplný.
- Zkontrolujte přístroj a díly příslušenství, zda se při přepravě nepoškodily.
- Uchovejte obal dle možností až do uplynutí záruční doby.

POZOR

Zařízení a obalové materiály nejsou hračka! S plastovými sáčky, fóliemi a drobným díly si nesměj hrát děti! Hrozí nebezpečí spolknutí těchto věcí a udušení!

Zajistěte vždy stabilní postoj a bezpečnost stroje tím, že jej upevníte např. na dílenském stole.

- Stroj musí mít vždy stabilní polohu. Stroj upevněte prostřednictvím otvorů v pevném pilovém stole (9) 4 šrouby (nejsou součástí dodávky) na pracovní stůl, podstavec apod.
- Před uvedením do provozu musí být řádně namontovány všechny kryty a bezpečnostní zařízení.
- Pilový kotouč musí mít možnost volného pohybu.
- U již obráběného dřeva dávejte pozor na cizí tělesa, např. hřebíky nebo šrouby atd.
- Před použitím vypínače se ujistěte, zda je pilový kotouč správně namontován a pohyblivé díly se pohybují lehce.
- Před připojením stroje se přesvědčte, že jsou údaje na typovém štítku shodné s údaji sítě.

8.1 Montáž napínáku obráběného předmětu (obr. 2)

- Povolte upevňovací šroub (19) a namontujte napínák obráběného předmětu (15) na levou nebo pravou stranu zajištěného pilového stolu.
- Nakonec znovu utáhněte upevňovací šroub (19).

8.2 Montáž podpěr obráběného předmětu (obr. 2 - 3)

- Povolte upevňovací šroub (14) a prostrčte podpěru obráběného předmětu určeným otvorem na straně zajištěného pilového stolu.
- Dávejte pozor na to, aby byla podpěra opracovávaného předmětu (18) protažena rovněž oběma kolejnicovými spojkami na spodní straně.
- Nakonec znovu pevně utáhněte upevňovací šroub (14).
- Tento postup stejným způsobem opakujte i na druhé straně.

8.3 Montáž otevřeného třmínku (obr. 2 - 3)

- Povolte upevňovací šroub (20) na spodní straně pily a prostrčte otevřený třmínek (21) určeným otvorem na zadní straně pily.
- Nakonec znovu utáhněte upevňovací šroub (20).

8.4 Sběrný sáček na piliny (obr. 4)

Pila je vybavena záchytným sáčkem na piliny (17).

- Stiskněte kovové západky kovového kroužku sáčku na prach a připojte je na výstupní otvor motorové části.
- Sáček na piliny (17) může být vyprázdňen pomocí zipu na spodní straně.

Přípojka k externímu odsávání prachu.

- Napojte odsávací hadici na odsávání prachu.
- Odsávání prachu musí být vhodné pro zpracovávaný materiál.
- K odsávání zvláště zdraví škodlivého nebo karcinogenního prachu používejte speciální odsávací zařízení.

8.5 Kontrola bezpečnostního zařízení pohyblivý kryt pilového kotouče (5)

Chránič pilového kotouče chrání před náhodným dotykem pilového kotouče a před létajícími třískami.

Zkontrolujte funkci.

Sklopte pilu směrem dolů:

- Chránič pilového kotouče musí při sklopení dolů uvolnit pilový kotouč, aniž by se dotkl jiných dílů.
- Při zvednutí pily nahoru do výchozí polohy musí chránič pilového kotouče automaticky zakrýt pilový kotouč.

9. Montáž a obsluha

9.1 Montáž zarovnávací a pokosové pily (obr. 1 - 3)

- Uvolněte otočný stůl (13) povolením upevňovacího šroubu (7).
- S pomocí rukojeti (3) nastavte otočný stůl (13) na požadovaný úhel.

• UPOZORNĚNÍ

Pokosovou pilu lze pomocí otočného stolu otáčet doleva a doprava. Pomocí stupnice je možné absolutně přesné nastavení úhlu. Úhly 0° až 45° lze přesně a rychle nastavovat rastrovým nastavením vždy po 15°, 22,5°, 30°.

- Upevňovací šroub (7) opět utáhněte, abyste zafixovali otočný stůl.
- Zlehka zatlačte hlavu stroje (4) dolů a současně vytáhněte zajišťovací čep (25) z držáku motoru, abyste odblokovali pilu ze spodní polohy.
- Hlavu stroje (4) vyklopte směrem nahoru.
- Upínací zařízení (15) může být na pevném pilovém stole (9) upevněno buď vlevo nebo vpravo. Zasuňte upínací zařízení (15) do příslušných otvorů na zadní straně dorazové lišty (8) a zajistěte je pomocí hvězdicových šroubů (19).
- Uvolněním zajišťovacího šroubu (23) je možné naklonit hlavu stroje (4) doleva do max. úhlu 45°.
- Podložky obrobku (18) musí být při práci vždy zajištěny a používány.

9.2 Jemné seřízení dorazu pro kapovací řez 90° (obr. 5)

Příložený úhelník není obsažen v rozsahu dodávky.

- Hlavu stroje (4) skloňte dolů a zafixujte ji zajišťovacím čepem (25).
- Uvolněte upevňovací šroub (23).
- Příložený úhelník (A) vložte mezi list pily (6) a otočný stůl (13).
- Povolte pojistnou matici (26a).

- Seřizovací šroub (26) nastavte tak, aby úhel mezi pilovým listem (6) a otočným stolem (13) byl 90°.
- Opět pevně utáhněte pojistnou matici (26a).

9.3 Kapovací řez 90° a otočný stůl 0° (obr. 1/2/3/6)

Pozor! Posuvné dorazové lišty (8a) musí být pro kapovací řezy 90° upevněné ve vnitřní poloze.

- Povolte upevňovací šroub (8b) posuvné dorazové lišty (8a) a zasuňte posuvnou dorazovou lištu (8a) dovnitř.
- Posuvné dorazové lišty (8a) se musí před maximální vnitřní polohou zaaretovat tak, aby vzdálenost mezi dorazovými lištami (8a) a pilovým kotoučem (6) byla maximálně 8 mm.
- Zkontrolujte před řezem, zda není mezi dorazovými lištami (8a) a pilovým kotoučem (6) možná kolize.
- Upevňovací šroub (8b) opět utáhněte.
- Hlavu stroje (4) vyklopte směrem nahoru.
- Položit dřevo určené k řezání na dorazovou lištu (8) a otočný stůl (13).
- Upevněte materiál pomocí upínacího zařízení (15) na pevném stole pily (9), aby se zabránilo přesunutí během procesu řezání. Viz bod 9.12.
- Odblokuje závěrný spínač (2) a stiskněte za-/vypínač (1) pro zapnutí motoru.
- Hlavu stroje (4) posunovat pomocí rukojeti (3) rovnoměrně a s lehkým tlakem směrem dolů, až pilový kotouč (6) prořeže obrobek.
- Po ukončení řezání uvést hlavu pily opět do horní klidové polohy a pustit za-/vypínač (1).

Pozor!

Díky vratné pružině se stroj vrací automaticky nahoru, tzn. rukojeť (3) po ukončení řezu nepouštět, ale hlavu stroje pomalu a za mírného protitlaku posouvat směrem nahoru.

9.4 Kapovací řez 90° a otočný stůl 0° - 45° (obr. 1/2/3/6)

Zarovnávací a pokosovou pilou lze provádět šikmé řezy doleva a doprava v úhlu 0° - 45°.

Pozor!

Posuvná dorazová lišta (8a) musí být upevněná pro kapovací řezy 90° ve vnitřní poloze.

- Povolte upevňovací šroub (8b) posuvné dorazové lišty (8a) a zasuňte posuvnou dorazovou lištu (8a) dovnitř.
- Posuvná dorazová lišta (8a) musí před polohou nejvíce uvnitř zaaretovaná tak, aby vzdálenost mezi dorazovou lištou (8a) a kotoučem pily (6) byla maximálně 8 mm.
- Zkontrolujte před řezem, že není mezi dorazovou lištou (8a) a kotoučem pily (6) možná kolize.
- Upevňovací šroub (8b) opět utáhněte.
- Uvolněte otočný stůl (13) povolením upevňovacího šroubu (7).
- S pomocí rukojeti (3) nastavte otočný stůl (13) na požadovaný úhel.
- Upevňovací šroub (7) opět utáhněte, abyste zafixovali otočný stůl.
- Proveďte řez podle popisu v bodě 9.3.

9.5 Jemné nastavení dorazu pro pokosový řez 45° (obr. 1/2/3/6/7/8)

Příložný úhelník není obsažen v rozsahu dodávky.

- Hlavu stroje (4) skloňte dolů a zafixujte ji zajišťovacím čepem (25).
- Otočný stůl (13) zafixujte v poloze 0°.
- Pozor! Levá strana posuvných dorazových lišt (8a) musí být upevněná pro řezy pod úhlem (vhodná pilová hlava) ve vnější poloze.
- Povolte upevňovací šroub (8b) posuvné dorazové lišty (8a) a vysuňte posuvnou dorazovou lištu (8a) ven.
- Posuvná dorazová lišta (8a) musí před polohou nejvíce uvnitř zaaretovaná tak, aby vzdálenost mezi dorazovou lištou (8a) a kotoučem pily (6) byla maximálně 8 mm.
- Zkontrolujte před řezem, že není mezi dorazovou lištou (8a) a kotoučem pily (6) možná kolize.
- Upevňovací šroub (8b) opět utáhněte.
- Povolte zajišťovací šroub (23) a pomocí rukojeti (3) nakloňte hlavu stroje (4) doleva, do úhlu 45°.
- Příložný úhelník 45° (B) vložte mezi kotouč pily (6) a otočný stůl (13).
- Uvolněte pojistnou matici (22a) a seřizovací šroub (22) nastavte tak, aby byla úhel mezi pilovým kotoučem (6) a otočným stolem (13) přesně 45°.
- Opět pevně utáhněte pojistnou matici (22a).
- Na závěr zkontrolujte polohu indikace úhlu. Pokud je třeba, uvolněte ukazatel (28) křížovým šroubovákem, nastavte jej do polohy 45° úhlové stupnice (27) a přídržný šroub opět utáhněte.

9.6 Pokosový řez 0° - 45° a otočný stůl 0° (obr. 1/2/3/6)

Zarovnávací a pokosovou pilou lze provádět pokosové řezy doleva pod úhlem 0° - 45° k pracovní desce.

Pozor!

Levá strana posuvných dorazových lišt (8a) musí být upevněná pro řezy pod úhlem (vhodná pilová hlava) ve vnější poloze.

Pozor!

Při řezání na pokos 0° - 45° je třeba upínací zařízení (upínač obrobku) (15) namontovat pouze vpravo.

- Povolte upevňovací šroub (8b) posuvné dorazové lišty (8a) a vysuňte posuvnou dorazovou lištu (8a) ven.
- Posuvná dorazová lišta (8a) musí před polohou nejvíce uvnitř zaaretovaná tak, aby vzdálenost mezi dorazovou lištou (8a) a kotoučem pily (6) byla maximálně 8 mm.
- Zkontrolujte před řezem, že není mezi dorazovou lištou (8a) a kotoučem pily (6) možná kolize.
- Upevňovací šroub (8b) opět utáhněte.
- Hlavu stroje (4) uveďte do horní polohy.
- Otočný stůl (13) zafixujte v poloze 0°.
- Povolte zajišťovací šroub (23) a pomocí rukojeti (3) nakloňte hlavu stroje (4) doleva, až bude ukazatel (28) ukazovat na požadovaný úhlový rozměr na stupnici (27).
- Zajišťovací šroub (23) opět utáhněte.
- Provedte řez podle popisu v bodě 9.3.

9.7 Pokosový řez 0° - 45° a otočný stůl 0° - 45° (obr. 1/2/3/6)

Zarovnávací a pokosovou pilou lze provádět řezy doleva pod úhlem 0° - 45° k pracovní desce a současně 0° - 45° k dorazové liště (dvojitě řezy pod úhlem).

Pozor!

Levá strana posuvných dorazových lišt (8a) musí být upevněná pro řezy pod úhlem (vhodná pilová hlava) ve vnější poloze.

Pozor!

Při řezání na pokos 0° - 45° je třeba upínací zařízení (upínač obrobku) (15) namontovat pouze vpravo.

- Povolte upevňovací šroub (8b) posuvné dorazové lišty (8a) a vysuňte posuvnou dorazovou lištu (8a) ven.
- Posuvná dorazová lišta (8a) musí před polohou nejvíce uvnitř zaaretovaná tak, aby vzdálenost mezi dorazovou lištou (8a) a kotoučem pily (6) byla maximálně 8 mm.
- Zkontrolujte před řezem, že není mezi dorazovou lištou (8a) a kotoučem pily (6) možná kolize.
- Upevňovací šroub (8b) opět utáhněte.
- Hlavu stroje (4) uveďte do horní polohy.
- Uvolněte otočný stůl (13) povolením upevňovacího šroubu (7).
- S pomocí rukojeti (3) nastavte otočný stůl (13) na požadovaný úhel.
- Upevňovací šroub (7) opět utáhněte, abyste zafixovali otočný stůl.
- Povolte zajišťovací šroub (23).
- S pomocí rukojeti (3) nakloňte hlavu stroje (4) doleva, do požadovaného úhlu (viz též bod 9.6).
- Zajišťovací šroub (23) opět utáhněte.
- Provedte řez podle popisu v bodě 9.3.

9.8 Výměna pilového kotouče (obr. 1/2/3/9/10) Vytáhněte sířovou zástrčku!

Pozor!

Při výměně pilového listu používejte ochranné rukavice! Nebezpečí zranění!

- Hlavu stroje (4) otočte nahoru a zajistěte zajišťovacím čepem (25).
- Chránič pilového kotouče (5) vyklepte nahoru natolik, aby byl chránič pilového kotouče (5) nad přírubovým šroubem (29).
- Nasadte jednou rukou inbusový klíč (C) na přírubový šroub (29).
- Pevně podržte inbusový klíč (C) a pomalu zavírejte kryt pilového kotouče (5), až dolehne na inbusový klíč (C).
- Blokování hřídele pily (32) pevně stlačit a přírubový šroub (29) otáčet pomalu ve směru hodinových ručiček. Po max. jednom otočení blokování hřídele pily (32) zaskočí.
- Nyní s větším vynaložením síly uvolnit přírubový šroub (29) ve směru hodinových ručiček.
- Přírubový šroub (29) zcela vytočit a sejmut vnější přírubu (30).
- Pilový kotouč (6) sejměte z vnitřní příruby a vytáhněte směrem dolů.
- Přírubový šroub (29), vnější přírubu (30) a vnitřní přírubu pečlivě vyčistěte.
- Nový pilový kotouč (6) v opačném pořadí opět vložte a utáhnout.

- Pozor! Zkosení zubů, tzn. směr otáčení pilového kotouče (6), musí souhlasit se směrem šipky na krytu.
- Než budete pokračovat v práci, zkontrolujte funkčnost bezpečnostních zařízení.
- Pozor! Po každé výměně pilového kotouče zkontrolovat, zda pilový kotouč (6) ve vložce stolu (10) volně běží, a to jak ve svislé poloze, tak i v naklonění na 45°.

Pozor!

Výměna a vyrovnání pilového kotouče (6) musí být řádně provedena.

9.9 Výměna baterií laseru (obr. 11)

- Odstraňte kryt baterie (34). Vyjměte 2 baterie.
- Obě baterie nahraďte bateriemi stejného nebo rovnocenného typu. Dávejte pozor, abyste zachovali stejnou polaritu, s jakou byly umístěny použité baterie.
- Uzavřete kryt baterií.

9.10 Zapnutí/vypnutí laseru. (obr. 11)

Zapnutí:

Za-/vypínač laseru (33) nastavit do polohy „1“. Na obrobek určený k opracování je promítána laserová čára, která ukazuje přesné vedení řezu.

Vypnutí:

Za-/vypínač laseru nastavit do polohy „0“.

9.11 Nastavení laseru (obr. 12)

Pokud laser (35) neukazuje správnou čáru řezu, může být nastaven. Vyšroubujte šrouby (36) a nastavte laser bočním posunutím tak, aby se laserový paprsek trefil na zuby pilového kotouče (6).

9.12 Obsluha upínače obrobku (obr. 1, 2)

Pomocí zajišťovacího šroubu (16) lze nastavit upínač obrobku (15) na výšku.

- Spusťte upínač obrobku dolů na obrobek.
- Pevně dotáhněte zajišťovací šroub (16).
- Pro upnutí obrobku otočte upínací rukojeť (24) po směru hodinových ručiček.
- Pro uvolnění obrobku postupujte v opačném pořadí.

10. Doprava (obr. 13)

- Utáhnout zajišťovací rukojeť (7), aby se zajistil otočný stůl (13).
- Stlačit hlavu stroje (4) dolů a zaaretovat pojistným čepem (25). Pila je nyní zajištěna v dolní poloze.
- Stroj noste za rukojeť (37).
- K opětovné montáži stroje postupujte tak, jak je popsáno v bodě 8 - 9.

11. Údržba

⚠ Varování!

Před každým nastavením, údržbou nebo opravou vytáhněte sífovou zástrčku!

Všeobecná opatření údržby

Čas od času otřete stroj hadříkem, abyste odstranili třísky a prach. Jednou za měsíc naolejujte otočné díly, abyste prodloužili životnost nástroje. Motor však neolejujte.

K čištění plastových součástí nepoužívejte žádné žíravé látky.

Čištění bezpečnostního zařízení pohyblivý chránič pilového kotouče (5)

Před každým uvedením do provozu zkontrolujte chránič pilového kotouče na znečištění.

Odstraňte staré piliny a třísky pomocí štětce nebo podobného vhodného nástroje.

Výměna stolní vložky (obr. 14)

Nebezpečí!

V případě poškozené stolní vložky (10) hrozí nebezpečí, že se mezi stolní vložkou a pilový kotouč vzpříčí malé předměty a zablokují pilový kotouč.

Poškozenou stolní vložku okamžitě vyměňte!

1. Vymontujte šrouby (E) na stolní vložce.
2. Odeberte stolní vložku.
3. Vložte novou stolní vložku.
4. Dotáhněte šrouby (E) na stolní vložce.

Kontrola kartáčů

U nového stroje zkontrolujte uhlíkové kartáče po prvních 50 provozních hodinách anebo po instalaci nových kartáčů. Po první kontrole kartáče kontrolujte každých 10 provozních hodin.

Pokud se uhlík opotřebuje na pouhých 6 mm délky nebo pokud se pružina či paralelní drát spálí nebo poškodí, musíte oba kartáče vyměnit. Pokud zjistíte, že jsou kartáče po vyjmutí ještě použitelné, můžete je namontovat zpátky.

Pro údržbu uhlíkových kartáčků otevřete oba uzávěry (jak je uvedeno na obrázku (15) proti směru pohybu hodinových ručiček. Následně uhlíkové kartáčky odeberte.

Uhlíkové kartáčky opět vložte v opačném pořadí.

Servisní informace

Je nutno dbát na to, že v případě tohoto výrobku následující díly podléhají opotřebení, které je dáno používáním nebo se tak děje přirozeně, příp. že na následující díly je pohlíženo jako na spotřební materiál.

Rychle opotřebitelné díly*: uhlíkové kartáčky, pilový kotouč, stolní vložky, vaky na třísky

* není nutně zahrnuto v obsahu dodávky!

12. Skladování

Uložte přístroj a jeho příslušenství na tmavém, suchém místě, chráněném před mrazem a nedostupným pro děti. Optimální skladovací teplota se pohybuje mezi 5 a 30°C.

Elektrický přístroj uchovávejte v originálním obalu.

Elektrický přístroj zakryjte, aby byl chráněn před prachem nebo vlhkem.

Návod k obsluze uložte u přístroje.

13. Elektrické připojení

Instalovaný elektromotor je připojen v provozuschopném stavu. Připojka musí odpovídat příslušným předpisům VDE a DIN. Těmto předpisům musí odpovídat síťová připojka zákazníka i použité prodlužovací kabely.

Důležité pokyny

Při přetížení se motor sám vypne. Po určité době na vychladnutí (čas se liší) je možné motor znovu zapnout.

Vadné elektrické přípojné vedení

U elektrických přívodních kabelů často dochází k poškození izolace.

Jeho příčinami mohou být:

- Smáčknutá místa, je-li přívodní kabel veden oknem nebo šterbinou ve dveřích.
- Prohnutí kvůli nevhodnému upevnění nebo vedení přívodního kabelu.
- Zlomení kvůli přejíždění přes přívodní kabel.
- Poškození izolace kvůli vytržení z elektrické zásuvky ve stěně.
- Praskliny v důsledku stárnutí izolace.

Tyto vadné elektrické přívodní kabely nesmí být používány a kvůli poškození izolace jsou životu nebezpečné.

Pravidelně kontrolujte, zda elektrické přívodní kabely nejsou poškozeny. Dávejte pozor, aby nebyl přívodní kabel při kontrole připojen do elektrické sítě.

Elektrické přívodní kabely musí odpovídat příslušným předpisům VDE a DIN. Používejte pouze přípojné vedení s označením „H05VV-F“.

Uvedení typového označení na přívodním kabelu je povinné.

Bezpečnostní pokyny pro výměnu poškozených nebo vadných vedení pro připojení na síť

Typ X:

Pokud je vedení pro připojení na síť tohoto přístroje poškozeno, musí být vyměněno za zvláštní přípojné vedení, které lze obdržet u výrobce nebo jeho zákaznického servisu.

Motor na střídavý proud:

Napětí v síti musí činit 220 - 240 V~.

- Prodlužovací kabely do délky 25 m mít průměr 1,5 milimetru čtverečního.
- Připojení a opravy elektrického vybavení mohou provádět pouze odborní elektrikáři.

Při zpětných dotazech uvádějte prosím tyto údaje:

- Typ proudu napájecího motor
- Údaje z typového štítku motoru

14. Likvidace a recyklace

Zařízení je v obalu, aby se zabránilo přepravním škodám. Tento obal je surovina a lze ho tudíž recyklovat nebo vrátit do oběhu surovin.

Zařízení a jeho příslušenství se skládají z různých materiálů, jako např. kov a plasty. Vadné součásti zlikvidujte jako speciální odpad. Zeptejte se ve specializovaném obchodě nebo na správě obce!



Obal se skládá z ekologických materiálů, které lze recyklovat v místních sběrných místech.

O možnostech likvidace vysloužilého přístroje vám podá informace správa vaší obce nebo vašeho města.

Odpadní zařízení nesmějí být likvidována spolu s domácím odpadem!



Tento symbol upozorňuje, že tento výrobek nesmí být podle směrnice o odpadních elektrických a elektronických zařízeních (2012/19/EU) a vnitrostátních zákonů

likvidován spolu s domácím odpadem. Tento výrobek musí být odevzdán na sběrné místo určené k tomuto účelu. To lze provést například vrácením při nákupu podobného výrobku nebo odevzdáním v autorizovaném sběrném místě pro recyklaci odpadních elektrických a elektronických zařízení. Nesprávné zacházení s odpadními zařízeními může mít vzhledem k potenciálně nebezpečným látkám, které jsou v odpadních elektrických a elektronických zařízeních často obsaženy, negativní dopad na životní prostředí a lidské zdraví. Správnou likvidací tohoto výrobku přispíváte také k efektivnímu využívání přírodních zdrojů. Informace o sběrných střediscích pro odpadní zařízení můžete získat u svého magistrátu, veřejnoprávní instituce pro nakládání s odpady, autorizovaného orgánu pro likvidaci odpadních elektrických a elektronických zařízení nebo služby svozu odpadu.

Baterie a akumulátory nesmí být likvidovány spolu s domácím odpadem!



Jako spotřebitelé jste ze zákona povinni odevzdat všechny baterie a akumulátory, ať už obsahují či neobsahují znečišťující látky*, do sběrného střediska ve Vaší obci/okrese nebo v prodejně, aby bylo možné je zneškodnit šetrně k životnímu prostředí.

* označeno: Cd = kadmium, Hg = rtuť, Pb = olovo

Před likvidací zařízení a baterií vyjměte baterie z laseru.

15. Odstraňování poruch

Porucha	Možná příčina	Řešení
Motor nefunguje	Motor, kabel nebo zástrčka jsou vadné, síťové pojistky jsou spálené.	Nechte stroj zkontrolovat odborníkem. Nikdy neopravujte motor sami. Nebezpečí! Zkontrolujte, příp. vyměňte síťové pojistky
Motor nabíhá pomalu a nedosahuje provozní rychlosti.	Napětí příliš nízké, vinutí poškozená, spálený kondenzátor.	Nechte zkontrolovat napětí elektrárenským podnikem. Nechte motor zkontrolovat odborníkem. Svěřte výměnu kondenzátoru odborníkovi.
Motor je příliš hlučný.	Poškozená vinutí, vadný motor	Nechte motor zkontrolovat odborníkem.
Motor nedosahuje plného výkonu.	Elektrické obvody v síťovém zařízení přetíženy (lampy, jiné motory atd.).	Nepoužívejte žádné jiné přístroje ani motory na stejném elektrickém obvodu.
Motor se lehce přehřívá.	Přetížení motoru, nedostatečné chlazení motoru.	Zamezte přetížení motoru při řezání, odstraňte z něho prach, aby bylo zajištěno jeho optimální chlazení.
Pilový řez je drsný nebo zvlněný.	Pilový kotouč je tupý, tvar zubů není vhodný pro tloušťku materiálu.	Nabruste pilový kotouč resp. použijte jiný pilový kotouč.
Obrobek odskakuje resp. se třísťí.	Příliš velký tlak řezání, resp. pilový kotouč není vhodný k danému účelu.	Použijte vhodný pilový kotouč.

16. Záruční list

Vážena zakaznice, vážený zakazníku,

naše výrobky podléhají přísné kontrole kvality. Pokud i přesto tento přístroj bezvadně nefunguje, velice toho litujeme a prosíme Vás, abyste se obrátili na náš zákaznický servis, jehož adresa je uvedena na tomto záručním listu. Rádi Vám budeme k dispozici také telefonicky na níže uvedeném servisním čísle. Pro uplatňování nároků na záruku platí následující:

- Tyto záruční podmínky upravují dodatečný záruční servis. Vašich zákonných nároků na záruku se tato záruka netýká. Náš záruční servis je pro Vás bezplatný.
- Záruční servis se vztahuje výhradně na nedostatky, které lze odvodit z vad materiálu nebo výrobních vad a je také omezen pouze na odstranění těchto nedostatků, resp. výměnu přístroje. Dbejte prosím na to, že naše přístroje nebyly podle svého účelu určeny konstruovány pro živnostenské, řemeslnické nebo průmyslové použití. Záruční smlouva tak není realizována, pokud byl přístroj používán v živnostenských, řemeslných nebo průmyslových podnicích a při srovnatelných činnostech. Z naší záruky je dále vyloučeno poskytnutí náhrady za dopravní škody, škody způsobené nedodržováním montážního návodu nebo z důvodů neodborné instalace, nedodržování návodu k použití (jako např. připojení na chybné síťové napětí nebo druh proudu), nedovoleného nebo neodborného používání (jako např. přetížení přístroje nebo použití neschválených vložných nástrojů nebo příslušenství), nedodržování pokynů pro údržbu a bezpečnostních pokynů, vniknutí cizích těles do přístroje (jako např. písek, kameny nebo prach), použití násilí nebo poškození v důsledku cizích vlivů (jako např. škody způsobené pádem), jakož také běžného opotřebení způsobeného používáním.

Nárok na záruku zaniká, pokud bylo do přístroje již zasahováno

- Záruční doba činí 3 roky a začíná datem koupě přístroje. Nároky na záruku před vypršením záruční doby je třeba uplatňovat během dvou týdnů od zjištění defektu. Uplatňování nároků na záruku po vypršení záruční doby je vyloučeno. Oprava nebo výměna přístroje nevede k prodloužení záruční doby, ani k zahájení nové záruční doby za provedený výkon pro přístroj nebo pro případné zamontované náhradní díly. Toto platí také v případě servisu v místě Vašeho bydliště.
- Pro uplatnění nároku ze záruky se prosím obraťte na adresu servisu uvedenou dole. Pokud se reklamáce uplatňuje v záruční době, dáme Vám k dispozici formulář pro vrácení, pomocí kterého nám můžete vadný přístroj zdarma zaslat zpět. Popište nám prosím pokud možno přesně důvod reklamáce. Je-li defekt přístroje v našem záručním servisu obsažen, obdržíte obratem opravený nebo nový přístroj.

Samozřejmě rádi za úhradu nákladů odstraníme defekty na přístroji, které nespadají nebo již nespadají do rozsahu záruky. K tomu nám přístroj prosím zašlete na naši servisní adresu.

Servisní horká linka (CZ):

00800 4003 4003

(0,00 €/Min.)

Adresa elektronické pošty (CZ):

service.CZ@schepach.com

Adresa servisního střediska (CZ):

GARLAND distributor s.r.o.

Hradecká 1136

CZ - 50601 Jicín



Na stránkách www.lidl-service.com si můžete stáhnout tyto a mnoho dalších manuálů, produktových videí a instalačních softwarů.

Pomocí kódu QR můžete přímo na stránce servisních služeb Lidl (www.lidl-service.com) otevřít svůj návod k obsluze zadáním čísla výrobku (IAN) 373880_2104.

1.	Objaśnienie symboli na urządzeniu	75
2.	Wprowadzenie	76
3.	Opis urządzenia (rys. 1-13).....	76
4.	Zakres dostawy	77
5.	Użytkowanie zgodne z przeznaczeniem	77
6.	Wskazówki dotyczące bezpieczeństwa	77
7.	Dane techniczne	82
8.	Przed uruchomieniem.....	82
9.	Montaż i obsługa.....	83
10.	Transport (rys. 13)	85
11.	Konserwacja.....	85
12.	Przechowywanie	86
13.	Przyłącze elektryczne	86
14.	Utylizacja i ponowne wykorzystanie.....	86
15.	Pomoc dotycząca usterek.....	87
16.	Gwarancja.....	88
17.	Rysunek eksplozji	133
18.	Deklaracja zgodności.....	135

1. Objasnienie symboli na urzadzeniu



PL

Przed uruchomieniem należy przeczytać niniejszą instrukcję obsługi i przestrzegać wskazówek dotyczących bezpieczeństwa!



PL

Nosić okulary ochronne!



PL

Nosić nauszники ochronne!



PL

W przypadku emisji pyłu nosić maskę chroniącą drogi oddechowe!



PL

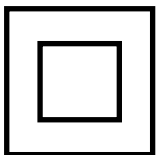
Uwaga! Niebezpieczeństwo odniesienia obrażeń! Nie sięgać do poruszającej się tarczy tnącej!



Achtung! - Laserstrahlung
Nicht in den Strahl blicken!
Laser Klasse 2
Laserspezifikation nach EN 60825-1:2014
λ = 650 nm P_e < 1 mW

PL

Uwaga! Promieniowanie laserowe



PL

Klasa ochronności II (podwójna izolacja)

2. Wprowadzenie

Producent: scheppach

Fabrikation von Holzbearbeitungsmaschinen GmbH
Günzburger Straße 69
D-89335 Ichenhausen

Szanowny Kliencie,

Życzymy dużo satysfakcji i powodzenia podczas pracy z nowym urządzeniem.

Wskazówka:

Zgodnie z obowiązującą ustawą o odpowiedzialności cywilnej za produkt, producent nie odpowiada za szkody powstałe przy tym urządzeniu lub przez to urządzenie w przypadku:

- nieprawidłowej obsługi,
- nieprzestrzegania instrukcji obsługi,
- napraw wykonywanych przez osoby trzecie, specjalistów nieautoryzowanych,
- montażu i wymiany nieoryginalnych części zamiennych,
- użytkowania niezgodnego z przeznaczeniem,
- awarie instalacji elektrycznej w przypadku nieprzestrzegania przepisów elektrycznych oraz postanowień VDE 0100, DIN 57113 / VDE0113.

Przestrzegać:

Przed przystąpieniem do montażu i uruchomienia przeczytać cały tekst instrukcji obsługi.

Instrukcja obsługi ma na celu ułatwienie zapoznania się z urządzeniem i wykorzystania możliwości użytkowania go zgodnie z przeznaczeniem.

Instrukcja obsługi zawiera ważne wskazówki dotyczące bezpiecznej, fachowej i ekonomicznej pracy z niniejszym urządzeniem oraz sposobu unikania zagrożeń, oszczędności kosztów napraw, redukcji czasów przestoju i zwiększenia niezawodności i trwałości urządzenia.

Dodatkowo oprócz zasad bezpieczeństwa zawartych w niniejszej instrukcji obsługi należy przestrzegać przepisów danego kraju obowiązujących dla eksploatacji urządzenia.

Instrukcję obsługi przechowywać przy urządzeniu, w torebce plastikowej chroniącej przed zanieczyszczeniem i wilgocią. Każda osoba obsługująca musi przeczytać ją przed przystąpieniem do pracy i dokładnie jej przestrzegać.

Przy urządzeniu mogą pracować wyłącznie osoby, które zostały przeszkolone w zakresie użytkowania urządzenia i poinstruowane o związanych z tym zagrożeniach. Przestrzegać ustawowego wieku minimalnego.

Oprócz wskazówek dotyczących bezpieczeństwa zawartych w niniejszej instrukcji obsługi i specjalnych przepisów danego kraju należy przestrzegać ogólnie uznanych zasad technicznych dotyczących eksploatacji maszyn o tej samej budowie.

Nie ponosimy odpowiedzialności za wypadki ani szkody powstałe wskutek nieprzestrzegania niniejszej instrukcji oraz wskazówek bezpieczeństwa.

3. Opis urządzenia (rys. 1-13)

1. Włacznik/wyłacznik
 2. Przełącznik blokujący
 3. Rękojeść
 4. Głowica maszyny
 5. Ruchoma osłona tarczy tnącej
 6. Brzeszczot piły
 7. Śruba ustalająca dla stołu obrotowego
 8. Szyna ogranicznika
 - 8a. Przesuwana szyna ogranicznika
 - 8b. Śruba ustalająca
 9. Stały stół pilarki
 10. Wkładka stołowa
 11. Skala
 12. Wskaźnik
 13. Stół obrotowy
 14. Śruba ustalająca podpory przedmiotu obrabianego
 15. Przyrząd mocujący (Uchwyt przedmiotu obrabianego)
 16. Śruba ustalająca
 17. Worek na wióry
 18. Podpora przedmiotu obrabianego
 19. Śruba ustalająca przyrząd mocujący
 20. Śruba ustalająca zabezpieczenie przed przechyleniem
 21. Pałk podporowy
 22. Śruba regulacyjna (45°)
 - 22a. Nakrętka zabezpieczająca śruba regulacyjna (45°)
 23. Śruba ustalająca
 24. Uchwyt zaciskowy
 25. Trzpień zabezpieczający
 26. Śruba regulacyjna (90°)
 - 26a. Nakrętka zabezpieczająca śruba regulacyjna (90°)
 27. Skala
 28. Wskaźnik
 29. Śruba kołnierзова
 30. Kołnierz zewnętrzny
 31. Pałk prowadzący
 32. Blokada wałka tnącego
 33. Włacznik/wyłacznik lasera
 34. Pokrywa baterii
 35. Laser
 36. Śruba (Laser)
 37. Uchwyt transportowy
- (A) 90° przykładnica kątowa (nie dostępna w dostawie)
(B) 45° przykładnica kątowa (nie dostępna w dostawie)
(C) Klucz imbusowy, 3 mm
(D) Klucz imbusowy 3 mm
(E) Wkręt z rowkiem krzyżowym (wkładka stołowa)

4. Zakres dostawy

- Pilarka do cięcia kątowego i ukośnego
- Worek na wióry
- Uchwyt przedmiotu obrabianego
- Klucza imbusowego 6 mm (C)
- Klucza imbusowego 3 mm (D)
- 2 podpory elementu obrabianego
- Pałk podporowy
- 2 szczotki węglowe
- 2 baterie (AAA)
- Instrukcja eksploatacji

5. Użytkowanie zgodnie z przeznaczeniem

Piła do cięcia poprzecznego i ukośnego służy do cięcia poprzecznego drewna oraz tworzywa sztucznego, odpowiednio do wielkości maszyny. Piła nie nadaje się do cięcia drewna opałowego.

Ostrzeżenie!

Nie używać urządzenia do cięcia innych materiałów, niż opisane w instrukcji obsługi.

Ostrzeżenie!

Dostarczony brzeszczot piły jest przeznaczony wyłącznie do cięcia drewna! Nie należy używać go do cięcia drewna opałowego!

Maszynę wolno użytkować wyłącznie zgodnie z jej przeznaczeniem. Każde użycie wykraczające poza to jest niezgodne z przeznaczeniem. Za wynikające z tego szkody i obrażenia wszelkiego rodzaju odpowiada użytkownik/operator, a nie producent.

Można używać wyłącznie brzeszczotów przystosowanych do maszyny. Stosowanie wszelkiego rodzaju tarcz tnących jest zabronione.

Do zgodnego z przeznaczeniem wykorzystywania zalicza się również przestrzeganie wskazówek dotyczących bezpieczeństwa, a także instrukcji montażu i wskazówek dot. eksploatacji, zawartych w instrukcji obsługi.

Osoby obsługujące i konserwujące maszynę muszą dobrze znać jej działanie oraz zostać poinformowane o ewentualnych zagrożeniach.

Ponadto należy jak najdokładniej przestrzegać obowiązujących przepisów dotyczących zapobiegania nieszczęśliwym wypadkom.

Podobnie zaleca się przestrzeganie wszelkich innych ogólnych zasad z dziedziny medycyny pracy i bezpieczeństwa technicznego.

Samowolne modyfikacje maszyny wykluczają odpowiedzialność producenta za spowodowane tym szkody.

Mimo zastosowania zgodnego z przeznaczeniem nie można całkowicie uniknąć czynników ryzyka resztkowego. Ze względu na konstrukcję i budowę maszyny mogą występować następujące punkty:

- Dotknięcie tarczy tnącej w niezabezpieczonym obszarze cięcia.
- Chwytność obracającej się tarczy tnącej (niebezpieczeństwo przecięcia).
- Odrzucenie obrabianych elementów i ich części.
- Pęknięcia brzeszczotu piły.

- Wyrzut wadliwych części z twardego metalu, z jakiego jest wykonany brzeszczot piły.
- Uszkodzenie słuchu w przypadku braku zastosowania wymaganych nasłuchowników ochronnych.
- Emisję pyłu z drewna szkodliwą dla zdrowia przy zastosowaniu w pomieszczeniach zamkniętych.

Należy pamiętać, że zgodnie z przeznaczeniem nasze urządzenie nie zostały skonstruowane do użytku komercyjnego, rzemieślniczego lub przemysłowego. Nie ponosimy odpowiedzialności w przypadku, gdy urządzenie jest stosowane w zakładach komercyjnych, rzemieślniczych i przemysłowych oraz do podobnych działalności.

6. Wskazówki dotyczące bezpieczeństwa

Ogólne wskazówki dotyczące bezpieczeństwa dla narzędzi elektrycznych

⚠ OSTRZEŻENIE! Należy przeczytać wszystkie wskazówki dotyczące bezpieczeństwa i instrukcje oraz przestudiować wszystkie ilustracje i parametry techniczne dostarczone wraz z niniejszym narzędziem elektrycznym. Nieprzestrzeganie wskazówek dotyczących bezpieczeństwa i instrukcji może doprowadzić do porażenia prądem, pożaru i/lub poważnych obrażeń.

Przechowywać na przyszłość wszystkie wskazówki dotyczące bezpieczeństwa i instrukcje.

Używany we wskazówkach dotyczące bezpieczeństwa termin „narzędzie elektryczne” odnosi się do elektronarzędzi zasilanych z sieci (z przewodem sieciowym) lub do narzędzi elektrycznych zasilanych za pomocą akumulatora (bez przewodu sieciowego).

1. Bezpieczeństwo w miejscu pracy

- Utrzymywać obszar roboczy w czystości i zapewnić dobre oświetlenie.** Nieporządek lub brak oświetlenia obszaru roboczego może prowadzić do wypadków.
- Nie pracować z narzędziem elektrycznym w otoczeniu zagrożonym wybuchem, w którym znajdują się palne płyny, gazy lub pyły.** Narzędzia elektryczne wytwarzają iskry, które mogą spowodować zapłon pyłu lub oparów.
- Nie dopuszczać, aby dzieci i inne osoby zbliżyły się do obszaru roboczego podczas używania narzędzia elektrycznego.** W chwili nieuwagi można łatwo stracić kontrolę nad narzędziem elektrycznym.

2. Bezpieczeństwo elektryczne

- Wtyczka przyłączeniowa narzędzia elektrycznego musi pasować do gniazda.** Wtyczki nie wolno w żaden sposób modyfikować. Nie używać żadnych przejściówek z uziemionymi narzędziami elektrycznymi. Niemodyfikowane wtyczki i odpowiednie gniazda zmniejszają ryzyko porażenia prądem.

- b) **Unikać kontaktu fizycznego z uziemionymi powierzchniami, takimi jak rury, grzejniki, piece i lodówki. Ryzyko porażenia prądem zwiększa się, jeśli ciało użytkownika jest uziemione.**
- c) **Nie wystawiać narzędzi elektrycznych na deszcz i wilgoć.** Przedostanie się wody do narzędzia elektrycznego zwiększa ryzyko porażenia prądem.
- d) **Nie wykorzystywać przewodu przyłączeniowego niezgodnie z przeznaczeniem w celu przenoszenia, zawieszania narzędzia elektrycznego lub w celu wyjęcia wtyczki z gniazda.** Przewód przyłączeniowy przechowywać z dala od gorąca, oleju, ostrych krawędzi lub ruchomych części urządzeń. Uszkodzone lub splątane przewody przyłączeniowe zwiększają ryzyko porażenia prądem.
- e) **W przypadku pracy z narzędziem elektrycznym na wolnym powietrzu, używać wyłącznie przedłużaczy przeznaczonych również do pracy w warunkach zewnętrznych.** Zastosowanie przedłużacza przystosowanego do warunków zewnętrznych zmniejsza ryzyko porażenia prądem.
- f) **Jeżeli użycie narzędzia elektrycznego w wilgotnym otoczeniu jest nieuniknione, używać wyłącznika ochronnego prądowego.** Zastosowanie wyłącznika ochronnego prądowego zmniejsza ryzyko porażenia prądem.

3. Bezpieczeństwo osób

- a) **Podczas pracy z narzędziem elektrycznym należy być ostrożnym, zwracać uwagę na wykonywane czynności i zachowywać zdrowy rozsądek. Nie używać narzędzia elektrycznego w stanie zmęczenia lub też będąc pod wpływem narkotyków, alkoholu lub leków.** Chwila nieuwagi podczas używania narzędzia elektrycznego może spowodować poważne obrażenia.
- b) **Stosować środki ochrony indywidualnej i nosić zawsze okulary ochronne.** Stosowanie środków ochrony indywidualnej, jak maska przeciwpyłowa, antypoślizgowe obuwie ochronne, kask lub naszники ochronne, w zależności od rodzaju i zastosowania narzędzia elektrycznego, zmniejsza ryzyko odniesienia obrażeń.
- c) **Nie dopuszczać do niezamierzonego uruchomienia. Przed podłączeniem do zasilania i/lub akumulatora, podnoszeniem lub przenoszeniem upewnić się, że narzędzie elektryczne jest wyłączone.** Trzymając palec na przelączniku podczas przenoszenia elektronarzędzia, lub gdy urządzenie pozostaje włączone podczas go podłączania do sieci można doprowadzić do wypadków.
- d) **Przed włączeniem narzędzia elektrycznego usunąć narzędzia nastawcze lub klucze płaskie.** Narzędzie lub klucz znajdujące się w obracającej się części narzędzia elektrycznego może prowadzić do powstania obrażeń.
- e) **Unikać nietypowej pozycji ciała. Zadbać o stabilną pozycję i zachowanie równowagi w każdej chwili.** Pozwala to na lepszą kontrolę narzędzia elektrycznego w niespodziewanych sytuacjach.

- f) **Nosić odpowiednią odzież. Podczas pracy nie nosić luźnej odzieży i biżuterii. Włosy i odzież trzymać z dala od części ruchomych.** Luźna odzież, biżuteria lub długie włosy mogą zostać pochwycone przez części ruchome.
- g) **Jeżeli istnieje możliwość zamontowania urządzeń odsysających i odpylających, należy je podłączyć i prawidłowo używać.** Zastosowanie odsysania pyłu może zmniejszyć zagrożenia spowodowane przez pył.
- h) **Przestrzegamy przed złudnym poczuciem bezpieczeństwa i ignorowaniem zasad bezpieczeństwa dla elektronarzędzi, również gdy użytkownik w wyniku wielokrotnego użycia jest zaznajomiony z obsługą elektronarzędzia.** Brak czujności może w ułamku sekundy doprowadzić do powstania ciężkich obrażeń.

4. Zastosowanie i obsługa narzędzia elektrycznego

- a) **Nie przeciążać narzędzia elektrycznego.** Używać narzędzia elektrycznego przeznaczonego do danej pracy. Odpowiednie narzędzie elektryczne umożliwia lepszą i bezpieczniejszą pracę w podanym zakresie mocy.
- b) **Nie używać narzędzia elektrycznego, którego włącznik jest uszkodzony. Narzędzie elektryczne, którego nie da się już włączać lub wyłączać, jest niebezpieczne i musi zostać naprawione.**
- c) **Przed rozpoczęciem ustawień, wymianą osprzętu lub odłożeniem elektronarzędzia należy wyjąć wtyczkę z gniazda i/lub usunąć wyjmowany akumulator.** Ten środek ostrożności zapobiega niezamierzonemu uruchomieniu narzędzia elektrycznego.
- d) **Nie używać narzędzia elektrycznego przechowywać poza zasięgiem dzieci.** Nie zezwalać na używanie narzędzia elektrycznego osobom, które nie są z nim obeznane lub nie przeczytały niniejszych instrukcji. Narzędzia elektryczne stanowią zagrożenie, jeśli są używane przez niedoświadczonych osoby.
- e) **Należy dbać należyście o narzędzia elektryczne i osprzęt.** Kontrolować, czy części ruchome działają prawidłowo i nie zacinają się, czy części nie są pęknięte lub uszkodzone w sposób wpływający negatywnie na działanie narzędzia elektrycznego. Przed zastosowaniem narzędzia elektrycznego zapewnić naprawę uszkodzonych części. Wiele wypadków jest spowodowanych nieprawidłową konserwacją narzędzi elektrycznych.
- f) **Narzędzia tnące muszą być ostre i utrzymywane w stanie czystości. Starannie konserwować narzędzia tnące z krawędziami tnącymi rzadziej się zacinają i są łatwiejsze w obsłudze.**
- g) **Używać narzędzi elektrycznych, akcesoriów, narzędzi roboczych itd. zgodnie z niniejszymi instrukcjami.** Uwzględnić warunki pracy i wykonywane czynności. Używanie narzędzia elektrycznego do zastosowań innych, niż przewidziane, może prowadzić do niebezpiecznych sytuacji.

h) **Uchwyty i powierzchnie chwytowe utrzymywać w stanie suchym, czystym i wolnym od oleju i smaru.** Śliskie uchwyty i powierzchnie chwytowe nie pozwalają na bezpieczne trzymanie elektronarzędzia i kontrolę nad nim w nieoczekiwanych sytuacjach.

5. Serwis

a) **Naprawę narzędzia elektrycznego może wykonywać wyłącznie wykwalifikowany personel i tylko przy użyciu oryginalnych części zamiennych.** Zapewnia to bezpieczeństwo dalszej pracy narzędzia elektrycznego.

Ostrzeżenie!

Niniejsze narzędzie elektryczne wytwarza podczas pracy pole elektromagnetyczne. Pole to może w pewnych okolicznościach wpływać negatywnie na aktywne lub pasywne implanty medyczne. W celu zmniejszenia ryzyka poważnych lub śmiertelnych obrażeń, osobom z implantami medycznymi przed użyciem narzędzia elektrycznego zalecamy konsultację z lekarzem i producentem.

Wskazówki bezpieczeństwa dotyczące pilarek do cięcia kąтового i ukośnego

- a) **Pilarki do cięcia kąтового i ukośnego są przeznaczone do cięcia drewna lub produktów drewnopodobnych, nie można ich stosować do cięcia materiałów żelaznych takich jak pręty, drążki, śruby itp.** Ścierny pył powoduje blokowanie ruchomych części takich jak dolna osłona. Powstające podczas cięcia iskry powodują palenie dolnej osłony, płyty wkładanej i pozostałych elementów z tworzywa sztucznego.
- b) **W miarę możliwości zamocować obrabiany przedmiot za pomocą ścisku śrubowego. Jeśli obrabiany przedmiot jest trzymany ręką, należy zawsze trzymać rękę w odległości co najmniej 100 mm od każdej strony tarczy tnącej. Nie stosować pilarki do cięcia elementów, które są zbyt małe, aby je zamocować lub trzymać ręką.** Gdy ręka znajduje się zbyt blisko tarczy tnącej, występuje podwyższone ryzyko obrażeń w wyniku kontaktu z tarczą tnącą.
- c) **Obrabiany przedmiot musi być nieruchomy - albo solidnie zamocowany, albo dociskany do ogranicznika lub stołu. Nie wsuwać obrabianego przedmiotu w tarczę tnącą i nigdy nie ciąć, trzymając przedmiot w powietrzu.** Luźne lub ruszające się przedmioty obrabiane mogą zostać z dużą prędkością wyrzucone i spowodować obrażenia.
- d) **Przesuwać pilarkę przez obrabiany przedmiot. Unikać ciągnięcia pilarki przez obrabiany przedmiot. Aby wykonać cięcie, podnieść głowicę pilarki i przeciągnąć ją nad obrabiany element, nie wykonując cięcia. Następnie włączyć silnik, przechylić głowicę pilarki w dół i przesunąć ją przez obrabiany przedmiot.** W przypadku cięcia ciągnącego zachodzi niebezpieczeństwo, że tarcza tnąca podejdzie w górę na obrabianym przedmiocie i jednostka tarczy tnącej zostanie nagle gwałtownie wyrzucona w stronę operatora.

- e) **Nigdy nie przesuwaj ręki po przewidzianej linii cięcia, ani przed, ani za tarczą tnącą.** Przytrzymywanie obrabianego przedmiotu „skrzyżowanymi rękoma”, tzn. trzymanie obrabianego przedmiotu lewą ręką z prawej strony obok tarczy tnącej lub odwrotnie, jest bardzo niebezpieczne.
- f) **Gdy tarcza tnąca obraca się, nie wkładać rąk za ogranicznik. Zawsze zachowywać bezpieczną odległość minimum 100 mm między dłonią a obracającą się tarczą tnącą (dotyczy to obu stron tarczy, np. podczas usuwania odpadów drewnianych).** Odległość obracającej się tarczy tnącej w pobliżu ręki może być ewentualnie nieprawidłowo rozpoznana i grozi to ciężkimi obrażeniami.
- g) **Przed cięciem sprawdzić obrabiany przedmiot. Jeśli obrabiany przedmiot jest wygięty lub wykrzywiony, zamocować go stroną wygiętą na zewnątrz do ogranicznika. Zawsze upewnić się, że wzdłuż linii cięcia nie ma żadnej szczeliny między obrabianym przedmiotem, ogranicznikiem i stołem.** Wygięte lub wykrzywione przedmioty obrabiane mogą się obrócić lub przemieścić i spowodować zakleszczenie obracającej się tarczy tnącej podczas cięcia. W obrabianym przedmiocie nie może być gwoździ ani żadnych ciał obcych.
- h) **Korzystać z pilarki dopiero wtedy, gdy na stole nie ma narzędzi, odpadów drewnianych itp.; na stole może się znajdować tylko obrabiany przedmiot.** Małe odpady, luźne kawałki drewna lub inne przedmioty, które zetkną się z obracającą się tarczą, mogą zostać odrzucone z dużą prędkością.
- i) **Ciąć zawsze tylko jeden obrabiany przedmiot na raz.** Obrabianych elementów ułożonych w stos nie da się odpowiednio zamocować ani unieruchomić i mogą one spowodować zakleszczenie tarczy podczas cięcia.
- j) **Przed rozpoczęciem użytkowania ustawić pilarkę do cięcia kąтового i ukośnego na równej, stabilnej powierzchni roboczej.** Równa i stabilna powierzchnia robocza zmniejsza ryzyko niestabilności pilarki do cięcia kąтового i ukośnego.
- k) **Należy zaplanować pracę. Przy każdym przedstawieniu nachylenia tarczy tnącej lub zmianie kąta uciosu zwrócić uwagę, aby ruchomy ogranicznik był prawidłowo wyregulowany i podparcia obrabiany przedmiot, nie stykając się jednocześnie z tarczą ani osłoną.** Należy zasymulować cały ruch cięcia tarczy tnącej bez włączania urządzenia i bez obrabianego przedmiotu na stole, aby upewnić się, że nie będzie żadnych utrudnień oraz że nie dojdzie do nacięcia ogranicznika.
- l) **W przypadku obrabianych przedmiotów, które są szersze lub dłuższe niż powierzchnia stołu, należy zadbać o odpowiednie podparcie, np. przez przedłużenie stołu lub kozły do piłowania.** Obrabiane przedmioty, które są dłuższe lub szersze niż stół pilarki do cięcia kąowego i ukośnego, mogą przewrócić się, jeśli nie będą odpowiednio podarte. Jeśli odcięty kawałek drewna lub obrabiany przedmiot przewróci się, może to spowodować podniesienie się dolnej osłony i niekontrolowane odrzucenie jej przez obracającą się tarczę.

- m) **Nie korzystać z pomocy innych osób zamiast przedłużenia stołu lub dodatkowego podparcia.** Niestabilne podparcie obrabianego przedmiotu może doprowadzić do zakleszczenia się tarczy. Również obrabiany przedmiot może się przesunąć podczas cięcia i wciągnąć operatora oraz osobę pomagającą na obracającą się tarczę.
- n) **Odcięty fragment nie może zostać dociśnięty do obracającej się tarczy tnącej.** Jeśli jest mało miejsca, np. w przypadku stosowania ograniczników wzdłużnych, odcięty fragment może się zaklinować o tarczę i zostać odrzucony z dużą siłą.
- o) **Zawsze stosować ścisk śrubowy lub inny odpowiedni przyrząd do prawidłowego mocowania materiałów o przekroju okrągłym, takich jak drążki czy rury.** Drążki podczas cięcia mają tendencję do uciekania, w wyniku czego tarcza może się „wgrzyźć” i obrabiany przedmiot wraz z ręką może zostać wciągnięty na tarczę.
- p) **Przed rozpoczęciem cięcia obrabianego przedmiotu poczekać, aż tarcza osiągnie pełną prędkość obrotową.** Zmniejsza to ryzyko wyrzucenia obrabianego przedmiotu do przodu.
- q) **Jeśli obrabiany przedmiot zostanie zakleszczony lub tarcza zablokuje się, należy wyłączyć pilarkę. Poczekać, aż wszystkie ruchome części zatrzymają się, odłączyć wtyczkę sieciową i/ lub wyjąć akumulator. Następnie usunąć zakleszczony materiał.** Jeśli przy takim zakleszczeniu nadal będzie kontynuowane cięcie, może dojść do utraty kontroli i uszkodzenia pilarki do cięcia kąтового i ukośnego.
- r) **Po zakończeniu cięcia puścić przełącznik, przytrzymać głowicę pilarki na dole i przed wyjęciem odciętego kawałka poczekać, aż tarcza zatrzyma się.** Bardzo niebezpieczne jest sięganie ręką w pobliżu zatrzymującej się tarczy.
- s) **Należy mocno trzymać uchwyt, gdy wykonywane jest cięcie niepełne lub gdy przełącznik zostanie puszczony, zanim głowica pilarki znajdzie się w swoim dolnym położeniu.** Hamowanie pilarki może spowodować gwałtowne pociągnięcie głowicy pilarki na dół i doprowadzić do powstania obrażeń.

Wskazówki bezpieczeństwa dotyczące postępowania z brzeszczotami pił

1. Nie stosować uszkodzonych lub zdeformowanych brzeszczotów piły.
2. Nie używać brzeszczotów piły posiadających pęknięcia. Brzeszczoty piły posiadające pęknięcia należy wycofać z użytku. Ich naprawa jest niedozwolona.
3. Nie stosować brzeszczotów piły wykonanych ze stali szybkoobrotowej.
4. Przed przystąpieniem do użytkowania piły do cięcia poprzecznego i ukośnego sprawdzić stan tarcz tnących.
5. Stosować wyłącznie brzeszczoty piły odpowiednie do ciętego materiału.
6. Stosować wyłącznie brzeszczoty piły zalecane przez producenta. Jeżeli brzeszczoty piły są przewidziane do obróbki drewna lub podobnych materiałów, muszą być zgodne z EN 847-1.

7. Nie stosować brzeszczotów piły z wysokostopowej stali szybkoobrotowej (stali HSS).
8. Stosować wyłącznie tarcze tnące o dopuszczalnych obrotach maksymalnych nie mniejszych od maksymalnych obrotów wrzeciona piły do cięcia poprzecznego i ukośnego oraz nadające się do ciętego materiału.
9. Przestrzegać kierunku obrotu brzeszczotu piły.
10. Brzeszczotów piły używać tylko w przypadku znajomości ich obsługi.
11. Przestrzegać maksymalnej prędkości obrotowej. Nie wolno przekraczać maksymalnej prędkości obrotowej podanej na brzeszczocie piły. Przestrzegać zakresu prędkości obrotowej, jeśli jest podany.
12. Oczyszczyć powierzchnie mocowania z zanieczyszczeń, smaru, oleju i wody.
13. Nie stosować żadnych luźnych pierścieni lub tulei redukujących do zmniejszania otworów w brzeszczotach piły.
14. Zwrócić uwagę, by zamocowane pierścienie redukujące, zabezpieczające brzeszczot piły, posiadały tę samą średnicę i minimum 1/3 średnicy cięcia.
15. Upewnić się, że zamocowane pierścienie redukujące są ustawione równolegle względem siebie.
16. Zachować ostrożność podczas obsługi brzeszczotów piły. Najlepiej przechowywać je w oryginalnym opakowaniu lub specjalnych pojemnikach. Nosić rękawice ochronne, aby zwiększyć pewność chwytu i zmniejszyć ryzyko obrażeń.
17. Przed użyciem brzeszczotów piły upewnić się, że wszystkie urządzenia ochronne są prawidłowo zamocowane.
18. Przed rozpoczęciem pracy upewnić się, że stosowana tarcza tnąca odpowiada wymaganiom technicznym piły do cięcia poprzecznego i ukośnego urządzenia oraz jest prawidłowo zamocowana.
19. Załączonego brzeszczotu piły używać wyłącznie do prac pilarskich w drewnie, nigdy do obróbki metali.
20. Używać wyłącznie tarczy tnącej o średnicy zgodnej z danymi znajdującymi się na pilarence.
21. Stosować dodatkowe podpory obrabianego przedmiotu, jeśli jest to konieczne dla zapewnienia jego stabilności.
22. Przedłużenia podpory obrabianego przedmiotu muszą być zawsze zamocowane i używane podczas pracy.
23. Zużyta wkładkę stołową należy wymienić!
24. Unikać przegrzewania zębów piły.
25. Podczas cięcia tworzyw sztucznych nie dopuszczać do topienia się tworzywa sztucznego. W tym celu używać właściwych tarcz tnących. Uszkodzone lub zużyte tarcze tnące należy wymienić w odpowiednim czasie. Jeśli dojdzie do przegrzania tarczy tnącej, wyłączyć maszynę. Przed wznowieniem pracy poczekać na ostygnięcie narzędzia elektrycznego.



**Uwaga: Nie kierować wzroku
Nie patrzeć w kierunku promieni lasera
Klasa lasera 2**



Chronić siebie i swoje otoczenie przed zagrożeniami związanymi z wypadkami, stosując odpowiednie środki ostrożności!

- Nie patrzeć bezpośrednio w wiązkę lasera niezabezpieczonym okiem.
- Nigdy nie patrzeć bezpośrednio w drogę wiązki.
- Nigdy nie kierować wiązki lasera na powierzchnie odbijające światło oraz osoby lub zwierzęta. Nawet wiązka lasera o małej mocy może spowodować uszkodzenie oka.
- Uwaga - jeżeli stosowane są procedury inne niż określone tutaj, może to spowodować niebezpieczne narażenie na promieniowanie.
- Nigdy nie otwierać modułu laserowego. Może wystąpić nieoczekiwane narażenie na działanie promieniowania.
- Jeżeli urządzenie nie jest używane przez dłuższy czas, należy usunąć akumulatory.
- Lasera nie wolno zastępować laserami innego typu.
- Prace naprawcze przy laserze mogą być wykonywane wyłącznie przez producenta lub autoryzowanego przedstawiciela.

Wskazówki bezpieczeństwa dotyczące obchodzenia się z akumulatorami

1. Zawsze pamiętać, że akumulatory powinny zostać założone zgodnie z biegunami (+ i -) zaznaczonymi na akumulatorze.
2. Nie zwierać akumulatorów.
3. Nie ładować akumulatorów jednorazowego użytku.
4. Nie doprowadzić do całkowitego rozładowania akumulatora!
5. Nie mieszać starych i nowych akumulatorów oraz akumulatorów innego typu lub pochodzących od innych producentów! Akumulatory z jednego zestawu należy wymieniać w tym samym czasie.
6. Zużyte baterie natychmiast usunąć z urządzenia i zutylizować w odpowiedni sposób! Baterii nie wyrzucać wraz ze odpadami z gospodarstwa domowego. Zgodnie z dyrektywą 2006/66/WE uszkodzone lub zużyte baterie należy poddać recyklingowi. Baterie i / lub urządzenie zwracać przez dostępne składowiska. Informacji na temat możliwości utylizacji udziela urząd gminy lub miasta.
7. Nie rozgrzewać akumulatorów!
8. Nie wykonywać prac spawalniczych lub lutowniczych bezpośrednio w pobliżu akumulatorów!
9. Nie demontować akumulatorów!
10. Nie deformować akumulatorów!
11. Nie wrzucać akumulatorów do ognia!
12. Akumulatory przechowywać z dala od dzieci.
13. Dzieciom nie zezwalać na wymianę akumulatorów bez nadzoru osoby dorosłej!
14. Nie przechowywać akumulatorów w pobliżu ognia, pieców lub innych źródeł ciepła. Nie odkładać akumulatorów w miejscu, gdzie są narażone na bezpośrednie działanie promieni słonecznych lub nie przechowywać ich w samochodach w przypadku upału.
15. Nieużywane akumulatory przechowywać w oryginalnym opakowaniu z dala od metalowych przedmiotów. Rozpakowanych akumulatorów nie należy mieszać lub układać w nieładzie! Może to doprowadzić do zwarcia akumulatora, a tym samym do pojawienia się uszkodzeń, oparzeń lub całkowitego pożaru.


16. Akumulatory usunąć z urządzenia, jeżeli nie będzie ono używane przez jakiś czas, poza przypadkami awaryjnymi!
17. Akumulatorów, w których doszło do wylania elektrolitu NIGDY nie dotykać bez zastosowania odpowiedniej ochrony. Jeżeli dojdzie do zetknięcia skóry z elektrolitem, miejsce to należy natychmiast przepłukać pod bieżącą wodą. Kategorycznie zapobiegać przedostaniu się elektrolitu do ust lub oczu. W innym wypadku należy natychmiast udać się do lekarza.
18. Styki akumulatorów oraz przeciwstyki w urządzeniu należy oczyścić przed założeniem akumulatorów.

Ryzyka szczątkowe

Elektronarzędzie zostało skonstruowane zgodnie z najnowszym stanem techniki i uznanymi zasadami bezpieczeństwa technicznego. Jednak podczas pracy mogą się pojawić poszczególne ryzyka szczątkowe.

- Zagrożenie zdrowia spowodowane prądem w przypadku stosowania nieprawidłowych elektrycznych przewodów przyłączeniowych.
- Ponadto, pomimo wszelkich podjętych kroków, mogą się pojawić ukryte ryzyka szczątkowe.
- Ryzyka szczątkowe można zminimalizować przestrzegając rozdziału „Wskazówki bezpieczeństwa” oraz „Użytkowanie zgodne z przeznaczeniem”, jak i całej instrukcji obsługi.
- Nie obciążać niepotrzebnie maszyny: zbyt silny nacisk podczas cięcia może szybciej uszkodzić brzeszczot piły, co prowadzi do obniżenia wydajności maszyny podczas obróbki oraz zmniejsza dokładność cięcia.
- W przypadku cięcia plastikowych materiałów należy zawsze używać zacisków: elementy, które mają zostać poddane piłowaniu muszą zostać zamocowane zaciskami.
- Unikać przypadkowego uruchamiania maszyny: podczas wkładania wtyczki do gniazdka przycisk uruchamiający nie może być wciśnięty.
- Stosować narzędzie zalecane w niniejszym podręczniku. W ten sposób zapewni się optymalną wydajność maszyny.
- Nie zbliżać rąk do obszaru roboczego, gdy maszyna jest uruchomiona.
- Przed podjęciem prac nastawczych lub konserwacyjnych zwolnić przycisk Start i wyciągnąć wtyczkę sieciową.

7. Dane techniczne

Silnik prądu przemiennego.....	220 - 240 V~ 50Hz
Moc S1	1200 Watt
Tryb pracy.....	S6 25%* 1500W
Prędkość obrotowa na biegu jałowym n_0	5000 min ⁻¹
Tarcza tnąca z twardego metalu	∅ 210 x ∅ 30 x 2,6 mm
Liczba zębów	48
Maksymalna szerokość zęba brzeszczotu piły.....	3 mm
Zasięg obrotu	-45° / 0° / +45°
Cięcie ukośne	0° do 45° w lewo
Szerokość cięcia przy 90°	120 x 60 mm
Szerokość cięcia przy 45°	80 x 60 mm
Szerokość cięcia przy 2 x 45° (podwójne cięcie ukośne).....	80 x 35 mm
Klasa ochrony	II / 
Waga.....	ok. 7,6 kg
Klasa lasera.....	2
Długość fali lasera.....	650 nm
Moc lasera	< 1 mW

* Rodzaj pracy S6, praca okresowa długotrwała. Eksploatacja składa się z czasu rozruchu, z czasu pracy pod stałym obciążeniem i z czasu biegu jałowego. Czas pracy wynosi 10 min., względny czas uruchomienia wynosi 25% czasu pracy.

Element obrabiany musi posiadać minimalną wysokość wynoszącą 3 mm oraz szerokość wynoszącą 10 mm.

Zwrócić uwagę, by element obrabiany był zawsze zabezpieczony uchwytem mocującym.

Hałas

Hałas tej piły został zmierzony zgodnie z EN 62841.

Poziom ciśnienia akustycznego L_{pA}	99,6 dB(A)
Niepewność K_{pA}	3 dB
Poziom ciśnienia akustycznego L_{WA}	112,6 dB(A)
Niepewność K_{WA}	3 dB

Nosić nauszники ochronne.

Hałas może powodować utratę słuchu.

Podane wartości emisji hałasu zostały zmierzone według znormalizowanej metody badań i mogą zostać użyte w celu porównania danego narzędzia elektrycznego z innym.

Podane wartości emisji hałasu mogą zostać wykorzystane również do wykonania tymczasowego oszacowania obciążenia.

Ostrzeżenie:

- W trakcie rzeczywistego użytkowania narzędzia elektrycznego wartości emisji hałasu mogą różnić się od podanych wartości, w zależności od rodzaju i sposobu zastosowania narzędzia elektrycznego, a w szczególności rodzaju przedmiotu obrabianego.
- Ograniczać obciążenie do minimum. Przykładowe środki zaradcze: ograniczenie czasu pracy. Przy tym należy uwzględnić wszystkie części cyklu eksploatacyjnego (np. czas, w którym elektronarzędzie jest wyłączone, oraz czas, w którym narzędzie jest włączone, ale pracuje bez obciążenia).

8. Przed uruchomieniem

- Otworzyć opakowanie i wyjąć ostrożnie urządzenie.
- Usunąć materiał opakowaniowy oraz zabezpieczenia opakowania/transportowe (jeśli występują).
- Sprawdzić, czy zakres dostawy jest kompletny.
- Sprawdzić urządzenie i elementy wyposażenia pod kątem uszkodzeń transportowych.
- W miarę możliwości zachować opakowanie do zakończenia okresu gwarancyjnego.

UWAGA

Urządzenie i materiały opakowaniowe nie mogą służyć jako zabawka dla dzieci! Dzieciom nie wolno bawić się workami z tworzywa sztucznego, foliami i drobnymi elementami! Istnieje niebezpieczeństwo połknięcia i uduszenia!

Zapewnić stabilność i bezpieczeństwo maszyny poprzez zamocowanie jej np. do stołu roboczego.

- Maszynę należy ustawić na stabilnym podłożu. Zabezpieczyć maszynę 4 śrubami (nie są objęte zakresem dostawy) w otworach w stałym stole pilarki (9) na ławie warsztatowej, na podstawie itp.
- Przed uruchomieniem należy prawidłowo zamontować wszystkie osłony i urządzenia zabezpieczające.
- Brzeszczot piły musi się swobodnie poruszać.
- W przypadku obrobionego drewna zwracać uwagę na elementy obce, jak np. gwoździe lub śruby, itp.
- Przed uruchomieniem włącznika/wyłącznika upewnić się, czy brzeszczot piły jest zamontowany w prawidłowy sposób, a elementy ruchome swobodnie się poruszają.
- Przed podłączeniem maszyny upewnić się, że dane na tabliczce znamionowej są zgodne z parametrami sieci.

8.1 Montaż uchwytu elementu obrabianego (rys. 2)

- Odkręcić śrubę ustalającą (19) i zamontować uchwyt elementu obrabianego (15) po lewej lub po prawej stronie stabilnego stołu pilarki.
- Ponownie przykręcić śrubę ustalającą (19).

8.2 Montaż podpór elementu obrabianego (rys. 2 - 3)

- Odkręcić śrubę ustalającą (14), a podporę elementu obrabianego wprowadzić w otwór znajdujący się z boku stabilnego stołu pilarki.
- Zwrócić uwagę, by podpora elementu obrabianego (18) została wprowadzona również w obie nakładki dolnej części.
- Ponownie mocno przykręcić śrubę ustalającą (14).
- Taką samą procedurę powtórzyć również z drugiej strony.

8.3 Montaż pałką podporowego (rys. 2 - 3)

- Odkręcić śrubę ustalającą (20) na dolnej części pilarki i wprowadzić pałkę podporową (21) w odpowiednie otwory z tyłu pilarki.
- Ponownie przykręcić śrubę ustalającą (20).

8.4 Worek na wióry (rys. 4)

Pilarka jest wyposażona w worek na wióry (17).

- Ścisnąć metalowe skrzydełka worka pyłowego, a następnie założyć go na otwór wylotowy przy silniku.
- Worek na wióry (17) można opróżnić za pomocą suwaka znajdującego się pod spodem.

Podłączanie do zewnętrznego odsysania pyłu.

- Wąż odsysający podłączyć do odsysania pyłu.
- Odsysanie pyłu musi być przystosowane do obrabianego materiału.
- Do odsysania pyłów szczególnie szkodliwych dla zdrowia lub rakotwórczych należy stosować specjalne urządzenie odsysające.

8.5 Kontrola urządzenia zabezpieczającego ruchovej osłony tarczy tnącej (5)

Osłona tarczy tnącej zabezpiecza przed przypadkowym dotknięciem tarczy tnącej i wyrzucanymi wiórami.

Sprawdzić działanie.

W tym celu przechylić pilarkę na dół:

- Osłona tarczy tnącej musi zwolnić tarczę tnącą podczas odchylania na dół, nie dotykając innych elementów.
- Podczas podnoszenia pilarki do pozycji wyjściowej osłona tarczy tnącej musi automatycznie osłonić tarczę tnącą.

9. Montaż i obsługa

9.1 Montaż piły do cięcia poprzecznego i ukośnego (rys. 1 - 3)

- Odkręcić stół obrotowy (13) przez poluzowanie śruby ustalającej (7).
- Za pomocą uchwytu (3) ustawić stół obrotowy (13) pod żądanym kątem.

WSKAZÓWKA

Pilarkę do cięcia kąтового można obracać w lewo lub w prawo za pomocą stołu obrotowego. Skala umożliwi bardzo dokładne ustawienie kąta. Poprzez ustawienie rastra kąty od 0° do 45° można bardzo precyzyjnie i szybko przestawiać co 15°, 22,5°, 30°.

- Ponownie dokręcić śrubę ustalającą (7), by przymocować stół obrotowy.
- Po lekkim naciśnięciu głowicy maszyny (4) w dół i jednoczesnym wyciągnięciu sworznia zabezpieczającego (25) z uchwytu silnika, piła zostaje odblokowana z dolnej pozycji.
- Obrócić głowicę maszyny (4) do góry.
- Przyrząd mocujący (15) można przymocować zarówno z lewej, jak i z prawej strony do stabilnego stołu pilarki (9). Włożyć przyrząd mocujący (15) do właściwego otworu z tyłu szyny ogranicznikowej (8) i zabezpieczyć go gwiazdą śruby uchwytu (19).
- Głowicę maszyny (4) można przechylić w lewo maks. do 45° przez odkręcenie śruby ustalającej (23).
- Podpory obrabianego przedmiotu (18) muszą być zawsze zamocowane i używane podczas pracy.

9.2 Dokładna regulacja ogranicznika dla cięcia kąowego 90° (rys. 5)

Kątownik nie wchodzi w zakres dostawy.

- Opuścić głowicę maszyny (4) w dół i przymocować sworzniem zabezpieczającym (25).

- Poluzować śrubę ustalającą (23).
- Włożyć kątownik ogranicznika (A) między brzeszczot piły (6) i stół obrotowy (13).
- Poluzować nakrętkę zabezpieczającą (26a).
- Śrubę regulacyjną (26) wyregulować w taki sposób, by kąt między brzeszczotem piły (6) i stołem obrotowym (13) wynosił 90°.
- Ponownie dokręcić nakrętkę zabezpieczającą (26a).

9.3 Cięcie kątowe 90° i stół obrotowy 0° (rys. 1/2/3/6)

Uwaga! Przesuwana szyna przykładnicy (8a) musi być ustawiona na 90° - cięcie ukośne - w pozycji wewnętrznej.

- Poluzować śrubę ustalającą (8b) przesuwając szynę ogranicznika (8a) i przesunąć przesuwającą szynę ogranicznika (8a) do wewnątrz.
- Przykładnicę przesuwaną (8a) musi być tak daleko zablokowana w wewnętrznej pozycji, aż odległość między szyną przykładnicy (8a) a tarczą (6) będzie wynosić max. 8 mm.
- Przed cięciem sprawdzić, czy nie może dojść do kolizji pomiędzy szyną przykładnicy (8a) a tarczą (6).
- Z powrotem dokręcić śrubę mocującą (8b).
- Głowicę urządzenia (4) ustawić w pozycji górnej.
- Przyłożyć drewno do cieciska do szyny przykładnicy (8) i ułożyć na stole obrotowym (13).
- Materiał zamocować na unieruchomionym stole pilarki (9) przy pomocy przyrządów mocujących (15), by w trakcie procesu cięcia zapobiec przesunięciu. Por. punkt 9.12.
- Odblokować przetłacznik blokujący (2) i nacisnąć włącznik/wyłącznik (1), aby włączyć silnik.
- Za pomocą uchwytu (3) poruszać lekkim naciskiem w dół głowicę maszyny (4), aż tarcza piły (6) przetnie przecinany materiał.
- Po skończeniu pracy należy ponownie głowicę urządzenia ustawić w górnej pozycji spoczynku i zwolnić włącznik/wyłącznik (1).

Uwaga!

Dzięki sprężynie zwrotnej urządzenie odbija automatycznie do góry, tzn. po skończonym cięciu nie należy puszczać rękojeści (3), lecz przesunąć powoli i z lekkim naciskiem głowicę urządzenia do góry.

9.4 Cięcie pod kątem 90° oraz stół obrotowy 0° - 45° (rys. 1/2/3/6)

Za pomocą piły do cięcia poprzecznego i ukośnego można wykonywać cięcia skośne w lewo i w prawo pod kątem 0° - 45°.

Uwaga!

Przesuwana szyna przykładnicy (8a) musi być ustawiona na 90° - cięcie ukośne - w pozycji wewnętrznej.

- Poluzować śrubę ustalającą (8b) przesuwając szynę ogranicznika (8a) i przesunąć przesuwającą szynę ogranicznika (8a) do wewnątrz.
- Przykładnicę przesuwaną (8a) musi być tak daleko zablokowana w wewnętrznej pozycji, aż odległość między szyną przykładnicy (8a) a tarczą (6) będzie wynosić max. 8 mm.
- Przed cięciem sprawdzić, czy nie może dojść do kolizji pomiędzy szyną przykładnicy (8a) a tarczą (6).
- Z powrotem dokręcić śrubę mocującą (8b).

- Odkręcić stół obrotowy (13) przez poluzowanie śruby ustalającej (7).
- Za pomocą uchwytu (3) ustawić stół obrotowy (13) pod żądanym kątem.
- Ponownie dokręcić śrubę ustalającą (7), by przymocować stół obrotowy.
- Wykonać cięcie zgodnie z opisem w punkcie 9.3.

9.5 Dokładna regulacja przykładnicy do cięcia kośnego pod kątem 45° (rys. 1/2/3/6/7/8)

Kątownik nie wchodzi w zakres dostawy.

- Opuścić głowicę maszyny (4) w dół i przymocować sworzniem zabezpieczającym (25).
- Zamocować stół obrotowy (13) w pozycji 0°.
- Uwaga! Przesuwana szyna przykładnicy (8a) musi być ustawiona na cięcie ukośne (głowica tnąca nachylona) w pozycji zewnętrznej.
- Poluzować śrubę ustalającą (8b) przesuwnej szyny ogranicznika (8a) i przesunąć przesuwnej szyny ogranicznika (8a) do zewnątrz.
- Przykładnica przesuwana (8a) musi być tak daleko zablokowana w wewnętrznej pozycji, aż odległość między szyną przykładnicy (8a) a tarczą (6) będzie wynosić max. 8 mm.
- Przed cięciem sprawdzić, czy nie dochodzi do kolizji między szyną przykładnicy (8a) a tarczą (6).
- Z powrotem dokręcić śrubę mocującą (8b).
- Odkręcić śrubę ustalającą (23) i przechylić głowicę maszyny (4) w lewo do 45° za pomocą rękojeści (3).
- Kątownik ogranicznika 45° (B) włożyć między brzeszczot piły (6) i stół obrotowy (13).
- Poluzować nakrętkę zabezpieczającą (22a) i wyregulować śrubę regulacyjną (22) w taki sposób, by kąt między tarczą tnącą (6) i stołem obrotowym (13) wynosił dokładnie 45°.
- Ponownie dokręcić nakrętkę zabezpieczającą (22a).
- Następnie sprawdzić pozycję wskaźnika kąta. Jeżeli to konieczne, odkręcić wskaźnik (28) za pomocą śrubokręta do wkrętów z rowkiem krzyżowym, ustawić w pozycji 45° na skali kątowej (27) i ponownie dokręcić śrubę mocującą.

9.6 Cięcie ukośne pod kątem 0° - 45° oraz stół obrotowy na 0° (rys. 1/2/3/6)

Za pomocą piły do cięcia poprzecznego i ukośnego można wykonywać cięcia ukośne w lewo pod kątem 0° - 45° względem powierzchni roboczej.

Uwaga!

Przesuwana szyna przykładnicy (8a) musi być ustawiona na cięcie ukośne (głowica tnąca nachylona) w pozycji zewnętrznej.

Uwaga!

Podczas cięcia pod kątem 0° - 45° przyrząd mocujący (uchwyt przedmiotu obrabianego) (15) może być zamontowane tylko z prawej strony.

- Poluzować śrubę ustalającą (8b) przesuwnej szyny ogranicznika (8a) i przesunąć przesuwnej szyny ogranicznika (8a) do zewnątrz.
- Przykładnica przesuwana (8a) musi być tak daleko zablokowana w wewnętrznej pozycji, aż odległość między szyną przykładnicy (8a) a tarczą (6) będzie wynosić max. 8 mm.
- Przed cięciem sprawdzić, czy nie dochodzi do kolizji między szyną przykładnicy (8a) a tarczą (6).
- Z powrotem dokręcić śrubę mocującą (8b).

- Głowicę maszyny (4) ustawić w górnej pozycji.
- Zamocować stół obrotowy (13) w pozycji 0°.
- Odkręcić śrubę ustalającą (23) i przechylić głowicę maszyny (4) w lewo za pomocą rękojeści (3), aż wskaźnik (28) będzie wskazywał żądany wymiar kąta na skali (27).
- Dokręcić ponownie śrubę ustalającą (23).
- Wykonać cięcie zgodnie z opisem w punkcie 9.3.

9.7 Cięcie ukośne pod kątem 0° - 45° oraz stół obrotowy na 0° - 45° (rys. 1/2/3/6)

Za pomocą piły do cięcia poprzecznego i ukośnego można wykonywać cięcia ukośne w lewo pod kątem 0° - 45° względem powierzchni roboczej i jednocześnie pod kątem 0° - 45° względem szyny ogranicznika (podwójne cięcie ukośne).

Uwaga!

Przesuwana szyna przykładnicy (8a) musi być ustawiona na cięcie ukośne (głowica tnąca nachylona) w pozycji zewnętrznej.

Uwaga!

Podczas cięcia pod kątem 0° - 45° przyrząd mocujący (uchwyt przedmiotu obrabianego) (15) może być zamontowane tylko z prawej strony.

- Poluzować śrubę ustalającą (8b) przesuwnej szyny ogranicznika (8a) i przesunąć przesuwnej szyny ogranicznika (8a) do zewnątrz.
- Przykładnica przesuwana (8a) musi być tak daleko zablokowana w wewnętrznej pozycji, aż odległość między szyną przykładnicy (8a) a tarczą (6) będzie wynosić max. 8 mm.
- Przed cięciem sprawdzić, czy nie dochodzi do kolizji między szyną przykładnicy (8a) a tarczą (6).
- Z powrotem dokręcić śrubę mocującą (8b).
- Głowicę maszyny (4) ustawić w górnej pozycji.
- Odkręcić stół obrotowy (13) przez poluzowanie śruby ustalającej (7).
- Za pomocą uchwytu (3) ustawić stół obrotowy (13) pod żądanym kątem.
- Ponownie dokręcić śrubę ustalającą (7), by przymocować stół obrotowy.
- Odkręcić śrubę ustalającą (23).
- Za pomocą uchwytu (3) przechylić głowicę maszyny (4) w lewo, do żądanego rozmiaru kąta (patrz również punkt 9.6).
- Dokręcić ponownie śrubę ustalającą (23).
- Wykonać cięcie zgodnie z opisem w punkcie 9.3.

9.8 Wymiana tarczy tnącej (rys. 1/2/3/9/10)

Wyjąć wtyczkę sieciową!

Uwaga!

Podczas wymiany brzeszczotu piły zakładać rękawice ochronne! Niebezpieczeństwo odniesienia obrażeń!

- Obrócić głowicę maszyny (4) do góry i zablokować trzpieniem zabezpieczającym (25).
- Osłonę tarczy tnącej (5) przestawić w górę tak, aby osłona tarczy tnącej (5) znajdowała się nad śrubą kołnierkową (29).
- Jedną ręką nałożyć klucz imbusowy (C) na nakrętkę kołnierkową (29).
- Przytrzymać klucz imbusowy (C) i powoli zamknąć osłonę brzeszczotu piły (5), aż będzie ona przylegać do klucza imbusowego (C).

- Mocno wcisnąć blokadę wałka piły (32) i powoli okręcać śrubę kołnierзовą (29), zgodnie z ruchem wskazówek zegara. Po maks. 1 obrocie blokada wałka piły zatrzaśnie się (32).
- Teraz, większą siłą należy poluzować śrubę kołnierзовą (29) zgodnie z kierunkiem ruchu wskazówek zegara.
- Całkowicie wykręcić śrubę kołnierзовą (29) i ściągnąć kołnierz zewnętrzny (30).
- Zdjąć brzeszczot piły (6) z kołnierza wewnętrznego i wyciągnąć w dół.
- Śrubę kołnierзовą (29), kołnierz zewnętrzny (30) oraz kołnierz wewnętrzny starannie wyczyścić.
- Nową tarczę piły (6) zamontować w odwrotnej kolejności i dokręcić.
- Uwaga! Nachylenie zębów tarczy piły tzn. kierunek obrotów tarczy piły (6) musi zgadzać się z kierunkiem strzałki na obudowie urządzenia.
- Przed dalszą pracą sprawdzić funkcjonowanie elementów zabezpieczających.
- Uwaga! Po każdej wymianie tarczy sprawdzić, czy tarcza piły obraca się swobodnie we wkładce stołu (10) w pozycji pionowej, jak również przechylona pod kątem 45°.

Uwaga!

Wymiana i wyważanie tarczy piły (6) muszą być wykonane zgodnie z zaleceniami.

9.9 Wymiana akumulatorów lasera (rys. 11)

- Zdjąć pokrywę akumulatora (34). Usunąć 2 akumulatory.
- Akumulatory zastąpić akumulatorami tego samego typu. Zwrócić uwagę, by zostały założone zgodnie z kierunkiem biegunów starych akumulatorów.
- Zamknąć pokrywę akumulatorów.

9.10 Włączanie / wyłączenie lasera (rys. 11)

Włączanie:

Włącznik/ Wyłącznik (33) ustawić w pozycji „I”. Linia lasera pojawi się na obrabianym materiale i pokaże dokładne prowadzenie cięcia.

Wyłączanie:

Włącznik/ Wyłącznik ustawić w pozycji „0”.

9.11 Regulowanie lasera (rys. 12)

Jeżeli laser (35) nie pokazuje prawidłowej linii cięcia, można go wyregulować. W tym celu odkręcić śruby (36) i przesuwając w bok ustawić laser w taki sposób, by promień lasera celował w zęby tnące piły (6).

9.12 Obsługa uchwytu przedmiotu obrabianego (rys. 1, 2)

Za pomocą śrub ustalających (16) można ustawić wysokość uchwytu przedmiotu obrabianego (15).

- Opuścić uchwyt przedmiotu obrabianego na przedmiot obrabiany.
- Dokręcić śrubę ustalającą (16).
- Obrócić uchwyt zaciskowy (24) zgodnie z ruchem wskazówek zegara, aby zacisnąć przedmiot obrabiany.
- Aby zwolnić przedmiot obrabiany, wykonać czynności w odwrotnej kolejności.

10. Transport (rys. 13)

- Aby zablokować stół obrotowy (13) należy przykręcić uchwyt mocujący (7).
- Nacisnąć głowicę maszyny (4) na dół i zablokować bolcem zabezpieczającym (25). Piła jest teraz w przestawiona do pozycji dolnej.
- Przenieść maszynę za uchwyt (37).
- W celu ponownego złożenia urządzenia, postępować zgodnie z punktem 8 - 9.

11. Konserwacja

⚠ Ostrzeżenie!

Przed rozpoczęciem wszelkich prac związanych z ustawianiem, obsługą techniczną i naprawą wyciągnąć wtyczkę sieciową!

Ogólne czynności konserwacyjne

Od czasu do czasu przecierać maszynę ściereczką, by usunąć wióry i pył. W celu wydłużenia żywotności narzędzia naoliwić elementy obrotowe raz w miesiącu. Nie oliwić silnika. Nie używać żadnych żrących środków do czyszczenia tworzywa sztucznego.

Czyszczenie urządzenia zabezpieczającego ruchomej osłony tarczy tnącej (5)

Przed każdym uruchomieniem sprawdzić, czy osłona tarczy tnącej nie jest zanieczyszczona.

Usunąć wióry i małe kawałki drewna korzystając z pędzla lub innego narzędzia o podobnym przeznaczeniu.

Wymiana wkładki stołowej (rys. 14)

Niebezpieczeństwo!

W przypadku uszkodzonej wkładki stołowej (10) występuje niebezpieczeństwo zakleszczenia małych przedmiotów pomiędzy wkładką stołową a tarczą tnącą i zablokowania tarczy tnącej.

Uszkodzone wkładki stołowe należy natychmiast wymienić!

1. Wykręcić śruby (E) wkładki stołowej.
2. Zdjąć wkładkę stołową.
3. Włożyć nową wkładkę stołową.
4. Dokręcić śruby (E) wkładki stołowej.

Przegląd szczotek

Szczotki węglowe w nowej maszynie lub nowo zamontowane sprawdzić po 50 roboczogodzinach. Po pierwszej kontroli sprawdzać je co 10 roboczogodzin.

Jeżeli materiał węglowy zostanie zużyty do długości 6 mm, sprężyna lub przewód bocznika przepalą się lub ulegną uszkodzeniu, należy wymienić obie szczotki. Jeżeli po wymontowaniu zostanie stwierdzone, że szczotki nadają się do dalszego zastosowania, można je ponownie zamontować.

W celu przeprowadzenia konserwacji szczotek węglowych otworzyć obydwie blokady (zgodnie z rysunkiem 15) w kierunku przeciwnym do ruchu wskazówek zegara. Następnie zdjąć szczotki węglowe.

Założyć ponownie szczotki węglowe w odwrotnej kolejności.

Informacje serwisowe

Należy pamiętać, że w przypadku tego produktu poniższe części podlegają naturalnemu zużyciu lub zużyciu uwarunkowanemu użytkowaniem, bądź są potrzebne jako materiały zużywalne.

Części zużywające się*: szczotki węglowe, tarcza tnąca, wkładki stołowe, worki na wióry

* opcjonalnie w zakresie dostawy!

12. Przechowywanie

Urządzenie i jego wyposażenie przechowywać w miejscu ciemnym, suchym i zabezpieczonym przed mrozem oraz niedostępnym dla dzieci. Optymalna temperatura przechowywania wynosi od 5 do 30°C.

Narzędzie elektryczne przechowywać w oryginalnym opakowaniu.

Przykryć narzędzie elektryczne, by chronić je przed pyłem lub wilgocią.

Zachować instrukcję obsługi urządzenia elektrycznego.

13. Przyłącze elektryczne

Zainstalowany silnik elektryczny jest gotowy do eksploatacji. Przyłącze odpowiada właściwym przepisom VDE (Związek Elektryków Niemieckich) oraz normom DIN. Przyłącze sieciowe udostępniane przez klienta oraz przedłużacz muszą być zgodne z powyższymi przepisami.

Ważne wskazówki

W przypadku przeciążenia silnika wyłącza się samoczynnie. Po czasie chłodzenia (zróżnicowany), silnik można ponownie uruchomić.

Uszkodzony elektryczny przewód przyłączeniowy

Na przewodach elektrycznych powstają często uszkodzenia izolacji.

Przyczyną może być:

- Ściskanie, w przypadku gdy przewody są prowadzone przez okna lub szczeliny w drzwiach.
- Zagięcia, w przypadku nieprawidłowego zamocowania lub prowadzenia przewodów.
- Przecięcia, w przypadku najeżdżania na przewody.
- Uszkodzenia izolacji, w przypadku wrywania z gniazdka ściennego.
- Pęknięcia, spowodowane starzeniem się izolacji.

Uszkodzonych przewodów elektrycznych nie wolno używać - ze względu na uszkodzenie izolacji zagrażając życiu.

Przewody elektryczne należy regularnie kontrolować pod kątem uszkodzeń. Pamiętać, by podczas sprawdzania przewodu nie był on podłączony do sieci elektrycznej.

Przewody elektryczne muszą odpowiadać właściwym przepisom VDE (Związek Elektryków Niemieckich) oraz normom DIN. Stosować wyłącznie przewody przyłączeniowe z oznaczeniem „H05VV-F”.

Przestrzegać informacji znajdującej się na oznaczeniu typu umieszczonym na przewodzie.

Wskazówki dotyczące bezpieczeństwa odnoszące się do wymiany uszkodzonych przewodów przyłączeniowych do sieci

Typ X:

Jeżeli przewód przyłączeniowy do sieci tego urządzenia ulegnie uszkodzeniu, należy go wymienić na specjalny przewód przyłączeniowy, który jest dostępny u producenta lub za pośrednictwem serwisu klienta.

Silnik prądu przemiennego:

Napięcie sieciowe musi wynosić 220 - 240 V~.

- Przedłużacze o długości 25 m muszą posiadać przekrój wynoszący 1,5 milimetra kwadratowego.
- Podłączanie oraz naprawy wyposażenia elektrycznego mogą być przeprowadzane przez wykwalifikowanego elektryka.

W przypadku pytań proszę o podanie następujących danych:

- Rodzaj prądu silnika
- Dane z tabliczki identyfikacyjnej silnika

14. Utylizacja i ponowne wykorzystanie

Urządzenie znajduje się w opakowaniu chroniącym przed uszkodzeniami transportowymi. Opakowanie jest materiałem surowcowym, który nadaje się do ponownego wykorzystania i można wprowadzić go do obiegu surowców.

Urządzenie i jego wyposażenie są wykonane z różnych materiałów, np. metalu i tworzyw sztucznych. Uszkodzone elementy dostarczyć do punktu zbiorczego odpadów specjalnych. Zasięgnąć informacji w specjalistycznym punkcie sprzedaży lub w zarządzie gminy!



Opakowanie jest wykonane z materiałów przyjaznych dla środowiska, które można utylizować w miejscowych punktach zajmujących się recyklingiem.

Informacji o możliwościach utylizacji starych urządzeń można zasięgnąć w urzędzie miasta lub gminy.

Zużytego sprzętu nie wolno wyrzucać wraz z odpadami domowymi!



Symbol ten oznacza, że zgodnie z dyrektywą w sprawie zużytego sprzętu elektrycznego i elektronicznego (2012/19/UE) oraz przepisami krajowymi niniejszego produktu nie wolno utylizować wraz z odpadami domowymi. Produkt ten należy przekazać do przeznaczonego do tego celu punktu zbiórki. Można to zrobić np. poprzez zwrot przy zakupie podobnego produktu lub przekazanie do autoryzowanego punktu zbiórki zajmującego się recyklingiem zużytego sprzętu elektrycznego i elektronicznego. Nieprawidłowe obchodzenie się z użytym sprzętem może mieć negatywny wpływ na środowisko i zdrowie ludzkie ze względu na potencjalnie niebezpieczne materiały, które często znajdują się w użytym sprzęcie elektrycznym i elektronicznym. Poprzez prawidłową utylizację tego produktu przyczyniają się Państwo także do efektywnego wykorzystania zasobów naturalnych. Informacje dotyczące punktów zbiórki zużytego sprzętu można otrzymać w urzędzie miasta, od podmiotu publiczno-prawnego zajmującego się utylizacją, autoryzowanej jednostki odpowiedzialnej za utylizację zużytego sprzętu elektrycznego i elektronicznego lub w firmie obsługującej wywóz śmieci w Państwa miejscu zamieszkania.

Baterii i akumulatorów nie wolno wyrzucać wraz z odpadami domowymi!



Jako konsumenci są Państwo ustawowo zobowiązani do przekazywania wszystkich baterii i akumulatorów, niezależnie od tego, czy zawierają one substancje szkodliwe* czy nie, do punktu zbiórki w Państwa gminie/dzielnicy lub do placówki handlowej, aby umożliwić ich bezpieczną dla środowiska utylizację.

* oznaczone symbolami: Cd = kadm, Hg = rtęć, Pb = ołów

Przed utylizacją sprzętu i baterii należy wyjąć baterie z lasera.

15. Pomoc dotycząca usterek

Usterka	Możliwa przyczyna	Środek zaradczy
Silnik nie działa	Silnik, kabel lub wtyczka uszkodzone, przepalony bezpiecznik	Zlecić sprawdzenie maszyny specjalście. Nigdy nie naprawiać silnika samodzielnie. Zagrożenie! Sprawdzić bezpieczniki, ew. wymienić
Silnik uruchamia się powoli i nie osiąga prędkości roboczej.	Napięcie zbyt niskie, zwoje uszkodzone, kondensator przepalony.	Zlecić sprawdzenie napięcia przez zakład energetyczny. Zlecić sprawdzenie silnika przez specjalistę. Zlecić wymianę kondensatora przez specjalistę
Silnik emituje zbyt duży hałas.	Zwoje uszkodzone, silnik uszkodzony.	Zlecić sprawdzenie silnika przez specjalistę.
Silnik nie osiąga całkowitej mocy.	Obwody prądowe w instalacji sieciowej przeciążone (lampy, inne silniki, itp.)	Nie stosować innych urządzeń lub silników w tym samym obwodzie prądowym
Silnik łatwo się przegrzewa.	Przeciążenie silnika, niedostateczne chłodzenie silnika.	Zapobiegać przeciążeniu silnika podczas ciecienia, usuwać pył z silnika, w celu zagwarantowania optymalnego chłodzenia silnika
Cięcie jest szorstkie lub falowane	Brzeszczot piły tępy, forma zębów nieprawidłowa dla grubości materiału	Naostrzyć brzeszczot piły lub użyć odpowiedniego brzeszczotu
Element obrabiany rozrywa się lub rozpryskuje	Docisk cięcia zbyt duży lub brzeszczot nie nadaje się do zastosowania	Włożyć odpowiedni brzeszczot piły

16. Gwarancja

Droży Klienci,

Wszystkie nasze produkty przechodzą przez rygorystyczną kontrolę jakości, aby zapewnić, że dotrą do Państwa w idealnym stanie. W mało prawdopodobnej sytuacji wystąpienia usterki w Państwa urządzeniu, proszę skontaktować się z naszym działem serwisu pod adresem podanym w niniejszej karcie gwarancyjnej. Oczywiście, jeśli wolelibyście Państwo do nas zadzwonić, jesteśmy również gotowi zaoferować pomoc pod numerem telefonu serwisu wydrukowanym poniżej. Proszę zwrócić uwagę na następujące warunki gwarancyjne, jakich należy przestrzegać w celu zgłaszania roszczeń gwarancyjnych:

- Te warunki gwarancji dotyczą dodatkowych uprawnień gwarancyjnych i w żadnym stopniu nie ograniczają Państwa praw ustawowych. Niniejsza gwarancja jest oferowana bezpłatnie.
- Nasza gwarancja obejmuje jedynie problemy wynikające z wad materiałowych lub wad wykonania i ogranicza się do usunięcia tych wad lub wymiany urządzenia. Proszę zwrócić uwagę, że nasze urządzenia nie są przeznaczone do użytkowania w zastosowaniach komercyjnych, handlowych lub przemysłowych. W związku z powyższym, gwarancja traci ważność, jeśli urządzenie zostanie wykorzystane w zastosowaniach komercyjnych, handlowych lub przemysłowych lub w innych równoważnych zastosowaniach. Gwarancja nie obejmuje również następujących kwestii: odszkodowanie za uszkodzenia w transporcie, uszkodzenia spowodowane nieprzestrzeganiem instrukcji instalacji/montażu lub uszkodzenia spowodowane niefachową instalacją, nieprzestrzeganiem instrukcji obsługi (np. podłączenie do błędnego napięcia lub natężenia sieciowego), błędnym lub nieodpowiednim użytkowaniem (np. przeciążenie urządzenia lub użycie niezatwierdzonych narzędzi lub akcesoriów), nieprzestrzeganiem przepisów konserwacji lub bezpieczeństwa, przedostaniem się ciał obcych do urządzenia (np. piasek, kamienie lub pył), rezultaty użycia siły lub zewnętrznych czynników (np. uszkodzenie spowodowane upuszczeniem urządzenia) i normalne zużycie wynikające z poprawnego użytkowania urządzenia.

Każda próba ingerencji w urządzenie lub jego modyfikacji skutkuje unieważnieniem gwarancji.

- Gwarancja obowiązuje przez 3 lata od dnia zakupu urządzenia. Roszczenia gwarancyjne należy składać przed upływem okresu gwarancji w okresie dwóch tygodni od zauważenia wady. Roszczenia gwarancyjne składane po upływie okresu gwarancji nie będą przyjmowane. Wraz z wymianą urządzenia lub jego części składowych rozpoczyna się ponownie okres gwarancyjny zgodnie z art. 581§1 Kodeksu Cywilnego. Dotyczy to również korzystania z serwisu na miejscu.
- W celu zgłoszenia roszczenia gwarancyjnego należy skorzystać z podanego poniżej adresu serwisu. Jeżeli reklamacja zostanie złożona w okresie objętym gwarancją, udostępniemy Państwu formularz zwrotu, który umożliwi bezpłatne odesłanie uszkodzonego urządzenia. Bardzo pomoże nam jak najbardziej szczegółowe opisanie przez Państwa charakteru problemu. Jeśli wada jest objęta gwarancją, urządzenie zostanie albo niezwłocznie naprawione i przekazane Państwu albo prześlemy Państwu nowe urządzenie.

Oczywiście z przyjemnością oferujemy także usługę odpłatnej naprawy wad, które nie są objęte zakresem niniejszej gwarancji, a także usługi pogwarancyjnej naprawy urządzeń. Aby skorzystać z takich usług, proszę przelać urządzenie na adres naszego serwisu.

Infolinia serwisu (PL):

00800 4003 4003
(0,00 €/Min.)

Adres e-mail (PL):

service.PL@scheppach.com

Adres serwisu (PL):

Arconet Sp. Z o.o
ul. Grobelnego 4
PL - 05-300 Minsk Mazowiecki



Na stronie www.lidl-service.com można pobrać ten oraz wiele innych podręczników, filmów produktowych oraz programów instalacyjnych.

Za pomocą kodu QR przechodzi się bezpośrednio do strony serwisu Lidl (www.lidl-service.com), a po wpisaniu numeru artykułu (IAN) 373880_2104 można pobrać instrukcję obsługi.

Obsah:	Strana:
1. Vysvetlenie symbolov na prístroji.....	90
2. Úvod	91
3. Popis prístroja (obr. 1-13).....	91
4. Rozsah dodávky.....	92
5. Použitie v súlade s určením.....	92
6. Bezpečnostné upozornenia.....	92
7. Technické údaje.....	96
8. Pred uvedením do prevádzky.....	96
9. Zloženie a obsluha.....	97
10. Doprava (obr. 13).....	99
11. Údržba.....	99
12. Skladovanie.....	100
13. Elektrická prípojka.....	100
14. Likvidácia a opätovné zhodnotenie.....	100
15. Odstraňovanie porúch.....	101
16. Záručný list	102
17. Rozložený výkres.....	133
18. Vyhlásenie o zhode	135

1. Vysvetlenie symbolov na prístroji



SK

Pred uvedením do prevádzky si prečítajte návod na obsluhu a bezpečnostné upozornenia a dodržiavajte ich!



SK

Noste ochranné okuliare!



SK

Noste ochranu sluchu!



SK

Pri tvorbe prachu noste ochranu dýchania!



SK

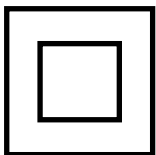
Pozor! Nebezpečenstvo poranenia! Nesiahajte do bežiaceho pílového kotúča!



Achtung! - Laserstrahlung
Nicht in den Strahl blicken!
Laser Klasse 2
Laserspezifikation nach EN 60825-1:2014
λ = 650 nm P_e < 1 mW

SK

Pozor! Laserové žiarenie



SK

Trieda ochrany II (dvojitá izolácia)

2. Úvod

Výrobca: scheppach

Fabrikation von Holzbearbeitungsmaschinen GmbH
Günzburger Straße 69
D-89335 Ichenhausen

Vážení zákazníci,

Želáme Vám veľa zábavy a úspechov pri práci s Vaším novým prístrojom.

Upozornenie:

Výrobca tohto prístroja neručí podľa platného zákona o ručení za výrobok za škody, ktoré vzniknú na tomto prístroji alebo budú spôsobené týmto prístrojom pri:

- neodbornej manipulácii,
- nedodržovaní návodu na obsluhu,
- opravách tretími osobami, neautorizovanými odborníkmi,
- montáži a výmene neoriginálnych náhradných dielov,
- použití v rozpore s určením,
- Výpadky elektrického zariadenia pri nedodržovaní elektrických predpisov a ustanovení VDE 0100, DIN 57113/VDE0113.

Dodržiavajte:

Pred montážou a uvedením do prevádzky si prečítajte celý text návodu na obsluhu.

Návod na obsluhu vám má uľahčiť, aby ste sa oboznámili s prístrojom a používali ho v súlade s jeho určenými možnosťami použitia.

Návod na obsluhu obsahuje dôležité pokyny, ako s prístrojom bezpečne, odborne a hospodárne pracovať a ako zabráňte nebezpečenstvám, ušetríte náklady na opravy, znížite časy prestojov a zvýšite spoľahlivosť a životnosť príslušenstva.

Okrem bezpečnostných ustanovení tohto návodu na obsluhu musíte bezpodmienečne dodržiavať predpisy svojej krajiny platné pre prevádzku prístroja.

Návod na obsluhu uschovajte pri prístroji a v plastovom obale, aby bol chránený pred špinou a vlhkosťou. Všetci obsluhujúci pracovníci si ho musia pred začiatkom práce prečítať a starostlivo ho dodržiavať.

Na prístroji môžu pracovať len osoby, ktoré boli poučené o používaní prístroja a boli informované o nebezpečenstvách, ktoré sú s tým spojené. Treba dodržiavať požadovaný minimálny vek.

Okrem bezpečnostných upozornení obsiahnutých v tomto návode na obsluhu a osobitných predpisov vašej krajiny treba rešpektovať všeobecne uznávané technické pravidlá pre prevádzku konštrukčne rovnakých strojov.

Nepreberáme zodpovednosť za žiadne nehody ani škody, ku ktorým dôjde v dôsledku nedodržania tohto návodu a bezpečnostných upozornení.

3. Popis prístroja (obr. 1-13)

1. Vypínač zap/vyp
 2. Blokovací spínač
 3. Rukoväť
 4. Hlava stroja
 5. Pohyblivá ochrana pílového kotúča
 6. Pílový kotúč
 7. Fixačná skrutka otočného stola
 8. Dorazová lišta
 - 8a. Posuvná dorazová lišta
 - 8b. Fixačná skrutka
 9. Pevný stôl pily
 10. Vložka stola
 11. Stupnica
 12. Ukazovateľ
 13. Otočný stôl
 14. Fixačná skrutka podložky pod obrobok
 15. Upínacie zariadenie (Upínač obrobku)
 16. Fixačná skrutka
 17. Vrecko na zachytávanie pilín
 18. Podložka pod obrobok
 19. Fixačná skrutka upínacie zariadenie
 20. Fixačná skrutka sklopná poistka
 21. Strmeň
 22. Nastavovacia skrutka (45°)
 - 22a. Poistná matica nastavovacia skrutka (45°)
 23. Fixačná skrutka
 24. Zvieracia rukoväť
 25. Poistný kolík
 26. Nastavovacia skrutka (90°)
 - 26a. Poistná matica nastavovacia skrutka (90°)
 27. Stupnica
 28. Ukazovateľ
 29. Prírubová skrutka
 30. Vonkajšia príruha
 31. Vodiaci strmeň
 32. Blokovanie hriadeľa pily
 33. Zapínač/vypínač lasera
 34. Kryt batérie
 35. Laser
 36. Skrutka (laser)
 37. Prepravná rukoväť
- (A) 90° príložný uholník (neobsiahnutý v rozsahu dodávky)
(B) 45° dorazový uholník (nie je súčasťou dodávky)
(C) Imbusový kľúč 6 mm
(D) Imbusový kľúč, 3 mm
(E) Skrutka s krížovou drážkou (vločka stola)

4. Rozsah dodávky

- Skracovacia a pokosová píla
- Vrečko na triesky
- Upínač obrobku
- Inbusový kľúč 6 mm (C)
- Inbusový kľúč 3 mm (D)
- 2 podložky pod obrobok
- Strmeň
- 2 uhlíkové kefy
- 2 batérie (AAA)
- Návod na obsluhu

5. Použitie v súlade s určením

Skracovacia a pokosová píla slúži na skracovanie dreva a plasty, zodpovedajúc veľkosti stroja. Píla nie je vhodná na pílenie palivového dreva.

Varovanie!

Prístroj nepoužívajte na rezanie iných materiálov, než aké sú opísané v návode na obsluhu.

Varovanie!

Dodaný pílový kotúč je určený výlučne na rezanie dreva! Nepoužívajte ho na pílenie palivového dreva!

Stroj sa môže používať iba v súlade so svojim určením. Každé iné použitie presahujúce určenie je považované za používanie v rozpore s určením. Za škody z neho vzniknuté alebo poranenia akéhokoľvek druhu ručí používateľ/obsluha a nie výrobca. Používať sa smú iba pílové kotúče, ktoré sú vhodné pre stroj. Použitie rozbrusovacích kotúčov všetkých druhov je zakázané. Súčasťou používania v súlade s určením je aj dodržiavanie bezpečnostných upozornení, ako aj návodu na montáž a prevádzkových pokynov v návode na obsluhu.

Osoby, ktoré obsluhujú stroj a vykonávajú údržbu, musia byť oboznámené so strojom a možnými nebezpečenstvami.

Okrem toho sa musia čo najdôkladnejšie dodržiavať predpisy na zabránenie úrazom.

Musia sa dodržiavať aj iné všeobecné pracovno-lekárske a bezpečnostno-technické pravidlá.

Pri škodách vzniknutých v dôsledku zmien na stroji sa vylučuje záruka výrobcu.

Napriek používaniu v súlade s určením nie je možné celkom vylúčiť určité faktory zostatkového rizika. Podmienené konštrukciou a výstavbou stroja sa môžu vyskytnúť nasledujúce prípady:

- Kontakt s pílovým kotúčom v nezakrytej oblasti píly,
- Zasiahnutie do bežiacieho pílového kotúča (rezné poranenie).
- Spätný náraz obrobkov a častí obrobkov.
- Zlomenia pílového kotúča.
- Vyhodenie chybných častí pílového kotúča z tvrdého kovu.
- Poškodenia sluchu pri nepoužívaní potrebnej ochrany sluchu.
- Zdraviu škodlivé emisie z drevených prachov pri používaní v uzatvorených priestoroch,

Dbajte, prosím, na to, že naše prístroje neboli v súlade s určením skonštruované na komerčné, remeselné ani priemyselné použitie. Ak sa prístroj používa v komerčných, remeselných alebo priemyselných podnikoch, ako aj na podobné činnosti, nepreberáme žiadnu záruku.

6. Bezpečnostné upozornenia

Všeobecné bezpečnostné upozornenia pre elektrické náradia

⚠ VÝSTRAHA! Prečítajte si všetky bezpečnostné upozornenia, pokyny, ilustrácie a technické údaje, ktorými je opatrené toto elektrické náradie. Zanedbania pri dodržiavaní bezpečnostných upozornení a pokynov môžu spôsobiť zásah elektrickým prúdom, požiar a/alebo ťažké poranenia!

Všetky bezpečnostné upozornenia a pokyny uschovajte pre prípad neskoršieho použitia.

Pojem „elektrické náradie“ použitý v bezpečnostných upozorneniach sa vzťahuje na elektrické náradie napájané zo siete (so sieťovým káblom) alebo na elektrické náradie napájané z akumulátora (bez sieťového vedenia).

1. Bezpečnosť pracoviska

- Pracovný priestor udržiavajte čistý a dobre osvetlený.** Neporiadok a neosvetlené pracovné priestory môžu viesť k úrazom.
- S elektrickým náradím nepracujte v prostredí ohrozenom výbuchom, v ktorom sa nachádzajú horľavé kvapaliny, plyny alebo prach.** Elektrické prístroje vytvárajú iskry, ktoré môžu zapáliť prach alebo výpary.
- Deti a iné osoby držte v dostatočnej vzdialenosti od elektrického prístroja počas jeho používania.** Pri nepozornosti môžete stratiť kontrolu nad elektrickým náradím.

2. Elektrická bezpečnosť

- Pripojovacia zástrčka elektrického prístroja musí pasovať do zásuvky.** Zástrčka sa nesmie nijako upravovať. Nepoužívajte adaptérové zástrčky spolu s uzemnenými elektrickými prístrojmi. Neupravované zástrčky a vhodné zásuvky znižujú riziko zásahu elektrickým prúdom.
- Vyhýbajte sa telesnému kontaktu s uzemnenými plochami, ako napríklad rúry, vykurovacie zariadenia, sporáky a chladničky. Keď je vaše telo uzemnené, hrozí zvýšené riziko zásahu elektrickým prúdom.**
- Chráňte elektrické prístroje pred dažďom alebo vlhkosťou.** Vniknutie vody do elektrického náradia zvyšuje riziko zásahu elektrickým prúdom.
- Nepoužívajte pripájacie vedenie na nosenie či zavesenie elektrického náradia, ani na vytiahnutie zástrčky zo zásuvky.** Chráňte pripájacie vedenie pred vysokými teplotami, olejom, ostrými hranami alebo pohybujúcimi sa časťami. Poškodené alebo zamotané pripájacie vedenie zvyšujú riziko zásahu elektrickým prúdom.
- Ak s elektrickým náradím pracujete vonku, používajte iba predlžovacie vedenia, ktoré sú vhodné aj pre exteriér.** Používanie predlžovacieho vedenia vhodného pre exteriér znižuje riziko zásahu elektrickým prúdom.

- f) **Ak je nevyhnutná prevádzka elektrického prístroja vo vlhkom prostredí, použite ochranný vypínač proti chybnému prúdu.** Používanie ochranného vypínača proti chybnému prúdu znižuje riziko zásahu elektrickým prúdom.

3. Bezpečnosť osôb

- a) **Buďte pozorní, dávajte pozor na to, čo robíte, a s elektrickým náradím pracujte rozumne. Elektrické náradie nepoužívajte, ak ste unavení alebo ste pod vplyvom drog, alkoholu či liekov.** Jediná chvíľka nepozornosti pri používaní elektrického prístroja môže viesť k závažným poraneniam.
- b) **Noste osobné ochranné vybavenie a vždy používajte ochranné okuliare.** Nosenie osobného ochranného výstroja, ako je protiprachová maska, protišmyková bezpečnostná obuv, ochranná prilba či ochrana sluchu, znižuje v závislosti od typu elektrického prístroja a jeho použitia riziko poranení.
- c) **Zabráňte neúmyselnému uvedeniu do prevádzky. Pred zdvihnutím alebo nosením sa uistite, že je elektrické náradie vypnuté, predtým ako ho pripojíte k napájaniu prúdom a/alebo ku akumulátoru.** Ak máte pri prenášaní elektrického náradia prst na vypínači, alebo ak zapnutý elektrický prístroj pripojíte k napájaniu prúdom, môže dôjsť k úrazom.
- d) **Pred zapnutím elektrického náradia odstráňte nastavovacie nástroje alebo skrutkovače.** Nástroj alebo kľúč, ktorý sa nachádza v otáčajúcej sa časti elektrického náradia, môže viesť k poraneniam.
- e) **Vyhýbajte sa abnormálnemu držaniu tela. Zastite si bezpečný postoj a vždy udržiavajte rovnováhu.** Vďaka tomu budete môcť elektrické náradie lepšie kontrolovať pri neočakávaných situáciách.
- f) **Noste vhodný odev. Nenoste voľný odev ani šperky. Udržiavajte vlasy a odev mimo dosahu pohybujúcich sa dielov.** Voľný odev, šperky či dlhé vlasy môžu zachytiť pohybujúce sa časti.
- g) **Ak je možné namontovať zariadenia na odsávanie a zachytávanie prachu, musia sa tieto pripojiť a správne používať.** Použitie zariadenia na odsávanie prachu znižuje riziká spôsobené prachom.
- h) **Nenechajte sa ukolísaf falošnou bezpečnosťou a dbajte na bezpečnostné pravidlá pre elektrické náradie, aj keď ste vďaka mnohonásobnému použitiu oboznámení s elektrickým náradím.** Lahkovážne konanie môže v okamihu viesť k ťažkým poraneniam.

4. Používanie a ošetrovanie elektrického prístroja

- a) **Elektrické náradie nepreťažujte.** Pri práci používajte elektrické náradie určené na daný účel. Je lepšie a bezpečnejšie pracovať s vhodným elektrickým náradím v udávanom rozsahu výkonu.
- b) **Nepoužívajte elektrické náradie s chybným spínačom. Elektrické náradie, ktoré sa nedá zapnúť alebo vypnúť, je nebezpečné a musí sa opraviť.**

- c) **Skôr ako vykonáte nastavenia prístroja, vymenite časti vloženého nástroja alebo elektrické náradia odložte, vytiahnite zástrčku zo zásuvky a/alebo odoberte odnímateľný akumulátor.** Toto bezpečnostné opatrenie zabráni neúmyselnému spusteniu elektrického prístroja.
- d) **Nepoužívané elektrické náradie uchovávajte mimo dosahu detí.** Elektrické náradie nedovoľte používať osobám, ktoré s ním nie sú oboznámené alebo si neprečítali tieto inštrukcie. Elektrické náradie je nebezpečné, ak ho používajú neskúsené osoby.
- e) **O svoje elektrické náradie a vložený nástroj sa dôkladne starajte.** Skontrolujte, či pohyblivé časti bezchybne fungujú a nie sú zablokované a či sú zlomené alebo natoľko poškodené diely, že by sa mohla negatívne ovplyvniť funkcia elektrického prístroja. Pred použitím elektrického náradia dajte poškodené diely opraviť. Príčinou mnohých úrazov je nesprávna údržba elektrických prístrojov.
- f) **Rezné nástroje udržiavajte ostré a čisté. Starostlivo udržiavané rezné nástroje s ostrými reznými hranami sa menej zasekávajú a ľahšie sa vedú.**
- g) **Používajte elektrické náradie, príslušenstvo, vložené nástroje atď. podľa týchto pokynov.** Zohľadnite pritom pracovné podmienky a vykonávanú činnosť. Používanie elektrického náradia na iné ako predpísané používanie môže viesť k nebezpečným situáciám.
- h) **Rukoväte a plochy rukovätí udržiavajte vždy suché, čisté a bez oleja a tuku.** Klzké rukoväte a plochy rukovätí neumožňujú bezpečnú obsluhu a kontrolu elektrického náradia v nepredvídateľných situáciách.

5. Servis

- a) **Vaše elektrické náradie nechajte opravovať len kvalifikovaným odborným personálom a len s originálnymi náhradnými dielmi.** Tým sa zabezpečí zachovanie bezpečnosti elektrického prístroja.

Varovanie!

Tento elektrický prístroj vytvára počas prevádzky elektromagnetické pole. Toto pole môže za určitých okolností ovplyvniť aktívne alebo pasívne implantáty. Na zníženie nebezpečenstva závažných alebo smrteľných poranení odporúčame osobám s implantátmi prekonzultovať situáciu so svojím lekárom a výrobcom implantátu ešte predtým, ako začnú obsluhovať elektrický prístroj.

Bezpečnostné upozornenia pre pokosové skracovacie pily

- a) **Pokosové skracovacie pily sú určené na rezanie dreva alebo drevitých výrobkov. Nesmú sa používať na rezanie železných kovov, ako napr. tyče, žrde, skrutky atď.** Abrazívny prach vedie k zablokovaniu pohyblivých dielov, ako napr. ochranného krytu. Iskry z rezania spaľujú spodný ochranný kryt, vkladaciu dosku a plastové diely.

- b) **Zafixujte obrobok podľa možnosti zverákom. Keď obrobok pridržiate rukou, musíte ruku vždy držať vo vzdialenosti najmenej 100 mm od každej strany pilového kotúča. Nepoužívajte túto pílu na rezanie kusov, ktoré sú príliš malé na to, aby sa dali upnúť alebo držať rukou.** Ak máte ruku príliš blízko pilového kotúča, hrozí zvýšené riziko poranenia v dôsledku kontaktu s ílovým kotúčom.
- c) **Obrobok sa nesmie hýbať a buď sa musí pevne upnúť alebo držať proti dorazu a stolu. Netlačte obrobok do pilového kotúča a nikdy nerežte „voľne od ruky“.** Uvoľnené alebo pohybujúce sa obrobky by sa mohli vymrštiť vysokou rýchlosťou a spôsobiť poranenia.
- d) **Potlačte pílu cez obrobok. Nikdy pílu cez obrobok neťahajte. Pre rez zdvihnite hlavu píly a potiahnite ju cez obrobok bez rezania. Potom zapnite motor, otočte hlavu píly nadol a potlačte pílu cez obrobok.** Pri reze ťahaním hrozí nebezpečenstvo, že pilový kotúč vystúpi na obrobok a násilne sa vymrštiť proti operátorovi.
- e) **Nikdy rukou neprekrížte za určenú líniu rezu, pred ani za pilovým kotúčom.** Podopretie obrobku „prekríženými rukami“, t.j. držanie obrobku vpravo vedľa pilového kotúča ľavou rukou alebo naopak, je veľmi nebezpečné.
- f) **Keď pilový kotúč rotuje, nesiahajte za doraz. Vždy udržiavajte bezpečnostnú vzdialenosť 100 mm medzi rukou a rotujúcim pilovým kotúčom (platí na oboch stranách pilového kotúča, napr. pri odstraňovaní dreveného odpadu).** Blízkosť rotujúceho pilového kotúča k vašej ruke nemusíte rozpoznať a môžete sa ťažko zraniť.
- g) **Pred rezaním skontrolujte obrobok. Ak je obrobok ohnutý alebo predĺžený, upnite ho navonok zakrivenou stranou k dorazu. Vždy sa uistite, že pozdĺž línie rezu medzi obrobkom, dorazom a stolom nie je medzera.** Ohnuté alebo predĺžené obrobky sa môžu skrútiť alebo premiestniť a spôsobiť zovretie pilového kotúča pri rezaní. V obrobku nesmú byť klnice ani cudzie telesá.
- h) **Pílu použite až vtedy, keď sa na stole nenachádzajú žiadne nástroje, drevený odpad atď. Na stole sa smie nachádzať iba obrobok.** Malé odpady, uvoľnené kusy dreva alebo iné predmety, ktoré sa dostanú do kontaktu s rotujúcim kotúčom, môžu byť vymrštené vysokou rýchlosťou.
- i) **Vždy režte naraz len jeden obrobok.** Viac obrobkov na sebe sa nedá primerane upnúť ani pridržať a pri rezaní môžu spôsobiť zovretie pilového kotúča alebo sa môžu zosunúť.
- j) **Postarajte sa o to, aby pokosová skracovacia píla stála pred použitím na rovnej, pevnej pracovnej ploche.** Rovná a pevná pracovná plocha znižuje nebezpečenstvo nestability pokosovej skracovacej píly.
- k) **Prácu si plánujte. Pri každom prestavení sklonu pilového kotúča alebo pokosového uhla dbajte na to, aby bol nastaviteľný doraz správne nastavený a podopieral obrobok bez toho, aby sa dostal do kontaktu s kotúčom alebo ochranným krytom.** Bez zapnutia stroja a bez obrobku na stole je potrebné simulovať kompletný hlavný rezný pohyb pilového kotúča, aby sa zaistilo, že nedôjde k obmedzeniam alebo nebezpečenstvu zarezania do dorazu.

- l) **Pri obrobkoch, ktoré sú širšie alebo dlhšie ako horná strana stola, sa postarajte o primerané podopretie, napr. predĺženiami stola alebo kozami.** Obrobky, ktoré sú dlhšie alebo širšie ako stôl pokosovej skracovacej píly, sa môžu preklopiť, ak nie sú pevne podopreté. Ak sa preklopí odrezaný kus dreva alebo obrobok, môže zdvihnúť spodný ochranný kryt alebo sa nekontrolovane vymrštiť z rotujúceho kotúča.
- m) **Nevolajte s iné osoby ako náhradu za predĺženie stola alebo na dodatočné podopretie.** Nestabilné podopretie obrobku môže viesť k zovretiu kotúča. Obrobok sa tiež môže počas rezania posunúť a vťiahnuť vás aj vášho pomocníka do rotujúceho kotúča.
- n) **Odrezaný kus nesmie tlačiť proti rotujúcemu pilovému kotúčovi.** Ak je k dispozícii málo miesta, napr. pri použití pozdĺžnych dorazov, sa odrezaný kus môže zakliniť v kotúči a môže byť násilne vymrštený.
- o) **Na riadne podopretie kruhového materiálu, ako sú tyče alebo rúry, vždy používajte zverák alebo vhodný upínací prípravok.** Tyče majú pri rezaní tendenciu sa odkotúľať, čím sa môže kotúč „zahryznúť“ a vťiahnuť obrobok s vašou rukou do kotúča.
- p) **Pred rezaním obrobku nechajte kotúč dosiahnuť maximálne otáčky.** To znižuje riziko vymrštenia obrobku.
- q) **Ak je obrobok zaseknutý alebo kotúč zablokovaný, vypnite pokosovú skracovaciu pílu. Počkajte, kým sa zastavia všetky pohyblivé diely, vytiahnite sieťovú zástrčku a/alebo vyberte akumulátor. Následne odstráňte zaseknutý materiál.** Ak by ste pri takomto blokovaní rezali ďalej, mohlo by dôjsť k strate kontroly alebo poškodeniam pokosovej skracovacej píly.
- r) **Po ukončení rezu pustíte spínač, držte hlavu píly otočenú nadol a počkajte, kým sa zastaví kotúč. Až potom odstráňte odrezaný kus.** Je veľmi nebezpečné siahť rukou do blízkosti dobiehajúceho kotúča.
- s) **Pevne držte rukoväť, keď robíte nekompletný rez pílou alebo keď pustíte spínač skôr, ako hlava píly dosiahne svoju dolnú polohu.** V dôsledku brzdného účinku píly sa môže hlava píly trhavým pohybom potiahnuť nadol, čo vedie k riziku poranenia.

Bezpečnostné upozornenia pre manipuláciu s pilovými kotúčmi

1. Nepoužívajte poškodené ani zdeformované pilové kotúče.
2. Nepoužívajte pilové kotúče s trhlinami. Prasknuté pilové kotúče vyradíte. Oprava nie je povolená.
3. Nepoužívajte pilového kotúče vyhotovené z rýchloreznej ocele.
4. Pred použitím skracovacej a pokosovej píly skontrolujte stav pilových kotúčov.
5. Používajte výhradne pilové kotúče, ktoré sú vhodné pre materiál, ktorý sa má rezať.
6. Používajte iba pilové kotúče stanovené výrobcom. Ak sú pilové kotúče určené na obrábanie dreva alebo podobných materiálov, musia zodpovedať norme EN 847-1.
7. Nepoužívajte pilové kotúče z vysokolegovanej rýchloreznej ocele (HSS).

8. Používajte iba pílové kotúče, ktorých najvyššie povolené otáčky nie sú nižšie ako maximálne otáčky vretena skracovacej a pokosovej píly a také, ktoré sú vhodné na materiál určený na rezanie.
9. Dávajte pozor na smer otáčania pílového kotúča.
10. Používajte iba pílové kotúče, s ktorými viete manipulovať.
11. Dodržiavajte najvyššie otáčky. Najvyššie otáčky uvedené na pílovom kotúči sa nesmú prekročiť. Ak je to uvedené, dodržiavajte rozsah otáčok.
12. Upínacie plochy zbavte nečistôt, tuku, oleja a vody.
13. Nepoužívajte redukčné krúžky ani puzdrá na zmenšenie otvorov pri pílových kotúčoch.
14. Dbajte na to, aby fixované redukčné krúžky na zaistenie pílového kotúča mali rovnaký priemer a minimálne 1/3 rezného priemeru.
15. Uistite sa, že fixované redukčné krúžky sú navzájom paralelné.
16. S pílovými kotúčmi manipulujte s opatrnosťou. Skladujte ich v originálnom obale alebo v špeciálnych puzdrách. Na zlepšenie bezpečného uchopenia a zníženie nebezpečenstva poranenia noste ochranné rukavice.
17. Pred použitím pílových kotúčov sa uistite, že všetky ochranné zariadenia boli upevnené v súlade s predpismi.
18. Pred použitím sa uistite, že vami používaný pílový kotúč zodpovedá technickým požiadavkám tejto skracovacej a pokosovej píly a je upevnený v súlade s predpismi.
19. Dodaný pílový kotúč používajte iba na rezanie do dreva, nikdy na obrábanie kovov.
20. Používajte iba pílový kotúč s priemerom podľa údajov na pile.
21. Prídavné podložky pod obrobok používajte, len ak je to nutné pre stabilitu obrobku.
22. Predĺženia podložky pod obrobok sa musia počas práce vždy upevniť a použiť.
23. Vymeňte opotrebovanú vložku stola!
24. Vyvarujte sa prehriatiu pílových zubov.
25. Pri pílení plastov sa vyvarujte ich roztaveniu. Za týmto účelom používajte správne pílové kotúče. Poškodené alebo opotrebované pílové kotúče včas vymeňte. Keď sa pílový kotúč prehreje, zastavte stroj. Skôr než začnete s elektrickým náradím opäť pracovať, nechajte pílový kotúč najskôr vychladnúť.



Pozor: Laserové žiarenie
Nepozerajte do lúča
Trieda lasera 2



Chrňte seba a životné prostredie pred nebezpečenstvom nehody vhodnými bezpečnostnými opatreniami!

- Nikdy nepozerajte do laserového lúča s nechránenými očami.
- Nikdy nepozerajte do dráhy lúča.
- Nikdy nesmerujte laserový lúč na odrazové plochy, ľudí ani zvieratá. Aj laserový lúč s nízkym výkonom môže spôsobiť poškodenie oka.
- Pozor – pri vykonaní iného postupu, ako je na tomto mieste uvedený, môže dôjsť k nebezpečnej expozícii žiarenia.

- Nikdy neotvárajte modul lasera. Nečakane by mohlo dôjsť k expozícii žiarenia.
- Ak stroj dlhší čas nepoužívate, vyberte batérie.
- Laser sa nesmie vymeniť za laser iného typu.
- Opravy na laseri smie vykonať iba výrobca lasera alebo autorizovaný zástupca.

Bezpečnostné upozornenia k zaobchádzaniu s batériami

1. Vždy dávajte pozor na to, aby sa batérie vkladali so správnou polaritou (+ a -), ktorá je na nich uvedená.
2. Batérie neskratujte.
3. Nedobíjateľné batérie nenabíjajte.
4. Batérie neprebíjajte!
5. Nezmiešavajte staré a nové batérie, ako ani batérie rôznych druhov alebo od rôznych výrobcov! Všetky batérie jednej súpravy vymieňajte súčasne.
6. Vybité batérie bezodkladne vyberte z prístroja a zlikvidujte v súlade s predpismi! Batérie nevyhadzujte do domového odpadu. Chybné alebo vybité batérie sa musia recyklovať podľa smernice 2006/66/ES. Batérie a/alebo zariadenie vráťte cez ponúkané zberné zariadenia. O možnostiach likvidácie sa môžete informovať na vašej obecnej obce mestskej správe.
7. Batérie nezahrievajte!
8. Zváranie ani spájkovanie nevykonávajte priamo na batériách!
9. Batérie nerozoberajte!
10. Batérie nedeformujte!
11. Batérie nevhadzujte do ohňa!
12. Batérie uschovávajte mimo dosahu detí.
13. Deťom nie je povolené vymieňať batérie bez dozoru!
14. Batérie neskladujte v blízkosti ohňa, sporákov ani iných typov tepelných zdrojov. Batérie neumiestňujte na miesta s priamym slnečným žiarením, pri horúcom počasí ich nepoužívajte ani neskladujte vo vozidle.
15. Nepoužitú batériu uschovávajte v originálnom balení a udržiavajte ich vo vzdialenosti od kovových predmetov. Rozbalené batérie nezmiešavajte ani ich neprehadzujte! Môže to viesť ku skratu batérie, a tým k poškodeniam, popáleninám alebo k požiaru.
16. Batérie vyberte z prístroja, ak sa tento dlhšiu dobu nepoužíva, okrem toho, ak slúži pre núdzové prípady!
17. Batérií, ktoré vytiekli, sa NIKDY nedotýkajte bez príslušnej ochrany. Ak uniknutá kvapalina príde do kontaktu s pokožkou, okamžite pokožku umyte pod tečúcou vodou. V každom prípade zabráňte kontaktu kvapaliny s očami a ústami. V takomto prípade okamžite vyhľadajte lekára.
18. Kontakty batérií a aj opačné kontakty v prístroji vyčistite pred vložením batérií.


Zvyškové riziká

Elektrický prístroj je skonštruovaný podľa stavu techniky a prijatých bezpečnostnotechnických pravidiel. Napriek tomu sa môžu pri práci vyskytnúť jednotlivé zvyškové riziká.

- Ohrozenie zdravia prúdom pri použití elektrických prípojných vedení v rozpore s určením.
- Napriek všetkým prijatým opatreniam môžu pretrvávajúť zvyškové riziká, ktoré nie sú očividné.

- Zostatkové riziká je možné minimalizovať, ak sa dodržiavajú bezpečnostné upozornenia, použitie v súlade s určením, ako aj návod na obsluhu.
- Stroj zbytočne nezaťažujte: príliš veľký tlak pri rezaní rýchlo poškodzuje pilový kotúč, čo môže viesť k zníženiu výkonu stroja pri obrábaní a k nepresnostiam rezu.
- Pri rezaní plastového materiálu vždy používajte svorky: diely, ktoré sa majú rezať, musia byť vždy zafixované medzi svorkami.
- Vyhýbajte sa náhodným uvedeniam stroja do prevádzky: pri zasunutí zástrčky do zásuvky sa nesmie stlačiť spúšťacie tlačidlo.
- Používajte nástroj, ktorý sa odporúča v tejto príručke. Tak dosiahnete, že stroj dosiahne optimálne výkony.
- Nikdy nekladajte ruky do pracovnej oblasti, keď je stroj v prevádzke.
- Pred vykonaním nastavovacích alebo údržbových prác uvoľnite tlačidlo Štart a vytiahnite sieťovú zástrčku.

7. Technické údaje

Motor na striedavý prúd.....	220 – 240 V~ 50 Hz
Menovitý výkon S1	1200 Watt
Prevádzkový režim	S6 25 %* 1 500 W
Voľnobežné otáčky n_0	5000 min ⁻¹
Pilový kotúč z tvrdokovu.....	∅ 210 x ∅ 30 x 2,6 mm
Počet zubov	48
Maximálna šírka zubov pilového kotúča.....	3 mm
Oblasť naklápania	-45° / 0° / +45°
Úkosový rez.....	0° až 45° dolava
Šírka rezu pri 90°	120 x 60 mm
Šírka rezu pri 45°	80 x 60 mm
Šírka pílenia pri 2 x 45° (Dvojitý úkosový rez).....	80 x 35 mm
Trieda ochrany	II/ 
Hmotnosť	cca 7,6 kg
Laserová trieda	2
Vlnová dĺžka lasera.....	650 nm
Výkon lasera.....	< 1 mW

* Typ prevádzky S6, neprerušená periodická prevádzka. Prevádzka sa skladá z času nábehu, času s konštantným zaťažením a času chodu naprázdno. Trvanie cyklu predstavuje 10 minút, relatívna doba spínania predstavuje 25 % trvania cyklu.

Obrobok musí byť vysoký minimálne 3 mm a široký 10 mm.

Prihliadajte na to, aby bol obrobok vždy zaistený upínacím zariadením.

Hluk

Hluk tejto píly bol určený podľa smernice EN 62841.

Hladina akustického tlaku L_{pA}	99,6 dB(A)
Neistota K_{pA}	3 dB
Hladina akustického výkonu L_{WA}	112,6 dB(A)
Neistota K_{WA}	3 dB

Noste ochranu sluchu.

Vplyv hluku môže spôsobiť stratu sluchu.

Uvedené hodnoty emisií hluku boli merané podľa normovanej skúšobnej metódy a môže sa použiť na porovnanie elektrického prístroja s iným zariadením.

Uvedené hodnoty emisií hluku sa môžu použiť aj na predbežný odhad zaťaženia.

Varovanie:

- Emisie hluku sa môžu počas skutočného používania elektrického prístroja odlišovať od uvedených hodnôt v závislosti od druhu a spôsobu použitia elektrického náradia, predovšetkým, aký druh obrobku sa obrába.
- Zaťaženie sa snažte udržať podľa možnosti čo najnižšie. Príkladné opatrenia na obmedzenie pracovnej doby. Pritom sa musia zohľadniť všetky časti prevádzkového cyklu (napríklad čas, keď je elektrické náradie vypnuté, a čas, počas ktorých je sieť zapnuté, no beží bez zaťaženia).

8. Pred uvedením do prevádzky

- Otvorte obal a opatrne vyberte prístroj.
- Odstráňte baliaci materiál, ako aj obalové a prepravné poistky (ak sú použité).
- Skontrolujte, či je rozsah dodávky kompletný.
- Prístroj a diely príslušenstva skontrolujte ohľadom poškodení spôsobených prepravou.
- Obal podľa možnosti uschovajte až do uplynutia záručnej doby.

POZOR

Prístroj a obalové materiály nie sú hračkami pre deti! Deti sa nesmú hrať s plastovými vreckami, fóliami a malými dielmi! Existuje nebezpečenstvo prehltnutia a zadusenía!

Vždy sa postarajte o stabilitu a zaistenie stroja tým, že pripevníte napríklad pracovný stôl.

- Stroj musí byť vždy namontovaný v stabilnej polohe. Stroj zaistíte cez otvory na pevnom stole píly (9) pomocou 4 skrutiek (nie je v rozsahu dodávky) na pracovnom stole, podstavci a pod.
- Pred uvedením do prevádzky sa musia všetky kryty a bezpečnostné zariadenia namontovať v súlade s predpismi.
- Pilový kotúč sa musí voľne pohybovať.
- V prípade už obrobenej dreva dávajte pozor na cudzie telesá, ako napr. klince alebo skrutky atď.
- Skôr než stlačíte zapínač/vypínač, uistite sa, či je pilový kotúč správne namontovaný a či pohyblivé diely vykazujú ľahký chod.
- Pred pripojením stroja sa presvedčte, či sa údaje na typovom štítku zhodujú so sieťovými údajmi.

8.1 Montáž upínača obrobku (obr. 2)

- Uvoľnite fixačnú skrutku (19) a namontujte upínač obrobku (15) vľavo alebo vpravo na pevnom stole píly.
- Nakoniec fixačnú skrutku (19) znovu utiahnite.

8.2 Montáž podložiek pod obrobok (obr. 2 - 3)

- Uvoľnite fixačnú skrutku (14) a cez predurčený otvor bočne na pevnom stole píly preveďte podložku pod obrobok.
- Dávajte pozor na to, aby bola podložka pod obrobok (18) takisto vedená cez obe spony na spodnej strane.

- Následne fixačnú skrutku (14) znovu pevne utiahnite.
- Tento proces opakujte aj na druhej strane.

8.3 Montáž strmeňa (obr. 2 - 3)

- Uvoľnite fixačnú skrutku (20) na spodnej strane píly a strmeň (21) prevedte cez predurčené otvory na zadnej strane píly.
- Následne fixačnú skrutku (20) znovu utiahnite.

8.4 Vrečko na zachytávanie pilín (obr. 4)

Píla je vybavená záchytným vrečkom na piliny (17).

- Stlačte kovový krúžok vrečka na prach a namontujte ho na vypúšťací otvor v oblasti motora.
- Vrečko na piliny (17) je možné vyprázdniť po otvorení zipsu na jeho spodnej strane.

Pripojenie k externému odsávaniu prachu

- Odsávaciu hadicu pripojte k odsávaniu prachu.
- Odsávanie prachu musí byť vhodné pre obrábaný materiál.
- Na odsávanie obzvlášť zdraviu škodlivého alebo karcinogénneho prachu používajte špeciálne odsávacie zariadenie.

8.5 Kontrola bezpečnostného zariadenia – pohyblivá ochrana pílového kotúča (5)

Chránič pílového kotúča chráni pred náhodným dotykom pílového kotúča a pred odletujúcimi trieskami.

Skontrolujte funkciu.

Za týmto účelom sklopte pílu nadol:

- Chránič pílového kotúča musí pri sklopení nadol uvoľniť pílový kotúč bez toho, aby sa dotýkal iných dielov.
- Pri vyklopení píly nahor do východiskovej polohy musí chránič pílového kotúča automaticky zakryť pílový kotúč.

9. Zloženie a obsluha

9.1 Zloženie skracovacej a pokosovej píly (obr. 1 - 3)

- Otočný stôl (13) uvoľníte uvoľnením fixačnej skrutky (7).
- Rukoväťou (3) nastavte otočný stôl (13) na požadovaný uhol.

UPOZORNENIE

Skracovaciu pílu je možné spolu s otočným stolom otočiť doľava a doprava. Na základe stupnice je možné absolútne presné nastavenie uhla. Uhly 0° až 45° je možné prostredníctvom nastavení rastra rýchlo a presne nastaviť vždy po 15°, 22,5°, 30°.

- Fixačnú skrutku (7) opäť pevne utiahnite, aby ste zafixovali otočný stôl.
- Ľahkým stlačením hlavy stroja (4) nadol a súčasným vyťahovaním poistného kolíka (25) z držiaka motora sa píla odísta z dolnej polohy.
- Otočte hlavu stroja (4) nahor.
- Upínacie zariadenie (15) je možné upevniť nielen vľavo, ale aj vpravo na pevný stôl píly (9). Zasuňte upínacie prípravky (15) do určených otvorov na zadnej stene dorazovej lišty (8) a zaistite ich skrutkami s hviezdicovým úchopom (19).
- Hlavu stroja (4) je možné uvoľnením fixačnej skrutky (23) nakloniť doľava do max. 45°.
- Podložky pod obrobok (18) sa musia počas práce vždy upevniť a použiť.

9.2 Jemné nastavenie dorazu pre 90° skracovací rez (obr. 5)

Dorazový uholník nie je v objeme dodávky.

- Hlavu stroja (4) spustíte nadol a zafixujete poistným kolíkom (25).
- Uvoľnite fixačnú skrutku (23).
- Medzi pílový kotúč (6) a otočný stôl (13) priložte príložený uholník (A).
- Uvoľnite poistnú maticu (26a).
- Nastavovaciu skrutku (26) prestavujte dovtedy, kým nebude mať uhol medzi pílovým kotúčom (6) a otočným stolom (13) 90°.
- Opäť pevne utiahnite poistnú maticu (26a).

9.3 Skracovací rez 90° a otočný stôl 0° (obr. 1/2/3/6)

Pozor! Posuvné dorazové lišty (8a) sa musia pre 90° skracovacie rezy zafixovať vo vnútornej polohe.

- Otvorte fixačnú skrutku (8b) posuvnej dorazovej lišty (8a) a posuvnú dorazovú lištu (8a) posuňte dovnútra.
- Posuvné dorazové lišty (8a) sa musia zaaretovať tak ďaleko pred najvnútornejšou polohou, aby bola vzdialenosť medzi dorazovými lištami (8a) a pílovým kotúčom (6) maximálne 8 mm.
- Pred rezom skontrolujte, či nie je medzi dorazovými lištami (8a) a pílovým kotúčom (6) možná kolízia.
- Opäť utiahnite fixačné skrutky (8b).
- Uviesť hlavu prístroja (4) do hornej polohy.
- Rezané drevo položte na dorazovú lištu (8) a na otočný stôl (13).
- Materiál zaistíte upínacími zariadeniami (15) na pevnom stole píly (9), aby ste zabránili posunutiu počas procesu rezania. Pozri bod 9.12.
- Odblokujte blokovací spínač (2) a stlačte vypínač zap/vyp (1), aby ste zapli motor.
- Hlavu prístroja (4) rovnomerne a s ľahkým tlakom posúvať pomocou rukoväte (3) smerom nadol, kým pílový kotúč (6) neprereže obrobok.
- Po skončení procesu rezania uviesť hlavu prístroja späť do hornej pokojovej polohy a pustiť vypínač zap/vyp (1).

Pozor!

Keďže vratná pružina vracia prístroj automaticky späť nahor, nepúšťať rukoväť (3) hneď po skončení rezania, ale pohybovať hlavou prístroja pomaly a s ľahkým protitlakom smerom nahor.

9.4 Kapovací rez 90° a otočný stôl 0°-45° (obr. 1/2/3/6)

Skracovacou a pokosovou pílou je možné vykonať šikmé rezy doľava a doprava od 0° do 45°.

Pozor!

Posuvná dorazová kolajnička (8a) sa musí pre 90° skracovacie rezy zafixovať vo vnútornej polohe.

- Otvorte fixačnú skrutku (8b) posuvnej dorazovej lišty (8a) a posuvnú dorazovú lištu (8a) posuňte dovnútra.
- Posuvné dorazové lišty (8a) sa musia zaaretovať tak ďaleko pred najvnútornejšou polohou, aby bola vzdialenosť medzi dorazovými lištami (8a) a pílovým kotúčom (6) maximálne 8 mm.

- Pred rezom skontrolujte, či nie je medzi dorazovými lištami (8a) a pílovým kotúčom (6) možná kolízia.
- Opäť utiahnite fixačnú skrutku (8b).
- Otočný stôl (13) uvoľnite uvoľnením fixačnej skrutky (7).
- Rukoväťou (3) nastavte otočný stôl (13) na požadovaný uhol.
- Fixačnú skrutku (7) opäť pevne utiahnite, aby ste zafixovali otočný stôl.
- Rez vykonajte podľa opisu v bode 9.3.

9.5 Jemné doladenie nastavenia dorazu pre šikmý rez 45° (obr. 1/2/3/6/7/8)

Priložný uholník nie je obsiahnutý v rozsahu dodávky.

- Hlavu stroja (4) spustíte nadol a zafixujete poistným kolíkom (25).
- Otočný stôl (13) zafixujte v polohe 0°.
- Pozor! Ľavá strana posuvných dorazových lišt (8a) sa musí zafixovať pre pokosové reze (naklonená hlava píly) vo vonkajšej polohe.
- Otvorte fixačnú skrutku (8b) posuvnej dorazovej lišty (8a) a vytlačte posuvnú dorazovú lištu (8a) von.
- Posuvné dorazové lišty (8a) sa musia zaaretovať tak ďaleko pred najvnútornejšou polohou, aby bola vzdialenosť medzi dorazovými lištami (8a) a pílovým kotúčom (6) maximálne 8 mm.
- Pred rezom skontrolujte, či nie je medzi dorazovou koľajničkou (8a) a pílovým kotúčom (6) možná kolízia.
- Opäť utiahnite fixačné skrutky (8b).
- Uvoľnite fixačnú skrutku (23) a rukoväťou (3) nakloňte hlavu stroja (4) doľava, do 45°.
- Medzi pílový kotúč (6) a otočný stôl (13) priložte 45° príložný uholník (B).
- Uvoľnite poistnú maticu (22a) a nastavovaciu skrutku (22) predstavujte dovedy, kým uhol medzi pílovým kotúčom (6) a otočným stolom (13) nebude mať hodnotu presne 45°.
- Opäť pevne utiahnite poistnú maticu (22a).
- Nakoniec skontrolujte polohu ukazovateľa uhla. V prípade potreby ukazovateľ (28) uvoľnite skrutkovačom na skrutky s krížovou drážkou, nastavte na polohu 45° uhlovej stupnice (27) a opäť pevne utiahnite pridržiavaciu skrutku..

9.6 Šikmý rez 0° - 45° a otočný stôl 0° (obr. 1/2/3/6)

Pomocou skracovacej a pokosovej píly je možné vykonať úkosové rezy doľava od 0° do 45° k pracovnej ploche.

Pozor!

Ľavá strana posuvných dorazových lišt (8a) sa musí zafixovať pre pokosové reze (naklonená hlava píly) vo vonkajšej polohe.

Pozor!

Pri úkosových rezoch 0° - 45° sa musí upínacie zariadenie (upínač obrobku) (15) namontovať len vpravo.

- Otvorte fixačnú skrutku (8b) posuvnej dorazovej lišty (8a) a vytlačte posuvnú dorazovú lištu (8a) von.
- Posuvné dorazové lišty (8a) sa musia zaaretovať tak ďaleko pred najvnútornejšou polohou, aby bola vzdialenosť medzi dorazovými lištami (8a) a pílovým kotúčom (6) maximálne 8 mm.
- Pred rezom skontrolujte, či nie je medzi dorazovou koľajničkou (8a) a pílovým kotúčom (6) možná kolízia.

- Opäť utiahnite fixačnú skrutku (8b).
- Hlavu stroja (4) uveďte do hornej polohy.
- Otočný stôl (13) zafixujte v polohe 0°.
- Uvoľnite fixačnú skrutku (23) a rukoväťou nakláňajte (3) hlavu stroja (4) doľava, kým ukazovateľ (28) nebude ukazovať na požadovanú uhlovú mieru na stupnici (27).
- Opäť pevne utiahnite fixačnú skrutku (23).
- Rez vykonajte podľa opisu v bode 9.3.

9.7 Šikmý rez 0° - 45° a otočný stôl 0° - 45° (obr. 1/2/3/6)

Skracovacou a pokosovou pílou je možné vykonať úkosové rezy doľava od 0° do 45° k pracovnej ploche a súčasne 0° - 45° k dorazovej koľajničke (dvojúkosový rez).

Pozor!

Ľavá strana posuvných dorazových lišt (8a) sa musí zafixovať pre pokosové reze (naklonená hlava píly) vo vonkajšej polohe.

Pozor!

Pri úkosových rezoch 0° - 45° sa musí upínacie zariadenie (upínač obrobku) (15) namontovať len vpravo.

- Otvorte fixačnú skrutku (8b) posuvnej dorazovej lišty (8a) a vytlačte posuvnú dorazovú lištu (8a) von.
- Posuvné dorazové lišty (8a) sa musia zaaretovať tak ďaleko pred najvnútornejšou polohou, aby bola vzdialenosť medzi dorazovými lištami (8a) a pílovým kotúčom (6) maximálne 8 mm.
- Pred rezom skontrolujte, či nie je medzi dorazovou koľajničkou (8a) a pílovým kotúčom (6) možná kolízia.
- Opäť utiahnite fixačnú skrutku (8b).
- Hlavu stroja (4) uveďte do hornej polohy.
- Otočný stôl (13) uvoľnite uvoľnením fixačnej skrutky (7).
- Rukoväťou (3) nastavte otočný stôl (13) na požadovaný uhol.
- Fixačnú skrutku (7) opäť pevne utiahnite, aby ste zafixovali otočný stôl.
- Uvoľnite fixačnú skrutku (23).
- Rukoväťou (3) nakloňte hlavu stroja (4) doľava, na požadovaný uhlový rozmer (pozri k tomu aj bod 9.6).
- Opäť pevne utiahnite fixačnú skrutku (23).
- Rez vykonajte podľa opisu v bode 9.3.

9.8 Výmena pílového kotúča (obr. 1/2/3/9/10)

Vytiahnite sieťovú zástrčku!

Pozor!

Za účelom výmeny pílového kotúča noste ochranné rukavice! Nebezpečenstvo poranenia!

- Hlavu stroja (4) naklopte nahor a zaaretojte poistným kolíkom (25).
- Chránič pílového kotúča (5) vyklopte nahor tak, aby sa uvoľnil chránič pílového kotúča (5) nad prírubovou skrutkou (29).
- Jednou rukou nasadzte inbusový kľúč (C) na prírubovú skrutku (29).
- Inbusový kľúč (C) pevne držte a ochranu pílového kotúča (5) pomaly zatvárajte, kým táto nedolieha na inbusový kľúč (C).
- Blokovanie pílového hriadeľa (32) pevne stlačíť a pomaly otáčať prírubovú skrutku (29) v smere otáčania hodinových ručičiek. Po max. jednej otáčke by malo blokovanie pílového hriadeľa (32) zaskočiť.
- Teraz s trochu silou povolíte skrutku (29) v smere hodinových ručičiek.

- Prírubovú skrutku (29) celkom vyskrutkovať a odobrať vonkajšiu prírubu (30).
- Pílový kotúč (6) odobrať z vnútornej príruby a vytiahnuť smerom nadol.
- Prírubovú skrutku (29), vonkajšiu prírubu (30) a vnútornú prírubu dôkladne vyčistiť.
- Pri vkladaní nového pílového kotúča (6) postupovať v obrátenom poradí a pevne ho dotiahnuť.
- Pozor! Rezná šikmina zubov, t.j. smer otáčania pílového kotúča (6), sa musí zhodovať so smerom šípky na píle.
- Pred pokračovaním v práci skontrolujte funkčnosť ochranných zariadení.
- Pozor! Po každej výmene pílového kotúča skontrolujte, či sa pílový kotúč (6) vo zvislej polohe, ako aj naklonený v 45°, otáča voľne vo vložke stola (10).

Pozor!

Výmena a nastavenie pílového kotúča (6) sa musia vykonať podľa predpisov.

9.9 Výmena batérií lasera (obr. 11)

- Zložte kryt batérie (34). Odoberte 2 batérie.
- Obe batérie vymeňte za rovnaké alebo rovnocenné typy. Dávajte pozor na to, aby ste ich nasadili správne – čo sa pólou týka – ako vybité batérie.
- Zatvorte kryt batérií.

9.10 Zapnutie / vypnutie lasera (obr. 11)

Zapnutie:

Vypínač lasera prepnúť (33) do polohy „1“. Na opracovávaný obrobok sa premieta laserová čiara, ktorá ukazuje presné vedenie rezu.

Vypnutie:

Vypínač lasera prepnúť do polohy „0“.

9.11 Nastavenie lasera (obr. 12)

Ak laser (35) nezobrazuje správnu čiaru rezu, je možné ho nastaviť. Za týmto účelom odskrutkujte skrutky (36) a postranným posúvaním nastavte laser tak, aby sa laserový lúč trafil presne na zuby pílového kotúča (6).

9.12 Obsluha upínača obrobku (obr. 1, 2)

Pomocou fixačnej skrutky (16) je možné nastaviť výšku upínača obrobku (15).

- Spustíte upínač obrobku na obrobok.
- Pevne utiahnite fixačnú skrutku (16).
- Otáčajte zvieraci rukoväť (24) v smere hodinových ručičiek, aby ste upli obrobok.
- Pre uvoľnenie obrobku postupujte v opačnom poradí.

10. Doprava (obr. 13)

- Pevne dotiahnuť aretačnej rukoväť (7) a zafixovať tak otočný stôl (13).
- Zatlačíť hlavu prístroja (4) smerom nadol a zafixovať pomocou poistného čapu (25). Píla je teraz zablokovaná v dolnej polohe.
- Stroj noste za rukoväť (37).
- Pri opätovnej montáži stroja postupovať podľa popisu uvedeného v bode 8 - 9.

11. Údržba

⚠ Varovanie!

Pred každým nastavením, údržbou alebo opravou vyťahnite sieťovú zástrčku!

Všeobecné údržbové opatrenia

Raz za čas zo stroja utrite handrou triesky a prach. Raz za mesiac naolejujte otočné diely na predĺženie životnosti nástroja. Motor neolejujte.

Na čistenie plastu nepoužívajte žiadne leptavé prostriedky.

Čistenie bezpečnostného zariadenia – pohyblivý chránič pílového kotúča (5)

Pred každým uvedením do prevádzky skontrolujte, či nie je znečistený chránič pílového kotúča.

Pomocou štetca alebo podobného vhodného nástroja odstráňte všetky piliny a triesky.

Výmena vložky stola (obr. 14)

Nebezpečenstvo!

V prípade poškodennej vložky stola (10) hrozí nebezpečenstvo, že sa medzi vložku stola a pílový kotúč zaseknú nejaké predmety a zablokujú pílový kotúč.

Poškodené vložky stola okamžite vymeňte!

1. Vyskrutkujte skrutky (E) vložky stola.
2. Vyberte vložku stola.
3. Vložte novú vložku stola.
4. Pevne utiahnite skrutky (E) vložky stola.

Inšpekcia kefiiek

Uhlíkové kefy skontrolujte na novom stroji, alebo ak ste namontovali nové kefy, po prvých 50 prevádzkových hodinách. Po prvej kontrole ich kontrolujte každých 10 prevádzkových hodín.

Ak je uhlík opotrebovaný na dĺžku 6 mm, pružina alebo vedľajší koncový drôt je spálený alebo poškodený, musíte vymeniť obidve kefy. Ak kefy po vymontovaní ohodnotíte ako použiteľné, môžete ich opäť namontovať.

Pre údržbu uhlíkových kefiiek otvorte obidve blokovania (ako je zobrazené na obrázku 15) proti smeru hodinových ručičiek. Následne odoberte uhlíkové kefy.

Znova nasadte uhlíkové kefy v opačnom poradí.

Servisné informácie

Je potrebné dbať na to, že pri tomto produkte podliehajú nasledujúce diely použitiu primeranému alebo prirodzenému opotrebovaniu, resp. nasledujúce diely sú potrebné ako spotrebné materiály.

Diely podliehajúce opotrebovaniu*: uhlíková kefka, pílový kotúč, stolná vložka, záchytné vrečko na piliny

* nie je nutné obsiahnuť v rozsahu dodávky!

12. Skladovanie

Prístroj a jeho príslušenstvo skladujte na tmavom, suchom a nezamrzajúcom mieste neprístupnom pre deti. Optimálna skladovacia teplota sa nachádza medzi 5 a 30 °C.

Elektrický prístroj skladujte v originálnom obale.

Elektrický prístroj zakryte, aby ste ho chránili pred prachom alebo vlhkosťou.

Návod na obsluhu skladujte pri elektrickom prístroji.

13. Elektrická prípojka

Nainštalovaný elektromotor je pripojený a pripravený na prevádzku. Pripojenie zodpovedá príslušným ustanoveniam VDE a DIN. Sieťová prípojka na strane zákazníka, ako aj predlžovacie vedenie musia zodpovedať týmto predpisom.

Dôležité upozornenia

Pri preťažení motora sa tento samočinne vypne. Po vychladení (časovo odlišné) je možné motor znovu zapnúť.

Poškodené elektrické prípojné vedenie

Na elektrických prípojných vedeniach často vznikajú škody na izolácii.

Príčinami môžu byť:

- Stlačené miesta, keď sa prípojné vedenia vedú cez okno alebo medzeru medzi dverami.
- Zalomené miesta v dôsledku neodborného upevnenia alebo vedenia prípojného vedenia.
- Rozrezané miesta vzniknuté pri prejazde cez prípojné vedenie.
- Škody na izolácii pri vytrhnutí zo zásuvky v stene.
- Trhliny pri zostarnutí izolácie.

Takéto poškodené elektrické prípojné vedenia sa nesmú používať a z dôvodu poškodenia izolácie sú životunebezpečné.

Elektrické prípojné vedenia pravidelne kontrolujte ohľadne poškodení. Dávajte pozor na to, aby pri kontrole prípojného vedenia nebolo vedenie pripojené k elektrickej sieti.

Elektrické prípojné vedenia musia zodpovedať príslušným ustanoveniam VDE a DIN. Používajte iba prípojné vedenia s označením „H05VV-F“.

Vytlačenie označenia typu na prípojnom kábli je predpis.

Bezpečnostné upozornenia pre výmenu poškodených alebo chybných sieťových prívodov

Typ X:

Ak je sieťový prívod tohto náradia poškodený, musí sa vymeniť za špeciálne prípojné vedenie, ktoré je k dispozícii u výrobcu alebo v jeho servise.

Motor na striedavý prúd:

Sieťové napätie musí predstavovať 220 - 240 V~.

- Predlžovacie vedenia do dĺžky 25 m musia vykazovať prierez 1,5 mm².
- Prípojky a opravy elektrickej výbavy smie vykonávať iba vyučený elektrikár.

V prípade otázok uveďte, prosím, nasledujúce údaje:

- druh prúdu motora,
- údaje z typového štítku motora.

14. Likvidácia a opätovné zhodnotenie

Prístroj sa nachádza v obale, aby sa zabránilo prípadným škodám pri preprave. Tento obal je surovina, je teda opätovne použiteľný alebo možno vykonať jeho recykláciu.

Prístroj a jeho príslušenstvo pozostávajú z rôznych materiálov, ako napr. kov a plasty. Poškodené konštrukčné diely odovzdajte na likvidáciu nebezpečného odpadu. Informácie si zistíte v špecializovanom obchode alebo od správy obce!



Obal je z ekologického materiálu, ktorý môžete zlikvidovať v miestnych recyklačných centrách.

O možnostiach likvidácie opotrebovaného prístroja sa informujte na vašej samospráve alebo štátnej správe.

Staré zariadenia nevyhadzujte do domového odpadu!



Tento symbol upozorňuje na to, že tento výrobok sa musí zlikvidovať podľa smernice o odpade z elektrických a elektronických zariadení (2012/19/EÚ) a nesmie sa zlikvidovať s domovým odpadom. Tento výrobok sa musí odovzdať na to určenému zbernému stredisku. K tomu môže dôjsť napríklad vrátením pri nákupe podobného výrobku alebo odovzdaním autorizovanému zbernému stredisku na recykláciu odpadu z elektrických a elektronických zariadení. Neodborné zaobchádzanie so starými zariadeniami môže mať v dôsledku potenciálne nebezpečných látok, ktoré obsahuje odpad z elektrických a elektronických zariadení, negatívny vplyv na životné prostredie a zdravie osôb. Odbornou likvidáciou tohto výrobku navyše prispievate k efektívnemu využívaniu prírodných zdrojov. Informácie o zberných strediskách pre staré zariadenia získate od vašej miestnej správy, verejnoprávnej inštitúcie zaoberajúcej sa likvidáciou odpadu, autorizovaného úradu pre likvidáciu odpadu z elektrických a elektronických zariadení alebo od vášho odvozu odpadkov.

Batérie a akumulátory nevyhadzujte do domového odpadu!



Ako spotrebiteľ máte zákonnú povinnosť odovzdať všetky batérie a akumulátory bez ohľadu na to, či obsahujú škodlivé látky* alebo nie, zbernému stredisku vo vašej obci/mestskej časti alebo v predajni, aby mohli byť odvezené na ekologickú likvidáciu.

*označené: Cd = kadmium, Hg = ortuť, Pb = olovo

Pred likvidáciou zariadenia a batérií vyberte z lasera batérie.

15. Odstraňovanie porúch

Porucha	Možná príčina	Náprava
Motor nefunguje.	Motor, kábel alebo zásuvka sú chybné, sieťové poistky spálené.	Stroj nechajte skontrolovať odborníkom. Nikdy motor neopravujte sami. Nebezpečenstvo! Skontrolujte sieťové poistky, príp. ich vymeňte.
Motor sa rozbieha pomaly a nedosahuje prevádzkových rýchlostí.	Napätie je príliš nízke, vinutia poškodené, kondenzátor spálený.	Napätie nechajte skontrolovať distribútorom elektriny. Motor nechajte skontrolovať odborníkom. Kondenzátor nechajte vymeniť odborníkom.
Motor je príliš hlučný.	Poškodené vinutia, chybný motor.	Motor nechajte skontrolovať odborníkom.
Motor nedosahuje plný výkon.	Prúdové obvody v sieťovom zariadení preťažené (kontrolky, iné motory atď.).	Nepoužívajte žiadne iné zariadenia ani motory na rovnakom prúdom obvode.
Motor sa ľahko prehrieva.	Preťaženie motora, nedostatočné chladenie motora.	Zabráňte preťaženiu motora pri rezaní, z motora odstráňte prach, aby sa zaručilo optimálne chladenie motora.
Rez pílou je drsný alebo zvltný.	Pílvy kotúč je tupý, forma zubov nie je vhodná na hrúbku materiálu.	Dodatočne obrúste pílvy kotúč, príp. použite vhodný pílvy kotúč.
Obrobok je vytrhaný, príp. vyštiepaný.	Príliš vysoký tlak rezania, príp. pílvy kotúč nie je vhodný na dané použitie.	Použite vhodný pílvy kotúč.

16. Záručný list

Vážená zákazníčka, vážený zákazník,

naše výrobky podliehajú prísnej kontrole kvality. V prípade, že nebude prístroj napriek tomu bezchybne fungovať, je nám to veľmi ľúto a prosíme Vás, aby ste sa obrátili na našu servisnú službu na adrese uvedenej na tomto záručnom liste. Radi Vám budeme k dispozícii taktiež telefonicky na uvedenom servisnom telefónnom čísle. Pri uplatňovaní nárokov na záručné plnenie platia nasledujúce podmienky:

- Tieto záručné podmienky upravujú dodatočné záručné plnenie. Vaše zákonné nároky na záruku nie sú touto zárukou dotknuté. Naše záručné plnenie je pre Vás zadarmo.
- Záručné plnenie sa vzťahuje výlučne len na nedostatky, ktoré sú spôsobené chybami materiálu alebo výrobnými chybami, a je obmedzené na odstránenie týchto nedostatkov resp. výmenu prístroja. Prosím, dbajte na to, že naše prístroje neboli svojim určením konštruované na profesionálne, remeselnícke ani priemyselné použitie. Táto záručná zmluva sa preto neuzatvára, ak sa prístroj bude používať v profesionálnych, remeselníckych alebo priemyselných prevádzkach ako aj na činnosti rovnocenné s takýmto použitím. Z našej záruky sú okrem toho vylúčené náhradné plnenie za škody pri transporte, škody spôsobené nedodržaním návodu na montáž alebo na základe neodbornej inštalácie, nedodržaním návodu na použitie (ako napr. pripojením na nesprávne sieťové napätie alebo druh prúdu), zneužívaním alebo nesprávnym používaním (ako napr. preťaženie prístroja alebo použitie neprípustných pracovných nástrojov alebo príslušenstva), nedodržaním pokynov pre údržbu a bezpečnostných pokynov, vniknutím cudzích telies do prístroja (ako napr. piesok, kamene alebo prach), použitím násilia alebo cudzieho pôsobenia (napr. škody spôsobené pádom), a taktiež je vylúčené bežné opotrebenie primerané použitiu.

Nárok na záruku zaniká, ak už boli na prístroji svojvoľne uskutočnené zásahy.

- Doba záruky je 3 roky a začína sa dátumom nákupu prístroja. Nároky na záruku sa musia uplatniť pred koncom uplynutia záručnej doby do dvoch týždňov od zistenia nedostatku. Uplatnenie nárokov na záruku po uplynutí záručnej doby je vylúčené. Oprava alebo výmena prístroja nevedie k predĺženiu záručnej doby ani nedochádza na základe tohto plnenia ku vzniku novej záručnej doby pre prístroj ani pre akékoľvek inštalované náhradné diely. To platí taktiež pri nasadení miestneho servisu.
- Pre uplatnenie Vášho nároku na záruku sa, prosím, obráťte na nižšie uvedenú adresu servisu. Pokiaľ reklamácia prebieha počas záručnej doby, dáme Vám k dispozícii formulár o vrátení tovaru, s ktorým nám môže svoj chybný prístroj bezplatne poslať späť. Prosím, popíšte nám čo najpresnejšie dôvod reklamácie. Ak spadá defekt prístroja pod naše záručné plnenie, dostanete obratom naspäť opravený alebo nový prístroj.

Samozrejme Vám radi opravíme závady na prístroji na vaše náklady, ak tieto závady nespádajú alebo už nespádajú do rozsahu záruky. Prosím, pošlite nám v takom prípade prístroj na našu servisnú adresu.

Priama linka servisu (SK):

00800 4003 4003

(0,00 €/Min.)

E-mailová adresa (SK):

service.SK@scheppach.com

Adresa servisu (SK):

GARLAND distributor, s.r.o.

Hradecká 1136

CZ - 50601 Jicín



Na stránke www.lidl-service.com si môžete stiahnuť tieto a veľa ďalších príručiek, videí o výrobkoch a inštaláčne softvéry.

Pomocou kódu QR môžete priamo otvoriť stránku služieb spoločnosti Lidl (www.lidl-service.com) a otvoriť si návod na obsluhu zadaním čísla výrobku (IAN) 373880_2104.

1.	Declaración de los símbolos en el aparato.....	104
2.	Introducción.....	105
3.	Descripción del aparato (ilustr. 1-13).....	105
4.	Volumen de suministro	106
5.	Uso previsto.....	106
6.	Indicaciones de seguridad.....	106
7.	Datos técnicos.....	110
8.	Antes de la puesta en marcha.....	111
9.	Estructura y manejo.....	112
10.	Transporte (ilustr. 13).....	114
11.	Mantenimiento.....	114
12.	Almacenamiento.....	115
13.	Conexión eléctrica.....	115
14.	Eliminación y reciclaje.....	115
15.	Solución de averías.....	116
16.	Certificado de garantía.....	117
17.	Plano de explosión.....	133
18.	Declaración de conformidad.....	135

1. Declaración de los símbolos en el aparato



ES

¡Antes de la puesta en marcha, leer y seguir el manual de instrucciones así como las indicaciones de seguridad!



ES

¡Use gafas protectoras!



ES

Llevar protección auditiva.



ES

En caso de formación de polvo, llevar protección respiratoria.



ES

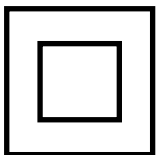
¡Atención! ¡Peligro de lesión! No tocar la hoja de sierra mientras se encuentre en funcionamiento.



Achtung! - Laserstrahlung
Nicht in den Strahl blicken!
Laser Klasse 2
Laserspezifikation nach EN 60825-1:2014
λ = 650 nm P_e < 1 mW

ES

¡Atención! Radiación por láser



ES

Clase de protección II (aislamiento doble)

2. Introducción

Fabricante:

scheppach

Fabrikation von Holzbearbeitungsmaschinen GmbH
Günzburger Straße 69
D-89335 Ichenhausen

Estimado cliente:

Le deseamos éxito y disfrute al trabajar con su nuevo aparato.

Indicación:

El fabricante de este aparato, de acuerdo con la legislación alemana de responsabilidad sobre productos, no se hace responsable de los daños originados en este aparato o causados por éste en los siguientes casos:

- manejo incorrecto,
- inobservancia de las instrucciones de servicio,
- reparaciones efectuadas por personal técnico no autorizado ajeno a nuestra empresa,
- montaje y sustitución de piezas de repuesto no originales,
- empleo no conforme al previsto,
- fallos de la instalación eléctrica en caso de incumplimiento de las normas eléctricas y disposiciones VDE 0100, DIN 57113 / VDE 0113.

Observe lo siguiente:

Lea antes del montaje y de la puesta en marcha el texto completo del presente manual de instrucciones.

Estas instrucciones de uso están pensadas para que le resulte más fácil familiarizarse con el dispositivo y utilizar sus posibilidades de uso.

Las instrucciones de uso contienen notas importantes sobre cómo trabajar de manera segura, adecuada y económica con su máquina y cómo evitar peligros, ahorrar en costes de reparaciones, reducir el tiempo de inactividad y aumentar la fiabilidad y vida útil de la máquina.

Además de las normas de seguridad incluidas en este manual de instrucciones, se deberán observar estrictamente las prescripciones vigentes en su país para el funcionamiento del aparato.

Conserve el manual de instrucciones en una funda de plástico, protegido del polvo y la humedad, donde el propio aparato. Estas deberán leerse y observarse con atención por cada persona empleada antes de comenzar a trabajar por primera vez. En el aparato solo deben trabajar personas instruidas en su manejo y familiarizadas con los peligros que este conlleva. Debe respetarse la edad laboral mínima.

Además de las indicaciones de seguridad incluidas en el presente manual de instrucciones y las prescripciones especiales vigentes en su país, deberán observarse las normas técnicas generalmente reconocidas para el funcionamiento de máquinas de estructura similar.

Declinamos cualquier responsabilidad de posibles accidentes o daños que puedan producirse por no obedecer las presentes instrucciones y advertencias de seguridad.

3. Descripción del aparato (ilustr. 1-13)

1. Interruptor de encendido/apagado
 2. Interruptor de bloqueo
 3. Asidero
 4. Cabezal de la máquina
 5. Protector móvil de la hoja de sierra
 6. Hoja de sierra
 7. Tornillo fijador para mesa giratoria
 8. Carril de tope
 - 8a. Carril de tope desplazable
 - 8b. Tornillo fijador
 9. Mesa fija de aserrado
 10. Inserción de la mesa
 11. Escala
 12. Indicador
 13. Mesa giratoria
 14. Tornillo fijador para el soporte de la pieza de trabajo
 15. Dispositivo de sujeción (tensor de la pieza de trabajo)
 16. Tornillo fijador
 17. Saco de recogida de virutas
 18. Soporte de la pieza de trabajo
 19. Tornillo fijador para dispositivo de sujeción
 20. Tornillo fijador para protección contra ladeo
 21. Estribo de apoyo
 - 22a. Tornillo de ajuste (45°)
 - 22a. Tuerca de seguridad tornillo de ajuste (45°)
 23. Tornillo fijador
 24. Mango de sujeción
 25. Perno de seguridad
 26. Tornillo de ajuste (90°)
 - 26a. Tuerca de seguridad tornillo de ajuste (90°)
 27. Escala
 28. Indicador
 29. Tornillo de brida
 30. Brida externa
 31. Estribo de guía
 32. Bloqueador del eje de la sierra
 33. Interruptor de conexión/desconexión de láser
 34. Tapa de la batería
 35. Láser
 36. Tornillo (láser)
 37. Mango de transporte
- (A) Ángulo de tope de 90° (no incluido en el volumen de entrega)
- (B) Ángulo de tope de 45° (no incluido en el volumen de entrega)
- (C) Llave de hexágono interior, 6mm
- (D) Llave de hexágono interior, 3mm
- (E) Tornillo de cabeza ranurada en cruz (inserción de la mesa)

4. Volumen de suministro

- Sierra tronzadora y de inglete
- Bolsa para virutas
- Tensor de la pieza de trabajo
- Llave Allen 6 mm (C)
- Llave Allen 3 mm (D)
- 2 soportes para pieza de trabajo
- Estribo de apoyo
- 2 escobillas de carbón
- 2 baterías (AAA)
- Manual de instrucciones

5. Uso previsto

La sierra tronzadora y de inglete sirve para cortar madera y plástico, según el tamaño de la máquina. La sierra no es apropiada para el corte de leña.

¡Advertencia!

No utilice nunca el aparato para el corte de otros materiales distintos a los descritos en el manual de instrucciones.

¡Advertencia!

La hoja de sierra suministrada está pensada exclusivamente para el aserrado de madera. No lo utilice para el aserrado de leña.

La máquina únicamente debe utilizarse para el fin previsto. Se considerará inapropiado cualquier uso que vaya más allá. Los daños o lesiones de cualquier tipo producidos a consecuencia de lo anterior serán responsabilidad del usuario/operario, no del fabricante.

Solo se deben utilizar las hojas de sierra apropiadas para la máquina. Se prohíbe la utilización de muelas de tronzado de todo tipo.

El cumplimiento de las indicaciones de seguridad también forma parte del uso conforme al previsto, al igual que el manual de montaje y las instrucciones de funcionamiento en el manual de instrucciones.

Las personas que se ocupen del manejo y mantenimiento de la máquina, deben familiarizarse con la misma y estar informadas sobre los posibles peligros.

Asimismo, también deben cumplirse de manera estricta las normas vigentes en prevención de accidentes.

También deben cumplirse las normas generales en materia de sanidad laboral y de técnicas de seguridad.

Si el usuario hiciera modificaciones en la máquina, el fabricante no se responsabilizará de ningún daño que ello pueda causar.

A pesar de darse un uso conforme al previsto, no se pueden descartar por completo determinados factores de riesgos residuales. Condicionados por la construcción y la estructura de la máquina, se pueden producir las siguientes situaciones:

- Contacto de la hoja de sierra en la zona de aserrado no cubierta.
- Entrada en contacto con la hoja de la sierra en funcionamiento (riesgo de heridas por corte).
- Rebote de las piezas con las que se está trabajando o de algunas de sus partes.
- Rotura de la hoja de la sierra.
- Proyección de partículas del revestimiento de metal duro defectuoso procedente de la hoja de la sierra.

- Lesiones en los oídos debido a la falta de uso de la protección auditiva.
- Emisiones nocivas para la salud de serrín de madera durante el uso en espacios cerrados.

Recuerde que nuestros aparatos no están diseñados para usos comerciales, artesanales ni industriales. No concedemos ningún tipo de garantía si se utiliza el equipo en empresas comerciales, artesanales o industriales, ni en actividades de características similares.

6. Indicaciones de seguridad

Indicaciones generales de seguridad para herramientas eléctricas

⚠ ADVERTENCIA! Lea todas las indicaciones de seguridad, instrucciones, ilustraciones y datos técnicos que acompañan a esta herramienta eléctrica.

Si no se respetan las indicaciones de seguridad y las instrucciones, puede producirse una descarga eléctrica, un incendio y/o lesiones graves.

Conserve todas las indicaciones de seguridad e instrucciones para futuros usos.

El término empleado en las indicaciones de seguridad "herramienta eléctrica" se refiere tanto a las herramientas eléctricas conectadas a la red eléctrica (con línea de alimentación), como a las herramientas eléctricas que funcionan por batería (sin línea de alimentación).

1. Seguridad en el lugar de trabajo

- a) Tenga su zona de trabajo ordenada y bien iluminada.** Las zonas de trabajo desordenadas o mal iluminadas pueden causar accidentes.
- b) Con la herramienta eléctrica, no trabaje en entornos en peligro de explosión en los que haya líquidos, gases o polvos inflamables.** Las herramientas eléctricas producen chispas que pueden inflamar el polvo o los vapores.
- c) Cuando use esta herramienta eléctrica, no permita que se acerquen niños ni otras personas.** Al distraerse puede perder el control de la herramienta eléctrica.

2. Seguridad eléctrica

- a) La clavija de conexión de la herramienta eléctrica debe ser compatible con la toma de enchufe.** Bajo ningún concepto se debe modificar la clavija. No utilice adaptadores de conexión en las herramientas eléctricas con toma de tierra. Las clavijas compatibles y sin modificar reducen el riesgo de una descarga eléctrica.
- b) Evite el contacto corporal con las superficies conectadas a tierra tales como tuberías, calentadores, estufas y refrigeradores. Existe un mayor riesgo de descarga eléctrica si su cuerpo está en contacto con la tierra.**

- c) **Mantenga las herramientas eléctricas alejadas de la lluvia o la humedad.** La entrada de agua en la herramienta eléctrica aumenta el riesgo de una descarga eléctrica.
- d) **No modifique la finalidad del cable de conexión para cargar, colgar la herramienta eléctrica o para desenchufar la clavija de la toma de enchufe.** Aleje el cable de conexión de fuentes de calor, de aceite, de bordes afilados o de componentes móviles. Unos cables de conexión dañados o enredados aumentan el riesgo de una descarga eléctrica.
- e) **Si trabaja con una herramienta eléctrica al aire libre, emplee solo cables alargadores que también sean adecuados para zonas exteriores.** El uso de un cable alargador adecuado para zonas exteriores reduce el riesgo de una descarga eléctrica.
- f) **Si no se puede evitar el funcionamiento de la herramienta eléctrica en un entorno húmedo, emplee un interruptor de corriente residual.** El uso de un interruptor de protección de corriente residual reduce el riesgo de una descarga eléctrica.

3. Seguridad de las personas

- a) **Sea cuidadoso y preste atención a lo que hace, y realice con prudencia el trabajo con una herramienta eléctrica. No use ninguna herramienta eléctrica si está cansado o si está bajo el efecto de drogas, alcohol o medicamentos.** Un descuido durante el uso de la herramienta eléctrica puede causar lesiones graves.
- b) **Use equipos de protección individual y lleve siempre gafas de protección.** Usar equipo de protección personal (por ejemplo máscara antipolvo, calzado de seguridad antideslizante, casco o protección auditiva) adecuado al tipo de herramienta eléctrica y su uso reduce el riesgo de sufrir lesiones.
- c) **Evite una puesta en marcha accidental. Asegúrese de que la herramienta eléctrica se encuentre desconectada antes de cogerla o transportarla o conectarla a la alimentación de corriente y/o a la batería.** Si transporta el aparato sujetándolo por el interruptor de conexión/ desconexión, o si introduce el enchufe en la toma de corriente con el aparato conectado, puede dar lugar a accidentes.
- d) **Antes de encender la herramienta eléctrica, retire cualquier herramienta eléctrica o llave inglesa.** Una herramienta o una llave puesta en una pieza giratoria de la herramienta eléctrica pueden causar lesiones.
- e) **Evite posturas forzadas. Procure una buena estabilidad y mantenga siempre el equilibrio.** Así controlará mejor la herramienta eléctrica, si surge una situación imprevista.
- f) **Use ropa adecuada. No use ropa holgada ni joyas. No acerque el cabello ni la ropa a las piezas móviles.** La ropa holgada, las joyas y el cabello largo pueden engancharse en las piezas móviles.
- g) **Si pueden instalarse dispositivos de aspiración y recogida de polvo, estos deberán conectarse y emplearse de forma correcta.** El uso de un aspirador de polvo puede reducir los riesgos derivados del polvo.

- h) **No se confíe ni ignore las reglas de seguridad de las herramientas eléctricas, ni siquiera en caso de estar familiarizado con la herramienta eléctrica por un uso frecuente de la misma.** Un manejo poco atento puede causar lesiones de extrema gravedad en fracciones de segundo.

4. Uso y manipulación de la herramienta eléctrica

- a) **No sobrecargue la herramienta eléctrica.** Trabaje con la herramienta eléctrica adecuada. Si usa la herramienta eléctrica adecuada, trabajará mejor y más seguro dentro del rango de potencia indicado.
 - b) **No emplee una herramienta eléctrica con un interruptor defectuoso. Una herramienta eléctrica que ya no se pueda conectar o desconectar de nuevo, es peligrosa y se debe reparar.**
 - c) **Retire la clavija de conexión de la toma de enchufe y/o retire una batería extraíble antes de realizar ajustes en el aparato, cambiar piezas intercambiables de la herramienta o guardar la herramienta eléctrica.** Esta medida de precaución evita el arranque involuntario de la herramienta eléctrica.
 - d) **Conserve la herramienta eléctrica no utilizada fuera del alcance de los niños.** No deje utilizar la herramienta eléctrica a ninguna persona que no esté familiarizada con ella o que no haya leído estas instrucciones. Las herramientas eléctricas son peligrosas si son utilizadas por personas sin experiencia.
 - e) **Cuide con esmero las herramientas eléctricas y los insertos intercambiables de la misma.** Compruebe que las piezas móviles funcionan bien y no se atascan, que no hay piezas rotas ni dañadas, y que la herramienta eléctrica funciona correctamente. Si hay alguna pieza dañada, repárela antes de usar la herramienta eléctrica. Muchos accidentes se deben a herramientas eléctricas que no han recibido el debido mantenimiento.
 - f) **Mantenga las herramientas de corte afiladas y limpias. Las herramientas de corte con bordes cortantes y afilados conservadas cuidadosamente se atascan menos y son más fáciles de conducir.**
 - g) **Use la herramienta eléctrica, los accesorios, las herramientas, etc. conforme a estas instrucciones.** Tenga en cuenta las condiciones de trabajo y los trabajos que se deben realizar. El uso de herramientas eléctricas para fines no previstos puede ser peligroso.
 - h) **Mantenga las empuñaduras y sus superficies secas, limpias y libres de aceite y grasa.** Unas empuñaduras y unas superficies de agarre resbaladizas no permiten realizar un manejo y control seguro de la herramienta eléctrica en situaciones imprevistas.
- ### 5. Servicio técnico
- a) **Encargue la reparación de su herramienta eléctrica solamente a personal técnico cualificado y únicamente con piezas de repuesto originales.** Así garantizará que la herramienta eléctrica siga siendo segura.

¡Advertencia!

Esta herramienta eléctrica produce un campo electromagnético mientras funciona. Este campo puede perjudicar bajo circunstancias concretas implantes médicos activos o pasivos. Con el fin de reducir el peligro de lesiones graves o mortales, recomendamos a las personas con implantes médicos que consulten tanto a su médico como al fabricante del implante médico antes de manejar la herramienta eléctrica.

Indicaciones de seguridad para sierras de tronzo y de cortar ingletes

- a) **Las sierras de tronzo y de cortar ingletes se han previsto para cortar madera o productos de materiales similares, pero no se pueden emplear para cortar materiales de hierro como varillas, barras, tornillos, etc.** El polvo de abrasión causa un bloqueo de las piezas móviles, como la cubierta protectora inferior. Las chispas de corte queman la cubierta protectora inferior, la placa de inserción y otras piezas de plástica.
- b) **Si fuera posible, fije siempre la pieza de trabajo con prensatornillos o sargentos. Si sujeta la pieza de trabajo con la mano, debe mantener siempre su mano alejada de la hoja de sierra en cada lado, una distancia mínima de 100 mm. No utilice esta sierra para cortar piezas que sean demasiado pequeñas como para sujetarlas o mantenerlas sujetas con la mano.** Si su mano estuviera demasiado cerca de la hoja de sierra, existe un gran peligro de lesiones por contacto con la hoja de sierra.
- c) **La pieza de trabajo debe estar inmovilizada y, o bien estar firmemente sujeta o bien apretada contra el tope y la mesa. No deslice la pieza de trabajo en la hoja de sierra ni corte nunca "a pulso".** Las piezas de trabajo sueltas o móviles podrían salir despedidas a gran velocidad y causar lesiones.
- d) **Deslice la sierra a través de la pieza de trabajo. Evite tirar de la sierra a través de la pieza de trabajo. Para efectuar un corte, levante el cabezal de la sierra y tire de éste sobre la pieza, sin cortar. A continuación, conecte el motor, gire el cabezal de la sierra hacia abajo y empuje la sierra a través de la pieza de trabajo.** En caso de corte con presión progresiva, existe el peligro de que la hoja de sierra ascienda por la pieza y que la unidad de la hoja de sierra experimente un violento retroceso hacia el usuario.
- e) **No cruce nunca la mano sobre la línea de corte prevista, ni por delante ni por detrás de la hoja de sierra.** Soportar la pieza de trabajo "con las manos cruzadas", es decir, manteniendo la pieza de trabajo a la derecha junto a la hoja de sierra con la mano izquierda o viceversa, es muy peligroso.
- f) **No agarre por detrás del tope mientras esté girando la hoja de sierra. No deje nunca que la distancia de seguridad disminuya por debajo de 100 mm entre la mano y la hoja de sierra en rotación (ello es válido a ambos lados de la hoja de sierra, por ejemplo, al retirar desperdicios de madera).** La proximidad de la hoja de sierra en rotación hasta su mano podría resultar imperceptible y usted podría sufrir lesiones graves.
- g) **Compruebe la pieza de trabajo antes del corte. Si la pieza de trabajo está arqueada o deformada, sujétela con el lado curvado hacia fuera contra el tope. Asegúrese siempre de que a lo largo de la línea de corte no haya ninguna ranura entre la pieza de trabajo, el tope y la mesa.** Las piezas de trabajo combadas o deformadas pueden darse la vuelta o cambiar súbitamente de posición, aprisionando la hoja de sierra en rotación durante el corte. No debe haber ningún clavo ni cuerpo extraño en la pieza de trabajo.
- h) **Emplee la sierra solo cuando la mesa esté libre de herramientas, residuos de madera, etc.; solo la pieza de trabajo debe estar sobre la mesa.** Los pequeños residuos, trozos de madera sueltos u otros objetos que entren en contacto con la hoja en rotación, pueden salir despedidos a gran velocidad.
- i) **Corte cada vez una única pieza de trabajo.** Las piezas de trabajo apiladas varias veces no se dejan apretar o sujetar apropiadamente y pueden causar un aprisionamiento de la hoja o patinar durante el aserrado.
- j) **Ocúpese de que la sierra de tronzo y de cortar ingletes se encuentre sobre una superficie de trabajo lisa y firme antes de su uso.** Una superficie de trabajo lisa y firme reduce el peligro de que la sierra de tronzo y de cortar ingletes se vuelva inestable.
- k) **Planifique el trabajo. Preste atención con cada regulación de la inclinación de la hoja de sierra o del ángulo de tronzo a que el tope regulable esté ajustado correctamente y que la pieza de trabajo apoye sin entrar en contacto con la hoja o la cubierta protectora.** Hay que simular un movimiento de corte completo sin llegar a conectar la máquina y sin pieza de trabajo sobre la mesa, para garantizar que no haya obstáculos ni peligro de corte en el tope.
- l) **Con las piezas de trabajo que sean más anchas o más largas que la superficie de la mesa, debe proporcionar un apoyo apropiado, como por ejemplo, extensiones de la mesa o caballetes de aserrado.** Las piezas de trabajo que sean más largas o más anchas que la mesa de la sierra de tronzo y de cortar ingletes podrían ladearse y caer en caso de no estar firmemente afianzadas. Si se cae un taco de madera cortado o la propia pieza de trabajo, la cubierta protectora inferior podría levantarse o salir despedida descontroladamente por la hoja en rotación.
- m) **No recurra a ninguna otra persona como sustitutivo de una extensión de la mesa o para proporcionar un soporte adicional.** Un soporte inestable de la pieza de trabajo puede causar el aprisionamiento de la hoja. También la pieza de trabajo durante el corte podría desplazarse y tirar del ayudante hacia la hoja en rotación.
- n) **La pieza cortada no debe empujarse en contra de la hoja de sierra en rotación.** Si hay poco espacio, por ejemplo por utilizarse topes longitudinales, la pieza cortada podría enchavetarse contra la hoja y salir despedida violentamente.

- o) **Utilice siempre un prensatornillo o sargento, o un dispositivo adecuado, para afianzar apropiadamente materiales redondos como barras o tubos.** Las barras tienden a rodar durante el corte, con lo que la hoja puede ser "aprisionada" y tirar de la pieza de trabajo junto con su mano hacia la hoja.
- p) **Deje que la hoja alcance el número de revoluciones máximo antes de cortar la pieza de trabajo.** Ello reduce el riesgo de que la pieza de trabajo salga lanzada.
- q) **Si se inmoviliza la pieza de trabajo o si la hoja queda bloqueada, desconecte la sierra de tronchado y de cortar ingletes. Espere a que todos los componentes móviles se hayan detenido, desenchufe la clavija de conexión de la red y/o extraiga la batería. A continuación, retire el material atascado.** Si siguiera serrando con un bloqueo de este tipo, podría producirse una pérdida de control o bien daños en la sierra de tronchado y de cortar ingletes.
- r) **Una vez concluido el corte, suelte el interruptor, mantenga el cabezal de la sierra abajo y espere a que se detenga la hoja, antes de retirar la pieza cortada.** Es muy peligroso acercar la mano a la hoja en giro por inercia.
- s) **Mantenga bien sujeta la empuñadura cuando ejecute un corte incompleto con la sierra o si suelta el interruptor, antes de que el cabezal de la sierra haya alcanzado su posición inferior.** En virtud del efecto de frenado de la sierra, el cabezal de la sierra puede experimentar un tirón brusco hacia abajo, lo que conlleva un peligro de lesiones.

Instrucciones de seguridad para el manejo de las hojas de sierra

1. No utilice hojas de sierra defectuosas o deformadas.
2. No utilice hojas de sierra que revistan fisuras. Deseche hojas de sierra con fisuras. Se prohíbe la reparación.
3. No utilice hojas de sierra fabricadas de acero de corte rápido.
4. Controle el estado de las hojas de sierra antes de utilizar la sierra tronchadora y de inglete.
5. Emplee exclusivamente hojas de sierra apropiadas para el material que se vaya a cortar.
6. Utilice solo las hojas de sierra estipuladas por el fabricante. Las hojas de sierra deben, si están previstas para el mecanizado de madera o materiales similares, cumplir la norma EN 847-1.
7. No utilice hojas de sierra de acero de corte rápido (HSS) de alta aleación.
8. Utilice solo hojas de sierra cuyo régimen máximo permitido no sea inferior al régimen máximo del husillo de la sierra tronchadora y de inglete, y que sea apropiado para el material que se vaya a cortar.
9. Preste atención a la dirección de giro de la hoja de sierra.
10. Utilice solo hojas de sierra cuando domine su manejo.
11. Respete el régimen máximo. No se debe exceder la velocidad máxima indicada en la hoja de corte. Respete, si se indica, el régimen.

12. Limpie las superficies tensoras de suciedad, grasa, aceite y agua.
13. No utilice aros o manguitos reductores sueltos para reducir los taladrados de las hojas de sierra.
14. Preste atención a que los aros reductores fijos para asegurar la hoja de sierra a emplear dispongan del mismo diámetro y como mínimo 1/3 del diámetro de corte.
15. Asegúrese de que los aros reductores se encuentren entre sí en paralelo.
16. Maneje hojas de sierra con precaución. Conserve estas preferiblemente en el embalaje original o en envases especiales. Vista guantes de protección para mejorar la seguridad de agarre y reducir el riesgo de lesión.
17. Asegúrese antes del uso de hojas de sierra que todos los dispositivos de protección se encuentren fijados correctamente.
18. Asegúrese antes del uso de que la hoja de sierra que vaya a usar cumpla los requisitos técnicos de esta sierra tronchadora y de inglete y que esté correctamente fijada.
19. Use la hoja de sierra suministrada solo para trabajos de corte de madera, nunca para el trabajo en metales.
20. Utilice únicamente una hoja de sierra con un diámetro que cumpla las indicaciones de la sierra.
21. Utilice los soportes adicionales para piezas de trabajo si ello fuera necesario para garantizar la estabilidad de la pieza en cuestión.
22. Durante el trabajo, deben fijarse y utilizarse siempre las extensiones del soporte de la pieza de trabajo.
23. ¡Sustituya toda pieza de inserción de la mesa desgastada!
24. Evite que se produzca un sobrecalentamiento de los dientes de la sierra.
25. Al serrar plásticos, evite que se funda el plástico. Utilice para ello las hojas de sierra correctas. Sustituya a tiempo las hojas de sierra dañadas o desgastadas. Si se produce un sobrecalentamiento de la hoja de sierra, detenga la máquina. Deje primero que la hoja de sierra se enfríe antes de trabajar de nuevo con la herramienta eléctrica.



Atención: Radiación láser
Nunca mire directamente al rayo
Tipo de láser 2



¡Protéjase a sí mismo y a su entorno de los riesgos de accidentes tomando las medidas de precaución oportunas!

- No mire directamente al haz láser con los ojos desprotegidos.
- Nunca mire directamente a la trayectoria del haz.
- Nunca apunte el haz láser hacia superficies reflectantes ni hacia personas o animales. Incluso un haz láser de baja potencia puede provocar lesiones oculares.
- Precaución: si se utilizan procedimientos distintos a los especificados aquí, puede producirse una exposición peligrosa a la radiación.
- No abra nunca el módulo láser. Podría producirse una exposición imprevista a la radiación.
- Si no va a utilizarse el aparato durante un período prolongado, deberán extraerse las baterías.

- El láser no debe sustituirse por un láser de otro tipo.
- Solo el fabricante del láser o un representante autorizado están autorizados a realizar reparaciones en el láser.

Indicaciones de seguridad para la manipulación de baterías


1. Preste atención en todo momento a que las baterías se estén utilizando con la polaridad correcta (+ y -), tal y como se indica en la batería.
2. No cortocircuitar las baterías.
3. No cargar baterías que no sean recargables.
4. No sobrecargar la batería.
5. No mezclar baterías antiguas con nuevas, ni baterías de diferentes tipos o fabricantes. Sustituir a la vez todas las baterías de un mismo juego.
6. Retirar de inmediato las baterías usadas del aparato y desechar correctamente. No arroje baterías a la basura doméstica. Las baterías defectuosas o gastadas deben reciclarse de acuerdo con la directiva 2006/66/CE. Devuelva las baterías y/o el aparato a través de las instalaciones de recogida facilitadas. La administración local o municipal le informará sobre las posibilidades de desecho disponibles.
7. No calentar las baterías.
8. No soldar directamente sobre las baterías.
9. No desensamblar las baterías.
10. No deformar las baterías.
11. No arrojar las baterías al fuego.
12. Guardar las baterías fuera del alcance de los niños.
13. No permitirles a los niños la sustitución de las baterías sin vigilancia.
14. No guarde las baterías cerca de fuego, hornillos u otras fuentes de calor. No coloque la batería bajo radiación solar directa, ni utilice ni almacene esta en ningún vehículo cuando haga calor.
15. Conservar las baterías sin usar en el embalaje original y mantenerlo lejos de objetos metálicos. No mezclar baterías desembaladas ni guardar juntas. Eso podría desembocar en un cortocircuito de la batería y, con ello, en daños, quemaduras o incluso en riesgo de incendio.
16. Retirar las baterías del aparato, si este no va a utilizarse durante un periodo prolongado de tiempo, a no ser que se use para casos de emergencia.
17. NUNCA tocar sin la protección correspondiente las baterías que se hayan derramado. En caso de que el líquido derramado entre en contacto con la piel, debe lavar de inmediato bajo un chorro de agua la zona afectada de la piel. Evite en cualquier caso que los ojos y la boca entren en contacto con el líquido. En caso contrario, acuda de inmediato a un médico.
18. Limpiar los contactos de la batería y también los contracontactos del aparato antes de colocar las baterías.

Riesgos residuales

La herramienta eléctrica se ha construido de acuerdo con los últimos avances tecnológicos y las reglas técnicas de seguridad reconocidas. Aun así pueden emanar determinados riesgos residuales durante el trabajo.

- Si no se utilizan las líneas de conexión eléctricas apropiadas, existe riesgo para la salud.
- Asimismo, a pesar de todas las precauciones adoptadas pueden existir riesgos residuales no patentados.
- Los riesgos residuales se pueden minimizar observando las "indicaciones de seguridad" y el "uso conforme al previsto" y siguiendo las instrucciones de servicio en su integridad.
- No someta a la máquina a mayor presión de la necesaria: demasiada presión durante el aserrado puede dañar con celeridad la hoja de sierra, provocando una reducción del rendimiento de la máquina durante el procesamiento y para la precisión de corte.
- Durante el aserrado de material de plástico, utilice siempre prisioneros: las secciones que deban aserrarse, deben fijarse siempre entre los prisioneros.
- Evite puestas en servicio fortuitas de la máquina: al introducir la clavija en el enchufe, no debe presionarse la tecla de servicio.
- Utilice la herramienta que se recomienda en este manual. De este modo conseguirá que su máquina brinde el mejor rendimiento.
- No acerque sus manos a la zona de trabajo cuando la máquina esté en marcha.
- Antes de realizar trabajos de ajuste o de mantenimiento, suelte la tecla de arranque y desenchufe la clavija de conexión de la red.

7. Datos técnicos

Motor de corriente alterna	220 - 240 V~ 50Hz
Potencia S1	1200 Watt
Modo de servicio	S6 25%* 1500W
Número de revoluciones en régimen de marcha al ralentí n_0	5000 rpm
Hoja de sierra de metal duro	\varnothing 210 x \varnothing 30 x 2,6 mm
Número de dientes	48
Ancho máximo del dentado de la hoja de sierra	3 mm
Gama de giro	-45° / 0° / +45°
Corte en inglete	de 0° a 45° hacia la izquierda
Ancho de sierra a 90°	120 x 60 mm
Ancho de sierra a 45°	80 x 60 mm
Ancho de sierra a 2 x 45° (corte de ingletes doble)	80 x 35 mm
Clase de protección	II / 
Peso	aprox. 7,6 kg
Tipo de láser	2
Longitud de onda láser	650 nm
Potencia del láser	< 1 mW

* Tipo de funcionamiento S6, funcionamiento cíclico continuo. El funcionamiento se compone por un tiempo de arranque, un tiempo con carga constante y un tiempo de marcha en vacío. La duración de un ciclo es de 10 minutos, la duración relativa de conexión equivale al 25 % de la duración de un ciclo.

La pieza de trabajo debe tener como mínimo un alto de 3 mm y un ancho de 10 mm. Preste atención a que la pieza de trabajo se asegure siempre con el dispositivo tensor.

Ruido

La emisión de ruidos de esta sierra se ha determinado conforme a la norma EN 62841.

Nivel de presión acústica L_{pA} 99,6 dB(A)

Incertidumbre K_{pA} 3 dB

Nivel de potencia acústica L_{WA} 112,6 dB(A)

Incertidumbre K_{WA} 3 dB

Utilice protección auditiva.

El efecto del ruido puede causar pérdida auditiva.

Los valores de emisiones de ruido indicados se han medido siguiendo un proceso de comprobación normalizado y pueden utilizarse para comparar una herramienta eléctrica con otra.

Los valores de emisión de ruidos indicados se pueden emplear también para una evaluación provisional de la carga.

Advertencia:

- Las emisiones de ruido pueden diferir de los valores indicados durante el uso real de la herramienta eléctrica, dependiendo del tipo y modo de uso de la misma, especialmente, del tipo de pieza de trabajo con el que se trabaje.
- Intente mantener lo más baja posible la carga. Medidas a modo de ejemplo para limitar el tiempo de trabajo. Para ello, deben tenerse en cuenta todas las fracciones de los ciclos de funcionamiento (por ejemplo, tiempos en los que la herramienta eléctrica se encuentra desconectada, y tiempos en los que se encuentra conectada, pero funcionando sin carga).

8. Antes de la puesta en marcha

- Abra el embalaje y extraiga el aparato cuidadosamente.
- Retire el material de embalaje y los seguros de embalaje y transporte (si los hubiera).
- Compruebe la integridad del volumen de suministro.
- Compruebe que no haya daños de transporte en el aparato y en los componentes de los accesorios.
- Conserve el embalaje por si fuera preciso hasta la extinción del período de garantía.

ATENCIÓN

¡El aparato y los materiales de embalaje no son aptos como juguetes para niños! ¡Los niños no deben jugar con bolsas de plástico, láminas o piezas pequeñas! ¡Existe peligro de atragantamiento y asfixia!

Asegúrese siempre de que la máquina se encuentre en posición estable y segura fijando esta, por ejemplo, a un banco de trabajo.

- La máquina se debe instalar en estado seguro. Asegure la máquina a un banco de trabajo, un bastidor inferior o similar, con 4 tornillos (no incluidos en el volumen de suministro) a través de los orificios de la mesa fija de aserrado (9).
- Antes de la puesta en marcha, deben estar montadas todas las tapas y dispositivos de protección de forma correcta.
- La hoja de sierra debe poder circular libremente.
- En la madera ya mecanizada, prestar atención a los cuerpos extraños como, p. ej., clavos o tornillos, etc.

- Antes de accionar el conector/des conector, asegúrese de que la hoja de sierra esté correctamente montada y que se tenga un fácil acceso a las piezas móviles.
- Antes de conectar la máquina, asegúrese de que los datos de la placa de características coinciden con los datos de la red.

8.1 Montaje del tensor de la pieza de trabajo (ilustr. 2)

- Afloje el tornillo de ajuste (19) y monte el tensor de la pieza de trabajo (15) en el lado izquierdo o derecho de la mesa fija de aserrado.
- A continuación, apriete de nuevo el tornillo de ajuste (19).

8.2 Montaje de los soportes de la pieza de trabajo (ilustr. 2 - 3)

- Afloje el tornillo de ajuste (14) y desplace el soporte de la pieza de trabajo a través del orificio previsto lateralmente de la mesa fija de aserrado.
- Preste atención a introducir también el soporte de la pieza (18) por las dos bridas del lado inferior.
- A continuación, apriete de nuevo el tornillo de ajuste (14).
- Repita este proceso también en el otro lado.

8.3 Montaje del estribo de apoyo (ilustr. 2 - 3)

- Afloje los el tornillo de ajuste(20) en el lado inferior de la sierra e introduzca el estribo de apoyo (21) por los orificios previstos del lado posterior de la sierra.
- A continuación, apriete de nuevo el tornillo de ajuste (20).

8.4 Bolsa colectora de virutas (ilustr. 4)

La sierra está equipada con una bolsa colectora (17) de virutas.

- Junte presionando las aletas metálicas de la bolsa recogepolvo y móntela en la abertura de salida de la zona del motor.
- La bolsa colectora de virutas (17) se puede vaciar abriendo la cremallera situada en la parte inferior.

Conexión a un dispositivo de aspiración de polvo externo

- Conecte la manguera de aspiración con la salida de aspiración.
- El aspirador industrial debe ser adecuado para el material a procesar.
- Cuando aspire polvo que sea especialmente perjudicial para la salud o cancerígeno, utilice un aspirador especial.

8.5 Comprobación del dispositivo de seguridad de protección de la hoja de sierra móvil (5)

La protección de la hoja de sierra protege de un posible contacto con la hoja de sierra y de las virutas desprendidas.

Comprobación del funcionamiento.

Para ello, abatir hacia abajo la sierra:

- La protección de la hoja de sierra debe desbloquear la hoja de sierra durante la basculación hacia abajo, sin llegar a tocar otras piezas.
- Al abatir hacia arriba la hoja de sierra hasta la posición inicial, la protección de la hoja de sierra debe cubrir automáticamente la hoja.

9. Estructura y manejo

9.1 Montaje de la sierra tronczadora y de inglete (ilustr. 1 - 3)

- Suelte la mesa giratoria (13) aflojando el tornillo fijador (7).
- Ajuste la mesa giratoria (13) en el ángulo que desee por medio del asidero (3).

NOTA

La sierra tronczadora puede girarse con la mesa giratoria hacia la izquierda o la derecha. Mediante la escala es posible un ajuste exacto del ángulo. Los ángulos entre 0° y 45° pueden ajustarse de manera precisa y rápida con una trama de, respectivamente, 15°, 22,5°, 30°.

- Apriete de nuevo el tornillo fijador (7) para fijar la mesa giratoria.
- Haciendo una ligera presión en el cabezal de la máquina (4) hacia abajo y extrayendo simultáneamente el perno de seguridad (25) del soporte del motor, se desenclava la sierra de la posición inferior.
- Gire el cabezal de la máquina (4) hacia arriba.
- El dispositivo de sujeción (15) se puede fijar tanto a la izquierda como a la derecha en la mesa fija de aserrado (9). Inserte el dispositivo de sujeción (15) en el orificio previsto para ello en la parte posterior del carril de tope (8) y asegúrelo por medio del tornillo de agarre de la estrella (19).
- El cabezal de la máquina (4) se puede inclinar hacia la izquierda un máx. de 45° aflojando el tornillo fijador (23).
- Durante el trabajo, deben fijarse y utilizarse siempre los soportes de la pieza de trabajo (18).

9.2 Ajuste de precisión del tope para un corte de tronzado a 90° (ilustr. 5)

El ángulo tope no se incluye en el volumen de entrega.

- Baje el cabezal de la máquina (4) hacia abajo y fíjelo con el perno de seguridad (25).
- Afloje el tornillo fijador (23).
- Coloque la escuadra con espaldón (A) entre la hoja de sierra (6) y la mesa giratoria (13).
- Afloje la tuerca de seguridad (26a).
- Regule el tornillo de ajuste (26) hasta que el ángulo entre la hoja de sierra (6) y la mesa giratoria (13) sea de 90°.
- Apriete de nuevo la tuerca de seguridad (26a).

9.3 Corte de tronzado a 90° y mesa giratoria a 0° (ilustr. 1/2/3/6)

¡Atención! Los carriles de tope desplazables (8a) deben fijarse para cortes de tronzado a 90° en la posición interior.

- Abra el tornillo fijador (8b) del carril de tope desplazable (8a) y desplace el carril de tope desplazable (8a) hacia dentro.
- Los carriles de tope desplazables (8a) deben inmovilizarse delante de la posición más interior hasta que la distancia entre dichos carriles y la hoja de sierra (6) sea, como máximo, de 8 mm.
- Compruebe antes de efectuar el corte que entre los carriles de tope (8a) y la hoja de sierra (6) no sea posible una colisión.
- Apretar de nuevo los tornillos fijadores (8b).
- Colocar el cabezal de la máquina (4) en la posición superior.

- Colocar la madera que se desee cortar en la guía de corte (8) y sobre la mesa giratoria (13).
- Fije el material con los dispositivos de sujeción (15) en la mesa fija de aserrado (9) para impedir un deslizamiento durante el proceso de corte. Véase el punto 9.12.
- Desbloquee el interruptor de bloqueo (2) y pulse el interruptor de conexión/desconexión (1) para conectar el motor.
- Presionando ligeramente, mover homogéneamente hacia abajo el cabezal de la máquina (4) con ayuda de la empuñadura (3) hasta que la hoja de la sierra (6) haya cortado la pieza.
- Una vez finalizado el proceso de serrado volver a colocar el cabezal de la máquina en la posición de descanso superior y soltar el interruptor ON/OFF (1).

¡Atención!

El muelle recuperador hace que la máquina tienda a moverse hacia arriba de forma automática. En este caso, no soltar la empuñadura (3) cuando se haya finalizado el corte, mover el cabezal de la máquina lentamente hacia arriba ejerciendo una ligera contra presión.

9.4 Corte de tronzado a 90° y mesa giratoria entre 0° y 45° (ilustr. 1/2/3/6)

Con la sierra tronczadora y de inglete se pueden realizar cortes diagonales hacia la izquierda y hacia la derecha de 0° a 45°.

¡Atención!

Para cortes de tronzado a 90°, la barra tope móvil (8a) debe fijarse en la posición interior.

- Abra el tornillo fijador (8b) del carril de tope desplazable (8a) y desplace el carril de tope desplazable (8a) hacia dentro.
- La barra tope móvil (8a) debe bloquearse en una posición lo suficientemente alejada de la posición interior, es decir que la distancia entre la barra tope (8a) y la cuchilla de la sierra (6) no debe ser superior a 8 mm.
- Antes de realizar el corte, compruebe que no se pueda producir una colisión entre la barra tope (8a) y la cuchilla de la sierra (6).
- Apriete de nuevo el tornillo de ajuste (8b).
- Suelte la mesa giratoria (13) aflojando el tornillo fijador (7).
- Ajuste la mesa giratoria (13) en el ángulo que desee por medio del asidero (3).
- Apriete de nuevo el tornillo fijador (7) para fijar la mesa giratoria.
- Realice el corte del modo descrito en el apartado 9.3.

9.5 Ajuste de precisión del tope para un corte en inglete a 45° (ilustr. 1/2/3/6/7/8)

El ángulo tope no se incluye en el volumen de entrega.

Baje el cabezal de la máquina (4) hacia abajo y fíjelo con el perno de seguridad (25).

- Fije la mesa giratoria (13) en la posición de 0°.
- ¡Atención! El lado izquierdo de los carriles de tope desplazables (8a) debe fijarse en la posición exterior para realizar cortes en inglete (cabezal de la sierra inclinado).
- Afloje el tornillo fijador (8b) del carril de tope desplazable (8a) y desplace el carril de tope (8a) desplazable hacia fuera.

- La barra tope móvil (8a) debe bloquearse en una posición lo suficientemente alejada de la posición interior, es decir que la distancia entre la barra tope (8a) y la cuchilla de la sierra (6) no debe ser superior a 8 mm.
- Antes de realizar el corte, compruebe que no se pueda producir una colisión entre la barra tope (8a) y la cuchilla de la sierra (6).
- Apretar de nuevo los tornillos fijadores (8b).
- Suelte el tornillo fijador (23) e incline el cabezal de la máquina (4) hacia la izquierda a 45° mediante el asidero (3).
- Coloque la escuadra con espaldón (B) a 45° entre la hoja de sierra (6) y la mesa giratoria (13).
- Soltar la tuerca de seguridad (22a) y regular el tornillo de ajuste (22) hasta que el ángulo entre la hoja de sierra (6) y la mesa giratoria (13) sea exactamente de 45°.
- Apriete de nuevo la tuerca de seguridad (22a).
- Compruebe a continuación la posición del indicador de ángulo. Si fuera preciso, suelte el indicador (28) con un destornillador para tornillos de cabeza ranurada en cruz, ajústelo en la posición de 45° de la escala angular (27) y vuelva a apretar el tornillo de fijación.

9.6 Corte en inglete entre 0° y 45° y mesa giratoria a 0° (ilustr. 1/2/3/6)

Con la sierra tronczadora y de inglete se pueden realizar cortes de inglete hacia la izquierda de 0° a 45° con respecto a la superficie de trabajo.

¡Atención!

El lado izquierdo de los carriles de tope desplazables (8a) debe fijarse en la posición exterior para realizar cortes en inglete (cabezal de la sierra inclinado).

¡Atención!

Para cortes en inglete entre 0° y 45°, monte el dispositivo de sujeción (tensor de la pieza de trabajo) (15) solo en el lado derecho.

- Afloje el tornillo fijador (8b) del carril de tope desplazable (8a) y desplace el carril de tope (8a) desplazable hacia fuera.
- La barra tope móvil (8a) debe bloquearse en una posición lo suficientemente alejada de la posición interior, es decir que la distancia entre la barra tope (8a) y la cuchilla de la sierra (6) no debe ser superior a 8 mm.
- Antes de realizar el corte, compruebe que no se pueda producir una colisión entre la barra tope (8a) y la cuchilla de la sierra (6).
- Asegure de nuevo la palanca de bloqueo (8b).
- Desplace el cabezal de la máquina (4) a la posición superior.
- Fije la mesa giratoria (13) en la posición de 0°.
- Suelte el tornillo fijador (23) e incline el cabezal de la máquina (4) hacia la izquierda mediante el asidero (3) hasta que el indicador (28) señale en la escala (27) la medida angular deseada.
- Apriete de nuevo el tornillo fijador (23).
- Realice el corte del modo descrito en el apartado 9.3.

9.7 Corte en inglete entre 0° y 45° y mesa giratoria entre 0° y 45° (ilustr. 1/2/3/6)

Con la sierra tronczadora y de inglete se pueden realizar cortes de inglete hacia la izquierda de 0° a 45° con respecto a la superficie de trabajo y, al mismo tiempo, de 0° a 45° hasta el carril de tope (doble corte de inglete).

¡Atención!

El lado izquierdo de los carriles de tope desplazables (8a) debe fijarse en la posición exterior para realizar cortes en inglete (cabezal de la sierra inclinado).

¡Atención!

Para cortes en inglete entre 0° y 45°, monte el dispositivo de sujeción (tensor de la pieza de trabajo) (15) solo en el lado derecho.

- Afloje el tornillo fijador (8b) del carril de tope desplazable (8a) y desplace el carril de tope (8a) desplazable hacia fuera.
- La barra tope móvil (8a) debe bloquearse en una posición lo suficientemente alejada de la posición interior, es decir que la distancia entre la barra tope (8a) y la cuchilla de la sierra (6) no debe ser superior a 8 mm.
- Antes de realizar el corte, compruebe que no se pueda producir una colisión entre la barra tope (8a) y la cuchilla de la sierra (6).
- Asegure de nuevo la palanca de bloqueo (8b).
- Desplace el cabezal de la máquina (4) a la posición superior.
- Suelte la mesa giratoria (13) aflojando el tornillo fijador (7).
- Ajuste la mesa giratoria (13) en el ángulo que desee por medio del asidero (3).
- Apriete de nuevo el tornillo fijador (7) para fijar la mesa giratoria.
- Suelte el tornillo fijador (23).
- Incline el cabezal de la máquina (4) hacia la izquierda con la medida angular deseada por medio del asidero (3) (véase también al respecto el apartado 9.6).
- Apriete de nuevo el tornillo fijador (23).
- Realice el corte del modo descrito en el apartado 9.3.

9.8 Cambiar la hoja de la sierra (ilustr. 1/2/3/9/10)

¡Desenchufe la clavija de red!

¡Atención!

¡Llevar guantes de protección para cambiar la hoja de sierra! ¡Peligro de lesión!

- Bascule el cabezal de la máquina (4) hacia arriba e inmovilícelo con el perno de seguridad (25).
- Abatir hacia arriba la protección de la hoja de sierra (5) hasta que dicha protección (5) se encuentre por encima del tornillo de brida (29).
- Coloque con una mano la llave Allen (C) en el tornillo de brida (29).
- Mantenga sujeta la llave de hexágono interior (C) y cierre lentamente el protector de la hoja de sierra (5) hasta que este contacte con la llave de hexágono interior (C).
- Presionar el dispositivo de bloqueo del eje de la sierra (32) y girar el tornillo de la brida (29) lentamente hacia la derecha. Tras un giro como máximo, el dispositivo de bloqueo del eje de la sierra (32) se enclava.
- Seguidamente, aplicando un poco más de fuerza, aflojar el tornillo de brida (29) girándolo en el sentido de las agujas del reloj.
- Desatornillar totalmente el tornillo de la brida (29) y extraer la brida exterior (30).
- Separar la hoja de la sierra (6) de la brida interior y extraerla hacia abajo.

- Limpiar con cuidado tornillo de la brida (29), la brida exterior (30) y la brida interior.
- Volver a ajustar y apretar la nueva hoja de sierra (6) con la misma secuencia de pasos pero en sentido inverso.
- ¡Atención! La oblicuidad de corte de los dientes, es decir, el sentido de giro de la hoja de la sierra (6), debe coincidir con la dirección de la flecha indicada en la caja.
- Antes de continuar trabajando, comprobar que los dispositivos de protección funcionen correctamente.
- ¡Atención! Después de cada cambio de hoja de sierra (6), comprobar si dicha hoja gira sin problemas en posición vertical, así como inclinada 45°, en el revestimiento de la mesa (10).

¡Atención!

La hoja de la sierra (6) se debe cambiar y alinear correctamente.

9.9 Sustitución de las baterías del láser (ilustr. 11)

- Retire la cubierta de las baterías (34). Saque las 2 baterías.
- Sustituya ambas baterías por otras del mismo tipo u otro equivalente. Preste atención a que se encuentren insertadas con la misma polaridad que las baterías anteriormente usadas.
- Cierre la tapa de las baterías.

9.10 Conexión / Desconexión del láser (ilustr. 11) Encendido:

Llevar el interruptor ON/OFF (33) del láser a la posición "1". Aparece una línea de láser en la pieza a trabajar que muestra el trayecto exacto del corte.

Apagado:

Llevar el interruptor ON/OFF del láser a la posición "0".

9.11 Ajuste del láser (ilustr. 12)

Si el láser (35) no muestra la línea de corte correcta, se podrá reajustar. Para ello, abrir los tornillos (36) y ajustar el láser moviéndolo hacia al lado de modo que el rayo del láser apunte a los dientes de corte de la hoja de la sierra (6).

9.12 Manejo del tensor de la pieza de trabajo (ilustr. 1/2)

Por medio del tornillo fijador (16) se puede ajustar la altura del tensor de la pieza de trabajo (15).

- Baje el tensor de la pieza de trabajo hasta la pieza de trabajo.
- Apriete firmemente el tornillo fijador (16).
- Gire el mango de sujeción (24) en el sentido de las agujas del reloj para sujetar la pieza de trabajo.
- Para soltar la pieza de trabajo, proceda en orden inverso.

10. Transporte (ilustr. 13)

- Apretar la empuñadura de sujeción (7) para bloquear la mesa giratoria (13).
- Pulsar el cabezal de la máquina (4) hacia abajo y bloquear con el perno de seguridad (25). La sierra está bloqueada en la posición inferior.
- Transportar la máquina cogiéndola por el asidero (37).
- Para volver a montar la máquina, proceder como se indica en el apartado 8 - 9.

11. Mantenimiento

⚠ Advertencia!

Antes de efectuar cualquier trabajo de ajuste, conservación o reparación, desenchufar la clavija de conexión de la red.

Medidas generales de mantenimiento

Retire cada cierto tiempo las virutas y el polvo de la máquina con ayuda de un paño. Engrase con aceite las piezas giratorias una vez al mes para prolongar la vida útil de la herramienta. No engrase con aceite el motor.

No utilice ningún producto cáustico para limpiar las piezas de plástico.

Limpieza de dispositivo de seguridad de protección de la hoja de sierra móvil (5)

Antes de cada puesta en marcha, compruebe que no haya suciedad ni impurezas en la protección de la hoja de sierra.

Retire todas las virutas de serrín y las astillas viejas mediante la ayuda auxiliar de un pincel, un cepillo o un utensilio similar.

Cambio de inserción de la mesa (ilustr. 14)

¡Peligro!

Si la inserción de la mesa (10) estuviera dañada, existe el peligro de que queden obstruidos pequeños objetos entre la inserción de la mesa y la hoja de sierra, bloqueando con ello la hoja de sierra.

¡Sustituya inmediatamente las inserciones de la mesa dañadas!

1. Desenrosque los tornillos (E) de la inserción de la mesa.
2. Retire la inserción de la mesa.
3. Coloque la inserción de la mesa nueva.
4. Apriete los tornillos (E) en la inserción de la mesa.

Inspección de escobillas

Compruebe las escobillas de carbón en una máquina nueva al cabo de las primeras 50 horas de servicio o cuando se hayan instalado escobillas nuevas. Efectúe nuevas comprobaciones cada 10 horas de servicio tras la primera inspección.

Si el material de carbono está desgastado en una longitud de 6 mm o si los resortes o el hilo metálico en derivación están carbonizados o presentan daños, deben sustituirse ambas escobillas. Si tras desmontarlas se estima que las escobillas siguen siendo aptas para el uso, puede volver a montarlas.

Para realizar el mantenimiento de las escobillas de carbón, abra los dos bloqueos (tal como se representa en la ilustración 15) en sentido contrario a las agujas del reloj. Retire a continuación las escobillas de carbón.

Vuelva a colocar las escobillas de carbón en el orden contrario.

Información sobre el servicio técnico

Hay que tener en cuenta que los siguientes componentes de este producto están sometidos a desgaste natural o por el uso o que se requieren los siguientes materiales de consumo.

Piezas de desgaste*: Escobillas de carbón, hoja de sierra, inserciones de la mesa, sacos de recogida de virutas

* ¡No incluida obligatoriamente en el volumen de suministro!

12. Almacenamiento

Almacene el aparato y sus accesorios en un lugar oscuro, seco y sin riesgo de heladas, donde no esté al alcance de niños. El rango de temperatura de almacenamiento es de 5 a 30°C. Conserve la herramienta eléctrica en su embalaje original. Cubra la herramienta eléctrica para protegerla del polvo o de la humedad.

Guarde las instrucciones de servicio junto con la herramienta eléctrica.

13. Conexión eléctrica

El motor eléctrico instalado está conectado listo para utilizarse. La conexión cumple las pertinentes disposiciones VDE y DIN. La conexión a la red por parte del cliente, así como el cable alargador utilizado deben cumplir estas normas.

Indicaciones importantes

En caso de sobrecarga del motor, este se desconecta automáticamente. Tras un tiempo de refrigeración (los tiempos varían), puede conectarse de nuevo el motor.

Línea de conexión eléctrica defectuosa.

En las líneas de conexión eléctrica surgen a menudo daños de aislamiento.

Las causas para ello pueden ser:

- Zonas aprisionadas al conducir las líneas de conexión a través de ventanas o puertas entreabiertas.
- Dobleces ocasionados por la fijación o el guiado incorrectos de la línea de conexión.
- Zonas de corte al sobrepasar la línea de conexión.
- Daños de aislamiento por tirar de la línea de conexión del enchufe de la pared.
- grietas causadas por el envejecimiento del aislamiento.

Tales líneas de conexión eléctrica defectuosas no deben utilizarse, pues suponen un riesgo para la vida debido a los daños de aislamiento.

Supervisar con regularidad las líneas de conexión eléctrica en busca de posibles daños. Durante la comprobación, preste atención a que la línea de conexión no cuelgue de la red eléctrica.

Las líneas de conexión eléctrica deben cumplir las pertinentes disposiciones VDE y DIN. Utilice solo líneas de conexión eléctrica con certificación „H05VV-F“.

La impresión de la denominación del tipo en el cable de conexión es obligatoria.

Indicaciones de seguridad para sustituir cables de conexión a la red dañados o defectuosos

Tipo X:

Si el cable de conexión a la red del aparato estuviera dañado, se deberá sustituir por un cable de conexión especial, suministrable por el fabricante o por su servicio de atención al cliente.

Motor de corriente alterna:

La tensión de red debe ser de 220 - 240 V.

- Los cables alargadores de hasta 25 m de longitud deben poseer una sección de 1,5 milímetros cuadrados.
- Las conexiones y reparaciones del equipamiento eléctrico debe realizarlas solo un experto electricista.

En caso de posibles dudas, indique los siguientes datos:

- Tipo de corriente del motor
- Datos de la placa de características del motor

14. Eliminación y reciclaje

El aparato se encuentra en un envase para evitar daños de transporte. Este envase es materia prima, por lo que se puede reutilizar o devolver al circuito de materias primas.

El aparato y sus accesorios se componen de diferentes materiales como, p. ej. metal y materiales sintéticos. Elimine los componentes defectuosos en un punto de eliminación de residuos peligrosos. ¡Pregunte en alguna tienda especializada o en la administración municipal!



El embalaje está compuesto de materiales ecológicos que pueden ser eliminados en los puntos de reciclaje locales.

En su ayuntamiento o administración municipal podrá obtener información sobre las distintas opciones de eliminación de un aparato fuera de uso.

¡No arroje los aparatos usados a la basura doméstica!



Este símbolo indica que el producto, según la directiva sobre residuos de aparatos eléctricos y electrónicos (2012/19/UE) y las leyes nacionales, no puede eliminarse junto con la basura doméstica. En su lugar, este producto deberá ser conducido a un punto de recogida adecuado. Esto puede efectuarse devolviendo el aparato al comprar uno nuevo de características similares o entregándolo en un punto de recogida autorizado para el reciclaje de residuos de aparatos eléctricos y electrónicos. La manipulación inadecuada de aparatos eléctricos y electrónicos usados puede tener efectos negativos en el medio ambiente y en la salud humana, debido a las sustancias potencialmente peligrosas que estos frecuentemente contienen. Al eliminar correctamente este producto, Ud. contribuye además a un aprovechamiento eficaz de los recursos naturales. Para más información acerca de los puntos de recogida de residuos de aparatos usados, póngase en contacto con su ayuntamiento, el organismo público de recogida de residuos, cualquier centro autorizado para la eliminación de residuos de aparatos eléctricos y electrónicos o la oficina del servicio de recogida de basuras.

¡No arroje pilas o baterías a la basura doméstica!



Como consumidor, Ud. está obligado a entregar todas las pilas y baterías usadas, ya contengan o no sustancias nocivas*, en un punto de recogida de su municipio/distrito o en un comercio autorizado para que puedan ser eliminadas de un modo ecológico.

*Identificadas con los símbolos Cd = cadmio, Hg = mercurio o Pb = plomo

Quite las baterías del láser antes de desechar el aparato y las baterías.

15. Solución de averías

Avería	Causa posible	Solución
El motor no funciona	Motor, cable o clavija defectuosos, se quemaron los fusibles	Acudir a un experto para que supervise la máquina. No reparar nunca el motor uno mismo. ¡Es peligroso! Comprobar los fusibles, sustituir en caso necesario
El motor arranca de manera lenta y no alcanza la velocidad de servicio.	Tensión demasiado baja, bobinas dañadas, condensador quemado.	Encargarle a la central eléctrica que supervise la tensión. Acudir a un experto para que supervise el motor. Acudir a un experto para que supervise el condensador
El motor hace demasiado ruido.	Bobinas dañadas, motor averiado.	Acudir a un experto para que supervise el motor.
El motor no alcanza la capacidad total.	Circuitos del sistema eléctrico sobrecargados (lámparas, otros motores, etc.)	No utilice otros aparatos o motores con el mismo circuito eléctrico
El motor se sobrecalienta con facilidad.	Sobrecarga del motor, insuficiente refrigeración del motor.	Evitar la sobrecarga del motor durante el corte, retirar el polvo del motor para garantizar una refrigeración óptima del motor
El corte de la sierra es demasiado rugoso u ondulado	La hoja de sierra está roma, el dentado no es el apropiado para el espesor del material	Afilarse la hoja de sierra o emplear una hoja de sierra apropiada
La pieza de trabajo se desgarran o se hacen astillas	La presión de corte es demasiado elevada o la hoja de sierra no es la apropiada para la tarea	Colocar una hoja de sierra apropiada

16. Certificado de garantía

Estimado cliente,

Nuestros productos están sometidos a un estricto control de calidad. No obstante, lamentaríamos que este aparato dejara de funcionar correctamente, en tal caso, le rogamos que se dirija a nuestro servicio de atención al cliente en la dirección indicada en la parte inferior de la presente tarjeta de garantía. Con mucho gusto le atenderemos también telefónicamente en el número de servicio indicado a continuación. Para hacer válido el derecho de garantía, proceda de la siguiente forma:

- Estas condiciones de garantía regulan prestaciones de la garantía adicionales. Sus derechos legales a prestación de garantía no se ven afectados por la presente garantía. Nuestra prestación de garantía es gratuita para usted. La prestación de garantía se extiende exclusivamente a defectos ocasionados por fallos de material o de producción y está limitada a la reparación de los mismos o al cambio del aparato. Tenga en consideración que nuestro aparato no está indicado para un uso comercial, en taller o industrial. Por lo tanto, no procederá un contrato de garantía cuando se utilice el aparato en zonas industriales, comerciales o talleres, así como actividades similares. De nuestra garantía se excluye cualquier otro tipo de prestación adicional por daños ocasionados por el transporte, daños ocasionados por la no observancia de las instrucciones de montaje o por una instalación no profesional, no observancia de las instrucciones de uso (como, p. ej., conexión a una tensión de red o corriente no indicada), aplicaciones impropias o indebidas (como, p. ej., sobrecarga del aparato o uso de herramientas o accesorios no homologados), no observancia de las disposiciones de mantenimiento y seguridad, introducción de cuerpos extraños en el aparato (como, p. ej., arena, piedras o polvo), uso violento o influencias externa (como, p. ej., daños por caídas), así como por el desgaste habitual por el uso.

El derecho a garantía pierde su validez cuando ya se hayan realizado intervenciones en el aparato.

- El periodo de garantía es de 3 años y comienza en la fecha de la compra del aparato. El derecho de garantía debe hacerse válido, antes de finalizado el plazo de garantía, dentro de un periodo de dos semanas una vez detectado el defecto. El derecho de garantía vence una vez transcurrido el plazo de garantía. La reparación o cambio del aparato no conllevará ni una prolongación del plazo de garantía ni un nuevo plazo de garantía ni para el aparato ni para las piezas de repuesto montadas. Esto también se aplica en el caso de un servicio in situ.
- Para reclamar sus derechos de garantía, póngase en contacto con la dirección de servicio que aparece a continuación. Si la reclamación se encuentra dentro del período de garantía, pondremos a su disposición un impreso de devolución con el que podrá devolvernos su aparato defectuoso sin cargo alguno. Describa con la mayor precisión posible el motivo de la reclamación. Si nuestra prestación de garantía incluye el defecto aparecido en el aparato, recibirá de inmediato un aparato reparado o nuevo de vuelta.

Naturalmente, también solucionaremos los defectos del aparato que no se encuentren comprendidos o ya no se encuentren comprendidos en la garantía, en este caso contra reembolso de los costes. Para ello, envíe el aparato a nuestra dirección de servicio técnico.

Cliente Servicio (ES):

00800 4003 4003
(0,00 EUR/Min.)

Correo electrónico de servicio (ES):

service.ES@scheppach.com

Dirección del servicio (ES):

ISTEGA S.L.
Ctra. De Cambre al Temple, 106 - A Barcala
ES - 15660 Cambre (A Coruña)



En www.lidl-service.com puede descargar estos y muchos otros manuales, videotutoriales de productos y software de instalación.

El código QR le direcciona directamente a la página de servicio de Lidl (www.lidl-service.com) y puede abrir el manual de instrucciones introduciendo el número de artículo (IAN) 373880_2104.

1.	Forklaring til symbolerne på maskinen	119
2.	Indledning.....	120
3.	Beskrivelse af apparatet (fig. 1-13)	120
4.	Leveringsomfang	121
5.	Tilsluttet brug	121
6.	Sikkerhedsforskrifter	121
7.	Tekniske data	125
8.	Før ibrugtagning.....	125
9.	Opbygning og betjening	126
10.	Transport (fig. 13)	128
11.	Vedligeholdelse	128
12.	Opbevaring	128
13.	El-tilslutning	128
14.	Bortskaffelse og genbrug.....	129
15.	Afhjælpning af fejl.....	130
16.	Garantibevis	131
17.	Ekspllosionstegning	133
18.	Overensstemmelseserklæring	135

1. Forklaring til symbolerne på maskinen



DK

Læs og overhold brugsanvisningen og sikkerhedsforskrifterne før ibrugtagning!



DK

Brug beskyttelsesbriller!



DK

Brug høreværn!



DK

Brug åndedrætsværn i støvede omgivelser!



DK

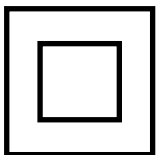
Pas på! Fare for tilskadekomst! Undlad at række hånden ind i den kørende savklinge!



Achtung! - Laserstrahlung
Nicht in den Strahl blicken!
Laser Klasse 2
Laserspezifikation nach EN 60825-1:2014
λ = 650 nm P_e < 1 mW

DK

Pas på! Laserstråling



DK

Kapslingsklasse II (dobbeltisolering)

2. Indledning

Producent: scheppach

Fabrikation von Holzbearbeitungsmaschinen GmbH
Günzburger Straße 69
D-89335 Ichenhausen

Kære kunde,

Vi ønsker dig rigtig god fornøjelse og held og lykke med arbejdet med dit nye apparat.

Bemærk:

Iht. den gældende lov om produktansvar hæfter producenten af denne maskine ikke for skader, der opstår på eller i forbindelse med denne maskine i forbindelse med:

- forkert behandling
- manglende overholdelse af betjeningsvejledningen
- reparationer gennemført af tredjemand og/eller af ikke autoriserede fagfolk
- indbygning og udskiftning af ikke originale reservedele
- brug i strid med formålet
- Svigt af det elektriske anlæg som følge af tilsidesættelse af de elektriske forskrifter og VDE-bestemmelserne 0100, DIN 57113 / VDE0113.

Vær opmærksom på følgende:

Læs hele brugsanvisningens tekst igennem før montering og før ibrugtagning.

Formålet med denne brugsanvisning er at gøre det lettere for dig at lære apparatet at kende og benytte det som tilsigtet.

Brugsanvisningen indeholder vigtige oplysninger om, hvordan man bruger apparatet sikkert, professionelt og økonomisk, og hvordan man undgår farer, sparer reparationsomkostninger, reducerer driftsstop og øger apparatets driftssikkerhed og levetid.

Udover sikkerhedsbestemmelserne i denne brugsanvisning skal de forskrifter vedr. brug af apparatet, der måtte gælde i det enkelte land (brugslandet), overholdes til punkt og prikke.

Opbevar brugsanvisningen i nærheden apparatet; pak den ind i en plastikpose, så den er beskyttet mod snavs og fugt. Den skal læses og overholdes nøje af alle betjeningspersoner, før arbejdet startes.

Arbejde på apparatet på kun udføres af personer, der er instrueret i brug af apparatet, og som er informeret om de dermed forbundne farer. Den lovmæssige mindstealder skal overholdes.

Ud over sikkerhedsanvisningerne i denne brugsanvisning og de særlige forskrifter, der gælder i brugslandet, skal de almindeligt anerkendte, tekniske regler, der gælder i forbindelse med brug af træbearbejdningsmaskiner, overholdes.

Vi fraskriver os ethvert ansvar for uheld eller skader, der måtte opstå som følge af manglende overholdelse af denne vejledning og sikkerhedsinstrukserne.

3. Beskrivelse af apparatet (fig. 1-13)

1. Tænd/Sluk-kontakt
 2. Spærrekontakt
 3. Håndtag
 4. Maskinoverdel
 5. Bevægelig savklingebeskyttelse
 6. Savklinge
 7. Låseskrue til drejebord
 8. Anslagskinne
 - 8a. Forskydelig anslagskinne
 - 8b. Låseskrue
 9. Fast savbord
 10. Bordindlæg
 11. Skala
 12. Viser
 13. Drejebord
 14. Låseskrue til emnesupport
 15. Spændeanordning (Emnespænder)
 16. Låseskrue
 17. Spånpose
 18. Emnesupport
 19. Låseskrue til spændeanordning
 20. Låseskrue til kipsikring
 21. Ståbøjle
 22. Justeringsskrue (45°)
 - 22a. Låsemøtrik justeringsskrue (45°)
 23. Låseskrue
 24. Klemmegreb
 25. Låsebolt
 26. Justerskrue (90°)
 - 26a. Låsemøtrik justeringsskrue (90°)
 27. Skala
 28. Viser
 29. Flangeskrue
 30. Yderflange
 31. Føringsbøjle
 32. Savakselspærring
 33. Tænd/Sluk-knap laser
 34. Batteriafdækning
 35. Laser
 36. Skrue (Laser)
 37. Transportgreb
- (A) 90° anslagsvinkel (medfølger ikke)
(B) 45° anslagsvinkel (medfølger ikke)
(C) Unbrakonøgle, 6 mm
(D) Unbrakonøgle, 3 mm
(E) Stjerneskrue (bordindlæg)

4. Leveringsomfang

- Afkorter- og gjaeringssag
- Spånpose
- Emnespænder
- Unbrakonøgle 6 mm (C)
- Unbrakonøgle 3 mm (D)
- 2 underlag til arbejdssemner
- Ståbjøle
- 2 kulbørster
- 2 batterier (AAA)
- Brugsanvisning

5. Tilsigtet brug

Kap- og geringsraven bruges til at skære i træ og kunststoffer, som passer til savens størrelse. Saven egner sig ikke til at skære brænde.

Advarsel!

Brug ikke apparatet til at skære i andre materialer end dem, der er beskrevet i brugsanvisningen.

Advarsel!

Den medfølgende savklinge er udelukkende beregnet til at skære i træ! Brug ikke denne savklinge til at skære brænde! Maskinen må kun bruges til det tilsigtede formål. Enhver anden form for brug falder uden for den korrekte anvendelse. Brugeren, ikke producenten, bærer ansvaret for materielle skader eller personskader af enhver art, der måtte opstå som følge heraf.

Der må kun bruges savklinger, som er egnet til maskinen. Det er forbudt at bruge skæreskiver af enhver art.

Tilsigtet anvendelse omfatter også overholdelse af sikkerhedsanvisningerne og monteringsvejledningen samt driftsanvisningerne i betjeningsvejledningen.

Personer, der betjener og vedligeholder maskinen, skal være fortrolige med denne og være informeret om mulige farer.

Derudover skal de gældende uheldsforebyggende forskrifter overholdes meget nøje.

Andre, generelle regler inden for arbejdsmedicinske og sikkerhedstekniske områder skal overholdes.

Hvis der foretages ændringer på maskinen, bortfalder producentens ansvar for deraf følgende skader.

Selv om maskinen bruges som tilsigtet, kan visse tilbageværende risikofaktorer ikke helt udelukkes. Følgende punkter kan opstå, hvilket skyldes maskinens konstruktion og opbygning:

- Kontakt med savklingen i det ikke-tildækkede savområde.
- Indgreb i den kørende savklinge (snitsår).
- Tilbageslag ("kickback") fra emner og emnedele.
- Brud på savklinge.
- Udslyngning af defekte hårdmetaldele af savklingen.
- Høreskader hvis der ikke bruges høreværn.
- Sundhedsskadelige emissioner af træstøv ved brug i lukkede rum.

Vær opmærksom på, at vores maskiner ikke er konstrueret til erhvervsmæssig, håndværksmæssig eller industriel brug. Vi fraskriver os ansvaret, hvis maskinen bruges i erhvervs-, håndværks- eller industrivirksomheder samt til lignende arbejde.

6. Sikkerhedsforskrifter

Generelle sikkerhedsforskrifter for elværktøj

△ ADVARSEL! Læs alle sikkerhedsforskrifter, anvisninger, illustrationer og tekniske data, der følger med dette elværktøj. Følges instruktionerne, navnlig sikkerhedsforskrifterne, ikke nøje som beskrevet, kan dette føre til elektrisk stød, brand og/eller alvorlige personskader.

Opbevar alle sikkerhedsforskrifter og anvisninger til fremtidig brug.

Udtrykket "elværktøj", der er anvendt i sikkerhedsforskrifterne, henviser til lysnet-drevne elværktøjer (med lysnetkabel) eller til batteridrevne elværktøjer (uden lysnetkabel).

1. Arbejdspladssikkerhed

- Hold arbejdsområdet rent og godt oplyst.** Uorden eller uoplyste arbejdsområder kan føre til ulykker.
- Arbejd ikke med elværktøjet i eksplosionsfarlige omgivelser, hvor der findes brændbare væsker, gasser eller støv.** Elværktøj genererer gnister, der kan antænde støv eller dampe.
- Hold børn og andre personer på afstand, når der arbejdes med elværktøjet.** Hvis du bliver distraheret, risikerer du at miste kontrollen over elværktøjet.

2. Elektrisk sikkerhed

- Elværktøjets tilslutningsstik skal passe til stikkontakten.** Stikket må ikke ændres på nogen måde. Undlad brug af adapterstik sammen med elektrisk jordet elværktøj. Uændrede stik og passende stikkontakter mindsker risikoen for at få stød.
- Undgå kropskontakt med jordede overflader som rør, varmeapparater, komfurer og køleskabe. Der er øget risiko for elektrisk stød, hvis din krop er jordforbundet.**
- Hold elværktøj på afstand af regn og fugt.** Indtrængning af vand i et elværktøj øger risikoen for at få stød.
- Brug ikke tilslutningsledningen til at bære eller ophænge elværktøjet eller til at trække stikket ud af stikkontakten med.** Hold tilslutningsledningen på afstand af varme, olie, skarpe kanter eller bevægelige dele. Beskadigede eller sammenfildrede tilslutningsledninger øger risikoen for at få stød.
- Når du arbejder udendørs med et elværktøj, må du kun bruge forlængerledninger, som også er egnet til udendørs brug.** Brug af forlængerledning, der er egnet til udendørs brug, reducerer risikoen for at få elektrisk stød.
- Hvis brug af elværktøjet i fugtigt miljø er uundgåelig, skal der anvendes fejlstrømsrelæ.** Brug af fejlstrømafbryder mindsker risikoen for at få stød.

3. Personers sikkerhed

- a) **Vær opmærksom, vær agtpågivende på, hvad du gør, og arbejd altid fornuftigt med et elværktøj. Brug ikke et elværktøj, hvis du er træt eller påvirket af narkotika, alkohol eller medikamenter.** Et øjebliks uagtsomhed, mens elværktøjet bruges, kan føre til alvorlige personskader.
- b) **Brug personlige værnemidler og altid beskyttelsesbriller.** Brug af personlige værnemidler såsom støvmaske, skridsikre sikkerhedssko, beskyttelseshjelm eller høreværn, afhængigt af hvad elværktøjet bruges til, mindsker risikoen for personskader.
- c) **Undgå utilsigtet ibrugtagning. Sørg for, at elværktøjet er slukket, før du tilslutter, opsamler eller bærer det hen til strømforsyningen og/eller batteriet.** Hvis du holder fingeren på kontakten, mens du bærer elværktøjet eller tilslutter det til strømforsyningen, kan dette forårsage ulykker.
- d) **Fjern indstillingsværktøj eller skruenøgler, inden du tilslutter elværktøjet.** Værktøj eller nøgler, som måtte befinde sig i en roterende del af elværktøjet, kan medføre personskader.
- e) **Undgå unormale kropsholdninger. Sørg for at stå sikkert, og hold altid ligevægten.** På denne måde kan du bedre kontrollere elværktøjet, hvis der opstår uventede situationer.
- f) **Brug egnet tøj. Brug ikke løstsiddende tøj eller smykker. Hold hår og tøj på afstand af bevægelige dele.** Løstsiddende tøj, smykker eller langt hår kan blive viklet ind i bevægelige dele.
- g) **Hvis der kan monteres støvudsugnings- og opsamlingsudstyr, skal sådant tilsluttes og anvendes korrekt.** Brug af støvudsugning kan mindske faren pga. støv.
- h) **Forlad dig ikke på falsk sikkerhed, og overskrid ikke sikkerhedsreglerne for elværktøjer, selvom du evt. føler dig fortrolig med elværktøjet efter længere tids brug.** Skødesløse handlinger kan føre til alvorlige personskader på en brøkdel af et sekund.

4. Anvendelse og behandling af elværktøjet

- a) **Undlad at overbelaste elværktøjet.** Til arbejdet skal man benytte det hertil beregnede elværktøj. Du arbejder bedre og mere sikkert med det passende elværktøj i det angivne effektområde.
- b) **Brug aldrig et elværktøj med defekt kontakt. Et elværktøj, der ikke kan tændes eller slukkes, er farligt og skal repareres.**
- c) **Træk stikket ud af stikkontakten, og/eller fjern et udtageligt batteri, før du foretager justeringer på enheden, skifter værktøjsdele eller lægger elværktøjet fra dig.** Denne forholdsregel forhindrer utilsigtet start af elværktøjet.
- d) **Opbevar ubenyttet elværktøj utilgængeligt for børn.** Lad ikke personer bruge elværktøjet, som ikke er fortrolige med det, eller som ikke har læst denne vejledning. Elværktøjer er farlige i hænderne på uerfarne personer.

- e) **Elværktøjer og indsatsværktøjer skal plejes omhyggeligt.** Kontrollér med jævne mellemrum, om bevægelige dele fungerer, som de skal, og at de ikke sidder fast, om dele er brækket eller beskadiget på en sådan måde, at elværktøjets funktion er forringet. Få beskadigede dele repareret eller udskiftet, før elværktøjet tages i brug. Mange ulykker skyldes dårligt vedligeholdt elværktøj.
- f) **Hold skæreværktøj skarpt og rent. Omhyggeligt plejet skæreværktøj med skarpe skærekanten sætter sig mindre hyppigt fast og er lettere at føre.**
- g) **Brug elværktøj, tilbehør, indsatsværktøjer osv. i henhold til disse instruktioner.** Tag hensyn til arbejdsvilkårene og den aktivitet, der skal udføres. Brug af elværktøj til andre formål end de tilsigtede kan medføre farlige situationer.
- h) **Hold greb og gribeblader tørre, rene og fri for olie og fedt.** Glatte greb og gribeblader umuliggør sikker betjening af og kontrol med elværktøjet i uforudsete situationer.

5. Service

- a) **Elværktøjet må kun repareres af uddannet fagpersonale, og der må kun bruges originale reservedele.** Dette sikrer, at elværktøjet også fremover er sikker at bruge.

Advarsel!

Dette elværktøj fremstiller et elektromagnetisk felt under driften. Dette felt kan under bestemte omstændigheder forringe aktive eller passive medicinske implantater. For at forringe faren for alvorlige kvæstelser eller kvæstelser med døden til følge anbefales det personer med medicinske implantater at gå til læge og kontakte producenten af det medicinske implantat, før elværktøjet betjenes.

Sikkerhedsforskrifter for gerings-/kapsave

- a) **Gerings- og kapsave er designet til at skære træ eller træliggende produkter; de kan ikke bruges til at skære jernmaterialer såsom stænger, bomme, skruer mv.** Slibende støv fører til blokering af bevægelige dele som den nederste beskyttelsesskærm. Skæregnister brænder den nederste beskyttelsesskærm, indsatspladen og andre plastdele.
- b) **Fasthold så vidt muligt emnet med skruetvinger. Hvis du holder emnet med hånden, skal du altid holde hånden mindst 100 mm fra hver side af savklingen. Denne sav må ikke benyttes til skæring af stykker, som er for små til, at de kan fastspændes eller holdes sikkert i hånden.** Hvis din hånd er for tæt på savklingen, er der øget risiko for personskader pga. kontakt med savklingen.
- c) **Emnet skal være ubevægeligt og enten være fastspændt eller presset mod anslaget og bordet. Skub ikke emnet ind i savklingen, og skær det aldrig med "frihånd".** Løse eller bevægelige emner kan blive udslynget med høj hastighed og forårsage personskader.

- d) **Skub saven igennem emnet. Undlad at trække saven igennem emnet. Man udfører en skæring først at løfte overdelen og trække denne hen over emnet uden at skære. Derefter tænder man motoren, svinger overdelen ned og skubber saven igennem emnet.** Ved trækkende skæring er der risiko for, at savklingen kravler op på emnet, hvorved savklingeenheden kastes ind mod operatøren.
- e) **Før aldrig hånden hen over den tilsigtede skærelinje, hverken foran eller bag savklingen.** Afstøtning af emnet "med krydsede hænder", dvs. at man holder emnet til højre for savklingen med venstre hånd, eller omvendt, er meget farligt.
- f) **Undlad at række hånden ind bag anslaget, mens savklingen roterer. Overhold altid en sikkerhedsafstand på 100 mm mellem hånden og den roterende savklinge (dette gælder på begge sider af savklingen, f.eks. ved fjernelse af træaffald).** Du kan muligvis ikke se, hvor tæt din hånd er på den roterende savklinge, og du kan komme alvorligt til skade.
- g) **Kontrollér emnet inden skæringen. Hvis emnet er bøjet eller krummet, skal det fastspændes, så den side, der er krummet udad, vender ind mod anslaget. Sørg altid for, at der ikke er mellemrum mellem emnet, anslaget og bordet langs skærelinjen.** Bøjede eller krummede emner kan vride sig eller forskyde sig og bevirke, at den roterende savklinge sætter sig fast under skæringen. Der må ikke være søm eller fremmedlegemer i emnet.
- h) **Brug ikke saven, før bordet er fri for værktøj, træflis mv.; kun emnet må befinde sig på bordet.** Mindre affaldsstykker, løse træstykker eller andre genstande, der kommer i kontakt med den roterende klinge, kan blive udslynget med høj hastighed.
- i) **Der må altid kun skæres i ét emne ad gangen.** Stabledede emner kan ikke fastspændes eller fastholdes ordentligt og kan bevirke, at klingen sætter sig fast eller skrider.
- j) **Sørg inden brug for, at gerings-/kapsaven står på en plan, fast arbejdsflade.** En plan og fast arbejdsflade reducerer risikoen for, at gerings-/kapsaven bliver ustabil.
- k) **Planlæg arbejdet. Når du justerer savklinge-hældningen eller geringsvinklen, skal du sørge for, at det justerbare anslag er justeret korrekt og understøtter emnet uden at komme i berøring med klingen eller beskyttelsesskærmen.** Uden at tænde maskinen og uden emner på bordet skal du simulere savklingens fulde skærebævegelse for at sikre dig, at klingen ikke går imod forhindringer eller skærer ind i anslaget.
- l) **For emner, der er bredere eller længere end bordoverfladen, skal du sørge for tilstrækkelig afstøtning f.eks. i form af bordforlængelse eller savbukke.** Emner, som er længere eller bredere end gerings-/kapsavens bord, kan vippe uden fast understøttelse. Hvis et afskåret stykke træ eller emnet vipper, kan dette løfte den nederste beskyttelsesskærm eller blive slynget ukontrollabelt væk af den roterende klinge.

- m) **Benyt ikke andre personer som erstatning for bordforlængelse eller som yderligere afstøtning.** Ustabil understøtning af emnet kan medføre, at klingen sætter sig fast. Emnet kan også forskyde sig under skæringen og trække både dig og en evt. hjælper ind i den roterende klinge.
- n) **Det afskårne stykke må ikke presses ind mod den roterende savklinge.** Hvis der er begrænset plads, f.eks. hvis der bruges længdeanslag, kan det afskårne stykke kile sig fast sammen med klingen og blive slynget væk med voldsom kraft.
- o) **Brug altid en skruetvinge eller et egnet fikstur til korrekt understøttelse af rundt materiale såsom stænger eller rør.** Stænger har tendens til at rulle væk under skæringen, hvilket får klingen til at "bide sig fast", hvorved emnet inkl. din hånd kan blive trukket ind i klingen.
- p) **Vent, til klingen har nået den fulde hastighed, inden du skærer i emnet.** Dette reducerer risikoen for, at emnet slynget ud.
- q) **Hvis emnet fastklemmes, eller klingen sætter sig fast, skal man slukke for gerings-/kapsaven. Vent, til alle bevægelige dele er stoppet; træk lysnetstikket ud, og/eller fjern batteriet. Fjern herefter det fastklemte materiale.** Hvis man sårer videre efter en sådan blokering, risikerer man at miste kontrollen eller beskadige gerings-/kapsaven.
- r) **Når du har udført skæringen, skal du slippe kontakten, holde overdelen nede og vente på, at klingen stopper, før du fjerner det afskårne stykke.** Det er meget farligt at række hånden ind i nærheden af den stadig roterende klinge.
- s) **Hold godt fast i håndtaget, hvis du udfører en ufuldstændig skæring, eller hvis du slipper kontakten, før overdelen har nået nederste yderposition.** På grund af savens bremseeffekt kan overdelen blive trukket brat ned, hvilket medfører risiko for personskade.

Sikkerhedsanvisninger vedrørende håndtering af savklinger

1. Anvend ikke beskadigede eller deformerede savklinger.
2. Anvend ikke savklinger med revner. Frasorter revnede savklinger. Reparation er ikke tilladt.
3. Anvend ikke savklinger, der er fremstillet af hurtigstål.
4. Kontrollér savklingernes tilstand, inden du benytter kap- og gerings-saven.
5. Anvend kun savklinger, der er egnet til det materiale, der skal skæres.
6. Anvend kun savklinger, der er foreskrevet af producenten. Savklingerne skal opfylde EN 847-1, hvis de skal benyttes til bearbejdning af træ eller lignende materialer.
7. Anvend ikke savklinger af højlegeret hurtigstål (HSS).
8. Brug kun savklinger, hvis maks. tilladte omdrejningstal ikke er lavere end kap- og gerings-savens maks. spindelomdrejningstal og som er egnet til materialet, der skal sårer i.
9. Vær opmærksom på savklingens omløbsretning.
10. Du må kun montere savklinger, hvis du har erfaring med dette.

11. Overhold det maks. omdrejningstal. Det maks. omdrejningstal, der er angivet på savklingen, må ikke overskrides. Overhold omdrejningstalområdet, hvis et sådant er angivet.
12. Rengør spånfladerne for snavs, fedt, olie og vand.
13. Brug ikke løse reduceringsringe eller -bøsninger til at reducere borer på savklinger.
14. Sørg for, at fastgjorte reduceringsringe til at sikre savklingen har den samme diameter og mindst 1/3 af snitdiameteren.
15. Sørg for, at de fastgjorte reduceringsringe er indbyrdes parallelle.
16. Omgå savklinger med forsigtighed. De skal så vidt muligt opbevares i den originale emballage eller specielle beholdere. Brug beskyttelseshandsker for at forbedre gribesikkerheden og reducere risikoen for personskader.
17. Sørg for, at alle beskyttelsesskærme er fastgjort korrekt, før savklingerne bruges.
18. Kontrollér før brug, at den anvendte savklinge opfylder de tekniske krav, der gælder for denne kap- og gerings-sav, og at den er monteret korrekt.
19. Brug kun den medfølgende savklinge til at skære i træ; aldrig i metal.
20. Anvend kun savklinger med en diameter, der svarer til specifikationerne på saven.
21. Anvend de ekstra emnesupporter, hvis dette er nødvendigt af hensyn til emnets stabilitet.
22. Emnesupportens forlængelser skal altid være monteret og anvendt under arbejdet.
23. Udskift det slidte bordindlæg!
24. Undgå overophedning af savtænderne.
25. Når der saves i kunststoffer, skal man undgå, at disse smelter. Brug de rigtige savklinger til dette. Udskift de beskadigede eller slidte savklinger rettidigt. Hvis savklingen overophedes, skal du stoppe maskinen. Lad savklingen køle af, før du genoptager arbejdet med elværktøjet.



Pas på: Laserstråling
Kig ikke ind i strålen
Laserklasse 2



Beskyt dig og dine omgivelser mod fare for uheld ved at træffe egnede sikkerhedsforanstaltninger!

- Kig ikke direkte ind i laserstrålen med ubeskyttede øjne.
- Kig aldrig direkte ind i strålen.
- Ret aldrig laserstrålen mod reflekterende overflader og personer eller dyr. Også en laserstråle med ringe ydelse kan føre til øjenskader.
- Vær forsigtig - udføres der procedurer, der afviger fra dem, der er angivet her, kan dette føre til en farlig strålingseksponering.
- Åbn aldrig lasermodulet. Dette kan føre til uventet stråleeksponering.
- Bruges enheden ikke i længere tid, bør batterierne fjernes.
- Laseren må ikke erstattes med en laser af en anden type.
- Laseren må kun repareres af laserproducenten eller af en autoriseret repræsentant.

Sikkerhedshenvisninger vedrørende håndtering af batterier

1. Vær altid opmærksom på, at batterierne sættes rigtigt i (+ - og - poler) iht. det, der er angivet på batteriet.
2. Kortslut ikke batterier.
3. Oplad ikke batterier, der ikke er egnet til genopladning.
4. Aflad ikke batteriet for meget!
5. Bland ikke gamle og nye batterier samt batterier af forskellig type eller fra forskellige producenter! Skift alle batterier fra en pool på samme tid.
6. Fjern omgående opbrugte batterier fra apparatet og bortskaf dem korrekt! Bortskaf aldrig batterierne med husholdningsaffaldet. Defekte eller brugte batterier skal genvindes iht. direktivet 2006/66/EF. Indlever batterier og/eller maskinen på genbrugsstationen. Kontakt kommunen for at få nærmere oplysninger om genbrugsstationer og indsamling af genbrug lokalt.
7. Opvarm ikke batterier!
8. Hverken svejs eller lod direkte på batterier!
9. Skil ikke batterier ad!
10. Deformer ikke batterier!
11. Kast ikke batterier i ilden!
12. Opbevar batterier uden for børns rækkevidde.
13. Børn skal være under opsyn, hvis de skifter batterier!
14. Opbevar ikke batterier i nærheden af ild, komfurer eller andre varmekilder. Udsæt ikke batteriet for direkte solstråler og opbevar det ikke i køretøjer, når det er varmt.
15. Opbevar ubrugte batterier i den originale emballage og hold dem væk fra metalgenstande. Bland ikke udpakke de batterier og flyt ikke rundt på dem! Dette kan føre til kortslutning på batteriet og dermed til beskadigelser, forbrændinger eller endda til fare for brand.
16. Tag batterier ud af apparatet, hvis dette ikke bruges i længere tid, medmindre det er til nødstilfælde!
17. Tag ALDRIG fat i batterier, der er løbet ud, uden passende beskyttelse. Kommer den udløbende væske i kontakt med huden, skal dette område af huden straks skylles under rindende vand. Forhind i hvert fald, at øjne og mund kommer i kontakt med væsken. Gå i dette tilfælde straks til læge.
18. Rengør batterikontakter og modkontakter i apparatet, før batterierne lægges i.


Restrisici

Elværktøjet er bygget efter nyeste tekniske niveau og de anerkendte sikkerhedstekniske regler. Alligevel kan der være tilbageværende risici under driften.

- Sundhedsfare som følge af strøm, hvis der bruges elektriske tilslutningsledninger, der ikke lever op til gældende regler.
- Desuden kan der være ikke-åbenbare tilbageværende risici, selv om alle foranstaltninger er truffet.
- Tilbageværende risici kan reduceres til et minimum, hvis "Sikkerhedsanvisningerne" og "Brug i overensstemmelse med formålet" samt betjeningsvejledningen overholdes.
- Undlad at belaste maskinen unødigt: Et for kraftigt tryk under savningen kan hurtigt beskadige savklingen, hvilket medfører en kapacitetsforringelse for maskinen under arbejdet og forringet skærenøjagtighed.

- Ved skæring af plastmateriale skal du altid bruge klemmer: De dele, der skal saves, skal altid fastgøres mellem klemmerne.
- Undgå utilsigtet igangsætning af maskinen: Når stikket sættes i stikkontakten, må Start-knappen ikke være trykket ind.
- Brug det værktøj, der anbefales i denne håndbog. Derved opnår du, at maskinen kører med optimal ydeevne.
- Hold hænderne væk fra arbejdsområdet, når maskinen er i drift.
- Før der gennemføres indstillings- eller vedligeholdelsesarbejde, skal man slippe starttasten og trække lysnetstikket ud.

7. Tekniske data

Vekselstrømsmotor	220 - 240 V ~ 50Hz
Nominal effekt S1	1200 Watt
Driftsfunktion	S6 25%* 1500W
Omdrejningstal i tomgang n_0	5000 min ⁻¹
Hårdmetalsavklinge	∅ 210 x ∅ 30 x 2,6 mm
Antal tænder	48
maks. tandbredde for savklingen	3 mm
Drejeområde	-45° / 0° / +45°
Geringssnit	0° til 45° til venstre
Savebredde ved 90°	120 x 60 mm
Savebredde ved 45°	80 x 60 mm
Savebredde ved 2 x 45° (dobbeltingeringssnit)	80 x 35 mm
Beskyttelsesklasse	II / 
Vægt	ca. 7,6 kg
Laserklasse	2
Bølgelængde laser	650 nm
Effekt laser	< 1 mW

* Driftsform S6, uafbrudt, periodisk drift. Driften består af en starttid, en tid med konstant belastning og en tomgangstid. Spilvarigheden er 10 min, den relative driftstid er 25% af spilvarigheden.

Emnet skal som minimum have en højde på 3 mm og en bredde på 10 mm.

Sørg for, at emnet altid sikres med spændeanordningen.

Støj

Støjværdierne er bestemt i overensstemmelse med EN 62841.	
Lydtryksniveau L_{pA}	99,6 dB(A)
Usikkerhed K_{pA}	3 dB
Lydeffektniveau L_{WA}	112,6 dB(A)
Usikkerhed K_{WA}	3 dB

Brug høreværn.

Støjpåvirkning kan føre til høretab.

De angivne støjemissionsværdier er blevet målt iht. en standardiseret testproces og kan bruges til at sammenligne et elværktøj med et andet.

De angivne støjemissionsværdier kan også bruges til at gennemføre en indledende vurdering af belastningen.

Advarsel:

- Støjemissionsværdierne kan afvige fra den angivne værdi, når elværktøjet rent faktisk bruges, afhængigt af hvordan elværktøjet bruges, og af, hvilken type emne der bearbejdes.
- Forsøg at holde belastningen så lav som mulig. Eksempelvis ved at begrænse arbejdstiden. I denne forbindelse skal der tages højde for alle dele af driftscyklussen (f.eks. tider, hvor elværktøjet er slukket, og tider, hvor det godt nok er tændt, men hvor det kører uden belastning).

8. Før ibrugtagning

- Åbn emballagen, og tag forsigtigt maskinen ud.
- Fjern emballeringsmaterialet samt emballage-/transportsikringer (hvis sådanne findes).
- Kontrollér, om leveringsomfanget er fuldstændigt.
- Kontrollér maskinen og tilbehørsdelene for transportskader.
- Opbevar så vidt muligt emballagen frem til udløbet af garantiperioden.

OBS

Apparatet og emballeringsmaterialet er ikke legetøj! Børn må ikke lege med plastposer, folie og smådele! Fare for slugning og kvælning!

Sørg altid for, at maskinen står stabilt og sikkert f.eks. ved at fastgøre den til en arbejdsbænk.

- Maskinen skal opstilles stabilt. Maskinen skal sikres ved at skrue 4 skruer (medfølger ikke) gennem hullerne i det faste savbord (9) ind i en arbejdsbænk, et understel eller lign.
- Før maskinen tages i brug, skal alle skærme og sikkerhedsanordninger være monteret korrekt.
- Savklingen skal kunne køre frit.
- Ved forarbejdet træ skal man være opmærksom på fremmedlegemer som f.eks. søm eller skruer mv.
- Sørg for, at savklingen er monteret korrekt, og at bevægelige dele går ubesværet, inden du aktiverer Tænd/Sluk-kontakten.
- Kontrollér, at dataene på typeskiltet stemmer overens med lysnetdataene, før maskinen tilsluttes.

8.1 Montering af emnespænderen (fig. 2)

- Løsn låseskruen (19) og monter emnespænderen (15) til højre eller venstre på det faststående savbord.
- Spænd herefter låseskruen (19) igen.

8.2 Montering af underlagene til arbejdsemnet (fig. 2 - 3)

- Løsn låseskruen (14) og før underlaget til arbejdsemnet gennem den markerede boring på siden af det faststående savbord.
- Sørg for, at underlaget til arbejdsemnet (18) ligeledes føres gennem de to lasker på undersiden.
- Spænd herefter låseskruen (14) igen.
- Gentag dette arbejde på den anden side.

8.3 Montering af ståbøjlen (fig. 2 - 3)

- Løsn låseskruen (20) på undersiden af saven og før ståbøjlen (21) gennem de markerede boringer bag på saven.
- Spænd herefter låseskruen (20) igen.

8.4 Spånpose (fig. 4)

Saven er udstyret med en spånpose (17) til spåner.

- Pres støvposens metalringsfløje sammen, og anbring posen i udgangsåbningen i motorområdet.
- Spånposen (17) kan tømmes ved at åbne lynlåsen på undersiden.

Tilslutning af en ekstern støvudsugningsanordning

- Tilslut udsugningsslangen til støvudsugningen.
- Støvudsugningen skal være egnet til det materiale, der bearbejdes.
- Brug en speciel udsugningsanordning til udsugning af særligt sundhedsskadeligt eller kræftfremkaldende støv.

8.5 Kontrol af sikkerhedsanordningen bevægelig savklingebeskyttelse (5)

Savklingebeskyttelsen beskytter mod kontakt med savklingen og mod udslyngede spåner.

Kontrollér funktionen.

Dette gøres ved at klappe saven ned:

- Savklingebeskyttelsen skal frigive savklingen under nedvingningen, uden at berøre andre dele.
- Når saven klappes op i udgangsstilling, skal savklingebeskyttelsen automatisk tildække savklingen.

9. Opbygning og betjening

9.1 Opbygning kap- og geringssaven (fig. 1 - 3)

- Løsn drejebordet (13) ved at løsne låseskruen (7).
- Indstil drejebordet (13) med grebet (3) på den ønskede vinkel

BEMÆRK

Kapsaven kan drejes til venstre og højre via drejebordet. Ved hjælp af skalaen er der mulighed for præcis vinkelindstilling. Vinklerne 0° til 45° kan indstilles præcist og hurtigt via rasterindstillinger for hver 15°, 22,5°, 30°.

- Spænd låseskruen (7) igen for at fiksere drejebordet.
- Med et let tryk nedad på maskinens overdel (4) og samtidig udtrækning af låsebolten (25) fra motorholderen frigøres saven fra nederste stilling.
- Sving maskinens overdel (4) op.
- Spændeanordningerne (15) kan både fastgøres til venstre og højre på det faste savbord (9). Sæt spændeanordningerne (15) i de dertil beregnede borer på bagsiden af anslagsskinne (8), og sikr dem med stjernegrebskruerne (19).
- Maskinens overdel (4) kan vippe til maks. 45° mod venstre ved at løsne låseskruen (23).
- Emnesupporterne (18) skal altid være monteret og anvendt under arbejdet.

9.2 Finjustering af anslaget til kapskæring 90° (fig. 5)

Anslagsvinkel medfølger ikke.

- Sænk overdelen (4), og fikser den med låsebolten (25).
- Løsn låseskruen (23).
- Anbring anslagsvinklen (a) mellem savklingen (6) og drejebordet (13).
- Løsn låsemøtrikken (26a).
- Juster justerskruen (26), til vinklen mellem savklingen (6) og drejebordet (13) er 90°.
- Spænd låsemøtrikken (26a) fast igen.

9.3 Kapskæring 90° og drejebord 0°

(fig. 1/2/3/6)

Pas på! De forskydelige anslagsskinner (8a) skal til 90°-kapskæring fikseres i den inderste position

- Åbn låseskruen (8b) på den forskydelige anslagsskinne (8a), og skub anslagsskinne (8a) indad.
- De forskydelige anslagsskinner (8a) skal fastlåses i en afstand til den inderste position, så afstanden mellem anslagsskinnerne (8a) og savklingen (6) er maks. 8 mm.
- Kontrollér før skæring, at der ikke er risiko for kollision mellem anslagsskinnerne (8a) og savklingen (6).
- Spænd låseskruerne (8b) til igen.
- Bring maskinens overdel (4) i øverste position.
- Læg det træ, der skal skæres, an mod anslagsskinne (8) og på drejebordet (13).
- Fasthold materialet med spændeanordningen (15) på det faste savbord (9) for at forhindre, at emnet forskyder sig under skæringen. Se pkt. 9.12.
- Løsn spærrekontakt (2), og tryk på Tænd/Sluk-knappen (1) for at starte motoren.
- Bevæg maskinens overdel (4) jævnt og med et let tryk nedad med håndtaget (3), til savklingen (6) har gennemskåret emnet.
- Efter afslutning af skæringen bringes overdelen igen i den øverste hvilestilling, og Tænd/Sluk-knappen (1) slippes.

Pas på!

Ved hjælp af retur fjederen slår maskinen automatisk ad. Slip ikke håndtaget (3) efter skæringen, men bevæg overdelen langsomt og med et let modtryk opad.

9.4 Kapskæring 90° og drejebord 0° - 45°

(fig. 1/2/3/6)

Med kap- og geringssaven kan der foretages kapskæringer fra venstre og højre på 0°-45° i forhold til anslagsskinne.

Pas på!

Den forskydelige anslagsskinne (8a) skal til 90°-kapskæring fikseres i den inderste position.

- Åbn låseskruen (8b) på den forskydelige anslagsskinne (8a), og skub anslagsskinne (8a) indad.
- Den forskydelige anslagsskinne (8a) skal stoppes så langt før den inderste position, at afstanden mellem anslagsskinne (8a) og savklingen (6) er mindst 8 mm.
- Kontrollér før skæring, at der ikke er risiko for kollision mellem anslagsskinne (8a) og savklingen (6).
- Spænd låseskruen (8b) igen.
- Løsn drejebordet (13) ved at løsne låseskruen (7).
- Indstil drejebordet (13) med grebet (3) på den ønskede vinkel
- Spænd låseskruen (7) igen for at fiksere drejebordet.
- Udfør skæringen som beskrevet i punkt 9.3.

9.5 Finjustering af anslaget til geringsskæring 45°

(fig. 1/2/3/6/7/8)

Anslagsvinkel medfølger ikke.

- Sænk overdelen (4), og fikser den med låsebolten (25).
- Fikser drejebordet (13) i 0°-stilling.
- Pas på! Venstre side af de forskydelige anslagsskinner (8a) skal fikseres i den yderste position ved geringsskæring (hældet overdel).
- Løsn låseskruen (8b) på den forskydelige anslagsskinne (8a), og skub den forskydelige anslagsskinne (8a) udad.

- Den forskydelige anslagsskinne (8a) skal stoppes så langt før den inderste position, at afstanden mellem anslagsskinne (8a) og savklingen (6) er mindst 8 mm.
- Kontrollér før skæring, at der ikke er risiko for kollision mellem anslagsskinne (8a) og savklingen (6).
- Spænd låseskruen (8b) igen.
- Løsn låseskruen (23), og vip maskinens overdel (4) med håndtaget (3) til venstre, til 45°.
- Anbring 45°-anslagsvinkel (B) mellem savklingen (6) og drejebordet (13).
- Løsn låsemøtrikken (22a) og justerskruen (22), indtil vinklen mellem savklingen (6) og drejebordet (13) er nøjagtig 45°.
- Spænd låsemøtrikken (22a) fast igen.
- Kontrollér derefter vinkelviserens position. Om nødvendigt løsn markøren (28) med en stjerneskrue-trækker og sættes på 45°-position på skalaen (27), og holdeskruen spændes fast igen.

9.6 Geringsskæring 0° - 45° og drejebord 0° (fig. 1/2/3/6)

Med kap- og geringssaven kan der foretages geringsskæring til venstre på 0° - 45° i forhold til arbejdsfladen.

Pas på!

Venstre side af de forskydelige anslagsskinner (8a) skal fikseres i den yderste position ved geringsskæring (hældet overdel).

Pas på!

Ved geringsskæring 0° - 45° skal spændeanordningen (emnespænderen) (15) kun monteres i højre side.

- Løsn låseskruen (8b) på den forskydelige anslagsskinne (8a), og skub den forskydelige anslagsskinne (8a) udad.
- Den forskydelige anslagsskinne (8a) skal stoppes så langt før den inderste position, at afstanden mellem anslagsskinne (8a) og savklingen (6) er mindst 8 mm.
- Kontrollér før skæring, at der ikke er risiko for kollision mellem anslagsskinne (8a) og savklingen (6).
- Spænd låseskruen (8b) igen.
- Bring maskinens overdel (4) i den øverste stilling.
- Fikser drejebordet (13) i 0°-stilling.
- Løsn låseskruen (23), og vip overdelen (4) mod venstre med håndtaget (3), til viseren (28) peger på det ønskede vinkel mål på skalaen (27).
- Spænd låseskruen (23) igen.
- Gennemfør skæringen som beskrevet i punkt 9.3.

9.7 Geringsskæring 0° - 45° og drejebord 0° - 45° (fig. 1/2/3/6)

Med kap- og geringssaven kan der foretages geringsskæringer mod venstre på 0° - 45° i forhold til arbejdsfladen og samtidigt på 0° - 45° i forhold til anslagsskinne (dobbeltgeringskæring).

Pas på!

Venstre side af de forskydelige anslagsskinner (8a) skal fikseres i den yderste position ved geringsskæring (hældet overdel).

Pas på!

Ved geringsskæring 0° - 45° skal spændeanordningen (emnespænderen) (15) kun monteres i højre side.

- Løsn låseskruen (8b) på den forskydelige anslagsskinne (8a), og skub den forskydelige anslagsskinne (8a) udad.
- Den forskydelige anslagsskinne (8a) skal stoppes så langt før den inderste position, at afstanden mellem anslagsskinne (8a) og savklingen (6) er mindst 8 mm.
- Kontrollér før skæring, at der ikke er risiko for kollision mellem anslagsskinne (8a) og savklingen (6).
- Spænd låseskruen (8b) igen.
- Bring maskinens overdel (4) i den øverste stilling.
- Løsn drejebordet (13) ved at løsne låseskruen (7).
- Indstil drejebordet (13) med grebet (3) på den ønskede vinkel.
- Spænd låseskruen (7) igen for at fikserer drejebordet.
- Løsn låseskruen (23).
- Vip med håndtaget (3) overdelen (4) mod venstre til det ønskede vinkel mål (se også punkt 9.6).
- Spænd låseskruen (23) igen.
- Udfør skæringen som beskrevet i punkt 9.3.

9.8 Udskiftning af savklinge (fig. 1/2/3/9/10)

Træk netstikket ud!

Pas på!

Brug beskyttelsehandsker ved udskiftning af savklingen! Fare for tilskadecomst!

- Drej maskinens overdel (4) op, og fastlås den med låsebolten (25).
- Klap savklingebeskyttelsen (5) så langt op, at den (5) befinder sig over flangeskruen (29).
- Sæt med den ene hånd unbrakonøglen (C) på flangeskruen (29).
- Hold fast i unbrakonøglen (C), og luk langsomt savklingebeskyttelsen (5), til denne er ved unbrakonøglen (C).
- Tryk savkelsespærringen (32) fast, og drej langsomt flangeskruen (29) i urets retning. Efter maks. én omdrejning går savkelsespærringen (32) i indgreb.
- Løsn nu flangeskruen (29) ved at dreje den i urets retning med mere kraft.
- Skru flangeskruen (29) helt ud, og tag yderflangen (30) af.
- Tag savklingen (6) af inderflangen, og træk den ned og ud.
- Rengør flangeskruen (29), yderflangen (30) og inderflangen omhyggeligt.
- Indsæt den nye savklinge (6) igen i omvendt rækkefølge, og spænd det fast.
- Pas på! Tændernes skrå retning, dvs. savklingens omløbsretning (6), skal stemme overens med retningen af pilen på huset.
- Før det videre arbejde skal det kontrolleres, at sikkerhedsanordningerne fungerer korrekt.
- Pas på! Efter hver udskiftning af savklingen skal det kontrolleres, om savklingen (6) er vipet i lodret stilling og til 45°, og at den kører frit i bordindlægget (10).

Pas på!

Udskiftning og justering af savklingen (6) skal udføres korrekt.

9.9 Udskiftning af laserbatterier (fig. 11)

- Fjern batteriadækningen (34). Tag de 2 batterier ud.
- Erstat begge batterier med den samme eller lignende type. Husk at sætte dem ind i samme polretning som de brugte batterier.
- Luk batteridækslet.

9.10 Tænd / sluk for laseren (fig. 11)

Tænding:

Flyt tænd-/sluk-knappen (33) laser til stilling "I". Der projiceres en laserlinje på det emne, der skal bearbejdes, og denne linje viser den nøjagtige skærelinje.

Slukning:

Flyt tænd-/sluk-knappen laser til stilling "O".

9.11 Justering af laseren (fig. 12)

Hvis laseren (35) ophører med at indikere den korrekte skærelinjen, kan man justere laseren. For at gøre dette, skal du åbne skrue (36) og indstille laseren ved at flytte sidelæns, at laserstrålen rammer tænderne på savklingens (6).

9.12 Betjening af emnespænderen (fig. 1, 2)

Ved hjælp af låseskruen (16) kan emnespænderen (15) indstilles i højden.

- Sænk emnespænderen ned på emnet.
- Spænd låseskruen (16) igen.
- Drej klemmegrebet (24) i urets retning for at spænde emnet.
- Man løsner emnet ved at gå frem i omvendt rækkefølge.

10. Transport (fig. 13)

- Spænd håndtaget (7) for at låse drejebordet (13).
- Pres overdelen (4) ned, og fastlås den med låsebolten (25). Saven er nu låst i den nederste stilling.
- Bær maskinen i håndtaget (37).
- Ny opstilling af maskinen sker som beskrevet i kapitel 8 - 9.

11. Vedligeholdelse

⚠ Advarsel!

Træk lysnetstikket ud, før der foretages indstillings-, vedligeholdelses- eller reparationsarbejde!

Generelle vedligeholdelsesforanstaltninger

Fra tid til anden skal man tørre spåner og støv af maskinen. For at forlænge værktøjets levetid bør man smøre de roterende dele en gang om måneden. Undlad at smøre motoren. Undgå brug af ætsende midler til rengøring af kunststoffet.

Rengøring af sikkerhedsanordningen bevægelig savklingebeskyttelse (5)

Inden hver ibrugtagning skal man kontrollere savklingebeskyttelsen for forurening.

Fjern gamle savspåner og træsplinter ved hjælp af en børste eller et tilsvarende egnet værktøj.

Skift bordindlæg (fig. 14)

Fare!

Er bordindlægget (10) beskadiget, risikerer man, at mindre genstande kan klemme sig fast mellem bordindlægget og savklingen og blokere sidstnævnte.

Udskift da straks de beskadigede bordindlæg!

1. Skru skrue (E) ud af bordindlægget.
2. Fjern bordindlægget.
3. Indsæt nyt bordindlæg.
4. Spænd skrue (E) i bordindlægget fast.

Børsteinspektion

Kontrollér kulbørsterne på en ny maskine efter de første 50 driftstimer, eller hver gang der er monteret nye børster. Efter den første kontrol skal kontrollen gentages for hver 10 driftstimer.

Hvis kulstoffet er slidt over en længde på 6 mm, fjederen eller shuntråden er brændt eller beskadiget, skal begge børster udskiftes. Hvis man efter at have afmonteret børsterne konstaterer, at de er gode nok, kan de genmonteres.

Man vedligeholder kulbørsterne ved at dreje de to låsemekanismer (som vist i fig. 15) imod urets retning. Fjern herefter kulbørsterne.

Sæt kulbørsterne ind igen i omvendt rækkefølge.

Serviceinformationer

Vær opmærksom på, at følgende dele på dette produkt slides som følge af brug eller naturligt slid, og at der er brug for følgende dele som forbrugsmaterialer.

Sliddele*: kulbørster, savklinge, bordindlæg, savspånsamlingsposer

* følger ikke nødvendigvis med leverancen!

12. Opbevaring

Enheden og dennes tilbehør skal opbevares mærkt, tørt og frostsikkert og utilgængeligt for børn. Den optimale opbevaringstemperatur er mellem 5 og 30°C.

Opbevar elværktøjet i den originale emballage.

Tildæk elværktøjet for at beskytte det mod støv eller fugt.

Opbevar brugsanvisningen sammen med elværktøjet.

13. El-tilslutning

Den installerede elmotor er tilsluttet, så den er driftsklar. Tilslutningen opfylder de relevante VDE- og DIN-bestemmelser. Nettilslutningen hos kunden samt den anvendte forlængerledning skal opfylde disse forskrifter.

Vigtige anvisninger

Hvis motoren overbelastes, slår den fra af sig selv. Efter en afkølingsfase (varierer tidsmæssigt), kan motoren tændes igen.

Defekt elektrisk tilslutningsledning

Der opstår ofte isoleringsskader på elektriske tilslutningsledninger. Årsagerne hertil kan være:

- Tryksteder, når tilslutningsledninger trækkes gennem vinduer eller døråbninger.
- Knæksteder, når tilslutningsledning fastgøres eller trækkes forkert.
- Skæresteder, når tilslutningsledningen køres over.
- Isolationsskader, når stikket trækkes ud af stikkontakten på væggen.
- Revner pga. ældning af isoleringen.

Sådan defekte elektriske tilslutningsledninger må ikke anvendes og er livsfarlige pga. isoleringskaderne.

Elektriske tilslutningsledninger skal kontrolleres for skader med jævne mellemrum. Sørg for, at tilslutningsledningen ikke hænger i lysnettet, når den kontrolleres.

Elektriske tilslutningsledninger skal opfylde de relevante VDE- og DIN-bestemmelser. Der må kun anvendes tilslutningsledninger med mærkningen "H05VV-F".

Påtryk af typebetegnelsen på tilslutningskablet er et krav.

Sikkerhedsforskrifter for udskiftning af beskadigede eller defekte nettilslutningsledninger

Type X:

Hvis nettilslutningsledningen til denne maskine bliver beskadiget, skal den erstattes af en særlig tilslutningsledning, der fås hos producenten eller dennes kundeservice.

AC motor:

Netspændingen skal være 220 - 240 V~.

- Forlængerledninger op til en længde på 25 m skal have et tværsnit på 1,5 kvadratmillimeter.
- Tilslutning og reparation af elektrisk udstyr må kun forestås af autoriserede elektrikere.

Ved forespørgsler bedes følgende data opgives:

- Motorens strømtype
- Dataene på motorens typeskilt

14. Bortskaffelse og genbrug

Enheden er emballeret for at forhindre transportskader. Denne emballage er råmateriale og kan dermed genanvendes eller kan returneres til råmateriale-kredsløbet.

Enheden og dens tilbehør er fremstillet af forskellige materialer som f.eks. metal og plast. Defekte komponenter skal bortskaffes som specialaffald. Spørg i specialbutikken eller i hos kommunen!



Emballagen består af miljøvenlige materialer, der kan bortskaffes på lokale genbrugsstationer.

Informationer om muligheder for bortskaffelse af gamle apparater fås ved henvendelse til kommunen.

Gamle apparater må ikke smides ud sammen med det almindelige husholdningsaffald!



Dette symbol gør opmærksom på, at dette produkt ikke må smides ud sammen med det almindelige husholdningsaffald iht. WEEE-direktiv (2012/19/EU) og nationale love. Dette produkt skal afleveres til udvalgte samlesteder. Dette kan ske f.eks. ved at returnere det i forbindelse med køb af et lignende produkt eller ved at aflevere det på en autoriseret genbrugsstation, hvor gamle elektriske og elektroniske apparater genbruges. Forkert håndtering af gamle apparater kan have negative følger for miljøet og menneskers sundhed, fordi disse evt. er fremstillet af farlige stoffer, der ofte findes i gamle elektriske og elektroniske apparater. Den korrekte bortskaffelse af produktet bidrager desuden til en effektiv udnyttelse af naturlige ressourcer. Informationer om samlesteder for gamle apparater fås ved henvendelse til kommunen, de offentlige organer til bortskaffelse af affald, et autoriseret sted til bortskaffelse af gamle elektriske og elektroniske apparater eller renovationen.

Batterier og akkuer må ikke smides ud sammen med det almindelige husholdningsaffald!



Som forbruger er du iht. loven forpligtet til at aflevere alle batterier og akkuer, uafhængigt af om de indeholder skadelige stoffer* eller ej, til et samlested i din kommune/dit kvarter eller i handlen, så de bortskaffes miljøvenligt.

* mærket med: Cd = cadmium, Hg = kviksølv, Pb = bly

Tag batterierne ud af laseren, før apparatet og batterierne bortskaffes.

15. Afhjælpning af fejl

Fejl	Mulig årsag	Afhjælpning
Motor fungerer ikke	Motor, kabel eller stik defekt, lysnetsikringer sprunget.	Få maskinen kontrolleret af en fagmand. Du må aldrig selv reparere motoren. Fare! Kontrollér lysnetsikringerne, og udskift dem efter behov
Motoren starter langsomt og når ikke op på driftshastighed.	Spænding for lav, viklinger beskadiget, kondensator brændt sammen.	Få spændingen kontrolleret af elværket. Få motoren kontrolleret af en fagmand. Få kondensatoren udskiftet af en fagmand.
Motor støjer for meget.	Viklinger beskadiget, motor defekt.	Få motoren kontrolleret af en fagmand.
Motor når ikke op på fuld hastighed.	Strømkredse i lysnetanlægget overbelastet (lamper, andre motorer mv.).	Undlad at tilslutte andre enheder eller motorer til samme strømkreds.
Motor bliver let overophedet.	Overbelastning af motor, utilstrækkelig køling af motor.	Undgå, at motoren overbelastes under skæringen, fjern støv fra motoren, så der sikres optimal køling af motoren.
Skæringen er ru eller bølget.	Savklinge uskarp, tandform ikke egnet til materialetykkelsen.	Opslib savklingen, eller benyt egnet savklinge.
Emne rives op eller splintrer.	Skæringstryk for højt, eller savklinge ikke egnet til formålet.	Benyt egnet savklinge.

16. Garantibevis

Kære kunde,

Alle vores produkter gennemgår strenge kvalitetskontrol for at sikre, at de når dig i perfekt stand. I det usandsynlige tilfælde, at enheden udvikler en fejl, bedes du kontakte vores serviceafdeling på den adresse, der vises på dette garantibevis. Selvfølgelig, hvis du foretrækker at ringe til os så er vi også glade for at tilbyde vores bistand under servicenummer trykt nedenfor. Bemærk følgende betingelser, som garantikrav kan gøres:

- Disse garanti vilkår omfatte yderligere garanti rettigheder og påvirker ikke dine lovbestemte rettigheder for garanti. Vi vil ikke debitere dig for denne garanti.
- Vores garanti dækker kun problemer forårsaget af materiale- eller produktionsfejl, og det er begrænset til afhjælpning af disse mangler eller udskiftning af enheden. Bemærk, at vores enheder ikke er designet til brug i kommercielle, handel eller industrielle applikationer. Derfor er garantien ugyldig, hvis udstyret bruges i kommerciel, handel eller industrielle applikationer eller for andre tilsvarende aktiviteter. Følgende er også udelukket fra vores garanti: kompensation for transportskader, skader forårsaget af manglende overholdelse af installations- / monteringsvejledning eller skader forårsaget af uprofessionel installation, manglende overholdelse brugsanvisningen (f.eks tilslutning til den forkerte netspænding eller strøm type), misbrug eller uhensigtsmæssig brug (såsom overbelastning af apparatet eller brug af ikke-godkendte værktøj eller tilbehør), manglende overholdelse af vedligeholdelses- og sikkerhedsforskrifter, indtrængen af fremmedlegemer i apparatet (f.eks sand, sten eller støv) , virkninger af vold eller ydre påvirkninger (f.eks skader forårsaget af enheden bliver droppet) og normal slitage som følge af korrekt funktion af apparatet.

Garantien erklæres ugyldig, hvis der gøres forsøg på at manipulere med enheden.

- Garantien er gyldig i en periode på 3 år fra købsdatoen af enheden. Garantikrav skal indsendes inden udløbet af perioden garanti senest to uger efter defekten blive bemærket. Ingen garantikrav vil blive accepteret efter udløbet af garantiperioden. Den oprindelige garantiperiode fortsat anvendelse til enheden, selvom reparationer udføres eller dele udskiftes. I sådanne tilfælde, det udførte arbejde eller dele monteret vil ikke resultere i en forlængelse af garantiperioden, og ingen ny garanti bliver aktiv for det udførte eller dele monteret arbejde. Dette gælder også, når der anvendes en tjeneste på stedet.
- For at du kan gøre dit garantikrav gældende, bedes du kontakte nedenstående serviceadresse. Hvis reklamationen ligger inden for garantiperioden, vil vi fremsende dig en returmærkat, med hvilken du gratis kan returnere dit defekte apparat til os. Det ville hjælpe os, hvis du kunne beskrive karakteren af problemet så detaljeret som muligt. Hvis fejlen er dækket af vores garanti så din enhed vil enten blive repareret med det samme og returneret til dig, eller vi vil sende dig en ny enhed.

Selvfølgelig er vi også glade tilbyde en afgiftsudløsende reparationservice for eventuelle mangler, der ikke er omfattet af anvendelsesområdet for denne garanti eller til enheder, som ikke længere er dækket. At drage fordel af denne service, skal du sende enheden til vores service-adresse.

Tjeneste-Hotline (DK):

00800 4003 4003
(0,00 €/Min.)

Tjeneste-mail (DK):

service.DK@schepach.com

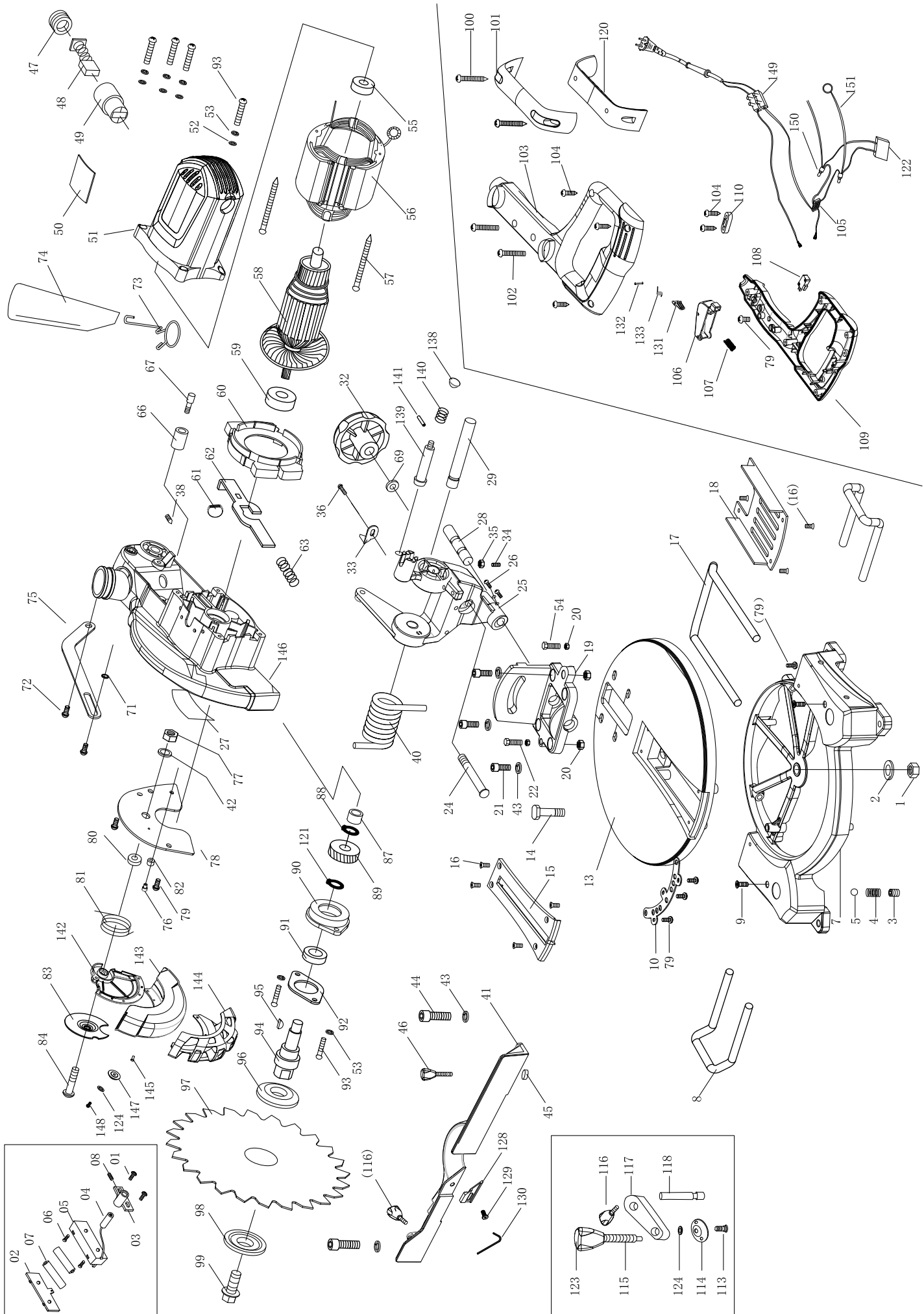
Tjeneste Adresse (DK):

Sotek
Charlottevej 30 E
DK - 4270 Hong



På www.lidl-service.com kan du downloade disse og mange flere manualer, produktvideoer og installationssoftware.

Med QR-koden kan du få direkte adgang til Lidl-service-siden (www.lidl-service.com) og åbne din betjeningsvejledning ved at indtaste artikelnummeret (IAN) 373880_2104.



CE-Konformitätserklärung
Originalkonformitätserklärung
CE Declaration of Conformity
 Translation of the original CE declaration of conformity
Déclaration de conformité CE
 Traduction de la déclaration de conformité CE originale



scheppach Fabrikation von Holzbearbeitungsmaschinen GmbH, Günzburger Str. 69, D-89335 Ichenhausen

DE	erklärt folgende Konformität gemäß EU-Richtlinie und Normen für den Artikel	PL	deklaruje, że produkt jest zgodny z następującymi dyrektywami UE i normami
GB	hereby declares the following conformity under the EU Directive and standards for the following article	LT	pareiškia, taip atitiktis pagal ES direktyvos ir standartai šį straipsnį
FR	déclare la conformité suivante selon la directive UE et les normes pour l'article	HU	az EU-irányelv és a vonatkozó szabványok szerinti következő megfeleléségi nyilatkozatot teszi a termékre
IT	dichiara la seguente conformità secondo le direttive e le normative UE per l'articolo	SI	izjavlja sledenco skladnost z EU-direktivo in normami za artikel
ES	declara la conformidad siguiente según la directiva la UE y las normas para el artículo	CZ	prohlašuje následující shodu podle smernice EU a norem pro výrobek
PT	declara o seguinte conformidade com a Directiva da UE e as normas para o seguinte artigo	SK	prehlasuje nasledujúcu zhodu podľa smernice EU a noriem pre výrobok
DK	erklærer hermed, at følgende produkt er i overensstemmelse med nedenstående EU-direktiver og standarder	HR	ovime izjavljuje da postoji skladnost prema EU-smjernica i normama za sljedeće artikle
NL	verklaart hierbij dat het volgende artikel voldoet aan de daarop betrekking hebbende EG-richtlijnen en normen	RS	potvrđuje sledeću usklađenost prema smernicama EZ i normama za artikal
FI	vakuuttaa täten, että seuraava tuote täyttää alla esitettyt EU-direktiivit ja standardit	RO	declară următoarea conformitate corespunzător directivelor și normelor UE pentru articolul
SE	försäkras härmed följande överensstämmelse enligt EU-direktiv och standarder för följande artikeln	BG	декларира съответното съответствие съгласно Дирек-тива на ЕС и норми за артикул

Marke / Brand / Marque: **Parkside**
 Art.-Bezeichnung: **KAPP- UND GEHRUNGSSÄGE - PKS 1500 B3**
 Article name: **CROSS CUT MITRE SAW - PKS 1500 B3**
 Nom d'article: **SCIE À ONGLET RADIALE - PKS 1500 B3**
 Art.-Nr. / Art. no. / Numéro d'article: **3901240974 - 3901240980; 39012409915 - 39012409916**
 Ident.-Nr. / Ident. no. / N° d'ident.: **01001 - 236967**

<input type="checkbox"/> 2014/29/EU	<input type="checkbox"/> 2004/22/EC	<input type="checkbox"/> 89/686/EC_96/58/EC	<input type="checkbox"/> 2000/14/EC_2005/88/EC
<input type="checkbox"/> 2014/35/EU	<input type="checkbox"/> 2014/68/EU	<input type="checkbox"/> 90/396/EC	Annex V
<input checked="" type="checkbox"/> 2014/30/EU	<input checked="" type="checkbox"/> 2011/65/EU*		Annex VI Noise: measured $L_{WA} = xx$ dB(A); guaranteed $L_{WA} = xx$ dB(A) P = xx KW; L/Ø = cm Notified Body: Notified Body No.:
<input checked="" type="checkbox"/> 2006/42/EC			<input type="checkbox"/> 2010/26/EC Emission. No:

Standard references:
EN 62841-1:2015; EN 62841-3-9:2015/A11:2017;
EN 55014-1:2017; EN 55014-2:2015; EN 61000-3-2:2014; EN 61000-3-3:2013

Die alleinige Verantwortung für die Ausstellung dieser Konformitätserklärung trägt der Hersteller.
 This declaration of conformity is issued under the sole responsibility of the manufacturer.
 Le fabricant assume seul la responsabilité d'établir la présente déclaration de conformité.

- * Der oben beschriebene Gegenstand der Erklärung erfüllt die Vorschriften der Richtlinie 2011/65/EU des Europäischen Parlaments und des Rates vom 8. Juni 2011 zur Beschränkung der Verwendung bestimmter gefährlicher Stoffe in Elektro- und Elektronikgeräten.
- * The object of the declaration described above fulfils the regulations of the directive 2011/65/EU of the European Parliament and Council from 8th June 2011, on the restriction of the use of certain hazardous substances in electrical and electronic equipment.
- * L'appareil décrit ci-dessus dans la déclaration est conforme aux réglementations de la directive 2011/65/EU du Parlement Européen et du Conseil du 8 juin 2011 visant à limiter l'utilisation de substances dangereuses dans la fabrication des appareils électriques et électroniques.

Ichenhausen, den 28.07.2021

Unterschrift / Andreas Pecher / Head of Project Management

First CE: 2019
Subject to change without notice

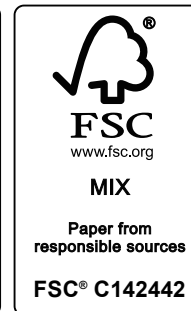
Documents registrar: Thomas Schuster
 Günzburger Str. 69, D-89335 Ichenhausen





SCHEPPACH FABRIKATION VON HOLZBEARBEITUNGSMASCHINEN GMBH

Günzburger Str. 69
D-89335 Ichenhausen



Last Information Update · Stand der Informationen · Version des informations · Stand van de informatie · Stav informací · Stan informacij · Stav informácií · Estado de las informaciones · Tilstand af information
Update: 07 / 2020 · Ident.-No.: 373880_2104_39012409915

IAN 373880_2104