

## //// PARKSIDE

## LED WORK LIGHT PAL 850 A 1

 GB
 IE
 NI

### LED WORK LIGHT

Operating and safety information

 DK

### LED ARBEJDSLYS

Bedjenings- og sikkerhedsanvisninger

 FR
 BE

### LAMPE TORCHE À LED

Instructions d'utilisation et consignes de sécurité

 NL
 BE

### LED-WERKLAMP

Gebruiks- en veiligheidsaanzwijzingen

### DE-AT-CH EMBEITSELUCHTLE

Bedienungs- und Sicherheitshinweise

## IAN 414184\_2201

 GB
 IE
 NI

 DK
 BE
 NL



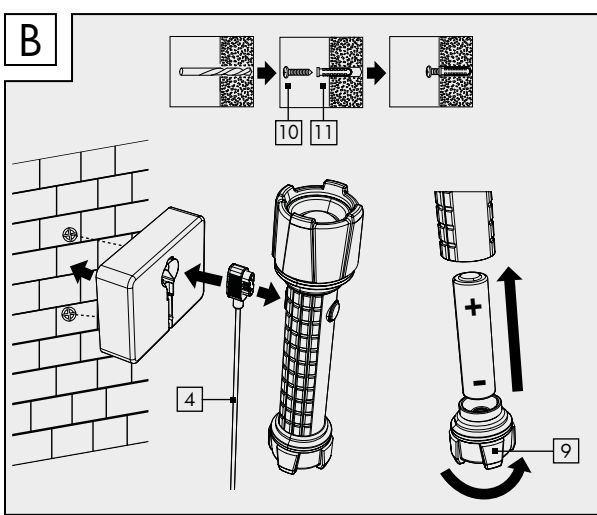
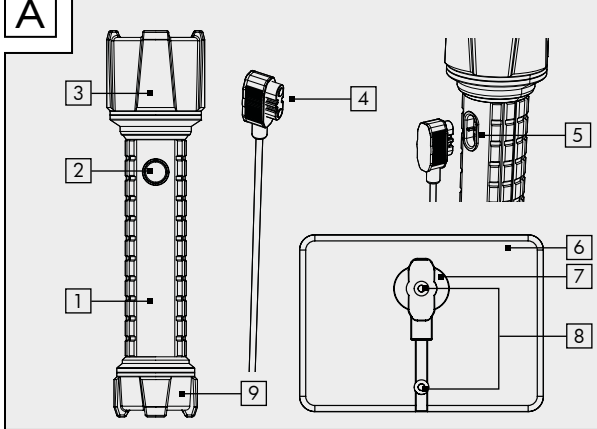
## 6

**citygate24 GmbH**  
Lange Mühren 1  
20095 Hamburg  
GERMANY

06/2022  
Model No.: 1116-TL



10/2022



 GB
 IE
 NI

### LED Work Light

● **Introduction**  
Congratulations on the purchase of your new device. You have selected a high-quality product. Please read these operating instructions thoroughly and carefully. This manual is part of the product and it contains important information about its setup and operation. Always observe all safety instructions. If you have any questions or are unsure how to operate the device, please contact your dealer or service centre. Please keep this manual in a safe place and pass it on to third parties where necessary.

● **Explanation of symbols**

	Read the operating instructions!
	Issue date of instruction manual (month/year)
	Date of manufacture (month/year)
	Direct current
	Risk of fatal injury and accidents for infants and children!
	Observe warning notices and safety instructions!
	Explosion hazard!
	Wear protective gloves!
	Lamp suitable for rugged use
	Universal Serial Bus (USB)
	Not suitable for indoor lighting
	This symbol indicates that the product operates with safety extra-low voltage (SELV/PELV, protection class III).
	Protected against dust in harmful quantities (full contact protection) and splash-proof.
	Dispose of packaging and product in an environmentally friendly manner!
	Risk of environmental damage from incorrect disposal of batteries/rechargeable batteries!
	Packaging made of FSC certified wood mix
	With the CE label, the manufacturer confirms that this product complies with the applicable European directives.
	Do not look into the active light source!
	Products marked with this symbol meet all applicable regulations and requirements in the economic area of the United Kingdom of Great Britain.
	Address of supplier

● **Intended use**  
Suitable for hand-held use only. This product is intended for use in private house-holds only. The product is not suitable for general indoor lighting in the home. Any type of use other than that described above or any modification of the product is prohibited and likely to cause damage or even personal injury. The manufacturer or retailer accepts no liability for loss or damage that occurs as a result of use other than intended or incorrect use.

● **Included in package**  
1 x LED work torch  
1 x charging dock  
1 x charging cable  
1 x set of fixings (2 wall plugs and 2 screws)  
1 x user instructions

● **Description of parts**

	LED work torch		Opening
	ON/OFF button		Guide holes
	Torch head		Cap
	Charging cable		Screws
	Charging port		Wall plug
	Charging dock		

● **Technical data**

Model number:	1116-TL
Input:	5V <span>⎓</span> 1A
LED:	10W
Li-Ion battery:	18650, 3.7V <span>⎓</span> 2600 mAh (rechargeable) (18650 3.7V2.6Ah)
Protection class:	III
Protection rating:	IP54
Risk group (EN 62471:2008):	I

**Safety information**

**⚠ WARNING!**  
**RISK OF FATAL INJURY AND ACCIDENTS FOR INFANTS AND CHILDREN!** Never leave children unsupervised with the packaging material. There is a danger of suffocation from the packaging material. Children often underestimate the dangers. Always keep children away from the product.

- This product may be used by children aged 8 years or above and by persons with limited physical, sensory or mental capabilities or lacking in experience and knowledge if they are supervised or have been instructed as to the safe use of the product and understand the resulting risks. Do not let children play with the product. Cleaning and maintenance may not be carried out by children without proper supervision.
- Keep children away from the work area during assembly. The product as supplied includes a number of screws and other small parts. These can be fatal if they are swallowed or inhaled.

**RISK OF DAMAGE!** Improper handling of the product may result in damage to the product.

- Do not use the product if you notice any damage.
- The manufacturer/distributor of this product accepts no responsibility whatsoever for personal injury or damage resulting from incorrect installation or use.
- Never tamper with or modify the product.
- Do not immerse the product in water or any other liquids.
- Keep the product away from naked flames and hot surfaces.
- The LEDs are not replaceable. Once the light source reaches the end of its service life, the product must be replaced.

**LED warnings**

- Do not stare into the active light source!  
**CAUTION:** Possibly hazardous optical radiation.

**Safety instructions for rechargeable batteries**

- RISK OF DEATH!** Keep rechargeable batteries out of the reach of children. If swallowed, seek medical advice immediately!
- EXPLOSION HAZARD!** Never recharge non-rechargeable/rechargeable batteries. They could overheat, cause a fire or explode.
- Never throw rechargeable batteries into fire or water.
- Do not expose the rechargeable batteries to mechanical stress.
- Remove the batteries from the battery compartment as soon as they are empty or if you are not going to use the product for a longer period of time.
- Never combine different types of rechargeable batteries or batteries with different charge statuses.
- Do not use non-rechargeable batteries instead of rechargeable batteries.
- Do not use batteries that are modified or damaged.

● **Risk of leakage from rechargeable batteries**

- Avoid exposing rechargeable batteries to extreme conditions and temperatures, e.g. radiators or direct sunlight.
- Avoid contact with skin, eyes and mucous membranes! In the event of skin contact with battery acid, rinse the affected area immediately with plenty of clean water and seek medical advice immediately!
- WEAR PROTECTIVE GLOVES!** Leaking or damaged rechargeable batteries can cause chemical burns if they come into contact with skin. Therefore, wear suitable protective gloves in such cases.
- In the event that of battery leaks, remove battery from the product immediately to avoid damage.

● **Mounting the charging dock**  
**Please note:** Take the product out of its packaging and remove all packing material. Before drilling the fixing holes, satisfy yourself that there is no danger of drilling into or damaging gas or water pipes or electricity cables in the position where you are about to drill the holes. Use a drill to drill the holes into the masonry. Observe all safety instructions provided in the operation and safety manual for your drill. Otherwise there is a risk of serious or fatal injury from electric shock.

**Please note:** The fixings included are suitable for conventional solid masonry. Please check independently what kind of fixings are best suited for the surface on which you intend to mount the light. If necessary, you should seek the advice of an expert.

Use Fig. B as a guide for the correct alignment of the charging dock. Mount the charging dock in a dry, closed room.

- Transfer the positions of the guide holes to the mounting point on the wall (see Fig. A).
- Drill two holes (dia. 6 mm) and insert the matching wall plugs (see Fig. B).
- Insert the screws through the guide holes and screw them into the wall plugs (see Fig. B).

**Please note:** Make sure the product is firmly attached!

- Insert the charging cable into the opening of the charging dock with the magnetic connector.
- To achieve a better hold, lightly press the connector downwards in the opening.

● **Operation**

- Operate the product using the ON/OFF button .
- Press 1 x - Full beam
- Press 2 x - Low beam
- Press 3 x - Flashing light
- Press 4 x - Off
- Turn the torch head clockwise or anti-clockwise to adjust the focus of the LED work torch.

**Please note:** The lens heats up during operation - only touch the rubber-coated section when focussing the light.

● **Charging the battery**

**RISK OF ELECTRIC SHOCK!**  
Only charge the product in dry, interior rooms.

- Connect the USB connector of the charging cable to a standard SELV-safe charging adaptor (5 V DC, max. 1 A, not included).
- Plug the charging adapter into a socket that has been correctly installed.
- Connect the charging socket of the product with the magnetic connector of the charging dock .
- The magnets hold the product on the charging dock as long as the LED Work Torch is connected in the correct position as shown in Fig. B.
- During charging, the ON/OFF button will glow red.
- Once the battery is fully charged, the ON/OFF button will glow green.
- Remove the product from the charging dock and unplug the charging adapter from the power outlet socket.

You can also charge the product without the charging dock.

- Remove the charging cable from the charging dock .

**Please note:** The product cannot be switched on during the charge process. It is, therefore, not suitable for continuous operation.

● **Replacing the battery**

- Remove the cap by turning it anti-clockwise.
- Remove the exhausted rechargeable battery and dispose of it in accordance with applicable guidelines.
- Insert a new rechargeable battery. Only use batteries of the same type (see section "Technical data"). Pay attention to the correct polarity when inserting batteries.
- Reseat the cap tightly in place.
- Take care to ensure that the battery compartment is closed properly.

● **Cleaning and storage**

**RISK OF DAMAGE!** Cleaning the product incorrectly can potentially cause damage.

- Do not use any chemicals for cleaning as this might damage the surface.
- Use only a dry, lint-free cloth for cleaning. If the product is very dirty, dampen the cloth slightly.
- When the product is not in use, store inside the packaging in a dry place.
- To maintain the rechargeable battery's capacity, it needs to be charged for about 2 hours about every 4 months.

● **Troubleshooting**

Suitable for hand-held use only. This product is intended for use in private house-holds only. The product is not suitable for general indoor lighting in the home. Any type of use other than that described above or any modification of the product is prohibited and likely to cause damage or even personal injury. The manufacturer or retailer accepts no liability for loss or damage that occurs as a result of use other than intended or incorrect use.

- = Fault
- = Cause
- = Solution

- = The product fails to switch on.
- = The product is switched off.
- = Press the ON/OFF button to switch the product on.

- = The light is flickering.
- = The battery is almost fully discharged.
- = Charge the battery (see section "Charging the battery").

● **Disposal**

Note the labels on the packaging materials when sorting the waste; they are marked with abbreviations (a) and numbers (b) with the following meanings:

1-7: Plastics  
20-22: Paper and cardboard  
80-98: Composite materials

You can find out how to dispose of the used product by contacting your local district or city council.

In the interest of environmental protection, when the product has reached the end of its useful life, do not dispose of it as general household waste but have it properly recycled. For information on recycling centres and their opening times, please contact your local council.

Faulty or used batteries must be recycled in accordance with Directive 2006/66/EC and its amendments. Return batteries and/or the product to the local recycling facilities provided.

**Risk of environmental damage from incorrect disposal of rechargeable batteries!**  
Batteries must not be disposed of as general household waste. They may contain toxic heavy metals\* and are subject to special waste treatment. Batteries and rechargeable batteries that are not permanently fixed inside the product must be removed before disposal of the product and disposed of separately. Please ensure batteries/rechargeable batteries are fully discharged when disposed off! Wherever possible, use rechargeable batteries rather than single-use batteries.
\*) Marked as followed: Cd = cadmium, Hg = mercury, Pb = lead

● **Warranty**  
Dear customer, This product comes with a 3-year warranty from the date of purchase. In the event that this product is faulty, you have legal rights against the seller of the product. These statutory rights are not restricted by our warranty as set out below.

**Warranty terms**  
The warranty period begins with the date of purchase. Please keep the original receipt in a safe place. It is required as proof of purchase. If a material or manufacturing defect occurs within three years of the date of purchase, we will repair or replace the product for your free of charge, or refund the purchase price, at our discretion. This warranty service is granted provided that the faulty device and the proof of purchase (receipt) are presented within three years, along with a brief written description of the fault and of when it occurred. If the fault is covered by our warranty, we will return the fixed product or send you a new one. No new warranty period shall begin upon repair or replacement of the product.

**Warranty period and statutory warranty claims**  
The warranty period is not renewed after a warranty service has been granted. This rule shall also apply for any replaced or repaired parts. Any damage or faults that already existed when buying the product must be reported immediately upon unpacking the product. A fee is charged for any repairs that are carried out after the end of the warranty period.

**Warranty scope**  
The device was carefully manufactured according to the strictest quality guidelines and thoroughly tested before delivery. The warranty applies to material or manufacturing defects. This warranty does not apply to product parts that are subject to normal wear and tear and can therefore be regarded as wearing parts, or damage to fragile parts, such as switches, rechargeable batteries or parts that are made of glass. This warranty is void if the product has been damaged, improperly used or serviced. To ensure proper use, all instructions included in the manual must be followed carefully. Use and actions that users are discouraged from or warned of in the manual must be avoided under all circumstances. The product is intended for private household use only, and not for commercial activities. The warranty is void, if the product is treated inappropriately, if force is applied, and in the case of any manipulation that is not carried out by our authorised service branch.

**Warranty processing**  
To ensure your request is handled swiftly, please observe the following **Notes:**

- Please have the receipt and the article number (e.g. IAN 123456) ready as proof of purchase for all enquiries.
- Please refer to the type plate on the product, an engraving on the product, the cover of the manual (bottom left) or the sticker on the back or base of the product to find out the product number.
- In the case of any malfunctions or other defects, please call or email the service department indicated below as a first step.
- After your product has been registered as faulty, you can send it to the specified service address, free of charge. Please include the proof of purchase (receipt) and information about the defect and about when it occurred.

● **Service**  
 GB  
Service Great Britain  
Tel.: 00800 80040044  
E-Mail: administration@mynetsend.de

 IE
 NI  
Service Ireland  
Tel.: 00800 80040044  
E-Mail: administrator@mynetsend.de

## IAN 414184\_2201

Please have the receipt and the article number (e.g. IAN 123456) ready as proof of purchase for all enquiries.

You can find an up-to-date version of the operating instructions at: www.citygate24.de

You can download this and many other manuals, product videos and installation software at [www.lidl-service.com](http://www.lidl-service.com). Scanning the QR code on the front page will take you directly to the Lidl Service web page (www.lidl-service.com) where you can access the user instructions by entering the item number (IAN) 123456\_7890.

 DK

### LED arbejdslys

● **Indledning**  
 Vi ønsker dig tillykke med købet af dit nye udstyr. Du har dermed valgt et førstklasset produkt. Du bedes læse denne instruktionsbogs helt og grundigt indhold. Denne instruktionsbog hører til dette produkt og indeholder vigtige henvisninger til opstart og håndtering. Vær altid opmærksom på alle sikkerhedsanvisninger. Hvis du har spørgsmål eller er usikker i forhold til håndtering af dette udstyr, bedes du kontakte din forhandler eller vores kundeservice. Du bedes opbevare denne instruktionsbog og eventuelt videregive den til tredjemand.

● **Tegnforklaring**

	Læs instruktionsbogen!
	Instruktionsbogen er udgivet (måned/år)
	Produktionsdato (måned/år)
	Jævnspænding
	Livsfare og fare for ulykker for småbørn og børn!
	Overhold advarsler og sikkerhedsanvisninger!
	Explosionsfare!
	Bær beskyttelseshandsker!
	Arbejdsdygtig til vanskeligt arbejde
	Universal Serial Bus (USB)
	Ikke egnet til indendørs belysning
	Dette symbol betyder, at produktet arbejder med lavspænding (SELV / PELV) (beskyttelsesklasse III).
	Beskyttet mod støv i skadelige mængder (fuldstændig beskyttelse mod kontakt) og stønkøbt.
	Emballage og produkt bortskaffes miljøvenligt!
	Miljøskader ved forkert bortskaffelse af batterierne/akkumulatorerne!
	Emballage af FSC-certificeret blandingstræ
	Med CE-mærkningen bekræfter producenten, at dette produkt overholder de gældende europæiske direktiver.
	Se ikke ind i den aktive lyskilde!
	Produktet, som er mærket med dette symbol, opfylder alle anvendte forskrifter inden for det økonomiske område i Det Forenede Kongerige Storbritannien.
	Leverandørens adresse

● **Forskriftsmæssig anvendelse**  
Kun egnet til manuel betjening. Dette produkt er kun beregnet til anvendelse i private hjem. Produktet er ikke egnet til rumbelysning indendørs. En anden anvendelse end tidligere beskrevet eller en ændring af produktet er ikke tilladt og kan føre til materielle skader eller endda personkæstelser. Producenten eller forhandleren tager ikke ansvar for skader, som måtte være opstået på grund af ikke forskriftsmæssig eller forkert anvendelse.

● **Leveringsomfang**  
1 x LED-arbejdslygte  
1 x ladestation  
1 x ladekabel  
1 x montageanvisning (2x dyvel og 2x skruer)  
1 x instruktionsbog

● **Delbeskrivelse**

	LED-arbejdslygte		Udsparring
	Tænd-/slukknop		Styrehuller
	lyshoved		Lukning
	Ladekabel		Skruer
	Ladestationslning		Dyvel
	Ladestation		

● **Tekniske data**

Modelnummer:	1116-TL
Indgang:	5V <span>⎓</span> 1A
LED:	10W
Li-ion-batteri:	18650, 3.7V <span>⎓</span> 2600 mAh (kan udskiftes) (18650 3.7V2.6Ah)
Beskyttelsesklasse:	III
Beskyttelsesgrad:	IP54
Risikogruppe (EN 62471:2008):	I

**Sikkerhedsanvisninger**

**⚠ ADVARSEL!**  
**LIVSFARE OG FARE FOR ULYKKER FOR SMÅBØRN OG BØRN!** Lad aldrig børn være uden opsyn med emballagematerialet. Der er fare for kvælning på grund af emballagematerialet. Børn undervurderer ofte risici. Hold altid børn på afstand af produktet.

- Dette produkt kan anvendes af børn fra 8 år og derover samt af personer med nedsatte fysiske, sensoriske eller mentale evner eller mangel på erfaring og kendskab, hvis de er under opsyn, eller hvis de er blevet instrueret i sikker anvendelse af produktet og forstår de deraf resulterende risici. Børn må ikke lege med produktet. Rengøring og langvarig vedligeholdelse må ikke foretages af børn uden opsyn.
- Under montagen skal barn holdes på afstand af arbejdsområdet. Til leveringsomfanget hører et ud af skruer og andre smådele. Disse kan være livsfarlige, hvis de sluges eller indåndes.

**FARE FOR BESKADIGELSE!** Ukyndig håndtering af produktet kan medføre beskadigelser.

- Anvend ikke produktet, hvis du konstaterer beskadigelser.
- Producenten/forhandleren af dette produkt tager ikke ansvar for kvæstelser eller skader, som måtte opstå som følge af ukyndig montering/uhensigtsmæssig anvendelse.
- Projektorne må aldrig manipuleres eller ændres.
- Nedsæt aldrig projektorlinsen i vand eller andre væsker.
- Hold projektorlinsen på afstand af åben ild og varme overflader.
- LED-pærerne kan ikke udskiftes. Når lyskilden leverer et udløb, skal hele produktet udskiftes.

**LED-advarsler**

- Se ikke ind i den aktive lyskilde!  
**BEMÆRK:** Eventuelt farlig optisk stråling.

**Sikkerhedsanvisninger til batterier**

- LIVSFARE!** Batterier skal opbevares utilgængelige for børn. I tilfælde af slugning søges omgående lægel!
- EXPLOSIONSFARE!** Ikke-genopladelige batterier må aldrig genoplades. Batterier må ikke korblyttes og/eller åbnes. Konsekvensen kan være overophedning, brandfare eller de kan eksplosione.
- Batterier må aldrig kastes ind i ild eller ned i vand.
- Batterier må ikke udsættes for mekanisk belastning.
- Tag batterierne ud, når de er tomme, eller hvis du ikke skal anvende produktet i længere tid.
- Uens batterityper eller forskelligt ladede batterier må ikke anvendes sammen.
- Anvend ikke ikke-genopladelige batterier i stedet for batterier.
- Anvend ikke modificerede eller beskadigede batterier.

● **Risiko for lækage på batterier**

- Undgå ekstreme temperaturer og temperatur, som kan påvirke batterier, f.eks. varmemelter/direkte solstråler.
- Undgå kontakt med hud, øjne og slimhinder! I tilfælde af kontakt med batterisyre skylles de berørte steder straks med rigelige mængder rent vand, og der søges straks lægel!
- BÆR BESKYTTELSESHANDSKER!** Lækkende eller åbne beskadigede batterier kan ved kontakt med huden forårsage ætsninger. Derfor skal du i dette tilfælde bære egnede beskyttelseshandsker.
- I tilfælde af lækende batterier skal du straks fjerne disse fra produktet for at undgå beskadigelser.

● **Ladestation monteres**  
**Henviisning:** Tag produktet ud af emballagen og fjern alle emballagematerialer. Inden der borets fastgørelseshuller, skal du sikre dig, at gas, vand- eller strømledninger på borestedet ikke kan bores i eller blive beskadiget. Anvend en boremaskine til at bore hullerne i murværket. Vær opmærksom på sikkerhedsanvisningerne i boremaskinens betjenings- og sikkerhedsanvisninger. I modsat fald er der fare for død eller kvæstelse ved elektrisk stød.

**Henviisning:** Det vedlagte montagemateriale er egnet til normalt, fast murværk. Du skal også forhøre dig om, hvilket montagemateriale der er egnet til det montageunderlag, som du har valgt. Du kan eventuelt forhøre dig om dette hos en specialist.

Ret dig efter fig. B til korrekt justering af ladestationen. Ladestationen skal monteres i et tørt og lukket rum.

- Styrehullernes positioner (se fig. A) skal overføres til montagestedet på væggen.
- Bor to huller (6 mm) og sæt passende dyvler ind (se fig. B).
- Stik skruerne gennem styrehullerne og skru skruerne ind i dyvlerne (se fig. B).

**Henviisning:** Sørg for, at den sidder godt fast!

- Stik ladekablet med den magnetiske tilslutning ind i ladestationens udsparring .
- Til bedre pasning trykkes tilslutningen let nedad i udsparringen.

● **Betjening**

- Produktet betjenes med tænd-/ slukknappen <

