



LED WORK LIGHT PASB 100 A3

GB IE NI

LED WORK LIGHT

Operation and safety notes

FR BE

PROJECTEUR À LED

Instructions d'utilisation et consignes de sécurité

NL BE

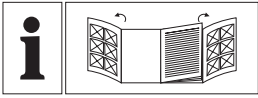
LED-WERKLAMP

Bedienings- en veiligheidsinstructies

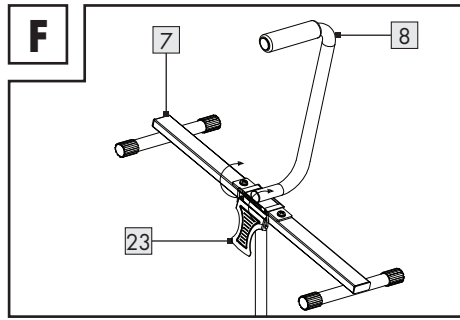
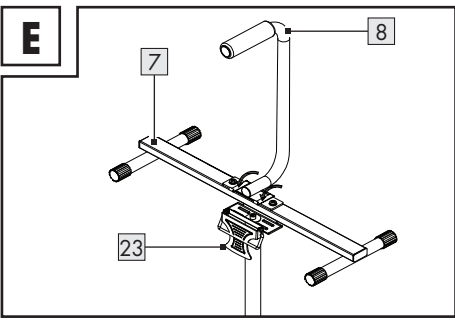
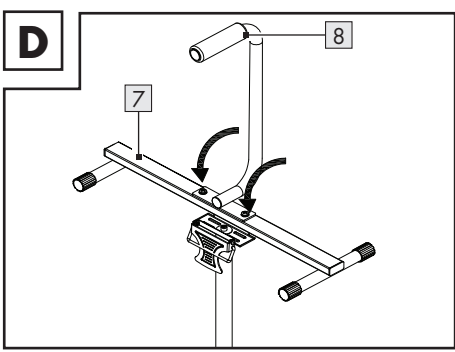
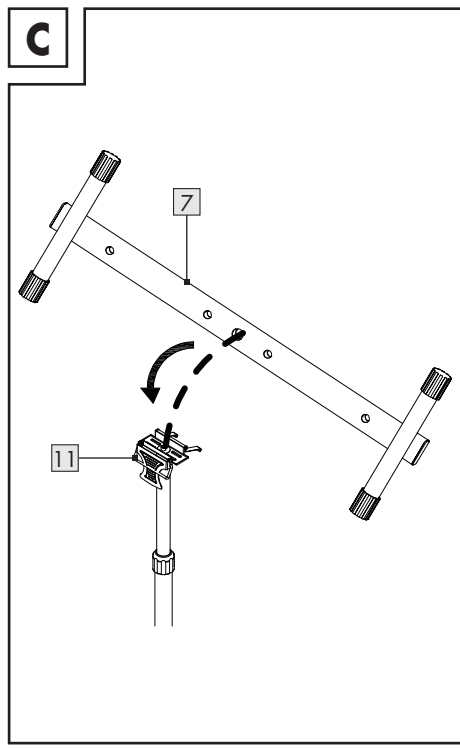
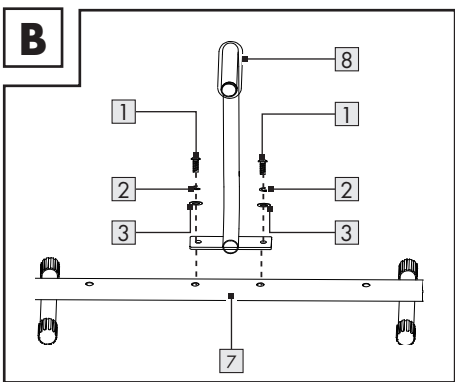
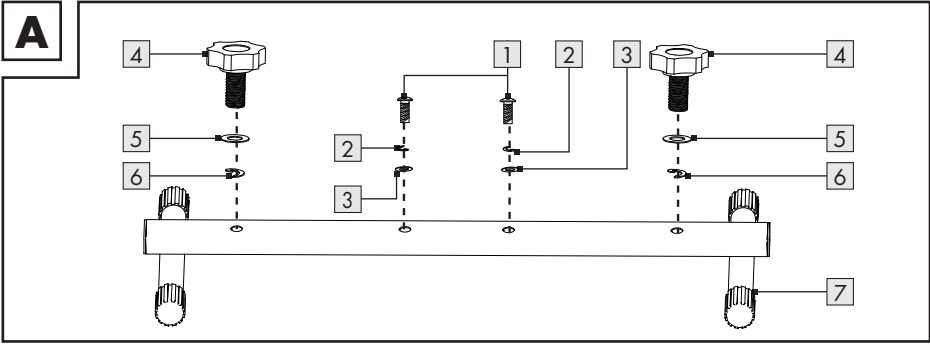
DE AT CH

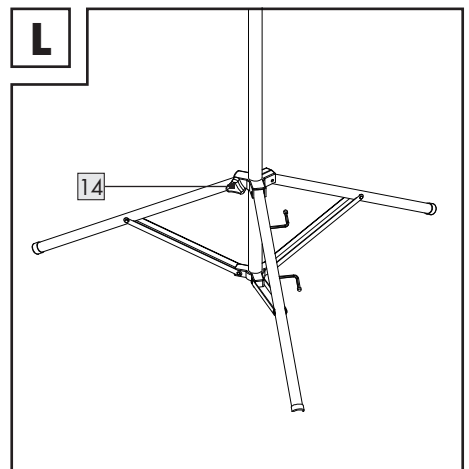
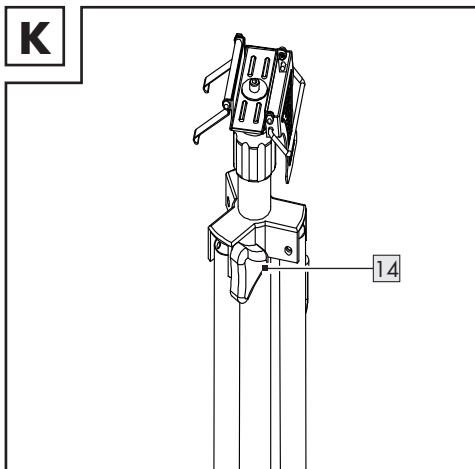
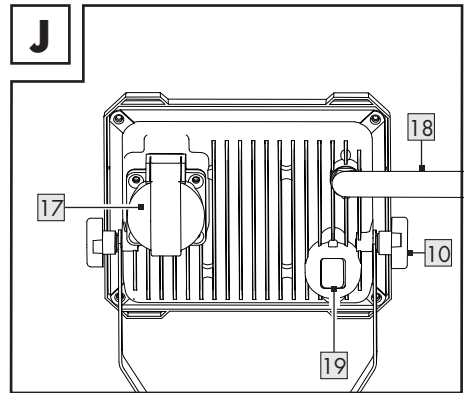
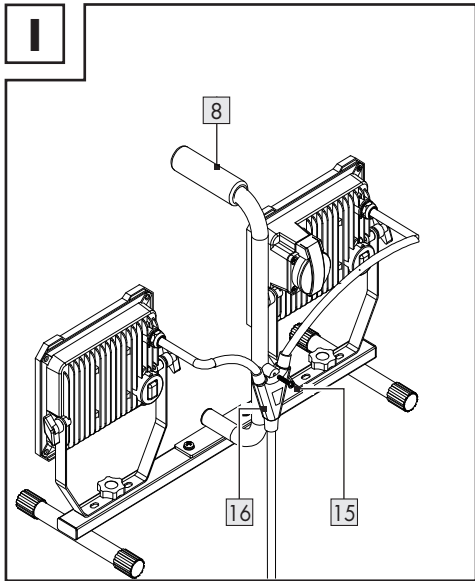
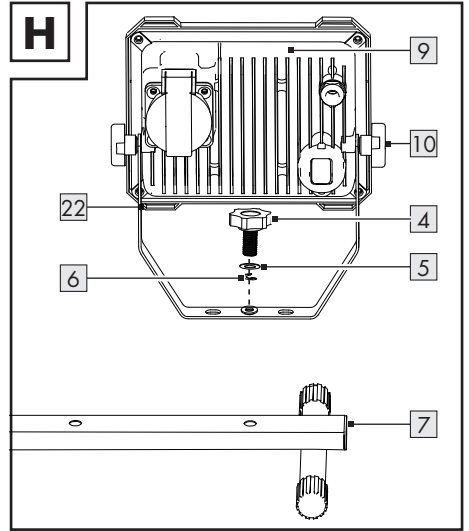
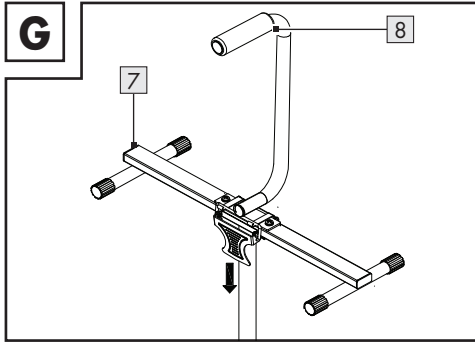
LED-ARBEITSLEUCHE

Bedienungs- und Sicherheitshinweise

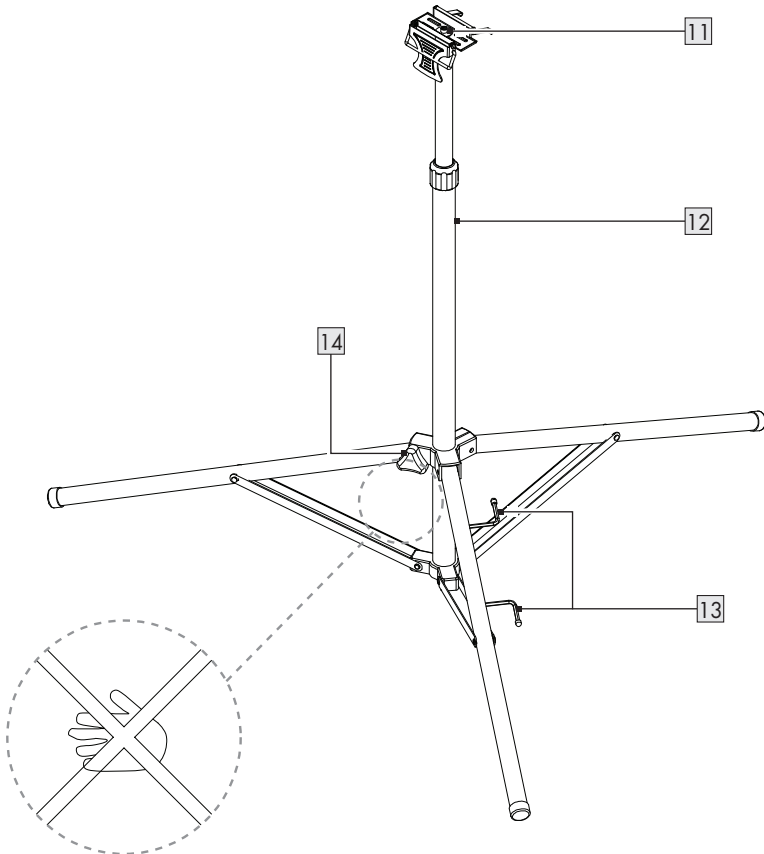
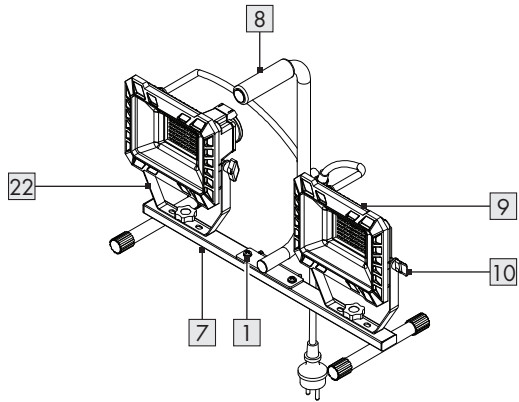


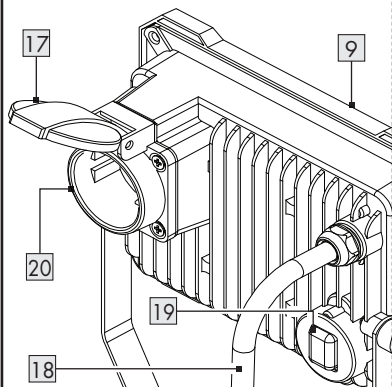
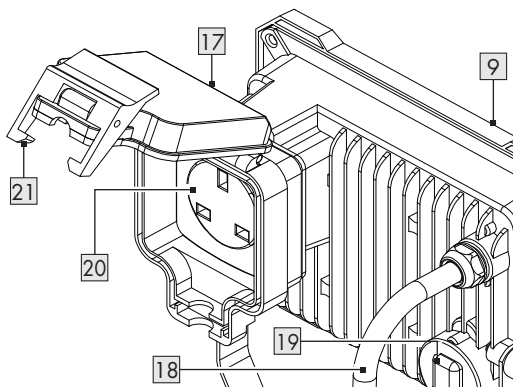
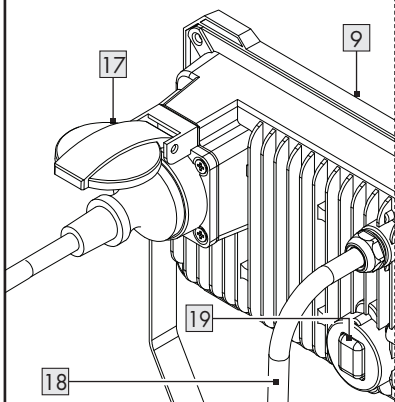
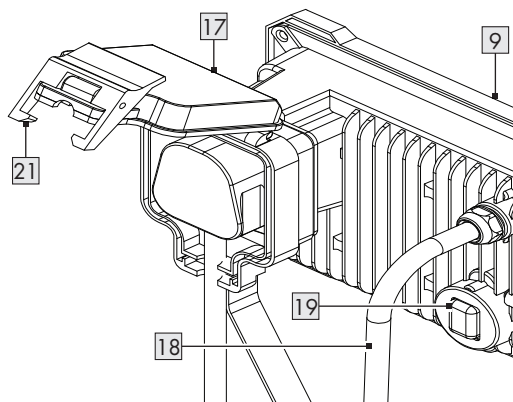
GB/IE/NI	Operation and safety notes	Page	5
FR/BE	Instructions d'utilisation et consignes de sécurité	Page	13
NL/BE	Bedienings- en veiligheidsinstructies	Pagina	21
DE/AT/CH	Bedienungs- und Sicherheitshinweise	Seite	29





M

















N**HG11410, HG11410-FR****HG11410-B5****O****HG11410, HG11410-FR****HG11410-B5**

Warnings and symbols used	Page	6
Introduction	Page	7
Intended use	Page	7
Scope of delivery	Page	7
Parts description	Page	7
Technical data	Page	7
General safety instructions	Page	8
Before installation	Page	9
Installation	Page	9
Use	Page	10
Using the product outdoors	Page	10
Connecting an external device to the product's socket	Page	10
Cleaning and care	Page	11
Disposal	Page	11
Warranty	Page	11
Warranty claim procedure	Page	11
Service	Page	12

Warnings and symbols used

The following warnings are used in this instruction manual, on the packaging and on the rating label:

	<p>DANGER! This symbol in combination with the signal word “Danger” marks a high-risk hazard that if not prevented could result in death or serious injury.</p>		<p>NOTE: This symbol in combination with “Note” provides additional useful information.</p>
	<p>WARNING! This symbol in combination with the signal word “Warning” marks a medium-risk hazard that if not prevented could result in death or serious injury.</p>		<p>IP54:</p> <ul style="list-style-type: none"> ■ Dust protected ■ Splash proof (except socket)
		<p>IPX4:</p> <ul style="list-style-type: none"> ■ Splash proof (socket) 	
	<p>CAUTION! This symbol in combination with the signal word “Caution” marks a low-risk hazard that if not prevented could result in minor or moderate injury.</p>		<p>Power plug for indoor use only (for HG11410-BS only)</p>
	<p>ATTENTION! This symbol with the signal word “Attention” indicates a possible property damage.</p>		<p>Alternating current/voltage</p>
		<p>Protection class I</p>	
	<p>Danger - risk of electric shock!</p>		<p>Product designed to withstand severe mechanical handling.</p>
		<p>CE mark indicates conformity with relevant EU directives applicable for this product.</p>	
	<p>CAUTION. Hot surface!</p>		

LED WORK LIGHT

● Introduction

We congratulate you on the purchase of your new product. You have chosen a high quality product. The instructions for use are part of the product. They contain important information concerning safety, use and disposal. Before using the product, please familiarise yourself with all of the safety information and instructions for use. Only use the product as described and for the specified applications. If you pass the product on to anyone else, please ensure that you also pass on all the documentation with it.

● Intended use

The product is intended to illuminate outdoor areas only. This product is only intended for private use, and is not suitable for commercial use or for use in other applications.



Not suitable for household room illumination.

● Scope of delivery

Check immediately after unpacking that the parts are complete and that the product is in proper condition.

- 1 LED work light
- 1 Short manual

● Parts description

Before reading, unfold the page containing the illustrations and familiarise yourself with all the functions of the product.

- 1 Handle fixing screw ×2
- 2 Handle spring washer ×2
- 3 Flat washer (handle) ×2
- 4 Spotlight fixing screw ×2

- 5 Flat washer ×2
- 6 Spring washer ×2
- 7 Baseplate
- 8 Handle
- 9 Spotlight ×2
- 10 Thumb screw
- 11 Mounting clamp
- 12 Tripod
- 13 Cable hook
- 14 Tripod locking screw
- 15 Power cord holder fixing screw
- 16 Power cord holder
- 17 Socket cover
- 18 Power cord with power plug
- 19 Switch
- 20 Socket
- 21 Interlock (for HG11410-BS only)
- 22 Spotlight bracket ×2
- 23 Retaining plate

● Technical data

Operating voltage:	230 V~, 50 Hz
Total power consumption:	50 W × 2
Socket:	max. 2500 W
Protection class:	I
Dimensions:	approx. 104 × 170 × 91 cm (W × H × D)
Weight:	approx. 6 kg
Max. projected area:	approx. 0.14542 m ²
Certification:	
HG11410:	GS (TÜV SÜD)
HG11410-FR:	-
HG11410-BS:	-
This product contains a light source of energy efficiency class "F".	

Degree of protection	
HG11410:	
Product (except socket):	IP54 ¹
Socket:	IPX4 ²
HG11410-FR:	
Product (except socket):	IP54 ^{1,3}
Socket:	IPX4 ^{2,4}
HG11410-BS:	
Product (except socket):	IP54 ^{1,3}
Socket:	IPX4 ^{2,5}
¹	dust protected/splash proof
²	splash proof
³	power plug for indoor use only
⁴	only when socket cover closed (without power plug inserted)
⁵	only when socket cover closed



General safety instructions

BEFORE USING THE PRODUCT, PLEASE FAMILIARISE YOURSELF WITH ALL OF THE SAFETY INFORMATION AND INSTRUCTIONS FOR USE! WHEN PASSING THIS PRODUCT ON TO OTHERS, PLEASE ALSO INCLUDE ALL THE DOCUMENTS!



WARNING! RISK OF DEATH AND ACCIDENTS FOR TODDLERS AND CHILDREN!

Never leave children unattended with the packaging material. The packaging material represents a danger of suffocation. Children frequently underestimate the dangers. Keep the product out of the reach of children at all times.

- This product can be used by children from 8 years and above, and persons with reduced physical, sensory or mental capacities, or lacking experience and/or knowledge, if they are supervised or have been given instructions concerning use of the product in a safe way and understand the hazards involved. Children shall not play with the product. Cleaning and user maintenance shall not be made by children without supervision.

⚠ DANGER! Risk of suffocation! Children could swallow and choke on small included parts (e.g. screws). Keep children away from the work area during assembly.

- This product does not contain any parts that can be serviced by the user. The LEDs and the built-in control gear cannot be replaced.
- If the LEDs fail at the end of their lives, the entire product must be disposed of.
- The power cord **18** cannot be replaced; if the power cord is damaged, the product shall be disposed of.



Danger to life by electric shock!

- Always check the product for damage before connecting it to the mains. Never use the product if it shows any signs of damage.
- Protect the power cord against sharp edges, mechanical stresses and hot surfaces.
- Always unplug the power cord from the socket before installation, dismantling or cleaning.
- Disconnect the product from the mains supply if it is not going to be used for some time (e.g. holiday).
- Prior to installation, verify that the mains voltage on site corresponds with the operating voltage required for the product (230 V~, 50 Hz). Otherwise do not install the product.

⚠ CAUTION! Risk of burn injuries! To prevent burns, verify the product is switched off and has cooled down for at least 15 minutes before touching it. The product can become very hot.

- The accessible surface, especially heat shrink, is very hot when the lamp is operating.
- **For HG11410, HG11410-FR:** The power plug **18** can only be connected with a corresponding socket with the same ingress protection (IPX4) in order to keep the protective degree against dust/water.
- **For HG11410-BS:** Power plug for indoor use only.
- The product can be used on a flat, stable surface, e.g. floor or table.
- The product must not be used as a hand lamp.



⚠ WARNING! Risk of fire! Fit the product so that it is at least 1 m away from the material to be illuminated. Excessive heat can result in a fire.

- The product is only suited for use with the built-in LED control gear.
- The product continues to draw a small amount of power even if the product is off as long as the product is connected to the supply mains. To switch the product off completely, disconnect the power plug **18** from the socket-outlet.
- Luminaries shall not be connected after each other.
- This is not a portable lamp. Disconnect the power plug **18** from the socket-outlet before moving the tripod.

● Before installation

ⓘ NOTE: Remove all packaging materials from the product.

- The product may be placed on the provided tripod **12** and then be positioned in the desired location.
- Rotate the tripod locking screw **14** anti-clockwise to loosen the tripod **12** (Fig. M).
- Adjust the tripod **12** to the desired position. Rotate the tripod locking screw **14** clockwise to fix the tripod in its position (Fig. M).
- Use and operate the product on a stable surface without any angle.
- Fully extend the tripod **12** and check the stability of the product.

⚠ CAUTION! Note the position of your hands whilst opening or closing the tripod **12**. Risk of pinching your fingers (Fig. M).

● Installation

■ Unscrew the pre-installed fastening material from the baseplate **7** (Fig. A).

This includes:

- **1** Handle fixing screws
- **2** Handle spring washers
- **3** Flat washers (handle)
- **4** Spotlight fixing screws
- **5** Flat washers
- **6** Spring washers

Attaching the handle

Fig. B

- Fasten the handle **8** to the baseplate **7**. To do so, use the following fastening materials:
 - **1** Handle fixing screws
 - **2** Handle spring washers
 - **3** Flat washers (handle)
- Turn the handle fixing screws **1** clockwise until fully tightened.

Attaching the baseplate to the tripod

Fig. C to G

Fig.	Description
	Place the baseplate [7] with the spotlights [9] and handle [8] onto the open mounting clamp [11].
	The handle [8] must be aligned in the direction of the retaining plate [23] on the mounting clamp [11].
C, D	Place the holes on the underside of the baseplate [7] on the pins of the mounting clamp [11].
E	Close the retaining plate [23] of the mounting clamp [11].
F	Fold the bracket of the mounting clamp [11] upwards so that it grips the retaining plate [23].
G	Press down the locking handle of the mounting clamp [11] to fix the baseplate [7].

Attaching the spotlights to the baseplate

Fig. H

- Secure the spotlight brackets [22] to the baseplate [7].
To do so, use the following fastening materials:
 - [4] Spotlight fixing screws
 - [5] Flat washers
 - [6] Spring washers
- Turn the spotlight fixing screws [4] clockwise until fully tightened.

Attaching the power cord holder

Fig. I

- Unscrew and remove the power cord holder fixing screw [15] from the handle [8].
- Attach the power cord holder [16] to the handle [8] with the power cord holder fixing screw [15].
- Turn the power cord holder fixing screw [15] clockwise until fully tightened.

● Use

- Connect the power plug [18] with a socket-outlet.

⚠ CAUTION: Do not move the product's power cord [18] after connecting the power plug with a socket-outlet. Risk of the product slipping or tilting.

● Using the product outdoors

Fig. J

- Connect the power plug [18] with an IPX4 socket-outlet only.
- If an IPX4 socket-outlet should not be available, the power plug [18] must be connected indoors only.
- Press the switch [19] to position **I** or position **II** (maximum brightness) to switch on the product.

● Connecting an external device to the product's socket

⚠ WARNING: Risk of fire! Do not connect any appliance with a total output of > 2500 W.

For HG11410/HG11410-FR:

⚠ WARNING: Risk of electric shock! Only use additional appliances if they are equipped with a waterproof power plug with an IPX4 marking. If the wrong power plug is used, water can enter the product and cause an electric shock.

- Open the socket cover [17] at the rear of the product.
- Plug the external appliance into the socket [20] of the spotlight [9] (Fig. N, O).

For HG11410-BS:

⚠ WARNING: Risk of electric shock! Water may enter the product if the socket cover [17] is not properly closed.

- Close the socket cover [17].
- Lock the socket cover [17] with the interlock [21] (Fig. N, O).

⚠ CAUTION: Do not move the product's power cord **18** after connecting the power plug with a socket-outlet. Risk of the product slipping or tilting.

● **Cleaning and care**

- Before cleaning:
 - Disconnect the power plug **18** from the socket-outlet.
 - Wrap the power cord **18** on the cable hooks **13**.
 - Let the product cool completely.

⚠ ATTENTION! Never immerse the product in water or other liquids. Risk of product damage!

- Clean the product with a lint-free, slightly moist cloth and mild cleaning agent.

● **Disposal**

The packaging is made entirely of recyclable materials, which you may dispose of at local recycling facilities.



Observe the marking of the packaging materials for waste separation, which are marked with abbreviations (a) and numbers (b) with following meaning:
1-7: plastics/20-22: paper and fibreboard/80-98: composite materials.

Product:



Contact your local refuse disposal authority for more details of how to dispose of your worn-out product.



To help protect the environment, please dispose of the product properly when it has reached the end of its useful life and not in the household waste. Information on collection points and their opening hours can be obtained from your local authority.

● **Warranty**

The product has been manufactured to strict quality guidelines and meticulously examined before delivery. In the event of material or manufacturing defects you have legal rights against the retailer of this product. Your legal rights are not limited in any way by our warranty detailed below.

The warranty for this product is 3 years from the date of purchase. The warranty period begins on the date of purchase. Keep the original sales receipt in a safe location as this document is required as proof of purchase.

Any damage or defects already present at the time of purchase must be reported without delay after unpacking the product.

Should the product show any fault in materials or manufacture within 3 years from the date of purchase, we will repair or replace it – at our choice – free of charge to you. The warranty period is not extended as a result of a claim being granted. This also applies to replaced and repaired parts.

This warranty becomes void if the product has been damaged, or used or maintained improperly.

The warranty covers material or manufacturing defects. This warranty does not cover product parts subject to normal wear and tear, thus considered consumables (e.g. batteries, rechargeable batteries, tubes, cartridges), nor damage to fragile parts, e.g. switches or glass parts.

● **Warranty claim procedure**

To ensure quick processing of your claim, observe the following instructions:

Make sure to have the original sales receipt and the item number (IAN 452533_2310) available as proof of purchase.

You can find the item number on the rating plate, an engraving on the product, on the front page of the instruction manual (bottom left), or as a sticker on the rear or bottom of the product.

If functional or other defects occur, contact the service department listed below either by telephone or by e-mail.

Once the product has been recorded as defective you can return it free of charge to the service address that will be provided to you. Ensure to enclose the proof of purchase (sales receipt) and a short, written description outlining the details of the defect and when it occurred.

● **Service**

GB Service Great Britain

Tel.: 0800 0569216

E-Mail: owim@lidl.co.uk

IE Service Ireland

Tel.: 1800 200736

NI Service Northern Ireland

Tel.: 0800 0927852















E-Mail: owim@lidl.ie



Avertissements et symboles utilisés	Page	14
Introduction	Page	15
Utilisation conforme aux prescriptions	Page	15
Contenu de l'emballage	Page	15
Description des pièces	Page	15
Données techniques	Page	15
Consignes générales de sécurité	Page	16
Avant le montage	Page	17
Montage	Page	17
Utilisation	Page	18
Utiliser le produit à l'extérieur	Page	18
Raccorder un appareil externe à la prise	Page	18
Nettoyage et entretien	Page	19
Mise au rebut	Page	19
Garantie	Page	19
Faire valoir sa garantie	Page	20
Service après-vente	Page	20

Avertissements et symboles utilisés

Les avertissements suivants sont utilisés dans ce mode d'emploi, sur l'emballage et sur l'étiquette signalétique :

	<p>DANGER ! Ce symbole avec ce signal important de « Danger » indique un danger avec un risque élevé de blessures graves ou de mort si la situation dangereuse n'est pas évitée.</p>		<p>REMARQUE : Ce symbole avec ce signal important de « Remarque » propose plus d'informations utiles.</p>
	<p>AVERTISSEMENT ! Ce symbole avec ce signal important d'« Avertissement » indique un danger avec un risque moyen de blessures graves ou de mort si la situation dangereuse n'est pas évitée.</p>		<p>IP54 :</p> <ul style="list-style-type: none"> ■ Protégé contre la poussière ■ Étanche aux projections d'eau (sauf prise)
			<p>IPX4 :</p> <ul style="list-style-type: none"> ■ Étanche aux projections d'eau (prise)
	<p>PRUDENCE ! Ce symbole avec ce signal important de « Prudence » indique un danger avec un risque faible de blessures légères à importantes si la situation dangereuse n'est pas évitée.</p>		<p>Fiche de secteur pour usage uniquement à l'intérieur de locaux (seulement pour HG11410-BS)</p>
	<p>ATTENTION ! Ce symbole avec la mention « Attention » indique un possible risque de dégâts matériels.</p>		<p>Courant alternatif/tension alternative</p>
			<p>Classe de protection I</p>
	<p>Danger - risque d'électrocution !</p>		<p>Le produit est conçu pour résister à des sollicitations mécaniques fortes.</p>
			<p>Le sigle CE confirme la conformité aux directives de l'UE applicables au produit.</p>
	<p>PRUDENCE. Surface chaude !</p>		

PROJECTEUR À LED

● Introduction

Nous vous félicitons pour l'achat de votre nouveau produit. Vous avez opté pour un produit de grande qualité. Le mode d'emploi fait partie intégrante de ce produit. Il contient des indications importantes pour la sécurité, l'utilisation et la mise au rebut. Veuillez lire consciencieusement toutes les indications d'utilisation et de sécurité du produit. Ce produit doit uniquement être utilisé conformément aux instructions et dans les domaines d'application spécifiés. Lors d'une cession à tiers, veuillez également remettre tous les documents.

● Utilisation conforme aux prescriptions

Le produit est uniquement destiné à l'éclairage d'espaces extérieurs. Ce produit est uniquement destiné à un usage domestique et ne convient pas à un usage commercial ou à d'autres applications.



Ne convient pas pour l'éclairage de pièces dans une habitation.

● Contenu de l'emballage

Contrôlez immédiatement le contenu de l'emballage après le déballage, son exhaustivité ainsi que le parfait état du produit.

- 1 Projecteur à LED
- 1 Guide de démarrage rapide

● Description des pièces

Avant de lire, dépliez la page attenante avec les illustrations. Familiarisez-vous avec toutes les fonctions du produit.

- 1 Vis de fixation de la poignée ×2
- 2 Rondelle-ressort de la poignée ×2
- 3 Rondelle plate (poignée) ×2
- 4 Vis de fixation du projecteur ×2

- 5 Rondelle plate ×2
- 6 Rondelle-ressort ×2
- 7 Socle
- 8 Poignée
- 9 Projecteur ×2
- 10 Vis de blocage
- 11 Bride de serrage
- 12 Trépied
- 13 Crochet pour câble
- 14 Vis de blocage du trépied
- 15 Vis de fixation du porte-câble
- 16 Porte-câble
- 17 Couvercle de la prise
- 18 Cordon d'alimentation avec fiche de secteur
- 19 Interrupteur
- 20 Prise
- 21 Verrouillage (seulement pour HG11410-BS)
- 22 Étrier du projecteur ×2
- 23 Plaqué de retenue

● Données techniques

Tension de fonctionnement :	230 V~, 50 Hz
Consommation totale d'énergie :	50 W × 2
Prise :	2500 W maxi
Classe de protection :	I
Dimensions :	env. 104 × 170 × 91 cm (l × H × P)
Poids :	env. 6 kg
Surface maximale de projection :	env. 0,14542 m ²
Certification :	
HG11410 :	GS (TÜV SÜD)
HG11410-FR :	-
HG11410-BS :	-
Ce produit contient une source d'éclairage de classe d'efficacité énergétique « F ».	

Indice de protection	
HG11410 :	
Produit (sauf prise) :	IP54 ¹
Prise :	IPX4 ²
HG11410-FR :	
Produit (sauf prise) :	IP54 ^{1,3}
Prise :	IPX4 ^{2,4}
HG11410-BS :	
Produit (sauf prise) :	IP54 ^{1,3}
Prise :	IPX4 ^{2,5}
¹	protégé contre la poussière/étanche aux projections d'eau
²	étanche aux projections d'eau
³	fiche de secteur pour usage uniquement à l'intérieur de locaux
⁴	uniquement lorsque le couvercle de la prise est fermé (sans fiche de secteur branchée)
⁵	uniquement lorsque le couvercle de la prise est fermé



Consignes générales de sécurité

AVANT LA PREMIÈRE UTILISATION DU PRODUIT, FAMILIARISEZ-VOUS AVEC TOUTES LES CONSIGNES D'UTILISATION ET DE SÉCURITÉ ! TRANSMETTEZ L'ENSEMBLE DES DOCUMENTS CONCERNANT LE PRODUIT LORSQUE VOUS LE DONNEZ À UN TIERS !



AVERTISSEMENT ! DANGER MORTEL ET RISQUE D'ACCIDENT POUR BÉBÉS ET ENFANTS !

Prière de ne jamais laisser des enfants sans surveillance avec des matériaux d'emballage. Les matériaux d'emballage représentent un risque d'asphyxie. Les enfants sous-estiment souvent les dangers. Maintenez toujours le produit hors de la portée d'enfants.

- Ce produit peut être utilisé par des enfants de plus de 8 ans et par des personnes ayant des capacités physiques, sensorielles ou mentales limitées ou ayant une expérience et/ou des connaissances réduites, seulement s'ils sont surveillés ou s'ils ont reçu des instructions concernant l'utilisation en toute sécurité du produit et ont compris les risques encourus. Les enfants ne doivent pas jouer avec le produit. Le nettoyage et l'entretien réalisables par l'utilisateur ne doivent pas être effectués par des enfants sans surveillance.

⚠ DANGER ! Risque d'étouffement !

Les enfants peuvent avaler les petites pièces fournies (par ex. vis) et s'étouffer avec. Maintenez les enfants hors de la portée de la zone de travail durant le montage.

- Ce produit ne contient aucune pièce nécessitant un entretien par l'utilisateur. Les diodes LED et la commande intégrée ne peuvent pas être remplacées.
- Si les diodes LED arrivent à la fin de leur durée de vie, tout le produit doit être mis au rebut pour être recyclé.
- Le cordon d'alimentation [18] ne peut pas être remplacé ; si le cordon d'alimentation est endommagé, le produit doit être mis au rebut.



Risque d'électrocution pouvant entraîner la mort !

- Avant chaque branchement sur le secteur, vérifiez si le produit présente des dommages. Si vous découvrez le moindre dommage, n'utilisez jamais le produit.
- Protégez le cordon d'alimentation des bords tranchants, des sollicitations mécaniques ou des surfaces chaudes.
- Débranchez toujours le cordon d'alimentation de la prise murale avant le montage, le démontage ou le nettoyage.
- Débranchez le produit du réseau électrique lorsqu'il n'est pas utilisé sur une longue période (par ex. durant les vacances).

- Avant le montage, assurez-vous que la tension de réseau corresponde bien à la tension de fonctionnement (230 V~, 50 Hz) requise pour le produit. N'installez pas le produit, si cela n'est pas le cas.

⚠ PRUDENCE ! Risque de brûlures ! Pour éviter des brûlures, soyez certain que le produit soit éteint et qu'il refroidisse au moins pendant 15 minutes avant de le toucher. Le produit peut devenir très chaud.

- La surface du produit dans son ensemble et en particulier les gaines thermorétractables deviennent très chaudes durant le fonctionnement.

■ **Pour HG11410, HG11410-FR :** Afin de maintenir l'indice de protection contre la poussière/l'eau, la fiche de secteur **18** ne doit être branchée que sur une prise de courant ayant le même indice de protection (IPX4).

Pour HG11410-BS : Fiche de secteur pour usage uniquement à l'intérieur de locaux.

- Le produit peut être utilisé sur une surface plane et stable, par ex. sur le sol ou sur une table.
- Le produit ne doit pas être utilisé comme lampe portable.



⚠ AVERTISSEMENT ! Risque d'incendie ! Montez le produit à une distance d'au moins 1 m des matériaux éclairés. Un développement de chaleur au-dessus de la normale peut générer un incendie.

- Le produit ne peut être utilisé qu'avec le ballast intégré des diodes LED.
- Tant que le produit est relié à l'alimentation électrique, le produit continuera à consommer un peu d'énergie même s'il est éteint. Débranchez la fiche de secteur **18** de la prise de courant pour l'éteindre complètement.
- Des lampes ne doivent pas être raccordées en série.
- Cette lampe n'est pas portable. Avant de bouger le trépied, débranchez la fiche de secteur **18** de la prise de courant.

● Avant le montage

❗ REMARQUE : Retirez tous les matériaux d'emballage du produit.

- Le produit peut être placé sur le trépied **12** fourni et ensuite positionné à l'emplacement souhaité.
- Tournez la vis de blocage du trépied **14** dans le sens inverse des aiguilles d'une montre pour dévisser le trépied **12** (ill. M).
- Réglez le trépied **12** dans la position souhaitée. Pour fixer le trépied en position (ill. M), tournez la vis de blocage du trépied **14** dans le sens des aiguilles d'une montre.
- Placez et utilisez le produit uniquement sur des surfaces stables non inclinées.
- Dépliez complètement le trépied **12**. Vérifiez la stabilité du produit.

⚠ PRUDENCE ! Faites attention à la position de vos mains lorsque vous dépliez ou repliez le trépied **12**. Risque de pincements des doigts (ill. M).

● Montage

- Dévissez le matériel de fixation prémonté du socle **7** (ill. A).

Comprenant :

- **1** Vis de fixation de la poignée
- **2** Rondelle-ressort de la poignée
- **3** Rondelle plate (poignée)
- **4** Vis de fixation du projecteur
- **5** Rondelle plate
- **6** Rondelle-ressort

Installer la poignée

Ill. B

- Visser la poignée **8** sur le socle **7**. Utilisez à cet effet le matériel de fixation suivant :
 - **1** Vis de fixation de la poignée
 - **2** Rondelle-ressort de la poignée
 - **3** Rondelle plate (poignée)
- Visser les vis de fixation de la poignée **1** dans le sens des aiguilles d'une montre jusqu'à la butée.

Installer le socle sur le trépied

III. de C à G

III.	Description
	Placez le socle [7] avec les projecteurs [9] et la poignée [8] sur la bride de serrage [11].
	La poignée [8] doit être orientée en direction de la plaque de retenue [23] sur la bride de serrage [11].
C, D	Placez les trous au-dessous du socle [7] sur les broches de la bride de serrage [11].
E	Fermez la plaque de retenue [23] de la bride de serrage [11].
F	Rabattez la patte de la bride de serrage [11] vers le haut de manière à ce qu'elle s'engage dans la plaque de retenue [23].
G	Poussez la patte de blocage de la bride de serrage [11] vers le bas pour fixer le socle [7].

Fixer le projecteur sur le socle

III. H

- Fixez les étriers des projecteurs [22] sur le socle [7].
Utilisez à cet effet le matériel de fixation suivant :
 - [4] Vis de fixation du projecteur
 - [5] Rondelle plate
 - [6] Rondelle-ressort
- Tournez les vis de fixation des projecteurs [4] dans le sens des aiguilles d'une montre jusqu'à la butée.

Fixer le porte-câble

III. I

- Desserrez et enlevez la vis de fixation [15] du porte-câble de la poignée [8].
- Fixez le porte-câble [16] à la poignée [8] avec la vis de fixation [15] du porte-câble sur la poignée.

- Tournez les vis de fixation [15] du porte-câble dans le sens des aiguilles d'une montre jusqu'à la butée.

● Utilisation

- Branchez la fiche de secteur [18] sur une prise de courant.

⚠ PRUDENCE : Ne déplacez pas le cordon d'alimentation [18] du produit après avoir branché la fiche de secteur sur une prise de courant. Il y a un risque que le produit glisse ou bascule.

● Utiliser le produit à l'extérieur

III. J

- Branchez la fiche de secteur [18] sur une prise de courant IPX4.
- S'il n'y a pas de prise de courant IPX4 à disposition, la fiche de secteur [18] doit être branchée uniquement à l'intérieur.
- Pour allumer le produit, appuyez sur l'interrupteur [19] sur la position **I** ou **II** (luminosité maximale).

● Raccorder un appareil externe à la prise

⚠ AVERTISSEMENT : Risque d'incendie !
Ne branchez aucun appareil d'une puissance totale > 2500 W.

Pour HG11410/HG11410-FR :

⚠ AVERTISSEMENT : Risque d'électrocution ! N'utilisez que des appareils externes équipés d'une fiche de secteur étanche portant le marquage IPX4. L'utilisation d'une fiche de secteur inadéquate peut permettre à l'eau de pénétrer dans le produit et provoquer une décharge électrique.

- Ouvrez le couvercle de la prise [17] au dos du produit.
- Branchez l'appareil externe sur la prise [20] du projecteur [9] (ill. N, O).

Pour HG11410-BS :

⚠ AVERTISSEMENT : Risque d'électrocution ! Si le couvercle de la prise **17** n'est pas correctement fermé, de l'eau peut s'infiltrer dans le produit.

- Fermez le couvercle de la prise **17**.
- Bloquez le couvercle de la prise **17** grâce au verrouillage **21** (ill. N, O).

⚠ PRUDENCE : Ne déplacez pas le cordon d'alimentation **18** du produit après avoir branché la fiche de secteur sur une prise de courant. Il y a un risque que le produit glisse ou bascule.

● Nettoyage et entretien

- Avant le nettoyage :
 - Débranchez la fiche de secteur **18** de la prise de courant.
 - Roulez le cordon d'alimentation **18** sur le crochet pour câble **13**.
 - Laissez le produit complètement refroidir.

⚠ ATTENTION ! Ne plongez jamais le produit dans de l'eau ou tout autre liquide. Risque de détérioration du produit !

- Nettoyez le produit avec un chiffon légèrement humidifié non pelucheux et un produit de nettoyage doux.

● Mise au rebut

L'emballage se compose de matières recyclables pouvant être mises au rebut dans les déchetteries locales.



Veillez respecter l'identification des matériaux d'emballage pour le tri sélectif, ils sont identifiés avec des abbréviations (a) et des chiffres (b) ayant la signification suivante : 1-7 : plastiques/20-22 : papiers et cartons/80-98 : matériaux composite.

Produit :



Votre mairie ou votre municipalité vous renseigneront sur les possibilités de mise au rebut des produits usagés.



Afin de contribuer à la protection de l'environnement, veuillez ne pas jeter votre produit usagé dans les ordures ménagères, mais éliminez-le de manière appropriée. Pour obtenir des renseignements concernant les points de collecte et leurs horaires d'ouverture, vous pouvez contacter votre municipalité.

● Garantie

Le produit a été fabriqué selon des critères de qualité stricts, et contrôlé consciencieusement avant sa livraison. En cas de défaut de matériau ou de fabrication, vous avez des droits légaux vis-à-vis du vendeur du produit. Vos droits légaux ne sont en aucun cas limités par notre garantie mentionnée ci-dessous.

La garantie de ce produit est de 3 ans à partir de la date d'achat. La période de garantie commence à la date d'achat. Conservez l'original de la preuve d'achat dans un endroit sûr car ce document est nécessaire pour prouver l'achat.

Tout dommage ou défaut déjà présent au moment de l'achat doit être signalé immédiatement après le déballage du produit.

Si le produit présente un défaut de matériau ou de fabrication dans les 3 ans qui suivent la date d'achat, nous le réparerons ou le remplacerons – à notre choix – gratuitement pour vous. La période de garantie n'est pas prolongée par une demande de garantie acceptée. Cette mesure s'applique également pour les pièces remplacées et réparées.

Cette garantie est annulée si le produit a été endommagé ou utilisé ou entretenu de manière incorrecte.

La garantie couvre les défauts de matériels et de fabrication. Cette garantie ne couvre pas les pièces du produit soumises à une usure normale, et qui sont donc considérées comme des pièces d'usure (par exemple les piles, les piles rechargeables, tuyaux, les cartouches d'encre), ni les dommages aux pièces fragiles, par exemple les interrupteurs ou les pièces en verre.

● Faire valoir sa garantie

Pour garantir la rapidité d'exécution de la procédure de garantie, veuillez respecter les indications suivantes :

Veuillez conserver le ticket de caisse et la référence du produit (IAN 452533_2310) à titre de preuve d'achat pour toute demande.

Le numéro de référence de l'article est indiqué sur la plaque d'identification, gravé sur la page de titre de votre manuel (en bas à gauche) ou sur un autocollant apposé sur la face arrière ou inférieure du produit.

En cas de dysfonctionnement du produit, ou de tout autre défaut, contactez en premier lieu le service après-vente par téléphone ou par e-mail aux coordonnées indiquées ci-dessous.

Vous pouvez alors envoyer franco de port tout produit considéré comme défectueux au service clientèle indiqué, accompagné de la preuve d'achat (ticket de caisse) et d'une description écrite du défaut avec mention de sa date d'apparition.

● Service après-vente

FR Service après-vente France

Tél.: 0800904879

E-Mail: owim@lidl.fr

BE Service après-vente Belgique

Tél.: 080071011

Tél.: 80023970 (Luxembourg)
















E-Mail: owim@lidl.be



Gebruikte waarschuwingen en symbolen	Pagina	22
Inleiding	Pagina	23
Beoogd gebruik	Pagina	23
Leveringsomvang	Pagina	23
Onderdelenbeschrijving	Pagina	23
Technische gegevens	Pagina	23
Algemene veiligheidstips	Pagina	24
Voor de installatie	Pagina	25
Montage	Pagina	25
Gebruik	Pagina	26
Product buitenshuis gebruiken	Pagina	26
Extern apparaat aansluiten op de contactdoos van het product	Pagina	26
Schoonmaken en onderhoud	Pagina	27
Afvoer	Pagina	27
Garantie	Pagina	27
Afwikkeling in geval van garantie	Pagina	28
Service	Pagina	28

Gebruikte waarschuwingen en symbolen

In deze gebruiksaanwijzing, op de verpakking en op het typeplaatje worden de volgende waarschuwingen gebruikt:

	<p>GEVAAR! Dit symbool met de aanduiding "Gevaar" duidt op een groot risico op gevaar dat, indien niet vermeden, zware verwondingen of de dood tot gevolg kan hebben.</p>		<p>TIP: Dit symbool met de aanduiding "Tip" duidt op verdere nuttige informatie.</p>
	<p>WAARSCHUWING! Dit symbool met de aanduiding "Waarschuwing" betekent een middelmatig risico op gevaar dat, indien niet vermeden, zware verwondingen of de dood tot gevolg kan hebben.</p>		<p>IP54:</p> <ul style="list-style-type: none"> ■ Beschermd tegen stof ■ Waterstraalbestendig (behalve de contactdoos)
			<p>IPX4:</p> <ul style="list-style-type: none"> ■ Waterstraalbestendig (contactdoos)
	<p>VOORZICHTIG! Dit symbool met de aanduiding "Voorzichtig" duidt op een klein risico op gevaar dat, indien niet vermeden, kan leiden tot kleine of middelgrote verwondingen.</p>		<p>Netstekker alleen voor binnenshuis (alleen voor de HG11410-BS)</p>
	<p>OPGELET! Dit symbool met de aanduiding "Opgelet" geeft aan dat er mogelijk gevaar bestaat op materiële schade.</p>		<p>Wisselstroom/-spanning</p>
	<p>Gevaar – gevaar voor elektrische schokken!</p>		<p>Beschermingsklasse I</p>
			<p>Het product is ontworpen om sterke mechanische belasting te weerstaan.</p>
	<p>VOORZICHTIG. Heet oppervlak!</p>		<p>Het CE-teken bevestigt dat het product voldoet aan de betreffende EU-richtlijnen.</p>

LED-WERKLAMP

● Inleiding

Hartelijk gefeliciteerd met de aankoop van uw nieuwe product. U heeft voor een hoogwaardig product gekozen. De gebruiksaanwijzing is een deel van het product. Deze bevat belangrijke aanwijzingen voor veiligheid, gebruik en verwijdering. Maakt U zich voor de ingebruikname van het product met alle bedienings- en veiligheidsvoorschriften vertrouwd. Gebruik het product alleen zoals beschreven en voor de aangegeven toepassingsgebieden. Overhandig alle documenten bij doorgifte van het product aan derden.

● Beoogd gebruik

Dit product is alleen bestemd voor het verlichten van buitenruimtes. Het product is uitsluitend bestemd voor privégebruik en is niet geschikt voor commerciële of andere toepassingen.



Niet geschikt voor het verlichten binnenshuis.

● Leveringsomvang

Controleer onmiddellijk na het uitpakken of de levering volledig is en of het product in onberispelijke staat verkeert.

- 1 LED-werklamp
- 1 Beknopte handleiding

● Onderdelenbeschrijving

Vouw voor het lezen de uitklapbare bladzijde met de tekeningen uit. Maak u vertrouwd met alle functies van het product.

- 1 Greepbevestigingsschroef ×2
- 2 Greepveerring ×2
- 3 Platte onderlegging (greep) ×2
- 4 Werklampbevestigingsschroef ×2

5	Platte onderlegging	×2
6	Veerring	×2
7	Bodemplaat	
8	Greep	
9	Werklamp	×2
10	Borgschroef	
11	Vastzetklem	
12	Statief	
13	Kabelhaak	
14	Statiefborgschroef	
15	Bevestigingsschroef aansluitleidingshouder	
16	Aansluitleidingshouder	
17	Contactdoosdeksel	
18	Aansluitsnoer met netstekker	
19	Schakelaar	
20	Contactdoos	
21	Vergrendeling (alleen HG11410-BS)	
22	Werklamphouder	×2
23	Bevestigingsplaat	

● Technische gegevens

Werkspanning:	230 V~, 50 Hz
Totaal vermogensverbruik:	50 W × 2
Contactdoos:	max. 2500 W
Veiligheidsklasse:	I
Afmetingen:	ca. 104 × 170 × 91 cm (B × H × D)
Gewicht:	ca. 6 kg
Max. belicht oppervlak:	ca. 0,14542 m ²
Certificering:	
HG11410:	GS (TÜV SÜD)
HG11410-FR:	-
HG11410-BS:	-
Dit product bevat een lichtbron van de energie-efficiëntieklasse "F".	

Beschermingsgraad	
HG11410:	
Product (behalve de contactdoos):	IP54 ¹
Contactdoos:	IPX4 ²
HG11410-FR:	
Product (behalve de contactdoos):	IP54 ^{1,3}
Contactdoos:	IPX4 ^{2,4}
HG11410-BS:	
Product (behalve de contactdoos):	IP54 ^{1,3}
Contactdoos:	IPX4 ^{2,5}
¹	beschermd tegen stof/waterstraalbestendig
²	waterstraalbestendig
³	netstekker alleen voor binnenshuis
⁴	alleen bij gesloten contactdoosdeksel (zonder ingestoken netstekker)
⁵	alleen bij gesloten contactdoosdeksel



Algemene veiligheidstips

ZORG ERVOOR DAT U VERTROUWD BENT MET ALLE VEILIGHEIDSTIPS, VOORDAT U HET PRODUCT VOOR DE EERSTE KEER GEBRUIKT! ALS U HET PRODUCT AAN EEN DERDE DOORGEeft, OVERHANDIG DAN OOK ALLE HIERBIJ BEHORENDE DOCUMENTATIE!



WAARSCHUWING! **LEVENSGEVAAR EN GEVAAR** **VOOR ONGEVALLen VOOR** **(KLEINE) KINDEREN!**

Laat kinderen nooit zonder toezicht achter met het verpakkingsmateriaal. Gevaar voor verstikking door het verpakkingsmateriaal. Kinderen onderschatten gevaren vaak. Houd kinderen steeds uit de buurt van het product.

- Dit product mag door kinderen vanaf 8 jaar alsmede door personen met verminderde fysieke, sensorische of geestelijke vermogens of gebrek aan ervaring en kennis alleen gebruikt worden als ze onder supervisie staan of geïnstrueerd zijn wat betreft veilig gebruik van het product en begrepen hebben welke gevaren uit dat gebruik voortvloeien. Kinderen mogen niet met het product spelen. Schoonmaken en gebruikersonderhoud mogen niet door kinderen worden uitgevoerd, tenzij ze onder toezicht staan.

⚠ GEVAAR! Verstikkingsgevaar! Kinderen kunnen meegeleverde kleine onderdelen (bijv. schroeven) inslikken en daarin stikken. Houd kinderen tijdens de installatie uit de buurt van de werkplek.

- Dit product bevat geen onderdelen, die door de gebruiker kunnen worden onderhouden. De LEDs en de ingebouwde besturing kunnen niet vervangen worden.
- Als de LEDs het einde van hun levensduur bereikt hebben, moet het gehele product worden afgevoerd.
- Het aansluitsnoer **18** kan niet worden vervangen; als het aansluitsnoer beschadigd is, moet het product verwijderd worden.



Levensgevaar door elektrische schokken!

- Controleer het product iedere keer voordat u het aansluit op het elektriciteitsnet, op mogelijke beschadigingen. Gebruik het product nooit als u beschadigingen constateert.
- Bescherm het aansluitsnoer tegen scherpe kanten, mechanische belasting en hete oppervlakken.
- Trek vóór de montage, de demontage en het schoonmaken het aansluitsnoer uit de contactdoos.
- Koppel het product los van het elektriciteitsnet als u het langere tijd niet gebruikt (bijv. vakantie).

- Overtuig u er vóór de montage van dat de beschikbare netspanning overeenkomt met de benodigde werkspanning van het product (230 V~, 50 Hz). Monteer het product niet als dit niet het geval is.

⚠ **VOORZICHTIG! Gevaar voor verbrandingen!** Zorg er om brandwonden te vermijden voor dat het product uitgeschakeld is en minstens 15 minuten heeft kunnen afkoelen voordat u het aanraakt. Het product kan erg heet worden.

- Het hele oppervlak van het product, vooral de krimpousen, wordt tijdens het gebruik zeer heet.

■ **Voor HG11410, HG11410-FR:** De netstekker 18 mag alleen in een contactdoos van dezelfde beschermingsklasse (IPX4) worden gestoken om de beschermingsgraad tegen stof/water te behouden.

Voor HG11410-BS: Netstekker alleen voor binnenshuis.

- Het product kan gebruikt worden op een vlak, stabiel oppervlak, bijv. op de vloer of op een tafel.
- Het product mag niet worden gebruikt als handlamp.



⚠ **WAARSCHUWING!**

Brandgevaar! Monteer het product op een afstand van minstens 1 m vanaf de te verlichten materialen. Door een overmatige warmteontwikkeling is er een kans dat er brand ontstaat.

- Het product mag uitsluitend met het geïntegreerde LED-voorschakelapparaat worden gebruikt.
- Als het product is uitgeschakeld, maar nog steeds met het elektriciteitsnet is verbonden, verbruikt het nog steeds een geringe hoeveelheid energie. Trek de netstekker 18 uit de contactdoos om het product volledig uit te schakelen.

- De lampen mogen niet in serie worden geschakeld.
- Dit is geen draagbare lamp. Trek de netstekker 18 uit de contactdoos, voordat u het statief verplaatst.

● **Voor de installatie**

ⓘ **TIP:** Verwijder alle verpakkingsmateriaal van het product.

- Het product kan op het meegeleverde statief 12 worden geplaatst en daarna op de gewenste plaats worden opgesteld.
- Draai statiefborgschroef 14 tegen de wijzers van de klok in om het statief 12 los te maken (afb. M).
- Richt het statief 12 op de gewenste plaats. Draai de statiefborgschroef 14 met de wijzers van de klok mee om het statief op zijn plaats vast te zetten (afb. M).
- Plaats en gebruik het product uitsluitend op een stabiele, horizontale ondergrond.
- Trek het statief 12 helemaal uit. Controleer of het product stevig staat.

⚠ **VOORZICHTIG!** Let er goed op waar uw handen zich bevinden als u het statief 12 uit- en inklapt. Gevaar voor het kneuzen van uw vingers (afb. M).

● **Montage**

- Schroef het voorgemonteerde bevestigingsmateriaal los van de bodemplaat 7 (afb. A). Daartoe behoren de:
 - 1 Greepbevestigingsschroef
 - 2 Greepveerring
 - 3 Platte onderlegging (greep)
 - 4 Werkklampbevestigingsschroef
 - 5 Platte onderlegging
 - 6 Veerring

Greep bevestigen

Afb. B

- Schroef de greep **8** vast aan de bodemplaat **7**.
Gebruik daarvoor het volgende bevestigingsmateriaal:
 - **1** Greepbevestigingsschroef
 - **2** Greepveerring
 - **3** Platte onderlegging (greep)
- Draai de greepbevestigingsschroef **1** met de wijzers van de klok mee tot de stuit.

Bodemplaat aan het statief bevestigen

Afb. C tot G

Afb.	Beschrijving
	Zet de bodemplaat 7 met werkklampen 9 en greep 8 op de geopende vastzetklem 11
	De greep 8 moet gericht zijn op de bevestigingsplaat 23 aan de vastzetklem 11 .
C, D	Plaats de gaten onderin de bodemplaat 7 op de pinnen van de vastzetklem 11 .
E	Sluit de bevestigingsplaat 23 van de vastzetklem 11 .
F	Klap de beugel van de vastzetklem 11 naar boven zodat deze in de bevestigingsplaat 23 grijpt.
G	Duw de borggreep van de vastzetklem 11 omlaag om de bodemplaat 7 vast te zetten.

Werkklampen aan de bodemplaat vastmaken

Afb. H

- Bevestig de werkklamphouders **22** aan de bodemplaat **7**.
Gebruik daarvoor het volgende bevestigingsmateriaal:
 - **4** Werkklampbevestigingsschroef
 - **5** Platte onderlegging
 - **6** Veerring

- Draai de werkklampbevestigingsschroef **4** met de wijzers van de klok mee vast tot de stuit.

Houder van de aansluitleiding bevestigen

Afb. I

- Draai de bevestigingsschroef **15** van de aansluitleidingshouder los van de greep **8** en verwijder deze.
- Bevestig de aansluitleidingshouder **16** met de bevestigingsschroef **15** van de aansluitshouder aan de greep **8**.
- Draai de bevestigingsschroef **15** van de aansluitleidingshouder met de wijzers van de klok mee vast tot de stuit.

● Gebruik

- Steek de netstekker **18** in een contactdoos.

⚠ VOORZICHTIG: Verplaats het aansluitsnoer **18** van het product niet nadat u de netstekker in een contactdoos hebt gestoken. Er is een kans dat het product gaat schuiven of omvalt.

● Product buitenshuis gebruiken

Afb. J

- Steek de netstekker **18** uitsluitend in een IPX4-contactdoos.
- Mocht er geen IPX4-contactdoos voorhanden zijn, dan mag de netstekker **18** alleen binnenshuis aangesloten worden.
- Zet de schakelaar **19** op stand **I** of **II** (maximale lichtsterkte) om het product in te schakelen.

● Extern apparaat aansluiten op de contactdoos van het product

⚠ WAARSCHUWING: Brandgevaar! Sluit geen apparaat aan met een totaal vermogen van > 2500 W.

Voor HG11410/HG11410-FR:

⚠ WAARSCHUWING: Kans op elektrische schokken! Gebruik alleen randapparatuur die voorzien zijn van een waterdichte netstekker met de aanduiding IPX4. Bij gebruik van een ongeschikte netstekker kan water in het product binnendringen en kortsluiting veroorzaken.

- Open het contactdoosdeksel **17** dat zich aan de achterkant van het product bevindt.
- Steek het randapparaat in de contactdoos **20** van de werklamp **9** (afb. N, O).

Voor HG11410-BS:

⚠ WAARSCHUWING: Kans op elektrische schokken! Als het contactdoosdeksel **17** onjuist gesloten is, kan water in het product binnendringen.

- Sluit het contactdoosdeksel **17**.
- Sluit het contactdoosdeksel **17** af met de vergrendeling **21** (afb. N, O).

⚠ VOORZICHTIG: Verplaats het aansluitsnoer **18** van het product niet nadat u de netstekker in een contactdoos hebt gestoken. Er is een kans dat het product gaat schuiven of omvalt.

● Schoonmaken en onderhoud

- Voor het schoonmaken:
 - Trek de netstekker **18** uit de contactdoos.
 - Wikkel het aansluitsnoer **18** om de kabelhaak **13**.
 - Laat het product volledig afkoelen.

⚠ OPGELET! Dompel het product nooit onder in water of in andere vloeistoffen. Risico op schade aan het product!

- Reinig het product met een pluisvrije, licht bevochtigde doek en een mild reinigingsmiddel.

● Afvoer

De verpakking bestaat uit milieuvriendelijke grondstoffen die u via de plaatselijke recyclingcontainers kunt afvoeren.



Neem de aanduiding van de verpakkingsmaterialen voor de afvalscheiding in acht. Deze zijn gemarkeerd met de afkortingen (a) en een cijfers (b) met de volgende betekenis: 1-7: kunststoffen/20-22: papier en vezelplaten/80-98: composietmaterialen.

Product:



Informatie over de mogelijkheden om het uitgediende product na gebruik te verwijderen, verstrekt uw gemeentelijke overheid.



Gooi het afgedankte product omwille van het milieu niet weg via het huisvuil, maar geef het af bij het daarvoor bestemde depot of het gemeentelijke milieupark. Over afgifteplaatsen en hun openingstijden kunt u zich bij uw aangewezen instantie informeren.

● Garantie

Het product werd volgens strenge kwaliteitsrichtlijnen gemaakt en voor de uitlevering zorgvuldig gecontroleerd. In geval van materiaal- of fabricagefouten hebt u tegenover de verkoper van het product wettelijke rechten. Uw wettelijke rechten worden op geen enkele manier door onze hieronder vermelde garantie beperkt.

De garantie voor dit product bedraagt 3 jaar vanaf aankoopdatum. De garantieperiode gaat in op de datum van aankoop. Bewaar het originele bewijs van aankoop op een veilige plek aangezien dit document nodig is als bewijs.

Alle beschadigingen of gebreken die reeds op het moment van aankoop aanwezig zijn, moeten meteen na het uitpakken van het product worden gemeld.

Mocht het product binnen 3 jaar na aankoopdatum een materiaal- of fabricagefout vertonen, zullen wij het – naar onze keuze – gratis voor u repareren of vervangen. De garantieperiode wordt door een plaatsgevonden garantieverlening niet verlengd. Dit geldt ook voor vervangen en gerepareerde onderdelen.

Deze garantie vervalt als het product werd beschadigd of onjuist is gebruikt of onderhouden.

De garantie dekt materiaal- en fabricagefouten af. Deze garantie dekt geen productonderdelen die aan normale slijtage onderhevig zijn en daarom als verbruiksartikelen worden beschouwd (bv. batterijen, oplaadbare batterijen, slangen, inktpatronen), noch dekt zij schade aan breekbare onderdelen, bv. schakelaars of onderdelen die van glas zijn gemaakt.

● Afwikkeling in geval van garantie

Om een snelle afhandeling van uw reclamatie te waarborgen dient u de volgende instructies in acht te nemen:

Houd bij alle vragen alstublieft de kassabon en het artikelnummer (IAN 452533_2310) als bewijs van aankoop bij de hand.

Het artikelnummer vindt u op de typeplaat, ingegraveerd, op het titelblad van uw handleiding (linksonder) of als sticker op de achter- of onderzijde.

Wanneer er storingen in de werking of andere gebreken optreden, dient u eerst telefonisch of per e-mail contact met de onderstaande serviceafdeling op te nemen.

Een als defect geregistreerd product kunt u dan samen met uw aankoopbewijs (kassabon) en vermelding van de concrete schade alsmede het tijdstip van optreden voor u franco aan het u meegeedeelde servicepunt verzenden.

● Service

(NL) Service Nederland
Tel.: 08000225537
E-Mail: owim@lidl.nl















(BE) Service België
Tel.: 080071011
Tel.: 80023970 (Luxemburg)
E-Mail: owim@lidl.be



Verwendete Warnhinweise und Symbole	Seite	30
Einleitung	Seite	31
Bestimmungsgemäße Verwendung	Seite	31
Lieferumfang	Seite	31
Teilebeschreibung	Seite	31
Technische Daten	Seite	31
Allgemeine Sicherheitshinweise	Seite	32
Vor der Montage	Seite	33
Montage	Seite	33
Gebrauch	Seite	34
Produkt im Außenbereich verwenden	Seite	34
Externes Gerät an die Steckdose des Produkts anschließen	Seite	34
Reinigung und Pflege	Seite	35
Entsorgung	Seite	35
Garantie	Seite	35
Abwicklung im Garantiefall	Seite	36
Service	Seite	36

Verwendete Warnhinweise und Symbole

In dieser Bedienungsanleitung, auf der Verpackung und auf dem Typenschild werden die folgenden Warnhinweise verwendet:

	<p>GEFAHR! Dieses Symbol mit dem Signalwort „Gefahr“ bezeichnet eine Gefährdung mit einem hohen Risikograd, die, wenn sie nicht vermieden wird, eine schwere Verletzung oder den Tod zur Folge hat.</p>		<p>HINWEIS: Dieses Symbol mit dem Signalwort „Hinweis“ bietet weitere nützliche Informationen.</p>
	<p>WARNUNG! Dieses Symbol mit dem Signalwort „Warnung“ bezeichnet eine Gefährdung mit einem mittleren Risikograd, die, wenn sie nicht vermieden wird, eine schwere Verletzung oder den Tod zur Folge haben kann.</p>		<p>IP54:</p> <ul style="list-style-type: none"> ■ Staubgeschützt ■ Strahlwasserdicht (außer Steckdose)
			<p>IPX4:</p> <ul style="list-style-type: none"> ■ Strahlwasserdicht (Steckdose)
	<p>VORSICHT! Dieses Symbol mit dem Signalwort „Vorsicht“ bezeichnet eine Gefährdung mit einem niedrigen Risikograd, die, wenn sie nicht vermieden wird, eine geringe oder mäßige Verletzung zur Folge haben kann.</p>		<p>Netzstecker nur für den Innenbereich (nur für HG11410-BS)</p>
	<p>ACHTUNG! Dieses Symbol mit dem Signalwort „Achtung“ zeigt die Gefahr einer möglichen Sachbeschädigung an.</p>		<p>Wechselstrom/-spannung</p>
			<p>Schutzklasse I</p>
	<p>Gefahr – Stromschlagrisiko</p>		<p>Produkt ist konzipiert, um starken mechanischen Belastungen zu widerstehen.</p>
			<p>Das CE-Zeichen bestätigt Konformität mit den für das Produkt zutreffenden EU-Richtlinien.</p>
	<p>VORSICHT. Heiße Oberfläche!</p>		

LED-ARBEITSLEUCHE

● Einleitung

Wir beglückwünschen Sie zum Kauf Ihres neuen Produkts. Sie haben sich damit für ein hochwertiges Produkt entschieden. Die Bedienungsanleitung ist Teil dieses Produkts. Sie enthält wichtige Hinweise für Sicherheit, Gebrauch und Entsorgung. Machen Sie sich vor der Benutzung des Produkts mit allen Bedien- und Sicherheitshinweisen vertraut. Benutzen Sie das Produkt nur wie beschrieben und für die angegebenen Einsatzbereiche. Händigen Sie alle Unterlagen bei Weitergabe des Produkts an Dritte mit aus.

● Bestimmungsgemäße Verwendung

Das Produkt ist nur für die Beleuchtung von Außenbereichen vorgesehen. Dieses Produkt ist nur für den privaten Gebrauch bestimmt und nicht für den gewerblichen Einsatz oder für andere Anwendungen geeignet.



Nicht für die Beleuchtung von Räumen im Haushalt geeignet.

● Lieferumfang

Kontrollieren Sie unmittelbar nach dem Auspacken den Lieferumfang auf Vollständigkeit sowie den einwandfreien Zustand des Produkts.

- 1 LED-Arbeitsleuchte
- 1 Kurzanleitung

● Teilebeschreibung

Falten Sie vor dem Lesen die Ausklappseite mit den Zeichnungen aus. Machen Sie sich mit allen Funktionen des Produkts vertraut.

- 1 Griff-Befestigungsschraube ×2
- 2 Griff-Federring ×2
- 3 flache Unterlegscheibe (Griff) ×2

4	Strahler-Befestigungsschraube	×2
5	Flache Unterlegscheibe	×2
6	Federring	×2
7	Grundplatte	
8	Griff	
9	Strahler	×2
10	Feststellschraube	
11	Einspannklemme	
12	Stativ	
13	Kabelhaken	
14	Stativ-Feststellschraube	
15	Anschlussleitungshalter-Befestigungsschraube	
16	Anschlussleitungshalter	
17	Steckdosenabdeckung	
18	Anschlussleitung mit Netzstecker	
19	Schalter	
20	Steckdose	
21	Verriegelung (nur für HG11410-BS)	
22	Strahlerhalterung	×2
23	Halteplatte	

● Technische Daten

Betriebsspannung:	230 V~, 50 Hz
Gesamt-Leistungsaufnahme:	50 W × 2
Steckdose:	max. 2500 W
Schutzklasse:	I
Abmessungen:	ca. 104 × 170 × 91 cm (B × H × T)
Gewicht:	ca. 6 kg
Max. Projektionsfläche:	ca. 0,14542 m ²
Zertifizierung:	
HG11410:	GS (TÜV SÜD)
HG11410-FR:	-
HG11410-BS:	-
Dieses Produkt enthält eine Lichtquelle der Energieeffizienzklasse „F“.	

Schutzgrad	
HG 11410:	
Produkt (außer Steckdose):	IP54 ¹
Steckdose:	IPX4 ²
HG 11410-FR:	
Produkt (außer Steckdose):	IP54 ^{1,3}
Steckdose:	IPX4 ^{2,4}
HG 11410-BS:	
Produkt (außer Steckdose):	IP54 ^{1,3}
Steckdose:	IPX4 ^{2,5}
¹	staubgeschützt/strahlwasserdicht
²	strahlwasserdicht
³	Netzstecker nur für den Innenbereich
⁴	nur bei geschlossener Steckdosenabdeckung (ohne eingesteckten Netzstecker)
⁵	nur bei geschlossener Steckdosenabdeckung



Allgemeine Sicherheitshinweise

MACHEN SIE SICH VOR DER ERSTEN BENUTZUNG DES PRODUKTS MIT ALLEN BEDIEN- UND SICHERHEITSHINWEISEN VERTRAUT! HÄNDIGEN SIE ALLE UNTERLAGEN BEI WEITERGABE DES PRODUKTS AN DRITTE EBENFALLS MIT AUS!



⚠️ WARNUNG! LEBENSGEFAHR UND UNFALLGEFAHR FÜR KLEINKINDER UND KINDER!

Lassen Sie Kinder niemals unbeaufsichtigt mit dem Verpackungsmaterial. Es besteht Erstickungsgefahr durch Verpackungsmaterial. Kinder unterschätzen häufig die Gefahren. Halten Sie Kinder stets vom Produkt fern.

- Dieses Produkt kann von Kindern ab 8 Jahren und darüber sowie von Personen mit verringerten physischen, sensorischen oder mentalen Fähigkeiten oder Mangel an Erfahrung und/oder Wissen benutzt werden, wenn sie beaufsichtigt oder bezüglich des sicheren Gebrauchs des Produkts unterwiesen wurden und die daraus resultierenden Gefahren verstehen. Kinder dürfen nicht mit dem Produkt spielen. Reinigung und Benutzerwartung dürfen nicht von Kindern ohne Beaufsichtigung durchgeführt werden.

⚠️ GEFAHR! Erstickungsrisiko!

Kinder können mitgelieferte Kleinteile (z. B. Schrauben) verschlucken und daran erstickern. Halten Sie Kinder während der Montage vom Arbeitsbereich fern.

- Dieses Produkt enthält keine Teile, die vom Anwender gewartet werden können. Die LEDs und die eingebaute Steuerung können nicht ausgetauscht werden.
- Sollten die LEDs am Ende ihrer Lebensdauer ausfallen, muss das gesamte Produkt entsorgt werden.
- Die Anschlussleitung 18 kann nicht ersetzt werden; bei Beschädigung der Anschlussleitung ist das Produkt zu entsorgen.



Lebensgefahr durch elektrischen Schlag!

- Überprüfen Sie vor jedem Netzanschluss das Produkt auf etwaige Beschädigungen. Benutzen Sie das Produkt niemals, wenn Sie irgendwelche Beschädigungen feststellen.
- Schützen Sie die Anschlussleitung vor scharfen Kanten, mechanischen Belastungen und heißen Oberflächen.
- Ziehen Sie vor der Montage, der Demontage und der Reinigung die Anschlussleitung aus der Steckdose.
- Trennen Sie das Produkt vom Stromnetz, wenn Sie es längere Zeit nicht verwenden (z. B. Urlaub).

- Vergewissern Sie sich vor der Montage, dass die vorhandene Netzspannung mit der benötigten Betriebsspannung des Produkts übereinstimmt (230 V~, 50 Hz). Montieren Sie das Produkt nicht, wenn dies nicht der Fall ist.

⚠ VORSICHT! Verbrennungsrisiko! Um Verbrennungen zu vermeiden, stellen Sie sicher, dass das Produkt ausgeschaltet und mindestens 15 Minuten abgekühlt ist, bevor Sie es berühren. Das Produkt kann sehr heiß werden.

- Die gesamte Produktoberfläche, insbesondere die Schrumpfschläuche, werden während des Betriebs sehr heiß.
- **Für HG11410, HG11410-FR:** Der Netzstecker **18** darf nur mit einer Steckdose mit dem gleichen Schutzgrad (IPX4) verbunden werden, um den Schutzgrad gegen Staub/Wasser zu erhalten.

Für HG11410-BS: Netzstecker nur für den Innenbereich.

- Das Produkt kann auf einer flachen, stabilen Oberfläche verwendet werden, z. B. auf dem Boden oder einem Tisch.
- Das Produkt darf nicht als Handleuchte verwendet werden.



⚠ WARNUNG! Brandrisiko!

Montieren Sie das Produkt mit einer Entfernung von mindestens 1 m zu angestrahlten Materialien. Eine übermäßige Wärmeentwicklung kann zu Brandentwicklung führen.

- Das Produkt ist nur mit dem eingebauten LED-Vorschaltgerät zu verwenden.
- Das Produkt nimmt auch dann noch eine geringe Leistung auf, wenn das Produkt zwar ausgeschaltet ist, aber mit der Stromversorgung verbunden ist. Zum vollständigen Ausschalten entfernen Sie den Netzstecker **18** aus der Steckdose.
- Leuchten dürfen nicht hintereinander geschaltet werden.
- Dies ist keine tragbare Leuchte. Ziehen Sie den Netzstecker **18** aus der Steckdose, bevor Sie das Stativ bewegen.

● Vor der Montage

ⓘ HINWEIS: Entfernen Sie sämtliches Verpackungsmaterial vom Produkt.

- Das Produkt kann auf dem mitgelieferten Stativ **12** platziert werden und dann an dem gewünschten Ort positioniert werden.
- Drehen Sie die Stativ-Feststellschraube **14** entgegen dem Uhrzeigersinn, um das Stativ **12** zu lösen (Abb. M).
- Stellen Sie das Stativ **12** auf die gewünschte Position ein. Drehen Sie die Stativ-Feststellschraube **14** im Uhrzeigersinn fest, um das Stativ in seiner Position zu fixieren (Abb. M).
- Platzieren und verwenden Sie das Produkt nur auf stabilen Oberflächen ohne Neigung.
- Ziehen Sie das Stativ **12** ganz aus. Überprüfen Sie die Standfestigkeit des Produkts.

⚠ VORSICHT! Achten Sie auf die Position Ihrer Hände, während Sie das Stativ **12** auseinander- oder zusammenklappen. Risiko der Quetschung Ihrer Finger (Abb. M).

● Montage

- Schrauben Sie das vormontierte Befestigungsmaterial von der Grundplatte **7** ab (Abb. A).

Dazu gehört:

- **1** Griff-Befestigungsschrauben
- **2** Griff-Federringe
- **3** Flache Unterlegscheiben (Griff)
- **4** Strahler-Befestigungsschrauben
- **5** Flache Unterlegscheiben
- **6** Federringe

Griff anbringen

Abb. B

- Schrauben Sie den Griff **8** an die Grundplatte **7**. Benutzen Sie dazu folgendes Befestigungsmaterial:
 - **1** Griff-Befestigungsschrauben
 - **2** Griff-Federringe
 - **3** Flache Unterlegscheiben (Griff)
- Drehen Sie die Griff-Befestigungsschrauben **1** im Uhrzeigersinn bis zum Anschlag fest.

Grundplatte am Stativ anbringen

Abb. C bis G

Abb.	Beschreibung
	Setzen Sie Grundplatte 7 mit Strahlern 9 und Griff 8 auf die geöffnete Einspannklemme 11 .
	Der Griff 8 muss in Richtung der Halteplatte 23 an der Einspannklemme 11 ausgerichtet sein.
C, D	Setzen Sie die Löcher an der Unterseite der Grundplatte 7 auf die Stifte der Einspannklemme 11 .
E	Schließen Sie die Halteplatte 23 der Einspannklemme 11 .
F	Klappen Sie den Bügel der Einspannklemme 11 nach oben, so dass dieser in die Halteplatte 23 greift.
G	Drücken Sie den Feststellgriff der Einspannklemme 11 nach unten, um die Grundplatte 7 zu fixieren.

Strahler an der Grundplatte befestigen

Abb. H

- Befestigen Sie die Strahlerhalterungen **22** an der Grundplatte **7**.
Benutzen Sie dazu folgendes Befestigungsmaterial:
 - **4** Strahler-Befestigungsschrauben
 - **5** Flache Unterlegscheiben
 - **6** Federringe
- Drehen Sie die Strahler-Befestigungsschrauben **4** bis zum Anschlag im Uhrzeigersinn fest.

Anschlussleitungshalter befestigen

Abb. I

- Lösen und entfernen Sie die Befestigungsschraube **15** des Anschlussleitungshalters vom Griff **8**.
- Befestigen Sie den Anschlussleitungshalter **16** mit der Befestigungsschraube **15** des Anschlussleitungshalters am Griff **8**.

- Drehen Sie die Befestigungsschraube **15** des Anschlussleitungshalters bis zum Anschlag im Uhrzeigersinn fest.

● Gebrauch

- Verbinden Sie den Netzstecker **18** mit einer Steckdose.

⚠ VORSICHT: Bewegen Sie die Anschlussleitung **18** des Produkts nicht, nachdem Sie den Netzstecker in eine Steckdose gesteckt haben. Es besteht das Risiko, dass das Produkt verrutscht oder umkippt.

● Produkt im Außenbereich verwenden

Abb. J

- Verbinden Sie den Netzstecker **18** ausschließlich mit einer IPX4-Steckdose.
- Falls keine IPX4-Steckdose vorhanden ist, darf der Netzstecker **18** ausschließlich im Innenbereich angeschlossen werden.
- Drücken Sie den Schalter **19** auf Position **I** oder **II** (maximale Helligkeit), um das Produkt einzuschalten.

● Externes Gerät an die Steckdose des Produkts anschließen

⚠ WARNUNG: Brandrisiko! Schließen Sie keine Geräte mit einer Gesamtleistung von > 2500 W an.

Für HG11410/HG11410-FR:

⚠ WARNUNG: Risiko eines Stromschlags! Verwenden Sie nur Zusatzgeräte, die mit einem wasserdichten Netzstecker mit der Kennzeichnung IPX4 ausgestattet sind. Bei Verwendung eines falschen Netzsteckers kann Wasser in das Produkt eindringen und einen Stromschlag verursachen.

- Öffnen Sie die Steckdosenabdeckung **17** an der Rückseite des Produkt.

- Stecken Sie das Zusatzgerät in die Steckdose **20** des Strahlers **9** (Abb. N, O).

Für HG11410-BS:

⚠️ WARNUNG: Risiko eines Stromschlags! Wenn die Steckdosenabdeckung **17** nicht richtig geschlossen ist, kann Wasser in das Produkt eindringen.

- Schließen Sie die Steckdosenabdeckung **17**.
- Verriegeln Sie die Steckdosenabdeckung **17** mit der Verriegelung **21** (Abb. N, O).

⚠️ VORSICHT: Bewegen Sie die Anschlussleitung **18** des Produkts nicht, nachdem Sie den Netzstecker in eine Steckdose gesteckt haben. Es besteht das Risiko, dass das Produkt verrutscht oder umkippt.

● Reinigung und Pflege

- Vor der Reinigung:
 - Ziehen Sie den Netzstecker **18** aus der Steckdose.
 - Wickeln Sie die Anschlussleitung **18** auf die Kabelhaken **13**.
 - Lassen Sie das Produkt vollständig abkühlen.

⚠️ ACHTUNG! Tauchen Sie das Produkt niemals in Wasser oder andere Flüssigkeiten. Risiko von Produktschäden!

- Reinigen Sie das Produkt mit einem fusselfreien, leicht angefeuchteten Tuch und mildem Reinigungsmittel.

● Entsorgung

Die Verpackung besteht aus umweltfreundlichen Materialien, die Sie über die örtlichen Recyclingstellen entsorgen können.



Beachten Sie die Kennzeichnung der Verpackungsmaterialien bei der Abfalltrennung, diese sind gekennzeichnet mit Abkürzungen (a) und Nummern (b) mit folgender Bedeutung: 1-7: Kunststoffe/20-22: Papier und Pappe/80-98: Verbundstoffe.

Produkt:



Möglichkeiten zur Entsorgung des ausgedienten Produkts erfahren Sie bei Ihrer Gemeinde- oder Stadtverwaltung.



Werfen Sie Ihr Produkt, wenn es ausgedient hat, im Interesse des Umweltschutzes nicht in den Hausmüll, sondern führen Sie es einer fachgerechten Entsorgung zu. Über Sammelstellen und deren Öffnungszeiten können Sie sich bei Ihrer zuständigen Verwaltung informieren.

● Garantie

Das Produkt wurde nach strengen Qualitätsrichtlinien hergestellt und vor der Auslieferung sorgfältig geprüft. Im Falle von Material- oder Herstellungsfehlern haben Sie gegenüber dem Verkäufer des Produkts gesetzliche Rechte. Ihre gesetzlichen Rechte werden in keiner Weise durch unsere unten aufgeführte Garantie eingeschränkt.

Die Garantie für dieses Produkt beträgt 3 Jahre ab Kaufdatum. Die Garantiezeit beginnt mit dem Kaufdatum. Bewahren Sie den Originalkaufbeleg an einem sicheren Ort auf, da dieses Dokument als Nachweis des Kaufs erforderlich ist.

Alle Schäden oder Mängel, die bereits zum Zeitpunkt des Kaufs vorhanden sind, müssen unverzüglich nach dem Auspacken des Produkts gemeldet werden.

Sollte das Produkt innerhalb von 3 Jahren ab Kaufdatum einen Material- oder Herstellungsfehler aufweisen, werden wir es – nach unserer Wahl – kostenlos für Sie reparieren oder ersetzen. Die Garantiezeit verlängert sich durch einen stattgegebenen Gewährleistungsanspruch nicht. Dies gilt auch für ersetzte und reparierte Teile.

Diese Garantie erlischt, wenn das Produkt beschädigt oder unsachgemäß verwendet oder gewartet wurde.

Die Garantie deckt Material- und Herstellungsfehler ab. Diese Garantie erstreckt sich weder auf Produktteile, die normalem Verschleiß unterliegen, und somit als Verschleißteile gelten (z. B. Batterien, Akkus, Schläuche, Farbpatronen), noch auf Schäden an zerbrechlichen Teilen, z. B. Schalter oder Teile aus Glas.

● **Abwicklung im Garantiefall**

Um eine schnelle Bearbeitung Ihres Anspruchs zu gewährleisten, beachten Sie die folgenden Hinweise:

Halten Sie den Originalkaufbeleg und die Artikelnummer (IAN 452533_2310) als Nachweis für den Kauf bereit.

Sie finden die Artikelnummer auf dem Typenschild, einer Gravur auf dem Produkt, der Startseite der Bedienungsanleitung (unten links) oder als Aufkleber auf der Rück- oder Unterseite des Produkts.

Sollten Funktionsfehler oder sonstige Mängel auftreten, wenden Sie sich zunächst telefonisch oder per E-Mail an die unten aufgeführte Serviceabteilung.

Sobald das Produkt als defekt erfasst wurde, können Sie es kostenlos an die Ihnen mitgeteilte Service-Anschrift zurücksenden. Stellen Sie sicher, dass Sie den Originalkaufbeleg (Kassenbon) sowie eine kurze, schriftliche Beschreibung beilegen, in der die Einzelheiten des Defekts und der Zeitpunkt des Auftretens dargelegt sind.

● **Service**

DE Service Deutschland
Tel.: 0800 5435 111
E-Mail: owim@lidl.de

AT Service Österreich
Tel.: 0800 292726
E-Mail: owim@lidl.at

CH Service Schweiz
Tel.: 0800 562153
E-Mail: owim@lidl.ch



OWIM GmbH & Co. KG

Stiftsbergstraße 1
74167 Neckarsulm
GERMANY

Model No.: HG11410, HG11410-FR, HG11410-BS

Version: 05/2024

IAN 452533_2310

