

TOP HANDLE PETROL CHAINSAW - PBBPS 700 A1 BENZIN-BAUMPFLEGESÄGE - PBBPS 700 A1 TRONÇONNEUSE D'ÉLAGAGE À ESSENCE - PBBPS 700 A1

(GB) (IE) (NI) (CY) (MT)

TOP HANDLE PETROL CHAINSAW
Operating and Safety Instructions.
Translation of Original Operating Manual.

(FR) (BE) (CH)

TRONÇONNEUSE D'ÉLAGAGE À ESSENCE
Consignes d'utilisation et de sécurité.
Traduction des instructions d'origine.

(ES)

MOTOSIERRA DE PODA DE GASOLINA
Instrucciones de utilización y de seguridad.
Traducción del manual de instrucciones original.

(CZ)

BENZINOVÁ PÍLA PRO OŠETŘOVÁNÍ STROMŮ
Pokyny pro obsluhu a bezpečnostní pokyny.
Překlad originálního provozního návodu.

(HU)

BENZINES FAÁPOLÓ FŰRÉSZ
Kezelési és biztonsági útmutató.
Az eredeti használati útmutató fordítása.

(DK)

BENZIN TRÆPLEJESAV
Drifts- og sikkerhedsinstruktioner.
Oversættelse af den originale driftsvejledning.

(DE) (AT) (CH)

BENZIN-BAUMPFLEGESÄGE
Bedienungs- und Sicherheitshinweise.
Originalbetriebsanleitung.

(NL) (BE)

BENZINE-BOOMVERZORGINGSZAAG
Bedienings- en veiligheidsinstructies.
Vertaling van de originele handleiding.

(IT) (MT) (CH)

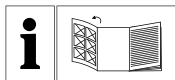
MOTOSEGA A BENZINA PER POTATURA
Indicazioni per l'uso e per la sicurezza.
Traduzione delle istruzioni d'uso originali.

(SK)

BENZINOVÁ PÍLA NA OŠETROVANIE STROMOV
Pokyny pre obsluhu a bezpečnostné pokyny.
Překlad originálního návodu na obsluhu.

(PL)

BENZYNOWA PIŁA DO PIELĘGNACJI DRZEW
Wskazówki dotyczące obsługi i bezpieczeństwa.
Tłumaczenie oryginalnej instrukcji obsługi.



(GB) (IE) (NI) (CY) (MT)

Before reading, unfold the page containing the illustrations and familiarise yourself with all functions of the device.

(DE) (AT) (CH)

Klappen Sie vor dem Lesen die Seite mit den Abbildungen aus und machen Sie sich anschließend mit allen Funktionen des Produkts vertraut.

(FR) (BE) (CH)

Avant de lire le mode d'emploi, ouvrez la page contenant les illustrations et familiarisez-vous ensuite avec toutes les fonctions de l'appareil.

(NL) (BE)

Vouw vóór het lezen de pagina met de afbeeldingen open en maak u vertrouwd met alle functies van het apparaat.

(ES)

Antes de empezar a leer abra la página que contiene las imágenes y, en seguida, familiarícese con todas las funciones del dispositivo.

(IT) (MT) (CH)

Prima di leggere aprire la pagina con le immagini e prendere confidenza con le diverse funzioni dell'apparecchio.

(CZ)

Před čtením si otevřete stranu s obrázky a potom se seznámte se všemi funkcemi přístroje.

(SK)

Pred čítaním si odklopte stranu s obrázkami a potom sa oboznámte so všetkými funkciami prístroja.

(HU)

Olvasás előtt kattintson az ábrát tartalmazó oldalra és végezetül ismerje meg a készülék mindegyik funkcióját.

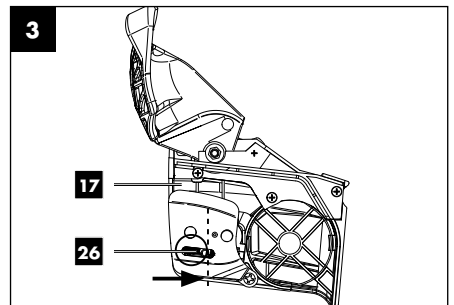
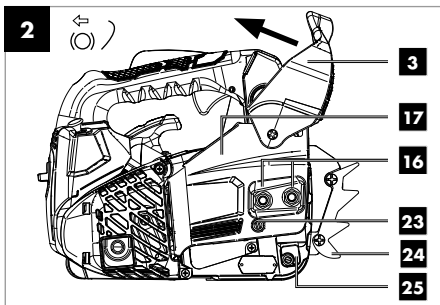
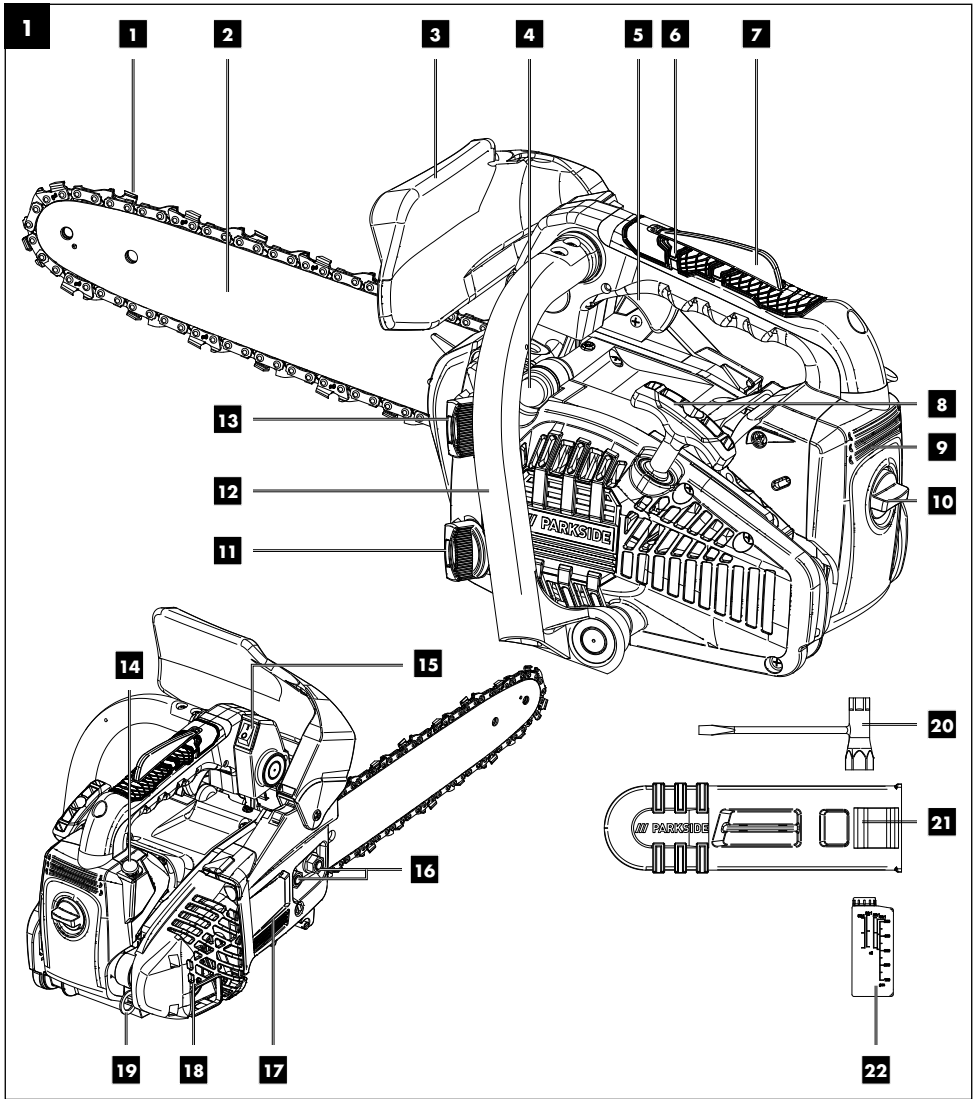
(PL)

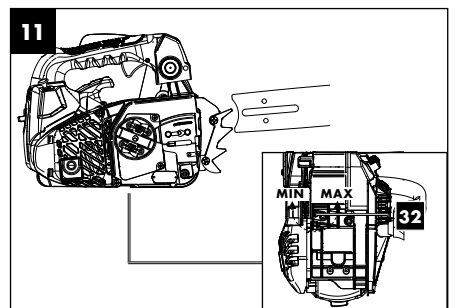
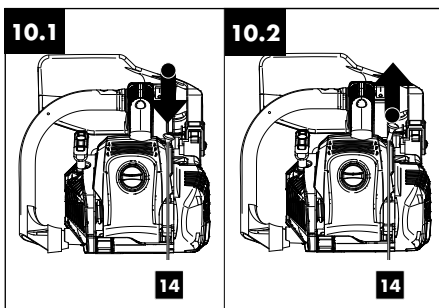
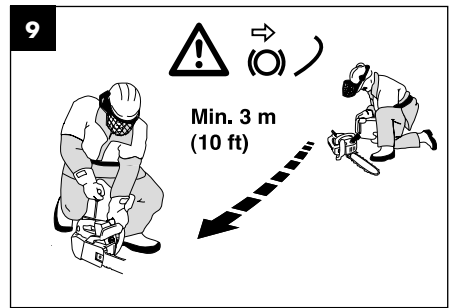
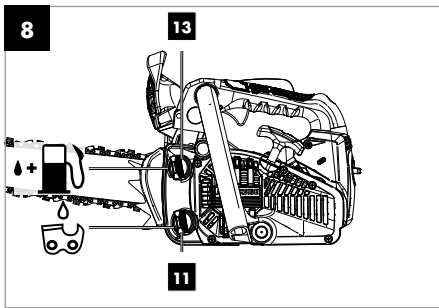
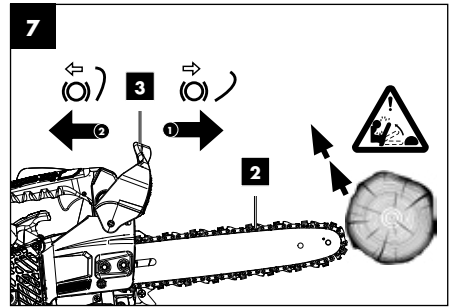
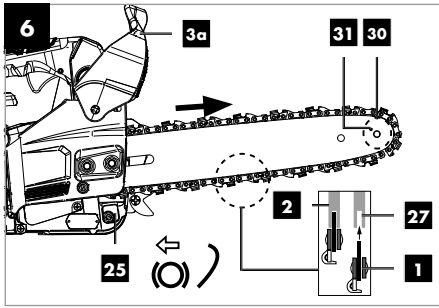
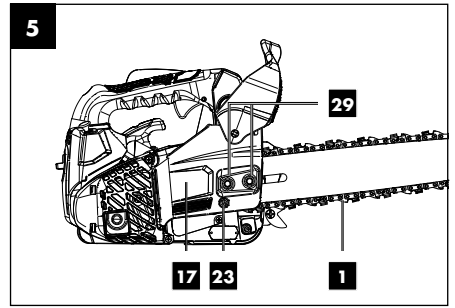
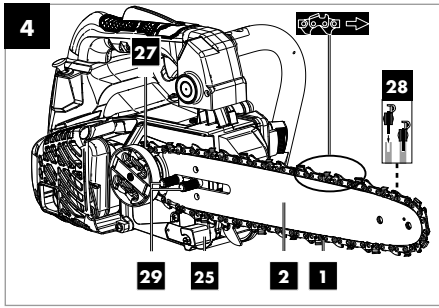
Przed przeczytaniem proszę rozłożyć stronę z ilustracjami, a następnie proszę zapoznać się z wszystkimi funkcjami urządzenia.

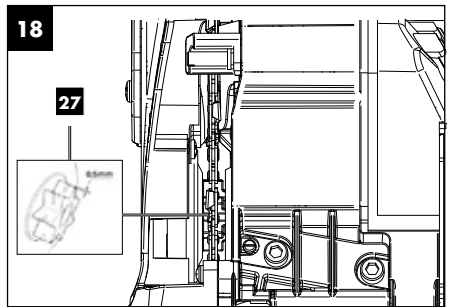
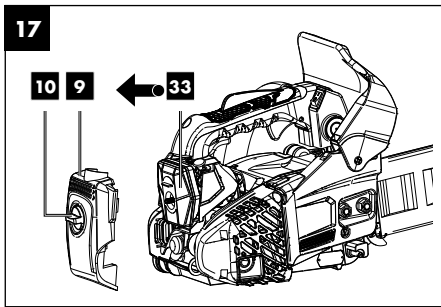
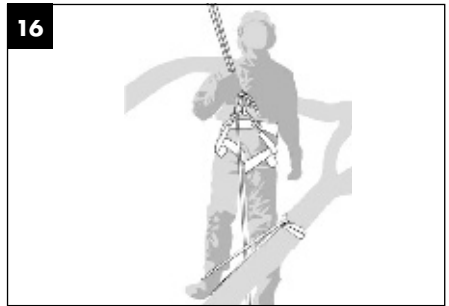
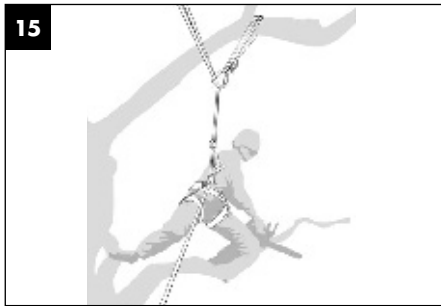
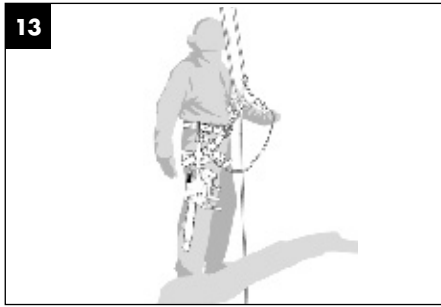
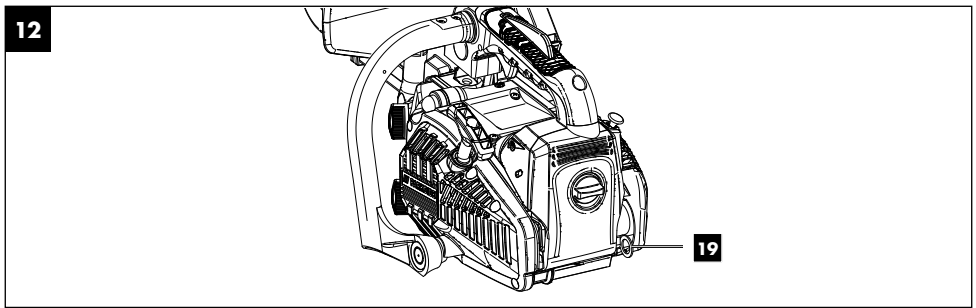
(DK)

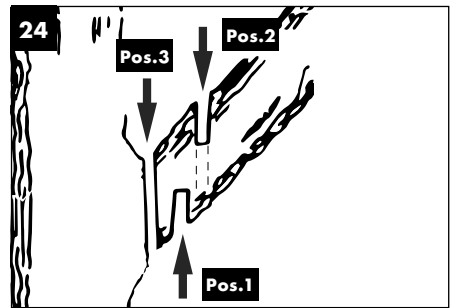
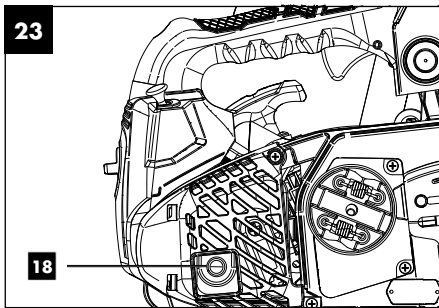
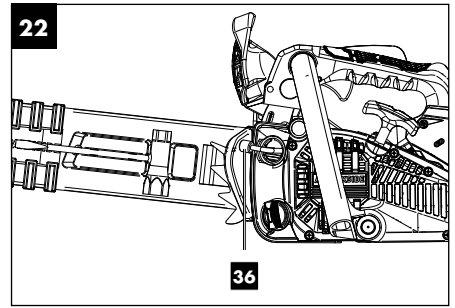
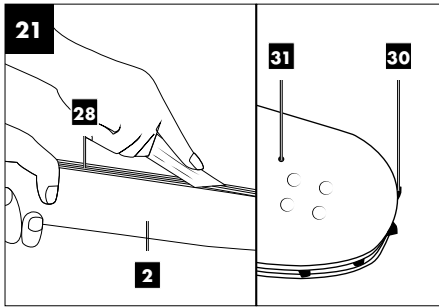
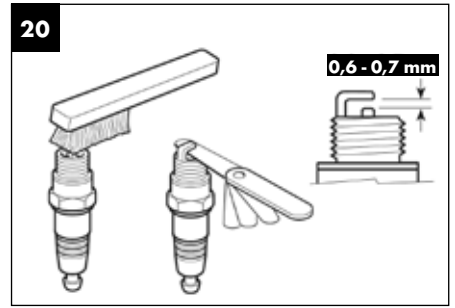
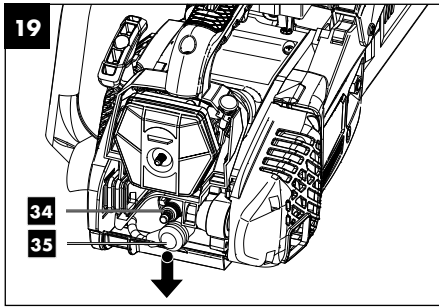
Før du læser, vend siden med billeder frem og bliv bekendt med alle apparatets funktioner.

GB / IE / NI / CY / MT	Operating and Safety Instructions	Page	01
DE / AT / CH	Bedienungs- und Sicherheitshinweise	Seite	25
FR / BE / CH	Consignes d'utilisation et de sécurité	Page	50
NL / BE	Bedienings- en veiligheidsinstructies	Pagina	75
ES	Instrucciones de utilización y de seguridad	Página	100
IT / MT / CH	Indicazioni per l'uso e per la sicurezza	Pagina	125
CZ	Pokyny pro obsluhu a bezpečnostní pokyny	Strana	152
SK	Pokyny pre obsluhu a bezpečnostné pokyny	Strana	175
HU	Kezelési és biztonsági útmutató	Oldal	199
PL	Wskazówki dotyczące obsługi i bezpieczeństwa	Strona	225
DK	Drifts- og sikkerhedsinstruktioner	Side	251







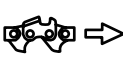





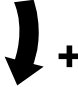




1.	Explanation of the symbols on the device	2
2.	User note	3
3.	Introduction	4
4.	Device description	4
5.	Scope of delivery	4
6.	Proper use	5
7.	Safety information	5
8.	Technical data	10
9.	Before commissioning	10
10.	Commissioning	12
11.	Usage	14
12.	Transport	16
13.	Cleaning and maintenance	17
14.	Storage	20
15.	Disposal and recycling	21
16.	Troubleshooting	22
17.	Warranty certificate	23
18.	Exploded view	275
19.	Declaration of conformity	276

1. Explanation of the symbols on the device

	Read, understand and follow all warning information.		Read the entire operating manual before using the device.
	Warning! Risk of kick-back. Beware of the kick-back of the chainsaw and avoid making contact with the tip of the guide bar.		Do not operate the device in rain or in humid conditions.
	Wear eye protection. Wear hearing protection.		Wear a safety helmet.
	Always wear safety and anti-vibration gloves when using the device.		Always wear non-slip safety shoes with cut protection when using the device.
	It is important to wear protective clothing for feet, legs, hands and forearms.		Always use the chainsaw with both hands. Do not use the chainsaw one-handed.
	Attention! Chainsaw use in combination with rope climbing techniques. Before starting work, ensure that you familiarise yourself with all work instructions!		Naked flames are forbidden in the workplace!
	Filling port for fuel. Oil and fuel mixture 1:40.		Direction of rotation.
	Oil tank cap for chain oil.		Adjusting the chain brake: White arrow: Chain brake inactive. Black arrow: Chain brake active.
	Cold start lever (choke).		Release chain brake.
	Apply chain brake.		Installation direction of the saw chain.
	Chain lubrication setting.		Guaranteed sound power level of the device.

	Attention! Hot parts.		push primer 6 times Push primer 6 times.
	Running direction of the chain.		Adjusting the chain tension.
DANGER	Signal word to indicate an imminently hazardous situation which, if not avoided, will result in death or serious injury.		
WARNING	Signal word to indicate a potentially hazardous situation which, if not avoided, could result in death or serious injury.		
CAUTION	Signal word to indicate a potentially hazardous situation which, if not avoided, could result in minor or moderate injury.		
NOTE	Signal word to indicate a potentially hazardous situation which, if not avoided, could result in product or property damage.		

2. User note

WARNING:

Before initial commissioning, read the operating manual thoroughly and be sure to follow the safety instructions! These tree pruning saws may only be operated by "Tree pruning saw operators with additional training for work using raised platforms or ladder platforms and/or using rope climbing techniques"!

Keep the operating manual in a safe place!

Note:

Please note that some national regulations could restrict the use of the machine.



This tree pruning saw is specially designed for tree pruning and tree surgery. All work with the pruning saw is specially designed for tree care and tree surgery. All work with this pruning saw may only be carried out by trained pruning saw operators!

3. Introduction

MANUFACTURER:

Schepach GmbH

Günzburger Straße 69

D-89335 Ichenhausen

DEAR CUSTOMER,

We hope your new tool brings you much enjoyment and success.

NOTE:

In accordance with the applicable product liability laws, the manufacturer of this device assumes no liability for damage to the device or caused by the device arising from:

- Improper handling,
- Failure to comply with the operating instructions.
- Repairs carried out by third parties, unauthorised specialists.
- Installing and replacing non-original spare parts,
- Application other than specified.

Please consider:

Read through the complete text in the operating manual before installing and commissioning the device.

The operating manual is intended to help the user to become familiar with the machine and take advantage of its application possibilities in accordance with the recommendations.

The operating manual includes important instructions for safe, proper and economic operation of the device, for avoiding danger, for minimising repair costs and downtimes, and for increasing the reliability and extending the service life of the device.

In addition to the safety instructions in this operating manual, you must also observe the regulations applicable to the operation of the device in your country.

Keep the operating manual package with the machine at all times and store it in a plastic cover to protect it from dirt and moisture. They must be read and carefully observed by all operating personnel before starting the work.

The device may only be used by personnel who have been trained to use it and who have been instructed with respect to the associated hazards. The required minimum age must be observed.

In addition to the safety instructions in this operating manual and the separate regulations of your country, the generally recognised technical rules relating to the operation of such machines must also be observed.

We accept no liability for accidents or damage that occur due to a failure to observe this manual and the safety instructions.

4. Device description

1. Saw chain
2. Guide rail
3. Front hand guard
4. Fuel pump primer
5. Throttle
6. Rear handle
7. Throttle interlock
8. Start pull cord
9. Air filter cover
10. Lock for the air filter cover
11. Chain oil tank cap
12. Front handle
13. Fuel tank cap
14. Cold start lever (choke)
15. On/off button
16. Fixing nuts
17. Chain cover
18. Silencer
19. Suspension device
20. Spark plug wrench / slotted screwdriver
21. Guide bar cover
22. Mixing container
23. Chain tensioning screw
24. Claw stop
25. Chain catcher
26. Chain tensioning pin
27. Chain wheel
28. Guide groove
29. Fastening pins
30. Sprocket
31. Lubrication port
32. Oil adjustment screw
33. Air filter
34. Spark plug
35. Spark plug connector
36. Suction head

5. Scope of delivery

- Tree pruning saw
- Saw chain
- Guide rail
- Guide bar cover
- Spark plug wrench / slotted screwdriver
- Mixing container

6. Proper use

This device is a particularly light, handy tree pruning saw with an overhead handle. The tree pruning saw has been specially developed for tree surgery and tree care. These tree pruning saws may therefore only be operated by "Tree pruning saw operators with additional training for work using raised platforms or ladder platforms and/or using rope climbing techniques".

For occasional use on thin wood, fruit tree care, branch trimming or cutting to length.

Preparing firewood may only be completed as long as the diameter of the wood does not exceed the cutting length (20cm).

For this work, we recommend a conventional chainsaw with extended handle clearance and cutting length.

Who is not permitted to use the device:

People who are not familiar with the operating manual, children under the age of 16, people under the influence of alcohol, drugs or medication, and people who are tired or unwell.

The device is non-intended to be used exclusively for sawing wood. The manufacturer is not liable for damage caused by non-intended use or incorrect operation.

The device may only be used in the intended manner. Any use beyond this is improper. The user/operator, not the manufacturer, is responsible for damages or injuries of any type resulting from this.

An element of the intended use is also the observance of the safety instructions, as well as the assembly instructions and operating information in the operating manual.

Persons who operate and maintain the device must be familiar with the manual and must be informed about potential dangers.

In addition, the applicable accident prevention regulations must be strictly observed.

Other general occupational health and safety-related rules and regulations must be observed.

The liability of the manufacturer and resulting damages are excluded in the event of modifications of the device.

Please observe that our equipment was not designed with the intention of use for commercial or industrial purposes. We assume no guarantee if the equipment is used in commercial or industrial applications, or for equivalent work.

DANGER

In accordance with the applicable product liability laws, the manufacturer of this device assumes no liability for damage to the device or caused by the device arising from:

- Installing and replacing non-original spare parts,
- Removing or changing safety components.

6.1 Improper use

- This device is not suitable for felling work.
- Do not use the guide rail as a lever to move tree trunks or similar.
- Sawing of wood with a diameter over 20cm is not allowed.

7. Safety information

7.1 General information

WARNING

Always remain attentive, pay attention to what you are doing and be sensible when working with the device. Do not use the device while ill, tired or under the influence of drugs, alcohol or medication. A moment of inattention while operating power tools may result in serious personal injury.

Avoid misuse, use the machine only as described under "Intended use".

The operating manual contains important notices on how to work safely and professionally with the chainsaw and how to avoid hazards.

If a blockage still occurs between the material to be cut and the saw chain, switch it off immediately. Wait until the saw chain has come to a standstill. Remove the spark plug connector and put on cut-resistant gloves to remove the blockage. If the guide rail (blade) has to be removed, follow the instructions as described in the chapter "Installation". After removing the blockage and re-installation, a test run must be carried out.

If vibrations or mechanical noises are detected during this process, stop work and contact an authorised service centre. Should this hazard occur more often, we recommend a new training.

- Before start-up, read the operating manual for your device and pay particular attention to the safety instructions.
- Warning and information labels attached to the device provide important information for safe operation.

- In addition to the information in the operating manual, the general safety and accident prevention regulations of the legislature must be observed.
- Keep packaging material away from children, there is a risk of suffocation!
- Inadequately informed operators can endanger themselves and others through improper use. The operator is responsible for the safety of third parties.
- Before starting work, check the function of the throttle. This must automatically return to the neutral position after release.
- Do not work for more than 10 minutes at a time. It is advisable to take a break of 10 - 20 minutes between operations.
- Only lend the device to users who have experience with the device. The operating manual must be handed over at the same time.
- Some cutting tasks require special training and skills. If you have any doubts, consult a specialist.
- First-time users must be instructed to familiarise themselves with the features of the device. Attend a state chainsaw training course for your safety.
- When not in use, the device must be set down in such a way that no one is endangered. Secure from unauthorised access.
- The user of the device is responsible for all accidents and hazards that cause damage to other people or their property.
- Children, young people and persons with reduced physical, sensory or mental abilities must not use the chainsaw. Exceptions exist only for young people over 16 years of age in the context of training under the supervision of a professional.
- The electric ignition system of the device generates a low electromagnetic field. If you wear a pacemaker or similar implant, consult your doctor before using the device to avoid health risks.
- Please note that improper maintenance, the use of non-compliant spare parts, or the removal or modification of safety devices can result in damage to the device and serious injury to the person working with it.

7.2 Personal protective equipment (PPE)

DANGER

Always wear personal protective equipment (PPE)!

- Wear a safety helmet with face protection or safety goggles and hearing protection.
- Wear close-fitting protective clothing with a cut protection insert.

- Wear non-slip safety shoes.
- Wear protective gloves.
- Avoid loose clothing that can get caught.
- Do not wear a scarf, tie or jewellery!
- If you have long hair, use a hair net!
- Wear a safety helmet for all work in the forest. This provides protection from falling branches. Check the safety helmet regularly for damage. This must be replaced after 5 years at the latest. Only use approved safety helmets.
- The face guard or safety goggles protect against shavings and wood splinters. To prevent injuries to the eyes, you must always wear a face guard or safety goggles when working with the device.
- Always wear hearing protection. The noise emitted by the device may cause hearing damage.
- Wear robust protective gloves made of tough material, such as leather.
- Wear a dust protection mask when sawing dry wood. Sawdust may form.
- When working in the tree, the user can fall. The user can be seriously injured or killed. Wear equipment for fall protection.

7.3 Storage and transport

- Switch off the chainsaw before any transport, even over short distances. Engage the chain brake and fit the chain guard.
- Use the chain guard during transport and storage.
- Secure the machine against tipping over during transport (including in vehicles) to prevent fuel loss, damage or injury.
- Carry the device only by the front handle. In doing so, the guide rail points backwards, away from your body.
- Keep the hot silencer away from your body. There is a risk of burns!
- Clean and maintain the chainsaw before storage.
- Store the device in a safe and dry location. Also secure it from unauthorised access.

7.4 Environmental safety

- National and/or municipal regulations may impose time restrictions on the use of noise-generating, motorized devices. Ask your local administration about this.
- The device must not be operated indoors or in other poorly ventilated areas. There is a danger of suffocation due to the toxic exhaust gases / lubricating oil vapours.
- Only carry out work in daylight.
- Also, do not work in adverse weather conditions, such as rain or wind. There is an increased risk of accidents here.

- Keep your work area clean and tidy.
- Keep children, other people and animals away before and during work. If distracted, you can lose control of the device.
- Before starting work, make sure that there are no persons, animals or property in the danger zone.
- Do not work near wire fences or in areas with loose old wire.
- Have fire extinguishers ready when working in highly flammable environments such as dry grass, etc. There is a risk of fire!

7.5 Refill with fuel

- Petrol is very easily flammable. Keep away from naked flames when refuelling and do not smoke while doing so. There is a risk of fire!
- Be careful not to spill petrol. Ensure that no petrol or chain oil gets into the soil. Use suitable sheeting or similar to help with this.
- Refuel only in well-ventilated areas. Petrol vapours can easily ignite or explode.
- Switch off the engine before refuelling and allow the device to cool down. If petrol has been spilled, clean the affected areas immediately. Also, do not let any fuel get on your clothes, otherwise change immediately.
- Also avoid skin and eye contact with petrol or lubricants (oil).
- Do not breathe in fuel vapours/lubricating oil vapours.
- Watch out for leaks. If petrol is leaking, do not start the engine. There is a danger from burns.
- Carefully open the tank cap so that any overpressure can slowly escape and no petrol sprays out.

7.6 Before commissioning

WARNING

Always carry out checks before use and with the engine switched off.

Check the device before each use and after it has fallen to the ground to ensure that it is in safe operating condition.

Check that all moving parts are working properly. Many accidents are caused by poorly maintained tools. Have damaged parts repaired by qualified specialist personnel.

Only use the chainsaw and accessories in accordance with these instructions, taking into account the working conditions and the work to be performed. Using power tools for operations other than those intended can lead to hazardous situations.

- Regularly check the chain brake for proper functioning (front hand guard, see Fig. 2).
- Check the guide bar to make sure it is mounted correctly.
- Check that the saw chain is properly tensioned. Follow the instructions for lubrication, chain tensioning and replacing accessories. An improperly tensioned or lubricated chain can break or increase the risk of kick-back.
- Keep cutting tools sharp and clean. Sharpen regularly and replace worn parts in good time. Properly maintained cutting tools with sharp cutting edges are less likely to bind and are easier to control.
- Check that the throttle and the throttle interlock move easily. The throttle lever must spring back to the starting position.
- Check that there is enough fuel and chain lubricating oil in the tank.
- Check that the handles are clean, dry and free from oil and dirt.
- Never carry out the work alone. In an emergency, someone must be nearby.
- Only use the chainsaw when standing on firm, safe and level ground. Do not overreach. Slippery ground or unstable standing surfaces (e.g. on a ladder) can cause loss of balance or loss of control of the chainsaw. Keep proper footing and balance at all times. This will allow you to better control the chainsaw in unexpected situations.
- Do not work with the chainsaw in a tree. There is a risk of injury when operating in a tree.
- Never saw above shoulder height.
- Always hold the chainsaw with your right hand on the rear handle and your left hand on the front handle. Holding the chainsaw using the opposite grip increases the risk of injuries and must be avoided.
- Keep all body parts away from the saw chain when the chainsaw is running. Before starting the chainsaw, ensure that the saw chain is not touching anything. When working with a chainsaw, a moment of carelessness can result in clothing or body parts being caught by the saw chain.
- Switch off the chainsaw immediately if you notice any noticeable changes in the device's behaviour.
- If the chainsaw has come into contact with stones, nails or other hard objects, stop the engine immediately and check the saw chain and guide bar for damage.
- Do not drop the chainsaw, do not hit it against obstacles and never use the guide bar as a lever.
- Only saw in wood with the chainsaw.
- When cutting a branch that is under tension, expect it to spring back. If the tension in the wood fibres is released, the tensioned branch can hit the operator and/or wrest the chainsaw from control.

- Be especially careful when cutting undergrowth and young trees. The thin material can get caught in the saw chain and hit you or throw you off balance.

7.7 Vibrations

WARNING

Avoid the risks associated with vibration, e.g. the risk of white finger syndrome (circulatory disorders) by taking frequent breaks from work where you rub your palms together, for example.

- Always wear protective gloves and make sure your hands are warm.
- Make sure that the chain is always sharp.
- Take regular breaks from work.

7.8 Precautionary measures against kick-back

WARNING

Watch out for kick-back when working with the device. There is a danger of injury. Avoid kick-backs through caution and correct sawing technique.

- Touching with the tip of the guide bar can sometimes lead to an unexpected backward reaction, whereby the guide bar whips up and in the direction of the operator.
- Kickback can arise if the tip of the guide rail touches an object or if the wood bends and the saw chain jams in the cut.
- If the saw chain jams on the top edge of the guide rail, the chainsaw can jerk back suddenly in the direction of the operator in an uncontrolled manner.
- If the saw chain jams on the lower edge of the guide rail, the chainsaw can jerk forward suddenly away from the operator in an uncontrolled manner.
- Be extremely careful when using the chain of the chainsaw to continue cutting into a cut that has already been started.
- Do not saw branches or pieces of wood that could change their position during the sawing process or where the cut closes during the sawing process.
- Each of these reactions can lead to you losing control of the saw and possibly suffering a serious injury. Never rely solely on the safety equipment integrated in the chainsaw. As a chainsaw user, take various measures to work without accidents and injuries.

Kickback is the result misuse and/or incorrect operating procedures or conditions. It can be prevented by suitable precautionary measures, as described in the following:

- Hold the saw firmly with both hands, with the thumbs and fingers enclosing the chainsaw handles. Bring your body and arms into a position in which you can absorb the kick-back forces. If suitable measures are implemented, the operator will be able to withstand the kickback forces. Never let go of the chainsaw.
- Avoid an unusual body stance and never saw above shoulder height. This will help to avoid unintentional contact with the rail tip, and enable improved control of the chainsaw in unexpected situations.
- Always use replacement guide rails and saw chains prescribed by the manufacturer. Incorrect replacement guide bars and saw chains may cause the saw chain to break and/or lead to kickback.
- Adhere to the instructions of the manufacturer when sharpening and maintaining the saw chain. If the depth limiter is too low, this increases the tendency towards kickback.
- Do not saw with the tip of the guide bar. There is a risk of kick-back. (Fig. 7)
- Make sure that there are no nails or metal pieces in the cutting area. Pay special attention to nails or pieces of iron around the cutting area. Also be careful when sawing hardwoods where the chain can get caught. This can cause kick-back.
- Start cutting at full power and always keep the chainsaw at maximum speed while sawing.
- Make sure that there are no objects on the floor that you can trip over.

7.9 Work behaviour and technique

- Only work in good visibility and light conditions. Pay particular attention to slippery conditions, wetness, ice and snow (danger of slipping). There is an increased risk of slipping on freshly peeled wood (bark).
- Never work on unstable ground. Watch out for obstacles in the work area, risk of tripping. Secure footing must be ensured at all times.
- Never saw above shoulder height.
- Never saw when standing on ladders.
- Never climb into the tree with the chainsaw and carry out work without appropriate restraint systems for man and machine. We always recommend carrying out the work from a work platform.
- Do not bend too far when working.

- Guide the chainsaw such that no part of your body is within the extended pivot range of the saw chain.
- Only saw wood with the chainsaw.
- Do not touch the ground with the saw chain running.
- Clean the cutting area of foreign bodies such as sand, stones, nails, etc. Foreign bodies damage the sawing device and can result in dangerous kick-back as well as being flung away.
- When sawing sawn timber, use a secure support (if possible, a sawhorse). The wood must not be held with the foot or another person.
- Round wood or logs should be secured against turning while they are being cut.
- Never work without a claw stop, the chainsaw can pull the operator forward. Use the claw stop for cutting tree trunks or thick branches. Using the claw stop increases work safety, reduces personal strain when working and vibrations are reduced.
- For felling or cross-cutting, the serrated strip (claw stop) must be applied to the wood to be cut. The use of the spike bar is also recommended when cutting through thick branches.
- Before every cross-cut, firmly position the serrated strip and only then saw into the wood with the saw chain running. The saw is then lifted up using the rear grip and guided using the front handle. The spike bar acts as a pivot point. Repositioning is done using light pressure on the front handle. Pull the chainsaw back slightly to do this. Insert the spike bar deeper and lift up again using the rear grip.
- Take care when cutting splintery wood. Cut pieces of wood can be carried away (risk of injury).
- When cutting using the top of the bar, the chainsaw can be pushed towards the operator if the saw chain binds up. For this reason, if possible, cut using the bottom side of the bar as the chainsaw will be pulled away from the body towards the wood.
- Tensioned wood must always be cut on the compressed side first. Only then perform the separating cut using the opposite side. This prevents the rail from jamming.
- When working in the tree, the chainsaw may fall down. People can be seriously injured and material damage can occur. Secure the chainsaw using the suspension device.
- Before the saw chain is guided into the cutting area, it can slip away to the side or jump up.

ATTENTION

Increased risk of kickback!

In order to maintain full control at the moment of cutting all the way through, reduce the pressing force towards the end of the cut, without loosening your firm grip of the handles of the chainsaw. Ensure that the saw chain does not come into contact with the ground. After completing the cut, wait for the saw chain to stop before removing the chainsaw. Always switch off the chainsaw's engine before moving from one tree to the next tree.

WARNING

In case of extended working periods, the operating personnel may suffer circulatory disturbances in their hands (vibration white finger) due to vibrations.

Raynaud's syndrome is a vascular disease that causes the small blood vessels on the fingers and toes to cramp in spasms. The affected areas are no longer supplied with sufficient blood and therefore appear extremely pale. The frequent use of vibrating devices can cause nerve damage in people whose circulation is impaired (e.g. smokers, diabetics).

If you notice unusual adverse effects, stop working immediately and seek medical advice.

Observe the following information to reduce hazards:

- Keep your body and especially your hands warm in cold weather.
- Take regular breaks and move your hands to promote circulation.
- Ensure as little vibration as possible at the machine via regular maintenance and stable parts on the device.

7.10 Residual risks

DANGER

RISK OF INJURY !

Contact with the saw chain can lead to fatal cuts. Never touch the saw chain with your hands while it is running.

RISK OF KICK-BACK !

Kick-back can lead to fatal cuts.

DANGER OF BURNING !

The chain and guide bar heat up during operation.

The electric tool has been built according to state-of-the-art and the recognised technical safety rules. However, individual residual risks can arise during operation.

Furthermore, despite all precautions having been met, some non-obvious residual risks may still remain.

Residual risks can be minimised if the “Safety instructions” and “Proper use” are observed along with the whole of the operating instructions.

8. Technical data

Machine without blade

Length x width x height	270 x 230 x 240 mm
Weight unfuelled, without cutting gear approx.	3.4 kg
Weight unfuelled, with cutting gear approx.	3.8 kg
Tank for chain lubricating oil.....	0.16 l
Fuel tank content.....	0.23 l
Oil and fuel mixture	1:40
Cutting length	20 cm
Blade length.....	30 cm
Automatic chain oiling	Yes
Chain pitch.....	3/8" (9.525 mm)
Chain link thickness.....	1.27 mm
Chain type.....	3/8LP-40
Number of drive sprocket teeth	6
Tooth pitch of drive sprocket.....	3/8"
Blade type.....	AP10-40-509P
Chain speed max.	21 m/s
Motor.....	1 cylinder, 2 stroke air-cooled
Cubic capacity	25.4 cm ³
Max. engine power output per ISO 7293	0.7 kW
Idle speed n_0	3300 ± 300 rpm
Maximum speed with cutting gear.....	11000 min ⁻¹
Spark plug.....	L8RTC

The noise pressure level should be reduced as far as possible depending on use and the activities to be completed so that the health of the operator is not endangered. The noise pressure level at the workplace can exceed 80 dB. In this case, noise protection measures are required for the operator (e.g. wearing hearing protection).

Keep the noise level and vibration to a minimum!

- Only use devices which are free of defects.
- Maintain and clean the device at regular intervals.
- Adapt your working methods to the device.
- Do not overload the device.
- Have the device checked if necessary.
- Switch the device off if it is not in use.
- Wear gloves.

Measured sound pressure level L_{pA}	99.2 dB
Uncertainty K_{pA}	3 dB
Guaranteed sound power level L_{WA}	113 dB
Measured sound power level L_{WA}	108.7 dB
Uncertainty K_{WA}	3 dB

Vibration, front handle.....	8.98 m/s ²
Vibration, rear handle.....	8.03 m/s ²
Uncertainty.....	1.5 m/s ²

Wear hearing protection.

Excessive noise can result in a loss of hearing.

The specified device emissions values have been measured in accordance with a standardised test procedure and can be used for the comparison of one device with another.

The specified noise emission values can also be used for an initial estimation of the exposure.

Warning:

- The noise emission values can vary from the specified values during the actual use of the device, depending on the type and the manner in which the device is used, and in particular the type of workpiece being processed.
- Try to keep the stress as low as possible. For example: Limit working time. In doing so, all parts of the operating cycle must be taken into account (such as times in which the device is switched off or times in which it is switched on, but is not running under a load).

9. Before commissioning

1. Open the packaging and carefully remove the device.
2. Remove the packaging material, as well as the packaging and transport safety devices (if present).
3. Check whether the scope of delivery is complete.
4. Check the device and accessory parts for transport damage.
5. If possible, keep the packaging until the expiry of the warranty period.
6. Remove the quick start guide from the start pull cord (8).

ATTENTION

The device and the packaging are not children's toys! Do not let children play with plastic bags, films or small parts! There is a danger of choking or suffocating!

9.1 Mounting the guide rail (2) and tensioning the saw chain (1)

WARNING

Risk of injury!

Always wear protective gloves when touching the saw chain (1). Danger of injury due to the sharp cutting teeth!

Only use approved combinations of saw chain (1) and guide rail (2) (see chapter "Approved cutting gear").

Always carry out assembly with the engine switched off.

Note

A new saw chain (1) stretches and needs to be re-tensioned more often. Check and adjust the chain tension regularly. Depending on wear, the guide rail (2) can be turned.

1. Set the chainsaw down on a level and stable surface.
2. Pull the front hand guard (3) back up to the stop to release the chain brake. (Fig. 2)
3. Remove the two fixing nuts (16) with the spark plug wrench (20).
4. Remove the chain cover (17).
5. Turn the chain tensioning screw (23) (anti-clockwise) until the chain tensioning pin (26) is at the right-hand stop (Fig. 3). Use the slotted screwdriver (20) for this.
6. Slide the slotted hole of the guide rail (2) over the two protruding fastening pins (29).
7. Place the saw chain (1) over the teeth of the chain wheel (27). Insert the saw chain (1) accurately into the guide rail (2). In the tip of the guide rail (2) there is a sprocket (30) into whose teeth the saw chain (1) must be inserted. (Fig. 6 and 18)
8. Pull slightly on the guide rail (2) to slightly pre-tension the saw chain (1).
9. Fit the chain cover (17) back on. Make sure that the internal chain tensioning pin (26) fits into the matching hole in the guide rail (2). If necessary, adjust the chain tensioning screw (23) with the slotted screwdriver (20).
10. Screw on the two fastening nuts (16) by hand. However, make sure that you do not tighten them yet. The fastening nuts (16) are tightened only after tensioning the saw chain (1).

9.2 Tensioning and checking the saw chain (1)

WARNING

Put on protective gloves! Danger of injury due to the sharp cutting teeth!

Check the chain tension regularly before each start-up.

Always carry out checks before starting up and with the engine switched off.

1. Before tensioning, loosen the two fixing nuts (16) a little with the spark plug wrench (20).
2. Turn the chain tensioning screw (23) clockwise with the slotted screwdriver (20) to increase the tension.
3. Tighten the two fixing nuts (16) with the spark plug wrench (20).
4. The saw chain (1) must be in contact with the underside of the guide rail. Check whether the saw chain (1) can be pulled over the guide rail (2) by hand (with the chain brake released, pull the front hand guard (3) back).

NOTE

A new saw chain (1) stretches and needs to be re-tensioned more often.

9.3 Mixing fuel

The engine must be operated with a fuel mixture of petrol and engine oil.

WARNING

Avoid direct skin contact with fuel and inhalation of fuel vapours.

Use only a mixture of unleaded petrol (min. RON 95) and special 2-stroke engine oil (JASO FD/ISO - L - EGD). Mix the fuel mixture as per the fuel mixing table.

Put the correct amount of petrol and 2-stroke oil into the enclosed mixing bottle (22) (see "Fuel mixing table"). Then shake the mixing container (22) well.

9.3.1 Fuel mixing table

Mixing process: 40 parts petrol to 1 part oil

Petrol	2-stroke oil
0.5 litres	12.5 ml

9.4 Filling in fuel (Fig. 8)

WARNING

Only fill the fuel when the engine is switched off and has cooled down. There is a risk of fire!

1. Always clean the area around the fuel tank cap (13) before filling to prevent dirt from falling into the fuel tank. Use a dry, lint-free cloth for this purpose.
2. Lay the device on its side with the fuel tank cap (13) facing upwards.
3. Turn the fuel tank cap (13) anti-clockwise and open it. The fuel tank cap (13) is connected to an anti-loss device in the fuel tank and thus cannot fall off.
4. Pour the fuel mixture into the fuel tank. Do not spill fuel when refuelling and do not fill the fuel tank to the brim.
5. Wipe up spilled fuel immediately.
6. Turn the fuel tank cap (13) clockwise to close it.

NOTE

Also check the chain oil after each fuel fill.

9.5 Drain the fuel

Only empty the fuel tank outdoors or in well-ventilated rooms. Make sure that no fuel gets into the soil (environmental protection). Use a suitable and stable base.

1. Hold a collection container under the fuel tank.
2. Unscrew and remove the fuel tank cover (13) of the fuel tank.
3. Drain the petrol/oil mixture completely.
4. Screw the fuel tank cover (13) back on by hand.

9.6 Fill in chain oil (Fig. 8)

WARNING

Only fill the saw chain oil when the engine is switched off and has cooled down. There is a risk of fire!

Never work without chain lubrication! If the saw chain (1) runs dry, the cutting gear will be irreparably destroyed in a short time.

Always check chain lubrication before working.

NOTE

Use only saw chain oil. Preferably biodegradable. Do not use waste oil, engine oil, etc.

Check during work that the chain lubrication is working.

1. Always clean the area around the chain oil tank cap (11) before filling so that no dirt falls into the chain oil tank. Use a dry, lint-free cloth for this purpose.
2. Lay the device on its side with the chain oil tank cap (11) facing upwards.
3. Turn the chain oil tank cap (11) anti-clockwise and open it. The chain oil tank cap (11) is connected to an anti-loss device in the chain oil tank and thus cannot fall off.
4. Pour the bio chain oil into the chain oil tank. Do not spill chain oil when refuelling and do not fill the chain oil tank to the brim.
5. Wipe up spilled chain oil immediately.
6. Turn the chain oil tank cap (11) clockwise to close it.

10. Commissioning

CAUTION

Please observe the legal provisions from the noise protection ordinance.

Before each commissioning, check the device for the following:

- Check the fuel system for leakage
- Faultless condition and completeness of the guards and the cutting device
- Tight fit of all screw connections
- Smooth running of all moving parts

Working instructions

Familiarise yourself with handling the chainsaw before use.

10.1 Starting the engine

ATTENTION

Move at least 3 metres away from the refuelling area before starting the engine (Fig. 9).

Always pull the start pull cord (8) out straight. Hold the handle of the start pull cord (8) firmly when the pull cord (8) winds back in. Never let the start pull cord (8) whip back in.

Release the throttle lever (5) immediately after starting the engine. Ensure that the engine speed has returned to idle before releasing the chain brake (push the front hand guard (3) backwards).

Pull out the cold start lever (choke) (14) only for starting.

10.1.1 Starting the motor when cold

WARNING

Engage the chain brake before every start-up (push the front hand guard (3) forward).

ATTENTION

Never allow the start pull cord (8) to spin back. This can result in damage.

1. Remove the guide rail cover (21).
2. Set the chainsaw down on a firm and level surface. The saw chain (1) must not come into contact with the floor.
3. Push the front hand guard (3) forwards until it latches into place. The saw chain (1) is clamped by the chain brake.
4. Press the fuel pump primer (4) 6x. (Fig. 1)
5. Pull out the cold start lever (choke) (14). (Fig. 10.2)
6. Hold the chainsaw firmly by the front handle (12) and pull the start pull cord (8) out slowly until you feel the first resistance.
7. Now pull the start pull cord (8) and the engine should start. If the engine does not start, repeat the process. As long as the cold start lever (choke) (14) is pulled out, the engine will run for only a short time and then stop.
8. As soon as the engine has stopped, actuate the throttle interlock (7) and the throttle (5) together. The cold start (choke) lever (14) will automatically spring back to the "warm start" operating position. (Fig. 10.1)
9. Now pull the start pull cord (8) again and the engine should start.

If the engine does not start even after several attempts, read the "Troubleshooting" chapter.

NOTE

With high outside temperatures, it may be necessary to start the engine without the cold start lever (choke) (14) even when the engine is cold!

- Release the chain brake by pulling the front hand guard (3) backwards. (Fig. 2)
- **CAUTION!** The chain brake is now released. If the throttle (5) is actuated together with the throttle interlock (7), the saw chain (1) starts up.

10.1.2 Starting the motor when warm

(The device stood still for less than 15–20 minutes)

WARNING

Engage the chain brake before every start-up (push the front hand guard (3) forward).

1. Push the front hand guard (3) forwards until it latches into place. The saw chain (1) is clamped by the chain brake.
2. The cold start lever (choke) (14) does not have to be pulled to start a warm engine.
3. Hold the chainsaw firmly by the front handle (12) and pull the start pull cord (8) out slowly until you feel the first resistance.
4. Now pull the start pull cord (8) quickly. The device should start after 1–2 pulls. If the device has still not started after 6 pulls, repeat the procedure described under "Starting the engine when cold".

10.2 Shutting the engine off

10.2.1 Emergency stop procedure

If it is necessary to stop the device immediately, press the on/off button (15) to position "0" and keep it pressed in this position until the engine has come to a standstill.

10.2.2 Normal procedure

1. Release the throttle (5). The engine goes into idle speed.
2. Press the on/off button (15) to position "0" and keep it pressed in this position until the engine has come to a standstill.

10.3 Operating while idle

ATTENTION

When idling, the saw chain (1) must be stationary.

NOTE

If the saw chain (1) moves at idle or the engine stops on its own when the throttle is released, a carburettor adjustment must be made (see chapter "Maintenance of the carburettor settings").

1. Pick up the chainsaw.
2. Use the left hand to hold the front handle (12) firmly.
3. Use the right hand to hold the rear handle (6) firmly. The heel of the hand rests on the throttle interlock (7) and the index finger operates the throttle (5).
4. After actuating the throttle (5) once, the engine runs at idle.
5. Allow the engine to warm up briefly.

10.4 Checking and adjusting chain lubrication

ATTENTION

- Never work without chain lubrication! If the saw chain (1) runs dry, the cutting gear will be irreparably destroyed in a short time.
- Always check chain lubrication before working.

Note

Only use saw chain oil, preferably biodegradable. Do not use waste oil, engine oil, etc.

Hold the chainsaw during operation, at medium speed, over a sawed-off tree stump or a suitable surface. If the lubrication is sufficient, a light film of oil will form on the tree stump or surface.

- If necessary, the chain lubrication can be increased or decreased by means of the oil adjustment screw (32) (Fig. 11).
- Use the slotted screwdriver (20) supplied to help:
 - First press and then turn the oil adjustment screw (32) clockwise to reduce chain lubrication.
 - First press and then turn the oil adjustment screw (32) anti-clockwise to increase chain lubrication.

10.5 Checking the chain brake

WARNING

The chain brake must be checked before each use.

The chain brake brakes the saw chain (1) immediately in the event of kick-back.

1. Make sure that the front hand guard (3) is free of dirt and moves easily.
2. Start the chainsaw and accelerate the saw chain (1) to full speed (full throttle).
3. With the saw chain (1) running, operate the front hand guard (3). The chain brake must brake and block the saw chain (1) at max. speed.

WARNING

Increased engine speed for too long with the chain brake locked will damage the engine and the chain drive.

If the saw chain (1) still moves, contact the customer service.

11. Usage

11.1 Delimiting work

- Always be aware of the danger of branches snapping back.
- Do not stand on the trunk when delimiting.
- Do not saw with the tip of the guide bar. (Fig. 7)

- Never saw several branches at once.
- Support the chainsaw with the claw stop (24) when delimiting, if possible.
- Make sure that at the end of the cut the chainsaw can swing through under its own weight. It is no longer supported in the cut so hold it securely.
- Take a firm, stable and secure stance when delimiting.

11.1.1 Delimiting work in sections

Shorten long or thick branches before making the final cut. Otherwise the saw chain (1) can easily jam.

11.1.2 Working on tensioned wood

It is essential to follow the correct sequence when working on wood that is tensioned. Otherwise the saw chain (1) may jam or kick-back may occur.

Tensioned wood must always be cut on the compressed side first. Only then perform the separating cut using the opposite side. (Fig. 24)

This prevents the saw chain (1) from jamming.

ATTENTION

Property damage!

Lying wood must not touch the floor on the underside of the cutting point, otherwise the saw chain (1) may be damaged.

Recoil

- If the saw chain (1) jams on the top edge of the guide rail (2), the chainsaw can jerk back suddenly in the direction of the operator in an uncontrolled manner.

Dragging

- If the saw chain (1) jams on the lower edge of the guide rail (2), the chainsaw can jerk forward suddenly away from the operator in an uncontrolled manner.

Safe work

- Keep the device in good working order to prevent injuries.
- After dropping the device, check for significant damage or defects.
- Do not use the device whilst standing on a ladder or in an unsafe position.
- Do not be tempted to make a rash cut. This could endanger yourself and others.

- Change your working position regularly. Prolonged use of the device can lead to vibration-induced circulatory disorders of the hands. However, you can extend the duration of use by wearing suitable gloves or taking regular breaks. Be aware that personal predisposition to poor circulation, low outside temperatures or large gripping forces when working reduce the duration of use.

11.2 Wooden branch is bent downwards

1. First saw relief cut 1 (approx. 1/3 of the branch diameter) on the compressed side.
2. Then make cut 2 (approx. 2/3 of the branch diameter) on the tensioned side.

11.3 Wooden branch is bent upwards

1. First saw relief cut 1 (approx. 1/3 of the branch diameter) on the compressed side.
2. Then make cut 2 (approx. 2/3 of the branch diameter) on the tensioned side.

11.4 Tree care saw use for tree pruning in combination with rope climbing technique

This appendix presents appropriate working practices to reduce the danger of injury from the use of chainsaws for tree pruning when working at height with a rope and carrying strap. Although it can serve as a guide and training reading, it should not be considered a substitute for formal training. The guidance given in this appendix serves only as an example of good practice.

National or other regulations that may be stricter may apply. The user of a chainsaw for tree pruning working at height with a rope and carrying strap should never work alone. A ground worker trained in appropriate emergency procedures should be present to assist.

The user should be trained in general safe climbing and work positioning techniques and should be equipped with carrying strap, rope, slings, carabiners and other equipment for obtaining safe and correct working positions for both themselves and the saw.

National laws and regulations must always be strictly observed.

This appendix does not cover techniques for controlling the branches and twigs cut by the chainsaw, nor does it include the points already covered on safe use.

11.4.1 General requirements

The user of a chainsaw for tree pruning working at height with a rope and carrying strap should never work alone. A ground worker trained in appropriate emergency procedures should be present to assist.

The user should be trained in general safe climbing and work positioning techniques and should be equipped with carrying strap, rope, slings, carabiners and other equipment for obtaining safe and correct working positions for both themselves and the saw.

11.4.2 Preparation before using the tree pruning saw on the tree

The chainsaw should be checked, fuelled, started and warmed up by the ground worker and then switched off before being hoisted up to the user in the tree.

The chainsaw should be fitted with a suitable sling so that it can be attached to the user's carrying strap (Fig. 13):

- Secure the sling to the suspension device (19) located on the back of the saw (Fig. 12).
- Suitable carabiners shall be provided to allow indirect (i.e. through the sling) and direct (i.e. to the suspension device (19) of the chainsaw) attachment of the saw to the user's carrying strap.
- Ensure that the chainsaw is securely fastened when it is pulled up to the user (Fig. 14).
- Ensure that the chainsaw is attached to the carrying strap before releasing it from the lifting cable.

The possibility of attaching the chainsaw directly to the carrying strap reduces the danger of damaging the equipment when moving it in the tree. The chainsaw should always be switched off when it is attached directly to the carrying strap. The chainsaw should only be attached to the recommended suspension devices on the carrying strap. These may be in the middle (front or back) or on the sides. Wherever possible, attach the chainsaw to the centred rear centre of the carrying strap to keep it away from climbing ropes and to support the weight centrally under the user's spine.

If the chainsaw is moved from any suspension device to another, users should ensure that the chainsaw is secured in the new position before it is released from the previous suspension device.

11.5 Use of the chainsaw in the tree

An analysis of accidents with these chainsaws during tree pruning work shows that the main cause is improper one-handed use of the chainsaw. In most accidents, users do not adopt a secured working position that allows them to hold the chainsaw by both handles, resulting in an increased danger of injury from the following:

- Lack of a firm grip on the kick-back of the chainsaw.

- Lack of control of the chainsaw, making it easier for it to come into contact with climbing ropes and with the user's body (especially the left hand and arm).
- Loss of control due to an unsafe working position and thus contact with the chainsaw (unexpected movements while working with the chainsaw).

11.6 Secured working position for two-handed use

In order to be able to hold the chainsaw with both hands, users should always try to adopt a secured working position, guiding the saw as follows:

- at waist height when sawing horizontal pieces.
- at stomach height when sawing vertical pieces.

If the user is working close to the vertically running trunk with low lateral forces to the working position, a secure foothold could be sufficient for a safe working position. However, as soon as users move away from the trunk, they must take additional measures to reduce or counteract the increasing lateral forces, e.g. by diverting the main rope via an additional suspension device or by using an adjustable sling leading from the harness to an additional suspension device (Figs. 15 and 16).

11.6.1 Starting the tree pruning saw on the tree

When starting the chainsaw in the tree, the user should:

- activate the chain brake before starting (push the front hand guard (3) forward).
- hold the chainsaw to the left or right of the body when starting:
 - Holding the chainsaw on the left side with the left hand on the front handle and pushing the chainsaw away from the body while holding the throw-on rope in the right hand.
 - Holding the chainsaw on the right side with the right hand on one of the two handles and pushing the chainsaw away from the body while holding the throw-on rope in the left hand.

The chain brake should always be activated before lowering the running chainsaw by its suspension cable.

Before difficult sawing work, the user should always make sure that the chainsaw has sufficient fuel.

11.6.2 One-handed use of the chainsaw

Users should not use chainsaws for tree care one-handed in unstable working positions or instead of a hand saw for sawing off small diameter branch tips.

Chainsaws for tree pruning should only be used one-handed when

- a. it is not possible for users to obtain a working position that allows two-handed use.
- b. it is necessary to secure the working position with one hand.
- c. the chainsaw is used in a fully extended position, at right angles to and out of line with the user's body.

Users should never:

- Saw with the kick-back area at the tip of the guide rail (2) of the chainsaw.
- Holding on to the branch they are sawing on.
- Try to catch falling parts.

11.6.3 Release a jammed chainsaw

If the chainsaw becomes jammed during cutting, the user should:

1. Switch off the chainsaw and attach it securely towards the inside of the tree (i.e. towards the tree trunk) or to a separate tool rope.
2. Pull the chainsaw out of the notch while lifting the branch as far as necessary,
3. If necessary, use a handsaw or second chainsaw to loosen the jammed chainsaw by cutting at least 30 cm away from the jammed chainsaw.

Regardless of whether a hand saw or a chainsaw is used to release a trapped chainsaw, the cuts to release the chainsaw should always be made on the outside (towards the tips of the branches) so that the chainsaw does not get carried away with the sawn-off parts and further complicate the situation.

12. Transport

- Always use the guide rail cover (21) when transporting.
- Switch off the chainsaw before any transport, even over short distances. Secure the machine against tipping over during transport (including in vehicles) to prevent fuel loss, damage or injury.
- Activate the chain brake (push the front hand guard (3) forward).
- Carry the device only by the front handle (12). In doing so, the guide rail (2) points backwards, away from your body.
- Keep the hot silencer (18) away from your body. There is a risk of burns! (Fig. 23)

13. Cleaning and maintenance

WARNING

Risk of injury!

Always switch off the device and disconnect the spark plug connector (35) before cleaning.

(see chapter 13.4 Maintenance of the spark plug (34)).

Note

The device should be thoroughly cleaned after each use.

Only carry out cleaning and maintenance work to the extent specified in this operating manual. Further work must be carried out by qualified specialists.

Maintenance work must be carried out regularly (see chapter "Maintenance intervals").

13.1 Cleaning the engine unit

WARNING

Danger of burning!

Do not touch hot silencers, cylinders or cooling fins.

- Keep protective devices, air vents and the engine housing as free of dust and dirt as possible. Blow it out with low-pressure compressed air.
- Clean the device at regular intervals using a damp cloth and a little detergent. Make sure that no water can penetrate the device interior.

13.2 Cleaning the filter (33) (Fig. 17)

Fouled air filters diminish the engine output due to reduced air supply to the carburettor.

Regular inspection is therefore essential. The air filter (33) should be checked regularly and cleaned as required.

The air filter (33) must be checked more frequently in the case of very dusty air.

1. Loosen the catch for the air filter cover (10) by turning it anti-clockwise.
2. Remove the air filter cover (9).
3. Remove the air filter (33).
4. Clean the air filter (33) by knocking out or blowing out (with compressed air).

The re-assembly takes place in reverse order.

ATTENTION

Never clean the air filter (33) with petrol or flammable solvents.

13.3 Cleaning the chain drive

WARNING

Risk of injury!

Always wear protective gloves when touching the saw chain (1). Danger of injury due to the sharp cutting teeth!

Note

Clean the chain drive after each use.

1. Set the chainsaw down on a level and stable surface.
2. Pull the front hand guard (3) back up to the stop to release the chain brake. (Fig. 2)
3. Turn the chain tensioning screw (23) anti-clockwise using the slotted screwdriver (20) to reduce the tension.
4. Remove the two fixing nuts (16) with the spark plug wrench (20).
5. Remove the chain cover (17).
6. Carefully remove the saw chain (1) from the guide rail (2) and the chain wheel (27).
7. Remove the guide rail (2). Clean them with a brush.
8. Now thoroughly clean the entire chain drive area and the chain cover (17) with a brush or by blowing it out (with compressed air).

The re-assembly takes place in reverse order.

13.4 Spark plug maintenance (34) (Fig. 19 / 20)

1. Remove the air filter (33) as described in 13.2 "Cleaning the air filter" (33).
2. Remove the spark plug connector (35) by turning it to the left and right and pulling it at the same time. Hold and pull the spark plug connector (35) by the connector only. Never pull on the cable!
3. Loosen the spark plug (34) with the enclosed spark plug wrench (20).
4. The re-assembly takes place in reverse order.

Electrode gap = 0.6 - 0.7 mm (distance between the electrodes, between which the ignition spark is generated). Check the spark plug (34) for contamination for the first time after 10 operating hours and clean it with a copper wire brush if necessary.

Then service the spark plug (34) every 50 operating hours.

13.5 Maintaining the chain lubrication

- See chapter "Checking and adjusting chain lubrication".

13.6 Maintaining the carburettor settings

- If the saw chain (1) moves at idle or the engine stops by itself when the throttle is released, a carburettor adjustment must be made.

Note

Have carburettor adjustments (e.g. idle speed) carried out only by qualified specialists to avoid engine damage.

13.7 Maintaining the guide rail (2)

- Remove any burrs on the edge of the guide bar using a metal file.
- Clean the groove of the guide rail (2) using a brush or compressed air (Fig. 21). Replace the guide rail (2) as soon as the guide nut (28) is worn.
- Turn the guide rail (2) after each use to ensure even wear.
- Check the sprocket (30) at the tip of the guide rail (2) for smooth running. If necessary, lubricate it with a bearing oil. Let some bearing oil drip into the lubrication hole (31). (Fig. 21)

13.8 Checking the chain brake

See chapter 10.5 "Checking the chain brake"

WARNING

RISK OF KICK-BACK!

A non-functioning chain brake increases the risk of kick-back.

Check the chain brake regularly.

A functioning chain brake is essential for your safety.

13.9 Tensioning and checking the saw chain (1)

See chapter 9.2 "Tensioning and checking the saw chain (1)"

13.10 Sharpening and maintaining the saw chain (1)

WARNING

Risk of injury!

Always wear protective gloves when touching the saw chain (1). Danger of injury due to the sharp cutting teeth!

Note

An optimally maintained and sharpened saw chain (1) reduces physical strain, wear and leads to good cutting results. Clean, maintain and sharpen the saw chain (1) regularly. Check the saw chain (1) regularly for cracks and damaged rivets.

A bench grinder can be attached to the bench grinder aid for a secure hold during grinding.

Only use special round saw chain files with $\varnothing 4.8$ mm (3/16") for the saw chain (1) included in the scope of delivery.

In a sharpening kit you will find detailed information on the sharpening process.

Alternatively, use an electric chain sharpener and follow the manufacturer's instructions.

If in doubt about the performance of the work, replace the saw chain (1).

If necessary, have the saw chain (1) sharpened by a specialist workshop.

- Accessories required (not included in the scope of delivery):
 - Round saw chain file $\varnothing 4.8$ mm (3/16")
 - Flat file
 - Depth limit gauge
- File only in forward motion to remove material.
- File with a sharpening angle of approx. 25° at an incline of 10° to the guide rail (2).
- Check the depth limit distance with a depth limit gauge.
- The correct distance of the depth limiter should be 0.6 mm (0.024").

13.11 Maintenance intervals

For a long service life as well as to prevent damage and to ensure the full function of the safety devices, the maintenance tasks described below must be carried out at regular intervals. Guarantee claims will only be accepted if these tasks have been carried out properly and at regular intervals. There is a risk of accidents if disregarded!

Users of chainsaws are permitted to carry out only those maintenance and care tasks described in this operating manual.

All other work may only be performed by a specialist workshop.

General	Complete tree pruning saw	Clean the exterior and check for damage. In the event of damage, have a professional repair carried out immediately.
	Saw chain	Sharpen regularly, replace in good time.
	Chain brake	Have it checked in a specialist workshop at regular intervals
	Guide rail	Turn so that the running surfaces wear evenly. Replace in good time.
Before start up	Saw chain	Check for damage and sharpness. Check chain tension.
	Guide rail	Check for damage.
	Chain lubrication	Functional check
	Chain brake	Functional check
	On/off button, throttle interlock, throttle lever	Functional check
	Fuel and chain oil tank cap	Check leak-tightness.
Daily	Air filter	Clean
	Guide rail	Check for damage, clean oil inlet hole
	Guide bar mount	Clean, in particular the oil guide groove
	Idle speed	Check (saw chain shall not run)
Weekly	Fan housing	Clean in order to ensure trouble-free routing of cooling air
	Spark plug	Check, replace if necessary
	Silencer	Check for clogging
	Chain catcher	Check for damage, replace if necessary
	Screws and nuts	Check condition and firm seating
Quarterly	Suction head	Replace
	Fuel tank, chain oil tank	Clean
Storage	complete tree pruning saw	Clean the exterior and check for damage In the event of damage, have a professional repair carried out immediately
	Saw chain and guide bar	Remove, clean and oil lightly Clean guide rail guide nut
	Fuel tank, chain oil tank	Empty and clean
	Carburettor	Run until empty

13.12 Important note in the case of repairs

When returning the device for repair, please ensure for safety reasons that it is free of oil and petrol when it is sent to the service centre.

13.13 Service information

With this product, it is necessary to note that the following parts are subject to natural or usage-related wear, or that the following parts are required as consumables.

Wearing parts*: Saw chain, guide rail, chain oil, engine oil, claw stop, chain catcher, spark plug, air filter, fuel filter, chain oil filter

* may not be included in the scope of supply!

Approved cutting gear

Saw chain

Kangxin 3/8LP-40.....7910100739

Oregon 91P040X.....3910102032

Guide rail

Kangxin AP10-40-509P.....7910100740

Oregon 100SDEA0417910100744

14. Storage

The spark plug wrench / slotted screwdriver (20) can be attached to the side of the guide rail cover (21) for storage.

Always use the guide rail cover (21) when storing.

Clean and maintain the device every time before storage, see chapter "Cleaning and maintenance".

Empty the oil or fuel tank completely.

WARNING

Do not empty the fuel tank in enclosed areas, near fire or when smoking. Petrol fumes can cause explosions and fire.

- Start the engine and let it run until the remaining petrol is used up.

Store the device and its accessories in a dark, dry and frost-free place that is inaccessible to children. The optimum storage temperature lies between 5 and 30 °C.

Do not store and use the chainsaw at temperatures below 0 °C!

Never store a chainsaw for longer than 30 days without carrying out the following steps.

Follow the cleaning and maintenance information before storing the unit!

14.1 Stowing the chainsaw

If you store a chainsaw for longer than 30 days, it must be prepared ahead of time. Otherwise, the remaining fuel in the carburettor will evaporate and leave a rubbery sediment behind. This could make it difficult to start and result in expensive repair work.

1. Slowly remove the fuel tank cover (13) to release any pressure in the tank. Carefully empty the tank.
2. Start the engine and let it run until the chainsaw stops in order to remove the fuel from the carburettor.
3. Allow the engine to cool down (approx. 5 minutes).
4. Remove the spark plug (34).
5. Add 1 teaspoon of clean 2-stroke oil to the combustion chamber. Pull the start pull cord (8) slowly several times to coat the internal components. Re-insert the spark plug (34).

Store the chainsaw in a dry location and far away from potential sources of ignition, such as furnaces, hot water boilers with gas, gas dryers, etc. out of the reach of children.

Always fit the guide rail cover (21) if the saw chain (1) and the guide rail (2) are not removed

14.2 Recommissioning the chainsaw

1. Remove the spark plug (34).
2. Pull the start pull cord (8) quickly to remove excess oil from the combustion chamber.
3. Clean the spark plug (34) and check that the electrode gap on the spark plug (34) is correct is correctly set, or insert a new spark plug (34) with the correct electrode gap.
4. Prepare the chainsaw for operation.
5. Fill the tank with the correct oil and fuel mixture (1:40).

14.3 Fuel storage

Fuels only have a limited shelf life. Fuel and fuel mixtures age by evaporation, especially under the influence of high temperatures. Expired fuel and fuel mixtures can thus lead to starting problems and engine damage. Only buy as much fuel as is to be consumed in a few months. Use up fuel mixed at higher temperatures in 6-8 weeks.

Store fuel only in approved containers in a dry, cool and safe place!

WARNING

Avoid skin and eye contact!

Mineral oil products, including oils, degrease the skin. Repeated and prolonged contact dries out the skin. The consequences can be various skin diseases. Allergic reactions are also known.

Eye contact with oil causes irritation. In case of eye contact, immediately rinse the affected eye with clean water. If irritation persists, consult a doctor immediately!

15. Disposal and recycling

Information on packaging



The packaging materials are recyclable. Please dispose of packaging in an environmentally friendly manner.

Contact your local refuse disposal authority for more details of how to dispose of your worn-out electrical devices.

Fuels and oils

- Before disposing of the unit, the fuel tank and the engine oil tank must be emptied!
- Fuel and engine oil do not belong in household waste or drains, but must be collected or disposed of separately!
- Empty oil and fuel tanks must be disposed of in an environmentally friendly manner.

16. Troubleshooting

Fault	Possible cause	Remedy
The engine does not start, or it starts but does not continue to run.	Incorrect starting procedure.	Observe the instructions given in this manual.
	Incorrectly adjusted carburettor mixture.	Have the carburettor adjusted by the authorised service centre.
	Sooty spark plug.	Clean/adjust or replace the spark plug.
	Clogged fuel filter.	Replace the fuel filter.
The engine starts, but it does not run at full power.	Contaminated air filter	Remove the filter, clean it and reinsert it.
	Incorrectly adjusted carburettor mixture.	Have the carburettor adjusted by the authorised service centre.
Engine splutters	Incorrectly adjusted carburettor mixture.	Have the carburettor adjusted by the authorised service centre.
No power under load	Incorrectly set spark plug.	Clean/adjust or replace the spark plug.
Engine runs erratically	Incorrectly adjusted carburettor mixture.	Have the carburettor adjusted by the authorised service centre.
Excessive smoke.	Incorrect fuel mixture.	Use the correct fuel mixture (ratio 1:40).
No power under load	Chain blunt or chain loose	Sharpen the chain or insert a new chain. Tension the chain.
Engine dies	Fuel tank empty or fuel filter incorrectly positioned in the tank	Fill the fuel tank. Fill the fuel tank completely or reposition the fuel filter in the fuel tank.
Insufficient chain lubrication (blade and chain become hot)	Chain oil tank empty	Fill the chain oil tank.
	Oil passages clogged	Clean the oiling hole in the blade. Clean the groove of the blade.

17. Warranty certificate

Dear Customer,

All of our products undergo strict quality checks to ensure that they reach you in perfect condition. In the unlikely event that your device develops a fault, please contact our service department at the address shown on this guarantee card. Of course, if you would prefer to call us then we are also happy to offer our assistance under the service number printed below. Please note the following terms under which guarantee claims can be made:

- These guarantee terms cover additional guarantee rights and do not affect your statutory warranty rights. We do not charge you for this guarantee.
- Our guarantee only covers problems caused by material or manufacturing defects, and it is restricted to the rectification of these defects or replacement of the device. Please note that our devices have not been designed for use in commercial, trade or industrial applications. Consequently, the guarantee is invalidated if the equipment is used in commercial, trade or industrial applications or for other equivalent activities. The following are also excluded from our guarantee: compensation for transport damage, damage caused by failure to comply with the installation/assembly instructions or damage caused by unprofessional installation, failure to comply with the operating instructions (e.g. connection to the wrong mains voltage or current type), misuse or inappropriate use (such as overloading of the device or use of non-approved tools or accessories), failure to comply with the maintenance and safety regulations, ingress of foreign bodies into the device (e.g. sand, stones or dust), effects of force or external influences (e.g. damage caused by the device being dropped) and normal wear resulting from proper operation of the device.

The guarantee is rendered null and void if any attempt is made to tamper with the device.

- The guarantee is valid for a period of 3 years starting from the purchase date of the device. Guarantee claims should be submitted before the end of the guarantee period within two weeks of the defect being noticed. No guarantee claims will be accepted after the end of the guarantee period. The original guarantee period remains applicable to the device even if repairs are carried out or parts are replaced. In such cases, the work performed or parts fitted will not result in an extension of the guarantee period, and no new guarantee will become active for the work performed or parts fitted. This also applies when an on-site service is used.
- In order to assert your guarantee claim, please contact the service partner shown below. If the complaint is within the guarantee period, we will provide you with a return slip, with which you can return your defective device free of charge to us. It would help us if you could describe the nature of the problem in as much detail as possible. If the defect is covered by our guarantee then your device will either be repaired immediately and returned to you, or we will send you a new device.

Of course, we are also happy offer a chargeable repair service for any defects which are not covered by the scope of this guarantee or for units which are no longer covered. To take advantage of this service, please send the device to our service address.

Service-Hotline (GB):

00800 4003 4003

Service-Hotline (IE):

00800 4003 4003

Service-Email (GB):

service.GB@schepdach.com

Service-Email (IE):

service.IE@schepdach.com

Service Address (GB):

Forest Park & Garden
Coed Court, Taffsmead Road
Treforest, Ind. Estate, Pontypridd CF375SW

Service Address (IE):

LetMeRepair
1 Langlands Court / Kelvin South Business Park
East Kilbride G75 0YB

Service-Hotline (NI)

00800 4003 4003

Service-Email (NI):

service.NI@scheppach.com

Service Address (NI):

Forest Park & Garden
Coed Court, Taffsmead Road
Treforest, Ind. Estate, Pontypridd CF375SW

Service-Hotline (CY):

00800 4003 4003

Service-Email (CY):

service.CY@scheppach.com

Service Address (CY):

GEORGE C SOLOMONIDES & SON LTD
PO.BOX 56236 / 169, LEONTIOS A'
GR - 3305 LIMASSOL/CYPRUS

Numero servizio assistenza (IT):

00800 4003 4003

Indirizzo e-mail (IT):

service.IT@scheppach.com

Indirizzo servizio assistenza (IT):

TeleMarCom European Services GmbH
Am Ziegelweiher 24
DE - 61130 Nidderau
















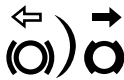

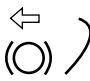
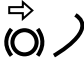
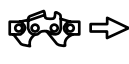







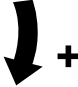
At www.lidl-service.com you can download this and many more manuals, product videos plus installation software.

The QR code takes you directly to the Lidl service page (www.lidl-service.com) and you can open your operating manual by entering the article number (IAN) 436506_2304.

1.	Erklärung der Symbole auf dem Gerät.....	26
2.	Benutzerhinweis	27
3.	Einleitung	28
4.	Gerätebeschreibung	28
5.	Lieferumfang.....	28
6.	Bestimmungsgemäße Verwendung.....	29
7.	Sicherheitshinweise	29
8.	Technische Daten	34
9.	Vor Inbetriebnahme	35
10.	Inbetriebnahme	37
11.	Anwendung	39
12.	Transport.....	42
13.	Reinigung und Wartung	42
14.	Lagerung.....	46
15.	Entsorgung und Wiederverwertung.....	47
16.	Störungsabhilfe	48
17.	Garantieurkunde	49
18.	Explosionszeichnung.....	275
19.	Konformitätserklärung.....	276

1. Erklärung der Symbole auf dem Gerät

	Lesen, verstehen und befolgen Sie alle Warnhinweise.		Lesen Sie die komplette Bedienungsanleitung bevor Sie das Gerät benutzen.
	Warnung! Gefahr von Rückschlag (Kickback). Hüten Sie sich vor einem Rückschlag der Kettensäge und vermeiden Sie Kontakt mit der Schienenspitze.		Das Gerät nicht bei Regen oder bei feuchten Bedingungen betreiben.
	Schutzbrille tragen. Gehörschutz tragen.		Schutzhelm tragen.
	Tragen Sie immer Sicherheits- und Anti-Vibrations-Handschuhe, wenn Sie das Gerät benutzen.		Tragen Sie immer rutschfeste Sicherheitsschuhe mit Schnitenschutz, wenn Sie das Gerät benutzen.
	Wichtig ist das Tragen von Schutzkleidung für Füße, Beine, Hände und Unterarme.		Bedienen Sie die Kettensäge immer mit beiden Händen. Arbeiten Sie nicht einhändig mit der Kettensäge.
	Achtung! Kettensägeneinsatz in Kombination mit Seilklettertechnik. Bevor Sie mit der Arbeit beginnen machen Sie sich mit allen Arbeitshinweisen vertraut!		Offenes Feuer im Arbeitsbereich verboten!
	Einfüllöffnung für Kraftstoff. Öl- und Kraftstoffmischung 1:40.		Drehrichtung
	Öltankverschluss für Kettenöl.		Einstellung der Kettenbremse: Weißer Pfeil: Kettenbremse inaktiv. Schwarzer Pfeil: Kettenbremse aktiv.
	Kaltstarthebel (Choke).		Kettenbremse lösen.
	Kettenbremse aktivieren.		Einbaurichtung der Sägekette.
	Einstellung Kettenschmierung.		Garantierter Schallleistungspegel des Gerätes.

	Achtung! Heiße Teile.		push primer 6 times 6x Kraftstoffpumpe (Primer) drücken.
	Laufrichtung der Kette.		Einstellung der Kettenspannung.
GEFAHR	Signalwort zur Kennzeichnung einer unmittelbar bevorstehenden Gefährdungssituation, die, wenn sie nicht vermieden wird, den Tod oder eine schwere Verletzung zur Folge hat.		
WARNUNG	Signalwort zur Kennzeichnung einer möglichen Gefährdungssituation, die, wenn sie nicht vermieden wird, den Tod oder eine schwere Verletzung zur Folge haben könnte.		
VORSICHT	Signalwort zur Kennzeichnung einer möglichen Gefährdungssituation, die, wenn sie nicht vermieden wird, eine geringfügige oder mäßige Verletzung zur Folge haben könnte.		
HINWEIS	Signalwort zur Kennzeichnung einer möglichen Gefährdungssituation, die, wenn sie nicht vermieden wird, Sachschäden am Produkt oder Eigentum/Besitz zur Folge haben könnte.		

2. Benutzerhinweis

WARNUNG:

Lesen Sie vor der ersten Inbetriebnahme diese Betriebsanleitung gründlich durch und befolgen Sie unbedingt die Sicherheitsvorschriften! Diese Baumpflugesäge darf nur von „Baumpflugesägenführern mit Zusatzausbildung für Arbeiten in Hub- oder Leiterkörben bzw. Seilklettertechnik“ bedient werden!

Betriebsanleitung sorgfältig aufbewahren!

Hinweis:

Bitte beachten Sie, dass einige nationale Vorschriften die Verwendung der Maschine einschränken können.



Diese Baumpflugesäge ist speziell für Baumpflege und Baumchirurgie vorgesehen. Alle Arbeiten mit Baumpflugesäge sind speziell für Baumpflege und Baumchirurgie vorgesehen. Alle Arbeiten mit dieser Baumpflugesäge dürfen nur von ausgebildeten Baumpflugesägenführern durchgeführt werden!

3. Einleitung

HERSTELLER:

Schepach GmbH

Günzburger Straße 69

D-89335 Ichenhausen

VEREHRTER KUNDE,

Wir wünschen Ihnen viel Freude und Erfolg beim Arbeiten mit Ihrem neuen Gerät.

HINWEIS:

Der Hersteller dieses Gerätes haftet nach dem geltenden Produkthaftungsgesetz nicht für Schäden, die an diesem Gerät oder durch dieses Gerät entstehen bei:

- unsachgemäßer Behandlung,
- Nichtbeachtung der Bedienungsanweisung,
- Reparaturen durch Dritte, nicht autorisierte Fachkräfte,
- Einbau und Austausch von nicht originalen Ersatzteilen,
- nicht bestimmungsgemäßer Verwendung.

Beachten Sie:

Lesen Sie vor der Montage und vor Inbetriebnahme den gesamten Text der Bedienungsanleitung durch.

Diese Bedienungsanleitung soll es Ihnen erleichtern, Ihr Gerät kennenzulernen und dessen bestimmungsgemäßen Einsatzmöglichkeiten zu nutzen.

Die Bedienungsanleitung enthält wichtige Hinweise, wie Sie mit dem Gerät sicher, fachgerecht und wirtschaftlich arbeiten, und wie Sie Gefahren vermeiden, Reparaturkosten sparen, Ausfallzeiten verringern und die Zuverlässigkeit und Lebensdauer des Gerätes erhöhen.

Zusätzlich zu den Sicherheitsbestimmungen dieser Bedienungsanleitung müssen Sie unbedingt die für den Betrieb des Gerätes geltenden Vorschriften Ihres Landes beachten.

Bewahren Sie die Bedienungsanleitung, in einer Plastikhülle geschützt vor Schmutz und Feuchtigkeit, bei dem Gerät auf. Sie muss von jeder Bedienungsperson vor Aufnahme der Arbeit gelesen und sorgfältig beachtet werden.

An dem Gerät dürfen nur Personen arbeiten, die im Gebrauch des Gerätes unterwiesen und über die damit verbundenen Gefahren unterrichtet sind. Das geforderte Mindestalter ist einzuhalten.

Neben den in dieser Bedienungsanleitung enthaltenen Sicherheitshinweisen und den besonderen Vorschriften Ihres Landes sind die für den Betrieb von baugleichen Maschinen allgemein anerkannten technischen Regeln zu beachten.

Wir übernehmen keine Haftung für Unfälle oder Schäden, die durch Nichtbeachten dieser Anleitung und den Sicherheitshinweisen entstehen.

4. Gerätebeschreibung

1. Sägekette
2. Führungsschiene
3. Vorderer Handschutz
4. Kraftstoffpumpe „Primer“
5. Gashebel
6. Hinterer Handgriff
7. Gashebelsperre
8. Startseilzug
9. Luftfilterabdeckung
10. Verschluss für die Luftfilterabdeckung
11. Kettenöltankverschluss
12. Vorderer Handgriff
13. Kraftstofftankverschluss
14. Kaltstarthebel (Choke)
15. Ein-/Austaster
16. Befestigungsmutter
17. Kettenradabdeckung
18. Schalldämpfer
19. Aufhängevorrichtung
20. Zündkerzenschlüssel / Schlitzschraubendreher
21. Abdeckung der Führungsschiene
22. Mischbehälter
23. Kettenspannschraube
24. Krallenanschlag
25. Kettenfänger
26. Kettenspannstift
27. Kettenrad
28. Führungsnut
29. Befestigungsbolzen
30. Zahnrad
31. Schmieröffnung
32. Ölregulierungsschraube
33. Luftfilter
34. Zündkerze
35. Zündkerzenstecker
36. Saugkopf

5. Lieferumfang

- Baumpfllegesäge
- Sägekette
- Führungsschiene
- Abdeckung der Führungsschiene
- Zündkerzenschlüssel / Schlitzschraubendreher
- Mischbehälter

6. Bestimmungsgemäße Verwendung

Dieses Gerät ist eine besonders leichte, handliche Baumpflugesäge mit obenliegendem Handgriff. Die Baumpflugesäge ist speziell für Baumchirurgie und Baumpflege entwickelt worden. Diese Baumpflugesägen dürfen daher nur von „Baumpflugesägenführern mit Zusatzausbildung für Arbeiten in Hub- oder Leiterkörben bzw. Seilklettertechnik“ bedient werden. Für gelegentlichen Einsatz in dünnem Holz, Obstbaumpflege, Entasten, Ablängen.

Die Aufbereitung von Kaminholz darf nur vorgenommen werden, solange der Holzdurchmesser nicht die Schnittlänge (20cm) überschreitet.

Für diese Arbeiten empfehlen wir eine konventionelle Motorsäge mit langem Griffabstand bzw. Schnittlänge.

Wer das Gerät nicht benutzen darf:

Personen, die nicht mit der Bedienungsanleitung vertraut sind, Kinder unter 16 Jahren sowie Personen, die unter Alkohol-, Drogen-, Medikamenteneinfluss stehen, müde oder krank sind.

Das Gerät dient bestimmungsgemäß ausschließlich zum Sägen von Holz. Der Hersteller haftet nicht für Schäden, die durch nicht bestimmungsgemäße Verwendung oder falsche Bedienung verursacht wurde.

Das Gerät darf nur nach seiner Bestimmung verwendet werden. Jede weitere darüber hinausgehende Verwendung ist nicht bestimmungsgemäß. Für daraus hervorgerufene Schäden oder Verletzungen aller Art haftet der Benutzer/Bediener und nicht der Hersteller.

Bestandteil der bestimmungsgemäßen Verwendung ist auch die Beachtung der Sicherheitshinweise, sowie die Montageanleitung und Betriebshinweise in der Bedienungsanleitung. Personen, welche das Gerät bedienen und warten, müssen mit dieser vertraut und über mögliche Gefahren unterrichtet sein.

Darüber hinaus sind die geltenden Unfallverhütungsvorschriften genauestens einzuhalten.

Sonstige allgemeine Regeln in arbeitsmedizinischen und sicherheitstechnischen Bereichen sind zu beachten. Veränderungen an dem Gerät schließen eine Haftung des Herstellers und daraus entstehende Schäden gänzlich aus.

Bitte beachten Sie, dass unsere Geräte bestimmungsgemäß nicht für den gewerblichen, handwerklichen oder industriellen Einsatz konstruiert wurden. Wir übernehmen keine Gewährleistung, wenn das Gerät in Gewerbe-, Handwerks- oder Industriebetrieben sowie bei gleichzusetzenden Tätigkeiten eingesetzt wird.

GEFAHR

Der Hersteller dieses Gerätes haftet nach dem geltenden Produkthaftungsgesetz nicht für Schäden, die an diesem Gerät oder durch dieses Gerät entstehen bei:

- Einbau und Austausch von nicht originalen Ersatzteilen,
- Entfernung oder Veränderung von Sicherheitskomponenten.

6.1 Nicht bestimmungsgemäße Verwendung

- Dieses Gerät ist nicht für Fällarbeiten geeignet.
- Benutzen Sie die Führungsschiene nicht als Hebel, um Baumstämme oder ähnliches zu bewegen.
- Sägen von Holz mit einem Durchmesser über 20cm ist nicht erlaubt.

7. Sicherheitshinweise

7.1 Allgemeine Hinweise

WARNUNG

Seien Sie stets aufmerksam, achten Sie darauf, was Sie tun und gehen Sie mit Vernunft an die Arbeit mit dem Gerät. Benutzen Sie das Gerät nicht, wenn Sie krank oder müde sind oder unter dem Einfluss von Drogen, Alkohol oder Medikamenten stehen. Ein Moment der Unachtsamkeit beim Gebrauch des Gerätes kann zu ernsthaften Verletzungen führen. Vermeiden Sie Fehlanwendungen, benutzen Sie die Maschine nur wie unter „Bestimmungsgemäße Verwendung“ beschrieben.

Die Bedienungsanleitung enthält wichtige Hinweise, wie Sie mit der Kettensäge sicher und fachgerecht arbeiten und Gefährdungen vermeiden können.

Sollte es trotzdem zu einer Blockade zwischen dem Schnittgut und der Sägekette kommen, schalten Sie diese umgehend aus. Warten Sie bis die Sägekette zum Stillstand gekommen ist. Entfernen Sie den Zündkerzenstecker und ziehen Sie schnittfeste Handschuhe an, um die Blockade zu entfernen. Falls die Führungsschiene (Schwert) entfernt werden muss, folgen Sie den Anweisungen wie im Kapitel „Montage“ beschrieben. Nach Beseitigung der Blockade und erneuter Montage muss ein Probelauf durchgeführt werden.

Wenn hierbei Vibrationen oder mechanische Geräusche festgestellt werden, stellen Sie die Arbeit ein und wenden Sie sich an eine autorisierte Servicestelle. Sollte diese Gefährdung öfters vorkommen, empfehlen wir eine erneute Schulung.

- Lesen Sie vor der Inbetriebnahme die Betriebsanleitung Ihres Gerätes und beachten Sie besonders die Sicherheits-hinweise.
- Die an dem Gerät angebrachten Warn- und Hinweisschilder geben wichtige Hinweise für den gefahrlosen Betrieb.
- Neben den Hinweisen in der Betriebsanleitung müssen die allgemeinen Sicherheits- und Unfallverhütungsvorschriften des Gesetzgebers berücksichtigt werden.
- Verpackungsfolien von Kindern fernhalten, es besteht Erstickungsgefahr!
- Unzureichend informierte Bediener können sich und andere Personen durch unsachgemäßen Gebrauch gefährden. Der Bediener ist gegenüber Dritten verantwortlich.
- Prüfen Sie vor Arbeitsbeginn die Funktion des Gashebels. Dieser muss nach dem Loslassen automatisch in die Leerlaufstellung zurückgehen.
- Arbeiten Sie nicht länger als 10 Minuten am Stück. Es empfiehlt sich, zwischen den Arbeitsgängen eine Pause von 10 - 20 Minuten zu machen.
- Leihen Sie das Gerät nur an Benutzer aus, die Erfahrung mit dem Gerät haben. Die Betriebsanleitung ist dabei zu übergeben.
- Einige Schneidaufgaben erfordern eine spezielle Schulung und besondere Fertigkeiten. Wenn Sie Zweifel haben, wenden Sie sich an einen Fachmann.
- Erstbenutzer müssen sich einweisen lassen, um sich mit den Eigenschaften des Gerätes vertraut zu machen. Zu Ihrer Sicherheit besuchen Sie einen staatlichen Motorsägenlehrgang.
- Das Gerät muss bei Nichtverwendung so abgestellt werden, dass niemand gefährdet wird. Vor unbefugtem Zugriff sichern.
- Der Benutzer des Gerätes ist für alle Unfälle und Gefahren verantwortlich, die andere Personen oder deren Eigentum schädigen.
- Kinder, Jugendliche und Personen mit verringerten physischen, sensorischen oder mentalen Fähigkeiten dürfen die Kettensäge nicht benutzen. Ausnahmen bestehen nur für Jugendliche über 16 Jahre im Rahmen der Ausbildung unter Aufsicht eines Fachkundigen.
- Die elektrische Zündanlage des Gerätes erzeugt ein geringes elektromagnetisches Feld. Wenn Sie Träger eines Herzschrittmachers oder ähnlicher Implantate sind, konsultieren Sie vor Verwenden des Gerätes Ihren Arzt, um gesundheitliche Risiken zu vermeiden.

- Beachten Sie, bei nicht ordnungsgemäßer Wartung, bei Verwendung von nicht konformen Ersatzteilen oder Entfernung oder Modifikation der Sicherheitseinrichtungen kann es zu Schäden am Gerät und schweren Verletzungen der damit arbeitenden Person führen.

7.2 Persönliche Schutzausrüstung (PSA)

GEFAHR

Tragen Sie immer persönliche Schutzausrüstung (PSA)!

- Tragen Sie einen Schutzhelm mit Gesichtsschutz bzw. Schutzbrille und Gehörschutz.
- Tragen Sie eng anliegende Schutzkleidung mit Schnittschutzeinlage.
- Tragen Sie rutschfeste Sicherheitsschuhe.
- Tragen Sie Schutzhandschuhe.
- Vermeiden Sie weite Kleidung, die sich verfangen kann.
- Tragen Sie keinen Schal, keine Krawatte und keinen Schmuck!
- Bei langen Haaren benutzen Sie ein Haarnetz!
- Tragen Sie bei sämtlichen Arbeiten im Wald einen Schutzhelm. Dieser bietet Schutz vor herabfallenden Ästen. Überprüfen Sie den Schutzhelm regelmäßig auf Beschädigungen. Nach 5 Jahren ist dieser spätestens auszutauschen. Verwenden Sie nur geprüfte Schutzhelme.
- Der Gesichtsschutz bzw. die Schutzbrille hält Sägespäne und Holzsplitter ab. Um Verletzungen der Augen zu vermeiden, ist beim Arbeiten mit dem Gerät stets ein Gesichtsschutz bzw. eine Schutzbrille zu tragen.
- Tragen Sie immer einen Gehörschutz. Der von dem Gerät ausgehende Lärm kann zu Hörschäden führen.
- Tragen Sie robuste Schutzhandschuhe aus widerstandsfähigem Material, wie z. B. Leder.
- Tragen Sie beim Sägen von trockenem Holz eine Staubschutzmaske. Es kann zur Bildung von Sägestaub kommen.
- Wenn im Baum gearbeitet wird, kann der Benutzer abstürzen. Der Benutzer kann schwer verletzt oder getötet werden. Ausrüstung zur Absturzsicherung tragen.

7.3 Lagerung und Transport

- Schalten Sie die Kettensäge vor jedem Transport ab, auch bei kürzeren Strecken. Schalten Sie die Kettenbremse ein und bringen Sie den Kettenschutz an.
- Verwenden Sie den Kettenschutz bei Transport und Lagerung.
- Sichern Sie die Maschine während des Transports (auch in Fahrzeugen) gegen Umkippen, um Kraftstoffverlust, Schäden oder Verletzungen zu vermeiden.

- Tragen Sie das Gerät nur am vorderen Handgriff. Die Führungsschiene zeigt dabei nach hinten, von Ihrem Körper abgewandt.
- Halten Sie den heißen Schalldämpfer vom Körper weg. Es besteht Verbrennungsgefahr!
- Reinigen und warten Sie die Kettensäge vor der Lagerung.
- Lagern Sie das Gerät an einem sicheren und trockenen Ort. Sichern Sie es auch vor unbefugtem Zugriff.

7.4 Umgebungssicherheit

- Nationale und / oder kommunale Regelungen können die Verwendung Lärm erzeugender, motorbetriebener Geräte zeitlich einschränken. Erkundigen Sie sich darüber bei Ihrer kommunalen Verwaltung.
- Das Gerät darf nicht in Innenräumen oder anderen schlecht belüfteten Bereichen betrieben werden. Es besteht Erstickungsgefahr durch die giftigen Abgase/Schmieröldämpfe.
- Führen Sie Arbeiten nur bei Tageslicht aus.
- Arbeiten Sie auch nicht bei ungünstigen Wetterbedingungen, wie z. B. Regen oder Wind. Hierbei besteht ein erhöhtes Unfallrisiko.
- Halten Sie Ihren Arbeitsbereich sauber und aufgeräumt.
- Halten Sie Kinder, andere Personen und Tiere vor und während der Arbeit fern. Sie können bei Ablenkung die Kontrolle über das Gerät verlieren.
- Vergewissern Sie sich vor Arbeitsbeginn, dass sich keine Personen, Tiere oder Sachwerte in der Gefahrenzone befinden.
- Arbeiten Sie nicht in der Nähe von Drahtzäunen oder in Bereichen mit losem Altdraht.
- Stellen Sie Feuerlöschmittel bereit, wenn Sie in leicht entzündlicher Umgebung, wie z. B. bei trockenem Gras usw. arbeiten. Es besteht Brandgefahr!

7.5 Kraftstoff einfüllen

- Benzin ist sehr leicht entzündlich. Halten Sie beim Betanken Abstand von offenem Feuer und rauchen Sie nicht dabei. Es besteht Brandgefahr!
- Achten Sie darauf, dass Sie kein Benzin verschütten. Benzin oder Kettenöl darf nicht ins Erdreich gelangen. Nehmen Sie geeignete Unterlagen zur Hilfe.
- Tanken Sie nur in gut belüfteten Bereichen. Benzindämpfe können sich leicht entzünden oder explodieren.
- Schalten Sie den Motor vor dem Tanken ab und lassen Sie das Gerät abkühlen. Wurde Benzin verschüttet, reinigen Sie sofort die betroffenen Stellen. Lassen Sie auch keinen Kraftstoff auf Ihre Kleidung kommen, ansonsten sofort wechseln.

- Vermeiden Sie auch Haut- und Augenkontakt mit Benzin oder Schmierstoffen (Öl).
- Atmen Sie Benzindämpfe/Schmieröldämpfe nicht ein.
- Achten Sie auf Undichtigkeiten. Wenn Benzin ausläuft, starten Sie den Motor nicht. Es besteht Gefahr durch Verbrennungen.
- Öffnen Sie den Tankverschluss nur vorsichtig, damit bestehender Überdruck langsam entweichen kann und kein Benzin herausspritzt.

7.6 Vor der Inbetriebnahme

WARNUNG

Führen Sie Überprüfungen immer vor der Inbetriebnahme und bei ausgeschaltetem Motor durch.

Überprüfen Sie das Gerät vor jedem Gebrauch und nachdem es zu Boden gefallen ist auf betriebssicheren Zustand.

Überprüfen Sie, ob alle beweglichen Teile einwandfrei funktionieren. Viele Unfälle haben ihre Ursache in schlecht gewarteten Werkzeugen. Lassen Sie beschädigte Teile von qualifiziertem Fachpersonal reparieren.

Verwenden Sie die Kettensäge und das Zubehör nur entsprechend diesen Anweisungen. Berücksichtigen Sie dabei die Arbeitsbedingungen und die ausführende Tätigkeit. Der Gebrauch von Motorwerkzeugen für andere als die vorgesehenen Anwendungen kann zu gefährlichen Situationen führen.

- Überprüfen Sie regelmäßig die Kettenbremse auf Funktionsfähigkeit (vorderer Handschutz, siehe Abb. 2).
- Überprüfen Sie die Führungsschiene, ob diese richtig montiert ist.
- Überprüfen Sie die Sägekette, ob diese richtig gespannt ist. Befolgen Sie die Anweisungen für die Schmierung, die Kettenspannung und das Wechseln von Zubehör. Eine unsachgemäß gespannte oder geschmierte Kette kann entweder reißen oder das Rückschlagrisiko erhöhen.
- Halten Sie Schneidwerkzeuge scharf und sauber. Schärfen Sie regelmäßig nach und tauschen Sie verschlissene Teile rechtzeitig aus. Sorgfältig gepflegte Schneidwerkzeuge mit scharfen Schneidkanten verklemmen sich weniger und sind leichter zu führen.
- Überprüfen Sie den Gashebel und die Gashebelsperre auf Leichtgängigkeit. Der Gashebel muss in die Ausgangsposition zurückfedern.
- Überprüfen Sie, ob sich genügend Kraftstoff und Ketten-schmieröl im Tank befinden.
- Überprüfen Sie, ob die Handgriffe sauber, trocken und frei von Öl und Schmutz sind.

- Führen Sie die Arbeiten nie alleine durch. Im Notfall muss jemand in der Nähe sein.
- Benutzen Sie die Kettensäge nur, wenn Sie auf festem, sicherem und ebenem Grund stehen. Vermeiden Sie eine abnormale Körperhaltung. Rutschiger Untergrund oder instabile Standflächen (z. B. auf einer Leiter) können zum Verlust des Gleichgewichts oder zum Verlust der Kontrolle über die Kettensäge führen. Sorgen Sie für einen sicheren Stand und halten Sie jederzeit das Gleichgewicht. So können Sie die Kettensäge in unerwarteten Situationen besser kontrollieren.
- Arbeiten Sie mit der Kettensäge nicht auf einem Baum. Bei Betrieb auf einem Baum besteht Verletzungsgefahr.
- Sägen Sie niemals über Schulterhöhe.
- Halten Sie die Kettensäge immer mit Ihrer rechten Hand am hinteren Griff und Ihrer linken Hand am vorderen Griff. Das Festhalten der Kettensäge in umgekehrter Arbeitshaltung erhöht das Risiko von Verletzungen und darf nicht angewendet werden.
- Halten Sie bei laufender Kettensäge alle Körperteile von der Sägekette fern. Vergewissern Sie sich vor dem Starten der Kettensäge, dass die Sägekette nichts berührt. Beim Arbeiten mit einer Kettensäge kann ein Moment der Unachtsamkeit dazu führen, dass Bekleidung oder Körperteile von der Sägekette erfasst werden.
- Schalten Sie die Kettensäge sofort aus, wenn Sie spürbare Veränderungen im Geräteverhalten feststellen.
- Wenn die Kettensäge mit Steinen, Nägeln oder sonstigen harten Gegenständen in Berührung gekommen ist, stoppen Sie sofort den Motor und überprüfen Sie die Sägekette und die Führungsschiene auf Beschädigungen.
- Lassen Sie die Kettensäge nicht fallen, schlagen Sie sie nicht gegen Hindernisse und benutzen Sie die Führungsschiene nie als Hebel.
- Sägen Sie mit der Kettensäge nur in Holz.
- Rechnen Sie beim Schneiden eines unter Spannung stehenden Astes damit, dass dieser zurückfedert. Wenn die Spannung in den Holzfasern freikommt, kann der gespannte Ast die Bedienperson treffen und/oder die Kettensäge der Kontrolle entreißen.
- Seien Sie besonders vorsichtig beim Schneiden von Unterholz und jungen Bäumen. Das dünne Material kann sich in der Sägekette verfangen und auf Sie schlagen oder Sie aus dem Gleichgewicht bringen.

7.7 Vibrationen

WARNUNG

Vermeiden Sie die Schwingungsrisiken, z. B. das Risiko einer Weißfingererkrankung (Durchblutungsstörungen) durch häufige Arbeitspausen, in denen Sie z. B. Ihre Handflächen aneinanderreiben.

- Tragen Sie immer Schutzhandschuhe und achten Sie auf warme Hände.
- Achten Sie darauf, dass die Kette immer scharf ist.
- Legen Sie regelmäßige Arbeitspausen ein.

7.8 Vorsichtsmaßnahmen gegen Rückschlag

WARNUNG

Achten Sie beim Arbeiten auf Rückschlag des Gerätes. Es besteht Verletzungsgefahr. Sie vermeiden Rückschläge durch Vorsicht und richtige Säge-technik.

- Eine Berührung mit der Schienenspitze kann in manchen Fällen zu einer unerwarteten, nach hinten gerichteten Reaktion führen, bei der die Führungsschiene nach oben und in Richtung der Bedienperson geschlagen wird.
- Rückschlag kann auftreten, wenn die Spitze der Führungsschiene einen Gegenstand berührt oder wenn das Holz sich biegt und die Sägekette im Schnitt festklemmt.
- Das Verklemmen der Sägekette an der Oberkante der Führungsschiene kann die Kettensäge schnell unkontrolliert in Bedienrichtung zurückstoßen.
- Das Verklemmen der Sägekette an der Unterkante der Führungsschiene kann die Kettensäge schnell unkontrolliert von der Bedienrichtung wegziehen.
- Seien Sie extrem vorsichtig, wenn Sie die Kette der Kettensäge zum Weitersägen in einen schon begonnenen Schnitt einsetzen.
- Sägen Sie keine Äste oder Holzstücke, die während des Sägevorgangs ihre Position verändern könnten oder bei denen sich der Schnitt im Verlauf des Sägevorgangs schließt.
- Jede dieser Reaktionen kann dazu führen, dass Sie die Kontrolle über die Säge verlieren und sich möglicherweise schwer verletzen. Verlassen Sie sich nicht ausschließlich auf die in der Kettensäge eingebauten Sicherheitseinrichtungen. Ergreifen Sie als Benutzer einer Kettensäge verschiedene Maßnahmen, um unfall- und verletzungsfrei zu arbeiten.

Ein Rückschlag ist die Folge eines falschen oder fehlerhaften Gebrauchs. Er kann durch geeignete Vorsichtsmaßnahmen, wie nachfolgend beschrieben, verhindert werden:

- Halten Sie die Säge mit beiden Händen fest, wobei Daumen und Finger die Griffe der Kettensäge umschließen. Bringen Sie Ihren Körper und die Arme in eine Stellung, in der Sie den Rückschlagkräften standhalten können. Wenn geeignete Maßnahmen getroffen werden, kann die Bedienerperson die Rückschlagkräfte beherrschen. Niemals die Kettensäge loslassen.
- Vermeiden Sie eine abnormale Körperhaltung und sägen Sie nicht über Schulterhöhe. Dadurch wird ein unbeabsichtigtes Berühren mit der Schienenspitze vermieden und eine bessere Kontrolle der Kettensäge in unerwarteten Situationen ermöglicht.
- Verwenden Sie stets vom Hersteller vorgeschriebene Ersatzschienen und Sägeketten. Falsche Ersatzschienen und Sägeketten können zum Reißen der Sägekette und/oder zu Rückschlag führen.
- Halten Sie sich an die Anweisungen des Herstellers für das Schärfen und die Wartung der Sägekette. Zu niedrige Tiefenbegrenzer erhöhen die Neigung zu Rückschlag.
- Sägen Sie nicht mit der Schwertschneidspitze. Es besteht Rückschlaggefahr. (Abb. 7)
- Vergewissern Sie sich, dass sich keine Nägel oder Metallstücke im Schneidbereich befinden. Achten Sie besonders auf Nägel oder Eisenstücke in der Umgebung des Schneidbereichs. Seien Sie auch vorsichtig beim Sägen von Harthölzern, bei denen sich die Kette verhalten kann. Dadurch kann es zum Rückschlag kommen.
- Beginnen Sie den Schnitt mit voller Kraft und halten Sie die Kettensäge während des Sägens immer auf Höchstgeschwindigkeit.
- Sorgen Sie dafür, dass keine Gegenstände am Boden liegen, über die Sie stolpern können.

7.9 Arbeitsverhalten und -technik

- Nur bei guten Sicht- und Lichtverhältnissen arbeiten. Auf Glätte, Nässe, Eis und Schnee besonders achten (Rutschgefahr). Erhöhte Rutschgefahr besteht auf frisch geschältem Holz (Rinde).
- Nie auf instabilen Untergründen arbeiten. Auf Hindernisse im Arbeitsbereich achten, Stolpergefahr. Auf sicheren Stand muss laufend geachtet werden.
- Nie über Schulterhöhe sägen.
- Nie auf Leitern stehend sägen.

- Nie ohne entsprechende Rückhaltesysteme für Mensch und Maschine mit der Kettensäge in den Baum steigen und Arbeiten durchführen. Wir empfehlen stets von einer Arbeitsbühne aus die Arbeiten durchzuführen.
- Nicht zu weit vorgebeugt arbeiten.
- Kettensäge so führen, dass sich kein Körperteil im verlängerten Schwenkbereich der Sägekette befindet.
- Mit der Kettensäge nur Holz sägen.
- Nicht mit der laufenden Sägekette den Erdboden berühren.
- Bereich des Schnittes von Fremdkörpern wie Sand, Steine, Nägel usw. säubern. Fremdkörper beschädigen die Sägevorrichtung und können zum gefährlichen Rückschlag (Kickback) führen sowie weggeschleudert werden.
- Beim Sägen von Schnittholz sichere Auflage verwenden (wenn möglich Sägebock). Das Holz darf nicht mit dem Fuß oder einer weiteren Person festgehalten werden.
- Rundhölzer sind gegen Verdrehen im Schnitt zu sichern.
- Niemals ohne Krallenanschlag arbeiten, die Kettensäge kann den Bediener nach vorne reißen. Benutzen Sie den Krallenanschlag zum Schneiden von Baumstämmen oder dicken Ästen. Eine Benutzung des Krallenanschlages erhöht die Arbeitssicherheit, verringert die persönliche Belastung beim Arbeiten und Vibrationen werden verringert.
- Bei Fäll- und Ablängschnitten muss die Zackenleiste (Krallenanschlag) an das zu schneidende Holz angesetzt werden. Auch zum Durchsägen von dicken Ästen wird der Einsatz der Zackenleiste empfohlen.
- Vor jedem Ablängschnitt Zackenleiste fest ansetzen, erst dann mit laufender Sägekette in das Holz sägen. Die Säge wird dabei am hinteren Griff hochgezogen und am Bügelgriff geführt. Die Zackenleiste dient als Drehpunkt. Das Nachsetzen erfolgt mit leichtem Druck auf den Bügelgriff. Die Kettensäge dabei etwas zurückziehen. Zackenleiste tiefer ansetzen und erneut den hinteren Griff hochziehen.
- Vorsicht beim Schneiden von gesplittetem Holz. Es können abgeseigte Holzstücke mitgerissen werden (Verletzungsgefahr).
- Die Kettensäge kann beim Schneiden mit der Schienenseite in Richtung Bediener gestoßen werden, wenn die Sägekette einklemmt. Deshalb sollte nach Möglichkeit mit der Schienenunterseite gesägt werden, da die Kettensäge vom Körper weg in Richtung Holz gezogen wird.
- Holz unter Spannung muss immer zuerst auf der Druckseite eingeschnitten werden. Erst dann kann der Trennschnitt auf der Zugseite erfolgen. So wird das Einklemmen der Schiene vermieden.

- Wenn im Baum gearbeitet wird, kann die Motorsäge herunterfallen. Personen können schwer verletzt werden und Sachschaden kann entstehen. Motorsäge über die Aufhängevorrichtung sichern.
- Bevor die Sägekette im Schnittbereich geführt wird, kann es zum seitlichen Wegrutschen oder zum Springen der Motorsäge kommen.

⚠ ACHTUNG

Erhöhtes Rückschlagrisiko!

Um im Moment des „Durchsägens“ die volle Kontrolle zu behalten, reduzieren Sie gegen Ende des Schnitts den Anpressdruck, ohne den festen Griff an den Handgriffen der Kettensäge zu lösen. Achten Sie darauf, dass die Sägekette nicht den Boden berührt. Warten Sie nach Fertigstellung des Schnitts den Stillstand der Sägekette ab, bevor Sie die Kettensäge entfernen. Schalten Sie den Motor der Kettensäge immer aus, bevor Sie von Baum zu Baum wechseln.

⚠ WARNUNG

Bei längeren Arbeiten kann es auf Grund von Vibrationen in den Händen der Bedienungsperson zu Durchblutungsstörungen (Weißfingersyndrom) kommen.

Das Weißfingersyndrom ist eine Gefäßerkrankung, bei der die kleinen Blutgefäße an den Fingern und Zehen anfallartig verkrampfen. Die betroffenen Areale werden nicht mehr ausreichend mit Blut versorgt und erscheinen dadurch extrem blass. Der häufige Gebrauch von vibrierenden Geräten kann bei Personen, deren Durchblutung beeinträchtigt ist (z.B. Raucher, Diabetiker) Nervenschädigungen auslösen.

Wenn Sie ungewöhnliche Beeinträchtigungen bemerken, beenden Sie sofort die Arbeit und suchen Sie einen Arzt auf.

Beachten Sie die folgenden Hinweise, um die Gefahren zu reduzieren:

- Halten Sie Ihren Körper und besonders die Hände bei kaltem Wetter warm.
- Machen Sie regelmäßig Pausen und bewegen Sie dabei die Hände, um die Durchblutung zu fördern.
- Sorgen Sie für eine möglichst geringe Vibration der Maschine durch regelmäßige Wartung und feste Teile am Gerät.

7.10 Restrisiken

⚠ GEFAHR

VERLETZUNGSGEFAHR !

Kontakt mit der Sägekette kann zu tödlichen Schnittverletzungen führen.

Niemals mit den Händen in die laufende Sägekette greifen.

RÜCKSCHLAGEGEFAHR !

Rückschlag kann zu tödlichen Schnittverletzungen führen.

VERBRENNUNGSGEFAHR !

Kette und Führungsschiene erhitzen sich im Betrieb.

Das Gerät ist nach dem Stand der Technik und den anerkannten sicherheitstechnischen Regeln gebaut. Dennoch können beim Arbeiten einzelne Restrisiken auftreten.

Des Weiteren können trotz aller getroffener Vorkehrungen nicht offensichtliche Restrisiken bestehen.

Restrisiken können minimiert werden, wenn die „Sicherheits-hinweise“ und die „Bestimmungsgemäße Verwendung“, so-wie die Bedienungsanweisung insgesamt beachtet werden.

8. Technische Daten

Maschine ohne Schwert

Länge x Breite x Höhe	270 x 230 x 240 mm
Gewicht unbetankt, ohne Schneidgarnitur ca.	3,4 kg
Gewicht unbetankt, mit Schneidgarnitur ca.	3,8 kg
Tank für Kettenschmieröl	0,16 l
Kraftstofftank Inhalt	0,23 l
Öl- und Kraftstoffmischung	1:40
Schnittlänge	20 cm
Schwertlänge	30 cm
Automatische Kettenölung	ja
Kettenteilung	3/8" (9,525 mm)
Kettengliedstärke	1,27 mm
Kettentyp	3/8LP-40
Anzahl Zähne Antriebskettenrad	6
Zahnteilung Antriebskettenrad	3/8"
Schwerttyp	AP10-40-509P
Kettengeschwindigkeit max.	21 m/s
Motor	1 Zylinder, 2 Takt Luftgekühlt
Motorhubraum	25,4 cm ³

Max. Motorleistung nach ISO 7293.....	0,7 kW
Leerlaufdrehzahl n_0	3300 \pm 300 min ⁻¹
Maximaldrehzahl mit Schneidgarnitur.....	11000 min ⁻¹
Zündkerze.....	L8RTC

Der Schalldruckpegel ist in Abhängigkeit von der Nutzung und den zu verrichtenden Tätigkeiten so weit zu reduzieren, dass keine Beeinträchtigungen der Gesundheit des Bedieners entstehen. Der Schalldruckpegel am Arbeitsplatz kann 80 dB überschreiten. In dem Fall sind Schallschutzmaßnahmen für den Bediener erforderlich (z.B. Tragen eines Gehörschutzes).

Beschränken Sie die Geräusentwicklung und Vibration auf ein Minimum!

- Verwenden Sie nur einwandfreie Geräte.
- Warten und reinigen Sie das Gerät regelmäßig.
- Passen Sie Ihre Arbeitsweise dem Gerät an.
- Überlasten Sie das Gerät nicht.
- Lassen Sie das Gerät gegebenenfalls überprüfen.
- Schalten Sie das Gerät aus, wenn es nicht benutzt wird.
- Tragen Sie Handschuhe.

Gemessener Schalldruckpegel L_{pA}	99,2 dB
Unsicherheit K_{pA}	3 dB
Garantierter Schalleistungspegel L_{WA}	113 dB
Gemessener Schalleistungspegel L_{WA}	108,7 dB
Unsicherheit K_{WA}	3 dB

Vibration, vorderer Handgriff.....	8,98 m/s ²
Vibration, hinterer Handgriff.....	8,03 m/s ²
Unsicherheit.....	1,5 m/s ²

Tragen Sie einen Gehörschutz.

Die Einwirkung von Lärm kann Hörverlust bewirken.

Die angegebenen Geräuschemissionswerte sind nach einem genormten Prüfverfahren gemessen worden und können zum Vergleich eines Gerätes mit einem anderen verwendet werden.

Die angegebenen Geräuschemissionswerte können auch zu einer vorläufigen Einschätzung der Belastung verwendet werden.

Warnung:

- Die Geräuschemissionen können während der tatsächlichen Benutzung des Gerätes von den Angabewerten abweichen, abhängig von der Art und Weise, in der das Gerät verwendet wird, insbesondere, welche Art von Werkstück bearbeitet wird.
- Versuchen Sie, die Belastung so gering wie möglich zu halten. Beispielhafte Maßnahme: die Begrenzung der Arbeitszeit. Dabei sind alle Anteile des Betriebszyklus zu berücksichtigen (beispielsweise Zeiten, in denen das Gerät abgeschaltet ist, und solche, in denen es zwar eingeschaltet ist, aber ohne Belastung läuft).

9. Vor Inbetriebnahme

1. Öffnen Sie die Verpackung und nehmen Sie das Gerät vorsichtig heraus.
2. Entfernen Sie das Verpackungsmaterial sowie Verpackungs- und Transportsicherungen (falls vorhanden).
3. Überprüfen Sie, ob der Lieferumfang vollständig ist.
4. Kontrollieren Sie das Gerät und die Zubehörteile auf Transportschäden.
5. Bewahren Sie die Verpackung nach Möglichkeit bis zum Ablauf der Garantiezeit auf.
6. Entfernen Sie die Kurzanleitung am Startseilzug (8).

ACHTUNG

Gerät und Verpackungsmaterialien sind kein Kinderspielzeug! Kinder dürfen nicht mit Kunststoffbeuteln, Folien und Kleinteilen spielen! Es besteht Verschluckungs- und Erstickungsgefahr!

9.1 Montage der Führungsschiene (2) und Sägekette (1)

⚠️ WARNUNG

Verletzungsgefahr!

Tragen Sie immer Schutzhandschuhe, wenn Sie die Sägekette (1) berühren. Verletzungsgefahr durch die scharfen Schneidezähne!

Verwenden Sie nur zugelassene Kombinationen von Sägekette (1) und Führungsschiene (2) (siehe Kapitel „Zugelassene Schneidgarnturen“).

Führen Sie die Montage immer bei ausgeschaltetem Motor durch.

Hinweis

Eine neue Sägekette (1) längt sich und muss öfter nachgespannt werden. Überprüfen Sie regelmäßig die Kettenspannung und stellen Sie diese nach.

Je nach Verschleiß kann die Führungsschiene (2) gewendet werden.

1. Stellen Sie die Kettensäge auf eine ebene, stabile Unterlage.
2. Ziehen Sie den vorderen Handschutz (3) bis zum Anschlag nach hinten, um die Kettenbremse zu lösen. (Abb. 2)
3. Entfernen Sie die beiden Befestigungsmuttern (16) mit dem Zündkerzenschlüssel (20).
4. Nehmen Sie die Kettenradabdeckung (17) ab.
5. Drehen Sie die Kettenspannschraube (23) linksherum (gegen den Uhrzeigersinn), bis der Kettenspannstift (26) am rechten Anschlag steht (Abb. 3). Verwenden Sie hierzu den Schlitzschraubendreher (20).
6. Schieben Sie das Langloch der Führungsschiene (2) über die beiden herausstehenden Befestigungsbolzen (29).
7. Legen Sie die Sägekette (1) über die Zahnung des Kettenrades (27). Führen Sie die Sägekette (1) passgenau in die Führungsschiene (2) ein. In der Spitze der Führungsschiene (2) befindet sich ein Zahnrad (30), in dessen Zahnung die Sägekette (1) eingelegt werden muss. (Abb. 6 und 18)
8. Ziehen Sie etwas an der Führungsschiene (2), um die Sägekette (1) leicht vorzuspannen.
9. Setzen Sie die Kettenradabdeckung (17) wieder auf. Achten Sie darauf, dass der innenliegende Kettenspannstift (26) in die passende Bohrung der Führungsschiene (2) passt. Verstellen Sie ggf. die Kettenspannschraube (23) mit dem Schlitzschraubendreher (20).
10. Schrauben Sie die beiden Befestigungsmuttern (16) mit der Hand auf. Achten Sie aber darauf, dass Sie diese noch nicht fest anziehen. Die Befestigungsmuttern (16) werden erst nach dem Spannen der Sägekette (1) festgezogen.

9.2 Sägekette (1) spannen und prüfen

⚠ WARNUNG

Schutzhandschuhe anziehen! Verletzungsgefahr durch die scharfen Schneidezähne!

Überprüfen Sie die Kettenspannung regelmäßig vor jeder Inbetriebnahme.

Führen Sie Überprüfungen immer vor der Inbetriebnahme und bei ausgeschaltetem Motor durch.

1. Vor dem Spannen müssen Sie die beiden Befestigungsmuttern (16) mit dem Zündkerzenschlüssel (20) etwas lösen.

2. Drehen Sie die Kettenspannschraube (23) mit dem Schlitzschraubendreher (20) im Uhrzeigersinn, um die Spannung zu erhöhen.
3. Ziehen Sie die beiden Befestigungsmuttern (16) mit dem Zündkerzenschlüssel (20) fest an.
4. Die Sägekette (1) muss an der Schwertunterseite anliegen. Prüfen Sie, ob sich die Sägekette (1) (bei gelöster Kettenbremse, vorderen Handschutz (3) nach hinten ziehen) von Hand über die Führungsschiene (2) ziehen lässt.

HINWEIS

Eine neue Sägekette (1) längt sich und muss öfter nachgespannt werden.

9.3 Kraftstoff mischen

Der Motor muss mit einem Kraftstoffgemisch aus Benzin und Motoröl betrieben werden.

⚠ WARNUNG

Direkten Hautkontakt mit Kraftstoff und Einatmen von Kraftstoffdämpfen vermeiden.

Benutzen Sie nur ein Gemisch aus bleifreiem Benzin (min. ROZ 95) und speziellem 2-Takt-Motoröl (JASO FD/ISO - L - EGD). Mischen Sie das Kraftstoffgemisch nach der Kraftstoff-Mischtablelle an.

Geben Sie jeweils die richtige Menge Benzin und 2-Takt-Öl in den beiliegenden Mischbehälter (22) (siehe „Kraftstoff-Mischtablelle“). Schütteln Sie anschließend den Mischbehälter (22) gut durch.

9.3.1 Kraftstoff-Mischtablelle

Mischverfahren: 40 Teile Benzin auf 1 Teil Öl

**Benzin.....2-Takt-Öl
0,5 Liter 12,5 ml**

9.4 Kraftstoff einfüllen (Abb. 8)

⚠ WARNUNG

Füllen Sie den Kraftstoff nur bei ausgeschaltetem und abgekühltem Motor ein. Es besteht Brandgefahr!

1. Reinigen Sie immer den Bereich um den Kraftstofftankverschluss (13) vor dem Einfüllen, damit kein Schmutz in den Kraftstofftank fällt. Benutzen Sie hierzu ein trockenes, fusselfreies Tuch.
2. Legen Sie das Gerät auf die Seite, so dass der Kraftstoff-tankverschluss (13) nach oben zeigt.

3. Drehen Sie den Kraftstofftankverschluss (13) gegen den Uhrzeigersinn und öffnen Sie ihn. Der Kraftstofftankverschluss (13) ist mit einer Verliersicherung im Kraftstofftank verbunden und kann so nicht herunterfallen.
4. Füllen Sie das Kraftstoffgemisch in den Kraftstofftank. Verschütten Sie beim Auftanken keinen Kraftstoff und füllen Sie den Kraftstofftank nicht randvoll.
5. Wischen Sie verschütteten Kraftstoff sofort auf.
6. Drehen Sie den Kraftstofftankverschluss (13) im Uhrzeigersinn, um ihn zu verschließen.

HINWEIS

Kontrollieren Sie nach jedem Kraftstoffeinfüllen auch das Kettenöl.

9.5 Kraftstoff ablassen

Entleeren Sie den Kraftstofftank nur im Freien oder in gut belüfteten Räumen. Achten Sie darauf, dass kein Kraftstoff ins Erdreich gelangt (Umweltschutz). Verwenden Sie eine geeignete Unterlage.

1. Halten Sie einen Auffangbehälter unter den Kraftstofftank.
2. Schrauben Sie den Kraftstofftankverschluss (13) des Kraftstofftanks auf und entfernen Sie diesen.
3. Lassen Sie das Benzin-/Ölgemisch vollständig ab.
4. Schrauben Sie den Kraftstofftankverschluss (13) von Hand wieder fest.

9.6 Kettenöl einfüllen (Abb. 8)

WARNUNG

Füllen Sie das Sägekettenöl nur bei ausgeschaltetem und abgekühltem Motor ein. Es besteht Brandgefahr!

Niemals ohne Kettenschmierung arbeiten! Bei trocken laufender Sägekette (1) wird die Schneidgarnitur in kurzer Zeit irreparabel zerstört.

Vor der Arbeit immer Kettenschmierung überprüfen.

HINWEIS

Verwenden Sie nur Sägekettenöl. Vorzugsweise biologisch abbaubar. Verwenden Sie kein Altöl, Motoröl usw.

Kontrollieren Sie während der Arbeit, ob die Kettenschmierung funktioniert.

1. Reinigen Sie immer den Bereich um den Kettenöltankverschluss (11) vor dem Einfüllen, damit kein Schmutz in den Kettenöltank fällt. Benutzen Sie hierzu ein trockenes, fusselfreies Tuch.

2. Legen Sie das Gerät auf die Seite, so dass der Kettenöltankverschluss (11) nach oben zeigt.
3. Drehen Sie den Kettenöltankverschluss (11) gegen den Uhrzeigersinn und öffnen Sie ihn. Der Kettenöltankverschluss (11) ist mit einer Verliersicherung im Kettenöltank verbunden und kann so nicht herunterfallen.
4. Füllen Sie Bio-Kettenöl in den Kettenöltank. Verschütten Sie beim Auftanken kein Kettenöl und füllen Sie den Kettenöltank nicht randvoll.
5. Wischen Sie verschüttetes Kettenöl sofort auf.
6. Drehen Sie den Kettenöltankverschluss (11) im Uhrzeigersinn, um ihn zu verschließen.

10. Inbetriebnahme

VORSICHT

Beachten Sie bitte die gesetzlichen Bestimmungen zur Lärm-schutzverordnung.

Prüfen Sie das Gerät vor jeder Inbetriebnahme auf:

- Dichtheit des Treibstoffsystems
- einwandfreien Zustand und Vollständigkeit der Schutzeinrichtungen und der Schnittvorrichtung
- festen Sitz sämtlicher Verschraubungen
- Leichtgängigkeit aller beweglichen Teile

Arbeitshinweise

Machen Sie sich vor dem Einsatz mit dem Umgang der Kettensäge vertraut.

10.1 Starten des Motors

ACHTUNG

Entfernen Sie sich vor dem Starten des Motors mindestens 3 Meter vom Tankplatz (Abb. 9).

Ziehen Sie den Startseilzug (8) stets gerade heraus. Halten Sie den Griff des Startseilzugs (8) fest, wenn sich der Startseilzug (8) wieder einzieht. Lassen Sie den Startseilzug (8) nie zurückschnellen.

Lassen Sie sofort nach dem Starten des Motors den Gashebel (5) los. Stellen Sie sicher, dass die Motordrehzahl in den Leerlauf zurückgegangen ist, bevor Sie die Kettenbremse lösen (vorderen Handschutz (3) nach hinten drücken).

Ziehen Sie den Kaltstarthebel (Choke) (14) nur zum Starten heraus.

10.1.1 Starten bei kaltem Motor

WARNUNG

Schalten Sie die Kettenbremse vor jeder Inbetriebnahme ein (vorderen Handschutz (3) nach vorne drücken).

ACHTUNG

Lassen Sie niemals den Startseilzug (8) zurückschleudern. Dies kann zu Beschädigungen führen.

1. Entfernen Sie die Abdeckung der Führungsschiene (21).
2. Stellen Sie die Kettensäge auf einen stabilen und ebenen Untergrund. Die Sägekette (1) darf dabei den Boden nicht berühren.
3. Drücken Sie den vorderen Handschutz (3) nach vorne, bis dieser einrastet. Die Sägekette (1) wird durch die Kettenbremse blockiert.
4. Drücken Sie 6x die Kraftstoffpumpe „Primer“ (4). (Abb. 1)
5. Ziehen Sie den Kaltstarthebel (Choke) (14) heraus. (Abb. 10.2)
6. Halten Sie die Kettensäge am vorderen Handgriff (12) fest und ziehen Sie den Startseilzug (8) langsam bis zum ersten Widerstand heraus.
7. Ziehen Sie nun den Startseilzug (8) rasch an, bis der Motor startet. Sollte der Motor nicht starten, wiederholen Sie den Vorgang. So lange der Kaltstarthebel (Choke) (14) herausgezogen ist, läuft der Motor nur kurz an und geht wieder aus.
8. Sobald der Motor ausgegangen ist, betätigen Sie die Gashebelsperre (7) und den Gashebel (5) zusammen. Der Kaltstarthebel (Choke) (14) springt automatisch in die Betriebsstellung „Warmstart“. (Abb. 10.1)
9. Ziehen Sie nun erneut den Startseilzug (8) rasch an, bis der Motor startet.

Springt der Motor auch nach mehreren Versuchen nicht an, lesen Sie das Kapitel „Störungsabhilfe“.

HINWEIS

Bei hohen Außentemperaturen kann es vorkommen, dass auch bei kaltem Motor ohne Kaltstarthebel (Choke) (14) gestartet werden muss!

- Lösen Sie die Kettenbremse, indem Sie den vorderen Handschutz (3) nach hinten ziehen. (Abb. 2)

- **VORSICHT!** Die Kettenbremse ist jetzt gelöst. Wird der Gashebel (5) zusammen mit der Gashebelsperre (7) betätigt läuft die Sägekette (1) an.

10.1.2 Starten bei warmem Motor (Das Gerät stand für weniger als 15–20 Minuten still.)

WARNUNG

Schalten Sie die Kettenbremse vor jeder Inbetriebnahme ein (vorderen Handschutz (3) nach vorne drücken).

1. Drücken Sie den vorderen Handschutz (3) nach vorne, bis dieser einrastet. Die Sägekette (1) wird durch die Kettenbremse blockiert.
2. Der Kaltstarthebel (Choke) (14) muss zum Starten des warmen Motors nicht gezogen werden.
3. Halten Sie die Kettensäge am vorderen Handgriff (12) fest und ziehen Sie den Startseilzug (8) langsam bis zum ersten Widerstand heraus.
4. Ziehen Sie nun den Startseilzug (8) rasch an. Das Gerät sollte nach 1–2 Zügen starten. Falls das Gerät nach 6 Zügen immer noch nicht startet, wiederholen Sie den Vorgang unter „Starten bei kaltem Motor“.

10.2 Motor abstellen

10.2.1 Not-Aus-Schrittfolge

Falls es notwendig ist, das Gerät sofort zu stoppen, drücken Sie den Ein-/Austaster (15) auf Stellung „0“ und halten Sie ihn auf dieser Stellung gedrückt, bis der Motor zum Stillstand gekommen ist.

10.2.2 Normale Schrittfolge

1. Lassen Sie den Gashebel (5) los. Der Motor geht in Leerlaufgeschwindigkeit über.
2. Drücken Sie den Ein-/Austaster (16) auf Stellung „0“ und halten Sie ihn auf dieser Stellung gedrückt, bis der Motor zum Stillstand gekommen ist.

10.3 Betrieb im Leerlauf

ACHTUNG

Im Leerlauf muss die Sägekette (1) stillstehen.

HINWEIS

Wenn sich die Sägekette (1) im Leerlauf bewegt oder der Motor bei Gaswegnahme von alleine ausgeht, muss eine Vergasereinstellung vorgenommen werden (siehe Kapitel „Wartung der Vergasereinstellungen“).

1. Heben Sie die Kettensäge auf.
2. Halten Sie mit der linken Hand den vorderen Handgriff (12) fest.
3. Halten Sie mit der rechten Hand den hinteren Handgriff (6) fest. Dabei liegt der Handballen auf der Gashebelsperre (7) und der Zeigefinger betätigt den Gashebel (5).
4. Nach einmaliger Betätigung des Gashebels (5) läuft der Motor im Leerlauf.
5. Lassen Sie den Motor kurz warmlaufen.

10.4 Kettenschmierung prüfen und einstellen

⚠ ACHTUNG

- Niemals ohne Kettenschmierung arbeiten! Bei trocken laufender Sägekette (1) wird die Schneidgarnitur in kurzer Zeit irreparabel zerstört.
- Vor der Arbeit immer Kettenschmierung überprüfen.

Hinweis

Verwenden Sie nur Sägekettenöl, vorzugsweise biologisch abbaubar. Verwenden Sie kein Altöl, Motoröl usw.

Halten Sie die Kettensäge im laufenden Betrieb, bei mittlerer Drehzahl über einen abgesägten Baumstumpf oder einer passenden Unterlage. Ist die Schmierung ausreichend, bildet sich ein leichter Ölfilm auf dem Baumstumpf oder der Unterlage.

- Falls notwendig kann die Kettenschmierung durch die Ölregulierungsschraube (32) erhöht oder verringert werden (Abb.11).
- Nehmen Sie hierzu den mitgelieferten Schlitzschraubendreher (20) zur Hilfe:
 - Drücken Sie zuerst und drehen dann die Ölregulierungsschraube (32) im Uhrzeigersinn, um die Kettenschmierung zu verringern.
 - Drücken Sie zuerst und drehen dann die Ölregulierungsschraube (32) gegen den Uhrzeigersinn, um die Kettenschmierung zu erhöhen.

10.5 Kettenbremse prüfen

⚠ WARNUNG

Die Kettenbremse muss vor jeder Inbetriebnahme geprüft werden.

Die Kettenbremse bremst die Sägekette (1) bei einem Rückschlag sofort ab.

1. Achten Sie darauf, dass der vordere Handschutz (3) frei von Schmutz ist und sich leicht bewegen lässt.
2. Starten Sie die Kettensäge, und beschleunigen Sie die Sägekette (1) auf volle Geschwindigkeit (Vollgas).

3. Betätigen Sie bei laufender Sägekette (1) den vorderen Handschutz (3). Die Kettenbremse muss die Sägekette (1) bei max. Geschwindigkeit abbremsen und blockieren.

⚠ WARNUNG

Eine erhöhte Motordrehzahl über eine zu lange Zeit, bei blockierter Kettenbremse schadet dem Motor und dem Kettenantrieb.

Sollte sich die Sägekette (1) dennoch bewegen, kontaktieren Sie den Kunden-Service.

11. Anwendung

11.1 Entastungsarbeiten

- Beachten Sie grundsätzlich die Gefahr von zurückschlagenden Ästen.
- Stehen Sie nicht auf dem Stamm beim Entasten.
- Sägen Sie nicht mit der Schienenspitze. (Abb. 7)
- Sägen Sie nie mehrere Äste auf einmal.
- Stützen Sie die Kettensäge beim Entasten möglichst mit dem Krallenanschlag (24) ab.
- Achten Sie darauf, dass am Ende des Schnittes die Kettensäge durch ihr Eigengewicht durchschwenken kann. Sie wird nicht mehr im Schnitt gestützt, halten Sie entsprechend dagegen.
- Nehmen Sie einen festen, stabilen und sicheren Stand beim Entasten ein.

11.1.1 Entastungsarbeiten in Teilstücken

Kürzen Sie lange bzw. dicke Äste, bevor Sie den finalen Trennschnitt vornehmen. Die Sägekette (1) kann ansonsten leicht verklemmen.

11.1.2 Unter Spannung stehendes Holz bearbeiten

Die richtige Reihenfolge beim Bearbeiten von unter Spannung stehendem Holz muss unbedingt eingehalten werden. Ansonsten kann sich die Sägekette (1) verklemmen oder es kann zu einem Rückschlag kommen.

Holz unter Spannung muss immer zuerst auf der Druckseite eingeschnitten werden. Erst dann kann der Trennschnitt auf der Zugseite erfolgen. (Abb. 24)

So wird das Einklemmen der Sägekette (1) vermieden.

ACHTUNG

Sachschaden!

Liegendes Holz darf an der Unterseite der Schnittstelle nicht den Boden berühren, da ansonsten die Sägekette (1) beschädigt werden kann.

Rückstoß

- Das Verkleben der Sägekette (1) an der Oberkante der Führungsschiene (2) kann die Kettensäge schnell unkontrolliert in Bedienrichtung zurückstoßen.

Hineinziehen

- Das Verkleben der Sägekette (1) an der Unterkante der Führungsschiene (2) kann die Kettensäge schnell unkontrolliert von der Bedienrichtung wegziehen.

Sicheres Arbeiten

- Halten Sie das Gerät in einem guten Gebrauchszustand, um Verletzungen vorzubeugen.
- Prüfen Sie nach Fallenlassen das Gerät auf signifikante Schäden oder Defekte.
- Benutzen Sie das Gerät nicht auf einer Leiter stehend oder auf einem unsicheren Standplatz.
- Lassen Sie sich nicht zu einem unüberlegten Schnitt verleiten. Das könnte Sie selbst und andere gefährden.
- Wechseln Sie regelmäßig Ihre Arbeitsposition. Eine längere Benutzung des Gerätes kann zu vibrationsbedingten Durchblutungsstörungen der Hände führen. Sie können die Benutzungsdauer jedoch durch geeignete Handschuhe oder regelmäßige Pausen verlängern. Achten Sie darauf, dass die persönliche Veranlagung zu schlechter Durchblutung, niedrige Außentemperaturen oder große Greifkräfte beim Arbeiten die Benutzungsdauer verringern.

11.2 Holzstamm ist nach unten gebogen

1. Sägen Sie zuerst den Entlastungsschnitt 1 (ca. 1/3 des Stammdurchmessers) auf der Druckseite.
2. Führen Sie dann den Trennschnitt 2 (ca. 2/3 des Stammdurchmessers) auf der Zugseite aus.

11.3 Holzstamm ist nach oben gebogen

1. Sägen Sie zuerst den Entlastungsschnitt 1 (ca. 1/3 des Stammdurchmessers) auf der Druckseite.
2. Führen Sie dann den Trennschnitt 2 (ca. 2/3 des Stammdurchmessers) auf der Zugseite aus.

11.4 Baumpflegesägeneinsatz zum Baumschnitt in Kombination mit der Seilklettertechnik

Dieser Anhang präsentiert angemessene Arbeitsweisen zur Reduktion der Verletzungsgefahr durch den Gebrauch von Kettensägen für die Baumpflege beim Arbeiten in der Höhe mit Seil und Tragegurt. Auch wenn er als Leitfaden und Ausbildungslektüre dienen kann, sollte er nicht als Ersatz für die formale Ausbildung betrachtet werden. Der in diesem Anhang gegebene Leitfaden dient nur als Beispiel für eine gute Arbeitsweise.

Nationale oder andere Vorschriften, die strenger sein könnten, können Anwendung finden.

Der Benutzer einer Kettensäge für die Baumpflege, der in der Höhe mit Seil und Tragegurt arbeitet, sollte niemals alleine arbeiten. Ein Bodenarbeiter, der für entsprechende Notfallmaßnahmen ausgebildet ist, sollte gegenwärtig sein und ihm assistieren.

Der Benutzer sollte in allgemeinen, sicheren Kletter- und Arbeitspositioniertechniken ausgebildet sein, und er sollte mit Tragegurt, Seil, Schlingen, Karabinern und sonstiger Ausrüstung zwecks Erhalt sicherer und richtiger Arbeitspositionen sowohl für sich selbst als auch für die Säge ausgestattet sein. Nationale Gesetze und Vorschriften sind immer strikt einzuhalten.

Dieser Anhang befasst sich weder mit Techniken zur Kontrolle der von der Kettensäge abgeschnittenen Äste und Zweige noch enthält er die bereits behandelten Punkte zum sicheren Gebrauch.

11.4.1 Allgemeine Anforderungen

Der Benutzer einer Kettensäge für die Baumpflege, der in der Höhe mit Seil und Tragegurt arbeitet, sollte niemals alleine arbeiten. Ein Bodenarbeiter, der für entsprechende Notfallmaßnahmen ausgebildet ist, sollte gegenwärtig sein und ihm assistieren.

Der Benutzer sollte in allgemeinen, sicheren Kletter- und Arbeitspositioniertechniken ausgebildet sein, und er sollte mit Tragegurt, Seil, Schlingen, Karabinern und sonstiger Ausrüstung zwecks Erhalt sicherer und richtiger Arbeitspositionen sowohl für sich selbst als auch für die Säge ausgestattet sein.

11.4.2 Vorbereitung vor dem Gebrauch der Baumpflegesäge im Baum

Die Kettensäge sollte vom Bodenarbeiter geprüft, betankt, angelassen und warmgelaufen und dann ausgeschaltet werden, bevor sie zu dem Benutzer im Baum hochgezogen wird.

Die Kettensäge sollte mit einer passenden Schlinge versehen sein, damit sie am Tragegurt des Benutzers angebracht werden kann (Abb. 13):

- Die Schlinge ist an der auf der Rückseite der Säge befindlichen Aufhängevorrichtung (19) zu sichern (Abb. 12).
- Passende Karabiner sind bereitzustellen, um indirekte (d. h. durch die Schlinge) und direkte (d. h. an der Aufhängevorrichtung (19) der Kettensäge) Befestigung der Säge am Tragegurt des Benutzers zu ermöglichen.
- Für eine sichere Befestigung der Kettensäge ist Sorge zu tragen, wenn sie zu dem Benutzer hochgezogen wird (Abb. 14).
- Es ist sicherzustellen, dass die Kettensäge am Tragegurt befestigt ist, bevor sie vom Hubseil gelöst wird.

Durch die Möglichkeit, die Kettensäge direkt am Tragegurt zu befestigen, sinkt die Gefahr, dass die Ausrüstung beim Bewegen im Baum beschädigt wird. Die Kettensäge sollte immer ausgeschaltet sein, wenn sie direkt am Tragegurt befestigt ist. Die Kettensäge sollte nur an den empfohlenen Aufhängevorrichtungen am Tragegurt angebracht werden. Diese dürfen in der Mitte (vorn oder hinten) oder an den Seiten sein. Wo immer möglich, ist die Kettensäge am zentrierten hinteren Mittelpunkt des Tragegurts anzubringen, um sie von Kletterseilen fernzuhalten und um das Gewicht mittig unter der Wirbelsäule des Benutzers abzufangen.

Wird die Kettensäge von irgendeiner Aufhängevorrichtung zur anderen bewegt, sollten die Benutzer sicherstellen, dass die Kettensäge in der neuen Position gesichert ist, bevor sie von der vorherigen Aufhängevorrichtung gelöst wird.

11.5 Einsatz der Kettensäge im Baum

Eine Analyse der Unfälle mit diesen Kettensägen bei Baumpflegearbeiten zeigt, dass die Hauptursache in der unsachgemäßen einhändigen Benutzung der Kettensäge liegt. Bei den meisten Unfällen nehmen die Benutzer keine gesicherte Arbeitsposition ein, die es ihnen erlaubt die Kettensäge an beiden Griffen zu halten, was zu einer erhöhten Verletzungsgefahr durch Folgendes führt:

- Fehlender fester Griff beim Rückschlag der Kettensäge.
- Fehlende Kontrolle der Kettensäge, so dass es leichter passieren kann, dass sie mit Kletterseilen und mit dem Körper des Benutzers (besonders mit der linken Hand und dem Arm) in Berührung kommt.

- Kontrollverlust durch eine unsichere Arbeitsposition und damit Kontakt mit der Kettensäge (unerwartete Bewegungen während der Arbeit mit der Kettensäge).

11.6 Gesicherte Arbeitsposition bei beidhändiger Benutzung

Damit die Kettensäge mit beiden Händen gehalten werden kann, sollten die Benutzer grundsätzlich versuchen, eine gesicherte Arbeitsposition einzunehmen, bei der die Säge wie folgt geführt wird:

- in Hüfthöhe beim Sägen horizontaler Stücke.
- in Höhe des Magens beim Sägen vertikaler Stücke.

Arbeitet der Benutzer nahe am vertikal verlaufenden Stamm mit geringen seitlichen Kräften zur Arbeitsposition, könnte ein sicherer Fußhalt für eine sichere Arbeitsposition ausreichend sein. Sobald sich die Benutzer jedoch vom Stamm entfernen, müssen sie zusätzliche Maßnahmen ergreifen, um die zunehmenden seitlichen Kräfte abzubauen oder ihnen entgegenzuwirken, z. B. durch Umlenken des Hauptseils über eine zusätzliche Aufhängevorrichtung oder durch Einsatz einer verstellbaren Schlinge, die vom Gurtgeschirr zu einer zusätzlichen Aufhängevorrichtung führt (Abb. 15 und 16).

11.6.1 Starten der Baumpflegesäge im Baum

Beim Anlassen der Kettensäge im Baum sollte der Benutzer:

- die Kettenbremse vor dem Anlassen betätigen (vorderen Handschutz (3) nach vorne drücken).
- die Kettensäge beim Anlassen links oder rechts vom Körper halten:
 - Die Kettensäge an der linken Seite mit der linken Hand am Vordergriff haltend und die Kettensäge vom Körper wegstoßend, während das Anwerfseil in der rechten Hand gehalten wird.
 - Die Kettensäge an der rechten Seite mit der rechten Hand an einem der beiden Griffe haltend und die Kettensäge vom Körper wegstoßend, während das Anwerfseil in der linken Hand gehalten wird.

Die Kettenbremse sollte immer aktiviert sein, bevor die laufende Kettensäge an ihrem Trageil abgesenkt wird.

Vor schwierigen Sägearbeiten sollte der Benutzer immer darauf achten, dass die Kettensäge ausreichend Kraftstoff hat.

11.6.2 Einhändige Benutzung der Kettensäge

Benutzer sollten Kettensägen für die Baumpflege nicht einhändig in unstabilen Arbeitspositionen oder anstelle einer Handsäge zum Absägen von Astspitzen mit geringem Durchmesser verwenden.

Kettensägen für die Baumpflege sollten nur dann einhändig benutzt werden, wenn

- a. es den Benutzern nicht möglich ist, eine Arbeitsposition zu erlangen, die beidhändigen Einsatz zulässt.
- b. es notwendig ist, mit einer Hand die Arbeitsposition abzusichern.
- c. die Kettensäge in einer vollständig ausgestreckten Haltung, im rechten Winkel zu und außerhalb einer Linie zum Körper des Benutzers eingesetzt wird.

Benutzer sollten niemals:

- Mit dem Rückschlagbereich an der Spitze der Führungsschiene (2) der Kettensäge sägen.
- Sich an dem Ast festhalten, an dem sie sägen.
- Versuchen, fallende Teile zu fangen.

11.6.3 Lösen einer verklemmten Kettensäge

Falls sich die Kettensäge während des Schneidens einklemmt, sollte der Benutzer:

1. Die Kettensäge ausschalten und sie sicher zum Innern des Baumes hin (d. h. hin zum Baumstamm) oder an einem separaten Werkzeugseil befestigen.
2. Die Kettensäge aus der Kerbe ziehen, während der Ast so weit wie nötig angehoben wird,
3. Wenn nötig, eine Handsäge oder zweite Kettensäge verwenden, um die verklemmte Kettensäge zu lösen, indem mindestens 30 cm entfernt von der eingeklemmten Kettensäge geschnitten wird.

Unabhängig davon, ob eine Hand- oder Kettensäge zum Lösen einer eingeklemmten Kettensäge verwendet wird, sollten die Schnitte zum Lösen der Kettensäge immer außen (hin zu den Astspitzen) erfolgen, damit die Kettensäge nicht mit den abgesägten Teilen mitgenommen wird und die Situation weiter kompliziert.

12. Transport

- Verwenden Sie stets die Abdeckung der Führungsschiene (21) beim Transport.
- Schalten Sie die Kettensäge vor jedem Transport ab, auch bei kürzeren Strecken. Sichern Sie die Maschine während des Transports (auch in Fahrzeugen) gegen Umkippen, um Kraftstoffverlust, Schäden oder Verletzungen zu vermeiden.
- Aktivieren Sie die Kettenbremse (vorderen Handschutz (3) nach vorne drücken).
- Tragen Sie das Gerät nur am vorderen Handgriff (12). Die Führungsschiene (2) zeigt dabei nach hinten, von Ihrem Körper abgewandt.

- Halten Sie den heißen Schalldämpfer (18) vom Körper weg. Es besteht Verbrennungsgefahr! (Abb. 23)

13. Reinigung und Wartung

WARNUNG

Verletzungsgefahr!

Schalten Sie das Gerät vor Reinigungsarbeiten immer aus und ziehen den Zündkerzenstecker (35) ab.

(siehe Kapitel 13.4 Wartung der Zündkerze (34)).

Hinweis

Nach jedem Gebrauch sollte das Gerät gründlich gereinigt werden.

Führen Sie die Reinigungs- und Wartungsarbeiten nur soweit aus, wie in dieser Bedienungsanleitung angegeben. Weiterführende Arbeiten müssen von Fachpersonal ausgeführt werden.

Wartungsarbeiten müssen regelmäßig durchgeführt werden (siehe Kapitel „Wartungsintervalle“).

13.1 Reinigung der Motoreinheit

WARNUNG

Verbrennungsgefahr!

Heiße Schalldämpfer, Zylinder oder Kühlrippen nicht berühren.

- Halten Sie Schutzvorrichtungen, Luftschlitze und das Motorengehäuse so staub- und schmutzfrei wie möglich. Blasen Sie es mit Druckluft bei niedrigem Druck aus.
- Reinigen Sie das Gerät regelmäßig mit einem feuchten Tuch und etwas Spülmittel. Achten Sie darauf, dass kein Wasser in das Geräteeinnere gelangen kann.

13.2 Reinigung des Luftfilters (33) (Abb. 17)

Verschmutzte Luftfilter verringern die Motorleistung durch zu geringe Luftzufuhr zum Vergaser.

Regelmäßige Kontrolle ist daher unerlässlich. Der Luftfilter (33) sollte regelmäßig kontrolliert werden und bei Bedarf gereinigt werden.

Bei sehr staubiger Luft ist der Luftfilter (33) häufiger zu überprüfen.

1. Lösen Sie den Verschluss für die Luftfilterabdeckung (10) durch Drehen gegen den Uhrzeigersinn.
2. Entfernen Sie die Luftfilterabdeckung (9).
3. Entnehmen Sie den Luftfilter (33).
4. Reinigen Sie den Luftfilter (33) durch Ausklopfen oder Ausblasen (mit Druckluft).

Der Zusammenbau erfolgt in umgekehrter Reihenfolge.

ACHTUNG

Luffilter (33) nie mit Benzin oder brennbaren Lösungsmitteln reinigen.

13.3 Reinigung des Kettenantriebes

WARNUNG

Verletzungsgefahr!

Tragen Sie immer Schutzhandschuhe, wenn Sie die Sägekette (1) berühren. Verletzungsgefahr durch die scharfen Schneidezähne!

Hinweis

Reinigen Sie den Kettenantrieb nach jedem Gebrauch.

1. Stellen Sie die Kettensäge auf eine ebene, stabile Unterlage.
2. Ziehen Sie den vorderen Handschutz (3) bis zum Anschlag nach hinten, um die Kettenbremse zu lösen. (Abb. 2)
3. Drehen Sie die Kettenspannschraube (23) mit dem Schlitzschraubendreher (20) gegen den Uhrzeigersinn, um die Spannung zu reduzieren.
4. Entfernen Sie die beiden Befestigungsmuttern (16) mit dem Zündkerzenschlüssel (20).
5. Nehmen Sie die Kettenradabdeckung (17) ab.
6. Nehmen Sie die Sägekette (1) vorsichtig von der Führungsschiene (2) und dem Kettenrad (27) ab.
7. Entfernen Sie die Führungsschiene (2). Reinigen Sie diese mit einem Pinsel.
8. Reinigen Sie nun gründlich den kompletten Kettenantriebsbereich und die Kettenradabdeckung (17) mit einem Pinsel oder durch Ausblasen (mit Druckluft).

Der Zusammenbau erfolgt in umgekehrter Reihenfolge.

13.4 Wartung der Zündkerze (34) (Abb. 19 / 20)

1. Demontieren Sie den Luffilter (33) wie unter 13.2 „Reinigung des Luffilters (33)“ beschrieben.
2. Ziehen Sie den Zündkerzenstecker (35) ab, in dem Sie ihn nach links und rechts drehen und gleichzeitig an ihm ziehen. Halten und ziehen Sie den Zündkerzenstecker (35) ausschließlich am Stecker. Ziehen Sie niemals am Kabel!
3. Lösen Sie die Zündkerze (34) mit dem beiliegenden Zündkerzenschlüssel (20).
4. Der Zusammenbau erfolgt in umgekehrter Reihenfolge.

Elektrodenabstand = 0,6 mm - 0,7 mm (Abstand zwischen den Elektroden, zwischen welchen der Zündfunke erzeugt wird). Überprüfen Sie die Zündkerze (34) erstmals nach 10 Betriebsstunden auf Verschmutzung und reinigen Sie diese gegebenenfalls mit einer Kupferdrahtbürste.

Danach die Zündkerze (34) alle 50 Betriebsstunden warten.

13.5 Wartung der Kettenschmierung

- Siehe Kapitel „Kettenschmierung prüfen und einstellen“.

13.6 Wartung der Vergasereinstellungen

- Wenn sich die Sägekette (1) im Leerlauf bewegt oder der Motor bei Gaswegnahme von alleine ausgeht, muss eine Vergasereinstellung vorgenommen werden.

Hinweis

Lassen Sie die Vergasereinstellungen (z. B. die Leerlaufdrehzahl) nur von qualifiziertem Fachpersonal durchführen, um Motorschäden zu vermeiden.

13.7 Wartung der Führungsschiene (2)

- Entfernen Sie eventuell entstandene Grate an der Schienenkante mit Hilfe einer Metallfeile.
- Reinigen Sie die Nut der Führungsschiene (2) mit Hilfe eines Pinsels oder mit Druckluft (Abb.21). Wechseln Sie die Führungsschiene (2) aus, sobald die Führungsnut (28) verschlissen ist.
- Drehen Sie die Führungsschiene (2) nach jedem Einsatz, um eine gleichmäßige Abnutzung zu gewährleisten.
- Überprüfen Sie das Zahnrad (30) an der Spitze der Führungsschiene (2) auf Leichtgängigkeit. Schmieren Sie es ggf. mit einem Lageröl. Lassen Sie etwas Lageröl in die Schmieröffnung (31) tropfen. (Abb. 21)

13.8 Kettenbremse prüfen

Siehe Kapitel 10.5 „Kettenbremse prüfen“

WARNUNG

RÜCKSCHLAGGEFAHR!

Eine nicht funktionierende Kettenbremse erhöht das Rückschlagrisiko.

Prüfen Sie die Kettenbremse regelmäßig.

Eine funktionstüchtige Kettenbremse ist für Ihre Sicherheit unerlässlich.

13.9 Sägekette (1) spannen und prüfen

Siehe Kapitel 9.2 „Sägekette (1) spannen und prüfen“

13.10 Sägekette (1) schärfen und pflegen

WARNUNG

Verletzungsgefahr!

Tragen Sie immer Schutzhandschuhe, wenn Sie die Sägekette (1) berühren. Verletzungsgefahr durch die scharfen Schneidezähne!

Hinweis

Eine optimal gepflegte und geschärfte Sägekette (1) verringert die körperliche Belastung, den Verschleiß und führt zu einem guten Schnittergebnis.

Reinigen, pflegen und schärfen Sie die Sägekette (1) regelmäßig.

Kontrollieren Sie die Sägekette (1) regelmäßig auf Risse und beschädigte Nieten.

Ein Schleifbock kann an der Schleifbockhilfe für den sicheren Halt während des Schleifens befestigt werden.

Benutzen Sie nur spezielle Sägekettenrundfeilen mit einem \varnothing 4,8 mm (3/16") für die im Lieferumfang enthaltene Sägekette (1).

In einem Schärfsset finden Sie detaillierte Informationen zum Schärfvorgang.

Alternativ benutzen Sie ein elektrisches Kettenschärfgerät und folgen Sie den Anweisungen des Herstellers.

Im Zweifel über die Durchführung der Arbeit ist ein Austausch der Sägekette (1) vorzunehmen.

Lassen Sie ggf. das Schärfen der Sägekette (1) von einer Fachwerkstatt durchführen.

- Benötigtes Zubehör (nicht im Lieferumfang enthalten):
 - Sägekettenrundfeile \varnothing 4,8 mm (3/16")
 - Flachfeile
 - Tiefenbegrenzungslehre
- Feilen Sie nur in Vorwärtsbewegung, um Material abzunehmen.
- Feilen Sie mit einem Schärfwinkel von ca. 25° bei einer Steigung von 10° zur Führungsschiene (2).
- Überprüfen Sie den Abstand der Tiefenbegrenzung mit einer Tiefenbegrenzungslehre.
- Der richtige Abstand des Tiefenbegrenzers sollte 0,6 mm (0,024") betragen.

13.11 Wartungsintervalle

Für eine lange Lebensdauer sowie zur Vermeidung von Schäden und zur Sicherstellung der vollen Funktion der Sicherheitseinrichtungen, müssen die nachfolgend beschriebenen Wartungsarbeiten regelmäßig durchgeführt werden. Garantiesprüche werden nur dann anerkannt, wenn diese Arbeiten regelmäßig und ordnungsgemäß ausgeführt wurden. Bei Nichtbeachtung besteht Unfallgefahr!

Benutzer von Kettensägen dürfen nur Wartungs- und Pflegearbeiten durchführen, die in dieser Betriebsanleitung beschrieben sind.

Darüberausgehende Arbeiten dürfen nur von einer Fachwerkstatt ausgeführt werden.

Allgemein	Gesamte Baumpflegesäge	Äußerlich reinigen und auf Beschädigungen überprüfen. Bei Beschädigungen umgehend fachgerechte Reparatur veranlassen.
	Sägekette	Regelmäßig nachschärfen, rechtzeitig erneuern.
	Kettenbremse	Regelmäßig in der Fachwerkstatt überprüfen lassen
	Führungsschiene	Wenden, damit die belasteten Laufflächen gleichmäßig abnutzen. Rechtzeitig erneuern.
Vor jeder Inbetriebnahme	Sägekette	Auf Beschädigungen und Schärfe überprüfen. Kettenspannung kontrollieren.
	Führungsschiene	Auf Beschädigungen überprüfen.
	Kettenschmierung	Funktionsprüfung
	Kettenbremse	Funktionsprüfung
	Ein-/Austaster, Gashebel-sperre, Gashebel	Funktionsprüfung
	Kraftstoff- und Kettenöltankverschluss	Auf Dichtigkeit überprüfen.
Täglich	Luftfilter	Reinigen
	Führungsschiene	Auf Beschädigungen prüfen, Öleintrittsbohrung reinigen
	Schienenaufnahme	Reinigen, insbesondere die Ölführungsnut
	Leerlaufdrehzahl	Kontrollieren (Kette darf nicht mitlaufen)
wöchentlich	Ventilatorgehäuse	Reinigen, um einwandfreie Kühlluftführung zu gewährleisten
	Zündkerze	Überprüfen, ggf. erneuern
	Schalldämpfer	Auf Zusetzung überprüfen
	Kettenfänger	Auf Beschädigungen prüfen, ggf. erneuern
	Schrauben und Muttern	Zustand und festen Sitz prüfen
vierteljährlich	Saugkopf Kraftstoff-, Kettenöltank	Auswechseln Reinigen
Lagerung	gesamte Baumpflegesäge	Äußerlich reinigen und auf Beschädigungen überprüfen Bei Beschädigungen umgehend fachgerechte Reparatur veranlassen
	Sägekette und -schiene	Demontieren, reinigen und leicht einölen Führungsnut der Führungsschiene reinigen
	Kraftstoff-, Kettenöltank	Entleeren und reinigen
	Vergaser	Leerfahren

13.12 Wichtiger Hinweis im Fall einer Reparatur

Bei Rücklieferung des Gerätes zur Reparatur beachten Sie bitte, dass das Gerät aus Sicherheitsgründen öl- und benzinfrei an die Servicestation gesendet werden müssen.

13.13 Service-Informationen

Es ist zu beachten, dass bei diesem Produkt folgende Teile einem gebrauchsgemäßen oder natürlichen Verschleiß unterliegen bzw. folgende Teile als Verbrauchsmaterialien benötigt werden.

Verschleißteile*: Sägekette, Führungsschiene, Kettenöl, Motoröl, Zündkerze, Luftfilter, Kraftstofffilter, Kettenölfilter

* nicht zwingend im Lieferumfang enthalten!

Zugelassene Schneidgarntur

Sägekette

Kangxin 3/8LP-40.....7910100739

Oregon 91P040X.....3910102032

Führungsschiene

Kangxin AP10-40-509P7910100740

Oregon 100SDEA0417910100744

14. Lagerung

Der Zündkerzenschlüssel / Schlitzschraubendreher (20) kann zur Aufbewahrung seitlich an der Abdeckung der Führungsschiene (21) angebracht werden.

Verwenden Sie stets die Abdeckung der Führungsschiene (21) bei der Lagerung.

Reinigen und Warten Sie das Gerät vor jeder Lagerung, siehe Kapitel „Reinigung und Wartung“.

Entleeren Sie den Öl- bzw. Kraftstofftank komplett.

WARNUNG

Entfernen Sie das Benzin nicht in geschlossenen Räumen, in der Nähe von Feuer oder beim Rauchen. Gasdämpfe können Explosionen oder Feuer verursachen.

- Starten Sie den Motor und lassen Sie diesen so lange laufen, bis das restliche Benzin verbraucht ist.

Lagern Sie das Gerät und dessen Zubehör an einen dunklen, trockenen und frostfreiem sowie für Kinder unzugänglichem Ort. Die optimale Lagertemperatur liegt zwischen 5 und 30°C.

Lagern und benutzen Sie die Kettensäge nicht bei Temperaturen unter 0 °C!

Verstauen Sie eine Kettensäge nie länger als 30 Tage, ohne folgende Schritte zu durchlaufen.

Befolgen Sie die Reinigungs- und Wartungshinweise vor Einlagerung des Gerätes!

14.1 Verstauen der Kettensäge

Wenn Sie eine Kettensäge länger als 30 Tage verstauen, muss sie hierfür hergerichtet werden. Andernfalls verdunstet der im Vergaser befindliche, restliche Kraftstoff und lässt einen gummiartigen Bodensatz zurück. Dies könnte den Start erschweren und teure Reparaturarbeiten zur Folge haben.

1. Nehmen Sie die Kraftstofftankverschluss (13) langsam ab, um eventuellen Druck im Tank abzulassen. Entleeren Sie vorsichtig den Tank.
2. Starten Sie den Motor und lassen Sie ihn laufen, bis die Kettensäge anhält, um den Kraftstoff aus dem Vergaser zu entfernen.
3. Lassen Sie den Motor abkühlen (ca. 5 Minuten).
4. Entfernen Sie die Zündkerze (34).
5. Geben Sie 1 Teelöffel sauberes 2-Takt-Öl in die Verbrennungskammer. Ziehen Sie mehrere Male langsam am Startseilzug (8), um die internen Komponenten zu beschichten. Setzen Sie die Zündkerze (34) wieder ein.

Verstauen Sie die Kettensäge an einem trockenen Ort und weit entfernt von möglichen Entzündungsquellen, z.B. Ofen, Heißwasserboiler mit Gas, Gastrockner, etc. außerhalb der Reichweite von Kindern.

Bringen Sie immer die Abdeckung der Führungsschiene (21) an, sollten die Sägekette (1) und die Führungsschiene (2) nicht demontiert sein

14.2 Erneutes Inbetriebnehmen der Kettensäge

1. Entfernen Sie die Zündkerze (34).
2. Ziehen Sie rasch am Startseilzug (8), um überschüssiges Öl aus der Verbrennungskammer zu entfernen.
3. Reinigen Sie die Zündkerze (34) und achten Sie auf den richtigen Elektrodenabstand an der Zündkerze (34) oder setzen Sie eine neue Zündkerze (34) mit richtigem Elektrodenabstand ein.
4. Bereiten Sie die Kettensäge für den Betrieb vor.
5. Füllen Sie den Tank mit der richtigen Öl- und Kraftstoffmischung auf (1:40).

14.3 Kraftstofflagerung

Kraftstoffe sind nur begrenzt lagerfähig. Kraftstoff und Kraftstoffgemische altern durch Verdunstung besonders unter dem Einfluss hoher Temperaturen. Überlagerter Kraftstoff und Kraftstoffgemische können so zu Startproblemen und Motorschäden führen. Nur so viel Kraftstoff einkaufen, wie in einigen Monaten verbraucht werden soll. Bei höheren Temperaturen angemischten Kraftstoff in 6-8 Wochen verbrauchen.

Kraftstoff nur in zugelassenen Behältern trocken, kühl und sicher lagern!

WARNUNG

Haut- und Augenkontakt vermeiden!

Mineralölprodukte, auch Öle, entfetten die Haut. Bei wiederholtem und längerem Kontakt trocknet die Haut aus. Folgen können verschiedene Hauterkrankungen sein. Außerdem sind allergische Reaktionen bekannt.

Augenkontakt mit Öl führt zu Reizungen. Bei Augenkontakt sofort das betroffene Auge mit klarem Wasser spülen. Bei anhaltender Reizung sofort einen Arzt aufsuchen!

15. Entsorgung und Wiederverwertung

Hinweise zur Verpackung



Die Verpackungsmaterialien sind recyclebar. Bitte Verpackungen umweltgerecht entsorgen.

Möglichkeiten zur Entsorgung des ausgedienten Gerätes erfahren Sie bei Ihrer Gemeinde- oder Stadtverwaltung.

Kraftstoffe und Öle

- Vor der Entsorgung des Geräts müssen der Kraftstofftank und der Motorölbehälter geleert werden!
- Kraftstoff und Motoröl gehören nicht in den Hausmüll oder Abfluss, sondern sind einer getrennten Erfassung bzw. Entsorgung zuzuführen!
- Leere Öl- und Kraftstoffbehälter müssen umweltgerecht entsorgt werden.

16. Störungsabhilfe

Störung	Mögliche Ursache	Abhilfe
Der Motor startet nicht, oder er startet, aber läuft nicht weiter.	Falscher Startverlauf.	Beachten Sie die Anweisungen in dieser Anleitung.
	Falsch eingestellte Vergasermischung.	Lassen Sie den Vergaser vom autorisierten Kundendienst einstellen.
	Verrußte Zündkerze.	Zündkerze reinigen/einstellen oder ersetzen.
	Verstopfter Kraftstofffilter.	Ersetzen Sie den Kraftstofffilter.
Der Motor startet, aber er läuft nicht mit voller Leistung.	Verschmutzter Luftfilter	Filter entfernen, reinigen und erneut einsetzen.
	Falsch eingestellte Vergasermischung.	Lassen Sie den Vergaser vom autorisierten Kundendienst einstellen.
Motor stottert	Falsch eingestellte Vergasermischung.	Lassen Sie den Vergaser vom autorisierten Kundendienst einstellen.
Keine Leistung bei Belastung	Falsch eingestellte Zündkerze.	Zündkerze reinigen/einstellen oder ersetzen.
Motor läuft sprunghaft	Falsch eingestellte Vergasermischung.	Lassen Sie den Vergaser vom autorisierten Kundendienst einstellen.
Übermäßig viel Rauch.	Falsche Kraftstoffmischung.	Verwenden Sie die richtige Kraftstoffmischung (Verhältnis 1:40).
Keine Leistung bei Belastung	Kette stumpf oder Kette locker	Kette schärfen oder neue Kette einlegen. Kette spannen.
Motor stirbt ab	Benzintank leer oder Kraftstofffilter im Tank falsch positioniert	Benzintank füllen. Benzintank komplett auffüllen oder Kraftstofffilter im Benzintank anders positionieren.
Ungenügend Ketten-schmierung (Schwert und Kette werden heiß)	Kettenöltank leer	Kettenöltank auffüllen.
	Öldurchlässe verstopft	Ölungsloch im Schwert reinigen. Rille des Schwertes reinigen.

17. Garantieurkunde

Sehr geehrte Kundin, sehr geehrter Kunde,

unsere Produkte unterliegen einer strengen Qualitätskontrolle. Sollte dieses Gerät dennoch einmal nicht einwandfrei funktionieren, bedauern wir dies sehr und bitten Sie, sich an unseren Servicedienst unter der auf dieser Garantieurkunde angegebenen Adresse zu wenden. Gern stehen wir Ihnen auch telefonisch über die unten angegebene Servicenummer zur Verfügung. Für die Geltendmachung von Garantieansprüchen gilt Folgendes:

- Diese Garantiebedingungen regeln zusätzliche Garantieleistungen. Ihre gesetzlichen Gewährleistungsansprüche werden von dieser Garantie nicht berührt. Unsere Garantieleistung ist für Sie kostenlos.
- Die Garantieleistung erstreckt sich ausschließlich auf Mängel, die auf Material- oder Herstellungsfehler zurückzuführen sind und ist auf die Behebung dieser Mängel bzw. den Austausch des Gerätes beschränkt. Bitte beachten Sie, dass unsere Geräte bestimmungsgemäß nicht für den gewerblichen, handwerklichen oder industriellen Einsatz konstruiert wurden. Ein Garantievertrag kommt daher nicht zustande, wenn das Gerät in Gewerbe-, Handwerks- oder Industriebetrieben sowie bei gleichzusetzenden Tätigkeiten eingesetzt wird. Von unserer Garantie sind ferner Ersatzleistungen für Transportschäden, Schäden durch Nichtbeachtung der Montageanleitung oder aufgrund nicht fachgerechter Installation, Nichtbeachtung der Gebrauchsanleitung (wie durch z. B. Anschluss an eine falsche Netzspannung oder Stromart), missbräuchliche oder unsachgemäße Anwendungen (wie z. B. Überlastung des Gerätes oder Verwendung von nicht zugelassenen Einsatzwerkzeugen oder Zubehör), Nichtbeachtung der Wartungs- und Sicherheitsbestimmungen, Eindringen von Fremdkörpern in das Gerät (wie z. B. Sand, Steine oder Staub), Gewaltanwendung oder Fremdeinwirkungen (wie z. B. Schäden durch Herunterfallen) sowie durch verwendungsgemäßen, üblichen Verschleiß ausgeschlossen.

Der Garantieanspruch erlischt, wenn an dem Gerät bereits Eingriffe vorgenommen wurden.

- Die Garantiezeit beträgt 3 Jahre und beginnt mit dem Kaufdatum des Gerätes. Garantieansprüche sind vor Ablauf der Garantiezeit innerhalb von zwei Wochen, nachdem Sie den Defekt erkannt haben, geltend zu machen. Die Geltendmachung von Garantieansprüchen nach Ablauf der Garantiezeit ist ausgeschlossen. Die Reparatur oder der Austausch des Gerätes führt weder zu einer Verlängerung der Garantiezeit noch wird eine neue Garantiezeit durch diese Leistung für das Gerät oder für etwaige eingebaute Ersatzteile in Gang gesetzt. Dies gilt auch bei Einsatz eines Vor-Ort-Services.
- Für die Geltendmachung Ihres Garantieanspruches wenden Sie sich bitte an die unten angegebene Service-Adresse. Sofern die Reklamation innerhalb der Garantiezeit liegt, werden wir Ihnen einen Retourenschein zur Verfügung stellen, mit dem Sie Ihr defektes Gerät kostenfrei an uns zurücksenden können. Beschreiben Sie uns bitte den Reklamationsgrund möglichst genau. Ist der Defekt des Gerätes von unserer Garantieleistung erfasst, erhalten Sie umgehend ein repariertes oder neues Gerät zurück.

Selbstverständlich beheben wir gegen Erstattung der Kosten auch gerne Defekte am Gerät, die vom Garantiefumfang nicht oder nicht mehr erfasst sind. Dazu senden Sie das Gerät bitte an unsere Serviceadresse.

Service-Hotline (DE):

00800 4003 4003

Service-Hotline (AT):

00800 4003 4003

Service-Hotline (CH):

00800 4003 4003

Service-E-Mail (DE):

service.DE@schepbach.com

Service-E-Mail (AT):

service.AT@schepbach.com

Service-E-Mail (CH):

service.CH@schepbach.com

Service-Adresse (DE):

Schepbach GmbH
Günzburger Str. 69
DE - 89335 Ichenhausen

Service-Adresse (AT):

Gausch Hubert
Bairisch Kölldorf 267
AT - 8344 Bad Gleichenberg

Service-Adresse (CH):

Klaus-Häberling AG
Industriestraße 6
CH - 8610 Uster







Auf www.lidl-service.com können Sie diese und viele weitere Handbücher, Produktvideos und Installationssoftware herunterladen.

Mit dem QR-Code gelangen Sie direkt auf die Lidl-Service-Seite (www.lidl-service.com) und können mittels der Eingabe der Artikelnummer (IAN) 436506_2304 Ihre Bedienungsanleitung öffnen.

1.	Explication des symboles sur l'appareil.....	51
2.	Consigne utilisateur.....	52
3.	Introduction.....	53
4.	Description de l'appareil	53
5.	Fournitures	54
6.	Utilisation conforme	54
7.	Consignes de sécurité.....	54
8.	Caractéristiques techniques.....	60
9.	Avant la mise en service	60
10.	Mise en service	63
11.	Utilisation	65
12.	Transport.....	67
13.	Nettoyage et maintenance.....	68
14.	Stockage.....	71
15.	Élimination et recyclage.....	72
16.	Dépannage	73
17.	Certificat de garantie.....	74
18.	Vue éclatée.....	275
19.	Déclaration de conformité.....	276

1. Explication des symboles sur l'appareil

	Vous devez lire, comprendre et respecter l'ensemble des avertissements.		Lisez entièrement le mode d'emploi avant d'utiliser l'appareil.
	Avertissement ! Risque de mouvement de recul (Kickback). Prémunissez-vous d'un mouvement de recul de la tronçonneuse et évitez tout contact avec la tête du guide.		L'appareil ne doit pas être utilisé en cas de pluie ou dans des conditions humides.
	Porter des lunettes de protection. Porter une protection auditive.		Portez un casque de protection.
	Lorsque vous utilisez l'appareil, portez toujours des gants de sécurité anti-vibrations.		Lorsque vous utilisez l'appareil, portez toujours des chaussures de sécurité anti-dérapantes résistant aux coupures.
	Il est important de porter des vêtements de protection pour les pieds, les jambes, les mains et les avant-bras.		Tenez toujours la tronçonneuse des deux mains. Ne manipulez pas la tronçonneuse à une main.
	Attention ! Utilisation de la tronçonneuse associée à une technique d'escalade avec câble. Avant de débiter le travail, familiarisez-vous avec toutes les consignes de travail !		Interdiction d'allumer une flamme nue sur le lieu de travail !
	Orifice de remplissage de carburant. Mélange huile-essence 1:40.		Sens de rotation.
	Bouchon du réservoir d'huile de chaîne.		Réglage du frein de chaîne : Flèche blanche : Frein de chaîne inactif. Flèche noire : Frein de chaîne actif.
	Levier de démarrage à froid (starter manuel).		Desserrer le frein de chaîne.
	Kettenbremse aktivieren.		Sens de montage de la chaîne de la tronçonneuse.
	Réglage du graissage de chaîne.		Niveau de puissance acoustique garanti de l'appareil.

 <p>Attention ! Pièces brûlantes.</p>	 <p>push primer 6 times</p> <p>Appuyez 6x sur la pompe à carburant (Primer).</p>
 <p>Sens de déplacement de la chaîne.</p>	 <p>Réglage de la tension de chaîne.</p>
<p>DANGER</p>	<p>Terme de signalisation servant à désigner une situation de danger immédiate qui entraîne des blessures graves voire mortelles si elle n'est pas évitée.</p>
<p>AVERTISSEMENT</p>	<p>Terme de signalisation servant à désigner une situation de danger possible qui peut entraîner des blessures graves voire mortelles si elle n'est pas évitée.</p>
<p>PRUDENCE</p>	<p>Terme de signalisation servant à désigner une situation de danger possible qui peut entraîner des blessures légères ou modérées si elle n'est pas évitée.</p>
<p>REMARQUE</p>	<p>Terme de signalisation servant à désigner une situation de danger possible qui peut endommager le produit ou les biens environnants.</p>

2. Consigne utilisateur

AVERTISSEMENT :

Lisez attentivement ce mode d'emploi avant de procéder à la mise en service initiale et respectez impérativement les consignes de sécurité ! Cette tronçonneuse d'élagage doit uniquement être utilisée par des « opérateurs de tronçonneuse d'élagage ayant reçu une formation complémentaire aux travaux en cages de levage et d'échelle ou en technique d'accès sur corde » !

Veillez conserver précieusement ce mode d'emploi !

Remarque :

Notez que certaines prescriptions nationales peuvent limiter l'utilisation de la machine.



Cette tronçonneuse d'élagage a été spécialement conçue pour l'entretien et la chirurgie arboricoles. Cette tronçonneuse d'élagage a été conçue pour effectuer des travaux d'entretien et de chirurgie arboricoles. Tous les travaux réalisés avec cette tronçonneuse d'élagage doivent uniquement être effectués par des opérateurs de tronçonneuse d'élagage qualifiés !

3. Introduction

FABRICANT :

Schepbach GmbH

Günzburger Straße 69

D-89335 Ichenhausen

CHER CLIENT,

Nous espérons que votre nouvelle machine vous apportera satisfaction et de bons résultats.

REMARQUE :

Conformément à la loi en vigueur sur la responsabilité du fait des produits, le fabricant de cet appareil n'est pas responsable des dommages survenus ou générés sur l'appareil en cas de :

- Manipulation incorrecte,
- Inobservation de la notice d'utilisation
- Réparations effectuées par des tiers, des spécialistes non autorisés
- Montage et remplacement des pièces de rechange non originales
- utilisation non conforme.

Nous vous recommandons :

Lisez l'ensemble du texte de la notice d'utilisation avant le montage et la mise en service.

La présente notice d'utilisation a pour objectif de vous familiariser avec votre appareil et d'en exploiter les possibilités d'emploi conforme.

La notice d'utilisation contient des remarques importantes sur la manière de travailler en toute sécurité, réglementairement et économiquement avec l'appareil et sur la façon d'éviter les dangers, d'économiser les coûts de réparation, de réduire les périodes d'arrêt et d'augmenter la fiabilité et la durée de vie de l'appareil.

Outre les dispositions de sécurité figurant dans cette notice d'utilisation, vous devez absolument observer les prescriptions concernant le fonctionnement de l'appareil en vigueur dans votre pays.

Conservez la notice d'utilisation dans une pochette en plastique à l'abri de la poussière et de l'humidité près de l'appareil. Chaque opérateur doit l'avoir lue avant le début des travaux et doit la respecter minutieusement.

Seules des personnes formées à l'utilisation de l'appareil et informées des dangers associés sont autorisées à travailler avec l'appareil. Respecter la limite d'âge minimum requis.

Outre les consignes de sécurité reprises dans la présente notice d'utilisation et les prescriptions particulières en vigueur dans votre pays, respecter également les règles techniques générales concernant l'utilisation des machines similaires.

Nous déclinons toute responsabilité concernant les accidents ou dommages qui surviendraient en raison d'un non-respect de cette notice et des consignes de sécurité.

4. Description de l'appareil

1. Chaîne de scie
2. Rail de guidage
3. Protection des mains avant
4. Pompe à carburant « Primer »
5. Gâchette d'accélérateur
6. Poignée arrière
7. Blocage de la gâchette d'accélérateur
8. Câble de démarrage
9. Couvercle du filtre à air
10. Fermeture du couvercle du filtre à air
11. Bouchon du réservoir d'huile de chaîne
12. Poignée avant
13. Bouchon du réservoir de carburant
14. Levier de démarrage à froid (starter manuel)
15. Bouton marche/arrêt
16. Écrous de fixation
17. Protection de pignon
18. Silencieux
19. Dispositif de suspension
20. Clé à bougie d'allumage/tournevis plat
21. Couvercle du rail de guidage
22. Réservoir de mélange
23. Vis de tension de chaîne
24. Butée de griffe
25. Attrape-chaîne
26. Tige de tension de chaîne
27. Pignon
28. Rainure de guidage
29. Boulon de fixation
30. Pignon
31. Ouverture de lubrification
32. Vis de régulation d'huile
33. Filtre à air
34. Bougie d'allumage
35. Connecteur de bougie d'allumage
36. Tête d'aspiration

5. Fournitures

- Tronçonneuse d'élagage
- Chaîne de scie
- Rail de guidage
- Couvercle du rail de guidage
- Clé à bougie d'allumage/tournevis plat
- Réservoir de mélange

6. Utilisation conforme

Cet appareil est une tronçonneuse d'élagage particulièrement légère et maniable, dotée d'une poignée sur le haut. Cette tronçonneuse d'élagage a été spécialement conçue pour la chirurgie et l'entretien arboricoles. L'utilisation de ces tronçonneuses d'élagage doit par conséquent être réservée aux « opérateurs de tronçonneuse d'élagage ayant reçu une formation complémentaire aux travaux en cages de levage et d'échelle ou en technique d'accès sur corde ».

Utilisation occasionnelle pour le bois fin, l'entretien des arbres fruitiers, l'ébranchage, le tronçonnage.

La préparation de bois de chauffage ne peut avoir lieu que si le diamètre du bois n'excède pas la longueur de coupe (20 cm).

Pour ces travaux, nous recommandons de recourir à une tronçonneuse conventionnelle avec un grand écart de poignée ou une grande longueur de coupe.

L'appareil ne doit pas être utilisé par les catégories de personnes suivantes :

Les personnes non familiarisées avec la notice d'utilisation, les enfants de moins de 16 ans, ainsi que les personnes ayant consommé de l'alcool, des drogues ou des médicaments, les personnes fatiguées ou malades.

Conformément aux consignes d'utilisation conforme, l'appareil a pour unique vocation de scier le bois. Le fabricant décline toute responsabilité quant aux dommages dus à une utilisation non conforme ou à une fausse manipulation.

L'appareil doit être utilisé selon les dispositions correspondantes. Toute autre utilisation est considérée comme étant non conforme. Le fabricant décline toute responsabilité quant aux dommages ou blessures qui en résulteraient. Dans ce cas, l'utilisateur/opérateur est le seul responsable.

Une utilisation conforme consiste à respecter les consignes de sécurité, ainsi que les instructions de montage et les consignes d'utilisation du mode d'emploi.

Les personnes utilisant l'appareil et en assurant la maintenance doivent être familiarisés avec celui-ci et connaître les dangers possibles qu'il implique.

En outre, les prescriptions de prévention des accidents doivent être respectées de la manière la plus scrupuleuse possible.

Toutes les autres règles de médecine du travail et de sécurité doivent être respectées.

Toute modification de l'appareil annule toute garantie du fabricant pour les dommages en résultant.

Veuillez tenir compte du fait que nos appareils n'ont pas été conçus pour être utilisés dans le domaine professionnel, industriel ou artisanal. Nous ne n'accordons aucune garantie lorsque l'appareil est utilisé à des fins professionnelles, artisanales ou industrielles ou lors de toute utilisation de la même nature.

DANGER :

Conformément à la loi en vigueur sur la responsabilité du fait des produits, le fabricant de cet appareil n'est pas responsable des dommages survenus ou générés sur l'appareil en cas de :

- Montage et remplacement des pièces de rechange non originales
- Retrait ou modification des composants de sécurité.

6.1 Utilisation non conforme

- Cet appareil ne convient pas aux travaux d'abattage.
- N'utilisez pas le rail de guidage comme levier, pour déplacer des troncs d'arbre ou des objets similaires.
- Le tronçonnage de bois dont le diamètre dépasse 20 cm est interdit.

7. Consignes de sécurité

7.1 Consignes générales

AVERTISSEMENT

Soyez toujours attentif, faites attention à ce que vous faites, et procédez avec prudence lors du travail avec l'appareil. N'utilisez pas l'appareil si vous êtes malade, fatigué ou si vous avez consommé des drogues, de l'alcool ou des médicaments. Tout moment d'inattention lors de l'utilisation de l'appareil peut conduire à des blessures graves.

Évitez toute mauvaise utilisation, utilisez la machine uniquement de manière conforme.

La notice d'utilisation contient des consignes importantes relatives à l'utilisation sûre et conforme de la tronçonneuse ainsi que des consignes pour éviter les dangers.

En cas de blocage de la chaîne de scie sur l'objet de découpe, arrêtez immédiatement la tronçonneuse. Attendez que la chaîne de scie se soit immobilisée. Retirez le connecteur de bougie d'allumage et enfillez des gants anti-coupure pour débloquer la tronçonneuse. Si le rail de guidage (lame de pliage) doit être retiré, suivez les consignes du chapitre « Montage ». Après avoir débloqué et remonté la tronçonneuse, effectuez une marche d'essai.

Si vous constatez des vibrations ou des bruits mécaniques, arrêtez les travaux et consultez un centre de service agréé. Si ce danger survient souvent, nous vous recommandons de suivre une nouvelle formation.

- Avant de procéder à la mise en service initiale, veuillez lire le mode d'emploi et respecter en particulier les consignes de sécurité.
- Les panneaux d'avertissement et d'information apposés sur l'appareil fournissent des indications importantes permettant une utilisation sans danger de la machine.
- Outre les remarques figurant dans le mode d'emploi, les prescriptions de sécurité et de prévention des accidents du législateur doivent être respectées.
- Tenez les films d'emballage hors de portée des enfants, car il existe un risque d'étouffement !
- Les opérateurs ne disposant pas des informations nécessaires peuvent compromettre leur propre sécurité, ainsi que celle de tierces personnes par une utilisation non conforme. L'opérateur est responsable vis-à-vis des tiers.
- Avant de commencer les travaux, contrôlez le fonctionnement de la gâchette d'accélérateur. Elle doit automatiquement revenir en position de marche à vide lorsque vous la relâchez.
- Ne travaillez pas plus de 10 minutes sur une pièce. Nous recommandons d'effectuer une pause de 10 - 20 minutes entre chaque opération.
- Ne prêtez l'appareil qu'aux utilisateurs expérimentés. Le mode d'emploi doit leur être transmis.
- Certaines tâches de découpe nécessitent une formation particulière ou des aptitudes spéciales. Si vous avez des doutes, consultez un spécialiste.
- Les utilisateurs novices doivent être instruits afin de se familiariser avec les propriétés de l'appareil. Pour votre sécurité, suivez une formation d'État spécialisée dans les tronçonneuses.

- Lorsqu'il n'est pas utilisé, l'appareil doit être déposé de sorte qu'il ne mette personne en danger. Sécurisez-le contre tout accès non autorisé.
- L'utilisateur de l'appareil est responsable de tous les accidents et dangers qui concernent les autres personnes et leur propriété.
- Les enfants, les adolescents et les personnes présentant des capacités physiques, sensorielles ou mentales réduites ne doivent pas utiliser la tronçonneuse. Il existe une exception pour les adolescents de plus de 16 ans dans le cadre d'une formation et sous la surveillance d'un spécialiste.
- Le système d'allumage de cet appareil génère un faible champ électromagnétique. Si vous portez un stimulateur cardiaque ou un implant de ce type, consultez votre médecin avant d'utiliser l'appareil, afin d'éviter tout risque pour votre santé.
- Notez que la maintenance incorrecte, l'utilisation de pièces de rechange non conformes et le retrait ou la modification des dispositifs de sécurité peuvent entraîner des dommages sur l'appareil et des blessures graves de la personne exécutant les travaux.

7.2 Équipement de protection individuelle (EPI)

DANGER :

Portez toujours un équipement de protection individuelle (EPI) !

- Portez un casque de protection avec protection du visage ou des lunettes de protection et une protection auditive.
- Portez des vêtements de travail près du corps avec insert anticoupures.
- Portez des chaussures de sécurité antidérapantes.
- Portez des gants de protection.
- Évitez les vêtements amples qui peuvent être happés.
- Ne portez pas de foulard, de cravate, ni de bijoux !
- Si vos cheveux sont longs, portez un filet !
- Pour tous les travaux en forêt, portez un casque de protection. Il vous protégera des chutes de branches. Vérifiez régulièrement que votre casque de protection n'est pas endommagé. Vous devez le changer au plus tard au bout de 5 ans. Utilisez uniquement des casques de protection certifiés.
- La protection du visage ou les lunettes de protection protègent des copeaux et éclats de bois. Pour éviter toute blessure aux yeux, portez toujours une protection du visage ou des lunettes de protection lorsque vous utilisez l'appareil.
- Porter toujours une protection auditive. Le bruit généré par l'appareil peut causer des dommages auditifs.

- Portez des gants de protection solides en matériau résistant, comme du cuir.
- Lors de la découpe de bois sec, portez un masque de protection contre les poussières. De la sciure peut être générée au cours du processus.
- Si l'on travaille dans l'arbre, l'utilisateur peut tomber. L'utilisateur peut être gravement blessé ou tué. Porter un équipement de protection contre les chutes.

7.3 Stockage et transport

- Arrêtez la tronçonneuse avant chaque transport, même sur de courts trajets. Actionnez le frein de chaîne et mettez la protection de chaîne.
- Utilisez la protection de chaîne lors du transport et du stockage.
- Pendant le transport (même dans des véhicules), sécurisez la machine contre le renversement, afin d'éviter les pertes de carburant, les dommages et les blessures.
- Ne portez l'appareil que par la poignée avant. Le rail de guidage est alors orienté vers l'arrière, à l'opposé de votre corps.
- Tenez-vous à l'écart du silencieux chaud. Il existe un risque de brûlures !
- Nettoyez et entretenez la tronçonneuse avant le stockage.
- Stockez l'appareil dans un lieu sûr et sec. Sécurisez-le contre tout accès non autorisé.

7.4 Sécurité autour de la zone de travail

- Les dispositions nationales et/ou municipales peuvent fixer des limites temporelles d'utilisation des appareils à moteur bruyants. Renseignez-vous à ce sujet auprès de votre municipalité.
- L'appareil ne doit pas être utilisé à l'intérieur ou dans des espaces mal ventilés. Il existe un risque d'asphyxie par les gaz d'échappement/vapeurs d'huile de lubrification toxiques.
- Effectuez les travaux uniquement à la lumière du jour.
- Ne travaillez pas si les conditions météorologiques sont défavorables, p. ex. en cas de pluie ou de vent. Ces conditions augmentent le risque d'accident.
- Faites en sorte que la zone de travail soit propre et bien rangée.
- Tenez les enfants, les autres personnes et les animaux à l'écart avant et pendant les travaux. En cas de distraction, vous pouvez perdre le contrôle de l'appareil.
- Avant de commencer les travaux, assurez-vous qu'aucune personne, aucun animal et aucun objet ne se trouve dans la zone de danger.

- Ne travaillez pas à proximité de grillages ou dans des zones avec des câbles détachés.
- Gardez un agent extincteur à proximité lorsque vous travaillez dans un environnement facilement inflammable, p. ex. si l'herbe est sèche. Il existe un risque d'incendie !

7.5 Remplissez de carburant

- L'essence est très facilement inflammable. Lorsque vous faites le plein, restez à distance de toute flamme nue et ne fumez pas à proximité. Il existe un risque d'incendie !
- Veillez à ne pas renverser d'essence. L'essence et l'huile de chaîne ne doivent pas pénétrer dans la terre. Utilisez un support adapté.
- Faites le plein uniquement dans des zones bien ventilées. Les vapeurs d'essence peuvent facilement prendre feu ou exploser.
- Arrêtez le moteur et laissez refroidir l'appareil avant de faire le plein. Si vous avez renversé de l'essence, nettoyez immédiatement les zones concernées. Évitez tout contact du carburant avec vos vêtements, sinon changez-vous immédiatement.
- Évitez tout contact cutané ou oculaire avec l'essence ou les lubrifiants (huile).
- Ne respirez pas les vapeurs d'essence/vapeurs d'huile de lubrification.
- Surveillez les éventuelles fuites. Si de l'essence s'écoule, ne démarrez pas le moteur. Il existe un risque de brûlure.
- Ouvrez le bouchon de réservoir prudemment afin que la surpression puisse s'échapper lentement et que l'essence ne soit pas projetée.

7.6 Avant la mise en service

AVERTISSEMENT

Effectuez toujours les contrôles avant la mise en service et lorsque le moteur est coupé.

Avant toute utilisation et après une chute, vérifiez que l'appareil est en parfait état technique.

Vérifiez que toutes les pièces mobiles fonctionnent parfaitement. De nombreux accidents sont dus à des outils mal entretenus. Faites réparer les pièces endommagées par le personnel spécialisé qualifié.

Utilisez la tronçonneuse et les accessoires uniquement conformément à ces instructions. Tenir compte des conditions de travail et de l'activité à réaliser. Toute utilisation des outils à moteurs pour des buts autres que ceux prévus peut entraîner des situations de danger.

- Contrôlez régulièrement le fonctionnement du frein de chaîne (protection des mains avant, voir fig. 2).
- Vérifiez que le rail de guidage est correctement monté.
- Vérifiez que la chaîne de scie est correctement tendue. Respectez les indications relatives à la lubrification, à la tension de la chaîne et au remplacement des accessoires. Une chaîne mal tendue ou mal lubrifiée peut se rompre ou augmenter le risque de mouvement de recul.
- Maintenir les outils de coupe aiguisés et propres. Effectuez régulièrement des affûtages et remplacez les pièces usées à temps. Des outils de coupe bien entretenus, aux arêtes de coupe aiguisées, se coincent moins et sont plus faciles à guider.
- Vérifiez que la gâchette d'accélérateur et le blocage de la gâchette d'accélérateur peuvent se mouvoir facilement. La gâchette d'accélérateur doit revenir dans sa position initiale.
- Vérifiez qu'il y a suffisamment de carburant et d'huile de lubrification de chaîne dans le réservoir.
- Vérifiez que les poignées sont propres, sèches et exemptes d'huile et de saleté.
- Ne travaillez jamais seul. En cas d'urgence, quelqu'un doit se trouver à proximité.
- N'utilisez la tronçonneuse que si vous vous trouvez sur un sol fixe, solide et plan. Éviter toute position du corps anormale. Les sols glissants et les surfaces instables (sur une échelle p. ex.) peuvent causer une perte d'équilibre ou une perte de contrôle de la tronçonneuse. Veiller à adopter une position stable et à toujours maintenir son équilibre. Ainsi, il est possible de mieux contrôler la tronçonneuse en cas de situation inattendue.
- Ne travaillez pas sur un arbre avec la tronçonneuse. Il existe un risque de blessures en cas d'utilisation sur un arbre.
- N'effectuez jamais de coupe au-dessus de votre hauteur d'épaules.
- Tenez toujours la tronçonneuse en plaçant votre main droite sur la poignée arrière et votre main gauche sur la poignée avant. Le maintien de la tronçonneuse en position inverse augmente le risque de blessures et est proscrit.
- Lorsque la tronçonneuse est en fonctionnement, gardez tous vos membres à l'écart de la chaîne de scie. Avant le démarrage de la tronçonneuse, assurez-vous que rien ne touche la chaîne de scie. Lors des travaux avec une tronçonneuse, un moment d'inattention suffit à ce que des vêtements ou parties du corps soient happés par la chaîne de scie.
- Arrêtez immédiatement la tronçonneuse lorsque vous détectez des modifications sensibles de comportement de l'appareil.

- Si la tronçonneuse rencontre des pierres, des clous ou d'autres objets durs, arrêtez immédiatement le moteur et vérifiez la chaîne de scie ainsi que le rail de guidage pour détecter d'éventuels dommages.
- Ne faites pas tomber la tronçonneuse, ne la cognez pas contre des obstacles et n'utilisez jamais le rail de guidage comme levier.
- Utilisez uniquement la tronçonneuse pour découper du bois.
- Si vous découpez une branche sous tension, attendez-vous à un mouvement de recul. Lorsque la tension des fibres de bois est relâchée, la branche tendue peut blesser l'opérateur et/ou lui faire perdre le contrôle de la tronçonneuse.
- Soyez particulièrement prudent lorsque vous découpez des broussailles et de jeunes arbres. Les matériaux fins peuvent se coincer dans la chaîne de scie, être projetés contre vous ou vous faire perdre l'équilibre.

7.7 Vibrations

AVERTISSEMENT

Évitez les risques liés aux vibrations, p. ex. le risque d'un syndrome de Raynaud (trouble de la circulation sanguine) en effectuant souvent des pauses pendant lesquelles vous frottez les surfaces de vos mains l'une contre l'autre.

- Portez toujours des gants de protection et soyez attentifs à toute augmentation de la chaleur de vos mains.
- Veillez à ce que la chaîne soit toujours bien aiguisée.
- Effectuez régulièrement des pauses.

7.8 Mesures de précaution contre les mouvements de recul

AVERTISSEMENT

Soyez attentifs à tout mouvement de recul de l'appareil pendant les travaux. Il existe un risque de blessures. La prudence et une bonne technique de coupe vous permettront d'éviter les mouvements de recul.

- Dans certains cas, un contact avec la pointe du guide-chaîne peut entraîner un mouvement inattendu vers l'arrière, projetant le rail de guidage vers le haut et en direction de l'opérateur.
- Un recul peut se produire lorsque la pointe du rail de guidage rencontre un objet ou que le bois se courbe et que la tronçonneuse se coince dans la fente.
- Le coincement de la chaîne de scie au niveau du bord supérieur du rail de guidage peut rapidement repousser la tronçonneuse vers l'opérateur de manière incontrôlée.

- Le coincement de la chaîne de scie au niveau du bord inférieur du rail de guidage peut rapidement éloigner la tronçonneuse de l'opérateur de manière incontrôlée.
- Soyez extrêmement prudent lorsque vous appliquez la chaîne de la tronçonneuse sur une entaille de coupe déjà commencée pour continuer la coupe.
- Ne coupez pas de branches ou de morceaux de bois qui pourraient changer de position pendant le processus de coupe ou dont la coupe se referme pendant le processus de coupe.
- Chacune de ces réactions peut vous faire perdre le contrôle de la tronçonneuse et entraîner des blessures graves. Ne vous fiez pas exclusivement aux dispositifs de sécurité montés dans la tronçonneuse. En tant qu'utilisateur d'une tronçonneuse, vous devez appliquer différentes mesures vous permettant de travailler sans accident et sans vous blesser.

Un mouvement de recul est le résultat d'une utilisation incorrecte ou erronée. Il peut être empêché par des mesures de prévention adaptées comme décrit ci-après.

- Maintenez fermement la tronçonneuse des deux mains en entourant ses poignées avec vos pouces et vos doigts. Placez votre corps et vos bras de manière à pouvoir résister à la force des mouvements de recul. S'il prend des mesures adaptées, l'opérateur peut maîtriser la force de recul. Ne lâchez jamais la tronçonneuse.
- Évitez toute posture anormale et n'utilisez pas la tronçonneuse au-dessus de la hauteur des épaules. Vous éviterez ainsi tout contact inopiné avec la pointe du guide et aurez un meilleur contrôle sur la tronçonneuse en cas d'imprévu.
- Utilisez uniquement des guides de rechange et chaînes de tronçonneuse recommandés par le fabricant. Les guides et chaînes de tronçonneuse de rechange incorrects peuvent faire rompre la chaîne de scie et/ou provoquer un mouvement de recul.
- Respectez les instructions du fabricant concernant l'affûtage et la maintenance de la chaîne de scie. Des délimitateurs de profondeur trop bas augmentent le risque de mouvement de recul.
- Ne sciez pas avec la pointe du guide. Cela pourrait provoquer un mouvement de recul. (Fig.7)
- Assurez-vous qu'aucun clou ou pièce métallique ne se trouve dans la zone de coupe. Soyez particulièrement attentif aux clous et aux pièces de fer autour de la zone de coupe. Soyez également prudents lorsque vous coupez des bois durs dans lesquels la chaîne peut se bloquer. Les risques de mouvement de recul sont accrus.

- Commencez la coupe en utilisant la force maximale et utilisez toujours la tronçonneuse à vitesse maximale pendant la coupe.
- Assurez-vous qu'aucun objet ne se trouve au sol, car vous risqueriez de trébucher.

7.9 Comportement et technique à adopter pour le travail

- Travaillez uniquement lorsque les conditions de visibilité et de luminosité sont bonnes. Faites particulièrement attention si le support est glissant, humide, verglacé et enneigé (risque de glissade). Le risque de glissade est d'autant plus important sur du bois fraîchement coupé (écorce).
- Ne travaillez jamais sur un sol instable. Attention aux obstacles dans la zone de travail : risque de trébuchement. Vous devez vérifier en permanence la stabilité du système.
- Ne sciez jamais au-dessus de la hauteur d'épaules.
- Ne sciez jamais debout sur une échelle.
- Il est interdit de monter dans l'arbre et de réaliser une intervention sans système de retenue adapté pour la personne et la tronçonneuse. Nous recommandons de toujours intervenir à partir d'une plate-forme de travail.
- Ne vous penchez pas trop.
- Maniez la tronçonneuse en veillant à ce qu'aucune partie du corps ne se trouve dans la plage de pivotement prolongée de la chaîne de scie.
- Vous ne devez utiliser la tronçonneuse que pour couper du bois.
- Ne touchez pas la terre avec la chaîne de tronçonneuse en cours de fonctionnement.
- Éliminez de la zone de découpe les corps étrangers du type sable, pierres, clous, etc. Les corps étrangers endommagent le dispositif de sciage et peuvent provoquer un mouvement de recul dangereux (Kickback) ou être projetés.
- Lors du sciage du bois de découpe, veillez à disposer d'un bon appui (si possible, un chevalet de sciage). Ne maintenez pas le bois avec le pied ou ne le faites pas tenir par une autre personne.
- Empêchez les rondins de tourner.
- Ne travaillez jamais sans butée de griffe, la tronçonneuse pourrait projeter l'opérateur vers l'avant. Utilisez la butée de griffe pour tronçonner les troncs d'arbres ou les grosses branches. L'utilisation de la butée de griffe augmente la sécurité des travaux et réduit la charge personnelle et les vibrations lors des travaux.

- Pour les entailles d'abattage et de débitage, positionnez la barre dentée (griffe de butée) contre le bois à couper. Il est également recommandé d'utiliser la barre dentée pour scier les branches épaisses.
- Avant toute entaille de débitage, placez solidement la barre dentée avant de commencer à scier le bois avec la chaîne de tronçonneuse qui tourne. La scie est remontée au niveau de la poignée arrière et guidée avec la poignée arceau. La barre dentée sert de centre de rotation. Le repositionnement s'effectue en appuyant légèrement sur la poignée arceau. Reculez légèrement la tronçonneuse. Enfoncez la barre dentée et soulevez à nouveau la poignée arrière.
- Faites attention à la projection de bois. Les morceaux de bois sciés peuvent être entraînés (risque de blessures).
- La tronçonneuse peut être poussée en direction de l'opérateur lors de la découpe avec la partie supérieure du rail si la chaîne de scie se coince. Par conséquent, dans la mesure du possible, sciez avec la partie inférieure du rail, car la tronçonneuse tourne alors dans le sens opposé du corps de l'opérateur, vers le bois.
- Le bois sous tension doit toujours être incisé côté poussée. Ce n'est qu'ensuite que la séparation peut avoir lieu côté traction. Vous éviterez ainsi le coincement du rail.
- Lorsque vous travaillez dans l'arbre, la tronçonneuse peut chuter. Cela peut provoquer de graves blessures et des dommages matériels. Sécurisez la tronçonneuse avec le dispositif de suspension.
- Avant que la chaîne de scie ne soit guidée dans la zone de coupe, un dérapage latéral ou un saut de la tronçonneuse peut survenir.

⚠ ATTENTION

Risque élevé de mouvement de recul !

Pour garder le contrôle lors du tronçonnage, réduisez la force de pression sur la fin de la coupe en tenant fermement les poignées de la tronçonneuse. Veillez à ce que la chaîne de scie ne touche pas le sol. Lorsque vous avez terminé la coupe, attendez que la chaîne de scie soit immobilisée avant de retirer la tronçonneuse. Coupez toujours le moteur de la tronçonneuse avant de changer d'arbre.

⚠ AVERTISSEMENT

En cas de travail prolongé, les vibrations qui s'exercent sur les mains de l'opérateur peuvent causer des problèmes de circulation (syndrome de Raynaud).

Le syndrome de Raynaud est une maladie vasculaire qui se caractérise par une contraction brutale des petits vaisseaux sanguins des doigts et des orteils. Le sang n'irrigue plus suffisamment les zones concernées, ce qui les fait apparaître extrêmement pâles. L'utilisation fréquente d'équipements vibrants peut causer des atteintes nerveuses pour les personnes souffrant des problèmes de circulation (par exemple, fumeurs, diabétiques).

Si vous constatez des troubles inhabituels, cessez immédiatement le travail et consultez un médecin.

Pour réduire les dangers, respectez les consignes suivantes :

- S'il fait froid, faites en sorte que votre corps et en particulier vos mains restent au chaud.
- Prenez des pauses régulières et bougez vos mains pour stimuler la circulation sanguine.
- Veillez à ce que la machine vibre le moins possible par une maintenance régulière et des pièces fixes sur la machine.

7.10 Risques résiduels

⚠ DANGER :

RISQUE DE BLESSURES !

Tout contact avec la chaîne de scie peut causer des blessures par coupure mortelles.

Ne jamais toucher la chaîne de scie en marche.

RISQUE DE MOUVEMENT DE REcul !

Un mouvement de recul peut causer des blessures par coupure mortelles.

RISQUE DE BRÛLURES !

La chaîne et le rail de guidage chauffent pendant le fonctionnement.

L'appareil est construit selon la technique de pointe et selon les règles techniques de sécurité reconnues. Son utilisation peut toutefois présenter des risques résiduels.

En outre, et ce malgré toutes les mesures préventives prises, des risques résiduels cachés peuvent demeurer.

Les risques résiduels peuvent être minimisés en observant les sections « Consignes de sécurité » et « Utilisation conforme » ainsi que les instructions d'utilisation de manière générale.

8. Caractéristiques techniques

Machine sans lame de pliage

Longueur x largeur x hauteur.....	270 x 230 x 240 mm
Poids réservoir vide, sans dispositif de coupe env.....	3,4 kg
Poids réservoir vide, avec dispositif de coupe env.....	3,8 kg
Réservoir d'huile de lubrification de chaîne.....	0,16 l
Contenance du réservoir de carburant.....	0,23 l
Mélange huile-essence.....	1:40
Longueur de coupe.....	20 cm
Longueur du guide.....	30 cm
Lubrification automatique de la chaîne.....	oui
Section de chaîne.....	3/8" (9,525 mm)
Épaisseur des maillons de chaîne.....	1,27 mm
Type de chaîne.....	3/8LP-40
Nombre de dents du pignon d'entraînement.....	6
Pas de dent du pignon d'entraînement.....	3/8"
Type de guide.....	AP10-40-509P
Vitesse de chaîne max.....	21 m/s
Moteur.....	1 cylindre, 2 temps, refroidissement à l'air
Cylindrée du moteur.....	25,4 cm ³
Puissance max. du moteur selon la norme ISO 7293.....	0,7 kW
Régime ralenti n_0	3300 ± 300 min ⁻¹
Régime maximal avec dispositif de coupe.....	11000 min ⁻¹
Bougie d'allumage.....	L8RTC

En fonction de l'utilisation et des activités à réaliser, le niveau de pression sonore doit être réduit de manière à ne pas nuire à la santé de l'opérateur. Sur le lieu de travail, le niveau de pression sonore peut dépasser 80 dB. Dans ce cas, des mesures de protection contre le bruit sont indispensables pour l'opérateur (par exemple, port d'une protection auditive).

Limitez au maximum le développement de bruit et les vibrations !

- Utilisez uniquement des appareils en parfait état.
- Procédez régulièrement à la maintenance et au nettoyage de l'appareil.
- Adaptez votre mode de travail à l'appareil.
- Ne surchargez pas l'appareil.
- Faites au besoin contrôler l'appareil.
- Arrêtez l'appareil lorsqu'il n'est pas utilisé.
- Portez des gants de protection.

Niveau de pression sonore mesuré L_{pA}	99,2 dB
Incertitude K_{pA}	3 dB
Niveau de puissance sonore garanti L_{WA}	113 dB
Niveau de puissance sonore mesuré L_{WA}	108,7 dB
Incertitude K_{WA}	3 dB

Vibration, poignée avant.....	8,98 m/s ²
Vibration, poignée arrière.....	8,03 m/s ²
Incertitude.....	1,5 m/s ²

Portez une protection auditive.

Les nuisances sonores peuvent entraîner une perte d'audition.

Les valeurs d'émission de bruit indiquées ont été mesurées dans le cadre d'une méthode de contrôle normalisée et peuvent être utilisées pour comparer deux appareils entre eux.

Les valeurs d'émission de bruit indiquées peuvent être utilisées également afin de réaliser une estimation préalable de la charge.

Avertissement :

- Les valeurs d'émission de bruit peuvent différer des valeurs indiquées lors de l'utilisation réelle de l'appareil selon la manière dont il est utilisé et en particulier selon le type de pièce usinée traitée.
- Faites en sorte que la charge demeure la plus faible possible. Exemple de mesure : limitation du temps de travail. À ce niveau, tous les éléments du cycle de fonctionnement doivent être pris en compte (par exemple, périodes d'arrêt de l'appareil et périodes de fonctionnement sans charge de l'appareil).

9. Avant la mise en service

1. Ouvrez l'emballage et sortez-en délicatement l'appareil.
2. Retirez le matériau d'emballage, ainsi que les protections d'emballage et de transport (s'il y a lieu).
3. Vérifiez que les fournitures sont complètes.
4. Vérifiez que l'appareil et les accessoires n'ont pas été endommagés lors du transport.
5. Conservez si possible l'emballage jusqu'à la fin de la période de garantie.
6. Enlevez la courte notice d'utilisation du câble de démarrage (8).

ATTENTION

L'appareil et les matériaux d'emballage ne sont pas des jouets ! Les enfants ne doivent pas jouer avec les sacs en plastique, films d'emballage et pièces de petite taille ! Il existe un risque d'ingestion et d'étouffement !

9.1 Montage du rail de guidage (2) et de la chaîne de scie (1)

AVERTISSEMENT

Risque de blessures !

Portez toujours des gants de protection lorsque vous touchez la chaîne de scie (1). Risque de blessures sur les dents de coupe acérées !

Utilisez uniquement des chaînes de scie (1) et rails de guidage (2) compatibles (voir le chapitre « Dispositifs de coupe autorisés »).

Effectuez toujours le montage lorsque le moteur est coupé.

Remarque

Les nouvelles chaînes de scie (1) s'allongent et doivent souvent être retendues. Contrôlez régulièrement la tension de la chaîne et ajustez-la.

En fonction de l'usure, le rail de guidage (2) peut être retourné.

1. Posez la scie à chaîne sur un support droit et stable.
2. Tirez la protection des mains avant (3) vers l'arrière jusqu'à la butée pour desserrer le frein de chaîne. (Fig. 2)
3. Retirez les deux écrous de fixation (16) avec la clé à bougie d'allumage (20).
4. Retirez la protection de pignon (17).
5. Faites tourner la vis de serrage de la chaîne (23) vers la gauche (dans le sens inverse des aiguilles d'une montre) jusqu'à ce que la tige de tension de chaîne (26) soit en butée à droite (fig. 3). Pour ce faire, utilisez le tournevis plat (20).
6. Poussez le trou longitudinal du rail de guidage (2) sur les deux boulons de fixation saillants (29).
7. Posez la chaîne de scie (1) sur la dentelure du pignon (27). Guidez précisément la chaîne de scie (1) dans le rail de guidage (2). À la pointe du rail de guidage (2), vous trouverez un pignon (30). La chaîne de scie (1) doit être insérée dans les dents de ce pignon. (Fig. 6 et 18)
8. Tirez un peu sur le rail de guidage (2) pour tendre légèrement la chaîne de scie (1).

9. Remettez la protection de pignon (17) en place. Veillez à ce que la tige de tension de chaîne (26) située à l'intérieur soit adaptée à l'alésage du rail de guidage (2). Au besoin, adaptez le serrage de la vis de tension de chaîne (23) avec le tournevis plat (20).
10. Vissez les deux écrous de fixation (16) à la main. Veillez à ne pas les serrer fermement. Ne serrez les écrous de fixation (16) qu'après avoir tendu la chaîne de scie (1).

9.2 Tension et contrôle de la chaîne de scie (1)

AVERTISSEMENT

Mettez des gants de protection ! Risque de blessures sur les dents de coupe acérées !

Vérifiez régulièrement la tension de la chaîne avant chaque mise en service.

Toujours effectuer les vérifications avant la mise en service et lorsque le moteur est éteint.

1. Avant la tension, desserrez légèrement les deux écrous de fixation (16) avec la clé à bougie d'allumage (20).
2. Tournez la vis de tension de chaîne (23) dans le sens des aiguilles d'une montre avec le tournevis plat (20) pour augmenter la tension.
3. Serrez les deux écrous de fixation (16) à fond avec la clé à bougie d'allumage (20).
4. La chaîne de scie (1) doit être en contact avec le côté inférieur du guide. Vérifiez si la chaîne de scie (1) (si le frein de chaîne est desserré, tirez la protection des mains avant (3) vers l'arrière) peut être tirée manuellement sur le rail de guidage (2).

REMARQUE

Les nouvelles chaînes de scie (1) s'allongent et doivent souvent être retendues.

9.3 Mélange de carburants

Le moteur utilise un mélange de carburants composé d'essence et d'huile moteur.

AVERTISSEMENT

Évitez tout contact cutané avec le carburant et l'inhalation de vapeurs de carburant.

Utilisez uniquement un mélange d'essence sans plomb (ROZ 95 min.) et d'huile spéciale moteur 2 temps (JASO FD/ISO - L - EGD). Mélangez les carburants selon le tableau des mélanges de carburants.

Versez la quantité adéquate d'essence et d'huile moteur 2 temps dans le réservoir de mélange fourni (22) (voir « Tableau des mélanges de carburants »). Secouez ensuite bien le réservoir de mélange (22).

9.3.1 Tableau des mélanges de carburants

Procédure de mélange : 40 volumes d'essence pour 1 volume d'huile

Essence Huile 2 cycles
0,5 litre 12,5 ml

9.4 Remplissage de carburant (fig. 8)

AVERTISSEMENT

Ne versez le carburant que lorsque le moteur est arrêté et a refroidi. Il existe un risque d'incendie !

1. Nettoyez toujours la zone autour du bouchon du réservoir de carburant (13) avant le remplissage, afin d'éviter que des saletés ne pénètrent dans le réservoir de carburant. Pour ce faire, utilisez un tissu sec et non pelucheux.
2. Posez l'appareil sur le côté afin que le bouchon du réservoir de carburant (13) soit orienté vers le haut.
3. Tournez le bouchon du réservoir de carburant (13) dans le sens inverse des aiguilles d'une montre et ouvrez-le. Le bouchon du réservoir de carburant (13) est relié au réservoir de carburant par une sécurité afin qu'il ne tombe pas.
4. Remplissez le réservoir de carburant du mélange de carburants. Ne renversez pas de carburant lors du plein et ne remplissez pas le réservoir de carburant à ras bord.
5. Essuyez immédiatement tout carburant renversé.
6. Tournez le bouchon du réservoir de carburant (13) dans le sens des aiguilles d'une montre pour le verrouiller.

REMARQUE

Après chaque remplissage de carburant, contrôlez également l'huile de chaîne.

9.5 Purge de carburant

Videz le réservoir de carburant uniquement en extérieur ou dans des locaux bien ventilés. Veillez à ce que le carburant ne pénètre pas dans le sol (protection de l'environnement). Utiliser un support adapté.

1. Maintenez un récipient de collecte sous le réservoir de carburant.
2. Dévissez le bouchon du réservoir de carburant (13) et retirez-le.
3. Laissez le mélange essence/huile s'écouler complètement.
4. Revissez manuellement le bouchon du réservoir de carburant (13).

9.6 Remplissage d'huile de chaîne (fig. 8)

AVERTISSEMENT

Ne versez l'huile pour chaîne de scie que lorsque le moteur est arrêté et a refroidi. Il existe un risque d'incendie !

N'utilisez jamais la tronçonneuse si la chaîne n'est pas lubrifiée ! Si la chaîne de scie fonctionne à sec (1), le dispositif de coupe risque de subir rapidement des dommages irréversibles.

Vérifiez toujours le graissage de la chaîne avant les travaux.

REMARQUE

Utilisez uniquement de l'huile pour chaîne de scie. De préférence biodégradable. N'utilisez pas d'huile usagée, d'huile moteur, etc.

Pendant les travaux, vérifiez que le graissage de chaîne fonctionne.

1. Nettoyez toujours la zone autour du bouchon du réservoir de carburant (11) avant le remplissage, afin d'éviter que des saletés ne pénètrent dans le réservoir d'huile de chaîne. Pour ce faire, utilisez un tissu sec et non pelucheux.
2. Posez l'appareil sur le côté afin que le bouchon du réservoir d'huile de chaîne (11) soit orienté vers le haut.
3. Tournez le bouchon du réservoir d'huile de chaîne (11) dans le sens inverse des aiguilles d'une montre et ouvrez-le. Le bouchon du réservoir d'huile de chaîne (11) est relié au réservoir d'huile de chaîne par une sécurité afin qu'il ne tombe pas.
4. Remplissez le réservoir d'huile de chaîne avec de l'huile de chaîne bio. Ne renversez pas d'huile de chaîne lors du remplissage et ne remplissez pas le réservoir de d'huile de chaîne à ras bord.
5. Essuyez immédiatement toute huile de chaîne renversée.
6. Tournez le bouchon du réservoir d'huile de chaîne (11) dans le sens des aiguilles d'une montre pour le verrouiller.

10. Mise en service

PRUDENCE

Observez les dispositions légales relatives à la protection du bruit.

Vérifiez l'appareil quant aux points suivants avant chaque mise en service :

- Étanchéité du système de carburant
- État irréprochable et intégrité des dispositifs de protection et du dispositif de coupe
- Bonne fixation de tous les raccords vissés
- Déplacement facile de toutes les pièces mobiles

Consignes de travail

Avant utilisation, familiarisez-vous avec la manipulation de la tronçonneuse.

10.1 Démarrage du moteur

ATTENTION

Avant le démarrage du moteur, éloignez-vous d'au moins trois mètres du lieu d'approvisionnement en essence (fig. 9).

Tirez toujours droit sur le câble de démarrage (8). Tenez la poignée du câble de démarrage (8) lorsque le câble de démarrage (8) rentre à nouveau. Ne laissez jamais le câble de démarrage (8) revenir brutalement.

Relâchez la gâchette d'accélérateur (5) dès le démarrage du moteur. Assurez-vous que la vitesse de rotation du moteur est à nouveau en marche à vide avant de desserrer le frein de chaîne (pousser la protection des mains avant (3) vers l'arrière).

Ne tirez le levier de démarrage à froid (starter manuel) (14) que pour le démarrage.

10.1.1 Démarrage lorsque le moteur est froid

AVERTISSEMENT

Actionnez le frein de chaîne avant chaque mise en service (pousser la protection des mains (3) vers l'avant).

ATTENTION

Ne laissez jamais le câble de démarrage (8) revenir brutalement en arrière. Cela risquerait d'entraîner des dommages.

1. Retirez le couvercle du rail de guidage (21).
2. Placez la scie à chaîne sur une surface stable et plane. La chaîne de scie (1) ne doit alors pas toucher le sol.

3. Poussez la protection des mains avant (3) vers l'avant jusqu'à ce qu'elle s'enclenche. La chaîne de scie (1) est bloquée par le frein de chaîne.
4. Appuyez 6x sur la pompe à carburant « Primer » (4). (Fig. 1)
5. Tirez le levier de démarrage à froid (starter manuel) (14). (Fig. 10.2)
6. Tenez la tronçonneuse par la poignée avant (12) et tirez lentement sur le câble de démarrage (8) jusqu'à sentir une résistance.
7. Tirez à présent fermement sur le câble de démarrage (8) jusqu'à ce que le moteur démarre. Si le moteur ne démarre pas, répétez le processus. Tant que le levier de démarrage à froid (starter manuel) (14) est sorti, le moteur ne fait que démarrer et s'arrête ensuite.
8. Dès que le moteur est arrêté, actionnez simultanément le blocage de la gâchette d'accélérateur (7) et la gâchette d'accélérateur (5). Le levier de démarrage à froid (starter manuel) (14) passe automatiquement en position « Démarrage à chaud ». (Fig. 10.1)
9. Tirez à présent de nouveau fermement sur le câble de démarrage (8) jusqu'à ce que le moteur démarre.

Si le moteur ne démarre toujours pas après plusieurs tentatives, lisez le chapitre « Dépannage ».

REMARQUE

Lorsque les températures extérieures sont élevées, il peut être nécessaire de démarrer sans levier de démarrage à froid (starter manuel) (14) même lorsque le moteur est froid !

- Desserrez le frein de chaîne en tirant la protection des mains avant (3) vers l'arrière. (Fig. 2)
- **PRUDENCE !** Le frein de chaîne est à présent desserré. Si la gâchette d'accélérateur (5) est actionnée avec le blocage de la gâchette d'accélérateur (7), la chaîne de scie (1) démarre.

10.1.2 Démarrage lorsque le moteur est chaud (L'appareil a été arrêté pendant moins de 15–20 minutes.)

AVERTISSEMENT

Actionnez le frein de chaîne avant chaque mise en service (pousser la protection des mains (3) vers l'avant).

1. Poussez la protection des mains avant (3) vers l'avant jusqu'à ce qu'elle s'enclenche. La chaîne de scie (1) est bloquée par le frein de chaîne.

- Le levier de démarrage à froid (starter manuel) (14) ne doit pas être tiré pour démarrer le moteur à chaud.
- Tenez la tronçonneuse par la poignée avant (12) et tirez lentement sur le câble de démarrage (8) jusqu'à sentir une résistance.
- Tirez à présent fermement sur le câble de démarrage (8). L'appareil doit démarrer après 1-2 courses. Si l'appareil ne démarre toujours pas après 6 tentatives, répétez l'opération décrite à la section « Démarrage lorsque le moteur est froid ».

10.2 Arrêter le moteur

10.2.1 Procédure d'arrêt d'urgence

Si vous avez besoin d'arrêter immédiatement l'appareil, mettez le bouton marche/arrêt (15) sur « 0 » et maintenez-le enfoncé dans cette position jusqu'à ce que le moteur s'arrête.

10.2.2 Procédure normale

- Relâchez la gâchette d'accélérateur (5). Le moteur passe en vitesse de marche à vide.
- Mettez le bouton marche/arrêt (15) sur « 0 » et maintenez-le enfoncé dans cette position jusqu'à ce que le moteur s'arrête.

10.3 Fonctionnement en marche à vide

⚠ ATTENTION

En marche à vide, la chaîne de scie (1) doit être arrêtée.

REMARQUE

Si la chaîne de scie (1) se déplace en marche à vide ou que le moteur s'arrête de lui-même à la coupure des gaz, un réglage du carburateur doit avoir lieu (voir le chapitre « Maintenance des réglages du carburateur »).

- Soulevez la tronçonneuse.
- Avec la main gauche, tenez la poignée avant (12).
- Avec la main droite, tenez la poignée arrière (6). La paume de la main repose sur le blocage de la gâchette d'accélérateur (7) et l'index actionne la gâchette d'accélérateur (5).
- Après actionnement de la gâchette d'accélérateur (5), le moteur fonctionne en marche à vide.
- Laissez le moteur tourner à chaud brièvement.

10.4 Contrôle et réglage du graissage de chaîne

⚠ ATTENTION

- N'utilisez jamais la tronçonneuse si la chaîne n'est pas lubrifiée ! Si la chaîne de scie fonctionne à sec (1), le dispositif de coupe risque de subir rapidement des dommages irréversibles.
- Vérifiez toujours le graissage de la chaîne avant les travaux.

Remarque

Utilisez uniquement de l'huile pour chaîne de scie, de préférence biodégradable. N'utilisez pas d'huile usagée, d'huile moteur, etc.

Pendant le fonctionnement à régime moyen, tenez la tronçonneuse au-dessus d'une souche d'arbre sciée ou d'un support approprié. Si la lubrification est suffisante, une fine pellicule d'huile se forme sur la souche d'arbre ou le support.

- La vis de régulation d'huile peut, au besoin, servir à augmenter ou à diminuer le graissage de chaîne (32) (fig. 11).
- Pour ce faire, utilisez le tournevis plat fourni (20) :
 - Appuyez puis tournez la vis de régulation d'huile (32) dans le sens des aiguilles d'une montre pour diminuer le graissage de chaîne.
 - Appuyez puis tournez la vis de régulation d'huile (32) dans le sens inverse des aiguilles d'une montre pour augmenter le graissage de chaîne.

10.5 Contrôle du frein de chaîne

⚠ AVERTISSEMENT

Le frein de chaîne doit être contrôlé avant chaque mise en service.

Le frein de chaîne freine immédiatement la chaîne de scie (1) en cas de mouvement de recul.

- Veillez à ce que la protection des mains avant (3) soit exempte de saletés et se déplace facilement.
- Démarrerez la tronçonneuse et réglez la chaîne de scie (1) sur la vitesse maximale (pleins gaz).
- Lorsque la chaîne de scie (1) fonctionne, activez la protection des mains avant (3). Le frein de chaîne doit freiner et bloquer la chaîne de scie (1) à la vitesse max.

⚠ AVERTISSEMENT

Le maintien prolongé d'un régime moteur élevé alors que le frein de chaîne est actionné endommage le moteur et l'entraînement de chaîne.

Si la chaîne de scie (1) se déplace tout de même, contactez le service après-vente.

11. Utilisation

11.1 Travaux d'ébranchage

- Soyez particulièrement attentif au risque de mouvement de recul des branches.
- Ne vous mettez pas sur le tronc pour l'ébranchage.
- N'effectuez pas de coupe avec la pointe du guide-chaîne. (Fig.7)
- Ne coupez jamais plusieurs branches à la fois.
- Pendant l'ébranchage, soutenez si possible la tronçonneuse avec la butée de griffe (24).
- Sachez que, à la fin de la coupe, la tronçonneuse peut basculer en raison de son propre poids. Elle n'est plus soutenue par la coupe, vous devez donc la retenir en conséquence.
- Adoptez une position fixe, stable et sûre lors de l'ébranchage.

11.1.1 Travaux d'ébranchage sur des parties prédécoupées

Raccourcissez les branches longues ou épaisses avant d'effectuer la coupe finale. Sinon, la chaîne de scie (1) risque de se coincer.

11.1.2 Traitement de bois sous tension

La procédure correcte de traitement du bois sous tension doit absolument être observée. Dans le cas contraire, la chaîne de scie (1) risque de se coincer ou de provoquer un mouvement de recul.

Le bois sous tension doit toujours être incisé côté poussée. Ce n'est qu'ensuite que la séparation peut avoir lieu côté traction. (Fig. 24)

Vous éviterez ainsi le coincement de la chaîne de scie (1).

⚠ ATTENTION

Risque de dommages !

La partie inférieure de la zone de coupe du bois déposé ne doit pas être en contact avec le sol, car cela risquerait d'abîmer la chaîne de scie (1).

Recul

- Le coincement de la chaîne de scie (1) au niveau du bord supérieur du rail de guidage (2) peut rapidement repousser la tronçonneuse vers l'opérateur de manière incontrôlée.

Happement

- Le coincement de la chaîne de scie (1) au niveau du bord inférieur du rail de guidage (2) peut rapidement éloigner la tronçonneuse de l'opérateur de manière incontrôlée.

Travail en toute sécurité

- Gardez l'appareil en bon état afin d'éviter les blessures.
- Après l'abattage, contrôlez l'appareil pour détecter des dommages ou défauts significatifs.
- N'utilisez pas l'appareil debout sur une échelle ou sur un support peu stable.
- N'effectuez pas de coupes irréflechies. Cela pourrait vous mettre vous-même et les autres en danger.
- Changez régulièrement de position de travail. Une durée d'utilisation prolongée de l'appareil peut entraîner des troubles circulatoires au niveau des mains en raison des vibrations. Vous pouvez cependant augmenter la durée d'utilisation en utilisant des gants adaptés ou en effectuant des pauses régulières. Sachez que les prédispositions personnelles à une mauvaise circulation, les températures extérieures basses et les forces de préhension importantes lors du travail réduisent la durée d'utilisation.

11.2 Le tronc est courbé vers le bas

1. Effectuez d'abord la coupe de décharge 1 (env. 1/3 du diamètre de l'arbre) côté poussée.
2. Effectuez ensuite la coupe de sectionnement 2 (env. 2/3 du diamètre de l'arbre) côté traction.

11.3 Le tronc est courbé vers le haut

1. Effectuez d'abord la coupe de décharge 1 (env. 1/3 du diamètre de l'arbre) côté poussée.
2. Effectuez ensuite la coupe de sectionnement 2 (env. 2/3 du diamètre de l'arbre) côté traction.

11.4 Utilisation de la tronçonneuse d'élagage pour effectuer des découpes en utilisant une technique d'accès sur corde

Cette annexe présente les méthodes de travail adaptées pour réduire le risque de blessures lorsque vous utilisez des tronçonneuses d'entretien des arbres en hauteur avec une corde et une sangle de transport. Même si elle peut servir de guide et que sa lecture peut s'avérer instructive, elle ne saurait remplacer une formation classique. Le guide que constitue cette annexe n'est qu'un exemple de méthode de travail correcte.

Des prescriptions nationales ou autres plus strictes peuvent être applicables.

S'il travaille en hauteur avec une corde et une sangle de transport, l'utilisateur d'une tronçonneuse d'élagage doit toujours être accompagné. Un collaborateur formé aux mesures d'urgence doit se trouver au sol et l'assister.

De manière générale, l'utilisateur doit être formé aux techniques d'escalade et de positionnement sécuritaires et doit être équipé, pour lui-même et pour la scie, d'une sangle de transport, d'une corde, d'élingues, de mousquetons et de tout autre équipement nécessaire au maintien d'une position de travail correcte et sûre.

Respectez toujours strictement les lois et prescriptions nationales.

Cette annexe n'aborde ni les techniques de contrôle des branches découpées avec la tronçonneuse ni les points traités précédemment concernant l'utilisation sûre.

11.4.1 Exigences générales

S'il travaille en hauteur avec une corde et une sangle de transport, l'utilisateur d'une tronçonneuse d'élagage doit toujours être accompagné. Un collaborateur formé aux mesures d'urgence doit se trouver au sol et l'assister.

De manière générale, l'utilisateur doit être formé aux techniques d'escalade et de positionnement sécuritaires et doit être équipé, pour lui-même et pour la scie, d'une sangle de transport, d'une corde, d'élingues, de mousquetons et de tout autre équipement nécessaire au maintien d'une position de travail correcte et sûre.

11.4.2 Préparatifs avant utilisation de la tronçonneuse d'élagage dans l'arbre

La tronçonneuse doit être contrôlée, remplie, allumée et mise à température de service puis coupée par la personne au sol avant d'être hissée jusqu'à l'utilisateur situé dans l'arbre.

La tronçonneuse doit être équipée d'une élingue adaptée pour pouvoir être installée sur la sangle de transport de l'utilisateur (fig. 13) :

- L'élingue doit être fixée au dispositif de suspension (19) situé à l'arrière de la scie (fig. 12).
- Les mousquetons adaptés doivent être accessibles pour permettre la fixation indirecte (avec l'élingue p. ex.) ou directe (au dispositif de suspension (19) de tronçonneuse) de la scie à la sangle de transport de l'utilisateur.
- Soyez particulièrement attentifs lorsque vous fixez la tronçonneuse avant de la hisser jusqu'à l'utilisateur (fig. 14).
- Veillez à ce que la tronçonneuse soit fixée à la sangle de transport avant de la détacher du câble de levage.

Le fait de pouvoir fixer directement la tronçonneuse à la sangle de transport diminue le risque d'endommagement de l'équipement lorsque vous vous déplacez dans l'arbre. La tronçonneuse doit toujours être coupée lorsqu'elle est directement fixée à la sangle de transport.

La tronçonneuse doit uniquement être fixée à la sangle de transport à l'aide des dispositifs de suspension recommandés. Ceux-ci peuvent se trouver au milieu (à l'avant ou à l'arrière) ou sur les côtés. Lorsque c'est possible, fixez la tronçonneuse au point central arrière de la sangle de transport afin de la tenir à l'écart des cordes d'escalade et de centrer le poids sous la colonne vertébrale de l'utilisateur.

En cas de changement de dispositif de suspension de la tronçonneuse, les utilisateurs doivent s'assurer que la tronçonneuse est bien fixée dans la nouvelle position avant de détacher le dispositif de suspension précédent.

11.5 Utilisation de la tronçonneuse dans l'arbre

Une analyse des accidents lors des travaux d'élagage avec ce type de tronçonneuse a montré que la principale cause d'accident reste l'utilisation de la tronçonneuse à une seule main. Dans la plupart des accidents, les utilisateurs n'ont pas adopté de position de travail sûre leur permettant de tenir la tronçonneuse par les deux poignées, ce qui augmente le risque de blessures dû aux causes suivantes :

- Mauvais maintien des poignées lors du mouvement de recul de la tronçonneuse.
- Mauvais contrôle de la tronçonneuse. La tronçonneuse peut dans ce cas plus facilement entrer en contact avec les cordes d'escalade et le corps de l'utilisateur (en particulier avec la main et le bras gauche).
- Perte de contrôle due à une mauvaise position de travail et contact avec la tronçonneuse (mouvements inattendus pendant les travaux avec la tronçonneuse).

11.6 Position de travail sûre et utilisation à deux mains

Pour pouvoir maintenir la tronçonneuse des deux mains, les utilisateurs doivent principalement essayer d'adopter une position de travail sûre permettant de guider la scie de la manière suivante :

- à hauteur des hanches pour découper les pièces horizontales.
- à hauteur du ventre pour découper les pièces verticales.

Si l'utilisateur travaille proche d'un tronc vertical et que les forces latérales exercées par rapport à la position de travail sont faibles, un bon équilibre peut suffire à garantir une position de travail sûre. Cependant, dès que l'utilisateur s'éloigne du tronc, des mesures supplémentaires doivent être appliquées pour diminuer ou contrer l'augmentation des forces latérales, par exemple en déviant la corde principale à l'aide d'un dispositif de suspension supplémentaire ou en utilisant une élingue réglable reliant le harnais à un dispositif de suspension supplémentaire (fig. 15 et 16).

11.6.1 Démarrage de la tronçonneuse d'élagage dans l'arbre

Lors du démarrage de la tronçonneuse dans l'arbre, l'utilisateur doit :

- actionner le frein de chaîne avant le démarrage (pousser la protection des mains avant (3) vers l'avant).
- tenir la tronçonneuse à gauche ou à droite de son corps lors du démarrage :
 - Tenir la poignée avant de la tronçonneuse avec la main gauche sur le côté gauche et éloigner la tronçonneuse de son corps pendant qu'il tient le câble de démarrage de la main droite.
 - Tenir l'une des poignées de la tronçonneuse avec la main droite sur le côté droit et éloigner la tronçonneuse de son corps pendant qu'il tient le câble de démarrage de la main gauche.

Activez toujours le frein de chaîne avant d'abaisser la tronçonneuse en marche sur son câble porteur.

Avant d'effectuer des travaux de sciage difficiles, l'utilisateur doit toujours s'assurer que la tronçonneuse a suffisamment de carburant.

11.6.2 Utilisation de la tronçonneuse à une main

Les utilisateurs ne doivent pas utiliser la tronçonneuse à une main dans des positions de travail instables pour effectuer des travaux d'élagage ou l'utiliser à la place d'une scie manuelle pour découper des extrémités de branches présentant un faible diamètre.

Les tronçonneuses d'élagage doivent uniquement être utilisées à une main, lorsque

- a. l'utilisateur ne peut pas se mettre dans une position de travail permettant une utilisation à deux mains.
- b. l'utilisateur a besoin d'une main pour sécuriser sa position de travail.
- c. la tronçonneuse est utilisée dans une position entièrement étendue, à angle droit et hors d'une ligne par rapport au corps de l'utilisateur.

L'utilisateur ne doit jamais :

- Scier avec la zone de mouvement de recul au niveau de la pointe du rail de guidage (2) de la tronçonneuse.
- Se tenir à la branche qu'il est train de scier.
- Essayer d'attraper les morceaux qui tombent.

11.6.3 Extraction d'une tronçonneuse coincée

Si la tronçonneuse se coince pendant la découpe, l'utilisateur doit :

1. Arrêter la tronçonneuse et la fixer correctement vers l'intérieur de l'arbre (c'est-à-dire vers le tronc d'arbre) ou sur un câble à outils séparé.
2. Tirer la tronçonneuse de l'entaille pendant que la branche est levée au niveau requis,
3. Au besoin, utiliser une scie manuelle ou une deuxième tronçonneuse pour libérer la tronçonneuse coincée en réalisant une découpe à au moins 30 cm de la tronçonneuse coincée.

Que vous utilisiez une scie manuelle/tronçonneuse pour libérer la tronçonneuse coincée ou pas, les coupes servant à libérer la tronçonneuse doivent toujours être effectuées vers l'extérieur (vers l'extrémité des branches) pour que la tronçonneuse ne soit pas emportée par les parties découpées et éviter de compliquer la situation davantage.

12. Transport

- Utilisez toujours le couvercle du rail de guidage (21) lors du transport.
- Arrêtez la tronçonneuse avant chaque transport, même sur de courts trajets. Pendant le transport (même dans des véhicules), sécurisez la machine contre le renversement, afin d'éviter les pertes de carburant, les dommages et les blessures.
- Actionnez le frein de chaîne (pousser la protection des mains avant (3) vers l'avant).
- Ne portez l'appareil que par la poignée avant (12). Le rail de guidage (2) est alors orienté vers l'arrière, à l'opposé de votre corps.
- Tenez le silencieux chaud (18) éloigné de votre corps. Il existe un risque de brûlures ! (Fig. 23)

13. Nettoyage et maintenance

⚠ AVERTISSEMENT

Risque de blessures !

Arrêtez toujours l'appareil et débranchez le connecteur de bougie d'allumage (35) avant les travaux de nettoyage. (voir chapitre 13.4 Maintenance de la bougie d'allumage (34)).

Remarque

Après chaque utilisation, nettoyez soigneusement l'appareil. Procédez aux travaux de nettoyage et de maintenance conformément aux indications du présent mode d'emploi. Les autres travaux doivent être réalisés par des spécialistes. Les travaux de maintenance doivent être réalisés régulièrement (voir chapitre « Intervalles de maintenance »).

13.1 Nettoyage du bloc-moteur

⚠ AVERTISSEMENT

Risque de brûlures !

Ne touchez pas les silencieux, les vérins ou les ailettes de refroidissement chauds.

- Veillez à ce que les dispositifs de protection, le volet d'aération et le logement du moteur restent aussi exempts de poussières et d'impuretés que possible. Pulvériser de l'air comprimé à basse pression.
- Nettoyez régulièrement l'appareil avec un chiffon humide et un peu de détergent. Veiller à ce que l'eau ne puisse pas pénétrer à l'intérieur de l'appareil.

13.2 Nettoyage du filtre à air (33) (fig. 17)

Des filtres à air encrassés réduisent la puissance du moteur en raison d'une alimentation en air trop faible vers le carburateur.

Pour cette raison, un contrôle régulier est indispensable. Le filtre à air (33) doit être contrôlé régulièrement et doit être nettoyé en cas de besoin.

En cas d'air fortement chargé de poussière, le filtre à air (33) doit être vérifié plus souvent.

1. Dévissez le bouchon du couvercle du filtre à air (10) en le faisant tourner dans le sens inverse des aiguilles d'une montre.
2. Retirez le couvercle du filtre à air (9).
3. Retirez le filtre à air (33).
4. Nettoyez le filtre à air (33) en le tapotant ou en le soufflant (à l'air comprimé).

Pour l'assemblage, procédez dans l'ordre inverse.

⚠ ATTENTION

Ne nettoyez jamais le filtre à air (33) à l'essence ou à l'aide d'un solvant inflammable.

13.3 Nettoyage de l'entraînement de chaîne

⚠ AVERTISSEMENT

Risque de blessures !

Portez toujours des gants de protection lorsque vous touchez la chaîne de scie (1). Risque de blessures sur les dents de coupe acérées !

Remarque

Nettoyez l'entraînement de chaîne après chaque utilisation.

1. Posez la scie à chaîne sur un support droit et stable.
2. Tirez la protection des mains avant (3) vers l'arrière jusqu'à la butée pour desserrer le frein de chaîne. (Fig. 2)
3. Faites tourner la vis de serrage de chaîne (23) dans le sens inverse des aiguilles d'une montre avec le tournevis plat (20) pour réduire la tension.
4. Retirez les deux écrous de fixation (16) avec la clé à bougie d'allumage (20).
5. Retirez la protection de pignon (17).
6. Retirez prudemment la chaîne de scie (1) du rail de guidage (2) et du pignon (27).
7. Retirez le rail de guidage (2). Nettoyez-le à l'aide d'un pinceau.
8. Nettoyez en profondeur l'ensemble de la zone d'entraînement de la chaîne et la protection de pignon (17) avec un pinceau ou en les soufflant (à l'air comprimé).

Pour l'assemblage, procédez dans l'ordre inverse.

13.4 Maintenance de la bougie d'allumage (34) (fig. 19/20)

1. Démontez le filtre à air (33) comme décrit au chapitre 13.2 « Nettoyage du filtre à air (33) ».
2. Débranchez le connecteur de bougie d'allumage (35) en le tournant vers la gauche et vers la droite et en tirant dessus simultanément. Tenez et tirez le connecteur de bougie d'allumage (35) uniquement au niveau du connecteur. Ne tirez jamais sur le câble !
3. Desserrez la bougie d'allumage (34) avec la clé à bougie d'allumage fournie (20).
4. Pour l'assemblage, procédez dans l'ordre inverse.

Écart entre les électrodes = 0,6 - 0,7 mm (écart entre les électrodes où l'étincelle d'allumage est générée). Contrôlez la bougie d'allumage (34) pour la première fois après 10 heures de fonctionnement et, si nécessaire, nettoyez-la avec une brosse en cuivre.

Procédez ensuite à la maintenance de la bougie d'allumage (34) toutes les 50 heures de fonctionnement.

13.5 Maintenance du graissage de la chaîne

- Voir le chapitre « Contrôle et réglage de la lubrification de chaîne ».

13.6 Maintenance des réglages du carburateur

- Si la chaîne de scie (1) fonctionne en marche à vide ou que le moteur s'arrête de lui-même à la coupure des gaz, un réglage du carburateur doit avoir lieu.

Remarque

Confiez les réglages du carburateur (par exemple, régime du ralenti) uniquement à des spécialistes qualifiés pour éviter d'endommager le moteur.

13.7 Maintenance du rail de guidage (2)

- Éliminez les éventuelles bavures situées sur les bords du rail à l'aide d'une lime à métaux.
- Nettoyez la rainure du rail de guidage (2) à l'aide d'un pinceau ou d'air comprimé (fig. 21). Remplacez le rail de guidage (2) dès que la rainure de guidage (28) est usée.
- Tournez le rail de guidage (2) après chaque utilisation pour garantir une usure homogène.
- Vérifiez la facilité de déplacement du pignon (30) situé sur la pointe du rail de guidage (2). Au besoin, lubrifiez-le avec de l'huile pour engrenages. Faites couler quelques gouttes d'huile pour engrenages dans l'ouverture de lubrification (31). (Fig. 21)

13.8 Contrôle du frein de chaîne

Voir chapitre 10.5 « Contrôle du frein de chaîne »

AVERTISSEMENT

RISQUE DE MOUVEMENT DE REcul !

Un frein de chaîne défectueux augmente le risque de mouvement de recul.

Contrôlez régulièrement le frein de chaîne.

Un frein de chaîne fonctionnel est nécessaire pour garantir votre sécurité.

13.9 Tension et contrôle de la chaîne de scie (1)

Voir le chapitre 9.2 « Tension et contrôle de la chaîne de scie (1) »

13.10 Affûtage et entretien de la chaîne de scie (1)

AVERTISSEMENT

Risque de blessures !

Portez toujours des gants de protection lorsque vous touchez la chaîne de scie (1). Risque de blessures sur les dents de coupe acérées !

Remarque

Une chaîne de scie (1) bien entretenue et affûtée réduit les sollicitations corporelles, l'usure et garantit un bon résultat de coupe.

Nettoyez, entretenez et affûtez régulièrement la chaîne de scie (1).

Contrôlez régulièrement la chaîne de scie (1) pour détecter les éventuelles fissures et rivets endommagés.

Il est possible de fixer un touret à meuler sur l'auxiliaire de touret à meuler afin de garantir une bonne fixation pendant le meulage.

Utilisez uniquement des limes rondes de tronçonneuse spéciales Ø 4,8 mm (3/16») pour la chaîne de scie fournie (1).

Vous trouverez des informations détaillées concernant la procédure d'affûtage dans les kits d'affûtage.

Vous pouvez également utiliser une affûteuse de chaîne électrique et suivre les instructions du fabricant.

En cas de doute sur l'exécution des travaux, remplacez la chaîne de scie (1).

Faites effectuer l'affûtage de la chaîne de scie (1) par un atelier spécialisé.

- Accessoires nécessaires (non fournis) :
 - Lime ronde de chaîne de scie Ø 4,8 mm (3/16»)
 - Lime plate
 - Gabarit de limitation de profondeur
- Ne limez que dans le sens d'avancée, pour retirer de la matière.
- Limez avec un angle d'affûtage d'env. 25° pour une inclinaison de 10° par rapport au rail de guidage (2).
- Contrôlez l'écart avec la limitation de profondeur à l'aide d'un gabarit de limite de profondeur.
- L'écart correct du gabarit de limite de profondeur doit être de 0,6 mm (0,024»).

13.11 Intervalles de maintenance

Pour garantir une durée de vie optimale, ainsi que pour éviter les dommages et assurer une efficacité maximale aux dispositifs de sécurité, les travaux de maintenance suivants doivent être réalisés régulièrement. Vous ne pourrez prétendre à vos droits de garantie que s'il est attesté que ces travaux sont réalisés régulièrement et de manière conforme. Tout non-respect entraîne un risque d'accident !

Les utilisateurs de tronçonneuses ne doivent réaliser que les travaux de maintenance et d'entretien décrits dans le présent mode d'emploi.

Toute autre intervention doit être effectuée dans un atelier spécialisé.

Généralités	Tronçonneuse d'élagage complète	Nettoyage extérieur et contrôle de l'état. En cas de dommages, faire immédiatement effectuer une réparation en bonne et due forme.
	Chaîne de scie	Affûtage régulier, remplacement au besoin.
	Frein de chaîne	Contrôle régulier par un atelier spécialisé
	Rail de guidage	Rotation afin de garantir une usure homogène des surfaces de roulement Remplacement à temps.
Avant chaque mise en service	Chaîne de scie	Vérification de l'état et de l'affûtage. Contrôle de la tension de la chaîne.
	Rail de guidage	Vérification de l'état.
	Graissage de chaîne	Contrôle fonctionnel
	Frein de chaîne	Contrôle fonctionnel
	Bouton marche/arrêt, blocage de la gâchette d'accélérateur, gâchette d'accélérateur	Contrôle fonctionnel
	Bouchon du réservoir de carburant et du réservoir d'huile de chaîne	Contrôle de l'étanchéité.
Chaque jour	Filtre à air	nettoyage
	Rail de guidage	Vérifier l'état, nettoyer l'alésage d'admission de l'huile
	Préhension du guide	Nettoyage, en particulier de la rainure de guidage de l'huile
	Régime ralenti	Contrôle (ne pas entraîner la chaîne)

Chaque semaine	Boîtier du ventilateur	Nettoyage pour garantir un guidage impeccable de l'air de refroidissement
	Bougie d'allumage	Vérification et au besoin remplacement
	Silencieux	Vérifier l'état de détérioration
	Attrape-chaîne	Vérifier l'état, au besoin remplacer
	Vis et écrous	Vérifier l'état et la fixation
Chaque trimestre	Tête d'aspiration Réservoir de carburant, d'huile de chaîne	Remplacement nettoyage
Stockage	Tronçonneuse d'élagage complète	Nettoyage extérieur et contrôle de l'état En cas de dommages, réclamer immédiatement une réparation en bonne et due forme
	Chaîne et guide-chaîne de tronçonneuse	Démontage, nettoyage et léger huilage Nettoyage de la rainure de guidage du rail de guidage
	Réservoir de carburant, d'huile de chaîne	Vidange et nettoyage
	Carburateur	Course à vide

13.12 Remarque importante en cas de réparation

Lors du retour de l'appareil en vue d'une réparation, celui-ci, pour des raisons de sécurité, doit être expédié à la station d'entretien sans huile ni essence.

13.13 Informations de service

Notez que, pour ce produit, les composants suivants sont soumis à une usure naturelle ou due à l'utilisation et que les composants suivants sont nécessaires en tant que consommables. Pièces d'usure* : chaîne de scie, rail de guidage, huile de chaîne, huile moteur, butée de griffe, dispositif d'arrêt de chaîne, bougie d'allumage, filtre à air, filtre à carburant, filtre à huile pour chaîne

* ne sont pas des composants obligatoires de la livraison !

Dispositif de coupe autorisé

Chaîne de scie	
Kangxin 3/8LP-40.....	7910100739
Oregon 91P040X.....	3910102032
Rail de guidage	
Kangxin AP10-40-509P.....	7910100740
Oregon 100SDEA041	7910100744

14. Stockage

La clé à bougie d'allumage / le tournevis plat (20) peut être stocké(e) sur le côté du couvercle du rail de guidage (21).

Utilisez toujours le couvercle du rail de guidage (21) lors du stockage.

Nettoyez et entretenez l'appareil avant chaque stockage, voir le chapitre « Nettoyage et maintenance ».

Videz entièrement le réservoir de carburant et le réservoir d'huile.

AVERTISSEMENT

Ne retirez pas l'essence dans un local clos, à proximité d'un feu ou en fumant. Les vapeurs d'essence peuvent causer des explosions ou un incendie.

- Démarrez le moteur et laissez-le fonctionner jusqu'à épuisement de l'essence résiduelle.

Entreposez l'appareil et ses accessoires dans un lieu sombre, sec et à l'abri du gel. En outre, ce lieu doit être hors de portée des enfants. La température de stockage optimale se situe entre 5 et 30 °C.

Ne stockez et n'utilisez pas la tronçonneuse par des températures inférieures à 0 °C !

Ne stockez jamais une tronçonneuse pendant plus de 30 jours sans procéder comme suit.

Suivez les consignes de nettoyage et de maintenance avant d'entreposer l'appareil !

14.1 Stockage de la tronçonneuse

Si vous stockez une tronçonneuse pendant plus de 30 jours, celle-ci doit être préparée en conséquence. Dans le cas contraire, le carburant résiduel du carburateur s'évaporerait et laisserait un résidu caoutchouteux. Cela pourrait compliquer le démarrage et nécessiter des travaux de réparation chers.

1. Retirez lentement le bouchon du réservoir de carburant (13) afin de laisser l'éventuelle pression existante s'échapper. Videz prudemment le réservoir.
2. Démarrez le moteur et laissez-le tourner jusqu'à ce que la tronçonneuse s'arrête, pour retirer le carburant du carburateur.
3. Laissez le moteur refroidir (env. 5 minutes).
4. Retirez la bougie d'allumage (34).
5. Versez l'équivalent d'une cuillère à café d'huile pour moteur 2 temps propre dans la chambre de combustion. Tirez plusieurs fois lentement sur le câble de démarrage (8) afin d'en recouvrir les composants internes. Remettez la bougie d'allumage (34).

Rangez la tronçonneuse dans un lieu sec, à bonne distance des éventuelles sources d'ignition, telles que des fours, chaudières à gaz, dessiccateurs de gaz, etc., et hors de portée des enfants.

Mettez toujours le couvercle du rail de guidage (21) en place si vous ne démontez pas la chaîne de scie (1) et le rail de guidage (2)

14.2 Remise en service de la tronçonneuse

1. Retirez la bougie d'allumage (34).
2. Tirez fermement sur le câble de démarrage (8) pour retirer l'huile excédentaire de la chambre de combustion.
3. Nettoyez la bougie d'allumage (34) et veillez à ce que l'écart entre les électrodes de la bougie d'allumage (34) soit correct ou installez une nouvelle bougie d'allumage (34) en observant le bon écart entre les électrodes.
4. Préparez la tronçonneuse à l'utilisation.
5. Remplissez le réservoir en respectant les proportions de mélange huile-essence (1:40).

14.3 Stockage du carburant

Les carburants ne peuvent être stockés que momentanément. Le carburant et les mélanges de carburants vieillissent sous l'effet de l'évaporation, en particulier sous l'influence des fortes températures. Par conséquent, le carburant et les mélanges de carburants stockés trop longtemps peuvent conduire à des problèmes de démarrage et endommager le moteur. N'achetez pas plus de carburant que ce que vous consommez en quelques mois. En cas de fortes températures, consommez le carburant mélangé sous 6 à 8 semaines.

Le carburant ne doit être stocké que dans des conteneurs autorisés au sec, au frais et en toute sécurité !

AVERTISSEMENT

Évitez tout contact avec la peau et les yeux !

Les produits à base d'huile minérale, ainsi que les huiles peuvent causer la disparition des graisses naturelles de la peau. En cas de contact répété et prolongé, la peau s'assèche. Il peut en résulter diverses maladies de peau. En outre, des réactions allergiques ont été reportées. Tout contact de l'huile avec les yeux entraîne des irritations. En cas de contact avec les yeux, ceux-ci doivent être rincés à l'eau claire. Si l'irritation persiste, consultez immédiatement un médecin !

15. Élimination et recyclage

Remarques relatives à l'emballage



Les matériaux d'emballage sont recyclables. Merci d'éliminer les emballages de manière respectueuse de l'environnement.

Pour connaître les possibilités d'élimination de l'appareil utilisé, adressez-vous aux autorités communales ou municipales.

Carburants et huiles

- Vider le réservoir de carburant et le réservoir d'huile moteur avant d'éliminer l'appareil !
- Le carburant et l'huile moteur ne doivent pas être jetés avec les ordures ménagères ni dans les égouts, mais éliminés séparément !
- Les réservoirs de carburant et d'huile vides doivent être éliminés de manière respectueuse de l'environnement.

16. Dépannage

Panne	Cause possible	Remède
Le moteur ne démarre pas, ou démarre et s'arrête.	Mauvaise procédure de démarrage.	Observer les instructions de cette notice.
	Mauvais réglage du carburateur.	Faire régler le carburateur par un service après-vente agréé.
	Bougie d'allumage encrassée.	Nettoyer/régler ou remplacer la bougie d'allumage.
	Filtre à carburant obstrué.	Remplacer le filtre à carburant.
Le moteur démarre, mais n'atteint pas le plein régime.	Filtre à air encrassé	Retirer, nettoyer et remettre le filtre en place.
	Mauvais réglage du carburateur.	Faire régler le carburateur par un service après-vente agréé.
Le moteur tousote	Mauvais réglage du carburateur.	Faire régler le carburateur par un service après-vente agréé.
Aucune puissance sous charge	Mauvais réglage de la bougie d'allumage.	Nettoyer/régler ou remplacer la bougie d'allumage.
Le moteur fonctionne par à-coups	Mauvais réglage du carburateur.	Faire régler le carburateur par un service après-vente agréé.
Trop de fumée.	Mauvais mélange de carburant.	Observez le rapport de mélange de carburant adapté (1:40).
Aucune puissance sous charge	Chaîne émoussée ou détendue	Affûter ou remplacer la chaîne. Tendre la chaîne.
Le moteur s'arrête	Réservoir d'essence vide ou filtre à carburant mal positionné dans le réservoir	Remplir le réservoir d'essence. Remplir entièrement le réservoir d'essence ou positionner autrement le filtre à carburant dans le réservoir d'essence.
	Réservoir d'huile de chaîne vide	Remplir le réservoir d'huile de chaîne.
Graissage de chaîne insuffisant (la lame de pliage et la chaîne chauffent)	Passages d'huile obstrués	Nettoyer le trou d'huile dans la lame de pliage. Nettoyer la rainure de la lame de pliage.

17. Certificat de garantie

Chère Cliente, Cher Client,

Nos produits sont soumis à un contrôle de qualité très strict. Si cet appareil devait toutefois ne pas fonctionner impeccablement, nous en serions désolés. Dans un tel cas, nous vous prions de bien vouloir prendre contact avec notre service après-vente à l'adresse indiquée sur le bulletin de garantie ou vous adresser au marché de la construction le plus proche. Pour faire valoir une demande de garantie, ce qui suit est valable :

1. Les conditions de garantie règlent les prestations de garantie supplémentaires. Vos droits de garantie légaux ne sont en rien altérés par la garantie présente. Notre prestation de garantie est gratuite.
2. La prestation de garantie s'applique exclusivement aux défauts occasionnés par des vices de fabrication ou de matériau et est limitée à l'élimination de ces défauts ou encore au remplacement de l'appareil. Veillez au fait que nos appareils, conformément à leur affectation, n'ont pas été construits pour être utilisés dans un environnement professionnel, industriel ou artisanal. Un contrat de garantie ne peut avoir lieu dès lors que l'appareil est utilisé à des activités dans des entreprises professionnelles, artisanales ou industrielles ou toute autre activité du même genre. Sont également exclus de notre garantie : les prestations de substitution de dommages dus aux transports, les dommages occasionnés par le non-respect des instructions de montage ou en raison d'une installation non conforme, du non-respect du mode d'emploi (comme par exemple le raccordement à une mauvaise tension réseau ou à un mauvais type de courant), les applications abusives ou non conformes (comme par exemple une surcharge de l'appareil ou encore l'emploi d'accessoires non homologués), le non-respect des prescriptions de maintenance et de sécurité, l'infiltration de corps étrangers dans l'appareil (comme par exemple du sable, des pierres ou de la poussière), l'emploi de la force ou l'influence extérieure (comme par exemple les dommages dus à une chute), ainsi que l'usure normale conforme à l'utilisation. Ceci est particulièrement valable pour les accumulateurs pour lesquels nous offrons toutefois une période de garantie de 12 mois. Le droit à la garantie disparaît dès lors que des interventions ont lieu sur l'appareil.
3. Le délai de garantie s'élève à 3 ans et commence à la date de l'achat de l'appareil. Les demandes de garanties doivent être présentées avant écoulement du délai de garantie, dans les deux semaines suivant le moment auquel le défaut a été reconnu. Toute reconnaissance de demande de garantie après écoulement du délai de garantie est exclue. La réparation ou l'échange de l'appareil n'entraîne nullement une prolongation de la durée de garantie. Elle ne fait pas non plus commencer un nouveau délai de garantie, en raison de cette prestation, pour l'appareil ou pour toute autre pièce de rechange intégrée. Ceci est également valable lorsqu'un service après-vente sur place a été consulté.
4. Pour faire valoir votre droit à la garantie, contactez le service après-vente à l'adresse indiquée ci-dessous. Si vous formulez votre réclamation pendant la période de validité de la garantie, nous vous ferons parvenir un bon de retour qui vous permettra de nous retourner sans frais l'appareil défectueux. Décrivez la raison de la réclamation le plus précisément possible. Si le défaut de l'appareil est compris dans notre prestation de garantie, nous vous retournerons sans délai un appareil réparé ou encore un nouveau.

Hotline du service (FR):

00800 4003 4003

Service-hotline (BE):

00800 4003 4003

Service-Hotline (CH):

00800 4003 4003

Email du service (FR):

service.FR@schepdach.com

E-mailadres (BE):

service.BE@schepdach.com

Service-Email (CH):

service.CH@schepdach.com

Adresse du service (FR):

Netsend GmbH
Nachtwaid 6
DE - 79206 Breisach am Rhein

Serviceadres (BE):

Service Center Bruyninckx
Guldendelle 30
BE - 1930 Zaventem (Nossegem)

Service-Adresse (CH):

Klaus-Häberling AG
Industriestraße 6
CH - 8610 Uster






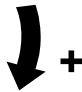
À l'adresse www.lidl-service.com, vous pouvez télécharger ce manuel et bien d'autres, les vidéos de produit et les logiciels d'installation.

Le QR-Code vous permet d'accéder directement à la page de service Lidl (www.lidl-service.com) et d'ouvrir votre notice d'utilisation à l'aide du numéro d'article (IAN) 436506_2304.

1.	Verklaring van de symbolen op het apparaat	76
2.	Opmerking van de gebruiker	77
3.	Inleiding	78
4.	Beschrijving van het apparaat	78
5.	Inhoud van de levering	79
6.	Beoogd gebruik	79
7.	Veiligheidsvoorschriften	79
8.	Technische gegevens	85
9.	Voor de ingebruikname	85
10.	Ingebruikname	87
11.	Toepassing	89
12.	Transport	92
13.	Reiniging en onderhoud	92
14.	Opslag	96
15.	Afvalverwerking en hergebruik	97
16.	Verhelpen van storingen	98
17.	Garantiebewijs	99
18.	Explosietekening	275
19.	Conformiteitsverklaring	276

1. Verklaring van de symbolen op het apparaat

	Alle waarschuwingen moeten worden gelezen, begrepen en in acht worden genomen.		Lees de volledige gebruikshandleiding voordat u het apparaat gaat gebruiken.
	Waarschuwing! Risico op terugslag (kickback). Pas op voor een terugslag van de kettingzaag en voorkom contact met het uiteinde van het zaagblad.		Het apparaat mag niet bij regen of in vochtige omgevingen worden gebruikt.
	Draag een veiligheidsbril. Draag gehoorbescherming.		Veiligheidshelm dragen.
	Draag altijd veiligheids- en anti-trillingshandschoenen als u het apparaat gebruikt.		Draag altijd snijbestendige veiligheidsschoenen met een antislipzool als u het apparaat gebruikt.
	Het is belangrijk beschermende kleding te dragen voor voeten, benen, handen en onderarmen.		Bedien de kettingzaag altijd met beide handen tegelijk. Werk niet met maar één hand aan de kettingzaag.
	Let op! Gebruik van de kettingzaag in combinatie met boomklimtechnieken. Voordat u met de werkzaamheden begint, moet u zich vertrouwd maken met alle werkinstructies!		Open vuur in de werkomgeving is verboden!
	Vulopening voor brandstof. Olie- en brandstofmengsel 1:40.		Draairichting
	Olietankdop voor kettingolie		Instelling van de kettingrem: Witte pijl: kettingrem inactief. Zwarte pijl: kettingrem actief.
	Koudstarthendel (choke)		Kettingrem ontgrendelen.
	Kettingrem activeren.		Montagerichting van de zaagketting.
	Instelling kettingsmering.		Gegarandeerd geluidsvermogensniveau van het apparaat.

	Let op! Warme onderdelen.		push primer 6 times	Druk 6x op de brandstofpomp (Primer).
	Looprichting van de ketting.			Instellen van de kettingspanning.
GEVAAR	Signaalwoord voor aanduiding van een direct aanwezige, gevaarlijke situatie die, indien deze niet wordt vermeden, de dood of ernstige verwondingen tot gevolg heeft.			
WAARSCHUWING	Signaalwoord voor aanduiding van een mogelijke gevaarlijke situatie die, indien deze niet wordt vermeden, tot de dood of ernstige verwondingen kan leiden.			
VOORZICHTIG	Signaalwoord voor aanduiding van een mogelijke gevaarlijke situatie die, indien deze niet wordt vermeden, tot geringe of matige verwondingen kan leiden.			
AANWIJZING	Signaalwoord voor aanduiding van een mogelijke gevaarlijke situatie die, indien deze niet wordt vermeden, materiële schade aan producten of eigendommen tot gevolg kan hebben.			

2. Opmerking van de gebruiker

WAARSCHUWING:

Lees deze gebruikshandleiding voorafgaand aan het eerste gebruik grondig door en volg altijd de veiligheidsvoorschriften! Deze boomonderhoudszaag mag alleen worden gebruikt door "mensen die ervaren zijn met boomonderhoudszagen en die aanvullend getraind zijn in boomklimtechnieken resp. het werken in werkkooien of hoogwerkbakken"!

Bewaar de gebruikshandleiding zorgvuldig!

Aanwijzing:

Houd er rekening mee dat bepaalde nationale voorschriften het gebruik van de machine kunnen beperken.



Deze boomonderhoudszaag is speciaal ontworpen voor boomverzorging en boomchirurgie. Alle werkzaamheden met de boomverzorgingszaag zijn speciaal ontworpen voor boomverzorging en boomchirurgie. Alle werkzaamheden met deze boomonderhoudszaag mogen alleen worden uitgevoerd door geschoolde mensen die ervaring zijn met boomonderhoudszagen!

3. Inleiding

FABRIKANT:

Schepach GmbH
Günzburger Straße 69
D-89335 Ichenhausen

GEACHTE KLANT,

Wij wensen u veel plezier en succes bij het werken met uw nieuwe apparaat.

AANWIJZING:

De fabrikant van dit apparaat is volgens de van kracht zijnde wet inzake productaansprakelijkheid niet aansprakelijk voor schade die aan dit apparaat of door dit apparaat ontstaan bij:

- ondeskundige behandeling,
- veronachtzaming van de instructies voor de bediening,
- reparaties door derden, niet geautoriseerde vakmensen
- inbouw en vervanging van niet-originele reserveonderdelen
- Dat niet conform de voorschriften is.

Let op:

Lees voor de montage en voor de inbedrijfstelling de complete tekst van de gebruikshandleiding door.

De gebruikshandleiding is bedoeld om het gemakkelijker te maken, uw apparaat te leren kennen en de beoogde toepassingsmogelijkheden van het apparaat te benutten.

De gebruikshandleiding bevat belangrijke aanwijzingen, hoe u met het apparaat veilig, vakkundig en economisch werkt en hoe u gevaren vermindert, reparatiekosten uitspaart, uitvaltijden vermindert en de betrouwbaarheid en levensduur van het apparaat verhoogt.

Aanvullend op de veiligheidsbepalingen van deze gebruikshandleiding moet u absoluut de voor de werking van het apparaat geldende voorschriften van uw land in acht nemen.

Bewaar de gebruikshandleiding bij het product in een plastic hoes, beschermd tegen vuil en vocht. De gebruikshandleiding moet door elke bediener van de machine voor aanvang van de werkzaamheden worden gelezen en zorgvuldig worden nageleefd.

Aan het apparaat mogen alleen personen werken, die voor het gebruik van het apparaat geïnstrueerd en over de daarmee verbonden gevaren geïnformeerd zijn. De vereiste minimumleeftijd moet aangehouden worden.

Naast de in deze gebruikshandleiding opgenomen veiligheidsvoorschriften en de bijzondere voorschriften van uw land moet u de algemeen erkende technische voorschriften

in acht nemen voor de werking van machines van hetzelfde type.

Wij kunnen niet aansprakelijk worden gesteld voor ongevallen of schade, veroorzaakt door niet-naleving van deze handleiding of de veiligheidsvoorschriften.

4. Beschrijving van het apparaat

1. Zaagketting
2. Geleideblad
3. Voorste handbescherming
4. Brandstofpomp "Primer"
5. Gashendel
6. Achterste handgreep
7. Gashendelblokkering
8. Starterkoord
9. Luchtfilterdeksel
10. Sluiting voor luchtfilterdeksel
11. Dop kettingolietank
12. Voorste handgreep
13. Dop brandstoftank
14. Koudstarthendel (choke)
15. Aan/uit-knop
16. Bevestigingsmoeren
17. Beschermkap van het kettingwiel
18. Geluiddemper
19. Ophanginrichting
20. Bougiesleutel / sleufschroevendraaier
21. Deksel van het geleideblad
22. Mengvat
23. Kettingspan Schroef
24. Klauwaanslag
25. Kettingvanger
26. Kettingspanstift
27. Kettingwiel
28. Geleidingsgroef
29. Bevestigingsbout
30. Tandwiel
31. Smeergat
32. Olieregelschroef
33. Luchtfilter
34. Bougie
35. Bougiestekker
36. Zuigkop

5. Inhoud van de levering

- Boomonderhoudszaag
- Zaagketting
- Geleideblad
- Deksel van het geleideblad
- Bougiesleutel / sleufschroevendraaier
- Mengvat

6. Beoogd gebruik

Dit apparaat is een bijzonder lichte en handige boomonderhoudszaag met een bovenhandgreep. De boomonderhoudszaag is speciaal ontwikkeld voor boomchirurgie en boomverzorging. Deze boomonderhoudszagen mogen daarom alleen worden gebruikt door "mensen die ervaren zijn met boomonderhoudszagen en die aanvullend getraind zijn in boomklimtechnieken resp. het werken in werkkooien of hoogwerkbakken".

Voor incidenteel gebruik in dun hout, verzorging van fruitbomen, snoeien en afkorten.

De voorbereiding van brandhout mag alleen worden uitgevoerd zolang de houtdiameter niet groter is dan de snijlengte (20 cm).

Daarboven adviseren wij een conventionele kettingzaag met een grote greepafstand resp. zaaglengte.

Wie mogen het apparaat niet gebruiken?

Personen die niet bekend zijn met de gebruikshandleiding, kinderen, jongeren onder de 16 jaar en personen die onder invloed van alcohol, drugs of medicijnen, of moe of ziek zijn.

Het apparaat is uitsluitend bedoeld voor het zagen van hout. De fabrikant is niet aansprakelijk voor schade die het gevolg is van niet-beoogd gebruik of onjuist gebruik.

Het apparaat mag uitsluitend voor het beoogde doel worden gebruikt. Elk ander of verdergaand gebruik is niet volgens de voorschriften. De gebruiker/bediener en niet de fabrikant is aansprakelijk voor ontstane schade of elke vorm van letsel.

Ook de naleving van de veiligheidsvoorschriften, de montagehandleiding en de aanwijzingen in de gebruikshandleiding maken deel uit van het beoogd gebruik.

Personen die het apparaat bedienen of onderhouden, moeten er mee bekend zijn en op de hoogte zijn van de mogelijke gevaren.

Bovendien moeten de van kracht zijnde voorschriften ter voorkoming van ongevallen strikt worden nageleefd.

Andere algemene arbo-, gezondheids- en veiligheidsvoorschriften moeten in acht worden genomen.

De fabrikant is niet aansprakelijk voor wijzigingen die aan het apparaat worden aangebracht en de hieruit voortvloeiende schade.

Let erop dat onze apparaten volgens het beoogd gebruik niet voor bedrijfsmatige, ambachtelijke of industriële toepassingen zijn ontworpen. Wij aanvaarden geen aansprakelijkheid wanneer het apparaat in bedrijfsmatige, ambachtelijke of industriële ondernemingen of bij soortgelijke werkzaamheden wordt ingezet.

GEVAAR

De fabrikant van dit apparaat is volgens de van kracht zijnde wet inzake productaansprakelijkheid niet aansprakelijk voor schade die aan dit apparaat of door dit apparaat ontstaan bij:

- inbouw en vervanging van niet-originele reserveonderdelen
- verwijderen of veranderen van de veiligheidscomponenten.

6.1 Gebruik dat niet conform de voorschriften is

- Dit apparaat is niet geschikt voor kapwerkzaamheden.
- Gebruik het geleideblad niet als hefboom om boomstammen of dergelijke te bewegen.
- Het zagen van hout met een diameter van meer dan 20 cm is niet toegestaan.

7. Veiligheidsvoorschriften

7.1 Algemene aanwijzingen

WAARSCHUWING

Wees altijd voorzichtig, let op waar u mee bezig bent en ga met gezond verstand te werk bij werkzaamheden met het apparaat. Gebruik het apparaat niet als u ziek of moe bent of onder invloed bent van drugs, alcohol of medicamenten. Een moment van onachtzaamheid bij het gebruik van het apparaat kan leiden tot ernstig letsel.

Vorkom verkeerd gebruik en pas de machine uitsluitend toe voor werk genoemd onder "Beoogd gebruik".

De gebruikshandleiding bevat belangrijke informatie over hoe u veilig en vakkundig met de kettingzaag kunt werken en hoe u gevaren kunt voorkomen.

Als er toch een verstopping optreedt tussen het snoemateriaal en de zaagketting, dient u de machine onmiddellijk uit te schakelen. Wacht tot de zaagketting tot stilstand is gekomen. Verwijder de bougiestekker en trek snijbestendige handschoenen aan om de verstopping te verwijderen. Als het geleideblad (zaagblad) moet worden verwijderd, volg dan de aanwijzingen zoals beschreven in het hoofdstuk "Montage". Na het verwijderen van de verstopping en het opnieuw monteren, moet een testrun worden gemaakt.

Indien tijdens dit proces trillingen of mechanische geluiden worden waargenomen, stop dan met de werkzaamheden en neem contact op met een erkend servicecentrum. Mocht dit gevaar zich vaker voordoen, dan adviseren wij een nieuwe instructie.

- Lees voor de ingebruikname de gebruikshandleiding van uw apparaat en neem hierbij met name de veiligheidsvoorschriften in acht.
- De op het apparaat aangebrachte waarschuwings- en instructiebordjes geven belangrijke aanwijzingen voor een veilig gebruik.
- Naast de aanwijzingen in de gebruikshandleiding moeten de algemene veiligheids- en ongevallenpreventievoorschriften van de wetgever in acht worden genomen.
- Verpakkingsfolies uit de buurt van kinderen houden. Er bestaat verstikkingsgevaar!
- Bij onvakkundig gebruik kunnen onvoldoende geïnformeerde gebruikers zichzelf en anderen in gevaar brengen. De gebruiker is verantwoordelijk voor derden.
- Controleer de werking van de gashendel voordat u met de werkzaamheden begint. Deze moet na het loslaten automatisch in de stationaire stand terugkeren.
- Werk niet langer dan 10 minuten achter elkaar. Wij adviseren, om tussen de bewerkingen steeds een pauze van 10 tot 20 minuten te nemen.
- Leen het apparaat alleen uit aan gebruikers die ervaring hebben met het apparaat. Overhandig daarbij de gebruikshandleiding.
- Bepaald zaagwerk vraagt om een speciale training en vaardigheden. Raadpleeg een specialist als u twijfelt of vragen heeft.
- Beginnende gebruikers moeten zich de eigenschappen en het gebruik van het apparaat laten uitleggen. Bezoek voor uw eigen veiligheid een door de overheid georganiseerde motorzaagcursus.

- Wanneer het apparaat niet wordt gebruikt, moet het zo worden bewaard dat niemand in gevaar wordt gebracht. Zorg dat onbevoegden er niet bij kunnen.
- De gebruiker is verantwoordelijk voor alle ongevallen en gevaren waarbij andere personen of hun eigendommen betrokken zijn.
- Kinderen, jongeren en personen met verminderde lichamelijke, zintuiglijke of geestelijke vermogens mogen de kettingzaag niet gebruiken. Er kan een uitzondering worden gemaakt voor jongeren vanaf 16 jaar in het kader van een opleiding en onder toezicht van een beroepsbeoefenaar.
- De elektrische ontsteking van het apparaat genereert een laag elektromagnetisch veld. Als u een pacemaker of een soortgelijk implantaat draagt, raadpleeg dan uw arts voordat u het apparaat gebruikt om gezondheidsrisico's te voorkomen.
- Let op: onjuist onderhoud, het gebruik van niet-conforme reserveonderdelen of het verwijderen of wijzigen van veiligheidsvoorzieningen kan materiële schade aan het apparaat en lichamelijk letsel van de persoon die ermee werkt tot gevolg hebben.

7.2 Persoonlijke beschermingsmiddelen (PBM)

GEVAAR

- Draag altijd persoonlijke beschermingsmiddelen (PBM)!
- Draag een veiligheidshelm met gelaatbescherming, c.q. een veiligheidsbril en gehoorbescherming.
 - Draag nauw aansluitende beschermende kleding met zaagbeschermingslaag.
 - Draag antislip veiligheidsschoenen.
 - Draag veiligheidshandschoenen.
 - Voorkom het dragen van wijde kleding, deze kan verstrikt raken.
 - Draag geen sjaal, halsdoek of das en ook geen sieraden!
 - Maak bij lang haar gebruik van een haartje!
 - Draag bij alle soorten werkzaamheden in het bos een veiligheidshelm. Deze geeft bescherming tegen vallende takken. Controleer de veiligheidshelm regelmatig op beschadigingen. De helm dient uiterlijk na 5 jaar te worden vervangen. Gebruik uitsluitend goedgekeurde veiligheidshelmen.
 - De gelaatbescherming en/of de veiligheidsbril biedt bescherming tegen zaagsel en houtsplinters. Om oogletsel te voorkomen, dient bij het werken met het apparaat altijd een gelaatbeschermer of veiligheidsbril te worden gedragen.
 - Draag altijd gehoorbescherming. Het door het apparaat voortgebrachte geluid kan gehoorschade veroorzaken.

- Draag stevige veiligheidshandschoenen van robuust materiaal, zoals leer.
- Draag een stofmasker bij het zagen van droog hout. Er kan zaagstof vrijkomen.
- Bij het werken in de boom, kan de gebruiker vallen. De gebruiker kan ernstig gewond raken of gedood worden. Draag uitrusting voor valbeveiliging.

7.3 Opslag en transport

- Schakel de kettingzaag vóór elk transport uit, ook bij korte afstanden. Activeer de kettingrem en plaats de kettingbeschermer.
- Gebruik de kettingbeschermer steeds tijdens transport en opslag.
- Beveilig de machine tegen omvallen tijdens transport (ook in voertuigen) om brandstofverlies, schade of letsel te voorkomen.
- Draag het apparaat alleen aan de voorste handgreep. Het geleideblad wijst daarbij naar achteren, weg van uw lichaam.
- Houd de hete geluiddemper uit de buurt van uw lichaam. Er bestaat gevaar voor brandwonden!
- Reinig en onderhoud de kettingzaag voordat u hem in de opslag weglegt.
- In de opslag moet het apparaat op een veilige en droge plaats kunnen liggen. Beveilig het ook tegen onrechtmatige toegang.

7.4 Veiligheid van de omgeving

- Nationale en/of plaatselijke voorschriften kunnen een tijdslimiet stellen aan het gebruik van luidruchtige, door een motor aangedreven apparatuur. Vraag uw lokale overheid hiernaar.
- Het apparaat mag niet in binnenruimten of andere slecht geventileerde ruimten worden gebruikt. Er bestaat gevaar voor verstikking door de giftige uitlaatgassen/smeeroliedampen.
- Voer werkzaamheden alleen uit bij daglicht.
- Werk ook niet bij ongunstige weersomstandigheden, zoals bijv. regen of wind. Dat geeft een verhoogd risico op ongelukken.
- Houd uw werkomgeving schoon en opgeruimd.
- Houd kinderen, andere personen en dieren voor en tijdens het werk op afstand. Als u wordt afgeleid, kunt u de controle over het apparaat verliezen.
- Controleer vóór het begin van de werkzaamheden of zich geen personen, dieren of voorwerpen in de gevarezone bevinden.

- Werk niet in de buurt van draadafrasteringen of in gebieden met losse oude draad.
- Houd een brandblusser gereed wanneer u werkt in een licht ontvlambare omgeving, zoals droog gras, enz. Er bestaat brandgevaar!

7.5 Brandstof bijvullen

- Benzine is zeer licht ontvlambaar. Houd bij het tanken afstand van open vuur en rook niet tegelijk. Er bestaat brandgevaar!
- Let erop dat u geen benzine morst. Benzine of kettingolie mag niet in de grond terecht komen. Zorg voor een geschikte onderlegger.
- Tank uitsluitend op een voldoende geventileerde plaats. Benzinedampen kunnen gemakkelijk ontvlammen of explosiveren.
- Schakel de motor uit voordat u gaat tanken en laat het apparaat afkoelen. Als er benzine is gemorst, dient u de betreffende plekken direct te reinigen. Laat ook geen brandstof op uw kleding komen. Wissel deze anders direct.
- Voorkom ook huid- en oogcontact met benzine of smeestoffen (olie).
- Adem benzinedampen/smeeroliedampen niet in.
- Let op voor onzichtbare plekken. Start de motor niet als er benzine uitloopt. Er bestaat gevaar door verbranding.
- Open het tankdeksel voorzichtig, zodat eventuele overdruk langzaam kan ontsnappen en er geen benzine uit spat.

7.6 Voor de ingebruikname

WAARSCHUWING

Voer inspecties altijd voor het in bedrijf stellen uit en alleen als de motor uitgeschakeld is.

Controleer altijd of het apparaat veilig kan worden gebruikt voordat u ermee gaat werken of wanneer het op de grond is gevallen.

Controleer of alle bewegende delen goed werken. Veel ongevallen ontstaan door slecht onderhouden gereedschap. Laat beschadigde onderdelen repareren door een bevoegde specialist.

Gebruik de kettingzaag en de accessoires alleen overeenkomstig deze aanwijzingen. Houd daarbij rekening met de omstandigheden waarin gewerkt wordt en de uit te voeren werkzaamheden. Het gebruik van gemotoriseerd gereedschap voor andere toepassingen dan het voorgeschreven gebruik kan leiden tot gevaarlijke situaties.

- Controleer regelmatig of de kettingrem naar behoren functioneert (voorst handbescherming, zie afb. 2).
- Controleer of het geleideblad goed gemonteerd is.
- Controleer of de zaagketting goed gespannen is. Neem de aanwijzingen inzake het smeren, de kettingspanning en het vervangen van accessoires in acht. Een ondeskundig gespannen of gesmeerde ketting kan breken of meer kans op terugslag opleveren.
- Houd snijgereedschap scherp en schoon. Slijp regelmatig bij en vervang versleten onderdelen op tijd. Zorgvuldig onderhouden snijgereedschap met scherpe snijranden klemt minder snel vast en is makkelijker te gebruiken.
- Controleer de gashendel en de gashendelblokkering op soepele werking. De gashendel moet naar de uitgangspositie terugveren.
- Controleer of er voldoende brandstof en kettingsmeerolie in de tank zitten.
- Let erop dat de handgrepen droog, schoon en vrij van olie en vuil zijn.
- Werk nooit helemaal alleen. In geval van nood moet er iemand in de buurt zijn.
- Gebruik de kettingzaag alleen als u op veilige, stabiele en vlakke grond staat. Voorkom een onnatuurlijke lichaamshouding. Een gladde of een onstabiele ondergrond (bijv. op een ladder) kan leiden tot evenwichtsverlies of verlies van de controle over de kettingzaag. Zorg voor een stabiele positie en zorg ervoor dat u altijd stabiel staat. Hierdoor kunt u de kettingzaag in onverwachte situaties beter controleren.
- Werk niet op een boom met de kettingzaag. Bij gebruik op een boom bestaat gevaar voor letsel.
- Zaag nooit boven schouderhoogte.
- Houd de kettingzaag altijd vast met uw rechterhand op de achterste greep en uw linkerhand op de voorste handgreep. Het vasthouden van de kettingzaag in een omgekeerde werkpositie verhoogt het risico op letsel en mag niet worden gebruikt.
- Houd u bij een draaiende kettingzaag alle lichaamsdelen uit de buurt van de zaagketting. Controleer voor het starten van de kettingzaag of de zaagketting niets raakt. Tijdens werkzaamheden met een kettingzaag kan een moment onoplettendheid er toe leiden dat bekleding of lichaamsdelen door de zaagketting worden vastgegrepen.
- Schakel de kettingzaag direct uit bij merkbare veranderingen in het gedrag van het apparaat.
- Als de kettingzaag stenen, spijkers of andere harde voorwerpen heeft geraakt, moet u de motor onmiddellijk uitschakelen en zowel de zaagketting als het geleideblad op beschadigingen controleren.

- Laat de kettingzaag niet vallen, stoot hem niet tegen obstakels en gebruik het geleideblad nooit als hefboom.
- Zaag alleen in hout met de kettingzaag.
- Let er tijdens het zagen op dat een onder spanning staande tak, zal terugveren. Als de spanning in de houtvezels vrijkomt, kan de onder spanning staande tak de gebruiker raken en/of de controle over de kettingzaag laten verliezen.
- Wees met name voorzichtig bij het zagen van kreupel hout en jonge boompjes. Het dunne materiaal kan in de zaagketting verstrikt raken en op u slaan of u uit evenwicht brengen.

5.7 Trillingen

WAARSCHUWING

Voorkom de risico's van trillingen, bijvoorbeeld het risico van wittevingerziekte (doorbloedingsstoornissen) door frequente werkpauses in te lassen waarbij u bijvoorbeeld uw handen tegen elkaar wrijft.

- Draag altijd veiligheidshandschoenen en let op warme handen.
- Zorg er altijd voor dat de ketting scherp is.
- Las regelmatig pauzes in.

5.8 Voorzorgsmaatregelen tegen terugslag

WAARSCHUWING

Let bij het werken op de terugslag van het apparaat. Er bestaat gevaar voor letsel. U voorkomt terugslag door voorzichtig en met de juiste zaagtechniek te werk te gaan.

- In sommige gevallen kan contact met het uiteinde van het zaagblad een onverwachte, naar achteren gerichte reactie veroorzaken, waarbij het geleideblad in de richting van de gebruiker omhoog wordt geslagen.
- Terugslag kan optreden als het uiteinde van het zaagblad een voorwerp raakt of als de zaagketting in de sneed wordt vastgeklemd door omhoog buigend hout.
- Als de zaagketting aan de bovenrand van het geleideblad is vastgeklemd, kan de kettingzaag al snel onverwacht terugslaan in de richting van de gebruiker.
- Als de zaagketting aan de onderkant van het geleideblad vastgeklemd, kan de kettingzaag al snel ongecontroleerd uit de werkrichting en het hout in worden getrokken.
- Wees uiterst voorzichtig wanneer u de ketting van de kettingzaag gebruikt om verder te zagen in een zaagsnede die al is begonnen.

- Zaag geen takken of stukken hout die tijdens het zagen van positie kunnen veranderen of waarbij de zaagsnede zich tijdens het zagen sluit.
- Elk van deze reacties kan ertoe leiden dat u de controle over de zaag verliest en mogelijk ernstig gewond raakt. Vertrouw niet uitsluitend op de veiligheidsvoorzieningen die in de kettingzaag zijn ingebouwd. Tref als gebruiker van de kettingzaag diverse maatregelen om zonder gevaar voor ongevallen of letsel te kunnen werken.

Een terugslag is het gevolg van een onjuist of verkeerd gebruik. Dit kan door passende voorzorgsmaatregelen worden voorkomen, zoals hieronder beschreven:

- Houd de kettingzaag met beide handen vast, waarbij de duimen en vingers de grepen van de kettingzaag omsluiten. Breng lichaam en armen in een houding waarbij u de terugslagkrachten kunt opvangen. Als de juiste maatregelen worden getroffen, kan de gebruiker de terugslagkrachten beheersen. Laat de kettingzaag nooit los.
- Neem geen onnatuurlijke lichaamshouding aan en zaag niet boven schouderhoogte. Dit voorkomt onopzettelijk contact met het uiteinde van het zaagblad en zorgt voor een betere controle van de kettingzaag in onverwachte situaties.
- Gebruik ter vervanging altijd geleidebladen en zaagkettingen die door de fabrikant zijn voorgeschreven. Onjuiste vervangende geleidebladen en zaagkettingen kunnen breuk van de zaagketting en/of terugslag tot gevolg hebben.
- Volg de aanwijzingen van de fabrikant voor het slijpen en onderhouden van de zaagketting. Te lage dieptebegrenzers verhogen de kans op terugslag.
- Zaag niet met het uiteinde van het zaagblad. Er bestaat gevaar voor terugslag. (Afb. 7)
- Controleer of er zich geen spijkers of metalen delen in het zaag- of snoei gebied bevinden. Let goed op voor met name spijkers of ijzeren delen rondom het zaag- of snoei gebied. Wees ook voorzichtig bij het zagen van hardhout waarbij de ketting vast kan komen te zitten. Hierdoor kan er terugslag optreden.
- Begin op vol vermogen te zagen en houd de kettingzaag altijd op maximum snelheid tijdens het zagen.
- Zorg ervoor dat er geen voorwerpen op de grond liggen, waar u over kunt struikelen.

7.9 Werkomstandigheden en -techniek

- Werk alleen bij goed zicht en goede lichtomstandigheden. Let in het bijzonder op bij gladheid, nattigheid, ijs en sneeuw (risico op uitglijden). Bij vers geschild hout (schors) is er een verhoogd risico op uitglijden.

- Werk nooit op een onstabiele ondergrond. Let op obstakels in het werkgebied, struikelgevaar. Zorg er steeds voor dat u stevig staat.
- Zaag nooit boven schouderhoogte.
- Zaag nooit staand op ladders.
- Klim nooit met de kettingzaag in een boom en voer hier geen werkzaamheden uit als er geen geschikte beveiligingssystemen zijn voor mens en machine. Wij raden aan om altijd aan vanaf een werkplatform te werken.
- Werk niet te ver voorovergebogen.
- Geleid de kettingzaag zodanig dat geen enkel lichaamsdeel zich in het verlengde van het draaibereik van de zaagketting bevindt.
- Zaag alleen hout met de kettingzaag.
- Raak de grond niet als de zaagketting loopt.
- Maak het gebied van de zaagsnede vrij van vreemde voorwerpen, zoals zand, stenen, spijkers, enz. Vreemde voorwerpen beschadigen de zaag en kunnen gevaarlijke terugslag (kickback) veroorzaken of worden weggeslingerd.
- Gebruik bij het zagen van gezaagd hout een veilige ondersteuning (indien mogelijk een zaagbok). Het hout mag niet met de voet of door een andere persoon worden vastgehouden.
- Rondhout moet worden vastgezet zodat het niet kan draaien.
- Werk nooit zonder klauwaanslag, de kettingzaag kan de bediener naar voren trekken. Gebruik de klauwaanslag om boomstammen of dikke takken door te zagen. Het gebruik van de klauwaanslag verhoogt de werkveiligheid, vermindert de persoonlijke belasting bij het werken en vermindert trillingen.
- Voor het vellen of afkorten moet de boomklauw (de klauwaanslag) op het te zagen hout worden geplaatst. Ook voor het doorzagen van dikke takken wordt aanbevolen om de boomklauw te gebruiken.
- Plaats bij het afkorten altijd eerst de boomklauw en zaag dan pas in het hout terwijl de zaagketting loopt. De zaag wordt daarbij met de achterste greep omhooggetrokken en met de beugelgreep geleid. De boomklauw fungeert als draaipunt. De positie wordt aangepast met lichte druk op de beugelgreep. Trek de kettingzaag daarbij iets terug. Breng de boomklauw dieper aan en trek de achterste greep weer omhoog.
- Wees voorzichtig bij het zagen van versplinterd hout. Er kunnen afgezaagde stukken hout worden meegesleurd (gevaar voor letsel).

- De kettingzaag kan bij het zagen met de bovenzijde van het blad naar de gebruiker worden gestoten wanneer de zaagketting vastklemt. Daarom moet indien mogelijk met de onderzijde van het blad worden gezaagd, omdat de kettingzaag dan van het lichaam af naar het hout wordt getrokken.
- Hout waar spanning op staat moet altijd eerst worden ingezaagd aan de zijde waar drukkrachten op staan. Daarna kan pas de eindsnede worden gemaakt aan de zijde waar trekkrachten op staan. Zo wordt voorkomen dat het zaagblad vastklemt.
- Als in de boom wordt gewerkt, kan de kettingzaag vallen. Mensen kunnen ernstig gewond raken en er kan materiële schade ontstaan. Kettingzaag boven de ophanginrichting borgen.
- Voordat de zaagketting in de verwerkingszone wordt geplaatst, kan deze zijwaarts wegslijpen of kan de kettingzaag gaan stuiten.

⚠ LET OP

Verhoogde terugslagrisico!

Om tijdens het "doorzagen" volledige controle te behouden, reduceert u tegen het einde van de zaagsnede de aanpersdruk, zonder de stevige greep aan de handgrepen van de kettingzaag losser te maken. Let op dat de zaagketting niet in aanraking komt met de grond. Wacht na het voltooiën van de zaagsnede tot de zaagketting tot stilstand is gekomen voordat u de kettingzaag verwijdert. Zet de motor van de kettingzaag altijd uit, voordat u van boom naar boom gaat.

⚠ WAARSCHUWING

Bij langdurige werkzaamheden kan door trillingen in de handen van de gebruiker storingen in de doorbloeding (witte vinger syndroom) ontstaan.

Het witte vinger syndroom is een vaatziekte waarbij kleine bloedvaten in de vingers en tenen acuut verkrampen. De desbetreffende lichaamsdelen worden dan niet meer voldoende van bloed voorzien waardoor ze een bleke kleur krijgen. Het frequente gebruik van trillende apparaten kan zenuwbeschadigingen veroorzaken bij personen met een verminderde doorbloeding (bijv. rokers, diabetici).

Als u ongewone beperkingen bespeurt, stopt u direct de werkzaamheden en raadpleegt u een arts.

Neem de volgende aanwijzingen in acht om de risico's te beperken:

- Houd uw lichaam en met name uw handen bij koud weer warm.
- Las regelmatig pauzes in en beweeg hierbij de handen om de doorbloeding te bevorderen.
- Zorg voor zo min mogelijke trillingen van de machine door regelmatig onderhoud en stevig bevestigde delen op het apparaat.

7.10 Restrisico's

⚠ GEVAAR

GEVAAR VOOR LETSEL!

Aanraking met de zaagketting kan leiden tot dodelijk snijletsel.

Nooit met de handen in een draaiende zaagketting grijpen.

GEVAAR VOOR TERUGSLAG!

Terugslag kan leiden tot dodelijk snijletsel.

GEVAAR VOOR BRANDWONDEN!

De ketting en het geleideblad worden warm tijdens het gebruik.

Het apparaat is vervaardigd volgens de stand van de techniek en de erkende veiligheidstechnische regels. Toch kan tijdens de werkzaamheden sprake zijn van enkele restrisico's.

Bovendien kunnen er ondanks alle getroffen voorzieningen verborgen restrisico's bestaan.

De restrisico's kunnen tot een minimum worden beperkt wanneer aan de "Veiligheidsvoorschriften" en het "Gebruik volgens de voorschriften" wordt voldaan en de gebruikshandleiding in zijn geheel wordt opgevolgd.

8. Technische gegevens

Machine zonder zaagblad	
Lengte x breedte x hoogte.....	270 x 230 x 240 mm
Gewicht zonder tankvulling, zonder zaaggarnituur ca.....	3,4 kg
Gewicht zonder tankvulling, met zaaggarnituur ca.....	3,8 kg
Tank voor kettingsmeerolie	0,16 l
Inhoud brandstoftank.....	0,23 l
Olie- en brandstofmengsel.....	1:40
snijlengte	20 cm
Zwaardlengte	30 cm
Automatische kettingsmering	Ja
Kettingsteek.....	3/8" (9,525 mm)
Kettingdikte	1,27 mm
Kettingtype.....	3/8LP-40
Aantal tanden aandrijfkettingwiel	6
Tandsteek aandrijfkettingwiel	3/8"
Zaagbladtype	AP10-40-509P
Ketting snelheid max.	21 m/s
Motor	1-cilinder 2-takt luchtgekoeld
Motorinhoud.....	25,4 cm ³
Max. motorvermogen volgens ISO 7293.....	0,7 kW
Stationair toerental n ₀	3300 ±300 min ⁻¹
Maximumtoerental met snijgarnituur.....	11000 min ⁻¹
Bougie	L8RTC

Het geluidsdrukniveau moet afhankelijk van het gebruik en de uit te voeren taak worden verlaagd tot een niveau dat geen negatieve effecten voor de gezondheid van de gebruiker heeft. Het geluidsdrukniveau op de werkplek kan boven 80 dB uitkomen. In dat geval zijn geluidsbeschermingmaatregelen voor de gebruiker vereist (bijvoorbeeld het dragen van gehoorbeschermers).

Beperk de geluidsproductie en trillingen tot een minimum!

- Gebruik uitsluitend goed functionerende apparaten.
- Onderhoud en reinig het apparaat regelmatig.
- Pas uw werkwijze aan het apparaat aan.
- Zorg dat het apparaat niet overbelast raakt.
- Laat het apparaat eventueel controleren.
- Schakel het apparaat uit als deze niet in bedrijf is.
- Draag handschoenen.

Gemeten geluidsdrukniveau L _{PA}	99,2 dB
Onzekerheid K _{PA}	3 dB
Gegarandeerd geluidsvermogensniveau L _{WA}	113 dB
Gemeten geluidsvermogensniveau L _{WA}	108,7 dB
Onzekerheid K _{WA}	3 dB

Trilling, voorste handgreep	8,98 m/s ²
Trilling, achterste handgreep	8,03 m/s ²
onzekerheid	1,5 m/s ²

Draag gehoorbescherming.

Het effect van lawaai kan gehoorverlies zijn.

De opgegeven geluidsemissiewaarden zijn gemeten volgens een standaardmethode en kunnen worden gebruikt om apparaten met elkaar te vergelijken.

De aangegeven geluidsemissiewaarden kunnen ook worden gebruikt als eerste indicatie van de belasting.

Waarschuwing:

- De geluidsemissies kunnen van de opgegeven waarde afwijken wanneer het apparaat daadwerkelijk wordt gebruikt. Dit is afhankelijk van de wijze waarop het apparaat wordt gebruikt en de aard van het werkstuk dat wordt bewerkt.
- Probeer om de belasting zo gering mogelijk te houden. Zo kan bijvoorbeeld de werktijd worden beperkt. Hierbij moeten alle aspecten van de bedrijfscyclus in aanmerking worden genomen (zoals de tijd dat het apparaat uitgeschakeld is en de tijd dat deze ingeschakeld is, maar onbelast draait).

9. Voor de ingebruikname

1. Open de verpakking en haal het apparaat er voorzichtig uit.
2. Verwijder het verpakkingsmateriaal evenals de verpakings- en transportbeveiligingen (indien voorhanden).
3. Controleer of de inhoud van de levering volledig is.
4. Controleer het apparaat en de hulpstukken op transport schade.
5. Bewaar de verpakking indien mogelijk tot na het verstrijken van de garantietijd.
6. Verwijder de beknopte handleiding van het starterkoord (8).

LET OP

Het apparaat en de verpakkingsmaterialen zijn geen kinderspeelgoed! Kinderen mogen niet met plastic zakken, folies en kleine onderdelen spelen! Er bestaat gevaar voor inslikken en verstikkingsgevaar!

9.1 Montage van het geleideblad (2) en de zaagketting (1)

WAARSCHUWING

Gevaar voor letsell

Draag altijd veiligheidshandschoenen als u de zaagketting (1) aanraakt. Letselgevaar door de scherpe snijtanden!

Gebruik alleen goedgekeurde combinaties van zaagketting (1) en geleideblad (2) (zie hoofdstuk "Goedgekeurde snijtoebehoren").

Voer de montage altijd uit bij uitgeschakelde motor.

Aanwijzing

Een nieuwe zaagketting (1) rekt op en moet vaker worden opgespannen. Controleer de kettingspanning regelmatig en stel deze zo nodig bij.

Al naar gelang de slijtage kan het geleideblad (2) worden gekeerd.

1. Leg de kettingzaag op een vlakke en stabiele ondergrond neer.
2. Trek de voorste handbescherming (3) tot aan de aanslag naar achteren om de kettingrem te ontgrendelen. (Afb. 2)
3. Verwijder beide bevestigingsmoeren (16) met de bougiesleutel (20).
4. Verwijder de beschermkap van het kettingwiel (17).
5. Draai de kettingspanschroef (23) linksom (tegen de klok in) totdat de kettingspanpen (26) zich tegen de rechter-aanslag bevindt (zie afb. 3). Gebruik hiervoor de sleufschroevendraaier (20).
6. Schuif de sleufopening van het geleideblad (2) over de twee uitstekende bevestigingsbouten (29).
7. Leg de zaagketting (1) over de vertanding van het kettingwiel (27). Voer de zaagketting (1) nauwkeurig in de op het geleideblad (2) aangegeven richting in. In het uiteinde van het geleideblad (2) bevindt zich een tandwiel (30). Zorg dat de tanden van de zaagketting (1) hier in vallen. (afb. 6 en 18)
8. Trek enigszins aan het geleideblad (2), om de zaagketting (1) licht voor te spannen.

9. Plaats de beschermkap van het kettingwiel (17) weer terug. Let erop dat de binnenliggende kettingspanstift (26) in het passende boorgat van het geleideblad (2) zit. Verstel evt. de kettingspanschroef (23) met de sleufschroevendraaier (20).
10. Schroef beide bevestigingsmoeren (16) er met de hand weer op. Draai ze echter nog niet helemaal vast. De bevestigingsmoeren (16) worden pas vastgedraaid nadat de zaagketting (1) is gespannen.

9.2 Zaagketting (1) spannen en controleren

WAARSCHUWING

Doe veiligheidshandschoenen aan! Letselgevaar door de scherpe snijtanden!

Controleer de kettingspanning regelmatig voor elk gebruik.

1. Voor het spannen moet u de twee bevestigingsmoeren (16) iets losdraaien met de bougiesleutel (20).
2. Draai de kettingspanschroef (23) met de sleufschroevendraaier (20) rechtsom voor een hogere spanning.
3. Draai beide bevestigingsmoeren (16) stevig vast met de bougiesleutel (20).
4. De zaagketting (1) moet ook aan de onderkant van het blad goed aansluiten. Controleer of de zaagketting (1) (bij ontgrendelde kettingrem, trek de voorste handbescherming (3) naar achter) met de hand over het geleideblad (2) kan worden getrokken.

Voer de controles altijd uit vóór het starten en met uitgeschakelde motor.

AANWIJZING

Een nieuwe zaagketting (1) rekt op en moet vaker worden opgespannen.

9.3 Brandstof mengen

Der motor moet met een brandstofmengsel van benzine en motorolie worden gebruikt.

WAARSCHUWING

Vorkom direct contact van brandstof met de huid en adem geen brandstofdamp in.

Gebruik uitsluitend een mengsel van loodvrije benzine (min. RON 95) en speciale 2-taktmotorolie (JASO FD/ISO - L - EGD). Meng het brandstofmengsel volgens de brandstofmengtabel.

Doe de juiste hoeveelheid benzine en 2-takt-olie in de meegeleverde mengfles (22) (zie "Brandstofmengtabel"). Schud de mengfles (22) vervolgens goed door.

9.3.1 Brandstofmengtabel

Mengmethode: 40 delen benzine op 1 deel olie
Benzine.....2-takt-olie
0,5 liter 12,5 ml

9.4 Brandstof bijvullen (afb. 8)

WAARSCHUWING

Vul de brandstof alleen bij als de motor is uitgeschakeld en afgekoeld. Er bestaat brandgevaar!

1. Reinig altijd het gebied rondom de dop van de brandstoftank (13) voor het bijvullen, zodat er geen viezigheid in de tank terecht kan komen. Gebruik hiervoor een droge, niet-pluizende doek.
2. Leg het apparaat op zijn kant, zo dat de dop van de brandstoftank (13) naar boven wijst.
3. Draai de tankdop (13) linksom en maak hem open. De tankdop (13) is via een verlieszekering verbonden met de brandstoftank en kan zo niet vallen.
4. Vul de brandstoftank met het brandstofmengsel. Mors geen brandstof en maak de brandstoftank niet helemaal tot aan de rand vol.
5. Veeg gemorste brandstof direct op.
6. Draai de tankdop (13) rechtsom om de tank af te sluiten.

AANWIJZING

Controleer elke keer na het bijvullen van brandstof ook de kettingolie.

9.5 Brandstof aftappen

Leeg de brandstoftank alleen in de buitenlucht of in goed geventileerde ruimtes. Let erop dat er geen brandstof in de grond loopt (om het milieu te beschermen). Gebruik een geschikte ondergrond.

1. Houd een opvangreservoir onder de brandstoftank.
2. Schroef de tankdop (13) van de brandstoftank los en verwijder deze.
3. Tap het benzine-/oliemengsel volledig af.
4. Schroef de tankdop (13) er weer handvast op.

9.6 Kettingolie bijvullen (afb. 8)

WAARSCHUWING

Vul de kettingzaagolie alleen bij als de motor is uitgeschakeld en afgekoeld. Er bestaat brandgevaar!

Werk nooit zonder kettingsmering! Bij een droog lopende zaagketting (1) wordt het zaaggarnituur in korte tijd onherstelbaar beschadigd.

Controleer voor het werk altijd de kettingsmering.

AANWIJZING

Gebruik uitsluitend kettingzaagolie. Liefst een biologisch afbreekbare soort. Gebruik geen afgewerkte olie, motorolie enz. Controleer ook tijdens het werken of de kettingsmering goed werkt.

1. Reinig altijd het gebied rondom de dop van de kettingolietank (11) voor het bijvullen, zodat er geen viezigheid in de kettingolietank terecht kan komen. Gebruik hiervoor een droge, niet-pluizende doek.
2. Leg het apparaat zo op zijn kant, dat de dop van de kettingolietank (11) naar boven wijst.
3. Draai de kettingolietankdop (11) linksom en maak hem open. De dop van de kettingolietank (11) is via een verlieszekering verbonden met de kettingolietank en kan daardoor niet vallen.
4. Vul de biologische kettingolie in de kettingolietank. Mors geen kettingolie tijdens het bijvullen en maak de kettingolietank niet helemaal tot aan de rand vol.
5. Veeg gemorste kettingolie direct op.
6. Draai de dop van de kettingolietank (11) rechtsom, dus met de klok mee, om de tank af te sluiten.

10. Ingebruikname

VOORZICHTIG

Neem de wettelijke voorschriften inzake geluidsbescherming in acht.

Controleer het apparaat voor elke ingebruikname op:

- Dichtheid van brandstofsysteem
- perfecte staat en volledigheid van de veiligheidsvoorzieningen en de snij-inrichting
- stevige bevestiging van alle schroefverbindingen
- Soepel lopen van alle bewegende delen

Werkinstructies

Maakt u zich voor het gebruik vertrouwd met de omgang met de kettingzaag.

10.1 Starten van de motor

LET OP

Ga ten minste 3 meter weg van de plaats waar getankt wordt, voordat u de motor start (afb. 9).

Trek het starterkoord (8) er altijd recht uit. Houd de greep van het starterkoord (8) vast tot de starterkoord (8) weer opwikfelt. Laat het starterkoord (8) nooit terugschieten.

Laat de gashendel (5) onmiddellijk na het starten van de motor los. Zorg ervoor dat het motortoerental weer stationair is voordat u de kettingrem loslaat (duw de voorste handbescherming (3) naar achteren).

Trek de koude starthendel (choke) (14) alleen uit voor het starten.

10.1.1 Starten bij koude motor

WAARSCHUWING

Schakel de kettingrem voor elke ingebruikname in (voorste handbescherming (3) naar voren drukken).

LET OP

Laat nooit het starterkoord (8) terugschieten. Dit kan tot schade leiden.

1. Verwijder de beschermkap van het geleideblad (21).
2. Plaats de kettingzaag op een stabiele en vlakke ondergrond. De zaagketting (1) mag hierbij de grond niet raken.
3. Druk de voorste handbescherming (3) naar voren tot deze vastklikt. De zaagketting (1) werd door de kettingrem geblokkeerd.
4. Druk 6x op de brandstofpomp "Primer" (4). (afb. 1)
5. Trek de koudstarthendel (choke) (14) aan. (Afb. 10.2)
6. Houd de kettingzaag bij de voorste handgreep (12) vast en trek het starterkoord (8) er langzaam tot aan de eerste weerstand uit.
7. Trek nu starterkoord (8) snel aan tot de motor start. Als de motor niet start, herhaalt u de werkwijze. Zo lang de koudstarthendel (choke) (14) is uitgetrokken, start de motor slechts kort en gaat daarna weer uit.

8. Zodra de motor is uitgegaan, bedient u de gashendelblokkering (7) en de gashendel (5) gelijktijdig. De koudstarthendel (choke) (14) springt automatisch in de bedrijfsstand "warme start". (Afb. 10.1)
9. Trek nu opnieuw snel aan het starterkoord (8) tot de motor start.

Als de motor ook na meerdere pogingen niet aanspringt, dient u het hoofdstuk "Verhelpen van storingen" te raadplegen.

AANWIJZING

Bij hoge buitentemperaturen kan het zijn dat ook bij een koude motor zonder starthendel (choke) (14) moet worden gestart!

- Ontgrendel de kettingrem door de voorste handbescherming (3) naar achteren te trekken. (Afb. 2)
- **VOORZICHTIG!** De kettingrem is nu gelost. Als de gashendel (5) samen met de gashendelblokkering (7) wordt bediend, start de zaagketting (1).

10.1.2 Starten bij warme motor

(Het apparaat stond minder dan 15 à 20 minuten stil.)

WAARSCHUWING

Schakel de kettingrem voor elke ingebruikname in (voorste handbescherming (3) naar voren drukken).

1. Druk de voorste handbescherming (3) naar voren tot deze vastklikt. De zaagketting (1) werd door de kettingrem geblokkeerd.
2. De koudstarthendel (choke) (14) moet voor het starten van de warme motor niet worden aangetrokken.
3. Houd de kettingzaag bij de voorste handgreep (12) vast en trek het starterkoord (8) er langzaam tot aan de eerste weerstand uit.
4. Trek nu hard en snel aan het starterkoord (8). Het apparaat moet na 1-2 keer trekken starten. Als het apparaat na 6 keer aantrekken nog altijd niet start, herhaalt u de werkwijze onder "Starten bij koude motor".

10.2 Motor uitzetten

10.2.1 Nood-uit stappen

Mocht het nodig zijn om het apparaat direct te stoppen, zet u de aan-uitknop (15) op "0" en houdt hem in deze stand ingedrukt tot de motor stilstaat.

10.2.2 Normaal uitschakelen

1. Laat de gashendel (5) los. De motor loopt nu stationair.
2. Druk de aan-uitknop (15) in de "0" stand en houdt hem in deze stand ingedrukt tot de motor stilstaat.

10.3 Bedrijf bij stationair draaien

⚠ LET OP

Als de motor stationair loopt, moet de zaagketting (1) stilstaan.

AANWIJZING

Als de zaagketting (1) stationair mee beweegt of als de motor bij het wegnemen van gas uit zichzelf uitgaat, moet een instelling aan de carburateur worden gewijzigd (zie hoofdstuk "Onderhoud van de carburateur").

1. Til de kettingzaag op.
2. Houd met de linkerhand de voorste handgreep (12) vast.
3. Houd met de rechterhand de achterste handgreep (6) vast. Hierbij liggen de handpallen op de gashendelblokkering (7) en met uw wijsvinger bedient u de gashendel (5).
4. Na hernieuwde bediening van de gashendel (5) loopt de motor bij stationair toerental.
5. Laat de motor kort warmlopen.

10.4 Kettingsmering controleren en instellen

⚠ LET OP

- Werk nooit zonder kettingsmering! Bij een droog lopende zaagketting (1) wordt het zaaggarnituur in korte tijd onherstelbaar beschadigd.
- Controleer voor het werk altijd de kettingsmering.

Aanwijzing

Gebruik uitsluitend kettingzaagolie, bij voorkeur biologisch afbreekbaar. Gebruik geen afgewerkte olie, motorolie enz.

Houd de kettingzaag terwijl hij loopt, bij gemiddelde snelheid, boven een afgezaagde boomstronk of een geschikte ondergrond. Als de smering voldoende is, vormt zich een lichte oliefilm op de boomstronk of op de ondergrond.

- Indien nodig kan de kettingsmering worden verhoogd of verlaagd door middel van de olieregelschroef (32) (afb. 11).
- Gebruik de meegeleverde sleufschroevendraaier (20) hiervoor als volgt:
 - Druk eerst en draai dan de olieregelschroef (32) rechtsom voor minder kettingsmering.
 - Druk eerst en draai dan de olieregelschroef (32) linksom voor meer kettingsmering.

10.5 Kettingrem controleren

⚠ WAARSCHUWING

De kettingrem moet elke ingebruikname worden gecontroleerd.

De kettingrem remt de zaagketting (1) bij terugslag onmiddellijk af.

1. Let erop dat de voorste handbescherming (3) schoon is en gemakkelijk beweegt.
2. Start de kettingzaag en breng de zaagketting (1) op volle snelheid (vol gas).
3. Bedien de voorste handbescherming (3) terwijl de zaagketting (1) loopt. De kettingrem moet de zaagketting (1) bij maximale snelheid afremmen en blokkeren.

⚠ WAARSCHUWING

Als het motortoerental te lang wordt opgevoerd terwijl de kettingrem is geblokkeerd, raken de motor en de kettingaandrijving beschadigd.

Als de zaagketting (1) desondanks beweegt, moet u contact opnemen met de klantenservice.

11. Toepassing

11.1 Snoeien

- Pas er altijd voor op dat takken kunnen terugspringen.
- Sta niet op de stam bij het verwijderen van takken.
- Zaag niet met het uiteinde van het zaagblad. (Afb. 7)
- Zaag nooit meerdere takken tegelijk.
- Ondersteun de kettingzaag bij het verwijderen van takken zoveel mogelijk met de klauwaanslag (24).
- Denk eraan dat de kettingzaag aan het einde van de zaagsnede onder zijn eigen gewicht kan doorzwaaien. De zaag ondervindt geen steun meer in de snede. Houd de zaag goed vast en zorg voor tegendruk.
- Zorg ervoor dat u zelf stevig, stabiel en veilig staat bij het snoeien en verwijderen van takken.

11.1.1 Snoeien in deelstukken

Kort lange of dikke takken in voordat u de laatste eindsnede maakt. De zaagketting (1) kan anders gemakkelijk vastgeklemd raken.

11.1.2 Onder spanning staand hout bewerken

Het is zeer belangrijk dat de juiste volgorde wordt aangehouden bij het bewerken van hout dat onder spanning staat. Anders kan de zaagketting (1) vastklemen of kan er een terugslag optreden.

Hout waar spanning op staat moet altijd eerst worden ingezaagd aan de zijde waar drukkrachten op staan. Daarna kan pas de eindsnede worden gemaakt aan de zijde waar trekkrachten op staan. (Afb. 24)

Zo wordt voorkomen dat de zaagketting (1) vastklemt.

⚠ LET OP

Materiële schade!

Liggend hout mag de grond aan de onderkant van de zaagsnede niet raken, anders kan de zaagketting (1) beschadigd raken.

Terugstoot

- Als de zaagketting (1) aan de bovenrand van het geleideblad (2) is vastgeklemd, kan de kettingzaag al snel onverwacht terugslaan in de richting van de gebruiker.

Naar binnen trekken

- Als de zaagketting (1) aan de onderkant van het geleideblad (2) vastgeklemd, kan de kettingzaag al snel ongecontroleerd uit de werkrichting en het hout in worden getrokken.

Veilig werken

- Houd het apparaat in goede staat om verwondingen te voorkomen.
- Controleer het apparaat als het is gevallen op significante schade of defecten.
- Gebruik het apparaat niet als u op een ladder staat of op een bewegende ondergrond.
- Laat u niet tot een spontane, ondoordachte snede verleiden. Daarmee kunt u zichzelf en anderen in gevaar brengen.
- Wissel regelmatig van werkpositie. Door de trillingen kan langdurig gebruik van het apparaat leiden tot problemen met de bloedsomloop in de handen. U kunt de gebruiksduur echter door geschikte handschoenen of regelmatige pauzes verlengen. Denk er ook aan dat een persoonlijke aanleg tot slechte doorbloeding; lage buitentemperaturen of grote grijpkrachten bij het werken de gebruiksduur verkorten.

11.2 Houten stam is naar beneden gebogen

1. Zaag eerst ontlastingsnede 1 (ca. 1/3 van de stamdiameter) aan de zijde waar drukkrachten op staan.
2. Voer vervolgens eindsnede 2 uit (ca. 2/3 van de stamdiameter) aan de trekzijde.

11.3 Houten stam is naar boven gebogen

1. Zaag eerst ontlastingsnede 1 (ca. 1/3 van de stamdiameter) aan de zijde waar drukkrachten op staan.
2. Voer vervolgens eindsnede 2 uit (ca. 2/3 van de stamdiameter) aan de trekzijde.

11.4 Boomverzorgingszaag gebruiken voor snoeien van bomen in combinatie met boomklimtechnieken

Deze bijlage bevat passende werkmethode om het gevaar voor verwondingen door het gebruik van kettingzagen voor de boomverzorging te beperken wanneer op hoogte wordt gewerkt met een touw en een draagriem. Hoewel het kan dienen als richtlijn en opleidingsdocumentatie, mag het niet worden beschouwd als vervanging voor een formele opleiding. De in deze bijlage gegeven richtlijnen dienen slechts als voorbeeld van een goede praktijk.

Er kunnen nationale of andere voorschriften gelden die strenger zijn.

De gebruiker van een kettingzaag voor boomverzorging die op hoogte werkt met een touw en draagriem, mag nooit alleen werken. Een grondwerker, opgeleid in de juiste noodprocedures, moet aanwezig zijn om te helpen.

De gebruiker moet worden opgeleid in algemene veilige klim- en werkpositioneringstechnieken en moet worden uitgerust met een draagriem, touw, stropen, karabijnhaken en andere apparatuur voor het verkrijgen van veilige en correcte werkposities voor zowel zichzelf als de zaag.

Nationale wetten en voorschriften moeten altijd strikt worden nageleefd.

Deze bijlage heeft geen betrekking op technieken om de door de kettingzaag afgezaagde takken onder controle te houden, en evenmin op de reeds behandelde punten inzake veilig gebruik.

11.4.1 Algemene eisen

De gebruiker van een kettingzaag voor boomverzorging die op hoogte werkt met een touw en draagriem, mag nooit alleen werken. Een grondwerker, opgeleid in de juiste noodprocedures, moet aanwezig zijn om te helpen.

De gebruiker moet worden opgeleid in algemene veilige klim- en werkpositioneringstechnieken en moet worden uitgerust met een draagriem, touw, stropen, karabijnhaken en andere apparatuur voor het verkrijgen van veilige en correcte werkposities voor zowel zichzelf als de zaag.

11.4.2 Voorbereiding voor het gebruik van de boomonderhoudszaag

De kettingzaag moet door de grondwerker worden gecontroleerd, van brandstof worden voorzien, worden gestart en worden opgewarmd, en vervolgens worden uitgeschakeld voordat hij naar de gebruiker in de boom wordt gehesen.

De kettingzaag moet worden voorzien van een geschikte strop, zodat hij aan de draagriem van de gebruiker kan worden bevestigd (afb. 13):

- Maak de strop vast aan de ophanginrichting (19) die zich aan de achterkant van de zaag bevindt (afb. 12).
- Er moeten geschikte karabijnhaken worden aangebracht om de zaag indirect (d.w.z. via de strop) en direct (d.w.z. aan de ophanginrichting (19) van de kettingzaag) aan de draagriem van de gebruiker te kunnen bevestigen.
- Zorg ervoor dat de kettingzaag goed vastzit wanneer hij naar de gebruiker wordt getrokken (afb. 14).
- Zorg ervoor dat de kettingzaag aan de draagriem is bevestigd voordat u hem losmaakt van de hijskabel.

De mogelijkheid om de kettingzaag rechtstreeks aan de draagriem te bevestigen, vermindert het risico op beschadiging van de apparatuur bij het verplaatsen ervan in de boom. De kettingzaag moet altijd worden uitgeschakeld als hij rechtstreeks aan de draagriem is bevestigd.

De kettingzaag mag alleen worden bevestigd aan de aanbevolen ophangmiddelen aan de draagriem. Deze kunnen in het midden (voor of achter) of aan de zijkanten zijn. Bevestig de kettingzaag waar mogelijk in het midden achteraan de draagriem om hem uit de buurt van klimtouwen te houden en het gewicht centraal onder de ruggengraat van de gebruiker te ondersteunen.

Als de kettingzaag van de ene naar de andere ophanginrichting wordt verplaatst, moet de gebruiker garanderen dat de kettingzaag in de nieuwe positie wordt vastgezet voordat hij van de vorige ophanginrichting wordt losgemaakt.

11.5 Gebruik van de kettingzaag in de boom

Uit een analyse van ongevallen met deze kettingzagen tijdens boomverzorgingswerkzaamheden blijkt dat de belangrijkste oorzaak het onjuiste gebruik van de kettingzaag met één hand is. Bij de meeste ongevallen nemen de gebruikers geen veilige werkpositie aan waarbij zij de kettingzaag bij beide handgrepen kunnen vasthouden, wat resulteert in een verhoogd gevaar voor verwondingen door het volgende:

- Ontbrekende stevige greep bij de terugslag van de kettingzaag.

- Gebrek aan controle over de kettingzaag, waardoor deze gemakkelijker in contact kan komen met klimtouwen en met het lichaam van de gebruiker (vooral de linkerhand en -arm).
- Verlies van controle door een onveilige werkpositie en daardoor contact met de kettingzaag (onverwachte bewegingen tijdens het werken met de kettingzaag).

11.6 Veilige werkpositie voor tweehandig gebruik

Om de kettingzaag met beide handen vast te kunnen houden, moet de gebruiker altijd proberen een veilige werkpositie aan te nemen en de zaag als volgt geleiden:

- op heuphoogte bij het zagen van horizontale stukken.
- ter hoogte van de maag bij het zagen van verticale stukken.

Als de gebruiker dicht bij de verticaal lopende stam werkt met geringe zijdelingse krachten op de werkpositie, kan een stevige voetgreep voldoende zijn voor een veilige werkpositie. Zodra de gebruiker zich echter van de stam verwijderd, moet hij aanvullende maatregelen nemen om de toenemende zijwaartse krachten te verminderen of tegen te gaan, bijv. door het hoofdouw om te leiden via een extra ophanginrichting of door gebruik te maken van een verstelbare strop die van het harnas naar een extra ophanginrichting leidt (afb. 15 en 16).

11.6.1 De boomonderhoudszaag in de boom starten

Bij het starten van de kettingzaag in de boom, moet de gebruiker:

- de kettingrem voor het starten bedienen (duw de voorste handbescherming (3) naar voren).
- de kettingzaag bij het starten links of rechts van het lichaam houden:
 - De kettingzaag aan de linkerzijde vasthouden met de linkerhand op de voorste handgreep en de kettingzaag van het lichaam wegduwen terwijl het starterkoord in de rechterhand wordt gehouden.
 - De kettingzaag aan de rechterzijde vasthouden met de rechterhand op een van de beide handgrepen en de kettingzaag van het lichaam wegduwen terwijl het starterkoord in de linkerhand wordt gehouden.

De kettingrem moet altijd in werking worden gesteld voordat u de draaiende kettingzaag aan het draagtouw zakken.

Alvorens lastige zaagwerkzaamheden uit te voeren, moet de gebruiker er altijd voor zorgen dat de kettingzaag over voldoende brandstof beschikt.

11.6.2 Gebruik van de kettingzaag met één hand

Gebruikers mogen kettingzagen voor boomverzorging niet met één hand gebruiken in onstabiele werkposities of in plaats van een handzaag voor het afzagen van takuiteinden met een kleine diameter.

Kettingzagen voor boomverzorging mogen alleen met één hand worden gebruikt wanneer

- het voor de gebruikers niet mogelijk is een werkpositie te verkrijgen die gebruik met twee handen mogelijk maakt.
- het noodzakelijk is de werkpositie met één hand te borgen.
- de kettingzaag wordt gebruikt in een volledig uitgeschoeven stand, loodrecht op en uit het verlengde van het lichaam van de gebruiker.

Gebruikers mogen nooit:

- met het terugslaggebied aan het uiteinde van het geleideblad (2) van de kettingzaag zagen.
- zich vasthouden aan de tak waar ze aan zagen.
- proberen, vallende delen te vangen.

11.6.3 Een vastzittende kettingzaag losmaken

Als de kettingzaag tijdens het zagen bekneld raakt, moet de gebruiker:

- Schakel de kettingzaag uit en bevestig hem stevig aan de binnenkant van de boom (d.w.z. in de richting van de boomstam) of aan een aparte gereedschapslijn.
- Trek de kettingzaag uit de inkeping terwijl u de tak zo ver optilt als nodig is,
- Gebruik zo nodig een handzaag of een tweede kettingzaag om de vastzittende kettingzaag los te maken door ten minste 30 cm van de vastzittende kettingzaag af te zagen.

Ongeacht of een handzaag of een kettingzaag wordt gebruikt om een vastzittende kettingzaag te bevrijden, moeten de zaagsneden om de kettingzaag te bevrijden altijd aan de buitenkant (in de richting van de uiteinden van de takken) worden gemaakt, zodat de kettingzaag niet met de afgezaagde delen wordt meegenomen en de situatie nog ingewikkelder maakt.

12. Transport

- Gebruik steeds de beschermkap van het geleideblad (21) voor transport.
- Schakel de kettingzaag vóór elk transport uit, ook bij korte afstanden. Beveilig de machine tegen omvallen tijdens transport (ook in voertuigen) om brandstofverlies, schade of letsel te voorkomen.
- Activeer de kettingrem (voorste handbescherming (3) naar voren duwen).
- Draag het apparaat alleen aan de voorste handgreep (12). Het geleideblad (2) wijst daarbij naar achteren, weg van uw lichaam.
- Houd de hete geluiddemper (18) uit de buurt van uw lichaam. Er bestaat gevaar voor brandwonden! (Afb. 23)

13. Reiniging en onderhoud

WAARSCHUWING

Gevaar voor letsel!

Schakel het apparaat voor reinigingswerkzaamheden altijd uit en trek de bougiestekker (35) eruit.

(zie hoofdstuk 13.4 Onderhoud van de bougie (34)).

Aanwijzing

Na elk gebruik moet het apparaat grondig worden gereinigd. Voer de reinigings- en onderhoudswerkzaamheden alleen uit, zoals in deze gebruikshandleiding is aangegeven. Overige werkzaamheden mogen uitsluitend worden uitgevoerd door deskundig vakpersoneel.

Onderhoudswerkzaamheden moeten regelmatig worden uitgevoerd (zie het hoofdstuk "Onderhoudsintervallen").

13.1 Reinigen van de motoreenheid

WAARSCHUWING

Gevaar voor brandwonden!

Raak geen hete geluiddempers, cilinders of koelribben aan.

- Houd de veiligheidsvoorzieningen, ventilatiesleuven en de motorbehuizing zo stof- en vuilvrij mogelijk. Blaas deze delen met perslucht onder lage druk uit.
- Reinig het apparaat regelmatig met een vochtige doek en wat afwasmiddel. Let op dat er geen water in het apparaat terecht komt.

13.2 Reinigen van het luchtfilter (33) (afb. 17)

Vervuilde luchtfilters verminderen het motorvermogen door een te geringe luchttoevoer naar de carburateur.

Regelmatige controle is daarom absoluut noodzakelijk. Het luchtfilter (33) moet regelmatig worden gecontroleerd en indien nodig worden gereinigd.

Bij erg stoffige lucht moet het luchtfilter (33) vaker worden gecontroleerd.

1. Maak de sluiting van het luchtfilterdeksel (10) los door deze linksom te draaien.
2. Verwijder het luchtfilterdeksel (9).
3. Haal het luchtfilter (33) eruit.
4. Reinig het luchtfilter (33) door het uit te kloppen of uit te blazen (met perslucht).

De montage volgt in omgekeerde volgorde.

LET OP

Luchtfilters (33) nooit met benzine of brandbare oplosmiddelen reinigen.

13.3 Reinigen van de kettingaandrijving

WAARSCHUWING

Gevaar voor letsel!

Draag altijd veiligheidshandschoenen als u de zaagketting (1) aanraakt. Letselgevaar door de scherpe snijtanden!

Aanwijzing

Reinig de aandrijving van de ketting na elk gebruik.

1. Leg de kettingzaag op een vlakke en stabiele ondergrond neer.
2. Trek de voorste handbescherming (3) tot aan de aanslag naar achteren om de kettingrem te ontgrendelen. (Afb. 2)
3. Draai de kettingspanschroef (23) met de sleufschroeven-draaier (20) linksom om de spanning te verlagen.
4. Verwijder beide bevestigingsmoeren (16) met de bougiesleutel (20).
5. Verwijder de beschermkap van het kettingwiel (17).
6. Maak de zaagketting (1) voorzichtig los van het geleideblad (2) en van het kettingwiel (27).
7. Verwijder het geleideblad (2). Reinig het met een kwast.
8. Reinig nu grondig rondom de kettingaandrijving en de beschermkap van het kettingwiel (17) met behulp van een kwast of door middel van uitblazen (met perslucht).

De montage volgt in omgekeerde volgorde.

13.4 Onderhoud bougies (34) (afb. 19 / 20)

1. Demonteer het luchtfilter (33) zoals beschreven onder 13.2 "Reinigen van het luchtfilter (33)".
2. Trek de bougiestekker (35) los door deze naar links en rechts te draaien en er gelijktijdig aan te trekken. De bougiestekker (35) uitsluitend aan de stekker vasthouden en trekken. Trek nooit aan de kabel!
3. Maak de bougie (34) met de meegeleverde bougiesleutel (20) los.
4. De montage volgt in omgekeerde volgorde.

Elektrodenafstand = 0,6 mm - 0,7 mm (afstand tussen de elektroden, waar de vonk overspringt). Controleer de bougie (34) voor de eerste keer na 10 bedrijfsuren op verontreiniging en reinig deze eventueel met een koperdraadborstel.

Daarna de bougie (34) elke 50 bedrijfsuren onderhouden.

13.5 Onderhoud van de kettingsmering

- Zie het hoofdstuk "Kettingmering controleren en afstellen".

13.6 Onderhoud van de carburateur instellingen

- Als de zaagketting (1) bij stationair draaien beweegt of als de motor bij het wegnemen van gas vanzelf uitgaat, moet de carburateur opnieuw worden afgesteld.

Aanwijzing

Laat de instellingen van de carburateur (bijv. het stationair toerental) uitsluitend door gekwalificeerd vakpersoneel wijzigen, om schade aan de motor te voorkomen.

13.7 Onderhoud van het geleideblad (2)

- Verwijder eventueel opgetreden bramen in de rand van het geleideblad met behulp van een metaalvijl.
- Reinig de groef van het geleideblad (2) met behulp van een kwast of met perslucht (afb. 21). Vervang het geleideblad (2) zodra de geleidingsgroef (28) versleten is.
- Keer het geleideblad (2) na elk gebruik om, zodat het gelijkmatig slijt.
- Controleer het tandwiel (30) aan het uiteinde van het geleideblad (2) op soepele werking. Smeer het evt. in met een lagerolie. Laat wat lagerolie in de smeropening (31) druppelen. (afb. 21)

13.8 Kettingrem controleren

Zie hoofdstuk 10.5 "Kettingrem controleren"

WAARSCHUWING

GEVAAR VOOR TERUGSLAG!

Een niet-functionerende kettingrem verhoogt het risico van terugslag.

Controleer de kettingrem regelmatig.

Een functionerende kettingrem is essentieel voor uw veiligheid.

13.9 Zaagketting (1) spannen en controleren

Zie hoofdstuk 9.2 "Zaagketting (1) spannen en controleren"

13.10 Zaagketting (1) slijpen en onderhouden

WAARSCHUWING

Gevaar voor letsel!

Draag altijd veiligheidshandschoenen als u de zaagketting (1) aanraakt. Letselgevaar door de scherpe snijtanden!

Aanwijzing

Een goed verzorgde en geslepen zaagketting (1) vermindert de lichamelijke belasting, slijtage en zorgt voor een goed zaagresultaat.

Reinig, verzorg en slijp de zaagketting (1) regelmatig.

Controleer de zaagketting (1) regelmatig op scheuren en beschadigde klinknagels.

Er kan een slijpbok in het slijpbokgat worden bevestigd voor stevige grip tijdens het slijpen.

Gebruik uitsluitend speciale rondvijlen voor zaagkettingen met een Ø van 4,8 mm (3/16") voor de meegeleverde zaagketting (1).

In een slijppakket vindt u gedetailleerde informatie over het slijpen.

Als alternatief kunt u ook een elektrisch kettingslijpparaat gebruiken. Volg ook dan de aanwijzingen van de fabrikant op.

Als u twijfelt over het resultaat van het werk, moet de zaagketting (1) worden vervangen.

Laat het slijpen van de zaagketting (1) eventueel uitvoeren door een gespecialiseerde werkplaats.

- Benodigde accessoires (niet bij de levering inbegrepen):
 - Zaagketting ronde vijl Ø 4,8 mm (3/16")
 - Platte vijl
 - Dieptebebegrenzingsmeter
- Vijl alleen in voorwaartse richting om materiaal te verwijderen.

- Vijl met een slijphoek van ca. 25° bij een stijging van 10° ten opzichte van het geleideblad (2).
- Controleer de afstand van de dieptebebegrenzing met een dieptemeter.
- De juiste afstand van de dieptebebegrenzer moet 0,6 mm (0,024") bedragen.

13.11 Onderhoudsintervallen

Voor een lange levensduur en om schade te voorkomen en de volledige werking van de veiligheidsvoorzieningen te waarborgen, moeten regelmatig onderstaande onderhoudswerkzaamheden worden uitgevoerd. Garantieclaims worden alleen erkend als deze werkzaamheden regelmatig en correct zijn uitgevoerd. Als ze niet worden nageleefd, bestaat er risico op ongevallen!

Gebruikers van kettingzagen mogen alleen onderhouds- en verzorgingswerkzaamheden uitvoeren die in deze gebruikshandleiding staan beschreven.

Verdergaande werkzaamheden mogen uitsluitend door een gespecialiseerde werkplaats worden uitgevoerd.

Algemeen	Complete boomonderhouds-zaag	Uitwendig reinigen en op beschadigingen controleren. In geval van schade vakkundig laten repareren.
	Zaagketting	Regelmatig slijpen, tijdig vervangen.
	Kettingrem	Regelmatig in de gespecialiseerde werkplaats laten controleren
	Geleideblad	Omdraaien, zodat de belaste loopvlakken gelijkmatig slijten. Tijdig vervangen.
Voor elke ingebruikname	Zaagketting	Op beschadigingen en scherpte controleren. Kettingspanning controleren.
	Geleideblad	Op beschadigingen controleren.
	kettingsmering	Controle van de werking
	Kettingrem	Controle van de werking
	Aan/uit-knop, gashendel-blokkering, gashendel	Controle van de werking
	Tankdop voor brandstof en kettingolie	Op lekkages controleren.
Dagelijks	Luchtfilter	Reinigen
	Geleideblad	Op beschadigingen controleren, olietoevoeropeningen reinigen
	Zaagbladhouder	Reinigen, in het bijzonder de oliegeleidingsgroef
	Stationair toerental	Controleren (ketting mag niet meelopen)
Wekelijks	Ventilatorhuis	Reinigen, om een probleemloze koelluchttoevoer te garanderen
	Bougje	Controleren en zo nodig vervangen
	Geluiddemper	Op verstopping controleren
	Kettingvanger	Op beschadigingen controleren, zo nodig vervangen
	Bouten en moeren	Toestand en stevige bevestiging controleren
Ieder kwartaal	Zuigkop Brandstof-, kettingolietank	Vervangen Reinigen
Opslag	Complete boomonderhouds-zaag	Uitwendig reinigen en op beschadigingen controleren In geval van schade vakkundig laten repareren
	Zaagketting en zaagblad	Demonteren, reinigen en licht inoliën Geleidingsgroef van het geleideblad reinigen
	Brandstof, kettingolietank	Leegmaken en reinigen
	Carburateur	Leegdraaien

13.12 Belangrijke aanwijzing bij reparatie

Als het apparaat voor reparatie geretourneerd wordt, moet het apparaat vanwege veiligheidsredenen vrij van olie en benzine geretourneerd worden aan het servicestation.

13.13 Service-informatie

Let op dat bij dit product de volgende delen onderhevig zijn aan gebruiksmatige of natuurlijke slijtage, resp. de volgende delen als verbruiksmateriaal wordt gebruikt.

Slijtdelen*: Zaagketting, geleiderail, kettingolie, motorolie, klauwaanslag, kettingvanger, bougie, luchtfilter, brandstof-filter, kettingoliefilter

* niet persé in de leveringsomvang opgenomen!

Goedgekeurde snijgereedschappen

Zaagketting	
Kangxin 3/8LP-40.....	7910100739
Oregon 91P040X.....	3910102032
Geleideblad	
Kangxin AP10-40-509P.....	7910100740
Oregon 100SDEA041.....	7910100744

14. Opslag

De bougiesleutel / schroevendraaier met platte kop (20) kan om te bewaren aan de zijkant van de beschermkap van het geleideblad (21) worden geplaatst.

Gebruik steeds de beschermkap van het geleideblad (21) voor opslag van de zaag.

Reinig en onderhoud het apparaat voordat u het in de opslag weglegt, zie hiervoor het hoofdstuk "Reiniging en onderhoud".

Leeg de olie- of brandstoftank volledig.

WAARSCHUWING

Verwijder de benzine niet in gesloten ruimtes, in de buurt van vuur of bij het roken. Gasdampen kunnen explosies of brand veroorzaken.

- Start de motor en laat hem net zo lang lopen totdat de resterende benzine is verbruikt.

Sla het apparaat en de accessoires op een donkere, droge en vorstvrije plaats en voor kinderen ontoegankelijke plaats op. De optimale opslagtemperatuur ligt tussen 5 en 30 °C.

Bewaar en gebruik de kettingzaag niet bij temperaturen onder 0 °C!

Berg de kettingzaag nooit langer op dan 30 dagen zonder de volgende stappen te doorlopen.

Neem de reinigings- en onderhoudsinstructies voor het opslaan van het apparaat in acht!

14.1 De kettingzaag opbergen

Als u een kettingzaag langer dan 30 dagen opbergt, moet u hem daarop voorbereiden. Anders zal de in de carburateur aanwezige, resterende brandstof verdund worden en kan een rubberachtig bezinksel achterblijven. Hierdoor wordt het starten moeilijker en zullen er kostbare reparatiewerkzaamheden moeten worden uitgevoerd.

1. Verwijder langzaam de dop van de brandstoftank (13) om eventuele druk in de tank te laten ontsnappen. Leeg de tank voorzichtig.
2. Start de motor en laat deze draaien tot de kettingzaag stopt om het brandstof uit de carburateur te verwijderen.
3. Laat de motor afkoelen (ca. 5 minuten).
4. Verwijder de bougie (34).
5. Doe 1 theelepel schoon 2-takt-olie in de verbrandingsruimte. Trek nu meerdere keren langzaam aan het starterkoord (8) om de interne componenten te voorzien van een laagje olie. Plaats de bougie (34) weer terug.

Berg de kettingzaag op een droge locatie op, uit de buurt van mogelijke ontstekingsbronnen, zoals bijv. een oven, gasgestookte heetwaterboiler, gasdroger etc. en buiten het bereik van kinderen.

Monteer altijd de beschermkap van het geleideblad (21) als de zaagketting (1) en het geleideblad (2) niet gedemonteerd zijn

14.2 De kettingzaag opnieuw in gebruik nemen

1. Verwijder de bougie (34).
2. Trek vervolgens snel aan het starterkoord (8) om overtollige olie uit de verbrandingsruimte te verwijderen.
3. Reinig de bougie (34) en let op de juiste elektrodenafstand op de bougie (34); of plaats een nieuwe bougie (34) met de juiste elektrodeafstand.
4. Bereid de kettingzaag voor gebruik voor.
5. Vul de tank met het juiste olie- en brandstofmengsel (1:40).

14.3 Brandstofopslag

Brandstoffen kunnen slechts beperkt worden opgeslagen. Brandstof en brandstofmengsels verouderen door verdunning met name onder invloed van hoge temperaturen. Te lang opgeslagen brandstof en brandstofmengsels kunnen hierdoor startproblemen en schade aan de motor veroorzaken. Koop zo veel brandstof als dat u gedurende enkele maanden nodig hebt. Bij hogere temperaturen moet de gemengde brandstof binnen 6-8 weken worden verbruikt.

Brandstof alleen in toegestane reservoirs drogen, koel en veilig opslaan!

WAARSCHUWING

Huid- en oogcontact vermijden!

Minerale olieproducten, ook oliën, ontvetten de huid. Bij herhaald en langdurig contact droogt de huid uit. Dit kan verschillende huidaandoeningen tot gevolg hebben. Bovendien zijn er allergische reacties bekend.

Oogcontact met olie veroorzaakt irritaties. In geval van contact met de ogen moet u direct het desbetreffende oog met schoon water spoelen. Bij aanhoudende irritatie direct een arts raadplegen!

15. Afvalverwerking en hergebruik

Aanwijzingen op de verpakking



De verpakkingsmaterialen zijn recyclebaar. Verpakkingen milieuvriendelijk afvoeren.

Informatie over het afvoeren van versleten apparatuur kunt u opvragen bij uw gemeente.

Brandstoffen en oliën

- Voor het afvoeren van het apparaat moeten de brandstoftank en het motorreservoir worden gelegegd!
- Brandstof en motorolie horen niet bij het huishoudelijke afval of in het riool, maar moeten worden ingezameld resp. gescheiden worden afgevoerd!
- Lege olie- en brandstoftanks moet milieuvriendelijk worden afgevoerd.

16. Verhelpen van storingen

Storing	Mogelijke oorzaak	Oplossing
De motor start niet, of start maar slaat niet aan.	Verkeerde startprocedure.	Neem de aanwijzingen in deze handleiding in acht.
	Verkeerd ingesteld carburateurmengsel.	Laat de carburateur afstellen door een erkende servicedienst.
	Vervuilde bougie.	Reinig de bougie, stel deze af of vervang deze.
	Verstopt brandstoffilter.	Vervang het brandstoffilter.
De motor start, maar draait niet met vol vermogen.	Vuil luchtfilter	Verwijder het filter, reinig het en plaats het weer terug.
	Verkeerd ingesteld carburateurmengsel.	Laat de carburateur afstellen door een erkende servicedienst.
Motor sputtert	Verkeerd ingesteld carburateurmengsel.	Laat de carburateur afstellen door een erkende servicedienst.
Geen vermogen bij belasting	Verkeerd afgestelde bougie.	Reinig de bougie, stel deze af of vervang deze.
De motor draait onregelmatig	Verkeerd ingesteld carburateurmengsel.	Laat de carburateur afstellen door een erkende servicedienst.
Overmatige rookontwikkeling.	Onjuist brandstofmengsel.	Gebruik het juiste brandstofmengsel (verhouding 1:40).
Geen vermogen bij belasting	Ketting stomp of ketting los	Ketting slijpen of nieuwe ketting plaatsen. Ketting spannen.
De motor sterft af	Benzinetank leeg of brandstoffilter in tank onjuist geplaatst	Benzinetank vullen. Benzinetank volledig vullen of het brandstoffilter anders in de benzinetank plaatsen.
Onvoldoende kettingsmering (het zaagblad en de ketting worden heet)	Kettingolietank leeg	Vul de kettingolietank.
	Oliekanalen verstopt	Maak de olieboring in het zaagblad schoon. Maak de groef van het zwaard schoon.

17. Garantiebewijs

Geachte klant,

onze producten zijn aan een strenge kwaliteitscontrole onderhevig. Mocht dit apparaat echter ooit niet naar behoren functioneren, spijt het ons ten zeerste en vragen u zich tot onze servicedienst onder het adres vermeld op dit garantiebewijs te wenden. Wij staan ook graag telefonisch tot uw dienst via het hieronder vermelde servicetelefoonnummer. Voor vorderingen in verband met garantie geldt het volgende:

- Deze garantievoorwaarden regelen bijkomende garantieprestaties. Uw wettelijke garantieclaims blijven onaangetaast door deze garantie. Onze garantieprestatie is voor uw gratis.
- De garantieprestatie heeft uitsluitend betrekking op gebreken die te wijten zijn aan materiaal- of fabricagefouten en is beperkt tot het verhelpen van deze gebreken of het vervangen van het apparaat. Wij wijzen erop dat onze apparaten overeenkomstig hun bestemming niet geconstrueerd zijn voor commercieel, ambachtelijk of industrieel gebruik. Een garantieovereenkomst komt daarom niet tot stand als het apparaat in ambachtelijke of industriële bedrijven alsmede bij gelijk te stellen activiteiten wordt gebruikt. Uitgesloten van onze garantie zijn verder schadeloosstellingen voor transportschade, schade door nietnaleving van de montage-instructies of op grond van ondeskundige installatie, niet-naleving van de handleiding (zoals door b.v. aansluiting op een verkeerde netspanning of stroomsoort), oneigenlijke of onoordeelkundige toepassingen (zoals b.v. overbelasting van het apparaat of gebruik van niet toegestane inzetgereedschappen of toebehoren), niet-naleving van de onderhouds- en veiligheidsbepalingen, binnendringen van vreemde voorwerpen in het apparaat (zoals b.v. zand, stenen of stof), gebruikmaking van geweld of invloeden van buitenaf (zoals b.v. schade door neervallen) alsmede door normale slijtage die zich bij het doelmatig gebruik van het apparaat voordoet.

Er kan geen aanspraak op garantie worden gemaakt als op het apparaat reeds ingrepen werden uitgevoerd.

- De garantieperiode bedraagt 3 jaar en gaat in op de datum van aankoop van het apparaat. Garantieclaims dienen voor het verloop van de garantieperiode binnen de twee weken na het vaststellen van het defect geldend te worden gemaakt. Het geldend maken van garantieclaims na verloop van de garantieperiode is uitgesloten. De herstelling of vervanging van het apparaat leidt noch tot een verlenging van de garantieperiode noch wordt door deze prestatie een nieuwe garantieperiode voor het apparaat of voor eventueel ingebouwde wisselstukken op gang gebracht. Dit geldt ook bij het ter plaatse uitvoeren van een serviceactiviteit.
- Om een garantieclaim geldend te maken neem contact op met het hieronder vermelde serviceadres. Als de klacht binnen de garantieperiode valt, ontvangt u van ons een retourbonn waarmee u uw defecte apparaat gratis naar ons kunt retourneren. Wij verzoeken u de reden van de klacht zo nauwkeurig mogelijk te beschrijven. Valt het defect van het apparaat binnen onze garantieprestatie bezorgen wij u per omgaande een hersteld of nieuw apparaat terug.

Uiteraard staan wij ook tot u dienst om mits betaling van de kosten defecten van het apparaat te verhelpen die buiten de garantieomvang vallen. Te dien einde stuurt u het apparaat aan ons serviceadres op.

Service-hotline / Hotline du service (NL):

00800 4003 4003

E-mailadres / Email du service (NL):

service.NL@schepdach.com

Serviceadres / Adresse du service (NL):

TeleMarCom European Services GmbH

Am Ziegelweiher 24

DE - 61130 Nidderau

Service-hotline (BE):

00800 4003 4003

E-mailadres (BE):

service.BE@schepdach.com

Serviceadres (BE):

Service Center Bruyninckx

Guldendelle 30

BE - 1930 Zaventem (Nossegem)






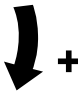
Op www.lidl-service.com kunt u deze en talloze andere handleidingen, productvideo's en installatiesoftware downloaden.

Met de QR-code komt u direct op de Lidl-Service-pagina (www.lidl-service.com) en kunt u met het invoeren van het artikelnummer (IAN) 436506_2304 uw gebruikshandleiding openen.

1.	Explicación de los símbolos en el aparato.....	101
2.	Indicaciones de uso.....	102
3.	Introducción.....	103
4.	Descripción del aparato.....	103
5.	Volumen de suministro.....	104
6.	Uso previsto.....	104
7.	Indicaciones de seguridad.....	104
8.	Datos técnicos.....	109
9.	Antes de la puesta en marcha.....	110
10.	Puesta en marcha.....	112
11.	Aplicación.....	115
12.	Transporte.....	117
13.	Limpieza y mantenimiento.....	117
14.	Almacenamiento.....	121
15.	Eliminación y reciclaje.....	122
16.	Solución de averías.....	123
17.	Certificado de garantía.....	124
18.	Plano de explosión.....	275
19.	Declaración de conformidad.....	276

1. Explicación de los símbolos en el aparato

	<p>Lea, entienda y respete todas las indicaciones de advertencia.</p>		<p>Lea por completo las instrucciones de manejo antes de usar el equipo.</p>
	<p>¡Advertencia! Peligro de rebote. Tenga cuidado con el retroceso de la motosierra y evite el contacto con el extremo del carril.</p>		<p>No use el aparato si llueve o hay mucha humedad.</p>
	<p>Use gafas de protección. Porte protección auditiva.</p>		<p>Lleve casco protector.</p>
	<p>Use siempre guantes de seguridad y antivibración para utilizar el equipo.</p>		<p>Utilice siempre calzado de seguridad antideslizante protector contra los cortes cuando utilice el equipo.</p>
	<p>Es importante llevar ropa especial que proteja los pies, las piernas, las manos y los antebrazos.</p>		<p>Maneje siempre la motosierra firmemente con ambas manos. No trabaje con la motosierra con una mano.</p>
	<p>¡Atención! La motosierra se utiliza en combinación con la técnica de trepado. Antes de iniciar el trabajo, familiarícese con todas las indicaciones relevantes al respecto.</p>		<p>¡Prohibidos los fuegos y llamas abiertas en la zona de trabajo!</p>
	<p>Abertura de llenado de combustible. Mezcla de combustible-aceite 1:40.</p>		<p>Sentido de giro</p>
	<p>Tapón del depósito de aceite para cadenas.</p>		<p>Ajuste del freno de la cadena: Flecha blanca: Freno de cadena inactivo. Flecha negra: Freno de cadena activado.</p>
	<p>Palanca de arranque en frío (estrangulador de aire).</p>		<p>Soltar el freno de la cadena.</p>
	<p>Activar freno de cadena.</p>		<p>Dirección de montaje de la cadena.</p>
	<p>Ajuste de la lubricación de la cadena.</p>		<p>Nivel de potencia acústica garantizado del equipo.</p>

	Piezas calientes.		Pulse 6 veces la bomba de combustible (cebador).
	Sentido de marcha de la cadena.		Ajuste de la tensión de la cadena.
PELIGRO	Palabra de advertencia para indicar una situación de peligro inminente que, de no evitarse, provocará la muerte o lesiones graves.		
ADVERTENCIA	Palabra de advertencia para indicar una situación potencialmente peligrosa que, de no evitarse, podría provocar la muerte o lesiones graves.		
PRECAUCIÓN	Palabra de advertencia para indicar una situación potencialmente peligrosa que, de no evitarse, podría provocar lesiones leves o moderadas.		
NOTA	Palabra de advertencia para indicar una situación potencialmente peligrosa que, de no evitarse, podría provocar daños materiales al producto o a la propiedad.		

2. Indicaciones de uso

ADVERTENCIA:

¡Antes de poner el equipo en funcionamiento por primera vez, lea por completo estas instrucciones de uso y cumpla obligatoriamente las normas de seguridad! Esta sierra para poda de árboles solo pueden utilizarla "Serristas para poda de árboles dotados de formación complementaria en trabajos sobre plataforma/cesta elevadora o técnica de trepado".

¡Guarde cuidadosamente las instrucciones de uso!

Nota:

Preste atención a que algunos reglamentos nacionales pueden limitar el uso de la máquina.



Esta sierra para poda de árboles está prevista especialmente para la poda y cirugía de árboles. Todos los trabajos con la sierra para poda de árboles están diseñados especialmente para la poda y cirugía de árboles. Dichos trabajos solo pueden realizarlos serristas para poda de árboles bien instruidos.

3. Introducción

FABRICANTE:

Schepach GmbH

Günzburger Straße 69

D-89335 Ichenhausen (Alemania)

ESTIMADO CLIENTE:

Le deseamos éxito y disfrute al trabajar con su nuevo aparato.

NOTA:

El fabricante de este aparato, de acuerdo con la legislación alemana de responsabilidad sobre productos, no se hace responsable de los daños originados en este aparato o causados por éste en los siguientes casos:

- manejo incorrecto,
- inobservancia de las instrucciones de servicio,
- reparaciones efectuadas por personal técnico no autorizado ajeno a nuestra empresa,
- montaje y sustitución de piezas de repuesto no originales,
- empleo no conforme al previsto.

Observe lo siguiente:

Lea antes del montaje y de la puesta en marcha el texto completo del presente manual de instrucciones.

El presente manual de instrucciones tiene como fin facilitarle los conocimientos necesarios sobre su aparato y que pueda aprovechar sus posibilidades de uso conforme a las previstas.

El manual de instrucciones incluye importantes indicaciones sobre cómo debe trabajar con el aparato de forma segura, competente y rentable y cómo puede evitar peligros, ahorrar costes por reparaciones, reducir los tiempos de inactividad y aumentar la fiabilidad y la vida útil del aparato.

Además de las normas de seguridad incluidas en este manual de instrucciones, deberá observar estrictamente las prescripciones vigentes en su país para el funcionamiento del aparato.

Conserve el manual de instrucciones en una funda de plástico, protegido del polvo y de la humedad, con el aparato. Este deberá leerse y observarse con atención por cada persona empleada antes de comenzar a trabajar por primera vez.

En el aparato solo deben trabajar personas instruidas en su manejo y familiarizadas con los peligros que este conlleva. Debe respetarse la edad laboral mínima.

Además de las indicaciones de seguridad incluidas en el presente manual de instrucciones y las prescripciones especiales vigentes en su país, deberán observarse las normas técnicas generalmente reconocidas para el funcionamiento de máquinas de estructura similar.

Declinamos cualquier responsabilidad de posibles accidentes o daños que puedan producirse por no obedecer las presentes instrucciones e indicaciones de seguridad.

4. Descripción del aparato

1. Cadena de sierra
2. Carril guía
3. Protector de manos delantero
4. Bomba de combustible "Primer"
5. Palanca de aceleración
6. Asa trasera
7. Bloqueo de la palanca de aceleración
8. Cable de arranque
9. Cubierta del filtro de aire
10. Tapón para la cubierta del filtro de aire
11. Tapón del depósito de aceite para cadenas
12. Asa delantera
13. Tapón del depósito de combustible
14. Palanca de arranque en frío (estrangulador de aire)
15. Botón de encendido/apagado
16. Tuercas de fijación
17. Cubierta de la rueda de la cadena
18. Silenciador
19. Dispositivo colgador
20. Llave de bujías de encendido/destornillador para tornillos de cabeza ranurada
21. Tapa de la espada
22. Recipiente de mezcla
23. Tornillo de tensado de la cadena
24. Tope de garras
25. Captor de cadena
26. Pasador tensor de cadena
27. Rueda de cadena
28. Ranura guía
29. Perno de sujeción
30. Rueda dentada
31. Abertura de lubricación
32. Tornillo regulador de aceite
33. Filtro de aire
34. bujía de encendido
35. Conector de bujía de encendido
36. Cesto aspirante

5. Volumen de suministro

- Sierra para poda de árboles
- Cadena de sierra
- Carril guía
- Tapa de la espada
- Llave de bujías de encendido/destornillador para tornillos de cabeza ranurada
- Recipiente de mezcla

6. Uso previsto

Este aparato en una sierra para poda de árboles especialmente ligera y manejable con asidero en la parte superior. La sierra para poda de árboles ha sido especialmente diseñada para la cirugía y la poda de árboles. Estas sierras para poda de árboles solo pueden utilizarlas "Serristas para poda de árboles dotados de formación complementaria en trabajos sobre plataforma/cesta elevadora o técnica de trepado". Indicada para el uso ocasional en madera fina, la poda de árboles frutales, el desramado y tronzado.

Los trabajos de preparación de la madera de la chimenea solo deben realizarse siempre que el diámetro de la madera no supere la longitud de corte (20 cm).

Para estos trabajos recomendamos una motosierra convencional con una distancia entre empuñaduras prolongada o una longitud de corte larga.

Quién no está autorizado a usar el aparato:

Las personas que no estén familiarizadas con las instrucciones de servicio, jóvenes que no hayan cumplido aún los 16 años y personas que estén bajo los efectos de medicamentos, drogas o alcohol, o que estén débiles o enfermas.

El equipo suministrado está pensado exclusivamente para serrar madera. El fabricante no se responsabiliza de ningún daño causado por un uso indebido o un manejo incorrecto.

El aparato solo debe utilizarse para el uso previsto. Se considerará inapropiado cualquier uso que vaya más allá. Los daños o lesiones de cualquier tipo producidos a consecuencia de lo anterior serán responsabilidad del usuario/operario, no del fabricante.

El cumplimiento de las indicaciones de seguridad también forma parte del uso conforme al previsto, al igual que el manual de montaje y las instrucciones de funcionamiento en el manual de instrucciones.

Las personas que se ocupen del manejo y mantenimiento del aparato deben estar familiarizadas con el mismo e informados sobre los posibles peligros.

Asimismo, también deben cumplirse de manera estricta las normas vigentes en prevención de accidentes.

También deben cumplirse las normas generales en materia de sanidad laboral y de técnicas de seguridad.

Si el usuario hiciera modificaciones en el aparato, el fabricante no se responsabilizará de ningún daño que ello pueda causar.

Recuerde que nuestros aparatos no están diseñados para usos comerciales, artesanales ni industriales. No concedemos ningún tipo de garantía si se utiliza el aparato en empresas comerciales, artesanales o industriales, ni en actividades de características similares.

PELIGRO

El fabricante de este aparato, de acuerdo con la legislación alemana de responsabilidad sobre productos, no se hace responsable de los daños originados en este aparato o causados por éste en los siguientes casos:

- montaje y sustitución de piezas de repuesto no originales,
- Desmontaje o alteración de componentes de seguridad.

6.1 Empleo no conforme al previsto

- Este aparato no es adecuado para trabajos de tala.
- No utilice el carril guía como palanca para mover ramas de árboles o similares.
- No se permite serrar madera con un diámetro superior a 20 cm.

7. Indicaciones de seguridad

7.1 Notas generales

ADVERTENCIA

Cuide siempre de prestar atención a lo que hace y realice con prudencia el trabajo con un aparato. No utilice el aparato si está enfermo, cansado o si está bajo el efecto de drogas, alcohol o medicamentos. Un descuido durante el uso del aparato puede causar lesiones graves.

Evite todo uso erróneo, emplee la máquina solo tal y como se describe en "Uso conforme al previsto".

El manual de instrucciones contiene notas importantes sobre cómo trabajar con la motosierra de forma segura y profesional para evitar peligros.

No obstante, si se produce un bloqueo entre el material cortado y la cadena de sierra, desconéctela de inmediato. Espere hasta que la cadena de sierra se haya detenido del todo. Retire el conector de bujía de encendido y póngase un protector de manos contra corte cuando vaya a quitar el bloqueo. Si hubiera que retirar el carril guía (espada), siga las instrucciones descritas en el capítulo "Montaje". Hay que realizar una marcha de prueba una vez subsanado el bloqueo y realizado de nuevo el montaje.

Si determina vibraciones o ruidos mecánicos, deje de trabajar y póngase en contacto con un centro de servicio autorizado. Si este peligro se produce con más frecuencia, recomendamos una nueva formación.

- Antes de la puesta en marcha, lea el manual de instrucciones del aparato y preste atención especial a las indicaciones de seguridad.
- Las señales de advertencia e información que se encuentran en el aparato proporcionan notas importante para un funcionamiento seguro.
- Además de las indicaciones en las instrucciones de uso, deben observarse las normas generales de seguridad y prevención de accidentes del organismo regulador.
- ¡Mantenga las láminas de embalaje fuera del alcance de los niños, ya que entrañan peligro de asfixia!
- Los usuarios insuficientemente informados pueden manejar mal el aparato y ponerse en peligro a sí mismos y a otras personas. El usuario es responsable de cara a terceras personas.
- Antes de iniciar el trabajo, compruebe el funcionamiento de la palanca de aceleración. Este debe volver automáticamente a posición marcha al ralentí en cuanto se suelte.
- No trabaje más de 10 minutos seguidos. Se recomienda realizar una pausa de 10 - 20 minutos entre cada fase del trabajo.
- Preste el aparato solo a usuarios que tengan experiencia con él. Entrégueles también el manual de instrucciones.
- Algunas tareas de corte requieren una formación y unos conocimientos especiales. Si tiene dudas, póngase en contacto con un profesional.
- Los usuarios que lo utilizan por primera vez deben recibir instrucciones para familiarizarse con las características del aparato. Por su seguridad, asista a un curso de formación estatal sobre motosierras.
- Cuando haga una pausa, pose el aparato de modo que no suponga un peligro para nadie. Procure que nadie pueda acceder sin autorización.

- El usuario del aparato será responsable de todo accidente o peligro que pueda dañar a otras personas o a bienes de su propiedad.
- Queda prohibido el uso de la motosierra para niños, adolescentes y personas con facultades físicas, sensoriales o mentales mermadas. De lo anterior quedan exceptuados los adolescentes mayores de 16 años en el marco de una formación profesional bajo la vigilancia de un experto.
- El sistema de encendido del aparato crea un bajo campo electromagnético. Si usted es portador de un marcapasos o implantes similares, consulte a su médico antes de utilizar el aparato a fin de evitar riesgos para la salud.
- Tenga en cuenta que un mantenimiento inadecuado, el uso de piezas de repuesto no conformes y la extracción o modificación de los dispositivos de seguridad pueden provocar daños en el aparato, así como lesiones graves a la persona que trabaja con él.

7.2 Equipo de protección individual (EPI)

PELIGRO

- ¡Póngase siempre un equipo de protección personal (EPP)!
- Póngase un casco protector facial o unas gafas de protección o una protección auditiva.
 - Póngase ropa de trabajo ceñida con tejido anticorte.
 - Póngase calzado de seguridad antideslizante.
 - Lleve guantes de protección.
 - Evite ropa ancha que pueda quedar atrapada.
 - No se ponga pañuelos, corbata ni adornos.
 - En caso de tener el cabello largo, recójase antes con una red.
 - Póngase un casco protector durante todos los trabajos en el bosque. Este le protegerá frente a las ramas que caigan. Compruebe regularmente que el casco protector no tenga daños. Cámbielo a los 5 años a más tardar. Utilice solo cascos protectores comprobados.
 - La protección facial o las gafas de protección le protegen de las virutas de aserrado y de las astillas de madera. Para evitar lesiones en los ojos, al efectuar cualquier trabajo con el aparato, deberá utilizarse siempre protección facial o gafas de protección.
 - Lleve siempre protección auditiva. El ruido que emite el aparato puede causar lesiones auditivas.
 - Utilice use guantes de protección robustos de material resistente, como cuero por ejemplo.
 - Al serrar madera seca póngase una mascarilla antipolvo. Puede producirse aserrín.
 - Al trabajar en el árbol, el usuario puede caer. El usuario puede resultar gravemente herido o morir. Llevar equipo de protección contra caídas.

7.3 Almacenamiento y transporte

- Desconecte la motosierra antes de cualquier transporte, también en los trayectos cortos. Desconecte inmediatamente el freno de cadena y ponga la protección de cadena.
- Utilice la protección de cadena en el transporte y almacenamiento.
- Asegure la máquina durante el transporte (también en los vehículos) para evitar vuelcos, pérdida de combustible, daños o lesiones.
- Transporte el aparato solo por el asidero delantero. El carril guía deberá mirar hacia atrás, separado de su cuerpo.
- Mantenga el silenciador caliente alejado de su cuerpo. ¡Peligro de quemaduras!
- Limpie y mantenga la motosierra antes del almacenamiento.
- Almacene el aparato en un lugar oscuro y seco. Protéjalo también contra un acceso no autorizado.

7.4 Seguridad del entorno

- Las normativas nacionales y/o municipales pueden imponer restricciones horarias al uso de aparatos motorizados que produzcan ruido. Consulte a su administración municipal al respecto.
- El aparato no debe funcionar en interiores ni en otras zonas mal ventiladas. Existe riesgo de asfixia por gases de escape tóxicos/vapores de aceite lubricante.
- Realice los trabajos solo a la luz del día.
- Tampoco trabaje en condiciones meteorológicas adversas, como p. ej., lluvia o viento. Existe un mayor riesgo de accidentes.
- Mantenga su zona de trabajo limpia y ordenada.
- Durante el trabajo, mantenga a los niños y otras personas alejados. Si se distrae, podría perder el control del aparato.
- Antes de empezar el trabajo, asegúrese de que no haya personas, animales ni bienes materiales en la zona de peligro del aparato.
- No trabaje cerca de vallas de alambre ni en lugares donde haya alambres viejos sueltos.
- Tenga preparados los extintores cuando trabaje en entornos fácilmente inflamables, como la hierba seca, etc. ¡Existe peligro de incendio!

7.5 Llène con combustible

- La gasolina es muy inflamable. Manténgase alejado de las llamas abiertas al repostar y no fume mientras lo hace. ¡Existe peligro de incendio!

- Tenga cuidado de no derramar gasolina. La gasolina o el aceite para cadenas no deben llegar a la tierra. Evítelo colocando algo debajo.
- Reponga combustible solo en zonas bien ventiladas. Los vapores de gasolina se infaman o explotan fácilmente.
- Apague el motor y deje que el aparato se enfríe antes de reponer combustible. En caso de gasolina derramada, limpie de inmediato el lugar afectado. No deje que el combustible llegue hasta su ropa, en cuyo caso, deberá cambiársela de inmediato.
- Evite también el contacto de la piel y los ojos con la gasolina o los lubricantes (aceite).
- No inhale vapores de gasolina/de aceite lubricante.
- Preste atención a las fugas. Si hay gasolina derramada, no arranque el motor. Existe peligro de quemaduras.
- Abra con cuidado el tapón del depósito para poder eliminar lentamente el exceso de presión existente y que no salpique gasolina.

7.6 Antes de la puesta en marcha

ADVERTENCIA

Realice siempre comprobaciones antes de la puesta en marcha y con el motor apagado.

Antes de cada uso y en caso de haberse caído al suelo, compruebe que el aparato se encuentra en un estado de funcionamiento seguro.

Compruebe que todas las piezas móviles funcionen perfectamente. Muchos accidentes se deben a herramientas que no han recibido el debido mantenimiento. Encargue la reparación de las piezas dañadas a personal técnico cualificado.

Use la motosierra y los accesorios solo de conformidad con estas instrucciones. Tenga en cuenta las condiciones de trabajo y los trabajos que se deben realizar. El uso de herramientas motorizadas para otros fines no previstos puede dar lugar a situaciones peligrosas.

- Compruebe regularmente la funcionalidad del freno de cadena (protector de manos delantero, véase Fig. 2).
- Compruebe que el carril guía esté bien montado.
- Compruebe que la cadena de sierra esté bien tensa. Siga las instrucciones de lubricación, tensado de la cadena y cambio de accesorios. Una cadena mal tensada o lubricada puede partirse o aumentar el riesgo de rebote.
- Mantenga las herramientas de corte afiladas y limpias. Afile regularmente y cambien a tiempo las piezas romas. Las herramientas de corte con bordes cortantes y afilados conservadas cuidadosamente se atascan menos y son más fáciles de conducir.

- Compruebe la marcha suave de la palanca de aceleración y del bloqueo de la palanca de aceleración. La palanca de aceleración debe volver a la posición inicial.
- Compruebe que el depósito tenga suficiente combustible y lubricación de la cadena.
- Compruebe que los asideros estén secos y limpios de aceite y grasa.
- No trabaje nunca solo. Siempre debe haber alguien cerca en caso de emergencia.
- Utilice la motosierra solo si está en un terreno firme, seguro y uniforme. Evite posturas forzadas. Las superficies resbaladizas o inestables (p. ej. una escalera) pueden dar lugar a la pérdida de equilibrio o de control sobre la motosierra. Procure una buena estabilidad y mantenga siempre el equilibrio. De este modo, le será más fácil controlar la motosierra, en caso de que surja una situación imprevista.
- No trabaje con una motosierra sobre un árbol. Existe peligro de lesiones al trabajar subido a un árbol.
- Nunca sierre por encima de la altura del hombro.
- Sujete siempre la motosierra con su mano derecha en el asa trasera y la izquierda, en el asa delantera. Sostener siempre la motosierra en el sentido inverso a la posición de trabajo aumenta el riesgo de lesiones y, por lo tanto, no debe utilizarse.
- Cuando la motosierra esté en marcha, mantenga todas las partes del cuerpo apartadas de la cadena de sierra. Antes de poner en marcha la motosierra, compruebe que la cadena de sierra no toca ningún objeto. Al trabajar con una motosierra, un momento de descuido puede hacer que la cadena de sierra atrape la ropa o una parte del cuerpo.
- Apague la motosierra inmediatamente si nota cambios perceptibles en el comportamiento del equipo.
- Si la motosierra entra en contacto con piedras, clavos u otros objetos duros, apague el motor de inmediato y compruebe que la cadena de sierra y el carril guía no tengan daños.
- No deje caer la motosierra, no la golpee nunca contra obstáculos ni utilice el carril guía como palanca.
- Sierre solamente madera con la motosierra.
- Si va a cortar una rama que está tensa, tenga presente que rebotará. Si se libera la tensión en las fibras de madera, la rama tensa puede golpear al usuario y/o la motosierra se puede descontrolar.
- Tenga especial cuidado cuando corte matas y árboles jóvenes. El material delgado puede enredarse en la cadena de sierra y restallar hacia usted o hacerle perder el equilibrio.

7.7 Vibraciones

ADVERTENCIA

Evite los riesgos de las vibraciones, p. ej., el riesgo de síndrome de Raynaud (trastornos circulatorios), realizando descansos frecuentes en los que, p. ej., se frote las palmas de las manos.

- Utilice guantes protectores y asegúrese de que sus manos estén calientes.
- Asegúrese de que la cadena esté bien afilada.
- Realice pausas de trabajo regulares.

7.8 Medidas de precaución contra el rebote

ADVERTENCIA

Durante el trabajo, preste atención al retroceso del aparato. Existe peligro de lesiones. Evite los rebotes con precaución y una correcta técnica de aserrado.

- En algunos casos, el contacto de la punta del carril con un objeto puede hacer que la motosierra rebote inesperadamente hacia atrás y que la espada suba bruscamente hacia el usuario.
- La motosierra puede rebotar si la punta de la espada toca un objeto o si la madera se dobla y la cadena se atasca durante el corte.
- Si la cadena de sierra se agarra en el borde superior del carril guía, la motosierra puede rebotar incontroladamente en la dirección del manejo.
- Si la cadena de sierra se agarra en el borde inferior del carril guía, la motosierra puede volverse rápida e incontroladamente en la dirección del manejo.
- Se extremadamente cuidadoso cuando aplique la cadena de la motosierra para seguir serrando en un corte ya empezado.
- No sierre ramas ni trozos de madera que puedan cambiar de posición durante el proceso de aserrado o donde el corte se cierre durante el procedimiento de aserrado.
- Cada una de estas reacciones puede hacerle perder el control de la sierra y causarle graves lesiones. Nunca confíe solamente en los dispositivos de seguridad instalados en la motosierra. Como usuario de una motosierra, tome distintas medidas para trabajar sin causar accidentes ni lesiones.

Un retroceso es el resultado de un uso incorrecto o deficiente. Se puede evitar tomando medidas de precaución como las que se describen a continuación:

- Sujete la motosierra con las dos manos rodeando sus asas con los pulgares y los dedos. Ponga su cuerpo y sus brazos en una posición que le permita resistir las fuerzas de rebote. Si se toman las medidas adecuadas, el usuario será capaz de dominar las fuerzas de rebote. Nunca suelte la motosierra.
- No ponga el cuerpo en una posición anormal ni sierre por encima de la altura de sus hombros. Así evitará tocar involuntariamente un objeto con la punta de la espada y podrá controlar mejor la motosierra ante una situación inesperada.
- Use siempre las espadas y cadenas de recambio prescritas por el fabricante. Si usa carriles de recambio o cadenas de sierra inadecuados, la cadena de sierra se puede partir y/o rebotar.
- Respete las instrucciones del fabricante sobre cómo afilar y mantener la cadena. Los limitadores de profundidad demasiado bajos hacen que la motosierra sea más proclive a rebotar.
- No sierre con la punta de la espada. Existe peligro de retroceso. (Fig. 7)
- Asegúrese de que no haya clavos ni piezas de metal en la zona de corte. Preste especial atención a los clavos o piezas de hierro que haya alrededor de la zona de corte. Sea también cuidadoso al serrar maderas duras en las que pueda atascarse la cadena. Esto puede provocar un retroceso.
- Empiece el corte a toda potencia y mantenga la motosierra siempre a máxima velocidad durante el aserrado.
- Procure que no haya objetos arrojados en el suelo con los que pueda tropezar.

7.9 Comportamiento y técnica de trabajo

- Trabaje solo con una buena iluminación y visibilidad. Proceda con especial cuidado en caso de existir terreno resbaladizo, humedad, hielo o nieve (peligro de resbalamiento). La madera recién descortezada causa un elevado peligro de resbalamiento (cortezas).
- Nunca trabaje sobre bases inestables. Preste atención a cualquier obstáculo en el área de trabajo (peligro de tropiezo). Se deberá procurar mantener siempre una posición segura.
- Nunca efectúe el serrado por encima de los hombros.
- No realice nunca el serrado sobre escaleras.

- No trepe nunca a un árbol con la motosierra ni realice trabajos en el mismo sin contar con un sistema apropiado de retención del usuario y la máquina. Recomendamos efectuar los trabajos siempre desde una plataforma.
- No trabajar con el cuerpo demasiado arqueado.
- Maneje la motosierra de tal modo que ninguna parte del cuerpo se halle en el radio de giro de la cadena de sierra.
- Sierre solo madera con la motosierra.
- No toque el suelo con la cadena en funcionamiento.
- Limpie la zona de corte de cuerpos extraños tales como tierra, piedras, clavos, etc.,. Los objetos extraños dañan el dispositivo de aserrado y pueden ocasionar un retroceso (kickback) peligroso, además de salir despedidos.
- Al aserrar listones o bloques de madera aserrada, utilice una base segura (a ser posible, un caballete). No sujete nunca la madera con el pie ni encargue a otra persona que la sujete mientras Ud. la sierra.
- Los rollos de madera deberán asegurarse contra la torsión durante el corte.
- No trabaje nunca sin un tope de garras, la motosierra puede desgarrar al usuario por delante. Utilice el tope de garras para cortar troncos de árboles o ramas gruesas. Emplear el tope de garras aumenta la seguridad en el trabajo, disminuye la carga personal al trabajar, así como las vibraciones.
- Al efectuar cortes de tala o tronzado, se deberán colocar las grapas (tope de garras) sobre la madera que se vaya a cortar. También se recomienda el uso de las grapas a la hora de efectuar el corte de ramas gruesas.
- Coloque firmemente las grapas antes de cada corte de tronzado. A continuación, sierre la madera con la cadena en funcionamiento. Para ello, levante la motosierra con la empuñadura y guíela con el asa. El tope de garras sirve de punto de giro. La recolocación se efectúa aplicando una ligera presión sobre el asa. Retire un poco la motosierra hacia atrás. Inserte las grapas más profundamente y levante de nuevo la máquina por la empuñadura.
- Tenga cuidado al cortar madera astillada. Las piezas de madera serrada podrían salir proyectadas (peligro de lesiones).
- Al cortar con la parte superior del carril, la motosierra podría salir lanzada hacia el usuario si se queda trabada. Por tanto, siempre que sea posible se deberá serrar con la parte inferior de la espada, ya que así la motosierra se arrastrará hacia la madera en la dirección opuesta al cuerpo.

- La madera tensada siempre deberá cortarse en primer lugar por el lado de presión. A continuación se efectuará el corte de separación por el lado de tracción. De ese modo se evita que la espada se quede trabada.
- La motosierra puede caerse cuando se trabaja en el árbol. Las personas pueden lesionarse gravemente y producirse daños materiales. Asegure la motosierra con el dispositivo colgador.
- Pueden producirse resbalamientos laterales o saltos de la motosierra antes de introducir la cadena de sierra en la zona de corte.

⚠ ADVERTENCIA

¡Peligro elevado de retroceso!

Para conservar el control total en el momento del "aserrado", reduzca la presión contra el extremo del corte sin dejar de agarrar con fuerza el asa en los asideros de la motosierra. Procure que la cadena de sierra no toque el suelo. Cuando termine el corte, espere a que la cadena de sierra se pare antes de retirar la motosierra. Apague siempre el motor de la motosierra antes de pasar de un árbol a otro.

⚠ ADVERTENCIA

Si se usa para trabajos más largos, las vibraciones pueden causar alteraciones del riego sanguíneo en las manos de la persona que la use (fenómeno de Raynaud).

El fenómeno de Raynaud es una enfermedad de los vasos sanguíneos que produce espasmos en los capilares de los dedos de manos y pies. Las zonas afectadas dejan de recibir suficiente sangre y a causa de ello se ponen muy pálidas. El uso frecuente de aparatos que vibran puede causar daños nerviosos en las personas que no tienen un buen riego sanguíneo (por ejemplo en las personas fumadoras o diabéticas). Si nota alguna dolencia extraordinaria, deje inmediatamente de trabajar y llame a un médico.

Tenga en cuenta las siguientes indicaciones para reducir los riesgos:

- Abrigue su cuerpo, y sobre todo sus manos, cuando haga frío.
- Haga pausas regularmente y, durante las pausas, mueva las manos para estimular la circulación.
- Cuidé de que la máquina vibre lo menos posible. Para ello, preste mantenimiento regular al aparato y apriete las piezas que estén flojas.

7.10 Riesgos residuales

⚠ PELIGRO

¡PELIGRO DE LESIONES!

El contacto con la cadena puede causar cortes mortales. Nunca acerque las manos a la cadena cuando esté en marcha.

¡PELIGRO DE REBOTE!

El rebote puede causar cortes mortales.

¡PELIGRO DE QUEMADURAS!

La cadena y la espada se calientan durante el funcionamiento.

El aparato se ha construido de acuerdo con los últimos avances tecnológicos y las reglas técnicas de seguridad de aplicación reconocidas. Aun así pueden emanar determinados riesgos residuales durante el trabajo.

Además, a pesar de todas las precauciones adoptadas puede seguir habiendo riesgos residuales no evidentes.

Los riesgos residuales se pueden minimizar observando las "indicaciones de seguridad" y el "uso conforme a lo previsto", así como siguiendo las instrucciones de servicio en su integridad.

8. Datos técnicos

Máquina sin espada	
Largo x ancho x alto	270 x 230 x 240 mm
Peso sin combustible, sin accesorio de corte aprox.	3,4 kg
Peso sin combustible, con accesorio de corte aprox.	3,8 kg
Depósito para lubricación de la cadena	0,16 l
Capacidad del depósito de combustible	0,23 l
Mezcla de combustible-aceite	1:40
Longitud de corte	20 cm
Longitud de espada	30 cm
Lubricación automática de la cadena	Sí
Paso de la cadena	3/8" (9,525 mm)
Fuerza de eslabones de la cadena	1,27 mm
Tipo de cadena	3/8LP-40
Número de dientes de la rueda de la cadena de accionamiento	6
Paso de dientes de la rueda de la cadena de accionamiento	3/8"
Tipo de espada	AP10-40-509P
Velocidad de cadena máx.	21 m/s

Motor.....de 1 cilindro de 2 tiempos, refrigerado por aire	
Cilindrada del motor.....	25,4 cm ³
Potencia del motor máx. según ISO 7293.....	0,7 kW
Número de revoluciones en régimen de marcha al ralentí n ₀	3300 ± 300 rpm
Máximas revoluciones con el juego de elementos de corte.....	11 000 rpm
bujía de encendido.....	L8RTC

El nivel de presión acústica derivado del uso y de las acciones a realizar debe reducirse todo lo posible como para que el operario no sufra ningún perjuicio de salud. El nivel de presión acústica en el lugar de trabajo puede superar un valor de 80 dB. En tal caso el usuario debe adoptar medidas de protección contra el ruido (por ejemplo, llevar protección auditiva).

¡Limite a un mínimo la generación de ruidos y vibraciones!

- Utilice únicamente aparatos en perfecto estado.
- Efectúe el mantenimiento del aparato y límpielo con regularidad.
- Adapte su forma de trabajo al aparato.
- No sobrecargue el aparato.
- En caso necesario, haga revisar el aparato.
- Desconecte el aparato si no lo utiliza.
- Use guantes.

Nivel de presión acústica medido L _{pa}	99,2 dB
Incertidumbre K _{pa}	3 dB
Nivel de potencia acústica garantizado L _{WA}	113 dB
Nivel de potencia acústica L _{WA} medido.....	108,7 dB
Incertidumbre K _{WA}	3 dB

Vibración en el asa delantera.....	8,98 m/s ²
Vibración en el asa trasera.....	8,03 m/s ²
Incertidumbre.....	1,5 m/s ²

Utilice protección auditiva.

El efecto del ruido puede causar pérdida auditiva.

Los valores de emisiones de ruido indicados se han medido siguiendo un proceso de comprobación normalizado y pueden utilizarse para comparar un aparato con otro.

Los valores de emisión de ruidos indicados se pueden emplear también para una evaluación provisional de la carga.

Advertencia:

- Las emisiones de ruido pueden diferir de los valores indicados durante el uso real del aparato, dependiendo del tipo y modo de uso del mismo, especialmente, del tipo de pieza de trabajo con la que se trabaje.
- Intente mantener lo más baja posible la carga. Medida a modo de ejemplo: limitación del tiempo de trabajo. Para ello, deben tenerse en cuenta todas las fracciones de los ciclos de funcionamiento (por ejemplo, tiempos en los que el aparato se encuentra desconectado, y tiempos en los que se encuentra conectado, pero funcionando sin carga).

9. Antes de la puesta en marcha

1. Abra el embalaje y extraiga el aparato cuidadosamente.
2. Retire el material de embalaje y los seguros de embalaje y transporte (si los hay).
3. Compruebe la integridad del volumen de suministro.
4. Compruebe que no haya daños de transporte en el aparato y en los componentes de los accesorios.
5. Conserve el embalaje por si fuera preciso hasta la extinción del período de garantía.
6. Retire la guía rápida en el cable de arranque (8).

ATENCIÓN

¡El aparato y los materiales de embalaje no son aptos como juguetes para niños! ¡Los niños no deben jugar con bolsas de plástico, láminas o piezas pequeñas! ¡Existe peligro de atragantamiento y asfixia!

9.1 Montaje del carril guía (2) y de la cadena de sierra (1)

 **ADVERTENCIA**

¡Peligro de lesión!

Póngase siempre use guantes de protección si va a tocar la cadena de sierra (1). ¡Peligro de lesiones por dientes de corte afilados!

Utilice solo las combinaciones de cadena de sierra (1) y carril guía (2) permitidas (véase el capítulo “Accesorios de corte permitidos”).

Realice siempre el montaje con el motor apagado.

Nota

Una cadena de sierra (1) nueva se alarga, por lo que a menudo hay que retensarla. Compruebe regularmente la tensión de la cadena y reajústela.

El carril guía (2) se puede girar según el desgaste.

1. Coloque la motosierra sobre una superficie firme y plana.
2. Tire hacia atrás del protector de manos delantero (3) hasta su tope para soltar el freno de cadena. (Fig. 2)
3. Retire las dos tuercas de fijación (16) con la llave de bujías de encendido (20).
4. Quite la cubierta de la rueda de la cadena (17).
5. Gire el tornillo tensor de la cadena (23) a la izquierda (en sentido antihorario) hasta que el pasador tensor de cadena (26) se encuentre en el tope derecho (Fig. 3). Para ello, utilice el destornillador para tornillos de cabeza ranurada (20).
6. Deslice el orificio longitudinal del carril guía (2) sobre los dos pernos de sujeción que sobresalen (29).
7. Coloque la cadena de sierra (1) sobre el dentado de la rueda de cadena (27). Guíe la cadena de sierra (1) exactamente sobre el carril guía (2) en la dirección indicada. En la punta del carril guía (2) se encuentra una rueda dentada (30) en la que debe introducirse el dentado de la cadena de sierra (1). (Fig. 6 y 18)
8. Tire un poco del carril guía (2) para tensar ligeramente la cadena de sierra (1).
9. Vuelva a colocar la cubierta de la rueda de la cadena (17). Preste atención a que el pasador tensor de cadena (26) entre en el orificio adecuado del carril guía (2). Regule los tornillos tensores de la cadena (23) con el destornillador para tornillos de cabeza ranurada (20) si fuera necesario.
10. Atornille las dos tuercas de fijación (16) con la mano. Pero procure no apretar demasiado fuerte. Las tuercas de fijación (16) se aprieten después de tensar la cadena de sierra (1).

9.2 Tense y compruebe la cadena de sierra (1).

ADVERTENCIA

¡Póngase guantes de protección! ¡Peligro de lesiones por dientes de corte afilados!

Compruebe regularmente la tensión de la cadena antes de cada puesta en marcha.

Realice siempre las comprobaciones antes de la puesta en marcha y con el motor apagado.

1. Antes de tensar, debe aflojar un poco las dos tuercas de fijación (16) con la llave de bujías de encendido (20).
2. Gire el tornillo tensor de la cadena (23) en sentido antihorario con el destornillador para tornillos de cabeza ranurada (20) para reducir la tensión.
3. Apriete las dos tuercas de fijación (16) con la llave de bujías de encendido (20).
4. La cadena de sierra (1) debe colocarse en la parte inferior de la espada. Compruebe si la cadena de sierra (1) puede apretarse a mano a través del carril guía (2). En caso de freno de cadena suelto, tire hacia atrás del protector de manos delantero (3).

Realice siempre las comprobaciones antes de la puesta en marcha y con el motor apagado.

NOTA

Una cadena de sierra (1) nueva se alarga, por lo que a menudo hay que retensarla.

9.3 Mezclar combustible

El motor debe funcionar con una mezcla de combustible compuesta por gasolina y aceite de motor.

ADVERTENCIA

Evite el contacto directo de la piel con el combustible y la inhalación de vapores de combustible.

Utilice solo una mezcla de gasolina sin plomo (mín. RON 95) y aceite especial para motores de 2 tiempos (JASO FD/ISO - L - EGD). Prepare la mezcla de combustible tal y como se indica en la tabla de mezcla de combustible.

Ponga la cantidad adecuada de gasolina y aceite de 2 tiempos en el depósito de mezcla adjunto (22) (consulte la "Tabla de mezcla de combustible"). A continuación, agite bien el recipiente de mezcla (22).

9.3.1 Tabla de mezcla de combustible

Método de mezcla: 40 partes de gasolina y 1 parte de aceite

**Gasolina Aceite de 2 tiempos
0,5 litros 12,5 ml**

9.4 Llenar con combustible (Fig. 8)

ADVERTENCIA

Llene el combustible solo cuando el motor esté apagado y se haya enfriado. ¡Existe peligro de incendio!

1. Limpie siempre la zona alrededor del tapón del depósito de combustible (13) antes del llenado para evitar que caiga suciedad en el depósito de combustible. Para ello, utilice un paño seco y sin pelusa.
2. Ponga el aparato de lado o póngalo de manera que el tapón del depósito de combustible (13) mire hacia arriba.
3. Gire el tapón del depósito de combustible (13) en sentido antihorario y ábralo. El tapón del depósito de combustible (13) está conectado a un protector contra pérdidas en el depósito de combustible para que no puede caerse.
4. Llene la mezcla de combustible en el depósito de combustible. Durante el repostaje, no derrame combustible ni llene el depósito de combustible hasta el borde.
5. Elimine de inmediato el combustible derramado.
6. Gire el tapón del depósito de combustible (13) en sentido horario para cerrarlo.

NOTA

Controle también el aceite para cadenas tras cada llenado de combustible.

9.5 Soltar combustible

Vacíe el depósito de combustible solo al aire libre o en espacios bien ventilados. No deje que penetre combustible en la tierra (protección del medio ambiente). Utilice una base adecuada.

1. Sujete un recipiente colector debajo del depósito de combustible.
2. Desenrosque el tapón del depósito de combustible (13) y quítelo.
3. Suelte por completo la mezcla de gasolina y aceite.
4. Vuelva a enroscar fijamente el tapón del depósito de combustible (13) a mano.

9.6 Llenar con aceite para cadenas (Fig. 8)

ADVERTENCIA

Llene el aceite para cadenas de sierra solo con el motor apagado y enfriado. ¡Existe peligro de incendio!

Nunca trabaje sin la lubricación de la cadena. Una cadena de sierra (1) seca en marcha destruirá en poco tiempo el accesorio de corte de forma irreparable.

Antes de empezar a trabajar, compruebe siempre la lubricación de la cadena.

NOTA

Utilice solo aceite para cadenas de sierra. Preferiblemente, que sea biodegradable. No emplee aceite viejo, aceite de motor, etc.

Controle durante el trabajo si la lubricación de la cadena funciona.

1. Limpie siempre la zona alrededor del tapón del depósito de la cadena (11) antes del llenado para evitar que caiga suciedad en el depósito de aceite para cadenas. Para ello, utilice un paño seco y sin pelusa.
2. Ponga el aparato de lado o póngalo de manera que el tapón del depósito de aceite para cadenas (11) mire hacia arriba.
3. Gire el tapón del depósito de aceite para cadenas (11) en sentido antihorario y ábralo. El tapón del depósito de aceite para cadenas (11) está conectado a un protector contra pérdidas para evitar que el depósito de aceite para cadenas pueda caerse.
4. Llene el depósito de combustible con aceite para cadenas biológico. Durante el repostaje, no derrame el aceite para cadenas y no llene el depósito de aceite para cadenas hasta el borde.
5. Limpie de inmediato el aceite para cadenas derramado.
6. Gire el tapón del depósito de aceite para cadenas (11) en sentido horario para cerrarlo.

10. Puesta en marcha

PRECAUCIÓN

Tenga en cuenta las disposiciones legales sobre la ordenanza de protección contra el ruido.

Compruebe el aparato antes de cada puesta en marcha:

- Estanqueidad del sistema de combustible
- Compruebe el estado impecable e integridad de los dispositivos de protección y del dispositivo de corte.
- Verifique que todas las atornilladuras estén bien fijadas.
- Marcha suave de todas las piezas móviles

Indicaciones de trabajo

Familiarícese con la manipulación de la motosierra antes de su uso.

10.1 Arranque del motor

ADVERTENCIA

Aléjese por lo menos 3 metros del depósito antes de arrancar el motor (Fig. 9).

Tire del cable de arranque (8) siempre en línea recta. Sujete el asa del cable de arranque (8) firmemente cuando el cable de arranque (8) se vuelva a retraer. No deje nunca que el cable de arranque (8) se recoja con excesiva rapidez.

Suelte la palanca de aceleración (5) inmediatamente después de arrancar el motor. Asegúrese de que el número de revoluciones del motor estén de nuevo en marcha al ralentí antes de soltar el freno de cadena (presione hacia atrás el protector de manos delantero (3)).

Tire del cable de arranque en frío en frío (estrangulador de aire) (14) solo para arrancar.

10.1.1 Arranque con el motor frío

ADVERTENCIA

Conecte inmediatamente el freno de cadena antes de cada puesta en marcha (presione hacia delante el protector de manos delantero (3)).

ADVERTENCIA

No deje nunca que el cable de arranque (8) se recoja con excesiva rapidez. Esto podría ocasionar daños.

1. Retire la cubierta del carril guía (21).
2. Coloque la motosierra sobre una superficie estable y plana. La cadena de sierra (1) no debe tocar el suelo.
3. Empuje hacia delante el protector de manos delantero (3) hacia delante, hasta que se encastre. La cadena de sierra (1) se bloquea mediante el freno de cadena.
4. Pulse 7 veces la bomba de combustible "Primer" (4). (Fig. 1)
5. Tire del estrangulador de aire (choke) (14). (Fig. 10.2)
6. Sujete fijamente la motosierra por el asidero delantero (12) y tire del cable de arranque (8) lentamente hasta notar la primera resistencia.
7. A continuación, tire rápidamente del cable de arranque (8) hasta que el motor arranque. Si el motor no arranca, repita el procedimiento. Mientras la palanca de arranque (estrangulador de aire) (14) esté quitada, el motor solo se pondrá en marcha brevemente para volver a apagarse.

8. En cuanto el motor se apague, accione el bloqueo de la palanca de aceleración (7) y la palanca de aceleración (5) simultáneamente. La palanca de arranque en frío (estrangulador de aire) (14) salta automáticamente a la posición de servicio "Arranque en caliente". (Fig. 10.1)
9. A continuación, vuelva a tirar rápidamente del cable de arranque (8) hasta que el motor arranque.

Si el motor no arranca tras varios intentos lea el capítulo "Solución de averías".

NOTA

A altas temperaturas exteriores, puede que haya que arrancar el motor frío sin la palanca de arranque en frío (estrangulador de aire) (14).

- Suelte el freno de cadena, tirando hacia atrás del protector de manos delantero (3). (Fig. 2)
- **¡PRECAUCIÓN!** Ahora se suelta el freno de cadena. Si se acciona la palanca de aceleración (5) junto con el bloqueo de la palanca de aceleración (7), se pone en marcha la cadena de sierra (1).

10.1.2 Arranque con el motor caliente (El aparato ha estado menos de 15 - 20 minutos parado.)

ADVERTENCIA

Conecte inmediatamente el freno de cadena antes de cada puesta en marcha (presione hacia delante el protector de manos delantero (3)).

1. Empuje hacia delante el protector de manos delantero (3) hacia delante, hasta que se encastre. La cadena de sierra (1) se bloquea mediante el freno de cadena.
2. No tire del estrangulador de aire (choke) (14) para arrancar el motor en caliente.
3. Sujete fijamente la motosierra por el asidero delantero (12) y tire del cable de arranque (8) lentamente hasta notar la primera resistencia.
4. A continuación, tire rápidamente del cable de arranque (8). El aparato debería ponerse en marcha después de 1-2 tracciones. En caso de que el aparato no se ponga en marcha después de 6 tracciones, repita el procedimiento descrito en "Arranque con el motor frío".

10.2 Parar el motor

10.2.1 Procedimiento de emergencia

Si es necesario parar el aparato inmediatamente, presione el botón de encendido/apagado (15) hasta la posición "0" y manténgalo presionado en esta posición hasta que el motor se haya detenido.

10.2.2 Procedimiento normal

1. Suelte la palanca de aceleración (5). El motor pasa a velocidad de marcha al ralentí.
2. Presione el botón de encendido/apagado (15) hasta la posición "0" y manténgalo presionado en esta posición hasta que el motor se haya detenido.

10.3 Funcionamiento en marcha al ralentí

⚠ ADVERTENCIA

En marcha al ralentí la cadena de sierra (1) tiene que estar parada.

NOTA

Si la cadena de sierra (1) se mueve con la marcha al ralentí o el motor se detiene por sí solo cuando se le deja de dar gas, deberá realizar un ajuste del carburador (véase capítulo "Mantenimiento de ajuste del carburador").

1. Levante la motosierra.
2. Sujete firmemente el asidero delantero con la mano izquierda (12).
3. Sujete firmemente el asidero trasero con la mano derecha (6). Al hacerlo, la palma de la mano debe estar situada sobre el bloqueo de la palanca de aceleración (7) y el dedo índice debe accionar la palanca de aceleración (5).
4. Después de accionar una vez la palanca de aceleración (5), el motor funciona en marcha al ralentí.
5. Deje que el motor se caliente brevemente.

10.4 Comprobar y ajustar la lubricación de la cadena

⚠ ADVERTENCIA

- Nunca trabaje sin la lubricación de la cadena. Una cadena de sierra (1) seca en marcha destruirá en poco tiempo el accesorio de corte de forma irreparable.
- Antes de empezar a trabajar, compruebe siempre la lubricación de la cadena.

Nota

Utilice solo aceite para cadenas de sierra, preferiblemente, que sea biodegradable. No emplee aceite viejo, aceite de motor, etc.

Mantenga la motosierra sobre un tocón de árbol aserrado o una superficie adecuada durante el funcionamiento en marcha a un número de revoluciones medio. Si la lubricación es suficiente, se formará una ligera película de aceite en el tocón del árbol o la superficie.

- En caso necesario, la lubricación de la cadena puede aumentarse o reducirse mediante el tornillo de regulación del aceite (32) (Fig. 11).
- Para ello, sírvase del destornillador para tornillos de cabeza ranurada (20):
 - Para reducir la lubricación de la cadena, primero, gire y presione el tornillo de regulación del aceite (32) en sentido horario.
 - Para aumentar la lubricación de la cadena, primero, gire y presione el tornillo de regulación del aceite (32) en sentido antihorario.

10.5 Comprobar freno de cadena

⚠ ADVERTENCIA

El freno de cadena debe comprobarse antes de cada puesta en marcha.

El freno de cadena frena de inmediato la cadena de sierra (1) en caso de retroceso.

1. Procure que el protector de manos delantero (3) no tenga suciedad y pueda moverse con ligereza.
2. Arranque la motosierra y acelere la cadena de sierra (1) a plena velocidad (a todo gas).
3. Accione el protector de manos delantero (3) cuando la cadena de sierra (1) esté en marcha. El freno de cadena debe frenar y bloquear la cadena de sierra (1) a velocidad máxima.

⚠ ADVERTENCIA

Mantener un gran número de revoluciones del motor durante largo tiempo puede dañar el motor y el accionamiento de la cadena si el freno de cadena está bloqueado.

Si, a pesar de todo la cadena de sierra (1) se moviera, póngase en contacto con el servicio al cliente.

11. Aplicación

11.1 Trabajos de descarga

- Por norma, tenga en cuenta el peligro de ramas en retroceso.
- No se coloque sobre el tronco al descargarlo.
- No sierre con el extremo del carril. (Fig. 7)
- No corte nunca varias ramas de una vez.
- Al descargar, apoye la motosierra con el tope de garras (24) si es posible.
- Procure que la motosierra pueda girar mediante su propio peso en el extremo de corte. Como ya no se apoya en el corte, manténgase de frente en consecuencia.
- Adopte una posición firme, estable y segura cuando descargue.

11.1.1 Trabajos de descarga de trozos de corte

Acorte las ramas largas o gruesas antes de efectuar el corte de separación final. De lo contrario, la cadena de la sierra (1) podría agarrotarse o producirse un retroceso.

11.1.2 Trabaje la madera bajo tensión

Es esencial seguir la secuencia correcta cuando se corta madera que está bajo tensión. De lo contrario, la cadena de sierra (1) podría agarrotarse o producirse un retroceso.

La madera tensada siempre deberá cortarse en primer lugar por el lado de presión. A continuación se efectuará el corte de separación por el lado de tracción. (Fig. 24)

Esto evita que la cadena de sierra (1) se atasque.

ADVERTENCIA

¡Daños materiales!

La madera caída no debe tocar el suelo en la parte inferior de la zona de corte, de lo contrario la cadena de sierra (1) puede resultar dañada.

Retroceso

- Si la cadena de sierra (1) se agarrota en el borde superior del carril guía (2), la motosierra puede rebotar incontroladamente en la dirección del manejo.

Tirar hacia dentro

- Si la cadena de sierra (1) se agarrota en el borde inferior del carril guía (2), la motosierra puede volverse rápida e incontroladamente en la dirección del manejo.

Trabajo seguro

- Mantenga el aparato en un buen estado de uso para evitar lesiones.
- Tras dejar caer el aparato, compruebe la existencia de daños o defectos significativos.
- No emplee el aparato de pie en una escalera ni en un lugar de colocación inseguro.
- No caiga en la tentación de hacer un corte que no haya pensado bien antes. Esto podría ponerle a usted y a otros en peligro.
- Cambie regularmente su posición de trabajo. Un uso prolongado del aparato puede provocar problemas circulatorios en las manos inducidos por las vibraciones. Sin embargo, puede prolongar la duración del uso poniéndose unos guantes adecuados o haciendo descansos regulares. Tenga en cuenta que la predisposición personal a la mala circulación, las bajas temperaturas exteriores o las grandes fuerzas de agarre al trabajar reducen la duración del uso.

11.2 El tronco de madera está curvado hacia abajo

1. Primero realice el corte de descarga 1 (aproximadamente 1/3 del diámetro del tronco) en el lado de presión.
2. Después realice el corte de descarga 2 (aproximadamente 2/3 del diámetro del tronco) en el lado de tracción.

11.3 El tronco de madera está curvado hacia arriba

1. Primero realice el corte de descarga 1 (aproximadamente 1/3 del diámetro del tronco) en el lado de presión.
2. Después realice el corte de descarga 2 (aproximadamente 2/3 del diámetro del tronco) en el lado de tracción.

11.4 Uso de la sierra para podar árboles en combinación con la técnica de escalada con cuerda

Este anexo presenta las prácticas de trabajo apropiadas para reducir el peligro de lesiones por el uso de motosierras para podar árboles al trabajar en altura con un cable y una correa portadora. Aunque puede servir como guía y lectura de formación, no debe considerarse como un sustituto de la formación formal. Las orientaciones que se ofrecen en este anexo solo son un ejemplo de buenas prácticas laborales.

Puede que se apliquen normas nacionales o de otro tipo más estrictas.

El usuario de una motosierra para podar árboles que trabaje en altura con cable y correa portadora nunca debe hacerlo solo. Un trabajador de tierra formado en los procedimientos de emergencia apropiados debe estar presente para ayudar. El usuario debe estar formado en técnicas generales de escalada y posicionamiento de trabajo seguros, y debe estar equipado con correas portadoras, cables, eslingas, mosquetones y demás equipamiento para mantener posiciones de trabajo seguras y correctas tanto para él como para la sierra. Se deberán respetar puntualmente las leyes y normas nacionales en todo momento.

Este anexo no se ocupa de las técnicas de control de las ramas y ramitas cortadas por la motosierra, ni incluye los puntos ya tratados sobre el uso seguro.

11.4.1 Requisitos generales

El usuario de una motosierra para podar árboles que trabaje en altura con cable y correa portadora nunca debe hacerlo solo. Un trabajador de tierra formado en los procedimientos de emergencia apropiados debe estar presente para ayudar.

El usuario debe estar formado en técnicas generales de escalada y posicionamiento de trabajo seguros, y debe estar equipado con correas portadoras, cables, eslingas, mosquetones y demás equipamiento para mantener posiciones de trabajo seguras y correctas tanto para él como para la sierra.

11.4.2 Preparativos antes de utilizar la sierra de podar en el árbol

El trabajador en tierra debe revisar, alimentar arrancar y calentar la motosierra luego apagarla antes de subirla al usuario en el árbol.

La motosierra debe estar provista de una eslinga adecuada para poder sujetarla a la correa portadora del usuario (Fig. 13):

- Fije la eslinga al dispositivo de suspensión (19) situado en la parte posterior de la sierra (Fig. 12).
- Se dispondrá de mosquetones adecuados para permitir la fijación indirecta (es decir, a través de la eslinga) y directa (es decir, al dispositivo de suspensión de la motosierra (19)) de la sierra a la correa portadora del usuario.
- Asegúrese de que la motosierra está bien sujeta cuando la acerque al usuario (Fig. 14).
- Asegúrese de que la motosierra esté enganchada a la correa portadora antes de separarla de la cuerda elevadora.

La posibilidad de enganchar la motosierra directamente a la correa portadora reduce el riesgo de daños en el equipamiento al moverse por el árbol. La motosierra siempre deberá estar desconectada cuando esté fijada directamente a la correa portadora.

La motosierra solo deberá engancharse a los dispositivos colgadores recomendados de la correa portadora. Estos pueden estar en el centro (delante o detrás) o en los laterales. Siempre que sea posible, fije la motosierra en la parte central trasera de la correa portadora para mantenerla alejada de las cuerdas de escalada y para soportar el peso de forma centralizada bajo la columna vertebral del usuario.

Si la motosierra se traslada de un dispositivo de suspensión a otro, los usuarios deben asegurarse de que esté asegurada en la nueva posición antes de soltarla del dispositivo de suspensión anterior.

11.5 Uso de la motosierra en el árbol

Un análisis de los accidentes con estas motosierras en los trabajos de poda de árboles muestra que la causa principal es el empleo inadecuado de la motosierra con una sola mano. En la mayoría de los accidentes, los usuarios no adoptan una posición de trabajo segura que les permita sujetar la motosierra por ambas asas, lo que conlleva un mayor peligro de lesiones debido a lo siguiente:

- Falta de un agarre firme cuando la motosierra retrocede.
- Falta de control de la motosierra, por lo que puede entrar fácilmente en contacto con las cuerdas de escalada y con el cuerpo del usuario (especialmente la mano y el brazo izquierdos).
- Pérdida de control debido a una posición de trabajo insegura y, por tanto, al contacto con la motosierra (movimientos inesperados al trabajar con la motosierra).

11.6 Posición de trabajo segura empleando ambas manos

Para poder sujetar la motosierra con las dos manos, los usuarios deben intentar adoptar siempre una posición de trabajo segura en la que la sierra se guíe de la siguiente manera:

- A la altura de la cadera al serrar piezas horizontales.
- A la altura del estómago al serrar piezas verticales.

Si el usuario trabaja cerca del tronco vertical con pocas fuerzas laterales respecto a la posición de trabajo, una sujeción segura del pie puede ser suficiente para una posición de trabajo segura.

Sin embargo, en cuanto el usuario se aleje del tronco, debe tomar medidas adicionales para reducir o contrarrestar las fuerzas laterales crecientes, por ejemplo, desviando la cuerda principal sobre un dispositivo de suspensión adicional o utilizando una eslinga ajustable que vaya desde el arnés hasta un dispositivo de suspensión adicional (Fig. 15 y 16).

11.6.1 Arranque de la sierra de podar en el árbol

Al comenzar con la motosierra en el árbol, el usuario deberá:

- Accionar el freno de cadena antes de comenzar (presión hacia delante el protector de manos delantero (3)).
- Mantener la motosierra al comienzo a derecha o izquierda del cuerpo:
 - Sujetar la motosierra por el lado izquierdo con la mano izquierda en el asa delantera y empujar la motosierra lejos del cuerpo mientras sujeta la cuerda de arranque con la mano derecha.
 - Sujetar la motosierra por el lado derecho con la mano derecha en una de las dos asas y empujar la motosierra lejos del cuerpo mientras se sujeta la cuerda de arranque con la mano izquierda.

El freno de cadena debe estar siempre activado antes de bajar la motosierra en marcha por su cuerda de transporte. Antes de comenzar a efectuar trabajos difíciles de aserrado, el usuario deberá asegurarse siempre de que la motosierra dispone de suficiente combustible.

11.6.2 Empleo de la motosierra con una sola mano

Los usuarios no deben utilizar las motosierras para podar los árboles con una sola mano en posiciones de trabajo inestables o en lugar de una sierra de mano para cortar las puntas de las ramas de pequeño diámetro.

Las sierras de cadena para podar los árboles solo deben utilizarse con una mano si

- a. no es posible para el usuario obtener una posición de trabajo que permita el uso con dos manos,
- b. es necesario asegurar la posición de trabajo con una mano,
- c. la motosierra se utiliza en posición totalmente extendida, en ángulo recto y fuera de la línea del cuerpo del usuario.

Los usuarios nunca deben:

- Serrar con la zona de retroceso en la punta del carril guía (2) de la motosierra.
- Sujetarse a la rama que están serrando.
- Intentar atrapar las piezas que caen.

11.6.3 Liberar una motosierra atascada

En caso de que la motosierra se atasque durante el corte, el usuario deberá:

1. Apagar la motosierra y sujetarla de forma segura hacia el interior del árbol (es decir, hacia el tronco) o a una cuerda para herramientas independiente.
2. Tirar de la motosierra por el lado del corte levantando al mismo tiempo la rama todo lo necesario.
3. Utilizar si es necesario un serrucho o una segunda motosierra para soltar la motosierra agarrotada realizando un corte de al menos 30 cm de distancia de la misma.

Independientemente de si se utiliza una sierra de mano o una motosierra para soltar una motosierra agarrotada, los cortes para liberarla deben hacerse siempre por fuera (hacia las puntas de las ramas) para que la motosierra no se lleve consigo las partes aserradas y complique aún más la situación.

12. Transporte

- Utilice siempre la cubierta del carril guía (21) durante el transporte.
- Desconecte la motosierra antes de cualquier transporte, también en los trayectos cortos. Asegure la máquina durante el transporte (también en los vehículos) para evitar vuelcos, pérdida de combustible, daños o lesiones.
- Active el freno de cadena (presión hacia delante el protector de manos delantero (3)).
- Transporte el aparato solo por el asidero delantero (12). El carril guía (2) deberá mirar hacia atrás, separado de su cuerpo.
- Mantenga el silenciador (18) caliente alejado de su cuerpo. ¡Peligro de quemaduras! (Fig. 23)

13. Limpieza y mantenimiento

ADVERTENCIA

¡Peligro de lesión!

Desconecte siempre el aparato antes de realizar trabajos de limpieza y desconecte el conector de bujía de encendido (35).

(Véase el capítulo 13.4 "Mantenimiento de la bujía de encendido" (34)).

Nota

Después de cada uso, de limpiarse el aparato en profundidad.

Realice los trabajos de limpieza y mantenimiento únicamente en la medida indicada en este manual de instrucciones. Otros trabajos debe realizarlos personal técnico. Los trabajos de mantenimiento deben realizarse regularmente (véase el capítulo "Intervalos de mantenimiento").

13.1 Limpieza de la unidad de motor

⚠ ADVERTENCIA

¡Peligro de quemaduras!

No tocar el silenciador caliente, el cilindro, ni las aletas de refrigeración.

- En lo posible, mantenga los dispositivos de protección, las ranuras de aire y el cárter del motor libres de polvo y suciedad. Límpielos con aire comprimido a poca presión.
- Limpie regularmente el aparato con un paño húmedo y algo de detergente. Ponga cuidado para que no entre agua en el interior del aparato.

13.2 Limpieza del filtro de aire (33) (Fig. 17)

Los filtros de aire contaminados reducen la potencia del motor debido a una menor alimentación de aire hacia el carburador.

Por lo tanto, es indispensable realizar verificaciones regulares. El filtro de aire (33) debe controlarse regularmente y limpiarse en caso necesario.

Si el aire tiene demasiado polvo, el filtro de aire (33) se comprobará más a menudo.

1. Desenrosque la tapa de la cubierta del filtro de aire (10) girándola en sentido antihorario.
2. Retire la cubierta del filtro de aire (9).
3. Quite el filtro de aire (33).
4. Limpie el filtro de aire (33) sacudiéndolo o soplándolo (con aire comprimido).

El montaje se realiza en el orden inverso.

⚠ ADVERTENCIA

No limpie nunca el filtro de aire (33) con gasolina ni con disolventes inflamables.

13.3 Limpieza del accionamiento de la cadena

⚠ ADVERTENCIA

¡Peligro de lesión!

Póngase siempre use guantes de protección si va a tocar la cadena de sierra (1). ¡Peligro de lesiones por dientes de corte afilados!

Nota

Limpie el accionamiento de la cadena después de cada uso.

1. Coloque la motosierra sobre una superficie firme y plana.
2. Tire hacia atrás del protector de manos delantero (3) hasta su tope para soltar el freno de cadena. (Fig. 2)
3. Gire el tornillo tensor de la cadena (23) en sentido antihorario con el destornillador de tornillos de cabeza ranurada (20) para reducir la tensión.
4. Retire las dos tuercas de fijación (16) con la llave de bujías de encendido (20).
5. Quite la cubierta de la rueda de la cadena (17).
6. Extraiga la cadena de sierra (1) con cuidado del carril guía (2) y de la rueda de cadena (27).
7. Retire el carril guía (2). Límpielo con un pincel.
8. Ahora, limpie bien toda la zona del accionamiento de la cadena y la cubierta de la rueda de la cadena (17) con un pincel o soplando (con aire comprimido).

El montaje se realiza en el orden inverso.

13.4 Mantenimiento de la bujía de encendido (34) (Fig. 19/20)

1. Desmonte el filtro de aire (33) tal y como se describe en 13.2 "Limpieza del filtro de aire" (33).
2. Extraiga el conector de bujía de encendido (35) girándolo hacia la izquierda y la derecha y tirando simultáneamente hacia sí. Mantenga sujeto el conector de bujía de encendido (35) y tire únicamente de la clavija de conexión. ¡No tire nunca del cable!
3. Suelte la bujía de encendido (34) con la llave de bujías de encendido (20) adjunta.
4. El montaje se realiza en el orden inverso.

Distancia entre electrodos = 0,6 mm - 0,7 mm (distancia entre los electrodos entre los que se genera la chispa de encendido). Compruebe la bujía de encendido (34) pasadas las primeras 10 horas de servicio en busca de suciedad y, en caso necesario, límpiela con un cepillo de alambre de cobre. Después, realice el mantenimiento de la bujía de encendido (34) cada 50 horas de servicio.

13.5 Mantenimiento de la lubricación de la cadena

- Véase el capítulo "Comprobar y ajustar la lubricación de la cadena".

13.6 Mantenimiento de los ajustes del carburador

- Si la cadena de sierra (1) se mueve con la marcha al ralentí o el motor se detiene automáticamente cuando se le deja de dar gas, debe realizarse un ajuste del carburador.

Nota

Los ajustes del carburador (p. ej., ajuste del número de revoluciones en régimen de marcha al ralentí) debe llevarlos a cabo exclusivamente personal técnico cualificado con el fin de evitar daños en el motor.

13.7 Mantenimiento del carril guía (2)

- Elimine las posibles rebabas en el borde del carril con la ayuda de una lima para metales.
- Limpie la ranura del carril guía (2) con la ayuda de un pincel o con aire comprimido (Fig. 21). Cambie el carril guía (2) en cuanto la ranura guía (28) esté desgastada.
- Dé la vuelta al carril guía (2) después de cada uso, para garantizar un desgaste homogéneo.
- Compruebe la marcha suave de la rueda dentada (30) en la punta del carril guía (2). Lubríquela con aceite para engranaje si fuera necesario. Deje que caer algunas gotas de aceite para engranaje en la abertura de lubricación (31). (Fig. 21)

13.8 Comprobar freno de cadena

Véase el capítulo 10.5 "Comprobar freno de cadena"

⚠ ADVERTENCIA

¡PELIGRO DE RETROCESO!

Un freno de cadena que no funcione aumenta el riesgo de retroceso.

Compruebe regularmente el freno de cadena.

La correcta funcionalidad del freno de cadena es imprescindible para su seguridad.

13.9 Tense y compruebe la cadena de sierra (1).

Véase el capítulo 9.2 "Comprobar y tensar la cadena de sierra (1)"

13.10 Afile y mantenga la cadena de sierra (1)

⚠ ADVERTENCIA

¡Peligro de lesión!

Póngase siempre use guantes de protección si va a tocar la cadena de sierra (1). ¡Peligro de lesiones por dientes de corte afilados!

Nota

Una cadena de sierra (1) bien mantenida y afilada aligera la carga corporal y el desgaste, dando lugar a un buen resultado de corte.

Limpie, mantenga y afile con regularidad la cadena de sierra (1). Controle regularmente que la cadena de sierra (1) no tenga roturas en los eslabones ni remaches dañados.

Se puede acoplar una amoladora de banco en la herramienta auxiliar de dicha amoladora para sujetarla de forma segura durante el amolado.

Utilice únicamente las limas redondas especiales para cadenas de sierra con un Ø de 4,8 mm (3/16") para la cadena de sierra incluida en el volumen de suministro (1).

Encontrará información detallada sobre el proceso de afilado en el juego de afilado.

Como alternativa, puede utilizar un afilador de cadenas eléctrico. Siga las instrucciones del fabricante.

En caso de duda sobre cómo realizar el trabajo, sustituya la cadena de sierra (1).

Encargue a un taller especializado el afilado de la cadena de sierra (1) si fuera necesario.

- Accesorios necesarios (no incluidos en el volumen de suministro):
 - Lima redonda para cadena de sierra Ø 4,8 mm (3/16")
 - Lima plana
 - Medidor de profundidad
- Para eliminar material, lime solo con un movimiento hacia delante.
- Lime con un ángulo de afilado de aprox. 25° con una inclinación de 10° con respecto al carril guía (2).
- Compruebe la distancia del limitador de profundidad con un medidor de profundidad.
- La distancia correcta del limitador de profundidad debe ser de 0,6 mm (0,024").

13.11 Intervalos de mantenimiento

Con el fin de conseguir una larga vida útil de la máquina, evitar cualquier tipo de daños y garantizar el pleno funcionamiento de los dispositivos de seguridad, se deberán efectuar con regularidad los trabajos de mantenimiento descritos a continuación. Las reclamaciones de garantía solo serán válidas si estos trabajos se ejecutan regularmente y del modo correcto. Su incumplimiento conlleva el riesgo de accidentes. Los usuarios de motosierras solo deberán efectuar los trabajos de mantenimiento y cuidado descritos en este manual de instrucciones.

Cualquier otro trabajo adicional solo podrá efectuarlo un taller especializado.

General	Toda la sierra para poda de árboles	Limpiar exteriormente y comprobar daños. En caso de daños, encargue de inmediato la reparación apropiada.
	Cadena de sierra	Afile con regularidad, cambie con la debida antelación.
	Freno de cadena	Encargar regularmente la comprobación a un taller especializado
	Carril guía	Darle la vuelta para que los rieles se desgasten uniformemente. Cambie con la debida antelación.
Antes de la puesta en marcha	Cadena de sierra	Compruebe daños y afilado. Controle la tensión de la cadena.
	Carril guía	Compruebe los daños.
	Lubricación de la cadena	Prueba de funcionamiento
	Freno de cadena	Prueba de funcionamiento
	Interruptor de conexión/desconexión, bloqueo de la palanca de aceleración, palanca de aceleración	Prueba de funcionamiento
	Taponos de los depósitos de combustible y aceite de cadena	Compruebe la estanqueidad.
A diario	Filtro de aire	Limpiar
	Carril guía	Comprobar su estado de deterioro, limpiar el orificio de entrada de aceite
	Asiento de la espada	Limpiar, especialmente la ranura de guiado de aceite
	Número de revoluciones en régimen de marcha al ralentí	Comprobar (la cadena no debe ser arrastrada)
Cada semana	Carcasa del ventilador	Limpiar para garantizar la conducción correcta de aire frío
	bujía de encendido	Comprobar, reemplazar si es necesario
	Silenciador	Comprobar si está obstruido
	Captor de cadena	Comprobar su estado de deterioro, cambiar si es necesario
	Tornillos y tuercas	Comprobar su estado y su ajuste firme
Cada tres meses	Cesto aspirante Depósitos de combustible y de aceite	Cambio Limpiar
Almacenamiento	Toda la sierra para poda de árboles	Limpiar exteriormente y comprobar si existen desperfectos En caso de percibir cualquier desperfecto, encargue de inmediato la reparación apropiada
	Cadena de sierra y espada	Desmontar, limpiar y lubricar ligeramente Limpie la ranura guía del carril guía
	Depósitos de combustible y de aceite	Vaciar y limpiar
	Carburador	Vaciar en marcha

13.12 Nota importante en caso reparación

En caso de devolución del aparato para su reparación, tenga en cuenta que, por razones de seguridad, este debe enviarse al taller de servicio técnico sin aceite ni gasolina.

13.13 Información sobre el servicio técnico

Hay que tener en cuenta que los siguientes componentes de este producto están sometidos a desgaste natural o por el uso o que se requieren los siguientes materiales de consumo. Piezas de desgaste*: Cadena de sierra, carril guía, aceite para cadenas, aceite de motor, tope de garras, dispositivo de retención de cadena, bujía de encendido, filtro de aire, filtro de combustible, filtro de aceite de cadena

* ¡No se incluyen obligatoriamente en el volumen de suministro!

Conjunto de corte autorizado

Cadena de sierra	
Kangxin 3/8LP-40.....	7910100739
Oregon 91P040X.....	3910102032
Carril guía	
Kangxin AP10-40-509P.....	7910100740
Oregon 100SDEA041.....	7910100744

14. Almacenamiento

La llave de bujías de encendido/el destornillador para tornillos de cabeza ranurada (20) se puede colocar en el costado de la cubierta del carril guía (21) para su conservación. Utilice siempre la cubierta del carril guía (21) durante el almacenamiento.

Limpie y realice el mantenimiento del aparato antes de cada almacenamiento, véase el capítulo "Limpieza y mantenimiento".

Vacíe por completo el depósito de aceite o combustible.

ADVERTENCIA

No retire la gasolina en espacios cerrados, en las proximidades del fuego o al fumar. Los vapores de gas pueden ocasionar explosiones o fuego.

- Arranque el motor y déjelo en marcha hasta que se consuma el resto de la gasolina.

Almacene el aparato y sus accesorios en un lugar oscuro, seco y sin riesgo de heladas que no esté al alcance de los niños. El rango de temperatura de almacenamiento es de 5 a 30°C.

Con temperaturas inferiores a 0 °C, guarde la motosierra y no trabaje con ella.

Nunca guarde una motosierra más de 30 días sin antes realizar las operaciones descritas a continuación.

¡Siga las indicaciones de mantenimiento y limpieza antes de almacenar el equipo!

14.1 Guardar la motosierra

Para guardar una motosierra más de 30 días, debe prepararla previamente. De lo contrario, el combustible que quede en el carburador se evaporará y dejará un sedimento gomoso. Esto podría dificultar el arranque y ocasionar costosas reparaciones.

1. Levante lentamente el tapón del depósito de combustible (13) para purgar la posible presión del depósito. Vacíe cuidadosamente el depósito.
2. Para vaciar de combustible el carburador, arranque el motor y déjelo en marcha hasta que la motosierra se pare.
3. Deje enfriar el motor (aprox. 5 minutos).
4. Retire la bujía de encendido (34).
5. Introduzca 1 cucharilla de aceite limpio para motores de 2 tiempos en la cámara de combustión. Tire varias veces despacio del cable de arranque (8) para recubrir los componentes internos. Vuelva a montar la bujía de encendido (34).

Guarde la motosierra en un lugar seco y alejado de posibles fuentes de ignición, p. ej., hornos, calentadores de agua que funcionen con gas, secadoras de gas, etc., fuera del alcance de los niños.

Ponga siempre la cubierta del carril guía (21) si no va a desmontar la cadena de sierra (1) ni el carril guía (2).

14.2 Nueva puesta en funcionamiento de la motosierra

1. Retire la bujía de encendido (34).
2. Tire rápidamente del cable de arranque (8) para extraer de la cámara de combustión el aceite sobrante.
3. Limpie la bujía de encendido (34) y compruebe que entre sus electrodos haya la distancia correcta respecto a la bujía de encendido (34), o bien ponga una bujía (34) nueva con la distancia entre electrodos correcta.
4. Prepare la motosierra para el funcionamiento.
5. Llene el depósito con la mezcla de aceite/combustible correcta (1:40).

14.3 Almacenamiento de combustible

La capacidad de almacenar combustibles es limitada. El combustible y las mezclas de combustible pueden cambiar debido a la evaporación, en particular si están sometidos a temperaturas altas. El combustible y las mezclas de combustible superpuestas pueden acarrear problemas de arranque y daños al motor. Compre solamente la cantidad de combustible que vaya a utilizarse durante unos meses. En caso de altas temperaturas, utilizar el combustible mezclado en un plazo de 6-8 semanas.

¡Almacenar el combustible únicamente en recipientes permitidos y en un lugar seco, fresco y seguro!

ADVERTENCIA

Evite el contacto con la piel y los ojos.

Los productos de aceite mineral, también los aceites, desengrasan la piel. El contacto repetido y prolongado seca la piel. Como resultado, pueden surgir diversos trastornos de la piel. También es posible que surjan reacciones alérgicas.

El contacto de los ojos con el aceite provoca irritaciones. En caso de contacto con los ojos, limpiar inmediatamente el ojo afectado con agua limpia. ¡Si la irritación continúa, consultar inmediatamente con un médico!

15. Eliminación y reciclaje

Notas sobre el embalaje



Los materiales de embalaje son reciclables. Deseche los embalajes de forma respetuosa con el medio ambiente.

En su ayuntamiento o administración municipal podrá obtener información sobre las distintas opciones de eliminación de un aparato fuera de uso.

Combustibles y aceites

- ¡Antes de desechar el aparato, se deben vaciar el depósito de combustible y el depósito de aceite del motor!
- ¡El combustible y el aceite de motor no deben tirarse a la basura ni a los desagües domésticos, sino que deben recogerse y eliminarse por separado!
- Los depósitos de aceite y combustible vacíos deben desecharse de forma respetuosa con el medio ambiente.

16. Solución de averías

Avería	Causa posible	Solución
El motor no arranca, o arranca pero no sigue en marcha.	Secuencia de arranque incorrecta.	Observe las instrucciones de este manual.
	La mezcla del carburador está mal ajustada.	Encargue a un técnico autorizado del servicio posventa que ajuste el carburador.
	La bujía tiene hollín.	Limpie/ajuste la bujía, o cámbiela.
	El filtro de combustible está obstruido.	Cambie el filtro de combustible.
El motor arranca, pero no funciona a pleno gas.	El filtro de aire está sucio.	Quite el filtro, límpielo y vuélvalo a poner.
	La mezcla del carburador está mal ajustada.	Encargue a un técnico autorizado del servicio posventa que ajuste el carburador.
El motor funciona irregularmente.	La mezcla del carburador está mal ajustada.	Encargue a un técnico autorizado del servicio posventa que ajuste el carburador.
Ausencia de potencia bajo carga	La bujía está mal ajustada.	Limpie/ajuste la bujía, o cámbiela.
El motor funciona a sacudidas.	La mezcla del carburador está mal ajustada.	Encargue a un técnico autorizado del servicio posventa que ajuste el carburador.
Sale demasiado humo.	La mezcla de combustible no es correcta.	Use la mezcla de combustible correcta (proporción: 1:40).
Ausencia de potencia bajo carga	La cadena está roma o floja	Afile la cadena o coloque una cadena nueva. Tense la cadena.
El motor se cala.	Depósito de gasolina vacío o filtro de combustible mal posicionado en el depósito	Llene el depósito de gasolina. Llene totalmente el depósito de gasolina o cambie la posición del filtro de combustible en el depósito de gasolina.
Lubricación insuficiente de la cadena (la espada y la cadena se calientan)	Depósito de aceite para cadenas vacío	Llene el depósito de aceite para cadenas.
	La abertura de paso de aceite está obstruida.	Limpie el agujero de aceite de la espada. Limpie las acanaladuras de la espada.

17. Certificado de garantía

Estimado cliente,

Nuestros productos están sometidos a un estricto control de calidad. No obstante, lamentaríamos que este aparato dejara de funcionar correctamente, en tal caso, le rogamos que se dirija a nuestro servicio de atención al cliente en la dirección indicada en la parte inferior de la presente tarjeta de garantía. Con mucho gusto le atenderemos también telefónicamente en el número de servicio indicado a continuación. Para hacer válido el derecho de garantía, proceda de la siguiente forma:

- Estas condiciones de garantía regulan prestaciones de la garantía adicionales. Sus derechos legales a prestación de garantía no se ven afectados por la presente garantía. Nuestra prestación de garantía es gratuita para usted. La prestación de garantía se extiende exclusivamente a defectos ocasionados por fallos de material o de producción y está limitada a la reparación de los mismos o al cambio del aparato. Tenga en consideración que nuestro aparato no está indicado para un uso comercial, en taller o industrial. Por lo tanto, no procederá un contrato de garantía cuando se utilice el aparato en zonas industriales, comerciales o talleres, así como actividades similares. De nuestra garantía se excluye cualquier otro tipo de prestación adicional por daños ocasionados por el transporte, daños ocasionados por la no observancia de las instrucciones de montaje o por una instalación no profesional, no observancia de las instrucciones de uso (como, p. ej., conexión a una tensión de red o corriente no indicada), aplicaciones impropias o indebidas (como, p. ej., sobrecarga del aparato o uso de herramientas o accesorios no homologados), no observancia de las disposiciones de mantenimiento y seguridad, introducción de cuerpos extraños en el aparato (como, p. ej., arena, piedras o polvo), uso violento o influencias externa (como, p. ej., daños por caídas), así como por el desgaste habitual por el uso.

El derecho a garantía pierde su validez cuando ya se hayan realizado intervenciones en el aparato.

- El periodo de garantía es de 3 años y comienza en la fecha de la compra del aparato. El derecho de garantía debe hacerse válido, antes de finalizado el plazo de garantía, dentro de un periodo de dos semanas una vez detectado el defecto. El derecho de garantía vence una vez transcurrido el plazo de garantía. La reparación o cambio del aparato no conllevará ni una prolongación del plazo de garantía ni un nuevo plazo de garantía ni para el aparato ni para las piezas de repuesto montadas. Esto también se aplica en el caso de un servicio in situ.
- Para reclamar sus derechos de garantía, póngase en contacto con la dirección de servicio que aparece a continuación. Si la reclamación se encuentra dentro del período de garantía, pondremos a su disposición un impreso de devolución con el que podrá devolvernos su aparato defectuoso sin cargo alguno. Describa con la mayor precisión posible el motivo de la reclamación. Si nuestra prestación de garantía incluye el defecto aparecido en el aparato, recibirá de inmediato un aparato reparado o nuevo de vuelta.

Naturalmente, también solucionaremos los defectos del aparato que no se encuentren comprendidos o ya no se encuentren comprendidos en la garantía, en este caso contra reembolso de los costes. Para ello, envíe el aparato a nuestra dirección de servicio técnico.

Cliente Servicio (ES):

00800 4003 4003

Correo electrónico de servicio (ES):

service.ES@schepach.com

Dirección del servicio (ES):

ISTEGA S.L.

Ctra. De Cambre al Temple, 106 - A Barcala

ES - 15660 Cambre (A Coruña)




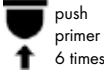

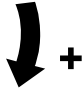
En www.lidl-service.com puede descargar estos y muchos otros manuales, videotutoriales de productos y software de instalación.

El código QR le direcciona directamente a la página de servicio de Lidl (www.lidl-service.com) y puede abrir el manual de instrucciones introduciendo el número de artículo (IAN) 436506_2304.

1.	Spiegazione dei simboli sull'apparecchio	126
2.	Avvertenza per l'utente.....	127
3.	Introduzione	128
4.	Descrizione dell'apparecchio	128
5.	Contenuto della fornitura.....	129
6.	Impiego conforme alla destinazione d'uso.....	129
7.	Indicazioni di sicurezza.....	130
8.	Dati tecnici.....	135
9.	Prima della messa in funzione.....	136
10.	Messa in funzione.....	138
11.	Utilizzo.....	140
12.	Trasporto.....	142
13.	Pulizia e manutenzione.....	143
14.	Stoccaggio	147
15.	Smaltimento e riciclaggio	148
16.	Risoluzione dei guasti	149
17.	Certificato di garanzia.....	150
18.	Disegno esploso.....	275
19.	Dichiarazione di conformità.....	276

1. Spiegazione dei simboli sull'apparecchio

	Leggere, comprendere e attenersi a tutte le avvertenze.		Leggere completamente le istruzioni per l'uso prima di utilizzare il dispositivo.
	Avviso! Pericolo di contraccolpo (kickback). Proteggersi da eventuali contraccolpi della sega a catena ed evitare il contatto con la punta della guida.		Non mettere l'apparecchio in funzione in caso di pioggia o in condizioni di umidità.
	Indossare occhiali protettivi. Indossare otoprotettori.		Indossare un casco di protezione.
	Indossare sempre guanti protettivi e antivibrazione quando si utilizza il dispositivo.		Indossare sempre scarpe antinfortunistiche antiscivolo con protezione antitaglio quando si utilizza il dispositivo.
	È importante indossare gli indumenti di protezione per piedi, gambe, mani e avambracci.		Utilizzare sempre la sega a catena con entrambe le mani. Non utilizzare la sega a catena con una sola mano.
	Attenzione! Impiego di seghe a catena in combinazione con tecniche di sollevamento con corda. Prima di iniziare l'operazione, familiarizzare con le indicazioni di lavoro!		Fiamme libere nell'area di lavoro vietate!
	Apertura di riempimento per il carburante. Miscela di olio e carburante 1:40.		Senso di rotazione
	Tappo del serbatoio dell'olio per la catena.		Regolazione del freno della catena: Freccia bianca: Freno della catena non attivo. Freccia nera: Freno della catena attivo.
	Leva di avvio a freddo (valvola dell'aria).		Rilasciare il freno della catena.
	Attivare il freno della catena.		Direzione di montaggio della catena della sega.
	Regolazione lubrificazione della catena.		Il livello di potenza sonora dell'apparecchio è garantito.

	<p>Attenzione! Parti calde.</p>		<p>Premere 6 volte la pompa del carburante (Primer).</p>
	<p>Direzione di marcia della catena.</p>		<p>Regolazione della tensione della catena.</p>
<p>PERICOLO Dicitura di segnalazione indicante la presenza di una situazione imminente di pericolo che, se non viene evitata, porta alla morte o a gravi lesioni.</p>			
<p>AVVISO Dicitura di segnalazione indicante una possibile situazione di pericolo che, se non viene evitata, può portare alla morte o a gravi lesioni.</p>			
<p>CAUTELA Dicitura di segnalazione indicante una possibile situazione di pericolo che, se non viene evitata, può comportare lesioni di lieve o media entità.</p>			
<p>AVVERTENZA Dicitura di segnalazione indicante una possibile situazione di pericolo che, se non viene evitata, potrebbe comportare danni materiali al prodotto o proprietà.</p>			

2. Avvertenza per l'utente

AVVISO:

Prima della messa in funzione iniziale, leggere attentamente e in modo completo queste istruzioni per l'uso e attenersi alle norme di sicurezza! Questa sega per arboricoltura può essere utilizzata soltanto dai relativi operatori con una formazione supplementare riguardo ai lavori eseguiti in ceste sollevabili o scale idrauliche nonché alle tecniche di sollevamento con corda!

Conservare le istruzioni per l'uso con cura!

Avvertenza:

Notare bene che alcune disposizioni nazionali possono limitare il funzionamento della macchina.



Questa sega è concepita specificamente per lavori di arboricoltura e interventi di dendrochirurgia. Tutti i lavori eseguiti con questa sega sono lavori di arboricoltura e dendrochirurgia e possono essere eseguiti solo da operatori di seghe per arboricoltura.

3. Introduzione

FABBRICANTE:

Schepach GmbH

Günzburger Straße 69

89335 Ichenhausen, Germania

GENTILE CLIENTE,

Le auguriamo un piacevole utilizzo del Suo nuovo apparecchio.

AVVERTENZA:

Sulla base della legge attualmente in vigore sulla responsabilità per prodotti difettosi, il produttore del presente apparecchio non risponde dei danni all'apparecchio in questione o derivanti da esso in caso di:

- manipolazione impropria,
- mancato rispetto delle istruzioni per l'uso,
- riparazioni da parte di terzi, personale tecnico non autorizzato,
- montaggio e sostituzione di pezzi di ricambio non originali,
- utilizzo non conforme.

Da osservare:

Prima del montaggio e della messa in funzione, leggere tutto il testo delle istruzioni per l'uso.

Le presenti istruzioni per l'uso le consentono di conoscere l'apparecchio di sfruttare le sue possibilità d'impiego conformi.

Le istruzioni per l'uso contengono avvertenze importanti su come utilizzare l'apparecchio in modo sicuro, corretto ed economico e su come evitare i pericoli, risparmiare sui costi di riparazione, ridurre i tempi di inattività e aumentare l'affidabilità e la durata di vita dell'apparecchio.

Oltre alle disposizioni di sicurezza contenute nelle qui presenti istruzioni per l'uso, è necessario altresì osservare le norme in vigore nel proprio Paese per l'apparecchio.

Conservare le istruzioni per l'uso vicino all'apparecchio, protette da sporcizia e umidità in una copertina di plastica. Esse devono essere lette e rispettate attentamente da tutti gli operatori prima di iniziare il lavoro.

Possono lavorare sull'apparecchio solo persone che sono state istruite sull'uso dell'apparecchio e che sono state informate dei rischi a esso associati. L'età minima richiesta per gli operatori deve essere assolutamente rispettata.

Oltre alle indicazioni di sicurezza contenute nelle presenti istruzioni per l'uso e alle disposizioni speciali in vigore nel proprio Paese, devono essere rispettate le regole tecniche generalmente riconosciute per l'utilizzo di macchine simili.

Si declina ogni responsabilità in caso di incidenti o danni dovuti al mancato rispetto delle presenti istruzioni per l'uso e delle indicazioni di sicurezza.

4. Descrizione dell'apparecchio

1. Catena della sega
2. Barra di guida
3. Protezione delle mani anteriore
4. Pompa del carburante "primer"
5. Leva gas
6. Maniglia posteriore
7. Blocco della leva del gas
8. Cavo di avviamento
9. Coperchio del filtro dell'aria
10. Chiusura per la copertura del filtro dell'aria
11. Chiusura del serbatoio dell'olio per la catena
12. Impugnatura anteriore
13. Tappo del serbatoio del carburante
14. Leva di avvio a freddo (valvola dell'aria)
15. Pulsante On/Off
16. Dadi di fissaggio
17. Copertura della ruota dentata
18. Silenziatore
19. Dispositivo di sospensione
20. Chiave per candele/Cacciavite per viti con testa a intaglio
21. Copertura della barra di guida
22. Contenitore di miscelazione
23. Vite di messa in tensione della catena
24. Battuta dentata
25. Supporto della catena
26. Spina elastica della catena
27. Ruota dentata
28. Scanalatura di guida
29. Bullone di bloccaggio
30. Ruota dentata
31. Apertura per lubrificante
32. Vite di regolazione dell'olio
33. Filtro dell'aria
34. Candela di accensione
35. Pipetta della candela
36. Testa di aspirazione

5. Contenuto della fornitura

- Sega per arboricoltura
- Catena della sega
- Barra di guida
- Copertura della barra di guida
- Chiave per candele/Cacciavite per viti con testa a intaglio
- Contenitore di miscelazione

6. Impiego conforme alla destinazione d'uso

Questo apparecchio è una sega per arboricoltura particolarmente leggera e maneggevole con maniglia situata nella parte superiore sviluppata appositamente per lavori di dendrochirurgia e cura degli alberi. Queste seghe per arboricoltura possono pertanto essere utilizzate soltanto da "operatori di seghe per arboricoltura con una formazione supplementare riguardo ai lavori eseguiti in ceste sollevabili o scale idrauliche nonché alle tecniche di sollevamento con corda".

Per l'uso occasionale su legna sottile, per la cura di alberi da frutta, sfrondata, tagli a misura.

È possibile utilizzarla per tagliare legna per il camino soltanto se il diametro del pezzo di legno non supera la lunghezza di taglio (20 cm).

Per questi lavori si consiglia di utilizzare una sega a motore convenzionale con un'elevata distanza dell'impugnatura o una lunghezza di taglio considerevole.

Chi non deve utilizzare l'apparecchio:

Persone che non abbiano dimestichezza con le istruzioni per l'uso, bambini di età inferiore a 16 anni, nonché persone sotto l'effetto di alcool, droghe o farmaci, stanche o ammalate.

In conformità alle disposizioni, il dispositivo è destinato esclusivamente al taglio del legno. Il produttore non si assume alcuna responsabilità per danni dovuti all'utilizzo non conforme alla destinazione d'uso oppure all'uso errato.

È consentito impiegare l'apparecchio solo conformemente alla sua destinazione d'uso. Qualsiasi ulteriore impiego che esuli dalla suddetta finalità non è conforme alla destinazione d'uso. L'utente/l'operatore, e non il fabbricante, è unico responsabile dei danni o delle lesioni provocati da un uso non conforme.

L'osservanza delle indicazioni di sicurezza, nonché il rispetto delle istruzioni di montaggio e delle indicazioni operative contenute nelle istruzioni per l'uso sono fondamentali al fine di un utilizzo del dispositivo conforme alla destinazione d'uso. Le persone che utilizzano ed eseguono la manutenzione dell'apparecchio deve possedere una certa dimestichezza con lo stesso ed essere al corrente dei possibili pericoli.

Occorre inoltre attenersi scrupolosamente alle norme antinfortunistiche in vigore.

Rispettare le altre norme generali concernenti la medicina del lavoro e la tecnica di sicurezza.

Modifiche all'apparecchio sollevano il produttore completamente da qualsivoglia per i danni che ne derivano.

Si prega di osservare che i nostri apparecchi non sono destinati a un uso commerciale, artigianale o industriale. Non ci si assume alcuna responsabilità se l'apparecchio è impiegato nel quadro di un'attività commerciale, artigianale, industriale o simili.

PERICOLO

Sulla base della legge attualmente in vigore sulla responsabilità per prodotti difettosi, il produttore del presente apparecchio non risponde dei danni all'apparecchio in questione o derivanti da esso in caso di:

- montaggio e sostituzione di pezzi di ricambio non originali,
- Rimozione o modifica dei componenti di sicurezza.

6.1 Impiego non conforme alla destinazione d'uso

- Questo apparecchio non è adatto per abbattere gli alberi.
- Non utilizzare la barra di guida come leva per spostare tronchi d'albero o simili.
- Non è consentito segare legno con un diametro superiore a 20 cm.

7. Indicazioni di sicurezza

7.1 Indicazioni generali

AVVISO

Essere sempre vigili, prestare attenzione a quello che si fa e procedere in modo ragionevole quando si lavora con il dispositivo. Non utilizzare il dispositivo quando si è stanchi, debilitati o sotto l'effetto di droghe, alcool o medicinali. Un momento di negligenza durante l'uso dell'apparecchio può causare lesioni gravi.

Evitare utilizzi scorretti, utilizzando la macchina solo come descritto alla sezione "Utilizzo conforme alla destinazione d'uso".

Le istruzioni per l'uso contengono avvertenze importanti su come lavorare in modo sicuro e competente con la sega a catena ed evitare i pericoli.

Se tuttavia dovesse verificarsi un blocco tra il materiale da tagliare e la catena della sega, spegnerla immediatamente. Attendere l'arresto della catena della sega. Rimuovere la pipetta della candela e indossare guanti antitaglio per eliminare il blocco. Qualora sia necessario rimuovere la barra di guida (lama), seguire le istruzioni fornite nel capitolo "Montaggio". Dopo la rimozione del blocco e il riassetto, è necessario eseguire una prova d'uso.

Se vengono rilevati vibrazioni o rumori meccanici, interrompere il lavoro e contattare un centro di assistenza autorizzato. Se questo pericolo si verifica spesso, si consiglia di ripetere la formazione.

- Prima della messa in funzione leggere le istruzioni di servizio dell'apparecchio e osservare in particolare le indicazioni di sicurezza.
- I segnali di avviso e avvertenza applicati sull'apparecchio forniscono importanti avvertenze per un funzionamento sicuro.
- Oltre alle indicazioni riportate nelle istruzioni per l'uso devono essere osservate le norme generali di sicurezza e antinfortunistiche imposte dalla legge.
- Tenere i bambini a distanza dalle pellicole di imballaggio; sussiste il pericolo di soffocamento!
- Gli operatori che non sono informati a sufficienza possono mettere in pericolo se stessi e altre persone in seguito ad un uso improprio. L'operatore è responsabile per la sicurezza di terzi.

- Prima di iniziare a lavorare, controllare il funzionamento della leva dell'acceleratore che, una volta rilasciata, deve tornare automaticamente in posizione di folle.
- Non lavorare sul pezzo più a lungo di 10 minuti. Si suggerisce di fare una pausa di 10 - 20 minuti tra le fasi di lavoro.
- Prestare il dispositivo solo a utilizzatori che abbiano esperienza nel suo uso. È necessario consegnare anche le istruzioni per l'uso.
- Alcune attività di taglio richiedono una formazione speciale e particolari capacità. In caso di dubbi, rivolgersi a un esperto.
- Gli utilizzatori principianti devono essere istruiti e prendere dimestichezza con le caratteristiche del dispositivo. Per la propria sicurezza, sarebbe necessario frequentare un corso ufficiale per utilizzatori di motoseghe.
- In caso di inutilizzo, il dispositivo deve essere posizionato in modo da non costituire un potenziale pericolo. Mettere in sicurezza contro un accesso non autorizzato.
- L'operatore del dispositivo è responsabile per qualsiasi incidente e potenziale pericolo che possa recare danno ad altre persone o ad oggetti di loro proprietà.
- Bambini, ragazzi e persone con capacità fisiche, sensoriali o mentali ridotte non devono utilizzare la sega a catena. Fanno eccezione i ragazzi di età superiore a 16 anni nell'ambito della formazione sotto la vigilanza di un esperto.
- L'impianto elettrico di accensione del dispositivo genera un campo elettromagnetico ridotto. Se si indossa un pacemaker o un impianto simile, consultare il proprio medico prima di utilizzare il dispositivo, al fine di evitare qualsiasi rischio per la salute.
- In caso di manutenzione impropria, utilizzo di pezzi di ricambio non conformi o rimozione, nonché modifiche, dei dispositivi di sicurezza, fare attenzione al fatto che possono verificarsi danni al dispositivo e gravi lesioni alla persona che sta lavorando su di esso.

7.2 Dispositivi di protezione individuale (DPI)

PERICOLO

Indossare sempre dispositivi di protezione individuale (DPI)!

- Indossare un casco protettivo con protezione per il viso oppure occhiali di protezione e otoprotettori.
- Indossare indumenti di protezione aderenti con inserto di protezione contro il taglio.
- Indossare scarpe antinfortunistiche antiscivolo.
- Indossare dei guanti protettivi.

- Evitare indumenti larghi che possono impigliarsi.
- Non indossare scarpe, cravatte né gioielli!
- Se si portano i capelli lunghi, utilizzare una retina per capelli!
- Durante qualsiasi lavoro nella foresta indossare un casco protettivo. Questo protegge da rami che cadono. Verificare regolarmente la presenza di danni sul casco protettivo. Dopo 5 anni al massimo occorre sostituirlo. Utilizzare soltanto caschi protettivi collaudati.
- La protezione per il viso, o visiera, del casco oppure gli occhiali protettivi tengono lontane la segatura e le schegge di legno. Per evitare lesioni agli occhi, durante i lavori con il dispositivo indossare sempre una protezione per il viso e/o occhiali di protezione.
- Indossare sempre otoprotettori. Il rumore prodotto dal dispositivo può provocare danni all'udito.
- Indossare scarpe antinfortunistiche robuste in materiale resistente, ad es. in pelle.
- Durante l'operazione di segatura di legno secco, indossare una maschera di protezione antipolvere. È possibile che si formi polvere da taglio.
- Quando si lavora sull'albero, l'utente può cadere. L'utente può rimanere gravemente ferito o ucciso. Indossare l'attrezzatura per la protezione anticaduta.

7.3 Stoccaggio e trasporto

- Spegnerne la sega a catena prima del trasporto, anche su percorsi brevi. Inserire il freno della catena e applicare un copricatena.
- Utilizzare il copricatena durante il trasporto e lo stoccaggio.
- Mettere in sicurezza la macchina durante il trasporto (anche all'interno di veicoli) per evitare ribaltamenti, perdite di carburante, danni o lesioni.
- Trasportare il dispositivo solo tirandolo dalla maniglia anteriore. La barra di guida punta in questo caso all'indietro, lontana dal corpo.
- Tenere il silenziatore caldo lontano dal corpo. Sussiste il pericolo di ustioni!
- Pulire e sottoporre a manutenzione la sega a catena prima dello stoccaggio.
- Conservare il dispositivo in un luogo sicuro e asciutto. Metterlo in sicurezza anche prima di un accesso non autorizzato.

7.4 Sicurezza dell'ambiente

- Le normative nazionali e/o locali possono imporre dei vincoli temporali all'utilizzo di dispositivi a motore che generano rumore. Informarsi in merito presso la propria amministrazione comunale.
- Il dispositivo non può essere azionato all'interno o in aree non correttamente ventilate. Sussiste il pericolo di soffocamento dovuto ai vapori dei gas di scarico/olio lubrificante.
- Procedere ai lavori soltanto di giorno.
- Non lavorare nemmeno in caso di condizioni ambientali sfavorevoli, quali vento o pioggia. In questo caso sussiste un rischio elevato di incidente.
- Tenere la zona di lavoro pulita e sgombra.
- Tenere lontani bambini, altre persone e animali prima e durante il lavoro. Si potrebbe perdere il controllo del dispositivo in base di sterzata.
- Accertarsi, prima di iniziare il lavoro, che nella zona di pericolo non siano presenti persone, animali o oggetti di valore.
- Non lavorare vicino a reti metalliche o in aree con filo spinato libero.
- Tenere a portata di mano degli estintori quando si lavora in atmosfere altamente infiammabili, ad es. in presenza di erba secca etc. Sussiste il pericolo di incendi!

7.5 Rabboccare con carburante

- La benzina è facilmente infiammabile. Durante il rifornimento, tenersi a distanza da fiamme libere e non fumare. Sussiste il pericolo di incendio!
- Assicurarsi di non rovesciare della benzina. Benzina o olio per catene non devono penetrare nel terreno. Avvalersi di supporti adeguati.
- Fare rifornimento solo in aree correttamente ventilate. I vapori di benzina possono infiammarsi facilmente ed esplodere.
- Spegnerne il motore prima del rifornimento e lasciare raffreddare il dispositivo. Se è stata rovesciata della benzina, pulire subito i punti interessati. Non lasciare del carburante sui propri vestiti, ma cambiarli subito.
- Evitare il contatto con la pelle e con gli occhi di benzina o lubrificanti (olio).
- Non aspirare i vapori di benzina/olio lubrificante.
- Prestare attenzione ai difetti di tenuta. Se fuoriesce della benzina, non avviare il motore. Sussiste il rischio di ustioni.
- Aprire il tappo del serbatoio solo prestando attenzione, in modo che la sovrappressione residua possa scaricarsi lentamente e non schizzi benzina.

7.6 Prima della messa in funzione

AVVISO

Eseguire sempre il controllo prima della messa in funzione e a motore spento.

Controllare lo stato di funzionamento sicuro del dispositivo prima dell'uso e dopo che è caduto a terra.

Controllare che tutte le parti in movimento funzionino in modo impeccabile. Molti infortuni sono causati da una cattiva manutenzione degli strumenti. Fare riparare le parti danneggiate da personale specializzato e qualificato.

Utilizzare la sega a catena e gli accessori solo conformemente a queste applicazioni, e prendendo in considerazione le condizioni operative e l'attività da svolgere. Un utilizzo di dispositivi a motore per applicazioni diverse da quelle previste può comportare situazioni pericolose.

- Controllare regolarmente la funzionalità del freno della catena (protezione anteriore della mano, vedere fig. 2).
- Verificare che la barra di guida sia montata correttamente.
- Controllare che la catena della sega sia tesa correttamente. Attenersi alle istruzioni per la lubrificazione, la tensione della catena e la sostituzione degli accessori. Una catena tesa in modo improprio oppure lubrificata male può o strapparsi o aumentare il rischio di contraccolpi.
- Conservare gli utensili di taglio affilati e puliti. Riaffilarli regolarmente e sostituire al momento opportuno i componenti usurati. Utensili di taglio con bordi affilati e sottoposti ad una manutenzione accurata si bloccano con una frequenza minore e sono più agevoli da controllare.
- Controllare la scorrevolezza di leva dell'acceleratore e relativo blocco. La leva dell'acceleratore deve ritornare in posizione iniziale per effetto della forza elastica.
- Controllare che all'interno del serbatoio ci siano carburante e olio lubrificante per catene a sufficienza.
- Controllare che le impugnature siano pulite, asciutte e libere da olio e sporco.
- Non procedere mai ai lavori da soli. In caso di emergenza deve esserci qualcuno nelle vicinanze.
- Utilizzare la sega a catena solo quando si trova su un terreno resistente, sicuro e piano. Evitare una postura anomala. Un fondo scivoloso o superfici di appoggio instabili (come ad es. possoni presentarsi su una scala), possono comportare la perdita dell'equilibrio e del controllo sulla sega a catena. Accertarsi che la posizione sia sicura e mantenere sempre l'equilibrio. In questo modo è possibile controllare in modo migliore la sega a catena in situazioni inattese.

- Non utilizzare la sega a catena sopra ad un albero. In caso di utilizzo su un albero, sussiste il pericolo di lesioni.
- Non tagliare mai sopra l'altezza delle spalle.
- Tenere la sega a catena sempre con la mano destra dalla maniglia posteriore, tenendo invece la mano sinistra su quella anteriore. Un eventuale blocco della sega a catena in una posizione di lavoro invertita aumenta il rischio di lesioni e non deve essere tenuta.
- Tenere lontane tutte le parti del corpo dalla sega a catena quando è in funzione. Prima di accendere la sega a catena, accertarsi che non sia in contatto con niente. Mentre si lavora con una sega a catena, un momento di distrazione può fare in modo che indumenti o parti del corpo vengano afferrati dalla stessa.
- Spegnere subito la sega a catena quando si appurano variazioni evidenti nel comportamento del dispositivo.
- Se la sega a catena è entrata in contatto con pietre, chiodi o altri oggetti duri, arrestare subito il motore e sottoporre la catena della sega e la barra di guida ad un controllo per la ricerca di eventuali danni.
- Non fare cadere la sega a catena, non farla sbattere contro ostacoli e non utilizzare mai la barra di guida come leva.
- Utilizzare la sega a catena solo per il taglio del legno.
- Quando si taglia un ramo sottoposto a tensione, tenere conto che questo scatta indietro. Quando le fibre di legno vengono liberate dalla tensione, il ramo teso può colpire l'operatore e/o è possibile perdere il controllo della sega a catena.
- Prestare particolare attenzione quando si taglia il sottobosco e alberi giovani. Il materiale sottile potrebbe restare impigliato nella catena della sega e colpirvi, oppure potrebbe farvi perdere l'equilibrio.

7.7 Vibrazioni

AVVISO

Evitare eventuali rischi da vibrazioni, ad es. la possibile sindrome del dito bianco (detta anche "Fenomeno di Raynaud", che comporta problemi di vascolarizzazione) effettuando pause di lavoro frequenti, durante le quali si possono ad es. sfregare i palmi delle mani tra loro.

- Indossare sempre scarpe antinfortunistiche e tenere calde le mani.
- Fare attenzione al fatto che la catena risulta sempre affilata.
- Effettuare pause di lavoro regolari.

7.8 Misure preventive contro possibili contraccolpi

AVVISO

Fare attenzione ai contraccolpi del dispositivo durante il lavoro. Sussiste il pericolo di lesioni. Evitare contraccolpi prestando attenzione e utilizzando correttamente la sega dal punto di vista tecnico.

- In alcuni casi, il contatto con la punta della barra può provocare una reazione inaspettata all'indietro, durante la quale la barra di guida può essere spinta verso l'alto e in direzione dell'operatore.
- Il contraccolpo può verificarsi quando la punta della barra di guida tocca un oggetto o quando il legno si piega e la catena della sega si blocca durante il taglio.
- Se la catena della sega si incastra in corrispondenza del bordo superiore della barra di guida, la sega a catena può arretrare rapidamente e in modo incontrollato nella direzione di comando.
- Se la catena della sega si incastra in corrispondenza del bordo inferiore della barra di guida, la sega a catena può allontanarsi rapidamente e in modo incontrollato dalla direzione di comando.
- Prestare estrema attenzione se si utilizza la catena della sega per continuare l'operazione di segatura a taglio già iniziato.
- Non segare rami o pezzi di legno che potrebbero cambiare la loro posizione durante il processo di segatura o per i quali il taglio si chiude nel corso del processo di segatura.
- Ognuna di queste reazioni può fare perdere il controllo della sega e provocare possibili gravi lesioni. Non affidarsi esclusivamente ai dispositivi di sicurezza integrati nella sega. In qualità di utilizzatore di una sega a catena, occorre adottare svariate misure, in modo da lavorare senza subire lesioni né incidenti.

Un contraccolpo è la conseguenza di un utilizzo errato o improprio. È possibile evitarlo adottando le dovute misure preventive, come di seguito descritto:

- Tenere saldamente con entrambe le mani la sega a catena, circondando con i pollici e le dita la relativa impugnatura. Posizionare il corpo e le braccia in modo tale da poter resistere ai contraccolpi. Se si adottano le dovute misure, l'operatore può controllare i contraccolpi. Non mollare mai la sega a catena.

- Evitare una posizione del corpo insolita e non segare sopra l'altezza delle spalle. In questo modo, è possibile evitare di toccare involontariamente oggetti con la punta della barra e migliorare il controllo della sega a catena in situazioni inattese.
- Utilizzare sempre barre di ricambio e catene per seghe prescritte dal produttore. Guide e catene di ricambio non appropriate possono portare allo strappo della catena della sega e/o al contraccolpo.
- Attenersi alle istruzioni del produttore per affilare la catena della sega e per eseguire i relativi interventi di manutenzione. Limitatori di profondità troppo bassi aumentano il rischio di contraccolpi.
- Non segare con la punta della lama. Sussiste il pericolo di contraccolpi. (fig. 7)
- Accertarsi che nell'area di taglio non siano presenti chiodi o pezzi metallici. Fare attenzione in particolare a chiodi o pezzi di ferro nei dintorni dell'area di taglio. Prestare attenzione anche all'atto del taglio di legna dura, durante il quale la catena può impigliarsi, dando origine a contraccolpi.
- Iniziare a tagliare a piena potenza e tenere sempre la sega a catena alla massima velocità durante il taglio.
- Assicurarsi che non siano presenti oggetti sul fondo, sui quali è possibile inciamparsi.

7.9 Comportamento e tecnica di lavoro

- Lavorare solo in condizioni di buona visibilità e luce. Fare particolare attenzione al terreno scivoloso, al bagnato, al ghiaccio e alla neve (pericolo di scivolamento). Sussiste un elevato rischio di scivolare sulla legna appena scortecciata (cortecce).
- Non lavorare mai su sottofondi instabili. Fare attenzione agli ostacoli nel luogo di lavoro, pericolo di inciampare. Occorre assicurarsi costantemente di mantenere una posizione stabile.
- Non segare mai oltre l'altezza delle spalle.
- Non segare mai in piedi su scale.
- Non salire mai su un albero per eseguire lavori con la sega a catena senza gli appositi sistemi di ritenuta per persone e macchina. Si consiglia di effettuare le operazioni sempre da una piattaforma di lavoro.
- Non lavorare piegati troppo in avanti.
- Adoperare la sega a catena in modo tale da evitare che parti del corpo si trovino nel raggio di rotazione prolungata della catena della sega.
- Con la sega a catena è possibile segare solo del legno.
- Non toccare il suolo con la sega a catena in funzione.

- Pulire l'area di taglio da corpi estranei come sabbia, pietre, chiodi ecc. I corpi estranei danneggiano il dispositivo di segatura e possono causare contraccolpi (kickback) pericolosi o essere scagliati lontano.
- Quando si sega il legname da taglio utilizzare un supporto sicuro (se possibile un cavalletto di segatura). Non si può tenere ferma la legna con il piede o con un'altra persona.
- Mettere in sicurezza i tondelli di legno per evitare che rotolino via durante il taglio.
- Non lavorare mai senza la battuta dentata, la sega a catena potrebbe trascinare in avanti l'operatore. Utilizzare la battuta dentata per tagliare tronchi d'albero o rami spessi. L'uso della battuta dentata aumenta la sicurezza sul lavoro, riduce lo stress personale durante il lavoro come pure le vibrazioni.
- In caso di tagli di abbattimento e a misura, occorre applicare la barra dentata (battuta dentata) al legno da tagliare. Anche se si devono segare rami spessi si consiglia di utilizzare la barra dentata.
- Prima di ogni taglio a misura, applicare prima in modo saldo la barra dentata, poi segare il legno con la catena della sega in funzione. A tal fine, la sega viene sollevata dalla maniglia posteriore e direzionata dalla maniglia a staffa. La barra dentata funge da punto di rotazione. Proseguire poi esercitando una lieve pressione sulla maniglia a staffa. Tirare leggermente indietro la sega a catena. Applicare la barra dentata più in profondità e sollevare nuovamente la maniglia posteriore.
- Attenzione quando si taglia il legno scheggiato. Pezzi di legno segati possono essere trascinati (pericolo di lesioni).
- Durante il taglio con la parte superiore della guida, è possibile che la sega a catena venga spinta in direzione dell'operatore, se la catena della sega si incastra. Se possibile, si dovrebbe pertanto segare con la parte inferiore della guida, in quanto la sega a catena si muove in allontanamento dal corpo in direzione del legno.
- Occorre tagliare il legno sotto tensione sempre prima sul lato di pressione. Solo successivamente è possibile eseguire il taglio di separazione sul lato di trazione. In questo modo si evita che la guida si incastri.
- Quando si lavora sull'albero, la motosega può cadere e si potrebbero ferire gravemente delle persone e causare danni alle cose. Fissare la motosega tramite il dispositivo di sospensione.
- Prima che la catena della sega entri nell'area di taglio, è possibile che la motosega scivoli via lateralmente o sobbalzi.

ATTENZIONE

Elevato rischio di contraccolpi!

Per mantenere il pieno controllo nel momento della "segatura finale", verso la fine del taglio ridurre la pressione di contatto, senza lasciare la presa calda sulle maniglie della sega a catena. Fare attenzione che la catena della sega non tocchi il terreno. Dopo l'esecuzione del taglio, attendere che la catena della sega si arresti, prima di allontanare la sega dal punto in cui si trova. Spegnerne sempre il motore della sega a catena prima di passare da un albero al successivo.

AVVISO

In caso di utilizzo prolungato, possono presentarsi problemi di vascolarizzazione (fenomeno di Raynaud) in seguito alle vibrazioni nelle mani dell'operatore.

Il fenomeno di Raynaud è un'angiopatia consistente nella costrizione improvvisa dei piccoli vasi sanguigni delle dita delle mani e dei piedi. Le aree interessate non vengono più irrorate di sangue a sufficienza e per questo motivo diventano estremamente pallide. L'utilizzo frequente di dispositivi vibranti può causare danni ai nervi nelle persone che soffrono di problemi di vascolarizzazione (ad es. fumatori, diabetici). Se si notano delle alterazioni insolite, terminare subito il lavoro e consultare un medico.

Per ridurre i pericoli, osservare le istruzioni qui riportate:

- Tenere il proprio corpo e soprattutto le mani al caldo se fa freddo.
- Fare delle pause ad intervalli regolari e muovere le mani per favorire la vascolarizzazione.
- Ridurre al minimo le vibrazioni della macchina mediante una manutenzione regolare e parti fisse sul dispositivo.

7.10 Rischi residui

PERICOLO

PERICOLO DI INFORTUNI!

Il contatto con la catena della sega può causare lesioni da taglio mortali.

Non inserire mai le mani nella catena della sega in funzione.

PERICOLO DI CONTRACCOLPI!

I contraccolpi possono causare lesioni da taglio mortali.

PERICOLO DI USTIONI!

Durante il funzionamento, la catena e la barra di guida si scaldano.

L'apparecchio è stato costruito secondo lo stato dell'arte e le regole tecniche di sicurezza riconosciute. Tuttavia, durante il suo impiego, si possono presentare rischi residui.

Inoltre, nonostante tutte le misure precauzionali adottate, possono comunque venirsi a creare dei rischi residui non evidenti. I rischi residui possono essere minimizzati se si rispettano complessivamente le "Avvertenze di sicurezza", l'"Utilizzo conforme" e le istruzioni per l'uso.

8. Dati tecnici

Macchina senza lama

Lunghezza x larghezza x altezza.....	270 x 230 x 240 mm
Peso senza carburante, senza utensili di taglio ca.....	3,4 kg
Peso senza carburante, con utensili di taglio ca.....	3,8 kg
Serbatoio dell'olio lubrificante per la catena.....	0,16 l
Capacità del serbatoio di carburante.....	0,23 l
Miscela di olio e carburante.....	1:40
Lunghezza di taglio.....	20 cm
Lunghezza della lama.....	30 cm
Lubrificazione automatica della catena.....	si
Passo della catena.....	3/8" (9,525 mm)
Spessore della maglia della catena.....	1,27 mm
Tipo di catena.....	3/8LP-40
Numero dei denti della ruota di trasmissione.....	6
Passo dei denti ruota dentata di trasmissione.....	3/8"
Tipo di lama.....	AP10-40-509P
Velocità della catena max.....	21 m/s
Motore.....	1 cilindro, 2 tempi raffreddamento ad aria
Cilindrata del motore.....	25,4 cm ³
Potenza max del motore secondo ISO 7293.....	0,7 kW
Velocità di minimo n ₀	3300 ± 300 min ⁻¹
Numero di giri massimo con organi di taglio.....	11000 min ⁻¹
Candela di accensione.....	18RTC

Il livello di pressione sonora deve venire ridotto a seconda dell'utilizzo e delle attività da compiere in modo da non danneggiare la salute dell'operatore. Il livello di pressione sonora sul luogo di lavoro non può superare gli 80 dB. In tal caso è necessario adottare provvedimenti di protezione dal rumore per l'operatore (ad es. otoprofettori).

Ridurre al minimo le vibrazioni e l'emissione sonora

- Utilizzare soltanto apparecchi che si trovano in uno stato perfetto.
- Eseguire regolarmente la manutenzione e la pulizia dell'apparecchio.
- Adattare il proprio modo di lavorare all'apparecchio.
- Non sovraccaricare l'apparecchio.
- Far eventualmente controllare l'apparecchio.
- Spegnere l'apparecchio quando non viene utilizzato.
- Indossare un paio di guanti.

Livello di pressione acustica misurato L _{PA}	99,2 dB
Incertezza K _{PA}	3 dB
Livello di potenza acustica garantito L _{WA}	113 dB
Livello di potenza sonora misurato L _{WA}	108,7 dB
Incertezza K _{WA}	3 dB

Vibrazione, impugnatura anteriore.....	8,98 m/s ²
Vibrazione, impugnatura posteriore.....	8,03 m/s ²
Incertezza.....	1,5 m/s ²

Indossare degli otoprofettori.

L'esposizione al rumore può provocare la perdita dell'udito.

I valori delle emissioni sonore indicati sono stati misurati con un metodo di prova standardizzato e possono essere utilizzati per confrontare un apparecchio con un altro.

I valori delle emissioni sonore indicati possono essere utilizzati anche per una prima valutazione del carico.

Avviso:

- I valori delle emissioni sonore possono differire dai valori specificati durante l'uso effettivo dell'apparecchio a seconda del modo in cui esso viene utilizzato e, in particolare, del tipo di pezzo da lavorare.
- Provare a mantenere il carico il più basso possibile. Provvedimento di esempio: la limitazione del tempo di lavoro. A tal fine è necessario prendere in considerazione tutte le parti del ciclo di lavoro (per esempio, i tempi in cui l'apparecchio rimane spento, e quelli in cui, è acceso, ma in assenza di carico).

9. Prima della messa in funzione

1. Aprire l'imballaggio ed estrarre con cautela l'apparecchio.
2. Rimuovere il materiale d'imballaggio nonché le staffe di sicurezza per il trasporto e l'imballaggio (se presenti).
3. Controllare se il contenuto della fornitura è completo.
4. Controllare l'apparecchio e gli accessori per rilevare l'eventuale presenza di danni dovuti al trasporto.
5. Ove possibile, conservare l'imballaggio fino alla scadenza della garanzia.
6. Rimuovere la guida rapida sul cavo di avviamento (8).

ATTENZIONE

L'apparecchio e il materiale di imballaggio non sono giocattoli per bambini! I bambini non devono giocare con i sacchetti di plastica, pellicole e piccole parti! Sussiste il pericolo di ingerimento e soffocamento!

9.1 Montaggio della barra di guida (2) e della catena della sega (1)

AVVISO

Pericolo di lesioni!

Indossare sempre guanti di protezione quando si tocca la catena della sega (1). Pericolo di lesioni a causa dei denti di taglio appuntiti!

Utilizzare solo le combinazioni ammesse di catena della sega (1) e barra di guida (2) (vedere il capitolo "Utensili di taglio consentiti").

Eseguire il montaggio sempre a motore spento.

Indicazione

Una catena della sega (1) nuova tende ad allungarsi e deve essere tesa più di frequente. Controllare regolarmente la tensione della catena e regolarla.

A seconda dell'usura è possibile girare la barra di guida (2).

1. Posizionare la sega a catena su un fondo stabile e piano.
2. Tirare la protezione delle mani anteriore (3) all'indietro fino all'arresto per rilasciare il freno della catena. (fig. 2)
3. Rimuovere i due dadi di fissaggio (16) con la chiave per candele (20).
4. Rimuovere la copertura della ruota dentata (17).

5. Ruotare verso sinistra la vite di messa in tensione della catena (23) (in senso antiorario) finché il perno di messa in tensione della catena (26) non raggiunge la battuta di destra (vedere fig. 3). Utilizzare a tal fine il cacciavite per viti con testa a intaglio (20).
6. Fare scivolare il foro allungato della barra di guida (2) sopra i due bulloni di bloccaggio sporgenti (29).
7. Posizionare la catena della sega (1) sopra la dentatura della ruota dentata (27). Introdurre la catena della sega (1) in modo perfetto nella direzione indicata sulla barra di guida (2). Sulla punta della barra di guida (2) è presente una ruota di guida (30), nella cui dentatura va inserita la catena della sega (1). (fig. 6 e 18)
8. Tirare leggermente sulla barra di guida (2) per tendere leggermente la catena della sega (1) in via preliminare.
9. Riapplicare la copertura della ruota dentata (17). Assicurarsi che la spina elastica della catena (26) si adatti nel relativo foro della barra di guida (2). Regolare all'occorrenza la vite di messa in tensione della catena (23) con il cacciavite per viti con testa a intaglio (20).
10. Avvitare i due dadi di fissaggio (16) con la mano. Assicurarsi però che non sia stretti ancora completamente. I dadi di fissaggio (16) vengono serrati solo dopo aver teso la catena della sega (1).

9.2 Tendere e controllare la catena della sega (1)

AVVISO

Indossare guanti di protezione! Pericolo di lesioni a causa dei denti di taglio appuntiti!

Verificare regolarmente la tensione della catena prima di ogni messa in funzione.

Eseguire sempre i controlli prima dell'avviamento e a motore spento.

1. Prima di tenderla, occorre allentare leggermente i due dadi di fissaggio (16) con la chiave per candele (20).
2. Ruotare la vite di messa in tensione della catena (23) con il cacciavite a intaglio (20) in senso antiorario per aumentare la tensione.
3. Stringere bene i due dadi di fissaggio (16) con la chiave per candele (20).
4. La catena della sega (1) deve poggiare sul lato inferiore della lama. Controllare che la catena della sega (1) (con freno della catena allentato, tirare all'indietro la protezione anteriore della mano (3)) possa essere tirata manualmente sulla barra di guida (2).

AVVERTENZA

Una catena della sega (1) nuova tende ad allungarsi e deve essere tesa più di frequente.

9.3 Miscelare il carburante

Il motore deve essere azionato con una miscela di benzina e olio motore.

AVVISO

Evitare il contatto diretto della pelle con il carburante e l'inhalazione dei vapori di carburante.

Utilizzare solo una miscela di benzina senza piombo (min. 95 ottani) e di olio speciale per motori a 2 tempi (JASO FD/ISO - L - EGD). Realizzare la miscela di carburante come da tabella di miscelazione del carburante.

Inserire sempre la quantità corretta di benzina ed olio per motore a 2 tempi all'interno del serbatoio di miscelazione in dotazione (22) (vedere "Tabella di miscelazione del carburante"). Scuotere poi bene il contenitore di miscelazione (22).

9.3.1 Tabella di miscelazione del carburante

Procedura di miscelazione: 40 parti di benzina per 1 parte di olio

**Benzina..... Olio per motore a 2 tempi
0,5 litri 12,5 ml**

9.4 Riempimento del carburante (fig. 8)

AVVISO

Rabboccare con carburante solo a motore spento e freddo. Sussiste il pericolo di incendio!

1. Pulire sempre l'area attorno al tappo del serbatoio del carburante (13) prima del riempimento, affinché non penetrino sporco all'interno del serbatoio stesso. Utilizzare a tale proposito un panno asciutto privo di pelucchi.
2. Posizionare il dispositivo su un lato, in modo che il tappo di riempimento del carburante (13) punti verso l'alto.
3. Ruotare il tappo del serbatoio del carburante (13) in senso antiorario e aprirlo. Il tappo del serbatoio del carburante (13) è collegato mediante un fermo di sicurezza e non può dunque cadere.
4. Riempire il serbatoio con la miscela di carburante. Non rovesciare del carburante durante il rifornimento e non riempire il serbatoio del carburante fino all'orlo.
5. Raccogliere subito il carburante versato.
6. Ruotare il tappo del serbatoio del carburante (13) in senso orario per chiuderlo.

AVVERTENZA

Controllare dopo ogni rabbocco con carburante anche il livello dell'olio della catena.

9.5 Scaricare il carburante

Svuotare il serbatoio del carburante solo all'aperto o in locali con ventilazione adeguata. Assicurarsi che il carburante non penetri in alcun modo nel terreno (tutela ambientale). Utilizzare un supporto adeguato.

1. Tenere un contenitore di raccolta sotto il serbatoio del carburante.
2. Svitare il tappo del serbatoio del carburante (13) e rimuoverlo.
3. Fare uscire la miscela benzina/olio completamente.
4. Stringere di nuovo a mano il tappo del serbatoio del carburante (13).

9.6 Riempimento dell'olio per la catena (fig. 8)

AVVISO

Rabboccare con olio per la catena della sega solo a motore spento e freddo. Sussiste il pericolo di incendio!

Non lavorare mai senza lubrificazione della catena! In caso di funzionamento a secco della catena della sega (1), gli utensili da taglio subiscono in breve tempo danni irreparabili. Prima di iniziare il lavoro, controllare sempre la lubrificazione della catena.

AVVERTENZA

Utilizzare esclusivamente olio per catene di sega. Preferibilmente biodegradabile. Non utilizzare olio usato, olio motore etc.

Controllare durante il lavoro se la lubrificazione della catena funziona.

1. Pulire sempre l'area attorno al tappo del serbatoio dell'olio della catena (11) prima del riempimento, affinché non penetrino sporco all'interno del serbatoio stesso. Utilizzare a tale proposito un panno asciutto privo di pelucchi.
2. Posizionare l'apparecchio su un lato, in modo che il tappo dell'olio della catena (11) punti verso l'alto.
3. Ruotare il tappo del serbatoio dell'olio della catena (11) in senso antiorario e aprirlo. Il tappo del serbatoio della catena (11) è collegato mediante un fermo di sicurezza al serbatoio stesso e non può dunque cadere.

4. Riempire il serbatoio dell'olio con olio per catena biologico. Non rovesciare dell'olio per catene durante il rifornimento e non riempire il serbatoio dell'olio per catene fino all'orlo.
5. Raccogliere subito l'olio per catene versato.
6. Ruotare il tappo del serbatoio dell'olio della catena (11) in senso orario per chiuderlo.

10. Messa in funzione

⚠ CAUTELA

Attenersi alle norme di legge della disposizione sull'inquinamento acustico.

Controllare l'apparecchio prima di ogni messa in funzione:

- Tenuta del sistema del carburante
- Stato impeccabile ed integrità dei dispositivi di protezione e del dispositivo di taglio
- Posizionamento corretto di tutti i collegamenti a vite
- Mobilità di tutte le parti in movimento

Istruzioni di lavoro

Prima dell'impiego, prendere dimestichezza con la gestione della sega a catena.

10.1 Avvio del motore

⚠ ATTENZIONE

Prima dell'avvio del motore, allontanarsi di almeno 3 metri dal luogo di rifornimento (fig. 9).

Tirare sempre il cavo di avviamento (8) in modo dritto. Tenere stretta la maniglia del cavo di avviamento (8) se il comando stesso (8) tende a rientrare. Non lasciare che il cavo di avviamento (8) scatti all'indietro.

Dopo l'avvio del motore, rilasciare immediatamente la leva dell'acceleratore (5). Assicurarsi che il numero di giri del motore sia sceso al minimo prima di rilasciare il freno della catena (spingere la protezione delle mani anteriore (3) all'indietro).

Tirare in fuori la leva di avvio a freddo (valvola dell'aria) (14) solo per l'avvio.

10.1.1 Avvio a freddo del motore

⚠ AVVISO

Inserire il freno della catena prima di ogni messa in funzione (premere la protezione delle mani anteriore (3) in avanti).

⚠ ATTENZIONE

Non lasciare mai che il comando a cavo di avviamento (8) scatti all'indietro. Questo può provocare dei danni.

1. Togliere la copertura della barra di guida (21).
2. Posizionare la sega a catena su un fondo stabile e piano. La catena della sega (1) non deve toccare terra.
3. Spingere la protezione delle mani anteriore (3) in avanti fino a quando non si innesta. La catena della sega (1) viene bloccata dal freno della catena.
4. Premere 7 volte sulla pompa del carburante "Primer" (4). (fig. 1)
5. Tirare in fuori la leva di avvio a freddo (valvola dell'aria) (14). (fig. 10.2)
6. Tenere la sega a catena dall'impugnatura anteriore (12) ed estrarre lentamente il cavo di avviamento (8) fino a quando non si avverte una prima resistenza.
7. Tirare a quel punto in un colpo il cavo di avviamento (8) fino all'avvio del motore. Se il motore non si avvia, ripetere il processo. Per il tempo in cui la leva di avvio a freddo (valvola dell'aria) (14) resta estratta, il motore funziona solo per breve tempo e si spegne subito dopo.
8. Quando il motore è spento, azionare insieme il blocco della leva dell'acceleratore (7) e la leva dell'acceleratore (5) stessa. La leva di avvio a freddo (starter) (14) ritorna automaticamente in posizione operativa "Avviamento a caldo". (fig. 10.1)
9. A questo punto tirare di nuovo rapidamente il cavo di avviamento (8) fino all'avvio del motore.

Se il motore non si avvia nemmeno dopo molteplici tentativi, leggere il capitolo "Risoluzione dei guasti".

AVVERTENZA

In caso di temperature elevate può avvenire che anche a motore freddo l'avviamento debba essere effettuato senza leva di avvio a freddo (valvola dell'aria) (14).

- Allentare il freno della catena tirando all'indietro la protezione delle mani anteriore (3). (fig. 2)
- **CAUTELA!** Il freno della catena è a questo punto rilasciato. Se si aziona la leva dell'acceleratore (5) insieme al blocco della leva dell'acceleratore (7), la catena della sega (1) si mette in moto.

10.1.2 Avvio a caldo del motore (L'apparecchio è rimasto fermo per meno di 15-20 minuti.)

AVVISO

Inserire il freno della catena prima di ogni messa in funzione (premere la protezione delle mani anteriore (3) in avanti).

1. Spingere la protezione delle mani anteriore (3) in avanti fino a quando non si innesta. La catena della sega (1) viene bloccata dal freno della catena.
2. La leva di avvio a freddo (valvola dell'aria) (14) non deve essere tirata per l'avvio del motore caldo.
3. Tenere la sega a catena dall'impugnatura anteriore (12) ed estrarre lentamente il cavo di avviamento (8) fino a quando non si avverte una prima resistenza.
4. Tirare ora rapidamente il cavo di avviamento (8). Il dispositivo dovrebbe avviarsi dopo 1-2 colpi. Se il dispositivo continua a non partire dopo 6 colpi, ripetere il processo riportato alla sezione "Avvio a freddo del motore".

10.2 Spegnimento del motore

10.2.1 Sequenza di arresto d'emergenza

Se è necessario fermare l'apparecchio immediatamente, premere il pulsante On/Off (16) in posizione "0" e tenerlo premuto in questa posizione finché il motore non si ferma.

10.2.2 Sequenza normale

1. Rilasciare la leva dell'acceleratore (5). Il motore passa in velocità di funzionamento al minimo.
2. Premere il pulsante On/Off (16) in posizione "0" e tenerlo premuto in questa posizione finché il motore non si ferma.

10.3 Esercizio in marcia al minimo

ATTENZIONE

Al minimo la catena della sega (1) deve essere ferma.

AVVERTENZA

Se la catena della sega (1) si muove a vuoto o il motore si spegne da solo quando si abbassa il gas, occorre eseguire una regolazione del carburatore (vedere capitolo "Impostazione delle regolazioni del carburatore").

1. Sollevare la sega della catena.
2. Tenere stretta l'impugnatura anteriore (12) con la mano sinistra.

3. Tenere stretta l'impugnatura posteriore (6) con la mano destra. In questo caso il palmo della mano appoggia sul blocco della leva dell'acceleratore (7) e il dito indice aziona la leva dell'acceleratore (5).
4. Dopo aver azionato una volta la leva dell'acceleratore (5) il motore si avvia in posizione di minimo.
5. Lasciare riscaldare il motore per breve tempo, facendolo funzionare.

10.4 Controllare la lubrificazione della catena e regolarla

ATTENZIONE

- Non lavorare mai senza lubrificazione della catena! In caso di funzionamento a secco della catena della sega (1), gli utensili da taglio subiscono in breve tempo danni irreparabili.
- Prima di iniziare il lavoro, controllare sempre la lubrificazione della catena.

Indicazione

Utilizzare esclusivamente olio per catene di sega, preferibilmente biodegradabile. Non utilizzare olio usato, olio motore etc.

Tenere la sega della catena in funzionamento, a un numero di giri medio, sopra un ceppo segato o un supporto adatto. Se la lubrificazione è sufficiente, si forma un leggero strato di olio sul ceppo o sul supporto.

- Se necessario, è possibile aumentare o ridurre la lubrificazione della catena mediante la vite di regolazione dell'olio (32) (fig. 11).
- Utilizzare in tal caso il cacciavite per viti con testa a intaglio in dotazione (20):
 - Premere prima e poi ruotare la vite di regolazione dell'olio (32) in senso orario, per ridurre la lubrificazione della catena.
 - Premere prima e poi ruotare la vite di regolazione dell'olio (32) in senso antiorario, per aumentare la lubrificazione della catena.

10.5 Controllare la frena della catena

AVVISO

Occorre controllare il freno della catena prima di ogni messa in funzione.

Il freno della catena frena immediatamente la catena della sega (1) in caso di un contraccolpo.

1. Assicurarsi che la protezione per le mani anteriore (3) sia priva di sporco e possa muoversi facilmente.

2. Avviare la sega a catena e accelerare la catena (1) fino alla velocità massima (pieno regime).
3. Con catena della sega (1) in movimento azionare la protezione delle mani anteriore (3). Il freno della catena deve frenare la catena della sega (1) alla velocità massima e bloccarla.

AVVISIO

Un numero di giri elevato per un lungo lasso di tempo e con freno della catena bloccato danneggia il motore e l'azionamento della catena.

Qualora la catena della sega (1) continuasse comunque a muoversi, contattare il servizio clienti.

11. Utilizzo

11.1 Lavori di sramatura

- Fare particolare attenzione al pericolo di rami che presentano contraccolpi.
- Non stare sul tronco durante la sramatura.
- Non segare con la punta della barra. (fig. 7)
- Non segare più rami in una volta.
- Sorreggere la sega a catena durante la sramatura quanto più possibile con la battuta dentata (24).
- Assicurarsi che alla fine del taglio la sega a catena può voltarsi a causa del suo peso proprio. Non viene più supportata nel taglio; tenerla dunque premuta in modo adeguato.
- Assumere una posizione fissa, stabile e sicura durante la sramatura.

11.1.1 Lavori di sramatura in più sezioni parziali

Accorciare i rami lunghi o spessi prima di eseguire il taglio di separazione finale. La catena della sega (1) può altrimenti incastrarsi facilmente.

11.1.2 Lavorazione di legno sottoposto a tensione

Occorre rispettare categoricamente la sequenza di lavorazione corretta del legno sotto tensione. In caso contrario la catena della sega (1) può incastrarsi e generare un contraccolpo.

Occorre tagliare il legno sotto tensione sempre prima sul lato di pressione. Solo successivamente è possibile eseguire il taglio di separazione sul lato di trazione. (fig. 24)

In questo modo si evita che la catena della sega (1) si incastri.

ATTENZIONE

Danni materiali!

Il legno posto in orizzontale non può toccare il terreno dalla parte inferiore del punto di taglio, per evitare che la catena della sega (1) subisca dei danni.

Rinculo

- Se la catena della sega (1) si incastra in corrispondenza del bordo superiore della barra di guida (2), la sega a catena può arretrare rapidamente e in modo incontrollato nella direzione di comando.

Trascinamento

- Se la catena della sega (1) si incastra in corrispondenza del bordo inferiore della barra di guida (2), la sega a catena può allontanarsi rapidamente e in modo incontrollato dalla direzione di comando.

Lavorare in sicurezza

- Tenere il dispositivo in un buon stato di utilizzo per prevenire le lesioni.
- Dopo un'eventuale caduta accidentale del dispositivo, controllare la presenza di danni e difetti su di esso.
- Non utilizzare il dispositivo in piedi su scale o in una posizione instabile.
- Non procedere a tagli sconsiderati. Questo potrebbe mettere in pericolo se stessi e gli altri.
- Cambiare regolarmente la propria posizione di lavoro. Un utilizzo prolungato del dispositivo può provocare problemi di vascolarizzazione delle mani legati alle vibrazioni. Si può tuttavia prolungare la durata di utilizzo mediante guanti adatti o pause regolari. Fare attenzione al fatto che la predisposizione personale alla scarsa vascolarizzazione, le basse temperature esterne o le grandi forze di attrito durante il lavoro riducono la durata di utilizzo.

11.2 Il tronco è piegato verso il basso

1. Praticare per prima cosa il taglio di scarico 1 (circa 1/3 del diametro del tronco) sul lato di pressione.
2. Eseguire poi il taglio di scarico 2 (circa 2/3 del diametro del tronco) sul lato di trazione.

11.3 Il tronco è piegato verso l'alto

1. Praticare per prima cosa il taglio di scarico 1 (circa 1/3 del diametro del tronco) sul lato di pressione.
2. Eseguire poi il taglio di scarico 2 (circa 2/3 del diametro del tronco) sul lato di trazione.

11.4 Uso della sega per arboricoltura per il taglio di alberi in combinazione con le tecniche di sollevamento con corda

La presente appendice presenta metodi di lavoro appropriati per ridurre il pericolo di lesioni derivanti dall'uso di seghe a catena per arboricoltura quando si lavora in altezza con corda e tracolla di trasporto. Sebbene essa possa servire come guida e lettura di formazione, non dovrebbe essere considerata come alternativa alla formazione formale. Le indicazioni fornite nella presente appendice sono solo un esempio di modalità operative ottimali.

Sono applicabili norme nazionali o di altro tipo che potrebbero essere più severe.

L'utente di una sega a catena per arboricoltura, che lavora in altezza con corda e tracolla di trasporto, non dovrebbe mai lavorare da solo, bensì dovrebbe essere presente per assisterlo un operatore a terra con formazione nelle misure di emergenza appropriate.

L'utente dovrebbe essere addestrato nelle tecniche generali di arrampicata e posizionamento di lavoro sicure, e dovrebbe essere dotato di tracolla di trasporto, corda, imbracatura, moschettoni e altro equipaggiamento atto a mantenere posizioni di lavoro sicure e corrette sia per se stesso che per la sega.

Occorre attenersi sempre rigorosamente alle leggi e disposizioni nazionali.

La presente appendice non tratta delle tecniche di controllo dei rami e dei ramoscelli tagliati dalla sega a catena, né contiene i punti già trattati per un uso sicuro.

11.4.1 Requisiti generali

L'utente di una sega a catena per arboricoltura, che lavora in altezza con corda e tracolla di trasporto, non dovrebbe mai lavorare da solo, bensì dovrebbe essere presente per assisterlo un operatore a terra con formazione nelle misure di emergenza appropriate.

L'utente dovrebbe essere addestrato nelle tecniche generali di arrampicata e posizionamento di lavoro sicure, e dovrebbe essere dotato di tracolla di trasporto, corda, imbracatura, moschettoni e altro equipaggiamento atto a mantenere posizioni di lavoro sicure e corrette sia per se stesso che per la sega.

11.4.2 Preparazione prima dell'uso della sega per arboricoltura sull'albero

La sega a catena deve essere controllata, rifornita, avviata e riscaldata dall'operaio a terra e quindi spenta prima di essere tirata su verso l'utente sull'albero.

La sega a catena deve essere dotata di un'imbracatura in modo che possa essere fissata alla tracolla di trasporto dell'utente (fig. 13):

- L'imbracatura deve essere fissata al dispositivo di sospensione (19) situato sul retro della sega (fig. 12).
- Devono essere previsti moschettoni idonei a consentire il fissaggio indiretto (cioè attraverso l'imbracatura) e diretto (cioè al dispositivo di sospensione della sega a catena (19)) della sega alla tracolla di trasporto dell'utente.
- Accertarsi che la sega a catena sia fissata in modo sicuro quando viene tirata su verso l'utente (fig. 14).
- Verificare che la sega a catena sia agganciata alla tracolla di trasporto prima di staccarla dalla fune di sollevamento.

Grazie alla possibilità di agganciare la sega a catena direttamente alla tracolla di trasporto, si riduce il rischio di danneggiare l'equipaggiamento durante i movimenti attorno all'albero. Spegnerla sempre la sega a catena quando è fissata direttamente alla tracolla di trasporto.

La sega a catena deve essere agganciata esclusivamente ai dispositivi di sospensione consigliati presenti sulla tracolla di trasporto. Essi possono essere collocati al centro (davanti o dietro) oppure sui lati. Ove possibile, la sega a catena deve essere fissata al punto centrale posteriore centrato della tracolla di trasporto per tenerla lontana dalle corde da arrampicata e per assorbire il peso nel mezzo sotto la colonna vertebrale dell'utente.

Quando la sega a catena viene spostata da un qualunque dispositivo di sospensione all'altro, l'utente deve accertarsi che questa sia fissata in modo sicuro nella nuova posizione prima di sganciarla dal dispositivo di sospensione precedente.

11.5 Uso della sega a catena sull'albero

Un'analisi degli incidenti avvenuti durante i lavori di taglio degli alberi con queste seghe a catena dimostrano che la causa principale è l'utilizzo improprio con una sola mano della sega. Nella maggior parte degli incidenti, gli utenti non assumono una posizione di lavoro sicura che consenta loro di tenere la sega da entrambe le maniglie, con conseguente aumento del pericolo di lesioni a causa di:

- mancanza di una presa salda in caso di contraccolpo della sega a catena.
- mancanza di controllo della sega a catena, quindi può accadere più facilmente che entri in contatto con le corde da arrampicata e con il corpo dell'utente (specialmente con il braccio e la mano sinistri).

- perdita di controllo a causa di una posizione di lavoro non sicura e quindi contatto con la sega a catena (movimenti imprevisti durante il lavoro con la sega a catena).

11.6 Posizione di lavoro sicura con uso a due mani

Affinché la sega a catena possa essere tenuta con entrambe le mani, gli utenti dovrebbero sempre cercare di assumere una posizione di lavoro sicura che permetta di tenere la sega come segue:

- all'altezza dei fianchi quando si segano pezzi orizzontali.
- all'altezza dello stomaco quando si segano pezzi verticali.

Se l'utente lavora vicino al tronco verticale con basse forze laterali rispetto alla posizione di lavoro, un supporto sicuro per il piede può essere sufficiente per una posizione di lavoro sicura.

Tuttavia, non appena gli utenti si allontanano dal tronco, devono adottare misure aggiuntive per ridurre o contrastare le crescenti forze laterali, ad esempio deviando la fune principale tramite un dispositivo di sospensione aggiuntivo o utilizzando un'imbracatura regolabile che va dalla cintura a un dispositivo di sospensione aggiuntivo (fig. 15 e 16).

11.6.1 Avvio della sega per arboricoltura sull'albero

All'avvio della sega a catena sull'albero, l'utente deve:

- azionare il freno della catena prima dell'avvio (premere la protezione delle mani anteriore (3) in avanti).
- tenere la sega a catena a destra o a sinistra del corpo durante l'avvio:
 - tenendo la sega sul lato sinistro con la mano sinistra sulla maniglia anteriore e tenendo la sega lontano dal corpo mentre si tiene la corda di avvio nella mano destra.
 - tenendo la sega sul lato destro con la mano destra su una delle due maniglie e tenendo la sega lontano dal corpo mentre si tiene la corda di avvio nella mano sinistra.

Il freno della catena deve essere sempre attivato prima che la sega a catena in funzione venga abbassata sulla sua fune di trasporto.

Prima di iniziare lavori di taglio difficili, l'utente deve sempre accertarsi che la sega a catena abbia un livello sufficiente di carburante.

11.6.2 Uso della sega a catena con una mano

Gli utenti non dovrebbero usare seghe a catena per arboricoltura con una sola mano in posizioni di lavoro instabili o al posto di una sega a mano per tagliare punte di rami di piccolo diametro.

Le seghe a catena per arboricoltura possono essere utilizzate con una sola mano soltanto se

- a. non è possibile per l'utente assumere una posizione di lavoro che consenta di tenere la sega con entrambe le mani.
- b. è necessario fissare la posizione di lavoro con una mano.
- c. la sega a catena viene utilizzata in posizione completamente distesa, ad angolo retto rispetto ed esternamente a una linea relativa al corpo dell'utente.

Gli utenti non devono mai:

- utilizzare la sega con l'area del contraccollo sulla punta della barra di guida (2) della sega a catena.
- tenersi al ramo che stanno segando.
- cercare di afferrare parti che cadono.

11.6.3 Sblocco di una sega a catena inceppata

Se la sega a catena si blocca durante il taglio, l'utente deve:

1. Spegnerla la sega a catena e fissarla saldamente all'interno dell'albero (cioè verso il tronco dell'albero) o a una corda per attrezzi separata.
2. Estrarre la sega a catena dalla tacca mentre si solleva il ramo per quanto necessario.
3. All'occorrenza, utilizzare una sega a mano o una seconda sega a catena per liberare la sega a catena incastrata effettuando un taglio a una distanza di almeno 30 cm dalla sega a catena incastrata.

Indipendentemente dal fatto che venga utilizzata una sega a mano o una sega a catena per liberare una sega a catena incastrata, i tagli per liberare la sega a catena devono sempre essere fatti all'esterno (verso la punta dei rami) in modo che la sega a catena non venga trascinata con le parti segate e complichino ulteriormente la situazione.

12. Trasporto

- Utilizzare sempre la copertura della barra di guida (21) durante il trasporto.
- Spegnerla la sega a catena prima del trasporto, anche su percorsi brevi. Mettere in sicurezza la macchina durante il trasporto (anche all'interno di veicoli) per evitare ribaltoni, perdite di carburante, danni o lesioni.
- Attivare il freno della catena (premere la protezione delle mani anteriore (3) in avanti).

- Trasportare l'apparecchio solo tirandolo dalla maniglia anteriore (12). La barra di guida (2) punta in questo caso all'indietro, lontana dal corpo.
- Tenere il silenziatore caldo (18) lontano dal corpo. Sussiste il pericolo di ustionil! (Fig. 23)

13. Pulizia e manutenzione

AVVISO

Pericolo di lesioni!

Spegner sempre l'apparecchio prima di lavori di pulizia ed estrarre la pipetta della candela (35).

(Vedere il capitolo 13.4, Manutenzione della candela di accensione (34)).

Indicazione

Dopo ogni utilizzo, si dovrebbe pulire con cura il dispositivo. Eseguire le operazioni di pulizia e manutenzione solo come indicato nelle presenti istruzioni per l'uso. Le operazioni supplementari devono essere svolte da personale specializzato. Eseguire regolarmente le operazioni di manutenzione (vedere il capitolo "Intervalli di manutenzione").

13.1 Pulizia dell'unità motore

AVVISO

Pericolo di ustione!

Non toccare il silenziatore caldo, il cilindro o le alette di raffreddamento.

- Mantenere i dispositivi di sicurezza, le feritoie di ventilazione e l'alloggiamento del motore il più possibile privi di polvere e di sporcizia. Pulire soffiando con aria compressa a bassa pressione.
- Pulire regolarmente l'apparecchio con un panno umido e del detergente. Assicurarsi che non possa penetrare acqua all'interno dell'apparecchio.

13.2 Pulizia del filtro dell'aria (33) (fig. 17)

Filtri dell'aria sporchi riducono la potenza del motore a causa di un afflusso di aria troppo ridotto al carburatore.

È dunque essenziale un controllo regolare. Il filtro dell'aria (33) dovrebbe essere controllato regolarmente e pulito all'occorrenza.

In caso di aria con grande tenore di polvere, controllare più spesso il filtro dell'aria (33).

1. Allentare la chiusura per la copertura del filtro dell'aria (10) ruotando in senso antiorario.
2. Rimuovere la copertura del filtro dell'aria (9).
3. Prelevare il filtro dell'aria (33).

4. Pulire il filtro dell'aria (33) battendo o soffiando su di esso (con aria compressa).

Il montaggio avviene seguendo la procedura inversa.

ATTENZIONE

Non pulire mai il filtro dell'aria (33) con benzina o solventi infiammabili.

13.3 Pulizia dell'azionamento della catena

AVVISO

Pericolo di lesioni!

Indossare sempre guanti di protezione quando si tocca la catena della sega (1). Pericolo di lesioni a causa dei denti di taglio appuntiti!

Indicazione

Pulire l'azionamento della sega dopo ogni uso.

1. Posizionare la sega a catena su un fondo stabile e piano.
2. Tirare la protezione delle mani anteriore (3) all'indietro fino all'arresto per rilasciare il freno della catena. (fig. 2)
3. Ruotare le vite di messa in tensione della catena (23) con il cacciavite a intaglio (20) in senso antiorario per ridurre la tensione.
4. Rimuovere i due dadi di fissaggio (16) con la chiave per candele (20).
5. Rimuovere la copertura della ruota dentata (17).
6. Rimuovere con cautela la catena della sega (1) dalla barra di guida (2) e dalla ruota dentata (27).
7. Rimuovere la barra di guida (2). Pulirla con un pennello.
8. Pulire a questo punto accuratamente l'area completa di azionamento della catena e la copertura della ruota dentata (17) con un pennello o mediante soffiaggio (con aria compressa).

Il montaggio avviene seguendo la procedura inversa.

13.4 Manutenzione della candela di accensione (34) (fig. 19/20)

1. Smontare il filtro dell'aria (33) come descritto al punto 13.2 "Pulizia del filtro dell'aria (33)".
2. Estrarre la pipetta della candela (35), ruotandola verso sinistra e destra e tirandola allo stesso tempo. Tenere e tirare la pipetta della candela (35) esclusivamente dalla spina. Non tirare mai dal cavo!

3. Allentare la candela di accensione (34) con la chiave per candele in dotazione (20).
4. Il montaggio avviene seguendo la procedura inversa.

Distanza degli elettrodi = 0,6 - 0,7 mm (distanza degli elettrodi, tra i quali si genera la scintilla di accensione). Controllare la presenza di sporco sulla candela di accensione (34) una prima volta dopo 10 ore di servizio e pulirla poi all'occorrenza con una spazzola metallica in rame.

Sottoporre poi a manutenzione la candela di accensione (34) ogni 50 ore di servizio.

13.5 Manutenzione del sistema di lubrificazione della catena

- Vedere il capitolo "Controllare la lubrificazione della catena e regolarla".

13.6 Impostazione delle regolazioni del carburatore

- Se la catena della sega (1) si muove a vuoto o il motore si spegne da solo quando si abbassa il gas, occorre eseguire una regolazione del carburatore.

Indicazione

Lasciare che sia solo personale specializzato e qualificato a impostare le regolazioni del carburatore (ad es. il numero di giri al minimo), al fine di evitare danni al motore.

13.7 Manutenzione della barra di guida (2)

- Rimuovere eventuali bave presenti sul bordo della barra utilizzando una lima metallica.
- Pulire la scanalatura della barra di guida (2) con l'aiuto di un pennello o con aria compressa (fig. 21). Sostituire la barra di guida (2) non appena la scanalatura di guida (28) è usurata.
- Ruotare la barra di guida (2) dopo ogni utilizzo per fare in modo che si usuri in maniera uniforme.
- Controllare la mobilità della ruota dentata (30) sulla punta della barra di guida (2). Lubrificare se necessario con un olio per cuscinetti. Lasciar colare un po' di olio per cuscinetti nell'apertura per il lubrificante (31). (fig. 21)

13.8 Controllare la frena della catena

Vedere il capitolo 10.5 "Controllare il freno della catena"

AVVISO

PERICOLO DI CONTRACCOLPI!

Un freno della catena non funzionante aumenta il rischio di contraccolpo.

Controllare regolarmente il freno della catena.

Un freno della catena funzionante è essenziale per la tua sicurezza.

13.9 Tendere e controllare la catena della sega (1)

Vedere il capitolo 9.2. "Tendere e controllare la catena della sega (1)"

13.10 Affilatura e cura della catena della sega (1)

AVVISO

Pericolo di lesioni!

Indossare sempre guanti di protezione quando si tocca la catena della sega (1). Pericolo di lesioni a causa dei denti di taglio appuntiti!

Indicazione

Una catena della sega (1) curata e affilata in modo ottimale riduce le sollecitazioni sul corpo e l'usura, portando a un buon risultato di taglio.

Pulire, curare e affilare la catena della sega (1) regolarmente.

Controllare regolarmente la presenza di crepe e rivetti danneggiati sulla catena della sega (1).

Si può fissare una smerigliatrice sul relativo supporto per bloccarla durante la smerigliatura.

Utilizzare solo apposite lime rotonde speciali con Ø 4,8 mm (3/16") per la catena della sega (1) inclusa nella fornitura.

All'interno di un kit di affilatura è possibile trovare informazioni dettagliate sul processo di affilatura.

Utilizzare in alternativa uno strumento elettrico per l'affilatura delle catene, attenendosi alle indicazioni del produttore.

In caso di dubbi sull'esecuzione del lavoro, è meglio procedere alla sostituzione della catena della sega (1).

Lasciare eseguire l'affilatura della catena della sega (1) da parte di un'officina specializzata.

- Accessori necessari (non compresi nella fornitura):
 - Lima rotonda per catene di sega Ø 4,8 mm (3/16")
 - Lima piatta
 - Calibro limitatore di profondità

- Limare soltanto con un movimento in avanti per esportare del materiale.
- Limare ad un angolo di limatura di circa 25° con un'angolazione di 10° rispetto alla barra di guida (2).
- Controllare la distanza di limitazione della profondità con l'apposito calibro.
- La distanza corretta del limitatore di profondità dovrebbe essere pari a 0,6 mm (0,024").

13.11 Intervalli di manutenzione

Per una durata di vita lunga nonché per evitare danni e per garantire la completa funzione dei dispositivi di sicurezza, è necessario eseguire con regolarità i lavori di manutenzione descritti di seguito. I diritti alla garanzie vengono riconosciuti solo se sono stati effettuati questi lavori con regolarità e in modo corretto. In caso di inosservanza, sussiste il pericolo di incidenti!

Gli utenti delle seghe a catena possono eseguire solo i lavori di manutenzione e cura descritti in queste istruzioni di servizio. I lavori che esulano da quelli qui descritti possono essere effettuati soltanto da un'officina specializzata.

Informazioni generali	Sega per arboricoltura completa	Pulire all'esterno e controllare l'eventuale presenza di danni. In caso di danni, predisporre subito una riparazione professionale.
	Catena della sega	Eeguire regolarmente le affilature successive, sostituire in modo tempestivo.
	Freno della catena	Fare eseguire regolari controlli da parte di un'officina specializzata
	Barra di guida	Voltere affinché le superfici di scorrimento sotto carico si consumino in modo uniforme. Sostituire per tempo.
Prima di ogni messa in funzione	Catena della sega	Controllare l'eventuale presenza di danni e tagli. Controllare la tensione della catena.
	Barra di guida	Controllare l'eventuale presenza di danni.
	Lubrificazione della catena	Controllo di funzionamento
	Freno della catena	Controllo di funzionamento
	Pulsante On/Off, blocco della leva dell'acceleratore, leva dell'acceleratore	Controllo di funzionamento
	Tappo del serbatoio del carburante e dell'olio della catena	Verificare la tenuta.
Ogni giorno	Filtro dell'aria	Pulizia
	Barra di guida	Controllare l'eventuale presenza di danni, pulire i fori di ingresso dell'olio
	Supporto della barra di guida	Pulire, in particolare la scanalatura di guida dell'olio
	Velocità di minimo	Controllare (la catena non deve funzionare)
ogni settimana	Alloggiamento del ventilatore	Pulire per garantire un perfetto convogliamento dell'aria
	Candela di accensione	Controllare e sostituire all'occorrenza
	Silenziatore	Controllare l'eventuale presenza di sollecitazioni
	Supporto della catena	Controllare l'eventuale presenza di danni e sostituire se necessario
	Viti e dadi	Controllare lo stato e il corretto posizionamento
ogni tre mesi	Testa di aspirazione	Sostituire
	Serbatoio del carburante, dell'olio per la catena	Pulizia
Stoccaggio	Sega per arboricoltura completa	Pulire all'esterno e controllare l'eventuale presenza di danni In caso di danni, disporre subito una riparazione professionale
	Catena e guida della catena	Smontare, pulire e lubrificare leggermente Pulire la scanalatura di guida della barra di guida
	Serbatoio del carburante, dell'olio per la catena	Svuotare e pulire
	Carburatore	Fare funzionare a vuoto

13.12 Avvertenza importante in caso di riparazione

In caso di restituzione dello strumento per riparazione, tenere presente che lo strumento, per motivi di sicurezza, deve essere rispedito alla stazione di assistenza tecnica senza olio né benzina.

13.13 Informazioni sulle riparazioni

Occorre notare che in questo prodotto i seguenti componenti sono soggetti a naturale usura o usura legata all'uso e sono richiesti i seguenti pezzi come materiali di consumo.

Pezzi soggetti a usura*: catena della sega, barra di guida, olio per la catena, olio per il motore, battuta dentata, perno fermacatena, candela di accensione, filtro dell'aria, filtro del carburante, filtro dell'olio per la catena

* non necessariamente compreso nell'ambito della fornitura

Organi di taglio ammessi

Catena della sega

Kangxin 3/8LP-40.....7910100739

Oregon 91P040X.....3910102032

Barra di guida

Kangxin AP10-40-509P.....7910100740

Oregon 100SDEA041.....7910100744

14. Stoccaggio

La chiave per candele/il cacciavite per viti a intaglio (20) può essere applicato per la conservazione lateralmente sul coperchio della barra di guida (21).

Utilizzare sempre la copertura della barra di guida (21) durante lo stoccaggio.

Per la pulizia e la manutenzione del dispositivo prima di ogni stoccaggio, fare riferimento al capitolo "Pulizia e manutenzione".

Svuotare completamente il serbatoio dell'olio o del carburante.

AVVISO

Non rimuovere la benzina in ambienti chiusi, vicino a fiamme libere o fumando. I vapori di gas possono provocare esplosioni o fiamme.

- Avviare il motore e lasciarlo funzionare fino a quando non si è consumata la benzina residua.

Conservare l'apparecchio e i suoi accessori in un luogo buio, asciutto, al riparo dal gelo e non accessibile ai bambini. La temperatura di stoccaggio ideale è compresa tra 5 e 30 °C.

Non stoccare né utilizzare la sega a catena a temperature inferiori a 0 °C.

Non stoccare mai una sega a catena per un periodo superiore a 30 giorni senza svolgere i passi seguenti.

Seguire le indicazioni di pulizia e manutenzione prima dello stoccaggio del dispositivo!

14.1 Stoccaggio della sega a catena

Se si deve stoccare una sega a catena per un periodo superiore a 30 giorni, occorre predisporre il tutto per fare questo. In caso contrario il carburante residuo presente nel carburatore evapora e lascia un sedimento gommoso. Questo potrebbe rendere difficile l'avvio e comportare costosi lavori di riparazione.

1. Estrarre lentamente il tappo del serbatoio del carburante (13) per rilasciare un'eventuale pressione presente al suo interno. Svuotare con attenzione il serbatoio.
2. Avviare il motore e farlo funzionare fino a quando la sega a catena non si ferma, al fine di rimuovere il carburante dal carburatore.
3. Lasciare raffreddare il motore (circa 5 minuti).
4. Rimuovere la candela di accensione (34).
5. Introdurre 1 cucchiaino di olio pulito per motore a 2 tempi nella camera di combustione. Tirare più volte lentamente il cavo di avviamento (8) per umettare i componenti interni. Reinscrivere la candela di accensione (34).

Stoccare la sega a catena in un locale asciutto e ad una distanza sufficiente da possibili sorgenti di accensione, ad es. forni, boiler dell'acqua calda a gas, asciugatrici a gas, ecc., lontano dalla portata dei bambini.

Fissare sempre il coperchio della barra di guida (21) se la catena della sega (1) e la barra di guida (2) non sono smontate.

14.2 Nuova messa in funzione della sega a catena

1. Rimuovere la candela di accensione (34).
2. Tirare rapidamente il cavo di avviamento (8) per rimuovere l'olio in eccesso dalla camera di combustione.
3. Pulire la candela di accensione (34) e osservare la distanza corretta degli elettrodi sulla candela di accensione (34) oppure inserire una nuova candela (34) con distanza degli elettrodi corretta.
4. Predisporre la sega a catena per il funzionamento.
5. Riempire il serbatoio con la miscela corretta di carburante e olio (1:40).

14.3 Stoccaggio del carburante

I carburanti si possono immagazzinare solo per periodi limitati. Il carburante e le miscele di carburante invecchiano a causa dell'evaporazione sotto l'influsso di temperature elevate. Il carburante e le miscele di carburante obsolete possono causare problemi di avviamento e danni al motore. Acquistare solo la quantità di carburante che pensi consumare in qualche mese. In caso di alte temperature consumare il carburante miscelato in 6-8 settimane.

Immagazzinare il carburante in modo sicuro solo in recipienti ammessi, in ambiente asciutto e freddo!

AVVISO

Evitare il contatto con la pelle o gli occhi!

I prodotti con olio minerale, anche gli oli, ingrassano la pelle. In caso di contatto ripetuto e prolungato la pelle si secca. Di conseguenza potrebbero verificarsi diverse malattie della pelle. Inoltre possono rilevarsi reazioni allergiche.

Il contatto dell'olio con gli occhi causa irritazioni. In caso di contatto con gli occhi, sciacquare subito l'occhio coinvolto con acqua pulita. In caso di irritazione persistente rivolgersi immediatamente ad un medico!

15. Smaltimento e riciclaggio

Avvertenze per l'imballaggio



Il materiale d'imballaggio è riciclabile. Si prega di smaltire gli imballaggi nel rispetto dell'ambiente.

La vostra amministrazione comunale o altri servizi cittadini vi possono fornire informazioni sulle opzioni di smaltimento dell'apparecchio fuori servizio.

Carburanti e oli

- Prima dello smaltimento dell'apparecchio, occorre scaricare il serbatoio del carburante e quello dell'olio motore!
- Il carburante e l'olio motore non rientrano nei rifiuti domestici, né possono essere gettati nelle fognie, ma devono essere trattati e smaltiti in modo separato!
- I serbatoi dell'olio e del carburante devono essere smaltiti in modo rispettoso nei confronti dell'ambiente.

16. Risoluzione dei guasti

Guasto	Possibile causa	Rimedio
Il motore non parte oppure parte, ma non continua a funzionare.	Procedimento di avvio errato.	Seguire le indicazioni di questo manuale di istruzioni.
	Miscela del carburatore non dosata correttamente.	Fare regolare il carburatore a un addetto autorizzato del servizio clienti.
	Candela coperta di fuliggine.	Pulire/regolare o sostituire la candela di accensione.
	Filtro del carburante ostruito.	Sostituire il filtro del carburante.
Il motore parte, ma non funziona a piena potenza.	Filtro dell'aria sporco	Rimuovere i filtri, pulirli e reinserirli.
	Miscela del carburatore non dosata correttamente.	Fare regolare il carburatore a un addetto autorizzato del servizio clienti.
Il motore funziona a singhiozzo	Miscela del carburatore non dosata correttamente.	Fare regolare il carburatore a un addetto autorizzato del servizio clienti.
Nessuna potenza sotto carico	Candela di accensione non regolata correttamente.	Pulire/regolare o sostituire la candela di accensione.
Il motore funziona in modo discontinuo	Miscela del carburatore non dosata correttamente.	Fare regolare il carburatore a un addetto autorizzato del servizio clienti.
Quantità eccessiva di fumo.	Miscela di carburante errata.	Utilizzare la miscela di carburante corretta (rapporto 1:40).
Nessuna potenza sotto carico	Catena smussata o lenta	Affilare la catena oppure applicarne una nuova. Tendere la catena.
Il motore si spegne	Serbatoio della benzina vuoto oppure il filtro del carburante nel serbatoio è posizionato in modo errato	Riempire il serbatoio della benzina. Rabboccare completamente il serbatoio della benzina oppure posizionare diversamente il relativo filtro nel serbatoio.
Lubrificazione insufficiente della catena (la lama e la catena si surriscaldano)	Serbatoio dell'olio della catena vuoto	Riempire il serbatoio dell'olio della catena.
	Passaggio dell'olio intasato	Pulire il buco di lubrificazione nella lama. Pulire la scanalatura della lama.

17. Certificato di garanzia

Gentili clienti,

i nostri prodotti sono soggetti ad un rigido controllo di qualità. Se l'apparecchio non dovesse tuttavia funzionare correttamente, ci scusiamo e vi preghiamo di rivolgerci al nostro servizio di assistenza clienti all'indirizzo indicato in questa scheda di garanzia. Siamo a vostra disposizione anche telefonicamente al numero del servizio assistenza sotto indicato. Per la rivendicazione dei diritti di garanzia vale quanto segue:

- Queste condizioni di garanzia regolano ulteriori prestazioni di garanzia. La presente garanzia non tocca i vostri diritti al ricorso di garanzia previsti dalla legge. Le nostre prestazioni di garanzia sono per voi gratuite.
- La prestazione di garanzia riguarda esclusivamente le anomalie riconducibili a difetti del materiale o di produzione ed è limitata all'eliminazione di queste anomalie o alla sostituzione dell'apparecchio. Tenete presente che i nostri apparecchi non sono stati costruiti per l'impiego professionale, artigianale o industriale. Un contratto di garanzia non viene concluso quando l'apparecchio viene usato in imprese commerciali, artigianali o industriali, o con attività equivalenti. Dalla nostra garanzia sono escluse inoltre le prestazioni di risarcimento per danni dovuti al trasporto o danni causati dalla mancata osservanza delle istruzioni per il montaggio o per installazione non corretta, dalla mancata osservanza delle istruzioni per l'uso (come per es. collegamento a tensione di rete o tipo di corrente non corretto), dall'uso improprio o illecito (come per es. sovraccarico dell'apparecchio o utilizzo di utensili o accessori non consentiti), dalla mancata osservanza delle norme di sicurezza e di manutenzione, dalla penetrazione di corpi estranei nell'apparecchio (come per es. sabbia, pietre o polvere), dall'impiego della forza o dall'influsso esterno (come per es. danni dovuti a caduta) e dall'usura normale e dovuta all'impiego. I diritti di garanzia decadono quando sono già effettuati interventi sull'apparecchio.
- Il periodo di garanzia è 3 anni e inizia alla data d'acquisto dell'apparecchio. I diritti di garanzia devono essere fatti valere prima della scadenza del periodo di garanzia, entro due settimane dopo avere accertato il difetto. È esclusa la rivendicazione di diritti di garanzia dopo la scadenza del relativo periodo. La riparazione o la sostituzione dell'apparecchio non comporta una proroga del periodo di garanzia e con questa prestazione per l'apparecchio o per pezzi di ricambio eventualmente installati non inizia un nuovo periodo di garanzia. Questo vale anche nel caso si ricorra ad un servizio sul posto.
- Per la rivendicazione dei vostri diritti di garanzia, vi preghiamo di rivolgerci all'indirizzo di assistenza sotto indicato. Se il reclamo perviene entro il periodo di garanzia, sarà messa a vostra disposizione una bolla di reso con la quale potrete restituire gratuitamente l'apparecchio difettoso. Indicate il motivo di reclamo nel modo più dettagliato possibile. Se il difetto dell'apparecchio rientra nella nostra prestazione di garanzia, ricevete l'apparecchio riparato o un apparecchio nuovo a stretto giro di posta.

Naturalmente effettuiamo a pagamento anche riparazioni sull'apparecchio che non rientrano o non rientrano più nella garanzia. A tale scopo inviate l'apparecchio all'indirizzo del servizio assistenza.

La prestazione in garanzia vale per difetti del materiale o di fabbricazione. Questa garanzia non si estende a componenti del prodotto esposti a normale logorio, che possono pertanto essere considerati come componenti soggetti a usura (esempio capacità della batteria, calcificazione, lampade, pneumatici, filtri, spazzole...). La garanzia non si estende altresì a danni che si verificano su componenti delicati (esempio interruttori, batterie, parti realizzate in vetro, schermi, accessori vari) nonché danni derivanti dal trasporto o altri incidenti.

Numero servizio assistenza (IT):

00800 4003 4003

Service-Hotline (CH):

00800 4003 4003

Indirizzo e-mail (IT):

service.IT@scheppach.com

Service-Email (CH):

service.CH@scheppach.com

Indirizzo servizio assistenza (IT):

TeleMarCom European Services GmbH
Am Ziegelweiher 14
DE - 61130 Nidderau

Service-Adresse (CH):

Klaus-Häberling AG
Industriestraße 6
CH - 8610 Uster







Su www.lidl-service.com è possibile scaricare questo e molti altri manuali, video di prodotti e software di installazione.

Con il codice QR si accede direttamente alla pagina di assistenza di Lidl (www.lidl-service.com) ed è possibile consultare le istruzioni per l'uso desiderate inserendo il numero di articolo (IAN) 436506_2304.

1.	Vysvětlení symbolů na přístroji	153
2.	Pokyn pro uživatele.....	154
3.	Úvod	155
4.	Popis zařízení	155
5.	Rozsah dodávky.....	155
6.	Použití v souladu s určením.....	156
7.	Bezpečnostní pokyny.....	156
8.	Technické údaje	161
9.	Před uvedením do provozu	161
10.	Uvedení do provozu	163
11.	Použití.....	165
12.	Přeprava	167
13.	Čištění a údržba.....	168
14.	Skladování.....	171
15.	Likvidace a recyklace.....	172
16.	Odstraňování poruch.....	173
17.	Záruční list	174
18.	Rozpadový výkres.....	275
19.	Prohlášení o shodě.....	276

1. Vysvětlení symbolů na přístroji

	Přečtěte si všechny výstražná upozornění, osvojte si je a dodržujte je.		Než začnete s přístrojem pracovat, přečtěte si celý návod k obsluze.
	Varování! Nebezpečí zpětného rázu (zpětné kopnutí). Chraňte se před zpětným rázem řetězové pily a zabraňte kontaktu se špicí lišty.		Přístroj neprovozujte za deště nebo ve vlhkém prostředí.
	Noste ochranné brýle. Noste ochranu sluchu.		Noste ochrannou helmu.
	Při práci s přístrojem noste vždy bezpečnostní antivibrační obuv.		Při práci se zařízením noste vždy bezpečnostní obuv s protiskluzovou podrážkou a ochranou proti pořezání.
	Důležité je nošení ochranného oděvu pro chodidla, nohy, ruce a předloktí.		Držte řetězovou pilu vždy pevně oběma rukama. Nikdy nepracujte s řetězovou pilou jednou rukou.
	Pozor! Použití řetězové pily v kombinaci s lanovou technikou. Před zahájením prací se dobře seznámte se všemi pracovními pokyny!		Otevřený oheň je v pracovním prostoru zakázán!
	Otvor pro plnění paliva. Směs oleje a paliva 1:40.		Směr otáčení
	Uzávěr nádrže oleje na řetěz.		Nastavení brzdy řetězu: Bílá šipka: Brzda řetězu neaktivní. Černá šipka: Brzda řetězu aktivována.
	Páka na studený start (sytič).		Uvolnění brzdy řetězu.
	Aktivace brzdy řetězu.		Směr vestavby řetězu pily.
	Nastavení mazání řetězu.		Garantovaná hladina akustického výkonu přístroje.

	Pozor! Horké části.		push primer 6 times	Stiskněte 6 x palivové čerpadlo (Primer).
	Směr chodu řetězu.			Nastavení napnutí řetězu.
RIZIKO	Signální slovo označující bezprostředně nastávající nebezpečnou situaci, která může mít za následek smrt nebo vážné zranění, pokud se jí nezabrání.			
VAROVÁNÍ	Signální slovo označující potenciálně nebezpečnou situaci, která by mohla mít za následek smrt nebo vážné zranění, pokud se jí nezabrání.			
OPATRŇĚ	Signální slovo označující potenciálně nebezpečnou situaci, která by mohla mít za následek lehké nebo středně těžké zranění, pokud se jí nezabrání.			
UPOZORNĚNÍ	Signální slovo označující potenciálně nebezpečnou situaci, která by mohla mít za následek poškození výrobku nebo vlastnictví/majetku.			

2. Pokyn pro uživatele

VAROVÁNÍ:

Před prvním uvedením do provozu si důkladně přečtěte tento návod k obsluze a bezpodmínečně dodržujte bezpečnostní předpisy! Tuto pilu na ošetřování stromů smí obsluhovat pouze „uživatelé pily na ošetřování stromů s doplňkovým vyškolením pro práce ve zdvihacích nebo montážních koších resp. v lanové technice“!

Návod k obsluze pečlivě uschovejte!

Upozornění:

Dbajte prosím na to, že některé národní předpisy mohou používání stroje omezovat.



Tato pila na ošetřování stromů je určena speciálně pro péči o stromy a stromovou chirurgii. Veškeré práce s pilou na ošetřování stromů jsou určeny speciálně pro péči o stromy a stromovou chirurgii. Veškeré práce s touto pilou na ošetřování stromů směřj provádět pouze vyškolení uživatelé této pily!

3. Úvod

VÝROBCE:

Schepach GmbH
Günzburger Straße 69
D-89335 Ichenhausen

VÁŽENÝ ZÁKAZNÍKU,

přejeme vám mnoho radostí a úspěchu při práci s novým zařízením.

UPOZORNĚNÍ:

Výrobce tohoto zařízení neručí podle platného zákona o odpovědnosti za vady výrobku za škody, které vzniknou na tomto zařízení nebo jeho prostřednictvím v případě:

- neodborné manipulace,
- nedodržování návodu k obsluze,
- oprav prostřednictvím třetích osob, neautorizovaných odborníků,
- montáže a výměny neoriginálních náhradních dílů,
- použití, které není v souladu s určením.

Mějte na paměti:

Před montáží a zprovozněním si přečtěte celý text návodu k obsluze.

Tento návod k obsluze vám má usnadnit seznámení se zařízením a jeho používání v souladu s určením.

Návod k obsluze obsahuje důležité pokyny, jak se zařízením pracovat bezpečně, odborně a ekonomicky, abyste se vyhnuli rizikům, ušetřili náklady za opravy, omezili dobu nečinnosti a zvýšili spolehlivost a životnost zařízení.

Kromě bezpečnostních ustanovení tohoto návodu k obsluze musíte bezpodmínečně dodržovat předpisy své země, které platí pro provoz zařízení.

Uchovávejte návod k obsluze u zařízení v plastovém obalu, který jej bude chránit před znečištěním a vlhkostí. Před započetím práce si jej musí každý pracovník obsluhy přečíst a pečlivě jej dodržovat.

Se zařízením smějí pracovat jen osoby, které jsou poučeny o jeho použití a informovány o nebezpečích, která jsou s ním spojena. Dodržujte minimální požadovaný věk obsluhy.

Kromě bezpečnostních pokynů, které jsou obsaženy v tomto návodu k obsluze, a zvláštních předpisů vaší země, je při provozu konstrukčně stejných strojů zapotřebí dodržovat všeobecně uznávaná technická pravidla.

Nepřebíráme žádnou záruku za nehody nebo škody způsobené nedodržováním tohoto návodu a bezpečnostních pokynů.

4. Popis zařízení

1. Řetěz pily
2. Vodicí lišta
3. Přední ochrana rukou
4. Palivové čerpadlo „Primer“
5. Plynová páčka
6. Zadní rukojeť
7. Pojistka plynové páčky
8. Startovací tažné lanko
9. Kryt vzduchového filtru
10. Uzávěr na kryt vzduchového filtru
11. Uzávěr nádrže řetězového oleje
12. Přední rukojeť
13. Uzávěr palivové nádrže
14. Páka na studený start (sytič)
15. Tlačítka pro zapnutí/vypnutí
16. Upevňovací matice
17. Kryt řetězového kola
18. Tlumič hluku
19. Závěsné zařízení
20. Klíč na zapalovací svíčky / plochý šroubovák
21. Kryt vodicí lišty
22. Mísící nádoba
23. Napínací šroub řetězu
24. Zubová opěrka
25. Zachytávácí řetězu
26. Napínací kolík řetězu
27. Řetězové kolo
28. Vodicí drážka
29. Upevňovací čep
30. Ozubené kolo
31. Mazací otvor
32. Regulační šroub oleje
33. vzduchový filtr
34. Zapalovací svíčka
35. Konektor zapalovací svíčky
36. Sací hlava

5. Rozsah dodávky

- Pila na ošetřování stromů
- Řetěz pily
- Vodicí lišta
- Kryt vodicí lišty
- Klíč na zapalovací svíčky / plochý šroubovák
- Mísící nádoba

6. Použití v souladu s určením

Tento přístroj je mimořádně lehká a snadno ovladatelná pila na ošetřování stromů s rukojetí v horní části. Pila na ošetřování stromů je vyvinuta speciálně pro stromovou chirurgii a péči o stromy. Tyto pily na ošetřování stromů směřují proto obsluhovat pouze „uživatelé pily na ošetřování stromů s doplňkovým výškolením pro práce ve zdvihacích nebo montážních koších resp. v lanové technice“.

Pro příležitostné použití na tenké dřevo, péči o ovocné stromy, odvětvování, seřezávání.

Příprava krbového dřeva se smí provádět pouze v případě, že průměr dřeva nepřekročí řeznou délku (20 cm).

Na tyto práce doporučujeme konvenční motorovou pilu s velkou vzdáleností rukojetí resp. řeznou délkou.

Kdo nesmí přístroj používat:

Osoby, které nejsou seznámené s návodem k obsluze, děti mladší 16 let a rovněž osoby, které jsou pod vlivem alkoholu, drog, léků, jsou unavené nebo nemocné.

Zařízení slouží v souladu se svým určením výlučně k řezání dřeva. Výrobce neručí za škody, které byly zapříčiněny použitím v nesouladu s určením nebo chybnou obsluhou.

Nářadí se smí používat pouze v souladu s určením. Jakékoliv další použití kromě tohoto je v rozporu s určením. Za škody nebo zranění všeho druhu, které vzniknou na základě použití v rozporu s určením, zodpovídá uživatel/obsluhující osoba a ne výrobce.

Součástí použití k určenému účelu je dodržování bezpečnostních pokynů a také montážní návod a provozní pokyny v návodu k obsluze.

Osoby provádějící obsluhu a údržbu přístroje s ním musí být seznámeny a informovány o potenciálních nebezpečích.

Kromě toho je třeba co nejpřesněji dodržovat platné předpisy pro prevenci nehodovosti.

Je třeba dodržovat ostatní všeobecná pravidla pro oblastí pracovního lékařství a bezpečnostně technická pravidla. Změny na přístroji zcela vylučují ručení výrobce za škody, které takto vzniknou.

Respektujte prosím, že náš přístroj v souladu s určením není konstruován pro komerční, řemeslné a průmyslové použití. Nepřebíráme zodpovědnost v případě, když se přístroj použije v komerčních, řemeslných nebo průmyslových provozech, a při srovnatelných činnostech.

NEBEZPEČÍ

Výrobce tohoto zařízení neručí podle platného zákona o odpovědnosti za vady výrobku za škody, které vzniknou na tomto zařízení nebo jeho prostřednictvím v případě:

- montáže a výměny neoriginálních náhradních dílů,
- odebrání nebo změny bezpečnostních komponentů.

6.1 Použití v rozporu s určeným účelem

- Tento přístroj není vhodný na kácení.
- Nepoužívejte vodící lištu jako páku, abyste pohnuli kmeny stromů nebo podobnými předměty.
- Řezání dřeva s průměrem nad 20 cm není dovoleno.

7. Bezpečnostní pokyny

7.1 Všeobecné pokyny

VAROVÁNÍ

Při práci s přístrojem buďte neustále pozorní a dávejte pozor na to, co děláte a postupujte vždy s rozvahou. Nepoužívejte přístroj, jste-li nemocní nebo unaveni nebo pod vlivem drog, alkoholu nebo léků. Okamžik nepozornosti při používání přístroje může vést k vážným zraněním.

Vyvarujte se chybného použití, stroj používejte pouze tak, jak je popsáno pod „použitím k určenému účelu“.

Návod k obsluze obsahuje důležitá upozornění pro bezpečnou, odbornou a ekonomickou práci s řetězovou pilou a zabránění nebezpečí.

Pokud přesto vznikla blokáda mezi řezným materiálem a řetězem pily, pilu ihned vypněte. Počkejte, až se řetěz pily zastaví. Vyjměte konektor zapalovací svíčky a na odstranění blokády si navlečte protitřezné rukavice. Pokud je nutné vyjmout vodící lištu (lištu), řiďte se instrukcemi popsanými v kapitole „Montáž“. Po odstranění blokády a opětovné montáži je nutné provést zkušební běh.

Pokud přitom zjistíte vibrace nebo mechanické zvuky, přerušete práci a obraťte se na autorizované servisní místo. Pokud by se toto ohrožení vyskytovalo častěji, doporučujeme opětovné školení.

- Před uvedením do provozu si přečtěte návod k obsluze vašeho přístroje a především dodržujte bezpečnostní pokyny.
- Varovné a upozorňovací štítky umístěné na přístroji poskytují důležitá upozornění pro bezpečný provoz.
- Kromě upozornění v návodu k obsluze je třeba dodržovat všeobecné bezpečnostní předpisy a zákonné předpisy prevence nehod.
- Držte obalové fólie mimo dosah dětí, hrozí nebezpečí udušení!
- Nedostatečně informovaní pracovníci obsluhy mohou v důsledku neodborného používání ohrozit sebe a jiné osoby. Pracovník obsluhy je odpovědný třetím osobám.
- Před začátkem práce zkontrolujte funkci plynové páčky. Ta se musí po uvolnění automaticky vrátit do polohy volnoběhu.
- Nepracujte déle než 10 minut na jednom kusu. Doporučuje se vkládat mezi jednotlivé pracovní operace pauzy 10 - 20 minut.
- Přístroj půjčujte pouze uživatelům, kteří s ním mají zkušenosti. Přitom je nutné jim předat návod k obsluze.
- Některé řezací úkoly vyžadují speciální školení a zvláštní dovednosti. V případě pochybností se obraťte na odborníka.
- První uživatel se musí zaškolit, aby se obeznámil s vlastnostmi přístroje. Pro vlastní bezpečnost navštěvujte státní učební kurz ovládání motorové pily.
- Při nepoužívání musí být přístroj odstaven tak, aby nebyl nikdo ohrožen. Chraňte před nepovolaným přístupem.
- Uživatel přístroje je odpovědný za veškeré nehody a ohrožení, které poškodí jiné osoby nebo jejich majetek.
- Děti, mladiství a osoby s omezenými fyzickými, smyslovými nebo duševními schopnostmi nesmějí řetězovou pilu obsluhovat. Výjimka platí pouze pro mladistvé nad 16 let v rámci výškolení pod dohledem odborníka.
- Elektrické zapalovací zařízení přístroje vytváří nepatrné elektromagnetické pole. Pokud jste nositeli kardiostimulátoru nebo podobných implantátů, poraďte se před použitím přístroje se svým lékařem, abyste zabránili ohrožení zdraví.
- Myslete na to, že nesprávná údržba, použití nevhodných náhradních dílů, nebo odstranění či modifikace bezpečnostních zařízení mohou vést k poškození přístroje a těžkým zraněním osob, které s ním pracují.

7.2 Osobní ochranné pracovní prostředky (OOPP)

NEBEZPEČÍ

Noste vždy osobní ochranné pomůcky (OOP)!

- Noste ochrannou helmu s ochrannou obličejí resp. ochranné brýle a ochranu sluchu.
- Noste přiléhavý ochranný oděv s ochrannou vložkou proti proříznutí.
- Noste protiskluzovou bezpečnostní obuv.
- Používejte ochranné rukavice.
- Vyvarujte se volného oděvu, který se může zachytit.
- Nenoste šátky, kravaty ani šperky!
- Máte-li dlouhé vlasy, noste na nich síťku!
- Noste při veškeré práci v lese ochrannou helmu. Poskytujte ochranu před padajícími větvemi. Pravidelně ochrannou helmu kontrolujte, zda není poškozená. Nejpозději po 5 letech je třeba ji vyměnit. Používejte pouze ověřené ochranné helmy.
- Ochrana obličejí resp. ochranné brýle zadrží piliny a dřevěné třísky. Aby se zamezilo poranění očí, je nutné při práci s přístrojem stále nosit ochranu obličejí resp. ochranné brýle.
- Vždy noste ochranu sluchu. Hluk vycházející z přístroje může poškodit sluch.
- Noste důkladné ochranné rukavice z odolného materiálu, jako např. kůže.
- Při řezání suchého dřeva noste protiprašnou masku. Může dojít k tvorbě řezného prachu.
- Při práci na stromě může uživatel spadnout. Uživatel může být vážně zraněn nebo usmrčen. Používejte vybavení pro ochranu proti pádu.

7.3 Skladování a přeprava

- Před každou přepravou, i na krátké vzdálenosti, řetězovou pilu vypněte. Zapněte brzdu řetězu a nasadte ochranu řetězu.
- Ochranu řetězu použijte při přepravě a skladování.
- Během přepravy stroj zajistěte (i na vozidlech) před převrácením, abyste zabránili ztrátě paliva, poškození nebo zranění.
- Noste přístroj pouze za přední rukojeť. Vodicí lišta přitom směřuje dozadu, odvrácená od těla.
- Držte horký tlumič hluku od těla. Hrozí nebezpečí popálení!
- Před uskladněním řetězovou pilu očistěte a proveďte údržbu.
- Přístroj skladujte na bezpečném a suchém místě. Zajistěte jej také před nepovolaným přístupem.

7.4 Bezpečnost okolí

- Národní a/nebo obecní ustanovení mohou časově omezovat použití hlučných motorových přístrojů. Informujte se o tom na příslušném obecním úřadu.
- Přístroj nesmí být provozován ve vnitřních prostorách nebo jiných špatně větraných oblastech. Hrozí nebezpečí udušení v důsledku jedovatých spalin/výparů mazacích olejů.
- Práce provádějte pouze za denního světla.
- Nepracujte ani při nepříznivých povětrnostních podmínkách, jako např. za deště nebo větru. Hrozí přitom zvýšené riziko nehody.
- Udržujte svou pracovní oblast čistou a uklizenou.
- Před prací a během ní udržujte děti, jiné osoby a zvířata v patřičné vzdálenosti. Při rozptýlení můžete ztratit kontrolu nad přístrojem.
- Před začátkem práce se ujistěte, že v nebezpečné zóně nejsou žádné osoby, zvířata ani předměty s věcnou hodnotou.
- Nepracujte v blízkosti drátěných plotů nebo v oblastech s volnými starými dráty.
- Pokud pracujete v snadno vznítitelném prostředí, jako např. v suché trávě, připravte si hasicí prostředky. Hrozí nebezpečí požáru!

7.5 Doplněte palivo

- Benzín je velmi snadno vznětlivý. Při čerpání pohonných hmot dodržujte bezpečnou vzdálenost od otevřeného ohně a nekuřte. Hrozí nebezpečí požáru!
- Dávejte pozor, abyste nevylili benzin. Benzín ani olej na řetěz se nesmí dostat do půdy. Vezměte si na pomoc vhodné podklady.
- Tankujte pouze v dostatečně větraných prostorách. Benzinové výpary se mohou snadno vznítit nebo vybuchnout.
- Před tankováním vypněte motor a nechte přístroj vychladnout. Pokud rozlijete benzin, ihned dotčená místa vyčistěte. Dávejte pozor, aby se vám palivo nedostalo na oblečení, jinak se hned převlékněte.
- Vyvarujte se také kontaktu benzínů nebo mazacích látek (olejů) s pokožkou a očima.
- Nevdechujte benzinové výpary/výpary mazacích olejů.
- Dávejte pozor na netěsnosti. Pokud vyteče benzin, nestartujte motor. Hrozí nebezpečí popálení.
- Uzávěr nádrže otevírejte jen opatrně, aby mohl uniknout případný přetlak a benzin nevystříkl.

7.6 Před uvedením do provozu

VAROVÁNÍ

Kontroly provádějte vždy před uvedením do provozu a při vypnutém motoru.

Zkontrolujte provozní bezpečnost přístroje před každým použitím a poté, co upadl na zem.

Zkontrolujte, zda všechny pohyblivé díly bezvadně fungují. Příčinou mnoha nehod jsou špatně udržované nástroje. Opravu poškozených dílů svěřte kvalifikovanému odbornému personálu.

Řetězovou pilu a příslušenství používejte pouze podle těchto instrukcí. Zohledněte přitom pracovní podmínky a prováděnou činnost. Používání motorových nástrojů pro jiné než určené aplikace může vést k nebezpečným situacím.

- Pravidelně kontrolujte funkčnost brzdy řetězu (přední ochrana ruky, viz obr. 2).
- Zkontrolujte, zda je správně namontovaná vodící lišta.
- Zkontrolujte, zda je správně napnutý řetěz pily. Dodržujte pokyny pro mazání, napínání řetězu a výměnu příslušenství. Neodborně napnutý nebo namazaný řetěz se může přetrhnout nebo zvýšit riziko zpětného rázu.
- Udržujte řezné nástroje ostré a čisté. Pravidelně ostřete přístroj a opotřeбенé díly včas vyměňte. Pečlivě udržované řezné nástroje s ostrými břity se méně přičí a lze je snadněji vést.
- Zkontrolujte plynovou páčku a pojistku plynové páčky, zda mají lehký chod. Plynová páčka musí zaskočit zpět do výchozí pozice.
- Zkontrolujte, zda je v nádrži dostatek paliva a mazacích olejů řetězu.
- Zkontrolujte, zda jsou rukojeti čisté, suché a zbavené oleje a nečistot.
- Nikdy nepracujte sami. V případě nouze musí být někdo poblíž.
- Používejte řetězovou pilu pouze tehdy, když stojíte na pevném, bezpečném a rovném podkladu. Zabraňte nestabilnímu držení těla. Kluzký podklad nebo nestabilní plochy pro stání (např. na žebříku) mohou vést ke ztrátě rovnováhy nebo ke ztrátě kontroly nad řetězovou pilou. Zajistěte si stabilní postoj a vždy udržujte rovnováhu. Tak můžete řetězovou pilu lépe kontrolovat i v nečekaných situacích.
- Nepracujte s řetězovou pilou na stromě. Při práci na stromě hrozí nebezpečí zranění.
- Nikdy neřežte nad úroveň ramen.
- Držte řetězovou pilu vždy svojí pravou rukou za zadní rukojeť a svojí levou rukou za přední rukojeť. Držení řetězové pily opačně zvyšuje riziko zranění a nesmí se používat.

- Za běžící řetězové pily držte všechny části těla směrem od řetězu pily. Ujistěte se před spuštěním řetězové pily, že se ničeho nedotýká. Při práci s řetězovou pilou může i moment nepozornosti vést k tomu, že je řetězem pily zachycen oděv nebo části těla.
- Řetězovou pilu okamžitě vypněte, jakmile zaznamenáte citelné změny v chodu stroje.
- Pokud řetězová pila přijde do kontaktu s kameny, hřebíky nebo jinými tvrdými předměty, ihned vypněte motor a zkontrolujte řetěz pily a vodící lištu, zda nejsou poškozené.
- Nenechte řetězovou pilu spadnout, nenarážejte s ní na překážky a nikdy nepoužívejte vodící lištu jako páku.
- Řežte s řetězovou pilou pouze dřevo.
- Při řezání větví, které jsou napjaté, počítejte s tím, že se odpruží zpět. Pokud se napjatá dřevěná vlákna uvolní, může napjatá větev trefit obsluhující osobu anebo dostat řetězovou pilu mimo kontrolu.
- Zejména opatrní buďte při řezání podrostu a mladých stromů. Tenký materiál se může zachytit v řetězu pily a udeřit vás nebo vás vyvést z rovnováhy.

7.7 Vibrace

VAROVÁNÍ

Vyvarujte se ohrožení způsobených vibracemi, např. rizika bělání prstů (Raynaudův fenomén, poruchy prokrvení); dělejte v práci časté přestávky a při nich si např. třete dlaně o sebe.

- Noste vždy ochranné rukavice a dbejte na to, abyste měli teplé ruce.
- Dbejte na to, aby byl řetěz vždy ostrý.
- Dělejte při práci pravidelně přestávky.

7.8 Preventivní bezpečnostní opatření proti zpětnému rázu

VAROVÁNÍ

Dávejte při práci pozor na zpětný ráz přístroje. Hrozí nebezpečí zranění. Zamezte zpětným rázům opatřeními a správnou technikou řezání.

- Dotyk špicí lišty může v mnohých případech vést k neočekávané, dozadu směřované reakci, při které se může vodící lišta vymrštit nahoru a ve směru obsluhy.
- Zpětný ráz může nastat, pokud se špice vodící lišty dotkne předmětu nebo pokud se ohne dřevo a řetěz pily se pevně sevře v řezu.

- Vzpříčení řetězu pily na horní hraně vodící lišty může řetězovou pilu nekontrolovaně prudce vrhnout zpět k obsluhující osobě.
- Vzpříčení řetězu pily na spodní hraně vodící lišty může řetězovou pilu nekontrolovaně prudce vytrhnout od směru obsluhující osoby.
- Buďte extrémně opatrní, když nasazujete řetěz řetězové pily k dalšímu řezání do již načatého řezu.
- Neřežte větve ani kusy dřeva, které mohou během řezání změnit polohu nebo u kterých se řez v průběhu řezání zavírá.
- Každá z těchto reakcí může vést k tomu, že ztratíte kontrolu nad pilou a že se možná těžce zraníte. Nikdy se neopolehejte pouze na bezpečnostní zařízení zabudovaná na řetězové pile. Jako uživatel řetězové pily učiňte různá opatření, abyste mohli pracovat bez nehod a zranění.

Zpětný ráz je důsledkem chybného nebo nesprávného používání. Tomu lze zabránit vhodnými preventivními opatřeními, popsány dále:

- Pilu držte pevně oběma rukama, přičemž palce a prsty obklopují rukojeti řetězové pily. Tělo a paže uveďte do takové polohy, ve které můžete zachytit síly zpětných rázů. Pokud byla učiněna vhodná opatření, může obsluha síly zpětných rázů zvládnout. Nikdy nepouštějte řetězovou pilu.
- Zabraňte abnormálnímu držení těla a neřežte nad úrovní ramen. Tím je zabráněno nezamýšlenému dotyku špicí lišty a je umožněna lepší kontrola řetězové pily v neočekávaných situacích.
- Používejte vždy výrobcem předepsané náhradní lišty a řetězy pily. Nesprávné náhradní lišty a pilové řetězy mohou vést k přetržení řetězu pily a/nebo ke zpětnému rázu.
- Držte se pokynů výrobce pro broušení a údržbu řetězu pily. Příliš nízké hloubkové omezovače zvyšují sklony ke zpětnému rázu.
- Nikdy neřežte špičkou lišty. Hrozí nebezpečí zpětného rázu. (obr. 7)
- Ujistěte se, že v oblasti řezání nejsou žádné hřebíky ani kusky kovu. Dávejte pozor zejména na hřebíky nebo kusky kovu v okolí oblasti řezání. Buďte také opatrní při řezání tvrdých dřev, v nichž se může řetěz zaseknout. Tím může dojít ke zpětnému rázu.
- Začněte řez plnou silou a během řezání udržujte řetězovou pilu stále v nejvyšší rychlosti.
- Postarejte se o to, aby na zemi neležely žádné předměty, o které byste mohli klopýtnout.

7.9 Pracovní podmínky a technika

- Pracujte pouze za dobré viditelnosti a dobrých světelných podmínek. Obzvlášť dávejte pozor na náledí, mokro, led a sněh (nebezpečí uklouznutí). Zvýšené nebezpečí uklouznutí hrozí na čerstvě odkorněném dřevě (kůra).
- Nikdy nepracujte na nestabilních podkladech. Dávejte pozor na překážky v pracovním prostoru, nebezpečí klopýtnutí. Je třeba neustále dbát na bezpečný postoj.
- Nikdy neřežte nad výškou ramen.
- Nikdy neřežte při stání na žebříku.
- Nikdy s řetězovou pilou nelezte na strom a neprovádějte práce bez odpovídajících zadržných systémů pro přístroj a člověka. Doporučujeme vždy provádět práce z pracovní plošiny.
- Nepracujte v přílišném předklonu.
- Veďte řetězovou pilu tak, aby se žádná část těla nenacházela v prodlouženém rozsahu otáčení pilového řetězu.
- Řetězovou pilou řežte pouze dřevo.
- Nedotýkejte se běžícím pilovým řetězem země.
- Oblast řezu očistěte od cizích předmětů, jako je písek, kameny, hřebíky apod. Cizí předměty poškozují pilové ústrojí a mohou vést k nebezpečnému zpětnému rázu (kopnutí) anebo mohou být odmrštěny.
- Při řezání řeziva používejte bezpečnou podložku (pokud možno kozlík). Dřevo se nesmí přidržovat nohou ani ho nesmí přidržovat jiná osoba.
- Kulatinu je třeba zajistit proti pootočení v řezu.
- Nikdy nepracujte bez zubové opěrky, řetězová pila může strhnout obsluhující osobu dopředu. Zubovou opěrku používejte k řezání kmenů nebo silných větví. Používání zubové opěrky zvyšuje bezpečnost práce, snižuje osobní zatížení při práci a redukuje také vibrace.
- Při hlavním a zkracovacím řezu se musí zubová lišta (zubový doraz) nasadit na řezané dřevo. Také k prořezávání silných větví se doporučuje použití zubové lišty.
- Před každým zkracovacím řezem zubovou lištu pevně nasadte, teprve pak řežte běžícím pilovým řetězem do dřeva. Pila je přitom tažena nahoru za zadní rukojeť a vedena obloukovou rukojetí. Zubová lišta slouží jako bod otáčení. Dodatečně nasazování se provádí lehkým tlakem na obloukovou rukojeť. Řetězovou pilu přitom trochu zatáhněte dozadu. Zubovou lištu nasadte hlouběji a znovu vytáhněte zadní rukojeť.
- Pozor při řezání rozříznutého dřeva. Může dojít k zachycení odřezaných kusů dřeva (nebezpečí úrazu).
- Řetězová pila sebou při řezání horní stranou lišty může trhnout směrem k obsluze, když řetěz pily uvizne. Proto by se mělo pokud možno řezat spodní stranou lišty, protože řetězová pila je tažena směrem ke dřevu a od těla.

- Dřevo pod pnutím se musí vždy napřed naříznout na straně tlaku. Teprve pak může následovat oddělovací řez na tažné straně. Tak se zamezí uváznutí lišty.
- Pokud pracujete na stromě, může motorová pila spadnout. Může dojít k vážnému úrazu osob a vzniku věcných škod. Motorovou pilu zajistěte pomocí závesného zařízení.
- Než je řetěz pily veden v oblasti řezu, může dojít ke sklouznutí motorové pily do strany nebo jejímu odskočení.

POZOR

Zvýšené riziko zpětného rázu!

Pro zachování plné kontroly v okamžiku „proříznutí“ snižte na konci řezu přítláčný tlak a řetězovou pilu dále pevně držte za rukojeť. Dbejte na to, aby se řetěz pily nedotkl země. Po provedení řezu vyčkejte, až se pila zastaví, a teprve poté řetězovou pilu odstraňte. Než přejdete od jednoho stromu ke druhému, vždy nejprve vypněte motor řetězové pily.

VAROVÁNÍ

V případě delší práce může v důsledku vibrací v rukou dojít k poruše prokrvení rukou (syndrom bílých prstů).

Syndrom bílých prstů je vaskulární onemocnění, při němž se malé krevní cévy v prstech rukou a nohou křečovitě stahují. Dotčené oblasti již nejsou dostatečně zásobovány krví, a proto vypadají velmi bledě. Časté používání vibračních přístrojů může způsobit poškození nervů u osob s narušením krevního oběhu (např. kuřáci, diabetici).

Pokud zaznamenáte neobvyklé negativní účinky, okamžitě ukončete práci a poraďte se s lékařem.

Dodržujte následující pokyny pro snížení rizik:

- Tělo a zvláště ruce udržujte v chladném počasí teplé.
- Provádějte pravidelné přestávky a pohybuje rukama, abyste podpořili krevní oběh.
- Pravidelnou údržbu a pevnými díly na zařízení zajistíte co možná nejnížší vibrace stroje.

7.10 Zbytková rizika

NEBEZPEČÍ

NEBEZPEČÍ ZRANĚNÍ!

Kontakt s řetězem pily může vést ke smrtelným řezným zraněním. Nikdy nezasahujte rukama do běžícího řetězu pily.

NEBEZPEČÍ ZPĚTNÉHO RÁZU!

Zpětný ráz může vést ke smrtelným řezným zraněním.

NEBEZPEČÍ POPÁLENÍ!

Řetěz a vodící lišta se za provozu zahřejí.

Přístroj je zkonstruován podle stavu techniky a uznávaných bezpečnostně technických předpisů. Přesto se mohou během práce vyskytnout jednotlivá zbytková rizika.

Kromě toho mohou přes všechna přijatá preventivní opatření vzniknout zbytková rizika, která nebudou zjevná.

Zbytková rizika mohou být minimalizována, budete-li dodržovat jak „Bezpečnostní pokyny“, tak „Určené použití“ a pokyny k obsluze.

8. Technické údaje

Stroj bez lišty

Délka x šířka x výška270 x 230 x 240 mm

Hmotnost v nenatankovaném stavu,

bez řezací soupravy cca3,4 kg

Hmotnost v nenatankovaném stavu, s řezací

soupravou cca3,8 kg

Nádrž na mazací olej řetězu0,16 l

Objem palivové nádrže0,23 l

Směs oleje a paliva1:40

Délka řezu20 cm

Délka šavle30 cm

Automatické olejování řetězuano

Dělení řetězu3/8" (9,525 mm)

Tloušťka članku řetězu1,27 mm

Typ řetězu3/8LP-40

Počet zubů hnacího kola řetězu6

Rozečť zubů hnacího kola řetězu3/8"

Typ lištyAP10-40-509P

Rychlost řetězu max.21 m/s

Motor1 válec 2takt vzduchem chlazený

Zdvih motoru25,4 cm³

Max. výkon motoru podle ISO 72930,7 kW

Volnoběžné otáčky n_0 3300 ± 300 min⁻¹

Maximální otáčky s řeznou soupravou11000 min⁻¹

Zapalovací svíčkaL8RTC

Hladina akustického tlaku je nutné v závislosti na využití a prováděných činnostech redukovat tak, aby nevzniklo žádné ohrožení zdraví uživatele. Hladina akustického tlaku na pracovišti může přesáhnout 80 dB. V takovém případě jsou pro uživatele nutná ochranná protihluková opatření (např. nošení ochranných sluchátek).

Omezte hlučnost a vibrace na minimum!

- Používejte pouze bezvadné přístroje.
- Pravidelně provádějte údržbu a čištění přístroje.
- Přizpůsobte svůj styl práce přístroji.
- Přístroj nepřetěžujte.
- Případně nechte přístroj přezkoušet.
- Přístroj vypněte, když se nepoužívá.
- Používejte rukavice.

Naměřená hladina akustického tlaku L_{pA} 99,2 dB

Kolisavost K_{pA} 3 dB

Zaručená hladina akustického výkonu L_{WA} 113 dB

Naměřená hladina akustického výkonu L_{WA} 108,7 dB

Kolisavost K_{WA} 3 dB

Vibrace, přední rukojeť8,98 m/s²

Vibrace, zadní rukojeť8,03 m/s²

Kolisavost1,5 m/s²

Používejte ochranu sluchu.

Působení hluku může vést ke ztrátě sluchu.

Uvedené hodnoty hlukových emisí byly měřeny normovaným zkušebním postupem a mohou být použity ke srovnání přístroje s jiným.

Uvedené hodnoty hlukových emisí lze použít rovněž k předběžnému odhadu zatížení.

Varování:

- Hodnoty hlukových emisí se mohou během reálného používání přístroje lišit od uvedených hodnot v závislosti na způsobu použití přístroje, především podle toho, jaký výrobek se bude obrábět.
- Pokuste se udržet zatížení na co nejnižší úrovni. Příklad opatření: omezení pracovní doby. Přitom je třeba zohlednit všechny části provozního cyklu (například doby, kdy je přístroj vypnutý, a doby, kdy je sice zapnutý, běží však naprázdno).

9. Před uvedením do provozu

1. Otevřete balení a opatrně vyjměte přístroj.
2. Odstraňte balicí materiál a obalové a přepravní pojistky (pokud je jimi výrobek opatřen).
3. Zkontrolujte, zda je rozsah dodávky úplný.
4. Zkontrolujte přístroj a díly příslušenství, zda se při přepravě nepoškodily.

- Uchovejte obal dle možností až do uplynutí záruční doby.
- Odstraňte stručný návod ze startovacího tažného lanka (8).

POZOR

Zařízení a obalové materiály nejsou hračka! S plastovými sáčky, fóliemi a drobným díly si nesmějí hrát děti! Hrozí nebezpečí spolknutí těchto věcí a udušení!

9.1 Montáž vodící lišty (2) a řetězu pily (1)

⚠ VAROVÁNÍ

Nebezpečí zranění!

Noste vždy ochranné rukavice, když se dotýkáte řetězu pily (1). Nebezpečí zranění ostrými řezacími zuby!

Používejte pouze schválené kombinace řetězu pily (1) a vodící lišty (2) (viz kapitola „Schválené řezací sady“).

Montáž provádějte vždy při vypnutém motoru.

Upozornění

Nový řetěz pily (1) se protahuje a musí se častěji dodatečně napínat. Pravidelně kontrolujte napnutí řetězu a upravujte je. Podle stupně opotřebení lze vodící lištu (2) obrátit.

- Postavte řetězovou pilu na rovný stabilní podklad.
- Zatáhněte přední ochranu rukou (3) až na doraz dozadu pro uvolnění brzdy řetězu. (obr. 2)
- Vyjměte obě upevňovací matice (16) pomocí klíče na zapalovací svíčky (20).
- Sejměte kryt řetězového kola (17).
- Upínací šroub řetězu (23) otáčejte doleva (proti směru hodinových ručiček), až bude upínací kolík řetězu (26) u pravého dorazu (obr. 3). K tomu použijte plochý šroubovák (20).
- Nasuňte podélný otvor vodící lišty (2) na oba vyčnívající upevňovací čepy (29).
- Položte řetěz pily (1) přes ozubení řetězového kola (27). Zaveďte řetěz pily (1) přesně ve směru uvedeném na vodící liště (2). Na hrotu vodící lišty (2) je ozubené kolečko (30), do jehož ozubení se musí vložit řetěz pily (1). (Obr. 6 a 18)
- Trochu za vodící lištu (2) zatahejte, abyste řetěz pily (1) lehce předpnuli.
- Znovu nasadte kryt řetězového kola (17). Dbejte na to, aby uvnitř uložený upínací kolík řetězu (26) zapadl do příslušného otvoru vodící lišty (2). Přestavte popř. upínací šroub řetězu (23) pomocí plochého šroubovák (20).

- Rukou našroubujte obě upevňovací matice (16). Dávejte přitom ale pozor, abyste je ještě neutáhli příliš pevně. Upevňovací matice (16) se dotáhnou až po napnutí řetězu pily (1).

9.2 Napnutí a kontrola řetězu pily (1)

⚠ VAROVÁNÍ

Natáhněte si ochranné rukavice! Nebezpečí zranění ostrými řezacími zuby!

Napnutí řetězu kontrolujte pravidelně před každým uvedením do provozu.

Kontrolu provádějte vždy před nastartováním a při vypnutém motoru.

- Před napnutím musíte trochu povolit obě upevňovací matice (16) pomocí klíče na zapalovací svíčky (20).
- Otáčejte napínacím šroubem řetězu (23) pomocí plochého šroubovák (20) po směru hodinových ručiček, abyste zvýšili napnutí.
- Pevně utáhněte obě upevňovací matice (16) pomocí klíče na zapalovací svíčky (20).
- Řetěz pily (1) musí doléhat ke spodní straně lišty. Zkontrolujte, zda je možné řetěz pily (1) (při uvolněné brzdě řetězu, přední ochranu ruky (3) zatáhnout dozadu) natáhnout přes vodící lištu (2) rukou.

UPOZORNĚNÍ

Nový řetěz pily (1) se protahuje a musí se častěji dodatečně napínat.

9.3 Mísení paliva

Motor se musí pohánět palivovou směsí z benzínu a motorového oleje.

⚠ VAROVÁNÍ

Vyvarujte se přímého kontaktu pokožky s palivem a vdechování palivových výparů.

Používejte pouze směs bezolovnatého benzínu (min. ROZ 95) a speciálního motorového oleje na dvoutaktní motory (JASO FD/ISO - L - EGD). Palivovou směs namíchejte podle tabulky mísení paliva.

Nalijte vždy správné množství benzínu a oleje pro dvoutaktní motory do příložené mísicí nádoby (22) (viz „tabulka mísení paliva“). Následně mísicí nádobu (22) dobře protřepejte.

9.3.1 Tabulka mísení paliva

Postup mísení: 40 dílů benzínu na 1 díl oleje

**Benzín..... Olej pro dvoutaktní motory
0,5 litru 12,5 ml**

9.4 Doplnění paliva (obr. 8)

VAROVÁNÍ

Palivo nalévejte pouze při vypnutém a vychladlém motoru. Hrozí nebezpečí požáru!

1. Před plněním vždy vyčistěte oblast kolem uzávěru palivové nádrže (13), aby se do palivové nádrže nedostala nečistota. Použijte k tomu suchý hadřík nepouštějící vlákna.
2. Položte přístroj na bok, aby uzávěr palivové nádrže (13) byl nahoře.
3. Uzávěr palivové nádrže (13) otevřete otáčením proti směru hodinových ručiček. Uzávěr palivové nádrže (13) je spojen s pojistkou proti ztracení v palivové nádrži a nemůže tak spadnout.
4. Nalijte do palivové nádrže palivovou směs. Při nalévání palivo nerozlijte a neplňte palivovou nádrž až po okraj.
5. Rozlité palivo ihned seřete.
6. Uzávěr palivové nádrže (13) zavřete otáčením ve směru hodinových ručiček.

UPOZORNĚNÍ

Po každém nalití paliva zkontrolujte také olej na řetěz.

9.5 Vypuštění paliva

Palivovou nádrž vyprazdňujte pouze venku nebo v dobře větraných prostorech. Dbejte na to, aby se palivo nedostalo do půdy (ochrana životního prostředí). Použijte vhodnou podložku.

1. Podržte záchytnou nádobu pod palivovou nádrž.
2. Odšroubujte uzávěr palivové nádrže (13) a sejměte je.
3. Úplně vypusťte směs benzínu a oleje.
4. Uzávěr palivové nádrže (13) opět rukou zašroubujte.

9.6 Nalijte olej na řetěz (obr. 8)

VAROVÁNÍ

Olej na řetěz pily nalévejte pouze při vypnutém a vychladlém motoru. Hrozí nebezpečí požáru!

Nikdy nepracujte bez mazání řetězu! Když běží řetěz pily (1) nasucho, řezací souprava se v krátké době nenapravitelně zničí.

Před prací vždy zkontrolujte mazání řetězu.

UPOZORNĚNÍ

Používejte pouze olej na řetěz pily. Přednostně biologicky odbouratelný olej. Nepoužívejte žádný starý olej, motorový olej atd.

Během práce kontrolujte, zda mazání řetězu funguje.

1. Před plněním vždy vyčistěte oblast kolem uzávěru nádrže na řetězový olej (11), aby se do nádrže nedostala nečistota. Použijte k tomu suchý hadřík nepouštějící vlákna.
2. Položte přístroj na bok, aby uzávěr nádrže na řetězový olej (11) směřoval nahoru.
3. Uzávěr nádrže na řetězový olej (11) otevřete otáčením proti směru hodinových ručiček. Uzávěr nádrže na řetězový olej (11) je spojen s pojistkou proti ztracení v nádrži na řetězový olej a nemůže tak spadnout.
4. Nalijte do nádrže oleje bio olej na řetěz. Při nalévání oleje na řetěz nerozlijte a neplňte nádrž na řetězový olej až po okraj.
5. Rozlitý olej na řetěz ihned seřete.
6. Uzávěr nádrže na řetězový olej (11) zavřete otáčením ve směru hodinových ručiček.

10. Uvedení do provozu

OPATRNĚ

Dodržujte zákonné předpisy k nařízení o ochraně před hlukem.

Před každým uvedením přístroje do provozu zkontrolujte:

- Těsnost pohonného systému
- Bezvadný stav a úplnost ochranných zařízení a řezacích ústrojí
- Pevné utažení veškerých šroubových spojů
- Lehkost chodu všech pohyblivých dílů

Pracovní pokyny

Seznamte se před použitím s manipulací s řetězovou pilou.

10.1 Startování motoru

POZOR

Vzdalte se před spuštěním motoru nejméně 3 metry od místa tankování (obr. 9).

Startovací tažné lanko (8) vytahujte vždy rovně. Když se startovací tažné lanko (8) navíjí zpátky, pevně držte jeho rukojeť (8). Nenechte nikdy startovací tažné lanko (8) zaskočit zpátky.

lhned po spuštění motoru pusťte plynovou páčku (5). Ujistěte se, že otáčky motoru přešly zpět na volnoběh, než uvolníte brzdou řetězu (přední ochranu rukou (3) zatlačte dozadu). Vytahujte páku na studený start (sytič) (14) pouze při startování.

10.1.1 Startování při studeném motoru

VAROVÁNÍ

Před každým uvedením do provozu zapněte brzdou řetězu (zatlačte přední ochranu rukou (3) dopředu).

POZOR

Nenechte nikdy startovací tažné lanko (8) vymrštit dozadu. To může vést k poškození.

1. Sejměte kryt vodicí lišty (21).
2. Postavte řetězovou pilu na stabilní a rovný podklad. Řetěz pily (1) se přitom nesmí dotýkat země.
3. Zatlačte přední ochranu rukou (3) dopředu, až zacvakne. Řetěz pily (1) je blokován brzdou řetězu.
4. Óx stiskněte palivové čerpadlo „Primer“ (4). (obr. 1)
5. Vytáhněte páku na studený start (sytič) (14). (obr. 10,2)
6. Podržte řetězovou pilu za přední rukojeť (12) a vytahujte pomalu startovací tažné lanko (8), až pocítíte odpor.
7. Nyní za startovací tažné lanko (8) rychle zatáhněte, až motor nastartuje. Pokud motor nenaskočí, postup opakujte. Dokud je páka na studený start (sytič) (14) vytažená, motor jen krátce naběhne a pak se zase vypne.
8. Jakmile se motor vypne, stiskněte pojistku plynové páčky (7) současně s plynovou páčkou (5). Páka na studený start (sytič) (14) skočí automaticky do provozní polohy „Teplý start“. (obr. 10,1)
9. Nyní znovu rychle zatáhněte za startovací tažné lanko (8), až motor nastartuje.

Pokud motor ani po několika pokusech nenaskočí, přečtěte si kapitulu „Nápověda při poruchách“.

UPOZORNĚNÍ

Při vysokých venkovních teplotách se může stát, že se bude muset startovat bez páky na studený start (sytiče) (14) i při studeném motoru!

- Zatažením přední ochrany rukou (3) dozadu uvolníte brzdou řetězu. (obr. 2)

- **OPATRNĚ!** Brzda řetězu je nyní uvolněná. Pokud se stiskne plynová páčka (5) společně s pojistkou plynové páčky (7), řetěz pily (1) se rozběhne.

10.1.2 Startování při zahřátém motoru (Přístroj byl zastavený na méně než 15–20 minut.)

VAROVÁNÍ

Před každým uvedením do provozu zapněte brzdou řetězu (zatlačte přední ochranu rukou (3) dopředu).

1. Zatlačte přední ochranu rukou (3) dopředu, až zacvakne. Řetěz pily (1) je blokován brzdou řetězu.
2. Páka na studený start (sytič) (14) se pro nastartování teplého motoru nemusí zatahovat.
3. Podržte řetězovou pilu za přední rukojeť (12) a vytahujte pomalu startovací tažné lanko (8), až pocítíte odpor.
4. Jen rychle zatáhněte za startovací tažné lanko (8). Přístroj by měl nastartovat po 1-2 zatáhnutích. Pokud přístroj nenastartuje ani po 6 zatáhnutích, opakujte postup popsáný v „Startování se studeným motorem“.

10.2 Vypnutí motoru

10.2.1 Sled kroků při nouzovém vypnutí

Pokud je nutné přístroj okamžitě zastavit, stiskněte tlačítko pro zapnutí/vypnutí (15) do polohy „0“ a podržte ho stisknuté tak dlouho, až se motor zastaví.

10.2.2 Normální sled kroků

1. Pusťte plynovou páčku (5). Motor přejde na volnoběžnou rychlost.
2. Stiskněte tlačítko pro zapnutí/vypnutí (15) do polohy „0“ a podržte ho stisknuté tak dlouho, až se motor zastaví.

10.3 Provoz ve volnoběhu

POZOR

Ve volnoběhu musí být řetěz pily (1) zastavený.

UPOZORNĚNÍ

Pokud se řetěz pily (1) pohybuje ve volnoběhu nebo motor při redukci plynu sám zhasne, je třeba provést seřízení karburátoru (viz kapitolu „Údržba - seřízení karburátoru“).

1. Řetězovou pilu zvedněte.
2. Držte pevně levou rukou přední rukojeť (12).
3. Držte pevně pravou rukou zadní rukojeť (6). Dlaň ruky přitom spočívá na blokaci plynové páčky (7) a ukazuje stiskne plynovou páčku (5).

- Po jednom stisknutí plynové páčky (5) se rozběhne motor na volnoběh.
- Nechte motor krátce zahřát.

10.4 Kontrola a nastavení mazání řetězu

POZOR

- Nikdy nepracujte bez mazání řetězů! Když běží řetěz pily (1) nasucho, řezací souprava se v krátké době nenapravitelně zničí.
- Před prací vždy zkontrolujte mazání řetězu.

Upozornění

Používejte pouze olej na řetěz pily, přednostně biologicky odbouratelný. Nepoužívejte žádný starý olej, motorový olej atd. Podržte řetězovou pilu běžícím ve středních otáčkách nad pařezem nebo vhodným podkladem. Pokud je mazání dostatečné, na pařezu nebo podkladu se vytvoří lehký olejový film.

- Pokud je třeba, lze mazání řetězu zvýšit nebo snížit regulačním šroubem oleje (32) (obr. 11).
- K tomu si vezměte na pomoc dodaný plochý šroubovák (20):
 - Napřed regulační šroub oleje (32) stiskněte a pak jím otáčejte po směru hodinových ručiček, abyste snížili mazání řetězu.
 - Napřed regulační šroub oleje (32) stiskněte a pak jím otáčejte proti směru hodinových ručiček, abyste zvýšili mazání řetězu.

10.5 Kontrola brzdy řetězu

VAROVÁNÍ

Brzda řetězu se musí zkontrolovat před každým uvedením do provozu.

Brzda řetězu okamžitě zabrzdí řetěz pily (1) při zpětném rázu.

- Dbejte na to, aby byla přední ochrana rukou (3) prostá nečistot a bylo možné jí snadno pohybovat.
- Nastartujte řetězovou pilu a zrychlete řetěz pily (1) na nejvyšší rychlost (plný plyn).
- Aktivujte při běžícím řetězu pily (1) přední ochranu rukou (3). Brzda řetězu musí řetěz pily (1) při max. rychlosti přibrzdit a zablokovat.

VAROVÁNÍ

Zvýšené otáčky motoru po příliš dlouhou dobu při zablokované brzdě řetězu poškozí motor a pohon řetězu.

Pokud by se řetěz pily (1) přesto pohyboval, kontaktujte zákaznický servis.

11. Použití

11.1 Odvětvování

- Zásadně mějte na paměti nebezpečí zpětně vymrštěných větví.
- Při odvětvování si nestoupejte na kmen.
- Nikdy neřežte hrotem lišty. (obr. 7)
- Nikdy neřežte více větví najednou.
- Při odvětvování pokud možno opřete řetězovou pilu o zubovou opěrku (24).
- Mějte na paměti, že se řetězová pila na konci řezu může vlastní hmotností vychýlit. Není už opřena v řezu, proto ji příslušně vyrovnejte.
- Zaujměte pro odvětvování pevnou, stabilní a bezpečnou polohu.

11.1.1 Odvětvování po částech

Než provedete finální oddělovací řez, dlouhé resp. tlusté větve zkratíte. Řetěz pily (1) se jinak může snadno vzpříčit.

11.1.2 Opracování napnutého dřeva

Při opracování napnutého dřeva je bezpodmínečně nutné dodržet správné pořadí kroků. Jinak se může řetěz pily (1) vzpříčit nebo může dojít ke zpětnému rázu.

Dřevo pod pnutí se musí vždy napřed naříznout na straně tlaku. Teprve pak může následovat oddělovací řez na tažné straně. (obr. 24)

Tak se zamezí uvíznutí řetězu pily (1).

POZOR

Věcné škody!

Ležící dřevo se nesmí naspodu místa řezu dotýkat země, jinak by se mohl řetěz pily (1) poškodit.

Zpětný náraz

- Vzpříčení řetězu pily (1) na horní hraně vodící lišty (2) může řetězovou pilu nekontrolovaně prudce vrhnout zpět k obsluhující osobě.

Vtažení

- Vzpříčení řetězu pily (1) na spodní hraně vodící lišty (2) může řetězovou pilu nekontrolovaně prudce vytrhnout od směru obsluhující osoby.

Bezpečná práce

- Udržujte přístroj v dobrém použitelném stavu, abyste zamezili úrazům.

- Pokud přístroj spadne na zem, zkontrolujte ho, zda nemá viditelné poškození nebo vady.
- Nepoužívejte přístroj, pokud stojíte na žebříku nebo na nestabilním stanovišti.
- Nenechte se zlákat k nepromyšlenému řezu. To by mohlo ohrozit jak Vás, tak ostatní osoby.
- Pravidelně střídejte svou polohu při práci. Delší používání přístroje může vést k poruchám prokrvení rukou vlivem vibrací. Dobu používání však můžete prodloužit pomocí vhodných rukavic nebo vkládáním pravidelných přestávek. Mějte na paměti, že osobní náchylnost ke špatnému prokrvování, nižší venkovní teploty nebo velká uchopovací síla při práci dobu používání snižují.

11.2 Kmen je ohnutý dolů

1. Proveďte napřed odlehčovací řez 1 (cca 1/3 průměru kmene) na straně přítlaku.
2. Poté proveďte oddělovací řez 2 (cca 2/3 průměru kmene) na straně tahu.

11.3 Kmen je ohnutý nahoru

1. Proveďte napřed odlehčovací řez 1 (cca 1/3 průměru kmene) na straně přítlaku.
2. Poté proveďte oddělovací řez 2 (cca 2/3 průměru kmene) na straně tahu.

11.4 Použití pily na ošetřování stromů k řezání stromů v kombinaci s lanovou technikou

Tato příloha představuje přiměřené pracovní postupy pro snížení nebezpečí zranění, když se řetězová pila na ošetřování stromů používá k práci ve výškách s lanem a nosným popruhem. I když může sloužit jako vodičko a zdroj školicích informací, neměla by být považována za náhradu formálního výškolení. Vodičko uvedené v této příloze slouží pouze jako příklad pro dobrý způsob práce.

Mohou být aplikovány národní nebo jiné předpisy, které mají prioritu.

Uživatel řetězové pily na ošetřování stromů, který pracuje ve výšce s lanem a nosným popruhem, by neměl nikdy pracovat sám. Je nutné, aby mu asistoval pracovník na zemi, který je vyškolený pro příslušná opatření v případě nouze.

Uživatel by měl být vyškolený v obecných bezpečných technikách lezení a pracovních pozic, a měl by být vybaven nosným popruhem, lanem, smyčkami, karabinkami a další výstrojí, která pomáhá udržení bezpečné a správné pracovní polohy jak jeho, tak i pily.

Vždy je nutné striktně dodržovat národní zákony a předpisy.

Tato příloha se nezabývá technikami kontroly větví odřezávaných řetězovou pilou, ani neobsahuje již pojednané body o bezpečném používání.

11.4.1 Všeobecné požadavky

Uživatel řetězové pily na ošetřování stromů, který pracuje ve výšce s lanem a nosným popruhem, by neměl nikdy pracovat sám. Je nutné, aby mu asistoval pracovník na zemi, který je vyškolený pro příslušná opatření v případě nouze.

Uživatel by měl být vyškolený v obecných bezpečných technikách lezení a pracovních pozic, a měl by být vybaven nosným popruhem, lanem, smyčkami, karabinkami a další výstrojí, která pomáhá udržení bezpečné a správné pracovní polohy jak jeho, tak i pily.

11.4.2 Příprava před použitím pily na ošetřování stromů na stromě

Řetězovou pilu musí pracovník na zemi zkontrolovat, natankovat, nechat rozběhnout a zahřát a pak vypnout, než ji nechá vytáhnout k uživateli na stromě.

Řetězová pila by měla být opatřena vhodnou smyčkou, aby mohla být připevněna k nosnému popruhu uživatele (obr. 13):

- Smyčku je nutné zajistit v závěsném zařízení (19) umístěném na zadní straně pily (obr. 12).
- Je třeba připravit vhodné karabinky, umožňující nepřímé (tj. pomocí smyčky) a přímé (tj. na závěsném zařízení (19) řetězové pily) upevnění pily k nosnému popruhu uživatele.
- Při vytažování řetězové pily nahoru k uživateli je třeba se postarat o její bezpečné upevnění (obr. 14).
- Je nutné se ujistit, že je řetězová pila upevněná k nosnému popruhu, než se uvolní ze zvedacího lana.

Díky možnosti upevnění řetězové pily přímo k nosnému popruhu se snižuje riziko poškození výstroje při pohybu na stromě.

Řetězová pila by měla být vždy vypnutá, když je připevněna přímo k nosnému popruhu.

Řetězová pila by měla být k nosnému popruhu upevněna pouze za doporučená závěsná zařízení. Ta se mohou nacházet ve šířku (vpředu nebo vzadu) nebo po stranách. Kdykoli je to možné, je třeba upevnit řetězovou pilu za prostřední zadní středobod nosného popruhu, aby byla z dosahu lezeckého lana a aby nesla hmotnost uprosřed pod přetížení uživatele.

Když se řetězová pila přemístí z jednoho závěsného zařízení na druhé, měl by se uživatel ujistit, že je v nové poloze zajištěná, než ji uvolní od předchozího závěsného zařízení.

11.5 Použití řetězové pily na stromě

Analýza nehod, ke kterým dochází s těmito řetězovými pilami při ošetřování stromů, ukazuje, že hlavní příčinou je nesprávné používání řetězové pily jednou rukou. Ve většině případů nehod nezaujímá uživatelé zabezpečenou pracovní polohu, která by jim umožnila držet řetězovou pilu za obě rukojeti, což vede ke zvýšenému nebezpečí zranění v důsledku následujících faktorů:

- Chybějící pevný úchop při zpětném rázu řetězové pily.
- Chybějící kontrola nad řetězovou pilou, takže se může snadno stát, že se pila dostane do kontaktu s lany a tělem uživatele (zejména s jeho levou rukou a paží).
- Ztráta kontroly v důsledku nezajištěné pracovní polohy a tím kontakt s řetězovou pilou (nečekané pohyby během práce s řetězovou pilou).

11.6 Zajištěná pracovní poloha při obouručním používání

Abyste bylo možné držet řetězovou pilu oběma rukama, měl by se uživatel zásadně snažit zaujmout zajištěnou pracovní polohu, při níž je pila vedena takto:

- ve výšce boků při řezání vodorovných kusů.
- ve výšce břicha boků při řezání svislých kusů.

Pokud uživatel pracuje poblíž svislého kmene a vůči jeho pracovní poloze působí jen nepatrné boční síly, měl by být pro zajištěnou pracovní polohu dostatečně bezpečný postoj nohou. Jakmile se ale uživatel vzdálí od kmene, musí učinit další opatření, aby odboural působení narůstajících bočních sil nebo působil proti nim, např. přepnutím hlavního lana na přidavné závěsné zařízení nebo použitím přestavitelné smyčky, která vede od postroje k přidavnému závěsnému zařízení (obr. 15 a 16).

11.6.1 Nastartování pily na ošetřování stromů na stromě

Při spuštění řetězové pily na stromě by uživatel měl:

- zapnout brzdu řetězu před spuštěním (zatlačit přední ochranu rukou (3) dopředu).
- při nastartování držet řetězovou pilu buď nalevo nebo napravo od těla:
 - držet řetězovou pilu na levé straně levou rukou za přední rukojeť dál od těla, zatímco startovací lanko drží v pravé ruce.
 - držet řetězovou pilu na pravé straně pravou rukou za jednu z obou rukojetí a dál od těla, zatímco startovací lanko drží v levé ruce.

Řetězová brzda by se měla vždy aktivovaná dřív, než se běžící řetězová pila spustí na svém nosném lanu.

Před zahájením obtížných řezacích prací by se měl uživatel vždy ujistit, že má řetězová pila dostatek paliva.

11.6.2 Jednoruční použití řetězové pily

Uživatelé by neměli používat řetězové pily na ošetřování stromů jednoručně v nestabilních pracovních polohách nebo je používat namísto ruční pily k odřezávání špiček větví s velmi malým poloměrem.

Řetězové pily na ošetřování stromů by se měly používat jednoručně pouze v případě, kdy

- a. uživatel nemá možnost zaujmout pracovní polohu, která umožňuje obouruční použití.
- b. je nutné jednou rukou zajišťovat pracovní polohu.
- c. se řetězová pila použije při držení v plně natažené ruce, v pravém úhlu k tělu uživatele a mimo přímku vedoucí k němu.

Uživatelé by nikdy neměli:

- Řezat v oblasti zpětného rázu špičkou vodící lišty (2) řetězové pily.
- Přidržovat se větve, kterou řežou.
- Pokoušet se zachytit padající díly.

11.6.3 Uvolňovat zaseknutou řetězovou pilu

Pokud se řetězová pila během řezání zasekne, měl by uživatel:

1. Řetězovou pilu vypnout a upevnit ji bezpečně ve směru do nitra stromu (tj. ke kmeni) nebo na samostatné lano.
2. Řetězovou pilu vytáhnout ze zářezu, zatímco se větev nadzvedne podle potřeby,
3. V případě potřeby použít ruční pilu nebo druhou řetězovou pilu, aby osvobodil zaseknutou řetězovou pilu tím, že ve vzdálenosti nejméně 30 cm od ní provede řez.

Bez ohledu na to, zda se k uvolnění zaseknuté řetězové pily použije ruční nebo jiná řetězová pila, měly by být uvolňovací řezy prováděny vždy směrem ven (ke špičce větve), aby řetězová pila nespadla zároveň s odřezanými kusy a nezkomplikovala situaci ještě víc.

12. Přeprava

- Při přepravě používejte vždy kryt vodící lišty (21).
- Před každou přepravou, i na krátké vzdálenosti, řetězovou pilu vypněte. Během přepravy stroj zajistěte (i na vozidlech) před převrácením, abyste zabránili ztrátě paliva, poškození nebo zranění.
- Aktivujte brzdu řetězu (zatlačte přední ochranu rukou (3) dopředu).

- Noste přístroj pouze za přední rukojeť (12). Vodicí lišta (2) přitom směřuje dozadu, odvrácená od těla.
- Držte horký tlumič hluku (18) od těla. Hrozí nebezpečí popálení (obr. 23)

13. Čištění a údržba

⚠ VAROVÁNÍ

Nebezpečí zranění!

Před čištěním přístroj vždy vypněte a vytáhněte konektor zapalovací svíčky (35).

(viz kapitola 13.4 Údržba zapalovací svíčky (34)).

Upozornění

Po každém použití by se měl přístroj důkladně vyčistit.

Čištění a údržbu provádějte pouze tak, jak je uvedeno v tomto návodu k obsluze. Práce dalšího rozsahu musí provádět odborný personál.

Údržbové práce je nutné provádět pravidelně (viz kapitolu „Intervaly údržby“).

13.1 Čištění jednotky motoru

⚠ VAROVÁNÍ

Nebezpečí popálení!

Nedotýkejte se horkých tlumičů hluku nebo chladicích žeber.

- Udržujte ochranná zařízení, větrací štěrby a plášť motoru pokud možno bez prachu a nečistot. Vyfoukejte je stlačeným vzduchem při nízkém tlaku.
- Čistěte přístroj pravidelně vlhkým hadrem a trochou mycího prostředku. Dbejte na to, aby se dovnitř přístroje nemohla dostat žádná voda.

13.2 Čištění vzduchového filtru (33) (obr. 17)

Znečištěné vzduchové filtry snižují výkon motoru omezením přívodu vzduchu do karburátoru.

Proto je nezbytná pravidelná kontrola. Vzduchový filtr (33) je třeba pravidelně kontrolovat a podle potřeby vyčistit.

Ve velmi zaprášeném prostředí je nutné kontrolovat vzduchový filtr (33) častěji.

1. Povolte uzávěr na kryt vzduchového filtru (10) otáčením proti směru hodinových ručiček.
2. Sejměte kryt vzduchového filtru (9).
3. Vyjměte vzduchový filtr (33).
4. Vyčistěte vzduchový filtr (33) vyklepáním nebo vyfoukáním (stlačeným vzduchem).

Smontování probíhá v opačném pořadí.

⚠ POZOR

Vzduchový filtr (33) nikdy nečistěte benzínem nebo hořlavými čistícími prostředky.

13.3 Čištění pohonu řetězu

⚠ VAROVÁNÍ

Nebezpečí zranění!

Noste vždy ochranné rukavice, když se dotýkáte řetězu pily (1). Nebezpečí zranění ostrými řezacími zuby!

Upozornění

Pohon řetězu vyčistěte po každém použití.

1. Postavte řetězovou pilu na rovný stabilní podklad.
2. Zatáhněte přední ochranu rukou (3) až na doraz dozadu pro uvolnění brzdy řetězu. (obr. 2)
3. Otáčejte napínacím šroubem řetězu (23) pomocí plochého šroubováku (20) proti směru hodinových ručiček, abyste snížili napnutí.
4. Vyjměte obě upevňovací matice (16) pomocí klíče na zapalovací svíčky (20).
5. Sejměte kryt řetězového kola (17).
6. Sejměte řetěz pily (1) opatrně z vodicí lišty (2) a řetězového kola (27).
7. Odstraňte vodicí lištu (2). Vyčistěte ji štětcem.
8. Vyčistěte důkladně kompletní oblast pohonu řetězu a kryt řetězového kola (17) štětcem nebo vyfoukáním (stlačeným vzduchem).

Smontování probíhá v opačném pořadí.

13.4 Údržba zapalovací svíčky (34) (obr. 19 / 20)

1. Odmontujte vzduchový filtr (33), jak je popsáno v 13.2 „Čištění vzduchového filtru (33)“.
2. Stáhněte konektor zapalovací svíčky (35) tak, že jej otočíte doleva a doprava a současně na něj zatáhněte. Držte konektor zapalovací svíčky (35) výhradně za zástrčku. Nikdy jej netahejte za kabel!
3. Uvolněte zapalovací svíčku (34) příloženým klíčem na zapalovací svíčky (20).
4. Smontování probíhá v opačném pořadí.

Vzdálenost elektrod = 0,6 - 0,7 mm (vzdálenost mezi elektrodami, mezi nimiž se vytvoří zapalovací jiskra). Zkontrolujte zapalovací svíčku (34) poprvé po 10 provozních hodinách, zda není znečištěná, a případně ji vyčistěte mědným kartáčem. Poté zapalovací svíčku (34) čistěte vždy po 50 hodinách provozu.

13.5 Údržba mazání řetězu

- Viz kapitolu „Kontrola a nastavení mazání řetězu“.

13.6 Údržba seřízení karburátoru

- Pokud se řetěz pily (1) ve volnoběhu pohybuje nebo motor při redukci plynu sám zhasne, je třeba provést seřízení karburátoru.

Upozornění

Nechte seřízení karburátoru (např. volnoběžné otáčky) provádět pouze kvalifikovaný odborný personál, abyste zamezili poškození motoru.

13.7 Údržba vodící lišty (2)

- Odstraňte případné vzniklé otěpy na hraně lišty pomocí kovového pilníku.
- Vyčistěte drážku vodící lišty (2) pomocí štětce nebo stlačeným vzduchem (obr. 21). Vyměňte vodící lištu (2), jakmile je vodící drážka (28) opotřebovaná.
- Po každém použití vodící lišty (2) otočte, aby se zajistilo rovnoměrné opotřebení.
- Zkontrolujte ozubené kolo (30) na hrotu vodící lišty (2), zda má lehký chod. Popř. je namažte ložiskovým olejem. Nechte do mazacího otvoru (31) kapat trochu ložiskového oleje. (obr. 21)

13.8 Kontrola brzdy řetězu

Viz kapitolu 10.5 „Kontrola brzdy řetězu“

VAROVÁNÍ

NEBEZPEČÍ ZPĚTNÉHO RÁZU!

Nefunkční brzda řetězu zvyšuje riziko zpětného rázu.

Pravidelně kontrolujte brzdu řetězu.

Funkční brzda řetězu je nezbytná pro vaši bezpečnost.

13.9 Napnutí a kontrola řetězu pily (1)

Viz kapitolu 9.2 „Napnutí a kontrola řetězu pily (1)“

13.10 Ostření řetězu pily (1) a péče o něj

VAROVÁNÍ

Nebezpečí zranění!

Noste vždy ochranné rukavice, když se dotýkáte řetězu pily (1). Nebezpečí zranění ostrými řezacími zuby!

Upozornění

Optimálně ošetřovaný a naostřený řetěz pily (1) snižuje fyzické zatížení, opotřebení a vede k dobrému výsledku řezání.

Pravidelně řetěz pily (1) čistěte, ošetřujte a ostřete.

Pravidelně řetěz pily (1) kontrolujte, zda nevykazuje praskliny a poškozené nýty.

Stojanovou brusku lze umístit na pomůcku stojanové brusky kvůli stabilitě během broušení.

Na řetěz pily (1) obsažený v rozsahu dodávky používejte pouze speciální kruhové pilníky na řetěz pily o \varnothing 4,8 mm (3/16").

V ostřicí sadě najdete detailní informace k postupu ostření.

Jako alternativu můžete použít elektrické ostřicí zařízení na řetěz. Řiďte se instrukcemi výrobce.

V případě pochyb o provedení práce je třeba provést výměnu řetězu pily (1).

Ostření řetězu pily (1) svěřte případně specializované dílně.

- Pořebné příslušenství (není obsaženo v rozsahu dodávky):
 - Kruhový pilník na řetěz pily \varnothing 4,8 mm (3/16")
 - Pilník pilník
 - Hloubková omezovací měřka
- Pro úběr materiálu pilujte pouze směrem dopředu.
- Pilujte v ostrém úhlu cca 25° při sklonu 10° vůči vodící liště (2).
- Zkontrolujte vzdálenost omezovače hloubky pomocí omezovací měřky.
- Správná vzdálenost omezovače hloubky by měla být 0,6 mm (0,024").

13.11 Intervaly údržby

Pro dlouhou životnost a rovněž pro zamezení poškození a pro zajištění plné funkce bezpečnostních zařízení musí být pravidelně prováděny následně popsané údržbové práce. Záruční nároky budou uznány teprve tehdy, pokud byly tyto práce prováděny pravidelně a řádně. Při nedodržení hrozí nebezpečí nehody!

Uživatelé řetězových pil smí provádět údržbové práce a péči pouze v rozsahu, jaký je popsán v tomto návodu k obsluze.

Práce přesahující tento rámec smí provádět pouze specializovaná dílna.

Obecně	Celá pila na ošetřování stromů	Vyčistit zvenčí a zkontrolovat, zda není poškozená. Při poškozeních ihned zajistit odbornou opravu.
	Řetěz pily	Pravidelně ostřit, včas vyměňovat.
	Brzda řetězu	Pravidelně nechat kontrolovat odbornou dílnou
	Vodící lišta	Obracet, aby se plochy zatěžované chodem opotřebovávaly stejnoměrně. Včas vyměňovat.
Před každým uvedením do provozu	Řetěz pily	Kontrolovat poškození a naostření. Kontrolovat napnutí řetězu.
	Vodící lišta	Kontrolovat poškození.
	Mazání řetězu	Zkouška funkce
	Brzda řetězu	Zkouška funkce
	Tlačítko pro zapnutí/vypnutí, pojistka plynové páčky, plynová páčka	Zkouška funkce
	Uzávěr palivové nádrže a nádrže oleje na řetěz	Kontrolovat těsnost.
Denně	vzduchový filtr	Čištění
	Vodící lišta	Kontrolovat poškození, čistit otvor pro vstup oleje
	Upínání lišty	Čistit, zejména drážku pro vedení oleje
	Volnoběžné otáčky	Kontrolovat (řetěz nesmí běžet společně)
týdně	Pouzdro ventilátoru	Vyčistit, aby bylo zajištěno bezvadné vedení chladicího vzduchu
	Zapalovací svíčka	Zkontrolovat, příp. vyměnit
	Tlumič hluku	Kontrolovat usazeniny
	Zachytávač řetězu	Kontrolovat poškození, příp. vyměnit
	Šrouby a matice	Zkontrolujte stav a pevné usazení
čtvrtletně	Sací hlava Palivová nádrž, nádrž oleje na řetěz	Vyměnit Čištění
Skladování	Celá pila na ošetřování stromů	Vyčistit vnějšek a zkontrolovat poškození Při poškozeních ihned požadovat odbornou opravu
	Řetěz pily a lišta	Demontovat a lehce naolejovat Vyčistit vodící drážku vodící lišty
	Palivová nádrž, nádrž oleje na řetěz	Vyprázdnit a vyčistit
	Karburátor	Projet naprázdno

13.12 Důležité upozornění v případě opravy

Při zpětné dodávce zařízení kvůli opravě dbejte, prosím, na to, že zařízení se z bezpečnostních důvodů smí do servisní stanice posílat jen, když neobsahuje benzin a olej.

13.13 Servisní informace

Je nutno dbát na to, že v případě tohoto výrobku následující díly podléhají opotřebení, které je dáno používáním nebo se tak děje přirozeně, příp. že na následující díly je pohlíženo jako na spotřební materiál.

Opotřebitelné díly*: Řetěz pily, vodící lišta, olej na řetěz, motorový olej, zubová opěrka, zachycovač řetězu, zapalovací svíčka, vzduchový filtr, palivový filtr, filtr oleje na řetěz

* není nutně zahrnuto v obsahu dodávky!

Přípustná řezná souprava

Řetěz pily

Kangxin 3/8LP-40.....7910100739

Oregon 91P040X.....3910102032

Vodící lišta

Kangxin AP10-40-509P.....7910100740

Oregon 100SDEA0417910100744

14. Skladování

Klíč na zapalovací svíčky / plochý šroubovák (20) lze pro uložení připevnit zbokou ke krytu vodící lišty (21).

Při skladování používejte vždy kryt vodící lišty (21).

Před každým uskladněním přístroj očistěte a proveďte údržbu, viz kapitolu „Čištění a údržba“.

Úplně vyprázdňte olejovou resp. palivovou nádrž.

VAROVÁNÍ

Neodstraňujte benzin v uzavřených prostorech, v blízkosti oleje a během kouření. Výpary mohou způsobit výbuch nebo požár.

- Nastartujte motor a ponechte ho v chodu tak dlouho, dokud se nepotřebuje zbylý benzin.

Uložte přístroj a jeho příslušenství na tmavém, suchém místě, chráněném před mrazem a nedostupném pro děti. Optimální skladovací teplota se pohybuje mezi 5 a 30°C.

Neskladujte a nepoužívejte řetězovou pilu při teplotách pod 0 °C!

Řetězovou pilu nikdy neskladujte na déle než 30 dnů, aniž byste provedli následující kroky.

Před uskladněním vrtáku postupujte podle pokynů pro čištění a údržbu!

14.1 Uschovávání řetězové pily

Jestliže řetězovou pilu nebudete používat déle než 30 dní, musíte ji na toto připravit. Jinak se odpaří zbytek paliva nacházející se v karburátoru a zůstane po něm usazenina na dne, gumového charakteru. To by mohlo ztížit start a mohlo by být příčinou drahé opravy.

1. Pomalu otevřete uzávěr palivové nádrže (13), abyste uvolnili případný tlak v nádrži. Nádrž opatrně vyprázdňte.
2. Nastartujte motor a nechte ho v chodu tak dlouho, až se řetězová pila zastaví, aby se odstranilo palivo z karburátoru.
3. Nechte motor vychladnout (cca 5 minut).
4. Odstraňte zapalovací svíčku (34).
5. Do spalovací komory nalijte 1 čajovou lžičku čistého oleje pro 2-takt. Několikrát pomalu zatáhněte za startovací tažné lanko (8), aby se vnitřní komponenty pokryly olejem. Zapalovací svíčku (34) znovu nasadte.

Řetězovou pilu uložte na suchém místě, dostatečně vzdáleném od možných zápalných zdrojů, např. kamna, plynový bojler na horkou vodu, plynová sušička atd., a mimo dosah dětí.

Vždy umístěte kryt vodící lišty (21), pokud se řetěz pily (1) a vodící lišta (2) nemají demontovat

14.2 Opětovné uvedení řetězové pily do provozu

1. Odstraňte zapalovací svíčku (34).
2. Zatáhněte rychle za startovací tažné lanko (8), abyste se spalovací komory odstranili přebytečný olej.
3. Vyčistěte zapalovací svíčku (34) a dbejte přitom na správnou vzdálenost elektrod u zapalovací svíčky (34) nebo nasadte novou zapalovací svíčku (34) se správnou vzdáleností elektrod.
4. Připravte řetězovou pilu k provozu.
5. Naplňte nádrž správnou směsí oleje a paliva ve správném poměru (1:40).

14.3 Skladování paliva

Paliva jsou jen omezeně skladovatelná. Palivo a palivové směsi stárnou v důsledku odpařování, zejména za vysokých teplot. Příliš dlouho skladované palivo a palivové směsi mohou způsobit problémy při startování a mohou poškodit motor. Nakupujte jen tolik paliva, kolik budete potřebovat v několika dalších měsících. Při vyšších teplotách spotřebujte palivovou směs do 6-8 týdnů.

Palivo skladujte pouze v povolených nádobách, v suchu, chladu a na bezpečném místě!

VAROVÁNÍ

Vyhýbejte se kontaktu paliva s pokožkou a očima!

Produkty z minerálních olejů i oleje odmašťují pokožku. Při opakovaném a delším kontaktu pokožka vysychá. Důsledkem mohou být kožní choroby. Kromě toho jsou známé alergické reakce.

Po proniknutí oleje do očí dochází k jejich podráždění. V takovém případě ihned postižené oko vypláchněte čistou vodou. Při přetrvávajícím podráždění ihned vyhledejte lékaře!

15. Likvidace a recyklace

Upozornění k obalu



Balící materiály jsou recyklovatelné.
Obaly prosím likvidujte způsobem
šetrným k životnímu prostředí.

O možnostech likvidace vysloužilého přístroje vám podá informace správa vaší obce nebo vašeho města.

Paliva a oleje

- Před likvidací přístroje je nutné vyprázdnit palivovou nádrž a nádrž na motorový olej!
- Palivo a motorový olej nepatří do domovního odpadu nebo odtoku, ale musí se sbírat a likvidovat odděleně!
- Prázdné zásobníky oleje a paliva musí být zlikvidovány ekologicky.

16. Odstraňování poruch

Porucha	Možná příčina	Řešení
Motor nespustí nebo spustí, ale dále neběží.	Chybný proces startování.	Řiďte se pokyny v tomto návodu.
	Chybně nastavená směs v karburátoru.	Nechte karburátor seřadit autorizovaným zákaznickým servisem.
	Začazená zapalovací svíčka.	Vyčistěte/seřadte zapalovací svíčku nebo vyměňte.
	Ucpaný palivový filtr.	Vyměňte palivový filtr.
Motor startuje, ale dále neběží na plný výkon.	Znečištěný vzduchový filtr	Vyměňte, vyčistěte filtr a znovu vložte.
	Chybně nastavená směs v karburátoru.	Nechte karburátor seřadit autorizovaným zákaznickým servisem.
Motor se zadrhává.	Chybně nastavená směs v karburátoru.	Nechte karburátor seřadit autorizovaným zákaznickým servisem.
Žádný výkon při zatížení	Chybně nastavená zapalovací svíčka.	Vyčistěte/seřadte zapalovací svíčku nebo vyměňte.
Motor běží skokově	Chybně nastavená směs v karburátoru.	Nechte karburátor seřadit autorizovaným zákaznickým servisem.
Příliš mnoho kouře.	Chybná směs paliva.	Použijte správnou směs paliva (poměr 1:40).
Žádný výkon při zatížení	Řetěz je tupý nebo volný	Řetěz naostřete nebo vložte nový. Napněte řetěz.
Motor vypíná.	Benzínová nádrž prázdná nebo chybně umístěný palivový filtr v nádrži	Naplňte benzínovou nádrž. Kompletně naplňte benzínovou nádrž nebo umístěte palivový filtr v nádrži jinak.
Nedostatečné mazání řetězu (lišta a řetěz jsou horké)	Nádrž oleje na řetěz prázdná	Naplňte nádrž oleje na řetěz.
	Ucpané otvory pro průchod oleje	Vyčistěte olejovací otvor v liště. Vyčistěte drážku v liště.

17. Záruční list

Važena zákaznice, važený zákazniku,

naše výrobky podléhají přísné kontrole kvality. Pokud i přesto tento přístroj bezvadně nefunguje, velice toho litujeme a prosíme Vás, abyste se obrátili na náš zákaznický servis, jehož adresa je uvedena na tomto záručním listu. Rádi Vám budeme k dispozici také telefonicky na níže uvedeném servisním čísle. Pro uplatňování nároků na záruku platí následující:

- Tyto záruční podmínky upravují dodatečný záruční servis. Vašich zákonných nároků na záruku se tato záruka netýká. Náš záruční servis je pro Vás bezplatný.
- Záruční servis se vztahuje výhradně na nedostatky, které lze odvodit z vad materiálu nebo výrobních vad a je také omezen pouze na odstranění těchto nedostatků, resp. výměnu přístroje. Dbejte prosím na to, že naše přístroje nebyly podle svého účelu určeny konstruovány pro živnostenské, řemeslnické nebo průmyslové použití. Záruční smlouva tak není realizována, pokud byl přístroj používán v živnostenských, řemeslných nebo průmyslových podnicích a při srovnatelných činnostech. Z naší záruky je dále vyloučeno poskytnutí náhrady za dopravní škody, škody způsobené nedodržením montážního návodu nebo z důvodů neodborné instalace, nedodržování návodu k použití (jako např. připojení na chybné síťové napětí nebo druh proudu), nedovoleného nebo neodborného používání (jako např. přetížení přístroje nebo použití neschválených vložných nástrojů nebo příslušenství), nedodržování pokynů pro údržbu a bezpečnostních pokynů, vniknutí cizích těles do přístroje (jako např. písek, kameny nebo prach), použití násilí nebo poškození v důsledku cizích vlivů (jako např. škody způsobené pádem), jakož i také běžného opoždění způsobeného používáním.

Nárok na záruku zaniká, pokud bylo do přístroje již zasahováno

- Záruční doba činí 3 roky a začíná datem koupě přístroje. Nároky na záruku před vypršením záruční doby je třeba uplatňovat během dvou týdnů od zjištění defektu. Uplatňování nároků na záruku po vypršení záruční doby je vyloučeno. Oprava nebo výměna přístroje nevede k prodloužení záruční doby, ani k zahájení nové záruční doby za provedený výkon pro přístroj nebo pro případné zamontované náhradní díly. Toto platí také v případě servisu v místě Vašeho bydliště.
- Pro uplatnění nároku ze záruky se prosím obraťte na adresu servisu uvedenou dole. Pokud se reklamace uplatňuje v záruční době, dáme Vám k dispozici formulář pro vrácení, pomocí kterého nám můžete vadný přístroj zdarma zaslat zpět. Popište nám prosím pokud možno přesně důvod reklamace. Je-li defekt přístroje v našem záručním servisu obsažen, obdržíte obratem opravený nebo nový přístroj.

Samořejmě rádi za úhradu nákladů odstraníme defekty na přístroji, které nespádají nebo již nespádají do rozsahu záruky. K tomu nám přístroj prosím zašlete na naši servisní adresu.

Servisní horká linka (CZ):

00800 4003 4003

Adresa elektronické pošty (CZ):

service.CZ@schepach.com

Adresa servisního střediska (CZ):

S&E Solutions s.r.o. - Zahrada v akci

Moravská 1278

CZ - 57001 Litomyšl








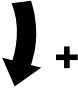
Na stránkách www.lidl-service.com si můžete stáhnout tyto a mnoho dalších manuálů, produktových videí a instalačních softwarů.

Pomocí kódu QR můžete přímo na stránce servisních služeb Lidl (www.lidl-service.com) otevřít svůj návod k obsluze zadáním čísla výrobku (IAN) 436506_2304.

1.	Vysvetlenie symbolov na prístroji	176
2.	Upozornenie pre používateľa	177
3.	Úvod	178
4.	Popis prístroja	178
5.	Rozsah dodávky.....	178
6.	Použitie v súlade s určením.....	179
7.	Bezpečnostné upozornenia.....	179
8.	Technické údaje	184
9.	Pred uvedením do prevádzky	185
10.	Uvedenie do prevádzky	187
11.	Použitie	188
12.	Preprava	191
13.	Čistenie a údržba.....	191
14.	Skladovanie.....	195
15.	Likvidácia a opätovné zhodnotenie.....	196
16.	Odstraňovanie porúch.....	197
17.	Záručný list	198
18.	Rozložený výkres	275
19.	Vyhlasenie o zhode	276

1. Vysvetlenie symbolov na prístroji

	<p>Prečítajte si, pochopte a dodržiavajte všetky výstražné upozornenia.</p>		<p>Predtým ako zariadenie použijete, prečítajte si celý návod na obsluhu.</p>
	<p>Varovanie! Nebezpečenstvo spätného nárazu (Kickback). Dávajte pozor na spätný náraz rezačovej píly a zabráňte kontaktu so špičkou lišty.</p>		<p>Prístroj neprevádzkujte v daždi ani vo vlhkých podmienkach.</p>
	<p>Noste ochranné okuliare. Noste ochranu sluchu.</p>		<p>Noste ochrannú prilbu.</p>
	<p>Keď zariadenie používate, vždy noste bezpečnostné a antivibračné rukavice.</p>		<p>Keď zariadenie používate, vždy noste bezpečnostnú obuv s ochranou proti porezaniu.</p>
	<p>Dôležité je nosiť ochranný odev na chodidlá, nohy a predlaktia.</p>		<p>Rezačovú pílu ovládajte vždy pevne oboma rukami. Nepracuje s rezačovou pílou len jednou rukou.</p>
	<p>Pozor! Použitie rezačovej píly v kombinácii s technikou šplhania po lane. Predtým ako začnete pracovať, oboznámte sa dobre so všetkými pracovnými pokynmi!</p>		<p>Otvorený oheň je v pracovnej oblasti zakázaný!</p>
	<p>Plniaci otvor pre palivo. Pomer miešania oleja a paliva 1:40.</p>		<p>Smer otáčania</p>
	<p>Uzáver olejovej nádrže na rezačový olej.</p>		<p>Nastavenie brzdy rezače: Biela šípka: Brzda rezače neaktívna. Čierna šípka: Brzda rezače aktívna.</p>
	<p>Páčka pre studený štart (sýtič).</p>		<p>Uvoľnenie brzdy rezače.</p>
	<p>Aktivovanie brzdy rezače.</p>		<p>Smer montáže pílovej rezače.</p>
	<p>Nastavenie mazania rezače.</p>		<p>Zaručená hladina akustického výkonu zariadenia.</p>

	<p>Pozor! Horúce diely.</p>	 <p>push primer 6 times</p>	<p>6x stlačte palivové čerpadlo (primer).</p>
	<p>Smer chodu reťaze.</p>		<p>Nastavenie napnutia reťaze.</p>
<p>NEBEZPEČEN-STVO Signálne slovo na označenie bezprostredne hroziacej nebezpečnej situácie, ktorá, ak sa jej nezabráni, bude mať za následok smrť alebo vážne poranenie.</p>			
<p>VAROVANIE Signálne slovo na označenie možnej nebezpečnej situácie, ktorá, ak sa jej nezabráni, by mohla mať za následok smrť alebo vážne poranenie.</p>			
<p>POZOR Signálne slovo na označenie možnej nebezpečnej situácie, ktorá, ak sa jej nezabráni, môže viesť k ľahkému alebo stredne ťažkému poraneniu.</p>			
<p>UPOZORNENIE Signálne slovo na označenie možnej nebezpečnej situácie, ktorá, ak sa jej nezabráni, môže viesť k materiálnym škodám na produkte alebo majetku/vlastníctve.</p>			

2. Upozornenie pre používateľa

VAROVANIE:

Pred prvým uvedením do prevádzky si dôkladne prečítajte tento návod na obsluhu a bezpodmienečne dodržiavajte bezpečnostné predpisy! Pílu na orezávanie stromov smie obsluhovať len „pracovník určený na ošetrovanie stromov s dodatočným školením pre prácu v zdvíhacích košoch alebo na požiarnych rebríkoch s košom alebo pre lanovú lezeckú techniku“!

Návod na obsluhu uchovávajte na bezpečnom mieste!

Upozornenie:

Zohľadnite, prosím, že niektoré národné predpisy by mohli obmedziť používanie stroja.



Táto píla na orezávanie stromov je špeciálne určená na starostlivosť o stromy a orezávanie stromov. Všetky práce s pilou na orezávanie stromov sú špeciálne určené na starostlivosť o stromy a orezávanie stromov. Všetky práce s touto pilou na orezávanie stromov smú vykonávať len vyškolení pracovníci určení na ošetrovanie stromov!

3. Úvod

VÝROBCA:

Schepach GmbH

Günzburger Straße 69

D-89335 Ichenhausen

VÁŽENÝ ZÁKAZNÍK,

Želáme Vám veľa zábavy a úspechov pri práci s Vaším novým prístrojom.

UPOZORNENIE:

Výrobca tohto prístroja neručí podľa platného zákona o ručení za výrobok za škody, ktoré vzniknú na tomto prístroji alebo budú spôsobené týmto prístrojom pri:

- neodbornej manipulácii,
- nedodržiavaním návodu na obsluhu,
- opravách tretími osobami, neautorizovanými odborníkmi,
- montáži a výmene neoriginálnych náhradných dielov,
- použití v rozpore s určením.

Dodržiavajte:

Pred montážou a uvedením do prevádzky si prečítajte celý text návodu na obsluhu.

Návod na obsluhu vám má uľahčiť, aby ste sa oboznámili s prístrojom a používali ho v súlade s jeho určenými možnosťami použitia.

Návod na obsluhu obsahuje dôležité pokyny, ako s prístrojom bezpečne, odborne a hospodárne pracovať a ako zabrániť nebezpečenstvám, ušetríte náklady na opravy, znížite časy prestojov a zvýšite spoľahlivosť a životnosť príslušenstva.

Okrem bezpečnostných ustanovení tohto návodu na obsluhu musíte bezpodmienečne dodržiavať predpisy svojej krajiny platné pre prevádzku prístroja.

Návod na obsluhu uschovajte pri prístroji a v plastovom obale, aby bol chránený pred špinou a vlhkosťou. Všetci obsluhujúci pracovníci si ho musia pred začiatkom práce prečítať a starostlivo ho dodržiavať.

Na prístroji môžu pracovať len osoby, ktoré boli poučené o používaní prístroja a boli informované o nebezpečenstvách, ktoré sú s tým spojené. Treba dodržiavať požadovaný minimálny vek.

Okrem bezpečnostných upozornení obsiahnutých v tomto návode na obsluhu a osobitných predpisov vašej krajiny treba rešpektovať všeobecne uznávané technické pravidlá pre prevádzku konštrukčne rovnakých strojov.

Nepreberáme zodpovednosť za žiadne nehody ani škody, ku ktorým dôjde v dôsledku nedodržania tohto návodu a bezpečnostných upozornení.

4. Popis prístroja

1. Pílová refaz
2. Vodiaca lišta
3. Predná ochrana rúk
4. Palivové čerpadlo „Primer“
5. Plynová páka
6. Zadná rukoväť
7. Blokovanie plynovej páky
8. Štartovacie tiahlo
9. Kryt vzduchového filtra
10. Uzáver pre kryt vzduchového filtra
11. Uzáver nádrže refazového oleja
12. Predná rukoväť
13. Uzáver palivovej nádrže
14. Páčka pre studený štart (sýtič)
15. Zapínač/vypínač
16. Upevňovacie matice
17. Kryt refazového kolesa
18. Tlmič zvuku
19. Závesné zariadenie
20. Kľúč na zapalovacie sviečky/ploché skrutkovač
21. Kryt vodiacej lišty
22. Zmiešavacia nádoba
23. Napínacia skrutka refaze
24. Ozubený doraz
25. Zachytávač refaze
26. Upínací kolík refaze
27. Refazové koleso
28. Vodiaca drážka
29. Upevňovací čap
30. Ozubené koleso
31. Mazací otvor
32. Regulačná skrutka oleja
33. vzduchový filter
34. Zapalovacia sviečka
35. Konektor zapalovacej sviečky
36. Nasávacía hlavica

5. Rozsah dodávky

- Píla na orezávanie stromov
- Pílová refaz
- Vodiaca lišta
- Kryt vodiacej lišty
- Kľúč na zapalovacie sviečky/ploché skrutkovač
- Zmiešavacia nádoba

6. Použitie v súlade s určením

Tento prístroj je mimoriadne ľahká, praktická píla na orezávanie stromov s hornou rukoväťou. Píla na orezávanie stromov bola špeciálne vyvinutá na orezávanie a na ošetrovanie stromov. Píly na orezávanie stromov smú obsluhovať len „pracovníci určení na orezávanie stromov s dodatočným školením pre prácu v zdvíhacích košoch alebo na požiarnych rebríkoch s košom alebo pre lanovú lezeckú techniku“.

Na príležitostné použitie pri rezaní tenkého dreva, ošetrovaní ovocných stromov, odvetvovaní, skracovaní.

Príprava palivového dreva sa môže vykonávať len vtedy, ak priemer dreva nepresahuje dĺžku rezu (20 cm).

Na túto prácu odporúčame bežnú motorovú pílu s veľkou vzdialenosťou rukoväte alebo dĺžkou rezu.

Kto nemôže používať prístroj:

Osoby, ktoré nie sú oboznámené s návodom na obsluhu, deti mladšie ako 16 rokov, ako aj osoby pod vplyvom alkoholu, drog, liekov alebo ktoré sú unavené alebo choré.

Prístroj slúži podľa určenia výlučne na pílenie dreva. Výrobca neručí za škody, ktoré boli spôsobené použitím v rozpore s určením alebo nesprávnou obsluhou.

Prístroj sa smie používať iba v súlade so svojím určením. Každé iné použitie presahujúce určenie je považované za použitie v rozpore s určením. Za škody z neho vzniknuté alebo poranenia akéhokoľvek druhu ručí používateľ/obsluha a nie výrobca.

Súčasnou používania v súlade s určením je aj dodržiavanie bezpečnostných upozornení, ako aj návodu na montáž a prevádzkových pokynov v návode na obsluhu.

Osoby, ktoré obsluhujú prístroj a vykonávajú jeho údržbu, musia byť oboznámené s prístrojom a možnými nebezpečenstvami.

Okrem toho sa musia čo najdôkladnejšie dodržiavať predpisy na zabránenie úrazom.

Musia sa dodržiavať aj iné všeobecné pracovno-lekárske a bezpečnostno-technické pravidlá.

Zmeny na prístroji úplne vylučujú ručenie výrobcu za škody, ktoré tým vzniknú.

Dbajte, prosím, na to, že naše prístroje neboli v súlade s určením skonštruované na komerčné, remeselné ani priemyselné použitie. Ak sa prístroj používa v komerčných, remeselných alebo priemyselných podnikoch, ako aj na podobné činnosti, nepreberáme žiadnu záruku.

NEBEZPEČENSTVO

Výrobca tohto prístroja neručí podľa platného zákona o ručení za výrobok za škody, ktoré vzniknú na tomto prístroji alebo budú spôsobené týmto prístrojom pri:

- montáži a výmene neoriginálnych náhradných dielov,
- odstránení alebo zmene bezpečnostných komponentov.

6.1 Použitie v rozpore s určením

- Tento prístroj nie je vhodný pre výrub.
- Nepoužívajte vodiacu lištu ako páku, aby ste pohybovali kmene stromov alebo pod.
- Pílenie dreva s priemerom nad 20 cm nie je povolené.

7. Bezpečnostné upozornenia

7.1 Všeobecné pokyny

VAROVANIE

Buďte neustále pozorní, dávajte pozor na to, čo robíte, a s prístrojom pracujte rozumne. Nepoužívajte prístroj, ak ste unavení alebo ste pod vplyvom drog, alkoholu či liekov. Jediná chvíľka nepozornosti pri používaní prístroja môže viesť k závažným zraneniam.

Zabráňte chybným používaniam, používajte stroj len tak, ako je to opísané v „Použitie v súlade s určením“.

Návod na obsluhu obsahuje dôležité pokyny, ako bezpečne a odborne pracovať s refazovou pílou a ako možno zabrániť nebezpečenstvám.

Ak sa medzi rezivom a pilovou refazou napriek tomu vytvorí prekážka, okamžite ju vypnite. Počkajte, kým sa pilová refaza zastaví. Odstráňte konektor zapaľovacej sviečky a nasadte si rukavice odolné proti porezaniu, aby ste odstránili prekážku. Ak je potrebné odstrániť (vodiacu) lištu, postupujte podľa pokynov uvedených v kapitole „Montáž“. Po odstránení prekážky a opätovnej montáži sa musí vykonať skúšobný chod. Ak sa počas tohto procesu objavia vibrácie alebo mechanické zvuky, prerušte prácu a obráťte sa na autorizované servisné stredisko. Ak sa toto nebezpečenstvo vyskytuje častejšie, odporúčame nové školenie.

- Pred uvedením do prevádzky si prečítajte návod na obsluhu vášho prístroja a dbajte obzvlášť na bezpečnostné upozornenia.
- Výstražné a informačné štítky umiestnené na prístroji poskytujú dôležité upozornenia týkajúce sa bezpečnej prevádzky.
- Okrem upozornení v návode na obsluhu prihliadajte aj na všeobecné bezpečnostné predpisy a predpisy na prevenciu proti nehodám.
- Baliace fólie uchovávajú mimo dosah detí, vzniká nebezpečenstvo zadusenial
- Nedostatočne informovaná obsluha môže ohroziť samú seba a iné osoby v dôsledku neodborného použitia. Obsluha je zodpovedná za tretie osoby.
- Pred začatím prác skontrolujte funkciu plynovej páky. Po uvoľnení sa musí automaticky vrátiť do polohy pre voľný beh.
- Nepracujte dlhšie ako 10 minút na jednom kuse. Medzi pracovnými pohybmi sa odporúča prestávka 10 - 20 minút.
- Prístroj požičiavajte iba používateľom, ktorí majú s prístrojom skúsenosti. Návod na obsluhu je potrebné odovzdať.
- Niektoré rezacie úlohy si vyžadujú špeciálne školenie a zvláštne zručnosti. Ak máte pochybnosti, obráťte sa na odborníka.
- Prví používatelia musia byť poučení, aby sa oboznámili s vlastnosťami prístroja. Pre Vašu bezpečnosť navštívte štátne školenie o motorových pilách.
- Prístroj sa musí v prípade nepoužívania odstaviť tak, aby nikto nebol ohrozený. Zaisťte pred neoprávneným prístupom.
- Používateľ prístroja je zodpovedný za všetky nehody a nebezpečenstvá, ktoré by mohli ohroziť iné osoby alebo ich majetok.
- Deti, mládež a osoby so zníženými fyzickými, senzorickými alebo mentálnymi schopnosťami nesmú reťazovú pílu používať. Výnimky vznikajú len pre mládež nad 16 rokov v rámci vzdelávania pod dohľadom odborníka.
- Elektrická zapalovacia sústava prístroja vytvára malé elektromagnetické pole. Ak nosíte kardiostimulátor alebo podobné implantáty, prekonzultujte to pred použitím prístroja s Vaším lekárom, aby ste zabránili zdravotným rizikám.
- Dávajte pozor, pri nesprávnej údržbe, používaní neschválených náhradných dielov alebo odstránení alebo úprave bezpečnostných zariadení môže dôjsť ku škodám na prístroji a ťažkým poraneniám osôb, ktoré s prístrojom pracujú.

7.2 Osobné ochranné prostriedky (OOP)

NEBEZPEČENSTVO

Vždy nosite osobné ochranné prostriedky (OOP)!

- Nosite ochrannú prilbu s ochranou tváre resp. s ochrannými okuliarmi a ochranou sluchu.
- Nosite tesne priliehajúci ochranný odev s ochrannou vložkou proti prerezaniu.
- Nosite protišmykovú bezpečnostnú obuv.
- Nosite ochranné rukavice.
- Zabráňte voľnému odevu, ktorý sa môže zachytiť.
- Nenoste žiaden šál, kravatu a šperky!
- Pri dlhých vlasoch používajte sieťku na vlasy!
- Pri všetkých prácach v lese nosite ochrannú prilbu. Táto ponúka ochranu pred padajúcimi konármi. Ochrannú prilbu pravidelne kontrolujte ohľadom poškodení. Najneskôr po 5 rokoch sa táto musí vymeniť. Používajte len otestované ochranné prilby.
- Ochrana tváre alebo ochranné okuliare zabraňujú pilinám a štiepkam. Aby ste zabránili poraneniam očí, musíte neustále pri prácach s prístrojom nosiť ochranu tváre, resp. ochranné okuliare.
- Vždy nosite ochranu sluchu. Hluk vychádzajúci z prístroja môže viesť k poškodeniam sluchu.
- Nosite hrubé ochranné rukavice z odolného materiálu, ako napr. z kože.
- Pri pilení suchého dreva nosite ochrannú masku proti prachu. Môže dôjsť k tvorbe pilového prachu.
- Pri práci na strome môže používateľ spadnúť. Používateľ môže byť vážne zranený alebo usmrtený. Používajte vybavenie na ochranu proti pádu.

7.3 Skladovanie a preprava

- Reťazovú pílu pred každou prepravou vypnite aj pri krátkych trasách. Zapnite brzdú reťaze a nasadte ochranu reťaze.
- Pre prepravu a skladovanie používajte ochranu reťaze.
- Počas prepravy zaisťte stroj (aj vo vozidlách) proti preklopeniu, aby ste zabránili strate paliva, škodám alebo poraneniam.
- Prístroj nosite len za prednú rukoväť. Vodiaca lišta ukazuje pritom smerom dozadu, preč od tela.
- Horúci tlmíči zvuku držte ďalej od tela. Vzniká nebezpečenstvo popálenia!
- Čistite a udržiujte reťazovú pílu pred uskladnením.
- Prístroj skladujte na čistom a suchom mieste. Zaisťte aj pred neoprávneným prístupom.

7.4 Bezpečnosť okolia

- Národné a/alebo komunálne predpisy môžu obmedziť časovo používanie prístrojov poháňaných motorom, ktoré vytvárajú hluk. Pre viac informácií kontaktujte vašu komunálnu správu.
- Prístroj sa nesmie prevádzkovať vo vnútorných priestoroch alebo zle vetraných priestoroch. Vzniká nebezpečenstvo zadusenía v dôsledku jedovatých spalín/výparov z mazacieho oleja.
- Vykonať prácu len za denného svetla.
- Nepracujte tiež v nepriaznivých poveternostných podmienkach, ako je napr. dážď alebo vietor. Tu vzniká zvýšené riziko nehody.
- Pracovný priestor udržiavajte čistý a uprataný.
- Deti, iné osoby a zvieratá držte vo vzdialenosti pred prácou a počas nej. Pri rozptyľovaní môžete stratiť kontrolu nad prístrojom.
- Pred začiatkom vykonávania práce sa uistite, že sa v bezpečnej zóne nezdržiavajú žiadne osoby, zvieratá alebo vecný majetok.
- Nepracujte v blízkosti drôtených plotov alebo v oblastiach s voľným starým drôtom.
- Ak sa nachádzate vo veľmi horľavom prostredí, ako je napr. práca na suchej tráve atď., majte vždy pripravené hasiace prostriedky. Vzniká nebezpečenstvo požiaru!

7.5 Naplňte palivo

- Benzín je veľmi ľahko horľavý. Pri tankovaní udržiajte vzdialenosť od otvoreného ohňa a nefajčite pri tom. Vzniká nebezpečenstvo požiaru!
- Dbajte na to, aby sa nerozliat benzín. Benzín alebo refazový olej sa nesmie dostať do pôdy. Ako pomôcku použite vhodné podložky.
- Tankujte len v dobre vetraných oblastiach. Benzínové výpary sa môžu ľahko vznietiť alebo vybuchnúť.
- Pred tankovaním vypnite motor a nechajte prístroj vychladnúť. Ak sa benzín rozliat, okamžite vyčistite zasiahnuté miesta. Nedovoľte, aby sa palivo dostalo na vás odev, v opačnom prípade ho okamžite vymeňte.
- Zabráňte kontaktu benzínu alebo mazacích látok (olej) s pokožkou a očami.
- Nevdychujte benzínové pary/výpary z mazacieho oleja.
- Dbajte na netesnosti. Ak benzín vyteká, nespúšťajte motor. Vzniká nebezpečenstvo popálenín.
- Opatrne otvorte uzáver palivovej nádrže, aby sa mohol pomaly odbúrvať vznikajúci pretlak a nevystrekol pritom žiaden benzín.

7.6 Pred uvedením do prevádzky

VAROVANIE

Vždy vykonajte kontroly pred uvedením do prevádzky a pri vypnutí motora.

Pred každým použitím skontrolujte prístroj a po páde na podlahu skontrolujte stav bezpečný pre prevádzku.

Skontrolujte, či všetky pohyblivé diely pracujú bezchybne. Príčinou mnohých nehôd je nesprávna údržba nástrojov. Nechajte poškodené diely opraviť kvalifikovaným odborným personálom. Používajte refazový pilu a príslušenstvo len v súlade s týmito pokynmi. Zohľadnite pritom pracovné podmienky a vykonávanú činnosť. Používanie náradia s motorom na iné ako predpísané používania môže viesť k nebezpečným situáciám.

- Pravidelne kontrolujte brzdú refaze ohľadom funkčnosti (predná ochrana rúk, pozri obr. 2).
- Skontrolujte vodiacu lištu, či je táto správne namontovaná.
- Skontrolujte pilovú refaz, či je správne napnutá. Dodržiavajte pokyny pre mazanie, napnutie refaze a výmenu príslušenstva. Nesprávne napnutá alebo namazaná refaz sa môže buď roztrhnúť, a alebo zvýšiť riziko spätného nárazu.
- Rezné nástroje udržiavajte ostré a čisté. Pravidelne ostrite a vymieňajte včas opotrebované diely. Starostlivo udržiavané rezné nástroje s ostrými reznými hranami sa menej zasekávajú a ľahšie sa vedú.
- Skontrolujte plynovú páku a blokovanie plynovej páky ohľadom ľahkosti chodu. Plynová páka sa musí spätne odpružiť do svojej východiskovej polohy.
- Skontrolujte, či sa v nádrži nachádza dostatok paliva a refazového mazacieho oleja.
- Skontrolujte, či sú rukoväte čisté, suché a zbavené oleja a nečistoty.
- Nikdy nevykonávajte práce sami. V prípade núdze musí byť niekto nablízku.
- Refazový pilu používajte iba vtedy, keď stojíte na pevnom, bezpečnom a rovnom podklade. Vyhybajte sa abnormálnemu držaniu tela. Klzký podklad alebo nestabilná plocha na státie (napr. Na rebríku), môže viesť k strate rovnováhy alebo k strate kontroly nad refazovou pilou. Zaisťte si bezpečný postoj a vždy udržiavajte rovnováhu. Takto môžete lepšie kontrolovať refazový pilu v neočakávaných situáciách.
- S refazovou pilou nepracujte na strome. Pri prevádzke na strome hrozí nebezpečenstvo poranenia.
- Nikdy nepíľte nad výškou ramien.
- Refazový pilu vždy držte pravou rukou za zadnú rukoväť a ľavou rukou za prednú rukoväť. Držanie refazovej pily s opačným pracovným uchopením zvyšuje riziko poranenia a nesmie sa používať.

- Pri bežiacjej reťazovej pile udržiavajte všetky časti tela mimo pilovej reťaze. Pred každým spustením reťazovej pily sa uistite, či sa pilová reťaz ničoho nedotýka. Pri práci s reťazovou pilou môže chvíľka nepozornosti viesť k tomu, že reťazová píla zachytí odev alebo časti tela.
- Reťazovú pílu vypnite okamžite pri citelných zmenách správania prístroja.
- Ak reťazová píla príde do kontaktu s kameňmi, klincami alebo inými tvrdými predmetmi, okamžite zastavte motor a skontrolujte pilový reťaz a vodiacu lištu ohľadom poškodení.
- Nenechajte reťazovú pílu spadnúť, neudierajte ju o prekážky a nikdy nepoužívajte vodiacu lištu ako páku.
- Reťazovú pilou píľte iba drevo.
- Pri pílení napnutej vetvy počítajte s tým, že sa táto vplyvom pružnej sily vráti späť. Keď sa uvoľní napnutie v drevených vláknach, napnutá vetva môže zasiahnuť obsluhujúcu osobu a/alebo vytrhnúť spod kontroly reťazovú pílu.
- Mimoriadne veľký pozor dávať pri pílení krovia a mladých stromov. Tenký materiál sa môže zachytiť v pilovej reťazi a môže vás udrieť alebo vás môže vyvieť z rovnováhy.

7.7 Vibrácie

VAROVANIE

Zabrňte rizikám vibrácií, napr. riziko ochorenia bielych prstov (poruchy obehového systému) v dôsledku častých pracovných prestávok, pri ktorých si napr. trete povrchy dlaní o seba.

- Vždy noste ochranné rukavice a dbajte na teplé ruky.
- Dbajte na to, aby reťaze boli vždy ostré.
- Robte pravidelné pracovné prestávky.

7.8 Vhodné opatrenia proti spätnému nárazu

VAROVANIE

Pri prácach dbajte na spätný náraz prístroja. Hrozí nebezpečenstvo poranenia. Opatrnosťou a správnu technikou rezania sa vyhnete spätným nárazom.

- Dotyk so špičkou lišty môže v niektorých prípadoch viesť k neočakávanej reakcii smerujúcej dozadu, pri ktorej sa vodiaca lišta odrazí nahor v smere používateľa.
- Spätný náraz sa môže vyskytnúť, keď sa hrot vodiacej lišty dotkne predmetu alebo keď sa ohne drevo a pilová reťaz sa zasekne v reze.

- Zaseknutie pilovej reťaze na hornej hrane vodiacej lišty môže reťazovú pílu nekontrolovane a rýchlo odraziť v smere používateľa.
- Zaseknutie pilovej reťaze na dolnej hrane vodiacej lišty môže reťazovú pílu nekontrolovane a rýchlo stiahnuť mimo smer ovládania.
- Buďte extrémne opatrní, keď používate reťaz reťazovej pily na ďalšie pílenie v už začatom reze.
- Nepíľte žiadne konáre alebo kusy dreva, ktoré by mohli počas pílenia zmeniť polohu alebo pri ktorom sa rez v procese pílenia zavrie.
- Každá z týchto reakcií môže viesť k tomu, že stratíte kontrolu nad pilou a pravdepodobne sa ťažko poraníte. Nespoliehajte sa výhradne na bezpečnostné zariadenia zabudované v reťazovej pile. Ako používatelia reťazovej pily by ste mali vykonať rôzne opatrenia, aby ste mohli pracovať bez úrazu a poranenia.

Spätný náraz je dôsledkom nesprávneho alebo chybného používania. Je možné sa mu vyhnúť prostredníctvom bezpečnostných opatrení uvedených v nasledujúcom popise:

- Pílu pevne držte obidvomi rukami, pričom palce a prsty obopínajú rukoväť reťazovej pily. Svoje telo a ramená uveďte do polohy, v ktorej dokážete odolať silám spätného nárazu. Ak sa vykonajú vhodné opatrenia, používateľ dokáže ovládnuť sily spätného nárazu. Reťazovú pílu nikdy nepustíte.
- Vyhnite sa abnormálnemu držaniu tela a nepíľte nad výškou ramien. Zabráňte sa tým náhodnému kontaktu s hrotom lišty a umožní sa lepšia kontrola reťazovej pily v neočakávaných situáciách.
- Vždy používajte iba výrobcom predpísané náhradné lišty a pilové reťaze. Nesprávne náhradné lišty a pilové reťaze môžu viesť k roztrhnutiu reťaze a/alebo k spätnému nárazu.
- Držte sa pokynov výrobcu pre ostrenie a údržbu pilovej reťaze. Príliš nízke obmedzovače hĺbky zvyšujú náchylnosť k spätnému rázu.
- Nikdy nepíľte hrotom lišty. Vznikne nebezpečenstvo spätného nárazu. (Obr. 7)
- Uistite sa, že sa v oblasti rezania sa nenachádzajú klince alebo kovové časti. Dbajte obzvlášť na klince alebo železné časti okolo oblastí rezania. Buďte mimoriadne opatrní pri pílení tvrdého dreva, pri ktorom sa reťaz môže zaseknúť. Tým môže dôjsť k spätnému nárazu.
- Začnite rezať plnou silou a udržiavajte reťazovú pílu počas pílenia vždy na najvyššej rýchlosti.
- Postarajte sa o to, aby na zemi neležali žiadne predmety, o ktoré by ste mohli zakopnúť.

7.9 Správanie sa pri práci a technika

- Pracujte len pri dobrej viditeľnosti a svetle. Venujte zvýšenú pozornosť klzkému, mokrému povrchu, ľadu a snehu (nebezpečenstvo pošmyknutia). Na čerstvo olúpanom dreve (kôre) je zvýšené riziko pošmyknutia.
- Nikdy nepracujte na nestabilných podkladoch. Pozor na prekážky v pracovnom priestore, nebezpečenstvo zakopnutia. Je potrebné dbať na to, aby ste vždy bezpečne stáli.
- Nikdy nepíľte nad výškou ramien.
- Nikdy nepíľte stojac na rebríkoch.
- Nikdy nelezte s reťazovou pilou na strom a nevykonávajte práce bez vhodných pridržiavacích systémov pre človeka a stroj. Vždy odporúčame vykonávať práce z pracovnej plošiny.
- Nepracujte prehnutí príliš ďaleko dopredu.
- Reťazovú pílu vedzte tak, aby sa žiadna časť tela nenačádzala vo väčšom rozsahu naklápania pilovej reťaze.
- Reťazovú pílu používajte len na drevo.
- Nedotýkajte sa zeme bežiacou pilovou reťazou.
- Očistite miesto rezu od cudzích telies, ako sú piesok, kamene, klince atď. Cudzie telesá poškodzujú pilové zariadenie a môžu viesť k nebezpečnému spätnému nárazu (Kickback), ako aj k ich vymršteniu.
- Pri pílení dreva používajte bezpečnú podložku (ak je to možné, kozu na pílenie). Drevo sa nesmie pridržiavať nohou ani druhou osobou.
- Guľatina sa musí zaistiť proti pretočeniu v reze.
- Nikdy nepracujte bez ozubeného dorazu, reťazová píla môže potiahnuť obsluhu dopredu. Používajte ozubený doraz na rezanie kmeňov stromov alebo hrubých konárov. Používanie ozubeného dorazu zvyšuje bezpečnosť pri práci, znižuje osobnú záťaž pri práci a vibrácie.
- Pri výrube a krátení sa musí na pílené drevo priložiť zúbkovaná lišta (ozubený doraz). Zúbkovaná lišta sa odporúča aj na rezanie hrubých konárov.
- Pred každým skracovacím rezom pevne nasadíte zúbkovanú lištu, a až potom píľte drevo s bežiacou pilovou reťazou. Píla sa vyfahuje za zadnú rukoväť a vedie sa pomocou oblúkovej rukoväte. Zúbkovaná lišta slúži ako bod otáčania. Nasadzujte len miernym zatlačením na oblúkovú rukoväť. Reťazovú pílu potiahnite mierne späť. Spustíte hlbšie zúbkovanú lištu a opäť vytiahnite zadnú rukoväť.
- Pozor pri pílení roztriešteného dreva. Odpižené kusy dreva by sa mohli strhnúť (nebezpečenstvo poranenia).
- Ak sa pilová reťaz zasekne, môže sa pri rezaní odraziť reťazová píla s hornou časťou lišty smerom k obsluhu. Preto, ak je to možné, režte spodnou stranou lišty, pretože reťazová píla sa od tela odfahuje smerom k drevu.

- Drevo pod napätím sa musí najskôr narezať na tlačenej strane. Až potom sa môže vykonať deliaci rez na strane fahu. Tým sa zabráni zachyteniu lišty.
- Pri práci na strome môže motorová píla spadnúť. Môže dôjsť k vážnym zraneniam osôb a vecným škodám. Zabezpečte motorovú pílu pomocou závesného zariadenia.
- Predtým, ako sa pilová reťaz umiestni do oblasti rezu, môže motorová píla sklznúť do strany alebo vyskočiť.

POZOR

Zvýšené riziko spätného nárazu!

Aby ste si v momente „prepílenia“ udržali úplnú kontrolu, na konci rezu znížte prítláčnú silu bez toho, aby ste uvoľnili pevné uchopenie rukovätí reťazovej píly. Dávajte pozor na to, aby sa pilová reťaz nedotkla zeme. Po dokončení rezu počkajte na zastavenie pilovej reťaze, predtým ako odiaľ vzdialite reťazovú pílu. Keď sa presúvate od stromu k stromu, vždy vypnite motor reťazovej píly.

VAROVANIE

Pri dlhších prácach môže z dôvodu vibrácií dôjsť v rukách obsluhujúcej osoby k poruchám prekrvenia (syndróm bielych prstov).

Syndróm bielych prstov je cieвне ochorenie, pri ktorom sa v záchvatoch kŕčovito sfahujú cievy na prstoch na rukách a nohách. Postihnuté oblasti už nie sú dostatočne zásobované krvou a preto sa zdajú extrémne bledé. Časté používanie vibrujúcich zariadení môže u osôb, ktorých prekrvenie je narušené (napr. fajčiari, diabetici), vyvolať nervové poškodenia. Ak spozorujete neobvyklé zhoršenia stavu prstov, okamžite ukončite prácu a vyhľadajte lekára.

V záujme zníženia nebezpečenstiev dbajte na nasledujúce upozornenia:

- V chladnom počasi udržiavajte svoje telo a najmä ruky v teplote.
- Pravidelne si robte prestávky a pohybujte pritom rukami, aby ste podporili ich prekrvenie.
- Pravidelnou údržbou a pevnými dielmi na prístroji sa postarajte o čo najmenšie vibrácie prístroja.

7.10 Zvyškové riziká

NEBEZPEČENSTVO

NEBEZPEČENSTVO PORANENIA!

Kontakt s pilovou reťazou môže viesť k smrteľným rezným poraneniam.

Nikdy nesiahajte rukami do bežiacie pilovej reťaze.

NEBEZPEČENSTVO SPÄTNÉHO NÁRAZU!

Spätný náraz môže viesť k smrteľným rezným poraneniám.

NEBEZPEČENSTVO POPÁLENIA!

Refaz a vodiaca lišta sa počas prevádzky zahrievajú.

Prístroj je skonštruovaný podľa stavu techniky a prijatých bezpečnostno-technických pravidiel. Napriek tomu sa môžu pri práci vyskytnúť jednotlivé zvyškové riziká.

Napriek všetkým prijatým opatreniam môžu pretrvávať zvyškové riziká, ktoré nie sú očividné.

Zostatkové riziká je možné minimalizovať, ak sa dodržiavajú bezpečnostné upozornenia, použijú sa v súlade s určením, ako aj návod na obsluhu.

8. Technické údaje

Stroj bez lišty

Dĺžka x šírka x výška.....	270 x 230 x 240 mm
Hmotnosť bez paliva, bez súpravy na pílenie cca	3,4 kg
Hmotnosť bez paliva, so súpravou na pílenie cca.....	3,8 kg
Nádrž na olej na mazanie refaze.....	0,16 l
Obsah palivovej nádrže.....	0,23 l
Pomer miešania oleja a paliva.....	1:40
Dĺžka rezu.....	20 cm
Dĺžka lišty.....	30 cm
Automatické olejovanie refaze.....	áno
Rozstup refaze.....	3/8" (9,525 mm)
Hrúbka refazového článku.....	1,27 mm
Typ refaze	3/8LP-40
Počet zubov hnacieho refazového kolesa.....	6
Rozstup zubov hnacieho refazového kolesa	3/8"
Typ lišty.....	AP10-40-509P
Rýchlosť refaze max	21 m/s
Motor.....	1 valec, 2-takt, chladený vzduchom
Objem motora	25,4 cm ³
Max. výkon motora podľa ISO 7293	0,7 kW
Otáčky pri chode naprázdno n ₀	3300 ± 300 min ⁻¹
Maximálna rýchlosť so súpravou na pílenie.....	11000 min ⁻¹
Zapaľovacia sviečka.....	L8RTC

Hladina akustického tlaku sa musí v závislosti od použitia a vykonávaných činností znížiť na takú úroveň, aby nedošlo k poškodeniu zdravia obsluhy. Hladina akustického tlaku na pracovisku môže prekročiť 80 dB. V tomto prípade sú potrebné opatrenia na ochranu proti hluku pre obsluhu (napr. nosenie ochrany sluchu).

Vznik hluku a vibrácií obmedzte na minimum!

- Používajte iba bezchybné stroje.
- Prístroj pravidelne čistite a vykonávajte jeho údržbu.
- Váš spôsob práce prispôbajte prístroju.
- Prístroj nepreťažujte.
- Prístroj nechajte v prípade potreby prekontrolovať.
- Ak sa prístroj nepoužíva, vypnite ho.
- Noste rukavice.

Nameraná hladina akustického tlaku L _{pA}	99,2 dB
Neistota K _{pA}	3 dB
Zaručená hladina akustického výkonu L _{WA}	113 dB
Nameraná hladina akustického výkonu L _{WA}	108,7 dB
Neistota K _{WA}	3 dB

Vibrácia, predná rukoväť	8,98 m/s ²
Vibrácia, zadná rukoväť.....	8,03 m/s ²
Neistota.....	1,5 m/s ²

Noste ochranu sluchu.

Vplyv hluku môže spôsobiť stratu sluchu.

Uvedené hodnoty emisii hluku boli merané podľa normovanej skúšobnej metódy a môžu sa použiť na porovnanie prístroja s iným.

Uvedené hodnoty emisii hluku sa môžu použiť aj na predbežný odhad zaťaženia.

Varovanie:

- Emisie hluku sa môžu počas skutočného používania prístroja odlišovať od uvedených hodnôt v závislosti od druhu a spôsobu použitia prístroja, predovšetkým, aký druh obrobku sa obrába.
- Zaťaženie sa snažte udržať podľa možnosti čo najnižšie. Vzorové opatrenie: obmedzenie pracovnej doby. Pritom sa musia zohľadniť všetky časti prevádzkového cyklu (napríklad časy, keď je zariadenie vypnuté, a časy, počas ktorých je síce zapnuté, no beží bez zaťaženia).

9. Pred uvedením do prevádzky

1. Otvorte obal a opatrne vyberte prístroj.
2. Odstráňte baliaci materiál, ako aj obalové a prepravné poistky (ak sú použité).
3. Skontrolujte, či je rozsah dodávky kompletný.
4. Prístroj a diely príslušenstva skontrolujte ohľadom poškodení spôsobených prepravou.
5. Obal podľa možnosti uschovajte až do uplynutia záručnej doby.
6. Odstráňte stručný návod na štartovacím tiahle (8).

POZOR

Prístroj a obalové materiály nie sú hračkami pre deti! Deti sa nesmú hrať s plastovými vreckami, fóliami a malými dielmi! Existuje nebezpečenstvo prehltnutia a zadusenía!

9.1 Montáž vodiacej lišty (2) a pílovej rezače (1)

VAROVANIE

Nebezpečenstvo poranenia!

Vždy noste ochranné rukavice, keď sa dotýkate pílovej rezače (1). Nebezpečenstvo poranenia spôsobené ostrými reznými zubami!

Používajte iba schválené kombinácie pílovej rezače (1) a vodiacej lišty (2) (pozri kapitolu „Schválené súpravy na pílenie“).

Vždy vykonajte montáž pri vypnutom motore.

Upozornenie

Nová pílová rezač (1) sa predĺži a musí sa častejšie dopnúť. Pravidelne kontrolujte napnutie rezače a nastavte ho. Vodiaca lišta (2) sa môže otočiť v závislosti od opotrebovania.

1. Rezačovú pílu postavte na rovný a stabilný podklad.
2. Potiahnite prednú ochranu rúk (3) dozadu až na doraz, aby ste uvoľnili brzdu rezače. (Obr. 2)
3. Odstráňte obe upevňovacie matice (16) pomocou kľúča na zapalovacie sviečky (20).
4. Zložte kryt rezačového kolesa (17).
5. Otočte napínavú skrutku rezače (23) doľava (proti smeru hodinových ručičiek), kým sa upínací kolík rezače (26) nedostane k pravému dorazu (obr. 3). Použite na to plochý skrutkovač (20).
6. Posuňte pozdĺžny otvor vodiacej lišty (2) cez oba vyčnievajúce upevňovacie čapy (29).

7. Preložte pílovú rezač (1) cez ozubenie rezačového kolesa (27). Zasuňte pílovú rezač (1) presne v smere uvedenom na vodiacej lište (2). Na hrote vodiacej lišty (2) sa nachádza ozubené koleso (30), do ktorého sa musí vložiť ozubenie pílovej rezače (1). (Obr. 6 a 18)
8. Zľahka potiahnite vodiacu lištu (2), aby sa pílová rezač (1) mierne napla.
9. Opäť nasadte kryt rezačového kolesa (17). Dbajte na to, aby upínací kolík rezače (26) nachádzajúci sa vo vnútri pasoval do vhodného otvoru vodiacej lišty (2). Prestavte príp. napínavú skrutku rezače (23) pomocou plochého skrutkovača (20).
10. Zaskrutkujte obe upevňovacie matice (16) ručne. Dbajte na to, aby ste tieto ešte pevne neutiahli. Upevňovacie matice (16) sa utiahnu až po napnutí pílovej rezače (1).

9.2 Napnutie a kontrola pílovej rezače (1)

VAROVANIE

Natiahnite si ochranné rukavice! Nebezpečenstvo poranenia spôsobené ostrými reznými zubami!

Pred každým uvedením do prevádzky pravidelne kontrolujte napnutie rezače.

Kontroly vykonávajte vždy pred uvedením do prevádzky a pri vypnutom motore.

1. Pred napnutím sa musia obe upevňovacie matice mierne uvoľniť (16) pomocou kľúča na zapalovacie sviečky (20).
2. Otáčajte napínavú skrutku rezače (23) pomocou plochého skrutkovača (20) v smere hodinových ručičiek, aby ste zvýšili napnutie.
3. Uťahnite obe upevňovacie matice (16) pomocou kľúča na zapalovacie sviečky (20).
4. Pílová rezač (1) musí byť umiestnená na spodnej strane lišty. Skontrolujte, či sa dá pílová rezač (1) pri uvoľnenej brzde rezače, potlačte prednú ochranu rúk (3) smerom vzad) ručne vytiahnuť cez vodiacu lištu (2).

UPOZORNENIE

Nová pílová rezač (1) sa predĺži a musí sa častejšie dopnúť.

9.3 Miešanie paliva

Motor sa prevádzkuje palivovou zmesou z benzínu a motorového oleja.

VAROVANIE

Zabráňte priamemu kontaktu pokožky s palivom a vdychovaniu výparov z paliva.

Používajte iba zmes bezolovnatého benzínu (min. ROZ 95) a špeciálneho 2-taktného motorového oleja (JASO FD/ISO - L - EGD). Palivovú zmes namiešajte podľa tabuľky na miešanie paliva.

Do priloženej zmiešavacej nádoby naplňte správne množstvá benzínu a 2-taktného oleja (22) (pozri „Tabuľka na miešanie paliva“). Následne dobre pretrepte zmiešavaciu nádobu (22).

9.3.1 Tabuľka na miešanie paliva

Proces miešania: 40 dielov benzínu na 1 diel oleja
Benzín.....2-taktný olej
0,5 litra 12,5 ml

9.4 Naplnenie paliva (obr. 8)

VAROVANIE

Palivo plňte len pri vypnutom a vychladnutom motore. Vzniká nebezpečenstvo požiaru!

1. Vždy vyčistite oblasť okolo uzáveru palivovej nádrže (13) pred plnením, aby sa do palivovej nádrže nedostala žiadna nečistota. Použite na to suchú handru neuvolňujúcu vlákna.
2. Položte prístroj na bok tak, aby uzáver palivovej nádrže (13) smeroval nahor.
3. Otáčajte uzáver palivovej nádrže (13) proti smeru hodinových ručičiek a otvorte ho. Uzáver palivovej nádrže (13) je pripojený k poistke proti strate v palivovej nádrži a nemôže preto vypadnúť.
4. Do palivovej nádrže nalejte správnu palivovú zmes. Pri tankovaní nerozlievajte palivo a nenaplňajte palivovú nádrž po okraj.
5. Okamžite rozliate palivo poutierajte.
6. Otočte uzáver palivovej nádrže (13) v smere hodinových ručičiek, aby ste ju uzavreli.

UPOZORNENIE

Po každom plnení palivom skontrolujte aj refazový olej.

9.5 Vypustenie paliva

Palivovú nádrž vyprázdňujte len vonku alebo v dobre vetraných miestnostiach. Dbajte na to, aby sa do pôdy nedostalo žiadne palivo (ochrana životného prostredia). Použite vhodnú podložku.

1. Pod palivovú nádržou držte záchytnú nádobu.
2. Odskrutkujte uzáver palivovej nádrže (13) a odstráňte ho.
3. Úplne vypustite zmes benzínu a oleja.
4. Rukou opäť pevne naskrutkujte uzáver palivovej nádrže (13).

9.6 Plnenie refazového oleja (obr. 8)

VAROVANIE

Olej na pilové rezače plňte len pri vypnutom a vychladnutom motore. Vzniká nebezpečenstvo požiaru!

Nikdy nepracujte bez mazania rezače! Pri suchej bežiacей pilovej rezači (1) sa nenapravitelne poškodí súprava na pilenie v krátkom čase.

Pred prácou vždy skontrolujte mazanie rezače.

UPOZORNENIE

Používajte iba olej na pilové rezače. Zvlášť biologicky rozložiteľný. Nepoužívajte starý olej, motorový olej atď.

Počas práce kontrolujte, či mazanie rezače funguje.

1. Vždy vyčistite oblasť okolo uzáveru nádrže refazového oleja (11) pred plnením, aby sa do nej nedostala žiadna nečistota. Použite na to suchú handru neuvolňujúcu vlákna.
2. Položte prístroj na bok tak, aby uzáver nádrže refazového oleja (11) smeroval nahor.
3. Otáčajte uzáver nádrže refazového oleja (11) proti smeru hodinových ručičiek a otvorte ho. Uzáver nádrže refazového oleja (11) je pripojený k poistke proti strate v nádrži refazového oleja a nemôže preto vypadnúť.
4. Do nádrže refazového oleja naplňte bio refazový olej. Pri plnení nerozlievajte refazový olej a nenaplňajte nádrž refazového oleja po okraj.
5. Okamžite rozliaty refazový olej poutierajte.
6. Otočte uzáver nádrže refazového oleja (11) v smere hodinových ručičiek, aby ste ju uzavreli.

10. Uvedenie do prevádzky

OPATRNE

Dodržiavajte zákonné ustanovenia k nariadeniu na ochranu proti hluku.

Skontrolujte prístroj pred každým uvedením do prevádzky na:

- tesnosť palivového systému,
- bezchybný stav a úplnosť ochranných zariadení a rezačieho prípravku
- pevné utiahnutie všetkých skrutkových spojov
- ľahkosť chodu všetkých pohyblivých dielov.

Pracovné pokyny

Pred použitím sa oboznámte so zaobchádzaním s rezačovou pilou.

10.1 Štartovanie motora

POZOR

Pred naštartovaním motora sa vzdialte aspoň 3 metre od miesta tankovania (obr. 9).

Štartovacie tiahlo (8) vždy vyťahujte rovno. Pevne držte rukoväť štartovacieho tiahla (8), keď sa štartovacie tiahlo (8) opäť vtiahne. Nikdy nenechajte štartovacie tiahlo (8) rýchlo sa vrátiť späť.

Hneď po spustení motora uvoľnite plynovú páku (5). Pred uvoľnením brzdy rezače sa uistite, že sa otáčky motora vrátili na chod naprázdno (zatláčte prednú ochranu rúk (3) dozadu).

Vytiahnite páčku pre studený štart (sýtič) (14) len do spustenia.

10.1.1 Štartovanie pri studenom motore

VAROVANIE

Pred každým uvedením do prevádzky zapnite brzdu rezače (potlačte prednú ochranu rúk (3) dopredu).

POZOR

Nikdy nenechajte štartovacie tiahlo (8) vymrštiť späť. Môže to viesť k poškodeniam.

1. Odstráňte kryt vodiacej lišty (21).
2. Položte rezačový pilu na stabilný a rovný podklad. Pilová rezač (1) sa pritom nesmie dotýkať zeme.

3. Potlačte prednú ochranu rúk (3) dopredu, kým nezapadne. Pilový rezač (1) blokuje brzda rezače.
4. Stlačte 6x palivové čerpadlo „Primer“ (4). (Obr. 1)
5. Vytiahnite páčku pre studený štart (sýtič) (14). (Obr. 10,2)
6. Pevne držte rezačový pilu za prednú rukoväť (12) a pomaly vyťahujte štartovacie tiahlo (8) až po prvý odpor.
7. Teraz rýchlo priťahujte štartovacie tiahlo (8), kým sa nenašartuje motor. Ak by sa motor nenašartoval, zopakujte proces. Kým je páčka pre studený štart (sýtič) (14) vytiahnutá, motor sa rozbehne len nakrátko a znova vypne.
8. Len čo sa motor vypne, stlačte spolu blokovanie plynovej páky (7) a plynovú páku (5). Páčka pre studený štart (sýtič) (14) automaticky preskočí do prevádzkovej polohy „Teplý štart“. (Obr. 10,1)
9. Teraz znova rýchlo potiahnite štartovacie tiahlo (8), kým sa nenašartuje motor.

Ak motor nenaskočí ani po viacerých pokusoch, prečítajte si kapitolu „Odstraňovanie porúch“.

UPOZORNENIE

Pri vysokých vonkajších teplotách sa môže stať, že je nutné naštartovať aj pri studenom motore bez páčky pre studený štart (sýtič) (14)!

- Uvoľnite brzdu rezače tým, že potiahnete prednú ochranu rúk (3) dozadu. (Obr. 2)
- **POZOR!** Brzda rezače je teraz uvoľnená. Ak plynovú páku (5) stlačíte spolu s blokovaním plynovej páky (7), tak sa pilová rezač (1) rozbehne.

10.1.2 Štartovanie pri teplom motore (Prístroj bol odstavený menej ako 15#end-#20 minút.)

VAROVANIE

Pred každým uvedením do prevádzky zapnite brzdu rezače (potlačte prednú ochranu rúk (3) dopredu).

1. Potlačte prednú ochranu rúk (3) dopredu, kým nezapadne. Pilový rezač (1) blokuje brzda rezače.
2. Páčka pre studený štart (sýtič) (14) sa nemusí potiahnuť pri štarte teplého motora.
3. Pevne držte rezačový pilu za prednú rukoväť (12) a pomaly vyťahujte štartovacie tiahlo (8) až po prvý odpor.

- Teraz opäť prudko potiahnite štartovacie tiahlo (8). Prístroj by sa mal spustiť po 1 – 2 potiahnutiach. Ak sa prístroj nespustil po 6 potiahnutiach, zopakujte proces uvedený v „Spustenie pri studenom motore“.

10.2 Vypnutie motora

10.2.1 Postup pri núdzovom vypnutí

Ak je nutné okamžité zastavenie prístroja, zapínač/vypínač (15) stlačte do polohy „0“ a v tejto polohe ho držte stlačený, kým sa nezastaví motor.

10.2.2 Bežný postup

- Uvoľnite plynovú páku (5). Motor ďalej beží rýchlosťou pri voľnobehu.
- Zapínač/vypínač (15) stlačte do polohy „0“ a v tejto polohe ho držte stlačený, kým sa nezastaví motor.

10.3 Prevádzka v chode naprázdno

⚠ POZOR

Počas chodu naprázdno musí byť pílová reťaz (1) zastavená.

UPOZORNENIE

Ak sa pílová reťaz (1) pohybuje v chode naprázdno alebo motor pri ubratí plynu sám od seba zhasne, musí sa vykonať nastavenie karburátora (pozri kapitolu „Údržba nastavení karburátora“).

- Zdvihnute reťazovú pílu.
- Ľavou rukou pevne držte prednú rukoväť (12).
- Pravou rukou pevne držte zadnú rukoväť (6). Dľaň pritom leží na blokovani plynovej páky (7) a ukazovák stláča plynovú páku (5).
- Po jednom stlačení plynovej páky (5) beží motor naprázdno.
- Nechajte motor nakrátko zahrievať.

10.4 Kontrola a nastavenie mazania reťaze

⚠ POZOR

- Nikdy nepracujte bez mazania reťaze! Pri suchej bežiacей pílovej reťazi (1) sa nenapraviteľne poškodí súprava na pílenie v krátkom čase.
- Pred prácou vždy skontrolujte mazanie reťaze.

Upozornenie

Používajte iba olej na pílové reťaze, zvlášť biologicky rozložiteľný. Nepoužívajte starý olej, motorový olej atď.

Počas prevádzky udržiavajte reťazovú pílu na stredných otáčkach nad spileným pňom alebo vhodným podkladom. Ak je mazanie dostatočné, vytvorí sa mierny olejový film na pni alebo na podklade.

- Ak je to potrebné, môže sa mazanie reťaze zvýšiť alebo znížiť prostredníctvom skrutky na reguláciu oleja (32) (obr. 11).
- Na pomoc si na to zoberte dodaný plochý skrutkovač (20):
 - Najsôr stlačte a potom otočte skrutku na reguláciu oleja (32) v smere hodinových ručičiek, aby ste znížili mazanie reťaze.
 - Najsôr stlačte a potom otáčajte skrutku na reguláciu oleja (32) v proti smere hodinových ručičiek, aby ste zvýšili mazanie reťaze.

10.5 Kontrola brzdy reťaze

⚠ VAROVANIE

Brzda reťaze sa musí pred každým uvedením do prevádzky skontrolovať.

Brzda reťaze okamžite brzdí pílovú reťaz (1) pri spätnom náraze.

- Dávajte pozor na to, aby predná ochrana rúk (3) bola zbavená nečistoty a mohla sa ľahko pohybovať.
- Spustíte reťazovú pílu a zrýchlite pílovú reťaz (1) na plnú rýchlosť (plný plyn).
- Pri bežiacей pílovej reťazi (1) aktivujte prednú ochranu rúk (3). Brzda reťaze musí pri max. rýchlosti zabrzdiť a zablokovat pílovú reťaz (1).

⚠ VAROVANIE

Zvýšené otáčky motora v dôsledku príliš dlhlej doby pri blokovanej brzde reťaze poškodzuje motor a pohon reťaze.

Ak sa pílová reťaz (1) napriek tomu stále pohybuje, kontaktujte zákaznícky servis.

11. Použitie

11.1 Odvetvovacie práce

- Dbajte na nebezpečenstvo v dôsledku konárov švihajúcich naspäť.
- Dbajte na odvetvovaní nestojte na kmeni.
- Nepilte špičkou lišty. (Obr. 7)
- Nepilte naraz viacero konárov.
- Podprite reťazovú pílu pri odvetvovaní ozubeným doražom (24).
- Dbajte na to, aby sa na konci rezu mohla reťazová píla pohybovať v dôsledku svojej vlastnej váhy. V reze už nie je podopretá, preto ju zodpovedajúco držte.

- Zaujmite pevnú, stabilnú a bezpečnú pozíciu pre odvetvovanie.

11.1.1 Odvetvovacie práce po úsekoch

Skráťte dlhé, resp. hrubé konáre predtým, než uskutočnite posledný deliaci rez. Inak sa môže pílová reťaz (1) zaseknúť.

11.1.2 Spracovanie dreva pod napätím

Správna postupnosť pri spracovaní dreva pod napätím sa musí bezpodmienečne dodržiavať. Inak sa môže pílová reťaz (1) zaseknúť alebo môže dôjsť k spätnému nárazu.

Drevo pod napätím sa musí najskôr narezať na tlačenej strane. Až potom sa môže vykonať deliaci rez na strane ťahu. (Obr. 24) Tým sa zabráni zachyteniu pílovej reťaze (1).

▲ POZOR

Vecné škody!

Ležiace drevo sa nesmie dotýkať zeme na spodnej strane miesta rezu, pretože inak sa môže poškodiť pílová reťaz (1).

Spätný náraz

- Zaseknutie pílovej reťaze (1) na hornej hrane vodiacej lišty (2) môže reťazovú pílu nekontrolovane a rýchlo odraziť v smere používateľa.

Vtiahnutie

- Zaseknutie pílovej reťaze (1) na dolnej hrane vodiacej lišty (2) môže reťazovú pílu nekontrolovane a rýchlo stiahnuť mimo smer ovládania.

Bezpečná práca

- Prístroj udržiajte v dobrom prevádzkovom stave, aby ste sa vyhli poraneniam.
- Po páde skontrolujte prístroj ohľadom zreteľných škôd alebo porúch.
- Nepoužívajte prístroj, ak stojíte na rebríku alebo na nestabilnom mieste.
- Nenechajte sa zviazať na vykonanie nepremyslených rezov. To by mohlo ohroziť vás aj iných.
- Pravidelne meňte pracovnú polohu. Pri dlhšom používaní prístroja môže dôjsť ku poruche prekrvenia rúk v dôsledku vibrácií. Dobu používania môžete predĺžiť vhodnými rukavicami alebo pravidelnými prestávkami. Buďte si vedomý toho, že vaša osobná predispozícia zlého krvného obehu, nízke vonkajšie teploty alebo vysoké sily príťažlivosti skracujú dobu používania.

11.2 Kmeň stromu je sklonený

1. Najskôr vykonajte odvetvovací rez 1 (cca 1/3 priemeru kmeňa) na tlačenej strane.
2. Potom vykonajte deliaci rez 2 (cca 2/3 priemeru kmeňa) na strane ťahu.

11.3 Kmeň stromu smeruje nahor

1. Najskôr vykonajte odvetvovací rez 1 (cca 1/3 priemeru kmeňa) na tlačenej strane.
2. Potom vykonajte deliaci rez 2 (cca 2/3 priemeru kmeňa) na strane ťahu.

11.4 Použitie píly na orezávanie stromov v kombinácii s technikou žplhania po lane

V tejto prílohe sú uvedené vhodné pracovné postupy na zníženie nebezpečenstva poranenia pri používaní reťazových píl na ošetrovanie stromov pri prácach vo výške s lanom a nosným popruhom. Hoci môže slúžiť ako príručka a podklad pre školenie, nemala by sa považovať za náhradu formálneho školenia. Pokyny uvedené v tejto prílohe slúžia len ako príklad osvedčených pracovných postupov.

Môžu sa uplatňovať národné alebo iné predpisy, ktoré môžu byť prísnejšie.

Používateľ reťazovej píly na ošetrovanie stromov, ktorý pracuje vo výške s lanom a nosným popruhom, by nikdy nemal pracovať sám. Na pomoc by mal byť prítomný pozemný pracovník vyškolený v príslušných núdzových postupoch.

Používateľ by mal byť vyškolený vo všeobecných techníkach bezpečného lezenia a určovania pracovnej polohy a mal by byť vybavený nosným popruhom, lanom, slučkami, karabínami a iným vybavením na dosiahnutie bezpečnej a správnej pracovnej polohy pre seba aj pre pílu.

Národné zákony a predpisy sa musia vždy prísne dodržiavať. Táto príloha sa nezaobrá technikami kontroly konárov a vetiev rezaných reťazovou pílou, ani nezahŕňa body, ktoré už boli uvedené v súvislosti s bezpečným používaním.

11.4.1 Všeobecné požiadavky

Používateľ reťazovej píly na ošetrovanie stromov, ktorý pracuje vo výške s lanom a nosným popruhom, by nikdy nemal pracovať sám. Na pomoc by mal byť prítomný pozemný pracovník vyškolený v príslušných núdzových postupoch.

Používateľ by mal byť vyškolený vo všeobecných techníkach bezpečného lezenia a určovania pracovnej polohy a mal by byť vybavený nosným popruhom, lanom, slučkami, karabínami a iným vybavením na dosiahnutie bezpečnej a správnej pracovnej polohy pre seba aj pre pílu.

11.4.2 Príprava na používanie píly na ošetrovanie stromov na strome

Pozemný pracovník by mal reťazovú pílu skontrolovať, naplniť palivom, naštartovať a zahriať, a potom ju vypnúť, kým ju zdvihne k používateľovi na strome.

Reťazová píla by mala byť vybavená vhodnou slučkou, aby ju používateľ mohol pripevniť na nosný popruh (obr. 13):

- Upevnite závesné zariadenie (19), ktoré sa nachádza na zadnej strane píly (obr. 12).
- Musia byť k dispozícii vhodné karabíny umožňujúce nepriame (tzn. cez slučku) a priame upevnenie (tzn. k závesnému zariadeniu (19) reťazovej píly) píly k nosnému popruhu používateľa.
- Uistite sa, že je reťazová píla bezpečne pripevnená, keď je vytiahnutá k používateľovi (obr. 14).
- Pred uvoľnením reťazovej píly zo zdvíhacieho lana sa uistite, že je reťazová píla pripevnená k nosnému popruhu.

Možnosť pripevniť reťazovú pílu priamo k nosnému popruhu znižuje riziko poškodenia vybavenia pri jeho premiestňovaní na strome. Reťazová píla by mala byť vždy vypnutá, ak je pripevnená priamo na nosnom popruhu.

Reťazová píla by mala byť pripevnená len k odporúčaným závesným zariadeniam na nosnom popruhu. Môžu byť uprostred (vpredú alebo vzadu) alebo po stranách. Ak je to možné, pripevnite reťazovú pílu k vycentrovanému zadnému strednému bodu nosného popruhu, aby sa nedostala do blízkosti horolezeckých lán a aby sa váha podopierala centrálnou časťou chrbtice používateľa.

Ak sa reťazová píla premiestni z jedného závesného zariadenia na iné, používateľia by sa mali uistiť, že je reťazová píla zaistená v novej polohe skôr, ako sa uvoľní z predchádzajúceho závesného zariadenia.

11.5 Používanie reťazovej píly na strome

Analýza nehôd s týmito reťazovými píliami pri ošetrovaní stromov ukazuje, že hlavnou príčinou je nesprávne používanie reťazovej píly jednou rukou. Pri väčšine nehôd používateľia nezaujímajú zaistenú pracovnú polohu, ktorá im umožňuje držať reťazovú pílu za obe rukoväti, čo vedie k zvýšenému nebezpečenstvu poranenia z nasledujúcich dôvodov:

- Nedostatočne pevné uchopenie pri spätnom náraze reťazovej píly.
- Nedostatočná kontrola reťazovej píly, čo uľahčuje jej kontakt s lezeckými lanami a telom používateľa (najmä s ľavou rukou a ramenom).
- Strata kontroly v dôsledku nebezpečnej pracovnej polohy, a teda kontaktu s reťazovou pílou (neočakávané pohyby pri práci s reťazovou pílou).

11.6 Bezpečná pracovná poloha pre obojručné použitie

Aby mohli používatelia držať reťazovú pílu oboma rukami, mali by sa vždy snažiť zaujať zaistenú pracovnú polohu a viesť pílu nasledovne:

- vo výške pásu pri rezaní vodorovných kusov.
- na úrovni žalúdka pri rezaní zvislých kusov.

Ak používateľ pracuje v blízkosti vertikálne smerujúceho kmeňa pri vynakladaní malých bočných síl na pracovnú polohu, pre zaistenú pracovnú polohu by mohlo stačiť bezpečné držanie nôh. Hneď ako sa však používateľia vzdialia od kmeňa, musia prijať ďalšie opatrenia na zníženie alebo vyrovnanie narastajúcich bočných síl, napr. odklonením hlavného lana prostredníctvom dodatočného závesného zariadenia alebo použitím nastaviteľnej slučky vedúcej od postroja k dodatočnému závesnému zariadeniu (obr. 15 a 16).

11.6.1 Spustenie píly na orezávanie stromov na strome

Pri spustení reťazovej píly na strome by mal používateľ:

- aktivovať brzdú reťaze pred spustením (zatlačenie prednej ochrany rúk (3) dopredu).
- držať reťazovú pílu vľavo alebo vpravo od tela:
 - Držanie reťazovej píly na ľavej strane ľavou rukou za prednú rukoväť a tlačenie reťazovej píly smerom od tela, pričom v pravej ruke držíte štartovacie lanko.
 - Držanie reťazovej píly na pravej strane pravou rukou za jednu z dvoch rukovätí a tlačenie reťazovej píly smerom od tela, pričom v ľavej ruke držíte štartovacie lanko.

Pred spustením bežiacie reťazovej píly pomocou závesného lana by sa mala vždy aktivovať brzda reťaze.

Pred náročnými pílením by sa mal používateľ vždy uistiť, či má reťazová píla dostatok paliva.

11.6.2 Používanie reťazovej píly jednou rukou

Používateľia by nemali používať reťazovú pílu na ošetrovanie stromov jednou rukou v nestabilných pracovných polohách alebo namiesto ručnej píly na odrezávanie koncov konárov s malým priemerom.

Reťazové píly na ošetrovanie stromov by sa mali používať iba jednou rukou, ak

- a. nie je možné, aby používateľia dosiahli pracovnú polohu, ktorá umožňuje obojručné používanie.
- b. je potrebné zabezpečiť pracovnú polohu jednou rukou.
- c. sa reťazová píla používa v úplne vysunutej polohe, v pravom uhle k telu používateľa a mimo jeho línie.

Používatelia by nikdy nemali:

- píliť v oblasti spätného nárazu na hrote vodiacej lišty (2) refazovej píly.
- držať sa konára, ktorý píli.
- snažiť sa zachytiť padajúce časti.

11.6.3 Uvoľnenie zaseknutej refazovej píly

Ak sa refazová píla počas rezania zasekne, používateľ by mal:

1. Vypnúť refazovú pílu a bezpečne ju pripevniť k vnútornej strane stromu (tzn. ku kmeňu stromu) alebo k samostatnému lanu s náradím.
2. Vytiahnuť refazovú pílu zo zárezu, a zároveň zdvihnúť konár tak ďaleko, ako je potrebné.
3. V prípade potreby uvoľniť zaseknutú refazovú pílu pomocou ručnej píly alebo druhej refazovej píly tak, že sa reže aspoň 30 cm od zaseknutej refazovej píly.

Bez ohľadu na to, či sa na uvoľnenie zaseknutej refazovej píly použije ručná alebo refazová píla, rezy na uvoľnenie refazovej píly by sa mali vždy vykonávať zvonku (smerom ku koncom konárov), aby refazová píla nespadla spolu s odpílenými časťami a ešte viac neskomplikovala situáciu.

12. Preprava

- Vždy pri preprave používajte kryt vodiacej lišty (21).
- Refazovú pílu pred každou prepravou vypnite aj pri krátkych trasách. Počas prepravy zaistíte stroj (aj vo zidlách) proti preklopeniu, aby ste zabránili strate paliva, škodám alebo poraniam.
- Aktivujte brzdu refaze (zatlačte prednú ochranu rúk (3) dopredu).
- Prístroj nosťe len za prednú rukoväť (12). Vodiaca lišta (2) ukazuje pritom smerom dozadu, preč od tela.
- Horúci tlmič zvuku (18) držte ďalej od tela. Vzniká nebezpečenstvo popálenia! (Obr. 23)

13. Čistenie a údržba

⚠ VAROVANIE

Nebezpečenstvo poranenia!

Pred čistiacimi prácami vždy vypnite prístroj a vyťahnite konektor zapalovacej sviečky (35).
(pozri kapitolu 13.4 Údržba zapalovacej sviečky (34)).

Upozornenie

Po každom použití by sa mal prístroj dôkladne vyčistiť.

Vykonávajte čistiace a údržbové práce len tak, ako je to uvedené v tomto návode na obsluhu. Ďalšie práce musí vykonať odborný personál.

Údržbové práce sa musia pravidelne vykonávať (pozri kapitolu „Údržbové intervaly“).

13.1 Čistenie motorovej jednotky

⚠ VAROVANIE

Nebezpečenstvo popálenia!

Nedotýkajte sa horúceho tlmiča zvuku, valca a chladiacich rebier.

- Ochranné zariadenia, vzduchové štrbiny a teleso motora udržiavajte podľa možností bez prachu a nečistôt. Vyfúkajte ich stlačeným vzduchom s nízkym tlakom.
- Prístroj pravidelne čistite vlhkou handrou a malým množstvom vyplachovacieho prostriedku. Dbajte na to, aby sa do vnútra stroja nedostala žiadna voda.

13.2 Čistenie vzduchového filtra (33) (obr. 17)

Znečistené vzduchové filtre znižujú výkon motora vplyvom príliš malého prívodu vzduchu ku karburátoru.

Preto je nevyhnutná pravidelná kontrola. Vzduchový filter (33) by sa mal kontrolovať každých a v prípade potreby vyčistiť.

Vzduchový filter (33) sa pri veľmi prašnom vzduchu musí kontrolovať častejšie.

1. Uvoľnite uzáver pre kryt vzduchového filtra (10) otáčaním proti smeru hodinových ručičiek.
2. Odstráňte kryt vzduchového filtra (9).
3. Odnímate vzduchový filter (33).
4. Vyčistíte vzduchový filter (33) vyklepaním alebo vyfúkaním (stlačeným vzduchom).

Zmontovanie sa vykonáva v opačnom poradí.

⚠ POZOR

Vzduchový filter (33) nikdy nečistíte benzínom ani horľavými rozpúšťadlami.

13.3 Čistenie refazového pohonu

⚠ VAROVANIE

Nebezpečenstvo poranenia!

Vždy nosťe ochranné rukavice, keď sa dotýkate pílovej refaze (1). Nebezpečenstvo poranenia spôsobené ostrými reznými zubami!

Upozornenie

Po každom použití vyčistíte reťazový pohon.

1. Reťazovú pílu postavte na rovný a stabilný podklad.
2. Potiahnite prednú ochranu rúk (3) dozadu až na doraz, aby ste uvoľnili brzdú reťaze. (Obr. 2)
3. Otáčajte napínavicu skrutku reťaze (23) pomocou plochého skrutkovača (20) proti smeru hodinových ručičiek, aby ste znížili napnutie.
4. Odstráňte obe upevňovacie matice (16) pomocou kľúča na zapaľovacie sviečky (20).
5. Zložte kryt reťazového kolesa (17).
6. Opatrne odnímate pílovú reťaz (1) z vodiacej lišty (2) a reťazového kolesa (27).
7. Odstráňte vodiacu lištu (2). Vyčistite ju štetcom.
8. Dôkladne vyčistíte celú oblasť reťazového pohonu a kryt reťazového kolesa (17) štetcom alebo vyfúkaním (stlačeným vzduchom).

Zmontovanie sa vykonáva v opačnom poradí.

13.4 Údržba zapaľovacej sviečky (34) (obr. 19/20)

1. Odmontujte vzduchový filter (33) podľa opisu uvedené-
ho v bode 13.2 „Čistenie vzduchového filtra (33)“.
2. Vytiahnite konektor zapaľovacej sviečky (35) tým, že ho
budete otáčať doľava a doprava a zároveň ho budete
fahať. Konektor zapaľovacej sviečky (35) držte a fahaj-
te výlučne za zástrčku. Nikdy nefahajte za kábel!
3. Zapaľovaciu sviečku (34) uvoľnite pomocou priložené-
ho kľúča na zapaľovacie sviečky (20).
4. Zmontovanie sa vykonáva v opačnom poradí.

Vzdialenosť elektród = 0,6 mm – 0,7 mm (vzdialenosť me-
dzi elektródami, medzi ktorými sa tvoria zapaľovacie iskry).
Skontrolujte zapaľovaciu sviečku (34) až po 10 prevádzko-
vých hodinách ohľadom znečistenia a vyčistite ho prípadne
pomocou kľúča z medeného drôtu.
Údržbu zapaľovacej sviečky (34) vykonávajte každých 50
prevádzkových hodín.

13.5 Údržba mazania reťaze

- Pozri kapitolu „Kontrola a nastavenie mazania reťaze“.

13.6 Údržba nastavení karburátora

- Ak sa pílová reťaz (1) pohybuje v chode naprázdno alebo
motor pri ubratí plynu sám od seba zhasne, musí sa vyko-
nať nastavenie karburátora.

Upozornenie

Nechajte vykonať nastavenia karburátora (napr. otáčky
pri chode naprázdno) len kvalifikovanému odbornému perso-
nálu, aby ste zabránili poškodeniam motora.

13.7 Údržba vodiacej lišty (2)

- Pomocou kovového pilníka odstráňte všetky ostrapy, ktoré
sa mohli vytvoriť na okraji lišty.
- Vyčistíte drážku vodiacej lišty (2) pomocou štetca alebo
stlačeným vzduchom (obr. 21). Ihneď po opotrebovaní vo-
diacej drážky (28) vymeňte vodiacu lištu (2).
- Po každom použití obráťte vodiacu lištu (2), aby bolo zaru-
čené rovnomerné opotrebovanie.
- Skontrolujte ozubené koleso (30) na hrote vodiacej lišty
(2) ohľadom ľahkosti chodu. Prípadne ju namažte ložisko-
vým olejom. Nechajte odkvapkať trochu ložiskového oleja
do mazacieho otvoru (31). (Obr. 21)

13.8 Kontrola brzdy reťaze

Pozri kapitolu 10.5 „Kontrola brzdy reťaze“

VAROVANIE

NEBEZPEČENSTVO SPÄTNÉHO NÁRAZU!

Nefunkčná brzda reťaze zvyšuje riziko spätného nárazu.

Pravidelne kontrolujte brzdú reťaze.

Funkčná brzda reťaze je pre vašu bezpečnosť nevyhnutná.

13.9 Napnutie a kontrola pílovej reťaze (1)

Pozri kapitolu 9.2 „Napnutie a kontrola pílovej reťaze (1)“

13.10 Ostrenie a ošetrovanie pílovej reťaze (1)

VAROVANIE

Nebezpečenstvo poranenia!

Vždy nosíte ochranné rukavice, keď sa dotýkate pílovej reťaze
(1). Nebezpečenstvo poranenia spôsobené ostrými reznými
zubami!

Upozornenie

Optimálne ošetrovaná a naostrená pílová reťaz (1) znižuje
telesnú záťaž, opotrebovania a vedie k dobrému reznému
výsledku.

Čistite, ošetríte a ostríte pravidelne pílovú reťaz (1).

Pílovú reťaz (1) pravidelne kontrolujte ohľadom trhlín a po-
škodených nitov.

Stojanová brúška môže byť pripevnená k podpere stojanovej
brúsky pre bezpečné držanie počas brúsenia.

Používajte len špeciálne kruhové pilníky pílovej rezače Ø 4,8 mm (3/16") pre pílovú rezač (1), ktorá je v rozsahu dodávky.

V súprave na ostrenie nájdete podrobné informácie o procese ostrenia.

Alternatívne používajte elektrický prístroj na ostrenie rezače a dodržiavajte pokyny výrobcu.

V prípade pochybností o vykonaní práce je potrebné vykonať výmenu pílovej rezače (1).

Prípadne nechajte ostrenie pílovej rezače (1) vykonať v odbornej dielni.

- Potrebné príslušenstvo (neobsiahnuté v rozsahu dodávky):
 - Kruhový pilník pílovej rezače Ø 4,8 mm (3/16")
 - Plochý pilník
 - Šablóna pre obmedzenie hĺbky
- Za účelom odstránenia materiálu brúste iba smerom vpred.
- Brúste len pri uhle ostrenia cca 25° so sklonom 10° k vodiacej lište (2).
- Skontrolujte vzdialenosť obmedzenia hĺbky šablónou pre obmedzenie hĺbky.
- Správna vzdialenosť obmedzovača hĺbky by mala byť 0,6 mm (0,024").

13.11 Údržbové intervaly

Pre dlhú životnosť, aby sa zabránilo poškodeniu a zabezpečila sa plná funkčnosť bezpečnostných zariadení, je potrebné pravidelne vykonávať nižšie opísané údržbové práce. Nároky na záruku budú akceptované len vtedy, ak sa tieto práce vykonávali pravidelne a správne. V prípade nedodržania vzniká nebezpečenstvo nehody!

Používatelia rezačových píl môžu vykonávať len tie údržbové a ošetrovacie práce opísané v tomto návode na obsluhu.

Každé práce idúce nad rámec smie vykonávať len odborná dielňa.

Všeobecne	Celá píla na orezávanie stromov	Vyčistite vonkajšiu časť a skontrolujte ohľadom poškodení. V prípade poškodení okamžite zabezpečte odbornú opravu.
	Píllová reťaz	Pravidelne prebrúste, včas obnovte.
	Brzda reťaze	Nechajte pravidelne skontrolovať v odbornej dielni.
	Vodiaca lišta	Otočte tak, aby sa zaťažené jazdné plochy opotrebovali rovnomerne. Včas vymeňte.
Pred každým uvedením do prevádzky	Píllová reťaz	Skontrolujte poškodenia a ostré hrany. Skontrolujte napnutie reťaze.
	Vodiaca lišta	Skontrolujte ohľadom poškodení.
	Mazanie reťaze	Funkčná skúška
	Brzda reťaze	Funkčná skúška
	Zapínač/vypínač, blokovanie plynovej páky, plynová páka	Funkčná skúška
	Uzáver palivovej nádrže a nádrže na reťazový olej	Skontrolujte ohľadom tesnosti.
Denne	vzduchový filter	čistenie.
	Vodiaca lišta	Skontrolujte ohľadom poškodení, vyčistite vstupný otvor oleja.
	Uchytenie lišty	Vyčistite, najmä vodiacu drážku oleja.
	Otáčky pri chode naprázdno	Skontrolujte (reťaz nesmie bežať).
Týždenne	Teleso ventilátora	Vyčistite, aby ste zabezpečili správne prúdenie chladiaceho vzduchu.
	Zapaľovacia sviečka	Skontrolujte, príp. vymeňte.
	Tlmič zvuku	Skontrolujte upchatie.
	Zachytávač reťaze	Skontrolujte ohľadom poškodení, príp. vymeňte.
	Skrutky a matice	Skontrolujte stav a pevné uloženie.
Štvrťročne	Nasávacía hlavica Palivová nádrž, nádrž na reťazový olej	Výmena čistenie.
Skladovanie	Celá píla na orezávanie stromov	Vyčistite vonkajšiu časť a skontrolujte ohľadom poškodení. V prípade poškodení okamžite zabezpečte odbornú opravu.
	Píllová reťaz a lišta	Demontujte, vyčistite a zľahka naolejujte. Vyčistite vodiacu drážku vodiacej lišty.
	Palivová nádrž, nádrž na reťazový olej	Vyprázdňte a vyčistite.
	Karburátor	Pustite naprázdno.

13.12 Dôležité upozornenie pre prípad opravy

V prípade zasielania zariadenia na opravu majte na pamäti, že zariadenie sa z bezpečnostných dôvodov musí zasielať do servisnej stanice bez oleja a benzínu.

13.13 Servisné informácie

Je potrebné dbať na to, že pri tomto produkte podliehajú nasledujúce diely použitiu primeranému alebo prirodzenému opotrebovaniu, resp. nasledujúce diely sú potrebné ako spotrebné materiály.

Diely podliehajúce opotrebovaniu*: pílová reťaz, vodiaca lišta, reťazový olej, motorový olej, ozubený doraz, zachytávacia zariadenie reťaze, zapalovacia sviečka, vzduchový filter, palivový filter, filter reťazového oleja.

* nie je nutné obsiahnuté v rozsahu dodávky!

Schválená rezacia súprava

Pílová reťaz

Kangxin 3/8LP-40.....7910100739

Oregon 91P040X.....3910102032

Vodiaca lišta

Kangxin AP10-40-509P.....7910100740

Oregon 100SDEA0417910100744

14. Skladovanie

Kľúč na zapalovacie sviečky/plochý skrutkovač (20) sa môže za účelom uschovania umiestniť zbok na kryt vodiacej lišty (21).

Pri uskladnení vždy používajte kryt vodiacej lišty (21).

Čistíte a udržiavate prístroj pred každým uskladnením, pozri kapitolu „Čistenie a údržba“.

Vyprázdňte úplne olejovú, resp. palivovú nádrž.

VAROVANIE

Neodstraňujte benzín v uzavretých priestoroch, v blízkosti ohňa alebo pri fajčení. Plynové výpary môžu spôsobiť výbuchy alebo požiar.

- Naštartujte motor a nechajte ho bežať dovtedy, kým sa nepotrebuje zvyšný benzín.

Prístroj a jeho príslušenstvo skladujte na tmavom, suchom a nezamrzajúcom mieste neprístupnom pre deti. Optimálna skladovacia teplota sa nachádza medzi 5 a 30 °C.

Reťazovú pílu neskladujte a nepoužívajte pri teplotách nižších ako 0 °C!

Reťazovú pílu neuschovávajte nikdy dlhšie ako 30 dní bez vykonania nasledujúcich krokov.

Pred uskladnením zariadenia dodržiavajte upozornenia pre čistenie a údržbu!

14.1 Uloženie reťazovej píly

Ak reťazovú pílu uschovávate dlhšie ako 30 dní, musí sa na to pripraviť. V opačnom prípade sa vyparí zvyšné palivo nachádzajúce sa v karburátore a zanechá usadeninu podobnú gume. Mohlo by to sťažiť štart a mať za následok drahé opravy.

1. Pomaly odnímate uzáver palivovej nádrže (13), aby ste znížili prípadný tlak v nádrži. Nádrž opatrne vyprázdnite.
2. Naštartujte motor a nechajte ho bežať, kým sa reťazová píla nezastaví, aby ste odstránili palivo z karburátora.
3. Motor nechajte vychladnúť (cca 5 minút).
4. Odstráňte zapalovaciu sviečku (34).
5. Do spaľovacej komory nalejte 1 čajovú lyžičku oleja pre 2-taktné motory. Niekoľkokrát pomaly potiahnite za štartovacie tiahlo (8), aby ste na vnútorné komponenty naniesli olej. Opäť nasadte zapalovaciu sviečku (34).

Reťazovú pílu skladujte na suchom mieste, ďaleko od možných zápalných zdrojov, napr. pecí, teplovodných bojlerov s plynom, plynových sušičiek atď. a mimo dosah detí. Kryt vodiacej lišty (21) nasadte vždy, ak nie je demontovaná pílová reťaz (1) a vodiaca lišta (2).

14.2 Opätovné uvedenie reťazovej píly do prevádzky

1. Odstráňte zapalovaciu sviečku (34).
2. Za štartovacie tiahlo (8) potiahnite rýchlo, aby ste odstránili prebytočný olej zo spaľovacej komory.
3. Vyčistite zapalovaciu sviečku (34) a dbajte na správnu vzdialenosť elektród na zapalovacej sviečke (34) alebo vložte novú zapalovaciu sviečku (34) so správnou vzdialenosťou elektród.
4. Reťazovú pílu pripravte na prevádzku.
5. Naplňte nádrž správnou zmesou oleja a paliva (1:40).

14.3 Skladovanie paliva

Palivá sú skladovateľné iba obmedzene. Palivo a palivové zmesi starnú vplyvom odparovania obzvlášť pod vplyvom vysokých teplôt. Nadmerne dlho skladované palivo a palivové zmesi tak môžu viesť k problémom pri štartovaní a poškodeniam motora. Nakupujte iba toľko paliva, koľko sa ho má počas niekoľkých mesiacov spotrebovať. Namiešané palivo pri vyšších teplotách spotrebujete v priebehu 6 – 8 týždňov.

Palivo skladujte iba v schválených nádobách v suchu, chlade a bezpečí!

VAROVANIE

Zabráňte kontaktu s pokožkou a očami!

Výrobky z minerálneho oleja, aj oleje, odmasťujú pokožku. Pokožka pri opakovanom a dlhšom kontakte vyschne. Následkom môžu byť rôzne kožné choroby. Okrem toho sú známe alergické reakcie.

Kontakt oleja s očami vedie k dráždeniam. Pri kontakte s očami ihneď príslušné oko vypláchnite čistou vodou. Pri pretrvávajúcom dráždení ihneď vyhľadajte lekára!

15. Likvidácia a opätovné zhodnotenie

Upozornenia k baleniu



Baliace materiály sa dajú recyklovať.

Prosím, likvidujte balenia ekologicky.

O možnostiach likvidácie opotrebovaného prístroja sa informujte na vašej samospráve alebo štátnej správe.

Palivá a oleje

- Pred likvidáciou prístroja sa musí palivová nádrž a nádoba na motorový olej vyprázdniť!
- Palivo a motorový olej nepatria do domového odpadu, ale musia sa zbierať, resp. likvidovať oddelene!
- Prázdne olejové a palivové nádrže sa musia ekologicky zlikvidovať.

16. Odstraňovanie porúch

Porucha	Možná príčina	Náprava
Motor sa nenašartuje alebo sa našartuje, ale nepokračuje v chode.	Nesprávny postup pri spustení.	Dodržiavajte pokyny v tomto návode.
	Nesprávne nastavená zmes karburátora.	Nechajte karburátor nastaviť autorizovaným zákazníckym servisom.
	Zapaľovacia sviečka je znečistená sadzami.	Vyčistite/nastavte alebo vymeňte zapaľovaciu sviečku.
	Upchatý palivový filter.	Vymeňte palivový filter.
Motor sa našartuje, ale nebeží na plný výkon.	Znečistený vzduchový filter	Odstráňte filter, vyčistite a nanovo nasadte.
	Nesprávne nastavená zmes karburátora.	Nechajte karburátor nastaviť autorizovaným zákazníckym servisom.
Motor sa zadrháva.	Nesprávne nastavená zmes karburátora.	Nechajte karburátor nastaviť autorizovaným zákazníckym servisom.
Žiadny výkon pri zaťažení	Nesprávne nastavená zapaľovacia sviečka.	Vyčistite/nastavte alebo vymeňte zapaľovaciu sviečku.
Motor beží nepravidelne.	Nesprávne nastavená zmes karburátora.	Nechajte karburátor nastaviť autorizovaným zákazníckym servisom.
Nadmerné zadymenie	Nesprávna zmes paliva.	Použite správnu zmes paliva (pomer 1:40).
Žiadny výkon pri zaťažení	Tupá alebo uvoľnená reťaz	Reťaz naostríte alebo vložte novú reťaz. Napnite reťaz.
Motor zhasína.	Benzínová nádrž je prázdna alebo palivový filter v nádrži je nesprávne umiestnený.	Naplňte benzínovú nádrž. Úplne naplňte benzínovú nádrž alebo umiestnite palivový filter do palivovej nádrže inak.
Nedostatočné mazanie reťaze (lišta a reťaz sa zahrievajú)	Nádrž na reťazový olej je prázdna.	Naplňte nádrž na reťazový olej.
	Priepustý oleja upchaté	Vyčistite otvor na mazanie olejom v lište. Vyčistite drážku lišty.

17. Záručný list

Vážená zákazníčka, vážený zákazník,

naše výrobky podliehajú prísnej kontrole kvality. V prípade, že nebude prístroj napriek tomu bezchybne fungovať, je nám to veľmi ľúto a prosíme Vás, aby ste sa obrátili na našu servisnú službu na adrese uvedenej na tomto záručnom liste. Radi Vám budeme k dispozícii taktiež telefonicky na uvedenom servisnom telefónnom čísle. Pri uplatňovaní nárokov na záručné plnenie platia nasledujúce podmienky:

- Tieto záručné podmienky upravujú dodatočné záručné plnenie. Vaše zákonné nároky na záruku nie sú touto zárukou dotknuté. Naše záručné plnenie je pre Vás zadarmo.
- Záručné plnenie sa vzťahuje výlučne len na nedostatky, ktoré sú spôsobené chybami materiálů alebo výrobnými chybami, a je obmedzené na odstránenie týchto nedostatkov resp. výmenu prístroja. Prosím, dbajte na to, že naše prístroje neboli svojím určením konštruované na profesionálne, remeselnícke ani priemyselné použitie. Táto záručná zmluva sa preto neuzatvára, ak sa prístroj bude používať v profesionálnych, remeselníckych alebo priemyselných prevádzkach ako aj na činnosti rovnocenné s takýmto použitím. Z našej záruky sú okrem toho vylúčené náhradné plnenie za škody pri transporte, škody spôsobené nedodržaním návodu na montáž alebo na základe neodbornej inštalácie, nedodržaním návodu na použitie (ako napr. pripojením na nesprávne sieťové napätie alebo druh prúdu), zneužívaním alebo nesprávnym používaním (ako napr. preťaženie prístroja alebo použitie neprípustných pracovných nástrojov alebo príslušenstva), nedodržaním pokynov pre údržbu a bezpečnostných pokynov, vniknutím cudzích telies do prístroja (ako napr. piesok, kamene alebo prach), použitím násilia alebo cudzieho pôsobenia (napr. škody spôsobené pádom), a taktiež je vylúčené bežné opotrebenie primerané použitiu.

Nárok na záruku zaniká, ak už boli na prístroji svojvoľne uskutočnené zásahy.

- Doba záruky je 3 roky a začína sa dátumom nákupu prístroja. Nároky na záruku sa musia uplatniť pred koncom uplynutia záručnej doby do dvoch týždňov od zistenia nedostatku. Uplatnenie nárokov na záruku po uplynutí záručnej doby je vylúčené. Oprava alebo výmena prístroja nevedie k predĺženiu záručnej doby ani nedochádza na základe tohto plnenia ku vzniku novej záručnej doby pre prístroj ani pre akékoľvek inštalované náhradné diely. To platí taktiež pri nasadení miestneho servisu.
- Pre uplatnenie Vášho nároku na záruku sa, prosím, obráťte na nižšie uvedenú adresu servisu. Pokiaľ reklamácia prebieha počas záručnej doby, dáme Vám k dispozícii formulár o vrátení tovaru, s ktorým nám môže svoj chybný prístroj bezplatne poslať späť. Prosím, popíšte nám čo najpresnejšie dôvod reklamácie. Ak spadá defekt prístroja pod naše záručné plnenie, dostanete obratom naspäť opravený alebo nový prístroj.

Samozejme Vám radi opravíme závady na prístroji na vaše náklady, ak tieto závady nespádajú alebo už nespádajú do rozsahu záruky. Prosím, pošlite nám v takom prípade prístroj na našu servisnú adresu.

Priama linka servisu (SK):

00800 4003 4003

E-mailová adresa (SK):

service.SK@schepach.com

Adresa servisu (SK):

S&E Solutions s.r.o. - Zahrada v akci

Moravská 1278

CZ - 57001 Litomyšl




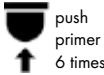

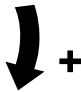
Na stránke www.lidl-service.com si môžete stiahnuť tieto a veľa ďalších príručiek, videí o výrobkoch a inštaláčne softvéry.

Pomocou kódu QR môžete priamo otvoriť stránku služieb spoločnosti Lidl (www.lidl-service.com) a otvoriť si návod na obsluhu zadaním čísla výrobku (IAN) 436506_2304.

1.	A készüléken található szimbólumok magyarázata	200
2.	Használati útmutató	201
3.	Bevezetés	202
4.	A készülék leírása	202
5.	Szállított elemek	202
6.	Rendeltetésszerű használat	203
7.	Biztonsági utasítások	203
8.	Műszaki adatok	208
9.	Üzembe helyezés előtt	209
10.	Üzembe helyezés	211
11.	Alkalmazás	213
12.	Szállítás	215
13.	Tisztítás és karbantartás	215
14.	Tárolás	219
15.	Ártalmatlanítás és újrahasznosítás	220
16.	Hibaelhárítás	221
17.	Jótállási tájékoztató	222
18.	Robbantott ábra	275
19.	Megfelelőségi nyilatkozat	276

1. A készüléken található szimbólumok magyarázata

	Olvassa el, értelmezze és kövesse az összes figyelmeztetést.		A készülék használata előtt olvassa el a teljes kezelési útmutatót.
	Figyelmeztetés! Visszacsapás (kickback) veszélye. Óvakodjon a láncfűrész visszacsapásától, és ne érjen a láncvezető sín csúcsához.		A készüléket tilos esőben vagy nedves körülmények között üzemeltetni.
	Viseljen védőszemüveget. Viseljen hallásvédőt.		Viseljen védősisakot!
	Mindig viseljen munkavédelmi antivibrációs kesztyűt, ha a készüléket használja.		Mindig viseljen csúszásmentes biztonsági lábbelit vágóvédelemmel, ha a készüléket használja.
	Fontos, hogy a lábfejet, lábszárat, kézfejet és kart védő védőruházatot viseljen.		A láncfűrész mindig két kézzel kezelje. A láncfűrészszel ne dolgozzon egy kézzel.
	Figyelem! A láncfűrész alkalmazása kötélmászási technikával együtt. Mielőtt megkezdje a munkát, ismerkedjen meg alaposan minden munkavégzési utasítással!		Nyílt láng használata a munkavégzési területen tilos!
	Üzemanyag betöltőnyílása. Olaj- és üzemanyag-keverék 1:40.		Forgásirány
	Olajtartályzár lánckenő olajhoz.		A láncfék beállítása: Fehér nyíl: Nem aktív láncfék. Fekete nyíl: aktív láncfék.
	Hidegindító kar (szívató).		Láncfék kioldása.
	Láncfék aktiválása.		A fűrészlánc beszerelésének iránya.
	A lánckenés beállítása.		A készülék garantált hangteljesítményszintje.

	<p>Figyelem! Forró alkatrészek.</p>		<p>Nyomja meg 6-szer az üzemanyag-szivattyú „Primer” gombját.</p>
	<p>A lánc futásiránya.</p>		<p>A láncfeszítés beállítása.</p>
<p>VESZÉLY Ez a jelzőszó olyan közvetlenül fenyegető veszélyhelyzetre utal, amely súlyos sérülést vagy halálos balesetet okoz, ha nem kerülik el.</p>			
<p>FIGYELMEZTETÉS Ez a jelzőszó olyan lehetséges veszélyhelyzetre utal, amely súlyos sérülést vagy halálos balesetet okozhat, ha nem kerülik el.</p>			
<p>VIGYÁZAT Ez a jelzőszó olyan lehetséges veszélyhelyzetre utal, amely csekélyebb vagy könnyebb sérülést okozhat, ha nem kerülik el.</p>			
<p>MEGJEGYZÉS Ez a jelzőszó olyan lehetséges veszélyhelyzetre utal, amely anyagi járt okozhat a termékben vagy más vagyontárgyakban/tulajdonban, ha nem kerülik el.</p>			

2. Használati útmutató

FIGYELMEZTETÉS:

Az első üzembe helyezése előtt figyelmesen olvassa el ezt a kezelési útmutatót, és feltétlenül kövesse a biztonsági előírásokat! A favágó fűrész kizárólag a következő személyek kezelhetik: favágó fűrész-kezelők, akik kiegészítő képzést végeztek az emelő- és létrakosarak illetve a kötélmászási technikát illetően.

Gondosan őrizze meg az üzemeltetési útmutatót!

Megjegyzés:

Kérjük, vegye figyelembe, hogy a gép használatát korlátozhatja néhány nemzeti előírás.



Ezt a favágó fűrész kizárólag a fák gyógyvágására tervezték. A favágó fűrészrel való minden munkálattal kizárólag a fák gyógyvágására szántak. A favágó fűrészrel végzendő bármilyen munkálattal kizárólag képesített favágó fűrész-kezelők végezhetik!

3. Bevezetés

GYÁRTÓ:

Schepbach GmbH

Günzburger Straße 69

D-89335 Ichenhausen

KEDVES ÜGYFELÜNK!

Sok örömet és sikert kívánunk új készüléke használatához.

MEGJEGYZÉS:

E gép gyártója a hatályos termékfelelősségi törvény szerint nem felelős a gépen esett vagy a gép által okozott károkért a következő esetekben:

- szakszerűtlen kezelés,
- a kezelési útmutatót be nem tartása,
- harmadik fél által végzett illetéktelen javítás,
- nem eredeti pótalkatrészek beépítése és cseréje,
- nem rendeltetésszerű használat.

Vegye figyelembe a következőket:

A szerelés és üzembe helyezés előtt olvassa el a kezelési útmutató teljes szövegét.

Kezelési útmutatónkból megismerheti készülékét, és elsajátíthatja a rendeltetésszerű használatához szükséges ismereteket.

A kezelési útmutató fontos információkat tartalmaz arról, hogyan dolgozhat a géppel biztonságosan, szakszerűen és gazdaságosan, hogyan előzheti meg a baleseteket, csökkentheti a javítási költségeket és az időkieséseket, és növelheti a gép megbízhatóságát és élettartamát.

A jelen kezelési útmutató biztonsági rendelkezésein túl feltétlenül tartsa be az országában a készülék üzemeltetésével kapcsolatosan érvényes előírásokat is.

A szennyeződés és nedvesség ellen műanyag tokba csomagolt kezelési útmutatót tartsa a készülék közelében. Munkába állás előtt minden kezelő olvassa el, és gondosan tartsa be előírásait.

A gépen csak olyan személyek dolgozhatnak, akiket betanítottak a készülék használatára, és megismertettek az előforduló veszélyforrásokkal. Tartsa be a kezelők minimális életkorára vonatkozó rendelkezést.

A jelen kezelési útmutató biztonsági rendelkezésein és országában a készülék üzemeltetésére vonatkozó előírásokon túl feltétlenül tartsa be az azonos kialakítású gépek üzemeltetésére vonatkozó általánosan elismert műszaki szabályokat is.

Nem vállalunk felelősséget az olyan balesetekért vagy károkért, amelyek azért keletkeznek, mert nem vették figyelembe a jelen útmutatót és a biztonsági utasításokat.

4. A készülék leírása

1. Fűrészlánc
2. Vezetősín
3. Első kézvédő
4. Üzemanyag-szivattyú „primer”
5. Gázkar
6. Hátsó markolat
7. Gázkar zárja
8. Berántó zsinór
9. Légszűrőfedél
10. A légszűrőfedél zárja
11. Lánckenő olaj tartályának zárókupakja
12. Első markolat
13. Üzemanyagtartály zárókupakja
14. Hidegindító kar (szívató)
15. Be-/kikapcsoló gomb
16. Rögzítőfanyák
17. Lánckerék burkolata
18. Hangtompító
19. Felfüggesztő berendezés
20. Gyertyakulcs / lapos csavarhúzó
21. A vezetősín borítása
22. Keverőedény
23. Láncceszítő csavar
24. Karmos ütköző
25. Lánccfogó
26. Láncceszítő csapp
27. Lánckerék
28. Vezetőhorony
29. Rögzítőcsapszegek
30. Fogaskerék
31. Kenőnyílás
32. Olajsabályzó csavar
33. légszűrő
34. Gyújtógyertya
35. Gyertyapipa
36. Szívófej

5. Szállított elemek

- Favágó fűrész
- Fűrészlánc
- Vezetősín
- A vezetősín borítása
- Gyertyakulcs / lapos csavarhúzó
- Keverőedény

6. Rendeltetészerű használat

Ez a készülék különösen könnyű, könnyen kezelhető, belső markolattal rendelkező fávágó fűrész. A fávágó fűrész feljejezetten fák gyógyvágására és ápolására fejlesztették ki. Ezeket a fávágó fűrészeket kizárólag a következő személyek kezelhetik: fávágó fűrész-kezelők, akik kiegészítő képzést végeztek az emelő- és létrakosarak illetve a kötélvezetési technikát illetően.

Alkalmanként vékony fa, gyümölcsfák ápolása, ágak levágása és darabolása esetén is alkalmazhatók.

Tűzfák kizárólag akkor dolgozhatók fel vele, ha a fa átmérője nem haladja meg a vágáshosszt (20 cm).

Ehhez a munkálatokhoz egy hosszú markolattávolságú illetve vágáshosszú, hagyományos, motoros fűrész ajánlott használni.

Ki nem használhatja a készüléket:

Olyan személyek, akik nem ismerik a kezelési útmutatót, 16 éves kor alatti gyermekek, valamint olyan személyek, akik alkohol, kábítószer, gyógyszer hatása alatt állnak, fáradtak vagy betegek.

A készülék rendeltetészerű használata kizárólag fa fűrészelését foglalja magában. A gyártó nem vállal felelősséget azokért a károkért, amelyeket a nem rendeltetészerű használat vagy a helytelen kezelés okoz.

Csak a rendeltetésének megfelelően használja a készüléket. Minden ettől eltérő használat nem rendeltetészerűnek minősül. Az ebből fakadó minden kárért és sérülésért nem a gyártót, hanem a felhasználó/kezelő viseli a felelősséget.

A rendeltetészerű használat része a biztonsági utasítások betartása, valamint a kezelési útmutatóban foglalt szerelési és üzemeltetési utasítások betartása is.

A készüléket kezelő és karbantartó személyeknek ismerniük kell a készüléket, és tájékozottnak kell lenniük a lehetséges veszélyekről.

Ezenfelül a lehető leghigorúbban be kell tartani a balesetmegelőzési előírásokat.

Vegye figyelembe a további általános érvényű munkaegészségügyi és biztonságtechnikai szabályokat is.

Ha a készüléken módosítást hajt végre, az ebből eredő károkkért a gyártó semmilyen felelősséget nem vállal.

Kérjük, vegye figyelembe, hogy készülékeinket rendeltetésük szerint nem kisipari, kéziipari vagy ipari használatra tervezték. A készülékre semmilyen garanciát nem vállalunk, ha kisipari, kéziipari vagy ipari, valamint ezekkel egyenértékű tevékenységekhez használja.

VESZÉLY

E gép gyártója a hatályos termékfelelősségi törvény szerint nem felelős a gépen esett vagy a gép által okozott károkkért a következő esetekben:

- nem eredeti pótalkatrészek beépítése és cseréje,
- a biztonsági alkotóelemek eltávolítása vagy módosítása.

6.1 Nem rendeltetészerű használat

- Ez a készülék kivágási használatra nem alkalmas.
- Ne használja a vezetősin karként, fatörzsek vagy hasonlók mozgatására.
- 20 cm-t meghaladó átmérőjű fákat tilos fűrészelni vele.

7. Biztonsági utasítások

7.1 Általános megjegyzések

FIGYELMEZTETÉS

Mindig legyen éber, figyeljen oda arra, amit csinál, és ésszel dolgozzon a készülékkel. Ne használja a készüléket, ha beteg vagy fáradt, illetve ha kábítószer, alkohol vagy gyógyszerek befolyása alatt áll. A készülék használata során egy pillanatnyi figyelmetlenség is súlyos sérüléseket okozhat.

Kerülje a helytelen használatot, a gépet mindig a „Rendeltetészerű használat” részben leírtak szerint használja.

A kezelési útmutató fontos megjegyzéseket tartalmaz arra vonatkozóan, hogy hogyan dolgozhat a láncfűrészrel biztonságosan és szakszerűen, valamint hogyan kerülheti el a veszélyeket.

Ha mégis blokkolás lép fel a vágandó anyag és a fűrészléc között, akkor azonnal kapcsolja ki. Várja meg, hogy a fűrészléc leálljon. Távolítsa el a gyertyapipát és vegyen fel vágásálló kesztyűt a blokkolás eltávolításához. Ha el kell távolítani a vezetősin (vezetőlemez), kövesse az „Összeszerelés” fejezetben található utasításokat. A blokkolás elhárítása és az újabb összeszerelés után próbaüzemet kell végezni.

Ha eközben vibrációt vagy mechanikus zajokat tapasztal, hagyja abba a munkálatokat és forduljon egy meghatalmazott szervizponthoz. Ha ez a veszély gyakrabban lép fel, újabb képzést ajánlunk.

- Az első üzembe helyezés előtt olvassa el a készülék üzemeltetési útmutatóját, különös tekintettel a biztonsági utasításokra.
- A készüléken elhelyezett figyelmeztető és utasításokat tartalmazó táblák fontos megjegyzésekkel szolgálnak a veszélytelen üzemeltetéshez.
- Az üzemeltetési útmutatóban foglalt megjegyzések mellett figyelembe kell venni a törvényileg szabályozott általános biztonsági és balesetmegelőzési előírásokat is.
- A csomagolófóliát tartsa távol gyermekektől, mert fulladásveszélyt okozhat!
- A nem kellően tájékozott kezelők a szakszerűtlen használat folytán veszélyeztethetik saját magukat és más személyeket. A kezelő felelős a többiek biztonságáért.
- A munkálatok megkezdése előtt ellenőrizze a gázkar működését. Az elengedése után automatikusan üresjáratí helyzetbe kell álljon.
- Egyhuzamban ne dolgozzon a készülékkel 10 percnél hosszabb ideig. Javasoljuk, hogy az egyes munkamenetek között tartson 10 - 20 perc szünetet.
- A készüléket csak olyanoknak adja kölcsön, akik kellő tapasztalattal rendelkeznek a készülékkel kapcsolatban. Ilyen esetben adja át az üzemeltetési útmutatót is.
- Bizonyos vágási feladatok különös képzettséget és speciális készségeket igényelnek. Ha bármilyen kétsége van, forduljon szakemberhez.
- A tapasztalatlan felhasználóknak betanításban kell részesülniük, hogy megismerjék a készülék tulajdonságait. Biztonsága érdekében arra kérjük, vegyen részt állami szervezésű fűrészelő tanfolyamon.
- Ha nem használja, úgy állítsa le a készüléket, hogy senkit ne veszélyeztessen. Biztosítsa illetéktelen hozzáférés ellen.
- A készülék kezelője felelős minden olyan balesetért és veszélyért, mely más személyeket vagy azok tulajdonát érinti.
- A láncfűrész nem használható gyermekek és csökkent fizikai, érzékelési vagy szellemi képességű személyek. Kivétel képeznek a 16 év fölötti, képzésben részt vevő fiatalok, tapasztalt szakember felügyelete mellett.
- A készülék elektromos gyújtása csekély elektromágneses mezőt gerjeszt. Ha Ön szívritmus-szabályzóval vagy hasonló implantátummal rendelkezik, a készülék használata előtt az esetleges kockázatokat elkerülendő érdeklődjön orvosánál.
- Vegye figyelembe, hogy a helytelenül végzett karbantartás, a nem megfelelő pótalkatrészek használata, vagy a biztonsági berendezések eltávolítása, illetve módosítása a készülék károsodásával járhat, és a kezelő személy súlyos sérülését okozhatja.

7.2 Egyéni védőfelszerelés (EVE)

▲ VESZÉLY

Mindig viseljen személyi védőfelszerelést!

- Viseljen arcvédővel vagy védőszemüveggel felszerelt, hallásvédővel rendelkező munkavédelmi sisakot.
- Viseljen vágás elleni védőbetéttel ellátott, szűk védőruházatot.
- Viseljen csúszásmentes munkavédelmi cipőt.
- Viseljen védőkesztyűt.
- Kerülje a laza ruházat viselését, amely beakadhat.
- Ne viseljen sálát, nyakkendőt és ékszereket!
- Ha hosszú a haja, használjon hajhálót!
- Az erdőben végzett mindenfajta munka során viseljen munkavédelmi sisakot. Ez védelmet biztosít a lehulló ágak ellen. Rendszeresen ellenőrizze, nem sérült-e meg a munkavédelmi sisak. Ezt legkésőbb 5 év elteltével le kell cserélni. Csak bevizsgált munkavédelmi sisakot használjon.
- Az arcvédő, illetve a védőszemüveg távol tartja a forgácsokat és faszilánkokat. A szemsérülések elkerülése érdekében a készülékkel végzett munka során mindig viseljen arcvédőt vagy védőszemüveget.
- Mindig viseljen hallásvédőt. A készülék által kibocsátott zaj halláskárosodást okozhat.
- Viseljen erős, ellenálló anyagból készült védőkesztyűt, például bőrkesztyűt.
- Száraz fa fűrészeléskor viseljen porvédő maszkot. Ilyenkor fűrészporképződhet.
- A fán végzett munka során a felhasználó leeshet. A felhasználó súlyosan megsérülhet vagy meghalhat. Viseljen leesés elleni védőfelszerelést.

7.3 Tárolás és szállítás

- Szállítás előtt mindig kapcsolja ki a láncfűrész, akkor is, ha csak rövid szakaszon szállítja. Kapcsolja be a láncféket, és tegye fel a láncvédőt.
- A szállítás és a tárolás során használja a láncvédőt.
- Szállítás közben (járművön is) biztosítsa a gépet felborulás ellen, hogy elkerülje az üzemanyag kifolyását, valamint a károk és sérülések bekövetkezését.
- A készüléket csak az első markolatnál fogva hordozza. A vezetősin ilyenkor hátrafelé, a testével ellenkező irányba mutasson.
- A forró hangtompítót tartsa távol a testétől. Égési sérülések veszélye áll fenn!
- Tárolás előtt tisztítsa meg a láncfűrész, és végezzen rajta karbantartást.
- A készüléket száraz és biztonságos helyen tárolja. Biztosítsa illetéktelen hozzáférés ellen.

7.4 Környezeti biztonság

- A nemzeti és / vagy önkormányzati szabályozások korlátozzák a zajt keltő motoros készülékek használati idejét. Érdeklődjön ezzel kapcsolatban a helyben illetékes hatóságnál.
- A készüléket nem szabad beltérben vagy más, rosszul szellőző területen üzemeltetni. A mérgező kipufogógáz/kenőolajpára miatt fulladásveszély áll fenn.
- Csak nappali fényben dolgozzon.
- Szintén ne dolgozzon kedvezőtlen időjárási feltételek mellett, pl. esőben vagy szélben. Ilyenkor fokozott balesetveszély áll fenn.
- Tartsa tisztán és rendben a munkaterületet.
- A munkavégzés során tartsa távol a gyermekeket, más személyeket és állatokat. Ha elvonják a figyelmét, elveszítheti az uralmat a készülék felett.
- A munka megkezdése előtt bizonyosodjon meg arról, hogy a veszélyes területen nem tartózkodnak más személyek vagy állatok, illetve nincsenek veszélyben anyagi értékek.
- Ne dolgozzon drótkerítés mellett, vagy olyan területen, ahol laza, régi huzalok találhatóak.
- Ha gyúlékony környezetben, pl. száraz fűben dolgozik, állítson készenlétebe tűzoltó készüléket. Tűzveszély áll fenn!

7.5 Töltsön be üzemanyagot

- A benzin nagyon könnyen gyúlékony. A tankolás során tartson távolságot a nyílt lángtól, és ne dohányozzon. Tűzveszély áll fenn!
- Ügyeljen arra, hogy ne fröcskölje ki a benzint. A benzin és a lánckenő olaj nem juthat a talajba. Segítségként használjon megfelelő alátétet.
- Csak jól szellőző helyiségben tankoljon. A benzingőz könnyen meggyulladhat vagy felrobbanhat.
- Tankolás előtt kapcsolja ki a motort, és hagyja kihűlni a készüléket. Ha kiömlött a benzin, azonnal tisztítsa meg az érintett felületeket. Ne kerüljön üzemanyag a ruházatára, ha mégis, azonnal cserélje le.
- Kerülje el, hogy a benzin vagy a kenőanyagok (olaj) a bőrével vagy a szemével érintkezzen.
- Ne lélegezze be a benzingőzöket/a kenőolaj páráját.
- Ügyeljen a tömítetlenségekre. Ha kifolyt a benzin, ne indítsa be a motort. Égési sérülések veszélye áll fenn.
- Óvatosan nyissa ki a tanksapka zárját, hogy a fennálló túlnyomás lassan távozhasson, és ne fröcsköljön ki a benzin.

7.6 Üzembe helyezés előtt

FIGYELMEZTETÉS

A felülvizsgálatokat mindig az üzembe helyezés előtt végezze el, amikor a motor ki van kapcsolva.

Minden használat előtt ellenőrizze a készülék üzembiztos állapotát, illetve akkor is, ha a padlóra ejtette.

Ellenőrizze, hogy valamennyi mozgó alkatrész kifogástalanul működik-e. Számos balesetet a rosszul karbantartott szerszámok okoznak. A sérült alkatrészeket képzett szakemberrel javíttassa meg.

A láncfűrész és tartozékait csak az itt olvasható utasításoknak megfelelően használja. Közben vegye figyelembe a munkafeltételeket és a végrehajtandó feladatot is. Ha a motoros szerszámot a tervezett alkalmazástól eltérően használja, az veszélyes helyzetet teremthet.

- Rendszeresen ellenőrizze a láncfék működőképességét (elülső kézzvédő, lásd a 2. ábrát).
- Ellenőrizze, hogy helyesen van-e felszerelve a vezetősín.
- Ellenőrizze, hogy megfelelő-e a fűrészlánc feszessége. Kövesse a kenésre, a láncfeszítésre és a tartozékok cseréjére vonatkozó utasításokat. A szakszerűtlenül megfeszített vagy kent lánc elszakadhat, vagy növelheti a visszacsapás kockázatát.
- Tartsa élesen és tisztán a vágószerszámokat. Végezzen rendszeresen utánélezést, és időben cserélje le a kopott alkatrészeket. A gondosan ápolt, éles vágóélekkel rendelkező vágószerszámok kevésbé szorulnak be, és könnyebben vezethetők.
- Ellenőrizze, hogy könnyedén mozog-e a gázkar és a gázkar zárja. A gázkart vissza kell térítse a rugó a kiindulási pozíciójába.
- Ellenőrizze, hogy elegendő üzemanyag és lánckenő olaj van-e a tartályokban.
- Ellenőrizze, hogy tiszták és szárazak-e a markolatok, illetve nincs-e rajtuk olaj vagy szennyeződés.
- Soha ne dolgozzon egyedül. Vészhelyzet esetén mindig legyen valaki a közelben.
- Csak akkor használja a láncfűrész, ha szilárd, biztos és sík talajon áll. Kerülje a rendellenes testtartást. Ha csúszós a talaj, vagy instabil a támaszték (pl. ha létrán áll), elveszítheti az egyensúlyát, vagy elveszítheti az uralmat a láncfűrész felett. Álljon stabilan a lábán, és mindig őrizze meg egyensúlyát. Így váratlan helyzetekben is jobban uralhatja a láncfűrész.
- A láncfűrészrel ne dolgozzon fára felmászva. Ha fára mászva üzemelteti, akkor sérülésveszély áll fenn.
- Soha ne fűrészeljen vállmagasság fölött.

- A láncfűrész jobb kezével mindig a hátsó fogantyúnál, bal kezével mindig az előlső fogantyúnál megfogva tartsa. Ha munka közben fordítva fogja a láncfűrész, az növeli a sérülésveszélyt, ezért nem szabad úgy használni.
- Amikor jár a láncfűrész, minden testrészét tartsa távol a fűrészlánctól. A láncfűrész indítása előtt győződjön meg arról, hogy a fűrészlánc semmivel nem érintkezik. A láncfűrészsel végzett munkálatok során már egy pillanatnyi figyelmetlenség is a ruházat vagy testrészek fűrészlánc általi megragadásához vezethet.
- Azonnal kapcsolja ki a láncfűrész, ha érezhető változásokat tapasztal a készülék viselkedésében.
- Ha a láncfűrész kőhöz, szögkehez vagy egyéb kemény tárgyhoz ért, azonnal állítsa le a motort, és vizsgálja meg a fűrészláncot és a vezetősínt, nem sérült-e meg.
- Ne ejtse le a láncfűrész, ne üsse neki akadályoknak, és ne használja emelőként a vezetősínt.
- A láncfűrészsel csak fát fűrészeljen.
- Megfeszített ág vágásakor számoljon azzal, hogy az ág visszarugózik. Ha felszabadul a fa rostjainak feszültsége, a megfeszült ág megütheti a kezelő személyt, és/vagy kitérheti a kezéből a láncfűrész.
- Legyen különösen óvatos, amikor aljnövényzetet és fiatal fát vág. A vékony anyag beakadhat a fűrészláncba, Önnek csapódhat, vagy kibillentheti az egyensúlyából.

7.7 Vibrációk

FIGYELMEZTETÉS

Kerülje a rezgés által okozott kockázatokat, pl. a Raynaud-szindróma (keringési zavar) kialakulását gyakori munkaszünetek beiktatásával, amikor pl. egymáshoz dörzsöli a két kezét.

- Mindig viseljen védőkesztyűt, és ügyeljen rá, hogy melegen tartsa a kezét.
- Ügyeljen arra, hogy a lánc mindig éles legyen.
- Rendszeresen tartson szünetet a munkában.

7.8 Óvintézkedések a visszacsapódás ellen

FIGYELMEZTETÉS

Munkavégzés közben ügyeljen a készülék visszacsapására. Sérülésveszély áll fenn. A visszacsapás elővigyázattal és helyes fűrészelési technikával kerülhető el.

- Ha a vezetősín csúcsa hozzáér valaminez, az adott esetben váratlan hátrafelé irányuló reakciót válthat ki, amittől a vezetősín felfelé, a kezelő személy irányába csapódik.

- Visszacsapásra akkor fordulhat elő, ha a vezetősín csúcsa egy tárgyhoz ér, vagy ha meghajlik a fa, és a fűrészlánc beszorul a vágatba.
- Ha a fűrészlánc beszorul a vezetősín felső élénél, akkor a láncfűrész hevesen és uralhatatlanul visszarághat a kezelő irányába.
- Ha a fűrészlánc beszorul a vezetősín alsó élénél, akkor a láncfűrész hevesen és uralhatatlanul elránthatja magát a kezelőtől.
- Legyen különösen óvatos, amikor a láncfűrész láncát egy korábban megkezdett vágatba vezeti be, hogy tovább fűrészelve azt.
- Ne fűrészelj olyan ágakat vagy fadarabokat, melyek helyzete megváltozhat a fűrészelési folyamat közben, illetve hogyha a fűrészelési folyamat során bezáródhat a vágat.
- Ezen reakciók mindegyikének következtében elveszítheti a fűrész feletti uralmat, és akár súlyos sérülést is szenvedhet. Ne hagyatkozzon kizárólag a láncfűrészre szerelt biztonsági berendezésekre. A láncfűrész kezelőjeként hozzon különböző intézkedéseket, melyek révén baleset- és sérülésmentesen dolgozhat.

A visszacsapás a nem megfelelő vagy hibás használat következménye. Ez az alábbiakban ismertett óvintézkedésekkel megelőzhető:

- Fogja szorosan, két kézzel a fűrész, ujjai fogják körbe a láncfűrész fogantyúit. Tartsa testét és karjait olyan helyzetben, hogy képes legyen a visszalökő erők felfogására. Ha megfelelő intézkedéseket hoz, a kezelő személy uralma alatt tarthatja a visszalökő erőket. Soha ne engedje el a láncfűrész.
- Kerülje a rendellenes testtartásokat, és ne fűrészeljen vállmagasság felett. Ezáltal megakadályozhatja, hogy a lap csúcsa véletlenül hozzáérjen valaminez, és a váratlan helyzetekben jobban uralhatja a láncfűrész.
- Mindig a gyártó által előírt pótlapokat és fűrészláncokat használja. Ha nem megfelelő pótlapot és fűrészláncot használ, elszakadhat a fűrészlánc, és/vagy visszacsapás fordulhat elő.
- Tartsa be a gyártó élezéssel és a fűrészlánc karbantartásával kapcsolatos utasításait. A túl alacsony mélységátároló növeli a visszacsapás lehetőségét.
- Ne fűrészeljen a fűrészlap csúcsával. Visszacsapás veszélye áll fenn! (7. ábra)

- Bizonyosodjon meg arról, hogy a vágási tartományban nincsenek szögek vagy fémdarabok. Különösen ügyeljen a vágási tartomány közelében található szögekre és vasdarabokra. Ha kemény fát fűrészrel, legyen különösen óvatos, mert beakadhat a lánc. Ilyenkor visszacsapás fordulhat elő.
- A vágást teljes erővel kezdje, és a fűrészelés közben végig tartsa a legmagasabb sebességen a láncfűrész.
- Gondoskodjon arról, hogy a talajon ne heverjenek botlásveszélyt okozó tárgyak.

7.9 Munkaviselkedés- és technika

- Csak jó látási körülmények és fények mellett dolgozzon. Különösen figyeljen a csúszó, nedves, jeges és havas felületekre (az elcsúszás veszélye). Frissen lehántott fa (fakéreg) esetén fokozott csúszásveszély áll fenn.
- Soha ne dolgozzon instabil talajon! A munkaállomáson figyeljen az akadályokra: botlásveszély. Folyamatosan figyelni kell a biztos állásra.
- Soha ne fűrészeljen vállmagasság fölött!
- Soha ne fűrészeljen létrán állva!
- Megfelelő, embereknek és gépeknek szánt rögzítérendszerek nélkül soha szálljon a láncfűrészrel a fára és soha ne végezzen munkálatokat. Ajánlott folyamatosan munkaplatformról végezni a munkálatokat.
- Ne dolgozzon túlságosan előrehajolva.
- A láncfűrész úgy vezesse, hogy ne legyen testrész a fűrészlánc meghosszabbított fordítási tartományában.
- A láncfűrészrel csak fát fűrészeljen.
- Futó fűrészláncsal ne érintse meg a talajt.
- Tisztítsa meg a vágás területét a homoktól, kövektől, szegektől stb. Az idegen tárgyak megkárosítják a fűrészelő szerkezetet, veszélyes visszacsapást (Kickback) okozhatnak és kirepülhetnek.
- Fűrészáru fűrészeléskor használjon biztonságos támasztékot (lehetőség szerint fűrészállványt). A fát tilos lábbal rögzíteni, vagy egy másik személy segítségével.
- A farönköket biztosítani kell, hogy ne fordulhassanak el a vágásban.
- Soha ne dolgozzon karmos ütköző nélkül, a láncfűrész előre ránthatja a kezelőt. A karmos ütközőt a fatörzsek vagy a vastag ágak vágásához használja. A karmos ütköző használata növeli a munkabiztonságot, csökkenti a munka közbeni személyes terhelést, a vibrációk pedig csökkennek.
- Fa kivágása vagy darabolása esetén helyezze a fogazott támasztékot (karmos ütköző) a vágni kívánt fára kell helyezni. A fogazott támaszték használata a vastag ágak szétfűrészélése esetén is ajánlott.

- Minden darabolási vágás előtt helyezze fel stabilan a fogazott támasztékot, csak ez után fűrészeljen a működésben lévő fűrészláncsal a fába. A fűrész fel kell húzni a hátsó markolatnál és a fogónál kell vezetni. A fogazott támaszték forgáspontként szolgál. Az utána helyezés a fogóra gyakorolt enyhe nyomással történik. Ekkor a láncfűrész kissé vissza kell húzni. Helyezze fel a fogazott támasztékot mélyebben, és újra húzza fel a hátsó markolatot.
- Legyen óvatos, amikor hasított fát vág. A lefűrészelt fadarabok elsodródhatnak (sérülésveszély).
- A láncfűrész a vágófelsőrésszel való vágáskor a kezelő felé lökődhet, ha a fűrészlánc beszorul. Ezért lehetőleg a vágófelsőrésszel fűrészeljen, mivel a láncfűrész a testől a fa felé kell húzni.
- A feszültség alatt álló fadarabnak először mindig a nyomott oldalát kell átvágni. Csak ezt követően szabad elvégezni a hűzásra terhelt oldal átvágását. Így elkerülhető a sín beszorulása.
- Fa megmunkálásakor a motoros fűrész leeshet. Ez súlyos személyi sérüléseket vagy anyagi károkat okozhat. Biztosítsa a motoros fűrész a felfüggesztő berendezés felett.
- Mielőtt a fűrészláncot a vágástartományba vezetné, akkor a motoros fűrész oldalra csúszhat vagy megugorhat.

FIGYELEM

Fokozott visszacsapásveszély!

A vágás végéhez közeledve csökkentse a kifejtett nyomást, de továbbra is tartsa szilárdan a markolatokat, hogy az „átvágás” pillanatában uralni tudja a készüléket. Ügyeljen rá, hogy a fűrészlánc ne érintkezzen a talajjal. A vágás végeztével várja meg, amíg leáll a fűrészlánc, mielőtt eltávolítaná a láncfűrész. Mikor átmegegy az egyik fától a másikhoz, mindig kapcsolja ki a láncfűrész motorját.

FIGYELMEZTETÉS

Hosszabb idejű munkavégzés esetén a vibrációk miatt a kezelő személy kezeiben keringési zavarok (fehér ujj szindróma) léphetnek fel.

A fehér ujj szindróma egy olyan érrendszeri betegség, amelynek során az ujjak és a lábujjak kis véredényei hirtelen összehúzódnak. Az érintett területek nem kapnak megfelelő vérellátást, és emiatt rendkívül sápadtak lesznek. A vibráló készülékek gyakori használata az olyan személyek esetében, akiknek a vérkeringése gyengébb (például dohányosok, cukorbeteg) idegkárosodást okozhat.

Amennyiben szokatlan negatív hatásokat észlel, akkor azonnal fejezze be a munkát és forduljon orvoshoz.

A veszélyek csökkentése érdekében tartsa be az alábbi utasításokat:

- Hideg időjárás esetén tartsa melegen a testét és főleg a kezeit.
- Rendszeresen tartson szünetet és közben mozgassa a kezeit, hogy elősegítse a vérkeringést.
- Rendszeres karbantartással és a készülék rögzített részével gondoskodjon a gép lehető legkisebb mértékű vibrációjáról.

7.10 Fennmaradó kockázatok

▲ VESZÉLY

SÉRÜLÉSVESZÉLY!

A fűrészlánccal való érintkezés halálos vágási sérüléseket okozhat.

Soha ne nyúljon kézzel a mozgó fűrészláncához.

VISSZACsapás VESZÉLYE!

A visszacsapás halálos vágási sérüléseket okozhat.

ÉGÉSI SÉRÜLÉSEK VESZÉLYE!

Üzem közben a lánc és a vezetősín felhevül.

A készülék a technika jelenlegi állása és az elismert biztonságtechnikai előírások szerint készült. Használata közben azonban jelentkező kockázatok fennmaradó kockázatok.

Ezen kívül a nem nyilvánvaló fennmaradó kockázatok minden elővigyázatosság ellenére sem szüntethetők meg.

Minimálisan csökkenthetők azonban a „Biztonsági utasítások”, a „Rendeltetésszerű használat” és a kezelési útmutató együttes betartásával.

8. Műszaki adatok

A gép vezetőlemez nélkül

Hossz x Szélesség x Magasság270 x 230 x 240 mm
Súly üzemanyag és vágófelszerelés nélkül, kb.3,4 kg
Súly üzemanyag nélkül, vágófelszereléssel, kb.3,8 kg
Lánccenő olaj tartalva0,16 l
Üzemanyagtartály térfogata0,23 l
Olaj- és üzemanyag-keverék1:40
Vágáshossz20 cm
Fűrészlap hossza30 cm

Automatikus lánccenésigen
Lánccosztás3/8" (9,525 mm)
Lánccszemerősség1,27 mm
Lánctípus3/8LP-40
Meghajtó lánckerék fogszáma6
Meghajtó lánckerék fogkiosztása3/8"
Vezetőlemez-típusAPI0-40-509P
Maximális lánccsebesség21 m/s
Motor1 hengeres, 2 ütemű léghűtéses
Motor lökettérfogata25,4 cm ³
Max. motorteljesítmény az ISO 7293 szerint0,7 kW
n ₀ üresjáratú fordulatszám3300 ± 300 perc ⁻¹
Maximális fordulatszám vágókészlettel11000 min ⁻¹
GyújtógyertyaL8RTC

A hangnyomásszintet az alkalmazástól és az elvégzendő tevékenységtől függően olyan mértékben kell csökkenteni, hogy a kezelő egészsége ne legyen veszélyeztetve. A munkaállomáson a hangnyomásszint meghaladhatja a 80 dB értéket. Ebben az esetben zajscsökkentő intézkedéseket kell foganatosítani a kezelő számára (pl. hallásvédő viselése).

Csökkentse minimális szintre a zajképződést és a vibrációt!

- Csak kifogástalan állapotban lévő eszközöket használjon.
- Rendszeresen végezze el a készülék karbantartását és tisztítását.
- Munkamódszerét igazítsa a készülékhez.
- Ne terhelje túl a készüléket.
- Szükség szerint ellenőriztesse a készüléket.
- Kapcsolja ki a készüléket, ha nem használja.
- Viseljen kesztyűt.

L mért hangteljesítményszint99,2 dB
K _{PA} bizonytalanság3 dB
Garantált hangteljesítményszint L _{WA}113 dB
L _{WA} mért hangteljesítményszint108,7 dB
K _{WA} bizonytalanság3 dB

Elülső fogantyú vibrációja8,98 m/s ²
Hátsó fogantyú vibrációja8,03 m/s ²
Bizonytalanság1,5 m/s ²

Viseljen hallásvédőt.

A zaj következtében hallásveszteszre kerülhet sor.

A megadott zajkibocsátási értékek mérése szabványok által előírt vizsgálati eljárással történt, és az adatok megfelelnek a készülék más készülékekkel való összehasonlításához.

A megadott zajkibocsátási értékek a terhelés előzetes becsüléséhez is használhatók.

Figyelmeztetés:

- A zajkibocsátási értékek az eszköz tényleges használata során az eszköz használatának módjától függően, különösen a munkadarab típusától függően eltérhetnek a megadott értékektől.
- Próbálja meg a terheléseket a lehető legalacsonyabban tartani. Ilyen intézkedés például a munkaidő korlátozása. Eközben az üzemelési ciklus összes részét vegye figyelembe (például azokat az időket, amikor a készülék ki van kapcsolva, valamint azokat is, amikor be van ugyan kapcsolva, de terhelés nélkül működik).

9. Üzembe helyezés előtt

- Nyissa ki a csomagolást, és óvatosan vegye ki a készüléket.
- Távolítsa el a csomagolóanyagot, valamint a csomagolási és szállítási biztosítókat (ha vannak).
- Ellenőrizze, hogy hiánytalan-e a szállítmány.
- Ellenőrizze a készülék és a tartozékok szállításból eredő sérüléseit.
- Lehetőség szerint a jótállási idő leteltéig őrizze meg a csomagolást.
- Távolítsa el a berántóról (8) a rövid útmutatót.

FIGYELEM

A készülék és a csomagolóanyag nem játékszer! Ne engedje, hogy a gyermekek a műanyag zacskókkal, fóliákkal és apró részekkel játszanak! Lenyelés és fulladás veszélye áll fenn!

9.1 A vezetősín (2) és a fűrészlánc (1) felszerelése

FIGYELMEZTETÉS

Sérülésveszély!

Amikor a fűrészlánc (1) ér, mindig viseljen védőkesztyűt. Az éles vágófogak miatt sérülésveszély áll fenn!

Csak a fűrészlánc (1) és vezetősín (2) engedélyezett kombinációját használja (lásd az „Engedélyezett vágófelszerelések” fejezetet).

A szerelést mindig csak olyankor végezze, ha a motor ki van kapcsolva.

Megjegyzés

Az új fűrészlánc (1) nyúlik, és gyakran után kell feszíteni. Rendszeresen ellenőrizze a lánc feszességét, és állítson utána.

A kopás mértékének megfelelően a vezetősín (2) megfordítható.

- Állítsa a láncfűrészstabil, sík felületre.
- A láncfék kioldásához húzza hátra ütközésig az elülső kézvédőt (3). (2. ábra)
- Távolítsa el mindkét rögzítőanyát (16) a gyertyakulccsal (20).
- Vegye le a lánckerék burkolatát (17).
- Forgassa a láncfeszítő csavart (23) bal felé (az óramutató járásával ellenkező irányba), amíg a láncfeszítő csap (26) a jobb ütközéshez nem kerül (3. ábra). Ehhez használjon csillagfejű csavarhúzó (20).
- Tolja rá a vezetősín (2) hosszukás furatát a két kiálló rögzítőcsapszegre (29).
- Fektesse a fűrészláncot (1) a lánckerék (27) fogazatára. Vezesse rá a fűrészláncot (1) pontosan illesztve a vezetősínre (2) az ott megadott irányban. A vezetősín (2) csúcsánál fogaskerék (30) található, melynek fogazatára rá kell fektetni a fűrészláncot (1). (6. és 18. ábra)
- Kissé húzza meg a vezetősínt (2), hogy enyhén előfeszítse a fűrészláncot (1).
- Tegye vissza a lánckerék burkolatát (17). Ügyeljen arra, hogy a belül elhelyezkedő láncfeszítő csap (26) beletaláljon a vezetősín (2) megfelelő furatába. Szükség esetén állítsa át a láncfeszítő csavart (23) a lapos csavarhúzóval (20).
- Tekerje fel kézzel mindkét rögzítőanyát (16). Viszont ügyeljen arra, hogy még ne húzza őket szorosra. A rögzítőanyagokat (16) csak a fűrészlánc (1) befogása után kell meghúzni.

9.2 Fűrészlánc (1) megfeszítése és ellenőrzése

FIGYELMEZTETÉS

Vegyen fel védőkesztyűt! Az éles vágófogak miatt sérülésveszély áll fenn!

Rendszeresen, minden üzembe helyezés előtt ellenőrizze a láncfeszítést.

Az ellenőrzéseket mindig indítás előtt és leállított motorral végezze el.

1. A feszítés előtt kissé ki kell oldani a rögzítőanyákat (16) a gyertyakulccsal (20).
2. A feszítés növeléséhez forgassa a láncfeszítő csavart (23) a lapos csavarhúzóval (20) az óramutató járásával megegyező irányba.
3. Húzza meg szorosan a két rögzítőanyát (16) a gyertyakulccsal (20).
4. A fűrészláncnak (1) fel kell feküdnie a fűrészlap alsó oldalára. Ellenőrizze, hogy a fűrészlánc (1) (kioldott láncféknél, ehhez húzza hátra az első kézdőt (3)) kézzel húzható-e a vezetősínen (2).

MEGJEGYZÉS

Az új fűrészlánc (1) nyúlik, és gyakran után kell feszíteni.

9.3 Üzemanyag bekeverése

A motort benzinből és motorolajból álló üzemanyagkeveréssel kell üzemeltetni.

FIGYELMEZTETÉS

Kerülje el, hogy az üzemanyag közvetlenül a bőrével érintkezzen, illetve ne lélegezze be az üzemanyag gőzét.

Csak ólommentes normál benzin (min. ROZ 95-ös) és speciális, kétütemű motorolaj (JASO FD/ISO - L - EGD) keverékét használja. Az üzemanyagkeveréket az üzemanyag keverési táblázata alapján keverje be.

Tegye a megfelelő mennyiségű benzint és kétütemű olajat a mellékelt keverőedénybe (22) (lásd az „Üzemanyag keverési táblázatát”). Ezután alaposan rázza fel a keverőedényt (22).

9.3.1 Üzemanyag keverési táblázata

Keverési eljárás: 40 rész benzin 1 rész olajhoz

**Benzin..... Kétütemű olaj
0,5 liter 12,5 ml**

9.4 Üzemanyag betöltése (8. ábra)

FIGYELMEZTETÉS

Csak akkor töltsön be üzemanyagot, ha a motor ki van kapcsolva és lehűlt. Tűzveszély áll fenn!

1. Betöltés előtt mindig tisztítsa meg az üzemanyagtartály zárukupakját (13), hogy ne hulljon szennyeződés az üzemanyagtartályba. Ehhez használjon száraz, szálmentes kendőt.

2. Fektesse a készüléket az oldalára, hogy az üzemanyagtartály zárukupakja (13) felfelé nézzen.
3. Nyitáshoz forgassa az üzemanyagtartály zárukupakját (13) az óramutató járásával ellentétes irányba. Az üzemanyagtartály zárukupakja (13) elvesztés elleni biztosítással az üzemanyagtartályhoz van rögzítve, így nem tud leesni.
4. Tölts be az üzemanyagkeveréket az üzemanyagtartályba. Tankolás közben ne öntse ki az üzemanyagot, és ne töltsé színiültig az üzemanyagtartályt.
5. A kifolyt üzemanyagot azonnal törölje fel.
6. Záráshoz forgassa az üzemanyagtartály zárukupakját (13) az óramutató járásával megegyező irányba.

MEGJEGYZÉS

Minden alkalommal, amikor üzemanyagot tölt be, ellenőrizze a láncenkő olajat is.

9.5 Engedje le az üzemanyagot

Az üzemanyagtartályt csak a szabadban vagy jól szellőző helyiségben ürítse ki. Ügyeljen arra, hogy az üzemanyag ne kerüljön a talajba (környezetvédelem). Használjon megfelelő alátétet.

1. Állítson egy gyűjtőtartályt az üzemanyagtartály alá.
2. Csavarja fel az üzemanyagtartály (13) zárját, majd távolítsa el azt.
3. Engedje le teljesen a benzin/olaj keveréket.
4. Kézzel csavarozza be újra az üzemanyagtartály zárját (13).

9.6 Láncenkő olaj betöltése (8. ábra)

FIGYELMEZTETÉS

Csak akkor töltsön be fűrészláncolajat, ha a motor ki van kapcsolva és lehűlt. Tűzveszély áll fenn!

Soha ne dolgozzon láncenkés nélkül! Ha szárazon fut a fűrészlánc (1), rövid idő alatt menthetetlenül tönkremegy az egész vágófelszerelés.

Mielőtt megkezdí a munkát, ellenőrizze a láncenkést.

MEGJEGYZÉS

Csak fűrészláncolajat használjon. Lehetőleg biológiailag lebomló fajtát. Ne használjon fáradt olajat, motorolajat, stb.

A munkavégzés során is ellenőrizze, hogy működik-e a láncenkés.

1. Betöltés előtt mindig tisztítsa meg az lánckenő olaj tartályának zárókupakját (11), hogy ne hulljon szennyeződés a lánckenő olaj tartályába. Ehhez használjon száraz, szálmentes kendőt.
2. Fektesse a készüléket az oldalára, hogy a lánckenő olaj tartályának zárókupakja (11) felfelé nézzen.
3. Nyitáshoz forgassa a lánckenő olaj tartályának zárókupakját (11) az óramutató járásával ellentétes irányba. A lánckenő olaj tartályának zárókupakja (11) elvesztés elleni biztosítással a lánckenő olaj tartályához van rögzítve, így nem tud leesni.
4. Tölts fel bio lánckenő olajjal a lánckenő olaj tartályát. Tankolás közben ne öntse ki a lánckenő olajat, és ne töltse színültig a lánckenő olaj tartályát.
5. A kifolyt lánckenő olajat azonnal törölje fel.
6. Záráshoz forgassa a lánckenő olaj tartályának zárókupakját (11) az óramutató járásával megegyező irányba.

10. Üzembe helyezés

⚠ VIGYÁZAT

Kérjük, vegye figyelembe a zajvédelmi törvény rendelkezéseit.

Minden üzembe helyezés előtt vizsgálja meg a készüléket az alábbi szempontok szerint:

- az üzemanyagrendszer tömítettsége
- a védőberendezések és a vágóberendezés kifogástalan állapota és hiánytalansága
- az összes csavarkötés szoros illeszkedése
- Minden mozgó alkatrész könnyű mozgását

Munkavégzési utasítások

Mielőtt használni kezdi a lánccűrész, ismerje meg alaposan a kezelését.

10.1 A motor indítása

⚠ FIGYELEM

A motor beindítása előtt legalább 3 méter távolságra távolodjon el a töltőhelytől (9. ábra).

Mindig egyenesen húzza ki a berántót (8). Tartsa erősen a berántó (8) fogantyúját, amikor a berántó (8) újra behúzódik. Ne hagyja gyorsan visszahúzódni a berántót (8).

A motor elindítása után azonnal engedje el a gázkart (5). Ellenőrizze, hogy az üresjáróban a motorfordulatszám visszaállt-e, mielőtt elengedné a lánccífeket (nyomja hátra az elülső kézvédőt (3)).

Csak az indításhoz húzza ki a hidegindító kart (szívatót) (14).

10.1.1 Indítás hideg motor esetén

⚠ FIGYELMEZTETÉS

Minden üzembe helyezés előtt kapcsolja be a lánccífeket (nyomja előre az elülső kézvédőt (3)).

⚠ FIGYELEM

Soha ne hagyja visszacsapódni a berántót (8). Ez károsodásokhoz vezethet.

1. Vegye le a vezetősín (21) borítását.
2. A lánccűrész állítsa stabil és síma felületre. A fűrészlánc (1) nem érintkezhet a talajjal.
3. Nyomja előre az elülső kézvédőt (3) addig, amíg be nem kattann. A fűrészláncot (1) a lánccífek blokkolja.
4. Nyomja meg 6-szer a „Primer” üzemanyag-szivattyút (4). (1. ábra)
5. Húzza ki a hidegindító kart (szívatót) (14). (10.2. ábra)
6. Tartsa szorosan a lánccűrész az elülső markolatnál (12) fogva, és lassan húzza meg a berántót (8), amíg ellenállást nem érez.
7. Most hirtelen rántsa meg a berántót (8), hogy a motor elinduljon. Ha a motor nem indul el, ismétlje meg a folyamatot. Amíg a hidegindító kar (szívató) (14) kihúzott állapotban van, a motor csak rövid ideig működik, majd ismét leáll.
8. Amint a motor leáll, működtesse együtt a gázkar zárját (7) és a gázkart (5). A hidegindító kar (szívató) (14) automatikusan „Melegindítás” üzemmódba ugrik. (10.1. ábra)
9. Most hirtelen rántsa meg újra a berántót (8), hogy a motor beinduljon.

Ha a motor többszöri próbálkozás után sem indul be, akkor olvassa el a „Hibaelhárítás” c. fejezetet.

MEGJEGYZÉS

Magas külső hőmérsékletek esetén előfordulhat, hogy hideg motor esetén is hidegindító kar (szívató) (14) nélküli indítást kell végezni!

- Oldja ki a lánccífeket azzal, hogy hátrahúzza az első kézvédőt (3). (2. ábra)
- **VIGYÁZATI!** A lánccífek most ki van oldva. A gázkar (5) és a gázkar bereteszelő (7) egyidejű megnyomása elindítja a fűrészláncot (1).

10.1.2 Indítás meleg motor esetén (A készülék 15 - 20 percnél rövidebb ideig állt.)

FIGYELMEZTETÉS

Minden üzembe helyezés előtt kapcsolja be a láncfékét (nyomja előre az elülső kézvédőt (3)).

1. Nyomja előre az elülső kézvédőt (3) addig, amíg be nem kattann. A fűrészláncot (1) a láncfék blokkolja.
2. Meleg motor indításához nem kell meghúznia a hidegin-dító kart (szívatót) (14).
3. Tartsa szorosan a láncfűrész az elülső markolatnál (12) fogva, és lassan húzza meg a berántót (8), amíg ellen-állást nem érez.
4. Ekkor húzza meg hirtelen a berántót (8). A készüléknek 1-2 rántásra be kell indulnia. Ha a készülék 6 rántás után még mindig nem indul be, ismétlje meg a folyamatot a „Hideg motor indítása” résznél leírtak szerint.

10.2 A motor leállítása

10.2.1 Vészleállítási lépéssorozat

Ha a készüléket azonnal le kell állítania, nyomja a be-/kikapcsoló gombot (15) a „0” állásba, és tartsa ebben az állásban lenyomva, míg le nem áll a motor.

10.2.2 Normál lépéssorozat

1. Engedje el a gázkart (5). A motor átáll üresjáratú fordulatszámra.
2. Nyomja a be-/kikapcsoló gombot (15) a „0” állásba, és tartsa ebben az állásban lenyomva, míg le nem áll a motor.

10.3 Üzemelés üresjáratban

FIGYELEM

Üresjáratban a fűrészláncnak (1) állnia kell.

MEGJEGYZÉS

Ha a fűrészlánc (1) üresjáratban mozog, vagy ha a motor gáz-elvételtkor magától leáll, akkor porlasztóbeállítást kell végezni (lásd „A porlasztóbeállítások karbantartása” c. fejezetet).

1. Emelje fel a láncfűrész.
2. Bal kezével tartsa erősen az elülső markolatot (12).
3. Jobb kezével tartsa erősen a hátsó markolatot (6). Ekkor a kézbegek a gázkar zárján (7) fekszenek, és a gázkart (5) a mutatóujj működtei.
4. A gázkar (5) egyszeri működteése után a motor üresjáratban működik.
5. Hagyja a motort rövid ideig felmelegedni.

10.4 Lánckenés ellenőrzése és beállítása

FIGYELEM

- Soha ne dolgozzon lánckenés nélkül! Ha szárazon fut a fűrészlánc (1), rövid idő alatt menthetetlenül tönkremegy az egész vágófelszerelés.
- Mielőtt megkezdi a munkát, ellenőrizze a lánckenést.

Megjegyzés

Csak fűrészláncolatot használjon, lehetőleg biológiailag lebomló fajtát. Ne használjon fáradt olajat, motorolajat, stb. Tartsa folyamatos üzemben a láncfűrész közepes fordulatszám, egy már levágott fatönk vagy megfelelő alját fölött. Ha elegendő a kenés, vékony olajfilm képződik a tönkön vagy az alátétben.

- Ha szükséges, a lánckenés mértékét növelni vagy csökkenteni lehet az olajszabályzó csavarral (32) (11. ábra).
- Ehhez segítségként használja a mellékelt lapos csavarhúzó (20):
 - A lánckenés mértékének csökkentéséhez először nyomja be az olajszabályzó csavart (32), majd forgassa az óramutató járásával megegyező irányba.
 - A lánckenés mértékének növeléséhez először nyomja be az olajszabályzó csavart (32), majd forgassa az óramutató járásával ellentétes irányba.

10.5 A láncfék ellenőrzése

FIGYELMEZTETÉS

A láncfékét minden egyes üzembe helyezés előtt ellenőrizni kell.

A láncfék visszacsapás esetén azonnal lefékezi a fűrészláncot (1).

1. Ügyeljen arra, hogy az elülső kézvédő (3) ne legyen szennyezett, és könnyen mozgatható legyen.
2. Indítsa be a láncfűrész, és gyorsítsa fel a fűrészláncot a (1) legnagyobb sebességre (teljes gáz).
3. Miközben fut a fűrészlánc (1), működtesse az első kézvédőt (3). A láncféknek maximális sebességnél le kell fékeznie és meg kell állítania a fűrészláncot (1).

FIGYELMEZTETÉS

Ha túl hosszú ideig magas fordulaton járattja a motort, miközben a láncfék fogja a láncot, az kárt tehet a motorban és a lánchojtásban.

Ha mégis mozog a fűrészlánc (1), forduljon az ügyfélszolgálatához.

11. Alkalmazás

11.1 Ágeltávolítási munkálatok

- Alapvetően vegye figyelembe a visszacsapódó ágak okozta veszélyt.
- Az ágak eltávolítása során ne álljon a törzsre.
- Ne fűrészeljen a sín csúcsával. (7. ábra)
- Ne vágjon egyszerre több ágat.
- Az ágak levágása során lehetőleg támassza le a láncfűrész részt a karmos ütközőre (24).
- Ügyeljen rá, hogy a vágás végén a láncfűrész a saját súlyánál fogva továbblendülhet. Már nem támasztja a vágat, ezért tartson ellent neki megfelelően.
- Az ágak eltávolítása közben vegyen fel stabil és biztos munkaállást.

11.1.1 Szakaszos ágeltávolítási munkálatok

A hosszú vagy vastag ágakat rövidítse meg, mielőtt elvégezné rajtuk a végső leválasztó vágást. Különben a fűrészlánc (1) könnyen beszorulhat.

11.1.2 Munkavégzés feszültség alatt álló fadarabon

A feszültség alatt álló fadarab megmunkálása során feltétlenül be kell tartani a helyes sorrendet. Különben a fűrészlánc (1) beszorulhat, vagy visszacsapás fordulhat elő.

A feszültség alatt álló fadarabnak először mindig a nyomott oldalát kell átvágni. Csak ezt követően szabad elvégezni a húzásra terhelt oldal átvágását. (24. ábra) Így elkerülhető a fűrészlánc (1) beszorulása.

▲ FIGYELEM

Anyagi károk!

A földön fekvő fa alsó része nem érhet a talajhoz azon a részen, ahol a vágást végzi, különben megsérülhet a fűrészlánc (1).

Visszaütés

- Ha a fűrészlánc (1) beszorul a vezetősín felső élénél (2), akkor a láncfűrész hevesen és uralhatatlanul visszarághat a kezelő irányába.

Behúzás

- Ha a fűrészlánc (1) beszorul a vezetősín alsó élénél (2), akkor a láncfűrész hevesen és uralhatatlanul elránthatja magát a kezelőtől.

Biztonságos munkavégzés

- A sérülések megelőzése érdekében mindig tartsa jól használható állapotban a készüléket.
- Ha leejtette a készüléket, ellenőrizze, nem szenvedett-e jelentősebb kárt vagy sérülést.
- Ne használja a készüléket létrán vagy bizonytalan helyen állva.
- Ne végezzen egyetlen vágást sem anélkül, hogy előtte jól megfontolta volna. Különben veszélybe sodorhatja saját magát és másokat.
- Rendszeresen váltogassa a munkavégzési helyzetét. Ha huzamosabban használja a készüléket, akkor a rezgések keringési zavarokat idézhetnek elő a kezén. Megfelelő kesztyű viselésével vagy rendszeres szünetekkel azonban növelhető a használati időtartam. Vegye figyelembe, hogy a rossz keringésre való egyedi hajlam, az alacsony külső hőmérséklet, valamint a munkavégzés során kifejtett erős szorítóerő csökkenti a használati időtartamot.

11.2 A fatörzs lefelé hajlik

1. Először végezze el az 1-gyel jelölt tehermentesítő vágást (kb. a törzstátmérő 1/3-áig) a nyomásnak kitett oldalon.
2. Ezt követően hajtsa végre a 2-vel jelölt leválasztó vágást (kb. a törzstátmérő 2/3-áig) a húzásra terhelt oldal felől.

11.3 A fatörzs felfelé hajlik

1. Először végezze el az 1-gyel jelölt tehermentesítő vágást (kb. a törzstátmérő 1/3-áig) a nyomásnak kitett oldalon.
2. Ezt követően hajtsa végre a 2-vel jelölt leválasztó vágást (kb. a törzstátmérő 2/3-áig) a húzásra terhelt oldal felől.

11.4 A favágó fűrész alkalmazása fák vágására kötélmászási technikával együtt.

Ez a függelék olyan munkamódszereket mutat be, amelyek csökkentik a láncfűrész használatából eredő sérülésveszélyt a magasban, kötéllel és hordozó hevederrel végzett munkálatok során. Bár útmutatóként és képzési anyagként szolgálhat, nem helyettesítheti a formális képzést. A függelékben található útmutatások kizárólag példaként szolgálnak egy megfelelő munkamódszerre.

Alkalmazhatók szigorúbb nemzeti vagy egyéb előírások.

A faápolásra használt láncfűrész kezelője, aki kötéllel és hordozó hevederrel a magasban dolgozik, soha ne dolgozzon egyedül. Egy vészhelyzeti intézkedésekre kiképzett munkásnak a talajon kell tartózkodnia és segédkeznie kell.

A kezelő képzést kell kapjon az általános, biztonságos mászási és munkapozíció technikákat illetően, és rendelkeznie kell hordozó hevederrel, kötéllel, hurkokkal, karabinerekkel és egyéb felszerelésekkel a saját érdekében és a fűrész biztonságos és helyes munkapozíciójának érdekében.

A nemzeti jogszabályokat és előírásokat mindig szigorúan be kell tartani.

A függelék nem tér ki a lánkfűrész által levágott ágak és galyok ellenőrzésére szolgáló technikákkal, és nem tartalmazza a biztonságos alkalmazásra vonatkozó, már tárgyalt pontokat.

11.4.1 Általános követelmények

A faápolásra használt lánkfűrész kezelője, aki kötéllel és hordozó hevederrel a magasban dolgozik, soha ne dolgozzon egyedül. Egy vészhelyzeti intézkedésekre kiképzett munkásnak a talajon kell tartózkodnia és segídenie kell.

A kezelő képzést kell kapjon az általános, biztonságos mászási és munkapozíció technikákat illetően, és rendelkeznie kell hordozó hevederrel, kötéllel, hurkokkal, karabinerekkel és egyéb felszerelésekkel a saját érdekében és a fűrész biztonságos és helyes munkapozíciójának érdekében.

11.4.2 Előkészület a favágó fűrész alkalmazása előtt a fában

A talajon lévő dolgozónak a lánkfűrész ellenőrznie, tankolnia kell, működésbe kell hoznia és be kell járátania, majd ki kell kapcsolni, mielőtt felhúzzák a fára a kezelőhöz.

A lánkfűrész el kell látni egy megfelelő hurokkal, hogy fel lehessen helyezni a kezelő hordozó hevederére (13. ábra):

- A hurkot a fűrész hátsó oldalán található felfüggesztő berendezésre (19) kell rögzíteni (12. ábra).
- Megfelelő karabinereket kell biztosítani, amelyek lehetővé teszik a fűrész közvetett (azaz a heveder általi) és közvetlen (azaz a lánkfűrész felfüggesztő berendezéséhez (19) történő) rögzítését a kezelő hordozó hevederénél.
- A lánkfűrész biztos rögzítésének érdekében óvatosan kell eljárni, amikor felhúzzák a kezelőhöz (14. ábra).
- Ellenőrizni kell, hogy a lánkfűrész a hordozó hevederhez van-e rögzítve, mielőtt leoldanák az emelőkötélről.

Az által, hogy a lánkfűrész közvetlenül a hordozó hevederhez rögzíthető, csökken annak a kockázata, hogy a felszerelés mozgás során a fában megsérül.

A lánkfűrész mindig ki kell legyen kapcsolva, amikor közvetlenül a hordozó hevederre van rögzítve.

A lánkfűrész csak az ajánlott felfüggesztő berendezésekre helyezze a hordozó hevederen. Ezek lehetnek középen (előlről vagy hátulról) vagy oldalt. Ha csak lehetséges, a lánkfűrész a hordozó heveder középső hátsó közepére kell elhelyezni, hogy távol legyen a mászókötelektől, és hogy felfogja a súlyt középen, a kezelő gerince alatt.

Ha a lánkfűrész áthelyezik az egyik felfüggesztő berendezésről egy másikra, akkor a kezelőknek ellenőrizniük kell, hogy a lánkfűrész az új helyzetben rögzítve van-e, mielőtt az előző leoldanak az előző felfüggesztő berendezésről.

11.5 A lánkfűrész alkalmazása a fában

Az ezen lánkfűrészekkel végzett faápolási munkálatok során bekövetkezett balesetek elemzése szerint a fő ok a lánkfűrész szakszerűtlen, félkezes használata. A legtöbb baleset esetén a kezelők nem olyan biztonságos munkapozíciót vettek fel, amely lehetővé tette volna számukra, hogy a lánkfűrész mindkét markolatnál fogva tartsák, ami fokozott sérülésveszélyhez vezet az alábbiak miatt:

- A biztos markolat hiánya a lánkfűrész visszacsapásakor.
- A lánkfűrész irányításának hiánya, így könnyebben előfordulhat, hogy hozzáér a mászókötelekhez és a kezelő testéhez (különösképpen a bal kéz és a kar).
- Az irányítás elvesztése egy nem biztonságos munkapozíció által és ezáltal a lánkfűrészhez való hozzáférés (váratlan mozgások a lánkfűrészrel végzett munkálatok során).

11.6 Biztonságos munkapozíció kétkezes használat során

Hogy a lánkfűrész mindkét kezével tarthassa, a kezelőknek mindig törekedniük egy biztonságos munkapozíciót felvételére, amely esetén a fűrész a következőképpen kell vezetni:

- derékmagasságban a vízszintes darabok fűrészélése során.
- a has magasságában függőleges darabok fűrészélése során.

Ha a kezelő a függőleges törzs közelében dolgozik, és a munkapozícióra ható oldalsó erők alacsonyok, akkor a biztonságos munkapozícióhoz elegendő lehet a biztonságos lábtartás. Azonban ha a kezelők eltávolodnak a törzstől, további intézkedéseket kell tenniük a növekvő oldalsó erők csökkentése vagy ellensúlyozása érdekében, például a fő kötél átfordítása egy további felfüggesztő berendezés által, vagy egy olyan, állítható hurok alkalmazása, amely a hámtól egy további felfüggesztő berendezéshez vezet (15. és 16. ábra).

11.6.1 A favágó fűrész elindítása a fában

A kezelőnek a láncfűrész beindításakor a fában a következőket kell elvégeznie:

- a láncfék működésbe hozása az elindítás előtt (nyomja előre az elülső kézvédőt (3)).
- elindításkor a láncfűrész eltartása a testtől balra vagy jobbra:
 - A láncfűrész a bal oldalánál a bal kézzel az elülső markolatnál tartva, és a láncfűrész a testtől eltolva, mi alatt az indítókötelet a jobb kezében tartja.
 - A láncfűrész a jobb oldalánál a jobb kézzel az egyik markolatnál tartva, és a láncfűrész a testtől eltolva, mi alatt az indítókötelet a bal kezében tartja.

A láncfékét mindig be kell kapcsolni, mielőtt a működő láncfűrész a tartókötelenél leengedi.

A kezelőnek a nehéz fűrészelési munkálatok előtt mindig figyelnie kell rá, hogy a láncfűrésznek elegendő üzemanyaga legyen.

11.6.2 A láncfűrész félkezes használata

A kezelők nem használhatják a láncfűrész faápolás céljára félkézzel, instabil munkapozícióban vagy kézi fűrész helyett ágvégek lefűrészélése alacsony átmérővel.

Faápolás céljára a láncfűrész kizárólag akkor lehet félkezesen használni, ha

- a. a kezelő nem tud felvenni olyan munkapozíciót, amely lehetővé teszi a kétkezes alkalmazását.
- b. az egyik kezével biztosítani kell a munkapozíciót.
- c. a láncfűrész teljesen kinyújtott helyzetben, a kezelő testéhez képest derékszögben és a vonalon kívül használják.

A kezelőknek tilos:

- Úgy fűrészelni, hogy a láncfűrész vezetősínének (2) csúcsa a visszacsapási tartományban van.
- Fogózkodni az ágba, amelyet fűrészelsz.
- Megpróbálni megfogni a leeső részeket.

11.6.3 Beszorult láncfűrész kiengedése

Ha a láncfűrész a vágás közben beszorul, akkor a kezelőnek a következőket kell tennie:

1. A láncfűrész kikapcsolása és a fa belsejéhez (azaz a fa törzshöz) vagy egy külön szerszámkötélhez való rögzítése.
2. A láncfűrész kihúzása a bevágásból, mielőtt az ágot a szükséges mértékben megemeli,
3. Szükség esetén kézi fűrész vagy egy másik láncfűrész használata a beszorult láncfűrész kiszabadítására, azáltal, hogy a beszorult láncfűrészről legalább 30 cm távolságra vágják.

Függetlenül attól, hogy kézfűrész vagy láncfűrész használnak a beszorult láncfűrész kiszabadítására, a láncfűrész kiszabadítására szolgáló vágásokat mindig kifelé (az ágvégek felé) kell elvégezni, hogy a láncfűrész ne ragadjon magával a lefűrészelt részeket így bonyolítva tovább a helyzetet.

12. Szállítás

- Szállításkor mindig használja a vezetősín borítását (21).
- Szállítás előtt mindig kapcsolja ki a láncfűrész, akkor is, ha csak rövid szakaszon szállítja. Szállítás közben (járművön is) biztosítsa a gépet felborulás ellen, hogy elkerülje az üzemanyag kifolyását, valamint a károk és sérülések bekövetkezését.
- Kapcsolja be a láncfékét (nyomja előre az elülső kézvédőt (3)).
- A készüléket csak az első markolatnál (12) fogva hordozza. A vezetősín (2) ilyenkor hátrafelé, a testével ellenkező irányba mutasson.
- A forró hangtompítót (18) tartsa távol a testétől. Égési sérülések veszélye áll fenn! (23. ábra)

13. Tisztítás és karbantartás

⚠ FIGYELMEZTETÉS

Sérülésveszély!

Tisztítási munkálatok előtt mindig kapcsolja ki a készüléket, és húzza le a gyertyapipát (35).

(lásd a 13.4. A gyújtógyertya (34) karbantartása című fejezetet).

Megjegyzés

A készüléket minden használat után alaposan meg kell tisztítani.

A tisztítási és karbantartási munkálatokat csak abban a mértékben végezze, ahogyan azokat ez a kezelési útmutató ismerteti. A további munkálatokat bízva szakemberre.

A karbantartási munkálatokat rendszeresen el kell végezni (lásd a „Karbantartási időközök” című fejezetet).

13.1 A motoregység tisztítása

⚠ FIGYELMEZTETÉS

Égési sérülések veszélye!

Ne érintse meg a forró hangtompítót, a hengert vagy a hűtőbordákat.

- A védőszerkezeteket, a levegőnyílásokat és a motor házát lehetőleg tartsa mentesen a portól és a szennyeződésektől. Fúvassa le a sűrített levegővel, alacsony nyomáson.

- Rendszeresen tisztítsa meg a készüléket nedves ronggyal és némi tisztítószerezrel. Ügyeljen arra, hogy ne juthasson víz a készülék belsejébe.

13.2 A légszűrő (33) tisztítása (17. ábra)

Ha szennyezett a levegőszűrő, kevesebb levegő jut a porlasztóba, és csökken a motor teljesítménye.

Ezért a rendszeres ellenőrzés elengedhetetlen. Ellenőrizze rendszeresen a légszűrőt (33), és szükség esetén tisztítsa ki.

Ha nagyon poros a levegő, gyakrabban ellenőrizze a légszűrőt (33).

1. Oldja ki a légszűrőfedél zárját (10) az óramutató járásával ellentétes irányba forgatva.
2. Távolítsa el a légszűrő fedelét (9).
3. Vegye ki a légszűrőt (33).
4. Tisztítsa meg a légszűrőt (33) kiütőgéssel vagy kifúvással (sűrített levegő használatával).

Az összeszerelés fordított sorrendben történik.

▲ FIGYELEM

A légszűrőt (33) soha ne tisztítsa benzinnel vagy gyúlékony oldószerekkel.

13.3 A lánchajtás tisztítása

▲ FIGYELMEZTETÉS

Sérülésveszély!

Amikor a fűrészlánchoz (1) ér, mindig viseljen védőkesztyűt.

Az éles vágófogak miatt sérülésveszély áll fenn!

Megjegyzés

Minden használat után tisztítsa meg a lánchajtást.

1. Állítsa a lánCFűrészrt stabil, sík felületre.
2. A lánCFékek kioldásához húzza hátra ütőközéig az elülső kézvédőt (3). (2. ábra)
3. A feszítés csökkentéséhez forgassa a lánCFeszítőt csavart (23) a lapos csavarhúzóval (20) az óramutató járásával ellenkező irányba.
4. Távolítsa el mindkét rögzítőanyát (16) a gyertyakulccsal (20).
5. Vegye le a lánCFerék burkolatát (17).
6. Óvatosan vegye le a fűrészlánchoz (1) a vezetősínről (2) és a lánCFerékről (27).
7. Vegye ki a vezetősínt (2). Tisztítsa meg ecsettel.
8. Tisztítsa meg alaposan a lánChajtás teljes területét és a lánCFerék burkolatát (17) ecsettel vagy kifúvással (sűrített levegővel).

Az összeszerelés fordított sorrendben történik.

13.4 A gyújtógyertya (34) karbantartása (19 / 20. ábra)

1. Szerelje le a légszűrőt (33) a 13.2 „A légszűrő tisztítása (33)” részben leírtak szerint.
2. Húzza le a gyertyapipát (35) úgy, hogy balra és jobbra forgatja, és eközben húzza is. Kizárólag a piparésznel fogja meg és húzza a gyertyapipát (35). Soha ne húzza a kábelnél fogva!
3. Oldja ki a gyújtógyertyát (34) a mellékelt gyertyakulccsal (20).
4. Az összeszerelés fordított sorrendben történik.

Gyertyahézag = 0,6 mm – 0,7 mm (az elektródák közötti távolság, ahol a szikra ívet húz). Először 10 üzemóra után ellenőrizze, hogy a gyújtógyertya (34) nem szennyezett-e, és szükség esetén tisztítsa meg rézszűrű kefével.

A gyújtógyertya (34) karbantartását ezután 50 üzemóránként végezze.

13.5 A lánCFerék karbantartása

- Lásd a „LánCFerék ellenőrzése és beállítása” című fejezetet.

13.6 A porlasztó beállításainak karbantartása

- Ha a fűrészlánc (1) üresjárásban mozog, vagy ha a motor gázelvételek magától leáll, akkor porlasztóbeállítást kell végezni.

Megjegyzés

A porlasztó beállítását (pl. az üresjárati fordulatszám beállítását) csak képzett szakemberrel végeztesse, a motor károsodását elkerülendő.

13.7 A vezetősín (2) karbantartása

- Távolítsa el a sín éléről az esetleg lerakódott szennyeződések egy fémreszelővel.
- Tisztítsa meg a vezetősínt (2) hornyát ecset vagy sűrített levegő segítségével (21. ábra). Amint elkopott a vezetőhorony (28), cserélje le a vezetősínt (2).
- Az egyenletes elhasználódás érdekében minden egyes használat után fordítsa meg a vezetősínt (2).
- Ellenőrizze, hogy könnyen mozog-e a vezetősín (2) csúcsánál található fogaskerék (30). Szükség esetén kenje meg csapágyolajjal. Csepegtessen egy kis csapágyolajat a kenőnyílásba (31). (21. ábra)

13.8 A láncfék ellenőrzése

Lásd a 10.5 „A láncfék ellenőrzése” fejezetet.

▲ FIGYELMEZTETÉS

VISSZACAPÁS VESZÉLYE!

Ha nem működik a láncfék, akkor nagyobb a visszacsapás kockázata.

Rendszeresen ellenőrizze a láncfékét.

A biztonsága érdekében elengedhetetlen, hogy a láncfék megfelelően működjön.

13.9 Fűrészlánc (1) megfeszítése és ellenőrzése

Lásd a 9.2 „Fűrészlánc (1) megfeszítése és ellenőrzése” című fejezetet

13.10 A fűrészlánc (1) élezése és ápolása

▲ FIGYELMEZTETÉS

Sérülésveszély!

Amikor a fűrészlánc (1) ér, mindig viseljen védőkesztyűt. Az éles vágófogak miatt sérülésveszély áll fenn!

Megjegyzés

Az optimálisan ápolott és élezett fűrészlánc (1) csökkenti a fizikai terhelést és a kopást, valamint megfelelő vágási eredményt biztosít.

Rendszeresen tisztítsa, ápolja és élezze a fűrészláncot (1).

Rendszeresen ellenőrizze a fűrészláncot (1), nem repedt-e, illetve nem sérültek-e a szegecsei.

A csiszoláshoz köszörűbakot lehet a köszörűtámaszra rögzíteni a biztos tartás érdekében.

A szállított elemek közé tartozó fűrészlánc (1) csak speciális fűrészlánc élező kerek reszelőt használjon, Ø 4,8 mm (3/16") méretben.

Az élező készletben részletes információkat talál az élezési művelet menetével kapcsolatban.

Másik lehetőségként használhat elektromos láncélező készüléket is: ilyenkor kövesse a gyártó utasításait.

Ha kétségei vannak a feladat végrehajtásával kapcsolatban, végezze el inkább a fűrészlánc (1) cseréjét.

Szükség esetén végeztesse a fűrészlánc (1) élezését szakműhellyel.

- Szükséges tartozékok (nem tartoznak a szállított elemek közé):
 - Fűrészlánc élező kerek reszelő Ø 4,8 mm (3/16")
 - Lapos reszelő
 - Mélységátaroló idomszer

- Csak előre felé irányuló mozgással végezze az anyagot lehordó reszelést.
- A reszelést kb. 25°-os élezési szögben, a vezetősínhez (2) képest 10° meredekséggel végezze.
- Ellenőrizze a mélységátarolás távolságát mélységátaroló idomszerrel.
- A mélységátaroló helyes távolságának 0,6 mm-nek (0,024") kell lennie.

13.11 Karbantartási intervallumok

A hosszú élettartam, a sérülések elkerülése és a biztonságú berendezések tökéletes működésének biztosítása érdekében rendszeresen el kell végezni az alábbi karbantartási munkálatokat. A garanciaigényeket csak akkor ismerjük el, ha ezeket a munkálatokat rendszeresen és megfelelően elvégezték. Ennek figyelmen kívül hagyása esetén balesetveszély áll fenn!

A láncfűrész kezelő személyek csak olyan karbantartási és ápolási munkálatokat végezhetnek el, amelyek bemutatásra kerülnek a jelen üzemeltetési útmutatóban.

A többi munkálatokat kizárólag szakemberek végezhetik el.

Általános információk	Teljes favágó fűrész	Tisztítsa meg a külsejét és ellenőrizze, hogy nem sérült-e. Ha sérülést vesz észre, azonnal intézkedjen a szakszerű megjavításáról.
	Fűrészlánc	Rendszeresen élezze meg, időben cserélje ki.
	Láncfék	Rendszeresen ellenőriztetés a szakműhelyben
	Vezetősín	Forgassa, hogy a terhelt futófelületek egyenletesen kopjanak. Időben cserélje ki.
Minden egyes üzembe helyezés előtt	Fűrészlánc	Ellenőrizze az esetleges sérüléseket és az élességét. Ellenőrizze a láncfeszítést.
	Vezetősín	Ellenőrizze az esetleges sérüléseket.
	Lánckénés	A működés ellenőrzése
	Láncfék	A működés ellenőrzése
	Be-/kikapcsoló gomb, gázkar zárja, gázkar	A működés ellenőrzése
	Üzemanyag- és lánckénő olaj tartályának zárókupakja	Ellenőrizze a tömítettséget.
Naponta	légszűrő	Tisztítás
	Vezetősín	Az esetleges sérülések ellenőrzése, olajbemeneti nyílás tisztítása
	Sínfelvétel	Tisztítás, különösképpen az olajvezető horny
	Üresjárat fordulatszám	Ellenőrzés (a lánc nem futhat együtt)
Hetente	A ventilátor burkolata	Tisztítás a hűtőlevegő kifogástalan vezetésének biztosítása érdekében
	Gyújtógyertya	Ellenőrzés, szükség esetén csere
	Hangtompító	Az esetleges lerakódások ellenőrzése
	Láncfógó	Az esetleges sérülések ellenőrzése, szükség esetén csere
	Csavarok és anyák	Az állapot és a rögzítettség ellenőrzése
Negyedévente	Szívófej	Kicserélni
	Üzemanyag- és lánckénő-olaj-tartály	Tisztítás
Tárolás	Teljes favágó fűrész	Tisztítsa meg a külsejét és ellenőrizze, hogy nem sérült-e Ha sérülést vesz észre, azonnal intézkedjen a szakszerű megjavításáról
	A fűrészlánc- és sín	Szétszerelés, tisztítás és enyhén beolajozás A vezetősín vezetőhornyának tisztítása
	Üzemanyag- és lánckénő-olaj-tartály	Kiürítés és tisztítás
	Porlasztó	Üresjárat

13.12 Fontos megjegyzés javítás esetén

Ha javításra visszaküldi a készüléket, akkor ügyeljen arra, hogy a készüléket biztonsági okokból olaj és benzin nélkül küldje be a szervizállomásra.

13.13 Szervizinformációk

Vegye figyelembe, hogy ennél a termékénél a következő alkatrészek használati vagy természetes kopásnak kitett elemek, illetve a következő alkatrészekre használati anyagokként van szükség. Kopóalkatrészek*: Fűrészlánc, vezetősín, lánckenő olaj, motorolaj, karmos ütköző, láncfogó, gyújtógyertya, légszűrő, üzemanyagszűrő, lánckenő olaj szűrője

* nem szerepel kötelezően a szállított elemek között!

Engedélyezett vágókészlet

Fűrészlánc

Kangxin 3/8LP-40.....7910100739

Oregon 91P040X.....3910102032

Vezetősín

Kangxin AP10-40-509P.....7910100740

Oregon 100SDEA0417910100744

14. Tárolás

A gyertyakulcs/csilagfejű csavarhúzó (20) tárolás céljából elhelyezhető a vezetősín (21) borításának oldalán.

Tároláskor mindig használja a vezetősín borítását (21).

Tárolás előtt minden alkalommal tisztítsa meg a készüléket, és végezzen rajta karbantartást, lásd a „Tisztítás és karbantartás” című fejezetet.

Üritse ki teljesen az olaj- és az üzemanyagtartályt.

FIGYELMEZTETÉS

A benzint ne távolítsa el zárt helyiségben, tűz közelében vagy dohányzás közben. A gázgőzök robbanáshoz vezethetnek, vagy tüzet okozhatnak.

- Indítsa be a motort, és hagyja járni mindaddig, amíg elhasználja a maradék benzint.

A készüléket és tartozékait sötét, száraz és fagymentes helyen, gyermektől elzárva tárolja. Az optimális tárolási hőmérséklet 5 °C és 30 °C között van.

0 °C alatti hőmérsékleten ne tárolja vagy használja a láncfűrészelt!

Soha ne tárolja 30 napnál hosszabb ideig a fűrészláncot anélkül, hogy elvégezné a következő lépéseket.

A készülék tárolása előtt kövesse a tisztító-, és karbantartó utasításokat!

14.1 A láncfűrész tárolása

Ha 30 napnál hosszabb ideig tárol egy láncfűrész, akkor készítse elő. Különben a porlasztóban lévő maradék üzemanyag elpárolog és gumiszzerű lerakódást hagy maga után. Ez megnehezítheti a beindítást, ami kötelező javítási munkálatokat eredményezhet.

1. Az üzemanyagtartály zárját (13) lassan vegye le, hogy a tartályban esetleg fennálló nyomás eltávozhasson. Óvatosan ürítse ki a tartályt.
2. Indítsa be a motort és hagyja bekapcsolva, amíg le nem áll a láncfűrész, hogy a porlasztóból eltávolítsa az üzemanyagot.
3. Hagyja lehűlni a motort (kb. 5 perc).
4. Távolítsa el a gyújtógyertyát (34).
5. Adjon 1 teáskanál tiszta 2-ütemű olajat az égéskamrába. Többször húzza meg lassan az indítókötelet (8), hogy a belső alkatrészeket is bevonja. Ismét helyezze be a gyújtógyertyát (34).

A láncfűrész száraz helyen, a lehetséges gyújtóforrásoktól, pl. tűzhelytől, gázüzemű vízmelegítőtől, gázzárítótól stb. távol, valamint gyermektől elzárva tárolja.

Mindig helyezze fel a vezetősín (21) borítását, akkor is, ha a fűrészlánc (1) és a vezetősín (2) nincs leszerelve.

14.2 A láncfűrész újra üzembe helyezése

1. Távolítsa el a gyújtógyertyát (34).
2. Húzza meg hirtelen a berántót (8), hogy eltávolítsa a felesleges olajat az égéstérből.
3. Tisztítsa meg a gyújtógyertyát (34), és ügyeljen a gyújtógyertyánál (34) az elektródák helyes távolságára; vagy tegyen be egy helyes elektródatávolsággal rendelkező új gyújtógyertyát (34).
4. Készítse elő a láncfűrész az üzemelésre.
5. Töltse fel a tartályt megfelelő olaj- és üzemanyagkeverékkel (1:40).

14.3 Üzemanyag tárolás

Az üzemanyag csak korlátozottan tárolható. Az üzemanyagot és az üzemanyag keverék párolgás miatt sűrűsödik, különösen magas hőmérsékletnek kitéve. A túltárolt üzemanyag és üzemanyag keverék indítási problémákat és motor károsodásokat okozhat. Csak annyi üzemanyagot vásároljon, amennyit néhány hónap alatt felhasznál. Magasabb hőmérsékleten a bekevert üzemanyagot 6-8 hét alatt használja fel.

Az üzemanyagot csak kijelölt tartályokban, száraz, hűvös és biztonságos helyen tárolja!

FIGYELMEZTETÉS

Kerülje a bőrre és szembe kerülést!

Az ásványi olaj termékek és az olajok is zsírtalanítják a bőrt. Az ismételt és hosszabb expozíció után a bőr kiszárad. Ennek bőrbetegségek lehetnek a következményei. Ezen kívül allergiás reakciók is felléphetnek.

Az olaj szembe kerülése irritációhoz vezet. Szembe kerülés esetén az érintett szemet azonnal öblítse ki tiszta vízzel. Fennmaradó irritáció esetén keressen fel egy orvost!

15. Ártalmatlanítás és újrahasznosítás

A csomagolásra vonatkozó megjegyzések



A csomagolóanyagok újrahasznosíthatók. Kérjük, ártalmatlanítsa a csomagolásokat környezetbarát módon.

Az elhasználadott készülék ártalmatlanítási lehetőségeiről a helyi önkormányzatnál tájékozódhat.

Üzemanyagok és olajok

- A készülék ártalmatlanítása előtt le kell üríteni az üzemanyagtartályt és a motorolaj tartályát!
- Az üzemanyag és a motorolaj nem minősül kommunális hulladéknak, és nem szabad a csatornába önteni, ezek szelektíven gyűjtendők, illetve le kell adni őket ártalmatlanításra!
- Az üres olajoskannákat és üzemanyagtartályokat ártalmatlanítsa környezetbarát módon.

16. Hibaelhárítás

Üzemmavar	Lehetséges ok	Megoldás
Nem indul el a motor, vagy elindul, de nem működik tovább.	Helytelen indítási folyamat.	Vegye figyelembe a jelen útmutató utasításait.
	Helytelenül beállított porlasztókeverék.	Megbízott ügyfélszolgálattal állítsa be a porlasztót.
	Kormos gyújtógyertya.	Tisztítsa meg/állítsa be vagy cserélje ki a gyújtógyertyát.
	Eltömődött üzemanyagszűrő.	Cserélje ki az üzemanyagszűrőt.
Elindul a motor, de nem teljes teljesítménnyel működik.	Szennyezett légszűrő	Távolítsa el, tisztítsa meg és helyezze vissza a szűrőt.
	Helytelenül beállított porlasztókeverék.	Megbízott ügyfélszolgálattal állítsa be a porlasztót.
Akadozik a motor	Helytelenül beállított porlasztókeverék.	Megbízott ügyfélszolgálattal állítsa be a porlasztót.
Terhelésnél nincs teljesítmény	Helytelenül beállított gyújtógyertya.	Tisztítsa meg/állítsa be vagy cserélje ki a gyújtógyertyát.
Ugrálva jár a motor	Helytelenül beállított porlasztókeverék.	Megbízott ügyfélszolgálattal állítsa be a porlasztót.
Túláságosan sok füst.	Helytelen üzemanyag-keverék.	Megfelelő üzemanyag-keveréket (1:40 arány) használjon.
Terhelésnél nincs teljesítmény	Tompa lánc vagy laza lánc	Élezze meg a láncot vagy helyezzen be egy újat. Feszítse meg a láncot.
A motor lefullad	Üres benzintartály vagy az üzemanyagszűrő helytelenül lett elhelyezve a tartályba.	Töltse fel a benzintartályt. Teljesen töltse fel a benzintartályt, vagy másképpen helyezze el az üzemanyagszűrőt a benzintartályban.
Nem elegendő lánckelés (a vezetőlemez és a láncc felmelegszik)	Üres lánckenőolaj-tartály	Töltse fel a lánckenő olaj tartályát.
	Eltömődtek az olajozó furatok	Tisztítsa meg a vezetőlemezben lévő olajozó nyílást. Tisztítsa meg a vezetőlemez vájátát.

A termék megnevezése: Benzines faápoló fűrész	Gyártási szám: 436506_2304
A termék típusa: PBBPS 700 A1	
A gyártó cégneve, címe, e-mail címe: Scheppach GmbH Günzburger Straße 69 DE-89335 Ichenhausen E-mail cím: (HU): service.HU@scheppach.com	Szerviz neve, címe, telefonszáma: ATISGEP Kft Szentesi út 100 HU - 5903 Orosháza Szerviz forródrót: 00800 4003 4003
Az importáló/ forgalmazó neve és címe: Lidl Magyarország Kereskedelmi Bt., H-1037 Budapest, Rádl árok 6.	

- A jótállási idő a Magyarország területén, Lidl Magyarország Kereskedelmi Bt. üzletében történt vásárlás napjától számított 3 év, amely jogvesztő. A jótállási idő a fogyasztó részére történő átadással, vagy ha az üzembe helyezést a forgalmazó, vagy annak megbízottja végzi, az üzembe helyezés napjával kezdődik.
- A jótállási igény a jótállási jeggyel és/vagy a vásárlást igazoló blokkal érvényesíthető. A jótállási jegy szabálytalan kiállítása, vagy átadásának elmaradása nem érinti a jótállási kötelezettség-vállalás érvényességét. Kérjük, hogy a vásárlás tényének és időpontjának bizonyítására őrizze meg a pénztári fizetésnél kapott jótállási jegyet és a vásárlást igazoló blokkot.
- A vásárlástól számított három munkanapon belül érvényesített csereigény esetén a forgalmazó köteles a terméket kicserélni, feltéve ha a hiba a rendeltetészerű használatot akadályozza. A jótállási jogokat a termék tulajdonosaként a fogyasztó érvényesítheti az áruházakban, valamint a jótállási tájékoztatóban felüntetett szervizekben. (A magyar Polgári Törvénykönyv alapján fogyasztónak minősül a szakmája, önálló foglalkozása vagy üzleti tevékenysége körén kívül eljáró természetes személy.)
A jótállás ideje alatt a fogyasztó hibás teljesítés esetén kérheti a termék kijavítását, kicserélését, vagy ha a termék nem javítható vagy cserélhető, vagy az a forgalmazónak aránytalan többletköltséggel járna, illetve a fogyasztó kijavításához, kicseréléshez fűződő érdeke alapos ok miatt megszűnt, árszállítást kérhet, vagy elállhat a szerződéstől és visszakerheti a vételárat. A kijavítás során a termékbe csak új alkatrész kerülhet beépítésre.
- A fogyasztó a hiba felfedezése után a lehető legrövidebb időn belül köteles a hibát bejelenteni és a terméket a jótállási jogok érvényesítése céljából átadni. A hiba felfedezésétől számított két hónapon belül bejelentett jótállási igényt időben közölnek kell tekinteni. A közlés elmaradásából eredő kárért a fogyasztó felelős. A jótállási igény érvényesíthetőségének határideje a termék, vagy fődarabjának kicserélése esetén a csere napján újraindul.
- A rögzített bekötésű, illetve a 10 kg-nál súlyosabb, vagy tömegközlekedési eszközön nem szállítható terméket az üzemeltetés helyén kell megjavítani. Abban az esetben, ha a javítás a helyszínen nem végezhető el, a termék ki- és visszaszereléséről, valamint szállításáról a forgalmazónak kell gondoskodnia.
- A jótállás nem áll fenn, ha a hiba a nem rendeltetészerű használatból, átalakításból, helytelen tárolásból, vagy a használati utasítástól eltérő kezelésből, vagy bármely a vásárlást követő behatásból fakad, vagy elemi kár okozta, és azt a forgalmazó, vagy a szerviz bizonyítja. A jótállás nem vonatkozik a mozgó kopó alkatrészek (világítótestek, gumibroncsok stb.) rendeltetészerű elhasználódására. A szerviz és a forgalmazó a kijavítás során nem felel a terméken a fogyasztó vagy harmadik személyek által tárolt adatokért vagy beállításokért.

7. Fogyasztói jogvita esetén a fogyasztó a megyei (fővárosi) kereskedelmi és iparkamarák mellett működő békéltető testület eljárását is kezdeményezheti.
A jótállás a fogyasztó törvényből eredő szavatossági jogait és azok érvényesíthetőségét nem érinti.



A www.lidl-service.com weboldalon lehetősége van ennek és még sok más ismertetőnek, termékvideóknak és installációs szoftvernek a letöltésére.

A QR-kóddal közvetlenül a Lidl szervizoldalára jut (www.lidl-service.com), ahol a 436506_2304 cikkszám (IAN) megadásával megnyithatja a termék kezelési útmutatóját.

Kijavítást ellenőrző szelvény:

A jótállási igény bejelentésének időpontja:	A hiba oka:
Javításra átvétel időpontja:	A hiba javításának módja:
A fogyasztó részére történő visszaadás időpontja:	
A szerviz bélyegzője, kelt és aláírás:	


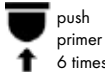

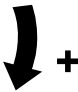
Kicserélést ellenőrző szelvény:

A jótállási igény bejelentésének időpontja:	
Kicserélés időpontja:	
A cserélő bolt bélyegzője, kelt és aláírás:	

1.	Objaśnienie symboli na urządzeniu	226
2.	Wskazówka dla użytkownika	227
3.	Wprowadzenie	228
4.	Opis urządzenia	228
5.	Zakres dostawy	229
6.	Użytkowanie zgodne z przeznaczeniem	229
7.	Wskazówki dotyczące bezpieczeństwa	230
8.	Dane techniczne	235
9.	Przed uruchomieniem	236
10.	Uruchamianie	238
11.	Zastosowanie	240
12.	Transport	243
13.	Czyszczenie i konserwacja	243
14.	Przechowywanie	247
15.	Utylizacja i ponowne wykorzystanie	248
16.	Pomoc dotycząca usterek	249
17.	Gwarancja	250
18.	Rysunek eksplozji	275
19.	Deklaracja zgodności	276

1. Objąsnienie symboli na urządzeniu

	Przeczytać, zrozumieć i przestrzegać wszystkich wskazówek ostrzegawczych.		Przed użyciem urządzienia przeczytać całą instrukcję obsługi.
	Ostrzeżenie! Niebezpieczeństwo odrzutu (odbicie). Należy uważać na odrzut piły łańcuchowej i unikać kontaktu z końcówką szyny.		Nie wolno używać urządzienia podczas deszczu ani w wilgotnym otoczeniu.
	Nosić okulary ochronne. Należy stosować nasuszki ochronne.		Nosić kask ochronny.
	Nosić zawsze rękawice ochronne i antywbiracyjne podczas obsługi urządzienia.		Nosić zawsze antypoślizgowe obuwie ochronne z zabezpieczeniem przed przecięciem podczas obsługi urządzienia.
	Należy nosić odzież ochronną zakrywającą stopy, nogi, ręce i przedramiona.		Piłę łańcuchową należy zawsze obsługiwać dwoma rękami. Nie należy pracować z piłą łańcuchową jedną ręką.
	Uwaga! Użycie piły łańcuchowej w połączeniu z techniką wspinania się po linach. Przed rozpoczęciem pracy należy zapoznać się ze wszystkimi wskazówkami dotyczącymi pracy!		Stosowanie otwartego ognia w obszarze roboczym jest zabronione!
	Otwór wlewu paliwa dla paliwa. Mieszanka oleju i paliwa 1:40.		Kierunek obrotów
	Zamknięcie zbiornika oleju dla oleju łańcuchowego.		Ustawienie hamulca łańcuchowego: Biała strzałka: Hamulec łańcuchowy nieaktywny. Czarna strzałka: Hamulec łańcuchowy aktywny.
	Dźwignia zimnego rozruchu (zaszcz).)		Zwalnianie hamulca łańcucha.
	Uruchamianie hamulca łańcucha.		Kierunek montażu łańcucha tnącego.
	Ustawienie smarowania łańcucha.		Gwarantowany poziom mocy akustycznej urządzienia.

	Uwaga! Gorące elementy.		Nacisnąć 6x pompę paliwową (Primer).
	Kierunek działania łańcucha.		Ustawianie napięcia łańcucha.
NIEBEZPIECZEŃSTWO	Słowo sygnalizacyjne oznaczające sytuację bezpośredniego niebezpieczeństwa, która, jeśli jej się nie uniknie, spowoduje śmierć lub poważne obrażenia ciała.		
OSTRZEŻENIE	Słowo sygnalizacyjne oznaczające sytuację potencjalnego niebezpieczeństwa, która, jeśli jej się nie uniknie, może spowodować śmierć lub poważne obrażenia ciała.		
OSTROŻNIE	Słowo sygnalizacyjne oznaczające sytuację potencjalnego niebezpieczeństwa, która, jeśli jej się nie uniknie, może spowodować niewielkie lub umiarkowane obrażenia ciała.		
WSKAZÓWKA	Słowo sygnalizacyjne oznaczające sytuację potencjalnego niebezpieczeństwa, która, jeśli jej się nie uniknie, może spowodować uszkodzenie produktu lub własności/posiadanego mienia.		

2. Wskazówka dla użytkownika

OSTRZEŻENIE:

Przed pierwszym użyciem urządzenia należy dokładnie przeczytać niniejszą instrukcję eksploatacji i przestrzegać wskazówek bezpieczeństwa! Ta piła do przycinania drzew może być obsługiwana wyłącznie przez „operatorów pił do przycinania drzew z dodatkowym przeszkoleniem w zakresie pracy w klatkach z podnożnikami lub drabinami lub techniką wspinania się po linach”!

Należy starannie przechowywać instrukcję eksploatacji!

Wskazówka:

Proszę mieć na uwadze, że niektóre przepisy krajowe mogą ograniczać użytkowanie maszyny.



Ta piła do przycinania drzew została zaprojektowana specjalnie do pielęgnacji i chirurgii drzew. Wszystkie prace za pomocą piły do przycinania drzew zostały zaprojektowane specjalnie do pielęgnacji i chirurgii drzew. Wszystkie prace za pomocą piły do przycinania drzew mogą być wykonywane tylko przez przeszkolonych operatorów do przycinania drzew!

3. Wprowadzenie

PRODUCENT:

Schepach GmbH

Günzburger Straße 69

D-89335 Ichenhausen

SZANOWNY KLIENCIE,

Życzymy dużo satysfakcji i powodzenia podczas pracy z nowym urządzeniem.

WSKAZÓWKA:

Zgodnie z obowiązującą ustawą o odpowiedzialności cywilnej za produkt, producent nie odpowiada za szkody powstałe przy tym urządzeniu lub przez to urządzenie w przypadku:

- nieprawidłowej obsługi,
- nieprzestrzegania instrukcji obsługi,
- napraw wykonywanych przez osoby trzecie, specjalistów nieautoryzowanych,
- montażu i wymiany nieoryginalnych części zamiennych,
- użytkowania niezgodnego z przeznaczeniem.

Przestrzegać:

Przed przystąpieniem do montażu i uruchomienia przeczytać cały tekst instrukcji obsługi.

Instrukcja obsługi ma na celu ułatwienie zapoznania się z urządzeniem i wykorzystania możliwości użytkowania go zgodnie z przeznaczeniem.

Instrukcja obsługi zawiera ważne wskazówki dotyczące bezpiecznej, fachowej i ekonomicznej pracy z niniejszym urządzeniem oraz sposobu unikania zagrożeń, oszczędności kosztów napraw, redukcji czasów przestoju i zwiększenia niezawodności i trwałości urządzenia.

Dodatkowo oprócz zasad bezpieczeństwa zawartych w niniejszej instrukcji obsługi należy przestrzegać przepisów danego kraju obowiązujących dla eksploatacji urządzenia.

Instrukcję obsługi przechowywać przy urządzeniu, w torebce plastikowej chroniącej przed zanieczyszczeniem i wilgocią. Każda osoba obsługująca musi przeczytać ją przed przystąpieniem do pracy i dokładnie jej przestrzegać.

Przy urządzeniu mogą pracować wyłącznie osoby, które zostały przeszkolone w zakresie użytkowania urządzenia i poinformowane o związanych z tym zagrożeniach. Przestrzegać ustawowego wieku minimalnego.

Oprócz wskazówek dotyczących bezpieczeństwa zawartych w niniejszej instrukcji obsługi i specjalnych przepisów danego kraju należy przestrzegać ogólnie uznanych zasad technicznych dotyczących eksploatacji maszyn o tej samej budowie.

Nie ponosimy odpowiedzialności za wypadki ani szkody powstałe wskutek nieprzestrzegania niniejszej instrukcji oraz wskazówek dotyczących bezpieczeństwa.

4. Opis urządzenia

1. łańcuch tnący
2. Szyna prowadząca
3. Przednia osłona rąk
4. Pompa paliwowa „Primer”
5. Dźwignia gazu
6. Tylny uchwyt ręczny
7. Blokada dźwigni gazu
8. Uruchamiająca linka ciągnowa
9. Osłona filtra powietrza
10. Zamknięcie pokrywy filtra powietrza
11. Zamknięcie zbiornika oleju łańcuchowego
12. Przedni uchwyt ręczny
13. Zamknięcie zbiornika paliwa
14. Dźwignia zimnego rozruchu (zasysacz)
15. Przycisk włączania / wyłączenia
16. Nakrętka mocująca
17. Osłona koła łańcuchowego
18. Tłumik hałasu
19. Zawieszenie
20. Klucz do świece / wkrętek szczerelinowy
21. Osłona szyny prowadzącej
22. Pojemnik do mieszania
23. Śruba napinająca łańcuch
24. Ogranicznik pazurowy
25. Chwytnik łańcucha
26. Sworzeń napinający łańcucha
27. Koło łańcuchowe
28. Wpust prowadnicy
29. Sworzeń mocujący
30. Koło zębate
31. Otwór smarowania
32. Śruba regulacyjna oleju
33. Filtr powietrza
34. Świeca zapłonowa
35. Końcówka przewodu świecy zapłonowej
36. Głowica ssąca

5. Zakres dostawy

- Piła do przycinania drzew
- Łańcuch tnący
- Szyna prowadząca
- Osłona szyny prowadzącej
- Klucz do świece / wkrętek szczelinowy
- Pojemnik do mieszania

6. Użytkowanie zgodne z przeznaczeniem

To narzędzie to szczególnie lekka, poręczna piła do przycinania drzew z rękojeścią nad głową. Piła do przycinania drzew została opracowana specjalnie z myślą o chirurgii i pielęgnacji drzew. Te piły do przycinania drzew mogą być obsługiwane wyłącznie przez „operatorów pił do przycinania drzew z dodatkowym przeszkoleniem w zakresie pracy w klatkach z podnośnikami lub drabinami lub techniką wspinięcia się po linach”.

Do okazjonalnego stosowania w cienkim drewnie, przycinania drzew owocowych, delimitacji, przycinania na długość.

Przygotowanie drewna opałowego można przeprowadzać tylko wtedy, gdy średnica drewna nie przekracza długości cięcia (20 cm).

Do prac tego typu zalecamy konwencjonalną piłę silnikową o dużej odległości chwytu lub długości cięcia.

Komu nie wolno używać urządzenia:

Osoby, które nie zapoznały się z instrukcją obsługi; dzieci, młodzież poniżej 16 roku życia oraz osoby pozostające pod wpływem alkoholu, narkotyków lub leków, osoby zmęczone lub chore.

Urządzenie jest przeznaczone wyłącznie do cięcia drewna. Producent nie ponosi odpowiedzialności za szkody spowodowane niewłaściwym użytkowaniem lub nieprawidłową obsługą.

Urządzenie wolno użytkować wyłącznie zgodnie z jego przeznaczeniem. Każde inne użycie wykraczające poza to jest niezgodne z przeznaczeniem. Za wynikające z tego szkody i obrażenia wszelkiego rodzaju odpowiada użytkownik/operator, a nie producent.

Do zgodnego z przeznaczeniem wykorzystywania zalicza się również przestrzeganie wskazówek dotyczących bezpieczeństwa, a także instrukcji montażu i wskazówek dot. eksploatacji, zawartych w instrukcji obsługi.

Osoby obsługujące i konserwujące urządzenie muszą dobrze znać jej działanie oraz zostać poinformowane o ewentualnych zagrożeniach.

Ponadto należy jak najdokładniej przestrzegać obowiązujących przepisów dotyczących zapobiegania nieszczęśliwym wypadkom.

Podobnie zaleca się przestrzeganie wszelkich innych ogólnych zasad z dziedziny medycyny pracy i bezpieczeństwa technicznego.

Samowolne modyfikacje urządzenia wykluczają odpowiedzialność producenta za spowodowane tym szkody.

Należy pamiętać, że zgodnie z przeznaczeniem nasze urządzenie nie zostało skonstruowane do użytku komercyjnego, rzemieślniczego lub przemysłowego. Nie ponosimy odpowiedzialności w przypadku, gdy urządzenie jest stosowane w zakładach komercyjnych, rzemieślniczych i przemysłowych oraz do podobnych działalności.

ZAGROŻENIE

Zgodnie z obowiązującą ustawą o odpowiedzialności cywilnej za produkt, producent nie odpowiada za szkody powstałe przy tym urządzeniu lub przez to urządzenie w przypadku:

- montażu i wymiany nieoryginalnych części zamiennych,
- usuwania lub modyfikacji komponentów zabezpieczeń.

6.1 Użytkowanie niezgodne z przeznaczeniem

- Niniejsze urządzenie nie nadaje się do wycinki.
- Nie należy używać szyny prowadzącej jako dźwigni do przesuwania pni drzew lub podobnych.
- Niedopuszczalne jest piłowanie drewna o średnicy powyżej 20 cm.

7. Wskazówki dotyczące bezpieczeństwa

7.1 Wskazówki ogólne

OSTRZEŻENIE

Podczas pracy z narzędziem należy być zawsze ostrożnym, zwracać uwagę na wykonywane czynności i zachowywać zdrowy rozsądek. Nie używać urządzenia w stanie choroby lub zmęczenia lub też będąc pod wpływem narkotyków, alkoholu lub leków. Chwila nieuwagi podczas używania urządzenia może spowodować poważne obrażenia.

Należy unikać niewłaściwego użytkowania, używać maszyny tylko w sposób opisany w punkcie „Użytkowanie zgodne z przeznaczeniem”.

Instrukcja obsługi zawiera ważne wskazówki o tym, jak bezpiecznie i fachowo pracować piłą łańcuchową oraz jak unikać zagrożeń.

Jeśli pomiędzy ciętym materiałem a łańcuchem tnącym nadal występuje zator, należy ją natychmiast wyłączyć. Odczekać, aż piła łańcuchowa całkowicie się zatrzyma. Zdjąć końcówkę przewodu świecy zapłonowej i naciągnąć osłonę rąk, aby usunąć blokadę. Jeżeli trzeba usunąć szynę prowadzącą (miecz), należy przestrzegać instrukcji opisanych w rozdziale „Montaż”. Po usunięciu blokady i ponownym montażu należy przeprowadzić jazdę próbną.

Jeśli podczas tego procesu zostaną wykryte wibracje lub dźwięki mechaniczne, należy przerwać pracę i skontaktować się z autoryzowanym serwisem. W przypadku częstszego występowania tego zagrożenia zaleca się przeprowadzenie nowego szkolenia.

- Przed uruchomieniem należy przeczytać instrukcję eksploatacji urządzenia i zwrócić szczególną uwagę na wskazówki dotyczące bezpieczeństwa.
- Umieszczone na urządzeniu znaki ostrzegawcze i informacje podają ważne informacje dla bezpiecznej obsługi.
- Oprócz wskazówek zawartych w instrukcji eksploatacji należy przestrzegać również rozważnie ogólnych przepisów bezpieczeństwa i zapobiegania wypadkom obowiązujących w ustawodawcy.
- Foliowe opakowanie przechowywać poza zasięgiem dzieci, ponieważ istnieje ryzyko uduszenia!
- Nieodpowiednio poinformowani operatorzy mogą stanowić zagrożenie dla siebie i innych poprzez niewłaściwe użytkowanie. Operator ponosi odpowiedzialność wobec osób trzecich.

- Przed rozpoczęciem pracy sprawdzić działanie dzwignii gazu. Musi on automatycznie powrócić do pozycji neutralnej po zwolnieniu.
- Nie należy pracować jednorazowo dłużej niż 10 minut. Wskazane jest robienie 10 - 20 minutowych przerw między etapami pracy.
- Urządzenie należy wypożyczać tylko użytkownikom, którzy mają z nim doświadczenie. Instrukcja eksploatacji musi być przekazana w tym samym czasie.
- Niektóre zadania związane z cięciem wymagają specjalnego szkolenia i umiejętności. W razie jakichkolwiek wątpliwości skonsultować się ze specjalistą.
- Pierwszych użytkowników należy poinstruować, aby zapoznali się z funkcjami urządzenia. Dla własnego bezpieczeństwa należy wziąć udział w państwowym kursie obsługi piły mechanicznej.
- Gdy urządzenie nie jest używane, musi być zaparkowane w taki sposób, aby nikt nie był zagrożony. Zabezpieczyć przed nieuprawnionym dostępem.
- Użytkownik urządzenia jest odpowiedzialny za wszystkie wypadki i zagrożenia, które powodują szkody dla innych osób lub ich mienia.
- Dzieciom, młodzieży i osobom o ograniczonej sprawności fizycznej, sensorycznej lub umysłowej nie wolno używać piły łańcuchowej. Wyjątki istnieją tylko dla młodzieży powyżej 16 roku życia w kontekście szkolenia pod nadzorem specjalisty.
- Elektryczny układ zapłonowy urządzenia generuje niewielkie pole elektromagnetyczne. W przypadku noszenia rozrusznika serca lub podobnego implantu, przed użyciem urządzenia należy skonsultować się z lekarzem, aby uniknąć zagrożenia dla zdrowia.
- Należy mieć na uwadze, że nieprawidłowa konserwacja, stosowanie nieodpowiednich części zamiennych, usunięcie lub modyfikacja urządzeń zabezpieczających może prowadzić do uszkodzenia urządzenia i ciężkich obrażeń osób pracujących z maszyną.

7.2 Osobiste wyposażenie ochronne (PSA)

ZAGROŻENIE

Stosować zawsze wyposażenie ochronne (PPE)!

- Nosić kask ochronny z ochroną twarzy lub okulary ochronne i nauszники ochronne.
- Nosić ściśle dopasowaną odzież ochronną z wkładką chroniącą przed przecięciem.
- Nosić antypoślizgowe obuwie ochronne.
- Nosić rękawice ochronne.

- Należy unikać luźnych ubrań, które mogą się zaplątać.
- Nie należy nosić szalika, krawata ani biżuterii!
- W przypadku długich włosów należy użyć siatki do włosów!
- Do wszystkich prac w lesie należy zakładać kask ochronny. Zapewnia to ochronę przed spadającymi gałęziami. Regularnie sprawdzać kask ochronny pod kątem uszkodzeń. Należy go wymienić najpóźniej po 5 latach. Używać tylko zatwierdzonych kasków ochronnych.
- Osłona twarzy lub okulary ochronne chronią przed trocinami i odpryskami drewna. Aby uniknąć obrażeń oczu, podczas pracy z urządzeniem należy zawsze nosić osłonę twarzy lub okulary ochronne.
- Zawsze nosić nauszники ochronne. Hałas emitowany przez urządzenie może spowodować uszkodzenie słuchu.
- Nosić solidne rękawice ochronne wykonane z odpornego materiału, np. skóry.
- Podczas cięcia suchego drewna należy nosić maskę przeciwpyłową. Może powstać pył z cięcia.
- Podczas pracy na drzewie użytkownik może spaść. Użytkownik może zostać poważnie ranny lub zabity. Nosić sprzęt chroniący przed upadkiem.

7.3 Przechowywanie i transport

- Przed każdym transportem należy wyłączyć piłę łańcuchową, nawet na krótszych odcinkach. Uruchomić hamulec łańcuchowy i zamontować osłonę łańcucha.
- Podczas transportu i przechowywania należy stosować osłonę łańcucha.
- Zabezpieczyć maszynę przed przewróceniem się podczas transportu (również w pojazdach), aby zapobiec utracie paliwa, uszkodzeniu lub obrażeniom ciała.
- Urządzenie należy przenosić wyłącznie za rękęjść przednią. Szyna prowadząca skierowana jest do tyłu, z dala od ciała.
- Gorący tłumik hałasu należy trzymać z dala od ciała. Istnieje ryzyko poparzenia!
- Przed przechowywaniem piły łańcuchowej należy ją wyczyścić i zakonserwować.
- Przechowywać urządzenie w bezpiecznym i suchym miejscu. Należy również zabezpieczyć ją przed dostępem osób nieupoważnionych.

7.4 Bezpieczeństwo środowiska

- Przepisy krajowe i/lub gminne mogą nakładać ograniczenia czasowe na korzystanie z urządzeń generujących hałas, napędzanych silnikiem. Należy zapytać o to swoją lokalną administrację.

- Urządzenie nie może być eksploatowane w pomieszczeniach zamkniętych lub w innych słabo wentylowanych miejscach. Istnieje niebezpieczeństwo uduszenia spowodowane toksycznymi spalinami/oparami oleju smarowego.
- Prace wykonywać tylko przy świetle dziennym.
- Nie należy również pracować w niekorzystnych warunkach atmosferycznych, takich jak deszcz lub wiatr. Występuje tu zwiększone ryzyko wypadków.
- Utrzymywać obszar roboczy w czystości i zapewnić porządek.
- Przed i w trakcie pracy trzymać z dala dzieci, inne osoby i zwierzęta. W przypadku odchylenia można stracić kontrolę nad urządzeniem.
- Przed rozpoczęciem pracy upewnić się, że w strefie zagrożenia nie ma osób, zwierząt ani mienia.
- Nie należy pracować w pobliżu ogrodzeń z drutu lub w miejscach z luźnym starym drutem.
- Należy mieć przygotowany środek gaśniczy podczas pracy w środowisku wysoce łatwopalnym, takim jak sucha trawa itp. Istnieje niebezpieczeństwo wywołania pożaru!

7.5 Wlać paliwo

- Benzyna jest bardzo łatwopalna. Podczas tankowania należy trzymać się z dala od otwartego ognia i nie palić podczas tankowania. Istnieje niebezpieczeństwo wywołania pożaru!
- Uważać, żeby nie rozlać oleju. Benzyna lub olej łańcuchowy nie mogą dostać się do gleby. Zabrać odpowiednią dokumentację, która będzie pomocna.
- Tankować tylko w dobrze wentylowanych pomieszczeniach. Opary benzyny mogą łatwo zapalić się lub wybuchnąć.
- Przed tankowaniem wyłączyć silnik i pozwolić urządzeniu ostygnąć. Jeśli doszło do rozlania benzyny, natychmiast oczyścić dotknięte miejsca. Nie dopuść również do tego, aby paliwo dostało się na ubranie, w przeciwnym razie natychmiast je przebrać.
- Unikać również kontaktu skóry i oczu z benzyną lub środkami smarnymi (olej).
- Nie wdychać oparów benzyny / oleju smarowego.
- Należy uważać na przecieki. W przypadku wycieku benzyny nie należy uruchamiać silnika. Istnieje niebezpieczeństwo poparzeń.
- Zamknięcie zbiornika otwierać tylko ostrożnie, aby istniejące nadciśnienie mogło się powoli ulotnić i aby nie doszło do rozpylenia benzyny.

7.6 Przed uruchomieniem

OSTRZEŻENIE

Kontrole należy przeprowadzać zawsze przed uruchomieniem i przy wyłączonym silniku.

Przed każdym użyciem i po upadku na podłoże sprawdzić, czy stan urządzenia nie zagraża bezpieczeństwu eksploatacji.

Sprawdzić, czy wszystkie ruchome części działają prawidłowo. Wiele wypadków jest spowodowanych nieprawidłową konserwacją narzędzi. Naprawę uszkodzonych części należy zlecić wykwalifikowanemu personelowi.

Piłę łańcuchową i wyposażenie należy stosować wyłącznie zgodnie z niniejszą instrukcją. Uwzględnić warunki pracy i wykonywane czynności. Używanie narzędzia silnikowego do zastosowań innych, niż przewidziane, może prowadzić do niebezpiecznych sytuacji.

- Regularnie sprawdzać prawidłowość działania hamulca łańcuchowego (przednia osłona rąk, patrz rys. 2).
- Sprawdzić szynę prowadzącą, aby upewnić się, że jest prawidłowo zamontowana.
- Sprawdzić, czy łańcuch tnący jest prawidłowo napięty. Stosować się do instrukcji smarowania, napinania łańcucha i wymiany akcesoriów. Nieprawidłowo naprężony lub nasmarowany łańcuch może się zerwać lub zwiększać ryzyko odrzutu.
- Narzędzia tnące muszą być ostre i utrzymywane w stanie czystości. Regularnie ostrzyć i w odpowiednim czasie wymieniać zużyte części. Starannie konserwowane narzędzia tnące z krawędziami tępymi rzadziej się zacinają i są łatwiejsze w obsłudze.
- Sprawdź, czy dźwignia gazu i blokada dźwigni gazu są łatwe do poruszania. Dźwignia gazu musi sprężyste powrócić do pozycji wyjściowej.
- Sprawdzić, czy w zbiorniku znajduje się wystarczająca ilość paliwa i oleju do smarowania łańcucha.
- Sprawdź, czy uchwyty są czyste, suche i wolne od oleju i brudu.
- Nigdy nie wykonywać prac po pojedynkę. W sytuacji awaryjnej ktoś musi być w pobliżu.
- Używać piły łańcuchowej tylko stojąc na stabilnym, pewnym i równym podłożu. Unikać nietypowej pozycji ciała. Śliskie podłoże lub niestabilna pozycja (np. na drabinie), mogą spowodować utratę równowagi lub kontroli nad piłą łańcuchową. Zadbaj o stabilną pozycję i zachowanie równowagi w każdej chwili. Pozwala to na lepsze sterowanie piłą łańcuchową w nieoczekiwanych sytuacjach.
- Nie pracować z pilarką łańcuchową na drzewie. W przypadku używania na drzewie występuje ryzyko obrażeń.

- Nigdy nie piłować ponad wysokość ramion.
- Trzymać piłę łańcuchową zawsze prawą ręką za tylny uchwyt, a lewą ręką za przedni uchwyt. Trzymanie piły łańcuchowej podczas pracy w odwrotny sposób zwiększa ryzyko obrażeń i nie wolno go stosować.
- Podczas pracy piły łańcuchowej trzymać wszystkie części ciała z dala od łańcucha tnącego. Przed uruchomieniem piły łańcuchowej należy upewnić się, że łańcuch tnący niczego nie dotyka. Jeden moment nieuwagi podczas pracy z piłą łańcuchową może prowadzić do pochwylenia odzieży lub części ciała przez łańcuch tnący.
- Natychmiast wyłączyć piłę łańcuchową, jeżeli wystąpią zauważalne zmiany w pracy urządzenia.
- W przypadku kontaktu piły łańcuchowej z kamieniami, gwóźdźmi lub innymi twardymi przedmiotami należy natychmiast wyłączyć silnik i sprawdzić, czy piła łańcuchowa i szyna prowadząca nie są uszkodzone.
- Nie upuszczać piły łańcuchowej, nie rzucać nią o przeszkody i nigdy nie używać szyny prowadzącej jako dźwigni.
- Piłować piłą łańcuchową tylko w drewnie.
- Przepiłowując naprężoną gałąź, należy liczyć się z możliwością jej odskoczenia. Gdy przestanie działać siła naprężająca włókna drewna, odskakująca gałąź może trafić osobę obsługującą i/lub wyrwać pilarkę łańcuchową spod kontroli.
- Szczególną ostrożność zachować przy cięciu pozyszcia i młodych drzew. Pilarka łańcuchowa może pochwyć cienki materiał i wyrzucić go w stronę osoby obsługującej albo spowodować utratę równowagi.

7.7 Wibracje

OSTRZEŻENIE

Należy unikać zagrożeń związanych z wibracjami, np. ryzyka wystąpienia choroby białych palców (zaburzenia krążenia), robiąc częste przerwy w pracy, np. pocierając dłonie o siebie.

- Zawsze należy używać rękawic ochronnych i upewnić się, że ręce są ciepłe.
- Zwracać uwagę, by łańcuch był zawsze czysty.
- Zapewnić regularne przerwy w pracy.

7.8 Środki ostrożności przeciw odrzutowi

⚠ OSTRZEŻENIE

Podczas pracy należy uważać na odrzut urządzenia. Istnieje niebezpieczeństwo odniesienia obrażeń. Dzięki ostrożności i prawidłowej technice cięcia można uniknąć niepowodzeń.

- Kontakt z czubkiem szyny prowadzącej może w pewnych przypadkach powodować nieoczekiwaną reakcję i ruch skierowany do tyłu, w trakcie którego szyna prowadząca łańcucha jest odrzucana do góry w kierunku osoby obsługującej.
- Odrzut może wystąpić, gdy czubek szyny prowadzącej zetknie się z jakimś przedmiotem lub gdy drewno wygnie się i spowoduje zablokowanie łańcucha tnącego w trakcie cięcia.
- Zakleszczenie łańcucha tnącego na górnej krawędzi szyny prowadzącej może spowodować szybkie i niekontrolowane cofnięcie piły łańcuchowej w kierunku roboczym.
- Zakleszczenie łańcucha tnącego na dolnej krawędzi szyny prowadzącej może spowodować szybkie i niekontrolowane oderwanie piły łańcuchowej od kierunku roboczego.
- Należy zachować szczególną ostrożność podczas używania piły łańcuchowej do kontynuowania cięcia w rozpoczętym już cięciu.
- Nie należy piłować gałęzi lub kawałków drewna, które mogłyby zmienić swoje położenie podczas cięcia lub w których cięcie zamyka się podczas cięcia.
- Każda z tych reakcji może prowadzić do tego, że osoba obsługująca straci kontrolę nad piłą i może doznać ciężkich obrażeń. Nie należy polegać wyłącznie na zabezpieczeniach zainstalowanych w pile łańcuchowej. Jako użytkownik piły łańcuchowej należy podjąć różne środki, aby praca przebiegała bez wypadków i urazów.

Odrzut jest następstwem niewłaściwego lub nieprawidłowego użycia. Można go uniknąć przez zachowanie opisanych poniżej odpowiednich środków ostrożności:

- Piłę trzymać mocno oburącz, przy czym kciuki i palce muszą obejmować uchwyt piły łańcuchowej. Ciało i ramiona należy ustawić w takiej pozycji, by móc zamortyzować siłę odrzutu. Zachowując odpowiednie środki ostrożności, osoba obsługująca może zapanować nad siłą odrzutu. Nigdy nie puszczać piły łańcuchowej.
- Unikać nietypowej pozycji ciała i nie piłować powyżej wysokości ramion. Pozwala to uniknąć niezamierzonego zetknięcia z czubkiem szyny prowadzącej i zapewnia lepszą kontrolę nad pilarką łańcuchową w nieoczekiwanych sytuacjach.

- Zawsze stosować zalecane przez producenta prowadnice zamienne i łańcuchy tnące. Nieprawidłowe prowadnice zamienne i łańcuchy tnące mogą spowodować zerwanie łańcucha tnącego i/lub odrzut.
- Przestrzegać instrukcji producenta dotyczących ostrzenia i konserwacji łańcucha tnącego. Zbyt nisko ustawione ograniczniki głębokości zwiększają ryzyko odrzutu.
- Nie piłować czubkiem miecza. Istnieje niebezpieczeństwo odbicia. (rys. 7)
- Należy upewnić się, że w obszarze cięcia nie ma gwoździ ani kawałków metalu. Należy zwrócić szczególną uwagę na gwoździe lub kawałki żelaza wokół miejsca cięcia. Należy również uważać przy cięciu twardego drewna, gdzie łańcuch może się zaczepić. Może to wywołać odrzut.
- Rozpocząć cięcie z pełną mocą i zawsze utrzymywać piłę łańcuchową na maksymalnej prędkości podczas cięcia.
- Należy upewnić się, że na podłożu nie ma żadnych przedmiotów, o które można się potknąć.

7.9 Zachowanie i technika pracy

- Pracować tylko w warunkach dobrej widoczności i oświetlenia. Zwrócić szczególną uwagę na śliskie warunki, wilgoć, lód i śnieg (niebezpieczeństwo poślizgu). Istnieje zwiększone ryzyko poślizgnięcia się na świeżo złuszczonej drewnie (korze).
- Nie pracować na niestabilnym podłożu. Uważać na przeszkody w obszarze roboczym, niebezpieczeństwo poślizgnięcia. Należy zachować ostrożność, aby zapewnić bezpieczne stanowisko przez cały czas.
- Nigdy nie piłować powyżej wysokości ramion.
- Nie piłować stojąc na drabinie.
- Nigdy nie wchodzić na drzewo z piłą łańcuchową i nie wykonywać prac bez odpowiednich systemów ograniczających dla człowieka i maszyny. Zawsze zaleca się wykonywanie prac z platformy roboczej.
- Nie pracować ze zbyt mocnym wychyleniem do przodu.
- Prowadzić piłę łańcuchową w taki sposób, aby żadna część ciała nie znajdowała się w przedłużonym zakresie obrotu łańcucha tnącego.
- Drewno należy piłować tylko za pomocą piły łańcuchowej.
- Nie należy dotykać ziemi pracującym łańcuchem tnącym.
- Oczyszczyć miejsce cięcia z ciał obcych, takich jak piasek, kamienie, gwoździe itp. Ciała obce uszkadzają przyrząd tnący i mogą prowadzić do niebezpiecznego odrzutu, a także do wyrzucenia.

- Przy cięciu drewna należy stosować bezpieczne podparcie (w miarę możliwości konik). Drewno nie może być trzymane stopą ani przez inną osobę.
- Okrągłe drewno musi być zabezpieczone przed przekreśleniem w trakcie cięcia.
- Nigdy nie należy pracować bez ogranicznika pazurowego, piła łańcuchowa może pociągnąć operatora do przodu. Stosować ogranicznik pazurów do cięcia pni drzew lub grubych gałęzi. Zastosowanie ogranicznika pazurowego zwiększa bezpieczeństwo pracy, zmniejsza obciążenie osobiste podczas pracy oraz redukuje wibrację.
- W przypadku cięć ścinających i poprzecznych listwa zębata (ogranicznik pazurów) musi być przyłożona do ciętego drewna. Zastosowanie listwy zębatkowej jest również zalecane przy przepiłowywaniu grubych gałęzi.
- Przed każdym cięciem poprzecznym należy mocno osadzić listwę zębata i dopiero wtedy wcinać się w drewno przy pracującym łańcuchu tnącym. Piła jest pociągana za tylny uchwyt i prowadzona za uchwyt jarzmy. Listwa zębata służy jako punkt obrotu. Zmiana położenia odbywa się poprzez lekki nacisk na uchwyt jarzmy. Odciągnąć piłę łańcuchową do tyłu po trochu. Opuścić listwę zębata i ponownie pociągnąć do góry tylny uchwyt.
- Zachować ostrożność przy cięciu drewna z drzazgami. Odcięte kawałki drewna mogą być przenoszone (niebezpieczeństwo odniesienia obrażeń).
- W przypadku zakleszczenia się łańcucha tnącego podczas cięcia może dojść do uderzenia górną częścią piły łańcuchowej w kierunku operatora. Dlatego też, jeśli to możliwe, należy ciąć spodem szyny prowadzącej, ponieważ piła łańcuchowa jest odciągana od korpusu w kierunku drewna.
- Drewno pod napięciem należy zawsze ciąć najpierw po stronie nacisku. Dopiero wtedy można wykonać cięcie rozdzielające po stronie naciągu. Zapobiega to zakleszczaniu się szyny.
- Podczas pracy na drzewie może dojść do upadku piły elektrycznej. Ludzie mogą zostać poważnie ranni i może dojść do zniszczenia mienia. Zabezpieczyć piłę elektryczną za pomocą zawieszania.
- Przed doprowadzeniem łańcucha tnącego do obszaru cięcia może dojść do bocznego ześlizgiwania się lub podskakiwania piły silnikowej.

UWAGA

Zwiększone ryzyko odrzutu!

Aby zachować całkowitą kontrolę w momencie „przecięcia”, należy pod koniec cięcia zmniejszyć docisk bez zwalniania mocnego trzymania uchwytów piły łańcuchowej. Zwrócić uwagę, aby łańcuch tnący nie dotykał podłoża. Po zakończeniu cięcia odczekać przed wyjęciem pilarki do całkowitego zatrzymania się łańcucha tnącego. Zawsze należy wyłączyć silnik piły łańcuchowej przed przejściem z drzewa na drzewo.

OSTRZEŻENIE

Przy dłuższych pracach może wskutek wibracji w rękach osoby obsługującej wystąpić zakłócenie ukrwienia (syndrom białych palców).

Syndrom białych palców stanowi schorzenie naczyń krwionośnych, przy którym małe naczynia krwionośne w palcach rąk i stóp ulegają nagłym skurczom. Dotknięte obszary nie są wystarczająco zaopatrywane w krew i stają się dlatego niesamowicie blade. Częste stosowanie urządzeń wibrujących może u osób, których ukrwienie jest pogorszone (np. palacze, cukrzycy), spowodować uszkodzenie nerwów.

W razie zaobserwowania nietypowych pogorszeń stanu zdrowia natychmiast zakończyć pracę i skontaktować się z lekarzem.

Aby zredukować niebezpieczeństwo, należy przestrzegać poniższych wskazówek:

- Przy chłodnej pogodzie zapewniać ciepło dla ciała, a zwłaszcza dla rąk.
- Regularnie przerywać pracę i poruszać palcami, aby wspomóc ukrwienie.
- Zadbaj o możliwie niewielkie wibracje maszyny poprzez jej regularną konserwację i stałe elementy urządzenia.

7.10 Ryzyka szczątkowe

ZAGROŻENIE

NIEBEZPIECZEŃSTWO ODNIESIENIA OBRAŹEŃ!

Kontakt z łańcuchem tnącym może prowadzić do śmiertelnych obrażeń.

Nigdy nie sięgać rękami do łańcucha tnącego.

NIEBEZPIECZEŃSTWO ODRZUTU!

Odrzut może prowadzić do śmiertelnych ran ciętych.

RYZYKO POPARZENIA!

Podczas pracy łańcuch i szyna prowadząca nagrzewają się.

Urządzenie zostało skonstruowane zgodnie z najnowszym stanem techniki i uznanymi zasadami bezpieczeństwa technicznego. Jednak podczas pracy mogą się pojawić poszczególne ryzyka szcztątkowe.

Ponadto, pomimo wszelkich podjętych kroków, mogą się pojawić ukryte ryzyka szcztątkowe.

Ryzyka szcztątkowe można zminimalizować przestrzegając rozdziału „Wskaźniki bezpieczeństwa” oraz „Użytkowanie zgodne z przeznaczeniem”, jak i całej instrukcji obsługi.

8. Dane techniczne

Maszyna bez miecza

Dł. x szer. x wys.....	270 x 230 x 240 mm
Masa bez paliwa, bez zestawu tnącego ok.....	3,4 kg
Masa bez paliwa, z zestawem tnącym ok.....	3,8 kg
Zbiornik na olej do smarowania łańcucha.....	0,16 l
Zawartość zbiornika paliwa.....	0,23 l
Mieszanka oleju i paliwa	1:40
Długość cięcia	20 cm
Długość miecza	30 cm
Automatyczne smarowanie łańcucha	tak
Podział łańcucha.....	3/8" (9,525 mm)
Grubość ogniwa łańcucha	1,27 mm
Typ łańcucha	3/8LP-40
Liczba zębów koła napędowego łańcucha	6
Podziałka zębów koła napędowego łańcucha.....	3/8"
Typ miecza.....	AP10-40-509P
Prędkość łańcucha maks.....	21 m/s
Silnik.....	1-cylindrowy, 2-suwowy, chłodzony powietrzem
Pojemność skokowa silnika	25,4 cm ³
Maks. moc silnika zgodnie z ISO 7293	0,7 kW
Prędkość obrotowa na biegu jałowym n ₀	3300 ± 300 min ⁻¹
Maksymalna prędkość obrotowa z zestawem tnącym.....	11000 min ⁻¹
Świeca zapłonowa	L8RTC

Poziom ciśnienia akustycznego powinien być obniżony do poziomu, który nie wpływa na zdrowie operatora, w zależności od zastosowania i wykonywanej pracy. Poziom ciśnienia akustycznego na stanowisku pracy może przekraczać 80 dB. W tym przypadku wymagane są środki izolacji dźwiękowej dla użytkownika (np. noszenie środków ochrony słuchu).

Emisję hałasu oraz wibracje należy ograniczyć do minimum!

- Stosować wyłącznie sprawne urządzenia.
- Urządzenie poddawać regularnej konserwacji i czyszczeniu.
- Dostosować metodę pracy do urządzenia.
- Nie przeciążać urządzenia.
- W razie potrzeby oddać urządzenie do przeglądu.
- Gdy urządzenie nie jest używane, powinno być wyłączone.
- Zakładać rękawice.

Zmierzony poziom ciśnienia akustycznego L _{PA}	99,2 dB
Niepewność K _{PA}	3 dB
Gwarantowany poziom ciśnienia akustycznego L _{WA}	113 dB
Zmierzony poziom ciśnienia akustycznego L _{WA}	108,7 dB
Niepewność K _{WA}	3 dB

Wibracja, przedni uchwyt.....	8,98 m/s ²
Wibracja, tylny uchwyt.....	8,03 m/s ²
Niepewność	1,5 m/s ²

Nosić nauszники ochronne.

Hałas może powodować utratę słuchu.

Podane wartości emisji hałasu zostały zmierzone według znormalizowanej metody badań i mogą zostać użyte w celu porównania danego urządzenia z innym.

Podane wartości emisji hałasu mogą zostać wykorzystane również do wykonania tymczasowego oszacowania obciążenia.

Ostrzeżenie:

- W trakcie rzeczywistego użytkowania urządzenia wartości emisji hałasu mogą różnić się od podanych wartości, w zależności od rodzaju i sposobu zastosowania urządzenia, a w szczególności rodzaju przedmiotu obrabianego.
- Ograniczać obciążenie do minimum. Przykładowe środki zaradcze: ograniczenie czasu pracy. Przy tym należy uwzględnić wszystkie części cyklu eksploatacyjnego (np. czas, w którym urządzenie jest wyłączone, oraz czas, w którym jest włączone, ale pracuje bez obciążenia).

9. Przed uruchomieniem

1. Otworzyć opakowanie i wyjąć ostrożnie urządzenie.
2. Usunąć materiał opakowaniowy oraz zabezpieczenia opakowania transportowe (jeśli występują).
3. Sprawdzić, czy zakres dostawy jest kompletny.
4. Sprawdzić urządzenie i elementy wyposażenia pod kątem uszkodzeń w trakcie transportu.
5. W miarę możliwości zachować opakowanie do zakończenia okresu gwarancyjnego.
6. Zdjąć skróconą instrukcję obsługi z uruchamiającej linki ciągniczej (8).

UWAGA

Urządzenie i materiały opakowaniowe nie mogą służyć jako zabawka dla dzieci! Dzieciom nie wolno bawić się workami z tworzywa sztucznego, foliami i drobnymi elementami! Istnieje niebezpieczeństwo połknięcia i uduszenia!

9.1 Montaż szyny prowadzącej (2) i łańcucha tnącego (1)

OSTRZEŻENIE

Niebezpieczeństwo odniesienia obrażeń!

Podczas dotykania łańcucha tnącego (1) należy zawsze nosić rękawice ochronne. Niebezpieczeństwo odniesienia obrażeń na ostrych zębach tnących!

Stosować tylko dopuszczone kombinacje łańcucha tnącego (1) i szyny prowadzącej (2) (patrz rozdział „Zatwierdzone zestawy tnące”).

Montaż przeprowadzać zawsze przy wyłączonym silniku.

Wskazówka

Nowy łańcuch tnący (1) ulega wydłużeniu i wymaga częstszego napinania. Regularnie sprawdzać i regulować napięcie łańcucha.

W zależności od zużycia, szyna prowadząca (2) może zostać obrócona.

1. Umieścić piłę łańcuchową na płaskiej, stabilnej powierzchni.
2. Odciągnąć przednią osłonę rąk (3) do tyłu do oporu, aby zwolnić hamulec łańcuchowy. (Rys. 2)
3. Usunąć obie nakrętki mocujące (16) za pomocą klucza do świece (20).
4. Zdjąć osłonę koła łańcuchowego (17).

5. Obracać śrubę napinającą łańcucha (23) w kierunku przeciwnym do ruchu wskazówek zegara, aż sworzeń napinający łańcucha (26) znajdzie się na właściwym ograniczniku (rys. 3). Do tego celu należy użyć wkrętaka szczelinowego (20).
6. Przesunąć otwór szczelinowy szyny prowadzącej (2) na dwie wystające śruby mocujące (29).
7. Umieścić łańcuch tnący (1) na zębach koła zębatego (27). Włożyć dokładnie łańcuch tnący (1) w kierunku wskazanym na szynie prowadzącej (2). W końcówce szyny prowadzącej (2) znajduje się koło zębate (30), w którego zęby należy włożyć łańcuch tnący (1). (rys. 6 i 18)
8. Pociągnąć lekko za szynę prowadzącą (2), aby lekko naprężyć łańcuch tnący (1).
9. Ponownie włożyć osłonę koła łańcuchowego (17). Upewnić się, że wewnętrzny sworzeń napinający łańcucha (26) pasuje do pasującego otworu w szynie prowadzącej (2). W razie potrzeby wyregulować śrubę napinającą łańcucha (23) za pomocą wkrętaka szczelinowego (20).
10. Przykręcić ręcznie dwie nakrętki mocujące (16). Należy jednak pamiętać, aby jeszcze ich nie dokręcać. Nakrętki mocujące (16) są dokręcane dopiero po napięciu łańcucha tnącego (1).

9.2 Napinanie i sprawdzanie łańcucha tnącego (1)

OSTRZEŻENIE

Nosić rękawice ochronne! Niebezpieczeństwo odniesienia obrażeń na ostrych zębach tnących!

Napięcie łańcucha należy regularnie kontrolować, zawsze przed uruchomieniem.

Kontrolę należy przeprowadzać zawsze przed uruchomieniem i przy wyłączonym silniku.

1. Przed napięciem poluzować lekko dwie nakrętki mocujące (16) za pomocą klucza do świece zapłonowych (20).
2. Aby zmniejszyć napięcie, należy obrócić śrubę napinającą łańcucha (23) w kierunku ruchu wskazówek zegara za pomocą śrubokręta płaskiego (20).
3. Dokręcić obie nakrętki mocujące (16) za pomocą klucza do świece (20).

- łańcuch tnący (1) musi stykać się ze spodnią stroną miecza. Sprawdzić, czy łańcuch tnący (1) (przy zwolnionym hamulcu łańcuchowym odciągnąć przednią osłonę rąk (3) do tyłu) daje się przeciągnąć ręcznie przez szynę prowadzącą (2).

WSKAZÓWKA

Nowy łańcuch tnący (1) ulega wydłużeniu i wymaga częstszego napinania.

9.3 Mieszanie paliwa

Silnik może pracować jedynie z mieszanką paliwową z benzyny i oleju silnikowego.

⚠ OSTRZEŻENIE

Unikać bezpośredniego kontaktu paliwa ze skórą oraz wdychania oparów paliwowych.

Używać wyłącznie mieszankę bezołowiowej benzyny (min. ROZ 95) i specjalnego 2-taktowego oleju silnikowego (JASO FD/ISO - L - EGD). Mieszankę paliwową mieszać zgodnie z wytycznymi z tabeli mieszania paliw.

Do dołączonego pojemnika do mieszania (22) dodawać zawsze odpowiednią ilość benzyny i oleju 2-taktowego (patrz „Tabela mieszania paliw”). Następnie dobrze wstrząsnąć pojemnikiem do mieszania (22).

9.3.1 Tabela mieszania paliw

Sposób mieszania: 40 dawek benzyny na 1 dawkę oleju

**Benzyna Olej 2-taktowy
0,5 litrów 12,5 ml**

9.4 Napełnianie paliwem (rys. 8)

⚠ OSTRZEŻENIE

Paliwo należy wlewać tylko wtedy, gdy silnik jest wyłączony i ostygł. Istnieje niebezpieczeństwo wywołania pożaru!

- Przed rozpoczęciem tankowania należy zawsze oczyścić okolice zamknięcia zbiornika paliwa (13), aby zapobiec przedostawaniu się zanieczyszczeń do zbiornika paliwa. Do tego celu należy użyć suchej, niestrzępiącej się szmatki.
- Ułożyć urządzenie na boku tak, aby zamknięcie zbiornika paliwa (13) było skierowane do góry.

- Obrócić zamknięcie zbiornika paliwa (13) w kierunku przeciwnym do ruchu wskazówek zegara i otworzyć go. Zamknięcie zbiornika paliwa (13) jest połączone z urządzeniem zabezpieczającym przed zgubieniem w zbiorniku paliwa, dzięki czemu nie może spaść.
- Włączyć mieszankę paliwową do zbiornika paliwa. Nie należy rozlewać paliwa podczas tankowania i nie należy napełniać zbiornika paliwa po brzegi.
- Zetrzeć natychmiast rozlane paliwo.
- Obrócić zamknięcie zbiornika paliwa (13) zgodnie z ruchem wskazówek zegara, aby go zamknąć.

WSKAZÓWKA

Po każdym tankowaniu paliwa należy również sprawdzić stan oleju łańcuchowego.

9.5 Spuszczanie paliwa

Opróżniać zbiornik paliwa tylko na zewnątrz lub w dobrze wentylowanych pomieszczeniach. Zwracać uwagę, aby paliwo nie przedostało się do gleby (ochrona środowiska). Użyć odpowiedniej podkładki.

- Pod zbiornikiem paliwa trzymać pojemnik wylatujący.
- Odkręcić i zdjąć zamknięcie zbiornika paliwa (13) zbiornika paliwa.
- Całkowicie spuścić benzynę/mieszankę oleju.
- Ponownie ręcznie wkręcić zamknięcie zbiornika paliwa (13).

9.6 Napełnianie olejem łańcuchowym (rys. 8)

⚠ OSTRZEŻENIE

Olej do łańcucha tnącego należy wlewać tylko wtedy, gdy silnik jest wyłączony i ostygł. Istnieje niebezpieczeństwo wywołania pożaru!

Nigdy nie pracować bez smarowania łańcucha! Jeśli łańcuch tnący (1) będzie suchy, zestaw tnący zostanie w krótkim czasie nieodwracalnie zniszczony.

Przed rozpoczęciem pracy należy zawsze sprawdzić smarowanie łańcucha.

WSKAZÓWKA

Należy stosować wyłącznie olej do łańcucha tnącego. Najlepiej, aby uległ biodegradacji. Nie należy stosować oleju odpadowego, oleju silnikowego itp.

Podczas pracy należy sprawdzić, czy smarowanie łańcucha jest sprawne.

1. Przed rozpoczęciem tankowania należy zawsze oczyścić okolice zamknięcia zbiornika oleju łańcuchowego (11) aby zapobiec przedostawaniu się zanieczyszczeń do zbiornika oleju łańcuchowego. Do tego celu należy użyć suchej, niestrzępającej się szmatki.
2. Ułożyć urządzenie na boku tak, aby zamknięcie zbiornika oleju łańcuchowego (11) było skierowane do góry.
3. Obrócić zamknięcie zbiornika oleju łańcuchowego (11) w kierunku przeciwnym do ruchu wskazówek zegara i otworzyć go. Zamknięcie zbiornika oleju łańcuchowego (11) jest połączone z urządzeniem zabezpieczającym przed zgubieniem w zbiorniku oleju łańcuchowego, dzięki czemu nie może spaść.
4. Wlać organiczny olej łańcuchowy do zbiornika oleju łańcuchowego. Nie należy rozlewać oleju łańcuchowego podczas tankowania i nie należy napętniać zbiornika oleju łańcuchowego po brzegi.
5. Natychmiast wytrzeć rozlany olej łańcuchowy.
6. Obrócić zamknięcie zbiornika oleju łańcuchowego (11) zgodnie z ruchem wskazówek zegara, aby go zamknąć.

10. Uruchamianie

OSTROŻNIE

Należy przestrzegać przepisów prawnych dotyczących ochrony przed hałasem.

Przed każdym uruchomieniem sprawdzić urządzenie pod kątem:

- Szczelności systemu paliwowego
- nienagannego stanu i kompletności urządzeń ochronnych i narzędzia do cięcia
- stałego osadzenia wszystkich połączeń śrubowych
- Lekkiego przesuwania wszystkich ruchomych części

Wskazówki dotyczące pracy

Przed zastosowaniem należy zapoznać się z obsługą piły łańcuchowej.

10.1 Uruchamianie silnika

UWAGA

Przed uruchomieniem urządzenia odsunąć się przynajmniej 3 metry od miejsca tankowania (rys. 9).

Uruchamiającą linkę ciągnową (8) wyciągać zawsze prosto. Mocno przytrzymać uchwyt uruchamiającej linki ciągnowej (8), gdy uruchamiająca linka ciągnowa (8) ponownie się wciąga. Nigdy nie pozwolić na odbicie uruchamiającej linki ciągnowej (8).

Natychmiast po uruchomieniu silnika zwolnić dźwignię gazu (5). Przed zwolnieniem hamulca łańcuchowego należy upewnić się, że obroty silnika powróciły do poziomu biegu jałowego (przesunąć przednią osłonę rąk (3) do tyłu). Dźwignię zimnego rozruchu (zasysacz) (14) wyciągnąć tylko do rozruchu.

10.1.1 Uruchamianie w przypadku zimnego silnika

OSTRZEŻENIE

Przed każdym użyciem należy włączyć hamulec łańcuchowy (przesunąć przednią osłonę rąk (3) do przodu).

UWAGA

Nigdy nie pozwalać, aby uruchamiająca linka ciągnowa (8) została cofnięta. Może to prowadzić do uszkodzeń.

1. Zdjąć osłonę szyny prowadzącej (21).
2. Ustawić piłę łańcuchową na stabilnym, płaskim podłożu. Łańcuch tnący (1) nie może dotykać podłoża.
3. Popchnąć przednią ochronę rąk (3) aż do jej zatrzaśnięcia. Piła łańcuchowa (1) jest blokowana przez hamulec łańcuchowy.
4. Naciśnąć 6x pompę paliwa „Primer” (4). (Rys. 1)
5. Wyciągnąć dźwignię zimnego rozruchu (zasysacz) (14). (Rys. 10.2)
6. Przytrzymać piłę łańcuchową za przednią rękkojeść (12) i powoli wyciągać uruchamiającą linkę ciągnową (8), aż do pierwszego oporu.
7. Wtedy szybko pociągnąć uruchamiającą linkę ciągnową (8), aż do uruchomienia silnika. Jeżeli silnik nie uruchomi się, ponownie powtórzyć czynności. Dopóki dźwignia zimnego rozruchu (zasysacz) (14) jest wyciągnięta, silnik uruchamia się tylko na krótko, a następnie zatrzymuje się ponownie.
8. Gdy silnik się wyłączy, uruchomić jednocześnie blokadę dźwigni gazu (7) i dźwignię gazu (5). Dźwignia zimnego rozruchu (zasysacz) (14) automatycznie przeskakuje w położenie robocze „Gorący rozruch”. (Rys. 10.1)
9. Wtedy ponownie szybko pociągnąć uruchamiającą linkę ciągnową (8), aż do uruchomienia silnika.

Jeżeli silnik nie zaskoczy po kilku próbach, przeczytać rozdział „Rozwiązywanie problemów”.

WSKAZÓWKA

Przy wysokich temperaturach na zewnątrz może się zdarzyć, że przy zimnym silniku będzie konieczne uruchomienie bez dźwigni zimnego rozruchu (zasysacz) (14)!

- Zwołnić hamulec łańcuchowy przez pociągnięcie przedniej osłony rąk (3) do tyłu. (Rys. 2)
- **OSTROŻNIE!** Hamulec łańcuchowy jest teraz zwolniony. Jeżeli dźwignia gazu (5) jest obsługiwana razem z blokadą dźwigni gazu (7), uruchamia się łańcuch tnący (1).

10.1.2 Uruchamianie w przypadku ciepłego silnika

(Urządzenie stało w miejscu przez mniej niż 15–20 minut.)

OSTRZEŻENIE

Przed każdym użyciem należy włączyć hamulec łańcuchowy (przesunąć przednią osłonę rąk (3) do przodu).

1. Popchnąć przednią ochronę rąk (3) aż do jej zatrzaśnięcia. Piła łańcuchowa (1) jest blokowana przez hamulec łańcuchowy.
2. Dźwignia zimnego rozruchu (zasysacz) (14) musi w celu uruchomienia ciepłego silnika nie być zaciągnięta.
3. Przytrzymać piłę łańcuchową za przednią rękkojeść (12) i powoli wyciągać uruchamiającą linkę ciągnową (8), aż do pierwszego oporu.
4. Szybko pociągnąć uruchamiającą linkę ciągnową (8). Urządzenie powinno się uruchomić po 1–2 pociągnięciach. Jeżeli urządzenie po 6 pociągnięciach nadal się nie uruchomiło, powtórzyć proces opisany w punkcie „Uruchamianie przy zimnym silniku”.

10.2 Wyłączanie silnika

10.2.1 Kolejność postępowania przy wyłączeniu awaryjnym

Jeżeli konieczne jest natychmiastowe zatrzymanie urządzenia, należy nacisnąć przycisk włączania/wyłączania (15) do pozycji „0” i trzymać go w tej pozycji do momentu zatrzymania się silnika.

10.2.2 Normalna kolejność postępowania

1. Zwołnić dźwignię gazu (5). Silnik przechodzi na obroty biegu jałowego.
2. Nacisnąć przycisk włączania/wyłączania (15) do pozycji „0” i trzymać go w tej pozycji do momentu zatrzymania się silnika.

10.3 Eksploatacja w biegu jałowym

UWAGA

Na biegu jałowym łańcuch tnący (1) musi być nieruchomy.

WSKAZÓWKA

Jeżeli łańcuch tnący (1) znajduje się w trybie jałowym lub silnik automatycznie gaśnie przy odejmowaniu gazu, należy dokonać ustawienia gaźnika (patrz rozdział „Konserwacja ustawienia gaźnika”).

1. Podnieść piłę łańcuchową.
2. Przytrzymać lewą ręką za przednią rękkojeść (12).
3. Przytrzymać prawą ręką za przednią rękkojeść (6). Kłęb kciuka przylega do blokady dźwigni gazu (7) a palec wskazujący uruchamia dźwignię gazu (5).
4. Po jednokrotnym uruchomieniu dźwigni gazu (5) silnik pracuje w biegu jałowym.
5. Pozostawić silnik na chwilę do rozgrzania.

10.4 Sprawdzanie i ustawianie smarowania łańcucha

UWAGA

- Nigdy nie pracować bez smarowania łańcucha! Jeśli łańcuch tnący (1) będzie suchy, zestaw tnący zostanie w krótkim czasie nieodwracalnie zniszczony.
- Przed rozpoczęciem pracy należy zawsze sprawdzić smarowanie łańcucha.

Wskazówka

Stosować tylko olej do łańcucha tnącego, najlepiej biodegradowalny. Nie należy stosować oleju odpadowego, oleju silnikowego itp.

Podczas pracy, przy średniej prędkości obrotowej, należy trzymać piłę łańcuchową nad odpitowanym pniakiem drzewa lub odpowiednim podłożem. Jeśli smarowanie jest wystarczające, na pniu lub podstawie drzewa utworzy się lekka warstwa oleju.

- W razie potrzeby można zwiększyć lub zmniejszyć smarowanie łańcucha za pomocą śruby regulacyjnej oleju (32) (rys. 11).

- W tym celu należy użyć dołączonego do zestawu wkrętaka szczelinowego (20):
 - Najpierw nacisnąć, a następnie obrócić śrubę regulacyjną oleju (32) zgodnie z ruchem wskazówek zegara, aby zmniejszyć smarowanie łańcucha.
 - Najpierw nacisnąć, a następnie obrócić śrubę regulacyjną oleju (32) w kierunku przeciwnym do ruchu wskazówek zegara, aby zwiększyć smarowanie łańcucha.

10.5 Kontrola hamulca łańcuchowego

⚠ OSTRZEŻENIE

Przed każdym użyciem należy sprawdzić hamulec łańcuchowy.

Hamulec łańcuchowy powoduje natychmiastowe wyhamowanie łańcucha tnącego (1) w przypadku odrzutu.

1. Upewnić się, że przednia osłona rąk (3) jest wolna od zanieczyszczeń i łatwo się porusza.
2. Uruchomić piłę łańcuchową i przyspieszyć pracę łańcucha tnącego (1) do pełnej prędkości (pełny gaz).
3. Uruchomić przednią ochronę rąk (3) przy pracującym łańcuchu tnącym (1). Hamulec łańcucha musi zatrzymać łańcuch tnący (1) przy maks. prędkości i zablokować.

⚠ OSTRZEŻENIE

Zbyt długie utrzymywanie podwyższonej prędkości obrotowej silnika przy zablokowanym hamulcu łańcuchowym spowoduje uszkodzenie silnika i napędu łańcuchowego.

Jeżeli łańcuch tnący (1) nadal się porusza, należy skontaktować się z serwisem.

11. Zastosowanie

11.1 Prace związane z odgałęzianiem

- Zawsze należy pamiętać o niebezpieczeństwie odłamania się gałęzi.
- Podczas odgałęziania nie należy stawać na pniu.
- Nie należy piłować końcówką szyny. (rys. 7)
- Nigdy nie piłować kilku gałęzi jednocześnie.
- W miarę możliwości podeprzeć piłę łańcuchową za pomocą ogranicznika pazurowego (24) podczas odgałęziania.
- Należy upewnić się, że po zakończeniu cięcia piła łańcuchowa może się wychylić pod własnym ciężarem. Nie jest już podpierana podczas cięcia, należy trzymać ją w odpowiedni sposób.

- Podczas odgałęziania przyjąć pewną, stabilną i bezpieczną postawę.

11.1.1 Prace związane z odgałęzianiem w sekcjach

Przed ostatecznym cięciem należy skrócić długie lub grube gałęzie. W przeciwnym razie łańcuch tnący (1) może się łatwo zakleszczyć.

11.1.2 Obróbka drewna pod wpływem naprężeń

Podczas pracy z drewnem poddawanych naprężeniom należy bezwzględnie przestrzegać właściwej kolejności. W przeciwnym razie łańcuch tnący (1) może się zakleszczyć lub wystąpić odrzut.

Drewno pod napięciem należy zawsze ciąć najpierw po stronie nacisku. Dopiero wtedy można wykonać cięcie rozdzielające po stronie naciągu. (Rys. 24)

Zapobiega to zakleszczaniu się łańcucha tnącego (1).

⚠ UWAGA

Szkody materialne!

Leżące drewno nie może dotykać podłoża od spodu punktu cięcia, w przeciwnym razie łańcuch tnący (1) może zostać uszkodzony.

Oddbicie

- Zakleszczenie łańcucha tnącego (1) na górnej krawędzi szyny prowadzącej (2) może spowodować szybkie i niekontrolowane cofnięcie piły łańcuchowej w kierunku roboczego.

Wciagnięcie

- Zakleszczenie łańcucha tnącego (1) na dolnej krawędzi szyny prowadzącej (2) może spowodować szybkie i niekontrolowane oderwanie piły łańcuchowej od kierunku roboczego.

Bezpieczna praca

- Utrzymywać urządzenie w dobrym stanie technicznym, aby zapobiec obrażeniom.
- Po upuszczeniu urządzenia należy sprawdzić, czy nie ma znaczących uszkodzeń lub wad.
- Nie należy używać urządzenia stojąc na drabinie lub na niebezpiecznym stojaku.
- Nie należy ulegać pokusie wykonania pochopnego cięcia. Może to stanowić zagrożenie dla siebie i innych.

- Regularnie zmieniać pozycję pracy. Dłuższe użytkowanie urządzenia może spowodować problemy z krążeniem w dłońach z powodu drgań. Można jednak wydłużyć czas użytkowania, zakładając odpowiednią osłonę rąk lub robiąc regularne przerwy. Należy pamiętać, że osobiste predyspozycje do słabego krążenia, niskie temperatury zewnętrzne lub duże siły chwytu podczas pracy skracają czas użytkowania.

11.2 Pień drzewny jest wygięty w dół

1. Najpierw należy wykonać cięcie odcinające 1 (ok. 1/3 średnicy bała) po stronie nacisku.
2. Następnie wykonać cięcie rozdzielające 2 (ok. 2/3 średnicy pnia) po stronie naciągu.

11.3 Pień drzewny jest wygięty w górę

1. Najpierw należy wykonać cięcie odcinające 1 (ok. 1/3 średnicy bała) po stronie nacisku.
2. Następnie wykonać cięcie rozdzielające 2 (ok. 2/3 średnicy pnia) po stronie naciągu.

11.4 Zastosowanie piły do przycinania drzew w połączeniu z techniką wspinania się po linach

Niniejszy załącznik przedstawia odpowiednie praktyki robocze mające na celu zmniejszenie ryzyka odniesienia obrażeń w związku z używaniem pił łańcuchowych przy pielęgnacji drzew podczas pracy na wysokości z użyciem liny i pasów nośnych. Choć może służyć jako przewodnik i lektura szkoleniowa, nie należy jej traktować jako substytutu formalnego szkolenia. Wskazówki podane w niniejszym załączniku służą jedynie jako przykład dobrych praktyk.

Mogą obowiązywać przepisy krajowe lub inne, które mogą być bardziej restrykcyjne.

Użytkownik piły łańcuchowej do pielęgnacji drzew, który pracuje na wysokości przy użyciu liny i pasów nośnych, nigdy nie powinien pracować sam. Do pomocy powinien być obecny pracownik naziemny przeszkolony w zakresie odpowiednich procedur awaryjnych.

Użytkownik powinien być przeszkolony w zakresie ogólnych technik bezpiecznego wspinania i pozycjonowania pracy oraz powinien być wyposażony w pas nośny, liny, zawiesia, karabinki i inny sprzęt umożliwiający uzyskanie bezpiecznych i prawidłowych pozycji pracy zarówno dla siebie, jak i dla piły.

Należy zawsze ściśle przestrzegać krajowych przepisów i regulacji.

Dodatek ten nie obejmuje technik kontroli gałęzi i gałązek ścinanych przez piłę łańcuchową, ani nie zawiera omówionych już punktów dotyczących bezpiecznego użytkowania.

11.4.1 Wymagania ogólne

Użytkownik piły łańcuchowej do pielęgnacji drzew, który pracuje na wysokości przy użyciu liny i pasów nośnych, nigdy nie powinien pracować sam. Do pomocy powinien być obecny pracownik naziemny przeszkolony w zakresie odpowiednich procedur awaryjnych.

Użytkownik powinien być przeszkolony w zakresie ogólnych technik bezpiecznego wspinania i pozycjonowania pracy oraz powinien być wyposażony w pas nośny, liny, zawiesia, karabinki i inny sprzęt umożliwiający uzyskanie bezpiecznych i prawidłowych pozycji pracy zarówno dla siebie, jak i dla piły.

11.4.2 Przygotowanie przed użyciem piły do przycinania drzew

Piła łańcuchowa powinna być sprawdzona, zatankowana, uruchomiona i rozgrzana przez pracownika naziemnego, a następnie wyłączona przed podniesieniem jej do użytkownika na drzewie.

Piła łańcuchowa powinna być wyposażona w odpowiednie zawiesie, tak aby można ją było przymocować do pasa nośnego użytkownika (rys. 13):

- Zamocować zawiesie do zawieszenia (19) znajdującego się z tyłu piły łańcuchowej (rys. 12).
- Należy zapewnić odpowiednie karabinki umożliwiający pośrednie (tj. poprzez zawiesie) i bezpośrednie (tj. do zawieszenia (19) piły łańcuchowej) przymocowanie piły do pasa nośnego użytkownika.
- Po podciągnięciu piły łańcuchowej do użytkownika należy upewnić się, że jest ona bezpiecznie zamocowana (rys. 14).
- Przed zwolnieniem piły łańcuchowej z przewodu podnoszącego należy upewnić się, że jest ona zamocowana na pasie nośnym.

Możliwość zamocowania piły łańcuchowej bezpośrednio do pasa nośnego zmniejsza ryzyko uszkodzenia wyposażenia podczas przenoszenia go w drzewie. Piła łańcuchowa powinna być zawsze wyłączona, gdy jest przymocowana bezpośrednio do pasa nośnego.

Piła łańcuchowa powinna być mocowana wyłącznie do zalecanych zawiesznień na pasie nośnym. Mogą one znajdować się na środku (z przodu lub z tyłu) lub po bokach. Jeżeli jest to możliwe, należy zamocować piłę łańcuchową na środkowym, tylnym elemencie pasa nośnego, tak aby nie dotykała ona lin wspinaczkowych i aby ciężar był umieszczony centralnie pod kregostupem użytkownika.

Jeżeli piła łańcuchowa jest przenoszona z jednego zawieszzenia na drugie, użytkownicy powinni upewnić się, że piła łańcuchowa jest zabezpieczona w nowym położeniu przed zwolnieniem jej z poprzedniego zawieszzenia.

11.5 Zastosowanie piły łańcuchowej w drzewie

Z analizy wypadków z udziałem tych pił łańcuchowych podczas prac związanych z pielęgnacją drzew wynika, że główną przyczyną jest nieprawidłowe postępowanie się piłą łańcuchową jedną ręką.

W większości wypadków użytkownicy nie przyjmują zabezpieczonej pozycji roboczej, która pozwala na trzymanie piły łańcuchowej za oba uchwyty, co skutkuje zwiększonym ryzykiem obrażeń z następujących przyczyn:

- Brak pewnego chwytu przy odrzuceniu piły łańcuchowej.
- Brak kontroli nad piłą łańcuchową, co ułatwia jej kontakt z linami wspinaczkowymi oraz z ciałem użytkownika (zwłaszcza lewą ręką i ramieniem).
- Utrata kontroli z powodu niebezpiecznej pozycji roboczej i tym samym kontaktu z piłą łańcuchową (nieoczekiwane ruchy podczas pracy z piłą łańcuchową).

11.6 Bezpieczna pozycja pracy dla osób obu-ręcznych

Aby móc trzymać piłę łańcuchową obiema rękami, użytkownicy powinni zawsze starać się przyjąć bezpieczną pozycję roboczą, prowadząc piłę w następujący sposób:

- na wysokości pasa przy cięciu elementów poziomych.
 - na wysokości brzucha przy cięciu elementów pionowych.
- Jeżeli użytkownik pracuje w pobliżu pionowo biegnącego pnia z niewielkimi siłami bocznymi do pozycji roboczej, bezpieczne trzymanie stóp może być wystarczające dla bezpiecznej pozycji roboczej. Jednak gdy tylko użytkownicy oddalą się od pnia, muszą podjąć dodatkowe działania w celu zmniejszenia lub przeciwdziałania narastającym siłom bocznym, np. poprzez skierowanie liny głównej przez dodatkowe zawieszanie lub zastosowanie regulowanego zawiesia prowadzącego od uprząży do dodatkowego zawieszania (rys. 15 i 16).

11.6.1 Rozpoczęcie pracy z piłą łańcuchową w drzewie

Przy uruchamianiu piły łańcuchowej na drzewie użytkownik powinien:

- Przed rozpoczęciem pracy uruchomić hamulec łańcuchowy (przesunąć przednią osłonę rąk (3) do przodu).
- Podczas uruchamiania należy trzymać piłę łańcuchową z lewej lub prawej strony ciała:
 - Trzymając piłę łańcuchową po lewej stronie lewą ręką na przednim uchwycie i odpychając piłę od ciała, trzymając w prawej ręce linę wyrzutową.
 - Trzymając piłę łańcuchową po prawej stronie prawą ręką na jednym z dwóch uchwytów i odpychając piłę od ciała, trzymając w lewej ręce linę wyrzutową.

Przed opuszczeniem pracującej piły łańcuchowej za linę nośną należy zawsze włączyć hamulec łańcuchowy.

Przed trudnymi pracami związanymi z piłowaniem użytkownik powinien zawsze upewnić się, że piła łańcuchowa ma wystarczającą ilość paliwa.

11.6.2 Używanie piły łańcuchowej jedną ręką

Użytkownicy nie powinni używać pił łańcuchowych do pielęgnacji drzew jedną ręką w niestabilnej pozycji roboczej lub zamiast piły ręcznej do obcinania końcówek gałęzi o małej średnicy.

Piły łańcuchowe do pielęgnacji drzew powinny być używane jedną ręką tylko wtedy, gdy

- a. nie jest możliwe uzyskanie przez użytkowników pozycji roboczej umożliwiającej obsługę dwuręczną.
- b. gdy konieczne jest zabezpieczenie pozycji roboczej jedną ręką.
- c. gdy piła łańcuchowa jest używana w pozycji całkowicie wysuniętej, pod kątem prostym i poza linią ciała użytkownika.

Użytkownicy nigdy nie powinni:

- Piłować z zachowaniem obszaru odrzutu na końcu szyny prowadzącej (2) piły łańcuchowej.
- Trzymając się gałęzi, na której piłują.
- Próbować łąpać spadające części.

11.6.3 Uwalniać zakleszczoną piłę łańcuchową

Jeżeli podczas cięcia piła łańcuchowa ulegnie zakleszczeniu, użytkownik powinien:

1. Wylączyć piłę łańcuchową i zamocować ją bezpiecznie w kierunku wnętrza drzewa (tj. w kierunku pnia) lub do oddzielnej liny narzędziowej.

2. Wyciągnąć piłę łańcuchową z nacięcia, podnosząc jednocześnie gałąź tak daleko, jak to konieczne,
3. W razie potrzeby zastosować piłę ręczną lub drugą piłę łańcuchową w celu poluzowania zakleszczonej piły łańcuchowej, przecinając ją w odległości co najmniej 30 cm od zakleszczonej piły.

Niezależnie od tego, czy do uwolnienia uwięzionej piły łańcuchowej używana jest piła ręczna czy piła łańcuchowa, cięcia w celu uwolnienia piły łańcuchowej powinny być zawsze wykonywane po zewnętrznej stronie (w kierunku końcówek gałęzi), tak aby piła łańcuchowa nie porwała się z odciętymi częściami i jeszcze bardziej nie skomplikowała sytuacji.

12. Transport

- Podczas transportu należy zawsze używać osłony szyny prowadzącej (21).
- Przed każdym transportem należy wyłączyć piłę łańcuchową, nawet na krótszych odcinkach. Zabezpieczyć maszynę przed przewróceniem się podczas transportu (również w pojazdach), aby zapobiec utracie paliwa, uszkodzeniu lub obrażeniu ciała.
- Uruchomić hamulec łańcuchowy (przesunąć przednią osłonę rąk (3) do przodu).
- Urządzenie należy przenosić wyłącznie za rękojeść przednią (12). Szyna prowadząca (2) skierowana jest do tyłu, z dala od ciała.
- Gorący tłumik hałasu (18) należy trzymać z dala od ciała. Istnieje ryzyko poparzenia! (Rys. 23)

13. Czyszczenie i konserwacja

⚠ OSTRZEŻENIE

Niebezpieczeństwo odniesienia obrażeń!

Przed przystąpieniem do prac czyszczących należy zawsze wyłączyć urządzenie i odłączyć końcówkę przewodu świecy zapłonowej (35).
(patrz rozdział 13.4 „Konserwacja świec zapłonowych” (34)).

Wskazówka

Urządzenia należy dokładnie czyścić po każdym użyciu. Czyszczenie i konserwację przeprowadzać tylko zgodnie z opisem w niniejszej instrukcji obsługi. Dalsze czynności mogą być wykonywane tylko przez wykwalifikowany personel. Prace konserwacyjne muszą być przeprowadzane regularnie (patrz rozdział „Okresy konserwacji”).

13.1 Czyszczenie jednostki silnikowej

⚠ OSTRZEŻENIE

Ryzyko poparzenia!

Nie dotykać gorących tłumików hałasu, cylindrów ani żeberk chłodzących.

- W miarę możliwości osłony, szczeliny wentylacyjne i obudowę silnika powinny być wolne od pyłu i zanieczyszczeń. Przedmuchać je sprężonym powietrzem pod niskim ciśnieniem.
- Urządzenie powinno się regularnie czyścić wilgotną szmatką i niewielką ilością środka płuczącego. Zwracać uwagę, aby do wnętrza urządzenia nie dostała się woda.

13.2 Czyszczenie filtra powietrza (33) (rys. 17)

Zabrudzone filtry powietrza zmniejszają wydajność silnika poprzez zbyt małe doprowadzanie powietrza do gaźnika. Dlatego regularna kontrola jest niezbędna. Filtr powietrza (33) należy sprawdzać regularnie, a w razie potrzeby wyczyścić.

W przypadku silnego zapylenia powietrza filtr powietrza (33) należy sprawdzać częściej.

1. Poluzować zamknięcie pokrywy filtra powietrza (10), obracając ją w kierunku przeciwnym do ruchu wskazówek zegara.
2. Wykręcić pokrywę filtra powietrza (9).
3. Wyjąć filtr powietrza (33).
4. Wyczyścić filtr powietrza (33) wystukując ją lub przedmuchując (sprężonym powietrzem).

Montaż odbywa się w odwrotnej kolejności.

⚠ UWAGA

Nigdy nie czyścić filtra powietrza (33) za pomocą benzyny lub palnych rozpuszczalników.

13.3 Czyszczenie napędu łańcuchowego

⚠ OSTRZEŻENIE

Niebezpieczeństwo odniesienia obrażeń!

Podczas dotykania łańcucha tnącego (1) należy zawsze nosić rękawice ochronne. Niebezpieczeństwo odniesienia obrażeń na ostrych zębach tnących!

Wskazówka

Czyścić napęd łańcuchowy po każdym użyciu.

1. Umieścić piłę łańcuchową na płaskiej, stabilnej powierzchni.
2. Odciągnąć przednią osłonę rąk (3) do tyłu do oporu, aby zwolnić hamulec łańcuchowy. (Rys. 2)
3. Aby zmniejszyć napięcie, należy obrócić śrubę napinającą łańcucha (23) w kierunku przeciwnym do ruchu wskazówek zegara za pomocą śrubokręta płaskiego (20).
4. Usunąć obie nakrętki mocujące (16) za pomocą klucza do świece (20).
5. Zdjąć osłonę koła łańcuchowego (17).
6. Ostrożnie zdjąć łańcuch tnący (1) z szyny prowadzącej (2) i koła łańcuchowego (27).
7. Wyjąć szynę prowadzącą (2). W tym celu stosować pędzelek.
8. Teraz dokładnie wyczyść cały obszar napędu łańcuchowego oraz osłonę koła zębatego (17) za pomocą szczotki lub przez przedmuchiwanie (sprężonym powietrzem).

Montaż odbywa się w odwrotnej kolejności.

13.4 Konserwacja świecy zapłonowej (34) (rys. 19 / 20)

1. Zdemontować filtr powietrza (33) zgodnie z opisem w punkcie 13.2 „Czyszczenie filtra powietrza (33)”.
2. Wyjąć końcówkę przewodu świecy zapłonowej (35), obracając ją w lewo i w prawo i jednocześnie pociągając. Przytrzymać i ciągnąć końcówkę przewodu świecy zapłonowej (35) tylko za wtyczkę. Nigdy nie ciągnąć za kabeł!
3. Poluzować świecę zapłonową (34) za pomocą dotychczasowego klucza do świece zapłonowych (20).
4. Montaż odbywa się w odwrotnej kolejności.

Odstęp elektrod = 0,6 mm - 0,7 mm (Odległość między elektrodami, między którymi generowana jest iskra zapłonowa). Sprawdzić świecę zapłonową (34) po 10 roboczogodzinach pod kątem zabrudzeń i wyczyścić ją ewentualnie szczotką drucianą.

Następnie przeprowadzić konserwację świecy zapłonowej (34) co 50 roboczogodzin.

13.5 Konserwacja smarowania łańcucha

- Patrz rozdział „Sprawdzanie i ustawianie smarowania łańcucha”.

13.6 Konserwacja i ustawianie gaźnika

- Jeżeli łańcuch tnący (1) znajduje się w trybie jałowym lub silnik automatycznie gaśnie przy odejmowaniu gazu, należy dokonać ustawienia gaźnika.

Wskazówka

Ustawienia gaźnika (np. prędkość obrotowa na biegu jałowym) zlecać do wykonania wyłącznie wykwalifikowanemu, specjalistycznemu personelowi, aby uniknąć uszkodzenia silnika.

13.7 Konserwacja szyny prowadzącej (2)

- Usunąć ewentualne zadziory powstałe na krawędzi szyny za pomocą pilnika do metalu.
- Wpust szyny prowadzącej (2) oczyścić pędzelkiem lub sprężonym powietrzem (rys. 21). Wymienić szynę prowadzącą (2), gdy tylko wpust prowadnicy (28) ulegnie zużyciu.
- Obracać szynę prowadzącą (2) po każdym zastosowaniu, aby zapewnić równomierne zużycie.
- Sprawdzić, czy koło zębate (30) na końcu szyny prowadzącej (2) pracuje płynnie. W razie potrzeby nasmarować je olejem do łożysk. Niech trochę oleju łożyskowego kapnie do otworu smarowania (31). (Rys. 21)

13.8 Kontrola hamulca łańcuchowego

Patrz rozdział 10.5 „Kontrola hamulca łańcuchowego”

OSTRZEŻENIE

NIEBEZPIECZEŃSTWO ODRZUTU!

Niedziałający hamulec łańcuchowy zwiększa ryzyko odrzutu.

Regularnie sprawdzać hamulec łańcuchowy.

Sprawny hamulec łańcuchowy jest niezbędny dla Twojego bezpieczeństwa.

13.9 Napinanie i sprawdzanie łańcucha tnącego (1)

Patrz rozdział 9.2 „Kontrola i napinanie łańcucha tnącego (1)”

13.10 Ostrzenie i pielęgnacja łańcucha tnącego (1)

OSTRZEŻENIE

Niebezpieczeństwo odniesienia obrażeń!

Podczas dotykania łańcucha tnącego (1) należy zawsze nosić rękawice ochronne. Niebezpieczeństwo odniesienia obrażeń na ostrych zębach tnących!

Wskazówka

Optymalnie zadbany i naostrzony łańcuch tnący (1) zmniejsza obciążenie fizyczne, zużycie i prowadzi do dobrego rezultatu cięcia.

Regularnie czyścić, pielęgnować i ostrzyć łańcuch tnący (1).

Regularnie kontrolować łańcuch tnący (1) pod kątem pęknięć i uszkodzonych nitów.

Istnieje możliwość zamocowania stojaka do szlifowania w celu zapewnienia bezpiecznego mocowania podczas szlifowania.

Do zawartego w zakresie dostawy łańcucha tnącego (1) stosować tylko specjalne pilniki okrągłe o \varnothing 4,8 mm (3/16").

W zestawie do ostrzenia znajdują się szczegółowe informacje dotyczące procesu ostrzenia.

Ewentualnie można zastosować elektryczną ostrzałkę do łańcuchów i postępować zgodnie z instrukcją producenta.

W razie wątpliwości co do prawidłowego wykonania pracy należy wymienić łańcuch tnący (1).

W razie potrzeby zlecić naostrzenie łańcucha tnącego (1) w specjalistycznym warsztacie.

- Wymagane wyposażenie (nieobjęte zakresem dostawy):
 - Pilniki okrągłe do łańcuchów tnących \varnothing 4,8 mm (3/16")
 - Pilnik płaski
 - Ogranicznik głębokości
- Piłować tylko ruchem do przodu, aby usunąć materiał.
- Piłować z kątem ostrym ok. 25° przy nachyleniu 10° do szyny prowadzącej (2).
- Sprawdzić odległość granicy głębokości za pomocą ogranicznika głębokości.
- Prawidłowa odległość ogranicznika głębokości powinna wynosić 0,6 mm (0,024").

13.11 Okresy konserwacji

W celu zagwarantowania długiego okresu użytkowania oraz uniknięcia szkód i zapewnienia pełnej sprawności urządzeń zabezpieczających należy regularnie przeprowadzać poniżej opisane prace konserwacyjne. Roszczenia z tytułu gwarancji są uznawane tylko pod warunkiem, że prace te były wykonywane regularnie i prawidłowo.

W przypadku nieprzestrzegania tych wskazówek istnieje niebezpieczeństwo wypadku!

Użytkownicy pił łańcuchowych mogą przeprowadzać prace konserwacyjne i pielęgnacyjne, które opisano w niniejszej instrukcji eksploatacji.

Prace wykraczające poza ich zakres mogą być wykonywane tylko przez warsztat specjalistyczny.

Informacje ogólne	Cała piła do przycinania drzew	Wyczyścić na zewnątrz i sprawdzić pod kątem uszkodzeń. W razie uszkodzeń natychmiast zlecić profesjonalną naprawę.
	łańcuch tnący	Regularnie ostrzyć, wymieniać we właściwym czasie.
	Hamulec łańcuchowy	Regularnie zlecać kontrolę w warsztacie specjalistycznym
	Szyna prowadząca	Obracać, aby obciążane powierzchnie robocze zużywały się równomiernie. Wymieniać w odpowiednim czasie.
Przed każdym uruchomieniem	łańcuch tnący	Sprawdzić pod kątem uszkodzeń i ostryści. Skontrolować napięcie łańcucha.
	Szyna prowadząca	Sprawdzić pod kątem uszkodzeń.
	Smarowanie łańcucha	Kontrola działania
	Hamulec łańcuchowy	Kontrola działania
	Włęcznik / wylęcznik, blokada dźwigni gazu, dźwignia gazu	Kontrola działania
	Zamknięcie zbiornika paliwa i oleju łańcuchowego	Sprawdzić pod kątem szczelności.
Codziennie	Filtr powietrza	Czyszczenie
	Szyna prowadząca	Sprawdzić pod kątem uszkodzeń, wyczyścić otwór wlewu oleju
	Element ustalający szynę	Wyczyścić, w szczególności wpust prowadzący olej
	Prędkość obrotowa na biegu jałowym	Skontrolować (łańcuch nie może się poruszać)
co tydzień	Obudowa wentylatora	Wyczyścić, aby zagwarantować bezusterkowe prowadzenie powietrza chłodzącego
	Świeca zapłonowa	Sprawdzić, w razie potrzeby wymienić
	Tłumik hałasu	Sprawdzić pod kątem uciążliwości hałasu
	Chwytnik łańcucha	Sprawdzić pod kątem uszkodzeń, w razie potrzeby wymienić
	Śruby i nakrętki	Sprawdzić stan i prawidłowe osadzenie
co kwartał	Głowica ssąca Zbiornik paliwa, oleju do łańcucha	Wymienić Czyszczenie
Przechowywanie	Cała piła do przycinania drzew	Wyczyścić na zewnątrz i sprawdzić pod kątem uszkodzeń W razie uszkodzeń natychmiast zlecić profesjonalną naprawę
	łańcuch tnący i szyna tnąca	Zdemontować, wyczyścić i lekko naoliwić Wyczyścić wpust prowadnicy szyny prowadzącej
	Zbiornik paliwa, oleju do łańcucha	Opróżnić i wyczyścić
	Gaźnik	Opróżnić

13.12 Ważna wskazówka dotycząca naprawy

W przypadku odsyłania urządzenia do naprawy w stacji serwisowej należy pamiętać, aby ze względów bezpieczeństwa zostało ono opróżnione z oleju i benzyny.

13.13 Informacje serwisowe

Należy pamiętać, że w przypadku tego produktu poniższe części podlegają naturalnemu zużyciu lub zużyciu uwarunkowanemu użytkowaniem, bądź są potrzebne jako materiały zużywalne.

Części zużywalne*: łańcuch tnący, szyna prowadząca, olej łańcuchowy, olej silnikowy, ogranicznik pazurowy, chwytak łańcucha, świeca zapłonowa, filtr powietrza, filtr paliwa, filtr oleju do łańcucha

* opcjonalnie w zakresie dostawy!

Zatwierdzony zestaw tnący

łańcuch tnący

Kangxin 3/8LP-40.....7910100739

Oregon 91P040X.....3910102032

Szyna prowadząca

Kangxin AP10-40-509P7910100740

Oregon 100SDEA0417910100744

14. Przechowywanie

Klucz do świec zapłonowych / śrubokręt szczelinowy (20) można zamocować z boku osłony szyny prowadzącej (21) w celu przechowywania.

Podczas przechowywania należy zawsze stosować osłonę szyny prowadzącej (21).

Przed każdym przechowywaniem należy wyczyścić i zakonserwować urządzenie patrz rozdział „Czyszczenie i konserwacja”.

Opróżnić całkowicie zbiornik oleju lub paliwa.

OSTRZEŻENIE

Nie opróżniać benzyny w pomieszczeniach zamkniętych, w pobliżu ognia lub podczas palenia tytoniu. Opary gazu mogą spowodować wybuch lub ogień.

- Uruchomić silnik i pozostawić pracujący, aż reszta benzyny zostanie zużyta.

Urządzenie i jego wyposażenie przechowywać w miejscu zaciemnionym, suchym i zabezpieczonym przed mrozem oraz niedostępnym dla dzieci. Optymalna temperatura przechowywania wynosi od 5 do 30°C.

Nie przechowywać ani nie używać piły łańcuchowej w temperaturze poniżej 0°C!

Nie przechowywać nigdy piły łańcuchowej dłużej niż 30 dni, bez wykonania następujących czynności.

Przestrzegać wskazówek dotyczących czyszczenia i konserwacji przed przechowywaniem urządzenia!

14.1 Składowanie piły łańcuchowej

W przypadku przechowywania piły łańcuchowej przez okres dłuższy niż 30 dni, należy ją do tego celu odpowiednio przygotować. W przeciwnym razie paliwo pozostałe w gaźniku ułotni się, pozostawiając gumowy nalot. Mogłoby to utrudnić uruchomienie i skutkować drogą naprawą.

1. Zdjąć powoli zamknięcie zbiornika paliwa (13), by zredukować ewentualnie ciśnienie w zbiorniku. Opróżnić ostrożnie zbiornik.
2. Uruchomić silnik i pozostawić pracujący do momentu aż piła łańcuchowa się zatrzyma, by usunąć paliwo z gaźnika.
3. Pozostawić silnik do ostygnięcia (ok. 5 minut).
4. Usunąć świecę zapłonową (34).
5. Dodać jedną łyżeczkę czystego oleju do silników dwusuwowych do komory spalania. Kilkakrotnie pociągnąć powoli za uruchamiającą linkę ciągnową (8), aby pokryć nią wewnętrzne elementy. Ponownie włożyć świecę zapłonową (34).

Przechowywać piłę łańcuchową w suchym miejscu i z dala od ewentualnych źródeł zapłonu, np. piec, bojler grzewczy na gaz, suszarka gazowa, itp. poza zasięgiem dzieci.

Zawsze nakładać osłonę szyny prowadzącej (21), jeśli łańcuch tnący (1) i szyna prowadząca (2) nie są zdemontowane

14.2 Ponowne uruchomienie piły łańcuchowej

1. Usunąć świecę zapłonową (34).
2. Pociągnąć szybko uruchamiającą linkę ciągnową (8), by usunąć nadmiar oleju z komory spalania.
3. Wyczyścić świecę zapłonową (34) i zwrócić uwagę na prawidłowy odstęp elektrod na świecy zapłonowej (34); bądź włożyć nową świecę zapłonową (34) z prawidłowym odstępem elektrod.
4. Przygotować piłę łańcuchową do eksploatacji.
5. Napełnić zbiornik prawidłową mieszanką oleju i paliwa (1:40).

14.3 Przechowywanie paliwa

Paliwa można przechowywać tylko w ograniczonym stopniu. Paliwo i mieszanki paliwowe ulegają procesowi starzenia wskutek parowania, w szczególności pod wpływem wysokich temperatur. Z tego względu zbyt długo przechowywane paliwo lub mieszanki paliwowe mogą powodować problemy podczas uruchamiania lub prowadzić do uszkodzenia silnika. Kupować taką ilość paliwa, jaka jest możliwa do zużycia w ciągu kilku miesięcy. W przypadku wysokich temperatur mieszankę paliwową zużyć w ciągu 6-8 tygodni.

Przechowywać paliwo tylko w dozwolonych zbiornikach, w chłodnym i bezpiecznym miejscu!

OSTRZEŻENIE

Unikać kontaktu ze skórą i oczami!

Produkty oleju mineralnego oraz oleje odłuszczejają skórę. W przypadku powtarzającego się i dłuższego kontaktu skóra wysycha. Skutkiem mogą być różne choroby skóry. Ponadto znane są reakcje alergiczne.

Kontakt oleju z oczami powoduje podrażnienia. W przypadku kontaktu z oczami natychmiast przepłukać je wodą. W przypadku utrzymującego się podrażnienia natychmiast skontaktować się z lekarzem!

15. Utylizacja i ponowne wykorzystanie

Wskazówki dotyczące opakowania



Materiały opakowaniowe nadają się do recyklingu. Opakowania należy utylizować w sposób przyjazny dla środowiska.

Informacji o możliwościach utylizacji starych urządzeń można zasięgnąć w urzędzie miasta lub gminy.

Paliwa i oleje

- Przed utylizacją urządzenia należy opróżnić zbiornik paliwa i zbiornik oleju silnikowego!
- Paliwa i oleju silnikowego nie należy wyrzucać do odpadów domowych ani kanalizacji, ale należy je zbierać lub usuwać oddzielnie!
- Puste zbiorniki po oleju i paliwie należy utylizować w sposób przyjazny dla środowiska.

16. Pomoc dotycząca usterek

Usterka	Możliwa przyczyna	Środek zaradczy
Silnik nie uruchamia się lub uruchamia się, ale nie kontynuuje pracy.	Nieprawidłowa procedura uruchamiania.	Należy przestrzegać instrukcji zawartych w niniejszej instrukcji.
	Nieprawidłowo ustawiona mieszanka gaźnika.	Zlecić regulację gaźnika w autoryzowanej stacji obsługi.
	Okopcona świeca zapłonowa.	Wyczyścić/ustawić lub wymienić świecę zapłonową.
	Zatkany filtr paliwa.	Wymieniać filtr paliwa.
Silnik uruchamia się, ale nie pracuje z pełną mocą.	Zabrudzony filtr powietrza	Wyjąć filtr, wyczyścić go i włożyć ponownie.
	Nieprawidłowo ustawiona mieszanka gaźnika.	Zlecić regulację gaźnika w autoryzowanej stacji obsługi.
Silnik zacina się	Nieprawidłowo ustawiona mieszanka gaźnika.	Zlecić regulację gaźnika w autoryzowanej stacji obsługi.
Brak mocy przy obciążeniu	Nieprawidłowo ustawiona świeca zapłonowa.	Wyczyścić/ustawić lub wymienić świecę zapłonową.
Silnik pracuje nieregularnie	Nieprawidłowo ustawiona mieszanka gaźnika.	Zlecić regulację gaźnika w autoryzowanej stacji obsługi.
Nadmierna ilość dymu.	Nieprawidłowa mieszanka paliwa.	Stosować prawidłową mieszankę paliwową (stosunek 1:40).
Brak mocy przy obciążeniu	łańcuch tępy lub łańcuch poluzowany	Naostrzyć łańcuch lub włożyć nowy. Napiąć łańcuch.
Silnik zdycha	Pusty zbiornik benzyny lub nieprawidłowo umieszczony filtr paliwa	Napełnić zbiornik benzyny. Całkowicie napełnić zbiornik benzyny lub inaczej ustawić filtr paliwa w zbiorniku benzyny.
Niewystarczające smarowanie łańcucha (miecz i łańcuch są gorące)	Pusty zbiornik oleju łańcuchowego	Uzupełnić zbiornik oleju łańcuchowego.
	Zatkane przepusty olejowe	Wyczyścić otwór olejowy z mieczem. Wyczyścić rowek miecza.

17. Gwarancja

Drodzy Klienci,

Wszystkie nasze produkty przechodzą przez rygorystyczną kontrolę jakości, aby zapewnić, że dotrą do Państwa w idealnym stanie. W mało prawdopodobnej sytuacji wystąpienia usterki w Państwa urządzeniu, proszę skontaktować się z naszym działem serwisu pod adresem podanym w niniejszej karcie gwarancyjnej. Oczywiście, jeśli wolelibyście Państwo do nas zadzwonić, jesteśmy również gotowi zaoferować pomoc pod numerem telefonu serwisu wydrukowanym poniżej. Proszę zwrócić uwagę na następujące warunki gwarancyjne, jakich należy przestrzegać w celu zgłaszania roszczeń gwarancyjnych:

- Te warunki gwarancji dotyczą dodatkowych uprawnień gwarancyjnych i w żadnym stopniu nie ograniczają Państwa praw ustawowych. Niniejsza gwarancja jest oferowana bezpłatnie.
- Nasza gwarancja obejmuje jedynie problemy wynikające z wad materiałowych lub wad wykonania i ogranicza się do usunięcia tych wad lub wymiany urządzenia. Proszę zwrócić uwagę, że nasze urządzenia nie są przeznaczone do użytkowania w zastosowaniach komercyjnych, handlowych lub przemysłowych. W związku z powyższym, gwarancja traci ważność, jeśli urządzenie zostanie wykorzystane w zastosowaniach komercyjnych, handlowych lub przemysłowych lub w innych równoważnych zastosowaniach. Gwarancja nie obejmuje również następujących kwestii: odszkodowanie za uszkodzenia w transporcie, uszkodzenia spowodowane nieprzestrzeganiem instrukcji instalacji/montażu lub uszkodzenia spowodowane niefachową instalacją, nieprzestrzeganiem instrukcji obsługi (np. podłączenie do błędnego napięcia lub natężenia sieciowego), błędnym lub nieodpowiednim użytkowaniem (np. przeciążenie urządzenia lub użycie niezatwierdzonych narzędzi lub akcesoriów), nieprzestrzeganiem przepisów konserwacji lub bezpieczeństwa, przedostaniem się ciał obcych do urządzenia (np. piasek, kamienie lub pył), rezultaty użycia siły lub zewnętrznych czynników (np. uszkodzenie spowodowane upuszczeniem urządzenia) i normalne zużycie wynikające z poprawnego użytkowania urządzenia.

Każda próba ingerencji w urządzenie lub jego modyfikacji skutkuje unieważnieniem gwarancji.

- Gwarancja obowiązuje przez 3 lata od dnia zakupu urządzenia. Roszczenia gwarancyjne należy składać przed upływem okresu gwarancji w okresie dwóch tygodni od zauważenia wady. Roszczenia gwarancyjne składane po upływie okresu gwarancji nie będą przyjmowane. Wraz z wymianą urządzenia lub jego części składowych rozpoczyna się ponownie okres gwarancyjny zgodnie z art. 581 § 1 Kodeksu Cywilnego. Dotyczy to również korzystania z serwisu na miejscu.
- W celu zgłoszenia roszczenia gwarancyjnego należy skorzystać z podanego poniżej adresu serwisu. Jeżeli reklamacja zostanie złożona w okresie objętym gwarancją, udostępnimy Państwu formularz zwrotu, który umożliwi bezpłatne odesłanie uszkodzonego urządzenia. Bardzo pomoże nam jak najbardziej szczegółowe opisanie przez Państwa charakteru problemu. Jeśli wada jest objęta gwarancją, urządzenie zostanie albo niezwłocznie naprawione i przekazane Państwu albo prześlemy Państwu nowe urządzenie.

Oczywiście z przyjemnością oferujemy także usługę odpłatnej naprawy wad, które nie są objęte zakresem niniejszej gwarancji, a także usługi pogwarancyjnej naprawy urządzeń. Aby skorzystać z takich usług, proszę przesłać urządzenie na adres naszego serwisu.

Infolinia serwisu (PL):

00800 4003 4003

Adres e-mail (PL):

service.PL@schepdach.com

Adres serwisu (PL):

Arconet Sp. z o.o

ul.Grobelnego 4

PL - 05-300 Minsk Mazowiecki







Na stronie www.lidl-service.com można pobrać ten oraz wiele innych podręczników, filmów produktowych oraz programów instalacyjnych.

Za pomocą kodu QR przechodzi się bezpośrednio do strony serwisu Lidl (www.lidl-service.com), a po wpisaniu numeru artykułu (IAN) 436506_2304 można pobrać instrukcję obsługi.

1.	Forklaring til symbolerne på maskinen	252
2.	Brugertips.....	253
3.	Indledning.....	254
4.	Produktbeskrivelse	254
5.	Leveringsomfang	255
6.	Tilsløst brug	255
7.	Sikkerhedsforskrifter	255
8.	Tekniske data.....	260
9.	Før ibrugtagning.....	260
10.	Ibrugtagning.....	262
11.	Anvendelse	264
12.	Transport.....	267
13.	Rengøring og vedligeholdelse	267
14.	Opbevaring.....	270
15.	Bortskaffelse og genanvendelse	271
16.	Afhjælpning af fejl.....	272
17.	Garantibevis.....	273
18.	Eksplønstegning.....	275
19.	Overensstemmelseserklæring.....	276

1. Forklaring til symbolerne på maskinen

	Du skal læse, forstå og overholde alle advarselsinstrukser.		Læs hele anvisningen, inden du bruger maskinen.
	Advarsel! Fare for kast. Tag dig i agt for tilbageslag fra kædesaven, og undgå kontakt med skinnespidsen.		Brug ikke apparatet, når det regner eller under fugtige betingelser.
	Brug beskyttelsesbriller. Brug høreværn.		Benyt hjelm.
	Brug altid sikkerheds- og antivibrationshandsker, når du arbejder med maskinen.		Brug altid skridhæmmende sikkerhedssko med snitbeskyttelse, når du arbejder med maskinen.
	Det er vigtigt at bruge beskyttelse til fødder, ben, hænder og underarme.		Bedjen altid kædesaven med begge hænder. Du må ikke arbejde alene med kædesaven.
	Pas på! Brug af kædesav i kombination med tovkatreteknik. Gør dig fortløbig med alle arbejdsanvisninger, før du går i gang med arbejdet!		Åben ild er forbudt i arbejdsområdet!
	Påfyldningsåbning til brændstof. Olie- og brændstofblanding 1:40.		Omløbsretning
	Olietankdæksel for kædeolie.		Indstilling af kædebremsen: Hvid pil: Kædebremse inaktiv. Sort pil: Kædebremse aktiv.
	Startarm (choker)		Kædebremse løsnes.
	Aktiver kædebremse.		Savkædens indbygningsretning.
	Indstilling af kædesmøring.		Maskinens garanterede lydeffektniveau.

	<p>Pas på! Varme dele.</p>	 <p>push primer 6 times</p>	<p>Tryk 6 gange på brændstofpumpen (primer).</p>
	<p>Kædens løberetning.</p>		<p>Indstilling af kædespænding.</p>
<p>FARE</p>		<p>Signalord til angivelse af en overhængende farlig situation, som, hvis den ikke undgås, vil medføre død eller alvorlig personskade.</p>	
<p>ADVARSEL</p>		<p>Signalord til angivelse af en potentielt farlig situation, som, hvis den ikke undgås, kan medføre død eller alvorlig personskade.</p>	
<p>FORSIGTIG</p>		<p>Signalord til angivelse af en potentielt farlig situation, som, hvis den ikke undgås, kan medføre mindre eller moderat personskade.</p>	
<p>BEMÆRK</p>		<p>Signalord til angivelse af en potentielt farlig situation, som, hvis den ikke undgås, kan medføre materielle skader på produktet eller ejendom/besiddelse.</p>	

2. Brugertips

ADVARSEL:

Læs venligst hele vejledningen omhyggeligt igennem, inden du bruger maskinen første gang, og følg altid sikkerhedsforskrifterne! Denne træbeskæringssav må kun betjenes af "førere af træbeskæringssave med supplerende uddannelse i arbejde fra løfte- eller stigekurve og/eller med tovklatreteknik"!

Opbevar betjeningsvejledningen omhyggeligt!

Bemærk:

Vær opmærksom på, at nogle nationale forskrifter kan indskrænke brugen af maskinen.



Denne træbeskæringssav er specielt designet til træbeskæring og trækirurgi. Alt arbejde med træbeskæringssave er specielt designet til træbeskæring og trækirurgi. Alt arbejde med denne træbeskæringssav må kun udføres af uddannede førere af træbeskæringssave!

3. Indledning

PRODUCENT:

Schepach GmbH

Günzburger Straße 69

D-89335 Ichenhausen

KÆRE KUNDE

Vi ønsker dig rigtig god fornøjelse og held og lykke med arbejdet med dit nye apparat.

BEMÆRK:

Iht. den gældende lov om produktansvar hæfter producenten af denne maskine ikke for skader, der opstår på eller i forbindelse med denne maskine i forbindelse med:

- forkert behandling
- manglende overholdelse af betjeningsvejledningen
- reparationer gennemført af tredjemand og/eller af ikke autoriserede fagfolk
- indbygning og udskiftning af ikke originale reservedele
- ikke-tilsigtet brug.

Vær opmærksom på følgende:

Læs hele brugsanvisningens tekst igennem før montering og før ibrugtagning.

Formålet med denne brugsanvisning er at gøre det lettere for dig at lære apparatet at kende og benytte det som tilsigtet.

Brugsanvisningen indeholder vigtige oplysninger om, hvordan man bruger apparatet sikkert, professionelt og økonomisk, og hvordan man undgår farer, sparer reparationsomkostninger, reducerer driftsstop og øger apparatets driftssikkerhed og levetid.

Udover sikkerhedsbestemmelserne i denne brugsanvisning skal de forskrifter vedr. brug af apparatet, der måtte gælde i det enkelte land (brugslandet), overholdes til punkt og prikke.

Opbevar brugsanvisningen i nærheden apparatet; pak den ind i en plastikpose, så den er beskyttet mod snavs og fugt. Den skal læses og overholdes nøje af alle betjeningspersoner, før arbejdet startes.

Arbejde på apparatet på kun udføres af personer, der er instrueret i brug af apparatet, og som er informeret om de dermed forbundne farer. Den lovmæssige mindstealder skal overholdes.

Ud over sikkerhedsanvisningerne i denne brugsanvisning og de særlige forskrifter, der gælder i brugslandet, skal de almindeligt anerkendte, tekniske regler, der gælder i forbindelse med brug af træbearbejdningsmaskiner, overholdes.

Vi fraskriver os ethvert ansvar for uheld eller skader, der måtte opstå som følge af manglende overholdelse af denne vejledning og sikkerhedsinstruktionerne.

4. Produktbeskrivelse

1. Savkæde
2. Styreskinne
3. Forreste håndbeskyttelse
4. Brændstofpumpe "primer"
5. Gashåndtag
6. Bageste støttegreb
7. Spærreknap til gasregulator
8. Startsnoretæk
9. Luftfilterafdækning
10. Lukning for luftfilterafdækningen
11. Kædeolietank-lukning
12. Forreste håndtag
13. Brændstofftank-lukning
14. Startarm (choker)
15. Tænd/Sluk-knap
16. Fastgørelsesmøtrikker
17. Kædehjulsaafdækning
18. Lyddæmper
19. Ophængsordening
20. Tændrørsnøgle / kærnskruetrækker
21. Sværdbeskytter
22. Blandingsbeholder
23. Kædestrammeskruer
24. Barkstøtte
25. Kædefanger
26. Kædestrammestift
27. Kædehjul
28. Føringsrille
29. Fastgørelsesbolt
30. Tandhjul
31. Smøredåbning
32. Oliereguleringskrue
33. Luftfilter
34. Tændrør
35. Tændrørsstik
36. Sugehoved

5. Leveringsomfang

- Træbeskæringssav
- Savkæde
- Styreskinne
- Sværdbeskytter
- Tændrørsnøgle / kærvskruetrækker
- Blandingsbeholder

6. Tilsigtet brug

Dette apparat er en særdeles let, praktisk træbeskæringssav med ovenliggende håndtag. Træbeskæringsssaven er udviklet specielt til trækirurgi og træbeskæring. Derfor må disse træbeskæringsssave kun betjenes af "førere af træbeskæringsssave med supplerende uddannelse i arbejde fra løfte- eller stige-kurve og/eller med tovklatreteknik".

Til lejlighedsvis brug til tyndt træ, beskæring af frugttræer, afgrening og afkortning.

Forarbejdning af brænde må kun udføres, så længe træets diameter ikke overstiger snitlængden (20 cm).

Til sådanne arbejdsopgaver anbefaler vi en traditionel motorsav med lang grebsafstand eller snitlængde.

Følgende personer må ikke anvende enheden:

Personer, der ikke er fortrolige med betjeningsvejledningen, børn under 16 år samt personer, der er påvirket af alkohol, narkotika eller medicin, samt som er trætte eller syge.

Maskinen er udelukkende beregnet til at save i træ. Producenten er ikke ansvarlig for skader, der er opstået ved ikke-formålsbestemt anvendelse eller forkert betjening.

Apparatet må kun bruges som tilsigtet. Enhver anden form for brug falder uden for den korrekte anvendelse. Brugeren, ikke producenten, bærer ansvaret for materielle skader eller personskader af enhver art, der måtte opstå som følge heraf.

Tilsigtet anvendelse omfatter også overholdelse af sikkerhedsanvisningerne og monteringsvejledningen samt driftsanvisningerne i betjeningsvejledningen.

Personer, der betjener og vedligeholder apparatet, skal være fortrolige med denne og være informeret om mulige farer.

Derudover skal de gældende uheldsforebyggende forskrifter overholdes meget nøje.

Andre, generelle regler inden for arbejdsmedicinske og sikkerhedstekniske områder skal overholdes.

Hvis der foretages ændringer ved apparatet, bortfalder producentens ansvar for deraf følgende skader.

Vær opmærksom på, at vores apparater ikke er konstrueret til erhvervsmæssig, håndværksmæssig eller industriel brug. Vi fraskriver os ansvaret, hvis apparatet bruges i erhvervs-, håndværks- eller industrivirksomheder samt til lignende arbejde.

FARE

Iht. den gældende lov om produktansvar hæfter producenten af denne maskine ikke for skader, der opstår på eller i forbindelse med denne maskine i forbindelse med:

- indbygning og udskiftning af ikke originale reservedele
- fjernelse eller ændring af sikkerhedskomponenter.

6.1 Ikke tilsigtet brug

- Dette apparat er ikke egnet til træfældning.
- Undlad at bruge styreskinnen som arm til at bevæge træstammer eller lignende.
- Savning af træ med en diameter over 20 cm er ikke tilladt.

7. Sikkerhedsforskrifter

7.1 Generelle bemærkninger

ADVARSEL

Vær altid opmærksom, vær agtpågivende på, hvad du gør, og brug altid sund fornuft under arbejdet med apparatet. Brug ikke apparatet, hvis du er træt eller påvirket af narkotika, alkohol eller medikamenter. Et øjeblik uagtsomhed, mens apparatet bruges, kan føre til alvorlige personskader. Undgå misbrug, benyt kun maskinen som beskrevet under "Tilsigtet brug".

Denne brugsanvisning indeholder vigtige oplysninger om, hvordan man kan arbejde sikkert og korrekt med kædesaven og kan undgå ulykker.

Hvis der på trods af dette skulle opstå en blokering mellem skærematerialet og savkæden, skal man straks slukke apparatet. Vent, indtil savkæden er helt stoppet. Fjern tændrørshætte, og ifør dig skæreb Bestandige handsker for at fjerne blokeringen. Hvis styreskinnen (sværdet) skal fjernes, skal man følge anvisningerne i kapitlet "Montering". Efter fjernelse af blokeringen og genmontering skal der udføres en testkørsel.

Hvis du bemærker vibrationer eller mekanisk støj, skal du ophøre med at arbejde og kontakte et autoriseret servicecenter.

Hvis denne fare opstår oftere, anbefaler vi, at du genuddanner dig.

- Læs venligst hele brugsanvisningen til apparatet inden ibrugtagning, og vær særligt opmærksom på sikkerhedsforskrifterne.
- Advarsels- og informationsskiltene, der er monteret på apparatet, giver vigtige oplysninger med henblik på sikker drift.
- Ud over oplysningerne i brugsanvisningen skal de gældende generelle sikkerheds- og ulykkesforebyggelsesregler overholdes.
- Emballagematerialer skal holdes på afstand af børn; kvælningfare!
- Utilstrækkeligt informerede brugere kan udsættes sig selv og andre personer for fare på grund af forkert brug. Brugeren er ansvarlig over for tredjemand.
- Foretag funktionstest af gashåndtaget inden arbejdsstart. Dette skal automatisk returnere til neutral position, så snart det slippes.
- Undlad at arbejde i mere end 10 minutter ad gangen. Det tilrådes at holde pauser på 10-20 minutter mellem arbejds-gangene.
- Lån kun apparatet ud til brugere, der har erfaring med det. Husk at udlevere driftsvejledningen.
- Visse saveopgaver kræver særlig uddannelse og specielle færdigheder. Hvis man er i tvivl, skal man kontakte en fagmand.
- Førstegangsbrugere skal gennemgå undervisning for at blive fortrolige med enhedens funktioner. Af hensyn til din sikkerhed skal du gennemgå et offentligt kædesavkursus.
- Når apparatet ikke er i brug, skal det opbevares på en sådan måde, at ingen personer kan blive bragt i fare. Skal sikres mod adgang for uvedkommende.
- Brugeren af apparatet er ansvarlig for alle ulykker og fæ- rer, som kan skade andre personer eller deres ejendom.
- Børn, unge og mennesker med nedsatte fysiske, sensoriske eller mentale evner må ikke bruge kædesaven. Undtagelser udgøres af unge over 16 år som led i uddannelse under opsyn af en fagmand.
- Apparatets elektriske tændingssystem genererer et lavt elektromagnetisk felt. Hvis du bruger pacemaker eller lignende implantater, skal du kontakte din læge, inden du bruger apparatet, for at undgå sundhedsrisici.
- Bemærk, at forkert udført vedligeholdelse, brug af ikke-kompatible reservedele eller fjernelse eller ændring af sikkerhedsanordninger kan resultere i skader på apparatet og forårsage alvorlige personskader for operatøren.

7.2 Personlige værnemidler (PPE)

▲ FARE

Brug altid personlige værnemidler (PPE)!

- Benyt en hjelm med ansigtsværn og/eller beskyttelsesbril- ler og høreværn.
- Benyt tætsiddende beskyttelsestøj med et snitbeskyttelses- indlæg.
- Brug skridsikre sikkerhedssko.
- Brug beskytteshandsker.
- Undgå løstsiddende tøj, som kan blive indfanget.
- Bær ikke tørklæde, slips og smykker!
- Ved langt hår skal der benyttes hårnæt!
- Brug altid hjelm, når der arbejdes i skoven. Denne beskyt- ter mod nedfaldende grene. Kontrollér hjelmen for skader med jævne mellemrum. Det skal udskiftes senest efter 5 år. Brug kun godkendte hjelme.
- Ansigtsværn og/eller beskyttelsesbriller holder savspåner og træsplinter væk. For at undgå øjenskader skal der altid bruges ansigtsværn og/eller beskyttelsesbriller under ar- bejdet med apparatet.
- Brug altid høreværn. Støjen fra apparatet kan medføre høreskader.
- Robuste beskytteshandsker af modstandsdygtig materiale som f.eks. læder.
- Benyt støvmaske, når der saves i tørt træ. Der kan dannes savstøv.
- Når brugeren arbejder i træet, kan han falde ned. Bru- geren kan blive alvorligt kvæstet eller dræbt. Bær udstyr til faldsikring.

7.3 Opbevaring og transport

- Inden hver transport skal kædesaven slukkes, også over korte afstande. Aktiver kædebremsen, og monter kædebe- skyttelsen.
- Benyt kædebeskyttelsen ved transport og opbevaring.
- Under transport (også i køretøjer) skal maskinen sikres, så den ikke kan vælte, for at undgå tab af brændstof, skader eller personskader.
- Apparatet må kun bæres i det forreste håndtag. Styreskin- nen skal da vende bagud, væk fra kroppen.
- Sørg for at holde den varme lyddæmper på afstand af kroppen. Fare for forbrænding!
- Kædesaven skal rengøres og vedligeholdes, inden den stilles til opbevaring.
- Opbevar apparatet på et sikkert og tørt sted. Den skal sik- res mod uautoriseret adgang.

7.4 Sikkerhed for omgivelserne

- Nationale og/eller kommunale regler kan begrænse brugen af støjende, motordrevne apparater. Dette kan du få oplyst hos din kommune.
- Apparatet må ikke bruges indendørs eller i andre dårligt oplyste områder. Der er risiko for kvælning pga. de giftige udstødningsgasser/smøreliedampe.
- Der må kun arbejdes i dagslys.
- Undlad at arbejde under ugunstige vejrforhold, f.eks. regn eller vind. Der er forhøjet ulykkesrisiko.
- Hold altid arbejdsområdet rent og ryddeligt.
- Hold børn og andre personer og dyr på afstand under arbejdet. Hvis du bliver forstyrret, kan du miste kontrollen over apparatet.
- Inden påbegyndelse af arbejdet skal man sikre sig, at der hverken er personer, dyr eller realværdier i farezonen.
- Undlad at arbejde i nærheden af ståltrådshegn eller i områder med løst skrottråd.
- Hav brandslukningsudstyr parat, hvis du befinder dig i et meget brandfarligt miljø, f.eks. ved arbejde i tørt græs osv. Brandfare!

7.5 Påfyld brændstof

- Benzin er ekstremt let-antændeligt. Tankning skal ske på afstand af åben ild, og der må ikke rygges imens. Brandfare!
- Pas på ikke at spilde benzin. Benzin eller kædeolie må ikke trænge ned i jorden. Benyt passende underlag.
- Der må kun tankes i områder med god ventilation. Benzindampe kan let blive antændt eller eksplodere.
- Sluk motoren inden tankningen, og lad apparatet køle af. Hvis der spildes benzin, skal man straks rengøre det pågældende sted. Sørg også for ikke at få brændstof på tøjet, da du ellers er nødt til at skifte det.
- Undgå hud- og øjenkontakt med benzin eller smøremidler (olie).
- Undgå at indånde benzindampe/smøreliedampe.
- Vær opmærksom på utætheder. Motoren må ikke startes, hvis der løber benzin ud. Fare for forbrænding.
- Åbn kun tanklukningen forsigtigt, så evt. overtryk kan undviges, og så der ikke sprøjter benzin ud.

7.6 Før ibrugtagning

ADVARSEL

Foretag altid inspektioner inden ibrugtagningen og med motoren slukket.

Kontroller apparatet inden hver brug, og efter at det er faldet på jorden for at sikre, at det er i driftsikker tilstand.

Forvis dig om, at alle bevægelige dele fungerer upåklageligt. Mange ulykker skyldes dårligt vedligeholdte værktøjer. Få beskadigede dele repareret af kvalificerede fagfolk. Brug kun kædesaven og tilbehøret i henhold til disse anvisninger. Tag hensyn til arbejdsvilkårene og den aktivitet, der skal udføres. Brug af motorværktøjer til andre formål end de tilsigtede kan medføre farlige situationer.

- Kontrollér med jævne mellemrum kædebremstens funktionalitet (forreste håndbeskyttelse, se fig. 2).
- Kontrollér, om styreskinnen er monteret rigtigt.
- Kontrollér, om savkæden er strammet korrekt. Følg anvisningerne for smøring, kædestramning og udskiftning af tilbehør. En forkert spændt eller smurt kæde kan enten bryde eller øge risikoen for tilbageslag.
- Hold skæreværktøj skarpt og rent. Foretag opslibning med jævne mellemrum, og udskift slidte dele i tide. Omhyggeligt plejet skæreværktøj med skarpe skærekanten sætter sig mindre hyppigt fast og er lettere at føre.
- Kontrollér, at gashåndtaget og spærreknappen til gasregulatoren går let og ubesværet. Gashåndtaget skal fjedre tilbage i udgangsposition.
- Kontrollér, om der er tilstrækkeligt brændstof og kædesmørelie i tanken.
- Kontrollér, om håndtagene er rene, tørre og fri for olie og snavs.
- Dette arbejde må du aldrig udføre alene. Der skal altid være en person i nærheden, hvis der skulle opstå en nødsituation.
- Brug kun kædesaven, når du står på et fast, sikkert og jævnt underlag. Undgå unormale kropsholdninger. Et smattet underlag eller ustabile flader som (f.eks. på en stige) kan bevirke, at du mister balancen eller kontrollen over kædesaven. Sørg for at stå sikkert, og hold altid ligevægten. På denne måde kan du bedre kontrollere kædesaven i uventede situationer.
- Brug ikke kædesaven på et træ. Ved brug på et træ er der risiko for personskade.
- Sav aldrig over skulderhøjde.
- Hold altid kædesaven med højre hånd i det bageste greb og med venstre hånd i det forreste greb. Hvis kædesaven holdes omvendt, øges risikoen for tilskadekomst, så saven må ikke holdes sådan.
- Når kædesaven er tændt, skal alle kropsdele pege væk fra savkæden. Sørg for, at savkæden ikke rører ved objekter, inden du starter kædesaven. Når du arbejder med en kædesav, kan et øjeblikkelig uopmærksomhed medføre, at tøj eller kropsdele gribes af savkæden.

- Sluk straks kædesaven, hvis du bemærker bemærkelsesværdige ændringer i apparatets adfærd.
- Hvis kædesaven kommer i kontakt med sten, søm eller andre hårde genstande, skal du straks stoppe motoren og kontrollere savkæden og styreskinnen for skader.
- Undlad at lade kædesaven falde ned, slå den ikke mod forhindringer, og brug ikke styreskinnen som arm.
- Kædesaven må kun benyttes til skæring i træ.
- Når du saver i en gren, der står under spænding, skal du regne med, at den svirper tilbage. Når spændingen i træets fibre udløses, kan en fastspændt gren ramme brugeren, og/eller kædesaven kan komme ud af kontrol.
- At skære i krat og unge træer kræver særlig forsigtighed. Det tynde materiale kan sætte sig fast i savkæden og svirpe imod dig eller få dig til at miste balancen.

7.7 Vibrationer

⚠ ADVARSEL

Undgå vibrationsrisici, f.eks. risiko for "hvide fingre" (kredsløbsforstyrrelser) ved hjælp af hyppige arbejdspauser, hvor du f.eks. gnider håndfladerne mod hinanden.

- Benyt altid beskyttelsehandsker, og sørg for at have varme hænder.
- Kontrollér, at kæden altid er skarp.
- Hold pauser med jævne mellemrum.

7.8 Forsigtighedsforanstaltninger mod tilbageslag

⚠ ADVARSEL

Vær opmærksom på tilbageslag under arbejdet med apparatet. Fare for personskade. Man undgår tilbageslag via forsigtig og korrekt saveteknik.

- En berøring med skinnespidsen kan nogle gange medføre en uventet bagudrettet reaktion, hvor styreskinnen slås opad og ind mod brugeren.
- Der kan opstå tilbageslag, hvis spidsen af styreskinnen rører ved en genstand, eller hvis træet bøjer sig, og savkæden sætter sig fast i snittet.
- Hvis savkæden fastklemmes ved styreskinnens overkant, kan kædesaven støde hurtigt og ukontrolleret tilbage i retning mod brugeren.
- Hvis savkæden fastklemmes ved styreskinnens underkant, kan kædesaven hurtigt og ukontrolleret trække sig tilbage i retning væk fra brugeren.

- Vær ekstremt forsigtig, når du indsætter kædesaven i et allerede påbegyndt snit for at fortsætte savningen.
- Undlad at save i grene eller træstykker, der kan ændre deres position under saveprocessen, eller hvor snittet lukker sig under saveprocessen.
- Enhver af disse reaktioner kan bidrage til, at du mister kontrollen over saven og eventuelt får alvorlige personskader. Stol ikke udelukkende på sikkerhedsanordningerne i kædesaven. Som bruger af en kædesav skal du træffe diverse foranstaltninger, så du kan arbejde uden at komme ud for ulykker og personskader.

Et tilbageslag er konsekvensen af forkert eller fejlagtig brug. Det kan forhindres ved bestemte forholdsregler, som er beskrevet nedenfor:

- Hold saven fast med begge hænder, så tommelfingeren og de andre fingre omslutter kædesavens greb. Din krop og dine arme skal være i en sådan position, at de kan modstå kræfterne ved kast. Hvis der træffes egnede foranstaltninger, kan brugeren modstå tilbageslagskræfterne. Giv aldrig slip på kædesaven.
- Undgå en unormal kropsholdning, og skær ikke over skulderhøjde. Derved undgår du utilsigtet berøring med skinnespidsen, og du får bedre kontrol over kædesaven i uventede situationer.
- Brug kun reserveskiner og savkæder, der er foreskrevet af producenten. Forkerte reserveskiner og savkæder kan medføre tilbageslag, og/eller at savkæden bryder.
- Overhold producentens anvisninger omkring filing og vedligeholdelse af savkæden. For lave dybdebegrænsere øger tendensen til tilbageslag.
- Undlad at save med spidsen af sværdet. Fare for tilbageslag. (fig. 7)
- Sørg for, at der ikke er søm eller metalstykker i skæreområdet. Vær særligt opmærksom på søm eller jernstykker omkring skæreområdet. Vær også forsigtig, når du saver i hårdt træ, hvor kæden kan sætte sig fast. Herved kan der ske tilbageslag.
- Start snittet med fuld kraft, og hold altid kædesaven kørende med maks. hastighed under savningen.
- Sørg for, at der ikke findes genstande på jorden, som du kan snuble over.

7.9 Arbejdsadfærd og -teknik

- Arbejd kun under gode sigt- og lysforhold. Vær særlig opmærksom ifm. glathed, fugt/regn, is og sne (glidefare). Øget glidefare findes på frisk skrælet træ (bark).

- Arbejd aldrig på ustabil undergrund. Vær opmærksom på forhindringer i arbejdsområdet, fare for at snuble. Vær hele opmærksom på, at du står sikkert og stabilt.
- Sav aldrig over skulderhøjde.
- Sav aldrig, når du står på en stige.
- Stig aldrig op i træet med kædesaven for at udføre arbejde, hvis du ikke er udstyret med passende selesystem for menneske og maskine. Det anbefales altid at udføre arbejdet ud fra en arbejdsplatform.
- Bøj dig ikke alt for meget fremover, når du arbejder.
- Før kædesaven på en sådan måde, at ingen kroplede befinder sig i savkædens forlængede drejgeområde.
- Brug kun kædesaven til at save i træ.
- Berør ikke jorden med den igangværende savkæde.
- Rengør området omkring snittet for fremmedlegemer som f.eks. sand, sten, søm osv. Fremmedlegemer beskadiger saveanordningen og kan føre til farlige tilbageslag (kick-back) og blive slynget væk.
- Brug et sikkert underlag til at save opskåret tømmer (helst en savbuk). Træet må ikke holdes fast med foden eller af en yderligere person.
- Rundtømmer skal sikres, så det ikke kan rotere under snittet.
- Der må aldrig arbejdes uden barkstøtte; kædesaven kan rive operatøren fremad. Brug barkstøtten ved savning i træstammer eller tykke grene. Brug af barkstøtten øger arbejdssikkerheden, reducerer personlig belastning under arbejdet, ligesom vibrationer formindskes.
- Til fælde- og afkortningsnit skal takstykket (kloanslag) anbringes på træet, der skal saves i. Det anbefales også at bruge takstykket, når tykke grene skal saves igennem.
- Anbring takstykket fast før ethvert afkortningsnit, sav først herefter i træet med igangværende savkæde. Saven trækkes op med det bageste greb og føres med bøjlegrebet. Takstykket fungerer som drejepunkt. Der flyttes med et let tryk på bøjlegrebet. Træk da kædesaven en smule tilbage. Anbring takstykket noget lavere og træk det bageste greb op igen.
- Vær forsigtig, hvis der saves i splintret træ. Afsavede træstykker kan rives med (fare for tilskadekomst).
- Kædesaven kan blive stødt ind mod brugeren, når der saves med skinneoversiden, hvis savkæden sætter sig fast. Derfor skal der helst saves med skinneundersiden, da kædesaven derved trækkes væk fra kroppen og ind mod træet.
- Et træ under spænding, skal der altid først saves ind på tryksiden. Først herefter kan skillesnittet gennemføres på træksiden. På den måde undgås det, at skinnen kommer i klemme.

- Når der arbejdes oppe i træet, kan motorsaven falde ned. Personer kan komme alvorligt til skade, og der kan ske materielle skader. Motorsaven skal sikres med ophængs-anordningen.
- Før savkæden føres i snitområdet, kan kædesaven glide ud til siden eller komme til at springe.

PAS PÅ

Øget fare for tilbageslag!

For at have fuldstændig kontrol over "gennemsavningen" skal modtrykket reduceres, når snittet er ved at være færdigt, uden at det faste greb omkring kædesavens håndgreb løsnes. Kontrollér, at savkæden ikke berører jorden. Når du er færdig med snittet, skal du vente, til savkæden er helt standset, før du fjerner kædesaven. Stop altid kædesavens motor, før du skifter fra træ til træ.

ADVARSEL

På grund af vibrationerne kan længere tids brug medføre dårligt blodomløb i hænderne hos brugeren (Raynauds syndrom).

Raynauds syndrom er en sygdom i blodkarrene, hvor blodkarrene i fingre og tæer pludseligt kramper sammen. De pågældende områder forsynes ikke tilstrækkeligt med blod og ser derfor ekstremt blege ud. Hyppig brug af vibrerende maskiner kan ved personer med nedsat blodomløb (f.eks. rygere, diabetikere) medføre ødelæggelse af nervebanerne.

Hvis du observerer usædvanlig nedsat funktion, indstil straks arbejdet, og opsøg læge.

Overhold følgende anvisninger for at reducere faren:

- Hold kroppen og navnlig hænderne varme, hvis det er koldt udenfor.
- Hold regelmæssige pauser, og bevæg hænderne for at sætte gang i blodomløbet.
- Sørg for minimal vibration ved regelmæssigt at vedligeholde maskinen og dens faste dele.

7.10 Restrisici

FARE

FARE FOR KVÆSTELSER!

Kontakt med savkæden kan medføre livsfarlige snitsår. Grib aldrig ind i savkæden, mens den er i drift.

FARE FOR KAST!

Kast kan medføre livsfarlige snitsår.

FARE FOR FORBRÆNDING!

Kæde og styreskinne bliver varme under driften.

Apparatet er bygget efter det aktuelle tekniske niveau og de anerkendte sikkerhedstekniske regler. Alligevel kan der være tilbageværende risici under driften.

Desuden kan der forefindes ikke-åbenbare tilbageværende risici, selv om alle foranstaltninger er truffet.

Tilbageværende risici kan reduceres til et minimum, hvis "Sikkerhedsanvisningerne" og "Brug i overensstemmelse med formålet" samt betjeningsvejledningen overholdes.

8. Tekniske data

Maskine uden sværd

Længde x Bredde x Højde	270 x 230 x 240 mm
Vægt utanket, uden skæreudstyr	ca. 3,4 kg
Vægt utanket, med skæreudstyr	ca. 3,8 kg
Tank til kædesmørelolie	0,16 l
Brændstoftank indhold	0,23 l
Olie- og brændstofblanding	1:40
Snitlængde	20 cm
Sværdlængde	30 cm
Automatisk kædeoliesmøring	ja
Kædedeling	3/8" (9,525 mm)
Kædedeledestykkelse	1,27 mm
Kædetype	3/8LP-40
Antal tænder drivkædehjul	6
Tanddeling drivkædehjul	3/8"
Sværdtype	AP10-40-509P
Kædehastighed maks.	21 m/s
Motor	1 cylinder 2 takt luftkølet
Motorcylindervolumen	25,4 cm ³
Maks. motoreffekt iht. ISO 7293	0,7 kW
Omdrejningstal i tomgang n ₀	3300 ± 300 min ⁻¹
Maksimalt omdrejningstal med skæresæt	11000 min ⁻¹
Tændrør	18RTC

Lydtrykniveauet bør så vidt muligt reduceres til et niveau, der ikke påvirker brugerens sundhed, afhængigt af brugen og det arbejde, der skal udføres. Lydtrykniveauet på arbejdspladsen kan overstige 80 dB. I så fald er lydbeskyttelsesforanstaltninger obligatorisk (f.eks. hørevern).

Begræns støjudvikling og vibrationer til et minimum!

- Brug kun intakte og ubeskadigede produkter.
- Vedligehold og rengør produktet med jævne mellemrum.
- Tilpas arbejdsmåden efter produktet.
- Overbelast ikke produktet.
- Lad i givet fald produktet blive underkastet et eftersyn.
- Sluk produktet, når det ikke benyttes.
- Brug handsker.

Målt lydtrykniveau L _{PA}	99,2 dB
Usikkerhed K _{PA}	3 dB
Garanteret lydeffektniveau L _{WA}	113 dB
Målt lydeffektniveau L _{WA}	108,7 dB
Usikkerhed K _{WA}	3 dB

Vibration, forreste håndtag	8,98 m/s ²
Vibration, bagerste håndtag	8,03 m/s ²
Usikkerhed	1,5 m/s ²

Brug hørevern.

Støjpåvirkning kan føre til høretab.

De angivne støjmissionsværdier er blevet målt iht. en standardiseret testproces og kan bruges til at sammenligne ét apparat med et andet.

De angivne støjmissionsværdier kan også bruges til at gennemføre en indledende vurdering af belastningen.

Advarsel:

- Støjmissionsværdierne kan afvige fra den angivne værdi, når apparatet rent faktisk bruges, afhængigt af hvordan det bruges, og af, hvilken type emne der bearbejdes.
- Forsøg at holde belastningen så lav som mulig. Eksempelvis ved at begrænse arbejdstiden. I denne forbindelse skal der tages højde for alle dele af driftscyklussen (f.eks. tider, hvor apparatet er slukket, og tider, hvor det godt nok er tændt, men hvor det kører uden belastning).

9. Før ibrugtagning

1. Åbn emballagen, og tag forsigtigt maskinen ud.
2. Fjern emballagematerialet samt emballage- og transportsikringer (hvis sådanne findes).
3. Kontrollér, om leveringsomfanget er fuldstændigt.
4. Kontrollér maskinen og tilbehørsdelene for transportskader.
5. Opbevar så vidt muligt emballagen frem til udløbet af garantiperioden.
6. Fjern lynguiden fra startsnoretrækket (8).

PAS PÅ

Apparatet og emballeringsmaterialet er ikke legetøj! Børn må ikke lege med plastposer, folie og smådele! Fare for slugning og kvælning!

9.1 Montering af styreskinne (2) og savkæde (1)

ADVARSEL

Fare for tilskadekomst!

Benyt altid beskyttelseshandsker, når du rører ved savkæden (1). Fare for personskade pga. skarpe tænder!

Brug kun godkendte kombinationer af savkæde (1) og styreskinne (2) (se kapitel "Godkendt skæreudstyr").

Foretag altid monteringen med motoren slukket.

Bemærk

En ny savkæde (1) udvider sig og skal efterstrammes ofte. Kontrollér kædestramningen med jævne mellemrum, og foretag justering efter behov.

Afhængig af slidet kan styreskinnen (2) vendes.

1. Stil kædesaven på et plant, stabilt underlag.
2. Træk den forreste håndbeskyttelse (3) helt tilbage til anslag for at løse kædebremsen. (fig. 2)
3. Fjern begge fastgørelsesmøtrikker (16) med tændrørsnøglen (20).
4. Tag kædehjulafdækningen (17) af.
5. Drej kædestrammeskruen (23) venstre (til venstre), til kædestrammestift (26) står ved højre anslag (fig. 3). Dette gøres ved hjælp af kærsvkrætrækkeren (20).
6. Skub styreskinns (2) langhul hen over de to udragen- de fastgørelsesbolte (29).
7. Læg savkæden (1) på kædehjulets (27) fortanding. Indfør savkæden (1) præcist i den retning, der er angivet på styreskinnen (2). I spidsen af styreskinnen (2) er der et tandhjul (30), i hvis fortanding savkæden (1) skal ind-sættes. (fig. 6 og 18)
8. Træk en smule i styreskinnen (2) for at forstramme savkæden (1) en smule.
9. Sæt kædehjulafdækningen (17) på igen. Sørg for, at den indvendige kædestrammestift (26) passer i den pas-sende boring i styreskinnen (2). Juster evt. kædestramme-skruen (23) med kærsvkrætrækkeren (20).
10. Skru begge fastgørelsesmøtrikker (16) på med hånden. Vær opmærksom på, at disse endnu ikke skal spændes fast. Fastgørelsesmøtrikkerne (16) spændes først fast, når savkæden (1) er strammet.

9.2 Stramning og kontrol af savkæde (1)

ADVARSEL

IFør dig beskyttelseshandsker! Fare for personskade pga. skarpe tænder!

Kontrollér kædestramningen med jævne mellemrum før hver ibrugtagning.

Udfør altid kontrollen, før du starter, og med motoren slukket.

1. Inden stramningen skal man løse begge fastgørelses-møtrikker (16) en smule med tændrørsnøglen (20).
2. Drej kædestrammeskruen (23) med kærsvkrætrækkeren (20) i urets retning for at øge stramningen.
3. Spænd begge fastgørelsesmøtrikker (16) fast med tænd-rørsnøglen (20).
4. Savkæden (1) skal ligge an mod sværdets underside. Kontrollér, om savkæden (1) kan trækkes manuelt ind over styreskinnen (2) (med kædebremsen løst net trækker man den forreste håndbeskyttelse (3) bagud).

BEMÆRK

En ny savkæde (1) udvider sig og skal efterstrammes ofte.

9.3 Blanding af brændstof

Motoren skal drives af en brændstofblanding bestående af benzin og motorolie.

ADVARSEL

Undgå direkte hudkontakt med brændstof og indånding af brændstoffdampe.

Brug kun en blanding af blyfri benzin (min. 95 RON) og speci- el 2-takts-motorolie (JASO FD/ISO - L - EGD). Bland brænd- stofblandingen i henhold til brændstofblandingstabellen.

Kom den korrekte mængde benzin og 2-takts-olie i den med- følgende blandebeholder (22) (se "Brændstof-blandingsta- bel"). Ryst herefter blandingsbeholderen (22) grundigt.

9.3.1 Brændstof-blandingstabel

Blandingsmetode: 40 dele benzin blandes med 1 del olie

Benzin.....2-takt-olie
0,5 liter12,5 ml

9.4 Påfyldning af brændstof (fig. 8)

ADVARSEL

Påfyld kun brændstof, når motoren er slukket og afkølet. Brandfare!

1. Rengør altid området omkring tanklukningen (13) inden påfyldning for at forhindre, at der kommer snavs ned i brændstoftanken. Dette gøres med en tør, fnugfri klud.
2. Læg apparatet på siden, så brændstof-lukningen (13) vender opad.
3. Drej brændstoflukningen (13) imod urets retning, og åbn den. Brændstoflukningen (13) er forbundet med en tabsbeskyttelse i brændstoftanken og kan således ikke falde ned.
4. Fyld brændstofblandingen i brændstoftanken. Undgå at spilde brændstof under påfyldningen, og undlad at fylde brændstoftanken til randen.
5. Tør straks spildt brændstof op.
6. Drej brændstoflukningen (13) i urets retning for at lukke den til.

BEMÆRK

Efter hver brændstofpåfyldning skal man også kontrollere kædeolien.

9.5 Aftapning af brændstof

Tøm kun brændstoftanken udendørs eller i rum med god ventilation. Vær opmærksom på, at der ikke trænger brændstof ned i jorden (miljøbeskyttelse). Brug kun egnet underlag.

1. Hold en opsamlingsbeholder ind under brændstoftanken.
2. Skru brændstoftankdækslet (13) af, og fjern det.
3. Lad al benzin-/olieblandingen løbe af.
4. Skru brændstoftankdækslet (13) fast igen med hånden.

9.6 Påfyldning af kædeolie (fig. 8)

ADVARSEL

Påfyld kun savkædeolie, når motoren er slukket og afkølet. Brandfare!

Arbejd aldrig uden kædesmøring! Hvis savkæden (1) løber tør, ødelægges skæreudstyret uopretteligt i løbet af kort tid. Inden påbegyndelse af arbejdet skal man altid kontrollere kædesmøringen.

BEMÆRK

Brug kun savkædeolie. Fortrinsvis biologisk nedbrydelig olie. Undlad brug af spildolie mv.

Under arbejdet skal man kontrollere, om kædesmøringen fungerer.

1. Rengør altid området omkring kædeolielukningen (11) inden påfyldning, så der ikke kommer smuds ned i kædeolietanken. Dette gøres med en tør, fnugfri klud.
2. Læg apparatet på siden, så kædeolie-lukningen (11) vender opad.
3. Drej kædeolie-lukningen (11) imod urets retning, og åbn den. Kædeolielukningen (11) er forbundet med en tabsbeskyttelse i kædeolietanken og kan således ikke falde ned.
4. Kom bio-kædeolie i kædeolietanken. Undgå at spilde kædeolie under tankningen, og undlad at fylde kædeolietanken til randen.
5. Tør straks spildt kædeolie op.
6. Drej kædeolielukningen (11) i urets retning for at lukke den til.

10. Ibrugtagning

FORSIGTIG

Overhold gældende lovgivning vedr. støjbeskyttelse.

Inden hver ibrugtagning af apparatet skal man kontrollere følgende:

- at drivmiddelsystemet er tæt;
- at beskyttelsesanordningerne og skæreanordningen er i fejlfri tilstand og intakte;
- at samtlige forskruinger sidder ordentligt fast;
- at alle dele går let og ubesværet.

Arbejdsinstrukser

Sørg for at blive fortrolig kædesaven inden ibrugtagningen.

10.1 Start af motor

PAS PÅ

Motoren skal fjernes mindst 3 meter fra tankningsstedet, før den startes (fig. 9).

Træk altid startsnoretrækket (8) lige ud. Hold fast i startsnoretrækkets greb (8), når startsnoretrækket (8) trækker sig ind igen. Lad aldrig startsnoretrækket (8) springe tilbage af sig selv.

Stil gashåndtaget (5), så snart motoren starter. Sørg for, at motoromdrøjningsstallet er faldet til tomgang, før du løsner kædebremsen (skub den forreste håndbeskyttelse (3) tilbage). Der må kun trækkes koldstartarmen (chokeren) (14) i forbindelse med start.

10.1.1 Start af kold motor

ADVARSEL

Inden hver ibrugtagning skal man aktivere kædebremsen (pres forreste håndbeskyttelse (3) frem).

PAS PÅ

Lad aldrig startsnoretrækket (8) springe tilbage af sig selv. Dette kan medføre skader.

1. Fjern styreskinnens (21) afdækning.
2. Stil kædesaven på et stabilt og plant underlag. Savkæden (1) må da ikke røre ved jorden.
3. Tryk den forreste håndbeskyttelse (3) fremad, til den går i indgreb. Savkæden (1) blokeres af kædebremsen.
4. Tryk 7 gange på brændstofpumpen "Primer" (4). (fig. 1)
5. Træk koldstartarmen (chokeren) (14) ud. (fig. 10.2)
6. Hold kædesaven fast i det forreste håndtag (12), og træk startsnoretrækket (8) langsomt ud, til den første modstand mærkes.
7. Træk nu hurtigt i startsnoretrækket (8), til motoren går i gang. Skulle motoren ikke starte, gentages processen. Så længe koldstartarmen (chokeren) (14) er trukket ud, vil motoren kun starte kortvarigt og går derefter ud igen.
8. Så snart motoren er gået ud, aktiverer man spærreknappen til gasregulatoren (7) og gashåndtaget (5) på samme tid. Koldstartarmen (chokeren) (14) springer automatisk i driftstillingen "Varmstart". (fig. 10.1)
9. Træk derefter igen hurtigt i startsnoretrækket (8), til motoren starter.

Hvis motoren ikke starter efter flere forsøg, henvises til kapitlet "Fejlfinding".

BEMÆRK

Ved høje udetemperaturer kan det ske, at motoren skal startes uden koldstartarm (choker) (14), selv om motoren er kold!

- Løsn kædebremsen ved at trække den forreste håndbeskyttelse (3) tilbage. (fig. 2)
- **FORSIGTIG!** Kædebremsen er nu løsnet. Hvis man aktiverer gashåndtaget (5) sammen med spærreknappen til gasregulatoren (7), starter savkæden (1).

10.1.2 Start af varm motor

(Apparatet har været stoppet i mindre end 15–20 minutter.)

ADVARSEL

Inden hver ibrugtagning skal man aktivere kædebremsen (pres forreste håndbeskyttelse (3) frem).

1. Tryk den forreste håndbeskyttelse (3) fremad, til den går i indgreb. Savkæden (1) blokeres af kædebremsen.
2. Der skal ikke trækkes i koldstartarmen (chokeren) (14) ved start af varm motor.
3. Hold kædesaven fast i det forreste håndtag (12), og træk startsnoretrækket (8) langsomt ud, til den første modstand mærkes.
4. Træk derefter raskt i startsnoretrækket (8). Apparatet bør starte efter 1–2 træk. Hvis apparatet stadig ikke starter efter 6 træk, skal man gentage processen under "Start af kold motor".

10.2 Stop af motoren

10.2.1 Nødstop-sekvens

Hvis det er nødvendigt at stoppe apparatet med det samme, skal man trykke Tænd/Sluk-knappen (15) i stilling "0" og holde den inde i denne stilling, indtil motoren er standset.

10.2.2 Normal sekvens

1. Slip gashåndtaget (5). Motoren overgår til tomgangshastighed.
2. Tryk Tænd/Sluk-knappen (15) i stilling "0", og hold den inde i denne stilling, indtil motoren er standset.

10.3 Drift i tomgang

PAS PÅ

I tomgang skal savkæden (1) stå stille.

BEMÆRK

Hvis savkæden (1) kører i tomgang, eller motoren stopper af sig selv, når gashåndtaget slippes, skal man justere karburatoren (se kapitel "Vedligeholdelse af karburatorindstillinger").

1. Løft kædesaven.
2. Hold fast i det forreste håndtag (12) med venstre hånd.

- Hold fast i det bageste håndtag (6) med højre hånd. Her- ved hviler håndballerne på spærreknappen til gasregu- latoren (7), og pegefingern aktivere gashåndtaget (5).
- Motoren kører i tomgang, når gashåndtaget (5) aktive- res én gang.
- Lad motoren varme op et lille stykke tid.

10.4 Kontrol og indstilling af kædesmøring

⚠ PAS PÅ

- Arbejd aldrig uden kædesmøring! Hvis savkæden (1) lø- ber tør, ødelægges skæredstyret uopretteligt i løbet af kort tid.
- Inden påbegyndelse af arbejdet skal man altid kontrollere kædesmøringen.

Bemærk

Brug kun savkædeolie, fortrinsvis biologisk nedbrydelig olie. Undlad brug af spildolie mv.

Hold kædesaven kørende med det mellemste omdrejningstal over en afsavet træstub eller et passende underlag. Hvis smø- ringen er tilstrækkelig, dannes der en tynd olietilm på træstub- ben eller underlaget.

- Om nødvendigt kan kædesmøringen øges eller formind- skes ved hjælp af oliereguleringskraven (32) (fig. 11).
- Dette gøres ved hjælp af den medfølgende kærsvkrue- trækker (20):
 - Tryk først oliereguleringskraven (32) ind, og drej den dernæst i urets retning for at reducere kædesmøringen.
 - Tryk først oliereguleringskraven (32) ind, og drej den dernæst imod urets retning for at øge kædesmøringen.

10.5 Kontrol af kædebremse

⚠ ADVARSEL

Kædebremsen skal kontrolleres før hver ibrugtagning.

Kædebremsen bremser omgående savkæden (1) i tilfælde af tilbageslag.

- Sørg for, at den forreste håndbeskyttelse (3) er fri for smuds og let kan bevæge sig.
- Start kædesaven, og accelerer savkæden (1) til maks. hastighed (fuld gas).
- Aktiver den forreste håndbeskyttelse (3), mens savkæ- den (1) kører. Kædebremsen skal omgående bremse og blokere savkæden (1) ved maks. hastighed.

⚠ ADVARSEL

Forøget motorhastighed over for lang tid med blokeret kæde- bremse beskadiger motoren og kædedrevet.

Hvis savkæden (1) alligevel bevæger sig, skal man kontakte kundeservice.

11. Anvendelse

11.1 Afgreningsarbejde

- Vær som hovedregel opmærksom på faren fra tilbageslæ- ende grene.
- Stå ikke på den stamme, du afgrener.
- Undlad at save med skinnespidsen. (fig. 7)
- Sav aldrig flere grene på én gang.
- Understøt så vidt muligt kædesaven med barkstøtten (24) under afgreningen.
- Ved slutningen af snittet skal du sørge for, at kædesaven kan svinge igennem grundet sin egenvægt. Den understøt- tes ikke længere i snittet, hvorfor du skal holde tilsvarende imod.
- Sørg for at stå fast, stabilt og sikkert under afgreningen.

11.1.1 Afgreningsarbejde i delstykker

Afkort lange og/eller tykke grene, inden du foretager det en- delige skillesnit. Ellers risikerer du, at savkæden (1) fastklem- mes.

11.1.2 Bearbejdning af træ, som står under spænding

Den rigtige rækkefølge, når du bearbejder træ, der er under spænding, skal overholdes nøje. Ellers kan savkæden (1) blive fastklem- t, eller der kan forekomme tilbageslag.

Er træ under spænding, skal der altid først saves ind på tryk- siden. Først herefter kan skillesnittet gennemføres på træksiden. (fig. 24)

På denne måde undgås det, at savkæden (1) sætter sig fast.

⚠ PAS PÅ

Materielle skader!

Liggende træ må ikke røre ved jorden på undersiden af snitste- det, da savkæden (1) ellers kan blive beskadiget.

Tilbagestød

- Hvis savkæden (1) fastklemmes ved styreskinnens (2) over- kant, kan kædesaven støde hurtigt og ukontrolleret tilbage i retning mod brugeren.

Indtrækning

- Hvis savkæden (1) fastklemmes ved styreskinnens (2) underkant, kan kædesaven hurtigt og ukontrolleret trække sig tilbage i retning væk fra brugeren.

Sikkert arbejde

- Hold apparatet i god brugstilstand for at forebygge personskader.
- Hvis apparatet er faldet på jorden, skal man inspicere det for betydelige skader eller defekter.
- Brug ikke apparatet, hvis du står på en stige eller i en usikker position.
- Lad dig ikke friste til at udføre et uovervejlet snit. Herved risikerer du at udsætte dig selv og andre for fare.
- Skift arbejdsstilling med jævne mellemrum. Langvarig brug af apparatet kan føre til vibrationsrelaterede kredsløbssygdomme i hænderne. Du kan dog forlænge brugsperioden ved at bruge egnede handsker eller holde regelmæssige pauser. Vær opmærksom på, at dit personlige anlæg for dårlig blodcirkulation, lave udetemperaturer eller høje gribekræfter under arbejdet reducerer brugsperioden.

11.2 Træstamme er bøjet nedad

1. Sav først aflastningssnittet 1 (ca. 1/3 af stammens diameter) på tryksiden.
2. Udfør dernæst skillesnittet 2 (ca. 2/3 af stammens diameter) på træksiden.

11.3 Træstamme er bøjet opad

1. Sav først aflastningssnittet 1 (ca. 1/3 af stammens diameter) på tryksiden.
2. Udfør dernæst skillesnittet 2 (ca. 2/3 af stammens diameter) på træksiden.

11.4 Brug af træskæringsstav til træsnit i kombination med tovklatreteknik

I dette tillæg gives passende arbejdsmetoder for at reducere faren for personskader under brug af kædesave, når der arbejdes i højden med reb og bærerem. Selvom det kan tjene som retningslinjer og uddannelsesmateriale, må det ikke ses som erstatning for formel uddannelse. De retningslinjer, der gives i dette tillæg, tjener kun som eksempel på god arbejdsmetode. Der kan være gældende nationale eller andre bestemmelser, der kan være strengere.

Brugeren af en kædesav til træpleje, der arbejder i højden med reb og bærerem, bør aldrig arbejde alene. En medarbejder på jorden, der er uddannet i passende nødprocedurer, bør være til stede og hjælpe brugeren.

Brugeren skal være uddannet i almene, sikre klatre- og arbejdspositioneringsteknikker og skal være udstyret med bærerem, reb, slynger, karabinhager og andet udstyr med henblik på at kunne indtage sikre og korrekte arbejdsstillinger for både sig selv og saven.

Nationale love og forskrifter skal altid overholdes nøje.

Dette tillæg omhandler hverken teknikker til kontrol af grene og kviste, der er blevet afsavet af kædesaven, ligesom det heller ikke omfatter de allerede omtalte punkter til sikker brug.

11.4.1 Generelle krav

Brugeren af en kædesav til træpleje, der arbejder i højden med reb og bærerem, bør aldrig arbejde alene. En medarbejder på jorden, der er uddannet i passende nødprocedurer, bør være til stede og hjælpe brugeren.

Brugeren skal være uddannet i almene, sikre klatre- og arbejdspositioneringsteknikker og skal være udstyret med bærerem, reb, slynger, karabinhager og andet udstyr med henblik på at kunne indtage sikre og korrekte arbejdsstillinger for både sig selv og saven.

11.4.2 Forberedelse inden brug af træbeskæringsaven oppe i træet

Kædesaven skal kontrolleres, tanks, startes og køres varm op af medarbejderen på jorden og derefter slukkes, før den hejses op til brugeren i træet.

Kædesaven skal være forsynet med en passende slynge så den kan fastgøres til brugerens bærerem (fig. 13):

- Slyngen skal fastgøres til ophængsordningen (19) på bagsiden af saven (fig. 12).
- Der skal tilvejebringes passende karabinhager for at muliggøre indirekte (dvs. gennem slyngen) og direkte (dvs. til kædesavens ophængsordning (19)) fastgørelse af saven til brugerens bærerem.
- Vær omhyggelig med at fastgøre kædesaven forsvarligt, når den trækkes op mod brugeren (fig. 14).
- Det skal sikres, at kædesaven er fastgjort til bæreremmen, inden den løsnes fra løfterebet.

Muligheden for at fastgøre kædesaven direkte til bæreremmen reducerer risikoen for, at udstyret beskadiges under bevægelsen i træet. Kædesaven skal altid være slukket, når den er fastgjort direkte til bæreremmen.

Kædesaven bør kun sættes på de anbefalede ophængs-anordninger på selerebben. Disse kan befinde sig i midten (for eller bag) eller på siderne. Kædesaven skal såvidt muligt anbringes i det midterste bageste midtpunkt af bæreremmen for at holde den på afstand af klatrerreb og for at centrere vægten direkte under brugerens rygsøjle.

Hvis kædesaven flyttes fra én ophængs-anordning til en anden, skal brugeren forvise sig om, at kædesaven er sikret i den nye position, før den løsnes fra den tidligere ophængs-anordning.

11.5 Brug af kædesaven oppe i træet

En analyse af uheld med disse kædesave under træbeskæringssarbejde viser, at hovedårsagen er forkert og enhåndet brug af kædesaven. Ved de fleste ulykker indtager brugerne ikke en sikker arbejdsstilling, der gør det muligt for ham/hende at holde kædesaven i begge håndtag, hvilket resulterer i en øget fare for personskader som følge af:

- manglende fast greb under kædesavens tilbageslag;
- manglende kontrol over kædesaven, hvilket gør det lettere for saven at komme i kontakt med klatrerreb og brugerens krop (især venstre hånd og arm);
- tab af kontrol pga. en usikker arbejdsstilling og dermed kontakt med kædesaven (uventede bevægelser under arbejdet med kædesaven).

11.6 Sikret arbejdsposition når saven holdes med begge hænder

For at kunne holde kædesaven med begge hænder bør brugerne som hovedregel forsøge at indtage en sikker arbejdsstilling, hvor saven styres som følger:

- i hoftehøjde under savning af vandrette stykker;
- i mavehøjde under savning af lodrette stykker.

Hvis brugeren arbejder tæt på den lodrette stamme med lave sidekræfter i forhold til arbejdsstillingen, kan et sikkert fodfæste være tilstrækkeligt til en sikker arbejdsstilling. Men når brugeren bevæger sig væk fra stammen, skal han/hun træffe yderligere foranstaltninger for at afhjælpe eller modvirke de tiltagende sidekræfter, f.eks. ved at føre hovedrebet via en ekstra ophængs-anordning eller ved at bruge en justerbar slynge, der fører fra selegrejet til en ekstra ophængs-anordning (fig. 15 og 16).

11.6.1 Start af træbeskæringssaven oppe i træet

Når kædesaven startes oppe i træet, skal brugeren:

- aktivere kædebremsen inden igangsætning (pres forreste håndbeskyttelse (3) frem).

- holde kædesaven til højre eller venstre for kroppen:

- holde kædesaven på sin venstre side med sin venstre hånd på det forreste greb, og kædesaven vendt bort fra kroppen, mens starttøvet holdes i højre hånd.
- holde kædesaven på sin højre side med sin højre hånd på et af de to greb, og kædesaven vendt bort fra kroppen, mens starttøvet holdes i venstre hånd.

Kædebremsen skal altid være aktiveret, inden den kørende kædesav nedsænkes i bærerebet.

Inden vanskeligt savearbejde bør brugeren altid kontrollere, at kædesaven har tilstrækkelig med brændstof.

11.6.2 Enhåndet brug af kædesaven

Brugeren bør ikke benytte kædesaven til træpleje med én hånd i ustabile arbejdsstillinger eller i stedet for en håndsav til afsavning af grenspidser med lille diameter.

Kædesave til træpleje bør kun bruges enhåndet, hvis

- a. det ikke er muligt for brugeren at indtage en arbejdsstilling, der muliggør brug af begge hænder;
- b. det er nødvendigt at sikre arbejdsstillingen med den ene hånd;
- c. kædesaven bruges i en helt udstrakt kropsholdning, vinkelret på og uden for af linje i forhold til brugerens krop.

Brugeren bør aldrig:

- save med tilbageslagsområdet ved spidsen af kædesavens styreskinne (2);
- holde fast i den gren, der saves i;
- forsøge at fange nedfaldende dele.

11.6.3 Frigørelse af en fastklemt kædesav

Hvis kædesaven sætter sig fast under savningen, skal brugeren:

1. slukke for kædesaven og fastgøre den sikkert mod træets inderside (dvs. ind mod træstammen) eller til et separat værktøjsreb;
2. trække kædesaven ud af hakket, mens grenen løftes mest muligt.
3. evt. bruge en håndsav eller en anden kædesav til at frigøre den fastklemt kædesav, idet der saves mindst 30 cm væk fra den fastklemt kædesav.

Uanset om der bruges en hånd- eller kædesav til at frigøre en fastklemt kædesav, skal snittene til frigørelse af kædesaven altid foretages på ydersiden (i retning mod grenspidserne), så kædesaven ikke rives med af de afsavede dele og der med komplicerer situationen yderligere.

12. Transport

- Påsæt altid styreskinnens (21) afdækning under transport.
- Inden hver transport skal kædesaven slukkes, også over korte afstande. Under transport (også i køretøjer) skal maskinen sikres, så den ikke kan vælte, for at undgå tab af brændstof, skader eller personskader.
- Aktiver kædebremsen (pres forreste håndbeskyttelse (3) frem).
- Apparatet må kun bæres i det forreste håndtag (12). Styreskinnen (2) skal da vende bagud, væk fra kroppen.
- Sørg for at holde den varme lyddæmper (18) på afstand af kroppen. Fare for forbrænding! (fig. 23)

13. Rengøring og vedligeholdelse

⚠ ADVARSEL

Fare for tilskadekomst!

Sluk altid for apparatet inden rengøringsarbejde, og tag tændrørshætten (35) af.
(se afsnit 13.4 Vedligeholdelse af tændrør (34)).

Bemærk

Efter hver brug skal apparatet rengøres grundigt. Der må kun udføres det rengørings- og vedligeholdelsesarbejde, som er beskrevet i denne brugsanvisning. Alt yderligere arbejde skal udføres af fagfolk.
Vedligeholdelsesarbejde skal udføres regelmæssigt (se kapitel "Vedligeholdelsesintervaller").

13.1 Rengøring af motorenhed

⚠ ADVARSEL

Fare for forbrænding!

- Undgå at røre ved varme lyddæmpere, cylindre eller køleribber.
- Hold såvidt muligt beskyttelsesanordninger, luftslidser og motorhuset fri for støv og snavs. Udblæs med trykluft med lavt tryk.
 - Rengør apparatet med en fugtig klud og noget skyllemiddel med jævne mellemrum. Sørg for, at vand ikke kan trænge ind i maskinen.

13.2 Rensning af luftfilter (33) (fig. 17)

Snavsede luftfiltre forringer motorydelsen, fordi karburatoren forsynes med for lidt luft.
Regelmæssig kontrol er derfor nødvendig. Luftfilteret (33) bør kontrolleres med jævne mellemrum og rengøres efter behov. Er luften meget støvet, skal luftfilteret (33) kontrolleres oftere.

1. Løsn lukningen for luftfilterafdækningen (10) ved at dreje den imod urets retning.
2. Fjern luftfilterafdækningen (9).
3. Fjern luftfilteret (33).
4. Rengør luftfilteret (33) via udbankning eller udblæsning (med trykluft).

Samlingen foretages i omvendt rækkefølge.

⚠ PAS PÅ

Rengør aldrig luftfilteret (33) med benzin eller brændbare opløsningsmidler.

13.3 Rengøring af kædedrev

⚠ ADVARSEL

Fare for tilskadekomst!

Benyt altid beskyttelseshandsker, når du rører ved savkæden (1). Fare for personskade pga. skarpe tænder!

Bemærk

Rengør kædedrevet efter hver brug.

1. Stil kædesaven på et plant, stabilt underlag.
2. Træk den forreste håndbeskyttelse (3) helt tilbage til anslag for at løsne kædebremsen. (fig. 2)
3. Skru kædestrammeskruen (23) med kærsvkruetrækkeren (20) imod urets retning for at reducere stramningen.
4. Fjern begge fastgørelsesmøtrikker (16) med tændrørsnøglen (20).
5. Tag kædehjulafdækningen (17) af.
6. Tag forsigtigt savkæden (1) af styreskinnen (2) og kædehjulet (27).
7. Fjern styreskinnen (2). Rengør disse med en pensel.
8. Rengør nu hele kædedrevsområdet og kædehjulafdækningen (17) grundigt med en pensel eller via udblæsning (med trykluft).

Samlingen foretages i omvendt rækkefølge.

13.4 Vedligeholdelse af tændrør (34) (fig. 19/20)

1. Afmonter luftfilteret (33), som beskrevet under 13.2 "Rengøring af luftfilter (33)".
2. Fjern tændrørshætten (35) ved at dreje det til venstre og højre, samtidigt med at du trækker i det. Tændrørsticket (35) må kun holdes og trækkes i selve stikket. Der må aldrig trækkes i kablet!
3. Løsn tændrøret (34) med den medfølgende tændrørsnøgle (20).
4. Samlingen foretages i omvendt rækkefølge.

Elektrodeafstand = 0,6 - 0,7 mm (afstand mellem de elektroder, mellem hvilke der genereres tændgnister). Kontrollér tændrøret (34) første gang for tilsmudsning efter 10 driftstimer, og rengør det i givet fald med en kobbertrådbørste. Vedligehold herefter tændrøret (34) for hver 50 driftstimer.

13.5 Vedligeholdelse af kædesmøring

- Se kapitel "Kontrol og indstilling af kædesmøring".

13.6 Vedligeholdelse karburatorindstillinger

- Hvis savkæden (1) kører i tomgang, eller motoren stopper af sig selv, når gashåndtaget slippes, skal man justere karburatoren.

Bemærk

Få karburatorindstillingerne (f.eks. omdrejningstal i tomgang) foretaget, men kun af en kvalificeret fagmand, for at undgå motorskader.

13.7 Vedligeholdelse af styreskinne (2)

- Fjern evt. opståede grater fra skinnnekanten ved hjælp af en metalfil.
- Rengør styreskinnens (2) rille ved hjælp af en pensel eller med trykluft (fig. 21). Udskift styreskinnen (2), så snart føringsrillen (28) er slidt.
- Drej styreskinnen (2) efter hver brug for at sikre jævn slitage.
- Kontrollér, at tandhjulet (30) i spidsen af styreskinnen (2) går let og ubesværet. Smør det evt. med lejeolie. Kom en smule lejeolie i smøreåbningen (31). (fig. 21).

13.8 Kontrol af kædebremse

Se afsnit 10.5 "Kontrol af kædebremse"

ADVARSEL

FARE FOR TILBAGESLAG!

En ikke-fungerende kædebremse øger risikoen for tilbageslag.

Kontrollér kædebremsen med jævne mellemrum.

En funktional kædebremse er afgørende for din sikkerhed.

13.9 Stramning og kontrol af savkæde (1)

Se afsnit 9.2 "Stramning og kontrol af savkæde (1)"

13.10 Opslibning og pleje af savkæde (1)

ADVARSEL

Fare for tilskadekomst!

Benyt altid beskyttelseshandsker, når du rører ved savkæden (1). Fare for personskade pga. skarpe tænder!

Bemærk

En optimalt plejet og opslebet savkæde (1) reducerer den fysiske belastning, sliddet og giver et godt snitresultat.

Savkæden (1) skal rengøres, plejes og opslibes med jævne mellemrum.

Kontrollér savkæden (1) for revner og beskadigede nitter med jævne mellemrum.

For at give et sikkert greb under slibningen kan man fastgøre en bænksliber på bænkslibe-hjælpermidlet.

Brug kun specielle savkæde-rundfiler med $\varnothing 4,8$ mm (3/16") til den medfølgende savkæde (1).

I et slibesæt findes der detaljerede oplysninger om slibeprocessen.

Alternativt kan du bruge en elektrisk kædeslibemaskine og følge producentens anvisninger.

Hvis man er i tvivl mht. udførelse af arbejdet, skal man udskifte savkæden (1).

Få evt. savkæden (1) opslebet på et professionelt værksted.

- Nødvendigt tilbehør (medfølger ikke):
 - Savkæde-rundfil $\varnothing 4,8$ mm (3/16")
 - Fladfil
 - Dydbegrensningslære
- Der må kun files i fremad-retning, til fjernelse af materiale.
- Der skal files med en opslibningsvinkel på ca. 25° ved en stigning på 10° i forhold til styreskinnen (2).
- Kontrollér afstanden til dydbegrensningsningen med en dydbegrensningslære.
- Den rigtige afstand til dydbegrensningsningen bør være 0,6 mm (0,024").

13.11 Vedligeholdelsesintervaller

For at sikre en lang levetid samt undgå skader og sikre fuld funktion af sikkerhedsudstyret skal vedligeholdelsesarbejdet, der beskrives i det følgende, gennemføres med regelmæssige mellemrum. Garantikrav anerkender kun, hvis dette arbejde udføres regelmæssigt og korrekt. Overholdes dette ikke, er der fare for uheld!

Brugere af kædesave må kun udføre det vedligeholdelses- og plejearbejde, der er beskrevet i denne brugsanvisning.

Alt andet arbejde må kun udføres på et professionelt værksted.

Generelt	Hele træbeskæringsraven	Rengøres udvendigt og kontrolleres for skader. Iværksæt straks korrekt reparation, hvis der konstateres skader.
	Savkæde	Efterslib med jævne mellemrum, udskift rettidigt.
	Kædebremse	Få den kontrolleret på et specialværksted med regelmæssige mellemrum
	Styreskinne	Vend den, så de belastede løbeflader slides ensartet. Udskift rettidigt.
Før ibrugtagning	Savkæde	Kontrollér for skader og skarphed. Kontrollér kædestramning.
	Styreskinne	Kontrollér for skader.
	Kædesmøring	Funktionskontrol
	Kædebremse	Funktionskontrol
	Tænd/Sluk-knap, spærreknap til gasregulator, gashåndtag	Funktionskontrol
	Brændstof- og kædeolietank-dæksel	Kontrollér for tæthed.
Dagligt	Luftfilter	Rengøring
	Styreskinne	Kontrolleres for beskadigelser, olieindgangsboring rengøres
	Skinneholder	Rengøres, især oliestyrenoten
	Omdrejningstal i tomgang	Kontrolleres (kæde må ikke løbe med)
Hver uge	Ventilatorhus	Rengøres for at sikre korrekt køleluftføring
	Tændrør	Kontrolleres, fornyes evt.
	Lyddæmper	Kontrolleres for tilstopning
	Kædefanger	Kontrolleres for beskadigelser, fornyes evt.
	Skruer og møtrikker	Kontrolleres for tilstand og fast montering
Hver 3. måned	Sugehoved Brændstof-, kædeolietank	Udskiftning Rengøring
Opbevaring	Hele træbeskæringsraven	Rengøres udvendigt og kontrolleres for beskadigelser Organisér straks en korrekt reparation, hvis den er beskadiget
	Savkæde og -skinne	Afmonteres, rengøres og smøres med et tyndt lag olie Styreskinnens føringsrille rengøres
	Brændstof-, kædeolietank	Tømmes og rengøres
	Karburator	Tomkørsel

13.12 Vigtig oplysning ifm. reparation

Ved returnering af maskinen til reparation skal man være opmærksom på, at maskinen af sikkerhedsmæssige årsager er tømt for olie- og brændstof, før den sendes til servicestationen.

13.13 Serviceinformationer

Vær opmærksom på, at følgende dele på dette produkt slides som følge af brug eller naturligt slid, og at der er brug for følgende dele som forbrugsmaterialer.

Sliddele*: Savkæde, styreskinne, kædeolie, motorolie, barkstøtte, kædefanger, tændrør, luftfilter, brændstoffilter, kædeoliefilter

* følger ikke nødvendigvis med leverancen!

Godkendt skæredstyr

Savkæde

Kangxin 3/8LP-40.....7910100739

Oregon 91P040X.....3910102032

Styreskinne

Kangxin AP10-40-509P.....7910100740

Oregon 100SDEA0417910100744

14. Opbevaring

Tændrørsnøglen / kærsvkruetrækkeren (20) kan opbevares på siden af styreskinnens (21) afdækning.

Påsat altid styreskinnens afdækning (21) under opbevaring.

Rengør og vedligehold apparatet inden hver opbevaring; se kapitel "Rengøring og vedligeholdelse".

Tøm olie- og/eller brændstoffranken fuldstændigt.

ADVARSEL

Fjern ikke benzinen i lukkede rum, i nærheden af ild eller hvis der ryges. Gasdampe kan føre til eksplosioner eller brand.

- Start motoren, og lad den køre, indtil resten af benzinen er brugt op.

Apparatet og dets tilbehør skal opbevares mørkt, tørt og frostsikkert og utilgængeligt for børn. Den optimale opbevaringstemperatur er mellem 5 og 30°C.

Opbevar og brug ikke kædesaven ved temperaturer under 0 °C!

Opbevar aldrig kædesaven længere end 30 dage uden at følge nedenstående punkter.

Følg rengørings- og vedligeholdelsesanvisningerne, inden du oplagrer din maskine!

14.1 Oplagring af kædesaven:

Hvis du oplagrer en kædesav længere end 30 dage, skal den forberedes til det. Ellers fordamper den resterende brændstof i karburatoren og efterlader et gummiagtigt bundfald. Det kan vanskeliggøre start og medføre dyre reparationsarbejder.

1. Tag langsomt låget (13) af brændstoffranken for at aftape eventuelt tryk i tanken. Tøm tanken forsigtigt.
2. Start motoren, og lad den køre, indtil kædesaven stopper. Dette fjerner brændstof fra karburatoren.
3. Lad motoren køle af (ca. 5 minutter).
4. Fjern tændrøret (34).
5. Hæld 1 teske ren 2-taktsolie i forbrændingskammeret. Træk gentagne gange langsomt i startsnoret (8) for at coate de interne komponenter. Isæt tændrøret (34) igen.

Kædesaven skal opbevares et tørt sted og i sikker afstand fra eventuelle antændelseskilder, f.eks. ovne, varmtvandskedler med gas, gastørresystemer osv., utilgængeligt for børn.

Påsat altid styreskinnens afdækning (21), hvis savkæden (1) og styreskinnen (2) ikke er afmonteret

14.2 Fornyet ibrugtagning af kædesaven

1. Fjern tændrøret (34).
2. Træk raskt i startsnoret (8) for at fjerne overskydende olie fra forbrændingskammeret.
3. Rens tændrøret (34), og vær opmærksom på den korrekte elektrodeafstand på tændrøret (34), eller isæt et nyt tændrør (34) med den korrekte elektrodeafstand.
4. Forbered kædesaven til drift.
5. Fyld tanken op med den rigtige olie- og brændstoffblanding (1:40).

14.3 Opbevaring af brændstof

Brændstoffer kan opbevares i begrænset tid. Brændstof og brændstoffblandinger ældes som følge af fordampning, især hvis de udsættes for høje temperaturer. Brændstof og brændstoffblandinger, der opbevares for længe, kan således føre til startproblemer og motorskader. Køb kun så meget brændstof, som der er brug for til et par måneder. Opbrug brændstof, der er blandet ved højere temperaturer, i løbet af 6-8 uger.

Opbevar kun brændstof i godkendte beholdere, som skal lagres tørt, køligt og sikkert!

ADVARSEL

Undgå kontakt med hud og øjne!

Mineralolieprodukter, også olietyper, affæder huden. Huden udtørres ved gentagen og længerevarende kontakt. Dette kan føre til forskellige hudsygdomme. Desuden er allergiske reaktioner bekendt.

Øjenkontakt med olie fører til irritationer. Ved øjenkontakt - skyl straks det pågældende øje med rent vand. Forsvinder irritationen ikke, skal du gå til læge med det samme!

15. Bortskaffelse og genanvendelse

Oplysninger om emballage



Emballagematerialerne er genanvendelige. Emballage skal altid bortskaffes jf. gældende miljøregler.

Informationer om muligheder for bortskaffelse af gamle apparater fås ved henvendelse til kommunen.

Brændstof og olie

- Inden apparatet bortskaffes, skal brændstoftanken og motoroliebeholderen tømmes!
- Brændstof og motorolie hører ikke til i husholdningsaffald eller afløb, men skal indsamles og/eller bortskaffes separat!
- Tomme olie- og brændstofbeholdere skal bortskaffes i henhold til gældende miljøregler.

16. Afhjælpning af fejl

Fejl	Mulig årsag	Afhjælpning
Motoren starter ikke, eller den er startet, men kører ikke videre.	Forkert startprocedure.	Læs anvisningerne i denne vejledning.
	Forkert indstillet karburatorblanding.	Karburatoren skal justeres af en autoriseret kundeservice.
	Tilsødet tændrør.	Rens/juster tændrøret, eller isæt et nyt.
	Tilstoppet brændstoffilter.	Udskift brændstoffilteret.
Motoren starter, men den kører ikke med fuld ydeevne	Snavset luffilter.	Tag filteret ud, rengør det, og isæt det igen.
	Forkert indstillet karburatorblanding.	Karburatoren skal justeres af en autoriseret kundeservice.
Motoren hakker	Forkert indstillet karburatorblanding.	Karburatoren skal justeres af en autoriseret kundeservice.
Ingen ydelse ved belastning	Forkert indstillet tændrør.	Rens/juster tændrøret, eller isæt et nyt.
Motor kører i hak	Forkert indstillet karburatorblanding.	Karburatoren skal justeres af en autoriseret kundeservice.
For meget røg.	Forkert brændstofblanding.	Brug den rigtige brændstofblanding (forhold 1:40).
Ingen ydelse ved belastning	Kæde stump eller kæde løs	Opslib kæde, eller påsæt ny kæde. Stram kæde.
Motor drukner	Benzintank tom eller brændstoffilteret i tanken forkert placeret	Fyld benzintank. Fyld benzintank helt op, eller placer brændstoffilter i anderledes i benzintanken.
Utilstrækkelig kædesmøring (sværd og kæde bliver meget varme)	Kædeolietank tom	Fyld kædeolietank op.
	Olieåbninger er tilstoppede	Rens smørehullet i sværdet. Rens sværdets rille.

17. Garantibevis

Kære kunde,

Alle vores produkter gennemgår strenge kvalitetskontrol for at sikre, at de når dig i perfekt stand. I det usandsynlige tilfælde, at enheden udvikler en fejl, bedes du kontakte vores serviceafdeling på den adresse, der vises på dette garantibevis. Selvfølgelig, hvis du foretrækker at ringe til os så er vi også glade for at tilbyde vores bistand under servicenummer trykt nedenfor. Bemærk følgende betingelser, som garantikrav kan gøres:

- Disse garanti vilkår omfatte yderligere garanti rettigheder og påvirker ikke dine lovbestemte rettigheder for garanti. Vi vil ikke debitere dig for denne garanti.
- Vores garanti dækker kun problemer forårsaget af materiale- eller produktionsfejl, og det er begrænset til afhjælpning af disse mangler eller udskiftning af enheden. Bemærk, at vores enheder ikke er designet til brug i kommercielle, handel eller industrielle applikationer. Derfor er garantien ugyldig, hvis udstyret bruges i kommerciel, handel eller industrielle applikationer eller for andre tilsvarende aktiviteter. Følgende er også udelukket fra vores garanti: kompensation for transportskader, skader forårsaget af manglende overholdelse af installations- / monteringsvejledning eller skader forårsaget af uprofessionel installation, manglende overholdelse brugsanvisningen (f.eks tilslutning til den forkerte netspænding eller strøm type), misbrug eller uhensigtsmæssig brug (såsom overbelastning af apparatet eller brug af ikke-godkendte værktøj eller tilbehør), manglende overholdelse af vedligeholdelses- og sikkerhedsforskrifter, indtrængen af fremmedlegemer i apparatet (f.eks sand, sten eller støv) , virkninger af vold eller ydre påvirkninger (f.eks skader forårsaget af enheden bliver droppet) og normal slitage som følge af korrekt funktion af apparatet.

Garantien erklæres ugyldig, hvis der gøres forsøg på at manipulere med enheden.

- Garantien er gyldig i en periode på 3 år fra købsdatoen af enheden. Garantikrav skal indsendes inden udløbet af perioden garanti senest to uger efter defekten blive bemærket. Ingen garantikrav vil blive accepteret efter udløbet af garantiperioden. Den oprindelige garantiperiode fortsat anvendelse til enheden, selvom reparationer udføres eller dele udskiftes. I sådanne tilfælde, det udførte arbejde eller dele monteret vil ikke resultere i en forlængelse af garantiperioden, og ingen ny garanti bliver aktiv for det udførte eller dele monteret arbejde. Dette gælder også, når der anvendes en tjeneste på stedet.
- For at du kan gøre dit garantikrav gældende, bedes du kontakte nedenstående serviceadresse. Hvis reklamationen ligger inden for garantiperioden, vil vi fremsende dig en returmærkat, med hvilken du gratis kan returnere dit defekte apparat til os. Det ville hjælpe os, hvis du kunne beskrive karakteren af problemet så detaljeret som muligt. Hvis fejlen er dækket af vores garanti så din enhed vil enten blive repareret med det samme og returneret til dig, eller vi vil sende dig en ny enhed.

Selvfølgelig er vi også glade tilbyde en afgiftsudlændende reparationsservice for eventuelle mangler, der ikke er omfattet af anvendelsesområdet for denne garanti eller til enheder, som ikke længere er dækket. At drage fordel af denne service, skal du sende enheden til vores service-adresse.

Tjeneste-Hotline (DK):

00800 4003 4003

Tjeneste-mail (DK):

service.DK@schepdach.com

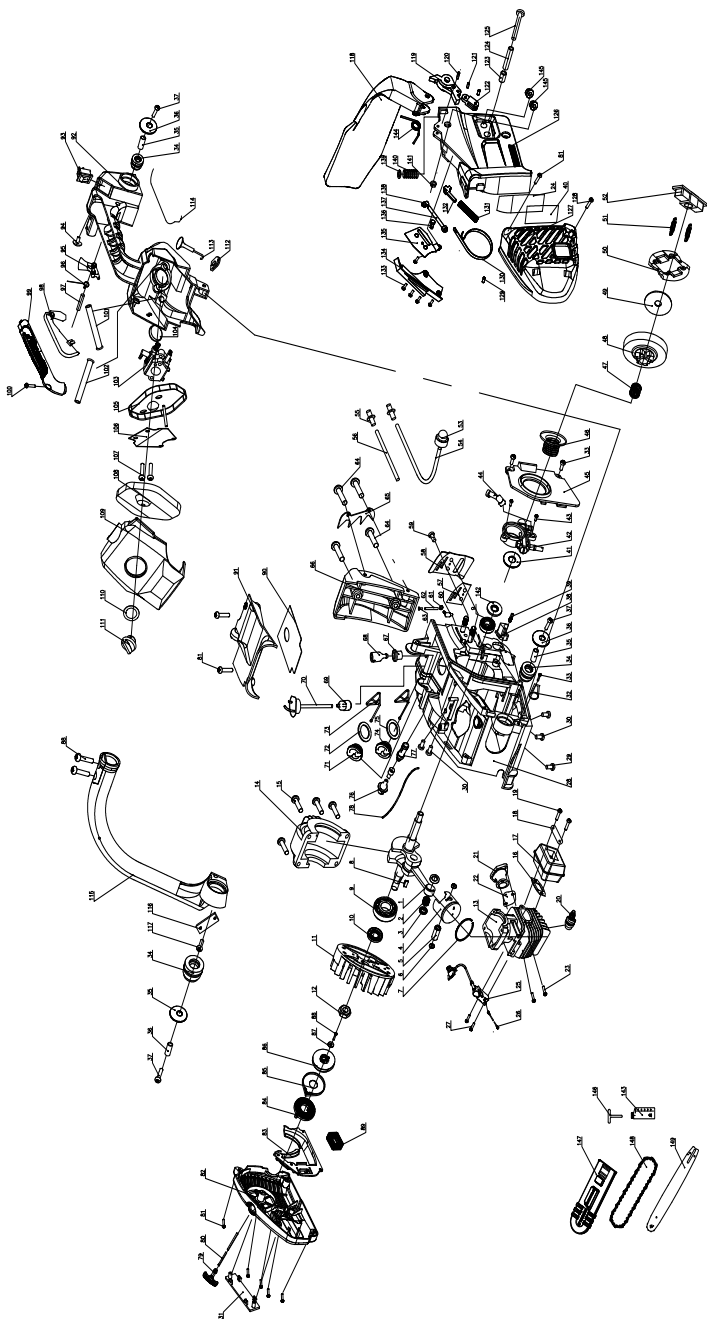
Tjeneste Adresse (DK):

Sotek
Charlottevej 30 E
DK - 4270 Hong



På www.lidl-service.com kan du downloade disse og mange flere manualer, produktvideoer og installationssoftware.

Med QR-koden kan du få direkte adgang til Lidl-service-siden (www.lidl-service.com) og åbne din betjeningsvejledning ved at indtaste artikelnummeret (IAN) 436506_2304.



EU-Konformitätserklärung Originalkonformitätserklärung
EU Declaration of Conformity Translation of the original EU Declaration of Conformity
Déclaration de conformité UE Traduction de la déclaration de conformité UE originale



Schepach GmbH, Günzburger Str. 69, D-89335 Ichenhausen

DE	erklärt folgende Konformität gemäß EU-Richtlinien und Normen für den Artikel	PL	deklaruje, że produkt jest zgodny z następującymi dyrektywami UE i normami
GB	hereby declares the following conformity under the EU Directive and standards for the following article	LT	pareiškia, taip atitiktis pagal ES direktyvos ir standartai ši straipsni
FR	déclare la conformité suivante selon la directive UE et les normes pour l'article	HU	az EU-irányelv és a vonatkozó szabványok szerinti következő megfeleléségi nyilatkozatot teszi a termékre
IT	dichiara la seguente conformità secondo le direttive e le normative UE per l'articolo	SI	izjavlja sledede skladnost z EU-direktivo in normami za artikel
ES	declara la conformidad siguiente según la directiva la UE y las normas para el artículo	CZ	prohlašuje následující shodu podle smernice EU a norem pro výrobek
PT	declara o seguinte conformidade com a Directiva da UE e as normas para o seguinte artigo	SK	prehlasuje nasledujúci zhodu podľa smernice EU a noriem pre výrobok
DK	erklærer hermed, at følgende produkt er i overensstemmelse med nedenstående EU-direktiver og standarder	HR	ovime izjavljujemo da postojeći sukladnost prema EU-smjernica i normama za sljedeće artikle
NL	verklaart hierbij dat het volgende artikel voldoet aan de daarop betrekking hebbende EU-richtlijnen en normen	GR	δηλώνει την ακόλουθη συμμόρφωση σύμφωνα με την Οδηγία ΕΚ και τα πρότυπα για το προϊόν
FI	vakuuttaa täten, että seuraava tuote täyttää ala esitettyt EU-direktiivit ja standardit	RO	declară următoarea conformitate corespunzător directivei și normelor UE pentru articolul
SE	försäkras härmed följande överensstämmelse enligt EU-direktiv och standarder för följande artikeln	BG	декларира съответното съответствие съгласно Директива на ЕС и норми за артикул

Marke / Brand / Marque:

Art.-Bezeichnung:

Article name:

Nom d'article:

Art.-Nr. / Art. no. / Numéro d'article:

IAN-Nr. / IAN no. / N° IAN :

Serien-Nr. / Serial no. / N° série:

Parkside

BENZIN-BAUMPFLLEGESÄGE - PBBPS 700 A1

TOP HANDLE PETROL CHAINSAW - PBBPS 700 A1

TRONÇONNEUSE D'ÉLAGAGE À ESSENCE - PBBPS 700 A1

3910116976 - 3910116980, 39101169915

436506_2304

01001 - 24407

<input type="checkbox"/> 2014/29/EU	<input type="checkbox"/> 2004/22/EG	<input type="checkbox"/> 89/686/EWG_96/58/EG	<input checked="" type="checkbox"/> 2000/14/EG_2005/88/EG
<input type="checkbox"/> 2014/35/EU	<input type="checkbox"/> 2014/68/EU	<input type="checkbox"/> 90/396/EWG	Annex V
<input checked="" type="checkbox"/> 2014/30/EU	<input checked="" type="checkbox"/> 2011/65/EU*		Annex VI Noise: measured L_{WA} = 108,3 dB; guaranteed L_{WA} = 113 dB P = 0,7 kW Notified Body: Intertek Deutschland GmbH, Stangenstraße 1, 70771 Leinfelden-Echterdingen Notified Body No.:0905
<input checked="" type="checkbox"/> 2006/42/EG			<input checked="" type="checkbox"/> 2016/1628/EU
Annex IV Notified Body: Intertek Deutschland GmbH, Stangenstraße 1, 70771 Leinfelden-Echterdingen Notified Body No.: 0905 Certificate No.: 225HW0848-01			Emission. No: e13*2016/1628*2021/10685HA1/P*0317*01

Standard references:

EN ISO 11681-2:2017+A1:2017; EN ISO 14982:2009

Die alleinige Verantwortung für die Ausstellung dieser Konformitätserklärung trägt der Hersteller.

This declaration of conformity is issued under the sole responsibility of the manufacturer.


Le fabricant assume seul la responsabilité d'établir la présente déclaration de conformité.

* Der oben beschriebene Gegenstand der Erklärung erfüllt die Vorschriften der Richtlinie 2011/65/EU des Europäischen Parlaments und des Rates vom 8. Juni 2011 zur Beschränkung der Verwendung bestimmter gefährlicher Stoffe in Elektro- und Elektronikgeräten.

* The object of the declaration described above fulfills the regulations of the directive 2011/65/EU of the European Parliament and Council from 8th June 2011, on the restriction of the use of certain hazardous substances in electrical and electronic equipment.

* L'appareil décrit ci-dessus dans la déclaration est conforme aux réglementations de la directive 2011/65/EU du Parlement Européen et du Conseil du 8 juin 2011 visant à limiter l'utilisation de substances dangereuses dans la fabrication des appareils électriques et électroniques.

Ichenhausen, 27.06.2023


Signature / Andreas Pecher / Head of Project Management

First CE: 2022

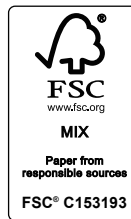
Subject to change without notice

Documents registrar: David Rümpelein
Günzburger Str. 69, D-89335 Ichenhausen



SCHEPPACH GMBH

Günzburger Str. 69
D-89335 Ichenhausen



Last Information Update · Stand der Informationen · Version des informations · Stand van de informatie · Estado de las informaciones
Versione delle informazioni · Stav informací · Stav informácií · Információk állása · Stan informacij · Tilstand af information
Update: 06 / 2023 · Ident.-No.: 436506_2304_39101169915