

CRIVIT



SKI- AND SNOWBOARD HELMET SP-52



GB IE

SKI- AND SNOWBOARD HELMET SP-52

Owner's manual

NL BE

SKI- EN SNOWBOARDHELM SP-52

Gebruiksaanwijzing

SK

LYŽIARSKA A SNOWBOARDOVÁ PRILBA SP-52

Navod aa použitie

IT MT CH

CASCO DA SCI E SNOWBOARD SP-52

Istruzione per l'uso

DE AT CH

SKI- UND SNOWBOARDHELM SP-52

Gebrauchsanleitung

PL

KASK NARCIARSKI I SNOWBOARDOWY SP-52

Instrukcja u"ytowania

ES

CASCO DE ESQUÍ Y SNOWBOARD SP-52

Modo de empleo

HU

SÍ- ÉS SNOWBOARD SISAK SP-52

Kezelési utmutató

FR BE

CASQUE DE SKI ET SNOWBOARD SP-52

Mode d'emploi

CZ

HELMA NA LYŽE A SNOWBOARD SP-52

Navod k použití

DK

SKI- OG SNOWBOARDHJELM SP-52

Bruksanvisning



GB IE Before reading, unfold the page containing the illustrations and familiarise yourself with all functions of the device.

DE AT CH Klappen Sie vor dem Lesen die Seite mit den Abbildungen aus und machen Sie sich anschließend mit allen Funktionen des Gerätes vertraut.

FR BE Avant de lire le mode d'emploi, ouvrez la page contenant les illustrations et familiarisez-vous ensuite avec toutes les fonctions de l'appareil.

NL BE Vouw vóór het lezen de pagina met de afbeeldingen open en maak u vertrouwd met alle functies van het apparaat.

PL Przed przeczytaniem proszę rozłożyć stronę z ilustracjami, a następnie proszę zapoznać się z wszystkimi funkcjami urządzenia.

CZ Před čtením si otevřete stranu s obrázky a potom se seznámte se všemi funkcemi přístroje.

SK Pred čítaním si odklopte stranu s obrázkami a potom sa oboznámte so všetkými funkciami prístroja.

ES Antes de empezar a leer abra la página que contiene las imágenes y, en seguida, familiarícese con todas las funciones del dispositivo.

DK Før du læser, vend siden med billeder frem og bliv bekendt med alle apparatets funktioner.

IT MT CH Prima di leggere aprire la pagina con le immagini e prendere confidenza con le diverse funzioni dell'apparecchio.

HU Olvasás előtt lapozza ki az illusztrációkat tartalmazó oldalt, majd ismerkedjen meg a készülék összes funkciójával.

Service address:
SPEQ GmbH
Tannbachstr. 10
D-73635 Steinenberg
Hotline: 00800 30 777 999
Email: service@speq.de

Testing institute:
TÜV SÜD Product Service GmbH
Ridlerstr. 65,
D-80339 München
Germany

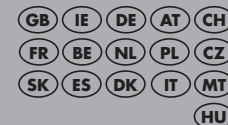


PSA-Verordnung 2016/425
EN 1077:2007

IAN 458651_2401



IAN 458651_2401



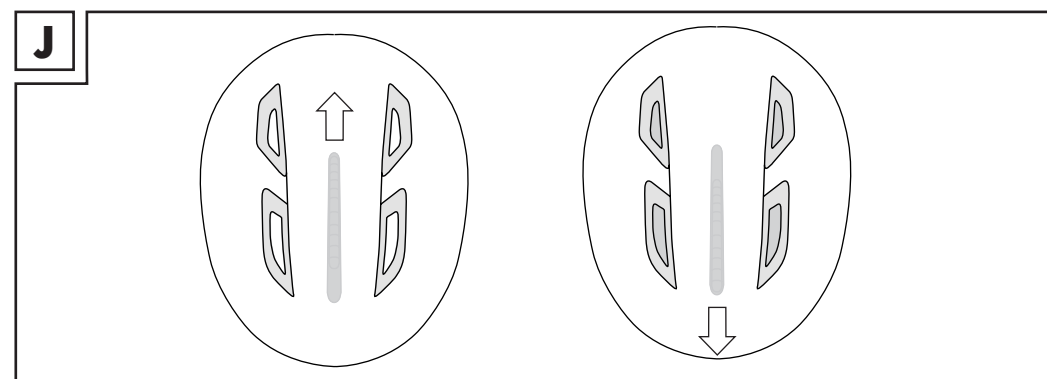
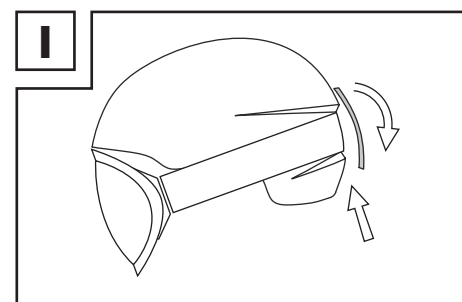
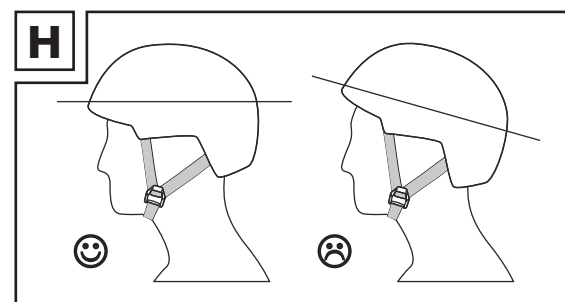
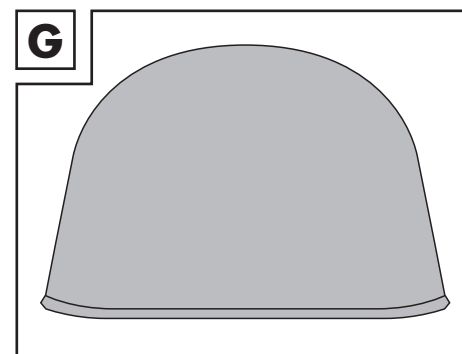
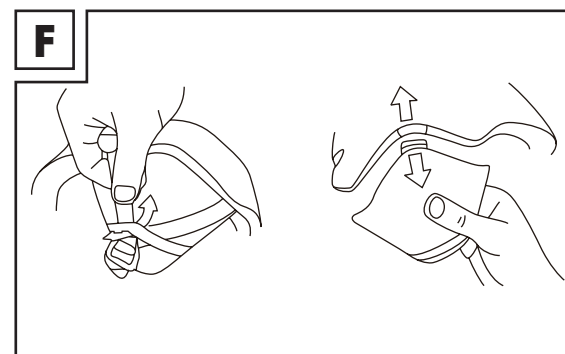
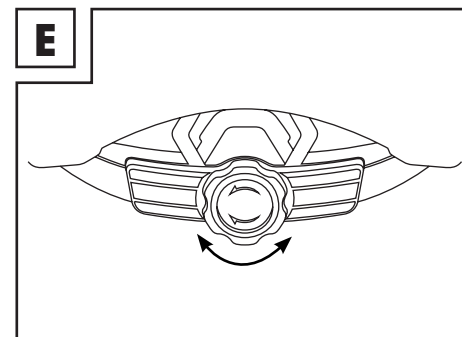
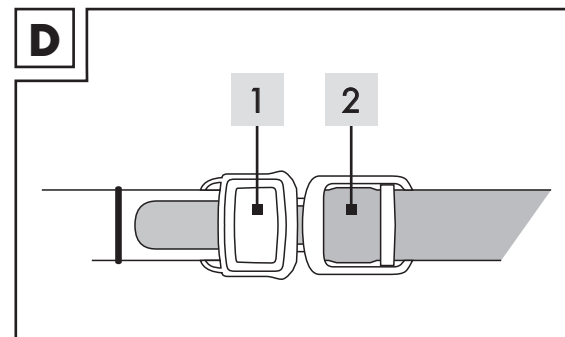
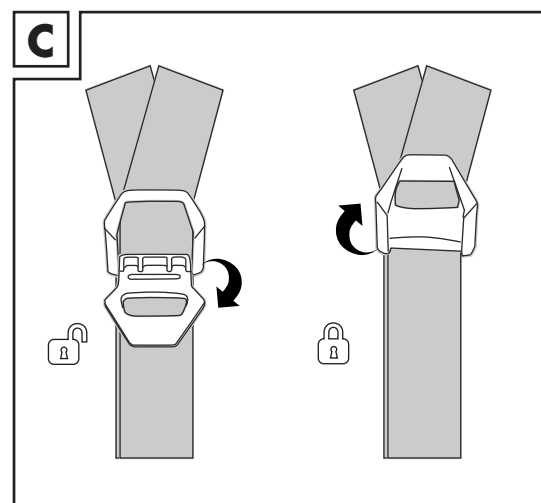
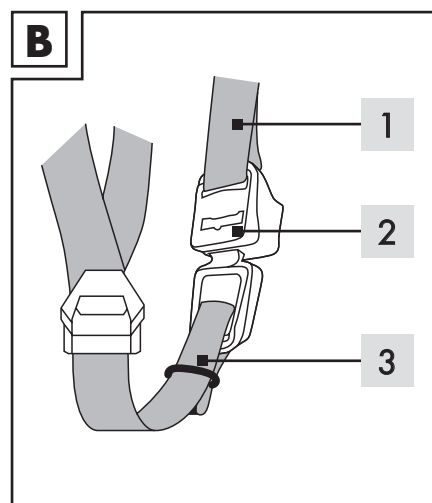
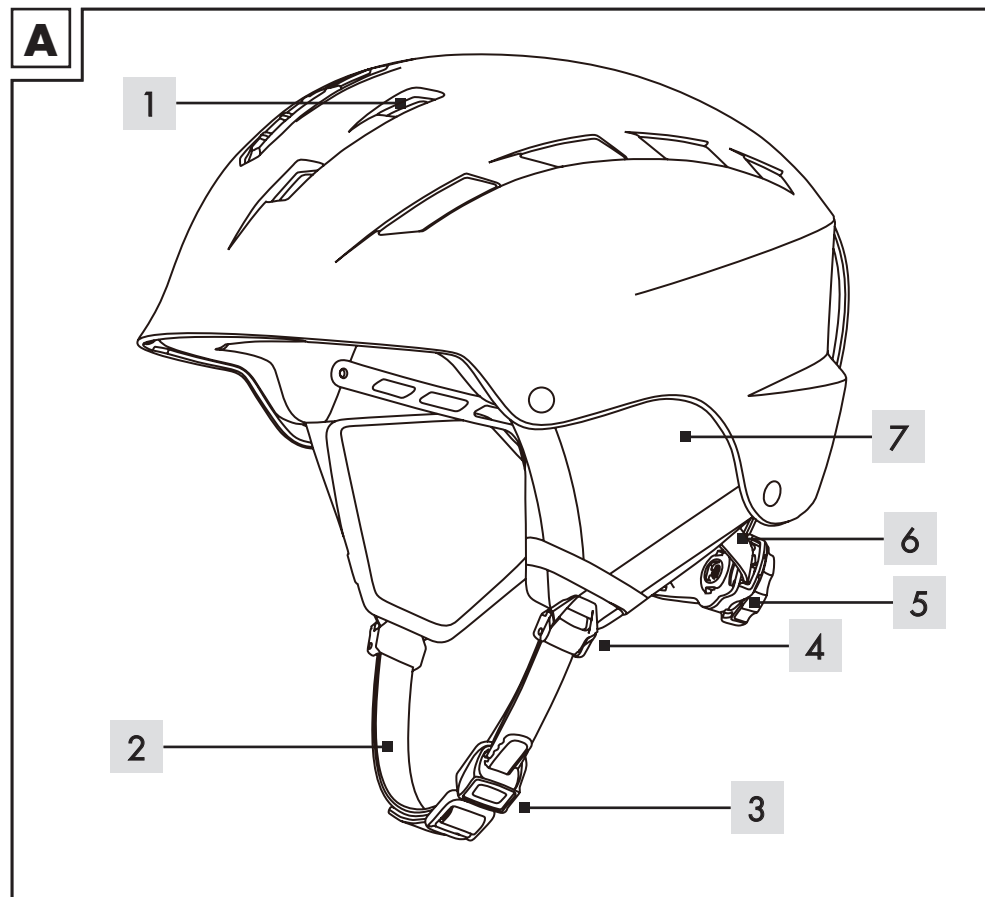




Table of contents

Intended use	16
Explanation of symbols	16
Scope of delivery / accessories	17
Parts description / parts list	17
Technical information	18
Safety instructions	18
User information	20
Opening/closing the chinstrap	20
Adjusting the chinstrap	20
Adjusting the strap divider	20
Removing/attaching the ear padding	21
Operating the one-handed size adjustment system	21
The correct helmet position	21
Attaching the ski goggles	21
Setting the ventilation	21
Maintenance / cleaning / storage	22
Cleaning	22
Removing/inserting the inner padding	22
Cleaning the helmet	22
Storage	22
Notes on disposal	22
Declaration of conformity	23
Notes on warranty and service handling	24

Inhaltsverzeichnis

Bestimmungsgemäße Verwendung	26
Zeichenerklärung	26
Lieferumfang / Zubehör	27
Teilebeschreibung / Teileliste	27
Technische Daten	28
Sicherheitshinweise	28
Benutzerhinweise	30
Kinnriemen öffnen / schließen	30
Kinnriemen einstellen	30
Gurtverteiler einstellen	30
Ohrenpolster abnehmen / einsetzen	31
Einstellung des Einhand-Größenverstellsystems	31
Die richtige Helmposition	31
Skibrille anbringen	31
Belüftung einstellen	31
Wartung / Reinigung / Aufbewahrung	31
Reinigung	31
Innenpolster entfernen/einsetzen	32
Helm reinigen	32
Aufbewahrung	32
Hinweise zur Entsorgung von Verpackung und Produkt	32
Konformitätserklärung	33
Garantie und Serviceabwicklung	34

Tables des matières

Utilisation conforme	36
Légende	36
Contenu de la livraison / accessoires	37
Description des pièces / liste des pièces	37
Données techniques	38
Consignes de sécurité	38
Instructions d'utilisation	40
Ouverture / fermeture de la jugulaire	40
Réglage de la jugulaire	40
Réglage de la boucle de jugulaire	40
Retrait / mise en place des oreillettes	41
Réglage du système de réglage de taille à une main	41
La position de casque idéale	41
Mise en place des lunettes de ski	41
Réglage de la ventilation	41
Entretien / nettoyage / rangement	42
Nettoyage	42
Retrait / mise en place du rembourrage intérieur	42
Nettoyage du casque	42
Rangement	42
Remarques relatives à l'élimination de l'emballage et du produit	43
Déclaration de conformité	43
Garantie et gestion du service	44

Inhoudsopgave

Beoogd gebruik	48
Legenda	48
Leveringsomvang / toebehoren	49
Onderdeelbeschrijving / onderdelenlijst	49
Technische gegevens	50
Veiligheidsinstructies	50
Gebruiksaanwijzingen	52
Kinriem openen/sluiten	52
Kinriem verstellen	52
Riemverdeler verstellen	52
Oorkussens verwijderen/aanbrengen	53
Instellen van het eenhandig maatverstelsysteem	53
De juiste positie van de helm	53
Skibril aanbrengen	53
Ventilatie aanpassen	53
Onderhoud / reiniging / bewaren	53
Reiniging	53
Voering verwijderen/reinigen	54
Helm reinigen	54
Bewaren	54
Instructies voor het verwijderen van verpakking en product	54
Conformiteitsverklaring	55
Garantie en servicebeheer	56

Spis treści

Zastosowanie zgodne z przeznaczeniem	58
Objaśnienie symboli	58
Zakres dostawy / wyposażenie dodatkowe	59
Opis części / Lista części	59
Dane techniczne	60
Wskazówki bezpieczeństwa	60
Instrukcje dla użytkowników	62
Otwierania/zamykania paska podbródkowego	62
Regulacja paska podbródkowego	62
Regulacja rozdzielacza pasków	62
Zdejmowanie/wkładanie nakładek na uszy	63
Regulacja jednoręcznego systemu dopasowania rozmiaru	63
Prawidłowa pozycja kasku	63
Mocowanie gogli narciarskich	63
Wyregulować wentylację	63
Konserwacja / czyszczenie / przechowywanie	63
Czyszczenie	63
Wymywanie/wkładanie wewnętrznej wyściółki	64
Czyszczenie kasku	64
Przechowywanie	64
Uwagi dotyczące utylizacji opakowań i produktu	64
Deklaracja zgodności	65
Gwarancja i obsługa serwisowa	66

Obsah

Použití ke stanovenému účelu	68
Vysvětlení značek	68
Rozsah dodávky / příslušenství	69
Popis / seznam dílů	69
Technické údaje	70
Bezpečnostní pokyny	70
Uživatelské pokyny	72
Rozepnutí/zapnutí řemínku pod bradou	72
Nastavení řemínku pod bradou	72
Nastavení rozdvojký řemínku	72
Vyjmutí/vložení chráničů uší	72
Nastavení systému seřízení velikosti jednou rukou	73
Správná poloha helmy	73
Připevnění lyžařských brýlí	73
Nastavení odvětrávání	73
Údržba / čištění / skladování	73
Čištění	73
Vyjmutí/čištění vnitřního polstrování	73
Čištění helmy	74
Skladování	74
Informace o likvidaci obalu a produktu	74
Prohlášení o shodě	75
Záruční a servisní podpora	76

Obsah

Použitie v súlade s určením	78
Vysvetlenie značiek	78
Rozsah dodávky / Príslušenstvo	79
Popis dielov / Zoznam dielov	79
Technické údaje	80
Bezpečnostné pokyny	80
Pokyny pre používateľa	82
Otvorenie/uzamknutie podbradných remienkov	82
Nastavenie podbradného remienka	82
Nastavenie rozdeľovača popruhov	82
Odobratie/nasadenie náušníkov	83
Nastavenie jednoručného systému prestavenia veľkosti	83
Správna poloha prilby	83
Nasadenie lyžiarskych okuliarov	83
Nastavenie ventilácie	83
Údržba / čistenie / uschovanie	83
Čistenie	83
Odstránenie/čistenie vnútorného čalúnenia	84
Čistenie prilby	84
Uschovanie	84
Pokyny na likvidáciu balenia a výrobku	84
Vyhlásenie o zhode	85
Záruka a servis	86

Índice de contenidos

Uso conforme a lo previsto	88
Explicación de los símbolos	88
Volumen de suministro / accesorios	89
Descripción / lista de piezas	89
Datos técnicos	90
Indicaciones de seguridad	90
Indicaciones para el usuario	92
Apertura/cierre de la correa para el mentón	92
Ajuste de la correa para el mentón	92
Ajuste del distribuidor de las correas	92
Retirada/colocación de los acolchados de las orejas	93
Ajuste del sistema de regulación del tamaño con una mano	93
La posición correcta del casco	93
Colocación de las gafas de esquí	93
Ajuste de la ventilación	93
Mantenimiento / Limpieza / Almacenamiento	93
Limpieza	93
Retirada/colocación del acolchado interior	94
Limpieza del casco	94
Almacenamiento	94
Indicaciones para el desechamiento del embalaje y el producto	94
Declaración de conformidad	95
Garantía y proceso de asistencia	96



Indholdsfortegnelse

Tilsigtet brug	98
Symbolforklaring	98
Leveringsomfang / tilbehør	99
Beskrivelse af dele / liste over dele	99
Tekniske data	100
Sikkerhedsanvisninger	100
Brugsanvisninger	102
Åbn/luk hageremmen	102
Justering af hageremmen	102
Justering af stropfordeleren	102
Fjern/justér ørepolstringen	102
Justering af enhånds-størrelsesjusteringssystemet	103
Den rigtige hjelmposition	103
Anbringelse af skibriller	103
Indstilling af ventilationen	103
Vedligeholdelse / rengøring / opbevaring	103
Rengøring	103
Fjernelse/isætning af den indvendige polstring	103
Rengøring af hjelmen	104
Opbevaring	104
Oplysninger om bortskaffelse af emballage og produkt	104
Overensstemmelseserklæring	105
Garanti og service	106

Indice

Uso conforme	108
Spiegazione simboli	108
Fornitura / accessori	109
Descrizione delle parti / elenco delle parti	109
Dati tecnici	110
Avvertenze per la sicurezza	110
Guida all'uso	112
Aprire/chiedere il sottogola	112
Regolazione del sottogola	112
Regolazione del sistema di regolazione della cinghia	112
Rimuovere/regolare l'imbottitura per le orecchie	113
Regolazione del sistema di regolazione della taglia con una sola mano	113
La posizione corretta del casco	113
Fissare gli occhiali da sci	113
Regolazione del ventilazione	113
Manutenzione / pulizia / conservazione	113
Pulizia	113
Rimuovere/inserire l'imbottitura interna	114
Pulizia del casco	114
Conservazione	114
Indicazioni sullo smaltimento dell'imballaggio e del prodotto	114
Dichiarazione di conformità	115
Garanzia ed espletamento del servizio di assistenza	116



Tartalomjegyzék

Rendeltetésszerű használat	118
Szimbólumok magyarázata	118
A csomagolás tartalma / tartozékok	119
Részek leírása / alkatrészlista	119
Műszaki adatok	120
Biztonsági tudnivalók	120
Felhasználói tudnivalók	122
Az állszíj nyitása/zárása	122
Az állszíj beállítása	122
A szíjszabályozó beállítása	122
A fülbélés levétele/beállítása	123
Az egykezes méretbeállító rendszer beállítása	123
A sisak helyes helyzete	123
Síszemüveg felhelyezése	123
A szellőzés beállítása	123
Karbantartás/tisztítás/tárolás	123
Tisztítás	123
A belső bélés eltávolítása/behelyezése	124
A sisak tisztítása	124
Tárolás	124
Felhívások a csomagolás és a termék ártalmatlanítására vonatkozóan	124
Megfelelőségi nyilatkozat	125
Jótállás és a szerviz lebonyolítása	126



General Information

Read the instructions for use carefully

Dear customer!

We are pleased that you have chosen our high-quality products, which are strictly produced and certified according to current valid safety standards.

Familiarise yourself with the product before use. Read the instruction manual and the safety information carefully. Only use this product as described and for the indicated areas of use. Please store this manual safely. Please hand over all the documentation when passing this product to third parties.

Intended use

This product has been manufactured for alpine skiers and snowboarders. It is not suitable for other sport types or motorcyclists.

Explanation of symbols

The following symbols and signal words are used in these operating instructions, on the product or on the packaging.



Declaration of conformity (see "Declaration of conformity" chapter): Products marked with this symbol comply with all applicable Community regulations for the European Economic Area.



Observe operating instructions



Date of manufacture (month/year)



Expiry date (month/year)



Helmet weight



The "Tested Safety" seal (GS mark) certifies that a tested product meets the requirements of the German Product Safety Act. The GS mark indicates that the safety and health of persons are not endangered when used as intended or in a foreseeable manner.



Wash by hand



Do not bleach



Do not tumble dry



Do not iron



Do not dry clean

Class B

Class A and class B helmets are for skiers, snowboarders and similar groups. Class A helmets offer proportionately greater protection. Class B helmets can offer more ventilation and make it easier to hear, but protect a smaller area of the head and provide a lower degree of penetration resistance.

Scope of delivery / accessories

- 1x Ski and snowboard helmet
- 1x Ski helmet bag
- 1x Instruction manual

Parts description / parts list (Fig. A)

1. Ventilation system
2. Chinstrap
3. Multi-level safety snap-in fastener
4. Strap divider
5. Size adjustment system
6. Neck padding
7. Ear padding



Technical information

Model: SP-52

Article number: 458651

Size: M/L (54 - 58 cm), L/XL (58 - 61 cm)

Date of manufacture (month/year): 06/2024

Expiry date (month/year) 06/2029

Safety instructions



Risk of injury!

Important: Carefully read the instructions for use and be sure to keep them in a safe place! You may be injured if the product is handled improperly.

- **ATTENTION!** A helmet cannot protect the wearer from all accidents.
- **ATTENTION!** Only use a helmet that fits you correctly and sits firmly. If the helmet does not fit, it can slip during an accident and lose its protective effect.
- Use the helmet in the intended position (Fig. H)
- Do not wear a hat or other head covering underneath the helmet.
- Replace and dispose of the helmet after an impact. This also applies if the impact was minor and you cannot see any damage.
- The helmet must also be replaced if it no longer fits or 5 years after the date of manufacture at the latest, even if no damage can be observed.
- Changing or removing original parts of the helmet can drastically affect its protective function. The helmet may not be changed to make any additions which are not recommended by the manufacturer.
- Try to turn the helmet to the left and right using both hands. If the helmet is sitting correctly, the skin on your temples will also move.
- Using both hands, try to pull the helmet back and forward as far as you can. The helmet is not sitting correctly if you can pull it forward enough for your field of vision to be affected, or back enough to leave your forehead exposed.



- Before each use, check that the helmet is sitting correctly, the chin-strap is firm, adjusted correctly and fastened.
- If you cannot adjust the helmet so that it can only be pulled forward or backward by an insignificant degree with the fastener closed, do not use the helmet. Replace it with a model in a different size. Make sure to try different sizes when buying it.

Serious head injuries or even death may be caused during very severe impacts as well as during impacts at low speed or intensity. It may be the case that the helmet does not effectively protect the wearer from head injuries. For this reason, you should always be careful.



Danger to life!

- This helmet should not be used by children for climbing or other activities if there is a risk of strangling/hanging should the child get entangled with the helmet.



Danger of choking!

ATTENTION! Children may choke on the film packaging.

- Do not let children play with the film packaging. The packaging is not a toy.



Risk of damage!

ATTENTION! Improper handling of the helmet may lead to damage to the helmet.

- The helmet must be checked periodically for visible defects.
- Do not paint the helmet or affix stickers to it.



User information

Opening/closing the chinstrap (Fig. D)

To open the chinstrap, press on the multi-level safety snap-in fastener (1) and pull out the bar (2). To close the chinstrap, insert the bar into the multi-level safety snap-in fastener and allow this to click into place at a width that feels comfortable.



If you are in an accident with the strap divider and chinstrap open or incorrectly adjusted, the helmet may slip and lose its protective effect!



Before each trip, check that the chinstrap is correctly adjusted and fastened!

Adjusting the chinstrap (Fig. B)

Before each trip, check that the chinstrap is correctly adjusted.

- The chinstrap (1) is adjusted correctly when it is comfortable and secure and you feel a light pressure when you open your mouth. The fastener (2) should not be on the chin or jaw.
- If the chinstrap (1) is too loose, it must be tightened with the buckle (3) on the fastener (2).
- If the chinstrap (1) is too tight, it must be loosened with the buckle (3) on the fastener (2).



Before each trip, check that the strap divider is correctly adjusted and fastened!

Adjusting the strap divider (Fig. C)

- Open the strap divider.
- The strap divider must be positioned in such a way that the straps are tight but comfortable. The strap divider must be placed under the ears, the straps should not cover the ears.
- Close the strap divider.



Removing/attaching the ear padding (Fig. F)

1. First, pull the chinstrap out of the loops on the ear padding.
2. Carefully pull the ear padding straight out of the snap lock grooves.
3. Attach the ear padding by carefully pressing the tab at the base of the ear padding into the groove on the side of the helmet. The soft side of the ear padding should face inward.
4. Thread the chinstrap back through the loops on the ear padding.

Operating the one-handed size adjustment system (Fig. E)

The integrated size adjustment system can be adjusted freely with a turning knob on the back of the head:

- Smaller = turn clockwise
- Larger = turn anticlockwise

The correct helmet position (Fig. H)

- The helmet must always sit horizontally on your head.
- If the helmet is too far forward, this can impair your vision.
- If the helmet is too far back, your forehead is not sufficiently protected.

Attaching the ski goggles (Fig. I)

1. To attach the ski goggles, open the flap at the back of the helmet.
2. Put the ski goggles in place and pull the band around the helmet.
3. Then, do up the flap to fasten the band to the helmet.

Setting the ventilation (Fig. J)

1. Push the adjuster back to open the air slots and increase ventilation.
2. Push the adjuster forward to close the air slots and reduce ventilation.



Maintenance / cleaning / storage

NOTE: Improper handling of the helmet may lead to damage to the helmet.

Cleaning:

WARNING!

- The helmet must not come into contact with solvents or cleaning agents which contain hydrocarbons.
- The helmet must not come into contact with solvents or cleaning agents which contain hydrocarbons.
- When cleaning, use only water and mild soap.

Removing/cleaning the inner padding

1. Loosen the Velcro and remove the inner padding from the helmet.
2. Wash the inner padding with lukewarm water and mild soap and then leave to air dry.
3. Re-insert the inner padding.

Cleaning the helmet

1. Wash your helmet only with lukewarm water, mild soap and a soft cloth.
2. Remove the ear padding for cleaning as described.
3. Wash the ear padding with lukewarm water and mild soap and then leave to air dry.

Storage

- Leave your helmet to air dry after every use.
- Do not store the helmet near sources of heat (e.g. behind panes of glass in a car). High temperatures from 60°C can seriously damage the helmet. Uneven helmet surfaces and air bubbles are signs of this kind of damage.
- Store your helmet in the ski helmet bag supplied (Fig. G).

Notes on disposal



Danger of choking

ATTENTION! Children may choke on the film packaging. Do not let children play with the film packaging. The packaging is not a toy.

Disposing of the packaging

Sort and dispose of the packaging according to type. Put cardboard and boxes with the waste paper, plastic films with the recyclables collection.



Disposing of the product

- The product must be disposed of through an authorised waste disposal company or a municipal waste disposal facility in accordance with the laws and regulations in force in your country. (Applicable in the European Union and other European states with systems for the separate collection of recyclables).
- Take the product to a recycling centre. The plastic and metal parts used can be recycled separately. Consult your local waste disposal company or our service centre.
- We can dispose of the defective products you send to us free of charge.

Declaration of conformity

The EU declaration of conformity can be requested from the following address:
SPEQ GmbH, Tannbachstraße 10, 73635 Steinenberg/GERMANY

Testing institute

TÜV SÜD Product Service GmbH, Ridlerstr. 65, 80339 München, GERMANY

You can find the complete declaration of conformity at
www.speq.de/konformitaetserklaerung



Notes on warranty and service handling

Dear customer,

The product was produced with great care and under continuous quality control. Speq GmbH gives private end customers a three-year guarantee on this product from the date of purchase (guarantee period) in accordance with the following provisions.

Warranty conditions

The warranty period starts from the date of purchase. Please keep the original receipt in a safe place. This is required as proof of purchase. If a material or manufacturing defect occurs within three years from the date of purchase of this product, we will - at our option - repair or replace the product for you free of charge or refund the purchase price. This warranty service requires that within the three-year period, the defective device and the proof of purchase (receipt) are submitted and briefly described in writing what the defect is and when it occurred. If the defect is covered by our warranty, you will receive the repaired or a new product back. Repair or replacement of the product does not start a new warranty period.

Warranty period and statutory claims for defects

The warranty period is not extended by the warranty. This also applies to replaced and repaired parts. Any damage and defects already present at the time of purchase must be reported immediately after unpacking. Repairs required after the expiration of the warranty period are subject to a charge.

Warranty scope

The device was carefully produced according to strict quality guidelines and conscientiously tested before delivery. Warranty coverage applies to defects in materials or workmanship. This warranty does not cover product parts that are subject to normal wear and tear and can therefore be considered wear parts or for damage to fragile parts, e.g. switches, batteries or that are made of glass. This warranty is void if the product is damaged, improperly used or maintained. For proper use of the product, all the instructions given in the operating manual must be strictly observed. Uses and actions advised against or warned against in the operating instructions must be avoided at all costs. The product is intended for private use only and not for commercial use. Abusive and improper handling, use of force and interventions not carried out by our authorized service branch will void the warranty.



Handling in case of warranty

In order to ensure a quick processing of your request, please follow the following instructions:

- For all inquiries, please have the receipt and item number (IAN 458651_2401) ready as proof of purchase.
- Please refer to the type plate on the product, an engraving on the product, the title page of your manual (bottom left) or the sticker on the back or bottom of the product for the article number.
- If functional errors or other defects occur, first contact the service department named below by **telephone** or **e-mail**.
- If the product is found to be defective, you can send it free of charge to the service address provided by you, enclosing the receipt and stating what the defect is and when it occurred.

On www.lidl-service.com you can download these and many more manuals, product videos and installation software. This QR code will take you directly to the Lidl service page (www.lidl-service.com) and by entering the item number (IAN) 458651_2401 you can open your user manual.



Manufacturer service address:

SPEQ GmbH
Tannbachstr. 10
73635 Steinenberg/GERMANY
Email: service@speq.de

Service-Hotline: 00800 30 777 999
(toll free)

Please call us before sending the product
8:00 h – 17:00 h

SKI AND SNOWBOARD HELMET

Model: SP-52
Brand: Crivit



Allgemeines

Bedienungsanleitung lesen und aufbewahren

Liebe Kundin, lieber Kunde!

Wir freuen uns, dass Sie sich für eines unserer hochwertigen Produkte entschieden haben, welche streng nach den aktuell gültigen Sicherheitsnormen hergestellt und zertifiziert wurden.

Machen Sie sich vor dem ersten Gebrauch mit dem Produkt vertraut. Lesen Sie hierzu aufmerksam die Bedienungsanleitung und die Sicherheitshinweise. Benutzen Sie dieses Produkt nur wie beschrieben und für die angegebenen Einsatzbereiche. Bewahren Sie diese Anleitung gut auf. Händigen Sie alle Unterlagen bei Weitergabe des Produkts an Dritte ebenfalls mit aus.

Bestimmungsgemäße Verwendung

Dieser Artikel ist für alpine Skiläufer und Snowboarder gefertigt. Er ist nicht geeignet für andere Sportarten oder Motorradfahrer.

Zeichenerklärung

Die folgenden Symbole und Signalwörter werden in dieser Bedienungsanleitung, auf dem Produkt oder auf der Verpackung verwendet.

 Konformitätserklärung (siehe Kapitel "Konformitätserklärung"): Mit diesem Symbol gekennzeichnete Produkte erfüllen alle anzuwendenden Gemeinschaftsvorschriften des Europäischen Wirtschaftsraums.



Bedienungsanleitung beachten



Herstellungsdatum (Monat/Jahr)



Verfallsdatum (Monat/Jahr)



Helmgewicht



Das Siegel Geprüfte Sicherheit (GS-Zeichen) bescheinigt, dass ein Produkt den Anforderungen des deutschen Produktsicherheitsgesetzes (ProdSG) entspricht. Das GS-Zeichen zeigt an, dass bei bestimmungsgemäßer Verwendung und bei vorhersehbarer Fehlanwendung des gekennzeichneten Produkts die Sicherheit und Gesundheit des Nutzers nicht gefährdet sind.



Handwäsche



Nicht bleichen



Nicht im Wäschetrockner trocknen



Nicht bügeln



Nicht trockenreinigen

Klasse B

Helme der Klasse A und der Klasse B sind für Skiläufer, Snowboarder und ähnliche Gruppen. Helme der Klasse A bieten verhältnismäßig mehr Schutz. Helme der Klasse B können mehr Belüftung und besseres Hören bieten, schützen aber einen kleineren Bereich des Kopfes und geben ein geringeres Maß an Durchdringungsfestigkeit.

Lieferumfang / Zubehör

- 1 x Kinder-Ski- und Snowboardhelm
- 1 x Skihelmbeutel
- 1 x Gebrauchsanweisung

Teilebeschreibung / Teileliste (Abb. A)

1. Ventilationssystem
2. Kinnriemen
3. Mehrstufiger Sicherheitsrasterverschluss
4. Gurtverteiler
5. Größenverstellungssystem
6. Nackenpolster
7. Ohrenpolster



Technische Daten

Modell: SP-52

Artikelnummer: 458651

Größe: M/L (54 - 58 cm), L/XL (58 - 61 cm)

Herstelldatum (Monat/Jahr): 06/2024

Verfallsdatum (Monat/Jahr): 06/2029

Sicherheitshinweise



Verletzungsgefahr!

Wichtig: Lesen Sie die Gebrauchsanweisung sorgfältig und bewahren Sie sie unbedingt auf! Bei unsachgemäßem Umgang mit dem Produkt können Sie sich verletzen.

- **ACHTUNG!** Ein Helm kann den Träger nicht vor allen Unfällen schützen.
- **ACHTUNG!** Verwenden Sie nur einen Helm, der richtig passt und fest sitzt. Wenn der Helm nicht richtig passt, kann er bei einem Unfall verrutschen und seine Schutzwirkung verlieren.
- Verwenden Sie den Helm in der dafür vorgesehenen Position (Abb. H).
- Schließen Sie vor jeder Fahrt den Verschluss am Kinnriemen (Abb. D).
- Tragen Sie unter dem Helm keine Mützen oder sonstige Kopfbedeckungen.
- Wechseln und entsorgen Sie den Helm nach einem Aufprall. Dies gilt auch bei einem leichten Aufprall ohne sichtbare Schäden.
- Der Helm muss auch ersetzt werden, wenn er nicht mehr richtig passt oder spätestens 5 Jahre nach Herstelldatum auch wenn keine Beschädigungen feststellbar sind.
- Eine Veränderung oder Entfernung von Originalteilen des Helmes kann die Schutzwirkung extrem beeinträchtigen. Der Helm darf nicht verändert werden, um Zusätze in einer nicht vom Hersteller empfohlenen Weise anzubringen.
- Versuchen Sie mit beiden Händen, den Helm nach links und rechts zu drehen. Sitzt der Helm korrekt, bewegt sich die Haut Ihrer Schläfen mit.
- Versuchen Sie mit beiden Händen, den Helm so weit wie möglich nach hinten und nach vorne herunterzuziehen. Der Helm sitzt nicht korrekt, wenn Sie ihn in so weit vorschieben können, dass Ihr Sichtfeld beeinträchtigt wird, bzw. so weit zurückschieben können, dass Ihre Stirn freiliegt.



- Überprüfen Sie vor jeder Benutzung, ob der Helm korrekt sitzt, die Kinnriemen fest anliegen, richtig angepasst und geschlossen sind.
- Wenn Sie den Helm nicht so anpassen können, dass er mit geschlossenem Verschluss nur unwesentlich nach vorne oder nach hinten geschoben werden kann, benutzen Sie den Helm nicht. Ersetzen Sie diesen durch ein Modell in einer anderen Größe. Probieren Sie beim Kauf unbedingt verschiedene Größen aus.

Sowohl bei einem sehr schweren Aufprall als auch bei einem Unfall mit niedriger Geschwindigkeit oder Intensität, können ernsthafte Kopfverletzungen verursacht werden oder sogar tödlich ausgehen. Dabei kann es passieren, dass der Helm den Fahrer nicht effektiv vor Kopfverletzungen schützt. Fahren Sie deshalb stets vorsichtig.



Lebensgefahr!

- Dieser Helm sollte nicht von Kindern beim Klettern oder anderen Aktivitäten verwendet werden, wenn ein Risiko besteht, sich zu strangulieren/hängen zu bleiben, wenn sich das Kind mit dem Helm verfängt.



Erstickungsgefahr!

ACHTUNG! Kinder können an Plastikfolien ersticken.

- Lassen Sie Kinder nicht mit der Verpackungsfolie spielen. Die Verpackung ist kein Kinderspielzeug.



Beschädigungsgefahr!

ACHTUNG! Unsachgemäßer Umgang mit dem Helm kann zu Beschädigungen des Helms führen.

- In regelmäßigen Abständen muss der Helm auf sichtbare Mängel überprüft werden.
- Bringen Sie keine Farbe oder Aufkleber auf dem Helm an.



Benutzerhinweise

Kinnriemen öffnen/schließen (Abb. D)

Um den Kinnriemen zu öffnen, drücken Sie auf den mehrstufigen Sicherheitsrasterverschluss (1) und ziehen den Steg (2) heraus. Um den Kinnriemen zu schließen, stecken Sie den Steg in den mehrstufigen Sicherheitsrasterverschluss und lassen diesen in einer für Sie angenehmen Weite einrasten.



Bei einem Unfall mit einem offenen oder falsch eingestellten Gurtverteiler und Kinnriemen kann der Helm verrutschen und seine Schutzwirkung verlieren!



Überprüfen Sie vor jeder Fahrt, ob der Kinnriemen korrekt eingestellt und geschlossen ist!

Kinnriemen einstellen (Abb. B)

Überprüfen Sie vor jeder Fahrt, ob der Kinnriemen korrekt eingestellt ist.

- Der Kinnriemen (1) ist ordnungsgemäß eingestellt, wenn er sowohl komfortabel als auch fest sitzt und Sie beim Öffnen des Mundes einen leichten Druck verspüren. Der Verschluss (2) darf nicht auf dem Kinn oder dem Kieferknochen aufliegen.
- Ist der Kinnriemen (1) zu locker, muss er mit Hilfe der Windung (3) am Verschluss (2) nachgezogen werden.
- Ist der Kinnriemen (1) zu eng, muss er ebenfalls mit Hilfe der Windung (3) am Verschluss (2) gelockert werden.



Überprüfen Sie vor jeder Fahrt, ob der Gurtverteiler korrekt eingestellt und geschlossen ist!

Gurtverteiler einstellen (Abb. C)

- Öffnen Sie den Gurtverteiler.
- Der Gurtverteiler muss so positioniert werden, dass die Riemen straff aber bequem sitzen. Der Gurtverteiler muss unterhalb des Ohres sitzen, die Riemen dürfen nicht die Ohren bedecken.
- Schließen Sie den Gurtverteiler.



Ohrenpolster abnehmen/einsetzen (Abb. F)

1. Ziehen Sie zunächst die Kinnriemen aus den Schlaufen an den Ohrpolstern.
2. Ziehen Sie die Ohrenpolster vorsichtig und gerade aus den Schnappverschlussnuten heraus.
3. Setzen Sie die Ohrenpolster ein, indem Sie den Tab an der Basis der Ohrenpolster vorsichtig in die Nut an der Helmseite drücken. Die weiche Seite der Ohrenpolster zeigt dabei nach innen.
4. Fädeln Sie die Kinnriemen wieder durch die Schlaufen an den Ohrpolstern.

Einstellung des Einhand – Größenverstellsystems (Abb. E)

Das integrierte Größenverstellsystem lässt sich mittels eines Drehknopfes stufenlos am Hinterkopf verstellen:

- kleiner = nach rechts drehen
- größer = nach links drehen

Die richtige Helmposition (Abb. H)

- Der Helm muss immer waagrecht auf Ihrem Kopf sitzen.
- Sitzt der Helm zu weit vorne, kann Ihre Sicht beeinträchtigt werden.
- Sitzt der Helm zu weit hinten, ist Ihre Stirn nicht ausreichend geschützt.

Skibrille anbringen (Abb. I)

1. Um eine Skibrille anzubringen, öffnen Sie die Lasche an der Rückseite des Helms.
2. Setzen Sie die Skibrille auf und führen Sie das Band um den Helm.
3. Schließen Sie anschließend die Lasche, um das Band am Helm zu befestigen.

Belüftung einstellen (Abb. J)

1. Schieben Sie den Regler nach hinten, um die Lüftungsschlitze zu öffnen und die Belüftung zu erhöhen.
2. Schieben Sie den Regler nach vorne, um die Lüftungsschlitze zu schließen und die Belüftung zu verringern.

Wartung/Reinigung/Aufbewahrung

HINWEIS: Unsachgemäßer Umgang mit dem Helm kann zu Beschädigungen des Helms führen.

Reinigung:

WARNHINWEIS!

- Der Helm darf nicht mit kohlenwasserstoffhaltigen Lösungs- oder Reinigungsmitteln in Kontakt kommen.
- Auch Aufkleber können Lösungsmittel enthalten und dadurch die Schutzschicht des Helmes beschädigen.
- Zur Reinigung nur Wasser und milde Seife verwenden.



Innenpolster entfernen/einsetzen

1. Lösen Sie den Klettverschluss und nehmen Sie das Innenpolster aus dem Helm.
2. Innenpolster mit lauwarmem Wasser und milder Seife reinigen und anschließend an der Luft trocknen lassen.
3. Setzen Sie das Innenpolster wieder ein.

Helm reinigen

1. Reinigen Sie Ihren Helm nur mit lauwarmem Wasser, milder Seife und einem weichen Tuch.
2. Entnehmen Sie die Ohrpolster zur Reinigung wie beschrieben.
3. Ohrpolster mit lauwarmem Wasser und milder Seife reinigen und anschließend an der Luft trocknen lassen.

Aufbewahrung

- Lassen Sie Ihren Helm nach jedem Gebrauch an der Luft trocknen.
- Bewahren Sie den Helm nicht in der Nähe von Heiz- und Wärmequellen auf (z.B. hinter Glasscheiben in einem Auto). Hohe Temperaturen, bereits ab 60°C, können den Helm ernsthaft beschädigen. Unebene Helmoberfläche und Bläschenbildung sind Anzeichen einer solchen Beschädigung.
- Bewahren Sie den Helm im mitgelieferten Skihelmbeutel (Abb. G) auf.

Hinweise zur Entsorgung



Erstickungsgefahr

ACHTUNG! Kinder können an Plastikfolien ersticken. Lassen Sie Ihre Kinder nicht mit der Verpackungsfolie spielen. Die Verpackung ist kein Kinderspielzeug.

Verpackung entsorgen

Entsorgen Sie die Verpackung sortenrein. Geben Sie Pappe und Karton zum Altpapier, Folien in die Wertstoffsammlung.

Produkt entsorgen

- Die Entsorgung des Produkts muss über einen zugelassenen Entsorgungsbetrieb oder über eine kommunale Entsorgungseinrichtung entsprechend den in Ihrem Land gültigen Gesetzen und Bestimmungen erfolgen. (Anwendbar in der Europäischen Union und anderen europäischen Staaten mit Systemen zur getrennten Sammlung von Wertstoffen).
- Geben Sie das Gerät an einer Verwertungsstelle ab. Die verwendeten Kunststoff- und Metallteile können sortenrein getrennt werden und so einer Wiederverwertung zugeführt werden. Fragen Sie hierzu Ihren lokalen Müllentsorger oder unser Service-Center.
- Die Entsorgung Ihrer defekten, eingesendeten Geräte führen wir kostenlos durch.



Konformitätserklärung

Die EU-Konformitätserklärung kann bei folgender Adresse angefordert werden:
SPEQ GmbH, Tannbachstraße 10, 73635 Steinenberg/Deutschland

Prüfinstitut

TÜV SÜD Product Service GmbH, Ridlerstr. 65, D-80339 München, Deutschland

Die vollständige Konformitätserklärung finden Sie unter
www.speq.de/konformitaetserklaerung





Garantie und Serviceabwicklung

Sehr geehrte Kundin, sehr geehrter Kunde,

Sie erhalten auf dieses Gerät 3 Jahre Garantie ab Kaufdatum.

Im Falle von Mängeln dieses Produkts stehen Ihnen gegen den Verkäufer des Produkts gesetzliche Rechte zu. Diese gesetzlichen Rechte werden durch unsere im Folgenden dargestellte Garantie nicht eingeschränkt.

Garantiebedingungen

Die Garantiefrist beginnt mit dem Kaufdatum. Bitte bewahren Sie den Original Kassenbonnut auf. Dieser wird als Nachweis für den Kauf benötigt. Tritt innerhalb von drei Jahren ab dem Kaufdatum dieses Produkts ein Material- oder Fabrikationsfehler auf, wird das Produkt von uns – nach unserer Wahl – für Sie kostenlos repariert, ersetzt, oder der Kaufpreis erstattet. Diese Garantieleistung setzt voraus, dass innerhalb der Drei-Jahres-Frist das defekte Gerät und der Kaufbeleg (Kassenbonnut) vorgelegt und schriftlich kurz beschrieben wird, worin der Mangel besteht und wann er aufgetreten ist.

Wenn der Defekt von unserer Garantie gedeckt ist, erhalten Sie das reparierte oder ein neues Produkt zurück. Mit Reparatur oder Austausch des Produkts beginnt kein neuer Garantiezeitraum.

Garantiezeit und gesetzliche Mängelansprüche

Die Garantiezeit wird durch die Gewährleistung nicht verlängert. Dies gilt auch für ersetzte und reparierte Teile. Eventuell schon beim Kauf vorhandene Schäden und Mängel müssen sofort nach dem Auspacken gemeldet werden. Nach Ablauf der Garantiezeit anfallende Reparaturen sind kostenpflichtig.

Garantieumfang

Das Gerät wurde nach strengen Qualitätsrichtlinien sorgfältig produziert und vor Auslieferung gewissenhaft geprüft. Die Garantieleistung gilt für Material- oder Fabrikationsfehler. Diese Garantie erstreckt sich nicht auf Produktteile, die normaler Abnutzung ausgesetzt sind und daher als Verschleißteile angesehen werden können oder für Beschädigungen an zerbrechlichen Teilen, z. B. Schalter, Akkus oder die aus Glas gefertigt sind. Diese Garantie verfällt, wenn das Produkt beschädigt, nicht sachgemäß benutzt oder gewartet wurde. Für eine sachgemäße Benutzung des Produkts sind alle in der Bedienungsanleitung aufgeführten Anweisungen genau einzuhalten. Verwendungszwecke und Handlungen, von denen in der Bedienungsanleitung abgeraten oder vor denen gewarnt wird, sind unbedingt zu vermeiden. Das Produkt ist lediglich für den privaten und nicht für den gewerblichen Gebrauch bestimmt. Bei missbräuchlicher und unsachgemäßer Behandlung, Gewaltanwendung und bei Eingriffen, die nicht von unserer autorisierten Service-Niederlassung vorgenommen wurden, erlischt die Garantie.



Abwicklung im Garantiefall

Um eine schnelle Bearbeitung Ihres Anliegen zu gewährleisten, folgen Sie bitte den folgenden Hinweisen:

- Bitte halten Sie für alle Anfragen den Kassenbon und die Artikelnummer (IAN 458651_2401) als Nachweis für den Kauf bereit.
- Die Artikelnummer entnehmen Sie bitte dem Typenschild am Produkt, einer Gravur am Produkt, dem Titelblatt Ihrer Anleitung (unten links) oder dem Aufkleber auf der Rück- oder Unterseite des Produktes.
- Sollten Funktionsfehler oder sonstige Mängel auftreten kontaktieren Sie zunächst die nachfolgend benannte Serviceabteilung **telefonisch** oder per **E-Mail**.
- Ein als defekt erfasstes Produkt können Sie dann unter Beifügung des Kaufbelegs (Kassenbon) und der Angabe, worin der Mangel besteht und wann er aufgetreten ist, für Sie portofrei an die Ihnen mitgeteilte Service Anschrift übersenden.

Auf www.lidl-service.com können Sie diese und viele weitere Handbücher, Produktvideos und Installationssoftware herunterladen. Mit diesem QR-Code gelangen Sie direkt auf die Lidl-Service-Seite (www.lidl-service.com) und können durch die Eingabe der Artikelnummer (IAN) 458651_2401 Ihre Bedienungsanleitung öffnen.



Serviceadresse:

SPEQ GmbH
Tannbachstr. 10
73635 Steinenberg/DEUTSCHLAND
Email: service@speq.de

Service-Hotline: 00800 30 777 999
(kostenfrei)

Bitte Anruf vor Einsendung
8:00 Uhr – 17:00 Uhr

SKI- UND SNOWBOARD-HELM

Modell: SP-52
Marke: Crivit



Généralités

Lire et conserver le mode d'emploi

Chère cliente, cher client!

Nous sommes heureux que vous ayez choisi l'un de nos produits de haute qualité, lesquels ont été conçus et certifiés conformément aux normes de sécurité applicables actuelles.

Familiarisez-vous avec le produit avant sa première utilisation. Veuillez lire attentivement la notice d'utilisation ainsi que les consignes de sécurité. Utilisez ce produit uniquement aux fins prévues et tel que décrit dans le présent document. Veuillez conserver ce mode d'emploi dans un endroit sûr. En cas de transmission de ce produit à un tiers, veuillez remettre à ce dernier tous les documents correspondants.

Utilisation conforme

Ce produit est destiné aux skieurs alpins et aux snowboardeurs. Il ne convient pas pour d'autres sports ni pour la pratique de la moto.

Légende

Les symboles et mentions d'avertissement suivants sont utilisés dans le présent mode d'emploi, sur le produit ou sur l'emballage.



Déclaration de conformité (voir le chapitre « Déclaration de conformité »):
les produits marqués de ce symbole satisfont toutes les directives communautaires applicables de l'Espace économique européen.



Respecter le mode d'emploi



Date de fabrication (mois/anée)



Date limite d'utilisation (mois/anée)



Poids du casque



Le cachet « Sécurité vérifiée » (marquage « GS ») certifie qu'un produit contrôlé répond aux exigences de la loi allemande sur la sécurité des produits. Le marquage « GS » indique que l'utilisation conforme ou prévisible ne compromet pas la sécurité et la santé des personnes.



Lavage à la main



Ne pas blanchir



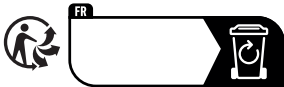
Ne pas sécher au sèche-linge



Ne pas repasser



Ne pas nettoyer à sec



Le produit recyclable doit être trié ou rapporté dans un point de collecte pour être recycle.

Classe B

Les casques des classes A et B sont destinés aux skieurs, snowboardeurs et autres groupes similaires. Les casques de la classe A offrent une protection relativement renforcée. Les casques de la classe B offrent une meilleure ventilation et ont un effet insonorisant réduit, mais protègent une plus petite zone de la tête et affichent une moins bonne résistance à la pénétration.

Contenu de la livraison / accessoires

- 1 x Casque de ski et snowboard
- 1 x Housse pour casque de ski
- 1 x Mode d'emploi

Description des pièces / liste des pièces (Fig. A)

1. Système de ventilation
2. Jugulaire
3. Système d'attache à plusieurs crans
4. Boucle de jugulaire
5. Système de réglage de taille
6. Protège-nuque
7. Oreillettes



Données techniques

Modèle: SP-52

Référence article: 458651

Taille: M/L (54 - 58 cm), L/XL (58 - 61 cm)

Date de fabrication (mois/année): 06/2024

Date limite d'utilisation (mois/année): 06/2029

Consignes de sécurité



Risque de blessure!

Important: Lisez attentivement le mode d'emploi et conservez-le impérativement ! Une manipulation non conforme du produit peut entraîner des blessures.

- **ATTENTION!** Un casque ne peut pas protéger son utilisateur de tous les accidents.
- **ATTENTION!** Utilisez uniquement un casque bien ajusté et correctement fixé. Un casque mal ajusté peut glisser lors d'un accident et perdre son action protectrice.
- Utilisez le casque dans la position prévue à cet effet (Fig. H).
- Avant chaque session, veillez à bien fermer le système d'attache de la jugulaire (Fig. D).
- Ne portez pas de bonnet ni aucun autre couvre-chef sous le casque.
- Remplacez et jetez le casque après un choc, même en cas de choc léger sans dommages visibles.
- Le casque doit également être remplacé si la taille ne convient plus ou, au plus tard, 5 ans à compter de sa date de fabrication, même en l'absence de dommages.
- Toute modification ou tout retrait de pièces d'origine du casque peut considérablement altérer sa fonction protectrice. Il est interdit de modifier le casque en y apportant des ajouts d'une manière contraire aux recommandations du fabricant.
- Essayez de tourner le casque à gauche et à droite avec les deux mains. Si le casque est correctement ajusté, la peau de vos tempes doit bouger.
- Avec les deux mains, essayez de tirer le casque aussi bas que possible sur l'avant et sur l'arrière. Le casque n'est pas bien ajusté dès lors que vous

pouvez le bouger en avant d'une manière qui gêne votre champ de vision ou que vous pouvez le bouger en arrière de telle sorte que votre front est à nu.

- Avant chaque utilisation, vérifiez que le casque est bien ajusté, que la jugulaire est bien positionnée et réglée, et que le système d'attache est bien fermé.
- Si vous ne pouvez pas ajuster le casque de sorte qu'il puisse à peine bouger en avant ou en arrière lorsque le système d'attache est fermé, ne l'utilisez pas. Remplacez-le par un modèle dans une autre taille. Lors de votre achat, veuillez impérativement essayer plusieurs tailles.

Que ce soit à l'occasion d'un accident très grave ou lors d'un accident à faible vitesse ou de faible intensité, des blessures graves à la tête peuvent être causées, voire même entraîner la mort. Il est possible que le casque ne protège pas efficacement son utilisateur contre les blessures à la tête. Skiez ou surfez donc toujours avec prudence



Danger de mort!

- Ce casque ne doit en aucun cas être utilisé par des enfants lors d'activités d'escalade ou de toute autre activité présentant un risque de strangulation / pendaison de l'enfant du fait du casque.



Risque d'étouffement!

ATTENTION! Les enfants peuvent s'étouffer avec des films en plastique.

- Ne laissez pas des enfants jouer avec le film d'emballage. L'emballage n'est pas un jouet.



Risque d'endommagement!

ATTENTION! Une manipulation non conforme du casque peut entraîner un endommagement du casque.

- Un contrôle du casque doit être effectué à intervalles réguliers afin de s'assurer de l'absence de défauts visibles.
- N'appliquez pas de peinture ni d'autocollant sur le casque.



Instructions d'utilisation

Ouverture / fermeture de la jugulaire (Fig. D)

Pour ouvrir la jugulaire, appuyez sur le système d'attache à plusieurs crans (1) et dégagez la languette (2). Pour fermer la jugulaire, engagez la languette dans le système d'attache à plusieurs crans et crantez-la à une largeur qui vous convient.



En cas d'accident avec une jugulaire et une boucle de jugulaire ouvertes ou mal réglées, le casque peut glisser et perdre son action protectrice!



Avant chaque session, vérifiez que la jugulaire est bien ajustée et fermée!

Réglage de la jugulaire (Fig. B)

Avant chaque session, vérifiez que la jugulaire est correctement ajustée.

- La jugulaire (1) est correctement réglée lorsque celle-ci repose de manière serrée mais confortable et que vous ressentez une légère pression lorsque vous ouvrez la bouche. La boucle (2) ne doit pas reposer sur le menton ni sur la mâchoire.
- Si la jugulaire (1) est trop lâche, celle-ci doit être resserrée à l'aide de la sangle de réglage (3) au niveau de la boucle (2).
- Si la jugulaire (1) est trop serrée, celle-ci doit être desserrée à l'aide de la sangle de réglage (3) au niveau de la boucle (2).



Avant chaque session, vérifiez que la boucle de jugulaire est bien réglée et fermée!

Réglage de la boucle de jugulaire (Fig. C)

Ouvrez la boucle de jugulaire.

- La boucle de jugulaire doit être réglée de sorte que les sangles reposent de manière serrée mais confortable. La boucle de jugulaire doit reposer en-dessous de l'oreille, les sangles ne doivent pas couvrir les oreilles.
- Fermez la boucle de jugulaire.

Retrait / mise en place des oreillettes (Fig. F)

1. Dégagez tout d'abord la jugulaire des passants des oreillettes.
2. Dégagez les oreillettes des rainures de montage rapide en veillant à les tirer de manière bien droite.
3. Mettez les oreillettes en place en enfonçant soigneusement l'onglet situé à la base des oreillettes dans la rainure sur le côté du casque. Veillez à orienter la face douce des oreillettes à l'intérieur.
4. Enfilez de nouveau la jugulaire dans les passants des oreillettes.

Réglage du système de réglage de taille à une main (Fig. E)

Grâce au système de réglage de taille intégré, le casque peut être réglé en continu à l'aide de la molette située à l'arrière de la tête:

- plus petit = tourner vers la droite
- plus grand = tourner vers la gauche

La position de casque idéale (Fig. H)

- Le casque doit toujours reposer droit sur votre tête.
- Si le casque est placé trop en avant, alors celui-ci risque de gêner votre vue.
- Si le casque est placé trop en arrière, alors votre front n'est pas suffisamment protégé.

Mise en place des lunettes de ski (Fig. I)

1. Pour mettre en place des lunettes de ski, ouvrez la languette située à l'arrière du casque.
2. Mettez les lunettes de ski en place et faites passer l'élastique autour du casque.
3. Fermez ensuite la languette afin de fixer l'élastique sur le casque.

Réglage de la ventilation (Fig. J)

1. Poussez le régulateur vers l'arrière afin d'ouvrir les fentes d'aération pour une meilleure ventilation.
2. Poussez le régulateur vers l'avant afin de fermer les fentes d'aération pour une plus faible ventilation.



Entretien / nettoyage / rangement

REMARQUE: Une manipulation non conforme du casque peut entraîner un endommagement du casque.

Nettoyage:

AVERTISSEMENT!

- Le casque ne doit pas entrer en contact avec des solvants ou produits nettoyants contenant des hydrocarbures.
- Les autocollants aussi peuvent contenir des solvants et donc endommager la couche protectrice du casque.
- Utilisez uniquement de l'eau et du savon doux pour nettoyer le casque.

Retrait / nettoyage du rembourrage intérieur

1. Détachez la fermeture velcro et retirez le rembourrage intérieur du casque.
2. Nettoyez le rembourrage intérieur à l'eau tiède, avec un savon doux, puis laissez-le sécher à l'air libre.
3. Remettez le rembourrage intérieur en place.

Nettoyage du casque

1. Nettoyez votre casque uniquement à l'eau tiède, avec un savon et un chiffon doux.
2. Retirez les oreillettes en suivant les instructions, à des fins de nettoyage.
3. Nettoyez les oreillettes à l'eau tiède, avec un savon doux, puis laissez-les sécher à l'air libre.

Rangement

- Laissez votre casque sécher à l'air libre après chaque utilisation.
- Ne rangez pas votre casque à proximité de sources de chauffage et de chaleur (p. ex. derrière les vitres d'une voiture). Des températures élevées (à partir de 60 °C) peuvent gravement endommager le casque, entraînant notamment l'apparition d'inégalités sur la surface du casque ainsi que la formation de petites bulles.
- Rangez le casque dans la housse pour casque de ski fournie avec (Fig. G).

Remarques relatives à l'élimination



Risque d'étouffement

ATTENTION! Les enfants peuvent s'étouffer avec des films en plastique. Ne laissez pas vos enfants jouer avec le film d'emballage. L'emballage n'est pas un jouet.

Élimination de l'emballage

Éliminez l'emballage en suivant les consignes de tri et de recyclage. Jetez le papier et le carton avec le papier usagé, et collectez les films avec les matériaux recyclables.

Élimination du produit

- L'élimination du produit doit être effectuée par une entreprise d'élimination des déchets agréée ou par un service d'élimination des déchets communal, conformément aux lois et réglementations en vigueur dans le pays d'utilisation. (Applicable au sein de l'Union européenne et dans les autres pays européens avec des systèmes de collecte séparée des matériaux recyclables).
- Confiez le produit à un centre de valorisation des déchets. Les pièces métalliques et plastiques utilisées peuvent être triées et recyclées. Adressez-vous pour cela à votre service de traitement des déchets local ou à notre centre de service après-vente.
- Nous prenons en charge gratuitement l'élimination de vos appareils défectueux que vous nous renvoyez

Déclaration de conformité

La déclaration de conformité CE peut être obtenue à l'adresse suivante le sera:
SPEQ GmbH, Tannbachstraße 10, 73635 Steinenberg, ALLEMAGNE

Institut de contrôle

TÜV SÜD Product Service GmbH, Ridlerstr. 65, D-80339 München, ALLEMAGNE,
PSA 2016/425

Vous trouverez la déclaration de conformité complète sur
www.speq.de/konformitaetserklaerung.



Garantie et gestion du service

Chère cliente, cher client,

Cet appareil est garanti 3 ans à partir de la date d'achat. Si ce produit venait à présenter des vices, vous disposez de droits légaux face au vendeur de ce produit. Vos droits légaux ne sont pas restreints par notre garantie présentée ci-dessous.

Conditions de garantie

La période de garantie débute à la date d'achat. Veuillez bien conserver le ticket de caisse. Celui-ci servira de preuve d'achat. Si dans un délai de trois ans suivant la date d'achat de ce produit, un vice de matériel ou de fabrication venait à apparaître, le produit sera réparé, remplacé gratuitement par nos soins ou le prix d'achat remboursé, selon notre choix. Cette prestation sous garantie nécessite, dans le délai de trois ans, la présentation de l'appareil défectueux et du justificatif d'achat (ticket de caisse) ainsi que la description brève du vice et du moment de son apparition.

Si le vice est couvert par notre garantie, vous recevrez le produit réparé ou un nouveau produit en retour. Aucune nouvelle période de garantie ne débute avec la réparation ou l'échange du produit.

Période de garantie et réclamation légale pour vices cachés

L'exercice de la garantie ne prolonge pas la période de garantie. Cette disposition s'applique également aux pièces remplacées ou réparées. Les dommages et vices éventuellement déjà présents à l'achat doivent être signalés immédiatement après le déballage. Toute réparation survenant après la période sous garantie fera l'objet d'une facturation.

Étendue de la garantie

L'appareil a été fabriqué avec soin conformément à des directives de qualité strictes et consciencieusement contrôlé avant sa livraison. La prestation de la garantie s'applique aux vices de matériel et de fabrication. Cette garantie ne s'étend pas aux pièces du produit qui sont exposées à une usure normale et peuvent de ce fait être considérées comme pièces d'usure, ni aux détériorations de pièces fragiles, par ex. interrupteurs, batteries ou pièces en verre. Cette garantie devient caduque si le produit est détérioré, utilisé ou entretenu de manière non conforme. Toutes les instructions listées dans le manuel d'utilisation doivent être exactement respectées pour une utilisation conforme du produit. Des buts d'utilisation et actions qui sont déconseillés dans le manuel d'utilisation, ou dont vous êtes avertis doivent également être évités. Le produit est uniquement destiné à un usage privé et ne convient pas à un usage professionnel. La garantie est annulée en cas d'entretien incorrect et inapproprié, d'usage de la force et en cas d'intervention non réalisée par notre centre de service après-vente agréé.

Procédure en cas de garantie

Afin de garantir un traitement rapide de votre demande, veuillez suivre les indications suivantes:

- Veuillez avoir à portée de main pour toutes questions le ticket de caisse et la référence article (par ex. IAN 458651_2401) en tant que justificatif de votre achat.
- Vous trouverez la référence sur la plaque signalétique sur le produit, une gravure sur le produit, sur la page de garde du mode d'emploi (en bas à gauche) ou sur l'autocollant au dos ou sur le dessous du produit.
- Si des erreurs de fonctionnement ou d'autres vices venaient à apparaître, veuillez d'abord contacter le département service clientèle cité ci-dessous par **téléphone** ou par **e-mail**.
- Vous pouvez ensuite retourner un produit enregistré comme étant défectueux en joignant le ticket de caisse et en indiquant en quoi consiste le vice et quand il est survenu, sans devoir l'affranchir à l'adresse de service après-vente communiquée.

Sur www.lidl-service.com, vous pourrez télécharger ce mode d'emploi et de nombreux autres manuels, vidéos produit et logiciels d'installation. Grâce à ce code QR, vous arriverez directement sur le site Lidl service après-vente (www.lidl-service.com) et vous pourrez ouvrir votre mode d'emploi en saisissant votre référence (IAN) 458651_2401.





Article L217-16 du Code de la consommation

Lorsque l'acheteur demande au vendeur, pendant le cours de la garantie commerciale qui lui a été consentie lors de l'acquisition ou de la réparation d'un bien meuble, une remise en état couverte par la garantie, toute période d'immobilisation d'au moins sept jours vient s'ajouter à la durée de la garantie qui restait à courir. Cette période court à compter de la demande d'intervention de l'acheteur ou de la mise à disposition pour réparation du bien en cause, si cette mise à disposition est postérieure à la demande d'intervention. Indépendamment de la garantie commerciale souscrite, le vendeur reste tenu des défauts de conformité du bien et des vices rédhibitoires dans les conditions prévues aux articles L217-4 à L217-13 du Code de la consommation et aux articles 1641 à 1648 et 2232 du Code Civil.

Article L217-4 du Code de la consommation

Le vendeur livre un bien conforme au contrat et répond des défauts de conformité existant lors de la délivrance. Il répond également des défauts de conformité résultant de l'emballage, des instructions de montage ou de l'installation lorsque celle-ci a été mise à sa charge par le contrat ou a été réalisée sous sa responsabilité.

Article L217-5 du Code de la consommation

Le bien est conforme au contrat :

1° S'il est propre à l'usage habituellement attendu d'un bien semblable et, le cas échéant :

- s'il correspond à la description donnée par le vendeur et posséder les qualités que celui-ci a présentées à l'acheteur sous forme d'échantillon ou de modèle ;
- s'il présente les qualités qu'un acheteur peut légitimement attendre eu égard aux déclarations publiques faites par le vendeur, par le producteur ou par son représentant, notamment dans la publicité ou l'étiquetage ;

2° Ou s'il présente les caractéristiques définies d'un commun accord par les parties ou être propre à tout usage spécial recherché par l'acheteur, porté à la connaissance du vendeur et que ce dernier a accepté.

Article L217-12 du Code de la consommation

L'action résultant du défaut de conformité se prescrit par deux ans à compter de la délivrance du bien.

Article 1641 du Code civil

Le vendeur est tenu de la garantie à raison des défauts cachés de la chose vendue qui la rendent impropre à l'usage auquel on la destine, ou qui diminuent tellement cet usage que l'acheteur ne l'aurait pas acquise, ou n'en aurait donné qu'un moindre prix, s'il les avait connus.



Article 1648 1er alinéa du Code civil

L'action résultant des vices rédhibitoires doit être intentée par l'acquéreur dans un délai de deux ans à compter de la découverte du vice. Les pièces détachées indispensables à l'utilisation du produit sont disponibles pendant la durée de la garantie du produit.

Adresse du service:

SPEQ GmbH
Tannbachstr. 10
73635 Steinenberg/ALLEMAGNE
Email: service@speq.de
Service hotline: 00800 30 777 999
(gratuit)

Veuillez appeler avant d'envoyer
de 08h00 à 17h00

CASQUE DE SKI ET SNOW-BOARD

Modèle: SP-52
Marque: Crivit



Algemeen

Gebruiksaanwijzing lezen en bewaren

Beste klant!

Het doet ons plezier dat u voor een van onze hoogwaardige producten gekozen heeft, dat strikt volgens de actueel geldende veiligheidsnormen geproduceerd en gecertificeerd werd.


Maak u voor het eerste gebruik vertrouwd met het product. Lees hiervoor aandachtig de gebruiksaanwijzing en de veiligheidsaanwijzingen door. Gebruik dit product uitsluitend zoals beschreven en voor de aangegeven toepassingen. Bewaar deze gebruiksaanwijzing goed. Als u het product aan derden doorgeeft, overhandig dan alle documentatie samen met het product.

Beoogd gebruik

Dit artikel is gemaakt voor alpineskiërs en -snowboarders. Het is niet geschikt voor andere sporten of motorrijders.

Legenda

De volgende symbolen en signaalwoorden worden in deze gebruiksaanwijzing, op het product of op de verpakking gebruikt.

 Conformiteitsverklaring (zie hoofdstuk 'Conformiteitsverklaring'): Producten met dit symbool voldoen aan alle toepasbare gemeenschapsvoorschriften van de Europese Economische Ruimte.



Volg de gebruiksaanwijzing



Productiedatum (maand/jaar)



Vervaldatum (maand/jaar)



Helmgewicht



Het keurmerk 'Geprüfte Sicherheit' (geteste veiligheid, GS-symbool) geeft aan dat een getest product voldoet aan de vereisten van de Duitse wet op de productveiligheid. Het GS-symbool geeft aan dat bij beoogd of voorspelbaar gebruik de veiligheid en gezondheid van personen niet in gevaar zijn.



Wassen met de hand



Niet bleken



Niet in de wasdroger



Niet strijken



Niet chemisch reinigen

Klasse B

Helmen van klasse A en klasse B zijn voor skiërs, snowboarders en vergelijkbare groepen. Helmen van klasse A bieden in verhouding meer bescherming. Helmen van klasse B kunnen meer ventilatie en beter gehoor bieden, maar beschermen een kleiner oppervlak van het hoofd en bieden een geringere mate aan penetratieweerstand.

Leveringsomvang / toebehoren

- 1 x Ski- en snowboardhelm
- 1 x Skihelmtas
- 1 x Gebruiksaanwijzing

Onderdeelbeschrijving / onderdelenlijst (afb. A)

1. Ventilatiesysteem
2. Kinriem
3. Meertraps veiligheidssluiting
4. Riemverdeler
5. Maatverstelsysteem
6. Nekkussen
7. Oorkussen

Technische gegevens

Model: SP-52

Artikelnummer: 458651

Maat: M/L (54 - 58 cm), L/XL (58 - 61 cm)

Productiedatum (maand/jaar): 06/2024

Vervaldatum (maand/jaar): 06/2029

Veiligheidsinstructies



Risico op letsel!

Belangrijk: lees de gebruiksaanwijzing aandachtig door en bewaar haar absoluut! Bij niet beoogde omgang met het product kunt u letsel oplopen.

- **ATTENTIE!** Een helm kan de drager niet tegen alle ongelukken beschermen.
- **ATTENTIE!** Gebruik alleen een helm die goed past en stevig zit. Als de helm niet goed past, kan hij bij een ongeluk verschuiven en zijn beschermende werking verliezen.
- Gebruik de helm op de daarvoor aangegeven plaats (afb. H).
- Sluit voor elk gebruik de sluiting van de kinriem (afb. D).
- Draag geen mutsen of andere hoofddeksels onder de helm.
- Vervang de helm na een botsing en gooi hem weg. Dit geldt ook bij een lichte botsing zonder zichtbare schade.
- De helm moet ook worden vervangen wanneer deze niet meer goed past en uiterlijk 5 jaar na de productiedatum, ook als er geen beschadigingen waarneembaar zijn.
- Het veranderen of verwijderen van originele onderdelen van de helm kan de beschermende werking extreem nadelig beïnvloeden. De helm mag niet worden veranderd om extra functies aan te brengen op een wijze die niet door de fabrikant aanbevolen is.
- Probeer met beide handen de helm naar links en naar rechts te draaien. Als de helm goed zit, beweegt de huid van uw slapen mee.
- Probeer met beide handen de helm zo ver mogelijk terug te duwen en naar voren te trekken. De helm zit niet goed als u hem zo ver vooruit kan bewegen dat uw gezichtsveld wordt belemmerd of als u

- hem zo ver terug kunt duwen dat uw voorhoofd vrij komt te liggen.
- Controleer voor elk gebruik of de helm goed zit, of de kinriemen stevig op hun plaats zitten, goed zijn afgesteld en zijn gesloten.
 - Als u de helm niet zodanig kunt aanpassen dat hij met gesloten sluiting alleen in geringe mate naar voren of naar achteren kan schuiven, dan mag u de helm niet gebruiken. Vervang de helm door een model met een andere maat. Probeer bij de aankoop absoluut verschillende maten uit.

Zowel bij een zeer ernstige botsing als bij een ongeval met lage snelheid of intensiteit kan ernstig tot dodelijk hoofdletsel worden veroorzaakt. Daarbij kan het gebeuren dat de helm de drager niet effectief beschermt tegen hoofdletsel. Ski of snowboard daarom altijd voorzichtig.



Levensgevaar!

- Deze helm mag niet door kinderen tijdens klimmen of andere activiteiten worden gebruikt als een risico bestaat dat het kind wordt gewurgd of lijft hangen als het met de helm ergens aan vast komt te zitten.



Risico op verstikking!

ATTENTIE! Kinderen kunnen stikken in plastic folie.

- Laat kinderen niet met de verpakingsfolie spelen. De verpakking is geen speelgoed.



Risico op beschadiging!

ATTENTIE! Onjuiste omgang met de helm kan beschadiging van de helm tot gevolg hebben.

- De helm moet regelmatig worden gecontroleerd op zichtbare gebreken.
- Breng geen verf of stickers aan op de helm.



Gebruiksaanwijzingen

Kinriem openen/sluiten (afb. D)

Om de kinriem te openen, drukt u op de meertraps veiligheidssluiting (1) en trekt u het verbindingsstuk (2) naar buiten. Om de kinriem te sluiten, steekt u het verbindingsstuk in de meertraps veiligheidssluiting en laat u het vastklikken op een breedte die voor u comfortabel is.



Bij een ongeval met een open of verkeerd afgestelde riemverdeler en kinriem kan de helm wegglijden en zijn beschermende werking verliezen!



Controleer voor elk gebruik of de kinriem goed is afgesteld en gesloten!

Kinriem verstellen (afb. B)

Controleer voor elk gebruik of de kinriem goed is afgesteld.

- De kinriem (1) is correct afgesteld als deze zowel comfortabel als strak zit en u een lichte druk voelt wanneer u uw mond opent. De sluiting (2) mag niet tegen de kin of het kaakbeen aanliggen.
- Zit de kinriem (1) te los, dan moet deze met behulp van het draaimechanisme (3) aan de sluiting (2) worden aangedraaid.
- Zit de kinriem (1) te strak, dan moet deze eveneens met behulp van het draaimechanisme (3) aan de sluiting (2) worden losgedraaid.



Controleer voor elk gebruik of de riemverdeler goed is afgesteld en gesloten!

Riemverdeler verstellen (afb. C)

- Open de riemverdeler
- De riemverdeler moet zo geplaatst worden, dat de riemen strak maar comfortabel zitten. De riemverdeler moet onder het oor zitten, de riemen mogen niet de oren bedekken.
- Sluit de riemverdeler



Oorkussens verwijderen/aanbrengen (afb. F)

1. Trek eerst de kinriemen uit de lussen op de oorkussens.
2. Trek de oorkussens voorzichtig en recht uit de gleuven van de kliksluiting.
3. Plaats de oorkussens door het lipje aan de onderkant van de oorkussens voorzichtig in de gleuf aan de zijkant van de helm te drukken. De zachte kant van de oorkussens is daarbij naar binnen gericht.
4. Rijg de kinriemen weer door de lussen op de oorkussens.

Instellen van het eenhandige maatverstelsysteem (afb. E)

Het geïntegreerde maatverstelsysteem kan met behulp van een draaiknop traploos aan het achterhoofd worden versteld:

- Kleiner = naar rechts draaien
- Groter = naar links draaien

De juiste positie van de helm (afb. H)

- De helm moet altijd horizontaal op uw hoofd zitten.
- Zit de helm te ver naar voren, dan kan hij uw zicht belemmeren.
- Zit de helm te ver naar achteren, dan is uw voorhoofd onvoldoende beschermd.

Skibril aanbrengen (afb. I)

1. Om een skibril aan te brengen, opent u het lipje aan de achterkant van de helm.
2. Zet de skibril op en doe de band om de helm.
3. Sluit vervolgens het lipje om de band aan de helm te bevestigen.

Ventilatie aanpassen (afb. J)

1. Schuif de regelaar naar achteren om de ventilatieopeningen te openen en de ventilatie te vergroten.
2. Schuif de regelaar naar voren om de ventilatieopening te sluiten en de ventilatie te verminderen.

Onderhoud / reiniging / bewaren

LET OP: Onjuiste omgang met de helm kan beschadiging van de helm tot gevolg hebben.

Reiniging:

WAARSCHUWING!

- De helm mag niet in contact komen met oplos- of reinigingsmiddelen die koolwaterstoffen bevatten.
- Ook stickers kunnen oplosmiddelen bevatten en zo de beschermende laag van de helm aantasten.
- Gebruik alleen water en milde zeep voor het schoonmaken.



Voering verwijderen/reinigen

1. Maak de klittenbandsluiting los en neem de voering uit de helm.
2. Voering met lauw water en milde zeep reinigen en aansluitend laten drogen.
3. Breng de voering weer aan.

Helm reinigen

1. Reinig uw helm alleen met lauw water, milde zeep en een zachte doek.
2. Verwijder de oorkussens voor reiniging zoals beschreven.
3. Oorkussens met lauw water en milde zeep reinigen en aansluitend laten drogen.

Bewaren

- Laat uw helm na elk gebruik drogen.
- Bewaar de helm niet in de buurt van warmte- of hittebronnen (bijv. achter een glazen ruit in een auto). Hoge temperaturen, al vanaf 60 °C, kunnen de helm ernstig beschadigen. Oneffenheden in het oppervlak van de helm en vorming van blaasjes zijn tekenen van een dergelijke beschadiging.
- Bewaar de helm in de meegeleverde skihelmtas (afb. G).

Instructies voor afvalverwijdering



Verstikkingsgevaar

ATTENTIE! Kinderen kunnen stikken in plastic folie. Laat kinderen niet met de verpakkingsfolie spelen. De verpakking is geen speelgoed.

Verpakking verwijderen

Sorteer de verpakking bij het juiste type afval. Doe karton en papier bij het oud papier, folie bij recycling.

Product verwijderen

- De verwijdering van het product moet plaatsvinden via een toegelaten afvoerbedrijf of via een gemeentelijke afvoerinrichting overeenkomstig de in uw land geldende wetten en bepalingen. (Van toepassing in de Europese Unie en andere Europese staten met systemen voor gescheiden afvalverzameling).
- Lever het apparaat in bij een recyclingcentrum. De gebruikte plastic en metalen onderdelen kunnen per type worden gescheiden. Vraag uw plaatselijke afvalverwerkingsbedrijf of ons Service Centre hiernaar.
- Wij zullen uw defecte, geretourneerde apparaten gratis verwijderen.



Conformiteitsverklaring

De EU-conformiteitsverklaring kan worden aangevraagd op het volgende adres:
SPEQ GmbH, Tannbachstraße 10, 73635 Steinenberg/Duitsland

Keuringsinstituut

TÜV SÜD Product Service GmbH, Ridlerstr. 65, D-80339 München, Duitsland

De volledige conformiteitsverklaring vindt u op
www.speq.de/konformiteitsverklaring





Garantie- en servicebeheer

Beste klant,

U ontvangt op dit toestel 3 jaar garantie vanaf de aankoopdatum. Indien dit product niet naar behoren werkt, heeft u wettelijke rechten jegens de verkoper van het product. Deze wettelijke rechten worden door onze hieronder vermelde garantie niet beperkt.

Garantievoorwaarden

De garantietermijn begint vanaf de aankoopdatum. Bewaar de originele kassabon a.u.b. goed. U hebt deze nodig als aankoopbewijs. Indien binnen drie jaar vanaf de aankoopdatum van dit product een materiaal- of productiefout optreedt, dan wordt het product door ons – naar ons goeddunken – voor u gratis gerepareerd of vervangen, ofwel wordt de koopprijs vergoed. Deze garantie veronderstelt dat de defecte apparatuur en het aankoopbewijs (kassabon) binnen de periode van drie jaar worden overgelegd en dat schriftelijk beknopt beschreven wordt waarin het defect bestaat en wanneer het zich heeft voorgedaan. Indien het defect door onze garantie gedekt wordt, ontvangt u het gerepareerde of een nieuw product terug. Er begint geen nieuwe garantieperiode wanneer het product wordt gerepareerd of vervangen.

Garantieperiode en wettelijke aanspraken wegens gebreken

De garantie verlengt de wettelijke garantieperiode niet. Dat geldt ook voor vervangen of gerepareerde onderdelen. Schade en gebreken die eventueel reeds bij de aankoop aanwezig zijn, moeten onmiddellijk na het uitpakken gemeld worden. Reparaties na het verstrijken van de garantieperiode zijn tegen betaling.

Omvang van de garantie

Het toestel is volgens strenge kwaliteitsrichtlijnen zorgvuldig geproduceerd en vóór levering nauwgezet getest. De garantie geldt voor materiaal- of productiefouten. Deze garantie geldt niet voor productonderdelen die onderhevig zijn aan normale slijtage en zodoende als slijtagedelen worden beschouwd, noch voor beschadigingen aan breekbare onderdelen, bv. Schakelaars en accu's of onderdelen van glas. Deze garantie komt te vervallen als het product beschadigd of niet naar behoren gebruikt of onderhouden is. Voor een correct gebruik van het product moeten alle in de gebruiksaanwijzing vermelde instructies nauwkeurig nageleefd worden. Gebruiksdoelen en handelen die in de gebruiksaanwijzing ontraden worden of waarvoor gewaarschuwd wordt, moeten absoluut voorkomen worden. Het product is louter voor privégebruik bedoeld, niet voor commercieel gebruik. De garantie is nietig in geval van misbruik of onjuiste behandeling, gebruik van geweld of ingrepen die niet door onze geautoriseerde serviceafdeling uitgevoerd werden.



Afhandeling onder garantie

Volg de volgende instructies om ervoor te zorgen dat uw verzoek snel wordt afgehandeld:

- Gelieve voor alle aanvragen de kassabon en het artikelnummer (IAN 458651_2401) als bewijs van aankoop in gereedheid.
- Het artikelnummer is te vinden op het typeplaatje op het product, een gravure op het product, het titelblad van uw handleiding (onderaan links) of de sticker op de achter- of onderkant van het product.
- Indien zich functionele fouten of andere defecten voordoen, neemt u eerst **telefonisch** of per **e-mail** contact op met de hiernavolgend vermelde serviceafdeling..
- U kunt een als defect geconstateerd product vervolgens, met toevoeging van het aankoopbewijs (kassabon) en de vermelding van waarin het defect bestaat en wanneer het opgetreden is, zonder portkosten uwerzijds naar het u medegedeelde serviceadres sturen.

Op www.lidl-service.com kunt u deze en nog veel meer handboeken, productvideo's en installatiesoftware downloaden. Met deze QR-code komt u rechtstreeks op de Lidl-servicepagina (www.lidl-service.com) en kunt u uw gebruiksaanwijzing openen door het artikelnummer (IAN) 458651_2401 in te voeren. Serviceadres:



Serviceadres:

SPEQ GmbH
Tannbachstr. 10
73635 Steinberg/DUISSLAND
E-mail: service@speq.de

Servicehotline: 00800 30 777 999
(gratis)

Gelieve vóór inzenden te bellen
8:00 uur – 17:00 uur

SKI- EN SNOWBOARDHELM

Model: SP-52
Merk: Crivit



Informacje ogólne

Przeczytaj i zachowaj instrukcję obsługi

Szanowny Kliencie!

Cieszymy się, że wybrałeś jeden z naszych wysokiej jakości produktów, które zostały wyprodukowane i certyfikowane zgodnie z aktualnie obowiązującymi normami bezpieczeństwa.

Przed pierwszym użyciem zapoznaj się z produktem. Należy dokładnie zapoznać się z instrukcją obsługi i zasadami bezpieczeństwa. Produkt ten należy stosować wyłącznie zgodnie z opisem i przeznaczeniem. Instrukcję należy przechowywać w bezpiecznym miejscu. Wraz z przekazaniem produktu osobom trzecim, należy pamiętać o przekazaniu wszystkich dokumentów.

Zastosowanie zgodne z przeznaczeniem

Artykuł ten został stworzony z myślą o narciarzach i snowboardzistach. Nie nadaje się do uprawiania innych sportów ani dla motocyklistów.

Objaśnienie symboli

W niniejszej instrukcji obsługi, na produkcie lub na jego opakowaniu używane są następujące symbole i słowa sygnalizacyjne.



Deklaracja zgodności (patrz rozdział "Deklaracja zgodności"): Wyroby oznaczone tym symbolem są zgodne z wszystkimi obowiązującymi przepisami Wspólnoty Europejskiej w Europejskim Obszarze Gospodarczym.



Przestrzeganie instrukcji obsługi



Data produkcji (miesiąc/rok)



Data ważności (miesiąc/rok)



Ciężar kasku



Znak "Sprawdzone bezpieczeństwo" (znak GS) poświadczają, że testowany produkt spełnia wymagania niemieckiej ustawy o bezpieczeństwie produktów. Znak GS oznacza, że bezpieczeństwo i zdrowie osób nie są zagrożone, gdy są używane zgodnie z przeznaczeniem lub w sposób możliwy do przewidzenia.



Mycie ręczne



Nie wybielać



Nie suszyć w suszarce bębnowej



Nie prasować



Nie czyścić na sucho

Klasa B

Kaski klasy A i klasy B są przeznaczone dla narciarzy, snowboardzistów i podobnych grup. Kaski klasy A zapewniają stosunkowo większą ochronę. Kaski klasy B zapewniają lepszą wentylację i lepszą słyszalność, ochraniają jednak mniejszą powierzchnię głowy i mają niższy poziom odporności na przenikanie.

Zakres dostawy / wyposażenie dodatkowe

- 1 x Kask narciarski i snowboardowy
- 1 x torba na kask narciarski
- 1 x instrukcja obsługi

Opis części / lista części (rys. A)

1. System wentylacji
2. Pasek podbródkowy
3. Wielostopniowy zatrzask bezpieczeństwa
4. Rozdzielacz pasków
5. System regulacji rozmiaru
6. Poduszka na szyję
7. Nakładki na uszy

Dane techniczne

Model: SP-52

Numer artykułu: 458651

Rozmiar: M/L (54 - 58 cm), L/XL (58 - 61 cm)

Data produkcji (miesiąc/rok): 06/2024

Data ważności (miesiąc/rok): 06/2029

Wskazówki bezpieczeństwa



Niebezpieczeństwo obrażeń!

Ważne: Przeczytaj uważnie instrukcję obsługi i zachowaj ją! Niewłaściwe obchodzenie się z produktem może spowodować obrażenia ciała.

- **UWAGA!** Kask nie może chronić użytkownika przed wszystkimi wypadkami.
- **UWAGA!** Używaj tylko kasku, który jest odpowiednio dopasowany i ściśle przylega. Jeżeli kask nie jest prawidłowo dopasowany, może się zsunąć i stracić swoje właściwości ochronne podczas wypadku.
- Używaj kasku w wyznaczonej pozycji (rys. H).
- Przed każdym zjazdem zamknij zapięcie na pasku podbródkowym (rys. D).
- Pod kaskiem nie należy nosić czapek ani innych nakryć głowy.
- Po uderzeniu kask należy wymienić i zutylizować. Dotyczy to również drobnych uderzeń bez widocznych uszkodzeń.
- Kask należy wymienić, gdy już nie pasuje i nie później niż 5 lat od daty produkcji, nawet jeżeli niewidoczne są żadne uszkodzenia.
- Modyfikacja lub usunięcie oryginalnych części kasku może w znacznym stopniu pogorszyć jego działanie ochronne. Kask nie może być modyfikowany w celu dodania do niego dodatków w sposób niezalecany przez producenta.
- Spróbuj obrócić kask w lewo i w prawo, używając obu rąk. Jeżeli kask jest prawidłowo dopasowany, skóra na skroniach porusza się wraz z nim.
- Obiema rękami staraj się ściągnąć kask jak najdalej do tyłu i do przodu. Kask nie jest prawidłowo dopasowany, jeżeli można go przesunąć do przodu na tyle, aby zastąpić pole widzenia, lub do tyłu na tyle, aby odstąpić czoło.

- Przed każdym użyciem kasku należy sprawdzić, czy jest on prawidłowo dopasowany, czy paski podbródkowe są napięte, właściwie wyregulowane i zapięte.
- Jeżeli nie można wyregulować kasku w taki sposób, aby przy zamkniętym zapięciu można go było tylko nieznacznie przesunąć do przodu lub do tyłu, nie należy go używać. Należy wymienić go na model w innym rozmiarze. Podczas zakupu bezwzględnie należy przymierzać różne rozmiary.

Zarówno w przypadku bardzo silnego uderzenia, jak i upadku przy niskiej prędkości lub o niskiej intensywności, może dojść do poważnych obrażeń głowy, a nawet do śmierci. W rezultacie kask może nie uchronić skutecznie rowerzysty przed urazami głowy. Dlatego należy zawsze jeździć ostrożnie.



Zagrożenie dla życia!

- Ten kask nie powinien być używany przez dzieci do wspinaczki lub innych zajęć, podczas których, w przypadku zaplątania się dziecka w kask istnieje ryzyko uduszenia/powieszenia.



Niebezpieczeństwo uduszenia!

UWAGA! Dzieci mogą zadławić się folią z tworzywa sztucznego.

- Nie pozwalać dzieciom bawić się folią opakowaniową. Opakowanie nie jest zabawką dla dzieci.



Ryzyko uszkodzenia!

UWAGA! Nieprawidłowe obchodzenie się z kaskiem może spowodować jego uszkodzenie.

- W regularnych odstępach czasu kask należy sprawdzić pod kątem usterek.
- Na kasku nie należy umieszczać naklejek i nie kolorować go.

Instrukcje dla użytkowników

Otwierania/zamykania paska podbródkowego (rys. D)

Aby otworzyć pasek podbródkowy, należy nacisnąć wielostopniowy zatrzask bezpieczeństwa (1) i wyciągnąć pręt (2). Aby zamknąć pasek podbródkowy, należy włożyć pasek do wielostopniowego zatrzasku bezpieczeństwa i pozwolić mu się zablokować na wygodnej dla Ciebie szerokości.



W razie wypadku z otwartym lub nieprawidłowo wyregulowanym rozdzielaczem pasków i paskiem podbródkowym kask może się ześlizgnąć i stracić swoje właściwości ochronne!



Przed każdym zjazdem należy sprawdzić, czy pasek podbródkowy jest prawidłowo wyregulowany i zapięty!

Regulacja paska podbródkowego (rys. B)

Przed każdym zjazdem należy sprawdzić, czy pasek podbródkowy jest prawidłowo wyregulowany.

- Pasek podbródkowy (1) jest prawidłowo wyregulowany, gdy jest zarówno wygodny, jak i napięty, a podczas otwierania ust odczuwalny jest lekki nacisk. Zamknięcie (2) nie może opierać się na podbródku lub kościach szczęki.
- Jeżeli pasek podbródkowy (1) jest zbyt luźny, należy go zacisnąć za pomocą spiralki (3) umieszczonej na zamknięciu (2).
- Jeżeli pasek podbródkowy (1) jest zbyt ciasny, należy go poluzować za pomocą spiralki (3) umieszczonej na zamknięciu (2).



Przed każdym zjazdem należy sprawdzić, czy rozdzielacz pasków jest prawidłowo wyregulowany i zamknięty!

Regulacja rozdzielacza pasków (rys. C)

- Otworzyć rozdzielacz pasków
- Rozdzielacz pasków należy ustawić tak, aby paski były napięte, ale wygodne. Rozdzielacz pasków musi znajdować się poniżej ucha, paski nie mogą zakrywać uszu
- Zamknąć rozdzielacz pasków.

Zdejmowanie/wkładanie nakładek na uszy (rys. F)

1. Najpierw należy wyciągnąć paski podbródka z pętli z nakładek na uszach.
2. Nakładki na uszy wyciągać ostrożnie i prosto z rowków zatrzaskowych.
3. Nakładki na uszy należy wkładać delikatnie wciskając wypustkę u podstawy nakładek w rowek z boku kasku. Miękką stronę nakładek na uszy jest skierowana do wewnątrz.
4. Należy przełożyć paski podbródka z powrotem przez pętle z nakładek na uszy.

Regulacja jednoręcznego systemu dopasowania rozmiaru (rys. E)

Zintegrowany system regulacji rozmiaru można płynnie regulować z tyłu głowy za pomocą pokręta:

- Mniejszy = obróć w prawo
- Większy = obróć w lewo

Prawidłowa pozycja kasku (rys. H)

- Kask zawsze musi leżeć poziomo na głowie.
- Jeżeli kask jest osadzony zbyt daleko z przodu, może pogorszyć widoczność.
- Jeżeli kask jest osadzony zbyt daleko z tyłu, czoło nie jest wystarczająco chronione.

Mocowanie gogli narciarskich (rys. I)

1. Aby zamocować gogle narciarskie, należy otworzyć zatrzask z tyłu kasku.
2. Załóż gogle narciarskie i poprowadź pasek wokół kasku.
3. Następnie zamknij zatrzask, aby przymocować pasek do kasku.

Wyregulować wentylację (rys. J)

1. Przesunąć suwak do tyłu, aby otworzyć otwory wentylacyjne i zwiększyć wentylację
2. Przesunąć element sterujący do przodu, aby zamknąć otwory wentylacyjne i ograniczyć wentylację.

Konserwacja / czyszczenie / przechowywanie

WSKAZÓWKA: Nieprawidłowe obchodzenie się z kaskiem może spowodować jego uszkodzenie.

Czyszczenie:

OSTRZEŻENIE!

- Kask nie może mieć kontaktu z rozpuszczalnikami ani środkami czyszczącymi zawierającymi węglowodory.
- Naklejki również mogą zawierać rozpuszczalniki i w ten sposób uszkadzać warstwę ochronną kasku.
- Do czyszczenia należy używać wyłącznie wody i łagodnego mydła.



Wyjmowanie/czyszczenie wewnętrznej wyściółki

1. Należy poluzować zapięcie na rzepy i wyjąć wewnętrzną wyściółkę z kasku.
2. Wewnętrzną wyściółkę należy czyścić letnią wodą z dodatkiem łagodnego mydła, a następnie pozostawić do wyschnięcia na powietrzu.
3. Wymienić wewnętrzną wyściółkę.

Czyszczenie kasku

1. Kask należy czyścić wyłącznie letnią wodą, łagodnym mydłem i miękką ściereczką.
2. W celu wyczyszczenia nakładek na uszy należy je zdjąć zgodnie z opisem.
3. Należy wyczyścić nakładki na uszy letnią wodą i łagodnym mydłem, a następnie zacczekać, aż wyschną na powietrzu.

Przechowywanie

- Po każdym użyciu kask należy pozostawić do wyschnięcia na powietrzu.
- Nie należy przechowywać kasku w pobliżu źródeł ciepła (np. za szybą samochodu). Wysokie temperatury, nawet od 60°C, poważnie mogą uszkodzić kask. Nierówna powierzchnia kasku i pęcherze są oznakami takiego uszkodzenia.
- Kask należy przechowywać w otrzymanej torbie na kask narciarski (rys. G).

Uwagi dotyczące utylizacji



Uwagi dotyczące utylizacji

UWAGA! Dzieci mogą zadławić się folią z tworzywa sztucznego. Nie pozwalać dzieciom bawić się folią opakowaniową. Opakowanie nie jest zabawką dla dzieci.

Utylizacja opakowań

Opakowania należy utylizować zgodnie z ich rodzajem. Tekturę i karton należy wrzucać do pojemnika na makulaturę, a folię do pojemnika na surowce wtórne.

Utylizacja produktu

- Produkt należy utylizować za pośrednictwem autoryzowanego zakładu utylizacji odpadów lub zakładu utylizacji odpadów komunalnych zgodnie z prawem i przepisami obowiązującymi w danym kraju. (Dotyczy Unii Europejskiej i innych krajów europejskich, w których obowiązują systemy selektywnej zbiórki surowców wtórnych).
- Produkt należy oddać do punktu skupu surowców wtórnych. Stosowane części plastikowe i metalowe można podzielić ze względu na ich rodzaj. W celu utylizacji należy się zwrócić do miejscowego przedsiębiorstwa utylizacji odpadów lub do naszego Centrum Serwisowego.
- Uszkodzone, zwrócone sprzęty są przez nas bezpłatnie utylizowane.



Deklaracja zgodności

Deklarację zgodności UE można uzyskać pod następującym adresem:
SPEQ GmbH, Tannbachstraße 10, 73635 Steinenberg/Niemcy

Instytut badawczy

TÜV SÜD Product Service GmbH, Ridlerstr. 65, D-80339 München, NIEMCY

Pełną deklarację zgodności można znaleźć na stronie
www.speq.de/konformitaetserklaerung

Gwarancja i obsługa serwisowa

Drogi Kliencie,

Na niniejsze urządzenie jest udzielana 3-letnia gwarancja obowiązująca od dnia jego zakupu. W przypadku usterek niniejszego produktu kupującemu przysługują wobec jego sprzedawcy stosowne ustawowe prawa gwarancyjne. Poniżej opisana gwarancja nie ogranicza tych ustawowych praw przysługujących kupującemu.

Warunki gwarancyjne

Okres obowiązywania gwarancji rozpoczyna w dniu zakupu produktu. Oryginał dokumentu zakupu należy przechowywać w bezpiecznym miejscu. Ten dokument będzie potrzebny, jako potwierdzenie dokonanego zakupu. Jeżeli w przeciągu trzech lat od daty zakupu niniejszego produktu pojawi usterka w produkcie lub usterka produkcyjna, to produkt, wg naszego wyboru, zostanie bezpłatnie naprawiony lub wymieniony. Niniejsze świadczenie gwarancyjne zakłada, że uszkodzone urządzenie oraz dokument potwierdzający zakup (paragon kasowy) zostaną przedłożone w przeciągu trzech lat. Do urzędzenia i dowodu zakupu należy dołączyć także krótki opis usterki oraz podać moment jej wystąpienia. Jeżeli usterka jest objęta naszą gwarancją, to kupujący otrzyma z powrotem naprawiony lub nowy produkt. Zgodnie z art. 581 §1 niemieckiego kodeksu cywilnego wraz z wymianą produktu lub jego istotnej części rozpoczyna się nowy okres gwarancyjny.

Okres obowiązywania gwarancji i prawne roszczenia związane z wystąpieniem usterki

Wraz z wymianą urządzenia lub jego istotnej części, zgodnie z obowiązującym Kodeksem Cywilnym Art. 581 §1, okres gwarancji rozpoczyna się na nowo. Ewentualne stwierdzone przy zakupie uszkodzenia i usterki należy zgłosić natychmiast po rozpakowaniu produktu. Naprawy dokonywane po upływie okresu obowiązywania gwarancji płatne.

Zakres gwarancji

Urządzenie wyprodukowano zgodnie surowymi przepisami dotyczącymi jakości i dokładnie skontrolowano przed opuszczeniem zakładu produkcyjnego. Świadczenie gwarancyjne obejmuje zarówno usterki materiałowe, jak i usterki powstałe podczas produkcji. Niniejsza gwarancja nie obejmuje części eksploatacyjnych, które są narażone na normalne zużycie, oraz uszkodzeń części kruchych, np. włącznika, akumulatorów, żarówki czy innych części wykonanych ze szkła. Niniejsza gwarancja traci swoją ważność w przypadku nieprawidłowego użytkowania lub serwisowania produktu. W celu zagwarantowania prawidłowego użytkowania produktu należy dokładnie stosować się do wszystkich wskazówek zawartych w instrukcji obsługi. Należy bezwzględnie unikać sposobów użycia oraz działań, które się odradza lub przed którymi ostrzega się w instrukcji obsługi. Produkt jest przeznaczony wyłącznie do prywatnego użytkowania i nie jest przeznaczony do specjalistycznych zastosowań. Gwarancja wygasa w przypadku niezgodnego z przeznaczeniem i nieprawidłowego użytkowania, stosowania siły oraz w przypadku ingerencji w produkt, których nie przeprowadziło nasze autoryzowane centrum serwisowe

Opracowywanie reklamacji objętych gwarancją

Aby zapewnić szybkie opracowanie reklamacji, należy się zastosować do następujących wskazówek:

- W przypadku wszystkich zapytań należy mieć przygotowany numer artykułu (IAN 458651_2401) oraz paragon kasowy potwierdzający dokonanie zakupu.
- Numery artykułów znajdują się na tabliczce znamionowej, w grawerowanych oznaczeniach, na stronie tytułowej instrukcji (na dole po lewej) lub na naklejce z tyłu lub na spodzie urządzenia.
- W przypadku wystąpienia usterek w działaniu lub pozostałych usterek należy w pierwszej kolejności skontaktować się **telefonicznie** lub za pomocą **poczty elektronicznej** z poniżej podanym centrum serwisowym
- Następnie zarejestrowany jako uszkodzony produkt można przesać nieodpłatnie wraz z potwierdzeniem zakupu (paragon kasowy) i informacją opisującą usterkę i moment jej wystąpienia na podany kupującemu adres serwisu.

Na stronie www.lidl-service.com można pobrać niniejszą instrukcję i wiele innych, filmy na temat produktów oraz odpowiednie oprogramowanie. Posługując się tym kodem QR można przejść bezpośrednio do strony marki Lidl (www.lidl-service.com) i otworzyć instrukcję obsługi, wprowadzając numer artykułu (IAN) 458651_2401



Adres serwisu:

SPEQ GmbH
Tannbachstr. 10
73635 Steinenberg/NIEMCY
E-mail: service@speq.de

Infolinia serwisowa: 00800 30 777 999
(bezpłatnie)

Przed wysłaniem prosimy o kontakt
telefoniczny 8:00-17:00

KASK NARCIARSKI I SNOW-BOARDOWY

Model: SP-52
Marka: Crivit



Všeobecné informace

Přečtěte si a uschovejte návod k obsluze

Vážení zákazníci!

Jsm rádi, že jste si vybrali některý z našich kvalitních produktů, které byly vyrobeny a certifikovány striktně v souladu s aktuálně platnými bezpečnostními normami.

Před prvním použitím se s produktem seznámte. Pozorně si přečtěte návod k obsluze a bezpečnostní pokyny. Tento produkt používejte pouze tak, jak je popsáno, a pro specifi kované oblasti použití. Uschovejte si prosím tento návod. Při předávání produktu třetím osobám předejte také všechny příslušné podklady.

Použití ke stanovenému účelu

Tento výrobek je určen pro alpské lyžaře a snowboardisty. Není vhodný k jiným sportům ani k motocyklistice.

Vysvětlení značek

V tomto návodu k použití, na produktu nebo na obalu se používají následující symboly a signální slova.



Prohlášení o shodě (viz kapitola „Prohlášení o shodě“): Produkty označené tímto symbolem vyhovují všem platným nařízením Společenství v Evropském hospodářském prostoru.



Dodržujte návod k obsluze



Datum výroby (měsíc/rok)



Datum vypršení platnosti (měsíc/rok)



Hmotnost helmy



Pečeť certifikované bezpečnosti „Geprüfte Sicherheit“ (značka GS) potvrzuje, že testovaný výrobek splňuje požadavky německého zákona o bezpečnosti výrobků. Značka GS znamená, že není ohrožena bezpečnost a zdraví lidí, pokud se výrobek používá podle určení nebo předvídatelným způsobem.



Ruční praní



Nebělit



Nesušit v sušičce



Nežehlit



Nečistit chemicky

Třída B

Helmy třídy A a třídy B jsou pro lyžaře, snowboardisty a podobné skupiny. Helmy třídy A nabízejí relativně vyšší ochranu. Helmy třídy B mohou poskytnout lepší odvětrávání a lepší slyšitelnost, ochrání ale menší plochu hlavy a mají nižší úroveň odolnosti proti průniku.

Rozsah dodávky / příslušenství

- 1 x Helma na lyže a snowboard
- 1 x obal na lyžařskou helmu
- 1 x návod k použití

Popis/seznam dílů (obr. A)

1. Odvětrávací systém
2. Řemínek pod bradou
3. Vícestupňová bezpečnostní přezka
4. Rozdvojka řemínku
5. Systém seřízení velikosti
6. Polstrování v týlu
7. Chrániče uší

Technické údaje

Model: SP-52

Číslo výrobku: 458651

Velikost: M/L (54 - 58 cm), L/XL (58 - 61 cm)

Velikost (měsíc/rok): 06/2024

Datum propadnutí (měsíc/rok): 05/2028

Bezpečnostní pokyny



Nebezpečí úrazu!

Důležité: Pozorně si přečtěte návod k použití a bezpodmínečně si jej uschovejte! Při nesprávné manipulaci s výrobkem se můžete zranit.

- **POZOR!** Helma nemůže nositele ochránit před všemi nehodami.
- **POZOR!** Používejte pouze helmu, která správně a pevně sedí. Pokud helma nesedí správně, může při nehodě sklouznout a ztratit ochranný účinek.
- Helmu používejte v určené poloze (obr. H).
- Před každou jízdou si zapněte přezku na řemínku pod bradou (obr. D).
- Pod helmou nenoste čepici ani jinou pokrývku hlavy.
- Po nárazu helmu vyměňte a zlikvidujte. Totéž platí i pro menší náraz bez viditelného poškození.
- Helmu je nutno vyměnit také v případě, že již správně nesedí nebo nejpozději 5 let po datu výroby, a to i v případě, že nejsou zřejmá žádná poškození.
- Změna nebo odstranění originálních částí helmy může extrémně narušit její ochranný účinek. Není dovoleno upravovat helmu za účelem montáže příslušenství, které není doporučeno výrobcem.
- Oběma rukama se pokuste otočit helmou doleva a doprava. Pokud helma sedí správně, kůže na spáncích se pohybuje spolu s ní.
- Oběma rukama se pokuste natáhnout helmu co nejdále dozadu a dopředu. Helma nesedí správně, pokud ji můžete posunout tak daleko dopředu, aby vám bránila ve výhledu, nebo tak daleko dozadu, abyste měli odhalené čelo.

- Před každým použitím zkontrolujte, zda helma správně sedí, zda pevně doléhají řemínky pod bradou, jsou správně nastavené a zapnuté.
- Pokud nemůžete helmu nastavit tak, aby se dala se zapnutou přezkou posunout dopředu nebo dozadu jen minimálně, helmu nepoužívejte. Nahraďte ji modelem jiné velikosti. Při koupi bezpodmínečně vyzkoušejte různé velikosti.

Velmi silný náraz i nehoda při nízké rychlosti nebo intenzitě mohou způsobit vážná poranění hlavy nebo dokonce smrt. Může se přitom stát, že helma jezdce účinně nechrání před poraněním hlavy. Jezděte proto vždy opatrně.



Ohrožení života!

- Tuto helmu by nikdy neměly používat děti při lezení ani jiných aktivitách, při nichž existuje riziko uškrcení / uvíznutí ve visu, pokud se dítě helmou zachytí o jiný předmět.



Nebezpečí udušení!

POZOR! Děti se mohou udusit plastovou fólií.

- Nenechte děti, aby si hrály s obalovou fólií správně. Obal není hračka.



Nebezpečí poškození!

POZOR! Nesprávná manipulace s helmou může vést k jejímu poškození.

- V pravidelných intervalech je třeba kontrolovat, že helma nevykazuje viditelné nedostatky.
- Nelepte na helmu barvu ani nálepky.

Uživatelské pokyny

Rozepnutí/zapnutí řemínku pod bradou (obr. D)

Chcete-li řemínek pod bradou rozepnout, stiskněte vícestupňovou bezpečnostní přezku (1) a vytáhněte pásek (2). Chcete-li řemínek pod bradou zapnout, vložte pásek do vícestupňové bezpečnostní přezky a nechte ji zaklapnout na místo v takové šířce, která je vám pohodlná.



Při nehodě s otevřenou nebo špatně nastavenou rozdvojkou řemínku a řemínkem pod bradou může helma sklouznout a ztratit tak svůj ochranný účinek!



Před každou jízdou zkontrolujte, zda je řemínek pod bradou správně nastaven a zapnut!

Nastavení řemínku pod bradou (obr. B)

Před každou jízdou zkontrolujte, zda je řemínek pod bradou správně nastaven.

- Řemínek pod bradou (1) je řádně nastaven, pokud sedí pohodlně a zároveň pevně a při otevření úst cítíte lehký tlak. Přezka (2) nesmí ležet na bradě ani na čelistní kosti.
- Pokud je řemínek pod bradou (1) příliš volný, je potřeba ho dotáhnout pomocí navíjení (3) na přezce (2).
- Pokud je řemínek pod bradou (1) příliš těsný, je potřeba ho uvolnit rovněž navíjením (3) na přezce (2).



Před každou jízdou zkontrolujte, zda je rozdvojka řemínku správně nastavena a zapnuta!

Nastavení rozdvojký řemínku (obr. C)

- Rozepněte rozdvojku řemínku.
- Rozdvojka řemínku musí být v takové poloze, aby byly řemínky napnuté, ale přitom seděly pohodlně. Rozdvojka řemínku musí sedět pod uchem, řemínky nesmí překrývat uši.
- Zapněte rozdvojku řemínku.

Vyjmutí/vložení chráničů uší (obr. F)

1. Nejprve vytáhněte řemínky pod bradou z poutek na chráničích uší.
2. Opatrně a rovně vytáhněte chrániče uší z drážek zaklapávací spony.
3. Vložte chrániče uší opatrným zatlačením poutka na spodní části chráničů uší do drážky na boku helmy. Měkká strana chráničů uší přitom směřuje dovnitř.
4. Protáhněte řemínky pod bradou zpět poutky na chráničích uší.



Nastavení systému seřízení velikosti jednou rukou (obr. E)

Integrovaný systém seřízení velikosti se dá plynule nastavit pomocí otočného kolečka v týlu:

- Zmenšení = otáčejte doprava
- Zvětšení = otáčejte doleva

Správná poloha helmy (obr. H)

- Helma vám musí na hlavě sedět vždy vodorovně
- Sedí-li helma příliš vepředu, může dojít k omezení výhledu.
- Sedí-li helma příliš vzadu, není dostatečně chráněno vaše čelo.

Přípevnění lyžařských brýlí (obr. I)

1. K přípevnění lyžařských brýlí rozepněte sponu na zadní straně helmy.
2. Nasadte lyžařské brýle a oviňte popruh kolem helmy.
3. Následně zapněte sponu, abyste popruh k helmě připevnili.

Nastavení odvětrávání (obr. J)

1. Posunutím regulátoru dozadu otevřete odvětrávací otvor a zvýšíte odvětrávání
2. Posunutím regulátoru dopředu zavřete odvětrávací otvor a snížíte odvětrávání.

Údržba / čištění / skladování

UPOZORNĚNÍ: Nesprávná manipulace s helmou může vést k jejímu poškození.

Čištění:

VÝSTRAŽNÉ UPOZORNĚNÍ!

- Helma nesmí přijít do styku s rozpouštědly nebo čisticími prostředky, které obsahují uhlovodíky.
- I nálepky mohou obsahovat rozpouštědla a poškodit tak ochrannou vrstvu helmy.
- K čištění používejte pouze vodu a jemné mýdlo.

Vyjmutí/čištění vnitřního polstrování

1. Uvolněte suchý zip a vyjměte vnitřní polstrování z helmy.
2. Vnitřní polstrování čistěte vlažnou vodou a jemným mýdlem a následně nechte uschnout na vzduchu.
3. Vložte vnitřní polstrování zpět.

Čištění helmy

1. Helmu čistěte jen vlažnou vodou, jemným mýdlem a měkkým hadříkem.
2. Vyjměte chrániče uší pro čištění podle popisu.
3. Chrániče uší čistěte vlažnou vodou a jemným mýdlem a následně nechte uschnout na vzduchu.

Skladování

- Po každém použití nechte helmu oschnout na vzduchu..
- Neskladujte helmu v blízkosti zdrojů tepla (např. za oknem v autě). Vysoké teploty, již od 60 °C, mohou helmu vážně poškodit. Znakem takového poškození je nerovný povrch helmy a vznik bublinek.
- Helmu skladujte v dodaném obalu na lyžařskou helmu (obr. G).

Pokyny k likvidaci



Nebezpečí udušení

POZOR! Děti se mohou udusit plastovou fólií. Nenechte děti, aby si s obalovou fólií hrály. Obal není hračka.

Likvidace obalu

Obal zlikvidujte a rozřídte podle typu. Lepenku a karton odevzdejte do sběrového papíru, fólie do sběru recyklovatelných materiálů.

Likvidace výrobku

- Výrobek musí být zlikvidován prostřednictvím společnosti pověřené likvidací odpadu nebo prostřednictvím komunálního zařízení na likvidaci odpadu v souladu se zákony a předpisy platnými ve vaší zemi. (Platí v Evropské unii a dalších evropských zemích se systémem separovaného sběru recyklovatelných materiálů).
- Zařízení odevzdejte na recyklačním místě. Použité plastové a kovové části lze oddělit podle typu. Zeptejte se místní společnosti na likvidaci odpadu nebo našeho servisního střediska.
- Vadná zařízení, která nám zašlete, zdarma zlikvidujeme.



Prohlášení o shodě

Prohlášení o shodě EU je možné vyžádat na této adrese:
SPEQ GmbH, Tannbachstrasse 10, 73635 Steinberg/NĚMECKO

Zkušební ústav

TÜV SÜD Product Service GmbH, Ridlerstr. 65, D-80339 Mnichov,, NĚMECKO

Kompletní prohlášení o shodě najdete na
www.speq.de/konformitaetserklaerung





Záruční a servisní podpora

Vážený zákazník

na toto zařízení se vztahuje 3 letá záruka od data zakoupení. V případě vad tohoto výrobku máte zákonná práva vůči prodejci výrobku. Tato zákonná práva nejsou omezena naší zárukou uvedenou níže.

Záruční podmínky

Záruční doba začíná běžet dnem nákupu. Originál účtenky si uschovejte. Jsou vyžadovány jako doklad o koupi. Pokud se do tří let od data zakoupení tohoto výrobku vyskytne materiálová nebo výrobní chyba, výrobek vám – dle vlastního uvážení – bezplatně opravíme, vyměníme nebo vrátíme kupní cenu. Tato záruka vyžaduje předložení vadného zařízení a dokladu o koupi (účtenka) ve tříleté lhůtě a krátký písemný popis povahy vady, včetně údaje, kdy se vyskytla. Pokud se na závadu vztahuje naše záruka, dostanete opravený výrobek nebo nový výrobek. Opravou nebo výměnou výrobku nezačíná běžet nová záruční doba.

Záruční doba a zákonné nároky na vady

Záruční doba se o záruku neprodlužuje. To platí i pro vyměněné a opravené díly. Jakékoli poškození nebo chyby, které již byly přítomny v době nákupu, je třeba nahlásit ihned po rozbalení. Jakékoliv opravy potřebné po uplynutí záruční doby jsou zpoplatněny.

Rozsah záruky

Zařízení bylo pečlivě vyrobeno podle striktních jakostních směrnic a před dodáním svědomitě zkontrolováno. Záruka se vztahuje na vady materiálu nebo výrobní vady. Tato záruka se nevztahuje na části výrobku, které podléhají běžnému opotřebení a lze je tedy považovat za opotřebitelné díly, nebo na poškození křehkých dílů, například vypínače, nabíjecí baterie nebo díly ze skla. Tato záruka je neplatná, pokud byl výrobek poškozen, nesprávně používán nebo udržován. Pro správné používání výrobku je třeba striktně dodržovat všechny pokyny uvedené v návodu k použití. Účelům a činnostem, které jsou v návodu k obsluze nedoporučovány nebo se před nimi varuje, je třeba se za každou cenu vyhnout. Výrobek je určen pouze pro soukromé a nikoli pro komerční použití. Záruka zaniká v případě hrubého a nesprávného zacházení, použití síly a manipulace, kterou neprovedlo naše autorizované servisní středisko.



Zpracování v případě záruky

Chcete-li zajistit rychlé zpracování vaší žádosti, postupujte podle pokynů níže:

- Pro všechny dotazy si připravte účtenku a číslo položky (IAN 458651_2401) jako doklad o koupi.
- Číslo položky naleznete na typovém štítku na výrobku, na rytině na výrobku, na titulní straně vašeho návodu (vlevo dole) nebo na nálepce na zadní nebo spodní straně výrobku.
- Pokud se vyskytnou funkční chyby nebo jiné závady, kontaktujte nejprve **telefonicky** nebo **e-mailem** níže uvedené servisní oddělení.
- Výrobek, který byl označen jako vadný, pak můžete zaslat na uvedenou servisní adresu spolu s dokladem o koupi (účtenka) s uvedením, o jakou chybu jde a kdy se vyskytla, aniž byste platili poštovné.

Tyto a mnohé další příručky, produktová videa a instalační software si můžete stáhnout na www.lidl-service.com. Tento QR kód vás zavede přímo na servisní stránky Lidl (www.lidl-service.com), kde si můžete otevřít návod k obsluze zadáním čísla položky (IAN) 458651_2401.



Adresa servisu:

SPEQ GmbH
Tannbachstr. 10
73635 Steinenberg/NĚMECKO
E-mail: service@speq.de

Servisní infolinka: 00800 30 777 999
(zdarma)

Před odesláním prosím zavolejte
8:00 – 17:00 hod

HELMA NA LYŽE A SNOW-BOARD

Model: SP-52
Značka: Crivit

Všeobecné informácie

Návod na použitie si prečítajte a uschovajte

Vážení zákazníci!

Sme radi, že ste si vybrali jeden z našich kvalitných výrobkov, ktoré boli vyrobené a certifikované podľa prísnych pravidiel v súlade s aktuálne platnými bezpečnostnými normami.

Pred prvým použitím sa s výrobkom oboznámte. Pozorne si preto prečítajte návod na použitie a bezpečnostné pokyny. Výrobok používajte tak, ako je uvedené v návode a pre určené oblasti použitia. Návod riadne uschovajte. Výrobok odovzdajte tretím stranám spolu s celou dokumentáciou.

Použitie v súlade s určením

Tento výrobok je vyrobený pre alpinistov a snowboardistov. Nie je vhodný pre iné druhy športu alebo motocyklistov.

Vysvetlenie značiek

V tomto návode na obsluhu, na výrobku alebo na obale sa používajú nasledujúce symboly a signálne slová.



Vyhlásenie o zhode (pozri kapitolu „Vyhlásenie o zhode“): Výrobky označené týmto symbolom spĺňajú všetky príslušné platné nariadenia Európskeho hospodárskeho priestoru.



Dodržiavajte návod na obsluhu



Dátum výroby (mesiac/rok)



Dátum životnosti (mesiac/rok)



Hmotnosť prilby



Pečiatka „Certifikovaná bezpečnosť“ (značka GS) potvrdzuje, že testovaný výrobok spĺňa požiadavky nemeckého zákona o bezpečnosti výrobkov. Značka GS znamená, že používanie v súlade s účelom alebo predpokladaným spôsobom neohrozuje bezpečnosť a zdravie osôb.



Ručné pranie



Nebieliť



Nesušiť v sušičke bielizne



Nežehliť



Nečistiť nasucho

Trieda B

Prilby triedy A a triedy B sú určené pre lyžiarov, snowboardistov a podobné skupiny. Prilby triedy A poskytujú relatívne väčšiu ochranu. Prilby triedy B sú schopné poskytnúť lepšiu ventiláciu a lepší prenos zvuku, chránia však menšiu oblasť hlavy a zaistujú menšiu mieru odolnosti proti prieniku.

Rozsah dodávky / Príslušenstvo

- 1 x Lyžiarska a snowboardová prilba
- 1 x Vak na lyžiarsku prilbu
- 1 x Návod na používanie

Popis dielov / Zoznam dielov (obr. A)

1. Ventilačný systém
2. Podbradný remienok
3. Viacstupňový bezpečnostný aretačný uzáver
4. Rozdeľovač popruhov
5. Systém nastavenia veľkosti
6. Čalúnený chránič šije
7. Náušníky

Technické údaje

Model: SP-52

Číslo výrobku: 458651

Veľkosť: M/L (54 - 58 cm), L/XL (58 - 61 cm)

Dátum výroby (mesiac/rok): 06/2024

Dátum životnosti (mesiac/rok): 06/2029

Bezpečnostné pokyny



Nebezpečenstvo poranenia!

Dôležité: Tento návod na používanie si dôkladne prečítajte a bezpodmienečne si ho uschovajte! V prípade neodborného zaobchádzania s výrobkom sa môžete zraniť.

- **POZOR!** Prilba nedokáže ochrániť používateľa pred všetkými úrazmi.
- **POZOR!** Používajte len prilbu, ktorá vám správne a pevne sadne. Ak prilba nesedí správne, môže sa pri nehode zošmyknúť a stráca svoj ochranný účinok.
- Používajte prilbu v príslušne určenej polohe (obr. H).
- Pred každou jazdou uzatvorte uzáver na podbradnom remienku (obr. D).
- Pod prilbou nemajte nasadenú čiapku alebo inú pokrývku hlavy.
- Po náraze prilbu vymeňte a zlikvidujte. Toto platí aj pri miernom náraze bez viditeľných poškodení.
- Prilbu je potrebné vymeniť aj vtedy, ak už správne nesedí, alebo najneskôr 5 rokov po dátume výroby, hoci nevykazuje žiadne známky poškodenia.
- Úprava alebo odstránenie originálnych dielov prilby môže extrémne negatívne ovplyvniť ochranný účinok. Prilba sa nesmie upravovať nasadzovaním doplnkov spôsobom, ktorý nezodpovedá odporúčaniam výrobcu.
- Pokúste sa prilbu oboma rukami otočiť doľava a doprava. Ak prilba sedí správne, pohybuje sa spolu s ňou aj koža na vašich spánkoch.
- Pokúste sa oboma rukami stiahnuť prilbu čo najviac dopredu a dozadu. Prilba nesedí správne, ak ju viete natoľko posunúť dopredu, aby vám bránila v zornom poli, alebo ju posunúť dozadu tak, že sa vám odhalí čelo.

- Pred každým použitím skontrolujte, či prilba správne sedí, a či podbradné remienky pevne priliehajú a sú správne prispôsobené a uzamknuté.
- Ak prilbu neviete prispôbiť tak, aby sa pri zatvorení uzávere dala len nepatrne posunúť dopredu alebo dozadu, prilbu nepoužívajte. Vymeňte ju za model inej veľkosti. Pri nákupe si bezpodmienečne vyskúšajte rôzne veľkosti.

Veľmi silný náraz, rovnako ako nehoda pri nízkej rýchlosti alebo náraz nízkej intenzity môžu spôsobiť vážne poranenia hlavy alebo dokonca smrť. Pritom sa môže stať, že prilba účinne neochráni jazdca pred zraneniami hlavy. Jazdite preto vždy opatrne.



Nebezpečenstvo ohrozenia života!

- Túto prilbu by nemali používať deti pri lezení po skalách alebo pri iných aktivitách, kde hrozí riziko, že dieťa sa priškrtní/zostane visieť, keď sa zasekne s prilbou.



Nebezpečenstvo udusenía!

POZOR! Deti sa môžu udusiť plastovou fóliou.

- Deti nikdy nenechávajú bez dozoru s obalovou fóliou. Obal nie je hračka.



Nebezpečenstvo poškodenia!

POZOR! Neodborná manipulácia s prilbou môže spôsobiť jej poškodenie.

- V pravidelných intervaloch je potrebné kontrolovať, či sa na prilbe nevyskytujú viditeľné chyby.
- Na prilbu nenášajte žiadnu farbu ani nálepky

Pokyny pre používateľa

Otvorenie/uzamknutie podbradných remienkov (obr. D)

Ak chcete podbradný remienok otvoriť, stlačte viacstupňový bezpečnostný aretačný uzáver (1) a vytiahnite kolík (2). Ak chcete podbradný remienok zatvoriť, zasuňte kolík do viacstupňového bezpečnostného aretačného uzáveru a nechajte ho zapadnúť v šírke, ktorá je pre vás pohodlná.



V prípade úrazu s otvorenými alebo nesprávne nastavenými rozdeľovačmi popruhov a podbradných remienkov sa môže prilba zošmyknúť a stratiť svoj ochranný účinok!



Pred každou jazdou skontrolujte, či je podbradný remienok správne nastavený a uzavretý!

Nastavenie podbradného remienka (obr. B)

Pred každou jazdou skontrolujte, či je podbradný remienok správne nastavený.

- Podbradný remienok (1) je nastavený správne, ak sedí komfortne, no zároveň pevne, a keď otvoríte ústa, cítite mierny tlak. Uzáver (2) nesmie priliehať k brade alebo čelustnej kosti.
- Ak je podbradný remienok (1) príliš voľný, musí sa dotiahnuť pomocou závitú (3) na uzávere (2)
- Ak je podbradný remienok (1) príliš tesný, musí sa uvoľniť taktiež pomocou závitú (3) na uzávere (2).



Pred každou jazdou skontrolujte, či je rozdeľovač popruhov správne nastavený a uzavretý!

Nastavenie rozdeľovača popruhov (obr. C)

- Otvorte rozdeľovač popruhov
- Rozdeľovač popruhov musí byť umiestnený tak, aby remienky sedeli pevne, ale pohodlne. Rozdeľovač popruhov sa musí nachádzať pod uchom, remienky nesmú prekryvať uši.
- Zatvorte rozdeľovač popruhov

Odobratie/nasadenie náušníkov (obr. F)

1. Najprv vytiahnite podbradné remienky zo slučiek na náušníkoch.
2. Náušníky opatrne a v priamom smere vytiahnite zo zacvakávacích drážok.
3. Vložte náušníky opatrným zatlačením jazyčka na spodku náušníkov do drážky na boku prilby. Mäkká strana náušníkov pritom smeruje dovnútra.
4. Preveďte podbradné remienky opäť cez slučky na náušníkoch.

Nastavenie jednoručného systému prestavenia veľkosti (obr. E)

Integrovaný systém prestavenia veľkosti sa dá plynule prestavovať pomocou otočného gombíka na zadnej strane hlavy:

- menšie = otáčať doprava
- väčšie = otáčať doľava

Správna poloha prilby (obr. H)

- Prilba vám musí sedieť na hlave vždy vodorovne.
- Ak je prilba príliš vpredu, môže vám brániť vo výhlade.
- Ak je prilba príliš vzadu, nemáte dostatočne chránené čelo.

Nasadenie lyžiarskych okuliarov (obr. I)

1. Ak si chcete nasadiť lyžiarske okuliare, otvorte sponu na zadnej strane prilby.
2. Nasadíte lyžiarske okuliare a vedzte popruh okolo prilby.
3. Potom sponu zatvorte, aby ste popruh pripevnili k prilbe.

Nastavenie ventilácie (obr. J)

1. Ak chcete vetracie štrbiny otvoriť a zvýšiť ventiláciu, posuňte regulátor dozadu.
2. Ak chcete vetracie štrbiny zatvoriť a znížiť ventiláciu, posuňte regulátor dopredu.

Údržba / čistenie / uschovanie

UPOZORNENIE: Neodborná manipulácia s prilbou môže spôsobiť jej poškodenie.

Čistenie:

VÝSTRAŽNÉ UPOZORNENIE!

- Prilba sa nesmie dostať do kontaktu s rozpúšťadlami alebo čistiacimi prostriedkami s obsahom uhľovodíkov
- Aj nálepky môžu obsahovať rozpúšťadlá a poškodiť tak ochrannú vrstvu prilby.
- Na čistenie používajte len vodu a jemné mydlo.

Odstránenie/čistenie vnútorného čalúnenia

1. Uvoľníte suchý zips a vyberte vnútorné čalúnenie z prilby.
2. Vnútorné čalúnenie vyčistíte vlažnou vodou a jemným mydlom a nakoniec nechajte vyschnúť na vzduchu.
3. Vnútorné čalúnenie znovu vložte.

Čistenie prilby

1. Prilbu čistíte len pomocou vlažnej vody, jemného mydla a mäkkej handry.
2. Ak chcete vyčistiť náušníky, vyberte ich podľa uvedeného popisu.
3. Náušníky vyčistíte vlažnou vodou a jemným mydlom a nakoniec ich nechajte vyschnúť na vzduchu.

Uschovanie

- Prilbu nechajte po každom použití vyschnúť na vzduchu.
- Neuschovávajú prilbu v blízkosti vyhrievacích a tepelných zdrojov (napr. za okennými tabuľkami v aute). Vysoké teploty, už od 60 °C, môžu prilbu vážne poškodiť. Nerovný povrch prilby a vznik bubliniek sú znakom takéhoto poškodenia.
- Uschovávajú prilbu v dodanom vaku na lyžiarsku prilbu (obr. G).

Pokyny k likvidácii



Nebezpečenstvo udusenía

POZOR! Deti sa môžu udusiť plastovou fóliou. Nedovoľte svojim deťom, aby sa hrali s obalovou fóliou. Obal nie je hračka.

Likvidácia obalu

Obal likvidujte podľa typu. Lepenky a kartóny dajte do zberového papiera, fólie do zberu recyklovateľných materiálov.

Likvidácia výrobku

- Výrobok sa musí zlikvidovať prostredníctvom autorizovaného podniku na likvidáciu odpadu alebo prostredníctvom komunálnej zberne odpadov v súlade so zákonmi a predpismi platnými vo vašej krajine. (Aplikovateľné v Európskej únii a ďalších európskych krajinách so systémami separovaného zberu recyklovateľných materiálov).
- Prístroj odovzdajte do recyklačného strediska. Použité plastové a kovové časti sa dajú separovať podľa jednotlivých typov. Kontaktujte miestnu spoločnosť zaoberajúcu sa likvidáciou odpadu alebo naše servisné stredisko.
- Likvidáciu poškodených prístrojov, ktoré nám zašlete, vykonáme bezplatne.



Vyhlasenie o zhode

O vyhlásenie o zhode EÚ môžete požiadať na tejto adrese:
SPEQ GmbH, Tannbachstraße 10, 73635 Steinenberg/Nemecko

Skúšobný inštitút

TÜV SÜD Product Service GmbH, Ridlerstr. 65, D-80339 Mníchov, Nemecko

Úplné vyhlásenie o zhode EÚ nájdete na odkaze
www.speq.de/konformitaetserklaerung



Záruka a servis

Vážený zákazník,

na zariadenie sa vzťahuje 3-ročná záruka od dátumu zakúpenia. V prípade poškodenia výrobku máte zákonné práva voči predajcovi. Zákonné práva nie sú obmedzené našou zárukou uvedenou nižšie.

Záručné podmienky

Záručná lehota začína dátumom zakúpenia. Dobré si uschovajte originálny pokladničný blok. Blok vám posluží ako dôkaz o zakúpení. Ak sa do troch rokov od dátumu zakúpenia výrobku vyskytne chyba materiálu alebo výrobná chyba, výrobok vám – podľa vlastného uváženia – bezplatne opravíme, vymeníme alebo vrátime kúpnu cenu. Záruka vyžaduje predloženie chybného zariadenia a dokladu o kúpe (pokladničný blok) v trojročnej lehote a krátky písomný opis chyby a kedy sa chyba vyskytla. Ak sa na chybu vzťahuje naša záruka, dostanete opravený alebo nový výrobok. Opravou alebo výmenou výrobku nezačína plynúť nová záručná lehota.

Záručná lehota a zákonné nároky vyplývajúce z nedostatkov

Záručná lehota sa zárukou nepredlžuje. To platí aj pre vymenené a opravené diely. Akékoľvek poškodenie alebo chyby, ktoré boli prítomné už pri kúpe, je potrebné nahlásiť ihneď po rozbalení. Akékoľvek opravy potrebné po uplynutí záručnej lehoty sú spoplatnené.

Rozsah záruky

Zariadenie bolo starostlivo vyrobené podľa prísnych smerníc kvality a pred dodaním svedomito skontrolované. Záruka platí pre chyby materiálu a výrobné chyby. Záruka sa nevzťahuje na časti výrobku, ktoré podliehajú bežnému opotrebovaniu a možno ich teda považovať za opotrebované diely, alebo na poškodenie krehkých dielov, napr. spínače, akumulátory alebo diely vyrobené zo skla.

Záruka zaniká, ak je výrobok poškodený, nesprávne používaný alebo udržiavaný. Na správne používanie výrobku je potrebné prísne dodržiavať všetky pokyny uvedené v návode na použitie. Vyhnite sa účelom použitia alebo činnosti, ktoré v návode na použitie neodporúčame alebo pred ktorými používateľov varujeme. Výrobok je určený na súkromné, nie na komerčné použitie. Záruka zaniká v prípade hrubej a nesprávnej manipulácie, použitia sily a činností, ktoré nevykonalo naše autorizované servisné stredisko.

Postup v prípade nároku na záručné plnenie

Na rýchle spracovanie vašej požiadavky postupujte podľa nasledovných pokynov:

- Pre akékoľvek otázky si pripravte pokladničný blok a číslo výrobku (IAN 458651_2401) ako doklad o kúpe.
- Číslo výrobku nájdete na typovom štítku na výrobku, gravírovaní na výrobku, titulnej strane návodu na použitie (dolu vľavo) alebo na nálepke na zadnej a prednej strane výrobku.
- V prípade výskytu funkčných chýb alebo iných nedostatkov najprv kontaktujte uvedené servisné oddelenie **telefonicky** alebo **e-mailom**.
- Následne môžete poslať výrobok, ktorý bol evidovaný ako chybný, s priložením dokladu o kúpe (pokladničný blok) s uvedením, o akú chybu ide a kedy sa vyskytla, bez poštovného poplatku na adresu servisu, ktorú ste dostali.

Na stránke www.lidl-service.com si môžete stiahnuť túto aj ostatné príručky, videá o výrobu a inštaláciu softvéru. Pomocou QR kódu sa dostanete priamo na stránku servisu spoločnosti Lidl (www.lidl-service.com), kde si môžete otvoriť návod na použitie zadaním čísla výrobku (IAN) 458651_2401.



Adresa servisu:

SPEQ GmbH
Tannbachstr. 10
73635 Steinenberg/Nemecko
E-mail: service@speq.de
Linka servisu: 00800 30 777 999
(bezplatne)
Pred odoslaním nás telefonicky
kontaktujte 8:00 – 17:00

LYŽIARSKA A SNOWBOARDOVÁ PRILBA

Model: SP-52
Značka: Crivit



Generalidades

Lea y guarde las instrucciones de manejo

¡Estimado cliente, estimada clienta!

Nos complace que se haya decidido por uno de nuestros productos de gran calidad, que se elaboran y cuentan con certificación siguiendo estrictamente las normas de seguridad actualmente vigentes.


Familiarícese con el producto antes del primer uso. Para ello, lea atentamente las instrucciones de manejo y las indicaciones de seguridad. Utilice este producto únicamente de la forma descrita y para los fines de uso indicados. Guarde bien estas instrucciones. En caso de entregar el producto a terceros, entrégueles también toda la documentación.

Uso conforme a lo previsto

Este artículo ha sido fabricado para esquiadores alpinos y snowboarders. No es apto para otros tipos de deportes o para motoristas.

Explicación de los símbolos

Los siguientes símbolos y palabras de señalización se emplearán en estas instrucciones de manejo, en el producto o en el embalaje.

 Declaración de conformidad (véase el capítulo «Declaración de conformidad»): Los productos marcados con este símbolo cumplen con todas las disposiciones comunitarias aplicables del Espacio Económico Europeo.



Siga las instrucciones de manejo



Fecha de fabricación (mes/año)



Fecha de caducidad (mes/año)



Peso del casco



El sello «Seguridad probada» (sello GS) certifica que un producto cumple con los requisitos de la Ley alemana de seguridad de productos. El sello GS indica que, en caso de uso conforme a lo previsto o previsible, no se ven en peligro la seguridad y la salud de las personas.



Lavar a mano



No usar lejía



No secar en la secadora



No planchar



No limpiar en seco

Clase B

Los cascos de las clases A y B son aptos para esquiadores, snowboarders y grupos similares. Los cascos de la clase A ofrecen una mayor protección relativa. Los cascos de la clase B pueden ofrecer una mayor ventilación y una mejor audición, pero protegen un área menor de la cabeza y tienen una resistencia a la penetración menor.

Volumen de suministro / accesorios

- 1 x Casco de esquí y snowboard
- 1 x Bolsa para el casco de esquí
- 1 x Instrucciones de uso

Descripción / lista de piezas (fig. A)

1. Sistema de ventilación
2. Correa para el mentón
3. Cierre de encaje de seguridad de varios niveles
4. Distribuidor de las correas
5. Sistema de ajuste del tamaño
6. Acolchado de la nuca
7. Acolchados de las orejas

Datos técnicos

Modelo: SP-52

Número de artículo: 458651

Tamaño: M/L (54 - 58 cm), L/XL (58 - 61 cm)

Fecha de fabricación (mes/año): 06/2024

Fecha de caducidad (mes/año): 06/2029

Indicaciones de seguridad



¡Peligro de lesiones!

Importante: ¡Lea atentamente las instrucciones de uso y guárdelas siempre! En caso de manejo indebido del producto, puede sufrir lesiones.

- **¡ATENCIÓN!** Un casco no puede proteger a su usuario de todos los accidentes.
- **¡ATENCIÓN!** Utilice únicamente un casco que le quede bien y se ajuste firmemente. Si el casco no se ajusta correctamente, puede resbalarse en caso de accidente y perder su efecto protector.
- Utilice el casco en la posición prevista para él (fig. H).
- Cierre la correa para el mentón antes de cada marcha (fig. D).
- No lleve gorros u otras cubiertas para la cabeza debajo del casco.
- Cambie y deseche el casco después de una colisión. Esto también se aplica a las colisiones ligeras sin daños visibles
- También debe cambiarse el casco por otro nuevo si ya no le queda bien o como máximo, cinco años después de la fecha de fabricación, incluso si no pueden detectarse daños en él.
- Cambiar o quitar piezas originales del casco puede afectar sobremedida al efecto protector. No se permite modificar el casco para colocar complementos de manera no recomendada por el fabricante.
- Intente girar el casco a la izquierda y a la derecha con ambas manos. Si el casco está correctamente asentado, se le moverá también la piel de las sienes.
- Intente bajar el casco lo más posible hacia atrás y hacia adelante con ambas manos. El casco no estará asentado correctamente si puede deslizarlo tanto hacia adelante que cubra su campo de



visión o tanto hacia atrás que le deje libre la frente.

- Compruebe que el casco esté asentado correctamente y que las correas para el mentón estén firmes, correctamente ajustadas y cerradas antes de cada uso.
- Si no puede adaptar el casco de modo tal que solo pueda deslizarse de manera insignificante hacia adelante o hacia atrás con el cierre puesto, no utilice el casco. Cámbielo por un modelo de otro tamaño. Es imprescindible que se pruebe distintas tallas al comprarlo.

Tanto en caso de colisión grave como de accidente a baja velocidad o de poca intensidad, pueden provocarse lesiones graves en la cabeza, pudiendo incluso resultar mortales. Puede suceder que el casco no proteja al conductor frente a lesiones en la cabeza de forma efectiva. Por ello, marche siempre con cuidado.



¡Peligro de muerte!

- Este casco no debe ser utilizado por niños para escalada u otras actividades si existe el riesgo de que se estrangulen o se queden colgados al quedarse atrapados con el casco



¡Peligro de asfixia!

¡ATENCIÓN! Los niños pueden asfixiarse con las láminas de plástico.

- Lassen Sie Kinder nicht mit der Verpackungsfolie spielen.
Die Verpackung ist kein Kinderspielzeug.



¡Peligro de daños!

¡ATENCIÓN! El manejo indebido del casco puede provocar daños en este.

- Deberá comprobarse si hay defectos visibles en el casco periódicamente.
- No aplique pintura o pegatinas sobre el casco

Indicaciones para el usuario

Apertura/cierre de la correa para el mentón (fig. D)

Para abrir la correa para el mentón, presione el cierre de encaje de seguridad de varios niveles (1) y retire la varilla (2). Para cerrar la correa para el mentón, inserte la varilla en el cierre de encaje de seguridad de varios niveles y encájelo a una anchura cómoda para usted.



¡En caso de accidente con el distribuidor de las correas y la correa para el mentón abiertos o mal ajustados, ¡el casco puede resbalarse y perder su efecto protector!



¡Compruebe antes de cada marcha si la correa para el mentón está correctamente ajustada y cerrada!

Ajuste de la correa para el mentón (fig. B)

Compruebe antes de cada marcha si la correa para el mentón está correctamente ajustada

- La correa para el mentón (1) está ajustada correctamente si tiene un asiento tan fijo como cómodo y si nota una ligera presión al abrir la boca. El cierre (2) no debe estar sobre la barbilla o el hueso maxilar
- Si la correa para el mentón (1) está demasiado suelta, deberá volver a apretarse en el cierre (2) con ayuda de la ondulación (3)
- Si la correa para el mentón (1) está demasiado apretada, deberá soltarse también en el cierre (2) con ayuda de la ondulación (3).



¡Compruebe antes de cada marcha si el distribuidor de las correas está correctamente ajustado y cerrado!

Ajuste del distribuidor de las correas (fig. C)

- Abra el distribuidor de las correas..
- El distribuidor de las correas debe posicionarse de tal manera que las correas estén tensas, pero queden cómodas. El distribuidor de las correas debe estar por debajo de la oreja, las correas no pueden cubrir las orejas.
- Cierre el distribuidor de las correas



Retirada/colocación de los acolchados de las orejas (fig. F)

1. En primer lugar, tire de las correas para el mentón desde los lazos en los acolchados de las orejas.
2. Tire de los acolchados de las orejas con cuidado y en línea recta desde la ranura del cierre de resorte.
3. Inserte los acolchados de las orejas presionando con cuidado la lengüeta en la base de los acolchados de las orejas en la ranura del lado del casco. El lado blando de los acolchados de las orejas está hacia dentro.
4. Vuelva a insertar las correas para el mentón a través de los lazos en los acolchados de las orejas.

Ajuste del sistema de regulación del tamaño con una mano (fig. E)

El sistema de regulación del tamaño integrado puede ajustarse de forma continua en la parte trasera de la cabeza mediante un botón giratorio

- más pequeño = girar a la derecha
- más grande = girar a la izquierda

La posición correcta del casco (fig. H)

- El casco debe llevarse siempre en horizontal sobre la cabeza.
- Si el casco está demasiado hacia adelante, puede impedirle la visión.
- Si el casco está demasiado hacia atrás, no tendrá la frente lo suficientemente protegida.

Colocación de las gafas de esquí (fig. I)

1. Para colocar unas gafas de esquí, abra la lengüeta en la parte trasera del casco.
2. Coloque las gafas de esquí y pase la cinta en torno al casco.
3. A continuación, cierre la lengüeta para fijar la cinta al casco.

Ajuste de la ventilación (fig. J)

1. Deslice el regulador hacia atrás para abrir la ranura de ventilación y aumentar la ventilación.
2. Deslice el regulador hacia atrás para cerrar la ranura de ventilación y reducir la ventilación.

Mantenimiento / Limpieza / Almacenamiento

NOTA: El manejo indebido del casco puede provocar daños en este.

Limpieza:

¡ADVERTENCIA!

- El casco no debe entrar en contacto con disolventes o productos de limpieza que contengan hidrocarburos.
- También las pegatinas pueden contener disolventes y, de este modo, dañar la capa protectora del casco.
- Utilice para la limpieza únicamente agua y jabón delicado.



Retirada/limpieza del acolchado interior

1. Suelte el cierre de velcro y saque el acolchado interior del casco.
2. Limpie el acolchado interior con agua tibia y un jabón delicado y, a continuación, déjelo secar al aire.
3. Vuelva a insertar el acolchado interior.

Limpieza del casco

1. Limpie su casco únicamente con agua tibia, jabón delicado y un trapo suave.
2. Saque los acolchados para las orejas para limpiarlos de la forma descrita.
3. Limpie los acolchados de las orejas con agua tibia y un jabón delicado y, a continuación, déjelos secar al aire.

Almacenamiento

- Deje secar su casco al aire después de cada uso.
- No guarde el casco cerca de fuentes de calefacción y calor (por ejemplo, detrás de las lunas de un coche). Las altas temperaturas, ya a partir de los 60 °C, pueden causar graves daños en el casco. Los desniveles en la superficie del casco y la formación de pequeñas burbujas son señales de tales daños.
- Guarde el casco en la bolsa para el casco de esquí (fig. G) suministrada.

Indicaciones para el desechamiento



Peligro de asfixia

¡ATENCIÓN! Los niños pueden asfixiarse con las láminas de plástico. No deje que los niños jueguen con la lámina del embalaje. El embalaje no es un juguete

Desechamiento del embalaje

Separe el embalaje según el tipo de material para desecharlo. Lleve el papel y el cartón al contenedor de papel, y las láminas al de materiales reciclables.

Desechamiento del producto

- El producto deberá desecharse a través de una empresa de eliminación de residuos autorizada o un punto de desechamiento municipal de acuerdo con las leyes y disposiciones vigentes en su país (aplicable en la Unión Europea y en otros países europeos con sistemas para la recogida separada de materiales reciclables).
- Deposite el dispositivo en un punto de reciclaje. Las piezas de plástico y metal utilizadas pueden separarse. Para ello, consulte al responsable de desechamiento de residuos de su localidad o a nuestro centro de asistencia.
- Desechamos los dispositivos defectuosos que nos envíe de forma gratuita.



Declaración de conformidad

La declaración de conformidad de la UE puede solicitarse a la siguiente dirección:
SPEQ GmbH, Tannbachstraße 10, 73635 Steinenberg/Alemania

Instituto de pruebas

TÜV SÜD Product Service GmbH, Ridlerstr. 65, D-80339 München, Alemania

Encontrará la declaración de conformidad completa en
www.speq.de/konformitaetserklaerung





Garantía y proceso de asistencia

Estimado cliente, estimada clienta,

Recibirá una garantía de 3 años a partir de la fecha de compra para este dispositivo. En caso de defectos de este producto, le corresponden los siguientes derechos legales contra el vendedor del producto. Estos derechos legales no se verán limitados por nuestra garantía, la cual detallamos a continuación.

Condiciones de la garantía

El plazo de garantía comienza con la fecha de compra. Le rogamos guarde bien el ticket de caja original. Este se necesita como prueba de la compra. Si en el plazo de tres años a partir de la fecha de compra de este producto se produce un error en los materiales o de fabricación, podremos elegir entre repararle o sustituirle el producto de forma gratuita o devolverle el precio de compra. Esta prestación de garantía requiere que se presente el dispositivo defectuoso junto con el recibo (ticket) de compra dentro del plazo de tres años y que se describa brevemente dónde está el defecto y cuándo se ha producido. Si el defecto está cubierto por nuestra garantía, le devolveremos el producto reparado o un producto nuevo. Con la reparación o sustitución del producto no se inicia un nuevo periodo de garantía.

Periodo de garantía y derechos legales por defectos

El periodo de garantía no se verá prolongado por la garantía. Esto se aplica también a las piezas sustituidas y reparadas. Los posibles daños y defectos ya existentes en el momento de la compra deberán comunicarse de inmediato después de desembalar el producto. Las reparaciones que deban realizarse pasado el plazo de garantía tendrán un coste.

Volumen de la garantía

El dispositivo se ha fabricado según estrictas directrices de calidad y se ha revisado de forma exhaustiva antes de su entrega. La prestación de garantía se aplica a los errores de materiales o de fabricación. Esta garantía no se extiende a las partes del producto que estén expuestas al desgaste normal y, por tanto, puedan considerarse piezas de desgaste; y tampoco a los daños en piezas frágiles, como interruptores, baterías o piezas de vidrio.

Esta garantía expirará si el producto está dañado o no se ha utilizado o revisado correctamente. Deben seguirse con exactitud todas las instrucciones indicadas en las instrucciones de manejo para un uso correcto del producto. Deberán evitarse siempre los fines de uso y acciones que se desaconsejen en las instrucciones de manejo o sobre las que se indiquen advertencias. El producto está diseñado únicamente para usos particulares y no comerciales. Se perderá la garantía en caso de manejo abusivo e indebido, de aplicar fuerza y de intervenciones no llevadas a cabo por nuestra filial de asistencia autorizada.



Proceso en caso de garantía

Para garantizar una tramitación rápida de su asunto, le rogamos siga las siguientes indicaciones:

- Mantenga preparados el ticket de caja y el número de artículo (IAN 458651_2401) como pruebas de la compra para todas las preguntas.
- Encontrará el número de artículo en la placa de características del producto, en una inscripción en el producto, en el título de sus instrucciones (parte inferior izquierda) o en la pegatina en la parte trasera o inferior del producto.
- Si se producen errores de funcionamiento u otros defectos, contacte en primer lugar con el departamento de asistencia indicado a continuación por **teléfono** o por **correo electrónico**.
- Puede enviar el producto registrado como defectuoso adjuntando el recibo (ticket) de compra y la indicación de dónde se halla el defecto y cuándo se produjo sin gastos de envío para usted a la dirección de asistencia que se le comunique.

En www.lidl-service.com podrá encontrar este y muchos otros manuales, vídeos del producto y software de instalación. Con este código QR podrá acceder directamente a la página de asistencia de Lidl (www.lidl-service.com), y podrá abrir sus instrucciones de manejo indicando el número de artículo (IAN) 458651_2401.



Dirección de asistencia:

SPEQ GmbH
Tannbachstr. 10
73635 Steinenberg/Alemania
Correo electrónico: service@speq.de
Línea directa de asistencia:
00800 30 777 999 (gratuita)
Se ruega llamar antes de enviar
8:00 h – 17:00 h

CASCO DE ESQUÍ Y SNOW-BOARD

Modelo: SP-52
Marca: Crivit



Generelt

Læs og gem betjeningsvejledningen

Kære kunde!

Vi er glade for, at du har valgt at købe et af vores produkter i højeste kvalitet, som er produceret og certifieret strengt i overensstemmelse med de gældende sikkerhedsstandarder.

Gør dig bekendt med produktet, før du bruger det første gang. Læs betjeningsvejledningen og sikkerhedsanvisningerne grundigt. Brug kun dette produkt som beskrevet, og brug det kun til de angivne anvendelsesområder. Gem denne vejledning til senere reference. Udlever også alle dokumenter ved videregivelse af produktet til tredjemand.

Tilslået brug

Denne artikel er designet til alpine skiløbere og snowboardere. Den er ikke egnet til andre sportsgrene eller motorcyklister.

Symbolforklaring

Følgende symboler og signalord er brugt i denne brugervejledning, på produktet eller på emballagen.



Overensstemmelseserklæring (se kapitlet "Overensstemmelseserklæring"): Produkter mærket med dette symbol overholder alle gældende fællesskabsbestemmelser i Det Europæiske Økonomiske Samarbejdsområde.



Følg betjeningsvejledningen



Fremstillingsdato (måned/år)



Udløbsdato (måned/år)



Hjelmens vægt



Mærkatet "Geprüfte Sicherheit" (GS-mærket) bekræfter, at et testet produkt opfylder kravene i den tyske lov om produktsikkerhed. GS-mærket angiver, at menneskers sikkerhed og sundhed ikke er i fare, når et produkt bruges efter hensigten eller på en forudsigelig måde.



Vask hænder



Må ikke bleges



Må ikke tørretumbles



Må ikke stryges



Må ikke kemisk renses

Klasse B

Hjelme i klasse A og Klasse B er til skiløbere, snowboardere og lignende grupper. Hjelme i klasse A giver forholdsvis mere beskyttelse. Hjelme i klasse B kan give mere ventilation og bedre hørelse, men beskytter et mindre område af hovedet og giver et lavere niveau af penetrationsmodstand.

Leveringsomfang / tilbehør

- 1 x Ski- og snowboardhjelm
- 1 x Pose til skihjelm
- 1 x Brugsanvisning

Beskrivelse af dele/liste over dele (fig. A)

1. Ventilationssystem
2. Hagerem
3. Sikkerhedslukkeanordning med flere trin
4. Stropfordeler
5. Størrelsesjusteringssystem
6. Nakkepolstring
7. Ørepolstring

Tekniske data

Model: SP-52

Varenummer: 458651

Størrelse: M/L (54 - 58 cm), L/XL (58 - 61 cm)

Fremstillingsdato (måned/år): 06/2024

Udløbsdato (måned/år): 06/2029

Sikkerhedsanvisninger



Risiko for personskade!

Vigtigt: Læs brugsanvisningen grundigt og gem den til senere reference! Du kan komme til skade, hvis du håndterer træningsudstyret forkert.

- **BEMÆRK!** En hjelm kan ikke beskytte brugeren mod alle ulykker.
- **BEMÆRK!** Brug kun en hjelm, der sidder ordentligt og sikkert. Hvis hjelmen ikke sidder ordentligt, kan den glide af ved en ulykke og dermed er man ikke beskyttet.
- Brug hjelmen i den tilsigtede position (fig. H).
- Luk spændet på hageremmen (fig. D) før hver brug.
- Bær ikke hue eller anden hovedbeklædning under hjelmen.
- Udskift og kassér hjelmen ved slag mod hjelmen. Dette gælder også ved mindre slag mod hjelmen uden synlige skader.
- Hjelmen skal også udskiftes, hvis den ikke længere sidder ordentligt eller senest 5 år efter fremstillingsdatoen, også selvom der ikke kan konstateres skader.
- Ændring eller fjernelse af originale dele på hjelmen kan kraftigt forringe den beskyttende effekt. Hjelmen må ikke modificeres for at tilføje tilbehør på en måde, som ikke er anbefalet af producenten.
- Prøv at bruge begge hænder til at dreje hjelmen til venstre og højre. Hvis hjelmen sidder korrekt, bevæger huden på tindingerne sig med den.
- Brug begge hænder til at trække hjelmen frem og tilbage så langt som muligt. Hjelmen sidder ikke korrekt, hvis du kan justere den langt nok frem til at blokere dit synsfelt eller langt nok tilbage til at blotte din pande.
- Kontrollér før hver brug, at hjelmen sidder korrekt og at hageremmen er stramme, korrekt justerede og fastgjorte.



- Hvis du ikke kan justere hjelmen, så den kun kan skubbes en smule frem eller tilbage med spændet lukket, må du ikke bruge hjelmen. Udskift i så fald med en model i en anden størrelse. Sørg for at prøve forskellige størrelser, før du køber en model.

Både alvorlige slag og en ulykke ved lav hastighed eller intensitet kan forårsage alvorlige hovedskader eller endda dødsfald. Det kan forekomme, at hjelmen ikke effektivt beskytter brugeren mod hovedskader. Vær derfor altid forsigtig.



Livsfare!

- Denne hjelm bør ikke bruges af børn til klatring eller andre aktiviteter, hvor der er risiko for kvælning/at sidde fast, hvis barnet bliver viklet ind i hjelmen.



Kvælningfare!

BEMÆRK! Børn kan blive kvalt af plastikfolie.

- Lad ikke børn lege med emballagen. Emballagen er ikke legetøj.



Fare for beskadigelse!

BEMÆRK! Forkert håndtering af hjelmen kan føre til skader på hjelmen.

- Hjelmen skal med jævne mellemrum kontrolleres for synlige fejl
- Put ikke maling eller klistermærker på hjelmen



Brugsanvisninger

Åbn/luk hageremmen (fig. D)

Tryk på sikkerhedslåsen (1) og træk stangen ud (2) for at åbne hageremmen. For at lukke hageremmen skal du indsætte stangen i flertrins sikkerhedslåsen og lade den klikke på plads i en bredde, der er behagelig for dig.



I tilfælde af en ulykke med åben eller forkert indstillet stropfordeler og hagestrop kan hjelmen glide af og dermed mister man den beskyttende effekt!



Kontrollér, at hageremmen er korrekt justeret og låst før hver brug!

Justering af hageremmen (fig. B)

Kontrollér, at hageremmen er korrekt justeret før hver brug.

- Hageremmen (1) er korrekt justeret, når den er både behagelig og stram, og du mærker et let tryk, når du åbner munden. Lukkeanordningen (2) må ikke hvile på hagen eller kæbebenet.
- Hvis hageremmen (1) er for løs, skal den strammes ved hjælp af løkken (3) på spændet (2).
- Hvis hageremmen (1) er for stram, skal den løsnes (2) ved hjælp af løkken (3) på spændet.



Kontrollér, at stropfordeleren er korrekt justeret og låst før hver brug!

Justér stropfordeleren (fig. C)

- Åbn stropfordeleren.
- Stropfordeleren skal placeres, så stropperne sidder tæt, men behageligt. Stropfordeleren skal sidde under øret. Remmene må ikke dække ørerne.
- Luk stropfordeleren

Fjern/isæt ørepolstringen (fig. F)

1. Træk først hageremmen ud af løkkerne på ørepolstringen.
2. Træk forsigtigt ørepolstringen lige ud af snaplås-rillerne.
3. Indsæt ørepolstringen ved forsigtigt at skubbe tappen i bunden af ørepolstringen ind i rillen på siden af hjelmen. Den bløde side af ørepolstringen peger indad.
4. Træk hageremmen tilbage gennem løkkerne på ørepolstringen.



Justering af enhands-størrelsesjusteringssystemet (fig. E)

Det integrerede størrelsesjusteringssystem kan justeres trinløst ved hjælp af en drejeknap på baghovedet:

- mindre = drej mod højre
- større = drej mod venstre

Den rigtige hjelposition (fig. H)

- Hjelmen skal altid sidde vandret på dit hoved
- Hvis hjelmen sidder for langt fremme, kan dit syn blive indskrænket
- Hvis hjelmen sidder for langt tilbage, vil din pande ikke være tilstrækkeligt beskyttet.

Anbringelse af skibrillerne (fig. I)

1. Åbn klappen på bagsiden af hjelmen for at fastgøre et par skibriller.
2. Tag skibrillerne på og sæt pandebåndet rundt om hjelmen
3. Luk derefter tappen for at fastgøre remmen til hjelmen.

Indstilling af ventilationen (fig. J)

1. Skub reguleringsanordningen tilbage for at åbne ventilationsåbningerne og øge ventilationen
2. Skub reguleringsanordningen frem for at lukke ventilationsåbningerne og mindske ventilationen

Vedligeholdelse / rengøring / opbevaring

BEMÆRK: Forkert håndtering af hjelmen kan føre til skader på hjelmen.

Rengøring:

ADVARSEL!

- Hjelmen må ikke komme i kontakt med opløsnings- eller rengøringsmidler, der indeholder kulbrinter.
- Klistermærker kan også indeholde opløsningsmidler og derved beskadige hjelmens beskyttende lag.
- Brug kun vand og mild sæbe til rengøring.

Fjernelse/rengøring af den indvendige polstring

1. Løsn velcroen og fjern den indvendige polstring fra hjelmen.
2. Rengør den indvendige polstring med lunkent vand og mild sæbe, og lad den derefter lufttørre.
3. Sæt den indvendige polstring i igen.



Rengøring af hjelmen

1. Rengør kun hjelmen med lunkent vand, mild sæbe og en blød klud.
2. Fjern ørepolstringen som beskrevet ved rengøring.
3. Rengør den ørepolstringen med lunkent vand og mild sæbe, og lad den derefter lufttørre.

Opbevaring

- Lad din hjelm lufttørre efter hver brug.
- Opbevar ikke hjelmen i nærheden af varmekilder (fx bag glasruden i en bil). Høje temperaturer, startende ved 60 °C, kan alvorligt beskadige hjelmen. En ujævn hjelmo-verflade og dannelse af små buler er tegn på sådan skade
- Opbevar hjelmen i den medfølgende skipose (fig. G).

Anvisninger om bortskaffelse



Kvælningsfare

BEMÆRK! Børn kan blive kvælt af plastikfolie. Lad ikke dine børn lege med emballagen. Emballagen er ikke legetøj.

Bortskaffelse af emballagen

Bortskaf emballagen sorteret. Sortér pap, karton og plastikfilm adskilt ved bortskaffelse.

Bortskaffelse af produktet

- Træningsudstyret skal bortskaffes via et autoriseret renovationselskab eller via en kommunal genbrugsstation i overensstemmelse med gældende love og regler i dit land. (Gælder i Den Europæiske Union og andre europæiske lande med systemer til separat indsamling af genanvendelige materialer).
- Bortskaf udstyret på en genbrugsstation. De anvendte plast- og metaldele kan adskilles efter type. Spørg dit lokale renovationselskab eller vores servicecenter.
- Vi bortskaffer dit indsendte, defekte udstyr gratis.



Overensstemmelseserklæring

EU-overensstemmelseserklæringen kan rekvireres ved at skrive til følgende adresse:
SPEQ GmbH, Tannbachstraße 10, 73635 Steinenberg/TYSKLAND

Prüfinstitut

TÜV SÜD Product Service GmbH, Ridlerstr. 65, D-80339 München, TYSKLAND

Den fuldstændige overensstemmelseserklæring kan findes på
www.speq.de/konformitaetserklaerung.



Garanti og service

Kære kunde,

Dette produkt leveres med 3 års garanti fra købsdatoen. I tilfælde af, at dette produkt skulle have fejl og mangler har du nogle juridiske rettigheder over for sælgeren af produktet. Disse juridiske rettigheder er ikke begrænset af vores garanti, der er beskrevet nedenfor.

Garantibetingelser

Garantien begynder på datoen for købet af træningsudstyret. Opbevar den originale kvittering. Denne skal bruges som dokumentation for købet. Hvis der opstår en materiale- eller fabrikationsfejl inden for tre år fra købsdatoen for dette produkt, vil vi - efter vores valg - enten reparere produktet gratis for dig, erstatte det eller refundere købsprisen. Denne garanti kræver, at det defekte produkt og købsbeviset (kvitteringen) fremvises inden for den treårige periode, og at der gives en kort skriftlig beskrivelse af fejlsens art og hvornår den er opstået. Hvis fejlen er dækket af vores garanti, modtager du det reparerede produkt eller et nyt produkt. Reparation eller udskiftning af produktet starter ikke en ny garantiperiode.

Garantiperiode og lovpligtige krav ved fejl og mangler

Garantiperioden forlænges ikke af den lovbestemte garantiperiode. Dette gælder også for udskiftede og reparerede dele. Eventuelle skader eller mangler, der allerede fandtes på købstidspunktet, skal anmeldes umiddelbart efter udpakning af produktet. Enhver nødvendig reparation efter at garantiperioden er udløbet, er underlagt et gebyr.

Garantiens omfang

Træningsudstyret blev omhyggeligt produceret i henhold til strenge retningslinjer for kvalitet og nøje kontrolleret før levering. Garantien gælder for materiale- eller fabrikationsfejl. Denne garanti dækker ikke dele af produktet, som er udsat for normal slitage og derfor kan betragtes som sliddele, eller for skader på skrøbelige dele, såsom kontakter, batterier eller dele lavet af glas.

Denne garanti er ugyldig, hvis produktet er blevet beskadiget, ikke bruges som tiltænkt eller ikke vedligeholdes. For at bruge træningsudstyret korrekt, skal alle anvisningerne i brugervejledningen overholdes nøje. Formål og handlinger, der frarådes eller advares mod i brugervejledning, skal for enhver pris undgås. Træningsudstyret er kun beregnet til privat og ikke til erhvervs-mæssig brug. Garantien bliver ugyldig i tilfælde af misbrug og ukorrekt håndtering, brug af vold samt af ændringer på træningsudstyret, der ikke er udført af vores autoriserede serviceafdeling.



I tilfælde af garantikrav

For at sikre, at din anmodning behandles hurtigst muligt, skal du følge nedenstående anvisninger:

- Hav venligst kvitteringen og varenummeret (IAN 458651_2401) parat som dokumentation for købet for alle forespørgsler.
- Varenummeret kan findes på træningsudstyrets typeskilt, en indgravering på produktet, titelsiden på din vejledning (nederst til venstre) eller på mærkatet på bagsiden eller bunden af træningsudstyret.
- Hvis der opstår funktionsfejl eller andre fejl, skal du kontakte nedenstående serviceafdeling via **telefon** eller **e-mail**.
- Du kan herefter sende det registrerede, defekte produkt. Husk at vedlægge købsbeviset (kvitteringen) og oplysninger om, hvilken slags fejl der er tale om, og hvornår fejlen er opstået, til den serviceadresse, du har fået oplyst. Porto for dette er gratis.

Du kan downloade denne og mange andre vejledninger samt produktvideoer og installationssoftware på www.lidl-service.com. Denne QR-kode fører dig direkte til Lidl-servicesiden (www.lidl-service.com). Du kan åbne din betjeningsvejledning ved at indtaste varenummeret (IAN) 458651_2401.



Serviceadresse:

SPEQ GmbH
Tannbachstr. 10
73635 Steinenberg/Tyskland
E-mail: service@speq.de
Servicehotline: 00800 30 777 999
(gratis)
Ring venligst, før du sender produktet
ind 8:00 – 17:00r

SKI- OG SNOWBOARDHJELM

Model: SP-52
Mærke: Crivit



Informazioni generali

Leggere e conservare le istruzioni per l'uso

Cara Cliente, caro Cliente!

Siamo lieti che abbiate deciso per uno dei nostri prodotti di alta qualità, che sono stati prodotti e certificati strettamente secondo le norme sulla sicurezza attualmente vigenti.

Prima di usare il prodotto per la prima volta, imparare a conoscerlo. A questo scopo leggere attentamente le istruzioni per l'uso e le regole di sicurezza. Usare il prodotto solo secondo quanto descritto e per gli ambiti di utilizzo indicati. Conservare con cura le presenti istruzioni. In caso di cessione del prodotto a terzi, consegnare anche tutta la documentazione.

Uso conforme

Questo articolo è rivolto a chi pratica sci alpino e snowboard. Non è adatto ad altri sport o ai motociclisti.

Spiegazione simboli

I simboli e le parole chiave seguenti vengono utilizzati nelle presenti istruzioni per l'uso, sul prodotto oppure sull'imballaggio.



Dichiarazione di conformità (vedere il capitolo "Dichiarazione di conformità"): I prodotti contrassegnati con questo simbolo soddisfano tutte le normative comunitarie applicabili dello Spazio Economico Europeo.



Osservare le istruzioni per l'uso



Data di produzione (mese/anno)



Data di scadenza (mese/anno)



Peso del casco



Il sigillo "sicurezza verificata" (marchio GS) certifica che un prodotto verificato soddisfa i requisiti della Legge tedesca per la sicurezza dei prodotti. Il marchio GS indica che, in caso di utilizzo conforme e prevedibile, la sicurezza e la salute delle persone non sono compromesse.



Lavaggio a mano



Non candeggiare



Non asciugare in asciugatrice



Non stirare



Non lavare a secco

Classe B

I caschi della classe A e della classe B sono destinati a sciatori, snowboarder e gruppi simili. I caschi di classe A offrono una protezione relativamente maggiore. I caschi di classe B possono garantire una maggiore ventilazione e un udito migliore, ma proteggono un'area più piccola della testa e offrono un livello inferiore di resistenza alla penetrazione.

Fornitura / accessori

- 1 x Casco da sci e snowboard
- 1 x Borsa per casco da sci
- 1 x Manuale di istruzioni

Descrizione delle parti / elenco delle parti (Fig. A)

1. Sistema di ventilazione
2. Sottogola
3. Chiusura micrometrica di sicurezza
4. Sistema di regolazione della cinghia
5. Sistema di regolazione taglia
6. Imbottitura per il collo
7. Imbottitura per le orecchie



Dati tecnici

Modello: SP-52

Codice articolo: 458651

Dimensioni: M/L (54 - 58 cm), L/XL (58 - 61 cm)

Data di produzione (mese/anno): 06/2024

Data di scadenza (mese/anno): 06/2029

Avvertenze per la sicurezza



Pericolo di lesioni!

Importante: Leggere con cura le istruzioni per l'uso e conservarle! In caso di uso non conforme del prodotto, possono conseguirne lesioni.

- **ATTENZIONE!** Un casco non può proteggere chi lo indossa da tutti gli incidenti.
- **ATTENZIONE!** Utilizzate solo caschi che calzino correttamente e ben stretti. Se il casco non calza correttamente, può scivolare in caso di incidente e perdere il suo effetto protettivo.
- Utilizzare il casco nella posizione prevista (Fig. H).
- Prima di ogni uscita, chiudere la chiusura nel sottogola (Fig. D).
- Non indossare berretti o altri copricapi sotto il casco.
- Cambiare e smaltire il casco dopo un impatto. Questo vale anche in caso di urti lievi senza danni visibili.
- Inoltre, il casco deve essere sostituito se non è più adatto o entro 5 anni dalla data di produzione, anche se non è stato rilevato alcun danno.
- Modificare o rimuovere le parti originali del casco può comprometterne notevolmente la protezione. Il casco non deve essere modificato per applicarvi parti extra non raccomandate dal produttore.
- Cercare di girare il casco a destra e a sinistra con entrambe le mani. Se il casco calza correttamente, la pelle delle tempie si muove con esso.
- Con entrambe le mani, cercare di abbassare il casco il più possibile all'indietro e in avanti. Il casco non calza correttamente se si può spingere in avanti tanto da ostruire il campo visivo o se si può spingere indietro tanto da esporre la fronte.
- Prima di ogni utilizzo, verificare che il casco calzi correttamente, che il

sottogola sia ben stretto, correttamente regolato e chiuso.

- Se non è possibile regolare il casco in modo che, una volta chiuso, non sia possibile spingere il casco in avanti e indietro se non leggermente, non utilizzare il casco. Sostituirlo con un modello di taglia diversa. Durante l'acquisto, provare assolutamente taglie diverse.

Sia in caso di urti molto violenti che in caso di incidenti a bassa velocità o a bassa intensità, le lesioni alla testa possono essere gravi o addirittura mortali. In tal caso il casco potrebbe non proteggere efficacemente chi lo indossa dalle lesioni alla testa. Pertanto, andare sempre con prudenza.



Pericolo di vita!

- Dieser Helm sollte nicht von Kindern beim Klettern oder anderen Aktivitäten verwendet werden, wenn ein Risiko besteht, sich zu strangulieren/hängen zu bleiben, wenn sich das Kind mit dem Helm verfängt.



Pericolo di soffocamento!

ATTENZIONE! I bambini possono soffocare con le pellicole di plastica.

- Non far giocare i bambini con la pellicola di imballaggio. L'imballaggio non è un giocattolo per bambini.



Rischio di danni!

ATTENZIONE! L'uso improprio del casco può causare danni al casco stesso.

- Verificare a intervalli regolari l'eventuale presenza di danni visibili sul casco.
- Non applicare vernice o adesivi sul casco



Guida all'uso

Aprire/chiedere il sottogola (Fig D)

Per aprire il sottogola, premere la chiusura micrometrica di sicurezza a più livelli (1) ed estrarre la linguetta (2). Per chiudere il sottogola, inserire la linguetta nella chiusura micrometrica di sicurezza a più livelli e lasciarla scattare in posizione alla larghezza più comoda.



In caso di incidente con sistema di regolazione della cinghia e sottogola aperto o errato, il casco può scivolare e perdere il suo effetto protettivo!



Prima di ogni uscita, controllare che il sottogola sia regolato e chiuso correttamente!

Regolazione del sottogola (Fig. B)

Prima di ogni uscita, verificare che il sottogola sia regolato correttamente.

- Il sottogola (1) è regolato correttamente quando è comodo e stretto e si sente una leggera pressione quando si apre la bocca. La chiusura (2) non deve poggiare sul mento o sulla mandibola.
- Se il sottogola (1) è troppo allentato, è necessario stringerlo con l'aiuto della bobina (3) sulla chiusura (2).
- Se il sottogola (1) è troppo stretto, è necessario allentarlo sempre con l'aiuto della bobina (3) sulla chiusura (2).



Prima di ogni uscita, controllare che il sistema di regolazione della cinghia sia regolato e chiuso correttamente!

Regolazione del sistema di regolazione della cinghia (Fig. C)

- Aprire il sistema di regolazione della cinghia.
- Il sistema di regolazione della cinghia deve essere posizionato in modo che le cinghie siano strette ma confortevoli. Il sistema di regolazione della cinghia deve trovarsi sotto l'orecchio e le cinghie non devono coprire le orecchie.
- Chiudere il sistema di regolazione della cinghia



Rimuovere/inserire l'imbottitura per le orecchie (Fig. F)

1. Per prima cosa, estrarre le cinghie del sottogola dagli occhielli nell'imbottitura per le orecchie.
2. Estrarre l'imbottitura con cautela e in linea retta dalle scanalature della chiusura a scatto.
3. Inserire l'imbottitura per le orecchie premendo delicatamente la linguetta alla base della stessa nella scanalatura sul lato del casco. Il lato morbido dell'imbottitura per le orecchie è rivolto verso l'interno.
4. Infilare nuovamente le cinghie nel sottogola attraverso gli occhielli sull'imbottitura per le orecchie.

Regolazione del sistema di regolazione della taglia con una sola mano (Fig. E)

Il sistema integrato di regolazione della taglia può essere regolato in modo continuo sul retro della testa mediante una manopola:

- Più piccolo = girare a destra
- Più grande = girare a sinistra

La posizione corretta del casco (Fig. H)

- Il casco deve essere sempre posizionato orizzontalmente sulla testa.
- Se il casco è posizionato troppo in avanti, la visuale può essere compromessa.
- Se il casco è troppo indietro, la fronte non è sufficientemente protetta.

Fissare gli occhiali da sci (Fig. I)

1. Per fissare gli occhiali da sci, aprire la linguetta sul retro del casco.
2. Indossare gli occhiali da sci e far passare il cinturino intorno al casco.
3. Chiudere quindi la linguetta per fissare il cinturino al casco.

Regolare la ventilazione (Fig. J)

1. Far scorrere il cursore all'indietro per aprire le bocchette e aumentare la ventilazione.
2. Far scorrere il comando in avanti per chiudere le bocchette e ridurre la ventilazione.

Manutenzione / pulizia / conservazione

NOTA: L'uso improprio del casco può causare danni al casco stesso.

Pulizia:

AVVERTENZA!

- Il casco non deve entrare in contatto con solventi o detergenti contenenti idrocarburi.
- Gli adesivi possono anche contenere solventi e quindi danneggiare lo strato protettivo del casco.
- Per la pulizia utilizzare solo acqua e sapone neutro.



Rimuovere/pulire l'imbottitura interna

1. Aprire la chiusura in velcro e rimuovere l'imbottitura interna dal casco.
2. Pulire l'imbottitura interna con acqua tiepida e sapone neutro e lasciare asciugare all'aria.
3. Sostituire l'imbottitura interna.

Pulizia del casco

1. Pulire il casco solo con acqua tiepida, sapone delicato e un panno morbido.
2. Rimuovere l'imbottitura per la pulizia come descritto.
3. Pulire l'imbottitura per le orecchie con acqua tiepida e sapone neutro e lasciare asciugare all'aria aperta.

Conservazione

- Dopo ciascun utilizzo far asciugare il casco all'aria.
- Non riporre il casco in prossimità di fonti di calore (ad esempio, dietro i vetri di un'automobile). Le alte temperature, a partire da 60°C, possono danneggiare seriamente il casco. Una superficie irregolare del casco e la formazione di bolle sono segni di tali danni.
- Riporre il casco nell'apposita borsa in dotazione (Fig. G).

Indicazioni sullo smaltimento



Pericolo di soffocamento

ATTENZIONE! I bambini possono soffocare con le pellicole di plastica. Non far giocare i bambini con la pellicola di imballaggio. L'imballaggio non è un giocattolo per bambini.

Smaltimento dell'imballaggio

Smaltire l'imballaggio in modo differenziato. Smaltire la carta e il cartone con la carta da macero, le pellicole con i materiali riciclabili.

Smaltimento del prodotto

- Lo smaltimento del prodotto deve essere effettuato tramite un'azienda di smaltimento autorizzata o uno stabilimento di smaltimento comunale conformemente alle leggi e alle disposizioni vigenti nel proprio paese. (Applicabile nell'Unione Europea e in altri stati europei con sistemi di raccolta differenziati dei materiali).
- Consegnare l'apparecchio a un centro di riciclaggio. Le parti in plastica e metallo utilizzate possono essere smaltite con la differenziata. Rivolgersi a tal proposito all'azienda di smaltimento rifiuti locale o al nostro Centro di assistenza.
- Smaltiremo gratuitamente i dispositivi difettosi restituiti.



Dichiarazione di conformità

La dichiarazione di conformità EU può essere richiesta al seguente indirizzo:
SPEQ GmbH, Tannbachstraße 10, 73635 Steinenberg, GERMANIA

Istituto di prova

TÜV SÜD Product Service GmbH, Ridlerstr. 65, D-80339 München, GERMANIA
PSA 2016/425

La dichiarazione di conformità integrale è disponibile al link
www.speq.de/konformitaetserklaerung





Garanzia ed espletamento del servizio di assistenza

Gentile cliente,

per questo dispositivo riceve una garanzia di 3 anni a decorrere dalla data di acquisto. In caso di difetti di questo prodotto, Le spettano i diritti legali contro il venditore del prodotto. Questi diritti legali non vengono limitati dalla nostra garanzia illustrata di seguito.

Condizioni di garanzia

Il periodo di garanzia inizia con la data di acquisto. Conservare per bene la ricevuta originale. Questa è necessaria come prova d'acquisto. Se nell'arco di tre anni dalla data di acquisto di questo prodotto si verifica un errore materiale o di fabbricazione, a nostra discrezione il prodotto viene riparato, sostituito senza costi aggiuntivi per Lei oppure il prezzo di acquisto viene rimborsato. Questa prestazione di garanzia presuppone che, nell'arco del termine di tre anni, vengano presentati il dispositivo difettoso e la ricevuta d'acquisto (scontrino) e che venga brevemente descritto per iscritto in cosa consiste il difetto e quando si è presentato. Se il difetto è coperto dalla nostra garanzia, provvederemo a riparare o sostituire il prodotto. Con la riparazione o la sostituzione del prodotto non inizia un nuovo periodo di garanzia.

Periodo di garanzia e diritti legali per difetti

Il periodo di garanzia non viene prorogato dalla prestazione di garanzia. Ciò vale anche per le parti sostituite e riparate. Eventuali danni e difetti presenti già al momento dell'acquisto devono essere immediatamente segnalati dopo il disimballaggio. Dopo la scadenza del periodo di garanzia, eventuali riparazioni sono a pagamento.

Portata della garanzia

Il dispositivo è stato prodotto con cura secondo rigorose direttive di qualità ed è stato sottoposto a scrupolosi controlli prima della consegna. La prestazione di garanzia vale per errori materiali o di fabbricazione. La presente garanzia non si estende a parti del prodotto esposte ad un processo di usura normale e che pertanto possono essere viste come parti soggette ad usura oppure a danneggiamenti a parti fragili, ad es. interruttori, batterie o realizzate in vetro.

La presente garanzia decade se il prodotto è stato danneggiato, utilizzato o manutentato in modo non conforme. Per un utilizzo conforme del prodotto è necessario rispettare con esattezza tutte le indicazioni riportate nelle istruzioni per l'uso. Usi e azioni, sconsigliati nelle istruzioni dell'uso o dalle quali viene messo in guardia, devono essere assolutamente evitati. Il prodotto è destinato soltanto all'utilizzo privato e non commerciale. In caso di trattamento improprio e non conforme, uso della violenza o interventi non effettuati dalla nostra filiale autorizzata responsabile del servizio di assistenza, la garanzia si estingue.

Espletamento in caso di garanzia

Per garantire una rapida elaborazione della richiesta, seguire le seguenti indicazioni:

- Tenere a portata di mano per qualsiasi richiesta lo scontrino e il codice articolo (IAN 458651_2401) come prova d'acquisto.
- Il codice articolo è riportato sulla targhetta identificativa del prodotto, un'incisione del prodotto, la copertina delle istruzioni (in basso a sinistra) oppure sull'adesivo sul retro o sul lato inferiore del prodotto.
- Qualora dovessero presentarsi errori funzionali o altri difetti, contattare dapprima il reparto di assistenza indicato di seguito per **telefono** o via **e-mail**.
- Un prodotto registrato come difettoso può essere spedito franco di porto all'indirizzo del servizio di assistenza comunicato accludendo la ricevuta d'acquisto (scontrino) e indicando in cosa consiste il difetto e quando si è presentato.

Sul sito www.lidl-service.com è possibile scaricare questi e molti altri manuali, video sul prodotto e software d'installazione. Con questo codice QR si arriva direttamente alla pagina del servizio di assistenza Lidl (www.lidl-service.com) e, inserendo il codice articolo (IAN) 458651_2401, è possibile aprire le istruzioni per l'uso.



Indirizzo del servizio di assistenza:

SPEQ GmbH
Tannbachstr. 10
73635 Steinenberg/Germania
Email: service@speq.de

Linea telefonica di assistenza:
00800 30 777 999
(gratuito)

Chiamare prima die spedire
Ore 8:00 – 17:00

CASCO DA SKI E SNOWBOARD

Modello: SP-52
Marca: Crivit



Általános tudnivalók a kezelési útmutató elolvasása és megőrzése

Kedves Vásárlónk!

Nagy örömünkre szolgál, hogy minőségi termékünk mellett döntött, mely szigorúan az aktuálisan érvényben lévő biztonsági szabályoknak megfelelően gyártott és tanúsított.

A használat megkezdése előtt ismerje meg a terméket. Ehhez fi gyelmesen el kell olvasni a kezelési útmutatót és a biztonsági tudnivalókat. A terméket csak a leírtak szerint használja és csak a megadott használati célokra. Őrizze meg jól jelen használati útmutatót. A termék továbbadásakor adja tovább az összes hozzá tartozó dokumentumot is.

Rendeltetészerű használat

Jelen cikk alpesi sífutóknak és snowboardosoknak készült. Más sportágakhoz és motorozáshoz nem alkalmas.

Szimbólumok magyarázata

A használati útmutató a terméken vagy annak csomagolásán használt szimbólumokat és jelzőszavakat mutatja.



Megfelelőségi nyilatkozat (lásd a „Megfelelőségi nyilatkozat” c. fejezetet): Az ezen szimbólummal jelölt termékek megfelelnek az Európai Gazdasági Közösség összes közösségi előírásának.



A használat útmutatóban leírtak betartása kötelező



Gyártási dátum (hónap/év)



Lejárat dátum (hónap/év)



A sisak súlya



A „bevizsgált biztonság” (GS szimbólum) pecsétje azt igazolja, hogy a bevizsgált termék megfelel a német termékbiztonsági törvény által támasztott követelményeknek. A GS szimbólum azt mutatja, hogy rendeltetésszerű vagy ésszerű használat esetén a személyek biztonsága és testi épsége nem veszélyeztetett.



Kézi mosás



Ne fehéritse



Nem szárítható szárítóban



Ne vasalja



Vegyi tisztításra nem alkalmas

B osztály

Az A és B osztályba tartozó sisakok sífutóknak, snowboardosoknak és hasonló csoportoknak készültek. Az A osztályhoz tartozó sisakok viszonylagosan magasabb védelmet biztosítanak. A B osztályhoz tartozó sisakok szellőzése jobb és jobb a hallást is biztosítanak, de védelmük a fej egy kisebb részére korlátozódik és csekélyebb mértékű átszűrővédelmet biztosítanak.

A csomagolás tartalma/tartozékok

- 1 x Sí- és snowboard sisak
- 1 x Zsák a síelési sisakhoz
- 1 x Használati útmutató

Részek leírása/alkatrészlista (A ábra)

1. Szellőzőrendszer
2. Állszíj
3. Több fokozatú biztonsági kapcsos zár
4. Szíjszabályozó
5. Méretbeállító rendszer
6. Nyaki bélés
7. Fülbélés

Műszaki adatok

Modell: SP-52

Cikkszám: 458651

Méret: M/L (54 - 58 cm), L/XL (58 - 61 cm)

Gyártási dátum (hónap/év): 06/2024

Lejárat dátum (hónap/év): 06/2029

Biztonsági tudnivalók



Sérülésveszély!

Fontos: Olvassák el figyelmesen a használati útmutatót és gondosan őrizték meg azt! A termék szakszerűtlen használata esetén sérülésveszély áll fenn.

- **FIGYELEM!** A sisak önmagában nem védi a viselőjét a balesetek ellen.
- **FIGYELEM!** Csak olyan sisakot használjanak, mely megfelelően illeszkedik. Ha a sisak nem illeszkedik megfelelően, baleset esetén félrecsúszhat és ilyenkor elveszti védő hatását.
- A sisakot mindig a számára kijelölt helyzetben hordja (H ábra).
- Minden menet előtt zárja le az állszíjat (D ábra).
- A sisak alatt ne hordjon sapkát vagy más fejfedőt.
- A sisakot egy ütközés után cseréljék. A régit selejtezzék le. Ezt enyhe ütközések után is meg kell tenni, ha a terméken nincsenek látható károk.
- A sisakot akkor is cserélni kell, ha már nem illeszkedik megfelelően, ill. legkésőbb 5 évvel a gyártási dátum után akkor is, ha nincsenek rajta látható károk.
- A sisak módosítása vagy eredeti alkatrészeinek eltávolítása rendkívüli módon korlátozza a védelmi hatást. A sisak nem módosítható a gyártó által nem ajánlott kiegészítők felhelyezése céljából.
- Próbálja meg két kézzel jobbra és balra forgatni a sisakot. Ha a sisak megfelelően illeszkedik, a halántéknál lévő bőr vele együtt mozog.
- Próbálja meg két kézzel előre és hátra húzni a sisakot, ameddig csak tudja. A sisak nem illeszkedik megfelelően, ha azt annyira le tudja húzni, hogy korlátozza a látóterét, ill. ha annyira hátra tudja húzni, hogy a homloka teljesen szabadabbá válik.



- Minden használat előtt ellenőrizték, hogy a sisak megfelelően illeszkedik-e. Az állszíjaknak szorosan kell illeszkedniük, legyen megfelelő méretre állítva és becsatolva.
- Ha a sisak nem állítható be úgy, hogy zárt csatokkal csak kis mértékben legyen előre és hátra mozgatható, ne használja a sisakot. Ilyenkor cseréljék a terméket másik modellre. A vásárlás során mindenképpen próbáljanak ki több méretet.

Mind súlyos ütközések során, mind enyhe sebességgel vagy intenzitással elszenvedett baleset esetében súlyos fejsérülések keletkezhetnek, melyek akár halálos kimenetelűek is lehetnek. Ennek során előfordulhat, hogy a sisak nem védi hatékonyan a viselőjét a fejsérülések ellen. Ezért mindig óvatosan hajtson.



Életveszély!

- A sisakot ne használják gyermekek mászás vagy más tevékenységek során, ha fennáll a veszélye annak, hogy beakadnak/felakadnak valahová, ha a gyermek beakad a sisakkal. Ilyenkor fulladásveszély áll fenn.



Fulladásveszély!

FIGYELEM! A gyermekek megfulladhatnak a műanyag fóliától.

- A gyermekeket ne hagyják játszani a csomagolófóliával. A csomagolás nem gyerekjáték.



Károsodások veszélye!

FIGYELEM! A sisak szakszerűtlen használata a termék károsodásához vezethet.

- A sisakot rendszeresen kell ellenőrizni látható károkra vonatkozóan.
- Ne vigyenek fel festéket vagy matricákat a sisakra.



Felhasználói tudnivalók

Az állszíj nyitása/zárása (D ábra)

Az állszíj felnyitásához nyomják meg a többfokozatú biztonsági kapcsos zárat (1) és húzzák ki a stéget (2). Az állszíj zárásához helyezték a stéget a többfokozatú biztonsági csatos zárba és húzzák azt egy kényelmes szélességre.



Ha nyitott vagy helytelenül beállított szíjszabályozóval és állszíjjal történik baleset, a sisak elcsúszhat és elveszítheti védelmi hatását!



Minden menet előtt ellenőrizze, hogy az állszíj beállítása megfelelő-e és zárva van-e!

Az állszíj beállítása (B ábra)

Minden menet előtt ellenőrizze, hogy az állszíj megfelelően van-e beállítva.

- Az állszíj (1) akkor van megfelelően beállítva, ha kényelmes, de mégis szorosan illeszkedik és a sisak viselője a száj felnyitásakor enyhe nyomást érez. A zár (2) nem lehet az állon vagy az állkapocscsonton.
- Ha az állszíj (1) túl laza, azt a záron (2) lévő menettel (3) lehet rászorítani.
- Ha az állszíj (1) túl szűk, szintén a záron (2) található menettel (3) lazítható.



Minden menet előtt ellenőrizze, hogy az szíjszabályozó beállítása megfelelő-e és zárva van-e!

A szíjszabályozó beállítása (C ábra)

- Nyissa fel a szíjszabályozót.
- A szíjszabályozót úgy kell elhelyezni, hogy a szíj feszes, de kényelmes legyen. A szíjszabályozó a fül alatt legyen. De a szíjak nem fedhetik a fület.
- Zárja le a szíjszabályozót.



A fülbélés levétele/behelyezése (F ábra)

1. Először húzza ki az állszíjat a fülbéléseknél lévő hurokból.
2. A fülbélést óvatosan és egyenes irányban húzza ki a gyorszáras horonyból.
3. Helyezze be a fülbélést úgy, hogy a fülbélés alapján lévő fület óvatosan a sisak oldalán lévő horonyba nyomja. A fülbélés lágy részei ennek során befelé mutassanak.
4. Fűzze újra át az állszíjat a fülbélésnél lévő hurkon.

Az egykezes méretbeállító rendszer beállítása (E ábra)

Az integrált méretbeállító rendszeren egy a tarkónál lévő forgatógomb teszi lehetővé a méret fokozatmentes beállítását:

- kisebb = jobbra forgatás
- nagyobb = balra forgatás

A sisak helyes helyzete (H ábra)

- A sisak mindig vízszintesen legyen a fejen.
- Ha a sisak túlságosan elöl van, az korlátozhatja a látóteret.
- Ha a sisak túlságosan hátul van, akkor a homlok védelme nem megfelelő.

Síszemüveg felhelyezése (I ábra)

1. Síszemüveg felhelyezéséhez nyissa fel a sisak hátoldalán lévő pántot.
2. Helyezze fel a síszemüveget és vezesse át a szalagot a sisak körül.
3. Végezetül zárja le a pántot. Így rögzítheti a szalagot a sisakon.

A szellőzés beállítása (J ábra)

1. Tolja a szabályozót hátra a szellőzítés megnyitásához. Ezzel növeli a szellőzés mértékét
2. Tolja a szabályozót előre a szellőzítés zárásához. Ezzel csökkenti a szellőzés mértékét.

Karbantartás/tisztítás/tárolás

FELHÍVÁS: A sisak szakszerűtlen használata a termék károsodásához vezethet

Tisztítás:

FIGYELMEZTETŐ FELHÍVÁS!

- A sisak nem érintkezhet szénhidrogénes oldó- és tisztítószerrel.
- A matricák is tartalmazhatnak oldószereket. Ezek károsítják a sisak védőrétegét
- A tisztításhoz csak vizet és enyhe hatású szappant használjanak.



A belső bélés eltávolítása/behelyezése

1. Oldja ki a tépőzárát és vegye ki a belső bélést a sisakból.
2. A belső bélést langyos vízben, enyhe hatású szappannal mossák meg. Végezetül hagyják levegőn megszáradni.
3. Ezután visszahelyezhetik a belső bélést.

A sisak tisztítása

1. A sisakot csak langyos vízzel, enyhe hatású szappannal és lágy törlőkendővel tisztítják.
2. A fülbélést a tisztításhoz a fentiekben leírt módon lehet eltávolítani.
3. A fülbélést langyos vízben, enyhe hatású szappannal mossák meg. Végezetül hagyják levegőn megszáradni.

Tárolás

- A sisakot minden használat után hagyják megszáradni a levegőn.
- A sisakot ne tárolják fűtő- és hőforrások közelében (pl. az autóban az ablak alatt). A magasabb hőmérsékleti értékek már akár 60 °C fok felett is súlyos károkat okozhatnak a sisakon. Egyenetlenségek vagy buborékok megjelenése a sisak felületén mind ilyen károsodásokra utalnak.
- A sisakot a mellékelt zacskóban tárolják (G ábra).

Felhívások az ártalmatlanításra vonatkozóan



Fulladásveszély

FIGYELEM! A gyermekek megfulladhatnak a műanyag fóliától. A gyermekeket ne hagyják játszani a csomagolófóliával. A csomagolás nem gyerekjáték.

A csomagolás ártalmatlanítása

A csomagolóanyagokat szelektíven kell ártalmatlanítani. A kartont a papírhulladékba, a fóliákat a szelektív gyűjtőbe tegyék.

A termék leselejtezése

- A termék leselejtezését hivatalos hulladékkezelő üzemben vagy a kommunális hulladékkezelőn keresztül kell végezni, az adott országban érvényes törvényeknek és rendelkezéseknek megfelelően. (Az Európai Unióban és más európai államokban érvényes, ahol az újrahasznosítható anyagokat szelektíven gyűjtik).
- A terméket egy újrahasznosító üzemben adják le. A használt műanyag és fémalkatrészek szelektíven gyűjthetők. Az erre vonatkozó kérdéseivel forduljon a helyi hulladékkezelőhöz vagy ügyfélközpontunkhoz.
- A beküldött hibás termékek újrahasznosítását ingyenesen elvégezzük.



Megfelelőségi nyilatkozat

Az EU megfelelőségi nyilatkozat a következő címen kérhető le:
SPEQ GmbH, Tannbachstraße 10, 73635 Steinenberg/Németország

Vizsgáló intézmény

TTÜV SÜD Product Service GmbH, Ridlerstr. 65, D-80339 München, Németország

A teljes megfelelőségi nyilatkozat a következő címen található meg:
www.speq.de/konformitaetserklaerung



Jótállás és a szerviz lebonyolítása

Tisztelt Vásárlónk,

A készülékre a vásárlás napjától számított 3 év garanciát vállalunk. A termék meghibásodása esetén. Önt jogszabályban foglalt jogok illetik meg az eladóval szemben. Az alábbi garanciánk nem korlátozza vagy szünteti meg a jogszabályban biztosított jogokat.

Garanciális feltételek

garanciális időszak a vásárlás napján kezdődik. Gondosan őrizze meg a nyugtát. Ez a vásárlás igazolásához szükséges. Ha a termékvásárlás napjától számított három éven belül anyag- vagy gyártási hibát észlel, akkor a terméket saját belátásunk szerint ingyen megjavítjuk, kicseréljük vagy visszafizetjük az árát. A garancia feltétele a hibás készülék és a vásárlást igazoló bizonylat (pénztári blokk) három éves garanciaidőn belüli bemutatása, valamint a hiba lényegének és megjelenése idejének rövidleírása. Ha garanciánk fedezetet nyújt a hibára, akkor javított vagy egy új terméket kap vissza. A termék javítása vagy cseréje esetén a garancia nem kezdődik elölről.

Garanciális idő és a jogszabályban foglalt szavatossági igények

A garancia ideje nem hosszabbodik meg a jótállással. Ez a cserélt és javított alkatrészekre is vonatkozik. Az esetlegesen már a vásárláskor is fennálló sérüléseket és hiányosságokat a kicsomagolás után azonnal jelezni kell. A garanciai lejárta után esedékes javítások díjkötelesek.

A garancia köre

A készüléket szigorú minőségi előírások szerint gyártottuk és kiszállítás előtt lelkiismeretesen ellenőriztük.

A garancia anyag- vagy gyártási hibákra vonatkozik. A garancia nem terjed ki a termék normális elhasználódásnak kitett és ezért kopó alkatrészeknek tekinthető alkatrészeire vagy a törékeny alkatrészek – mint például kapcsolók, akkumulátorok vagy üvegből készült alkatrészek – sérüléseire.

A garancia megszűnik akkor, ha a termék megsérül, nem megfelelően használják vagy nem tartják karban. A termék megfelelő használata érdekében a használati útmutatóban foglalt összes utasítást pontosan be kell tartani. Feltétlenül kerülni kell minden olyan felhasználási és kezelési módot, amit a használati útmutató nem javasol, vagy amelynek elkerülésére kifejezetten figyelmeztet.

A termék csak magánhasználatra és nem ipari használatra készült. A garancia érvényét veszti visszaélészerű vagy szakszerűtlen kezelés, erőszak alkalmazása vagy olyan beavatkozások esetén, amelyeket általunk nem engedélyezett szervizben végeztek el.



A garancia érvényesítése

Ügyének gyors feldolgozása érdekében kövesse a következő utasításokat:

- Kérjük, hogy minden kapcsolatfelvételnél tartsa készenlétben a vásárlást igazoló pénztári blokkot és a cikkszámot (pl. IAN 458651_2401).
- A cikkszám a termék adattábláján, a termékre gravírozva, a használati útmutató címlapján (balra lent) vagy a termék hátoldalán vagy alján lévő címkén található.
- Működési hiba vagy más hiba észlelése esetén vegye fel a kapcsolatot az alábbi szerviz-részleggel **telefonon** vagy **e-mailben**.
- Küldje el díjmentesen a megadott szerviz címére a hibásnak talált terméket és a vásárlást igazoló bizonylatot (pénztári blokk), illetve röviden írja le azt is, hogy hol és mikor jelentkezett a hiba.

Más használati útmutatókhoz, termékbemutató videókhoz és a telepítési szoftverekhez hasonlóan ezt is letöltheti a www.lidl-service.com oldalról. Ezzel a QR-kóddal közvetlenül a Lidl ügyfélszolgálati oldalra kerülnek (www.lidl-service.com) és a cikkszám megadásával (IAN) 458651_2401 megnyithatja a használati útmutatót.



Szervizcím:

SPEQ GmbH
Tannbachstr. 10
73635 Steinenberg/Németország
E-mail: service@speq.de
Szerviz forródrót: 00800 30 777 999
(ingyenes)
Beküldés előtt kérjük, hívjon
8:00 és 17:00 óra között

SÍ- ÉS SNOWBOARD SISAK

Modell: SP-52
Márka: Crivit