



**OWIM GmbH & Co. KG**

Stiftsbergstraße 1  
74167 Neckarsulm  
GERMANY

Model No.: HG11130

Version: 12/2023

IAN 444747\_2307





## **VACUUM CLEANER SBZBK 850 A2**

(GB) (IE) (NI)

### **VACUUM CLEANER**

Operation and safety notes

(DK)

### **STØVSUGER**

Brugs- og sikkerhedsanvisninger

(FR) (BE)

### **ASPIRATEUR**

Instructions d'utilisation et consignes de sécurité

(NL) (BE)

### **STOFZUIGER**

Bedienings- en veiligheidsinstructies

(DE) (AT) (CH)

### **STAUBSAUGER**

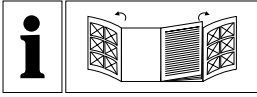
Bedienungs- und Sicherheitshinweise

IAN 444747\_2307

(BE)

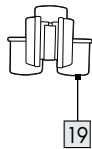
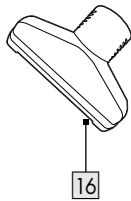
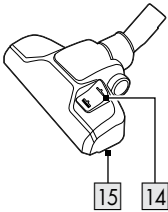
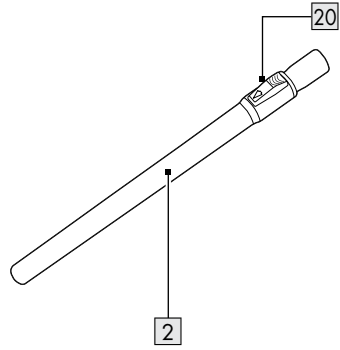
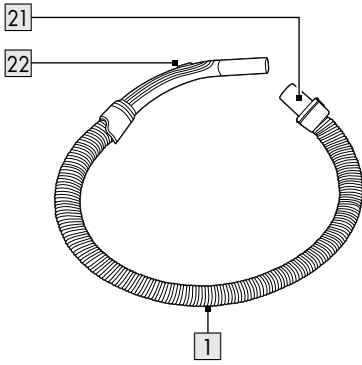
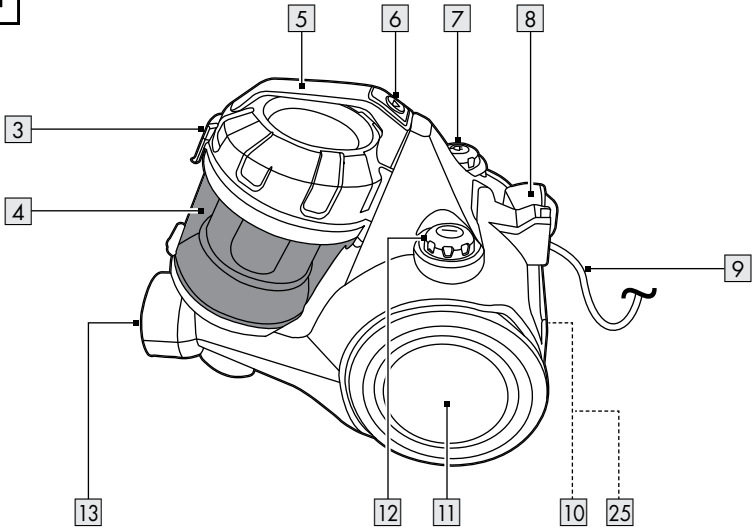
(NL)

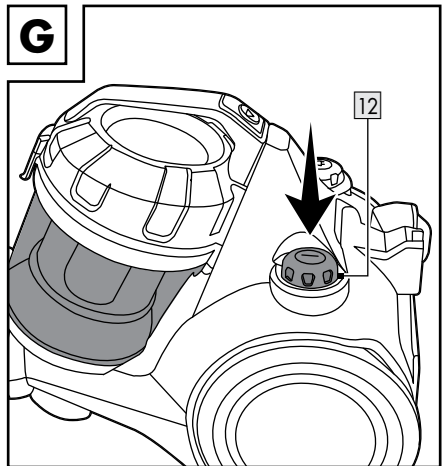
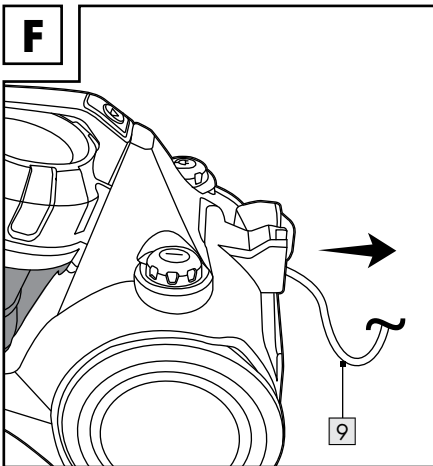
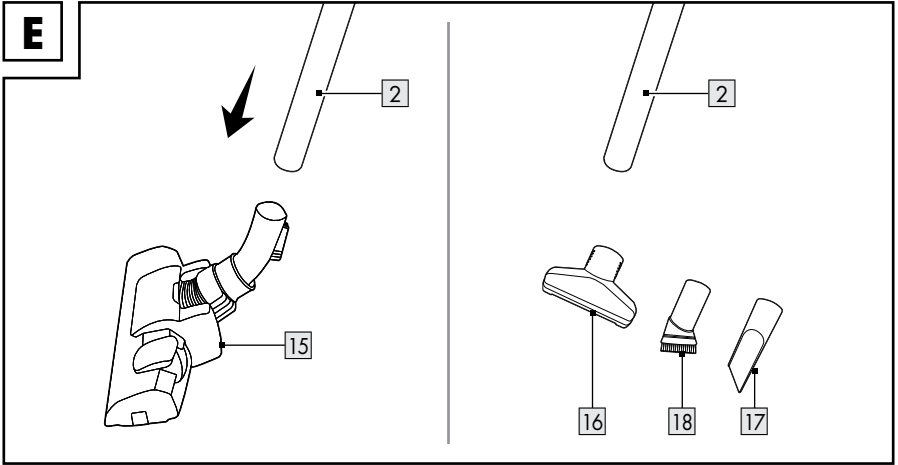
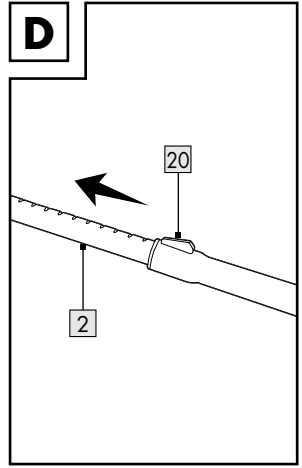
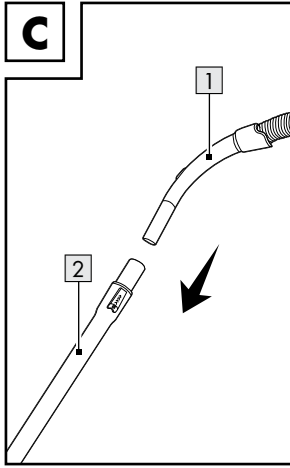
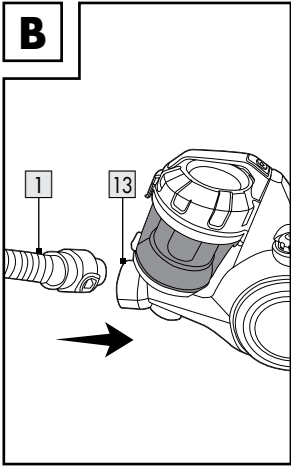
(DK)

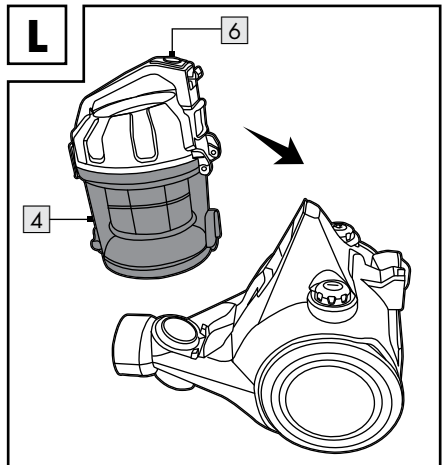
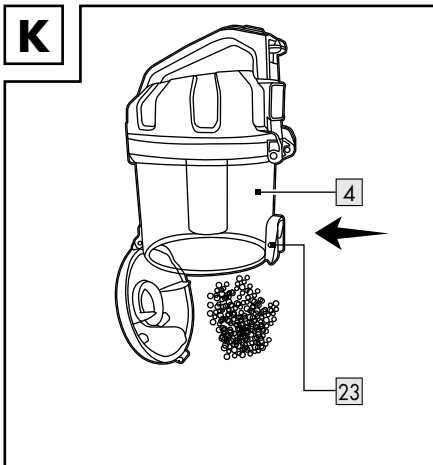
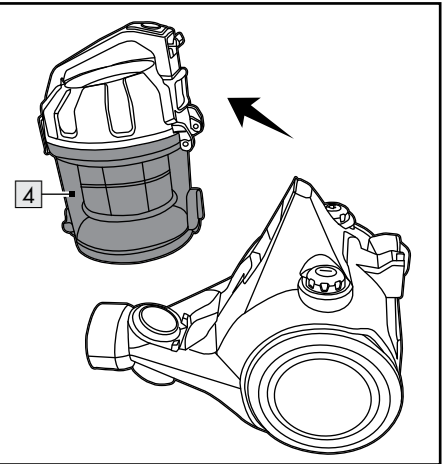
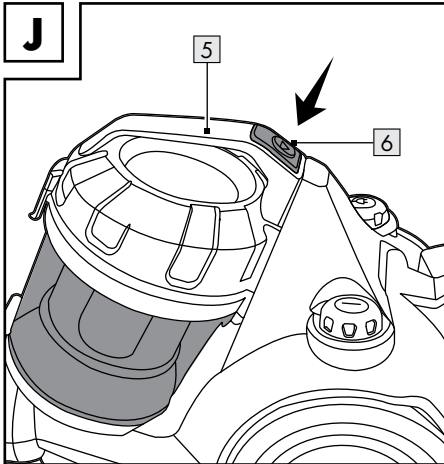
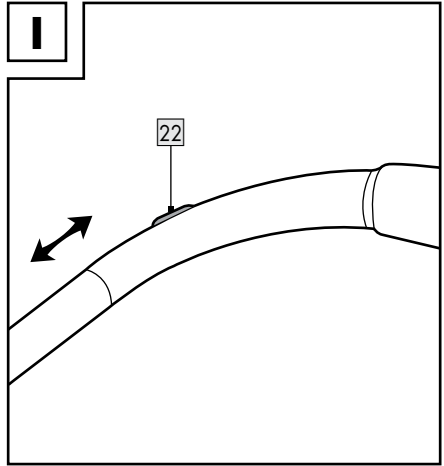
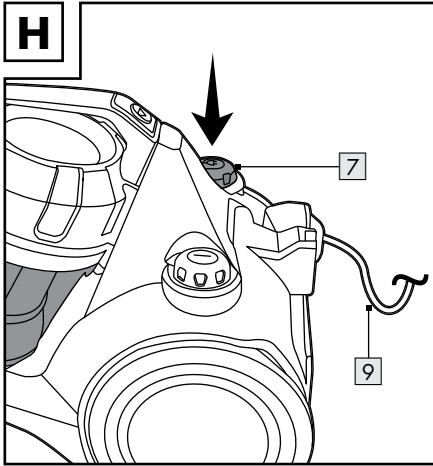


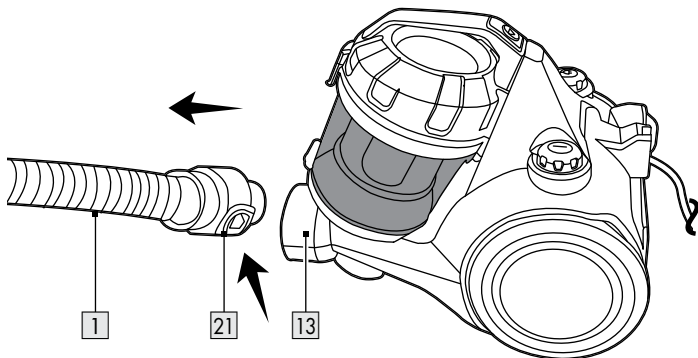
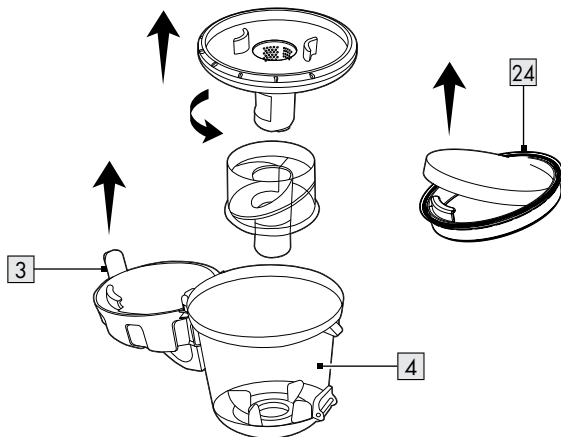
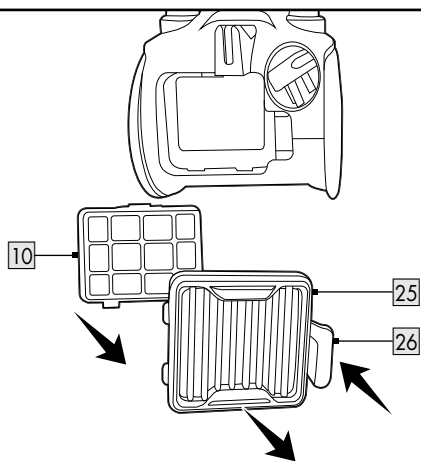
GB/IE/NL	Operation and safety notes	Page	5
DK	Brugs- og sikkerhedsanvisninger	Side	16
FR/BE	Instructions d'utilisation et consignes de sécurité	Page	26
NL/BE	Bedienings- en veiligheidsinstructies	Pagina	37
DE/AT/CH	Bedienungs- und Sicherheitshinweise	Seite	48

**A**







**M****N****O**

**Warnings and symbols used** ..... Page 6

**Introduction** ..... Page 7

    Intended use..... Page 7

    Scope of delivery..... Page 7

    Parts description..... Page 7

    Technical data ..... Page 7

**Safety instructions** ..... Page 8

**Before first use** ..... Page 10

**Operation** ..... Page 10

    Accessories ..... Page 10

    Attaching accessories ..... Page 11

    Switching on/off ..... Page 11

    Increasing/decreasing suction power ..... Page 11

    Emptying the dust container..... Page 12

**Cleaning and care** ..... Page 12

**Ordering replacement accessories** ..... Page 13

**Troubleshooting** ..... Page 13

**Storage** ..... Page 13

**Disposal**..... Page 14

**Warranty** ..... Page 14














    Warranty claim procedure..... Page 15

    Service ..... Page 15



## Warnings and symbols used

The following warnings are used in the user manual, short manual and on the packaging:

 <p><b>DANGER!</b> This symbol in combination with the signal word "Danger" marks a high-risk hazard that if not prevented could result in death or serious injury.</p>	 <p><b>INFO:</b> This symbol in combination with "Info" provides additional useful information.</p>
	 <p>Read the manual.</p>
 <p><b>WARNING!</b> This symbol in combination with the signal word "Warning" marks a medium-risk hazard that if not prevented could result in death or serious injury.</p>	 <p>Alternating current/voltage</p>
	<p><b>Hz</b> Hertz (supply frequency)</p>
	<p><b>W</b> Watts</p>
 <p><b>CAUTION!</b> This symbol in combination with the signal word "Caution" marks a low-risk hazard that if not prevented could result in minor or moderate injury.</p>	 <p>Use the product in dry indoor spaces only.</p>
	 <p>Danger - risk of electric shock!</p>
 <p><b>ATTENTION!</b> This symbol with the signal word "Attention" indicates a possible property damage.</p>	 <p>Symbol for a Protection Class II product</p>
	 <p>On/off</p>
 <p>CE mark indicates conformity with relevant EU directives applicable for this product.</p>	 <p>Safety information Instructions for use</p>

# VACUUM CLEANER

## ● Introduction

We congratulate you on the purchase of your new product. You have chosen a high quality product. The instructions for use are part of the product. They contain important information concerning safety, use and disposal. Before using the product, please familiarise yourself with all of the safety information and instructions for use. Only use the product as described and for the specified applications. If you pass the product on to anyone else, please ensure that you also pass on all the documentation with it.

## ● Intended use

This product is designed for vacuuming dust. Do not use the product for any other purpose.

The product is only intended for private household use, not for commercial or other purposes.

The manufacturer accepts no liability for damages caused by improper use.



## ● Scope of delivery

After unpacking the product, check if the delivery is complete and if all parts are in good condition. Remove all packing materials before use.

- 1 Vacuum cleaner
- 1 Hose
- 1 Telescopic tube
- 1 Floor brush
- 1 Upholstery nozzle
- 1 Crevice nozzle
- 1 Furniture brush
- 1 Nozzle holder
- 1 Short manual

## ● Parts description

(Fig. A, K, N, O)

- 1 Hose
- 2 Telescopic tube
- 3 Lid lock (top)
- 4 Dust container
- 5 Handle
- 6 Dust container release
- 7 Cable winder button
- 8 Floor brush holder
- 9 Power cord with power plug
- 10 Motor filter
- 11 Wheel
- 12 On/off switch ①
- 13 Intake
- 14 Switch for
  - Hard floor 
  - Carpet 
- 15 Floor brush
- 16 Upholstery nozzle
- 17 Crevice nozzle
- 18 Furniture brush
- 19 Nozzle holder
- 20 Telescopic tube lock
- 21 Hose release
- 22 Secondary air regulator
- 23 Bottom release
- 24 Foam inlay
- 25 Air outlet grille
- 26 Grille lock

## ● Technical data

Rated voltage:	220-240 V~, 50-60 Hz
Power consumption:	850 W
Protection class:	II
Dust container volume:	0.6 L
Noise emission:	≤ 78 dB(A)
Suction levels:	1
Filter:	HEPA

The product complies with Ecodesign Directive 2009/125/EC and EU 666/2013 based on standards EN 60312-1, EN 60704-2-1 and EN 60335-2-2.



## Safety instructions

**BEFORE USING THE PRODUCT, PLEASE FAMILIARISE YOURSELF WITH ALL OF THE SAFETY INFORMATION AND INSTRUCTIONS FOR USE! WHEN PASSING THIS PRODUCT ON TO OTHERS, PLEASE ALSO INCLUDE ALL THE DOCUMENTS!**

In the case of damage resulting from non-compliance with these operating instructions the warranty claim becomes invalid! No liability is accepted for consequential damage! In the case of material damage or personal injury caused by incorrect handling or non-compliance with the safety instructions, no liability is accepted!

## Children and persons with limitations



### **⚠ WARNING!**

### **DANGER OF DEATH AND ACCIDENTS FOR TODDLERS AND CHILDREN!**

Never leave children unsupervised with the packaging material. The packaging material represents a danger of suffocation. Children frequently underestimate the dangers.

- This product can be used by children aged from 8 years and above and persons with reduced physical, sensory or mental capabilities or lack of experience and knowledge if they have been given supervision or instruction concerning use of the product in a safe way and understand the hazards involved.
- Children shall not play with the product.
- Cleaning and user maintenance shall not be made by children unless they are older than 8 and supervised.

## Intended use

**⚠️ WARNING! Risk of injury!** Misuse may lead to injury. Use this product solely in accordance with these instructions. Do not attempt to modify the product in any way.

## Electrical safety

**⚠️ DANGER! Risk of electric shock!** Never attempt to repair the product yourself. In case of malfunction, repairs are to be conducted by qualified personnel only.

**⚠️ WARNING! Risk of electric shock!** Do not immerse the product's electrical components in water or other liquids. Never hold the product under running water.

**⚠️ WARNING! Risk of electric shock!** Never use a damaged product. Disconnect the product from the socket outlet and contact your retailer if it is damaged.

**⚠️ WARNING! Risk of electric shock!** Do not operate the product with wet hands or while standing on a wet floor.

**⚠️ WARNING! Risk of injury!** Turn off the product and disconnect it from the power supply before cleaning and when the product is not in use.

- Do not use the product anymore if it has been dropped.
- Before connecting the power plug to the power supply: Check that the voltage and the current rating correspond with the power supply details shown on the product's rating label.
- Regularly check the power plug and the power cord for damages. If the power cord is damaged, it must be replaced by the manufacturer, its service agent or similarly qualified persons in order to avoid a hazard.
- Protect the power cord against damages. Do not let it hang over sharp edges, do not squeeze or bend it. Keep the power cord away from hot surfaces and open flames.

## Operation

- Disconnect the power plug from the socket-outlet
  - when a malfunction occurs,
  - before attaching/changing accessories,
  - before cleaning the product,
  - if you will not use the product for a long time,
  - during a thunderstorm and
  - after each use.
- Disconnect the product from the socket-outlet by pulling the power plug, but not by pulling on the power cord.
- Defective components must always be replaced by original spare parts.
- Do not obstruct the ventilation slots during operation. Risk of overheating and damage to the product.
- Never use the product to absorb water or other liquids, flammable substances or hot/burning objects.

## Cleaning and storage

**⚠ WARNING! Risk of injury!** Disconnect the product from the power supply before cleaning work and when not in use.

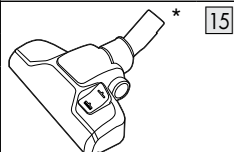
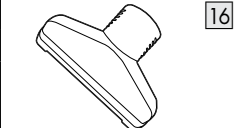
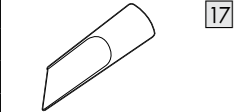
- Protect the product, its power cord and power plug against dust, direct sunlight, dripping and splashing water.
- Store the product in a cool, dry place, protected from moisture and out of the reach of children.
- Protect the product against heat. Do not place the product close to open flames or heat sources such as stoves or heating appliances.

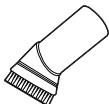
### ● Before first use

- Remove all packaging material and lay out all separate components in front of you. After unpacking, check the product for visible damage.



### ● Operation

#### ● Accessories

Part	Application
	Carpets Hard floors Stairs
	Carpets Cushions Upholstery
	Hard-to-reach places Corners Skirting edges Louvres Chairs Upholstery

Part	Application
 18	Blinds Louvres Delicate surfaces

- \* Set the switch for hard floor/carpet 14 according to the floor type:

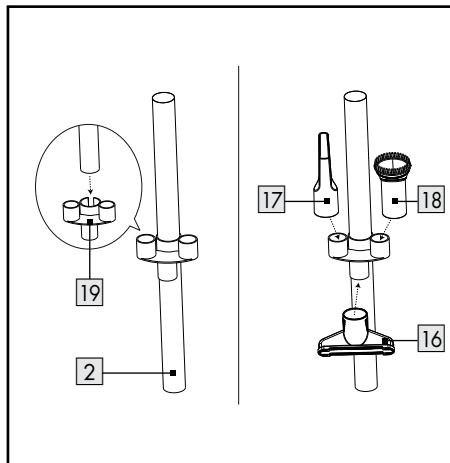
Switch position	Floor type
	Hard floor
	Carpet

## ● Attaching accessories

1. Connect the hose 1 with the intake 13. The hose must audibly lock in place (Fig. B).
2. Insert the handle of the hose into the wide opening of the telescopic tube 2 (Fig. C).
3. Set the telescopic tube to the desired length:
  - Slide the telescopic tube lock 20 forward and adjust the length of the telescopic tube (Fig. D).
  - Release the telescopic tube lock.
  - If necessary, slightly adjust the length until the telescopic tube lock locks in place.
4. Insert the telescopic tube into the intake of the floor brush 15, the nozzles 16 17 or the furniture brush 18 (Fig. E).

### ⓘ INFO:

- The nozzles and the furniture brush can be directly attached to the hose.
- Prior to usage: Ensure all accessories are securely fastened.
- The nozzle holder 19 can be attached to the telescopic tube.



The following accessories can be attached to the nozzle holder when not in use:

- Upholstery nozzle
- Crevice nozzle
- Furniture brush

## ● Switching on/off

1. Pull the power plug 9 out of the housing, at least until the yellow marking. When the red marking appears, the end of the power cord has been reached. Do not pull out the power plug any further (Fig. F).
2. Connect the power plug to a socket-outlet.
3. Switching on/off: Press the on/off switch 12 once (Fig. G).
4. Disconnect the power plug from the socket-outlet if you do not use the product.
5. Winding up the power cord: Press the cable winder button 7 (Fig. H).

### ⓘ INFO:

- Hold the power cord with one hand. Guide the power cord while it is being wound up.

## ● Increasing/decreasing suction power

- Adjust the suction power with the secondary air regulator 22 (Fig. I).

## ● Emptying the dust container

### ❗ INFO:

- Empty the dust container [4] outdoors if possible, since emptying can lead to a cloud of dust.
- Empty the dust container at regular intervals. Otherwise the product could be damaged.

1. Press the dust container release [6]. Lift the dust container from the product using the handle [5] (Fig. J).
2. Hold the dust container over a waste bin.
3. Press the bottom release [23] on the side of the dust container to open the bottom and thus discharge the dust (Fig. K).
4. Close the bottom. The bottom release must audibly lock in place.
5. Insert the dust container into the product. The dust container release must audibly lock in place (Fig. L).

## ● Cleaning and care

### ⚠ DANGER! Risk of electric shock!

Disconnect the power plug [9] from the socket-outlet before cleaning the product. Never touch the power plug with moist or wet hands.

Always keep the power plug and power cord dry.

### ⚠ WARNING! Risk of electric shock!

Never immerse the electric parts of the product in water or other liquids. Never hold the product under running water.

⚠ ATTENTION! Do not use any tools to clean the filters. Otherwise the filters could be damaged.

⚠ ATTENTION! Never use the product without the HEPA filter and motor filter [10]. Otherwise the product could be damaged and the suction power could be decreased.

1. Switch off the product and disconnect the power plug from the socket-outlet.
  2. Press the hose release [21] and pull the hose [1] out of the intake [13] (Fig. M).
- Do not use any corrosive or abrasive cleaning agents.

- Remove coarse dirt by hand.
- Clean the product with a damp cloth. For stubborn dirt, use a damp cloth and a mild detergent and clean the product again.

## Dust container and HEPA filter

(Fig. N)

1. Remove the dust container [4] (see "Emptying the dust container").
2. Pull up the lid lock (top) [3]. Open the top lid.
3. Pull out both cylinders from the dust container [4].
4. Separate the cylinders from each other. To do this, turn one of the cylinders counterclockwise.
5. Use a damp cloth to clean the dust container and the two cylinders. You can also rinse the dust container and cylinders under running water.
6. Pull the filter frame out of the lid.
7. Remove the foam inlay [24].
8. To remove dust, tap the filter frame.
9. If necessary, rinse the filter frame and the foam inlay under running water. Let the parts dry completely at a location without direct sunlight.

## Motor filter

(Fig. O)

### ❗ INFO:

- Clean the motor filter [10] if it is dirty. With normal use, it is recommended to clean the motor filter every 6 months.
1. The motor filter is located behind the air outlet grille [25]. Slide the grille lock [26] to the left. At the same time pull out the air outlet grille.
  2. Carefully press down the lock on top of the filter frame. Pull out the filter frame.

3. Rinse the motor filter under running warm water.
4. Let the motor filter dry completely at a location without direct sunlight.
5. Insert the motor filter and the air outlet grille back into the product. Both parts must audibly lock in place.

## ● **Ordering replacement accessories**

- Replacements for the following accessories can be ordered online:
  - 10 Motor filter
  - 24 Foam inlay
- Item number: 444747\_2307
- Website: [www.optimex-shop.com](http://www.optimex-shop.com)

## ● **Troubleshooting**

Fault	Possible cause	Action
The product does not work.	The power plug <span style="border: 1px solid black; padding: 0 2px;">9</span> is not connected to the socket-outlet.	Connect the power plug to a socket-outlet.
The suction power is reduced and the product does not vacuum any dirt.	Dust container <span style="border: 1px solid black; padding: 0 2px;">4</span> full.	Empty the dust container (see "Emptying the dust container").
	Suction path blocked.	Check the floor brush <span style="border: 1px solid black; padding: 0 2px;">15</span> , the nozzles <span style="border: 1px solid black; padding: 0 2px;">16</span> <span style="border: 1px solid black; padding: 0 2px;">17</span> , the furniture brush <span style="border: 1px solid black; padding: 0 2px;">18</span> , the telescopic tube <span style="border: 1px solid black; padding: 0 2px;">2</span> , the hose <span style="border: 1px solid black; padding: 0 2px;">1</span> and the dust container for blockages and remove them.
	Motor filter <span style="border: 1px solid black; padding: 0 2px;">10</span> or HEPA filter clogged.	Clean the motor filter and the HEPA filter (see "Cleaning and care").
The product overheats.	Motor filter or HEPA filter clogged.	Clean the motor filter and the HEPA filter (see "Cleaning and care").
Dust escapes from the product.	The dust container was not installed correctly.	Install the dust container (see "Emptying the dust container").
The air that escapes from the product smells unpleasant.	Deposits in the suction paths, the motor filter or HEPA filter.	Clean the motor filter and the HEPA filter (see "Cleaning and care").
The motor is louder than usual.	Suction path blocked.	Check the nozzle, the furniture brush, the telescopic tube, the hose and the dust container for blockages and remove them.
	The motor is defective.	Contact customer service (see "Service").

## ● **Storage**

- Store the product in the original packaging when it is not in use.
- Clean the product before storage.
- Store the product at a dry location out of the reach of children.



## ● **Disposal**

The packaging is made of environmentally friendly materials, which may be disposed of through your local recycling facilities.



Observe the marking of the packaging materials for waste separation, which are marked with abbreviations (a) and numbers (b) with following meaning: 1-7: plastics/20-22: paper and fibreboard/80-98: composite materials.



Contact your local refuse disposal authority for more details of how to dispose of your wornout product.



To help protect the environment, please dispose of the product properly when it has reached the end of its useful life and not in the household waste. Information on collection points and their opening hours can be obtained from your local authority.

## ● **Warranty**

The product has been manufactured to strict quality guidelines and meticulously examined before delivery. In the event of material or manufacturing defects you have legal rights against the retailer of this product. Your legal rights are not limited in any way by our warranty detailed below.

The warranty for this product is 3 years from the date of purchase. The warranty period begins on the date of purchase. Keep the original sales receipt in a safe location as this document is required as proof of purchase.

Any damage or defects already present at the time of purchase must be reported without delay after unpacking the product.

Should the product show any fault in materials or manufacture within 3 years from the date of purchase, we will repair or replace it – at our choice – free of charge to you. The warranty period is not extended as a result of a claim being granted. This also applies to replaced and repaired parts.

This warranty becomes void if the product has been damaged, or used or maintained improperly.

The warranty covers material or manufacturing defects. This warranty does not cover product parts subject to normal wear and tear, thus considered consumables (e.g. batteries, rechargeable batteries, tubes, cartridges), nor damage to fragile parts, e.g. switches or glass parts.

## ● Warranty claim procedure

To ensure quick processing of your claim, observe the following instructions:

Make sure to have the original sales receipt and the item number (IAN 444747\_2307) available as proof of purchase.

You can find the item number on the rating plate, an engraving on the product, on the front page of the instruction manual (bottom left), or as a sticker on the rear or bottom of the product.

If functional or other defects occur, contact the service department listed below either by telephone or by e-mail.

Once the product has been recorded as defective you can return it free of charge to the service address that will be provided to you. Ensure to enclose the proof of purchase (sales receipt) and a short, written description outlining the details of the defect and when it occurred.

## ● Service

### **Service Great Britain**

Tel.: 08000569216

E-Mail: [owim@lidl.co.uk](mailto:owim@lidl.co.uk)

### **Service Ireland**

Tel.: 1800 200736

E-Mail: [owim@lidl.ie](mailto:owim@lidl.ie)

### **Service Northern Ireland**

Tel.: 0800 0927852













E-Mail: [owim@lidl.ie](mailto:owim@lidl.ie)



<b>Anvendte advarselssætninger og symboler</b> .....	Side	17
<b>Indledning</b> .....	Side	18
Forskriftsmæssig anvendelse .....	Side	18
Leveringsomfang .....	Side	18
Beskrivelse af delene .....	Side	18
Tekniske data .....	Side	18
<b>Sikkerhedsanvisninger</b> .....	Side	19
<b>Før første ibrugtagning</b> .....	Side	21
<b>Betjening</b> .....	Side	21
Tilbehør .....	Side	21
Montering af tilbehør .....	Side	21
Til-/frakobling .....	Side	22
Øgning/reduktion af sugestyrke .....	Side	22
Tømning af støvbeholder .....	Side	22
<b>Rengøring og vedligeholdelse</b> .....	Side	22
<b>Bestilling af reservetilbehør</b> .....	Side	23
<b>Fejlafhjælpning</b> .....	Side	24
<b>Opbevaring</b> .....	Side	24
<b>Bortskaffelse</b> .....	Side	24
<b>Garanti</b> .....	Side	25
Afvikling af garantisager .....	Side	25
Service .....	Side	25

## Anvendte advarselssætninger og symboler

Følgende advarsler bruges i denne betjeningsvejledning, i lynvejledningen og på emballagen:

 <p><b>FARE!</b> Dette symbol, sammen med signalordet "Fare", betegner en faresituation med høj risikofaktor, som, hvis den ikke afværges, kan medføre alvorlige kvæstelser eller dødsfald.</p>	 <p><b>INFO:</b> Dette symbol, sammen med signalordet "info", angiver flere nyttige informationer.</p>
	 <p>Læs betjeningsvejledningen.</p>
 <p><b>ADVARSEL!</b> Dette symbol, sammen med signalordet "Advarsel", betegner en faresituation med mellemstor risikofaktor, som, hvis den ikke afværges, kan medføre alvorlige kvæstelser eller dødsfald.</p>	 <p>Vekselstrøm/-spænding</p>
	<p><b>Hz</b> Hertz (netfrekvens)</p>
	<p><b>W</b> Watt</p>
 <p><b>FORSIGTIG!</b> Dette symbol, sammen med signalordet "Forsigtig", betegner en faresituation med lav risikofaktor, som, hvis den ikke afværges, kan medføre mindre eller moderate kvæstelser.</p>	 <p>Anvend kun produktet indendørs i tørre lokaler.</p>
	 <p>Fare – Risiko for elektrisk stød!</p>
 <p><b>OBS!</b> Dette symbol, sammen med signalordet "Obs", betyder fare for tingskader.</p>	 <p>Symbol for et produkt i beskyttelsesklasse II</p>
	 <p>Til/fra</p>
<p><b>CE</b></p> <p>CE-mærket bekræfter overensstemmelse med de for produktet gældende EU-direktiver.</p>	 <p>Sikkerhedsanvisninger Handlingsanvisninger</p>

# STØVSUGER

## ● Indledning

Hjerteligt tillykke med købet af deres nye produkt. Du har besluttet dig for et produkt af høj kvalitet. Brugervejledningen er en del af dette produkt. Den indeholder vigtige informationer om sikkerhed, brug og bortskaffelse. Gør dig inden ibrugtagning af produktet fortrolig med alle betjenings- og sikkerhedsanvisninger. Benyt kun produktet som beskrevet og til de oplyste formål. Videregiv alle papirer, hvis du giver produktet videre til tredjemand.

## ● Forskriftsmæssig anvendelse

Dette produkt er beregnet til opugning af støv. Anvend ikke produktet til andre formål.

Produktet er kun beregnet til anvendelse i private husholdninger og ikke til kommercielle eller andre formål.

Fabrikanten fraskriver sig ethvert ansvar for skader som følge af forkert brug.

## ● Leveringsomfang

Ved udpakning af produktet skal det kontrolleres, at leverancen er komplet, og at alle dele er funktionsdygtige. Før anvendelse skal al emballage fjernes.

- 1 Gulvstøvsuger
- 1 Slange
- 1 Teleskoprør
- 1 Gulvbørste
- 1 Polstermundstykke
- 1 Fugemundstykke
- 1 Møbelbørste
- 1 Mundstykkeholder
- 1 Lynvejledning

## ● Beskrivelse af delene

(Fig. A, K, N, O)

- 1 Slange
- 2 Teleskoprør
- 3 Lås på låg (øverst)
- 4 Støvbeholder
- 5 Greb
- 6 Støvbeholderlås
- 7 Ledningsopruvningsknop
- 8 Gulvbørsteholder
- 9 Netledning med netstik
- 10 Motorfilter
- 11 Hjul
- 12 Afbryder 
- 13 Sugedyser
- 14 Omskifter til

- Hårde gulve

- Tæpper



- 15 Gulvbørste
- 16 Polstermundstykke
- 17 Fugemundstykke
- 18 Møbelbørste
- 19 Mundstykkeholder
- 20 Teleskoprørslås
- 21 Slangeoplåsning
- 22 Luftregulering
- 23 Bundlås
- 24 Skumindlæg
- 25 Luftudgangsgitter
- 26 Gitterlås

## ● Tekniske data

Mærkespænding:	220-240 V~, 50-60 Hz
Effektforbrug:	850 W
Beskyttelsesklasse:	II
Støvbeholdervolumen:	0,6 L
Støjemission:	≤ 78 dB(A)
Sugetrin:	1
Filter:	HEPA

Dette produkt opfylder Ecodesign-direktivet 2009/125/EF og EU 666/2013 i henhold til direktiverne EN 60312-1, EN 60704-2-1 og EN 60335-2-2.



## Sikkerhedsanvisninger

**FØR PRODUKTET TAGES I BRUG, SKAL DU VÆRE FORTROLIG MED ALLE SIKKERHEDS- OG BETJENINGSANVISNINGER! HVIS PRODUKTET OVERLADES TIL TREDJEMAND, SKAL ALLE DOKUMENTER MEDFØLGE!**

Hvis der opstår skader som følge af, at betjeningsvejledningen ikke følges, bortfalder erstatningsansvaret! Leverandøren påtager sig intet ansvar for følgeskader! Leverandøren påtager sig intet ansvar for ting- eller personskader, der opstår som følge af forkert anvendelse, eller hvis sikkerhedsanvisningerne ikke følges!

### **Børn og personer med handicap**



#### **⚠ ADVARSEL! FARE FOR DØDSFALD OG ULYKKER FOR SMÅ BØRN OG SPÆDBØRN!**

Børn må aldrig være alene med emballagematerialet uden opsyn. Emballagematerialet udgør risiko for kvælning. Børn undervurderer ofte faresituationer.

- Produktet kan anvendes af børn over 8 år og personer med reducerede fysiske, sensoriske eller mentale evner, eller mangel på erfaring og viden, hvis de er under opsyn eller modtager instruktioner i forhold til sikker brug af produktet, og hvis de har forstået hvilke farer der er.
- Børn må ikke lege med produktet.
- Rengøring og brugervedligeholdelse må ikke udføres af børn, medmindre de er ældre end 8 år og under opsyn.

### **Forskriftsmæssig anvendelse**

**⚠ ADVARSEL! Fare for kvæstelser!** Enhver uautoriseret brug kan medføre kvæstelser. Anvend kun produktet i henhold til denne vejledning. Forsøg ikke at ændre produktet på nogen måde.

## Elektrisk sikkerhed

**⚠ FARE! Risiko for elektriske stød!** Forsøg ikke selv at reparere produktet. Ved funktionsfejl skal reparationer udføres af kvalificerede medarbejdere.

**⚠ ADVARSEL! Risiko for elektriske stød!** Produktets elektriske dele må aldrig nedsænkes i vand eller andre væsker. Hold aldrig produktet under rindende vand.

**⚠ ADVARSEL! Risiko for elektriske stød!** Anvend aldrig et beskadiget produkt. Afbryd produktet fra netspændingen, og ret henvendelse til forhandleren, hvis det er beskadiget.

**⚠ ADVARSEL! Risiko for elektriske stød!** Produktet må ikke betjenes med våde hænder, eller hvis du står på et vådt gulv.

**⚠ ADVARSEL! Fare for kvæstelser!** Sluk for produktet, og afbryd det fra lysnettet før produktet rengøres og når produktet ikke anvendes.

■ Produktet må ikke tages i brug, hvis det er blevet tabt på gulvet.

- Før tilslutning af netstikket til spændingsforsyningen: Kontrollér, at netspændingen på typeskiltet stemmer overens med spændingen på forsyningsnettet.
- Kontrollér jævnligt netstik og netledning for skader. Hvis produktets netledning er beskadiget, skal den udskiftes af producenten eller dennes kundeservice eller en tilsvarende kvalificeret person for at undgå farer.
- Beskyt netledningen mod skader. Lad den ikke hænge over skarpe kanter, og knæk eller bøj den ikke. Netledningen skal holdes væk fra varme overflader og åben ild.

## Betjening

- Træk netstikket ud af stikkontakten
  - Når der opstår en fejl,
  - Før der påsættes/udskiftes tilbehørsdele,
  - Før produktet rengøres,
  - Hvis produktet ikke anvendes i længere tid,
  - Under tordenvejr og
  - Efter hver anvendelse.

- Tag fat i netstikket og ikke i netledningen for at trække produktet ud af stikkontakten.
- Defekte dele skal altid erstattes af originale reservedele.
- Luftåbningerne må ikke tildækkes under drift. Risiko for overophedning og skader på produktet.
- Produktet må aldrig anvendes til at suge vand eller andre væsker samt antændelige stoffer og varme/brændende genstande.

## Rengøring og opbevaring

**⚠ ADVARSEL! Fare for kvæstelser!** Afbryd produktet fra netforsyningen, før det rengøres, eller når det ikke er i brug.


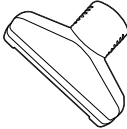
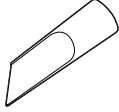

- Beskyt produktet, netledningen og netstikket mod støv, direkte sol, vanddråber og -stænk.
- Opbevar produktet på et tørt, køligt sted, beskyttet mod fugt og uden for børns rækkevidde.
- Beskyt produktet mod varme. Anbring ikke produktet i nærheden af åben ild eller varmekilder som ovne eller varmeovne.

## ● Før første ibrugtagning



- Fjern al emballage og læg de enkelte komponenter foran dig. Produktet kontrolleres for synlige skader efter udpakning.

## ● Betjening

### ● Tilbehør

Del	Anvendelsesområde
 * <span style="border: 1px solid black; padding: 0 2px;">15</span>	Tæpper Hårde gulve Trapper
	Tæpper Puder Polstrede møbler
	Svært tilgængelige steder Hjørner Fodlistekanter Ventilationsåbninger Stole Polstrede møbler
	Jalousier Ventilationsåbninger Skrøbelige overflader

- \* Stil omskifteren for hårde gulve/tæpper 14 på den tilsvarende gultype.

Omskifterposition	Gulvtype
	Hårde gulve
	Tæpper

## ● Montering af tilbehør

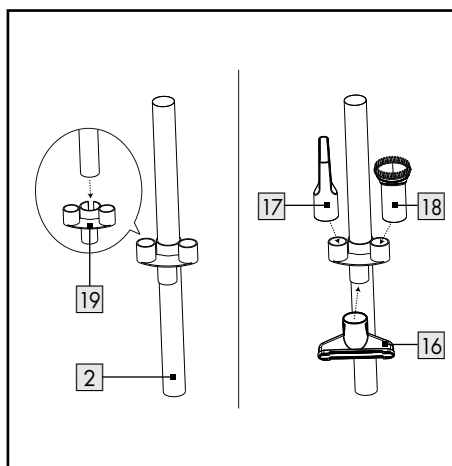
1. Forbind slangen 1 med sugestuds 13. Slangen skal falde hørbart i hak (fig. B).
2. Anbring grebet på slangen i den brede åbning på teleskoprøret 2 (fig. C).



- Træk teleskoprøret ud i den ønskede længde:
  - Skub teleskoprørslåsen [20] fremad og justér teleskoprørets længde (fig. D).
  - Slip teleskoprørslåsen.
  - Længden justeres efter behov til teleskoprørslåsen falder i hak.
- Anbring teleskoprøret i optagelsen på gulvbørsten [15], mundstykkekerne [16] [17] eller møbelbørsten [18] (fig. E).

### 📌 INFO:

- Mundstykkerne og møbelbørste kan sættes direkte på slangen.
- Før ibrugtagning: Kontrollér at alle tilbehørsdele er sikkert monteret.
- Mundstykkeholder [19] kan fastgøres på teleskoprøret.



Følgende tilbehørsdele kan anbringes på mundstykkeholder, når de ikke er i brug:

- Polstermundstykke
- Fugemundstykke
- Møbelbørste

### ● Til-/frakobling

- Træk netstikket [9] ud af huset, og mindst til den gule markering. Når den røde markering er synlig, har du nået enden af netledningen. Træk ikke netstikket længere ud (fig. F).
- Tilslut netstikket til en stikkontakt.
- Til-/frakobling: Tryk én gang på afbryderen [12] (fig. G).

- Træk netstikket ud af stikkontakten, hvis produktet ikke anvendes.
- Oprulning af netledningen: Tryk på ledningsoprulningsknappen [7] (fig. H).

### 📌 INFO:

- Hold fast i netledningen med den ene hånd. Før netledningen under oprulningen.

### ● Øgning/reduktion af sugestykke

- Tilpas sugedydelsen med luftstyringen [22] (fig. I).

### ● Tømning af støvbeholder

#### 📌 INFO:

- Om muligt tømmes støvbeholderen [4] udendørs, da tømningen kan forårsage støvskyer.
- Tøm støvbeholderen regelmæssigt. I modsat fald kan produktet tage skade.

- Tryk på støvbeholderlåsen [6]. Løft støvbeholderen i grebet [5] ud af produktet (fig. J).
- Hold støvbeholderen over en affaldsspand.
- Tryk låsen på bundlåsen [23] på siden af støvbeholderen for at åbne bunden og dermed ryste støvet ud (fig. K).
- Luk bunden. Bundlåsen skal falde hørbart i hak.
- Anbring støvbeholderen i produktet. Støvbeholderlåsen skal falde hørbart i hak (fig. L).

### ● Rengøring og vedligeholdelse

#### ⚠️ FARE! Risiko for elektriske stød!

Træk netstikket [9] ud af stikkontakten før produktet rengøres.

Rør aldrig ved netstikket med fugtige eller våde hænder.

Hold altid netstik og netledning tørre.

#### ⚠️ ADVARSEL! Risiko for elektriske stød!

Produktets elektriske dele må aldrig nedsænkes i vand eller andre væsker. Hold aldrig produktet under rindende vand.

**⚠ OBS!** Benyt ikke værktøjer til rengøring af filter. I modsat fald kan filteret tage skade.

**⚠ OBS!** Benyt aldrig produktet uden HEPA-filter og motorfilter [10]. I modsat fald kan produktet blive skadet og sugedydelsen blive reduceret.

1. Sluk produktet og træk netstikket [9] ud af stikkontakten.
  2. Tryk på slangeoplåsning [21] og træk slangen [1] af sugestudsens [13] (fig. M).
- Anvend ikke ætsende eller skurende rengøringsmidler.
  - Fjern groft snavs med hænderne.
  - Rengør produktet med en fugtig klud. Brug en fugtig klud og et mildt rengøringsmiddel til stædigt snavs og rengør produktet igen.

### Støvbeholder og HEPA-filter

(Fig. N)

1. Tag støvbeholderen [4] op (se "Tømning af støvbeholder").
2. Træk låsen på låget (øverst) [3] opad. Åbn låget øverst.
3. Træk begge cylindre ud af støvbeholderen [4].
4. Skil cylindrene fra hinanden. Drej en cylinder mod uret.
5. Brug en fugtig klud til rengøring af støvbeholderen og begge cylindre. Støvbeholder og cylindre kan også vaskes under rindende vand.
6. Træk filterrammen ud af låget.
7. Fjern skumindlægget [24].
8. For fjernelse af støv, bankes på filterrammen.
9. Skyl filterrammen og skumindlægget under rindende vand efter behov. Lad delene tørre helt på et sted uden direkte sollys.

### Motorfilter

(Fig. O)

#### **ⓘ INFO:**

- Rengør motorfilter [10] når det er snavset. Ved normal brug anbefales det at rengøre motorfilter for hver 6 måneder.
1. Motorfilteret befinder sig bag luftudgangsgitteret [25]. Skyd gitterlåsen [26] mod venstre. Træk samtidig luftudgangsgitteret udad.
  2. Tryk låsen øverst på filterrammen forsigtigt nedad. Træk filterrammen ud.
  3. Skyl motorfilteret under rindende, varmt vand.
  4. Lad motorfilteret tørre helt på et sted uden direkte sollys.
  5. Anbring motorfilteret og luftudgangsgitter i produktet igen. Begge dele skal falde hørbart i hak.

### ● Bestilling af reservetilbehør

- Reserver for følgende tilbehør kan bestilles online:
  - [10] Motorfilter
  - [24] Skumindlæg
- Artikelnummer: 444747\_2307
- Website: [www.optimex-shop.com](http://www.optimex-shop.com)

## ● Fejlafhjælpning

Fejl	Mulig årsag	Handling
Produktet fungerer ikke.	Netstikket <b>9</b> er ikke sat i en stikkontakt.	Tilslut netstikket til en stikkontakt.
Sugeeffekten er reduceret og produktet suger ikke snavs op.	Støvbeholder <b>4</b> fuld.	Tøm støvbeholderen (se "Tømning af støvbeholder").
	Sugevejen tilstoppet.	Kontrollér gulvbørsten <b>15</b> , mundstykkerne <b>16</b> <b>17</b> , møbelbørsten <b>18</b> , teleskoprøret <b>2</b> , slangen <b>1</b> og støvbeholderen for tilstopning, og afhjælp dette.
	Motorfilteret <b>10</b> eller HEPA-filteret tilstoppet.	Rens motorfilteret og HEPA-filteret (se "Rengøring og vedligeholdelse").
Produktet er overophedet.	Motorfilteret eller HEPA-filteret tilstoppet.	Rens motorfilteret og HEPA-filteret (se "Rengøring og vedligeholdelse").
Der kommer støv ud af produktet.	Støvbeholderen er ikke monteret korrekt.	Montér støvbeholderen (se "Tømning af støvbeholder").
Den luft der kommer ud af produktet, lugter ubehageligt.	Aflejringer i sugevejen, motorfilteret eller HEPA-filteret.	Rens motorfilteret og HEPA-filteret (se "Rengøring og vedligeholdelse").
Motor støjer mere end normalt.	Sugevejen tilstoppet.	Kontrollér mundstykket, møbelbørsten, teleskoprøret, slangen og støvbeholderen for tilstopning, og afhjælp dette.
	Motor er defekt.	Kontakt kundeservice (se "Service").

## ● Opbevaring

- Opbevar produktet i originalemballagen, når det ikke anvendes.
- Produktet skal rengøres før opbevaring.
- Opbevar produktet på et tørt sted uden for børns rækkevidde.

## ● Bortskaffelse

Indpakningen består af miljøvenlige materialer, som De kan bortskaffe over de lokale genbrugssteder.



Bemærk forpackningsmaterialernes mærkning til affaldssorteringen, disse er mærket med forkortelser (a) og numre (b) med følgende betydning: 1-7: kunststoffer / 20-22: papir og pap / 80-98: kompositmaterialer.



De får oplyst muligheder til bortskaffelse af det udtjente produkt hos deres lokale myndigheder eller bystyre.



For miljøets skyld, så må produktet aldrig smides ud sammen med husholdningsaffaldet, når det er udtjent, men skal afleveres til en fagmæssig korrekt bortskaffelse. De kan informere Dem vedrørende opsamlingssteder og deres åbningstider hos deres ansvarlige forvaltning.

## ● **Garanti**

Produktet er blevet fremstillet efter strenge kvalitetsstandarder og kontrolleret nøje før udlevering. I tilfælde af materiale- eller produktionsfejl kan du i medfør af loven gøre krav gældende over for sælgeren af produktet. Dine lovmæssige rettigheder begrænses på ingen måde af den af os nedennævnte garanti.

Garantien på dette produkt gælder i 3 år regnet fra købsdatoen. Garantien gælder fra købsdatoen. Opbevar den originale kvittering et sikkert sted, da dette dokument forlanges forlagt som dokumentation for købet.

Alle skader eller mangler, der allerede forefindes på tidspunktet for købet, skal straks meddeles efter udpakningen af produktet.

Hvis der inden for 3 år regnet fra købsdatoen viser sig en materiale- eller produktionsfejl på produktet, reparerer eller udskifter vi det – efter vores valg – gratis for dig. Garantiperioden forlænges ikke som følge af et imødekommet krav om garanti. Dette gælder også for udskiftede og reparerede dele.

Denne garanti bortfalder, hvis produktet er blevet beskadiget eller anvendt og vedligeholdt forkert.

Garantien dækker materiale- og produktionsfejl. Denne garanti dækker hverken produktdele, der er udsat for normal slitage og derfor er at betragte som sliddele (f.eks. batterier, akkumulatorer, slanger, farvepatroner), eller skader på skrøbelige dele, f.eks. kontakter eller dele af glas.

## ● **Afvikling af garantisager**

For at kunne garantere en hurtig sagsbehandling af deres forespørgsel, bedes De følge følgende anvisninger:

Opbevar kassebon og artikelnummer (IAN 444747\_2307) som købsdokumentation, så disse kan fremlægges på forespørgsel.

Artikelnumrene er angivet på typeskiltet, ved en indgravering, på forsiden af vejledningen (nederst til venstre) eller på et mærkat på bag- eller undersiden.

Hvis der forekommer funktionsfejl eller andre mangler, skal De først kontakte nedenstående serviceafdeling telefonisk eller via e-mail.

Et produkt, der er registreret som defekt, kan De derefter sende portofrit til den meddelte serviceadresse ved vedlæggelse af købsbeviset (kassebon) og angivelsen af, hvori manglen består, og hvornår den er opstået.

## ● **Service**








 **Service Danmark**  
Tel.: 80253972  
E-Mail: owim@idl.dk



<b>Avertissements et symboles utilisés</b> .....	Page	27
<b>Introduction</b> .....	Page	28
Utilisation conforme aux prescriptions .....	Page	28
Contenu de l'emballage .....	Page	28
Description des pièces .....	Page	28
Données techniques .....	Page	28
<b>Consignes de sécurité</b> .....	Page	29
<b>Avant la première utilisation</b> .....	Page	32
<b>Fonctionnement</b> .....	Page	32
Accessoires .....	Page	32
Positionnement d'accessoires .....	Page	32
Marche/arrêt .....	Page	33
Augmentation/réduction de la puissance d'aspiration .....	Page	33
Vidage du bac à poussière .....	Page	33
<b>Nettoyage et entretien</b> .....	Page	33
<b>Commande d'accessoires de rechange</b> .....	Page	34
<b>Dépannage</b> .....	Page	35
<b>Rangement</b> .....	Page	35
<b>Mise au rebut</b> .....	Page	35
<b>Garantie</b> .....	Page	36
Faire valoir sa garantie .....	Page	36
Service après-vente .....	Page	36

## Avertissements et symboles utilisés

Les avertissements suivants sont utilisés dans le mode d'emploi, le guide de démarrage rapide et sur l'emballage :

 <p><b>DANGER !</b> Ce symbole avec ce signal important de « Danger » indique un danger avec un risque élevé de blessures graves ou de mort si la situation dangereuse n'est pas évitée.</p>	 <p><b>INFO :</b> Ce symbole avec ce signal important « Information » propose plus d'informations utiles.</p>
	 <p>Lisez le mode d'emploi.</p>
 <p><b>AVERTISSEMENT !</b> Ce symbole avec ce signal important d'« Avertissement » indique un danger avec un risque moyen de blessures graves ou de mort si la situation dangereuse n'est pas évitée.</p>	 <p>Courant alternatif/tension alternative</p>
	<p><b>Hz</b> Hertz (fréquence du secteur)</p>
	<p><b>W</b> Watt</p>
 <p><b>PRUDENCE !</b> Ce symbole avec ce signal important de « Prudence » indique un danger avec un risque faible de blessures légères à importantes si la situation dangereuse n'est pas évitée.</p>	 <p>Utilisez le produit seulement à l'intérieur de locaux secs.</p>
	 <p>Danger – risque d'électrocution !</p>
 <p><b>ATTENTION !</b> Ce symbole avec la mention « Attention » indique un possible risque de dégâts matériels.</p>	 <p>Symbole pour un produit de la classe de protection II</p>
	 <p>Marche/arrêt</p>
 <p>Le sigle CE confirme la conformité aux directives de l'UE applicables au produit.</p>	 <p>Consignes de sécurité Instructions de manipulation</p>

# ASPIRATEUR

## ● Introduction

Nous vous félicitons pour l'achat de votre nouveau produit. Vous avez opté pour un produit de grande qualité. Le mode d'emploi fait partie intégrante de ce produit. Il contient des indications importantes pour la sécurité, l'utilisation et la mise au rebut. Veuillez lire consciencieusement toutes les indications d'utilisation et de sécurité du produit. Ce produit doit uniquement être utilisé conformément aux instructions et dans les domaines d'application spécifiés. Lors d'une cession à tiers, veuillez également remettre tous les documents.

## ● Utilisation conforme aux prescriptions

Ce produit est prévu pour aspirer de la poussière. N'utilisez pas le produit à d'autres fins.

Le produit est uniquement conçu pour une utilisation domestique et ne doit pas être utilisé à des fins commerciales ou autres.

Le fabricant décline toute responsabilité pour les dommages résultant d'une utilisation inadéquate.

## ● Contenu de l'emballage

Vérifiez l'exhaustivité du contenu de l'emballage et si toutes les pièces du produit sont en parfait état après l'ouverture. Retirez tous les matériaux d'emballage avant l'utilisation.

- 1 Aspirateur traineau
- 1 Tuyau
- 1 Tube télescopique
- 1 Brosse de sol
- 1 Buse pour tissu d'ameublement
- 1 Suceur plat
- 1 Pinceau pour meubles
- 1 Support pour suceur et buses
- 1 Guide de démarrage rapide

## ● Description des pièces

(Fig. A, K, N, O)

- 1 Tuyau
- 2 Tube télescopique
- 3 Verrouillage du couvercle (en haut)
- 4 Bac à poussière
- 5 Poignée
- 6 Déverrouillage du bac à poussière
- 7 Touche d'enroulement du cordon
- 8 Support pour brosse de sol
- 9 Cordon d'alimentation avec fiche de secteur
- 10 Filtre moteur
- 11 Roue
- 12 Interrupteur marche/arrêt ①
- 13 Tubulure d'aspiration
- 14 Commutateur pour

- Sols durs

- Tapis



- 15 Brosse de sol
- 16 Buse pour tissu d'ameublement
- 17 Suceur plat
- 18 Pinceau pour meubles
- 19 Support pour suceur et buses
- 20 Verrouillage du tube télescopique
- 21 Déverrouillage du flexible
- 22 Bouton de réglage d'air secondaire
- 23 Déverrouillage du fond
- 24 Insert en mousse
- 25 Grille de sortie d'air
- 26 Verrouillage de la grille

## ● Données techniques

Tension nominale :	220-240 V~, 50-60 Hz
Consommation d'énergie :	850 W
Classe de protection :	II
Contenance du bac à poussière :	0,6 L
Émissions sonores :	≤ 78 dB(A)
Niveau d'aspiration :	1
Filtre :	HEPA

Ce produit est conforme à la directive sur l'écoconception 2009/125/CE et UE 666/2013 conformément aux directives EN 60312-1, EN 60704-2-1 et EN 60335-2-2.



## Consignes de sécurité

**AVANT D'UTILISER LE PRODUIT, FAMILIARISEZ-VOUS AVEC TOUTES LES CONSIGNES DE SÉCURITÉ ET LES INSTRUCTIONS CONCERNANT SON UTILISATION ! TRANSMETTEZ TOUS LES DOCUMENTS CONCERNANT LE PRODUIT LORSQUE VOUS LE DONNEZ À UN TIERS !**

Dans le cas de dommages résultant du non-respect des instructions du mode d'emploi, le recours à la garantie est annulé ! Toute responsabilité est déclinée pour des dommages consécutifs ! Aucune responsabilité n'est assumée dans le cas de dommages aux biens et aux personnes résultant d'une utilisation inappropriée ou du non-respect des consignes de sécurité !

## Enfants et personnes atteintes d'un handicap



### **⚠ AVERTISSEMENT ! RISQUE MORTEL ET D'ACCIDENT POUR LES NOURRISSONS ET LES ENFANTS !**

Prière de ne jamais laisser des enfants sans surveillance avec des matériaux d'emballage. Les matériaux d'emballage représentent un risque d'asphyxie. Les enfants sous-estiment souvent les dangers.

- Ce produit peut être utilisé par des enfants de plus de 8 ans et par des personnes ayant des capacités physiques, sensorielles ou mentales limitées ou ayant une expérience et des connaissances réduites, seulement s'ils sont surveillés ou s'ils ont reçu des instructions concernant l'utilisation en toute sécurité du produit et ont compris les risques encourus.
- Les enfants ne doivent pas jouer avec le produit.
- Le nettoyage et l'entretien réalisables par l'utilisateur ne doivent pas être effectués par des enfants à moins qu'ils aient plus de 8 ans et qu'ils soient surveillés.



## Utilisation conforme aux prescriptions

### **⚠ AVERTISSEMENT !**

#### **Risque de blessures !**

Une utilisation non conforme peut provoquer des blessures. Utilisez ce produit uniquement comme décrit dans ce mode d'emploi. N'essayez pas de modifier le produit d'une quelconque manière.

## Sécurité électrique

### **⚠ DANGER ! Risque**

**d'électrocution !** N'essayez pas de réparer le produit par vous-même. En cas de dysfonctionnement, les réparations doivent être effectuées par de la main d'œuvre qualifiée.

### **⚠ AVERTISSEMENT ! Risque**

**d'électrocution !** Ne plongez jamais les pièces électriques du produit dans de l'eau ou d'autres liquides. Ne maintenez jamais le produit sous l'eau courante.

### **⚠ AVERTISSEMENT ! Risque d'électrocution !**

N'utilisez aucun produit endommagé. Débranchez le produit endommagé du réseau électrique et adressez-vous à votre commerçant.

### **⚠ AVERTISSEMENT ! Risque d'électrocution !**

N'utilisez pas le produit avec des mains humides ou si vous vous tenez sur un sol humide.

### **⚠ AVERTISSEMENT ! Risque de blessures !**

Éteignez le produit et débranchez-le du réseau électrique, lorsqu'il ne fonctionne pas et avant d'effectuer des travaux de nettoyage.

- N'utilisez plus le produit, s'il est tombé.
- Avant de raccorder la fiche de secteur à l'alimentation électrique : Veillez à ce que la tension nominale indiquée sur l'étiquette signalétique du produit corresponde bien à la tension de réseau de votre alimentation en électricité.

- Vérifiez régulièrement l'état de la fiche de secteur et du cordon d'alimentation afin de détecter tout dommage éventuel. Si le cordon d'alimentation est endommagé, il doit être remplacé soit par le fabricant ou par son service après-vente ou soit par un personnel qualifié afin d'éviter tout danger.
- Protégez le cordon d'alimentation de tout dommage. Ne le faites pas passer sur des bords tranchants et assurez-vous de ne pas le coincer ou le plier. Conservez le cordon d'alimentation hors de la portée de surfaces chaudes ainsi que des feux et flammes.
- Pour débrancher le produit de la prise de courant, tirez sur la fiche de secteur mais surtout pas sur le cordon d'alimentation.
- Les pièces défectueuses doivent toujours être remplacées par des pièces de rechange d'origine.
- Ne couvrez jamais les fentes d'aération durant le fonctionnement. Risque d'une surchauffe et d'endommagement du produit.
- N'utilisez jamais le produit pour aspirer de l'eau ou d'autres liquides ainsi que des substances inflammables ou des objets chauds/brûlants.

## Fonctionnement

- Débranchez la fiche de secteur de la prise de courant
  - Lorsqu'un dysfonctionnement apparaît,
  - Avant de monter/changer d'accessoires,
  - Avant de nettoyer le produit,
  - Si vous n'utilisez pas le produit sur une longue période,
  - Durant un orage et
  - Après chaque utilisation.

## Nettoyage et rangement

- ⚠ **AVERTISSEMENT ! Risque de blessures !** Débranchez le produit du réseau électrique, lorsqu'il n'est pas utilisé et avant d'effectuer tout nettoyage.
- Protégez le produit, le cordon d'alimentation et la fiche de secteur de la poussière, de la lumière directe du soleil, des projections et des égouttements d'eau.

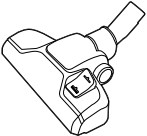
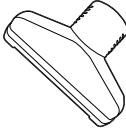
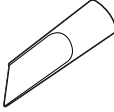
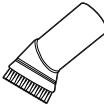
- Rangez le produit dans un endroit frais et sec, protégé contre l'humidité et hors de la portée des enfants.
- Protégez le produit de la chaleur. Ne posez pas le produit à proximité de flammes ou sources de chaleur comme des fours ou des chauffages.

### ● Avant la première utilisation



- Retirez tous les matériaux d'emballage et étalez toutes les pièces devant vous. Vérifiez le produit juste après le déballage pour y détecter des dommages visibles.

### ● Fonctionnement

#### ● Accessoires

Pièce	Domaine d'utilisation
 * 15	Tapis Sols durs Escaliers
 16	Tapis Coussins Meubles capitonnés
 17	Endroits difficilement accessibles Coins Bords de plinthe Fentes d'aération Chaises Meubles capitonnés
 18	Stores vénitiens Fentes d'aération Surfaces fragiles

- \* Ajustez le commutateur pour sols durs/tapis 14 conformément au type de sols.

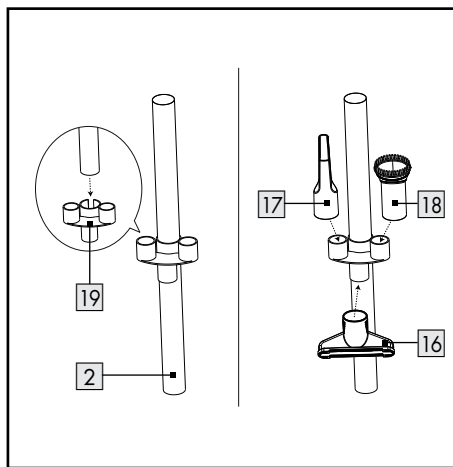
Position du commutateur	Type de sols
	Sols durs
	Tapis

### ● Positionnement d'accessoires

1. Raccordez le flexible 1 à la tubulure d'aspiration 13. Le flexible doit s'enclencher de manière audible (fig. B).
2. Insérez la partie supérieure du flexible dans la large ouverture du tube télescopique 2 (fig. C).
3. Réglez la longueur souhaitée du tube télescopique :
  - Glissez le verrouillage du tube télescopique 20 vers l'avant et modifiez la longueur du tube télescopique (fig. D).
  - Relâchez le verrouillage du tube télescopique.
  - Modifiez légèrement la longueur si nécessaire jusqu'à ce que le verrouillage du tube télescopique s'enclenche.
4. Insérez le tube télescopique dans le logement de la brosse de sol 15, des buses 16 17 ou du pinceau pour meubles 18 (fig. E).

#### ❗ INFO :

- Les buses et le pinceau pour meubles s'emboîtent directement sur le flexible.
- Avant l'utilisation : Assurez-vous que tous les accessoires soient fixés correctement.
- Le support pour suceur et buses 19 se fixe sur le tube télescopique.



Les accessoires suivants peuvent être placés dans le support pour suceur et buses lorsqu'ils ne sont pas utilisés :

- Buse pour tissu d'ameublement
- Suceur plat
- Pinceau pour meubles

## ● Marche/arrêt

1. Sortez la fiche de secteur [9] du boîtier au moins jusqu'au repère jaune. Lorsque le repère rouge apparaît, la fin du cordon d'alimentation est atteinte. Ne sortez pas la fiche de secteur plus loin (fig. F).
2. Branchez la fiche de secteur sur une prise de courant.
3. Allumer/éteindre : Appuyez une fois sur l'interrupteur marche/arrêt ① [12] (fig. G).
4. Débranchez la fiche de secteur de la prise de courant si vous n'utilisez pas le produit.
5. Enrouler le cordon d'alimentation : Appuyez sur la touche d'enroulement du cordon [7] (fig. H).

### ① INFO :

- Tenez le cordon d'alimentation d'une main. Guidez le cordon d'alimentation pendant l'enroulement.

## ● Augmentation/réduction de la puissance d'aspiration

- Adaptez la puissance d'aspiration à l'aide du bouton de réglage d'air secondaire [22] (fig. I).

## ● Vidage du bac à poussière

### ① INFO :

- Si possible, videz le bac à poussière [4] à l'extérieur, car le vidage peut provoquer un nuage de poussière.
  - Videz le bac à poussière régulièrement. Sans quoi le produit risque d'être détérioré.
1. Appuyez sur le déverrouillage du bac à poussière [6]. Sortez le bac à poussière du produit par la poignée [5] (fig. J).
  2. Tenez le bac à poussière au-dessus d'une poubelle.
  3. Appuyez sur le déverrouillage du fond [23] sur le côté du bac à poussière pour ouvrir le fond et éliminer la poussière (fig. K).
  4. Fermez le fond. Le déverrouillage du fond doit s'enclencher de manière audible.
  5. Placez le bac à poussière dans le produit. Le déverrouillage du bac à poussière doit s'enclencher de manière audible (fig. L).

## ● Nettoyage et entretien

### ⚠ DANGER ! Risque d'électrocution !

Avant de nettoyer le produit, débranchez la fiche de secteur [9] de la prise de courant. Ne touchez jamais la fiche de secteur avec les mains mouillées ou humides. Gardez toujours la fiche de secteur et le cordon d'alimentation au sec.

### ⚠ AVERTISSEMENT ! Risque d'électrocution !

Ne plongez jamais les pièces électriques du produit dans de l'eau ou d'autres liquides. Ne maintenez jamais le produit sous l'eau courante.

- ⚠ ATTENTION ! N'utilisez pas d'outils pour le nettoyage des filtres. Dans le cas contraire, vous risquez d'endommager les filtres.

**⚠ ATTENTION !** N'utilisez jamais le produit sans filtre HEPA et filtre moteur [10]. Dans le cas contraire, vous risquez d'endommager le produit et la puissance d'aspiration pourrait s'en trouver réduite.

1. Éteignez le produit et débranchez la fiche de secteur [9] de la prise de courant.
  2. Appuyez sur le déverrouillage du flexible [21] et sortez le flexible [1] de la tubulure d'aspiration [13] (fig. M).
- N'utilisez aucun produit de nettoyage corrosif ou récurant.
  - Éliminez à la main la saleté grossière.
  - Nettoyez le produit avec un chiffon légèrement humidifié. Pour les saletés tenaces, utilisez un chiffon humide et un détergent doux et nettoyez à nouveau le produit.

### **Bac à poussière et filtre HEPA**

(Fig. N)

1. Retirez le bac à poussière [4] (voir « Vidage du bac à poussière »).
2. Tirez le verrouillage du couvercle (en haut) [3] vers le haut. Ouvrez le couvercle supérieur.
3. Sortez les deux cylindres du bac à poussière [4].
4. Séparez les deux cylindres l'un de l'autre. Tournez pour cela les cylindres dans le sens inverse des aiguilles d'une montre.
5. Utilisez un chiffon humide pour nettoyer le bac à poussière et les deux cylindres. Vous pouvez laver le bac à poussière et les cylindres à l'eau courante.
6. Sortez le porte-filtre du couvercle.
7. Retirez l'insert en mousse [24].
8. Pour éliminer la poussière, tapotez sur le porte-filtre.
9. Si nécessaire, rincez le porte-filtre et l'insert en mousse sous l'eau courante. Laissez ensuite les pièces sécher complètement dans un endroit à l'abri de la lumière directe du soleil.

### **Filtre moteur**

(Fig. O)

#### **❗ INFO :**

- Nettoyez le filtre moteur [10] lorsqu'il est encrassé. Dans le cadre d'une utilisation normale, il est recommandé de laver le filtre moteur tous les 6 mois.
1. Le filtre moteur se situe derrière la grille de sortie d'air [25]. Faites glisser le verrouillage de la grille [26] vers la gauche. Sortez en même temps la grille de sortie d'air.
  2. Poussez le verrouillage sur le dessus du porte-filtre avec précaution vers le bas. Sortez le porte-filtre.
  3. Rincez le filtre moteur à l'eau du robinet chaude.
  4. Laissez le filtre moteur sécher complètement à l'abri de la lumière directe du soleil.
  5. Remplacez le filtre moteur et la grille de sortie d'air dans le produit. Les deux pièces doivent s'enclencher de manière audible.

### **● Commande d'accessoires de rechange**

- Les accessoires suivants peuvent être commandés en ligne :
  - [10] Filtre moteur
  - [24] Insert en mousse
- Numéro d'article : 444747\_2307
- Site web : [www.optimesh-shop.com](http://www.optimesh-shop.com)

## ● Dépannage

Erreur	Cause possible	Action
Le produit ne fonctionne pas.	La fiche de secteur <b>9</b> n'est pas branchée sur la prise de courant.	Branchez la fiche de secteur sur une prise de courant.
La puissance d'aspiration est réduite et le produit n'aspire pas la saleté.	Bac à poussière <b>4</b> plein.	Videz le bac à poussière (voir « Vidage du bac à poussière »).
	L'aspiration est bloquée.	Vérifiez l'absence de colmatage sur la brosse de sol <b>15</b> , les buses <b>16</b> <b>17</b> , le pinceau pour meubles <b>18</b> , le tube télescopique <b>2</b> , le flexible <b>1</b> et le bac à poussière ; éliminez-les le cas échéant.
	Filtre moteur <b>10</b> ou filtre HEPA colmaté.	Lavez le filtre moteur et le filtre HEPA (voir « Nettoyage et entretien »).
Le produit surchauffe.	Filtre moteur ou filtre HEPA colmaté.	Lavez le filtre moteur et le filtre HEPA (voir « Nettoyage et entretien »).
De la poussière s'échappe du produit.	Le bac à poussière n'a pas été installé correctement.	Réinstallez le bac à poussière (voir « Vidage du bac à poussière »).
L'air qui s'échappe du produit sent mauvais.	Dépôts dans les conduits d'aspiration, le filtre moteur ou le filtre HEPA.	Lavez le filtre moteur et le filtre HEPA (voir « Nettoyage et entretien »).
Le moteur est plus bruyant que d'ordinaire.	L'aspiration est bloquée.	Vérifiez l'absence de colmatage sur les buses, le pinceau pour meubles, le tube télescopique, le flexible et le bac à poussière ; éliminez-les le cas échéant.
	Le moteur est défectueux.	Contactez le service client (voir « Service »).

## ● Rangement

- Rangez le produit dans son emballage d'origine lorsqu'il n'est pas utilisé.
- Nettoyez le produit avant de le ranger.
- Conservez le produit dans un endroit sec hors de la portée des enfants.

## ● Mise au rebut

L'emballage se compose de matières recyclables pouvant être mises au rebut dans les déchetteries locales.



Veillez respecter l'identification des matériaux d'emballage pour le tri sélectif, ils sont identifiés avec des abréviations (a) et des chiffres (b) ayant la signification suivante :  
 1-7 : plastiques / 20-22 : papiers et cartons / 80-98 : matériaux composite.



Votre mairie ou votre municipalité vous renseigneront sur les possibilités de mise au rebut des produits usagés.



Afin de contribuer à la protection de l'environnement, veuillez ne pas jeter votre produit usagé dans les ordures ménagères, mais éliminez-le de manière appropriée. Pour obtenir des renseignements concernant les points de collecte et leurs horaires d'ouverture, vous pouvez contacter votre municipalité.

## ● Garantie

Le produit a été fabriqué selon des critères de qualité stricts, et contrôlé consciencieusement avant sa livraison. En cas de défaut de matériau ou de fabrication, vous avez des droits légaux vis-à-vis du vendeur du produit. Vos droits légaux ne sont en aucun cas limités par notre garantie mentionnée ci-dessous.

La garantie de ce produit est de 3 ans à partir de la date d'achat. La période de garantie commence à la date d'achat. Conservez l'original de la preuve d'achat dans un endroit sûr car ce document est nécessaire pour prouver l'achat.

Tout dommage ou défaut déjà présent au moment de l'achat doit être signalé immédiatement après le déballage du produit.

Si le produit présente un défaut de matériau ou de fabrication dans les 3 ans qui suivent la date d'achat, nous le réparerons ou le remplacerons - à notre choix - gratuitement pour vous. La période de garantie n'est pas prolongée par une demande de garantie acceptée. Cette mesure s'applique également pour les pièces remplacées et réparées.

Cette garantie est annulée si le produit a été endommagé ou utilisé ou entretenu de manière incorrecte.

La garantie couvre les défauts de matériels et de fabrication. Cette garantie ne couvre pas les pièces du produit soumises à une usure normale, et qui sont donc considérées comme des pièces d'usure (par exemple les piles, les piles rechargeables, tuyaux, les cartouches d'encre), ni les dommages aux pièces fragiles, par exemple les interrupteurs ou les pièces en verre.

## ● Faire valoir sa garantie

Pour garantir la rapidité d'exécution de la procédure de garantie, veuillez respecter les indications suivantes :

Veuillez conserver le ticket de caisse et la référence du produit (IAN 444747\_2307) à titre de preuve d'achat pour toute demande.

Le numéro de référence de l'article est indiqué sur la plaque d'identification, gravé sur la page de titre de votre manuel (en bas à gauche) ou sur un autocollant apposé sur la face arrière ou inférieure du produit.

En cas de dysfonctionnement du produit, ou de tout autre défaut, contactez en premier lieu le service après-vente par téléphone ou par e-mail aux coordonnées indiquées ci-dessous.

Vous pouvez alors envoyer franco de port tout produit considéré comme défectueux au service clientèle indiqué, accompagné de la preuve d'achat (ticket de caisse) et d'une description écrite du défaut avec mention de sa date d'apparition.

## ● Service après-vente

### Service après-vente France

Tél.: 0800904879

E-Mail: owim@lidl.fr

### Service après-vente Belgique

Tél.: 080071011

Tél.: 80023970 (Luxembourg)

E-Mail: owim@lidl.be












<b>Gebruikte waarschuwingen en symbolen</b> .....	Pagina	38
<b>Inleiding</b> .....	Pagina	39
Beoogd gebruik .....	Pagina	39
Leveringsomvang .....	Pagina	39
Onderdelenbeschrijving .....	Pagina	39
Technische gegevens .....	Pagina	39
<b>Veiligheidstips</b> .....	Pagina	40
<b>Voor het eerste gebruik</b> .....	Pagina	42
<b>Bediening</b> .....	Pagina	43
Accessoires .....	Pagina	43
Accessoires opzetten .....	Pagina	43
In-/uitschakelen .....	Pagina	44
Zuigkracht verhogen/verlagen .....	Pagina	44
Maak de stofopvangbak leeg .....	Pagina	44
<b>Schoonmaken en onderhoud</b> .....	Pagina	44
<b>Bestel vervangende accessoires</b> .....	Pagina	45
<b>Probleemoplossing</b> .....	Pagina	45
<b>Opbergen</b> .....	Pagina	46
<b>Afvoer</b> .....	Pagina	46
<b>Garantie</b> .....	Pagina	46
Afwikkeling in geval van garantie .....	Pagina	47
Service .....	Pagina	47



## Gebruikte waarschuwingen en symbolen

In de gebruiksaanwijzing, de beknopte handleiding en op de verpakking worden de volgende waarschuwingen gebruikt:

 <p><b>GEVAAR!</b> Dit symbool met de aanduiding "Gevaar" duidt op een groot risico op gevaar dat, indien niet vermeden, zware verwondingen of de dood tot gevolg kan hebben.</p>	 <p><b>INFO:</b> Dit symbool met de aanduiding "Info" duidt op verdere nuttige informatie.</p>
	 <p>Lees de gebruiksaanwijzing.</p>
 <p><b>WAARSCHUWING!</b> Dit symbool met de aanduiding "Waarschuwing" betekent een middelmatig risico op gevaar dat, indien niet vermeden, zware verwondingen of de dood tot gevolg kan hebben.</p>	 <p>Wisselstroom/-spanning</p>
	<p><b>Hz</b> Hertz (netfrequentie)</p>
	<p><b>W</b> Watt</p>
 <p><b>VOORZICHTIG!</b> Dit symbool met de aanduiding "Voorzichtig" duidt op een klein risico op gevaar dat, indien niet vermeden, kan leiden tot kleine of middelgrote verwondingen.</p>	 <p>Gebruik het product alleen in droge binnenruimtes.</p>
	 <p>Gevaar – Kans op elektrische schokken!</p>
 <p><b>OPGELET!</b> Dit symbool met de aanduiding "Opgelet" geeft aan dat er mogelijk gevaar bestaat op materiële schade.</p>	 <p>Symbool voor een product uit de beschermingsklasse II</p>
	 <p>Aan/uit</p>
 <p>Het CE-teken bevestigt dat het product voldoet aan de betreffende EU-richtlijnen.</p>	 <p>Veiligheidstips</p>  <p>Handelingsaanwijzingen</p>

# STOFZUIGER

## ● Inleiding

Hartelijk gefeliciteerd met de aankoop van uw nieuwe product. U heeft voor een hoogwaardig product gekozen. De gebruiksaanwijzing is een deel van het product. Deze bevat belangrijke aanwijzingen voor veiligheid, gebruik en verwijdering. Maakt U zich voor de ingebruikname van het product met alle bedienings- en veiligheidsvoorschriften vertrouwd. Gebruik het product alleen zoals beschreven en voor de aangegeven toepassingsgebieden. Overhandig alle documenten bij doorgifte van het product aan derden.

## ● Beoogd gebruik

Dit product is bestemd om stof mee op te zuigen. Gebruik het product niet voor andere doeleinden.

Het product is uitsluitend bedoeld voor gebruik in privéhuishoudens en is niet bestemd voor commerciële of andere doeleinden.

De fabrikant aanvaardt geen aansprakelijkheid voor schade als gevolg van ondeskundig gebruik.

## ● Leveringsomvang

Controleer na het uitpakken van het product of de levering volledig is en alle onderdelen in goede staat verkeren. Verwijder vóór gebruik al het verpakkingsmateriaal.

- 1 Stofzuiger
- 1 Slang
- 1 Telescopische buis
- 1 Vloerborstel
- 1 Stofferingsmondstuk
- 1 Kierenmondstuk
- 1 Meubelborstel
- 1 Mondstukhouder
- 1 Beknopte handleiding

## ● Onderdelenbeschrijving

(Afb. A, K, N, O)

- 1 Slang
- 2 Telescopische buis
- 3 Dekselvergrendeling (boven)
- 4 Stofopvangbak
- 5 Greep
- 6 Ontgrendeling van de stofopvangbak
- 7 Snoeropwindknop
- 8 Vloerborstelhouder
- 9 Aansluitsnoer met netstekker
- 10 Motorfilter
- 11 Wiel
- 12 Aan-/uitschakelaar ①
- 13 Zuigmondstuk
- 14 Schakelaar voor

- Harde vloer



- Tapijt



- 15 Vloerborstel
- 16 Stofferingsmondstuk
- 17 Kierenmondstuk
- 18 Meubelborstel
- 19 Mondstukhouder
- 20 Telescopische buisvergrendeling
- 21 Slangontgrendeling
- 22 Secundaire luchtregelaar
- 23 Bodemontgrendeling
- 24 Schuimstof inzetstuk
- 25 Luchtuitlaatrooster
- 26 Roostervergrendeling

## ● Technische gegevens

Nominale spanning:	220-240 V~, 50-60 Hz
Energieverbruik:	850 W
Beschermingsklasse:	II
Volume stofopvangbak:	0,6 L
Geluidsemissie:	≤ 78 dB(A)
Zuigstanden:	1
Filter:	HEPA

Dit product voldoet aan de Ecodesign-richtlijnen 2009/125/EG en EU 666/2013 conform de richtlijnen EN 60312-1, EN 60704-2-1 en EN 60335-2-2.



## Veiligheidstips

**MAAK U VOOR HET GEBRUIK VAN HET PRODUCT VERTROUWD MET ALLE VEILIGHEIDSTIPS EN GEBRUIKSAANWIJZINGEN! ALS U DIT PRODUCT AAN IEMAND ANDERS DOORGEEFT, GEEF DAN OOK ALLE DOCUMENTATIE MEE!**

In geval van schade als gevolg van het niet naleven van deze gebruiksaanwijzing vervalt uw aanspraak op garantie! Wij aanvaarden geen aansprakelijkheid voor gevolgschade! Er wordt geen aansprakelijkheid aanvaard voor materiële schade of persoonlijk letsel, die ontstaan als gevolg van ondeskundig gebruik of het niet opvolgen van de veiligheidsaanwijzingen!

## Kinderen en personen met beperkingen



### **⚠ WAARSCHUWING! LEVENSGEVAAR EN GEVAAR VOOR ONGEVALLLEN VOOR (KLEINE) KINDEREN!**

Laat kinderen nooit zonder toezicht achter met het verpakkingsmateriaal. Gevaar voor verstikking door het verpakkingsmateriaal. Kinderen onderschatten gevaren vaak.

- Dit product mag door kinderen vanaf 8 jaar alsmede door personen met verminderde fysieke, sensorische of geestelijke vermogens of gebrek aan ervaring en kennis alleen gebruikt worden als ze onder supervisie staan of geïnstrueerd zijn wat betreft veilig gebruik van het product en begrepen hebben welke gevaren uit dat gebruik voortvloeien.
- Kinderen mogen niet met het product spelen.
- Schoonmaken en gebruikersonderhoud mogen niet door kinderen worden uitgevoerd tenzij ze ouder zijn dan 8 jaar en onder toezicht staan.

## Beoogd gebruik

### **⚠ WAARSCHUWING!**

#### **Gevaar voor verwondingen!**

Ondeskundig gebruik kan verwondingen veroorzaken. Gebruik het product uitsluitend zoals aangegeven in deze handleiding. Probeer niet op een of andere wijze iets aan het product te veranderen.

## Elektrische veiligheid

### **⚠ GEVAAR! Kans op elektrische schokken!**

Probeer het product niet zelf te repareren. In geval van een storing mogen reparaties alleen door gekwalificeerde vaklieden worden uitgevoerd.

### **⚠ WAARSCHUWING! Kans op elektrische schokken!**

Dompel de elektrische onderdelen van het product nooit onder in water of andere vloeistoffen. Houd het product nooit onder stromend water.

### **⚠ WAARSCHUWING! Kans op elektrische schokken!**

Gebruik het product nooit als het is beschadigd. Koppel het product los van het elektriciteitsnet en neem

contact op met uw verkoper als het beschadigd is.

### **⚠ WAARSCHUWING! Kans op elektrische schokken!**

Bedien het product niet met natte handen of als u op een natte ondergrond staat.

### **⚠ WAARSCHUWING!**

#### **Gevaar voor verwondingen!**

Zet het product uit en koppel het los van het elektriciteitsnet voordat u het schoonmaakt en zorg ervoor dat het op dat moment niet gebruikt wordt.

- Gebruik het product niet meer als het gevallen is.
- Voor het aansluiten van de netstekker op het elektriciteitsnet: Let erop dat de nominale spanning die op het typeplaatje van het product is aangegeven, overeenstemt met de netspanning van uw elektriciteitsnet.
- Controleer de netstekker en het aansluitsnoer regelmatig op beschadigingen. Als het aansluitsnoer beschadigd is, moet dit door de fabrikant, zijn klantendienst of door vergelijkbaar gekwalificeerde personen vervangen worden om gevaar te vermijden.

- Bescherm het aansluitsnoer tegen beschadiging. Laat het niet over scherpe randen hangen en plet of buig het niet. Houd het aansluitsnoer uit de buurt van hete oppervlakken en open vuur.

## Bediening

- Trek de netstekker uit de stopcontact
  - Als er zich een storing voordoet,
  - Voordat u hulpstukken installeert/verwisselt,
  - Voordat u het product schoonmaakt,
  - Als het product voor langere tijd niet gebruikt zal worden,
  - Tijdens onweer en
  - Na ieder gebruik.
- Om het product van de stekkerdoos los te koppelen, trekt u aan de netstekker en niet aan het aansluitsnoer.
- Defecte onderdelen moeten altijd door originele onderdelen vervangen worden.
- Dek tijdens het gebruik de ventilatiesleuf niet af. Gevaar voor oververhitting en schade aan het product.

- Zuig met het product nooit water of andere vloeistoffen op en evenmin brandbare stoffen en hete/brandende voorwerpen.

## Schoonmaken en opbergen

### ⚠ WAARSCHUWING!

#### **Gevaar voor**

**verwondingen!** Koppel het product van het elektriciteitsnet los voordat u het schoonmaakt of wanneer het niet meer gebruikt wordt.


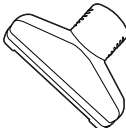
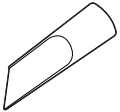

- Bescherm het product, het aansluitsnoer en de netstekker tegen stof, direct zonlicht, waterdruppels en opspattend water.
- Berg het product op een droge, koele plaats op, waar het beschermd is tegen vocht en het zich buiten bereik van kinderen bevindt.
- Bescherm het product tegen hitte. Zet het product niet neer in de buurt van open vlammen of hittebronnen zoals kachels of verwarmingsapparatuur.

#### ● **Voor het eerste gebruik**



- Verwijder alle verpakkingsmateriaal en spreid alle afzonderlijke onderdelen voor u uit. Controleer het product na het uitpakken op zichtbare schade.

## ● Bediening

### ● Accessoires

Onderdeel	Toepassingsgebied
 * 15	Tapijten Harde vloer Trappen
 16	Tapijten Kussen Gestoffeerde meubels
 17	Moeilijk bereikbare plaatsen Hoeken Plintranzen Ventilatiesleuf Stoelen Gestoffeerde meubels
 18	Jaloezieën Ventilatiesleuf Gevoelige oppervlakken

\* Stel de schakelaar voor harde vloeren/ tapijten 14 in afhankelijk van het soort vloer.

Stand schakelaar	Soort vloer
	Harde vloer
	Tapijt

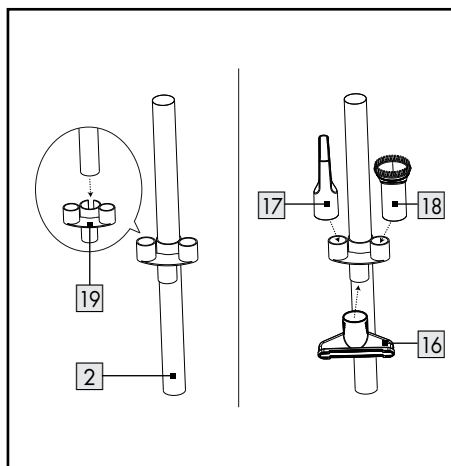
### ● Accessoires opzetten

- Sluit de slang 1 aan op het zuigmondstuk 13. De slang moet hoorbaar vastklikken (Afb. B).
- Steek de handgreep van de slang in de brede opening van de telescopische buis 2 (Afb. C).

- Stel de telescopische buis in op de gewenste lengte:
  - Duw de telescopische buisvergrendeling 20 naar voren en verander de lengte van de telescopische buis (Afb. D).
  - Laat de telescopische buisvergrendeling los.
  - Verander eventueel iets de lengte, tot de telescopische buisvergrendeling vastklikt.
- Steek de telescopische buis in de opname van de vloerborstel 15, de mondstukken 16, 17 of de meubelborstel 18 (Afb. E).

#### ❗ INFO:

- De mondstukken en de meubelborstel kunnen rechtstreeks op de slang worden geplaatst.
- Vóór gebruik: Zorg ervoor dat alle hulpstukken goed vast zijn gemaakt.
- De mondstukhouder 19 kan aan de telescopische buis worden bevestigd.



De volgende accessoires kunnen op de mondstukhouder worden bevestigd wanneer ze niet in gebruik zijn:

- Stofferingsmondstuk
- Kierenmondstuk
- Meubelborstel

## ● In-/uitschakelen

1. Trek de netstekker **9** minstens tot aan de gele markering uit de behuizing. Als de rode markering verschijnt, is het uiteinde van de netsnoer bereikt. Trek de netstekker er niet verder uit (Afb. F).
2. Steek de netstekker in een stopcontact.
3. In-/uitschakelen: Druk eenmaal op de aan-/uitschakelaar **12** (Afb. G).
4. Trek de netstekker uit de stopcontact als u het product niet gebruikt.
5. Het netsnoer opwinden: Druk op de snoeropwindknop **7** (Afb. H).

### **i** INFO:

- Houd het netsnoer met één hand vast. Geleid het netsnoer tijdens het oprollen.

## ● Zuigkracht verhogen/verlagen

- Pas de zuigkracht aan met de secundaire luchtregelaar **22** (Afb. I).

## ● Maak de stofopvangbak leeg

### **i** INFO:

- Maak de stofopvangbak **4** leeg, zo mogelijk buitenshuis, omdat het leegmaken een stofwolk kan veroorzaken.
  - Maak de stofopvangbak regelmatig leeg. Anders kan het product beschadigd raken.
1. Druk op de ontgrendeling van de stofopvangbak **6**. Gebruik de handgreep **5** om de stofopvangbak uit het product te tillen (Afb. J).
  2. Houd de stofopvangbak boven een afvallemmer.
  3. Druk op de bodemontgrendeling **23** aan de zijkant van de stofopvangbak om de bodem te openen en zo het stof eruit te schudden (Afb. K).
  4. Sluit de bodem. De bodemontgrendeling moet hoorbaar vastklikken.
  5. Plaats de stofopvangbak in het product. De ontgrendeling van de stofopvangbak moet hoorbaar vastklikken (Afb. L).

## ● Schoonmaken en onderhoud

- ⚠ GEVAAR! Kans op elektrische schokken!** Trek de netstekker **9** altijd uit de stopcontact voordat u het product schoonmaakt.

Raak de netstekker nooit aan met vochtige of natte handen.

Houd de netstekker en het aansluitsnoer altijd droog.

- ⚠ WAARSCHUWING! Kans op elektrische schokken!** Dompel de elektrische onderdelen van het product nooit onder in water of andere vloeistoffen. Houd het product nooit onder stromend water.

- ⚠ OPGELET!** Gebruik geen gereedschap om de filters te reinigen. Anders kunnen de filters beschadigd raken.

- ⚠ OPGELET!** Gebruik het product nooit zonder HEPA-filter en motorfilter **10**. Anders kan het product beschadigd raken en kan de zuigkracht afnemen.

1. Schakel het product uit en trek de netstekker **9** uit de stekkerdoos.
2. Druk op de slangontgrendeling **21** en trek de slang **1** uit de zuigmondstuk **13** (Afb. M).
  - Gebruik geen bijtende of schurende reinigingsmiddelen.
  - Verwijder het grove vuil met de hand.
  - Maak het product schoon met een vochtig doekje. Gebruik bij hardnekkige verontreinigingen een enigszins vochtig doekje en een mild schoonmaakmiddel en maak het product nogmaals schoon.

### **Stofopvangbak en HEPA-filter** (Afb. N)

1. Verwijder de stofopvangbak **4** (zie "Stofopvangbak leegmaken").
2. Trek de dekselvergrendeling (boven) **3** omhoog. Open de bovenste deksel.
3. Trek de beide cilinders uit de stofopvangbak **4**.
4. Scheid de cilinders van elkaar. Draai hiervoor één van de cilinders tegen de klok in.

5. Gebruik een vochtige doek om de stofopvangbak en de twee cilinders schoon te maken. U kunt de stofopvangbak en cilinders ook onder stromend water afspoelen.
6. Trek het filterframe uit het deksel.
7. Verwijder het schuimstof inzetstuk **24**.
8. Klop op het filterframe om stof te verwijderen.
9. Spoel indien nodig het filterframe en het schuimstof inzetstuk af onder stromend water. Laat die onderdelen dan op een plaats zonder direct zonlicht volledig drogen.
1. Het motorfilter bevindt zich achter het luchtuitlaatrooster **25**. Schuif de roostervergrendeling **26** naar links. Trek tegelijkertijd het luchtuitlaatrooster eruit.
2. Druk voorzichtig de vergrendeling bovenop het filterframe naar beneden. Trek het filterframe eruit.
3. Spoel het motorfilter af onder stromend warm water.
4. Laat het motorfilter volledig drogen op een plaats zonder direct zonlicht.
5. Plaats het motorfilter en het luchtuitlaatrooster weer terug in het product. Beide delen moeten hoorbaar vastklikken.

### Motorfilter

(Afb. O)

#### **i** INFO:

- Maak het motorfilter **10** schoon als deze vuil is. Bij normaal gebruik wordt aanbevolen het motorfilter om de 6 maanden te reinigen.

### ● **Bestel vervangende accessoires**

- Vervanging voor de volgende accessoires kunt u online bestellen:
  - **10** Motorfilter
  - **24** Schuimstof inzetstuk
- Artikelnummer: 444747\_2307  
Website: [www.optimex-shop.com](http://www.optimex-shop.com)

### ● **Probleemoplossing**

Fout	Mogelijke oorzaak	Handeling
Het product werkt niet.	De netstekker <b>9</b> zit niet in de stekkerdoos.	Steek de netstekker in een stopcontact.
Het zuigvermogen is afgenomen en het product zuigt geen vuil meer op.	Stofopvangbak <b>4</b> vol.	Maak de stofopvangbak leeg (zie "Stofopvangbak leegmaken").
	Zuigweg verstopt.	Controleer de vloerborstel <b>15</b> , de mondstukken <b>16</b> <b>17</b> , de meubelborstel <b>18</b> , de telescopische buis <b>2</b> , de slang <b>1</b> en de stofopvangbak op verstoppingen en verwijder deze.
	Motorfilter <b>10</b> of HEPA-filter verstopt.	Maak het motorfilter en het HEPA-filter schoon (zie "Reiniging en onderhoud").
Het product raakt oververhit.	Motorfilter of HEPA-filter verstopt.	Maak het motorfilter en het HEPA-filter schoon (zie "Reiniging en onderhoud").
Er komt stof uit het product naar buiten.	De stofopvangbak is niet goed geïnstalleerd.	Installeer de stofopvangbak (zie "Stofopvangbak leegmaken").
De lucht die uit het product komt, ruikt vies.	Afzettingen in de zuigwegen, het motorfilter of het HEPA-filter.	Maak het motorfilter en het HEPA-filter schoon (zie "Reiniging en onderhoud").



Fout	Mogelijke oorzaak	Handeling
De motor maakt meer geluid dan normaal.	Zuigweg verstopt.	Controleer het mondstuk, de meubelborstel, de telescopische buis, de slang en de stofopvangbak op verstoppingen en verwijder deze.
	De motor is defect.	Neem contact op met de klantenservice (zie "Service").

## ● **Opbergen**

- Bewaar het product als het niet wordt gebruikt in de originele verpakking.
- Maak het product schoon voor het op te bergen.
- Bewaar het product op een droge plaats buiten het bereik van kinderen.

## ● **Afvoer**

De verpakking bestaat uit milieuvriendelijke grondstoffen die u via de plaatselijke recyclingcontainers kunt afvoeren.



Neem de aanduiding van de verpakkingsmaterialen voor de afvalseparatie in acht. Deze zijn gemarkeerd met de afkortingen (a) en een cijfers (b) met de volgende betekenis: 1-7: kunststoffen / 20-22: papier en vezelplaten / 80-98: composietmaterialen.



Informatie over de mogelijkheden om het uitgediende product na gebruik te verwijderen, verstrekt uw gemeentelijke overheid.



Gooi het afgedankte product omwille van het milieu niet weg via het huisvuil, maar geef het af bij het daarvoor bestemde depot of het gemeentelijke milieupark. Over afgifteplaatsen en hun openingstijden kunt u zich bij uw aangewezen instantie informeren.

## ● **Garantie**

Het product werd volgens strenge kwaliteitsrichtlijnen gemaakt en voor de levering zorgvuldig gecontroleerd. In geval van materiaal- of fabricagefouten hebt u tegenover de verkoper van het product wettelijke rechten. Uw wettelijke rechten worden op geen enkele manier door onze hieronder vermelde garantie beperkt.

De garantie voor dit product bedraagt 3 jaar vanaf aankoopdatum. De garantieperiode gaat in op de datum van aankoop. Bewaar het originele bewijs van aankoop op een veilige plek aangezien dit document nodig is als bewijs.

Alle beschadigingen of gebreken die reeds op het moment van aankoop aanwezig zijn, moeten meteen na het uitpakken van het product worden gemeld.

Mocht het product binnen 3 jaar na aankoopdatum een materiaal- of fabricagefout vertonen, zullen wij het – naar onze keuze – gratis voor u repareren of vervangen. De garantieperiode wordt door een plaatsgevonden garantieverlening niet verlengd. Dit geldt ook voor vervangen en gerepareerde onderdelen.

Deze garantie vervalt als het product werd beschadigd of onjuist is gebruikt of onderhouden.

De garantie dekt materiaal- en fabricagefouten af. Deze garantie dekt geen productonderdelen die aan normale slijtage onderhevig zijn en daarom als verbruiksartikelen worden beschouwd (bv. batterijen, oplaadbare batterijen, slangen, inktpatronen), noch dekt zij schade aan breekbare onderdelen, bv. schakelaars of onderdelen die van glas zijn gemaakt.

## ● Afwikkeling in geval van garantie

Om een snelle afhandeling van uw reclamatie te waarborgen dient u de volgende instructies in acht te nemen:

Houd bij alle vragen alstublieft de kassabon en het artikelnummer (IAN 444747\_2307) als bewijs van aankoop bij de hand.

Het artikelnummer vindt u op de typeplaat, ingegraveerd, op het titelblad van uw handleiding (linksonder) of als sticker op de achter- of onderzijde.

Wanneer er storingen in de werking of andere gebreken optreden, dient u eerst telefonisch of per e-mail contact met de onderstaande serviceafdeling op te nemen.

Een als defect geregistreerd product kunt u dan samen met uw aankoopbewijs (kassabon) en vermelding van de concrete schade alsmede het tijdstip van optreden voor u franco aan het u meegedeelde servicepunt verzenden.

## ● Service

### **Service Nederland**

Tel.: 0800022537

E-Mail: [owim@lidl.nl](mailto:owim@lidl.nl)

### **Service België**

Tel.: 080071011

Tel.: 80023970 (Luxemburg)

E-Mail: [owim@lidl.be](mailto:owim@lidl.be)



<b>Verwendete Warnhinweise und Symbole</b> .....	Seite	49
<b>Einleitung</b> .....	Seite	50
Bestimmungsgemäßer Gebrauch .....	Seite	50
Lieferumfang .....	Seite	50
Teilebeschreibung .....	Seite	50
Technische Daten .....	Seite	50
<b>Sicherheitshinweise</b> .....	Seite	51
<b>Vor der ersten Verwendung</b> .....	Seite	54
<b>Bedienung</b> .....	Seite	54
Zubehör .....	Seite	54
Zubehör aufsetzen .....	Seite	54
Ein-/Ausschalten .....	Seite	55
Saugleistung erhöhen/verringern .....	Seite	55
Staubbehälter entleeren .....	Seite	55
<b>Reinigung und Pflege</b> .....	Seite	55
<b>Ersatzzubehör bestellen</b> .....	Seite	56
<b>Fehlerbehebung</b> .....	Seite	56
<b>Lagerung</b> .....	Seite	57
<b>Entsorgung</b> .....	Seite	57
<b>Garantie</b> .....	Seite	57
Abwicklung im Garantiefall .....	Seite	58
Service .....	Seite	58

## Verwendete Warnhinweise und Symbole

In der Bedienungsanleitung, der Kurzanleitung und auf der Verpackung werden die folgenden Warnhinweise verwendet:

 <p><b>GEFAHR!</b> Dieses Symbol mit dem Signalwort „Gefahr“ bezeichnet eine Gefährdung mit einem hohen Risikograd, die, wenn sie nicht vermieden wird, eine schwere Verletzung oder den Tod zur Folge hat.</p>	 <p><b>INFO:</b> Dieses Symbol mit dem Signalwort „Info“ bietet weitere nützliche Informationen.</p>
	 <p>Lesen Sie die Bedienungsanleitung.</p>
 <p><b>WARNUNG!</b> Dieses Symbol mit dem Signalwort „Warnung“ bezeichnet eine Gefährdung mit einem mittleren Risikograd, die, wenn sie nicht vermieden wird, eine schwere Verletzung oder den Tod zur Folge haben kann.</p>	 <p>Wechselstrom/-spannung</p>
	<p><b>Hz</b> Hertz (Netzfrequenz)</p>
	<p><b>W</b> Watt</p>
 <p><b>VORSICHT!</b> Dieses Symbol mit dem Signalwort „Vorsicht“ bezeichnet eine Gefährdung mit einem niedrigen Risikograd, die, wenn sie nicht vermieden wird, eine geringe oder mäßige Verletzung zur Folge haben kann.</p>	 <p>Verwenden Sie das Produkt nur in trockenen Innenräumen.</p>
	 <p>Gefahr – Risiko eines Stromschlags!</p>
 <p><b>ACHTUNG!</b> Dieses Symbol mit dem Signalwort „Achtung“ zeigt die Gefahr einer möglichen Sachbeschädigung an.</p>	 <p>Symbol für ein Produkt der Schutzklasse II</p>
	 <p>Ein/aus</p>
 <p>Das CE-Zeichen bestätigt Konformität mit den für das Produkt zutreffenden EU-Richtlinien.</p>	 <p>Sicherheitshinweise Handlungsanweisungen</p>

# STAUBSAUGER

## ● Einleitung

Wir beglückwünschen Sie zum Kauf Ihres neuen Produkts. Sie haben sich damit für ein hochwertiges Produkt entschieden. Die Bedienungsanleitung ist Teil dieses Produkts. Sie enthält wichtige Hinweise für Sicherheit, Gebrauch und Entsorgung. Machen Sie sich vor der Benutzung des Produkts mit allen Bedien- und Sicherheitshinweisen vertraut. Benutzen Sie das Produkt nur wie beschrieben und für die angegebenen Einsatzbereiche. Händigen Sie alle Unterlagen bei Weitergabe des Produkts an Dritte mit aus.

## ● Bestimmungsgemäßer Gebrauch

Dieses Produkt ist zum Aufsaugen von Staub vorgesehen. Verwenden Sie das Produkt für keine anderen Zwecke.

Das Produkt ist ausschließlich für die Nutzung in privaten Haushalten und nicht für gewerbliche oder andere Zwecke vorgesehen.

Der Hersteller übernimmt keine Haftung für Schäden aufgrund unsachgemäßer Verwendung.

## ● Lieferumfang

Überprüfen Sie nach dem Auspacken des Produkts, ob die Lieferung vollständig ist und alle Teile in ordnungsgemäßem Zustand sind. Entfernen Sie vor der Verwendung sämtliche Verpackungsmaterialien.

- 1 Staubsauger
- 1 Schlauch
- 1 Teleskoprohr
- 1 Bodenbürste
- 1 Polsterdüse
- 1 Fugendüse
- 1 Möbelpinsel
- 1 Düsenhalterung
- 1 Kurzanleitung

## ● Teilebeschreibung

(Abb. A, K, N, O)

- 1 Schlauch
- 2 Teleskoprohr
- 3 Deckelverriegelung (oben)
- 4 Staubbehälter
- 5 Griff
- 6 Staubbehälterentriegelung
- 7 Kabelaufwicklungstaste
- 8 Bodenbürstenhalterung
- 9 Anschlussleitung mit Netzstecker
- 10 Motorfilter
- 11 Rad
- 12 Ein-/Ausschalter ①
- 13 Saugstutzen
- 14 Schalter für

– Hartboden

– Teppich



- 15 Bodenbürste
- 16 Polsterdüse
- 17 Fugendüse
- 18 Möbelpinsel
- 19 Düsenhalterung
- 20 Teleskoprohrverriegelung
- 21 Schlauchentriegelung
- 22 Nebenluftregler
- 23 Bodenentriegelung
- 24 Schaumeinlage
- 25 Luftauslassgitter
- 26 Gitterverriegelung

## ● Technische Daten

Nennspannung:	220-240 V~, 50-60 Hz
Leistungsaufnahme:	850 W
Schutzklasse:	II
Staubbehältervolumen:	0,6 L
Geräuschemissionen:	≤ 78 dB(A)
Saugstufen:	1
Filter:	HEPA

Dieses Produkt erfüllt die Ecodesign-Richtlinie 2009/125/EG und EU 666/2013 gemäß den Richtlinien EN 60312-1, EN 60704-2-1 und EN 60335-2-2.



## Sicherheitshinweise

**MACHEN SIE SICH VOR DER VERWENDUNG DES PRODUKTS MIT ALLEN SICHERHEITSHINWEISEN UND GEBRAUCHSANWEISUNGEN VERTRAUT! WENN SIE DIESES PRODUKT AN ANDERE WEITERGEBEN, GEBEN SIE AUCH ALLE DOKUMENTE WEITER!**

Im Falle von Schäden aufgrund der Nichteinhaltung dieser Bedienungsanleitung erlischt Ihr Garantieanspruch! Für Folgeschäden wird keine Haftung übernommen! Im Falle von Sach- oder Personenschäden aufgrund einer unsachgemäßen Benutzung oder Nichteinhaltung der Sicherheitshinweise wird keine Haftung übernommen!

## Kinder und Personen mit Einschränkungen



### **⚠️ WARNUNG!**

### **LEBENS- UND UNFALLGEFAHR FÜR KLEINKINDER UND KINDER!**

Lassen Sie Kinder niemals unbeaufsichtigt mit dem Verpackungsmaterial. Es besteht Erstickungsgefahr durch Verpackungsmaterial. Kinder unterschätzen häufig die Gefahren.

- Dieses Produkt kann von Kindern ab 8 Jahren und darüber sowie von Personen mit verringerten physischen, sensorischen oder mentalen Fähigkeiten oder Mangel an Erfahrung und Wissen benutzt werden, wenn sie beaufsichtigt werden oder bezüglich des sicheren Gebrauchs des Produkts unterwiesen wurden und die daraus resultierenden Gefahren verstehen.
- Kinder dürfen nicht mit dem Produkt spielen.
- Reinigung und Benutzer-Wartung dürfen nicht von Kindern durchgeführt werden, es sei denn, sie sind älter als 8 Jahre und werden beaufsichtigt.

## Bestimmungsgemäßer Gebrauch

**⚠️ WARNUNG! Verletzungsrisiko!** Eine unsachgemäße Verwendung kann zu Verletzungen führen. Verwenden Sie das Produkt ausschließlich dieser Anleitung entsprechend. Versuchen Sie nicht, das Produkt in irgendeiner Weise zu verändern.

## Elektrische Sicherheit

**⚠️ GEFAHR! Stromschlagrisiko!** Versuchen Sie nicht, das Produkt selbst zu reparieren. Im Fall einer Fehlfunktion dürfen Reparaturen ausschließlich von qualifiziertem Personal durchgeführt werden.

**⚠️ WARNUNG! Stromschlagrisiko!** Tauchen Sie die elektrischen Teile des Produkts nicht in Wasser oder andere Flüssigkeiten ein. Halten Sie das Produkt niemals unter fließendes Wasser.

**⚠️ WARNUNG! Stromschlagrisiko!** Verwenden Sie kein beschädigtes Produkt. Trennen Sie das Produkt vom Stromnetz und wenden Sie sich an Ihren Händler, wenn es beschädigt ist.

**⚠️ WARNUNG! Stromschlagrisiko!** Bedienen Sie das Produkt nicht mit nassen Händen oder wenn Sie auf einem nassen Fußboden stehen.

**⚠️ WARNUNG! Verletzungsrisiko!** Schalten Sie das Produkt aus und trennen Sie es vom Stromnetz, bevor Sie Reinigungsarbeiten durchführen und wenn das Produkt nicht in Verwendung ist.

- Verwenden Sie das Produkt nicht mehr, wenn es fallen gelassen wurde.
- Vor dem Anschließen des Netzsteckers an die Stromversorgung: Achten Sie darauf, dass die Nennspannung am Typenschild des Produkts mit der Netzspannung Ihrer Stromversorgung übereinstimmt.

- Überprüfen Sie den Netzstecker und die Anschlussleitung regelmäßig auf Schäden. Wenn die Anschlussleitung beschädigt ist, muss sie vom Hersteller, seinem Kundendienst oder ähnlich qualifizierten Personen ersetzt werden, um Gefahren zu vermeiden.
- Schützen Sie die Anschlussleitung vor Schäden. Lassen Sie sie nicht über scharfe Kanten hängen und quetschen oder biegen Sie sie nicht. Halten Sie die Anschlussleitung von heißen Oberflächen und offenen Flammen fern.

## Bedienung

- Ziehen Sie den Netzstecker aus der Steckdose
  - wenn eine Fehlfunktion auftritt,
  - bevor Sie Zubehörteile aufsetzen/wechseln,
  - bevor Sie das Produkt reinigen,
  - wenn Sie das Produkt für längere Zeit nicht verwenden,
  - während eines Gewitters und
  - nach jeder Verwendung.
- Ziehen Sie am Netzstecker und nicht an der Anschlussleitung, um das Produkt aus der Steckdose zu ziehen.

- Defekte Teile müssen immer gegen Original-Ersatzteile ersetzt werden.
- Decken Sie während des Betriebs nicht die Lüftungsschlitze ab. Risiko einer Überhitzung und Schäden am Produkt.
- Saugen Sie mit dem Produkt niemals Wasser oder andere Flüssigkeiten sowie entzündliche Substanzen oder heiße/brennende Objekte auf.

## Reinigung und Lagerung

### ⚠ **WARNUNG! Verletzungs-**

**risiko!** Trennen Sie das Produkt vom Stromnetz, bevor Sie es reinigen oder wenn es nicht in Verwendung ist.

- Schützen Sie Produkt, Anschlussleitung und Netzstecker vor Staub, direkter Sonneneinstrahlung, Tropf- und Spritzwasser.
- Lagern Sie das Produkt an einem kühlen, trockenen Ort, geschützt vor Feuchtigkeit und außerhalb der Reichweite von Kindern.
- Schützen Sie das Produkt vor Hitze. Stellen Sie das Produkt nicht in der Nähe von offenen Flammen oder Hitzequellen wie Öfen oder Heizgeräten auf.

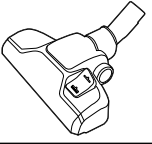
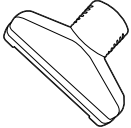
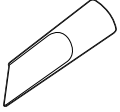
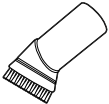


## ● Vor der ersten Verwendung



- Entfernen Sie alle Verpackungsmaterialien und breiten Sie alle separaten Komponenten vor sich aus. Überprüfen Sie das Produkt nach dem Auspacken auf sichtbare Beschädigungen.

## ● Bedienung

### ● Zubehör

Teil	Einsatzbereich
 <b>15</b>	Teppiche Hartböden Treppen
 <b>16</b>	Teppiche Kissen Polstermöbel
 <b>17</b>	Schwer erreichbare Stellen Ecken Fußleisten-Kanten Lüftungsschlitze Stühle Polstermöbel
 <b>18</b>	Jalousien Lüftungsschlitze Empfindliche Oberflächen

- \* Stellen Sie den Schalter für Hartboden/ Teppich **14** dem Bodentyp entsprechend ein.

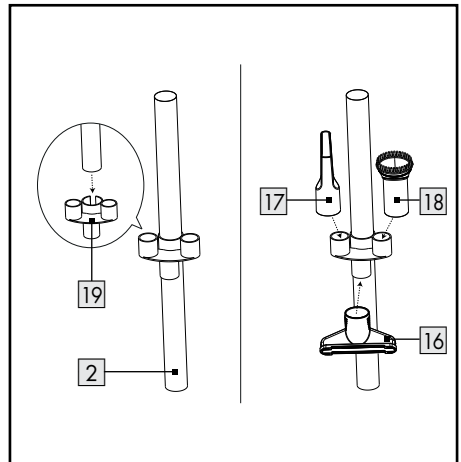
Schalterposition	Bodentyp
	Hartboden
	Teppich

## ● Zubehör aufsetzen

- Verbinden Sie den Schlauch **1** mit dem Saugstutzen **13**. Der Schlauch muss hörbar einrasten (Abb. B).
- Stecken Sie den Griff des Schlauchs in die weite Öffnung des Teleskoprohrs **2** (Abb. C).
- Stellen Sie das Teleskoprohr auf die gewünschte Länge ein:
  - Schieben Sie die Teleskoprohrverriegelung **20** nach vorne und ändern Sie die Länge des Teleskoprohrs (Abb. D).
  - Lassen Sie die Teleskoprohrverriegelung los.
  - Ändern Sie gegebenenfalls die Länge geringfügig, bis die Teleskoprohrverriegelung einrastet.
- Stecken Sie das Teleskoprohr in die Aufnahme Bodenbürste **15**, der Düsen **16** **17** oder des Möbelpinsels **18** (Abb. E).

### ❗ INFO:



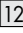

- Die Düsen und der Möbelpinsel können direkt auf den Schlauch aufgesetzt werden.
- Vor dem Gebrauch: Vergewissern Sie sich, dass alle Zubehöerteile sicher befestigt sind.
- Die Düsenhalterung **19** kann am Teleskoprohr befestigt werden.



Die folgenden Zubehörteile können an der Düsenhalterung angebracht werden, wenn sie nicht in Gebrauch sind:

- Polsterdüse
- Fugendüse
- Möbelpinsel


## ● Ein-/Ausschalten

1. Ziehen Sie den Netzstecker  mindestens bis zur gelben Markierung aus dem Gehäuse heraus. Wenn die rote Markierung erscheint, ist das Ende der Anschlussleitung erreicht. Ziehen Sie den Netzstecker nicht weiter heraus (Abb. F).
2. Verbinden Sie den Netzstecker mit einer Steckdose.
3. Ein-/Ausschalten: Drücken Sie einmal den Ein-/Ausschalter   (Abb. G).
4. Ziehen Sie den Netzstecker aus der Steckdose, wenn Sie das Produkt nicht verwenden.
5. Anschlussleitung aufwickeln: Drücken Sie die Kabelaufwicklungstaste  (Abb. H).

### INFO:

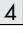

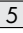
- Halten Sie die Anschlussleitung mit einer Hand fest. Führen Sie die Anschlussleitung, während sie aufgewickelt wird.

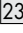
## ● Saugleistung erhöhen/verringern

- Passen Sie die Saugleistung mit dem Nebenluftregler  an (Abb. I).



## ● Staubbehälter entleeren

### INFO:

- Entleeren Sie den Staubbehälter  wenn möglich im Außenbereich, da das Entleeren eine Staubwolke verursachen kann.
  - Entleeren Sie den Staubbehälter in regelmäßigen Abständen. Ansonsten kann das Produkt beschädigt werden.
1. Drücken Sie auf die Staubbehälterentriegelung . Heben Sie den Staubbehälter am Griff  aus dem Produkt heraus (Abb. J).


2. Halten Sie den Staubbehälter über einen Abfallimer.
3. Drücken Sie auf die Bodenentriegelung  an der Seite des Staubbehälters, um den Boden zu öffnen und somit den Staub auszuschütten (Abb. K).
4. Schließen Sie den Boden. Die Bodenentriegelung muss hörbar einrasten.
5. Setzen Sie den Staubbehälter in das Produkt ein. Die Staubbehälterentriegelung muss hörbar einrasten (Abb. L).



## ● Reinigung und Pflege


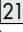

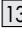
 **GEFAHR! Stromschlagrisiko!** Ziehen Sie den Netzstecker  aus der Steckdose, bevor Sie das Produkt reinigen. Berühren Sie den Netzstecker niemals mit feuchten oder nassen Händen. Halten Sie den Netzstecker und die Anschlussleitung stets trocken.

### **WARNUNG! Stromschlagrisiko!**

Tauchen Sie die elektrischen Teile des Produkts nicht in Wasser oder andere Flüssigkeiten ein. Halten Sie das Produkt niemals unter fließendes Wasser.

 **ACHTUNG!** Verwenden Sie zur Reinigung der Filter keine Werkzeuge. Ansonsten können die Filter beschädigt werden.

 **ACHTUNG!** Verwenden Sie das Produkt niemals ohne HEPA-Filter und Motorfilter . Ansonsten kann das Produkt beschädigt und die Saugleistung verringert werden.

1. Schalten Sie das Produkt aus und ziehen Sie den Netzstecker  aus der Steckdose.
  2. Drücken Sie die Schlauchentriegelung  und ziehen Sie den Schlauch  aus dem Saugstutzen  heraus (Abb. M).
- Verwenden Sie keine ätzenden oder scheuernden Reinigungsmittel.
  - Entfernen Sie groben Schmutz von Hand.
  - Reinigen Sie das Produkt mit einem feuchten Tuch. Verwenden Sie bei hartnäckigen Verschmutzungen ein angefeuchtetes Tuch und ein mildes Reinigungsmittel und reinigen Sie das Produkt erneut.

## **Staubbehälter und HEPA-Filter**

(Abb. N)

1. Entnehmen Sie den Staubbehälter **4** (siehe „Staubbehälter entleeren“).
2. Ziehen Sie die Deckelverriegelung (oben) **3** nach oben. Öffnen Sie den oberen Deckel.
3. Ziehen Sie die beiden Zylinder aus dem Staubbehälter **4** heraus.
4. Trennen Sie die Zylinder voneinander. Drehen Sie dazu einen der Zylinder entgegen dem Uhrzeigersinn.
5. Verwenden Sie zur Reinigung des Staubbehälters und der beiden Zylinder ein feuchtes Tuch. Sie können den Staubbehälter und die Zylinder auch unter fließendem Wasser abspülen.
6. Ziehen Sie den Filterrahmen aus dem Deckel heraus.
7. Entnehmen Sie die Schaumeinlage **24**.
8. Um Staub zu entfernen, klopfen Sie auf den Filterrahmen.
9. Spülen Sie bei Bedarf den Filterrahmen und die Schaumeinlage unter fließendem Wasser ab. Lassen Sie die Teile dann an einem Ort ohne direkte Sonneneinstrahlung komplett trocknen.

## **Motorfilter**

(Abb. O)

### **INFO:**

- Reinigen Sie den Motorfilter **10**, wenn er verschmutzt ist. Bei normalem Gebrauch wird empfohlen, den Motorfilter in einem Intervall von 6 Monaten zu reinigen.
1. Der Motorfilter befindet sich hinter dem Luftauslassgitter **25**. Schieben Sie die Gitterverriegelung **26** nach links. Ziehen Sie gleichzeitig das Luftauslassgitter heraus.
  2. Drücken Sie die Verriegelung oben am Filterrahmen vorsichtig herunter. Ziehen Sie den Filterrahmen heraus.
  3. Spülen Sie den Motorfilter unter fließendem, warmem Wasser ab.
  4. Lassen Sie den Motorfilter an einem Ort ohne direkte Sonneneinstrahlung komplett trocknen.
  5. Setzen Sie den Motorfilter und das Luftauslassgitter wieder in das Produkt ein. Beide Teile müssen hörbar einrasten.

### **Ersatzzubehör bestellen**

- Ersatz für das folgende Zubehör kann online bestellt werden:
  - **10** Motorfilter
  - **24** Schaumeinlage
- Artikelnummer: 444747\_2307
- Website: [www.optimex-shop.com](http://www.optimex-shop.com)

## **Fehlerbehebung**

<b>Fehler</b>	<b>Mögliche Ursache</b>	<b>Aktion</b>
Das Produkt funktioniert nicht.	Der Netzstecker <b>9</b> ist nicht mit der Steckdose verbunden.	Verbinden Sie den Netzstecker mit einer Steckdose.
Die Saugleistung ist verringert und das Produkt saugt keinen Schmutz auf.	Staubbehälter <b>4</b> voll.	Entleeren Sie den Staubbehälter (siehe „Staubbehälter entleeren“).
	Saugweg verstopft.	Prüfen Sie die Bodenbürste <b>15</b> , die Düsen <b>16</b> <b>17</b> , den Möbelpinsel <b>18</b> , das Teleskoprohr <b>2</b> , den Schlauch <b>1</b> und den Staubbehälter auf Verstopfungen und beseitigen Sie diese.
	Motorfilter <b>10</b> oder HEPA-Filter verstopft.	Reinigen Sie den Motorfilter und den HEPA-Filter (siehe „Reinigung und Pflege“).

Fehler	Mögliche Ursache	Aktion
Das Produkt überhitzt.	Motorfilter oder HEPA-Filter verstopft.	Reinigen Sie den Motorfilter und den HEPA-Filter (siehe „Reinigung und Pflege“).
Staub tritt aus dem Produkt aus.	Der Staubbehälter wurde nicht korrekt installiert.	Installieren Sie den Staubbehälter (siehe „Staubbehälter entleeren“).
Die Luft, die aus dem Produkt entweicht, riecht unangenehm.	Ablagerungen in den Saugwegen, dem Motorfilter oder HEPA-Filter.	Reinigen Sie den Motorfilter und den HEPA-Filter (siehe „Reinigung und Pflege“).
Der Motor ist lauter als gewohnt.	Saugweg verstopft.	Prüfen Sie die Düse, den Möbelpinsel, das Teleskoprohr, den Schlauch und den Staubbehälter auf Verstopfungen und beseitigen Sie diese.
	Der Motor ist defekt.	Kontaktieren Sie den Kundendienst (siehe „Service“).

## ● Lagerung

- Lagern Sie das Produkt in der Originalverpackung, wenn es nicht verwendet wird.
- Reinigen Sie das Produkt vor der Lagerung.
- Bewahren Sie das Produkt an einem trockenen Ort außerhalb der Reichweite von Kindern auf.

## ● Entsorgung

Die Verpackung besteht aus umweltfreundlichen Materialien, die Sie über die örtlichen Recyclingstellen entsorgen können.



Beachten Sie die Kennzeichnung der Verpackungsmaterialien bei der Abfalltrennung, diese sind gekennzeichnet mit Abkürzungen (a) und Nummern (b) mit folgender Bedeutung: 1-7: Kunststoffe/20-22: Papier und Pappe/80-98: Verbundstoffe.



Möglichkeiten zur Entsorgung des ausgedienten Produkts erfahren Sie bei Ihrer Gemeinde oder Stadtverwaltung.



Werfen Sie Ihr Produkt, wenn es ausgedient hat, im Interesse des Umweltschutzes nicht in den Hausmüll, sondern führen Sie es einer fachgerechten Entsorgung zu. Über Sammelstellen und deren Öffnungszeiten können Sie sich bei Ihrer zuständigen Verwaltung informieren.

## ● Garantie

Das Produkt wurde nach strengen Qualitätsrichtlinien hergestellt und vor der Auslieferung sorgfältig geprüft. Im Falle von Material- oder Herstellungsfehlern haben Sie gegenüber dem Verkäufer des Produkts gesetzliche Rechte. Ihre gesetzlichen Rechte werden in keiner Weise durch unsere unten aufgeführte Garantie eingeschränkt.

Die Garantie für dieses Produkt beträgt 3 Jahre ab Kaufdatum. Die Garantiezeit beginnt mit dem Kaufdatum. Bewahren Sie den Originalkaufbeleg an einem sicheren Ort auf, da dieses Dokument als Nachweis des Kaufs erforderlich ist.

Alle Schäden oder Mängel, die bereits zum Zeitpunkt des Kaufs vorhanden sind, müssen unverzüglich nach dem Auspacken des Produkts gemeldet werden.

Sollte das Produkt innerhalb von 3 Jahren ab Kaufdatum einen Material- oder Herstellungsfehler aufweisen, werden wir es – nach unserer Wahl – kostenlos für Sie reparieren oder ersetzen. Die Garantiezeit verlängert sich durch einen stattgegebenen Gewährleistungsanspruch nicht. Dies gilt auch für ersetzte und reparierte Teile.

Diese Garantie erlischt, wenn das Produkt beschädigt oder unsachgemäß verwendet oder gewartet wurde.

Die Garantie deckt Material- und Herstellungsfehler ab. Diese Garantie erstreckt sich weder auf Produktteile, die normalem Verschleiß unterliegen, und somit als Verschleißteile gelten (z. B. Batterien, Akkus, Schläuche, Farbpatronen), noch auf Schäden an zerbrechlichen Teilen, z. B. Schalter oder Teile aus Glas.

## ● Abwicklung im Garantiefall

Um eine schnelle Bearbeitung Ihres Anspruchs zu gewährleisten, beachten Sie die folgenden Hinweise:

Halten Sie den Originalkaufbeleg und die Artikelnummer (IAN 444747\_2307) als Nachweis für den Kauf bereit.

Sie finden die Artikelnummer auf dem Typenschild, einer Gravur auf dem Produkt, der Startseite der Bedienungsanleitung (unten links) oder als Aufkleber auf der Rück- oder Unterseite des Produkts.

Sollten Funktionsfehler oder sonstige Mängel auftreten, wenden Sie sich zunächst telefonisch oder per E-Mail an die unten aufgeführte Serviceabteilung.

Sobald das Produkt als defekt erfasst wurde, können Sie es kostenlos an die Ihnen mitgeteilte Service-Anschrift zurücksenden. Stellen Sie sicher, dass Sie den Originalkaufbeleg (Kassenbon) sowie eine kurze, schriftliche Beschreibung beilegen, in der die Einzelheiten des Defekts und der Zeitpunkt des Auftretens dargelegt sind.

## ● Service

### DE **Service Deutschland**

Tel.: 0800 5435 111

E-Mail: owim@lidl.de

### AT **Service Österreich**

Tel.: 0800 292726

E-Mail: owim@lidl.at

### CH **Service Schweiz**

Tel.: 0800562153

E-Mail: owim@lidl.ch

