



## JUG BLENDER / STANDMIXER / BLENDER SSMP 600 A1

(GB) (IE) (NI) (MT)

### JUG BLENDER

Operating instructions

(FR) (BE) (CH)

### BLENDER

Mode d'emploi

(IT) (CH) (MT)

### FRULLATORE

Istruzioni per l'uso

(PT)

### LIQUIDIFICADORA

Manual de instruções

(DE) (AT) (BE) (CH)

### STANDMIXER

Bedienungsanleitung

(NL) (BE)

### BLENDER

Gebbruiksaanwijzing

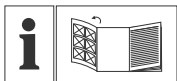
(ES)

### BATIDORA DE VASO

Instrucciones de uso

IAN 496701\_2504

(FR) (ES)  
(PT) (BE) (NL)



GB IE NI MT

Before reading, unfold the page containing the illustrations and familiarise yourself with all functions of the device.

---

DE AT BE CH

Klappen Sie vor dem Lesen die Seite mit den Abbildungen aus und machen Sie sich anschließend mit allen Funktionen des Gerätes vertraut.

---

FR BE CH

Avant de lire le mode d'emploi, ouvrez la page contenant les illustrations et familiarisez-vous ensuite avec toutes les fonctions de l'appareil.

---

NL BE

Vouw vóór het lezen de pagina met de afbeeldingen open en maak u vertrouwd met alle functies van het apparaat.

---

IT CH MT

Prima di leggere aprire la pagina con le immagini e prendere confidenza con le diverse funzioni dell'apparecchio.

---

ES

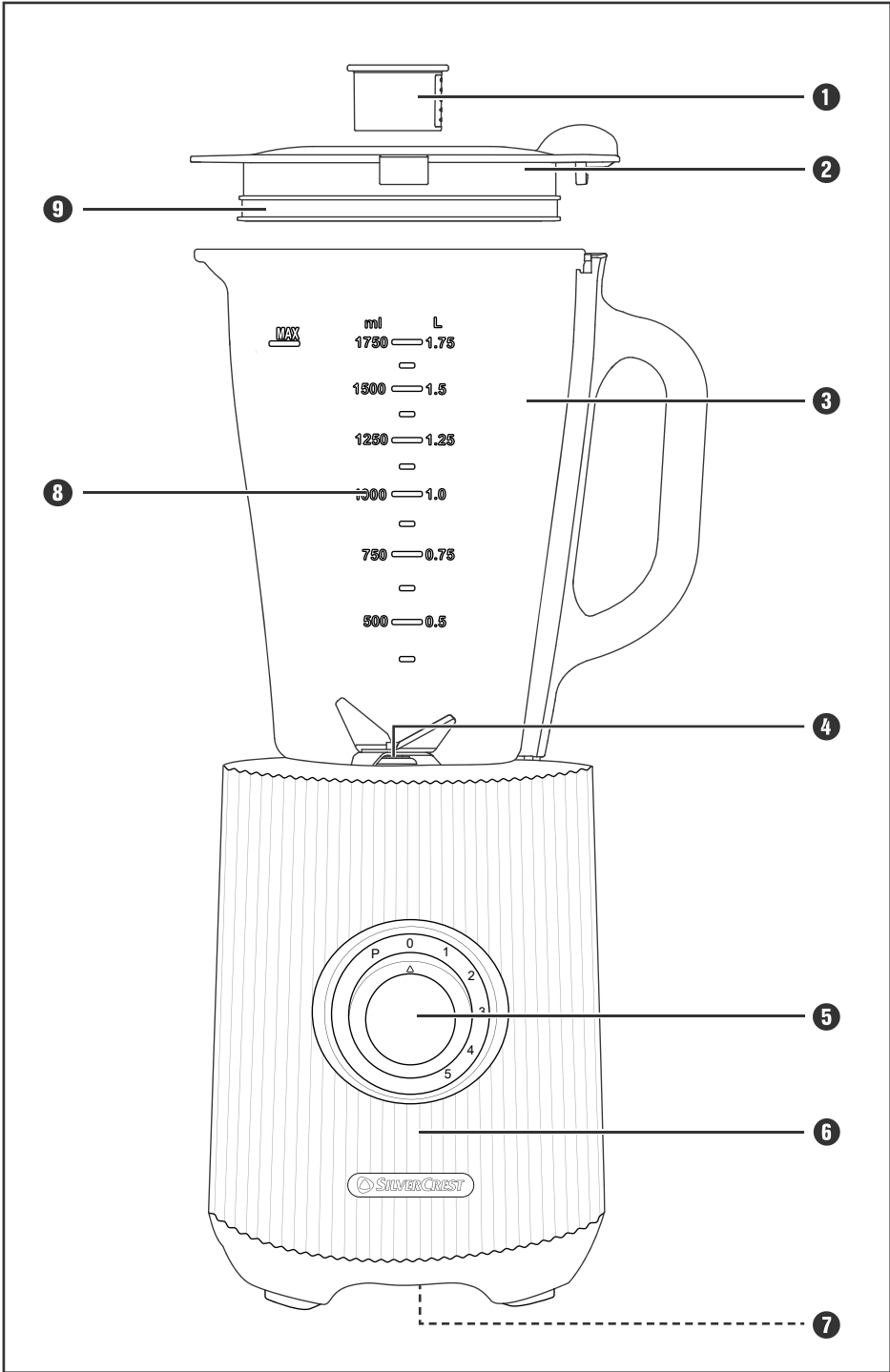
Antes de empezar a leer abra la página que contiene las imágenes y, en seguida, familiarícese con todas las funciones del dispositivo.

---

PT

Antes de começar a ler abra na página com as imagens e, de seguida, familiarize-se com todas as funções do aparelho.

English	Operating instructions	Page	1
Deutsch	Bedienungsanleitung	Seite	15
Français	Mode d'emploi	Page	29
Nederlands	Gebruiksaanwijzing	Pagina	45
Italiano	Istruzioni per l'uso	Pagina	59
Español	Instrucciones de uso	Página	73
Português	Manual de instruções	Página	87



# Content

<b>1. Introduction</b>	<b>2</b>
<b>2. Intended use</b>	<b>2</b>
<b>3. Package contents</b>	<b>2</b>
<b>4. Description of the appliance</b>	<b>2</b>
<b>5. Technical data</b>	<b>2</b>
<b>6. Warnings and symbols used</b>	<b>3</b>
<b>7. Safety instructions</b>	<b>4</b>
<b>8. Unpacking</b>	<b>6</b>
<b>9. Setting up</b>	<b>6</b>
<b>10. Operation</b>	<b>6</b>
10.1. Fitting and filling the blender . . . . .	6
10.2. Selecting the speed setting . . . . .	8
10.3. Filling while in use. . . . .	8
10.4. Removing the blender. . . . .	8
<b>11. Useful tips</b>	<b>8</b>
<b>12. Recipes</b>	<b>9</b>
<b>13. Cleaning</b>	<b>10</b>
13.1. Cleaning the blender . . . . .	10
13.2. Cleaning the motor block . . . . .	12
<b>14. Storage</b>	<b>12</b>
<b>15. Disposal</b>	<b>12</b>
<b>16. Kompernass Handels GmbH warranty</b>	<b>12</b>
16.1. Service . . . . .	13
16.2. Importer . . . . .	13

# 1. Introduction

Congratulations on the purchase of your new appliance. You have selected a high-quality product. These operating instructions are a part of this product. They contain important information on safety, usage and disposal. Before using the product, familiarise yourself with all operating and safety instructions. Use the product only as described and only for the specified areas of application. In addition, pass these documents on, together with the product, to any future owner.

# 2. Intended use

This appliance is intended exclusively for ...

- mixing, puréeing and stirring foods as well as crushing ice cubes,
- use exclusively in normal domestic amounts and only for private use in a domestic environment in dry rooms.

This appliance is not intended for ...

- chopping herbs, onions, meat and hard food components such as nuts, pits, large seeds or stalks,
- making nut puree,
- the processing of materials that are not foodstuffs,
- commercial or industrial use,
- for use in damp environments or outdoors,
- processing hot/boiling liquids.

Use only the accessories and spare parts that are specified for this appliance. Other parts may not be adequately suitable or safe!

# 3. Package contents


After unpacking, check to ensure all items are available. The package contains:

- Motor block, with power cable and plug
- Blender
- Lid
- Measuring cap
- Operating instructions

# 4. Description of the appliance

- 1 Measuring cap
- 2 Lid
- 3 Blender
- 4 Cutting blades
- 5 Switch
- 6 Motor block
- 7 Cable retainer
- 8 Scale
- 9 Rubber lid seal











# 5. Technical data






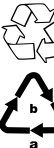





Nominal voltage	220 - 240 V ~, 50 - 60 Hz
Nominal power consumption	600 W
Power consumption in off mode	< 0.5 W
Storage capacity	approx. 2.3 litres
Max. capacity	1.75 litres
Protection Class	II / 
CO time	3 minutes

The CO time (continuous operation time) is the amount of time an appliance can be operated without the motor overheating and becoming damaged. When the specified CO time has been reached, the appliance must be switched off until the motor has cooled down to room temperature.

## 6. Warnings and symbols used

The following warnings and symbols are used in these operating instructions, on the packaging and on the appliance (where applicable):

	<b>DANGER!</b> A warning with this symbol and the signal word "DANGER" indicates an imminently hazardous situation that will result in death or serious injury if not avoided.
	<b>WARNING!</b> A warning with this symbol and the signal word "WARNING" indicates a potentially hazardous situation that could result in death or serious injury if not avoided.
	<b>CAUTION!</b> A warning with this symbol and the signal word "CAUTION" indicates a potentially hazardous situation that could result in a minor or moderate injury if not avoided.
	<b>ATTENTION!</b> A warning with this symbol and the signal word "ATTENTION" indicates a potential situation that could result in property damage if not avoided.
	<b>Note:</b> A note identifies additional information that facilitates the use of the appliance.
	Read the instructions.
	AC current/voltage
	Protection class II: Protection by double or reinforced insulation.
	Do not immerse in water!
	Dishwasher-proof.

	All of the parts of this appliance that come into contact with food are food-safe.
	This product satisfies the requirements of the applicable European and national regulations.
	Do not dispose of electrical appliances in the household waste!
	Dispose of the packaging in an environmentally-responsible manner.
	The packaging is made of recyclable materials. Observe the labelling on the packaging material when sorting for disposal: The material is labelled with abbreviations (a) and numbers (b) with the following meanings: 1–7: plastics, 20–22: paper and cardboard, 80–98: composites.
	The packaging contains paper and/or cardboard components.
	The packaging contains plastic and/or metal components.
	
	<b>FR</b> Cet appareil et ses accessoires se recyclent
	<b>FR</b> ÉLÉMENTS D'EMBALLAGE
	<b>FR:</b> The product, its packaging and the operating instructions are recyclable. They are subject to an extended manufacturer responsibility and will be collected separately.

## 7. Safety instructions

### **⚠ DANGER! ELECTRIC SHOCK!**

- Ensure that the appliance, the power cable and the power plug are never immersed in water or other liquids.
- Use the appliance only in dry rooms; never use it outdoors or in damp environments.
- Ensure that the power cable never becomes wet or damp during operation. Route the power cable in such a way that it cannot become trapped or damaged in any way.
- To avoid potential risks, if the appliance power cable is damaged, it must be replaced by the manufacturer, its customer service or by a qualified technician.
- Always remove the plug from the power socket after use. Switching off the appliance is not sufficient because the appliance receives power as long as the power plug is connected to the socket.
- Check to ensure that the appliance is in a serviceable condition before use. The appliance may not be used if it shows signs of damage, especially to the motor block or the blender attachment.
- Remove the plug from the socket immediately if you notice unexpected smells or noises coming from the appliance while it is in use or if there is an evident malfunction.

### **⚠ WARNING! RISK OF INJURY!**

- NEVER insert your hand or fingers into the blender, especially when it is in use. The cutting blades are extremely sharp!
- DO NOT remove the lid when the appliance is in operation.
- To ensure you can react immediately in the event of danger, never leave the appliance running unattended.
- Do not insert cutlery items or mixing tools into the blender while the appliance is in use. There is a considerable risk of injury if these come into contact with the swiftly rotating cutting blades!

- Children should be supervised to ensure that they do not play with the appliance.
- Never use the appliance for purposes other than those described in these instructions.
- Risk of injury if appliance is misused.
- The appliance should always be disconnected from the mains when not supervised and before assembly, disassembly or cleaning.
- This appliance is not to be used by children.
- The appliance and its mains cable must be kept away from children.
- This appliance can be used by persons with reduced physical, sensory or mental capabilities or lack of experience and knowledge if they have been given supervision or instruction concerning safe use of the appliance, and if they are aware of the potential risks.
- Do not allow children to play with the appliance.
- Be careful when handling the appliance. The cutting blades are extremely sharp!
- Take care when emptying the blender! The cutting blades are extremely sharp!
- Take care when cleaning the appliance! The cutting blades are extremely sharp!
- Switch the appliance off and disconnect the plug from the power supply before changing accessories or getting hold of parts that move during operation.
- Always make sure that the blender is switched off before removing the jug from the motor block!
- Use the blender only with the supplied motor block!

## ! CAUTION! MATERIAL DAMAGE!

- Do not use the appliance in direct sunlight or near any heatgenerating appliances.
- NEVER fill the blender with boiling liquids or other foods! Allow these to cool to a lukewarm temperature.
- NEVER operate the appliance when it is empty, i.e. without ingredients in the blender attachment.

## 8. Unpacking

- Remove all packaging materials or protective films from the appliance. Retain the packaging, so that you can store the appliance safely or send it by post, e.g. if it needs to be repaired.
- Before using the appliance, check that it is free of damage; check also that the power cable and plug as well as all accessories and appliance parts are undamaged.
- Clean all components carefully before using the appliance for the first time (see **13. Cleaning**).

## 9. Setting up

Once all components have been cleaned as described in the section **13. Cleaning**:

- Position the appliance so that, ...
  - that the mains cable passes through the recess at the rear of the appliance,
  - the power plug is immediately accessible, so that it can be quickly withdrawn in the event of danger,
  - that it remains stable and is not at risk of slipping. This will prevent it from tipping over due to vibrations.
  - that the mains cable is not in the working area and thus does not present a risk of being inadvertently snagged and tipping the appliance over.

## 10. Operation



### ⚠ WARNING!

- ▶ The motor switches off automatically as soon as the blender **3** is removed from the motor block **6** or the lid **2** is opened. In such cases it may be easy to forget that the machine is still switched on. The motor will then start unexpectedly as soon as the blender attachment **3** is fitted or the lid **2** is closed again.

Therefore:


- Do not insert the power plug into the wall socket until the blender **3** is fitted and mounted with its lid fitted and closed.
- Before fitting the blender, always check to see that the appliance is switched off or that the power plug has been removed.
- Switch the appliance off first, pull the plug out and wait until the motor has come to a standstill before removing the blender **3** or opening the lid **2**.

### 10.1. Fitting and filling the blender

- 1) Rotate the blender **3** anticlockwise until the arrow ▼ under the blender handle is located above the  position. Remove the blender **3** from the motor block **6** in a vertical, upward motion.
- 2) Remove the lid **2** by rotating it anticlockwise towards position  (see Fig 1) until you can pull it upwards.

3) Fill the blender **3** to at least to the lowest line of the scale **8** and at most to the MAX mark. For optimum results, we recommend the following maximum filling quantities:

Food	Max. filling quantity	Recommended level	Recommended processing time
Liquids	1750 ml	1-3	60 sec.
Yoghurt-based drinks	1250 ml	2-5	90 sec.
Milkshakes/ smoothies	1250 ml	2-5	60-90 sec.
Pancake mix	1250 ml	3-5	90 sec.
Baby food	750 ml	5	3 min.
Mayonnaise	2 eggs 250 ml oil	3-5	90-120 sec.
Vegetable soup	1500 ml	3-5	3 min.
Ice cubes	375 ml (approx. 14-15 pieces)	P	12x

4) Press the lid **2** firmly down onto the blender **3**. Close the lid **2** by turning it clockwise to position  until it audibly engages (see Fig. 2). Ensure that the pouring spout on the blender **3** is closed. The motor cannot start until the lid **2** is fitted flush.

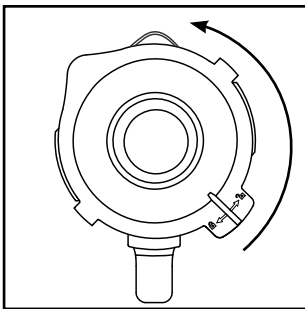


Fig. 1

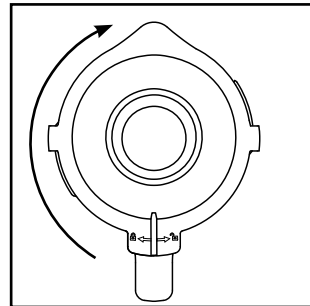




Fig. 2

- 5) Press the measuring cap **1** into the lid as far as the stop.
- 6) Place the filled and closed blender **3** on the motor block **6**. To do this, use the recesses on the motor block **6** and ensure that the arrow **q** on the blender is pointing to the  symbol while doing so. Turn the blender **3** clockwise to position  until it audibly engages. The motor cannot start until the blender **3** is fitted flush.

## 10.2. Selecting the speed setting

Once the blender **3** is filled and sitting completely closed on the motor block **6**, you can switch on the appliance.

Set the switch **5** to ...

- **Level 1 – 3**  
for liquids or soft foodstuffs, for mixing, blending and stirring
- **Level 3 – 5**  
for more solid foods or for chopping
- **Level P (pulse function)**  
for short, powerful impulse operation, e.g. for crushing ice cubes or when cleaning. To prevent overloading the motor, the switch **5** does not lock in this position. Therefore, hold the switch **5** in this position for short periods only.

### **i** Note

- ▶ Fill the blender **3** with ice cubes up to the 375 ml mark at the maximum. Otherwise, the ice cubes will not be crushed optimally.

## 10.3. Filling while in use

### **⚠** WARNING!


- ▶ If you want to add additional foods during operation, use only the measuring cap **1** provided for this purpose. Do NOT open the lid **2**.
- ▶ Do not insert cutlery items or mixing tools into the blender **3** while the appliance is in use. There is a considerable risk of injury if these come into contact with the swiftly rotating cutting blades **4**!

To add more food while the appliance is in use, ...

- 1) Remove the measuring cap **1** from the lid **2**.
- 2) Add the ingredients.
- 3) Press the measuring cap **1** back into the lid.

## 10.4. Removing the blender

Once you have finished processing the food in the attachment:

- 1) Always start by setting switch **5** to the off position ("0") and pulling out the mains plug.
- 2) Wait until the motor has come to a complete standstill before lifting the blender **3** off the motor block **6**. Rotate the blender **3** anti-clockwise until the arrow ▼ under the blender handle is located above the  position. Remove the blender **3** from the motor block **6** in a vertical, upward motion.

## 11. Useful tips

- To achieve the best results when puréeing firm ingredients, add small amounts one after the other into the blender **3** rather than a single large portion.
- When processing firm ingredients, cut them into small pieces (2 – 3 cm).
- Add at least 50 ml of liquid when pureeing fruit or vegetables.
- Add thicker ingredients (such as yoghurt) into the blender **3** first. If any of ingredients are not picked up during mixing, remove the blender **3** from the motor block **6**, remove the lid **2** and stir the ingredients with a suitable implement, such as a spoon. Replace the blender **3** back on the motor block **6** with the lid **2** closed and continue mixing.
- When mixing liquid ingredients, start off with a small amount of liquid. Gradually add more liquids to the mixture through the measuring cap.
- The appliance can be stabilised by placing your hand on top of the closed blender during operation.
- For stirring solid or very thick liquid foods, it can be useful to use level **P** to prevent the cutting blades **4** from blocking.

### **i** Note

- ▶ Do not use the appliance to grind crystals of cooking salt, refined sugar or white sugar. For example, to make powdered sugar.

## 12. Recipes

### Banana shake

- 2 bananas
- approx. 2 tbsp. sugar (depending on the ripeness of the bananas and personal taste)
- ½ l milk
- 1 dash of lemon juice

Peel the bananas and liquidise them at level 2. Gradually add the milk, then the sugar and the lemon juice. Keep mixing everything until you have a smooth and uniform liquid. Serve the shake chilled.

### Vanilla shake

- ¼ l milk
- 250 g vanilla ice cream
- 125 g ice cubes
- 1½ tsp. sugar

Crush the ice cubes using level **P**. Place the remaining ingredients into the mixer. Mix everything at Level 2 until the liquid has a smooth consistency.

### Cappucino shake

- 65 ml cold espresso (or a very strong coffee)
- 65 ml milk
- 15 g sugar
- 65 g vanilla ice cream
- 100 g ice cubes

Crush the ice cubes using level **P**. Add the espresso, milk and sugar. Mix everything together at level 2 until the sugar has dissolved. Finally, add the vanilla ice cream and then briefly mix everything together at level 1.

### Tropical mix

- 125 ml pineapple juice
- 60 ml papaya juice
- 50 ml orange juice
- ½ small tin of peaches with juice
- 125 g ice cubes

Crush the ice cubes using level **P**. Place all ingredients into the mixer and blend them together at level 3.

### Nut nougat shake

- ½ l milk
- 200 g nut nougat spread
- 1 scoop of vanilla ice cream
- 50 ml cream

Add all the ingredients to the blender and mix at level 3 until everything is evenly blended together.

### Carrot shake

- 300 ml apple juice
- 500 ml carrot juice
- 4 tbsp. cooking oil (wheatgerm oil or rapeseed oil)
- 4 tbsp. of lemon juice
- Powdered ginger
- Pepper

Add the apple juice, cooking oil and lemon juice into the blender and mix everything together at level 2. Then add the carrot juice and mix everything together at level 2. To finish, add the powdered ginger and pepper to taste.

### Blackcurrant mix

- 2 tsp. honey
- 2 bananas
- ¼ l buttermilk
- ¼ l blackcurrant juice

Place all ingredients into the mixer and blend them together at level 3.

## Hawaii shake

- 4 bananas
- ¼ l pineapple juice
- ½ l milk
- 2 tbsp. honey
- ¼ l rum

Peel the bananas and liquidise them at level 2. Then add the other ingredients and mix everything together at level 1.

## Fruity pineapple and strawberry mix

- 250 ml pineapple juice
- 200 g strawberries
- 300 ml apple juice
- 4 ice cubes

Wash the strawberries and remove the green parts. Crush the ice cubes using level **P**. Liquidise them at level 2. Then add the other ingredients and mix everything together at level 1.

## Andalusian cold soup (gazpacho)

- ½ cucumber
- 1 large tomato
- 1 green pepper
- ½ onion
- 1 garlic clove
- ½ white bread roll
- ½ tsp. salt
- 1 tsp. red wine vinegar
- 1 tbsp. olive oil

Cut the vegetables into pieces approx. 2 cm in size. Start by adding the first the tomatoes and then the cucumber to the blender. Liquidise them at level 3. Add the remaining ingredients and then liquidise/blend them all together at level 3 until a smooth soup is created. Serve the soup with bread.

### **Note**

- ▶ These recipes are provided subject to change. All ingredients and preparation information are guiding values. Adapt these recipe suggestions based on your personal experience.
- ▶ In cases of lactose intolerance, we recommend you use a lactose-free milk. Keep in mind, however, that lactose-free milk is a little sweeter.

## 13. Cleaning

### **DANGER!**

Before starting to clean the blender and its components:

- ▶ Ensure that the motor is switched off and the power plug removed from the socket.



Do not immerse the motor block **6** in water or other liquids. This could result in you receiving a fatal electric shock and cause damage to the appliance.

- ▶ Never open the housing of the appliance. Otherwise, there is a risk of a fatal electric shock.

### **WARNING!**

- ▶ Never insert your hand or fingers into the blender **3**, especially while it is in use. The cutting blades **4** are extremely sharp!

### **CAUTION!**

- ▶ Do not use solvents or abrasive cleaners on the plastic surfaces, they could be damaged by them.

### 13.1. Cleaning the blender

- To prevent injuring yourself on the cutting blades **4**, clean the blender **3** only with a long-handled washing-up brush.
- Clean the measuring cap **1** and the lid **2** in mild soap solution. Ensure that the rubber seal **3** is correctly fitted before using the lid **2** again.

**i Note**



You can also clean the lid **2**, the measuring cap **1** and the blender **3** with the cutting blade **4** in your dishwasher. If possible, place all the parts in the upper basket of the dishwasher and make sure that they are not jammed in place.

- If you clean the appliance directly after use, you can usually achieve sufficiently hygienic cleaning results by using the following alternatives:

Fill the blender **3** with 750 ml of water and add a couple of drops of mild washing up liquid. Close the lid **2** and fit the blender **3** onto the motor block **6**. Insert the mains plug into the socket and activate the pulse function a few times so that the cutting blades **4** plough through the water at maximum speed. Afterwards, rinse the blender **3** with plenty of clean water to remove any washing up liquid residues.

- To remove stubborn dirt, you can remove the attachment **A** with the cutting blades **4** from the blender jug **3**:

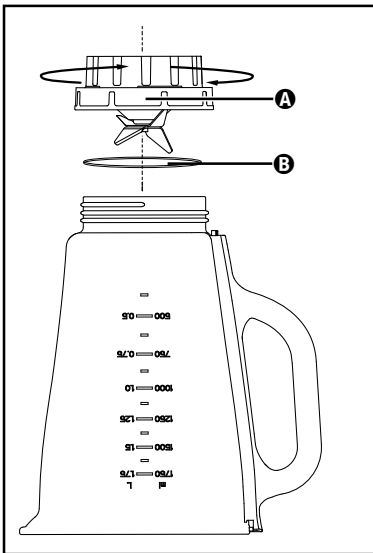



Fig. 3

1) Remove the blender **3** from the motor block **6**. For better stability, remove the lid **2** by turning it anticlockwise towards the position  (see fig 1) until you can pull it off upwards.

2) Turn the appliance upside down and turn the attachment **A** with the cutting blades **4** anticlockwise so that it can be detached from the blender jug **3** (see fig. 3).

**⚠ WARNING!**

- ▶ Handle the cutting blades **4** with extreme caution. They are very sharp.

3) Clean both parts thoroughly in a mild soap solution.

**i Note**

- ▶ If necessary, you can remove the sealing ring **B** from the attachment **A** with the cutting blades **4**. Pull the sealing ring **B** out of the attachment **A** and clean it in a mild soap solution. Then rinse off the sealing ring **B** in fresh water.



You can also clean the blender jug **3** and the attachment **A** with the cutting blades **4** in your dishwasher.

4) Dry all parts thoroughly before reassembling them.

5) Replace the attachment **A** with the cutting blades **4** onto the blender jug **3** and turn it clockwise. Make sure the sealing ring **B** is inserted correctly.

## 13.2. Cleaning the motor block

- 1) Clean the surfaces with a damp cloth. If necessary, apply a mild washing-up liquid to the cloth. Afterwards, wipe off with a cloth moistened only with water to ensure that no detergent remains on the appliance. Then dry the surfaces thoroughly.
- 2) When cleaning, always check that the contact switch in the fitting for the blender **3** is not blocked by soiling residues. If you cannot dislodge any blockages with the corner of a piece of paper, make contact with Customer Services. Do not use any hard objects, these could damage the contact switch.
- 3) Remove any possible residues on the underside of the motor block **6** with a dry cloth or a stiff-bristled brush only. Ensure that nothing can get in through the ventilation openings of the appliance.

## 14. Storage

- 1) If you do not intend to use the blender for an extended period, clean it thoroughly (see chapter **13. Cleaning**).
- 2) Wrap the power cable around the cable retainer **7** on the base of the motor block **6**.
- 3) Store the blender in a cool and dry location.

## 15. Disposal



The symbol of the crossed-out wheeled bin means that this appliance may not be disposed of in regular household waste at the end of its service life. The appliance must be deposited at an established collection point, recycling centre or disposal company.

Please erase all personal data before returning an appliance.

The packaging is made from environmentally friendly material which can be disposed of at your local recycling plant.

Dispose of the packaging in an environmentally friendly manner.

## 16. Kompersass Handels GmbH warranty

Dear Customer,

This appliance has a 3-year warranty valid from the date of purchase. If this product has any faults, you, the buyer, have certain statutory rights. Your statutory rights are not restricted in any way by the warranty described below.

### Warranty conditions

The warranty period starts on the date of purchase. Please keep your receipt in a safe place. This will be required as proof of purchase.

If any material or manufacturing fault occurs within three years of the date of purchase of the product, we will either repair or replace the product for you or refund the purchase price (at our discretion). This warranty service requires that you present the defective appliance and the proof of purchase (receipt) within the three-year warranty period, along with a brief written description of the fault and of when it occurred.

If the defect is covered by the warranty, your product will either be repaired or replaced by us. The repair or replacement of a product does not signify the beginning of a new warranty period.

### Warranty period and statutory claims for defects

The warranty period is not prolonged by repairs effected under the warranty. This also applies to replaced and repaired components. Any damage and defects present at the time of purchase must be reported immediately after unpacking. Repairs carried out after expiry of the warranty period shall be subject to a fee.

### Scope of the warranty

This appliance has been manufactured in accordance with strict quality guidelines and inspected meticulously prior to delivery.

The warranty covers material faults or production faults. The warranty does not extend to product parts subject to normal wear and tear or to fragile parts which could be considered as consumable parts such as switches or parts made of glass.

The warranty does not apply if the product has been damaged, improperly used or improperly maintained. The directions in the operating instructions for the product regarding proper use of the product are to be strictly followed. Uses and actions that are discouraged in the operating instructions or which are warned against must be avoided.

This product is intended solely for private use and not for commercial purposes. The warranty shall be deemed void in cases of misuse or improper handling, use of force and modifications/repairs which have not been carried out by one of our authorised Service centres.

### Warranty claim procedure

To ensure quick processing of your case, please observe the following instructions:

- Please have the till receipt and the item number (IAN) 496701\_2504 available as proof of purchase.
- You will find the item number on the type plate on the product, an engraving on the product, on the front page of the operating instructions (below left) or on the sticker on the rear or bottom of the product.
- If functional or other defects occur, please contact the service department listed either by **telephone** or by **e-mail**.
- You can return a defective product to us free of charge to the service address that will be provided to you. Ensure that you enclose the proof of purchase (till receipt) and information about what the defect is and when it occurred.



You can download these instructions along with many other manuals, product videos and installation software at [www.lidl-service.com](http://www.lidl-service.com).

This QR code will take you directly to the Lidl service page ([www.lidl-service.com](http://www.lidl-service.com)) where you can open your operating instructions by entering the item number (IAN) 496701\_2504.

## 16.1. Service

### GB Service Great Britain

Tel.: 0800 404 7657

E-Mail: [kompernass@lidl.co.uk](mailto:kompernass@lidl.co.uk)

### IE Service Ireland

Tel.: 1800 101010

E-Mail: [kompernass@lidl.ie](mailto:kompernass@lidl.ie)

### MT Service Malta

Tel.: 80062230

E-Mail: [kompernass@lidl.com.mt](mailto:kompernass@lidl.com.mt)

IAN 496701\_2504

## 16.2. Importer

Please note that the following address is not the service address. Please use the service address provided in the operating instructions.

KOMPERNASS HANDELS GMBH

BURGSTRASSE 21

44867 BOCHUM

GERMANY

[www.kompernass.com](http://www.kompernass.com)



# Inhaltsverzeichnis

<b>1. Einleitung</b>	<b>16</b>
<b>2. Bestimmungsgemäßer Gebrauch</b>	<b>16</b>
<b>3. Lieferumfang</b>	<b>16</b>
<b>4. Gerätebeschreibung</b>	<b>16</b>
<b>5. Technische Daten</b>	<b>16</b>
<b>6. Verwendete Warnhinweise und Symbole</b>	<b>17</b>
<b>7. Sicherheitshinweise</b>	<b>18</b>
<b>8. Auspacken</b>	<b>20</b>
<b>9. Aufstellen</b>	<b>20</b>
<b>10. Bedienen</b>	<b>20</b>
10.1. Mixaufsatz befüllen und montieren . . . . .	20
10.2. Geschwindigkeitsstufe wählen . . . . .	22
10.3. Einfüllen im Betrieb . . . . .	22
10.4. Mixaufsatz abnehmen . . . . .	22
<b>11. Nützliche Hinweise</b>	<b>22</b>
<b>12. Rezepte</b>	<b>23</b>
<b>13. Reinigen</b>	<b>24</b>
13.1. Mixaufsatz reinigen . . . . .	25
13.2. Motorblock reinigen . . . . .	26
<b>14. Aufbewahren</b>	<b>26</b>
<b>15. Entsorgung</b>	<b>26</b>
<b>16. Garantie der Kompernaß Handels GmbH</b>	<b>27</b>
16.1. Service . . . . .	28
16.2. Importeur . . . . .	28

# 1. Einleitung

Herzlichen Glückwunsch zum Kauf Ihres neuen Gerätes. Sie haben sich damit für ein hochwertiges Produkt entschieden. Die Bedienungsanleitung ist Bestandteil dieses Produkts. Sie enthält wichtige Hinweise für Sicherheit, Gebrauch und Entsorgung. Machen Sie sich vor der Benutzung des Produkts mit allen Bedien- und Sicherheitshinweisen vertraut. Benutzen Sie das Produkt nur wie beschrieben und für die angegebenen Einsatzbereiche. Händigen Sie alle Unterlagen bei Weitergabe des Produkts an Dritte mit aus.

# 2. Bestimmungsgemäßer Gebrauch

Dieses Gerät ist ausschließlich bestimmt für ...

- das Mischen, Pürieren und Rühren von Lebensmitteln sowie Zerkleinern von Eiswürfeln (sog. „Crushen“),
- haushaltsübliche Mengen und nur in privaten Haushalten in trockenen Räumen.

Dieses Gerät ist nicht bestimmt für ...

- das Zerkleinern von Kräutern, Zwiebeln, Fleisch und harten Lebensmittelanteilen, wie z. B. Nüsse, Kerne, große Körner oder Stiele,
- die Herstellung von Nussmus,
- das Verarbeiten von Materialien, die nicht Lebensmittel sind,
- den Einsatz für gewerbliche oder industrielle Zwecke,
- die Verwendung in feuchter Umgebung oder im Freien,
- das Verarbeiten von heißen/kochenden Flüssigkeiten.

Verwenden Sie nur Zubehör- und Ersatzteile, die für dieses Gerät bestimmt sind. Andere Teile sind möglicherweise nicht ausreichend geeignet oder sicher!

# 3. Lieferumfang

Kontrollieren Sie nach dem Auspacken die Lieferung auf Vollständigkeit.

Im Lieferumfang enthalten ist:

- Motorblock, mit Netzkabel und Netzstecker
- Mixaufsatz
- Deckel
- Dosierkappe
- Bedienungsanleitung

# 4. Gerätebeschreibung

- 1 Dosierkappe
- 2 Deckel
- 3 Mixaufsatz
- 4 Schneidmesser
- 5 Schalter
- 6 Motorblock
- 7 Kabelaufwicklung
- 8 Skala
- 9 Gummidichtung









# 5. Technische Daten



Nennspannung	220-240 V ~, 50-60 Hz
Nennleistung	600 W
Leistungsaufnahme im Aus-Zustand	< 0,5 W
Fassungsvermögen	ca. 2,28 Liter
Max. Einfüllmenge	1,75 Liter
Schutzklasse	II / □
KB-Zeit	3 Minuten

Die KB-Zeit (Kurzbetriebszeit) gibt an, wie lange man ein Gerät betreiben kann, ohne dass der Motor überhitzt und Schaden nimmt. Nach der angegebenen KB-Zeit muss das Gerät so lange ausgeschaltet werden, bis sich der Motor auf Raumtemperatur abgekühlt hat.

## 6. Verwendete Warnhinweise und Symbole

In der vorliegenden Bedienungsanleitung, auf der Verpackung und dem Gerät werden folgende Warnhinweise und Symbole verwendet (falls zutreffend):

	<b>GEFAHR!</b> Ein Warnhinweis mit diesem Symbol und dem Signalwort „GEFAHR“ kennzeichnet eine unmittelbar bevorstehende Gefährdungssituation, die, wenn sie nicht vermieden wird, den Tod oder eine schwere Verletzung zur Folge hat.
	<b>WARNUNG!</b> Ein Warnhinweis mit diesem Symbol und dem Signalwort „WARNUNG“ kennzeichnet eine mögliche Gefährdungssituation, die, wenn sie nicht vermieden wird, den Tod oder eine schwere Verletzung zur Folge haben könnte.
	<b>VORSICHT!</b> Ein Warnhinweis mit diesem Symbol und dem Signalwort „VORSICHT“ kennzeichnet eine mögliche Gefährdungssituation, die, wenn sie nicht vermieden wird, eine geringfügige oder mäßige Verletzung zur Folge haben könnte.
	<b>ACHTUNG!</b> Ein Warnhinweis mit diesem Symbol und dem Signalwort „ACHTUNG“ kennzeichnet eine mögliche Situation, die, wenn sie nicht vermieden wird, einen Sachschaden zur Folge haben könnte.
	<b>Hinweis:</b> Ein Hinweis kennzeichnet zusätzliche Informationen, die den Umgang mit dem Gerät erleichtern.
	Anleitung lesen.
	Wechselstrom/-spannung
	Schutzklasse II: Schutz durch doppelte oder verstärkte Isolierung zwischen spannungsführenden und berührbaren Teilen.

	Nicht in Wasser tauchen!
	Für die Reinigung in der Spülmaschine geeignet.
	Alle Teile dieses Gerätes, die mit Lebensmitteln in Berührung kommen, sind lebensmittelecht.
	Dieses Produkt erfüllt die Anforderungen der geltenden europäischen und nationalen Richtlinien.
	Elektrogerät nicht in den Hausmüll entsorgen!
	Führen Sie die Verpackung einer umweltgerechten Entsorgung zu.
	Verpackung aus recyclebaren Materialien. Beachten Sie die Kennzeichnung der Verpackungsmaterialien bei der Abfalltrennung: Diese sind gekennzeichnet mit Abkürzungen (a) und Ziffern (b) mit folgender Bedeutung: 1-7: Kunststoffe, 20-22: Papier und Pappe, 80-98: Verbundstoffe.
	Die Verpackung enthält Bestandteile aus Papier und/oder Pappe.
	Die Verpackung enthält Bestandteile aus Plastik und/oder Metall.
	
	<b>FR</b> Cet appareil et ses accessoires se recyclent. A DÉPOSER EN MAGASIN OU A DÉPOSER EN DÉCHÈTERIE
	Points de collecte sur <a href="http://www.quefairemedeochets.fr">www.quefairemedeochets.fr</a> Privilégiez la réparation ou le don de votre appareil !
	<b>FR</b> ÉLÉMENTS D'EMBALLAGE BAC DE TRI
	<b>FR</b> Das Produkt, die Verpackung und die Bedienungsanleitung sind recycelbar, unterliegen einer erweiterten Herstellerverantwortung und werden getrennt gesammelt.

## 7. Sicherheitshinweise

### **⚠ GEFAHR! ELEKTRISCHER SCHLAG!**

- Stellen Sie sicher, dass der Motorblock, das Netzkabel oder der Netzstecker niemals in Wasser oder andere Flüssigkeiten getaucht wird.
- Verwenden Sie das Gerät ausschließlich in trockenen Räumen, niemals im Freien oder in feuchter Umgebung.
- Achten Sie darauf, dass im Betrieb das Netzkabel niemals nass oder feucht wird. Führen Sie es so, dass es nicht eingeklemmt oder anderweitig beschädigt werden kann.
- Wenn die Netzanschlussleitung dieses Gerätes beschädigt wird, muss sie durch den Hersteller oder seinen Kundendienst oder eine ähnlich qualifizierte Person ersetzt werden, um Gefährdungen zu vermeiden.
- Ziehen Sie nach Gebrauch immer den Stecker aus der Steckdose. Ausschalten alleine genügt nicht, weil noch immer Netzspannung im Gerät anliegt, solange der Netzstecker in der Steckdose steckt.
- Kontrollieren Sie vor jedem Gebrauch das Gerät auf seinen einwandfreien Zustand. Das Gerät darf nicht verwendet werden, wenn Schäden erkennbar sind, insbesondere am Motorblock oder Mixaufsatz.
- Ziehen Sie sofort den Netzstecker aus der Steckdose, wenn Sie eine ungewöhnliche Geräusch- oder Geruchsentwicklung wahrnehmen oder bei erkennbarer Fehlfunktion.

### **⚠ WARNUNG! VERLETZUNGSGEFAHR!**

- Greifen Sie niemals in den Mixaufsatz, insbesondere nicht im Betrieb. Die Schneidmesser sind extrem scharf!
- Öffnen Sie nicht den Deckel, wenn das Gerät in Betrieb ist.
- Lassen Sie das Gerät nicht unbeaufsichtigt arbeiten, um bei Gefahr sofort reagieren zu können.
- Führen Sie niemals Besteckteile oder Rührgegenstände in den Mixaufsatz, solange das Gerät in Betrieb ist. Es besteht erhebliche Verletzungsgefahr, wenn diese die sich sehr schnell drehenden Schneidmesser berühren!

- Kinder müssen beaufsichtigt werden, um sicherzustellen, dass sie nicht mit dem Gerät spielen.
- Missbrauchen Sie das Gerät nicht für andere Zwecke, als in dieser Anleitung beschrieben.
- Bei Missbrauch des Gerätes besteht Verletzungsgefahr.
- Das Gerät ist bei nicht vorhandener Aufsicht und vor dem Zusammenbau, dem Auseinandernehmen oder Reinigen stets vom Netz zu trennen.
- Das Gerät darf nicht von Kindern benutzt werden.
- Das Gerät und seine Anschlussleitung sind von Kindern fernzuhalten.
- Dieses Gerät kann von Personen mit reduzierten physischen, sensorischen oder mentalen Fähigkeiten oder Mangel an Erfahrung und/oder Wissen benutzt werden, wenn sie beaufsichtigt oder bezüglich des sicheren Gebrauchs des Gerätes unterwiesen wurden und die daraus resultierenden Gefahren verstanden haben.
- Kinder dürfen nicht mit dem Gerät spielen.
- Seien Sie vorsichtig beim Umgang mit dem Gerät. Die Schneidmesser sind sehr scharf!
- Gehen Sie vorsichtig beim Leeren des Mixaufsatzes vor! Die Schneidmesser sind sehr scharf!
- Gehen Sie vorsichtig beim Reinigen des Gerätes vor! Die Schneidmesser sind sehr scharf!
- Schalten Sie das Gerät aus und ziehen Sie den Netzstecker, bevor Sie Zubehör wechseln oder Teile anfassen, die sich während des Betriebs bewegen.
- Stellen Sie sicher, dass der Mixer immer ausgeschaltet ist, bevor Sie ihn vom Motorblock heben!
- Verwenden Sie den Mixaufsatz nur mit dem mitgelieferten Motorblock!

## ! ACHTUNG! SACHSCHADEN!

- Verwenden Sie das Gerät nicht im Bereich direkter Sonneneinstrahlung oder in der Nähe hitzeerzeugender Geräte.
- Füllen Sie niemals kochende Flüssigkeiten oder sehr heiße Lebensmittel in den Mixaufsatz! Lassen Sie diese erst auf handwarme Temperatur abkühlen!
- Betreiben Sie das Gerät niemals im Leerzustand, d. h. ohne Zutaten im Mixaufsatz.

## 8. Auspacken

- Entfernen Sie alle Verpackungsteile oder Schutzfolien vom Gerät. Bewahren Sie die Verpackung auf, um das Gerät geschützt lagern oder einsenden zu können, z. B. im Reparaturfall.
- Bevor Sie das Gerät verwenden, überzeugen Sie sich davon, dass das Gerät unbeschädigt ist, ebenso das Netzkabel mit Netzstecker und alle Zubehör- und Geräteteile.
- Reinigen Sie sorgfältig alle Bestandteile vor dem ersten Gebrauch des Standmixers (siehe Kapitel **13. Reinigen**).

## 9. Aufstellen

Wenn Sie alle Teile gereinigt haben, wie unter **13. Reinigen** beschrieben:



- Stellen Sie das Gerät so auf, ...
  - dass das Netzkabel durch die Aussparung an der Rückseite geführt wird,
  - dass der Netzstecker sofort erreichbar ist, um diesen bei Gefahr aus der Steckdose ziehen zu können,
  - dass es stabil und rutschfest steht, damit bei Vibrationen das Gerät nicht umkippt,
  - dass das Netzkabel nicht in den Arbeitsbereich ragt und durch versehentliches Ziehen daran das Gerät umkippen kann.

## 10. Bedienen

### ⚠ WARNUNG!


- ▶ Der Motor schaltet sich aus, sobald der Mixaufsatz **3** vom Motorblock **6** entfernt oder der Deckel **2** geöffnet wird. Es wird dann vielleicht übersehen, dass die Maschine noch eingeschaltet ist. Der Motor startet dann unvermutet, sobald der Mixaufsatz **3** montiert oder der Deckel **2** wieder geschlossen wird. Deshalb:
  - Stecken Sie den Netzstecker erst dann in die Steckdose, sobald der Mixaufsatz **3** fertig befüllt und verschlossen montiert ist.
  - Vergewissern Sie sich vor dem Montieren stets, dass das Gerät ausgeschaltet oder der Netzstecker gezogen ist.
  - Schalten Sie erst aus, ziehen Sie den Netzstecker und warten Sie den Stillstand des Motors ab, bevor Sie den Mixaufsatz **3** abnehmen oder den Deckel **2** öffnen.

### 10.1. Mixaufsatz befüllen und montieren

- 1) Drehen Sie den Mixaufsatz **3** gegen den Uhrzeigersinn, bis der Pfeil ▼ unter dem Griff des Mixaufsatzes über der Position  steht. Nehmen Sie den Mixaufsatz **3** gerade nach oben vom Motorblock **6** ab.
- 2) Entfernen Sie den Deckel **2**, indem Sie ihn so weit gegen den Uhrzeigersinn Richtung Position  drehen (siehe Abb. 1), bis Sie ihn nach oben abziehen können.

3) Befüllen Sie den Mixaufsatz **3** mindestens bis zum untersten Strich der Skala **8** und maximal bis zur Markierung MAX. Für optimale Ergebnisse empfehlen wir folgende maximale Füllmengen:

Lebensmittel	Maximale Füllmenge	Empfohlene Stufe	Empfohlene Bearbeitungszeit
Flüssigkeiten	1750 ml	1-3	60 Sek.
Joghurt-Mischgetränke	1250 ml	2-5	90 Sek.
Milchshakes/Smoothies	1250 ml	2-5	60-90 Sek.
Pfannkuchenteig	1250 ml	3-5	90 Sek.
Babybrei	750 ml	5	3 Min.
Mayonnaise	2 Eier 250 ml Öl	3-5	90-120 Sek.
Gemüsesuppe	1500 ml	3-5	3 Min.
Eiswürfel	375 ml (ca. 14-15 St.)	P	12 x

4) Drücken Sie den Deckel **2** versetzt wieder fest auf den Mixaufsatz **3** auf. Schließen Sie den Deckel **2**, indem Sie ihn im Uhrzeigersinn in die Position  drehen, bis er hörbar einrastet (siehe Abb. 2). Achten Sie darauf, dass die Ausgießnase am Mixaufsatz **3** verschlossen ist. Nur wenn der Deckel **2** bündig aufgesetzt ist, kann der Motor starten.

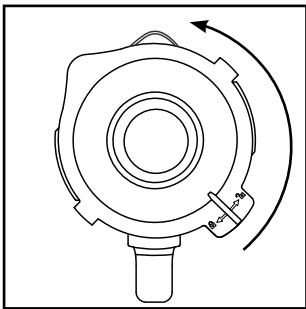


Abb. 1

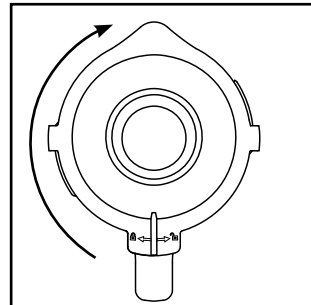





Abb. 2

- 5) Drücken Sie die Dosierkappe **1** bis zum Anschlag in die Deckelöffnung.
- 6) Setzen Sie den fertig befüllten und verschlossenen Mixaufsatz **3** auf den Motorblock **6**. Nutzen Sie dazu die Aussparungen am Motorblock **6** und achten Sie dabei darauf, dass der Pfeil  am Mixaufsatz **3** auf das -Symbol zeigt. Drehen Sie den Mixaufsatz **3** im Uhrzeigersinn in die Position , bis er hörbar einrastet. Nur wenn der Mixaufsatz **3** bündig aufgesetzt ist, kann der Motor starten.

## 10.2. Geschwindigkeitsstufe wählen

Wenn der Mixaufsatz **3** fertig befüllt und vollständig verschlossen auf dem Motorblock **6** steht, können Sie das Gerät einschalten.

Stellen Sie den Schalter **5** auf ...

- **Stufe 1 – 3**  
für flüssige oder mittelfeste Lebensmittel, zum Mischen, Pürieren und Rühren
- **Stufe 3 – 5**  
für festere Lebensmittel oder zum Zerkleinern
- **Stufe P (Pulsfunktion)**  
für kurzen, kraftvollen Impulsbetrieb, z. B. zum Crushen von Eiswürfeln oder zur Reinigung. Der Schalter **5** rastet in dieser Stellung nicht ein, um den Motor nicht zu überlasten. Halten Sie den Schalter **5** deshalb nur kurz in dieser Stellung.

### **i** Hinweis

- ▶ Befüllen Sie den Mixaufsatz **3** maximal bis zur 375 ml-Markierung mit Eiswürfeln. Ansonsten zerkleinert das Gerät die Eiswürfel nicht optimal.

## 10.3. Einfüllen im Betrieb

### **⚠** WARNUNG!


- ▶ Wenn Sie bei laufendem Betrieb etwas einfüllen möchten, dürfen Sie ausschließlich die dafür eigens vorgesehene Dosierkappe **1** öffnen. Öffnen Sie keinesfalls den Deckel **2**.
- ▶ Führen Sie niemals Besteckteile oder Rührgegenstände in den Mixaufsatz **3**, solange das Gerät in Betrieb ist. Es besteht erhebliche Verletzungsgefahr, wenn diese die sich sehr schnell drehenden Schneidmesser **4** berühren!

Um bei laufendem Betrieb etwas einfüllen zu können, ...

- 1) Ziehen Sie die Dosierkappe **1** aus dem Deckel **2** heraus.
- 2) Füllen Sie die Zutaten ein.
- 3) Drücken Sie die Dosierkappe **1** anschließend wieder in die Deckelöffnung.

## 10.4. Mixaufsatz abnehmen

Wenn die Bearbeitung der eingefüllten Lebensmittel beendet ist:

- 1) Stellen Sie immer erst den Schalter **5** in Aus-Stellung („0“) und ziehen Sie den Netzstecker.
- 2) Warten Sie erst den Stillstand des Motors ab, bevor Sie den Mixaufsatz **3** vom Motorblock **6** nehmen. Drehen Sie dazu den Mixaufsatz **3** gegen den Uhrzeigersinn, bis der Pfeil ▼ unter dem Griff des Mixaufsatzes über der Position  steht. Nehmen Sie den Mixaufsatz **3** gerade nach oben vom Motorblock **6** ab.

## 11. Nützliche Hinweise

- Um beim Pürieren fester Zutaten beste Ergebnisse zu erzielen, geben Sie nach und nach nur kleine Portionen in den Mixaufsatz **3**, anstatt eine große Menge auf einmal einzufüllen.
- Wenn Sie feste Zutaten verarbeiten, schneiden Sie diese in kleine Stücke (2–3 cm).
- Geben Sie beim Pürieren von Obst oder Gemüse mindestens 50 ml Flüssigkeit hinzu.
- Füllen Sie dickflüssigere Zutaten wie z. B. Joghurt zuerst in den Mixaufsatz **3** ein. Sollten während des Mixens nicht alle Zutaten erfasst werden, nehmen Sie den Mixaufsatz **3** vom Motorblock **6** ab, entfernen Sie den Deckel **2** und rühren Sie die Zutaten z. B. mit einem Löffel um. Setzen Sie den Mixaufsatz **3** mit verschlossenem Deckel **2** wieder auf den Motorblock **6** auf und setzen Sie den Mixvorgang fort.
- Beim Mixen flüssiger Zutaten beginnen Sie zunächst mit einer geringen Menge Flüssigkeit. Geben Sie dann nach und nach mehr Flüssigkeit durch die Deckelöffnung hinzu.
- Wenn Sie bei laufendem Betrieb Ihre Hand oben auf den verschlossenen Standmixer legen, können Sie das Gerät damit gut stabilisieren.
- Für das Rühren von festen oder sehr dickflüssigen Lebensmitteln kann es nützlich sein, die Stufe **P** zu verwenden, um ein Festsetzen der Schneidmessers **4** zu verhindern.

### **i Hinweis**

- ▶ Benutzen Sie das Gerät nicht, um die Körnung von Speisesalz, Raffinadezucker oder weißem Zucker zu verfeinern, wie z. B., um Puderzucker herzustellen.

## **12. Rezepte**

### **Bananen-Shake**

- 2 Bananen
- ca. 2 Esslöffel Zucker (je nach Reifegrad der Bananen und persönlichem Geschmack)
- ½ Liter Milch
- 1 Spritzer Zitronensaft

Schälen Sie die Bananen und pürieren Sie sie auf Stufe 2. Geben Sie nach und nach die Milch, dann den Zucker und den Zitronensaft hinzu. Mixen Sie alles so lange, bis eine gleichmäßige Flüssigkeit entsteht. Servieren Sie den Shake eisgekühlt.

### **Vanille-Shake**

- ¼ Liter Milch
- 250 g Vanilleeis
- 125 g Eiswürfel
- 1 ½ Teelöffel Zucker

Crushen Sie die Eiswürfel mit der Stufe **P**. Füllen Sie die restlichen Zutaten in den Mixer. Mixen Sie alles so lange auf Stufe 2, bis eine gleichmäßige Flüssigkeit entsteht.

### **Cappuccino-Shake**

- 65 ml kalten Espresso (oder sehr starken Kaffee)
- 65 ml Milch
- 15 g Zucker
- 65 g Vanilleeis
- 100 g Eiswürfel

Crushen Sie die Eiswürfel mit der Stufe **P**. Geben Sie den Espresso, die Milch und den Zucker hinzu. Mixen Sie alles auf der Stufe 2, bis sich der Zucker aufgelöst hat. Geben Sie zum Schluss das Vanilleeis hinzu und mixen Sie alles kurz auf der Stufe 1 durch.

### **Tropical-Mix**

- 125 ml Ananassaft
- 60 ml Papayasaft
- 50 ml Orangensaft
- ½ kleine Dose Pfirsiche mit Saft
- 125 g Eiswürfel

Crushen Sie die Eiswürfel mit der Stufe **P**. Geben Sie alle Zutaten in den Mixer und mischen Sie alles auf Stufe 3 durch.

### **Nuss-Nougat-Shake**

- ½ Liter Milch
- 200 g Nuss-Nougat-Creme
- 1 Kugel Vanilleeis
- 50 ml Sahne

Vermengen Sie alle Zutaten im Mixer auf Stufe 3, bis alles gleichmäßig vermischt ist.

### **Möhren-Shake**

- 300 ml Apfelsaft
- 500 ml Möhrensaft
- 4 Esslöffel Öl (Weizenkeim- oder Rapsöl)
- 4 Esslöffel Zitronensaft
- Ingwerpulver
- Pfeffer

Geben Sie den Apfelsaft, das Öl und den Zitronensaft in den Mixer und mischen Sie alles auf Stufe 2. Geben Sie dann den Möhrensaft hinzu und mixen Sie alles auf Stufe 2 durch. Schmecken Sie dann den Shake mit Ingwerpulver und Pfeffer ab.

### **Johannisbeer-Mix**

- 2 Teelöffel Honig
- 2 Bananen
- ¼ Liter Buttermilch
- ¼ Liter Johannisbeersaft (schwarz)

Geben Sie alle Zutaten in den Mixer und mixen Sie alles auf Stufe 3 durch.

## Hawaii-Shake

- 4 Bananen
- ¼ Liter Ananassaft
- ½ Liter Milch
- 2 EL Honig
- ¼ Liter Rum

Schälen Sie die Bananen und pürieren Sie sie auf Stufe 2. Geben Sie die weiteren Zutaten hinzu und vermengen Sie alles auf Stufe 1.

## Fruchtiger

### Ananas-Erdbeer-Mix

- 250 ml Ananassaft
- 200 g Erdbeeren
- 300 ml Apfelsaft
- 4 Eiswürfel

Waschen Sie die Erdbeeren und entfernen Sie das Grün. Crushen Sie die Eiswürfel mit der Stufe P. Pürieren Sie sie auf Stufe 2. Geben Sie dann die restlichen Zutaten hinzu und mixen Sie alles auf Stufe 1.

## Andalusische kalte Suppe (Gazpacho)

- ½ Gurke
- 1 Fleischtomate
- 1 grüne Paprika
- ½ Zwiebel
- 1 Knoblauchzehe
- ½ weißes Brötchen
- ½ Teelöffel Salz
- 1 Teelöffel Rotweinessig
- 1 Esslöffel Olivenöl

Schneiden Sie das Gemüse in ca. 2 cm große Stücke. Geben Sie zuerst die Tomatenstücke und danach die Gurke in den Mixer. Pürieren Sie diese auf Stufe 3. Fügen Sie die restlichen Zutaten hinzu und pürieren/durchmengen Sie alles auf Stufe 3, bis eine gleichmäßige Suppe entsteht. Servieren Sie das ganze mit Brot.

### Hinweis

- ▶ Rezepte ohne Gewähr. Alle Zutaten- und Zubereitungsangaben sind Anhaltswerte. Ergänzen Sie diese Rezeptvorschläge um Ihre persönlichen Erfahrungswerte.
- ▶ Bei Laktose-Intoleranz empfehlen wir Ihnen, laktosefreie Milch zu verwenden. Bedenken Sie dabei jedoch, dass laktosefreie Milch ein wenig süßer schmeckt.


## 13. Reinigen

### GEFAHR!

Bevor Sie den Standmixer und seine Teile reinigen:



- ▶ Stellen Sie sicher, dass das Gerät ausgeschaltet und der Netzstecker gezogen ist.



Auf keinen Fall darf der Motorblock  in Wasser oder andere Flüssigkeiten getaucht werden. Hierdurch kann Lebensgefahr durch elektrischen Schlag entstehen und das Gerät kann beschädigt werden.

- ▶ Öffnen Sie niemals das Gehäuse des Gerätes. Andernfalls kann Lebensgefahr bestehen durch elektrischen Schlag.

### WARNUNG!

- ▶ Greifen Sie niemals in den Mixaufsatz , insbesondere nicht im Betrieb. Die Schneidmesser  sind extrem scharf!

### ACHTUNG!

- ▶ Verwenden Sie keine Lösungs- oder Scheuermittel für die Kunststoffflächen, diese können andernfalls beschädigt werden.

## 13.1. Mixaufsatz reinigen

- Reinigen Sie den Mixaufsatz **3** nur mit einer langstieligen Spülbürste, so dass Sie sich nicht an den Schneidmessern **4** verletzen können.
- Reinigen Sie die Dosierkappe **1** und den Deckel **2** in milder Seifenlauge. Achten Sie darauf, dass die Gummidichtung **4** richtig sitzt, bevor Sie den Deckel **2** erneut verwenden.

### **i** Hinweis



Sie können den Deckel **2**, die Dosierkappe **1** und den Mixaufsatz **3** mit den Schneidmessern **4** auch in der Spülmaschine reinigen. Legen Sie die Teile möglichst in den oberen Korb der Spülmaschine und achten Sie darauf, sie nicht einzuklemmen.

- Wenn Sie das Gerät direkt nach der Benutzung reinigen, erzielen Sie eine in den meisten Fällen ausreichende hygienische Reinigung durch folgende Alternative: Füllen Sie den Mixaufsatz **3** mit 750 ml Wasser und geben Sie einige Tropfen eines milden Spülmittels dazu. Schließen Sie den Deckel **2** und setzen Sie den Mixaufsatz **3** auf den Motorblock **6**. Stecken Sie den Netzstecker in eine Steckdose und betätigen Sie ein paar Mal die Pulsfunktion, so dass die Schneidmesser **4** mit maximaler Drehzahl durch das Wasser pflügen. Spülen Sie danach den Mixaufsatz **3** mit viel klarem Wasser aus, so dass alle Spülmittelreste beseitigt sind.
- Um hartnäckige Verschmutzungen besser entfernen zu können, können Sie den Aufsatz **A** mit den Schneidmessern **4** vom Behälter des Mixaufsatzes **3** lösen:

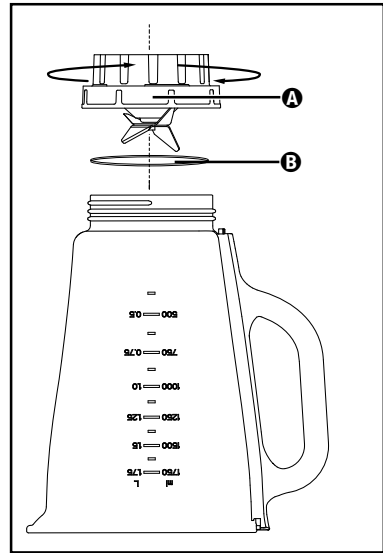



Abb. 3

- 1) Nehmen Sie den Mixaufsatz **3** vom Motorblock **6**. Entfernen Sie für eine bessere Standfestigkeit den Deckel **2**, indem Sie ihn so weit gegen den Uhrzeigersinn Richtung Position  drehen (siehe Abb. 1), bis Sie ihn nach oben abziehen können.
  - 2) Stellen Sie das Gerät auf den Kopf und drehen Sie den Aufsatz **A** mit den Schneidmessern **4** gegen den Uhrzeigersinn, so dass er sich vom Behälter des Mixaufsatzes **3** lösen lässt (siehe Abb. 3).
- ⚠️ WARNUNG!**
- Gehen Sie vorsichtig mit den Schneidmessern **4** um. Sie sind sehr scharf.
- 3) Reinigen Sie beide Teile gründlich in milder Seifenlauge.

## **i** Hinweis

- ▶ Bei Bedarf können Sie den Dichtungsring **B** aus dem Aufsatz **A** mit den Schneidmessern **4** entnehmen. Ziehen Sie den Dichtungsring **B** aus dem Aufsatz **A** heraus und reinigen Sie diesen in milder Seifenlauge. Spülen Sie den Dichtungsring **B** danach mit klarem Wasser ab.



Sie können den Behälter des Mixaufsatzes **3** und den Aufsatz **A** mit den Schneidmessern **4** auch in der Spülmaschine reinigen.

- 4) Trocknen Sie alle Teile gründlich ab, bevor Sie sie wieder zusammenbauen.
- 5) Setzen Sie Aufsatz **A** mit den Schneidmessern **4** wieder auf den Behälter des Mixaufsatzes **3** und drehen Sie ihn im Uhrzeigersinn fest. Achten Sie darauf, dass der Dichtungsring **B** korrekt eingesetzt ist.

## **13.2. Motorblock reinigen**

- 1) Reinigen Sie die Oberflächen mit einem feuchten Tuch. Geben Sie bei Bedarf ein mildes Spülmittel auf das Tuch. Wischen Sie mit einem nur mit Wasser befeuchteten Tuch nach, um eventuelle Spülmittelreste zu entfernen. Trocknen Sie die Oberflächen danach gut ab.
- 2) Kontrollieren Sie bei jeder Reinigung, dass der Kontaktschalter in der Aufnahme für den Mixaufsatz **3** nicht durch Schmutzreste blockiert ist. Wenn Sie eventuelle Blockierungen nicht mit der Ecke von einem Blatt Papier lösen können, wenden Sie sich an den Kundendienst. Verwenden Sie auf keinen Fall einen harten Gegenstand, der Kontaktschalter könnte dadurch beschädigt werden.
- 3) Entfernen Sie eventuelle Verschmutzungen an der Unterseite des Motorblocks **6** ausschließlich mit einem trockenen Tuch oder einem Staubpinsel. Achten Sie darauf, dass nichts durch die Lüftungsöffnungen in das Gerät gelangt.

## **14. Aufbewahren**

- 1) Wenn Sie den Standmixer längere Zeit nicht verwenden, reinigen Sie ihn gründlich (siehe Kapitel **13. Reinigen**).
- 2) Wickeln Sie das Netzkabel um die Kabelaufwicklung **7** am Boden des Motorblocks **6**.
- 3) Bewahren Sie das Gerät an einem kühlen, trockenen Ort auf.

## **15. Entsorgung**



Das Symbol der durchgestrichenen Mülltonne bedeutet, dass dieses Gerät am Ende der Nutzungszeit nicht über den Hausmüll entsorgt werden darf. Das Gerät ist bei eingerichteten Sammelstellen, Wertstoffhöfen oder Entsorgungsbetrieben abzugeben.

### **Für den deutschen Markt gilt:**

Zudem sind Vertreiber von Elektro- und Elektronikgeräten sowie Vertreiber von Lebensmittelgeräten zur Rücknahme verpflichtet. LIDL bietet Ihnen Rückgabemöglichkeiten direkt in den Filialen und Märkten an. Rückgabe und Entsorgung sind für Sie kostenfrei.

Beim Kauf eines Neugerätes haben Sie das Recht, ein entsprechendes Altgerät unentgeltlich zurückzugeben. Zusätzlich haben Sie die Möglichkeit, unabhängig vom Kauf eines Neugerätes, unentgeltlich (bis zu drei) Altgeräte abzugeben, die in keiner Abmessung größer als 25 cm sind.

Bitte löschen Sie vor der Rückgabe alle personenbezogenen Daten.

Die Verpackung besteht aus umweltfreundlichen Materialien, die Sie über die örtlichen Recyclingstellen entsorgen können.

Entsorgen Sie die Verpackung umweltgerecht.

## 16. Garantie der Kompernaß Handels GmbH

Sehr geehrte Kundin, sehr geehrter Kunde,  
Sie erhalten auf dieses Gerät 3 Jahre Garantie ab Kaufdatum. Im Falle von Mängeln dieses Produkts stehen Ihnen gegen den Verkäufer des Produkts gesetzliche Rechte zu. Diese gesetzlichen Rechte werden durch unsere im Folgenden dargestellte Garantie nicht eingeschränkt.

### Garantiebedingungen

Die Garantiefrist beginnt mit dem Kaufdatum. Bitte bewahren Sie den Kassenbon gut auf. Dieser wird als Nachweis für den Kauf benötigt. Tritt innerhalb von drei Jahren ab dem Kaufdatum dieses Produkts ein Material- oder Fabrikationsfehler auf, wird das Produkt von uns – nach unserer Wahl – für Sie kostenlos repariert, ersetzt oder der Kaufpreis erstattet. Diese Garantieleistung setzt voraus, dass innerhalb der Dreijahresfrist das defekte Gerät und der Kaufbeleg (Kassenbon) vorgelegt und schriftlich kurz beschrieben wird, worin der Mangel besteht und wann er aufgetreten ist.

Wenn der Defekt von unserer Garantie gedeckt ist, erhalten Sie das reparierte oder ein neues Produkt zurück. Mit Reparatur oder Austausch des Produkts beginnt kein neuer Garantiezeitraum.

### Garantiezeit und gesetzliche Mängelansprüche

Die Garantiezeit wird durch die Gewährleistung nicht verlängert. Dies gilt auch für ersetzte und reparierte Teile. Eventuell schon beim Kauf vorhandene Schäden und Mängel müssen sofort nach dem Auspacken gemeldet werden. Nach Ablauf der Garantiezeit anfallende Reparaturen sind kostenpflichtig.

### Garantieumfang

Das Gerät wurde nach strengen Qualitätsrichtlinien sorgfältig produziert und vor Auslieferung gewissenhaft geprüft.

Die Garantieleistung gilt für Material- oder Fabrikationsfehler. Diese Garantie erstreckt sich nicht auf Produktteile, die normaler Abnutzung ausgesetzt sind und daher als Verschleißteile angesehen werden können oder für Beschädigungen an zerbrechlichen Teilen, z. B. Schalter oder Teile, die aus Glas gefertigt sind.

Diese Garantie verfällt, wenn das Produkt beschädigt, nicht sachgemäß benutzt oder gewartet wurde. Für eine sachgemäße Benutzung des Produkts sind alle in der Bedienungsanleitung aufgeführten Anweisungen genau einzuhalten. Verwendungszwecke und Handlungen, von denen in der Bedienungsanleitung abgeraten oder vor denen gewarnt wird, sind unbedingt zu vermeiden.

Das Produkt ist nur für den privaten und nicht für den gewerblichen Gebrauch bestimmt. Bei missbräuchlicher und unsachgemäßer Behandlung, Gewaltanwendung und bei Eingriffen, die nicht von unserer autorisierten Servicenederlassung vorgenommen wurden, erlischt die Garantie.

### Abwicklung im Garantiefall

Um eine schnelle Bearbeitung Ihres Anliegens zu gewährleisten, folgen Sie bitte den folgenden Hinweisen:

- Bitte halten Sie für alle Anfragen den Kassenbon und die Artikelnummer (IAN) 496701\_2504 als Nachweis für den Kauf bereit.
- Die Artikelnummer entnehmen Sie bitte dem Typenschild am Produkt, einer Gravur am Produkt, dem Titelblatt der Bedienungsanleitung (unten links) oder dem Aufkleber auf der Rück- oder Unterseite des Produktes.
- Sollten Funktionsfehler oder sonstige Mängel auftreten, kontaktieren Sie zunächst die nachfolgend benannte Serviceabteilung **telefonisch** oder per **E-Mail**.
- Ein als defekt erfasstes Produkt können Sie dann unter Beifügung des Kaufbelegs (Kassenbon) und der Angabe, worin der Mangel besteht und wann er aufgetreten ist, für Sie portofrei an die Ihnen mitgeteilte Serviceanschrift übersenden.



Auf [www.lidl-service.com](http://www.lidl-service.com) können Sie diese und viele weitere Handbücher, Produktvideos und Installationssoftware herunterladen.

Mit diesem QR-Code gelangen Sie direkt auf die Lidl-Service-Seite ([www.lidl-service.com](http://www.lidl-service.com)) und können durch die Eingabe der Artikelnummer (IAN) 496701\_2504 Ihre Bedienungsanleitung öffnen.

## 16.1. Service

### DE Service Deutschland

Tel.: 0800 5435 111 (kostenfrei  
aus dem dt. Festnetz / Mobilfunknetz)  
E-Mail: [kompernass@lidl.de](mailto:kompernass@lidl.de)

### AT Service Österreich

Tel.: 0800 447 744  
E-Mail: [kompernass@lidl.at](mailto:kompernass@lidl.at)

### BE Service Belgien

Tel.: 0800 12089  
E-Mail: [kompernass@lidl.be](mailto:kompernass@lidl.be)

### CH Service Schweiz

Tel.: 0800 56 44 33  
E-Mail: [kompernass@lidl.ch](mailto:kompernass@lidl.ch)

IAN 496701\_2504

## 16.2. Importeur

Bitte beachten Sie, dass die folgende Anschrift keine Serviceanschrift ist. Kontaktieren Sie zunächst die benannte Servicestelle.

KOMPERNASS HANDELS GMBH  
BURGSTRASSE 21  
44867 BOCHUM  
DEUTSCHLAND  
[www.kompernass.com](http://www.kompernass.com)

# Sommaire

<b>1. Introduction</b>	<b>30</b>
<b>2. Usage en bonne et due forme</b>	<b>30</b>
<b>3. Accessoires fournis</b>	<b>30</b>
<b>4. Description de l'appareil</b>	<b>30</b>
<b>5. Caractéristiques techniques</b>	<b>30</b>
<b>6. Avertissements et symboles utilisés</b>	<b>31</b>
<b>7. Instructions relatives à la sécurité</b>	<b>32</b>
<b>8. Déballage</b>	<b>34</b>
<b>9. Installation</b>	<b>34</b>
<b>10. Utilisation</b>	<b>34</b>
10.1. Remplir et monter le bol mixeur . . . . .	34
10.2. Sélectionner le niveau de vitesse . . . . .	36
10.3. Remplissage en marche . . . . .	36
10.4. Déposer le bol mixeur . . . . .	36
<b>11. Remarques utiles</b>	<b>36</b>
<b>12. Recettes</b>	<b>37</b>
<b>13. Nettoyage</b>	<b>38</b>
13.1. Nettoyage du bol mixeur . . . . .	38
13.2. Nettoyage du bloc-moteur . . . . .	40
<b>14. Rangement de l'appareil</b>	<b>40</b>
<b>15. Recyclage</b>	<b>40</b>
<b>16. Garantie pour Kompernass Handels GmbH (France)</b>	<b>40</b>
<b>17. Garantie pour Kompernass Handels GmbH (Belgique/Suisse)</b>	<b>42</b>
<b>18. Service après-vente</b>	<b>43</b>
<b>19. Importateur</b>	<b>43</b>

## 1. Introduction

Toutes nos félicitations pour l'achat de votre nouvel appareil.

Vous avez choisi un produit de grande qualité. Le mode d'emploi fait partie de ce produit. Il contient des remarques importantes concernant la sécurité, l'utilisation et la mise au rebut. Veuillez vous familiariser avec l'ensemble des consignes d'opération et de sécurité avant l'usage du produit. N'utilisez le produit que conformément aux consignes et pour les domaines d'utilisation prévus. En cas de transfert du produit à un tiers, remettez-lui également tous les documents.

## 2. Usage en bonne et due forme

Cet appareil sert exclusivement à ...

- mélanger, réduire en purée et remuer des aliments, ainsi qu'à broyer des glaçons,
- exclusivement pour des quantités habituelles pour un usage domestique et uniquement pour un usage privé dans des locaux secs.

Cet appareil n'est pas prévu pour ...

- broyer des herbes aromatiques, des oignons, de la viande et des produits alimentaires durs tels que noix, noyaux, gros grains ou fèves,
- préparer de la purée de noix,
- travailler des matières autres que des denrées alimentaires,
- une utilisation commerciale ou industrielle,
- une utilisation en environnement humide ou à l'extérieur,
- transformer des liquides chauds/bouillants.

Utilisez uniquement les accessoires et les pièces de rechange destinés à cet appareil. D'autres pièces risquent de ne pas convenir ou de ne pas être suffisamment sûres !

## 3. Accessoires fournis

Vérifiez après déballage que toutes les pièces sont fournies. Les accessoires livrés sont les suivants :

- bloc moteur avec cordon d'alimentation et fiche secteur
- bol mixeur
- couvercle
- bouchon doseur
- mode d'emploi

## 4. Description de l'appareil

- 1 Bouchon doseur
- 2 Couvercle
- 3 Bol mixeur
- 4 Lames
- 5 Sélecteur
- 6 Bloc moteur
- 7 Enroulement du cordon d'alimentation
- 8 Graduation
- 9 Joint caoutchouc couvercle









## 5. Caractéristiques techniques

Tension nominale	220 - 240 V ~, 50 - 60 Hz
Puissance nominale	600 W
Capacité	env. 2,3 litres
Puissance absorbée à l'état inactif	< 0,5 W
Niveau de remplissage maxi	1,75 litres
Classe de protection	II / □
Temps de fonctionnement par intermittence	3 minutes

La durée d'utilisation par intermittence indique pendant combien de temps l'appareil peut être opéré, sans que le moteur ne surchauffe ou subisse de dommages. Une fois la durée d'utilisation par intermittence écoulée, l'appareil doit rester éteint jusqu'à ce que le moteur ait refroidi à température ambiante.

## 6. Avertissements et symboles utilisés

Les avertissements et symboles suivants sont utilisés (s'il y a lieu) dans le présent mode d'emploi, sur l'emballage et sur l'appareil :

	<b>DANGER !</b> Un avertissement accompagné de ce symbole et de la mention « DANGER » désigne une situation dangereuse imminente qui, si elle n'est pas évitée, a pour conséquence d'entraîner la mort ou une blessure grave.
	<b>AVERTISSEMENT !</b> Un avertissement accompagné de ce symbole et de la mention « AVERTISSEMENT » désigne une situation possiblement dangereuse qui, si elle n'est pas évitée, peut entraîner la mort ou une blessure grave.
	<b>PRUDENCE !</b> Un avertissement accompagné de ce symbole et de la mention « PRUDENCE » annonce une situation possiblement dangereuse qui, si elle n'est pas évitée, pourrait occasionner une blessure légère ou modérée.
	<b>ATTENTION !</b> Un avertissement accompagné de ce symbole et de la mention « ATTENTION » annonce une situation susceptible d'occasionner des dégâts matériels si elle n'est pas évitée.
	<b>Remarque :</b> Une remarque comporte des informations supplémentaires facilitant la manipulation de l'appareil.
	Lire le mode d'emploi.
	Courant/tension alternatif(ive)
	Classe de protection II : protection par une isolation double.

	Ne pas plonger dans l'eau !
	Peut être lavé au lave-vaisselle.
	Toutes les parties de cet appareil en contact avec des aliments conviennent aux produits alimentaires.
	Ce produit répond aux exigences des directives européennes et nationales applicables.
	Ne pas jeter les appareils électriques dans les ordures ménagères !
	Recyclez l'emballage en respectant les règles environnementales.
	Emballage en matériaux recyclables. Pour le tri des déchets, respectez l'identification des matériaux d'emballage : ils sont repérés par des abréviations (a) et des numéros (b) qui ont la signification suivante : 1-7 : plastiques, 20-22 : papier et carton, 80-98 : matériaux composites.
	L'emballage se compose d'éléments en papier et/ou en carton.
	L'emballage se compose d'éléments en plastique et/ou en métal.
	
	<b>FR</b> Cet appareil et ses accessoires se recyclent A DÉPOSER EN MAGASIN OU A DÉPOSER EN DÉCHÈTÈRIE Points de collecte sur <a href="http://www.quefairemedesdechets.fr">www.quefairemedesdechets.fr</a> Privilégiez la réparation ou le don de votre appareil !
	<b>FR</b> ÉLÉMENTS D'EMBALLAGE BAC À RÉCYCLER
	<b>FR</b> Le produit, l'emballage et le mode d'emploi sont recyclables, soumis à une responsabilité élargie du fabricant, et sont collectés séparément.

## 7. Instructions relatives à la sécurité

### **⚠ DANGER ! RISQUE D'ÉLECTROCUTION !**

- Veillez à ne pas immerger le bloc moteur, le cordon d'alimentation ou la fiche secteur dans l'eau ou tout autre liquide.
- Utilisez l'appareil uniquement dans des pièces sèches, et jamais à l'extérieur ou dans un environnement humide.
- Assurez-vous que le cordon d'alimentation ne soit jamais humide ou mouillé lorsque l'appareil est en marche. Disposez le cordon de manière à éviter qu'il ne soit coincé ou endommagé.
- Si le cordon d'alimentation de cet appareil est endommagé, il doit être remplacé par le fabricant, son service après-vente ou une personne de qualification similaire afin d'éviter tout risque.
- Après utilisation, veuillez retirer la fiche de la prise secteur. Il ne suffit pas d'éteindre l'appareil, en raison de la présence de courant dans ce dernier s'il reste branché.
- Avant toute utilisation, vérifiez que l'appareil est en parfait état. Ne pas utiliser l'appareil si vous constatez des dommages, en particulier au niveau du bloc moteur ou du bol mixeur.
- Débranchez immédiatement la fiche secteur de la prise si vous constatez une fumée ou une odeur inhabituelle ou un dysfonctionnement identifiable.

### **⚠ AVERTISSEMENT ! RISQUE DE BLESSURES !**

- Ne mettez jamais les doigts dans le bol mixeur. Les lames sont extrêmement tranchantes !
- N'ouvrez pas le couvercle lorsque l'appareil est en marche.
- Ne mettez jamais de couvert ou d'ustensile pour remuer à l'intérieur du bol mixeur lorsque l'appareil est en marche. Vous risquez de graves blessures s'ils entrent en contact avec la lame en rotation rapide !
- Ne laissez pas l'appareil sans surveillance afin de pouvoir réagir immédiatement en cas de danger.

- Les enfants doivent être surveillés afin d'éviter qu'ils ne jouent avec l'appareil.
- N'utilisez pas l'appareil à d'autres fins que celles décrites dans ce mode d'emploi.
- En cas d'usage abusif, il existe un risque de blessures.
- En cas d'absence de surveillance et avant l'assemblage, le désassemblage ou le nettoyage, l'appareil doit toujours être débranché du secteur.
- L'appareil ne doit pas être utilisé par des enfants.
- Tenir l'appareil et son cordon de raccordement à l'écart des enfants.
- Cet appareil peut être utilisé par des personnes ayant des capacités physiques, sensorielles ou mentales réduites ou disposant de peu d'expérience et/ou de connaissances, à condition qu'elles soient surveillées ou qu'elles aient été initiées à l'utilisation sécurisée de l'appareil et qu'elles aient compris les dangers en résultant.
- Ne pas laisser les enfants jouer avec l'appareil.
- Soyez prudent en manipulant l'appareil. Les lames sont très tranchantes !
- Procédez avec la plus grande prudence lorsque vous videz le bol mixeur. Les lames sont très tranchantes !
- Procédez avec la plus grande prudence lorsque vous nettoyez l'appareil ! Les lames sont très tranchantes !
- Éteignez l'appareil et débranchez la fiche réseau avant de remplacer des accessoires ou de saisir des pièces mobiles lors du fonctionnement.
- Utilisez le bol mixeur exclusivement avec le bloc moteur compris dans la livraison !
- Assurez-vous que le mixer soit toujours éteint avant de retirer le bol mixeur du bloc moteur !

## ⚠ **ATTENTION ! DÉGÂTS MATÉRIELS !**

- N'utilisez pas l'appareil sous l'exposition directe du soleil ou de la chaleur émise par des appareils chauffants.
- Ne versez jamais de liquides brûlants dans le bol mixeur. Laissez-les refroidir auparavant à température ambiante.
- N'opérez jamais l'appareil lorsqu'il est vide, c'est-à-dire sans ingrédients dans le bol mixeur.

## 8. Déballage

- Retirez tous les éléments d'emballage ou films de protection de l'appareil. Conservez l'emballage, pour pouvoir entreposer ou expédier l'appareil en toute sécurité, par ex. en cas de réparation.
- Avant d'utiliser l'appareil, assurez-vous qu'il ne présente pas de dommages, et que le cordon d'alimentation avec fiche secteur et tous les accessoires et composants de l'appareil ne sont pas endommagés.
- Nettoyez soigneusement tous les composants avant le premier usage du mixeur (voir **13. Nettoyage**)

## 9. Installation

Lorsque vous avez nettoyé toutes les pièces comme indiqué sous **13. Nettoyage** :



- Disposez l'appareil de telle manière...
  - que cordon d'alimentation soit acheminé à travers l'évidement au dos,
  - que la fiche secteur soit immédiatement accessible pour pouvoir la débrancher de la prise en cas de danger.
  - qu'il soit bien d'aplomb et qu'il ne glisse pas, afin que l'appareil ne se renverse pas en cas de vibrations.
  - que la fiche secteur ne dépasse pas sur la zone de travail et ne risque pas de faire basculer l'appareil en tirant dessus involontairement.

## 10. Utilisation

### ⚠ **AVERTISSEMENT !**


- ▶ Le moteur s'éteint dès que le bol mixeur ③ est détaché du bloc moteur ⑥ ou que le couvercle ② est ouvert. Dans ce cas, il y a risque d'oublier que l'appareil est encore allumé. Dès que l'on repose le bol mixeur ③ ou que le couvercle ② est à nouveau refermé, le moteur démarre d'un coup :
  - Attendez pour brancher la fiche secteur dans la prise que le bol mixeur ③ soit complètement rempli et soit monté fermé.
  - Avant de procéder au montage, assurez-vous que l'appareil est éteint ou que la fiche secteur est débranchée.
  - Commencez par éteindre l'appareil, débranchez la fiche secteur de la prise de courant et attendez que le moteur se soit immobilisé avant de retirer le bol mixeur ③ ou d'ouvrir le couvercle ②.

### 10.1. Remplir et monter le bol mixeur

- 1) Tournez le bol mixeur ③ dans le sens anti-horaire jusqu'à ce que la flèche ▼ située sous la poignée du bol mixeur se trouve sur la position . Détachez le bol mixeur ③ tout droit vers le haut du bloc moteur ⑥.
- 2) Retirez le couvercle ② en le tournant dans le sens anti-horaire en direction de la position  (voir fig. 1), jusqu'à pouvoir le retirer par le haut.

3) Remplissez le bol mixeur ③ au minimum jusqu'au trait inférieur de la graduation ⑧ et au maximum jusqu'au repère MAX. Pour d'excellents résultats, nous recommandons les quantités maximales suivantes :

Aliments	Quantité de remplissage maximale	Niveau recommandé	Durée de fonctionnement recommandée
Liquides	1750 ml	1-3	60 sec.
Boissons mélangées au yaourt	1250 ml	2-5	90 sec.
Milkshakes/ smoothies	1250 ml	2-5	60-90 sec.
Pâte à crêpes	1250 ml	3-5	90 sec.
Bouillie pour bébé	750 ml	5	3 min.
Mayonnaise	2 œufs 250 ml d'huile	3-5	90-120 sec.
Soupe aux légumes	1500 ml	3-5	3 min.
Glaçons	375 ml (env. 14-15 glaçons)	P	12x

4) Appuyez à nouveau fermement le couvercle ② sur le bol mixeur ③ de manière décalée. Refermez le couvercle ② en le tournant dans le sens horaire jusqu'à ce qu'il encrante audiblement en position  (voir fig. 2). Veillez à ce que le bec verseur du bol mixeur ③ soit fermé. Le moteur ne peut démarrer que si le couvercle ② est posé de manière alignée.

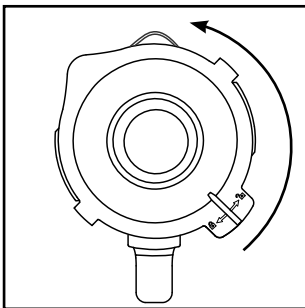


Fig. 1

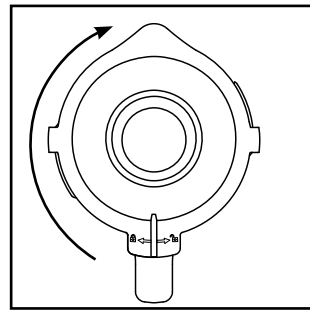




Fig. 2

- 5) Poussez le bouchon doseur ① jusqu'en butée dans l'ouverture du couvercle.
- 6) Placez le bol mixeur ③ rempli et fermé sur le bloc moteur ⑤. Utilisez pour cela les évidements du bloc moteur ⑥ et veillez ce faisant à ce que la flèche q sur le bol mixeur pointe sur le symbole . Tournez le bol mixeur ③ dans le sens horaire, jusque sur la position  jusqu'à ce qu'il encrante audiblement. Le moteur ne peut démarrer que si le bol mixeur ③ est posé de manière alignée.

## 10.2. Sélectionner le niveau de vitesse

Une fois que le bol mixeur **3** est rempli et qu'il repose complètement fermé sur le bloc moteur **6**, vous pouvez allumer l'appareil.

Amenez le sélecteur **5** sur ...

- **Niveaux 1-3**  
pour les aliments liquides ou semi-solides pour mélanger, réduire en purée et malaxer
- **Niveaux 3-5**  
pour les aliments solides ou pour mettre en morceaux
- **Niveau P (fonction à impulsions)**  
pour un mode d'opération à impulsions court et puissant, par ex. pour broyer les glaçons ou pour le nettoyage. L'interrupteur **5** ne s'enclenche pas dans cette position, pour ne pas surcharger le moteur. Par conséquent, ne maintenez pas longtemps l'interrupteur **5** dans cette position.

### **i** Remarque

- ▶ Remplissez de glaçons le bol mixeur **3** jusqu'au repère 375 ml au maximum. Sinon, l'appareil ne parviendra pas au broyage optimal des glaçons.

## 10.3. Remplissage en marche

### **!** AVERTISSEMENT !


- ▶ Pour ajouter quelque chose lorsque l'appareil est en marche, utilisez uniquement le bouchon doseur **1** prévu à cet effet. N'ouvrez pas le couvercle **2**.
- ▶ N'introduisez pas de couvert ou d'ustensile pour remuer à l'intérieur du bol mixeur **3** lorsque l'appareil est en marche. Vous risquez de graves blessures s'ils entrent en contact avec les lames **4** en rotation rapide !

Pour pouvoir verser quelque chose alors que l'appareil est en marche, ...

- 1) Retirez le bouchon doseur **1** du couvercle **2**.
- 2) Remplissez les ingrédients.
- 3) Poussez ensuite à nouveau le bouchon doseur **1** jusqu'en butée dans l'ouverture du couvercle.

## 10.4. Déposer le bol mixeur

Une fois la transformation des produits alimentaires terminée :

- 1) Ramenez toujours le sélecteur **5** sur la position Arrêt («0») et débranchez la fiche secteur.
- 2) Attendez que le moteur se soit immobilisé avant de détacher le bol mixeur **3** du bloc moteur **6**. Pour cela, tournez le bol mixeur **3** dans le sens anti-horaire jusqu'à ce que la flèche ▼ située sous la poignée du bol mixeur se trouve au-dessus de la position . Détachez le bol mixeur **3** tout droit vers le haut du bloc moteur **6**.

## 11. Remarques utiles

- Afin d'atteindre de meilleurs résultats lors de la réduction en purée, ajoutez petit à petit des petites portions dans le bol mixeur **3** au lieu de remplir une grande quantité d'un seul coup.
- Si vous travaillez avec des aliments solides, coupez ces derniers en petits morceaux (2-3 cm).
- Ajoutez au moins 50 ml de liquide lorsque vous mixez des fruits ou des légumes.
- Commencez par remplir des ingrédients épais comme par ex. du yaourt dans le bol mixeur **3**. Si tous les ingrédients ne sont pas saisis pendant que l'appareil mixe, retirez le bol mixeur **3** du bloc moteur **6**, enlevez le couvercle **2** et mélangez les ingrédients par ex. avec une cuillère. Placez à nouveau le bol mixeur **3** avec le couvercle **2** fermé sur le bloc moteur **6** et continuez de mixer.
- Si vous mélangez des aliments liquides, commencez avec un petit volume liquide. Rajoutez petit à petit de plus en plus de liquide à travers l'ouverture du couvercle.
- Pour stabiliser l'appareil lorsqu'il est en marche, posez la main sur le batteur-mélangeur fermé.
- Pour mélanger des produits alimentaires fermes ou très épais, il pourra être utile d'utiliser le niveau **P** pour empêcher un coincement des lames **4**.

### **i** Remarque

- ▶ N'utilisez pas l'appareil pour réduire la granularité du sel alimentaire, du sucre cristallisé ou du sucre blanc, par exemple pour obtenir du sucre en poudre.

## 12. Recettes

### Shake à la banane

- 2 bananes
- env. 2 c-à-s de sucre (selon le degré de maturité des bananes et les préférences personnelles)
- ½ l de lait
- 1 goutte de jus de citron

Pelez les bananes et réduisez-les en purée à niveau 2. Ajoutez progressivement le lait, puis le sucre et le jus de citron. Mixez le tout jusqu'à obtenir un liquide homogène. Servez le shake glacé.

### Shake à la vanille

- ¼ l de lait
- 250 g de glace à la vanille
- 125 g de glaçons
- 1 ½ c-à-c de sucre

Pilez les glaçons avec le niveau **P**. Remplissez le reste d'ingrédients dans le mixeur. Mixez sur niveau 2 jusqu'à obtention d'un liquide uniforme.

### Shake au cappuccino

- 65 ml d'expresso froid (ou de café très serré)
- 65 ml de lait
- 15 g de sucre
- 65 g de glace à la vanille
- 100 g de glaçons

Pilez les glaçons avec le niveau **P**. Ajoutez l'expresso, le lait et le sucre. Mixez le tout à niveau 2, jusqu'à ce que le sucre se soit dissous. Pour finir, ajoutez la glace à la vanille et mixez le tout brièvement à niveau 1.

### Mix tropical

- 125 ml de jus d'ananas
- 60 ml de jus de papaye
- 50 ml de jus d'orange
- ½ petite boîte de pêches dans leur jus
- 125 g de glaçons

Pilez les glaçons avec le niveau **P**. Mettez tous les ingrédients dans le mixeur et mélangez le tout à niveau 3.

### Shake à la nougatine

- ½ l de lait
- 200 g de crème de nougatine
- 1 boule de glace à la vanille
- 50 ml de crème fraîche

Mélangez tous les ingrédients dans le mixeur à niveau 3, jusqu'à obtenir un mélange homogène.

### Shake aux carottes

- 300 ml de jus de pomme
- 500 ml de jus de carotte
- 4 c-à-s d'huile (huile de germe de blé ou huile de colza)
- 4 c-à-s de jus de citron
- Gingembre en poudre
- Poivre

Mettez le jus de pomme, l'huile et le jus de citron dans le mixeur et mélangez le tout à niveau 2. Ajoutez ensuite le jus de carottes et mélangez bien le tout à niveau 2. Relevez ensuite le shake à la poudre de gingembre et au poivre.

### Mix de cassis

- 2 c-à-c de miel
- 2 bananes
- ¼ l de petit-lait
- ¼ l de jus de cassis (noir)

Mettez tous les ingrédients dans le mixeur et mélangez le tout à niveau 3.

## Shake Hawaïi

- 4 bananes
- ¼ l de jus d'ananas
- ½ l de lait
- 2 c-à-s de miel
- ¼ l de rhum

Pelez les bananes et réduisez-les en purée à niveau 2. Ajoutez les autres ingrédients et mélangez le tout à niveau 1.

## Mix fruité ananas-fraise

- 250 ml de jus d'ananas
- 200 g de fraises
- 300 ml de jus de pomme
- 4 glaçons

Lavez les fraises et retirez les morceaux verts.

Pilez les glaçons avec le niveau P.

Réduisez-les en purée à niveau 2. Ajoutez ensuite les autres ingrédients et mélangez le tout à niveau 1.

## Soupe froide andalouse (gazpacho)

- ½ concombre
- 1 tomate charnue
- 1 poivron vert
- ½ oignon
- 1 gousse d'ail
- ½ petit pain blanc
- ½ c-à-c de sel
- 1 c-à-c de vinaigre de vin rouge
- 1 c-à-s d'huile d'olive

Coupez les légumes en morceaux d'env. 2 cm. Mettez tout d'abord les tomates, puis les concombres dans le mixeur. Réduisez-les en purée à niveau 3.

Ajoutez les autres ingrédients et réduisez-les en purée/mélangez le tout à niveau 3, jusqu'à obtenir une soupe homogène. Servez le tout avec du pain.



### Remarque

- ▶ Recettes sans garantie. Toutes les indications relatives aux ingrédients et aux préparations sont des valeurs d'orientation. Complétez ces propositions de recette avec vos expériences personnelles.
- ▶ En cas d'intolérance au lactose, nous vous recommandons d'utiliser du lait sans lactose. Toutefois, n'oubliez pas que le lait sans lactose est un peu plus sucré.



## 13. Nettoyage

### DANGER !

Avant de nettoyer le batteur-mélangeur et ses pièces :

- ▶ Veillez à ce que l'appareil soit éteint et que la fiche secteur soit débranchée.
-  Veillez à ne pas immerger le bloc moteur , le cordon d'alimentation ou la fiche secteur dans l'eau ou tout autre liquide. Vous risquez un choc électrique susceptible de provoquer un accident mortel et d'endommager l'appareil.
- ▶ N'ouvrez jamais le capot de l'appareil. Vous risquez autrement un choc électrique potentiellement mortel.




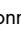
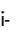

### AVERTISSEMENT !

- ▶ N'introduisez jamais les doigts dans le bol mixeur , en particulier lorsqu'il fonctionne. Les lames  sont extrêmement tranchantes !

### ATTENTION !

- ▶ N'utilisez pas de produit solvant ou récurant pour les surfaces en plastique afin de ne pas les endommager.

## 13.1. Nettoyage du bol mixeur

- Nettoyez le bol mixeur  uniquement avec une brosse vaisselle manche long afin de ne pas vous blesser sur les lames .
- Nettoyez le bouchon doseur  et le couvercle  dans de l'eau additionnée d'un produit à vaisselle doux. Veillez à ce que le joint caoutchouc  soit correctement positionné avant de réutiliser le couvercle .

**i Remarque**



Vous pouvez aussi laver le couvercle **2**, le bouchon doseur **1** et le bol mixeur **3** avec les lames **4** au lave-vaisselle. Placez les pièces de préférence dans le panier supérieur du lave-vaisselle et veillez à ne pas les coincer.

■ Si vous nettoyez l'appareil immédiatement après l'utilisation, vous parviendrez la plupart du temps à un nettoyage présentant un degré d'hygiène suffisant en procédant comme suit :

Versez 750 ml d'eau dans le bol mixeur **3** et ajoutez quelques gouttes de liquide vaisselle. Refermez le couvercle **2** puis posez le bol mixeur **3** sur le bloc moteur **6**. Branchez la fiche secteur dans la prise de courant et actionnez plusieurs fois la fonction à impulsions pour que les lames **4** battent l'eau à la vitesse maximale.

■ Rincez ensuite le bol mixeur **3** abondamment à l'eau claire afin d'éliminer tous les résidus de liquide vaisselle.

■ Pour éliminer les salissures coriaces plus facilement, vous pouvez détacher le bloc de lames **A** avec les lames **4** de la partie en verre du bol mixeur **3** :

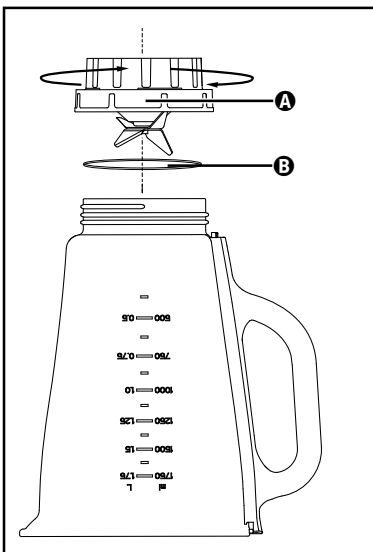



Fig. 3

1) Détachez le bol mixeur **3** du bloc moteur **6**. Pour une meilleure stabilité, retirez le couvercle **2** en le tournant dans le sens anti-horaire en direction de la position  (voir fig. 1), jusqu'à pouvoir le retirer par le haut.

2) Renversez l'appareil et tournez le bloc de lames **A** avec les lames **4** dans le sens anti-horaire afin qu'il se détache de la partie en verre du bol mixeur **3** (voir fig. 3).

**⚠ AVERTISSEMENT !**

► Manipulez les lames **4** avec prudence. Elles sont très tranchantes.

3) Nettoyez les deux pièces soigneusement dans de l'eau additionnée d'un produit à vaisselle doux.

**i Remarque**

► Si nécessaire, vous pouvez retirer l'anneau d'étanchéité **B** du bloc de lames **A** avec les lames **4**. Sortez l'anneau d'étanchéité **B** du bloc de lames **A** et lavez-le dans de l'eau additionnée d'un produit à vaisselle doux. Rincez ensuite l'anneau d'étanchéité **B** à l'eau claire.



Vous pouvez aussi laver la partie en verre du bol mixeur **3** et le bloc de lames **A** avec les lames **4** au lave-vaisselle.

4) Séchez bien toutes les pièces avant de les remonter.

5) Reposez le bloc de lames **A** avec les lames **4** sur la partie en verre du bol mixeur **3** et serrez-le dans le sens horaire. Veillez bien à ce que l'anneau d'étanchéité **B** soit correctement positionné.

## 13.2. Nettoyage du bloc-moteur

- 1) Nettoyez les surfaces à l'aide d'un chiffon humide. Si nécessaire, versez un peu de liquide vaisselle doux sur un chiffon. Essuyez avec un chiffon uniquement humidifié d'eau pour éliminer d'éventuels restes de liquide vaisselle. Séchez ensuite bien les surfaces.
- 2) Vérifiez après chaque nettoyage que le contacteur du bol mixeur **5** n'est pas bloqué par des résidus alimentaires. Si vous ne pouvez pas retirer les morceaux bloqués à l'aide d'un coin de feuille de papier, adressez-vous au service après-vente. N'utilisez pas d'objet dur qui risquerait d'endommager le contacteur.
- 3) Éliminez les saletés éventuellement présentes sous le bloc moteur **6** en utilisant exclusivement un chiffon sec ou un pinceau anti-poussières. Assurez-vous que rien ne pénètre dans l'appareil à travers les ouvertures d'aération.

## 14. Rangement de l'appareil

- 1) Si vous laissez l'appareil inutilisé pendant une durée prolongée, nettoyez-le soigneusement (voir chapitre **13. Nettoyage**).
- 2) Enroulez le cordon d'alimentation autour de l'enroulement du cordon d'alimentation **7** sur le bas du bloc-moteur **6**.
- 3) Rangez le batteur-mélangeur dans un endroit sec et frais.

## 15. Recyclage



Le symbole de la poubelle barrée signifie que cet appareil ne doit pas être jeté avec les ordures ménagères à la fin de sa période d'utilisation.

L'appareil doit être remis aux points de collecte établis, aux déchetteries ou aux entreprises chargées du recyclage.

Veuillez effacer toutes vos données personnelles avant le retour.

L'emballage est constitué de matériaux écologiques que vous pouvez recycler par le biais des services de recyclage locaux.

Éliminez l'emballage dans le respect de l'environnement.

## 16. Garantie pour Kompernass Handels GmbH (France)

Chère cliente, cher client,

Cet appareil est garanti 3 ans à partir de la date d'achat. Si ce produit venait à présenter des vices, vous disposez de droits légaux face au vendeur de ce produit. Vos droits légaux ne sont pas restreints par notre garantie présentée ci-dessous.

### Conditions de garantie

La période de garantie débute à la date d'achat. Veuillez bien conserver le ticket de caisse. Celui-ci servira de preuve d'achat.

Si dans un délai de trois ans suivant la date d'achat de ce produit, un vice de matériel ou de fabrication venait à apparaître, le produit sera réparé, remplacé gratuitement par nos soins ou le prix d'achat remboursé, selon notre choix. Cette prestation sous garantie nécessite, dans le délai de trois ans, la présentation de l'appareil défectueux et du justificatif d'achat (ticket de caisse) ainsi que la description brève du vice et du moment de son apparition.

Si le vice est couvert par notre garantie, vous recevrez le produit réparé ou un nouveau produit en retour. Aucune nouvelle période de garantie ne débute avec la réparation ou l'échange du produit.

### Période de garantie et réclamation légale pour vices cachés

L'exercice de la garantie ne prolonge pas la période de garantie. Cette disposition s'applique également aux pièces remplacées ou réparées. Les dommages et vices éventuellement déjà présents à l'achat doivent être signalés immédiatement après le déballage. Toute réparation survenant après la période sous garantie fera l'objet d'une facturation.

## Étendue de la garantie

L'appareil a été fabriqué avec soin conformément à des directives de qualité strictes et consciencieusement contrôlé avant sa livraison.

La prestation de la garantie s'applique aux vices de matériel et de fabrication. Cette garantie ne s'étend pas aux pièces du produit qui sont exposées à une usure normale et peuvent de ce fait être considérées comme pièces d'usure, ni aux détériorations de pièces fragiles, par ex. interrupteurs ou pièces en verre.

Cette garantie devient caduque si le produit est détérioré, utilisé ou entretenu de manière non conforme. Toutes les instructions listées dans le manuel d'utilisation doivent être exactement respectées pour une utilisation conforme du produit. Des buts d'utilisation et actions qui sont déconseillés dans le manuel d'utilisation, ou dont vous êtes avertis doivent également être évités.

Le produit est uniquement destiné à un usage privé et ne convient pas à un usage professionnel. La garantie est annulée en cas d'entretien incorrect et inapproprié, d'usage de la force et en cas d'intervention non réalisée par notre centre de service après-vente agréé.

## Article L217-16 du Code de la consommation

Lorsque l'acheteur demande au vendeur, pendant le cours de la garantie commerciale qui lui a été consentie lors de l'acquisition ou de la réparation d'un bien meuble, une remise en état couverte par la garantie, toute période d'immobilisation d'au moins sept jours vient s'ajouter à la durée de la garantie qui restait à courir. Cette période court à compter de la demande d'intervention de l'acheteur ou de la mise à disposition pour réparation du bien en cause, si cette mise à disposition est postérieure à la demande d'intervention.

Indépendamment de la garantie commerciale souscrite, le vendeur reste tenu des défauts de conformité du bien et des vices rédhibitoires dans les conditions prévues aux articles L217-4 à L217-13 du Code de la consommation et aux articles 1641 à 1648 et 2232 du Code Civil.

## Article L217-4 du Code de la consommation

Le vendeur livre un bien conforme au contrat et répond des défauts de conformité existant lors de la délivrance. Il répond également des défauts de conformité résultant de l'emballage, des instructions de montage ou de l'installation lorsque celle-ci a été mise à sa charge par le contrat ou a été réalisée sous sa responsabilité.

## Article L217-5 du Code de la consommation

Le bien est conforme au contrat :

- 1° S'il est propre à l'usage habituellement attendu d'un bien semblable et, le cas échéant :
  - s'il correspond à la description donnée par le vendeur et possède les qualités que celui-ci a présentées à l'acheteur sous forme d'échantillon ou de modèle ;
  - s'il présente les qualités qu'un acheteur peut légitimement attendre eu égard aux déclarations publiques faites par le vendeur, par le producteur ou par son représentant, notamment dans la publicité ou l'étiquetage ;
- 2° Ou s'il présente les caractéristiques définies d'un commun accord par les parties ou être propre à tout usage spécial recherché par l'acheteur, porté à la connaissance du vendeur et que ce dernier a accepté.

## Article L217-12 du Code de la consommation

L'action résultant du défaut de conformité se prescrit par deux ans à compter de la délivrance du bien.

## Article 1641 du Code civil

Le vendeur est tenu de la garantie à raison des défauts cachés de la chose vendue qui la rendent impropre à l'usage auquel on la destine, ou qui diminuent tellement cet usage que l'acheteur ne l'aurait pas acquise, ou n'en aurait donné qu'un moindre prix, s'il les avait connus.

## Article 1648 1er alinéa du Code civil

L'action résultant des vices rédhibitoires doit être intentée par l'acquéreur dans un délai de deux ans à compter de la découverte du vice.

Les pièces détachées indispensables à l'utilisation du produit sont disponibles pendant la durée de la garantie du produit.

### Procédure en cas de garantie

Afin de garantir un traitement rapide de votre demande, veuillez suivre les indications suivantes :

- Veuillez avoir à portée de main pour toutes questions le ticket de caisse et la référence article (IAN) 496701\_2504 en tant que justificatif de votre achat.
- Vous trouverez la référence sur la plaque signalétique sur le produit, une gravure sur le produit, sur la page de garde du mode d'emploi (en bas à gauche) ou sur l'autocol- lant au dos ou sur le dessous du produit.
- Si des erreurs de fonctionnement ou d'autres vices venaient à apparaître, veuillez d'abord contacter le département service clientèle cité ci-dessous par **téléphone** ou par **e-mail**.
- Vous pouvez ensuite retourner un produit enregistré comme étant défectueux en joignant le ticket de caisse et en indiquant en quoi consiste le vice et quand il est survenu, sans devoir l'affranchir à l'adresse de service après-vente communiquée.



Sur [www.lidl-service.com](http://www.lidl-service.com), vous pourrez télécharger ce mode d'emploi et de nombreux autres manuels, vidéos produit et logiciels d'installation.

Grâce à ce code QR, vous arriverez directement sur le site Lidl service après-vente ([www.lidl-service.com](http://www.lidl-service.com)) et vous pourrez ouvrir votre mode d'emploi en saisissant votre référence (IAN) 496701\_2504.

## 17. Garantie pour Kompernass Handels GmbH (Belgique/Suisse)

Chère cliente, cher client,

Cet appareil est garanti 3 ans à partir de la date d'achat. Si ce produit venait à présenter des vices, vous disposez de droits légaux face au vendeur de ce produit. Vos droits légaux ne sont pas restreints par notre garantie présentée ci-dessous.

### Conditions de garantie

La période de garantie débute à la date d'achat. Veuillez bien conserver le ticket de caisse. Celui-ci servira de preuve d'achat.

Si dans un délai de trois ans suivant la date d'achat de ce produit, un vice de matériel ou de fabrication venait à apparaître, le produit sera réparé, remplacé gratuitement par nos soins ou le prix d'achat remboursé, selon notre choix. Cette prestation sous garantie nécessite, dans le délai de trois ans, la présentation de l'appareil défectueux et du justificatif d'achat (ticket de caisse) ainsi que la description brève du vice et du moment de son apparition.

Si le vice est couvert par notre garantie, vous recevrez le produit réparé ou un nouveau produit en retour. Aucune nouvelle période de garantie ne débute avec la réparation ou l'échange du produit.

### Période de garantie et réclamation légale pour vices cachés

L'exercice de la garantie ne prolonge pas la période de garantie. Cette disposition s'applique également aux pièces remplacées ou réparées. Les dommages et vices éventuellement déjà présents à l'achat doivent être signalés immédiatement après le déballage. Toute réparation survenant après la période sous garantie fera l'objet d'une facturation.

## Étendue de la garantie

L'appareil a été fabriqué avec soin conformément à des directives de qualité strictes et consciencieusement contrôlé avant sa livraison.

La prestation de la garantie s'applique aux vices de matériel et de fabrication. Cette garantie ne s'étend pas aux pièces du produit qui sont exposées à une usure normale et peuvent de ce fait être considérées comme pièces d'usure, ni aux détériorations de pièces fragiles, par ex. interrupteurs ou pièces en verre.

Cette garantie devient caduque si le produit est détérioré, utilisé ou entretenu de manière non conforme. Toutes les instructions listées dans le manuel d'utilisation doivent être exactement respectées pour une utilisation conforme du produit. Des buts d'utilisation et actions qui sont déconseillés dans le manuel d'utilisation, ou dont vous êtes avertis doivent également être évités.

Le produit est uniquement destiné à un usage privé et ne convient pas à un usage professionnel. La garantie est annulée en cas d'entretien incorrect et inapproprié, d'usage de la force et en cas d'intervention non réalisée par notre centre de service après-vente agréé.

## Procédure en cas de garantie

Afin de garantir un traitement rapide de votre demande, veuillez suivre les indications suivantes :

- Veuillez avoir à portée de main pour toutes questions le ticket de caisse et la référence article (IAN) 496701\_2504 en tant que justificatif de votre achat.
- Vous trouverez la référence sur la plaque signalétique sur le produit, une gravure sur le produit, sur la page de garde du mode d'emploi (en bas à gauche) ou sur l'autocollant au dos ou sur le dessous du produit.
- Si des erreurs de fonctionnement ou d'autres vices venaient à apparaître, veuillez d'abord contacter le département service clientèle cité ci-dessous par **téléphone** ou par **e-mail**.
- Vous pouvez ensuite retourner un produit enregistré comme étant défectueux en joignant le ticket de caisse et en indiquant en quoi consiste le vice et quand il est survenu, sans devoir l'affranchir à l'adresse de service après-vente communiquée.



Sur [www.lidl-service.com](http://www.lidl-service.com), vous pourrez télécharger ce mode d'emploi et de nombreux autres manuels, vidéos produit et logiciels d'installation.

Grâce à ce code QR, vous arriverez directement sur le site Lidl service après-vente ([www.lidl-service.com](http://www.lidl-service.com)) et vous pourrez ouvrir votre mode d'emploi en saisissant votre référence (IAN) 496701\_2504.

## 18. Service après-vente

### FR Service France

Tel.: 0800 919270

E-Mail: [kompernass@lidl.fr](mailto:kompernass@lidl.fr)

### BE Service Belgique

Tel.: 0800 12089

E-Mail: [kompernass@lidl.be](mailto:kompernass@lidl.be)

### CH Service Suisse

Tel.: 0800 56 44 33

E-Mail: [kompernass@lidl.ch](mailto:kompernass@lidl.ch)

IAN 496701\_2504

## 19. Importateur

Veuillez tenir compte du fait que l'adresse suivante n'est pas une adresse de service après-vente. Veuillez d'abord contacter le service mentionné.

KOMPERNASS HANDELS GMBH

BURGSTRASSE 21

44867 BOCHUM

ALLEMAGNE

[www.kompernass.com](http://www.kompernass.com)



# Inhoudsopgave

<b>1. Inleiding</b>	<b>46</b>
<b>2. Gebruik in overeenstemming met bestemming</b>	<b>46</b>
<b>3. Inhoud van de verpakking</b>	<b>46</b>
<b>4. Apparaatbeschrijving</b>	<b>46</b>
<b>5. Technische gegevens</b>	<b>46</b>
<b>6. Gebruikte waarschuwingen en pictogrammen</b>	<b>47</b>
<b>7. Veiligheidsvoorschriften</b>	<b>48</b>
<b>8. Uitpakken</b>	<b>50</b>
<b>9. Plaatsen</b>	<b>50</b>
<b>10. Bediening</b>	<b>50</b>
10.1. Mix-opzetstuk vullen en bevestigen .....	50
10.2. Snelheidsstand kiezen .....	52
10.3. Vullen tijdens bedrijf .....	52
10.4. Mix-opzetstuk afnemen .....	52
<b>11. Nuttige tips</b>	<b>52</b>
<b>12. Recepten</b>	<b>53</b>
<b>13. Reinigen</b>	<b>54</b>
13.1. Mix-opzetstuk reinigen .....	54
13.2. Motorblok reinigen .....	55
<b>14. Opbergen</b>	<b>56</b>
<b>15. Afvoeren</b>	<b>56</b>
<b>16. Garantie van Kompernaß Handels GmbH</b>	<b>56</b>
16.1. Service .....	57
16.2. Importeur .....	57

## 1. Inleiding

Gefeliciteerd met de aankoop van uw nieuwe apparaat. U hebt hiermee gekozen voor een hoogwaardig product. De bedieningshandleiding maakt deel uit van dit product. Deze bevat belangrijke aanwijzingen voor veiligheid, gebruik en afvoeren. Maak uzelf voorafgaand aan het gebruik van het product vertrouwd met alle bedienings- en veiligheidsvoorschriften. Gebruik het product uitsluitend op de voorgeschreven wijze en voor de aangegeven doeleinden. Geef alle documenten mee als u het product doorgeeft aan een derde.

## 2. Gebruik in overeenstemming met bestemming

Dit apparaat is uitsluitend bestemd voor ...

- het mengen, pureren en roeren van levensmiddelen en voor het malen ("crushen") van ijsblokjes,
- uitsluitend in hoeveelheden in het huishouden gebruikelijk en alleen voor privé huishoudelijk gebruik in droge ruimtes.

Het apparaat is niet bestemd voor ...

- het fijnhakken van kruiden, uien, vlees en harde levensmiddelen zoals bijv. noten, pitten, grote korrels of steeltjes,
- het bereiden van notenpasta,
- het verwerken van materialen die geen levensmiddelen zijn,
- het gebruik voor bedrijfsmatige en industriële doeleinden,
- het gebruik in een vochtige omgeving of in de openlucht,
- de verwerking van hete/kokende vloeistoffen.

Gebruikt u alleen de accessoires en reserveonderdelen die voor dit apparaat bestemd zijn. Andere onderdelen zijn mogelijk niet voldoende geschikt of veilig!

## 3. Inhoud van de verpakking

Controleer de levering na het uitpakken op volledigheid. De inhoud van het pakket bestaat uit:

- Motorblok, met netsnoer en netstekker
- Mix-opzetstuk
- Deksel
- Vuldop
- Gebruiksaanwijzing

## 4. Apparaatbeschrijving

- 1 Vuldop
- 2 Deksel
- 3 Mix-opzetstuk
- 4 Snijmes
- 5 Schakelaar
- 6 Motorblok
- 7 Kabelspoel
- 8 Schaalverdeling
- 9 Rubberen afdichting deksel

## 5. Technische gegevens

Nominale spanning	220 - 240 V ~, 50 - 60 Hz
Nominaal vermogen	600 W
Opgenomen vermogen in uit-toestand	< 0,5 W
Capaciteit	ca. 2,3 liter
Max. vulhoeveelheid	1,75 liter
Beveiligingsklasse	II / □
KB-tijd	3 minuten

De KB-tijd (kort bedrijf) geeft aan hoe lang een apparaat kan worden bediend, zonder dat de motor oververhit raakt en schade hieraan ontstaat. Na de opgegeven KB-tijd moet het apparaat zo lang uitgeschakeld worden, totdat de motor tot kamertemperatuur is afgekoeld.

## 6. Gebruikte waarschuwingen en pictogrammen

In deze gebruiksaanwijzing, op de verpakking en op het apparaat worden de volgende waarschuwingen en pictogrammen gebruikt (indien van toepassing):

	<b>GEVAAR!</b> Een waarschuwing met dit pictogram en met het signaalwoord "GEVAAR" duidt op een onmiddellijk aanwezige gevaarlijke situatie, die fataal of ernstig letsel tot gevolg heeft als deze niet wordt vermeden.
	<b>WAARSCHUWING!</b> Een waarschuwing met dit pictogram en met het signaalwoord "WAARSCHUWING" duidt op een mogelijk gevaarlijke situatie, die fataal of ernstig letsel tot gevolg kan hebben als deze niet wordt vermeden.
	<b>VOORZICHTIG!</b> Een waarschuwing met dit pictogram en met het signaalwoord "VOORZICHTIG" duidt op een mogelijk gevaarlijke situatie, die licht of matig letsel tot gevolg kan hebben als deze niet wordt vermeden.
	<b>LET OP!</b> Een waarschuwing met dit pictogram en met het signaalwoord "LET OP" duidt op een mogelijke situatie die materiële schade tot gevolg kan hebben als deze niet wordt vermeden.
	<b>Opmerking:</b> Een opmerking bevat extra informatie die de omgang met het apparaat eenvoudiger maakt.
	Lees de gebruiksaanwijzing.
	Wisselstroom/-spanning
	Beschermingsklasse II: bescherming door dubbele of versterkte isolatie.
	Niet onderdompelen in water!

	Geschikt voor reiniging in de vaatwasser.
	Alle delen van dit apparaat die in aanraking komen met voedingsmiddelen, zijn levensmiddelveilig.
	Dit product voldoet aan de eisen van de toepasselijke Europese en nationale richtlijnen.
	Elektrisch apparaat niet via het huisvuil verwijderen!
	Voer de verpakking af in overeenstemming met de milieuvorschriften.
	Verpakking van recyclebare materialen. Neem de aanduiding van de verpakkingsmaterialen in acht bij de afvalscheiding: de verpakkingsmaterialen zijn voorzien van afkortingen (a) en cijfers (b) met de volgende betekenis: 1-7: kunststoffen, 20-22: papier en karton, 80-98: composietmaterialen.
	De verpakking bevat bestanddelen van papier en/of karton.
	De verpakking bevat bestanddelen van plastic en/of metaal.
	<b>FR</b> Cet appareil et ses accessoires se recyclent A DÉPOSER EN MAGASIN OU A DÉPOSER EN DÉCHÈTÈRIE Points de collecte sur <a href="http://www.quefairemedechets.fr">www.quefairemedechets.fr</a> Privilégiez la réparation ou le don de votre appareil!
	<b>FR</b> ÉLÉMENTS D'EMBALLAGE BAC À DÉCHÈTÈRIE
	<b>FR:</b> Het product, de verpakking en de gebruiksaanwijzing zijn recycleerbaar, vallen onder de uitgebreide producentenverantwoordelijkheid en worden gescheiden ingezameld.

## Veiligheidsvoorschriften

### **⚠ GEVAAR VOOR ELEKTRISCHE SCHOK!**

- Vergewis u ervan dat het motorblok, het netsnoer of de netstekker nooit ondergedompeld worden in water of andere vloeistoffen.
- Gebruik het apparaat uitsluitend in droge ruimtes, nooit in de openlucht of in een vochtige omgeving.
- Let erop dat het netsnoer nooit nat of vochtig wordt wanneer het apparaat in bedrijf is. Leg het zo neer dat het niet beklemd raakt of anderszins beschadigd kan worden.
- Wanneer het snoer van dit apparaat beschadigd raakt, moet het worden vervangen door de fabrikant of de klantenservice van de fabrikant of een persoon met vergelijkbare kwalificaties, om risico's te voorkomen.
- Trek na gebruik altijd de stekker uit het stopcontact. Alleen uitschakelen is niet genoeg, omdat het apparaat onder spanning blijft staan zolang de stekker in het stopcontact zit.
- Controleer het apparaat vóór ieder gebruik op perfecte toestand. Het apparaat mag niet worden gebruikt als het zichtbaar is beschadigd, met name bij schade aan het motorblok of het mix-opzetstuk.
- Haal meteen de stekker uit het stopcontact als u ongebruikelijke geluiden of geuren waarneemt, of bij een evidente storing.

### **⚠ WAARSCHUWING! LETSELGEVAAR!**

- Grijp nooit in het mix-opzetstuk, vooral niet tijdens het bedrijf. De messen zijn extreem scherp!
- Het deksel niet openen terwijl het apparaat in bedrijf is.
- Laat het apparaat niet zonder toezicht in werking, om bij gevaar meteen te kunnen reageren.

- Schakel het apparaat uit en haal de netstekker uit het stopcontact voordat u accessoires verwisselt of onderdelen aanraakt die tijdens het bedrijf bewegen.
- Bij kinderen is supervisie noodzakelijk om er voor te zorgen dat ze niet met het apparaat spelen.
- Gebruik het apparaat nooit voor andere doeleinden dan in deze gebruiksaanwijzing zijn beschreven.
- Bij verkeerd gebruik van het apparaat bestaat er kans op letsel.
- Het apparaat moet altijd van de stroom worden losgekoppeld indien er geen toezicht is, en voor montage, demontage of reiniging.
- Het apparaat mag niet door kinderen worden gebruikt.
- Houd het apparaat en het bijbehorende snoer buiten bereik van kinderen.
- Dit apparaat mag worden gebruikt door personen met beperkte fysieke, zintuiglijke of geestelijke vermogens of gebrek aan ervaring en/of kennis, mits ze onder toezicht staan of over het veilige gebruik van het apparaat zijn geïnstrueerd en de daaruit resulterende gevaren hebben begrepen.
- Kinderen mogen niet met het apparaat spelen.
- Ga voorzichtig om met het apparaat. De messen zijn zeer scherp!
- Wees voorzichtig bij het legen van de kom. De messen zijn zeer scherp!
- Wees voorzichtig bij het reinigen van het apparaat. De messen zijn zeer scherp!
- Schakel het apparaat uit en haal de netstekker uit het stopcontact voordat u accessoires verwisselt of onderdelen aanraakt die tijdens het bedrijf bewegen.
- Gebruik het mix-opzetstuk uitsluitend met het meegeleverde motorblok.
- Vergewis u ervan dat de mixer uitgeschakeld is voordat u het mix-opzetstuk van het motorblok afhaalt.

## ! LET OP! MATERIËLE SCHADE!

- Gebruik het apparaat niet daar waar rechtstreeks zonlicht is of inwerking van warmte door andere apparaten.
- Nooit het mix-opzetstuk vullen met kokende vloeistoffen! Laat deze eerst afkoelen tot handwarme temperatuur.
- Gebruik het apparaat nooit in lege toestand, d.w.z. zonder ingrediënten in het mix-opzetstuk.

## 8. Uitpakken

- Verwijder alle delen van de verpakking of de beschermfolie van het apparaat. Bewaar de verpakking, zodat u het apparaat kunt bewaren of kunt opsturen, bijv. in geval van reparatie.
- Voordat u het apparaat gebruikt, dient u zich ervan te vergewissen dat het apparaat niet beschadigd is, evenmin als het netsnoer met netstekker en alle accessoires en apparaatdelen.
- Reinig alle onderdelen voor het eerste gebruik van de standmixer (zie **13. Reinigen**).

## 9. Plaatsen

Als u alle delen hebt schoongemaakt, zoals onder **13. Reinigen** beschreven:



- Plaats het apparaat zo, ...
  - dat het netsnoer door de uitsparing aan de achterzijde geleid wordt,
  - dat de netstekker direct binnen bereik is, zodat deze in geval van gevaar uit het stopcontact gehaald kan worden,
  - dat het stabiel staat en niet kan wegglijden, zodat het apparaat bij trillingen niet omvalt.
  - dat het netsnoer niet in de werkomgeving komt en doordat er per ongeluk aan getrokken wordt het apparaat kan doen omvallen.

## 10. Bediening

### ⚠ WAARSCHUWING!

- ▶ De motor wordt uitgeschakeld zodra het mix-opzetstuk **3** van het motorblok **6** wordt gehaald of het deksel **2** wordt geopend. Mogelijk wordt dan over het hoofd gezien dat de machine nog is ingeschakeld. De motor start dan onverwacht zodra het mix-opzetstuk **3** wordt bevestigd of het deksel **2** weer wordt gesloten:  
Daarom:
  - Doe de netstekker pas in het stopcontact als u klaar bent met het vullen van het mix-opzetstuk **3** en dit gesloten is bevestigd.
  - Vergewis u er vóór het bevestigen van dat het apparaat uitgeschakeld is of dat de netstekker uit het stopcontact is gehaald.
  - Schakel het apparaat eerst uit, trek de stekker uit het stopcontact en wacht tot de motor stilstaat voordat u het mix-opzetstuk **3** van het apparaat neemt of het deksel **2** opent.

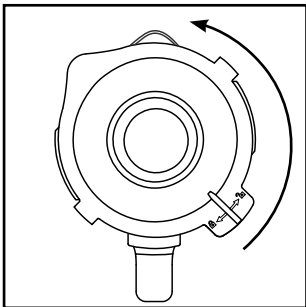
### 10.1. Mix-opzetstuk vullen en bevestigen

- 1) Draai het mix-opzetstuk **3** tegen de wijzers van de klok in tot de pijl ▼ onder de greep van het mix-opzetstuk in de stand  staat. Neem het mix-opzetstuk **3** recht omhoog van het motorblok **6**.
- 2) U kunt het deksel **2** verwijderen, als u het zover tegen de wijzers van de klok in naar de stand  draait (zie afb. 1) dat u het deksel er omhoog af kunt trekken.

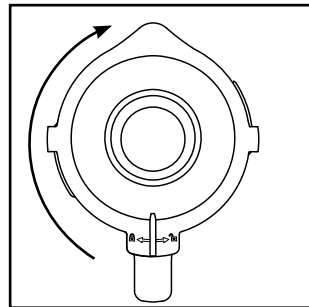
3) Vul het mix-opzetstuk ③ minimaal tot aan de onderste streep van de schaalverdeling ⑧ en maximaal tot aan de MAX-markering. Voor optimale resultaten adviseren wij de volgende maximale vulhoeveelheden:

Levensmiddel	Maximale vulhoeveelheid	Aanbevolen stand	Aanbevolen bewerkingstijd
Vloeistoffen	1750 ml	1-3	60 sec.
Yoghurt-mixdrankjes	1250 ml	2-5	90 sec.
Milkshakes/smoothies	1250 ml	2-5	60-90 sec.
Pannenkoekenbeslag	1250 ml	3-5	90 sec.
Babypuree	750 ml	5	3 min.
Mayonaise	2 eieren 250 ml olie	3-5	90-120 sec.
Groentesoep	1500 ml	3-5	3 min.
Ijsklontjes	375 ml (ca. 14-15 stuks)	P	12x

4) Druk vervolgens het deksel ② weer vast op het mix-opzetstuk ③. Sluit het deksel ② door het met de wijsers van de klok mee naar de positie ④ te draaien tot het deksel hoorbaar vastklikt (zie afb. 2). Zorg dat ook de schenkuit van het mix-opzetstuk ③ gesloten is. Alleen als het deksel ② goed sluitend is geplaatst, kan de motor starten.



Afb. 1



Afb. 2

- 5) Druk de vuldop ① tot aan de aanslag in de dekselopening.
- 6) Plaats het gevulde en gesloten mix-opzetstuk ③ op het motorblok ⑥. Gebruik daarvoor de uitsparingen in het motorblok ⑥ en let er daarbij op dat de pijl ▼ op het mix-opzetstuk in de stand ④ staat. Draai het mix-opzetstuk ③ met de wijsers van de klok mee naar de positie ④ tot het hoorbaar vastklikt. Alleen als het mix-opzetstuk ③ goed op het motorblok staat, kan de motor starten.

## 10.2. Snelheidsstand kiezen

Als het mix-opzetstuk ③ is gevuld en volledig gesloten op het motorblok ⑥ staat, kunt u het apparaat inschakelen.

Zet de schakelaar ⑤ op ...

### ■ Stand 1 – 3

voor vloeibare of matig vaste levensmiddelen, om te mengen, pureren of roeren

### ■ Stand 3 – 5

voor vastere levensmiddelen of om klein te hakken

### ■ Stand P (pulsfunctie)

voor kort, krachtig impulsbedrijf, bijv. om ijsklontjes te crushen of om te reinigen. De schakelaar ⑤ blijft in deze stand niet staan, om de motor niet te overbelasten. Houd de schakelaar ⑤ daarom maar kort in deze stand.

### ⓘ Opmerking

- ▶ Vul het mix-opzetstuk ③ met ijsblokjes tot aan de markering van 375 ml. Anders maakt het apparaat de ijsklontjes niet optimaal klein.

## 10.3. Vullen tijdens bedrijf

### ⚠ WAARSCHUWING!

- ▶ Indien u tijdens het bedrijf iets wilt vullen, mag u hiervoor alleen de vuldop ① die hiervoor bestemd is openen. Open in geen geval het deksel ②.
- ▶ Zet nooit bestek of dergelijke in het mix-opzetstuk ③ wanneer het apparaat in bedrijf is. Er is sprake van ernstig letselgevaar als deze het snel draaiende snijmes ④ aanraken!

Om tijdens het bedrijf iets te kunnen vullen, ...

- 1) Trek de vuldop ① uit het deksel ②.
- 2) Vul met de ingrediënten.
- 3) Druk de vuldop ① daarna weer in de dekselopening.

## 10.4. Mix-opzetstuk afnemen

Als de bereiding van de levensmiddelen in het mix-opzetstuk is voltooid:

- 1) Zet de schakelaar ⑤ altijd eerst op de stand "0" en trek vervolgens de stekker uit het stopcontact.
- 2) Wacht tot de motor stilstaat voordat u het mix-opzetstuk ③ recht omhoog van het motorblok ⑥ neemt. Draai daartoe het mix-opzetstuk ③ tegen de wijzers van de klok in tot de pijl ▼ onder de greep van het mix-opzetstuk in de stand ④ staat. Neem het mix-opzetstuk ③ recht omhoog van het motorblok ⑥.

## 11. Nuttige tips

- Om bij het pureren van stevige ingrediënten tot het beste resultaat te komen, doet u beetje bij beetje kleine porties in het mix-opzetstuk ③, in plaats van in één keer een grotere hoeveelheid te vullen.
- Als u stevige ingrediënten verwerkt, snijdt u deze in kleine stukken (2 – 3 cm).
- Voeg bij het pureren van fruit of groenten minstens 50 ml vloeistof toe.
- Doe dikkere vloeibare ingrediënten zoals yoghurt het eerst in het mix-opzetstuk ③. Als tijdens het mixen niet alle ingrediënten worden verwerkt, haalt u het mix-opzetstuk ③ van het motorblok ⑥ af, verwijdert u het deksel ② en roert u de ingrediënten bijv. met een lepel door elkaar. Plaats het mix-opzetstuk ③ met gesloten deksel ② terug op het motorblok ⑥ en ga verder met mixen.
- Bij het mixen van vloeibare ingrediënten begint u eerst met een kleine hoeveelheid vloeistof. Giet daarna stukje bij beetje meer vloeistof door de dekselopening.
- Als u tijdens het bedrijf uw hand op de gesloten blender legt, kunt u het apparaat zo goed stabiliseren.
- Voor het roeren van vaste of zeer dikke vloeibare levensmiddelen kan het verstandig zijn om de stand P te gebruiken, om te voorkomen dat de snijmesses ④ vastlopen.

### **i** **Opmerking**

- ▶ Het apparaat niet gebruiken om de korrels van keukenzout, geraffineerde suiker of basterdsuiker fijner te maken. Bijvoorbeeld om poedersuiker te maken.

## **12. Recepten**

### **Bananenshake**

- 2 bananen
- ca. 2 eetlepels suiker (naar gelang rijpheid van de bananen en persoonlijke smaak)
- ½ liter melk
- 1 scheutje citroensap

Pel de bananen en pureer deze op stand 2. Voeg de melk beetje bij beetje toe, dan de suiker en het citroensap. Mix alles zo lang, totdat een gelijkmatige vloeistof ontstaat. Serveer de shake ijskoud.

### **Vanilleshake**

- ¼ liter melk
- 250 g vanille-ijs
- 125 g ijsklontjes
- 1 ½ theelepels suiker

Crush de ijsblokjes met de stand **P**. Doe de overige ingrediënten in de mixer. Meng alles zo lang op stand 2 tot er een gelijkmatige vloeistof ontstaat.

### **Cappuccinoshake**

- 65 ml koude espresso (of heel sterke koffie)
- 65 ml melk
- 15 g suiker
- 65 g vanille-ijs
- 100 g ijsklontjes

Crush de ijsblokjes met de stand **P**. Doe de espresso, de melk en de suiker erbij. Mix alles op stand 2, totdat de suiker is opgelost. Voeg tot slot het vanille-ijs toe en mix alles kort door elkaar op stand 1.

### **Tropical-mix**

- 125 ml ananassap
- 60 ml papayasap
- 50 ml sinaasappelsap
- ½ klein blikje perzikken op sap
- 125 g ijsklontjes

Crush de ijsblokjes met de stand **P**. Doe alle ingrediënten in de mixer en meng alles door elkaar op stand 3.

### **Noten-nougat-shake**

- ½ liter melk
- 200 g noten-nougat-pasta
- 1 bolletje vanille-ijs
- 50 ml room

Meng alle ingrediënten in de mixer op stand 3, totdat alles gelijkmatig is gemengd.

### **Wortelshake**

- 300 ml appelsap
- 500 ml wortelsap
- 4 eetlepels olie (tarwekiemolie of koolzaadolie)
- 4 eetlepels citroensap
- gemberpoeder
- peper

Doe het appelsap, de olie en het citroensap in de mixer en meng alles op stand 2. Voeg dan het wortelsap toe en meng alles door elkaar op stand 2. Breng de shake op smaak met gemberpoeder en peper.

### **Zwarte bessen-mix**

- 2 theelepels honing
- 2 bananen
- ¼ liter karnemelk
- ¼ liter bessensap (zwart)

Doe alle ingrediënten in de mixer en meng alles door elkaar op stand 3.

## Hawaii-shake

- 4 bananen
- ¼ liter ananassap
- ½ liter melk
- 2 EL honing
- ¼ liter rum

Pel de bananen en pureer deze op stand 2. Voeg de andere ingrediënten toe en meng alles op stand 1.

## Fruitige ananas-aardbei-mix

- 250 ml ananassap
- 200 g aardbeien
- 300 ml appelsap
- 4 ijsklontjes

Was de aardbeien en verwijder het groen. Crush de ijsblokjes met de stand P. Pureer ze op stand 2. Voeg dan de overige ingrediënten toe en mix alles op stand 1.

## Andalusische koude soep (Gazpacho)

- ½ komkommer
- 1 vleestomaat
- 1 groene paprika
- ½ ui
- 1 knoflookteen
- ½ wit broodje
- ½ theelepel zout
- 1 theelepel rode wijnazijn
- 1 eetlepel olijfolie

Snijd de groente in ca. 2 cm grote stukken. Doe eerst de tomaten en daarna de komkommer in de mixer. Pureer deze op stand 3. Voeg de overige ingrediënten toe en pureer/meng alles op stand 3, totdat een gelijkmatige soep ontstaat. Serveer het geheel met brood.

### **Opmerking**

- ▶ Geen aansprakelijkheid voor recepten. Alle gegevens m.b.t. ingrediënten en bereiding zijn richtwaarden. Vul deze receptsuggesties aan met uw persoonlijke bevindingen.
- ▶ In geval van lactose-intolerantie adviseren wij u lactosevrije melk te gebruiken. Houd er echter rekening mee dat lactosevrije melk iets zoeter is.

## 13. Reinigen

### **GEVAAR!**

Alvorens de blender en de accessoires te reinigen:

- ▶ Vergewis u ervan dat het apparaat uitgeschakeld is en dat de netstekker uit het stopcontact is gehaald.



Het motorblok **6** mag in geen geval in water of andere vloeistoffen worden ondergedompeld. Hierdoor kan levensgevaar ontstaan door een elektrische schok en het apparaat kan beschadigd raken.

- ▶ Open nooit de behuizing van het apparaat. Anders kan er levensgevaar ontstaan door een elektrische schok.

### **WAARSCHUWING!**

- ▶ Grijp nooit in het mix-opzetstuk **3**, met name niet als het apparaat in werking is. De snijmesses **4** zijn uiterst scherp!

### **LET OP!**

- ▶ Gebruik geen oplos- of schuurmiddelen voor de kunststofoppervlakken, omdat deze anders beschadigd kunnen raken.

## 13.1. Mix-opzetstuk reinigen

- Reinig het mix-opzetstuk **3** alleen met een afwasborstel met een lange steel, zodat u zich niet aan de snijmesses **4** kunt verwonden.
- Reinig de vuldop **1** en het deksel **2** in mild zeepsop. Let erop dat de rubberen afdichting **5** goed vastzit, voordat u het deksel **2** opnieuw gebruikt.

### **i** **Opmerking**



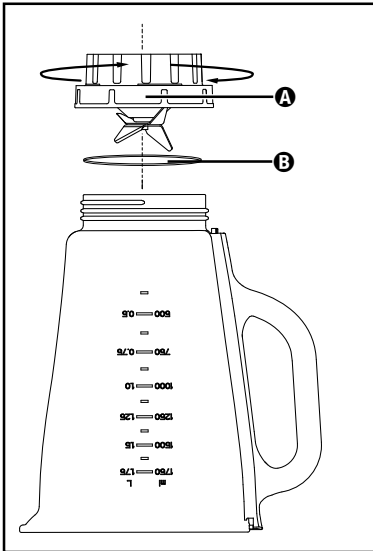
U kunt het deksel **2**, de vuldop **1** en het mix-opzetstuk **3** met het snijmes **4** ook in de vaatwasser reinigen.

Leg de onderdelen zo mogelijk in het bovenste rek van de vaatwasser en zorg ervoor dat ze niet ingeklemd raken.

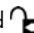
- Wanneer u het apparaat direct na gebruik reinigt, bereikt u in de meeste gevallen op de volgende manier een voldoende hygiënische reiniging:

Vul het mix-opzetstuk **3** met 750 ml water en voeg enkele druppels mild afwasmiddel toe. Sluit het deksel **2** en plaats het mix-opzetstuk **3** op het motorblok **6**. Steek de stekker in het stopcontact en activeer een paar keer de pulsfunctie, zodat de snijmesses **4** met maximaal toerental door het water bewegen. Spoel daarna het mix-opzetstuk **3** met veel schoon water uit, zodat alle afwasmiddel is verwijderd.

- Om hardnekkig vuil beter te kunnen verwijderen kunt u opzetstuk **A** met de snijmesses **4** losmaken van het reservoir van het mix-opzetstuk **3**:



Afb. 3

- 1) Haal het mix-opzetstuk **3** van het motorblok **6**. Om ervoor te zorgen dat het mix-opzetstuk stevig vastzit, verwijdert u het deksel **2** door het zover linksom in de richting van stand  te draaien (zie afb. 1) dat u het deksel er omhoog af kunt trekken.
- 2) Zet het apparaat op de kop en draai opzetstuk **A** met de snijmesses **4** linksom, zodat het loskomt van het reservoir van het mix-opzetstuk **3** (zie afb. 3).

### **⚠** **WAARSCHUWING!**

- ▶ Ga voorzichtig om met de snijmesses **4**. Ze zijn heel scherp.

- 3) Reinig beide delen grondig in mild zeepsop.

### **i** **Opmerking**

- ▶ Zo nodig kunt u de afdichtingsring **B** uit het opzetstuk **A** met de snijmesses **4** halen. Trek de afdichtingsring **B** uit opzetstuk **A** en reinig deze in mild zeepsop. Spoel de afdichtingsring **B** daarna af met schoon water.



U kunt het reservoir van het mix-opzetstuk **3** en opzetstuk **A** met de snijmesses **4** ook in de vaatwasser reinigen.

- 4) Droog alles goed af voordat u het apparaat weer in elkaar zet.
- 5) Plaats opzetstuk **A** met de snijmesses **4** weer op het reservoir van het mix-opzetstuk **3** en draai het rechtsom vast. Zorg dat de afdichtingsring **B** correct is bevestigd.

## **13.2. Motorblok reinigen**

- 1) Reinig de oppervlakken met een vochtige doek. Doe zo nodig wat mild afwasmiddel op de doek. Veeg na met een doek die is bevochtigd met schoon water, om eventuele afwasmiddelresten te verwijderen. Droog de oppervlakken daarna goed af.

- 2) Controleer bij iedere reiniging of de contactschakelaar in de opname van het mix-opzetstuk ④ niet door resten van vervuiling geblokkeerd is. Indien u mogelijke blokkeringen niet kunt oplossen met de punt van een blad papier, neemt u contact op met de klantenservice. Gebruik in geen geval een hard voorwerp, omdat de contactschakelaar daardoor beschadigd kan raken.
- 3) Verwijder mogelijke vervuilingen aan de onderzijde van het motorblok ⑥ alleen met een droge doek of met een stofwastje. Let erop dat niets door de ventilatieopeningen in het apparaat kan komen.

## 14. Opbergen

- 1) Mocht u de blender langere tijd niet meer gebruiken, reinig deze dan grondig (zie hoofdstuk **13. Reinigen**).
- 2) Wikkel het netsnoer om de kabelspoel ⑦ op de voet van het motorblok ⑥.
- 3) Bewaar de blender op een koele, droge plaats.

## 15. Afvoeren



Het symbool met een doorstreepte vuilnisbak betekent dat dit apparaat aan het einde van zijn levensduur niet met het normale huisvuil meegegeven

mag worden. Het apparaat moet worden ingeleverd bij speciaal hiervoor bestemde inzamelpunten, milieustraten of afvalverwerkingsbedrijven.

Verwijder alle persoonlijke gegevens voordat u het product inlevert.

De verpakking bestaat uit milieuvriendelijke materialen, die u via de plaatselijke recyclepunten kunt afvoeren.

Voer de verpakking af volgens de milieuoorschriften.

## 16. Garantie van Kompernaß Handels GmbH

Geachte klant,

U hebt op dit apparaat 3 jaar garantie vanaf de aankoopdatum. In geval van gebreken in dit product hebt u wettelijke rechten tegenover de verkoper van het product. Deze wettelijke rechten worden door onze hierna beschreven garantie niet beperkt.

### Garantievoorwaarden

De garantieperiode geldt vanaf de datum van aankoop. Bewaar de kassabon zorgvuldig. U hebt hem nodig als bewijs van aankoop.

Als er binnen drie jaar vanaf de aankoopdatum van dit product een materiaal- of fabricagefout optreedt, wordt - naar onze keuze - het product door ons kosteloos gerepareerd of vervangen of wordt de koopprijs terugbetaald. Voorwaarde voor deze garantie is dat het defecte apparaat en het aankoopbewijs (kassabon) binnen de termijn van drie jaar worden overlegd en dat kort wordt omschreven waaruit het gebrek bestaat en wanneer het is opgetreden.

Wanneer het defect door onze garantie wordt gedekt, krijgt u het gerepareerde product of een nieuw product retour. Met de reparatie of vervanging van het product begint er geen nieuwe garantieperiode.

### Garantieperiode en wettelijke aanspraken bij gebreken

De garantieperiode wordt door deze waarborg niet verlengd. Dat geldt ook voor vervangen en gerepareerde onderdelen. Eventueel al bij aankoop aanwezige schade en gebreken moeten meteen na het uitpakken worden gemeld. Voor reparaties na afloop van de garantieperiode worden kosten in rekening gebracht.

## Garantieomvang

Het apparaat is op basis van strenge kwaliteitssnormen met de grootst mogelijke zorg vervaardigd en voorafgaand aan de levering nauwkeurig gecontroleerd.

De garantie geldt voor materiaal- of fabricagefouten. Deze garantie geldt niet voor productonderdelen die onderhevig zijn aan normale slijtage en die daarom als slijtonderdelen worden beschouwd, of voor schade aan breekbare onderdelen zoals schakelaars of onderdelen die van glas zijn gemaakt.

Deze garantie vervalt wanneer het product is beschadigd, ondeskundig is gebruikt of is gerepareerd. Voor deskundig gebruik van het product moeten alle in de gebruiksaanwijzing beschreven aanwijzingen precies worden opgevolgd. Gebruiksdoeleinden en handelingen die in de gebruiksaanwijzing worden afgeraden of waarvoor wordt gewaarschuwd, moeten beslist worden vermeden.

Het product is uitsluitend bestemd voor privégebruik en niet voor bedrijfsmatige doeleinden. Bij verkeerd gebruik en ondeskundige behandeling, bij gebruik van geweld en bij reparaties die niet door ons erkend servicefiliaal zijn uitgevoerd, vervalt de garantie.

## Afhandeling bij een garantiekwestie

Voor een snelle afhandeling van uw aanvraag neemt u de volgende aanwijzingen in acht:

- Houd voor alle aanvragen de kassabon en het artikelnummer (IAN) 496701\_2504 als aankoopbewijs bij de hand.
- Het artikelnummer vindt u op het typeplaatje van het product, op het product gegraveerd, op de titelpagina van de gebruiksaanwijzing (linksonder) of op de sticker op de achter- of onderkant van het product.
- Als er fouten in de werking of andere gebreken optreden, neemt u eerst contact op met de hierna genoemde serviceafdeling, **telefonisch** of **via e-mail**.

- Een als defect geregistreerd product kunt u dan zonder portokosten naar het aan u doorgegeven serviceadres sturen. Voeg het aankoopbewijs (kassabon) bij en vermeld waaruit het gebrek bestaat en wanneer het is opgetreden.



Op [www.lidl-service.com](http://www.lidl-service.com) kunt u deze en vele andere handleidingen, productvideo's en installatiesoftware downloaden.

Met deze QR-code gaat u direct naar de website van Lidl Service ([www.lidl-service.com](http://www.lidl-service.com)) en kunt u met het invoeren van het artikelnummer (IAN) 496701\_2504 de gebruiksaanwijzing openen.

## 16.1. Service

### **NL** Service Nederland

Tel.: 0800 0249630

E-Mail: [kompernass@lidl.nl](mailto:kompernass@lidl.nl)

### **BE** Service België

Tel.: 0800 12089

E-Mail: [kompernass@lidl.be](mailto:kompernass@lidl.be)

**IAN 496701\_2504**

## 16.2. Importeur

Let op: het volgende adres is geen serviceadres. Neem eerst contact op met het opgegeven serviceadres.

KOMPERNASS HANDELS GMBH

BURGSTRASSE 21

44867 BOCHUM

DUITSLAND

[www.kompernass.com](http://www.kompernass.com)



# Indice

<b>1. Introduzione</b>	<b>60</b>
<b>2. Uso conforme</b>	<b>60</b>
<b>3. Volume della fornitura</b>	<b>60</b>
<b>4. Descrizione dell'apparecchio</b>	<b>60</b>
<b>5. Dati tecnici</b>	<b>60</b>
<b>6. Avvertenze e simboli utilizzati</b>	<b>61</b>
<b>7. Avvertenze di sicurezza</b>	<b>62</b>
<b>8. Disimballaggio</b>	<b>64</b>
<b>9. Installazione</b>	<b>64</b>
<b>10. Uso</b>	<b>64</b>
10.1. Riempimento e montaggio dell'inserto mixer . . . . .	64
10.2. Selezione del livello di velocità . . . . .	66
10.3. Riempimento con apparecchio in funzione . . . . .	66
10.4. Rimozione dell'inserto mixer. . . . .	66
<b>11. Indicazioni utili</b>	<b>66</b>
<b>12. Ricette</b>	<b>67</b>
<b>13. Pulizia</b>	<b>68</b>
13.1. Pulizia dell'inserto mixer. . . . .	68
13.2. Pulizia del blocco motore . . . . .	70
<b>14. Conservazione</b>	<b>70</b>
<b>15. Smaltimento</b>	<b>70</b>
<b>16. Garanzia della Kompernass Handels GmbH</b>	<b>70</b>
16.1. Assistenza. . . . .	71
16.2. Importatore. . . . .	71

## 1. Introduzione

Congratulazioni per l'acquisto del nuovo apparecchio. È stato scelto un prodotto di alta qualità. Il manuale d'uso è parte integrante del presente prodotto. Esso contiene importanti indicazioni sulla sicurezza, l'uso e lo smaltimento. Prima di utilizzare il prodotto, acquisire dimestichezza con tutte le indicazioni relative ai comandi e alla sicurezza. Utilizzare il prodotto solo come descritto e per i campi d'impiego indicati. In caso di cessione del prodotto a terzi, consegnare anche tutta la relativa documentazione.

## 2. Uso conforme

Questo apparecchio è destinato esclusivamente a ...

- frullare, passare e mescolare alimenti nonché per tritare cubetti di ghiaccio (cosiddetto "crush"),
- lavorare quantità domestiche e solo per l'uso privato in locali asciutti.

Questo apparecchio non è destinato a ...

- tritare erbe aromatiche, cipolle, carne e parti dure di alimenti come ad es. noci, noccioli, grani grossi o gambi,
- per la produzione di crema di noci,
- lavorare materiali non alimentari,
- impiego per scopi commerciali o industriali,
- utilizzo in ambienti umidi o all'aperto,
- lavorazione di liquidi molto caldi/bollenti.

Utilizzare solo accessori e pezzi di ricambio predisposti per questo apparecchio. Altri pezzi potrebbero non essere sufficientemente adatti o sicuri!

## 3. Volume della fornitura


Dopo il disimballaggio, controllare l'integrità della fornitura. Sono compresi nella fornitura:

- Blocco motore, con cavo di rete e spina
- Inserto mixer
- Coperchio
- Tappo dosatore
- Istruzioni per l'uso

## 4. Descrizione dell'apparecchio

- 1 Tappo dosatore
- 2 Coperchio
- 3 Inserto mixer
- 4 Lama di taglio
- 5 Interruttore
- 6 Blocco motore
- 7 Dispositivo di avvolgimento del cavo
- 8 Scala graduata
- 9 Guarnizione in gomma coperchio

## 5. Dati tecnici

Tensione nominale	220 - 240 V ~, 50 - 60 Hz
Potenza nominale	600 W
Assorbimento di potenza da spento	< 0,5 W
Capacità	circa 2,3 litri
Quantità max. di riempimento	1,75 litri
Classe di protezione	II / 
Ciclo di funzionamento breve	3 minuti

Il ciclo di funzionamento breve indica per quanto tempo si può azionare l'apparecchio senza che il motore si surriscaldi e danneggi. Alla scadenza del tempo massimo di funzionamento continuo, l'apparecchio deve essere tenuto spento fino al completo raffreddamento del motore a temperatura ambiente.

## 6. Avvertenze e simboli utilizzati

Nel presente manuale di istruzioni, sulla confezione e sull'apparecchio vengono utilizzati gli avvisi e i simboli seguenti (se pertinenti):

	<b>PERICOLO!</b> Un avviso con questo simbolo e la parola di segnalazione "PERICOLO" indica una situazione di pericolo immediata che, se non viene evitata, ha come conseguenza la morte o una grave lesione.
	<b>AVVERTENZA!</b> Un avviso con questo simbolo e la parola di segnalazione "AVVERTENZA" indica una possibile situazione di pericolo che, se non viene evitata, potrebbe avere come conseguenza la morte o una grave lesione.
	<b>CAUTELA!</b> Un avviso con questo simbolo e la parola di segnalazione "Cautela" indica una possibile situazione di pericolo che, se non viene evitata, potrebbe avere come conseguenza una lesione di entità lieve o moderata.
	<b>ATTENZIONE!</b> Un avviso con questo simbolo e la parola di segnalazione "ATTENZIONE" indica una possibile situazione che, se non viene evitata, potrebbe avere come conseguenza danni materiali.
	<b>Nota:</b> Una nota fornisce ulteriori informazioni volte a facilitare l'uso dell'apparecchio.
	Leggere le istruzioni.
	Corrente/tensione alternata
	Classe di protezione II: protezione mediante isolamento doppio o rinforzato.
	Non immergere in acqua!

	Adatto al lavaggio in lavastoviglie.
	Tutti i componenti di questo apparecchio che vengono a contatto con alimenti sono idonei al contatto con gli alimenti.
	Questo prodotto soddisfa tutti i requisiti delle vigenti direttive europee e nazionali.
	Non smaltire l'apparecchio elettrico insieme ai rifiuti domestici!
	Smaltire l'imballaggio in modo ecologico.
	Imballaggio in materiali riciclabili. Per la differenziazione dei rifiuti tenere conto dell'identificazione dei materiali di imballaggio: presentano codici costituiti da abbreviazioni (a) e numeri (b) con il seguente significato: 1-7: materie plastiche, 20-22: carta e cartone, 80-98: materiali compositi.
	L'imballaggio contiene elementi di carta e/o cartone.
	L'imballaggio contiene elementi di plastica e/o metallo.
	<b>FR</b> Cet appareil et ses accessoires se recyclent A DÉPOSER EN MAGASIN OU A DÉPOSER EN DÉCHÈTRIÈRE Points de collecte sur <a href="http://www.quefairemedesdechets.fr">www.quefairemedesdechets.fr</a> Privilégiez la réparation ou le don de votre appareil !
	<b>FR</b> ÉLÉMENTS D'EMBALLAGE A DÉPOSER EN DÉCHÈTRIÈRE
	<b>FR</b> Il prodotto, l'imballaggio e il libretto di istruzioni sono riciclabili, sono soggetti ad una responsabilità estesa del produttore e vengono raccolti in maniera differenziata.

## 7. Avvertenze di sicurezza

### **⚠ PERICOLO! RISCHIO DI FOLGORAZIONE!**

- Assicurarsi che il blocco motore, il cavo di allacciamento alla rete o la spina non vengano mai immersi in acqua o altri liquidi.
- Utilizzare l'apparecchio esclusivamente in ambienti asciutti, mai all'aperto o in ambiente umido.
- Impedire che il cavo di rete si bagni o si inumidisca durante l'uso dell'apparecchio. Condurlo in modo tale da impedire che si incastri o danneggi in altro modo.
- In caso di danni al cavo di alimentazione dell'apparecchio, per evitare pericoli farlo sostituire dal produttore, dal servizio di assistenza clienti o da personale altrettanto qualificato.
- Dopo l'uso estrarre sempre la spina dalla presa di corrente. Non è sufficiente spegnere l'apparecchio, poiché esso è ancora sotto tensione finché la spina è inserita nella presa.
- Prima dell'uso, controllare sempre che il prodotto sia in condizioni perfette. Non utilizzare l'apparecchio se si rilevano danni soprattutto al blocco motore o all'inserito mixer.
- Staccare subito la spina di rete dalla presa se si sente un odore o un rumore insolito o in caso di guasto visibile.

### **⚠ AVVERTENZA! PERICOLO DI LESIONI!**

- Non introdurre mai le mani nell'inserito mixer, in particolare con l'apparecchio in funzione. Le lame sono estremamente affilate!
- Non aprire il coperchio mentre l'apparecchio è in funzione.
- Per poter reagire immediatamente in caso di pericolo, tenere sempre l'apparecchio sotto controllo quando è in funzione.
- Non introdurre mai posate o oggetti per mescolare nell'inserito mixer mentre quest'ultimo è in funzione. Sussiste notevole pericolo di lesioni in caso di contatto con lame che ruotano a velocità molto elevata!

- Sorvegliare i bambini per assicurarsi che non giochino con l'apparecchio.
- Non utilizzare mai l'apparecchio per scopi diversi da quelli descritti nel presente manuale.
- In caso di uso errato dell'apparecchio sussiste il pericolo di lesioni.
- Staccare sempre l'apparecchio dalla rete in assenza di sorveglianza e prima del montaggio, dello smontaggio o della pulizia.
- Questo apparecchio non deve essere utilizzato da bambini.
- Tenere lontani i bambini dall'apparecchio e dal relativo cavo.
- Questo apparecchio può essere utilizzato da persone con capacità fisiche, sensoriali o mentali ridotte o insufficiente esperienza o conoscenza, solo se sorvegliate o istruite sull'uso sicuro dell'apparecchio e qualora ne abbiano compreso i pericoli associati.
- I bambini non devono giocare con l'apparecchio.
- Fare molta attenzione quando si utilizza dell'apparecchio.  
I coltelli sono molto affilati!
- Procedere con cautela quando si svuota l'inserito mixer!  
I coltelli sono molto affilati!
- Procedere con cautela durante la pulizia dell'apparecchio!  
I coltelli sono molto affilati!
- Prima di sostituire accessori o toccare parti che durante il funzionamento si muovono, spegnere l'apparecchio e staccare la spina.
- Accertarsi che il mixer sia sempre spento prima di sollevarlo dal blocco motore!
- Utilizzare l'inserito mixer solo con il blocco motore in dotazione!

## ! ATTENZIONE! DANNI MATERIALI!

- Non utilizzare l'apparecchio in un'area esposta all'irradiazione solare diretta o al calore di apparecchi riscaldanti.
- Non introdurre mai liquidi bollenti o alimenti molto caldi nell'inserto mixer! Lasciarli prima raffreddare a temperatura ambiente!
- Non azionare mai l'apparecchio a vuoto, ovvero senza alimenti nell'inserto mixer.

## 8. Disimballaggio

- Rimuovere tutti i componenti dell'imballaggio o le pellicole protettive dall'apparecchio. Conservare l'imballaggio per poter riporre l'apparecchio in modo protetto o poterlo inviare in caso di necessità di riparazioni.
- Prima di utilizzare l'apparecchio controllare che sia intatto, includendo anche il cavo di rete con relativa spina e tutti gli accessori e componenti.
- Prima del primo impiego del mixer ad asta pulire accuratamente tutti i componenti (vedi **13. Pulizia**).

## 9. Installazione

Dopo aver pulito tutti i componenti, così come descritto alla voce **13. Pulizia**:



- posizionare l'apparecchio in modo tale che ...
  - il cavo di rete passi attraverso l'incasso sul retro,
  - la spina sia subito raggiungibile quando in caso di pericolo la si deve staccare rapidamente dalla presa,
  - sia in posizione stabile e non possa scivolare e che non si ribalti in caso di vibrazioni.
  - il cavo di rete non sporga nell'area di lavoro dove potrebbe essere inavvertitamente tirato, con conseguente ribaltamento dell'apparecchio.

## 10. Uso

### ⚠ AVVERTENZA!


- ▶ Il motore si spegne non appena l'inserto mixer ③ viene rimosso dal blocco motore ⑥ o si apre il coperchio ②. In tale frangente può darsi che non ci si accorga che l'apparecchio è ancora acceso. Il motore si avvia quindi in modo inatteso non appena si monta l'inserto mixer ③ o si richiude il coperchio ②. Pertanto:
  - inserire la spina di rete nella presa solo quando l'inserto mixer ③ è stato riempito, montato e chiuso.
  - Prima di montarlo, accertarsi sempre che l'apparecchio sia spento o la spina di rete sia staccata.
  - Innanzitutto spegnere, staccare la spina dalla presa di corrente e attendere il fermo del motore prima di rimuovere l'inserto mixer ③ o di aprire il coperchio ②.

### 10.1. Riempimento e montaggio dell'inserto mixer

- 1) Ruotare l'inserto mixer ③ in senso antiorario finché la freccia ▼ sotto la maniglia dell'inserto mixer non si trovi al di sopra della posizione . Rimuovere l'inserto mixer ③ sollevandolo in verticale dal blocco motore ⑥.
- 2) Rimuovere il coperchio ②, ruotandolo in senso antiorario in direzione della posizione  (vedere Fig. 1), fino a poterlo estrarre verso l'alto.

3) Riempire l'inserto mixer **3** almeno fino alla tacchetta inferiore della scala graduata **8** e non oltre il segno MAX. Per risultati ottimali si consigliano le seguenti quantità di riempimento massime:

Alimento	Capienza massima	Livello consigliato	Tempo di lavorazione consigliato
Liquidi	1750 ml	1-3	60 sec.
Bevande a base di yogurt	1250 ml	2-5	90 sec.
Frullati/smoothie	1250 ml	2-5	60-90 sec.
Impasto per crêpe	1250 ml	3-5	90 sec.
Omogeneizzati	750 ml	5	3 min.
Maionese	2 uova 250 ml di olio	3-5	90-120 sec.
Zuppa di verdure	1500 ml	3-5	3 min.
Cubetti di ghiaccio	375 ml (circa 14-15 pz.)	P	12x

4) Premere saldamente di nuovo il coperchio **2** sull'inserto mixer **3** in modo sfalsato. Chiudere il coperchio **2**, ruotandolo in senso orario nella posizione  fino a percepirne l'innesto (vedere Fig. 2). Verificare che il beccuccio dell'inserto mixer **3** sia chiuso. Il motore può avviarsi solo quando il coperchio **2** è posizionato a filo.

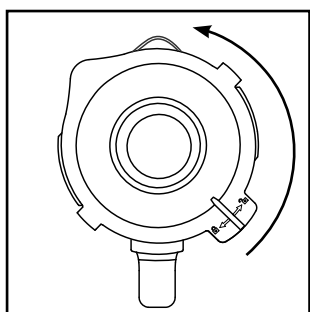


Fig. 1

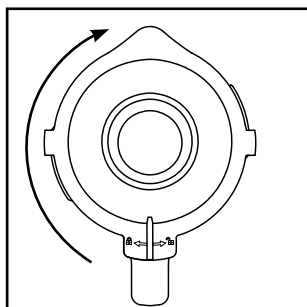
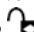
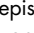


Fig. 2

- 5) Premere il tappo dosatore **1** fino all'arresto nell'apertura del coperchio.
- 6) Collocare l'inserto mixer **3** pieno e chiuso sul blocco motore **6**. Utilizzare in tal caso gli intagli presenti sul blocco motore **6** e assicurarsi che la freccia ▼ che si trova sull'inserto mixer **3** punti sul simbolo . Ruotare l'inserto mixer **3** in senso orario nella posizione  finché non si percepisce l'innesto. Il motore può partire solo quando l'inserto mixer **3** è applicato a filo.

## 10.2. Selezione del livello di velocità

Quando l'inserto mixer **3** è riempito, completamente chiuso e collocato sul blocco motore **6**, si può accendere l'apparecchio.

Portare l'interruttore **5** sul ...

- **Livello 1 - 3**  
per alimenti fluidi o semisolidi, per miscelare, ridurre in purea e mescolare
- **Livello 3 - 5**  
per alimenti più solidi o per triturare
- **Livello P (funzione impulsi)**  
per funzionamento breve e potente a impulsi, ad es. per tritare cubetti di ghiaccio o per la pulizia. L'interruttore **5** non si innesta in modo fisso in questa posizione, al fine di non sovraccaricare il motore. Tenere pertanto l'interruttore **5** solo brevemente in questa posizione.

### **i** Nota

- ▶ Riempire l'inserto mixer **3** con cubetti di ghiaccio al massimo fino alla tacchetta dei 375 ml, altrimenti l'apparecchio non li trita in modo ottimale.

## 10.3. Riempimento con apparecchio in funzione

### **⚠** AVVERTENZA


- ▶ Se si desidera riempire qualcosa con l'apparecchio in funzione, aprire esclusivamente il tappo dosatore **1** appositamente previsto. Non aprire il coperchio **2** in alcun caso.
- ▶ Non inserire mai posate o oggetti per mescolare nell'inserto mixer **3** mentre l'apparecchio è in funzione. Sussiste notevole pericolo di lesioni in caso di contatto con lame da taglio **4** che ruotano a velocità molto elevata!

Per poter inserire qualcosa mentre l'apparecchio è in funzione, ...

- 1) Estrarre il tappo dosatore **1** dal coperchio **2**.
- 2) Aggiungere gli ingredienti.
- 3) Poi introdurre il tappo dosatore **1** nell'apertura del coperchio.

## 10.4. Rimozione dell'inserto mixer

Dopo aver terminato la lavorazione degli alimenti introdotti:

- 1) Portare sempre prima l'interruttore **5** in posizione Off ("0") e staccare la spina di rete.
- 2) Prima di prelevare l'inserto mixer **3**, attendere l'arresto completo del motore **6**. Ruotare l'inserto mixer **3** in senso antiorario finché la freccia ▼ sotto l'impugnatura dell'inserto mixer non si trova sopra la posizione . Rimuovere l'inserto mixer **3** sollevandolo in verticale dal blocco motore **6**.

## 11. Indicazioni utili

- Per ottenere i migliori risultati di frullatura possibili, aggiungere poco per volta solo piccole porzioni nell'inserto mixer **3**, invece di introdurre una grande quantità tutta in una volta.
- Se si lavorano ingredienti solidi, tagliarli a pezzetti (2 - 3 cm).
- Aggiungere almeno 50 ml di liquido quando si frulla frutta oppure verdura.
- Versare nell'inserto mixer **3** per primi gli ingredienti più densi, ad es. lo yogurt. Se durante la miscelazione non vengono trascinati tutti gli ingredienti, togliere l'inserto mixer **3** dal blocco motore **6**, rimuovere il coperchio **2** e mescolare gli ingredienti, ad es. con un cucchiaino. Riapplicare l'inserto mixer **3** con il coperchio **2** chiuso al blocco motore **6** e proseguire con la miscelazione.
- Quando si frullano ingredienti liquidi, cominciare con una quantità di liquido ridotta. Aggiungete poi poco per volta sempre più liquido dal foro del coperchio.
- Se mentre l'apparecchio è in funzione si mette la mano sopra il mixer ad asta chiuso, si può stabilizzare bene l'apparecchio.
- Per mescolare alimenti solidi o molto densi, può essere utile utilizzare il livello **P**, in modo da evitare che la lama di taglio **4** si blocchi.

## **i** Nota

- ▶ Non utilizzare l'apparecchio per ridurre la grana di sale da cucina, zucchero raffinato o zucchero bianco, per esempio per ottenere lo zucchero a velo.

## 12. Ricette

### Frullato alla banana

- 2 banane
- 2 cucchiaini di zucchero circa (a seconda del grado di maturazione delle banane e del gusto personale)
- ½ litro di latte
- 1 spruzzata di succo di limone

Sbucciare le banane e frullarle alla velocità 2. Aggiungere poco per volta il latte, poi lo zucchero e il succo di limone. Mescolare il tutto fino a ottenere un liquido omogeneo. Servire il frullato freddo di frigo.

### Frullato alla vaniglia

- ¼ di litro di latte
- 250 g di gelato alla vaniglia
- 125 g di cubetti di ghiaccio
- 1 ½ cucchiaino di zucchero

Tritare i cubetti di ghiaccio con il livello **P**. Versare i restanti ingredienti nel mixer. Mescolare il tutto a livello 2, fino a ottenere un liquido omogeneo.

### Frullato al cappuccino

- 65 ml di espresso freddo (o caffè molto forte)
- 65 ml di latte
- 15 g di zucchero
- 65 g di gelato alla vaniglia
- 100 g di cubetti di ghiaccio

Tritare i cubetti di ghiaccio con il livello **P**. Aggiungere l'espresso, il latte e lo zucchero. Mescolare il tutto alla velocità 2 fino a quando lo zucchero non si è sciolto. Alla fine, aggiungere il gelato alla vaniglia e mescolare il tutto brevemente alla velocità 1.

### Frullato tropicale

- 125 ml di succo di ananas
- 60 ml di succo di papaia
- 50 ml di succo di arancia
- ½ scatola di pesche sciroppate con sciroppo
- 125 g di cubetti di ghiaccio

Tritare i cubetti di ghiaccio con il livello **P**. Versare tutti gli ingredienti nel mixer e mescolare alla velocità 3.

### Frullato alla crema nocciola

- ½ litro di latte
- 200 g di crema nocciola
- 1 pallina di gelato alla vaniglia
- 50 ml di panna

Miscelare tutti gli ingredienti nel mixer a livello 3 fino a ottenere una miscela omogenea.

### Frullato alle carote

- 300 ml di succo di mela
- 500 ml di succo di carote
- 4 cucchiaini di olio (di germe di grano o di colza)
- 4 cucchiaini di succo di limone
- Polvere di zenzero
- Pepe

Aggiungere nel mixer il succo di mela, l'olio e il succo di limone e mescolare il tutto alla velocità 2. Aggiungere poi il succo di carote e mescolare il tutto alla velocità 2. Insaporire poi il frullato con zenzero in polvere e pepe.

### Frullato al ribes

- 2 cucchiaini di miele
- 2 banane
- ¼ di litro di latticello
- ¼ di litro di succo di ribes (nero)

Versare tutti gli ingredienti nel mixer e frullare tutto alla velocità 3.

## Frullato Hawaii

- 4 banane
- ¼ di litro di succo di ananas
- ½ litro di latte
- 2 cucchiari di miele
- ¼ di litro di rum

Sbucciare le banane e frullarle alla velocità 2. Aggiungere gli ulteriori ingredienti e mescolare il tutto alla velocità 1.

## Frullato a base di ananas e fragole

- 250 ml di succo di ananas
- 200 g di fragole
- 300 ml di succo di mela
- 4 cubetti di ghiaccio

Lavare le fragole e rimuovere la parte verde. Tritare i cubetti di ghiaccio con il livello **P**. Frullarle alla velocità 2. Aggiungere poi i restanti ingredienti e mescolare il tutto alla velocità 1.

## Zuppa fredda andalusa (gazpacho)

- ½ cetriolo
- 1 pomodoro da insalata
- 1 peperone verde
- ½ cipolla
- 1 spicchio d'aglio
- ½ panino bianco
- ½ cucchiaino di sale
- 1 cucchiaino di aceto di vino rosso
- 1 cucchiaino di olio di oliva

Tagliare le verdure in pezzi grandi ca. 2 cm. Versare nel mixer prima i pezzi di pomodoro e poi il cetriolo. Frullarli alla velocità 3. Aggiungere poi i restanti ingredienti e frullare/mescolare il tutto alla velocità 3 fino a quando non si forma una zuppa omogenea. Servire il tutto con pane.

### Nota

- ▶ Ricette senza garanzia di riuscita. Tutti i dati relativi a ingredienti e preparazione sono puramente indicativi. Integrare questi suggerimenti di ricette con i propri valori derivanti dall'esperienza.
- ▶ In caso d'intolleranza al lattosio, consigliamo di utilizzare un latte privo di lattosio. Tenere però presente che il latte senza lattosio è un po' più dolce.

## 13. Pulizia

### PERICOLO!

Prima di pulire il mixer e i suoi componenti:

- ▶ assicurarsi che l'apparecchio sia spento e la spina di rete sia staccata.



Non immettere in nessun caso il blocco motore **6** in acqua o altri liquidi. In tal caso sussiste pericolo di morte per folgorazione e di danno all'apparecchio.

- ▶ Non aprire mai l'alloggiamento dell'apparecchio. Altrimenti sussiste pericolo di morte per scossa elettrica.

### AVVERTENZA!

- ▶ Non introdurre mai le mani nell'inserto mixer **3**, in particolare con l'apparecchio in funzione. Le lame di taglio **4** sono estremamente affilate!

### ATTENZIONE!

- ▶ Non usare solventi o abrasivi per le superfici di plastica, che altrimenti potrebbero danneggiarsi.

### 13.1. Pulizia dell'inserto mixer

- Pulire l'inserto mixer **3** solo con uno spazzolino con il manico lungo, in modo da essere sicuri di non ferirsi con la lama da taglio **4**.
- Pulire il tappo dosatore **1** e il coperchio **2** con una soluzione saponosa delicata. Assicurarsi che la guarnizione in gomma **3** sia posizionata correttamente prima di riutilizzare il coperchio **2**.

**i Nota**



Il coperchio **2**, il tappo dosatore **1** e l'inserto mixer **3** con la lama di taglio **4** si possono anche lavare in lavastoviglie. Disporre le parti possibilmente nel cestello superiore della lavastoviglie facendo attenzione a che non rimangano incastrate.

- Se si pulisce l'apparecchio subito dopo l'uso, in genere si ottiene una sufficiente pulizia igienica con la seguente alternativa: Riempire l'inserto mixer **3** con 750 ml di acqua e versare qualche goccia di detersivo per piatti delicato. Chiudere il coperchio **2** e inserire l'inserto mixer **3** sul blocco motore **6**. Inserire la spina in una presa di corrente e azionare un paio di volte la funzione impulsi in modo che le lame di taglio **4** girino nell'acqua con il numero di giri massimo. Sciacquare quindi l'inserto mixer **3** con abbondante acqua corrente, in modo tale da eliminare tutti i residui di detersivo.
- Per poter eliminare meglio lo sporco ostinato, si può staccare l'accessorio **A** con le lame di taglio **4** dal contenitore dell'inserto mixer **3**:

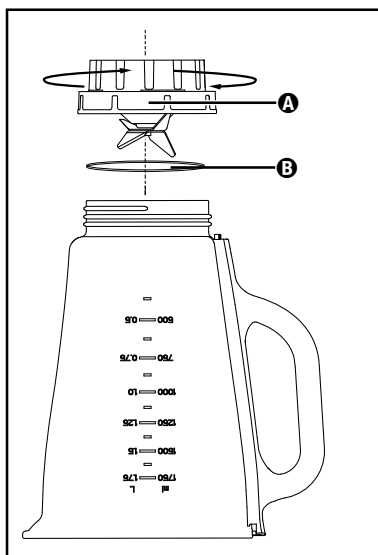



Fig. 3

- 1) Rimuovere l'inserto mixer **3** dal blocco motore **6**. Per una migliore stabilità rimuovere il coperchio **2**, ruotandolo in senso antiorario in direzione della posizione  (vedere Fig. 1), fino a poterlo estrarre verso l'alto.
- 2) Capovolgere l'apparecchio e ruotare l'accessorio **A** con le lame di taglio **4** in senso antiorario in modo da poterlo staccare dal contenitore dell'inserto mixer **3** (vedere Fig. 3).

**⚠ AVVERTENZA!**

- ▶ Trattare le lame di taglio **4** con cautela. Sono molto affilate.
- 3) Pulire entrambe le parti accuratamente con una soluzione saponosa delicata.

**i Nota**

- ▶ Se necessario si può togliere l'anello di guarnizione **B** dall'accessorio **A** con le lame di taglio **4**. Estrarre l'anello di guarnizione **B** dall'accessorio **A** e pulirlo con una soluzione saponosa delicata. Poi risciacquare l'anello di guarnizione **B** con acqua pulita.



Il contenitore dell'inserto mixer **3** e l'accessorio **A** con le lame di taglio **4** possono essere lavati anche in lavastoviglie.

- 4) Asciugare accuratamente tutte le parti prima di rimontarle.
- 5) Collocare nuovamente l'accessorio **A** con le lame di taglio **4** sul contenitore dell'inserto mixer **3** e avvitarlo saldamente in senso orario. Assicurarsi che l'anello di guarnizione **B** sia inserito correttamente.

## 13.2. Pulizia del blocco motore

- 1) Pulire le superfici con un panno umido. Se necessario, versare sul panno un detersivo per piatti delicato. Per rimuovere eventuali residui di detersivo, passare un panno leggermente inumidito solo con acqua. Poi asciugare bene tutte le superfici.
- 2) A ogni pulizia, controllare che l'interruttore di contatto presente nell'alloggiamento per l'inserito mixer **3** non sia bloccato da resti di sporco. Se non si riesce a staccare eventuali resti che ostacolano con l'angolo di un foglio di carta, rivolgersi al servizio di assistenza clienti. Non utilizzare in alcun caso oggetti duri che potrebbero danneggiare l'interruttore di contatto.
- 3) Rimuovere eventuale sporco sul lato inferiore del blocco motore **6** esclusivamente con un panno asciutto o con uno spazzolino per la polvere. Assicurarsi di impedire la penetrazione di acqua nelle feritoie di aerazione dell'apparecchio.

## 14. Conservazione

- 1) Se non si utilizza il mixer ad asta per un periodo prolungato, pulirlo a fondo (v. capitolo **13. Pulizia**).
- 2) Avvolgere il cavo di rete sull'avvolgimento cavo **7** sul fondo del blocco motore **6**.
- 3) Conservare il mixer ad asta in un luogo fresco e asciutto.

## 15. Smaltimento



Il simbolo del cassonetto dei rifiuti barrato significa che questo apparecchio non deve essere smaltito con i normali rifiuti domestici al termine della sua durata utile. L'apparecchio deve essere conferito a punti di raccolta autorizzati, centri di riciclaggio o aziende di smaltimento.

Si prega di eliminare tutti i dati personali prima della riconsegna.

L'imballaggio è costituito da materiali ecocompatibili che possono essere smaltiti tramite gli appositi centri di raccolta e riciclaggio.

Smaltire l'imballaggio conformemente alle norme di tutela ambientale.

## 16. Garanzia della Kompernass Handels GmbH

Egregio Cliente,

Questo apparecchio ha una garanzia di 3 anni dalla data di acquisto. Qualora questo prodotto presentasse vizi, le spettano diritti legali nei confronti del venditore del prodotto. La garanzia qui di seguito descritta non costituisce alcun limite a tali diritti legali.

### Condizioni di garanzia

Il periodo di garanzia decorre dalla data di acquisto. Si prega di conservare bene lo scontrino di cassa. Quest'ultimo è necessario come prova d'acquisto.

Qualora entro tre anni a partire dalla data d'acquisto del prodotto si presentasse un difetto del materiale o di fabbricazione, provvederemo a nostra discrezione a riparare o a sostituire gratuitamente il prodotto oppure a rimborsare il prezzo d'acquisto. Questa prestazione di garanzia ha come presupposto che l'apparecchio guasto e la prova d'acquisto (scontrino di cassa) vengano presentati entro il termine di tre anni e che si descriva per iscritto in cosa consiste il difetto e quando si è evidenziato.

Se il vizio rientra nell'ambito della nostra garanzia, il suo prodotto verrà riparato o sostituito da uno nuovo. Con la riparazione o la sostituzione del prodotto non decorre un nuovo periodo di garanzia.

### Periodo di garanzia e diritti legali di rivendicazione di vizi

Il periodo di garanzia non viene prolungato da interventi in garanzia. Ciò vale anche per le parti sostituite e riparate. Danni e vizi eventualmente già presenti al momento dell'acquisto devono venire segnalati immediatamente dopo che l'apparecchio è stato disimballato. Le riparazioni eseguite dopo la scadenza del periodo di garanzia sono a pagamento.

## Ambito della garanzia

L'apparecchio è stato prodotto con cura secondo severe direttive qualitative e debitamente collaudato prima della consegna.

La prestazione in garanzia vale per difetti del materiale o di fabbricazione. Questa garanzia non si estende a componenti del prodotto esposti a normale logorio, che possono pertanto essere considerati come componenti soggetti a usura (esempio capacità della batteria, calcificazione, lampade, pneumatici, filtri, spazzole...). La garanzia non si estende altresì a danni che si verificano su componenti delicati (esempio interruttori, parti realizzate in vetro, schermi, accessori vari) nonché danni derivanti dal trasporto o altri incidenti.

Questa garanzia decade se il prodotto è stato danneggiato oppure utilizzato o sottoposto a interventi di manutenzione in modo non conforme. Per un utilizzo adeguato del prodotto si devono rigorosamente rispettare tutte le istruzioni esposte nel manuale di istruzioni per l'uso. Si devono assolutamente evitare modalità di utilizzo e azioni che il manuale di istruzioni per l'uso sconsiglia o da cui esso mette in guardia.

Il prodotto è destinato esclusivamente all'uso domestico e non a quello commerciale. La garanzia decade in caso di impiego improprio o manomissione, uso della forza e interventi non eseguiti dalla nostra filiale di assistenza autorizzata.

## Trattamento dei casi di garanzia

Per garantire una rapida evasione della Sua richiesta, La preghiamo di seguire le seguenti istruzioni:

- Tenga a portata di mano per qualsiasi richiesta lo scontrino di cassa e il codice dell'articolo (IAN) 496701\_2504 come prova di acquisto.
- Il codice dell'articolo è riportato sulla targhetta identificativa o su un'incisione presenti sul prodotto, sul frontespizio del manuale di istruzioni (in basso a sinistra) o su un adesivo applicato alla parte posteriore o inferiore del prodotto.

- Qualora si presentassero malfunzionamenti o altri tipi di vizi, contatti innanzitutto il reparto assistenza clienti qui di seguito indicato **telefonticamente** o via **e-mail**.
- Una volta che il prodotto è stato registrato come difettoso, lo può poi spedire a nostro carico, provvedendo ad allegare la prova di acquisto (scontrino di cassa), una descrizione del vizio e l'indicazione della data in cui si è presentato, all'indirizzo del servizio di assistenza clienti che Le è stato comunicato.



Sul sito [www.lidl-service.com](http://www.lidl-service.com) è possibile scaricare questo e molti altri manuali di istruzioni, filmati sui prodotti e software d'installazione.

Con questo codice QR si giunge direttamente al sito dell'assistenza clienti Lidl ([www.lidl-service.com](http://www.lidl-service.com)) e con la digitazione del codice articolo (IAN) 496701\_2504 si può aprire il manuale di istruzioni di proprio interesse.

## 16.1. Assistenza

### IT Assistenza Italia

Tel.: 800781188

E-Mail: [kompennass@lidl.it](mailto:kompennass@lidl.it)

### CH Assistenza Svizzera

Tel.: 0800 56 44 33

E-Mail: [kompennass@lidl.ch](mailto:kompennass@lidl.ch)

### MT Service Malta

Tel.: 80062230

E-Mail: [kompennass@lidl.com.mt](mailto:kompennass@lidl.com.mt)

IAN 496701\_2504

## 16.2. Importatore

Badi che il seguente indirizzo non è quello del servizio di assistenza clienti. Contatti innanzitutto il servizio di assistenza clienti indicato.

KOMPENASS HANDELS GMBH

BURGSTRASSE 21

44867 BOCHUM

GERMANIA

[www.kompennass.com](http://www.kompennass.com)



# Índice

<b>1. Introducción</b>	<b>74</b>
<b>2. Uso previsto</b>	<b>74</b>
<b>3. Volumen de suministro</b>	<b>74</b>
<b>4. Descripción del aparato</b>	<b>74</b>
<b>5. Características técnicas</b>	<b>74</b>
<b>6. Indicaciones de advertencia y símbolos utilizados</b>	<b>75</b>
<b>7. Indicaciones de seguridad</b>	<b>76</b>
<b>8. Desembalaje</b>	<b>78</b>
<b>9. Instalación</b>	<b>78</b>
<b>10. Manejo</b>	<b>78</b>
10.1. Montaje y llenado del vaso . . . . .	78
10.2. Selección del nivel de velocidad . . . . .	80
10.3. Llenado durante el funcionamiento . . . . .	80
10.4. Desmontaje del vaso . . . . .	80
<b>11. Indicaciones útiles</b>	<b>80</b>
<b>12. Recetas</b>	<b>81</b>
<b>13. Limpieza</b>	<b>82</b>
13.1. Limpieza del vaso . . . . .	82
13.2. Limpieza del bloque motor . . . . .	84
<b>14. Almacenamiento</b>	<b>84</b>
<b>15. Desecho</b>	<b>84</b>
<b>16. Garantía de Kompennass Handels GmbH</b>	<b>84</b>
16.1. Asistencia técnica . . . . .	86
16.2. Importador . . . . .	86

## 1. Introducción

Felicidades por la compra de su aparato nuevo. Ha adquirido un producto de alta calidad. Las instrucciones de uso forman parte del producto y contienen indicaciones importantes acerca de la seguridad, del uso y del desecho de este aparato. Antes de usar el producto, familiarícese con todas las indicaciones de manejo y de seguridad. Utilice el producto únicamente como se describe y para los ámbitos de aplicación indicados. Entregue todos los documentos cuando transfiera el producto a terceros.

## 2. Uso previsto

Este aparato está previsto exclusivamente para lo siguiente:

- La mezcla, el triturado y el batido de alimentos, así como el picado de cubitos de hielo.
- El procesamiento de las cantidades propias de un entorno doméstico y su uso exclusivo en las estancias secas de viviendas privadas.

Este aparato no está previsto para lo siguiente:

- El picado de hierbas, cebollas y carne y el triturado de alimentos duros, como, p. ej., frutos secos, huesos de frutas, granos de tamaño grande o tallos/pedúnculos de frutas.
- La preparación de mantequillas de frutos secos.
- El procesamiento de materiales que no sean alimentos.
- Su uso para fines comerciales o industriales.
- Su uso en un entorno húmedo o a la intemperie.
- El procesamiento de líquidos calientes/en ebullición.

Utilice exclusivamente los accesorios y recambios previstos para este aparato. Es posible que otros accesorios no sean lo suficientemente aptos o seguros.

## 3. Volumen de suministro

Compruebe la integridad del volumen de suministro después de desembalar el producto. Componentes incluidos en el volumen de suministro:

- Bloque motor con cable de red y enchufe
- Vaso
- Tapa
- Accesorio medidor
- Instrucciones de uso

## 4. Descripción del aparato

- 1 Accesorio medidor
- 2 Tapa
- 3 Vaso
- 4 Cuchillas
- 5 Interruptor
- 6 Bloque motor
- 7 Enrollacables
- 8 Escala
- 9 Junta de goma

## 5. Características técnicas

Tensión nominal	220-240 V ~, 50-60 Hz
Potencia nominal	600 W
Consumo de potencia en estado apagado	< 0,5 W
Capacidad	Aprox. 2,3 litros
Máx. cantidad de llenado	1,75 litros
Clase de aislamiento	II/□
Duración del funcionamiento corto	3 minutos

La duración del funcionamiento corto indica durante cuánto tiempo puede funcionar un aparato sin que el motor se sobrecaliente ni se dañe. Una vez transcurrida la duración del funcionamiento corto indicada, deberá apagarse el aparato hasta que el motor se haya enfriado hasta alcanzar la temperatura ambiente.

## 6. Indicaciones de advertencia y símbolos utilizados

En estas instrucciones de uso, en el embalaje y en el aparato se utilizan las siguientes indicaciones de advertencia y símbolos (si corresponde):

	<b>¡PELIGRO!</b> Una indicación de advertencia marcada con este símbolo y con el término "PELIGRO" designa una situación de peligro inminente que, si no se evita, causa lesiones mortales o graves.
	<b>¡ADVERTENCIA!</b> Una indicación de advertencia marcada con este símbolo y con el término "ADVERTENCIA" designa una posible situación peligrosa que, si no se evita, puede causar lesiones mortales o graves.
	<b>¡CUIDADO!</b> Una indicación de advertencia marcada con este símbolo y con el término "CUIDADO" designa una posible situación peligrosa que, si no se evita, puede causar lesiones de gravedad leve a moderada.
	<b>¡ATENCIÓN!</b> Una indicación de advertencia marcada con este símbolo y con el término "ATENCIÓN" designa una posible situación que, si no se evita, puede causar daños materiales.
	<b>Indicación:</b> La indicación proporciona información adicional que facilita el manejo del aparato.
	Lea las instrucciones de uso.
	Corriente/tensión alterna
	Clase de aislamiento II: protección mediante un aislamiento doble o reforzado.
	¡No sumerja este producto en agua!

	Producto apto para el lavavajillas.
	Todas las piezas de este aparato que entran en contacto con alimentos son aptas para su uso con alimentos.
	Este producto cumple los requisitos de las normas europeas y nacionales aplicables.
	¡No deseche este aparato eléctrico con la basura doméstica!
	Deseche el embalaje de forma respetuosa con el medio ambiente.
	Embalaje realizado con materiales reciclables. Observe la indicación de los materiales de embalaje para su reciclaje: se indican con abreviaciones (a) y cifras (b) que significan lo siguiente: 1-7: plásticos; 20-22: papel y cartón, 80-98: materiales compuestos.
	El embalaje contiene componentes de papel y/o cartón.
	El embalaje contiene componentes de plástico y/o metal.
	<p><b>FR</b> Cet appareil et ses accessoires se recyclent</p> <p>A DÉPOSER EN MAGASIN OU A DÉPOSER EN DÉCHÈTERIE</p> <p>Points de collecte sur <a href="http://www.quefairede mesdechets.fr">www.quefairede mesdechets.fr</a> Privilégiez la réparation ou le don de votre appareil!</p>
	<p><b>FR</b> ÉLÉMENTS D'EMBALLAGE</p> <p>BAC DE TRI</p>
	<p><b>FR</b> El producto, el embalaje y las instrucciones de uso son reciclables, se someten a una responsabilidad ampliada del fabricante y se desechan por separado.</p>

## 7. Indicaciones de seguridad

### **⚠ ¡PELIGRO DE DESCARGA ELÉCTRICA!**

- Asegúrese de que el bloque motor, el cable de red o el enchufe no se sumerjan nunca en agua ni en cualquier otro líquido.
- Utilice el aparato exclusivamente en lugares secos y cerrados, nunca a la intemperie ni en ambientes húmedos.
- Procure que el cable de red no se moje ni se humedezca durante el funcionamiento. Tienda el cable de modo que no pueda quedar aplastado ni dañarse.
- Si se estropea el cable de conexión de red de este aparato, encomiende su sustitución al fabricante, a su servicio de asistencia técnica o a una persona que posea una cualificación similar para evitar peligros.
- Después de usar el aparato, desconecte siempre el enchufe de la red eléctrica. No es suficiente con apagarlo, ya que mientras el enchufe esté conectado a la red eléctrica, el aparato seguirá estando bajo tensión.
- Antes de cada uso, compruebe que el aparato se encuentre en perfecto estado. No debe seguir utilizándose el aparato si se aprecian daños, especialmente en el bloque motor o en el vaso.
- Desconecte inmediatamente el enchufe de la toma eléctrica si percibe un ruido o un olor inusual o si se produce un error de funcionamiento.

### **⚠ ¡ADVERTENCIA! ¡PELIGRO DE LESIONES!**

- No toque nunca la parte interior del vaso, especialmente durante el funcionamiento. ¡Las cuchillas están muy afiladas!
- No abra la tapa cuando el aparato esté en funcionamiento.
- Para poder reaccionar rápidamente en caso de peligro, no deje el aparato en funcionamiento sin vigilancia.

- No introduzca nunca cubiertos ni objetos en el vaso mientras el aparato esté en funcionamiento. ¡Si entran en contacto con las cuchillas mientras giran a alta velocidad, existe un grave peligro de lesiones!
- Vigile a los niños para asegurarse de que no jueguen con el aparato.
- No utilice nunca el aparato para fines distintos de los aquí descritos.
- El uso incorrecto del aparato puede provocar lesiones.
- Desconecte el aparato de la red eléctrica siempre que no esté bajo vigilancia y antes de su montaje, desmontaje y limpieza.
- Los niños no deben utilizar el aparato.
- El aparato y su cable de conexión deben mantenerse fuera del alcance de los niños.
- Este aparato puede ser utilizado por personas cuyas facultades físicas, sensoriales o mentales sean reducidas o carezcan de los conocimientos y de la experiencia necesaria, siempre que sean vigiladas o hayan sido instruidas correctamente sobre el uso seguro del aparato y hayan comprendido los peligros que entraña.
- Los niños no deben jugar con el aparato.
- Maneje el aparato con cuidado. ¡Las cuchillas del aparato están muy afiladas!
- Proceda con cuidado al vaciar el vaso.  
¡Las cuchillas del aparato están muy afiladas!
- Tenga cuidado al limpiar el aparato. ¡Las cuchillas del aparato están muy afiladas!
- Apague el aparato y desconecte el enchufe de la toma eléctrica antes de cambiar los accesorios o tocar las piezas móviles.
- Asegúrese siempre de que la batidora esté desconectada antes de desmontar el vaso del bloque motor.
- Utilice el aparato exclusivamente con el bloque motor suministrado.

## ❗ ¡ATENCIÓN! ¡DAÑOS MATERIALES!

- No utilice el aparato en una zona expuesta a la radiación solar directa ni cerca de aparatos generadores de calor.
- No introduzca nunca líquidos en ebullición ni alimentos muy calientes en el vaso. Primero deje que se enfríen hasta alcanzar una temperatura templada.
- No ponga nunca en marcha el aparato cuando esté vacío; es decir, sin ingredientes en el vaso.

## 8. Desembalaje

- Retire todo el material de embalaje o las láminas protectoras del aparato. Conserve el embalaje para poder guardar el aparato de forma que esté protegido o para enviarlo; p. ej., si necesita reparación.
- Antes de utilizar el aparato, asegúrese de que el aparato, el cable de red con enchufe y todos los accesorios y componentes del aparato estén en perfecto estado.
- Limpie cuidadosamente todos los componentes antes de utilizar la batidora de vaso por primera vez (consulte el capítulo **13. Limpieza**).

## 9. Instalación

Cuando haya limpiado todos los componentes como se describe en el capítulo **13. Limpieza**, proceda de la siguiente manera:



- Coloque el aparato de la siguiente manera:
  - El cable de red debe introducirse en el alojamiento de la parte posterior del aparato.
  - El enchufe debe estar siempre accesible para poder desconectarlo rápidamente de la toma eléctrica en caso de peligro.
  - El aparato debe colocarse sobre una superficie estable y antideslizante para que no se vuelque con las vibraciones.
  - El cable de red no debe estar en la zona de trabajo para evitar que el aparato se vuelque por un tirón accidental.

## 10. Manejo

### ⚠ ADVERTENCIA


- ▶ El motor se apaga en cuanto se retira el vaso **3** del bloque motor **6** o se abre la tapa **2**. Por este motivo, es posible que dé la impresión de que la máquina también está desconectada hasta que el motor se encienda inesperadamente en cuanto vuelva a montarse el vaso **3** o a cerrarse la tapa **2**. Por este motivo, proceda de la manera siguiente:
  - Conecte el enchufe en la toma eléctrica solo cuando haya terminado de llenar el vaso **3** ya montado y convenientemente cerrado.
  - Antes de montar el vaso, asegúrese siempre de que el aparato esté apagado o de que el enchufe esté desconectado.
  - Apague primero el aparato, desconecte el enchufe de la toma eléctrica y espere hasta que el motor se detenga antes de retirar el vaso **3** o de abrir la tapa **2**.

### 10.1. Montaje y llenado del vaso

- 1) Gire el vaso **3** en sentido antihorario hasta que la flecha ▼ situada bajo el asa del vaso quede sobre la posición . Retire el vaso **3** del bloque motor **6** en posición recta hacia arriba.
- 2) Retire la tapa **2**; para ello, gírela en sentido antihorario hacia la posición  (consulte la fig. 1) hasta que pueda extraerse hacia arriba.

3) Llene el vaso ❸ como mínimo hasta la rayita inferior de la escala ❸ y, como máximo, hasta la marca MAX. Para obtener un resultado óptimo, recomendamos las siguientes cantidades máximas de llenado:

Alimento	Máx. cantidad de llenado	Nivel recomendado	Tiempo de procesamiento recomendado
Líquidos	1750 ml	1-3	60 s
Bebidas mixtas con yogur	1250 ml	2-5	90 s
Batidos/smoothies	1250 ml	2-5	60-90 s
Masa para crepes/tortitas	1250 ml	3-5	90 s
Papilla para bebés	750 ml	5	3 Min.
Mayonesa	2 huevos 250 ml de aceite	3-5	90-120 s
Puré de verduras	1500 ml	3-5	3 Min.
Cubitos de hielo	375 ml (aprox. 14-15 cubitos)	P	12 veces

4) Vuelva a presionar firmemente la tapa ❷ sobre el vaso ❸ en su posición desplazada. Para cerrar la tapa ❷, gírela en sentido horario hacia la posición  hasta que encastre audiblemente (consulte la fig. 2). Asegúrese de que la boca del vaso ❸ quede cerrada. Solo podrá activarse el motor si la tapa ❷ está bien colocada.

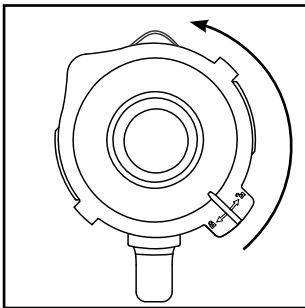


Fig. 1

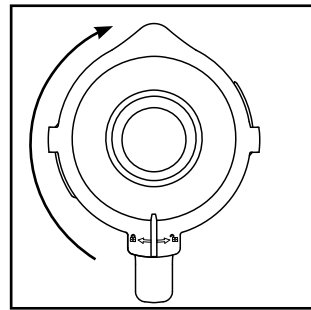




Fig. 2

- 5) Presione el accesorio medidor ❶ hasta el tope para introducirlo en el orificio de la tapa.
- 6) Coloque el vaso ❸ lleno y cerrado sobre el bloque motor ❻. Para ello, utilice los alojamientos del bloque motor ❻ y asegúrese de que la flecha ▼ del vaso ❸ apunte hacia el símbolo . Gire el vaso ❸ en sentido horario hacia la posición  hasta que encastre audiblemente. Solo podrá activarse el motor si el vaso ❸ está bien colocado.

## 10.2. Selección del nivel de velocidad

Una vez que el vaso ③ esté lleno, bien cerrado y montado sobre el bloque motor ⑥, podrá encenderse el aparato.

Ajuste el interruptor ⑤ en uno de los siguientes niveles:

### ■ Nivel 1-3

Para mezclar, triturar y batir alimentos líquidos o semisólidos.

### ■ Nivel 3-5

Para alimentos más sólidos o para picar.

### ■ Nivel P (funcionamiento por impulsos)

Para un funcionamiento con impulsos cortos y potentes; p. ej., para picar cubitos de hielo o para la limpieza. El interruptor ⑤ no queda encastrado en este ajuste para no sobrecargar el motor. Por este motivo, el interruptor ⑤ solo debe mantenerse brevemente en esta posición.

### ① Indicación

- ▶ Introduzca en jarra de la batidora ③ con cubitos de hielo hasta una cantidad de 375 ml. máximo. De lo contrario, el aparato no podrá triturar los cubitos de hielo de forma óptima.

## 10.3. Llenado durante el funcionamiento

### ⚠ ADVERTENCIA

- ▶ Si desea rellenar el vaso durante el funcionamiento, solo podrá abrir el accesorio medidor ① diseñado para ello. No abra nunca la tapa ②.
- ▶ No introduzca nunca cubiertos ni objetos en el vaso ③ mientras el aparato esté en funcionamiento. ¡Si entran en contacto con las cuchillas ④ mientras giran a alta velocidad, existe un grave peligro de lesiones!

Para poder rellenar ligeramente el vaso durante el funcionamiento, proceda de la siguiente manera:

- 1) Retire el accesorio medidor ① de la tapa ②.
- 2) Introduzca los ingredientes.
- 3) A continuación, vuelva a presionar el accesorio medidor ① para introducirlo en el orificio de la tapa.

## 10.4. Desmontaje del vaso

Cuando haya terminado de procesar los alimentos introducidos, proceda de la siguiente manera:

- 1) Ajuste siempre primero el interruptor ⑤ en la posición de apagado ("0") y desconecte el enchufe de la toma eléctrica.
- 2) Espere a que el motor se detenga antes de retirar el vaso ③ del bloque motor ⑥. Para ello, gire el vaso ③ en sentido antihorario hasta que la flecha ▼ situada bajo el asa del vaso quede sobre la posición ↶. Retire el vaso ③ del bloque motor ⑥ en posición recta hacia arriba.

## 11. Indicaciones útiles

- Para lograr un resultado óptimo en el triturado de alimentos sólidos, añada poco a poco los alimentos en porciones pequeñas en el vaso ③ en lugar de llenarlo de una sola vez.
- Si desea procesar ingredientes sólidos, córtelos en trocitos pequeños (2-3 cm).
- Para preparar purés o papillas de frutas o verduras, añada un mínimo de 50 ml de líquido.
- Vierta primero los ingredientes más espesos, como, p. ej., el yogur, en el vaso ③. Si durante el batido no se han procesado todos los alimentos, retire el vaso ③ del bloque motor ⑥, destape la tapa ② y remueva los ingredientes, p. ej., con una cuchara. Vuelva a montar el vaso ③ con la tapa ② cerrada en el bloque motor ⑥ y continúe el procesamiento.
- Para mezclar ingredientes líquidos, comience primero con una pequeña cantidad de líquido. A continuación, vaya añadiendo más líquido poco a poco a través del orificio de la tapa.
- Si, durante el funcionamiento, coloca la mano sobre la batidora de vaso cerrada, podrá estabilizar bien el aparato.
- Para batir alimentos sólidos o líquidos muy espesos, puede que sea conveniente utilizar el nivel P para evitar que las cuchillas ④ se bloqueen.

### **i** **Indicación**

- ▶ No utilice el aparato para reducir el tamaño de los granos de sal, de azúcar refinado o azúcar blanco, como p. ej., para preparar azúcar glas.

## **12. Recetas**

### **Batido de plátano**

- 2 plátanos
- Aprox. 2 cucharadas de azúcar (según el nivel de madurez de los plátanos y el gusto personal)
- ½ litro de leche
- 1 chorro de zumo de limón

Pele los plátanos y trítúrelos en el nivel 2. Vaya añadiendo la leche poco a poco y, a continuación, el azúcar y el zumo de limón. Mézclelo todo hasta lograr un líquido uniforme. Sirva el batido bien frío.

### **Batido de vainilla**

- ¼ litro de leche
- 250 g de helado de vainilla
- 125 g de cubitos de hielo
- 1 cucharadita y ½ de azúcar

Pique los cubitos de hielo en el nivel **P**. Introduzca el resto de los ingredientes en el vaso. Mezcle todo en el nivel 2 hasta lograr un líquido uniforme.

### **Batido de capuchino**

- 65 ml de café expreso frío (o café muy fuerte)
- 65 ml de leche
- 15 g de azúcar
- 65 g de helado de vainilla
- 100 g de cubitos de hielo

Pique los cubitos de hielo en el nivel **P**. Añada el expreso, la leche y el azúcar. Mézclelo todo en el nivel 2 hasta que el azúcar se disuelva. Por último, añada el helado de vainilla y mézclelo todo brevemente en el nivel 1.

### **Zumo tropical**

- 125 ml de zumo de piña
- 60 ml de zumo de papaya
- 50 ml de zumo de naranja
- ½ lata pequeña de melocotones en su jugo
- 125 g de cubitos de hielo

Pique los cubitos de hielo en el nivel **P**. Añada todos los ingredientes y mézclelo todo en el nivel 3.

### **Batido de crema de cacao y avellanas**

- ½ litro de leche
- 200 g de crema de cacao y avellanas
- 1 bola de helado de vainilla
- 50 ml de nata

Introduzca todos los ingredientes en la batidora y mézclelo todo en el nivel 3 hasta que quede un batido uniforme.

### **Batido de zanahoria**

- 300 ml de zumo de manzana
- 500 ml de zumo de zanahoria
- 4 cucharadas de aceite (de germen de trigo o de colza)
- 4 cucharadas de zumo de limón
- Jengibre en polvo
- Pimienta

Vierta el zumo de manzana, el aceite y el zumo de limón en la batidora y mézclelo todo en el nivel 2. A continuación, añada el zumo de zanahoria y mézclelo todo en el nivel 2. Condimente el batido con el jengibre en polvo y la pimienta.

### **Batido de grosella**

- 2 cucharaditas de miel
- 2 plátanos
- ¼ litro de suero de mantequilla ("buttermilk")
- ¼ litro de zumo de grosella (negra)

Añada todos los ingredientes y mézclelo todo en el nivel 3.

## Batido hawaiano

- 4 plátanos
- ¼ litro de zumo de piña
- ½ litro de leche
- 2 cucharadas de miel
- ¼ litro de ron

Pele los plátanos y tritúrelos en el nivel 2. Añada el resto de los ingredientes y mézclelo todo en el nivel 1.

## Zumo de frutas con piña y fresas

- 250 ml de zumo de piña
- 200 g de fresas
- 300 ml de zumo de manzana
- 4 cubitos de hielo

Lave las fresas y quite el pedúnculo. Pique los cubitos de hielo en el nivel P. Tritúrelos en el nivel 2. A continuación, añada el resto de los ingredientes y mézclelo todo en el nivel 1.

## Gaspacho andaluz

- ½ pepino
- 1 tomate grande carnoso
- 1 pimiento verde
- ½ cebolla
- 1 diente de ajo
- ½ bollo de pan blanco
- ½ cucharadita de sal
- 1 cucharadita de vinagre de vino tinto
- 1 cucharada de aceite de oliva

Corte las verduras en trozos de aprox. 2 cm. Añada primero los trozos de tomate y, después, los de pepino. Tritúrelos en el nivel 3. A continuación, añada el resto de los ingredientes y tritúrelos/mézclelos en el nivel 3 hasta que se forme una sopa uniforme. Sirva el gazpacho con pan.

### **Indicación**

- ▶ Recetas sin garantía. Todas las indicaciones de ingredientes y de preparación son valores orientativos. Complete estas recetas recomendadas con su experiencia personal.
- ▶ Para los intolerantes a la lactosa, recomendamos el uso de leche sin lactosa. No obstante, debe tenerse en cuenta que la leche sin lactosa es un poco más dulce.

## 13. Limpieza

### **¡PELIGRO!**

Antes de limpiar la batidora de vaso y sus piezas, proceda de la siguiente manera:

- ▶ Asegúrese de que el aparato esté apagado y desenchufado.



No sumerja nunca el bloque motor **6** en agua u otros líquidos. De lo contrario, existe peligro de muerte por descarga eléctrica y de daños en el aparato.

- ▶ No abra nunca la carcasa del aparato. De lo contrario, existe peligro de muerte por descarga eléctrica.

### **¡ADVERTENCIA!**

- ▶ No toque nunca la parte interior del vaso **3**, especialmente durante el funcionamiento. ¡Las cuchillas **4** están muy afiladas!

### **¡ATENCIÓN!**

- ▶ No utilice disolventes ni productos abrasivos para las superficies de plástico, ya que podrían dañarse.

## 13.1. Limpieza del vaso

- Limpie el vaso **3** exclusivamente con un cepillo de mango largo para no cortarse con las cuchillas **4**.
- Limpie el accesorio medidor **1** y la tapa **2** con agua jabonosa suave. Asegúrese de que la junta de goma **9** esté bien colocada antes de volver a utilizar la tapa **2**.

**i** **Indicación**



La tapa **2**, el accesorio medidor **1** y el vaso **3** con las cuchillas **4** también pueden limpiarse en el lavavajillas.

En la medida de lo posible, coloque estas piezas en la parte superior del lavavajillas y asegúrese de que ninguna quede aprisionada.

- En la mayoría de los casos, si limpia el aparato justo después de su uso, la limpieza será lo suficientemente higiénica si emplea el siguiente método:

Llene el vaso **3** con 750 ml de agua y añada unas gotas de jabón lavavajillas suave. Cierre la tapa **2** y coloque el vaso **3** sobre el bloque motor **6**.

Conecte el enchufe en la toma eléctrica y accione varias veces el nivel de funcionamiento por impulsos para que las cuchillas **4** giren a la máxima velocidad. A continuación, aclare el vaso **3** con suficiente agua limpia para eliminar cualquier resto del jabón lavavajillas.

- Para limpiar mejor los restos de suciedad incrustada, puede desmontarse el accesorio **A** con las cuchillas **4** del recipiente del vaso **3**:

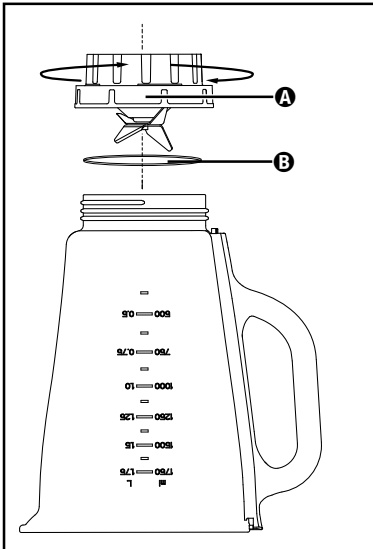



Fig. 3

- 1) Retire el vaso **3** del bloque motor **6**. Para lograr una mayor estabilidad, retire la tapa **2**; para ello, gírela en sentido antihorario hacia la posición  (consulte la fig. 1) hasta que pueda extraerse hacia arriba.

- 2) Dé la vuelta al aparato y gire el accesorio **A** con las cuchillas **4** en sentido antihorario para poder desmontarlo del recipiente del vaso **3** (consulte la fig. 3).

**⚠ ¡ADVERTENCIA!**

- Proceda cuidadosamente con las cuchillas **4**, ya que están muy afiladas.
- 3) Lave concienzudamente ambas piezas con agua jabonosa suave.

**i** **Indicación**

- En caso necesario, puede desmontar el anillo hermético **B** del accesorio **A** con las cuchillas **4**. Para ello, tire del anillo hermético **B** para extraerlo del accesorio **A** y límpielo con agua jabonosa suave. Tras esto, enjuague el anillo hermético **B** con agua limpia.



El recipiente del vaso **3** y el accesorio **A** con las cuchillas **4** también pueden limpiarse en el lavavajillas.

- 4) Seque bien todas las piezas antes de volver a montarlas.
- 5) Vuelva a montar el accesorio **A** con las cuchillas **4** en el recipiente del vaso **3** y gírela en sentido horario para fijarlo. Asegúrese de que el anillo hermético **B** esté bien montado.

## 13.2. Limpieza del bloque motor

- 1) Limpie las superficies con un paño humedecido. En caso necesario, añada al paño un poco de jabón lavavajillas suave. A continuación, vuelva a frotar con un paño humedecido exclusivamente con agua para eliminar cualquier resto de jabón lavavajillas. Tras esto, seque bien las superficies.
- 2) Durante cada limpieza, asegúrese de que el interruptor por contacto del alojamiento del vaso **3** no esté bloqueado por restos de suciedad. Si no puede eliminar un posible bloqueo con la esquina de una hoja de papel, póngase en contacto con el servicio de asistencia técnica. No utilice nunca un objeto duro, ya que podría dañar el interruptor por contacto.
- 3) Elimine cualquier posible resto de suciedad de la parte inferior del bloque motor **6** exclusivamente con un paño seco o un pincel. Para ello, asegúrese de que no penetre nada en el aparato por las ranuras de ventilación.

## 14. Almacenamiento

- 1) Si no pretende utilizar la batidora de vaso durante un periodo prolongado de tiempo, límpiela concienzudamente (consulte el capítulo **13. Limpieza**).
- 2) Enrolle el cable de red alrededor del enrollacables **7** situado en la parte inferior del bloque motor **6**.
- 3) Guarde el aparato en un lugar fresco y seco.

## 15. Desecho



El símbolo de un contenedor tachado significa que este aparato no debe desecharse con la basura doméstica al final de su vida útil, sino en puntos de recogida, puntos limpios o empresas de desechos previstas especialmente para ello.

Antes de entregar el aparato, le rogamos que elimine todos los datos personales.

El embalaje consta de materiales ecológicos que pueden desecharse a través de los centros de reciclaje locales.

Deseche el embalaje de forma respetuosa con el medio ambiente.

## 16. Garantía de Kompernass Handels GmbH

Estimado cliente:

Este aparato cuenta con una garantía de 3 años a partir de la fecha de compra. Si se detectan defectos en el producto, puede ejercer sus derechos legales frente al vendedor. Estos derechos legales no se ven limitados por la garantía descrita a continuación.

### Condiciones de la garantía

El plazo de la garantía comienza con la fecha de compra. Guarde bien el comprobante de caja, ya que lo necesitará como justificante de compra.

Si dentro de un periodo de tres años a partir de la fecha de compra de este producto se detecta un defecto en su material o un error de fabricación, asumiremos la reparación o sustitución gratuita del producto o restituiremos el precio de compra a nuestra elección. La prestación de la garantía requiere la presentación del aparato defectuoso y del justificante de compra (comprobante de caja), así como una breve descripción por escrito del defecto detectado y de las circunstancias en las que se haya producido dicho defecto, dentro del plazo de tres años.

Si el defecto está cubierto por nuestra garantía, le devolveremos el producto reparado o le suministraremos uno nuevo. La reparación o sustitución del producto no supone el inicio de un nuevo periodo de garantía.

## Duración de la garantía y reclamaciones legales por vicios

La duración de la garantía no se prolonga por hacer uso de ella. Este principio también se aplica a las piezas sustituidas y reparadas. Si después de la compra del aparato, se detecta la existencia de daños o de defectos al desembalarlo, deben notificarse de inmediato. Cualquier reparación que se realice una vez finalizado el plazo de garantía estará sujeta a costes.

### Alcance de la garantía

El aparato se ha fabricado cuidadosamente según estándares elevados de calidad y se ha examinado en profundidad antes de su entrega.

La prestación de la garantía se aplica a defectos en los materiales o errores de fabricación. Esta garantía no cubre las piezas del producto normalmente sometidas al desgaste y que, en consecuencia, puedan considerarse piezas de desgaste ni los daños producidos en los componentes frágiles, p. ej., interruptores o piezas de vidrio.

Se anulará la garantía si el producto se daña o no se utiliza o mantiene correctamente. Para utilizar correctamente el producto, deben observarse todas las indicaciones especificadas en las instrucciones de uso. Debe evitarse cualquier uso y manejo que esté desaconsejado o frente al que se advierta en las instrucciones de uso.

El producto está previsto exclusivamente para su uso privado y no para su uso comercial. En caso de manipulación indebida e incorrecta, uso de la fuerza y apertura del aparato por personas ajenas a nuestros centros de asistencia técnica autorizados, la garantía perderá su validez.

## Proceso de reclamación conforme a la garantía

Para garantizar una tramitación rápida de su reclamación, le rogamos que observe las siguientes indicaciones:

- Mantenga siempre a mano el comprobante de caja y el número de artículo (IAN) 496701\_2504 como justificante de compra.
- Podrá ver el número de artículo en la placa de características del producto, grabado en el producto, en la portada de las instrucciones de uso (parte inferior izquierda) o en el adhesivo de la parte trasera o inferior del producto.
- Si se producen errores de funcionamiento u otros defectos, póngase primero en contacto con el departamento de asistencia técnica especificado a continuación **por teléfono** o **por correo electrónico**.
- Podrá enviar el producto calificado como defectuoso junto con el justificante de compra (comprobante de caja) y la descripción del defecto y de las circunstancias en las que se haya producido de forma gratuita a la dirección de correo proporcionada.



En [www.lidl-service.com](http://www.lidl-service.com), podrá descargar este manual de usuario y muchos otros más, así como vídeos sobre los productos y software de instalación.

Con este código QR, accederá directamente a la página del Servicio Lidl ([www.lidl-service.com](http://www.lidl-service.com)) y podrá abrir las instrucciones de uso mediante la introducción del número de artículo (IAN) 496701\_2504.

## 16.1. Asistencia técnica

ES

**Servicio España**

Tel.: 900 984 989

E-Mail: [kompernass@lidl.es](mailto:kompernass@lidl.es)

IAN 496701\_2504

## 16.2. Importador

Tenga en cuenta que la dirección siguiente no es una dirección de asistencia técnica. Póngase primero en contacto con el centro de asistencia técnica especificado.

KOMPERNASS HANDELS GMBH

BURGSTRASSE 21

44867 BOCHUM

ALEMANIA

[www.kompernass.com](http://www.kompernass.com)

# Índice

<b>1. Introdução</b>	<b>88</b>
<b>2. Utilização correcta</b>	<b>88</b>
<b>3. Volume de fornecimento</b>	<b>88</b>
<b>4. Descrição do aparelho</b>	<b>88</b>
<b>5. Dados técnicos</b>	<b>88</b>
<b>6. Indicações de aviso e símbolos utilizados</b>	<b>89</b>
<b>7. Indicações de segurança</b>	<b>90</b>
<b>8. Desembalar</b>	<b>92</b>
<b>9. Instalar</b>	<b>92</b>
<b>10. Utilização</b>	<b>92</b>
10.1. Encher e montar o copo misturador . . . . .	92
10.2. Selecionar o nível de velocidade . . . . .	94
10.3. Encher durante o funcionamento . . . . .	94
10.4. Retirar o copo misturador . . . . .	94
<b>11. Indicações úteis</b>	<b>94</b>
<b>12. Receitas</b>	<b>95</b>
<b>13. Limpeza</b>	<b>96</b>
13.1. Limpar o copo misturador . . . . .	96
13.2. Limpar o bloco do motor . . . . .	98
<b>14. Conservação</b>	<b>98</b>
<b>15. Eliminação</b>	<b>98</b>
<b>16. Garantia da Kompennass Handels GmbH</b>	<b>98</b>
16.1. Assistência Técnica . . . . .	99
16.2. Importador . . . . .	99

## 1. Introdução

Parabéns pela compra do seu aparelho novo. Decidiu-se, assim, por um produto de elevada qualidade. O manual de instruções é constituinte deste produto. Este contém indicações importantes para a segurança, utilização e eliminação. Antes da utilização do produto, familiariza-se com todas as indicações de utilização e de segurança. Utilize o produto apenas como descrito e nas áreas de aplicação indicadas. Ao entregar o aparelho a terceiros entregue todos os documentos.

## 2. Utilização correcta

Este aparelho foi concebido exclusivamente para ...

- misturar, reduzir a puré e bater alimentos, bem como triturar (picar) cubos de gelo,
- apenas quantidades domésticas habituais e somente para o uso doméstico privado em compartimentos secos.

Este aparelho não é adequado para ...

- picar ervas aromáticas, cebolas, carne e partes duras de alimentos, como p. ex. frutos secos, caroços, grãos grandes ou talos,
- preparar manteiga de frutos secos,
- processar materiais que não sejam alimentos,
- a aplicação para fins comerciais ou industriais,
- a aplicação em ambientes húmidos ou ao ar livre,
- a preparação de líquidos quentes/a ferver.

Utilize apenas acessórios e peças de reposição que sejam adequados a este aparelho. Quaisquer outras peças não são suficientemente adequadas ou seguras!

## 3. Volume de fornecimento

Depois de desembalar o aparelho, verifique se o volume de fornecimento está completo. O volume de fornecimento contém:

- bloco do motor, com cabo de rede e ficha de rede
- copo misturador
- tampa
- tampa de enchimento
- manual de instruções

## 4. Descrição do aparelho

- 1 Tampa de enchimento
- 2 Tampa
- 3 Copo misturador
- 4 Lâmina de corte
- 5 Interruptor
- 6 Bloco do motor
- 7 Dispositivo de enrolamento do cabo
- 8 Escala
- 9 Vedação de borracha da tampa










## 5. Dados técnicos
















Tensão nominal	220 - 240 V ~, 50 - 60 Hz
Potência nominal	600 W
Consumo de energia quando desligado	≤0,1 W
Capacidade	ca. 2,28 Liter
Nível máx. de enchimento	1,75 litros
Classe de protecção	II / □
Período de funcionamento temporário	3 minutos

O período de funcionamento temporário indica quanto tempo se pode trabalhar com um aparelho sem que o motor sobreaqueça e sejam causados danos. Após o período de funcionamento temporário indicado, o aparelho deve permanecer desligado até o motor arrefecer para a temperatura ambiente.

## 6. Indicações de aviso e símbolos utilizados

No presente manual de instruções, na embalagem e no aparelho são utilizadas as seguintes indicações de aviso e símbolos (se aplicável):

	<b>PERIGO!</b> Uma indicação de aviso com este símbolo e com a palavra sinalizadora "PERIGO" identifica uma situação de perigo iminente que, se não for evitada, terá como consequência ferimentos graves ou mortais.
	<b>AVISO!</b> Uma indicação de aviso com este símbolo e com a palavra sinalizadora "AVISO" identifica uma possível situação de perigo que, se não for evitada, poderá ter como consequência ferimentos graves ou mortais.
	<b>CUIDADO!</b> Uma indicação de aviso com este símbolo e com a palavra sinalizadora "CUIDADO" identifica uma possível situação de perigo que, se não for evitada, poderá ter como consequência ferimentos ligeiros ou moderados.
	<b>ATENÇÃO!</b> Uma indicação de aviso com este símbolo e com a palavra sinalizadora "ATENÇÃO" identifica uma possível situação que, se não for evitada, poderá ter como consequência danos materiais.
	<b>Nota:</b> Uma nota fornece informações adicionais que facilitam o manuseamento do aparelho.
	Ler as instruções.
	Corrente/tensão alternada
	Classe de proteção II: proteção através de isolamento duplo ou reforçado.
	Não mergulhar em água ou outros líquidos.

	Adequado para a máquina de lavar loiça.
	Todas as peças deste aparelho que entram em contacto com alimentos são adequadas para utilização com produtos alimentares.
	Este produto cumpre os requisitos das diretivas europeias e nacionais em vigor.
	Não colocar aparelhos elétricos no lixo doméstico!
	Elimine os resíduos de embalagem de modo ecológico.
	Embalagem composta por materiais recicláveis. Tenha em atenção a identificação dos materiais de embalagem ao proceder à separação de resíduos: Estes estão identificados com abreviaturas (a) e algarismos (b), com os seguintes significados: 1-7: plásticos, 20-22: papel e cartão, 80-98: compostos.
	A embalagem contém componentes de papel e/ou cartão.
	A embalagem contém componentes de plástico e/ou metal.
	
	<b>FR</b> Cet appareil et ses accessoires se recyclent  Points de collecte sur <a href="http://www.gaufairedemesdechets.fr">www.gaufairedemesdechets.fr</a> Privilégiez la réparation ou le don de votre appareil!
	<b>FR</b> ÉLÉMENTS D'EMBALLAGE 
	<b>FR</b>  <b>FR:</b> O produto, a embalagem e o manual de instruções são recicláveis, estão abrangidos pelo regime de responsabilidade alargada do fabricante e sujeitos a recolha separada.

## 7. Indicações de segurança

### **⚠ AVISO! PERIGO DE CHOQUE ELÉTRICO!**

- Certifique-se de que o bloco do motor, o cabo de rede ou a ficha de rede nunca são mergulhados em água ou em outros líquidos.
- Utilize o aparelho exclusivamente em espaços secos e nunca no exterior ou num ambiente húmido.
- Tenha atenção para que o cabo de rede nunca fique molhado ou húmido quando está em funcionamento. Coloque o cabo de modo a que este não possa ficar entalado ou danificado.
- Se o cabo de alimentação deste aparelho for danificado, terá de ser substituído pelo fabricante, pelo respetivo Serviço de Apoio ao Cliente ou por uma pessoa igualmente qualificada, a fim de evitar situações de perigo.
- Após a utilização, retire sempre a ficha da tomada. Não basta desligar o aparelho, pois existe ainda alguma tensão de rede, enquanto a ficha de rede estiver inserida na tomada.
- Antes de cada utilização, verifique se o aparelho está em perfeitas condições. O aparelho não deve ser utilizado se forem detetados danos, nomeadamente no bloco do motor ou no copo misturador.
- Retire imediatamente a ficha de rede da tomada, caso detecte um ruído ou odor invulgares ou em caso da ocorrência de anomalias.

### **⚠ AVISO! PERIGO DE FERIMENTOS!**

- Nunca coloque a mão dentro do copo misturador, principalmente quando este estiver em funcionamento. As lâminas são extremamente afiadas!
- Não abra a tampa quando o aparelho estiver em funcionamento.
- Não deixe o aparelho a funcionar sem vigilância, de modo a poder reagir de imediato em caso de perigo.
- Nunca introduza talheres ou utensílios para mexer no copo misturador, enquanto o aparelho estiver em funcionamento.

- As crianças devem ser supervisionadas, de modo a garantir que não brincam com o aparelho.
- Nunca utilize o aparelho para fins diferentes dos descritos neste manual.
- Em caso de utilização incorreta ou indevida do aparelho podem ocorrer ferimentos.
- Este aparelho não pode ser utilizado por crianças.
- O aparelho e o respetivo cabo de ligação devem ser mantidos afastados de crianças.
- Este aparelho pode ser utilizado por pessoas com capacidades físicas, sensoriais ou mentais reduzidas ou com falta de experiência e/ou conhecimento, caso sejam vigiadas ou instruídas soabre a utilização segura do aparelho e tenham compreendido os perigos daí resultantes.
- As crianças não podem brincar com o aparelho.
- Tenha cuidado no manuseamento do aparelho! As lâminas estão muito afiadas!
- Tenha cuidado ao esvaziar o acessório de liquidificar!
- As lâminas estão muito afiadas!
- Tenha cuidado ao limpar o aparelho! As lâminas estão muito afiadas!
- Desligue o aparelho e retire a ficha elétrica antes de substituir acessórios ou de tocar em peças que se deslocam durante o funcionamento.
- Utilize o copo misturador apenas com o bloco do motor fornecido!
- Certifique-se sempre de que a liquidificadora está desligada antes de retirar o copo misturador do bloco do motor!

## ! ATENÇÃO! DANOS MATERIAIS!

- Nunca utilize o aparelho em áreas expostas à radiação solar directa ou à influência térmica de outros aparelhos geradores de calor.
- Nunca encha o copo misturador com líquidos a ferver! Deixe primeiro que o líquido arrefeça um pouco, até ficar morno.
- Nunca utilize o produto e estado vazio, ou seja, sem ingredientes no liquidificador.

## 8. Desembalar

- Retire todas as peças de embalagem e películas protectoras do aparelho. Guarde a embalagem para poder guardar o aparelho de forma protegida ou para o poder devolver, p. ex. em caso de reparações.
- Antes de utilizar o aparelho, certifique-se de que o aparelho não está danificado, bem como o cabo eléctrico com ficha e todas os acessórios e peças do aparelho.
- Limpe cuidadosamente todos os componentes antes da primeira utilização da liquidificadora (ver **13. Limpeza**).

## 9. Instalar

Depois de ter limpo todas as peças, como é descrito em **13. Limpeza**:

- Instale o aparelho de modo a que...
  - o cabo eléctrico entre no aparelho através da ranhura na parte traseira do aparelho,
  - a ficha de rede esteja imediatamente acessível, para a poder retirar da tomada em caso de perigo,
  - de modo a que fique numa posição estável e não possa derrapar, a que as ventosas fiquem bem fixas, para que o aparelho não caia em caso de vibrações,
  - o cabo não sobressaia na área de trabalho e que, ao ser acidentalmente puxado, não provoque a queda do aparelho.

## 10. Utilização

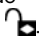

### ⚠ AVISO!

- ▶ O motor desliga-se assim que o copo misturador **3** for removido do bloco do motor **6** ou a tampa aberta **2**. É possível que depois se esqueça que a máquina ainda se encontra ligada. O motor arranca depois inadvertidamente, assim que o copo misturador **3** for montado ou a tampa **2** novamente fechada:

Por isso:

- Apenas insira a ficha de rede na tomada quando o copo misturador **3** já estiver cheio e completamente montado.
- Antes da montagem, certifique-se sempre de que o aparelho está desligado ou que a ficha de rede não está inserida na tomada.
- Desligue primeiro, retire a ficha da tomada e aguarde que o motor pare, antes de remover o copo misturador **3** ou abrir a tampa **2**.

### 10.1. Encher e montar o copo misturador

- 1) Rode o copo misturador **3** para a esquerda, até a seta ▼ por baixo da pega do copo misturador ficar sobre a posição . Levante o copo misturador **3** a direito, retirando-o do bloco do motor **6**.
- 2) Remova a tampa **2**, rodando-a para a esquerda na direcção da posição  (ver fig. 1), até a conseguir puxar para cima.

- 3) Encha o copo misturador ❸ no mínimo até ao traço inferior da escala ❹ e no máximo até à marca MAX. Para resultados ideais, recomendamos as seguintes quantidades máximas de enchimento:

Alimento	Quantidade máxima de enchimento	Nível recomendado	Tempo de funcionamento aconselhado
Líquidos	1750 ml	1-3	60 seg.
Bebidas com iogurte	1250 ml	2-5	90 seg.
Batidos/Smoothies	1250 ml	2-5	60-90 seg.
Massa para panquecas	1250 ml	3-5	90 seg.
Papa para bebé	750 ml	5	3 min.
Maionese	2 ovos 250 ml de óleo	3-5	90-120 seg.
Sopa de legumes	1500 ml	3-5	3 min.
Cubos de gelo	375 ml (aprox. 14-15 unidades)	P	12x

- 4) Volte a colocar a tampa ❷ desalinhada no copo misturador ❸ e pressione-a firmemente. Feche a tampa ❷, rodando-a no sentido dos ponteiros do relógio, para a posição ❸, até ela encaixar de forma audível (ver fig. 2).

Verifique se o bico de esvaziamento no copo misturador ❸ está fechado. O motor só pode arrancar quando a tampa ❷ estiver corretamente alinhada.

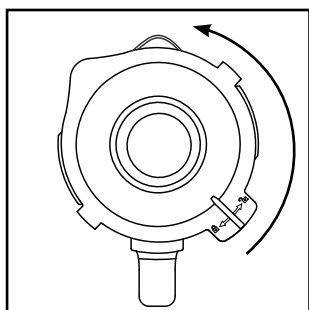


Fig. 1

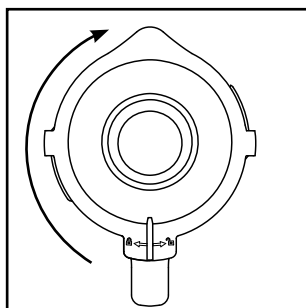


Fig. 2

- 5) Pressione a tampa de enchimento ❶, até ao encosto, para dentro da abertura da tampa.
- 6) Coloque o copo misturador ❸ cheio e fechado no bloco do motor ❹. Para tal, utilize os entalhes existentes no bloco do motor ❹ e certifique-se de que a seta ▼ no copo misturador fica apontada para o símbolo ❸. Rode o copo misturador ❸ no sentido dos ponteiros do relógio, para a posição ❸, até encaixar de forma audível. O motor só pode arrancar quando o copo misturador ❸ estiver corretamente alinhado.

## 10.2. Selecionar o nível de velocidade

Quando o copo misturador ③ cheio e perfeitamente fechado estiver colocado no bloco do motor ⑥, pode ligar o aparelho.

Coloque o interruptor ⑤ na posição ...

### ■ Nível 1 – 3

para alimentos líquidos ou não duros, para misturar, triturar e bater

### ■ Nível 3 – 5

para alimentos sólidos ou para triturar

### ■ Nível P (função Pulsar)

para um curto mas potente funcionamento por impulsos, por ex. para picar cubos de gelo ou para a limpeza. O interruptor ⑤ não permanece nessa posição para não sobrecarregar o motor. Por isso mantenha o interruptor ⑤ apenas brevemente nessa posição.

### ⓘ Nota

- ▶ Encha o recipiente da misturadora ③ no máximo com 375 ml de cubos de gelo. De outra forma o aparelho não tritura os cubos de gelo da melhor forma.

## 10.3. Encher durante o funcionamento

### ⚠ AVISO!

- ▶ Se desejar acrescentar algo durante o funcionamento, poderá abrir apenas a tampa de enchimento ① prevista para o efeito. Nunca abra a tampa ②.
- ▶ Nunca introduza talheres ou utensílios para mexer no copo misturador ③, enquanto o aparelho estiver em funcionamento. Existe um perigo considerável de ferimentos, se estes entrarem em contacto com as lâminas ④ a elevada rotação!

Para poder adicionar ingredientes durante o funcionamento, ...

- 1) Puxe a tampa de enchimento ① para fora da tampa ②.
- 2) Preencha os ingredientes.
- 3) Em seguida, pressione novamente a tampa de enchimento ① para dentro da abertura da tampa.

## 10.4. Retirar o copo misturador

Quando o processamento dos alimentos introduzidos estiver concluído:

- 1) Coloque sempre primeiro o interruptor ⑤ na posição desligada ("0") e retire a ficha da tomada.
- 2) Aguarde primeiro que o motor pare, antes de remover o copo misturador ③ do bloco do motor ⑥. Em seguida, rode o copo misturador ③ para a esquerda, até a seta ▼ por baixo da pega do copo misturador ficar sobre a posição ↶. Levante o copo misturador ③ a direito, retirando-o do bloco do motor ⑥.

## 11. Indicações úteis

- Para obter os melhores resultados ao triturar ingredientes sólidos, vá acrescentando pequenas porções no copo misturador ③, em vez de encher com uma grande quantidade de uma só vez.
- Ao processar ingredientes sólidos, corte-os em pedaços pequenos (2 – 3 cm).
- Para triturar fruta ou legumes em puré, adicione pelo menos 50 ml de líquido.
- Introduza primeiro os ingredientes mais espessos, como p. ex. iogurte, no copo misturador ③. Se durante a mistura não forem alcançados todos os ingredientes, remova o copo misturador ③ do bloco do motor ⑥, retire a tampa ② e mexa os ingredientes p. ex. com uma colher. Volte a colocar o copo misturador ③ com a tampa ② fechada sobre o bloco do motor ⑥ e continue o processo de mistura.
- Ao misturar ingredientes líquidos, comece com uma pequena quantidade de líquido. Introduza depois, pouco a pouco, mais líquido, pela abertura da tampa.
- Se, durante o funcionamento, colocar a sua mão sobre o liquidificador fechado, poderá estabilizar assim o aparelho.
- Para misturar alimentos sólidos ou líquidos muito espessos, pode ser útil utilizar o nível P, a fim de evitar que a lâmina de corte ④ fique presa.

### **i** Nota

- ▶ Não utilize o aparelho para granular ainda mais o sal alimentar, açúcar refinado ou açúcar branco. Por exemplo, para produzir açúcar em pó.

## 12. Receitas

### Batido de banana

- 2 bananas
- aprox. 2 colheres de sopa de açúcar (consoante o grau de amadurecimento das bananas e o gosto pessoal)
- ½ litros de leite
- Algumas gotas de sumo de limão

Descasque as bananas e triture-as no nível 2. Adicione o leite, depois o açúcar e o sumo de limão. Misture tudo até obter um líquido uniforme. Sirva o batido gelado.

### Batido de baunilha

- ¼ litros de leite
- 250 g de gelado de baunilha
- 125 g de cubos de gelo
- 1 ½ colheres de chá de açúcar

Triture os cubos de gelo com o nível **P**. Adicione os restantes ingredientes no liquidificador. Misture tudo, no nível 2, até que surja um líquido homogéneo.

### Batido de cappuccino

- 65 ml de café expresso frio (ou café muito forte)
- 65 ml de leite
- 15 g de açúcar
- 65 g de gelado de baunilha
- 100 g de cubos de gelo

Triture os cubos de gelo com o nível **P**. Adicione o café expresso, o leite e o açúcar. Misture tudo no nível 2, até o açúcar dissolver. Por último, adicione o gelado de baunilha e misture tudo brevemente no nível 1.

### Cocktail tropical

- 125 ml de sumo de ananás
- 60 ml de sumo de papaia
- 50 ml de sumo de laranja
- ½ lata pequena de pêssego em calda
- 125 g de cubos de gelo

Triture os cubos de gelo com o nível **P**. Adicione todos os ingredientes no liquidificador e misture tudo no nível 3.

### Batido de avelã

- ½ litros de leite
- 200 g de creme de avelã
- 1 bola de gelado de baunilha
- 50 ml de natas

Misture todos os ingredientes no liquidificador no nível 3, até obter uma mistura homogénea.

### Batido de cenoura

- 300 ml de sumo de maçã
- 500 ml de sumo de cenoura
- 4 colheres de sopa de óleo (óleo de germen de trigo ou óleo de colza)
- 4 colheres de sopa de sumo de limão
- gengibre em pó
- pimenta

Adicione o sumo de maçã, o óleo e o sumo de limão no liquidificador e misture tudo no nível 2. De seguida, adicione o sumo de cenoura e misture tudo no nível 2. Tempere o batido com gengibre em pó e pimenta.

### Cocktail de groselha

- 2 colher de chá de mel
- 2 bananas
- ¼ de litro de soro de manteiga
- ¼ de litro de sumo de groselha (preta)

Adicione todos os ingredientes no liquidificador e misture tudo no nível 3.

## Batido Hawaii

- 4 bananas
- ¼ de litro de sumo de ananás
- ½ Litros de leite
- 2 colheres de sopa de mel
- 1/4 de litro de rum

Descasque as bananas e triture-as no nível 2. Adicione os outros ingredientes e misture tudo no nível 1.

## Cocktail frutado de ananás e morango

- 250 ml de sumo de ananás
- 200 g de morangos
- 300 ml de sumo de maçã
- 4 cubos de gelo

Lave os morangos e retire as folhas. Triture os cubos de gelo com o nível P. Triture-os no nível 2. De seguida, adicione os restantes ingredientes e misture tudo no nível 1.

## Sopa fria andaluz (Gaspacho)

- ½ pepino
- 1 tomate
- 1 pimentão verde
- ½ cebola
- 1 dente de alho
- ½ pão branco
- ½ colher de chá de sal
- 1 colher de chá de vinagre de vinho tinto
- 1 colher de chá de azeite

Corte os legumes em pedaços de aprox. 2 cm. Adicione primeiro o tomate e, de seguida, o pepino no liquidificador. Triture-os no nível 3. Junte os restantes ingredientes e triture/misture tudo no nível 3, até obter uma sopa homogénea. Sirva com pão a acompanhar.

### Nota

- ▶ Receitas sem garantia de sucesso. Todos os valores relativos aos ingredientes e à preparação são valores de referência. Compare estas sugestões de receitas com a sua experiência pessoal.
- ▶ Em caso de intolerância à lactose, recomendamos o consumo de leite sem lactose. No entanto, tenha em atenção que o leite sem lactose é um pouco mais doce.

## 13. Limpeza

### PERIGO!

Antes de limpar o liquidificador e as suas peças:

- ▶ Certifique-se de que o aparelho está desligado e que a ficha de rede foi retirada.



O bloco do motor **6** nunca pode ser mergulhado em água ou em outros líquidos. Deste modo, pode surgir o perigo de morte devido a um choque eléctrico e o aparelho pode ficar danificado.

- ▶ Nunca abra a caixa do aparelho. Caso contrário, pode surgir o perigo de morte devido a um choque eléctrico.

### AVISO!

- ▶ Nunca coloque a mão dentro do copo misturador **3**, principalmente durante o funcionamento. As lâminas de corte **4** são extremamente afiadas!

### ATENÇÃO!

- ▶ Não utilize solventes ou detergentes abrasivos para as superfícies em plástico; caso contrário, estas podem ser danificadas.

## 13.1. Limpar o copo misturador

- Limpe o copo misturador **3** apenas com uma escova de limpeza de pêlo comprido, para que não se possa ferir nas lâminas **4**.
- Limpe a tampa de enchimento **1** e a tampa **2** numa solução de água e detergente suave. Verifique se a vedação de borracha **3** está corretamente colocada antes de voltar a utilizar a tampa **2**.

**i Nota**



Também pode lavar a tampa **2**, a tampa de enchimento **1** e o copo misturador **3** com a lâmina de corte **4** na máquina de lavar loiça.

Coloque as peças preferencialmente no cesto superior da máquina de lavar loiça e certifique-se de que não ficam encravadas.

- Se lavar o aparelho logo após a utilização, consegue, na maioria dos casos, uma limpeza suficientemente higiénica através da seguinte alternativa:

Encha o copo misturador **3** com 750 ml de água e adicione algumas gotas de um detergente da loiça suave. Feche a tampa **2** e coloque o copo misturador **3** no bloco do motor **6**. Introduza a ficha na tomada e acione algumas vezes a função Pulsar, de modo que as lâminas de corte **4** revolvam a água à velocidade máxima. Passe depois o copo misturador **3** por água limpa abundante para eliminar os resíduos de detergente.

- Para que seja possível remover melhor sujidade incrustada, pode soltar a peça **A** com as lâminas de corte **4**, do copo misturador **3**:

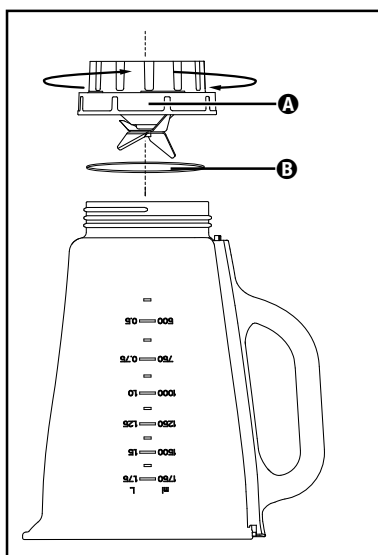



Fig. 3

1) Remova o copo misturador **3** do bloco do motor **6**. Para uma melhor fixação, remova a tampa **2**, rodando-a no sentido contrário ao dos ponteiros do relógio, na direção da posição  (ver fig. 1), até conseguir puxá-la para cima e retirá-la.

2) Coloque o aparelho de cabeça para baixo e rode a peça **A** com as lâminas de corte **4** no sentido contrário ao dos ponteiros do relógio, de modo a poder soltar-se do copo misturador **3** (ver fig. 3).

**⚠ AVISO!**

- Manuseie cuidadosamente as lâminas de corte **4**. Estas são muito afiadas.

3) Limpe meticulosamente as duas peças numa solução de água e detergente suave.

**i Nota**

- Se necessário, pode retirar o anel vedante **B** da peça **A** com as lâminas de corte **4**. Puxe o anel vedante **B** retirando-o da peça **A** e lave-o numa solução de água e detergente suave. Em seguida, enxague o anel vedante **B** com água limpa.



Também pode lavar o copo misturador **3** e a peça **A** com as lâminas de corte **4** na máquina de lavar loiça.

4) Seque bem todas as peças, antes de voltar a montá-las.

5) Volte a colocar a peça **A** com as lâminas de corte **4** no copo misturador **3** e rode no sentido dos ponteiros do relógio. Certifique-se de que o anel vedante **B** está corretamente colocado.

## 13.2. Limpar o bloco do motor

- 1) Limpe as superfícies com um pano húmido. Se necessário, coloque um pouco de detergente da loiça suave no pano. Limpe depois com um pano humedecido apenas com água, para eliminar eventuais resíduos de detergente. Em seguida, seque bem as superfícies.
- 2) Em cada limpeza, verifique se o interruptor, no alojamento do copo misturador **3**, não está bloqueado devido a restos de sujidade. No caso de eventuais bloqueios que não possam ser removidos com o canto de uma folha de papel, entre em contacto com o serviço de apoio ao cliente. Nunca utilize objectos rígidos, pois o interruptor de contacto poderia ficar danificado.
- 3) Remova eventuais sujidades na parte inferior do bloco do motor **6** apenas com um pano seco ou com um pincel para limpar o pó. Certifique-se de que nada entra no aparelho através dos orifícios de ventilação.

## 14. Conservação

- 1) Se não utilizar o liquidificador durante um longo período de tempo, limpe-o bem (ver o capítulo **13. Limpeza**).
- 2) Enrole o cabo de rede à volta do dispositivo de enrolamento do cabo **7** na base do bloco do motor **6**.
- 3) Conserve o liquidificador num local fresco e seco.

## 15. Eliminação



O símbolo do contentor do lixo com uma cruz por cima indica que este aparelho, no final da sua vida útil, não deve ser eliminado juntamente com os resíduos domésticos. O aparelho deve ser entregue em pontos de recolha apropriados, ecocentros ou centros de tratamento de resíduos autorizados.

Por favor, elimine todos os dados pessoais do aparelho antes de o devolver.

A embalagem é composta por materiais amigos do ambiente e pode ser descartada nos pontos de reciclagem locais.

Elimine a embalagem de modo ecológico. Rações necessárias estão sujeitas a pagamento.

## 16. Garantia da Kompernass Handels GmbH

Estimada Cliente, Estimado Cliente,  
Este aparelho tem uma garantia de 3 anos a contar da data de compra. No caso deste produto ter defeitos, tem direitos legais contra o vendedor do produto. Estes direitos legais não são limitados pela nossa garantia que passamos a transcrever.

### Condições de garantia

O prazo de garantia tem início na data da compra. Por favor, guarde bem o talão de compra. Este é necessário como comprovativo da compra.

Se, no prazo de três anos a contar da data de compra deste produto, ocorrer um defeito de material ou de fabrico, o produto será reparado ou substituído por nós, ao nosso critério, gratuitamente, ou o preço de compra será reembolsado. Esta garantia parte do princípio que o aparelho avariado e o comprovativo da compra (talão de compra) são apresentados no prazo de três anos, junto com uma descrição breve, por escrito, da falha e das circunstâncias em que a mesma ocorreu.

Se o defeito estiver coberto pela nossa garantia, receberá o produto reparado ou um novo produto. Com a substituição do produto é iniciado um novo prazo de garantia segundo DL 67/2003.

### Prazo de garantia e direitos legais

O período de garantia não é prolongado pelo acionamento da mesma. Isto também se aplica a peças substituídas e reparadas. Danos e defeitos que possam eventualmente já existir no momento da compra devem ser imediatamente comunicados, após retirar o aparelho da embalagem. Expirado o período da garantia, quaisquer reparações necessárias estão sujeitas a pagamento.

## Âmbito da garantia

O aparelho foi fabricado segundo diretivas de qualidade rigorosas, com o maior cuidado, e testado escrupulosamente antes da sua distribuição.

A garantia abrange apenas defeitos de material ou de fabrico. Esta garantia não abrange peças do produto sujeitas ao desgaste normal e que podem, por isso, ser consideradas peças de desgaste, ou danos em peças frágeis, p. ex., interruptores ou peças de vidro.

Esta garantia perde a validade, se o produto for danificado, utilizado incorretamente ou se a manutenção tenha sido realizada indevidamente. Para garantir uma utilização correta do produto, é necessário cumprir todas as instruções contidas no manual de instruções. Ações ou fins de utilização que são desaconselhados, ou para os quais é alertado no manual de instruções, têm de ser interpretabilmente evitados.

O produto foi concebido apenas para uso privado e não para uso comercial. A garantia extingue-se em caso de utilização incorreta, uso de força e intervenções que não tenham sido efetuadas pela nossa Filial de Assistência Técnica autorizada.

## Procedimento em caso de acionamento da garantia

Para garantir um processamento rápido do seu pedido, siga, por favor, as seguintes instruções:

- Para todos os pedidos de esclarecimento, tenha à mão o talão de compra e o número do artigo (IAN) 496701\_2504 como comprovativo da compra.
- O número do artigo consta da capa do manual de instruções (em baixo à esquerda), da placa de características, de uma impressão no produto ou do autocolante na traseira ou lado inferior do produto.
- Caso ocorram falhas de funcionamento ou outros defeitos, contacte primeiro o Serviço de Assistência Técnico, indicado em seguida, **telefonicamente** ou **por e-mail**.

- De seguida, pode enviar gratuitamente o produto registado como defeituoso, incluindo o comprovativo da compra (talão de compra) e indique o defeito e quando este ocorreu, para a morada do Serviço de Assistência Técnica que lhe foi indicada.



Em [www.lidl-service.com](http://www.lidl-service.com) poderá descarregar este manual de instruções e muitos outros manuais, bem como vídeos sobre produtos e software de instalação.

Com o código QR acede diretamente à página da Assistência Técnica Lidl ([www.lidl-service.com](http://www.lidl-service.com)) e poderá abrir o seu manual de instruções, introduzindo o número de artigo (IAN) 496701\_2504.

## 16.1. Assistência Técnica

**PT** Assistência Portugal

Tel.: 800849000

E-Mail: [kompernass@lidl.pt](mailto:kompernass@lidl.pt)

IAN 496701\_2504

## 16.2. Importador

Por favor, observe que a seguinte morada não é a morada do Serviço de Assistência Técnica. Primeiro entre em contacto com o Serviço de Assistência Técnica.

KOMPERNASS HANDELS GMBH

BURGSTRASSE 21

44867 BOCHUM

ALEMANHA

[www.kompernass.com](http://www.kompernass.com)





**KOMPERNASS HANDELS GMBH**

BURGSTRASSE 21  
44867 BOCHUM  
GERMANY  
[www.kompernass.com](http://www.kompernass.com)

Last Information Update · Stand der Informationen · Version des informations  
Stand van de informatie · Versione delle informazioni · Estado de las informaciones  
Estado das informações: 10 / 2025 · Ident.-No.: SSMP600A1-092025-1

---

IAN 496701\_2504