



## **BELT SANDER / BANDSCHLEIFER / PONCEUSE À BANDE PBSO 900 A1**

(GB)

### **BELT SANDER**

Translation of the original instructions

(FR)

### **PONCEUSE À BANDE**

Traduction des instructions d'origine

(CZ)

### **PÁSOVÁ BRUSKA**

Překlad originálního provozního návodu

(SK)

### **PÁSOVÁ BRÚSKA**

Překlad originálneho návodu na obsluhu

(DK)

### **BÅNDSLİBEMASKİNE**

Oversættelse af den originale driftsvejledning

(DE)

### **BANDSCHLEIFER**

Originalbetriebsanleitung

(NL)

### **BANDSCHUURMACHINE**

Vertaling van de originele gebruiksaanwijzing

(PL)

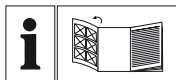
### **SZLIFIERKA TAŚMOWA**

Tłumaczenie oryginalnej instrukcji obsługi

(ES)

### **LIJADORA DE BANDA**

Traducción del manual de instrucciones original



(GB)

Before reading, unfold the page containing the illustrations and familiarise yourself with all functions of the device.

---

(DE)

Klappen Sie vor dem Lesen die Seite mit den Abbildungen aus und machen Sie sich anschließend mit allen Funktionen des Gerätes vertraut.

---

(FR)

Avant de lire le mode d'emploi, ouvrez la page contenant les illustrations et familiarisez-vous ensuite avec toutes les fonctions de l'appareil.

---

(NL)

Vouw vóór het lezen de pagina met de afbeeldingen open en maak u vertrouwd met alle functies van het apparaat.

---

(CZ)

Před čtením si otevřete stranu s obrázky a potom se seznamte se všemi funkcemi přístroje.

---

(PL)

Przed przeczytaniem proszę rozłożyć stronę z ilustracjami, a następnie proszę zapoznać się z wszystkimi funkcjami urządzenia.

---

(SK)

Pred čítaním si odklopte stranu s obrázkami a potom sa oboznámte so všetkými funkciami prístroja.

---

(ES)

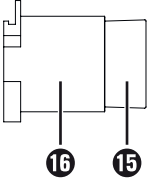
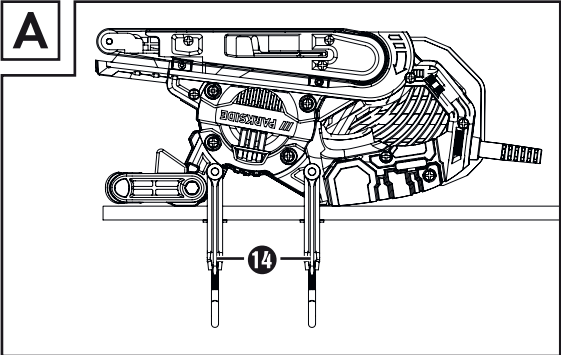
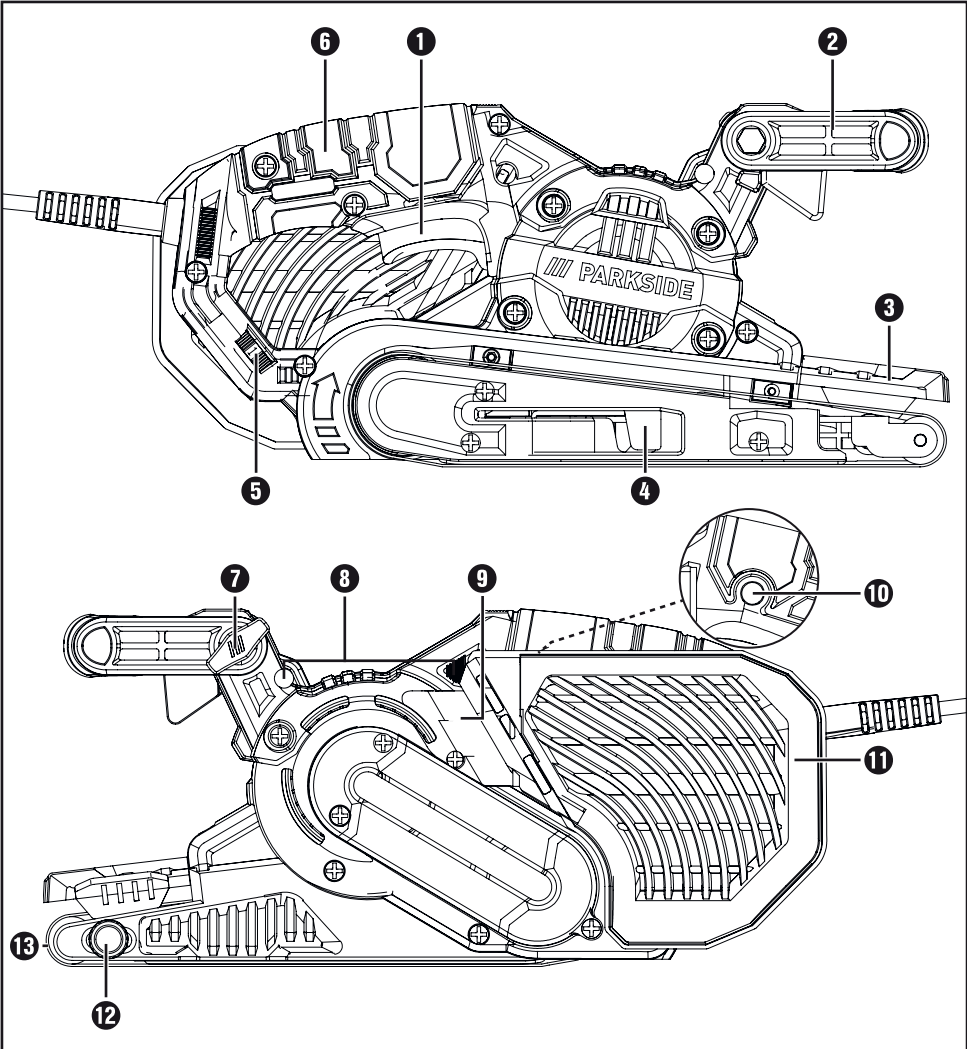
Antes de empezar a leer abra la página que contiene las imágenes y, en seguida, familiarícese con todas las funciones del dispositivo.

---

(DK)

Før du læser, vend siden med billeder frem og bliv bekendt med alle apparatets funktioner.

GB	Translation of the original instructions	Page	1
DE	Originalbetriebsanleitung	Seite	13
FR	Traduction des instructions d'origine	Page	25
NL	Vertaling van de originele gebruiksaanwijzing	Pagina	39
CZ	Překlad originálního provozního návodu	Strana	51
PL	Tłumaczenie oryginalnej instrukcji obsługi	Strona	63
SK	Preklad originálneho návodu na obsluhu	Strana	75
ES	Traducción del manual de instrucciones original	Página	87
DK	Oversættelse af den originale driftsvejledning	Side	99



# Contents

<b>Introduction</b>	<b>2</b>
Intended use	2
Depicted components	2
Package contents	2
Technical data	2
<b>General Power Tool Safety Warnings</b>	<b>3</b>
1. Work area safety	3
2. Electrical safety	3
3. Personal safety	4
4. Power tool use and care	4
5. Service	5
Appliance-specific safety instructions for grinders	5
<b>Operation</b>	<b>5</b>
Tensioning/replacing the abrasive belt	5
Adjusting the additional handle	6
Flipping up the front cover	6
Attaching/removing a dust extraction unit	6
Working procedures	7
<b>Use</b>	<b>7</b>
Switching on and off	7
Emptying the dust collector	7
Selecting speed and abrasive belt	8
Stationary work	8
Tips and tricks	9
<b>Maintenance and cleaning</b>	<b>9</b>
<b>Disposal</b>	<b>9</b>
<b>Kompernass Handels GmbH warranty</b>	<b>10</b>
<b>Service</b>	<b>11</b>
<b>Importer</b>	<b>11</b>
<b>Translation of the original Conformity Declaration</b>	<b>12</b>

# BELT SANDER PBSD 900 A1

## Introduction

Congratulations on the purchase of your new appliance. You have chosen a high-quality product. The operating instructions are part of this product. They contain important information about safety, usage and disposal. Before using the product, please familiarise yourself with all operating and safety instructions. Use the product only as described and for the range of applications specified. Please also pass these operating instructions on to any future owner.

## Intended use

The belt grinder is designed for the dry surface sanding of wood, plastic, metal and plaster and painted surfaces (depending on the type of sandpaper used). The appliance may only be used for dry sanding. Please note that you need to use appropriate abrasive belts with different grains for working different materials, and that you may need to adapt the speed to suit the material. The appliance is not intended for commercial use. Any other use of or modification to the appliance is deemed to be improper and carries the risk of serious personal injury. The manufacturer accepts no responsibility for damage(s) attributable to misuse.

## Depicted components


- ❶ ON/OFF switch
- ❷ Additional handle (rubberised grip)
- ❸ Front cover
- ❹ Clamping lever for abrasive belt
- ❺ Belt speed adjusting wheel
- ❻ Handle (rubberised grip)
- ❼ Screw for adjusting the handle
- ❽ Recesses for screw clamps
- ❾ Connection for dust collector
- ❿ Locking button for ON/OFF switch
- ⓫ Dust collector
- ⓬ Adjustment screw for belt tracking

- ⓭ Abrasive belt
- ⓮ Screw clamp
- ⓯ Reducer
- ⓰ Dust extraction adapter

## Package contents

- 1 belt sander
- 1 abrasive belt for wood (grain 80)
- 1 dust collector
- 1 dust extraction adapter and reducer (for external dust extraction)
- 2 screw clamps
- 1 set of operating instructions

## Technical data

Rated voltage	230 V ~, 50 Hz (AC)
Rated power consumption	900 W
Idling belt speed	240–400 m/min
Rated idling speed	➡ $n_0$ 450–750 rpm
Abrasive belt	75 x 533 mm
Protection class	II /  (double insulation)

## Noise emission value

Noise measurement value determined in accordance with EN 62841. The A-rated noise level of the power tool is typically as follows:

Sound pressure level	$L_{pA} = 89$ dB (A)
Uncertainty	$K_{pA} = 3$ dB
Sound power level	$L_{WA} = 100$ dB (A)
Uncertainty	$K_{WA} = 3$ dB

## Wear hearing protection!

## Total vibration value

Total vibration value (vector total of three directions) determined in accordance with EN 62841:

Grinding with the grinding disc:

Main handle	$a_h = 3.0$ m/s <sup>2</sup>
Additional handle	$a_h = 2.8$ m/s <sup>2</sup>
Uncertainty	$K = 1.5$ m/s <sup>2</sup>

**NOTE**

- ▶ The vibration emission values and the noise emission values given in these instructions have been measured in accordance with a standardised test procedure and can be used for comparison of the power tool with another tool.
- ▶ The specified total vibration values and the noise emission values can also be used to make a provisional load estimate.

**⚠ WARNING!**

- ▶ Depending on the manner in which the power tool is being used, and in particular the kind of workpiece that is being worked, the vibration and noise emission values can deviate from the values given in these instructions during actual use of the power tool.
- ▶ Try to keep the load as low as possible. Measures to reduce the vibration load are, e.g. wearing gloves and limiting the working time. Wherein all states of operation must be included (e.g. times when the power tool is switched off and times where the power tool is switched on but running without load).



**General Power Tool Safety Warnings**

**⚠ WARNING!**

- ▶ **Read all safety warnings, instructions, illustrations and specifications provided with this power tool.** Failure to follow all instructions listed below may result in electric shock, fire and/or serious injury.

**Save all warnings and instructions for future reference.**

The term „power tool“ in the warnings refers to your mains-operated (corded) power tool or battery-operated (cordless) power tool.

**1. Work area safety**

- a) **Keep work area clean and well lit.** Cluttered or dark areas invite accidents.
- b) **Do not operate power tools in explosive atmospheres, such as in the presence of flammable liquids, gases or dust.** Power tools create sparks which may ignite the dust or fumes.
- c) **Keep children and bystanders away while operating a power tool.** Distractions can cause you to lose control.

**2. Electrical safety**

- a) **Power tool plugs must match the outlet. Never modify the plug in any way. Do not use any adapter plugs with earthed (grounded) power tools.** Unmodified plugs and matching outlets will reduce risk of electric shock.
- b) **Avoid body contact with earthed or grounded surfaces, such as pipes, radiators, ranges and refrigerators.** There is an increased risk of electric shock if your body is earthed or grounded.
- c) **Do not expose power tools to rain or wet conditions.** Water entering a power tool will increase the risk of electric shock.
- d) **Do not abuse the cord. Never use the cord for carrying, pulling or unplugging the power tool. Keep cord away from heat, oil, sharp edges or moving parts.** Damaged or entangled cords increase the risk of electric shock.
- e) **When operating a power tool outdoors, use an extension cord suitable for outdoor use.** Use of a cord suitable for outdoor use reduces the risk of electric shock.
- f) **If operating a power tool in a damp location is unavoidable, use a residual current device (RCD) protected supply.** Use of an RCD reduces the risk of electric shock.

### 3. Personal safety

- a) **Stay alert, watch what you are doing and use common sense when operating a power tool. Do not use a power tool while you are tired or under the influence of drugs, alcohol or medication.** A moment of inattention while operating power tools may result in serious personal injury.
- b) **Use personal protective equipment. Always wear eye protection.** Protective equipment such as a dust mask, non-slip safety shoes, hard hat or hearing protection used for appropriate conditions will reduce personal injuries.
- c) **Prevent unintentional starting. Ensure the switch is in the off-position before connecting to power source and/or battery pack, picking up or carrying the tool.** Carrying power tools with your finger on the switch or energising power tools that have the switch on invites accidents.
- d) **Remove any adjusting key or wrench before turning the power tool on.** A wrench or a key left attached to a rotating part of the power tool may result in personal injury.
- e) **Do not overreach. Keep proper footing and balance at all times.** This enables better control of the power tool in unexpected situations.
- f) **Dress properly. Do not wear loose clothing or jewellery. Keep your hair and clothing away from moving parts.** Loose clothes, jewellery or long hair can be caught in moving parts.
- g) **If devices are provided for the connection of dust extraction and collection facilities, ensure these are connected and properly used.** Use of dust collection can reduce dust-related hazards.
- h) **Do not let familiarity gained from frequent use of tools allow you to become complacent and ignore tool safety principles.** A careless action can cause severe injury within a fraction of a second.

### 4. Power tool use and care

- a) **Do not force the power tool. Use the correct power tool for your application.** The correct power tool will do the job better and safer at the rate for which it was designed.
- b) **Do not use the power tool if the switch does not turn it on and off.** Any power tool that cannot be controlled with the switch is dangerous and must be repaired.
- c) **Disconnect the plug from the power source and/or remove the battery pack, if detachable, from the power tool before making any adjustments, changing accessories, or storing power tools.** Such preventive safety measures reduce the risk of starting the power tool accidentally.
- d) **Store idle power tools out of the reach of children and do not allow persons unfamiliar with the power tool or these instructions to operate the power tool.** Power tools are dangerous in the hands of untrained users.
- e) **Maintain power tools and accessories. Check for misalignment or binding of moving parts, breakage of parts and any other condition that may affect the power tool's operation. If damaged, have the power tool repaired before use.** Many accidents are caused by poorly maintained power tools.
- f) **Keep cutting tools sharp and clean.** Properly maintained cutting tools with sharp cutting edges are less likely to bind and are easier to control.
- g) **Use the power tool, accessories and tool bits etc. in accordance with these instructions, taking into account the working conditions and the work to be performed.** Use of the power tool for operations different from those intended could result in a hazardous situation.
- h) **Keep handles and grasping surfaces dry, clean and free from oil and grease.** Slippery handles and grasping surfaces do not allow for safe handling and control of the tool in unexpected situations.

## 5. Service

- a) Have your power tool serviced by a qualified repair person using only identical replacement parts. This will ensure that the safety of the power tool is maintained.

### Appliance-specific safety instructions for grinders

- Hold the appliance by the insulated handles as the abrasive belt 13 can come into contact with its own power cable. Damage to a live wire may make exposed metal parts of the power tool live and could give the operator an electric shock.

#### WARNING!

- Dusts from materials such as leaded paint, some types of wood and metal can be harmful to your health.
- Contact with or inhalation of these dusts can represent a health hazard for the person operating the appliance and other people in the vicinity.
- Wear safety goggles and a protective dust mask!

## Operation

### Tensioning/replacing the abrasive belt

#### WARNING! RISK OF INJURY!

- Always remove the power plug from the wall socket before carrying out any work on the belt grinder.

1. Loosen the clamping device for the abrasive belt by swivelling the clamping lever 4 all the way out. The abrasive belt 13 can now be removed.
2. Now fit a new abrasive belt 13 or swap the belt to work on a different material or to use a different grain size.  
**IMPORTANT:** The direction of the arrows on the inside of the abrasive belt 13 and on the appliance housing must match.
3. Push the clamping lever 4 back into its initial position.

#### Manually adjusting the abrasive belt 13

If the belt tracking is not centred when you switch on the appliance, you may need to manually adjust it.

- ◆ To do this, turn the adjusting screw 12 on the front roller until the abrasive belt 13 is running centred.  
**IMPORTANT:** It is important to ensure that the abrasive belt 13 does not rub against the housing. Check the belt tracking regularly and adjust it with the adjusting screw if required 12.



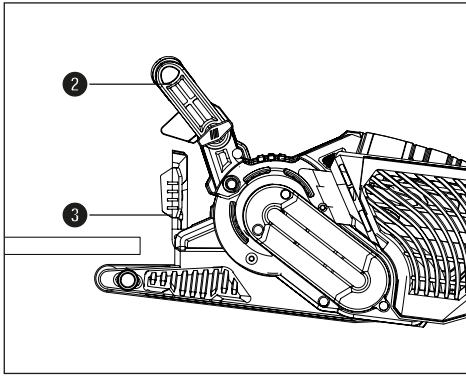
## Adjusting the additional handle

You can position the additional handle ② in several different positions.

- ◆ To reposition the additional handle ② undo the screw ⑦.
- ◆ Move the additional handle ② to the required position.
- ◆ Retighten the screw ⑦.

## Flipping up the front cover

You can flip up the front cover ③ to grind in hard-to-reach areas (see illustration).



### **⚠ WARNING!**

- ▶ The front cover ③ can only be flipped upwards if the additional handle ② is also positioned upwards (see section "Adjusting the additional handle").
- ◆ Flip up the front cover ③.

## Attaching/removing a dust extraction unit

### **⚠ WARNING! RISK OF EXPLOSION!**

- If there is an explosive dust/air mixture, you must use a specially designed extraction appliance. **RISK OF FIRE DUE TO FLYING SPARKS!** Do not use dust extraction systems (dust collector ① or vacuum cleaner) when grinding metals.

- Materials containing asbestos must not be processed. Asbestos is a known carcinogen.

### **⚠ WARNING! RISK OF FIRE!**

- When working with power tools which have a dust collector or can be connected to a vacuum cleaner via a vacuum cleaner adapter, there is a risk of fire! In unfavourable conditions, e.g. when sparks are flying while sanding metal or metal residues in wood, wood dust in the dust collector (or the bag of the vacuum cleaner) can spontaneously ignite. This is a particular risk if the wood dust is mixed with paint residues or other chemicals and the workpiece has become hot after being worked for a long time. Therefore, do not allow the workpiece to overheat and always empty the dust box or the dust bag of the vacuum cleaner before taking a break from work.
- Ensure that your workplace is adequately ventilated.
- Observe the regulations applicable in your country regarding the materials to be worked.

-  Wear a dust mask.

### Fitting the dust collector 11

- ◆ Push the dust collector 11 onto the dust collector connection 9 from above.

### Dismantling/removing the dust collector

- ◆ Pull the dust collector 11 off upwards.

### Connecting a dust extraction adapter and reducer for an external extraction appliance

- ◆ Push the dust extraction adapter 16 onto the connection 9.
- ◆ Push the reducer 15 for the dust extraction adapter into the adapter fitting 16.
- ◆ Push the hose from a suitable dust extraction appliance (e.g. a workshop vacuum cleaner) onto the reducer 15 for external vacuum extraction.

### Removing the dust extraction adapter and reducer for an external extraction appliance

- ◆ Pull off the hose of the dust extraction appliance.
- ◆ Remove the reducer 15 for external dust extraction.
- ◆ Pull the dust extraction adapter 16 upwards off the connection 9.

## Working procedures

### A light grinding pressure is sufficient

- Apply minimal pressure when grinding. The belt grinder's own weight is sufficient for a good grinding result. In addition, working this way helps to reduce the wear on the abrasive belt 13 and the surface of the workpiece will become more smooth.

### Removal and surface

- The material removal rate and surface quality are determined by the belt speed and grain strength of the abrasive belt 13 (see also the section "Selecting speed and abrasive belt").

## Grinding

- Place the appliance on the workpiece when switched on and work at a moderate feed rate. Guide the grinder in parallel and overlapping sanding motions over the workpiece. To avoid unpleasant transverse grinding marks, always sand in the direction of the grain. After completing the task, lift the appliance from the workpiece and then switch it off.

### NOTE

- ▶ Always hold the appliance firmly with two hands while working.

## Use

### Switching on and off

While operating the belt grinder, you can choose between instantaneous and continuous operation.

#### Switching to instantaneous operation

- ◆ Press the ON/OFF switch 1.

#### Switching off instantaneous operation

- ◆ Release the ON/OFF switch 1.

#### Switching to continuous operation

- ◆ Press the ON/OFF switch 1, keep it pressed in and then press the lock button 10.

#### Switching off continuous operation

- ◆ Press the ON/OFF switch 1 and then release it.

### Emptying the dust collector

The dust collector 11 should be emptied after every 10 minutes of operation at least.

- ◆ Pull the dust collector 11 off (see section "Attaching/removing a dust extraction unit")
- ◆ Shake the dust collector 11 over a rubbish bin to empty it.
- ◆ Fit the dust collector 11 back onto the appliance.

## Selecting speed and abrasive belt

You can use the belt speed adjusting wheel **5** to adjust the speed, even while the appliance is running. The optimum belt speed is dependent on the workpiece or material being processed. We recommend carrying out a practice run to determine the correct speed. In the table below, you will find some recommended values which will help you determine which belt and speed to use for which job.

Material/ working area	Softwood
Rough sanding (grain size)	60
Finishing (grain size)	240
Speed preselection	high (5-6)

Material/ working area	Hardwood
Rough sanding (grain size)	60
Finishing (grain size)	180
Speed preselection	high (5-6)

Material/ working area	Chipboard
Rough sanding (grain size)	60
Finishing (grain size)	150
Speed preselection	high (5-6)

Material/ working area	Removing paint/varnish
Rough sanding (grain size)	60
Finishing (grain size)	--
Speed preselection	high (5-6)

Material/ working area	Rubbing down paintwork/varnish
Rough sanding (grain size)	150
Finishing (grain size)	320
Speed preselection	low (1-2)

Material/ working area	Removing rust from steel
Rough sanding (grain size)	40
Finishing (grain size)	120
Speed preselection	medium/high (3-4)

Material/ working area	Plastics
Rough sanding (grain size)	120
Finishing (grain size)	240
Speed preselection	low/medium (2-3)

Material/ working area	Non-ferrous metals (e.g. aluminium)
Rough sanding (grain size)	80
Finishing (grain size)	150
Speed preselection	medium/high (3-4)

## Stationary work

- ◆ Turn the additional handle **2** to the horizontal position.
- ◆ Turn the power tool as shown in the illustration and place it on a stable worktop.
- ◆ Fit the two screw clamps **14** in the recesses **8** provided and clamp the power tool tightly.

## Tips and tricks

- Never use the same abrasive belt **13** to work wood and metal.
- Worn or cracked abrasive belts can damage the workpiece. Therefore, be sure to replace worn abrasive belts before starting work.
- Always hang up the abrasive belts to store them, as kinks etc. can make them unusable.

## Maintenance and cleaning



### WARNING! RISK OF INJURY!

**Switch off the appliance and pull out the power plug before starting any work on the appliance.**

The belt grinder is maintenance-free.

- Always clean the appliance directly after finishing work.
- Use a dry cloth to clean the housing. Under no circumstances should you use fuel, detergents, solvents or abrasive cleaners.

### Emptying/cleaning the dust collector **11**

- ◆ Pull the dust collector **11** off the appliance.
- ◆ Empty the dust collector **11** completely by knocking out the contents and then push the dust collector **11** back onto the appliance.
- ◆ Ensure ventilation openings are always free.
- ◆ Remove any adhering grinding dust with a brush.

## Disposal



The packaging is made from environmentally friendly material and can be disposed of at your local recycling plant.



### Do not dispose of power tools in your normal domestic waste!

European Directive 2012/19/EU requires that worn-out power tools be collected separately and recycled in an environmentally compatible manner.

Your local community or municipal authorities can provide information on how to dispose of the appliance.



Dispose of the packaging in an environmentally friendly manner. Note the labelling on the packaging and separate the packaging material components for disposal if necessary. The packaging material is labelled with abbreviations (a) and numbers (b) with the following meanings: 1–7: plastics, 20–22: paper and cardboard, 80–98: composites.



Your local community or municipal authorities can provide information on how to dispose of the worn-out product.



The product is recyclable, subject to extended producer responsibility and is collected separately.

## **Kompernass Handels GmbH warranty**

Dear Customer,

This appliance has a 3-year warranty valid from the date of purchase. If this product has any faults, you, the buyer, have certain statutory rights. Your statutory rights are not restricted in any way by the warranty described below.

### **Warranty conditions**

The warranty period starts on the date of purchase. Please keep your receipt in a safe place. This will be required as proof of purchase.

If any material or manufacturing fault occurs within three years of the date of purchase of the product, we will either repair or replace the product for you or refund the purchase price (at our discretion). This warranty service requires that you present the defective appliance and the proof of purchase (receipt) within the three-year warranty period, along with a brief written description of the fault and of when it occurred.

If the defect is covered by the warranty, your product will either be repaired or replaced by us. The repair or replacement of a product does not signify the beginning of a new warranty period.

### **Warranty period and statutory claims for defects**

The warranty period is not prolonged by repairs effected under the warranty. This also applies to replaced and repaired components. Any damage and defects present at the time of purchase must be reported immediately after unpacking. Repairs carried out after expiry of the warranty period shall be subject to a fee.

### **Scope of the warranty**

This appliance has been manufactured in accordance with strict quality guidelines and inspected meticulously prior to delivery.

The warranty covers material faults or production faults. The warranty does not extend to product parts subject to normal wear and tear or to fragile parts which could be considered as consumable parts such as switches or parts made of glass.

The warranty does not apply if the product has been damaged, improperly used or improperly maintained. The directions in the operating instructions for the product regarding proper use of the product are to be strictly followed. Uses and actions that are discouraged in the operating instructions or which are warned against must be avoided.

This product is intended solely for private use and not for commercial purposes. The warranty shall be deemed void in cases of misuse or improper handling, use of force and modifications / repairs which have not been carried out by one of our authorised Service centres.

### **The warranty period does not apply to**

- Normal reduction of the battery capacity over time
- Commercial use of the product
- Damage to or alteration of the product by the customer
- Non-compliance with safety and maintenance instructions, operating errors
- Damage caused by natural hazards

## Warranty claim procedure

To ensure quick processing of your case, please observe the following instructions:

- Please have the till receipt and the item number (e.g. IAN 12345) available as proof of purchase.
- You will find the item number on the type plate on the product, an engraving on the product, on the front page of the operating instructions (below left) or on the sticker on the rear or bottom of the product.
- If functional or other defects occur, please contact the service department listed either by **telephone** or by **e-mail**.
- You can return a defective product to us free of charge to the service address that will be provided to you. Ensure that you enclose the proof of purchase (till receipt) and information about what the defect is and when it occurred.



You can download these instructions along with many other manuals, product videos and installation software at [www.lidl-service.com](http://www.lidl-service.com).

This QR code will take you directly to the Lidl service page ([www.lidl-service.com](http://www.lidl-service.com)) where you can open your operating instructions by entering the item number (IAN) 373104\_2104.

### **⚠ WARNING!**

- **Have the power tool repaired by the service centre or a qualified electrician and only using genuine replacement parts.** This will ensure that the safety of the appliance is maintained.
- **Always ensure that the power plug or the mains cable is replaced only by the manufacturer of the appliance or by an approved customer service provider.** This will ensure that the safety of the appliance is maintained.

### **NOTE**

- ▶ Replacement parts not listed (such as carbon brushes, switches, dust collector) can be ordered via our service hotline.

## Service

### **GB Service Great Britain**

Tel.: 0800 404 7657

E-Mail: [kompernass@lidl.co.uk](mailto:kompernass@lidl.co.uk)

### **IE Service Ireland**

Tel.: 1890 930 034

(0,08 EUR/Min., (peak))

(0,06 EUR/Min., (off peak))

E-Mail: [kompernass@lidl.ie](mailto:kompernass@lidl.ie)

IAN 373104\_2104

## Importer

Please note that the following address is not the service address. Please use the service address provided in the operating instructions.

KOMPERNASS HANDELS GMBH

BURGSTRASSE 21

44867 BOCHUM

GERMANY

[www.kompernass.com](http://www.kompernass.com)

## Translation of the original Conformity Declaration

We, KOMPERNASS HANDELS GMBH, documents officer: Mr. Semi Uguzlu, BURGSTR. 21, 44867 BOCHUM, GERMANY, hereby declare that this product complies with the following standards, normative documents and EC directives:

### **Machinery Directive**

(2006/42/EC)

### **EMC (Electromagnetic Compatibility)**

(2014/30/EU)

### **RoHS Directive**

(2011/65/EU)\*

\*The manufacturer bears the full responsibility for compliance with this conformity declaration. The object of the declaration described above complies with the requirements of the Directive 2011/65/EU of the European Parliament and Council of 8 June 2011 on the limitations of use of certain dangerous substances in electrical and electronic appliances.

### **Applied harmonised standards**

EN 62841-1:2015

EN 62841-2-4:2014

EN 55014-1:2017/A11:2020

EN 55014-2:2015

EN IEC 61000-3-2:2019

EN 61000-3-3:2013/A1:2019

EN IEC 63000:2018

EN ISO 12100:2010

**Type designation of machine:** Belt sander PBSD 900 A1

**Year of manufacture:** 07-2021

**Serial number:** IAN 373104\_2104

Bochum, 27/05/2021



Semi Uguzlu

- Quality Manager -

We reserve the right to make technical changes in the context of further product development.

# Inhaltsverzeichnis

<b>Einleitung</b> .....	<b>14</b>
Bestimmungsgemäßer Gebrauch .....	14
Abgebildete Komponenten .....	14
Lieferumfang .....	14
Technische Daten .....	14
<b>Allgemeine Sicherheitshinweise für Elektrowerkzeuge</b> .....	<b>15</b>
1. Arbeitsplatzsicherheit .....	15
2. Elektrische Sicherheit .....	15
3. Sicherheit von Personen .....	16
4. Verwendung und Behandlung des Elektrowerkzeugs .....	16
5. Service .....	17
Gerätespezifische Sicherheitshinweise für Schleifer .....	17
<b>Inbetriebnahme</b> .....	<b>17</b>
Schleifband einspannen/wechseln .....	17
Zusatzhandgriff einstellen .....	18
Frontabdeckung hochklappen .....	18
Staubabsaugung anbringen/enfernen .....	18
Arbeitshinweise .....	19
<b>Bedienung</b> .....	<b>19</b>
Ein- und ausschalten .....	19
Staubbox entleeren .....	19
Drehzahl und Schleifband wählen .....	20
Stationäres Arbeiten .....	20
Tipps und Tricks .....	20
<b>Wartung und Reinigung</b> .....	<b>21</b>
<b>Entsorgung</b> .....	<b>21</b>
<b>Garantie der Kompersnaß Handels GmbH</b> .....	<b>22</b>
<b>Service</b> .....	<b>23</b>
<b>Importeur</b> .....	<b>23</b>
<b>Original-Konformitätserklärung</b> .....	<b>24</b>



## BANDSCHLEIFER PBSD 900 A1

### Einleitung

Wir beglückwünschen Sie zum Kauf Ihres neuen Gerätes. Sie haben sich damit für ein hochwertiges Produkt entschieden. Die Bedienungsanleitung ist Teil dieses Produkts. Sie enthält wichtige Hinweise für Sicherheit, Gebrauch und Entsorgung. Machen Sie sich vor der Benutzung des Produkts mit allen Bedien- und Sicherheitshinweisen vertraut. Benutzen Sie das Produkt nur wie beschrieben und für die angegebenen Einsatzbereiche. Händigen Sie alle Unterlagen bei Weitergabe des Produkts an Dritte mit aus.

### Bestimmungsgemäßer Gebrauch

Der Bandschleifer ist - je nach Schleifpapier - für trockenes Flächenschleifen von Holz, Kunststoff, Metall und Spachtelmasse sowie lackierten Oberflächen ausgelegt. Das Gerät darf nur für Trockenschliff verwendet werden. Beachten Sie bitte, dass Sie zur Bearbeitung der verschiedenen Materialien entsprechende Schleifblätter mit unterschiedlicher Körnung einsetzen und die Drehzahl ebenfalls dem Material anpassen. Das Gerät ist nicht für den gewerblichen Einsatz bestimmt. Jede andere Verwendung oder Veränderung der Maschine gilt als nicht bestimmungsgemäß und birgt erhebliche Unfallgefahren. Für aus bestimmungswidriger Verwendung entstandene Schäden übernimmt der Hersteller keine Haftung.

### Abgebildete Komponenten



- ➊ EIN-/AUS-Schalter
- ➋ Zusatzhandgriff (Gummierte Grifffläche)
- ➌ Frontabdeckung
- ➍ Spannhebel für Schleifband
- ➎ Stellrad Bandgeschwindigkeit
- ➏ Handgriff (Gummierte Grifffläche)
- ➐ Schraube für Handgriffverstellung
- ➑ Aussparungen für Schraubzwinde
- ➒ Anschluss für Staubbox
- ➓ Feststelltaste für EIN-/AUS-Schalter

- ➓ Staubbox
- ➑ Justierschraube für Bandlauf
- ➒ Schleifband
- ➓ Schraubzwinde
- ➑ Reduzierstück
- ➒ Absaugadapter

### Lieferumfang

- 1 Bandschleifer
- 1 Schleifband für Holz (Körnung 80)
- 1 Staubbox
- 1 Absaugadapter und Reduzierstück (zur externen Staubabsaugung)
- 2 Schraubzwingen
- 1 Bedienungsanleitung

### Technische Daten

Bemessungsspannung	230 V ~, 50 Hz (Wechselstrom)
Bemessungsaufnahme	900 W
Leerlauf-	
Bandgeschwindigkeit	240-400 m/min
Bemessungs-	
Leerlaufdrehzahl	 n <sub>0</sub> 450-750 min <sup>-1</sup>
Schleifband	75 x 533 mm
Schutzklasse	II /  (Doppelisolierung)

### Geräuschemissionswert

Messwert für Geräusch ermittelt entsprechend EN 62841. Der A-bewertete Geräuschpegel des Elektrowerkzeugs beträgt typischerweise:

Schalldruckpegel	L <sub>PA</sub> = 89 dB (A)
Unsicherheit	K <sub>PA</sub> = 3 dB
Schallleistungspegel	L <sub>WA</sub> = 100 dB (A)
Unsicherheit	K <sub>WA</sub> = 3 dB

### Gehörschutz tragen!

## Schwingungsgesamtwert

Schwingungsgesamtwerte (Vektorsumme dreier Richtungen) ermittelt entsprechend EN 62841:

Schleifen mit Schleifteller:

Hauptgriff  $a_h = 3,0 \text{ m/s}^2$

Zusatzhandgriff  $a_h = 2,8 \text{ m/s}^2$

Unsicherheit  $K = 1,5 \text{ m/s}^2$

### HINWEIS

- ▶ Die angegebenen Schwingungsgesamtwerte und die angegebenen Geräuschemissionswerte sind nach einem genormten Prüfverfahren gemessen worden und können zum Vergleich eines Elektrowerkzeugs mit einem anderen verwendet werden.
- ▶ Die angegebenen Schwingungsgesamtwerte und die angegebenen Geräuschemissionswerte können auch zu einer vorläufigen Einschätzung der Belastung verwendet werden.

### ⚠ WARNUNG!

- ▶ Die Schwingungs- und Geräuschemissionen können während der tatsächlichen Benutzung des Elektrowerkzeugs von den Angabewerten abweichen, abhängig von der Art und Weise, in der das Elektrowerkzeug verwendet wird, insbesondere, welche Art von Werkstück bearbeitet wird.
- ▶ Versuchen Sie, die Belastung so gering wie möglich zu halten. Beispielhafte Maßnahmen zur Verringerung der Vibrationsbelastung sind das Tragen von Handschuhen beim Gebrauch des Werkzeugs und die Begrenzung der Arbeitszeit. Dabei sind alle Anteile des Betriebszyklus zu berücksichtigen (beispielsweise Zeiten, in denen das Elektrowerkzeug abgeschaltet ist, und solche, in denen es zwar eingeschaltet ist, aber ohne Belastung läuft).



## Allgemeine Sicherheitshinweise für Elektrowerkzeuge



### ⚠ WARNUNG!

- ▶ Lesen Sie alle Sicherheitshinweise, Anweisungen, Bilderungen und technischen Daten, mit denen dieses Elektrowerkzeug versehen ist. Versäumnisse bei der Einhaltung der nachfolgenden Anweisungen können elektrischen Schlag, Brand und/oder schwere Verletzungen verursachen.

### Bewahren Sie alle Sicherheitshinweise und Anweisungen für die Zukunft auf.

Der in den Sicherheitshinweisen verwendete Begriff „Elektrowerkzeug“ bezieht sich auf netzbetriebene Elektrowerkzeuge (mit Netzleitung) und auf akkubetriebene Elektrowerkzeuge (ohne Netzleitung).

## 1. Arbeitsplatzsicherheit

- a) Halten Sie Ihren Arbeitsbereich sauber und gut beleuchtet. Unordnung und unbeleuchtete Arbeitsbereiche können zu Unfällen führen.
- b) Arbeiten Sie mit dem Elektrowerkzeug nicht in explosionsgefährdeter Umgebung, in der sich brennbare Flüssigkeiten, Gase oder Stäube befinden. Elektrowerkzeuge erzeugen Funken, die den Staub oder die Dämpfe entzünden können.
- c) Halten Sie Kinder und andere Personen während der Benutzung des Elektrowerkzeugs fern. Bei Ablenkung können Sie die Kontrolle über das Elektrowerkzeug verlieren.

## 2. Elektrische Sicherheit

- a) Der Anschlussstecker des Elektrowerkzeugs muss in die Steckdose passen. Der Stecker darf in keiner Weise verändert werden. Verwenden Sie keine Adapterstecker gemeinsam mit schutzgeerdeten Elektrowerkzeugen. Unveränderte Stecker und passende Steckdosen verringern das Risiko eines elektrischen Schlags.

- b) Vermeiden Sie Körperkontakt mit geerdeten Oberflächen wie von Rohren, Heizungen, Herden und Kühlschränken. Es besteht ein erhöhtes Risiko durch elektrischen Schlag, wenn Ihr Körper geerdet ist.
- c) Halten Sie Elektrowerkzeuge von Regen oder Nässe fern. Das Eindringen von Wasser in ein Elektrowerkzeug erhöht das Risiko eines elektrischen Schlages.
- d) Zweckentfremden Sie die Anschlussleitung nicht, um das Elektrowerkzeug zu tragen, aufzuhängen oder um den Stecker aus der Steckdose zu ziehen. Halten Sie die Anschlussleitung fern von Hitze, Öl, scharfen Kanten oder sich bewegenden Teilen. Beschädigte oder verwickelte Anschlussleitungen erhöhen das Risiko eines elektrischen Schlages.
- e) Wenn Sie mit einem Elektrowerkzeug im Freien arbeiten, verwenden Sie nur Verlängerungsleitungen, die auch für den Außenbereich geeignet sind. Die Anwendung einer für den Außenbereich geeigneten Verlängerungsleitung verringert das Risiko eines elektrischen Schlages.
- f) Wenn der Betrieb des Elektrowerkzeugs in feuchter Umgebung nicht vermeidbar ist, verwenden Sie einen Fehlerstromschutzschalter. Der Einsatz eines Fehlerstromschutzschalters vermindert das Risiko eines elektrischen Schlages.
- c) Vermeiden Sie eine unbeabsichtigte Inbetriebnahme. Vergewissern Sie sich, dass das Elektrowerkzeug ausgeschaltet ist, bevor Sie es an die Stromversorgung und/oder den Akku anschließen, es aufnehmen oder tragen. Wenn Sie beim Tragen des Elektrowerkzeugs den Finger am Schalter haben oder das Elektrowerkzeug eingeschaltet an die Stromversorgung anschließen, kann dies zu Unfällen führen.
- d) Entfernen Sie Einstellwerkzeuge oder Schraubenschlüssel, bevor Sie das Elektrowerkzeug einschalten. Ein Werkzeug oder Schlüssel, der sich in einem drehenden Teil des Elektrowerkzeugs befindet, kann zu Verletzungen führen.
- e) Vermeiden Sie eine abnormale Körperhaltung. Sorgen Sie für einen sicheren Stand und halten Sie jederzeit das Gleichgewicht. Dadurch können Sie das Elektrowerkzeug in unerwarteten Situationen besser kontrollieren.
- f) Tragen Sie geeignete Kleidung. Tragen Sie keine weite Kleidung oder Schmuck. Halten Sie Haare und Kleidung fern von sich bewegenden Teilen. Lockere Kleidung, Schmuck oder lange Haare können von sich bewegenden Teilen erfasst werden.
- g) Wenn Staubabsaug- und -auffangeinrichtungen montiert werden können, sind diese anzuschließen und richtig zu verwenden. Die Verwendung einer Staubabsaugung kann Gefährdungen durch Staub verringern.

### 3. Sicherheit von Personen

- a) Seien Sie aufmerksam, achten Sie darauf, was Sie tun, und gehen Sie mit Vernunft an die Arbeit mit einem Elektrowerkzeug. Benutzen Sie kein Elektrowerkzeug, wenn Sie müde sind oder unter dem Einfluss von Drogen, Alkohol oder Medikamenten stehen. Ein Moment der Unachtsamkeit beim Gebrauch des Elektrowerkzeugs kann zu ernsthaften Verletzungen führen.
- b) Tragen Sie persönliche Schutzausrüstung und immer eine Schutzbrille. Das Tragen persönlicher Schutzausrüstung, wie Staubmaske, rutschfeste Sicherheitsschuhe, Schutzhelm oder Gehörschutz, je nach Art und Einsatz des Elektrowerkzeugs, verringert das Risiko von Verletzungen.
- h) Wiegen Sie sich nicht in falscher Sicherheit und setzen Sie sich nicht über die Sicherheitsregeln für Elektrowerkzeuge hinweg, auch wenn Sie nach vielfachem Gebrauch mit dem Elektrowerkzeug vertraut sind. Achtloses Handeln kann binnen Sekundenbruchteilen zu schweren Verletzungen führen.

### 4. Verwendung und Behandlung des Elektrowerkzeugs

- a) Überlasten Sie das Elektrowerkzeug nicht. Verwenden Sie für Ihre Arbeit das dafür bestimmte Elektrowerkzeug. Mit dem passenden Elektrowerkzeug arbeiten Sie besser und sicherer im angegebenen Leistungsbereich.

- b) Benutzen Sie kein Elektrowerkzeug, dessen Schalter defekt ist. Ein Elektrowerkzeug, das sich nicht mehr ein- oder ausschalten lässt, ist gefährlich und muss repariert werden.
- c) Ziehen Sie den Stecker aus der Steckdose und / oder entfernen Sie den abnehmbaren Akku, bevor Sie Geräteeinstellungen vornehmen, Einsatzwerkzeugteile wechseln oder das Elektrowerkzeug weglegen. Diese Vorsichtsmaßnahme verhindert den unbeabsichtigten Start des Elektrowerkzeugs.
- d) Bewahren Sie unbenutzte Elektrowerkzeuge außerhalb der Reichweite von Kindern auf. Lassen Sie keine Personen das Elektrowerkzeug benutzen, die mit diesem nicht vertraut sind oder diese Anweisungen nicht gelesen haben. Elektrowerkzeuge sind gefährlich, wenn sie von unerfahrenen Personen benutzt werden.
- e) Pflegen Sie Elektrowerkzeuge und Einsatzwerkzeug mit Sorgfalt. Kontrollieren Sie, ob bewegliche Teile einwandfrei funktionieren und nicht klemmen, ob Teile gebrochen oder so beschädigt sind, dass die Funktion des Elektrowerkzeugs beeinträchtigt ist. Lassen Sie beschädigte Teile vor dem Einsatz des Elektrowerkzeugs reparieren. Viele Unfälle haben ihre Ursache in schlecht gewarteten Elektrowerkzeugen.
- f) Halten Sie Schneidwerkzeuge scharf und sauber. Sorgfältig gepflegte Schneidwerkzeuge mit scharfen Schneidkanten verkleben sich weniger und sind leichter zu führen.
- g) Verwenden Sie Elektrowerkzeug, Einsatzwerkzeug, Einsatzwerkzeuge usw. entsprechend diesen Anweisungen. Berücksichtigen Sie dabei die Arbeitsbedingungen und die auszuführende Tätigkeit. Der Gebrauch von Elektrowerkzeugen für andere als die vorgesehenen Anwendungen kann zu gefährlichen Situationen führen.
- h) Halten Sie Griffe und Griffflächen trocken, sauber und frei von Öl und Fett. Rutschige Griffe und Griffflächen erlauben keine sichere Bedienung und Kontrolle des Elektrowerkzeugs in unvorhergesehenen Situationen.

## 5. Service

- a) Lassen Sie Ihr Elektrowerkzeug nur von qualifiziertem Fachpersonal und nur mit Original-Ersatzteilen reparieren. Damit wird sichergestellt, dass die Sicherheit des Elektrowerkzeugs erhalten bleibt.

## Gerätespezifische Sicherheitshinweise für Schleifer

- Halten Sie das Elektrowerkzeug an den isolierten Griffflächen, da die Schleiffläche die eigene Anschlussleitung treffen kann. Das Beschädigen einer spannungsführenden Leitung kann metallene Geräteteile unter Spannung setzen und zu einem elektrischen Schlag führen.

### WARNUNG!

- Stäube von Materialien wie bleihaltigem Anstrich, einigen Holzarten und Metall können gesundheitsschädlich sein.
- Die Berührung oder das Einatmen dieser Stäube kann eine Gefährdung für die Bedienperson oder in der Nähe befindliche Personen darstellen.
- Tragen Sie Schutzbrille und Staubschutzmaske!

## Inbetriebnahme

### Schleifband einspannen/wechseln

#### WARNUNG! VERLETZUNGSGEFAHR!

- Ziehen Sie den Netzstecker immer aus der Steckdose, bevor Sie Arbeiten am Bandschleifer durchführen.
1. Lösen Sie die Spannvorrichtung für das Schleifband, indem Sie den Spannhebel ganz herausschwenken. Das Schleifband lässt sich entnehmen.
  2. Legen Sie nun ein neues Schleifband auf bzw. wechseln Sie es aus, um anderes Material zu bearbeiten oder die Kornstärke zu wechseln. **WICHTIG:** Die Pfeilrichtungen auf der Innenseite des Schleifbandes und am Gerätegehäuse müssen übereinstimmen.
  3. Drücken Sie den Spannhebel wieder in die Ausgangsposition.

**Schleifband 13 manuell justieren**

Wird der Bandlauf nach dem Einschalten nicht zentriert, müssen Sie den Bandlauf ggf. manuell nachstellen.

- ◆ Drehen Sie dazu die Justierschraube 12 an der vorderen Rolle, bis das Schleifband 13 zentriert läuft.

**WICHTIG:** Achten Sie unbedingt darauf, dass sich das Schleifband 13 nicht am Gehäuse einschleift. Prüfen Sie regelmäßig den Bandlauf und regeln Sie ihn, wenn nötig, mit der Justierschraube 12 nach.

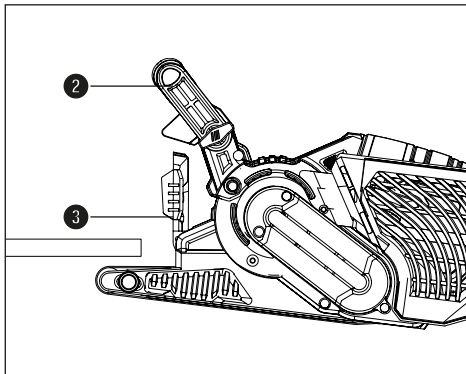
**Zusatzhandgriff einstellen**

Sie können den Zusatzhandgriff 2 in mehrere Positionen einstellen.

- ◆ Lösen Sie zum Verstellen des Zusatzhandgriffes 2 die Schraube 7.
- ◆ Stellen Sie den Zusatzhandgriff 2 in die gewünschte Position ein.
- ◆ Ziehen Sie die Schraube 7 wieder fest.

**Frontabdeckung hochklappen**

Sie können die Frontabdeckung 3 zum Schleifen an schwer erreichbaren Stellen hochklappen (siehe Abbildung).



**⚠️ WARNUNG!**

- ▶ Die Frontabdeckung 3 kann nur hochgeklappt werden, wenn der Zusatzhandgriff 2 ebenfalls nach oben geklappt wurde (siehe Kapitel „Zusatzhandgriff einstellen“).

- ◆ Klappen Sie die Frontabdeckung 3 nach oben.


**Staubabsaugung anbringen/entfernen**

**⚠️ WARNUNG! EXPLOSIONSGEFAHR!**

- Bei explosivem Staub/Luftgemisch müssen Sie einen dazu speziell geeigneten Absauger verwenden. **BRANDGEFAHR DURCH FUNKENFLUG!** Verwenden Sie beim Schleifen von Metallen keine Staubabsaugung (Staubbox 1 oder Staubsauger).
- Asbesthaltiges Material darf nicht bearbeitet werden. Asbest gilt als krebserregend.

**⚠️ WARNUNG! BRANDGEFAHR!**

- Beim Arbeiten mit Elektrogeräten, die über eine Staubfangbox verfügen oder durch eine Staubabsaugvorrichtung mit dem Staubsauger verbunden werden können, besteht Brandgefahr! Unter ungünstigen Bedingungen, wie z. B. bei Funkenflug – beim Schleifen von Metall oder Metallresten in Holz – kann sich Holzstaub in der Staubfangbox (oder im Staubbeutel des Staubsaugers) selbst entzünden. Dies kann insbesondere dann geschehen, wenn der Holzstaub mit Lackresten oder anderen chemischen Stoffen vermischt ist und das Schleifgut nach langem Arbeiten heiß ist. Vermeiden Sie deshalb unbedingt eine Überhitzung des Schleifguts und des Gerätes und entleeren Sie vor Arbeitspausen stets die Staubfangbox bzw. den Staubbeutel des Staubsaugers.
- Sorgen Sie für gute Belüftung des Arbeitsplatzes.
- Beachten Sie in Ihrem Land gültige Vorschriften für die zu bearbeitenden Materialien.

-  Tragen Sie eine Staubschutzmaske.

### **Staubbox 11 anbringen**

- ◆ Schieben Sie die Staubbox **11** von oben auf den Anschluss **9** für die Staubbox.

### **Staubbox demontieren/abnehmen**

- ◆ Ziehen Sie die Staubbox **11** nach oben hin ab.

### **Absaugadapter und Reduzierstück zur Fremdabsaugung anschließen**

- ◆ Schieben Sie den Absaugadapter **15** auf den Anschluss **9**.
- ◆ Schieben Sie das Reduzierstück **15** zur Fremdabsaugung in den Absaugadapter **16**.
- ◆ Schieben Sie den Schlauch einer zulässigen Staubsaugvorrichtung (z. B. eines Werkstattstaubsaugers) auf das Reduzierstück **15** zur Fremdabsaugung.

### **Absaugadapter und Reduzierstück zur Fremdabsaugung abnehmen**

- ◆ Ziehen Sie den Schlauch der Staubsaugvorrichtung ab.
- ◆ Ziehen Sie das Reduzierstück **15** zur Fremdabsaugung ab.
- ◆ Ziehen Sie den Absaugadapter **16** von dem Anschluss **9** nach oben hin ab.

## **Arbeitshinweise**

### **Geringer Schleifdruck genügt**

- Arbeiten Sie mit geringem Schleifdruck. Das Eigengewicht des Bandschleifers reicht für gute Schleifleistungen aus. Zusätzlich schonen Sie durch diese Arbeitsweise den Verschleiß des Schleifbandes **13** und die Oberfläche des Werkstückes wird glatter.

### **Abtrag und Oberfläche**

- Die Abtragsleistung und die Oberflächengüte werden von der Bandgeschwindigkeit und der Kornstärke des Schleifbandes **13** bestimmt (siehe auch Abschnitt „Drehzahl und Schleifband wählen“).

## **Schleifvorgang**

- Platzieren Sie das Gerät eingeschaltet auf dem Werkstück und arbeiten Sie mit mäßigem Vorschub. Führen Sie den Schleifvorgang parallel und überlappend zu den Schleifbahnen durch. Zur Vermeidung von störenden, querlaufenden Schleifspuren nur in Faserrichtung schleifen. Heben Sie das Gerät nach der Bearbeitung vom Werkstück ab und schalten Sie es erst dann aus.

### **HINWEIS**

- ▶ Halten Sie das Gerät während der Arbeit immer mit beiden Händen fest.

## **Bedienung**

### **Ein- und ausschalten**

Sie können beim Betrieb des Bandschleifers zwischen Moment- und Dauerbetrieb auswählen.

#### **Momentbetrieb einschalten**

- ◆ Drücken Sie den EIN-/AUS-Schalter **1**.

#### **Momentbetrieb ausschalten**

- ◆ Lassen Sie den EIN-/AUS-Schalter **1** los.

#### **Dauerbetrieb einschalten**

- ◆ Drücken Sie den EIN-/AUS-Schalter **1**, halten Sie ihn gedrückt und drücken Sie die Feststelltaste **10**.

#### **Dauerbetrieb ausschalten**

- ◆ Drücken Sie den EIN-/AUS-Schalter **1** und lassen Sie ihn los.

### **Staubbox entleeren**

Die Staubbox **11** sollte während des Betriebs alle 10 Minuten entleert werden.

- ◆ Ziehen Sie die Staubbox **11** ab (siehe Kapitel „Staubabsaugung anbringen/entfernen“)
- ◆ Schütteln Sie die Staubbox **11** über einen Abfalleimer, um diese zu entleeren.
- ◆ Bringen Sie die Staubbox **11** wieder am Gerät an.

## Drehzahl und Schleifband wählen

Mit dem Stellrad Bandgeschwindigkeit **5** können Sie die Drehzahl auch bei laufendem Gerät wählen. Die optimale Bandgeschwindigkeit ist abhängig von dem zu bearbeitenden Werkstück bzw. Material. Ermitteln Sie die jeweils beste Drehzahl immer selbst in einem praktischen Versuch. In der nachfolgenden Tabelle finden Sie unverbindliche Werte, die Ihnen die Ermittlung erleichtern.

Werkstoff/ Arbeitsbereich	Weichholz
Grobschliff (Körnung)	60
Feinschliff (Körnung)	240
Drehzahlvorwahl	hoch (5 - 6)

Werkstoff/ Arbeitsbereich	Hartholz
Grobschliff (Körnung)	60
Feinschliff (Körnung)	180
Drehzahlvorwahl	hoch (5 - 6)

Werkstoff/ Arbeitsbereich	Spanplatten
Grobschliff (Körnung)	60
Feinschliff (Körnung)	150
Drehzahlvorwahl	hoch (5 - 6)

Werkstoff/ Arbeitsbereich	Farbe/Lacke entfernen
Grobschliff (Körnung)	60
Feinschliff (Körnung)	--
Drehzahlvorwahl	hoch (5 - 6)

Werkstoff/ Arbeitsbereich	Lacke anschleifen
Grobschliff (Körnung)	150
Feinschliff (Körnung)	320
Drehzahlvorwahl	niedrig (1 - 2)

Werkstoff/ Arbeitsbereich	Stahl entrostet
Grobschliff (Körnung)	40
Feinschliff (Körnung)	120
Drehzahlvorwahl	mittel/hoch (3 - 4)

Werkstoff/ Arbeitsbereich	Kunststoffe
Grobschliff (Körnung)	120
Feinschliff (Körnung)	240
Drehzahlvorwahl	niedrig/mittel (2 - 3)

Werkstoff/ Arbeitsbereich	Nichteisen-Metalle (z. B. Alu)
Grobschliff (Körnung)	80
Feinschliff (Körnung)	150
Drehzahlvorwahl	mittel/hoch (3 - 4)

## Stationäres Arbeiten

- ◆ Bringen Sie den Zusatzhandgriff **2** in die Horizontale Position.
- ◆ Drehen Sie das Elektrowerkzeug wie in der Abbildung A gezeigt um und legen Sie es auf eine stabile Arbeitsplatte.
- ◆ Setzen Sie zwei Schraubzwingen **14** in die dafür vorgesehenen Aussparungen **8** ein und spannen Sie das Elektrowerkzeug fest.

## Tipps und Tricks

- Niemals mit dem selben Schleifband **13** Holz und Metall bearbeiten.
- Verschlissene oder eingerissene Schleifbänder können das Werkstück beschädigen. Wechseln Sie die Schleifbänder deshalb rechtzeitig aus.
- Bewahren Sie Schleifbänder nur hängend auf, da sie durch Knicke etc. unbrauchbar werden.

## Wartung und Reinigung



**WARNUNG! VERLETZUNGSGEFAHR!**  
Schalten Sie vor allen Arbeiten am Gerät das Gerät aus und ziehen Sie den Netzstecker.

Der Bandschleifer ist wartungsfrei.

- Reinigen Sie das Gerät direkt nach Abschluss der Arbeit.
- Verwenden Sie zur Reinigung des Gerätes ein trockenes Tuch und keinesfalls Benzin, Lösungsmittel oder Reiniger, die Kunststoff angreifen.

### **Staubbox 11 entleeren/reinigen**

- ◆ Ziehen Sie die Staubbox 11 vom Gerät ab.
- ◆ Leeren Sie die Staubbox 11 vollständig durch Ausklopfen und stecken Sie die Staubbox 11 wieder auf das Gerät.
- ◆ Halten Sie Lüftungsöffnungen immer frei.
- ◆ Entfernen Sie anhaftenden Schleifstaub mit einem Pinsel.

## Entsorgung



Die Verpackung besteht aus umweltfreundlichen Materialien, die Sie über die örtlichen Recyclingstellen entsorgen können.



**Werfen Sie Elektrowerkzeuge nicht in den Hausmüll!**

Gemäß Europäischer Richtlinie 2012/19/EU müssen verbrauchte

Elektrowerkzeuge getrennt gesammelt und einer umweltgerechten Wiederverwertung zugeführt werden.

Möglichkeiten zur Entsorgung des ausgedienten Gerätes erfahren Sie bei Ihrer Gemeinde- oder Stadtverwaltung.



Entsorgen Sie die Verpackung umweltgerecht. Beachten Sie die Kennzeichnung auf den verschiedenen Verpackungsmaterialien und trennen Sie diese gegebenenfalls gesondert. Die Verpackungsmaterialien sind gekennzeichnet mit Abkürzungen (a) und Ziffern (b) mit folgender Bedeutung: 1–7: Kunststoffe, 20–22: Papier und Pappe, 80–98: Verbundstoffe.



Möglichkeiten zur Entsorgung des ausgedienten Produkts erfahren Sie bei Ihrer Gemeinde- oder Stadtverwaltung.



Das Produkt ist recycelbar, unterliegt einer erweiterten Herstellerverantwortung und wird getrennt gesammelt.



## **Garantie der Kompernaß Handels GmbH**

Sehr geehrte Kundin, sehr geehrter Kunde,

Sie erhalten auf dieses Gerät 3 Jahre Garantie ab Kaufdatum. Im Falle von Mängeln dieses Produkts stehen Ihnen gegen den Verkäufer des Produkts gesetzliche Rechte zu. Diese gesetzlichen Rechte werden durch unsere im Folgenden dargestellte Garantie nicht eingeschränkt.

### **Garantiebedingungen**

Die Garantiefrist beginnt mit dem Kaufdatum. Bitte bewahren Sie den Kassenbon gut auf. Dieser wird als Nachweis für den Kauf benötigt.

Tritt innerhalb von drei Jahren ab dem Kaufdatum dieses Produkts ein Material- oder Fabrikationsfehler auf, wird das Produkt von uns – nach unserer Wahl – für Sie kostenlos repariert, ersetzt oder der Kaufpreis erstattet. Diese Garantieleistung setzt voraus, dass innerhalb der Dreijahresfrist das defekte Gerät und der Kaufbeleg (Kassenbon) vorgelegt und schriftlich kurz beschrieben wird, worin der Mangel besteht und wann er aufgetreten ist.

Wenn der Defekt von unserer Garantie gedeckt ist, erhalten Sie das reparierte oder ein neues Produkt zurück. Mit Reparatur oder Austausch des Produkts beginnt kein neuer Garantiezeitraum.

### **Garantiezeit und gesetzliche Mängelansprüche**

Die Garantiezeit wird durch die Gewährleistung nicht verlängert. Dies gilt auch für ersetzte und reparierte Teile. Eventuell schon beim Kauf vorhandene Schäden und Mängel müssen sofort nach dem Auspacken gemeldet werden. Nach Ablauf der Garantiezeit anfallende Reparaturen sind kostenpflichtig.

### **Garantieumfang**

Das Gerät wurde nach strengen Qualitätsrichtlinien sorgfältig produziert und vor Auslieferung gewissenhaft geprüft.

Die Garantieleistung gilt für Material- oder Fabrikationsfehler. Diese Garantie erstreckt sich nicht auf Produktteile, die normaler Abnutzung ausgesetzt sind und daher als Verschleißteile angesehen werden können oder für Beschädigungen an zerbrechlichen Teilen, z. B. Schalter oder Teile, die aus Glas gefertigt sind.

Diese Garantie verfällt, wenn das Produkt beschädigt, nicht sachgemäß benutzt oder gewartet wurde. Für eine sachgemäße Benutzung des Produkts sind alle in der Bedienungsanleitung aufgeführten Anweisungen genau einzuhalten. Verwendungszwecke und Handlungen, von denen in der Bedienungsanleitung abgeraten oder vor denen gewarnt wird, sind unbedingt zu vermeiden.

Das Produkt ist nur für den privaten und nicht für den gewerblichen Gebrauch bestimmt. Bei missbräuchlicher und unsachgemäßer Behandlung, Gewaltanwendung und bei Eingriffen, die nicht von unserer autorisierten Serviceniederlassung vorgenommen wurden, erlischt die Garantie.

### **Garantiezeit gilt nicht bei**

- normaler Abnutzung der Akkukapazität
- gewerblichen Gebrauch des Produktes
- Beschädigung oder Veränderung des Produktes durch den Kunden
- Missachtung der Sicherheits- und Wartungsvorschriften, Bedienungsfehler
- Schäden durch Elementarereignisse

## Abwicklung im Garantiefall

Um eine schnelle Bearbeitung Ihres Anliegens zu gewährleisten, folgen Sie bitte den folgenden Hinweisen:

- Bitte halten Sie für alle Anfragen den Kassenschein und die Artikelnummer (z. B. IAN 123456) als Nachweis für den Kauf bereit.
- Die Artikelnummer entnehmen Sie bitte dem Typenschild am Produkt, einer Gravur am Produkt, dem Titelblatt der Bedienungsanleitung (unten links) oder dem Aufkleber auf der Rück- oder Unterseite des Produktes.
- Sollten Funktionsfehler oder sonstige Mängel auftreten, kontaktieren Sie zunächst die nachfolgend benannte Serviceabteilung **telefonisch** oder per **E-Mail**.
- Ein als defekt erfasstes Produkt können Sie dann unter Beifügung des Kaufbelegs (Kassenschein) und der Angabe, worin der Mangel besteht und wann er aufgetreten ist, für Sie portofrei an die Ihnen mitgeteilte Serviceanschrift übersenden.



Auf [www.lidl-service.com](http://www.lidl-service.com) können Sie diese und viele weitere Handbücher, Produktvideos und Installationssoftware herunterladen.

Mit diesem QR-Code gelangen Sie direkt auf die Lidl-Service-Seite ([www.lidl-service.com](http://www.lidl-service.com)) und können mittels der Eingabe der Artikelnummer (IAN) 373104\_2104 Ihre Bedienungsanleitung öffnen.

### **⚠️ WARNUNG!**

- Lassen Sie Ihre Geräte von der Servicestelle oder einer Elektrofachkraft und nur mit Original-Ersatzteilen reparieren. Damit wird sichergestellt, dass die Sicherheit des Gerätes erhalten bleibt.
- Lassen Sie den Austausch des Steckers oder der Netzleitung immer vom Hersteller des Gerätes oder seinem Kundendienst ausführen. Damit wird sichergestellt, dass die Sicherheit des Gerätes erhalten bleibt.

### HINWEIS

- ▶ Hinweis: Nicht aufgeführte Ersatzteile (wie z. B. Kohlebürsten, Schalter, Staubbox) können Sie über unsere Callcenter bestellen.

## Service

### DE Service Deutschland

Tel.: 0800 5435 111 (Kostenfrei aus dem dt. Festnetz/Mobilfunknetz)  
E-Mail: [kompernass@lidl.de](mailto:kompernass@lidl.de)

### AT Service Österreich

Tel.: 0820 201 222 (0,15 EUR/Min.)  
E-Mail: [kompernass@lidl.at](mailto:kompernass@lidl.at)

### CH Service Schweiz

Tel.: 0842 665566 (0,08 CHF/Min., Mobilfunk max. 0,40 CHF/Min.)  
E-Mail: [kompernass@lidl.ch](mailto:kompernass@lidl.ch)

IAN 373104\_2104

## Importeur

Bitte beachten Sie, dass die folgende Anschrift keine Serviceanschrift ist. Kontaktieren Sie zunächst die benannte Servicestelle.

KOMPERNASS HANDELS GMBH  
BURGSTRASSE 21  
44867 BOCHUM  
DEUTSCHLAND  
[www.kompernass.com](http://www.kompernass.com)

## Original-Konformitätserklärung

Wir, KOMPERNASS HANDELS GMBH, Dokumentenverantwortlicher: Herr Semi Uguzlu, BURGSTR. 21, 44867 BOCHUM, Deutschland, erklären hiermit, dass dieses Produkt mit den folgenden Normen, normativen Dokumenten und EG-Richtlinien übereinstimmt:

### Maschinenrichtlinie

(2006/42/EG)

### Elektromagnetische Verträglichkeit

(2014/30/EU)

### RoHS-Richtlinie

(2011/65/EU)\*

\* Die alleinige Verantwortung für die Ausstellung dieser Konformitätserklärung trägt der Hersteller. Der oben beschriebene Gegenstand der Erklärung erfüllt die Vorschriften der Richtlinie 2011/65/EU des Europäischen Parlaments und des Rates vom 8. Juni 2011 zur Beschränkung der Verwendung bestimmter gefährlicher Stoffe in Elektro- und Elektronikgeräten.

### Angewandte harmonisierte Normen

EN 62841-1:2015

EN 62841-2-4:2014

EN 55014-1:2017/A11:2020

EN 55014-2:2015

EN IEC 61000-3-2:2019

EN 61000-3-3:2013/A1:2019

EN IEC 63000:2018

EN ISO 12100:2010

**Typbezeichnung der Maschine:** Bandschleifer PBSD 900 A1

**Herstellungsjahr:** 07-2021

**Seriennummer:** IAN 373104\_2104

Bochum, 27.05.2021



Semi Uguzlu

- Qualitätsmanager -

Technische Änderungen im Sinne der Weiterentwicklung sind vorbehalten.

# Table des matières

<b>Introduction</b>	<b>26</b>
Utilisation conforme à l'usage prévu	26
Composants représentés	26
Matériel livré	26
Caractéristiques techniques	26
<b>Avertissements de sécurité généraux pour les outils électriques</b>	<b>27</b>
1. Sécurité de la zone de travail	27
2. Sécurité électrique	27
3. Sécurité des personnes	28
4. Utilisation et entretien de l'outil électrique	28
5. Maintenance et entretien	29
Consignes de sécurité spécifiques aux ponceuses	29
<b>Mise en service</b>	<b>29</b>
Tendre/changer la bande de ponçage	29
Régler la poignée supplémentaire	30
Basculer le capot frontal vers le haut	30
Fixer/retirer le dispositif d'aspiration de poussière	31
Consignes de travail	31
<b>Utilisation</b>	<b>32</b>
Allumer et éteindre	32
Vider la boîte à poussière	32
Choisir la vitesse et la bande de ponçage	32
Travail stationnaire	33
Conseils et astuces	33
<b>Entretien et nettoyage</b>	<b>33</b>
<b>Mise au rebut</b>	<b>34</b>
<b>Garantie pour Kompernass Handels GmbH pour la Belgique</b>	<b>34</b>
<b>Garantie pour Kompernass Handels GmbH pour la France</b>	<b>35</b>
<b>Service après-vente</b>	<b>37</b>
<b>Importateur</b>	<b>37</b>
<b>Traduction de la déclaration de conformité originale</b>	<b>38</b>

## **PONCEUSE À BANDE PBSD 900 A1**

### **Introduction**

Nous vous félicitons pour l'achat de votre nouvel appareil. Vous venez ainsi d'opter pour un produit de grande qualité. Le mode d'emploi fait partie de ce produit. Il contient des remarques importantes concernant la sécurité, l'usage et la mise au rebut. Avant d'utiliser le produit, veuillez vous familiariser avec toutes les consignes d'utilisation et de sécurité. N'utilisez le produit que conformément aux consignes et pour les domaines d'utilisation prévus. Si vous cédez le produit à un tiers, remettez-lui également tous les documents.

### **Utilisation conforme à l'usage prévu**

La ponceuse est conçue, en fonction du papier abrasif, pour le ponçage à sec de surfaces en bois, plastique, métal, de surfaces recouvertes d'enduit et ainsi que de surfaces peintes. L'appareil doit uniquement être utilisé pour un ponçage à sec. Veuillez tenir compte du fait qu'il convient d'utiliser des bandes abrasives de grains différents pour poncer les différents matériaux et d'adapter également la vitesse au matériau. L'appareil n'est pas conçu pour un usage professionnel. Toute autre utilisation ou modification de la machine est considérée comme non conforme et s'accompagne de risques d'accident considérables. Le fabricant n'assume aucune responsabilité pour les dommages résultant d'une utilisation non conforme à l'usage prévu.

### **Composants représentés**

- ❶ Interrupteur MARCHE/ARRÊT
- ❷ Poignée supplémentaire (surface de préhension caoutchoutée)
- ❸ Capot frontal
- ❹ Levier pour tendre la bande de ponçage
- ❺ Molette de réglage de la vitesse de la bande
- ❻ Poignée (surfaces de préhension caoutchoutées)
- ❼ Vis d'ajustage de la poignée
- ❽ Évidements pour recevoir des serre-joints
- ❾ Raccord de la boîte à poussière
- ❿ Bouton de blocage de l'interrupteur MARCHE/ARRÊT
- ⓫ Boîte à poussière
- ⓬ Vis d'ajustage de la circulation de la bande
- ⓭ Bande de ponçage
- ⓮ Serre-joints
- ⓯ Réducteur
- ⓰ Adaptateur d'aspiration

### **Matériel livré**

- 1 Ponceuse à bande
- 1 Bande de ponçage pour le bois (grain de 80)
- 1 Boîte à poussière
- 1 adaptateur d'aspiration et un réducteur (pour aspiration externe)
- 2 serre-joints
- 1 mode d'emploi

### **Caractéristiques techniques**

Tension nominale	230 V ~, 50 Hz (Courant alternatif)
Puissance nominale absorbée	900 W
Vitesse à vide de la bande	240-400 m/min
Vitesse nominale à vide	↻ n <sub>0</sub> 450-750 min <sup>-1</sup>
Bande de ponçage	75 x 533 mm
Classe de protection	II / □ (double isolation)

### Valeur d'émissions sonores

Valeur de mesure du bruit déterminée conformément à la norme EN 62841. Le niveau de bruit A pondéré de l'outil électrique est typiquement de :

Niveau de pression acoustique	$L_{pA} = 89 \text{ dB (A)}$
Imprécision	$K_{pA} = 3 \text{ dB}$
Niveau de puissance acoustique	$L_{WA} = 100 \text{ dB (A)}$
Imprécision	$K_{WA} = 3 \text{ dB}$

### Portez une protection auditive !

### Valeur totale des vibrations

Valeurs totales des vibrations (somme vectorielle triaxiale) déterminées selon la norme EN 62841 :

Ponçage avec plateau de ponçage	
Poignée principale	$a_h = 3,0 \text{ m/s}^2$
Poignée supplémentaire	$a_h = 2,8 \text{ m/s}^2$
Imprécision	$K = 1,5 \text{ m/s}^2$

### REMARQUE

- ▶ Les valeurs d'émission de vibrations et les valeurs d'émissions sonores indiquées ont été mesurées conformément à une méthode de mesure normée et peuvent être utilisées pour comparer des outils électriques.
- ▶ Les valeurs d'émission de vibrations et les valeurs d'émissions sonores indiquées peuvent également être utilisées pour une évaluation préliminaire de la sollicitation.

### ⚠ AVERTISSEMENT !

- ▶ Pendant l'utilisation effective de l'outil électrique, les émissions de vibrations et sonores peuvent différer des valeurs indiquées en fonction de la manière dont l'outil électrique est utilisé, et en particulier en fonction du type de pièce à usiner.
- ▶ Essayez de garder la sollicitation aussi faible que possible. Des mesures d'exemple de réduction de la sollicitation des vibrations sont le port de gants lors de l'utilisation de l'outil et la limitation du temps de travail. À ce titre, toutes les parts du cycle de travail doivent être prises en compte (par exemple les durées pendant lesquelles l'outil est éteint et celles pendant lesquelles il est allumé mais fonctionne sans charge).



## Avertissements de sécurité généraux pour les outils électriques

### ⚠ AVERTISSEMENT !

- ▶ Lire tous les avertissements de sécurité, les instructions, les illustrations et les spécifications fournis avec cet outil électrique. Ne pas suivre les instructions énumérées ci-dessous peut provoquer un choc électrique, un incendie et/ou une blessure sérieuse.

### Conservation des avertissements et des instructions pour pouvoir s'y reporter ultérieurement.

Le terme „outil électrique“ dans les avertissements fait référence à votre outil électrique alimenté par le secteur (avec cordon d'alimentation) ou votre outil électrique fonctionnant sur batterie (sans cordon d'alimentation).

## 1. Sécurité de la zone de travail

- Conservation de la zone de travail propre et bien éclairée. Les zones en désordre ou sombres sont propices aux accidents.
- Ne pas faire fonctionner les outils électriques en atmosphère explosive, par exemple en présence de liquides inflammables, de gaz ou de poussières. Les outils électriques produisent des étincelles qui peuvent enflammer les poussières ou les fumées.
- Maintenir les enfants et les personnes présentes à l'écart pendant l'utilisation de l'outil électrique. Les distractions peuvent vous faire perdre le contrôle de l'outil.

## 2. Sécurité électrique

- Il faut que les fiches de l'outil électrique soient adaptées au socle. Ne jamais modifier la fiche de quelque façon que ce soit. Ne pas utiliser d'adaptateurs avec des outils électriques à branchement de terre. Des fiches non modifiées et des socles adaptés réduisent le risque de choc électrique.

- b) Éviter tout contact du corps avec des surfaces reliées à la terre telles que les tuyaux, les radiateurs, les cuisinières et les réfrigérateurs. Il existe un risque accru de choc électrique si votre corps est relié à la terre.
- c) Ne pas exposer les outils électriques à la pluie ou à des conditions humides. La pénétration d'eau à l'intérieur d'un outil électrique augmente le risque de choc électrique.
- d) Ne pas maltraiter le cordon. Ne jamais utiliser le cordon pour porter, tirer ou débrancher l'outil électrique. Maintenir le cordon à l'écart de la chaleur, du lubrifiant, des arêtes vives ou des parties en mouvement. Des cordons endommagés ou emmêlés augmentent le risque de choc électrique.
- e) Lorsqu'on utilise un outil électrique à l'extérieur, utiliser un prolongateur adapté à l'utilisation extérieure. L'utilisation d'un cordon adapté à l'utilisation extérieure réduit le risque de choc électrique.
- f) Si l'usage d'un outil électrique dans un emplacement humide est inévitable, utiliser une alimentation protégée par un dispositif à courant différentiel résiduel (RCD). L'usage d'un RCD réduit le risque de choc électrique.
- c) Éviter tout démarrage intempestif. S'assurer que l'interrupteur est en position arrêt avant de brancher l'outil au secteur et/ou au bloc de batteries, de le ramasser ou de le porter. Porter les outils électriques en ayant le doigt sur l'interrupteur ou brancher des outils électriques dont l'interrupteur est en position marche est source d'accidents.
- d) Retirer toute clé de réglage avant de mettre l'outil électrique en marche. Une clé laissée fixée sur une partie tournante de l'outil électrique peut donner lieu à des blessures.
- e) Ne pas se précipiter. Garder une position et un équilibre adaptés à tout moment. Cela permet un meilleur contrôle de l'outil électrique dans des situations inattendues.
- f) S'habiller de manière adaptée. Ne pas porter de vêtements amples ou de bijoux. Garder les cheveux et les vêtements à distance des parties en mouvement. Des vêtements amples, des bijoux ou les cheveux longs peuvent être pris dans des parties en mouvement.
- g) Si des dispositifs sont fournis pour le raccordement d'équipements pour l'extraction et la récupération des poussières, s'assurer qu'ils sont connectés et correctement utilisés. Utiliser des collecteurs de poussière peut réduire les risques dus aux poussières.

### 3. Sécurité des personnes

- a) Rester vigilant, regarder ce que vous êtes en train de faire et faire preuve de bon sens dans votre utilisation de l'outil électrique. Ne pas utiliser un outil électrique lorsque vous êtes fatigué ou sous l'emprise de drogues, de l'alcool ou de médicaments. Un moment d'inattention en cours d'utilisation d'un outil électrique peut entraîner des blessures graves.
- b) Utiliser un équipement de protection individuelle. Toujours porter une protection pour les yeux. Les équipements de protection individuelle tels que les masques contre les poussières, les chaussures de sécurité antidérapantes, les casques ou les protections auditives utilisés pour les conditions appropriées réduisent les blessures.
- h) Rester vigilant et ne pas négliger les principes de sécurité de l'outil sous prétexte que vous avez l'habitude de l'utiliser. Une fraction de seconde d'inattention peut provoquer une blessure grave.

### 4. Utilisation et entretien de l'outil électrique

- a) Ne pas forcer l'outil électrique. Utiliser l'outil électrique adapté à votre application. L'outil électrique adapté réalise mieux le travail et de manière plus sûre au régime pour lequel il a été construit.
- b) Ne pas utiliser l'outil électrique si l'interrupteur ne permet pas de passer de l'état de marche à arrêt et inversement. Tout outil électrique qui ne peut pas être commandé par l'interrupteur est dangereux et il faut le réparer.

- c) Débrancher la fiche de la source d'alimentation et/ou enlever le bloc de batteries, s'il est amovible, avant tout réglage, changement d'accessoires ou avant de ranger l'outil électrique. De telles mesures de sécurité préventives réduisent le risque de démarrage accidentel de l'outil électrique.
- d) Conserver les outils électriques à l'arrêt hors de la portée des enfants et ne pas permettre à des personnes ne connaissant pas l'outil électrique ou les présentes instructions de le faire fonctionner. Les outils électriques sont dangereux entre les mains d'utilisateurs novices.
- e) Observer la maintenance des outils électriques et des accessoires. Vérifier qu'il n'y a pas de mauvais alignement ou de blocage des parties mobiles, des pièces cassées ou toute autre condition pouvant affecter le fonctionnement de l'outil électrique. En cas de dommages, faire réparer l'outil électrique avant de l'utiliser. De nombreux accidents sont dus à des outils électriques mal entretenus.
- f) Garder affûtés et propres les outils permettant de couper. Des outils destinés à couper correctement entretenus avec des pièces coupantes tranchantes sont moins susceptibles de bloquer et sont plus faciles à contrôler.
- g) Utiliser l'outil électrique, les accessoires et les lames etc., conformément à ces instructions, en tenant compte des conditions de travail et du travail à réaliser. L'utilisation de l'outil électrique pour des opérations différentes de celles prévues peut donner lieu à des situations dangereuses.
- h) Il faut que les poignées et les surfaces de préhension restent sèches, propres et dépourvues d'huiles et de graisses. Des poignées et des surfaces de préhension glissantes rendent impossibles la manipulation et le contrôle en toute sécurité de l'outil dans les situations inattendues.

## 5. Maintenance et entretien

- a) Faire entretenir l'outil électrique par un réparateur qualifié utilisant uniquement des pièces de rechange identiques. Cela assure le maintien de la sécurité de l'outil électrique.

## Consignes de sécurité spécifiques aux ponceuses

- Tenez l'appareil par ses surfaces de préhension isolées car la bande de ponçage **13** peut toucher le cordon d'alimentation de l'appareil. L'endommagement d'une ligne sous tension peut mettre des pièces métalliques de l'appareil sous tension et provoquer une électrocution.

### AVERTISSEMENT !

- Les poussières de matériaux tels qu'un enduit plombifère, certains types de bois et de métal peuvent être dangereuses pour la santé.
- Le contact ou l'inhalation de ces poussières nocives/toxiques peut représenter un danger pour l'opérateur ou des personnes situées à proximité.
- Portez des lunettes de protection et un masque anti-poussière !

## Mise en service

### Tendre/changer la bande de ponçage

#### AVERTISSEMENT ! RISQUE DE BLESSURES !

- Débranchez toujours la fiche secteur de la prise secteur avant d'effectuer des travaux sur la ponceuse à bande.
1. Desserrez le dispositif tendeur de la bande de ponçage : basculez le levier tendeur **4** complètement vers l'extérieur. La bande de ponçage **13** peut être retirée.
  2. Placez maintenant une bande de ponçage neuve **13** ou retirez la bande actuelle pour traiter un autre matériau ou pour changer d'épaisseur de grain.  
**IMPORTANT :** Les sens des flèches au verso de la bande de ponçage **13** et sur le boîtier de l'appareil doivent concorder.
  3. Appuyez sur le levier de serrage **4** pour le ramener en position de départ.



### Ajuster la bande de ponçage 13 manuellement

Si après l'allumage, la circulation de la bande n'est pas centrée, vous devrez rajuster la bande manuellement le cas échéant.

- ◆ À cette fin, tournez la vis d'ajustage 12 sur le rouleau avant jusqu'à ce que la bande de ponçage 13 soit centrée.

**IMPORTANT :** Veillez impérativement à ce que la bande de ponçage 13 ne vienne pas frotter contre le boîtier. Vérifiez régulièrement la circulation de la bande et ajustez-la si nécessaire à l'aide de la vis d'ajustage 12.

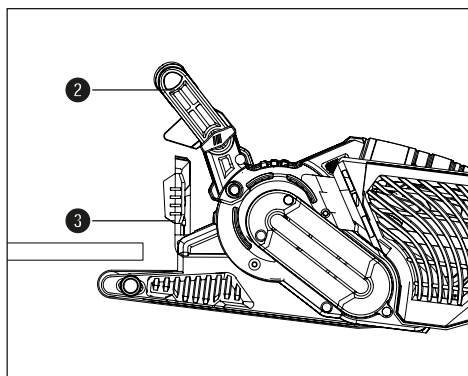
### Régler la poignée supplémentaire 2

Vous pouvez régler la poignée supplémentaire 2 sur plusieurs positions différentes.

- ◆ Pour ajuster la poignée supplémentaire 2, desserrez la vis 7.
- ◆ Réglez la poignée supplémentaire 2 sur la position souhaitée.
- ◆ Resserrez bien la vis 7.

### Basculer le capot frontal vers le haut

Lorsqu'il faut poncer à des endroits difficilement accessibles, vous pouvez basculer le capot frontal 3 vers le haut (voir la figure).



#### **⚠ AVERTISSEMENT !**

- Le capot frontal 3 ne peut être basculé vers le haut que si la poignée supplémentaire 2 a également été basculée vers le haut (voir le chapitre "Régler la poignée supplémentaire").

- ◆ Basculez le capot de protection 3 vers le haut.

## Fixer/retirer le dispositif d'aspiration de poussière

### **AVERTISSEMENT !** **RISQUE D'EXPLOSION !**

- En présence d'un mélange poussière/air explosif, vous devrez utiliser un aspirateur spécialement adapté. **RISQUE D'INCENDIE DÛ À LA PROJECTION D'ÉTINCELLES !** Pendant le ponçage de métaux, n'utilisez pas de dispositif d'aspiration de poussière (boîte à poussière ① ou aspirateur).

- Les matériaux contenant de l'amiante ne doivent pas être usinés. L'amiante est cancérigène.

### **AVERTISSEMENT !** **RISQUE D'INCENDIE !**

- Il existe un risque d'incendie lors du travail avec des appareils électriques équipés d'une boîte de récupération de la poussière ou pouvant être reliés à un aspirateur via un dispositif d'aspiration de poussière ! Dans des conditions défavorables, comme par ex. une projection d'étincelles lors du ponçage de métal ou la présence de résidus métalliques dans le bois, la poussière de bois dans la boîte de récupération (ou dans le sac à poussière de l'aspirateur) risque de s'auto-enflammer. Ceci peut en particulier se passer lorsque la poussière de bois est mélangée à des restes de vernis ou à d'autres substances chimiques et que la pièce à poncer est brûlante suite à un long travail. Évitez de ce fait absolument une surchauffe de la pièce à poncer et de l'appareil et videz toujours avant les pauses de travail la boîte de récupération de la poussière ou le sac à poussière de l'aspirateur.

- Veillez à une bonne ventilation du poste de travail.
- Respectez les prescriptions en vigueur dans votre pays pour les matériaux à transformer.

- Portez un masque anti-poussières.

### Fixer la boîte à poussière ①

- ◆ Par le haut, poussez la boîte à poussière ① sur le raccord ④ de la boîte à poussière.

### Démonter/retirer la boîte à poussière

- ◆ Tirez la boîte à poussière ① vers le haut pour la retirer.

### Raccorder l'adaptateur d'aspiration et le réducteur du système d'aspiration externe

- ◆ Glissez l'adaptateur d'aspiration ⑬ sur le raccord ⑨.
- ◆ Glissez le réducteur ⑮ pour système d'aspiration externe dans l'adaptateur d'aspiration ⑬.
- ◆ Glissez le flexible d'un dispositif d'aspiration de poussière homologué (par ex. d'un aspirateur à poussière d'atelier) sur le réducteur ⑮ relié au système d'aspiration externe.

### Retirer l'adaptateur d'aspiration et le réducteur d'aspiration externe

- ◆ Détachez le flexible du dispositif d'aspiration.
- ◆ Retirez le réducteur ⑮ relié au système d'aspiration externe.
- ◆ Tirez l'adaptateur d'aspiration ⑬ vers le haut pour le détacher du raccord ⑨.

## Consignes de travail

### Une légère pression de ponçage suffit

- Travaillez en exerçant une légère pression de ponçage. Le poids propre de la ponceuse à bande suffit pour obtenir de bons résultats de ponçage. En plus, cette méthode de travail ménage la bande de ponçage ⑮ en réduisant son usure et la surface de la pièce est plus lisse.

### Enlèvement et surface

- La performance d'enlèvement et la qualité de surface sont définies par la vitesse de la bande de ponçage ⑮ et par l'épaisseur de son grain (voir le paragraphe "Choisir la vitesse et la bande de ponçage").

## Ponçage

- Placez l'appareil allumé sur la pièce à usiner et travaillez en exerçant une pression modérée. Réalisez le ponçage parallèlement et en chevauchant les laizes de ponçage. Pour éviter des traces de ponçage gênantes et transversales, ne poncer que dans le sens des fibres. Soulevez l'appareil après l'usinage de la pièce à usiner et éteignez-le ensuite.

### REMARQUE

- Durant le travail, maintenez toujours fermement l'appareil des deux mains.

## Utilisation

### Allumer et éteindre

Vous pouvez choisir entre le fonctionnement permanent et par impulsions lors du fonctionnement de la ponceuse à bande.

#### Pour allumer le fonctionnement par impulsions

- ◆ Appuyez sur l'interrupteur MARCHE/ARRÊT ①.

#### Pour éteindre le fonctionnement par impulsions

- ◆ Relâchez l'interrupteur MARCHE/ARRÊT ①.

#### Activation du mode de fonctionnement permanent

- ◆ Appuyez sur l'interrupteur MARCHE/ARRÊT ①, maintenez-le enfoncé et appuyez sur le bouton de blocage ⑩.

#### Arrêt du mode de fonctionnement permanent

- ◆ Appuyez sur l'interrupteur MARCHE/ARRÊT ① et relâchez-le.

### Vider la boîte à poussière

Pendant l'utilisation, il faudrait vider la boîte à poussière ⑪ toutes les 10 minutes.

- ◆ Retirez la boîte à poussière ⑪ (voir le chapitre "Fixer/retirer le dispositif d'aspiration de poussière")
- ◆ Pour vider la boîte à poussière ⑪, secouez-la au-dessus d'une poubelle.
- ◆ Refixez la boîte à poussière ⑪ sur l'appareil.

## Choisir la vitesse et la bande de ponçage

La molette ⑤ vous permet de régler la vitesse de la bande de ponçage y compris pendant que l'appareil fonctionne. La vitesse de bande optimale dépend du matériau ou de la pièce à usiner. Déterminez toujours par vous-même, au cours d'un essai pratique, quelle vitesse convient le mieux. Dans le tableau suivant, vous trouverez des valeurs sans engagement qui vous faciliteront la détermination.

Matériau/ zone de travail	Bois mou
Dégrossissage (grain)	60
Rectification de finition (grain)	240
Présélection de la vitesse de rotation	élevée (5 - 6)

Matériau/ zone de travail	Bois dur
Dégrossissage (grain)	60
Rectification de finition (grain)	180
Présélection de la vitesse de rotation	élevée (5 - 6)

Matériau/ zone de travail	Panneaux d'aggloméré
Dégrossissage (grain)	60
Rectification de finition (grain)	150
Présélection de la vitesse de rotation	élevée (5 - 6)

Matériau/ zone de travail	Élimination de peintures/ de vernis
Dégrossissage (grain)	60
Rectification de finition (grain)	--
Présélection de la vitesse de rotation	élevée (5 - 6)

Matériau/ zone de travail	Ponçage de vernis
Dégrossissage (grain)	150
Rectification de finition (grain)	320
Présélection de la vitesse de rotation	basse (1 - 2)

Matériau/ zone de travail	Dérouillage de l'acier
Dégrossissage (grain)	40
Rectification de finition (grain)	120
Présélection de la vitesse de rotation	moyenne/ élevée (3 - 4)

Matériau/ zone de travail	Plastiques
Dégrossissage (grain)	120
Rectification de finition (grain)	240
Présélection de la vitesse de rotation	basse/ moyenne (2 - 3)

Matériau/ zone de travail	Métaux non ferreux (par ex. aluminium)
Dégrossissage (grain)	80
Rectification de finition (grain)	150
Présélection de la vitesse de rotation	moyenne/ élevée (3 - 4)

## Travail stationnaire

- ◆ Amenez la poignée supplémentaire **2** en position horizontale.
- ◆ Tournez l'outil électrique comme le montre la figure A et placez-le sur un plan de travail stable.
- ◆ Placez deux serre-joints **14** dans les évidements prévus **8** et serrez bien l'outil électrique.

## Conseils et astuces

- N'usinez jamais du bois et du métal avec la même bande de ponçage **13**.
- Les bandes usées ou présentant des déchirures risquent d'endommager la pièce. Pour cette raison, changez les bandes à temps.
- Ne rangez les bandes qu'en état suspendu, car les pliures etc. les rendent inutilisables.

## Entretien et nettoyage



**AVERTISSEMENT ! RISQUE DE BLESSURES !** Avant d'effectuer tous travaux sur l'appareil, éteignez-le et débranchez-le de la prise secteur.

La ponceuse à bande ne nécessite aucune maintenance.

- Nettoyez l'appareil directement après avoir achevé les travaux.
- Pour nettoyer l'appareil, utilisez un chiffon sec. L'usage d'essence, de solvant ou de détergent, qui attaque le plastique, est interdit.

### Vider/nettoyer la boîte à poussière **11**

- ◆ Détachez la boîte à poussière **11** de l'appareil.
- ◆ Videz complètement la boîte à poussière **11** en tapotant dessus puis remettez la boîte à poussière **11** sur l'appareil.
- ◆ Assurez-vous que les ouïes de ventilation sont toujours dégagées.
- ◆ Éliminez la poussière de ponçage qui adhère à l'aide d'un pinceau.

## Mise au rebut



L'emballage est constitué de matériaux écologiques que vous pouvez recycler par le biais des services de recyclage locaux.



### Ne jetez pas les outils électriques dans les ordures ménagères !

Conformément à la directive européenne 2012/19/EU, les outils électriques usagés doivent faire l'objet d'un tri et d'un recyclage respectueux de l'environnement.

Renseignez-vous auprès de votre mairie ou des services de votre commune pour connaître les possibilités de mise au rebut de votre appareil usagé.



Recyclez l'emballage d'une manière respectueuse de l'environnement. Observez le marquage sur les différents matériaux d'emballage et triez-les séparément si nécessaire. Les matériaux d'emballage sont repérés par des abréviations (a) et des numéros (b) qui ont la signification suivante : 1-7 : Plastiques, 20-22 : Papier et carton, 80-98 : Matériaux composites.



Renseignez-vous auprès de votre commune ou des services administratifs de votre ville pour connaître les possibilités de recyclage du produit usagé.



Le produit recyclable doit être trié ou rapporté dans un point de collecte pour être recyclé. n point de collecte pour être recycle.

## Garantie pour Kompernass Handels GmbH pour la Belgique

Chère cliente, cher client,

Cet appareil est garanti 3 ans à partir de la date d'achat. Si ce produit venait à présenter des vices, vous disposez de droits légaux face au vendeur de ce produit. Vos droits légaux ne sont pas restreints par notre garantie présentée ci-dessous.

## Conditions de garantie

La période de garantie débute à la date d'achat. Veuillez bien conserver le ticket de caisse. Celui-ci servira de preuve d'achat.

Si dans un délai de trois ans suivant la date d'achat de ce produit, un vice de matériel ou de fabrication venait à apparaître, le produit sera réparé, remplacé gratuitement par nos soins ou le prix d'achat remboursé, selon notre choix. Cette prestation sous garantie nécessite, dans le délai de trois ans, la présentation de l'appareil défectueux et du justificatif d'achat (ticket de caisse) ainsi que la description brève du vice et du moment de son apparition.

Si le vice est couvert par notre garantie, vous recevrez le produit réparé ou un nouveau produit en retour. Aucune nouvelle période de garantie ne débute avec la réparation ou l'échange du produit.

## Période de garantie et réclamation légale pour vices cachés

L'exercice de la garantie ne prolonge pas la période de garantie. Cette disposition s'applique également aux pièces remplacées ou réparées. Les dommages et vices éventuellement déjà présents à l'achat doivent être signalés immédiatement après le déballage. Toute réparation survenant après la période sous garantie fera l'objet d'une facturation.

## Étendue de la garantie

L'appareil a été fabriqué avec soin conformément à des directives de qualité strictes et consciencieusement contrôlé avant sa livraison.

La prestation de la garantie s'applique aux vices de matériel et de fabrication. Cette garantie ne s'étend pas aux pièces du produit qui sont exposées à une usure normale et peuvent de ce fait être considérées comme pièces d'usure, ni aux détériorations de pièces fragiles, par ex. interrupteurs ou pièces en verre.

Cette garantie devient caduque si le produit est détérioré, utilisé ou entretenu de manière non conforme. Toutes les instructions listées dans le manuel d'utilisation doivent être exactement respectées pour une utilisation conforme du produit. Des buts d'utilisation et actions qui sont déconseillés dans le manuel d'utilisation, ou dont vous êtes avertis doivent également être évités.

Le produit est uniquement destiné à un usage privé et ne convient pas à un usage professionnel. La garantie est annulée en cas d'entretien incorrect et inapproprié, d'usage de la force et en cas d'intervention non réalisée par notre centre de service après-vente agréé.

### La période de garantie ne s'applique pas dans les cas suivants

- usure normale de la capacité de l'accu
- utilisation commerciale du produit
- détérioration ou modification du produit par le client
- non-respect des consignes de sécurité et de maintenance, erreur d'utilisation
- dommages causés par des événements élémentaires

### Procédure en cas de garantie

Afin de garantir un traitement rapide de votre demande, veuillez suivre les indications suivantes :

- Veuillez avoir à portée de main pour toutes questions le ticket de caisse et la référence article (par ex. IAN 12345) en tant que justificatif de votre achat.
- Vous trouverez la référence sur la plaque signalétique sur le produit, une gravure sur le produit, sur la page de garde du mode d'emploi (en bas à gauche) ou sur l'autocollant au dos ou sur le dessous du produit.
- Si des erreurs de fonctionnement ou d'autres vices venaient à apparaître, veuillez d'abord contacter le département service clientèle cité ci-dessous par **téléphone** ou par **e-mail**.
- Vous pouvez ensuite retourner un produit enregistré comme étant défectueux en joignant le ticket de caisse et en indiquant en quoi consiste le vice et quand il est survenu, sans devoir l'affranchir à l'adresse de service après-vente communiquée.



Sur [www.lidl-service.com](http://www.lidl-service.com), vous pourrez télécharger ce mode d'emploi et de nombreux autres manuels, vidéos produit et logiciels d'installation.

Grâce à ce code QR, vous arriverez directement sur le site Lidl service après-vente ([www.lidl-service.com](http://www.lidl-service.com)) et vous pourrez ouvrir votre mode d'emploi en saisissant votre référence (IAN) 373104\_2104.

## Garantie pour Kompernass Handels GmbH pour la France

Chère cliente, cher client,

Cet appareil est garanti 3 ans à partir de la date d'achat. Si ce produit venait à présenter des vices, vous disposez de droits légaux face au vendeur de ce produit. Vos droits légaux ne sont pas restreints par notre garantie présentée ci-dessous.

### Conditions de garantie

La période de garantie débute à la date d'achat. Veuillez bien conserver le ticket de caisse. Celui-ci servira de preuve d'achat.

Si dans un délai de trois ans suivant la date d'achat de ce produit, un vice de matériel ou de fabrication venait à apparaître, le produit sera réparé, remplacé gratuitement par nos soins ou le prix d'achat remboursé, selon notre choix. Cette prestation sous garantie nécessite, dans le délai de trois ans, la présentation de l'appareil défectueux et du justificatif d'achat (ticket de caisse) ainsi que la description brève du vice et du moment de son apparition.

Si le vice est couvert par notre garantie, vous recevrez le produit réparé ou un nouveau produit en retour. Aucune nouvelle période de garantie ne débute avec la réparation ou l'échange du produit.

### Période de garantie et réclamation légale pour vices cachés

L'exercice de la garantie ne prolonge pas la période de garantie. Cette disposition s'applique également aux pièces remplacées ou réparées. Les dommages et vices éventuellement déjà présents à l'achat doivent être signalés immédiatement après le déballage. Toute réparation survenant après la période sous garantie fera l'objet d'une facturation.

### Étendue de la garantie

L'appareil a été fabriqué avec soin conformément à des directives de qualité strictes et consciencieusement contrôlé avant sa livraison.

La prestation de la garantie s'applique aux vices de matériel et de fabrication. Cette garantie ne s'étend pas aux pièces du produit qui sont exposées à une usure normale et peuvent de ce fait être considérées comme pièces d'usure, ni aux détériorations de pièces fragiles, par ex. interrupteurs ou pièces en verre.

Cette garantie devient caduque si le produit est détérioré, utilisé ou entretenu de manière non conforme. Toutes les instructions listées dans le manuel d'utilisation doivent être exactement respectées pour une utilisation conforme du produit. Des buts d'utilisation et actions qui sont déconseillés dans le manuel d'utilisation, ou dont vous êtes avertis doivent également être évités.

Le produit est uniquement destiné à un usage privé et ne convient pas à un usage professionnel. La garantie est annulée en cas d'entretien incorrect et inapproprié, d'usage de la force et en cas d'intervention non réalisée par notre centre de service après-vente agréé.

### Article L217-16 du Code de la consommation

Lorsque l'acheteur demande au vendeur, pendant le cours de la garantie commerciale qui lui a été consentie lors de l'acquisition ou de la réparation d'un bien meuble, une remise en état couverte par la garantie, toute période d'immobilisation d'au moins sept jours vient s'ajouter à la durée de la garantie qui restait à courir. Cette période court à compter de la demande d'intervention de l'acheteur ou de la mise à disposition pour réparation du bien en cause, si cette mise à disposition est postérieure à la demande d'intervention.

Indépendamment de la garantie commerciale suscrite, le vendeur reste tenu des défauts de conformité du bien et des vices rédhibitoires dans les conditions prévues aux articles L217-4 à L217-13 du Code de la consommation et aux articles 1641 à 1648 et 2232 du Code Civil.

### Article L217-4 du Code de la consommation

Le vendeur livre un bien conforme au contrat et répond des défauts de conformité existant lors de la délivrance. Il répond également des défauts de conformité résultant de l'emballage, des instructions de montage ou de l'installation lorsque celle-ci a été mise à sa charge par le contrat ou a été réalisée sous sa responsabilité.

### Article L217-5 du Code de la consommation

Le bien est conforme au contrat :

- 1° S'il est propre à l'usage habituellement attendu d'un bien semblable et, le cas échéant :
  - s'il correspond à la description donnée par le vendeur et posséder les qualités que celui-ci a présentées à l'acheteur sous forme d'échantillon ou de modèle ;
  - s'il présente les qualités qu'un acheteur peut légitimement attendre eu égard aux déclarations publiques faites par le vendeur, par le producteur ou par son représentant, notamment dans la publicité ou l'étiquetage ;
- 2° Ou s'il présente les caractéristiques définies d'un commun accord par les parties ou être propre à tout usage spécial recherché par l'acheteur, porté à la connaissance du vendeur et que ce dernier a accepté.

### Article L217-12 du Code de la consommation

L'action résultant du défaut de conformité se prescrit par deux ans à compter de la délivrance du bien.

### Article 1641 du Code civil

Le vendeur est tenu de la garantie à raison des défauts cachés de la chose vendue qui la rendent impropre à l'usage auquel on la destine, ou qui diminuent tellement cet usage que l'acheteur ne l'aurait pas acquise, ou n'en aurait donné qu'un moindre prix, s'il les avait connus.

### Article 1648 1er alinéa du Code civil

L'action résultant des vices rédhibitoires doit être intentée par l'acquéreur dans un délai de deux ans à compter de la découverte du vice.

Les pièces détachées indispensables à l'utilisation du produit sont disponibles pendant la durée de la garantie du produit.

**La période de garantie ne s'applique pas dans les cas suivants**

- usure normale de la capacité de l'accu
- utilisation commerciale du produit
- détérioration ou modification du produit par le client
- non-respect des consignes de sécurité et de maintenance, erreur d'utilisation
- dommages causés par des événements élémentaires

**Procédure en cas de garantie**

Afin de garantir un traitement rapide de votre demande, veuillez suivre les indications suivantes :

- Veuillez avoir à portée de main pour toutes questions le ticket de caisse et la référence article (par ex. IAN 12345) en tant que justificatif de votre achat.
- Vous trouverez la référence sur la plaque signalétique sur le produit, une gravure sur le produit, sur la page de garde du mode d'emploi (en bas à gauche) ou sur l'autocollant au dos ou sur le dessous du produit.
- Si des erreurs de fonctionnement ou d'autres vices venaient à apparaître, veuillez d'abord contacter le département service clientèle cité ci-dessous par **téléphone** ou par **e-mail**.
- Vous pouvez ensuite retourner un produit enregistré comme étant défectueux en joignant le ticket de caisse et en indiquant en quoi consiste le vice et quand il est survenu, sans devoir l'affranchir à l'adresse de service après-vente communiquée.



Sur [www.lidl-service.com](http://www.lidl-service.com), vous pourrez télécharger ce mode d'emploi et de nombreux autres manuels, vidéos produit et logiciels d'installation.

Grâce à ce code QR, vous arriverez directement sur le site Lidl service après-vente ([www.lidl-service.com](http://www.lidl-service.com)) et vous pourrez ouvrir votre mode d'emploi en saisissant votre référence (IAN) 373104\_2104.

**⚠ AVERTISSEMENT !**

- **Faites réparer vos appareils par le service après-vente ou un électricien et uniquement avec des pièces de rechange d'origine.** Cela assure le maintien de la sécurité de l'appareil.
- **Confiez toujours le remplacement de la fiche ou du cordon d'alimentation au fabricant de l'appareil ou à son service après-vente.** Cela assure le maintien de la sécurité de l'appareil.

**REMARQUE**

- ▶ Les pièces de rechange qui ne sont pas mentionnées (par ex. les balais de charbon, l'interrupteur, la boîte à poussière) peuvent être commandées via nos centres d'appels.

**Service après-vente**

**(FR) Service France**  
 Tel.: 0800 919270  
 E-Mail: [kompernass@lidl.fr](mailto:kompernass@lidl.fr)

**(BE) Service Belgique**  
 Tel.: 070 270 171 (0,15 EUR/Min.)  
 E-Mail: [kompernass@lidl.be](mailto:kompernass@lidl.be)

IAN 373104\_2104

**Importateur**

Veuillez tenir compte du fait que l'adresse suivante n'est pas une adresse de service après-vente. Veuillez d'abord contacter le service mentionné.

KOMPERNASS HANDELS GMBH  
 BURGSTRASSE 21  
 44867 BOCHUM  
 ALLEMAGNE  
[www.kompernass.com](http://www.kompernass.com)



## Traduction de la déclaration de conformité originale

Nous soussignés, KOMPERNASS HANDELS GMBH, responsable du document : M. Semi Uguzlu, BURGSTR. 21, 44867 BOCHUM, Allemagne, déclarons par la présente que ce produit est en conformité avec les normes, documents normatifs et directives CE suivants :

### Directive relative aux machines

(2006/42/CE)

### Compatibilité électromagnétique

(2014/30/EU)

### Directive RoHS

(2011/65/EU)\*

\* La seule responsabilité pour l'établissement de cette déclaration de conformité incombe au fabricant. L'objet de la déclaration décrit ci-dessus répond aux prescriptions de la directive 2011/65/EU du Parlement européen et du Conseil en date du 8 juin 2011 visant la restriction de l'utilisation de certaines substances dangereuses dans les appareils électriques et électroniques.

### Normes harmonisées appliquées

EN 62841-1:2015

EN 62841-2-4:2014

EN 55014-1:2017/A11:2020

EN 55014-2:2015

EN IEC 61000-3-2:2019

EN 61000-3-3:2013/A1:2019

EN IEC 63000:2018

EN ISO 12100:2010

**Désignation du modèle de la machine :** Ponceuse à bande PBSD 900 A1

**Année de fabrication :** 07-2021

**Numéro de série :** IAN 373104\_2104

Bochum, le 27/05/2021



Semi Uguzlu

- Responsable qualité -

Sous réserve de modifications techniques à des fins de perfectionnement.

# Inhoud

<b>Inleiding</b> .....	<b>40</b>
Gebruik in overeenstemming met bestemming .....	40
Afgebeelde componenten .....	40
Inhoud van het pakket .....	40
Technische gegevens .....	40
<b>Algemene veiligheidsvoorschriften voor elektrische gereedschappen</b> .....	<b>41</b>
1. Veiligheid op de werkplek .....	41
2. Elektrische veiligheid .....	41
3. Veiligheid van personen .....	42
4. Gebruik en behandeling van het elektrische gereedschap .....	42
5. Service .....	43
Apparaatspecifieke veiligheidsvoorschriften voor schuurmachines .....	43
<b>Ingebruikname</b> .....	<b>43</b>
Schuurband opspannen/verwisselen .....	43
Hulphandgreep instellen .....	44
Frontafdekking opklappen .....	44
Stofafzuiging aanbrengen/verwijderen .....	44
Werkinstructies .....	45
<b>Bediening</b> .....	<b>45</b>
In- en uitschakelen .....	45
Stofreservoir legen .....	45
Toerental en schuurband kiezen .....	46
Stationair werken .....	46
Tips en trucs .....	47
<b>Onderhoud en reiniging</b> .....	<b>47</b>
<b>Afvoeren</b> .....	<b>47</b>
<b>Garantie van Kompernaß Handels GmbH</b> .....	<b>48</b>
<b>Service</b> .....	<b>49</b>
<b>Importeur</b> .....	<b>49</b>
<b>Vertaling van de oorspronkelijke conformiteitsverklaring</b> .....	<b>50</b>

# BANDSCHUURMACHINE PBSD 900 A1

## Inleiding

Hartelijk gefeliciteerd met de aankoop van uw nieuwe apparaat. U hebt hiermee gekozen voor een hoogwaardig product. De gebruiksaanwijzing maakt deel uit van dit product. Deze bevat belangrijke aanwijzingen voor veiligheid, gebruik en afvoer. Lees alle bedienings- en veiligheidsvoorschriften voordat u het product in gebruik neemt. Gebruik het product uitsluitend op de voorgeschreven wijze en voor de aangegeven doeleinden. Geef alle documenten mee als u het product overdraagt aan een derde.

## Gebruik in overeenstemming met bestemming

De bandschuurmachine is - al naar gelang het schuurpapier - bestemd voor het droog vlakschuren van hout, kunststof, metaal, plamuur en gelakte oppervlakken. Het apparaat mag alleen worden gebruikt voor droogschuren. Gebruik voor de bewerking van de verschillende materialen altijd passende schuurbanden met een verschillende mate van grofheid, en pas het toerental aan het materiaal aan. Het apparaat is niet bestemd voor bedrijfsmatig of commercieel gebruik. Elk ander gebruik of modificatie van het apparaat geldt als niet in overeenstemming met de bestemming en brengt aanzienlijke risico's op ongelukken met zich mee. De fabrikant aanvaardt geen enkele aansprakelijkheid voor schade die voortvloeit uit gebruik in strijd met de bestemming.

## Afgebeelde componenten



- 1 Aan-/uitknop
- 2 Hulphandgreep (rubberen greepvlak)
- 3 Frontafdekking
- 4 Spanhendel voor schuurband
- 5 Instelwiel bandsnelheid
- 6 Handgreep (rubberen greepvlak)
- 7 Bout voor handgreepverstelling
- 8 Uitsparingen voor schroefklemmen
- 9 Aansluiting voor stofreservoir

- 10 Vastzetknop voor aan-/uitknop
- 11 Stofreservoir
- 12 Fijnafstellingsschroef voor bandloop
- 13 Schuurband
- 14 Schroefklem
- 15 Verloopstuk
- 16 Afzuigadapter

## Inhoud van het pakket

- 1 bandschuurmachine
- 1 schuurband voor hout (korrel 80)
- 1 stofreservoir
- 1 afzuigadapter en verloopstuk (voor externe stofafzuiging)
- 2 schroefklemmen
- 1 gebruiksaanwijzing

## Technische gegevens

Maximale spanning	230 V ~, 50 Hz (wisselstroom)
Maximaal vermogen	900 W
Onbelaste bandsnelheid	240-400 m/min
Maximaal toerental (onbelast)	 n <sub>0</sub> 450-750 min <sup>-1</sup>
Schuurband	75 x 533 mm
Beschermingsklasse	II /  (dubbel geïsoleerd)

## Geluidsemissiewaarde

Gemeten waarde voor geluid vastgesteld conform EN 62841. Het A-gewogen geluidsniveau van het elektrische gereedschap bedraagt gemiddeld:

Geluidsdrukniveau	L <sub>pA</sub> = 89 dB (A)
Onzekerheid	K <sub>pA</sub> = 3 dB
Geluidsvermogensniveau	L <sub>WA</sub> = 100 dB (A)
Onzekerheid	K <sub>WA</sub> = 3 dB

## Drag geluorbescherming!

## Totale trillingswaarde

Totale trillingswaarde (vectorsom van drie richtingen) bepaald conform EN 62841:

Schuren met schuurzool:

Hoofdgreep	a <sub>h</sub> = 3,0 m/s <sup>2</sup>
Extra handvat	a <sub>h</sub> = 2,8 m/s <sup>2</sup>
Onzekerheid	K = 1,5 m/s <sup>2</sup>

**OPMERKING**

- ▶ De vermelde totale trillingswaarden en trillingsemissiewaarden zijn in een genormeerde testopstelling gemeten en kunnen ook worden gebruikt voor vergelijking van een elektrisch gereedschap met een ander elektrisch gereedschap.
- ▶ De vermelde totale trillingswaarden en trillingsemissiewaarden kunnen ook worden gebruikt voor een voorlopige inschatting van de belasting.

**⚠ WAARSCHUWING!**

- ▶ De trillings- en geluidsemissieniveaus kunnen tijdens het daadwerkelijke gebruik van het elektrische gereedschap afwijken van de vermelde waarden, afhankelijk van de aard en het gebruik van het elektrische gereedschap, en in het bijzonder afhankelijk van het soort werkstuk dat wordt bewerkt.
- ▶ Probeer de belasting zo klein mogelijk te houden. Om de trillingsbelasting te reduceren, kunt u bijvoorbeeld handschoenen dragen tijdens het gebruik van het gereedschap en slechts beperkte tijd met het gereedschap werken. Daarbij dient u rekening te houden met alle aspecten van de bedrijfscyclus (bijvoorbeeld perioden waarin het gereedschap is uitgeschakeld en perioden waarin het gereedschap weliswaar is ingeschakeld, maar niet wordt belast).



**Algemene veiligheidsvoorschriften voor elektrische gereedschappen**

**⚠ WAARSCHUWING!**

- ▶ Lees alle veiligheidsvoorschriften, aanwijzingen, afbeeldingen en technische gegevens van dit elektrische gereedschap. Het niet-naleven van de navolgende aanwijzingen kan elektrische schokken, brand en/of ernstig letsel veroorzaken.

**Bewaar alle veiligheidsvoorschriften en instructies voor toekomstig gebruik.**

De in de veiligheidsvoorschriften gebruikte term “elektrisch gereedschap” heeft betrekking op elektrisch gereedschap dat op netvoeding werkt (met snoer) en op elektrisch gereedschap dat op accu’s werkt (zonder snoer).

**1. Veiligheid op de werkplek**

- a) Houd uw werkomgeving schoon en goed verlicht. Wanorde en een niet-verlichte werkomgeving kunnen leiden tot ongelukken.
- b) Gebruik het elektrische gereedschap niet in explosiegevaarlijke omgevingen waarin zich brandbare vloeistof, gas of stof bevindt. Elektrisch gereedschap geeft namelijk vonken af die stof of dampen kunnen doen ontvlammen.
- c) Houd kinderen en andere personen uit de buurt terwijl u elektrisch gereedschap gebruikt. Als u afgeleid raakt, zou u namelijk de controle over het elektrische gereedschap kunnen verliezen.

**2. Elektrische veiligheid**

- a) De stekker van het elektrische gereedschap moet in het stopcontact passen. De stekker mag op geen enkele wijze worden veranderd. Gebruik geen verloopstekker in combinatie met geaard elektrisch gereedschap. Onveranderde stekkers en passende stopcontacten verminderen het risico op een elektrische schok.
- b) Voorkom lichamelijk contact met geaarde oppervlakken zoals buizen, verwarmingstoestellen, fornuizen en koelkasten. Er bestaat een verhoogd risico op een elektrische schok als uw lichaam geaard is.
- c) Houd elektrisch gereedschap uit de buurt van regen of vocht. Als er water in een elektrisch gereedschap binnendringt, bestaat er verhoogd risico op een elektrische schok.

- d) Gebruik het aansluitsnoer niet voor oneigenlijke doelen, bijvoorbeeld om het elektrische gereedschap te dragen, om het gereedschap op te hangen of om de stekker uit het stopcontact te trekken. Houd het aansluitsnoer uit de buurt van hitte, olie, scherpe randen of bewegende onderdelen. Beschadigde of in de war geraakte aansluitsnoeren verhogen de kans op een elektrische schok.
- e) Gebruik bij het werken met elektrisch gereedschap buitenshuis alleen verlengsnoeren die zijn goedgekeurd voor gebruik buitenshuis. Het gebruik van een verlengsnoer dat geschikt is voor gebruik buitenshuis, vermindert het risico op een elektrische schok.
- f) Als u het niet kunt vermijden om het elektrische gereedschap in een vochtige omgeving te gebruiken, maak dan gebruik van een aardlekschakelaar. Het gebruik van een aardlekschakelaar vermindert het risico op een elektrische schok.

### 3. Veiligheid van personen

- a) Wees alert, let op wat u doet en gebruik uw gezond verstand wanneer u elektrisch gereedschap gebruikt. Gebruik geen elektrisch gereedschap als u moe bent of onder invloed bent van drugs, alcohol of medicijnen. Een moment van onoplettendheid kan bij het gebruik van elektrisch gereedschap al tot ernstig letsel leiden.
- b) Draag persoonlijke beschermingsmiddelen en draag altijd een veiligheidsbril. Het dragen van persoonlijke beschermingsmiddelen zoals een stofmasker, antislip-veiligheidsschoenen, een veiligheidshelm of gehoorbescherming, afhankelijk van het type en het gebruik van het elektrische gereedschap, vermindert het risico op letsel.
- c) Voorkom onbedoelde inschakeling. Controleer of het elektrische gereedschap uitgeschakeld is voordat u het aansluit op de netvoeding en/of op een accu en voordat u het gereedschap optilt of draagt. Als u bij het dragen van elektrisch gereedschap uw vinger op de aan-/uitknop houdt of als u reeds ingeschakeld elektrisch gereedschap op de netvoeding aansluit, kan dit tot ongelukken leiden.
- d) Verwijder alle afstelgereedschap of moersleutels voordat u het elektrische gereedschap aanzet. Gereedschap of moersleutels die zich in een draaiend onderdeel van het elektrische gereedschap bevinden, kunnen letsel veroorzaken.
- e) Voorkom een abnormale lichaamshouding. Zorg dat u stevig staat en bewaar altijd uw evenwicht. Zo kunt u het elektrische gereedschap in onverwachte situaties beter onder controle houden.
- f) Draag geschikte kleding. Draag geen wijde kleding of sieraden. Houd haar en kleding uit de buurt van bewegende onderdelen. Loszittende kleding, sieraden of haren kunnen door bewegende onderdelen worden gegrepen.
- g) Als stofafzuigings- en opvangvoorzieningen kunnen worden bevestigd, moeten deze worden aangesloten en correct worden gebruikt. Het gebruik van een stofafzuiging kan risico's door stof beperken.
- h) Laat u niet misleiden door schijnbare veiligheid en negeer de veiligheidsregels voor elektrisch gereedschap niet, ook wanneer u na veelvuldig gebruik vertrouwd bent met het elektrische gereedschap. Onachtzaamheid kan in een fractie van een seconde tot ernstig letsel leiden.

### 4. Gebruik en behandeling van het elektrische gereedschap

- a) Voorkom overbelasting van het elektrische gereedschap. Gebruik voor uw werkzaamheden het daarvoor bedoelde elektrische gereedschap. Met een geschikt elektrisch gereedschap werkt u beter en veiliger in het aangegeven vermogensbereik.
- b) Gebruik geen elektrisch gereedschap waarvan de aan-/uitknop defect is. Elektrisch gereedschap dat niet meer aan- of uitgezet kan worden, is gevaarlijk en moet worden gerepareerd.

- c) Haal de stekker uit het stopcontact en/of verwijder de afneembare accu voordat u instellingen aan het apparaat verricht, hulpstukken verwisselt of het elektrische gereedschap weglegt. Deze voorzorgsmaatregel voorkomt dat het elektrische gereedschap onbedoeld kan worden gestart.
- d) **Berg elektrisch gereedschap buiten het bereik van kinderen op als het niet in gebruik is.** Zorg ervoor dat het elektrische gereedschap niet wordt gebruikt door personen die er niet mee vertrouwd zijn of die deze instructies niet hebben gelezen. Elektrisch gereedschap is gevaarlijk als het door onervaren personen wordt gebruikt.
- e) **Onderhoud elektrisch gereedschap en hulpstukken zorgvuldig.** Controleer of bewegende onderdelen naar behoren werken en niet klemmen, en of er geen onderdelen gebroken of zodanig beschadigd zijn dat de werking van het elektrische gereedschap wordt aangetast. Laat beschadigde onderdelen vóór de ingebruikname van het elektrische gereedschap repareren. Veel ongelukken zijn het gevolg van slecht onderhoud van elektrisch gereedschap.
- f) **Houd snijwerktuigen scherp en schoon.** Met zorg onderhouden snijwerktuigen lopen minder vaak vast en zijn gemakkelijker te bedienen.
- g) **Gebruik elektrisch gereedschap, hulpstukken en dergelijke in overeenstemming met de handleiding.** Houd daarbij rekening met de werkomstandigheden en de te verrichten werkzaamheden. Het gebruik van elektrisch gereedschap voor andere doeleinden dan de beoogde toepassingen kan tot gevaarlijke situaties leiden.
- h) **Houd handgrepen en greepvlakken droog, schoon en vrij van olie en vet.** Bij gladde handgrepen en greepvlakken is een veilige bediening en controle van het elektrische gereedschap in onvoorziene situaties niet mogelijk.

## 5. Service

- a) **Laat uw elektrische gereedschap alleen door gekwalificeerde vakmensen en uitsluitend met originele vervangingsonderdelen repareren.** Op die manier blijft de veiligheid van het elektrische gereedschap gewaarborgd.

## Apparaatspecifieke veiligheidsvoorschriften voor schuurmachines

- Pak het apparaat alleen vast aan de geïsoleerde greepvlakken, omdat de schuurband **B** met het eigen snoer in aanraking kan komen. Bij beschadiging van een leiding waar spanning op staat, kunnen ook metalen onderdelen van het apparaat onder spanning komen te staan, met een elektrische schok tot gevolg.

### WAARSCHUWING!

- Stof van materialen zoals loodhoudende verf, sommige houtsoorten en metaal kan schadelijk zijn voor de gezondheid.
- Het aanraken of inademen van deze stoffen kan een gevaar vormen voor degene die de machine bedient of personen die zich in de buurt bevinden.
- Draag een veiligheidsbril en een stofmasker!

## Ingebruikname

### Schuurband opspannen/verwisselen

### WAARSCHUWING! LETSELGEVAAR!

- Haal de stekker altijd uit het stopcontact voordat u werkzaamheden aan de band-schuurmachine uitvoert.
1. Maak de spanvoorziening voor de schuurband los door de spanhendel **4** helemaal naar buiten te zwenken. De schuurband **B** kan nu worden verwijderd.
  2. Leg nu een nieuwe schuurband **B** op of verwissel de schuurband om ander materiaal te bewerken of de korrel dikte te veranderen. **BELANGRIJK:** de pijlrichtingen aan de binnenkant van de schuurband **B** en op de apparaatbehuizing moeten met elkaar overeenkomen.
  3. Druk de spanhendel **4** terug in de uitgangspositie.

### Schuurband 13 handmatig afstellen

Als de bandloop na inschakeling niet wordt gecentreerd, moet u de bandloop mogelijk handmatig bijstellen.

- ◆ Draai daartoe de afstelschroef 12 op de voorste rol tot de schuurband 13 gecentreerd loopt. **BELANGRIJK:** u moet er beslist voor zorgen dat de schuurband 13 niet in de behuizing schuurt. Controleer de bandloop regelmatig en regel deze zo nodig na met de fijnafstelschroef 12.

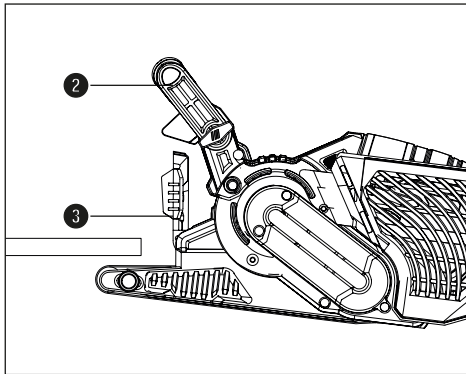
### Hulphandgreep instellen

U kunt de hulphandgreep 2 in meerdere posities instellen.

- ◆ Draai voor het verstellen van de hulphandgreep 2 de schroef 7 los.
- ◆ Stel de hulphandgreep 2 in de gewenste positie in.
- ◆ Draai de schroef 7 weer vast.

### Frontafdekking opklappen

U kunt de frontafdekking 3 opklappen voor schuren op moeilijk bereikbare plekken (zie afbeelding).



#### **WAARSCHUWING!**

- ▶ De frontafdekking 3 kan alleen worden opgeklapt wanneer de hulphandgreep 2 eveneens omhoog is geklapt (zie het hoofdstuk "Hulphandgreep instellen").

- ◆ Klap de frontafdekking 3 omhoog.

### Stofafzuiging aanbrengen/ verwijderen

#### **WAARSCHUWING! EXPLOSIEGEVAAR!**

- Bij een explosief mengsel van stof en lucht moet u een speciaal daarvoor bestemde stofafzuiging gebruiken. **BRANDGEVAAR DOOR VONKENREGEN!** Gebruik bij het schuren van metalen geen stofafzuiging (stofreservoir 11 of stofzuiger).
- Asbesthoudend materiaal mag niet worden bewerkt. Asbest geldt als kankerverwekkend.

#### **WAARSCHUWING! BRANDGEVAAR!**

- Bij gebruik van elektrische apparaten die beschikken over een stofopvangreservoir of waarop een stofafzuiging kan worden aangesloten, bestaat brandgevaar! Onder ongunstige omstandigheden, zoals bijvoorbeeld bij vonkenregen - bij het schuren van metaal of metaalresten in hout - kan houtstof in de stofzak van de stofzuiger (of in de stofzak van de stofzuiger) spontaan ontbranden. Dit kan met name gebeuren als houtstof wordt vermengd met lakresten of andere chemische stoffen en het schuursel na lang werken heet is. Vermijd daarom per se een oververhitting van het slijpsel en het apparaat en maak voor werkpauzes altijd het stofopvangreservoir resp. de stofzak van de stofzuiger leeg.
- Zorg voor een goede ventilatie van de werkplek.
- Neem de voor uw land geldende voorschriften voor de te bewerken materialen in acht.



- Draag een stofmasker.

### Stofreservoir 11 aanbrengen

- ◆ Schuif het stofreservoir 11 van boven af op de aansluiting 9 voor het stofreservoir.

### Stofreservoir demonteren/afnemen

- ◆ Trek het stofreservoir 11 bovenwaarts van het apparaat.

### Afzuigadapter en verloopstuk voor externe afzuiging aansluiten

- ◆ Schuif de afzuigadapter 16 op de aansluiting 9.
- ◆ Schuif het verloopstuk 15 voor externe afzuiging in de afzuigadapter 16.
- ◆ Schuif de slang van een toegelaten stofafzuiging (bijv. van een werkplaatsstofzuiger) op het verloopstuk 15 voor externe afzuiging.

### Afzuigadapter en verloopstuk voor externe afzuiging afnemen

- ◆ Trek de slang van de stofafzuiging af.
- ◆ Neem het verloopstuk 15 voor externe afzuiging af.
- ◆ Trek de afzuigadapter 16 naar boven toe van de aansluiting 9 af.

## Werkinstructies

### Een geringe schuurdruk is voldoende

- Oefen tijdens het schuren weinig druk uit. Het eigen gewicht van de bandschuurmachine is voldoende voor goede schuurprestaties. Bovendien slijt de schuurband 13 door deze werkwijze minder en wordt het oppervlak van het werkstuk gladder.

### Materiaalafname en oppervlak

- De materiaalafname en het oppervlakresultaat worden bepaald door de bandsnelheid en de grofheid (korrel) van de schuurband 13 (zie ook het gedeelte "Toerental en schuurband kiezen").

## Schuurprocedure

- Plaats het apparaat ingeschakeld op het werkstuk en werk met matige snelheid voorwaarts. Voer het schuren parallel en overlappend op de schuurbanen uit. Schuur alleen in de vezelrichting, om storende, overdwars lopende schuursporen te voorkomen. Til het apparaat na de bewerking van het werkstuk op en schakel het pas dan uit.

### OPMERKING

- Houd het apparaat tijdens de werkzaamheden altijd met beide handen vast.

## Bediening

### In- en uitschakelen

U kunt bij het in werking stellen van de bandschuurmachine kiezen tussen moment- en continubedrijf.

#### Momentbedrijf inschakelen

- ◆ Druk op de aan-/uitknop 1.

#### Momentbedrijf uitschakelen

- ◆ Laat de aan-/uitknop 1 los.

#### Continubedrijf inschakelen

- ◆ Houd de aan-/uitknop 1 ingedrukt en druk op de vastzetknop voor de aan-/uitknop 10.

#### Continubedrijf uitschakelen

- ◆ Druk op de aan-/uitknop 1 en laat deze los.

## Stofreservoir legen

Het stofreservoir 11 moet tijdens gebruik om de 10 minuten worden geleegd.

- ◆ Trek het stofreservoir 11 van het apparaat (zie het hoofdstuk "Stofafzuiging aanbrengen/verwijderen")
- ◆ Schud het stofreservoir 11 leeg boven een afvalcontainer.
- ◆ Bevestig het stofreservoir 11 weer op het apparaat.



## Toerental en schuurband kiezen

Met het instelwiel voor de bandsnelheid **5** kunt u het toerental instellen, ook als het apparaat in werking is. De optimale bandsnelheid hangt af van het te bewerken werkstuk resp. het materiaal. Stel het beste toerental voor het werk altijd zelf vast door dit in de praktijk uit te proberen. In de volgende tabel vindt u niet-bindende waarden, die de keuze vergemakkelijken.

Materiaal/ werkbereik	Zacht hout
Grofschuren (korrel)	60
Fijnschuren (korrel)	240
Toerental	hoog (5-6)

Materiaal/ werkbereik	Hardhout
Grofschuren (korrel)	60
Fijnschuren (korrel)	180
Toerental	hoog (5-6)

Materiaal/ werkbereik	Spaanplaten
Grofschuren (korrel)	60
Fijnschuren (korrel)	150
Toerental	hoog (5-6)

Materiaal/ werkbereik	Verf/lak verwijderen
Grofschuren (korrel)	60
Fijnschuren (korrel)	--
Toerental	hoog (5-6)

Materiaal/ werkbereik	Lak gladschuren
Grofschuren (korrel)	150
Fijnschuren (korrel)	320
Toerental	laag (1-2)

Materiaal/ werkbereik	Staal ontroesten
Grofschuren (korrel)	40
Fijnschuren (korrel)	120
Toerental	middel/hoog (3-4)

Materiaal/ werkbereik	Kunststoffen
Grofschuren (korrel)	120
Fijnschuren (korrel)	240
Toerental	laag/middel (2-3)

Materiaal/ werkbereik	Non-ferrometalen (bv. aluminium)
Grofschuren (korrel)	80
Fijnschuren (korrel)	150
Toerental	middel/hoog (3-4)

## Stationair werken

- ◆ Breng de hulphandgreep **2** in horizontale positie.
- ◆ Draai het elektrische gereedschap om (zie afbeelding A) en leg het op een stabiel werkblad.
- ◆ Plaats twee schroefklemmen **14** in de daarvoor bestemde uitsparingen **8** en klem het elektrische gereedschap vast.

## Tips en trucs

- Bewerk nooit met dezelfde schuurband 13 hout en metaal.
- Versleten of ingescheurde schuurbanden kunnen het werkstuk beschadigen. Vervang de schuurbanden daarom tijdig.
- Berg schuurbanden alleen hangend op, omdat ze door knikken enz. onbruikbaar worden.

## Onderhoud en reiniging



**WAARSCHUWING! LETSELGEVAAR!**  
Schakel voorafgaand aan alle werkzaamheden aan het apparaat het apparaat uit en haal de stekker uit het stopcontact.

De bandschuurmachine is onderhoudsvrij.

- Reinig het apparaat onmiddellijk na het uitvoeren van de werkzaamheden.
- Gebruik voor het schoonmaken van het apparaat een droge doek en in geen geval benzine, oplosmiddelen of schoonmaakmiddelen die kunststof aantasten.

### Stofreservoir 11 legen/reinigen

- ◆ Trek het stofreservoir 11 van het apparaat.
- ◆ Leeg het stofreservoir 11 volledig door het uit te kloppen en bevestig het stofreservoir 11 weer op het apparaat.
- ◆ Houd de ventilatieopeningen altijd vrij.
- ◆ Verwijder vastzittend schuurstof met een kwastje.

## Afvoeren



De verpakking bestaat uit milieuvriendelijke materialen, die u via de plaatselijke recyclepunten kunt afvoeren.



### Deponeer elektrisch gereedschap niet bij het huisvuil!

Conform de Europese richtlijn 2012/19/EU moet afgedankt elektrisch gereedschap gescheiden worden ingezameld en op een milieuvriendelijke wijze worden gerecycled.

Informatie over mogelijkheden voor het afvoeren van het afgedankte apparaat krijgt u bij uw gemeentereinigingsdienst.



Voer de verpakking af overeenkomstig de milieuvorschriften. Let op de aanduiding op de verschillende verpakkingsmaterialen en voer ze zo nodig gescheiden af. De verpakkingsmaterialen zijn voorzien van afkortingen (a) en cijfers (b) met de volgende betekenis: 1-7: kunststoffen, 20-22: papier en karton, 80-98: composietmaterialen.



Meer informatie over het afvoeren van het afgedankte product kunt u inwinnen bij de gemeentereiniging.



Het product is recycleerbaar; er is een uitgebreide producentenverantwoordelijkheid op van toepassing en het afval wordt gescheiden ingezameld.

## **Garantie van Kompernaß Handels GmbH**

Geachte klant,

U hebt op dit apparaat 3 jaar garantie vanaf de aankoopdatum. In geval van gebreken in dit product hebt u wettelijke rechten tegenover de verkoper van het product. Deze wettelijke rechten worden door onze hierna beschreven garantie niet beperkt.

### **Garantievoorwaarden**

De garantieperiode geldt vanaf de datum van aankoop. Bewaar de kassabon zorgvuldig. U hebt hem nodig als bewijs van aankoop.

Als er binnen drie jaar vanaf de aankoopdatum van dit product een materiaal- of fabricagefout optreedt, wordt - naar onze keuze - het product door ons kosteloos gerepareerd of vervangen of wordt de koopprijs terugbetaald. Voorwaarde voor deze garantie is dat het defecte apparaat en het aankoopbewijs (kassabon) binnen de termijn van drie jaar worden overlegd en dat kort wordt omschreven waaruit het gebrek bestaat en wanneer het is opgetreden.

Wanneer het defect door onze garantie wordt gedekt, krijgt u het gerepareerde product of een nieuw product retour. Met de reparatie of vervanging van het product begint er geen nieuwe garantieperiode.

### **Garantieperiode en wettelijke aanspraken bij gebreken**

De garantieperiode wordt door deze waarborg niet verlengd. Dat geldt ook voor vervangen en gerepareerde onderdelen. Eventueel al bij aankoop aanwezige schade en gebreken moeten meteen na het uitpakken worden gemeld. Voor reparaties na afloop van de garantieperiode worden kosten in rekening gebracht.

### **Garantieomvang**

Het apparaat is op basis van strenge kwaliteitsnormen met de grootst mogelijke zorg vervaardigd en voorafgaand aan de levering nauwkeurig gecontroleerd.

De garantie geldt voor materiaal- of fabricagefouten. Deze garantie geldt niet voor productonderdelen die onderhevig zijn aan normale slijtage en die daarom als slijtonderdelen worden beschouwd, of voor schade aan breekbare onderdelen zoals schakelaars of onderdelen die van glas zijn gemaakt.

Deze garantie vervalt wanneer het product is beschadigd, ondeskundig is gebruikt of is gerepareerd. Voor deskundig gebruik van het product moeten alle in de gebruiksaanwijzing beschreven aanwijzingen precies worden opgevolgd. Gebruiksdoeleinden en handelingen die in de gebruiksaanwijzing worden afgeraden of waarvoor wordt gewaarschuwd, moeten beslist worden vermeden.

Het product is uitsluitend bestemd voor privégebruik en niet voor bedrijfsmatige doeleinden. Bij verkeerd gebruik en ondeskundige behandeling, bij gebruik van geweld en bij reparaties die niet door ons erkend servicefiliaal zijn uitgevoerd, vervalt de garantie.

### Garantieperiode geldt niet bij

- normale afname van de accucapaciteit
- commercieel/bedrijfsmatig gebruik van het product
- beschadiging of modificatie van het product door de klant
- niet-naleving van de veiligheids- en onderhoudsvoorschriften, bedieningsfouten
- schade door natuurrampen

### Afhandeling bij een garantiekwesitie

Voor een snelle afhandeling van uw aanvraag neemt u de volgende aanwijzingen in acht:

- Houd voor alle aanvragen de kassabon en het artikelnummer (bijv. IAN 12345) als aankoopbewijs bij de hand.
- Het artikelnummer vindt u op het typeplaatje van het product, op het product gegraveerd, op de titelpagina van de gebruiksaanwijzing (links onder) of op de sticker op de achter- of onderkant van het product.
- Als er fouten in de werking of andere gebreken optreden, neemt u eerst contact op met de hierna genoemde serviceafdeling, **telefonisch** of **via e-mail**.
- Een als defect geregistreerd product kunt u dan zonder portokosten naar het aan u doorgegeven serviceadres sturen. Voeg het aankoopbewijs (kassabon) bij en vermeld waaruit het gebrek bestaat en wanneer het is opgetreden.



Op [www.lidl-service.com](http://www.lidl-service.com) kunt u deze en vele andere handleidingen, productvideo's en installatiesoftware downloaden.

Met deze QR-code gaat u direct naar de website van Lidl Service ([www.lidl-service.com](http://www.lidl-service.com)) en kunt u met het invoeren van het artikelnummer (IAN) 373104\_2104 de gebruiksaanwijzing openen.

### ⚠ WAARSCHUWING!

- Laat uw apparaten door het servicepunt of een elektricien repareren, en uitsluitend met originele vervangingsonderdelen. Op die manier blijft de veiligheid van het apparaat gewaarborgd.
- Laat de stekker of het snoer altijd vervangen door de fabrikant van het apparaat of diens klantenservice. Op die manier blijft de veiligheid van het apparaat gewaarborgd.

### OPMERKING

- ▶ Niet vermeldde vervangingsonderdelen (zoals koolborstels, schakelaars, stofreservoir) kunt u bestellen via onze callcenters.

## Service

**NL Service Nederland**  
Tel.: 0900 0400223 (0,10 EUR/Min.)  
E-Mail: [kompnass@lidl.nl](mailto:kompnass@lidl.nl)

**BE Service België**  
Tel.: 070 270 171 (0,15 EUR/Min.)  
E-Mail: [kompnass@lidl.be](mailto:kompnass@lidl.be)

IAN 373104\_2104

## Importeur

Let op: het volgende adres is geen serviceadres. Neem eerst contact op met het opgegeven serviceadres.

KOMPERNASS HANDELS GMBH  
BURGSTRASSE 21  
44867 BOCHUM  
DUITSLAND  
[www.kompnass.com](http://www.kompnass.com)

## Vertaling van de oorspronkelijke conformiteitsverklaring

Wij, KOMPERNASS HANDELS GMBH, documentverantwoordelijke persoon: de heer Semi Uguzlu, BURGSTR. 21, 44867 BOCHUM, Duitsland, verklaren hierbij dat dit product voldoet aan de volgende normen, normatieve documenten en EU-richtlijnen:

**Machinerichtlijn**  
(2006/42/EC)

**Elektromagnetische compatibiliteit**  
(2014/30/EU)

**RoHS-richtlijn**  
(2011/65/EU)\*

\* De volledige verantwoordelijkheid voor het afgeven van deze conformiteitsverklaring ligt bij de fabrikant. Het hierboven beschreven object van de verklaring voldoet aan de voorschriften van de Richtlijn 2011/65/EU van het Europees Parlement en de Raad van 8 juni 2011 aangaande de beperking van het gebruik van bepaalde gevaarlijke stoffen in elektrische en elektronische apparaten.

### Toegepaste geharmoniseerde normen

EN 62841-1:2015

EN 62841-2-4:2014

EN 55014-1:2017/A11:2020

EN 55014-2:2015

EN IEC 61000-3-2:2019

EN 61000-3-3:2013/A1:2019

EN IEC 63000:2018

EN ISO 12100:2010

**Typeaanduiding van het apparaat:** Bandschuurmachine PBSD 900 A1

**Productiejaar:** 07-2021

**Serienummer:** IAN 373104\_2104

Bochum, 27-05-2021



Semi Uguzlu

- Kwaliteitsmanager -

Technische wijzigingen vanwege verdere ontwikkeling voorbehouden.

# Obsah

<b>Úvod</b> .....	<b>52</b>
Použití v souladu s určením .....	52
Zobrazené komponenty .....	52
Rozsah dodávky .....	52
Technické údaje .....	52
<b>Obecné bezpečnostní pokyny pro elektrická nářadí</b> .....	<b>53</b>
1. Bezpečnost na pracovišti .....	53
2. Elektrická bezpečnost .....	53
3. Bezpečnost osob .....	54
4. Manipulace s elektrickým nářadím a jeho použití .....	54
5. Servis .....	55
Bezpečnostní pokyny specifické pro brusky .....	55
<b>Uvedení do provozu</b> .....	<b>55</b>
Upnutí/výměna brusného pásu .....	55
Nastavení přidavné rukojeti .....	56
Odklopení čelního krytu .....	56
Umístění/odstranění odsávání prachu .....	56
Pracovní pokyny .....	57
<b>Obsluha</b> .....	<b>57</b>
Zapnutí a vypnutí .....	57
Vyprázdnění nádobky na prach .....	57
Počet otáček a volba brusného pásu .....	58
Stacionární práce .....	59
Tipy a triky .....	59
<b>Údržba a čištění</b> .....	<b>59</b>
<b>Likvidace</b> .....	<b>59</b>
<b>Záruka společnosti Kompennass Handels GmbH</b> .....	<b>60</b>
<b>Servis</b> .....	<b>61</b>
<b>Dovozce</b> .....	<b>61</b>
<b>Překlad originálu prohlášení o shodě</b> .....	<b>62</b>

## PÁSOVÁ BRUSKA PBSD 900 A1

### Úvod

Blahopřejeme Vám k zakoupení Vašeho nového přístroje. Rozhodli jste se pro vysoce kvalitní výrobek. Návod k obsluze je součástí tohoto výrobku.

Obsahuje důležité informace o bezpečnosti, použití a likvidaci. Před použitím výrobku se seznamte se všemi provozními a bezpečnostními pokyny. Výrobek používejte pouze předepsaným způsobem a pro uvedené oblasti použití. Při předávání výrobku třetím osobám předejte spolu s ním i tyto podklady.

### Použití v souladu s určením

Pásová bruska je - v závislosti na brusném papíru - určena pro suché broušení povrchů dřeva, plastů, kovů a tmelu a lakovaných povrchů. Přístroj se smí používat pouze pro suché broušení. Dbejte prosím na to, abyste k obrábění různých materiálů používali odpovídající brusné papíry s různou zrnitostí a otáčky také přizpůsobili materiálu. Přístroj není určen pro podnikatelské účely. Jakékoliv jiné použití nebo úprava stroje jsou pokládány za použití v rozporu s určením a mohou způsobovat vážná nebezpečí úrazu. Za škody, které vzniknou při použití v rozporu s určením, nenese výrobce odpovědnost.



### Zobrazené komponenty

- 1 vypínač
- 2 přídatná rukojeť (pogumovaný úchyt)
- 3 čelní kryt
- 4 upínací páka brusného pásu
- 5 stavěcí kolečko rychlosti pásu
- 6 rukojeť (pogumovaný úchyt)
- 7 šroub pro nastavení rukojeti
- 8 drážky pro šroubové svorky
- 9 přípojka pro nádobku na prach
- 10 stavěcí tlačítko vypínače
- 11 nádobka na prach
- 12 seřizovací šroub chodu pásu
- 13 brusný pás
- 14 šroubová svorka
- 15 redukční nástavec
- 16 adaptér pro odsávání prachu

### Rozsah dodávky

- 1 pásová bruska
- 1 brusný pás na dřevo (zrnitost 80)
- 1 nádobka na prach
- 1 adaptér pro odsávání prachu a redukční nástavec (pro externí odsávání prachu)
- 2 šroubové svorky
- 1 návod k obsluze

### Technické údaje

Domezovací napětí	230 V ~, 50 Hz (střídavý proud)
Domezovací příkon	900 W
Rychlost pásu při chodu naprázdno	240–400 m/min
Domezovací volnoběžné otáčky	 $n_0$ 450–750 min <sup>-1</sup>
Brusný pás	75 x 533 mm
Třída ochrany	II /  (dvojitá izolace)

### Hodnota emise hluku

Měřená hodnota zjištěna podle EN 62841. Typická hladina hluku elektrického nářadí s hodnocením A je:

Hladina akustického tlaku	$L_{pA} = 89$ dB (A)
Nejistota	$K_{pA} = 3$ dB
Hladina akustického výkonu	$L_{WA} = 100$ dB (A)
Nejistota	$K_{WA} = 3$ dB

### Používat ochranu sluchu!

### Celková hodnota vibrací

Celkové hodnoty vibrací (součet vektorů tří směrů) stanoveny v souladu s EN 62841:

Broušení brusným talířem:

Hlavní rukojeť	$a_h = 3,0$ m/s <sup>2</sup>
Další rukojeť	$a_h = 2,8$ m/s <sup>2</sup>
Nejistota	$K = 1,5$ m/s <sup>2</sup>

## UPOZORNĚNÍ

- ▶ Uvedené hodnoty emise vibrací a uvedené hodnoty emise hluku byly měřeny pomocí standardizované zkušební metody a lze je použít pro srovnání elektrického nářadí s jiným nářadím.
- ▶ Uvedené hodnoty emise vibrací a uvedené hodnoty emise hluku lze rovněž použít k předběžnému posouzení zatížení.

## VÝSTRAHA!

- ▶ Emise vibrací a hluku se mohou lišit během skutečného používání elektrického nářadí od uvedených hodnot v závislosti na způsobu, kterým se elektrické nářadí používá, zejména na způsobu, jakým je obrobek opracováván.
- ▶ Snažte se udržovat zatížení co nejnižší. Příkladem opatření ke snížení zatížení vibracemi je použití rukavic při práci s nářadím a omezení doby práce s nářadím. Přitom se musí zohlednit všechny části provozního cyklu (například časy, kdy je elektrické nářadí vypnuté, a časy, kdy je sice zapnuté, ale běží bez zatížení).



## Obecné bezpečnostní pokyny pro elektrická nářadí

### VÝSTRAHA!

- ▶ Přečtěte si veškeré bezpečnostní pokyny, instrukce, ilustrace a technická data, jimiž je toto elektrické nářadí opatřeno. Zanedbání dodržování následujících bezpečnostních upozornění a pokynů může vést k úrazu elektrickým proudem, k požáru a/nebo těžkým zraněním.

### Veškerá bezpečnostní upozornění a pokyny uschovejte pro budoucí použití.

Pojem „elektrické nářadí“ užívaný v bezpečnostních pokynech se vztahuje na elektrická nářadí napájená ze sítě (se síťovým kabelem) a na elektrická nářadí napájená akumulátorem (bez síťového kabelu).

## 1. Bezpečnost na pracovišti

- Pracovní prostor udržujte v čistotě a dobře osvětlený. Nepořádek a neosvětlený pracovní prostor mohou vést k úrazům.
- S elektrickým nářadím nepracujte v prostředí ohroženém výbuchem, ve kterém se nachází hořlavé kapaliny, plyny nebo prach. Elektrické nářadí vytváří jiskry, od nichž se může vznítit prach nebo výpary.
- Nedovolte dětem ani jiným osobám, aby se přibližovaly k elektrickému nářadí v době, kdy ho používáte. V případě odvedení pozornosti můžete ztratit kontrolu nad elektrickým nářadím.

## 2. Elektrická bezpečnost

- Přípojná zástrčka elektrického nářadí musí odpovídat zásuvce. Zástrčka se nesmí žádným způsobem pozměňovat. Nepoužívejte adaptérové zástrčky v kombinaci s uzemněným elektrickým nářadím. Nepozměněné zástrčky a jim odpovídající zásuvky snižují riziko úrazu elektrickým proudem.
- Zabraňte kontaktu těla s uzemněnými povrchy jako např. od trubek, topení, sporáků a chladniček. Je-li Vaše tělo uzemněné, hrozí zvýšené riziko úrazu elektrickým proudem.
- Elektrická nářadí chraňte před deštěm a vlhkostí. Vniknutím vody do elektrického nářadí se zvyšuje riziko úrazu elektrickým proudem.
- Nepoužívejte připojovací vedení v rozporu s jeho určením pro přenášení či zavěšování elektrického nářadí nebo k vytahování zástrčky ze zásuvky. Udržujte připojovací vedení v dostatečné vzdálenosti od zdrojů vysoké teploty, oleje, ostrých hran nebo pohyblivých částí přístroje. Poškozená nebo zapletená připojovací vedení zvyšují riziko úrazu elektrickým proudem.
- Pokud pracujete s elektrickým nářadím venku, používejte pouze taková prodlužovací vedení, jež jsou schválena i pro venkovní použití. Používáním prodlužovacího vedení vhodného pro venkovní použití se snižuje riziko úrazu elektrickým proudem.



f) Pokud nelze zabránit provozu elektrického nářadí ve vlhkém prostředí, používejte proudový chránič. Použitím proudového chrániče se snižuje riziko úrazu elektrickým proudem.

### 3. Bezpečnost osob

a) **Buďte neustále pozorní, sledujte své počínání a k práci s elektrickým nářadím přistupujte s rozumem. Elektrické nářadí nepoužívejte, jste-li unavení nebo pod vlivem drog, alkoholu či léků.** Jediný okamžik nepozornosti při používání elektrického nářadí může způsobit vážná zranění.

b) **Noste osobní ochranné prostředky a vždy i ochranné brýle.** Nošením osobních ochranných prostředků, jako je ochranná maska proti prachu, protiskluzová bezpečnostní obuv, ochranná přilba nebo ochrana sluchu, a to v závislosti na druhu a použití elektrického nářadí, se snižuje riziko zranění.

c) **Zabraňte neúmyslnému uvedení přístroje do provozu. Než elektrické nářadí zapojíte do elektrické sítě a/nebo připojíte akumulátor nebo než nářadí zvednete či přenesete, ujistěte se, zda je vypnuté.** Pokud máte při přenášení elektrického nářadí prst na spínači, nebo pokud do sítě zapojíte již zapnuté elektrické nářadí, může dojít k úrazu.

d) **Předtím, než elektrické nářadí zapnete, odstraňte nastavovací nástroje nebo šroubováky.** Pokud se nástroj nebo šroubovák nachází v otáčející se části elektrického nářadí, může to vést ke zraněním.

e) **Vyhýbejte se nepřirozenému držení těla. Zajistěte si bezpečnou stabilitu a neustále udržujte rovnováhu.** Tak dokážete elektrické nářadí v neočekávaných situacích lépe kontrolovat.

f) **Noste vhodný oděv. Nenoste volné oblečení ani šperky. Vlasy a oděv udržujte v bezpečné vzdálenosti od pohyblivých částí.** Volný a nepřiléhavý oděv, šperky nebo dlouhé vlasy mohou být pohyblivými částmi zachyceny.

g) **Pokud lze namontovat zařízení pro odsávání a zachytávání prachu, potom se tato musí připojit a správně použít.** Použitím odsávání prachu se může snížit ohrožení prachem.

h) **Nenechte se ukonejšit falešným bezpečím a neopomíjejte bezpečnostní předpisy pro elektrická nářadí, i když elektrické nářadí po opakovaném použití již znáte.** Nepozorná manipulace může způsobit v zlomku sekundy vážná zranění.

### 4. Manipulace s elektrickým nářadím a jeho použití

a) **Elektrické nářadí nepřetěžujte.** Pro práci používejte elektrické nářadí vhodné k danému účelu. S vhodným elektrickým nářadím se Vám bude v uvedeném výkonovém rozsahu pracovat lépe a bezpečněji.

b) **Nepoužívejte elektrické nářadí, jehož spínač je vadný.** Elektrické nářadí, které se již nedá zapnout nebo vypnout, představuje nebezpečí a musí se opravit.

c) **Před nastavováním přístroje, výměnou dílů vsazeného nástroje nebo odložením elektrického nářadí, vytáhněte zástrčku ze zásuvky a/nebo vyjměte vyjímatelný akumulátor.** Toto bezpečnostní opatření zabráňuje neúmyslnému spuštění elektrického nářadí.

d) **Nepoužívaná elektrická nářadí udržujte mimo dosah dětí.** Nedovolte používat elektrické nářadí osobám, které s ním nejsou obeznámeny nebo které nečetly tento návod. Elektrická nářadí jsou nebezpečná, pokud je používají nezkušené osoby.

e) **Údržbu elektrických nářadí a vsazeného nástroje vykonávejte pečlivě.** Zkontrolujte, zda jsou v pořádku pohyblivé části přístroje a zda nejsou sevřené, zda nejsou některé součásti rozbité nebo natolik poškozené, že je funkčnost elektrického nářadí omezena. Poškozené části elektrického nářadí nechte před jeho použitím opravit. Řada úrazů má svou příčinu ve špatné údržbě elektrických nářadí.

- f) Řezné nástroje udržujte v ostrém a čistém stavu. Pečlivě udržované řezné nástroje s ostrými řeznými hranami se méně zasekávají a snáze se vedou.
- g) Elektrické nářadí, příslušenství, vsazené nástroje atd. používejte dle těchto pokynů. Zohledňujte přitom pracovní podmínky a vykonávanou činnost. Použití elektrických nářadí k jiným než určeným účelům může vést ke vzniku nebezpečných situací.
- h) Udržujte rukojeti a plochy rukojetí suché, čisté a bez oleje a mastnoty. Kluzké rukojeti a plochy rukojetí neumožňují bezpečnou obsluhu a kontrolu elektrického nářadí v neočekávaných situacích.

## 5. Servis

- a) Nechte své elektrické nářadí opravovat pouze kvalifikovanými odborníky a používejte jen originální náhradní díly. Tím se zajistí, že zůstane zachována bezpečnost elektrického nářadí.

## Bezpečnostní pokyny specifické pro brusky

- Držte přístroj pouze za izolované plochy rukojeti, protože brusný pás 13 může zachytit svůj vlastní kabel. Poškození vedení, které je pod napětím, může přenést napětí na kovové díly přístroje a vést k zásahu elektrickým proudem.

### VÝSTRAHA!

- Prach z určitých materiálů, např. z olovnatého nátěru, některých druhů dřeva a kovu, může být zdraví škodlivý.
- Kontakt s tímto prachem nebo jeho vdechnutí představuje ohrožení zdraví pro obsluhující osobu a i pro osoby, které se zdržují poblíž.
- Používejte ochranné brýle a ochrannou masku proti prachu!

## Uvedení do provozu

### Upnutí/výměna brusného pásu

#### VÝSTRAHA! NEBEZPEČÍ ZRANĚNÍ!

- Před prováděním prací na pásové brusce vytáhněte vždy síťovou zástrčku ze zásuvky.

1. Povolte upínací zařízení brusného pásu tak, že zcela vytočíte upínací páku 4. Brusný pás 13 lze nyní vyjmout.
2. Položte nyní nový brusný pás 13 resp. jej vyměňte pro opracování jiného materiálu nebo změnu zrnitosti.  
**DŮLEŽITÉ:** Směry šipek na vnitřní straně brusného pásu 13 a na krytu přístroje se musí shodovat.
3. Upínací páku 4 zatlačte opět do výchozí polohy.

#### Manuální nastavení brusného pásu 13

Pokud se po zapnutí nevycentruje chod pásu, musíte chod pásu příp. manuálně upravit.

- ◆ K tomu účelu otáčejte seřizovacím šroubem 12 na přední kladce, dokud se brusný pás 13 nevycentruje.  
**DŮLEŽITÉ:** Bezpodmínečně dbejte na to, aby brusný pás 13 nedřel o kryt. Pravidelně kontrolyte vycentrování chodu pásu a pokud je to nutné, upravte jej seřizovacím šroubem 12.

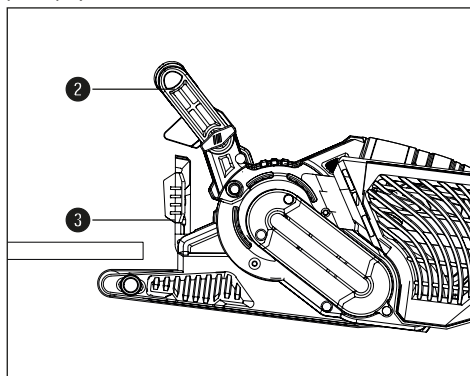
## Nastavení přidavné rukojeti

Přídavnou rukojeť **2** můžete nastavit do více poloh.

- ◆ K nastavení přidavné rukojeti **2** povolte šroub **7**.
- ◆ Nastavte přidavnou rukojeť **2** do požadované polohy.
- ◆ Šroub **7** opět pevně utáhněte.

## Odklopení čelního krytu

Čelní kryt **3** můžete odklopit k broušení na těžko přístupných místech (viz obrázek).



### **⚠ VÝSTRAHA!**

- ▶ Čelní kryt **3** lze odklopit pouze tehdy, pokud byla přidavná rukojeť **2** rovněž vyklopena nahoru (viz kapitola „Nastavení přidavné rukojeti“).
- ◆ Vyklopte čelní kryt **3** směrem nahoru.

## Umístění/odstranění odsávání prachu

### **⚠ VÝSTRAHA! NEBEZPEČÍ VÝBUCHU!**


- V případě výbušného prachu/směsi vzduchu musíte použít odsávač, který je k tomu speciálně určen. **NEBEZPEČÍ POŽÁRU OD ODLÉTÁVÁJÍCÍCH JISKER!** Při broušení kovů nepoužívejte odsávání prachu (nádobka na prach **11** nebo vysavač).

- Materiál obsahující azbest se nesmí opracovávat. Azbest je rakovinotvorný.

### **⚠ VÝSTRAHA! NEBEZPEČÍ POŽÁRU!**

- Při práci s elektrickým nářadím, které je vybaveno záchytnou nádobkou na prach nebo může být pomocí zařízení pro odsávání prachu propojeno s vysavačem, hrozí nebezpečí vzniku požáru! Za nepříznivých podmínek, např. při odlétávání jisker - při broušení kovů nebo zbytků kovu ve dřevě - se může dřevěný prach v záchytné nádobce na prach (nebo v sáčku na prach vysavače) samovznítit. To se může stát zejména tehdy, je-li dřevěný prach smíchán se zbytky laku nebo jinými chemickými látkami a je-li broušený materiál horký po dlouhém opracovávání. Proto se bezpodmínečně vyhněte přehřívání opracovávaného materiálu a přístroje a před pracovními přestávkami vždy vyprázdněte nádobku na prach u přístroje nebo sáček na prach ve vysavači.

- Zajistěte dobré větrání pracoviště.
- Pro zpracovávané materiály dodržujte předpisy platné ve Vaší zemi.

-  Noste ochrannou masku proti prachu.

### Přípevnění nádoby na prach 11

- ◆ Nádobku na prach 11 nasuňte shora na přípojku 9 pro nádobku na prach.

### Odmontování/sejmutí nádoby na prach

- ◆ Nádobku na prach 11 stáhněte směrem nahoru.

### Připojení adaptéru pro odsávání prachu a redukčního nastavce pro externí odsávání

- ◆ Nasuňte adaptér pro odsávání prachu 16 na přípojku 9.
- ◆ Zasuňte redukční nastavec 15 pro externí odsávání do adaptéru pro odsávání prachu 16.
- ◆ Nasuňte hadici schváleného odsávače prachu (např. dílenského vysavače) na redukční nastavec 15 pro externí odsávání.

### Sejmutí adaptéru pro odsávání prachu a redukčního nastavce pro externí odsávání

- ◆ Vytáhněte hadici odsávacího zařízení.
- ◆ Sejměte redukční nastavec 15 pro externí odsávání.
- ◆ Adaptér pro odsávání prachu 16 sejměte z přípojky 9 směrem nahoru.

## Pracovní pokyny

### Nízký tlak při broušení je dostačující

- Při broušení pracujte s nízkým tlakem. Pro dobrý výsledek při broušení je vlastní hmotnost pásové brusky dostačující. Kromě toho tímto způsobem zabráníte opotřebení brusného pásu 16 a povrch obrobku je hladší.

### Úběr a povrch

- Úběr a kvalita povrchu se určí rychlostí pásu a zrnitostí brusného pásu 16 (viz také část „Počet otáček a volba brusného pásu“).

## Broušení

- Zapnutý přístroj položte na obrobek a mírně jím pohybujte. Broušení provádějte rovnoběžně a s přesahem jednotlivých brusných drah. Aby nevznikaly rušivé, příčné stopy po broušení, pracujte pouze ve směru vláken. Po opracování přístroj z obrobku nadzvedněte a až poté jej vypněte.

### UPOZORNĚNÍ

- Během práce držte přístroj vždy pevně oběma rukama.

## Obsluha

### Zapnutí a vypnutí

Při provozu pásové brusky můžete volit mezi momentovým a trvalým provozem.

#### Zapnutí momentového provozu

- ◆ Stiskněte vypínač 1.

#### Vypnutí momentového provozu

- ◆ Vypínač 1 pusťte.

#### Zapnutí trvalého provozu

- ◆ Stiskněte vypínač 1, podržte ho stisknutý a stiskněte stavěcí tlačítko 10.

#### Vypnutí trvalého provozu

- ◆ Stiskněte vypínač 1 a pusťte jej.

### Vyprázdnění nádoby na prach

Nádobka na prach 11 by se během provozu měla vyprázdnit každých 10 minut.

- ◆ Sejměte nádobku na prach 11 (viz kapitola „Umístění/odstranění odsávání prachu“)
- ◆ Nádobku na prach 11 vyprázdněte vytřepáním nad odpadkovým košem.
- ◆ Nádobku na prach 11 opět umístěte na přístroj.

## Počet otáček a volba brusného pásu

Stavěcím kolečkem rychlosti pásu **5** můžete nastavit otáčky i při běžícím přístroji. Optimální rychlost pásu je závislá na opracovávaném obrobku, resp. materiálu. Nejvhodnější počet otáček vždy sami určete pomocí praktického testu. V následující tabulce najdete nezávazné hodnoty, které vám stanovení otáček ulehčí.

Materiál/ pracovní oblast	Měkké dřevo
Hrubé broušení (zrnitost)	60
Jemné broušení (zrnitost)	240
Předvolba počtu otáček	vyšoké (5–6)

Materiál/ pracovní oblast	Tvrde dřevo
Hrubé broušení (zrnitost)	60
Jemné broušení (zrnitost)	180
Předvolba počtu otáček	vyšoké (5–6)

Materiál/ pracovní oblast	Dřevotřískové desky
Hrubé broušení (zrnitost)	60
Jemné broušení (zrnitost)	150
Předvolba počtu otáček	vyšoké (5–6)

Materiál/ pracovní oblast	Odstranění barevných nátěrů a laků
Hrubé broušení (zrnitost)	60
Jemné broušení (zrnitost)	--
Předvolba počtu otáček	vyšoké (5–6)

Materiál/ pracovní oblast	Přebroušení laků
Hrubé broušení (zrnitost)	150
Jemné broušení (zrnitost)	320
Předvolba počtu otáček	nizké (1–2)

Materiál/ pracovní oblast	Odstraňování rzi na oceli
Hrubé broušení (zrnitost)	40
Jemné broušení (zrnitost)	120
Předvolba počtu otáček	střední/vyšoké (3–4)

Materiál/ pracovní oblast	Plasty
Hrubé broušení (zrnitost)	120
Jemné broušení (zrnitost)	240
Předvolba počtu otáček	nizké/střední (2–3)

Materiál/ pracovní oblast	Neželezné kovy (např. hliník)
Hrubé broušení (zrnitost)	80
Jemné broušení (zrnitost)	150
Předvolba počtu otáček	střední/vyšoké (3–4)

## Stacionární práce

- ◆ Přesuňte přídatnou rukojeť **2** do horizontální polohy.
- ◆ Otočte elektrické nářadí tak, jak je znázorněno na obrázku A, a položte jej na stabilní pracovní desku.
- ◆ Vložte dvě šroubové svorky **14** do k tomu určených prohlubní **8** a elektrické nářadí pevně upevněte.

## Tipy a triky

- Dřevo a kov nikdy nepracovávejte stejným brusným pásem **13**.
- Opořebované nebo natržené brusné pásy mohou poškodit obrobek. Proto brusné pásy včas vyměňte.
- Brusné pásy skladujte jen zavěšené, protože by se v důsledku lomů atd. znehodnotily.

## Údržba a čištění



**VÝSTRAHA! NEBEZPEČÍ ZRANĚNÍ!**  
**Před jakoukoli prací na přístroji ho vypněte a vytáhněte síťovou zástrčku ze zásuvky.**

Pásová bruska je bezúdržbová.

- Přístroj vyčistěte bezprostředně po ukončení práce.
- K čištění přístroje použijte suchý hadřík, nikdy však benzín, rozpouštědla nebo čisticí prostředky, které by mohly poškodit plast.

### Vyprázdnění/čištění nádoby na prach **11**

- ◆ Stáhněte nádobku na prach **11** z přístroje.
- ◆ Nádobku na prach **11** zcela vyprázdněte vyklepáním a nádobku na prach **11** opět zastrčte do přístroje.
- ◆ Udržujte větrací otvory vždy volné.
- ◆ Ulpívající brusný prach odstraňte ščetcem.

## Likvidace



Obal je z ekologických materiálů. Lze ho zlikvidovat v místních recyklačních kontejnerech.



### Nevyhazujte elektrické nářadí do domovního odpadu!

V souladu s evropskou směrnicí č. 2012/19/EU musí být opořebovaná elektrická nářadí shromažďována odděleně a odevzdána k ekologické recyklaci.

Informace o možnostech likvidace vysloužilého přístroje Vám poskytne obecní nebo městský úřad.



Obal zlikvidujte ekologicky. Dbejte na označení na různých obalových materiálech a v případě potřeby tyto obaly rozříd'te. Obalové materiály jsou označeny zkratkami (a) a číslicemi (b) s následujícím významem: 1–7: plasty, 20–22: papír a lepenka, 80–98: kompozitní materiály.



Informace o možnostech likvidace vysloužilého výrobku vám podá správa vašeho obecního nebo městského úřadu.



Výrobek je recyklovatelný, podléhá rozšířené odpovědnosti výrobce a je shromažďován odděleně.

## Záruka společnosti Kompernass Handels GmbH

Vážená zákaznice, vážený zákazníku,

na tento přístroj získáváte záruku v trvání 3 let od data zakoupení. V případě závad tohoto výrobku máte zákonná práva vůči prodejci výrobku. Tato zákonná práva nejsou omezena naší níže uvedenou zárukou.

### Záruční podmínky

Záruční doba začíná plynout dnem nákupu. Dobře uschovejte pokladní doklad. Tento doklad je potřebný jako důkaz o koupi.

Pokud se do tří let od data zakoupení tohoto výrobku vyskytne vada materiálu nebo výrobní závada, pak Vám podle našeho uvážení výrobek zdarma opravíme, vyměníme nebo uhradíme kupní cenu. Předpokladem této záruky je, že bude během tříleté lhůty předložen vadný přístroj a doklad o koupi (pokladní doklad) a stručně se popíše, v čem závada spočívá a kdy se vyskytla.

Vztahuje-li se na závadu naše záruka, obdržíte zpět buď opravený nebo nový produkt. Opravou nebo výměnou výrobku nezačne plynout nová záruční doba.

### Záruční doba a zákonné nároky vyplývající ze závad

Záručním plněním se záruční doba neprodlužuje. To platí i pro vyměněné a opravené součásti. Poškození nebo vady vyskytující se případně již při nákupu se musí oznámit ihned po vybalení. Po uplynutí záruční doby podléhají veškeré opravy zpoplatnění.

### Rozsah záruky

Přístroj byl vyroben pečlivě podle přísných směrnic kvality a před expedicí byl svědomitě vyzkoušen.

Záruka se vztahuje na materiálové nebo výrobní vady. Tato záruka se nevztahuje na součásti výrobku, které jsou vystaveny běžnému opotřebení, a proto je lze považovat za spotřební díly, nebo na poškození křehkých součástí, jako jsou např. spínače nebo díly, které jsou vyrobeny ze skla.

Tato záruka zaniká, pokud je výrobek poškozen, nebyl řádně používán nebo udržován. Pro zajištění správného používání výrobku se musí přesně dodržovat všechny pokyny uvedené v návodu k obsluze. Účelům použití a úkonům, které se v návodu k obsluze nedoporučují nebo se před nimi varuje, je třeba se bezpodmínečně vyhnout.

Výrobek je určen pouze pro soukromé účely a ne pro komerční použití. Při nesprávném a neodborném používání, při použití násilí a při zásazích, které nebyly provedeny našimi autorizovanými servisními provozovny, záruční nároky zanikají.

### Záruční lhůta neplatí v těchto případech

- normální opotřebení kapacity akumulátoru
- komerční použití výrobku
- poškození nebo změna výrobku zákazníkem
- nedodržení bezpečnostních předpisů a předpisů údržby, chyby obsluhy
- škody vlivem přírodních živlů

## Vyřízení v případě záruky

Pro zajištění rychlého Vaší žádosti postupujte podle následujících pokynů:

- Pro všechny dotazy mějte připraven pokladní lístek a číslo výrobku (např. IAN 12345) jako doklad o koupi.
- Číslo výrobku naleznete na typovém štítku na výrobku, rytině na výrobku, na titulní straně návodu k obsluze (vlevo dole) nebo na nálepku na zadní nebo spodní straně výrobku.
- Pokud by se měly vyskytovat funkční vady nebo jiné závady, kontaktujte nejprve níže uvedené servisní oddělení **telefonicky** nebo **e-mailem**.
- Výrobek, zaevidovaný jako vadný výrobek pak můžete při přiložení dokladu o nákupu (pokladní lístek) a při uvedení, v čem spočívá vada a kdy k ní došlo, poslat výrobek pro Vás bez poštovního na adresu, kterou Vám oznámí servis.



Na webových stránkách [www.lidl-service.com](http://www.lidl-service.com) si můžete stáhnout tyto a mnoho dalších příruček, videí o výrobku a instalační software.

Pomocí kódu QR se dostanete přímo na stránku servisu Lidl ([www.lidl-service.com](http://www.lidl-service.com)) a můžete pomocí zadání čísla výrobku (IAN) 373104\_2104 otevřít svůj návod k obsluze.

### ⚠ VÝSTRAHA!

- Nechte své přístroje opravit v servisní dílně nebo odborným elektrikářem a pouze za použití originálních náhradních dílů. Zajistíte tak, že zůstane zachována bezpečnost přístroje.
- Výměnu zástrčky nebo síťového kabelu svěřte vždy výrobcí přístroje nebo jeho zákaznickému servisu. Zajistíte tak, že zůstane zachována bezpečnost přístroje.

### UPOZORNĚNÍ

- Neuvedené náhradní díly (jako např. uhlíkové kartáče, spínače, nádobka na prach) si můžete objednat prostřednictvím našich callcenter.

## Servis

**CZ** Servis Česko

Tel.: 800143873

E-Mail: [kompernass@lidl.cz](mailto:kompernass@lidl.cz)

IAN 373104\_2104

## Dovozce

Dbejte prosím na to, že následující adresa není adresou servisu. Kontaktujte nejprve uvedený servis.

KOMPERNASS HANDELS GMBH

BURGSTRASSE 21

44867 BOCHUM

NĚMECKO

[www.kompernass.com](http://www.kompernass.com)



## Překlad originálu prohlášení o shodě

My, KOMPERNASS HANDELS GMBH, osoba odpovědná za dokumentaci: pan Semi Uguzlu, BURGSTR. 21, 44867 BOCHUM, Deutschland/Německo, tímto prohlašujeme, že tento výrobek je ve shodě s následujícími normami, normativními dokumenty a směrnicemi ES:

**Směrnice o strojních zařízeních**  
(2006/42/EC)

**Směrnice o elektromagnetické kompatibilitě**  
(2014/30/EU)

**Směrnice o omezení používání nebezpečných látek (RoHS)**  
(2011/65/EU)\*

\* Výhradní odpovědnost za vystavení tohoto prohlášení o shodě nese výrobce. Výše popsany předmět prohlášení je v souladu s předpisy směrnice č. 2011/65/EU Evropského parlamentu a Rady ze dne 8. června 2011 o omezení používání určitých nebezpečných látek v elektrických a elektronických zařízeních.

### Použité harmonizované normy

EN 62841-1:2015

EN 62841-2-4:2014

EN 55014-1:2017/A11:2020

EN 55014-2:2015

EN IEC 61000-3-2:2019

EN 61000-3-3:2013/A1:2019

EN IEC 63000:2018

EN ISO 12100:2010

**Typové označení stroje:** Pásová bruska PBSD 900 A1

**Rok výroby: 07-2021**

**Sériové číslo: IAN 373104\_2104**

Bochum, 27.05.2021



Semi Uguzlu  
- manažer kvality -

Technické změny ve smyslu dalšího vývoje jsou vyhrazeny.

# Spis treści

<b>Wstęp</b> .....	<b>64</b>
Użytkowanie zgodne z przeznaczeniem .....	64
Przedstawione komponenty .....	64
Zakres dostawy .....	64
Dane techniczne .....	64
<b>Ogólne wskazówki bezpieczeństwa dla elektronarzędzi</b> .....	<b>65</b>
1. Bezpieczeństwo na stanowisku pracy .....	65
2. Bezpieczeństwo elektryczne .....	65
3. Bezpieczeństwo osób .....	66
4. Użytkowanie i obsługa elektronarzędzia .....	66
5. Serwis .....	67
Szczegółowe wskazówki bezpieczeństwa dotyczące szlifierek .....	67
<b>Uruchomienie</b> .....	<b>67</b>
Montaż/wymiana taśmy szlifierskiej .....	67
Ustawianie dodatkowego uchwytu .....	68
Podnoszenie przedniej pokrywy .....	68
Montaż/demontaż odciągu pyłu .....	68
Wskazówki dotyczące pracy .....	69
<b>Obsługa</b> .....	<b>69</b>
Włączanie i wyłączanie .....	69
Opróżnianie pojemnika na pył .....	69
Wybór prędkości obrotowej oraz taśmy szlifierskiej .....	70
Praca stacjonarna .....	71
Wskazówki i porady .....	71
<b>Konserwacja i czyszczenie</b> .....	<b>71</b>
<b>Utylizacja</b> .....	<b>72</b>
<b>Gwarancja Kompernaß Handels GmbH</b> .....	<b>72</b>
<b>Serwis</b> .....	<b>73</b>
<b>Importer</b> .....	<b>73</b>
<b>Tłumaczenie oryginalnej deklaracji zgodności</b> .....	<b>74</b>

# SZLIFIERKA TAŚMOWA PBSD 900 A1

## Wstęp

Gratulujemy zakupu nowego urządzenia. Wybrany produkt charakteryzuje się wysoką jakością. Instrukcja obsługi stanowi część niniejszego produktu. Zawiera ona ważne informacje na temat bezpieczeństwa, użytkowania i utylizacji. Przed rozpoczęciem użytkowania produktu należy zapoznać się ze wszystkimi wskazówkami dotyczącymi obsługi i bezpieczeństwa. Produkt należy użytkować wyłącznie zgodnie z zamieszczonym tu opisem oraz w podanym zakresie zastosowań. W przypadku przekazania urządzenia osobie trzeciej należy dołączyć do niego również całą dokumentację.

## Użytkowanie zgodnie z przeznaczeniem

W zależności od zastosowanego papieru ściernego, szlifierka taśmowa przeznaczona jest do szlifowania na sucho drewna, tworzyw sztucznych, metalu i masy szpachlowej oraz powierzchni lakierowanych. Urządzenie może być używane tylko do szlifowania na sucho. Należy pamiętać, aby do obróbki poszczególnych materiałów używać odpowiednich papierów ściernych o różnej ziarnistości oraz odpowiednio dopasowywać prędkość obrotową. Urządzenie nie nadaje się do zastosowań komercyjnych. Stosowanie urządzenia do innych celów lub dokonywanie jego modyfikacji uznaje się za niezgodne z jego przeznaczeniem i stwarza poważne ryzyko wypadków. Producent nie ponosi żadnej odpowiedzialności za szkody powstałe w wyniku użycia urządzenia w sposób niezgodny z jego przeznaczeniem.

## Przedstawione komponenty



- 1 Włącznik/wyłącznik
- 2 Uchwyt dodatkowy (z gumowanym chwytem)
- 3 Pokrywa przednia
- 4 Dźwignia mocująca do taśmy szlifierskiej
- 5 Pokrętko regulacyjne prędkości taśmy
- 6 Uchwyt (z gumowanym chwytem)
- 7 Śruba regulacji uchwytu
- 8 Wycięcia na ścisk stolarski
- 9 Przyłącze do pojemnika na pył

- 10 Przycisk blokady włącznika/wyłącznika
- 11 Pojemnik na pył
- 12 Śruba regulacyjna biegu taśmy
- 13 Taśma szlifierska
- 14 Ścisk stolarski
- 15 Reduktor
- 16 Adapter do odsysania pyłu

## Zakres dostawy

- 1 szlifierka taśmowa
- 1 taśma szlifierska do drewna (ziarnistość 80)
- 1 pojemnik na pył
- 1 adapter odciągu pyłowego oraz reduktor (do zewnętrznego odciągu pyłowego)
- 2 ściski stolarskie
- 1 instrukcja obsługi

## Dane techniczne

Napięcie znamionowe	230 V ~, 50 Hz (prąd przemienny)
Znamionowy pobór mocy	900 W
Prędkość taśmy na biegu jałowym	240–400 m/min
Znamionowa prędkość obrotowa na biegu jałowym	 n <sub>0</sub> 450–750 min <sup>-1</sup>
Taśma szlifierska	75 x 533 mm
Klasa ochrony	II /  (podwójna izolacja)

## Wartość emisji hałasu

Wartość pomiarowa hałasu określona zgodnie z normą EN 62841. Korygowany współczynnikiem A poziom hałasu elektronarzędzia wynosi z reguły:

Poziom ciśnienia akustycznego	L <sub>pA</sub> = 89 dB (A)
Niepewność pomiaru	K <sub>pA</sub> = 3 dB
Poziom mocy akustycznej	L <sub>WA</sub> = 100 dB (A)
Niepewność pomiaru	K <sub>WA</sub> = 3 dB

## Nosić ochronniki słuchu!

## Wartość całkowita drgań

Całkowite wartości drgań (suma wektorów trzech kierunków) ustalone zgodnie z normą EN 62841: Szlifowanie z użyciem talerza szlifierskiego:

Główny uchwyt	a <sub>h</sub> = 3,0 m/s <sup>2</sup>
Dodatkowy uchwyt	a <sub>h</sub> = 2,8 m/s <sup>2</sup>
Niepewność pomiarów	K = 1,5 m/s <sup>2</sup>

## WSKAZÓWKA

- ▶ Podane w tej instrukcji łączne wartości drgań oraz wartości emisji hałasu zostały zmierzone znormalizowaną metodą pomiaru i mogą zostać wykorzystane do porównania jednego elektronarzędzia z innym.
- ▶ Podane łączne wartości drgań oraz podane wartości emisji hałasu mogą posłużyć także do wstępnej oceny stopnia narażenia.

## OSTRZEŻENIE!

- ▶ Emisje drgań i hałasu mogą w czasie korzystania z elektronarzędzia różnić się od wskazanych wartości, zależnie od sposobu użytkowania elektronarzędzia, a w szczególności od rodzaju przedmiotu obrabianego.
- ▶ Należy starać się, aby obciążenie było jak najmniejsze. Przykładowe środki ograniczające narażenie na wibracje obejmują noszenie rękawic w trakcie korzystania z narzędzia i ograniczenie czasu pracy. Należy przy tym uwzględnić wszystkie części cyklu pracy (na przykład czas, przez jaki elektronarzędzie pozostaje wyłączone oraz takie, w których jest ono wprawdzie włączone, ale pracuje bez obciążenia).



## Ogólne wskazówki bezpieczeństwa dla elektronarzędzi



## OSTRZEŻENIE!

- ▶ Przeczytaj wszystkie wskazówki bezpieczeństwa, instrukcję, zapoznaj się z ilustracjami oraz danymi technicznymi dotyczącymi tego elektronarzędzia. Nieprzestrzeganie poniższych instrukcji może być przyczyną porażenia prądem elektrycznym, pożaru i/lub ciężkich obrażeń ciała.

## Wszystkie wskazówki bezpieczeństwa oraz instrukcję należy zachować do późniejszego wykorzystania.

Użyte we wskazówkach bezpieczeństwa pojęcie „elektonarzędzie“ dotyczy narzędzi elektrycznych zasilanych z sieci (przez kabel sieciowy) oraz narzędzi elektrycznych zasilanych akumulatorami (bez kabla sieciowego).

### 1. Bezpieczeństwo na stanowisku pracy

- Stanowisko pracy należy utrzymywać w czystości i dbać o jego dobre oświetlenie. Nieporządek i niedostateczne oświetlenie mogą doprowadzić do różnych wypadków.
- Nigdy nie używaj elektronarzędzia w otoczeniu zagrożonym wybuchem, w którym znajdują się łatwopalne ciecze, gazy lub pyły. Elektronarzędzia wytwarzają iskry, które mogą spowodować zapłon pyłu lub oparów.
- W czasie użytkowania elektronarzędzia zwróć uwagę na to, aby w pobliżu nie przebywały dzieci ani żadne inne osoby. W przypadku odwrócenia uwagi od pracy możesz stracić kontrolę nad elektronarzędziem.

### 2. Bezpieczeństwo elektryczne

- Wtyk przyłączeniowy elektronarzędzia musi pasować do gniazda zasilania. Dokonywanie zmian we wtyku jest zabronione. Nigdy nie używaj adapterów wtyków w połączeniu z elektronarzędziami mającymi uziemienie. Oryginalne wtyki oraz pasujące gniazda wtykowe zmniejszają ryzyko porażenia prądem elektrycznym.
- Unikaj kontaktu z uziemionymi powierzchniami, takimi jak rury, grzejniki, kuchenki lub lodówki. Zetknięcie się z uziemionym przedmiotem zwiększa ryzyko porażenia prądem elektrycznym.
- Nigdy nie narażaj elektronarzędzia na działanie deszczu lub wilgoci. Przedostanie się wody do wnętrza elektronarzędzia zwiększa ryzyko porażenia prądem elektrycznym.

- d) Nigdy nie chwytaj za kabel zasilający, np. w celu przeniesienia bądź zawieszenia elektronarzędzia lub wyciągnięcia wtyku z gniazda zasilania. Chronić kabel zasilający przed źródłami gorąca, olejem, ostrymi krawędziami lub poruszającymi się częściami urządzenia. Uszkodzone lub poplątane kable zasilające zwiększają ryzyko porażenia prądem elektrycznym.
- e) Podczas pracy z elektronarzędziem na zewnątrz stosuj wyłączniki przedłużacze, które są dopuszczone również do użytku na zewnątrz pomieszczeń. Stosowanie przedłużacza przystosowanego do pracy na zewnątrz pomieszczeń zmniejsza ryzyko porażenia prądem elektrycznym.
- f) Jeśli nie da się uniknąć pracy z elektronarzędziem w wilgotnym otoczeniu, zastosuj wyłącznik różnicowo-prądowy. Zastosowanie wyłącznika różnicowo-prądowego zmniejsza ryzyko porażenia prądem elektrycznym.

### 3. Bezpieczeństwo osób

- a) Zawsze zachowuj ostrożność i uważaj na to, co robisz. Praca z elektronarzędziem wymaga także zachowania zasad zdrowego rozsądku. Nie korzystaj z elektronarzędzia w przypadku przemęczenia, bycia pod wpływem narkotyków, alkoholu lub lekarstw. Nawet chwila nieuwagi podczas korzystania z elektronarzędzia może spowodować poważne obrażenia ciała.
- b) Noś środki ochrony indywidualnej i obowiązkowo okulary ochronne. Noszenie środków ochrony indywidualnej, np. maski przeciwpyłowej, antypoślizgowego obuwia roboczego, kasku lub ochronników słuchu - w zależności od rodzaju i zastosowania elektronarzędzia - zmniejsza ryzyko odniesienia obrażeń.
- c) Unikaj sytuacji prowadzących do przypadkowego uruchomienia urządzenia. Przed podłączeniem do zasilania sieciowego i/lub akumulatora, przed chwyceniem lub przeniesieniem elektronarzędzia upewnij się, że elektronarzędzie jest wyłączone. Trzymanie palca na wyłączniku w trakcie przenoszenia elektronarzędzia lub podłączenie elektronarzędzia do zasilania z wciśniętym już wyłącznikiem może doprowadzić do wypadku.
- d) Przed włączeniem elektronarzędzia usuń wszystkie przyrządy regulacyjne lub klucze. Narzędzie lub klucz pozostawiony w obracającej się części elektronarzędzia może spowodować obrażenia ciała.
- e) Unikaj nienaturalnej postawy ciała. Zadbaj o utrzymanie stabilnej postawy i przez cały czas utrzymuj równowagę. Dzięki temu będzie można lepiej kontrolować elektronarzędzie w przypadku nieoczekiwanych sytuacji.
- f) Noś odpowiednią odzież. Nie zakładaj luźnych ubrań ani biżuterii. Włosy, odzież i odzież trzymaj z dala od ruchomych części urządzenia. Ruchome części urządzenia mogą pochwycić luźną, odstającą odzież, biżuterię lub długie włosy.
- g) Jeżeli możliwe jest podłączenie odciągu i zbiornika pyłu, należy je podłączyć i używać ich w prawidłowy sposób. Zastosowanie odciągu pyłowego może zmniejszyć zagrożenia związane z zapyleniem.
- h) Nie ulegaj złudnemu poczuciu bezpieczeństwa i nie ignoruj zasad bezpieczeństwa dla elektronarzędzi, nawet jeśli po wielokrotnym korzystaniu jesteś zaznajomiony z elektronarzędziem. Nieuwaga może w ciągu ułamków sekund stać się przyczyną poważnych obrażeń.

### 4. Użytkowanie i obsługa elektronarzędzia

- a) Nie przeciążaj elektronarzędzia. Elektronarzędzia używaj zawsze do ściśle określonego zakresu użytkowania. Z odpowiednim elektronarzędziem pracuje się lepiej i bezpiecznie w podanym zakresie mocy.
- b) Nie używaj elektronarzędzia z uszkodzonym wyłącznikiem. Elektronarzędzie, którego nie można włączyć ani wyłączyć, stanowi zagrożenie i musi zostać niezwłocznie przekazane do naprawy.
- c) Przed dokonaniem ustawień elektronarzędzia, wymianą narzędzi roboczych lub odłożeniem elektronarzędzia na bok wyciągnij wtyk z gniazda zasilania i/lub wyjmij akumulator. Ten środek ostrożności uniemożliwi przypadkowe uruchomienie elektronarzędzia.

- d) Nieużywane elektronarzędzia przechowuj w miejscu niedostępnym dla dzieci. Nie pozwalaj na używanie elektronarzędzia przez osoby, które nie wiedzą, jak się z nim obchodzić lub nie przeczytały niniejszych instrukcji. Elektronarzędzia w rękach niepowołanych osób stanowią duże zagrożenie.
- e) Elektronarzędzia i narzędzia robocze wymagają starannej pielęgnacji. Sprawdź, czy ruchome elementy działają prawidłowo i nie blokują się, czy żaden z elementów nie pękł lub nie jest uszkodzony w stopniu uniemożliwiającym prawidłowe działanie elektronarzędzia. Przed zastosowaniem elektronarzędzia złącz naprawę uszkodzonych części. Przyczyną wielu wypadków z elektronarzędziami jest ich niewłaściwa konserwacja.
- f) Dbaj o to, aby narzędzia skrawające były ostre i czyste. Zadbane narzędzia skrawające z ostrymi ostrzami rzadziej się blokują i pozwalają się lepiej prowadzić.
- g) Korzystaj z elektronarzędzia, narzędzi roboczych itd. zgodnie z niniejszymi instrukcjami. Uwzględnij przy tym warunki pracy i wykonywaną czynność. Używanie elektronarzędzi do celów innych niż przewiduje to ich przeznaczenie może doprowadzić do niebezpiecznych sytuacji.
- h) Uchwyty i powierzchnie uchwytów utrzymuj w czystości, w stanie suchym, wolne od olejów i smarów. Śliskie uchwyty i powierzchnie uchwytów nie dają gwarancji bezpiecznej obsługi i kontroli elektronarzędzia w trudnych do przewidzenia sytuacjach.

## 5. Serwis

- a) Naprawę elektronarzędzia należy zlecać tylko wykwalifikowanemu specjalście i stosować do tego wyłącznie oryginalne części zamienne. Dzięki temu zapewnione jest bezpieczeństwo użytkownika elektronarzędzia.

## Szczegółowe wskazówki bezpieczeństwa dotyczące szlifierek

- Trzymać urządzenie zawsze za izolowane powierzchnie uchwytów, ponieważ taśma szlifierska **15** może przez przypadek dotknąć i uszkodzić własny kabel zasilający. Uszkodzenie przewodu przewodzącego prąd może spowodować pojawienie się napięcia również w metalowych elementach urządzenia i spowodować porażenie prądem.

### OSTRZEŻENIE!

- Pyły pochodzące z materiałów takich, jak zawierające ołów powłoki malarskie, niektóre rodzaje drewna i metalu, mogą być szkodliwe dla zdrowia.
- Kontakt lub wdychanie tych pyłów stanowi zagrożenie dla zdrowia osoby obsługującej urządzenie lub osób znajdujących się w pobliżu.
- Nosić okulary ochronne oraz maskę przeciwpyłową!

## Uruchomienie

### Montaż/wymiana taśmy szlifierskiej

#### OSTRZEŻENIE! NIEBEZPIECZEŃSTWO OBRAZEŃ!

- Przed przystąpieniem do jakichkolwiek prac przy szlifierce taśmowej należy wyjąć wtyk z gniazda zasilania.
1. Poluzować napinacz taśmy szlifierskiej, przesuwając dźwignię napinacza **4** całkowicie na zewnątrz. Teraz można wyjąć taśmę szlifierską **13**.
  2. Teraz założyć nową taśmę szlifierską **15** lub wymienić ją, aby prowadzić obróbkę innego materiału albo zmienić na taśmę o innej ziarnistości.  
**WAŻNE:** Kierunki wskazane strzałkami po stronie wewnętrznej taśmy szlifierskiej **15** oraz na obudowie urządzenia muszą być zgodne.
  3. Nacisnąć dźwignię napinacza **4** ponownie w położenie podstawowe.

## Ręczna regulacja taśmy szlifierskiej 18

Jeśli po włączeniu urządzenia taśma nie będzie biegła środkiem, należy w razie potrzeby ręcznie wyregulować bieg taśmy.

- ◆ W tym celu należy kręcić śrubą regulacyjną 12 na przednim wałku, aż taśma szlifierska 18 będzie przebiegała środkiem.

**WAŻNE:** Należy koniecznie uważać na to, aby taśma szlifierska 18 nie ocierała się o obudowę. Regularnie sprawdzać prawidłowy bieg taśmy i w razie potrzeby odpowiednio go wyregulować śrubą regulacyjną 12.

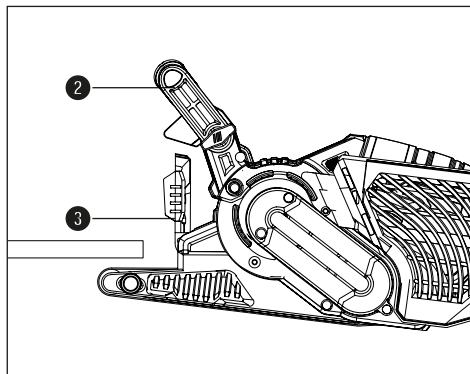
## Ustawianie dodatkowego uchwytu

Dodatkowy uchwyt 2 można ustawić w wielu pozycjach.

- ◆ W celu zmiany ustawienia dodatkowego uchwytu poluzuj 2 śrubę 7.
- ◆ Obróć dodatkowy uchwyt 2 w żądanym położeniu.
- ◆ Dokręć ponownie śrubę 7.

## Podnoszenie przedniej pokrywy

Przednią pokrywę 3 można podnosić, aby dostać się do trudno dostępnych miejsc (patrz rysunek).



### ⚠ OSTRZEŻENIE!

- ▶ Pokrywę przednią 3 można złożyć, gdy dodatkowy uchwyt 2 również został złożony do góry (patrz rozdział „Ustawianie dodatkowego uchwytu”).
- ◆ Otwórz przednią pokrywę 3 do góry.

## Montaż/demontaż odciągu pyłu

### ⚠ OSTRZEŻENIE! NIEBEZPIECZEŃSTWO WYBUCHU!

- W przypadku mieszaniny wybuchowej pył/powietrze, należy użyć przeznaczonego specjalnie do tego urządzenia odciągowego. NIEBEZPIECZEŃSTWO POŻARU WSKUTEK ISKRZENIA! Podczas szlifowania metali nie używać odciągu pyłowego (pojemnik na pył 11 lub odkurzacz).
- Obróbka materiału zawierającego azbest jest zabroniona. Azbest jest rakotwórczy.

### ⚠ OSTRZEŻENIE! NIEBEZPIECZEŃSTWO POŻARU!

- Podczas prac z elektronarzędziami wyposażonymi w pojemnik na pył lub podłączonymi do odkurzacza odciąganiem do pyłów, istnieje zagrożenie pożarowe! W niekorzystnych warunkach, takich jak iskrzenie przy szlifowaniu metalu lub metalowych części znajdujących się w drewnie, może dojść do zapalenia się pyłów drewna w pojemniku na pył (lub w worku odkurzacza). W szczególności może to nastąpić, gdy pyły drewna są zmieszane z reszkami lakieru lub innych substancji chemicznych, a szlifowana powierzchnia jest gorąca na skutek długiego szlifowania. Z tego powodu zawsze unikać przegrzania szlifowanej powierzchni oraz samego urządzenia, a także opróżniać pojemnik na pył lub worek odkurzacza przed przerwami w pracy.
- Zapewnij dobrą wentylację miejsca pracy.
- Przestrzegaj obowiązujących w danym kraju przepisów dotyczących obróbki poszczególnych materiałów.

-  Nosić maskę przeciwpyłową.

### Montaż pojemnika na pył ①

- ◆ Wsuń pojemnik na pył ① od góry na przyłączy ⑨ pojemnika na pył.

### Demontaż/zdejmowanie pojemnika na pył

- ◆ Wyciągnąć pojemnik na pył ① do góry.

### Podłączenie adaptera do odsysania pyłu i reduktor do zewnętrznego odciągu pyłu

- ◆ Wsuń adapter odciągu ⑫ na przyłączy ⑨.
- ◆ Wsuń reduktor ⑮ do zewnętrznego odciągu do adaptera odciągu ⑫.
- ◆ Wsuń wąż dozwolonego odciągu pyłowego (np. odkurzacza warsztatowego) na reduktor ⑮ odciągu zewnętrznego.

### Demontaż adaptera odciągu pyłowego i reduktora zewnętrznego odciągu pyłu

- ◆ zdejmij wąż odciągu pyłowego.
- ◆ Zdejmij reduktor ⑮ zewnętrznego odciągu pyłowego.
- ◆ Zdejmij adapter odciągu pyłowego ⑫ z przyłącza ⑨ do góry.

## Wskazówki dotyczące pracy

### Wystarczy niewielki nacisk

- Podczas pracy wywieraj tylko niewielki nacisk na urządzenie. Masa własna szlifierki taśmowej jest wystarczająca dla zapewnienia dobrej wydajności szlifowania. Ponadto, pracując w ten sposób ograniczasz zużycie taśmy szlifierskiej ⑬, a powierzchnia przedmiotu obrabianego jest bardziej gładka.

### Szlifowanie i powierzchnia

- Szybkość ścierania i jakość powierzchni określone są przez prędkość oraz ziarnistość taśmy szlifierskiej ⑬ (patrz także akapit „Wybór prędkości obrotowej i taśmy szlifierskiej”).

## Proces szlifowania

- Włączone urządzenie umieść na przedmiocie obrabianym i pracuj z umiarkowanym posuwem. Szlifuj równolegle i na zakładkę w stosunku do pasów szlifowania. Aby uniknąć powstania przeszkadzających, poprzecznych śladów szlifowania, szlifuj tylko w kierunku ułożenia włókien. Po zakończeniu obróbki unieś urządzenie znad przedmiotu obrabianego i dopiero wówczas je wyłącz.

## WSKAZÓWKA

- ▶ Podczas pracy trzymaj urządzenie zawsze mocno oburącz.

## Obsługa

### Włączanie i wyłączenie

Podczas pracy szlifierki taśmowej można wybierać między trybem pracy chwilowej i ciągłej.

#### Włączanie pracy chwilowej

- ◆ Naciśnij włącznik/wyłącznik ①.

#### Wyłączanie pracy chwilowej

- ◆ Zwolnij włącznik/wyłącznik ①.

#### Włączenie trybu pracy ciągłej

- ◆ Naciśnij włącznik/wyłącznik ①, przytrzymaj go wciśnięty i przyciśnij przycisk blokady ⑩.

#### Wyłączenie trybu pracy ciągłej

- ◆ Naciśnij włącznik/wyłącznik ① i puść go.

### Opróżnianie pojemnika na pył

Pojemnik na pył ① powinien być w czasie pracy opróżniany co 10 minut.

- ◆ Zdejmij pojemnik na pył ① (patrz rozdział „Montaż/demontaż odciągu pyłu”).
- ◆ W celu opróżnienia wytrząśnij pojemnik na pył ① nad koszem na śmieci.
- ◆ Załóż pojemnik na pył ① ponownie na urządzenie.



## Wybór prędkości obrotowej oraz taśmy szlifierskiej

Pokrętem do regulacji prędkości taśmy **5** można ustawić odpowiednią prędkość obrotową również w czasie pracy urządzenia. Optymalna prędkość taśmy zależy od obrabianego przedmiotu lub materiału. Określ najlepszą prędkość obrotową poprzez każdorazowe przeprowadzanie prób. W poniższej tabeli znajdują się niewiążące wartości, ułatwiające dokonanie wyboru odpowiedniej prędkości obrotowej.

Materiał/ rodzaj prac	Drewno miękkie
Szlifowanie zgrubne (ziarnistość)	60
Szlifowanie precyzyjne (ziarnistość)	240
Ustawienie prędkości obrotowej	wysoka (5-6)

Materiał/ rodzaj prac	Drewno twarde
Szlifowanie zgrubne (ziarnistość)	60
Szlifowanie precyzyjne (ziarnistość)	180
Ustawienie prędkości obrotowej	wysoka (5-6)

Materiał/ rodzaj prac	Płyty wiórowe
Szlifowanie zgrubne (ziarnistość)	60
Szlifowanie precyzyjne (ziarnistość)	150
Ustawienie prędkości obrotowej	wysoka (5-6)

Materiał/ rodzaj prac	Usuwanie farb/lakierów
Szlifowanie zgrubne (ziarnistość)	60
Szlifowanie precyzyjne (ziarnistość)	--
Ustawienie prędkości obrotowej	wysoka (5-6)

Materiał/ rodzaj prac	Szlifowanie lakierów
Szlifowanie zgrubne (ziarnistość)	150
Szlifowanie precyzyjne (ziarnistość)	320
Ustawienie prędkości obrotowej	niska (1-2)

Materiał/ rodzaj prac	Usuwanie rdzy ze stali
Szlifowanie zgrubne (ziarnistość)	40
Szlifowanie precyzyjne (ziarnistość)	120
Ustawienie prędkości obrotowej	średnia/wysoka (3-4)

Materiał/ rodzaj prac	Tworzywa sztuczne
Szlifowanie zgrubne (ziarnistość)	120
Szlifowanie precyzyjne (ziarnistość)	240
Ustawienie prędkości obrotowej	niska/średnia (2-3)

Materiał/ rodzaj prac	Metale nieżelazne (np. aluminium)
Szlifowanie zgrubne (ziarnistość)	80
Szlifowanie precyzyjne (ziarnistość)	150
Ustawienie prędkości obrotowej	średnia/wysoka (3-4)

### Praca stacjonarna

- ◆ Ustaw dodatkowy uchwyt ② w położenie poziome.
- ◆ Obróć elektronarzędzie w sposób przedstawiony na rysunku A i umieść je na stabilnej płycie roboczej.
- ◆ Załóż dwa ściski stolarskie ⑭ w przewidzianych do tego wycięciach ③ i zaciśnij mocno elektronarzędzie.

### Wskazówki i porady

- Nigdy prowadzić obróbki drewna i metalu za pomocą tej samej taśmy szlifierskiej ⑬.
- Zużyte lub naderwane taśmy szlifierskie mogą uszkodzić detal. Dlatego należy wymieniać taśmy szlifierskie na czas.
- Taśmy szlifierskie przechowywać tylko w pozycji wiszącej, ponieważ wskutek zagięć itp. stają się one nieprzydatne do użycia.

### Konserwacja i czyszczenie



**OSTRZEŻENIE! NIEBEZPIECZEŃSTWO OBRAŻEŃ!** Przed rozpoczęciem jakichkolwiek prac przy urządzeniu należy je wyłączyć oraz wyjąć wtyk sieciowy z gniazda.

Szlifierka taśmowa jest urządzeniem bezobsługowym.

- Urządzenie należy czyścić regularnie, bezpośrednio po zakończeniu pracy.
- Do czyszczenia urządzenia używać suchej szmatki i nigdy nie używać benzyny, rozpuszczalników ani środków czyszczących, które mogą źle działać na tworzywa sztuczne.

### Opróżnianie/czyszczenie pojemnika na pył ⑪

- ◆ Zdejmij pojemnik na pył ⑪ z urządzenia.
- ◆ Opróżnij pojemnik na pył ⑪ całkowicie opukując go i załóż pojemnik na pył ⑪ ponownie na urządzenie.
- ◆ Otwory wentylacyjne muszą być zawsze odstonięte.
- ◆ Przywierający pył szlifierski usuwaj pędzlem.

## Utylizacja



Opakowanie składa się w całości z materiałów przyjaznych środowisku naturalnemu. Można je wyrzucić do właściwych pojemników na surowce wtórne.



**Urządzeń elektrycznych nie wolno wyrzucać razem z odpadami domowymi!**

Zgodnie z dyrektywą europejską 2012/19/EU zużyte elektronarzędzia należy zbierać oddzielnie i poddawać procesowi odzysku z poszanowaniem zasad ochrony środowiska naturalnego.

O informacje na temat utylizacji zużytego urządzenia należy zapytać w najbliższym urzędzie gminy lub miasta.



Opakowania należy utylizować w sposób przyjazny dla środowiska. Przestrzegaj oznaczeń na różnych materiałach opakowaniowych i w razie potrzeby zutylizuj je zgodnie z zasadami segregacji odpadów. Materiały opakowaniowe są oznaczone skrótami (a) i cyframi (b) w następujący sposób: 1-7: tworzywa sztuczne, 20-22: papier i tektura, 80-98: kompozyty.



Informacje na temat możliwości utylizacji wystuzonego produktu można uzyskać w najbliższym urzędzie gminy lub miasta.



Produkt można poddać recyklingowi, podlega rozszerzonej odpowiedzialności producenta i jest zbierany w ramach systemu segregacji odpadów.

## Gwarancja

### Kompernaß Handels GmbH

Szanowny Kliencie,

To urządzenie objęte jest 3-letnią gwarancją, licząc od daty zakupu. W przypadku wad tego produktu, masz gwarantowane ustawowo prawa w stosunku sprzedawcy. Te ustawowe prawa nie są ograniczone przez nasze opisane poniżej warunki gwarancji.

#### Warunki gwarancji

Okres gwarancji rozpoczyna się od daty zakupu. Należy zachować paragon. Jest on wymagany jako dowód zakupu.

Jeżeli w ciągu trzech lat od daty zakupu produktu ujawni się w nim wada materiałowa lub produkcyjna, produkt zostanie wedle naszego uznania nieodpłatnie naprawiony, wymieniony na nowy lub zostanie zwrócona jego cena. Warunkiem spełnienia tego świadczenia gwarancyjnego jest dostarczenie w trakcie tego trzyletniego okresu uszkodzonego urządzenia wraz z dowodem zakupu (paragonem) oraz krótkim opisem wady i daty jej wystąpienia.

Jeżeli wada jest objęta naszą gwarancją, otrzymasz z powrotem naprawiony lub nowy produkt. Zgodnie z art. 581 §1 niemieckiego kodeksu cywilnego wraz z wymianą produktu lub jego istotnej części rozpoczyna się nowy okres gwarancyjny.

#### Okres gwarancji i ustawowe roszczenia gwarancyjne

Wykonanie usługi gwarancyjnej nie przedłuża okresu gwarancji. Dotyczy to również wymienionych i naprawionych części. Wszelkie szkody i wady wykryte w chwili zakupu należy zgłosić bezpośrednio po rozpakowaniu urządzenia. Po upływie okresu gwarancji wszelkie naprawy są wykonywane odpłatnie.

#### Zakres gwarancji

Urządzenie zostało starannie wyprodukowane i poddane przed wysyłką skrupulatnej kontroli jakości. Gwarancja obejmuje wady materiałowe lub produkcyjne. Niniejsza gwarancja nie obejmuje części produktu, podlegających normalnemu zużyciu, ani uszkodzeń części łatwo łamliwych, np. przelączników, lub części wykonanych ze szkła.

Niniejsza gwarancja traci swoją ważność, jeśli produkt został uszkodzony, nie używano go prawidłowo lub nie serwisowano należycie. W celu zapewnienia prawidłowego stosowania produktu należy ściśle przestrzegać wszystkich instrukcji wymienionych w instrukcjach obsługi. Należy bezwzględnie unikać zastosowania oraz postępowania, których odradza się w instrukcji obsługi lub przed którymi się w niej ostrzega.

Produkt przeznaczony jest wyłącznie do użytku domowego, a nie do zastosowań komercyjnych. Niewłaściwe użytkowanie urządzenia, używanie go w sposób niezgodny z jego przeznaczeniem, użycie siły lub ingerencja w urządzenie, dokonywana poza naszymi autoryzowanymi punktami serwisowymi, powodują utratę gwarancji.

### Okres gwarancji nie ma zastosowania w następujących przypadkach

- normalne zużycie pojemności baterii
- komercyjne wykorzystanie produktu
- uszkodzenie lub modyfikacja produktu przez klienta
- nieprzestrzeganie przepisów bezpieczeństwa i konserwacji, błędy w obsłudze
- szkody spowodowane zjawiskami naturalnymi

### Realizacja zobowiązań gwarancyjnych

W celu zapewnienia szybkiego załatwienia sprawy, postępuj zgodnie z poniższymi wskazówkami:

- W przypadku wszelkich pytań przygotuj paragon fiskalny oraz numer artykułu (np. IAN 12345) jako dowód zakupu.
- Numer artykułu można znaleźć na tabliczce znamionowej na produkcie, wygrawerowany na urządzeniu, zapisany na stronie tytułowej instrukcji obsługi (w dolnym lewym rogu) lub na naklejce z tyłu bądź na spodzie urządzenia.
- W przypadku wystąpienia błędów działania lub innych wad, prosimy o kontakt z odpowiednim działem serwisu **telefonicznie** lub **przez e-mail**.
- Zarejestrowany jako wadliwy produkt możesz wtedy wraz z dołączonym dowodem zakupu (paragonem) oraz opisem i datą wystąpienia usterki wysłać nieodpłatnie na przekazany wcześniej adres serwisu.



Na stronie [www.lidl-service.com](http://www.lidl-service.com) możesz pobrać te i wiele innych instrukcji, filmów o produktach oraz oprogramowanie instalacyjne.

Za pomocą tego kodu QR możesz przejść bezpośrednio na stronę serwisu Lidl ([www.lidl-service.com](http://www.lidl-service.com)), gdzie możesz otworzyć instrukcję obsługi, wpisując numer artykułu (IAN) 373104\_2104.

### OSTRZEŻENIE!

- **Naprawy urządzenia zlecaj wyłącznie serwisowi lub elektrykowi, stosując tylko oryginalne części zamienne.** Zapewni to właściwy poziom bezpieczeństwa użytkownika urządzenia po naprawie.
- **Wymianę wtyku lub kabla przewodu zasilającego powierzaj zawsze producentowi elektronarzędzia lub autoryzowanemu serwisowi.** Zapewni to właściwy poziom bezpieczeństwa użytkownika urządzenia po naprawie.

### WSKAZÓWKA

- ▶ Niewymienione tutaj części zamienne (np. szczotki węglowe, przełączniki, pojemnik na pył) można zamówić za pośrednictwem naszej infolinii serwisowej.

## Serwis

**Serwis Polska**  
Tel.: 22 397 4996  
E-Mail: [kompernass@lidl.pl](mailto:kompernass@lidl.pl)

IAN 373104\_2104

## Importer

Pamiętaj, że poniższy adres nie jest adresem serwisu. Skontaktuj się najpierw z odpowiednim punktem serwisowym.

KOMPERNASS HANDELS GMBH  
BURGSTRASSE 21  
44867 BOCHUM  
NIEMCY  
[www.kompernass.com](http://www.kompernass.com)

## Tłumaczenie oryginalnej deklaracji zgodności

My, KOMPERNASS HANDELS GMBH, osoba odpowiedzialna za dokumentację: Semi Uguzlu, BURGSTR. 21, 44867 BOCHUM, NIEMCY, oświadczamy niniejszym, że produkt ten jest zgodny z następującymi normami, dokumentami normatywnymi oraz dyrektywami WE:

**Dyrektywa maszynowa**  
(2006/42/EC)

**Dyrektywa w sprawie kompatybilności elektromagnetycznej**  
(2014/30/EU)

**Dyrektywa w sprawie stosowania substancji szkodliwych dla zdrowia**  
(2011/65/EU)\*

\* Wyłączną odpowiedzialność za wystawienie niniejszej deklaracji zgodności ponosi producent. Opisany powyżej przedmiot oświadczenia spełnia wymagania przepisów dyrektywy 2011/65/EU Parlamentu Europejskiego i Rady z 8 czerwca 2011 w sprawie ograniczenia stosowania określonych substancji niebezpiecznych w urządzeniach elektrycznych i elektronicznych.

### Zastosowane normy zharmonizowane

EN 62841-1:2015

EN 62841-2-4:2014

EN 55014-1:2017/A11:2020

EN 55014-2:2015

EN IEC 61000-3-2:2019

EN 61000-3-3:2013/A1:2019

EN IEC 63000:2018

EN ISO 12100:2010

**Oznaczenie typu maszyny:** Szlifierka taśmowa PBSD 900 A1

**Rok produkcji:** 07–2021

**Numer seryjny:** IAN 373104\_2104

Bochum, dnia 27.05.2021



Semi Uguzlu  
- dyrektor ds. jakości -

Zastrzegamy sobie prawo do wprowadzania zmian technicznych w ramach procesu udoskonalania urządzenia.

# Obsah

<b>Úvod</b> .....	<b>76</b>
Používanie v súlade s určením .....	76
Zobrazené komponenty .....	76
Rozsah dodávky .....	76
Technické údaje .....	76
<b>Všeobecné bezpečnostné pokyny pre elektrické náradie</b> .....	<b>77</b>
1. Bezpečnosť na pracovisku .....	77
2. Elektrická bezpečnosť .....	77
3. Bezpečnosť osôb .....	78
4. Manipulácia s elektrickým náradím a jeho použitie .....	78
5. Servis .....	79
Bezpečnostné upozornenia špecifické pre brúsky .....	79
<b>Uvedenie do prevádzky</b> .....	<b>79</b>
Upnutie/výmena brúsneho pásu .....	79
Nastavenie prídavnej rukoväti .....	80
Vyklopenie predného krytu .....	80
Upevnenie/odstránenie odsávania prachu .....	80
Pracovné pokyny .....	81
<b>Obsluha</b> .....	<b>81</b>
Zapnutie a vypnutie .....	81
Vyprázdnenie zásobníka na prach .....	81
Voľba otáčok a brúsneho pásu .....	82
Stacionárna práca .....	83
Tipy a triky .....	83
<b>Údržba a čistenie</b> .....	<b>83</b>
<b>Likvidácia</b> .....	<b>83</b>
<b>Záruka spoločnosti Kompennass Handels GmbH</b> .....	<b>84</b>
<b>Servis</b> .....	<b>85</b>
<b>Dovozca</b> .....	<b>85</b>
<b>Preklad originálneho vyhlásenia o zhode</b> .....	<b>86</b>

# PÁSOVÁ BRÚSKA PBSD 900 A1

## Úvod

Srdečne vám gratulujeme ku kúpe vášho nového prístroja. Touto kúpou ste sa rozhodli pre výrobok vysokej kvality. Návod na obsluhu je súčasťou tohto výrobku. Obsahuje dôležité upozornenia týkajúce sa bezpečnosti, používania a likvidácie. Pred používaním výrobku sa oboznámte so všetkými pokynmi na obsluhu a bezpečnostnými pokynmi. Výrobok používajte iba podľa popisu a v uvedených oblastiach použitia. Pri postúpení výrobku tretej osobe odovzdajte spolu s ním aj všetky dokumenty.

## Používanie v súlade s určením

Pásová brúska je určená – v závislosti od brúsneho papiera – na suché brúsenie plôch dreva, umelých hmôt, kovov a tmelov, ako aj lakovaných povrchov. Prístroj sa smie používať len na suché brúsenie. Dbajte na to, aby ste pri obrábaní rôznych materiálov používali príslušné brúsne listy s rozličnou zrnitosťou a taktiež prispôbilibi otáčky materiálu. Prístroj nie je určený na priemyselné použitie. Akýkoľvek iný spôsob používania alebo úprava stroja sa považuje za používanie v rozpore s určením a je skrytým zdrojom nebezpečenstva úrazu. Za škody vzniknuté v dôsledku použitia v rozpore s určením výrobcu nepreberá žiadnu zodpovednosť.

## Zobrazené komponenty



- 1 spínač ZAP/VYP
- 2 prídavná rukoväť (pogumovaná úchopná plocha)
- 3 predný kryt
- 4 upínacia páka pre brúsny pás
- 5 nastavovacie koliesko rýchlosti pásu
- 6 rukoväť (pogumovaná úchopná plocha)
- 7 skrutka na prestavenie rukoväti
- 8 vyhlbeniny pre skrutkové zvieradlo
- 9 pripojenie pre zásobník na prach
- 10 zaisťovacie tlačidlo pre spínač ZAP/VYP
- 11 zásobník na prach
- 12 nastavovacia skrutka pre chod pásu

- 13 brúsny pás
- 14 skrutkové zvieradlo
- 15 redukčný kus
- 16 odsávací adaptér

## Rozsah dodávky

- 1 pásová brúska
- 1 brúsny pás na drevo (zrnitosť 80)
- 1 zásobník na prach
- 1 odsávací adaptér a redukčný kus (na externé odsávanie prachu)
- 2 skrutkové zvieradlá
- 1 návod na obsluhu

## Technické údaje

Dimenzačné napätie	230 V ~, 50 Hz (striedavý prúd)
Dimenzovaný príkon	900 W
Rýchlosť pásu pri chode naprázdno	240–400 m/min
Dimenzačné otáčky pri chode naprázdno	 n <sub>0</sub> 450–750 min <sup>-1</sup>
Brúsny pás	75 x 533 mm
Trieda ochrany	II /  (dvojitá izolácia)

## Hodnota emisií hluku

Nameraná hodnota hluku zistená podľa EN 62841. Vyhodnotená hodnota hladiny hluku A elektrického náradia je typicky:

Hladina akustického tlaku	$L_{pA} = 89$ dB (A)
Neurčitost	$K_{pA} = 3$ dB
Hladina akustického výkonu	$L_{WA} = 100$ dB (A)
Neurčitost	$K_{WA} = 3$ dB

## Noste ochranu sluchu!

### Celková hodnota vibrácií

Hodnoty celkových vibrácií (súčet vektorov troch smerov) zisťované podľa EN 62841:

Brúsenie s brúsnym tanierom:

Hlavná rukoväť	$a_h = 3,0$ m/s <sup>2</sup>
Prídavná rukoväť	$a_h = 2,8$ m/s <sup>2</sup>
Neurčitost	$K = 1,5$ m/s <sup>2</sup>

**UPOZORNENIE**

- ▶ Uvedené celkové hodnoty vibrácií a uvedené hodnoty emisie hluku boli merané podľa normovaného skúšobného postupu a môžu sa použiť na porovnanie jedného elektrického náradia s druhým.
- ▶ Uvedené celkové hodnoty vibrácií a uvedené hodnoty emisie hluku sa môžu tiež použiť na predbežný odhad zaťaženia.

**⚠ VÝSTRAHA!**

- ▶ Emisie vibrácií a hluku sa môžu líšiť od uvedených hodnôt počas skutočného používania elektrického náradia, v závislosti od spôsobu, akým sa elektrické náradie používa, obzvlášť od druhu obrobku.
- ▶ Pokúste sa zaťaženie udržať podľa možnosti na čo najnižšej hodnote. Príkladom opatrení na zníženie zaťaženia vibráciami je nosenie rukavíc pri používaní náradia a obmedzenie pracovného času. Musia sa pritom zohľadniť všetky podiely prevádzkového cyklu (napríklad časy, v priebehu ktorých je elektrické náradie vypnuté a časy, počas ktorých je náradie síce zapnuté, ale beží bez zaťaženia).



## Všeobecné bezpečnostné pokyny pre elektrické náradie

**⚠ VÝSTRAHA!**

- ▶ Prečítajte si všetky bezpečnostné pokyny, upozornenia, ilustrácie a technické údaje, ktorými je opatrené toto elektrické náradie. Zanedbania pri dodržiavaní nasledujúcich pokynov môžu mať za následok zásah elektrickým prúdom, požiar a/alebo ťažké poranenia.

### Pre prípad budúceho použitia uschovajte všetky bezpečnostné pokyny a upozornenia.

V bezpečnostných pokynoch používaný pojem „elektrické náradie“ sa týka elektrického náradia napájaného zo siete (so sieťovým vedením) a elektrického náradia prevádzkovaného s akumulátorom (bez sieťového vedenia).

**1. Bezpečnosť na pracovisku**

- Udržiavajte svoje pracovisko v čistote a dobre osvetlené. Neporiadok a neosvetlené pracovné oblasti môžu viesť k úrazom.
- Nepracujte s elektrickým náradím na miestach s nebezpečenstvom výbuchu, na ktorých sa nachádzajú horľavé kvapaliny, plyny alebo prach. Z elektrického náradia vychádzajú iskry, ktoré môžu tento prach alebo výpary zapáliť.
- Počas používania elektrického náradia zabráňte prístupu detí a iných osôb. Pri odvrátení pozornosti môžete stratiť kontrolu nad elektrickým náradím.

**2. Elektrická bezpečnosť**

- Prípojná zástrčka elektrického náradia musí byť vhodná pre danú zásuvku. Zástrčka sa nesmie žiadnym spôsobom meniť. Spolu s elektrickým náradím, ktoré má ochranné uzemnenie, nepoužívajte žiadne sieťové adaptéry. Nezmenené zástrčky a vhodné zásuvky znižujú riziko zásahu elektrickým prúdom.
- Vyvarujte sa telesnému kontaktu s uzemnenými povrchmi ako sú potrubia, vykurovacie telesá, sporáky a chladničky. Ak je vaše telo uzemnené, hrozí zvýšené riziko zásahu elektrickým prúdom.
- Chráňte elektrické náradie pred dažďom alebo vlhkosťou. Vniknutie vody do elektrického náradia zvyšuje riziko zásahu elektrickým prúdom.
- Nepoužívajte pripojovacie vedenie na iné účely, ako napr. na nosenie, zavesenie elektrického náradia alebo na vyťahovanie zástrčky z elektrickej zásuvky. Pripojovacie vedenie udržiavajte mimo zdrojov tepla, oleja, ostrých hrán alebo pohybujúcich sa častí prístroja. Poškodené alebo zamotané pripojovacie vedenia zvyšujú riziko zásahu elektrickým prúdom.
- Ak pracujete s elektrickým náradím vonku, používajte len také predlžovacie vedenia, ktoré sú schválené na vonkajšie použitie. Použitie predlžovacieho vedenia vhodného pre vonkajšie prostredie zníži riziko zásahu elektrickým prúdom.



f) Ak nie je možné zabrániť prevádzke elektrického náradia vo vlhkom prostredí, použite prúdový chránič. Použitie prúdového chrániča znižuje riziko zásahu elektrickým prúdom.

### 3. Bezpečnosť osôb

- a) Buďte vždy pozorní a dávajte pozor na to, čo robíte a pri práci s elektrickým náradím postupujte s rozvahou. Nepoužívajte elektrické náradie, ak ste unavení alebo ak ste pod vplyvom drog, alkoholu alebo liekov. Aj okamih nepozornosti pri používaní elektrického náradia môže spôsobiť vážne zranenia.
- b) Vždy noste osobné ochranné prostriedky a ochranné okuliare. Nosenie osobných ochranných prostriedkov, ako je maska proti prachu, protišmyková bezpečnostná obuv, ochranná prilba alebo ochrana sluchu, podľa druhu a použitia elektrického náradia, znižuje riziko poranení.
- c) Zabráňte neúmyselnému uvedeniu do prevádzky. Pred zapojením napájania elektrického náradia do siete a/alebo akumulátora a pred jeho zdvíhaním a prenášaním sa presvedčte, či je vypnuté. Ak máte pri prenášaní elektrického náradia prst na spínači, alebo ak elektrické náradie zapojíte do zdroja elektrického prúdu zapnuté, môže to viesť k úrazom.
- d) Skôr než zapnete elektrické náradie, odstráňte nastavovacie náradie alebo kľúč na skrutky. Náradie alebo kľúč, ktorý sa nachádza na otáčajúcej sa časti elektrického náradia, môže spôsobiť zranenia.
- e) Vyhýbajte sa neprirozenému držaniu tela. Majte pevný postoj a udržiavajte stále rovnováhu. Takto môžete elektrické náradie lepšie kontrolovať v neočakávaných situáciách.
- f) Noste vhodný odev. Nenoste voľný odev ani šperky. Vlasy a odev sa musia udržiavať v bezpečnej vzdialenosti od pohyblivých dielov. Voľný odev, šperky alebo dlhé vlasy sa môžu zachytiť pohybujúcimi sa časťami elektrického náradia.

g) Ak je možná montáž zariadení na odsávanie a zachytávanie prachu, musia sa tieto pripojiť a používať správne. Používanie odsávania prachu môže zredukovať ohrozenie prachom.

h) Nenechajte sa ukolísať falošnou istotou a nepovznášajte sa nad bezpečnostné predpisy pre elektrické náradia, aj keď ste po viacnásobnom použití oboznámení s elektrickým náradím. Neodborná manipulácia môže v rámci zlomku sekundy viesť k ťažkým poraneniam.

### 4. Manipulácia s elektrickým náradím a jeho použitie

- a) Nepreťažujte elektrické náradie. Pri svojej práci používajte len na tento účel určené elektrické náradie. So správnym elektrickým náradím pracujete lepšie a bezpečnejšie v uvedenom rozsahu jeho výkonu.
- b) Nepoužívajte elektrické náradie s poškodeným spínačom. Elektrické náradie, ktoré sa nedá zapnúť alebo vypnúť, je nebezpečné a musí sa opraviť.
- c) Pred vykonávaním nastavení na prístroji, výmenou vložených nástrojov alebo pred odložením elektrického náradia vytiahnite zástrčku z elektrickej zásuvky a/alebo odstráňte odoberateľný akumulátor. Toto preventívne opatrenie zabraňuje neúmyselnému spusteniu elektrického náradia.
- d) Nepoužívané elektrické náradie uschovávajú mimo dosahu detí. Nedovoľte používať elektrické náradie osobám, ktoré s ním nie sú oboznámené alebo si neprečítali tieto pokyny. Elektrické náradie je nebezpečné, ak ho používajú neskúsené osoby.
- e) Elektrické náradie a vložený nástroj starostlivo udržiavajte. Skontrolujte, či pohyblivé diely fungujú bezchybne a nie sú zaseknuté, či niektoré diely nie sú zlomené alebo poškodené tak, aby bola obmedzená funkcia elektrického náradia. Pred použitím elektrického náradia nechajte opraviť poškodené časti. Veľa úrazov je spôsobených nedostatočnou údržbou elektrického náradia.

- f) **Rezné nástroje udržiavajte ostré a čisté.**  
Starostlivo udržiavané rezné nástroje s ostrými reznými hranami sa menej zasekávajú a ľahšie sa dajú viesť.
- g) **Elektrické náradie, príslušenstvo, vložené nástroje atď. používajte v súlade s týmito pokynmi. Zohľadnite pritom pracovné podmienky a činnosť, ktorú budete vykonávať.**  
Použitie elektrického náradia na iný ako určený účel použitia môže mať za následok nebezpečné situácie.
- h) **Rukoväte a úchopné plochy udržiavajte suché, čisté a bez oleja a tuku.** Klzké rukoväte a úchopné plochy neumožňujú bezpečnú obsluhu a kontrolu elektrického náradia v nepredvídateľných situáciách.

### 5. Servis

- a) **Elektrické náradie smie opravovať len kvalifikovaný odborný personál a len za použitia originálnych náhradných dielov.** Takto sa zabezpečí, že zostane zachovaná bezpečnosť elektrického náradia.

### Bezpečnostné upozornenia špecifické pre brúsky

- Prístroj držte za izolované úchopné plochy, pretože brúsny pás **13** môže zasiahnuť vlastný sieťový kábel. Poškodenie vedenia pod napätím môže tiež viesť pod napätie aj kovové časti prístroja a spôsobiť zásah elektrickým prúdom.

#### **⚠ VÝSTRAHA!**

- Prach z materiálov, ako sú nátery s obsahom olova, niektoré druhy dreva a kov, môže byť zdraviu škodlivý.
- Kontakt alebo vdýchnutie tohto prachu môže predstavovať ohrozenie obsluhujúcej osoby alebo osôb, ktoré sa nachádzajú v blízkosti.
- Noste ochranné okuliare a protiprachovú masku!

## Uvedenie do prevádzky

### Upnutie/výmena brúsneho pásu

#### **⚠ VÝSTRAHA!** **NEBEZPEČENSTVO PORANENIA!**

- Pred začiatkom prác na pásovej brúske vždy vytiahnite sieťovú zástrčku zo zásuvky.

1. Uvoľníte upínacie zariadenie pre brúsny pás tak, že celkom vytočíte upínaciu páku **4**. Brúsny pás **13** možno teraz vybrať.
2. Teraz založte nový brúsny pás **13**, príp. ho vymeňte, aby ste mohli obrábať iný materiál alebo zmeniť zrnitosť.  
**DÔLEŽITÉ:** Smery šípky na vnútornej strane brúsneho pásu **13** a na telese prístroja sa musia zhodovať.
3. Zatláčte upínaciu pásku **4** znova do východiskovej polohy.

#### **Manuálne nastavenie brúsneho pásu **13****

Ak sa chod pásu necentruje po zapnutí, musíte chod pásu v prípade potreby nastaviť manuálne.

- ◆ Na tento účel otočte nastavovaciu skrutku **12** na prednom valčeku, dokiaľ brúsny pás **13** nebeží vycentrovane.  
**DÔLEŽITÉ:** Bezpodmienečne dávajte pozor na to, aby sa brúsny pás **13** nezabrúsil do telesa. Pravidelne kontrolujte chod pásu a vyregulujte ho, ak je to potrebné, pomocou nastavovacej skrutky **12**.

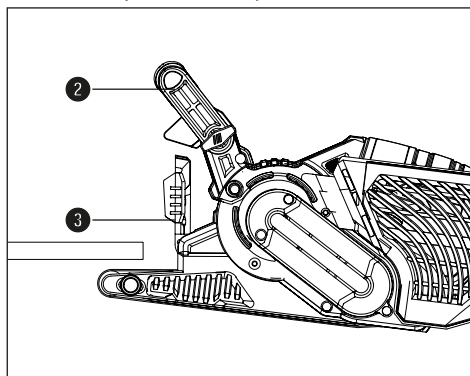
## Nastavenie prídavnej rukoväti

Prídavnú rukoväť **2** môžete nastaviť vo viacerých polohách.

- ◆ Na prestavenie prídavnej rukoväti **2** uvoľnite skrutku **7**.
- ◆ Otočte prídavnú rukoväť **2** do požadovanej polohy.
- ◆ Znova pevne utiahnite skrutku **7**.

## Vyklopenie predného krytu

Vyklopte predný kryt **3** na brúsenie na ťažko dosiahnuteľných miestach (pozri obrázok).



### ⚠ VÝSTRAHA!

- ▶ Predný kryt **3** sa môže vyklopiť iba vtedy, keď bola prídavná rukoväť **2** taktiež vyklopená nahor (pozri kapitolu „Nastavenie prídavnej rukoväti“).
- ◆ Predný kryt **3** vyklopte nahor.

## Upevnenie/odstránenie odsávania prachu

### ⚠ VÝSTRAHA! NEBEZPEČENSTVO VÝBUCHU!

- Pri výbušnej zmesi prachu/vzduchu musíte používať na tento účel špeciálne vhodné odsávač. **NEBEZPEČENSTVO POŽIARU V DÔSLEDKU ISKRENIA!** Pri brúsení kovov nepoužívajte odsávanie prachu (zásobník na prach **1** alebo vysávač).
- Materiál obsahujúci azbest sa nesmie opracovávať. Azbest sa považuje za rakovinotvornú látku.

### ⚠ VÝSTRAHA! NEBEZPEČENSTVO POŽIARU!

- Pri prácach s elektrickým náradím, ktoré má nádobu na zachytávanie prachu alebo sa dá pomocou zariadenia na odsávanie prachu zapojiť do vysávača, hrozí nebezpečenstvo požiaru! Pri nepriaznivých podmienkach, napr. v prípade iskrenia, pri brúsení kovov alebo zvyškov kovov v dreve sa môže drevený prach v nádobe na zachytávanie prachu (alebo v prachovom vrecku vysávača) vznietiť. Môže sa to stať hlavne vtedy, ak sa drevený prach zmieša so zvyškami laku alebo inými chemickými látkami a brúsený materiál je po dlhom obrábaní horúci. Bezpodmienečne sa preto vyhňte prehriatiu brúseného materiálu a prístroja a pred prestávkami v práci vždy vyprázdňte zásobník na prach alebo prachové vrecko vysávača.
- Zabezpečte dobré vetranie pracoviska.
- Dodržiavajte predpisy platné vo Vašej krajine pre obrábané materiály.

-  Noste protiprachovú masku.

### Upevnenie zásobníka na prach 11

- ◆ Zasuňte zásobník na prach 11 zhora na prípojku 9 pre zásobník na prach.

### Demontáž/odobratie zásobníka na prach

- ◆ Zásobník na prach 11 vyťahnite nahor.

### Prípojenie odsávacieho adaptéra a redukčného kusu na externé odsávanie

- ◆ Nasuňte odsávací adaptér 15 na prípojku 9.
- ◆ Zasuňte redukčný kus 15 na cudzie odsávanie do prípojky adaptéra 15.
- ◆ Hadicu povoleného odsávacieho zariadenia (napr. priemyselného vysávača) nasuňte na redukčný kus 15 na externé odsávanie.

### Odobratie odsávacieho adaptéra a redukčného kusu

- ◆ Vyťahnite hadicu zariadenia na odsávanie prachu.
- ◆ Stiahnite redukčný kus 15 na externé odsávanie.
- ◆ Odsávací adaptér 15 vyťahnite z prípojky 9 nahor.

## Pracovné pokyny

### Malý brúsny tlak postačuje

- Pracujte len s malým brúsnym tlakom. Vlastná hmotnosť pásovej brúsky postačuje na dobré výkony brúsenia. Navyše týmto pracovným postupom chránite opotrebenie brúsneho pásu 13 a povrch obrobku bude hladký.

### Úber a povrch

- Veľkosť úberu a kvalita povrchu sa určuje rýchlosťou pásu a drsnosťou brúsneho pásu 13 (pozri tiež časť „Voľba otáčok a brúsneho pásu“).

## Brúsenie

- Umiestnite prístroj zapnutý na obrobok a pracujte s miernym posuvom. Brúsenie vykonávajte paralelne a prekrývajúc k brúseným plochám. Na zabránenie rušivým, priečne prebiehajúcim stopám brúsenia brúste len v smere vlákien. Po opracovaní zdvihnite prístroj z obrobku a až potom ho vypnite.

### UPOZORNENIE

- Počas práce držte prístroj vždy pevne oboma rukami.

## Obsluha

### Zapnutie a vypnutie

Pri prevádzke pásovej brúsky si môžete vybrať medzi momentovou a trvalou prevádzkou.

### Zapnutie momentovej prevádzky

- ◆ Stlačte spínač ZAP/VYP 1.

### Vypnutie momentovej prevádzky

- ◆ Pustíte spínač ZAP/VYP 1.

### Zapnutie trvalej prevádzky

- ◆ Stlačte spínač ZAP/VYP 1, držte ho stlačený a stlačte blokovacie tlačidlo 10.

### Vypnutie trvalej prevádzky

- ◆ Stlačte spínač ZAP/VYP 1 a pustíte ho.

### Vyprázdnenie zásobníka na prach

Zásobník na prach 11 by sa mal počas prevádzky vyprázdňovať každých 10 minút.

- ◆ Zásobník na prach 11 z prístroja (pozri kapitolu „Upevnenie/odstránenie odsávania prachu“)
- ◆ Vytraste zásobník na prach 11 nad košom na odpadky, aby ste ho vyprázdniili.
- ◆ Zásobník na prach 11 upevnite znova na prístroji.

## Voľba otáčok a brúsneho pásu

Regulačným kolieskom rýchlosti pásu **5** môžete zvoliť otáčky aj pri bežiacom prístroji. Optimálna rýchlosť pásu je závislá od obrábaného obrobku, príp. materiálu. Práve najlepšie otáčky zistíte vždy sami praktickým pokusom. V nasledujúcej tabuľke nájdete nezáväznú hodnotu, ktoré vám uľahčia zistenie.

Materiál/ pracovná oblasť	Mäkké drevo
Hrubé brúsenie (zrornosť)	60
Jemné brúsenie (zrornosť)	240
Predvoľba otáčok	vysoké (5 – 6)

Materiál/ pracovná oblasť	Tvrde drevo
Hrubé brúsenie (zrornosť)	60
Jemné brúsenie (zrornosť)	180
Predvoľba otáčok	vysoké (5 – 6)

Materiál/ pracovná oblasť	Drevotrieskové dosky
Hrubé brúsenie (zrornosť)	60
Jemné brúsenie (zrornosť)	150
Predvoľba otáčok	vysoké (5 – 6)

Materiál/ pracovná oblasť	Odstraňovanie farieb/lakov
Hrubé brúsenie (zrornosť)	60
Jemné brúsenie (zrornosť)	--
Predvoľba otáčok	vysoké (5 – 6)

Materiál/ pracovná oblasť	Zbrúsenie lakov
Hrubé brúsenie (zrornosť)	150
Jemné brúsenie (zrornosť)	320
Predvoľba otáčok	nízke (1 – 2)

Materiál/ pracovná oblasť	Odstraňovanie hrdze
Hrubé brúsenie (zrornosť)	40
Jemné brúsenie (zrornosť)	120
Predvoľba otáčok	stredné/vysoké (3 – 4)

Materiál/ pracovná oblasť	Plasty
Hrubé brúsenie (zrornosť)	120
Jemné brúsenie (zrornosť)	240
Predvoľba otáčok	nízke/stredné (2 – 3)

Materiál/ pracovná oblasť	Neželezné kovy (napr. hliník)
Hrubé brúsenie (zrornosť)	80
Jemné brúsenie (zrornosť)	150
Predvoľba otáčok	stredné/vysoké (3 – 4)

## Stacionárna práca

- ◆ Dostaňte prídavnú rukoväť **2** do horizontálnej polohy.
- ◆ Otočte elektrické náradie tak, ako je zobrazené na obrázku A a položte ho na stabilnú pracovnú dosku.
- ◆ Vložte dve skrutkové zvieradlá **14** do na to plánovaných vyhlbení **8** a pevne upnite elektrické náradie.

## Tipy a triky

- Nikdy nepracujte drevo a kov **13** rovnakým brúsny pásom.
- Opatrované a natrhnuté brúsne pásy môžu poškodiť obrobok. Preto včas vymeňte brúsne pásy.
- Brúsne pásy uschovajte iba visiace, aby sa nestali nepoužiteľnými v dôsledku zalomení atď.

## Údržba a čistenie



**VÝSTRAHA! NEBEZPEČENSTVO PORANENIA!** Pred akýmkoľvek prácou na prístroji vypnite prístroj a vytiahnite elektrickú zástrčku.

Pásová brúska si nevyžaduje údržbu.

- Vyčistite prístroj hneď po skončení práce.
- Na čistenie prístroja používajte suchú handričku a v žiadnom prípade benzín, rozpúšťadlá alebo čističlá, ktoré pôsobia na plast.

## Vyprázdnenie/vyčistenie zásobníka na prach **11**

- ◆ Zásobník na prach stiahnite **11** z prístroja.
- ◆ Zásobník na zachytávanie prachu **11** úplne vyprázdniť vyklepaním a zásobník na zachytávanie prachu **11** znova zastrčte do prístroja.
- ◆ Vetracie otvory udržiavajte vždy voľné.
- ◆ Zachytený brúsny prach odstráňte štetcom.

## Likvidácia



Balenie sa skladá výlučne z materiálov, ktoré neškodia životnému prostrediu. Môžete ho vyhodiť do nádob určených na zber a recykláciu odpadov.



### Elektrické náradie neodhadzujte do komunálneho odpadu!

V súlade s európskou smernicou č. 2012/19/EU sa opotrebované elektrické nástroje musia zberať oddelene a odovzdať za účelom ekologickej recyklácie.

Informácie o možnostiach likvidácie prístroja, ktorý doslúžil, dostanete na obecnej alebo mestskej správe.



Obal zlikvidujte ekologicky.

Dbajte na označenie na rôznych obalových materiáloch a triedte ich osobitne.

Obalové materiály sú označené skratkami (a) a číslicami (b) s nasledujúcim významom: 1–7: plasty, 20–22: papier a lepenka, 80–98: kompozitné materiály.



Informácie o možnostiach likvidácie výrobku, ktorý doslúžil, získate od svojej obecnej alebo mestskej samosprávy.



Produkt je recyklovateľný, podlieha rozšírenej zodpovednosti výrobcu a zbiera sa oddelene.

## Záruka spoločnosti Kompernass Handels GmbH

Vážená zákazníčka, vážený zákazník,

na tento prístroj máte záruku 3 roky od dátumu zakúpenia. V prípade nedostatkov tohto výrobku máte práva vyplývajúce zo zákona voči predajcovi tohto výrobku. Tieto Vaše práva vyplývajúce zo zákona nie sú obmedzené našou zárukou, uvedenou nižšie.

### Záručné podmienky

Záručná doba začína plynúť dátumom zakúpenia. Prosím, uschovajte si pokladničný blok. Tento bude potrebný ako dôkaz o zakúpení.

Ak v priebehu troch rokov od dátumu zakúpenia tohto výrobku dôjde k chybe materiálu alebo výrobnej chybe, výrobok vám – podľa nášho uváženia – bezplatne opravíme, vymeníme alebo uhradíme kúpnu cenu. Podmienkou tohto záručného plnenia je, že počas trojročnej lehoty sa poškodený prístroj a doklad o zakúpení (pokladničný blok) predloží so stručným opisom, v čom spočíva nedostatok prístroja a kedy sa vyskytol.

Ak je chyba pokrytá našou zárukou, zašleme Vám späť opravený alebo nový výrobok. Opravou alebo výmenou výrobku nezačína plynúť žiadna nová záručná doba.

### Záručná doba a zákonné nároky na odstránenie chýb

Záručná doba sa záručným plnením nepredĺži. To platí aj pre vymenené a opravené diely. Poškodenia a chyby zistené prípadne už pri kúpe, sa musia hlásiť okamžite po vybalení. Po uplynutí záručnej doby podliehajú prípadné opravy poplatku.

### Rozsah záruky

Prístroj bol starostlivo vyrobený v súlade s prísnyimi smernicami kvality a pred dodaním bol svedomito preskúšaný.

Záručné plnenie sa vzťahuje na chyby materiálu alebo výrobné chyby. Táto záruka sa nevzťahuje na časti výrobku, ktoré sú vystavené bežnému opotrebovaniu a preto ich možno pokladať za rýchlo opotrebitelné diely, ani na poškodenia krehkých dielov, ako sú napríklad spínače alebo diely vyrobené zo skla.

Táto záruka zaniká v prípade poškodenia výrobku neodborným používaním alebo neodbornou údržbou. Na správne používanie výrobku sa musia presne dodržiavať všetky pokyny, uvedené v návode na obsluhu. Bezpodmienečne sa musí zabrániť použitiu alebo úkonom, ktoré sa v návode na obsluhu neodporúčajú alebo pred ktorými sa varuje.

Výrobok je určený len na súkromné použitie a nie na priemyselné používanie. Záruka zaniká pri nesprávnom a neodbornom zaobchádzaní, pri použití násilia a pri zásahoch, ktoré neboli vykonané naším autorizovaným servisom.

### Záručná doba neplatí pri

- normálnom opotrebovaní kapacity akumulátora
- komerčnom používaní výrobku
- poškodení alebo zmene výrobku zákazníkom
- nerešpektovaní predpisov týkajúcich sa bezpečnosti a údržby, chybách obsluhy
- škodách v dôsledku elementárnych udalostí

## Vybavenie v prípade záruky

Na zaručenie rýchleho vybavenia Vašej žiadosti postupujte podľa nasledujúcich pokynov:

- Na všetky otázky majte pripravený pokladničný doklad a číslo výrobku (napr. IAN 12345) ako doklad o nákupe.
- Číslo výrobku nájdete na typovom štítku na výrobku, na titulnej stránke návodu na obsluhu (dole vľavo) alebo ako nálepku na zadnej alebo spodnej strane výrobku.
- Ak dôjde k funkčným poruchám alebo iným nedostatkom, kontaktujte najprv nižšie uvedené servisné oddelenie **telefonicky** alebo **e-mailom**.
- Výrobok, zaevidovaný ako poruchový, môžete potom spolu s dokladom o nákupe (pokladničný blok) a uvedením popisu chyby a dátumu, kedy k nej došlo, bezplatne odoslať na adresu servisného strediska, ktorá Vám bude oznámená.



Na webovej stránke [www.lidl-service.com](http://www.lidl-service.com) si môžete stiahnuť tieto a mnoho ďalších príručiek, videá o výrobkoch a inštaláčny softvér.

Pomocou tohto QR-kódu sa dostanete priamo na stránku servisu Lidl ([www.lidl-service.com](http://www.lidl-service.com)) a pomocou zadania čísla výrobku (IAN) 373104\_2104 otvoríte váš návod na obsluhu.

## ⚠ VÝSTRAHA!

- Opravy vašich prístrojov zverte servisnému stredisku alebo odbornému elektrikárovi a pri opravách použite iba originálne náhradné diely. Tým sa zaistí zachovanie bezpečnosti prístroja.
- Výmenu zástrčky alebo sieťového kábla nechajte vykonať len výrobcom prístroja alebo jeho zákazníckym servisom. Tým sa zaistí zachovanie bezpečnosti prístroja.

## UPOZORNENIE

- ▶ Neuvedené náhradné diely (ako napr. uhlíkové kefy, spínače, zásobník na prach) si môžete objednať prostredníctvom našich Callcentier.

## Servis

**SK** Servis Slovensko  
Tel. 0850 232001  
E-Mail: [kompernass@lidl.sk](mailto:kompernass@lidl.sk)

IAN 373104\_2104

## Dovozca

Majte na pamäti, že nižšie uvedená adresa nie je adresou servisného strediska. Najprv kontaktujte uvedené servisné stredisko.

KOMPERNASS HANDELS GMBH  
BURGSTRASSE 21  
44867 BOCHUM  
NEMECKO  
[www.kompernass.com](http://www.kompernass.com)



## Preklad originálneho vyhlásenia o zhode

My, spoločnosť KOMPERNASS HANDELS GMBH, zodpovedný za dokumentáciu: pán Semi Uguzlu, BURGSTR. 21, 44867 BOCHUM, Deutschland/Nemecko vyhlasujeme, že tento výrobok je v súlade s nasledovnými normami, normatívnymi dokumentmi a smernicami ES:

**Smernica o strojových zariadeniach**  
(2006/42/EC)

**Elektromagnetická kompatibilita**  
(2014/30/EU)

**Smernica RoHS**  
(2011/65/EU)\*

\* Výhradnú zodpovednosť za vydanie tohto vyhlásenia o zhode nesie výrobca. Vyššie opísaný predmet vyhlásenia je v súlade s predpismi smernice č. 2011/65/EU Európskeho parlamentu a Rady z 8. júna 2011 o obmedzení používania určitých nebezpečných látok v elektrických a elektronických zariadeniach.

### Použité harmonizované normy

EN 62841-1:2015

EN 62841-2-4:2014

EN 55014-1:2017/A11:2020

EN 55014-2:2015

EN IEC 61000-3-2:2019

EN 61000-3-3:2013/A1:2019

EN IEC 63000:2018

EN ISO 12100:2010

**Typové označenie stroja:** Pásová brúska PBSD 900 A1

**Rok výroby:** 07–2021

**Sériové číslo:** IAN 373104\_2104

Bochum, 27.05.2021



Semi Uguzlu  
– Manažér kvality –

Technické zmeny v zmysle ďalšieho vývoja sú vyhradené.

# Índice

<b>Introducción</b> .....	<b>88</b>
Uso previsto .....	88
Componentes ilustrados .....	88
Volumen de suministro .....	88
Características técnicas .....	88
<b>Indicaciones generales de seguridad para las herramientas eléctricas</b> .....	<b>89</b>
1. Seguridad en el lugar de trabajo .....	89
2. Seguridad eléctrica .....	89
3. Seguridad de las personas .....	90
4. Uso y manejo de la herramienta eléctrica .....	90
5. Asistencia técnica .....	91
Indicaciones de seguridad específicas para las lijadoras .....	91
<b>Puesta en funcionamiento</b> .....	<b>91</b>
Tensado/cambio de la banda lijadora .....	91
Ajuste del mango adicional .....	92
Colocación de la cubierta frontal en una posición abatida .....	92
Montaje/desmontaje de la aspiración de polvo .....	92
Indicaciones de trabajo .....	93
<b>Manejo</b> .....	<b>93</b>
Encendido y apagado .....	93
Vaciado del depósito de polvo .....	94
Selección de la velocidad y de la banda lijadora .....	94
Trabajo estacionario .....	95
Consejos y trucos .....	95
<b>Mantenimiento y limpieza</b> .....	<b>95</b>
<b>Desecho</b> .....	<b>95</b>
<b>Garantía de Kompernass Handels GmbH</b> .....	<b>96</b>
<b>Asistencia técnica</b> .....	<b>97</b>
<b>Importador</b> .....	<b>97</b>
<b>Traducción de la Declaración de conformidad original</b> .....	<b>98</b>

## **LIJADORA DE BANDA PBSD 900 A1**

### **Introducción**

Felicidades por la compra de su aparato nuevo. Ha adquirido un producto de alta calidad. Las instrucciones de uso forman parte del producto y contienen indicaciones importantes acerca de la seguridad, del uso y del desecho de este aparato. Antes de usar el producto, familiarícese con todas las indicaciones de manejo y de seguridad. Utilice el producto únicamente como se describe y para los ámbitos de aplicación indicados. Entregue todos los documentos cuando transfiera el producto a terceros.

### **Uso previsto**

Según el papel de lija, la lijadora está prevista para el lijado en seco de superficies de madera, plástico, metal y plaste, así como de superficies pintadas y barnizadas. Este aparato solo debe utilizarse para el lijado en seco. Tenga en cuenta que, para el procesamiento de distintos materiales, deben utilizarse papeles de lija diferentes con el granulado que corresponda y debe adaptarse la velocidad al material. El aparato no está indicado para su uso industrial. La utilización de la máquina para otros fines o su transformación se considerarán contrarias al uso previsto y elevarán considerablemente el riesgo de accidentes. El fabricante no se responsabiliza por los daños derivados de una utilización contraria al uso previsto.

### **Componentes ilustrados**



- 1** Interruptor de encendido/apagado
- 2** Mango adicional (superficie de agarre de goma)
- 3** Cubierta frontal
- 4** Palanca tensora para la banda lijadora
- 5** Rueda de ajuste de la velocidad de la banda
- 6** Mango (superficie de agarre de goma)
- 7** Tornillo de ajuste del mango
- 8** Alojamientos para los sargentos
- 9** Conexión para el depósito de polvo
- 10** Botón de bloqueo para el interruptor de encendido/apagado
- 11** Depósito de polvo

- 12** Tornillo de ajuste de la banda
- 13** Banda lijadora
- 14** Sargento
- 15** Manguito reductor
- 16** Adaptador para la aspiración

### **Volumen de suministro**

- 1 lijadora de banda
- 1 banda lijadora para madera (granulado: 80)
- 1 depósito de polvo
- 1 adaptador para la aspiración y manguito reductor (para la aspiración de polvo externa)
- 2 sargentos
- 1 manual de instrucciones de uso

### **Características técnicas**

Tensión nominal	230 V ~, 50 Hz (corriente alterna)
Consumo nominal de potencia	900 W
Velocidad de la banda al ralentí	240–400 m/min
Velocidad nominal de ralentí	 n <sub>0</sub> 450–750 r.p.m.
Banda lijadora	75 x 533 mm
Clase de protección	II /  (aislamiento doble)

### **Valor de emisión sonora**

Medición de ruidos según la norma EN 62841. Valores típicos del nivel sonoro con ponderación A de la herramienta eléctrica:

Nivel de presión sonora	L <sub>pA</sub> = 89 dB (A)
Incertidumbre	K <sub>pA</sub> = 3 dB
Nivel de potencia acústica	L <sub>WA</sub> = 100 dB (A)
Incertidumbre	K <sub>WA</sub> = 3 dB

### **¡Use protección auditiva!**

### **Valor total de vibraciones**

Valores totales de vibración (suma vectorial de tres líneas) calculados según la norma EN 62841:

Lijado con plato de lijado:

Mango principal	a <sub>h</sub> = 3,0 m/s <sup>2</sup>
Mango adicional	a <sub>h</sub> = 2,8 m/s <sup>2</sup>
Incertidumbre	K = 1,5 m/s <sup>2</sup>

**INDICACIÓN**

- ▶ Los valores totales de emisión de vibraciones y de ruidos especificados en estas instrucciones de uso se han calculado según un procedimiento de prueba estandarizado y pueden utilizarse para comparar varias herramientas eléctricas.
- ▶ Los valores totales de emisión de vibraciones y de ruidos especificados también pueden utilizarse para realizar una valoración preliminar de la carga.

**⚠ ¡ADVERTENCIA!**

- ▶ La emisión de vibraciones y de ruidos puede diferir de los valores especificados durante el propio uso de la herramienta eléctrica según cómo se esté utilizando y, especialmente, según cómo sea la pieza de trabajo que se esté procesando.
- ▶ Intente que la carga sea lo más reducida posible. Algunas medidas para reducir la carga de las vibraciones son el uso de guantes al manejar la herramienta y la limitación del tiempo de trabajo. Para ello, deben tenerse en cuenta todas las partes del ciclo de funcionamiento (por ejemplo, los momentos en los que la herramienta eléctrica está desconectada y los momentos en los que está conectada, pero funciona sin carga).



## Indicaciones generales de seguridad para las herramientas eléctricas

**⚠ ¡ADVERTENCIA!**

- ▶ Lea todas las indicaciones de seguridad, las instrucciones, las ilustraciones y los datos técnicos suministrados con esta herramienta eléctrica. El incumplimiento de las siguientes instrucciones puede provocar descargas eléctricas, incendios o lesiones graves.

## Conserve todas las indicaciones de seguridad y las instrucciones para el futuro.

El término "herramienta eléctrica" utilizado en las indicaciones de seguridad se refiere a las herramientas eléctricas de accionamiento eléctrico (con cable de red) y a las de accionamiento por batería (sin cable de red).

**1. Seguridad en el lugar de trabajo**

- Mantenga limpia y bien iluminada la zona de trabajo.** El desorden y la falta de iluminación en el lugar de trabajo pueden provocar accidentes.
- No trabaje con la herramienta eléctrica en un entorno potencialmente explosivo en el que haya líquidos, gases o polvos inflamables.** Las herramientas eléctricas generan chispas que pueden incendiar el polvo o los vapores.
- Mantenga a los niños y a otras personas alejados durante el manejo de la herramienta eléctrica.** Si se distrae, podría perder el control de la herramienta eléctrica.

**2. Seguridad eléctrica**

- El enchufe de la herramienta eléctrica debe encajar correctamente en la toma eléctrica. No debe modificarse el enchufe de ninguna forma. No utilice ningún enchufe adaptador junto con herramientas eléctricas con conexión a tierra.** El uso de enchufes sin manipular conectados a una toma eléctrica adecuada reduce el riesgo de descarga eléctrica.
- Evite el contacto físico con cualquier superficie que esté conectada a tierra, como tuberías, sistemas de calefacción, cocinas y neveras.** Si su cuerpo hace contacto con la toma de tierra, existe mayor riesgo de descarga eléctrica.
- Mantenga el aparato alejado de la lluvia o de humedades.** La penetración de agua en una herramienta eléctrica aumenta el riesgo de descarga eléctrica.

- d) No utilice el cable de conexión para otros usos, p. ej., para transportar y colgar la herramienta eléctrica o para tirar del enchufe y desconectarlo de la red eléctrica. Mantenga el cable de conexión alejado del calor, del aceite, de los bordes cortantes o de las piezas móviles. Un cable de conexión dañado o enredado aumenta el riesgo de descarga eléctrica.
- e) Si desea utilizar la herramienta eléctrica al aire libre, utilice exclusivamente los alargadores de cable homologados para su uso en exteriores. El uso de un alargador adecuado para exteriores reduce el riesgo de descarga eléctrica.
- f) Si no puede evitarse el uso de la herramienta eléctrica en un entorno húmedo, utilice un interruptor diferencial residual. Su uso reduce el riesgo de descarga eléctrica.

### 3. Seguridad de las personas

- a) Esté alerta, preste atención a lo que hace y proceda con sensatez a la hora de trabajar con una herramienta eléctrica. No utilice ninguna herramienta eléctrica si se siente cansado o se encuentra bajo la influencia de drogas, alcohol o medicamentos. Un solo momento de distracción mientras utiliza la herramienta eléctrica puede causar lesiones graves.
- b) Utilice siempre un equipo de protección individual y gafas de protección. El uso de un equipo de protección individual, como mascarilla anti-polvo, calzado de seguridad antideslizante, casco o protecciones auditivas según el tipo de herramienta eléctrica en cuestión, reduce el riesgo de lesiones.
- c) Evite que el aparato pueda ponerse en marcha accidentalmente. Asegúrese de que la herramienta eléctrica esté apagada antes de conectarla a la red eléctrica o a la batería, asírla o transportarla. Si transporta la herramienta eléctrica con los dedos en el interruptor o conecta la herramienta eléctrica ya encendida a la red eléctrica, puede provocar accidentes.
- d) Antes de encender la herramienta eléctrica, retire las herramientas de ajuste o las llaves. Las herramientas o llaves que se encuentren dentro del alcance de la pieza giratoria de la herramienta eléctrica pueden producir lesiones.

- e) Evite mantener una postura corporal forzada. Busque una postura segura y mantenga el equilibrio en todo momento. Así podrá controlar mejor la herramienta eléctrica, especialmente en situaciones inesperadas.
- f) Utilice ropa adecuada. No lleve ropa ancha ni joyas. Mantenga el pelo y la ropa lejos de las piezas móviles. La ropa holgada, las joyas o el pelo suelto pueden quedar atrapados en las piezas móviles.
- g) Si se admite el montaje de dispositivos de aspiración y de acumulación de polvo, deben conectarse y utilizarse correctamente. El uso de un dispositivo de aspiración de polvo puede reducir los riesgos causados por el polvo.
- h) Evite cultivar un sentimiento de falsa seguridad y no se desvíe de lo dispuesto por las normas de seguridad aplicables a las herramientas eléctricas aun cuando esté muy familiarizado con la herramienta eléctrica por haberla utilizado repetidas veces. Un descuido en la manipulación puede causar lesiones graves en una fracción de segundo.

### 4. Uso y manejo de la herramienta eléctrica

- a) No sobrecargue la herramienta eléctrica. Utilice la herramienta eléctrica adecuada para el trabajo en cuestión. De esta manera, trabajará mejor y de forma más segura dentro del rango de potencia indicado.
- b) No utilice ninguna herramienta eléctrica con el interruptor defectuoso. Una herramienta que no pueda encenderse o apagarse es peligrosa y debe repararse.
- c) Desconecte el enchufe de la red eléctrica o retire la batería extraíble antes de realizar cualquier ajuste en el aparato, cambiar los accesorios o abandonar la herramienta eléctrica. Estas medidas de seguridad evitan que la herramienta eléctrica se encienda de forma accidental.

- d) Guarde las herramientas eléctricas que no vaya a utilizar fuera del alcance de los niños. No permita el uso de la herramienta eléctrica a personas que no estén familiarizadas con su manejo o que no hayan leído estas indicaciones. Las herramientas eléctricas son peligrosas cuando están en manos de personas inexpertas.
- e) Mantenga las herramientas eléctricas y los accesorios en perfecto estado. Compruebe que las piezas móviles funcionen correctamente y no se atasquen, y asegúrese de que ninguna pieza se haya roto ni esté dañada de forma que el funcionamiento del aparato pueda verse afectado. Encargue la reparación de las piezas dañadas antes de utilizar la herramienta eléctrica. Muchos accidentes se deben al mal estado de las herramientas eléctricas.
- f) Mantenga las herramientas de corte limpias y afiladas, ya que así se atascan menos y son más fáciles de guiar.
- g) Utilice la herramienta eléctrica, los accesorios, las herramientas intercambiables, etc. según lo dispuesto en estas instrucciones. Tenga en cuenta las condiciones de trabajo y los procedimientos que deban seguirse. El uso de las herramientas eléctricas para aplicaciones distintas a las previstas puede causar situaciones peligrosas.
- h) Mantenga los mangos y las superficies de agarre secos, limpios y sin restos de aceite o grasa. Si los mangos o las superficies de agarre están resbaladizos, no podrá manejarse ni controlarse la herramienta eléctrica de forma segura en caso de imprevistos.

## 5. Asistencia técnica

- a) Encargue la reparación de su herramienta eléctrica exclusivamente al personal cualificado especializado y solo con recambios originales. De esta forma, se garantiza que la seguridad del aparato no se vea afectada.

## Indicaciones de seguridad específicas para las lijadoras

- Sujete el aparato por los mangos aislados, ya que la banda lijadora **13** podría entrar en contacto con el propio cable de red. Si el cable eléctrico se daña, las piezas metálicas del aparato podrían quedar bajo tensión y provocar una descarga eléctrica.

### ¡ADVERTENCIA!

- Los polvos desprendidos de algunos materiales, como la pintura con contenido de plomo y algunos tipos de madera y metales, pueden ser perjudiciales para la salud.
- El contacto con estos polvos o su inhalación entraña un riesgo contra la salud del usuario o de las personas que se encuentren próximas a él.
- ¡Utilice gafas protectoras y mascarilla de protección contra el polvo!

## Puesta en funcionamiento

### Tensado/cambio de la banda lijadora

### ¡ADVERTENCIA! ¡PELIGRO DE LESIONES!

- Desconecte siempre el enchufe de la red eléctrica antes de realizar cualquier tarea en la lijadora de banda.
1. Suelte el mecanismo tensor de la banda lijadora; para ello, accione la palanca tensora **4** hacia fuera. Con esto, puede extraerse la banda lijadora **13**.
  2. Coloque una nueva banda lijadora **13** o cámbiela para procesar otro material o cambiar el grosor del granulado.  
**IMPORTANTE:** la dirección de las flechas de la parte interior de la banda lijadora **13** y de la carcasa del aparato deben coincidir.
  3. Vuelva a colocar la palanca tensora **4** en la posición inicial.

### Ajuste de la banda lijadora 13 de forma manual

Si la banda lijadora no se centra tras el encendido, es posible que tenga que ajustarla manualmente.

- ◆ Para ello, gire el tornillo de ajuste 12 en el rodillo delantero hasta que la banda lijadora 13 marche de forma centrada.

**IMPORTANTE:** asegúrese de que la banda lijadora 13 no roce la carcasa. Revise regularmente la banda lijadora y, en caso necesario, ajústela con el tornillo de ajuste 12.

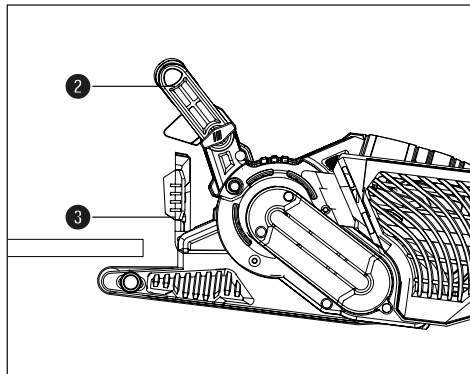
### Ajuste del mango adicional

El mango adicional 2 puede ajustarse en varias posiciones.

- ◆ Para ajustar el mango adicional 2, afloje el tornillo 7.
- ◆ Ajuste el mango adicional 2 hasta alcanzar la posición deseada.
- ◆ Vuelva a apretar el tornillo 7.

### Colocación de la cubierta frontal en una posición abatida

La cubierta frontal 3 puede abatirse hacia arriba para lijar puntos de difícil acceso (consulte la figura).



#### ⚠ ¡ADVERTENCIA!

- ▶ Solo puede abatirse la cubierta frontal 3 si también se abate hacia arriba el mango adicional 2 (consulte el capítulo "Ajuste del mango adicional").
- ◆ Abata la cubierta frontal 3 hacia arriba.


### Montaje/desmontaje de la aspiración de polvo

#### ⚠ ¡ADVERTENCIA! ¡RIESGO DE EXPLOSIÓN!

- En caso de presencia de polvo/mezclas de aire explosivas, debe utilizarse un aspirador especial adecuado. ¡EXISTE PELIGRO DE INCENDIO POR LA GENERACIÓN DE CHISPAS! No utilice ningún dispositivo de aspiración de polvo para el lijado de metales (depósito de polvo 11 o aspirador de polvo).
- No deben procesarse los materiales que contengan asbesto. El asbesto es cancerígeno.

#### ⚠ ¡ADVERTENCIA! ¡PELIGRO DE INCENDIO!

- Existe peligro de incendio al trabajar con aparatos eléctricos que dispongan de un depósito de polvo o que puedan conectarse a un aspirador por medio de un dispositivo de aspiración de polvo. En condiciones poco favorables, como, p. ej., si se generan chispas o al lijar piezas metálicas o restos de metal en superficies de madera, el serrín del depósito de polvo (o de la bolsa de la aspiradora) puede llegar a incendiarse. Esta situación puede producirse especialmente si el serrín se mezcla con restos de pintura/barniz o con otros productos químicos y el material que deba lijarse se calienta tras un largo tiempo de trabajo. Por este motivo, debe evitarse el sobrecalentamiento del material y del aparato y vaciarse siempre el depósito de polvo o la bolsa de la aspiradora antes de realizar pausas en el trabajo.
- Procure que la zona de trabajo esté bien ventilada.
- Observe las disposiciones nacionales pertinentes para los materiales que desee procesar.

-  Utilice una mascarilla de protección antipolvo.

### Montaje del depósito de polvo 11

- ◆ Coloque el depósito de polvo 11 desde arriba sobre la conexión 9 para el depósito de polvo.

### Desmontaje/extracción del depósito de polvo

- ◆ Tire del depósito de polvo 11 hacia arriba para extraerlo del aparato.

### Conexión del adaptador para la aspiración y del manguito reductor para la aspiración externa

- ◆ Coloque el adaptador para la aspiración 16 sobre la conexión 9.
- ◆ Inserte el manguito reductor 15 para la aspiración externa en el adaptador para la aspiración 16.
- ◆ Conecte el tubo de un aspirador de polvo autorizado (p. ej., un aspirador para talleres) en el manguito reductor 15 para la aspiración externa.

### Desmontaje del adaptador para la aspiración y del manguito reductor para la aspiración externa

- ◆ Tire del tubo del aspirador de polvo.
- ◆ Extraiga el manguito reductor 15 para la aspiración externa.
- ◆ Tire del adaptador para la aspiración 16 hacia arriba para extraerlo de la conexión 9.

### Indicaciones de trabajo

#### Basta con ejercer una ligera presión

- No apriete demasiado. El propio peso de la lijadora de banda es suficiente para obtener un buen resultado. Además, así evitará el desgaste prematuro de la banda lijadora 13 y la superficie de la pieza de trabajo quedará más lisa.

#### Abrasión y superficie

- La potencia de abrasión y la calidad de la superficie dependen de la velocidad de la banda y del grosor del granulado de la banda lijadora 13 (consulte también el apartado "Selección de la velocidad y de la banda lijadora").

### Procedimiento de lijado

- Coloque el aparato ya encendido sobre la pieza de trabajo y trabaje con un avance moderado. Realice el proceso de lijado describiendo bandas paralelas y ligeramente superpuestas. Para evitar dejar molestos rastros transversales durante el lijado, lije exclusivamente en la dirección de las fibras. Tras procesar la pieza, levante primero el aparato y apáguelo.

### INDICACIÓN

- Durante el trabajo, sujete siempre el aparato con las dos manos de forma firme.

### Manejo

#### Encendido y apagado

Puede seleccionarse entre el modo de funcionamiento temporal y el modo de funcionamiento continuo.

#### Activación del modo de funcionamiento temporal

- ◆ Pulse el interruptor de encendido/apagado 1.

#### Desactivación del modo de funcionamiento temporal

- ◆ Suelte el interruptor de encendido/apagado 1.

#### Activación del modo de funcionamiento continuo

- ◆ Pulse el interruptor de encendido/apagado 1, manténgalo pulsado y presione el botón de bloqueo 10.

#### Desactivación del modo de funcionamiento continuo

- ◆ Pulse el interruptor de encendido/apagado 1 y vuelva a soltarlo.



## Vaciado del depósito de polvo

El depósito de polvo ① debe vaciarse cada 10 minutos durante el funcionamiento.

- ◆ Tire del depósito de polvo ① para extraerlo del aparato (*consulte el capítulo "Montaje/desmontaje de la aspiración de polvo"*).
- ◆ Agite el depósito de polvo ① sobre un contenedor de basura para vaciarlo.
- ◆ Vuelva a colocar el depósito de polvo ① en el aparato.

## Selección de la velocidad y de la banda lijadora

Con la rueda de ajuste de la velocidad de la banda ⑤, puede seleccionarse la velocidad incluso con el aparato en marcha. La velocidad óptima de la banda depende de la pieza de trabajo o del material que deba procesarse. Calcule siempre por sí mismo la velocidad más adecuada realizando una prueba. En la siguiente lista, encontrará valores orientativos que le facilitarán la selección de la velocidad.

Material/tarea	Madera blanda
Lijado grueso (granulado)	60
Lijado fino (granulado)	240
Preselección de la velocidad	Alta (5-6)

Material/tarea	Madera dura
Lijado grueso (granulado)	60
Lijado fino (granulado)	180
Preselección de la velocidad	Alta (5-6)

Material/tarea	Tableros de aglomerado
Lijado grueso (granulado)	60
Lijado fino (granulado)	150
Preselección de la velocidad	Alta (5-6)

Material/tarea	Decapado de pintura/barniz
Lijado grueso (granulado)	60
Lijado fino (granulado)	--
Preselección de la velocidad	Alta (5-6)

Material/tarea	Lijado de barniz
Lijado grueso (granulado)	150
Lijado fino (granulado)	320
Preselección de la velocidad	Baja (1-2)

Material/tarea	Eliminación de herrumbre en el acero
Lijado grueso (granulado)	40
Lijado fino (granulado)	120
Preselección de la velocidad	Media/alta (3-4)

Material/tarea	Plásticos
Lijado grueso (granulado)	120
Lijado fino (granulado)	240
Preselección de la velocidad	Baja/media (2-3)

Material/tarea	Metales no ferrosos (p. ej., aluminio)
Lijado grueso (granulado)	80
Lijado fino (granulado)	150
Preselección de la velocidad	Media/alta (3-4)

## Trabajo estacionario

- ◆ Coloque el mango adicional ② en posición horizontal.
- ◆ Dé la vuelta a la herramienta eléctrica de la manera mostrada en la figura A y colóquela sobre una superficie de trabajo estable.
- ◆ Inserte los dos sargentos ⑭ en los alojamientos ③ previstos para ello y fije la herramienta eléctrica.

## Consejos y trucos

- Nunca procese madera y metal con la misma banda lijadora ⑬.
- Si la banda lijadora está desgastada o mellada, puede dañar la pieza de trabajo. Por este motivo, debe cambiarse la banda lijadora siempre que corresponda.
- Cuelgue siempre las bandas lijadoras para guardarlas, ya que pueden quedar inutilizables si se doblan.

## Mantenimiento y limpieza



**¡ADVERTENCIA! ¡PELIGRO DE LESIONES!** Antes de realizar cualquier tarea en el aparato, apáguelo y desconecte el enchufe de la red eléctrica.

La lijadora de banda no necesita mantenimiento.

- Limpie el aparato directamente después de su uso.
- Utilice un paño seco para la limpieza del aparato. No use nunca bencina, disolventes ni lijadores que deterioren el plástico.

## Vaciado/limpieza del depósito de polvo ①

- ◆ Tire del depósito de polvo ① para extraerlo del aparato.
- ◆ Vacíe completamente el depósito de polvo ① dando ligeros golpecitos y vuelva a colocar el depósito de polvo ① en el aparato.
- ◆ Mantenga siempre despejadas las ranuras de ventilación.
- ◆ Retire el polvo que quede adherido con un pincel.

## Desecho



El embalaje consta de materiales ecológicos que pueden desecharse a través de los centros de reciclaje locales.



**No deseche las herramientas eléctricas con la basura doméstica.**

Según la Directiva 2012/19/EU, las herramientas eléctricas usadas deben recogerse por separado para someterse a un reciclaje ecológico.

Puede informarse acerca de las posibilidades de desecho de los aparatos usados en su administración municipal o ayuntamiento.



Deseche el embalaje de forma respetuosa con el medio ambiente. Observe las indicaciones de los distintos materiales de embalaje y, si procede, reciclelos de la manera correspondiente. Los materiales de embalaje cuentan con abreviaciones (a) y cifras (b) que significan lo siguiente: 1-7: plásticos; 20-22: papel y cartón; 80-98: materiales compuestos.



Puede informarse acerca de las posibilidades de desecho de los aparatos usados en su administración municipal o ayuntamiento.



Este producto es reciclable, está sujeto a una responsabilidad ampliada del fabricante y se recoge por separado.

## **Garantía de Kompernass Handels GmbH**

Estimado cliente:

Este aparato cuenta con una garantía de 3 años a partir de la fecha de compra. Si se detectan defectos en el producto, puede ejercer sus derechos legales frente al vendedor. Estos derechos legales no se ven limitados por la garantía descrita a continuación.

### **Condiciones de la garantía**

El plazo de la garantía comienza con la fecha de compra. Guarde bien el comprobante de caja, ya que lo necesitará como justificante de compra.

Si dentro de un periodo de tres años a partir de la fecha de compra de este producto se detecta un defecto en su material o un error de fabricación, asumiremos la reparación o sustitución gratuita del producto o restituiremos el precio de compra a nuestra elección. La prestación de la garantía requiere la presentación del aparato defectuoso y del justificante de compra (comprobante de caja), así como una breve descripción por escrito del defecto detectado y de las circunstancias en las que se haya producido dicho defecto, dentro del plazo de tres años.

Si el defecto está cubierto por nuestra garantía, le devolveremos el producto reparado o le suministraremos uno nuevo. La reparación o sustitución del producto no supone el inicio de un nuevo periodo de garantía.

### **Duración de la garantía y reclamaciones legales por vicios**

La duración de la garantía no se prolonga por hacer uso de ella. Este principio también se aplica a las piezas sustituidas y reparadas. Si después de la compra del aparato, se detecta la existencia de daños o de defectos al desembalarlo, deben notificarse de inmediato. Cualquier reparación que se realice una vez finalizado el plazo de garantía estará sujeta a costes.

### **Alcance de la garantía**

El aparato se ha fabricado cuidadosamente según estándares elevados de calidad y se ha examinado en profundidad antes de su entrega.

La prestación de la garantía se aplica a defectos en los materiales o errores de fabricación. Esta garantía no cubre las piezas del producto normalmente sometidas al desgaste y que, en consecuencia, puedan considerarse piezas de desgaste ni los daños producidos en los componentes frágiles, p. ej., interruptores o piezas de vidrio.

Se anulará la garantía si el producto se daña o no se utiliza o mantiene correctamente. Para utilizar correctamente el producto, deben observarse todas las indicaciones especificadas en las instrucciones de uso. Debe evitarse cualquier uso y manejo que esté desaconsejado o frente al que se advierta en las instrucciones de uso.

El producto está previsto exclusivamente para su uso privado y no para su uso comercial. En caso de manipulación indebida e incorrecta, uso de la fuerza y apertura del aparato por personas ajenas a nuestros centros de asistencia técnica autorizados, la garantía perderá su validez.

### **La garantía no cubre los siguientes casos**

- Desgaste normal de la capacidad de la batería.
- Uso comercial o industrial del producto.
- Daño o alteración del producto por parte del cliente.
- Incumplimiento de las instrucciones de seguridad y mantenimiento y errores en el manejo.
- Daños provocados por fuerza mayor.

## Proceso de reclamación conforme a la garantía

Para garantizar una tramitación rápida de su reclamación, le rogamos que observe las siguientes indicaciones:

- Mantenga siempre a mano el comprobante de caja y el número de artículo (p. ej., IAN 12345) como justificante de compra.
- Podrá ver el número de artículo en la placa de características del producto, grabado en el producto, en la portada de las instrucciones de uso (parte inferior izquierda) o en el adhesivo de la parte trasera o inferior del producto.
- Si se producen errores de funcionamiento u otros defectos, póngase primero en contacto con el departamento de asistencia técnica especificado a continuación **por teléfono o por correo electrónico**.
- Podrá enviar el producto calificado como defectuoso junto con el justificante de compra (comprobante de caja) y la descripción del defecto y de las circunstancias en las que se haya producido de forma gratuita a la dirección de correo proporcionada.



En [www.lidl-service.com](http://www.lidl-service.com), podrá descargar este manual de usuario y muchos otros más, así como vídeos sobre los productos y software de instalación.

Con este código QR, accederá directamente a la página del Servicio Lidl ([www.lidl-service.com](http://www.lidl-service.com)) y podrá abrir las instrucciones de uso mediante la introducción del número de artículo (IAN) 373104\_2104.

## ⚠ ¡ADVERTENCIA!

- **Encomiende exclusivamente la reparación del aparato al servicio de asistencia técnica o a un electricista especializado y solo con los recambios originales.** De esta forma, se garantizará que la seguridad del aparato no se vea afectada.
- **Encomiende siempre la sustitución del enchufe o del cable de red al fabricante del aparato o a su servicio de atención al cliente.** De esta forma, se garantizará que la seguridad del aparato no se vea afectada.

## INDICACIÓN

- Los recambios no especificados (p. ej., escobillas de carbón, interruptores o depósito de polvo) pueden solicitarse a través de nuestro servicio de asistencia técnica.

## Asistencia técnica

### ES Servicio España

Tel.: 902 59 99 22

(0,08 EUR/Min. + 0,11 EUR/llamada (tarifa normal))

(0,05 EUR/Min. + 0,11 EUR/llamada (tarifa reducida))

E-Mail: [kompennass@lidl.es](mailto:kompennass@lidl.es)

IAN 373104\_2104

## Importador

Tenga en cuenta que la dirección siguiente no es una dirección de asistencia técnica. Póngase primero en contacto con el centro de asistencia técnica especificado.

KOMPENASS HANDELS GMBH

BURGSTRASSE 21

44867 BOCHUM

ALEMANIA

[www.kompennass.com](http://www.kompennass.com)

## Traducción de la Declaración de conformidad original

En virtud del presente documento, nosotros, KOMPERNASS HANDELS GMBH, responsable de los documentos: Semi Uguzlu, BURGSTR. 21, 44867 BOCHUM Alemania, declaramos que este producto cumple con lo dispuesto por las siguientes normas, documentos normativos y directivas CE:

**Directiva relativa a las máquinas**  
(2006/42/EC)

**Compatibilidad electromagnética**  
(2014/30/EU)

**Directiva sobre las restricciones a la utilización de determinadas sustancias peligrosas en aparatos eléctricos y electrónicos**  
(2011/65/EU)\*

\* La responsabilidad exclusiva de la expedición de esta declaración de conformidad recaerá sobre el fabricante. El objeto descrito de la declaración cumple con las disposiciones de la Directiva 2011/65/EU del Parlamento Europeo y del Consejo del 8 de junio de 2011 sobre las restricciones a la utilización de determinadas sustancias peligrosas en aparatos eléctricos y electrónicos.

### Normas armonizadas aplicadas

EN 62841-1:2015

EN 62841-2-4:2014

EN 55014-1:2017/A11:2020

EN 55014-2:2015

EN IEC 61000-3-2:2019

EN 61000-3-3:2013/A1:2019

EN IEC 63000:2018

EN ISO 12100:2010

**Denominación de la máquina:** Lijadora de banda PBSD 900 A1

**Año de fabricación:** 07-2021

**Número de serie:** IAN 373104\_2104

Bochum, 27/05/2021



Semi Uguzlu

- Responsable de calidad -

Reservado el derecho de realizar modificaciones técnicas en relación con el desarrollo tecnológico.

# Indholdsfortegnelse

<b>Indledning</b> .....	<b>100</b>
Anvendelsesområde .....	100
Komponenter vist på billedet .....	100
Pakkens indhold .....	100
Tekniske data .....	100
<b>Generelle sikkerhedsanvisninger for elværktøjer</b> .....	<b>101</b>
1. Sikkerhed på arbejdspladsen .....	101
2. Elektrisk sikkerhed .....	101
3. Personsikkerhed .....	102
4. Anvendelse og behandling af elværktøjet .....	102
5. Service .....	103
Maskinspecifikke sikkerhedsanvisninger for slibemaskiner .....	103
<b>Første brug</b> .....	<b>103</b>
Fastspænding/udskiftning af slibebånd .....	103
Justering af ekstragreb .....	104
Opvining af frontafdækning .....	104
Montering/aftagning af støvopsugning .....	104
Arbejdsanvisninger .....	105
<b>Betjening</b> .....	<b>105</b>
Tænd/sluk .....	105
Tømning af støvbeholder .....	105
Valg af omdrejningstal og slibebånd .....	106
Stationært arbejde .....	106
Tips og tricks .....	106
<b>Vedligeholdelse og rengøring</b> .....	<b>107</b>
<b>Bortskaffelse</b> .....	<b>107</b>
<b>Garanti for Kompernass Handels GmbH</b> .....	<b>108</b>
<b>Service</b> .....	<b>109</b>
<b>Importør</b> .....	<b>109</b>
<b>Oversættelse af den originale overensstemmelseserklæring</b> .....	<b>110</b>

# BÅNDSLIBEMASKINE PBSD 900 A1

## Indledning

Tillykke med købet af dit nye produkt. Du har valgt et produkt af høj kvalitet. Betjeningsvejledningen er en del af dette produkt. Den indeholder vigtige informationer om sikkerhed, anvendelse og bortskaffelse. Du bør sætte dig ind i alle produktets betjenings- og sikkerhedsanvisninger før brug. Brug kun produktet som beskrevet og kun til de angivne anvendelsesområder. Lad vejledningen følge med produktet, hvis du giver det videre til andre.

## Anvendelsesområde

Båndsliberen er - afhængigt af slibepapiret - beregnet til tørslibning af træ, plast, metal og spartelmasse samt af lakerede overflader. Produktet må kun anvendes til tørslibning. Bemærk, at der skal anvendes slibebånd med forskellige kornstørrelser til bearbejdning af de forskellige materialer, samt at omdrejningstallet også skal indstilles efter materialet. Produktet er ikke beregnet til erhvervmæssig brug. Al anden form for anvendelse eller ændring af maskinen anses for at være uden for anvendelsesområdet og indebærer betydelige farer for uheld. Producenten påtager sig intet ansvar for skader, der opstår som følge af anvendelse uden for anvendelsesområdet.

## Komponenter vist på billedet



- 1 TÆND-/SLUK-knap
- 2 Ekstragreb (gummibeklædt gribeblade)
- 3 Frontafdækning
- 4 Spændearm til slibebånd
- 5 Hjul til justering af båndhastighed
- 6 Håndtag (gummibeklædt gribeblade)
- 7 Skrue til justering af håndtag
- 8 Huller til skruetvinge
- 9 Tilslutning for støvbeholder
- 10 Låsetaste til TÆND-/SLUK-knap
- 11 Støvbeholder
- 12 Justeringsskrue til båndløb

- 13 Slibebånd
- 14 Skruetvinge
- 15 Reduktionsstykke
- 16 Opsugningsadapter

## Pakkens indhold

- 1 båndslibemaskine
- 1 slibebånd til træ (kornstørrelse 80)
- 1 støvbeholder
- 1 Opsugningsadapter og reduktionsstykke (til ekstern støvopsugning)
- 2 skruetvinger
- 1 betjeningsvejledning

## Tekniske data

Mærkespænding	230 V ~, 50 Hz (vekselstrøm)
Nominelt effektforbrug	900 W
Båndhastighed i tomgang	240–400 m/min.
Nominel tomgangshastighed	 $n_0$ 450–750 min <sup>-1</sup>
Slibebånd	75 x 533 mm
Beskyttelsesklasse	II /  (dobbeltisolering)

## Støjemissionsværdi

Måleværdi for støj beregnet iht. EN 62841. Det A-vægtede støjniveau for elværktøjet er typisk som følger:

Lydtrykniveau	$L_{pA} = 89$ dB (A)
Usikkerhed	$K_{pA} = 3$ dB
Lydeffektniveau	$L_{WA} = 100$ dB (A)
Usikkerhed	$K_{WA} = 3$ dB

## Bær høreværdi

## Samlet vibrationsværdi

Samlede vibrationsværdier (vektorsum i tre retninger) beregnet iht. EN 62841:

Slibning med slibeskive:

Hovedhåndtag	$a_h = 3,0$ m/s <sup>2</sup>
Ekstra håndtag	$a_h = 2,8$ m/s <sup>2</sup>
Usikkerhed	$K = 1,5$ m/s <sup>2</sup>

## BEMÆRK

- ▶ De angivne samlede vibrationsværdier og de angivne vibrationsmissionsværdier er målt iht. standardiserede testmetoder og kan anvendes til sammenligning af forskellige elværktøjer.
- ▶ De angivne samlede vibrationsværdier og de angivne støjemissionsværdier kan også anvendes til en indledende vurdering af faren ved belastningen.

## ⚠ ADVARSEL!

- ▶ Svingnings- og støjemissionen kan afvige fra de angivne værdier under den faktiske anvendelse af elværktøjet afhængigt af måden, elværktøjet anvendes på og især af emnet, der forarbejdes.
- ▶ Prøv at holde belastningen så lav som muligt. Vibrationsbelastningen kan f.eks. reduceres ved brug af handsker ved anvendelse af værktøjet samt ved nedsættelse af den tid, værktøjet bruges. Her skal der tages hensyn til hele driftscyklussen (f.eks. perioder, hvor elværktøjet er slukket, og perioder, hvor det er tændt, men kører uden belastning).



## Generelle sikkerhedsanvisninger for elværktøjer



## ⚠ ADVARSEL!

- ▶ Læs alle sikkerhedsanvisninger, instruktioner, illustrationer og tekniske data, som dette elværktøj er forsynet med. Hvis de efterfølgende anvisninger ikke overholdes, kan det medføre elektrisk stød, brand og/eller alvorlige kvæstelser.

### Opbevar sikkerhedsanvisningerne og -instruktionerne til senere brug.

Begrebet "elværktøj", der anvendes i sikkerhedsanvisningerne, henviser både til elværktøj, der anvendes med ledning til lysnettet, og batteridrevet elværktøj (uden strømledning).

## 1. Sikkerhed på arbejdspladsen

- a) Hold arbejdspladsen ren og godt oplyst. Rod og dårligt oplyste arbejdspladser kan medføre uheld.
- b) Arbejd aldrig med elværktøj i eksplosionsfarlige omgivelser, hvor der befinder sig brændbare væsker, gasser eller støv. Elværktøj danner gnister, som kan antænde støvet eller dampene.
- c) Hold børn og andre personer på afstand, når elværktøjet bruges. Hvis du bliver distraheret, kan du miste kontrollen over elværktøjet.

## 2. Elektrisk sikkerhed

- a) Elværktøjets tilslutningsstik skal passe ind i stikkontakten. Stikket må ikke ændres på nogen måde.  
Der må ikke bruges adapterstik sammen med beskyttelsesjorden elværktøj. Uændrede stik og de rigtige stikkontakter reducerer risikoen for elektrisk stød.
- b) Undgå kropskontakt med jordforbundne overflader som f.eks. rør, radiatorer, komfurer og køleskabe. Der er øget risiko for elektrisk stød, hvis din krop har jordforbindelse.
- c) Hold elværktøjet væk fra regn og fugt. Hvis der kommer vand ind i elværktøjet, er der forhøjet risiko for elektrisk stød.
- d) Brug ikke tilslutningsledningen til noget, den ikke er beregnet til, f.eks. til at bære eller hænge værktøjet op i eller til at trække stikket ud af stikkontakten. Hold tilslutningsledningen på afstand af varme, olie, skarpe kanter eller bevægelige dele. Beskadigede eller sammenflettede tilslutningsledninger øger risikoen for elektrisk stød.
- e) Hvis du anvender elværktøj udendørs, må du kun bruge forlængerledninger, som også er godkendt til udendørs brug. Når du anvender en forlængerledning, der er beregnet til uden-dørs brug, reduceres risikoen for elektrisk stød.
- f) Hvis det ikke er muligt at undgå at bruge elværktøjet i fugtige omgivelser, skal der installeres en fejlstrømsafbryder. Installation af en fejlstrømsafbryder reducerer risikoen for elektrisk stød.



### 3. Personssikkerhed

- a) Vær opmærksom og bevidst om, hvad du laver, og arbejd fornuftigt med elværktøjet. Brug ikke elværktøjet, hvis du er ukoncentreret eller påvirket af narkotika, alkohol eller medicin. Selv et øjeblik uopmærksomhed ved brug af elværktøjet kan medføre alvorlige kvæstelser.
- b) Brug personligt beskyttelsesudstyr, og bær altid beskyttelsesbriller. Når du bruger personligt beskyttelsesudstyr som støvmaske, skridsikre sikkerhedssko, beskytteshandsker, sikkerhedshjelm og høreværn afhængigt af elværktøjets type og anvendelse, reduceres risikoen for personskader.
- c) Undgå uønsket igangsætning. Kontrollér, at elværktøjet er slukket, før du forbinder det med elforsyningen og/eller tilslutter batteriet, løfter elværktøjet eller bærer det. Hvis du bærer elværktøjet rundt med fingeren på kontakten, eller hvis elværktøjet slutes til strømforsyningen, mens det er tændt, kan der opstå uheld.
- d) Fjern indstillingsværktøj eller skruenøgler, før du tænder for elværktøjet. Hvis der sidder et værktøj eller en skruenøgle på en roterende del af elværktøjet, kan det medføre personskader.
- e) Undgå unormale kropstillinger. Sørg for, at du står sikkert, og hold altid balancen. Derved kan du bedre kontrollere elværktøjet i uventede situationer.
- f) Bær velegnet påklædning. Bær ikke løstsiddende tøj eller smykker. Hold hår og tøj på afstand af dele, der bevæger sig. Løst tøj, smykker eller hår kan gribe fat i dele, der bevæger sig.

- g) Hvis der kan monteres støvopsugnings- og opsamlingsanordninger, skal disse tilsluttes og anvendes korrekt. Anvendelse af denne type anordninger nedsætter støvrisikoen.
- h) Lad dig ikke lulle ind i en falsk følelse af sikkerhed, og tilsidesæt ikke sikkerhedsreglerne for elværktøj, selv om du er fortrolig med elværktøjet efter mange ganges anvendelse. Uforsigtige handlinger kan føre til alvorlige kvæstelser på en brøkdæl af et sekund.

### 4. Anvendelse og behandling af elværktøjet

- a) Overbelast ikke elværktøjet. Brug et elværktøj, der er egnet til arbejdet. Du arbejder bedre og mere sikkert i det angivne effektområde, hvis du bruger det rigtige elværktøj.
- b) Brug ikke elværktøj med defekt kontakt. Elværktøj, som ikke længere kan tændes og slukkes, er farligt og skal repareres.
- c) Træk stikket ud af stikkontakten og/eller fjern det aftagelige batteri, før du foretager indstillinger på produktet, udskifter indsatsværktøj eller lægger elværktøjet fra dig. Disse forholdsregler forhindrer, at elværktøjet starter ved en fejl.
- d) Opbevar elværktøj uden for børns rækkevidde, når værktøjet ikke anvendes. Personer, som ikke kender elværktøjet, eller som ikke har læst disse anvisninger, må ikke bruge produktet. Elværktøj er farligt, hvis det anvendes af uerfarne personer.
- e) Vedligehold elværktøjet og dets indsatsværktøj omhyggeligt. Kontrollér, om bevægelige dele fungerer, som de skal og ikke sætter sig fast, om dele er defekte eller så beskadigede, at elværktøjets funktion er forringet. Få beskadigede dele repareret, inden du bruger elværktøjet. Mange uheld skyldes dårligt vedligeholdt elværktøj.

- f) Hold skærende værktøj skarpt og rent. Omhyggeligt vedligeholdt værktøj med skarpe skær sætter sig ikke så ofte fast og er lettere at styre.
- g) Brug elværktøj, indsatsværktøj, udskiftelige dele osv. iht. disse anvisninger. Tag hensyn til arbejdsbetingelserne og det arbejde, der skal udføres. Anvendelse af elværktøj til andet end den tilsigtede anvendelse kan føre til farlige situationer.
- h) Hold håndtag og gribeblader tørre, rene og fri for olie og fedt. Glatte håndtag og gribeblader gør sikker betjening og kontrol over elværktøjet umulig i uforudsete situationer.

## 5. Service

- a) Lad kun en kvalificeret reparatør reparere dit elværktøj og kun med originale reservedele. Derved garanteres det, at elværktøjets sikkerhed bevares.

## Maskinspecifikke sikkerhedsanvisninger for slibemaskiner

- Hold fast i produktet på de isolerede gribeblader, eftersom slibebåndet **13** kan ramme værktøjets egen ledning. Beskadigelse af en spændingsførende ledning kan også sætte produktdele af metal under spænding og medføre elektrisk stød.

### ADVARSEL!

- Støv fra materialer som f.eks. blyholdig maling, visse træsorter og metal kan være sundhedsskadelige.
- Berøring eller indånding af disse støvtyper kan udgøre en sundhedsfare for brugeren eller personer i nærheden.
- Brug beskyttelsesbriller og støvmaske!

## Første brug

### Fastspænding/udskiftning af slibebånd

#### ADVARSEL! FARE FOR PERSONSKADER!

- Tag altid stikket ud af stikkontakten, før du begynder at arbejde med båndsliberen.

1. Løsn spændeanordningen til slibebåndet ved at svinge spændearmen **4** helt ud. Nu kan slibebåndet **13** tages ud.
2. Sæt et nyt slibebånd **13** ind, eller udskift det gamle for at bearbejde et andet materiale eller ændre kornstørrelse.  
**VIGTIGT:** Pilens retning, som er angivet på slibebåndets **13** inderside og på båndsliberens hus, skal stemme overens.
3. Stil spændearmen **4** tilbage til udgangspositionen.

### Manuel justering af slibebånd **13**

Hvis båndet ikke løber centreret, når der tændes for båndsliberen, skal båndløbet evt. efterjusteres.

- ◆ Drej på justeringsskruen **12** på den forreste valse, indtil slibebåndet **13** løber centreret.  
**VIGTIGT:** Vær altid meget opmærksom på, at slibebåndet **13** ikke sliber sig ind i huset. Kontrollér jævnligt båndløbet, og efterjustér det eventuelt med justeringsskruen **12**.

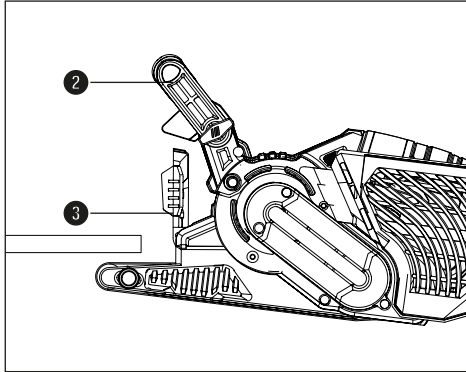
## Justering af ekstragreb

Ekstragrebet **2** kan indstilles til flere forskellige positioner.

- ◆ For justering af ekstragrebet **2** løsnes skruen **7**.
- ◆ Indstil ekstragrebet **2** i den ønskede stilling.
- ◆ Stram skruen **7** igen.

## Opviping af frontafdækning

Ved slibning af svært tilgængelige steder kan du vippe frontafdækningen **3** op (se illustration).



### ⚠ ADVARSEL!

- ▶ Frontafdækningen **3** kan kun vippes op, hvis ekstragrebet **2** også er vippet op (se kapitel "Justering af ekstragreb").
- ◆ Vip frontafdækningen **3** op.

## Montering/aftagning af støvopsugning

### ⚠ ADVARSEL! EKSPLOSIONSFARE!

- I forbindelse med eksplosive støv-/luftblandinger skal der benyttes en opsuigningsenhed, som er specielt beregnet hertil. **BRANDFARE PÅ GRUND AF GNISTREGNI!** Ved slibning af metaller må der ikke anvendes støvopsugning (støvbeholder **11** eller støvsuger).

- Asbestholdigt materiale må ikke bearbejdes. Asbest regnes for at være kræftfremkaldende.

### ⚠ ADVARSEL! BRANDFARE!

- Når du arbejder med elværktøjer, der er udstyret med en støvboks, eller som kan forbindes med støvsugeren ved hjælp af en støvopsugningsanordning, er der fare for brand! Under ugunstige forhold, som f.eks. ved gnistregn - ved slibning af metal eller metalrester i træ - kan træstøvet selvantændes i støvboksen (eller i støvsugerens støvsugerpose). Dette kan især ske, hvis træstøvet er blandet med lakrester eller andre kemiske stoffer, og slibematerialet er varmt efter lang tids arbejde. Undgå derfor altid overophedning af slibematerialet og værktøjet, og tøm altid støvopsamlingsboksen eller støvsugerens støvsugerpose, før du holder pause.
- Sørg for god udluftning på arbejdspladsen.
- Overhold de lokalt gældende forskrifter for de bearbejdede materialer.

-  Bær støvmaske.

### Montering af støvbeholder 11

- ◆ Sæt støvbeholderen 11 på tilslutningen 9 til støvbeholderen ovenfra.

### Afmontering / aftagning af støvbeholder

- ◆ Tag støvboksen 11 af oppefra.

### Tilslutning af opsugningsadapter og reduktionsstykke til ekstern opsugning

- ◆ Sæt opsugningsadapteren 16 på tilslutningen 9.
- ◆ Sæt reduktionsstykket 15 til ekstern opsugning på opsugningsadapteren 16.
- ◆ Sæt slangen til en godkendt støvopsugningsanordning (f.eks. en værkstedsudsugning) på reduktionsstykket 15 til ekstern opsugning.

### Afmontering af opsugningsadapter og reduktionsstykke til ekstern opsugning

- ◆ Tag støvopsugningsanordningens slange af.
- ◆ Tag reduktionsstykket 15 til ekstern opsugning af.
- ◆ Tag opsugningsadapteren 16 på tilslutningen 9 af oppefra.

### Arbejdsanvisninger

#### Et let slibetryk er tilstrækkeligt

- Arbejd med lavt slibetryk. Båndsliberens egen vægt er nok til at opnå en god slibeeffekt. Endvidere reduceres slitagen på slibebåndet 13, og arbejdsområdets overflade bliver glattere.

#### Slibning og overflade

- Slibeeffekten og overfladekvaliteten bestemmes af kornstørrelsen på slibebåndet 13 (se også afsnittet "Valg af hastighed og slibebånd").

### Slibeprocessen

- Anbring det tændte produkt på arbejdsområdet, og arbejd med moderat fremfæringshastighed. Udfør slibningen parallelt, så slibebanerne overlapper hinanden. For at undgå forstyrrende, tværgående slibespor må der kun slibes i fibrenes retning. Tag produktet af emnet efter bearbejdningen, og sluk derefter for produktet.

#### BEMÆRK

- Hold altid produktet fast med begge hænder under arbejdet.

### Betjening

#### Tænd/sluk

Ved betjening af båndsliberen kan der vælges mellem momentdrift og permanent drift.

#### Tænd for momentdrift

- ◆ Tryk på TÆND-/SLUK-knappen 1.

#### Sluk for momentdrift

- ◆ Slip TÆND-/SLUK-knappen 1.

#### Tænd for permanent drift

- ◆ Tryk på TÆND-/SLUK-knappen 1, hold den inde, og tryk på låseknappen 10.

#### Sluk for permanent drift

- ◆ Tryk på TÆND-/SLUK-knappen 1, og slip den igen.

### Tømning af støvbeholder

Støvbeholderen 11 skal tømmes hvert 10. minut under drift.

- ◆ Tag støvbeholderen 11 af (se kapitlet "Montering/aftagning af støvopsugning")
- ◆ Ryst støvbeholderen 11 over en affaldsspand for at tømme den.
- ◆ Sæt støvbeholderen 11 tilbage på produktet.

## Valg af omdrejningstal og slibebånd

Du kan forindstille hastigheden med hjulet til valg af båndhastighed **5**, mens maskinen kører. Den optimale båndhastighed afhænger af emnet eller materialet, der skal bearbejdes. Udfør en praktisk test for at finde det optimale omdrejningstal til hver enkelt situation. I den efterfølgende tabel findes nogle vejledende værdier, som gør det lettere at finde det rigtige omdrejningstal.

Arbejdsemne/ arbejdsområde	Blødt træ
Grovslibning (korn)	60
Finslibning (korn)	240
Forvalgt omdrejningstal	Højt (5-6)

Arbejdsemne/ arbejdsområde	Hårdt træ
Grovslibning (korn)	60
Finslibning (korn)	180
Forvalgt omdrejningstal	Højt (5-6)

Arbejdsemne/ arbejdsområde	Spånplader
Grovslibning (korn)	60
Finslibning (korn)	150
Forvalgt omdrejningstal	Højt (5-6)

Arbejdsemne/ arbejdsområde	Fjernelse af maling og lak
Grovslibning (korn)	60
Finslibning (korn)	--
Forvalgt omdrejningstal	Højt (5-6)

Arbejdsemne/ arbejdsområde	Grundslibning af lak
Grovslibning (korn)	150
Finslibning (korn)	320
Forvalgt omdrejningstal	Lavt (1-2)

Arbejdsemne/ arbejdsområde	Rustfjernelse på stål
Grovslibning (korn)	40
Finslibning (korn)	120
Forvalgt omdrejningstal	Mellem/højt (3-4)

Arbejdsemne/ arbejdsområde	Plast
Grovslibning (korn)	120
Finslibning (korn)	240
Forvalgt omdrejningstal	Mellem/højt (2-3)

Arbejdsemne/ arbejdsområde	Ikke-jernholdige metaller (f.eks. aluminium)
Grovslibning (korn)	80
Finslibning (korn)	150
Forvalgt omdrejningstal	Mellem/højt (3-4)

## Stationært arbejde

- ◆ Anbring ekstragrebet **2** i vandret stilling.
- ◆ Vend elværktøjet om som vist på figur A, og anbring det på en stabil arbejdsflade.
- ◆ Sæt de to skruevinger **14** i de dertil beregnede huller **8**, og spænd elværktøjet godt fast.

## Tips og tricks

- Bearbejd aldrig træ og metal med det samme slibebånd **15**.
- Slidte eller flossede slibebånd kan beskadige arbejdsemnet. Skift derfor slibebåndene ud i god tid.
- Opbevar kun slibebånd hængende, da de bliver ubrugelige, hvis de får knæk eller lignende.

## Vedligeholdelse og rengøring



**ADVARSEL! FARE FOR PERSONSKADER! Sluk produktet, og tag stikket ud af stikkontakten, før du arbejder på det.**

Båndsliberen er vedligeholdelsesfri.

- Rengør båndsliberen lige efter, at arbejdet er afsluttet.
- Brug en tør klud til rengøring af produktet, men aldrig benzin, opløsningsmidler eller rengøringsmidler, som angriber plast.

### Tømning/rengøring af støvbeholder ①

- ◆ Tag støvbeholderen ① af båndsliberen.
- ◆ Tøm støvbeholderen ① fuldstændigt ved at banke den ud, og sæt støvbeholderen ① tilbage på produktet.
- ◆ Sørg altid for, at ventilationsåbningerne er fri.
- ◆ Fjern fastsiddende slibestøv med en pensel.

## Bortskaffelse



Emballagen består af miljøvenlige materialer, som kan bortskaffes på de lokale genbrugspladser.



**Bortskaf ikke elværktøj sammen med husholdningsaffaldet!**

I henhold til det europæiske direktiv 2012/19/EU skal kasseret elværktøj indsamles særskilt og afleveres til miljøvenligt genbrug.

Du kan få oplysninger hos kommunen om bortskaffelse af udtjente produkter.



Bortskaf emballagen miljøvenligt. Vær opmærksom på mærkningen på de forskellige emballagematerialer, og bortskaf dem sorteret ved behov.

Emballagematerialerne er mærket med forkortelserne (a) og tallene (b) med følgende betydning: 1–7: Plast, 20–22: Papir og pap, 80–98: Kompositmaterialer.



Du kan få oplysninger hos kommunen om bortskaffelse af udtjente produkter.



Produktet kan genbruges, er underlagt udvidet producentansvar og indsamles separat.

## Garanti for Kompernass Handels GmbH

Kære kunde

På dette produkt får du 3 års garanti fra købsdatoen. I tilfælde af mangler ved produktet har du en række juridiske rettigheder i forhold til sælgeren af produktet. Dine juridiske rettigheder forringes ikke af den nedenfor anførte garanti.

### Garantibetingelser

Garantiperioden begynder på købsdatoen. Opbevar venligst kvitteringen et sikkert sted. Den er nødvendig for at kunne dokumentere købet.

Hvis der inden for tre år fra dette produkts købsdato opstår en materiale- eller fabrikationsfejl, vil produktet – efter vores valg – blive repareret eller udskiftet, eller købsprisen vil blive refunderet gratis til dig. Denne garantiydelse forudsætter, at det defekte produkt afleveres, og købsbeviset (kvitteringen) forevises i løbet af fristen på tre år, og at der gives en kort skriftlig beskrivelse af, hvori manglen består, og hvornår den er opstået.

Hvis defekten er dækket af vores garanti, får du et repareret eller et nyt produkt retur. Reparation eller ombytning af produktet udløser ikke en ny garantiperiode.

### Garantiperiode og juridiske mangelkrav

Garantiperioden forlænges ikke, hvis der gøres brug af garantien. Det gælder også for udskiftede og reparerede dele. Skader og mangler, som eventuelt allerede fandtes ved køb, samt manglende dele, skal anmeldes straks efter udpakningen. Når garantiperioden er udløbet, er reparation af skader betalingspligtig.

### Garantiens omfang

Produktet er produceret omhyggeligt efter strenge kvalitetsretningslinjer og testet grundigt inden levering.

Garantien dækker materiale- og fabrikationsfejl. Denne garanti omfatter ikke produktdele, der er udsat for normal slitage og derfor kan betragtes som sliddele, eller skader på skrøbelige dele som f.eks. kontakter eller dele af glas.

Denne garanti bortfalder, hvis produktet er blevet beskadiget, ikke er forskriftsmæssigt anvendt eller vedligeholdt. For at sikre forskriftsmæssig anvendelse af produktet skal alle anvisninger nævnt i betjeningsvejledningen nøje overholdes. Anvendelsesformål og handlinger, som frarådes eller der advares imod i betjeningsvejledningen, skal ubetinget undgås.

Produktet er kun beregnet til privat og ikke til kommercielt brug. Ved misbrug og uhensigtsmæssig brug, anvendelse af vold og ved indgreb, som ikke er foretaget af vores autoriserede serviceafdeling, bortfalder garantien.

### Garantiperioden gælder ikke ved

- Normalt forbrug af batteriets kapacitet
- Erhvervs-mæssig anvendelse af produktet
- Beskadigelser eller ændringer på produktet udført af kunden
- Manglende overholdelse af sikkerheds- og vedligeholdelsesforskrifter, betjeningsfejl
- Skader som følge af naturkatastrofer

## Afvikling af garantiser

For at sikre en hurtig behandling af din anmeldelse bør du følge nedenstående anvisninger:

- Ved alle forespørgsler bedes du have kvitteringen og artikelnummeret (f.eks. IAN 12345) klar som dokumentation for købet.
- Artikelnummeret kan du finde på typeskiltet på produktet, som indgravering på produktet, på betjeningsvejledningens forside (nederst til venstre) eller som klæbemærke på bag- eller undersiden af produktet.
- Hvis der opstår funktionsfejl eller øvrige mangler, bedes du først kontakte nedennævnte serviceafdeling **telefonisk** eller **via e-mail**.
- Et produkt, der er registreret som defekt, kan du derefter indsende portofrit til den oplyste serviceadresse med vedlæggelse af købsbevis (kvittering) og en beskrivelse af, hvori manglen består, og hvornår den er opstået.



På [www.lidl-service.com](http://www.lidl-service.com) kan du downloade denne og mange andre manualer, produktvideoer og installationssoftware.

Med denne QR-kode kommer du direkte til Lidl-servicesiden ([www.lidl-service.com](http://www.lidl-service.com)) og kan åbne den ønskede betjeningsvejledning ved indtastning af artikelnummeret (IAN) 373104\_2104.

### ⚠ ADVARSEL!

- Få produktet repareret på et serviceværksted eller af en elektriker og kun med originale reservedele. Derved garanteres det, at produktets sikkerhed bevares.
- Lad altid produktets producent eller dennes kundeservice udskifte stikket eller ledningen. Derved garanteres det, at produktets sikkerhed bevares.

### BEMÆRK

- ▶ Reservedele, som ikke er angivet (som f.eks. kulbørster, kontakt, støvbeholder), kan bestilles hos vores call-center.

## Service

**DK Service Danmark**

Tel.: 32 710005

E-Mail: [kompennass@lidl.dk](mailto:kompennass@lidl.dk)

IAN 373104\_2104

## Importør

Bemærk at den efterfølgende adresse ikke er en serviceadresse. Kontakt først det nævnte servicested.

KOMPERNASS HANDELS GMBH

BURGSTRASSE 21

44867 BOCHUM

TYSKLAND

[www.kompennass.com](http://www.kompennass.com)



## Oversættelse af den originale overensstemmelseserklæring

Vi, KOMPERNASS HANDELS GMBH, dokumentansvarlig: Semi Uguzlu, BURGSTR. 21, 44867 BOCHUM, Tyskland, erklærer hermed, at dette produkt stemmer overens med følgende standarder, standardiseringsdokumenter og EU-direktiver:

**Maskindirektivet**  
(2006/42/EC)

**Elektromagnetisk kompatibilitet**  
(2014/30/EU)

**RoHS-direktivet**  
(2011/65/EU)\*

\* Ansvar for udstedelsen af denne overensstemmelseserklæring er udelukkende producentens. Den ovenfor beskrevne genstand i erklæringen opfylder forskrifterne i Europa-Parlamentets og Rådets direktiv 2011/65/EU af 8. juni 2011 om begrænsning af anvendelsen af visse farlige stoffer i elektrisk og elektronisk udstyr.

### Anvendte harmoniserede standarder

EN 62841-1:2015

EN 62841-2-4:2014

EN 55014-1:2017/A11:2020

EN 55014-2:2015

EN IEC 61000-3-2:2019

EN 61000-3-3:2013/A1:2019

EN IEC 63000:2018

EN ISO 12100:2010

**Typebetegnelse for maskinen:** Båndslibemaskine PBSD 900 A1

**Produktionsår:** 07-2021

**Serienummer:** IAN 373104\_2104

Bochum, 27.05.2021



Semi Uguzlu  
- Kvalitetschef -

Vi forbeholder os ret til tekniske ændringer med henblik på videreudvikling.



**KOMPERNASS HANDELS GMBH**

BURGSTRASSE 21

44867 BOCHUM

GERMANY

[www.kompernass.com](http://www.kompernass.com)

Last Information Update · Stand der Informationen · Version des informations · Stand van de informatie  
Stav informací · Stan informáci · Stav informácií · Estado de las informaciones · Tilstand af information:  
05/2021 · Ident.-No.: PBS900A1-052021-1

---

IAN 373104\_2104