

PDF ONLINE  
parkside-diy.com

## ELECTRIC CHAINSAW PEKS 1600 C3 ELEKTRO-KETTENSÄGE PEKS 1600 C3 TRONÇONNEUSE ÉLECTRIQUE PEKS 1600 C3

(GB) (IE) (NI) (CY) (MT)

### Electric chainsaw

#### Operating and Safety Instructions

Translation of the original operating instructions

**WARNING: READ CAREFULLY BEFORE USE AND STORE IN A SAFE PLACE FOR FUTURE REFERENCE.**

(FR) (BE) (CH)

### Tronçonneuse électrique

#### Consignes d'utilisation et de sécurité

Traduction du mode d'emploi original

**AVERTISSEMENT : LIRE ATTENTIVEMENT AVANT UTILISATION ET CONSERVER SOIGNEUSEMENT POUR UNE UTILISATION FUTURE.**

(ES)

### Motosierra eléctrica

#### Instrucciones de servicio y seguridad

Traducción del manual de instrucciones original

**ADVERTENCIA: LEER ATENTAMENTE ANTES DEL USO Y CONSERVAR EN LUGAR SEGURO PARA SU CONSULTA POSTERIOR.**

(CZ)

### Elektrická řetězová pila

#### Pokyny k obsluze a bezpečnostní pokyny

Překlad originálního provozního návodu

**VAROVÁNÍ: PŘED POUŽITÍM SI POKYNY PEČLIVĚ PŘEČTĚTE A BEZPEČNĚ UCHOVEJTE PRO POZDĚJŠÍ POUŽITÍ.**

(HU)

### Elektromos láncfűrész

#### Kezelési és biztonsági utasítások

Az eredeti üzemeltetési útmutató fordítása

**FIGYELMEZTETÉS: HASZNÁLAT ELŐTT GONDOSAN OLVASSA EL, ÉS ŐRIZZE MEG BIZTONSÁGOS HELYEN A KÉSŐBBI HASZNÁLATHOZ.**

(DK)

### Elektrisk kædesav

#### Betjenings- og sikkerhedsforskrifter

Oversættelse af den originale driftvejledning

**ADVARSEL: SKAL LÆSES NØJE FØR BRUG OG OPBEVARES FORSVARLIGT FOR FREMTIDIG BRUG.**

(DE) (AT) (BE) (CH)

### Elektro-Kettensäge

#### Bedienungs- und Sicherheitshinweise

Originalbetriebsanleitung

**WARNUNG: VOR GEBRAUCH SORGFÄLTIG LESEN UND FÜR DEN SPÄTEREN GEBRAUCH SICHER AUFBEWAHREN.**

(NL) (BE)

### Elektrische kettingzaag

#### Gebruiks- en veiligheidsvoorschriften

Vertaling van de originele gebruiksaanwijzing

**WAARSCHUWING: VOOR GEBRUIK ZORGVULDIG DOORLEZEN EN GOED BEWAREN VOOR LATER GEBRUIK.**

(IT) (MT) (CH)

### Motosaga elettrica

#### Indicazioni sul funzionamento e la sicurezza

Traduzione delle istruzioni per l'uso originali

**AVVISO: LEGGERE ATTENTAMENTE PRIMA DELL'UTILIZZO E CONSERVARE IN MODO SICURO PER UN USO SUCCESSIVO.**

(SK)

### Elektrická reťazová pila

#### Upozornenia k obsluhu a bezpečnostné upozornenia

Překlad originálního návodu na obsluhu

**VAROVANIE: PRED POUŽITÍM SI POZORNE PREČÍTAJTE A USCHOVAJTE NA ĎALŠIE POUŽITIE.**

(PL)

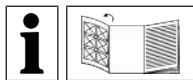
### Elektryczna piła łańcuchowa

#### Wskazówki dotyczące obsługi i bezpieczeństwa

Tłumaczenie oryginalnej instrukcji eksploatacji

**OSTRZEŻENIE: PRZECZYTAĆ DOKŁADNIE PRZED UŻYCIEM I PRZECHOWYWAĆ W BEZPIECZNYM MIEJSCU DO WYKORZYSTANIA W PRZYSZŁOŚCI.**





(GB) (IE) (NI) (CY) (MT)

Before reading, unfold the page with the illustrations and then familiarise yourself with all the functions of the product.

(DE) (AT) (BE) (CH)

Klappen Sie vor dem Lesen die Seite mit den Abbildungen aus und machen Sie sich anschließend mit allen Funktionen des Produkts vertraut.

(FR) (BE) (CH)

Avant de commencer la lecture, ouvrez la page avec les illustrations et familiarisez-vous avec toutes les fonctions du produit.

(NL) (BE)

Vouw voor het lezen de pagina met de afbeeldingen uit en maak u vervolgens vertrouwd met alle functies van het product.

(ES)

Antes de leer las instrucciones y familiarizarse con todas las funciones del producto, despliegue la página con las ilustraciones.

(IT) (MT) (CH)

Prima di leggere, aprire la pagina con le illustrazioni e familiarizzare con tutte le funzioni del prodotto.

(CZ)

Před čtením si rozložte stránku s obrázky a poté se seznámte se všemi funkcemi výrobku.

(SK)

Pred čítaním otvorte stranu s obrázkami a následne sa oboznámte so všetkými funkciami výrobku.

(HU)

Mielőtt megkezdi az olvasást, hajtsa ki az ábrákat tartalmazó oldalt, majd ismerkedjen meg alaposan a termék összes funkciójával.

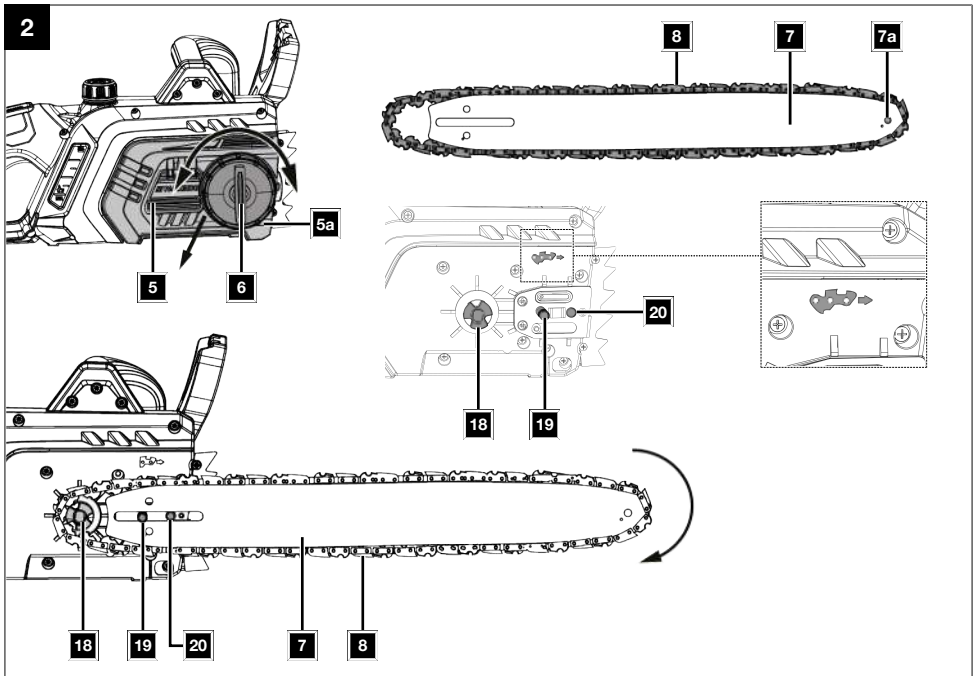
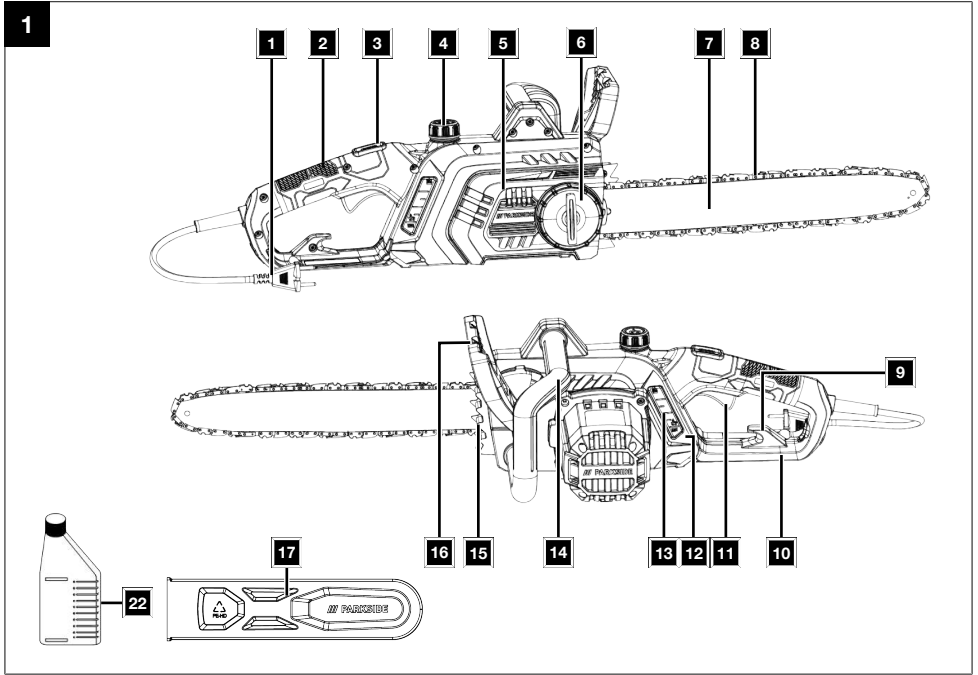
(PL)

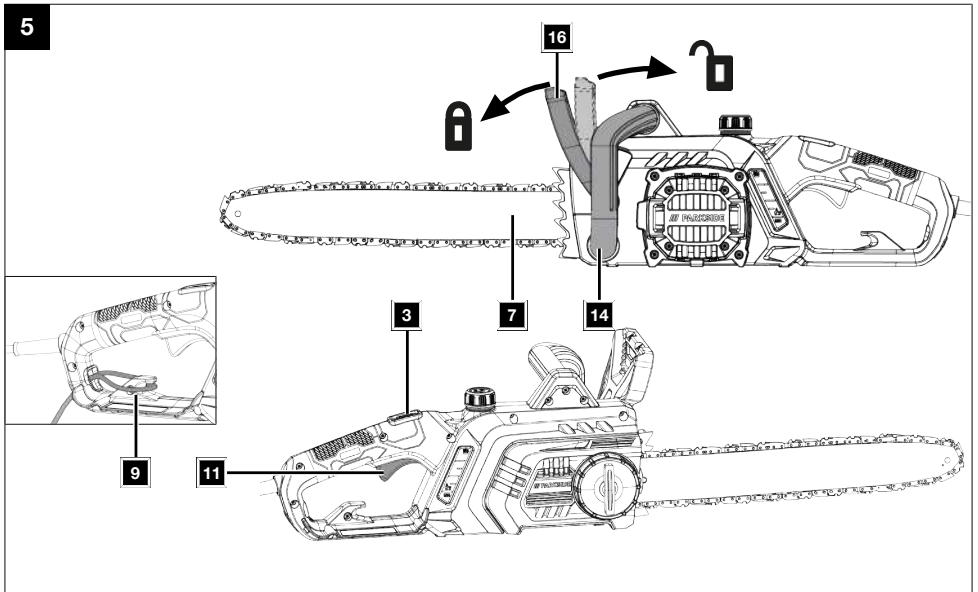
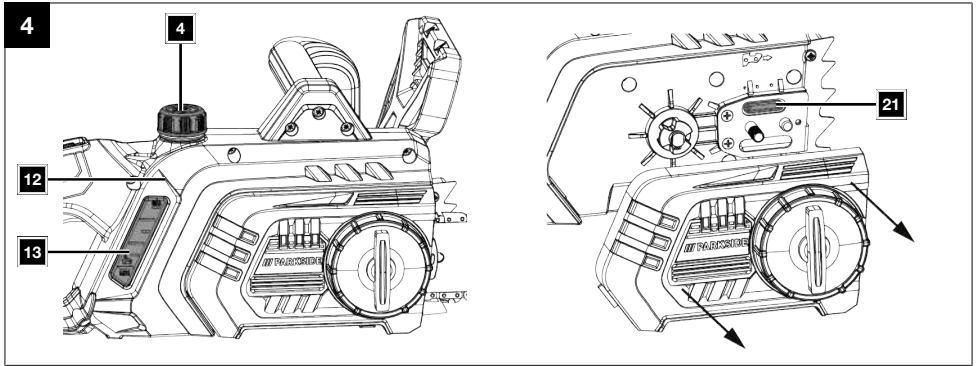
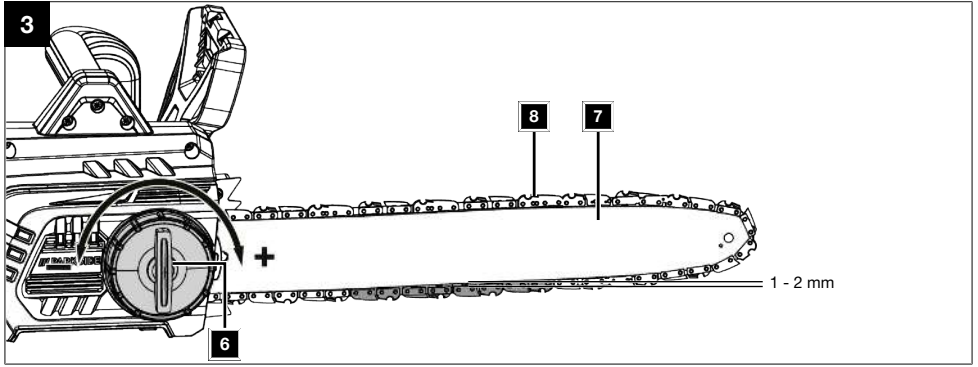
Przed przeczytaniem należy otworzyć stronę z ilustracjami, a następnie zapoznać się ze wszystkimi funkcjami produktu.

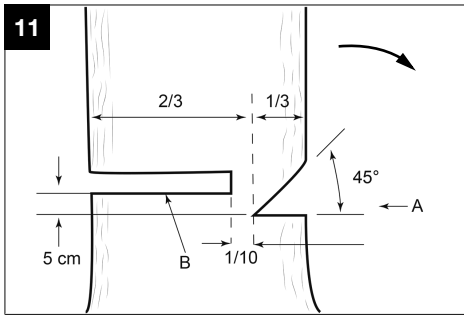
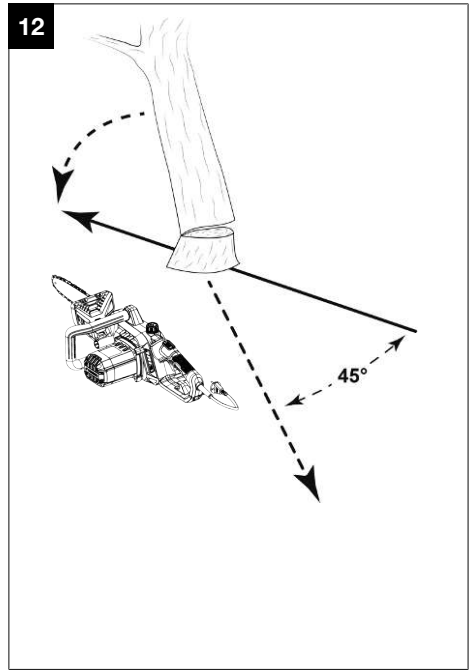
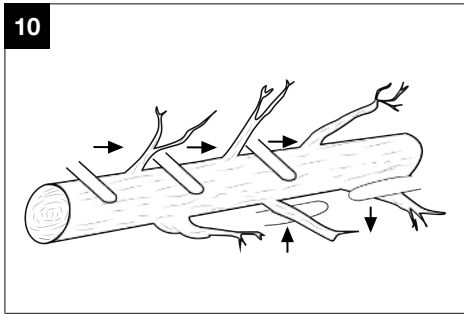
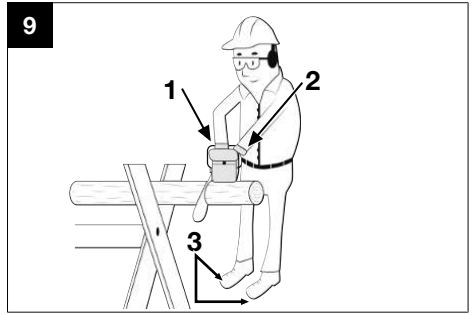
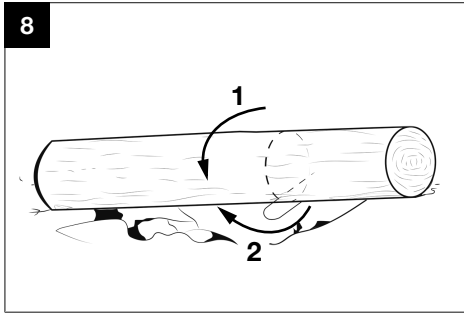
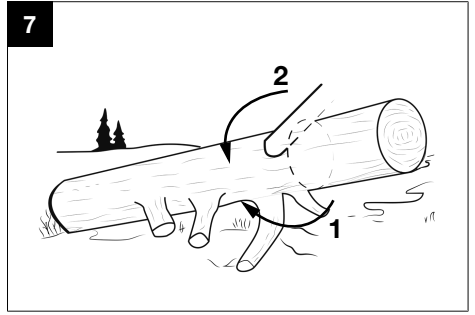
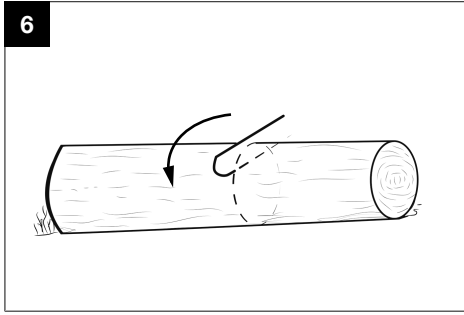
(DK)

Klap siden med illustrationerne ud, og gør dig herefter fortløbig med alle produktets funktioner, før du begynder at læse teksten.

GB / IE / NI / CY / MT	Operating and Safety Instructions	Page	1
DE / AT / BE / CH	Bedienungs- und Sicherheitshinweise	Seite	26
FR / BE / CH	Consignes d'utilisation et de sécurité	Page	54
NL / BE	Gebruiks- en veiligheidsvoorschriften	Pagina	82
ES	Instrucciones de servicio y seguridad	Página	109
IT / MT / CH	Indicazioni sul funzionamento e la sicurezza	Pagina	136
CZ	Pokyny k obsluze a bezpečnostní pokyny	Strana	163
SK	Upozornenia k obsluhu a bezpečnostné upozornenia	Strana	187
HU	Kezelési és biztonsági utasítások	Oldal	212
PL	Wskazówki dotyczące obsługi i bezpieczeństwa	Strona	239
DK	Betjenings- og sikkerhedsforskrifter	Side	266









## Table of contents

1	Explanation of the symbols on the product .....	2
2	Introduction.....	4
3	Product description (Fig. 1-5) .....	4
4	Scope of delivery (Fig. 1).....	4
5	Proper use.....	4
6	Safety instructions .....	5
7	Technical data.....	9
8	Unpacking.....	10
9	Before commissioning .....	10
10	Operation .....	12
11	Working instructions .....	14
12	Cleaning and maintenance .....	18
13	Storage.....	20
14	Electrical connection.....	20
15	Repair and ordering spare parts .....	21
16	Disposal and recycling.....	22
17	Troubleshooting .....	22
18	EU Declaration of Conformity .....	23
19	Warranty certificate .....	24
20	Exploded view.....	291

# 1 Explanation of the symbols on the product

Symbols are used in this manual to draw your attention to potential hazards. The safety symbols and the accompanying explanations must be fully understood. The warnings themselves will not rectify a hazard and cannot replace proper accident prevention measures.

**ATTENTION**














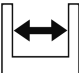


**Before initial commissioning, read the operating manual thoroughly and be sure to follow the safety instructions!**









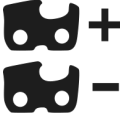





**It is recommended to attend a professional safety course “Electric chainsaw training course certificate of attendance” with a country-specific training standard on the use and maintenance of the chainsaw as well as a first aid course. If you do not use the electric chainsaw for an extended period of time and for practice, you should always make simple cuts in safely supported wood again before starting to familiarise yourself with the chainsaw.**

**Keep the operating manual in a safe place!**

**Note:**

Please note that some national regulations such as work and environmental safety could restrict the use of the chainsaw.

	Before commissioning, read and observe the operating manual and safety instructions!		Release chain brake.
	Attention! Failure to observe the safety signs and warning information affixed to the product and failure to observe the safety and operating manual can result in serious injury or even death.		AC motor.
	Wear a safety helmet with face protection or safety goggles and hearing protection.		Saw chain speed.
	Wear safety gloves!		Chainsaw guide bar length.
	Wear sturdy footwear!		Number of drive links.
	It is important to wear protective clothing for hands, forearms, legs and feet.		Chain pitch.
	Do not expose the product to rain. The product may only be stationed, stored and operated in dry ambient conditions.		Groove width.
	Only for two-handed operation.		Power consumption.

	<p>Warning! Risk of kick-back. Beware of the kick-back of the product and avoid making contact with the tip of the guide bar.</p>	 <p>Weight kg.</p>
	<p>Position of the chain brake.</p>	 <p>Oil tank contents.</p>
	<p>Running direction of the saw chain.</p>	 <p>Only carry out maintenance, conversion, adjustment and cleaning work when the product is switched off and the mains plug is disconnected!</p>
	<p>Filling port for saw chain oil.</p>	 <p>In case of damage or cutting through the mains cable, immediately pull the mains plug out of the socket!</p>
	<p>Increase/decrease chain tension.</p>	 <p>Guaranteed sound power level of the product.</p>
	<p>Chain oil level indicator.</p>	 <p>Protection class II (double insulation).</p>
	<p>Apply chain brake.</p>	 <p>The product complies with the applicable European directives.</p>

## 2 Introduction

### Manufacturer:

Scheppach GmbH  
Günzburger Straße 69  
D-89335 Ichenhausen

### Dear Customer

We hope your new product brings you much enjoyment and success.

### Note:

In accordance with the applicable product liability laws, the manufacturer of this product assumes no liability for damage to the product or caused by the product arising from:

- Improper handling
- Failure to comply with the operating manual
- Repairs carried out by third parties, unauthorised specialists
- Installing and replacing non-original spare parts
- Improper use
- Failures of the electrical system due to failure to observe the national electrical requirements and regulations.

### Note:

The operating manual is part of this product.

It includes important instructions for the safe, proper and economic operation of the product, for avoiding danger, for minimising repair costs and downtimes and for increasing the reliability and extending the service life of the product. In addition to the safety instructions in this operating manual, you must also observe the regulations applicable to the operation of the product in your country.

Familiarise yourself with all operating and safety instructions before using the product. Only operate the product as described and for the specified areas of application. Keep the operating manual in a good place and hand over all documents when passing the product on to third parties.

## 3 Product description (Fig. 1-5)

1. Mains plug
2. Rear handle
3. Switch lock
4. Oil tank cover
5. Chain cover
- 5a. Chain catcher
6. Chain tensioning wheel
7. Guide bar (guide rail)
- 7a. Deflection star
8. Saw chain
9. Strain relief
10. Rear hand guard
11. On/off switch

12. Oil tank
13. Oil level indicator
14. Front handle
15. Claw stop
16. Chain brake/front hand guard
17. Guide bar and chain guard
18. Chain wheel
19. Stud bolts
20. Guide pin
21. Oil opening
22. Saw chain oil (Bio 180 ml)

## 4 Scope of delivery (Fig. 1)

Item	Quantity	Designation
7.	1 x	Guide bar (guide rail)
8.	1 x	Saw chain
17.	1 x	Guide bar and chain guard
22.	1 x	Saw chain oil (Bio 180 ml)
	1 x	Electric chainsaw
	1 x	Operating manual

## 5 Proper use

The petrol chainsaw is designed for sawing wood only. The product is not intended for any other types of application (e.g. cutting masonry, plastic or food).

The product may only be used in the intended manner. Any use beyond this is improper. The user, not the manufacturer, is responsible for damages or injuries of any type resulting from this.

An element of the intended use is also the observance of the safety instructions, as well as the assembly instructions and operating information in the operating manual.

Persons who operate and maintain the product must be familiar with the manual and must be informed about potential dangers.

The liability of the manufacturer and resulting damages are excluded in the event of modifications of the product.

The product may only be operated with original parts and original accessories from the manufacturer.

The safety, operating and maintenance specifications of the manufacturer, as well as the dimensions specified in the technical data, must be observed.

Please note that our products were not designed with the intention of use for commercial or industrial purposes. We assume no guarantee if the product is used in commercial or industrial applications, or for equivalent work.

## Explanation of the signal words in the operating manual

### DANGER

Signal word to indicate an imminently hazardous situation which, if not avoided, will result in death or serious injury.

### WARNING

Signal word to indicate a potentially hazardous situation which, if not avoided, could result in death or serious injury.

### CAUTION

Signal word to indicate a potentially hazardous situation which, if not avoided, could result in minor or moderate injury.

### ATTENTION

Signal word to indicate a potentially hazardous situation which, if not avoided, could result in product or property damage.

## 6 Safety instructions

### General power tool safety warnings

### WARNING

**Read all safety warnings, instructions, illustrations and specifications provided with this power tool.**

Failure to follow all instructions listed below may result in electric shock, fire and/or serious injury.

**Save all warnings and instructions for future reference.**

The term “power tool” in the warnings refers to your mains-operated (corded) power tool or battery-operated (cordless) power tool.

### 1) Work area safety

- Keep your work area clean and well-lit.** Cluttered or dark areas invite accidents.
- Do not operate power tools in explosive atmospheres, such as in the presence of flammable liquids, gases or dust.** Power tools create sparks which may ignite the dust or fumes.

- Keep children and bystanders away while operating a power tool.** Distractions can cause you to lose control.

### 2) Electrical safety

- The connection plug of the electric tool must fit into the socket. Never modify the plug in any way. Do not use any adapter plugs with earthed (grounded) power tools.** Unmodified plugs and matching outlets will reduce risk of electric shock.
- Avoid body contact with earthed or grounded surfaces, such as pipes, radiators, ranges and refrigerators.** There is an increased risk of electric shock if your body is earthed or grounded.
- Do not expose power tools to rain or wet conditions.** Water entering a power tool will increase the risk of electric shock.
- Do not abuse the cord. Never use the cord for carrying, pulling or unplugging the power tool. Keep cord away from heat, oil, sharp edges or moving parts.** Damaged or entangled cords increase the risk of electric shock.
- When operating a power tool outdoors, use an extension cord suitable for outdoor use.** Use of a cord suitable for outdoor use reduces the risk of electric shock.
- If operating a power tool in a damp location is unavoidable, use a residual current device (RCD) protected supply.** Use of an RCD reduces the risk of electric shock.

### 3) Personal safety

- Stay alert, watch what you are doing and use common sense when operating a power tool. Do not use a power tool while you are tired or under the influence of drugs, alcohol or medication.** A moment of inattention while operating power tools may result in serious personal injury.
- Wear personal protective equipment and always safety goggles.** Protective equipment such as a dust mask, non-skid safety shoes, safety helmet or hearing protection used for appropriate conditions will reduce personal injuries.
- Prevent unintentional starting. Ensure the switch is in the off-position before connecting to power source and/or rechargeable battery, picking up or carrying the tool.** Carrying power tools with your finger on the switch or energising power tools that have the switch on invites accidents.
- Remove any adjusting tools or spanners/keys before turning the power tool on.** A wrench or a key left attached to a rotating part of the power tool may result in personal injury.
- Avoid abnormal postures. Keep proper footing and balance at all times.** This enables better control of the power tool in unexpected situations.

- f) **Dress properly. Do not wear loose clothing or jewellery. Keep your hair and clothing away from moving parts.** Loose clothes, jewellery or long hair can be caught in moving parts.
- g) **If devices are provided for the connection of dust extraction and collection facilities, ensure these are connected and properly used.** Use of dust extraction can reduce dust-related hazards.
- h) **Do not let familiarity gained from frequent use of tools allow you to become complacent and ignore tool safety principles.** A careless action can cause severe injury within a fraction of a second.

#### 4) Power tool use and care

- a) **Do not force the power tool. Use the correct power tool for your application.** The correct power tool will do the job better and safer at the rate for which it was designed.
- b) **Do not use the power tool if the switch does not turn it on and off.** Any power tool that cannot be controlled with the switch is dangerous and must be repaired.
- c) **Disconnect the plug from the power source and/or remove the battery pack, if detachable, from the power tool before making any adjustments, changing accessories, or storing power tools.** Such precautionary measures reduce the risk of starting the power tool accidentally.
- d) **Store idle power tools out of the reach of children and do not allow persons unfamiliar with the power tool or these instructions to operate the power tool.** Power tools are dangerous in the hands of untrained users.
- e) **Maintain power tools and attachments. Check for misalignment or binding of moving parts, breakage of parts and any other condition that may affect the power tool's operation. If damaged, have the power tool repaired before use.** Many accidents are caused by poorly maintained power tools.
- f) **Keep cutting tools sharp and clean.** Properly maintained cutting tools with sharp cutting edges are less likely to bind and are easier to control.
- g) **Use electric tools, insertion tools, etc. according to these instructions. Take into account the working conditions and the work to be performed.** Use of the power tool for operations different from those intended could result in a hazardous situation.
- h) **Keep handles and grasping surfaces dry, clean and free from oil and grease.** Slippery handles and grasping surfaces do not allow for safe handling and control of the tool in unexpected situations.

#### 5) Service

- a) **Only have your power tool repaired by qualified specialists and only with original spare parts.** This will ensure that the safety of the power tool is maintained.

#### 6.1 Safety instructions for chainsaws

##### General chainsaw safety warnings

- a) **Keep all parts of the body away from the saw chain when the chain saw is operating. Before you start the chain saw, make sure the saw chain is not contacting anything.** A moment of inattention while operating chain saws may cause entanglement of your clothing or body with the saw chain.
- b) **Always hold the chain saw with your right hand on the rear handle and your left hand on the front handle.** Holding the chain saw with a reversed hand configuration increases the risk of personal injury and should never be done.
- c) **Only hold the chainsaw by the insulated gripping surfaces, as the saw chain could hit hidden power lines or its own mains cable.** Contact between the saw chain and a live power line can also electrify metal device parts and lead to an electric shock.
- d) **Wear eye protection. Further protective equipment for hearing, head, hands, legs and feet is recommended.** Adequate protective equipment will reduce personal injury from flying debris or accidental contact with the saw chain.
- e) **Do not operate a chain saw in a tree, on a ladder, from a rooftop, or any unstable support.** Operation of a chain saw in this manner could result in serious personal injury.
- f) **Always keep proper footing and operate the chain saw only when standing on fixed, secure and level surface.** Slippery or unstable surfaces may cause a loss of balance or control of the chain saw.
- g) **When cutting a limb that is under tension, be alert for spring back.** When the tension in the wood fibres is released, the spring loaded limb may strike the operator and/or throw the chain saw out of control.
- h) **Use extreme caution when cutting brush and saplings.** The slender material may catch the saw chain and be whipped toward you or pull you off balance.
- i) **Carry the chain saw by the front handle with the chain saw switched off and away from your body. When transporting or storing the chain saw, always fit the guide bar cover.** Proper handling of the chain saw will reduce the likelihood of accidental contact with the moving saw chain.

- j) **Follow instructions for lubricating, chain tensioning and changing the bar and chain.** Improperly tensioned or lubricated chain may either break or increase the chance for kickback.
- k) **Cut wood only. Do not use chain saw for purposes not intended. For example: do not use chain saw for cutting metal, plastic, masonry or non-wood building materials.** Use of the chain saw for operations different than intended could result in a hazardous situation.
- l) **Do not attempt to fell a tree until you have an understanding of the risks and how to avoid them.** Serious injury could occur to the operator or bystanders while felling a tree.

### Causes and avoidance of kickback

Kickback may occur when the nose or tip of the guide bar touches an object, or when the wood closes in and pinches the saw chain in the cut.

Tip contact in some cases may cause a sudden reverse reaction, kicking the guide bar up and back towards the operator.

Pinching the saw chain along the top of the guide bar may push the guide bar rapidly back towards the operator.

Either of these reactions may cause you to lose control of the saw which could result in serious personal injury. Do not rely exclusively upon the safety devices built into your saw. As a chain saw user, you should take several steps to keep your cutting jobs free from accident or injury.

Kickback is the result of chain saw misuse and/or incorrect operating procedures or conditions and can be avoided by taking proper precautions as given below:

- a) **Maintain a firm grip, with thumbs and fingers encircling the chain saw handles, with both hands on the saw and position your body and arm to allow you to resist kickback forces.** Kickback forces can be controlled by the operator, if proper precautions are taken. Do not let go of the chain saw.
- b) **Do not overreach and do not cut above shoulder height.** This helps prevent unintended tip contact and enables better control of the chain saw in unexpected situations.
- c) **Only use replacement guide bars and saw chains specified by the manufacturer.** Incorrect replacement guide bars and saw chains may cause chain breakage and/or kickback.
- d) **Follow the manufacturer's sharpening and maintenance instructions for the saw chain.** Decreasing the depth gauge height can lead to increased kickback.

### Additional safety instructions

- Carefully follow the maintenance, inspection and service instructions in this operating manual. Damaged protective devices and parts must be repaired properly or replaced by our service centre unless otherwise specified in the operating manual.
- We recommend that a person using the tool for the first time should at least practice by cutting logs on a sawhorse or stand.
- Always stand above the tree trunk when sawing on slopes. In order to maintain full control at the moment of "cutting all the way through", reduce the pressing force towards the end of the cut, without loosening your firm grip of the handles of the product. Ensure that the saw chain does not come into contact with the ground. After completing the cut, wait for the product to stop before removing the product.  
Always switch off the engine of the product and remove the battery before moving from tree to tree.
- Dirt, stones, loose bark, nails, staples and wire must be removed from the tree.
- **Do not use accessories that are not recommended by the manufacturer.** This can lead to electric shock or fire.
- Do not use the product in a thunderstorm - **Danger of lightning strike!**

### Additional safety instructions

- **Follow all instructions when clearing debris, storing or servicing the chainsaw. Make sure the switch is off and the mains plug is removed.** Unexpected operation of the chainsaw saw while clearing a buildup of material or during maintenance can cause serious injury
- If the mains connection cable for the product is damaged then it must be replaced by the manufacturer or their customer services personnel or by a similarly qualified person, in order to avoid hazards.
- Use a residual current circuit breaker with a trigger current of 30 mA or less.
- Lay the connecting cable so that it is not caught by branches or similar during sawing.
- Only use approved and appropriately identified extension cables for use outdoors (H07RN-F).
- Carefully follow the maintenance, inspection and service instructions in this operating manual. Damaged protective devices and parts must be repaired properly or replaced by our service centre unless otherwise specified in the operating manual.
- Always stand above the tree trunk when sawing on slopes. In order to maintain full control at the moment of "cutting all the way through", reduce the pressing force towards the end of the cut, without loosening your firm grip of the handles of the product. Ensure that the saw chain does not come into contact with the ground. After completing the cut,

wait for the product to stop before removing the product.

Always switch off the product and disconnect the mains plug before switching from tree to tree.

- Dirt, stones, loose bark, nails, staples and wire must be removed from the tree.
- Do not use the product without lubrication and always ensure that it is topped up in good time before the tank is empty.
- Use only lubricants recommended by the manufacturer.
- We recommend that a person using the tool for the first time should at least practice by cutting logs on a sawhorse or stand.
- **Do not use accessories that are not recommended by the manufacturer.** This can lead to electric shock or fire.
- Do not use the product in a thunderstorm - **Danger of lightning strike!**

The saw chain can be resharpened at an authorised specialist workshop. Do not attempt to sharpen the saw chain yourself if you do not have a suitable tool and the necessary experience.

## Safety devices (Fig. 1)

- **Rear handle (2) with hand guard (10)**
  - Protects the hands from branches and twigs and if the saw chain jumps off.
- **Switch lock (3)**
  - To switch on the product, the switch lock must be unlocked. The switch lock prevents accidental starting of the product.
- **Chain catcher (5a)**
  - Reduces the risk of injury if the saw chain breaks or jumps off.
- **Saw chain (8) with low kick-back**
  - Helps you to intercept kick-backs with specially developed safety devices.
- **On/off switch (11) with chain instant stop**
  - Switches the product off immediately if the on/off switch is released.
- **Claw stop (15)**
  - Reinforces stability when vertical cuts are performed and makes sawing easier.

### Note:

The saw chain does not run when the chain brake is engaged.

- **Chain brake/front hand guard (16)**
  - Safety devices that stop the saw chain immediately in the event of kick-back.
  - The lever can also be manually actuated.
  - Protects the left operator's left hand if it slips off the front handle.

- **Electric motor**
  - Is double insulated for safety reasons.

## 6.2 Personal Protective Equipment (PPE)

### DANGER

#### Danger of injury!

Always wear personal protective equipment (PPE)!

- Wear a safety helmet with face protection or safety goggles and hearing protection.
- Wear close-fitting protective clothing with a cut protection insert.
- Wear non-slip safety shoes.
- Wear protective gloves.

- **Do not overreach. Keep proper footing and balance at all times.** This enables better control of the power tool in unexpected situations.
- The product shall not be operated by persons (including children) with reduced physical, sensory or mental abilities or who have inadequate experience or knowledge.
- **Dress properly. Do not wear loose clothing or jewellery. Keep your hair and clothing away from moving parts.** Loose clothes, jewellery or long hair can be caught in moving parts.
- Always wear sturdy footwear and long trousers when operating the product. Do not operate the product barefoot or in open sandals. Avoid wearing loose-fitting clothing or clothing with hanging strings or ties.
- Wear a safety helmet for all work in the forest. This provides protection from falling branches. Check the safety helmet regularly for damage. This must be replaced after 5 years at the latest. Only use approved safety helmets.
- The face guard or safety goggles protect against shavings and wood splinters. To prevent injuries to the eyes, you must always wear a face guard or safety goggles when working with the product.
- Wear hearing protection.
- Wear protective gloves.
- Wear a dust protection mask when sawing dry wood. Sawdust may form.
- When working in the tree, the user may fall down. The user can be seriously injured or killed. Wear fall protection equipment.

## 6.3 Environmental safety

- National and/or municipal regulations may impose time restrictions on the use of noise-generating, motorised products. Ask your local administration about this.

- Only work in daylight.
- Do not work in adverse weather conditions, such as rain or wind. There is an increased risk of accidents in these instances!
- Disorder in the work area can lead to accidents.
- Keep children and other people away while using the product. Distractions may cause you to lose control of the product.
- Never operate the product while people, especially children, or animals are nearby.
- Do not work near wire fences or in areas with loose old wire.

## Residual risks

The product has been built according to state-of-the-art and the recognised technical safety rules. However, individual residual risks can arise during operation.

- Residual risks can be minimised if the "Safety Instructions" and the "Intended Use" together with the operating manual as a whole are observed.
- Use the product in the way that is recommended in this operating manual. This is how to ensure that your product provides optimum performance.
- Furthermore, despite all precautions having been met, some non-obvious residual risks may still remain.
- Keep your hands away from the working area when the product is in operation.
- Damage to hearing if the stipulated hearing protection is not worn.
- Damage to the lungs if the stipulated respiratory protection is not worn.
- Risk of injury from tools thrown away due to improper holding or guiding.
- Health hazard due to electrical power, with the use of improper electrical connection cables.
- Avoid accidental start-up of the product: when inserting the plug into the socket, do not press the on/off switch.
- Before performing setting or maintenance work, release the on/off switch and pull out the mains plug.

### WARNING

This power tool generates an electromagnetic field during operation. This field can impair active or passive medical implants under certain circumstances. In order to prevent the risk of serious or deadly injuries, we recommend that persons with medical implants consult with their physician and the manufacturer of the medical implant prior to operating the power tool.

### WARNING

In case of extended working periods, the operating personnel may suffer circulatory disturbances in their hands (vibration white finger) due to vibrations.

Raynaud's syndrome is a vascular disease that causes the small blood vessels on the fingers and toes to cramp in spasms. The affected areas are no longer supplied with sufficient blood and therefore appear extremely pale. The frequent use of vibrating products can cause nerve damage in people whose circulation is impaired (e.g. smokers, diabetics).

If you notice unusual adverse effects, stop working immediately and seek medical advice.

## 7 Technical data

Nominal voltage	220-240V AC / 50/60 Hz
Nominal power S1*	1600 W
Protection class	II
Protection category	IPX0
Chain speed	15 m/s
Guide rail	14"
Chainsaw guide bar length	41.5 cm
Cutting length**	34 cm
Chain pitch	3/8"
Number of chain wheel teeth	52 teeth
Type of saw chain	3/8LP-52
Type of guide rail	AP14-52-507P
Tank/Saw chain oil	0.35 l
Weight (with chainsaw guide bar and saw chain)	approx. 4.8 kg
Weight (without chainsaw guide bar, saw chain and cable)	approx. 4.2 kg

Subject to technical changes!

### \*Operating mode S1 (continuous operation)

The product can be operated continuously with the specified power.

\*\* The actual cutting length may be less than the specified cutting length.

### Noise and vibration

### WARNING

Noise can have serious effects on your health. If the machine noise exceeds 85 dB, please wear suitable hearing protection for you and persons in the vicinity.

## Noise data

Sound pressure level $L_{pA}$	95.3 dB
Measurement uncertainty $K_{pA}$	3 dB
Measured sound power level $L_{wA}$	103.3 dB
Guaranteed sound power level $L_{wA}$	106 dB
Measurement uncertainty $K_{wA}$	3 dB

## Vibration parameters (hand/arm vibration)

Vibration $a_{h1}$	
Front handle	3.26 m/s <sup>2</sup>
Rear handle	3.51 m/s <sup>2</sup>
Measurement uncertainty K	1.5 m/s <sup>2</sup>

The total vibration emission values specified and the device emissions values specified have been measured in accordance with a standardised test procedure and can be used for comparison of one electric tool with another.

The total noise emission values specified and the total vibration emission values specified can also be used for an initial estimation of the load.

### WARNING

**The noise emission values and vibration emission value can vary from the specified values during the actual use of the power tool, depending on the type and the manner in which the electric tool is used, and in particular the type of workpiece being processed.**

Try to keep the stress as low as possible. For example: Limit working time. In doing so, all parts of the operating cycle must be taken into account (such as times in which the power tool is switched off or times in which it is switched on, but is not running under a load).

## 8 Unpacking

### WARNING

**The product and the packaging material are not children's toys!**

**Do not let children play with plastic bags, films or small parts! There is a danger of choking or suffocating!**

- Open the packaging and carefully remove the product.
- Remove the packaging material, as well as the packaging and transport safety devices (if present).
- Check whether the scope of delivery is complete.

- Check the product and accessory parts for transport damage. Immediately report any damage to the transport company that delivered the Product. Later claims will not be recognised.
- If possible, keep the packaging until the expiry of the warranty period.
- Familiarise yourself with the product by means of the operating manual before using for the first time.
- With accessories as well as wearing parts and replacement parts use only original parts. Spare parts can be obtained from your specialist dealer.
- When ordering please provide our article number as well as type and year of manufacture for the product.

## 9 Before commissioning

### WARNING

**Always remove the mains plug before carrying out adjustments on the product.**

### WARNING

#### **Danger of injury!**

Do not insert the mains plug into the socket until you are ready to use the product.

### DANGER

#### **Danger of injury!**

If an incompletely assembled product is used, serious injuries can be caused.

- Do not use the product until it has been fully fitted.
- Before each use, carry out a visual inspection to check that the product is complete and does not contain any damaged or worn components. Safety and protective devices must be intact.

### WARNING

**Danger of injury when handling the saw chain or the blade!**

- Wear cut-resistant gloves.

#### **Notes:**

- A new saw chain stretches and needs to be re-tensioned more often. Check and adjust the chain tension regularly after each cut.
- Only use saw chains and blades designed for this product.

## CAUTION

An incorrectly installed saw chain leads to uncontrolled cutting behaviour by the product!

When fitting the saw chain, observe the prescribed running direction!

- Place the product on a level, even surface.
- Familiarise yourself with the product by means of the operating manual before using for the first time.

It is mandatory to carefully check the product for any damage before each use or after it has been dropped. If damage is identified, it must be rectified immediately by you or an authorised service centre.

The following points must be observed to ensure that the product functions perfectly and has a long service life:

- Correct seating of the guide rail.
- Installation/running direction, as well as flawless (sharp) saw chain.
- Tension of the saw chain (check and readjust several times if the chain is new).
- Function of the chain lubrication.
- Function of the chain brake.
- Function of the clutch (chain does not move when idle).
- Faultless condition and completeness of the guards and the cutting device.
- All screw connections are tight.
- Smooth running of all moving parts.

### 9.1 Fit the guide bar (7) and saw chain (8) (Fig. 2)

1. Turn the chain tensioning wheel (6) anti-clockwise, so that the chain cover (5) is removed.
2. Lay out the saw chain (8) in a loop so that the cutting edges are aligned clockwise. To align the saw chain (8), follow the symbols (arrows) on the saw chain (8) or above the guide pin (20).
3. Place the saw chain (8) in the groove of the guide bar (7).  
For assembly, hold the guide bar (7) swivelled upwards at an angle of approx. 45 degrees to make it easier to feed the saw chain (8) into the chain wheel (18). The saw chain (8) is steered via the deflection star (7a).
4. Insert the guide bar (7) on the guide pin (20) and the stud bolt (19). The guide pin (20) and the stud bolt (19) must be in the elongated hole on the guide bar (7).
5. Guide the saw chain (8) around the chain wheel (18) and check the alignment of the saw chain (8).

6. Fit the chain cover (5) back on.  
Ensure that the sprocket cover (5) is seated in the groove on the housing.
7. Tighten the tensioning wheel (6) clockwise hand-tight.
8. Check the fit of the saw chain (8) again and tension the saw chain (8).

#### Note:

Please note that the product will re-oil after use and oil may leak if the product is stored horizontally or upside down. This is a normal procedure due to the necessary ventilation opening at the upper edge of the tank and is no reason for complaint. As this product is inspected and tested with oil during production, there could be a small residue in the tank despite emptying, which could easily stain with oil during transport of the housing. Please clean the housing with a cloth.

Before changing the saw chain, the groove of the guide rail must be cleaned of dirt, as the saw chain can jump out of the rail if dirt deposits are present. The deposits can also soak up the chain oil. The consequence would be that the chain oil does not reach the underside of the guide bar, or only to a small extent, and lubrication is reduced.

### 9.2 Tensioning the saw chain (8) (Fig. 3)

## WARNING

### Risk of injury from the saw chain jumping off!

An insufficiently tensioned saw chain can come off during operation and cause injuries.

- Check the saw chain tension frequently.
- The chain tension is too low if the drive links come out of the groove on the underside of the guide rail.
- Adjust the tension of the saw chain properly if the saw chain tension is too low.

1. Ensure that the chain brake (16) is released (see 10.1.2).
2. Set the chain tension using the chain tension wheel (6).
  - Clockwise - increases the chain tension
  - Anti-clockwise - reduces the chain tension
3. Turn the saw chain (8) by hand, to check it runs freely. It must glide freely in the guide bar (7).

The saw chain (8) must not sag, but should allow at least 1-2 millimetres to be pulled away from the bar (7) in the middle of the chain bar.

The chain tension and chain lubrication have a considerable influence on the service life of the saw chain.

The saw chain is correctly tensioned when it does not sag on the underside of the chainsaw guide bar and can be pulled all the way round with a gloved hand. When pulling on the saw chain with 9 N (approx. 1 kg) tractive force, the saw chain and chainsaw guide bar must not be more than 7 mm apart.

It should be possible to pull the saw chain (8) off by hand by a maximum of 9 mm using a moderate pulling force.

**Note:**

- The tension of a new chain must be checked after a few minutes in operation, and adjusted if necessary.
- The tensioning of the saw chain should be carried out in a clean place free from sawdust and the like.
- Correct tensioning of the saw chain is for the safety of the user and reduces or prevents wear and chain damage.
- We recommend that the user check the chain tension before starting work for the first time.

### ATTENTION

When working with the saw, the saw chain heats up and expands slightly as a result. This “stretching” is to be expected especially with new saw chains.

## 9.3 Topping up saw chain oil (22) (Fig. 4)

### DANGER

Always switch off the product and let the motor cool down before filling with oil. There is a risk of fire if oil overflows.

### WARNING

The guide bar and saw chain must never be without oil. If you operate the electric chainsaw with too little oil, the cutting performance and service life of the saw chain will be reduced as the saw chain will become blunt more quickly. You can see that there is too little oil by smoke being produced or by the guide bar discolouring.

### ATTENTION

#### Environmental damage!

Spilled oil can pollute the environment permanently. The liquid is highly toxic and can quickly lead to water pollution.

- Fill/empty oil only on level, paved surfaces.
- Use a filling nozzle or funnel.
- Collect drained oil in a suitable container.
- Wipe up spilled oil carefully immediately and dispose of the cloth according to local regulations.
- Dispose of oil as per local regulations.

The saw chain will be lubricated automatically while the product is running. To lubricate the saw chain sufficiently, there must always be enough saw chain oil in the oil tank. Check the amount of oil remaining in the oil tank at regular intervals.

**Note:**

- The cover is equipped with an anti-loss device.
  - Preferably fill the electric chainsaw with biodegradable saw chain oil (22).
  - Ensure that the cover of the oil tank is in place and closed before switching on the product.
1. Open the oil tank (12). To do this, unscrew the oil tank cover (4) anti-clockwise.
  2. To prevent oil from leaking, use a funnel\*.
  3. Carefully add the saw chain oil (22) until it reaches the top mark on the oil level indicator (13). Oil tank capacity: max. 350 ml.
  4. Screw the oil tank cover (4) clockwise to close the oil tank (12).
  5. Wipe up any spilled oil carefully immediately and dispose of the cloth according to local regulations.
  6. To check the product lubrication, hold the chainsaw with the saw chain over a sheet of paper and give it full throttle for a few seconds. You can see on the paper whether the chain lubrication is working.

## 10 Operation

The electric chainsaw is driven by an electric motor. The saw chain runs around the edge of the chainsaw guide bar (guide rail).

The product is equipped with a quick-stop chain brake. An automatic oil system ensures continuous chain lubrication. The electric chainsaw is equipped with various protective devices to protect the user.

Please refer to the following descriptions for the function of the controls.

## ATTENTION

**Always make sure the product is fully assembled before commissioning!**

## ATTENTION

Make sure that the ambient temperature does not exceed 50°C and does not fall below -20°C during work.

## ⚠ DANGER

### Danger of injury!

If the product is jammed, do not try to pull the product out by using force.

- Switch off the engine.
- Use a lever arm or wedge to get the product free.

## 10.1 Chain brake (16) (Fig. 1, 5)

## ⚠ WARNING

**The chain brake must be checked before each use.**

The chain brake brakes the saw chain immediately in the event of kick-back.

## ⚠ WARNING

**If the chain brake is not working properly, you may not use the electric chainsaw. There is a danger of injury due to the saw chain continuing to run. Contact customer service.**

## ⚠ WARNING

### Product damage!

Increased motor speed for too long with the chain brake locked will damage the motor and the saw chain drive.

If the saw chain still moves, contact the customer service.

### Note:

The saw chain does not run when the chain brake is engaged.

### 10.1.1 Activating the chain brake/front hand guard (16)

1. Do not tilt the chain brake/front hand guard (16) in the direction of the guide bar (7).

### 10.1.2 Loosening the chain brake/front hand guard (16)

1. Pull the chain brake/front hand guard (16) in the direction of the front handle (14). The chain brake/front hand guard (16) engages audibly.

### 10.1.3 Checking the chain brake/front hand guard (16)

1. Release the chain brake/front hand guard (16) as described under 10.1.2.
2. Hold the chainsaw tight in both hands.
3. Switch on the chainsaw as described under 10.1.3.
4. Do not tilt the chain brake/front hand guard (16) in the direction of the guide bar (7). The saw chain (8) must stop immediately!

### Note:

If the saw chain still moves, do not use the product. There is a danger of injury due to the saw chain continuing to run. Contact customer service.

## 10.2 Switching the product on/off and operating it (Fig. 1)

## ⚠ WARNING

### Danger of injury due to kickback!

- Never use the product one-handed!

### Switching on

1. Check that there is saw chain oil (22) in the oil tank (12).
2. Form a loop from the end of the extension cable\* and hook it into the strain relief (9) on the rear handle (2).
3. Insert the mains plug into a properly fused mains socket.
4. Remove the guide bar and chain guard (17) from the guide bar (7).
5. Release the chain brake (16). The chain brake (16) engages audibly.
6. Hold the front handle (14) with your left hand and the rear handle (2) with your right hand. Thumb and fingers must firmly grasp the handles (2/14).
7. Bring your body and arms into a position in which you can absorb the kickback forces.
8. Push the switch lock (3) on the rear handle (2) forwards and hold it in this position.
9. To switch on the product, push the on/off switch (11).
10. Release the switch lock (3).

**Note:**

It is not necessary to keep the switch lock pressed after starting the product. The switch lock is intended to prevent accidental starting of the product.

Continuous operation is not possible.

**Switching off**

1. To switch it off, simply release the on/off switch (11).
2. Activate the chain brake (16).
3. Put on the supplied guide bar and chain guard (17) after each instance of working with the product.
4. Pull the mains plug out of the socket when the product is not in use.
5. Remove the extension cable\* from the strain relief (9).

\* = may not be included in the scope of delivery!

**10.3 Overload protection**

In the event of overloading, the product will switch itself off. After a cool-down period (time varies), the product can be switched back on again.

**10.4 Checking the saw chain lubrication (Fig. 4)****Note:**

Before starting work, check the oil level and the function of the chain lubrication.

1. To check the product lubrication, hold the chainsaw with the saw chain over a sheet of paper and give it full throttle for a few seconds. You can see on the paper whether the chain lubrication is working.

**Note:**

If there is no trace of oil, clean the oil opening if necessary or have the electric chainsaw repaired by our customer service.

1. Clean the oil opening (21) to ensure trouble-free, automated oiling of the saw chain (8) during operation. To do this, use a brush\* or cloth\* to wipe out any residue from the oil opening (21).

\* = may not be included in the scope of delivery!

**11 Working instructions****⚠ DANGER****Danger of injury!**

This section examines the basic working technique for using the product.

The information provided here does not replace the many years of training and experience of a specialist. Avoid any work that you are not adequately qualified for!

Careless use of the product can lead to serious injuries and even death!

**⚠ DANGER****Danger of injury!**

Sawing and felling work as well as all related work may only be carried out by specially trained and briefed persons.

**⚠ WARNING**

For safety reasons, we advise inexperienced users against felling a tree trunk with a guide bar length that is smaller than the trunk diameter.

**Notes:**

Before switching on, make sure that the product does not touch any objects.

Observe the country-specific regulations for felling work and obtain information from the relevant authority.

- Make sure that no one can be harmed by the falling branches and trees.
- Only the persons required for the felling work may be in the work area.
- Keep the work area at the trunk clear and tidy so that users have a safe standing area.
- Keep escape routes clear and tidy in order to be able to leave the work area quickly.
- Do not carry out felling work in stronger wind conditions, bad weather or poor visibility.
- Keep distances to the nearest workplace of at least 2 1/2 tree lengths.
- Switch off the motor if the saw comes into contact with a foreign object. Check the saw and repair it if necessary.
- Protect the saw chain from dirt and sand. Even small amounts of dirt can quickly dull the saw chain and increase the risk of kick-back.
- Start by sawing smaller logs for practice to get a feel for your product before tackling more difficult tasks.

- Press the housing of the electric chainsaw against the tree trunk when you start sawing.
- Let the saw work for you. Apply only light downward pressure.
- To avoid losing control of the product after the saw chain has come out of the wood, do not apply pressure to the saw towards the end of the cut.
- Do not cut wood that is lying on the ground or try to cut roots that are sticking out of the ground.
- Avoid abnormal postures. Keep proper footing and balance at all times. This will allow you to better control the product in unexpected situations.
- You have better control when you saw with the underside of the bar (with a pulling chain).
- The saw chain must not touch the ground or any other object during or after sawing.
- Also observe the precautions against kick-back (see safety instructions).

## 11.1 Holding the device correctly

### DANGER

#### Danger of injury!

- Never work on unstable ground!
- Never work above shoulder height!
- Never work when standing on ladders!
- Do not bend too far when working!
- Only use the device when the weather and terrain conditions are favourable!
- Stand with both legs firmly on the ground.
- Be aware of obstacles in the working area.
- During work, always hold the product tight in both hands!

## 11.2 How to saw correctly!

- Exert regular pressure on the product and do not apply excessive force.
- If possible, apply the product to the branch you wish to saw with the claw stop.
- Never work without the claw stop. The product can pull the operator forward.
- Use the claw stop for cutting tree trunks or thick branches.
- Using the claw stop increases work safety, reduces personal strain when working and vibrations are also reduced.
- If it came into contact with a foreign object. Inspect the product for damage and perform the required repairs before starting again and working with the product. If the product begins to experience exceptionally strong vibrations, switch it off immediately and check it.

## 11.3 Sawing techniques

### 11.3.1 Pull sawing

With this technique, sawing takes place with the underside of the chainsaw guide bar from top to bottom.

The saw chain pulls the product forwards and away from the user. With this action, the front edge of the product forms a support, which absorbs the forces that arise on the tree trunk during sawing. With pull sawing, the user has significantly greater control over the product and is able to better avoid kickbacks.

### 11.3.2 Push sawing

#### DANGER

##### Life-threatening injuries!

If the chainsaw guide bar jams, the product can be thrown towards the user with great force. If the user does not balance the backward force of the saw chain with their body strength, there is a risk that only the tip of the chainsaw guide bar will remain in contact with the wood and kick-back will occur.

With this technology, sawing takes place with the top side of the guide rail from bottom to top.

The saw chain pushes the product backwards, towards the user.

### 11.3.3 Cutting to length

This is the sawing of felled tree trunks into small sections. If possible, the trunk should be underpinned and supported by branches, beams or wedges.

- **Always keep proper footing and operate the chain saw only when standing on fixed, secure and level surface.** Slippery or unstable surfaces may cause a loss of balance or control of the chain saw.
- Always stand above the branch when sawing on slopes. Ensure that the saw chain does not come into contact with the ground. After completing the cut, wait for the saw chain to stop before removing the product.
- Always switch off the product's engine before switching from workplace to workplace.

#### 11.3.3.1 Trunk lying on the floor (Fig. 6)

- The saw chain must not touch the ground or any other object during or after sawing.
- Saw all the way through the trunk from the top.
- If it is possible to turn the trunk, saw 2/3 through it. Then turn the trunk over and saw through the rest of the trunk from above.

#### 11.3.3.2 Trunk is supported at one end (Fig. 7)

- First saw through 1/3 of the trunk diameter from bottom to top (with the top side of the chainsaw guide bar) to avoid fragments.

- Then saw from top to bottom (with the underside of the chainsaw guide bar) towards the first cut to avoid jamming.

#### 11.3.3.3 Trunk is supported at both ends (Fig. 8)

- First saw through 1/3 of the trunk diameter from top to bottom (with the underside of the chainsaw guide bar).
- Then saw from the bottom up (with the top of the chainsaw guide bar) until the cuts meet.

#### 11.3.3.4 Sawing on a trestle (Fig. 9)

1. Hold the product firmly with both hands and guide the product in front of your body while sawing 1.
2. When cutting the trunk, guide the product past the body on the right.  
Keep your left arm as straight as possible 2. Watch out for the falling trunk.
3. Position yourself so that the severed trunk does not pose a hazard.
4. Pay attention to your feet 3. The cut trunk could cause injuries if it falls.
5. Make sure your body is balanced and that you have a secure stance.

#### 11.3.4 Delimiting (Fig. 10)

### WARNING

#### Danger of injury!

Many accidents happen during delimiting.

- Hold the product firmly with both hands and guide the product in front of your body while sawing.
- Do not lean too far forward during operation.
- Never saw off branches when standing on the tree trunk.
- Keep an eye on the kick-back area if branches are tensioned.

Delimiting is the term for removing branches and twigs from a tree.

- Remove supporting branches only after cutting to length.
- Tensioned branches must be sawn from the bottom upwards to prevent the product from jamming.
- When sawing off thicker branches, use the same technique as for cutting to length.
- Work to the left of the trunk and as close as possible to the product. If possible, let the weight of the product rest on the trunk.
- Change your position to cut branches on the other side of the trunk.
- Branched boughs are cut to length individually.

- When delimiting, leave larger downward branches that support the tree for the time being. Separate smaller branches with one cut.
- Remove the branches hanging downwards by making the cut above the branch.
- Never delimit above shoulder height.

#### 11.3.5 Felling a tree (Fig. 11, 12)

### DANGER

#### Danger of injury!

Sawing and felling work as well as all related work may only be carried out by specially trained and briefed persons.

### DANGER

A lot of experience is needed to fell trees. Only fell trees if you can handle the product safely. Never use the product if you feel unsafe.

### DANGER

#### Life-threatening injuries!

- Never saw fully through the trunk!
- During felling, only stand to the side of the tree you intend to fell!

### DANGER

Do not fell a tree if a strong or changing wind is blowing, if there is a risk of property damage or if the tree could hit electrical lines.

### DANGER

When felling trees, care must be taken not to expose other persons to danger, not to hit supply lines and not to cause damage to property. Should a tree come into contact with a supply line, the utility company must be informed immediately.

- Ensure that no other people or animals are present in the work area. The safety distance between the tree to be felled and the nearest workplace must be 2.5 tree lengths.
- Pay attention to the felling direction: The user must be able to move safely in the vicinity of the felled tree in order to be able to cut to length and delimit the tree easily. The falling tree must be prevented from becoming entangled in another tree. Observe the natural fall direction which depends on the inclination and curvature of the tree, wind direction and number of branches.

- Small trees with a diameter of 15-18 cm, can usually be sawn with one cut.
- Always stand above the branch when sawing on slopes. Ensure that the saw chain does not come into contact with the ground. After completing the cut, wait for the saw chain to stop before removing the product.
- Always stand above the tree trunk when sawing on slopes. In order to maintain full control at the moment of “cutting all the way through”, reduce the pressing force towards the end of the cut, without loosening your firm grip of the handles of the product. Ensure that the saw chain does not come into contact with the ground. After completing the cut, wait for the product to stop before removing the product.  
Always switch off the product and disconnect the mains plug before switching from tree to tree.
- For trees with a larger diameter, notch cuts and a felling cut must be made.
- Ensure that the saw chain does not become jammed in the saw cut. The branch must not break or splinter.
- Dirt, stones, loose bark, nails, staples and wire must be removed from the tree.

### **WARNING**

**Fold up the hearing protection immediately after finishing the sawing process so that you can hear sounds and warning signals.**

#### **Delimiting:**

- Remove the branches hanging downwards by making the cut above the branch. Never delimit above shoulder height.

#### **Escape route:**

- Remove the undergrowth around the tree to ensure an easy retreat. The escape route should be about 45° behind the planned felling direction.

#### **Cutting the notch cut:**

- Place a notch cut in the direction that the tree should fall.
- Start with the bottom, horizontal cut.
- The cutting depth should be about 1/3 of the trunk diameter.  
This avoids jamming the saw chain or guide rail when setting the second notch.
- Now make cut at an angle of about 45° from above which meets the lower saw cut precisely.

### **DANGER**

Never step in front of a tree that is notched.

#### **Felling cut:**

- Perform the felling cut from the other side of the trunk while standing to the left of the tree trunk and sawing with the saw chain pulling.
- The felling cut must run horizontal at least 5 cm above the horizontal notch cut.
- It should be deep enough so that the distance to the notch cut line is at least 1/10 of the trunk diameter.
- The part of the trunk that has not been sawn through is called the bar (felling bar).  
The bar prevents the tree from turning and falling in the wrong direction.  
Do not saw through the bar.
- As the felling cut approaches the bar, the tree should begin to fall.
- If it appears that the tree is potentially not falling in the desired direction or is leaning back and the saw chain is jammed, stop the felling cut and use wooden, plastic or aluminium wedges to open the cut and move the tree to the desired fall line.
- If the trunk diameter is greater than the length of the chainsaw guide bar, make two cuts.
- After performing the felling cut, the tree falls by itself or with the help of the felling wedge or crow-bar.

### **DANGER**

As soon as the tree begins to fall, remove the product from the cut, stop the engine, place the product down and leave the workplace via the escape route. Watch out for falling branches and do not trip.

#### **11.3.6 Release a jammed chainsaw**

If the chainsaw becomes jammed during cutting, proceed as follows:

1. Switch off the chainsaw and secure it on the inside of the tree trunk (i.e. towards the tree trunk) or attach it to a separate tool rope.
2. Pull the chainsaw out of the notch while lifting the branch as far as necessary.
3. If necessary, use a handsaw or second chainsaw to loosen the jammed chainsaw by cutting at least 30 cm away from the jammed chainsaw.

Regardless of whether a hand saw or a chainsaw is used to release a trapped chainsaw, the cuts to release the chainsaw should always be made on the outside (towards the tips of the branches) so that the chainsaw does not get carried away with the sawn-off parts and further complicate the situation.

#### **11.4 After use**

- **Always switch the product off before placing it down and wait until the product has come to a standstill.**

- Place the guide bar and chain guard (17) on the guide bar (7).
- Activate the chain brake (16).
- Allow the product to cool.
- Pull the mains plug out of the socket when the product is not in use.

## 12 Cleaning and maintenance

### WARNING

**Have maintenance and repair tasks that are not described in this operating manual, carried out by a specialist workshop. Use only original spare parts.**

### WARNING

**Improper maintenance or cleaning work can cause injuries!**

### WARNING

**The product may start unexpectedly and cause injuries and burns during cleaning, repair and maintenance work.**

- Switch the product off.
- Pull out the mains plug.
- Allow the product to cool.

### WARNING

**Danger of injury when handling the saw chain or the blade!**

- Wear cut-resistant gloves.

### 12.1 Cleaning

1. We recommend that you clean the product directly after every use.
2. Use a brush or hand brush to clean the saw chain and no liquids.
3. Keep handles and grasping surfaces dry, clean and free from oil and grease. Slippery handles and grasping surfaces do not allow for safe handling and control of the tool in unexpected situations.
4. If necessary, clean the handles with a damp cloth washed in soapy water.
5. Keep protective devices, air vents and the motor housing as free of dust and dirt as possible. Rub the product clean with a clean cloth\* or blow it off

with compressed air\* at low pressure. We recommend that you clean the product directly after every use.

6. Ventilation openings must always be free.
7. Do not use any cleaning products or solvents; they could attack the plastic parts of the product. Make sure that no water can penetrate the product interior.
8. Clean the groove of the chainsaw guide bar using a brush or compressed air.
9. Clean the chain wheel.

\* = may not be included in the scope of delivery!

### 12.2 Maintenance

#### Note:

Maintain the product carefully. Check for misalignment or binding of moving parts, breakage of parts and any other condition that may affect the product's operation. Have damaged parts repaired before using the product.

Place the product on a level, even surface.

#### 12.2.1 Checking the sprocket (18) (Fig. 2)

1. Turn the chain tensioning wheel (6) anti-clockwise to slacken the chain tension and remove the chain cover (5).
2. Remove the guide bar (7) and the saw chain (8).
3. Check the grooving on the chain wheel (18) with a test gauge\*.
4. If the grooves are deeper than  $a=0.5$  mm, do not use the product and consult a specialist dealer. The chain wheel (18) must be replaced.
5. Refit the guide bar (7) and the saw chain (8) as described under 9.7.

\* = may not be included in the scope of delivery!

#### 12.2.2 Checking the guide bar (7) (Fig. 1)

1. Turn the chain tensioning wheel (6) anti-clockwise to slacken the chain tension and remove the chain cover (5).
2. Remove the guide bar (7) and the saw chain (8).
3. Measure the groove depth of the guide bar (7) with the scale on a file gauge\*.
4. The guide bar (7) must be replaced if any of the following apply:
  - The chainsaw guide bar is damaged.
  - The measured groove depth is smaller than the minimum groove depth of the chainsaw guide bar (4 mm).
  - The groove of the chainsaw guide bar has narrowed or spread.
5. Fit the guide bar (7) and saw chain (8) as described under 9.7.

\* = may not be included in the scope of delivery!

### 12.2.3 Changing the guide bar (7) (Fig. 2)

1. Turn the chain tensioning wheel (6) anti-clockwise to slacken the chain tension and remove the chain cover (5).
2. Remove the guide bar (7) and the saw chain (8). For dismantling, hold the guide bar (7) swivelled upwards at an angle of approx. 45 degrees to make it easier to remove the saw chain (8) from the groove of the guide bar (7).
3. Replace the guide bar (7) and fit the guide bar (7) and saw chain (8) as described under 9.1.

### 12.2.4 Replace the saw chain (8) and allow it to run in (Fig. 2)

#### DANGER

##### **Serious injuries possible due to tearing or jumping off of the sawtooth!**

- Never fit a new saw chain on a worn sprocket or on a damaged or worn guide rail. The saw chain could jump off or break.

- Only use saw chains and blades designed for this product.
- Before changing the saw chain, clean the groove of the guide bar, as the saw chain may jump out of the bar if it dirty. The deposits can also soak up the chain oil. The consequence would be that the chain oil does not reach the underside of the guide bar, or only to a small extent, and lubrication is reduced.

1. Turn the chain tensioning wheel (6) anti-clockwise to slacken the chain tension and remove the chain cover (5).
2. Remove the guide bar (7) and the saw chain (8).
3. Lay out the saw chain (8) in a loop so that the cutting edges are aligned clockwise. To align the saw chain (8), follow the symbols (arrows) on the saw chain (8) or above the guide pin (20).
4. Place the saw chain (8) in the groove of the guide bar (7).
5. Insert the guide bar (7) on the guide pin (20) and the stud bolt (19). The guide pin (20) and the stud bolt (19) must be in the elongated hole on the guide bar (7).
6. Guide the saw chain (8) around the chain wheel (18) and check the alignment of the saw chain (8).
7. Fit the chain cover (5) back on. Ensure that the sprocket cover (5) is seated in the groove on the housing.
8. Tighten the tensioning wheel (6) clockwise hand-tight.
9. Check the fit of the saw chain (8) again and tension the saw chain (8).

#### **Note:**

With a new saw chain, the tensioning force decreases after some time. Therefore, you must retension the saw chain after the first 5 cuts, or after 10 minutes of sawing at the latest.

### 12.2.5 Sharpening the saw chain (8)

#### WARNING

##### **Increased risk of accidents due to an incorrectly sharpened saw chain!**

Deviations from the dimensions of the cutting edge geometry during sharpening increase the risk of kick-back of the product.

- Have the saw chain sharpened by a professional.

The saw chain can be resharpened at an authorised specialist workshop. Do not attempt to sharpen the saw chain yourself if you do not have a suitable tool and the necessary experience.

#### CAUTION

Special tools are required to sharpen the chain; these ensure that the cutting tools are sharpened at the correct angle and to the correct depth.

All cutting links must have the same width and length after sharpening.

#### **Notes:**

A sharp saw chain ensures optimum cutting performance. It effortlessly eats through the wood, leaving behind large, long wood chips.

A saw chain is blunt if you have to push the cutting equipment through the wood and the wood chips are very small. With a very blunt saw chain, no chips are produced at all, only wood dust.

1. Pull out the mains plug.
2. For sharpening, the saw chain (8) should be taut to allow proper sharpening.
3. A round file\* with a diameter of 4.0 mm is required for sharpening.

#### CAUTION

Other diameters damage the saw chain and can lead to hazards when working!

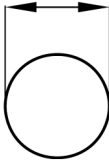
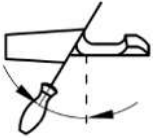



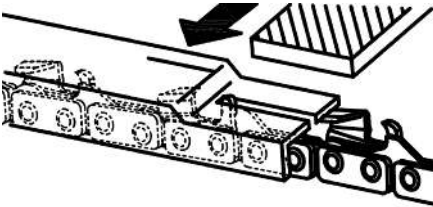

4. Only sharpen from the inside out. Guide the file\* from the inside of the cutting tooth to the outside. Lift off the file\* when you pull it back.
5. First sharpen the teeth on one side. Then turn the saw chain (8) over and sharpen the teeth on the other side.

6. The saw chain (8) is worn and must be replaced with a new saw chain (8) when only approx. 4 mm of the cutting tooth is left.
7. After sharpening, all cutting links must be the same length and width.

8. After every third sharpening, the sharpening depth (depth limit) must be checked and the height must be re-filled using a flat file\*. The depth limit should be set back from the cutting tooth by approx. 0.65 mm. After resetting, round off the depth limit slightly towards the front.

\* = may not be included in the scope of delivery!

### 12.2.5.1 Instructions for sharpening the chain

Saw chain type	File diameter	Top angle	Bottom angle	Top tilt angle (55°)	Standard depth gauge
					
		Clamping rotation angle	Clamping tilt angle	Side angle	
21PBX	approx. 4.8 mm	30°	10°	85°	0.64 mm
					
Depth stop			File		

## 13 Storage

Store the product and its accessories in a dark, dry and frost-free place that is inaccessible to children. The optimum storage temperature is between 5°C and 30°C.

Store the product in its original packaging. Cover the product to protect it from dust or moisture. Store the operating manual with the product.

### 13.1 Preparation for storage

1. Attach the chain guide.
2. Empty the product completely.
3. Clean and check the product for damage.

## 13.2 Transport

- The product may only be transported on the handle provided for this purpose.

## 14 Electrical connection

The electrical motor installed is connected and ready for operation. The connection complies with the applicable VDE and DIN provisions. The customer's mains connection as well as the extension cable used must also comply with these regulations.

**Note:**

- The product fulfils the requirements of EN 61000-3-11 and is subject to special connection requirements. This means that use at any freely selectable connection points is not permitted.
- The product can cause temporary voltage fluctuations in unfavourable mains conditions.
- The product is intended exclusively for use at connection points which a) do not exceed a maximum permitted mains impedance "Z" ( $Z_{max.} = 0.415 \Omega$ ), orb) have a continuous current carrying capacity of the mains of at least 100 A per phase.
- As the user, you are required to ensure that the connection point at which you wish to operate the product fulfils one of the requirements mentioned, a) or b). If necessary, consult with your energy supplier in this regard.

**14.1 Important information**

In the event of overloading, the motor will switch itself off. After a cool-down period (time varies) the motor can be switched back on again.

**14.2 Damaged electrical connection cables**

The insulation on electrical connection cables is often damaged.

This may have the following causes:

- Pressure points, where connection cables are passed through windows or doors,
- Kinks where the connection cable has been improperly fastened or routed,
- Places where the connection cables have been cut due to being driven over,
- Insulation damage due to being ripped out of the wall socket,
- Cracks due to the insulation ageing.

Such damaged electrical connection cables must not be used and are life-threatening due to the insulation damage.

Check the electrical connection cables for damage regularly. Ensure that the connection cables are disconnected from electrical power when checking for damage.

Electrical connection cables must comply with the applicable VDE and DIN provisions. Only use connection cables with the same designation "H07RN-F".

The printing of the type designation on the connection cable is mandatory.

**Safety information for replacing damaged or defective mains connection cables****Connection type Y**

If it is necessary to replace the mains connection cable, this must be done by the manufacturer or their representative to avoid safety hazards.

**14.3 AC motor**

Connections and repair work on the electrical equipment may only be carried out by electricians.

- Before commissioning, ensure that the mains voltage matches with the operating voltage on the type plate.
- Extension cables up to 25 m long must have a cross-section of 1.5 mm<sup>2</sup>.

**15 Repair and ordering spare parts**

After repairs or maintenance, make sure that all safety-related parts are installed and are in perfect condition. All parts which may cause injury must be kept where they are inaccessible to children or others.

**ATTENTION**

According to the German Product Liability Act, no liability is accepted for damage caused by improper repairs or by not using original spare parts.

Such work should be performed by a customer service centre or an authorised specialists. The same applies to accessory parts.

**Connections and repairs**

Connections and repair work on the electrical equipment may only be carried out by electricians.

**15.1 Ordering spare parts**

Please provide the following information when ordering spare parts:

- Model designation
- Item number
- Type plate data

**Spare parts / accessories**

Oil tank cover	3910207003
----------------	------------

**15.2 Permitted set of blade and saw chains**

<b>Guide rails:</b>	
Kangxin AP14-52-507P chainsaw guide bar	3910207001
<b>Saw chains:</b>	
Kangxin 3/8LP-52 saw chain	3910207002

## 16 Disposal and recycling

### Notes for packaging



The packaging materials are recyclable. Please dispose of packaging in an environmentally friendly manner.

### Notes on the disposal of electrical and electronic equipment



**Waste electrical and electronic equipment does not belong in household waste, but must be collected and disposed of separately!**

- Used batteries that are not installed permanently in the old device must be removed non-destructively before disposal! Their disposal is regulated by the battery act.
- Owners or users of electrical and electronic devices are legally obliged to return them after use.
- The end user is responsible for deleting their personal data from the old device being disposed of!
- The symbol of the crossed-out dustbin means that waste electrical and electronic equipment must not be disposed of with household waste.
- Waste electrical and electronic equipment can be handed in free of charge at the following places:
  - Public disposal or collection points (e.g. municipal works yards)
  - LIDL offers you return options directly in the shops and markets. Return and disposal are free of charge.

– Up to three waste electrical devices per type of device, with an edge length of no more than 25 centimetres, can be returned free of charge to the manufacturer without prior purchase of a new device from the manufacturer or taken to another authorised collection point in your vicinity.

– Further supplementary take-back conditions of the manufacturers and distributors can be obtained from the respective customer service.

- If the manufacturer delivers a new electrical appliance to a private household, the manufacturer can arrange for the free collection of the old electrical appliance upon request from the end user. Please contact the manufacturer's customer service for this.
- These statements only apply to devices installed and sold in the countries of the European Union and which are subject to the European Directive 2012/19/EU. In countries outside the European Union, different regulations may apply to the disposal of waste electrical and electronic equipment.

**You can find out how to dispose of the disused device from your local authority or city administration.**

### Fuels and oils

- Before disposing of the product, the fuel tank and the engine oil tank must be emptied!
- Fuel and engine oil do not belong in household waste or drains, but must be collected or disposed of separately!
- Empty oil and fuel tanks must be disposed of in an environmentally friendly manner.

## 17 Troubleshooting

The following table shows fault symptoms and describes remedial measures in the event of your product failing to work properly. If you cannot localise and rectify the problem with this, please contact your service workshop.

Fault	Possible cause	Remedy
The product cannot be started.	Mains plug not connected to the mains.	Insert the mains plug into a mains socket.
	No mains voltage. House fuse responds.	Check sockets, mains connection cable, cable, mains plug, repair by qualified electrician if necessary. Check the house fuse.
	Chain brake is activated.	Check chain brake, release chain brake if necessary.
	On/off switch is defective. Carbon brushes worn out. The engine is defective.	Please contact our service department.
Saw chain does not run.	Chain brake blocked.	Check chain brake, release chain brake if necessary.

Fault	Possible cause	Remedy
Poor cutting performance.	Saw chain fitted incorrectly.	Fit the saw chain correctly.
	Saw chain is blunt.	Have the saw chain sharpened by a professional or replace the saw chain.
	Chain tension insufficient.	Check the saw chain. Tension the saw chain if necessary.
Product runs with difficulty/ saw chain jumps off.	Chain tension insufficient.	Check the saw chain. Tension the saw chain if necessary.
Saw chain gets hot, smoke development during sawing, discolouration of the rail.	Too little saw chain oil.	Check the automatic oil system. Fill up with saw chain oil if necessary.
Unusual vibration	Chainsaw guide bar is loose.	Check that the chainsaw guide bar is tightly fitted.

## 18 EU Declaration of Conformity

### Translation of the original Declaration of Conformity

#### Manufacturer:

Scheppach GmbH  
Günzburger Straße 69  
D-89335 Ichenhausen

We declare under our sole responsibility that the product described here complies with the applicable directives and standards.

Brand: **PARKSIDE**  
Art. designation: **Electric chainsaw - PEKS 1600 C3**  
Art. no. **3910209974 - 3910209981; 39102099915; 39102099959**  
IAN no. **495499\_2504**  
Series no. **01001- 46072**

#### EU directives:

2014/30/EU, 2006/42/EG, 2000/14/EG\_2005/88/EG, 2011/65/EU\*, (EU) 2015/863,

\* The object of the declaration described above fulfils the regulations of the directive 2011/65/EU of the European Parliament and Council from 8th June 2011, on the restriction of the use of certain hazardous substances in electrical and electronic equipment.

#### Applied standards:

EN 62841-1:2015/A11:2022; EN 62841-4-1:2020;  
EN IEC 55014-1:2021; EN IEC 55014-2:2021;  
EN IEC 61000-3-2:2019/A2:2024;  
EN IEC 61000-3-11:2019; EN IEC 63000:2018

#### 2006/42/EG - Appendix IV

Notified body: TÜV SÜD  
Product Service GmbH  
Ridlerstraße 65  
80339 Munich  
Germany  
Number: 0123  
Certificate number: M6A 011284 0666

#### 2000/14/EG\_2005/88/EC – Appendix: V

Guaranteed sound power level ( $L_{WA}$ ): 106 dB  
Measured sound power level ( $L_{WA}$ ): 103.3 dB

#### Documentation authorised representative:

Tobias Ihle  
Günzburger Str. 69  
D-89335 Ichenhausen  
Ichenhausen, 22.07.2025

  
Simon Schünk  
Division Manager Product Center

  
Andreas Pecher  
Head of Product Management

## Warranty certificate

Dear Customer,

All of our products undergo strict quality checks to ensure that they reach you in perfect condition. In the unlikely event that your device develops a fault, please contact our service department at the address shown on this guarantee card. Of course, if you would prefer to call us then we are also happy to offer our assistance under the service number printed below. Please note the following terms under which guarantee claims can be made:

- These guarantee terms cover additional guarantee rights and do not affect your statutory warranty rights. We do not charge you for this guarantee.
- Our guarantee only covers problems caused by material or manufacturing defects, and it is restricted to the rectification of these defects or replacement of the device. Please note that our devices have not been designed for use in commercial, trade or industrial applications. Consequently, the guarantee is invalidated if the equipment is used in commercial, trade or industrial applications or for other equivalent activities. The following are also excluded from our guarantee: compensation for transport damage, damage caused by failure to comply with the installation/assembly instructions or damage caused by unprofessional installation, failure to comply with the operating instructions (e.g. connection to the wrong mains voltage or current type), misuse or inappropriate use (such as overloading of the device or use of non-approved tools or accessories), failure to comply with the maintenance and safety regulations, ingress of foreign bodies into the device (e.g. sand, stones or dust), effects of force or external influences (e.g. damage caused by the device being dropped) and normal wear resulting from proper operation of the device.

The guarantee is rendered null and void if any attempt is made to tamper with the device.

- The guarantee is valid for a period of 3 years starting from the purchase date of the device. Guarantee claims should be submitted before the end of the guarantee period within two weeks of the defect being noticed. No guarantee claims will be accepted after the end of the guarantee period. The original guarantee period remains applicable to the device even if repairs are carried out or parts are replaced. In such cases, the work performed or parts fitted will not result in an extension of the guarantee period, and no new guarantee will become active for the work performed or parts fitted. This also applies when an on-site service is used.
- In order to assert your guarantee claim, please contact the service partner shown below. If the complaint is within the guarantee period, we will provide you with a return slip, with which you can return your defective device free of charge to us. It would help us if you could describe the nature of the problem in as much detail as possible. If the defect is covered by our guarantee then your device will either be repaired immediately and returned to you, or we will send you a new device.

Of course, we are also happy offer a chargeable repair service for any defects which are not covered by the scope of this guarantee or for units which are no longer covered. To take advantage of this service, please send the device to our service address.

## Processing of warranty claims

To ensure that your request is processed quickly, please follow the instructions below:

- Please have the receipt and article number (e.g. IAN 495499\_2504) ready as proof of purchase for all enquiries.
- Please refer to the type plate on the product, an engraving on the product, the title page of your instructions (bottom left) or the sticker on the back or underside of the product for the article number.
- If functional faults or other defects occur, first contact the service department named below by telephone or e-mail.
- You can then send a product recorded as defective to the service address provided to you free of charge, enclosing the proof of purchase (receipt) and stating what the defect is and when it occurred.
- You can view and download these and many other manuals at [parkside-diy.com](http://parkside-diy.com). This QR code will take you directly to [parkside-diy.com](http://parkside-diy.com). Select your country and use the search mask to search for the operating instructions. Enter the article number (IAN) 495499\_2504 to access the operating instructions for your article.



**Service contact (GB):**

**Name:** Forest Park & Garden  
Coed Court,  
Taffsmead Road  
Treforest, Ind. Estate,  
Pontypridd CF375SW  
**Tel:** 00800 4003 4003  
**E-Mail:** service.GB@schepach.com  
**Location:** Great Britain

**Service contact (NI):**

**Name:** Forest Park & Garden  
Coed Court,  
Taffsmead Road  
Treforest, Ind. Estate,  
Pontypridd CF375SW  
**Tel:** 00800 4003 4003  
**E-Mail:** service.NI@schepach.com  
**Location:** Great Britain

**Service contact (IT):**

**Name:** Netsend GmbH  
Nachtwaid 6  
DE - 79206 Breisach am Rhein  
**Tel:** 00800 4003 4003  
**E-Mail:** service.IT@schepach.com  
**Location:** Germany

**Service contact (IE):**

**Name:** Forest Park & Garden  
Coed Court,  
Taffsmead Road  
Treforest, Ind. Estate,  
Pontypridd CF375SW  
**Tel:** 00800 4003 4003  
**E-Mail:** service.IE@schepach.com  
**Location:** Great Britain

**Service contact (CY):**

**Name:** Netsend GmbH  
Nachtwaid 6  
DE - 79206 Breisach am Rhein  
**Tel:** 00800 4003 4003  
**E-Mail:** service.CY@schepach.com  
**Location:** Germany

## Inhaltsverzeichnis

1	Erklärung der Symbole auf dem Produkt.....	27
2	Einleitung .....	29
3	Produktbeschreibung (Abb. 1-5).....	29
4	Lieferumfang (Abb. 1).....	29
5	Bestimmungsgemäße Verwendung .....	29
6	Sicherheitshinweise .....	30
7	Technische Daten .....	35
8	Auspacken .....	36
9	Vor Inbetriebnahme.....	36
10	Bedienung .....	39
11	Arbeitshinweise .....	40
12	Reinigung und Wartung .....	45
13	Lagerung .....	47
14	Elektrischer Anschluss .....	48
15	Reparatur und Ersatzteilbestellung .....	48
16	Entsorgung und Wiederverwertung .....	49
17	Störungsabhilfe .....	50
18	EU-Konformitätserklärung .....	51
19	Garantiekunde .....	52
20	Explosionszeichnung .....	291

# 1 Erklärung der Symbole auf dem Produkt

Die Verwendung von Symbolen in diesem Handbuch soll Ihre Aufmerksamkeit auf mögliche Risiken lenken. Die Sicherheitssymbole und Erklärungen, die diese begleiten, müssen genau verstanden werden. Die Warnungen selbst beseitigen keine Risiken und können korrekte Maßnahmen zum Verhüten von Unfällen nicht ersetzen.

**ACHTUNG**













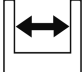

**Lesen Sie vor der ersten Inbetriebnahme diese Betriebsanleitung gründlich durch und befolgen Sie unbedingt die Sicherheitsvorschriften!**









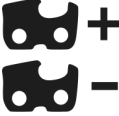





**Es wird empfohlen einen professionellen Sicherheitskurs „Teilnahmebescheinigung Motorsägen-Lehrgang“ mit landestypischem Ausbildungsstandard über die Benutzung, Wartung der Kettensäge sowie einen Erste-Hilfe-Kurs zu besuchen. Bei längerer nicht Benutzung und zur Übung, sollten Sie vor Beginn immer einfache Schnitte in sicher abgestütztem Holz machen um sich wieder mit der Kettensäge vertraut zu machen.**

**Betriebsanleitung sorgfältig aufbewahren!**

**Hinweis:**

Bitte beachten Sie, dass einige nationale Vorschriften wie z.B. Arbeitsschutz, Umwelt den Einsatz der Kettensäge einschränken können.

	Vor Inbetriebnahme Betriebsanleitung und Sicherheitshinweise lesen und beachten!		Kettenbremse lösen.
	Achtung! Das Nichtbeachten der an dem Produkt angebrachten Sicherheitszeichen und Warnhinweise sowie das Nichtbeachten der Sicherheits- und Betriebshinweise kann zu schweren Verletzungen bis hin zum Tod führen.		Wechselstrommotor.
	Tragen Sie einen Schutzhelm mit Gesichtsschutz bzw. Schutzbrille und Gehörschutz.		Sägekettengeschwindigkeit.
	Sicherheitshandschuhe tragen!		Kettenschwertlänge.
	Festes Schuhwerk tragen!		Anzahl der Treibglieder.
	Wichtig ist das Tragen von Schutzkleidung für Hände, Unterarme, Beine und Füße.		Kettenteilung.
	Setzen Sie das Produkt nicht dem Regen aus. Das Produkt darf nur unter trockenen Umgebungsbedingungen stationiert, gelagert und betrieben werden.		Nutbreite.
	Nur für beidhändige Bedienung.		Leistungsaufnahme.

	<p>Warnung! Gefahr vor einem Rückschlag (Kickback). Hüten Sie sich vor einem Rückschlag des Produkts und vermeiden Sie den Kontakt mit der Schienenspitze.</p>	 <p>Gewicht kg.</p>
	<p>Stellung der Kettenbremse.</p>	 <p>Inhalt des Öltanks.</p>
	<p>Laufrichtung der Sägekette.</p>	 <p>Wartungs-, Umrüst-, Einstell- und Reinigungsarbeiten nur bei ausgeschaltetem Produkt und gezogenerm Netzstecker durchführen!</p>
	<p>Einfüllöffnung für Sägekettenöl.</p>	 <p>Ziehen Sie bei Beschädigung oder Durchschneiden des Netzkabels sofort den Netzstecker aus der Steckdose!</p>
	<p>Kettenspannung erhöhen/verringern.</p>	 <p>Garantierter Schalleistungspegel des Produkts.</p>
	<p>Kettenölfüllstandsanzeige.</p>	 <p>Schutzklasse II (Doppelisolierung).</p>
	<p>Kettenbremse aktivieren.</p>	 <p>Das Produkt entspricht den geltenden europäischen Richtlinien.</p>

## 2 Einleitung

### Hersteller:

Schepfach GmbH  
Günzburger Straße 69  
D-89335 Ichenhausen

### Verehrter Kunde

Wir wünschen Ihnen viel Freude und Erfolg beim Arbeiten mit Ihrem neuen Produkt.

### Hinweis:

Der Hersteller dieses Produkts haftet nach dem geltenden Produkthaftungsgesetz nicht für Schäden, die an diesem Produkt oder durch dieses Produkt entstehen bei:

- Unsachgemäßer Behandlung
- Nichtbeachtung der Betriebsanleitung
- Reparaturen durch Dritte, nicht autorisierte Fachkräfte
- Einbau und Austausch von nicht originalen Ersatzteilen
- Nicht bestimmungsgemäßer Verwendung
- Ausfällen der elektrischen Anlage bei Nichtbeachtung der nationalen elektrischen Vorschriften und Bestimmungen.

### Beachten Sie:

Die Betriebsanleitung ist Bestandteil dieses Produkts.

Sie enthält wichtige Hinweise, wie Sie mit dem Produkt sicher, fachgerecht und wirtschaftlich arbeiten, wie Sie Gefahren vermeiden, Reparaturkosten sparen, Ausfallzeiten verringern und die Zuverlässigkeit und Lebensdauer des Produkts erhöhen. Zusätzlich zu den Sicherheitsbestimmungen dieser Betriebsanleitung müssen Sie unbedingt die für den Betrieb des Produkts geltenden Vorschriften Ihres Landes beachten.

Machen Sie sich vor der Benutzung des Produkts mit allen Bedien- und Sicherheitshinweisen vertraut. Betreiben Sie das Produkt nur wie beschrieben und für die angegebenen Einsatzbereiche. Bewahren Sie die Betriebsanleitung gut auf und händigen Sie alle Unterlagen bei Weitergabe des Produkts an Dritte mit aus.

## 3 Produktbeschreibung (Abb. 1-5)

1. Netzstecker
2. Hinterer Griff
3. Einschaltperle
4. Öltankdeckel
5. Kettenradabdeckung
- 5a. Kettenfangeinrichtung
6. Kettenspannrad
7. Schwert (Führungsschiene)
- 7a. Umlenkstern
8. Sägekette

9. Zugentlastung
10. Hinterer Handschutz
11. Ein-/Ausschalter
12. Öltank
13. Ölstandsanzeige
14. Vorderer Griff
15. Krallenanschlag
16. Kettenbremse/vorderer Handschutz
17. Schwert- und Kettenschutz
18. Kettenrad
19. Stehbolzen
20. Führungsbolzen
21. Öldurchlass
22. Sägekettenöl (Bio 180ml)

## 4 Lieferumfang (Abb. 1)

Pos.	Anzahl	Bezeichnung
7.	1 x	Schwert (Führungsschiene)
8.	1 x	Sägekette
17.	1 x	Schwert- und Kettenschutz
22.	1 x	Sägekettenöl (Bio 180ml)
	1 x	Elektro-Kettensäge
	1 x	Betriebsanleitung

## 5 Bestimmungsgemäße Verwendung

Die Kettensäge ist nur zum Sägen von Holz konstruiert. Für alle anderen Anwendungsarten (z. B. Schneiden von Mauerwerk, Kunststoff oder Lebensmitteln) ist das Produkt nicht vorgesehen.

Das Produkt darf nur nach seiner Bestimmung verwendet werden. Jede weitere darüberhinausgehende Verwendung ist nicht bestimmungsgemäß. Für daraus hervorgerufene Schäden oder Verletzungen aller Art haftet der Benutzer und nicht der Hersteller.

Bestandteil der bestimmungsgemäßen Verwendung ist auch die Beachtung der Sicherheitshinweise, sowie die Montageanleitung und Betriebshinweise in der Betriebsanleitung.

Personen, die das Produkt verwenden und warten, müssen mit dieser vertraut und über mögliche Gefahren unterrichtet sein.

Veränderungen an dem Produkt schließen eine Haftung des Herstellers und daraus entstehende Schäden gänzlich aus.

Das Produkt darf nur mit Originalteilen und Originalzubehör des Herstellers betrieben werden.

Die Sicherheits-, Arbeits- und Wartungsvorschriften des Herstellers sowie die in den Technischen Daten angegebenen Abmessungen müssen eingehalten werden.

Bitte beachten Sie, dass unsere Produkte bestimmungsgemäß nicht für den gewerblichen, handwerklichen oder industriellen Einsatz konstruiert wurden. Wir

übernehmen keine Gewährleistung, wenn das Produkt in Gewerbe-, Handwerks- oder Industriebetrieben sowie bei gleichzusetzenden Tätigkeiten eingesetzt wird.

## Erklärung der Signalwörter in der Betriebsanleitung

### **GEFAHR**

Signalwort zur Kennzeichnung einer unmittelbar bevorstehenden Gefährdungssituation, die, wenn sie nicht vermieden wird, den Tod oder eine schwere Verletzung zur Folge hat.

### **WARNUNG**

Signalwort zur Kennzeichnung einer möglichen Gefährdungssituation, die, wenn sie nicht vermieden wird, den Tod oder eine schwere Verletzung zur Folge haben könnte.

### **VORSICHT**

Signalwort zur Kennzeichnung einer möglichen Gefährdungssituation, die, wenn sie nicht vermieden wird, eine geringfügige oder mäßige Verletzung zur Folge haben könnte.

### **ACHTUNG**

Signalwort zur Kennzeichnung einer möglichen Gefährdungssituation, die, wenn sie nicht vermieden wird, Sachschäden am Produkt oder Eigentum/Besitz zur Folge haben könnte.

## 6 Sicherheitshinweise

Allgemeine Sicherheitshinweise für Elektrowerkzeuge

### **WARNUNG**

Lesen Sie alle Sicherheitshinweise, Anweisungen, Gebildungen und technischen Daten, mit denen dieses Elektrowerkzeug versehen ist.

Versäumnisse bei der Einhaltung der nachfolgenden Anweisungen können elektrischen Schlag, Brand und/oder schwere Verletzungen verursachen.

## Bewahren Sie alle Sicherheitshinweise und Anweisungen für die Zukunft auf.

Der in den Sicherheitshinweisen verwendete Begriff „Elektrowerkzeug“ bezieht sich auf netzbetriebene Elektrowerkzeuge (mit Netzleitung) oder auf akkubetriebene Elektrowerkzeuge (ohne Netzleitung).

### 1) Arbeitsplatzsicherheit

- Halten Sie Ihren Arbeitsbereich sauber und gut beleuchtet.** Unordnung oder unbeleuchtete Arbeitsbereiche können zu Unfällen führen.
- Arbeiten Sie mit dem Elektrowerkzeug nicht in explosionsgefährdeter Umgebung, in der sich brennbare Flüssigkeiten, Gase oder Stäube befinden.** Elektrowerkzeuge erzeugen Funken, die den Staub oder die Dämpfe entzünden können.
- Halten Sie Kinder und andere Personen während der Benutzung des Elektrowerkzeugs fern.** Bei Ablenkung können Sie die Kontrolle über das Elektrowerkzeug verlieren.

### 2) Elektrische Sicherheit

- Der Anschlussstecker des Elektrowerkzeugs muss in die Steckdose passen. Der Stecker darf in keiner Weise verändert werden. Verwenden Sie keine Adapterstecker gemeinsam mit schutzgeerdeten Elektrowerkzeugen.** Unveränderte Stecker und passende Steckdosen verringern das Risiko eines elektrischen Schlages.
- Vermeiden Sie Körperkontakt mit geerdeten Oberflächen wie von Rohren, Heizungen, Herden und Kühlschränken.** Es besteht ein erhöhtes Risiko durch elektrischen Schlag, wenn Ihr Körper geerdet ist.
- Halten Sie Elektrowerkzeuge von Regen oder Nässe fern.** Das Eindringen von Wasser in ein Elektrowerkzeug erhöht das Risiko eines elektrischen Schlages.
- Zweckentfremden Sie die Anschlussleitung nicht, um das Elektrowerkzeug zu tragen, aufzuhängen oder um den Stecker aus der Steckdose zu ziehen. Halten Sie die Anschlussleitung fern von Hitze, Öl, scharfen Kanten oder sich bewegenden Teilen.** Beschädigte oder verwickelte Anschlussleitungen erhöhen das Risiko eines elektrischen Schlages.
- Wenn Sie mit einem Elektrowerkzeug im Freien arbeiten, verwenden Sie nur Verlängerungsleitungen, die auch für den Außenbereich geeignet sind.** Die Anwendung einer für den Außenbereich geeigneten Verlängerungsleitung verringert das Risiko eines elektrischen Schlages.
- Wenn der Betrieb des Elektrowerkzeugs in feuchter Umgebung nicht vermeidbar ist, verwenden Sie einen Fehlerstromschutzschalter.** Der Einsatz eines Fehlerstromschutzschalters vermindert das Risiko eines elektrischen Schlages.

### 3) Sicherheit von Personen

- a) **Seien Sie aufmerksam, achten Sie darauf, was Sie tun, und gehen Sie mit Vernunft an die Arbeit mit einem Elektrowerkzeug. Benutzen Sie kein Elektrowerkzeug, wenn Sie müde sind oder unter dem Einfluss von Drogen, Alkohol oder Medikamenten stehen.** Ein Moment der Unachtsamkeit beim Gebrauch des Elektrowerkzeugs kann zu ernsthaften Verletzungen führen.
- b) **Tragen Sie persönliche Schutzausrüstung und immer eine Schutzbrille.** Das Tragen persönlicher Schutzausrüstung, wie Staubmaske, rutschfeste Sicherheitsschuhe, Schutzhelm oder Gehörschutz, je nach Art und Einsatz des Elektrowerkzeugs, verringert das Risiko von Verletzungen.
- c) **Vermeiden Sie eine unbeabsichtigte Inbetriebnahme. Vergewissern Sie sich, dass das Elektrowerkzeug ausgeschaltet ist, bevor Sie es an die Stromversorgung und/oder den Akku anschließen, es aufnehmen oder tragen.** Wenn Sie beim Tragen des Elektrowerkzeugs den Finger am Schalter haben oder das Elektrowerkzeug eingeschaltet an die Stromversorgung anschließen, kann dies zu Unfällen führen.
- d) **Entfernen Sie Einstellwerkzeuge oder Schraubenschlüssel, bevor Sie das Elektrowerkzeug einschalten.** Ein Werkzeug oder Schlüssel, der sich in einem drehenden Teil des Elektrowerkzeugs befindet, kann zu Verletzungen führen.
- e) **Vermeiden Sie eine abnormale Körperhaltung. Sorgen Sie für einen sicheren Stand und halten Sie jederzeit das Gleichgewicht.** Dadurch können Sie das Elektrowerkzeug in unerwarteten Situationen besser kontrollieren.
- f) **Tragen Sie geeignete Kleidung. Tragen Sie keine weite Kleidung oder Schmuck. Halten Sie Haare und Kleidung fern von sich bewegenden Teilen.** Lockere Kleidung, Schmuck oder lange Haare können von sich bewegenden Teilen erfasst werden.
- g) **Wenn Staubabsaug- und -auffangeinrichtungen montiert werden können, sind diese anzuschließen und richtig zu verwenden.** Verwendung einer Staubabsaugung kann Gefährdungen durch Staub verringern.
- h) **Wiegen Sie sich nicht in falscher Sicherheit und setzen Sie sich nicht über die Sicherheitsregeln für Elektrowerkzeuge hinweg, auch wenn Sie nach vielfachem Gebrauch mit dem Elektrowerkzeug vertraut sind.** Achtloses Handeln kann binnen Sekundenbruchteilen zu schweren Verletzungen führen.

### 4) Verwendung und Behandlung des Elektrowerkzeugs

- a) **Überlasten Sie das Elektrowerkzeug nicht. Verwenden Sie für Ihre Arbeit das dafür bestimmte Elektrowerkzeug.** Mit dem passenden Elektrowerkzeug arbeiten Sie besser und sicherer im angegebenen Leistungsbereich.
- b) **Benutzen Sie kein Elektrowerkzeug, dessen Schalter defekt ist.** Ein Elektrowerkzeug, das sich nicht mehr ein- oder ausschalten lässt, ist gefährlich und muss repariert werden.
- c) **Ziehen Sie den Stecker aus der Steckdose und/oder entfernen Sie einen abnehmbaren Akku, bevor Sie Geräteeinstellungen vornehmen, Einsatzwerkzeugteile wechseln oder das Elektrowerkzeug weglegen.** Diese Vorsichtsmaßnahme verhindert den unbeabsichtigten Start des Elektrowerkzeugs.
- d) **Bewahren Sie unbenutzte Elektrowerkzeuge außerhalb der Reichweite von Kindern auf. Lassen Sie keine Personen das Elektrowerkzeug benutzen, die mit diesem nicht vertraut sind oder diese Anweisungen nicht gelesen haben.** Elektrowerkzeuge sind gefährlich, wenn Sie von unerfahrenen Personen benutzt werden.
- e) **Pflegen Sie Elektrowerkzeuge und Einsatzwerkzeug mit Sorgfalt. Kontrollieren Sie, ob bewegliche Teile einwandfrei funktionieren und nicht klemmen, ob Teile gebrochen oder so beschädigt sind, dass die Funktion des Elektrowerkzeugs beeinträchtigt ist. Lassen Sie beschädigte Teile vor dem Einsatz des Elektrowerkzeugs reparieren.** Viele Unfälle haben ihre Ursache in schlecht gewarteten Elektrowerkzeugen.
- f) **Halten Sie Schneidwerkzeuge scharf und sauber.** Sorgfältig gepflegte Schneidwerkzeuge mit scharfen Schneidkanten verklemmen sich weniger und sind leichter zu führen.
- g) **Verwenden Sie Elektrowerkzeug, Einsatzwerkzeug, Einsatzwerkzeuge usw. entsprechend diesen Anweisungen. Berücksichtigen Sie dabei die Arbeitsbedingungen und die auszuführende Tätigkeit.** Der Gebrauch von Elektrowerkzeugen für andere als die vorgesehenen Anwendungen kann zu gefährlichen Situationen führen.
- h) **Halten Sie Griffe und Griffflächen trocken, sauber und frei von Öl und Fett.** Rutschige Griffe und Griffflächen erlauben keine sichere Bedienung und Kontrolle des Elektrowerkzeugs in unvorhergesehenen Situationen.

### 5) Service

- a) **Lassen Sie Ihr Elektrowerkzeug nur von qualifiziertem Fachpersonal und nur mit Original-Ersatzteilen reparieren.** Damit wird sichergestellt, dass die Sicherheit des Elektrowerkzeugs erhalten bleibt.

## 6.1 Sicherheitshinweise für Kettensägen

### Allgemeine Sicherheitshinweise für Kettensägen

- a) **Halten Sie bei laufender Säge alle Körperteile von der Sägekette fern. Vergewissern Sie sich vor dem Starten der Säge, dass die Sägekette nichts berührt.** Beim Arbeiten mit einer Kettensäge kann ein Moment der Unachtsamkeit dazu führen, dass Bekleidung oder Körperteile von der Sägekette erfasst werden.
- b) **Halten Sie die Kettensäge immer mit Ihrer rechten Hand am hinteren Griff und Ihrer linken Hand am vorderen Griff.** Das Festhalten der Kettensäge in umgekehrter Arbeitshaltung erhöht das Risiko von Verletzungen und sollte niemals angewendet werden.
- c) **Halten Sie die Kettensäge nur an den isolierten Griffflächen, da die Sägekette verborgene Stromleitungen oder das eigene Netzkabel treffen kann.** Der Kontakt der Sägekette mit einer spannungsführenden Leitung kann auch metallene Geräteteile unter Spannung setzen und zu einem elektrischen Schlag führen.
- d) **Tragen Sie Augenschutz. Weitere Schutzausrüstung für Gehör, Kopf, Hände, Beine und Füße wird empfohlen.** Passende Schutzkleidung mindert die Verletzungsgefahr durch umherfliegendes Spanmaterial und zufälliges Berühren der Sägekette.
- e) **Arbeiten Sie mit der Kettensäge nicht auf einem Baum, einer Leiter, von einem Dach oder einer instabilen Standfläche.** Bei Betrieb in einer solchen Weise besteht ernsthafte Verletzungsgefahr.
- f) **Achten Sie immer auf festen Stand und benutzen Sie die Kettensäge nur, wenn Sie auf festem, sicherem und ebenem Grund stehen.** Rutschiger Untergrund oder instabile Standflächen können zum Verlust des Gleichgewichts oder zum Verlust der Kontrolle über die Kettensäge führen.
- g) **Rechnen Sie beim Schneiden eines unter Spannung stehenden Astes damit, dass dieser zurückfedert.** Wenn die Spannung in den Holzfasern freikommt, kann der gespannte Ast den Benutzer treffen und/oder die Kettensäge der Kontrolle entziehen.
- h) **Seien Sie besonders vorsichtig beim Schneiden von Unterholz und jungen Bäumen.** Das dünne Material kann sich in der Sägekette verfangen und auf Sie schlagen oder Sie aus dem Gleichgewicht bringen.
- i) **Tragen Sie die Kettensäge am vorderen Griff im ausgeschalteten Zustand, die Sägekette von Ihrem Körper abgewandt. Bei Transport oder Aufbewahrung der Kettensäge stets die Schutzabdeckung aufziehen.** Sorgfältiger Umgang mit der

Kettensäge verringert die Wahrscheinlichkeit einer versehentlichen Berührung mit der laufenden Sägekette.

- j) **Befolgen Sie Anweisungen für die Schmierung, die Kettenspannung und das Wechseln von Führungsschiene und Kette.** Eine unsachgemäß gespannte oder geschmierte Kette kann entweder reißen oder das Rückschlagrisiko erhöhen.
- k) **Nur Holz sägen. Die Kettensäge nicht für Arbeiten verwenden, für die sie nicht bestimmt ist. Beispiel: Verwenden Sie die Kettensäge nicht zum Sägen von Metall, Plastik, Mauerwerk oder Baumaterialien, die nicht aus Holz sind.** Die Verwendung der Kettensäge für nicht bestimmungsgemäße Arbeiten kann zu gefährlichen Situationen führen.
- l) **Versuchen Sie nicht einen Baum zu fällen, bevor Sie nicht ein klares Verständnis der Risiken und ihrer Vermeidung haben.** Der Benutzer oder andere Personen können durch einen umstürzenden Baum schwer verletzt werden.

### Ursachen und Vermeidung eines Rückschlags

Rückschlag kann auftreten, wenn die Spitze der Führungsschiene einen Gegenstand berührt oder wenn das Holz sich biegt und die Sägekette im Schnitt festklemmt.

Eine Berührung mit der Schienenspitze kann in manchen Fällen zu einer unerwarteten nach hinten gerichteten Reaktion führen, bei der die Führungsschiene nach oben und in Richtung des Benutzers geschlagen wird.

Das Verklemmen der Sägekette an der Oberkante der Führungsschiene kann die Schiene rasch in Benutzerichtung zurückstoßen.

Jede dieser Reaktionen kann dazu führen, dass Sie die Kontrolle über die Säge verlieren und sich möglicherweise schwer verletzen. Verlassen Sie sich nicht ausschließlich auf die in der Kettensäge eingebauten Sicherheitseinrichtungen. Als Benutzer einer Kettensäge sollten Sie verschiedene Maßnahmen ergreifen, um unfall- und verletzungsfrei zu arbeiten.

Ein Rückschlag ist die Folge eines falschen oder fehlerhaften Gebrauchs der Kettensäge. Er kann durch geeignete Vorsichtsmaßnahmen, wie nachfolgend beschrieben, verhindert werden:

- a) **Halten Sie die Säge mit beiden Händen fest, wobei Daumen und Finger die Griffe der Kettensäge umschließen. Bringen Sie Ihren Körper und die Arme in eine Stellung, in der Sie den Rückschlagkräften standhalten können.** Wenn geeignete Maßnahmen getroffen werden, kann der Benutzer die Rückschlagkräfte beherrschen. Niemals die Kettensäge loslassen.
- b) **Vermeiden Sie eine abnormale Körperhaltung und sägen Sie nicht über Schulterhöhe.** Dadurch wird ein unbeabsichtigtes Berühren mit der Schie-

nenspitze vermieden und eine bessere Kontrolle der Kettensäge in unerwarteten Situationen ermöglicht.

- c) **Verwenden Sie stets vom Hersteller vorgeschriebene Ersatzschienen und Sägeketten.** Falsche Ersatzschienen und Sägeketten können zum Reißen der Kette und/oder zu Rückschlag führen.
- d) **Halten Sie sich an die Anweisungen des Herstellers für das Schärfen und die Wartung der Sägekette.** Zu niedrige Tiefenbegrenzer erhöhen die Neigung zum Rückschlag.

#### Weitere Sicherheitshinweise

- Befolgen Sie sorgfältig die Wartungs-, Kontroll- und Serviceanweisungen in dieser Betriebsanleitung. Beschädigte Schutzvorrichtungen und Teile müssen sachgemäß durch unser Service-Center repariert oder ausgewechselt werden, soweit nichts anderes in der Betriebsanleitung angegeben ist.
- Es ist empfohlen, dass ein Erstbenutzer zumindest das Schneiden von Rundholz auf einem Sägebock oder Gestell üben sollte.
- Bei Sägerbeiten am Hang stets oberhalb des Baumstammes stehen. Um im Moment des „Durchsägens“ die volle Kontrolle zu behalten, gegen Ende des Schnitts den Anpressdruck reduzieren, ohne den festen Griff an den Handgriffen des Produkts zu lösen. Darauf achten, dass die Sägekette nicht den Boden berührt. Nach Fertigstellung des Schnitts den Stillstand des Produkts abwarten, bevor man das Produkt dort entfernt. Den Motor des Produkts immer ausschalten und den Akku entnehmen, bevor man von Baum zu Baum wechselt.
- Schmutz, Steine, lose Rinde, Nägel, Klammern und Draht sind vom Baum zu entfernen.
- **Verwenden Sie kein Zubehör welches nicht vom Hersteller empfohlen wurde.** Dies kann zu elektrischem Schlag oder Feuer führen.
- Der Gebrauch des Produkts bei Gewitter ist verboten - **Blitzschlaggefahr!**

#### Weitere Sicherheitshinweise

- **Befolgen Sie alle Anweisungen, wenn Sie die Kettensäge von Materialansammlungen befreien, lagern oder Wartungsarbeiten durchführen. Vergewissern Sie sich, dass der Schalter ausgeschaltet und der Netzstecker gezogen ist.** Ein unerwarteter Betrieb der Kettensäge beim Entfernen von Materialansammlungen oder während Wartungsarbeiten kann zu ernsthaften Verletzungen führen.
- Wenn die Netzanschlussleitung dieses Produkts beschädigt wird, muss sie durch den Hersteller oder seinen Kundendienst oder eine ähnlich qualifizierte Person ersetzt werden, um Gefährdungen zu vermeiden.

- Verwenden Sie einen Fehlerstromschutzschalter mit einem Auslösestrom von 30 mA oder weniger.
- Legen Sie die Anschlussleitung so, dass sie während des Sägens nicht von Ästen oder Ähnlichem erfasst wird.
- Verwenden Sie im Freien nur dafür zugelassene und entsprechend gekennzeichnete Verlängerungsleitungen (H07RN-F).
- Befolgen Sie sorgfältig die Wartungs-, Kontroll- und Serviceanweisungen in dieser Betriebsanleitung. Beschädigte Schutzvorrichtungen und Teile müssen sachgemäß durch unser Service-Center repariert oder ausgewechselt werden, soweit nichts anderes in der Betriebsanleitung angegeben ist.
- Bei Sägerbeiten am Hang stets oberhalb des Baumstammes stehen. Um im Moment des „Durchsägens“ die volle Kontrolle zu behalten, gegen Ende des Schnitts den Anpressdruck reduzieren, ohne den festen Griff an den Handgriffen des Produkts zu lösen. Darauf achten, dass die Sägekette nicht den Boden berührt. Nach Fertigstellung des Schnitts den Stillstand des Produkts abwarten, bevor man das Produkt dort entfernt. Das Produkt immer ausschalten und den Netzstecker ziehen, bevor man von Baum zu Baum wechselt.
- Schmutz, Steine, lose Rinde, Nägel, Klammern und Draht sind vom Baum zu entfernen.
- Benutzen Sie das Produkt nicht ohne Schmierung und achten Sie darauf diese immer rechtzeitig aufzufüllen, bevor der Tank leer ist.
- Verwenden Sie nur die vom Hersteller empfohlenen Schmiermittel.
- Es ist empfohlen, dass ein Erstbenutzer zumindest das Schneiden von Rundholz auf einem Sägebock oder Gestell üben sollte.
- **Verwenden Sie kein Zubehör welches nicht vom Hersteller empfohlen wurde.** Dies kann zu elektrischem Schlag oder Feuer führen.
- Der Gebrauch des Produkts bei Gewitter ist verboten - **Blitzschlaggefahr!**

Die Sägekette kann bei einer autorisierten Fachwerkstatt nachgeschliffen werden. Versuchen Sie nicht, die Sägekette selbst zu schärfen, wenn Sie nicht über ein geeignetes Werkzeug und die notwendige Erfahrung verfügen.

#### Sicherheitseinrichtungen (Abb. 1)

- **Hinterer Griff (2) mit Handschutz (10)**
  - Schützt die Hand vor Ästen und Zweigen und bei abspringender Sägekette.
- **Einschaltsperr (3)**
  - Zum Einschalten des Produkts muss die Einschaltsperr entriegelt werden. Die Einschaltsperr verhindert ein versehentliches Starten des Produkts.

- **Kettenfangeinrichtung (5a)**
  - Vermindert die Gefahr von Verletzungen, wenn die Sägekette reißt oder abspringt.
- **Sägekette (8) mit geringem Rückschlag**
  - Hilft Ihnen mit speziell entwickelten Sicherheitseinrichtungen, Rückschläge abzufangen.
- **Ein-/Ausschalter (11) mit Ketten-Sofort-Stopp**
  - Bei Loslassen des Ein-/Ausschalters schaltet das Produkt sofort ab.
- **Krallenanschlag (15)**
  - Verstärkt die Stabilität, wenn vertikale Schnitte ausgeführt werden, und erleichtert das Sägen.

#### **Hinweis:**

Die Sägekette läuft nicht, wenn die Kettenbremse eingearastet ist.

- **Kettenbremse / vorderer Handschutz (16)**
  - Sicherheitseinrichtung, die die Sägekette bei einem Rückschlag sofort stoppt.
  - Hebel kann auch manuell betätigt werden.
  - Schützt die linke Hand des Bedieners, wenn er vom vorderen Griff abrutscht.
- **Elektromotor**
  - Ist aus Sicherheitsgründen doppelt isoliert.

## **6.2 Persönliche Schutzausrüstung (PSA)**

### **⚠ GEFAHR**

#### **Verletzungsgefahr!**

Tragen Sie immer persönliche Schutzausrüstung (PSA)!

- Tragen Sie einen Schutzhelm mit Gesichtsschutz bzw. Schutzbrille und Gehörschutz.
- Tragen Sie eng anliegende Schutzkleidung mit Schnittschutzeinlage.
- Tragen Sie rutschfeste Sicherheitsschuhe.
- Tragen Sie Schutzhandschuhe.

- **Vermeiden Sie eine abnormale Körperhaltung. Sorgen Sie für einen sicheren Stand und halten Sie jederzeit das Gleichgewicht.** Dadurch können Sie das Elektrowerkzeug in unerwarteten Situationen besser kontrollieren.
- Das Produkt darf nicht von Personen (einschließlich Kinder) mit verringerten physischen, sensorischen oder mentalen Fähigkeiten oder Mangel an Erfahrung und Wissen benutzt werden.
- **Tragen Sie geeignete Kleidung. Tragen Sie keine weite Kleidung oder Schmuck. Halten Sie Haare und Kleidung fern von sich bewegenden**

**Teilen.** Lockere Kleidung, Schmuck oder lange Haare können von sich bewegenden Teilen erfasst werden.

- Tragen Sie beim Betrieb des Produkts immer festes Schuhwerk und lange Hosen. Betreiben Sie das Produkt nicht barfuß oder mit offenen Sandalen. Vermeiden Sie das Tragen von loser sitzender Kleidung oder Kleidung mit hängenden Schnüren oder Kravatten.
- Tragen Sie bei sämtlichen Arbeiten im Wald einen Schutzhelm. Dieser bietet Schutz vor herabfallenden Ästen. Überprüfen Sie den Schutzhelm regelmäßig auf Beschädigungen. Nach 5 Jahren ist dieser spätestens auszutauschen. Verwenden Sie nur geprüfte Schutzhelme.
- Der Gesichtsschutz bzw. die Schutzbrille hält Sägespäne und Holzsplitter ab. Um Verletzungen der Augen zu vermeiden, ist beim Arbeiten mit dem Produkt stets ein Gesichtsschutz bzw. eine Schutzbrille zu tragen.
- Tragen Sie einen Gehörschutz.
- Tragen Sie Schutzhandschuhe.
- Tragen Sie beim Sägen von trockenem Holz eine Staubschutzmaske. Es kann zur Bildung von Sägestaub kommen.
- Wenn im Baum gearbeitet wird, kann der Benutzer abstürzen. Der Benutzer kann schwer verletzt oder getötet werden. Tragen Sie Ausrüstung zur Absturzsicherung.

## **6.3 Umgebungssicherheit**

- Nationale und / oder kommunale Regelungen können die Verwendung Lärm erzeugender, motorbetriebener Produkte zeitlich einschränken. Erkundigen Sie sich darüber bei Ihrer kommunalen Verwaltung.
- Arbeiten Sie nur bei Tageslicht.
- Arbeiten Sie nicht bei ungünstigen Wetterbedingungen, wie z. B. Regen oder Wind. Hierbei besteht ein erhöhtes Unfallrisiko!
- Unordnung im Arbeitsbereich kann Unfälle zur Folge haben.
- Halten Sie Kinder und andere Personen während der Benutzung des Produkts fern. Bei Ablenkung können Sie die Kontrolle über das Produkt verlieren.
- Betreiben Sie das Produkt niemals, wenn Menschen, insbesondere Kinder, oder Tiere in der Nähe sind.
- Arbeiten Sie nicht in der Nähe von Drahtzäunen oder in Bereichen mit losem Alttraht.

## Restrisiken

Das Produkt ist nach dem Stand der Technik und den anerkannten sicherheitstechnischen Regeln gebaut. Dennoch können beim Arbeiten einzelne Restrisiken auftreten.

- Restrisiken können minimiert werden, wenn die „Sicherheitshinweise“ und die „Bestimmungsgemäße Verwendung“, sowie die Betriebsanleitung insgesamt beachtet werden.
- Verwenden Sie das Produkt so, wie es in dieser Betriebsanleitung empfohlen wird. So erreichen Sie, dass Ihr Produkt optimale Leistungen erbringt.
- Des Weiteren können trotz aller getroffener Vorkehrungen nicht offensichtliche Restrisiken bestehen.
- Halten Sie Ihre Hände vom Arbeitsbereich fern, wenn das Produkt in Betrieb ist.
- Schädigung des Gehöres, wenn kein vorgeschriebener Gehörschutz getragen wird.
- Schädigung der Lunge, wenn kein vorgeschriebener Atemschutz getragen wird.
- Verletzungsgefahr durch wegschleudernde Werkzeuge bei unsachgemäßer Halterung oder Führung.
- Gefährdung der Gesundheit durch Strom bei Verwendung nicht ordnungsgemäßer Elektro-Anschlussleitungen.
- Vermeiden Sie zufällige Inbetriebsetzungen des Produkts: beim Einführen des Steckers in die Steckdose darf der Ein-/Ausschalter nicht gedrückt werden.
- Bevor Sie Einstell- oder Wartungsarbeiten vornehmen, lassen Sie den Ein-/Ausschalter los und ziehen den Netzstecker.

## WARNUNG

Dieses Elektrowerkzeug erzeugt während des Betriebes ein elektromagnetisches Feld. Dieses Feld kann unter bestimmten Umständen aktive oder passive medizinische Implantate beeinträchtigen. Um die Gefahr von ernsthaften oder tödlichen Verletzungen zu verringern, empfehlen wir Personen mit medizinischen Implantaten ihren Arzt und den Hersteller vom medizinischen Implantat zu konsultieren, bevor das Elektrowerkzeug bedient wird.

## WARNUNG

Bei längeren Arbeiten kann es aufgrund von Vibrationen in den Händen der Bedienungsperson zu Durchblutungsstörungen (Weißfingersyndrom) kommen.

Das Weißfingersyndrom ist eine Gefäßerkrankung, bei der die kleinen Blutgefäße an den Fingern und Zehen anfallartig verkrampfen. Die betroffenen Areale werden nicht mehr ausreichend mit Blut versorgt und erscheinen dadurch extrem blass. Der häufige Gebrauch von vibrierenden Produkten kann bei Personen, deren Durchblutung beeinträchtigt ist (z. B. Raucher, Diabetiker) Nervenschädigungen auslösen.

Wenn Sie ungewöhnliche Beeinträchtigungen bemerken, beenden Sie sofort die Arbeit und suchen Sie einen Arzt auf.

## 7 Technische Daten

Bemessungsspannung	220-240V AC / 50/60 Hz
Nennleistung S1*	1600W
Schutzklasse	II
Schutzart	IPX0
Kettengeschwindigkeit	15 m/s
Führungsschiene	14"
Kettenschwertlänge	41,5 cm
Schnittlänge**	34 cm
Kettenteilung	3/8"
Kettenrad Zähnezahl	52 Zähne
Typ der Sägekette	3/8LP-52
Typ der Führungsschiene	AP14-52-507P
Tank/Sägekettenöl	0,35 l
Gewicht (mit Kettenschwert und Sägekette)	ca. 4,8 kg
Gewicht (ohne Kettenschwert, Sägekette und Kabel)	ca. 4,2 kg

Technische Änderungen vorbehalten!

### \*Betriebsart S1 (Dauerbetrieb)

Das Produkt kann dauerhaft mit der angegebenen Leistung betrieben werden.

\*\*Die tatsächliche Schnittlänge kann geringer als die angegebene Schnittlänge sein.

## Geräusch und Vibration

### **WARNUNG**

Lärm kann gravierende Auswirkungen auf Ihre Gesundheit haben. Übersteigt der Maschinenlärm 85 dB, tragen Sie und Personen, die sich in der Nähe befinden bitte einen geeigneten Gehörschutz.

#### Geräuschkennwerte

Schalldruckpegel $L_{pA}$	95,3 dB
Messunsicherheit $K_{pA}$	3 dB
Gemessener Schalleistungspegel $L_{wA}$	103,3 dB
Garantierter Schalleistungspegel $L_{wA}$	106 dB
Messunsicherheit $K_{wA}$	3 dB

#### Vibrationskennwerte (Hand-Arm-Schwingung)

Vibration $a_n$	
Vorderer Griff	3,26 m/s <sup>2</sup>
Hinterer Griff	3,51 m/s <sup>2</sup>
Messunsicherheit K	1,5 m/s <sup>2</sup>

Der angegebene Schwingungsgesamtwert und der angegebene Geräuschemissionswert sind nach einem genormten Prüfverfahren gemessen worden und können zum Vergleich eines Elektrowerkzeugs mit einem anderen verwendet werden.

Der angegebene Geräuschemissionswert und der angegebene Schwingungsgesamtwert können auch zu einer vorläufigen Einschätzung der Belastung verwendet werden.

### **WARNUNG**

**Die Geräuschemissionen und der Schwingungsemissionswert können während der tatsächlichen Benutzung des Elektrowerkzeugs von den Angabewerten abweichen, abhängig von der Art und Weise, in der das Elektrowerkzeug verwendet wird, insbesondere, welche Art von Werkstück bearbeitet wird.**

Versuchen Sie, die Belastung so gering wie möglich zu halten. Beispielhafte Maßnahmen: die Begrenzung der Arbeitszeit. Dabei sind alle Anteile des Betriebszyklus zu berücksichtigen (beispielsweise Zeiten, in denen das Elektrowerkzeug abgeschaltet ist, und solche, in denen es zwar eingeschaltet ist, aber ohne Belastung läuft).

## 8 Auspacken

### **WARNUNG**

**Produkt und Verpackungsmaterialien sind kein Kinderspielzeug!**

**Kinder dürfen nicht mit Kunststoffbeuteln, Folien und Kleinteilen spielen! Es besteht Verschluckungs- und Erstickungsgefahr!**

- Öffnen Sie die Verpackung und nehmen Sie das Produkt vorsichtig heraus.
- Entfernen Sie das Verpackungsmaterial sowie Verpackungs- und Transportsicherungen (falls vorhanden).
- Überprüfen Sie, ob der Lieferumfang vollständig ist.
- Kontrollieren Sie das Produkt und die Zubehörteile auf Transportschäden. Etwaige Schäden sofort dem Transportunternehmen melden, mit dem das Produkt angeliefert wurde. Spätere Reklamationen werden nicht anerkannt.
- Bewahren Sie die Verpackung nach Möglichkeit bis zum Ablauf der Garantiezeit auf.
- Machen Sie sich vor dem Einsatz anhand der Betriebsanleitung mit dem Produkt vertraut.
- Verwenden Sie bei Zubehör sowie Verschleiß- und Ersatzteilen nur Originalteile. Ersatzteile erhalten Sie bei Ihrem Fachhändler.
- Geben Sie bei Bestellungen unsere Artikelnummern sowie Typ und Baujahr des Produkts an.

## 9 Vor Inbetriebnahme

### **WARNUNG**

**Ziehen Sie immer den Netzstecker, bevor Sie Einstellungen am Produkt vornehmen.**

### **WARNUNG**

**Verletzungsgefahr!**

Stecken Sie den Netzstecker erst in die Steckdose, wenn das Produkt für den Einsatz vorbereitet ist.

## **GEFAHR**

### **Verletzungsgefahr!**

Wenn ein unvollständig montiertes Produkt benutzt wird, können schwere Verletzungen hervorgerufen werden.

- Benutzen Sie das Produkt erst, wenn es vollständig montiert wurde.
- Vor jeder Benutzung eine Sichtkontrolle durchführen, um zu prüfen, ob das Produkt vollständig ist und keine beschädigten oder abgenutzten Bauteile enthält. Sicherheits- und Schutzvorrichtungen müssen intakt sein.

## **WARNUNG**

### **Verletzungsgefahr, wenn Sie mit der Sägekette oder dem Kettenschwert hantieren!**

- Tragen Sie schnittfeste Handschuhe.

#### **Hinweise:**

- Eine neue Sägekette längt sich und muss öfter nachgespannt werden. Überprüfen Sie regelmäßig nach jedem Schnitt die Kettenspannung und stellen Sie diese nach.
- Verwenden Sie nur Sägeketten und Kettenschwerte, die für dieses Produkt ausgelegt sind.

## **VORSICHT**

Eine falsch montierte Sägekette führt zu einem unkontrolliertem Schneidverhalten des Produkts!

Bei der Montage der Sägekette auf die vorgeschriebene Laufrichtung achten!

- Stellen Sie das Produkt auf eine ebene, gerade Fläche.
- Machen Sie sich vor dem Einsatz anhand der Betriebsanleitung mit dem Produkt vertraut.

Es ist vorgeschrieben, vor jedem Gebrauch oder nach einem Herunterfallen des Produkts dies sorgfältig auf evtl. Beschädigungen zu überprüfen. Sollten Beschädigungen festgestellt werden, sind diese umgehend von Ihnen oder einer autorisierten Servicestelle zu beseitigen.

Um eine einwandfreie Funktion und lange Haltbarkeit des Produkts zu gewährleisten, sind folgende Punkte zu beachten:

- Korrekter Sitz der Führungsschiene.
- Einbau-/ Laufrichtung, sowie einwandfreie (scharfe) Sägekette.
- Spannung der Sägekette (bei einer neuen Kette mehrmals prüfen und nachjustieren).
- Funktion der Kettenschmierung.

- Funktion der Kettenbremse.
- Funktion der Kupplung (keine Kettenbewegung im Leerlauf).
- Einwandfreien Zustand und Vollständigkeit der Schutzvorrichtungen und der Schnittvorrichtung.
- Festen Sitz sämtlicher Verschraubungen.
- Leichtgängigkeit aller beweglichen Teile.

## **9.1 Schwert (7) und Sägekette (8) montieren (Abb. 2)**

1. Drehen Sie das Kettenspannrad (6) gegen den Uhrzeigersinn, um die Kettenradabdeckung (5) zu entfernen.
2. Legen Sie die Sägekette (8) in einer Schlaufe aus, so dass die Schnittkanten im Uhrzeigersinn ausgerichtet sind. Orientieren Sie sich zur Ausrichtung der Sägekette (8) an den Bildzeichen (Pfeilen) an der Sägekette (8) bzw. oberhalb der Führungsbolzen (20).
3. Legen Sie die Sägekette (8) in die Nut des Schwerts (7) ein.  
Halten Sie das Schwert (7) zur Montage in einem Winkel von ca. 45 Grad nach oben geschwenkt, um die Sägekette (8) leichter auf Kettenrad (18) führen zu können. Die Sägekette (8) wird über den Umlenkstern (7a) gelenkt.
4. Setzen Sie das Schwert (7) an dem Führungsbolzen (20) und am Stehbolzen (19) ein. Der Führungsbolzen (20) und der Stehbolzen (19) müssen sich im Langloch am Schwert (7) befinden.
5. Führen Sie die Sägekette (8) um das Kettenrad (18) und prüfen Sie die Ausrichtung der Sägekette (8).
6. Setzen Sie die Kettenradabdeckung (5) wieder auf. Achten Sie darauf das die Kettenradabdeckung (5) in der Nut am Gehäuse sitzt.
7. Drehen Sie das Kettenspannrad (6) im Uhrzeigersinn handfest.
8. Prüfen Sie nochmals den Sitz der Sägekette (8) und spannen die Sägekette (8).

#### **Hinweis:**

Bitte beachten Sie, dass das Produkt nach Gebrauch nachölt und Öl auslaufen kann, wenn das Produkt seitlich oder auf dem Kopf gelagert wird. Das ist ein normaler Vorgang, bedingt durch die notwendige Lüftungsöffnung am oberen Tankrand und kein Grund zur Reklamation. Da dieses Produkt während der Fertigung kontrolliert und mit Öl getestet wird, könnte trotz Ausleeren ein kleiner Rest im Tank sein, der während des Transportes des Gehäuses leicht mit Öl beschmutzt. Bitte säubern Sie das Gehäuse mit einem Lappen.

Vor dem Wechsel der Sägekette ist die Nut der Führungsschiene von Schmutz zu reinigen, da bei vorhandenen Schmutzablagerungen die Sägekette aus der Schiene springen kann. Die Ablagerungen können auch das Kettenöl aufsaugen. Die Folge wäre, dass

das Kettenöl nicht oder nur zu einem geringen Teil an der Schienenunterseite gelangt und die Schmierung verhindert wird.

## 9.2 Sägekette (8) spannen (Abb. 3)

### **WARNUNG**

#### **Verletzungsgefahr durch Abspringen der Sägekette!**

Eine unzureichend gespannte Sägekette kann während des Betriebs abspringen und zu Verletzungen führen.

- Kontrollieren Sie die Kettenspannung häufig.
- Die Kettenspannung ist zu gering, wenn die Treibglieder aus der Nut an der Unterseite der Führungsschiene heraustreten.
- Spannen Sie die Sägekette sachgemäß nach, wenn die Kettenspannung zu gering ist.

1. Vergewissern Sie sich das die Kettenbremse (16) gelöst ist (siehe 10.1.2).
2. Stellen Sie die Kettenspannung mit dem Kettenspannrad (6) ein.
  - Im Uhrzeigersinn – erhöht die Kettenspannung
  - Gegen den Uhrzeigersinn – verringert die Kettenspannung
3. Drehen Sie die Sägekette (8) von Hand, um diese auf einen einwandfreien Lauf zu prüfen. Sie muss frei im Schwert (7) gleiten.

Die Sägekette (8) darf nicht durchhängen, sollte sich aber in der Mitte des Kettenschwertes mindestens 1-2 Millimeter von dem Schwert (7) abziehen lassen.

Die Kettenspannung und Kettenschmierung beeinflussen in erheblichem Maß die Lebensdauer der Sägekette.

Die Sägekette ist richtig gespannt, wenn sie an der Kettenschwertunterseite nicht durchhängt und sich mit der behandschuhten Hand ganz herumziehen lässt. Beim Ziehen an der Sägekette mit 9 N (ca. 1 kg) Zugkraft dürfen Sägekette und Kettenschwert nicht mehr als 7 mm Abstand haben.

Die Sägekette (8) darf sich bei einer durchschnittlichen Zugkraft von Hand maximal 9 mm abziehen lassen.

#### **Hinweis:**

- Die Spannung einer neuen Sägekette muss nach wenigen Arbeitsminuten kontrolliert und nachgestellt werden.
- Die Spannung der Sägekette sollte an einem sauberen Ort, der frei von Sägemehl und dergleichen ist, durchgeführt werden.
- Eine korrekte Spannung der Sägekette dient der Sicherheit des Benutzers und reduziert bzw. verhindert Verschleiß und Sägekettenschäden.

- Wir empfehlen dem Benutzer vor dem ersten Arbeitsbeginn die Kettenspannung zu kontrollieren.

### **ACHTUNG**

Beim Arbeiten mit der Säge erwärmt sich die Sägekette und weitet sich dadurch etwas. Mit diesem „Nachlängen“ ist besonders bei neuen Sägeketten zu rechnen.

## 9.3 Sägekettenöl (22) einfüllen (Abb. 4)

### **GEFAHR**

Schalten Sie das Produkt immer ab und lassen Sie den Motor abkühlen, bevor Sie Öl einfüllen. Durch Überlaufen von Öl besteht Brandgefahr.

### **WARNUNG**

Schwert und Sägekette dürfen nie ohne Öl sein. Betreiben Sie die Kettensäge mit zu wenig Öl, nimmt die Schnittleistung und die Lebenszeit der Sägekette ab, da die Sägekette schneller stumpf wird. Zu wenig Öl erkennen Sie an Rauchentwicklung oder Verfärbung des Schwertes.

### **ACHTUNG**

#### **Umweltschäden!**

Ausgelaufenes Öl kann die Umwelt nachhaltig verschmutzen. Die Flüssigkeit ist hochgiftig und kann schnell zu Wasserverschmutzung führen.

- Befüllen/entleeren Sie Öl nur auf ebenen, befestigten Flächen.
- Nutzen Sie einen Einfüllstutzen oder Trichter.
- Fangen Sie abgelassenes Öl in einem geeigneten Gefäß auf.
- Wischen Sie verschüttetes Öl sofort sorgfältig auf und entsorgen Sie den Lappen nach den örtlichen Vorschriften.
- Entsorgen Sie Öl nach den örtlichen Vorschriften.

Die Sägekette wird während des Betriebs des Produkts automatisch geschmiert. Um die Sägekette ausreichend zu schmieren, muss immer genügend Sägekettenöl im Öltank vorhanden sein. Überprüfen Sie in regelmäßigen Abständen die im Öltank verbleibende Ölmenge.

#### **Hinweis:**

- Der Deckel ist mit einer Verliersicherung ausgestattet.
- Füllen Sie vorzugsweise biologisch abbaubares Sägekettenöl (22) in die Kettensäge.

- Vergewissern Sie sich, dass vor dem Einschalten des Produkts der Deckel des Öltanks angebracht und verschlossen ist.
1. Öffnen Sie den Öltank (12). Schrauben Sie hierzu den Öltankdeckel (4) gegen den Uhrzeigersinn ab.
  2. Damit kein Öl auslaufen kann, verwenden Sie einen Trichter\*.
  3. Füllen Sie das Sägekettenöl (22) vorsichtig ein, bis die obere Markierung der Ölstandsanzeige (13) erreicht ist. Füllmenge Öltank: max. 350 ml.
  4. Schrauben Sie den Öltankdeckel (4) im Uhrzeigersinn zu, um den Öltank (12) zu schließen.
  5. Wischen Sie eventuell verschüttetes Öl sofort sorgfältig auf und entsorgen Sie den Lappen nach den örtlichen Vorschriften.
  6. Zum Überprüfen der Sägekettenschmierung das Produkt mit der Sägekette über ein Blatt Papier halten und ein paar Sekunden Vollgas geben. Auf dem Papier erkennen Sie, ob die Kettenschmierung funktioniert.

## 10 Bedienung

Die Elektro-Kettensäge besitzt als Antrieb einen Elektromotor. Die umlaufende Sägekette wird über ein Kettenschwert (Führungsschiene) geführt.

Das Produkt ist mit einer Schnellstopp-Kettenbremse ausgestattet. Eine Öl-Automatik sorgt für die kontinuierliche Kettenschmierung. Zum Schutz des Anwenders ist die Elektro-Kettensäge mit verschiedenen Schutzrichtungen versehen.

Die Funktion der Bedienteile entnehmen Sie bitte den nachfolgenden Beschreibungen.

### ACHTUNG

**Vor der Inbetriebnahme das Produkt unbedingt komplett montieren!**

### ACHTUNG

Achten Sie darauf, dass die Umgebungstemperatur, während des Arbeitens 50 °C nicht überschreitet und -20 °C nicht unterschreitet.

### ⚠ GEFAHR

#### Verletzungsgefahr!

Wenn das Produkt festklemmt, versuchen Sie nicht, das Produkt mit Gewalt herauszuziehen.

- Stellen Sie den Motor ab.
- Benutzen Sie einen Hebelarm oder Keil, um das Produkt freizubekommen.

## 10.1 Kettenbremse (16) (Abb. 1, 5)

### ⚠ WARNUNG

**Die Kettenbremse muss vor jeder Inbetriebnahme geprüft werden.**

Die Kettenbremse bremst die Sägekette bei einem Rückschlag sofort ab.

### ⚠ WARNUNG

**Wenn die Kettenbremse nicht richtig funktioniert, dürfen Sie die Kettensäge nicht benutzen.**

**Es besteht Verletzungsgefahr durch die nachlaufende Sägekette.**

**Kontaktieren Sie den Kunden-Service.**

### ⚠ WARNUNG

#### Produktbeschädigung!

Eine erhöhte Motordrehzahl über eine zu lange Zeit, bei blockierter Kettenbremse schadet dem Motor und dem Sägekettenantrieb.

Sollte sich die Sägekette dennoch bewegen, kontaktieren Sie den Kunden-Service.

#### Hinweis:

Die Sägekette läuft nicht, wenn die Kettenbremse eingeregelt ist.

#### 10.1.1 Aktivieren der Kettenbremse/vorderer Handschutz (16)

1. Kippen Sie die Kettenbremse/vorderer Handschutz (16) in Richtung des Schwerts (7).

#### 10.1.2 Lösen der Kettenbremse/vorderer Handschutz (16)

1. Ziehen Sie die Kettenbremse/vorderer Handschutz (16) in Richtung des vorderen Griffs (14). Die Kettenbremse/vorderer Handschutz (16) rastet hörbar ein.

#### 10.1.3 Prüfen der Kettenbremse/vorderer Handschutz (16)

1. Lösen Sie die Kettenbremse/vorderer Handschutz (16) wie unter 10.1.2 beschrieben.
2. Halten Sie die Kettensäge mit beiden Händen fest.
3. Schalten Sie die Kettensäge wie unter 10.1.3 beschrieben ein.
4. Kippen Sie die Kettenbremse/vorderer Handschutz (16) in Richtung des Schwerts (7). Die Sägekette (8) muss sofort stehenbleiben!

### Hinweis:

Sollte sich die Sägekette dennoch bewegen, dürfen Sie das Produkt nicht verwenden. Es besteht Verletzungsgefahr durch die nachlaufende Sägekette. Kontaktieren Sie den Kunden-Service.

## 10.2 Produkt ein-/ausschalten und betreiben (Abb. 1)

### **WARNUNG**

#### **Verletzungsgefahr durch Rückschlag!**

- Verwenden Sie das Produkt niemals einhändig!

### Einschalten

1. Prüfen Sie, ob sich Sägekettenöl (22) im Öltank (12) befindet.
2. Formen Sie aus dem Ende einer Verlängerungsleitung\* eine Schlaufe und hängen Sie diese in die Zugentlastung (9) am hinteren Griff (2) ein.
3. Stecken Sie den Netzstecker in eine ordnungsgemäß abgesicherte Netzsteckdose.
4. Entfernen Sie den Schwert- und Kettenschutz (17) von dem Schwert (7).
5. Lösen Sie die Kettenbremse (16). Die Kettenbremse (16) rastet hörbar ein.
6. Halten Sie das Produkt mit der linken Hand am vorderen Griff (14) und mit der rechten Hand am hinteren Griff (2). Daumen und Finger müssen die Griffe (2/14) fest umschließen.
7. Bringen Sie Ihren Körper und die Arme in eine Stellung, in der Sie den Rückschlagkräften standhalten können.
8. Schieben Sie die Einschaltsperr (3) am hinteren Griff (2) nach vorne und halten Sie sie in dieser Position.
9. Zum Einschalten des Produkts drücken Sie den Ein-/Ausschalter (11).
10. Lassen Sie die Einschaltsperr (3) los.

### Hinweis:

Es ist nicht nötig, die Einschaltsperr nach dem Start des Produkts betätigt zu halten. Die Einschaltsperr soll ein versehentliches Starten des Produkts verhindern.

Eine Dauerlaufschtaltung ist nicht möglich.

### Ausschalten

1. Zum Ausschalten lassen Sie den Ein-/Ausschalter (11) los.
2. Aktivieren Sie die Kettenbremse (16).
3. Setzen Sie nach jeder Arbeit mit dem Produkt den mitgelieferte Schwert- und Kettenschutz (17) auf.
4. Ziehen Sie bei nichtgebrauch des Produkts den Netzstecker aus der Netzsteckdose.

5. Entfernen Sie das Verlängerungskabel\* aus der Zugentlastung (9).

\* = nicht zwingend im Lieferumfang enthalten!

## 10.3 Überlastschutz

Bei Überlastung des Produkts schaltet dies selbständig ab. Nach einer Abkühlzeit (zeitlich unterschiedlich) lässt sich das Produkt wieder einschalten.

## 10.4 Sägekettenschmierung prüfen (Abb. 4)

### Hinweis:

Prüfen Sie vor Arbeitsbeginn den Ölstand und die Funktion der Kettenschmierung.

1. Zum Überprüfen der Sägekettenschmierung das Produkt mit der Sägekette über ein Blatt Papier halten und ein paar Sekunden Vollgas geben. Auf dem Papier erkennen Sie, ob die Kettenschmierung funktioniert.

### Hinweis:

Wenn sich keine Ölspur zeigt, reinigen Sie eventuell den Öldurchlass oder lassen Sie die Kettensäge von unserem Kundendienst reparieren.

1. Reinigen Sie den Öldurchlass (21), um ein störungsfreies, automatisches Ölen der Sägekette (8) während des Betriebs zu gewährleisten. Nehmen Sie hierzu einen Pinsel\* oder einen Lappen\* zur Hilfe, um Rückstände aus dem Öldurchlass (21) auszuwischen.

\* = nicht zwingend im Lieferumfang enthalten!

## 11 Arbeitshinweise

### **GEFAHR**

#### **Verletzungsgefahr!**

Dieser Abschnitt behandelt die grundlegende Arbeitstechnik im Umgang mit dem Produkt.

Die hier gegebenen Informationen ersetzen nicht die langjährige Ausbildung und Erfahrung eines Fachmanns.

Vermeiden Sie jede Arbeit, für die Sie nicht ausreichend qualifiziert sind!

Ein unbedachter Umgang mit dem Produkt kann schwerste Verletzungen bis hin zum Tod zur Folge haben!

### **GEFAHR**

#### **Verletzungsgefahr!**

Säge- und Fällarbeiten sowie sämtliche damit verbundene Arbeiten dürfen nur von besonders ausgebildeten und geschulten Personen durchgeführt werden.

## **WARNUNG**

Wir raten unerfahrenen Anwendern aus Sicherheitsgründen davon ab, einen Baumstamm mit einer Schwertlänge zu fällen, die kleiner ist als der Stammdurchmesser.

### **Hinweise:**

Achten Sie vor dem Einschalten darauf, dass das Produkt keine Gegenstände berührt.

Beachten Sie die länderspezifischen Vorschriften für Fällarbeiten und informieren Sie sich bei der zuständigen Behörde.

- Achten Sie darauf, dass durch die herabfallenden Äste und Bäume niemand zu Schaden kommen kann.
- Im Arbeitsbereich dürfen sich nur die für die Fällarbeiten benötigten Personen aufhalten.
- Halten Sie den Arbeitsbereich am Stamm frei und aufgeräumt, sodass ein sicherer Stand für die Benutzer gewährleistet ist.
- Halten Sie Fluchtwege frei und aufgeräumt, um den Arbeitsbereich schnell verlassen zu können.
- Führen Sie Fällarbeiten nicht bei stärkeren Windverhältnissen, schlechtem Wetter oder schlechten Sichtverhältnissen durch.
- Halten Sie Entfernungen zum nächsten Arbeitsplatz von mindestens 2 1/2 Baumlängen ein.
- Schalten Sie den Motor aus, wenn die Säge mit einem Fremdkörper in Berührung kommt. Kontrollieren Sie die Säge, und reparieren Sie sie gegebenenfalls.
- Schützen Sie die Sägekette vor Schmutz und Sand. Selbst geringe Mengen Schmutz können die Sägekette schnell abstupfen und die Gefahr einer Rückschlagreaktion erhöhen.
- Fangen Sie mit dem Zersägen von kleineren Baumstämmen zur Übung an, um ein Gefühl für Ihr Produkt zu bekommen, bevor Sie schwierigere Aufgaben angehen.
- Drücken Sie das Gehäuse der Kettensäge gegen den Baumstamm, wenn Sie mit dem Sägen beginnen.
- Lassen Sie die Säge für Sie arbeiten. Üben Sie nur leichten Druck nach unten aus.
- Um nach dem Austritt der Sägekette aus dem Holz nicht die Kontrolle über das Produkt zu verlieren, sollten Sie gegen Ende des Schnitts keinen Druck auf die Säge ausüben.
- Schneiden Sie kein am Boden liegendes Holz bzw. versuchen Sie nicht aus dem Boden ragende Wurzeln zu sägen.

- Vermeiden Sie eine abnormale Körperhaltung. Sorgen Sie für einen sicheren Stand und halten Sie jederzeit das Gleichgewicht. Dadurch können Sie das Produkt in unerwarteten Situationen besser kontrollieren.
- Sie haben eine bessere Kontrolle, wenn Sie mit der Unterseite des Kettenschwertes (mit ziehender Sägekette) sägen.
- Die Sägekette darf während des Durchsägens oder danach weder den Erdboden noch einen anderen Gegenstand berühren.
- Beachten Sie auch die Vorsichtsmaßnahmen gegen Rückschlag (siehe Sicherheitshinweise).

## **11.1 Richtige Haltung**

### **GEFAHR**

#### **Verletzungsgefahr!**

- Nie auf instabilen Untergründen arbeiten!
- Nie über Schulterhöhe arbeiten!
- Nie auf Leitern stehend arbeiten!
- Nicht zu weit vorgebeugt arbeiten!
- Das Produkt nur bei günstigen Witterungs- und Geländebedingungen verwenden!
- Stehen Sie mit beiden Beinen sicher auf dem Boden.
- Achten Sie auf Hindernisse im Arbeitsbereich.
- Bei der Arbeit ist das Produkt immer mit beiden Händen festzuhalten!

## **11.2 So sägen Sie richtig!**

- Üben Sie einen gleichmäßigen Druck auf das Produkt aus, jedoch keine übermäßige Gewalt.
- Setzen Sie das Produkt nach Möglichkeit mit dem Krallenanschlag am zu sägenden Ast an.
- Arbeiten Sie niemals ohne Krallenanschlag. Das Produkt kann den Bediener nach vorne reißen.
- Benutzen Sie den Krallenanschlag zum Schneiden von Baumstämmen oder dicken Ästen.
- Eine Benutzung des Krallenanschlags erhöht die Arbeitssicherheit, verringert die persönliche Belastung beim Arbeiten und ebenfalls werden die Vibrationen verringert.
- Wenn ein Fremdkörper getroffen wurde. Suchen Sie nach Beschädigungen am Produkt und führen Sie die erforderlichen Reparaturen durch, bevor Sie erneut starten und mit dem Produkt arbeiten. Falls das Produkt anfängt ungewöhnlich stark zu vibrieren, ist eine sofortige Überprüfung erforderlich.

## 11.3 Sägetechniken

### 11.3.1 Ziehendes Sägen

Bei dieser Technik wird mit der Unterseite des Kettenschwerts von oben nach unten gesägt.

Die Sägekette schiebt das Produkt vorwärts vom Anwender weg. Hierbei bildet die Vorderkante des Produkts eine Stütze, die die beim Sägen entstehenden Kräfte am Baumstamm abfängt. Beim ziehenden Sägen hat der Anwender wesentlich mehr Kontrolle über das Produkt und kann Rückschläge besser vermeiden.

### 11.3.2 Schiebendes Sägen

#### GEFAHR

##### Lebensgefährliche Verletzungen!

Verkantet das Kettenschwert, so kann das Produkt mit großer Kraft zum Anwender hingeschleudert werden.

Wenn der Anwender die nach hinten schiebende Kraft der Sägekette nicht durch seine Körperkraft ausgleicht, besteht die Gefahr, dass nur noch die Spitze des Kettenschwerts Kontakt zum Holz hat und so ein Rückschlag erfolgt.

Bei dieser Technik wird mit der Oberseite der Führungsschiene von unten nach oben gesägt.

Die Sägekette schiebt hierbei das Produkt rückwärts zum Anwender hin.

### 11.3.3 Ablängen

Ablängen ist das Sägen von gefällten Baumstämmen in kleine Abschnitte. Falls möglich, sollte der Stamm durch Äste, Balken oder Keile unterlegt und gestützt sein.

- **Achten Sie immer auf festen Stand und benutzen Sie die Kettensäge nur, wenn Sie auf festem, sicherem und ebenem Grund stehen.** Rutschiger Untergrund oder instabile Standflächen können zum Verlust des Gleichgewichts oder zum Verlust der Kontrolle über die Kettensäge führen.
- Bei Sägearbeiten am Hang stets oberhalb des Astes stehen. Darauf achten, dass die Sägekette nicht den Boden berührt. Nach Fertigstellung des Schnitts den Stillstand der Sägekette abwarten, bevor man das Produkt dort entfernt.
- Den Motor des Produkts immer ausschalten, bevor man von Arbeitsplatz zu Arbeitsplatz wechselt.

#### 11.3.3.1 Stamm liegt am Boden (Abb. 6)

- Die Sägekette darf während des Durchsägens oder danach weder den Erdboden noch einen anderen Gegenstand berühren.
- Sägen Sie den Stamm von oben ganz durch.

- Wenn die Möglichkeit besteht, den Stamm zu drehen, sägen Sie ihn zu 2/3 durch. Dann drehen Sie den Stamm um und sägen den Rest des Stammes von oben durch.

#### 11.3.3.2 Stamm ist an einem Ende abgestützt (Abb. 7)

- Sägen Sie zuerst von unten nach oben (mit der Oberseite des Kettenschwerts) 1/3 des Stammdurchmessers durch, um ein Splintern zu vermeiden.
- Sägen Sie dann von oben nach unten (mit der Unterseite des Kettenschwerts) auf den ersten Schnitt zu, um ein Festklemmen zu vermeiden.

#### 11.3.3.3 Stamm ist an beiden Enden abgestützt (Abb. 8)

- Sägen Sie zuerst von oben nach unten (mit der Unterseite des Kettenschwerts) 1/3 des Stammdurchmessers durch.
- Sägen Sie dann von unten nach oben (mit der Oberseite des Kettenschwerts), bis sich die Schnitte treffen.

#### 11.3.3.4 Sägen auf einem Sägebock (Abb. 9)

1. Halten Sie das Produkt mit beiden Händen fest und führen Sie das Produkt während des Sägens vor dem Körper **1**.
2. Wenn der Stamm durchtrennt wird, führen Sie das Produkt rechts am Körper vorbei. Halten Sie den linken Arm so gerade wie möglich **2**. Achten Sie auf den herabfallenden Stamm.
3. Stellen Sie sich so, dass der abgetrennte Stamm keine Gefährdung darstellt.
4. Achten Sie auf Ihre Füße **3**. Der abgetrennte Stamm könnte beim Herabfallen Verletzungen verursachen.
5. Achten Sie darauf, dass Ihr Körper im Gleichgewicht ist und dass Sie sicheren Halt haben.

### 11.3.4 Entasten (Abb. 10)

#### WARNUNG

##### Verletzungsgefahr!

Viele Unfälle geschehen beim Entasten.

- Halten Sie das Produkt mit beiden Händen fest und führen Sie das Produkt während des Sägens vor dem Körper.
- Beugen Sie sich beim Betrieb nicht zu weit vor.
- Sägen Sie nie Äste ab, wenn Sie auf dem Baumstamm stehen.
- Behalten Sie den Rückschlagbereich im Auge, wenn Äste unter Spannung stehen.

Entasten ist die Bezeichnung für das Entfernen von Ästen und Zweigen von einem Baum.

- Entfernen Sie Stützweige erst nach dem Ablängen.

- Unter Spannung stehende Äste müssen von unten nach oben gesägt werden, um ein Festklemmen des Produkts zu verhindern.
- Beim Absägen von dickeren Ästen verwenden Sie dieselbe Technik wie beim Ablängen.
- Arbeiten Sie links vom Stamm und so nahe wie möglich an dem Produkt. Nach Möglichkeit ruht das Gewicht des Produkts auf dem Stamm.
- Wechseln Sie den Standort, um Äste jenseits des Stammes abzusägen.
- Verzweigte Äste werden einzeln abgelängt.
- Beim Entasten größere nach unten gerichtete Äste, die den Baum stützen, vorerst stehen lassen. Kleinere Äste mit einem Schnitt trennen.
- Entfernen Sie nach unten hängende Äste, indem Sie den Schnitt oberhalb des Astes ansetzen.
- Entasten Sie niemals höher als bis zur Schulterhöhe.

### 11.3.5 Fällen eines Baumes (Abb. 11, 12)

#### GEFAHR

##### **Verletzungsgefahr!**

Säge- und Fällarbeiten sowie sämtliche damit verbundene Arbeiten dürfen nur von besonders ausgebildeten und geschulten Personen durchgeführt werden.

#### GEFAHR

Es ist viel Erfahrung erforderlich, um Bäume zu fällen. Fällen Sie nur Bäume, wenn Sie sicher mit dem Produkt umgehen können. Benutzen Sie das Produkt auf keinen Fall, wenn Sie sich unsicher fühlen.

#### GEFAHR

##### **Lebensgefährliche Verletzungen!**

- Sägen Sie den Baumstamm nie vollständig durch!
- Beim Fällen nur seitwärts des zu fällenden Baums stehen!

#### GEFAHR

Fällen Sie keinen Baum, wenn ein starker oder wechselnder Wind weht, wenn die Gefahr einer Eigentumsbeschädigung besteht oder wenn der Baum auf elektrische Leitungen treffen könnte.

#### GEFAHR

Beim Fällen von Bäumen ist darauf zu achten, dass andere Personen keiner Gefahr ausgesetzt werden, keine Versorgungsleitungen getroffen und keine Sachschäden verursacht werden. Sollte ein Baum mit einer Versorgungsleitung in Berührung kommen, so ist das Versorgungsunternehmen sofort in Kenntnis zu setzen.

- Achten Sie darauf, dass sich keine Menschen oder Tiere in der Nähe des Arbeitsbereichs aufhalten. Der Sicherheitsabstand zwischen dem zu fällenden Baum und dem nächstliegenden Arbeitsplatz muss 2 1/2 Baumlängen betragen.
- Achten Sie auf die Fällrichtung: Der Anwender muss sich in der Nähe des gefällten Baumes sicher bewegen können, um den Baum leicht abgelängen und entasten zu können. Es ist zu vermeiden, dass der fallende Baum sich in einem anderen Baum verfängt. Beachten Sie die natürliche Fällrichtung, die von Neigung und Krümmung des Baumes, Windrichtung und Anzahl der Äste abhängig ist.
- Kleine Bäume mit einem Durchmesser von 15-18 cm können gewöhnlich mit einem Schnitt abgesägt werden.
- Bei Sägearbeiten am Hang stets oberhalb des Astes stehen. Darauf achten, dass die Sägekette nicht den Boden berührt. Nach Fertigstellung des Schnitts den Stillstand der Sägekette abwarten, bevor man das Produkt dort entfernt.
- Bei Sägearbeiten am Hang stets oberhalb des Baumstammes stehen. Um im Moment des „Durchsägens“ die volle Kontrolle zu behalten, gegen Ende des Schnitts den Anpressdruck reduzieren, ohne den festen Griff an den Handgriffen des Produkts zu lösen. Darauf achten, dass die Sägekette nicht den Boden berührt. Nach Fertigstellung des Schnitts den Stillstand des Produkts abwarten, bevor man das Produkt dort entfernt. Das Produkt immer ausschalten und den Netzstecker ziehen, bevor man von Baum zu Baum wechselt.
- Bei Bäumen mit einem größeren Durchmesser müssen Kerbschnitte und ein Fällschnitt angesetzt werden.
- Achten Sie darauf, dass die Sägekette nicht im Sägeschnitt festklemmt. Der Ast darf nicht brechen oder absplintern.
- Schmutz, Steine, lose Rinde, Nägel, Klammern und Draht sind vom Baum zu entfernen.

## **WARNUNG**

**Klappen Sie direkt nach Beenden des Sägevorgangs den Gehörschutz hoch, damit Sie Töne und Warnsignale hören können.**

### **Entasten:**

- Entfernen Sie nach unten hängende Äste, indem Sie den Schnitt oberhalb des Astes ansetzen. Entasten Sie niemals höher als bis zur Schulterhöhe.

### **Fluchtbereich:**

- Entfernen Sie das Unterholz rund um den Baum, um einen leichten Rückzug zu sichern. Der Fluchtbereich sollte etwa um 45° versetzt hinter der geplanten Fällrichtung liegen.

### **Fallkerbe schneiden:**

- Setzen Sie eine Fallkerbe in die Richtung, in die der Baum fallen soll.
- Beginnen Sie mit dem unteren, horizontalen Schnitt.
- Die Schnitttiefe soll etwa 1/3 des Stammdurchmessers betragen. Dadurch wird das Einklemmen der Sägekette oder der Führungsschiene beim Setzen des zweiten Kerbschnitts vermieden.
- Machen Sie nun einen schrägen Sägeschnitt mit einem Schnittwinkel von ungefähr 45°, von oben, der exakt auf den unteren Sägeschnitt trifft.

## **GEFAHR**

Treten Sie nie vor einen Baum, der eingekerbt ist.

### **Fällschnitt:**

- Führen Sie den Fällschnitt von der anderen Seite des Stammes aus, während Sie links vom Baumstamm stehen und mit ziehender Sägekette sägen.
- Der Fällschnitt muss horizontal mindestens 5 cm oberhalb des horizontalen Kerbschnitts verlaufen.
- Er sollte so tief sein, dass der Abstand zur Kerbschnittlinie mindestens 1/10 des Stammdurchmessers beträgt.
- Der nicht durchgesägte Teil des Stammes wird als Steg (Fällleiste) bezeichnet. Der Steg verhindert, dass sich der Baum dreht und in die falsche Richtung fällt. Sägen Sie den Steg nicht durch.
- Bei Annäherung des Fällschnitts an den Steg sollte der Baum zu fallen beginnen.
- Wenn sich zeigt, dass der Baum möglicherweise nicht in die gewünschte Richtung fällt oder sich zurückneigt, und die Sägekette festklemmt, den Fällschnitt unterbrechen und zur Öffnung des Schnitts

und zum Umlegen des Baumes in die gewünschte Falllinie Keile aus Holz, Kunststoff oder Aluminium verwenden.

- Wenn der Stammdurchmesser größer ist als die Länge des Kettenschwertes, machen Sie zwei Schnitte.
- Nach Ausführen des Fällschnitts fällt der Baum von selbst oder mit Hilfe des Fällkeils oder Brecheisens.

## **GEFAHR**

Sobald der Baum zu fallen beginnt, ziehen Sie das Produkt aus dem Schnitt heraus, stoppen den Motor, legen das Produkt ab und verlassen den Arbeitsplatz über den Rückzugsweg. Auf herunterfallende Äste achten und nicht stolpern.

### **11.3.6 Lösen einer verklemmten Kettensäge**

Falls sich die Kettensäge während des Schneidens einklemmt, gehen Sie wie folgt vor:

1. Schalten Sie die Kettensäge aus und sichern Sie sie zum Innern des Baumstamms hin (d.h. hin zum Baumstamm) oder an einem separaten Werkzeugseil befestigen.
2. Die Kettensäge aus der Kerbe ziehen, während der Ast so weit wie nötig angehoben wird.
3. Wenn nötig, eine Handsäge oder zweite Kettensäge verwenden, um die verklemmte Kettensäge zu lösen, indem mindestens 30 cm entfernt von der eingeklemmten Kettensäge geschnitten wird.

Unabhängig davon, ob eine Hand- oder Kettensäge zum Lösen einer eingeklemmten Kettensäge verwendet wird, sollten die Schnitte zum Lösen der Kettensäge immer außen (hin zu den Astspitzen) erfolgen, damit die Kettensäge nicht mit den abgesägten Teilen mitgenommen wird und die Situation weiter kompliziert.

### **11.4 Nach der Benutzung**

- **Schalten Sie das Produkt vor dem Ablegen immer aus und warten Sie, bis das Produkt zum Stillstand gekommen ist.**
- Setzen Sie den Schwert- und Kettenschutz (17) auf das Schwert (7).
- Aktivieren Sie die Kettenbremse (16).
- Lassen Sie das Produkt abkühlen.
- Ziehen Sie bei nichtgebrauch des Produkts den Netzstecker aus der Netzsteckdose.

## 12 Reinigung und Wartung

### **WARNUNG**

Lassen Sie Instandsetzungsarbeiten und Wartungsarbeiten, die nicht in dieser Betriebsanleitung beschrieben sind, von einer Fachwerkstatt durchführen. Benutzen Sie nur originale Ersatzteile.

### **WARNUNG**

Nicht fachgerechte Wartungs- oder Reinigungsarbeiten können Verletzungen verursachen!

### **WARNUNG**

Bei Reinigungs-, Instandsetzungs- und Wartungsarbeiten kann das Produkt unerwartet starten und dadurch zu Verletzungen und Verbrennungen führen.

- Schalten Sie das Produkt aus.
- Ziehen Sie den Netzstecker.
- Lassen Sie das Produkt auskühlen.

### **WARNUNG**

Verletzungsgefahr, wenn Sie mit der Sägekette oder dem Kettenschwert hantieren!

- Tragen Sie schnittfeste Handschuhe.

### 12.1 Reinigung

1. Wir empfehlen, dass Sie das Produkt direkt nach jeder Benutzung reinigen.
2. Benutzen Sie zur Reinigung der Sägekette einen Pinsel oder Handfeger und keine Flüssigkeiten.
3. Halten Sie Griffe und Griffflächen trocken, sauber und frei von Öl und Fett. Rutschige Griffe und Griffflächen erlauben keine sichere Bedienung und Kontrolle des Elektrowerkzeugs in unvorhergesehenen Situationen.
4. Reinigen Sie die Griffe gegebenenfalls mit einem feuchten, in Seifenlauge ausgewaschenen Lappen.
5. Halten Sie Schutzvorrichtungen, Luftschlitze und Motorenhäuser so staub- und schmutzfrei wie möglich. Reiben Sie das Produkt mit einem sauberen Tuch\* ab oder blasen Sie es mit Druckluft\* bei niedrigem Druck aus. Wir empfehlen, dass Sie das Produkt direkt nach jeder Benutzung reinigen.
6. Lüftungsöffnungen müssen immer frei sein.

7. Verwenden Sie keine Reinigungs- oder Lösungsmittel; diese könnten die Kunststoffteile des Produkts angreifen. Achten Sie darauf, dass kein Wasser in das Produktinnere gelangen kann.
8. Reinigen Sie die Nut des Kettenschwerts mit Hilfe eines Pinsels oder mit Druckluft.
9. Reinigen Sie das Kettenrad.

\* = nicht zwingend im Lieferumfang enthalten!

### 12.2 Wartung

#### *Hinweis:*

Warten Sie das Produkt sorgfältig. Kontrollieren Sie, ob bewegliche Teile einwandfrei funktionieren und nicht klemmen, ob Teile gebrochen oder so beschädigt sind, dass die Funktion des Produkts beeinträchtigt ist. Lassen Sie beschädigte Teile vor dem Einsatz des Produkts reparieren.

Stellen Sie das Produkt auf eine ebene, gerade Fläche.

#### 12.2.1 Kettenrad (18) prüfen (Abb. 2)

1. Drehen Sie das Kettenspannrad (6) gegen den Uhrzeigersinn, um die Kettenspannung zu lockern und um die Kettenradabdeckung (5) zu entfernen.
2. Entnehmen Sie das Schwert (7) und die Sägekette (8).
3. Prüfen Sie die Einlaufspuren am Kettenrad (18) mit einer Prüflöhre\*.
4. Falls die Einlaufspuren tiefer als  $a=0,5$  mm sind, verwenden Sie das Produkt nicht und suchen Sie einen Fachhändler auf. Das Kettenrad (18) muss ersetzt werden.
5. Montieren Sie das Schwert (7) und die Sägekette (8) wieder, wie unter 9.1 beschrieben.

\* = nicht zwingend im Lieferumfang enthalten!

#### 12.2.2 Schwert (7) prüfen (Abb. 1)

1. Drehen Sie das Kettenspannrad (6) gegen den Uhrzeigersinn, um die Kettenspannung zu lockern und um die Kettenradabdeckung (5) zu entfernen.
2. Entnehmen Sie das Schwert (7) und die Sägekette (8).
3. Messen Sie die Nuttiefe des Schwerts (7) mit dem Messstab einer Feillehre\*.
4. Das Schwert (7) muss ersetzt werden, wenn eine der folgenden Punkte zutrifft:
  - Das Kettenschwert ist beschädigt.
  - Die gemessene Nuttiefe ist kleiner als die Mindestnuttiefe des Kettenschwerts (4 mm).
  - Die Nut des Kettenschwerts ist verengt oder gespreizt.
5. Montieren Sie das Schwert (7) und die Sägekette (8) wie unter 9.1 beschrieben.

\* = nicht zwingend im Lieferumfang enthalten!

### 12.2.3 Schwert (7) wechseln (Abb. 2)

1. Drehen Sie das Kettenspannrad (6) gegen den Uhrzeigersinn, um die Kettenspannung zu lockern und um die Kettenradabdeckung (5) zu entfernen.
2. Entnehmen Sie das Schwert (7) und die Sägekette (8). Halten Sie das Schwert (7) zur Demontage in einem Winkel von ca. 45 Grad nach oben geschwenkt, um die Sägekette (8) leichter von der Nut des Schwerts (7) abnehmen zu können.
3. Tauschen Sie das Schwert (7) aus und montieren Sie das Schwert (7) und die Sägekette (8) wie unter 9.1 beschrieben.

### 12.2.4 Sägekette (8) wechseln und einlaufen lassen (Abb. 2)

#### **GEFAHR**

##### **Schwere Verletzungen möglich durch Reißen oder Abspringen der Sägekette!**

- Befestigen Sie eine neue Sägekette nie auf einem abgenutzten Sägekettenritzel oder auf einer beschädigten oder abgenutzten Führungsschiene. Die Sägekette könnte abspringen oder reißen.

- Verwenden Sie nur Sägeketten und Kettenschwerts, die für dieses Produkt ausgelegt sind.
  - Reinigen Sie vor dem Wechseln der Sägekette die Nut des Kettenschwerts, da bei vorhandenen Schmutzablagerungen die Sägekette aus der Schiene springen kann. Die Ablagerungen können auch das Kettenöl aufsaugen. Die Folge wäre, dass das Kettenöl nicht oder nur zu einem geringen Teil an die Schienenunterseite gelangt und die Schmierung verringert wird.
1. Drehen Sie das Kettenspannrad (6) gegen den Uhrzeigersinn, um die Kettenspannung zu lockern und um die Kettenradabdeckung (5) zu entfernen.
  2. Entnehmen Sie das Schwert (7) und die Sägekette (8).
  3. Legen Sie die Sägekette (8) in einer Schlaufe aus, so dass die Schnittkanten im Uhrzeigersinn ausgerichtet sind. Orientieren Sie sich zur Ausrichtung der Sägekette (8) an den Bildzeichen (Pfeilen) an der Sägekette (8) bzw. oberhalb des Führungsbolzen (20).
  4. Legen Sie die Sägekette (8) in die Nut des Schwerts (7) ein.
  5. Setzen Sie das Schwert (7) an dem Führungsbolzen (20) und am Stehbolzen (19) ein. Der Führungsbolzen (20) und der Stehbolzen (19) müssen sich im Langloch am Schwert (7) befinden.
  6. Führen Sie die Sägekette (8) um das Kettenrad (18) und prüfen Sie die Ausrichtung der Sägekette (8).

7. Setzen Sie die Kettenradabdeckung (5) wieder auf. Achten Sie darauf, dass die Kettenradabdeckung (5) in der Nut am Gehäuse sitzt.
8. Drehen Sie das Kettenspannrad (6) im Uhrzeigersinn handfest.
9. Prüfen Sie nochmals den Sitz der Sägekette (8) und spannen die Sägekette (8).

#### **Hinweis:**

Bei einer neuen Sägekette verringert sich die Spannkraft nach einiger Zeit. Deshalb müssen Sie nach den ersten 5 Schnitten, spätestens nach 10 Minuten Sägezeit die Sägekette nachspannen.

### 12.2.5 Sägekette (8) schärfen

#### **WARNUNG**

##### **Erhöhte Unfallgefahr durch eine falsch geschärfte Sägekette!**

Durch Abweichungen von den Maßangaben der Schneidengeometrie beim Schärfen erhöht sich die Rückschlaggefahr des Produkts.

- Lassen Sie die Sägekette von einem Fachmann schärfen.

Die Sägekette kann bei einer autorisierten Fachwerkstatt nachgeschliffen werden. Versuchen Sie nicht, die Sägekette selbst zu schärfen, wenn Sie nicht über ein geeignetes Werkzeug und die notwendige Erfahrung verfügen.

#### **VORSICHT**

Zum Schärfen der Sägekette sind Spezialwerkzeuge nötig, die gewährleisten, dass die Schneidwerkzeuge im richtigen Winkel und in der richtigen Tiefe geschärft sind.

Nach dem Schärfen müssen alle Schneidglieder die gleiche Breite und Länge haben.

#### **Hinweise:**

Eine scharfe Sägekette gewährleistet eine optimale Schnittleistung. Sie frisst sich mühelos durch das Holz und hinterlässt große, lange Holzspäne.

Eine Sägekette ist stumpf, wenn Sie die Schneidausrüstung durch das Holz drücken müssen und die Holzspäne sehr klein sind. Bei einer sehr stumpfen Sägekette fallen überhaupt keine Späne, sondern nur Holzstaub an.

1. Ziehen Sie den Netzstecker.
2. Zum Schärfen sollte die Sägekette (8) straff gespannt sein, um ein richtiges Schärfen zu ermöglichen.
3. Zum Schärfen ist eine Rundfeile\* mit 4,0 mm Durchmesser erforderlich.

## ⚠ VORSICHT

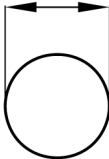
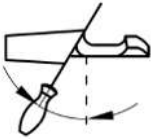



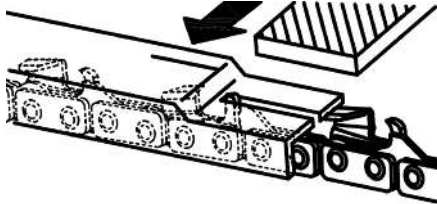

Andere Durchmesser beschädigen die Sägekette und können zu einer Gefährdung beim Arbeiten führen!

- Schärfen Sie nur von innen nach außen. Führen Sie die Feile\* von der Innenseite des Schneidzahns nach außen.  
Heben Sie die Feile\* ab, wenn Sie diese zurückziehen.
- Schärfen Sie zuerst die Zähne einer Seite.  
Drehen Sie dann die Sägekette (8) um und schärfen Sie die Zähne der anderen Seite.

- Die Sägekette (8) ist abgenutzt und muss gegen eine neue Sägekette (8) ersetzt werden, wenn nur noch ca. 4 mm des Schneidzahns übrig ist.
- Nach dem Schärfen müssen alle Schneidglieder gleich lang und breit sein.
- Nach jedem dritten Schärfen muss die Schärftiefe (Tiefenbegrenzung) geprüft werden und die Höhe mit Hilfe einer Flachfeile\* nachgefeilt werden.  
Die Tiefenbegrenzung sollte um ca. 0,65 mm gegenüber dem Schneidzahn zurückstehen. Runden Sie nach dem Zurücksetzen die Tiefenbegrenzung nach vorne etwas ab.

\* = nicht zwingend im Lieferumfang enthalten!

### 12.2.5.1 Anleitung zum Schärfen der Kette

Sägekettentyp	Feildurchmesser	Oberer Winkel	Unterer Winkel	Oberer Neigungswinkel (55°)	Standard Tiefenmaß
					
		Einspann- Rotationswinkel	Einspann- Neigungswinkel	Seitenwinkel	
21PBX	ca. 4,8 mm	30°	10°	85°	0,64 mm
					
Tiefenanschlag				Feile	

## 13 Lagerung

Lagern Sie das Produkt und dessen Zubehör an einem dunklen, trockenen und frostfreien sowie für Kinder unzugänglichen Ort.

Die optimale Lagertemperatur liegt zwischen 5°C und 30°C.

Bewahren Sie das Produkt in der Originalverpackung auf.

Decken Sie das Produkt ab, um es vor Staub oder Feuchtigkeit zu schützen. Bewahren Sie die Betriebsanleitung bei dem Produkt auf.

### 13.1 Vorbereiten für das Einlagern

- Bringen Sie den Sägekettenschutz an.
- Entleeren Sie das Produkt vollständig.

3. Reinigen und überprüfen Sie das Produkt auf Schäden.

## 13.2 Transport

- Das Produkt darf nur an dem dafür vorhergesehenen Handgriff transportiert werden.

## 14 Elektrischer Anschluss

**Der installierte Elektromotor ist betriebsfertig angeschlossen. Der Anschluss entspricht den einschlägigen VDE- und DIN-Bestimmungen. Der kundenseitige Netzanschluss sowie die verwendete Verlängerungsleitung müssen diesen Vorschriften entsprechen.**

### Hinweis:

- Das Produkt erfüllt die Anforderungen der EN 61000-3-11 und unterliegt Sonderanschlussbedingungen. Das heißt, dass eine Verwendung an beliebigen frei wählbaren Anschlusspunkten nicht zulässig ist.
- Das Produkt kann bei ungünstigen Netzverhältnissen zu vorübergehenden Spannungsschwankungen führen.
- Das Produkt ist ausschließlich zur Verwendung an Anschlusspunkten vorgesehen, die a) eine maximale zulässige Netzimpedanz „Z“ ( $Z_{\max.} = 0,415 \Omega$ ) nicht überschreiten, oder b) die eine Dauerstrombelastbarkeit des Netzes von mindestens 100 A je Phase haben.
- Sie müssen als Benutzer sicherstellen, wenn nötig in Rücksprache mit Ihrem Energieversorgungsunternehmen, dass Ihr Anschlusspunkt, an dem Sie das Produkt betreiben möchten, eine der beiden genannten Anforderungen a) oder b) erfüllt.

## 14.1 Wichtige Hinweise

Bei Überlastung des Motors schaltet dieser selbständig ab. Nach einer Abkühlzeit (zeitlich unterschiedlich) lässt sich der Motor wieder einschalten.

## 14.2 Schadhafte Elektro-Anschlussleitungen

An elektrischen Anschlussleitungen entstehen oft Isolationsschäden.

Ursachen hierfür können sein:

- Druckstellen, wenn Anschlussleitungen durch Fenster oder Türspalten geführt werden,
- Knickstellen durch unsachgemäße Befestigung oder Führung der Anschlussleitung,
- Schnittstellen durch Überfahren der Anschlussleitung,
- Isolationsschäden durch Herausreißen aus der Wandsteckdose,
- Risse durch Alterung der Isolation.

Solch schadhafte elektrische Anschlussleitungen dürfen nicht verwendet werden und sind aufgrund der Isolationsschäden lebensgefährlich.

Elektrische Anschlussleitungen regelmäßig auf Schäden überprüfen. Achten Sie darauf, dass beim Überprüfen die Anschlussleitung nicht am Stromnetz hängt.

Elektrische Anschlussleitungen müssen den einschlägigen VDE- und DIN-Bestimmungen entsprechen. Verwenden Sie nur Anschlussleitungen mit gleicher Kennzeichnung „H07RN-F“.

Ein Aufdruck der Typenbezeichnung auf dem Anschlusskabel ist Vorschrift.

### Sicherheitshinweise für den Austausch beschädigter oder defekter Netzanschlussleitungen Anschlussart Y

Wenn ein Ersatz der Netzanschlussleitung erforderlich ist, ist dies vom Hersteller oder seinem Vertreter auszuführen, um Sicherheitsgefährdungen zu vermeiden.

## 14.3 Wechselstrommotor

Anschlüsse und Reparaturen der elektrischen Ausrüstung dürfen nur von einer Elektro-Fachkraft durchgeführt werden.

- Achten Sie darauf, dass die Netzspannung mit der Spannung auf dem Produkttypenschild übereinstimmt.
- Verlängerungsleitungen bis 25 m Länge müssen einen Querschnitt von 1,5 Quadratmillimeter aufweisen.

## 15 Reparatur und Ersatzteilbestellung

Nach Reparatur oder Wartung vergewissern Sie sich, ob alle sicherheitstechnischen Teile angebracht und in einwandfreiem Zustand sind. Verletzungsgefährdende Teile vor anderen Personen und Kindern unzugänglich aufbewahren.

### ACHTUNG

Laut Produkthaftungsgesetz wird nicht für Schäden gehaftet, die durch unsachgemäße Reparaturen oder durch Nichtverwendung von Originalersatzteilen verursacht werden.

Beauftragen Sie einen Kundendienst oder eine autorisierte Fachkraft. Entsprechendes gilt auch für Zubehörteile.

### Anschlüsse und Reparaturen

Anschlüsse und Reparaturen der elektrischen Ausrüstung dürfen nur von einer Elektro-Fachkraft durchgeführt werden.

## 15.1 Ersatzteilbestellung

Bei der Ersatzteilbestellung sollten folgende Angaben gemacht werden:

- Modellbezeichnung
- Artikelnummer
- Daten des Typenschildes

### Ersatzteile / Zubehör

Öltankdeckel	3910207003
--------------	------------

## 15.2 Zulässige Schneidgarnituren

<b>Führungsschienen:</b>	
Kettenschwert Kangxin AP14-52-507P	3910207001
<b>Sägeketten:</b>	
Sägekette Kangxin 3/8LP-52	3910207002

## 16 Entsorgung und Wiederverwertung

### Hinweise zur Verpackung



Die Verpackungsmaterialien sind recycelbar. Bitte Verpackungen umweltgerecht entsorgen.

### Hinweise zur Entsorgung von Elektro- und Elektronikgeräten



**Elektro- und Elektronik-Altgeräte gehören nicht in den Hausmüll, sondern sind einer getrennten Erfassung bzw. Entsorgung zuzuführen!**

- Altbatterien, welche nicht fest im Altgerät verbaut sind, müssen vor Abgabe zerstörungsfrei entnommen werden! Deren Entsorgung wird über das Batteriegesetz geregelt.
- Besitzer bzw. Nutzer von Elektro- und Elektronikgeräten sind nach deren Gebrauch gesetzlich zur Rückgabe verpflichtet.
- Der Endnutzer trägt die Eigenverantwortung für das Löschen seiner personenbezogenen Daten auf dem zu entsorgenden Altgerät!
- Das Symbol der durchgestrichenen Mülltonne bedeutet, dass Elektro- und Elektronikaltgeräte nicht über den Hausmüll entsorgt werden dürfen.
- Elektro- und Elektronikaltgeräte können bei folgenden Stellen unentgeltlich abgegeben werden:
  - Öffentlich-rechtliche Entsorgungs- bzw. Sammelstellen (z. B. kommunale Bauhöfe)
  - LIDL bietet Ihnen Rückgabemöglichkeiten direkt in den Filialen und Märkten an. Rückgabe und Entsorgung sind für Sie kostenfrei.

– Bis zu drei Elektroaltgeräte pro Geräteart, mit einer Kantenlänge von maximal 25 Zentimetern, können Sie ohne vorherigen Erwerb eines Neugerätes vom Hersteller kostenfrei bei diesem abgeben oder einer anderen autorisierten Sammelstelle in Ihrer Nähe zuführen.

– Weitere ergänzende Rücknahmebedingungen der Hersteller und Verreiber erfahren Sie beim jeweiligen Kundenservice.

- Im Falle der Anlieferung eines neuen Elektrogerätes durch den Hersteller an einen privaten Haushalt, kann dieser die unentgeltliche Abholung des Elektroaltgerätes, auf Nachfrage vom Endnutzer, veranlassen. Setzen Sie sich hierzu mit dem Kundenservice des Herstellers in Verbindung.
- Diese Aussagen gelten nur für Geräte, die in den Ländern der Europäischen Union installiert und verkauft werden und die der Europäischen Richtlinie 2012/19/EU unterliegen. In Ländern außerhalb der Europäischen Union können davon abweichende Bestimmungen für die Entsorgung von Elektro- und Elektronik-Altgeräten gelten.

**Möglichkeiten zur Entsorgung des ausgedienten Gerätes erfahren Sie bei Ihrer Gemeinde- oder Stadtverwaltung.**

### Kraftstoffe und Öle

- Vor der Entsorgung des Produkts müssen der Kraftstofftank und der Motorölbehälter geleert werden!
- Kraftstoff und Motoröl gehören nicht in den Hausmüll oder Abfluss, sondern sind einer getrennten Erfassung bzw. Entsorgung zuzuführen!
- Leere Öl- und Kraftstoffbehälter müssen umweltgerecht entsorgt werden.

## 17 Störungsabhilfe

Die folgende Tabelle zeigt Fehlersymptome auf und beschreibt, wie Sie Abhilfe schaffen können, wenn Ihr Produkt einmal nicht richtig arbeitet. Wenn Sie das Problem damit nicht lokalisieren und beseitigen können, wenden Sie sich an Ihre Service-Werkstatt.

Störung	Mögliche Ursache	Abhilfe
Das Produkt lässt sich nicht starten.	Netzstecker nicht am Netz angeschlossen.	Netzstecker in eine Netzsteckdose einstecken.
	Netzspannung fehlt. Haussicherung spricht an.	Steckdosen, Netzanschlussleitung, Leitung, Netzstecker prüfen, ggf Reparatur durch Elektrofachkraft. Haussicherung prüfen.
	Kettenbremse ist aktiviert.	Kettenbremse überprüfen, evtl. Kettenbremse lösen.
	Ein-/Ausschalter ist defekt.	Wenden Sie sich an unseren Servicedienst.
	Kohlebürsten abgenutzt.	
Motor ist defekt.		
Sägekette läuft nicht.	Kettenbremse blockiert.	Kettenbremse überprüfen, evtl. Kettenbremse lösen.
Schlechte Schneidleistung.	Sägekette falsch montiert.	Montieren Sie die Sägekette korrekt.
	Sägekette ist stumpf.	Lassen Sie die Sägekette von einem Fachmann schärfen oder wechseln Sie die Sägekette aus.
	Kettenspannung ungenügend.	Überprüfen Sie die Sägekette. Spannen Sie die Sägekette gegebenenfalls.
Produkt läuft schwer/Sägekette springt ab.	Kettenspannung ungenügend.	Überprüfen Sie die Sägekette. Spannen Sie die Sägekette gegebenenfalls.
Sägekette wird heiß, Rauchentwicklung beim Sägen, Verfärbung der Schiene.	Zu wenig Sägekettenöl.	Prüfen Sie die Öl-Automatik. Füllen Sie gegebenenfalls Sägekettenöl auf.
Ungewöhnliche Vibration	Kettenschwert ist locker.	Kettenschwert auf festen Sitz prüfen.

# 18 EU-Konformitätserklärung

## Originalkonformitätserklärung

### Hersteller:

Scheppach GmbH  
Günzburger Straße 69  
D-89335 Ichenhausen

Wir erklären in alleiniger Verantwortung, dass das hier beschriebene Produkt mit den geltenden Richtlinien und Normen übereinstimmt.

Marke: **PARKSIDE**  
Art.-Bezeichnung: **Elektro-Kettensäge - PEKS 1600 C3**  
Art.-Nr. **3910209974 - 3910209981; 39102099915; 39102099959**  
IAN-Nr. **495499\_2504**  
Serien-Nr. **01001 - 46072**

### EU-Richtlinien:

2014/30/EU, 2006/42/EG, 2000/14/EG\_2005/88/EG, 2011/65/EU\*, (EU) 2015/863,

\* Der oben beschriebene Gegenstand der Erklärung erfüllt die Vorschriften der Richtlinie 2011/65/EU des Europäischen Parlaments und des Rates vom 8. Juni 2011 zur Beschränkung der Verwendung bestimmter gefährlicher Stoffe in Elektro- und Elektronikgeräten.

### Angewandte Normen:

EN 62841-1:2015/A11:2022; EN 62841-4-1:2020;  
EN IEC 55014-1:2021; EN IEC 55014-2:2021;  
EN IEC 61000-3-2:2019/A2:2024;  
EN IEC 61000-3-11:2019; EN IEC 63000:2018

### 2006/42/EG - Anhang IV

Benannte Stelle: TÜV SÜD  
Product Service GmbH  
Ridlerstraße 65  
80339 Munich  
Germany  
Nummer: 0123  
Zertifikatsnummer: M6A 011284 0666

### 2000/14/EG\_2005/88/EG – Anhang: V

Garantierter Schallleistungspegel ( $L_{WA}$ ): 106 dB  
Gemessener Schallleistungspegel ( $L_{WA}$ ): 103,3 dB

### Dokumentationsbevollmächtigter:

Tobias Ihle  
Günzburger Str. 69  
D-89335 Ichenhausen  
Ichenhausen, 22.07.2025



Simon Schünk  
Division Manager Product Center



Andreas Pecher  
Head of Project Management

## Garantieurkunde

### Sehr geehrte Kundin, sehr geehrter Kunde,

unsere Produkte unterliegen einer strengen Qualitätskontrolle. Sollte dieses Gerät dennoch einmal nicht einwandfrei funktionieren, bedauern wir dies sehr und bitten Sie, sich an unseren Servicedienst unter der auf dieser Garantieurkunde angegebenen Adresse zu wenden. Gern stehen wir Ihnen auch telefonisch über die unten angegebene Servicrufnummer zur Verfügung. Für die Geltendmachung von Garantieansprüchen gilt Folgendes:

- Diese Garantiebedingungen regeln zusätzliche Garantieleistungen. Ihre gesetzlichen Gewährleistungsansprüche werden von dieser Garantie nicht berührt. Unsere Garantieleistung ist für Sie kostenlos.
- Die Garantieleistung erstreckt sich ausschließlich auf Mängel, die auf Material- oder Herstellungsfehler zurückzuführen sind und ist auf die Behebung dieser Mängel bzw. den Austausch des Gerätes beschränkt. Bitte beachten Sie, dass unsere Geräte bestimmungsgemäß nicht für den gewerblichen, handwerklichen oder industriellen Einsatz konstruiert wurden. Ein Garantievertrag kommt daher nicht zustande, wenn das Gerät in Gewerbe-, Handwerks- oder Industriebetrieben sowie bei gleichzusetzenden Tätigkeiten eingesetzt wird. Von unserer Garantie sind ferner Ersatzleistungen für Transportschäden, Schäden durch Nichtbeachtung der Montageanleitung oder aufgrund nicht fachgerechter Installation, Nichtbeachtung der Gebrauchsanleitung (wie durch z. B. Anschluss an eine falsche Netzspannung oder Stromart), missbräuchliche oder unsachgemäße Anwendungen (wie z. B. Überlastung des Gerätes oder Verwendung von nicht zugelassenen Einsatzwerkzeugen oder Zubehör), Nichtbeachtung der Wartungs- und Sicherheitsbestimmungen, Eindringen von Fremdkörpern in das Gerät (wie z. B. Sand, Steine oder Staub), Gewaltanwendung oder Fremdeinwirkungen (wie z. B. Schäden durch Herunterfallen) sowie durch verwendungsgemäßen, üblichen Verschleiß ausgeschlossen.

Der Garantieanspruch erlischt, wenn an dem Gerät bereits Eingriffe vorgenommen wurden.

- Die Garantiezeit beträgt 3 Jahre und beginnt mit dem Kaufdatum des Gerätes. Garantieansprüche sind vor Ablauf der Garantiezeit innerhalb von zwei Wochen, nachdem Sie den Defekt erkannt haben, geltend zu machen. Die Geltendmachung von Garantieansprüchen nach Ablauf der Garantiezeit ist ausgeschlossen. Die Reparatur oder der Austausch des Gerätes führt weder zu einer Verlängerung der Garantiezeit noch wird eine neue Garantiezeit durch diese Leistung für das Gerät oder für etwaige eingebaute Ersatzteile in Gang gesetzt. Dies gilt auch bei Einsatz eines Vor-Ort-Services.
- Für die Geltendmachung Ihres Garantieanspruches wenden Sie sich bitte an die unten angegebene Service-Adresse. Sofern die Reklamation innerhalb der Garantiezeit liegt, werden wir Ihnen einen Retourenschein zur Verfügung stellen, mit dem Sie Ihr defektes Gerät kostenfrei an uns zurücksenden können. Beschreiben Sie uns bitte den Reklamationsgrund möglichst genau. Ist der Defekt des Gerätes von unserer Garantieleistung erfasst, erhalten Sie umgehend ein repariertes oder neues Gerät zurück.

Selbstverständlich beheben wir gegen Erstattung der Kosten auch gerne Defekte am Gerät, die vom Garantieumfang nicht oder nicht mehr erfasst sind. Dazu senden Sie das Gerät bitte an unsere Serviceadresse.

## Abwicklung im Garantiefall

Um eine schnelle Bearbeitung Ihres Anliegens zu gewährleisten, folgen Sie bitte den folgenden Hinweisen:

- Bitte halten Sie für alle Anfragen den Kassenbon und die Artikelnummer (z. B. IAN 495499\_2504) als Nachweis für den Kauf bereit.
- Die Artikelnummer entnehmen Sie bitte dem Typenschild am Produkt, einer Gravur am Produkt, dem Titelblatt Ihrer Anleitung (unten links) oder dem Aufkleber auf der Rück- oder Unterseite des Produktes.
- Sollten Funktionsfehler oder sonstige Mängel auftreten, kontaktieren Sie zunächst die nachfolgend benannte Serviceabteilung telefonisch oder per E-Mail.
- Ein als defekt erfasstes Produkt können Sie dann unter Beifügung des Kaufbelegs (Kassenbon) und der Angabe, worin der Mangel besteht und wann er aufgetreten ist, für Sie portofrei an die Ihnen mitgeteilte Service Anschrift übersenden.
- Auf parkside-diy.com können Sie diese und viele weitere Handbücher einsehen und herunterladen. Mit diesem QR-Code gelangen Sie direkt auf parkside-diy.com. Wählen Sie Ihr Land aus, und suchen Sie über die Suchmaske nach den Bedienungsanleitungen. Mit tels Eingabe der Artikelnummer (IAN) 495499\_2504 gelangen Sie zur Bedienungsanleitung für Ihren Artikel.



**Servicekontakt (DE):**

**Name:** Scheppach GmbH  
Günzburger Str. 69  
DE - 89335 Ichenhausen  
**Telefon:** 00800 4003 4003  
**E-Mail:** service.DE@scheppach.com  
**Sitz:** Deutschland

**Servicekontakt (CH):**

**Name:** Klaus-Häberlin AG  
Industriestraße 6  
CH - 8610 Uster  
**Telefon:** 00800 4003 4003  
**E-Mail:** service.CH@scheppach.com  
**Sitz:** Schweiz

**Servicekontakt (AT):**

**Name:** Gausch Hubert  
Bairisch Kölldorf 267  
AT - 8344 Bad Gleichenberg  
**Telefon:** 00800 4003 4003  
**E-Mail:** service.AT@scheppach.com  
**Sitz:** Österreich

**Servicekontakt (BE):**

**Name:** TeleMarCom  
European Services GmbH  
Am Ziegelweiher 24  
DE - 61130 Nidderau  
**Telefon:** 00800 4003 4003  
**E-Mail:** service.BE@scheppach.com  
**Sitz:** Deutschland

## Sommaire

1	Explication des symboles sur le produit .....	55
2	Introduction.....	57
3	Description du produit (fig. 1-5).....	57
4	Fournitures (fig. 1).....	57
5	Utilisation conforme.....	57
6	Consignes de sécurité .....	58
7	Caractéristiques techniques .....	63
8	Déballage .....	64
9	Avant la mise en service .....	64
10	Utilisation .....	67
11	Consignes de travail.....	69
12	Nettoyage et maintenance.....	73
13	Stockage.....	76
14	Raccordement électrique.....	76
15	Réparation et commande de pièces de rechange.....	77
16	Élimination et recyclage .....	77
17	Dépannage.....	78
18	Déclaration de conformité UE.....	79
19	Certificat de garantie.....	80
20	Vue éclatée .....	291

# 1 Explication des symboles sur le produit

L'utilisation de symboles dans ce manuel permet d'attirer votre attention sur les éventuels risques. Les symboles de sécurité et les explications qui les accompagnent doivent être parfaitement compris. Les avertissements en eux-mêmes ne permettent pas d'éliminer les risques et ne dispensent pas de prendre des mesures adaptées pour la prévention des accidents.

## ATTENTION

**Lisez attentivement ce mode d'emploi avant de procéder à la mise en service initiale et respectez impérativement les consignes de sécurité !**





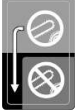

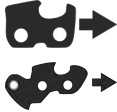








**Nous recommandons de suivre une formation professionnelle de sécurité « attestation de formation au fonctionnement des tronçonneuses » répondant aux standards de formation en vigueur dans le pays correspondant pour se familiariser avec l'utilisation et la maintenance de la tronçonneuse, ainsi qu'une formation aux premiers secours. En cas d'inutilisation prolongée et pour s'entraîner, il est toujours conseillé de faire des coupes simples dans du bois bien étagé avant de commencer, afin de se familiariser à nouveau avec la tronçonneuse.**

**Veillez conserver précieusement ce mode d'emploi !**

### Remarque :

Veillez noter que certaines réglementations nationales, telles que la protection du travail, l'environnement, peuvent restreindre l'utilisation de la tronçonneuse.

	Lisez le mode d'emploi et observez les consignes de sécurité avant de procéder à la mise en service !		Desserrer le frein de chaîne.
	Attention ! Le non-respect des symboles de sécurité et des avertissements apposés sur le produit et le non-respect des consignes de sécurité et d'utilisation peut causer des blessures graves voire mortelles.		Moteur à courant alternatif.
	Portez un casque de protection avec protection du visage ou des lunettes de protection et une protection auditive.		Vitesse de la chaîne de tronçonneuse.
	Portez des chaussures de sécurité !		Longueur du guide-chaîne.
	Porter des chaussures solides !		Nombre de maillons d'entraînement.
	Il est important de porter des vêtements de protection pour les mains, les avant-bras, les jambes et les pieds.		Section de chaîne.
	N'exposez pas le produit à la pluie. Le produit ne peut être stationné, entreposé et exploité que dans des conditions ambiantes sèches.		Largeur de rainure.

	<p>Utilisation à deux mains uniquement.</p>		<p>Puissance absorbée.</p>
	<p>Avertissement ! Risque de mouvement de recul (Kickback). Prémunissez-vous d'un mouvement de recul du produit et évitez tout contact avec la pointe du guide-chaîne.</p>		<p>Poids en kg.</p>
	<p>Position du frein de chaîne.</p>		<p>Contenance du réservoir d'huile.</p>
	<p>Sens de déplacement de la chaîne de tronçonneuse.</p>		<p>Ne procédez aux travaux de maintenance, de conversion, de réglage et de nettoyage que lorsque le produit est à l'arrêt que la fiche secteur est débranchée.</p>
	<p>Ouverture de remplissage pour l'huile pour chaîne de tronçonneuse.</p>		<p>Si le câble d'alimentation est endommagé ou sectionné, débranchez immédiatement la fiche secteur de la prise de courant !</p>
	<p>Augmenter/réduire la tension de chaîne.</p>		<p>Niveau de puissance acoustique garanti du produit.</p>
<p><b>MAX</b> <b>MIN</b></p>	<p>Indication du niveau d'huile pour chaîne de tronçonneuse.</p>		<p>Classe de protection II (double isolation).</p>
	<p>Activez le frein de chaîne.</p>		<p>Le produit respecte les directives européennes en vigueur.</p>

## 2 Introduction

### Fabricant :

Schepfach GmbH  
Günzburger Straße 69  
D-89335 Ichenhausen

### Cher client,

Nous espérons que votre nouveau produit vous apportera satisfaction et de bons résultats.

### Remarque :

Conformément à la loi en vigueur sur la responsabilité du fait des produits, le fabricant de ce produit n'est pas responsable des dommages survenus sur ce produit dans les cas suivants :

- Manipulation incorrecte
- Non-respect du mode d'emploi
- Réparations effectuées par des tiers, des spécialistes non autorisés
- Montage et remplacement des pièces de rechange non originales
- Utilisation non conforme
- Pannes de l'installation électrique causées par un non-respect des prescriptions et dispositions nationales en matière d'électricité

### Attention :

Le mode d'emploi fait partie du produit.

Il contient des remarques importantes sur l'utilisation sécuritaire, réglementaire et économique du produit et sur la façon d'éviter les dangers, de limiter les frais de réparation, de réduire les périodes d'arrêt et d'augmenter la fiabilité et la durée de vie du produit. Outre les dispositions de sécurité figurant dans cette notice d'utilisation, vous devez absolument observer les prescriptions concernant le fonctionnement du produit en vigueur dans votre pays.

Avant d'utiliser le produit, familiarisez-vous avec les consignes de sécurité et d'utilisation. Utilisez le produit uniquement conformément aux descriptions et pour les domaines d'utilisation prescrits. Conservez bien le mode d'emploi et transmettez tous les documents en cas de remise du produit à un tiers.

## 3 Description du produit (fig. 1-5)

1. Fiche secteur
2. Poignée arrière
3. Verrouillage de commande
4. Couvercle du réservoir d'huile
5. Protection de pignon
- 5a. Dispositif d'arrêt de chaîne
6. Roue de tension de la chaîne
7. Lame de pliage (rail de guidage)
- 7a. Pignon de renvoi
8. Chaîne de tronçonneuse
9. Décharge de traction

10. Protection des mains arrière
11. Interrupteur On/Off
12. Réservoir d'huile
13. Regard de niveau d'huile
14. Poignée avant
15. Butée de griffe
16. Frein de chaîne/protection des mains avant
17. Protection du guide et de la chaîne
18. Pignon
19. Goujon
20. Boulon de guidage
21. Passage d'huile
22. Huile pour chaîne de tronçonneuse (bio 180 ml)

## 4 Fournitures (fig. 1)

### Pos. Quantité Désignation

- |     |     |  |
|-----|-----|--|
| 7.  | 1 x | Lame de pliage (rail de guidage)               |
| 8.  | 1 x | Chaîne de tronçonneuse                         |
| 17. | 1 x | Protection du guide et de la chaîne            |
| 22. | 1 x | Huile pour chaîne de tronçonneuse (bio 180 ml) |
|     | 1 x | Tronçonneuse électrique                        |
|     | 1 x | Mode d'emploi                                  |

## 5 Utilisation conforme

La tronçonneuse est conçue uniquement pour scier du bois. Le produit doit uniquement être utilisé conformément aux dispositions. Tout autre utilisation est considérée comme non conforme.

Le produit doit être utilisé selon les dispositions correspondantes. Toute autre utilisation est considérée comme étant non conforme. Le fabricant décline toute responsabilité quant aux dommages ou blessures qui en résulteraient. Dans ce cas, l'utilisateur est le seul responsable.

Une utilisation conforme consiste également à respecter les consignes de sécurité, ainsi que les instructions de montage et les consignes d'utilisation de la notice d'utilisation.

Les personnes utilisant le produit et en assurant la maintenance doivent être familiarisées avec celui-ci et connaître les dangers possibles qu'il implique.

Toute modification du produit annule toute garantie du fabricant pour les dommages en résultant.

Le produit ne doit être utilisé qu'avec des pièces de rechange et des accessoires originaux du fabricant.

Respectez les prescriptions de sécurité, de travail et de maintenance du fabricant, ainsi que les dimensions indiquées dans les caractéristiques techniques.

Remarque : conformément aux dispositions, nos produits n'ont pas été conçus pour une utilisation commerciale, artisanale ou industrielle. Nous déclinons toute responsabilité si le produit est utilisé dans des exploitations commerciales, artisanales ou industrielles, ou dans le cadre d'activités comparables.

## Explication des mots de signalisation dans le mode d'emploi

### DANGER

Terme de signalisation servant à désigner une situation de danger immédiate qui entraîne des blessures graves voire mortelles si elle n'est pas évitée.

### AVERTISSEMENT

Terme de signalisation servant à désigner une situation de danger possible qui peut entraîner des blessures graves voire mortelles si elle n'est pas évitée.

### PRUDENCE

Terme de signalisation servant à désigner une situation de danger possible qui peut entraîner des blessures légères ou modérées si elle n'est pas évitée.

### ATTENTION

Terme de signalisation servant à désigner une situation de danger possible qui peut endommager le produit ou les biens environnants.

## 6 Consignes de sécurité

Consignes de sécurité générales pour les outils électriques

### AVERTISSEMENT

**lisez toutes les consignes de sécurité, les instructions, les illustrations et les caractéristiques techniques fournies avec cet outil électrique.**

Toute négligence dans le respect des instructions suivantes peut entraîner un choc électrique, un incendie et/ou des blessures graves.

**Conserver à l'avenir toutes les consignes de sécurité et instructions.**

Le terme d'« outil électrique » utilisé dans les consignes de sécurité désigne les outils électriques sur secteur (avec câble secteur) et les outils électriques sur batterie (sans câble secteur).

## 1) Sécurité au poste de travail

- Faire en sorte que la zone de travail soit propre et bien éclairée.** Le désordre ou des zones de travail non éclairées peuvent entraîner des accidents.
- Ne pas utiliser l'outil électrique dans un environnement propice aux explosions, où se trouvent des liquides, gaz ou poussières inflammables.** Les outils électriques génèrent des étincelles, susceptibles de mettre le feu à la poussière ou aux vapeurs.
- Pendant l'utilisation de l'outil électrique, maintenir les enfants et tiers à bonne distance.** Toute déviation peut entraîner une perte de contrôle de l'outil électrique.

## 2) Sécurité électrique

- Le connecteur de raccordement de l'outil électrique doit correspondre à la prise. Ne modifier d'aucune manière le connecteur. N'utiliser aucun connecteur adaptateur avec des outils électriques mis à la terre.** Des connecteurs non modifiés et fiches adaptées réduisent le risque de choc électrique.
- Éviter tout contact corporel avec les surfaces mises à la terre, par exemple, tuyaux, chauffages, fours et réfrigérateurs.** Si le corps est mis à la terre, le risque de choc électrique est plus important.
- Mettre les outils électriques à l'abri de la pluie ou de l'humidité.** La pénétration d'eau dans un outil électrique augmente le risque de choc électrique.
- Ne pas utiliser le câble de raccordement pour transporter ou suspendre l'outil électrique, ni pour débrancher le connecteur de la prise de courant. Maintenir le câble de raccordement à l'abri de la chaleur, de l'huile, des arêtes coupantes ou des pièces mobiles.** Des câbles de raccordement endommagés ou emmêlés augmentent le risque de choc électrique.
- Si l'outil électrique est utilisé à l'extérieur, se servir d'une rallonge autorisée pour l'extérieur.** Le recours à une rallonge convenant à l'extérieur réduit le risque de choc électrique.
- Si l'outil électrique doit impérativement être utilisé en milieu humide, utiliser un disjoncteur différentiel.** L'utilisation d'un disjoncteur différentiel réduit le risque de choc électrique.

## 3) Sécurité des personnes

- Se montrer attentif et faire attention à ses actes et procéder avec prudence lors du travail avec un outil électrique. Ne pas utiliser l'outil électrique en cas de fatigue ou si l'on est sous l'influence de drogues, de l'alcool ou de médicaments.** Tout moment d'inattention lors de l'utilisation de l'outil électrique peut conduire à des blessures extrêmement graves.

- b) **Toujours porter un équipement de protection individuelle et des lunettes de protection.** Quel que soit le type d'outil électrique et son mode d'utilisation, le port d'un équipement de protection individuelle, tel qu'un masque antipoussières, des chaussures de sécurité antidérapantes, un casque de protection ou une protection auditive réduit le risque de blessures.
- c) **Éviter toute mise en service involontaire. Veiller à ce que l'outil électrique soit arrêté avant de le brancher sur l'alimentation électrique et/ou la batterie, de le prendre ou de le porter.** Le fait de porter l'outil électrique avec le doigt sur l'interrupteur ou alors que l'outil électrique est activé et raccordé à l'alimentation électrique peut entraîner des accidents.
- d) **Avant d'activer l'outil électrique, retirer les outils de réglage ou clés de serrage.** Tout outil ou clé se trouvant dans une pièce rotative de l'outil électrique peut entraîner des blessures.
- e) **Évitez toute position du corps anormale. Veiller à adopter une position stable et à toujours maintenir son équilibre.** Ainsi, il est possible de mieux contrôler l'outil électrique en cas de situation inattendue.
- f) **Porter des vêtements adaptés. Ne pas porter de vêtements amples ou de bijoux. Maintenir les cheveux et vêtements à bonne distance des pièces mobiles.** Les vêtements amples, bijoux ou cheveux longs risquent d'être happés par les pièces mobiles.
- g) **Si des dispositifs d'aspiration et de collecte des poussières peuvent être montés, veiller à ce qu'ils soient raccordés et utilisés correctement.** Le recours à une aspiration des poussières peut réduire les risques liés à la poussière.
- h) **Ne pas se laisser aller à une fausse impression de sécurité et négliger de respecter les règles de sécurité applicables aux outils électriques, même une fois parfaitement familiarisé avec l'utilisation de cet outil électrique.** Toute manipulation négligente peut entraîner des blessures graves en quelques fractions de seconde.

#### 4) Utilisation et manipulation de l'outil électrique

- a) **Ne pas surcharger l'outil électrique. Utiliser l'outil électrique qui convient au travail à réaliser.** L'outil électrique adapté fonctionne en effet de manière plus satisfaisante et plus sûre dans la plage de puissance indiquée.
- b) **Ne pas utiliser un outil électrique dont l'interrupteur est défectueux.** Un outil électrique qu'il est devenu impossible d'activer ou de désactiver représente un danger et doit être réparé.
- c) **Retirer le connecteur de la prise de courant et/ou retirer la batterie amovible avant d'entreprendre de régler l'appareil, de remplacer les**

**pièces de l'outil d'insertion ou de déposer l'outil électrique.** Cette mesure de sécurité empêche le démarrage involontaire de l'outil électrique.

- d) **Conserver les outils électriques inutilisés hors de portée des enfants. L'outil électrique ne doit pas être utilisé par des personnes qui ne sont pas familières de ces outils ou qui n'ont pas lu ces instructions.** Les outils électriques représentent un danger s'ils sont utilisés par des personnes inexpérimentées.
- e) **Prendre soin des outils électriques et outils auxiliaires. Vérifier si les pièces mobiles fonctionnent parfaitement, ne sont pas bloquées ou si certaines pièces sont cassées ou si endommagées qu'elles nuisent au bon fonctionnement de l'outil électrique. Faire réparer les pièces endommagées avant d'utiliser l'outil électrique.** De nombreux accidents sont dus à des outils électriques mal entretenus.
- f) **Maintenir les outils de coupe aiguisés et propres.** Des outils de coupe bien entretenus, aux arêtes de coupe aiguisées, se coincent moins et sont plus faciles à guider.
- g) **Utiliser l'outil électrique, les outils auxiliaires, etc. conformément à ces instructions. Tenir compte des conditions de travail et de l'activité à réaliser.** Toute utilisation des outils électriques dans des buts autres que ceux prévus peut entraîner des situations de danger.
- h) **Veillez à ce que les poignées et leurs surfaces de préhension soient sèches, propres et exemptes d'huile et de graisse.** Des poignées et surfaces de préhension de poignées glissantes compromettent la sécurité d'utilisation et de contrôle de l'outil électrique dans les situations inattendues.

#### 5) Service après-vente

- a) **Ne confier la réparation de l'outil électrique qu'à des spécialistes qualifiés et utiliser uniquement des pièces de rechange d'origine.** Ainsi, la sécurité de l'outil électrique est maintenue.

#### 6.1 Consignes de sécurité applicables aux tronçonneuses

##### Consignes de sécurité générales pour les scies à chaîne

- a) **Lorsque la scie est en fonctionnement, gardez tous vos membres à l'écart de la chaîne de tronçonneuse. Avant le démarrage de la scie, assurez-vous que rien ne touche la chaîne de scie.** Lors des travaux réalisés avec une tronçonneuse à chaîne sans fil, un moment d'inattention suffit à ce que des vêtements ou parties du corps soient happés par la chaîne de tronçonneuse.

- b) **Tenez toujours la tronçonneuse à chaîne sans fil en plaçant votre main droite sur la poignée arrière et votre main gauche sur la poignée avant.** Veillez à ne jamais maintenir la tronçonneuse à chaîne sans fil en position inverse car cela augmente le risque de blessures.
- c) **Tenez la tronçonneuse à chaîne sans fil uniquement au niveau des surfaces de préhension isolées, car la chaîne de tronçonneuse peut entrer en contact avec des câbles électriques dissimulés ou le câble secteur.** Le contact de la chaîne de tronçonneuse avec un câble conducteur peut également mettre les pièces métalliques de l'appareil sous tension, ce qui entraîne un choc électrique.
- d) **Portez une protection pour les yeux. Il est recommandé d'utiliser également d'autres équipements de protection pour l'ouïe, la tête, les mains, les jambes et les pieds.** Des vêtements de protection adaptés réduisent le risque de blessures lié à la projection de copeaux et au contact accidentel avec la chaîne de scie.
- e) **Ne travaillez pas avec la tronçonneuse à chaîne sans fil sur un arbre, une échelle, depuis un toit ou une surface instable.** Une telle utilisation présente un risque élevé de blessures.
- f) **Veillez toujours à conserver une position stable et n'utilisez la tronçonneuse à chaîne sans fil que si vous vous trouvez sur un sol ferme, solide et plan.** Les sols glissants et les surfaces instables peuvent causer une perte d'équilibre ou une perte de contrôle de la tronçonneuse à chaîne sans fil.
- g) **Si vous découpez une branche sous tension, attendez-vous à un mouvement de recul.** Lorsque la tension des fibres de bois est relâchée, la branche tendue peut blesser l'utilisateur et/ou lui faire perdre le contrôle de la tronçonneuse à chaîne sans fil.
- h) **Soyez particulièrement prudent lorsque vous découpez des broussailles et de jeunes arbres.** Les matériaux fins peuvent se coincer dans la chaîne de scie, être projetés contre vous ou vous faire perdre l'équilibre.
- i) **Portez la tronçonneuse à chaîne sans fil par la poignée avant lorsqu'elle est arrêtée, la chaîne de tronçonneuse du côté opposé de votre corps. En cas de transport ou de stockage de la tronçonneuse, mettez toujours le capot de protection.** Une manipulation attentive de la tronçonneuse réduit les risques de contact involontaire avec la chaîne de scie en fonctionnement.
- j) **Respectez les indications relatives à la lubrification, à la tension de la chaîne et au remplacement du rail de guidage et de la chaîne.** Une chaîne mal tendue ou mal lubrifiée peut se rompre ou augmenter le risque de mouvement de recul.

- k) **Ne coupez que du bois. N'utilisez pas la tronçonneuse à chaîne sans fil à des fins pour lesquelles elle n'a pas été prévue. Exemple : n'utilisez pas la tronçonneuse électrique pour scier du métal, du plastique, des éléments de maçonnerie ou des matériaux de construction qui ne sont pas en bois.** Toute utilisation de la tronçonneuse à chaîne sans fil pour des travaux non conformes peut entraîner des situations de danger.
- l) **N'essayez pas d'abattre un arbre avant d'avoir une compréhension claire des risques et de la manière de les éviter.** L'utilisateur ou d'autres personnes peuvent être gravement blessés par la chute d'un arbre.

### Causes et prévention d'un recul

Un recul peut se produire lorsque la pointe du rail de guidage rencontre un objet ou que le bois se courbe et que la tronçonneuse se coince dans la fente.

Dans certains cas, un contact avec la pointe du guide-chaîne peut entraîner un mouvement inattendu vers l'arrière, projetant le rail de guidage vers le haut et en direction de l'utilisateur.

Le coincement de la chaîne de tronçonneuse au niveau du bord supérieur du rail de guidage peut rapidement repousser le rail en direction de l'utilisateur.

Chacune de ces réactions peut vous faire perdre le contrôle de la tronçonneuse et entraîner des blessures graves. Ne vous fiez pas exclusivement aux dispositifs de sécurité montés dans la tronçonneuse. En tant qu'utilisateur d'une tronçonneuse à chaîne sans fil, vous devez prendre différentes mesures pour travailler sans risques d'accidents et de blessures.

Un mouvement de recul est le résultat d'une utilisation incorrecte ou inadéquate de la tronçonneuse à chaîne sans fil. Il peut être empêché par des mesures de prévention adaptées comme décrit ci-après.

- a) **Maintenez fermement la tronçonneuse à chaîne sans fil des deux mains en entourant ses poignées avec vos pouces et vos doigts. Placez votre corps et vos bras de manière à pouvoir résister à la force des mouvements de recul.** S'il prend des mesures adaptées, l'utilisateur peut maîtriser la force de recul. Ne lâchez jamais la tronçonneuse à chaîne sans fil.
- b) **Évitez toute posture anormale et n'utilisez pas la tronçonneuse au-dessus de la hauteur des épaules.** Vous éviterez ainsi tout contact inopiné avec la pointe du guide et aurez un meilleur contrôle sur la tronçonneuse en cas d'imprévu.
- c) **Utilisez uniquement des rails de rechange et chaînes de tronçonneuse recommandés par le fabricant.** Les rails et chaînes de tronçonneuse de rechange incorrects peuvent faire rompre la chaîne et/ou provoquer un recul.

- d) **Respectez les instructions du fabricant concernant l'affûtage et la maintenance de la chaîne de tronçonneuse.** Des délimiteurs de profondeur trop bas augmentent le risque de recul.

#### Autres consignes de sécurité

- Observez minutieusement les instructions de maintenance, de contrôle et d'entretien de ce mode d'emploi. Sauf indication contraire dans le mode d'emploi, les dispositifs de protection et pièces endommagés doivent être réparés ou remplacés conformément aux dispositions par notre service après-vente.
- Il est recommandé de commencer par s'entraîner à couper des rondins sur un tréteau ou un support.
- Pour les découpes sur terrain incliné, tenez-vous toujours du côté le plus haut du tronc. Pour garder le contrôle lors du tronçonnage, réduire la force de pression sur la fin de la coupe en tenant fermement les poignées du produit. Veiller à ce que la chaîne de tronçonneuse ne touche pas le sol. Lorsque vous avez terminé la coupe, attendez que le produit soit immobilisé avant de le retirer. Coupez toujours le moteur du produit et retirez la batterie avant de changer d'arbre.
- Retirez de l'arbre les impuretés, les pierres, les écorces désolidarisées, les clous, les agrafes et le fil de fer.
- **N'utilisez pas d'appareil non recommandé par le fabricant.** Il pourrait en résulter un choc électrique ou un incendie.
- Il est interdit d'utiliser le produit pendant un orage : **risque de foudroiement !**

#### Autres consignes de sécurité

- **Suivez toutes les instructions lorsque vous débarrassez la scie à chaîne des dépôts de matériaux, lorsque vous la stockez ou lorsque vous effectuez des travaux de maintenance. Assurez-vous que l'interrupteur est éteint et que la fiche secteur est débranchée.** Tout fonctionnement inattendu de la scie à chaîne lors de l'élimination de dépôts de matériaux ou lors de travaux de maintenance peut entraîner de graves blessures.
- Si le câble de raccordement secteur de ce produit est endommagé, il doit être remplacé par le fabricant, son service après-vente ou une personne de qualification similaire afin d'éviter les dangers.
- Utilisez un disjoncteur différentiel avec un courant de déclenchement de max. 30 mA.
- Posez le câble d'alimentation de sorte à éviter qu'il se prenne dans les branches et objets similaires pendant la coupe.
- En extérieur, utilisez uniquement des câbles de rallonge autorisés et indiqués comme étant conformes à cet emploi (H07RN-F).

- Observez minutieusement les instructions de maintenance, de contrôle et d'entretien de ce mode d'emploi. Sauf indication contraire dans le mode d'emploi, les dispositifs de protection et pièces endommagés doivent être réparés ou remplacés conformément aux dispositions par notre service après-vente.
- Pour les découpes sur terrain incliné, tenez-vous toujours du côté le plus haut du tronc. Pour garder le contrôle lors du tronçonnage, réduire la force de pression sur la fin de la coupe en tenant fermement les poignées du produit. Veiller à ce que la chaîne de tronçonneuse ne touche pas le sol. Lorsque vous avez terminé la coupe, attendez que le produit soit immobilisé avant de le retirer.
- Désactivez toujours le produit et débranchez la fiche secteur avant de changer d'arbre.
- Retirez de l'arbre les impuretés, les pierres, les écorces désolidarisées, les clous, les agrafes et le fil de fer.
- N'utilisez pas le produit sans le lubrifier et veillez toujours à faire l'appoint à temps, avant que le réservoir ne soit vide.
- Utilisez exclusivement les lubrifiants conseillés par le fabricant.
- Il est recommandé de commencer par s'entraîner à couper des rondins sur un tréteau ou un support.
- **N'utilisez pas d'appareil non recommandé par le fabricant.** Il pourrait en résulter un choc électrique ou un incendie.
- Il est interdit d'utiliser le produit pendant un orage : **risque de foudroiement !**

La chaîne de tronçonneuse peut être affûtée dans un atelier spécialisé autorisé. N'essayez pas d'affûter vous-même la chaîne de la tronçonneuse si vous ne disposez pas d'un outil approprié et de l'expérience nécessaire.

#### Dispositifs de sécurité (fig. 1)

- **Poignée arrière (2) avec protection des mains (10)**
  - Protège les mains des branches, brindilles et des sauts de chaîne de tronçonneuse.
- **Verrouillage de commande (3)**
  - Le verrouillage de commande doit être déverrouillé pour mettre le produit en marche. Le verrouillage de commande empêche tout démarrage inopiné du produit.
- **Dispositif d'arrêt de chaîne (5a)**
  - Réduit le risque de blessures en cas de rupture ou de saut de la chaîne de tronçonneuse.
- **Chaîne de tronçonneuse (8) à faible mouvement de recul**
  - Aide à amortir les mouvements de recul grâce aux dispositifs de sécurité spécialement conçus à cet effet.


- **Interrupteur On/Off (11) avec arrêt immédiat de la chaîne**
  - Lorsque vous relâchez l'interrupteur On/Off, le produit s'arrête immédiatement.
- **Butée de griffe (15)**
  - Renforce la stabilité lors des coupes verticales et facilite la coupe.

**Remarque :**

La chaîne de tronçonneuse ne fonctionne pas lorsque le frein de chaîne est enclenché.

- **Frein de chaîne/protection des mains avant (16)**
  - Dispositif de sécurité permettant d'arrêter immédiatement la chaîne de tronçonneuse en cas de mouvement de recul.
  - Le levier peut également être actionné manuellement.
  - Protège la main gauche de l'opérateur si celle-ci glisse sur la poignée avant.
- **Moteur électrique**
  - Doublement isolé pour des raisons de sécurité.

## 6.2 Équipements de protection individuelle (EPI)

 <b>DANGER</b>
<p><b>Risque de blessures !</b></p> <p>Portez toujours des équipements de protection individuelle (EPI) !</p> <ul style="list-style-type: none"> <li>– Portez un casque de protection avec protection du visage ou des lunettes de protection et une protection auditive.</li> <li>– Portez des vêtements de travail près du corps avec insert anticoupures.</li> <li>– Portez des chaussures de sécurité antidérapantes.</li> <li>– Portez des gants de protection.</li> </ul>

- **Éviter toute position du corps anormale. Veiller à adopter une position stable et à toujours maintenir son équilibre.** Ainsi, il est possible de mieux contrôler l'outil électrique en cas de situation inattendue.
- Le produit ne doit pas être utilisé par des personnes (y compris des enfants) présentant des capacités physiques, sensorielles ou mentales réduites ou qui ne possèdent pas l'expérience et les connaissances nécessaires.
- **Porter des vêtements adaptés. Ne pas porter de vêtements amples ou de bijoux. Maintenir les cheveux et vêtements à bonne distance des pièces mobiles.** Les vêtements amples, bijoux ou cheveux longs risquent d'être happés par les pièces mobiles.

- Lorsque vous utilisez le produit, portez toujours des chaussures solides et un pantalon long. N'utilisez pas le produit pieds nus ou avec des sandales ouvertes. Évitez de porter des vêtements amples, des cravates ou des vêtements avec des cordons qui pendent.
- Pour tous les travaux en forêt, portez un casque de protection. Il vous protégera des chutes de branches. Vérifiez régulièrement que votre casque de protection n'est pas endommagé. Vous devez le changer au plus tard au bout de 5 ans. Utilisez uniquement des casques de protection certifiés.
- La protection du visage ou les lunettes de protection protègent des sciures et éclats de bois. Pour éviter toute blessure aux yeux, portez toujours une protection du visage ou des lunettes de protection lorsque vous utilisez le produit.
- Portez une protection auditive.
- Portez des gants de protection.
- Lors de la découpe de bois sec, portez un masque de protection contre les poussières. De la sciure peut être générée au cours du processus.
- Lorsque l'utilisateur utilise le matériel dans un arbre, il risque de chuter, ce qui lui occasionnera des blessures graves voire mortelles. Portez un équipement de protection antichute.

## 6.3 Sécurité autour de la zone de travail

- Les dispositions nationales et/ou municipales peuvent fixer des limites temporelles d'utilisation des produits à moteur bruyants. Renseignez-vous à ce sujet auprès de votre municipalité.
- Travaillez toujours à la lumière du jour.
- Ne travaillez pas si les conditions météorologiques sont défavorables, p. ex. en cas de pluie ou de vent. Ces conditions augmentent le risque d'accident !
- Le désordre régnant dans la zone de travail peut entraîner des accidents.
- Pendant l'utilisation du produit, maintenez les enfants et tiers à bonne distance du produit. Toute déviation peut entraîner une perte de contrôle du produit.
- N'utilisez jamais le produit lorsque des personnes, en particulier des enfants, ou des animaux se trouvent à proximité.
- Ne travaillez pas à proximité de grillages ou dans des zones avec des câbles détachés.

## Risques résiduels

Le produit est construit selon l'état actuel de la technique et selon les règles techniques de sécurité reconnues. Toutefois, des risques résiduels peuvent survenir lors des travaux.

- Les risques résiduels peuvent être réduits au minimum si les « Consignes de sécurité » et les instructions d'« Utilisation conforme », ainsi que l'ensemble de la notice d'utilisation sont respectés.
- Utilisez le produit recommandé dans ce mode d'emploi. Le produit présentera ainsi des performances optimales.
- En outre, malgré toutes les précautions prises, il peut demeurer des risques résiduels qui ne sont pas évidents.
- Maintenez vos mains à distance de la zone de travail si le produit est en cours de fonctionnement.
- Lésions auditives si la protection auditive prescrite n'est pas portée.
- Lésions pulmonaires en l'absence de la protection respiratoire prescrite.
- Risque de blessures lié à la projection d'outils en cas de support ou guidage incorrect.
- Danger pour la santé dû au courant en cas d'utilisation de lignes de raccordement électrique non conformes.
- Évitez toute mise en service impromptue du produit : lors de l'introduction du connecteur dans la prise de courant, l'interrupteur On/Off ne doit pas être actionné.
- Avant d'entreprendre une intervention de réglage ou de maintenance, relâchez l'interrupteur On/Off et débranchez la fiche secteur.

### AVERTISSEMENT

Pendant son fonctionnement, cet outil électrique génère un champ électromagnétique. Ce champ peut dans certaines circonstances nuire aux implants médicaux actifs ou passifs. Pour réduire les risques de blessures graves voire mortelles, nous recommandons aux personnes porteuses d'implants médicaux de consulter leur médecin, ainsi que le fabricant de leur implant avant d'utiliser l'outil électrique.

### AVERTISSEMENT

En cas de travail prolongé, les vibrations qui s'exercent sur les mains de l'opérateur peuvent causer des problèmes de circulation (syndrome de Raynaud).

Le syndrome de Raynaud est une maladie vasculaire qui se caractérise par une contraction brutale des petits vaisseaux sanguins des doigts et des orteils. Le sang n'irrigue plus suffisamment les zones concernées, ce qui leur donne un aspect extrêmement pâle. L'utilisation fréquente de produits vibrants peut causer des atteintes nerveuses pour les personnes souffrant des problèmes de circulation (par exemple, fumeurs, diabétiques).

Si vous constatez des troubles inhabituels, cessez immédiatement le travail et consultez un médecin.

## 7 Caractéristiques techniques

Tension nominale	220-240 VCA/ 50/60 Hz
Puissance nominale S1*	1600 W
Classe de protection	II
Indice de protection	IPX0
Vitesse de la chaîne	15 m/s
Rail de guidage	14"
Longueur du guide-chaîne	41,5 cm
Longueur de coupe**	34 cm
Section de chaîne	3/8"
Nombre de dents du pignon	52 dents
Type de chaîne de tronçonneuse	3/8LP-52
Type du rail de guidage	AP14-52-507P
Réservoir/huile pour chaîne de tronçonneuse	0,35 l
Poids (guide-chaîne et chaîne de tronçonneuse compris)	env. 4,8 kg
Poids (hors guide-chaîne, chaîne de tronçonneuse et câble)	env. 4,2 kg

Sous réserve de modifications techniques !

### \* Mode de fonctionnement S1, fonctionnement continu

Le produit peut fonctionner en continu à la puissance indiquée.

\*\*La longueur de coupe effective peut être inférieure à la longueur de coupe indiquée.

## Bruits et vibrations

### AVERTISSEMENT

Le bruit peut avoir des conséquences graves sur la santé. Si le niveau sonore de la machine dépasse 85 dB, vous devez, ainsi que les personnes à proximité, porter une protection auditive adaptée.

#### Valeurs caractéristiques sonores

Niveau de pression sonore $L_{pA}$	95,3 dB
Incertitude de mesure $K_{pA}$	3 dB
Niveau de puissance sonore mesuré $L_{wA}$	103,3 dB
Niveau de puissance sonore garanti $L_{wA}$	106 dB
Incertitude de mesure $K_{wA}$	3 dB

#### Valeurs de référence de vibrations (vibrations bras-main)

Vibration $a_n$	
Poignée avant	3,26 m/s <sup>2</sup>
Poignée arrière	3,51 m/s <sup>2</sup>
Incertitude de mesure K	1,5 m/s <sup>2</sup>

La valeur totale des vibrations et la valeur d'émission de bruit indiquées ont été mesurées dans le cadre d'une méthode de contrôle normalisée et peuvent être utilisées pour comparer un outil électrique avec un autre.

La valeur totale des vibrations et la valeur d'émission de bruit indiquées peuvent également être utilisées pour réaliser une estimation préalable de la charge.

### AVERTISSEMENT

**Les valeurs d'émission de bruit et de vibrations peuvent varier par rapport aux valeurs indiquées lors de l'utilisation réelle de l'outil électrique selon la manière dont l'outil électrique est utilisé et en particulier selon le type de pièce usinée traitée.**

Faites en sorte que la charge demeure la plus faible possible. Exemple de mesures : limitation du temps de travail. À ce niveau, tous les éléments du cycle de fonctionnement doivent être pris en compte (par exemple, les périodes d'arrêt de l'outil électrique et les périodes de fonctionnement sans charge).

## 8 Déballage

### AVERTISSEMENT

**Le produit et les matériaux d'emballage ne sont pas des jouets !**

**Les enfants ne doivent pas jouer avec les sacs en plastique, films d'emballage et pièces de petite taille ! Il existe un risque d'ingestion et d'étouffement !**

- Ouvrez l'emballage et sortez délicatement le produit.
- Retirez le matériau d'emballage, ainsi que les protections d'emballage et de transport (s'il y a lieu).
- Vérifiez que les fournitures sont complètes.
- Vérifiez que le produit et les accessoires n'ont pas été endommagés lors du transport. Signalez immédiatement tout dommage au transporteur qui a livré le produit. Les réclamations ultérieures ne seront pas acceptées.
- Conservez si possible l'emballage jusqu'à la fin de la période de garantie.
- Familiarisez-vous avec le produit à l'aide de la notice d'utilisation avant de commencer à l'utiliser.
- N'utilisez que des pièces d'origine pour les accessoires ainsi que les pièces d'usure et de rechange. Vous trouverez les pièces de rechange chez votre revendeur.
- Lors de la commande, indiquez la référence, ainsi que le type et l'année de construction du produit.

## 9 Avant la mise en service

### AVERTISSEMENT

**Débranchez toujours la fiche secteur avant d'effectuer des réglages sur le produit.**

### AVERTISSEMENT

#### **Risque de blessures !**

Ne branchez la fiche secteur dans une prise que lorsque le produit est prêt à l'utilisation.

## DANGER

### Risque de blessures !

Si le produit n'est pas entièrement monté, son utilisation peut entraîner des blessures graves.

- Vous ne devez utiliser le produit qu'une fois qu'il a été monté entièrement.
- Avant toute utilisation, procédez à un contrôle visuel afin de vérifier que le produit est complet et qu'il ne présente aucun composant endommagé ou usé. Les dispositifs de sécurité et de protection doivent être intacts.

## AVERTISSEMENT

### Risque de blessures lors de la manipulation de la chaîne de tronçonneuse ou du guide !

- Portez des gants résistants aux coupures.

#### Remarques :

- Les nouvelles chaînes de tronçonneuse s'allongent et doivent souvent être retendues. Contrôlez la tension de la chaîne après chaque coupe et ajustez-la.
- Utilisez uniquement des chaînes de tronçonneuse et guides conçus pour ce produit.

## PRUDENCE

Une chaîne de tronçonneuse mal montée entraîne un comportement de coupe incontrôlé de l'appareil !

Lors du montage de la chaîne de tronçonneuse, veillez à ce que le sens de fonctionnement corresponde aux prescriptions !

- Placez le produit sur une surface plane et droite.
- Familiarisez-vous avec le produit à l'aide de la notice d'utilisation avant de commencer à l'utiliser.

Nous prescrivons d'examiner minutieusement le produit avant chaque utilisation et après chaque chute pour détecter les éventuels dommages. Si vous constatez des dommages, éliminez-les immédiatement ou faites-les éliminer par un centre de SAV agréé.

Pour garantir un fonctionnement impeccable et la durabilité du produit, observez les points suivants :

- Bonne fixation du rail de guidage.
- Sens de montage/déplacement, état impeccable (et affûté) de la chaîne de tronçonneuse.
- Tension de la chaîne de tronçonneuse (multiples contrôles et réglages si la chaîne est neuve).
- Fonctionnement du graissage de la chaîne.
- Fonctionnement du frein de chaîne.
- Fonctionnement de l'embrayage (la chaîne ne se déplace pas en marche à vide).

- État irréprochable et intégrité des dispositifs de protection et du dispositif de coupe.
- Bonne fixation de tous les raccords vissés.
- Mobilité de toutes les pièces mobiles.

## 9.1 Montage de la lame de pliage (7) et de la chaîne de tronçonneuse (8) (fig. 2)

1. Tournez la roue de tension de la chaîne (6) dans le sens inverse des aiguilles d'une montre pour retirer la protection de pignon (5).
2. Disposez la chaîne de tronçonneuse (8) en boucle de manière à ce que les bords de coupe soient orientés dans le sens des aiguilles d'une montre. Pour aligner la chaîne de tronçonneuse (8), aidez-vous des symboles (flèches) apposés sur la chaîne de tronçonneuse (8) ou au-dessus des boulons de guidage (20).
3. Insérez la chaîne de tronçonneuse (8) dans la rainure de la lame de pliage (7). Pour le montage, pivotez la lame de pliage (7) vers le haut à un angle d'env. 45 degrés afin de faciliter le guidage de la chaîne de tronçonneuse (8) sur le palan à chaîne (18). La chaîne de tronçonneuse (8) est dirigée par le pignon de renvoi (7a).
4. Posez la lame de pliage (7) contre le boulon de guidage (20) et le goujon (19). Le boulon de guidage (20) et le goujon (19) doivent être dans le trou longitudinal de la lame de pliage (7).
5. Faites passer la chaîne de tronçonneuse (8) autour du pignon (18) et contrôlez l'alignement de la chaîne de tronçonneuse (8).
6. Remettez la protection de pignon (5) en place. Veillez à ce que la protection de pignon (5) se trouve dans la rainure du carter.
7. Tournez la roue de tension de la chaîne (6) dans le sens des aiguilles d'une montre et serrez-la.
8. Vérifiez une nouvelle fois que la chaîne de tronçonneuse (8) est bien en place et tendez-la (8).

#### Remarque :

Remarque : le produit se relubrifie après utilisation et de l'huile risque de s'écouler si le produit est stocké sur le côté ou à l'envers. Il s'agit là d'un comportement normal dû à l'ouverture d'aération nécessaire sur le bord supérieur du réservoir. Il ne peut donc pas faire l'objet d'une réclamation. Étant donné que ce produit est contrôlé et testé avec de l'huile pendant sa fabrication, malgré la vidange réalisée, un peu d'huile peut rester dans le réservoir et occasionner un léger déversement lors du transport du boîtier. Nettoyez le boîtier au moyen d'un chiffon.

Avant de remplacer la chaîne de tronçonneuse, éliminez les impuretés présentes dans la rainure du rail de guidage. En effet, si des dépôts sont présents, la chaîne de tronçonneuse risque de sortir du rail. Les dépôts risquent également d'absorber l'huile pour

chaîne de tronçonneuse. Dans ce cas, l'huile pour chaîne de tronçonneuse ne parvient pas au-dessous du rail ou seulement en quantité insuffisante et la lubrification n'est pas assurée.

## 9.2 Tendre la chaîne de tronçonneuse (8) (fig. 3)

### **AVERTISSEMENT**

#### **Risque de blessures si la chaîne de tronçonneuse se détache !**

Si la chaîne de tronçonneuse n'est pas suffisamment tendue, elle risque de se détacher en cours de fonctionnement et d'entraîner des blessures.

- Contrôlez fréquemment la tension de la chaîne de tronçonneuse.
  - La tension de la chaîne de tronçonneuse est insuffisante lorsque les maillons d'entraînement sortent de la rainure située au-dessous du rail de guidage.
  - Si la tension de la chaîne de tronçonneuse est insuffisante, retendez-la.
1. Veillez à ce que le frein de chaîne (16) soit desserré (voir 10.1.2).
  2. Réglez la tension de la chaîne au moyen de la roue de tension de la chaîne (6).
    - Dans le sens des aiguilles d'une montre : augmentation de la tension de chaîne
    - Dans le sens inverse des aiguilles d'une montre : réduction de la tension de chaîne
  3. Faites tourner la chaîne de tronçonneuse (8) à la main pour vérifier son bon fonctionnement. Elle doit glisser librement dans la lame de pliage (7).

La chaîne de scie (8) ne doit pas s'affaisser, mais elle doit permettre de s'éloigner d'au moins 1 à 2 millimètres du guide-chaîne (7) au milieu du guide-chaîne.

La tension et la lubrification de la chaîne de tronçonneuse ont une incidence considérable sur sa durée de vie.

La chaîne de tronçonneuse est tendue correctement lorsqu'elle ne s'affaisse pas au-dessous du guide-chaîne et qu'il est possible de la faire tourner entièrement avec la main gantée. Lorsqu'une traction de 9 N (env. 1 kg) est exercée sur la chaîne de tronçonneuse, celle-ci et le guide-chaîne ne doivent pas être espacés de plus de 7 mm.

Une force de traction moyenne de la main exercée sur la chaîne de tronçonneuse (8) ne doit pas permettre de la retirer de plus de 9 mm.

#### **Remarque :**

- La tension d'une nouvelle chaîne doit être contrôlée et rectifiée après quelques minutes de travail.

- La chaîne de tronçonneuse doit être tendue dans un lieu propre, exempt de sciure et autres impuretés de ce type.
- Une tension correcte de la chaîne de tronçonneuse assure la sécurité de l'utilisateur et réduit ou empêche l'usure et l'endommagement de la chaîne.
- Avant de commencer à utiliser le produit pour la première fois, nous recommandons à l'utilisateur de contrôler la tension de la chaîne.

### **ATTENTION**

Lorsque la tronçonneuse fonctionne, la chaîne de tronçonneuse s'échauffe et se dilate donc légèrement. Cet « allongement » intervient en particulier avec les chaînes de scie neuves.

## 9.3 Remplissage d'huile pour chaîne de tronçonneuse (22) (fig. 4)

### **DANGER**

Coupez toujours le produit et laissez le moteur refroidir avant de remplir le réservoir d'huile. Si l'huile déborde, il existe un risque d'incendie.

### **AVERTISSEMENT**

La lame de pliage et la chaîne de tronçonneuse doivent toujours être huilées. Si vous utilisez la tronçonneuse avec trop peu d'huile, la chaîne de tronçonneuse s'émousse plus rapidement, ce qui réduit le rendement de coupe et la durée de vie du matériel. Vous pourrez repérer une quantité insuffisante d'huile à un dégagement de fumée ou à une coloration de la lame de pliage.

### **ATTENTION**

#### **Dommages environnementaux !**

L'huile qui s'écoule peut polluer durablement l'environnement. Ce liquide est très toxique et peut rapidement polluer l'eau.

- Ne faites l'appoint/la vidange d'huile que sur une surface plane et solide.
- Utilisez une tubulure de remplissage ou un entonnoir.
- Collectez l'huile de vidange dans un récipient adapté.
- Essayez immédiatement et minutieusement toute huile renversée et éliminez le chiffon selon les dispositions locales.
- Éliminez l'huile conformément aux dispositions locales.

Pendant que le produit fonctionne, la chaîne de tronçonneuse est lubrifiée automatiquement. Pour pouvoir lubrifier suffisamment la chaîne de la tronçonneuse, le réservoir doit toujours contenir suffisamment d'huile pour chaîne de tronçonneuse. Vérifiez régulièrement la quantité d'huile présente dans le réservoir.

**Remarque :**

- Le couvercle est équipé d'une sécurité pour ne pas le perdre.
  - Versez de préférence de l'huile pour chaîne de tronçonneuse biodégradable (22) dans la tronçonneuse.
  - Avant de le produit en marche, vérifiez que le couvercle du réservoir d'huile est en place et fermé.
1. Ouvrez le réservoir d'huile (12). Pour ce faire, dévissez le couvercle du réservoir d'huile (4) dans le sens inverse des aiguilles d'une montre.
  2. Pour éviter que de l'huile ne s'échappe, utilisez un entonnoir\*.
  3. Remplissez avec précaution d'huile pour chaîne de tronçonneuse (22) jusqu'à atteindre le repère supérieur de l'indicateur de niveau de remplissage d'huile (13). Capacité du réservoir d'huile : max. 350 ml.
  4. Vissez le couvercle du réservoir d'huile (4) dans le sens des aiguilles d'une montre afin de fermer le réservoir (12).
  5. Essayez immédiatement et minutieusement l'huile qui se serait éventuellement renversée et éliminez le chiffon selon les dispositions locales.
  6. Pour contrôler la lubrification de la chaîne de tronçonneuse, maintenez le produit avec la chaîne de tronçonneuse sur une feuille de papier et accélérez à pleins gaz pendant quelques secondes. Le papier permet de savoir si le graissage de chaîne fonctionne.

## 10 Utilisation

La tronçonneuse électrique est entraînée par un moteur électrique. La chaîne de tronçonneuse est guidée par un guide-chaîne (rail de guidage).

Le produit est équipé d'un frein de chaîne à arrêt rapide. Un système de lubrification automatique garantit une lubrification continue de la chaîne. Pour protéger l'utilisateur, la tronçonneuse électrique est dotée de différents dispositifs de protection.

Veillez vous reporter aux descriptions suivantes pour connaître la fonction des éléments de commande.

### ATTENTION

**Avant la mise en service, monter impérativement le produit en entier !**

### ATTENTION

Veillez à ce que la température ambiante ne dépasse pas 50 °C et ne passe pas sous -20 °C pendant le travail.

### ⚠ DANGER

#### Risque de blessures !

Si le produit se coince, ne tentez pas de le retirer par la force.

- Arrêtez le moteur.
- Utilisez un bras de levier ou une cale pour dégager le produit.

## 10.1 Frein de chaîne (16) (fig. 1, 5)

### ⚠ AVERTISSEMENT

**Le frein de chaîne doit être contrôlé avant chaque mise en service.**

Le frein de chaîne freine immédiatement la chaîne de tronçonneuse en cas de mouvement de recul.

### ⚠ AVERTISSEMENT

**Si le frein de chaîne ne fonctionne pas correctement, vous ne devez pas utiliser la tronçonneuse.**

**Une chaîne de tronçonneuse qui ne s'arrête pas présente un risque de blessures. Contactez le service après-vente.**

### ⚠ AVERTISSEMENT

#### Endommagement du produit !

Le maintien prolongé d'un régime moteur élevé alors que le frein de chaîne est actionné endommage le moteur et l'entraînement de chaîne de tronçonneuse.

Si la chaîne de tronçonneuse se déplace tout de même, contactez le service après-vente.

**Remarque :**

La chaîne de tronçonneuse ne fonctionne pas lorsque le frein de chaîne est enclenché.

### 10.1.1 Activation du frein de chaîne/de la protection des mains avant (16)

1. Poussez le frein de chaîne/la protection des mains avant (16) vers la lame de pliage (7).

### 10.1.2 Desserrage du frein de chaîne/de la protection des mains avant (16)

1. Tirez le frein de chaîne/la protection des mains avant (16) vers la poignée avant (14). Le frein de chaîne/protection des mains avant (16) s'enclenche en émettant un son.

### 10.1.3 Contrôle du frein de chaîne/de la protection des mains avant (16)

1. Desserrez le frein de chaîne/protection des mains avant (16) comme le décrit le chapitre 10.1.2.
2. Tenez la tronçonneuse des deux mains.
3. Mettez la tronçonneuse en marche comme l'indique le chapitre 10.1.3.
4. Poussez le frein de chaîne/la protection des mains avant (16) vers la lame de pliage (7). La chaîne de tronçonneuse (8) doit s'arrêter immédiatement !

#### Remarque :

Si la chaîne de tronçonneuse ne s'arrête pas, n'utilisez pas le produit. Une chaîne de tronçonneuse qui ne s'arrête pas présente un risque de blessures. Contactez le service après-vente.

## 10.2 Mise en marche/arrêt et utilisation du produit (fig. 1)

### AVERTISSEMENT

#### Risque de blessures dû au recul !

- N'utilisez jamais le produit à une main !

#### Mise sous tension

1. Vérifiez si de l'huile pour chaîne de tronçonneuse (22) se trouve dans le réservoir (12).
2. Formez une boucle à partir de l'extrémité d'un câble de rallonge\* et accrochez-la à la décharge de traction (9) au niveau de la poignée arrière (2).
3. Branchez la fiche d'alimentation dans une prise de courant correctement protégée par un fusible.
4. Retirez la protection du guide et de la chaîne (17) de la lame de pliage (7).
5. Desserrez le frein de chaîne (16). Le frein de chaîne (16) s'enclenche en émettant un son.
6. Tenez le produit en saisissant la poignée avant (14) avec la main gauche et la poignée arrière (2) avec la main droite. Les pouces et les doigts doivent entourer fermement les poignées (2/14).
7. Placez votre corps et vos bras de manière à pouvoir résister à la force des mouvements de recul.
8. Faites glisser le verrouillage de commande (3) de la poignée arrière (2) vers l'avant et maintenez-le dans cette position.
9. Pour mettre le produit en marche, appuyez sur l'interrupteur On/Off (11).

10. Relâchez le verrouillage de commande (3).

#### Remarque :

Il n'est pas nécessaire de maintenir actionné le verrouillage de commande après le démarrage du produit. Le verrouillage de commande doit empêcher tout démarrage inopiné du produit.

Une commutation permanente est impossible.

#### Mise hors tension

1. Pour arrêter l'appareil, relâchez l'interrupteur On/Off (11).
2. Activez le frein de chaîne (16).
3. Après chaque utilisation du produit, mettez en place la protection du guide et de la chaîne (17) fournie.
4. Lorsque le produit n'est pas utilisé, débranchez la fiche secteur de la prise secteur.
5. Retirez le câble rallonge\* de la décharge de traction (9).

\* = ne sont pas des composants obligatoires des fournitures !

## 10.3 Protection contre les surcharges

En cas de surcharge, le produit s'arrête de lui-même. Après un temps de refroidissement (d'une durée variable), le produit peut être remis en marche.

## 10.4 Contrôle du graissage de la chaîne de tronçonneuse (fig. 4)

#### Remarque :

Avant de débiter le travail, vérifiez le niveau d'huile et le bon fonctionnement du graissage de la chaîne.

1. Pour contrôler la lubrification de la chaîne de tronçonneuse, maintenez le produit avec la chaîne de tronçonneuse sur une feuille de papier et accélérez à pleins gaz pendant quelques secondes. Le papier permet de savoir si le graissage de chaîne fonctionne.

#### Remarque :

Si aucune trace d'huile n'est visible, nettoyez éventuellement le passage d'huile ou faites réparer la tronçonneuse par notre service après-vente.

1. Nettoyez le passage d'huile (21) afin de garantir une lubrification automatique et impeccable de la chaîne de tronçonneuse (8) pendant le fonctionnement. Pour ce faire, utilisez un pinceau\* ou un chiffon\* afin d'essuyer les résidus du passage d'huile (21).

\* = ne sont pas des composants obligatoires des fournitures !

## 11 Consignes de travail

### DANGER

#### Risque de blessures !

Cette section traite du maniement de base du produit.

Les informations qui y figurent ne remplacent pas la longue formation et l'expérience d'un spécialiste. Évitez toute tâche pour laquelle vous n'êtes pas suffisamment qualifié !

Tout maniement imprudent du produit peut entraîner des blessures extrêmement graves, voire mortelles !

### DANGER

#### Risque de blessures !

Les travaux de sciage, d'abattage et tous les travaux qui y sont liés ne doivent être réalisés que par des personnes formées à cet effet.

### AVERTISSEMENT

Pour des raisons de sécurité, nous déconseillons aux utilisateurs inexpérimentés d'abattre un tronc d'arbre si la lame de pliage est moins longue que le diamètre du tronc.

#### Remarques :

Avant de le mettre sous tension, vérifiez que le produit n'est en contact avec aucun objet.

Observez les prescriptions propres à chaque pays concernant les travaux d'abattage et informez-vous auprès des autorités compétentes.

- Veillez à ce que personne ne soit blessé par les chutes de branches et d'arbres.
- Seules les personnes chargées des travaux d'abattage peuvent séjourner dans la zone de travail.
- Gardez la zone de travail autour du tronc dégagée et rangée pour que l'utilisateur puisse maintenir une position stable.
- Gardez les issues de secours dégagées et rangées afin de pouvoir rapidement quitter la zone de travail.
- N'effectuez pas d'abattage par grand vent, mauvais temps ou si la visibilité est mauvaise.
- Tenez-vous éloigné de la prochaine zone de travail d'au moins deux fois et demi la longueur de l'arbre.
- Coupez le moteur si la tronçonneuse rencontre un corps étranger. Contrôlez la tronçonneuse et réparez-la si nécessaire.
- Protégez la chaîne de tronçonneuse des impuretés et du sable. Quelques impuretés suffisent à émousser rapidement la chaîne de tronçonneuse et augmentent le risque de mouvement de recul.

- Exercez-vous en découpant des petits troncs d'arbres pour vous familiariser avec le produit avant d'effectuer des travaux plus difficiles.
- Appuyez le boîtier de la tronçonneuse électrique contre le tronc d'arbre lorsque vous commencez les travaux de tronçonnage.
- Laissez la tronçonneuse travailler. N'exercer qu'une légère pression vers le bas.
- Pour éviter de perdre le contrôle du produit lorsque la chaîne de tronçonneuse ressort du bois, n'exercez plus de pression sur la chaîne à la fin de la coupe.
- Ne coupez pas de bois directement sur le sol et n'essayez pas de couper des racines qui sortent du sol.
- Évitez toute position du corps anormale. Veiller à adopter une position stable et à toujours maintenir son équilibre. Vous pourrez ainsi mieux contrôler le produit en cas de situation inattendue.
- Vous disposez d'un meilleur contrôle si vous sciez avec le dessous du guide (avec la chaîne tirante).
- La chaîne de tronçonneuse ne doit pas toucher le sol ou un quelconque autre objet pendant ou après le sciage.
- Respectez également les mesures de prévention du recul (voir Consignes de sécurité).

### 11.1 Maintien correct

#### DANGER

#### Risque de blessures !

- Ne travaillez jamais sur un sol instable !
- Ne travaillez jamais au-dessus de la hauteur d'épaules !
- Ne travaillez jamais debout sur une échelle !
- Ne vous penchez pas trop !
- Utilisez l'appareil uniquement lorsque les conditions météorologiques et de terrain le permettent !
- Tenez-vous dans une position stable avec les deux jambes bien calées au sol.
- Attention aux obstacles jonchant la zone de travail.
- Pendant les travaux, tenez toujours le produit fermement des deux mains !

### 11.2 Ainsi, vous procéderez à un sciage impeccable !

- Exercez une pression uniforme sur le produit sans forcer.
- Si possible, placez le produit avec la griffe d'abattage sur la branche à scier.

- Ne travaillez jamais sans butée de griffe. Le produit pourrait projeter l'opérateur vers l'avant.
- Utilisez la butée de griffe pour tronçonner les troncs d'arbres ou les grosses branches.
- L'utilisation de la butée de griffe augmente la sécurité des travaux et réduit la charge personnelle ainsi que les vibrations lors des travaux.
- En cas de contact avec un corps étranger. Vérifiez si le produit a été endommagée et effectuez les réparations nécessaires avant de le redémarrer et de l'utiliser. Si le produit commence à vibrer fortement, un contrôle immédiat est indispensable.

## 11.3 Techniques de sciage

### 11.3.1 Sciage par traction

Cette technique consiste à scier de haut en bas avec le côté inférieur du guide-chaîne.

La chaîne de tronçonneuse éloigne le produit de l'utilisateur vers l'avant. Ici, le bord avant du produit forme un support qui absorbe les forces générées par le sciage sur le tronc. Lors d'un sciage par traction, l'utilisateur a beaucoup plus le contrôle du produit et peut mieux éviter les mouvements de recul.

### 11.3.2 Sciage par poussée

**⚠ DANGER**

**Blessures mortelles !**

Si le guide-chaîne se coince, le produit risque d'être projeté avec force en direction de l'utilisateur.

Si l'utilisateur ne compense pas la force de poussée vers l'arrière de la chaîne de tronçonneuse par la force de son corps, seule la pointe du guide-chaîne risque d'être encore en contact avec le bois. Un recul peut alors se produire.

Cette technique consiste à scier de bas en haut avec le côté supérieur du rail de guidage.

La chaîne de tronçonneuse pousse alors le produit vers l'arrière, en direction de l'utilisateur.

### 11.3.3 Tronçonnage

Le tronçonnage désigne le sciage de troncs d'arbres abattus en petits tronçons. Si possible, calez le tronc avec des branches, des tiges ou des cales.

- **Veillez toujours à conserver une position stable et n'utilisez la tronçonneuse à chaîne sans fil que si vous vous trouvez sur un sol ferme, solide et plan.** Les sols glissants et les surfaces instables peuvent causer une perte d'équilibre ou une perte de contrôle de la tronçonneuse à chaîne sans fil.
- Pour les découpes sur terrain incliné, tenez-vous toujours du côté le plus haut de la branche. Veiller à ce que la chaîne de tronçonneuse ne touche pas

le sol. Lorsque vous avez terminé la coupe, attendez que la chaîne s'arrête avant de retirer le produit.

- Coupez toujours le moteur du produit avant de changer de zone de travail.

#### 11.3.3.1 Le tronc est couché au sol (fig. 6)

- La chaîne de tronçonneuse ne doit pas toucher le sol ou un quelconque autre objet pendant ou après le sciage.
- Sciez entièrement le tronc depuis le haut.
- S'il est possible de faire tourner le tronc, sciez-le aux 2/3. Retournez ensuite le tronc et sciez le reste depuis le haut.

#### 11.3.3.2 Le tronc repose sur l'une de ses extrémités (fig. 7)

- Commencez par scier 1/3 du tronc du bas vers le haut (avec le côté supérieur du guide-chaîne) pour éviter que le tronc ne se brise.
- Sciez ensuite le reste du tronc du haut vers le bas (avec le côté inférieur du guide-chaîne) au niveau de la première entaille pour ne pas coincer la lame.

#### 11.3.3.3 Le tronc repose sur ses deux extrémités (fig. 8)

- Commencez par scier 1/3 du tronc du haut vers le bas (avec le côté inférieur du guide-chaîne).
- Sciez ensuite du bas vers le haut (avec le côté supérieur du guide-chaîne) jusqu'à ce que les deux entailles se rejoignent.

#### 11.3.3.4 Sciage sur un tréteau (fig. 9)

1. Maintenez fermement le produit à deux mains et guidez-le devant le corps pendant le sciage **1**.
2. Une fois le tronc sectionné, faites passer le produit à droite de votre corps. Tenez votre bras gauche aussi droit que possible **2**. Faites attention à la chute du tronc.
3. Placez-vous de manière à ce que le tronc coupé ne présente aucun danger.
4. Faites attention à vos pieds **3**. En chutant, le tronc coupé peut causer des blessures.
5. Veillez à garder l'équilibre et une position stable.

### 11.3.4 Ébranchage (fig. 10)

#### **AVERTISSEMENT**

##### **Risque de blessures !**

De nombreux accidents se produisent lors de l'ébranchage.

- Maintenez fermement le produit à deux mains et guidez-le devant le corps pendant le sciage.
- Pendant que vous l'utilisez, ne vous penchez pas trop en avant.
- Ne coupez jamais de branches lorsque vous vous trouvez sur le tronc d'un arbre.
- Gardez un œil sur la zone de recul lorsque les branches sont sous tension.

Le terme d'ébranchage désigne l'élimination des branches et rameaux d'un arbre.

- N'enlevez les branches d'appui qu'après la coupe.
- Les branches sous tension doivent être sciées de bas en haut afin d'éviter que le produit ne se coince.
- Pour scier les branches plus épaisses, utilisez la même technique que pour le tronçonnage.
- Travaillez à gauche du tronc et aussi près que possible du produit. Dans la mesure du possible, le poids du produit doit reposer sur le tronc.
- Déplacez-vous pour scier les branches au-delà du tronc.
- Les branches ramifiées sont coupées une à une.
- Lors de l'ébranchage, laissez d'abord les grosses branches descendantes qui soutiennent l'arbre. Coupez les petites branches pour les retirer.
- Éliminez les branches orientées vers le bas en les découpant par le dessus.
- N'effectuez jamais d'ébranchage au-dessus de la hauteur d'épaules.

### 11.3.5 Abattage d'un arbre (fig. 11, 12)

#### **DANGER**

##### **Risque de blessures !**

Les travaux de sciage, d'abattage et tous les travaux qui y sont liés ne doivent être réalisés que par des personnes formées à cet effet.

#### **DANGER**

L'abattage d'un arbre requiert une grande expérience. L'abattage d'arbres est réservé aux personnes à l'aise avec le produit. N'utilisez pas le produit si vous n'êtes pas sûr de vous.

#### **DANGER**

##### **Blessures mortelles !**

- Ne sciez jamais complètement le tronc de l'arbre !
- Lors de l'abattage, tenez-vous impérativement sur les côtés par rapport à la chute de l'arbre !

#### **DANGER**

N'abattez pas d'arbre en présence de vent fort ou tourbillonnant, s'il existe un risque de dommages matériels ou si l'arbre risque de chuter sur des lignes électriques.

#### **DANGER**

Si vous abattez des arbres, veillez à ne pas exposer d'autres personnes à des dangers, à ne pas toucher de lignes électriques et à ne pas causer de dommages matériels. Si un arbre entre en contact avec une ligne électrique, informez-en immédiatement le fournisseur responsable.

- Veillez à ce qu'aucune personne et aucun animal ne se trouve à proximité de la zone de travail. La distance de sécurité entre l'arbre à abattre et la prochaine zone de travail doit correspondre à 2 1/2 longueurs d'arbre.
- Tenez compte du sens de chute : L'opérateur doit pouvoir se déplacer en toute sécurité à proximité de l'arbre abattu afin de pouvoir le tronçonner et l'ébrancher facilement. Veillez à ce que l'arbre abattu ne se coince pas dans un autre arbre. Tenez compte du sens de chute normal, qui dépend de l'inclinaison et de la torsion de l'arbre, du sens du vent et du nombre de branches.
- Les petits arbres dont le diamètre ne dépasse pas 15-18 cm peuvent normalement être abattus en une seule coupe.
- Pour les découpes sur terrain incliné, tenez-vous toujours du côté le plus haut de la branche. Veillez à ce que la chaîne de tronçonneuse ne touche pas le sol. Lorsque vous avez terminé la coupe, attendez que la chaîne s'arrête avant de retirer le produit.
- Pour les découpes sur terrain incliné, tenez-vous toujours du côté le plus haut du tronc. Pour garder le contrôle lors du tronçonnage, réduire la force de pression sur la fin de la coupe en tenant fermement les poignées du produit. Veillez à ce que la chaîne de tronçonneuse ne touche pas le sol. Lorsque vous avez terminé la coupe, attendez que le produit soit immobilisé avant de le retirer. Désactivez toujours le produit et débranchez la fiche secteur avant de changer d'arbre.

- Dans le cas d'arbres de diamètre supérieur, vous devrez pratiquer des entailles et procéder à une coupe d'abattage.
- Veillez à ce que la chaîne de tronçonneuse ne se coince pas dans la coupe de scie. La branche ne doit pas se casser ou s'ébrécher.
- Retirez de l'arbre les impuretés, les pierres, les écorces désolidarisées, les clous, les agrafes et le fil de fer.

### **AVERTISSEMENT**

**Dès la fin du sciage, relevez votre protection auditive afin d'entendre les sons et signaux d'avertissement.**

#### **Ébranchage :**

- Éliminez les branches orientées vers le bas en les découpant par le dessus. N'effectuez jamais d'ébranchage au-dessus de la hauteur d'épaules.

#### **Zone de fuite :**

- Retirez les broussailles autour de l'arbre pour faciliter l'évacuation. La zone de fuite doit se situer à env. 45° par rapport au sens de chute prévu.

#### **Découpe d'une entaille :**

- effectuez une entaille dans la direction de chute prévue de l'arbre.
- Commencez par l'entaille horizontale inférieure.
- La profondeur de coupe doit être d'env. 1/3 du diamètre du tronc.  
Vous éviterez ainsi de coincer la chaîne de tronçonneuse ou le rail de guidage lorsque vous effectuerez la deuxième entaille.
- Effectuez ensuite une coupe inclinée à environ 45° du haut vers le bas de manière à ce qu'elle se termine exactement sur l'entaille horizontale inférieure.

### **DANGER**

Ne passez jamais devant un arbre entaillé.

#### **Coupe d'abattage :**

- Effectuez la coupe d'abattage de l'autre côté du tronc en vous tenant à gauche du tronc et en effectuant un sciage par traction.
- La coupe d'abattage doit se situer au moins 5 cm au-dessus de l'entaille horizontale.
- Elle doit être suffisamment profonde pour que la distance la séparant de ligne d'entaille ne dépasse pas 1/10 du diamètre du tronc.
- La zone non sciée du tronc s'appelle le pivot (pivot d'abattage).  
Ce pivot empêche l'arbre de tourner et de tomber dans la mauvaise direction.  
Ne sciez pas le pivot.

- lorsque la coupe d'abattage s'approche du pivot, l'arbre doit commencer à tomber.
- Si vous remarquez que l'arbre ne va peut-être pas tomber dans la direction souhaitée ou qu'il s'incline vers l'arrière et que la chaîne de tronçonneuse est coincée, interrompez la coupe d'abattage et utilisez une cale en bois, en plastique ou en aluminium pour élargir l'entaille et faire basculer l'arbre dans la direction souhaitée.
- Si le diamètre du tronc est supérieur à la longueur du guide-chaîne, effectuez deux coupes.
- Une fois la coupe d'abattage effectuée, le tronc tombe tout seul ou à l'aide d'une cale de chute/d'un pied-de-biche.

### **DANGER**

Dès que l'arbre commence à tomber, retirez le produit de l'entaille, arrêtez le moteur, déposez le produit et quittez la zone de travail par la zone de fuite. Soyez attentifs aux chutes de branches et à ne pas trébucher.

## **11.3.6 Extraction d'une tronçonneuse coincée**

Si la tronçonneuse sans fil se coince pendant la coupe, procédez comme suit :

1. Arrêtez la tronçonneuse sans fil et sécurisez-la vers l'intérieur du tronc (c'est-à-dire vers le centre du tronc d'arbre) ou sur un câble à outils séparé.
2. Retirez la tronçonneuse de l'entaille en soulevant la branche au niveau requis.
3. Au besoin, utiliser une scie égoïne ou une deuxième tronçonneuse pour libérer la tronçonneuse coincée en réalisant une découpe à au moins 30 cm de la tronçonneuse coincée.

Que vous utilisiez une scie manuelle/tronçonneuse pour libérer la tronçonneuse coincée ou pas, les coupes servant à libérer la tronçonneuse doivent toujours être effectuées vers l'extérieur (vers l'extrémité des branches) pour que la tronçonneuse ne soit pas emportée par les parties découpées et éviter de compliquer la situation davantage.

## **11.4 Après utilisation**

- **Arrêtez toujours le produit avant de le poser et attendez qu'il se soit arrêté.**
- Placez la protection du guide et de la chaîne (17) sur la lame de pliage(7).
- Activez le frein de chaîne (16).
- Laissez refroidir le produit.
- Lorsque le produit n'est pas utilisé, débranchez la fiche secteur de la prise secteur.

## 12 Nettoyage et maintenance

### AVERTISSEMENT

**Confiez les travaux de réparation et de maintenance qui ne figurent pas dans ce mode d'emploi à un atelier spécialisé. Utilisez uniquement des pièces de rechange d'origine.**

### AVERTISSEMENT

**Des travaux de maintenance ou de nettoyage non conformes peuvent provoquer des blessures !**

### AVERTISSEMENT

**Lors des travaux de nettoyage, de réparation ou de maintenance, le produit peut démarrer de manière inopinée et entraîner ainsi des blessures et des brûlures.**

- Arrêtez le produit.
- Débranchez la fiche secteur.
- Laissez le produit refroidir.

### AVERTISSEMENT

**Risque de blessures lors de la manipulation de la chaîne de tronçonneuse ou du guide !**

- Portez des gants résistants aux coupures.

### 12.1 Nettoyage

1. Nous vous recommandons de nettoyer le produit après chaque utilisation.
2. Utilisez un pinceau ou une balayette pour nettoyer la chaîne de tronçonneuse. N'utilisez pas de liquides.
3. Veillez à ce que les poignées et leurs surfaces de préhension soient sèches, propres et exemptes d'huile et de graisse. Des poignées et surfaces de préhension de poignées glissantes compromettent la sécurité d'utilisation et de contrôle de l'outil électrique dans les situations inattendues.
4. Si nécessaire, nettoyez les poignées avec un chiffon humide lavé à l'eau savonneuse.
5. Veillez à ce que les dispositifs de protection, le volet d'aération et le logement du moteur restent aussi exempts de poussières et d'impuretés que possible. Frottez le produit avec un chiffon\* propre ou soufflez dessus avec de l'air comprimé\* à faible pression. Nous vous recommandons de nettoyer le produit après chaque utilisation.

6. Les ouvertures d'aération ne doivent jamais être obstruées.
7. N'utilisez pas de produits de nettoyage ou de solvants qui risqueraient d'attaquer les pièces en plastique du produit. Veillez à ce que l'eau ne puisse pas pénétrer à l'intérieur du produit.
8. Nettoyez la rainure du guide-chaîne à l'aide d'un pinceau ou d'air comprimé.
9. Nettoyez le pignon.

\* = ne sont pas des composants obligatoires des fournitures !

### 12.2 Maintenance

#### *Remarque :*

Entretenez soigneusement le produit. Vérifiez que les pièces mobiles fonctionnent parfaitement, ne sont pas bloquées ou si certaines pièces sont cassées ou tellement endommagées qu'elles nuisent au bon fonctionnement du produit. Faites réparer les pièces endommagées avant d'utiliser le produit.

Placez le produit sur une surface plane et droite.

#### 12.2.1 Contrôle du pignon (18) (fig. 2)

1. Tournez la roue de tension de la chaîne (6) dans le sens inverse des aiguilles d'une montre pour détendre la chaîne et retirer la protection de pignon (5).
2. Retirez la lame de pliage (7) et la chaîne de tronçonneuse (8).
3. Contrôlez les traces de rodage sur le pignon (18) au moyen d'un gabarit de contrôle\*.
4. Si la profondeur des traces de rodage est supérieure à  $a=0,5$  mm, n'utilisez pas le produit et consultez un revendeur spécialisé. Le pignon (18) doit être remplacé.
5. Remontez la lame de pliage (7) et la chaîne de tronçonneuse (8) comme le décrit le chapitre 9.1.

\* = ne sont pas des composants obligatoires des fournitures !

#### 12.2.2 Contrôle de la lame de pliage (7) (fig. 1)

1. Tournez la roue de tension de la chaîne (6) dans le sens inverse des aiguilles d'une montre pour détendre la chaîne et retirer la protection de pignon (5).
2. Retirez la lame de pliage (7) et la chaîne de tronçonneuse (8).
3. Mesurez la profondeur de la lame de pliage (7) avec la règle graduée d'une jauge\*.
4. La lame de pliage (7) doit être remplacée dans l'un des cas suivants :
  - Le guide-chaîne est endommagé.

- La profondeur de la rainure mesurée est inférieure à la profondeur minimale de la rainure du guide-chaîne (4 mm).
  - La rainure du guide-chaîne est rétrécie ou écartée.
5. Montez la lame de pliage (7) et la chaîne de tronçonneuse (8), comme le décrit le chapitre 9.1.

\* = ne sont pas des composants obligatoires des fournitures !

### 12.2.3 Remplacement de la lame de pliage (7) (fig. 2)

1. Tournez la roue de tension de la chaîne (6) dans le sens inverse des aiguilles d'une montre pour détendre la chaîne et retirer la protection de pignon (5).
2. Retirez la lame de pliage (7) et la chaîne de tronçonneuse (8).  
Pour le démontage, pivotez la lame de pliage (7) vers le haut à un angle d'env. 45 degrés afin de faciliter le retrait de la chaîne de tronçonneuse (8) de la rainure de la lame de pliage (7).
3. Remplacez la lame de pliage (7) et montez-la (7), ainsi que la chaîne de tronçonneuse (8) comme le décrit le chapitre 9.1.

### 12.2.4 Remplacement de la chaîne de tronçonneuse (8) et rodage (fig. 2)

**⚠ DANGER**

**Risque de blessures graves en cas de rupture ou de saut de la chaîne de tronçonneuse !**

- Ne fixez jamais une nouvelle chaîne de tronçonneuse sur un pignon usé ou sur un rail de guidage endommagé ou usé. La chaîne de tronçonneuse risque de sauter ou de se rompre.

- Utilisez uniquement des chaînes de tronçonneuse et guides conçus pour ce produit.
  - Nettoyez la rainure du guide-chaîne avant de remplacer la chaîne de tronçonneuse car celle-ci risque de sortir du rail en cas de dépôts d'impuretés. Les dépôts risquent également d'absorber l'huile pour chaîne de tronçonneuse. Dans ce cas, l'huile pour chaîne de tronçonneuse ne parvient pas au-dessous du rail ou seulement en quantité insuffisante et la lubrification est réduite.
1. Tournez la roue de tension de la chaîne (6) dans le sens inverse des aiguilles d'une montre pour détendre la chaîne et retirer la protection de pignon (5).
  2. Retirez la lame de pliage (7) et la chaîne de tronçonneuse (8).

3. Disposez la chaîne de tronçonneuse (8) en boucle de manière à ce que les bords de coupe soient orientés dans le sens des aiguilles d'une montre. Pour aligner la chaîne de tronçonneuse (8), aidez-vous des symboles (flèches) apposés sur la chaîne de tronçonneuse (8) ou au-dessus du boulon de guidage (20).
4. Insérez la chaîne de tronçonneuse (8) dans la rainure de la lame de pliage (7).
5. Posez la lame de pliage (7) contre le boulon de guidage (20) et le goujon (19). Le boulon de guidage (20) et le goujon (19) doivent être dans le trou longitudinal de la lame de pliage (7).
6. Faites passer la chaîne de tronçonneuse (8) autour du pignon (18) et contrôlez l'alignement de la chaîne de tronçonneuse (8).
7. Remettez la protection de pignon (5) en place. Veillez à ce que la protection de pignon (5) se trouve dans la rainure du carter.
8. Tournez la roue de tension de la chaîne (6) dans le sens des aiguilles d'une montre et serrez-la.
9. Vérifiez une nouvelle fois que la chaîne de tronçonneuse (8) est bien en place et tendez-la (8).

#### Remarque :

Avec une chaîne de tronçonneuse neuve, la force de tension diminue au bout d'un certain temps. Par conséquent, vous devez retendre la chaîne de tronçonneuse après les 5 premières coupes et au plus tard après 10 minutes de sciage.

### 12.2.5 Affûtage de la chaîne de tronçonneuse (8)

**⚠ AVERTISSEMENT**

**Risque d'accident accru en raison d'une chaîne de tronçonneuse mal affûtée !**

Les écarts par rapport aux cotes de la géométrie de coupe lors de l'affûtage augmentent le risque de recul du produit.

- Faites affûter la chaîne de tronçonneuse par un spécialiste.

La chaîne de tronçonneuse peut être affûtée dans un atelier spécialisé autorisé. N'essayez pas d'affûter vous-même la chaîne de la tronçonneuse si vous ne disposez pas d'un outil approprié et de l'expérience nécessaire.

**⚠ PRUDENCE**

Pour affûter la chaîne, des outils spéciaux sont nécessaires afin de garantir que les outils de coupe soient affûtés au bon angle et à la bonne profondeur. Après l'affûtage, tous les maillons de coupe doivent présenter la même largeur et la même longueur.

### Remarques :

Une chaîne de tronçonneuse bien affûtée garantit des résultats optimaux en matière de coupe. Elle attaque le bois sans effort et laisse derrière elle de grands et longs copeaux de bois.

Une chaîne de tronçonneuse est émoussée lorsque vous avez besoin de pousser l'équipement de coupe à travers le bois et que les copeaux de bois sont très petits. Si la chaîne est très émoussée, les copeaux sont remplacés par de la poussière de bois.

1. Débranchez la fiche secteur.
2. Pour effectuer un affûtage correct, vérifiez que la chaîne de tronçonneuse (8) est bien tendue.
3. L'affûtage s'effectue avec une lime ronde\* de 4,0 mm de diamètre.

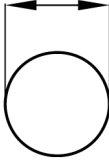
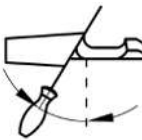



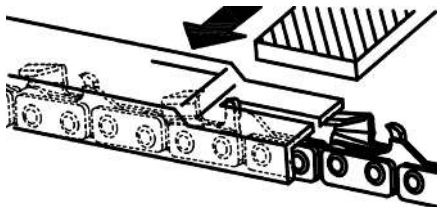

### PRUDENCE

D'autres diamètres endommagent la chaîne de tronçonneuse et risquent d'entraîner des dangers lors du travail !

4. L'affûtage ne doit être réalisé que de l'intérieur vers l'extérieur. Passez la lime\* de l'intérieur de la dent de coupe vers l'extérieur. Soulevez la lime\* lorsque vous la retirez.
5. Commencez par affûter les dents d'un côté. Retournez ensuite la chaîne de tronçonneuse (8) et affûtez les dents de l'autre côté.
6. La chaîne de tronçonneuse (8) est considérée comme étant usée et à remplacer par une neuve (8) lorsque la dent de coupe ne mesure plus qu'env. 4 mm.
7. Après l'affûtage, tous les maillons de coupe doivent présenter la même longueur et la même largeur.
8. Tous les trois affûtages, vérifiez la profondeur d'affûtage (limitation de la profondeur) et limez la hauteur à l'aide d'une lime plate\*. La limitation de profondeur doit être en retrait d'env. 0,65 mm par rapport à la dent de coupe. Après réinitialisation, arrondissez légèrement la limitation de profondeur vers l'avant.

\* = ne sont pas des composants obligatoires des fournitures !

### 12.2.5.1 Consignes d'affûtage de la chaîne

Type de chaîne de tronçonneuse	Diamètre de lime	Angle supérieur	Angle inférieur	Angle d'inclinaison supérieur (55°)	Mesure de profondeur standard
					
		Angle de rotation de serrage	Angle d'inclinaison de serrage	Angle latéral	
21PBX	env. 4,8 mm	30°	10°	85°	0,64 mm
					
Butée de profondeur				Lime	

## 13 Stockage

Stockez le produit, ainsi que des accessoires à un endroit sombre, sec, exempt de gel et inaccessible aux enfants.

La température de stockage optimale se situe entre 5 et 30 °C.

Conservez le produit dans son emballage d'origine. Recouvrez le produit afin de le protéger de la poussière ou de l'humidité. Conservez la notice d'utilisation à proximité du produit.

### 13.1 Préparation à l'entreposage

1. Fixez le guide-chaîne.
2. Videz entièrement le produit.
3. Nettoyez le produit et vérifiez s'il est endommagé.

### 13.2 Transport

- Le produit ne doit être transporté qu'au niveau de la poignée prévue à cet effet.

## 14 Raccordement électrique

**Le moteur électrique installé est prêt à fonctionner une fois raccordé. Le raccordement correspond aux dispositions de la VDE et aux normes DIN en vigueur. Le branchement au secteur effectué par le client et la rallonge électrique utilisée doivent correspondre à ces prescriptions.**

#### Remarque :

- Le produit remplit les exigences de la norme EN 61000-3-11 et est soumis à des conditions de raccordement spéciales. Autrement dit, il est interdit de l'utiliser aux points de raccordement de son propre choix.
- En cas de conditions secteur défavorables, le produit peut conduire à des variations de tension temporaires.
- Le produit est uniquement conçu pour un raccordement à des points qui a) ne dépassent pas l'impédance réseau maximale autorisée « Z » ( $Z_{max} = 0,415 \Omega$ , ou b) présentant un courant de charge permanent admissible du secteur d'au moins 100 A par phase.
- En tant qu'utilisateur, vous devez vous assurer, si nécessaire après avoir consulté votre fournisseur d'énergie, que votre point de raccordement du produit remplissent la condition a) ou b).

### 14.1 Consignes importantes

En cas de surcharge du moteur, ce dernier s'arrête de lui-même. Après un temps de refroidissement (d'une durée variable), le moteur peut être remis en marche.

## 14.2 Câbles de raccordement électriques défectueux

Des détériorations de l'isolation sont souvent présentes sur les lignes de raccordement électriques.

Les causes peuvent en être :

- Des points de pression, si les lignes de raccordement passent par des fenêtres ou interstices de portes.
- Des points de pliure dus à une fixation ou à un cheminement incorrects du câble de raccordement.
- Des points d'intersection si les câbles de raccordement se croisent.
- Des détériorations de l'isolation dues à un arrachement hors de la prise murale.
- Des fissures dues au vieillissement de l'isolation.

Des câbles de raccordement électriques défectueux de la sorte ne doivent pas être utilisés et font encourir, en raison de leur isolation défectueuse, un danger de mort.

Vérifiez régulièrement que les câbles de raccordement électriques ne sont pas endommagés. Assurez-vous que le câble de raccordement ne soit pas raccordé au réseau d'électricité lors de la vérification.

Les lignes de raccordement électriques doivent correspondre aux dispositions VDE et DIN en vigueur. N'utilisez que les câbles de raccordement dotés du signe « H07RN-F ».

L'indication de la désignation du type sur le câble de raccordement est obligatoire.

#### Consignes de sécurité pour le remplacement de câbles de raccordement secteur endommagés ou défectueux

##### Type de raccord Y

S'il est nécessaire de remplacer le câble de raccordement secteur, le fabricant ou son représentant doit s'en charger afin d'éviter les risques pour la sécurité.

### 14.3 Moteur à courant alternatif

Les raccordements et réparations sur l'équipement électrique ne doivent être effectués que par un électricien spécialisé.

- Veillez à ce que la tension secteur corresponde à la tension indiquée sur la plaque signalétique du produit.
- Les rallonges d'une longueur max. de 25 m doivent présenter une section de 1,5 mm<sup>2</sup>.

## 15 Réparation et commande de pièces de rechange

Assurez-vous après toute réparation ou travail de maintenance que toutes les pièces relatives à la sécurité sont bien montées et en état irréprochable. Placez les pièces dangereuses hors de portée des autres personnes et des enfants.

### ATTENTION

La loi allemande de responsabilité produit décharge le fabricant de toute responsabilité en cas de dommages dus à des réparations incorrectes ou à la non-utilisation de pièces de rechange d'origine.

Faites-les effectuer dans un atelier de service après-vente ou par un spécialiste dûment autorisé. Il en va de même pour les accessoires.

### Raccords et réparations

Les raccordements et réparations sur l'équipement électrique ne doivent être effectués que par un électricien spécialisé.

### 15.1 Commande de pièces de rechange

Les informations suivantes sont nécessaires pour commander des pièces de rechange :

- Désignation du modèle
- Référence
- Informations de la plaque signalétique

### Pièces de rechange/accessoires

Couvercle du réservoir d'huile	3910207003
--------------------------------	------------

### 15.2 Guides + chaînes de tronçonneuse autorisés

<b>Rails de guidage :</b>	
Guide-chaîne Kangxin AP14-52-507P	3910207001
<b>Chaînes de scie :</b>	
Chaîne de tronçonneuse Kangxin 3/8LP-52	3910207002

## 16 Élimination et recyclage

### Consignes relatives à l'emballage



Les matériaux d'emballage sont recyclables. Merci d'éliminer les emballages de manière respectueuse de l'environnement.

### Consignes d'élimination des appareils électriques et électroniques



**Les appareils électriques et électroniques usagés ne doivent pas être jetés avec les ordures ménagères, mais éliminés séparément !**

- Retirer les piles usagées de manière non destructive avant de déposer vos déchets électroniques dans un point de collecte ! L'élimination des piles et batteries est réglementée par la loi allemande sur les piles.
- Les propriétaires et utilisateurs d'appareils électriques et électroniques sont légalement tenus de les rapporter à l'issue de leur utilisation.
- Il incombe à l'utilisateur final de supprimer ses données à caractère personnel enregistrées sur l'appareil usagé !
- Le symbole représentant une poubelle barrée signifie que les appareils électriques et électroniques ne doivent pas être jetés avec les ordures ménagères.
- Les appareils électriques et électroniques peuvent être gratuitement déposés :
  - Dans les points de collecte et d'élimination publics (dépôts municipaux p. ex.)
  - LIDL propose des solutions de retour direct dans leurs filiales et supermarchés. Les retours et l'élimination sont gratuits pour nos clients.
  - Vous pouvez déposer jusqu'à trois appareils électroniques usagés dont les bords ne dépassent pas 25 centimètres de longueur auprès du fabricant ou d'un point de collecte agréé situé près de chez vous sans acheter de nouvel appareil.
  - Pour plus de détails concernant les conditions de reprise des fabricants et distributeurs, contactez le service client correspondant.
- En cas de livraison d'un nouvel appareil électronique à un consommateur privé par le fabricant, le fabricant peut accepter de reprendre l'appareil électronique usagé gratuitement sur demande de l'utilisateur final. Pour en être sûr, contactez le service client du fabricant.
- Ces déclarations ne s'appliquent qu'aux appareils vendus et installés dans les pays membres de l'Union européenne et visés par la directive européenne 2012/19/UE. D'autres dispositions relatives à l'élimination des appareils électriques et électroniques usagés peuvent s'appliquer dans les pays hors de l'Union européenne.

**Pour connaître les possibilités d'élimination de l'appareil usé, adressez-vous aux autorités communales ou municipales.**

### Carburants et huiles

- Vider le réservoir de carburant et le réservoir d'huile moteur avant d'éliminer le produit !

- Le carburant et l'huile moteur ne doivent pas être jetés avec les ordures ménagères ni dans les égouts, mais éliminés séparément !
- Les réservoirs de carburant et d'huile vides doivent être éliminés de manière respectueuse de l'environnement.

## 17 Dépannage

Le tableau suivant indique les symptômes d'erreurs et décrit les solutions possibles si votre produit ne fonctionne pas correctement. Si vous n'arrivez pas à localiser et éliminer le problème de cette manière, adressez-vous à l'atelier de service après-vente.

Défaut	Cause possible	Solution
Le produit ne démarre pas.	La fiche secteur n'est pas branchée sur le secteur.	Branchez la fiche secteur dans une prise de courant.
	Tension secteur inexistante.	Contrôlez les prises, le câble de raccordement secteur, le câble, la fiche secteur. S'il y a lieu, sollicitez des réparations auprès d'un électricien. Vérifiez les fusibles du bâtiment.
	Les fusibles du bâtiment réagissent.	
	Le frein de chaîne est activé.	Vérifiez le frein de chaîne et desserrez-le si besoin.
	L'interrupteur On/Off est défectueux.	Contactez notre service après-vente.
	Balais de carbone usés.	
	Le moteur est défectueux.	
La chaîne de tronçonneuse ne fonctionne pas.	Frein de chaîne bloqué.	Vérifiez le frein de chaîne et desserrez-le si besoin.
Résultats de coupe médiocres.	Chaîne de tronçonneuse mal montée.	Montez correctement la chaîne de tronçonneuse.
	La chaîne de tronçonneuse est émoussée.	Faites affûter la chaîne de tronçonneuse par un spécialiste ou remplacez-la.
	Tension de chaîne insuffisante.	Contrôlez la chaîne de tronçonneuse. Au besoin, tendez la chaîne de tronçonneuse.
Le produit fonctionne avec difficulté/la chaîne de tronçonneuse saute.	Tension de chaîne insuffisante.	Contrôlez la chaîne de tronçonneuse. Au besoin, tendez la chaîne de tronçonneuse.
La chaîne de tronçonneuse s'échauffe, dégagement de fumée lors du sciage, décoloration du rail.	Quantité insuffisante d'huile pour chaîne de tronçonneuse.	Vérifiez le système de lubrification automatique. Au besoin, faites l'appoint d'huile pour chaîne de tronçonneuse.
Vibrations inhabituelles	Le guide-chaîne est desserré.	Vérifiez que le guide-chaîne est bien en place.

## 18 Déclaration de conformité UE

### Traduction de la déclaration de conformité originale

#### Fabricant :

Scheppach GmbH  
Günzburger Straße 69  
D-89335 Ichenhausen

Nous déclarons, sous notre propre responsabilité, que le produit décrit ici est conforme aux directives et normes en vigueur.

Marque : **PARKSIDE**  
Désignation : **Tronçonneuse électrique - PEKS 1600 C3**  
Réf. **3910209974 - 3910209981; 39102099915; 39102099959**  
N° IAN **495499\_2504**  
N° de série **01001 - 46072**

#### Directives UE :

2014/30/UE, 2006/42/EG, 2000/14/EG\_2005/88/EG, 2011/65/EU\*, (EU) 2015/863,

\* L'objet de la déclaration décrit ci-dessus répond aux prescriptions de la directive 2011/65/UE du Parlement européen et du Conseil du 8 juin 2011 relative à la limitation de l'utilisation de certaines substances dangereuses dans les équipements électriques et électroniques.

#### Normes appliquées :

EN 62841-1:2015/A11:2022; EN 62841-4-1:2020;  
EN IEC 55014-1:2021; EN IEC 55014-2:2021;  
EN IEC 61000-3-2:2019/A2:2024;  
EN IEC 61000-3-11:2019; EN IEC 63000:2018

#### 2006/42/CE – annexe IV

Organisme notifié : TÜV SÜD  
Product Service GmbH  
Ridlerstraße 65  
80339 Munich  
Allemagne

Numéro : 0123  
Numéro de certification : M6A 011284 0666

#### 2000/14/CE\_2005/88/CE – annexe : V

Niveau de puissance sonore garanti ( $L_{WA}$ ) : 106 dB  
Niveau de puissance sonore mesuré ( $L_{WA}$ ) : 103,3 dB

#### Responsable de la documentation :

Tobias Ihle  
Günzburger Str. 69  
D-89335 Ichenhausen  
Ichenhausen, 22.07.2025



Simon Schünk  
Division Manager Product Center



Andreas Pecher  
Head of Project Management

## Certificat de garantie

Chère Cliente, Cher Client,

Nos produits sont soumis à un contrôle de qualité très strict. Si cet appareil devait toutefois ne pas fonctionner impeccablement, nous en serions désolés. Dans un tel cas, nous vous prions de bien vouloir prendre contact avec notre service après-vente à l'adresse indiquée sur le bulletin de garantie ou vous adresser au marché de la construction le plus proche. Pour faire valoir une demande de garantie, ce qui suit est valable :

1. Les conditions de garantie règlent les prestations de garantie supplémentaires. Vos droits de garantie légaux ne sont en rien altérés par la garantie présente. Notre prestation de garantie est gratuite.
2. La prestation de garantie s'applique exclusivement aux défauts occasionnés par des vices de fabrication ou de matériau et est limitée à l'élimination de ces défauts ou encore au remplacement de l'appareil. Veillez au fait que nos appareils, conformément à leur affectation, n'ont pas été construits pour être utilisés dans un environnement professionnel, industriel ou artisanal. Un contrat de garantie ne peut avoir lieu dès lors que l'appareil est utilisé à des activités dans des entreprises professionnelles, artisanales ou industrielles ou toute autre activité du même genre. Sont également exclus de notre garantie : les prestations de substitution de dommages dus aux transports, les dommages occasionnés par le non-respect des instructions de montage ou en raison d'une installation non conforme, du non-respect du mode d'emploi (comme par exemple le raccordement à une mauvaise tension réseau ou à un mauvais type de courant), les applications abusives ou non conformes (comme par exemple une surcharge de l'appareil ou encore l'emploi d'accessoires non homologués), le non-respect des prescriptions de maintenance et de sécurité, l'infiltration de corps étrangers dans l'appareil (comme par exemple du sable, des pierres ou de la poussière), l'emploi de la force ou l'influence extérieure (comme par exemple les dommages dus à une chute), ainsi que l'usure normale conforme à l'utilisation. Ceci est particulièrement valable pour les accumulateurs pour lesquels nous offrons toutefois une période de garantie de 12 mois.

Le droit à la garantie disparaît dès lors que des interventions ont lieu sur l'appareil.

3. Le délai de garantie s'élève à 3 ans et commence à la date de l'achat de l'appareil. Les demandes de garanties doivent être présentées avant écoulement du délai de garantie, dans les deux semaines suivant le moment auquel le défaut a été reconnu. Toute reconnaissance de demande de garantie après écoulement du délai de garantie est exclue. La réparation ou l'échange de l'appareil n'entraîne nullement une prolongation de la durée de garantie. Elle ne fait pas non plus commencer un nouveau délai de garantie, en raison de cette prestation, pour l'appareil ou pour toute autre pièce de rechange intégrée. Ceci est également valable lorsqu'un service après-vente sur place a été consulté.
4. Pour faire valoir votre droit à la garantie, contactez le service après-vente à l'adresse indiquée ci-dessous. Si vous formulez votre réclamation pendant la période de validité de la garantie, nous vous ferons parvenir un bon de retour qui vous permettra de nous retourner sans frais l'appareil défectueux. Décrivez la raison de la réclamation le plus précisément possible. Si le défaut de l'appareil est compris dans notre prestation de garantie, nous vous retournerons sans délai un appareil réparé ou encore un nouveau.

## Traitement en cas de garantie

Afin d'assurer un traitement rapide de votre demande, veuillez lire les indications suivantes :

- Veuillez tenir votre ticket de caisse et le numéro d'article le bon de caisse (par ex. IAN 495499\_2504) à disposition en tant que justificatif de votre achat.
- Vous trouverez le numéro d'article sur la plaque signalétique du produit, sur une gravure du produit, sur la page de titre de votre manuel (en bas à gauche) ou sur l'autocollant au dos ou en dessous du produit.
- En cas de survenance de dysfonctionnements ou d'autres défauts, veuillez d'abord contacter le département de service dénommé ci-après par voie téléphonique ou par courrier électronique.
- Vous pouvez alors envoyer un produit enregistré comme étant défectueux à l'adresse de service qui vous a été communiquée, sans frais de port, en y joignant le justificatif d'achat (ticket de caisse) et en indiquant en quoi consiste le défaut et quand il est survenu.
- À l'adresse [parksidediy.com](https://parksidediy.com), vous pouvez consulter et télécharger ce manuel et bien d'autres. Ce code QR vous permet d'accéder directement à la page [parksidediy.com](https://parksidediy.com). Sélectionnez votre pays et recherchez les notices d'utilisation via le masque de recherche. La saisie du numéro d'article (IAN) 495499\_2504 vous mène à la notice d'utilisation pour votre article.



**Contact de service (FR) :**

**Nom :** Netsend GmbH  
 Nachtwaid 6  
 DE - 79206 Breisach am Rhein

**Téléphone :** 00800 4003 4003  
**E-mail :** service.FR@schepbach.com  
**Siège :** Allemagne

**Contact de service (BE) :**

**Nom :** TeleMarCom  
 European Services GmbH  
 Am Ziegelweiher 24  
 DE - 61130 Nidderau  
**Téléphone :** 00800 4003 4003  
**E-mail :** service.BE@schepbach.com  
**Siège :** Allemagne

**Contact de service (CH) :**

**Nom :** Klaus-Häberlin AG  
 Industriestraße 6  
 CH - 8610 Uster  
**Téléphone :** 00800 4003 4003  
**E-mail :** service.CH@schepbach.com  
**Siège :** Suisse

**Certificat de garantie**

Article L217-16 du Code de la consommation

Lorsque l'acheteur demande au vendeur, pendant le cours de la garantie commerciale qui lui a été consentie lors de l'acquisition ou de la réparation d'un bien meuble, une remise en état couverte par la garantie, toute période d'immobilisation d'au moins sept jours vient s'ajouter à la durée de la garantie qui restait à courir. Cette période court à compter de la demande d'intervention de l'acheteur ou de la mise à disposition pour réparation du bien en cause, si cette mise à disposition est postérieure à la demande d'intervention.

Indépendamment de la garantie commerciale souscrite, le vendeur reste tenu des défauts de conformité du bien et des vices rédhibitoires dans les conditions prévues aux articles L217-4 à L217-13 du Code de la consommation et aux articles 1641 à 1648 et 2232 du Code Civil.

Article L217-4 du Code de la consommation

Le vendeur livre un bien conforme au contrat et répond des défauts de conformité existant lors de la délivrance.

Il répond également des défauts de conformité résultant de l'emballage, des instructions de montage ou de l'installation lorsque celle-ci a été mise à sa charge par le contrat ou a été réalisée sous sa responsabilité.

Article L217-5 du Code de la consommation

Le bien est conforme au contrat :

1° S'il est propre à l'usage habituellement attendu d'un bien semblable et, le cas échéant :

s'il correspond à la description donnée par le vendeur et posséder les qualités que celui-ci a présentées à l'acheteur sous forme d'échantillon ou de modèle ;

s'il présente les qualités qu'un acheteur peut légitimement attendre eu égard aux déclarations publiques faites par le vendeur, par le producteur ou par son représentant, notamment dans la publicité ou l'étiquetage ;

2° Ou s'il présente les caractéristiques définies d'un commun accord par les parties ou être propre à tout usage spécial recherché par l'acheteur, porté à la connaissance du vendeur et que ce dernier a accepté.

Article L217-12 du Code de la consommation

L'action résultant du défaut de conformité se prescrit par deux ans à compter de la délivrance du bien.

Article 1641 du Code civil

Le vendeur est tenu de la garantie à raison des défauts cachés de la chose vendue qui la rendent impropre à l'usage auquel on la destine, ou qui diminuent tellement cet usage que l'acheteur ne l'aurait pas acquise, ou n'en aurait donné qu'un moindre prix, s'il les avait connus.

Article 1648 1er alinéa du Code civil

L'action résultant des vices rédhibitoires doit être intentée par l'acquéreur dans un délai de deux ans à compter de la découverte du vice.

Les pièces détachées indispensables à l'utilisation du produit sont disponibles pendant la durée de la garantie du produit.

## Inhoudsopgave

1	Verklaring van de symbolen op het product .....	83
2	Inleiding .....	85
3	Productbeschrijving (afb. 1-5).....	85
4	Inhoud van de levering (afb. 1).....	85
5	Beoogd gebruik.....	85
6	Veiligheidsvoorschriften .....	86
7	Technische gegevens .....	91
8	Uitpakken .....	92
9	Voor de ingebruikname .....	92
10	Bediening .....	94
11	Werkinstructies .....	96
12	Reiniging en onderhoud .....	100
13	Opslag .....	103
14	Elektrische aansluiting .....	103
15	Reparatie en reserveonderdelen bestellen .....	103
16	Afvalverwerking en hergebruik.....	104
17	Verhelpen van storingen .....	105
18	EU-conformiteitsverklaring .....	106
19	Garantiebewijs .....	107
20	Explosietekening .....	291

# 1 Verklaring van de symbolen op het product

Het gebruik van symbolen in deze handleiding is bedoeld om uw aandacht te vestigen op eventuele risico's. De veiligheidssymbolen en de bijbehorende uitleg moeten goed worden begrepen. De waarschuwingen zelf voorkomen geen risico's en kunnen de juiste maatregelen betreffende ongevallenpreventie niet vervangen.

## LET OP

Lees deze gebruikshandleiding voorafgaand aan het eerste gebruik grondig door en volg altijd de veiligheidsvoorschriften!





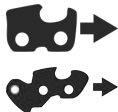








Het wordt aanbevolen dat u een professionele veiligheidskursus "Deelnamecertificaat kettingzaagcursus" met een nationale trainingsnorm over het gebruik en onderhoud van kettingzagen en een EHBO-cursus volgt. Als u de kettingzaag gedurende langere tijd niet gebruikt en om te oefenen, dient u voor aanvang altijd een aantal eenvoudige zaagsnedes in veilig ondersteund hout te maken om weer vertrouwd te raken met de kettingzaag.

Bewaar de gebruikshandleiding zorgvuldig!

### Aanwijzing:

Houd er rekening mee dat bepaalde nationale voorschriften, zoals bijv. werkveiligheid, milieu, het gebruik van de machine kunnen beperken.

	Lees voorafgaand aan de ingebruikname de gebruikshandleiding en de veiligheidsvoorschriften!		Kettingrem losmaken.
	Let op! Het niet in acht nemen van de op het product aangebrachte veiligheidstekens en waarschuwingen alsook het niet in acht nemen van de veiligheids- en bedieningsaanwijzingen kan tot ernstig of zelfs dodelijk letsel leiden.		Wisselstroommotor.
	Draag een veiligheidshelm met geaaitbeschermer, resp. een veiligheidsbril en gehoorbescherming.		Zaagkettingsnelheid.
	Draag veiligheidshandschoenen!		Kettingzwaardlengte.
	Stevig schoeisel dragen!		Aantal aandrijfschakels.
	Het is belangrijk om beschermende kleding te dragen voor handen, onderarmen, benen en voeten.		Kettingsteek.
	Stel het product niet bloot aan regen. Het product mag alleen in droge omgevingscondities worden gestationeerd, opgeslagen en gebruikt.		Groefbreedte.
	Alleen voor tweehandige bediening.		Stroomverbruik.

	<p>Waarschuwing! Gevaar voor terugslag (kickback). Pas op voor terugslag van het product en vermijd contact met het uiteinde van het zaagblad.</p>	 <p>Gewicht kg.</p>
	<p>Positie voor kettingrem.</p>	 <p>Inhoud van de olietank.</p>
	<p>Looprichting van de zaagketting.</p>	 <p>Voer onderhouds-, ombouw-, instel- en reinigingswerkzaamheden alleen uit als het product is uitgeschakeld en de voedingsstekker is verwijderd!</p>
	<p>Vulopening voor kettingzaagolie.</p>	 <p>Trek de voedingsstekker direct uit het stopcontact als het snoer is beschadigd of doorgesneden!</p>
	<p>Kettingspannen verhogen/verlagen.</p>	 <p>Gegarandeerd geluidsvermogensniveau van het product.</p>
<p><b>MAX</b> <b>MIN</b></p>	<p>Kettingolievulpeil-indicatie.</p>	 <p>Beschermingsklasse II (dubbel geïsoleerd).</p>
	<p>Kettingrem activeren.</p>	 <p>Het product voldoet aan de geldende EU-bepalingen.</p>

## 2 Inleiding

### Fabrikant:

Schepfach GmbH  
Günzburger Straße 69  
D-89335 Ichenhausen

### Geachte klant,

Wij wensen u veel plezier en succes bij het werken met uw nieuwe product.

### Aanwijzing:

De fabrikant van dit product is volgens de van kracht zijnde wet inzake productaansprakelijkheid niet aansprakelijk voor schade die aan dit product of door dit product ontstaan bij:

- Ondeskundige behandeling
- Het niet in acht nemen van de gebruikshandleiding
- Reparaties door derden, niet geautoriseerde vakmensen
- Inbouw en vervanging van niet-originele reserveonderdelen
- Gebruik dat niet conform de voorschriften is
- Uitvallen van de elektrische installatie bij het niet in acht nemen van de elektrische voorschriften en voorschriften.

### Let op:

De gebruikshandleiding maakt deel uit van dit product.

Deze bevat belangrijke aanwijzingen, hoe u met het product veilig, vakkundig en economisch werkt, hoe u gevaren vermindert, reparatiekosten uitspaart, uitvaltijden vermindert en de betrouwbaarheid en levensduur van het product verhoogt. Aanvullend op de veiligheidsbepalingen van deze gebruikshandleiding moet u absoluut de voor de werking van het product geldende voorschriften van uw land in acht nemen.

Maak u voor aanvang van de werkzaamheden bekend met alle bedienings- en veiligheidsinstructies. Gebruik het product uitsluitend als beschreven en voor de aangegeven toepassingen. Bewaar de gebruikshandleiding daarom goed, en verstrek alle documentatie als het product wordt doorgegeven aan derden.

## 3 Productbeschrijving (afb. 1-5)

1. Voedingsstekker
2. Achterste greep
3. Inschakelblokkering
4. Olietankdop
5. Kettingwielafdekking
- 5a. Kettingvanginrichting
6. Kettingspanwiel
7. Kettingzwaard (geleideblad)
- 7a. Afbuigster
8. Zaagketting
9. Trekontlasting
10. Achterste handbescherming

11. Aan/uit-schakelaar
12. Olietank
13. Oliepeilindicator
14. Voorste greep
15. Klauwaanslag
16. Kettingrem/voorste handbescherming
17. Zwaard- en kettingbescherming
18. Kettingwiel
19. Tapbout
20. Geleidepen
21. Oliedoorvoer
22. Kettingzaagolie (bio 180 ml)

## 4 Inhoud van de levering (afb. 1)

Pos.	Aantal	Aanduiding
7.	1 x	Kettingzwaard (geleideblad)
8.	1 x	Zaagketting
17.	1 x	Zwaard- en kettingbescherming
22.	1 x	Kettingzaagolie (bio 180 ml)
	1 x	Elektrische kettingzaag
	1 x	Gebruiksaanwijzing

## 5 Beoogd gebruik

De benzine kettingzaag is alleen ontworpen voor het zagen van hout. Het product is niet bedoeld voor andere toepassingen (bijv. snijden van metselwerk, kunststof of voedsel).

Het product mag uitsluitend worden gebruikt waarvoor het bedoeld is. Elk ander of verdergaand- is niet volgens de voorschriften. Voor hieruit ontstane schade of verwondingen, van welke soort dan ook, is de gebruiker en niet de fabrikant aansprakelijk.

Ook de naleving van de veiligheidsvoorschriften, de montagehandleiding en de aanwijzingen in de gebruikshandleiding maken deel uit van het beoogd gebruik.

Personen, die het product bedienen of onderhouden aan het product verrichten, moeten hiermee bekend zijn en op de hoogte zijn van de mogelijke gevaren.

De fabrikant is niet aansprakelijk voor wijzigingen die aan het product worden aangebracht en de hieruit voortvloeiende schade.

Het product mag uitsluitend met de originele onderdelen en originele accessoires van de fabrikant worden gebruikt.

De veiligheids-, werk- en onderhoudsvoorschriften van de fabrikant alsook de in de technische gegevens aangegeven afmetingen moeten in acht worden genomen.

Let erop dat onze producten volgens het beoogd gebruik niet voor bedrijfsmatige, ambachtelijke of industriële toepassingen zijn ontworpen. Wij aanvaarden geen aansprakelijkheid wanneer het product in bedrijfsmatige, ambachtelijke of industriële ondernemingen of bij soortgelijke werkzaamheden worden ingezet.

## Verklaring van de signaalwoorden in de gebruikershandleiding

### GEVAAR

Signaalwoord voor aanduiding van een direct aanwezige, gevaarlijke situatie die, indien deze niet wordt vermeden, de dood of ernstige verwondingen tot gevolg heeft.

### WAARSCHUWING

Signaalwoord voor aanduiding van een mogelijke gevaarlijke situatie die, indien deze niet wordt vermeden, tot de dood of ernstige verwondingen kan leiden.

### VOORZICHTIG

Signaalwoord voor aanduiding van een mogelijke gevaarlijke situatie die, indien deze niet wordt vermeden, tot geringe of matige verwondingen kan leiden.

### LET OP

Signaalwoord voor aanduiding van een mogelijke gevaarlijke situatie die, indien deze niet wordt vermeden, materiële schade aan producten of eigendommen tot gevolg kan hebben.

## 6 Veiligheidsvoorschriften

Algemene veiligheidsvoorschriften voor elektrische apparaten

### WAARSCHUWING

Lees alle veiligheidsvoorschriften, aanwijzingen, afbeeldingen en technische gegevens die bij dit elektrische gereedschap zijn meegeleverd.

Nalatigheden bij het niet naleven van de onderstaande aanwijzingen kunnen elektrische schok, brand en/of ernstige verwondingen veroorzaken.

**Bewaar alle veiligheidsvoorschriften en -aanwijzingen voor toekomstig gebruik.**

Het in de veiligheidsvoorschriften gebruikte begrip "Elektrisch gereedschap" is van toepassing op netgevoed elektrisch gereedschap (met netsnoer) of op accugevoed elektrisch gereedschap (zonder netsnoer).

## 1) Veiligheid op de werkplek

- Houd uw werkomgeving schoon en goed verlicht.** Rommel of slecht verlichte werkplaatsen kunnen leiden tot ongevallen.
- Werk met het elektrisch gereedschap niet in een explosiegevaarlijke omgeving, waarin zich brandbare vloeistoffen, gas of stof bevinden.** Elektrisch apparaat produceert vonken, waardoor stof of dampen kunnen ontbranden.
- Houd kinderen en andere personen tijdens het gebruik uit de buurt van het elektrische gereedschap.** Bij afbuiging kunt u de controle over het elektrische apparaat verliezen.

## 2) Elektrische veiligheid

- De aansluitstekker van het elektrische gereedschap moet in het stopcontact passen. De stekker mag op geen enkele wijze worden gewijzigd. Gebruik geen adapterstekker samen met geaard elektrisch gereedschap.** Ongewijzigde stekkers en passende stopcontacten verminderen het risico op elektrische schok.
- Let op dat u geen fysiek contact maakt met geaarde onderdelen zoals bijv. buizen, radiatoren, elektrische haarden, koelkasten.** Er bestaat een verhoogd risico op een elektrische schok als uw lichaam geaard is.
- Houd elektrisch gereedschap uit de buurt van regen of vocht.** Het indringen van water in een elektrisch apparaat vergroot het risico op een elektrische schok.
- Gebruik het netsnoer niet om het elektrische gereedschap te dragen, aan op te hangen of om de stekker uit het stopcontact te trekken. Houd het netsnoer uit de buurt van hitte, scherpe randen of bewegende delen.** Beschadigde of opgewikkelde snoeren verhogen het risico op een elektrische schok.
- Als u met een elektrisch gereedschap in de open lucht werkt, gebruik dan alleen een verlengsnoer dat ook geschikt is voor gebruik buitenshuis.** De toepassing van een voor buitenshuis gebruik geschikt verlengsnoer vermindert het risico op een elektrische schok.
- Als het gebruik van het elektrische gereedschap in een vochtige omgeving niet kan worden vermeden, gebruik dan een aardlekschakelaar.** Het gebruik van een aardlekschakelaar voorkomt het risico op een elektrische schok.

## 3) Veiligheid van personen

- Wees altijd voorzichtig, let op waar u mee bezig bent en ga verstandig te werk bij werkzaamheden met elektrisch gereedschap. Maak geen gebruik van elektrisch gereedschap als u moe bent of onder invloed bent van drugs, alcohol of**

- medicamenten.** Een moment van onachtzaamheid bij gebruik van het elektrische gereedschap kan leiden tot ernstig letsel.
- b) **Draag persoonlijke beschermingsmiddelen en ook altijd een veiligheidsbril.** Het dragen van persoonlijke beschermingsmiddelen zoals een stofmasker, antislip-veiligheidsschoenen, een veiligheidshelm of gehoorbescherming, al naar gelang het soort gereedschap en de toepassing ervan, verkleint het risico op verwondingen.
  - c) **Vermijd ingebruikname zonder toezicht. Controleer of het elektrische gereedschap is uitgeschakeld voordat u het op de stroomvoorziening en/of de accu aansluit, het gereedschap oppakt of draagt.** Als u tijdens het dragen van het elektrische gereedschap uw vinger op de schakelaar hebt of het reeds ingeschakelde elektrische apparaat op de stroomvoorziening aansluit, kan dit tot letsel en ongevallen leiden.
  - d) **Verwijder instelgereedschap of de moersleutel, voordat u het elektrische gereedschap inschakelt.** Een gereedschap of sleutel dat/die zich in een draaiend onderdeel van het elektrische gereedschap bevindt, kan verwondingen veroorzaken.
  - e) **Voorkom een onnatuurlijke lichaamshouding. Zorg voor een stabiele positie en zorg ervoor dat u altijd stabiel staat.** Daardoor kunt u het elektrische gereedschap in onverwachte situaties beter onder controle houden.
  - f) **Draag geschikte kleding. Draag geen wijde kleding of sieraden. Houd haren en kleding uit de buurt van bewegende delen.** Loszittende kleding, sieraden of lange haren kunnen worden vastgegrepen door bewegende delen.
  - g) **Als stofafzuig- en -opvanginrichtingen kunnen worden gemonteerd, moeten deze worden aangesloten en juist worden toegepast.** Het gebruik van een stofafzuiging kan gevaar door stof verminderen.
  - h) **Voorkom een vals gevoel van zekerheid en houd u altijd aan de veiligheidsvoorschriften voor elektrische apparaten, ook als u ervaren bent met het elektrisch apparaat.** Achtteloos handelen kan in een fractie van een seconde tot ernstige verwondingen leiden.

#### 4) Gebruik en behandeling van het elektrische gereedschap

- a) **Zorg dat het elektrische gereedschap niet overbelast raakt. Gebruik voor de werkzaamheden het daarvoor bedoelde elektrische gereedschap.** Met het juiste elektrische apparaat werkt u beter en veiliger in het aangegeven vermogensbereik.
- b) **Gebruik geen elektrisch apparaat, waarvan de schakelaar defect is.** Een elektrisch gereedschap, dat niet meer in- of uitgeschakeld kan worden, is gevaarlijk en moet gerepareerd worden.

- c) **Trek de stekker uit het stopcontact en/of verwijder de uitneembare accu voordat u de apparaatinstellingen wijzigt, inzetstukken vervangt of het elektrische apparaat weglegt.** Deze voorzorgsmaatregel voorkomt dat het elektrische gereedschap per ongeluk wordt gestart.
- d) **Bewaar niet-gebruikte elektrische apparaten buiten bereik van kinderen. Laat het elektrisch apparaat niet gebruiken door personen die er niet mee vertrouwd zijn of deze aanwijzingen niet hebben gelezen.** Elektrische apparaten zijn gevaarlijk als ze door onervaren personen worden gebruikt.
- e) **Voer zorgvuldig onderhoud uit aan elektrische apparaten en inzetstukken. Controleer of bewegende delen probleemloos functioneren en niet klemmen, of onderdelen gebroken of beschadigd zijn, waardoor de functie van het elektrische gereedschap wordt beïnvloed. Laat beschadigde onderdelen voor gebruik van het elektrische apparaat eerst repareren.** Veel ongevallen ontstaan door slecht onderhouden elektrische apparaten.
- f) **Houd snijgereedschap scherp en schoon.** Zorgvuldig onderhouden snijgereedschap met scherpe snijranden klemt minder snel vast en is makkelijker te gebruiken.
- g) **Gebruik elektrische apparaten, inzetstuk, inzetstukken enz. overeenkomstig deze aanwijzingen. Houd daarbij rekening met de omstandigheden waarin gewerkt wordt en de uit te voeren werkzaamheden.** Het gebruik van elektrisch gereedschap voor andere toepassingen dan het voorgeschreven gebruik kan leiden tot gevaarlijke situaties.
- h) **Houd grepen en greepoppervlakken droog, schoon en vrij van olie en vet.** Als grepen en greepoppervlakken glad zijn, kan het elektrisch gereedschap in onvoorziene situaties niet veilig bediend en onder controle gehouden worden.

#### 5) Service

- a) **Laat uw elektrisch gereedschap uitsluitend door gekwalificeerd deskundig personeel repareren met uitsluitend originele reserveonderdelen.** Hiermee wordt de veiligheid van het elektrische gereedschap gewaarborgd.

#### 6.1 Veiligheidsinstructies voor kettingzagen

##### Algemene veiligheidsvoorschriften voor kettingzagen

- a) **Houd u bij een draaiende zaag alle lichaamsdelen uit de buurt van de zaagketting. Controleer voor het starten van de zaag of de zaagketting niets raakt.** Tijdens werkzaamheden met een ket-

- tingzaag kan een moment onoplettendheid er toe leiden dat bekleding of lichaamsdelen door de zaagketting worden vastgegrepen.
- b) **Houd de kettingzaag altijd vast met uw rechterhand op de achterste greep en uw linkerhand op de voorste handgreep.** Het vasthouden van de kettingzaag in een omgekeerde werkpositie verhoogt het risico op letsel en mag nooit worden toegepast.
  - c) **Houd de kettingzaag alleen aan de geïsoleerde handgrepen vast, omdat de zaagketting of de eigen netkabel in aanraking kan komen met verborgen stroomleidingen.** Als de zaagketting in contact komt met een onder spanning staande kabel, kunnen de metalen onderdelen van het apparaat onder spanning komen te staan en elektrische schokken veroorzaken.
  - d) **Draag oogbescherming. Overige beschermende uitrusting voor gehoor, hoofd, handen, benen en voeten wordt geadviseerd.** De juiste beschermen- de kleding vermindert het gevaar voor letsel door rondvliegende spaanders en onvoorzien contact met de zaagketting.
  - e) **Werk met de kettingzaag niet in een boom, een ladder of op een dak of een onstabiele stand- plaats.** Bij gebruik op een dergelijke wijze bestaat ernstig gevaar voor letsel.
  - f) **Neem altijd een stevige stabiele stand in en gebruik de kettingzaag uitsluitend als u op een stevige, veilige en vlakke grond staat.** Een gladde of een onstabiele ondergrond kan leiden tot evenwichtsverlies of verlies van de controle over de kettingzaag.
  - g) **Let er tijdens het zagen op dat een onder span- ning staande tak, zal terugveren.** Als de spanning in de houtvezels vrijkomt, kan de onder spanning staande tak de gebruiker raken en/of de controle over de kettingzaag laten verliezen.
  - h) **Wees met name voorzichtig bij het zagen van kreupelhout en jonge boompjes.** Het dunne ma- teriaal kan in de zaagketting verstrikt raken en op u slaan of u uit evenwicht brengen.
  - i) **Draag de kettingzaag aan de voorste greep in uitgeschakelde toestand, de zaagketting van het lichaam afgekeerd. Bij het transport of de opslag van de kettingzaag altijd de bescher- mende afdekking eroverheen trekken.** Zorgvuldige omgang met de kettingzaag beperkt de waar- schijnlijkheid op een onvoorzien aanraken met de draaiende zaagketting.
  - j) **Neem de aanwijzingen inzake het smeren, de kettingspanning en het verwisselen van geleide- bladen in acht.** Een ondeskundig gespannen of gesmeerde ketting kan breken of meer kans op te- rugslag opleveren.
  - k) **Alleen hout zagen.** Gebruik de kettingzaag niet voor werkzaamheden waarvoor deze niet ge- schikt is. Voorbeeld: Gebruik de kettingzaag

**niet voor het zagen van metaal, kunststof, met- selwerk of bouwmaterialen die niet van hout zijn.** Het gebruik van de kettingzaag voor andere toepassingen dan het beoogde gebruik kan leiden tot gevaarlijke situaties.

- l) **Probeer geen boom te kappen, voordat u duide- lijk begrip hebt van risico's en de preventie hier- van.** De gebruiker of andere personen kunnen door een vallende boom ernstig letsel oplopen.

### Oorzaken en vermijding van terugslag

Terugslag kan optreden als het uiteinde van het geleideblad een voorwerp raakt of als de zaagketting in de snede wordt vastgeklemd door omhoog buigend hout.

In sommige gevallen kan contact van het uiteinde van het zaagblad een onverwachte naar achteren gerichte reactie veroorzaken waarbij het geleideblad in de richting van de gebruiker omhoog wordt geslagen.

Het vastklemmen van de zaagketting aan de bovenkant van het geleideblad kan het zaagblad snel terugstoten in de richting van de gebruiker.

Elk van deze reacties kan ertoe leiden dat u de contro- le over de zaag verliest en mogelijk ernstig gewond raakt. Vertrouw niet uitsluitend op de veiligheidsvoor- zieningen die in de kettingzaag zijn ingebouwd. Als ge- bruiker van de kettingzaag moet u verschillende maat- regelen treffen om zonder gevaar voor ongevallen of letsel te kunnen werken.

Een terugslag is het gevolg van een onjuist of verkeerd gebruik van de kettingzaag. Dit kan door passende voorzorgsmaatregelen worden voorkomen, zoals hier- onder beschreven:

- a) **Houd de kettingzaag met beide handen vast, waarbij de duimen en vingers de grepen van de kettingzaag omsluiten. Breng lichaam en armen in een houding waarbij u de terugslagkrachten kunt opvangen.** Als de juiste maatregelen worden genomen, kan de gebruiker de terugslagkrachten onder controle houden. Laat de kettingzaag nooit los.
- b) **Neem geen onnatuurlijke lichaamshouding aan en zaag niet boven schouderhoogte.** Dit voor- komt onopzettelijk contact met het uiteinde van het zaagblad en zorgt voor een betere controle van de kettingzaag in onverwachte situaties.
- c) **Gebruik ter vervanging altijd geleidebladen en zaagkettingen die door de fabrikant zijn voorge- schreven.** Onjuiste vervangende geleidebladen en zaagkettingen kunnen breuk van de zaagketting en/ of terugslag tot gevolg hebben.
- d) **Volg de aanwijzingen van de fabrikant voor het slijpen en onderhouden van de zaagketting.** Een te lage dieptebegrenzer verhoogt de kans op terug- slag.

## Overige veiligheidsvoorschriften

- Volg de onderhouds-, inspectie- en service-instructies in deze gebruiksaanwijzing zorgvuldig op. Beschadigde veiligheidsvoorzieningen en onderdelen moeten op de juiste manier gerepareerd of vervangen worden door ons Servicecentrum, tenzij anders vermeld in de gebruiksaanwijzing.
- Het wordt aanbevolen dat een beginnende gebruiker op zijn minst oefent met het zagen van boomstammen op een werkbok of metalen werkbok.
- Ga altijd boven de boomstam staan als u op hellingen zaagt. Om tijdens het "doorzagen" volledige controle te behouden, moet tegen het einde van de zaagsnede de aanpersdruk worden gereduceerd, zonder de stevige greep aan de handgrepen van het product losser te maken. Let op dat de zaagketting niet in aanraking komt met de grond. Wacht na het snijden tot het product gestopt is voordat u het product daar weghaalt.  
Schakel de motor van het product altijd uit en verwijder de accu voordat u van boom naar boom gaat.
- Vuil, stenen, losse schors, spijkers, nietjes en draad moeten van de boom verwijderd worden.
- **Gebruik geen accessoires die niet door de fabrikant zijn aanbevolen.** Dit kan leiden tot een elektrische schok of brand.
- Het gebruik van het product bij onweer is verboden - **Bliksemgevaar!**

## Overige veiligheidsvoorschriften

- **Neem alle aanwijzingen, als u de kettingzaag van materiaalresten ontdoet, deze opbergt of onderhoudswerkzaamheden hieraan wil uitvoeren. Controleer of de schakelaar is uitgeschakeld en of de voedingsstekker is verwijderd.** Een onverwacht gebruik van de kettingzaag bij het verwijderen van materiaalresten of tijdens de onderhoudswerkzaamheden kan tot ernstige verwondingen leiden.
- Wanneer het netsnoer van dit product beschadigd raakt, moet deze door de fabrikant, diens servicedienst of door een soortgelijk gekwalificeerde persoon vervangen worden om gevaar te vermijden.
- Gebruik een aardlekschakelaar met een afschakelstroom van 30 mA of minder.
- Leg de aansluitleiding zo dat deze tijdens het zagen niet door takken of gelijksoortig wordt gegrepen.
- Gebruik buitenshuis uitsluitend verlengsnoeren die hiervoor zijn goedgekeurd en die als zodanig zijn gelabeld (H07RN-F).
- Volg de onderhouds-, inspectie- en service-instructies in deze gebruiksaanwijzing zorgvuldig op. Beschadigde veiligheidsvoorzieningen en onderdelen moeten op de juiste manier gerepareerd of vervangen worden door ons Servicecentrum, tenzij anders vermeld in de gebruiksaanwijzing.

- Ga altijd boven de boomstam staan als u op hellingen zaagt. Om tijdens het "doorzagen" volledige controle te behouden, moet tegen het einde van de zaagsnede de aanpersdruk worden gereduceerd, zonder de stevige greep aan de handgrepen van het product losser te maken. Let op dat de zaagketting niet in aanraking komt met de grond. Wacht na het snijden tot het product gestopt is voordat u het product daar weghaalt.  
Het product altijd uitschakelen en de voedingsstekker eruit trekken, voordat men van boom naar boom wisselt.
- Vuil, stenen, losse schors, spijkers, nietjes en draad moeten van de boom verwijderd worden.
- Gebruik het product niet zonder smering en let erop om deze altijd op tijd bij te vullen, voordat de tank leeg is.
- Gebruik alleen de door de fabrikant aanbevolen smeermiddelen.
- Het wordt aanbevolen dat een beginnende gebruiker op zijn minst oefent met het zagen van boomstammen op een werkbok of metalen werkbok.
- **Gebruik geen accessoires die niet door de fabrikant zijn aanbevolen.** Dit kan leiden tot een elektrische schok of brand.
- Het gebruik van het product bij onweer is verboden - **Bliksemgevaar!**

De zaagketting kan in een erkende werkplaats opnieuw worden geslepen. Probeer de zaagketting niet zelf te slijpen als u niet over geschikt gereedschap en de nodige ervaring beschikt.

## Veiligheidsvoorzieningen (afb. 1)


- **Achterste greep (2) met handbescherming (10)**
  - Beschermt de hand tegen takken en twijgen en in het geval dat de zaagketting eraf springt.
- **Inschakelblokkering (3)**
  - Om het product in te schakelen, moet de inschakelblokkering ontgrendeld zijn. De inschakelblokkering voorkomt het onvoorzien starten van het product.
- **Kettingvanginrichting (5a)**
  - Vermindert het gevaar op letsels als de zaagketting scheurt of eraf springt.
- **Zaagketting (8) met lage terugslag**
  - Hilt Ihnen mit speziell entwickelten Sicherheitseinrichtungen, Rückschläge abzufangen.
- **Aan/uit-schakelaar (11) met onmiddellijke kettingstop**
  - Het product schakelt onmiddellijk uit wanneer u de aan/uit-schakelaar loslaat.
- **Klauwaanslag (15)**
  - Verhoogt de stabiliteit bij verticale snedes en maakt zagen gemakkelijker.

### Aanwijzing:

De zaagketting loopt niet als de kettingrem is geactiveerd.

- **Kettingrem / voorste handbescherming (16)**
  - Veiligheidsvoorziening die de zaagketting onmiddellijk stopt in geval van terugslag.
  - De hendel kan ook handmatig worden bediend.
  - Beschermt de linkerhand van de bestuurder als deze van de voorste handgreep afglijdt.
- **elektromotor**
  - Is vanwege veiligheidsredenen dubbel geïsoleerd.

## 6.2 Persoonlijke beschermingsmiddelen (PBM)

 <b>GEVAAR</b>
<b>Gevaar voor letsel!</b>
Draag altijd persoonlijke beschermingsmiddelen (PBM):
– Draag een veiligheidshelm met gelaatbescherming of veiligheidsbril en gehoorbescherming.
– Draag nauw aansluitende beschermende kleding met zaagbeschermingslaag.
– Draag antislip veiligheidsschoenen.
– Draag veiligheidshandschoenen.

- **Voorkom een onnatuurlijke lichaamshouding. Zorg voor een stabiele positie en zorg ervoor dat u altijd stabiel staat.** Daardoor kunt u het elektrische gereedschap in onverwachte situaties beter onder controle houden.
- Het product mag niet worden gebruikt door personen (inclusief kinderen) met verminderde fysieke, zintuiglijke of mentale capaciteiten of een gebrek aan ervaring en kennis.
- **Draag geschikte kleding. Draag geen wijde kleding of sieraden. Houd haren en kleding uit de buurt van bewegende delen.** Loszittende kleding, sieraden of lange haren kunnen worden vastgegrepen door bewegende delen.
- Draag altijd stevig schoeisel en een lange broek wanneer u het product gebruikt. Gebruik het product niet als u op blote voeten of met open sandalen loopt. Vermijd het dragen van loszittende kleding of kleding met hangende koordjes of dassen.
- Draag bij alle soorten werkzaamheden in het bos een veiligheidshelm. Deze geeft bescherming tegen vallende takken. Controleer de veiligheidshelm regelmatig op beschadigingen. De helm dient uiterlijk na 5 jaar te worden vervangen. Gebruik uitsluitend goedgekeurde veiligheidshelmen.

- De gelaatbescherming en/of de veiligheidsbril biedt bescherming tegen zaagsel en houtsplinters. Om oogletsel te voorkomen, dient bij het werken met het product altijd een gelaatbescherming of veiligheidsbril te worden gedragen.
- Draag gehoorbescherming.
- Draag veiligheidshandschoenen.
- Draag een stofmasker bij het zagen van droog hout. Er kan zaagstof vrijkomen.
- Als in de boom wordt gewerkt, kan de gebruiker vallen. De gebruiker kan ernstig gewond raken of worden gedood. Draag een valbeveiliging.

## 6.3 Veiligheid van de omgeving

- Nationale en/of plaatselijke voorschriften kunnen een tijdslimiet stellen aan het gebruik van luidruchtige, door een motor aangedreven product. Vraag uw lokale overheid hiernaar.
- Werk alleen bij daglicht.
- Werk niet bij ongunstige weersomstandigheden, zoals bijv. regen of wind. Hierbij bestaat een verhoogd risico op ongelukken!
- Een rommelige werkomgeving kan ongevallen met zich meebrengen.
- Houd kinderen en andere personen tijdens het gebruik uit de buurt van het product. Bij afbuiging kunt u de controle over het product verliezen.
- Bedien het product nooit als er mensen, vooral kinderen, of dieren in de buurt zijn.
- Werk niet in de buurt van draadafstralingen of in gebieden met losse oude draad.

## Restrisico's

**Het product is vervaardigd volgens de stand van de techniek en de erkende veiligheidstechnische regels. Toch kan tijdens de werkzaamheden sprake zijn van enkele restrisico's.**

- Restrisico's kunnen worden geminimaliseerd als de "veiligheidsvoorschriften" en het "gebruik conform de voorschriften" alsook de bedieningshandleiding worden opgevolgd.
- Gebruik het product zoals in deze gebruikshandleiding wordt aanbevolen. U verkrijgt dan optimale prestaties met uw product.
- Bovendien kunnen er ondanks alle getroffen voorzieningen verborgen restrisico's bestaan.
- Houd uw handen buiten de werkomgeving, wanneer het product in bedrijf is.
- Beschadiging van het gehoor, als de voorgeschreven gehoorbescherming niet wordt gedragen.
- Schade aan de longen als de voorgeschreven ademhalingsbescherming niet wordt gedragen.

- Gevaar voor letsel door wegslingerend gereedschap bij ondeskundige bediening of ondeskundige geleiding.
- Gevaar voor de gezondheid, veroorzaakt door elektriciteit bij gebruik van onjuiste snoeren.
- Voorkom dat u het product onbedoeld inschakelt: als u de stekker in het stopcontact steekt, mag de aan/uit-schakelaar niet worden ingedrukt.
- Voordat u instel- of onderhoudswerkzaamheden uitvoert, laat u de aan/uit-schakelaar los en trekt u de voedingsstekker uit het stopcontact.

### WAARSCHUWING

Dit elektrisch apparaat genereert een elektromagnetisch veld als het is ingeschakeld. Dit veld kan onder bepaalde omstandigheden interfereren met actieve of passieve medische implantaten. Om het risico op ernstig of dodelijk letsel te beperken, raden we personen met medische implantaten aan om hun arts en de fabrikant van het medische implantaat te raadplegen voordat het elektrische apparaat wordt gebruikt.

### WAARSCHUWING

Bij langdurige werkzaamheden kunnen door de trillingen stoornissen in de doorbloeding in de handen van de gebruiker optreden (witte vinger syndroom).

Raynaud-syndroom (dove vingers) is een vaatziekte, waarbij kleine bloedvaten in de vingers en tenen acuut verkrampen. De desbetreffende lichaamsdelen worden dan niet meer voldoende van bloed voorzien waardoor ze een bleke kleur krijgen. Het frequente gebruik van trillende producten kan zenuwbeschadigingen veroorzaken bij personen met een verminderde doorbloeding (bijv. rokers, diabetici).

Als u ongewone beperkingen bespeurt, stopt u direct de werkzaamheden en raadpleegt u een arts.

## 7 Technische gegevens

Nominale spanning	220-240V AC / 50/60 Hz
Vermogen S1*	1600 W
Beschermingsklasse	II
Beschermingsgraad	IPX0
Kettingnelheid	15 m/s
Geleideblad	14"
Kettingzwaardlengte	41,5 cm
Snijlengte**	34 cm
Kettingsteek	3/8"
Kettingwiel aantal tanden	52 tanden
Type zaagketting	3/8LP-52

Type geleideblad	AP14-52-507P
Tank/kettingzaagolie	0,35 l
Gewicht (met kettingzwaard en zaagketting)	ca. 4,8 kg
Gewicht (zonder kettingzwaard, zaagketting en kabel)	ca. 4,2 kg

Technische wijzigingen voorbehouden!

### \*Bedrijfsmodus S1 (continubedrijf)

Het product kan continu met het aangegeven vermogen worden gebruikt.

\*\*De werkelijke snijlengte kan korter zijn dan de aangegeven snijlengte.

### Geluid en trilling

### WAARSCHUWING

Lawaai kan ernstige gezondheidsklachten tot gevolg hebben. Als het geluid van de machine hoger is dan 85 dB, draag dan geschikte gehoorbescherming voor u en personen in de omgeving.

### Geluidswaarden

Geluidsdrukniveau $L_{pA}$	95,3 dB
Meeton nauwkeurigheid $K_{pA}$	3 dB
Gemeten geluidsvermogensniveau $L_{wA}$	103,3 dB
Gegarandeerd geluidsvermogensniveau $L_{wA}$	106 dB
Meetonzekerheid $K_{wA}$	3 dB

### Trillingskenwaarden (hand-arm-trilling)

Vibratie $a_n$	
Voorste greep	3,26 m/s <sup>2</sup>
Achterste greep	3,51 m/s <sup>2</sup>
Meeton nauwkeurigheid K	1,5 m/s <sup>2</sup>

De aangegeven totale trillingswaarde en de aangegeven geluidsemmissiewaarde zijn gemeten volgens een standaardtestmethode en kunnen worden gebruikt om elektrische apparaten met elkaar te vergelijken.

De aangegeven geluidsemmissiewaarden en de aangegeven totale trillingswaarde kunnen ook worden gebruikt als voorlopige indicatie van de belasting.

## WAARSCHUWING

**De geluidsemissies en de trillingsemissie-waarde kunnen van de opgegeven waarde afwijken wanneer de machine daadwerkelijk wordt gebruikt. Dit is afhankelijk van de wijze waarop het elektrische apparaat wordt gebruikt en de aard van het werkstuk dat wordt bewerkt.**

Probeer om de belasting zo gering mogelijk te houden. Zo kan bijvoorbeeld de werktijd worden beperkt. Hierbij moeten alle aspecten van de bedrijfs-cyclus in aanmerking worden genomen (zoals de tijd dat de machine uitgeschakeld is en de tijd dat deze ingeschakeld is, maar onbelast draait).

## 8 Uitpakken

### WAARSCHUWING

**Het product en de verpakkingsmaterialen zijn geen kinderspeelgoed!**

**Kinderen mogen niet met plastic zakken, folies en kleine onderdelen spelen! Er bestaat gevaar voor inslikken en verstikkingsgevaar!**

- Open de verpakking en haal het product er voorzichtig uit.
- Verwijder het verpakkingsmateriaal evenals de verpakkings- en transportbeveiligingen (indien voorhanden).
- Controleer of de inhoud van de levering volledig is.
- Controleer het product en de hulpstukken op transportschade. Meld eventuele schade direct bij het transportbedrijf dat het product heeft bezorgd. Reclamaties op een later tijdstip worden niet erkend.
- Bewaar de verpakking indien mogelijk tot na het verstrijken van de garantietijd.
- Maak u voor aanvang van de werkzaamheden bekend met het product aan de hand van de gebruikshandleiding.
- Gebruik bij accessoires alsook slijtage- en reserveonderdelen uitsluitend originele onderdelen. Reserveonderdelen zijn verkrijgbaar bij de leverancier.
- Geef bij bestellingen onze artikelnummers alsook type en bouwjaar van het product aan.

## 9 Voor de ingebruikname

### WAARSCHUWING

**Trek altijd de voedingsstekker eruit voordat u instellingen aan het product uitvoert.**

## WAARSCHUWING

### **Gevaar voor letsel!**

Steek de voedingsstekker pas in het stopcontact als het product klaar is voor gebruik.

## GEVAAR

### **Gevaar voor letsel!**

Als een onvolledig gemonteerd product wordt gebruikt, kan dit ernstig letsel veroorzaken.

- Gebruik het product pas nadat het volledig gemonteerd is.
- Voor elk gebruik een visuele inspectie uitvoeren om te controleren of het product compleet is en geen beschadigde of versleten onderdelen bevat. Veiligheids- en veiligheidsinrichtingen moeten intact zijn.

## WAARSCHUWING

### **Gevaar voor letsel bij het hanteren van de zaagketting of het zwaard!**

- Draag snijbestendige handschoenen.

#### **Aanwijzingen:**

- Een nieuwe zaagketting rekt op en moet vaker worden opgespannen. Controleer de kettingspanning regelmatig na elke snede en stel deze zo nodig bij.
- Gebruik alleen zaagkettingen en zaagbladen die voor dit product ontworpen zijn.

## VOORZICHTIG

Een verkeerd gemonteerde zaagketting leidt tot ongecontroleerd zaaggedrag van het product!

Let bij het monteren van de zaagketting op de voorgeschreven looprichting!

- Plaats het product op een vlak, recht oppervlak.
- Maak u voor aanvang van de werkzaamheden bekend met het product aan de hand van de gebruikshandleiding.

Het is verplicht om het product voor elk gebruik of na het laten vallen zorgvuldig te controleren op eventuele schade. Als er schade wordt gevonden, moet deze onmiddellijk door u of een erkend servicecentrum worden gerepareerd.

De volgende punten moeten in acht worden genomen om ervoor te zorgen dat het product perfect functioneert en een lange levensduur heeft:

- Correcte plaatsing van het geleideblad.
- Installatie/looprichting, evenals perfecte (scherpe) zaagketting.

- Spanning van de zaagketting (meerdere keren controleren en opnieuw afstellen met een nieuwe ketting).
- Werking van de kettingsmering.
- Werking van de kettingrem.
- Werking van de koppeling (geen beweging van de ketting bij stationair draaien).
- Perfecte staat en volledigheid van de veiligheidsvoorzieningen en de snij-inrichting.
- Stevige bevestiging van de schroefverbindingen.
- Soepel lopen van alle bewegende delen.

## 9.1 Monteer het kettingzwaard (7) en de zaagketting (8) (afb. 2)

1. Draai het kettingspanwiel (6) tegen de klok in om de kettingwielafdekking (5) te verwijderen.
2. Leg de zaagketting (8) in een lus zodat de snijkanten rechtsom uitgelijnd zijn. Volg de symbolen (pijlen) op de zaagketting (8) of boven de geleidepen (20) om de zaagketting (8) uit te lijnen.
3. Steek de zaagketting (8) in de groef van het kettingzwaard (7).  
Houd voor de montage het zwaard (7) omhoog gezwenkt in een hoek van ongeveer 45 graden om het gemakkelijker te maken de zaagketting (8) op het kettingwiel (18) te kunnen geleiden. De zaagketting (8) wordt via de afbuigster (7a) geleid.
4. Plaats het kettingzwaard (7) op de geleidebout (20) en op de tapbout (19). De geleidebout (20) en de tapbout (19) moeten in het sleufgat op het kettingzwaard (7) geplaatst worden.
5. Leid de zaagketting (8) rond het kettingwiel (18) en controleer de uitlijning van de zaagketting (8).
6. Plaats het kettingwielafdekking (5) weer terug. Let erop dat de kettingwielafdekking (5) in de groef op de behuizing zit.
7. Draai het kettingspanwiel (6) met de hand rechtsom.
8. Controleer nogmaals de zitting van de zaagketting (8) en span de zaagketting (8).

### Aanwijzing:

Houd er rekening mee dat het product na gebruik opnieuw zal oliën en dat er olie kan lekken als het product zijwaarts of ondersteboven wordt bewaard. Dit is een normaal proces, veroorzaakt door de noodzakelijke ventilatieopening aan de bovenrand van de tank, en is geen reden tot reclamatie. Aangezien dit product tijdens de productie met olie wordt gecontroleerd en getest, kan er ondanks het legen een klein restje in de tank achterblijven, dat tijdens het transport van de behuizing gemakkelijk met olie besmeurd kan raken. Maak de behuizing schoon met een doek.

Voordat u de zaagketting verwisselt, moet de groef van het geleideblad van vuil worden ontdaan, omdat de zaagketting uit het zaagblad kan springen als er vuilaf-

zetting aanwezig is. De afzettingen kunnen ook de kettingzaagolie opzuigen. Het gevolg zou zijn dat de kettingzaagolie de onderkant van de rail niet of slechts in geringe mate bereikt en smering wordt verhinderd.

## 9.2 Zaagketting (8) spannen (afb. 3)



### WAARSCHUWING

#### Gevaar voor letsel door wegspringende zaagketting!

Een onvoldoende gespannen zaagketting kan tijdens het gebruik losraken en letsel veroorzaken.

- Controleer regelmatig de spanning van de zaagketting.
- De zaagkettingspanning is te laag als de aandrijfschakels uit de groef aan de onderkant van het geleideblad komen.
- Versterk de zaagketting goed als de zaagkettingspanning te laag is.

1. Controleer of de kettingrem (16) gelost is (zie 10.1.2).
2. Stel de kettingspanning met het kettingspanwiel (6) in.
  - Rechtsom - verhoogt de kettingspanning
  - Linksom - vermindert de kettingspanning
3. Draai de zaagketting (8) met de hand om te controleren of deze goed loopt. Het moet vrij in het kettingzwaard (7) glijden.

De zaagketting (8) mag niet doorzakken, maar moet wel minimaal 1-2 millimeter van het zaagblad (7) in het midden van het zaagblad weggetrokken kunnen worden.

De kettingspanning en kettingsmering hebben een aanzienlijke invloed op de levensduur van de zaagketting.

De zaagketting is correct gespannen als deze niet doorhangt aan de onderzijde van het kettingzwaard en helemaal rond kan worden getrokken met de gehandschoende hand. Wanneer u met 9 N (ca. 1 kg) trekkracht aan de zaagketting trekt, mogen de zaagketting en het kettingzwaard niet meer dan 7 mm uit elkaar liggen.

De zaagketting (8) mag er bij een gemiddelde trekkracht met de hand maximaal 9 mm kunnen worden afgetrokken.

### Aanwijzing:

- De spanning van een nieuwe ketting moet na enkele minuten werken worden gecontroleerd en bijgesteld.
- Het spannen van de zaagketting moet gebeuren op een schone plaats, vrij van zaagsel en dergelijke.

- Het correct spannen van de zaagketting is voor de veiligheid van de gebruiker en vermindert of voorkomt slijtage en schade aan de ketting.
- Wij raden de gebruiker aan om de kettingspanning te controleren voordat hij voor de eerste keer aan het werk gaat.

## LET OP

Tijdens het werken met de zaag warmt de zaagketting op en wordt daardoor iets langer. Dit "opnieuw verlengen" is vooral te verwachten bij nieuwe zaagkettingen.

### 9.3 Kettingzaagolie (22) bijvullen (afb. 4)

#### GEVAAR

Schakel het product altijd uit en laat de motor afkoelen voordat u olie bijvult. Er bestaat brandgevaar als er olie overloopt.

#### WAARSCHUWING

Zwaard en zaagketting mogen niet zonder olie zijn. Als u de benzine kettingzaag met weinig olie gebruikt, neemt het zaagvermogen en de levensduur van de zaagketting af, omdat de zaagketting sneller stomp wordt. Te weinig olie is te herkennen aan de rookontwikkeling of de verkleuring van het zwaard.

## LET OP

#### Milieuschade!

Uitgelopen olie kan het milieu ernstig verontreinigen. De vloeistof is zeer giftig en kan snel tot waterverontreiniging leiden.

- Olie uitsluitend vullen/aftappen op vlakke, stevige ondergronden.
- Gebruik een vulpijp of trechter.
- Vang afgetapte olie in een geschikte container op.
- Veeg gemorste olie direct zorgvuldig weg en verwijder de doek conform de lokale voorschriften.
- Verwijder olie conform de lokale voorschriften.

De zaagketting wordt automatisch gesmeerd tijdens het gebruik van het product. Om de zaagketting goed te smeren, moet er altijd voldoende kettingzaagolie in de olietank zijn. Controleer regelmatig de resterende hoeveelheid olie in het oliereservoir.

#### Aanwijzing:

- Het deksel is voorzien van een verliesbeveiliging.

- Vul bij voorkeur biologisch afbreekbare kettingzaagolie (22) in de kettingzaag.
  - Voordat u het product inschakelt, moet u ervoor zorgen dat de olietankdop op zijn plaats zit en gesloten is.
1. Open de olietank (12). Schroef hiervoor de olietankdop (4) linksom los.
  2. Gebruik een trechter\* om te voorkomen dat er olie weglekt.
  3. Vul de kettingzaagolie (22) voorzichtig bij tot de bovenste markering van de oliepeilindicator (13) is bereikt. Inhoud olietank: max. 350 ml.
  4. Draai de olietankdop (4) rechtsom dicht om de olietank (12) af te sluiten.
  5. Veeg gemorste olie direct zorgvuldig weg en verwijder de doek conform de lokale voorschriften.
  6. Om de smering van de zaagketting te controleren, houdt u het product met de zaagketting boven een vel papier en geeft u enkele seconden vol gas. Op het papier kunt u zien of de kettingsmering werkt.

## 10 Bediening

De elektrische kettingzaag beschikt over een elektromotor als aandrijving. De draaiende zaagketting wordt geleid door een kettingzwaard (geleideblad).

Het product is uitgerust met een snelstop-kettingrem. Een automatisch oliesysteem zorgt voor een continue kettingsmering. Ter bescherming van de gebruiker is de elektrische kettingzaag voorzien van verschillende veiligheidsinrichtingen.

De werking van de bedieningsonderdelen vindt u in de volgende beschrijvingen.

## LET OP

**Het product voor de ingebruikstelling in ieder geval volledig monteren!**

## LET OP

Let op dat de omgevingstemperatuur, tijdens de werkzaamheden niet hoger is dan 50 °C en niet lager is dan -20 °C.

#### GEVAAR

#### Gevaar voor letsel!

Als het product vastzit, probeer het product er dan niet met geweld uit te trekken.

- Zet de motor af.
- Gebruik een hefboomarm of wig om het product vrij te krijgen.

## 10.1 Kettingrem (16) (afb. 1, 5)

### WAARSCHUWING

**De kettingrem moet elke ingebruikname worden gecontroleerd.**

De kettingrem remt de zaagketting bij terugslag onmiddellijk af.

### WAARSCHUWING

**Als de kettingrem niet correct werkt, mag u de kettingzaag niet gebruiken.**

**Er bestaat een risico op letsel door de slepende zaagketting.**

**Neem contact op met de klantenservice.**

### WAARSCHUWING

#### **Productbeschadiging!**

Als het motortoerental te lang wordt opgevoerd terwijl de kettingrem is geblokkeerd, raken de motor en de zaagkettingaandrijving beschadigd.

Als de zaagketting desondanks beweegt, moet u contact opnemen met de klantenservice.

#### **Aanwijzing:**

De zaagketting loopt niet als de kettingrem is geactiveerd.

#### **10.1.1 De kettingrem/voorste handbescherming activeren (16)**

1. Kantel de kettingrem/voorste handbescherming (16) in de richting van het kettingzwaard (7).

#### **10.1.2 Draai de kettingrem/voorste handbescherming (16) los**

1. Trek de kettingrem/voorste handbescherming (16) naar de voorste greep (14) toe. De kettingrem/voorste handbescherming (16) klikt hoorbaar vast,

#### **10.1.3 De kettingrem/voorste handbescherming controleren (16)**

1. Maak de kettingrem/voorste handbescherming (16) los, zoals beschreven in 10.1.2.
2. Houd de kettingzaag stevig vast met beide handen.
3. Schakel de kettingzaag in zoals beschreven onder 10.1.3.
4. Kantel de kettingrem/voorste handbescherming (16) in de richting van het kettingzwaard (7). De zaagketting (8) moet onmiddellijk stoppen!

#### **Aanwijzing:**

Als de zaagketting nog steeds beweegt, mag u het product niet gebruiken. Er bestaat een risico op letsel door de slepende zaagketting. Neem contact op met de klantenservice.

## 10.2 Het product in-/uitschakelen en bedienen (afb. 1)

### WAARSCHUWING

#### **Risico op letsel door terugslag!**

- Gebruik het product nooit met één hand!

#### **Inschakelen**

1. Controleer of er kettingzaagolie (22) in de olietank (12) zit.
2. Vorm aan het einde van het verlengsnoer\* een lus en hang deze in de trekcontasting (9) op de achterste greep (2).
3. Steek de voedingsstekker in een correct gezekeerd stopcontact.
4. Verwijder de zwaard- en kettingbescherming (17) van het kettingzwaard (7).
5. Maak de kettingrem (16) los. De kettingrem (16) klikt hoorbaar vast.
6. Houd het product met uw linkerhand vast aan de voorste greep (14) en met uw rechterhand aan de achterste greep (2). Duim en vingers moeten de grepen (2/14) stevig omsluiten.
7. Breng lichaam en armen in een houding waarbij u de terugslagkrachten kunt opvangen.
8. Schuif de inschakelblokkering (3) op de achterste greep (2) naar voren en houd deze in deze positie.
9. Voor het inschakelen van het product, drukt u de aan/uit-schakelaar (11) in.
10. Maak de inschakelvergrendeling (3) los.

#### **Aanwijzing:**

Het is niet nodig om de inschakelblokkering na het starten van het product ingedrukt te houden. De inschakelblokkering moet een onvoorzien starten van het product verhinderen.

Een continue schakeling is niet mogelijk.

#### **Uitschakelen**

1. Voor het uitschakelen, laat u de aan/uit-schakelaar (11) los.
2. Activeer de kettingrem (16).
3. Plaats na de werkzaamheden met het product de meegeleverde zwaard- en kettingbescherming (17) aan.
4. Trek de voedingsstekker uit het stopcontact als het product niet in gebruik is.
5. Verwijder het verlengsnoer\* uit de trekcontasting (9).

\* = niet altijd meegeleverd!

### 10.3 Overbelastingsbeveiliging

Bij overbelasting van het product schakelt het vanzelf uit. Na een afkoeltijd (variërend in tijd) kan het product weer worden ingeschakeld.

### 10.4 Zaagkettingsmering controleren (afb. 4)

#### Aanwijzing:

Controleer voor het begin van de werkzaamheden het oliepeil en de werking van de kettingsmering.

1. Om de smering van de zaagketting te controleren, houdt u het product met de zaagketting boven een vel papier en geeft u enkele seconden vol gas. Op het papier kunt u zien of de kettingsmering werkt.

#### Aanwijzing:

Als er geen oliespoor te zien is, reinig dan eventueel de oliedoorvoer en laat de benzine kettingzaag door onze klantenservice repareren.

1. Reinig de oliedoorvoer (21) om het storingsvrij, automatisch smeren van de zaagketting (8) tijdens het gebruik te garanderen. Gebruik een kwast\* of een doek\* om resten uit de oliedoorvoer (21) te vegen.

\* = niet altijd meegeleverd!

## 11 Werkinstructies

 **GEVAAR**

**Gevaar voor letsel!**

Dit hoofdstuk behandelt de basistechniek voor het gebruik van het product.


De hier verstrekte informatie vervangt niet de jarenlange opleiding en ervaring van een vakman. Vermijd werkzaamheden waarvoor u niet voldoende gekwalificeerd bent!

Onzorgvuldig gebruik van het product kan ernstig letsel of zelfs de dood tot gevolg hebben!

 **GEVAAR**

**Gevaar voor letsel!**

Het zagen en kappen van bomen en alle daarmee verbonden werkzaamheden mogen alleen door speciaal hiervoor opgeleide en getrainde personen worden uitgevoerd.

 **WAARSCHUWING**

Wij raden onervaren gebruikers vanwege veiligheidsredenen af om boomstammen te vellen met een zwaardlengte die kleiner is dan de diameter van de stam.

#### Aanwijzingen:

Let er voor het inschakelen op dat het product geen voorwerpen aanraakt.

Neem de betreffende nationale voorschriften voor kapwerkzaamheden in acht en win informatie in bij de bevoegde instantie.

- Let op dat de vallende takken en bomen niemand kunnen raken.
- In de werkomgeving mogen zich alleen de voor het kappen benodigde personen ophouden.
- Houd de werkomgeving rondom de stam vrij en opgeruimd, zodat de gebruiker die er werkt veilig kan staan.
- Houd vluchtwegen vrij en opgeruimd om de werkomgeving snel te kunnen verlaten.
- Voer geen kapwerkzaamheden uit bij harde wind, slecht weer of slecht zicht.
- Houd steeds een afstand tot de dichtstbijzijnde werkplek van ten minste 2 1/2 boomlengte aan.
- Schakel de motor uit als de zaag in aanraking komt met vreemde objecten. Controleer de zaag en repareer deze zo nodig.
- Beveilig de zaagketting tegen vuil en zand. Zelfs bij een geringe hoeveelheid vuil kan de zaagketting snel bot worden, waardoor het gevaar voor terugslag toeneemt.
- Begin met het zagen van kleinere boomstammen om te oefenen en om gevoel voor het product te krijgen voordat u de lastige taken gaat uitvoeren.
- Druk de behuizing van de kettingzaag tegen de boomstam, als u met zagen begint.
- Laat de zaag het werk doen. Oefen slechts lichte druk naar beneden uit.
- Om te voorkomen dat u de controle over het product verliest als de zaagketting uit het hout komt, mag u aan het einde van de zaagsnede geen druk op de zaag uitoefenen.
- Snijd geen hout dat op de grond ligt en probeer geen wortels door te snijden die uit de grond steken.
- Voorkom een onnatuurlijke lichaamshouding. Zorg voor een stabiele positie en zorg ervoor dat u altijd stabiel staat. Hierdoor kunt u het product in onverwachte situaties beter onder controle houden.
- U hebt betere controle als u met de onderkant van het zwaard zaagt (met trekking).
- De zaagketting mag tijdens en na het zagen de grond of een ander voorwerp niet raken.
- Neem ook de voorzorgsmaatregelen tegen terugslag in acht (zie veiligheidsinstructies).

## 11.1 Juiste houding

### GEVAAR

#### **Gevaar voor letsel!**

- Nooit op onstabiele oppervlakken werken!
- Nooit boven schouderhoogte werken!
- Nooit staand op ladders werken!
- Werk niet te ver vooruit!
- Gebruik het product alleen bij gunstige weers- en terreinomstandigheden!
- Sta met beide voeten stevig op de grond.
- Wacht op obstakels in het werkgebied.
- Houd het product tijdens het werken altijd met beide handen vast!

## 11.2 Zo zaagt u op de juiste wijze!

- Oefen gelijkmatige druk uit op het product, maar gebruik geen overmatige kracht.
- Plaats indien mogelijk het product met de klauwaanslag op de te zagen tak.
- Werk nooit zonder klauwaanslag. Het product kan de operator naar voren trekken.
- Gebruik de klauwaanslag voor het zagen van boomstammen of dikke takken.
- Het gebruik van de klauwaanslag verhoogt de arbeidsveiligheid, vermindert de persoonlijke belasting tijdens het werk en vermindert ook de trillingen.
- Indien een vreemd voorwerp is geraakt. Controleer het product op beschadigingen en voer de noodzakelijke reparaties uit voordat u het product opnieuw start en ermee gaat werken. Indien het product bij het starten ongewoon sterk trilt, moet deze direct worden onderzocht.

## 11.3 Zaagtechnieken

### 11.3.1 Trekkend zagen

Bij deze techniek met de onderkant van het kettingzwaard van boven naar beneden gezaagd.

De zaagketting schuift het product naar voren, weg van de gebruiker. Hier vormt de voorkant van het product een steun die de krachten absorbeert die op de boomstam ontstaan tijdens het zagen. Bij het trekken van de zaag heeft de gebruiker veel meer controle over het product en kan hij terugslag beter vermijden.

## 11.3.2 Duwend zagen

### GEVAAR

#### **Levensgevaarlijke letsels!**

Als het kettingzwaard kantelt, kan het product met grote kracht naar de gebruiker worden geslingerd. Als de gebruiker de kracht van de naar achteren duwende zaagketting niet compenseert met zijn lichaamskracht, bestaat het risico dat alleen het uiteinde van het kettingzwaard nog in contact is met het hout, met terugslag als gevolg.

Bij deze techniek wordt met de bovenkant van het geleideblad van onder naar boven gezaagd.

De zaagketting duwt het product naar achteren in de richting van de gebruiker.

### 11.3.3 Afkorten

Afkorten is het zagen van gekapte boomstammen in kleine stukken. Indien mogelijk moet de stam worden onderbouwd en ondersteund door takken, balken of wiggen.

- **Neem altijd een stevige stabiele stand in en gebruik de kettingzaag uitsluitend als u op een stevige, veilige en vlakke grond staat.** Een gladde of een onstabiele ondergrond kan leiden tot evenwichtsverlies of verlies van de controle over de kettingzaag.
- Ga altijd boven de tak staan als u op hellingen zaagt. Let op dat de zaagketting niet in aanraking komt met de grond. Wacht na het zagen tot de zaagketting tot stilstand is gekomen voordat u het product verwijdert.
- Schakel de motor van het product altijd uit voordat u van werkstation naar werkstation gaat.

#### 11.3.3.1 Stam ligt op de grond (afb. 6)

- De zaagketting mag tijdens en na het zagen de grond of een ander voorwerp niet raken.
- Zaag vanaf de bovenkant helemaal door de stam heen.
- Als de mogelijkheid bestaat om de stam te draaien, zaag deze tot 2/3 door. Dan draait u de stam om en zaagt u de rest van de stam van bovenaf door.

#### 11.3.3.2 De stam wordt aan één uiteinde ondersteund (afb. 7)

- Zaag eerst 1/3 van de stamdiameter van onder naar boven door (met de bovenkant van het kettingzwaard) om splinteren te voorkomen.
- Zaag vervolgens van boven naar beneden (met de onderkant van het kettingzwaard) in de richting van de eerste zaagsnede om vastlopen te voorkomen.

### 11.3.3.3 De stam wordt aan beide uiteinden ondersteund (afb. 8)

- Zaag eerst 1/3 van de stamdiameter van boven naar beneden door (met de onderkant van het kettingzwaard).
- Zaag vervolgens van onder naar boven (met de bovenkant van het kettingzwaard) totdat de zaagsneden samenkomen.

### 11.3.3.4 Zagen op een werkbok (afb. 9)

1. Houd het product stevig met beide handen vast en leid het product voor het lichaam terwijl u zaagt **1**.
2. Geef het product bij het zagen van het hout rechts van het lichaam door.  
Houd uw linkerarm zo recht mogelijk **2**. Kijk uit voor de vallende stam.
3. Plaats uzelf zodanig dat de afgehakte stam geen gevaar oplevert.
4. Let op uw voeten **3**. De afgezaagde stam kan verwondingen veroorzaken als hij valt.
5. Zorg ervoor dat uw lichaam in evenwicht is en dat u een stabiele stand hebt.

### 11.3.4 Snoeien (afb. 10)

#### WAARSCHUWING

##### **Gevaar voor letsels!**

Er gebeuren veel ongelukken tijdens het snoeien.

- Houd het product stevig met beide handen vast en leid het product voor het lichaam terwijl u zaagt.
- Buig tijdens de werkzaamheden nooit te ver naar voren.
- Zaag nooit takken af als u op de boomstam staat.
- Houd het terugslaggebied in de gaten wanneer takken onder spanning staan.

Snoeien is de term voor het verwijderen van takken en twijgen van een boom.

- Verwijder ondersteunende takken pas nadat u ze op lengte hebt afgekort.
- Takken onder spanning moeten van onder naar boven worden gezaagd om te voorkomen dat het product vastloopt.
- Gebruik bij het afzagen van dikkere takken dezelfde techniek als bij het op lengte afkorten.
- Werk links van de stam en zo dicht mogelijk bij het product. Indien mogelijk rust het gewicht van het product op de stam.
- Verander de locatie om takken voorbij de stam te zagen.
- Vertakte takken worden afzonderlijk op lengte afgekort.

- Laat bij het snoeien de grotere neerwaartse takken die de boom ondersteunen eerst zitten. Snoei kleinere takken met één snede.
- Verwijder naar beneden hangende takken door de snede boven de tak te maken.
- Snoei nooit hoger dan schouderhoogte.

### 11.3.5 Vellen van een boom (afb. 11, 12)

#### GEVAAR

##### **Gevaar voor letsels!**

Het zagen en kappen van bomen en alle daarmee verbonden werkzaamheden mogen alleen door speciaal hiervoor opgeleide en getrainde personen worden uitgevoerd.

#### GEVAAR

Er is veel ervaring nodig om bomen te kappen. Kap alleen bomen als u het product veilig kunt hanteren. Gebruik het product nooit als u zich onveilig voelt.

#### GEVAAR

##### **Levensgevaarlijke letsels!**

- Zaag de stam nooit helemaal door!
- Bij het kappen alleen aan de zijkant van de te kappen boom gaan staan!

#### GEVAAR

Zaag een boom niet om als er een sterke of veranderlijke wind staat, als er gevaar is voor schade aan eigendommen of als de boom elektriciteitskabels zou kunnen raken.

#### GEVAAR

Bij het vellen van bomen moet erop worden gelet dat andere personen niet aan gevaar worden blootgesteld, geen voedingsleidingen geraakt worden en er geen materiële schade wordt veroorzaakt. Als een boom met een voedingsleiding in contact komt, moet het nutsbedrijf direct op de hoogte worden gebracht.

- Zorg ervoor dat er zich geen mensen of dieren in de buurt van het werkgebied bevinden. De veiligheidsafstand tussen de te kappen boom en de dichtstbijzijnde werkplek moet 2 1/2 boomlengte zijn.
- Let op de kaprichting: De gebruiker moet zich veilig in de buurt van de gekapte boom kunnen bewegen om de boom gemakkelijk te kunnen omzagen en snoeien. Voorkomen moet worden dat de vallende

boom in een andere boom verstrikt raakt. Let op de natuurlijke valrichting, die afhangt van de helling en kromming van de boom, de windrichting en het aantal takken.

- Kleine bomen met een diameter van 15-18 cm kunnen meestal met één zaagsnede worden afgezaagd.
- Ga altijd boven de tak staan als u op hellingen zaagt. Let op dat de zaagketting niet in aanraking komt met de grond. Wacht na het zagen tot de zaagketting tot stilstand is gekomen voordat u het product verwijderd.
- Ga altijd boven de boomstam staan als u op hellingen zaagt. Om tijdens het "doorzagen" volledige controle te behouden, moet tegen het einde van de zaagsnede de aanpersdruk worden gereduceerd, zonder de stevige greep aan de handgrepen van het product losser te maken. Let op dat de zaagketting niet in aanraking komt met de grond. Wacht na het snijden tot het product gestopt is voordat u het product daar weghaalt. Het product altijd uitschakelen en de voedingsstekker eruit trekken, voordat men van boom naar boom wisselt.
- Bij bomen met een grotere diameter moeten inkepingen en een velsnede worden gemaakt.
- Zorg ervoor dat de zaagketting niet vast komt te zitten in de zaagsnede. De tak mag niet breken of versplinteren.
- Vuil, stenen, losse schors, spijkers, nietjes en draad moeten van de boom verwijderd worden.

## WAARSCHUWING

**Klap direct na het beëindigen van het zaagproces de gehoorbescherming omhoog, zodat u tonen en waarschuwingssignalen kunt horen.**

### Snoeien:

- Verwijder naar beneden hangende takken door de snede boven de tak te maken. Snoei nooit hoger dan schouderhoogte.

### Vluchtbereik:

- Verwijder de ondergroei rond de boom zodat u zich gemakkelijk kunt terugtrekken. Het vluchtbereik moet ongeveer 45° achter de geplande kaprichting liggen.

### Valkerf zagen:

- Plaats een valkerf in de richting waarin u wilt dat de boom valt.
- Begin met de onderste, horizontale snede.
- De zaagdiepte moet ongeveer 1/3 van de stamdiameter bedragen. Daardoor wordt het inklemmen van de zaagketting of het geleideblad bij het aanbrengen van de tweede velsnede voorkomen.

- Maak nu een schuine zaagsnede met een zaaghoek van ongeveer 45° van boven, die precies aansluit op de onderste zaagsnede.

## GEVAAR

Ga nooit voor een boom staan die is ingekerfd.

### Velsnede:

- Maak de velsnede vanaf de andere kant van de stam terwijl u links van de stam staat en met trekende zaagketting zaagt.
- De velsnede moet horizontaal minstens 5 cm boven de horizontale inkeping lopen.
- Het moet diep genoeg zijn zodat de afstand tot de kerflijn van de inkeping minstens 1/10 van de stamdiameter bedraagt.
- Het deel van de stam dat niet is doorgezaagd, wordt de baard (scharnierpunt) genoemd. De baard voorkomt dat de boom draait en in de verkeerde richting valt. Zaag de baard niet door.
- Als de velsnede de baard nadert, moet de boom beginnen te vallen.
- Als het duidelijk wordt dat de boom niet in de gewenste richting valt of naar achteren leunt en de zaagketting vastzit, moet u de velsnede onderbreken en houten, kunststof of aluminium wiggen gebruiken om de snede te openen en de boom naar de gewenste vallijn te bewegen.
- Als de diameter van de stam groter is dan de lengte van het kettingzwaard, maak dan twee sneden.
- Zodra de velsnede is gemaakt, valt de boom vanzelf of met behulp van de velwig of het breekijzer.

## GEVAAR

Zodra de boom begint te vallen, trekt u het product uit de zaagsnede, stopt u de motor, legt u het product neer en verlaat u de werkplek via het terugtrekpad.

Kijk uit voor vallende takken en struikel niet.

### 11.3.6 Een vastzittende kettingzaag losmaken

Als de kettingzaag tijdens het zagen vastloopt, gaat u als volgt te werk:

1. Schakel de kettingzaag uit en zet hem vast aan de binnenkant van de stam (d.w.z. in de richting van de boomstam) of maak hem vast aan een apart gereedschapstouw.
2. Trek de kettingzaag uit de inkeping terwijl u de tak zo ver mogelijk optilt.

3. Gebruik zo nodig een handzaag of een tweede kettingzaag om de vastzittende kettingzaag los te maken door ten minste 30 cm van de vastzittende kettingzaag af te zagen.

Ongeacht of een handzaag of een kettingzaag wordt gebruikt om een vastzittende kettingzaag te bevrijden, moeten de zaagsneden om de kettingzaag te bevrijden altijd aan de buitenkant (in de richting van de uiteinden van de takken) worden gemaakt, zodat de kettingzaag niet met de afgezaagde delen wordt meegenomen en de situatie nog ingewikkelder maakt.

## 11.4 Na gebruik

- **Schakel het product voor het neerleggen altijd uit en wacht tot het product tot stilstand is gekomen.**
- Plaats de zwaard- en kettingbescherming (17) op het zwaard (7).
- Activeer de kettingrem (16).
- Laat het product afkoelen.
- Trek de voedingsstekker uit het stopcontact als het product niet in gebruik is.

## 12 Reiniging en onderhoud

### WAARSCHUWING

**Laat reparatie- en onderhoudswerkzaamheden, die niet in deze gebruikshandleiding beschreven staan, uitvoeren door onze gespecialiseerde werkplaats. Gebruik uitsluitend originele reserveonderdelen.**

### WAARSCHUWING

**Onjuist onderhoud of onjuiste reiniging kan letsel veroorzaken!**

### WAARSCHUWING

**Tijdens reinigings-, reparatie- en onderhoudswerkzaamheden kan het product onverwacht starten en letsel en brandwonden veroorzaken.**

- Schakel het product uit.
- Trek de voedingsstekker uit het contact.
- Laat het product afkoelen.

### WAARSCHUWING

**Gevaar voor letsel bij het hanteren van de zaagketting of het zwaard!**

- Draag snijbestendige handschoenen.

## 12.1 Reiniging

1. Wij adviseren u, om het product direct na elk gebruik te reinigen.
2. Gebruik een kwast of handveertje om de zaagketting schoon te maken en geen vloeistoffen.
3. Houd grepen en greepoppervlakken droog, schoon en vrij van olie en vet. Als grepen en greepoppervlakken glad zijn, kan het elektrisch gereedschap in onvoorziene situaties niet veilig bediend en onder controle gehouden worden.
4. Reinig de grepen indien nodig met een doekje, bevochtigd met een sopje.
5. Zorg dat de veiligheidsinrichtingen, de ventilatieleuven en de motorbehuizing zo stof- en vuilvrij mogelijk zijn. Wrijf het product met een schone doek\* af en blaas deze met perslucht\* bij lage druk uit. Wij adviseren u, om het product direct na elk gebruik te reinigen.
6. Ventilatieopeningen moeten altijd vrij zijn.
7. Gebruik geen reinigingsmiddelen of oplosmiddelen; deze kunnen de kunststofonderdelen van het product aantasten. Zorg ervoor dat er geen water in het product kan komen.
8. Reinig de groef van het kettingzwaard met behulp van een kwast of met perslucht.
9. Reinig het kettingwiel.

\* = niet altijd meegeleverd!

## 12.2 Onderhoud

### *Aanwijzing:*

Onderhoud het product zorgvuldig. Controleer of bewegende delen probleemloos functioneren en niet klemmen, of onderdelen gebroken of beschadigd zijn, waardoor de functie van het product wordt beïnvloed. Laat beschadigde onderdelen voor gebruik van het elektrische product eerst repareren.

Plaats het product op een vlak, recht oppervlak.

### 12.2.1 Kettingwiel (18) controleren (afb. 2)

1. Draai het kettingspanwiel (6) linksom om de kettingspanning los te maken en verwijder de kettingwielafdekking (5).
2. Verwijder het kettingzwaard (7) en de zaagketting (8).
3. Controleer de inloopmarkeringen op het kettingwiel (18) met een testmeter\*.
4. Als de inloopmarkeringen dieper zijn dan  $a=0,5$  mm, gebruik het product dan niet en raadpleeg een gespecialiseerde dealer. Het kettingwiel (18) moet vervangen worden.
5. Monteer het zwaard (7) en de zaagketting (8) zoals beschreven onder 9.1.

\* = niet altijd meegeleverd!

## 12.2.2 Controleer het kettingzwaard (7) (afb. 1)

1. Draai het kettingspanwiel (6) linksom om de kettingspanning los te maken en verwijder de kettingwielafdekking (5).
2. Verwijder het kettingzwaard (7) en de zaagketting (8).
3. Meet de groefdiepte van het kettingzwaard (7) met de peilstok van een vijlmeter\*.
4. Het kettingzwaard (7) moet vervangen worden als een van de volgende punten van toepassing is:
  - Het kettingzwaard is beschadigd.
  - De gemeten groefdiepte is kleiner dan de minimale groefdiepte van het kettingzwaard (4 mm).
  - De groef van het kettingzwaard is versmald of gespreid.
5. Monteer het zwaard (7) en de zaagketting (8) zoals beschreven onder 9.1.

\* = niet altijd meegeleverd!

## 12.2.3 Verwissel het kettingzwaard (7) (afb. 2)

1. Draai het kettingspanwiel (6) linksom om de kettingspanning los te maken en verwijder de kettingwielafdekking (5).
2. Verwijder het kettingzwaard (7) en de zaagketting (8).  
Houd voor de demontage het kettingzwaard (7) omhoog gezwenkt in een hoek van ongeveer 45 graden om het gemakkelijker te maken de zaagketting (8) van de groef van het kettingzwaard (7) te kunnen verwijderen.
3. Vervang het zwaard (7) en monteer het zwaard (7) en de zaagketting (8) zoals beschreven onder 9.1.

## 12.2.4 Zaagketting (8) vervangen en invoeren (afb. 2)

### GEVAAR

#### **Ernstig letsel mogelijk door scheuren of springen van de zaagketting!**

- Monteer nooit een nieuwe zaagketting op een versleten kettingrondeel of op een beschadigd of versleten geleideblad. De zaagketting kan eraf springen of breken.
- Gebruik alleen zaagkettingen en zaagbladen die voor dit product ontworpen zijn.
  - Voordat u de zaagketting verwisselt, moet u de groef van het kettingzwaard reinigen, omdat de zaagketting uit het zaagblad kan springen als er vuil aanwezig is. De afzettingen kunnen ook de kettingzaagolie opzuigen. Het gevolg zou zijn dat de ket-

tingzaagolie de onderkant van de rail niet of slechts in geringe mate bereikt en smering wordt vermindert.

1. Draai het kettingspanwiel (6) linksom om de kettingspanning los te maken en verwijder de kettingwielafdekking (5).
2. Verwijder het kettingzwaard (7) en de zaagketting (8).
3. Leg de zaagketting (8) in een lus zodat de snijkanten rechtsom uitgelijnd zijn. Volg de symbolen (pijlen) op de zaagketting (8) of boven de geleidepen (20) om de zaagketting (8) uit te lijnen.
4. Steek de zaagketting (8) in de groef van het kettingzwaard (7).
5. Plaats het kettingzwaard (7) op de geleidebout (20) en op de tapbout (19). De geleidebout (20) en de tapbout (19) moeten in het sleufgat op het kettingzwaard (7) geplaatst worden.
6. Leid de zaagketting (8) rond het kettingwiel (18) en controleer de uitlijning van de zaagketting (8).
7. Plaats het kettingwielafdekking (5) weer terug. Let erop dat de kettingwielafdekking (5) in de groef op de behuizing zit.
8. Draai het kettingspanwiel (6) met de hand rechtsom.
9. Controleer nogmaals de zitting van de zaagketting (8) en span de zaagketting (8).

#### **Aanwijzing:**

Bij een nieuwe zaagketting neemt de spankracht na enige tijd af. Daarom moet u de zaagketting na de eerste 5 zaagsneden, of uiterlijk na 10 minuten zagen, naspinnen.

## 12.2.5 Zaagketting (8) slijpen

### WAARSCHUWING

#### **Verhoogd risico op ongelukken door een onjuist geslepen zaagketting!**

Afwijkingen van de afmetingen van de snijkantgeometrie tijdens het slijpen verhogen het risico op terugslag van het product.

- Laat de zaagketting door een vakman slijpen.

De zaagketting kan in een erkende werkplaats opnieuw worden geslepen. Probeer de zaagketting niet zelf te slijpen als u niet over geschikt gereedschap en de nodige ervaring beschikt.

## ⚠️ VOORZICHTIG

Voor het slijpen van de ketting is speciaal gereedschap nodig om ervoor te zorgen dat de snijgereedschappen onder de juiste hoek en tot de juiste diepte worden geslepen.

Na het slijpen moeten alle snijschakels dezelfde breedte en lengte hebben.

### Aanwijzingen:

Een scherpe zaagketting zorgt voor optimale zaagprestaties. Het vreet moeiteloos door het hout heen en laat grote, lange houtspaanders achter.

Een zaagketting is bot als u het zaaggereedschap door het hout moet duwen en de houtspaanders erg klein zijn. Met een zeer botte zaagketting worden er helemaal geen spaanders geproduceerd, alleen houtstof.

1. Trek de voedingsstekker uit het stopcontact.
2. Voor het slijpen moet de zaagketting (8) strak gespannen zijn om correct slijpen mogelijk te maken.
3. Voor het slijpen is een rondvijl\* met 4,0 mm diameter vereist.

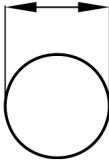
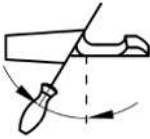



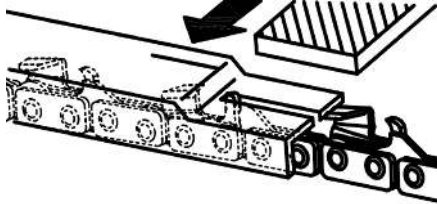

## ⚠️ VOORZICHTIG

Andere diameters beschadigen de zaagketting en kunnen tot gevaar bij de werkzaamheden leiden!

4. Slijp alleen van binnen naar buiten. Leid de vijl\* van de binnenzijde van de zaagtand naar buiten. Til de vijl\* op als deze zich terugtrekken.
5. Slijp eerst de tanden aan de ene zijde. Draai dan de zaagketting (8) om en slijp de tanden aan de andere zijde.
6. De zaagketting (8) is versleten en moet door een nieuwe zaagketting (8) worden vervangen indien nog slechts ca. 4 mm van de zaagtanden over is.
7. Na het slijpen moeten alle snijschakels even lang en breed zijn.
8. Na de derde keer slijpen moet de slijpdiepte (dieptebrenzings) worden gecontroleerd en de hoogte met behulp van een vlakvijl\* worden nagevijld. De dieptebegrenzing moet ca. 0,65 mm ten opzichte van de zaagtand terug worden gezet. Rond na het terugzetten van de dieptebegrenzing iets naar voren af.

\* = niet altijd meegeleverd!

### 12.2.5.1 Instructies voor het slijpen van de ketting

	Vijldiameter	Bovenste hoek	Onderste hoek	Bovenste kantelhoek (55°)	Standaard dieptemeter
Type zaagketting					
		Inspan-rotatiehoek	Inspan-kantelhoek	Zijwaartse hoek	
21PBX	ca. 4,8 mm	30°	10°	85°	0,64 mm
					
Diepteaanslag				Vijl	

## 13 Opslag

Bewaar het product en de bijbehorende accessoires op een donkere, droge en vorstvrije en voor kinderen ontoegankelijke plaats.

De optimale bewaartemperatuur ligt tussen 5 °C en 30 °C.

Bewaar het product in de originele verpakking. Dek het product af om het te beschermen tegen stof of vocht. Bewaar de gebruikshandleiding bij het product.

### 13.1 Voorbereiden voor de opslag

1. Breng de kettingbescherming aan.
2. Maak het product helemaal leeg.
3. Reinig en controleer het product op schade.

### 13.2 Transport

- Het product mag alleen vervoerd worden aan de daarvoor bestemde handgreep.

## 14 Elektrische aansluiting

De geïnstalleerde elektromotor is bedrijfsklaar aangesloten. De aansluiting voldoet aan de relevante VDE- en DIN-voorschriften. De netaansluiting van de klant en het gebruikte verlengsnoer moeten eveneens aan deze voorschriften voldoen.

#### Aanwijzing:

- Het product voldoet aan de eisen van EN 61000-3-11 en valt onder de speciale aansluitvoorwaarden. Dit betekent dat gebruik op een willekeurig vrij te kiezen aansluitpunt niet toegestaan is.
- Het product kan tijdelijke spanningsschommelingen veroorzaken bij ongunstige condities van het elektriciteitsnet.
- Het product is uitsluitend bestemd voor gebruik op aansluitpunten, die een maximale toelaatbare ne-timpedantie "Z" ( $Z_{\max.} = 0,415 \Omega$ ) niet overschrijden, ofb) een belastbaarheid voor onafgebroken stroom van het net van minstens 100 A per fase hebben.
- Als gebruiker moet u, zo nodig in overleg met uw energiebedrijf, ervoor zorgen dat het aansluitpunt dat u voor het product wilt gebruiken aan een van beide genoemde eisen a) of b) voldoet.

### 14.1 Belangrijke aanwijzingen

Bij overbelasting van de motor schakelt deze vanzelf uit. Na een afkoeltijd (deze tijd is verschillend) kan de motor weer worden ingeschakeld.

### 14.2 Defecte elektrische aansluitkabel

Bij elektrische aansluitkabels treedt vaak schade aan de isolatie op.

Mogelijke oorzaken zijn:

- Drukpunten, als aansluitkabels door venster- of deuropeningen worden geleid,
- Knikken door een onvakkundige bevestiging of geleiding van het netsnoer,
- Snijplekken omdat over de snoer is gereden,
- Beschadigde isolatie omdat de stekker uit de wandcontactdoos is getrokken,
- Scheuren door veroudering van de isolatie.

Dergelijke defecte elektrische aansluitkabels mogen niet worden gebruikt en zijn levensgevaarlijk als de isolatie is beschadigd.

Controleer de elektrische aansluitkabels regelmatig op schade. Let erop dat bij het controleren het netsnoer niet op het stroomnet is aangesloten.

Elektrische aansluitkabels moeten aan de relevante VDE- en DIN-voorschriften voldoen. Gebruik uitsluitend aansluitkabels met dezelfde aanduiding H07RN-F.

Op de aansluitkabel moet de type-aanduiding vermeld staan.

#### Veiligheidsvoorschriften voor het vervangen van beschadigde of defecte netsnoeren

##### Aansluittype Y

Als het netsnoer moet worden vervangen, dan moet dit door de fabrikant of zijn vertegenwoordiger worden gedaan om veiligheidsrisico's te voorkomen.

### 14.3 Wisselstroommotor

Aansluitingen en reparaties van de elektrische apparatuur mogen uitsluitend door een elektromonteur worden uitgevoerd.

- Zorg ervoor dat de netspanning overeenkomt met de spanning op het typeplaatje van het product.
- Verlengsnoeren moeten tot een lengte van 25 m een doorsnede hebben van 1,5 vierkante millimeter.

## 15 Reparatie en reserveonderdelen bestellen

Na reparatie of onderhoud controleren of alle veiligheidstechnische delen zijn bevestigd en in optimale toestand zijn. Delen, waarbij er gevaar voor verwonding voor andere personen en kinderen bestaat, ontoegankelijk bewaren.

#### LET OP

Conform de wetgeving voor productgaranties wordt er geen garantie geboden voor schade die ontstaan is door incorrecte reparaties of door het niet gebruiken van originele reserveonderdelen.

Neem contact op met een servicecentrum of een erkende specialist. Overeenkomstig geldt dit ook voor accessoires.

## Aansluitingen en reparaties

Aansluitingen en reparaties van de elektrische apparatuur mogen uitsluitend door een elektromonteur worden uitgevoerd.

### 15.1 Bestelling van reserveonderdelen

Bij het bestellen van reserveonderdelen moeten de volgende gegevens worden vermeld:

- Modelaanduiding
- Artikelnummer
- Gegevens op het typeplaatje

#### Reserveonderdelen/accessoires

Olietankdop	3910207003
-------------	------------

### 15.2 Toegestane zaagblad en zaagketting sets

Geleidebladen:	
Kettingzaard Kangxin AP14-52-507P	3910207001
Zaagkettingen:	
Zaagketting Kangxin 3/8LP-52	3910207002

## 16 Afvalverwerking en hergebruik

### Aanwijzingen op de verpakking



De verpakkingsmaterialen zijn recyclebaar. Verpakkingen milieuvriendelijk afvoeren.

### Aanwijzingen voor het afvoeren van elektrische en elektronische apparatuur



**Afgedankte elektrische en elektronische apparatuur behoort niet bij het huishoudelijke afval, maar moeten worden ingezameld resp. gescheiden worden afgevoerd!**

- Afgedankte accu's die niet vast in het afgedankte apparaat zijn geïntegreerd, moeten vóór het afvoeren op niet-destructieve wijze worden verwijderd! Het afvoeren hiervan is geregeld in de wetgeving inzake batterijen.
- Eigenaars resp. gebruikers van elektrische en elektronische apparaten zijn wettelijk verplicht om na gebruik de batterijen en accu's in te leveren.
- De eindgebruiker is verantwoordelijk voor het wissen van persoonsgerelateerde gegevens op het af te voeren afgedankte apparaat!
- Het symbool van de doorgekruiste vuilnisbak betekent dat afgedankte elektrische en elektronische apparatuur niet bij het huishoudelijk afval mag worden gegooid.

- Afgedankte elektrische en elektronische apparatuur kunnen bij de volgende punten kosteloos worden ingeleverd:

- Openbare afvalverwijderings- of inzamelpunten (bijv. gemeentewerven)
- LIDL biedt u direct in de winkels en op de markten retouromogelijkheden aan. Terugzending en verwijdering zijn voor u gratis.
- Tot drie afgedankte elektronische apparaten per apparaattype, met een randlengte van niet meer dan 25 centimeter, kunnen gratis naar de fabrikant worden teruggebracht zonder eerst een nieuw apparaat van de fabrikant te hoeven kopen, of naar een ander erkend verzamelpunt in je omgeving worden gebracht.
- Voor verdere aanvullende terugnamevoorwaarden van de fabrikanten en distributeurs verzoeken wij u contact op te nemen met de betreffende klantenservice.

- Bij levering van een nieuw elektrisch apparaat door de fabrikant aan een particulier huishouden, kan de fabrikant op verzoek van de eindgebruiker zorgen voor het kosteloos afhalen van het afgedankte elektrische apparaat. Neem hiertoe contact op met de klantenservice van de fabrikant.

- Deze uitspraken zijn alleen geldig voor apparaten die in de landen van de Europese Unie worden geïnstalleerd en verkocht en die onder de Europese Richtlijn 2012/19/EU vallen. In landen buiten de Europese Unie kunnen andere voorschriften gelden voor het afvoeren van afgedankte elektrische en elektronische apparatuur.

### Informatie over het afvoeren van versleten apparaatruur kunt u opvragen bij uw gemeente.

#### Brandstoffen en oliën

- Voor het afvoeren van het apparaat moeten de brandstoftank en het motorolie-reservoir worden leeggemaakt!
- Brandstof en motorolie horen niet bij het huishoudelijke afval of in het riool, maar moeten worden ingezameld resp. gescheiden worden afgevoerd!
- Lege olie- en brandstoftanks moet milieuvriendelijk worden afgevoerd.

## 17 Verhelpen van storingen

De volgende tabel toont storingssymptomen en beschrijft hoe u deze op kunt lossen, als uw product niet goed werkt. Als u het probleem hiermee niet kunt vinden en oplossen, neem dan contact op met uw service-werkplaats.

Storing	Mogelijke oorzaak	Oplossing
Het product kan niet worden gestart.	Voedingsstekker niet aangesloten.	Voedingsstekker op een stopcontact aansluiten.
	Er is geen netspanning. Huiszekering wordt geactiveerd.	Stopcontacten, netsnoer, leiding en voedingsstekker controleren en zo nodig door een elektricien laten repareren. Huiszekering controleren.
	Kettingrem is geactiveerd.	Kettingrem controleren, evt. kettingrem losmaken.
	De aan/uit-schakelaar is defect.	Neem contact op met onze klantenservice.
	Koolborstels versleten.	
Motor is defect.		
Zaagketting draait niet.	Kettingrem geblokkeerd.	Kettingrem controleren, evt. kettingrem losmaken.
Slechte snijprestaties.	Zaagketting verkeerd gemonteerd.	Monteer de zaagketting op de juiste manier.
	Zaagketting is bot.	Laat de zaagketting door een vakman slijpen of vervang de zaagketting.
	Kettingspanning onvoldoende.	Controleer de zaagketting. Span de zaagketting indien nodig.
Product loopt zwaar/zaagketting springt eraf.	Kettingspanning onvoldoende.	Controleer de zaagketting. Span de zaagketting indien nodig.
Zaagketting wordt heet, rookontwikkeling tijdens het zagen, verkleuring van het zaagblad.	Te weinig kettingzaagolie.	Controleer het automatische oliën. Vul indien nodig kettingzaagolie bij.
Ongewone trilling	Kettingzwaard zit los.	Kettingzwaard op goede bevestiging controleren.

## 18 EU-conformiteitsverklaring

### Vertaling van de originele conformiteitsverklaring

#### Fabrikant:

Scheppach GmbH  
Günzburger Straße 69  
D-89335 Ichenhausen

Wij verklaren onder eigen verantwoordelijkheid dat het hier beschreven product voldoet aan de geldende richtlijnen en normen.

Merk: **PARKSIDE**  
Art.-aanduiding: **Elektrische kettingzaag - PEKS 1600 C3**  
Art.nr. **3910209974 - 3910209981; 39102099915; 39102099959**  
IAN-nr. **495499\_2504**  
Serienr. **01001 - 46072**

#### EU-richtlijnen:

2014/30/EU, 2006/42/EG, 2000/14/EG\_2005/88/EG, 2011/65/EU\*, (EU) 2015/863,

\* Het hierboven beschreven onderwerp van deze verklaring voldoet aan de voorschriften van richtlijn 2011/65/EU van het Europese Parlement en de Raad van 8 juni 2011 omtrent de beperking van het gebruik van bepaalde gevaarlijke stoffen in elektrische en elektronische apparaten.

#### Toegepaste normen:

EN 62841-1:2015/A11:2022; EN 62841-4-1:2020;  
EN IEC 55014-1:2021; EN IEC 55014-2:2021;  
EN IEC 61000-3-2:2019/A2:2024;  
EN IEC 61000-3-11:2019; EN IEC 63000:2018

#### 2006/42/EG - Bijlage IV

Vermelde instantie: TÜV SÜD  
Product Service GmbH  
Ridlerstraße 65  
80339 Munich  
Germany  
Nummer: 0123  
Certificaatnummer: M6A 011284 0666

#### 2000/14/EG\_2005/88/EG - Bijlage: V

Gegarandeerd geluidsvermogensniveau ( $L_{WA}$ ): 106 dB  
Gemeten geluidsvermogensniveau ( $L_{WA}$ ): 103,3 dB

#### Documentatie gevolmachtigde:

Tobias Ihle  
Günzburger Str. 69  
D-89335 Ichenhausen  
Ichenhausen, 22.07.2025



Simon Schünk  
Division Manager Product Center



Andreas Pecher  
Head of Project Management

## Garantiebewijs

### Geachte klant,

onze producten zijn aan een strenge kwaliteitscontrole onderhevig. Mocht dit apparaat echter ooit niet naar behoren functioneren, spijt het ons ten zeerste en vragen u zich tot onze servicedienst onder het adres vermeld op dit garantiebewijs te wenden. Wij staan ook graag telefonisch tot uw dienst via het hieronder vermelde servicetelefoonnummer. Voor vorderingen in verband met garantie geldt het volgende:

- Deze garantievoorwaarden regelen bijkomende garantieprestaties. Uw wettelijke garantieclaims blijven onaangestast door deze garantie. Onze garantieprestatie is voor uw gratis.
- De garantieprestatie heeft uitsluitend betrekking op gebreken die te wijten zijn aan materiaal- of fabricagefouten en is beperkt tot het verhelpen van deze gebreken of het vervangen van het apparaat. Wij wijzen erop dat onze apparaten overeenkomstig hun bestemming niet geconstrueerd zijn voor commercieel, ambachtelijk of industrieel gebruik. Een garantieovereenkomst komt daarom niet tot stand als het apparaat in ambachtelijke of industriële bedrijven alsmede bij gelijk te stellen activiteiten wordt gebruikt. Uitgesloten van onze garantie zijn verder schadeloosstellingen voor transportschade, schade door nietnaleving van de montage-instructies of op grond van ondeskundige installatie, niet-naleving van de handleiding (zoals door b.v. aansluiting op een verkeerde netspanning of stroomsoort), oneigenlijke of onoordeelkundige toepassingen (zoals b.v. overbelasting van het apparaat of gebruik van niet toegestane inzetgereedschappen of toebehoren), niet-naleving van de onderhouds- en veiligheidsbepalingen, binnendringen van vreemde voorwerpen in het apparaat (zoals b.v. zand, stenen of stof), gebruikmaking van geweld of invloeden van buitenaf (zoals b.v. schade door neervallen) alsmede door normale slijtage die zich bij het doelmatig gebruik van het apparaat voordoet.

Er kan geen aanspraak op garantie worden gemaakt als op het apparaat reeds ingrepen werden uitgevoerd.

- De garantieperiode bedraagt 3 jaar en gaat in op de datum van aankoop van het apparaat. Garantieclaims dienen voor het verloop van de garantieperiode binnen de twee weken na het vaststellen van het defect geldend te worden gemaakt. Het geldend maken van garantieclaims na verloop van de garantieperiode is uitgesloten. De herstelling of vervanging van het apparaat leidt noch tot een verlenging van de garantieperiode noch wordt door deze prestatie een nieuwe garantieperiode voor het apparaat of voor eventueel ingebouwde wisselstukken op gang gebracht. Dit geldt ook bij het ter plaatse uitvoeren van een serviceactiviteit.
- Om een garantieclaim geldend te maken neem contact op met het hieronder vermelde serviceadres. Als de klacht binnen de garantieperiode valt, ontvangt u van ons een retourbonb waarmee u uw defecte apparaat gratis naar ons kunt retourneren. Wij verzoeken u de reden van de klacht zo nauwkeurig mogelijk te beschrijven. Valt het defect van het apparaat binnen onze garantieprestatie bezorgen wij u per omgaande een hersteld of nieuw apparaat terug.

Uiteraard staan wij ook tot u dienst om mits betaling van de kosten defecten van het apparaat te verhelpen die buiten de garantieomvang vallen. Te dien einde stuurt u het apparaat aan ons serviceadres op.

## Afhandeling van een garantieclaim

Volg de onderstaande instructies om ervoor te zorgen dat uw claim snel wordt afgehandeld:

- Houd voor alle aanvragen de kassabon en het artikelnummer (bijv. IAN 495499\_2504) bij de hand als bewijs van aankoop.
- Het artikelnummer vindt u op het typeplaatje op het product, een gravure op het product, de titelpagina van uw handleiding (linksonder) of op de sticker op de achterkant of onderkant van het product.
- Neem bij functiestoringen of andere defecten eerst telefonisch of per e-mail contact op met de hieronder genoemde serviceafdeling.
- U kunt dan een als defect geregistreerd product, met bijvoeging van het aankoopbewijs (kassabon) en met vermelding van wat het defect is en wanneer het defect is opgetreden, gratis opsturen naar het aan u opgegeven serviceadres.
- U kunt deze en vele andere handleidingen bekijken en downloaden op [parkside-diy.com](http://parkside-diy.com). Met deze QR-code komt u direct op [parkside-diy.com](http://parkside-diy.com). Selecteer uw land en gebruik het zoekvenster om de gebruikshandleiding te zoeken. Als u het artikelnummer (IAN) 495499\_2504 invoert, gaat u naar de gebruikshandleiding voor uw artikel.



**Servicecontact (NL):**

**Naam:** TeleMarCom  
European Services GmbH  
Am Ziegelweiher 24  
DE - 61130 Nidderau

**Telefoon:** 00800 4003 4003

**E-mail:** service.NL@scheppach.com

**Vestiging:** Duitsland

**Servicecontact (BE):**

**Naam:** TeleMarCom  
European Services GmbH  
Am Ziegelweiher 24  
DE - 61130 Nidderau

**Telefoon:** 00800 4003 4003

**E-mail:** service.BE@scheppach.com

**Vestiging:** Duitsland

## Índice

1	Explicación de los símbolos del producto .....	110
2	Introducción .....	112
3	Descripción del producto (figs. 1-5).....	112
4	Volumen de suministro (fig. 1).....	112
5	Uso previsto.....	112
6	Indicaciones de seguridad .....	113
7	Datos técnicos .....	118
8	Desembalaje .....	119
9	Antes de la puesta en marcha .....	119
10	Manejo .....	121
11	Indicaciones de trabajo.....	123
12	Limpieza y mantenimiento .....	127
13	Almacenamiento .....	130
14	Conexión eléctrica .....	130
15	Reparación y pedido de piezas de repuesto .....	131
16	Eliminación y reciclaje.....	131
17	Solución de averías.....	132
18	Declaración de conformidad UE.....	133
19	Certificado de garantía.....	134
20	Plano de explosión.....	291

# 1 Explicación de los símbolos del producto

Este manual utiliza símbolos para llamar su atención sobre los posibles riesgos. Los símbolos de seguridad y explicaciones que acompañan a estos deben ser comprendidos perfectamente. Las propias advertencias no descartan ningún riesgo y no sustituyen las medidas correctas para prevenir accidentes.

**ATENCIÓN**

¡Antes de la primera puesta en marcha, lea por completo estas instrucciones de uso y cumpla obligatoriamente las normas de seguridad!

Se recomienda asistir a un curso de seguridad profesional del tipo "Cursillo de manejo de motosierras con certificado de asistencia" con el nivel de formación requerido en el país acerca del uso y mantenimiento de la motosierra, así como realizar un cursillo de primeros auxilios. Si no la va a utilizar durante mucho tiempo y para practicar, realice siempre cortes sencillos en madera apoyada de forma segura antes de empezar a familiarizarse con la motosierra.

Guarde cuidadosamente el manual de instrucciones.

**Nota:**

Tenga en cuenta que algunas normativas nacionales, como por ejemplo en materia de protección laboral y del medio ambiente, pueden limitar el uso de la motosierra.

	Antes de la puesta en marcha, leer y seguir el manual de instrucciones, así como las indicaciones de seguridad.		Soltar el freno de la cadena.
	Atención: La inobservancia de las señales de seguridad e indicaciones de advertencia adheridas al producto y de las indicaciones de seguridad y manejo puede provocar lesiones graves o incluso la muerte.		Motor de corriente alterna.
	Póngase un casco protector facial o unas gafas de protección o una protección auditiva.		Velocidad de la cadena de sierra.
	¡Utilizar guantes de seguridad!		Longitud del espadín de motosierra.
	Llevar calzado robusto		Cantidad de eslabones de accionamiento.
	Es importante llevar ropa especial que proteja las manos, los antebrazos, las piernas y los pies.		Paso de la cadena.
	No exponga el producto a la lluvia. El producto solo se puede colocar, almacenar y utilizar en condiciones ambientales secas.		Ancho de ranura.
	Solo para manejo a dos manos.		Consumo de potencia.

	<p>Advertencia Peligro de retroceso (kickback). Tenga cuidado de que el producto no rebote y evite el contacto con el extremo del carril.</p>		<p>Peso en kg.</p>
	<p>Posición del freno de la cadena.</p>		<p>Contenido del depósito de aceite.</p>
	<p>Sentido de marcha de la cadena de sierra.</p>		<p>¡Los trabajos de mantenimiento, reequipamiento, ajuste y limpieza únicamente deben realizarse con el producto detenido y la clavija de conexión de la red retirada!</p>
	<p>Abertura de llenado de aceite para cadenas de sierra.</p>		<p>¡En caso de daños o cortes del cable de red, desenchufe inmediatamente la clavija de conexión de la toma de enchufe!</p>
	<p>Aumentar/disminuir la tensión de la cadena.</p>		<p>Nivel de potencia acústica garantizado del producto.</p>
	<p>Indicador de nivel de aceite de cadena.</p>		<p>Clase de protección II (doble aislamiento).</p>
	<p>Activar freno de cadena.</p>		<p>El producto cumple con las normativas europeas vigentes.</p>

## 2 Introducción

### Fabricante:

Schepach GmbH

Günzburger Straße 69

D-89335 Ichenhausen (Alemania)

### Estimado cliente:

Esperamos que el trabajo con su nuevo producto sea muy satisfactorio y fructífero.

### Nota:

El fabricante de este producto, de acuerdo con la legislación alemana de responsabilidad sobre productos, no se hace responsable de los daños originados en este producto o causados por este en los siguientes casos:

- Tratamiento incorrecto
- Inobservancia del manual de instrucciones
- Reparaciones efectuadas por personal técnico no autorizado, ajeno a nuestra empresa
- Montaje y sustitución de piezas de repuesto no originales
- Uso no conforme a lo previsto
- Fallos de la instalación eléctrica en caso de incumplimiento de las normas y disposiciones eléctricas nacionales.

### Observe lo siguiente:

El manual de instrucciones forma parte de este producto.

Contiene indicaciones importantes sobre cómo trabajar con el producto de forma segura, adecuada y rentable y cómo evitar peligros, ahorrar costes de reparaciones, reducir periodos de inactividad y aumentar la fiabilidad y la vida útil del producto. Además de las normas de seguridad incluidas en este manual de instrucciones, se deberán observar estrictamente las prescripciones vigentes en su país para el funcionamiento del producto.

Antes de utilizar el producto, familiarícese con todas las indicaciones de funcionamiento y seguridad. Utilice el producto únicamente de la forma descrita y para los usos indicados. Guarde bien el manual de instrucciones y entregue todos los documentos en caso de ceder el producto a terceros.

## 3 Descripción del producto (figs. 1-5)

1. Clavija de conexión de la red
2. Asa trasera
3. Bloqueo de conexión
4. Tapón del depósito de aceite
5. Cubierta de la rueda de la cadena
- 5a. Dispositivo de agarre de cadena
6. Rueda de sujeción de la cadena

7. Espadín (carril guía)
- 7a. Piñón de estrella
8. Cadena de sierra
9. Descarga de tracción
10. Protector de manos trasero
11. Interruptor de encendido/apagado
12. Depósito de aceite
13. Indicador del nivel de aceite
14. Asa delantera
15. Tope de garras
16. Freno de cadena/protector de manos delantero
17. Protección del espadín y la cadena
18. Rueda de cadena
19. Rueda de anclaje
20. Pernos guía
21. Paso de aceite
22. Aceite para cadenas de sierra (Bio 180 ml)

## 4 Volumen de suministro (fig. 1)

Art.	Canti- dad	Denominación
7.	1	Espadín (carril guía)
8.	1	Cadena de sierra
17.	1	Protección del espadín y la cadena
22.	1	Aceite para cadenas de sierra (Bio 180 ml)
	1	Motosierra eléctrica
	1	Manual de instrucciones

## 5 Uso previsto

La motosierra solo está diseñada para el aserrado de madera. El producto no está previsto para ningún otro tipo de uso (p. ej. corte de ladrillos, plástico o alimentos).

El producto solo debe utilizarse para el uso previsto. Se considerará inapropiado cualquier uso que vaya más allá. Los daños o lesiones de cualquier tipo producidos a consecuencia de lo anterior serán responsabilidad del usuario, no del fabricante.

El cumplimiento de las indicaciones de seguridad también forma parte del uso conforme al previsto, al igual que el manual de montaje y las instrucciones de funcionamiento en el manual de instrucciones.

Las personas que se ocupen del manejo y uso del producto deben estar familiarizadas con este e informadas sobre los posibles peligros.

Si el usuario hiciera modificaciones en el producto, el fabricante no se responsabilizará de ningún daño que ello pueda causar.

El producto debe usarse únicamente con piezas y accesorios originales del fabricante.

Deben observarse las prescripciones de seguridad, trabajo y mantenimiento del fabricante, así como las dimensiones indicadas en los Datos técnicos.

Recuerde que nuestros productos no están diseñados para usos comerciales, artesanales ni industriales. No concedemos ningún tipo de garantía si se utiliza el producto en empresas comerciales, artesanales o industriales, ni en actividades de características similares.

## Explicación de las palabras de señalización en el manual de instrucciones

### PELIGRO

Palabra de advertencia para indicar una situación de peligro inminente que, de no evitarse, provocará la muerte o lesiones graves.

### ADVERTENCIA

Palabra de advertencia para indicar una situación potencialmente peligrosa que, de no evitarse, podría provocar la muerte o lesiones graves.

### PRECAUCIÓN

Palabra de advertencia para indicar una situación potencialmente peligrosa que, de no evitarse, podría provocar lesiones leves o moderadas.

### ATENCIÓN

Palabra de advertencia para indicar una situación potencialmente peligrosa que, de no evitarse, podría provocar daños materiales al producto o a la propiedad.

## 6 Indicaciones de seguridad

Indicaciones generales de seguridad para herramientas eléctricas

### ADVERTENCIA

Lea todas las indicaciones de seguridad, instrucciones, ilustraciones y datos técnicos que acompañan a esta herramienta eléctrica.

Si no se respetan las siguientes instrucciones, puede producirse una descarga eléctrica, un incendio y/o lesiones graves.

## Conserve todas las indicaciones de seguridad e instrucciones para futuros usos.

El término empleado en las indicaciones de seguridad «herramienta eléctrica» se refiere tanto a las herramientas eléctricas conectadas a la red eléctrica (con línea de alimentación), como a las herramientas eléctricas que funcionan por batería (sin línea de alimentación).

### 1) Seguridad en el lugar de trabajo

- Tenga su zona de trabajo ordenada y bien iluminada.** Las zonas de trabajo desordenadas o mal iluminadas pueden causar accidentes.
- Con la herramienta eléctrica, no trabaje en entornos en peligro de explosión en los que haya líquidos, gases o polvos inflamables.** Las herramientas eléctricas producen chispas que pueden inflamar el polvo o los vapores.
- Cuando use esta herramienta eléctrica, no permita que se acerquen niños u otras personas.** Al distraerse puede perder el control de la herramienta eléctrica.

### 2) Seguridad eléctrica

- La clavija de conexión de la herramienta eléctrica debe ser compatible con la toma de enchufe. Bajo ningún concepto se debe modificar la clavija. No utilice adaptadores de conexión en las herramientas eléctricas con toma de tierra.** Las clavijas compatibles y sin modificar reducen el riesgo de una descarga eléctrica.
- Evite el contacto corporal con las superficies conectadas a tierra tales como tuberías, calentadores, estufas y refrigeradores.** Existe un mayor riesgo de descarga eléctrica si su cuerpo está en contacto con la tierra.
- Mantenga las herramientas eléctricas alejadas de la lluvia o la humedad.** La entrada de agua en la herramienta eléctrica aumenta el riesgo de una descarga eléctrica.
- No modifique la finalidad del cable de conexión para cargar, colgar la herramienta eléctrica o para desenchufar la clavija de la toma de enchufe. Aleje el cable de conexión de fuentes de calor, de aceite, de bordes afilados o de componentes móviles.** Unos cables de conexión dañados o enredados aumentan el riesgo de una descarga eléctrica.
- Si trabaja con una herramienta eléctrica al aire libre, emplee solo cables alargadores que también sean adecuados para zonas exteriores.** El uso de un cable alargador adecuado para zonas exteriores reduce el riesgo de una descarga eléctrica.

- f) **Si no se puede evitar el funcionamiento de la herramienta eléctrica en un entorno húmedo, emplee un interruptor de corriente de defecto.** El uso de un interruptor de protección de corriente residual reduce el riesgo de una descarga eléctrica.

### 3) Seguridad de las personas

- a) **Sea cuidadoso y preste atención a lo que hace, y realice con prudencia el trabajo con una herramienta eléctrica. No use ninguna herramienta eléctrica si está cansado o si está bajo el efecto de drogas, alcohol o medicamentos.** Un descuido durante el uso de la herramienta eléctrica puede causar lesiones graves.
- b) **Use equipo de protección individual y lleve siempre gafas de protección.** La utilización del equipo de protección individual, tales como mascarilla antipolvo, calzado de seguridad antideslizante, casco protector o protección auditiva, etc. adecuados al tipo de herramienta eléctrica y a su empleo reduce el riesgo de sufrir lesiones.
- c) **Evite una puesta en marcha accidental. Asegúrese de que la herramienta eléctrica se encuentre desconectada antes de cogerla o transportarla o conectarla a la alimentación de corriente y/o a la batería.** Si transporta la herramienta eléctrica con el dedo puesto en el interruptor o conecta la herramienta eléctrica a la toma de corriente estando ésta en posición de encendido, puede causar un accidente.
- d) **Antes de proceder al encendido de la herramienta eléctrica, retire cualquier herramienta de ajuste o llave de tuercas.** Una herramienta o una llave puesta en una pieza giratoria de la herramienta eléctrica pueden causar lesiones.
- e) **Evite posturas forzadas. Procure una buena estabilidad y mantenga siempre el equilibrio.** Así controlará mejor la herramienta eléctrica si surge una situación imprevista.
- f) **Use ropa adecuada. No use ropa holgada ni adornos. No acerque el cabello ni la ropa a las piezas móviles.** La ropa holgada, los adornos y el cabello largo pueden engancharse en las piezas móviles.
- g) **Si pueden instalarse dispositivos de aspiración y recogida de polvo, estos deberán conectarse y emplearse de forma correcta.** El uso de un aspirador de polvo puede reducir los riesgos derivados del polvo.
- h) **No se confíe ni ignore las reglas de seguridad de las herramientas eléctricas, ni siquiera en caso de estar familiarizado con la herramienta eléctrica por un uso frecuente de la misma.** Un manejo poco atento puede causar lesiones de extrema gravedad en fracciones de segundo.

### 4) Uso y manejo de la herramienta eléctrica

- a) **No sobrecargue la herramienta eléctrica. Trabaje con la herramienta eléctrica adecuada.** Si usa la herramienta eléctrica adecuada, trabajará mejor y más seguro dentro del rango de potencia indicada.
- b) **No emplee una herramienta eléctrica con un interruptor defectuoso.** Una herramienta eléctrica que ya no se pueda conectar o desconectar de nuevo, es peligrosa y se debe reparar.
- c) **Retire la clavija de conexión de la toma de enchufe y/o retire una batería extraíble antes de realizar ajustes en el aparato, cambiar piezas intercambiables de la herramienta o guardar la herramienta eléctrica.** Esta medida de precaución evita el arranque involuntario de la herramienta eléctrica.
- d) **Mantenga las herramientas eléctricas que no utilice fuera del alcance de los niños. No deje utilizar la herramienta eléctrica a ninguna persona que no esté familiarizada con ella o que no haya leído estas instrucciones.** Las herramientas eléctricas son peligrosas si son utilizadas por personas sin experiencia.
- e) **Cuide con esmero las herramientas eléctricas y los insertos intercambiables de la misma. Compruebe que las piezas móviles funcionan bien y no se atascan, que no hay piezas rotas ni dañadas, y que la herramienta eléctrica funciona correctamente. Si hay alguna pieza dañada, repárela antes de usar la herramienta eléctrica.** Muchos accidentes se deben a herramientas eléctricas que no han recibido el debido mantenimiento.
- f) **Mantenga las herramientas de corte afiladas y limpias.** Las herramientas de corte con bordes cortantes y afilados conservados cuidadosamente se atascan menos y son más fáciles de conducir.
- g) **Use la herramienta eléctrica, la herramienta intercambiable, etc. conforme a estas instrucciones. Tenga en cuenta las condiciones de trabajo y los trabajos que se deben realizar.** El uso de herramientas eléctricas para fines no previstos puede ser peligroso.
- h) **Mantenga las empuñaduras y sus superficies secas, limpias y libres de aceite y grasa.** Unas empuñaduras y unas superficies de agarre resbaladizas no permiten realizar un manejo y control seguro de la herramienta eléctrica en situaciones imprevistas.

### 5) Servicio técnico

- a) **Encargue la reparación de su herramienta eléctrica solamente a personal técnico cualificado y únicamente con piezas de repuesto originales.** Así se garantizará que la herramienta eléctrica siga siendo segura.

## 6.1 Indicaciones de seguridad para motosierras

### Indicaciones generales de seguridad para motosierras

- a) Cuando la motosierra esté en marcha, mantenga todas las partes del cuerpo apartadas de la cadena de sierra. Antes de poner en marcha la motosierra, compruebe que la cadena de sierra no toque ningún objeto. Al trabajar con una motosierra, un momento de descuido puede hacer que la cadena de sierra atrape la ropa o una parte del cuerpo.
- b) Sujete siempre la motosierra con su mano derecha en el asa trasera y la izquierda, en el asa delantera. Sostener siempre la motosierra en el sentido inverso a la posición de trabajo aumenta el riesgo de lesiones y, por lo tanto, no debe utilizarse nunca.
- c) Mantenga sujeta la motosierra únicamente por las superficies aisladas de las asas, ya que la cadena de sierra podría entrar en contacto con los cables ocultos o con el propio cable de conexión a la red. El contacto de la motosierra con un cable conductor de la electricidad podría transmitir tensión eléctrica a las partes metálicas del aparato, causando así una descarga eléctrica.
- d) Lleve protección ocular. Se recomienda un equipo de protección adicional para los oídos, la cabeza, las manos, las piernas y los pies. La ropa protectora adecuada reduce el riesgo de lesiones por astillas que puedan saltar y de contacto accidental con la cadena de sierra.
- e) No utilice la motosierra desde un árbol, una escalera, un tejado o una superficie inestable. Existe riesgo de lesiones graves si se utiliza de este modo.
- f) Asegúrese siempre de estar siempre en posición firme y utilice la motosierra solo si está en un terreno firme, seguro y uniforme. Las superficies resbaladizas o inestables pueden dar lugar a la pérdida de equilibrio o de control sobre la motosierra.
- g) Si va a cortar una rama que está tensa, tenga presente que rebotará. Si se libera la tensión en las fibras de madera, la rama tensa puede golpear al usuario y/o la motosierra se puede descontrolar.
- h) Tenga especial cuidado cuando corte matas y árboles jóvenes. El material delgado puede enredarse en la cadena de sierra y restallar hacia usted o hacerle perder el equilibrio.
- i) Tome la motosierra por el asa delantera en estado desconectado y mantenga la cadena de sierra lejos de su cuerpo. Para transportar o guardar la motosierra, ponga siempre la cubierta protectora. Si maneja la motosierra con cuidado, es menos probable que toque por descuido la cadena de sierra cuando está en marcha.

- j) Siga las instrucciones de lubricación, tensado de la cadena y cambio de carril guía y cadena. Una cadena mal tensada o lubricada puede partirse o aumentar el riesgo de rebote.
- k) Asierre únicamente madera. No haga con la motosierra ningún trabajo para el que no sea adecuada. Ejemplo: No utilice la motosierra para serrar metal, plástico, mampostería o material de construcción que no sea de madera. El uso de la motosierra para trabajos no previstos puede conducir a situaciones peligrosas.
- l) No intente talar un árbol sin antes conocer bien los riesgos y saber cómo evitarlos. El usuario u otras personas pueden resultar gravemente heridos por la caída de un árbol.

### Qué causa los rebotes y cómo evitarlos

La motosierra puede rebotar si la punta de la espada toca un objeto o si la madera se dobla y la cadena se atasca durante el corte.

En algunos casos, el contacto de la punta de la espada con un objeto puede hacer que el carril guía rebote inesperadamente hacia atrás y hacia el usuario.

Si la cadena de sierra se atasca en el borde superior del carril guía, este último puede rebotar rápidamente hacia el usuario.

Cada una de estas reacciones puede hacerle perder el control de la sierra y causarle graves lesiones. Nunca confíe solamente en los dispositivos de seguridad instalados en la motosierra. Como usuario de una motosierra, debe tomar distintas medidas para poder trabajar sin causar accidentes ni lesiones.

Un retroceso es el resultado de un uso incorrecto o deficiente de la motosierra. Se puede evitar tomando medidas de precaución como las que se describen a continuación:

- a) Sujete la motosierra con las dos manos rodeando sus asas con los pulgares y los dedos. Ponga su cuerpo y sus brazos en una posición que le permita resistir las fuerzas de rebote. Si se toman las medidas adecuadas, el usuario será capaz de dominar las fuerzas de rebote. Nunca suelte la motosierra.
- b) No ponga el cuerpo en una posición anormal ni sierre por encima de la altura de sus hombros. Así evitará tocar involuntariamente un objeto con la punta de la espada y podrá controlar mejor la motosierra ante una situación inesperada.
- c) Use siempre las espadas y cadenas de recambio prescritas por el fabricante. Si usa carriles o cadenas de recambio inapropiadas, la cadena se puede partir y/o la sierra puede rebotar.
- d) Respete las instrucciones del fabricante sobre cómo afilar y mantener la cadena. Los limitadores de profundidad demasiado bajos hacen que la motosierra sea más proclive a rebotar.

## Indicaciones de seguridad adicionales

- Siga las indicaciones de mantenimiento, control y servicio técnico en las presentes instrucciones de uso. Los dispositivos de protección y piezas dañados deben ser reparados o cambiados adecuadamente por nuestro centro de servicio técnico, a menos que se indique lo contrario en las instrucciones de servicio.
- Se recomienda que los nuevos usuarios por lo menos practiquen el corte de troncos con caballetes de trabajo o soportes.
- Al aserrar troncos en pendientes, colóquese siempre en el lado más elevado del terreno. Para conservar el control total en el momento del "aserrado", reduzca la presión contra el extremo del corte sin dejar de agarrar con fuerza el asa en los asideros del producto. Preste atención para que la cadena de sierra no toque el suelo. Cuando termine el corte, espere a que el producto se detenga antes de retirarlo. Apague siempre el motor del producto y retire la batería antes de dirigirse a otro árbol.
- La suciedad, las piedras, la corteza suelta, los clavos, las grapas y los alambres deben retirarse del árbol.
- **No utilice accesorios no recomendados por el fabricante.** Esto podría provocar una descarga eléctrica o un incendio.
- Está prohibido el uso del producto si hay tormenta, ya que existe **peligro de rayos**.

## Indicaciones de seguridad adicionales

- **Siga todas las instrucciones cuando limpie la motosierra de material acumulado, durante su almacenamiento o para realizar tareas de mantenimiento. Asegúrese de que el interruptor está desconectado y que la clavija de conexión de la red se ha quitado.** El accionamiento inesperado de la motosierra al retirar acumulaciones de material o durante el mantenimiento puede causar lesiones graves.
- Si el cable de conexión a la red de este producto está dañado, el fabricante o su servicio a clientes, o bien una persona cualificada similar deben sustituirla para evitar peligros.
- Utilice un interruptor de corriente de defecto con una corriente de activación de 30 mA o inferior.
- Coloque el cable de conexión de tal forma que, durante el aserrado, no quede atrapado por ramas o similares.
- Utilice al aire libre solo cables alargadores autorizados y marcados para ello (H07RN-F).
- Siga las indicaciones de mantenimiento, control y servicio técnico en las presentes instrucciones de uso. Los dispositivos de protección y piezas dañados deben ser reparados o cambiados adecuada-

mente por nuestro centro de servicio técnico, a menos que se indique lo contrario en las instrucciones de servicio.

- Al aserrar troncos en pendientes, colóquese siempre en el lado más elevado del terreno. Para conservar el control total en el momento del "aserrado", reduzca la presión contra el extremo del corte sin dejar de agarrar con fuerza el asa en los asideros del producto. Preste atención para que la cadena de sierra no toque el suelo. Cuando termine el corte, espere a que el producto se detenga antes de retirarlo. Apague siempre el producto y quite la clavija de conexión de la red antes de cambiar de un árbol a otro árbol.
- La suciedad, las piedras, la corteza suelta, los clavos, las grapas y los alambres deben retirarse del árbol.
- No utilice el producto sin lubricación y no olvide que siempre deberá llenarlo a tiempo antes de que el depósito esté vacío.
- Utilice únicamente lubricantes recomendados por el fabricante.
- Se recomienda que los nuevos usuarios por lo menos practiquen el corte de troncos con caballetes de trabajo o soportes.
- **No utilice accesorios no recomendados por el fabricante.** Esto podría provocar una descarga eléctrica o un incendio.
- Está prohibido el uso del producto si hay tormenta, ya que existe **peligro de rayos**.

La cadena de sierra se puede reafilear en un taller especializado autorizado. No intente afilar usted mismo la cadena de sierra si no dispone de una herramienta adecuada y de la experiencia necesaria.

## Dispositivos de seguridad (fig. 1)

- **Asa trasera (2) con protector de manos (10)**
  - Protege la mano de las ramas y de lesiones producidas por la cadena de sierra.
- **Bloqueo de conexión (3)**
  - Para conectar el producto, debe desbloquearse el bloqueo de conexión. El bloqueo de conexión impide el arranque accidental del producto.
- **Dispositivo de agarre de cadena (5a)**
  - Reduce el peligro de lesiones si la cadena de sierra se rompe o salta.
- **Cadena de sierra (8) con rebote reducido**
  - Ayuda a amortiguar los rebotes gracias al desarrollo de dispositivos de seguridad especiales.
- **Interruptor de conexión/desconexión (11) con parada inmediata de la cadena**
  - Al soltar el interruptor de conexión/desconexión, el producto se apaga inmediatamente.

- **Tope de garras (15)**

- Aumenta la estabilidad al realizar cortes verticales y facilita el proceso de aserrado.

**Nota:**

La cadena de sierra no marcha si el freno de la cadena está puesto.

- **Freno de cadena / protector de manos delantero (16)**

- Dispositivo de seguridad que detiene la cadena de sierra inmediatamente en caso de rebote.
- La palanca también puede accionarse manualmente.
- Protege la mano izquierda del usuario en caso de que resbale del asa delantera.

- **Motor eléctrico**

- Por motivos de seguridad, está doblemente aislado.

## 6.2 Equipo de protección individual (EPI)

### PELIGRO

#### ¡Peligro de lesiones!

¡Póngase siempre un equipo de protección personal (EPP)!

- Póngase un casco protector facial o unas gafas de protección o una protección auditiva.
- Póngase ropa de trabajo ceñida con tejido anti-corte.
- Póngase calzado de seguridad antideslizante.
- Lleve guantes de protección.

- **Evite posturas forzadas. Procure una buena estabilidad y mantenga siempre el equilibrio.** Así controlará mejor la herramienta eléctrica si surge una situación imprevista.

- El producto no debe ser utilizado por personas (incluidos niños) con capacidades físicas, sensoriales o mentales reducidas o con falta de experiencia y conocimientos.

- **Use ropa adecuada. No use ropa holgada ni adornos. No acerque el cabello ni la ropa a las piezas móviles.** La ropa holgada, las joyas y el cabello largo pueden engancharse en las piezas móviles.

- Utilice siempre calzado resistente y pantalones largos al utilizar el producto. No utilice el producto descalzo o con sandalias. Evite el uso de ropa holgada o ropa con cordones desatados o corbatas.

- Póngase un casco protector durante todos los trabajos en el bosque. Este le protegerá frente a las ramas que caigan. Compruebe regularmente que el

casco protector no tenga daños. Cámbielo a los 5 años a más tardar. Utilice solo cascos protectores comprobados.

- La protección facial o las gafas de protección le protegen de las virutas de aserrado y de las astillas de madera. Para evitar lesiones en los ojos, al efectuar cualquier trabajo con el producto, deberá utilizarse siempre protección facial o gafas de protección.

- Utilice protección auditiva.

- Lleve guantes de protección.

- Al serrar madera seca póngase una mascarilla anti-polvo. Puede producirse aserrín.

- El usuario puede caerse si está trabajando en el árbol. El usuario puede lesionarse gravemente o perder la vida. Póngase equipo de seguridad anticaídas.

## 6.3 Seguridad del entorno

- Las normativas nacionales y/o municipales pueden imponer restricciones horarias al uso de productos motorizados que produzcan ruido. Consulte a su administración municipal al respecto.

- Trabaje solo con la luz del día.

- No trabaje en condiciones meteorológicas adversas como, p. ej., lluvia o viento. En este caso, el riesgo de accidentes es mayor.

- El desorden puede provocar accidentes en la zona de trabajo.

- Cuando use este producto, no permita que se acerquen niños u otras personas. Al distraerse puede perder el control del producto.

- No utilice nunca el producto cuando haya personas, especialmente niños, o animales cerca.

- No trabaje cerca de vallas de alambre ni en lugares donde haya alambres viejos sueltos.

## Riesgos residuales

**El producto se ha construido de acuerdo con los últimos avances tecnológicos y las reglas técnicas de seguridad reconocidas. Aun así, pueden emanar determinados riesgos residuales durante el trabajo.**

- Los riesgos residuales pueden minimizarse si se tienen en cuenta las “indicaciones de seguridad” y el “uso previsto”, así como el “manual de instrucciones”.

- Utilice el producto tal y como se recomienda en este manual de instrucciones. De este modo conseguirá que su producto brinde el mejor rendimiento.

- Además, a pesar de todas las precauciones adoptadas puede seguir habiendo riesgos residuales no evidentes.

- No acerque sus manos a la zona de trabajo cuando el producto esté en marcha.

- Lesiones auditivas, cuando se utiliza sin la protección auditiva obligatoria.
- Lesiones pulmonares al utilizar el producto sin la protección respiratoria prescrita.
- Peligro de lesiones debido a herramientas proyectadas en caso de sujeción o guiado incorrectos.
- Si no se utilizan las líneas de conexión eléctricas apropiadas, existe riesgo para la salud.
- Evite puestas en marcha fortuitas del producto: al introducir la clavija en la toma de enchufe, no debe presionarse el interruptor de conexión/desconexión.
- Antes de realizar trabajos de ajuste o de mantenimiento, suelte el interruptor de conexión/desconexión y desenchufe la clavija de conexión de la red.

### ADVERTENCIA

Esta herramienta eléctrica produce un campo electromagnético mientras funciona. Este campo puede perjudicar bajo circunstancias concretas implantes médicos activos o pasivos. Con el fin de reducir el peligro de lesiones graves o mortales, recomendamos a las personas con implantes médicos que consulten tanto a su médico como al fabricante del implante médico antes de manejar la herramienta eléctrica.

### ADVERTENCIA

Si se usa para trabajos más prolongados, las vibraciones pueden causar alteraciones del riego sanguíneo en las manos de la persona que la use (fenómeno de Raynaud).

El fenómeno de Raynaud es una enfermedad de los vasos sanguíneos que produce espasmos en los capilares de los dedos de manos y pies. Las zonas afectadas dejan de recibir suficiente sangre y a causa de ello se ponen muy pálidas. El uso frecuente de productos que vibran puede causar daños neurológicos en personas que no tienen un buen riego sanguíneo (p. ej., en las personas fumadoras o diabéticas).

Si nota alguna dolencia extraordinaria, deje inmediatamente de trabajar y llame a un médico.

## 7 Datos técnicos

Tensión nominal	220-240 V CA / 50/60 Hz
Potencia nominal S1*	1600 W
Clase de protección	II
Tipo de protección	IPX0
Velocidad de cadena	15 m/s

Carril guía	14"
Longitud del espadín de motosierra	41,5 cm
Longitud de corte**	34 cm
Paso de la cadena	3/8"
Número de dientes de la rueda de cadena	52 dientes
Tipo de cadena de sierra	3/8LP-52
Tipo de carril guía	AP14-52-507P
Aceite para cadenas de sierra/depósito	0,35 l
Peso (con espadín de motosierra y cadena de sierra)	aprox. 4,8 kg
Peso (sin espadín de motosierra, cadena de sierra ni cable)	aprox. 4,2 kg

Reservado el derecho a introducir modificaciones técnicas.

### \*Modo de servicio S1 (funcionamiento continuo)

El producto puede funcionar de forma continua con la potencia indicada.

\*\* La longitud de corte real puede ser más corta que la longitud de corte indicada.

### Ruidos y vibraciones

### ADVERTENCIA

El ruido puede tener consecuencias graves para su salud. Si el ruido de la máquina supera los 85 dB, póngase una protección auditiva adecuada y asegúrese de que las personas que se encuentren cerca hagan lo mismo.

### Valores característicos de ruido

Nivel de presión acústica $L_{pA}$	95,3 dB
Inseguridad de medición $K_{pA}$	3 dB
Nivel de potencia acústica medido $L_{wA}$	103,3 dB
Nivel de potencia acústica garantizado $L_{wA}$	106 dB
Inseguridad de medición $K_{wA}$	3 dB

### Valores característicos de vibración (vibración mano-brazo)

Vibración $a_h$	
Asa delantera	3,26 m/s <sup>2</sup>
Asa trasera	3,51 m/s <sup>2</sup>
Incertidumbre de medición K	1,5 m/s <sup>2</sup>

El valor total de vibración indicado y el valor de emisión de ruidos indicado se han medido siguiendo un proceso de comprobación normalizado y pueden utilizarse para comparar una herramienta eléctrica con otra.

El valor de emisión de ruidos indicado y el valor total de vibración indicado también se pueden emplear para realizar una evaluación preliminar de la carga.

### ADVERTENCIA

**Las emisiones de ruido y el valor de emisión de vibraciones pueden diferir de los valores indicados durante el uso real de la herramienta eléctrica, dependiendo del tipo y modo de uso de la misma, especialmente, del tipo de pieza de trabajo con el que se trabaje.**

Intente mantener lo más baja posible la carga. Medida a modo de ejemplo: limitación del tiempo de trabajo. Para ello, deben tenerse en cuenta todas las fracciones de los ciclos de funcionamiento (por ejemplo, tiempos en los que la herramienta eléctrica se encuentra desconectada, y tiempos en los que se encuentra conectada, pero funcionando sin carga).

## 8 Desembalaje

### ADVERTENCIA

**El producto y los materiales de embalaje no son aptos como juguetes para niños.**

**Los niños no deben jugar con bolsas de plástico, láminas o piezas pequeñas. Existe peligro de atragantamiento y asfixia.**

- Abra el embalaje y extraiga el producto cuidadosamente.
- Retire el material de embalaje y los seguros de embalaje y transporte (si los hubiera).
- Compruebe la integridad del volumen de suministro.
- Compruebe que no haya daños de transporte en el producto y en los componentes de los accesorios. Notifique de inmediato cualquier daño detectado a la empresa de transporte encargada de entregar el producto. Las reclamaciones realizadas posteriormente no serán atendidas.
- Conserve el embalaje por si fuera preciso hasta la extinción del período de garantía.
- Familiarícese con el producto antes de su uso con ayuda del manual de instrucciones.
- Emplee únicamente piezas originales para los accesorios, las piezas de desgaste y piezas de repuesto. Puede encargar las piezas de repuesto a su proveedor técnico.
- Indique en los pedidos nuestro número de artículo, el tipo de producto y su año de construcción.

## 9 Antes de la puesta en marcha

### ADVERTENCIA

**Desenchufe siempre la clavija de conexión de la red antes de efectuar ajustes en el producto.**

### ADVERTENCIA

#### **Peligro de lesiones**

Enchufe la clavija de conexión de la red sólo cuando el producto esté listo para su uso.

### PELIGRO

#### **¡Peligro de lesiones!**

En caso de utilizarse un producto no acabado de montar, pueden producirse lesiones graves.

- No utilice el producto hasta que no esté completamente montado.
- Antes de cada uso, realice una inspección visual para comprobar que el producto esté completo y no tenga ningún componente dañado o desgastado. Los dispositivos de seguridad y de protección deben estar intactos.

### ADVERTENCIA

#### **¡Peligro de lesiones al manipular la cadena de sierra o la espada!**

- Lleve guantes resistentes a los cortes.

#### **Notas:**

- Las cadenas de sierra nuevas se alargan, por lo que a menudo hay que retensarlas. Compruebe regularmente la tensión de la cadena después de cada corte y reajústela.
- Utilice exclusivamente cadenas de sierra y espadas diseñadas para este producto.

### PRECAUCIÓN

¡Una cadena de sierra mal montada provoca un comportamiento de corte incontrolado del aparato!

¡Durante el montaje de la cadena de sierra, preste atención al sentido de marcha prescrito!

- Coloque el producto sobre una superficie plana y recta.
- Familiarícese con el producto antes de su uso con ayuda del manual de instrucciones.

Antes de cada uso o tras una caída del producto, debe comprobarse atentamente si este presenta algún tipo de daño. Si se constata algún daño, este deberá subsanarse de inmediato por parte de personal de un taller autorizado del servicio técnico.

Para garantizar que el producto funcione perfectamente y tenga una larga vida útil, deben observarse los siguientes puntos:

- Encaje correcto del carril guía.
- Sentido de montaje/de marcha, así como estado perfecto (afilado) de la cadena de sierra.
- Tensión de la cadena de sierra (si la cadena es nueva, hay que comprobarla y reajustarla varias veces).
- Funcionamiento de la lubricación de la cadena.
- Funcionamiento del freno de la cadena.
- Funcionamiento del embrague (no debe haber ningún movimiento de la cadena durante la marcha al ralenti).
- Estado impecable e integridad de los dispositivos de protección y del dispositivo de corte.
- Asiento fijo de todas las atornilladuras.
- Marcha suave de todas las piezas móviles.

## 9.1 Montar la espada (7) y la cadena de sierra (8) (fig. 2)

1. Gire la rueda de sujeción de la cadena (6) en el sentido contrario a las agujas del reloj para retirar la cubierta de la rueda de la cadena (5).
2. Coloque la cadena de sierra (8) en un lazo, de modo que los puntos de corte miren hacia las agujas del reloj. Para colocar la cadena de sierra (8), tome como referencia los pictogramas (flechas) de la cadena de sierra (8) o de encima de los pernos de guía (20).
3. Coloque la cadena de sierra (8) en la ranura de la espada (7).  
Durante el montaje, sujete el espadín de motosierra (7) inclinado hacia arriba en un ángulo de 45 grados para poder introducir más fácilmente la cadena de sierra (8) en la rueda de cadena (18). La cadena de sierra (8) se articula mediante el pistón de estrella (7a).
4. Coloque la espada (7) en el pernos de guía (20) y en el perno de anclaje (19). El perno de guía (20) y el perno de anclaje (19) deben estar en el orificio oblongo de la espada (7).
5. Pase la cadena de sierra (8) alrededor de la rueda de cadena (18) y compruebe la orientación de la cadena de sierra (8).
6. Vuelva a colocar la cubierta de la rueda de la cadena (5).  
Asegúrese de que la cubierta de la rueda dentada (5) encaje en la ranura de la carcasa.

7. Gire la rueda de sujeción de la cadena (6) en el sentido de las agujas del reloj.
8. Vuelva a comprobar el encaje de la cadena de sierra (8) y tense la cadena de sierra (8).

### Nota:

Tenga en cuenta que el producto se vuelve a engrasar después de su uso y que, por lo tanto, puede perder aceite si se guarda de lado o boca abajo. Se trata de un proceso normal debido a la necesaria abertura de ventilación situada en el borde superior del depósito y no es motivo de reclamación. Dado que este producto se revisa y prueba con aceite durante la producción, puede quedar una pequeña cantidad de aceite en el depósito a pesar de haberlo vaciado. Por este motivo, la carcasa puede mancharse fácilmente de aceite durante el transporte. Limpie la carcasa con un paño.

Antes de cambiar la cadena de sierra, hay que limpiar la suciedad de la ranura del carril guía, ya que la cadena de sierra puede saltar del carril si hay restos de suciedad. Los restos de suciedad también pueden absorber el aceite para cadenas de sierra. Como consecuencia, el aceite para cadenas de sierra no llega a la parte inferior del carril o solo en pequeña medida, dificultándose la lubricación.

## 9.2 Tensar la cadena de sierra (8) (fig. 3)

### ADVERTENCIA

#### ¡Peligro de lesiones debido al salto de la cadena de sierra!

Si la cadena de sierra no está suficientemente tensa, puede saltar durante el funcionamiento y provocar lesiones.

- Controle a menudo la tensión de la cadena de sierra.
- La tensión de la cadena de sierra es insuficiente cuando los enlaces de accionamiento sobresalen de la ranura en la parte inferior del carril guía.
- Si la tensión de la cadena de sierra es demasiado baja, ténsela correctamente.

1. Asegúrese de que el freno de la cadena (16) esté quitado (véase 10.1.2).
2. Ajuste la tensión de la cadena con la rueda de sujeción de la cadena (6).
  - En sentido horario: aumenta la tensión de la cadena
  - En sentido antihorario: disminuye la tensión de la cadena
3. Gire la cadena de sierra (8) con la mano para comprobar que funcione correctamente. Esta debe deslizarse libremente por la espada (7).

La cadena de sierra (8) no debe combarse, pero debe poder separarse al menos 1-2 milímetros de la barra (7) en el centro de la barra de la cadena.

La tensión y lubricación de la cadena influyen considerablemente en la vida útil de la cadena de sierra.

La cadena de sierra está correctamente tensada cuando no se comba en la parte inferior del espadín de motosierra y se puede tirar de ella hasta el final con la mano con guante. Al tirar de la cadena de sierra con una fuerza de tracción de 9 N (aprox. 1 kg), la cadena de sierra y el espadín de motosierra no deben tener una separación superior a 7 mm.

La cadena de sierra (8) puede separarse a mano un máximo de 9 mm con una fuerza de tracción media.

**Nota:**

- La tensión de una cadena nueva debe comprobarse y ajustarse tras unos minutos de trabajo.
- La cadena de sierra debe tensarse en un lugar limpio, libre de serrín o suciedad similar.
- La tensión correcta de la cadena de sierra mejora la seguridad del usuario y reduce o previene el desgaste y el daño de la cadena.
- Recomendamos que el usuario compruebe la tensión de la cadena antes de empezar a trabajar con el producto por primera vez.

## ATENCIÓN

Al trabajar con la sierra, la cadena de sierra se calienta y, como consecuencia, se ensancha un poco. Este efecto de ensanchamiento se puede prevenir especialmente en cadenas de sierra nuevas.

### 9.3 Llenado del aceite para cadenas de sierra (22) (fig. 4)

#### PELIGRO

Apague siempre el producto y deje que el motor se enfríe antes de llenar el aceite. El derrame de aceite comporta peligro de incendio.

#### ADVERTENCIA

La espada y la cadena de sierra no deben quedar nunca sin aceite. Si la motosierra se utiliza con muy poco aceite, se reducirán el rendimiento de corte y la vida útil de la cadena de sierra, ya que esta perderá su filo más rápidamente. La falta de aceite se reconoce por la aparición de humo o por el cambio de color de la espada.

## ATENCIÓN

### **Daños ambientales**

El aceite derramado puede contaminar el medio ambiente de manera permanente. El líquido es altamente tóxico y puede provocar la rápida contaminación del agua.

- Llene/vacíe el aceite solo sobre superficies niveladas y sólidas.
- Utilice una tubuladura de llenado o un embudo.
- Recoja el aceite drenado en un recipiente adecuado.
- Limpie inmediatamente cualquier derrame de aceite y deseche el paño de acuerdo con las normas locales.
- Deseche el aceite de acuerdo con las disposiciones locales.

La cadena de sierra se lubrica automáticamente al utilizar el producto. Para lubricar suficientemente la cadena, el depósito de aceite deberá contener siempre el aceite suficiente. Compruebe regularmente la cantidad de aceite restante en el depósito de aceite.

**Nota:**

- El tapón consta de un protector contra pérdida.
  - Llene la motosierra preferentemente con aceite para cadenas de sierra (22) biodegradable.
  - Asegúrese de que la tapa del tanque de aceite esté en su lugar y cerrada antes de encender el producto.
1. Abra el depósito de aceite (12). Para ello, desenrosque el tapón del depósito de aceite (4) en sentido antihorario.
  2. Para evitar fugas de aceite, utilice un embudo\*.
  3. Llene cuidadosamente el aceite para cadenas de sierra (22) hasta alcanzar la marca superior del indicador de nivel de aceite (13). Cantidad de llenado del depósito de aceite: máx. 350 ml.
  4. Enrosque el tapón del depósito de aceite (4) en el sentido de las agujas del reloj para cerrar el depósito de aceite (12).
  5. Limpie inmediatamente cualquier posible derrame de aceite y deseche el paño de acuerdo con las normas locales.
  6. Para comprobar la lubricación de la cadena de sierra, sujete el producto con la cadena de sierra sobre una hoja de papel y acelere a tope la sierra durante un par de segundos. En el papel se puede ver si se está lubricando la cadena correctamente.

## 10 Manejo

La motosierra eléctrica cuenta con un motor eléctrico para su accionamiento. La cadena de sierra giratoria se guía sobre un espadín de motosierra (carril guía).

El producto está equipado con un sistema de frenos de cadena de parada rápida. Un sistema automático de aceite se encarga de lubricar la cadena de forma continuada. Para proteger a usuario, la motosierra eléctrica está equipada con diversos dispositivos de protección.

La función de los elementos de mando se puede encontrar en las siguientes descripciones.

## ATENCIÓN

**Antes de la puesta en marcha del producto, es imprescindible montarlo por completo.**

## ATENCIÓN

Asegúrese de que la temperatura ambiente no supere los 50 °C y no descienda por debajo de -20 °C durante el trabajo.

## PELIGRO

### ¡Peligro de lesiones!

Si el producto se atasca, no intente sacarlo a la fuerza.

- Pare el motor.
- Utilice un brazo de fuerza o una cuña para liberar el producto.

## 10.1 Freno de la cadena (16) (fig. 1, 5)

### ADVERTENCIA

**El freno de cadena debe comprobarse antes de cada puesta en marcha.**

El freno de cadena frena de inmediato la cadena de sierra en caso de retroceso.

### ADVERTENCIA

**Si el freno de cadena no funciona correctamente, no debe utilizar la sierra de cadena. La cadena de sierra en marcha en inercia supone un riesgo de lesiones. Póngase en contacto con el servicio de atención al cliente.**

### ADVERTENCIA

#### ¡Daños en el producto!

Mantener un gran número de revoluciones del motor durante largo tiempo puede dañar el motor y el accionamiento de la cadena de sierra.

Si, a pesar de todo, la cadena de sierra se moviera, póngase en contacto con el servicio al cliente.

#### Nota:

La cadena de sierra no marcha si el freno de la cadena está puesto.

#### 10.1.1 Activación del freno de cadena/ protector de manos delantero (16)

1. Incline el freno de cadena/protector de manos delantero (16) en dirección a la espada (7).

#### 10.1.2 Liberación del freno de cadena/ protector de manos delantero (16)

1. Tire del freno de la cadena/protector de manos delantero (16) en dirección al asa delantera (14). El freno de la cadena/protector de manos delantero (16) encaja de forma audible.

#### 10.1.3 Comprobación del freno de cadena/protector de manos delantero (16)

1. Quite el freno de la cadena/protector de manos delantero (16) como se describe en 10.1.2 .
2. Sujete la motosierra con ambas manos.
3. Encienda la motosierra como se describe en 10.1.3 .
4. Incline el freno de cadena/protector de manos delantero (16) en dirección al espadín (7). La cadena de sierra (8) debe detenerse inmediatamente.

#### Nota:

Si la cadena de sierra no se detiene, no debe utilizarse el producto. La cadena de sierra en marcha en inercia supone un riesgo de lesiones. Póngase en contacto con el servicio de atención al cliente.

## 10.2 Conexión/desconexión y manejo del producto (fig. 1)

### ADVERTENCIA

#### ¡Peligro de lesiones debido a retroceso!

- ¡No utilice nunca el producto con una sola mano!

#### Conexión

1. Compruebe si hay aceite para cadenas de sierra (22) en el depósito de aceite (12).

- Forme un lazo desde el extremo de un cable alargador\* y cuélguelo en la descarga de tracción (9) en el asa trasera (2).
- Enchufe la clavija de conexión de la red en una toma de corriente correctamente asegurada.
- Retire la protección del espadín y la cadena (17) del espadín (7).
- Suelte el freno de la cadena (16). El freno de la cadena (16) encaja de forma audible.
- Sujete el producto con la mano izquierda por el asa delantera (14) y, con la izquierda, sujete el asa trasera (2). Los pulgares y los dedos deben rodear firmemente las asas (2/14).
- Ponga su cuerpo y sus brazos en una posición que le permita resistir las fuerzas de rebote.
- Deslice el interruptor de desbloqueo (3) en el asa trasera (2) hacia delante y manténgalo en esa posición.
- Para conectar el producto, pulse el interruptor de encendido/apagado (11).
- Suelte el bloqueo de conexión (3).

**Nota:**

No es necesario seguir pulsando el bloqueo de conexión una vez se ha arrancado el producto. El bloqueo de conexión tiene la función de evitar el arranque accidental del producto.

No es posible un conmutación continua.

**Desconexión**

- Para desconectar el producto, suelte el interruptor de encendido/apagado (11).
- Active el freno de cadena (16).
- Después de trabajar con el producto, coloque la protección suministrada del espadín y la cadena (17).
- En caso de no utilizar el producto, desconecte la clavija de conexión de la red de la toma de corriente.
- Retire el cable alargador\* de la descarga de tracción (9).

\* = ¡No incluidos obligatoriamente en el volumen de suministro!

**10.3 Protección frente a sobrecargas**

En caso de sobrecarga del producto, este se desconecta automáticamente. Tras un tiempo de refrigeración (los tiempos varían), puede conectarse de nuevo el producto.

**10.4 Comprobar la lubricación de la cadena de sierra (fig. 4)**

**Nota:**

Antes de empezar el trabajo, compruebe el nivel de aceite y el funcionamiento de la lubricación de la cadena.

- Para comprobar la lubricación de la cadena de sierra, sujete el producto con la cadena de sierra sobre una hoja de papel y acelere a tope la sierra durante un par de segundos. En el papel se puede ver si se está lubricando la cadena correctamente.


**Nota:**


Si no hay rastro de aceite, limpie el paso de aceite si es necesario o haga reparar la motosierra por nuestro servicio de atención al cliente.


- Limpie el paso de aceite (21) para garantizar un engrase automático y sin problemas de la cadena de sierra (8) durante el funcionamiento. Para ello, utilice un cepillo\* o un paño\* para eliminar cualquier residuo del paso de aceite (21).

\* = ¡No incluidos obligatoriamente en el volumen de suministro!

**11 Indicaciones de trabajo**

 <b>PELIGRO</b>
<p><b>¡Peligro de lesiones!</b></p> <p>Esta sección cubre la técnica básica de trabajo cuando se utiliza el producto.</p> <p>La información que aquí se ofrece no sustituye los muchos años de formación y experiencia de un especialista.</p> <p>¡Evite cualquier trabajo para el que no esté suficientemente cualificado!</p> <p>¡El manejo descuidado del producto puede provocar lesiones graves e incluso la muerte!</p>

 <b>PELIGRO</b>
<p><b>¡Peligro de lesiones!</b></p> <p>Los trabajos de aserrado y tala, así como todos los trabajos relacionados, únicamente podrán ser realizados por personas especialmente formadas y capacitadas.</p>

 <b>ADVERTENCIA</b>
<p>Por razones de seguridad, desaconsejamos a los usuarios inexpertos talar un tronco de árbol con una longitud de hoja inferior al diámetro del tronco.</p>

## Notas:

Antes del encendido, asegúrese de que el producto no esté en contacto con ningún objeto.

Respete la normativa específica del país para los trabajos de tala y solicite información a la autoridad competente.

- Asegúrese de que nadie pueda resultar herido por la caída de ramas y árboles.
- Únicamente podrán estar en la zona de trabajo las personas necesarias para los trabajos de tala.
- Mantenga despejada y ordenada la zona de trabajo en el tronco para garantizar la seguridad de los usuarios.
- Mantenga las rutas de escape despejadas y ordenadas para poder abandonar rápidamente la zona de trabajo.
- No realice trabajos de tala con viento fuerte, mal tiempo o malas condiciones de visibilidad.
- Mantenga al menos 2 1/2 longitudes de árbol de distancia con respecto al siguiente lugar de trabajo.
- Si la sierra toca un cuerpo extraño, apague el motor. Revise la sierra y, si es necesario, repárela.
- Proteja la cadena de sierra de la suciedad y la arena. Incluso pequeñas cantidades de suciedad pueden degradar la cadena de sierra rápidamente y aumentar el riesgo de rebote.
- Antes de emprender tareas más difíciles, empiece serrando troncos de árbol pequeños para ejercitarse y comprobar qué sensación le produce usar el producto.
- Para empezar a serrar, presione la carcasa de la motosierra contra el tronco del árbol.
- Deje que la sierra trabaje por usted. Ejercer únicamente una ligera presión hacia abajo.
- Para no perder el control del producto cuando la cadena de sierra salga de la madera, no debe ejercer presión sobre la sierra al final del corte.
- No corte madera que esté tirada por el suelo ni intente aserrar raíces que sobresalgan de la tierra.
- Evite posturas forzadas. Procure una buena estabilidad y mantenga siempre el equilibrio. Así controlará mejor el producto si surge una situación imprevista.
- El control mejora cuando se sierra con la parte inferior de la espada (con cadena de tracción).
- La cadena de sierra no debe tocar el suelo ni ningún otro objeto durante el aserrado ni después del mismo.
- Observe también las precauciones contra contragolpes (véanse las instrucciones de seguridad).

## 11.1 Postura correcta

### PELIGRO

#### ¡Peligro de lesiones!

- ¡No trabaje nunca sobre superficies inestables!
- ¡No lleve nunca a cabo trabajos que requieran levantar la sierra por encima de los hombros!
- ¡No trabaje nunca subido a una escalera!
- ¡No trabaje demasiado inclinado!
- ¡Utilice el producto únicamente en condiciones meteorológicas y de terreno favorables!
- Colóquese de pie con las dos piernas bien apoyadas sobre el suelo.
- Cuidado con los obstáculos en la zona de trabajo.
- ¡Sujete siempre el producto con ambas manos cuando trabaje!

## 11.2 ¡Así se sierra correctamente!

- Aplique una presión constante sobre el producto, pero sin emplear una fuerza excesiva.
- Coloque, siempre que sea posible, el producto con el tope de garras sobre la rama a cortar.
- Nunca trabaje sin tope de garras. El producto puede arrastrar al usuario hacia delante.
- Utilice el tope de garras para cortar troncos de árboles o ramas gruesas.
- Emplear el tope de garras aumenta la seguridad en el trabajo, disminuye la carga personal al trabajar, y también las vibraciones.
- Si se ha encontrado un cuerpo extraño. Busque si hay daños en el producto y realice las reparaciones necesarias antes de arrancar de nuevo el producto y de trabajar con él. En caso de que el producto comience a vibrar de forma marcadamente anormal, es necesaria una revisión inmediata.

## 11.3 Técnicas de serrado

### 11.3.1 Aserrado por tracción

Esta técnica consiste en serrar desde arriba hacia abajo con la parte inferior del espadín de motosierra.

La cadena de sierra empuja el producto hacia delante, alejándolo del usuario. Aquí, el borde delantero del producto forma un soporte que absorbe las fuerzas sobre el tronco del árbol que surgen durante el aserrado. Durante el aserrado por tracción, el usuario tiene mucho más control sobre el producto y puede evitar mejor los retrocesos.

### 11.3.2 Aserrado por deslizamiento

#### PELIGRO

##### ¡Lesiones mortales!

Si el espadín de motosierra se atasca, el producto puede salir despedido hacia el usuario con gran fuerza.

Si el usuario no compensa con su fuerza física la fuerza de empuje de la cadena de sierra hacia atrás, existe el peligro de que solo el extremo del espadín de motosierra siga en contacto con la madera, provocando un retroceso.

Esta técnica consiste en serrar desde abajo hacia arriba con la parte superior del carril guía.

La cadena de sierra empuja el producto hacia atrás, hacia el usuario.

### 11.3.3 Tronzar

Tronzar consiste en aserrar troncos de árboles talados en pequeños trozos. Si es posible, el tronco debe apuntalarse y apoyarse en ramas, vigas o cuñas.

- **Asegúrese siempre de estar siempre en posición firme y utilice la motosierra solo si está en un terreno firme, seguro y uniforme.** Las superficies resbaladizas o inestables pueden dar lugar a la pérdida de equilibrio o de control sobre la motosierra.
- Al aserrar ramas en pendientes, colóquese siempre en el lado más elevado del terreno. Preste atención para que la cadena de sierra no toque el suelo. Cuando termine el corte, espere a que la cadena de la sierra se detenga antes de retirar el producto.
- Apague siempre el motor del producto antes de cambiar de lugar de trabajo.

#### 11.3.3.1 Tronco estirado en el suelo (fig. 6)

- La cadena de sierra no debe tocar el suelo ni ningún otro objeto durante el aserrado ni después del mismo.
- Sierre el tronco completamente desde arriba.
- Si es posible girar el tronco, sierre a través de 2/3 del mismo.  
A continuación, dé la vuelta al tronco y sierre el resto del tronco desde arriba.

#### 11.3.3.2 Tronco apoyado en un extremo (fig. 7)

- Sierre primero 1/3 parte del diámetro del tronco de abajo a arriba (con la parte superior del espadín de motosierra) para evitar que se astille.
- A continuación, sierre de arriba abajo (con la parte inferior del espadín de motosierra) hasta llegar al primer corte para evitar que la motosierra se quede atascada.

#### 11.3.3.3 Tronco apoyado en ambos extremos (fig. 8)

- Sierre primero 1/3 parte del diámetro del tronco de arriba abajo (con la parte inferior del espadín de motosierra).
- A continuación, sierre de abajo arriba (con la parte superior del espadín de motosierra) hasta que los dos cortes se encuentren.

#### 11.3.3.4 Serrar sobre un caballete de trabajo (fig. 9)

1. Sujete el producto firmemente con ambas manos y guíelo delante del cuerpo mientras sierre 1.
2. Al cortar el tronco, pase el producto por la derecha del cuerpo. Coloque el brazo izquierdo lo más recto posible 2. Vigile con la caída del tronco.
3. Colóquese de forma que el tronco no pueda hacerle daño al caer.
4. Vigile los pies 3. El tronco cortado puede provocar lesiones al caer.
5. Asegúrese de que su cuerpo esté en equilibrio y de tener una posición estable.

### 11.3.4 Desrame (fig. 10)

#### ADVERTENCIA

##### Peligro de lesiones

Muchos accidentes se producen al desramar.

- Sujete el producto firmemente con ambas manos y guíelo delante del cuerpo mientras sierre.
- No se incline demasiado hacia delante durante el funcionamiento.
- No sierre nunca ramas cuando esté de pie sobre el tronco del árbol.
- Tenga en cuenta el espacio susceptible de contagolpes cuando haya ramas en tensión.

Desramar significa cortar las ramas de un árbol.

- No retire las ramas de soporte hasta después de tronzar.
- Las ramas en tensión deben serrarse de abajo hacia arriba para evitar que el producto se atasque.
- Para serrar las ramas más gruesas, utilice la misma técnica que para tronzar.
- Trabaje a la izquierda del tronco y lo más cerca posible del producto. Si es posible, el peso del producto debe descansar sobre el tronco.
- Cambie su posición para cortar las ramas más alejadas del tronco.
- Las ramas ramificadas deben tronzarse individualmente.

- Al desramar, al principio no toque las ramas más grandes, que apuntan hacia abajo y que sostienen el árbol. Corte las ramas más pequeñas con una sola pasada.
- Elimine las ramas que cuelguen hacia abajo realizando el corte por encima de la rama.
- No corte nunca ramas que se encuentren más arriba de la altura del hombro.

### 11.3.5 Tala de un árbol (fig. 11, 12)

#### PELIGRO

##### ¡Peligro de lesiones!

Los trabajos de aserrado y tala, así como todos los trabajos relacionados, únicamente podrán ser realizados por personas especialmente formadas y capacitadas.

#### PELIGRO

Se necesita mucha experiencia para talar árboles. Tale árboles únicamente cuando sepa utilizar el producto de forma segura. No utilice nunca el producto si se siente inseguro.

#### PELIGRO

##### ¡Lesiones mortales!

- ¡No sierre nunca completamente el tronco del árbol!
- ¡Colóquese únicamente al lado del árbol que vaya a talar!

#### PELIGRO

No tale árboles cuando haya viento fuerte o viento cambiante, exista riesgo de daños a la propiedad o riesgo de que el árbol en cuestión toque una línea eléctrica.

#### PELIGRO

En el caso de los árboles, se debe tener cuidado de que ninguna otra persona se exponga a algún peligro, no se golpeen las líneas de suministro ni se ocasionen daños a la propiedad. Si un árbol entra en contacto con una línea de suministro, se debe avisar a la compañía de suministro inmediatamente.

- Asegúrese de que no haya personas ni animales cerca del área de trabajo. La distancia de seguridad entre el árbol que se vaya a talar y el lugar de trabajo más cercano debe ser 2 veces y media la longitud del árbol.

- Preste atención a la dirección de caída: El usuario debe poder moverse con seguridad cerca del árbol talado para poder tronzar y desramar el árbol fácilmente. Hay que evitar que el árbol talado se enrede con otro árbol. Observe la dirección natural de caída, que depende de la inclinación y rectitud del árbol, la dirección del viento y el número de ramas.
- Por lo general, los árboles pequeños con un diámetro de 15-18 cm suelen poder serrarse de una sola pasada.
- Al aserrar ramas en pendientes, colóquese siempre en el lado más elevado del terreno. Preste atención para que la cadena de sierra no toque el suelo. Cuando termine el corte, espere a que la cadena de la sierra se detenga antes de retirar el producto.
- Al aserrar troncos en pendientes, colóquese siempre en el lado más elevado del terreno. Para conservar el control total en el momento del "aserrado", reduzca la presión contra el extremo del corte sin dejar de agarrar con fuerza el asa en los asideros del producto. Preste atención para que la cadena de sierra no toque el suelo. Cuando termine el corte, espere a que el producto se detenga antes de retirarlo. Apague siempre el producto y quite la clavija de conexión de la red antes de cambiar de un árbol a otro árbol.
- En el caso de árboles de mayor diámetro, deben realizarse cortes de entalladura y un corte de tala.
- Procure que la cadena de sierra no se atasque en el corte de la sierra. La rama no debe romperse ni astillarse.
- La suciedad, las piedras, la corteza suelta, los clavos, las grapas y los alambres deben retirarse del árbol.

#### ADVERTENCIA

**Súbase la protección auditiva inmediatamente después de terminar el proceso de aserrado para poder oír los sonidos y las señales de advertencia.**

#### Desrame:

- Elimine las ramas que cuelguen hacia abajo realizando el corte por encima de la rama. No corte nunca ramas que se encuentren más arriba de la altura del hombro.

#### Área de escape:

- Elimine la maleza alrededor del árbol para poder retroceder fácilmente. El área de escape debe estar a unos 45° con respecto a la dirección de tala prevista.

#### Muesca de talado:

- Haga una muesca de talado en la dirección en la que deba caer el árbol.
- Empiece con el corte horizontal inferior.

- La profundidad de corte debe ser aproximadamente 1/3 del diámetro del tronco. Esto evita que la cadena de la sierra o el carril guía se atasquen al realizar el segundo corte de muesca.
- A continuación, haga un corte de sierra diagonal con un ángulo de corte de aprox. 45° desde arriba que coincida exactamente con el corte de sierra inferior.

### PELIGRO

No se coloque nunca delante de un árbol al que se le haya hecho una muesca.

#### Corte de tala:

- Realice el corte de tala desde el otro lado del tronco, colocándose a la izquierda del tronco y serrando por tracción.
- El corte de tala debe realizarse horizontalmente a, como mínimo, 5 cm por encima de la muesca horizontal.
- Su profundidad debe ser tal que la distancia hasta la línea de corte de la muesca comprenda, al menos, 1/10 del diámetro del tronco.
- La parte del tronco que no se ha aserrado se denomina bisagra (listón de tala). La bisagra impide que el árbol gire y caiga en la dirección equivocada. No sierre la bisagra de golpe.
- Cuando el corte de tala se aproxima a la bisagra, el árbol debe empezar a caer.
- En caso de detectar que es probable que el árbol no caiga en la dirección deseada o se incline hacia atrás y la cadena de la sierra se atasque, interrumpa el corte de tala y utilice cuñas de madera, plástico o aluminio para abrir el corte y mover el árbol hacia la línea de caída deseada.
- Si el diámetro del tronco es mayor que la longitud del espadín de motosierra, haga dos cortes.
- Después de realizar el corte de tala, el árbol cae por sí solo o con la ayuda de la cuña de tala o de la pata de cabra.

### PELIGRO

En cuanto el árbol empiece a caer, saque el producto del corte, pare el motor, deje el producto en el suelo y abandone el lugar de trabajo por la vía de escape. Vigile con la caída de ramas; no tropiece con ellas.

#### 11.3.6 Liberar una motosierra atascada

En caso de que la motosierra se atasque durante el proceso de corte, proceda de la siguiente manera:

1. Apague la motosierra y fjela hacia el interior del tronco del árbol (es decir, hacia el tronco del árbol) o sujétela a una cuerda independiente para herramientas.
2. Tire de la motosierra por el lado del corte levantando al mismo tiempo la rama todo lo necesario.
3. Utilizar si es necesario un serrucho o una segunda motosierra para soltar la motosierra agarrotada realizando un corte de al menos 30 cm de distancia de la misma.

Independientemente de si se utiliza una sierra de mano o una motosierra para soltar una motosierra agarrotada, los cortes para liberarla deben hacerse siempre por fuera (hacia las puntas de las ramas) para que la motosierra no se lleve consigo las partes aserradas y complique aún más la situación.

#### 11.4 Después del uso

- **Siempre apague el producto antes de almacenarlo y espere hasta que se haya detenido.**
- Coloque la protección del espadín y la cadena (17) en el espadín (7).
- Active el freno de cadena (16).
- Deje enfriar el producto.
- En caso de no utilizar el producto, desconecte la clavija de conexión de la red de la toma de corriente.

## 12 Limpieza y mantenimiento

### ADVERTENCIA

**Encargue todos los trabajos de mantenimiento y reparación que no se describan en este manual de instrucciones a un taller especializado. Utilice únicamente piezas de repuesto originales.**

### ADVERTENCIA

**Los trabajos de mantenimiento o limpieza inadecuados pueden causar lesiones.**

### ADVERTENCIA

**Al realizar trabajos de limpieza, reparación y mantenimiento, el producto puede ponerse en marcha inesperadamente y causar lesiones y quemaduras.**

- Apague el producto.
- Desenchufe la clavija de conexión de la red.
- Deje enfriar el producto.

## ADVERTENCIA

### ¡Peligro de lesiones al manipular la cadena de sierra o la espada!

- Lleve guantes resistentes a los cortes.

## 12.1 Limpieza

1. Recomendamos limpiar el producto directamente después del uso.
2. Utilice un pincel o una escoba de mano para limpiar la cadena de sierra; no utilice líquidos.
3. Mantenga las empuñaduras y sus superficies secas, limpias y libres de aceite y grasa. Unas empuñaduras y unas superficies de agarre resbaladizas no permiten realizar un manejo y control seguro de la herramienta eléctrica en situaciones imprevistas.
4. Si es necesario, limpie los asideros con un paño humedecido en agua jabonosa.
5. En lo posible, mantenga los dispositivos de protección, las ranuras de aire y el cárter del motor libres de polvo y suciedad. Limpie el producto con un paño\* limpio o soplelo con aire comprimido\* a baja presión. Recomendamos limpiar el producto directamente después del uso.
6. Los orificios de ventilación deben estar siempre libres.
7. No utilice ningún producto de limpieza ni disolventes; estos podrían deteriorar las piezas de plástico del producto. Asegúrese de que no pueda entrar agua en el producto.
8. Limpie la ranura del espadín de motosierra con la ayuda de un pincel o con aire comprimido.
9. Limpie la rueda de cadena.

\* = ¡No incluidos obligatoriamente en el volumen de suministro!

## 12.2 Mantenimiento

### Nota:

Lleve a cabo un mantenimiento cuidadoso del producto. Compruebe que las piezas móviles funcionen bien y no se atasquen, que no haya piezas rotas ni dañadas y que el producto funcione correctamente. Si hay alguna pieza dañada, repárela antes de usar el producto.

Coloque el producto sobre una superficie plana y rec-ta.

### 12.2.1 Inspeccionar la rueda de cadena (18) (fig. 2)

1. Gire la rueda de sujeción de la cadena (6) en el sentido contrario a las agujas del reloj para aflojar la tensión de la cadena y retirar la cubierta de la rueda de la cadena (5).
2. Retire la espada (7) y la cadena de sierra (8).

3. Compruebe las marcas de desgaste de la rueda de cadena (18) con un calibre de comprobación\*.
4. Si la profundidad de las marcas de desgaste es superior a  $\approx 0,5$  mm, deje de utilizar el producto y busque un distribuidor especializado. La rueda de cadena (18) debe sustituirse.
5. Vuelva a montar la espada (7) y la cadena de sierra (8) como se describe en 9.1.

\* = ¡No incluidos obligatoriamente en el volumen de suministro!

### 12.2.2 Inspeccionar la espada (7) (fig. 1)

1. Gire la rueda de sujeción de la cadena (6) en el sentido contrario a las agujas del reloj para aflojar la tensión de la cadena y retirar la cubierta de la rueda de la cadena (5).
2. Retire la espada (7) y la cadena de sierra (8).
3. Mida la profundidad de la ranura de la espada (7) con la varilla medidora de un calibre de limado\*.
4. La espada (7) debe sustituirse cuando se da uno de los siguientes puntos:
  - El espadín de motosierra está dañado.
  - La profundidad de la ranura medida es inferior a la profundidad de ranura mínima del espadín de motosierra (4 mm).
  - La ranura del espadín de motosierra se reduce o se amplía.
5. Monte la espada (7) y la cadena de sierra (8) como se describe en 9.1.

\* = ¡No incluidos obligatoriamente en el volumen de suministro!

### 12.2.3 Cambiar la espada (7) (fig. 2)

1. Gire la rueda de sujeción de la cadena (6) en el sentido contrario a las agujas del reloj para aflojar la tensión de la cadena y retirar la cubierta de la rueda de la cadena (5).
2. Retire la espada (7) y la cadena de sierra (8). Durante el desmontaje, sujete la espada (7) inclinado hacia arriba en un ángulo de 45 grados para poder retirar más fácilmente la cadena de sierra (8) de la ranura de la espada (7).
3. Cambie la espada (7) y monte la espada (7) y la cadena de sierra (8) como se describe en 9.1.

### 12.2.4 Cambiar e introducir la cadena de sierra (8) (fig. 2)

## PELIGRO

### ¡Posibles lesiones graves debido al desgarrado o salto de la cadena de sierra!

- No coloque nunca una cadena de sierra nueva en un piñón de cadena desgastado o en un carril guía dañado o desgastado. La cadena de sierra podría saltar o romperse.

- Utilice exclusivamente cadenas de sierra y espadas diseñadas para este producto.
  - Antes de cambiar la cadena de sierra, limpie la ranura del espadín de motosierra, ya que la cadena de sierra puede saltar del carril si hay suciedad. Los restos de suciedad también pueden absorber el aceite para cadenas de sierra. Como consecuencia, el aceite para cadenas de sierra no llega a la parte inferior del carril o solo en pequeña medida, reduciéndose la lubricación.
1. Gire la rueda de sujeción de la cadena (6) en el sentido contrario a las agujas del reloj para aflojar la tensión de la cadena y retirar la cubierta de la rueda de la cadena (5).
  2. Retire la espada (7) y la cadena de sierra (8).
  3. Coloque la cadena de sierra (8) en un lazo, de modo que los puntos de corte miren hacia las agujas del reloj. Para colocar la cadena de sierra (8), tome como referencia los pictogramas (flechas) de la cadena de sierra (8) o de encima del perno de guía (20).
  4. Coloque la cadena de sierra (8) en la ranura de la espada (7).
  5. Coloque la espada (7) en el pernos de guía (20) y en el perno de anclaje (19). El perno de guía (20) y el perno de anclaje (19) deben estar en el orificio oblongo de la espada (7).
  6. Pase la cadena de sierra (8) alrededor de la rueda de cadena (18) y compruebe la orientación de la cadena de sierra (8).
  7. Vuelva a colocar la cubierta de la rueda de la cadena (5). Asegúrese de que la cubierta de la rueda dentada (5) encaje en la ranura de la carcasa.
  8. Gire la rueda de sujeción de la cadena (6) en el sentido de las agujas del reloj.
  9. Vuelva a comprobar el encaje de la cadena de sierra (8) y tense la cadena de sierra (8).

#### Nota:

En el caso de una nueva cadena de sierra, la fuerza de tensado disminuye al cabo de cierto tiempo. Por este motivo, la cadena de sierra debe volver a tensarse después de los primeros 5 cortes o después de 10 minutos de aserrado como máximo.

### 12.2.5 Afilamiento de la cadena de sierra (8)

#### ADVERTENCIA

#### ¡Aumento del riesgo de accidentes debido a una cadena de sierra mal afilada!

Las desviaciones de las dimensiones de la geometría de corte durante el afilado aumentan el riesgo de contragolpe del producto.

- Encargue el afilado de la cadena de sierra a un especialista.

La cadena de sierra se puede reafilar en un taller especializado autorizado. No intente afilar usted mismo la cadena de sierra si no dispone de una herramienta adecuada y de la experiencia necesaria.

#### PRECAUCIÓN

Para afilar la cadena, se requieren herramientas especiales; estas garantizan que las herramientas de corte se afilen en el ángulo y profundidad adecuados.

Después de afilar la cadena, todos los elementos de corte deben tener la misma anchura y longitud.

#### Notas:

Las cadenas de sierra afiladas garantizan un rendimiento de corte óptimo. Atraviesa la madera sin esfuerzo y deja astillas grandes y largas.

Una cadena de sierra está desafilada cuando hay que ejercer presión para atravesar la madera con el equipo de corte y cuando las astillas son muy pequeñas. Cuando la cadena de sierra está muy desafilada, no se produce ninguna astilla, solo polvo de madera.

1. Desenchufe la clavija de conexión de la red.
2. Para afilar la cadena de sierra (8), esta debe estar tensada para permitir un afilado correcto.
3. Para el afilado se necesita una lima redonda\* con un diámetro de 4,0 mm.

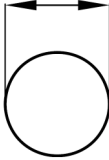
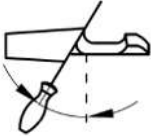
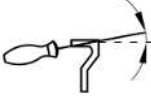
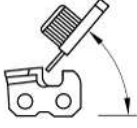



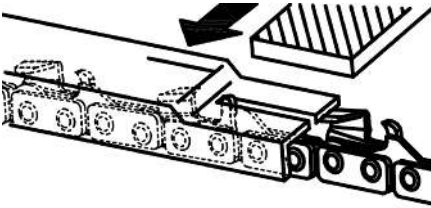

#### PRECAUCIÓN

¡Otros diámetros dañan la cadena de sierra y pueden resultar peligrosos durante el trabajo!

4. Afile solo desde el interior hacia el exterior. Guíe la lima\* desde el interior del diente de corte hacia el exterior. Levante la lima\* cuando tire de ella hacia atrás.
5. Afile primero los dientes de un lado. A continuación, dé la vuelta a la cadena de sierra (8) y afile los dientes del otro lado.
6. La cadena de sierra (8) está desgastada y debe sustituirse por una nueva cadena de sierra (8) cuando solo queden aprox. 4 mm del diente de corte.
7. Tras el afilado, todos los eslabones de corte deben tener la misma longitud y anchura.
8. Después de cada tercer afilado, debe comprobarse la profundidad de afilado (límite de profundidad) y volver a afilar la altura con una lima plana\*. El límite de profundidad debe reajustarse aprox. 0,65 mm desde el diente de corte. Después del reajuste, redondee el límite de profundidad ligeramente hacia delante.

\* = ¡No incluidos obligatoriamente en el volumen de suministro!

### 12.2.5.1 Instrucciones para afilar la cadena

Tipo de cadena de sierra	Diámetro de la lima	Ángulo superior	Ángulo inferior	Ángulo de inclinación superior (55°)	Medida de profundidad estándar
					
					
21PBX	aprox. 4,8 mm	30°	10°	85°	0,64 mm
					
Tope de profundidad			Lima		

## 13 Almacenamiento

Almacene el producto y sus accesorios en un lugar oscuro, seco y sin riesgo de heladas, donde no esté accesible a ningún niño.

La temperatura de almacenamiento óptima se da entre un rango de 5 °C a 30 °C.

Conserve el producto en su embalaje original.

Cubra el producto para protegerlo del polvo o de la humedad. Guarde el manual de instrucciones junto con el producto.

### 13.1 Preparación para el almacenamiento

1. Coloque la protección de la espada.
2. Vacíe el producto completamente.
3. Limpie el producto e inspecciónelo en busca de daños.

### 13.2 Transporte

- El producto solo debe transportarse por el asidero previsto para dicho fin.

## 14 Conexión eléctrica

**El motor eléctrico instalado está conectado listo para utilizarse. La conexión cumple las disposiciones VDE y DIN pertinentes. La conexión a la red por parte del cliente, así como el cable alargador utilizado deben cumplir estas normas.**

### Nota:

- El producto cumple los requisitos de la norma EN 61000-3-11 y está sometido a condiciones de conexión especiales. Ello significa que está prohibido un uso en puntos de conexión escogidos de forma arbitraria.
- El producto puede provocar fluctuaciones de tensión transitorias ante condiciones desfavorables de la red.
- El producto se ha previsto exclusivamente para su uso en puntos de conexión que: a) no superen una impedancia de la red máxima admisible "Z" (Z<sub>máx.</sub> = 0,415 Ω) o b) aquellos con una capacidad de corriente continua de red de como mínimo 100 A por fase.

- Como usuario deberá asegurarse, si fuera necesario tras una consulta previa a su compañía suministradora de electricidad, de que el punto de conexión al que desea conectar el producto cumpla uno de los dos requisitos indicados, a) o b).

### 14.1 Indicaciones importantes

En caso de sobrecarga del motor, este se desconecta automáticamente. Tras un tiempo de refrigeración (los tiempos varían), puede conectarse de nuevo el motor.

### 14.2 Líneas de conexión eléctrica deficientes

En las líneas de conexión eléctrica surgen a menudo daños de aislamiento.

Las causas para ello pueden ser:

- zonas aprisionadas al conducir las líneas de conexión a través de ventanas o puertas entreabiertas,
- dobleces ocasionadas por una fijación o un guiado incorrectos de la línea de conexión,
- zonas de corte al sobrepasar la línea de conexión,
- daños de aislamiento por tirar de la caja de enchufe mural,
- grietas causadas por la obsolescencia del aislamiento.

Estos cables de conexión eléctrica deficientes no deben utilizarse, pues suponen un riesgo para la vida debido a los daños de aislamiento.

Supervisar con regularidad las líneas de conexión eléctrica en busca de posibles daños. Durante la comprobación, preste atención a que la línea de conexión no cuelgue de la red eléctrica.

Las líneas de conexión eléctrica deben cumplir las pertinentes disposiciones VDE y DIN. Utilice solo líneas de conexión eléctrica con la misma certificación "H07RN-F".

La impresión de la denominación del tipo en el cable de conexión es obligatoria.

#### Indicaciones de seguridad para sustituir cables de conexión a la red dañados o defectuosos

##### Tipo de conexión Y

Si fuera necesario sustituir el cable de conexión a la red, debe realizarlo el fabricante o su agente representante para evitar riesgos de seguridad.

### 14.3 Motor de corriente alterna

Las conexiones y reparaciones del equipamiento eléctrico debe realizarlas solo un experto electricista.

- Asegúrese de que la tensión de red coincida con la indicada en la placa de características del producto.
- Los cables alargadores de hasta 25 m de longitud deben poseer una sección de 1,5 milímetros cuadrados.

## 15 Reparación y pedido de piezas de repuesto

Tras la reparación o el mantenimiento, asegúrese de que todas las piezas de seguridad técnica estén colocadas y se encuentran en estado óptimo. Las piezas que conllevan peligros de lesión deben estar inaccesibles a otras personas y a los niños.

### ATENCIÓN

Según la ley de responsabilidad de los productos, no se asume ninguna responsabilidad por daños ocasionados por reparaciones no profesionales o por no utilizar piezas de repuesto originales.

Contrate a un servicio técnico o un profesional autorizado. Esto también es válido para las piezas de accesorios.

#### Conexiones y reparaciones

Las conexiones y reparaciones del equipamiento eléctrico debe realizarlas solo un experto electricista.

### 15.1 Pedido de piezas de repuesto

Al efectuar el pedido de piezas de repuesto, deben incluirse las siguientes indicaciones:

- Designación del modelo
- Número de artículo
- Datos de la placa de características

#### Piezas de repuesto / accesorios

Tapón del depósito de aceite	3910207003
------------------------------	------------

### 15.2 Juegos de corte permitidos

<b>Carriles guía:</b>	
Espadín de motosierra Kangxin AP14-52-507P	3910207001
<b>Cadenas de sierra:</b>	
Cadena de sierra Kangxin 3/8LP-52	3910207002

## 16 Eliminación y reciclaje

#### Notas sobre el embalaje



Los materiales de embalaje son reciclables. Deseche los embalajes de forma respetuosa con el medio ambiente.

## Notas sobre la eliminación de aparatos eléctricos y electrónicos



**Los residuos de equipos eléctricos y electrónicos no forman parte de la basura doméstica, sino que deben recogerse o eliminarse por separado.**

- Antes de la entrega, deben retirarse, libres de daños, las baterías usadas que no vengan instaladas de manera permanente en el aparato usado. Su eliminación está regulada por la ley alemana de baterías.
- Los propietarios o usuarios de aparatos eléctricos y electrónicos están legalmente obligados a devolverlas después de su uso.
- El usuario final es responsable de eliminar sus datos personales en el aparato usado que se va a desechar.
- El símbolo del contenedor con ruedas tachado significa que los equipos eléctricos y electrónicos no deben desecharse junto con la basura doméstica.
- Los residuos de equipos eléctricos y electrónicos se pueden entregar de forma gratuita en los siguientes lugares:
  - Puntos públicos de eliminación o recogida (p. ej., obras públicas municipales)
  - LIDL le ofrece opciones de devolución directamente en sus tiendas y mercados. La devolución y la gestión de la eliminación son gratuitas para usted.
  - Puede entregar hasta tres aparatos eléctricos usados por tipo de aparato, con una longitud máxima de canto de 25 centímetros, de forma gratuita sin necesidad de adquirir previamente

un aparato nuevo del fabricante o bien llevarlos a otro punto de recogida autorizado en su zona.

- En el correspondiente servicio de atención al cliente podrá encontrar condiciones de devolución adicionales de los fabricantes y distribuidores.

- Si el fabricante entrega un aparato eléctrico nuevo a un domicilio particular, el fabricante puede encargarse de que el aparato eléctrico usado sea recogido de forma gratuita a petición del usuario final. Para ello, póngase en contacto con el servicio de atención al cliente del fabricante.
- Estas declaraciones solo se aplican a los aparatos instalados y vendidos en los países de la Unión Europea y sujetos a la Directiva Europea 2012/19/UE. En países fuera de la Unión Europea, se pueden aplicar diferentes regulaciones a la eliminación de residuos de equipos eléctricos y electrónicos.

**En su ayuntamiento o administración municipal podrá obtener información sobre las distintas opciones de eliminación de un aparato fuera de uso.**

### Combustibles y aceites

- ¡Antes de desechar el producto, se deben vaciar el depósito de combustible y el depósito de aceite del motor!
- ¡El combustible y el aceite de motor no deben tirarse a la basura ni a los desagües domésticos, sino que deben recogerse y eliminarse por separado!
- Los depósitos de aceite y combustible vacíos deben desecharse de forma respetuosa con el medio ambiente.

## 17 Solución de averías

La tabla siguiente indica síntomas de fallo y describe cómo se pueden solucionar si su producto no funciona correctamente. Si no es capaz de localizar y eliminar así el problema, póngase en contacto con su taller de servicio.

Avería	Posible causa	Solución
El producto no se puede poner en marcha.	No conectar la clavija de conexión de la red en la red.	Conectar la clavija de conexión de la red en un enchufe de conexión a red.
	No hay tensión de red. El fusible doméstico responde.	Comprobar las tomas de enchufe, el cable de conexión a la red, el cable, la clavija de conexión de la red y encargue, en caso necesario, su reparación a un técnico electricista. Comprobar el fusible doméstico.
	Freno de la cadena activado.	Comprobar el freno de la cadena, soltar el freno de la cadena en caso necesario.
	El interruptor de conexión/desconexión está averiado.	Póngase en contacto con nuestro servicio técnico.
	Escobilla de carbón desgastada.	
	El motor está averiado.	

Avería	Posible causa	Solución
La cadena de sierra no marcha.	Freno de la cadena puesto.	Comprobar el freno de la cadena, soltar el freno de la cadena en caso necesario.
Bajo rendimiento de corte.	Cadena de sierra mal montada.	Monte correctamente la cadena de sierra.
	La cadena de sierra está desafilada.	Encargue el afilado de la cadena de sierra a un profesional o sustituya la cadena de sierra.
	Tensión insuficiente de la cadena.	Compruebe la cadena de sierra. Tense la cadena de sierra si es necesario.
El producto funciona con dificultad/la cadena de sierra salta.	Tensión insuficiente de la cadena.	Compruebe la cadena de sierra. Tense la cadena de sierra si es necesario.
La cadena de sierra se calienta, se forma humo al aserrar, el carril se ha decolorado.	Aceite para cadenas de sierra insuficiente.	Compruebe el sistema automático de aceite. Llene el aceite para cadenas de sierra si es necesario.
Vibración inusual	El espadín de motosierra está suelto.	Compruebe que el espadín de motosierra esté bien encajado.

## 18 Declaración de conformidad UE

### Traducción de la Declaración de conformidad original

#### Fabricante:

Scheppach GmbH  
Günzburger Straße 69  
D-89335 Ichenhausen

Declaramos, bajo nuestra exclusiva responsabilidad, que el producto aquí descrito cumple las directivas y normas aplicables.

Marca: **PARKSIDE**  
Denominación del art.: **Motosierra eléctrica - PEKS 1600 C3**  
N.º de art. **3910209974 - 3910209981; 39102099915; 39102099959**  
N.º IAN **495499\_2504**  
N.º de serie **01001-46072**

#### Directivas UE:

2014/30/UE, 2006/42/EG, 2000/14/EG\_2005/88/EG, 2011/65/EU\*, (EU) 2015/863,

\* El asunto descrito más arriba de la declaración cumple las disposiciones de la Directiva 2011/65/UE del Parlamento Europeo y el Consejo del 8 de junio de 2011 sobre restricciones a la utilización de determinadas sustancias peligrosas en aparatos eléctricos y electrónicos.

#### Normas aplicadas:

EN 62841-1:2015/A11:2022; EN 62841-4-1:2020;  
EN IEC 55014-1:2021; EN IEC 55014-2:2021;  
EN IEC 61000-3-2:2019/A2:2024;  
EN IEC 61000-3-11:2019; EN IEC 63000:2018

### 2006/42/CE – Anexo V

Organismo notificado: TÜV SÜD  
Product Service GmbH  
Ridlerstraße 65  
80339 Múnich  
Alemania

Número: 0123  
Número de certificado: M6A 011284 0666

### 2000/14/CE\_2005/88/CE – Anexo: V

Nivel de potencia acústica garantizado ( $L_{WA}$ ): 106 dB  
Nivel de potencia acústica medido ( $L_{WA}$ ): 103,3 dB

#### Apoderado de la documentación:

Tobias Ihle  
Günzburger Str. 69  
D-89335 Ichenhausen  
Ichenhausen, 22.07.2025

  
Simón Schünk  
Division Manager Product Center

  
Andreas Pecher  
Head of Project Management

## Certificado de garantía

### Estimado cliente,

Nuestros productos están sometidos a un estricto control de calidad. No obstante, lamentaríamos que este aparato dejara de funcionar correctamente, en tal caso, le rogamos que se dirija a nuestro servicio de atención al cliente en la dirección indicada en la parte inferior de la presente tarjeta de garantía. Con mucho gusto le atenderemos también telefónicamente en el número de servicio indicado a continuación. Para hacer válido el derecho de garantía, proceda de la siguiente forma:

- Estas condiciones de garantía regulan prestaciones de la garantía adicionales. Sus derechos legales a prestación de garantía no se ven afectados por la presente garantía. Nuestra prestación de garantía es gratuita para usted. La prestación de garantía se extiende exclusivamente a defectos ocasionados por fallos de material o de producción y está limitada a la reparación de los mismos o al cambio del aparato. Tenga en consideración que nuestro aparato no está indicado para un uso comercial, en taller o industrial. Por lo tanto, no procederá un contrato de garantía cuando se utilice el aparato en zonas industriales, comerciales o talleres, así como actividades similares. De nuestra garantía se excluye cualquier otro tipo de prestación adicional por daños ocasionados por el transporte, daños ocasionados por la no observancia de las instrucciones de montaje o por una instalación no profesional, no observancia de las instrucciones de uso (como, p. ej., conexión a una tensión de red o corriente no indicada), aplicaciones impropias o indebidas (como, p. ej., sobrecarga del aparato o uso de herramientas o accesorios no homologados), no observancia de las disposiciones de mantenimiento y seguridad, introducción de cuerpos extraños en el aparato (como, p. ej., arena, piedras o polvo), uso violento o influencias externa (como, p. ej., daños por caídas), así como por el desgaste habitual por el uso.

El derecho a garantía pierde su validez cuando ya se hayan realizado intervenciones en el aparato.

- El periodo de garantía es de 3 años y comienza en la fecha de la compra del aparato. El derecho de garantía debe hacerse válido, antes de finalizado el plazo de garantía, dentro de un periodo de dos semanas una vez detectado el defecto. El derecho de garantía vence una vez transcurrido el plazo de garantía. La reparación o cambio del aparato no conllevará ni una prolongación del plazo de garantía ni un nuevo plazo de garantía ni para el aparato ni para las piezas de repuesto montadas. Esto también se aplica en el caso de un servicio in situ.
- Para reclamar sus derechos de garantía, póngase en contacto con la dirección de servicio que aparece a continuación. Si la reclamación se encuentra dentro del periodo de garantía, pondremos a su disposición un impreso de devolución con el que podrá devolvernos su aparato defectuoso sin cargo alguno. Describa con la mayor precisión posible el motivo de la reclamación. Si nuestra prestación de garantía incluye el defecto aparecido en el aparato, recibirá de inmediato un aparato reparado o nuevo de vuelta.

Naturalmente, también solucionaremos los defectos del aparato que no se encuentren comprendidos o ya no se encuentren comprendidos en la garantía, en este caso contra reembolso de los costes. Para ello, envíe el aparato a nuestra dirección de servicio técnico.

## Tramitación en caso de garantía

Para asegurarnos de que su solicitud se transmite con rapidez, siga las indicaciones a continuación:

- Para cualquier consultas, tenga a mano el recibo y el número de artículo (por ejemplo, IAN 495499\_2504) como prueba de compra.
- Encontrará el número de artículo en la placa de características del producto, en un grabado del producto, en la portada de su manual (abajo, a la izquierda) o en la pegatina de la parte posterior o inferior del producto.
- En caso de fallos de funcionamiento u otros defectos, póngase primero en contacto por teléfono o correo electrónico con el departamento de servicio que se indica más abajo.
- Después podrá enviar gratuitamente el producto registrado como defectuoso a la dirección de servicio que se le ha facilitado, adjuntando el comprobante de compra (recibo) e indicando cuál es el defecto y cuándo se ha producido.
- Puede consultar y descargar estos y muchos otros manuales en: [parkside-diy.com](http://parkside-diy.com). Este código QR le llevará directamente a [parkside-diy.com](http://parkside-diy.com). Seleccione su país y utilice la máscara de búsqueda para encontrar los manuales de instrucciones. Al introducir el número de artículo (IAN) 495499\_2504 accederá al manual de instrucciones de su artículo.



**Contacto de servicio (ES):**

**Nombre:**

ISTEGA S.L.  
Ctra. De Cambre al Temple, 106 - A Barcala  
ES - 15660 Cambre (A Coruna)

**Teléfono:**

00800 4003 4003

**Correo electrónico:**

service.ES@scheppach.com

**Sede:**

España

## Indice

1	Spiegazione dei simboli sul prodotto.....	137
2	Introduzione.....	139
3	Descrizione del prodotto (Fig. 1-5).....	139
4	Contenuto della fornitura (Fig. 1).....	139
5	Impiego conforme alla destinazione d'uso.....	139
6	Indicazioni di sicurezza.....	140
7	Dati tecnici.....	145
8	Disimballaggio.....	146
9	Prima della messa in funzione.....	146
10	Utilizzo.....	148
11	Istruzioni di lavoro.....	150
12	Pulizia e manutenzione.....	154
13	Stoccaggio.....	157
14	Collegamento elettrico.....	157
15	Riparazione e ordinazione dei ricambi.....	158
16	Smaltimento e riciclaggio.....	158
17	Risoluzione dei guasti.....	159
18	Dichiarazione di conformità UE.....	160
19	Certificato di garanzia.....	161
20	Disegno esploso.....	291

# 1 Spiegazione dei simboli sul prodotto

L'utilizzo di simboli in questo manuale serve ad attirare la vostra attenzione sui possibili rischi. I simboli di sicurezza e le spiegazioni che li accompagnano devono essere perfettamente compresi. Le avvertenze in quanto tali non eliminano i rischi e non possono sostituire le misure atte a prevenire gli infortuni.

## ATTENZIONE

**Prima della messa in funzione iniziale, leggere attentamente e in modo completo queste istruzioni per l'uso e attenersi alle norme di sicurezza!**





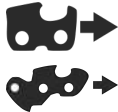









**Si consiglia di frequentare un corso di sicurezza professionale con "Attestato di partecipazione al corso di formazione per motoseghe" sull'uso e la manutenzione della sega a catena, con standard di formazione specifici in base al paese e un corso di primo soccorso. In caso di inutilizzo prolungato oppure per esercitarsi, prima di iniziare, occorre sempre eseguire tagli semplici di legna ben ancorata per riprendere dimestichezza con la sega a catena.**

**Conservare le istruzioni per l'uso con cura!**

### Nota:

Tenere presente che alcune normative nazionali, ad es. in materia di salute e sicurezza sul lavoro e ambiente, possono limitare l'uso della sega a catena.

	Prima della messa in funzione leggere e osservare le istruzioni per l'uso e le norme di sicurezza!		Rilasciare il freno della catena.
	Attenzione! Una mancata osservanza dei segnali di sicurezza e delle avvertenze applicate sul prodotto nonché delle istruzioni di sicurezza e del manuale di istruzioni può portare a gravi lesioni, persino mortali.		Motore a corrente alternata.
	Indossare un elmetto di sicurezza con protezione per il viso oppure occhiali protettivi e otoprotettori.		Velocità della catena della sega.
	Indossare guanti di sicurezza!		Lunghezza della lama della sega.
	Indossare calzature rigide!		Numero maglie di guida.
	È importante indossare gli indumenti di protezione per piedi, gambe, mani e avambracci.		Passo della catena.
	Non esporre il prodotto alla pioggia. Il prodotto può essere stazionato, immagazzinato e azionato solo in condizioni ambientali asciutte.		Larghezza scanalatura.
	Solo per un uso con entrambe le mani.		Potenza assorbita.

	<p>Avviso! Pericolo di contraccolpo (kickback). Proteggersi da eventuali contraccolpi del prodotto ed evitare il contatto con la punta della guida.</p>		<p>Peso kg.</p>
	<p>Posizione del freno della catena.</p>		<p>Volume del serbatoio dell'olio.</p>
	<p>Direzione di marcia della catena della sega.</p>		<p>Eseguire interventi di manutenzione, configurazione e pulizia solo a prodotto spento e con la spina elettrica scollegata!</p>
	<p>Apertura di riempimento per l'olio della catena della sega.</p>		<p>Nel caso in cui il cavo di rete sia danneggiato, estrarre subito la spina elettrica dalla presa!</p>
	<p>Aumento/riduzione della tensione della catena.</p>		<p>Il livello di potenza acustica del prodotto è garantito.</p>
	<p>Indicatore del livello dell'olio della catena.</p>		<p>Classe di protezione II (isolamento doppio).</p>
	<p>Attivare il freno della catena.</p>		<p>Il prodotto è conforme alle direttive europee in vigore.</p>

## 2 Introduzione

### Produttore:

Scheppach GmbH  
Günzburger Straße 69  
D-89335 Ichenhausen, Germania

### Egégio cliente,

Le auguriamo un lavoro piacevole e di successo con il suo nuovo prodotto.

### Indicazione:

Sulla base della legge attualmente in vigore sulla responsabilità per prodotti difettosi, il fabbricante del presente prodotto non risponde dei danni al prodotto in questione o derivanti da esso in caso di:

- Trattamento improprio
- Mancato rispetto delle istruzioni per l'uso
- Riparazioni da parte di terzi, personale tecnico non autorizzato
- Montaggio e sostituzione di pezzi di ricambio non originali
- Utilizzo non conforme
- Guasti all'impianto elettrico in caso di mancata osservanza delle norme e delle disposizioni nazionali in materia di elettricità.

### Da osservare:

Le istruzioni per l'uso sono parte integrante del prodotto.

Esse contengono avvertenze importanti su come utilizzare il prodotto in modo sicuro, corretto ed economico, su come evitare i pericoli, risparmiare sui costi di riparazione, ridurre i tempi di inattività ed aumentare l'affidabilità e la durata di vita del prodotto. Oltre alle disposizioni di sicurezza contenute nelle qui presenti istruzioni per l'uso, è necessario altresì osservare le norme in vigore nel proprio Paese per il prodotto.

Cerchi di prendere dimestichezza, prima dell'utilizzo, con tutte le avvertenze di sicurezza e di comando. Utilizzare il prodotto solo come descritto e per i campi di applicazione specificati. Conservare le istruzioni per l'uso in un luogo sicuro e consegnare personalmente tutta la documentazione all'atto del passaggio del prodotto a terzi.

## 3 Descrizione del prodotto (Fig. 1-5)

1. Spina elettrica
2. Impugnatura posteriore
3. Blocco di accensione
4. Coperchio del serbatoio dell'olio
5. Copertura della ruota dentata
- 5a. Catenaccio
6. Ruota tendicatena
7. Lama (barra di guida)
- 7a. Stella di rinvio

8. Catena della sega
9. Scarico della trazione
10. Protezione per le mani posteriore
11. Interruttore ON/OFF
12. Serbatoio dell'olio
13. Indicatore livello olio
14. Impugnatura anteriore
15. Battuta dentata
16. Freno catena / paramano anteriore
17. Protezione della lama della sega e della catena
18. Ruota dentata
19. Perno verticale
20. Bullone di guida
21. Passaggio olio
22. Olio della catena della sega (Bio 180ml)

## 4 Contenuto della fornitura (Fig. 1)

Pos.	Quantità	Denominazione
7.	1 x	Lama (barra di guida)
8.	1 x	Catena della sega
17.	1 x	Protezione della lama della sega e della catena
22.	1 x	Olio della catena della sega (Bio 180ml)
	1 x	Motosega elettrica
	1 x	Istruzioni per l'uso

## 5 Impiego conforme alla destinazione d'uso

La sega a catena è concepita solo per il taglio di legna. Il prodotto non è idoneo a nessun altro tipo di applicazione (ad es. taglio di muratura, materie plastiche o generi alimentari).

È consentito impiegare il prodotto solo conformemente alla sua destinazione d'uso. Qualsiasi ulteriore impiego che esuli dalla suddetta finalità non è conforme alla destinazione d'uso. Eventuali danni o lesioni di qualsiasi tipo derivanti da quanto sopra sono di responsabilità dell'utente e non del produttore.

L'osservanza delle indicazioni di sicurezza, nonché il rispetto delle istruzioni di montaggio e delle indicazioni operative contenute nelle istruzioni per l'uso sono fondamentali al fine di un utilizzo del dispositivo conforme alla destinazione d'uso.

Il personale addetto all'uso e alla manutenzione del prodotto deve possedere una certa dimestichezza con lo stesso ed essere al corrente dei possibili pericoli.

Modifiche al prodotto escludono completamente la responsabilità del produttore per i danni che ne derivano.

Il prodotto può essere utilizzato soltanto con componenti e accessori originali del produttore.

Osservare le disposizioni relative alla sicurezza, al lavoro e alla manutenzione del produttore e le misure indicate nei Dati tecnici.

Si prega di osservare che i nostri prodotti non sono destinati a un uso commerciale, artigianale o industriale. Si declina ogni responsabilità qualora il prodotto venga impiegato nel quadro di un'attività commerciale, artigianale, industriale o simili.

## Spiegazione delle parole di segnalazione nelle istruzioni per l'uso

### PERICOLO

Dicitura di segnalazione indicante la presenza di una situazione imminente di pericolo che, se non viene evitata, porta alla morte o a gravi lesioni.

### AVVISO

Dicitura di segnalazione indicante una possibile situazione di pericolo che, se non viene evitata, può portare alla morte o a gravi lesioni.

### CAUTELA

Dicitura di segnalazione indicante una possibile situazione di pericolo che, se non viene evitata, può comportare lesioni di lieve o media entità.

### ATTENZIONE

Dicitura di segnalazione indicante una possibile situazione di pericolo che, se non viene evitata, potrebbe comportare danni materiali al prodotto o proprietà.

## 6 Indicazioni di sicurezza

Indicazioni generali di sicurezza per gli attrezzi elettrici

### AVVISO

**Leggere tutte le indicazioni di sicurezza, le istruzioni, le illustrazioni e i dati tecnici dei quali è dotato questo attrezzo elettrico.**

L'inosservanza delle seguenti istruzioni può provocare scosse elettriche, incendi e/o lesioni gravi.

### Conservare tutte le indicazioni di sicurezza e le istruzioni per ulteriore consultazione.

Il termine "attrezzo elettrico" utilizzato nelle indicazioni di sicurezza si riferisce ad attrezzi elettrici alimentati dalla rete (con cavo di rete) e ad attrezzi elettrici funzionanti a batteria (senza cavo di rete).

## 1) Sicurezza sul posto di lavoro

- Tenere pulita e correttamente illuminata la propria area di lavoro.** Zone di lavoro disordinate e non illuminate potrebbero provocare infortuni.
- Non lavorare con l'attrezzo elettrico in aree a rischio di esplosione, nelle quali si trovino fluidi, gas o polveri infiammabili.** Gli elettrotensili generano scintille che possono infiammare la polvere o i vapori.
- Tenere i bambini e le altre persone distanti durante l'utilizzo dell'attrezzo elettrico.** In caso di deviazione, si potrebbe perdere il controllo dell'attrezzo elettrico.

## 2) Sicurezza elettrica

- Il connettore dell'attrezzo elettrico deve essere adatto per la presa di corrente. Non deve essere assolutamente modificato. Non utilizzare spine di adattamento insieme ad elettrotensili con collegamento a terra di protezione.** Spine non modificate e prese adatte riducono il rischio di scarica elettrica.
- Evitare il contatto tra il corpo e le superfici che scaricano a terra, come ad es. tubi, elementi riscaldanti, fornelli e frigoriferi.** Sussiste un rischio elevato di scarica elettrica, se il proprio corpo è a potenziale di terra.
- Conservare gli attrezzi elettrici al riparo da pioggia o umidità.** La penetrazione di acqua in un attrezzo elettrico aumenta il rischio di scarica elettrica.
- Non utilizzare in modo scorretto il cavo di collegamento per trasportare e appendere l'attrezzo elettrico o per estrarre la spina dalla presa. Tenere il cavo di collegamento lontano da calore, olio, spigoli appuntiti o parti in movimento.** Il rischio di scossa elettrica aumenta se si utilizzano cavi di collegamento danneggiati o aggrovigliati.
- Quando si lavora all'aperto con un attrezzo elettrico, utilizzare soltanto un cordone di prolunga indicato anche per l'uso in ambienti esterni.** L'impiego di un cordone di prolunga idoneo all'uso in ambienti esterni riduce il rischio di scossa elettrica.
- Se non è possibile evitare di utilizzare l'attrezzo elettrico in un ambiente umido, utilizzare un interruttore differenziale.** L'uso di un interruttore differenziale riduce il rischio di scossa elettrica.

### 3) Sicurezza delle persone

- a) **Essere vigili, prestare attenzione a quello che si fa e procedere in modo ragionevole quando si lavora con un elettrotensile. Non utilizzare un elettrotensile quando si è stanchi o sotto l'effetto di droghe, alcool o medicinali.** Un momento di disattenzione durante l'uso dell'attrezzo elettrico può causare lesioni gravi.
- b) **Indossare dispositivi di protezione individuale e, sempre, occhiali protettivi.** Indossare dispositivi di protezione individuale, quali maschera antipolvere, scarpe antinfortunistiche antiscivolo, elmetto di sicurezza o ottoprotettori, a seconda del tipo di utilizzo dell'attrezzo elettrico, riduce il rischio di lesioni.
- c) **Evitare una messa in funzione accidentale. Accertarsi che l'elettrotensile sia disattivato prima di collegarlo all'alimentazione elettrica e/o alla batteria, sollevarlo o trasportarlo.** Se durante il trasporto dell'attrezzo elettrico si tiene il dito sull'interruttore o se si collega l'attrezzo elettrico già acceso alla corrente elettrica, possono verificarsi incidenti.
- d) **Rimuovere eventuali strumenti di regolazione o chiavi per dadi prima di accendere l'attrezzo elettrico.** Un attrezzo elettrico o una chiave che si trova all'interno di una parte dell'attrezzo elettrico in rotazione può provocare lesioni.
- e) **Evitare una postura anomala. Accertarsi che la posizione sia sicura e mantenere sempre l'equilibrio.** In questo modo è possibile controllare in modo migliore l'elettrotensile in situazioni inattese.
- f) **Indossare abbigliamento adeguato. Non indossare indumenti larghi o gioielli. Tenere capelli e capi d'abbigliamento lontani dalle parti in movimento.** Vestiti larghi, gioielli o capelli lunghi possono impigliarsi nelle parti in movimento.
- g) **Se si possono installare dispositivi di aspirazione e raccolta della polvere, collegarli e utilizzarli correttamente.** L'utilizzo di un sistema di aspirazione della polvere può ridurre i rischi dovuti alla polvere stessa.
- h) **Fare in modo di non trovarsi in condizioni di pericolo e tenere conto delle regole di sicurezza per gli attrezzi elettrici anche nel caso in cui, dopo vari utilizzi dell'attrezzo elettrico, sia stata acquisita una certa familiarità.** Un comportamento incauto può portare a gravi lesioni in poche frazioni di secondo.

### 4) Utilizzo e trattamento dell'elettrotensile

- a) **Non sovraccaricare l'attrezzo elettrico. Utilizzare per il proprio lavoro l'elettrotensile appositamente previsto.** Con un elettrotensile adatto, si lavora meglio e con maggior sicurezza mantenendosi entro l'intervallo di potenza specificato.

- b) **Non utilizzare elettrotensili con interruttore difettoso.** Un elettrotensile che non si riesce più ad accendere o spegnere è pericoloso e deve essere riparato.
- c) **Estrarre la spina dalla presa e/ o rimuovere la batteria prima di impostare i parametri del dispositivo, sostituire i componenti dell'utensile impiegato o riporre l'elettrotensile.** Questa precauzione impedisce l'avvio accidentale dell'attrezzo elettrico.
- d) **Tenere gli elettrotensili non utilizzati fuori dalla portata dei bambini. Non lasciare che l'attrezzo elettrico venga utilizzato da chi non ha dimestichezza nel suo uso o non ha letto le presenti istruzioni.** Gli attrezzi elettrici sono pericolosi se utilizzati da persone inesperte.
- e) **Conservare gli attrezzi elettrici e l'attrezzo ausiliario con la massima cura. Controllare che i componenti mobili funzionino in modo impeccabile e non si blocchino; verificare che non ci siano componenti rotti o danneggiati che possano influenzare il funzionamento dell'attrezzo elettrico. Fare riparare i componenti danneggiati prima dell'utilizzo dell'attrezzo elettrico.** Molti infortuni sono causati da una cattiva manutenzione degli apparecchi.
- f) **Tenere gli utensili di taglio affilati e puliti.** Utensili di taglio con bordi affilati e sottoposti ad una manutenzione accurata si bloccano con una frequenza minore e sono più agevoli da controllare.
- g) **Utilizzare l'elettrotensile, le relative parti, gli strumenti impiegati ecc. attenendosi alle istruzioni E prendendo in considerazione le condizioni operative e l'attività da svolgere.** Un utilizzo degli elettrotensili per applicazioni diverse da quelle previste può comportare situazioni pericolose.
- h) **Mantenere le maniglie e le relative superfici asciutte, pulite e libere da olio e grasso.** Impugnature e superfici di presa scivolose non consentono un funzionamento e un controllo sicuri dell'elettrotensile in situazioni impreviste.

### 5) Assistenza

- a) **Far riparare l'elettrotensile soltanto da personale specializzato e qualificato e solo utilizzando pezzi di ricambio originali.** In questo modo si garantisce il costante funzionamento sicuro dell'attrezzo elettrico.

#### 6.1 Avvertenze di sicurezza per seghe a catena

##### Indicazioni generali di sicurezza per le seghe a catena

- a) **Tenere lontane tutte le parti del corpo dalla catena della sega quando è in funzione. Prima di accendere la sega, accertarsi che non sia a**

- contatto con niente.** Mentre si lavora con una sega a catena, un momento di distrazione può fare in modo che indumenti o parti del corpo vengano afferrati dalla catena della sega.
- b) **Tenere la sega a catena sempre con la mano destra dalla maniglia posteriore, tenendo invece la mano sinistra su quella anteriore.** Afferrare la sega a catena in una posizione di lavoro invertita aumenta il rischio di lesioni e non deve mai essere applicato.
  - c) **Tenere la sega a catena solo per mezzo delle superfici isolate della maniglia, in quanto la catena della sega può entrare in contatto con cavi elettrici nascosti o con il proprio cavo di rete.** Il contatto della catena della sega con una linea sotto tensione può mettere in tensione anche le parti metalliche del dispositivo e causare una scossa elettrica.
  - d) **Indossare una protezione per gli occhi. Si consigliano altri dispositivi di protezione per orecchie, testa, mani, gambe e piedi.** Dispositivi di protezione idonei riducono il rischio di lesioni dovute a trucioli e di un eventuale contatto con la catena della sega.
  - e) **Non lavorare con la sega a catena sopra ad un albero, una scala, da un tetto o una superficie di appoggio instabile.** In caso di uso in tale maniera, sussiste un serio pericolo di lesioni.
  - f) **Mantenere sempre una posizione stabile e utilizzare la sega a catena solo se vi trovate su un fondo resistente, sicuro e piano.** Un fondo scivoloso o superfici di appoggio instabili possono comportare la perdita dell'equilibrio e del controllo sulla sega a catena.
  - g) **Quando si taglia un ramo sottoposto a tensione, tenere conto che questo scatta indietro.** Quando le fibre di legno vengono liberate dalla tensione, il ramo teso può colpire l'operatore e/o è possibile perdere il controllo della sega a catena.
  - h) **Prestare particolare attenzione quando si taglia il sottobosco e alberi giovani.** Il materiale sottile potrebbe restare impigliato nella catena della sega e colpirvi, oppure potrebbe farvi perdere l'equilibrio.
  - i) **Trasportare la sega a catena spenta dalla maniglia anteriore, tenendo lontana la catena della sega dal proprio corpo. Durante il trasporto o lo stoccaggio della sega a catena applicare sempre la copertura di protezione.** Un impiego attento della sega a catena riduce la probabilità di un contatto involontario con la relativa catena della sega mentre è in funzione.
  - j) **Attenersi alle istruzioni per la lubrificazione, la tensione della catena e la sostituzione della barra di guida e della catena.** Una catena tesa in modo improprio oppure lubrificata male può strapparsi o aumentare il rischio di contraccolpi.

- k) **Segare solo del legno. Non utilizzare la sega a catena per lavori per i quali non è stata concepita. Esempio: Non utilizzare la sega a catena per il taglio di metalli, plastica, muri o materiali da costruzione non in legno.** L'utilizzo della sega a catena per operazioni non conformi alla destinazione d'uso può comportare situazioni pericolose.
- l) **Non tentare di abbattere un albero fino a quando non si possiede una chiara comprensione dei rischi e di come evitarli.** L'operatore o le altre persone possono rimanere gravemente ferite a causa della caduta di un albero.

### Cause di un contraccolpo e come evitarlo

Il contraccolpo può verificarsi quando la punta della barra di guida tocca un oggetto o quando il legno si piega e la catena della sega si blocca durante il taglio.

Il contatto della punta della guida può in alcuni casi causare una reazione di contraccolpo inaspettata, nella quale la barra di guida viene portata verso l'alto e in direzione dell'utilizzatore.

Un incastro della catena della sega sul bordo superiore della barra di guida può far arretrare la guida rapidamente in direzione dell'utilizzatore.

Ognuna di queste reazioni può fare perdere il controllo della sega e provocare possibili gravi lesioni. Non affidarsi esclusivamente ai dispositivi di sicurezza integrati nella sega. L'utilizzatore della sega a catena dovrebbe adottare diverse misure per lavorare senza rischio di incidenti e lesioni.

Un contraccolpo è la conseguenza di un utilizzo errato o improprio della sega a catena. È possibile evitarlo adottando le dovute misure preventive, come di seguito descritto:

- a) **Tenere saldamente con entrambe le mani la sega a catena, circondando con i pollici e le dita le impugnature. Posizionare il corpo e le braccia in modo tale da poter resistere ai contraccolpi.** Se sono state adottate delle misure idonee, l'utilizzatore è in grado di controllare le forze di contraccolpo. Non lasciare andare mai la sega a catena.
- b) **Evitare una posizione del corpo insolita e non segare sopra l'altezza delle spalle.** In questo modo, è possibile evitare di toccare involontariamente oggetti con la punta della guida e migliorare il controllo della sega a catena in situazioni inattese.
- c) **Utilizzare sempre barre di ricambio e catene per seghe prescritte dal produttore.** Barre e catene di ricambio non appropriate possono portare allo strappo della catena e/o al contraccolpo.
- d) **Attenersi alle istruzioni del produttore per affilare la catena della sega e per eseguire i relativi interventi di manutenzione.** Limitatori di profondità troppo bassi aumentano il rischio di contraccolpi.

## Altre indicazioni di sicurezza

- Attenersi alle indicazioni per le operazioni di manutenzione, controllo e assistenza contenute nelle presenti istruzioni d'uso. I dispositivi di protezione e le parti danneggiate devono essere riparati o sostituiti correttamente presso il nostro centro di assistenza a meno che non venga specificato altrimenti nelle istruzioni per l'uso.
- In caso di un primo utilizzo, si raccomanda di esercitarsi tagliando del legno tondi su un cavalletto da lavoro o altro supporto.
- In caso di operazioni con la sega su pendii, rimanere sempre a monte dell'albero. Per mantenere il pieno controllo alla fine dell'operazione di taglio, ridurre la pressione di contatto, senza allentare la salda presa sulle maniglie del prodotto. Fare attenzione che la catena della sega non tocchi il terreno. Al termine del taglio, attendere il fermo completo del prodotto, prima di rimuoverlo dalla sede di taglio. Spegnerne sempre il motore del prodotto e rimuovere la batteria, prima di passare da un albero al successivo.
- Rimuovere sporco, pietre, corteccia, chiodi, graffette e cavi metallici dall'albero.
- **Non utilizzare accessori che non sono stati raccomandati dal produttore.** Ciò può provocare scosse elettriche o incendi.
- È vietato l'uso del prodotto durante i temporali - **Pericolo di folgorazione!**

## Altre indicazioni di sicurezza

- **Rispettare tutte le istruzioni durante la rimozione di depositi di materiale, lo stoccaggio o i lavori di manutenzione della sega a catena. Accertarsi che l'interruttore sia spento e che la spina elettrica sia stata staccata.** Un funzionamento inaspettato della sega a catena durante la rimozione di depositi di materiale o durante i lavori di manutenzione può provocare serie lesioni.
- Se il cavo di allacciamento alla rete di questo prodotto è danneggiato, deve essere sostituito dal produttore o dal suo servizio clienti o da una persona con qualifica analoga, per evitare pericoli.
- Utilizzare sempre un interruttore differenziale con corrente di intervento pari a 30 mA.
- Disporre il cavo di collegamento in modo che durante il taglio con la sega non possa impigliarsi in rami o simili.
- All'aperto utilizzare solo le prolunghe ammesse e opportunamente contrassegnate per l'uso esterno. (H07RN-F).
- Attenersi alle indicazioni per le operazioni di manutenzione, controllo e assistenza contenute nelle presenti istruzioni d'uso. I dispositivi di protezione e le parti danneggiate devono essere riparati o so-

stituiti correttamente presso il nostro centro di assistenza a meno che non venga specificato altrimenti nelle istruzioni per l'uso.

- In caso di operazioni con la sega su pendii, rimanere sempre a monte dell'albero. Per mantenere il pieno controllo alla fine dell'operazione di taglio, ridurre la pressione di contatto, senza allentare la salda presa sulle impugnature del prodotto. Fare attenzione che la catena della sega non tocchi il terreno. Al termine del taglio, attendere il fermo completo del prodotto, prima di rimuoverlo dalla sede di taglio. Spegnerne sempre il prodotto e staccare la spina elettrica, prima di spostarsi da un albero all'altro.
- Rimuovere sporco, pietre, corteccia, chiodi, graffette e cavi metallici dall'albero.
- Non utilizzare il prodotto senza lubrificazione e assicurarsi sempre di rabboccare l'olio tempestivamente prima che il serbatoio si svuoti.
- Utilizzare solo lubrificanti raccomandati dal fabbricante.
- In caso di un primo utilizzo, si raccomanda di esercitarsi tagliando del legno tondi su un cavalletto da lavoro o altro supporto.
- **Non utilizzare accessori che non sono stati raccomandati dal produttore.** Ciò può provocare scosse elettriche o incendi.
- È vietato l'uso del prodotto durante i temporali - **Pericolo di folgorazione!**

La catena della sega può essere affilata da parte di un'officina specializzata. Non tentare di affilare la catena della sega in autonomia a meno che non si disponga degli attrezzi e dell'esperienza adeguati.

## Dispositivi di sicurezza (Fig. 1)

- **Impugnatura posteriore (2) con paramano (10)**
  - Protegge la mano da rami e ramoscelli e nel caso in cui la catena della sega salta via.
- **Blocco di accensione (3)**
  - Il blocco di accensione deve essere sbloccato per accendere il prodotto. Il blocco di accensione impedisce un avvio accidentale del prodotto.
- **Fermacatena (5a)**
  - Riduce il rischio di lesioni in caso di rottura della catena della sega o qualora questa salti via.
- **Catena della sega (8) con contraccolpo ridotto**
  - Aiuta a intercettare i contraccolpi grazie a dispositivi di sicurezza appositamente sviluppati.
- **Interruttore on/off (11) con arresto istantaneo della catena**
  - Il prodotto si spegne immediatamente quando si rilascia l'interruttore on/off.


- **Battuta dentata (15)**
  - Aumenta la stabilità durante i tagli verticali e facilita la segatura.

**Nota:**

La catena della sega non scorre quando il freno della catena è inserito.

- **Freno della catena / paramano anteriore (16)**
  - Dispositivo di sicurezza che arresta immediatamente la catena della sega in caso di contraccolpo.
  - La leva può essere azionata anche manualmente.
  - Protegge la mano sinistra dell'operatore se scivola dall'impugnatura anteriore.
- **Motore elettrico**
  - A doppio isolamento per motivi di sicurezza.

## 6.2 Dispositivi di protezione individuale (DPI)

 <b>PERICOLO</b>
<p><b>Pericolo di lesioni!</b></p> <p>Indossare sempre dispositivi di protezione individuale (DPI)!</p> <ul style="list-style-type: none"> <li>– Indossare un elmetto di sicurezza con protezione per il viso oppure occhiali protettivi e otoprotettori.</li> <li>– Indossare indumenti di protezione aderenti con inserto di protezione antitaglio.</li> <li>– Indossare scarpe antinfortunistiche antiscivolo.</li> <li>– Indossare dei guanti protettivi.</li> </ul>

- **Evitare una postura anomala. Accertarsi che la posizione sia sicura e mantenere sempre l'equilibrio.** In questo modo è possibile controllare in modo migliore l'attrezzo elettrico in situazioni impreviste.
- Questo prodotto non deve essere utilizzato da persone (bambini inclusi) con facoltà fisiche, psichiche o mentali ridotte o che manchino di esperienza e conoscenze.
- **Indossare abbigliamento adeguato. Non indossare indumenti larghi o gioielli. Tenere capelli e capi d'abbigliamento lontani dalle parti in movimento.** Vestiti larghi, gioielli o capelli lunghi possono impigliarsi nelle parti in movimento.
- Durante l'utilizzo del prodotto indossare sempre calzature solide e pantaloni lunghi. Non mettere in funzione l'apparecchio a piedi nudi o con i sandali aperti. Evitare di indossare vestiti larghi o con stringhe pendenti o cravatte.

- Durante qualsiasi lavoro nella foresta indossare un elmetto di sicurezza. Questo protegge da rami che cadono. Verificare regolarmente la presenza di danni sul elmetto di sicurezza. Dopo 5 anni al massimo occorre sostituirlo. Utilizzare soltanto elmetti di sicurezza protettivi collaudati.
- La protezione per il viso, o visiera, del casco oppure gli occhiali protettivi tengono lontane la segatura e le schegge di legno. Per evitare lesioni agli occhi, durante i lavori con il prodotto indossare sempre una protezione per il viso e/o occhiali protettivi.
- Indossare degli otoprotettori.
- Indossare dei guanti protettivi.
- Durante l'operazione di segatura di legno secco, indossare una maschera di protezione antipolvere. È possibile che si formi polvere da taglio.
- Quando si lavora sugli alberi, sussiste il rischio di caduta. L'utilizzatore può rimanere gravemente ferito o morire. Indossare i dispositivi di protezione anticaduta.

## 6.3 Sicurezza dell'ambiente

- Le normative nazionali e/o locali possono imporre dei vincoli temporali all'utilizzo di prodotti a motore che generano rumore. Informarsi in merito presso la propria amministrazione comunale.
- Lavorare solo alla luce del giorno.
- Non lavorare in caso di condizioni ambientali sfavorevoli, quali vento o pioggia. In questo caso sussiste un rischio elevato di incidente!
- Disordine nell'area di lavoro può causare infortuni.
- Tenere a distanza i bambini e le altre persone durante l'utilizzo del prodotto. In caso di distrazione, si potrebbe perdere il controllo del prodotto.
- Non azionare mai il prodotto in presenza di persone, soprattutto bambini o animali.
- Non lavorare vicino a reti metalliche o in aree con filo spinato libero.

## Rischi residui

**Il prodotto è stato costruito secondo lo stato dell'arte e le regole tecniche di sicurezza riconosciute. Tuttavia, durante il suo impiego, si possono presentare rischi residui.**

- I rischi residui possono essere ridotti al minimo se si osservano le "Istruzioni di sicurezza" e "Uso previsto", nonché le istruzioni per l'uso nel loro complesso.
- Utilizzare il prodotto come raccomandato nelle presenti istruzioni d'uso. In questo modo è possibile garantire che il prodotto funzioni con prestazioni ottimali.
- Inoltre, nonostante tutte le misure precauzionali adottate, possono comunque venirsi a creare dei rischi residui non evidenti.

- Tenere lontane le mani dalla zona di lavoro quando il prodotto è in funzione.
- Danni all'udito se non si indossano otoprotettori adeguati.
- Danni ai polmoni se non si indossa la protezione respiratoria prescritta.
- Pericolo di lesioni dovute al lancio di attrezzi in caso di supporto o guida impropri.
- Pericolo di lesioni dovuti a elettricità a causa dell'utilizzo di cavi di alimentazione elettrica inadeguati.
- Evitare le messe in funzione accidentali del prodotto: quando si inserisce la spina nella presa di corrente non deve essere premuto il l'interruttore ON/OFF.
- Prima di eseguire lavori di regolazione o manutenzione, rilasciare l'interruttore ON/OFF e staccare la spina elettrica dalla presa di corrente.

### AVVISIO

Questo attrezzo elettrico genera un campo magnetico durante l'esercizio. Tale campo può danneggiare impianti medici attivi o passivi in particolari condizioni. Per ridurre il rischio di lesioni serie o mortali, si raccomanda alle persone con impianti medici di consultare il proprio medico e il fabbricante dell'impianto medico prima di utilizzare l'attrezzo elettrico.

### AVVISIO

In caso di utilizzo prolungato, possono presentarsi problemi di vascolarizzazione nelle mani dell'operatore (fenomeno di Raynaud) a causa delle vibrazioni.

La sindrome di Raynaud è un'angiopatia consistente nella costrizione improvvisa dei piccoli vasi sanguigni delle dita delle mani e dei piedi. Le aree interessate non vengono più irrorate di sangue a sufficienza e per questo motivo diventano estremamente pallide. L'utilizzo frequente di prodotti vibranti può causare danni ai nervi nelle persone che soffrono di problemi di vascolarizzazione (ad es. fumatori, diabetici).

Se si notano delle alterazioni insolite, terminare subito il lavoro e consultare un medico.

## 7 Dati tecnici

Tensione nominale	220-240V CA / 50/60 Hz
Potenza nominale S1*	1600 W
Classe di protezione	II
Tipo di protezione	IPX0
Velocità della catena	15 m/s
Barra di guida	14"
Lunghezza della lama della sega	41,5 cm

Lunghezza di taglio**	34 cm
Passo della catena	3/8"
Ruota dentata numero di denti	52 denti
Tipo di catena della sega	3/8LP-52
Tipo di barra di guida	AP14-52-507P
Serbatoio/olio della catena della sega	0,35 l
Peso (con lama della sega e catena della sega)	circa 4,8 kg
Peso (senza lama della sega, catena della sega e cavo)	circa 4,2 kg

Con riserva di modifiche tecniche!

### \*Modalità operativa S1 (funzionamento continuo)

Il prodotto può operare costantemente alla potenza specificata.

\*\* La lunghezza di taglio effettiva può essere inferiore alla lunghezza di taglio indicata.

### Rumori e vibrazioni

#### AVVISIO

Il rumore può avere un grave impatto sulla salute. Se il rumore del prodotto è superiore a 85 dB, occorre che voi e le persone nelle vicinanze indossiate degli otoprotettori adeguati.

### Valori caratteristici delle emissioni sonore

Livello di pressione acustica $L_{pA}$	95,3 dB
Incertezza di misura $K_{pA}$	3 dB
Livello di potenza acustica misurato $L_{wA}$	103,3 dB
Livello di potenza acustica garantito $L_{wA}$	106 dB
Incertezza di misura $K_{wA}$	3 dB

### Valori caratteristici delle vibrazioni (oscillazioni della mano e del braccio)

Vibrazioni $a_n$	
Impugnatura anteriore	3,26 m/s <sup>2</sup>
Impugnatura posteriore	3,51 m/s <sup>2</sup>
Incertezza di misura K	1,5 m/s <sup>2</sup>

Il valore totale delle vibrazioni indicato e il valore delle emissioni sonore indicato sono stati misurati con un metodo di prova standardizzato e possono essere utilizzati per confrontare un attrezzo elettrico con un altro.

Il valore delle emissioni sonore indicato e il valore totale delle vibrazioni indicato possono essere utilizzati anche per una prima valutazione del carico.

## **AVVISO**

**Le emissioni sonore e il valore di emissione delle vibrazioni possono differire dai valori specificati durante l'uso effettivo dell'attrezzo elettrico a seconda del modo in cui l'attrezzo elettrico viene utilizzato e, in particolare, del tipo di pezzo da lavorare su cui si opera.**

Provare a mantenere il carico il più basso possibile. Provvedimenti esemplificativi: limitazione del tempo di lavoro. A tal fine è necessario prendere in considerazione tutte le parti del ciclo di lavoro (per esempio, i tempi in cui l'attrezzo elettrico rimane spento, e quelli in cui, è acceso, ma in assenza di carico).

## **8 Disimballaggio**

### **AVVISO**

**Il prodotto e i materiali d'imballaggio non sono giocattoli per bambini!**

**I bambini non devono giocare con i sacchetti di plastica, pellicole e piccole parti! Sussiste il pericolo di ingerimento e soffocamento!**

- Aprite l'imballaggio ed estraete con cautela il prodotto.
- Rimuovere il materiale d'imballaggio nonché le staffe di sicurezza per il trasporto e l'imballaggio (se presenti).
- Controllate se il contenuto della fornitura è completo.
- Controllate il prodotto e gli accessori per rilevare l'eventuale presenza di danni dovuti al trasporto. Segnalare immediatamente eventuali danni al corriere che ha consegnato il prodotto. Non si accettano reclami successivi.
- Ove possibile, conservare l'imballaggio fino alla scadenza della garanzia.
- Prima dell'impiego familiarizzare con il prodotto con l'ausilio delle istruzioni per l'uso.
- Utilizzare solo pezzi originali per quanto riguarda accessori e pezzi di ricambio o soggetti ad usura. È possibile acquistare i pezzi di ricambio presso il proprio rivenditore specializzato.
- In caso di ordinazioni, indicare i nostri codici di articoli, il tipo e l'anno di costruzione del prodotto.

## **9 Prima della messa in funzione**

### **AVVISO**

**Estrarre sempre la spina elettrica prima di effettuare qualsiasi regolazione sul prodotto.**

### **AVVISO**

#### **Pericolo di lesioni!**

Inserire la spina elettrica nella presa solo quando il prodotto è pronto per l'uso.

### **PERICOLO**

#### **Pericolo di lesioni!**

Se si utilizza un prodotto non completamente montato, si possono verificare gravi lesioni.

- Utilizzare il prodotto solo quando è completamente montato.
- Eseguire un controllo visivo prima di ogni utilizzo, per verificare se il prodotto è completo e non presenta componenti danneggiati o usurati. I dispositivi di sicurezza e protezione devono essere intatti.

### **AVVISO**

#### **Pericolo di lesioni durante la manipolazione della catena della sega o della lama!**

- Indossare guanti antitaglio.

#### **Indicazioni:**

- Una nuova catena della sega si allunga e deve essere spesso rimessa in tensione. Controllare regolarmente dopo ogni taglio la tensione della catena e regolarla.
- Utilizzare solo catene della sega e lame concepite per questo prodotto.

### **CAUTELA**

Una catena della sega montata in modo errato provoca ad un comportamento di taglio incontrollato dell'apparecchio!

Quando si monta la catena della sega, rispettare la direzione di marcia prescritta!

- Posizionare il prodotto su un fondo piano e stabile.
- Prima dell'impiego familiarizzare con il prodotto con l'ausilio delle istruzioni per l'uso.

È obbligatorio controllare attentamente che il prodotto non presenti danni prima di ogni utilizzo o dopo la caduta. Se si riscontrano danni, questi devono essere immediatamente riparati autonomamente o da un centro di assistenza autorizzato.

Per garantire il perfetto funzionamento e la lunga durata del prodotto, osservare i seguenti punti:

- Corretta posizione in sede della barra di guida.
- Montaggio/direzione di marcia, assenza di difetti della catena della sega (affilata).
- Tensione della catena della sega a catena (controllare e regolare più volte in caso di catena nuova).
- Funzionamento della lubrificazione della catena.
- Funzionamento del freno della catena.
- Funzionamento della frizione (nessun movimento della catena in folle).
- Stato impeccabile ed integrità dei dispositivi di protezione e del dispositivo di taglio.
- Posizionamento corretto di tutti i collegamenti a vite.
- Mobilità di tutte le parti in movimento.

## 9.1 Montaggio della barra (7) e della catena della sega (8) (Fig. 2)

1. Ruotare la ruota tendicatena (6) in senso antiorario per rimuovere la copertura della ruota dentata (5).
2. Posizionare la catena della sega (8) a forma di cappio, in modo che i bordi taglienti sono orientati in senso orario. Per l'allineamento della catena della sega (8), orientarsi con i simboli (freccie) sulla catena della sega (8) o sopra i perni di guida (20).
3. Posizionare la catena della sega (8) nella scanalatura della lama della sega (7).  
Per il montaggio, tenere la lama (7) con un angolo di circa 45 gradi verso l'alto per guidare più facilmente la catena della sega (8) sulla scanalatura della lama (18). La catena della sega (8) è guidata dalla stella dentata di rinvio (7a).
4. Inserire la lama (7) in corrispondenza del perno di guida (20) e del perno verticale (19). Il perno di guida (20) e il perno verticale (19) devono venire a trovarsi nel foro ovale della lama (7).
5. Condurre la catena della sega (8) intorno alla ruota dentata (18) e controllare l'allineamento della catena della sega (8).
6. Riapplicare la copertura della ruota dentata (5). Assicurarsi che la copertura della ruota dentata (5) sia inserita nella scanalatura dell'alloggiamento.
7. Ruotare saldamente a mano il tendicatena (6) in senso orario.
8. Controllare nuovamente il corretto posizionamento della catena della sega (8) e tendere la catena della sega (8).

### Nota:

Si prega di prestare attenzione che nel prodotto continua a circolare olio dopo il suo utilizzo, che può fuoriuscire se il dispositivo viene depositato su un fianco o a testa in giù. Questo è un processo normale, dovuto allo sfiatamento necessario posizionato sul bordo superiore del serbatoio e non rappresenta un motivo di reclamo. Poiché questo prodotto viene controllato con olio durante la fabbricazione, potrebbe rimanere, nonostante lo svuotamento, un residuo di olio nel serbatoio, che sporca l'alloggiamento durante il trasporto. Si prega di pulire l'alloggiamento con uno straccio.

Prima di sostituire la catena della sega occorre rimuovere lo sporco dalla scanalatura della barra di guida, dato la catena della sega potrebbe saltare fuori dalla guida in presenza di eventuali depositi di sporco. I depositi possono anche assorbire l'olio della catena della sega. La conseguenza sarebbe che l'olio della catena della sega non arriva o arriva solo parzialmente sulla parte inferiore della guida e che venga impedita una corretta lubrificazione.

## 9.2 Tensionamento della catena della sega (8) (Fig. 3)

### **AVVISO**

#### **Pericolo di lesioni dovuto a scivolamento improvviso della catena della sega!**

Una catena della sega non sufficientemente tesa può saltare via durante l'esercizio e causare lesioni.

- Controllare spesso il tensionamento della catena della sega.
- La tensione della catena della sega è troppo bassa, quando gli elementi di trasmissione fuoriescono dalla scanalatura sul lato inferiore della barra di guida.
- Rimettere in tensione la catena della sega in modo corretto, quando la tensione è troppo bassa.

1. Assicurarsi che il freno della catena (16) sia sbloccato (vedere 10.1.2).
2. Regolare la tensione della catena utilizzando la ruota tendicatena (6).
  - In senso orario - per aumentare la tensione della catena
  - In senso antiorario - per ridurre la tensione della catena
3. Ruotare la catena della sega (8) a mano per controllarne lo scorrimento perfetto. Deve scorrere liberamente nella barra (7).

La catena della sega (8) non deve abbassarsi, ma deve consentire almeno 1-2 millimetri di distacco dalla barra (7) al centro della barra della catena.

La tensione e lubrificazione della catena influiscono in modo considerevole sulla durata di vita della catena della sega.

La catena della sega è correttamente in tensione, quando non risulta allentata sulla parte inferiore della lama della sega e la si può fare ruotare di un giro completo con la mano munita di guanto. Tirando la catena della sega con una forza di 9 N (circa 1 kg), la catena della sega e la lama della sega a catena non devono presentare una distanza superiore a 7 mm.

Con una forza di trazione media la catena della sega (8) può essere rimossa manualmente per un massimo di 9 mm.

**Nota:**

- La tensione di una nuova catena deve essere controllata dopo qualche minuto e regolata a posteriori.
- Il tensionamento della catena della sega dovrebbe essere eseguito in un luogo pulito e privo di trucioli o simile.
- Un corretto tensionamento della catena della sega serve alla sicurezza dell'utilizzatore e riduce e/o impedisce usura e danni alla catena stessa.
- Raccomandiamo all'utilizzatore di verificare il tensionamento della catena prima di iniziare i lavori.

### ATTENZIONE

Durante i lavori con la sega, la catena della sega si riscalda e si allenta di poco. Questo fenomeno si verifica soprattutto nel caso di catene della sega nuove.

## 9.3 Riempimento con l'olio della catena della sega (22) (Fig. 4)

### ⚠ PERICOLO

Spegnere sempre il prodotto e lasciare raffreddare il motore prima di aggiungere olio. Se l'olio trabocca, c'è il rischio di incendio.

### ⚠ AVVISO

La lama e la catena della sega non devono mai essere prive di olio. Se si utilizza la sega a catena con una quantità di olio troppo bassa, le prestazioni di taglio e la durata della catena della sega si riducono, poiché la catena della sega si smussa più rapidamente. La carenza di olio si riconosce dalla formazione di fumo o dallo scolorimento della lama.

### ATTENZIONE

#### Danni ambientali

Eventuali fuoriuscite di olio possono inquinare l'ambiente. Il liquido è estremamente velenoso e può comportare un rapido inquinamento dell'acqua.

- Rabboccare/svuotare l'olio solo su superfici piane e stabili.
- Utilizzare un bocchettone o un imbuto.
- Raccogliere l'olio di scarico in un recipiente adatto.
- Raccogliere immediatamente e con cautela l'olio versato e smaltire gli stracci come da disposizioni locali.
- Smaltire l'olio come da disposizioni locali.

La catena della sega viene lubrificata automaticamente durante l'esercizio del prodotto. Per lubrificare a sufficienza la catena della sega è necessario che sia sempre presente una quantità sufficiente dell'apposito olio nel serbatoio. Controllare ad intervalli regolari la quantità residua di olio nel serbatoio.

**Nota:**

- Il tappo è dotato di un dispositivo di protezione contro le perdite.
  - Riempire la sega a catena preferibilmente con olio della catena della sega biodegradabile (22).
  - Prima di accendere il prodotto, assicurarsi che il tappo del serbatoio dell'olio sia in posizione e chiuso.
1. Aprire il serbatoio dell'olio (12). A tale scopo, svitare il coperchio del serbatoio dell'olio (4) in senso antiorario.
  2. Per non fare fuoriuscire l'olio, utilizzare un imbuto\*.
  3. Riempire con olio della catena della sega (22), prestando la dovuta attenzione, fino a raggiungere la marcatura superiore dell'indicatore di livello dell'olio (13). Capacità serbatoio dell'olio: max. 350 ml.
  4. Avvitare il coperchio del serbatoio dell'olio (4) in senso orario per chiudere il serbatoio (12).
  5. Raccogliere immediatamente e con cautela l'olio versato e smaltire gli stracci come da disposizioni locali.
  6. Per controllare la lubrificazione della catena della sega, tenere il prodotto, con la relativa catena, sopra un foglio di carta e farla funzionare al massimo per un paio di secondi. Sulla carta si riconosce immediatamente se la lubrificazione della catena funziona.

## 10 Utilizzo

La sega a catena elettrica è azionata da un motore elettrico. La catena girevole è guidata dalla lama della sega a catena (barra di guida).

Il prodotto è dotato di un freno della catena ad arresto rapido. Un sistema automatico di lubrificazione dell'olio assicura una lubrificazione continua della catena. La sega a catena elettrica è dotata di vari dispositivi di sicurezza a protezione dell'operatore.

Per la funzione degli elementi di comando si rimanda alle seguenti descrizioni.

### **ATTENZIONE**

**Prima della messa in funzione del prodotto, è obbligatorio montarlo completamente!**

### **ATTENZIONE**

Assicurarsi che la temperatura ambiente non superi i 50 °C e non scenda sotto i -20 °C durante il lavoro.

### **⚠ PERICOLO**

#### **Pericolo di lesioni!**

Se il prodotto si incastra, non tentare di rimuoverlo con la forza.

- Spegnerlo il motore.
- Utilizzare una leva o un cuneo per liberare il prodotto.

## **10.1 Freno della catena (16) (Fig. 1, 5)**

### **⚠ AVVISO**

**Occorre controllare il freno della catena prima di ogni messa in funzione.**

Il freno della catena frena la catena della sega subito in caso di un contraccolpo.

### **⚠ AVVISO**

**Se il freno della catena della sega non funziona correttamente, non è possibile utilizzare la catena della sega.**

**Sussiste il pericolo di lesioni a causa della catena della sega in movimento.**

**Contattare il servizio clienti.**

### **⚠ AVVISO**

#### **Danni al prodotto!**

Un numero di giri elevato per un lungo lasso di tempo e con freno della catena bloccato danneggia il motore e l'azionamento della catena della sega.

Se la catena della sega continua a muoversi, contattare il servizio clienti.

#### **Nota:**

La catena della sega non scorre quando il freno della catena è inserito.

#### **10.1.1 Attivazione del freno della catena/paramani anteriori (16)**

1. Muovere il freno della catena/la protezione delle mani anteriore (16) in direzione della lama (7).

#### **10.1.2 Rilascio del freno della catena/paramani anteriori (16)**

1. Tirare il freno della catena/paramano anteriore (16) in direzione dell'impugnatura anteriore (14). Il freno della catena/paramano anteriore (16) scatta in posizione in modo percettibile.

#### **10.1.3 Controllo del freno della catena/paramani anteriori (16)**

1. Rilasciare il freno della catena/paramano anteriore (16) come descritto al punto 10.1.2.
2. Tenere stretta la sega a catena con entrambe le mani.
3. Accendere la sega a catena come descritto al punto 10.1.3.
4. Muovere il freno della catena/la protezione delle mani anteriore (16) in direzione della lama (7). La catena della sega (8) deve arrestarsi immediatamente!

#### **Nota:**

Se la catena della sega si muove ancora, non utilizzare il prodotto. Sussiste il pericolo di lesioni a causa della catena della sega in movimento. Contattare il servizio clienti.

## **10.2 Accensione/spegnimento e azionamento del prodotto (Fig. 1)**

### **⚠ AVVISO**

#### **Pericolo di lesioni dovuto a contraccolpo!**

- Non utilizzare mai il prodotto con una sola mano!

#### **Accensione**

1. Controllare se è presente olio della catena della sega (22) nel serbatoio dell'olio (12).
2. Formare un cappio all'estremità di un cavo di prolunga\* e agganciarlo allo scarico della trazione (9) sull'impugnatura posteriore (2).
3. Inserire la spina elettrica in una presa di corrente dotata della protezione adeguata.
4. Rimuovere la protezione della lama e della catena della sega (17) dalla barra (7).
5. Rilasciare il freno della catena (16). Il freno della catena (16) si innesta in modo percettibile.

6. Tenere il prodotto con la mano sinistra sull'impugnatura anteriore (14) e con la mano destra sull'impugnatura posteriore (2). Il pollice e le dita devono afferrare saldamente le impugnature (2/14).
7. Posizionare il corpo e le braccia in modo tale da poter resistere ai contraccolpi.
8. Spingere in avanti il blocco di accensione (3) sull'impugnatura posteriore (2) e mantenerlo in questa posizione.
9. Per accendere il prodotto, premere l'interruttore ON/OFF (11).
10. Rilasciare il blocco di accensione (3).

**Nota:**

Non è necessario mantenere azionato il blocco di accensione dopo l'avvio del prodotto. Il blocco di accensione ha lo scopo di impedire un avvio accidentale del prodotto.

Non è possibile un funzionamento continuo.

**Spegnimento**

1. Per spegnere il prodotto, rilasciare l'interruttore ON/OFF (11).
2. Attivare il freno della catena (16).
3. Dopo ogni lavoro con il prodotto, riapplicare la protezione della lama della sega e della catena (17) compresa nella fornitura.
4. In caso di pericolo estrarre subito la spina elettrica dalla presa.
5. Rimuovere il cavo di prolunga\* dallo scarico della trazione (9).

\* non necessariamente compreso nel contenuto della fornitura!

### 10.3 Protezione da sovraccarico

In caso di sovraccarico il prodotto si spegne automaticamente. Dopo un tempo di raffreddamento (di durata diversa) è possibile accendere nuovamente il prodotto.

### 10.4 Controllo della lubrificazione della catena della sega (Fig. 4)

**Nota:**

Controllare il livello dell'olio e il funzionamento della lubrificazione della catena prima di iniziare il lavoro.

1. Per controllare la lubrificazione della catena della sega, tenere il prodotto, con la relativa catena, sopra un foglio di carta e farla funzionare al massimo per un paio di secondi. Sulla carta si riconosce immediatamente se la lubrificazione della catena funziona.

**Nota:**

Se non c'è traccia di olio, pulire il passaggio dell'olio se necessario o far riparare la sega a catena dal nostro servizio clienti.

1. Pulire il passaggio dell'olio (21) per garantire un'oliatura automatica e senza problemi della catena della sega (8) durante il funzionamento. A tale scopo, utilizzare un pennello\* o un panno\* per eliminare i residui dal passaggio dell'olio (21).

\* non necessariamente compreso nel contenuto della fornitura!

## 11 Istruzioni di lavoro

### PERICOLO

**Pericolo di lesioni!**

Questo capitolo descrive la tecnica di lavoro di base per la manipolazione del prodotto.

Le informazioni qui contenute non sostituiscono la formazione pluriennale e l'esperienza di un esperto. Evitare ogni lavoro per cui non si è sufficientemente qualificati!

Una manipolazione incauta del prodotto può causare gravi lesioni o addirittura la morte!

### PERICOLO

**Pericolo di lesioni!**

Le operazioni di segatura e di taglio, nonché tutte le attività ad esse collegate, possono essere eseguite solo da personale appositamente formato e istruito.

### AVVISO

Per motivi di sicurezza, si consiglia agli inesperti di non abbattere un albero con una lama di lunghezza inferiore al diametro del tronco che si desidera tagliare.

**Indicazioni:**

Accertarsi, prima dell'accensione, che il prodotto non tocchi alcun oggetto.

Rispettare le norme nazionali specifiche per le operazioni di taglio e informarsi presso l'autorità competente.

- Assicurarsi che i rami e gli alberi che cadono non possano provocare danni.
- Nell'area di lavoro possono sostare soltanto le persone necessarie per le operazioni di taglio.
- Tenere l'area di lavoro vicino al tronco libera e sgombra, in modo da garantire una posizione sicura per gli operatori.
- Tenere le vie di fuga libere e sgombre, in modo da poter uscire rapidamente dall'area di lavoro.
- Non eseguire operazioni di taglio in caso di vento molto forte, brutto tempo o scarse condizioni di visibilità.

- Tenere le dovute distanze dalla postazione di lavoro successiva, pari ad almeno 2 lunghezze e 1/2 di tronco.
- Spegnerne il motore se la sega entra in contatto con un corpo estraneo. Controllare la sega e ripararla se necessario.
- Proteggere la catena della sega dallo sporco e dalla sabbia. Anche piccole quantità di sabbia possono smussare in tempi brevi la catena della sega ed aumentare il pericolo di contraccolpi.
- Iniziare a segare tronchi più piccoli come pratica per prendere confidenza con il prodotto prima di affrontare compiti più difficili.
- Premere l'alloggiamento della sega a catena contro il tronco dell'albero quando si inizia a segare.
- Lasciare lavorare da sé la sega. Esercitare solo una leggera pressione verso il basso.
- Per evitare di perdere il controllo del prodotto dopo che la catena della sega è uscita dal legno, non esercitare pressione sulla sega verso la fine del taglio.
- Non tagliare legno posto a terra, né provare di segare radici che spuntano dal suolo.
- Evitare una postura anomala. Accertarsi che la posizione sia sicura e mantenere sempre l'equilibrio. In questo modo è possibile controllare in modo migliore il prodotto in situazioni inattese.
- Avete un controllo migliore quando utilizzate il lato inferiore della lama (con la catena tirante).
- La catena della sega non deve entrare in contatto il terreno o qualsiasi altro oggetto durante l'esercizio.
- Adottare misure di protezione contro contraccolpi (vedi indicazioni di sicurezza).

## 11.1 Comportamento corretto

### PERICOLO

#### Pericolo di lesioni!

- Non lavorare mai su superfici instabili!
- Non lavorare mai al di sopra dell'altezza delle spalle!
- Non lavorare mai stando su una scala!
- Non lavorare sporgendosi troppo in avanti!
- Utilizzare il prodotto solo in condizioni atmosferiche e di terreno favorevoli!
- Stare in piedi con entrambi i piedi ben saldi a terra.
- Fare attenzione agli ostacoli nell'area di lavoro.
- Quando si lavora, tenere sempre il prodotto con entrambe le mani!

## 11.2 In questo modo si esegue un taglio giusto!

- Applicare una pressione uniforme sul prodotto, ma senza usare una forza eccessiva.
- Se possibile, utilizzare l'arresto ad artiglio per posizionare il prodotto sul ramo da segare.
- Non lavorare mai senza la battuta dentata. Il prodotto può tirare l'operatore in avanti.
- Utilizzare l'arresto ad artiglio per tagliare tronchi o rami spessi.
- L'uso della battuta dentata aumenta la sicurezza sul lavoro, riduce lo stress personale durante il lavoro come pure le vibrazioni.
- Se ci si è scontrati con un oggetto estraneo. Esaminare eventuali danni sul prodotto ed eseguire le riparazioni necessarie prima di riavviarlo e procedere con i lavori. Se il prodotto comincia a vibrare in modo insolito, occorre eseguire un controllo immediato.

## 11.3 Tecniche di segatura

### 11.3.1 Taglio a strappo

Questa tecnica consiste nel segare dall'alto verso il basso con la parte inferiore della Lama della sega a catena.

La catena della sega spinge il prodotto in avanti lontano dall'operatore. Il bordo anteriore del prodotto forma un supporto che assorbe le forze generate sul tronco dell'albero durante la segatura. Con la sega a trazione, l'operatore ha un maggiore controllo sul prodotto ed è in grado di evitare i contraccolpi.

### 11.3.2 Segatura a spinta

#### PERICOLO

#### Pericolo di infortunio mortale!

Se la lama della sega a catena si inceppa, il prodotto può essere scagliato contro l'operatore con grande forza.

Se l'operatore non usa la sua forza fisica per compensare la forza della catena della sega che spinge all'indietro, sussiste il pericolo che solo la punta della lama della sega a catena entri in contatto con il legno, provocando un contraccolpo.

Con questa tecnica, la parte superiore della barra di guida viene utilizzata per segare dal basso verso l'alto.

In questo caso, la catena della sega spinge il prodotto all'indietro verso l'operatore.

### 11.3.3 Taglio a misura

Il taglio a misura è la segatura di alberi abbattuti in sezioni più piccole. Se possibile, il tronco dovrebbe essere supportato da rami, travi o cunei.

- **Mantenere sempre una posizione stabile e utilizzare la sega a catena solo se vi trovate su un fondo resistente, sicuro e piano.** Un fondo scivoloso o superfici di appoggio instabili possono comportare la perdita dell'equilibrio e del controllo sulla sega a catena.
- In caso di operazioni con la sega su pendii, rimanere sempre a monte dell'albero. Fare attenzione che la catena della sega non tocchi il terreno. Al termine del taglio, attendere che la catena della sega si fermi prima di rimuovere il prodotto.
- Spegnere sempre il motore del prodotto prima di spostarsi da una postazione di lavoro all'altra.

#### 11.3.3.1 Tronco appoggiato a terra (Fig. 6)

- La catena della sega non deve entrare in contatto il terreno o qualsiasi altro oggetto durante l'esercizio.
- Segare tutto il tronco dall'alto.
- Se è possibile girare il tronco, segarlo per 2/3. Quindi girare il tronco e segare il resto del tronco dall'alto.

#### 11.3.3.2 Il tronco è sostenuto da un'estremità (Fig. 7)

- Segare prima 1/3 del diametro del tronco dal basso verso l'alto (con la parte superiore della lama della sega a catena) per evitare schegge.
- Poi segare dall'alto verso il basso (con la parte inferiore della lama della sega a catena) verso il primo taglio per evitare l'incastramento.

#### 11.3.3.3 Il tronco è sostenuto da entrambe le estremità (Fig. 8).

- Segare prima 1/3 del diametro del tronco dall'alto verso il basso (con la parte inferiore della lama della sega a catena).
- Quindi segare dal basso verso l'alto (con la parte superiore della lama della sega a catena) finché i tagli non si incontrano.

#### 11.3.3.4 Segare su un cavalletto (Fig. 9)

1. Tenere sempre fermo il prodotto con entrambe le mani e portarlo davanti al corpo durante l'esercizio 1.
2. Quando il tronco è stato tagliato, guidare il prodotto oltre il lato destro del corpo. Mantenere il braccio sinistro il più dritto possibile 2. Fare attenzione alla caduta del tronco.
3. Posizionarsi in modo che il tronco tagliato non costituisca un pericolo.
4. Fare attenzione ai propri piedi 3. Il tronco tagliato potrebbe causare lesioni in caso di caduta.
5. Assicurarsi che il proprio corpo sia in equilibrio e che la posizione sia sicura.

### 11.3.4 Sbarramento (Fig. 10)

#### **AVVISO**

##### **Pericolo di lesioni!**

Tanti incidenti avvengono durante la sfronatura.

- Tenere sempre fermo il prodotto con entrambe le mani e portarlo davanti al corpo durante l'esercizio.
- Non sporgersi troppo in avanti durante l'esercizio.
- Non tagliare mai rami, quando si è posizionati sul tronco dell'albero.
- Mantenere in vista il campo di contraccolpo, se dei rami sono in tensione.

La sfronatura è la denominazione per la rimozione di rami e ramoscelli da un albero.

- Rimuovere rami di supporto solo dopo il taglio a misura.
- I rami in tensione devono essere segati dal basso verso l'alto, per impedire che il prodotto si incastri.
- Al taglio di rami più grossi, utilizzare la stessa tecnica del taglio a misura.
- Procedere a sinistra del tronco e il più vicino possibile al prodotto. Se possibile, il peso del prodotto rimane sul tronco.
- Cambiare posizione per segare rami dall'altra parte del tronco.
- Le parti ramificate vengono tagliate singolarmente su misura.
- Durante la sfronatura, lasciare intatti i rami più grandi rivolti verso il basso, che supportano l'albero. Tagliare i rami più piccoli con un taglio solo.
- Eliminare i rami che pendono verso il basso eseguendo il taglio sopra il ramo.
- Non sramare mai più in alto dell'altezza delle spalle.

### 11.3.5 Caduta di un albero (Fig. 11, 12)

#### **PERICOLO**

##### **Pericolo di lesioni!**

Le operazioni di segatura e di taglio, nonché tutte le attività ad esse collegate, possono essere eseguite solo da personale appositamente formato e istruito.

#### **PERICOLO**

Per abbattere gli alberi è necessaria una grande esperienza. Abbattere gli alberi solo se si è in grado di maneggiare il prodotto in modo sicuro. Non utilizzare mai il prodotto se non ci si sente sicuri.

## PERICOLO

### Pericolo di infortunio mortale!

- Non tagliare mai fino in fondo il tronco dell'albero!
- Quando si abbatte, posizionarsi solo a lato dell'albero da abbattere!

## PERICOLO

Non abbattere un albero in caso di vento forte o variabile, se c'è il rischio di danni alle cose o se l'albero potrebbe colpire cavi elettrici.

## PERICOLO

Quando si abbattano alberi, assicurarsi che le altre persone non siano soggette a nessun tipo di rischio, accertarsi di non entrare in contatto con linee di alimentazione e fare attenzione a non causare danni materiali. Qualora un albero entrasse in contatto con una linea di alimentazione, occorre informare subito l'azienda di pubblici servizi.

- Assicurarsi che non vi siano persone o animali nelle vicinanze dell'area di lavoro. La distanza di sicurezza tra l'albero da abbattere e il luogo di lavoro più vicino deve essere di 2 1/2 alberi.
- Prestare attenzione alla direzione di abbattimento: L'operatore deve potersi muovere in sicurezza in prossimità dell'albero abbattuto per poterlo tagliare a misura e smontarlo facilmente. Evitare che l'albero che cade si impigli in un altro albero. Osservare la direzione naturale di caduta, che dipende dall'inclinazione e dalla stortura dell'albero, dalla direzione del vento e dal numero di rami.
- Gli alberi di piccole dimensioni, con un diametro di 15-18 cm, possono di solito essere abbattuti con un solo taglio.
- In caso di operazioni con la sega su pendii, rimanere sempre a monte dell'albero. Fare attenzione che la catena della sega non tocchi il terreno. Al termine del taglio, attendere che la catena della sega si fermi prima di rimuovere il prodotto.
- In caso di operazioni con la sega su pendii, rimanere sempre a monte dell'albero. Per mantenere il pieno controllo alla fine dell'operazione di taglio, ridurre la pressione di contatto, senza allentare la salda presa sulle impugnature del prodotto. Fare attenzione che la catena della sega non tocchi il terreno. Al termine del taglio, attendere il fermo completo del prodotto, prima di rimuoverlo dalla sede di taglio. Spegnerne sempre il prodotto e staccare la spina elettrica, prima di spostarsi da un albero all'altro.
- Per gli alberi di diametro maggiore, è necessario effettuare tagli a intaglio e un taglio di abbattimento.

- Fare attenzione che la catena della sega non si incastri nel taglio effettuato. Il ramo non deve rompersi o scheggiarsi.
- Rimuovere sporco, pietre, corteccia, chiodi, graffette e cavi metallici dall'albero.

## AVVISO

**Alzare gli otoprotettori subito dopo aver terminato il processo di segatura, in modo da poter sentire i suoni e i segnali di avvertimento.**

### Sramatura:

- Eliminare i rami che pendono verso il basso eseguendo il taglio sopra il ramo. Non sramare mai più in alto dell'altezza delle spalle.

### Area di fuga:

- Rimuovere il sottobosco intorno all'albero per garantire una facile ritirata. L'area di fuga dovrebbe essere spostata di circa 45° rispetto alla direzione di abbattimento prevista.

### Tagliare una tacca di abbattimento:

- Eseguire una tacca di abbattimento nella direzione in cui si vuole far cadere l'albero.
- Iniziare con il taglio orizzontale inferiore.
- La profondità di taglio deve essere pari a circa 1/3 del diametro del tronco. In questo modo si evita che la catena della sega o la barra di guida si inceppino durante l'esecuzione della seconda tacca di taglio.
- Ora eseguite un taglio diagonale con un angolo di taglio di circa 45°, dall'alto, che coincida esattamente con il taglio inferiore.

## PERICOLO

Non camminare mai di fronte a un albero intagliato.

### Taglio di abbattimento:

- Effettuare il taglio di abbattimento dall'altro lato del tronco stando in piedi a sinistra del tronco stesso e segnando con la catena della sega in tiro.
- Il taglio di abbattimento deve correre orizzontalmente almeno 5 cm sopra la tacca orizzontale.
- La profondità deve essere tale che la distanza dalla linea di taglio della tacca sia almeno 1/10 del diametro del tronco.
- La parte del tronco che non viene segata si chiama barra (barra di abbattimento). La barra impedisce all'albero di girare e cadere nella direzione sbagliata. Non segare attraverso la barra.
- Quando il taglio di abbattimento si avvicina alla barra, l'albero dovrebbe iniziare a cadere.

- Se ci si accorge che l'albero non cade nella direzione desiderata o è inclinato all'indietro e la catena della sega è bloccata, interrompere il taglio di abbattimento e utilizzare cunei di legno, plastica o alluminio per aprire il taglio e riposizionare l'albero nella linea di caduta desiderata.
- Se il diametro del tronco è superiore alla lunghezza della lama della sega a catena, effettuare due tagli.
- Dopo aver effettuato il taglio di abbattimento, l'albero cadrà da solo o con l'aiuto del cuneo di abbattimento o del piede di porco.

### PERICOLO

Non appena l'albero inizia a cadere, estrarre il prodotto dal taglio, arrestare il motore, posare il prodotto e lasciare il luogo di lavoro attraverso il percorso di rientro.  
Fare attenzione ai rami che cadono e non inciampare.

#### 11.3.6 Sblocco di una sega a catena inceppata

Se la sega si inceppa durante il taglio, procedere come segue:

1. Spegnerne la sega e fissarla verso l'interno del tronco dell'albero (cioè verso il tronco dell'albero) o fissarla a una corda per attrezzi separata.
2. Estrarre la sega a catena dalla tacca mentre si solleva il ramo per quanto necessario.
3. All'occorrenza, utilizzare una sega a mano o una seconda sega a catena per liberare la sega a catena incastrata effettuando un taglio a una distanza di almeno 30 cm dalla sega a catena incastrata.

Indipendentemente dal fatto che venga utilizzata una sega a mano o una sega a catena per liberare una sega a catena incastrata, i tagli per liberare la sega a catena devono sempre essere fatti all'esterno (verso la punta dei rami) in modo che la sega a catena non venga trascinata con le parti segate e complichino ulteriormente la situazione.

#### 11.4 Dopo l'uso

- **Spegnerne sempre il prodotto prima di posarlo e attendere che si arresti.**
- Posizionare la protezione della lama della sega e della catena (17) sulla lama (7).
- Attivare il freno della catena (16).
- Lasciare raffreddare il prodotto.
- In caso di pericolo estrarre subito la spina elettrica dalla presa.

## 12 Pulizia e manutenzione

### AVVISO

**Lasciare che sia un'officina specializzata ad eseguire operazioni di riparazione e manutenzione non riportati nelle presenti istruzioni di servizio. Utilizzare solo pezzi di ricambio originali.**

### AVVISO

**Lavori di manutenzione e pulizia non professionali possono causare lesioni!**

### AVVISO

**All'atto di operazioni di pulizia, riparazione e manutenzione il prodotto può avviarsi in modo inaspettato e dunque portare a lesioni e ustioni.**

- Spegnerne il prodotto.
- Estrarre la spina elettrica.
- Lasciare raffreddare il prodotto.

### AVVISO

**Pericolo di lesioni durante la manipolazione della catena della sega o della lama!**

- Indossare guanti antitaglio.

### 12.1 Pulizia

1. Si raccomanda di pulire il prodotto subito dopo ogni utilizzo.
2. Utilizzare un pennello o una scopa a mano e nessun liquido per pulire la catena della sega.
3. Mantenere le maniglie e le relative superfici asciutte, pulite e libere da olio e grasso. Maniglie e superfici della maniglia scivolose non permettono un comando e un controllo dell'attrezzo elettrico sicuri in situazioni imprevedibili.
4. Se necessario, pulire le maniglie con un panno umido bagnato con della liscivia.
5. Mantenere i dispositivi di protezione, le feritoie di ventilazione e l'alloggiamento del motore il più possibile privi di polvere e di sporcizia. Pulire il prodotto strofinando con un panno\* pulito o soffiando con aria compressa\* a bassa pressione. Si raccomanda di pulire il prodotto subito dopo ogni utilizzo.
6. Le aperture di ventilazione devono sempre essere libere.

7. Non impiegare detersivi o solventi; questi potrebbero corrodere i componenti in plastica del prodotto. Assicurarsi che non possa penetrare acqua all'interno del prodotto.
8. Pulire la scanalatura della lama della sega a catena con l'aiuto di un pennello o con aria compressa.
9. Pulire la ruota dentata della catena.

\* non necessariamente compreso nel contenuto della fornitura!

## 12.2 Manutenzione

### Nota:

Eseguire una manutenzione accurata del prodotto. Controllare che le parti mobili funzionino correttamente e non siano inceppate, che non siano rotte o danneggiate in modo tale da compromettere il funzionamento del prodotto. Far riparare le parti danneggiate prima di utilizzare il prodotto.

Posizionare il prodotto su un fondo piano e stabile.

### 12.2.1 Controllo della ruota dentata (18) (Fig. 2)

1. Ruotare la ruota tendicatena (6) in senso antiorario per allentare la catena della sega e per rimuovere la copertura della ruota dentata (5).
2. Rimuovere la lama (7) e la catena della sega (8).
3. Verificare le tracce di ingresso sulla ruota dentata (18) con un calibro\*.
4. Nel caso in cui le tracce di ingresso sono più profonde di  $a=0,5$  mm, non utilizzare il prodotto e rivolgersi a un rivenditore specializzato. La ruota dentata (18) deve essere sostituita.
5. Rimontare la lama (7) e la catena della sega (8) come descritto al punto 9.1.

\* non necessariamente compreso nel contenuto della fornitura!

### 12.2.2 Controllo della guida (7) (Fig. 1)

1. Ruotare la ruota tendicatena (6) in senso antiorario per allentare la catena della sega e per rimuovere la copertura della ruota dentata (5).
2. Rimuovere la lama (7) e la catena della sega (8).
3. Lama la profondità della scanalatura della guida (7) con il regolo di un calibro per lime\*.
4. La lama (7) deve essere sostituita se si verifica uno dei seguenti punti:
  - La lama della sega a catena è danneggiata.
  - La profondità rilevata della scanalatura è minore della profondità minima della scanalatura della lama della sega a catena (4 mm).
  - La scanalatura della lama della sega a catena è ristretta o allargata.
5. Rimontare la lama (7) e la catena della sega (8) come descritto al punto 9.1.

\* non necessariamente compreso nel contenuto della fornitura!

### 12.2.3 Sostituire la lama (7) (Fig. 2)

1. Ruotare la ruota tendicatena (6) in senso antiorario per allentare la catena della sega e per rimuovere la copertura della ruota dentata (5).
2. Rimuovere la lama (7) e la catena della sega (8). Tenere la lama (7) con un angolo di circa 45 gradi verso l'alto per facilitare la rimozione della catena della sega (8) dalla scanalatura della lama (7).
3. Sostituire la lama (7) e montare la lama (7) e la catena della sega (8) come descritto al punto 9.1.

### 12.2.4 Sostituire la catena della sega (8) e farla inserire (Fig. 2)

#### PERICOLO

#### Possibili gravi lesioni dovuti alla rottura o allo scivolamento della catena della sega!

- Non fissare mai una nuova catena della sega su un pignone usurato o su una barra di guida danneggiata o usurata. La catena della sega potrebbe scivolare o rompersi.


- Utilizzare solo catene della sega e lame concepite per questo prodotto.
  - Prima della sostituzione della catena della sega, pulire la scanalatura della lama della sega a catena, dato che in presenza di depositi di sporco potrebbe saltare via la catena della sega dalla guida. I depositi possono anche assorbire l'olio della catena della sega. La conseguenza sarebbe che l'olio della catena della sega non arriva o arriva solo parzialmente sulla parte inferiore della guida e che venga impedita una corretta lubrificazione.
1. Ruotare la ruota tendicatena (6) in senso antiorario per allentare la catena della sega e per rimuovere la copertura della ruota dentata (5).
  2. Rimuovere la lama (7) e la catena della sega (8).
  3. Posizionare la catena della sega (8) a forma di cappio, in modo che i bordi taglienti sono orientati in senso orario. Per l'allineamento della catena della sega (8), orientarsi con i simboli (freccie) sulla catena della sega (8) o sopra il perno di guida (20).
  4. Posizionare la catena della sega (8) nella scanalatura della lama della sega (7).
  5. Inserire la lama (7) in corrispondenza del perno di guida (20) e del perno verticale (19). Il perno di guida (20) e il perno verticale (19) devono venire a trovarsi nel foro ovale della lama (7).
  6. Condurre la catena della sega (8) intorno alla ruota dentata (18) e controllare l'allineamento della catena della sega (8).

7. Riapplicare la copertura della ruota dentata (5). Assicurarsi che la copertura della ruota dentata (5) sia inserita nella scanalatura dell'alloggiamento.
8. Ruotare saldamente a mano il tendicatena (6) in senso orario.
9. Controllare nuovamente il corretto posizionamento della catena della sega (8) e tendere la catena della sega (8).


**Nota:**

In una nuova catena della sega, la forza di tensionamento diminuisce dopo poco tempo. Per tale motivo occorre rimettere in tensione la catena della sega dopo i primi 5 tagli, al più tardi dopo 10 minuti di esercizio.

**12.2.5 Affilare la catena della sega (8)**

 <b>AVVISO</b>
<b>Elevato pericolo di incidenti dovuto a una catena della sega affilata in modo errato!</b>
In caso di scostamenti dalle indicazioni dei valori della geometria di taglio durante l'affilatura aumenta il pericolo di contraccolpo del prodotto.
– Fare affilare la catena della sega da un tecnico specializzato.

La catena della sega può essere affilata da parte di un'officina specializzata. Non tentare di affilare la catena della sega in autonomia a meno che non si disponga degli attrezzi e dell'esperienza adeguati.


 <b>CAUTELA</b>
Per l'affilatura della catena sono necessari strumenti speciali per garantire che gli utensili da taglio siano affilati con l'angolo e la profondità corretti. Dopo l'affilatura, tutte le maglie taglienti devono avere la stessa larghezza e lunghezza.

**Indicazioni:**

Una catena della sega affilata garantisce una prestazione ottimale di taglio. Essa taglia il legno senza sforzo e lascia trucioli di legno grandi e lunghi.

Una catena della sega è smussata, quando occorre spingere il prodotto attraverso il legno e i trucioli sono molto piccoli. In caso di una catena della sega molto smussata non vengono prodotti trucioli ma soltanto polvere di legno.

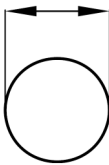
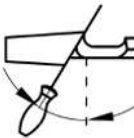



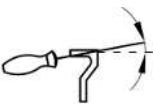


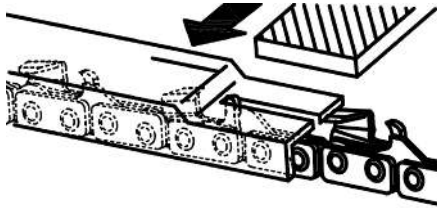

1. Scollegare la spina elettrica.
2. Per l'affilatura, la catena della sega (8) deve essere tesa in modo da consentire una corretta affilatura.
3. Per l'affilatura è necessaria una lima rotonda\* con un diametro di 4,0 mm.

 <b>CAUTELA</b>
Altri diametri danneggiano la catena della sega e possono comportare rischi durante il lavoro!

4. Affilare solo dall'interno verso l'esterno. Guidare la lima\* dall'interno del dente di taglio verso l'esterno. Sollevare la lima\* quando la si tira indietro.
5. Affilare prima i denti su un lato. Poi girare la catena della sega (8) e affilare i denti sull'altro lato.
6. Quando rimangono solo circa 4 mm di dente di taglio catena della sega significa che la catena della sega (8) è usurata e deve essere sostituita con una nuova catena (8).
7. Dopo l'affilatura tutte le maglie di taglio devono avere la stessa lunghezza e larghezza.
8. Dopo ogni terza affilatura è necessario controllare la profondità di affilatura (limite di profondità) e limare nuovamente l'altezza con una lima piatta\*. Il limite di profondità deve risultare arretrato rispetto al dente di taglio di circa 0,65 mm. Dopo averlo ridotto, arrotondare leggermente il limite di profondità verso la parte anteriore.

\* non necessariamente compreso nel contenuto della fornitura!

### 12.2.5.1 Istruzioni per l'affilatura della catena

	Lama di diametro	Angolo superiore	Angolo inferiore	Angolo di inclinazione superiore (55°)	Calibro di profondità standard
Modello della catena della sega					
		Angolo di rotazione per serraggio	Angolo di inclinazione per serraggio	Angolo laterale	
					
21PBX	ca. 4,8 mm	30°	10°	85°	0,64 mm
					
Battuta di profondità			Lima		

## 13 Stoccaggio

Conservare il prodotto e i suoi accessori in un luogo buio, asciutto e al riparo dal gelo, inaccessibile ai bambini.

La temperatura di stoccaggio ottimale è compresa tra 5 e 30 °C.

Conservare il prodotto nella sua confezione originale. Coprire il prodotto per proteggerlo da polvere o umidità. Conservare le istruzioni per l'uso nei pressi del prodotto.

### 13.1 Preparazione allo stoccaggio

1. Applicare la protezione della catena.
2. Scaricare completamente il prodotto.
3. Pulire il prodotto e controllare che non sia danneggiato.

### 13.2 Trasporto

- Il prodotto deve essere trasportato soltanto tramite la maniglia prevista a tale scopo.

## 14 Collegamento elettrico

Il motore elettrico installato è collegato e pronto per l'esercizio. L'allacciamento è conforme alle disposizioni VDE e DIN pertinenti. L'allacciamento alla rete lato cliente e il cavo di prolunga utilizzato devono essere conformi a tali norme.

#### Nota:

- Il prodotto soddisfa i requisiti della EN 61000-3-11 ed è soggetto a condizioni speciali per l'allacciamento. Ciò significa che non ne è consentito l'uso con collegamento a punti scelti a proprio piacimento.
- In caso di condizioni di rete sfavorevoli, il prodotto può portare a temporanee oscillazioni di tensione.
- Il prodotto è concepito esclusivamente per l'utilizzo in punti di collegamento che a) non superino un'impedenza di rete massima ammessa "Z" ( $Z_{max.} = 0,415 \Omega$ ), oppure b) abbiano una resistenza di corrente continua della rete di almeno 100 A per fase.

- In qualità di utilizzatore, ove necessario dopo aver parlato con il proprio ente di fornitura di energia elettrica, è necessario assicurare che il punto di collegamento in cui si desidera azionare il prodotto soddisfi uno dei due requisiti sopra riportati a) o b).

### 14.1 Avvertenze importanti

In caso di sovraccarico il motore si disinserisce automaticamente. Dopo un tempo di raffreddamento (di durata diversa) è possibile inserire nuovamente il motore.

### 14.2 Cavi di collegamento elettrico difettosi

Sui cavi di alimentazione elettrica si verificano spesso danni all'isolamento.

Le cause possono essere le seguenti:

- Schiacciate, laddove i cavi di alimentazione vengono fatti passare attraverso finestre o interstizi di porte,
- Piegature a causa del fissaggio o della conduzione dei cavi stessi eseguiti in modo non appropriato,
- Tagli causati dal transito sui cavi di alimentazione,
- Danni all'isolamento causati dalle operazioni di distacco dalla presa a parete,
- Cricche a causa dell'invecchiamento dell'isolamento.

Tali cavi di alimentazione elettrici difettosi non possono essere utilizzati e rappresentano un pericolo mortale a causa dei danni all'isolamento.

Controllare regolarmente che i cavi di alimentazione elettrica non siano danneggiati. Assicurarsi che, durante tale controllo, il cavo di alimentazione non sia collegato alla rete elettrica.

I cavi per il collegamento elettrico devono essere conformi alle disposizioni VDE e DIN pertinenti. Usare solo cavi di collegamento con la stessa marcatura "H07RN-F".

La designazione del tipo deve essere stampata sul cavo di collegamento.

#### Indicazioni di sicurezza per la sostituzione di cavi di allacciamento alla rete danneggiati o difettosi

##### Tipo di collegamento Y

Se è necessario, sostituire il cavo di allacciamento alla rete: la sostituzione deve essere effettuata dal produttore o da un suo rappresentante per evitare rischi per la sicurezza.

### 14.3 Motore a corrente alternata

Gli allacciamenti e le riparazioni all'impianto elettrico possono essere eseguiti soltanto da un elettricista qualificato.

- Accertarsi che la tensione di rete corrisponda alla tensione sulla targhetta identificativa del prodotto.

- I cordoni di prolunga fino a 25 m di lunghezza devono avere una sezione di 1,5 millimetri quadrati.

## 15 Riparazione e ordinazione dei ricambi

Dopo la riparazione o la manutenzione, accertarsi che tutti i componenti tecnici di sicurezza siano applicati e si trovino in stato impeccabile. Conservare in un posto inaccessibile i componenti potenzialmente pericolosi per altre persone e bambini.

### ATTENZIONE

Come da legge di responsabilità sui prodotti, non si è responsabili di danni dovuti a riparazioni improprie o non utilizzo di pezzi di ricambio originali.

Incaricare un servizio clienti o un tecnico specializzato e autorizzato. Lo stesso vale anche per gli accessori.

#### Allacciamenti e riparazioni

Gli allacciamenti e le riparazioni all'impianto elettrico possono essere eseguiti soltanto da un elettricista qualificato.

### 15.1 Ordine di pezzi di ricambio

In caso di ordinazione di pezzi di ricambio è necessario indicare quanto segue:

- Denominazione del modello
- Numero di articolo
- Dati della targhetta identificativa

#### Ricambi / Accessori

Coperchio del serbatoio dell'olio	3910207003
-----------------------------------	------------

### 15.2 Utensili di taglio consentiti

<b>Barre di guida:</b>	
Lama della sega a catena Kangxin AP14-52-507P	3910207001
<b>Catene della sega:</b>	
Catena della sega Kangxin 3/8LP-52	3910207002

## 16 Smaltimento e riciclaggio

#### Avvertenze per l'imballaggio



Il materiale d'imballaggio è riciclabile. Si prega di smaltire gli imballaggi nel rispetto dell'ambiente.

## Indicazioni per lo smaltimento di dispositivi elettrici ed elettronici



**I dispositivi elettrici ed elettronici usati non rientrano nei rifiuti domestici, ma devono essere trattati e smaltiti in modo separato!**

- Le batterie usate non integrate nel dispositivo usato devono essere rimosse prima della consegna, senza distruggerle! Il loro smaltimento è regolato dalla legge sulle batterie.
- I proprietari o gli utilizzatori di dispositivi elettrici ed elettronici sono tenuti per legge a restituirli al termine della loro durata utile.
- L'utente finale è responsabile in prima persona per la cancellazione dei suoi dati personali in relazione al dispositivo usato da smaltire!
- Il simbolo del bidone della spazzatura barrato indica che i dispositivi elettrici ed elettronici non possono essere smaltiti insieme ai normali rifiuti domestici.
- I dispositivi elettrici ed elettronici possono essere restituiti gratuitamente presso i seguenti centri:
  - Centri di raccolta e smaltimento di diritto pubblico (ad es. depositi comunali)
  - LIDL vi offre la possibilità di restituzione direttamente nelle filiali e nei negozi. La restituzione e lo smaltimento sono per voi del tutto gratuiti.
  - È possibile consegnare gratuitamente al produttore, senza dovere acquistare prima un nuovo dispositivo da questi, fino a tre dispositivi elettronici usati per ogni tipo di dispositivo con una lunghezza del bordo di massimo 25 centimetri.

metri, oppure portare il dispositivo presso un altro centro di raccolta autorizzato nelle proprie vicinanze.

- Altre condizioni di ritiro complementari del produttore e del distributore sono reperibile presso il rispettivo servizio clienti.

- In caso di consegna da parte del produttore di un nuovo dispositivo elettronico presso un privato, quest'ultimo può richiedere il ritiro gratuito del dispositivo elettronico usato, su richiesta dell'utente finale stesso. Contattare a tale proposito il servizio clienti del produttore.
- Quanto esposto si applica solo ad apparecchi installati e distribuiti in un paese dell'Unione Europea e soggetti alla Direttiva europea 2012/19/UE. Nei paesi al di fuori dell'Unione Europea possono applicarsi norme diverse per lo smaltimento di dispositivi elettrici ed elettronici usati.

**La vostra amministrazione comunale o altri servizi cittadini vi possono fornire informazioni sulle opzioni di smaltimento dell'apparecchio non più in uso.**

### Carburanti e oli

- Prima dello smaltimento del prodotto, occorre scaricare il serbatoio del carburante e quello dell'olio motore!
- Il carburante e l'olio motore non rientrano nei rifiuti domestici, né possono essere gettati nelle fogne, ma devono essere trattati e smaltiti in modo separato!
- I serbatoi dell'olio e del carburante devono essere smaltiti in modo rispettoso nei confronti dell'ambiente.

## 17 Risoluzione dei guasti

La seguente tabella indica dei sintomi di malfunzionamento e descrive come porvi rimedio, qualora il prodotto non funzionasse correttamente. Se non si riesce a localizzare e risolvere il problema, rivolgersi all'officina del servizio assistenza.

Guasto	Possibile causa	Azione correttiva
Il prodotto non si avvia.	La spina elettrica non è collegata alla rete.	Inserire la spina elettrica in una presa di corrente.
	Manca la tensione di rete. Scatta l'interruttore di sicurezza domestico.	Controllare la presa di corrente, il cavo di allacciamento alla rete, il cavo di alimentazione, la spina elettrica e se necessario ad un elettricista qualificato per la riparazione. Controllare l'interruttore di sicurezza domestico.
	È stato attivato il freno della catena.	Controllare il freno della catena, se necessario rilasciarlo.
	L'interruttore ON/OFF è difettoso.	Rivolgersi al nostro servizio di assistenza clienti.
	Spazzole di carbone usurate.	
	Il motore è difettoso.	
La catena della sega non gira.	Il freno della catena è bloccato.	Controllare il freno della catena, se necessario rilasciarlo.

Guasto	Possibile causa	Azione correttiva
Pessima potenza di taglio.	Catena della sega montata in modo errato.	Montare correttamente la catena della sega.
	La catena della sega è smussata.	Fare affilare la catena della sega da un tecnico specializzato o sostituirla.
	Tensione della catena insufficiente.	Controllare la catena della sega. Se necessario, mettere in tensione la catena della sega.
Il prodotto non funziona con facilità/la catena della sega salta via.	Tensione della catena insufficiente.	Controllare la catena della sega. Se necessario, mettere in tensione la catena della sega.
La catena della sega si surriscalda, comparsa di fumo durante l'esercizio, scolorimento della guida.	Quantità di olio della catena della sega troppo bassa.	Controllare la lubrificazione automatica con olio. Se necessario, rabboccare l'olio della catena della sega.
Vibrazioni insolite	Lama della sega a catena è allentata.	Controllare che la lama della sega a catena sia ben fissa.

## 18 Dichiarazione di conformità UE

### Traduzione della dichiarazione di conformità originale

#### Produttore:

Schepbach GmbH  
Günzburger Straße 69  
D-89335 Ichenhausen

Dichiariamo sotto la nostra esclusiva responsabilità che il prodotto qui descritto è conforme alle direttive e alle norme vigenti.

Marchio: **PARKSIDE**  
Denominazione art.: **Motosega elettrica - PEKS 1600 C3**  
N. art.: **3910209974 - 3910209981; 3910209915; 3910209959**  
Nr.IAN: **495499\_2504**  
N. di serie: **01001 - 46072**

#### Directive UE:

2014/30/UE, 2006/42/EG, 2000/14/EG\_2005/88/EG, 2011/65/EU\*, (EU) 2015/863,

\* L'oggetto della dichiarazione, sopra descritto, soddisfa le disposizioni della Direttiva 2011/65/UE del Parlamento Europeo e del Consiglio dell'8 giugno 2011, sulla restrizione nell'utilizzo di determinate sostanze pericolose negli apparecchi elettrici ed elettronici.

#### Norme applicate:

EN 62841-1:2015/A11:2022; EN 62841-4-1:2020;  
EN IEC 55014-1:2021; EN IEC 55014-2:2021;  
EN IEC 61000-3-2:2019/A2:2024;  
EN IEC 61000-3-11:2019; EN IEC 63000:2018

### 2006/42/CE - Allegato IV

Ente nominato:

TÜV SÜD  
Product Service GmbH  
Ridlerstraße 65  
80339 Munich  
Germany  
0123

Numero:

Numero di certificato: M6A 011284 0666

### 2000/14/EG\_2005/88/CE - Allegato: V

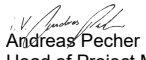
Livello di potenza acustica garantito ( $L_{WA}$ ): 106 dB  
Livello di potenza sonora misurato ( $L_{WA}$ ): 103,3 dB

#### Responsabile per la documentazione:

Tobias Ihle  
Günzburger Str. 69  
D-89335 Ichenhausen  
Ichenhausen, 22.07.2025

  
Simon Schünk

Division Manager Product Center

  
Andreas Pecher

Head of Project Management

## Certificato di garanzia

### Gentili clienti,

i nostri prodotti sono soggetti ad un rigido controllo di qualità. Se l'apparecchio non dovesse tuttavia funzionare correttamente, ci scusiamo e vi preghiamo di rivolgervi al nostro servizio di assistenza clienti all'indirizzo indicato in questa scheda di garanzia. Siamo a vostra disposizione anche telefonicamente al numero del servizio assistenza sotto indicato. Per la rivendicazione dei diritti di garanzia vale quanto segue:

- Queste condizioni di garanzia regolano ulteriori prestazioni di garanzia. La presente garanzia non tocca i vostri diritti al ricorso di garanzia previsti dalla legge. Le nostre prestazioni di garanzia sono per voi gratuite.
- La prestazione di garanzia riguarda esclusivamente le anomalie riconducibili a difetti del materiale o di produzione ed è limitata all'eliminazione di queste anomalie o alla sostituzione dell'apparecchio. Tenete presente che i nostri apparecchi non sono stati costruiti per l'impiego professionale, artigianale o industriale. Un contratto di garanzia non viene concluso quando l'apparecchio viene usato in imprese commerciali, artigianali o industriali, o con attività equivalenti. Dalla nostra garanzia sono escluse inoltre le prestazioni di risarcimento per danni dovuti al trasporto o danni causati dalla mancata osservanza delle istruzioni per il montaggio o per installazione non corretta, dalla mancata osservanza delle istruzioni per l'uso (come per es. collegamento a tensione di rete o tipo di corrente non corretto), dall'uso improprio o illecito (come per es. sovraccarico dell'apparecchio o utilizzo di utensili o accessori non consentiti), dalla mancata osservanza delle norme di sicurezza e di manutenzione, dalla penetrazione di corpi estranei nell'apparecchio (come per es. sabbia, pietre o polvere), dall'impiego della forza o dall'influsso esterno (come per es. danni dovuti a caduta) e dall'usura normale e dovuta all'impiego.

Il diritti di garanzia decadono quando sono già effettuati interventi sull'apparecchio.

- Il periodo di garanzia è 3 anni e inizia alla data d'acquisto dell'apparecchio. I diritti di garanzia devono essere fatti valere prima della scadenza del periodo di garanzia, entro due settimane dopo avere accertato il difetto. È esclusa la rivendicazione di diritti di garanzia dopo la scadenza del relativo periodo. La riparazione o la sostituzione dell'apparecchio non comporta una proroga del periodo di garanzia e con questa prestazione per l'apparecchio o per pezzi di ricambio eventualmente installati non inizia un nuovo periodo di garanzia. Questo vale anche nel caso si ricorra ad un servizio loco.
- Per la rivendicazione dei vostri diritti di garanzia, vi preghiamo di rivolgervi all'indirizzo di assistenza sotto indicato. Se il reclamo perviene entro il periodo di garanzia, sarà messa a vostra disposizione una bolla di reso con la quale potrete restituire gratuitamente l'apparecchio difettoso. Indicate il motivo di reclamo nel modo più dettagliato possibile. Se il difetto dell'apparecchio rientra nella nostra prestazione di garanzia, ricevete l'apparecchio riparato o un apparecchio nuovo a stretto giro di posta.

Naturalmente effettuiamo a pagamento anche riparazioni sull'apparecchio che non rientrano o non rientrano più nella garanzia. A tale scopo inviate l'apparecchio all'indirizzo del servizio assistenza.

La prestazione in garanzia vale per difetti del materiale o di fabbricazione. Questa garanzia non si estende a componenti del prodotto esposti a normale logorio, che possono pertanto essere considerati come componenti soggetti a usura (esempio capacità della batteria, calcificazione, lampade, pneumatici, filtri, spazzole...). La garanzia non si estende altresì a danni che si verificano su componenti delicati (esempio interruttori, batterie, parti realizzate in vetro, schermi, accessori vari) nonché danni derivanti dal trasporto o altri incidenti.

## Gestione della garanzia

Al fine di garantire una rapida elaborazione della vostra richiesta, si prega di seguire le istruzioni riportate di seguito:

- per qualsiasi richiesta, tenere a portata di mano lo scontrino d'acquisto e il numero dell'articolo (ad es. IAN 495499\_2504) come prova d'acquisto.
- Il numero di articolo può essere riportato sulla targhetta identificativa del prodotto, inciso direttamente sul prodotto, sul frontespizio delle istruzioni (in basso a sinistra) oppure sull'adesivo posto sul retro o sul lato inferiore del prodotto.
- In caso di malfunzionamento o altri difetti, contattare innanzitutto il servizio di assistenza sotto indicato per telefono o via e-mail.
- Potete inviare gratuitamente il prodotto difettoso all'indirizzo di assistenza fornito, allegando la prova d'acquisto (scontrino) e indicando il difetto e la data in cui si è verificato.



- È possibile visualizzare e scaricare questo manuale e molti altri su parkside-diy.com. Questo codice QR vi porterà direttamente su parkside-diy.com. Selezionate il vostro Paese e utilizzate la maschera di ricerca per cercare le istruzioni per l'uso. Inserire il numero di articolo (IAN) 495499\_2504 per accedere alle istruzioni per l'uso dell'articolo.

**Contatto assistenza (IT)**

**Nome:** Netsend GmbH  
Nachtwaid 6  
DE - 79206 Breisach am Rhein

**Telefono:** 00800 4003 4003

**E-Mail:** service.IT@scheppach.com

**Sede:** Germania

**Contatto assistenza (CH):**

**Nome:** Klaus-Häberlin AG  
Industriestraße 6  
CH - 8610 Uster

**Telefono:** 00800 4003 4003

**E-Mail:** service.CH@scheppach.com

**Sede:** Svizzera

## Obsah

1	Vysvětlení symbolů na výrobku.....	164
2	Úvod.....	166
3	Popis výrobku (obr. 1-5).....	166
4	Rozsah dodávky (obr. 1).....	166
5	Použití v souladu s určením.....	166
6	Bezpečnostní pokyny.....	167
7	Technické údaje.....	171
8	Rozbalení.....	172
9	Před uvedením do provozu.....	172
10	Obsluha.....	175
11	Pracovní pokyny.....	176
12	Čištění a údržba.....	180
13	Skladování.....	182
14	Elektrické připojení.....	182
15	Oprava a objednávka náhradních dílů.....	183
16	Likvidace a recyklace.....	183
17	Odstraňování poruch.....	184
18	EU prohlášení o shodě.....	185
19	Záruční list.....	186
20	Rozpadový výkres.....	291

# 1 Vysvětlení symbolů na výrobku

Symbole použité v této příručce vás mají upozornit na možná rizika. Bezpečnostní symboly a vysvětlivky, které je provázejí, musejí být přesně pochopeny. Samotné varování rizika neodstraní a nemohou nahradit správná opatření pro prevenci úrazů.

**POZOR**













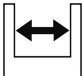


**Před prvním uvedením do provozu si důkladně přečtěte tento návod k obsluze a bezpodmínečně dodržujte bezpečnostní předpisy!**





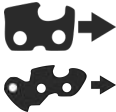









**Doporučujeme absolvovat odborný bezpečnostní kurz „Osvědčení o absolvování školení o práci s motorovou pilou“ se školící normou pro danou zemi o používání a údržbě řetězové pily a také kurz první pomoci. Při delším nepoužívání a pro nácvik byste měli ze začátku vždy dělat jednoduché řezy na bezpečně podepřeném dřevu, abyste se s řetězovou pilou znovu obeznámili.**

**Návod k obsluze pečlivě uschovejte!**

## Upozornění:

Upozorňujeme, že některé vnitrostátní předpisy, např. o bezpečnosti a ochraně zdraví při práci nebo o životním prostředí, mohou omezovat používání řetězové pily.

	Před uvedením do provozu si přečtěte a dodržujte návod k obsluze a bezpečnostní pokyny!		Uvolněte brzdou řetězu.
	Pozor! Nedodržování bezpečnostních značek a výstražných upozornění umístěných na výrobku, a také nedodržování bezpečnostních a provozních pokynů může vést k vážným zraněním a dokonce k úmrtí.		Motor na střídavý proud.
	Noste ochrannou helmu s ochranou obličeje resp. ochranné brýle a ochranu sluchu.		Rychlost řetězu pily.
	Noste ochranné rukavice!		Délka řetězové lišty.
	Noste pevnou obuv!		Počet hnacích článků.
	Důležité je nošení ochranného oděvu pro ruce, předloktí, nohy a chodidla.		Dělení řetězu.
	Výrobek nikdy nevystavujte dešti. Výrobek se smí instalovat, skladovat a provozovat pouze za suchých okolních podmínek.		Šířka drážky.
	Pouze obouhruční obsluha.		Příkon.

	<p>Varování! Nebezpečí zpětného rázu (zpětné kopnutí). Chraňte se před zpětným rázem výrobku a zabraňte kontaktu s hrotem lišty.</p>		<p>Hmotnost kg.</p>
	<p>Poloha brzdy řetězu.</p>		<p>Objem olejové nádrže.</p>
	<p>Směr chodu řetězu pily.</p>		<p>Práce na údržbě, přestavbě, nastavování a čištění vždy provádějte s vypnutým výrobkem a vytaženou síťovou zástrčkou!</p>
	<p>Otvor pro plnění oleje na řetěz pily.</p>		<p>V případě poškození nebo proříznutí síťového kabelu vytáhněte ihned síťovou zástrčku ze zásuvky!</p>
	<p>Zvýšit/snížit napnutí řetězu.</p>		<p>Garantovaná hladina akustického výkonu výrobku.</p>
	<p>Ukazatel hladiny oleje na řetěz.</p>		<p>Třída ochrany II (dvojitá izolace).</p>
	<p>Aktivujte brzdu řetězu.</p>		<p>Výrobek odpovídá platným evropským směrnicím.</p>

## 2 Úvod

### Výrobce:

Schepach GmbH  
Günzburger Straße 69  
D-89335 Ichenhausen

### Vážený zákazník,

Přejeme vám mnoho radosti a úspěchu při práci s novým výrobkem.

### Upozornění:

Výrobce tohoto výrobku neručí podle platného zákona o odpovědnosti za vady výrobku za škody, které vzniknou na tomto výrobku nebo jeho prostřednictvím v případě:

- Neodborná manipulace
- Nedodržení návodu k obsluze
- Opravy třetí osobou, neoprávněnými odborníky
- Montáž a výměna neoriginálních náhradních dílů
- Použití, které není v souladu s určením
- Výpadky elektrického zařízení v případě nedodržení národních elektrických předpisů a nařízení.

### Mějte na paměti:

Návět k obsluze je součástí tohoto výrobku.

Obsahuje důležité pokyny, jak s výrobkem bezpečně, odborně a hospodárně pracovat, jak zabránit nebezpečí, ušetřit náklady na opravy, snížit prostoje a zvýšit spolehlivost a životnost výrobku. Kromě bezpečnostních ustanovení tohoto návodu k obsluze musíte bezpodmínečně dodržovat předpisy své země, které platí pro provoz výrobku.

Seznamte se před použitím výrobku se všemi pokyny pro obsluhu a bezpečnostními pokyny. Výrobek provozujte pouze v souladu s popisem a ve stanoveném rozsahu použití. Návod k obsluze uložte na vhodném místě a v případě předání výrobku třetím osobám předejte všechny podklady.

## 3 Popis výrobku (obr. 1-5)

1. Síťová zástrčka
2. Zadní rukojeť
3. Spínací západka
4. Víčko olejové nádrže
5. Kryt řetězového kolečka
- 5a. Zařízení pro zachycení řetězu
6. Kolečko napínání řetězu
7. Lišta (vodící lišta)
- 7a. Vratná rozeta
8. Řetěz pily
9. Odlehčení tahu
10. Zadní ochrana rukou
11. Spínač pro zapnutí/vypnutí
12. Olejová nádrž
13. Ukazatel hladiny oleje
14. Přední rukojeť

15. Zubová opěrka
16. Brzda řetězu/přední ochrana rukou
17. Kryt lišty a řetězu
18. Řetězové kolečko
19. Rozpěrný čep
20. Vodící čep
21. Olejovací otvor
22. Olej na řetěz pily (bio 180ml)

## 4 Rozsah dodávky (obr. 1)

Pol.	Počet	Označení
7.	1 x	Lišta (vodící lišta)
8.	1 x	Řetěz pily
17.	1 x	Kryt lišty a řetězu
22.	1 x	Olej na řetěz pily (bio 180ml)
	1 x	Elektrická řetězová pila
	1 x	Provozní návod

## 5 Použití v souladu s určením

Řetězová pila je konstruována pouze pro řezání dřeva. Pro jakékoli další druhy použití (např. řezání dřeva, plastu nebo potravin) není výrobek určen.

Výrobek se smí používat pouze v souladu s určením. Jakékoli další použití kromě tohoto je v rozporu s určením. Za z toho vzniklé škody nebo zranění všeho druhu odpovídá uživatel a ne výrobce.

Součástí použití k určenému účelu je dodržování bezpečnostních pokynů a také montážní návod a provozní pokyny v návodu k obsluze.

Osoby, které výrobek používají a udržují, s ním musí být seznámeny a informovány o potenciálních nebezpečích.

Změny na výrobku zcela vylučují ručení výrobce za škody, které takto vzniknou.

Výrobek se smí provozovat jen s originálními díly a originálními příslušenstvími výrobce.

Je nutno dodržovat veškeré předpisy výrobce týkající se bezpečnosti, práce a údržby a také rozměry uvedené v technických datech.

Mějte na paměti, že naše výrobky nebyly v souladu s určením konstruovány pro komerční, řemeslné a průmyslové použití. Nepřebíráme odpovědnost v případě, kdy se výrobek použije v komerčních, řemeslných nebo průmyslových provozech, a při srovnatelných činnostech.

## Vysvětlení signálních slov v návodu k obsluze

### NEBEZPEČÍ

Signální slovo označující bezprostředně nastávající nebezpečnou situaci, která může mít za následek smrt nebo vážné zranění, pokud se jí nezabrání.

### VAROVÁNÍ

Signální slovo označující potenciálně nebezpečnou situaci, která by mohla mít za následek smrt nebo vážné zranění, pokud se jí nezabrání.

### OPATRNĚ

Signální slovo označující potenciálně nebezpečnou situaci, která by mohla mít za následek lehké nebo středně těžké zranění, pokud se jí nezabrání.

### POZOR

Signální slovo označující potenciálně nebezpečnou situaci, která by mohla mít za následek poškození výrobku nebo vlastnictví/majetku.

## 6 Bezpečnostní pokyny

Obecné bezpečnostní pokyny pro elektrické nástroje

### VAROVÁNÍ

**Přečtěte si všechny bezpečnostní pokyny, instrukce, ilustrace a technické údaje, kterými je tento elektrický nástroj opatřen.**

Pokud zanedbáte dodržování následujících instrukcí, může to způsobit zásah elektrickým proudem, požár a/nebo těžká zranění.

Uschovejte si do budoucna veškeré bezpečnostní pokyny a instrukce.

Pojem „elektrický nástroj“, který je uveden v bezpečnostních pokynech, se vztahuje na elektrický nástroj (se síťovým kabelem), poháněný proudem ze sítě nebo na elektrický nástroj poháněný akumulátorem (bez síťového kabelu).

## 1) Bezpečnost na pracovišti

- Udržujte svou pracovní oblast čistou a dobře osvětlenou.** Pracovní oblasti, ve kterých je nepořádek nebo nejsou osvětlené, mohou vést k nehodám.
- Neppracujte s tímto elektrickým nástrojem v prostředí ohroženém výbuchem, ve kterém se nacházejí hořlavé kapaliny, plyny nebo prach.** Elektrické nástroje vytvářejí jiskry, které by mohly zapálit prach nebo výpary.
- Udržujte děti nebo jiné osoby během používání elektrického nástroje v patřičné vzdálenosti.** Při nesoustředěnosti můžete ztratit kontrolu nad elektrickým nástrojem.

## 2) Elektrická bezpečnost

- Přípojná zástrčka elektrického nástroje musí být vhodná pro danou zásuvku.** Zástrčka se nesmí žádným způsobem měnit. V kombinaci s uzemněnými elektrickými nástroji nepoužívejte žádné zásuvkové adaptéry. Nezměněné zástrčky a vhodné zásuvky zmenšují riziko zasažení elektrickým proudem.
- Zabraňte kontaktu těla s uzemněnými povrchy jako trubkami, topení, sporáky a chladničkami.** Je-li vaše tělo uzemněné, hrozí zvýšené riziko zasažení elektrickým proudem.
- Elektrické nástroje chraňte před deštěm a vlhkem.** Vniknutí vody do elektrického nástroje zvyšuje riziko zásahu elektrickým proudem.
- Přípojovací vedení nepoužívejte k přenášení a zavěšení elektrického nástroje, nebo k vytažení zástrčky ze zásuvky.** Přípojovací vedení chraňte před horkem, olejem, ostrými hranami nebo pohyblivými díly. Poškozené nebo zamotané přípojné vedení zvyšuje riziko zasažení elektrickým proudem.
- Používáte-li elektrický nástroj venku, používejte prodlužovací kabely vhodné i pro venkovní použití.** Používání vhodného prodlužovacího vedení vhodného pro venkovní použití snižuje riziko zasažení elektrickým proudem.
- Pokud není možno zabránit provozu elektrického nástroje ve vlhkém prostředí, používejte proudový chránič.** Použití vložky pro proudový chránič zmírňuje riziko zasažení elektrickým proudem.

## 3) Bezpečnost osob

- Při práci s elektrickým nástrojem buďte pozorní a neustále dávejte pozor na to, co děláte a postupujte vždy s rozumem. Nepoužívejte elektrický nástroj, jste-li unavení nebo pod vlivem drog, alkoholu nebo léků.** Okamžik nepozornosti při používání elektrického nástroje může vést k vážným zraněním.

- b) **Použijte osobní ochranné pracovní prostředky a vždy ochranné brýle.** Použití osobních ochranných pracovních prostředků jako je protiprachová maska, protiskluzová bezpečnostní obuv, ochranná helma nebo ochrana sluchu podle druhu a způsobu použití elektrických nástrojů zmenšuje riziko zranění.
- c) **Zabraňte neúmyslnému uvedení do provozu. Než elektrický nástroj připojíte k napájení proudem a/nebo akumulátoru a než jej budete zvedat nebo nosit, ujistěte se, že je vypnutý.** Máte-li při přenášení elektrického nástroje prst na spínači nebo zapojíte-li elektrický nástroj do zásuvky zapnutý, může to vést nehodám.
- d) **Před zapnutím elektrického nástroje odstraňte veškeré seřizovací nástroje nebo klíče na šrouby.** Nástroj nebo klíč, který se nachází v otáčejícím se dílu elektrického nástroje, může vést ke zraněním.
- e) **Zabraňte nestabilnímu držení těla. Zajistěte si stabilní postoj a vždy udržujte rovnováhu.** Tak můžete elektrický nástroj v nečekaných situacích lépe udržet pod kontrolou.
- f) **Noste vhodný oděv. Nenoste volný oděv nebo šperky. Udržujte vlasy a oděv v bezpečné vzdálenosti od pohybujících se dílů.** Volný oděv, šperky nebo dlouhé vlasy mohou být zachyceny rotujícími díly.
- g) **Je-li možné namontovat zařízení pro odsávání a zachycování prachu, je třeba je namontovat a správně používat.** Používání odsávání prachu může snížit ohrožení prachem.
- h) **Nenechte se ukolébát falešným pocitem bezpečí a nepřeskočte bezpečnostní pravidla pro elektrické nástroje, i když je po častém používání elektrického nástroje znáte.** Nedbalé chování může vést ve zlomku sekundy k těžkým zraněním.

#### 4) Používání a manipulace s elektrickým nástrojem

- a) **Nepřetěžujte elektrický nástroj. Pro svou práci použijte vhodný elektrický nástroj.** S vhodným elektrickým nástrojem budete pracovat lépe a bezpečněji v udávaném rozsahu výkonu.
- b) **Nepoužívejte elektrický nástroj, jehož vypínač je vadný.** Elektrický nástroj, který již nelze zapnout nebo vypnout, je nebezpečný a musí být opraven.
- c) **Než budete provádět nastavení nástroje, měnit díly vložného nástroje nebo elektrický nástroj odložíte, vytáhněte zástrčku ze zásuvky a/nebo vyjměte vyjímatelný akumulátor.** Toto preventivní bezpečnostní opatření brání neúmyslnému spuštění elektrického nástroje.
- d) **Nepoužívané elektrické nástroje uchovávejte mimo dosah dětí. Nenechte elektrický nástroj používat osoby, které s ním nejsou seznámeny**

nebo si nepřečetly tento návod. Elektrické nástroje představují nebezpečí, jsou-li používány nezkušenými osobami.

- e) **O elektrické nástroje a nástavec pečlivě pečujte. Kontrolujte, zda pohyblivé díly fungují bezvadně a nejsou vzpříčené, zda nejsou prasklé nebo tak poškozené, že je omezena funkčnost elektrického nástroje. Poškozené díly nechte před používáním elektrického nástroje opravit.** Příčinou mnoha nehod je špatně udržovaný elektrický nástroj.
- f) **Udržujte řezné nástroje ostré a čisté.** Pečlivě udržované řezné nástroje s ostrými břity se méně přičítají a lze je snadněji vést.
- g) **Používejte elektrický nástroj, nástavce atd. v souladu s těmito instrukcemi. Zohledněte přitom pracovní podmínky a prováděnou činnost.** Používání elektrických nástrojů pro jiné než určené aplikace může vést k nebezpečným situacím.
- h) **Rukojeti a úchopné plochy udržujte suché, čisté a bez oleje a tuku.** Kluzké rukojeti a úchopné plochy neumožňují bezpečnou obsluhu a kontrolu elektrického nástroje v nepředvídatelných situacích.

#### 5) Servis

- a) **Nechte svůj elektrický nástroj opravovat pouze kvalifikovaný odborný personál a pouze za použití originálních náhradních dílů.** Tím se zajistí, aby zůstala zachována bezpečnost elektrického nástroje.

#### 6.1 Bezpečnostní pokyny pro řetězové pily

##### Obecné bezpečnostní pokyny pro řetězové pily

- a) **Když pila běží, nepřibližujte žádné části těla k řetězu pily. Ujistěte se před spuštěním pily, že se řetěz pily ničeho nedotýká.** Při práci s řetězovou pilou může i moment nepozornosti vést k tomu, že je řetězem pily zachycen oděv nebo části těla.
- b) **Držte řetězovou pilu vždy pravou rukou za zadní rukojeť a levou rukou za přední rukojeť.** Držení řetězové pily opačně zvyšuje riziko zranění a nikdy by se nemělo používat.
- c) **Řetězovou pilu držte pouze za izolované plochy úchopu, protože řetěz pily může narazit na skrytý vedení elektrického proudu nebo vlastní síťový kabel.** Kontakt řetězu pily s vedením pod napětím může také přivést napětí do kovových součástí přístroje a způsobit zásah elektrickým proudem.
- d) **Používejte ochranu očí. Doporučují se další ochranné pracovní prostředky na sluch, hlavu, ruce, nohy a chodidla.** Vhodný ochranný oděv snižuje nebezpečí zranění odletujícím třískovým materiálem a náhodným dotknutím se řetězu pily.

- e) **Nepracujte s řetězovou pilou na stromě, na žebříku, ze střechy nebo jiné nestabilní plochy pro stání.** Při práci takovým způsobem hrozí vážné nebezpečí zranění.
- f) **Dbejte vždy na pevný postoj a použijte řetězovou pilu pouze tehdy, když stojíte na pevném, bezpečném a rovném podkladu.** Kluzký podklad nebo nestabilní plochy pro stání mohou vést ke ztrátě rovnováhy nebo ke ztrátě kontroly nad řetězovou pilou.
- g) **Při řezání napnutých větví počítejte s tím, že se vymršτί zpět.** Pokud se napjatá dřevěná vlákna uvolní, může napjatá větev trefit uživatele a/nebo dostat řetězovou pilu mimo jeho kontrolu.
- h) **Zejména opatrní buďte při řezání podrostu a mladých stromů.** Tenký materiál se může zachytit v řetězu pily a udeřit vás nebo vás vyvést z rovnováhy.
- i) **Noste řetězovou pilu za přední rukojeť ve vypnutém stavu, řetěz pily odvrácený od vašeho těla. Při přepravě nebo uschování řetězové pily vždy natáhněte ochranný kryt.** Pečlivé zacházení se řetězovou pilou zmenšuje pravděpodobnost neopatrného dotknutí se běžícího řetězu pily.
- j) **Dodržujte instrukce pro mazání, napnutí řetězu a výměnu vodící lišty a řetězu.** Neodborně napnutý nebo namazaný řetěz se může přetřhnout nebo zvýšit riziko zpětného rázu.
- k) **Řežte pouze dřevo. Nepoužívejte řetězovou pilu pro práce, pro které není určena. Příklad: Nepoužívejte řetězovou pilu k řezání kovu, plastů, zdíva nebo stavebních materiálů, které nejsou ze dřeva.** Používání řetězové pily na práce v rozporu s určením může vést k nebezpečným situacím.
- l) **Nepokoušejte se pokácet strom dřív, než budete přesně znát rizika a vědět, jak se jich vyvarovat.** Uživatel nebo další osoby mohou být vážně zraněny padajícím stromem.

### Příčiny a zamezení zpětnému rázu

Zpětný ráz může nastat, pokud se špice vodící lišty dotkne předmětu nebo pokud se ohne dřevo a řetěz pily se pevně sevře v řezu.

Kontakt s hrotem lišty může v mnohých případech vést k neočekávané, dozadu směřované reakci, při které je vodící lišta vymršćtána nahoru a ve směru obsluhy.

Při vzpříčení řetězu pily na horní hraně vodící lišty se může lišta rychle odrazit zpět do směru obsluhující osoby.

Každá z těchto reakcí může vést k tomu, že ztratíte kontrolu nad pilou a možná se těžce zraníte. Nikdy se nespolehejte pouze na bezpečnostní zařízení zabudovaná na řetězové pile. Jako uživatel řetězové pily byste měli učinit různá opatření pro práci bez nehod a zranění.

Zpětný ráz je důsledkem chybného nebo nesprávného používání stolní řetězové pily. Tomu lze zabránit vhodnými preventivními opatřeními, popsány dále:

- a) **Pilu držte pevně oběma rukama, přičemž palce a prsty obemykají rukojeť řetězové pily. Tělo a paže uveďte do takové polohy, ve které můžete zachytit síly zpětných rázů.** Pokud byla učiněna vhodná opatření, může obsluha síly zpětných rázů zvládnout. Nikdy nepouštějte řetězovou pilu.
- b) **Zabraňte abnormálnímu držení těla a neřezejte nad úroveň ramen.** Tím je zabráněno nezamyšlenému dotyku špičky lišty a je umožněna lepší kontrola řetězové pily v neočekávaných situacích.
- c) **Používejte vždy výrobce předepsané náhradní lišty a řetězy pily.** Nesprávné náhradní lišty a pilové řetězy mohou vést k přetřžení řetězu anebo ke zpětnému rázu.
- d) **Držte se pokynů výrobce pro broušení a údržbu řetězu pily.** Příliš nízké hloubkové omezovače zvyšují sklony ke zpětnému rázu.

### Další bezpečnostní pokyny

- Pečlivě dodržujte pokyny pro údržbu, kontrolu a servis v tomto návodu k obsluze. Poškozená ochranná zařízení a díly musí odborně opravit nebo vyměnit naše servisní středisko, není-li v návodu k obsluze uvedeno jinak.
- Doporučuje se, aby si první uživatel vyzkoušel alespoň řezání kulatiny na pracovním kozlíku nebo podstavci.
- Při řezání na svahu stůjíte vždy nad kmenem stromu. Pro zachování plné kontroly v okamžiku „prořiznutí“ snižte na konci řezu přítláčny tlak, aniž byste uvolnili pevný úchop rukojeti výrobku. Dbejte na to, aby se řetěz pily nedotkl země. Po provedení řezu počkejte, až se výrobek zastaví, a teprve poté jej odstraňte. Než přejdete od jednoho stromu ke druhému, vždy vypněte motor výrobku a vyjměte akumulátor.
- Ze stromu je třeba odstranit nečistotu, kameny, volnou kůru, hřebíky, svorky a drát.
- **Nepoužívejte příslušenství, které nebylo doporučeno výrobcem.** To může způsobit úraz elektrickým proudem nebo požár.
- Je zakázáno používat výrobek za bouřky - **Nebezpečí zásahu bleskem!**

### Další bezpečnostní pokyny

- **Dodržujte všechny instrukce, když řetězovou pilu očišťujete od nahromaděného materiálu, uskladňujete ji nebo provádíte údržbu. Ujistěte se, že je spínač vypnutý a síťová zástrčka vytažena.** Nečekaný rozběh řetězové pily při odstranění nahromaděného materiálu nebo během prací údržby může vést k vážným zraněním.

- Pokud dojde k poškození vedení pro připojení na síť produktu, musí být pro zabránění ohrožení vyměněn výrobcem nebo jeho servisem nebo podobným způsobem kvalifikovanou osobou.
- Používejte proudový chránič se spouštěcím proudem 30 mA nebo méně.
- Připojovací kabel vedte tak, aby nemohl být při řezání zachycen větvemi apod.
- Venku používejte pouze k tomu schválené a odpovídající způsobem označená prodlužovací vedení (H07RN-F).
- Pečlivě dodržujte pokyny pro údržbu, kontrolu a servis v tomto návodu k obsluze. Poškozená ochranná zařízení a díly musí odborně opravit nebo vyměnit naše servisní středisko, není-li v návodu k obsluze uvedeno jinak.
- Při řezání na svahu stůjte vždy nad kmenem stroju. Pro zachování plné kontroly v okamžiku „proříznutí“ snižte na konci řezu přítlačný tlak, aniž byste uvolnili pevný úchop rukojetí výrobku. Dbejte na to, aby se řetěz pily nedotkl země. Po provedení řezu počkejte, až se výrobek zastaví, a teprve poté jej odstraňte.

Než přejdete od jednoho stromu ke druhému, vždy výrobek vypněte a vytáhněte síťovou zástrčku.

- Ze stromu je třeba odstranit nečistotu, kameny, volnou kůru, hřebíky, svorky a drát.
- Nepoužívejte výrobek bez maziva a vždy se ujistěte, že jej doplníte včas, než se nádrž vyprázdní.
- Používejte pouze maziva doporučená výrobcem.
- Doporučuje se, aby si první uživatel vyzkoušel alespoň řezání kulatiny na pracovním kozlíku nebo podstavci.
- **Nepoužívejte příslušenství, které nebylo doporučeno výrobcem.** To může způsobit úraz elektrickým proudem nebo požár.
- Je zakázáno používat výrobek za bouřky - **Nebezpečí záslahu bleskem!**

Řetěz pily lze nechat přebrousit v autorizované odborné dílně. Nepokoušejte se řetěz pily ostřit sami, nedisponujete-li vhodným nářadím a potřebnou zkušeností.

## Bezpečnostní zařízení (obr. 1)

- **Zadní rukojeť (2) s ochranou ruky (10)**
  - Chrání ruku před velkými i menšími větvemi a před odsakujícími řetězem pily.
- **Spínací západka (3)**
  - K zapnutí výrobku je nutné spínací západku odjistit. Spínací západka zabráňuje nechtěnému nastartování výrobku.
- **Zařízení pro zachycení řetězu (5a)**
  - Snižuje riziko zranění, pokud se řetěz pily přetrhne nebo uvolní.

- **Řetěz pily (8) s nepatrným zpětným rázem**
  - Se speciálně vyvinutými bezpečnostními zařízeními vám pomáhá zachytit zpětný ráz.
- **Spínač pro zapnutí/vypnutí (11) s okamžitým zastavením řetězu**
  - Při puštění spínače pro zapnutí/vypnutí se výrobek okamžitě vypne.
- **Zubová opěrka (15)**
  - Zvyšuje stabilitu, když se provádějí vertikální řezy, a usnadňuje řezání.

### Upozornění:

Řetěz pily neběží, když je brzda řetězu zapnutá.

- **Brzda řetězu / přední ochrana rukou (16)**
  - Bezpečnostní zařízení, které řetěz pily okamžitě zastaví při zpětném rázu.
  - Páčku lze stisknout i ručně.
  - Chrání levou ruku uživatele, když sklouzne z přední rukojeti.
- **Elektromotor**
  - Z bezpečnostních důvodů má dvojitou izolaci.

## 6.2 Osobní ochranné pracovní prostředky (OOPP)

### NEBEZPEČÍ

#### Nebezpečí zranění!

Noste vždy osobní ochranné pomůcky (OOP)!

- Noste ochrannou helmu s ochranou obličejové resp. ochranné brýle a ochranu sluchu.
- Noste přiléhavý ochranný oděv s ochrannou vložkou proti proříznutí.
- Noste protiskluzovou bezpečnostní obuv.
- Používejte ochranné rukavice.

- **Zabraňte nestabilnímu držení těla. Zajistěte si stabilní postoj a vždy udržujte rovnováhu.** Tak můžete elektrický nástroj v nečekaných situacích lépe udržet pod kontrolou.
- Výrobek nesmí být používán osobami (včetně dětí) se sníženými fyzickými, senzorickými nebo mentálními schopnostmi nebo s nedostatkem zkušeností a znalostí.
- **Noste vhodný oděv. Nenoste volný oděv nebo šperky. Udržujte vlasy a oděv v bezpečné vzdálenosti od pohybujících se dílů.** Volný oděv, šperky nebo dlouhé vlasy mohou být zachyceny rotujícími díly.
- Při provozu výrobku vždy noste pevnou obuv a dlouhé kalhoty. Neprovazujte výrobek, pokud jste bosí nebo máte otevřené sandály. Zabraňte nošení volně padnoucího oblečení nebo oblečení s visícími šňůrkami nebo kravat.

- Noste při veškeré práci v lese ochrannou helmu. Poskytuje ochranu před padajícími větvemi. Pravidelně ochrannou helmu kontrolujte, zda není poškozená. Nejpozději po 5 letech je třeba ji vyměnit. Používejte pouze ověřené ochranné helmy.
- Ochrana obličeje resp. ochranné brýle zadrží piliny a dřevěné třísky. Aby se zamezilo poranění očí, je nutné při práci s výrobkem stále nosit ochranu obličeje resp. ochranné brýle.
- Používejte ochranu sluchu.
- Používejte ochranné rukavice.
- Při řezání suchého dřeva noste protiprašnou masku. Může dojít k tvorbě řezného prachu.
- Při práci na stromu může uživatel spadnout. Uživatel může být vážně zraněn nebo usmrčen. Používejte ochranné prostředky proti pádu.

### 6.3 Bezpečnost okolí

- Národní a/nebo obecní ustanovení mohou časově omezovat použití hlučných výrobků poháněných motorem. Informujte se o tom na příslušném obecním úřadu.
- Pracujte pouze za denního světla.
- Nepracujte při nepříznivých povětrnostních podmínkách, jako např. za deště nebo větru. Hrozí při tom zvýšené riziko nehody!
- Nepořádek v pracovní oblasti může mít za následek nehody.
- Během používání výrobku udržujte děti a jiné osoby v patřičné vzdálenosti. Při rozptýlení můžete ztratit kontrolu nad výrobkem.
- Nikdy výrobek neprovozujte, pokud jsou v blízkosti lidé, zvláště děti, nebo zvířata.
- Nepracujte v blízkosti drátěných plotů nebo v oblastech s volnými starými dráty.

### Zbytková rizika

**Výrobek je konstruován podle stavu techniky a uznávaných bezpečnostně technických předpisů. Přesto se mohou během práce vyskytnout jednotlivá zbytková rizika.**

- Zbytková rizika lze minimalizovat, pokud budete dodržovat „bezpečnostní pokyny“ a „použití v souladu s určeným účelem“ a kompletní návod k obsluze.
- Používejte výrobek tak, jak je doporučeno v tomto návodu k obsluze. Tím zajistíte, že výrobek bude pracovat s optimálním výkonem.
- Kromě toho mohou navzdory všem přijatým preventivním opatřením hrozit zbytková rizika, která nejsou zjevná.
- Při provozu výrobku nevkládejte ruce do pracovního prostoru.
- Poškození sluchu, pokud není používána předepsaná ochrana sluchu.

- Poškození plic, pokud se nepoužívá předepsaná ochrana dýchacích cest.
- Nebezpečí poranění následkem vymrštěných nástrojů při neodborném držení nebo vedení.
- Ohrožení zdraví zásahem elektrickým proudem při použití elektrických přívodních kabelů, které nejsou v pořádku.
- Zabraňte náhodnému spuštění výrobku: při vložení zástrčky do elektrické zásuvky nesmí být stisknutý spínač pro zapnutí/vypnutí.
- Před provedením nastavení nebo údržby uvolněte spínač pro zapnutí/vypnutí a vytáhněte síťovou zástrčku.

#### VAROVÁNÍ

Tento elektrický nástroj vytváří během provozu elektromagnetické pole. Toto pole může za určitých podmínek ovlivňovat aktivní nebo pasivní zdravotní implantáty. Pro snížení rizika vážných nebo smrtelných úrazů doporučujeme osobám se zdravotními implantáty, aby se před obsluhou tohoto elektrického nástroje obrátili na svého lékaře nebo na výrobce zdravotního implantátu.

#### VAROVÁNÍ

V případě delší práce může v důsledku vibrací v ruce dojít k poruše prokrvení rukou (syndrom bílých prstů).

Syndrom bílých prstů je vaskulární onemocnění, při němž se křečovitě stahují malé krevní cévy v prstech rukou a nohou. Dotčené oblasti již nejsou dostatečně zásobovány krví, a proto vypadají velmi bledě. Časté používání vibrujících výrobků může u osob s narušením krevního oběhu (např. kuřáci, diabetici) způsobit poškození nervů.

Pokud zaznamenáte neobvyklé negativní účinky, okamžitě ukončete práci a poradte se s lékařem.

## 7 Technické údaje

Jmenovité napětí	220-240V AC / 50/60 Hz
Jmenovitý výkon S1*	1600 W
Třída ochrany	II
Stupeň krytí	IPX0
Rychlost řetězu	15 m/s
Vodící lišta	14"
Délka řetězové lišty	41,5 cm
Délka řezu**	34 cm
Dělení řetězu	3/8"
Počet zubů řetězového kola	52 zubů

Typ řetězu pily	3/8LP-52
Typ vodičí lišty	AP14-52-507P
Nádrž/olej na řetěz pily	0,35 l
Hmotnost (s řetězovou lištou a řetězem pily)	cca 4,8 kg
Hmotnost (bez řetězové lišty, řetězu pily a kabelu)	cca 4,2 kg


Technické změny vyhrazeny!

#### \*druh provozního režimu S1 (nepřetržitý provoz)

Výrobek může být dlouhodobě provozován s uvedeným výkonem.

\*\*Skutečná délka řezu může být kratší než uvedená délka řezu.

#### Hluk a vibrace

 <b>VAROVÁNÍ</b>
Hluk může mít závažný vliv na vaše zdraví. Pokud hluk stroje překročí 85 dB, používejte vhodnou ochranu sluchu pro sebe i osoby v okolí.

#### Charakteristiky hlučnosti


Hladina akustického tlaku $L_{pA}$	95,3 dB
Nepřesnost měření $K_{pA}$	3 dB
Naměřená hladina akustického výkonu $L_{wA}$	103,3 dB
Zaručená hladina akustického výkonu $L_{wA}$	106 dB
Nepřesnost měření $K_{wA}$	3 dB

#### Charakteristiky vibrací (vibrace rukou a paží)


Vibrace $a_n$	
Přední rukojeť	3,26 m/s <sup>2</sup>
Zadní rukojeť	3,51 m/s <sup>2</sup>
Nepřesnost měření K	1,5 m/s <sup>2</sup>

Uvedená celková hodnota vibrací a uvedená hodnota hlukových emisí byly měřeny normovaným zkušebním postupem a mohou být použity ke srovnání elektrického nástroje s jiným.

Indikovanou hodnotu emisí hluku a indikovanou hodnotu celkových vibrací lze rovněž použít k předběžnému odhadu zatížení.


 <b>VAROVÁNÍ</b>
<b>Hodnota emisí hluku a celková hodnota víbrací se může od indikovaných hodnot lišit při skutečném používání elektrického nářadí v závislosti na způsobu používání elektrického nářadí, zejména na tom, jaký typ obrobku je obráběn.</b>
Pokuste se udržet zatížení na co nejnižší úrovni. Příklad opatření: omezení pracovní doby. Přitom je třeba zohlednit všechny části provozního cyklu (například doby, kdy je elektrický nástroj vypnutý, a doby, kdy je síce zapnutý, běží však naprázdno).

## 8 Rozbalení

 <b>VAROVÁNÍ</b>
<b>Výrobek a balicí materiály nejsou dětská hračka!</b>
<b>S plastovými sáčky, fóliemi a drobným díly si nesmějí hrát děti! Hrozí nebezpečí spolknutí těchto věcí a udušení!</b>

- Otevřete obal a výrobek opatrně vyjměte.
- Odstraňte balicí materiál a obalové a přepravní pojistky (pokud je jimi výrobek opatřen).
- Zkontrolujte, zda je rozsah dodávky úplný.
- Zkontrolujte výrobek a díly příslušenství, zda nevykazují škody způsobené přepravou. Případné škody ihned nahlase přepravní společnosti, která vám výrobek dodala. Pozdější reklamace nebudou uznány.
- Uchovejte obal dle možností až do uplynutí záruční doby.
- Před použitím se s výrobkem seznamte podle návodu k obsluze.
- Používejte u příslušenství a opotřebitelných a náhradních dílů pouze originální díly. Náhradní díly obdržíte u specializovaného prodejce.
- Uvedte při objednávání naše čísla výrobku a rovněž typ a rok výroby.

## 9 Před uvedením do provozu

 <b>VAROVÁNÍ</b>
<b>Před jakýmkoliv nastavením na výrobku vždy vytáhněte síťovou zástrčku.</b>

## **VAROVÁNÍ**

### **Nebezpečí zranění!**

Síťovou zástrčku zasuňte do zásuvky, až když je výrobek připravený k použití.

## **NEBEZPEČÍ**

### **Nebezpečí zranění!**

Pokud se používá neúplně smontovaný výrobek, může dojít k vážným zraněním.

- Výrobek používejte až po jeho kompletním smontování.
- Před každým použitím proveďte vizuální kontrolu, abyste zjistili, zda je výrobek kompletní a nemá žádné poškozené nebo opotřebované součásti. Bezpečnostní a ochranná zařízení musí být neporušená.

## **VAROVÁNÍ**

### **Nebezpečí zranění při manipulaci s řetězem pily nebo lištou!**

- Používejte neprořezné rukavice.

#### **Upozornění:**

- Nový řetěz pily se protahuje a musí se častěji dodatečně napínat. Pravidelně po každém řezu kontrolujte napnutí řetězu a upravte jej.
- Používejte pouze řetězy pily a lišty, které jsou dimenzované na tento výrobek.

## **OPATRNĚ**

Chybně namontovaný řetěz pily vede k nekontrolovatelnému chování výrobku při řezání!

Při montáži řetězu pily dbejte na předepsaný směr chodu!

- Postavte výrobek na rovnou, hladkou plochu.
- Před použitím se s výrobkem seznáme podle návodu k obsluze.

Před každým použitím nebo po pádu výrobku je nutné ji pečlivě zkontrolovat, zda není poškozená. Pokud zjistíte jakékoli poškození, musíte je neprodleně opravit vy nebo autorizované servisní středisko.

Aby byla zajištěna správná funkce a dlouhá trvanlivost výrobku, je třeba dodržovat následující body:

- Správné usazení vodicí lišty.
- Směr montáže/chodu a bezvadný (ostrý) řetěz pily.
- Napnutí řetězu pily (u nového řetězu několikrát zkontrolujte a seřídte).
- Funkce mazání řetězu.

- Funkce brzdy řetězu.
- Funkce spojky (žádáný pohyb řetězu ve volnoběhu).
- Bezvadný stav a úplnost ochranných zařízení a řezacího ústrojí.
- Pevné utažení veškerých šroubových spojů.
- Lehkost chodu všech pohyblivých dílů.

## **9.1 Montáž lišty (7) a řetězu pily (8) (obr. 2)**

1. Otáčejte kolečkem napínání řetězu (6) proti směru hodinových ručiček pro odstranění krytu řetězového kola (5).
2. Rozložte řetěz pily (8) do smyčky tak, aby byly řezné hrany vyrovnané ve směru hodinových ručiček. Pro nasměrování řetězu pily (8) se orientujte podle obrazových značek (šipek) na řetězu pily (8) resp. nad vodicími čepy (20).
3. Vložte řetěz pily (8) do drážky lišty (7). Pro montáž držte lištu (7) vykloněnou v úhlu cca 45 stupňů nahoru, abyste mohli řetěz pily (8) snadněji navést na řetězové kolo (18). Řetěz pily (8) je vychylován přes vratnou rozetu (7a).
4. Nasadte lištu (7) na vodicí čep (20) a na rozpěrný čep (19). Vodicí čep (20) a rozpěrný čep (19) se musí nacházet v podélném otvoru na liště (7).
5. Vedte řetěz pily (8) přes řetězové kolo (18) a zkontrolujte vyrovnání řetězu pily (8).
6. Znovu nasadte kryt řetězového kolečka (5). Ujistěte se, že kryt řetězového kola (5) sedí v drážce na krytu.
7. Silou ruky zašroubujte kolečko napínání řetězu (6) ve směru hodinových ručiček.
8. Znovu zkontrolujte usazení řetězu pily (8) a napněte řetěz pily (8).

#### **Upozornění:**

Dbejte na to, že se výrobek po použití doolejuje a olej může vytéct, když výrobek položíte na bok nebo postavíte na hlavu. To je normální proces, podmíněný nutným větracím otvorem na horním okraji nádrže, a není to důvod k reklamaci. Protože je tento výrobek během výroby kontrolován a testován s olejem, může navzdory vyprázdnění v nádrži zůstat malý zbytek, který během přepravy lehce potřísní pouzdro olejem. Očete pouzdro hadříkem.

Před výměnou řetězu pily je třeba z drážky vodicí lišty odstranit nečistoty, protože v případě usazených nečistot může řetěz pily z lišty vyskočit. Usazeniny také mohou nasáknout olej na řetěz. V důsledku toho by se olej na řetěz pily nedostal na spodní stranu lišty, nebo jen v malém množství, a mazání by bylo nedostatečné.

## 9.2 Napnutí řetězu pily (8) (obr. 3)

### **VAROVÁNÍ**

#### **Nebezpečí zranění v důsledku odskočení řetězu pily!**

Nedostatečně napnutý řetěz pily může během provozu odskočit a způsobit zranění.

- Často kontrolujte napnutí řetězu pily.
  - Napnutí řetězu pily je příliš slabé, pokud hnací články vystupují z drážky na spodní straně vodící lišty.
  - Pokud je napnutí řetězu pily příliš slabé, řetěz pily správně dopněte.
1. Ujistěte se, že je uvolněna brzdy řetězu (16) (viz 10.1.2).
  2. Nastavte napnutí řetězu pomocí kolečka napínání řetězu(6).
    - Ve směru hodinových ručiček – zvyšuje napnutí řetězu
    - Proti směru hodinových ručiček – snižuje napnutí řetězu
  3. Otáčejte ručně řetězem pily (8) a zkontrolujte tak bezvadný chod. Musí volně klouzat v liště (7).

Řetěz pily (8) se nesmí prověsit, ale měl by umožňovat odtažení alespoň 1-2 milimetry od lišty (7) uprostřed lišty řetězu.

Napnutí řetězu a mazání řetězu ovlivňují výraznou měrou životnost řetězu pily.

Řetěz pily je správně napnutý, pokud není na spodní straně řetězové lišty prověšený a dá se rukou v rukavici potáhnout kolem dokola. Při zatahání za řetěz pily tahovou silou 9 N (cca 1 kg) nesmí být řetěz pily od řetězové lišty vzdálen dále než 7 mm.

Řetěz pily (8) smí být možné při průměrné tažné síle ručně odtáhnout maximálně o 9 mm.

#### **Upozornění:**

- Napnutí nového řetězu se musí po několika minutách práce zkontrolovat a seřídít.
- Napínání řetězu pily by se mělo provádět na čistém místě, kde nejsou piliny a podobně.
- Správné napnutí řetězu pily slouží bezpečnosti uživatele a snižuje resp. zamezuje opotřebení a poškození řetězu.
- Doporučujeme, aby uživatel před zahájením první práce napnutí řetězu zkontroloval.

### **POZOR**

Při práci s pilou se řetěz pily zahřívá a tím se trochu protahuje. S tímto „prodlužováním“ je třeba počítat zejména u nových řetězů pily.

## 9.3 Naplnění oleje na řetěz pily (22) (obr. 4)

### **NEBEZPEČÍ**

Před doplněním oleje vždy vypněte výrobek a nechte motor vychladnout. V důsledku přetečení oleje hrozí nebezpečí požáru.

### **VAROVÁNÍ**

Lišta a řetěz pily nesmí být nikdy bez oleje. Pokud budete řetězovou pilu provozovat s příliš malým množstvím oleje, sniží se řezný výkon a životnost řetězu pily, protože se řetěz rychleji tupí. Nedostatečné množství oleje poznáte podle toho, že se tvoří kouř nebo se lišta zabarvuje.

### **POZOR**

#### **Poškození životního prostředí!**

Rozlitý olej může trvale znečistit životní prostředí. Kapalina je vysoce toxická a může rychle způsobit znečištění vody.

- Olej plňte/vyprazdňujte pouze na rovném, zpevněném povrchu.
- Použijte plnicí hrdlo nebo trychtýř.
- Vypuštěný olej sbírejte do vhodné nádoby.
- Rozlitý olej ihned pečlivě setřete a hadr zlikvidujte v souladu s místními předpisy.
- Olej zlikvidujte v souladu s místními předpisy.

Řetěz pily se během provozu výrobku maže automaticky. Aby bylo možné pilový řetěz dostatečně namazat, musí být v olejové nádrži stále dostatek oleje na řetěz pily. V pravidelných intervalech zkontrolujte množství oleje zbývající v olejové nádrži.

#### **Upozornění:**

- Víko je vybaveno pojistkou proti ztracení.
  - Naplňte řetězovou pilu nejlépe biologicky odbouratelným olejem na řetěz pily (22).
  - Před zapnutím produktu se ujistěte, že je víčko na olejové nádrži nainstalováno a uzavřeno.
1. Otevřete olejovou nádrž (12). K tomu odšroubujte víčko olejové nádrže (4) proti směru hodinových ručiček.
  2. Aby nemohl olej vytéct, použijte trychtýř\*.
  3. Plňte opatrně olej na řetěz pily (22), až bude dosahovat horní značky hladiny oleje (13). Plnicí množství olejové nádrže: max. 350 ml.
  4. Víčko olejové nádrže (4) zašroubujte ve směru hodinových ručiček, abyste olejovou nádrž (12) uzavřeli.
  5. Případně rozlitý olej ihned pečlivě setřete a hadr zlikvidujte v souladu s místními předpisy.

6. Pro kontrolu mazání pilového řetězu přidržete výrobek s řetězem nad listem papíru a zapněte na několik sekund plný plyn. Podle papíru zjistíte, zda mazání řetězu funguje.

## 10 Obsluha

Elektrická řetězová pila je poháněna elektromotorem. Obíhající řetěz pily je veden přes řetězovou lištu (vodící lištu).

Výrobek je vybaven brzdou řetězu s rychlým zastavením. Olejová automatika zajišťuje nepřetržité mazání řetězu. Pro ochranu uživatele je elektrická řetězová pila vybavena různými ochrannými zařízeními.

Funkci ovládacích částí naleznete v následujících popisech.

### POZOR

**Před uvedením do provozu výrobek bezpodmínečně kompletně smontujte!**

### POZOR

Dbejte na to, aby teplota okolí během prací nepřekročila 50 °C a neklesla pod -20 °C.

### ⚠ NEBEZPEČÍ

#### Nebezpečí zranění!

Pokud výrobek uvízne, nezkoušejte ho vytáhnout násilím.

- Vypněte motor.
- K uvolnění výrobku použijte rameno páky nebo klín.

### 10.1 Brzda řetězu (16) (obr. 1, 5)

### ⚠ VAROVÁNÍ

**Brzda řetězu se musí zkontrolovat před každým uvedením do provozu.**

Brzda řetězu okamžitě zabrzdí řetěz pily při zpětném rázu.

### ⚠ VAROVÁNÍ

**Pokud brzda řetězu nefunguje správně, nesmíte řetězovou pilu používat.**

**Hrozí nebezpečí zranění v důsledku dobíhajícího řetězu pily.**

**Kontaktujte zákaznický servis.**

### ⚠ VAROVÁNÍ

#### Poškození výrobku!

Zvýšené otáčky motoru po příliš dlouhou dobu při zablokované brzdě řetězu poškozují motor a pohon řetězu pily.

Pokud by se řetěz pily přesto pohyboval, kontaktujte zákaznický servis.

#### Upozornění:

Řetěz pily neběží, když je brzda řetězu zapnutá.

#### 10.1.1 Aktivujte brzdu řetězu / přední ochranu rukou (16)

1. Sklopte brzdu řetězu / přední ochranu rukou (16) ve směru lišty (7).

#### 10.1.2 Uvolněte brzdu řetězu / přední ochranu rukou (16)

1. Přitáhněte brzdu řetězu / přední ochranu rukou (16) ve směru přední rukojeti (14). Brzda řetězu / přední ochrana rukou (16) slyšitelně zaskočí.

#### 10.1.3 Kontrola brzdy řetězu / přední ochrany rukou (16)

1. Uvolněte brzdu řetězu/přední ochranu rukou (16) jak je popsáno pod 10.1.2.
2. Držte řetězovou pilu pevně oběma rukama.
3. Zapněte řetězovou pilu, jak je popsáno pod 10.1.3.
4. Sklopte brzdu řetězu / přední ochranu rukou (16) ve směru lišty (7). Řetěz pily (8) se musí okamžitě zastavit!

#### Upozornění:

Pokud by se řetěz pily přesto pohyboval, nesmíte výrobek používat. Hrozí nebezpečí zranění v důsledku dobíhajícího řetězu pily. Kontaktujte zákaznický servis.

### 10.2 Zapnutí/vypnutí a provozování výrobku (obr. 1)

### ⚠ VAROVÁNÍ

**Nebezpečí zranění v důsledku zpětného rázu!**

- Nikdy nedržte výrobek jednou rukou!

#### Zapnutí

1. Zkontrolujte, zda je v olejové nádrži (12) olej na řetěz pily (22).
2. Z konce prodlužovacího vedení\* vytvořte smyčku a zahákněte ji do odlehčení tahu (9) na zadní rukojeti (2).
3. Zapojte síťovou zástrčku do řádně jištěné síťové zásuvky.
4. Odstraňte kryt lišty a řetězu (17) z lišty (7).

- Uvolněte brzdu řetězu (16). Brzda řetězu (16) slyšitelně zaklapne.
- Podržte výrobek levou rukou za přední rukojeť (14) a pravou rukou za zadní rukojeť (2). Palce i prsty musí rukojeti (2/14) pevně obemknout.
- Tělo a paže uveďte do takové polohy, ve které můžete zachytit síly zpětných rázů.
- Posuňte spínací západku (3) na zadní rukojeti (2) dopředu a podržte ji v této poloze.
- Pro zapnutí výrobku stiskněte spínač pro zapnutí/vypnutí (11).
- Pusťte spínací západku (3).

#### **Upozornění:**

Po nastartování výrobku není nutné spínací západku držet stisknutou. Spínací západka má zabránit nechtěnému nastartování výrobku.

Sepnutí nepřetržitého provozu není možné.

#### **Vypnutí**

- Pro vypnutí spínač pro zapnutí/vypnutí (11) pusťte.
- Aktivujte brzdu řetězu (16).
- Po každé práci s výrobkem nasadte dodaný kryt lišty a řetězu (17).
- Když výrobek nepoužíváte, vytáhněte síťovou zástrčku ze zásuvky.
- Odstraňte prodlužovací kabel\* z odlehčení tahu (9).

\* = není nutné zahrnuto v rozsahu dodávky!

### **10.3 Ochrana proti přetížení**

Při přetížení výrobku se sám vypne. Výrobek lze po určité době vychladnutí znovu zapnout (doby se liší).

### **10.4 Kontrola mazání řetězu pily (obr. 4)**

#### **Upozornění:**

Před zahájením práce zkontrolujte hladinu oleje a funkci mazání řetězu.

- Pro kontrolu mazání pilového řetězu přidrže výrobek s řetězem nad listem papíru a zapněte na několik sekund plný plyn. Podle papíru zjistíte, zda mazání řetězu funguje.

#### **Upozornění:**

Pokud nejsou žádné stopy oleje, vyčistěte případně olejovací otvor nebo nechte řetězovou pilu opravit v našem zákaznickém servisu.

- Vyčistěte olejovací otvor (21), abyste zajistili bezolejové, automatické mazání řetězové pily (8) olejem během provozu. K tomu použijte štětec\* nebo hadřík\* k setření všech zbytků z olejovacího otvoru (21).

\* = není nutné zahrnuto v rozsahu dodávky!

## **11 Pracovní pokyny**

### **⚠ NEBEZPEČÍ**

#### **Nebezpečí zranění!**

Tento odstavec pojednává o základní technice práce v zacházení s výrobkem.

Zde poskytnuté informace nenahrazují dlouholeté vzdělávání a zkušenosti odborníka.

Vyvarujte se každé práce, pro kterou nejste dostatečně kvalifikováni!

Nerovné zacházení s výrobkem může mít za následek vážná zranění až úmrtí!

### **⚠ NEBEZPEČÍ**

#### **Nebezpečí zranění!**

Řezání a kácení a veškeré s tím spojené práce směřjí provádět pouze speciálně vyškolené a poučené osoby.

### **⚠ VAROVÁNÍ**

Z bezpečnostních důvodů doporučujeme nezkušeným uživatelům nekácet kmen stromu s délkou lišty, která je menší než průměr kmene.

#### **Upozornění:**

Dbejte před zapnutím na to, aby se výrobek nedotýkal žádných předmětů.

Dodržujte specifické předpisy pro kácení příslušné země a informujte se u příslušného úřadu.

- Dbejte na to, aby v důsledku padajících větví a stromů nemohl nikdo přijít k úhonně.
- V pracovní oblasti se směřjí zdržovat pouze osoby, které jsou zapotřebí pro kácení.
- Pracovní oblast kolem kmene udržujte volnou a uklizenou, aby měli uživatelé zajištěný stabilní postoj.
- Únikové cesty udržujte volné a uklizené, aby bylo možné rychle opustit pracovní oblast.
- Neprovádějte kácení při silném větru, špatném počasí nebo špatné viditelnosti.
- Dodržujte vzdálenost od nejbližšího pracoviště nejméně 2 1/2 délky kmene.
- Pokud se pila dostane do styku s cizím tělesem, vypněte motor. Pilu zkontrolujte a případně opravte.
- Chraňte řetěz pily před nečistotou a pískem. Již malá množství nečistot mohou vést k rychlému otupení řetězu pily a zvyšují nebezpečí výskytu zpětného rázu.

- Nejdříve začnete při řezání menších krmíků stromů cvičit cit pro svůj výrobek, a pak teprve přejděte k těžším úkonům.
- Tlačte těleso řetězové pily proti kmeni stromu, když začnete s řezáním.
- Nechte pilu, ať pracuje pro vás. Vyvíjejte pouze lehký tlak směrem dolů.
- Abyste při výstupu řetězu pily ze dřeva neztratili nad výrobkem kontrolu, neměli byste na konci řezu vyvíjet na pilu žádný tlak.
- Neřežte dřevo ležící na zemi resp. nezkoušejte odřezat kořeny vyčnívající ze země.
- Zabraňte nestabilnímu držení těla. Zajistěte si stabilní postoj a vždy udržujte rovnováhu. Tak můžete výrobek v nečekaných situacích lépe udržet pod kontrolou.
- Máte lepší kontrolu, když řežete spodní stranou lišty (s tahajícím řetězem).
- Řetěz pily se během prořezávání nebo poté nesmí dotknout země ani jiného předmětu.
- Držujte také preventivní opatření proti zpětnému rázu (viz bezpečnostní pokyny).

## 11.1 Správné držení

### NEBEZPEČÍ

#### Nebezpečí zranění!

- Nikdy nepracujte na nestabilním podkladu!
- Nikdy nepracujte výše, než jsou vaše ramena!
- Nikdy nepracujte ze žebříků!
- Nikdy nepracujte v přílišném předklonu dopředu!
- Výrobek používejte pouze za příznivých povětrnostních a terénních podmínek!
- Stůjte oběma nohama bezpečně na zemi.
- Dávejte pozor na překážky v pracovním prostoru.
- Při práci je třeba vždy přístroj pevně držet oběma rukama!

## 11.2 Takto správně řežte!

- Vyvíjejte rovnoměrný tlak na výrobek, avšak ne nadměrnou silou.
- Přiložte výrobek podle možnosti zubovou opěrku u řezanou větev.
- Nikdy nepracujte bez zubové opěrky. Výrobek pila může strhnout obsluhující osobu dopředu.
- Zubovou opěrku používejte k řezání kmenů nebo silných větví.
- Používání zubové opěrky zvyšuje bezpečnost práce, snižuje osobní zatížení při práci a redukuje také vibrace.

- Pokud narazíte na cizí těleso. Vyhledejte poškozená místa na výrobek a proveďte nutné opravy, než sekačku znovu spustíte a začnete s ní pracovat. Pokud výrobek začne vibrovat neobvykle silně, je nutná okamžitá kontrola.

## 11.3 Techniky řezání

### 11.3.1 Řezání tahem

Při této technice se řeže spodní stranou řetězové lišty shora dolů.

Řetěz pily posunuje výrobek dopředu pryč od uživatele. Přitom tvoří přední hrana výrobku podpěru, která zachycuje síly vznikající při řezání na kmenu stromu. Při řezání tahem má uživatel výrazně větší kontrolu nad výrobkem a může lépe zabránit zpětným rázům.

### 11.3.2 Řezání posuvem

#### NEBEZPEČÍ

##### Životu nebezpečná zranění!

Pokud se řetězová lišta vzpříčí, může být výrobek vymrštěn velkou silou k uživateli. Pokud uživatel vlastní tělesnou silou nevyrovná dozadu působící sílu řetězu pily, hrozí nebezpečí, že se dřevem bude mít kontakt už jen špička řetězové lišty a bude následovat zpětný ráz.

Při této technice se řeže horní stranou vodící lišty zdola nahoru.

Řetěz pily při tom posunuje výrobek dozadu směrem k uživateli.

### 11.3.3 Zkracování

Zkracování je nařezávání skácených kmenů na malé kusy. Je-li to možné, měl by se kmen podložit větvemi, kladou nebo klínem.

- **Dbejte vždy na pevný postoj a používejte řetězovou pilu pouze tehdy, když stojíte na pevném, bezpečném a rovném podkladu.** Kluzký podklad nebo nestabilní plochy pro stání mohou vést ke ztrátě rovnováhy nebo ke ztrátě kontroly nad řetězovou pilou.
- Při řezání na svahu stůjte vždy nad větví. Dbejte na to, aby se řetěz pily nedotkl země. Po dokončení řezu počkejte, až se řetěz pily zastaví, a teprve poté výrobek vyjměte.
- Než přejdete od jednoho pracoviště ke druhému, vždy vypněte motor výrobku.

#### 11.3.3.1 Kmen leží na zemi (obr. 6)

- Řetěz pily se během prořezávání nebo poté nesmí dotknout země ani jiného předmětu.
- Kmen seshora úplně prořízněte.
- Pokud je možné kmen otočit, prořízněte jej ze 2/3. Poté kmen otočte a zbytek kmene shora prořízněte.

### 11.3.3.2 Kmen je na jednom konci podepřený (obr. 7)

- Řežte napřed zesponu nahoru (horní stranou řetězové lišty) do 1/3 průměru kmene, abyste zabránili rozštípnutí.
- Pak řežte shora dolů (spodní stranou řetězové lišty) jedním řezem, abyste zabránili vzpříčení.

### 11.3.3.3 Kmen je na obou koncích podepřený (obr. 8)

- Řežte napřed shora dolů (spodní stranou řetězové lišty) do 1/3 průměru kmene.
- Pak řežte zesponu nahoru (horní stranou řetězové lišty), až se řezy potkají.

### 11.3.3.4 Řezání na pracovním kozlíku (obr. 9)

1. Výrobek držte pevně oběma rukama a vedte ho při řezání před tělem 1.
2. Když se kmen prořízne, vedte výrobek napravo vedle těla. Držte levou ruku co možná nejvíc rovně 2. Dávejte pozor na padající kmen.
3. Postavte se tak, aby odříznutý kmen nepředstavoval žádné nebezpečí.
4. Dávejte pozor na nohy 3. Odříznutý kmen může při spadnutí způsobit zranění.
5. Dbejte na to, aby vaše tělo bylo v rovnováze a abyste měli stabilní postoj.

### 11.3.4 Odvětvování (obr. 10)

#### **VAROVÁNÍ**

##### **Nebezpečí zranění!**

Při odvětvování dochází k mnoha úrazům.

- Výrobek držte pevně oběma rukama a vedte ho při řezání před tělem.
- Při provozu se nepředklánějte příliš daleko dopředu.
- Neodřezávejte nikdy větve, když stojíte na kmeni.
- Mějte na zřeteli rozsah zpětného rázu, když jsou větve pod pnutí.

Odvětvování je označení pro odstraňování větších a menších větví z kmene.

- Opěrné větve odstraňujte až po zkracování.
- Větve, které jsou napnuté, je třeba řezat zdola nahoru, aby se zabránilo vzpříčení výrobku.
- Při odřezávání tlustších větví použijte stejnou techniku jako při přirezávání.
- Pracujte nalevo od kmene a co možná nejbližší k výrobku. Hmotnost výrobku pokud možno spočívá na kmeni.
- Měňte stanoviště, abyste odřezali větve z druhé strany kmene.
- Rozvětvené větve se přirezávají zvlášť.

- Při odvětvování zatím nechte být větší, dolů směřující větve, které strom podpírají. Menší větve odřízněte jedním řezem.
- Dolů visící větve odstraňte nasazením řezu nad větví.
- Nikdy neodvětvujte výše než do výšky ramen.

### 11.3.5 Kácení stromu (obr. 11, 12)

#### **NEBEZPEČÍ**

##### **Nebezpečí zranění!**

Řezání a kácení a veškeré s tím spojené práce směřj provádět pouze speciálně vyškolené a poučené osoby.

#### **NEBEZPEČÍ**

Na kácení stromů je třeba hodně zkušeností. Kácejte stromy pouze v případech, že umíte s výrobkem bezpečně zacházet. V žádném případě výrobek nepoužívejte, pokud se necítíte jistě.

#### **NEBEZPEČÍ**

##### **Životu nebezpečná zranění!**

- Nikdy neprořízněte kmen stromu úplně!
- Při kácení stůjíte pouze stranou od káceného stromu!

#### **NEBEZPEČÍ**

Nekácejte stromy, pokud fouká silný nebo proměnlivý vítr, hrozí nebezpečí poškození majetku nebo pokud by strom mohl padnout na elektrické vedení.

#### **NEBEZPEČÍ**

Při kácení stromů je třeba dbát na to, aby nedošlo k ohrožení jiných osob, ke styku s napájecími vedeními a nebyly způsobeny žádné věcné škody. Pokud by se strom dostal do styku s napájecími vedeními, je třeba ihned uvědomit energetický podniky.

- Dbejte na to, aby se v blízkosti pracovního prostoru nezdržovali žádní lidé ani zvířata. Bezpečná vzdálenost mezi káceným stromem a nejbližším pracovištěm musí činit 2 1/2 délky stromu.
- Dávejte pozor na směr pádu: Uživatel musí mít možnost bezpečného pohybu v blízkosti skáceného stromu, aby jej mohl snadno nařezat a odvětvit. Je třeba zamezit tomu, aby se padající strom zachytil o jiný. Respektujte přirozený směr pádu, závislý na sklonu a zakřivení stromu, směru větru a počtu větví.

- Malé stromy o průměru 15-18 cm lze obvykle skáčet jedním řezem.
- Při řezání na svahu stůjte vždy nad větví. Dbejte na to, aby se řetěz pily nedotkl země. Po dokončení řezu počkejte, až se řetěz pily zastaví, a teprve poté výrobek vyjměte.
- Při řezání na svahu stůjte vždy nad kmenem stromu. Pro zachování plné kontroly v okamžiku „proříznutí“ snižte na konci řezu přítlačný tlak, aniž byste uvolnili pevný úchop rukojetí výrobku. Dbejte na to, aby se řetěz pily nedotkl země. Po provedení řezu počkejte, až se výrobek zastaví, a teprve poté jej odstraňte. Než přejdete od jednoho stromu ke druhému, vždy výrobek vypněte a vytáhněte síťovou zástrčku.
- U stromů s větším průměrem je nutné provést zásekové řezu a hlavní řez.
- Dávejte pozor, aby řetěz pily neuvízl v řezu. Větev nesmí prasknout ani se odštípnout.
- Ze stromu je třeba odstranit nečistotu, kameny, volnou kůru, hřebíky, svorky a drát.

## VAROVÁNÍ

**Hned po dokončení řezání sklopte ochranu sluchu tak, abyste slyšeli tóny a varovné signály.**

### Odvětvování:

- Dolů visící větve odstraňte nasazením řezu nad větví. Nikdy neodvětvujte výše než do výšky ramen.

### Únikový rozsah:

- Odstraňte podrost kolem stromu, abyste zajistili snadný ústup. Únikový rozsah by se měl nacházet s přesazením asi o 45° za plánovaným směrem pádu stromu.

### Řezání záseku:

- Nasadte zásek ve směru, do kterého se má strom skáčet.
- Začněte spodním horizontálním řezem.
- Hloubka řezu by měla být přibližně 1/3 průměru kmene. Tím předejete sevření řetězu pily nebo vodící lišty při provedení druhého zásekového řezu.
- Nyní proveďte shora šikmý řez pilou s úhlem řezu přibližně 45°, který se přesně setká se spodním řezem.

## NEBEZPEČÍ

Nikdy nevstupujte před strom, do kterého je udělán zásek.

### Hlavní řez:

- Hlavní řez vedte z druhé strany kmene; stůjte přitom nalevo od kmene stromu a řežte tahem řetězu pily.

- Hlavní řez musí probíhat horizontálně alespoň 5 cm nad horizontálním zásekovým řezem.
- Měl by být tak hluboký, aby vzdálenost od linie zásekového řezu byla nejméně 1/10 průměru kmene.
- Neproříznutá část kmene se označuje jako nedořez (pádová lišta). Nedořez zabraňuje pootočení stromu a pádu ve špatném směru. Nedořez neprořezávejte skrz.
- Při přiblížení hlavního řezu k nedořezu by měl strom začít padat.
- Pokud se ukáže, že strom možná nepadne ve požadovaném směru nebo se naklání dozadu a sevře tak řetěz pily, přerušete hlavní řez a k otevření řezu a svalení stromu v požadované linii pádu použijte klíny ze dřeva, plastu nebo hliníku.
- Pokud je průměr kmene větší než délka řetězové lišty, udělejte dva řezy.
- Pro provedení hlavního řezu padá strom sám od sebe nebo s pomocí klínu či páčidla.

## NEBEZPEČÍ

Jakmile strom začne padat, vytáhněte výrobek z řezu, zastavte motor, odložte výrobek a opusťte pracoviště ústupovou cestou.

Dávejte pozor na padající větve a neklopýtněte.

### 11.3.6 Uvolnění zaseknuté řetězové pily

Pokud se řetězová pila během řezání zasekne, postupujte následovně:

1. Vypněte řetězovou pilu a zajistěte ji bezpečně ve směru do nitra stromu (tj. ke kmeni) nebo ji připevněte na samostatné lano.
2. Řetězovou pilu vytáhněte ze zářezu, zatímco se větev nadzvedne pokud možno co nejvýš.
3. V případě potřeby použít ruční pilu nebo druhou řetězovou pilu, aby osvobodil zaseknutou řetězovou pilu tím, že ve vzdálenosti nejméně 30 cm od ní provede řez.

Bez ohledu na to, zda se k uvolnění zaseknuté řetězové pily použije ruční nebo jiná řetězová pila, měly by být uvolňovací řezy prováděny vždy směrem ven (ke špičce větve), aby řetězová pila nespadla zároveň s odřezanými kusy a nezkomplikovala situaci ještě víc.

### 11.4 Po použití

- Před odložením výrobek vždy vypněte a počkejte, dokud se úplně nezastaví.
- Nasadte kryt lišty a řetězu (17) na lištu (7).
- Aktivujte brzdu řetězu (16).
- Výrobek nechte vychladnout.
- Když výrobek nepoužíváte, vytáhněte síťovou zástrčku ze zásuvky.

## 12 Čištění a údržba

### ⚠ VAROVÁNÍ

Nechte opravářské práce a údržbové práce, které nejsou popsány v tomto návodu k obsluze, provést ve specializované dílně. Používejte pouze originální náhradní díly.

### ⚠ VAROVÁNÍ

Nesprávná údržba nebo čištění mohou způsobit zranění!

### ⚠ VAROVÁNÍ

Při čištění, opravách a údržbě může výrobek nečekaně spustit, což může vést k zraněním a popáleninám.

- Vypněte výrobek.
- Vytáhněte síťovou zástrčku.
- Výrobek nechte vychladnout.

### ⚠ VAROVÁNÍ

Nebezpečí zranění při manipulaci s řetězem pily nebo lištou!

- Používejte neproforezné rukavice.

### 12.1 Čištění

1. Doporučujeme výrobek vyčistit ihned po každém použití.
2. K čištění řetězu pily použijte štětec nebo smetáček a žádnou kapalinu.
3. Rukojeti a úchopné plochy udržujte suché, čisté a bez oleje a tuku. Kluzké rukojeti a úchopné plochy neumožňují bezpečnou obsluhu a kontrolu elektrického nástroje v nepředvidatelných situacích.
4. Rukojeti případně vyčistěte vlhkým hadříkem, vymáchaným v mýdlovém roztoku.
5. Udržujte ochranná zařízení, větrací šterbiny a plášť motoru pokud možno bez prachu a nečistot. Otríte výrobek čistou tkaninou\* nebo jej vyfoukejte stlačeným vzduchem s nízkým tlakem\*. Doporučujeme výrobek vyčistit ihned po každém použití.
6. Větrací otvory musí být stále volné.
7. Nepoužívejte žádné čisticí prostředky ani rozpouštědla; mohly by poškodit plastové díly výrobku. Dbejte na to, aby se dovnitř výrobku nemohla dostat žádná voda.
8. Vyčistěte drážku řetězové lišty pomocí štětce nebo stlačeným vzduchem.
9. Očistěte řetězové kolo.

\* = není nutně zahrnuto v rozsahu dodávky!

### 12.2 Údržba

#### Upozornění:

Provádějte pečlivou údržbu výrobku. Kontrolujte, zda pohyblivé díly fungují bezvadně a nejsou vzpříčené, zda nejsou prasklé nebo tak poškozené, že je omezena funkčnost výrobku. Poškozené díly nechte před použitím výrobku opravit.

Postavte výrobek na rovnou, hladkou plochu.

#### 12.2.1 Kontrola řetězového kolečka (obr. 2)

1. Otáčejte kolečkem napínání řetězu (6) proti směru hodinových ručiček, abyste uvolnili napnutí řetězu a mohli odstranit kryt řetězového kolečka (5).
2. Vyjměte lištu (7) a řetěz pily (8).
3. Zkontrolujte zářezové stopy na řetězovém kolečku (18) měřidlem\*.
4. Pokud jsou zářezové stopy hlubší než  $a=0,5$  mm, výrobek nepoužívejte a vyhledejte odborného prodejce. Řetězové kolečko (18) se musí vyměnit.
5. Opět namontujte lištu (7) a řetěz pily (8), jak je popsáno pod 9.1.

\* = není nutně zahrnuto v rozsahu dodávky!

#### 12.2.2 Kontrola lišty (obr. 1)

1. Otáčejte kolečkem napínání řetězu (6) proti směru hodinových ručiček, abyste uvolnili napnutí řetězu a mohli odstranit kryt řetězového kolečka (5).
2. Vyjměte lištu (7) a řetěz pily (8).
3. Změřte hloubku drážky lišty (7) měřítkem na pilníkové měrce\*.
4. Lišta (7) se musí vyměnit, pokud souhlasí některý z následujících bodů:
  - Řetězová lišta je poškozená.
  - Naměřená hloubka drážky je menší než minimální hloubka drážky řetězové lišty (4 mm).
  - Drážka řetězové lišty je zúžená nebo roztažená.
5. Namontujte lištu (7) a řetěz pily (8) jak je popsáno pod 9.1.

\* = není nutně zahrnuto v rozsahu dodávky!

#### 12.2.3 Výměna lišty (obr. 2)

1. Otáčejte kolečkem napínání řetězu (6) proti směru hodinových ručiček, abyste uvolnili napnutí řetězu a mohli odstranit kryt řetězového kolečka (5).
2. Vyjměte lištu (7) a řetěz pily (8).  
Pro demontáž držte lištu (7) vykloněnou v úhlu cca 45 stupňů nahoru, abyste mohli řetěz pily (8) snadněji sundat z drážky lišty (7).
3. Vyměňte lištu (7) a namontujte lištu (7) a řetěz pily (8) jak je popsáno pod 9.1.

## 12.2.4 Výměna řetězu pily (8) a zaběhnutí (obr. 2)

### NEBEZPEČÍ

#### Možná vážná zranění v důsledku přetržení nebo odskočení řetězu pily!

- Nový řetěz pily nikdy neupevňujte na opotřebenavý řetězový pastorek nebo na poškozenou či opotřebenou vodicí lištu. Řetěz pily by mohl odskočit nebo se přetřhnout.
- Používejte pouze řetězy pily a lišty, které jsou dimenzované na tento výrobek.
  - Před výměnou řetězu pily vyčistěte drážku řetězové lišty, protože v případě usazených nečistot může řetěz pily vyskočit z lišty. Usazeniny také mohou nasáknout olej na řetěz. V důsledku toho by se olej na řetěz pily nedostal na spodní stranu lišty, nebo jen v malém množství, a mazání by bylo nedostatečné.
  1. Otáčejte kolečkem napínání řetězu (6) proti směru hodinových ručiček, abyste uvolnili napnutí řetězu a mohli odstranit kryt řetězového kolečka (5).
  2. Vyjměte lištu (7) a řetěz pily (8).
  3. Rozložte řetěz pily (8) do smyčky tak, aby byly řezné hrany vyrovnané ve směru hodinových ručiček. Pro nasměrování řetězu pily (8) se orientujte podle obrazových značek (šipek) na řetězu pily (8) resp. nad vodicím čepem (20).
  4. Vložte řetěz pily (8) do drážky lišty (7).
  5. Nasadte lištu (7) na vodicí čep (20) a na rozpěrný čep (19). Vodicí čep (20) a rozpěrný čep (19) se musí nacházet v podélném otvoru na liště (7).
  6. Vedte řetěz pily (8) přes řetězové kolo (18) a zkontrolujte vyrovnaní řetězu pily (8).
  7. Znovu nasadte kryt řetězového kolečka (5). Ujistěte se, že kryt řetězového kola (5) sedí v drážce na krytu.
  8. Silou ruky zašroubujte kolečko napínání řetězu (6) ve směru hodinových ručiček.
  9. Znovu zkontrolujte usazení řetězu pily (8) a napněte řetěz pily (8).

#### **Upozornění:**

U nového řetězu pily se síla napnutí po určité době snižuje. Proto musíte po prvních 5 řezech, ale nejpozději po 10 minutách řezání řetěz pily dopnout.

## 12.2.5 Broušení řetězu pily (8)

### VAROVÁNÍ

#### Zvýšené nebezpečí zranění v důsledku nesprávně nabroušeného řetězu pily!

V důsledku odchylek od uvedených rozměrů geometrie řezání při broušení se zvyšuje nebezpečí zpět-ného rázu výrobku.

- Řetěz pily nechte nabrousit u odborníka.

Řetěz pily lze nechat přebrousit v autorizované odborné dílně. Nepokoušejte se řetěz pily ostřit sami, nedisponujete-li vhodným nářadím a potřebnou zkušeností.

### OPATRNĚ

K broušení řetězu jsou zapotřebí speciální nástroje, které zajistí, že řezné nástroje budou nabroušeny ve správném úhlu a do správné hloubky.

Po broušení musí mít všechny řezné články stejnou šířku a délku.

#### **Upozornění:**

Ostrý řetěz pily zaručuje optimální řezný výkon. Zakučuje se bez námahy do dřeva a zanechává velké dlouhé třísky.

Řetěz pily je tupý, když musíte řezací výstroj tlačit do dřeva a třísky jsou velmi malé. Pokud je řetěz pily velmi tupý, nevznikají vůbec žádné třísky, nýbrž jen dřevěný prach.

1. Vytáhněte síťovou zástrčku.
2. Při broušení by měl být řetěz pily (8) napnutý, aby bylo zajištěno správné nabroušení.
3. K nabroušení je zapotřebí kruhový pilník\* o průměru 4,0 mm.

### OPATRNĚ

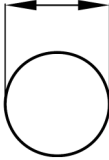
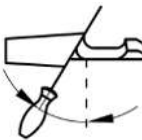




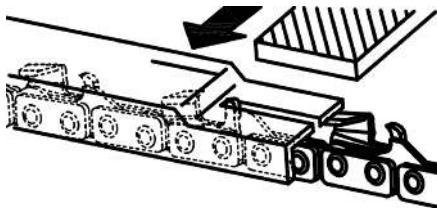

Jiné průměry poškozují řetěz pily a mohou při práci představovat nebezpečí!

4. Bruste pouze zevnitř ven. Přesuňte pilník\* z vnitřní strany řezného zubu ven. Pilník\* nadzvedněte, když jej stahujete zpět.
5. Nejprve nabruste zuby na jedné straně. Potom otočte řetěz pily (8) a naostřete zuby na druhé straně.
6. Řetěz pily (8) je opotřebenavý a je nutné jej vyměnit za nový řetěz pily (8), když zbývají pouze cca 4 mm řezného zubu.
7. Po nabroušení musí být všechny řezací články stejně dlouhé a široké.
8. Po každém třetím broušení je nutné zkontrolovat hloubku broušení (mezni hloubku) a výšku opilovat plochým pilníkem\*.

Mezní hloubka by měla být asi o 0,65 mm za řezným zubem. Po resetování zaokrouhlete mezní hloubku mírně dopředu.

\* = není nutně zahrnuto v rozsahu dodávky!

### 12.2.5.1 Návod na broušení řetězu

Typ řetězu pily	Průměr pilníku	Horní úhel	Dolní úhel	Horní úhel sklonu (55°)	Standardní hloubkoměr
					
		Upínací rotační úhelník	Upínací sklonový úhelník	Boční úhelník	
					
21PBX	cca 4,8 mm	30°	10°	85°	0,64 mm
					
Hloubkový doraz			Pilník		

## 13 Skladování

Uložte výrobek a jeho příslušenství na tmavém, suchém místě chráněném před mrazem a nedostupném pro děti.

Optimální skladovací teplota se pohybuje mezi 5 C a 30°C.

Výrobek uchovávejte v originálním balení.

Výrobek zakryjte, aby byl chráněn před prachem nebo vlhkostí. Návod k obsluze uchovávejte v blízkosti výrobku.

### 13.1 Příprava k uskladnění

1. Nasadte kryt řetězu.
2. Výrobek úplně vyprázdněte.
3. Vyčistěte výrobek a zkontrolujte, zda není poškozený.

## 13.2 Přeprava

- Výrobek se smí přepravovat pouze za rukojeť k tomu určenou.

## 14 Elektrické připojení

Instalovaný elektromotor je připojen v provozoschopném stavu. Přípojka musí odpovídat příslušným předpisům VDE a DIN. Těmto předpisům musí odpovídat síťová přípojka zákazníka i použité prodlužovací kabely.

### Upozornění:

- Výrobek splňuje požadavky normy EN 61000-3-11 a podléhá zvláštním připojovacím podmínkám. To znamená, že použití libovolných, volně vybraných připojovacích bodů není přípustné.
- Výrobek může při špatných podmínkách sítě způsobit přechodné výkyvy napětí.

- Výrobek je určen výhradně k používání na přípojných bodech, které a) nepřekračují maximální přípustnou impedanci sítě „Z“ ( $Z_{\max} = 0,415 \Omega$ ) nebo b) mají trvalou proudovou zatížitelnost sítě nejméně 100 A na fázi.
- Vy jako uživatel se musíte ujistit, v případě potřeby i dotazem u svého dodavatele energie, zda váš přípojovací bod, na kterém chcete výrobek provozovat, splňuje jeden ze dvou uvedených požadavků a) nebo b).

### 14.1 Důležitá upozornění

Při přetížení se motor sám vypne. Po určité době na vychladnutí (čas se liší) je možné motor znovu zapnout.

### 14.2 Poškozená elektrická přípojná vedení

U elektrických přípojných vedení často dochází k poškození izolace.

Jeho příčinami mohou být:

- Otláčená místa, je-li přípojná vedení vedeno oknem nebo štěrbinou ve dveřích,
- Místa zlomu kvůli nevhodnému upevnění nebo vedení přípojného vedení,
- Zlomení kvůli přejetí přes přípojná vedení,
- Poškození izolace kvůli vytržení z nástěnné zásuvky,
- Praskliny v důsledku stárnutí izolace.

Takto vadná přípojná vedení nesmí být používána a kvůli poškození izolace jsou životu nebezpečná.

Pravidelně kontrolujte, zda elektrická přípojná vedení nejsou poškozená. Dávejte pozor, aby nebyl přívodní kabel při kontrole připojen do elektrické sítě.

Elektrická přípojná vedení musí odpovídat příslušným předpisům VDE a DIN. Používejte pouze přípojná vedení se stejným označením „H07RN-F“.

Potisk typového označení na přívodním kabelu je ovinný.

#### Bezpečnostní pokyny pro výměnu poškozených nebo vadných vedení pro připojení na síť

##### Typ připojení Y

Pokud je zapotřebí výměna vedení pro připojení na síť, musí to provést výrobce nebo jeho zástupce, aby se zabránilo bezpečnostním rizikům.

### 14.3 Motor na střídavý proud

Připojení a opravy elektrické výbavy smí provádět pouze kvalifikovaný elektrikář.

- Ujistěte se, že napětí v síti odpovídá napětí uvedenému na typovém štítku výrobku.
- Prodlužovací vedení do délky 25 m musí mít průřez 1,5 čtverečního milimetru.

## 15 Oprava a objednávka náhradních dílů

Po opravě nebo údržbě se přesvědčte, zda byly namontovány všechny bezpečnostní prvky a zda jsou v bezvadném stavu. Nebezpečné součásti skladujte mimo dosah jiných osob včetně dětí.

### POZOR

Podle zákona o záruce na výrobky neručíme za škody způsobené neodbornými opravami nebo použitím neoriginálních náhradních dílů.

Obraťte se na oddělení služeb zákazníkům nebo autorizovaného odborníka. Totéž platí i pro součásti příslušenství.

#### Připojky a opravy

Připojení a opravy elektrické výbavy smí provádět pouze kvalifikovaný elektrikář.

### 15.1 Objednávání náhradních dílů

Při objednávání náhradních dílů je třeba vyplnit tyto údaje:

- Označení modelu
- Číslo výrobku
- Údaje na typovém štítku

#### Náhradní díly/příslušenství

Víčko olejové nádrže	3910207003
----------------------	------------

### 15.2 Přípustné řezací soupravy

<b>Vodicí lišty:</b>	
Řetězová lišta Kangxin AP14-52-507P	3910207001
<b>Řetězy pily:</b>	
Řetězy pily Kangxin 3/8LP-52	3910207002

## 16 Likvidace a recyklace

#### Upozornění k obalu



Balící materiály jsou recyklovatelné. Obaly prosím likvidujte způsobem šetrným k životnímu prostředí.

## Pokyny pro likvidaci elektrických a elektronických přístrojů



**Odpadní elektrická a elektronická zařízení nepatří do domovního odpadu, ale musí se sbírat a likvidovat odděleně!**

- Staré baterie, které nejsou napevno zabudované ve starém přístroji, se musí před odevzdáním bez poškození vyjmout! Jejich likvidaci upravuje zákon o bateriích.
- Majitelé nebo uživatelé elektrických a elektronických zařízení jsou ze zákona povinni je po použití vrátit.
- Koncový uživatel je zodpovědný za vymazání svých osobních údajů ze starého zařízení určeného k likvidaci!
- Symbol přeškrtnuté popelnice znamená, že se odpadní elektrická a elektronická zařízení nesmí likvidovat společně s domovním odpadem.
- Elektrická a elektronická zařízení můžete bezplatně odevzdat na následujících místech:
  - Veřejné skládky nebo sběrná místa odpadů (např. obecní stavební dvory)
  - LIDL nabízí možnosti vrácení přímo na pobočkách a v obchodech. Vrácení a likvidace jsou pro Vás zdarma.
  - Až tři kusy elektroodpadu od jednoho typu spotřebiče s délkou hrany maximálně 25 cm lze bezplatně vrátit výrobci, aniž by bylo nutné

předtím zakoupit nový spotřebič od výrobce nebo jej odevzdat na jiném autorizovaném sběrném místě ve vašem okolí.

- Pro další doplňující podmínky zpětného odběru výrobců a distributorů se obraťte na příslušný zákaznický servis.
- V případě, že výrobce dodá nový elektrospotřebič do soukromé domácnosti, může na žádost koncového uživatele zajistit bezplatný sběr elektroodpadu. Za tímto účelem kontaktujte zákaznický servis výrobce.
- Tato prohlášení se vztahují pouze na přístroje instalované a prodávané v zemích Evropské unie a podléhající evropské směrnici 2012/19/EU. V zemích mimo Evropskou unii mohou pro likvidaci elektroodpadu platit jiné předpisy.

**O možnostech likvidace vysloužilého přístroje vám podá informace správa vaší obce nebo vašeho města.**

### Paliva a oleje

- Před likvidací výrobku je nutné vyprázdnit palivovou nádrž a nádrž na motorový olej!
- Palivo a motorový olej nepatří do domovního odpadu nebo odtoku, ale musí se zachycovat a likvidovat odděleně!
- Prázdné zásobníky oleje a paliva musí být zlikvidovány ekologicky.

## 17 Odstraňování poruch

Následující tabulka zobrazuje příznaky vad a popisuje, jak lze vady odstranit, pokud váš výrobek nepracuje správně. Pokud nemůžete problém takto lokalizovat a odstranit, obraťte se na svou servisní dílnu.

Porucha	Možná příčina	Řešení
Nástroj nelze spustit.	Síťová zástrčka není zapojena do sítě.	Zasuňte síťovou zástrčku do elektrické zásuvky.
	Chybí síťové napětí. Aktivuje se hlavní pojistka.	Zkontrolujte zásuvky, síťové vedení, kabely, síťovou zástrčku, popř. zajistěte opravu od elektrikáře. Zkontrolujte hlavní pojistku.
	Je aktivována brzda řetězu.	Zkontrolujte brzdu řetězu, v případě potřeby uvolněte brzdu řetězu.
	Vadný spínač pro zapnutí/vypnutí. Uhlíkové kartáčky opotřebované.	Obraťte se na náš servis.
	Motor je vadný.	
Řetěz pily neběží.	Zablokována brzda řetězu.	Zkontrolujte brzdu řetězu, v případě potřeby uvolněte brzdu řetězu.
Špatný řezný výkon.	Nesprávně namontovaný řetěz pily.	Namontujte řetěz pily správně.
	Řetěz pily je tupý.	Nechte řetěz pily nabrousit u odborníka nebo ho vyměňte.
	Nedostatečné napnutí řetězu.	Zkontrolujte řetěz pily. Případně řetěz pily napněte.

Porucha	Možná příčina	Řešení
Výrobek běží ztěžka/řetěz pily odskakuje.	Nedostatečné napnutí řetězu.	Zkontrolujte řetěz pily. Případně řetěz pily napněte.
Řetěz pily se zahřívá, při řezání vzniká kouř, zbarvení lišty.	Příliš málo olej na řetěz pily.	Zkontrolujte olejovou automatiku. Případně doplňte olej na řetěz pily.
Nezvyklé vibrace	Řetězová lišta je volná.	Zkontrolujte pevné usazení řetězové lišty.

## 18 EU prohlášení o shodě

### Překlad originálního prohlášení o shodě

#### Výrobce:

Scheppach GmbH  
Günzburger Straße 69  
D-89335 Ichenhausen

Prohlašujeme na svou výlučnou odpovědnost, že zde popsaný výrobek odpovídá platným směrnici a normám.

Značka: **PARKSIDE**  
Název výrobku: **Elektrická řetězová pila - PEKS 1600 C3**  
Č. výr. **3910209974 - 3910209981; 39102099915; 39102099959**  
Č. IAN **495499\_2504**  
Sériové č. **01001 - 46072**

#### Směrnice EU:

2014/30/EU, 2006/42/EG, 2000/14/EG\_2005/88/EG, 2011/65/EU\*, (EU) 2015/863,

\* Výše popsaný předmět prohlášení splňuje předpisy směrnice 2011/65/EU Evropského parlamentu a Rady ze dne 8. června 2011 pro omezení používání určitých nebezpečných látek v elektrických a elektronických zařízeních.

#### Použité normy:

EN 62841-1:2015/A11:2022; EN 62841-4-1:2020;  
EN IEC 55014-1:2021; EN IEC 55014-2:2021;  
EN IEC 61000-3-2:2019/A2:2024;  
EN IEC 61000-3-11:2019; EN IEC 63000:2018

#### 2006/42/EG - Příloha IV

Notifikovaná osoba: TÜV SÜD  
Product Service GmbH  
Ridlerstraße 65  
80339 Mnichov  
Německo

Číslo: 0123  
Číslo certifikátu: M6A 011284 0666

#### 2000/14/EG\_2005/88/EG - Příloha: V

Zaručená hladina akustického výkonu ( $L_{WA}$ ): 106 dB  
Naměřená hladina akustického výkonu ( $L_{WA}$ ): 103,3 dB

#### Pracovník pověřený dokumentací:

Tobias Ihle  
Günzburger Str. 69  
D-89335 Ichenhausen  
Ichenhausen, 22.07.2025



Simon Schünk  
Division Manager Product Center



Andreas Pecher  
Head of Project Management

## Záruční list

### Važena zakaznice, vážený zakazníku,

naše výrobky podléhají přísné kontrole kvality. Pokud i přesto tento přístroj bezvadně nefunguje, velice toho litujeme a prosíme Vás, abyste se obrátili na náš zákaznický servis, jehož adresa je uvedena na tomto záručním listu. Rádi Vám budeme k dispozici také telefonicky na níže uvedeném servisním čísle. Pro uplatňování nároků na záruku platí následující:

- Tyto záruční podmínky upravují dodatečný záruční servis. Vašich zákonných nároků na záruku se tato záruka netýká. Náš záruční servis je pro Vás bezplatný.
- Záruční servis se vztahuje výhradně na nedostatky, které lze odvodit z vad materiálu nebo výrobních vad a je také omezen pouze na odstranění těchto nedostatků, resp. výměnu přístroje. Dbejte prosím na to, že naše přístroje nebyly podle svého účelu určeny konstruovány pro živnostenské, řemeslnické nebo průmyslové použití. Záruční smlouva tak není realizována, pokud byl přístroj používán v živnostenských, řemeslných nebo průmyslových podnicích a při srovnatelných činnostech. Z naší záruky je dále vyloučeno poskytnutí náhrady za dopravní škody, škody způsobené nedodržováním montážního návodu nebo z důvodů neodborné instalace, nedodržování návodu k použití (jako např. připojení na chybné síťové napětí nebo druh proudu), nedovoleného nebo neodborného používání (jako např. přetížení přístroje nebo použití neschválených vložných nástrojů nebo příslušenství), nedodržování pokynů pro údržbu a bezpečnostních pokynů, vniknutí cizích těles do přístroje (jako např. písek, kameny nebo prach), použití násilí nebo poškození v důsledku cizích vlivů (jako např. škody způsobené pádem), jakož také běžného opotřebení způsobeného používáním.

Nárok na záruku zaniká, pokud bylo do přístroje již zasahováno

- Záruční doba činí 3 roky a začíná datem koupě přístroje. Nároky na záruku před vypršením záruční doby je třeba uplatňovat během dvou týdnů od zjištění defektu. Uplatňování nároků na záruku po vypršení záruční doby je vyloučeno. Oprava nebo výměna přístroje nevede k prodloužení záruční doby, ani k zahájení nové záruční doby za provedení výkon pro přístroj nebo pro případné zamontované náhradní díly. Toto platí také v případě servisu v místě Vašeho bydliště.
- Pro uplatnění nároku ze záruky se prosím obraťte na adresu servisu uvedenou dole. Pokud se reklamacie uplatňuje v záruční době, dáme Vám k dispozici formulář pro vrácení, pomocí kterého nám můžete vadný přístroj zdarma zaslat zpět. Popište nám prosím pokud možno přesně důvod reklamacie. Je-li defekt přístroje v našem záručním servisu obsažen, obdržíte obratem opravený nebo nový přístroj.

Samozřejmě rádi za úhradu nákladů odstraníme defekty na přístrojích, které nespádají nebo již nespádají do rozsahu záruky. K tomu nám přístroj prosím zašlete na naši servisní adresu.

## Postup v případě záruky

Abyste zajistili rychlé vyřízení své žádosti, postupujte podle níže uvedených pokynů:

- Pro všechny dotazy si prosím připravte účtenku a číslo výrobku (např. IAN 495499\_2504) jako doklad o nákupu.
- Číslo výrobku naleznete na typovém štítku na výrobku, na rytině na výrobku, na titulní straně návodu (vlevo dole) nebo na nálepce na zadní nebo spodní straně výrobku.
- V případě chyb funkce nebo jiných závad se nejprve telefonicky nebo e-mailem obraťte na níže uvedené servisní oddělení.
- Poté můžete bezplatně zaslat výrobek označený jako vadný na adresu servisu, přiložit doklad o koupi (účtenku) a uvést, o jakou vadu se jedná a kdy k ní došlo.
- Tyto a mnoho dalších příruček si můžete prohlédnout a stáhnout na stránkách parkside-diy.com. Tento QR kód vás přenese přímo na stránky parkside-diy.com. Vyberte svou zemi a pomocí vyhledávací masky vyhledejte návody k obsluze. Zadejte číslo výrobku (IAN) 495499\_2504, abyste získali přístup k návodu k obsluze vašeho výrobku.



### Kontakt na servis (CZ):

**Jméno:** S&E Solutions s.r.o. - Zahrada v akci  
Moravská 1278  
CZ - 57001 Litomyšl

**Telefon:** 00800 4003 4003

**E-mail:** service.CZ@scheppach.com

**Sídlo:** Česká republika

## Obsah

1	Vysvetlenie symbolov na výrobku .....	188
2	Úvod.....	190
3	Popis výrobku (obr. 1 – 5) .....	190
4	Rozsah dodávky (obr. 1) .....	190
5	Použitie v súlade s určením .....	190
6	Bezpečnostné upozornenia .....	191
7	Technické údaje.....	196
8	Vybalenie.....	196
9	Pred uvedením do prevádzky .....	197
10	Obsluha.....	199
11	Pracovné pokyny .....	200
12	Čistenie a údržba .....	204
13	Skladovanie.....	207
14	Elektrická prípojka.....	207
15	Oprava a objednávanie náhradných dielov.....	208
16	Likvidácia a recyklácia .....	208
17	Odstraňovanie porúch .....	209
18	EÚ vyhlásenie o zhode.....	210
19	Záručný list.....	211
20	Rozložený výkres .....	291

# 1 Vysvetlenie symbolov na výrobku

Použitie symbolov v tejto príručke má upriamiť vašu pozornosť na možné riziká. Bezpečnostné symboly a vysvetlenia, ktoré ich sprevádzajú, musia byť presne pochopené. Výstrahy samotné neodstraňujú riziká a nemôžu nahradiť správne opatrenia na zabránenie nehodám.

## POZOR





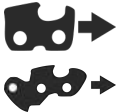









**Pred prvým uvedením do prevádzky si dôkladne prečítajte tento návod na obsluhu a bezpodmienečne dodržiavajte bezpečnostné predpisy!**

**Odporúčame navštíviť odborný bezpečnostný kurz „Certifikát o účasti na kurze pre motorové píly“ so školiacim štandardom typickým pre danú krajinu o používaní, údržbe reťazovej píly, ako aj kurz prvej pomoci. Po dlhšom nepoužívaní a cvičení by ste mali, skôr než začnete, vždy vykonať jednoduché kroky v bezpečne podopretom dreve, aby ste sa opäť oboznámili s používaním reťazovej píly. Návod na obsluhu uchovávajte na bezpečnom mieste!**

### Upozornenie:

Upozorňujeme, že niektoré národné predpisy, ako napríklad o ochrane pri práci, o ochrane životného prostredia, môžu obmedziť používanie reťazovej píly.

	Pred uvedením do prevádzky si prečítajte návod na obsluhu a bezpečnostné upozornenia a dodržiavajte ich!		Uvoľnite brzdú reťaze.
	Pozor! Nerešpektovanie bezpečnostných značiek a výstražných upozornení na výrobku a nedodržiavanie bezpečnostných a prevádzkových upozornení môže viesť k vážnym poraneniam alebo dokonca k smrti.		Motor na striedavý prúd.
	Noste ochrannú prilbu s ochranou tváre resp. s ochrannými okuliarmi a ochranou sluchu.		Rýchlosť pílovej reťaze.
	Noste bezpečnostnú obuv!		Dĺžka reťazovej lišty.
	Noste pevnú obuv!		Počet hnacích článkov.
	Dôležité je nosiť ochranný odev na ruky, predlaktia, nohy a chodidlá.		Rozstup reťaze.
	Výrobok nevystavujte dažďu. Výrobok sa smie umiestniť, uskladniť a prevádzkovať len v suchých okolitých podmienkach.		Šírka drážky.
	Len na obojručnú obsluhu.		Príkon.

	<p>Varovanie! Nebezpečenstvo spätného nárazu (kickback). Dávajte pozor na spätný náraz výrobku a zabráňte kontaktu s hrotom lišty.</p>		<p>Hmotnosť kg.</p>
	<p>Poloha brzdy reťaze.</p>		<p>Objem olejovej nádrže.</p>
	<p>Smer chodu pílovej reťaze.</p>		<p>Údržbové, prestavovacie, nastavovacie a čistiace práce vykonávajte iba pri vypnutom výrobku a vytiahnutej sieťovej zástrčke!</p>
	<p>Plniaci otvor pre olej na pílové reťaze.</p>		<p>Pri poškodení alebo prerezaní sieťového kábla okamžite vytiahnite sieťovú zástrčku zo zásuvky!</p>
	<p>Zvýšenie/zníženie napnutia reťaze.</p>		<p>Zaručená hladina akustického výkonu výrobku.</p>
	<p>Indikátor hladiny oleja na pílové reťaze.</p>		<p>Trieda ochrany II (dvojitá izolácia).</p>
	<p>Aktivujte brzdzu reťaze.</p>		<p>Výrobok zodpovedá platným európskym smerniciam.</p>

## 2 Úvod

### Výrobca:

Schepbach GmbH  
Günzburger Straße 69  
D-89335 Ichenhausen

### Vážený zákazník,

Želáme vám veľa zábavy a úspechov pri práci s vaším novým výrobkom.

### Upozornenie:

Výrobca tohto výrobku neručí podľa platného zákona o ručení za výrobok za škody, ktoré vzniknú na tomto výrobku alebo budú spôsobené týmto výrobkom pri:

- neodbornom zaobchádzaní,
- nedodržaní návodu na obsluhu,
- opravách tretími stranami, nie autorizovanými odborníkmi,
- montáži a výmene neoriginálnych náhradných dielov,
- používaní v rozpore s určením,
- výpadkoch elektrického zariadenia pri nedodržaní vnútroštátnych elektrických predpisov a ustanovení.

### Dodržiavajte:

Návod na obsluhu je súčasťou tohto výrobku.

Obsahuje dôležité pokyny, ako máte s výrobkom pracovať bezpečne, odborne a ekonomicky, ako máte predchádzať nebezpečenstvám, ušetriť náklady na opravu, znížiť doby výpadkov a zvýšiť spoľahlivosť a životnosť výrobku. Okrem bezpečnostných ustanovení tohto návodu na obsluhu musíte bezpodmienečne dodržiavať predpisy svojej krajiny platné pre prevádzku výrobku.

Pred použitím výrobku sa oboznámte so všetkými pokynmi na obsluhu a bezpečnostnými upozoreniami. Výrobok prevádzkujte len tak, ako je popísané, a v uvedených oblastiach použitia. Návod na obsluhu uchovajte na bezpečnom mieste a pri odovzdávaní výrobku tretím osobám odovzdajte všetky dokumenty.

## 3 Popis výrobku (obr. 1 – 5)

1. Sieťová zástrčka
2. Zadná rukoväť
3. Blokovanie zapnutia
4. Veko olejovej nádrže
5. Kryt reťazového kolesa
- 5a. Zachytávač reťaze
6. Napínacie koliesko reťaze
7. Lišta (vodiaca lišta)
- 7a. Vratná rozeta
8. Pílová reťaz
9. Odľahčenie ťahu
10. Zadná ochrana rúk
11. Zapínač/vypínač

12. Olejová nádrž
13. Ukazovateľ hladiny oleja
14. Predná rukoväť
15. Ozubený doraz
16. Brzda reťaze/predná ochrana rúk
17. Ochrana lišty a reťaze
18. Reťazové koleso
19. Svorník
20. Vodiaci čap
21. Pripust oleja
22. Olej na pílové reťaze (bio 180 ml)

## 4 Rozsah dodávky (obr. 1)

Pol.	Počet	Označenie
7.	1 x	Lišta (vodiaca lišta)
8.	1 x	Pílová reťaz
17.	1 x	Ochrana lišty a reťaze
22.	1 x	Olej na pílové reťaze (bio 180 ml)
	1 x	Elektrická reťazová píla
	1 x	Návod na obsluhu

## 5 Použitie v súlade s určením

Reťazová píla je konštruovaná len na pílenie dreva. Pre všetky ostatné typy použitia (napr. rezanie muriva, plastu alebo potravín) nie je výrobok určený.

Výrobok sa smie používať iba v súlade so svojim určením. Každé iné použitie presahujúce určenie je považované za používanie v rozpore s určením. Za škody z neho vzniknuté alebo poranenia akéhokoľvek druhu ručí používateľ, a nie výrobca.

Súčasťou používania v súlade s určením je aj dodržiavanie bezpečnostných upozornení, ako aj návodu na montáž a prevádzkových pokynov v návode na obsluhu.

Osoby, ktoré používajú a udržiavajú výrobok, musia byť oboznámené s výrobkom a možnými nebezpečenstvami.

Zmeny na výrobku úplne vylučujú ručenie výrobcu za škody, ktoré tým vzniknú.

Výrobok sa smie používať iba s originálnymi dielmi a originálnym príslušenstvom od výrobcu.

Musia sa dodržiavať bezpečnostné, pracovné predpisy a predpisy týkajúce sa údržby, ako aj rozmery uvedené v technických údajoch.

Majte na pamäti, že naše výrobky neboli v súlade s určením skonštruované na komerčné, remeselné ani priemyselné použitie. Ak sa výrobok používa v komerčných, remeselných alebo priemyselných podnikoch, ako aj na podobné činnosti, nepreberáme žiadnu záruku.

## Vysvetlenie signálnych slov v návode na obsluhu

### NEBEZPEČENSTVO

Signálne slovo na označenie bezprostredne hroziacej nebezpečnej situácie, ktorá, ak sa jej nezabráni, bude mať za následok smrť alebo vážne poranenie.

### VAROVANIE

Signálne slovo na označenie možnej nebezpečnej situácie, ktorá, ak sa jej nezabráni, by mohla mať za následok smrť alebo vážne poranenie.

### OPATRNE

Signálne slovo na označenie možnej nebezpečnej situácie, ktorá, ak sa jej nezabráni, môže viesť k ľahkému alebo stredne ťažkému poraneniu.

### POZOR

Signálne slovo na označenie možnej nebezpečnej situácie, ktorá, ak sa jej nezabráni, môže viesť k materiálnym škodám na výrobku alebo majetku/vlastníctve.

## 6 Bezpečnostné upozornenia

Všeobecné bezpečnostné upozornenia pre elektrické náradia

### VAROVANIE

**Prečítajte si všetky bezpečnostné upozornenia, pokyny, ilustrácie a technické údaje, ktorými je opatrené toto elektrické náradie.**

Zanedbania pri dodržiavaní nasledujúcich pokynov môžu spôsobiť zásah elektrickým prúdom, požiar a/alebo ťažké poranenia.

Všetky bezpečnostné upozornenia a pokyny uschovajte pre prípad neskoršieho použitia.

Pojem „elektrické náradie“ použitý v bezpečnostných upozorneniach sa vzťahuje na elektrické náradie napájané zo siete (so sieťovým káblom) alebo na elektrické náradie napájané z akumulátora (bez sieťového vedenia).

## 1) Bezpečnosť na pracovisku

- Pracovný priestor udržiavajte čistý a dobre osvetlený.** Neporiadok a neosvetlené pracovné priestory môžu viesť k úrazom.
- S elektrickým náradím nepracujte v prostredí ohrozenom výbuchom, v ktorom sa nachádzajú horľavé kvapaliny, plyny alebo prach.** Elektrické náradia vytvárajú iskry, ktoré môžu zapáliť prach alebo výpary.
- Deti a iné osoby držte v dostatočnej vzdialenosti od elektrického náradia počas jeho používania.** Pri nepozornosti môžete stratiť kontrolu nad elektrickým náradím.

## 2) Elektrická bezpečnosť

- Pripojovacia zástrčka elektrického náradia musí pasovať do zásuvky. Zástrčka sa nesmie nijako upravovať. Nepoužívajte adaptérové zástrčky spolu s uzemnenými elektrickými náradiami.** Neupravené zástrčky a vhodné zásuvky znižujú riziko zásahu elektrickým prúdom.
- Vyhýbajte sa telesnému kontaktu s uzemnenými plochami, ako napríklad rúry, vykurovacie zariadenia, sporáky a chladničky.** Keď je vaše telo uzemnené, hrozí zvýšené riziko zásahu elektrickým prúdom.
- Chráňte elektrické náradia pred dažďom alebo vlhkosťou.** Vniknutie vody do elektrického náradia zvyšuje riziko zásahu elektrickým prúdom.
- Nepoužívajte prípojné vedenie na nosenie či zavesenie elektrického náradia, ani na vytiahnutie zástrčky zo zásuvky. Chráňte prípojné vedenie pred vysokými teplotami, olejom, ostrými hranami alebo pohybujúcimi sa časťami.** Poškodené alebo zamotané prípojné vedenia zvyšujú riziko zásahu elektrickým prúdom.
- Ak s elektrickým náradím pracujete vonku, používajte iba predĺžovacie vedenia, ktoré sú vhodné aj pre exteriér.** Používanie predĺžovacieho vedenia vhodného pre exteriér znižuje riziko zásahu elektrickým prúdom.
- Ak sa nedá vyhnúť prevádzke elektrického náradia vo vlhkom prostredí, používajte prúdový chránič.** Používanie prúdového chrániča znižuje riziko zásahu elektrickým prúdom.

## 3) Bezpečnosť osôb

- Buďte pozorní, dávajte pozor na to, čo robíte, a s elektrickým náradím pracujte rozumne. Elektrické náradie nepoužívajte, ak ste unavení alebo ste pod vplyvom drog, alkoholu či liekov.** Chvilka nepozornosti pri používaní elektrického náradia môže viesť k vážnym zraneniam.
- Noste osobné ochranné prostriedky a vždy používajte ochranné okuliare.** Nosenie osobných ochranných prostriedkov, ako napríklad protipráchová maska, protišmyková bezpečnostná obuv,

- ochranná prilba alebo ochrana sluchu, v závislosti od druhu a použitia elektrického náradia, znižuje riziko zranení.
- c) **Zabráňte neúmyselnému uvedeniu do prevádzky.** Pred zdvihnutím alebo nosením sa uistite, že je elektrické náradie vypnuté, predtým ako ho pripojíte k napájaniu prúdom a/alebo ku akumulátoru. Ak máte pri prenášaní elektrického náradia prst na vypínači, alebo ak zapnuté elektrické náradie pripojíte k napájaniu prúdom, môže dôjsť k úrazom.
  - d) **Pred zapnutím elektrického náradia odstráňte nastavovacie nástroje alebo kľúče na skrutky.** Nástroj alebo kľúč, ktorý sa nachádza v otáčajúcej sa časti elektrického náradia, môže viesť k poraniam.
  - e) **Vyhýbajte sa abnormálnemu držaniu tela. Zastite si bezpečný postoj a vždy udržiavajte rovnováhu.** Vďaka tomu budete môcť elektrické náradie lepšie kontrolovať pri neočakávaných situáciách.
  - f) **Noste vhodný odev. Nenoste voľný odev ani šperky. Udržiavajte vlasy a odev mimo dosahu pohybujúcich sa dielov.** Voľný odev, šperky či dlhé vlasy sa môžu zachytiť do pohybujúcich sa dielov.
  - g) **Ak je možné namontovať zariadenia na odsávanie a zachytávanie prachu, musia sa tieto pripojiť a správne používať.** Použitie zariadenia na odsávanie prachu znižuje riziká spôsobené prachom.
  - h) **Nenechajte sa ukolísť falošnou bezpečnosťou a dbajte na bezpečnostné pravidlá pre elektrické náradie, aj keď ste vďaka mnohonásobnému použitiu oboznámení s elektrickým náradím.** Lahkovožné konanie môže v okamihu viesť k ťažkým poraniam.

#### 4) Používanie a zaobchádzanie s elektrickým náradím

- a) **Elektrické náradie nepreťažujte.** Pri práci používajte elektrické náradie určené na daný účel. Je lepšie a bezpečnejšie pracovať s vhodným elektrickým náradím v udávanom rozsahu výkonu.
- b) **Nepoužívajte elektrické náradie s chybným spínačom.** Elektrické náradie, ktoré sa nedá zapnúť alebo vypnúť, je nebezpečné a musí sa opraviť.
- c) **Skôr ako vykonáte nastavenia prístroja, vymeníte časti vložného nástroja alebo elektrické náradia odložte, vytiahnite zástrčku zo zásuvky a/alebo odoberte odnímateľný akumulátor.** Toto bezpečnostné opatrenie zabráni neúmyselnému spusteniu elektrického náradia.
- d) **Nepoužívané elektrické náradie uchovávajte mimo dosahu detí.** Elektrické náradie nedovoľte používať osobám, ktoré s ním nie sú oboznámené alebo si neprečítali tieto inštrukcie. Elektrické náradia sú nebezpečné, ak ich používajú neskúsené osoby.

- e) **O svoje elektrické náradie a vložný nástroj sa dôkladne starajte. Kontrolujte, či pohybujúce sa časti fungujú bezchybne a či sa nezasekávajú, či diely nie sú zlomené alebo poškodené tak, že to negatívne ovplyvňuje funkciu elektrického náradia. Pred použitím elektrického náradia dajte poškodené diely opraviť.** Príčinou mnohých úrazov je nesprávna údržba elektrických náradí.
- f) **Rezné nástroje udržiavajte ostré a čisté.** Starostlivo udržiavané rezné nástroje s ostrými reznými hranami sa menej zasekávajú a ľahšie sa vedú.
- g) **Používajte elektrické náradie, vložný nástroj, nasadzovacie nástroje atď. podľa týchto pokynov. Zohľadnite pritom pracovné podmienky a vykonávanú činnosť.** Používanie elektrického náradia na iné ako predpísané používanie môže viesť k nebezpečným situáciám.
- h) **Rukováti a uchopovacie plochy rukováti udržiavajte vždy suché, čisté a bez oleja a tuku.** Klzké rukováti a uchopovacie plochy rukováti neumožňujú bezpečnú obsluhu a kontrolu elektrického náradia v nepredvídateľných situáciách.

#### 5) Servis

- a) **Vaše elektrické náradie nechajte opravovať len kvalifikovaným odborným personálom a len s originálnymi náhradnými dielmi.** Tým zaistíte, že bezpečnosť elektrického náradia zostane zachovaná.

#### 6.1 Bezpečnostné upozornenia pre reťazové pily

##### Všeobecné bezpečnostné upozornenia pre reťazové pily

- a) **Pri pile v prevádzke udržiavajte všetky časti tela mimo pílovej reťaze. Pred každým spustením pily sa uistite, či sa pílová reťaz ničoho nedotýka.** Pri práci s reťazovou pilou môže chvíľka nepozornosti viesť k tomu, že reťazová píla zachytí odev alebo časti tela.
- b) **Reťazovú pílu vždy držte pravou rukou za zadnú rukoväť a ľavou rukou za prednú rukoväť.** Držanie reťazovej pily s opačným pracovným uchopením zvyšuje riziko poranení a nesmie sa nikdy používať.
- c) **Reťazovú pílu držte iba za izolované uchopovacie plochy, pretože pílová reťaz môže naraziť na skryté elektrické vedenia alebo vlastný sieťový kábel.** Pri kontakte pílovej reťaze vedením, ktoré je pod napätím, sa môžu pod napätie dostať aj kovové časti prístroja, čo vedie k zásahu elektrickým prúdom.
- d) **Noste ochranu očí.** Odporúčame ďalšie ochranné prostriedky pre sluch, hlavu, ruky, nohy a chodidlá. Vhodný ochranný odev znižuje nebezpe-

čnosť poranenia spôsobeného poletujúcim trieskovým materiálom a náhodným dotykom pílovej reťaze.

- e) **S reťazovou pilou nepracujte na strome, rebríku, zo strechy ani na nestabilnej ploche na státi.** Pri prevádzke takýmto spôsobom hrozí nebezpečenstvo vážneho poranenia.
- f) **Vždy dbajte na pevný postoj a reťazovú pilu používajte iba vtedy, keď stojíte na pevnom, bezpečnom a rovnom podklade.** Klzký podklad alebo nestabilná plocha na státi môže viesť k strate rovnováhy alebo k strate kontroly nad reťazovou pilou.
- g) **Pri pílení napnutej vetvy počítajte s tým, že sa táto vplyvom pružnej sily vráti späť.** Keď sa uvoľní napnutie v drevených vláknach, napnutá vetva môže zasiahnuť používateľa a/alebo vytrhnúť spod kontroly reťazovú pilu.
- h) **Mimoriadne veľký pozor dávajte pri pílení krovia a mladých stromov.** Tenký materiál sa môže zachytiť v pílovej reťazi a môže vás udrieť alebo vás môže vyviezť z rovnováhy.
- i) **Reťazovú pilu noste za prednú rukoväť vo vypnutom stave, pričom pílová reťaz musí smerovať od vášho tela. Pri preprave alebo skladovaní reťazovej pily vždy natiahnite ochranný kryt.** Starostlivé zaobchádzanie s reťazovou pilou znižuje pravdepodobnosť náhodného kontaktu s pohybujúcou sa pílovou reťazou.
- j) **Dodržiavajte pokyny pre mazanie, napínanie reťaze a výmenu vodiacich líst a reťaze.** Nesprávne napnutá alebo namazaná reťaz sa môže buď roztrhnúť, a alebo zvýšiť riziko spätného nárazu.
- k) **Píle iba drevo. Reťazovú pilu nepoužívajte na prácu, na ktorú nie je určená. Príklad: reťazovú pilu nepoužívajte na pílenie kovu, plastov, muriva ani stavebných materiálov, ktoré nie sú z dreva.** Použitie reťazovej pily na prácu, ktoré sú v rozpore s určením, môže viesť k nebezpečným situáciám.
- l) **Nepokúšajte sa vyrábať strom predtým, ako sa dôkladne oboznámite s rizikami a ako im predchádzať.** Padajúci strom môže ťažko zraniť používateľa alebo iné osoby.

### Príčiny a zabránenie spätnému rázu

Spätný náraz sa môže vyskytnúť, keď sa hrot vodiacej lišty dotkne predmetu alebo keď sa ohne drevo a pílová reťaz sa zasekne v reze.

Dotyk so špičkou lišty môže v niektorých prípadoch viesť k neočakávanej reakcii smerujúcej dozadu, pri ktorej sa vodiaca lišta odrazí nahor v smere používateľa.

Zaseknutie pílovej reťaze na hornej hrane vodiacej lišty môže lištu rýchlo odraziť v smere používateľa.

Každá z týchto reakcií môže viesť k tomu, že stratíte kontrolu nad pilou a pravdepodobne sa ťažko poraníte. Nespoliehajte sa výhradne na bezpečnostné zariadenia

zabudované v reťazovej pile. Ako používatelia reťazovej pily by ste mali vykonať rôzne opatrenia, aby ste pracovali bez úrazu a poranenia.

Spätný náraz je dôsledkom nesprávneho alebo chybného použitia reťazovej pily. Je možné sa mu vyhnúť prostredníctvom bezpečnostných opatrení uvedených v nasledujúcom popise:

- a) **Pilu pevne držte obidvomi rukami, pričom palce a prsty obopínajú rukoväti reťazovej pily. Svoje telo a ramená uveďte do polohy, v ktorej dokážete odolať silám spätného nárazu.** Ak sa vykonajú vhodné opatrenia, používateľ dokáže ovládnuť sily spätného rázu. Reťazovú pilu nikdy nepustíte.
- b) **Vyhňte sa abnormálnemu držaniu tela a neplňte nad výškou ramien.** Zabráni sa tým náhodnému kontaktu s hrotom lišty a umožní sa lepšia kontrola reťazovej pily v neočakávaných situáciách.
- c) **Vždy používajte iba výrobcom predpísané náhradné lišty a pílové reťaze.** Nesprávne náhradné lišty a pílové reťaze môžu viesť k roztrhnutiu reťaze a/alebo k spätnému rázu.
- d) **Držte sa pokynov výrobcu pre ostrenie a údržbu pílovej reťaze.** Príliš nízke obmedzovače hĺbky zvyšujú náchylnosť k spätnému rázu.

### Ďalšie bezpečnostné upozornenia

- Dôkladne dodržiavajte pokyny k údržbe, kontrole a servisu uvedené v tomto návode na obsluhu. Poškodené ochranné zariadenia a diely sa musia nechať odbornou opravou alebo vymeniť naším servisným strediskom, pokiaľ nie je v návode na obsluhu uvedená inak.
- Odporúčame, aby si používatelia bez skúseností nacvičili pílenie guľatiny minimálne na pracovnom stojane alebo podstavci.
- Pri pílení vo svahu vždy stojte nad kmeňom stromu. Aby ste si v momente „prepílenia“ udržali úplnú kontrolu, na konci rezu znížte prítláčnu silu bez toho, aby ste uvoľnili pevné uchopenie rukoväti výrobku. Dbajte na to, aby sa pílová reťaz nedotkla zeme. Po dokončení rezu počkajte na zastavenie výrobku, predtým ako odtiaľ odstrániť výrobok. Keď sa presúvate od stromu k stromu, vždy vypnite motor výrobku a vyberte akumulátor.
- Zo stromu musíte odstrániť nečistoty, kamene, voľnú kôru, klince, svorky a drôty.
- **Nepoužívajte príslušenstvo, ktoré neodporúča výrobca.** To môže viesť k zásahu elektrickým prúdom alebo požiaru.
- Používanie výrobku počas búrky je zakázané – **nebezpečenstvo zásahu bleskom!**

### Ďalšie bezpečnostné upozornenia

- **Dodržiavajte všetky pokyny, keď reťazovú pilu zbavujete nahromadeného materiálu, skladujete alebo keď vykonávate údržbárske práce. Uistite sa, že spínač je vypnutý a sieťová zástrčka vyťahaná.** Neočakávaná prevádzka reťazovej pily pri

odstraňovaní nahromadeného materiálu alebo počas údržbárskych prác môže viesť k vážnym poraneniam.

- Keď je sieťový prívod tohto výrobku poškodený, výrobca alebo zákaznický servis či podobne kvalifikovaná osoba ho musí vymeniť, aby sa zabránilo ohrozeniam.
- Používajte prúdový chránič so spúšťacím prúdom 30 mA alebo menším.
- Pripojné vedenie položte tak, aby sa počas pílenia nezachytilo do vetiev alebo podobných prekážok.
- Vonku používajte iba na to povolené a príslušne označené predĺžovacie vedenia (H07RN-F).
- Dôkladne dodržiavajte pokyny k údržbe, kontrole a servisu uvedené v tomto návode na obsluhu. Poškodené ochranné zariadenia a diely sa musia nechať odbornou opraviteľ alebo vymeniť naším servisným strediskom, pokiaľ nie je v návode na obsluhu uvedené inak.
- Pri pílení vo svahu vždy stojte nad kmeňom stromu. Aby ste si v momente „preplienia“ udržali úplnú kontrolu, na konci rezu znížte pritlačnú silu bez toho, aby ste uvoľnili pevné uchopenie rukovätí výrobku. Dbajte na to, aby sa pílová reťaz nedotkla zeme. Po dokončení rezu počkajte na zastavenie výrobku, predtým ako odtiaľ odstránite výrobok. Keď sa presúvate od stromu k stromu, vždy vypnite výrobok a vytiahnite sieťovú zástrčku.
- Zo stromu musíte odstrániť nečistoty, kamene, volnú kôru, klince, svorky a drôty.
- Nepoužívajte výrobok bez mazania a vždy dbajte na to, aby ste ho včas doplnili pred vyprázdnením nádrže.
- Používajte len výrobcom odporúčaný mazací prostriedok.
- Odporúčame, aby si používatelia bez skúseností nacvičili pílenie guľatiny minimálne na pracovnom stojane alebo podstavci.
- **Nepoužívajte príslušenstvo, ktoré neodporúča výrobca.** To môže viesť k zásahu elektrickým prúdom alebo požiaru.
- Používanie výrobku počas búrky je zakázané – **nebezpečenstvo zásahu bleskom!**

Pílovú reťaz si môžete dať nabrúsiť v každej autorizovanej odbornej dielni. Ak nemáte vhodný nástroj a potrebné skúsenosti, pílovú reťaz sa nepokúšajte nebrúsiť sami.

## Bezpečnostné zariadenia (obr. 1)

- **Zadná rukoväť (2) s ochranou rúk (10)**
  - Chráni ruku pred konármi a vetvami a odsakujúcou pílovou reťazou.

- **Blokovanie zapnutia (3)**

- Na zapnutie výrobku sa musí blokovanie zapnutia odblokovať. Blokovanie zapnutia zabraňuje náhodnému spusteniu výrobku.

- **Zachytávač reťaze (5a)**

- Zmierňuje nebezpečenstvo poranení, keď pílová reťaz praskne alebo odskočí.

- **Pílová reťaz (8) s nízkym spätným nárazom**

- Pomáha vám spolu špeciálne vyvinutými bezpečnostnými zariadeniami zachytiť spätné nárazy.

- **Zapínač/vypínač (11) s okamžitým zastavením reťaze**

- Pri uvoľnení zapínača/vypínača sa výrobok okamžite vypne.

- **Ozubený doraz (15)**

- Posilňuje stabilitu, ak sa vykonávajú vertikálne rezy, a uľahčuje pílenie.

### Upozornenie:

Keď je brzda reťaze zaistená, pílová reťaz nebeží.

- **Brzda reťaze/predná ochrana rúk (16)**

- Bezpečnostné zariadenie, ktoré v prípade spätného nárazu okamžite zastaví pílovú reťaz.
- Páku je možné ovládať aj manuálne.
- Chráni ľavú ruku obsluhy, ak sklízne z prednej rukoväti.

- **Elektromotor**

- Z bezpečnostných dôvodov má dvojitú izoláciu.

## 6.2 Osobné ochranné prostriedky (OOP)

### NEBEZPEČENSTVO

#### Nebezpečenstvo poranenia!

Vždy noste osobné ochranné prostriedky (OOP)!

- Noste ochrannú prilbu s ochranou tváre, resp. s ochrannými okuliarmi a ochranou sluchu.
- Noste tesne priliehajúci ochranný odev s ochranou vložkou proti prerezaniu.
- Noste protišmykovú bezpečnostnú obuv.
- Noste ochranné rukavice.

- **Vyhýbajte sa abnormálnemu držaniu tela. Zastňte si bezpečný postoj a vždy udržiavajte rovnováhu.** Vďaka tomu budete môcť elektrické náradie lepšie kontrolovať pri neočakávaných situáciách.

- Výrobok nesmú používať osoby (vrátane detí) so zníženými telesnými, zmyslovými alebo duševnými schopnosťami ani osoby s nedostatkom skúseností a znalostí.

- **Noste vhodný odev. Nenoste voľný odev ani šperky. Udržiavajte vlasy a odev mimo dosahu pohybujúcich sa dielov.** Voľný odev, šperky či dlhé vlasy sa môžu zachytiť do pohybujúcich sa dielov.
- Pri obsluhu výrobku vždy noste pevnú obuv a dlhé nohavice. Výrobok nepoužívajte naboso ani s otvorenými sandálmi. Noste voľný odev ani odev s viacimi šnúrkami alebo kravatami.
- Pri všetkých prácach v lese noste ochrannú prilbu. Táto ponúka ochranu pred padajúcimi konármi. Ochrannú prilbu pravidelne kontrolujte ohľadom poškodení. Najneskôr po 5 rokoch sa táto musí vymeniť. Používajte len otestované ochranné prilby.
- Ochrana tváre alebo ochranné okuliare zabráňujú pilinám a štiepkam. Aby ste zabránili poraneniám očí, musíte neustále pri prácach s výrobkom nosiť ochranu tváre, resp. ochranné okuliare.
- Noste ochranu sluchu.
- Noste ochranné rukavice.
- Pri pílení suchého dreva noste ochrannú masku proti prachu. Môže dôjsť k tvorbe pilového prachu.
- Pri práci na strome môže používateľ spadnúť. Môže dôjsť k ťažkému zraneniu alebo smrti používateľa. Noste výstroj na istenie proti pádu.

### 6.3 Bezpečnosť okolia

- Národné a/alebo komunálne predpisy môžu obmedziť časovo používanie výrobkov poháňaných motorom, ktoré vytvárajú hluk. Pre viac informácií kontaktujte vašu komunálnu správu.
- Pracujte len pri dennom svetle.
- Nepracujte v nepriaznivých poveternostných podmienkach, ako je napr. dážď alebo vietor. Tu vzniká zvýšené riziko nehody!
- Následkom neporiadku v pracovnej oblasti môžu byť nehody.
- Deti a iné osoby držte v dostatočnej vzdialenosti od výrobku počas jeho používania. Pri nepozornosti môžete stratiť kontrolu nad výrobkom.
- Výrobok nikdy neprevádzkujte, ak sú v blízkosti ľudí, najmä deti alebo domáce zvieratá.
- Nepracujte v blízkosti drôtených plovov alebo v oblastiach s voľným starým drôtom.

### Zvyškové riziká

**Výrobok je skonštruovaný podľa aktuálneho stavu techniky a uznávaných bezpečnostno-technických pravidiel. Napriek tomu sa môžu pri práci vyskytnúť jednotlivé zvyškové riziká.**

- Zvyškové riziká je možné minimalizovať, ak sa spolu dodržiavajú „bezpečnostné upozornenia“ a „použitie v súlade s určením“, ako aj návod na obsluhu.

- Výrobok používajte tak, ako je odporúčané v tomto návode na obsluhu. Tak dosiahnete, že váš výrobok bude podávať optimálne výkony.
- Napriek všetkým prijatým opatreniam môžu pretrvávajúť zvyškové riziká, ktoré nie sú očividné.
- Nikdy nevkladajte ruky do pracovnej oblasti, keď je výrobok v prevádzke.
- Poškodenie sluchu, ak sa nenosí predpísaná ochrana sluchu.
- Poškodenie pľúc, ak sa nenosí predpísaná ochrana dýchacích ciest.
- Nebezpečenstvo poranenia vymrštenými obrobkami pri neodbornom držaní alebo vedení.
- Ohrozenie zdravia prúdom pri použití elektrických prípojných vedení v rozpore s určením.
- Vyháňajte sa náhodným uvedením výrobku do prevádzky: pri zasúvaní zástrčky do zásuvky nesmie byť stlačený zapínač/vypínač.
- Pred vykonávaním nastavovacích alebo údržbových prác pustite zapínač/vypínač a vytiahnite sieťovú zástrčku.

#### **VAROVANIE**

Toto elektrické náradie vytvára počas prevádzky elektromagnetické pole. Toto pole môže za určitých okolností ovplyvniť aktívne alebo pasívne implantáty. Na zníženie nebezpečenstva závažných alebo smrteľných poranení odporúčame osobám s implantátmi prekonzultovať situáciu so svojim lekárom a výrobcom implantátu ešte predtým, ako začnú obsluhovať elektrické náradie.

#### **VAROVANIE**

Pri dlhších prácach môže z dôvodu vibrácií dôjsť v rukách obsluhujúcej osoby k poruchám prekrvenia (syndróm bielych prstov).

Syndróm bielych prstov je cievné ochorenie, pri ktorom sa v záchvatoch krčovito sťahujú cievy na prstoch na rukách a nohách. Postihnuté oblasti už nie sú dostatočne zásobované krvou a preto sa zdajú extrémne bledé. Časté používanie vibrujúcich výrobkov môže u osôb, ktorých prekrvenie je narušené (napr. fajčiari, diabetici), vyvolať nervové poškodenia.

Ak spozorujete neobvyklé zhoršenia stavu prstov, okamžite ukončíte prácu a vyhľadajte lekára.

## 7 Technické údaje

Menovité napätie	220 – 240 V AC / 50/60 Hz
Menovitý výkon S1*	1600 W
Trieda ochrany	II
Stupeň ochrany krytom	IPX0
Rýchlosť reťaze	15 m/s
Vodiaca lišta	14"
Dĺžka reťazovej lišty	41,5 cm
Dĺžka rezu**	34 cm
Rozstup reťaze	3/8"
Počet zubov reťazového kolesa	52 zubov
Typ pílovej reťaze	3/8LP-52
Typ vodiacej lišty	AP14-52-507P
Nádrž/olej na pílovú reťazu	0,35 l
Hmotnosť (s reťazovou lištou a pílovou reťazou)	cca 4,8 kg
Hmotnosť (bez reťazovej lišty, pílovej reťaze a kábla)	cca 4,2 kg

Technické zmeny vyhradené!

### \*Prevádzkový režim S1 (nepretržitá prevádzka)

Výrobok sa môže trvalo prevádzkovať s uvedeným výkonom.

\*\*Skutočná dĺžka rezu môže byť menšia ako uvedená dĺžka rezu.

### Hluk a vibrácie

#### VAROVANIE

Hluk môže mať závažný vplyv na vaše zdravie. Ak hluk stroja prekročí 85 dB, noste vy aj všetky osoby, ktoré sa nachádzajú v jeho blízkosti, vhodnú ochranu sluchu.

### Hodnoty hluku

Hladina akustického tlaku $L_{pA}$	95,3 dB
Neistota merania $K_{pA}$	3 dB
Nameraná hladina akustického výkonu $L_{wA}$	103,3 dB
Zaručená hladina akustického výkonu $L_{wA}$	106 dB
Neistota merania $K_{wA}$	3 dB

### Parametre vibrácií (vibrácia ruka-rameno)

Vibrácia $a_h$	
Predná rukoväť	3,26 m/s <sup>2</sup>
Zadná rukoväť	3,51 m/s <sup>2</sup>
Neistota merania K	1,5 m/s <sup>2</sup>

Uvedená celková hodnota vibrácií a hodnota emisií hluku boli merané podľa normovanej skúšobnej metódy a môžu sa použiť na porovnanie elektrického náradia s iným zariadením.

Uvedená hodnota emisií hluku a uvedená celková hodnota vibrácií sa môžu použiť aj na predbežné posúdenie zaťaženia.

#### VAROVANIE

**Emisie hluku a hodnota emisií vibrácií sa môžu počas skutočného používania elektrického náradia odlišovať od uvedených hodnôt v závislosti od druhu a spôsobu použitia elektrického náradia, predovšetkým, aký druh obrobku sa obrába.**

Zaťaženie sa snažte udržať podľa možností čo najnižšie. Vzorové opatrenia: obmedzenie pracovnej doby. Pritom sa musia zohľadniť všetky časti prevádzkového cyklu (napríklad časy, keď je elektrické náradie vypnuté, a časy, počas ktorých je síce zapnuté, no beží bez zaťaženia).

## 8 Vybalenie

#### VAROVANIE

**Výrobok a baliace materiály nie sú hračky pre deti!**

**Deti sa nesmú hrať s plastovými vreckami, fóliami a malými dielmi! Hrozí nebezpečenstvo prehltnutia a zadusenía!**

- Otvorte balenie a opatrne vyberte výrobok.
- Odstráňte baliaci materiál, ako aj obalové a prepravné poistky (ak sú použité).
- Skontrolujte, či je rozsah dodávky kompletný.
- Skontrolujte výrobok a diely príslušenstva, či nedošlo k škodám pri preprave. Prípadné škody okamžite nahláste dopravnej spoločnosti, ktorá výrobok dodala. Neskoršie reklamácie nebudú uznané.
- Obal podľa možnosti uschovajte až do uplynutia záručnej doby.
- Pred použitím sa oboznáňte s výrobkom na základe návodu na obsluhu.
- Pri príslušenstve, ako aj pri dieloch podliehajúcich opotrebovaniu a náhradných dieloch, používajte iba originálne diely. Náhradné diely získate u svojho špecializovaného predajcu.
- Pri objednávkach uvádzajte naše čísla výrobkov, ako aj typ a rok výroby výrobku.

## 9 Pred uvedením do prevádzky

### VAROVANIE

Pred vykonaním nastavení na výrobku vždy vytiahnite sieťovú zástrčku.

### VAROVANIE

#### Nebezpečenstvo poranenia!

Sieťovú zástrčku zasunite do zásuvky až vtedy, keď je výrobok pripravený na použitie.

### NEBEZPEČENSTVO

#### Nebezpečenstvo poranenia!

Ak sa používa neúplne zmontovaný výrobok, môže dôjsť k ťažkým poraneniam.

- Výrobok používajte až po jeho úplnom zmontovaní.
- Pred každým použitím vykonajte vizuálnu kontrolu, aby ste skontrolovali, či je výrobok úplný a či neobsahuje žiadne poškodené alebo opotrebované konštrukčné diely. Bezpečnostné a ochranné zariadenia musia byť neporušené.

### VAROVANIE

#### Keď manipulujete s pílovou reťazou alebo lištou, hrozí nebezpečenstvo poranenia!

- Noste ochranné rukavice odolné proti prerezaniu.

#### Upozornenia:

- Nová pílová reťaz sa predĺži a musí sa častejšie napnúť. Pravidelne po každom rezaní skontrolujte napnutie reťaze a nastavte ho.
- Používajte iba pílové reťaze a lišty, ktoré sú dimenzované pre tento výrobok.

### OPATRNE

Nesprávne namontovaná pílová reťaz vedie k nekontrolovanému chovaniu výrobku pri rezaní!

Pri montáži pílovej reťaze dbajte na predpísaný smer chodu!

- Umiestnite výrobok na rovnú, priamu plochu.
- Pred použitím sa oboznáňte s výrobkom na základe návodu na obsluhu.

Pred každým použitím alebo po páde výrobku je nutné ho dôkladne skontrolovať, či nie je poškodený. Ak zistíte nejaké poškodenie, musíte ho okamžite opraviť v alebo autorizované servisné stredisko.

Aby výrobok fungoval bezchybne a mal dlhú životnosť, je potrebné dodržiavať nasledujúce body:

- Správne uloženie vodiacej lišty.
- Smer montáže/smer chodu, ako aj bezchybnú (ostrú) pílovú reťaz.
- Napnutie pílovej reťaze (pri novej reťazi ju niekoľkokrát skontrolujte a dodatočne nastavte).
- Funkciu mazania reťaze.
- Funkciu brzdy reťaze.
- Funkciu spojky (reťaz sa v chode naprázdno nepohybuje).
- Bezchybný stav a úplnosť ochranných zariadení a rezacieho prípravku.
- Pevné utiahnutie všetkých skrutkových spojov.
- Lahkosť chodu všetkých pohyblivých dielov.

### 9.1 Montáž lišty (7) a pílovej reťaze (8) (obr. 2)

1. Napínacie koliesko reťaze (6) otáčajte proti smeru hodinových ručičiek, aby ste odstránili kryt reťazového kolesa (5).
2. Pílovú reťaz (8) položte v slučke tak, aby rezná hrana smerovali v smere hodinových ručičiek. Za účelom nasmerovania pílovej reťaze (8) sa riadte grafickými znakmi (šípkami) na pílovej reťazi (8), príp. nad reťazovým vodiacim čapom (20).
3. Vložte pílovú reťaz (8) do drážky lišty (7). Lištu (7) držte za účelom montáže naklonenú v uhle cca 45 stupňov nahor, aby ste mohli pílovú reťaz (8) ľahšie zaviesť na reťazové koleso (18). Pílová reťaz (8) je vedená cez vratnú rozetu (7a).
4. Nasadte lištu (7) na vodiaci čap (20) a na svorník (19). Vodiaci čap (20) a svorník (19) sa musia nachádzať v pozdĺžnom otvore na lište (7).
5. Vedte pílovú reťaz (8) okolo reťazového kolesa (18) a skontrolujte vyrovnanie pílovej reťaze (8).
6. Opäť nasadte kryt reťazového kolesa (5). Dbajte na to, aby bol kryt reťazového kolesa (5) uložený v drážke na telese.
7. Otočte napínacie koliesko reťaze (6) pevne rukou v smere hodinových ručičiek.
8. Znova skontrolujte uloženie pílovej reťaze (8) a napnite pílovú reťaz (8).

#### Upozornenie:

Majte na pamäti, že výrobok sa po použití znovu zaolejuje a olej môže vytekať, ak sa výrobok skladuje naboku alebo hore nohami. Ide o normálny proces podmienený potrebným vetracím otvorom na hornom okraji nádrže, a nie je dôvodom na reklamáciu. Keďže sa tento výrobok počas výroby kontroluje a testuje s olejom, v nádrži by sa napriek vyprázdneniu mohol nachádzať malý zvyšok, ktorý by sa počas prepravy telesa mohol zľahka zašpiniť olejom. Očistite teleso handrou.

Pred výmenou pílovej reťaze sa musí očistiť drážka vodiacej lišty od nečistôt, pretože v prípade usadenín nečistôt môže pílová reťaz vyskočiť z lišty. Usadeniny môžu nasávať aj olej na pílové reťaze. Následkom by bolo to, že sa olej na pílové reťaze nedostane na dolnú stranu lišty alebo sa na ňu dostane iba v malej miere a zabráni sa mazaniu.

## 9.2 Napnutie pílovej reťaze (8) (obr. 3)

### VARIOVANIE

#### Nebezpečenstvo poranenia spôsobené vyskočením pílovej reťaze!

Nedostatočne napnutá pílová reťaz môže počas prevádzky vyskočiť a viesť k poraneniam.

- Často kontrolujte napnutie pílovej reťaze.
- Reťaz je príliš slabo napnutá vtedy, keď hnacie články vyskočia z drážky na dolnej strane vodiacej lišty.
- Ak je pílová reťaz napnutá príliš slabo, odborne ju napnite.

1. Uistite sa, že je brzda reťaze (16) uvoľnená (pozri 10.1.2).
2. Nastavte napnutie reťaze pomocou napínacieho kolesa reťaze (6).
  - V smere hodinových ručičiek – zvýši napnutie reťaze
  - Proti smeru hodinových ručičiek – zníži napnutie reťaze
3. Pílovú reťaz (8) otáčajte rukou, aby ste ju skontrolovali ohľadom prevádzky bezchybného chodu. Musí sa voľne kĺzať v lište (7).

Pílová reťaz (8) nesmie previsať, ale mala by umožňovať odtiahnutie aspoň 1-2 milimetre od lišty (7) v strede lišty reťaze.

Napnutie reťaze a mazanie reťaze v podstatnej miere ovplyvňujú životnosť pílovej reťaze.

Pílová reťaz je správne napnutá vtedy, keď neprevisa na dolnej strane reťazovej lišty a rukou v rukavici sa dá ťahať po celom obvode. Pri ťahaní za pílovú reťaz s ťažnou silou 9 N (cca 1 kg) nesmie byť vzdialenosť medzi pílovou reťazou a reťazovou lištou väčšia ako 7 mm.

Pílová reťaz (8) sa smie dať stiahnuť rukou maximálne 9 mm pri priemernej ťažnej sile.

#### Upozornenie:

- Napnutie novej reťaze sa musí skontrolovať a nastaviť po niekoľkých pracovných minútach.
- Pílová reťaz by sa mala napínať na čistom mieste, na ktorom sa nenachádzajú jemné piliny a podobné znečistenia.
- Správne napnutie pílovej reťaze slúži pre bezpečnosť používateľa a znižuje, príp. zabráňuje opotrebovanie a poškodenia reťaze.

- Používateľovi pred každým začiatkom práce odporúčame skontrolovať napnutie reťaze.

### POZOR

Pri práci s pílou sa pílová reťaz zohrieva a tým sa mierne predlžuje. S týmto „dodatočným predlžovaním“ sa musí počítať predovšetkým pri nových pílových reťazoch.

## 9.3 Plnenie oleja na pílové reťaze (22) (obr. 4)

### NEBEZPEČENSTVO

Výrobok vždy vypnite a pred naplnením oleja nechajte motor vychladnúť. V dôsledku pretečenia oleja hrozí nebezpečenstvo požiaru.

### VARIOVANIE

Lišta a pílová reťaz nesmú byť nikdy bez oleja. Ak budete reťazovú pílu prevádzkovať s príliš malým množstvom oleja, zníži sa rezný výkon a skráti životnosť pílovej reťaze, pretože sa pílová reťaz rýchlejšie otupí. Príliš málo oleja rozpoznáte podľa vznikajúceho dymu alebo sfarbenia lišty.

### POZOR

#### Škody na životnom prostredí

Vypustený olej môže trvalo znečistiť životné prostredie. Kvapalina je vysoko toxická a môže viesť k znečisteniu vody.

- Olej naplňajte/vyprázdňujte len na rovných a pevných povrchoch.
- Použite plniace hrdlo alebo lievik.
- Zachyťte vypustený olej do vhodnej nádoby.
- Okamžite a dôkladne utrite rozliaty olej a zlikvidujte handru podľa miestnych predpisov.
- Zlikvidujte olej podľa miestnych predpisov.

Pílová reťaz je počas prevádzky výrobku mazaná automaticky. V olejovej nádrži musí byť vždy dostatok oleja na pílové reťaze, aby sa pílová reťaz mohla dostatočne mazať. V pravidelných intervaloch kontrolujte množstvo oleja, ktoré ostalo v olejovej nádrži.

#### Upozornenie:

- Veko je vybavené poistkou proti strate.
- Reťazovú pílu naplňte prioritne biologicky rozložiteľným olejom na pílové reťaze (22).
- Pred zapnutím produktu skontrolujte, či je uzáver olejovej nádrže na svojom mieste a zatvorený.

1. Otvorte olejovú nádrž (12). Na tento účel odskrutkujte veko olejovej nádrže (4) proti smeru hodinových ručičiek.
2. Aby nemohol vytekať olej, používajte lievik\*.
3. Opatrne nalievajte olej na pílovú reťaze (22), kým sa nedosiahne horná značka ukazovateľa hladiny oleja (13). Plniace množstvo olejovej nádrže: max. 350 ml.
4. Na zatvorenie olejovej nádrže (12) priskrutkujte veko olejovej nádrže (4) v smere hodinových ručičiek.
5. Okamžite a dôkladne utrite prípadný rozliaty olej a zlikvidujte handru podľa miestnych predpisov.
6. Na kontrolu mazania pílovej reťaze podržte výrobok s pílovou reťazou nad listom papiera a na pár sekúnd ju naplno zapnite. Na papieri rozpoznáte, či mazanie reťaze funguje.

## 10 Obsluha

Elektrická reťazová píla má ako pohon elektromotor. Obiehajúca pílová reťaz je vedená reťazovou lištou (vodičou lištou).

Výrobok je vybavený brzdou reťaze s rýchlym zastavením. Automatika oleja zaisťuje nepretržité mazanie reťaze. Na ochranu používateľa je elektrická reťazová píla vybavená rôznymi ochrannými zariadeniami. Funkcia ovládacích častí je opísaná v nasledujúcich popisoch.

### POZOR

**Pred uvedením do prevádzky je nevyhnutné výrobok úplne zmontovať!**

### POZOR

Dbajte na to, aby okolitá teplota počas práce neprekročila 50 °C a neklesla pod -20 °C.

### ⚠ NEBEZPEČENSTVO

#### Nebezpečenstvo poranenia!

Ak sa výrobok zasekne, výrobok sa nepokúšajte vytiahnuť s použitím hrubej sily.

- Odstavte motor.
- Na uvoľnenie výrobku použite pákové rameno alebo kľin.

## 10.1 Brzda reťaze (16) (obr. 1, 5)

### ⚠ VAROVANIE

**Brzda reťaze sa musí pred každým uvedením do prevádzky skontrolovať.**

Brzda reťaze okamžite brzdí pílovú reťaz pri spätnom náraze.

### ⚠ VAROVANIE

**Ak brzda reťaze nefunguje správne, reťazovú pílu nesmiete používať.**

**Hrozí nebezpečenstvo poranenia v dôsledku dobiehajúcej pílovej reťaze.**

**Kontaktujte zákaznícky servis.**

### ⚠ VAROVANIE

**Poškodenie výrobku!**

Zvýšené otáčky motora v dôsledku príliš dlhkej doby pri blokovanej brzde reťaze poškodzuje motor a pohon pílovej reťaze.

Ak sa pílová reťaz napriek tomu stále pohybuje, kontaktujte zákaznícky servis.

#### Upozornenie:

Keď je brzda reťaze zaistená, pílová reťaz nebeží.

#### 10.1.1 Aktivácia brzdy reťaze/prednej ochrany rúk (16)

1. Nakloňte brzdú reťaze/prednú ochranu rúk (16) v smere lišty (7).

#### 10.1.2 Uvoľnenie brzdy reťaze/prednej ochrany rúk (16)

1. Potiahnite brzdú reťaze/prednú ochranu rúk (16) v smere prednej rukoväti (14). Brzda reťaze/predná ochrana rúk (16) počutelné zapadne.

#### 10.1.3 Kontrola brzdy reťaze/prednej ochrany rúk (16)

1. Uvoľnite brzdú reťaze/prednú ochranu rúk podľa nižšie uvedeného opisu (16) 10.1.2.
2. Reťazovú pílu pevne držte oboma rukami.
3. Zapnite reťazovú pílu podľa nižšie uvedeného opisu 10.1.3.
4. Nakloňte brzdú reťaze/prednú ochranu rúk (16) v smere lišty (7). Pílová reťaz (8) sa musí okamžite zastaviť!

#### Upozornenie:

Ak sa pílová reťaz stále pohybuje, výrobok nesmiete používať. Hrozí nebezpečenstvo poranenia v dôsledku dobiehajúcej pílovej reťaze. Kontaktujte zákaznícky servis.

## 10.2 Zapnutie/vypnutie a prevádzkovanie výrobku (obr. 1)

### VARIOVANIE

#### Nebezpečenstvo poranenia spätným nárazom!

- Výrobok nikdy nepoužívajte jednou rukou!

#### Zapnutie

1. Skontrolujte, či sa v olejovej nádrži (12) nachádza olej na pílovej reťaze (22).
2. Z jedného konca predĺžovacieho vedenia\* vytvoríte slučku a zaveste ho na odľahčenie ťahu (9) na zadnej rukoväti (2).
3. Sieťovú zástrčku zasuňte do riadne poistenej sieťovej zásuvky.
4. Odstráňte ochranu lišty a reťaze (17) z lišty (7).
5. Uvoľnite brzdú reťaze (16). Brzda reťaze (16) počutelné zapadne.
6. Držte výrobok ľavou rukou za prednú rukoväť (14) a pravou rukou za zadnú rukoväť (2). Palce a prsty musia pevne obopínať rukoväti (2/14).
7. Svoje telo a ramená uveďte do polohy, v ktorej dokážete odolať silám spätného nárazu.
8. Posuňte blokovanie zapnutia (3) na zadnej rukoväti (2) dopredu a podržte ho v tejto polohe.
9. Na zapnutie výrobku stlačte zapínač/vypínač (11).
10. Pustite blokovanie zapnutia (3).

#### Upozornenie:

Blokovanie zapnutia sa po spustení výrobku nemusí držať stlačené. Blokovanie zapnutia má zabrániť náhodnému spusteniu výrobku.

Prepnutie na nepretržitý chod nie je možné.

#### Vypnutie

1. Na vypnutie pustite zapínač/vypínač (11).
2. Aktivujte brzdú reťaze (16).
3. Po každej práci s výrobkom nasadte dodanú ochranu lišty a reťaze (17).
4. Ak výrobok nepoužívate, odpojte sieťovú zástrčku od sieťovej zásuvky.
5. Odstráňte predĺžovací kábel\* z odľahčenia od ťahu (9).

\* = nie nevyhnutne obsiahnuté v rozsahu dodávky!

## 10.3 Ochrana proti preťaženiu

Pri preťažení výrobku sa tento samočinne vypne. Po dobe chladenia (časovo rozdielna) sa dá výrobok opäť zapnúť.

## 10.4 Kontrola mazania pílovej reťaze (obr. 4)

#### Upozornenie:

Pred začatím práce skontrolujte hladinu oleja a funkciu mazania reťaze.

1. Na kontrolu mazania pílovej reťaze podržte výrobok s pílovou reťazou nad listom papiera a na pár sekúnd ju naplno zapnite. Na papieri rozpoznáte, či mazanie reťaze funguje.

#### Upozornenie:

Ak nie sú prítomné žiadne stopy po oleji, prípadne vyčistite priepust oleja alebo nechajte reťazovú pilu opraviť našim zákazníckym servisom.

1. Vyčistite priepust oleja (21), aby ste zaručili bezpečnostné, automatické namastenie pílovej reťaze (8) olejom počas prevádzky. Na tento účel použite štetec\* alebo handru\*, aby ste zotrelí zvyšky oleja z priepustu oleja (21).

\* = nie nevyhnutne obsiahnuté v rozsahu dodávky!

## 11 Pracovné pokyny

### NEBEZPEČENSTVO

#### Nebezpečenstvo poranenia!

Tento odsek obsahuje informácie o základnej pracovnej technike pri zaobchádzaní s výrobkom. Tu uvedené informácie nenahrádzajú dlhoročné vzdelanie a skúsenosti odborníka.

Vyhňte sa akejkolvek práci, na ktorú nie ste dostatočne kvalifikovaní!

Nerozvážne zaobchádzanie s výrobkom môže mať za následok ťažké poranenia a smrť!

### NEBEZPEČENSTVO

#### Nebezpečenstvo poranenia!

Pílenie a výrub, ako aj všetky s tým spojené práce, smú vykonávať len špeciálne vzdelané a vyskúšané osoby.

### VARIOVANIE

Z bezpečnostných dôvodov neodporúčame neskúseným používateľom rúbať kmeň stromu s dĺžkou lišty, ktorá je menšia ako priemer kmeňa.

#### Upozornenia:

Pred zapnutím dbajte na to, aby sa výrobok nedotýkal žiadnych predmetov.

Dodržiavajte špecifické predpisy danej krajiny pre výrub a informujte sa na príslušných úradoch.

- Dbajte na to, aby nikto neprišiel k ujme v dôsledku padajúcich konárov a stromov.
- V pracovnej oblasti sa smú zdržiavať len osoby povolené výrubom.
- Vždy udržiajte pracovnú oblasť v okolí kmeňa voľnú a čistú tak, aby bolo pre používateľov zaistené bezpečné miesto.
- Udržiavajte únikové cesty voľné a čisté, aby ste mohli pracovnú oblasť urýchlene opustiť.
- Nevykonaвайте výrub pri silných poveternostných podmienkach, zlom počasí alebo zlej viditeľnosti.
- Dodržiavajte vzdialenosť najmenej 2 1/2 dĺžky stroju od najbližšieho pracoviska.
- Ak sa píla dostane do kontaktu s cudzím predmetom, vypnite motor. Skontrolujte pílu, popřípade ju opravte.
- Chráňte pílový reťaz pred nečistotami a pieskom. Aj malé množstvá nečistôt môžu pílový reťaz rýchlo otupiť a zvýšiť nebezpečenstvo reakcie spätného nárazu.
- Predtým ako budete vykonávať ťažšie úlohy, začinite s plnením menších kmeňov na precvičenie, aby ste sa s výrobkom trochu viac oboznámili.
- Keď začínate s plnením, zatlačte teleso reťazovej píly proti kmeňu.
- Nechajte pílu pracovať za vás. Vyvíjajte len ľahký tlak smerom nadol.
- Aby ste pri výstupe pílovej reťaze z dreva nestratili kontrolu nad výrobkom, nemali by ste na konci rezu vyvíjať žiadny tlak na pílu.
- Nikdy nepíľte drevo ležiace na zemi, resp. nikdy sa nepokúšajte píliť korene vyčnievajúce zo zeme.
- Vyhýbajte sa abnormálnemu držaniu tela. Zaisťte si bezpečný postoj a vždy udržiavajte rovnováhu. Vďaka tomu budete môcť výrobok lepšie kontrolovať pri neočakávaných situáciách.
- Lepšiu kontrolu budete mať, keď budete píliť dolnou stranou lišty (s ľahajúcou reťazou).
- Pílový reťaz sa počas pílenia alebo po ňom nesmie dotknúť zemského povrchu ani iného predmetu.
- Dodržiavajte aj bezpečnostné opatrenia proti spätnému rázu (pozri bezpečnostné upozornenia).

## 11.1 Správne držanie



### NEBEZPEČENSTVO

#### Nebezpečenstvo poranenia!

- Nikdy nepracujte na nestabilných podkladoch!
- Nikdy nepracujte nad výškou ramien!
- Nikdy nepracujte na rebrikoch v stoj!
- Nepracujte príliš prehnúť dopredu!
- Výrobok používajte len za vhodných poveternostných a terénnych podmienok!
- Stojte oboma nohami pevne na zemi.
- Dávajte pozor na prekážky v pracovnej oblasti.
- Pri práci držte výrobok vždy pevne oboma rukami!

## 11.2 Takto sa píli správne!

- Na výrobok pôsobte rovnomerným tlakom, avšak nie nadmernou silou.
- Výrobok podľa možnosti priložte ozubeným dorazom ku konáru, ktorý chcete píliť.
- Nikdy nepracujte bez ozubeného dorazu. Výrobok môže trhnúť obsluhu dopredu.
- Používajte ozubený doraz na rezanie kmeňov strojom alebo hrubých konárov.
- Používanie ozubeného dorazu zvyšuje bezpečnosť pri práci, znižuje osobné zaťaženie pri práci a tiež znižuje vibrácie.
- Ak ste narazili na cudzí predmet. Vyhľadajte poškodenia na výrobku a vykonajte potrebné opravy pred opätovným spustením a ďalšími prácami s výrobkom. V prípade, že výrobok začne nezvyčajne silno vibrovať, je potrebná okamžitá kontrola.

## 11.3 Techniky pílenia

### 11.3.1 Ťahacie pílenie

Pri tejto technike sa píli spodnou stranou reťazovej lišty zhora nadol.

Pílová reťaz posúva výrobok dopredu smerom od používateľa. Predná hrana výrobku pritom tvorí podperu, ktorá zachytáva sily vznikajúce pri pílení na kmeni stroju. Pri ťahacom pílení má používateľ podstatne väčšiu kontrolu nad výrobkom a dokáže lepšie zabrániť spätným rázom.

### 11.3.2 Posuvné pílenie

#### NEBEZPEČENSTVO

##### **Život ohrozujúce poranenia!**

Ak sa reťazová lišta spriechi, výrobok sa môže veľkou silou vymrštiť k používateľovi.

Ak používateľ svojou fyzickou silou nevyrovná silu pílovej reťaze vykonávajúcu posun dozadu, vzniká nebezpečenstvo, že kontakt s drevom bude mať iba hrot reťazovej lišty a dôjde tak k spätnému nárazu.

Pri tejto technike sa pili hornou stranou vodiacej lišty zdola nahor.

Pílová reťaz pritom posúva výrobok dozadu k používateľovi.

### 11.3.3 Skracovanie

Skracovanie je pílenie vyrúbaných kmeňov stromov na malé časti. Ak je to možné, kmeň by mal byť podložený a podporený vetvami, hranolmi alebo klinmi.

- **Vždy dbajte na pevný postoj a reťazovú pílu používajte iba vtedy, keď stojíte na pevnom, bezpečnom a rovnom podklade.** Klzký podklad alebo nestabilná plocha na státie môže viesť k strate rovnováhy alebo k strate kontroly nad reťazovou pílu.
- Pri pílení vo svahu vždy stojte nad konárom. Dbajte na to, aby sa pílová reťaz nedotkla zeme. Po dokončení rezu počkajte, kým sa reťaz píly zastaví, a až potom odstráňte výrobok.
- Motor výrobku vypnite vždy skôr, ako prejdete od pracoviska k pracovisku.

#### 11.3.3.1 Kmeň leží na zemi (obr. 6)

- Pílová reťaz sa počas pílenia alebo po ňom nesmie dotknúť zemského povrchu ani iného predmetu.
- Prejdite pílu cez celý kmeň smerom zhora.
- Ak je možné kmeň otočiť, prepílte ho do 2/3. Kmeň potom obráťte a prepílte zvyšok kmeňa zhora.

#### 11.3.3.2 Kmeň je na jednom konci podporený (obr. 7)

- Najprv prepílte 1/3 priemeru kmeňa zdola nahor (hornou časťou reťazovej lišty), aby ste zabránili rozštiepeniu.
- Potom pílte zhora nadol (spodnou stranou reťazovej lišty) smerom k prvému rezu, aby ste zabránili zaseknutiu.

#### 11.3.3.3 Kmeň je podporený na oboch koncoch (obr. 8)

- Najprv prepílte 1/3 priemeru kmeňa zhora nadol (spodnou časťou reťazovej lišty).
- Následne pílte zdola nahor (hornou stranu reťazovej lišty), kým sa rezy nestretnú.

### 11.3.3.4 Pílenie na pracovnom stojane (obr. 9)

1. Výrobok pevne držte obidvomi rukami a vedte ho počas pílenia od tela **1**.
2. Keď je kmeň prepílený, výrobok vedte vpravo popri tele. Držte ľavé rameno čo najrovnejšie **2**. Dávajte pozor na padajúci kmeň.
3. Postavte sa tak, aby odpílený kmeň nepredstavoval nebezpečenstvo.
4. Dávajte pozor na svoje nohy **3**. Odpílený kmeň by pri spadnutí mohol spôsobiť poranenia.
5. Dbajte na to, aby ste mali telo v rovnováhe a bezpečné držanie tela.

### 11.3.4 Odvetvovanie (obr. 10)

#### VAROVANIE

##### **Nebezpečenstvo poranenia!**

Mnohé úrazy sa stanú pri odvetvovaní.

- Výrobok pevne držte obidvomi rukami a vedte ho počas pílenia od tela.
- Pri prevádzke sa nepredkláňajte príliš ďaleko.
- Konáre nikdy nepílte, ak stojíte na kmeni stromu.
- Ak sú konáre napnuté, sledujte oblasť spätného rázu.

Odvetvovanie je označenie pre odstraňovanie konárov a vetiev zo stromu.

- Podporné vetvy odstráňte až po skrátaní.
- Napnuté konáre sa musia píliť zdola nahor, aby sa zabránilo zaseknutiu výrobku.
- Pri pílení hrubších konárov použite rovnakú techniku ako pri skracovaní.
- Pracujte vľavo od kmeňa a čo najbližšie k výrobku. Hmotnosť výrobku podľa možnosti spočíva na kmeni.
- Zmeňte stanovisko, aby ste odpíliť konáre na druhej strane kmeňa.
- Rozvetvené konáre sa skracujú jednotlivo.
- Pri odvetvovaní nechajte väčšie, nadol smerujúce konáre, ktoré podopierajú strom, najskôr stáť. Menšie konáre oddeľte rezom.
- Odstráňte konáre visiace nadol rezom nad konárom.
- Nikdy neodstraňujte konáre vo výške presahujúcej výšku ramien.

### 11.3.5 Výrub stromu (obr. 11, 12)

#### NEBEZPEČENSTVO

##### Nebezpečenstvo poranenia!

Pílenie a výrub, ako aj všetky s tým spojené práce, smú vykonávať len špeciálne vzdelané a vyskolené osoby.

#### NEBEZPEČENSTVO

Na stínanie stromov je potrebné mať veľa skúseností. Stínajte stromy len vtedy, ak si ste istí manipuláciou s výrobkom. Ak sa cítite neistí, v žiadnom prípade výrobok nepoužívajte.

#### NEBEZPEČENSTVO

##### Život ohrozujúce poranenia!

- Kmeň stromu nikdy neprepíťte úplne!
- Pri stínaní stojte iba na boku stromu, ktorý idete stínať!

#### NEBEZPEČENSTVO

Nestínajte strom, ak fúka silný a premenlivý vietor, ak hrozí nebezpečenstvo poškodenia majetku alebo ak by strom mohol zasiahnuť elektrické vedenia.

#### NEBEZPEČENSTVO

Pri stínaní stromov treba dávať pozor na to, aby nebezpečenstvu neboli vystavené iné osoby, neboli trafené napájacie vedenia a neboli spôsobené vecné škody. Ak sa strom dostane do kontaktu s napájacím vedením, musíte okamžite upovedomiť dodávateľa elektrickej energie.

- Dávajte pozor, aby sa v blízkosti pracovnej oblasti nevyskytovali žiadni ľudia ani zvieratá. Bezpečná vzdialenosť medzi stromom určeným na výrub a najbližším pracoviskom musí byť 2 1/2 dĺžky stromu.
- Dávajte pozor na smer pádu: Používateľ sa musí v okolí stínaného stromu pohybovať bezpečne, aby mohol strom jednoducho skrútiť a odstrániť konáre. Musí sa zabrániť tomu, aby padajúci strom zasiahol ďalší strom. Dbajte na prirodzený smer pádu, ktorý závisí od sklonu a zakrivenia stromu, smeru vetra a počtu konárov.
- Malé stromy s priemerom 15 – 18 cm sa zvyčajne dajú odpíliť jedným rezom.
- Pri pílení vo svahu vždy stojte nad konárom. Dbajte na to, aby sa pilová reťaz nedotkla zeme. Po dokončení rezu počkajte, kým sa reťaz pily zastaví, a až potom odstráňte výrobok.

- Pri pílení vo svahu vždy stojte nad kmeňom stromu. Aby ste si v momente „prepílenia“ udržali úplnú kontrolu, na konci rezu znížte prítláčnú silu bez toho, aby ste uvoľnili pevné uchopenie rukovätí výrobku. Dbajte na to, aby sa pilová reťaz nedotkla zeme. Po dokončení rezu počkajte na zastavenie výrobku, predtým ako odtiaľ odstrániť výrobok. Keď sa presúvate od stromu k stromu, vždy vypnite výrobok a vytiahnite sieťovú zástrčku.
- Pri stromoch s väčším priemerom sa musí začať zásekmi a hlavným rezom.
- Dávajte pozor na to, aby sa pilová reťaz nezasekla v reze. Konár sa nesmie zlomiť ani rozštiepiť.
- Zo stromu musíte odstrániť nečistoty, kamene, voľnú kôru, klince, svorky a drôty.

#### VAROVANIE

Hneď po ukončení pílenia vyklopte ochranu sluchu, aby ste mohli počuť tóny a varovné signály.

##### Odvetvovanie:

- Odstráňte konáre visiace nadol rezom nad konárom. Nikdy neodstraňujte konáre vo výške presahujúcej výšku ramien.

##### Úniková oblasť:

- Odstráňte krovie okolo stromu, aby ste zaistili ľahký spätný pohyb. Úniková oblasť by mala byť približne 45° za plánovaným smerom pádu.

##### Rezanie záseku:

- Vykonať zásek v smere, ktorým má strom padat.
- Začnite dolným, horizontálnym rezom.
- Hĺbka rezu má byť asi 1/3 priemeru kmeňa. Tým zabránite zaseknutiu pilovej reťaze alebo vodiacej lišty pri vykonávaní druhého záseku.
- Vykonať teraz šikmý rez pilou v uhle rezu cca 45° smerom zhora tak, aby presne zodpovedal spodnému rezu pily.

#### NEBEZPEČENSTVO

Nikdy nevstupujte pred strom, ktorý je narezaný.

##### Hlavný rez:

- Vykonať hlavný rez z druhej strany kmeňa, pričom stojte vľavo od kmeňa stromu, a vykonať rez ťahaním pilovej reťaze.
- Hlavný rez sa musí nachádzať minimálne 5 cm nad horizontálnym zásekmi.
- Mal by byť taký hlboký, aby vzdialenosť línie záseku bola minimálne 1/10 priemeru kmeňa.

- Neprepílenú časť stromu označte ako mostík (stínacia lišta). Mostík zabráni tomu, aby sa strom otočil a padal nesprávnym smerom. Tento mostík neprepíľujte.
- Pri priblížení hlavného rezu k mostíku by mal strom začať padať.
- Keď sa ukazuje, že strom možno nepadá správnym smerom alebo sa nakloní späť a zovrie pílou výřez, prerušte hlavný rez a na otvorenie rezu a zhodenie stromu v želaných línií padania použite klíny z dreva, plastu alebo hliníka.
- Ak je priemer kmeňa väčší ako dĺžka reťazovej lišty, vykonajte dva rezy.
- Po vykonaní hlavného rezu spadne strom sám alebo pomocou drevorubačského klinu alebo sochoru.

### NEBEZPEČENSTVO

Akonáhle začne strom padať, vyťahnite výrobok z rezu, vypnite motor, položte výrobok a opustite pracovisko po ústupovej ceste. Dávajte pozor na padajúce vetvy a nezakopnite.

#### 11.3.6 Uvoľnenie zaseknutej reťazovej píly

Ak sa reťazová píla počas rezania zasekne, postupujte nasledovne:

1. Vypnite reťazovú pílu a pripevnite ju k vnútornej strane kmeňa stromu (tzn. ku kmeňu stromu) alebo k samostatnému lanu na náradie.
2. Vyťahnúť reťazovú pílu zo zárezu a zároveň zdvihnúť konár tak ďaleko, ako je potrebné.
3. V prípade potreby uvoľniť zaseknutú reťazovú pílu pomocou ručnej píly alebo druhej reťazovej píly tak, že sa reže aspoň 30 cm od zaseknutej reťazovej píly.

Bez ohľadu na to, či sa na uvoľnenie zaseknutej reťazovej píly použije ručná alebo reťazová píla, rezy na uvoľnenie reťazovej píly by sa mali vždy vykonávať zvonku (smerom ku koncom konárov), aby reťazová píla nespádla spolu s odpílenými časťami a ešte viac neskomplikovala situáciu.

#### 11.4 Po použití

- **Pred odložením výrobku ho vždy vypnite a počkajte, kým sa zastaví.**
- Nasadte na lištu (7) ochranu lišty a reťaze (17).
- Aktivujte brzdu reťaze (16).
- Nechajte výrobok vychladnúť.
- Ak výrobok nepoužívate, odpojte sieťovú zástrčku od sieťovej zásuvky.

## 12 Čistenie a údržba

### VAROVANIE

**Opravnárske a údržbárske práce, ktoré nie sú opísané v tomto návode na obsluhu, nechajte vykonať v odbornej dielni. Používajte len originálne náhradné diely.**

### VAROVANIE

**Neodborné údržbárske alebo čistiace práce môžu mať za následok poranenia!**

### VAROVANIE

**Počas čistenia, opráv a údržby sa môže výrobok neočakávane spustiť a spôsobiť tým poranenia a popáleniny.**

- Vypnite výrobok.
- Vyťahnite sieťovú zástrčku.
- Nechajte výrobok vychladnúť.

### VAROVANIE

**Keď manipulujete s pílou reťazou alebo lištou, hrozí nebezpečenstvo poranenia!**

- Noste ochranné rukavice odolné proti prerezaniu.

## 12.1 Čistenie

1. Výrobok odporúčame čistiť bezprostredne po každom použití.
2. Na čistenie pílovej reťaze používajte štetec alebo metličku, a nie kvapaliny.
3. Rukoväti a uchopovacie plochy rukovätí udržiavajte vždy suché, čisté a bez oleja a tuku. Klzké rukoväti a uchopovacie plochy rukovätí neumožňujú bezpečnú obsluhu a kontrolu elektrického náradia v nepredvídateľných situáciách.
4. Rukoväti prípadne vyčistite vlhkou handrou namočenou v mydlovom ľúhu.
5. Ochranné zariadenia, vzduchové štrbiny a teleso motora udržiavajte podľa možnosti bez prachu a nečistôt. Výrobok vydrhnite čistou handričkou\* alebo vyfúkajte stlačeným vzduchom\* pri nízkom tlaku. Výrobok odporúčame čistiť bezprostredne po každom použití.
6. Vetracie otvory musia byť vždy voľné.
7. Nepoužívajte čistiace prostriedky ani rozpúšťadlá, mohli by poškodiť plastové diely výrobku. Dbajte na to, aby sa do vnútra výrobku nedostala voda.
8. Drážku reťazovej lišty vyčistite pomocou štetca alebo stlačeným vzduchom.

9. Vyčistite reťazové koleso.

\* = nie nevyhnutne obsiahnuté v rozsahu dodávky!

## 12.2 Údržba

### Upozornenie:

Vykonávajúce dôkladnú údržbu výrobku. Skontrolujte, či pohyblivé časti fungujú bezchybne a nie sú zablokované a či nie sú diely zlomené alebo natolko poškodené, že by mohla byť negatívne ovplyvnená funkcia výrobku. Pred použitím výrobku dajte poškodené diely opraviť.

Umiestnite výrobok na rovnú, priamu plochu.

### 12.2.1 Kontrola reťazového kolesa (18) (obr. 2)

1. Napínacie koliesko reťaze (6) otáčajte proti smeru hodinových ručičiek, aby ste uvoľnili napnutie reťaze a odstránili kryt reťazového kolesa (5).
2. Odstráňte lištu (7) a pílou reťaz (8).
3. Pomocou kontrolnej mierky\* skontrolujte stopy zábehu na reťazovom kolese (18).
4. Ak sú stopy zábehu hlbšie ako  $a=0,5$  mm, výrobok nepoužívajte a vyhľadajte špecializovaného predajcu. Reťazové koleso (18) sa musí vymeniť.
5. Namontujte späť lištu (7) a pílou reťaz (8) podľa nižšie uvedeného opisu 9.1.

\* = nie nevyhnutne obsiahnuté v rozsahu dodávky!

### 12.2.2 Kontrola lišty (7) (obr. 1)

1. Napínacie koliesko reťaze (6) otáčajte proti smeru hodinových ručičiek, aby ste uvoľnili napnutie reťaze a odstránili kryt reťazového kolesa (5).
2. Odstráňte lištu (7) a pílou reťaz (8).
3. Pomocou meracej tyče kontrolnej mierky\* zmerajte hĺbku drážky lišty (7).
4. Lišta (7) sa musí vymeniť, ak platí jeden z nasledujúcich bodov:
  - Reťazová lišta je poškodená.
  - Nameraná hĺbka drážky je menšia ako minimálna hĺbka drážky reťazovej lišty (4 mm).
  - Drážka reťazovej lišty je zúžená alebo rozťahnutá.
5. Namontujte lištu (7) a pílou reťaz (8) podľa nižšie uvedeného opisu 9.1.

\* = nie nevyhnutne obsiahnuté v rozsahu dodávky!

### 12.2.3 Výmena lišty (7) (obr. 2)

1. Napínacie koliesko reťaze (6) otáčajte proti smeru hodinových ručičiek, aby ste uvoľnili napnutie reťaze a odstránili kryt reťazového kolesa (5).
2. Odstráňte lištu (7) a pílou reťaz (8). Lištu (7) držte za účelom demontáže naklonenú v uhle cca 45 stupňov nahor, aby ste mohli pílou reťaz (8) ľahšie vybrať z drážky lišty (7).

3. Vymeňte lištu (7) a namontujte lištu (7) a pílou reťaz (8) podľa nižšie uvedeného opisu 9.1.

### 12.2.4 Vymeňte pílou reťaz (8) a nechajte ju zabehnúť (obr. 2)

## NEBEZPEČENSTVO

### Pretrhnutie alebo vyskočenie pílou reťaze môže spôsobiť ťažké poranenia!

- Novú pílou reťaz nikdy neupevňujte na opotrebovaný reťazový pastorok ani na poškodenú alebo opotrebovanú vodiacu lištu. Pílou reťaz by mohla vyskočiť alebo sa pretrhnúť.

- Používajte iba pílou reťaze a lišty, ktoré sú dimenzované pre tento výrobok.
  - Pred výmenou pílou reťaze vyčistite drážku reťazovej lišty, pretože pri prítomných usadeninách nečistôt môže vyskočiť pílou reťaz z lišty. Usadeniny môžu nasávať aj olej na pílou reťaze. Následkom by bolo to, že sa olej na pílou reťaze nedostane na dolnú stranu lišty alebo sa na ňu dostane iba sčasti a zabráni sa mazaniu.
1. Napínacie koliesko reťaze (6) otáčajte proti smeru hodinových ručičiek, aby ste uvoľnili napnutie reťaze a odstránili kryt reťazového kolesa (5).
  2. Odstráňte lištu (7) a pílou reťaz (8).
  3. Pílou reťaz (8) položte v slučke tak, aby rezné hrany smerovali v smere hodinových ručičiek. Za účelom nasmerovania pílou reťaze (8) sa riadte grafickými znakmi (šípkami) na pílou reťazi (8), resp. nad reťazovým vodiacim čapom (20).
  4. Vložte pílou reťaz (8) do drážky lišty (7).
  5. Nasadte lištu (7) na vodiaci čap (20) a na svorník (19). Vodiaci čap (20) a svorník (19) sa musia nachádzať v pozdĺžnom otvore na lište (7).
  6. Vedte pílou reťaz (8) okolo reťazového kolesa (18) a skontrolujte vyrovnanie pílou reťaze (8).
  7. Opäť nasadte kryt reťazového kolesa (5). Dbajte na to, aby bol kryt reťazového kolesa (5) uložený v drážke na telese.
  8. Otočte napínacie koliesko reťaze (6) pevne rukou v smere hodinových ručičiek.
  9. Znova skontrolujte uloženie pílou reťaze (8) a napnite pílou reťaz (8).

### Upozornenie:

Pri novej pílou reťazi sa po napínaní sila po určitom čase zníži. Preto musíte pílou reťaz znova napnúť po prvých 5 krokoch, najneskôr po 10 minútach plnenia.

## 12.2.5 Ostrenie pílovej reťaze (8)

### ⚠ VAROVANIE

#### Zvýšené nebezpečenstvo úrazu v dôsledku nesprávne naostrenej pílovej reťaze!

Odchýlky od rozmerových údajov geometrie reznej hrany počas ostrenia zvyšujú riziko spätného nárazu výrobku.

- Pílovú reťaz nechajte naostriť odborníkom.

Pílovú reťaz si môžete dať nabrúsiť v každej autorizovanej odbornej dielni. Ak nemáte vhodný nástroj a potrebné skúsenosti, pílovú reťaz sa nepokúšajte nebrúsiť sami.

### ⚠ OPATRNE

Na naostrenie reťaze sú potrebné špeciálne nástroje, aby sa rezné nástroje naostrili v správnom uhle a v správnej hĺbke.

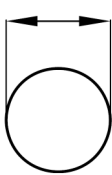
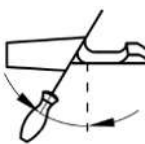
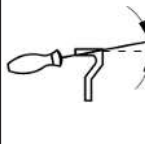


Po naostrení musia mať všetky rezacie články rovnakú šírku a dĺžku.

#### Upozornenia:

Ostrá pílová reťaz zaručuje optimálny rezný výkon. Bez námahy sa prejde drevom a zanechá za sebou veľké, dlhé triesky.

Pílová reťaz je tupá, keď musíte rezacie vybavenie tlačiť cez drevo a triesky sú veľmi malé. Ak je pílová reťaz veľmi tupá, tak nevznikajú vôbec žiadne triesky, ale len drevný prach.

#### 12.2.5.1 Návod na ostrenie reťaze

Typ pílovej reťaze	Priemer pilníka	Horný uhol	Dolný uhol	Horný uhol sklonu (55°)	Štandardná hĺbka
					
		Uhol natočenia pri upnutí	Uhol sklonu pri upnutí	Bočný uhol	
21PBX	cca 4,8 mm	30°	10°	85°	0,64 mm

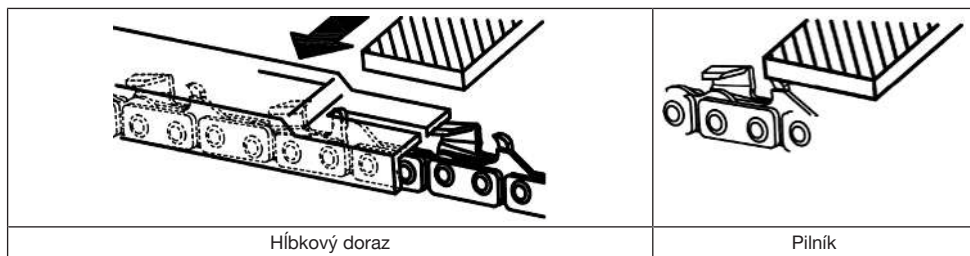
1. Vytiahnite sieťovú zástrčku.
2. Pri ostrení by mala byť pílová reťaz (8) pevne napnutá, aby sa dala správne naostriť.
3. Na ostrenie je potrebný kruhový pilník\* s priemerom 4,0 mm.

### ⚠ OPATRNE

Iné priemery poškodzujú pílovú reťaz a môžu viesť k ohrozeniu zdravia pri práci!

4. Ostrite len smerom zvnútra von. Vedte pilník\* z vnútornej strany rezného zuba smerom von. Pri ťahaní späť pilník\* nadvihnite.
5. Najskôr naostríte zuby na jednej strane. Potom obrátíte pílovú reťaz (8) a naostríte zuby na druhej strane.
6. Pílová reťaz (8) je opotrebovaná a musí sa vymeniť za novú pílovú reťaz (8), keď zostáva len cca 4 mm rezného zuba.
7. Po ostrení musia mať všetky rezné články rovnakú šírku a dĺžku.
8. Po každom treťom ostrení je nutné skontrolovať hĺbku ostrenia (obmedzenie hĺbky) a výšku dopilovať pomocou plochého pilníka\*. Obmedzenie hĺbky by malo byť od rezného zuba vzdialené cca 0,65 mm. Po nastavení do pôvodného stavu trochu zaokrúhlite obmedzenie hĺbky dopredu.

\* = nie nevyhnutne obsiahnuté v rozsahu dodávky!



## 13 Skladovanie

Výrobok a jeho príslušenstvo skladujte na tmavom, suchom a mieste bez mrazu, ktoré nie je prístupné deťom.

Optimálna skladovacia teplota je 5 °C až 30 °C.

Uchovávajte výrobok v originálnom balení.

Výrobok zakryte na ochranu pred prachom alebo vlhkosťou. Návod na obsluhu uschovajte pri výrobku.

### 13.1 Príprava na uskladnenie

1. Namontujte ochranu reťaze.
2. Úplne vyprázdňte výrobok.
3. Výrobok vyčistite a skontrolujte, či nie je poškodený.

### 13.2 Preprava

- Výrobok sa smie prepravovať len za rúkavň určenú na tento účel.

## 14 Elektrická prípojka

**Nainštalovaný elektromotor je pripojený a pripravený na prevádzku. Pripojenie zodpovedá príslušným ustanoveniam VDE a DIN. Sieťová prípojka na strane zákazníka, ako aj predľžiacie vedenie, musia zodpovedať týmto predpisom.**

### Upozornenie:

- Výrobok spĺňa požiadavky normy EN 61000-3-11 a podlieha špeciálnym podmienkam pripojenia. To znamená, že použitie na ľubovoľných voľne voliteľných prípojných bodoch nie je dovolené.
- Výrobok môže v prípade nepriaznivých sieťových pomerov viesť k prechodným kolísaniam napätia.
- Výrobok je určený výhradne na používanie na prípojných bodoch, ktoré a) neprekračujú maximálnu povolenú impedanciu siete „Z“ (Z<sub>max.</sub> = 0,415 Ω), alebo b) majú zaťažiteľnosť siete trvalým prúdom minimálne 100 A na fázu.
- Ako používateľ musíte zabezpečiť, v prípade potreby po konzultáciách s vaším dodávateľom elektrickej energie, aby prípojný bod, na ktorom chcete výrobok prevádzkovať, spĺňal jednu z dvoch uvedených požiadaviek a) alebo b).

### 14.1 Dôležité upozornenia

Pri preťažení motora sa tento samočinne vypne. Po vychladení (časovo odlišné) je možné motor znovu zapnúť.

### 14.2 Poškodené elektrické prípojné vedenia

Na elektrických prípojných vedeniach často vznikajú škody na izolácii.

Príčinami môžu byť:

- tlakové miesta, keď sa prípojné vedenia vedú cez okno alebo medzeru medzi dverami,
- miesta zalomenia v dôsledku neodborného upevnenia alebo vedenia prípojného vedenia,
- rozrezané miesta vzniknuté pri prejazde cez prípojné vedenie,
- poškodenie izolácie pri vytrhnutí z nástennej zásuvky,
- Trhliny v dôsledku starnutia izolácie.

Takéto poškodené elektrické prípojné vedenia sa nesmú používať a z dôvodu poškodenia izolácie sú životnebezpečné.

Elektrické prípojné vedenia pravidelne kontrolujte ohľadom poškodení. Dávajte pozor na to, aby pri kontrole prípojného vedenia nebolo vedenie pripojené k elektrickej sieti.

Elektrické prípojné vedenia musia zodpovedať príslušným ustanoveniam VDE a DIN. Používajte iba prípojné vedenia s rovnakým označením „H07RN-F“.

Vytlačenie označenia typu na prípojnom kábli je predpis.

### Bezpečnostné upozornenia pre výmenu poškodených alebo chybných sieťových prívodov

#### Druh pripojenia Y

Ak je potrebná výmena sieťového prívodu, tak ju musí vykonať výrobca alebo jeho zástupca, aby sa zabránilo bezpečnostným ohrozeniam.

### 14.3 Motor na striedavý prúd

Prípojky a opravy elektrického vybavenia smie vykonať iba kvalifikovaný elektrikár.

- Dbajte na to, aby sa sieťové napätie zhodovalo s napätím na typovom štítku výrobku.
- Predlžovacie vedenia do dĺžky 25 m musia vykazovať prierez 1,5 mm<sup>2</sup>.

## 15 Oprava a objednávanie náhradných dielov

Po oprave alebo údržbe sa uistite, že sú namontované všetky bezpečnostné diely a v bezchybnom stave. Diely, ktoré môžu spôsobovať nebezpečenstvá, uchovávajúte mimo dosahu iných osôb a detí.

### POZOR

Podľa zákona o zodpovednosti za chyby výrobkov neručíme za chyby, ktoré boli spôsobené neodbornými opravami alebo nepoužívaním originálnych náhradných dielov.

Poverte zákaznícky servis alebo autorizovaného odborníka. To isté platí aj pre diely príslušenstva.

### Prípojky a opravy

Prípojky a opravy elektrického vybavenia smie vykonávať iba kvalifikovaný elektrikár.

### 15.1 Objednávanie náhradných dielov

Pri objednávaní náhradných dielov je potrebné uviesť nasledovné údaje:

- Označenie modelu
- Číslo výrobku
- Údaje typového štítku

### Náhradné diely/príslušenstvo

Veko olejovej nádrže	3910207003
----------------------	------------

### 15.2 Schválené rezacie súpravy

<b>Vodiace lišty:</b>	
Refazová lišta Kangxin AP14-52-507P	3910207001
<b>Palivové rezače:</b>	
Palivová rezač Kangxin 3/8LP-52	3910207002

## 16 Likvidácia a recyklácia

### Upozornenia k baleniu



Baliace materiály sa dajú recyklovať. Prosím, likvidujte balenia ekologicky.

### Pokyny na likvidáciu elektrických a elektronických zariadení



**Staré elektrické a elektronické zariadenia nepatria do domového odpadu, ale sa musia odviezť na triedený zber, resp. likvidáciu!**

- Staré batérie, ktoré nie sú pevne zabudované v starom prístroji, sa musia vybrať bez porušenia! Ich likvidácia je regulovaná zákonom o batériách.
  - Vlastníci alebo používatelia elektrických a elektronických zariadení sú zo zákona povinní ich po použití vrátiť.
  - Koncový užívateľ je zodpovedný za vymazanie svojich osobných údajov na starom zariadení, ktoré má byť zlikvidované!
  - Symbol prečiarknutého odpadkového koša na kolieskach znamená, že staré elektrické a elektronické zariadenia sa nesmú likvidovať s domovým odpadom.
  - Elektrické a elektronické zariadenia je možné bezplatne odovzdať na týchto miestach:
    - Verejná likvidácia alebo zberné miesta (napr. obecné stavebné dvory).
    - LIDL vám ponúka možnosti vrátenia priamo v pobočkách a supermarketoch. Vrátenie a likvidáciu máte bezplatne.
    - Až tri staré elektrické zariadenia jedného typu s maximálnou dĺžkou hrany 25 centimetrov môžete bezplatne odovzdať bez toho, aby ste si najprv zakúpili nové zariadenie od výrobcu, alebo ich odovzdajte na inom autorizovanom zbernom mieste vo vašom okolí.
    - Viac doplnujúcich podmienok spätného odberu výrobcov a distribútorov sa dozviete v príslušnom zákazníckom servise.
  - V prípade dodania nového elektrického zariadenia výrobcom do domácnosti môže výrobca na požiadanie koncového užívateľa zabezpečiť bezplatný odvoz starého elektrického zariadenia. Za týmto účelom kontaktujte zákaznícky servis výrobcu.
  - Tieto vyhlásenia sa vzťahujú iba na zariadenia inštalované a predávané v krajinách Európskej únie a podliehajúce európskej smernici 2012/19/EÚ. V krajinách mimo Európskej únie môžu na likvidáciu odpadu z elektrických a elektronických zariadení platiť odlišné predpisy.
- O možnostiach likvidácie opotrebovaného prístroja sa informujte na vašej samospráve alebo štátnej správe.**
- ### Palivá a oleje
- Pred likvidáciou výrobku sa musí palivová nádrž a nádoba na motorový olej vyprázdniť!
  - Palivo a motorový olej nepatria do domového odpadu, ale musia sa zbierať, resp. likvidovať oddelene!

- Prázdne olejové a palivové nádrže sa musia ekologicky zlikvidovať.

## 17 Odstraňovanie porúch

V nasledujúcej tabuľke sú uvedené príznaky chýb a je tam opísané, ako môžete urobiť nápravu, keď váš výrobok nepracuje správne. Ak pomocou toho nedokážete lokalizovať a odstrániť problém, obráťte sa na vašu servisnú dielňu.

Porucha	Možná príčina	Náprava
Výrobok sa nedá spustiť.	Sieťová zástrčka nie je zapojená do siete.	Zasuňte sieťovú zástrčku do sieťovej zásuvky.
	Chýba sieťové napätie. Domová poisťka zareaguje.	Skontrolujte zásuvky, sieťový privod, vedenie, sieťovú zástrčku, príp. oprava kvalifikovaným elektrikárom. Skontrolujte domovú poisťku.
	Brzda reťaze je aktivovaná.	Skontrolujte, príp. uvoľnite brzdu reťaze.
	Zapínač/vypínač je chybný.	Obráťte sa na našu servisnú službu.
	Opotrebované uhlíkové kefy.	
Motor je chybný.		
Pilová reťaz nebeží.	Brzda reťaze je zablokovaná.	Skontrolujte, príp. uvoľnite brzdu reťaze.
Slabý rezný výkon.	Nesprávne namontovaná pilová reťaz.	Namontujte správne pilovú reťaz.
	Pilová reťaz je tupá.	Nechajte pilovú reťaz naostriť odborníkom alebo ju vymeňte.
	Nedostatočné napnutie reťaze.	Skontrolujte pilovú reťaz. Prípadne napnite pilovú reťaz.
Výrobok beží ťažko/pilová reťaz vyskakuje.	Nedostatočné napnutie reťaze.	Skontrolujte pilovú reťaz. Prípadne napnite pilovú reťaz.
Pilová reťaz je horúca, pri pílení vzniká dym, sfarbenie lišty.	Príliš málo oleja na pilové reťaze.	Skontrolujte automatiku oleja. Prípadne naplňte olej na pilové reťaze.
Nezvyčajné vibrácie	Reťazová lišta je uvoľnená.	Skontrolujte pevné uloženie reťazovej lišty.

## 18 EÚ vyhlásenie o zhode

### Preklad originálneho vyhlásenia o zhode

#### Výrobca:

Scheppach GmbH  
Günzburger Straße 69  
D-89335 Ichenhausen

Na vlastnú zodpovednosť vyhlasujeme, že tu popísaný výrobok je v súlade s platnými smernicami a normami.

Značka: **PARKSIDE**  
Označenie výrobku: **Elektrická reťazová píla -  
PEKS 1600 C3**  
Č. výr. **3910209974 - 3910209981;  
39102099915; 39102099959**  
Č. IAN: **495499\_2504**  
Sériové č. **01001 – 46072**

#### Smernice EÚ:

2014/30/EÚ, 2006/42/EG, 2000/14/EG\_2005/88/EG,  
2011/65/EU\*, (EU) 2015/863,

\* Vyššie opísaný predmet vyhlásenia je v súlade s predpismi smernice Európskeho parlamentu a Rady 2011/65/EÚ z 8. júna 2011 o obmedzení používania určitých nebezpečných látok v elektrických a elektronických zariadeniach.

#### Uplatnené normy:

EN 62841-1:2015/A11:2022; EN 62841-4-1:2020;  
EN IEC 55014-1:2021; EN IEC 55014-2:2021;  
EN IEC 61000-3-2:2019/A2:2024;  
EN IEC 61000-3-11:2019; EN IEC 63000:2018

#### 2006/42/ES - Príloha IV

Notifikovaná osoba: TÜV SÜD  
Product Service GmbH  
Ridlerstraße 65  
80339 Munich  
Germany

Číslo: 0123  
Číslo osvedčenia: M6A 011284 0666

#### 2000/14/ES\_2005/88/ES – Príloha: V

Zaručená hladina akustického výkonu ( $L_{wa}$ ): 106 dB  
Nameraná hladina akustického výkonu ( $L_{wa}$ ): 103,3 dB

#### Osoba splnomocnená pre dokumentáciu:

Tobias Ihle  
Günzburger Str. 69  
D-89335 Ichenhausen  
Ichenhausen, 22.07.2025

  
Simon Schünk  
Division Manager Product Center

  
Andreas Pecher  
Head of Project Management

## Záručný list

### Vážená zákazníčka, vážený zákazník,

naše výrobky podliehajú prísnej kontrole kvality. V prípade, že nebude prístroj napriek tomu bezchybne fungovať, je nám to veľmi ľúto a prosíme Vás, aby ste sa obrátili na našu servisnú službu na adrese uvedenej na tomto záručnom liste. Radi Vám budeme k dispozícii taktiež telefonicky na uvedenom servisnom telefónnom čísle. Pri uplatňovaní nárokov na záručné plnenie platia nasledujúce podmienky:

- Tieto záručné podmienky upravujú dodatočné záručné plnenie. Vaše zákonné nároky na záruku nie sú touto zárukou dotknuté. Naše záručné plnenie je pre Vás zadarmo.
- Záručné plnenie sa vzťahuje výlučne len na nedostatky, ktoré sú spôsobené chybami materiálu alebo výrobnými chybami, a je obmedzené na odstránenie týchto nedostatkov resp. výmenu prístroja. Prosím, dbajte na to, že naše prístroje neboli svojím určením konštruované na profesionálne, remeselnícke ani priemyselné použitie. Táto záručná zmluva sa preto neuzatvára, ak sa prístroj bude používať v profesionálnych, remeselníckych alebo priemyselných prevádzkach ako aj na činnosti rovnocenné s takýmto použitím. Z našej záruky sú okrem toho vylúčené náhradné plnenie za škody pri transporte, škody spôsobené nedodržaním návodu na montáž alebo na základe neodbornej inštalácie, nedodržaním návodu na použitie (ako napr. pripojením na nesprávne sieťové napätie alebo druh prúdu), zneužívaním alebo nesprávnym používaním (ako napr. preťaženie prístroja alebo použitie nepripustných pracovných nástrojov alebo príslušenstva), nedodržaním pokynov pre údržbu a bezpečnostných pokynov, vniknutím cudzích telies do prístroja (ako napr. piesok, kamene alebo prach), použitím násilia alebo cudzieho pôsobenia (napr. škody spôsobené pádom), a taktiež je vylúčené bežné opotrebenie primerané použitiu.

Nárok na záruku zaniká, ak už boli na prístroji svojvoľne uskutočnené zásahy.

- Doba záruky je 3 roky a začína sa dátumom nákupu prístroja. Nároky na záruku sa musia uplatniť pred koncom uplynutia záručnej doby do dvoch týždňov od zistenia nedostatku. Uplatnenie nárokov na záruku po uplynutí záručnej doby je vylúčené. Oprava alebo výmena prístroja nevedie k predĺženiu záručnej doby ani nedochádza na základe tohto plnenia ku vzniku novej záručnej doby pre prístroj ani pre akékoľvek inštalované náhradné diely. To platí taktiež pri nasadení miestneho servisu.
- Pre uplatnenie Vášho nároku na záruku sa, prosím, obráťte na nižšie uvedenú adresu servisu. Pokiaľ reklamácia prebieha počas záručnej doby, dáme Vám k dispozícii formulár o vrátení tovaru, s ktorým nám môže svoj chybný prístroj bezplatne poslať späť. Prosím, popíšte nám čo najpresnejšie dôvod reklamácie. Ak spadá defekt prístroja pod naše záručné plnenie, dostanete obratom naspäť opravený alebo nový prístroj.

Samozrejme Vám radi opravíme závady na prístroji na vaše náklady, ak tieto závady nespádajú alebo už nespádajú do rozsahu záruky. Prosím, pošlite nám v takom prípade prístroj na našu servisnú adresu.

## Spracovanie záruky

Aby sme mohli zaručiť rýchle vybavenie Vašej žiadosti, riadte sa nasledujúcimi pokynmi:

- Pre všetky otázky si pripravte pokladničný blok a číslo artikla (napr. IAN 495499\_2504) ako doklad o kúpe.
- Číslo artikla nájdete na typovom štítku na výrobku, vyryté na výrobku, na titulnej strane vášho návodu (vľavo dole) alebo na nálepke na zadnej alebo spodnej strane výrobku.
- Ak by sa vyskytli funkčné poruchy alebo iné chyby, najskôr kontaktujte nižšie uvedené servisné oddelenie telefonicky alebo e-mailom.
- Výrobok, ktorý bol zachytený ako chybný, potom môžete bezplatne zaslať na Vám oznámenú adresu servisu. Priložte k nemu doklad o kúpe (pokladničný blok) a uveďte, o akú chybu ide a kedy sa vyskytla.
- Túto príručku a mnohé ďalšie si môžete prečítať a stiahnuť na stránke parkside-diy.com. Pomocou tohto QR kódu sa dostanete priamo na stránku parkside-diy.com. Vyberte svoju krajinu a hľadajte návody na obsluhu pomocou masky vyhledavania. K návodu na obsluhu vášho artikla sa dostanete zadáním čísla artikla (IAN) 495499\_2504.



### Kontakt na servis (SK):

**Meno:** S&E Solutions s.r.o. - Zahrada v akci  
Moravská 1278  
CZ - 57001 Litomyšl

**Telefón:** 00800 4003 4003

**E-mail:** service.SK@scheppach.com

**Sídlo:** Česká republika

## Tartalomjegyzék

1	A terméken található szimbólumok magyarázata .....	213
2	Bevezetés.....	215
3	A termék leírása (1–5. ábra).....	215
4	Szállított elemek (1. ábra).....	215
5	Rendeltetésszerű használat .....	215
6	Biztonsági utasítások .....	216
7	Műszaki adatok .....	221
8	Kicsomagolás.....	222
9	Üzembe helyezés előtt.....	222
10	Kezelés.....	224
11	Munkavégzési utasítások .....	226
12	Tisztítás és karbantartás .....	230
13	Tárolás .....	232
14	Elektromos csatlakozás .....	233
15	Javítások és pótalkatrészek rendelése .....	233
16	Ártalmatlanítás és újrahasznosítás.....	234
17	Hibaelhárítás .....	235
18	EU megfelelőségi nyilatkozat .....	236
19	JÓTÁLLÁSI TÁJÉKOZTATÓ.....	237
20	Robbantott ábra.....	291

# 1 A terméken található szimbólumok magyarázata

A kézikönyvben használt szimbólumok arra szolgálnak, hogy felhívják a figyelmet a lehetséges kockázatokra. A biztonsági szimbólumokat, valamint az ezeket kísérő magyarázatokat pontosan értelmezni kell. Maguk a figyelmeztetések nem hátrítják el a kockázatokat, és nem helyettesítik a balesetek megelőzése érdekében hozott megfelelő intézkedéseket.




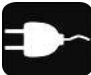









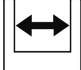
## FIGYELEM





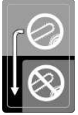

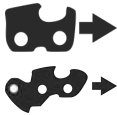



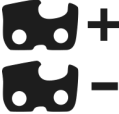





**Az első üzembe helyezése előtt figyelmesen olvassa el ezt az üzemeltetési útmutatót, és feltétlenül kövesse a biztonsági előírásokat!**

**Azt javasoljuk, hogy vegyen részt „Motoros fűrész kezelési tanfolyam jelenléti igazolással” című professzionális biztonságtechnikai továbbképzésen, ahol az adott országban jellemző oktatásban részesül a láncfűrész használatára és karbantartására nézve, illetve végezzen el egy elsősegély-tanfolyamot is. Ha hosszabb ideig nem használta a gépet, vagy gyakorlás kedvéért kezdetben mindig egyszerű vágásokat hajtson végre biztonságosan letámasztott fadarabokon, hogy megismerkedjen a láncfűrész használatával. Gondosan őrizze meg az üzemeltetési útmutatót!**

### Megjegyzés:

Kérjük, vegye figyelembe, hogy a láncfűrész használatát egyes nemzeti előírások korlátozhatják, pl. a munkavédelmi és környezetvédelmi rendelkezések.

	Üzembe helyezés előtt olvassa el és vegye figyelembe a használati útmutatót és a biztonsági utasításokat!		A láncfék kioldása.
	Figyelem! Ha figyelmen kívül hagyja a terméken elhelyezett biztonsági jelöléseket és figyelmeztető megjegyzéseket, illetve figyelmen kívül hagyja a biztonsági és kezelési utasításokat, akkor súlyos, akár halálos sérüléseket szenvedhet.		Váltóáramú motor.
	Viseljen arcvédővel vagy védőszemüveggel felszerelt, hallásvédővel rendelkező munkavédelmi sisakot.		Fűrészlánc sebessége.
	Viseljen munkavédelmi kesztyűt!		Láncfűrész lapjának hossza.
	Viseljen zárt lábbelit!		Hajtótagok száma.
	Fontos, hogy a kezeken, karokon, a lábfejen és a lábszáron védőruházatot viseljen.		Láncosztás.
	A terméket ne érje eső. A terméket csak száraz környezeti feltételek mellett szabad tárolni, raktározni és üzemeltetni.		Horony szélessége.

	Csak kétkezes kezeléshez.		Teljesítményfelvétel.
	<p>Figyelmeztetés! Visszarúgás (kick-back) veszélye. Óvakodjon a termék visszacsapásától, és kerülje a sín csúcsával való érintkezést.</p>		Tömeg kg-ban.
	A láncfék állása.		Olajtartály tartalma.
	A fűrészlánc futásiránya.		<p>Karbantartási, átszerelési és beállítási, valamint tisztítási munkákat csak a motor kikapcsolása és a hálózati csatlakozó kihúzása után szabad végezni!</p>
	Fűrészláncolaj betöltőnyílása.		<p>Ha megsértette vagy elvágta a hálózati vezetékét, azonnal húzza ki a hálózati csatlakozót a csatlakozóaljzatból!</p>
	Láncfeszesség növelése/csökkentése.		A termék garantált hangteljesítményszintje.
	Láncolaj töltésszintjének kijelzése.		II. védelmi osztály (kettős szigetelés).
	Aktiválja a láncfeket.		A termék megfelel a hatályos európai irányelveknek.

## 2 Bevezetés

### Gyártó:

Schepbach GmbH  
Günzburger Straße 69  
D-89335 Ichenhausen

### Tisztelt Ügyfelünk!

Sok örömet és sikert kívánunk új terméké használatához.

### Megjegyzés:

A termék gyártója a hatályos termékfelelősségi törvény szerint nem felelős a terméken esett vagy a termék által okozott károkért a következő esetekben:

- Szakszerűtlen kezelés
- Az üzemeltetési útmutató figyelmen kívül hagyása
- Illetéktelen szakember, harmadik fél által végzett javítás
- Nem eredeti pótalkatrészek beépítése és cseréje
- Nem rendeltetésszerű használat
- Az elektromos berendezés meghibásodása a nemzeti elektromos előírások és rendelkezések be nem tartása miatt.

### Vegye figyelembe a következőket:

A kezelési útmutató a termék részét képezi.

Fontos megjegyzéseket tartalmaz arról, hogyan dolgozhat a termékkel biztonságosan, szakszerűen és gazdaságosan, hogyan kerülheti el a veszélyeket, csökkentheti a javítási költségeket és az időkieséseket, és növelheti a termék megbízhatóságát és élettartamát. A jelen kezelési útmutató biztonsági rendelkezéseiben túl feltétlenül tartsa be az országában a termék üzemeltetésével kapcsolatosan érvényes előírásokat is.

A termék használata előtt ismerkedjen meg az összes kezelési és biztonsági utasítással. A terméket csak a leírtaknak megfelelően, a megadott alkalmazási területen üzemeltesse. Őrizze meg jól a kezelési útmutatót, és ha a terméket továbbadja harmadik személynek, adja át vele együtt az összes dokumentumot is.

## 3 A termék leírása (1–5. ábra)

1. Hálózati csatlakozó
2. Hátsó markolat
3. Bekapcsoló rezesz
4. Olajtartály sapkája
5. Lánckerék burkolata
- 5a. Lánccfogó szerkezet
6. Lánccfeszítő kerék
7. Vezetőlemez (vezetősín)
- 7a. Fordítócsillag
8. Fűrészlánc
9. Tehermentesítő
10. Hátsó kézvédő
11. Be-/kikapcsoló
12. Olajtartály

13. Olajsintjelző
14. Elülső markolat
15. Karmos ütköző
16. Lánccfék/első kézvédő
17. Lap- és lánccvédő
18. Lánckerék
19. Álló csapszeg
20. Vezetőcsap
21. Olajozó furat
22. Fűrészláncolaj (Bio 180ml)

## 4 Szállított elemek (1. ábra)

Tétel	Darab- szám	Megnevezés
7.	1 db	Vezetőlemez (vezetősín)
8.	1 db	Fűrészlánc
17.	1 db	Lap- és lánccvédő
22.	1 db	Fűrészláncolaj (Bio 180ml)
	1 db	Elektromos lánccfűrész
	1 db	Üzemeltetési útmutató

## 5 Rendeltetésszerű használat

A lánccfűrész kizárólag fa fűrészelésére alkalmas. A termék semmilyen egyéb alkalmazásra (pl. falazatok, műanyag vagy élelmiszerek vágása) nem alkalmas.

Csak a rendeltetésének megfelelően használja a terméket. Minden ettől eltérő használat nem rendeltetésszerűnek minősül. Az ebből fakadó minden kárért és sérülésért nem a gyártó, hanem a felhasználó viseli a felelősséget.

A rendeltetésszerű használat része a biztonsági utasítások betartása, valamint a kezelési útmutatóban foglalt szerelési és üzemeltetési utasítások betartása is.

A terméket használó és karbantartó személyeknek ismerniük kell ezeket, és tájékozottnak kell lenniük a lehetséges veszélyekről.

Ha a terméken módosítást végez, az ebből eredő károkat a gyártó nem vállal felelősséget.

A terméket kizárólag a gyártó eredeti alkatrészeivel és eredeti tartozékaival szabad üzemeltetni.

Tartsa be a gyártó biztonsági, munkavédelmi és karbantartási előírásait, valamint a műszaki adatokban meghatározott méreteket.

Kérjük, vegye figyelembe, hogy termékeinket rendeltetésük szerint nem kisipari, kéziipari vagy ipari használatra tervezték. A termékre semmilyen garanciát nem vállalunk, ha kisipari, kéziipari vagy ipari, valamint ezekkel egyenértékű tevékenységekhez használja.

## Az üzemeltetési útmutatóban használt jelzőszavak magyarázata:

### VESZÉLY

Ez a jelzőszó olyan közvetlenül fenyegető veszélyes helyzetre utal, amely súlyos sérülést vagy halálos balesetet okoz, ha nem kerülik el.

### FIGYELMEZTETÉS

Ez a jelzőszó olyan lehetséges veszélyhelyzetre utal, amely súlyos sérülést vagy halálos balesetet okozhat, ha nem kerülik el.

### VIGYÁZAT

Ez a jelzőszó olyan lehetséges veszélyhelyzetre utal, amely csekélyebb vagy könnyebb sérülést okozhat, ha nem kerülik el.

### FIGYELEM

Ez a jelzőszó olyan lehetséges veszélyhelyzetre utal, amely anyagi járt okozhat a termékben vagy más vagyontárgyakban/tulajdonban, ha nem kerülik el.

## 6 Biztonsági utasítások

Az elektromos szerszámokra vonatkozó általános biztonsági utasítások

### FIGYELMEZTETÉS

Olvassa el az összes biztonsági utasítást, egyéb utasítást, ábrát és műszaki adatot, melyet az elektromos szerszámhoz mellékeltek.

A következő útmutatások betartásának elmulasztása áramütést, tüzet és/vagy súlyos sérüléseket okozhat.

Az összes biztonsági utasítást és útmutatót őrizze meg későbbi használat céljából.

A biztonsági utasításokban használt „elektromos szerszám” fogalom a hálózati vezetékkel, illetve az akkumulátorral üzemeltetett elektromos szerszámokra (hálózati vezeték nélkül) vonatkozik.

## 1) Munkahelyi biztonság

- Gondoskodjon a munkahely tisztaságáról és megfelelő megvilágításáról. A rendetlenség, illetve a megvilágítatlan munkaterületek balesetekhez vezethetnek.
- Ne dolgozzon az elektromos szerszámmal olyan robbanásveszélyes környezetben, ahol éghető folyadékok, gázok vagy porok találhatóak. Az elektromos szerszámok szikráznak, és a szikrák meggyújthatják a port és a gőzöket.
- Az elektromos szerszám használata során tartsa távol a gyermekeket és más személyeket. A figyelem elterelése miatt elveszítheti uralmát az elektromos szerszám felett.

## 2) Elektromos biztonság

- Az elektromos szerszám csatlakozódugójának illenie kell a csatlakozóaljzatba. A dugós csatlakozót semmilyen módon nem szabad módosítani. A védőföldeléssel ellátott elektromos szerszámokkal együtt ne használjon adapteres csatlakozót. A változatlan dugós csatlakozók és a hozzájuk illő csatlakozóaljzatok csökkentik az áramütés kockázatát.
- Kerülje el a teste földelt felületekkel, például csövekkel, fűtésekkel, tűzhelyekkel és hűtőszekrényekkel való érintkezését. Megnő az áramütés kockázata, ha a teste földelve van.
- Tartsa esőtől és nedvességtől távol az elektromos szerszámokat. Az elektromos szerszámba hatoló víz növeli az áramütés kockázatát.
- Ne használja a csatlakozó vezetékét a rendeltetésétől eltérő módon, például az elektromos szerszám szállításához, felakasztásához vagy a csatlakozóaljzattól való kihúzásához. Tartsa távol a csatlakozó vezetékét hőtől, olajtól, éles élektől és a mozgó alkatrészeitől. A sérült vagy összegubancolódott csatlakozó vezeték növeli az áramütés kockázatát.
- Ha a szabadban dolgozik az elektromos szerszámmal, akkor csak olyan hosszabbító vezetékkel alkalmazza, amelyek kültéri használatra is alkalmasak. A kültéri használatra alkalmas hosszabbító vezeték használata csökkenti az áramütés kockázatát.
- Ha elkerülhetetlen, hogy nedves környezetben használja az elektromos szerszámot, akkor használjon hibaáram-védőkapcsolót. A hibaáram-védőkapcsoló használata csökkenti az áramütés kockázatát.

## 3) Személyek biztonsága

- Legyen figyelmes, ügyeljen arra, amit csinál, és az elektromos szerszám használata során józan észsel cselekedjen. Ne használja az elektromos szerszámot, ha fáradt, vagy ha drogok, alkohol

- vagy gyógyszerek befolyása alatt áll. Az elektromos szerszám használata során egy pillanatnyi figyelmetlenség is súlyos sérüléseket okozhat.
- b) **Viseljen személyi védőfelszerelést, és mindig használjon védőszemüveget.** Az elektromos szerszám típusától és használatától függően alkalmazott személyi védőfelszerelések, például pormaszk, csúszásmentes munkavédelmi cipő, munkavédelmi sisak vagy hallásvédő viselése csökkenti a sérülések kockázatát.
  - c) **Kerülje el az akaratlan üzembe helyezést. A szerszám áramellátásra és/vagy akkumulátorra való csatlakoztatása, felvétele vagy szállítása előtt bizonyosodjon meg arról, hogy ki van-e kapcsolva az elektromos szerszám.** Ha az elektromos szerszám szállítása közben a kapcsolón tartja az ujját, vagy a készüléket bekapcsolva csatlakoztatja az áramellátásra, az balesetet okozhat.
  - d) **Az elektromos szerszám bekapcsolása előtt távolítsa el a beállító szerszámokat vagy a csavarculcsokat.** Az elektromos szerszám forgó részében maradt szerszám vagy kulcs sérüléseket okozhat.
  - e) **Kerülje a rendellenes testtartást. Álljon stabilan a lábán, és mindig őrizze meg egyensúlyát.** Így váratlan helyzetekben is jobban irányíthatja az elektromos szerszámot.
  - f) **Megfelelő ruházatot viseljen. Ne viseljen túl bő ruházatot vagy ékszerket. Haját és ruházatát tartsa távol a maguktól mozgó alkatrészekről.** A mozgó alkatrészek elkapathatják a laza ruházatot, az ékszerket vagy a hosszú haját.
  - g) **Ha lehetséges a porszivó és -gyűjtő berendezések felszerelése, azokat csatlakoztatni és megfelelően használni kell.** A por elszívására szolgáló berendezés használatával csökkenthetők a por által okozott veszélyek.
  - h) **Ne keltsen hamis biztonságérzetet és ne szegje meg az elektromos szerszámra vonatkozó biztonsági szabályokat még abban az esetben sem, ha az elektromos szerszámot többszöri használat után ismerni véli.** A másodperc törtrésze alatt bekövetkező súlyos sérülések lehetnek a következményei annak, ha a szerszámot gondatlanul kezeli.

#### 4) Az elektromos szerszám használata és kezelése

- a) **Ne terhelje túl az elektromos szerszámot.** A munkájához mindig az arra megfelelő elektromos szerszámmal jobban és biztonságosabban dolgozzon a megadott teljesítménytartományban.
- b) **Ne használjon olyan elektromos szerszámot, amelynek hibás a kapcsolója.** Az az elektromos szerszám, amelyet nem lehet be- vagy kikapcsolni, veszélyesnek számít, és meg kell javítani.

- c) **Húzza ki a csatlakozódugót a csatlakozóaljzából, és/vagy vegye ki a kivehető akkumulátort, mielőtt beállításokat végez a készüléken, cserélhető szerszámokat cserél ki vagy félretesz az elektromos szerszámot.** Ezen elővigyázatossági intézkedések megakadályozzák az elektromos szerszám akaratlan elindulását.
- d) **A nem használt elektromos szerszámokat gyermekektől távol tartsa. Ne hagyja, hogy az elektromos szerszámot olyan személyek használják, akik nem ismerik azt vagy nem olvasták el a jelen utasításokat.** Az elektromos szerszámok veszélyesek, ha tapasztalatlan személyek használják őket.
- e) **Gondosan ápolja az elektromos szerszámot és a cserélhető szerszámot.** Ellenőrizze, hogy a mozgó alkatrészek kifogástalanul működnek és nem szorulnak-e, illetve nincsenek-e törött vagy sérült alkatrészek, amelyek negatív hatással lennének az elektromos szerszám működésére. **Az elektromos szerszám használata előtt javítsa meg a sérült alkatrészeket.** Sok balesetet a rosszul karbantartott elektromos szerszámok okoznak.
- f) **Tartsa élesen és tisztán a vágószerszámokat.** A gondosan ápolott, éles vágóélekkel rendelkező vágószerszámok kevésbé szorulnak be, és könnyebben vezethetők.
- g) **Az elektromos szerszámot, a cserélhető szerszámot, betétszerszámokat stb. a jelen utasításoknak megfelelően használja.** Közben vegye figyelembe a munkafeltételeket és a végrehajtandó feladatot is. Az elektromos szerszámoknak a tervezett alkalmazásoktól eltérő használata veszélyes helyzetekhez vezethet.
- h) **A fogantyúkat és a megfogási felületeket mindig száraz, tiszta, valamint olajtól és zsírtól mentes állapotban kell tartani.** A csúszós fogantyú és megfogási felületek nem teszik lehetővé az elektromos szerszám biztonságos üzemeltetését, illetve hogy megőrizze fölötte az uralmát előre nem látható helyzetekben.

#### 5) Szerviz

- a) **Csak képzett szakemberrel és csak eredeti pótalkatrészek használatával javítsa az elektromos szerszámot.** Ezáltal biztosítható az elektromos szerszám biztonságának megőrzése.

#### 6.1 A lánzfűrészre vonatkozó biztonsági utasítások

##### A lánzfűrészre vonatkozó általános biztonsági utasítások

- a) **Ha jár a fűrész, minden testrészét tartsa távol a fűrészlánctól.** A fűrész indítása előtt győződjön meg arról, hogy a fűrészlánc semmivel nem érintkezik. A lánzfűrészsel végzett munkálatok so-

- rán már egy pillanatnyi figyelmetlenség is a ruházat vagy testrészek fűrészlánc általi megragadásához vezethet.
- b) **A láncfűrészt jobb kezével mindig a első fogantyúnál, bal kezével mindig az elülső fogantyúnál megfogva tartsa.** Ha munka közben fordítva fogja a láncfűrészt, az növeli a sérülésveszélyt, ezért soha nem szabad így használni.
- c) **A láncfűrészt kizárólag a szigetelt megfogási felületeknél fogva tartsa, mivel a fűrészlánc rejtett villamos vezetőkekhez vagy a fűrészsaját hálózati kábeléhez érhet.** Ha a fűrészlánc feszültség alatt álló vezetőkekhez ér, akkor a készülék fémből készült alkatrészei is feszültség alá kerülhetnek, ami áramütéshez vezethet.
- d) **Viseljen szemvédőt. További védőfelszerelések használata javasolt a hallás, a fej, a kéz, a láb- és a lábfej védelmére.** A megfelelő védőruházat csökkenti a sérülésveszélyt, melyet a szétrepülő forgács és a fűrészlánc véletlen megérintése okozhat.
- e) **Ne dolgozzon a láncfűrésszel fára vagy létrára felmászva, illetve tetőn vagy instabil felületen állva.** Ha ilyen módon üzemelteti a gépet, akkor súlyos sérülésveszély áll fenn.
- f) **Mindig ügyeljen a stabilitásra, és a láncfűrészt csak akkor használja, ha szilárd, biztonságos, sík talajon áll.** Ha csúszós a talaj, vagy instabil a felület, amelyen áll, akkor elveszítheti az egyensúlyát, vagy elveszítheti az uralmat a láncfűrészt felett.
- g) **Ha feszültség alatt álló ágat vág, számoljon azazal, hogy az ág visszarúg.** Ha felszabadul a fa rostjainak feszültsége, a megfeszült ág megütheti a felhasználót, és/vagy kiránthatja a kezéből a láncfűrészt.
- h) **Legyen különösen óvatos, amikor aljnövényzetet és fiatal fákat vág.** A vékony anyag beakadhat a fűrészláncba, Önnek csapódhat, vagy kibillentheti az egyensúlyából.
- i) **A láncfűrészt az elülső fogantyújánál fogja meg, kikapcsolt állapotban szállítsa, a fűrészláncot magától elfordítva. A láncfűrészt szállításakor vagy tárolásakor mindig helyezze fel a védőburkolatot.** A láncfűrészt gondos kezelése csökkenti annak valószínűségét, hogy véletlenül a működő fűrészlánchoz ér.
- j) **Kövesse a kenésre, a láncfeszítésre és a vezetősín, illetve a lánc cseréjére vonatkozó utasításokat.** A szakszerűtlenül megfeszített vagy kent lánc elszakadhat, vagy növelheti a visszacsapás kockázatát.
- k) **Csak fát fűrészeljen. Ne használja a láncfűrészt, olyan munkálatokhoz, amelyekre nem alkalmas. Példa: Ne használja a láncfűrészt fém, műanyag, falazat vagy olyan építőanyagok vágására, amelyek nem fából készültek.** A láncfűrészt nem rendeltetészerű használata veszélyes helyzeteket idézhet elő.

- l) **Ne próbáljon meg kivágni egy fát, csak ha már tisztán felfogta az ezzel járó kockázatokat, és megértette, hogyan kerülhetők el.** A felhasználó vagy más személyek súlyos sérüléseket szenvedhetnek, amikor kidől a fa.

## A visszacsapás okai és elkerülése

Visszacsapásra akkor fordulhat elő, ha a vezetősín csúcsa egy tárgyhoz ér, vagy ha meghajlik a fa, és a fűrészlánc beszorul a vágatba.

A sín csúcának érintése sok esetben váratlan hátrafelé irányuló reakciót válthat ki, amely során a vezetősín felfelé és a felhasználó irányába csapódik.

Ha a fűrészlánc beszorul a vezetősín felső élénél, akkor a sín hirtelen visszaüthet a felhasználó irányába.

Ezen reakciók mindegyikének következtében elveszítheti a fűrészt feletti uralmat, és akár súlyos sérülést is szenvedhet. Ne hagyatkozzon kizárólag a láncfűrészt szerelt biztonsági berendezésekre. A láncfűrészt használójaként tegyen különböző intézkedéseket, amelyek segítségével baleset- és sérülésmentesen dolgozhat.

A visszacsapódás a láncfűrészt helytelen vagy hibás használatának következménye. Ez az alábbiakban ismertetett óvintézkedésekkel megelőzhető:

- a) **Fogja szorosan, két kézzel a fűrészt, ujjai fogják körbe a láncfűrészt fogantyút. Tartsa testét és karjait olyan helyzetben, hogy képes legyen a visszalökő erők felfogására.** Megfelelő intézkedések fogantatásánál esetén a felhasználó uralma alatt tarthatja a visszalökő erőket. Soha ne engedje el a láncfűrészt.
- b) **Kerülje a rendellenes testtartásokat, és ne fűrészeljen vállmagasság felett.** Ezáltal megakadályozhatja, hogy a lap csúcsa véletlenül hozzáérjen valamihez, és a váratlan helyzetekben jobban uralhatja a láncfűrészt.
- c) **Mindig a gyártó által előírt pótlapokat és fűrészláncokat használja.** A nem megfelelő pótlapok és fűrészláncok a lánc elszakadásához és/vagy visszacsapáshoz vezethetnek.
- d) **Tartsa be a gyártó élezéssel és a fűrészlánc karbantartásával kapcsolatos utasításait.** A túl alacsony mélységhatároló növeli a visszacsapás lehetőségét.

## További biztonsági utasítások

- Pontosan tartsa be az üzemeltetési utasítás karbantartási, ellenőrzési és javítási útmutatásait. A sérült védőberendezéseket és alkatrészeket ügyfélszolgálatunkkal szakszerűen ki kell javíttatni vagy cseréltetni, ha a használati utasítás nem rendelkezik másként.
- Javasoljuk, hogy az első használatkor a felhasználó legalább a rönkfa vágását munkabakon vagy fűrészbakon gyakorolja.
- Lejtőn végzett fűrészelés közben mindig a fatörzs fölötti oldalon álljon. A vágás végéhez közeledve csökkentse a kifejtett nyomást, de továbbra is tart-

sa szilárdan a markolatokat, hogy az "átvágás" pillanatában uralni tudja a terméket. Ügyeljen rá, hogy a fűrészlánc ne érintkezzen a talajjal. A vágás végétével várja meg, amíg leáll a termék, mielőtt elveszi a terméket.

Mikor átmegy az egyik fától a másikhoz, mindig kapcsolja ki az termék motorját, és vegye ki az akkumulátort.

- A fáról távolítsa el a szennyeződést, köveket, levált fakérget, szegeket, kapcsokat és drótokat.
- **Ne használjon olyan tartozékokat, amelyet a gyártó nem ajánlott.** Ez áramütéshez vezethet, vagy tüzet okozhat.
- A terméket tilos viharban használni - **villámcsapás veszélye!**

### További biztonsági utasítások

- **Amikor anyagfelhalmozódásoktól szabadítja meg a láncfűrész, raktározni készült, vagy karbantartási munkákat végez rajta, mindig tartsa be az összes utasítást. Bizonyosodjon meg arról, hogy kikapcsolta a kapcsolót, és kihúzta a hálózati csatlakozót.** Ha az anyagfelhalmozódások eltávolítása közben, illetve karbantartási munkálatok során a láncfűrész váratlanul üzemelni kezd, az komoly sérüléseket okozhat.
- Ha megsérül a termék hálózati csatlakozóvezetéke, akkor a veszélyek elkerülése érdekében a gyártóval, annak ügyfélszolgálatával, vagy hasonló képesítéssel rendelkező szakemberrel cseréltesse ki.
- Használjon 30 mA vagy annál kisebb kioldási áramerősségű hibaáram-védőkapcsolót.
- A csatlakozó vezetéket úgy fedtesse le, hogy fűrészelés közben ne akadhasson bele az ágakba vagy bármilyen másba.
- A szabadban csak engedélyezett és megfelelő jelöléssel ellátott hosszabbító vezetékeket használjon (H07RN-F).
- Pontosán tartsa be az üzemeltetési utasítás karbantartási, ellenőrzési és javítási útmutatásait. A sérült védőberendezéseket és alkatrészeket ügyfélszolgálatunkkal szakszerűen ki kell javíttatni vagy cseréltetni, ha a használati utasítás nem rendelkezik másként.
- Lejtőn végzett fűrészelés közben mindig a fatörzs fölötti oldalon álljon. A vágás végéhez közeledve csökkentse a kifejtett nyomást, de továbbra is tartsa szilárdan a markolatokat, hogy az "átvágás" pillanatában uralni tudja a terméket. Ügyeljen rá, hogy a fűrészlánc ne érintkezzen a talajjal. A vágás végétével várja meg, amíg leáll a termék, mielőtt elveszi a terméket.
- Mielőtt átmegy az egyik fától a másikhoz, mindig kapcsolja ki az termék motorját, és húzza ki a hálózati csatlakozót.
- A fáról távolítsa el a szennyeződést, köveket, levált fakérget, szegeket, kapcsokat és drótokat.

- Ne használja a terméket kenés nélkül, és ügyeljen rá, hogy mindig időben feltöltse, mielőtt kiürül a tartály.
- Csak a gyártó által ajánlott kenőanyagot használjon.
- Javasoljuk, hogy az első használatkor a felhasználó legalább a rönkfa vágását munkabakon vagy fűrészbakon gyakorolja.
- **Ne használjon olyan tartozékokat, amelyet a gyártó nem ajánlott.** Ez áramütéshez vezethet, vagy tüzet okozhat.
- A terméket tilos viharban használni - **villámcsapás veszélye!**

A fűrészlánc utánélezését illetékes szakmühelyben lehet elvégeztetni. Ne kísérelje meg maga elvégezni a fűrészlánc élezését, ha nem rendelkezik megfelelő szerzővel és szükséges tapasztalattal.

### Biztonsági berendezések (1. ábra)


- **Hátsó markolat (2) kézvédővel (10)**
  - Megvédi a kezét az ágaktól és a gallyaktól, és ha fűrész ledobja a fűrészláncot.
- **Bekapcsoló retesz (3)**
  - A termék bekapcsolásához ki kell reteszelni a bekapcsoló reteszt. A bekapcsoló retesz megakadályozza a termék véletlen beindítását.
- **Láncfogó szerkezet (5a)**
  - Csökkenti a sérülésveszélyt, amikor a fűrészlánc elszakad vagy leugrik.
- **Fűrészlánc (8) enyhe visszacsapással**
  - Speciálisan kifejlesztett biztonsági berendezésekkel segít felfogni a visszacsapásokat.
- **Be-/Kikapcsoló (11) azonnali láncleállítás**
  - A be-/kikapcsoló elengedésekor a termék azonnal kikapcsol.
- **Karmos ütköző (15)**
  - Növeli a stabilitást, amikor függőleges vágást hajtanak végre, és megkönnyíti a fűrészelést.

### Megjegyzés:

A fűrészlánc nem fut, ha reteszelve van a láncfék.

- **Láncfék/első kézvédő (16)**
  - A biztonsági berendezés visszacsapás esetén azonnal lefékezi a fűrészláncot.
  - A kar kézzel is működtethető.
  - Megvédi a kezelő kezét, ha lecsúszik az előlő markolatról.
- **Villanymotor**
  - Biztonsági okokból kettős szigeteléssel van ellátva.

## 6.2 Egyéni védőfelszerelés (EVE)

 <b>VESZÉLY</b>
<b>Sérülésveszély!</b>
Mindig viseljen egyéni védőfelszerelést (EVE)!
– Viseljen arcvédővel vagy védőszemüveggel felszerelt, hallásvédővel rendelkező munkavédelmi sisakot.
– Viseljen vágás elleni védőbetéttel ellátott, szűk védőruházatot.
– Viseljen csúszásmentes munkavédelmi cipőt.
– Viseljen védőkesztyűt.

- **Kerülje a rendellenes testtartást. Álljon stabilan a lábán, és mindig őrizze meg egyensúlyát.** Így váratlan helyzetekben is jobban irányíthatja az elektromos szerszámot.
- A terméket nem használhatják csökkent fizikai, érzékszervi vagy mentális képességű, vagy tapasztalattal és tudással nem rendelkező személyek (vagy gyermekek).
- **Megfelelő ruházatot viseljen. Ne viseljen túl bő ruházatot vagy ékszereket. Haját és ruházatát tartsa távol a maguktól mozgó alkatrészekről.** A mozgó alkatrészek elkapathatják a laza ruházatot, az ékszereket vagy a hosszú haját.
- A termék használata során mindig viseljen zárt lábbelit és hosszú nadrágot. Ne használja a terméket mezítláb vagy nyitott szandálban. Kerülje a bő, illetve lógó zsinórokkal vagy nyakkendőkkal ellátott ruhák viselését.
- Az erdőben végzett mindenfajta munka során viseljen munkavédelmi sisakot. Ez védelmet biztosít a lehulló ágak ellen. Rendszeresen ellenőrizze, nem sérült-e meg a munkavédelmi sisak. Ezt legkésőbb 5 év elteltével le kell cserélni. Csak bevizsgált munkavédelmi sisakot használjon.
- Az arcvédő, illetve a védőszemüveg távol tartja a forgácsokat és faszilánkokat. A szemsérülések elkerülése érdekében a termékkel végzett munka során mindig viseljen arcvédőt vagy védőszemüveget.
- Viseljen hallásvédőt.
- Viseljen védőkesztyűt.
- Száraz fa fűrészelésekor viseljen porvédő maszkot. Ilyenkor fűrészpor képződhet.
- Ha fán dolgozik, a felhasználó lezuhanhat. A felhasználó súlyos, akár halálos sérüléseket szenvedhet. Viseljen lezuhanás elleni védőfelszerelést.

## 6.3 Környezeti biztonság

- A nemzeti és / vagy önkormányzati szabályozások korlátozhatják a zajt keltő motoros termékek használati idejét. Érdeklődjön ezzel kapcsolatban a helyben illetékes hatóságnál.

- Csak nappali fényben dolgozzon.
- Ne dolgozzon kedvezőtlen időjárási feltételek mellett, pl. esőben vagy szélben. Ilyenkor fokozott balesetveszély áll fenn!
- A munkaterületi rendetlenség balesetveszélyes.
- A termék használata során tartsa távol a gyermekeket és más személyeket. A figyelem elterelése miatt elveszízheti uralmát a termék felett.
- Soha ne működtesse a terméket, ha emberek, különösen gyerekek, illetve állatok vannak a közelben.
- Ne dolgozzon drótkerítés mellett, vagy olyan területen, ahol laza, régi huzalok találhatók.

## Fennmaradó kockázatok

**A termék korszerű műszaki színvonalon, az elismert biztonságtechnikai előírások szerint készült. A munkavégzés során azonban ennek ellenére is felléphetnek fennmaradó kockázatok.**

- A fennmaradó kockázatok minimálisra csökkenthetők azonban a „Biztonsági utasítások”, a „Rendeltetés szerű használat” és a kezelési útmutató együttes betartásával.
- Úgy használja a terméket, ahogyan azt a kezelési útmutató javasolja. Ezzel biztosítható, hogy a termék mindig optimális teljesítménnyel működjön.
- Emellett fennállhatnak olyan, nem nyilvánvaló fennmaradó kockázatok is, melyek minden elővigyázatosság ellenére sem szüntethetők meg.
- Amikor üzemel a termék, tartsa távol a kezét a munkaterülettől.
- Ha nem viseli az előírt hallásvédőt, halláskárosodást szenvedhet.
- A tüdő károsodása, ha az előírt légzésvédőt nem viselik.
- Sérülésveszély a szerszámok szakszerűtlen tartás vagy vezetés következtében történő kisodródása miatt.
- Nem előírás szerű villamos csatlakozóvezetékek használatakor áramütés veszélye áll fenn.
- Kerülje a termék véletlen üzembe helyezését: amikor bevezeti a dugós csatlakozót a csatlakozóaljzatba, nem szabad benyomva legyen a be-/kikapcsoló gomb.
- Mielőtt a beállítási és karbantartási munkákat megkezdéné, kapcsolja ki a be-/kikapcsoló gombot és húzza ki a hálózati csatlakozót.

## FIGYELMEZTETÉS

Ez az elektromos szerszám üzem közben elektromágneses mezőt hoz létre. Ez a mező bizonyos körülmények között negatív hatással lehet az aktív vagy passzív orvosi implantátumokra. A komoly és súlyos sérülések kockázatának elkerülése érdekében javasoljuk, hogy az orvosi implantátummal rendelkező személyek az elektromos szerszám használata előtt keressék fel orvosukat és implantátumuk gyártóját.

## FIGYELMEZTETÉS

Hosszabb idejű munkavégzés esetén a vibrációk miatt a kezelő személy kezeiben keringési zavarok (fehér ujj szindróma) léphetnek fel.

A fehér ujj szindróma olyan érrendszeri betegség, melynek következtében az ujjak és a lábujjak kis véredényei hirtelen összehúzódnak. Az érintett területek nem kapnak megfelelő vérellátást, és emiatt rendkívül sápadtak lesznek. A rezgő termékek gyakori használata idegkárosodást okozhat olyan a személyeknél, akiknek gyengébb a vérkeringése (például dohányosok, cukorbetegék).

Amennyiben szokatlan negatív hatásokat észlel, azonnal fejezze be a munkát, és forduljon orvoshoz.

## 7 Műszaki adatok

Mérési feszültség	220-240V AC / 50/60 Hz
Névleges teljesítmény S1*	1600 W
Védelmi osztály	II
Védelmi fokozat	IPX0
Lánc sebessége	15 m/s
Vezetősín	14"
Láncfűrész lapjának hossza	41,5 cm
Vágáshossz**	34 cm
Láncosztás	3/8"
Lánckerék fogainak száma	52 fog
A fűrészlánc típusa	3/8LP-52
A vezetősín típusa	AP14-52-507P
Tartály/Fűrészláncolaj	0,35 l
Súly (láncfűrész lapjával és fűrészláncsal)	kb. 4,8 kg
Súly (láncfűrész lapja, fűrészlánc és kábel nélkül)	kb. 4,2 kg

A műszaki változtatás jogát fenntartjuk!

### \* S1 üzemmód (folyamatos üzem)

A termék tartósan üzemeltethető a megadott teljesítménnyel.

\*\* A tényleges vágáshossz kisebb lehet a megadott vágáshossznál.

### Zaj és vibráció

## FIGYELMEZTETÉS

A zaj súlyos következményekkel járhat az egészségre nézve. Ha a gép zajszintje meghaladja a 85 dB értéket, akkor a közelben tartózkodó személyeknek megfelelő hallásvédőt kell viselniük.

### Zaj jellemző értékei

$L_{pA}$ hangnyomásszint	95,3 dB
$K_{pA}$ mérési bizonytalanság	3 dB
$L_{WA}$ mért hangteljesítményszint	103,3 dB
$L_{WA}$ garantált hangteljesítményszint	106 dB
$K_{WA}$ mérési bizonytalanság	3 dB

### Rezgéjellemzők (kéz-kar rezgés)

$Ah_n$ rezgés	
Elülső markolat	3,26 m/s <sup>2</sup>
Hátsó markolat	3,51 m/s <sup>2</sup>
K mérési bizonytalanság	1,5 m/s <sup>2</sup>

A megadott teljes rezgési érték és zajkibocsátási érték mérése szabványos vizsgálati eljárással történt, és az adatok felhasználhatók az elektromos szerszám másik szerszámmal való összevetésére.

A megadott zajkibocsátási érték és teljes rezgési érték a terhelés előzetes becsüléséhez is felhasználható.

## FIGYELMEZTETÉS

**A zajkibocsátási értékek és rezgéskibocsátási értékek az elektromos szerszám tényleges használata során eltérhetnek a megadott értékektől az elektromos szerszám alkalmazásának módjától függően, és különösen a megmunkálandó munkadarab jellege szerint.**

Próbálja meg a terheléseket a lehető legalacsonyabban tartani. Példaértékű intézkedés: a munkaidő korlátozása. Eközben az üzemelési ciklus összes részét vegye figyelembe (például azokat az időket, amikor ki van kapcsolva az elektromos szerszám, valamint azokat is, amikor be van ugyan kapcsolva, de terhelés nélkül működik).

## 8 Kicsomagolás

### FIGYELMEZTETÉS

**A termék és a csomagolóanyag nem játékszer!**

**Ne engedje, hogy a gyermekek a műanyag zacskókkal, fóliákkal és apró részekkel játszszanak! Lenyelés és fulladás veszélye áll fenn!**

- Nyissa ki a csomagolást, és óvatosan vegye ki a terméket.
- Távolítsa el a csomagolóanyagot, valamint a csomagolási/szállítási biztosítékokat (ha vannak).
- Ellenőrizze a szállított elemek hiánytalanságát.
- Ellenőrizze, nem szenvedett-e a termék és a tartozékok szállítási sérüléseket. Az esetleges sérüléseket azonnal jelentse a terméket kiszállító szállítónak. Utólagos reklamációkat nem fogadunk el.
- Lehetőleg a jótállási idő lejártáig őrizze meg a csomagolást.
- A használatba vétel előtt ismerkedjen meg a termékkel a kezelési útmutató alapján.
- Tartozékként, valamint kopó- és pótalkatrészeket csak eredeti alkatrészeket használjon. Pótalkatrészeket szakkereskedőjénél vásárolhat.
- Rendelésnél adja meg a cikkszámot, valamint a termék típusát és gyártási évét.

## 9 Üzembe helyezés előtt

### FIGYELMEZTETÉS

**Mielőtt beállításokat végez a terméken, mindig húzza ki a hálózati csatlakozót.**

### FIGYELMEZTETÉS

**Sérülésveszély!**

Csak az után dugja be a hálózati csatlakozót a csatlakozóaljzatba, hogy a terméket már előkészítette a használatra.

### VESZÉLY

**Sérülésveszély!**

Ha nem teljesen összeszerelve használja a terméket, az súlyos sérüléseket okozhat.

- Ne használja a terméket, amíg azt nem szerelték össze teljesen.
- Minden használat előtt végezzen szemrevételezéses ellenőrzést, hogy megbizonyosodjon a termék hiánytalanságáról, illetve hogy nincsenek-e rajta sérült vagy elhasználódott alkatrészek. Az összes biztonsági és védőberendezés kifogástalan állapotban kell legyen.

### FIGYELMEZTETÉS

**Sérülésveszély a fűrészlánc vagy a vezetőlap használata esetén!**

- Viseljen vágásálló védőkesztyűt.

#### **Megjegyzések:**

- Az új fűrészlánc nyúlik, és azt gyakran után kell feszíteni. Rendszeresen, minden egyes vágás után ellenőrizze a lánc feszességét, és állítson utána.
- Csak olyan fűrészláncot és vezetőlapot használjon, melyek ehhez a termékhez készültek.

### VIGYÁZAT

A rosszul összeszerelt fűrészlánc miatt a termék vágási tulajdonságai kiszámíthatatlanná válhatnak!

A fűrészláncösszerelésénél ügyeljen az előírt forgásirányra!

- Állítsa a terméket sík és vízszintes felületre.
- A használatba vétel előtt ismerkedjen meg a termékkel a kezelési útmutató alapján.

Előírás, hogy a terméket minden egyes használat előtt, illetve ha leesett, alaposan meg kell vizsgálni, nem sérült-e meg. Az észlelt sérüléseket Önnek vagy egy illetékes szervizszolgáltatónak haladéktalanul el kell hárítania.

A termék tökéletes működése és hosszú élettartama érdekében a következő pontokat kell betartani:

- A vezetősín helyes illeszkedése.
- A fűrészlánc beépítési iránya / futásiránya, valamint kifogástalan (éles) állapota.
- A fűrészlánc feszessége (új láncnál többször is ellenőrizze, és állítson utána).
- A lánckenés működése.
- A lánccék működése.
- A kuplung működése (üresjáratban a lánc nem mozoghat).

- a védőberendezések és a vágóberendezés kifogástalan állapota és hiánytalansága.
- Az összes csavarozás stabil elhelyezkedését.
- Minden mozgó alkatrész könnyű mozgását.

## 9.1 A fűrészlánc (7) és a láncfűrészlap (8) felszerelése (2. ábra)

1. A fűrészkerék-burkolat (5) eltávolításához forgassa el a láncfeszítő kereket (6) az óramutató járásával ellentétes irányban.
2. Úgy terítse ki egy hurokban a fűrészláncot (8), hogy a vágóélek az óramutató járásával megegyező irányba mutassanak. A fűrészlánc (8) beigazítása során kövesse a fűrészlánc (8), illetve a vezetőcsap (20) fölött elhelyezett ábrákat (nyilakat).
3. Helyezze a fűrészláncot (8) a láncfűrész lapjának (7) hornyába.  
A szereléshez tartsa a fűrész lapját (7) kb. 45 fokban felfelé billentve, hogy könnyebben rá tudja vezetni a fűrészláncot (8) a lánckerékre (18). A fűrészláncot (8) a fordítócsillag (7a) vezeti meg.
4. Helyezze be a fűrészlapot (7) a vezetőcsapoknál (20) és az álló csapszegeknél (19). A vezetőcsapoknál (20) és az álló csapszegnek (19) a fűrészlap (7) hosszanti furatában kell elhelyezkednie.
5. Vezesse el a fűrészláncot (8) a lánckerék (18) körül, majd ellenőrizze a fűrészlánc (8) megfelelő irányát.
6. Tegye vissza a lánckerék burkolatát (5).  
Ügyeljen rá, hogy a lánckerék burkolata (5) illeszkedjen a ház hornyába.
7. Húzza meg szorosan láncfeszítő kereket (6) az óramutató járásával megegyező irányban elforgatva.
8. Ellenőrizze újra a fűrészlánc (8) illeszkedését, és feszítse meg a fűrészláncot (8).

### Megjegyzés:

Felhívjuk figyelmét, hogy a termék használat után újraolajozódik, és az olaj szivároghat, ha a terméket oldalra vagy fejjel lefelé tárolja. Ez egy normális folyamat, amelyet a tartály felső szélén lévő szükséges szellőzőnyílás okoz, és nem ad okot panaszra. Mivel ezt a terméket a gyártás során olajjal ellenőrzik és tesztelik, a tartályban az ürítés ellenére is maradhat egy kis maradék, amely a ház szállítása során könnyen olajjal szennyeződhet. Kérjük, tisztítsa meg a készülékházat egy ronggyal.

A fűrészlánc cseréje előtt a vezetősinék hornyát meg kell tisztítani a szennyeződésektől, mivel a fűrészlánc kiugorhat a sínből, ha szennyeződések vannak rajta. A lerakódások felszívhatják a fűrészláncolajat is. Ennek az lenne a következménye, hogy a fűrészláncolaj nem, vagy csak kis részben jut el a sín alsó oldalára, és megszünik a kenés.

## 9.2 A fűrészlánc (8) megfeszítése (3. ábra)

### FIGYELMEZTETÉS

#### Ha leugrik a fűrészlánc, az sérülésveszélyt jelent!

Ha a fűrészlánc nincs rendesen megfeszítve, akkor üzem közben leugorhat, és sérülések okozhat.

- Ellenőrizze gyakran a fűrészlánc feszességét.
- A lánc feszessége túl csekély, ha a hajtószemek kilépnek a horonyból a vezetősin alsó oldalán.
- Ha túl csekély a lánc feszessége, feszítse után szakszerűen a fűrészláncot.

1. Győződjön meg arról, hogy a láncfék (16) ki van oldva (lásd 10.1.2).
2. Állítsa be a láncfeszítést a láncfeszítő kerékkel (6).
  - Az óramutató járásával megegyező irányban – nő a láncfeszesség
  - Az óramutató járásával ellentétes irányban – csökken a láncfeszesség
3. Forgassa el kézzel a fűrészláncot (8), így ellenőrizve, hogy kifogástalan-e a futása. Szabadon kell sikkalnia a fűrészlapon (7).

A fűrészláncnak (8) nem szabad megereszkednie, de legalább 1-2 milliméternyire el kell húzódnia a láncrúd közepén lévő rúdtól (7).

A lánc feszessége és a lánc kenése jelentősen befolyásolja a fűrészlánc élettartamát.

A fűrészlánc feszessége akkor megfelelő, ha a lánc lapjának alsó oldalán nem lóg be, és kesztyűs kézzel teljesen körbe lehet forgatni. Ha a fűrészláncot 9 N (kb. 1 kg) húzóerővel húzza, a fűrészlánc és a láncfűrészlap legfeljebb 7 mm távolságra lehet egymástól.

A fűrészlánc (8) legfeljebb 9 mm-t húzható le kézzel, átlagos húzási erő mellett.

### Megjegyzés:

- Az új lánc feszességét néhány perc munka után ellenőrizni kell, és után kell állítani.
- A fűrészlánc feszítését tiszta helyen érdemes végezni, ahol nincs fűrészpor és egyéb szennyeződés.
- A fűrészlánc helyes feszessége a felhasználó biztonságát szolgálja, valamint csökkenti, illetve megakadályozza a lánc kopását és károsodását.
- Javasoljuk a felhasználónak, hogy az első munkakezdés előtt ellenőrizze a lánc feszességét.

## FIGYELEM

A fűrésszel végzett munka során a fűrészlánc felhevül, és ennek következtében némileg kitérül. Ezzel az „utányúlással” különösen új fűrészláncnál kell számolni.

### 9.3 Fűrészláncolaj (22) betöltése (4. ábra)

## ⚠ VESZÉLY

Olaj betöltése előtt mindig kapcsolja ki és hagyja lehűlni a terméket. Amennyiben kifolyik az olaj, tűzveszély áll fenn.

## ⚠ FIGYELMEZTETÉS

A lap és a fűrészlánc soha nem futhat olajozás nélkül. Ha túl kevés olajjal üzemelteti a láncfűrész, csökken a fűrészlánc vágási teljesítménye és élettartama, mivel a fűrészlánc hamarabb eltömpul. Ha túl kevés az olaj, az arról ismerhető fel, hogy füst képződik, vagy elszíneződik a láncfűrész lapja.

## FIGYELEM

### Környezeti károk!

A kifolyó olaj maradandóan beszennyezheti a környezetet. A folyadék erősen mérgező, és gyorsan beszennyezheti a vizet.

- Az olajat csak sík és szilárd felületen tölts be / ürítse le.
- Használjon betöltő csonkot vagy tölcserőt.
- A leeresztett olajat fogja fel megfelelő edényben.
- A kifröccsent olajat azonnal törölje fel alaposan, és ártalmatlanítsa a rongyot a helyben érvényes előírások szerint.
- Ártalmatlanítsa az olajat a helyben érvényes előírások szerint.

A fűrészlánc kenését üzem közben automatikusan végzi a termék. A fűrészlánc kellő kenéséhez mindig elegendő fűrészláncolajnak kell lennie az olajtartályban. Rendszeres időközönként ellenőrizze az olajtartályban maradt olaj mennyiségét.

### Megjegyzés:

- A fedél egy biztosító alátéttel van ellátva.
- Lehetőleg biológiailag lebomló fűrészláncolajjal (22) tölts fel.
- A termék bekapcsolása előtt győződjön meg arról, hogy az olajtartály kupakja a helyén van és le van zárva.

1. Nyissa ki az olajtartályt (12). Ehhez csavarja le az olajtartály sapkáját (4) az óramutató járásával ellentétes irányban.
2. Az olaj szivárgásának megakadályozása érdekében használjon tölcserőt\*.
3. Óvatosan tölts fel a fűrészláncolajat (22) az olajszintjelzőn (13) lévő felső jelzésig. Az olajtartály töltési mennyisége: max. 350 ml.
4. Csavarja be az olajtartály sapkáját (4) az óramutató járásával egyező irányban az olajtartály (12) lezárásához.
5. Az esetleg kifröccsent olajat azonnal itassa fel alaposan, és a rongyot a helyben érvényes előírások szerint ártalmatlanítsa.
6. A fűrészlánc kenésének ellenőrzéséhez tartsa a terméket a fűrészlánccal együtt egy papírlap fölé, majd néhány másodpercig működtesse teljes gázzal. A papíron észrevehető, hogy működik-e a lánckenés.

## 10 Kezelés

Az elektromos láncfűrész villanymotor hajtja. A körbefutó fűrészláncot a láncfűrész lapja (a vezetősin) vezeti. A termék gyorsleállító láncfékkel van felszerelve. Olajautomatika gondoskodik a folyamatos lánckenésről. A felhasználó védelme érdekében az elektromos láncfűrész különféle védőszerkezetekkel van ellátva. A kezelőelemek funkciója a következő leírásokban található.

## FIGYELEM

**Mielőtt üzembe helyezné a terméket, feltétlenül szerelje össze teljesen!**

## FIGYELEM

Ügyeljen rá, hogy a környezeti hőmérséklet munkavégzés közben ne haladja meg az 50 °C-t és ne süllyedjen –20 °C alá.

## ⚠ VESZÉLY

### Sérülésveszély!

Ha megszorul a termék, ne próbálja erővel eltávolítani a terméket.

- Állítsa le a motort.
- A termék kiszabadításához használjon emelőkart vagy éket.

## 10.1 Láncfék (16) (1, 5. ábra)

### FIGYELMEZTETÉS

**A láncfékét minden egyes üzembe helyezés előtt ellenőrizni kell.**

A láncfék visszacsapás esetén azonnal lefékezi a fűrészláncot.

### FIGYELMEZTETÉS

**Ha a láncfék nem működik rendesen, a láncfűrészét nem szabad használni.**

**Sérülésveszély áll fenn az utánfutó fűrészlánc által.**

**Vegye fel a kapcsolatot az ügyfélszolgálat.**

### FIGYELMEZTETÉS

**A termék károsodása!**

Ha túl hosszú ideig magas fordulaton járattja a motort, miközben a láncfék fogja a láncot, az kárt tehet a motorban és a fűrészlánc hajtásában.

Ha mégis mozog a fűrészlánc, forduljon az ügyfélszolgálathoz.

#### **Megjegyzés:**

A fűrészlánc nem fut, ha reteszelve van a láncfék.

#### **10.1.1 A láncfék/első kézvédelem aktiválása (16)**

1. Döntse meg a láncfékét/elelső kézvédelmet (16) a fűrészlap (7) irányába.

#### **10.1.2 A láncfék/első kézvédelem kioldása (16)**

1. Húzza a láncfékét/elelső kézvédelmet (16) az elülső markolat (14) irányába. A láncfék/első kézvédelem (16) hallhatóan a helyére pattan.

#### **10.1.3 A láncfék/első kézvédelem ellenőrzése (16)**

1. Oldja ki a láncfékét/első kézvédelmet (16) a 10.1.2 című fejezetben leírtak szerint.
2. Két kézzel tartsa erősen a láncfűrészét.
3. Kapcsolja be a láncfűrészét a 10.1.3 fejezetben leírtak szerint.
4. Döntse meg a láncfékét/elülső kézvédelmet (16) a fűrészlap (7) irányába. A fűrészláncnak (8) azonnal le kell állnia!

#### **Megjegyzés:**

Amennyiben a fűrészlánc továbbra is mozog, nem használhatja a terméket. Sérülésveszély áll fenn az utánfutó fűrészlánc által. Vegye fel a kapcsolatot az ügyfélszolgálatl.

## 10.2 A termék be-/kikapcsolása és működtetése (1. ábra)

### FIGYELMEZTETÉS

**Sérülésveszély visszacsapás miatt!**

- Soha ne használja a terméket egy kézzel!

#### **Bekapcsolás**

1. Ellenőrizze, hogy van-e fűrészláncolaj (22) az olajtartályban (12).
2. Képezzen hurkot a hosszabbító vezeték\* végéből, és ezt akassza be a hátsó markolaton (2) található tehermentesítőbe (9).
3. Dugja a hálózati csatlakozót megfelelően biztosított hálózati csatlakozóaljzatba.
4. Távolítsa el a lap- és láncvédőt (17) a fűrészlánc lapjáról (7).
5. Oldja ki a láncfékét (16). A láncfék (16) hallhatóan a helyére pattan.
6. Tartsa a terméket a bal kezével az elülső markolatnál (14), jobb kezével pedig a hátsó markolatnál (2) fogva. Ujjai szorosan zárják körbe a markolatokat (2/14).
7. Tartsa testét és karjait olyan helyzetben, hogy képes legyen a visszalökő erőket felfogására.
8. Tolja előre a bekapcsoló reteszt (3) a hátsó markolaton (2), és tartsa ebben a helyzetben.
9. A termék bekapcsolásához nyomja meg a be-/kikapcsolót (11).
10. Engedje el a bekapcsoló reteszt (3).

#### **Megjegyzés:**

Az termék beindítása után nem szükséges a bekapcsoló reteszt továbbra is működtetni. A bekapcsoló reteszt arra szolgál, hogy megakadályozza a termék véletlen beindítását.

Folyamatos üzembe való kapcsolásra nincs lehetőség.

#### **Kikapcsolás**

1. Kikapcsoláshoz engedje el a be-/kikapcsolót (11).
2. Aktiválja a láncfékét (16).
3. A termékkel végzett munka befejeztével mindig helyezze fel a tartozékként mellékelt lap- és láncvédőt (17).
4. Használaton kívül húzza ki a készülék hálózati csatlakozódugóját a csatlakozóaljzatból.
5. Távolítsa el a hosszabbító kábelt\* a tehermentesítőből (9).

\* = nem feltétlenül tartoznak a szállított elemek közé!

### 10.3 Túlterhelés elleni védelem

Ha túlterhelődik, a termék magától lekapcsol. Ha lehűlt (ennek időtartama változó), a termék ismét bekapcsolható.

### 10.4 A láncfűrész-lap kenésének ellenőrzése (4. ábra)

#### Megjegyzés:

A munka megkezdése előtt ellenőrizze az olajsztintet és a lánckenés működését.

1. A fűrészlánc kenésének ellenőrzéséhez tartsa a terméket a fűrészláncsal együtt egy papírlap fölé, majd néhány másodpercig működtesse teljes gázzal. A papíron észrevehető, hogy működik-e a lánckenés.


#### Megjegyzés:


Ha nem látszik olajnyom, szükség esetén tisztítsa meg az olajozó furatot, vagy javíttassa meg a láncfűrész ügyfélszolgálatunk munkatársaival.


1. Annak érdekében, hogy üzem közben a fűrészlánc (8) olajozása zavartalan és automatikus legyen, tisztítsa meg az olajozó furatot (21). Ehhez használjon ecsetet\* vagy rongyot\*, melyekkel ki lehet törölni a maradványokat az olajozó furatból (21).

\* = nem feltétlenül tartoznak a szállított elemek közé!

## 11 Munkavégzési utasítások

 <b>VESZÉLY</b>
<b>Sérülésveszély!</b>
Ez a szakasz a termékkel végzett munka során alkalmasodó alapvető vágástechnikát taglalja. Az itt megadott információk nem helyettesítik a szakemberek sokéves képzését és tapasztalatát. Kerüljön minden olyan munkavégzést, amelyhez nincs megfelelő szaktudása! A termék felelőtlen használatának súlyos sérülés, akár halál is lehet a következménye!

 <b>VESZÉLY</b>
<b>Sérülésveszély!</b>
Fűrészelési és fakivágási munkákat, valamint a velük kapcsolatos tevékenységeket csak képzett és oktatásban részesült személyek végezhetik.

 <b>FIGYELMEZTETÉS</b>
A tapasztalatlan felhasználókat biztonsági okokból arra intjük, ne próbáljanak olyan fatörzset kivágni, melynek átmérője meghaladja a fűrészlánc lapjának hosszát.

#### Megjegyzések:

A bekapcsolás előtt ügyeljen arra, hogy a termék ne érintkezzen semmilyen tárggyal.

A fakivágásra vonatkozóan tartsa be adott országban érvényes előírásokat, és tájékozódjon a helyben illetékes hatóságánál.

- Ügyeljen rá, hogy senki ne sérüljön meg a leeső ágak és kidőlő fák miatt.
- A munkaterületen csak azok tartózkodhatnak, akiknek a jelenlétére szükség van a fakivágási munkálatokhoz.
- Tartsa szabadon és rendben a törzs munkaterületét, hogy a kezelők biztosan állhassanak a lábukon.
- Tartsa szabadon és rendben a menekülési útvonalakat, hogy gyorsan el lehessen hagyni a munkaterületet.
- Ne végezzen fakivágási munkákat erős szélben, rossz időben vagy rossz látási viszonyok között.
- Tartson a szomszédos munkahelytől legalább 2 1/2 fa hosszának megfelelő távolságot.
- Kapcsolja ki a motort, ha a fűrész idegen testtel érintkezik. Ellenőrizze és szükség esetén javítsa meg a fűrész.
- Óvja a fűrészláncot a szennyeződéstől és homoktól. Már a kisebb mennyiségű szennyeződéstől is élelenné válhat a fűrészlánc, ami növeli a visszacsapó reakciók veszélyét.
- Mielőtt nehezebb feladatokban kezdene, gyakoroljon kisebb fatörzsek darabolásával, hogy ráérezzen a termék használatára.
- Amikor megkezdí a fűrészélést, nyomja a fatörzs felé a láncfűrész házáat.
- Hagyja, hogy a fűrész dolgozzon Ön helyett. Csak enyhe lefelé irányuló nyomást fejtson ki.
- A vágás vége felé ne fejtson ki nyomást a láncfűrészre, így megakadályozhatja, hogy elveszítse uralmát a termék felett, amikor a fűrészlánc kilép a fából.
- Ne vágjon talajon fekvő faanyagot, illetve ne próbáljon meg földből kiálló gyökereket elvágni.
- Kerülje a rendellenes testtartást. Álljon stabilan a lábán, és mindig őrizze meg egyensúlyát. Így váratlan helyzetekben is jobban irányíthatja a terméket.
- Jobban tudja uralni a terméket, ha a lap alsó élével fűrészeli (húzó láncsal).
- Az átvágáskor vagy azt követően a fűrészláncnak nem szabad sem a talajhoz, sem más tárggyhoz érnie.
- Tartsa be a visszacsapás elleni óvintézkedéseket (lásd a biztonsági utasításokat).

## 11.1 Helyes tartás

<b>⚠ VESZÉLY</b>
<b>Sérülésveszély!</b>
<ul style="list-style-type: none"><li>– Soha ne dolgozzon nem stabil alappal!</li><li>– Soha ne dolgozzon vállmagasság felett!</li><li>– Soha ne dolgozzon létrán állva!</li><li>– Ne dolgozzon túlságosan előre hajolva!</li><li>– A terméket csak kedvező időjárási és terepviszonyok mellett használja!</li><li>– Mindkét lábával biztosan álljon a talajon.</li><li>– Ügyeljen az esetleges akadályokra a munkavégzés területén.</li><li>– Munka közben mindig fogja erősen mindkét kezével a terméket!</li></ul>

## 11.2 Így fűrészeljen helyesen!

- Gyakoroljon egyenes nyomást a termékre, de kerülje a túlzott erőltetést.
- Lehetőség szerint a karmos ütközővel helyezze a terméket a fűrészrendő ágra.
- Soha ne dolgozzon karmos ütköző nélkül. A termék előre ránthatja a kezelőt.
- A karmos ütközőt fatörzsek vagy vastag ágak vágásához használja.
- A karmos ütköző használata növeli a munkabiztonságot, csökkenti a munka közbeni személyi terhelést, emellett a rezgés mértékét is csökkenti.
- Ha idegen testbe ütközött. Vizsgálja át a terméket, nem sérült-e valahol, és végezze el a szükséges javításokat, mielőtt újra beindítja, és dolgozni kezd a termékkel. Ha a termék a szokatlanul erősen rázkódni kezd, azonnal meg kell vizsgálni.

## 11.3 Fűrészelési technikák

### 11.3.1 Húzó fűrészelés

Ennél a technikánál a fűrészelés a láncfűrész lapjának alsó oldalával, felülről lefelé történik.

A fűrészlánc a terméket előre felé tolja, a kezelőtől elfelé. Eközben a termék elülső széle támaszt képez, amely felfogja a fűrészelés során ébredő erőket a fatörzsnél. A húzó fűrészelés esetében a kezelő lényegesen több kontrollal rendelkezik a termék fölött, és a visszacsapások jobban elkerülhetők.

## 11.3.2 Toló fűrészelés

<b>⚠ VESZÉLY</b>
<b>Életveszélyes sérülések!</b>
Ha a láncfűrész lapja félrekap, a termék nagy erővel a kezelő felé csapódhat.
Ha a kezelő a fűrészlánc hátrafelé toló erejét saját testi erejével nem egyenlíti ki, fennáll a veszély, hogy csak a láncfűrész lapjának csúcsa érintkezik a fával, aminek visszacsapás a következménye.

Ennél a technikánál a fűrészelés a vezetősín felső oldalával, alulról felfelé történik.

Ez esetben a fűrészlánc a terméket hátrafelé tolja, a kezelő irányába.

### 11.3.3 Méretre vágás

A méretre vágás a kivágott fatörzsek apró darabokra fűrészelése. Lehetőleg támassza alá a törzset ágakkal, gerendákkal vagy ékekkel.

- **Mindig ügyeljen a stabilitásra, és a láncfűrész csak akkor használja, ha szilárd, biztonságos, sík talajon áll.** Ha csúszós a talaj, vagy instabil a felület, amelyen áll, akkor elveszítheti az egyensúlyát, vagy elveszítheti az uralmat a láncfűrész felett.
- Lejtőn végzett fűrészelés közben mindig álljon az ág fölötti oldalon. Ügyeljen rá, hogy a fűrészlánc ne érintkezzen a talajjal. A vágás befejezése után várja meg, amíg a fűrészlánc leáll, mielőtt eltávolítaná a terméket.
- Mikor átmegy az egyik munkahelyről a másikra, mindig kapcsolja ki a termék motorját.

#### 11.3.3.1 A törzs a földön fekszik (6. ábra)

- Az átvágáskor vagy azt követően a fűrészláncnak nem szabad sem a talajhoz, sem más tárgyhoz érnie.
- Felülről fűrészlje át teljesen a törzset.
- Ha át lehet fordítani a fatörzset, fűrészlje át 2/3 részben.
- Ezután fordítsa át a fatörzset, és fűrészlje át a törzs fennmaradó részét felülről.

#### 11.3.3.2 A törzs le van támasztva az egyik végén (7. ábra)

- Először lentről felfelé fűrészlje át (a láncfűrész lapjának felső oldalával) a törzsátmérő 1/3-áig, hogy ne törjön szilánkosan a fa.
- Ezután fűrészljen fentről lefelé (a láncfűrész lapjának alsó oldalával) az első vágás irányába, ezzel megakadályozva a beszorulást.

#### 11.3.3.3 A törzs le van támasztva mindkét végén (8. ábra)

- Először fentről lefelé fűrészlje át (a láncfűrész lapjának felső oldalával) a törzsátmérő 1/3-át.

- Ezután fűrészseljen letről felfelé (a lánkfűrész lapjának felső oldalával), amíg a vágások egymásba nem érnek.

### 11.3.3.4 Fűrészseljen munkabakon (9. ábra)

1. Tartsa két kézzel erősen a terméket, és fűrészelés közben a teste előtt vezesse a terméket **1**.
2. Amikor átvágja a törzset, a teste előtt, a jobb oldalon vezesse el a terméket. Tartsa a bal karját olyan egyenesen **2**. Amennyire csak tudja, ügyeljen a leeső törzsre.
3. Úgy helyezkedjen el, hogy a levágott törzs ne jelentsen veszélyforrást.
4. Ügyeljen a lábfejére **3**. A levágott törzs sérülések okozhat, amikor lezuhan.
5. Ügyeljen arra, hogy teste egyensúlyban legyen, és hogy biztosan álljon.

### 11.3.4 Ágak levágása (10. ábra)

#### ⚠ FIGYELMEZTETÉS

##### Sérülésveszély!

Az ágritkítás során számos baleset történik.

- Tartsa két kézzel erősen a terméket, és fűrészelés közben a teste előtt vezesse a terméket.
- Üzemeltetés közben ne hajoljon túlságosan előre.
- Soha ne vágjon le ágakat, ha a fa törzsén áll.
- Ha az ág meg van feszülve, tartsa szem előtt a visszacsapási tartományt.

Az ágritkítás kifejezés a fa ágainak és gallyainak eltávolítását jelenti.

- A támasztó ágakat csak azután távolítsa el, hogy rövidebbre vágta őket.
- A feszültség alatt álló ágakat alulról felfelé kell fűrészelni, hogy a termék ne akadjon el.
- A vastagabb ágak lefűrészeléskor alkalmazza ugyanazt a technikát, mint a rövidebbre vágás során.
- A törzstől balra állva dolgozzon, a lehető legközelebb a termékhez. A készülék súlya lehetőleg a törzset terhelje.
- A törzs túloldalán található ágak lefűrészeléséhez váltson munkavégzési helyet.
- Az elágazó ágakat egyesével kell rövidebbre vágni.
- Az ágritkítás során elsősre hagyja meg azokat az ágakat, melyek támasztják a fát. A kisebb ágakat egy vágással válassza le.
- A lefelé lógó ágakat úgy távolítsa el, hogy a vágást az ág fölött ejti.
- Kizárólag vállmagasságig végezzen ágtalanítást.

### 11.3.5 Fa kivágása (11, 12. ábra)

#### ⚠ VESZÉLY

##### Sérülésveszély!

Fűrészelési és fakivágási munkálatokat, valamint a velük kapcsolatos tevékenységeket csak képzett és oktatásban részesült személyek végezhetik.

#### ⚠ VESZÉLY

A favágáshoz nagy tapasztalat szükséges. Kizárólag abban az esetben vágjon ki egy fát, ha képes biztonságosan kezelni a terméket. Ne használja a terméket, ha bizonytalannak érzi magát.

#### ⚠ VESZÉLY

##### Életveszélyes sérülések!

- Ne vágja teljesen keresztül a fa törzsét!
- A dőlési folyamat közben oldalt álljon a kidőlő fának!

#### ⚠ VESZÉLY

Ne vágjon ki fát, ha erős vagy változó szél fúj, ha fennáll a magántulajdon károsodásának veszélye, vagy ha a fa elektromos vezetékekhez érhet.

#### ⚠ VESZÉLY

A fák kivágása során ügyelni kell arra, hogy más személyeket ne veszélyeztessen, ne találjon el közművezetéseket, és ne okozzon anyagi kárt. Ha egy fa valamilyen közművezetékhez ér, akkor arról azonnal értesíteni kell az érintett közműszolgáltatót.

- Ügyeljen arra, hogy a munkaterület környezetében ne tartózkodjon senki vagy semmilyen állat sem. A kivágandó fa és a legközelebbi munkahely közötti távolságnak a fahossz 2,5-szeresének kell megfelelnie.
- Vegye figyelembe a kivágási irányt: A felhasználónak biztonságosan kell tudnia mozogni a kivágott fa közelében, hogy könnyedén levághassa és ágtalaníthassa a fát. El kell kerülni, hogy a kivágandó fa elakadjon egy másik fában. Vegye figyelembe a természetes dőlésirányt, amely a fa dőlésétől és a fa tengelyének görbületétől, a széliránytól és az ágak számától függ.
- A kisméretű, 15-18 cm törzsméretű fák - hagyományos módon - egy vágással vághatók ki.

- Lejtőn végzett fűrészelés közben mindig álljon az ág fölötti oldalon. Ügyeljen rá, hogy a fűrészlánc ne érintkezzen a talajjal. A vágás befejezése után várja meg, amíg a fűrészlánc leáll, mielőtt eltávolítaná a terméket.
- Lejtőn végzett fűrészelés közben mindig a fatörzs fölötti oldalon álljon. A vágás végéhez közeledve csökkentse a kifejtett nyomást, de továbbra is tartsa szilárdan a markolatokat, hogy az "átvágás" pillanatában uralni tudja a terméket. Ügyeljen rá, hogy a fűrészlánc ne érintkezzen a talajjal. A vágás végétével várja meg, amíg leáll a termék, mielőtt elveszi a terméket.  
Mielőtt átmegy az egyik fától a másikhoz, mindig kapcsolja ki az termék motorját, és húzza ki a hálózati csatlakozót.
- A nagyobb átmérőjű fákat kivágásához először bemetszéseket kell ejteni, és ezután kialakítani a fadóntó vágást.
- Ügyeljen rá, hogy a fűrészlánc ne szoruljon meg a fűrészelt vágatban. Az ágat ne törje le és ne szakítsa le.
- A fáról távolítsa el a szennyeződést, köveket, levált fakérget, szegeket, kapcsokat és drótokat.

### ⚠ FIGYELMEZTETÉS

**Közvetlenül a fűrészelési művelet befejeztével hajtsa fel a hallásvédőt, hogy meghallja a hangjelzéseket és figyelmeztető hangokat.**

#### Gallyazás:

- A lefelé lógó ágakat úgy távolítsa el, hogy a vágást az ág fölött ejti. Kizárólag vállmagasságig végezzen ágatlanítást.

#### Menekülési terület:

- Távolítsa el az aljnövényzetet a fa körül, hogy biztosítsa a könnyű visszahúzást. A menekülési területnek kb. 45°-kal a tervezett kivágási irány mellett kell elhelyezkednie.

#### Ferdevágás:

- Helyezzen el egy ferdevágást abba az irányba, amelybe a fának ki kell dőlnie.
- Kezdje az alsó, vízszintes vágással.
- A vágás mélysége körülbelül a törzsátmérő 1/3-a kell legyen.  
Így elkerülhető, hogy a második bemetszés során beszoruljon a fűrészlánc vagy a vezetősín.
- Most végezzen ferde fűrészelő vágást fentről kb. 45°-os vágási szöggel, amely pontosan összeér az alsó fűrészelő vágással.

### ⚠ VESZÉLY

Soha ne lépjen olyan fa elé, amelyen már bevágást ejtettek.

#### Kivágáshoz szükséges vágás:

- A kivágást a törzs másik oldaláról kell elvégezni, miközben a fa törzsétől balra áll, és húzó fűrészlánccal dolgozik.
- A kivágásnak vízszintesnek kell futnia, a vízszintes-bemetszés fölött legalább 5 cm-rel.
- Olyan mélynek kell lennie, hogy a távolság a bemetszés vonalától legalább a törzs átmérőjének 1/10-e legyen.
- A törzs át nem fűrészelt részét magnak (dőntő léc) nevezzük.  
Ez a talpazat megakadályozza, hogy a fa elforduljon, és rossz irányba dőljön.  
A talpazatot ne vágja át.
- Amikor a kivágáshoz szükséges vágás megközelíti a talpazatot, a fának el kell kezdenie dőlni.
- Ha úgy látszik, hogy a fa esetleg nem a kívánt irányba dől, vagy visszabilen, és beszorítja a fűrészláncot, hagyja abba a vágást, és a vágat megnyitásához, valamint a fa átbillentéséhez használjon fából, műanyagból vagy alumíniumból készült ékeket.
- Ha a törzs átmérője nagyobb, mint a láncfűrész lapjának hossza, két vágást ejtsen.
- A kivágás elvégzése után a fa magától vagy a döntők, illetve a feszítővas segítségével kidől.

### ⚠ VESZÉLY

Amint a fa dőlni kezd, húzza ki a terméket a vágásból, állítsa le a motort, tegye le a terméket és hagyja el a munkavégzés helyszínét a visszavonulási úton. Ügyeljen a lehulló ágakra, és ne botoljon meg.

#### 11.3.6 Beszorult láncfűrész kiengedése

Amennyiben a láncfűrész vágás közben beszorul, a következőképpen járjon el:

1. Kapcsolja ki a láncfűrész és rögzítse a fatörzs belső feléhez (azaz a fatörzs felé) vagy egy külön szerzőszámkötélhez.
2. Húzza ki a láncfűrész a bevágásból, miközben a szükséges mértékben megemeli az ágat.
3. Szükség esetén kézi fűrész vagy egy másik láncfűrész használata a beszorult láncfűrész kiszabadítására, azáltal, hogy a beszorult láncfűrészről legalább 30 cm távolságra váganak.

Függetlenül attól, hogy kézfűrész vagy láncfűrész használnak a beszorult láncfűrész kiszabadítására, a láncfűrész kiszabadítására szolgáló vágásokat mindig kifelé (az ágyékek felé) kell elvégezni, hogy a láncfűrész ne ragadjon magával a lefűrészelt részeket így bonyolítja tovább a helyzetet.

#### 11.4 Használat után

- **Mielőtt letenné a terméket, mindig kapcsolja ki, és várja meg, amíg a termék megáll.**

- Helyezze rá a lap- és láncvédőt (17) a vezetőlapra (7).
- Aktiválja a láncféket (16).
- Hagyja lehűlni a terméket.
- Használaton kívül húzza ki a készülék hálózati csatlakozódugóját a csatlakozóaljzatból.

## 12 Tisztítás és karbantartás

### ⚠ FIGYELMEZTETÉS

**Azokat a javítási és karbantartási munkálatokat, melyeket a jelen üzemeltetési útmutató nem ismertet, végeztesse el szakmúhelyben. Csak eredeti pótalkatrészeket használjon.**

### ⚠ FIGYELMEZTETÉS

**A nem megfelelő karbantartási vagy tisztítási munkák sérüléseket okozhatnak!**

### ⚠ FIGYELMEZTETÉS

**Tisztítási, javítási és karbantartási munkálatok során a termék váratlanul beindulhat, ami sérüléseket és égési sérüléseket okozhat.**

- Kapcsolja ki a terméket.
- Húzza ki a hálózati csatlakozót.
- Hagyja kihűlni a terméket.

### ⚠ FIGYELMEZTETÉS

**Sérülésveszély a fűrészlánc vagy a vezetőlap használata esetén!**

- Viseljen vágásálló védőkesztyűt.

## 12.1 Tisztítás

1. Azt javasoljuk, hogy a terméket minden használat után rögtön tisztítsa meg.
2. A fűrészlánc tisztításához ecsetet vagy kézi kefért használjon, és ne használjon folyadékot.
3. A fogantyúkat és a megfogási felületeket mindig száraz, tiszta, valamint olajtól és zsírtól mentes állapotban kell tartani. A csúszós fogantyú és megfogási felületek nem teszik lehetővé az elektromos szerszám biztonságos üzemeltetését, illetve hogy megőrizze fölötte az uralmát előre nem látható helyzetekben.
4. Szükség esetén tisztítsa meg a markolatokat is nedves, szappanos vízben kiöblített ronggyal.

5. A védőberendezéseket, levegőnyílásokat és a motorházat tartsa portól és szennyeződéstől mentesen, amennyire csak lehetséges. Dörzsölje le a terméket tiszta ronggyal\*, vagy fúvassa ki alacsony nyomású sűrített\* levegővel. Azt javasoljuk, hogy a terméket minden használat után rögtön tisztítsa meg.
6. A szellőzőnyílásoknak mindig szabadon átjárhatóknak kell lenniük.
7. Ne használjon tisztító- vagy oldószereket; ezek kezdhetik a termék műanyag alkatrészeit. Ügyeljen arra, hogy ne juthasson víz a termék belsejébe.
8. Tisztítsa meg a láncfűrész lapjának hornyát ecset vagy sűrített levegő segítségével.
9. Tisztítsa meg a lánckereket.

\* = nem feltétlenül tartoznak a szállított elemek közé!

## 12.2 Karbantartás

### Megjegyzés:

Gondosan tartsa karban a terméket. Ellenőrizze, hogy a mozgó alkatrészek kifogástalanul működnek és nem szorulnak-e, illetve nincsenek-e törött vagy sérült alkatrészek, amelyek negatív hatással lennének a termék működésére. A termék használata előtt javíttassa meg a sérült alkatrészeket.

Állítsa a terméket sík és vízszintes felületre.

### 12.2.1 A lánckerék (18) ellenőrzése (2. ábra)

1. A láncfeszítés lazításához és a lánckerék burkolatának (5) eltávolításához forgassa el a láncfeszítő kezeket (6) az óramutató járásával ellentétes irányban.
2. Vegye le a láncfűrész lapját (7) és a fűrészláncot (8).
3. Ellenőrizze a lánckeréket (18) vizsgálo idomszerrel\*, hogy nincsenek-e rajta bemoarodási nyomok.
4. Ha a bemoarodási nyomok mélyebbek, mint a = 0,5 mm, ne használja tovább a terméket, és keresen fel egy szakkereskedést. A lánckeréket (18) ki kell cserélni.
5. Szerelje fel ismét a vezetőlapot (7) és a fűrészláncot (8) a 9.1 fejezetben leírtak szerint.

\* = nem feltétlenül tartoznak a szállított elemek közé!

### 12.2.2 A láncfűrész lapjának (7) ellenőrzése (1. ábra)

1. A láncfeszítés lazításához és a lánckerék burkolatának (5) eltávolításához forgassa el a láncfeszítő kezeket (6) az óramutató járásával ellentétes irányban.
2. Vegye le a láncfűrész lapját (7) és a fűrészláncot (8).
3. Mérje meg láncfűrész lapjának (7) horonymélységét egy reszelősablon\* nívópálcájával.
4. Ha az alábbi pontok egyike helytálló, a láncfűrész lapját (7) ki kell cserélni:
  - A láncfűrész lapja sérült.

- A mért horonymélység kisebb, mint a lánzfűrész lapjának minimális horonymélysége (4 mm).
  - A lánzfűrész lapjának hornya beszűkült vagy kitágult.
5. Szerelje fel a vezetőlapot (7) és a fűrészláncot (8) a 9.1 fejezetben leírtak szerint.
- \* = nem feltétlenül tartoznak a szállított elemek közé!

### 12.2.3 A fűrészlánc lapjának (7) cseréje (2. ábra)

1. A lánzfeszítés lazításához és a lánckerék burkolatának (5) eltávolításához forgassa el a lánzfeszítő ke-  
reket (6) az óramutató járásával ellentétes irányban.
2. Vegye le a lánzfűrész lapját (7) és a fűrészláncot (8).  
Leszereléshez tartsa a vezetőlapot (7) kb. 45 fok-  
ban felfelé billentve, hogy könnyebben le tudja ven-  
ni a fűrészláncot (8) a vezetőlap (7) hornyáról.
3. Cserélje le a vezetőlapot (7), majd szerelje fel a ve-  
zetőlapot (7) és a fűrészláncot (8) a 9.1 fejezetben  
leírtak szerint.

### 12.2.4 A fűrészlánc (8) cseréje és bejáratása (2. ábra)

#### VESZÉLY

#### Súlyos sérülések lehetségesek a fűrészfog- ról való leszakadás vagy leugrás miatt!

- Soha ne csatlakoztasson új fűrészláncot kopott lánckerékhez vagy sérült vagy kopott vezetősin-  
hez. A fűrészlánc leugorhat vagy elszakadhat.

- Csak olyan fűrészláncot és vezetőlapot használjon, melyek ehhez a termékhez készültek.
  - A fűrészlánc cseréje előtt tisztítsa meg a lánzfűrész lapjának hornyát, mivel a fűrészlánc kiugorhat a sínből, ha lerakódott szennyeződések vannak benne. A lerakódások felszívhatják a fűrészláncolajat is. Ennek az lenne a következménye, hogy a fűrészláncolaj nem, vagy csak kis részben jut el a sín alsó oldalára, és csökken a kenés.
1. A lánzfeszítés lazításához és a lánckerék burkolatának (5) eltávolításához forgassa el a lánzfeszítő ke-  
reket (6) az óramutató járásával ellentétes irányban.
  2. Vegye le a lánzfűrész lapját (7) és a fűrészláncot (8).
  3. Úgy terítse ki egy hurokban a fűrészláncot (8), hogy a vágóélek az óramutató járásával megegyező irányba mutassanak. A fűrészlánc (8) beigazítása során kövesse a fűrészlánc (8), illetve a vezetőcsapok (20) fölött elhelyezett ábrákat (nyilakat).
  4. Helyezze a fűrészláncot (8) a lánzfűrész lapjának (7) hornyába.
  5. Helyezze be a fűrészlapot (7) a vezetőcsapoknál (20) és az álló csapszegeknél (19). A vezetőcsapok-  
nak (20) és az álló csapszegnek (19) a fűrészlap (7) hosszanti furatában kell elhelyezkednie.

6. Vezesse el a fűrészláncot (8) a lánckerék (18) körül, majd ellenőrizze a fűrészlánc (8) megfelelő irányát.
7. Tegye vissza a lánckerék burkolatát (5).  
Ügyeljen rá, hogy a lánckerék burkolata (5) illesz-  
kedjen a ház hornyába.
8. Húzza meg szorosan lánzfeszítő kereket (6) az óra-  
mutató járásával megegyező irányban elforgatva.
9. Ellenőrizze újra a fűrészlánc (8) illeszkedését, és fesztítse meg a fűrészláncot (8).

#### Megjegyzés:

Új fűrészlánc esetén a feszítőerő egy idő után csökken. Ezért a fűrészláncot az első 5 vágás után, vagy legkésőbb 10 perc fűrészelés után újra kell feszíteni.

### 12.2.5 A fűrészlánc (8) élezése

#### FIGYELMEZTETÉS

#### Megnövekedett balesetveszély a helytelenül élezett fűrészlánc miatt!

Az élezés során a vágóél geometriájának méreteitől való eltérések növelik a termék visszarúgásának kockázatát.

- Éleztesse meg a fűrészláncot szakemberrel.

A fűrészlánc utánélezését illetékes szakmühelyben lehet elvégeztetni. Ne kísérelje meg maga elvégezni a fűrészlánc élezését, ha nem rendelkezik megfelelő szer-  
számmal és szükséges tapasztalattal.

#### VIGYÁZAT

A lánccsészéshez olyan speciális szerszámok szükségesek, amelyek biztosítják, hogy a vágószerszámok a megfelelő szögben és a megfelelő mélységben legyenek élezve.

Élezés után valamennyi vágó-lánccsészésnek azonos szélességűnek és hosszúságúnak kell lennie.

#### Megjegyzések:

Az éles fűrészlánc optimális vágási teljesítményt biztosít. Könnyedén átrágja magát a fán, és nagy, hosszú faforgácsot hagy maga után.

A fűrészlánc akkor tompa, ha a vágóeszközt át kell tolni a fán, és a faforgács nagyon kicsi. Nagyon tompa fűrészlánc esetén egyáltalán nem keletkezik forgács, csak fapor.

1. Húzza ki a hálózati csatlakozót.
2. Élezéshez a fűrészlánc (8) feszesre kell legyen húzva, mert ez teszi lehetővé a rendes élezést.
3. Az élezéshez 4,0 mm átmérőjű rúdszelelőre\* van szükség.

## ⚠ VIGYÁZAT

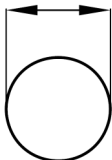






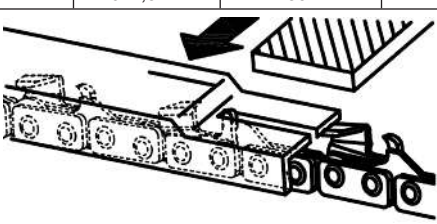
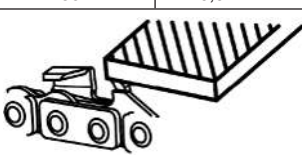
Az ettől eltérő átmérőjű eszközök kárt tesznek a fűrészláncban, és veszélyforrást jelentenek a munkavégzés során!

- Az élezést csak belülről kifelé végezze. A reszelőt\* a vágófog belső oldala felől kifelé vezesse. Amikor visszahúzza a reszelőt\*, emelje fel.
- Először az egyik oldal fogait élezze meg. Ezután fordítsa át a fűrészláncot (8), és élezze meg a másik oldal fogait is.

- Ha a vágófogból már csak kb. 4 mm van meg, akkor a fűrészlánc (8) elhasználódott, és új fűrészláncra (8) kell cserélni.
- Az élezés után az összes vágótag egyforma széles és egyforma hosszú kell legyen.
- Minden harmadik élezést követően ellenőrizni kell az élezési mélységet (mélységkorlátozás), és után kell reszelni a magasságot lapos reszelő\* segítségével.  
A mélységkorlátozásnak kb. 0,65 mm-rel beljebb kell állnia a vágófognál. Miután visszaállította a mélységkorlátozást, kerekítse le kissé előrefelé.

\* = nem feltétlenül tartoznak a szállított elemek közé!

### 12.2.5.1 Útmutató a lánc élezéséhez

Fűrészlánc típusa	Kés átmérője	Felső szög	Alsó szög	Felső dőlésszög (55°)	Normál mélység
					
		Befogás forgásszöge	Befogás dőlésszöge	Oldalsó szög	
					
21PBX	kb. 4,8 mm	30°	10°	85°	0,64 mm
					
		Mélységűtköző			Reszelő

## 13 Tárolás

A terméket és annak tartozékait sötét, száraz és fagymentes, valamint gyermekek számára hozzáférhetetlen helyen tárolja.

Az optimális tárolási hőmérséklet 5 °C és 30 °C között van.

A terméket az eredeti csomagolásban tárolja.

Letakarással védje a terméket a portól és a nedvességtől. A kezelési útmutatót a termék mellett tárolja.

### 13.1 Előkészületek a tárolásra

- Helyezze fel a láncvédőt.
- Teljesen ürítse ki a terméket.
- Tisztítsa meg a terméket, és vizsgálja meg, hogy nem sérült-e.

### 13.2 Szállítás

- A terméket csak az erre szolgáló fogantyúnál fogva szabad szállítani.

## 14 Elektromos csatlakozás

**A telepített villanymotor üzemkés állapotban van csatlakoztatva. A csatlakozás megfelel a vonatkozó VDE és DIN előírásoknak. Az ügyfél által biztosított hálózati csatlakozásnak, valamint az alkalmazott hosszabbító vezetéknek meg kell felelnie ezen előírásoknak.**

### Megjegyzés:

- A termék megfelel az EN 61000-3-11 követelményeinek, és különleges feltételekkel csatlakoztatható. Ez azt jelenti, hogy nem engedélyezett a tetszőleges, szabadon választható csatlakozási pontokon történő használat.
- Kedvezőtlen hálózati viszonyok esetén a termék átmeneti feszültségingadozást okozhat.
- A termék kizárólag olyan csatlakozási helyen való használatra készült, amely a) nem lépi túl a megengedett maximális „Z” hálózati impedancia ( $Z_{max} = 0,415 \Omega$ ) értékét, vagy b) amelyeknél a hálózat állapot áramterhelhetősége fázisonként legalább 100 A.
- Felhasználóként Önnek kell gondoskodni arról, szükség esetén az áramszolgáltatóval egyeztetve, hogy az Ön csatlakozási pontja, amelyről Ön a terméket üzemeltetni kívánja, megfeleljen a fent megadott két a) vagy b) követelmény egyikének.

### 14.1 Fontos megjegyzések

A motor túlterhelés esetén magától lekapcsol. Ha lehűlt (ennek időtartama változó), a motor ismét bekapcsolható.

### 14.2 Sérült elektromos csatlakozóvezetékek

Az elektromos csatlakozóvezetékek szigetelése gyakran sérülnek.

Ennek okai a következők:

- megnyomódások, ha a csatlakozóvezetékeket ablak- vagy ajtónyílásokon vezet át,
- törési helyek a csatlakozóvezeték szakszerűtlen rögzítése vagy elvezetése miatt,
- nyíródási helyek a csatlakozóvezetéken való áthajtás miatt,
- a szigetelés sérülései, amikor a vezetéket kirántják a fali csatlakozóaljzatból,
- Repedések a szigetelés öregedése miatt.

Ilyen sérült elektromos csatlakozóvezetékeket nem szabad használni, mivel a szigetelés sérülései miatt életveszélyesek.

Rendszeresen ellenőrizze, nem sérültek-e az elektromos csatlakozóvezetékek. Ügyeljen arra, hogy a csatlakozóvezeték az ellenőrzéskor ne legyen a villamos hálózatra csatlakoztatva.

Az elektromos csatlakozóvezetékeknek meg kell felelniük a vonatkozó VDE- és DIN-előírásoknak. Csak azonos, „H07RN-F” jelölésű csatlakozóvezetékeket használjon.

A csatlakozókábelben kötelező a nyomtatott típusmegnevezés megléte.

### A sérült vagy meghibásodott hálózati csatlakozóvezeték cseréjére vonatkozó biztonsági utasítások

#### Y csatlakoztatási mód

Ha le kell cserélni a hálózati csatlakozóvezetéket, a biztonsági kockázatok elkerülése érdekében ezt a gyártóval vagy annak képviselőjével kell elvégeztetni.

### 14.3 Váltóáramú motor

Az elektromos szerelvények csatlakoztatását és javítását csak villamossági szakember végezheti.

- Győződjön meg arról, hogy a hálózati feszültség megegyezik a terméken feltüntetett adattábla értékével.
- A hosszabbító vezeték legfeljebb 25 m hosszú lehet, és legalább 1,5 négyzetmilliméter keresztmetszettel kell rendelkezzen.

## 15 Javítások és pótalkatrészek rendelése

Javítás vagy karbantartás után bizonyosodjon meg róla, hogy minden biztonságtechnikai alkatrészt felhelyezett, és azok kifogástalan állapotban vannak. A sérülésveszélyes alkatrészeket tartsa más személyek és gyerekek számára nem hozzáférhető helyen.

### FIGYELEM

A termékfelelősségről szóló törvény szerint nem felelünk azokért a károkért, amelyek szakszerűtlen javítás vagy nem eredeti pótalkatrészek használata miatt keletkeznek.

Bizsonn meg egy vevőszolgálatot vagy egy illetékes szakembert. Ez vonatkozik a tartozékokra is.

#### Csatlakoztatások és javítások

Az elektromos szerelvények csatlakoztatását és javítását csak villamossági szakember végezheti.

### 15.1 Pótalkatrész rendelése

Pótalkatrész rendelése esetén a következő adatokat kell megadni:

- Típusmegnevezés
- Cikkszám
- A típustáblája adatai

## Pótalkatrészek / Tartozékok

Olajtartály sapkája	3910207003
---------------------	------------

## 15.2 Használható késgarnitúrák

Vezetősínek:	
Kangxin AP14-52-507P láncfűrészlap	3910207001
Fűrészláncok:	
Kangxin 3/8LP-52 fűrészlánc	3910207002

## 16 Ártalmatlanítás és újrahasznosítás

### A csomagolásra vonatkozó megjegyzések



A csomagolóanyagok újrahasznosíthatók. Kérjük, ártalmatlanítsa a csomagolásokat környezetbarát módon.

### Az elektromos és elektronikus berendezések ártalmatlanítására vonatkozó tudnivalók



**A leselejtezett elektromos és elektronikai berendezések nem minősülnek kommunális hulladéknak, hanem szelektíven gyűjtendő, illetve le kell adni őket ártalmatlanításra!**

- A leselejtezett akkumulátorokat, melyek nincsenek rögzítet módon telepítve a készülékbe, leadás előtt roncsolásmentesen el kell távolítani! Ezek ártalmatlanítását az akkumulátorok hulladékkezelésére vonatkozó törvény szabályozza.
- Az elektromos és elektronikai berendezések tulajdonosát, illetve használóját törvény kötelezi a berendezések leadására az élettartamuk lejártával.
- A végfelhasználó saját maga viseli a felelősséget adatainak törléséért az ártalmatlanítandó készülékről!
- Az áthúzott kuka ikonja arra utal, hogy a leselejtezett elektromos és elektronikai berendezések nem minősülnek kommunális hulladéknak, és külön kell őket ártalmatlanítani.
- A leselejtezett elektromos és elektronikai berendezéseket az alábbi átvevőhelyeken lehet díjmentesen leadni újrahasznosításra:
  - Önkormányzati hulladékszigetek és gyűjtőhelyek (kerületi, illetve települési hulladékudvarok)
  - A LIDL közvetlen visszaadási lehetőséget biztosít fiókjában és piacterein. A visszaadás és az ártalmatlanítás díjmentes.
  - Készülékfajtánként legfeljebb három darab, 25 cm-t élhosszúságot meg nem haladó leselejtezett berendezést anélkül lehet térítésmentesen visszavinni a gyártónak, hogy előtte új készülé-

ket vásárolt volna nála, illetve ugyanígy leadhatja őket az Ön közelében található illetékes gyűjtőhelyen is.

– A gyártók és forgalmazók további, kiegészítő visszavételi rendelkezéseiről az adott szolgáltató ügyfélszolgálatán tájékozódhat.

- Ha magánháztartásába kiszállítással rendelt új elektronikai berendezést a gyártótól, akkor végfelhasználóként a gyártótól kérheti a régi berendezés díjtalan elszállítását. Ennek érdekében vegye fel a kapcsolatot a gyártó ügyfélszolgálatával.
- A fentebb közöltek csak azokra a berendezésekre vonatkoznak, melyeket az Európai Unióban telepítettek és értékesítettek, és így a 2012/19/EU európai irányelv hatálya alá tartoznak. Az Európai Unió kívüli országban a fentiekől eltérő rendelkezések vonatkozhatnak a leselejtezett elektromos és elektronikai berendezések ártalmatlanítására.

### A kiselejtezett készülék ártalmatlanítási lehetőségeiről a helyi önkormányzatnál tájékozódhat.

#### Üzemanyagok és olajok

- A termék ártalmatlanítása előtt le kell üríteni az üzemanyagtartályt és a motorolaj tartályát!
- Az üzemanyag és a motorolaj nem minősül kommunális hulladéknak, és nem szabad a csatornába önteni, ezek szelektíven gyűjtendő, illetve le kell adni őket ártalmatlanításra!
- Az üres olajoskannákat és üzemanyagtartályokat ártalmatlanítsa környezetbarát módon.

## 17 Hibaelhárítás

A következő táblázat bemutatja a hibák tüneteit, és ismerteti azok elhárításának módját arra az esetre, ha az Ön által vásárolt termék nem működne megfelelően. Ha a problémát ezzel nem sikerül beazonosítani és orvosolni, forduljon az illetékes szervizhez.

Üzemzavar	Lehetséges ok	Megoldás
A terméket nem lehet beindítani.	A hálózati csatlakozó nincs bedugva a hálózatba.	Dugja a hálózati csatlakozót egy hálózati csatlakozóaljzatba.
	Nincs hálózati feszültség. Kioldott a biztosíték.	Ellenőrizze a csatlakozóaljzatokat, a hálózati csatlakozóvezetéseket, a vezetéseket, a hálózati csatlakozót, adott esetben javíttassa meg vilálmossági szakemberrel. Ellenőrizze a biztosítékot.
	Bekapcsolt a láncfék.	Ellenőrizze a láncfékét, szükség esetén oldja ki a láncfékét.
	A be-/kikapcsoló hibás.	Forduljon szerviz ügyfélszolgálatunkhoz.
	Elhasználódtak a szénkefék. A motor meghibásodott.	
Nem fut a fűrészlánc.	Elakadt a láncfék.	Ellenőrizze a láncfékét, szükség esetén oldja ki a láncfékét.
Gyenge vágási teljesítmény.	A fűrészlánc hibásan van felszerelve.	Szerelje fel helyesen a fűrészláncot.
	A fűrészlánc tompa.	Éleztesse meg a fűrészláncot szakemberrel, vagy cserélje ki a fűrészláncot.
	A láncfeszítés nem elegendő.	Ellenőrizze a fűrészláncot. Szükség esetén feszítse meg a fűrészláncot.
A termék erősen fut/a fűrészlánc leugrik.	A láncfeszítés nem elegendő.	Ellenőrizze a fűrészláncot. Szükség esetén feszítse meg a fűrészláncot.
A fűrészlánc felforrósodik, fűrészelés közben füst képződik, a sín elszíneződik.	Túl kevés a fűrészláncolaj.	Ellenőrizze az olaj-automatikát. Szükség esetén töltsen fel fűrészláncolajjal.
Rendellenes rezgés	Laza a láncfűrész lapja.	Ellenőrizze a láncfűrész lapjának szilárd rögzítését.

## 18 EU megfeleléségi nyilatkozat

### Az eredeti megfeleléségi nyilatkozat fordítása

#### Gyártó:

Scheppach GmbH  
Günzburger Straße 69  
D-89335 Ichenhausen

Saját kizárólagos felelősségünkre kijelentjük, hogy az itt ismertetett termék megfelel az érvényes irányelveknek és szabványoknak.

Márka:	<b>PARKSIDE</b>
Termék	<b>Elektromos láncfűrész -</b>
megnevezése:	<b>PEKS 1600 C3</b>
Cikksz.	<b>3910209974 - 3910209981; 39102099915; 39102099959</b>
IAN-sz.	<b>495499_2504</b>
Sorozatszám	<b>01001 - 46072</b>

#### EU-irányelvek:

2014/30/EU, 2006/42/EG, 2000/14/EG\_2005/88/EG, 2011/65/EU\*, (EU) 2015/863,

\* A nyilatkozat fent megnevezett tárgya teljesíti az Európai Parlament és Tanács 2011. június 8-i, egyes veszélyes anyagok elektromos és elektronikus berendezésekben való alkalmazásának korlátozásáról szóló 2011/65/EU irányelvnek előírásait.

#### Alkalmazott szabványok:

EN 62841-1:2015/A11:2022; EN 62841-4-1:2020;  
EN IEC 55014-1:2021; EN IEC 55014-2:2021;  
EN IEC 61000-3-2:2019/A2:2024;  
EN IEC 61000-3-11:2019; EN IEC 63000:2018

#### 2006/42/EK - melléklet IV

Bejelentett szervezet:	TÜV SÜD Product Service GmbH Ridlerstraße 65 80339 Munich Germany
Szám:	0123
Bizonyítvány száma:	M6A 011284 0666

#### 2000/14/EK\_2005/88/EK – melléklet: V

Garantált hangteljesítményszint ( $L_{WA}$ ):	106 dB
Mért hangteljesítményszint ( $L_{WA}$ ):	103,3 dB

#### A dokumentáció felelőse:

Tobias Ihle  
Günzburger Str. 69  
D-89335 Ichenhausen  
Ichenhausen, 22.07.2025



Simon Schünk  
Division Manager Product Center



Andreas Pecher  
Head of Project Management

# JÓTÁLLÁSI TÁJÉKOZTATÓ

A termék megnevezése: <b>Elektromos láncfűrész</b>	Gyártási szám: 495499_2504
A termék típusa: <b>PEKS 1600 C3</b>	
A gyártó cégneve, címe, e-mail címe: <b>Scheppach GmbH Günzburger Straße 69 DE-89335 Ichenhausen E-mail cím: (HU): service.HU@scheppach.com</b>	Szerviz neve, címe, telefonszáma: <b>ATISGEP Kft Szentesi út 100 HU - 5903 Orosháza Szerviz forródrót: 00800 4003 4003</b>
Az importáló/ forgalmazó neve és címe: Lidl Magyarország Kereskedelmi Bt., H-1037 Budapest, Rádl árok 6.	

- A jótállási idő a Magyarország területén, Lidl Magyarország Kereskedelmi Bt. üzletében történt vásárlás napjától számított 3 év, amely jogvesztő. A jótállási idő a fogyasztó részére történő átadással, vagy ha az üzembe helyezést a forgalmazó, vagy annak megbízottja végzi, az üzembe helyezés napjával kezdődik.
- A jótállási igény a jótállási jeggyel és/vagy a vásárlást igazoló blokkal érvényesíthető. A jótállási jegy szabálytalan kiállítása, vagy átadásának elmaradása nem érinti a jótállási kötelezettség-vállalás érvényességét. Kérjük, hogy a vásárlás tényének és időpontjának bizonyítására őrizze meg a pénztári fizetésnél kapott jótállási jegyet és a vásárlást igazoló blokkot.
- A vásárlástól számított három munkanapon belül érvényesített csereigény esetén a forgalmazó köteles a terméket kicserélni, feltéve ha a hiba a rendeltetésszerű használatot akadályozza. A jótállási jogokat a termék tulajdonosaként a fogyasztó érvényesítheti az áruházakban, valamint a jótállási tájékoztatóban feltüntetett szervizekben. (A magyar Polgári Törvénykönyv alapján fogyasztónak minősül a szakmája, önálló foglalkozása vagy üzleti tevékenysége körén kívül eljáró természetes személy.) A jótállás ideje alatt a fogyasztó hibás teljesítés esetén kérheti a termék kijavítását, kicserélését, vagy ha a termék nem javítható vagy cserélhető, vagy az a forgalmazónak aránytalan többletköltséggel járna, illetve a fogyasztó kijavításához, kicseréléshez fűződő érdeke alapos ok miatt megszűnt, árleszállítást kérhet, vagy elállhat a szerződéstől és visszakérheti a vételárat. A kijavítás során a termékbe csak új alkatrész kerülhet beépítésre.
- A fogyasztó a hiba felfedezése után a lehető legrövidebb időn belül köteles a hibát bejelenteni és a terméket a jótállási jogok érvényesítése céljából átadni. A hiba felfedezésétől számított két hónapon belül bejelentett jótállási igényt időben közölni kell tekinteni. A közlés elmaradásából eredő kárért a fogyasztó felelős. A jótállási igény érvényesíthetőségének határideje a termék, vagy fődarabjának kicserélése esetén a csere napján újraindul.
- A rögzített bekötésű, illetve a 10 kg-nál súlyosabb, vagy tömegközlekedési eszközön nem szállítható terméket az üzemeltetés helyén kell megjavítani. Abban az esetben, ha a javítás a helyszínen nem végezhető el, a termék ki- és visszaszereléséről, valamint szállításáról a forgalmazónak kell gondoskodnia.
- A jótállás nem áll fenn, ha a hiba a nem rendeltetésszerű használatból, átalakításból, helytelen tárolásból, vagy a használati utasítástól eltérő kezeléssel, vagy bármely a vásárlást követő behatásból fakad, vagy elemi kár okozta, és azt a forgalmazó, vagy a szerviz bizonyítja. A jótállás nem vonatkozik a mozgó kopó alkatrészek (világítótestek, gumibroncsok stb.) rendeltetésszerű elhasználódására. A szerviz és a forgalmazó a kijavítás során nem felel a terméken a fogyasztó vagy harmadik személyek által tárolt adatokért vagy beállításokért.
- Fogyasztói jogvita esetén a fogyasztó a megyei (fővárosi) kereskedelmi és iparkamarák mellett működő békéltető testület eljárását is kezdeményezheti.  
A jótállás a fogyasztó törvényből eredő szavatossági jogait és azok érvényesíthetőségét nem érinti.

## Kijavítást ellenőrző szelvény:

A jótállási igény bejelentésének időpontja:	A hiba oka:
Javításra átvétel időpontja:	A hiba javításának módja:

A fogyasztó részére történő visszaadás időpontja:	
A szerviz bélyegzője, kelt és aláírás:	

#### Kicserélést ellenőrző szelvény:

A jótállási igény bejelentésének időpontja:	
Kicserélés időpontja:	
A jótállási igény bejelentésének időpontja:	

## Garanciális eset lebonyolítása

Igényének gyors feldolgozása érdekében kérjük, kövesse az alábbi útmutatásokat:

- Amikor hozzánk fordul, a vásárlás igazolására minden esetben tartsa kéznél a pénztári bizonylatot és a cikkszámot (pl. IAN 495499\_2504).
- A cikkszám a termék típusablájáról olvasható le, illetve bele van gravírozva a termékbe, valamint az útmutató címlapján (bal oldalt alul) és a termék hátoldalán vagy alján elhelyezett matricán is fel van tüntetve.
- Amennyiben működési hiba lép fel, vagy egyéb hiányosság tapasztalható, először lépjen kapcsolatba az alább megnevezett szervizrészleggel telefonon vagy e-mailben.
- A hibásnak vélt terméket a vásárlást igazoló számlát (pénztári bizonylatot) mellékelve, a hiba vagy hiányosság mibenlétének leírásával és a hiba időpontjának megadásával díjmentesen elküldheti az illetékes szervizrészleg postacímére.
- A parkside-diy.com címen megtekinthető és letölthető ez a kézikönyv és számos másik is. Ezzel a QR-kóddal közvetlenül a parkside-diy.com oldalra jut. Válassza ki az országot, és keresse meg a keresési ablak révén a kezelési útmutatót. A cikkszám (IAN) 495499\_2504 megadásával juthat el az adott termékhez tartozó kezelési útmutatóhoz.



#### Szerviz elérhetősége (HU):

**Név:** ATISGEP Kft  
Szentesi út 100  
HU - 5903 Orosháza

**Telefon:** 00800 4003 4003

**E-mail:** service.HU@scheppach.com

**Székhely:** Magyarország

## Spis treści

1	Objaśnienie symboli na produkcie .....	240
2	Wprowadzenie .....	242
3	Opis produktu (rys. 1-5) .....	242
4	Zakres dostawy (rys. 1) .....	242
5	Użytkowanie zgodne z przeznaczeniem .....	242
6	Wskazówki dotyczące bezpieczeństwa .....	243
7	Dane techniczne .....	248
8	Rozpakowanie .....	249
9	Przed uruchomieniem .....	249
10	Obsługa .....	251
11	Wskazówki dotyczące pracy .....	253
12	Czyszczenie i konserwacja .....	257
13	Przechowywanie .....	260
14	Przyłącze elektryczne .....	260
15	Naprawa i zamawianie części zamiennych .....	261
16	Utylizacja i ponowne wykorzystanie .....	261
17	Pomoc dotycząca usterek .....	262
18	Deklaracja zgodności UE .....	263
19	Gwarancja .....	264
20	Rysunek eksplozji .....	291

# 1 Objąsnienie symboli na produkcji

Zastosowanie symboli w niniejszym podręczniku ma za zadanie zwrócenie uwagi na możliwe ryzyka. Symbole bezpieczeństwa i ich objaśnienia muszą być dokładnie zrozumiane. Same ostrzeżenia nie powodują usunięcia ryzyka i nie mogą zastąpić prawidłowych środków ochrony przed wypadkami.

**UWAGA**














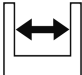
Przed pierwszym użyciem urządzenia należy dokładnie przeczytać niniejszą instrukcję eksploatacji i przestrzegać wskazówek bezpieczeństwa!







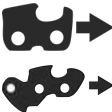









Wskazane jest odbycie profesjonalnego kursu bezpieczeństwa „Certyfikat uczestnictwa w kursie obsługi piły silnikowej” ze standardem szkoleniowym właściwym dla danego kraju w zakresie użytkowania, konserwacji piły łańcuchowej, jak również kursu pierwszej pomocy. Podczas dłuższych okresów nieużywania oraz w celach szkoleniowych należy zawsze wykonywać proste cięcia w bezpiecznie podpartym drewnie przed rozpoczęciem zapoznawania się z piłą łańcuchową.

**Należy starannie przechowywać instrukcję eksploatacji!**

## Wskazówka:

Należy pamiętać, że niektóre przepisy krajowe, np. dotyczące bezpieczeństwa i higieny pracy, ochrony środowiska, mogą ograniczać stosowanie piły łańcuchowej.

	<p>Przed uruchomieniem należy przeczytać niniejszą instrukcję eksploatacji i przestrzegać wskazówek dotyczących bezpieczeństwa!</p>		<p>Zwolnić hamulec łańcuchowy.</p>
	<p>Uwaga! Nieprzestrzeganie znaków bezpieczeństwa i wskazówek ostrzegawczych naniesionych na produkt, jak również nieprzestrzeganie wskazówek ostrzegawczych i instrukcji obsługi może prowadzić do ciężkich obrażeń ciała, a nawet śmierci.</p>		<p>Silnik prądu przemiennego.</p>
	<p>Nosić kask ochronny z ochroną twarzy lub okulary ochronne i naszniki ochronne.</p>		<p>Prędkość łańcucha tnącego.</p>
	<p>Nosić rękawice ochronne!</p>		<p>Długość miecza łańcuchowego.</p>
	<p>Zakładać mocne obuwie!</p>		<p>Liczba ogniw prowadzących.</p>
	<p>Należy nosić odzież ochronną zakrywającą dłonie, przedramiona, nogi i stopy.</p>		<p>Podział łańcucha.</p>
	<p>Nie wystawiać produktu na działanie deszczu. Produkt wolno ustawiać, przechowywać i eksploatować tylko w suchych warunkach otoczenia.</p>		<p>Szerokość rowka.</p>

	Wyłącznie do obsługi dwuręcznej.		Pobór mocy.
	Ostrzeżenie! Niebezpieczeństwo odrzutu (odbicie). Należy uważać na odrzut produktu i unikać kontaktu z końcówką szyny.		Ciężar kg.
	Położenie hamulca łańcuchowego.		Zawartość zbiornika oleju.
	Kierunek biegu łańcucha tnącego.		Konserwacja, przezbijanie oraz prace regulacyjne i czyszczenie wykonywać wyłącznie przy wyłączonym produkcie i wyjętej wtyczce sieciowej.
	Otwór wlewu paliwa dla oleju do łańcucha tnącego.		W razie uszkodzenia lub przecięcia przewodu zasilania natychmiast wyciągnąć wtyczkę sieciową z gniazda.
	Zwiększyć/zmniejszyć napięcie łańcucha.		Gwarantowany poziom mocy akustycznej produktu.
	Wskaźnik poziomu oleju łańcuchowego		Klasa ochrony II (izolacja podwójna).
	Uruchomić hamulec łańcucha.		Produkt jest zgodny z obowiązującymi europejskimi dyrektywami.

## 2 Wprowadzenie

### Producent:

Schepfach GmbH  
Günzburger Straße 69  
D-89335 Ichenhausen

### Szanowny Kliencie

Zyczymy dużo satysfakcji i powodzenia podczas pracy z nowym produktem.

### Wskazówka:

Zgodnie z obowiązującą ustawą o odpowiedzialności cywilnej za produkt, producent nie odpowiada za szkody powstałe przy tym produkcie lub przez ten produkt w przypadku:

- Nieprawidłowej obróbki
- Nieprzestrzeganie instrukcji eksploatacji
- Napraw przeprowadzanych przez osoby trzecie, nieautoryzowanych specjalistów
- montażu i wymiany na nieoryginalne części zamienne
- zastosowania niezgodnego z przeznaczeniem
- awarii instalacji elektrycznej w przypadku nieprzestrzegania krajowych przepisów elektrycznych oraz postanowień VDE.

### Przestrzegać:

Instrukcja obsługi jest częścią niniejszego produktu.

Zawiera ona ważne wskazówki dotyczące bezpiecznej, fachowej i ekonomicznej pracy z niniejszym produktem, sposobu unikania zagrożeń, oszczędności kosztów napraw, redukcji czasów przestoju i zwiększenia niezawodności i żywotności produktu. Dodatkowo oprócz zasad bezpieczeństwa zawartych w niniejszej instrukcji obsługi należy przestrzegać przepisów danego kraju obowiązujących dla eksploatacji produktu.

Przed użyciem produktu zapoznać się ze wszystkimi wskazówkami dotyczącymi obsługi i bezpieczeństwa. Eksploatować produkt tylko zgodnie z opisem i dla podanych obszarów zastosowania. Instrukcję obsługi należy przechowywać w bezpiecznym miejscu, a w przypadku przekazywania produktu osobom trzecim należy przekazać wszystkie dokumenty.

## 3 Opis produktu (rys. 1-5)

1. Wtyczka sieciowa
2. Tyliny uchwyt
3. Blokada włączania
4. Pokrywa zbiornika oleju
5. Osłona koła łańcuchowego
- 5a. Chwytnak łańcucha
6. Koło napinające łańcucha
7. Miecz (szyna prowadząca)
- 7a. Gwiazda odchylająca
8. Łańcuch tnący
9. Uchwyt odciążający

10. Tylna osłona rąk
11. Włącznik/wyłącznik
12. Zbiornik oleju
13. Wskaźnik poziomu oleju
14. Uchwyt przedni
15. Ogranicznik pazurowy
16. Hamulec łańcuchowy/przednia osłona rąk
17. Osłona miecza i łańcucha
18. Koło łańcuchowe
19. Zespórka
20. Sworznie prowadzące
21. Przepust olejowy
22. Olej do łańcucha tnącego (Bio 180ml)

## 4 Zakres dostawy (rys. 1)

Poz.	Liczba	Oznaczenie
7.	1 x	Miecz (szyna prowadząca)
8.	1 x	Łańcuch tnący
17.	1 x	Osłona miecza i łańcucha
22.	1 x	Olej do łańcucha tnącego (Bio 180ml)
	1 x	Elektryczna piła łańcuchowa
	1 x	Instrukcja eksploatacji

## 5 Użytkowanie zgodne z przeznaczeniem

Piła łańcuchowa przeznaczona jest do cięcia drewna. Produkt nie jest przeznaczony do żadnych innych zastosowań (np. cięcia muru, plastiku lub żywności).

Produkt wolno użytkować wyłącznie zgodnie z jego przeznaczeniem. Każde inne użycie wykraczające poza to jest niezgodne z przeznaczeniem. Za wynikające z tego szkody i obrażenia wszelkiego rodzaju odpowiada użytkownik, a nie producent.

Do zgodnego z przeznaczeniem wykorzystywania zalicza się również przestrzeganie wskazówek dotyczących bezpieczeństwa, a także instrukcji montażu i wskazówek dot. eksploatacji, zawartych w instrukcji obsługi.

Osoby używające i konserwujące produkt muszą dobrze znać jej działanie oraz zostać poinformowane o ewentualnych zagrożeniach.

Samowolne modyfikacje produktu wykluczają odpowiedzialność producenta za spowodowane tym szkody.

Produktu wolno użytkować wyłącznie z oryginalnymi częściami i oryginalnym wyposażeniem producenta.

Przestrzegać przepisów producenta dotyczących bezpieczeństwa, pracy i konserwacji oraz wymiarów podanych w rozdziale Dane techniczne.

Należy pamiętać, że zgodnie z przeznaczeniem nasze produkty nie zostały skonstruowane do użytku komercyjnego, rzemieślniczego lub przemysłowego. Nie ponosimy odpowiedzialności w przypadku, gdy produkt jest stosowany w zakładach komercyjnych, rzemieślniczych i przemysłowych oraz do podobnych działalności.

## Objaśnienie słów sygnałowych w instrukcji eksploatacji

### ZAGROŻENIE

Słowo sygnalizacyjne oznaczające sytuację bezpośredniego niebezpieczeństwa, która, jeśli jej się nie uniknie, spowoduje śmierć lub poważne obrażenia ciała.

### OSTRZEŻENIE

Słowo sygnalizacyjne oznaczające sytuację potencjalnego niebezpieczeństwa, która, jeśli jej się nie uniknie, może spowodować śmierć lub poważne obrażenia ciała.

### OSTROŻNIE

Słowo sygnalizacyjne oznaczające sytuację potencjalnego niebezpieczeństwa, która, jeśli jej się nie uniknie, może spowodować niewielkie lub umiarkowane obrażenia ciała.

### UWAGA

Słowo sygnalizacyjne oznaczające sytuację potencjalnego niebezpieczeństwa, która, jeśli jej się nie uniknie, może spowodować uszkodzenie produktu lub własności/posiadanego mienia.

## 6 Wskazówki dotyczące bezpieczeństwa

Ogólne wskazówki dotyczące bezpieczeństwa dla elektronarzędzi

### OSTRZEŻENIE

Należy przeczytać wszystkie wskazówki dotyczące bezpieczeństwa i instrukcje oraz przestudiować wszystkie ilustracje i parametry techniczne dostarczone wraz z niniejszym narzędziem elektrycznym.

Nieprzestrzeganie poniższych wskazówek bezpieczeństwa i instrukcji może doprowadzić do porażenia prądem, pożaru i/lub poważnych obrażeń.

Przechowywać na przyszłość wszystkie wskazówki dotyczące bezpieczeństwa i instrukcje.

Używany we wskazówkach dotyczące bezpieczeństwa termin „narzędzie elektryczne” odnosi się do elektronarzędzi zasilanych z sieci (z przewodem sieciowym) lub do narzędzi elektrycznych zasilanych za pomocą akumulatora (bez przewodu sieciowego).

### 1) Bezpieczeństwo w miejscu pracy

- Utrzymywać obszar roboczy w czystości i zapewnić dobre oświetlenie.** Nieporządek lub brak oświetlenia obszaru roboczego może prowadzić do wypadków.
- Nie pracować z narzędziem elektrycznym w otoczeniu zagrożonym wybuchem, w którym znajdują się palne płyny, gazy lub pyły.** Narzędzia elektryczne wytwarzają iskry, które mogą spowodować zapłon pyłu lub oparów.
- Nie dopuszczać, by dzieci i inne osoby zbliżyły się podczas używania narzędzia elektrycznego.** Podczas odchylenia można łatwo stracić kontrolę nad narzędziem elektrycznym.

### 2) Bezpieczeństwo elektryczne

- Wtyczka przyłączeniowa narzędzia elektrycznego musi pasować do gniazda. Wtyczki nie wolno w żaden sposób modyfikować. Nie używać żadnych przejściówek z uziemionymi narzędziami elektrycznymi.** Niemodyfikowane wtyczki i odpowiednie gniazda zmniejszają ryzyko porażenia prądem.
- Unikać kontaktu fizycznego z uziemionymi powierzchniami, takimi jak rury, grzejniki, piece i lodówki.** Ryzyko porażenia prądem zwiększa się, jeśli ciało użytkownika jest uziemione.
- Nie wystawiać narzędzi elektrycznych na deszcz i wilgoć.** Przedostanie się wody do narzędzia elektrycznego zwiększa ryzyko porażenia prądem.
- Nie wykorzystywać przewodu przyłączeniowego niezgodnie z przeznaczeniem w celu przenoszenia, zawieszania narzędzia elektrycznego lub w celu wyjęcia wtyczki z gniazda. Przewód przyłączeniowy przechowywać z dala od gorąca, oleju, ostrych krawędzi lub ruchomych części urządzeń.** Uszkodzone lub splątane przewody przełączeniowe zwiększają ryzyko porażenia prądem.
- W przypadku pracy z narzędziem elektrycznym na wolnym powietrzu, używać wyłącznie przedłużaczy przeznaczonych również do pracy w warunkach zewnętrznych.** Zastosowanie przedłużacza przystosowanego do warunków zewnętrznych zmniejsza ryzyko porażenia prądem.
- Jeżeli użycie narzędzia elektrycznego w wilgotnym otoczeniu jest nieuniknione, używać wyłącznika ochronnego różnicowo-prądowego. Zastosowanie wyłącznika ochronnego różnicowo-prądowego zmniejsza ryzyko porażenia prądem.**

### 3) Bezpieczeństwo osób

- a) **Podczas pracy z narzędziem elektrycznym należy być ostrożnym, zwracać uwagę na wykonywane czynności i zachowywać zdrowy rozsądek. Nie używać narzędzia elektrycznego w stanie zmęczenia lub też będąc pod wpływem narkotyków, alkoholu lub leków.** Chwila nieuwagi podczas używania narzędzia elektrycznego może spowodować poważne obrażenia.
- b) **Stosować indywidualne wyposażenie ochronne i nosić zawsze okulary ochronne.** Stosowanie osobistego wyposażenia ochronnego, jak maska przeciwpyłowa, antypoślizgowe obuwie ochronne, kask lub nauszники ochronne, w zależności od rodzaju i zastosowania narzędzia elektrycznego, zmniejsza ryzyko odniesienia obrażeń.
- c) **Nie dopuszczać do niezamierzonego uruchomienia. Przed podłączeniem do zasilania i/lub akumulatora, podnoszeniem lub przenoszeniem upewnić się, że narzędzie elektryczne jest wyłączone.** Trzymanie palca na włączniku podczas przenoszenia narzędzia elektrycznego lub podłączanie włączonego narzędzia elektrycznego do zasilania może prowadzić do wypadków.
- d) **Przed włączeniem narzędzia elektrycznego usunąć narzędzia nastawcze lub klucze maszynowe płaskie.** Narzędzie lub klucz znajdujące się w obracającej się części narzędzia elektrycznego może prowadzić do powstania obrażeń.
- e) **Unikać nietypowej pozycji ciała. Zadbać o stabilną pozycję i zachowanie równowagi w każdej chwili.** Pozwala to na lepszą kontrolę narzędzia elektrycznego w niespodziewanych sytuacjach.
- f) **Nosić odpowiednią odzież. Podczas pracy nie nosić luźnej odzieży i biżuterii. Włosy i odzież trzymać z dala od części ruchomych.** Luźna odzież, biżuteria lub długie włosy mogą zostać pochwycone przez części ruchome.
- g) **Jeżeli istnieje możliwość zamontowania urządzeń odsysających i odpylających, należy je podłączyć i prawidłowo używać.** Zastosowanie odsysania pyłu może zmniejszyć zagrożenia spowodowane przez pył.
- h) **Przestrzegamy przed złudnym poczuciem bezpieczeństwa i ignorowaniem zasad bezpieczeństwa dla narzędzi elektrycznych, również gdy użytkownik w wyniku wielokrotnego użycia jest zaznajomiony z obsługą elektronarzędzia.** Brak czujności może w ułamku sekundy doprowadzić do powstania ciężkich obrażeń.

### 4) Zastosowanie i obsługa narzędzia elektrycznego

- a) **Nie przeciągać narzędzia elektrycznego. Używać narzędzia elektrycznego przeznaczonego do danej pracy.** Odpowiednie narzędzie elektryczne umożliwi lepszą i bezpieczniejszą pracę w podanym zakresie mocy.

- b) **Nie używać narzędzia elektrycznego, którego włącznik jest uszkodzony.** Narzędzie elektryczne, którego nie da się już włączyć lub wyłączać, jest niebezpieczne i musi zostać naprawione.
- c) **Przed rozpoczęciem ustawień, wymianą osprzętu lub odłożeniem elektronarzędzia należy wyjąć wtyczkę z gniazda i/lub usunąć wyjmowalny akumulator.** Ten środek ostrożności ogranicza ryzyko niezamierzonego uruchomienia narzędzia elektrycznego.
- d) **Nie używane narzędzia elektryczne przechowywać poza zasięgiem dzieci. Nie zezwalać na używanie narzędzia elektrycznego osobom, które nie są z nim obeznane lub nie przeczytały niniejszych instrukcji.** Narzędzia elektryczne stanowią zagrożenie, jeśli są używane przez niedoświadczoną osobę.
- e) **Należy dbać należyście o narzędzia elektryczne i narzędzia robocze. Kontrolować, czy części ruchome działają prawidłowo i nie zacinają się, czy części nie są pęknięte lub uszkodzone w sposób wpływający negatywnie na działanie narzędzia elektrycznego. Przed zastosowaniem narzędzia elektrycznego zapewnić naprawę uszkodzonych części.** Wiele wypadków jest spowodowanych nieprawidłową konserwacją narzędzi elektrycznych.
- f) **Narzędzia tnące muszą być ostre i utrzymywane w stanie czystości.** Starannie konserwowane narzędzia tnące z krawędziami tnącymi rzadziej się zacinają i są łatwiejsze w obsłudze.
- g) **Używać narzędzi elektrycznych, narzędzi roboczych, narzędzi roboczych itd. zgodnie z niniejszymi instrukcjami. Uwzględnić warunki pracy i wykonywane czynności.** Używanie narzędzia elektrycznego do zastosowań innych, niż przewidziane, może prowadzić do niebezpiecznych sytuacji.
- h) **Uchwyty i powierzchnie uchwytu utrzymywać w stanie suchym, czystym i wolnym od oleju i smaru.** Śliskie uchwyty i powierzchnie uchwytu nie pozwalają na bezpieczne trzymanie elektronarzędzia i kontrolę nad nim w nieoczekiwanych sytuacjach.

### 5) Serwis

- a) **Naprawę narzędzia elektrycznego może wykonywać wyłącznie wykwalifikowany personel i tylko przy użyciu oryginalnych części zamiennych.** Zapewnia to bezpieczeństwo dalszej pracy narzędzia elektrycznego.

## 6.1 Wskazówki bezpieczeństwa dla pił łańcuchowych

### Ogólne wskazówki dotyczące bezpieczeństwa dla piły łańcuchowej

- a) Podczas pracy pilarki trzymać wszystkie części ciała z dala od łańcucha tnącego. Przed uruchomieniem piły należy upewnić się, że łańcuch tnący niczego nie dotyka. Jeden moment nieuwagi podczas pracy z piłą łańcuchową może prowadzić do pochwylenia odzieży lub części ciała przez łańcuch tnący.
- b) Trzymać piłę łańcuchową zawsze prawą ręką za tylny uchwyt, a lewą ręką za przedni uchwyt. Trzymanie piły łańcuchowej podczas pracy w odwrotny sposób zwiększa ryzyko obrażeń i nie wolno go stosować.
- c) Trzymać piłę łańcuchową za izolowane powierzchnie uchwytu, ponieważ łańcuch tnący może natrafić na ukryte przewody prądowe lub własny kabel zasilający. Kontakt łańcucha tnącego z przewodem pod napięciem może też spowodować, że również metalowe części urządzenia znajdują się pod napięciem, i doprowadzić do porażenia prądem.
- d) Stosować środki ochrony oczu. Ponadto zalecane jest wyposażenie ochronne, takie jak ochrona słuchu, głowy, rąk, nóg i stóp. Odpowiednia odzież ochronna zmniejsza ryzyko odniesienia obrażeń w wyniku wyrzucanych wiórów lub przypadkowego dotknięcia łańcucha tnącego.
- e) Nie należy pracować piłą łańcuchową na drzewie, drabinie, z dachu lub niestabilnej powierzchni stojącej. Przy takiej eksploatacji istnieje niebezpieczeństwo odniesienia obrażeń.
- f) Zawsze zachowywać stabilną pozycję ciała i używać pilarki łańcuchowej tylko stojąc na stabilnym, pewnym i równym podłożu. Sliskie podłoże lub niestabilna pozycja, mogą spowodować utratę równowagi lub kontroli nad piłą łańcuchową.
- g) Przepiłując naprężoną gałąź, należy liczyć się z możliwością jej odskoczenia. Gdy przestanie działać siła naprężająca włókna drewna, odskakująca gałąź może trafić użytkownika i/lub wyrwać piłę łańcuchową spod kontroli.
- h) Szczególną ostrożność zachować przy cięciu poszycia i młodych drzew. Pilarka łańcuchowa może pochwycić cienki materiał i wyrzucić go w stronę osoby obsługującej albo spowodować utratę równowagi.
- i) Przenosić pilarkę łańcuchową w stanie wyłączonym, za przedni uchwyt, z łańcuchem tnącym odwróconym od ciała. Podczas transportu i przechowywania pilarki łańcuchowej zawsze nakładać osłonę. Uważne obchodzenie się z pilarką łańcuchową zmniejsza prawdopodobieństwo przypadkowego dotknięcia pracującego łańcucha tnącego.

- j) Stosować się do instrukcji smarowania, napinania łańcucha i wymiany szyny prowadzącej i łańcucha. Nieprawidłowo naprężony lub nasmarowany łańcuch może się zerwać lub zwiększać ryzyko odrzutu.
- k) Piłować wyłącznie drewno. Nie używać piły łańcuchowej do gałęzi do celów, do których nie jest ona przeznaczona. Przykład: Nie stosować piły łańcuchowej do gałęzi do pitowania metalu, tworzyw sztucznych, murów lub materiałów budowlanych niewykonanych z drewna. Używanie pilarki łańcuchowej do prac niezgodnych z jej przeznaczeniem może stwarzać niebezpieczne sytuacje.
- l) Nie należy próbować obalać drzewa, dopóki nie rozumie się zagrożeń i nie wie się, jak ich uniknąć. Użytkownik lub inne osoby mogą zostać poważnie zranione przez spadające drzewo.

### Przyczyny i zapobieganie odrzutowi

Odrzut może wystąpić, gdy czubek szyny prowadzącej zetknie się z jakimś przedmiotem lub gdy drewno wygnie się i spowoduje zablokowanie łańcucha tnącego w trakcie cięcia.

Kontakt z końcówką szyny może w pewnych przypadkach powodować nieoczekiwaną reakcję i ruch skierowany do tyłu, w trakcie którego szyna prowadząca łańcucha jest odrzucana do góry w kierunku osoby obsługującej.

Zablokowanie łańcucha tnącego na górnej krawędzi szyny prowadzącej może gwałtownie odrzucić szynę w stronę osoby obsługującej.

Każda z tych reakcji może prowadzić do tego, że osoba obsługująca straci kontrolę nad piłą i może doznać ciężkich obrażeń. Nie należy polegać wyłącznie na zabezpieczeniach zainstalowanych w piłę łańcuchowej. Użytkownik piły łańcuchowej powinien podjąć różne środki ostrożności chroniące przed wypadkami i obrażeniami podczas pracy.

Odrzut jest skutkiem niewłaściwego lub nieprawidłowego użycia piły łańcuchowej. Można go uniknąć przez zachowanie opisanych poniżej odpowiednich środków ostrożności:

- a) Piłę trzymać mocno oburącz, przy czym kciuki i palce muszą obejmować uchwyty piły łańcuchowej. Ciało i ramiona należy ustawić w takiej pozycji, by móc zamortyzować siłę odrzutu. Zachowując odpowiednie środki ostrożności, użytkownik może zapanować nad siłą odrzutu. Nigdy nie puszczać piły łańcuchowej.
- b) Unikać nietypowej pozycji ciała i nie piłować powyżej wysokości ramion. Pozwala to uniknąć niezamierzonego zetknięcia z końcówką szyny prowadzącej i zapewnia lepszą kontrolę nad pilarką łańcuchową w nieoczekiwanych sytuacjach.

- c) **Zawsze stosować zalecane przez producenta przewodnice zamiennie i łańcuchy tnące.** Nieprawidłowe przewodnice zamiennie i łańcuchy tnące mogą spowodować zerwanie łańcucha i/lub odrzut.
- d) **Przestrzegać instrukcji producenta dotyczących ostrzenia i konserwacji łańcucha tnącego.** Zbyt niskie ograniczniki głębokości zwiększają ryzyko odrzutu.

#### Pozostałe wskazówki bezpieczeństwa

- Należy stosować się ściśle do instrukcji konserwacji, kontroli i instrukcji serwisowych zawartych w niniejszej instrukcji eksploatacji. Uszkodzone urządzenia ochronne i części należy oddać do naszego centrum serwisowego w celu fachowej naprawy lub wymiany, o ile nie podano inaczej w instrukcji eksploatacji.
- Zaleca się, aby początkujący użytkownik przynajmniej poćwiczył cięcie kłód na koźle tnącym lub stojaku.
- Podczas cięcia na zboczu należy stać zawsze powyżej pnia drzewa. Aby zachować całkowitą kontrolę w momencie „przecięcia”, należy pod koniec cięcia zmniejszyć docisk bez zwalniania mocnego trzymania uchwytów produktu. Zwrócić uwagę, aby łańcuch tnący nie dotykał podłoża. Po zakończeniu cięcia odczekać przed wyjęciem produktu do całkowitego zatrzymania się łańcucha tnącego. Przed przejściem od jednego do drugiego drzewa zawsze wyłączać silnik produktu i wyjąć akumulator.
- Z drzewa należy usunąć brud, kamienie, luźną korę, gwoździe, zszywki i drut.
- **Nie należy korzystać z akcesoriów, które nie są zalecane przez producenta.** Może to spowodować porażenie prądem lub pożar.
- Zabrania się użytkowania produktu podczas burzy - **Niebezpieczeństwo uderzenia pioruna!**

#### Pozostałe wskazówki bezpieczeństwa

- **Podczas oczyszczania pily łańcuchowej z nagromadzonego materiału, przechowywania lub wykonywania czynności konserwacyjnych należy przestrzegać wszystkich instrukcji. Należy upewnić się, że wyłącznik jest wyłączony, a wtyczka sieciowa wyjęta.** Nieoczekiwane uruchomienie pily łańcuchowej podczas usuwania nagromadzonego materiału lub podczas konserwacji może spowodować poważne obrażenia.
- Jeżeli przewód przyłączeniowy do sieci niniejszego produktu ulegnie uszkodzeniu, należy zlecić jego wymianę producentowi, serwisowi klienta lub podobnej wykwalifikowanej osobie, by uniknąć zagrożeń.
- Zastosować wyłącznik ochronny różnicowo-prądowy z prądem wyzwalającym 30 mA lub mniejszym.

- Przewód przyłączeniowy ułożyć w taki sposób, by w trakcie pilowania nie doszło do jego pochwytnia przez gałęzie lub tym podobne elementy.
- Na zewnątrz używać wyłącznie dopuszczonych do tego i odpowiednio oznaczonych przewodów przedłużających (H07RN-F).
- Należy stosować się ściśle do instrukcji konserwacji, kontroli i instrukcji serwisowych zawartych w niniejszej instrukcji eksploatacji. Uszkodzone urządzenia ochronne i części należy oddać do naszego centrum serwisowego w celu fachowej naprawy lub wymiany, o ile nie podano inaczej w instrukcji eksploatacji.
- Podczas cięcia na zboczu należy stać zawsze powyżej pnia drzewa. Aby zachować całkowitą kontrolę w momencie „przecięcia”, należy pod koniec cięcia zmniejszyć docisk bez zwalniania mocnego trzymania uchwytów produktu. Zwrócić uwagę, aby łańcuch tnący nie dotykał podłoża. Po zakończeniu cięcia odczekać przed wyjęciem produktu do całkowitego zatrzymania się łańcucha tnącego. Przed przejściem od jednego do drugiego drzewa zawsze wyłączać produkt i wyjąć wtyczkę sieciową.
- Z drzewa należy usunąć brud, kamienie, luźną korę, gwoździe, zszywki i drut.
- Nie należy używać produktu bez smarowania i zawsze należy go uzupełniać w odpowiednim czasie przed opróżnieniem zbiornika.
- Stosować wyłącznie środki smarowe zalecane przez producenta.
- Zaleca się, aby początkujący użytkownik przynajmniej poćwiczył cięcie kłód na koźle tnącym lub stojaku.
- **Nie należy korzystać z akcesoriów, które nie są zalecane przez producenta.** Może to spowodować porażenie prądem lub pożar.
- Zabrania się użytkowania produktu podczas burzy - **Niebezpieczeństwo uderzenia pioruna!**

Łańcuch tnący może zostać ponownie oszlifowany w autoryzowanym warsztacie specjalistycznym. Nie należy próbować samodzielnie ostrzyć łańcucha tnącego, jeśli nie posiada się odpowiedniego narzędzia i niezbędnego doświadczenia.

#### Urządzenia zabezpieczające (rys. 1)

- **Tylny uchwyt (2) z osłoną rąk (10)**
  - Chroni rękę przed gałęziami i gałązkami oraz w przypadku odskoczenia łańcucha tnącego.
- **Blokada włączenia (3)**
  - Aby włączyć produkt, należy odblokować blokadę włączenia. Blokada włączenia zapobiega przypadkowemu uruchomieniu produktu.
- **Chwytnak łańcucha (5a)**
  - Zmniejsza ryzyko obrażeń w przypadku pęknięcia lub odskoczenia łańcucha tnącego.

- **Łańcuch tnący (8) o małym odrzucie**
  - Pomaga w przechwytywaniu odrzutów dzięki specjalnie opracowanym urządzeniom zabezpieczającym.
- **Włacznik/wyłącznik (11) z natychmiastowym zatrzymaniem łańcucha**
  - Produkt wyłącza się natychmiast po zwolnieniu włącznika/wyłącznika.
- **Ogranicznik pazurowy (15)**
  - Zwiększa stabilność podczas wykonywania cięć pionowych i ułatwia cięcie.

#### **Wskazówka:**

Łańcuch tnący nie pracuje, gdy włączony jest hamulec łańcuchowy.

- **Hamulec łańcucha / przednia osłona rąk (16)**
  - Urządzenie zabezpieczające, które natychmiast zatrzymuje łańcuch tnący w przypadku odrzutu.
  - Dźwignia może być również obsługiwana ręcznie.
  - Chroni lewą rękę operatora, jeśli ta wyslizgnie się z przedniego uchwytu.
- **Silnik elektryczny**
  - Jest podwójnie izolowany ze względów bezpieczeństwa.

## **6.2 Osobiste wyposażenie ochronne (PSA)**

### **⚠ ZAGROŻENIE**

#### **Niebezpieczeństwo odniesienia obrażeń!**

Stosować zawsze osobiste wyposażenie ochronne (PSA)!

- Nosić kask ochronny z ochroną twarzy lub okulary ochronne i nauszники ochronne.
- Nosić ściśle dopasowaną odzież ochronną z wkładką chroniącą przed przecięciem.
- Nosić antypoślizgowe obuwie ochronne.
- Nosić rękawice ochronne.

- **Unikać nietypowej pozycji ciała. Zadbać o stabilną pozycję i zachowanie równowagi w każdej chwili.** Pozwala to na lepszą kontrolę narzędzia elektrycznego w niespodziewanych sytuacjach.
- Produkt nie może być używany przez osoby (w tym dzieci) o ograniczonych zdolnościach fizycznych, sensorycznych lub umysłowych lub nieposiadające doświadczenia i wiedzy.
- **Nosić odpowiednią odzież. Podczas pracy nie nosić luźnej odzieży i biżuterii. Włosy i odzież trzymać z dala od części ruchomych.** Luźna odzież, biżuteria lub długie włosy mogą zostać pochwycone przez części ruchome.

- W trakcie użytkowania produktu zawsze nosić pełne obuwie i długie spodnie. Nie wolno eksploatować produktu boso lub w odkrytych sandałach. Nie nosić luźnej, zwisającej odzieży lub odzieży z wiszącymi sznurkami ani krawatu.
- Do wszystkich prac w lesie należy zakładać kask ochronny. Zapewnia to ochronę przed spadającymi gałęziami. Regularnie sprawdzać kask ochronny pod kątem uszkodzeń. Należy go wymienić najpóźniej po 5 latach. Używać tylko zatwierdzonych kasków ochronnych.
- Osłona twarzy lub okulary ochronne chronią przed trocinami i trocinami z cięcia. Aby uniknąć obrażeń oczu, podczas pracy z produktem należy zawsze nosić osłonę twarzy lub okulary ochronne.
- Nosić nauszники ochronne.
- Nosić rękawice ochronne.
- Podczas cięcia suchego drewna należy nosić maskę przeciwpyłową. Może powstać pył z cięcia.
- Podczas pracy na drzewie użytkownik może spaść. Użytkownik może odnieść poważne obrażenia lub zginąć. Należy nosić sprzęt chroniący przed upadkiem.

## **6.3 Bezpieczeństwo środowiska**

- Przepisy krajowe i/lub gminne mogą nakładać ograniczenia czasowe na korzystanie z produktów generujących hałas, napędzanych silnikiem. Należy zapytać o to swoją lokalną administrację.
- Pracować tylko w świetle dziennym.
- Nie należy pracować w niekorzystnych warunkach atmosferycznych, takich jak deszcz lub wiatr. Występuje tu zwiększone ryzyko wypadków!
- Nieporządek w obszarze roboczym może być przyczyną wypadków.
- Nie dopuszczać, aby dzieci i inne osoby zbliżyły się podczas używania produktu. Podczas odchylania można stracić kontrolę nad produktem.
- Nigdy nie należy obsługiwać produktu, gdy w pobliżu znajdują się ludzie, zwłaszcza dzieci, lub zwierzęta.
- Nie należy pracować w pobliżu ogrodzeń z drutu lub w miejscach z luźnym starym drutem.

## **Ryzyka szczątkowe**

**Produkt został skonstruowany zgodnie z najnowszym stanem techniki i uznanymi zasadami bezpieczeństwa technicznego. Jednak podczas pracy mogą się pojawić poszczególne ryzyka szczątkowe.**

- Ryzyka szczątkowe można zminimalizować przestrzegając rozdziału „Wskazówki bezpieczeństwa” oraz „Użytkowanie zgodne z przeznaczeniem”, jak i całej instrukcji obsługi.

- Stosować produkt w taki sposób, jak jest to zalecane w niniejszej instrukcji obsługi. W ten sposób zapewnia się optymalną wydajność produktu.
- Ponadto, pomimo wszelkich podjętych kroków, mogą się pojawić ukryte ryzyka szczałkowe.
- Nie zbliżać rąk do obszaru roboczego, gdy produkt jest uruchomiony.
- Uszkodzenie słuchu, jeżeli nie są zakładane zalecane nauszники ochronne
- Uszkodzenie płuc, jeżeli nie jest zakładana zalecana ochrona dróg oddechowych.
- Niebezpieczeństwo obrażeń w wyniku wyrzuconych narzędzi w przypadku nieprawidłowego ich zamocowania lub prowadzenia.
- Zagrożenie zdrowia spowodowane prądem w przypadku stosowania nieprawidłowych elektrycznych przewodów przyłączeniowych.
- Unikać przypadkowego uruchamiania produktu: podczas wkładania wtyczki do gniazdka włącznik/wyłącznik nie może być wciśnięty.
- Przed podjęciem prac nastawczych lub konserwacyjnych zwołnić włącznik/wyłącznik i wyciągnąć wtyczkę sieciową.

### OSTRZEŻENIE

Niniejsze elektronarzędzie wytwarza podczas pracy pole elektromagnetyczne. Pole to może w pewnych okolicznościach wpływać negatywnie na aktywne lub pasywne implanty medyczne. W celu zmniejszenia ryzyka poważnych lub śmiertelnych obrażeń, osobom z implantami medycznymi przed użyciem narzędzia elektrycznego zalecamy konsultację z lekarzem i producentem.

### OSTRZEŻENIE

Przy dłuższych pracach może wskutek wibracji w rękach osoby obsługującej wystąpić zakłócenie ukrwienia (syndrom białych palców).

Syndrom białych palców stanowi schorzenie naczyń krwionośnych, przy którym małe naczynia krwionośne w palcach rąk i stóp ulegają nagłym skurczom. Dotknięte obszary nie są wystarczająco zaopatrywane w krew i stają się dlatego niesamowicie blade. Częste stosowanie produktów wibrujących może u osób, których ukrwienie jest pogorszone (np. palacze, cukrzycy), spowodować uszkodzenie nerwów.

W razie zaobserwowania nietypowych pogorszeń stanu zdrowia natychmiast zakończyć pracę i skontaktować się z lekarzem.

## 7 Dane techniczne

Napięcie znamionowe	220-240V AC / 50/60 Hz
Moc znamionowa S1*	1600 W
Klasa ochrony	II
Stopień ochrony	IPX0
Prędkość łańcucha	15 m/s
Szyina prowadząca	14"
Długość miecza łańcuchowego	41,5 cm
Długość cięcia**	34 cm
Podział łańcucha	3/8"
Liczba zębów koła łańcuchowego	52 zęby
Typ łańcucha tnącego	3/8LP-52
Typ szyny prowadzącej	AP14-52-507P
Zbiornik/olej do łańcuchów tnących	0,35 l
Ciężar (z mieczem łańcuchowym i łańcuchem tnącym)	ok. 4,8 kg
Ciężar (bez miecza łańcuchowego, łańcucha tnącego i kabla)	ok. 4,2 kg

Zmiany techniczne zastrzeżone!

### \*Tryb pracy S1 (praca ciągła)

Produkt można eksploatować w trybie ciągłym z podaną mocą.

\*\*Długość cięcia może być mniejsza niż podana długość cięcia.

### Hałas i drgania

### OSTRZEŻENIE

Hałas może negatywnie oddziaływać na zdrowie. Jeżeli hałas maszyny przekracza 85 dB, należy założyć odpowiednie nauszники ochronne dla siebie i osób znajdujących się w pobliżu.

### Parametry hałasu

Poziom ciśnienia akustycznego $L_{pA}$	95,3 dB
Niepewność pomiaru $K_{pA}$	3 dB
Zmierzony poziom mocy akustycznej $L_{wA}$	103,3 dB
Gwarantowany poziom mocy akustycznej $L_{wA}$	106 dB
Niepewność pomiaru $K_{wA}$	3 dB

### Parametry drgań (drgania ramienia ręcznego)

Drgania $a_n$	
Uchwyt przedni	3,26 m/s <sup>2</sup>
Tyłny uchwyt	3,51 m/s <sup>2</sup>
Niepewność pomiaru K	1,5 m/s <sup>2</sup>

Podana łączna wartość emisji drgań i podana wartość emisji hałasu zostały zmierzone zgodnie ze znormalizowaną metodą badania i mogą być wykorzystane do porównania jednego narzędzia elektrycznego z innym.

Określona wartość emisji hałasu i określona całkowita wartość drgań mogą być również wykorzystane do wstępnej oceny obciążenia.

### OSTRZEŻENIE

**W trakcie rzeczywistego użytkowania narzędzia elektrycznego wartości emisji hałasu i drgań mogą różnić się od podanych wartości, w zależności od rodzaju i sposobu zastosowania narzędzia elektrycznego, a w szczególności rodzaju przedmiotu obrabianego.**

Ograniczać obciążenie do minimum. Przykładowe środki zaradcze: ograniczenie czasu pracy. Przy tym należy uwzględnić wszystkie części cyklu eksploatacyjnego (np. czas, w którym narzędzie elektryczne jest wyłączone, oraz czas, w którym narzędzie jest włączone, ale pracuje bez obciążenia).

## 8 Rozpakowanie

### OSTRZEŻENIE

**Produkt i materiały opakowaniowe nie mogą służyć jako zabawka dla dzieci!**

**Dzieciom nie wolno bawić się workami z tworzywa sztucznego, foliami i drobnymi elementami! Istnieje niebezpieczeństwo połknięcia i uduszenia!**

- Otworzyć opakowanie i wyjąć ostrożnie produkt.
- Usunąć materiał opakowaniowy oraz zabezpieczenia opakowania/transportowe (jeśli występują).
- Sprawdzić, czy zakres dostawy jest kompletny.
- Sprawdzić produkt i elementy wyposażenia pod kątem uszkodzeń w trakcie transportu. Wszelkie szkody zgłosić niezwłocznie firmie przewozowej, która dostarczyła produkt. Późniejsze reklamacje nie będą uznawane.
- W miarę możliwości zachować opakowanie do zakończenia okresu gwarancyjnego.
- Przed zastosowaniem produktu zapoznać się z nim na podstawie instrukcji obsługi.
- W przypadku akcesoriów i części zużywalnych i zamiennych stosować wyłącznie oryginalne części. Części zamienne można nabyć u swojego dystrybutora.
- Przy zamówieniach podawać nasze numery artykułów oraz typ i rok produkcji produktu.

## 9 Przed uruchomieniem

### OSTRZEŻENIE

**Przed przystąpieniem do wykonywania ustawień w produkcie zawsze odłączyć wtyczkę sieciową.**

### OSTRZEŻENIE

**Niebezpieczeństwo odniesienia obrażeń!**

Wtyczkę sieciową należy wkładać do gniazda dopiero wtedy, gdy produkt jest gotowy do użycia.

### ZAGROŻENIE

**Niebezpieczeństwo odniesienia obrażeń!**

Użycie niekompletnie zmontowanego produktu może spowodować poważne obrażenia.

- Nie należy używać produktu, dopóki nie zostanie on w pełni zmontowany.
- Przed każdym użyciem należy przeprowadzić kontrolę wzrokową, aby sprawdzić, czy produkt jest kompletny i nie zawiera żadnych uszkodzonych lub zużytych elementów. Urządzenia zabezpieczające i ochronne nie mogą być naruszone.

### OSTRZEŻENIE

**Ryzyko obrażeń podczas obsługi łańcucha tnącego lub miecza!**

- Nosić rękawice odporne na przecięcia.

#### Wskazówki:

- Nowy łańcuch tnący ulega wydłużeniu i wymaga częstszego napinania. Regularnie sprawdzać i regulować napięcie łańcucha po każdym cięciu.
- Należy używać wyłącznie łańcuchów tnących i mieczy przeznaczonych do tego produktu.

### OSTROŻNIE

Nieprawidłowo zamontowany łańcuch tnący powoduje niekontrolowane cięcie produktu!

Podczas montażu łańcucha tnącego zwrócić uwagę na właściwy kierunek ruchu!

- Umieścić produkt na płaskiej, równej powierzchni.
- Przed zastosowaniem produktu zapoznać się z nim na podstawie instrukcji obsługi.

Przed każdym zastosowaniem lub po upadku produktu należy obowiązkowo dokładnie sprawdzić, czy nie jest on uszkodzony. W przypadku stwierdzenia jakichkolwiek uszkodzeń, muszą one zostać niezwłocznie naprawione przez użytkownika lub autoryzowany serwis.

Aby zapewnić nienaganne działanie i trwałość produktu, należy przestrzegać następujących kwestii:

- Prawidłowo zamocować szynę prowadzącą.
- Kierunek montażu/bieg, jak również pozbawiony wad (ostra) łańcuch tnący.
- Naprężenie łańcucha tnącego (sprawdzić i wyregulować kilka razy przy użyciu nowej piły łańcuchowej).
- Działanie smarowania łańcucha.
- Działanie hamulca łańcuchowego.
- Działanie sprzęgła (brak ruchu łańcucha na biegu jałowym).
- Nienagannego stanu i kompletności urządzeń ochronnych i narzędzia do cięcia.
- Stałego osadzenia wszystkich połączeń śrubowych.
- Lekkiego przesuwania wszystkich ruchomych części.

## 9.1 Montaż miecza (7) i łańcucha tnącego (8) (rys. 2)

1. Obrócić koło napinające łańcucha (6) przeciwie do ruchu wskazówek zegara, aby zdjąć pokrywę koła łańcuchowego (5).
2. Ułożyć łańcuch tnący (8) w pętli tak, aby krawędzie tnące były ustawione zgodnie z ruchem wskazówek zegara. Aby wyrównać łańcuch tnący (8), należy postępować zgodnie z symbolami (strzałkami) na łańcuchu tnącym (8) lub nad sworzniem prowadzącym (20).
3. Włożyć łańcuch tnący (8) we wpust miecza (7). Podczas montażu należy trzymać miecz (7) odchylony do góry pod kątem ok. 45 stopni, aby ułatwić prowadzenie łańcucha tnącego (8) do koła łańcuchowego (18). Łańcuch tnący (8) jest prowadzony przez gwiazdę odchylającą (7a).
4. Umieścić miecz (7) na sworzniu prowadzącym (20) i na zespórcie (19). Sworznie prowadzące (20) i zespórka (19) muszą znajdować się w otworze wzdłużnym na mieczu (7).
5. Poprowadzić łańcuch tnący (8) wokół koła łańcuchowego (18) i sprawdzić wyrównanie łańcucha tnącego (8).
6. Ponownie włożyć osłonę koła łańcuchowego (5). Upewnić się, że pokrywa koła łańcuchowego (5) jest osadzona w rowku na obudowie.
7. Ręcznie obrócić koło napinające łańcucha (6) zgodnie z ruchem wskazówek zegara.
8. Ponownie sprawdzić dopasowanie łańcucha tnącego (8) i napięcie łańcuch tnący (8).

### Wskazówka:

Należy pamiętać, że po użyciu produkt zostanie ponownie naoliwiony, a olej może wyciekać, jeśli produkt jest przechowywany bokiem lub do góry nogami. Jest

to normalny proces, spowodowany niezbędnym otworem wentylacyjnym na górnej krawędzi zbiornika i nie stanowi powodu do reklamacji. Ponieważ produkt ten jest sprawdzany i testowany przy użyciu oleju podczas produkcji, pomimo opróżnienia w zbiorniku mogą znajdować się niewielkie pozostałości, które mogą łatwo zostać zabrudzone olejem podczas transportu obudowy. Obudowę należy oczyścić szmatką.

Przed przystąpieniem do wymiany łańcucha tnącego należy oczyścić wpust szyny prowadzącej z zabrudzeń, ponieważ łańcuch tnący może wyskoczyć z szyny w przypadku osadzenia się zanieczyszczeń. Osady mogą również wchłaniać olej łańcuchowy. W rezultacie olej łańcuchowy nie dociera do spodniej części szyny lub dociera w niewielkim stopniu, co uniemożliwia smarowanie.

## 9.2 Napinanie łańcucha tnącego (8) (rys. 3)

### OSTRZEŻENIE

#### Ryzyko obrażeń w wyniku odskoczenia łańcucha tnącego!

Niewystarczająco napięty łańcuch tnący może zerwać się podczas pracy i spowodować obrażenia.

- Często kontrolować napięcie łańcucha tnącego.
- Napięcie łańcucha tnącego jest zbyt niskie, gdy ogniwa napędowe wystają z wpustu na spodzie szyny prowadzącej.
- Jeśli napięcie łańcucha tnącego jest zbyt niskie, należy go odpowiednio napiąć.

1. Upewnić się, że hamulec łańcuchowy (16) jest zwolniony (patrz 10.1.2).
2. Za pomocą koła napinającego łańcucha (6) ustawić napięcie łańcucha.
  - Zgodnie z ruchem wskazówek zegara - zwiększa napięcie łańcucha
  - W kierunku przeciwnym do ruchu wskazówek zegara - zmniejsza napięcie łańcucha
3. Łańcuch tnący (8) przekreślić ręką, aby sprawdzić czy porusza się prawidłowo. Musi się ślizgać swobodnie po mieczu (7).

Łańcuch piły (8) nie może zwiisać, ale powinien pozwalać na odciążenie przynajmniej 1-2 milimetrów od prowadnicy (7) znajdującej się pośrodku prowadnicy.

Napięcie łańcucha i smarowanie łańcucha mają znaczący wpływ na żywotność łańcucha tnącego.

Łańcuch tnący jest prawidłowo napięty, gdy nie zwiisa od dołu miecza łańcuchowego i można go naciągnąć do końca dłonią w rękawicy. Podczas ciągnięcia łańcucha tnącego z siłą 9 N (ok. 1 kg), łańcuch tnący i miecz łańcuchowy nie mogą być oddalone od siebie o więcej niż 7 mm.

Łańcuch tnący (8) można ściągnąć ręcznie o maksymalnie 9 mm przy średniej sile ciągnącej.

#### **Wskazówka:**

- Naprężenie nowego łańcucha należy sprawdzić po kilku minutach pracy i ponownie wyregulować.
- Napinanie łańcucha tnącego powinno być wykonywane w czystym miejscu, wolnym od trocin itp.
- Prawidłowe napięcie łańcucha tnącego zapewnia bezpieczeństwo użytkownika i zmniejsza lub zapobiega zużyciu i uszkodzeniu łańcucha.
- Zalecamy, aby użytkownik sprawdził napięcie łańcucha przed rozpoczęciem pracy po raz pierwszy.

### **UWAGA**

Podczas pracy z piłą łańcuch tnący nagrzewa się i nieznacznie rozszerza. Takiego „ponownego wydłużenia” należy się spodziewać, zwłaszcza w przypadku nowych łańcuchów tnących.

## **9.3 Napełnianie olejem do łańcucha tnącego (22) (rys. 4)**

### **⚠ ZAGROŻENIE**

Zawsze wyłączaj produkt i zaczekać, aż silnik ostygnie przed dolaaniem oleju. Przelanie oleju może spowodować zagrożenie pożarem.

### **⚠ OSTRZEŻENIE**

Miecz i łańcuch tnący nigdy nie mogą być bez oleju. Używanie piły łańcuchowej ze zbyt małą ilością oleju spowoduje zmniejszenie wydajności cięcia i żywotności łańcucha tnącego, ponieważ łańcuch tnący szybciej się stępi. Zbyt małą ilość oleju można rozpoznać po powstawaniu dymu lub odbarwieniu miecza.

### **UWAGA**

#### **Szkody środowiskowe!**

Rozlany olej może trwale zanieczyścić środowisko. Ciecz jest silnie toksyczna i może szybko doprowadzić do zanieczyszczenia wody.

- Napełniać/spuszczać olej tylko na równych, utwardzonych powierzchniach.
- W tym celu należy użyć króćca wlewowego lub lejka.
- Spuszczony olej zebrać do odpowiedniego pojemnika.
- Rozlany olej należy natychmiast starannie wytrzeć, a użytą w tym celu ściereczkę zutylizować zgodnie z lokalnymi przepisami.
- Olej zutylizować zgodnie z lokalnymi przepisami.

Łańcuch tnący jest automatycznie smarowany podczas pracy produktu. Aby zapewnić wystarczające smarowanie łańcucha tnącego, w zbiorniku oleju musi zawsze znajdować się wystarczająca ilość oleju. Regularnie sprawdzaj ilość oleju pozostającego w zbiorniku.

#### **Wskazówka:**

- Pokrywa jest wyposażona w zabezpieczenie przed zgubieniem.
  - Najlepiej napełnić piłę łańcuchową biodegradowalnym olejem do łańcucha tnącego (22).
  - Przed włączeniem produktu upewnij się, że korek zbiornika oleju jest na swoim miejscu i jest zamknięty.
1. Otworzyć zbiornik oleju (12). W tym celu należy odciągnąć pokrywę zbiornika oleju (4) w kierunku przeciwnym do ruchu wskazówek zegara.
  2. Aby zapobiec wyciekowi oleju, należy użyć lejka\*.
  3. Wlać ostrożnie olej do łańcucha tnącego (22), aż sięgnie do górnego oznaczenia na wskaźniku poziomu oleju (13). Pojemność zbiornika oleju: maks. 350 ml.
  4. Zakręcić pokrywę zbiornika oleju (4) zgodnie z ruchem wskazówek zegara, aby zamknąć zbiornik oleju (12).
  5. Rozlany olej należy natychmiast starannie wytrzeć, a użytą w tym celu ściereczkę zutylizować zgodnie z lokalnymi przepisami.
  6. Aby sprawdzić smarowanie łańcucha tnącego, przytrzymać produkt z łańcuchem tnącym nad kartką papieru i przelączyć ją na parę sekund na maksymalne obroty. Na papierze można sprawdzić, czy smarowanie łańcucha działa.

## **10 Obsługa**

Elektryczna piła łańcuchowa jest napędzana silnikiem elektrycznym. Obracający się łańcuch tnący jest prowadzony przez miecz łańcuchowy (szynę prowadzącą). Produkt jest wyposażony w szybkie zatrzymanie hamulca łańcuchowego. Automatyczny system olejowy zapewnia ciągłe smarowanie łańcucha. Elektryczna piła łańcuchowa jest wyposażona w różne zabezpieczenia chroniące użytkownika. Funkcje części obsługowych zostały podane w poniższych opisach.

### **UWAGA**

**Przed uruchomieniem produkt należy całkowicie zmontować!**

### **UWAGA**

Upewnij się, że temperatura otoczenia nie przekracza 50°C i nie spada poniżej -20°C podczas pracy.

## ZAGROŻENIE

### **Niebezpieczeństwo odniesienia obrażeń!**

Jeśli produkt utknął, nie należy próbować wyciągać go na siłę.

- Wyłączyć silnik.
- Aby uwolnić produkt, należy użyć ramienia dźwigni lub klina.

## **10.1 Hamulec łańcuchowy (16) (rys. 1, 5)**

## OSTRZEŻENIE

### **Przed każdym użyciem należy sprawdzić hamulec łańcuchowy.**

Hamulec łańcuchowy powoduje natychmiastowe wyhamowanie łańcucha tnącego w przypadku odrzutu.

## OSTRZEŻENIE

**Jeśli hamulec łańcuchowy nie działa prawidłowo, nie wolno używać piły łańcuchowej. Istnieje ryzyko obrażeń spowodowanych wciągnięciem pracującym łańcuchem tnącym. Skontaktować się z Centrum serwisowym.**

## OSTRZEŻENIE

### **Uszkodzenie produktu!**

Zbyt długie utrzymywanie podwyższonej prędkości obrotowej silnika przy zablokowanym hamulcu łańcuchowym spowoduje uszkodzenie silnika i napędu piły łańcuchowej.

Jeżeli łańcuch tnący nadal się porusza, należy skontaktować się z serwisem.

### **Wskazówka:**

Łańcuch tnący nie pracuje, gdy włączony jest hamulec łańcuchowy.

### **10.1.1 Aktywowanie hamulca łańcuchowego / przedniej osłony rąk (16)**

1. Przechylić hamulec łańcuchowy/przednią osłonę rąk (16) w kierunku miecza (7).

### **10.1.2 Zwalnianie hamulca łańcuchowego / przedniej osłony rąk (16)**

1. Pociągnąć hamulec łańcuchowy/przednią osłonę rąk (16) w kierunku przedniego uchwytu (14). Hamulec łańcuchowy/przednia osłona rąk (16) zatrzymuje się w sposób słyszalny.

### **10.1.3 Kontrola hamulca łańcuchowego / przedniej osłony rąk (16)**

1. Zwolnić hamulec łańcuchowy/ przednią osłonę dłoni (16) zgodnie z opisem 10.1.2.
2. Trzymać piłę łańcuchową mocno oburącz.
3. Włączyć piłę łańcuchową zgodnie z opisem 10.1.3.
4. Przechylić hamulec łańcuchowy/przednią osłonę rąk (16) w kierunku miecza (7). Należy natychmiast zatrzymać łańcuch tnący (8)!

### **Wskazówka:**

Jeśli łańcuch tnący nadal się porusza, nie należy używać produktu. Istnieje ryzyko obrażeń spowodowanych wciągnięciem pracującym łańcuchem tnącym. Skontaktować się z Centrum serwisowym.

## **10.2 Włączanie/wyłączanie i obsługa produktu (rys. 1)**

## OSTRZEŻENIE

### **Ryzyko obrażeń spowodowanych odrzutem!**

- Nigdy nie należy obsługiwać produktu jedną ręką!

### **Włączanie**

1. Sprawdzić, czy w zbiorniku oleju (12) znajduje się olej do łańcucha tnącego (22).
2. Uformować pętlę z końcówki przewodu przedłużającego\* i zaczepić ją o uchwyt odciążający (9) na tylnym uchwycie (2).
3. Włożyć wtyczkę sieciową do gniazda sieciowego z odpowiednim bezpiecznikiem.
4. Zdjąć osłonę miecza i łańcucha (17) z miecza (7).
5. Zwolnić hamulec łańcuchowy (16). Hamulec łańcuchowy (16) zatrzymuje się w słyszalny sposób.
6. Lewą ręką trzymać produkt za przedni uchwyt (14), a prawą ręką za tylny uchwyt (2). Kciuk i palce muszą mocno trzymać się uchwytu (2/14).
7. Ciało i ramiona należy ustawić w takiej pozycji, by móc zamortyzować siłę odrzutu.
8. Nacisnąć blokadę włączania (3) na tylnym uchwycie (2) do przodu i przytrzymać ją w tej pozycji.
9. W celu włączenia produktu, nacisnąć włącznik/wyłącznik (11).
10. Zwolnić blokadę włączania (3).

### **Wskazówka:**

Po uruchomieniu produktu nie jest konieczne przytrzymywanie uruchomienie blokady włączania. Blokada włączania ma na celu zapobieganie przypadkowemu uruchomieniu produktu.

Praca ciągła nie jest możliwa.

## Wyłączanie

1. Aby wyłączyć, zwolnić włącznik/wyłącznik (11).
  2. Aktywować hamulec łańcuchowy (16).
  3. Po każdej pracy z produktem należy założyć dostarczoną osłonę miecza i łańcucha (17).
  4. Gdy produkt nie jest używany, należy odłączyć wtyczkę sieciową od gniazda sieciowego.
  5. Wyjąć przedłużacz\* z uchwytu odciążającego (9).
- \* = opcjonalnie w zakresie dostawy!

## 10.3 Zabezpieczenie przeciążeniowe

W przypadku przeciążenia produktu, wyłącza się on samoczynnie. Po czasie chłodzenia (zróżnicowany) produkt można ponownie uruchomić.

## 10.4 Sprawdzenie smarowania łańcucha tnącego (rys. 4)

### Wskazówka:

Przed rozpoczęciem pracy należy sprawdzić poziom oleju i działanie smarowania łańcucha.

1. Aby sprawdzić smarowanie łańcucha tnącego, przytrzymać produkt z łańcuchem tnącym nad kartką papieru i przelączyć ją na parę sekund na maksymalne obroty. Na papierze można sprawdzić, czy smarowanie łańcucha działa.

### Wskazówka:

Jeśli nie ma śladów oleju, należy oczyścić przepust olejowy lub zlecić naprawę piły łańcuchowej naszemu serwisowi.

1. Wyczyścić przepust olejowy (21) w celu zapewnienia bezawaryjnego, automatycznego smarowania łańcucha tnącego (8) podczas pracy. W tym celu za pomocą szczotki\* lub szmatki\* należy usunąć wszelkie pozostałości z przepustu olejowego (21).

\* = opcjonalnie w zakresie dostawy!

## 11 Wskazówki dotyczące pracy

### ZAGROŻENIE

#### Niebezpieczeństwo odniesienia obrażeń!

Niniejszy rozdział opisuje podstawową technikę pracy w zakresie obchodzenia się z produktem.

Podane tutaj informacje nie zastępują wieloletniego wykształcenia i doświadczenia, jakie posiada specjalista.

Unikać pracy, do której wykonywania nie posiada się odpowiednich kwalifikacji!

Nierozważne obchodzenie się z produktem może prowadzić do najcięższych obrażeń, nawet ze skutkiem śmiertelnym!

### ZAGROŻENIE

#### Niebezpieczeństwo odniesienia obrażeń!

Prace związane z cięciem i wycinką drzew oraz wszelkie prace z tym związane mogą być wykonywane wyłącznie przez specjalnie przeszkolone i wykształcone osoby.

### OSTRZEŻENIE

Ze względów bezpieczeństwa odradza się niedoświadczonym użytkownikom ścinanie pni drzew ostrzem o długości mniejszej niż średnica pnia.

### Wskazówki:

Przed włączeniem produktu zwracać uwagę, czy nie dotyka ono innych przedmiotów.

Przestrzegać obowiązujących w danym kraju przepisów dotyczących prac przy wycinie drzew i uzyskać informacje od właściwego urzędu.

- Należy upewnić się, że nikt nie zostanie poszkodowany przez spadające gałęzie i drzewa.
- W obszarze roboczym mogą przebywać tylko osoby niezbędne do wykonania prac związanych z wycinką drzew.
- Obszar roboczy na pniu należy utrzymywać w czystości i porządku, aby zapewnić użytkownikom bezpieczną pozycję.
- Drogi ewakuacyjne utrzymywać w czystości i porządku, aby móc szybko opuścić obszar roboczy.
- Nie należy prowadzić prac związanych z wycinką drzew przy silniejszym wietrze, złej pogodzie lub słabej widoczności.
- Zachować odległości do najbliższego miejsca pracy wynoszące co najmniej 2 1/2 długości drzewa.
- Wyłączyć silnik, jeżeli pilarka zetknie się z ciałem obcym. Skontrolować pilarkę i w razie potrzeby naprawić ją.
- Chronić łańcuch tnący h przed zanieczyszczeniami i piaskiem. Nawet niewielkie ilości zanieczyszczeń mogą prowadzić do szybkiego stępienia łańcucha tnącego i zwiększenia ryzyka odrzutu.
- W celu przećwiczenia zacząć od przepiłowania mniejszych pni, aby nabyć wyczucia produktu, zanim przystąpi się do trudniejszych prac.
- Rozpoczynając piłowanie, docisnąć obudowę pilarki łańcuchowej do pnia drzewa.
- Pozwolić pilarce na swobodną pracę. Lekko docisnąć do dołu.
- Aby po wyjściu łańcucha tnącego z drewna nie stracić panowania nad produktem, pod koniec cięcia nie wywierać nacisku na pilarkę.
- Nie należy ciąć drewna leżącego na ziemi ani próbować przecinać korzeni wystających z ziemi.

- Unikać nietypowej pozycji ciała. Zadbaj o stabilną pozycję i zachowanie równowagi w każdej chwili. Pozwala to na lepszą kontrolę produktu w niespodziewanych sytuacjach.
- Lepszą kontrolę uzyskuje się podczas cięcia dolną częścią miecza (z ciągnącym łańcuchem).
- Łańcuch tnący nie może dotykać podłoża ani żadnych innych przedmiotów w trakcie lub po zakończeniu cięcia.
- Należy również przestrzegać środków ostrożności zapobiegających odrzutowi (patrz instrukcje bezpieczeństwa).

## 11.1 Prawidłowa postawa

### ZAGROŻENIE

#### Niebezpieczeństwo odniesienia obrażeń!

- Nigdy nie należy pracować na niestabilnych powierzchniach!
- Nigdy nie należy pracować powyżej wysokości ramion!
- Nigdy nie należy pracować stojąc na drabinie!
- Nie należy pracować zbyt mocno pochylonym do przodu!
- Produkt należy stosować wyłącznie w sprzyjających warunkach pogodowych i terenowych!
- Stańć oboma nogami mocno na ziemi.
- Należy uważać na przeszkody w obszarze roboczym.
- Podczas pracy zawsze trzymać produkt oboma rękoma!

## 11.2 W taki sposób tnie się prawidłowo!

- Produkt przyciskać równomiernie, jednak nie z nadmierną siłą.
- W miarę możliwości przykładaj produkt ogranicznikiem pazurowym do gałęzi przeznaczonej do obcięcia.
- Nigdy nie pracować bez ogranicznika pazurowego. Produkt może pociągnąć operatora do przodu.
- Stosować ogranicznik pazurowy do cięcia pni drzew lub grubych gałęzi.
- Zastosowanie ogranicznika pazurowego zwiększa bezpieczeństwo pracy, zmniejsza obciążenie osobiste podczas pracy, a także redukuje wibracje.
- w razie przedostania się ciał obcych, przed ponownym uruchomieniem i pracą z produktem należy poszukać go uszkodzeń i dokonać niezbędnych napraw, jeżeli produkt zacznie nietypowo silnie drgać, należy go poddać natychmiastowej kontroli.

## 11.3 Techniki cięcia

### 11.3.1 Cięcie ciągnące

Technika ta polega na cięciu od góry do dołu za pomocą dolnej części miecza łańcuchowego.

Łańcuch tnący przesuwa produkt do przodu w kierunku od operatora. Przednia krawędź produktu tworzy podstawę wychwytyjącą powstające podczas cięcia siły na pniu drzewa. Technika cięcia ciągniętego zapewnia operatorowi znacznie większą kontrolę nad produktem i zabezpieczenie przed odrzutem.

### 11.3.2 Cięcie posuwowe

#### ZAGROŻENIE

##### Obrażenia zagrażające życiu!

Jeśli miecz łańcuchowy jest przechylony, produkt może zostać wyrzucony w kierunku użytkownika z dużą siłą.

Jeżeli operator nie jest w stanie opanować siły łańcucha tnącego przesuwanego w tył, istnieje niebezpieczeństwo, że tylko końcówka miecza łańcuchowego dotknie drewna, co spowoduje odrzut.

Technika ta polega na cięciu górną częścią szyny prowadzącej od dołu do góry.

Łańcuch tnący przesuwa produkt do tyłu w kierunku do operatora.

### 11.3.3 Cięcie wzdłużne

Cięcie wzdłużne to cięcie ściętych pni drzew na małe części. Jeśli to możliwe, pień należy podeprzeć gałęziami, belkami lub klinami.

- **Zawsze zachowywać stabilną pozycję ciała i używać pilarki łańcuchowej tylko stojąc na stabilnym, pewnym i równym podłożu.** Śliskie podłoże lub niestabilna pozycja, mogą spowodować utratę równowagi lub kontroli nad piłą łańcuchową.
- Podczas cięcia na zboczu należy stać zawsze powyżej gałęzi. Zwrócić uwagę, aby łańcuch tnący nie dotykał podłoża. Po zakończeniu cięcia przed wyjęciem produktu należy odczekać, aż łańcuch tnący zatrzyma się.
- Przed przejściem od jednego do drugiego obszaru roboczego, zawsze wyłączać silnik produktu.

#### 11.3.3.1 Pień leży na ziemi (rys. 6)

- Łańcuch tnący nie może dotykać podłoża ani żadnych innych przedmiotów w trakcie lub po zakończeniu cięcia.
- Przecinać pień od góry.
- Jeśli możliwe jest obrócenie pnia, przepiłować 2/3 pnia. Następnie odwrócić kłodę i przepiłować pozostałą część od góry.

### 11.3.3.2 Pień jest podparty na jednym końcu (rys. 7)

- Najpierw należy przeciąć 1/3 średnicy pnia od dołu do góry (górną częścią miecza łańcuchowego), aby uniknąć zakleszczenia.
- Następnie ciąć od góry do dołu (dolną stroną miecza łańcuchowego) w kierunku pierwszego cięcia, aby uniknąć zakleszczenia.

### 11.3.3.3 Pień jest podparty na obu końcach (rys. 8)

- Następnie przeciąć 1/3 średnicy pnia od góry do dołu (dolną stroną miecza łańcuchowego).
- Następnie ciąć od dołu do góry (górną częścią miecza łańcuchowego), aż nacięcia się spotkają.

### 11.3.3.4 Cięcie na koźle do piłowania (rys. 9)

1. Trzymać produkt mocno obiema rękami i prowadzić go przed ciałem podczas cięcia **1**.
2. Podczas cięcia pnia, produkt należy przesuwac na prawo od korpusu. Lewa ręka powinna być maksymalnie wyprostowana na **2**. Uważać na spadający pień.
3. Należy ustawić się tak, aby odcięty pień nie stanowił zagrożenia.
4. Uważać na stopy **3**. Ścięty pień może spowodować obrażenia w razie upadku.
5. Zwracać uwagę na utrzymywanie równowagi ciała i stabilny chwyt.

### 11.3.4 Okrzesywanie (rys. 10)

#### OSTRZEŻENIE

##### Niebezpieczeństwo odniesienia obrażeń!

Podczas odgałęziania dochodzi do wielu wypadków.

- Trzymać produkt mocno obiema rękami i prowadzić go przed ciałem podczas cięcia.
- Podczas eksploatacji nie pochylać się zbyt mocno do przodu.
- Nigdy nie należy obcinać gałęzi, stojąc na pniu drzewa.
- Należy zwracać uwagę na obszar odrzutu, gdy gałęzie są naprężone.

Odgałęzianie to termin oznaczający usuwanie gałęzi i konarów z drzewa.

- Gałęzie podporowe należy usuwać dopiero po przycięciu na odpowiednią długość.
- Naprężone gałęzie muszą być cięte od dołu do góry, aby zapobiec zakleszczeniu produktu.
- W przypadku odcinania grubszych gałęzi należy stosować tę samą technikę, co w przypadku cięcia wzdłużnego.

- Należy pracować z lewej strony tułowia i jak najbliższej produktu. Jeśli to możliwe, ciężar produktu powinien spoczywać na pniu.
- Zmienić lokalizację, aby przyciąć gałęzie poza pniem.
- Bardziej rozbudowane gałęzie przycina się osobno.
- Podczas odgałęziania należy pozostawić większe gałęzie, które wspierają drzewo. Mniejsze gałęzie należy odseparować jednym cięciem.
- Usunąć gałęzie zwisające w dół, wykonując cięcie powyżej gałęzi.
- Nigdy nie należy przycinać gałęzi wyżej niż do wysokości ramion.

### 11.3.5 Wycinka drzewa (rys. 11, 12)

#### ZAGROŻENIE

##### Niebezpieczeństwo odniesienia obrażeń!

Prace związane z cięciem i wycinką drzew oraz wszelkie prace z tym związane mogą być wykonywane wyłącznie przez specjalnie przeszkolone i wyszkolone osoby.

#### ZAGROŻENIE

Do wycinki drzew wymagane jest duże doświadczenie. Drzewa należy wycinać tylko wtedy, gdy możliwe jest bezpieczne obchodzenie się z produktem. Nigdy nie należy używać produktu, jeśli nie jest to bezpieczne.

#### ZAGROŻENIE

##### Obrażenia zagrażające życiu!

- Nigdy nie przecinać pnia całkowicie!
- Podczas ścinania ustawić się zawsze bokiem do ścinanego drzewa!

#### ZAGROŻENIE

Nie należy wycinać drzew, jeśli wieje silny lub zmienne wiatr, jeśli istnieje ryzyko uszkodzenia mienia lub jeśli drzewo może uderzyć w przewody elektryczne.

#### ZAGROŻENIE

Podczas ścinania drzew zwracać uwagę na to, by nie stwarzać zagrożenia dla innych osób, nie trafić na przewody zasilające i nie spowodować szkód materialnych. Jeżeli drzewo zetknie się z przewodem zasilającym, natychmiast zawiadomić o tym dany zakład dystrybucyjny.

- Upewnić się, że w pobliżu obszaru roboczego nie znajdują się ludzie ani zwierzęta. Odstęp bezpieczeństwa między ścinanym drzewem a najbliższym miejscem pracy musi wynosić 2 1/2 długości drzewa.
- Należy zwrócić uwagę na kierunek obalania: Użytkownik musi mieć możliwość bezpiecznego poruszania się w pobliżu wycinanego drzewa, aby móc je łatwo przyciąć na odpowiednią długość i okresać. Należy unikać zaplątania się obalanego drzewa w inne drzewo. Należy przestrzegać naturalnego kierunku obalania, który zależy od pochylenia i krzywizny drzewa, kierunku wiatru i liczby gałęzi.
- Małe drzewa o średnicy 15-18 cm można zazwyczaj ścinać jednym cięciem.
- Podczas cięcia na boku należy stać zawsze powyżej gałęzi. Zwrócić uwagę, aby łańcuch tnący nie dotykał podłoża. Po zakończeniu cięcia przed wyjęciem produktu należy odczekać, aż łańcuch tnący zatrzyma się.
- Podczas cięcia na boku należy stać zawsze powyżej pnia drzewa. Aby zachować całkowitą kontrolę w momencie „przecięcia”, należy pod koniec cięcia zmniejszyć docisk bez zwalniania mocnego trzymania uchwytych produktu. Zwrócić uwagę, aby łańcuch tnący nie dotykał podłoża. Po zakończeniu cięcia odczekać przed wyjęciem produktu do całkowitego zatrzymania się łańcucha tnącego. Przed przejściem od jednego do drugiego drzewa zawsze wyłączać produkt i wyjąć wtyczkę sieciową.
- W przypadku drzew o większej średnicy należy wykonać nacięcia i cięcie obalające.
- Zwrócić uwagę, aby łańcuch tnący nie utknął w miejscu cięcia. Gałąź nie może się złamać ani odłamać.
- Z drzewa należy usunąć brud, kamienie, luźną korę, gwoździe, zszywki i drut.

### OSTRZEŻENIE

**Natychmiast po zakończeniu cięcia należy złożyć nauszniki ochronne, aby słyszeć dźwięki i sygnały ostrzegawcze.**

#### Okrzesywanie:

- Usunąć gałęzie zwisające w dół, wykonując cięcie powyżej gałęzi. Nigdy nie należy przycinać gałęzi wyżej niż do wysokości ramion.

#### Obszar ucieczki:

- Usunąć podszyt wokół drzewa, aby zapewnić możliwość łatwej ucieczki. Obszar ucieczki powinien być przesunięty o około 45° w stosunku do planowanego kierunku obalania.

#### Wykonanie nacięcia pod obalenie:

- Należy wykonać nacięcie w kierunku, w którym drzewo ma zostać obalone.

- Rozpocząć od dolnego, poziomego nacięcia.
- Głębokość cięcia powinna wynosić około 1/3 średnicy kłody. Pozwoli to na uniknięcie zaklinowania łańcucha tnącego lub szyny prowadzącej przy wykonywaniu drugiego nacięcia karbu.
- Następnie należy wykonać cięcie ukośne pod kątem około 45° od góry, które będzie dokładnie pokrywać się z cięciem dolnym.

### ZAGROŻENIE

Nigdy nie należy stawać przed przyciętym drzewem.

#### Cięcie obalające:

- Wykonać cięcie obalające z drugiej strony pnia, stojąc po lewej stronie pnia i pitując z naciągniętym łańcuchem tnącym.
- Cięcie obalające musi przebiegać poziomo co najmniej 5 cm powyżej poziomego nacięcia.
- Powinno ono być na tyle głębokie, aby odległość od linii cięcia wynosiła co najmniej 1/10 średnicy pnia.
- Część pnia, która nie została przepiłowana, nazywana jest przesmykiem (prętym obalającym). Przesmyk zapobiega obróceniu się drzewa i upadnięciu w niewłaściwym kierunku. Nie przepiłować przesmyku.
- Przy zbliżeniu cięcia obalającego do przesmyku drzewo powinno zacząć upadać.
- Jeżeli okaże się, że drzewo nie upada w pożądanym kierunku lub odchyła się do tyłu i zaciska łańcuch tnący, przerwać cięcie obalające i w celu otwarcia nacięcia i przechylenia drzewa we właściwym kierunku upadku użyć klinów z drewna, tworzywa sztucznego lub aluminium.
- Jeśli średnica pnia jest większa niż długość miecza łańcuchowego, należy wykonać dwa cięcia.
- Po wykonaniu cięcia obalającego, drzewo upada samo lub z pomocą klina obalającego lub łomu.

### ZAGROŻENIE

Gdy tylko drzewo zacznie upadać, należy wyciągnąć produkt z miejsca cięcia, zatrzymać silnik, odłożyć produkt i opuścić miejsce pracy drogą powrotną. Uważać na spadające gałęzie i nie potykać się.

#### 11.3.6 Uwalnianie zakleszczonych piły łańcuchowej

W przypadku zablokowania się piły łańcuchowej podczas cięcia należy wykonać następujące czynności:

1. Wyłączyć piłę łańcuchową i przymocować ją do wewnętrznej strony pnia drzewa (tj. w kierunku pnia drzewa) lub do oddzielnej liny narzędziowej.

2. Wyciągnąć piłę łańcuchową z nacięcia, podnosząc jednocześnie gałąź tak daleko, jak to konieczne.
3. W razie potrzeby zastosować piłę ręczną lub drugą piłę łańcuchową w celu poluzowania zakleszczonej piły łańcuchowej, przycinając ją w odległości co najmniej 30 cm od zakleszczonej piły.

Niezależnie od tego, czy do uwolnienia uwięzionej piły łańcuchowej używana jest piła ręczna czy piła łańcuchowa, cięcia w celu uwolnienia piły łańcuchowej powinny być zawsze wykonywane po zewnętrznej stronie (w kierunku końcówek gałęzi), tak aby piła łańcuchowa nie porwała się z odciętymi częściami i jeszcze bardziej nie skomplikowała sytuacji.

## 11.4 Po użyciu

- **Przed odłożeniem produktu należy go zawsze wyłączyć i poczekać, aż się zatrzyma.**
- Umieścić osłonę miecza i łańcucha (17) na mieczu (7).
- Aktywować hamulec łańcuchowy (16).
- Pozostawić produkt do schłodzenia.
- Gdy produkt nie jest używany, należy odłączyć wtyczkę sieciową od gniazda sieciowego.

## 12 Czyszczenie i konserwacja

### OSTRZEŻENIE

**Prace naprawcze i konserwacyjne, które nie są opisane w niniejszej instrukcji eksploatacji, należy zlecać wyspecjalizowanemu warsztatowi. Stosować wyłącznie oryginalne części zamienne.**

### OSTRZEŻENIE

**Nieprawidłowa konserwacja lub czyszczenie może spowodować obrażenia!**

### OSTRZEŻENIE

**Podczas czyszczenia, napraw i konserwacji produkt może się niespodziewanie uruchomić, powodując obrażenia i oparzenia.**

- Wyłączyć produkt.
- Wyciągnąć wtyczkę sieciową.
- Pozostawić produkt do schłodzenia.

### OSTRZEŻENIE

**Ryzyko obrażeń podczas obsługi łańcucha tnącego lub miecza!**

- Nosić rękawice odporne na przecięcia.

## 12.1 Czyszczenie

1. Zalecamy czyszczenie produktu bezpośrednio po każdym użyciu.
2. Do czyszczenia łańcucha tnącego należy używać pędzelka lub szczoteczki ręcznej, bez płynów.
3. Uchwyty i powierzchnie uchwytu utrzymywać w stanie suchym, czystym i wolnym od oleju i smaru. Śliskie uchwyty i powierzchnie uchwytu nie pozwalają na bezpieczne trzymanie elektronarzędzia i kontrolę nad nim w nieoczekiwanych sytuacjach.
4. W razie potrzeby wyczyścić uchwyty wilgotną szmatką zamoczoną w wodzie z mydłem.
5. W miarę możliwości osłony, szczeliny wentylacyjne i obudowę silnika powinny być wolne od pyłu i zanieczyszczeń. Produkt czyścić czystą ściereczką\* lub przedmuchiwać sprężonym powietrzem\* pod niskim ciśnieniem. Zalecamy czyszczenie produktu bezpośrednio po każdym użyciu.
6. Otwory wentylacyjne muszą być zawsze drożne.
7. Nie używać detergentów ani rozpuszczalników; mogą one spowodować korozję plastikowych części produktu wykonanych. Zwracać uwagę, aby do wnętrza produktu nie dostała się woda.
8. Oczyszczyć wpust miecza łańcuchowego za pomocą szczotki lub sprężonego powietrza.
9. Wyczyścić koło łańcuchowe.

\* = opcjonalnie w zakresie dostawy!

## 12.2 Konserwacja

### **Wskazówka:**

Należy starannie konserwować produkt. Kontrolować, czy części ruchome działają prawidłowo i nie zacinają się, czy części nie są pęknięte lub uszkodzone w sposób wpływający negatywnie na działanie produktu. Przed zastosowaniem produktu, zapewnić naprawę uszkodzonych części.

Umieścić produkt na płaskiej, równej powierzchni.

### 12.2.1 Kontrola koła łańcuchowego (18) (rys. 2)

1. Obrócić koło napinające łańcucha (6) w kierunku przeciwnym do ruchu wskazówek zegara, aby poluzować napięcie łańcucha i zdjąć pokrywę koła łańcuchowego (5).
2. Zdemontować miecz (7) i łańcuch tnący (8).
3. Sprawdzić ślady docierania na kole łańcuchowym (18) za pomocą miernika kontrolnego\*.

4. Jeśli ślady docierania są głębsze niż  $a=0,5$  mm, nie należy używać produktu i należy skonsultować się z wyspecjalizowanym dystrybutorem. Należy wymienić koło łańcuchowe (18).
5. Ponownie zamontować miecz (7) i łańcuch tnący (8) zgodnie z opisem 9.1.

\* = opcjonalnie w zakresie dostawy!

### 12.2.2 Kontrola miecza (7) (rys. 1)

1. Obrócić koło napinające łańcucha (6) w kierunku przeciwnym do ruchu wskazówek zegara, aby poluzować napięcie łańcucha i zdjąć pokrywę koła łańcuchowego (5).
2. Zdemontować miecz (7) i łańcuch tnący (8).
3. Zmierzyć głębokość wpustu miecza (7) za pomocą miernika pomiarowego\*.
4. Miecz (7) musi zostać wymieniony, jeśli zachodzi którakolwiek z poniższych sytuacji:
  - Miecz łańcuchowy jest uszkodzony.
  - Zmierzona głębokość wpustu jest mniejsza niż minimalna głębokość wpustu miecza łańcuchowego (4 mm).
  - Wpust miecza łańcuchowego jest zwężony lub rozszerzony.
5. Zamontować miecz (7) i łańcuch tnący (8) zgodnie z opisem 9.1.

\* = opcjonalnie w zakresie dostawy!

### 12.2.3 Wymiana miecza (7) (rys. 2)

1. Obrócić koło napinające łańcucha (6) w kierunku przeciwnym do ruchu wskazówek zegara, aby poluzować napięcie łańcucha i zdjąć pokrywę koła łańcuchowego (5).
2. Zdemontować miecz (7) i łańcuch tnący (8). Podczas demontażu należy trzymać miecz (7) odchylony do góry pod kątem ok. 45 stopni, aby ułatwić wyprowadzenie łańcucha tnącego (8) z wpustu miecza (7).
3. Założyć miecz (7) i zamontować go (7) wraz z łańcuchem tnącym (8) zgodnie z opisem 9.1.

### 12.2.4 Wymiana łańcucha tnącego (8) i jego uruchomienie (rys. 2).

#### ZAGROŻENIE

##### **Możliwość odniesienia poważnych obrażeń w wyniku zerwania lub zeskoczenia z piły!**

- Nigdy nie zakładać nowego łańcucha tnącego na zużyte koło łańcuchowe, uszkodzoną lub zużytą szynę prowadzącą. Łańcuch tnący może odskoczyć lub pęknąć.

- Należy używać wyłącznie łańcuchów tnących i mieczy przeznaczonych do tego produktu.

- Przed wymianą łańcucha tnącego należy oczyścić wpust miecza prowadzącego, ponieważ w przypadku zabrudzenia łańcuch tnący może wyskoczyć z szyny. Osady mogą również wchłaniać olej łańcuchowy. W rezultacie olej łańcuchowy nie dociera do spodniej części szyny lub dociera w niewielkim stopniu, co zmniejsza smarowanie.

1. Obrócić koło napinające łańcucha (6) w kierunku przeciwnym do ruchu wskazówek zegara, aby poluzować napięcie łańcucha i zdjąć pokrywę koła łańcuchowego (5).
2. Zdemontować miecz (7) i łańcuch tnący (8).
3. Ułożyć łańcuch tnący (8) w pętli tak, aby krawędzie tnące były ustawione zgodnie z ruchem wskazówek zegara. Aby wyrównać łańcuch tnący (8), należy postępować zgodnie z symbolami (strzałkami) na łańcuchu tnącym (8) lub nad sworzniem prowadzącym (20).
4. Włożyć łańcuch tnący (8) we wpust miecza (7).
5. Umieścić miecz (7) na sworzniu prowadzącym (20) i na zespórcie (19). Sworznie prowadzące (20) i zespórka (19) muszą znajdować się w otworze wzdlużnym na mieczu (7).
6. Poprowadzić łańcuch tnący (8) wokół koła łańcuchowego (18) i sprawdzić wyrównanie łańcucha tnącego (8).
7. Ponownie włożyć osłonę koła łańcuchowego (5). Upewnić się, że pokrywa koła łańcuchowego (5) jest osadzona w rowku na obudowie.
8. Ręcznie obrócić koło napinające łańcucha (6) zgodnie z ruchem wskazówek zegara.
9. Ponownie sprawdzić dopasowanie łańcucha tnącego (8) i napięcie łańcucha tnącego (8).

#### **Wskazówka:**

W przypadku nowego łańcucha tnącego siła napinająca zmniejsza się po pewnym czasie. W związku z tym należy napiąć łańcuch tnący po pierwszych 5 cięciach lub najpóźniej po 10 minutach cięcia.

### 12.2.5 Ostrzenie łańcucha tnącego (8)

#### OSTRZEŻENIE

##### **Zwiększone ryzyko wypadków z powodu nieprawidłowo naostrzonego łańcucha tnącego!**

Odchylenia od wymiarów geometrii krawędzi tnącej podczas ostrzenia zwiększają ryzyko odrzutu produktu.

- Zlecić ostrzenie łańcucha tnącego profesjonalście.

Łańcuch tnący może zostać ponownie oszlifowany w autoryzowanym warsztacie specjalistycznym. Nie należy próbować samodzielnie ostrzyć łańcucha tnącego, jeśli nie posiada się odpowiedniego narzędzia i niezbędnego doświadczenia.

### **OSTROŻNIE**

Do ostrzenia łańcucha wymagane są specjalne narzędzia zapewniające ostrzenie narzędzi tnących pod odpowiednim kątem i na odpowiednią głębokość. Po naostrzeniu wszystkie ogniwa tnące muszą mieć taką samą szerokość i długość.

#### **Wskazówki:**

Ostry łańcuch tnący zapewnia optymalną wydajność cięcia. Bez wysiłku przecina drewno i pozostawia duże, długie wióry.

Łańcuch tnący jest tęp, gdy trzeba przepchnąć urządzenie tnące przez drewno, a wióry są bardzo małe. W przypadku bardzo tępego łańcucha tnącego nie powstają żadne wióry, a jedynie pył drzewny.

1. Wyciągnąć wtyczkę sieciową.
2. Podczas ostrzenia łańcuch tnący (8) powinien być napięty, aby umożliwić prawidłowe ostrzenie.
3. Do ostrzenia wymagany jest pilnik okrągły\* o średnicy 4,0 mm.

#### **12.2.5.1 Instrukcje dotyczące ostrzenia łańcucha**

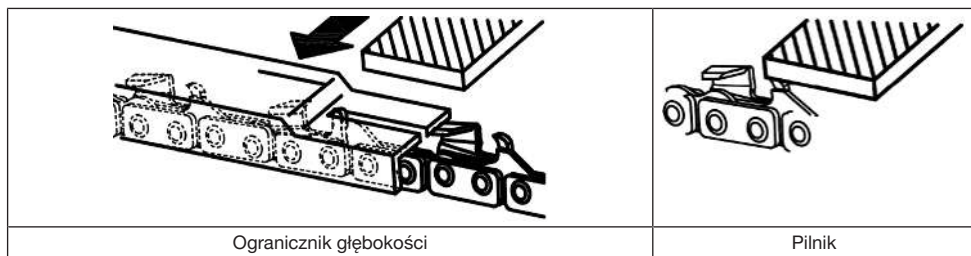
### **OSTROŻNIE**

Pilniki o innych średnicach mogą uszkodzić łańcuch tnący i być niebezpieczne podczas pracy!

4. Ostrzyć wyłącznie od wewnątrz do zewnątrz. Pilnik\* należy prowadzić od wewnętrznej do zewnętrznej strony zęba tnącego. Unieść pilnik\* podczas jego odciągania.
5. Najpierw naostrzyć zęby z jednej strony. Następnie odwrócić łańcuch tnący (8) i naostrzyć zęby po drugiej stronie.
6. Łańcuch tnący (8) jest zużyty i należy go wymienić na nowy, gdy pozostało tylko ok. 4 mm zęba tnącego.
7. Po ostrzeniu wszystkie ogniwa tnące muszą być tej samej długości i szerokości.
8. Po co trzecim ostrzeniu należy sprawdzić głębokość ostrzenia (limit głębokości) i ponownie ustawić wysokość za pomocą płaskiego pilnika\*. Limit głębokości powinien być cofnięty o ok. 0,65 mm od zęba tnącego. Po ponownym ustawieniu należy lekko zaokrąglić ogranicznik głębokości do przodu.

\* = opcjonalnie w zakresie dostawy!

	Średnica noża	Górny kąt	Dolny kąt	Górny kąt nachylenia (55°)	Standardowy głębokościomierz
Typ łańcucha tnącego					
		Kąt obrotu zacisku	Kąt nachylenia zacisku	Kąt boczny	
21PBX	ok. 4,8 mm	30°	10°	85°	0,64 mm



## 13 Przechowywanie

Produkt i jego akcesoria należy przechowywać w ciemnym, suchym i zabezpieczonym przed mrozem miejscu, niedostępnym dla dzieci.

Optymalna temperatura przechowywania wynosi od 5°C do 30°C.

Produkt należy przechowywać w oryginalnym opakowaniu.

Przykryć produkt, by chronić je przed pyłem lub wilgocią. Przechowywać instrukcję obsługi produktu.

### 13.1 Przygotowanie do przechowywania

1. Założyć osłonę tańcucha.
2. Całkowicie opróżnić produkt.
3. Wyczyścić i sprawdzić produkt pod kątem uszkodzeń.

### 13.2 Transport

- Produkt może być transportowany wyłącznie przy użyciu przeznaczonej do tego celu rękojeści.

## 14 Przyłącze elektryczne

Zainstalowany silnik elektryczny jest gotowy do eksploatacji. Przyłącze odpowiada odnośnym przepisom VDE (Związek Elektryków Niemieckich) oraz normom DIN. Przyłącze sieciowe zapewniane przez klienta oraz zastosowany przewód przedłużający muszą odpowiadać tym przepisom.

#### Wskazówka:

- Produkt spełnia wymagania dyrektywy EN 61000-3-11 i podlega szczególnym warunkom przyłączenia. Oznacza to, że zabronione jest jego podłączanie do dowolnie wybieranych punktów przyłączeniowych.
- W przypadku niekorzystnych warunków sieciowych produkt może powodować przejściowe wahania napięcia.
- Produkt jest przeznaczony do zastosowania w punktach przyłączeniowych, które a) nie przekraczają maksymalnej dopuszczalnej impedancji sieci

„Z” (Zmaks. = 0,415 Ω), lub b) których obciążalność sieci prądem ciągłym wynosi co najmniej 100 A na fazę.

- Użytkownik musi zapewnić, jeżeli to konieczne, w porozumieniu z zakładem energetycznym, by punkt przyłączeniowy, w którym ma być eksploatowane narzędzie, spełniał jedno z dwóch wyżej wymienionych wymagań a) lub b).

### 14.1 Ważne wskazówki

W przypadku przecięcia silnika wyłącza się on samoczynnie. Po czasie chłodzenia (zróżnicowany) silnik można ponownie uruchomić.

### 14.2 Uszkodzony przewód elektryczny

Na przewodach elektrycznych powstają często uszkodzenia izolacji.

Przyczyną może być:

- miejsca docisku, w przypadku gdy przewody są prowadzone przez szczeliny w oknach lub drzwiach,
- miejsca zagięcia, w przypadku nieprawidłowego zamocowania lub prowadzenia przewodów,
- przecięcia, w przypadku przejechania po przewodach przyłączeniowych,
- uszkodzenia izolacji, w przypadku wrywania z gniazdka naściennego,
- pęknięcia, spowodowane starzeniem się izolacji.

Uszkodzonych przewodów elektrycznych nie wolno używać - ze względu na uszkodzenie izolacji zagrażającą życiu.

Przewody elektryczne należy regularnie kontrolować pod kątem uszkodzeń. Pamiętać, by podczas sprawdzania przewodu przyłączeniowego, nie był on podłączony do sieci prądowej.

Przewody elektryczne muszą odpowiadać właściwym przepisom VDE (Związek Elektryków Niemieckich) oraz normom DIN. Stosować wyłącznie przewody przyłączeniowe z takim samym oznaczeniem „H07RN-F”.

Z zasady należy umieścić nadruk oznaczenia typu na przewodzie.

## Wskazówki dotyczące bezpieczeństwa odnoszące się do wymiany uszkodzonych przewodów przyłączeniowych do sieci

### Rodzaj przyłącza Y

Jeżeli wymagana jest wymiana przewodu przyłączeniowego do sieci, należy zlecić jego wymianę przez producenta lub jego przedstawiciela, aby uniknąć zagrożenia dla bezpieczeństwa.

## 14.3 Silnik prądu przemiennego

Podłączanie oraz naprawy wyposażenia elektrycznego mogą być przeprowadzane przez wykwalifikowanego elektryka.

- Zwracać uwagę, aby napięcie sieciowe odpowiadało napięciu na tabliczce znamionowej produktu.
- Przedłużacze o długości 25 m muszą posiadać przekrój wynoszący 1,5 milimetra kwadratowego.

## 15 Naprawa i zamawianie części zamiennych

Po wykonaniu naprawy i konserwacji upewnić się, że elementy istotne pod kątem bezpieczeństwa technicznego są założone i wykazują nienaganny stan techniczny. Elementy mogące powodować obrażenia przechowywać w miejscu niedostępnym dla innych osób i dzieci.

### UWAGA

Zgodnie z ustawą o odpowiedzialności cywilnej za produkt nie ponosi się odpowiedzialności za szkody powstałe wskutek nieprawidłowych napraw lub nie stosowania oryginalnych części zamiennych.

Zwrócić się do serwisu klienta lub autoryzowanego specjalisty. Powyższe dotyczy również części akcesoriów.

### Przyłącza i naprawy

Podłączanie oraz naprawy wyposażenia elektrycznego mogą być przeprowadzane przez wykwalifikowanego elektryka.

## 15.1 Zamawianie części zamiennych

Przy zamawianiu części zamiennych należy podać następujące dane:

- Oznaczenie modelu
- Numer artykułu
- Dane z tabliczki znamionowej

### Części zamienne / akcesoria

Pokrywa zbiornika oleju	3910207003
-------------------------	------------

## 15.2 Dozwolone przystawki tnące

Szyny prowadzące:		
Miecz łańcuchowy	Kangxin	3910207001
AP14-52-507P		
Łańcuchy tnące:		
Łańcuch tnący Kangxin 3/8LP-52		3910207002

## 16 Utylizacja i ponowne wykorzystanie

### Wskazówki dotyczące opakowania



Materiały opakowaniowe nadają się do recyklingu. Opakowania należy utylizować w sposób przyjazny dla środowiska.

### Wskazówki dotyczące utylizacji urządzeń elektrycznych i elektronicznych



**Zużyte urządzenia elektryczne i elektroniczne nie wchodzi w skład odpadów domowych, lecz muszą być zbierane i usuwane oddzielnie!**

- Zużyty sprzęt może mieć szkodliwy wpływ na środowisko i zdrowie ludzi z uwagi na potencjalną zawartość niebezpiecznych substancji, mieszanin oraz części składowych. Gospodarstwo domowe spełnia ważną rolę w przyczynianiu się do ponownego użycia i odzysku surowców wtórnych, w tym recyklingu zużytego sprzętu. Na tym etapie kształtuje się postawy, które wpływają na zachowanie wspólnego dobra jakim jest czyste środowisko naturalne.
- Stare baterie lub akumulatory, które nie są na stałe zainstalowane w starym urządzeniu, należy usunąć przed oddaniem go do serwisu nie powodując zniszczenia! Ich utylizacja jest regulowana ustawą o bateriach.
- Właściciele lub użytkownicy urządzeń elektrycznych i elektronicznych są prawnie zobowiązani do ich zwrotu po zakończeniu użytkowania.
- Użytkownik końcowy jest odpowiedzialny za usunięcie swoich danych osobowych ze starego urządzenia przeznaczonego do utylizacji!
- Symbol przekreślonego kosza na śmieci oznacza, że zużyte urządzenia elektryczne i elektroniczne nie wolno wyrzucać razem z odpadami domowymi.
- Zużyte urządzenia elektryczne i elektroniczne można bezpłatnie oddawać w następujących miejscach:
  - Publiczne punkty utylizacji lub zbiórki odpadów (np. place przy budynkach komunalnych)

- LIDL oferuje możliwość zwrotu bezpośrednio w filiach i marketach. Klient nie ponosi kosztów za utylizację i zwrot.
- Do trzech sztuk urządzeń elektrycznych i elektronicznych każdego typu, o długości krawędzi nie większej niż 25 centymetrów, można bezpłatnie zwrócić do producenta bez konieczności wcześniejszego zakupu nowego urządzenia od producenta lub można je oddać do innego autoryzowanego punktu zbiórki w swojej okolicy.
- W celu uzyskania informacji na temat dodatkowych warunków przyjmowania zwrotów przez producentów i dystrybutorów należy skontaktować się z odpowiednim działem obsługi klienta.
- W przypadku dostarczenia przez producenta nowego urządzenia elektrycznego do prywatnego gospodarstwa domowego, może ono zorganizować bezpłatną zbiórkę zużytych urządzeń elektrycznych

i elektronicznych na wniosek użytkownika końcowego. W tym celu należy skontaktować się z działem obsługi klienta producenta.

- Niniejsze oświadczenia dotyczą wyłącznie urządzeń zainstalowanych i sprzedawanych w krajach Unii Europejskiej i podlegają Dyrektywie Europejskiej 2012/19/UE. W krajach spoza Unii Europejskiej mogą obowiązywać inne przepisy dotyczące utylizacji ZSEE.

#### **Informacji o możliwościach utylizacji starych urządzeń można zasięgnąć w urzędzie miasta lub gminy.**

#### **Paliwa i oleje**

- Przed utylizacją produktu, należy opróżnić zbiornik paliwa i zbiornik oleju silnikowego!
- Paliwa i oleju silnikowego nie należy wyrzucać do odpadów domowych ani kanalizacji, ale należy je zbierać lub usuwać oddzielnie!
- Puste zbiorniki po oleju i paliwie należy utylizować w sposób przyjazny dla środowiska.

## **17 Pomoc dotycząca usterek**

W poniższej tabeli podano oznaki błędów oraz opisano sposób stosowania środków zaradczych, gdy produkt nie pracuje prawidłowo. Jeżeli mimo to nie ma możliwości zlokalizowania i usunięcia problemu, należy zwrócić się do warsztatu serwisowego.

<b>Usterka</b>	<b>Możliwa przyczyna</b>	<b>Środek zaradczy</b>
Produkt się nie uruchamia.	Wtyczka sieciowa nie jest podłączona do zasilania.	Włożyć wtyczkę sieciową do gniazda sieciowego.
	Brak napięcia sieciowego. Bezpiecznik reaguje.	Sprawdzić gniazdko, przewód przyłączeniowy do sieci, przewód, wtyczkę sieciową, w razie potrzeby zlecić naprawę wykwalifikowanemu elektrykowi. Sprawdzić bezpiecznik.
	Hamulec łańcuchowy jest włączony.	Sprawdzić hamulec łańcuchowy, w razie potrzeby zwolnić hamulec łańcuchowy.
	Włącznik/wyłącznik jest uszkodzony.	Proszę skontaktować się z naszym działem serwisowym.
	Zużyte szczotki węglowe. Silnik jest uszkodzony.	
Łańcuch tnący nie pracuje.	Łańcuch tnący zablokowany.	Sprawdzić hamulec łańcuchowy, w razie potrzeby zwolnić hamulec łańcuchowy.
Słaba wydajność cięcia.	Żle zamontowany łańcuch tnący.	Należy prawidłowo zamontować łańcuch tnący.
	Łańcuch tnący jest tępy.	Zlecić ostrzenie łańcucha tnącego profesjonalście lub wymienić łańcuch tnący.
	Napięcie łańcucha nie jest wystarczające.	Sprawdzić napięcie łańcucha tnącego. W przeciwnym razie napiąć łańcuch tnący.
Produkt pracuje ciężko/łańcuch tnący odskakuje.	Napięcie łańcucha nie jest wystarczające.	Sprawdzić napięcie łańcucha tnącego. W przeciwnym razie napiąć łańcuch tnący.
Łańcuch tnący nagrzewa się, podczas cięcia powstaje dym, szyna odbarwia się.	Zbyt mało oleju do łańcucha tnącego.	Sprawdzić układ automatycznego dozowania oleju. W przeciwnym razie napełnić olej do łańcucha tnącego.

<b>Usterka</b>	<b>Możliwa przyczyna</b>	<b>Środek zaradczy</b>
Nietypowe wibracje	Miecz łańcuchowy jest poluzowa-ny.	Sprawdzić prawidłowe osadzenie miecza łańcuchowego.

## 18 Deklaracja zgodności UE

### Tłumaczenie oryginalnej deklaracji zgodności

#### Producent:

Scheppach GmbH  
Günzburger Straße 69  
D-89335 Ichenhausen

Oświadczamy na własną odpowiedzialność, że opisany tutaj produkt jest zgodny z obowiązującymi dyrektywami i normami.

Marka: **PARKSIDE**  
Nazwa artykułu: **Elektryczna piła łańcuchowa - PEKS 1600 C3**  
Nr art. **3910209974 - 3910209981; 39102099915; 39102099959**  
Nr IAN **495499\_2504**  
Nr seryjny **01001 - 46072**

#### Dyrektywy UE:

2014/30/UE, 2006/42/EG, 2000/14/EG\_2005/88/EG, 2011/65/EU\*, (EU) 2015/863,

\* Wymieniony powyżej przedmiot niniejszej deklaracji jest zgodny z wymogami dyrektywy 2011/65/UE Parlamentu Europejskiego i Rady z 8 czerwca 2011 r. w sprawie ograniczenia stosowania niektórych niebezpiecznych substancji w sprzęcie elektrycznym i elektronicznym.

#### Zastosowane normy:

EN 62841-1:2015/A11:2022; EN 62841-4-1:2020;  
EN IEC 55014-1:2021; EN IEC 55014-2:2021;  
EN IEC 61000-3-2:2019/A2:2024;  
EN IEC 61000-3-11:2019; EN IEC 63000:2018

#### 2006/42/WE - Załącznik IV

Jednostka: TÜV SÜD  
notyfikowana: Product Service GmbH Miejsce certyfikacji  
Ridlerstraße 65  
80339 Monachium  
Niemcy  
Numer: 0123  
Numer certyfikatu: M6A 011284 0666

#### 2000/14/WE\_2005/88/WE – załącznik: V

Gwarantowany poziom mocy akustycznej (L<sub>WA</sub>): 106 dB  
Zmierzony poziom mocy akustycznej (L<sub>WA</sub>): 103,3 dB

#### Pełnomocnik ds. dokumentacji:

Tobias Ihle  
Günzburger Str. 69  
D-89335 Ichenhausen  
Ichenhausen, 22.07.2025



Simon Schünk  
Division Manager Product Center



Andreas Pecher  
Head of Project Management

## Gwarancja

### Droży Klienci,

Wszystkie nasze produkty przechodzą przez rygorystyczną kontrolę jakości, aby zapewnić, że dotrą do Państwa w idealnym stanie. W mało prawdopodobnej sytuacji wystąpienia usterki w Państwa urządzeniu, proszę skontaktować się z naszym działem serwisu pod adresem podanym w niniejszej karcie gwarancyjnej. Oczywiście, jeśli wolelibyście Państwo do nas zadzwonić, jesteśmy również gotowi zaoferować pomoc pod numerem telefonu serwisu wydrukowanym poniżej. Proszę zwrócić uwagę na następujące warunki gwarancyjne, jakich należy przestrzegać w celu zgłaszania roszczeń gwarancyjnych:

- Te warunki gwarancji dotyczą dodatkowych uprawnień gwarancyjnych i w żadnym stopniu nie ograniczają Państwa praw ustawowych. Niniejsza gwarancja jest oferowana bezpłatnie.
- Nasza gwarancja obejmuje jedynie problemy wynikające z wad materiałowych lub wad wykonania i ogranicza się do usunięcia tych wad lub wymiany urządzenia. Proszę zwrócić uwagę, że nasze urządzenia nie są przeznaczone do użytkowania w zastosowaniach komercyjnych, handlowych lub przemysłowych. W związku z powyższym, gwarancja traci ważność, jeśli urządzenie zostanie wykorzystane w zastosowaniach komercyjnych, handlowych lub przemysłowych lub w innych równoważnych zastosowaniach. Gwarancja nie obejmuje również następujących kwestii: odszkodowanie za uszkodzenia w transporcie, uszkodzenia spowodowane nieprzestrzeganiem instrukcji instalacji/montażu lub uszkodzenia spowodowane niefachową instalacją, nieprzestrzeganiem instrukcji obsługi (np. podłączenie do błędnego napięcia lub natężenia sieciowego), błędnym lub nieodpowiednim użytkowaniem (np. przeciążenie urządzenia lub użycie niezatwierdzonych narzędzi lub akcesoriów), nieprzestrzeganiem przepisów konserwacji lub bezpieczeństwa, przedostaniem się ciał obcych do urządzenia (np. piasek, kamienie lub pył), rezultaty użycia siły lub zewnętrznych czynników (np. uszkodzenie spowodowane upuszczeniem urządzenia) i normalne zużycie wynikające z poprawnego użytkowania urządzenia.

Każda próba ingerencji w urządzenie lub jego modyfikacji skutkuje unieważnieniem gwarancji.

- Gwarancja obowiązuje przez 3 lata od dnia zakupu urządzenia. Roszczenia gwarancyjne należy składać przed upływem okresu gwarancji w okresie dwóch tygodni od zauważenia wady. Roszczenia gwarancyjne składane po upływie okresu gwarancji nie będą przyjmowane. Wraz z wymianą urządzenia lub jego części składowych rozpoczyna się ponownie okres gwarancyjny zgodnie z art. 581§1 Kodeksu Cywilnego. Dotyczy to również kosztowania z serwisu na miejscu.
- W celu zgłoszenia roszczenia gwarancyjnego należy skorzystać z podanego poniżej adresu serwisu. Jeżeli reklamacja zostanie złożona w okresie objętym gwarancją, udostępnimy Państwu formularz zwrotu, który umożliwi bezpłatne odesłanie uszkodzonego urządzenia. Bardzo pomoże nam jak najbardziej szczegółowe opisanie przez Państwa charakteru problemu. Jeśli wada jest objęta gwarancją, urządzenie zostanie albo niezwłocznie naprawione i przekazane Państwu albo prześlemy Państwu nowe urządzenie.

Oczywiście z przyjemnością oferujemy także usługę odpłatnej naprawy wad, które nie są objęte zakresem niniejszej gwarancji, a także usługi pogwarancyjnej naprawy urządzeń. Aby skorzystać z takich usług, proszę przesłać urządzenie na adres naszego serwisu.

## Rozpatrywanie roszczenia gwarancyjnego

Aby zapewnić szybkie rozpatrzenie zapytania, należy postępować zgodnie z poniższymi instrukcjami:

- W przypadku wszystkich zapytań należy przygotować paragon i numer artykułu (np. IAN 495499\_2504) jako dowód zakupu.
- Numer artykułu można znaleźć na tabliczce znamionowej produktu, na grawerze na produkcie, na stronie tytułowej instrukcji obsługi (w lewym dolnym rogu) lub na naklejce z tytułu lub na spodzie produktu.
- Jeśli wystąpią usterki w działaniu lub inne wady, należy najpierw skontaktować się telefonicznie lub za pośrednictwem poczty elektronicznej z wymienionym poniżej działem serwisu.
- Następnie można bezpłatnie wysłać produkt zarejestrowany jako wadliwy na podany adres serwisowy, załączając dowód zakupu (paragon) i podając, na czym polega wada i kiedy wystąpiła.
- Te i wiele innych instrukcji można przeglądać i pobierać na stronie parkside-diy.com. Ten kod QR przeniesie Cię bezpośrednio na stronę parkside-diy.com. Należy wybrać kraj i użyć maski wyszukiwania, aby wyszukać instrukcję obsługi. Wprowadzenie numeru artykułu (IAN) 495499\_2504 spowoduje przejście do instrukcji obsługi danego artykułu.



**Kontakt z serwisem (PL):**

**Nazwa:** Arconet Sp. Z o.o  
ul.Grobelnego 4  
PL - 05-300 Minsk Mazowiecki

**Telefon:** 00800 4003 4003

**E-mail:** service.PL@scheppach.com

**Siedziba:** Polska

## Indholdsfortegnelse

1	Forklaring til symbolerne på produktet .....	267
2	Indledning .....	269
3	Produktbeskrivelse (fig. 1-5) .....	269
4	Leveringsomfang (fig. 1).....	269
5	Tilsluttet brug .....	269
6	Sikkerhedsforskrifter .....	270
7	Tekniske data.....	274
8	Udpakning.....	275
9	Før ibrugtagning.....	275
10	Betjening .....	277
11	Arbejdsinstrukser .....	279
12	Rengøring og vedligeholdelse.....	283
13	Opbevaring .....	285
14	Elektrisk tilslutning .....	285
15	Reparation og reservedelsbestilling.....	286
16	Bortskaffelse og genanvendelse.....	286
17	Afhjælpning af fejl.....	287
18	EU-overensstemmelseserklæring .....	288
19	Garantibevis.....	289
20	Ekspløsningsstegning .....	291

# 1 Forklaring til symbolerne på produktet

Symbolerne i denne brugsanvisning skal henlede din opmærksomhed på eventuelle risici. Det er vigtigt, at du forstår sikkerhedssymbolerne og forklaringerne i forbindelse med symbolerne. Selve advarslerne afhjælper ikke risici og kan ikke erstatte korrekte foranstaltninger til forebyggelse af ulykker.

## PAS PÅ





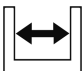

Læs venligst hele betjeningsvejledningen omhyggeligt igennem, inden du bruger maskinen første gang, og følg altid sikkerhedsforskrifterne!





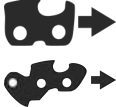









Det anbefales at deltage i et professionelt sikkerhedskursus "Certificate of Participation Chainsaw Course" med landespecifikke uddannelsesstandarder i brug og vedligeholdelse af kædesaven samt et første-hjælpskursus. Når du ikke har brugt kædesaven i længere tid og i forbindelse med øvelser, bør du altid sætte enkle snit i sikkert understøttet træ, for atter at gøre dig fortrolig med kædesaven.

Opbevar brugsanvisningen omhyggeligt!

### Bemærk:

Vær opmærksom på, at visse nationale forskrifter som f.eks. arbejdsbeskyttelses-, miljølovgivning kan begrænse brugen af kædesaven.

	Læs og overhold brugsanvisningen og sikkerhedsforskrifterne før ibrugtagning!		Løsn kædebremse.
	PAS PÅ! Tilsidesættelse af sikkerhedsskiltene og advarselsinstruktionerne på produktet og tilsidesættelse af sikkerheds- og betjeningsinstruktionerne kan føre til alvorlige personskader eller endog død.		Vekselstrømsmotor.
	Bær en hjelm med ansigtsværn og/eller beskyttelsesbriller og høreværn.		Savkædehastighed.
	Benyt sikkerhedssko!		Kædesværdlængde.
	Benyt robust fodtøj!		Antal drivled.
	Det er vigtigt at bruge sikkerhedsbeklædning til hænder, underarme, ben og fødder.		Kædedeling.
	Produktet må ikke udsættes for regn. Produktet må kun placeres, opbevares og benyttes i tørre omgivelser.		Notbredde.
	Kun til tohåndsbetjening.		Effektforbrug.

	<p>Advarsel! Fare for tilbageslag (kick-back). Tag dig i agt for tilbageslag af produktet, og undgå kontakt med skinnespidsen.</p>		<p>Vægt kg.</p>
	<p>Kædebremsestilling.</p>		<p>Olietankens indhold.</p>
	<p>Savkædens bevægelsesretning.</p>		<p>Vedligeholdelses-, omstillings-, indstillings- og rengøringsarbejde må kun udføres, når produktet er slukket, og netstikket er trukket ud!</p>
	<p>Påfyldningsåbning til savkædeolie.</p>		<p>Træk straks netstikket ud af stikkontakten, hvis netledningen beskadiges eller skæres over!</p>
	<p>Forøg/reducér kædespænding.</p>		<p>Produktets garanterede lydeffektniveau.</p>
	<p>Påfyldningsstandindikator for kædeolie.</p>		<p>Beskyttelsesklasse II (dobbeltisoleret).</p>
	<p>Aktivér kædebremse.</p>		<p>Produktet opfylder gældende EU-direktiver.</p>

## 2 Indledning

### Producent:

Schepbach GmbH  
Günzburger Straße 69  
D-89335 Ichenhausen, Tyskland

### Kære kunde

Vi ønsker dig rigtig god fornøjelse og held og lykke med arbejdet med dit nye produkt.

### Bemærk:

Iht. gældende lov om produktansvar hæfter producenten af dette produkt ikke for skader, der måtte opstå på eller i forbindelse med dette produkt som følge af:

- Forkert behandling
- Tilsidesættelse af brugsanvisningen
- Reparation foretaget af tredjepart og/eller af uautoriserede fagfolk
- Montering og udskiftning af uoriginale reservedele
- Utilsigtet brug
- Svigt af det elektriske anlæg som følge af tilsidesættelse af de nationale elektriske forskrifter og bestemmelser.

### Vær opmærksom på følgende:

Brugsanvisningen er en del af dette produkt.

Den indeholder vigtige oplysninger om, hvordan man bruger produktet sikkert, professionelt og økonomisk, og hvordan man undgår farer, sparer reparationsomkostninger, reducerer driftsstop og øger produktets driftssikkerhed og levetid. Udover sikkerhedsbestemmelserne i denne brugsanvisning skal de forskrifter vedr. brug af produktet, der måtte gælde i det enkelte land (brugslandet), overholdes til punkt og prikke.

Inden du benytter produktet, skal du sørge for at blive fortrolig med alle betjenings- og sikkerhedsanvisninger. Produktet må kun benyttes som beskrevet og kun til det tilsigtede anvendelsesformål. Opbevar brugsanvisningen et sikkert sted, og hvis produktet overdrages til tredjepart, skal alle tilhørende dokumenter følge med.

## 3 Produktbeskrivelse (fig. 1-5)

1. Netstik
2. Bageste greb
3. Startspærre
4. Olietankdæksel
5. Kædehjulsafdækning
- 5a. Kædefanganordning
6. Kædestrammehjul
7. Sværd (styreskinne)
- 7a. Næsehjul
8. Savkæde
9. Trækafastning
10. Bageste håndbeskyttelse
11. Tænd/Sluk-kontakt
12. Olietank

13. Olieniveauisning
14. Forreste greb
15. Barkstøtte
16. Kædebremse/forreste håndbeskyttelse
17. Sværd- og kædebeskyttelse
18. Kædehjul
19. Stagbolt
20. Styrebolt
21. Oliepassage
22. Savkædeolie (bio 180 ml)

## 4 Leveringsomfang (fig. 1)

Pos.	Stk.	Betegnelse
7.	1 x	Sværd (styreskinne)
8.	1 x	Savkæde
17.	1 x	Sværd- og kædebeskyttelse
22.	1 x	Savkædeolie (bio 180 ml)
	1 x	Elektrisk kædesav
	1 x	Brugsanvisning

## 5 Tilsigtet brug

Kædesaven er udelukkende konstrueret til savning af træ. Produktet er ikke beregnet til andre former for anvendelse (f.eks. skæring af murværk, plast eller fødevarer).

Produktet må kun bruges som tilsigtet. Enhver anden form for brug falder uden for tilsigtet brug. Brugeren, og ikke producenten, bærer ansvaret for materielle skader eller personskader af enhver art, der måtte opstå som følge heraf.

Tilsigtet brug omfatter også overholdelse af sikkerhedsforskrifterne og monteringsvejledningen samt driftsanvisningerne i brugsanvisningen.

Personer, der anvender og vedligeholder produktet, skal være fortrolige med dette og være informeret om mulige farer.

Hvis der foretages ændringer ved produktet, bortfalder producentens ansvar for deraf følgende skader.

Produktet må kun bruges med originale dele og originalt tilbehør fra producenten.

Producentens forskrifter vedrørende sikkerhed, arbejdsmåde og vedligeholdelse samt målene, som er angivet i de tekniske data, skal overholdes.

Vær opmærksom på, at vores produkter ikke er konstrueret til erhvervs-mæssig, håndværksmæssig eller industriel brug. Vi fraskriver os ethvert ansvar, hvis produktet bruges i erhvervs-, håndværks- eller industri-øjemed eller lignende arbejde.

## Forklaring til signalord i brugsanvisningen

### FARE

Signalord til angivelse af en overhængende farlig situation, som, hvis den ikke undgås, vil medføre død eller alvorlig personskade.

### ADVARSEL

Signalord til angivelse af en potentielt farlig situation, som, hvis den ikke undgås, kan medføre død eller alvorlig personskade.

### FORSIGTIG

Signalord til angivelse af en potentielt farlig situation, som, hvis den ikke undgås, kan medføre mindre eller moderat personskade.

### PAS PÅ

Signalord til angivelse af en potentielt farlig situation, som, hvis den ikke undgås, kan medføre materielle skader på produktet eller ejendom/besiddelse.

## 6 Sikkerhedsforskrifter

Generelle sikkerhedsforskrifter for elværktøj

### ADVARSEL

Læs alle sikkerhedsforskrifter, anvisninger, illustrationer og tekniske data, der følger med dette elværktøj.

Følges de følgende instruktioner ikke nøje som beskrevet, kan dette føre til elektrisk stød, brand og/eller alvorlige personskader.

Opbevar alle sikkerhedsforskrifter og anvisninger til fremtidig brug.

Udtrykket "elværktøj", der er anvendt i sikkerhedsforskrifterne, henviser til elnet-drevne elværktøjer (med elnetkabel) eller til batteridrevne elværktøjer (uden elnetkabel).

### 1) Arbejdspladssikkerhed

a) **Hold arbejdsområdet rent og godt oplyst.** Uorden eller uoplyste arbejdsområder kan føre til ulykker.

b) **Arbejd ikke med elværktøjet i eksplosionsfarlige omgivelser, hvor der findes brændbare væsker, gasser eller støv.** Elværktøj genererer gnister, der kan antænde støv eller dampe.

c) **Hold børn og andre personer på afstand, når der arbejdes med elværktøjet.** Hvis du bliver distraheret, risikerer du at miste kontrollen over elværktøjet.

### 2) Elektrisk sikkerhed

a) **Elværktøjets tilslutningsstik skal passe til stikkontakten. Stikket må ikke ændres på nogen måde. Undlad brug af adapterstik sammen med elektrisk jordet elværktøj.** Uændrede stik og passende stikkontakter mindsker risikoen for at få stød.

b) **Undgå kropskontakt med jordede overflader som rør, varmeapparater, komfurer og køleskabe.** Der er øget risiko for elektrisk stød, hvis din krop er jordforbundet.

c) **Hold elværktøj på afstand af regn og fugt.** Indtrængning af vand i et elværktøj øger risikoen for at få stød.

d) **Brug ikke tilslutningsledningen til at bære eller ophænge elværktøjet eller til at trække stikket ud af stikkontakten med. Hold tilslutningsledningen på afstand af varme, olie, skarpe kanter eller bevægelige dele.** Beskadigede eller sammenfiltrede tilslutningsledninger øger risikoen for at få stød.

e) **Når du arbejder udendørs med et elværktøj, må du kun bruge forlængerledninger, som også er egnet til udendørs brug.** Brug af forlængerledning, der er egnet til udendørs brug, reducerer risikoen for at få elektrisk stød.

f) **Hvis brug af elværktøjet i fugtigt miljø er uundgåelig, skal du bruge en fejlstrømsafbryder.** Brug af fejlstrømsrelæ mindsker risikoen for at få elektrisk stød.

### 3) Personikkerhed

a) **Vær opmærksom, vær agtpågivende på, hvad du gør, og arbejd altid fornuftigt med et elværktøj. Brug ikke et elværktøj, hvis du er træt eller påvirket af narkotika, alkohol eller medikamenter.** Et øjebliklig uagtsomhed, mens elværktøjet bruges, kan føre til alvorlige kvæstelser.

b) **Brug personlige værnemidler og altid beskyttelsesbriller.** Brug af personlige værnemidler såsom støvmaske, skridsikre sikkerhedssko, hjelm eller høreværn, afhængigt af hvad elværktøjet bruges til, mindsker risikoen for personskader.

c) **Undgå utilsigtet ibrugtagning. Sørg for, at elværktøjet er slukket, før du tilslutter, opsamlere eller bærer det hen til strømforsyningen og/eller batteriet.** Hvis du holder fingeren på kontakten, mens du bærer elværktøjet eller tilslutter det til strømforsyningen, kan dette forårsage ulykker.

- d) **Fjern indstillingsværktøjer eller skruenøgler, inden du tilslutter elværktøjet.** Værktøj eller nøgler, som måtte befinde sig i en roterende del af elværktøjet, kan medføre personskader.
- e) **Undgå unormale kropsholdninger. Sørg for at stå sikkert, og hold altid ligevægten.** På denne måde kan du bedre kontrollere elværktøjet, hvis der opstår uventede situationer.
- f) **Brug egnet tøj. Brug ikke løstsiddende tøj eller smykker. Hold hår og tøj på afstand af bevægelige dele.** Løstsiddende tøj, smykker eller langt hår kan blive viklet ind i bevægelige dele.
- g) **Hvis der kan monteres støvudsugnings- og opsamlingsudstyr, skal sådant tilsluttes og anvendes korrekt.** Brug af støvudsugning kan mindske faren pga. støv.
- h) **Forlad dig ikke på falsk sikkerhed, og overskrid ikke sikkerhedsreglerne for elværktøjer, selvom du evt. føler dig fortrolig med elværktøjet efter længere tids brug.** Skødesløse handlinger kan føre til alvorlige personskader på en brøkdal af et sekund.

## 4) Anvendelse og behandling af elværktøjet

- a) **Undlad at overbelaste elværktøjet. Til arbejdet skal man benytte det hertil beregnede elværktøj.** Du arbejder bedre og mere sikkert med det passende elværktøj i det angivne effektområde.
- b) **Brug aldrig et elværktøj med defekt kontakt.** Et elværktøj, der ikke kan tændes eller slukkes, er farligt og skal repareres.
- c) **Træk stikket ud af stikkontakten, og/eller fjern et udtageligt batteri, før du foretager justeringer på enheden, skifter værktøjsdele eller lægger elværktøjet fra dig.** Denne forholdsregel forhindrer utilsigtet start af elværktøjet.
- d) **Opbevar ubenyttede elværktøjer utilgængeligt for børn. Lad ikke personer bruge elværktøjet, som ikke er fortrolige med det, eller som ikke har læst denne vejledning.** Elværktøjer er farlige i hænderne på uerfarne personer.
- e) **Elværktøjer og indsatsværktøjer skal plejes med omhu. Kontrollér med jævne mellemrum, om bevægelige dele fungerer, som de skal, og at de ikke sidder fast, om dele er brækket eller beskadiget på en sådan måde, at elværktøjets funktion er forringet. Få beskadigede dele repareret, før elværktøjet tages i brug.** Mange ulykker skyldes dårligt vedligeholdt elværktøj.
- f) **Hold skæreværktøj skarpt og rent.** Omhyggeligt plejet skæreværktøj med skarpe skærekanter sætter sig mindre hyppigt fast og er lettere at føre.
- g) **Brug elværktøjet, indsatsværktøjet, indsatsværktøjer osv. i henhold til disse instruktioner. Tag hensyn til arbejdsvilkårene og den akti-**

**vitet, der skal udføres.** Brug af elværktøj til andre formål end de tilsigtede kan medføre farlige situationer.

- h) **Hold greb og gribeblader tørre, rene og fri for olie og fedt.** Glatte greb og gribeblader umuliggør sikker betjening af og kontrol med elværktøjet i uforudsete situationer.

## 5) Service

- a) **Elværktøjet må kun repareres af uddannet fagpersonale, og der må kun bruges originale reservedele.** Dette sikrer, at elværktøjet også fremover er sikkert at benytte.

## 6.1 Sikkerhedsforskrifter for kædesave

### Generelle sikkerhedsforskrifter for kædesave

- a) **Når saven kører, skal alle kropsdele holdes på afstand af savkæden. Sørg for, at savkæden ikke rører ved noget, inden du starter saven.** Når du arbejder med en batteridrevet kædesav, kan et øjeblikks uopmærksomhed medføre, at tøj eller kropsdele gribes af savkæden.
- b) **Hold altid den batteridrevne kædesav med højre hånd i det bageste greb og med venstre hånd i det forreste greb.** Hvis den batteridrevne kædesav holdes omvendt, øges risikoen for tilskadekomst, og den må derfor aldrig anvendes på denne måde.
- c) **Hold kun kædesaven i de isolerede gribeblader, da savkæden kan komme i kontakt med netledningen eller eget netkabel.** Hvis savkæden kommer i kontakt med en spændingsførende ledning, kan også elværktøjets metaldele blive strømførende og forårsage elektrisk stød.
- d) **Benyt øjenværn. Yderligere værnemidler til hørelse, hoved, hænder, ben og fødder anbefales.** Passende sikkerhedsbeklædning reducerer risikoen for tilskadekomst forårsaget af omkringflyvende spånmateriale og tilfældig berøring af savkæden.
- e) **Anvend ikke den batteridrevne kædesav, mens du står på et træ, en stige, fra et tag eller ustabile underlag.** Brug på sådanne måder kan forårsage alvorlige personskader.
- f) **Sørg altid for at stå sikkert, og brug kun den batteridrevne kædesav, når du står på et fast, sikkert og jævnt underlag.** Glatte underlag eller ustabile flader kan bevirke, at du mister balancen eller kontrollen over den batteridrevne kædesav.
- g) **Når du skærer i en gren, der står under spænding, skal du regne med, at den svirper tilbage.** Når spændingen i træets fibre udløses, kan en fastspændt gren ramme brugeren, og/eller den batteridrevne kædesav kan komme ud af kontrol.
- h) **Vær særligt forsigtig, når du skærer i krat og unge træer.** Det tynde materiale kan sætte sig fast i savkæden og svirpe imod dig eller få dig til at miste balancen.

- i) **Bær den batteridrevne kædesav i det forreste greb, mens den er slukket og med savkæden vendt bort fra din krop. Ved transport eller opbevaring af kædesaven skal beskyttelsesafdækningen altid trækkes på.** Omhyggelig håndtering af den batteridrevne kædesav mindsker sandsynligheden for en utilsigtet berøring med den kørende savkæde.
- j) **Følg anvisningerne for smøring, kædespænding og udskiftning af styreskinne og kæde.** En forkert spændt eller smurt kæde kan enten bryde eller øge risikoen for tilbageslag.
- k) **Sav kun i træ. Brug ikke den batteridrevne kædesav til arbejde, den ikke er beregnet til. F.eks.: Brug ikke den batteridrevne kædesav til savning i metal, plast, murværk eller byggematerialer, der ikke er af træ.** Anvendelse af den batteridrevne kædesav til arbejde, den ikke er beregnet til, kan medføre farlige situationer.
- l) **Forsøg ikke at fælde et træ, før du har en klar forståelse af risiciene, og hvordan du undgår dem.** Brugeren eller andre personer kan komme alvorligt til skade pga. et faldende træ.

## Årsager til og undgåelse af tilbageslag

Der kan opstå tilbageslag, hvis spidsen af styreskinnen rører ved en genstand, eller hvis træet bøjer sig, og savkæden sætter sig fast i snittet.

En berøring med skinnespidsen kan i nogle tilfælde medføre en uventet, bagudrettet reaktion, hvor styreskinnen slås opad og i retning mod brugeren.

Hvis savkæden sidder fast i styreskinnens overkant, kan skinnen slå kraftigt tilbage i retning mod brugeren.

Enhver af disse reaktioner kan medføre, at du mister kontrollen over saven og eventuelt får alvorlige personskader. Stol ikke udelukkende på sikkerhedsanordningerne, der er indbygget i den batteridrevne kædesav. Som bruger af en batteridrevet kædesav skal du selv træffe forskellige foranstaltninger, så du kan arbejde uden ulykker og kvæstelser.

Et tilbageslag sker som følge af forkert eller fejlagtig brug af den batteridrevne kædesav. Det kan forhindres ved bestemte forholdsregler, som er beskrevet nedenfor:

- a) **Hold den batteridrevne kædesav fast med begge hænder, så tommelfingeren og de andre fingre omslutter grebene på den batteridrevne kædesav. Din krop og dine arme skal være i en sådan position, at de kan modstå kræfterne ved tilbageslag.** Hvis der træffes egnede foranstaltninger, kan brugeren modstå kræfterne ved tilbageslag. Giv aldrig slip på den batteridrevne kædesav.
- b) **Undgå en unormal kropsholdning, og skær ikke over skulderhøjde.** Derved undgår du utilsigtet berøring med skinnespidsen, og du får bedre kontrol over den batteridrevne kædesav i uventede situationer.

- c) **Brug kun reserveskinne og savkæder, der er foreskrevet af producenten.** Forkerte reserveskinne og savkæder kan medføre tilbageslag, og/eller at savkæden brister.
- d) **Overhold producentens anvisninger omkring slibning og vedligeholdelse af savkæden.** For lave dybdebegrænsere øger sandsynligheden for kast.

## Yderligere sikkerhedsforskrifter

- Følg omhyggeligt anvisningerne for vedligeholdelse, kontrol og service i denne betjeningsvejledning. Beskadigede sikkerhedsanordninger og dele skal repareres eller udskiftes fagligt korrekt af vores servicecenter, medmindre andet er angivet i betjeningsvejledningen.
- Det anbefales, at førstegangsbrugere i det mindste skal prøve at skære i rundholt på en arbejdsbuk eller et stel.
- Ved savearbejde på en skråning skal du altid stå over træstammen. For at have fuldstændig kontrol over "gennemsavningen" skal modtrykket reduceres, når snittet er ved at være færdigt, uden at det faste greb omkring produktets håndtag løsnes. Kontrollér, at savkæden ikke rører jorden. Når du er færdig med snittet, skal du vente på, at produktet står stille, før du fjerner det. Sluk altid produktets motor, og tag batteriet ud, før du skifter fra træ til træ.
- Snavs, sten, løs bark, søm, klemmer og tråd skal fjernes fra træet.
- **Brug ikke tilbehør, der ikke er anbefalet af producenten.** Dette kan føre til elektrisk stød eller brand.
- Det er forbudt at bruge produktet i tordenvejr - **Farer for lynnedslag!**

## Yderligere sikkerhedsforskrifter

- **Følg alle instruktioner, hvis du skal befri kædesaven for ophobet materiale, skal opbevare den eller udføre vedligeholdelsesarbejde. Kontrollér, at produktet er slukket, og at netstikket er taget ud.** Uventet betjening af kædesaven ved fjernelse af ophobet materiale eller under vedligeholdelsesarbejde kan føre til alvorlig tilskadekomst.
- Hvis nettilslutningsledningen til produktet bliver beskadiget, skal den udskiftes af producenten eller af en autoriseret elektriker for at forebygge risici.
- Brug et fejlstrømsrelæ med en udløsningsstrøm på 30 mA eller mindre.
- Udlæg tilslutningsledningen på en sådan måde, at grene og lignende ikke kan få fat i den.
- Til udendørs arbejde må der kun benyttes forlængerkabler, der er godkendt og mærket til dette (H07RN-F).
- Følg omhyggeligt anvisningerne for vedligeholdelse, kontrol og service i denne betjeningsvejledning. Beskadigede sikkerhedsanordninger og dele skal

repareres eller udskiftes fagligt korrekt af vores servicecenter, medmindre andet er angivet i betjeningsvejledningen.

- Ved savearbejde på en skråning skal du altid stå over træstammen. For at have fuldstændig kontrol over "gennemsavningen" skal modtrykket reduceres, når snittet er ved at være færdigt, uden at det faste greb omkring produktets håndtag løsnes. Kontrollér, at savkæden ikke rører jorden. Når du er færdig med snittet, skal du vente på, at produktet står stille, før du fjerner det.
- Sluk altid produktet, og tag netstikket ud, før du skifter fra træ til træ.
- Snavs, sten, løs bark, søm, klemmer og tråd skal fjernes fra træet.
- Produktet må ikke anvendes uden smøring og sørg altid for at påfylde den rettidigt, inden tanken er tom.
- Brug kun de smøremidler, der anbefales af producenten.
- Det anbefales, at førstegangsbrugere i det mindste skal prøve at skære i rundholt på en arbejdsbuk eller et stel.
- **Brug ikke tilbehør, der ikke er anbefalet af producenten.** Dette kan føre til elektrisk stød eller brand.
- Det er forbudt at bruge produktet i tordenvejr - **Fare for lynnedslag!**

Savkæden kan efterslibes på et autoriseret værksted. Forsøg ikke at slibe savkæden selv, hvis du ikke har et egnet værktøj og den nødvendige erfaring.

## Sikkerhedsanordninger (fig. 1)

- **Bageste greb (2) med håndbeskyttelse (10)**
  - Beskytter hånden mod grene og kviste, og hvis savkæden hopper af.
- **Startspærre (3)**
  - For at kunne tænde produktet skal startspærren være slået fra. Startspærren forhindrer utilsigtet start af produktet.
- **Kædefanganordning (5a)**
  - Forhindrer fæjer for kvæstelser, når der opstår brud på savkæden eller den springer af.
- **Savkæde (8) med minimalt tilbageslag**
  - Bidrager til at absorbere tilbageslag ved hjælp af specialudviklede sikkerhedsanordninger.
- **Tænd/Sluk-kontakt (11) med kæde-straksstop**
  - Når man slipper Tænd/Sluk-kontakten, slukker produktet omgående.
- **Barkstøtte (15)**
  - Øger stabiliteten ved lodrette snit, og gør savningen lettere.

## Bemærk:

Savkæden bevæger sig ikke, når kædebremsen går i indgreb.

- **Kædebremse/forreste håndbeskyttelse (16)**
  - Sikkerhedsanordning, som stopper savkæden i tilfælde af tilbageslag.
  - Armen kan også betjenes manuelt.
  - Beskytter operatørens venstre hånd, hvis den skulle glide af det forreste greb.
- **Elektromotor**
  - Er dobbelt isoleret af sikkerhedsgrunde.

## 6.2 Personlige værnemidler (PPE)

### FARE

#### Fare for personskade!

Brug altid personlige værnemidler (PPE)!

- Bær en hjelm med ansigtsværn og/eller beskyttelsesbriller og høreværn.
- Bær tætsiddende beskyttelsestøj med et snitbeskyttelsesindlæg.
- Bær skridsikre sikkerhedssko.
- Benyt beskyttelseshandsker.

- **Undgå unormale kropsholdninger. Sørg for at stå sikkert, og hold altid ligevægten.** På denne måde kan du bedre kontrollere elværktøjet, hvis der opstår uventede situationer.
- Produktet må ikke anvendes af personer (herunder børn) med nedsatte fysiske, sensoriske eller mentale evner eller manglende erfaring og viden.
- **Brug egnet tøj. Brug ikke løstsiddende tøj eller smykker. Hold hår og tøj på afstand af bevægelige dele.** Løstsiddende tøj, smykker eller langt hår kan blive viklet ind i bevægelige dele.
- Brug altid solidt fodtøj og lange bukser, når produktet er i brug. Brug ikke produktet, mens du er barfodet eller bærer sandaler. Undgå at bære løstsiddende beklædningsgenstande eller tøj med frithængende snore eller slips.
- Brug altid hjelm, når der arbejdes i skoven. Denne beskytter mod nedfaldende grene. Kontrollér hjelmen for skader med jævne mellemrum. Det skal udskiftes senest efter 5 år. Brug kun godkendte hjelme.
- Ansigtssværn og/eller beskyttelsesbriller holder savspåner og træsplinter væk. Bær altid ansigtssværn og/eller beskyttelsesbriller under arbejdet med produktet for at undgå øjenskader.
- Brug høreværn.
- Benyt beskyttelseshandsker.
- Benyt støvmaske, når der saves i tørt træ. Der kan dannes savstøv.

- Når der bliver udført arbejde oppe i et træ, kan brugeren styrte ned. Brugeren kan blive alvorligt kvæstet evt. med dødelig udgang. Bær udstyr til faldsikring.

### 6.3 Sikkerhed for omgivelserne

- Nationale og/eller kommunale bestemmelser kan begrænse brugen af støjende, motordrevne produkter. Dette kan du få oplyst hos din kommune.
- Udfør kun arbejde i dagslys.
- Undlad at arbejde under ugunstige vejrforhold, f.eks. regn eller vind. Der er forhøjet ulykkesrisiko!
- Jorden på arbejdsområdet kan føre til uheld.
- Hold børn og andre personer på afstand, når produktet benyttes. Hvis du bliver distraheret, risikerer du at miste kontrollen over produktet.
- Brug aldrig produktet, når der er mennesker, især børn, eller dyr i nærheden.
- Undlad at arbejde i nærheden af ståltrådshegn eller i områder med løst skrottråd.

### Restrisici

**Produktet er bygget efter nyeste tekniske niveau og de anerkendte sikkerhedstekniske regler. Alligevel kan der opstå enkelte restrisici under driften.**

- Restrisici kan reduceres til et minimum, hvis "Sikkerhedsforskrifterne" og "Tilsligt Brug" samt brugsanvisningen overholdes.
- Brug produktet som anbefalet i denne brugsanvisning. Sådan opnås optimal ydeevne med produktet.
- Desuden kan der forefindes ikke-åbenlyse restrisici, selv om alle foranstaltninger er truffet.
- Hold hænderne væk fra arbejdsområdet, når produktet er i drift.
- Høreskader, hvis der ikke bruges foreskrevet høreværn.
- Lungeskader, hvis der ikke bruges foreskrevet åndedrætsværn.
- Fare for personskade pga. udslyngede værktøjer ved forkert fastholdelse eller føring.
- Sundhedsfare som følge af strøm, hvis der bruges elektriske tilslutningsledninger, der ikke lever op til gældende regler.
- Undgå utilsigtet igangsætning af produktet: Når stikket isættes i stikkontakten, må Tænd/Sluk-kontakten ikke trykkes ind.
- Før der gennemføres indstillings- eller vedligeholdelsesarbejde, skal man slippe Tænd/Sluk-kontakten og trække netstikket ud.

### ⚠ ADVARSEL

Dette elværktøj danner et elektromagnetisk felt under driften. Dette felt kan under bestemte omstændigheder påvirke aktive eller passive medicinske implantater negativt. For at reducere faren for alvorlige eller dødelige personskader anbefales det personer med medicinske implantater at kontakte en læge og producenten af det medicinske implantat, før elværktøjet betjenes.

### ⚠ ADVARSEL

På grund af vibrationerne kan længere tids brug føre til kredsløbsforstyrrelser i hænderne hos brugeren (Raynauds syndrom).

Raynauds syndrom er en sygdom i blodkarrene, hvor blodkarrene i fingre og tæer pludseligt kramper sammen. De pågældende områder forsynes ikke tilstrækkeligt med blod og ser derfor ekstremt blege ud. Hyppig brug af vibrerende produkter kan ved personer med nedsat blodomløb (f.eks. rygere, diabetikere) medføre ødelæggelse af nervebanerne.

Hvis du observerer usædvanlig nedsat funktion, indstil da straks arbejdet, og kontakt læge.

## 7 Tekniske data

Mærkespænding	220-240V AC / 50/60 Hz
Mærkeeffekt S1*	1600 W
Beskyttelsesklasse	II
Beskyttelsesgrad	IPX0
Kædehastighed	15 m/s
Styreskinne	14"
Kædesværdlængde	41,5 cm
Snitlængde**	34 cm
Kædedeling	3/8"
Kædehjul tandantal	52 tænder
Savkædetype	3/8LP-52
Styreskinnetype	AP14-52-507P
Tank/savkædeolie	0,35 l
Vægt (med kædesværd og savkæde)	ca. 4,8 kg
Vægt (uden kædesværd, savkæde og kabel)	ca. 4,2 kg

Forbehold for tekniske ændringer!

#### \*Driftsfunktion S1 (kontinuerlig drift)

Produktet kan køre kontinuerligt med den angivne effekt.

\*\*Den faktiske snitlængde kan være mindre end den angivne snitlængde.

## Støj og vibration

### ADVARSEL

Støj kan have alvorlig indvirkning på helbredet. Hvis maskinstøjen overstiger 85 dB, skal du bære passende hørevern til dig selv og personer i nærheden.

### Støjkaraktistika

Lydtryksniveau $L_{pA}$	95,3 dB
Måleusikkerhed $K_{pA}$	3 dB
Målt lydeffektniveau $L_{wA}$	103,3 dB
Garanteret lydeffektniveau $L_{wA}$	106 dB
Måleusikkerhed $K_{wA}$	3 dB

### Vibrationskaraktistika (hånd-arm-vibration)

Vibration $a_h$	
Forreste greb	3,26 m/s <sup>2</sup>
Bageste greb	3,51 m/s <sup>2</sup>
Måleusikkerhed K	1,5 m/s <sup>2</sup>

Den angivne svingningsværdi i alt og den angivne støjemissionsværdi er blevet målt iht. en standardiseret testproces og kan bruges til at sammenligne ét elværktøj med et andet.

Den angivne støjemissionsværdi og den angivne svingningsværdi i alt kan også bruges til at udføre en indledende vurdering af belastningen.

### ADVARSEL

**Støjemissionsværdierne og svingningsemissionsstallet kan afvige fra den angivne værdi, når elværktøjet rent faktisk bruges, afhængigt af hvordan det bruges, og af, hvilken type emne der bearbejdes.**

Forsøg at holde belastningen så lav som mulig. Eksempelvis ved at begrænse arbejdstiden. I denne forbindelse skal der tages højde for alle dele af driftscyklussen (f.eks. tider, hvor elværktøjet er slukket, og tider, hvor det godt nok er tændt, men hvor det kører uden belastning).

## 8 Udpakning

### ADVARSEL

**Produkt og emballeringsmaterialer er ikke legetøj!**

**Børn må ikke lege med plastposer, folie og smådele! Fare for slugning og kvælning!**

- Åbn emballagen, og tag forsigtigt produktet ud.

- Fjern emballeringsmaterialet samt emballage-/ transportsikringer (hvis sådanne findes).
- Kontrollér, om leveringsomfanget er fuldstændigt.
- Kontrollér produktet og tilbehørsdelene for transportskader. Rapportér straks evt. skader til den transportvirksomhed, som leverede produktet. Senere reklamationer anerkendes ikke.
- Opbevar så vidt muligt emballagen frem til udløbet af garantiperioden.
- Gør dig fortrolig med produktet ved at læse brugsanvisningen, før arbejdet påbegyndes.
- Tilbehør samt slid- og reservedele må kun være originale dele. Reservedele fås i faghandlen.
- Husk, at bestillinger skal være forsynet med artikelnumre samt type og fremstillingsår for produktet.

## 9 Før ibrugtagning

### ADVARSEL

**Træk altid netstikket ud, inden der foretages indstillinger på produktet.**

### ADVARSEL

#### **Fare for personskade!**

Sæt først elnetstikket i stikkontakten, når produktet er klargjort til brug.

### FARE

#### **Fare for personskade!**

Hvis et ufuldstændigt monteret produkt anvendes, kan det medføre alvorlig personskade.

- Brug først produktet, når det er fuldstændigt monteret.
- Før hver anvendelse skal der foretages en visuel kontrol for at kontrollere, at produktet er fuldstændigt og ikke indeholder nogen beskadigede eller slidte komponenter. Sikkerheds- og beskyttelsesanordninger skal være intakte.

### ADVARSEL

**Fare for personskade ved håndtering af savkæden eller sværdet!**

- Brug skærefaste handsker.

#### **Bemærk:**

- En ny savkæde udvider sig og skal ofte efterspændes. Kontrollér kædespændingen regelmæssigt efter hvert snit, og foretag justering efter behov.

- Anvend kun savkæder og sværd, der er beregnet til dette produkt.

## **FORSIGTIG**

En forkert monteret savkæde fører til ukontrolleret skæreadfærd hos produktet!

Ved montering af savkæden skal man være opmærksom på den angivne køreretning!

- Stil produktet på en plan, lige overflade.
- Gør dig fortrolig med produktet ved at læse brugsanvisningen, før arbejdet påbegyndes.

Produktet skal under alle omstændigheder kontrolleres omhyggeligt for eventuelle skader før hver brug, eller efter at produktet er faldet på gulvet/jorden. Hvis der konstateres skader, skal sådanne straks udbedres af dig eller på et autoriseret servicecenter.

Følgende punkter skal overholdes for at sikre, at produktet fungerer korrekt og har en lang levetid:

- Korrekt montering af styreskinnen.
- Monterings-/bevægelsesretning, samt pålidelig (skarp) savkæde.
- Savkædens spænding (en ny kæde skal kontrolleres og efterjusteres gentagne gange).
- Kædesmøringens funktion.
- Kædebremstens funktion.
- Koblingens funktion (ingen kædebevægelse i tomgang).
- Fejlfri tilstand og fuldstændighed af beskyttelsesanordninger og skæreanordningen.
- Korrekt montering af samtlige forskruninger.
- Let og ubesværet gang af alle bevægelige dele.

## 9.1 Montering af sværd (7) og savkæde (8) (fig. 2)

1. Drej kædespændehjulet (6) imod urets retning for at fjerne kædehjulafdækningen (5).
2. Læg savkæden (8) ud i en løkke, så snitkanterne er justeret med uret. For at justere savkæden (8) skal du orientere dig efter piktogrammerne (pilene) på savkæden (8) eller over styrebolten (20).
3. Læg savkæden (8) ind i noten i sværdet (7). For at montere sværdet (7) skal det svinges op og holdes i en vinkel på ca. 45 grader for lettere at kunne føre savkæden (8) på kædehjulet (18). Savkæden (8) skal føres over næsehjulet (7a).
4. Indsæt sværdet (7) på styrebolten (20) og på stagbolten (19). Styrebolten (20) og stagbolten (19) skal være i langhullet i sværdet (7).
5. Før savkæden (8) rundt om kædehjulet (18), og kontrollér savkædens (8) indjustering.

6. Sæt kædehjulafdækningen (5) på igen. Sørg for, at kædehjulafdækningen (5) befinder sig i noten i huset.
7. Skru kædespændehjulet (6) håndfast i urets retning.
8. Kontrollér endnu engang placeringen af savkæde (8) og savkædens spænding (8).

### **Bemærk:**

Vær opmærksom på, at produktet eftersmører efter brug, og at der kan løbe olie ud, hvis produktet opbevares på siden eller på hovedet. Det er en normal proces, betinget af den nødvendige ventilationsåbning på tankens øverste kant, og er ikke en årsag til reklamation. Da dette produkt under produktionen kontrolleres og testes med olie, kan der på trods af tømning være en lille rest i tanken, som tilsmudser let med olie under transport af huset. Rengør huset med en klud.

Før udskiftning af savkæden skal noten på styreskinnen rengøres for snavs, da savkæden kan springe ud af skinnen, hvis der er aflejringer af snavs. Aflejringerne kan også opsuge savkædeolien. Dette vil medføre, at savkædeolien ikke eller kun til en vis grad kommer ned på undersiden af skinnen, og at smøringen forhindres.

## 9.2 Spænding af savkæden (8) (fig. 3)

### **ADVARSEL**

#### **Fare for personskade, hvis savkæden springer af!**

En savkæde, som ikke er spændt tilstrækkeligt, kan springe af under drift og medføre personskade.

- Kontrollér savkædespændingen ofte.
- Savkædespændingen er for lille, hvis drivleddene kommer ud af noten på undersiden af styreskinnen.
- Efterspænd savkæden korrekt, hvis savkædespændingen er for lille.

1. Kontrollér om kædebremsen (16) er løstnet (se 10.1.2).
2. Indstil kædespændingen med kædespændingshjulet (6).
  - Med uret – kædespændingen øges
  - Mod uret – kædespændingen reduceres
3. Drej savkæden (8) med hånden, for at kontrollere at den løber problemfrit. Den skal glide frit i sværdet (7).

Savkæden (8) må ikke hænge ned, men den skal tillade, at der kan trækkes mindst 1-2 millimeter væk fra sværdet (7) i midten af sværdet.

Kædespændingen og kædesmøringen påvirker i høj grad savkædens levetid.

Savkæden er spændt korrekt, hvis den ikke hænger ned på kædesværdets underside og kan trækkes hele vejen rundt med en hånd med handske på. Når der trækkes i savkæden med 9 N (ca. 1 kg) trækraft, må savkæden og kædesværdet ikke have mere end 7 mm afstand.

Savkæden (8) må kunne aftrækkes maks. 9 mm med hånden med en gennemsnitlig trækraft.

**Bemærk:**

- Spændingen af en ny kæde skal kontrolleres efter nogle få arbejdsminutter og evt. justeres.
- Savkæden skal spændes et rent sted, som er fri for savsmuld og lignende.
- En korrekt spænding af savkæden er til brugerens sikkerhed og reducerer eller forhindrer slitage og kædeskader.
- Vi anbefaler brugeren at kontrollere kædespændingen, før arbejdet påbegyndes første gang.

## PAS PÅ

Når der arbejdes med saven, bliver savkæden varm og udvider sig derved en smule. Denne "udvidelse" må særligt forventes ved nye savkæder.

### 9.3 Påfyldning af savkædeolie (22) (fig. 4)

#### FARE

Sluk altid produktet, og lad motoren køle af, inden der påfyldes olie. Overløbende olie kan medføre brandfare.

#### ADVARSEL

Sværdet og savkæden må aldrig være uden olie. Hvis kædesaven anvendes med for lidt olie, forringes el-savkædens skæreydelse og levetid, eftersom savkæden bliver sløv hurtigere. Røgudvikling eller misfarvning af sværdet tyder desuden på for lidt olie.

## PAS PÅ

### Miljøskader!

Spildt olie kan forurene miljøet permanent. Væsken er meget giftig og kan hurtigt forårsage vandforurening.

- Påfyld/tøm kun olie på jævne, faste overflader.
- Brug en påfyldningsstuds eller en tragt.
- Saml den aftappede olie op i en egnet beholder.
- Tør straks spildt olie omhyggeligt op, og bortskaf kluden i henhold til de lokale bestemmelser.
- Bortskaf olien i henhold til de lokale bestemmelser.

Savkæden smøres automatisk, når produktet anvendes. Sørg altid for, at der er tilstrækkelig savkædeolie i olietanken, så savkæden smøres tilstrækkeligt. Kontrollér regelmæssigt den resterende oliemængde i olietanken.

**Bemærk:**

- Dækslet er udstyret med en tabsforebyggende sikring.
  - Påfyld fortrinsvist savkædeolie (22), som er biologisk nedbrydeligt, på kædesaven.
  - Sørg for, at dækslet til olietanken er placeret, før produktet tændes. Sørg for, at olietankens dæksel er installeret og lukket, før du tænder for produktet.
1. Åbn olietanken (12). Skru i den forbindelse dækslet til olietanken (4) af mod uret.
  2. Anvend en tragt\*, så der ikke kan løbe olie ud.
  3. Påfyld forsigtigt savkædeolie (22), indtil det øverste mærke på olieniveauindikatoren (13) er nået. Påfyldningsmængde olietank: maks. 350 ml.
  4. Skru olietankdækslet (4) fast med uret for at lukke olietanken (12).
  5. Tør straks evt. spildt olie omhyggeligt op, og bortskaf kluden i henhold til de lokale bestemmelser.
  6. For at kontrollere savkædesmøringen holdes produktet med savkæden over et ark papir, og der gives fuld gas i et par sekunder. Du kan se på papiret, om kædesmøringen fungerer.

## 10 Betjening

El-kædesaven har en el-motor som drev. Den omløbende savkæde føres hen over et kædesværd (styreskinne).

Produktet er udstyret med en lynstop-kædebremse. En olieautomatik sørger for kontinuerlig kædesmøring. For at beskytte brugeren er el-kædesaven udstyret med forskellige beskyttelsesanordninger.

Betjeningselementernes funktion fremgår af de følgende beskrivelser.

## PAS PÅ

Sørg for, at produktet er monteret fuldstændigt før ibrugtagning!

## PAS PÅ

Sørg for, at den omgivende temperatur under arbejdet ikke overstiger 50°C og ikke er under -20°C.

## ⚠ FARE

### Fare for personskade!

Hvis produktet sidder fast, skal du ikke forsøge at trække produktet ud med vold.

- Sluk motoren.
- Brug en vægtarm eller kile til at få produktet fri.

## 10.1 Kædebremse (16) (fig. 1,5)

### ⚠ ADVARSEL

Kædebremsen skal kontrolleres før hver ibrugtagning.

Kædebremsen bremser omgående savkæden i tilfælde af tilbageslag.

### ⚠ ADVARSEL

Hvis kædebremsen ikke fungerer korrekt, må du ikke anvende kædesaven.

Fare for personskader pga. efterløbende savkæde.

Kontakt kundeservice.

### ⚠ ADVARSEL

#### Produktbeskadigelse!

Forøget motoromdrejningstal i for lang tid med blokeret kædebremse beskadiger motoren og savkædedrevet.

Hvis savkæden alligevel bevæger sig, skal man kontakte kundeservice.

#### Bemærk:

Savkæden bevæger sig ikke, når kædebremsen går i indgreb.

### 10.1.1 Aktivering af kædebremsen/forreste håndbeskyttelse (16)

1. Kip kædebremsen/forreste håndbeskyttelse (16) i retning af sværdet (7).

### 10.1.2 Løsning af kædebremsen/forreste håndbeskyttelse (16)

1. Træk kædebremsen/forreste håndbeskyttelse (16) i retning af det forreste greb (14). Det er muligt at høre at kædebremsen/forreste håndbeskyttelse (16) går i indgreb.

### 10.1.3 Kontrol af kædebremsen/forreste håndbeskyttelse (16)

1. Løsn kædebremse/forreste håndbeskyttelse (16) som beskrevet under 10.1.2.
2. Hold fast i kædesaven med begge hænder.
3. Aktivér el-kædesaven som beskrevet under 10.1.3.
4. Kip kædebremsen/forreste håndbeskyttelse (16) i retning af sværdet (7). Savkæden (8) skal standse med det samme!

#### Bemærk:

Hvis savkæden alligevel bevæger sig, må produktet ikke benyttes. Fare for personskader pga. efterløbende savkæde. Kontakt kundeservice.

## 10.2 Tænding/slukning og brug af produktet (fig. 1)

### ⚠ ADVARSEL

Fare for personskade på grund af tilbageslag!

- Anvend aldrig produktet med én hånd!

#### Tænd

1. Kontrollér, om der er savkædeolie (22) i olietanken (12).
2. Form en sløjfe på enden af et forlænger kabel\*, og indsæt den i trækaflastningen (9) på det bagerste greb (2).
3. Sæt netstikket i en korrekt sikret netstikkontakt.
4. Fjern sværd- og kædebeskyttelsen (17) fra sværdet (7).
5. Løsn kædebremsen (16). Det er muligt at høre at kædebremsen (16) går i indgreb.
6. Hold produktet med venstre hånd på det forreste greb (14) og med højre hånd på det bageste greb (2). Tommelfingeren og de andre fingre skal omslutte grebene (2/14) i et fast greb.
7. Din krop og dine arme skal være i en sådan position, at de kan modstå kræfterne ved tilbageslag.
8. Skub aktiveringsspærren (3) på det bageste greb (2) fremad, og hold den i denne position.
9. Tænd for produktet ved at trykke på Tænd/Sluk-kontakten (11).
10. Slip startspærren (3).

### Bemærk:

Det er ikke nødvendigt at holde startspærren aktiveret efter start af produktet. Startspærren er beregnet til at forhindre utilsigtet start af produktet.

Kontinuerlig drift er ikke mulig.

### Slukning

1. Sluk produktet ved at slippe Tænd/Sluk-kontakten (11).
2. Aktivér kædebremsen (16).
3. Efter hvert arbejde med produktet skal den medfølgende sværd- og kædebeskyttelse (17) sættes på.
4. Træk netstikket ud af netstikkontakten, når produktet ikke er i brug.
5. Fjern forlængerkablet\* fra trækaflastningen (9).

\* = indgår ikke nødvendigvis i leveringsomfanget!

## 10.3 Beskyttelse mod overbelastning

Hvis produktet bliver overbelastet, slår det automatisk fra. Efter en afkolingsfase (varierer tidsmæssigt) kan produktet tændes igen.

## 10.4 Kontrol af kædesværdsmøring (fig. 4)

### Bemærk:

Kontrollér oliestanden og kædesmøringens funktion inden påbegyndelse af arbejdet.

1. For at kontrollere savkædesmøringen holdes produktet med savkæden over et ark papir, og der gives fuld gas i et par sekunder. Du kan se på papiret, om kædesmøringen fungerer.

### Bemærk:

Hvis der ikke forefindes et oliespor, skal oliepassagen evt. rengøres eller el-kædesaven skal repareres af kundetjenesten.

1. Rengør oliepassagen (21) for at sikre at savkæden (8) bliver smurt med olie automatisk uden problemer under driften. Anvend en pensel\* eller en klud\* for at fjerne rester fra oliepassagen (21).

\* = indgår ikke nødvendigvis i leveringsomfanget!

## 11 Arbejdsinstrukser

### ⚠ FARE

#### Fare for personskade!

I dette afsnit beskrives den grundlæggende arbejdsteknik ved håndtering af produktet.

De oplysninger, der gives her, erstatter ikke en fagmands mangeårige uddannelse og erfaring.

Undgå enhver form for arbejde, som du ikke er tilstrækkeligt kvalificeret til!

Uovervejethåndtering af produktet kan resultere i alvorlige personskader eller endda død!

### ⚠ FARE

#### Fare for personskade!

Save- og fældningsarbejde samt alt dermed forbundet arbejde må kun udføres af specialuddannede og instruerede personer.

### ⚠ ADVARSEL

Vi anbefaler brugere uden erfaringer at undlade at fælde en træstamme med en sværdlængde, som er mindre end stammediameteren.

### Bemærk:

Kontrollér, at produktet ikke berører andre genstande, før det tændes.

Overhold de nationale regler for fældningsarbejde, og indhent oplysninger hos de ansvarlige myndigheder.

- Sørg for, at ingen kan komme til skade i forbindelse med nedfaldende grene og træer.
- Kun personer, der er nødvendige i forbindelse med fældningsarbejdet, må opholde sig i arbejdsområdet.
- Hold arbejdsområdet ved stammen frit og ryddeligt, så der er garanteret sikkert fodfæste for brugeren.
- Hold flugtveje frie og ryddelige, så arbejdsområdet kan forlades hurtigt.
- Undlad at udføre fældningsarbejde i kraftig vind, i dårligt vejr eller ved dårlig sigtbarhed.
- Hold afstand til nærmeste arbejdsplads på mindst 2 1/2 trælængder.
- Stop motoren, hvis saven kommer i berøring med et fremmedlegeme. Kontrollér saven, og reparer den i påkommende tilfælde.
- Beskyt savkæden mod snavs og sand. Selv små mængder snavs gør hurtigt savkæden sløv og øger faren for tilbageslag.
- Start med at øve dig på at skære mindre træstammer for at få en fornemmelse af produktet, inden du går over til vanskeligere opgaver.
- Tryk kædesavens kabinet mod træstammen, når du begynder at skære.
- Lad saven arbejde for dig. Tryk kun let i nedadgående retning.
- For ikke at miste kontrollen over produktet, når savkæden forlader træet, bør du hen mod slutningen af et snit undlade at udøve tryk på saven.
- Skær ikke i træ, der ligger på jorden, og/eller forsøg ikke at save i rødder, der ikke stikker op af jorden.
- Undgå unormale kropsholdninger. Sørg for at stå sikkert, og hold altid ligevægten. Dermed kan du bedre kontrollere produktet, hvis der opstår uventede situationer.

- Du har bedre kontrol, hvis du saver med undersiden af sværdet (med trækkende kæde).
- Savkæden må ikke røre jorden eller en anden genstand, hverken mens der saves igennem eller derefter.
- Vær også opmærksom på sikkerhedsforanstaltninger mod tilbageslag (se sikkerhedsforskrifter).

## 11.1 Rigtig holdning

 **FARE**

**Fare for personskade!**

- Arbejd aldrig på ustabile underlag!
- Arbejd aldrig over skulderhøjde!
- Arbejd aldrig stående på stiger!
- Arbejd ikke, når du er for foroverbøjet!
- Brug kun produktet i gunstige vejr- og terræforhold!
- Stå sikkert med begge ben på jorden.
- Vær opmærksom på forhindringer i arbejdsområdet.
- Under arbejdet skal produktet altid holdes fast med begge hænder!

## 11.2 Sådan saver du rigtigt!

- Påfør jævnt tryk på produktet, men ikke ekstrem kraft.
- Anbring så vidt muligt produktet med barkstøtten på den gren, der skal saves.
- Arbejd aldrig uden barkstøtte. Produktet kan trække operatøren fremad.
- Brug barkstøtten ved savning i træstammer eller tykke grene.
- Brug af barkstøtten øger arbejdssikkerheden, reducerer personlig belastning under arbejdet, ligesom vibrationer formindskes.
- ved påkørsel af et fremmedlegeme. Lokaliser skader på produktet, og foretag de nødvendige reparationer, før det genstartes og benyttes til arbejde. Hvis produktet begynder at vibrere usædvanligt kraftigt, skal det kontrolleres med det samme.

## 11.3 Saveteknikker

### 11.3.1 Træksavning

Vha. denne teknik er det muligt at save oppefra og ned med undersiden af kædesværdet.

Savkæden skubber produktet fremad væk fra brugeren. Herved danner produktets forkant en støtte, der absorberer de kræfter, der opstår på træstammen under savningen. Ved træksavning har brugeren væsentligt mere kontrol over produktet og kan bedre undgå tilbageslag.

### 11.3.2 Skærende savning

#### **FARE**

#### **Livstruende personskader!**

Hvis kædesværdet sætter sig fast, kan produktet blive slyngt mod brugeren med stor kraft.

Hvis brugeren ikke kompenserer for savkædens bagud-skubbende kraft med sin kropsstyrke, er der fare for, at kun spidsen af sværdet har kontakt med træet, hvorved der forekommer et tilbageslag.

Ved denne teknik saves der nedefra og op med oversiden af styreskinnen.

Savkæden skubber herved produktet bagud ind mod brugeren.

### 11.3.3 Afkortning

Afkortning er savning af fælles træstammer i små afsnit. Om muligt skal stammen lægges på og støttes af grene, bjælker eller kiler.

- **Sørg altid for at stå sikkert, og brug kun den batteridrevne kædesav, når du står på et fast, sikkert og jævnt underlag.** Glatte underlag eller ustabile flader kan bevirke, at du mister balancen eller kontrollen over den batteridrevne kædesav.
- Ved savearbejde på en skråning skal du altid stå over grenen. Kontrollér, at savkæden ikke rører jorden. Når du har afsluttet skæringen, skal du vente på, at savkæden stopper, før du fjerner produktet.
- Sluk altid produktets motor, før der skiftes fra arbejdsplads til arbejdsplads.

#### 11.3.3.1 Stamme liggende på jorden (fig. 6)

- Savkæden må ikke røre jorden eller en anden genstand, hverken mens der saves igennem eller derefter.
- Sav stammen helt igennem ovenfra.
- Hvis det er muligt at dreje stammen, skal du save igennem 2/3 af den. Drej derefter stammen om og sav resten af stammen igennem oppefra.

#### 11.3.3.2 Stamme er understøttet i den ene ende (fig. 7)

- Sav først igennem 1/3 af stammens diameter nedefra og op (med oversiden af kædesværdet) for at undgå splintring.
- Sav derefter oppefra og ned (med undersiden af kædesværdet) hen mod det første snit for at undgå fastklemning.

#### 11.3.3.3 Stamme er understøttet i begge ender (fig. 8)

- Sav først igennem 1/3 af stammens diameter oppefra og ned (med undersiden af kædesværdet).
- Sav derefter nedefra og op (med oversiden af kædesværdet), indtil snittene støder på hinanden.

### 11.3.3.4 Savning på savbuk (fig. 9)

1. Hold produktet fast med begge hænder, og før produktet foran kroppen, mens du saver 1.
2. Når stammen saves over, skal man føre produktet forbi kroppen til højre.  
Hold venstre arm så lige som muligt 2. Pas på den faldende stamme.
3. Stil dig sådan, at den oversavede stamme ikke udgør en fare.
4. Pas på dine fødder 3. Den afsavede stamme kan forårsage personskader, når den falder ned.
5. Sørg for, at din krop er i ligevægt, og at du står stabilt.

### 11.3.4 Afgrening (fig. 10)

#### ADVARSEL

##### Fare for personskade!

Mange ulykker sker ved afgrening.

- Hold produktet fast med begge hænder, og før produktet foran kroppen, mens du saver.
- Læn dig ikke for langt forover under driften.
- Sav aldrig grene af, mens du står på træstammen.
- Vær opmærksom på tilbageslagsområdet, hvis grene er under spænding.

Afgrening er en betegnelse for at fjerne grene og kviste fra et træ.

- Fjern først støttende grene efter afkortning.
- Grene, der er under spænding, skal saves nedefra og opefter for at forhindre, at produktet sidder fast.
- Ved afsavning af tykkere grene skal du anvende den samme teknik som ved afkortning.
- Arbejd til venstre for stammen, og hold dig så tæt som muligt på produktet. Produktets vægt hviler om muligt på stammen.
- Skift placering for at save grene af på den anden side af stammen.
- Forgrenede grene afkortes enkeltvis.
- Ved afgrening skal du først lade større, nedadvendte grene, som støtter træet, stå. Skær mindre grene med et snit.
- Fjern nedhængende grene ved at lave snittet over grenen.
- Afgren aldrig højere end skulderhøjde.

### 11.3.5 Træfældning (fig. 11, 12)

#### FARE

##### Fare for personskade!

Save- og fældningsarbejde samt alt dermed forbundet arbejde må kun udføres af specialuddannede og instruerede personer.

#### FARE

Træfældning kræver megen erfaring. Fæld kun træer, hvis du kan håndtere produktet på en sikker måde. Anvend aldrig produktet, hvis du føler dig usikker.

#### FARE

##### Livstruende personskader!

- Sav aldrig helt igennem træstammen!
- Ved fældning må man kun stå ved siden af det træ, der skal fældes!

#### FARE

Fæld ikke træer, hvis der blæser en kraftig eller skiftende vind, hvis der er risiko for materielle skader, eller hvis træet kan ramme elektriske ledninger.

#### FARE

Sørg under træfældningen for, at andre personer ikke udsættes for fare, at forsyningsledninger ikke bliver truffet, og at der ikke bliver forårsaget materielle skader. Hvis et træ kommer i kontakt med en forsyningsledning, skal forsyningselskabet straks underrettes.

- Sørg for, at der ikke er mennesker eller dyr i nærheden af arbejdsområdet. Sikkerhedsafstanden mellem det træ, der skal fældes, og nærmeste arbejdsplads skal være 2 1/2 trælængde.
- Vær opmærksom på faldretningen: Brugeren skal kunne færdes sikkert i nærheden af det fældede træ for nemt at kunne afkorte træet og fjerne grene. Det er vigtigt at undgå, at det faldende træ bliver fanget i et andet træ. Vær opmærksom på den naturlige faldretning, som afhænger af træets hældning og krumning, vindretning og antal grene.
- Mindre træer med en diameter på 15-18 cm kan normalt saves i ét snit.
- Ved savearbejde på en skrånning skal du altid stå over grenen. Kontrollér, at savkæden ikke rører jorden. Når du har afsluttet skæringen, skal du vente på, at savkæden stopper, før du fjerner produktet.

- Ved savearbejde på en skråning skal du altid stå over træstammen. For at have fuldstændig kontrol over "gennemsavningen" skal modtrykket reduceres, når snittet er ved at være færdigt, uden at det faste greb omkring produktets håndtag løsnes. Kontrollér, at savkæden ikke rører jorden. Når du er færdig med snittet, skal du vente på, at produktet står stille, før du fjerner det. Sluk altid produktet, og tag netstikket ud, før du skifter fra træ til træ.
- For træer med en større diameter skal der foretages kærvsnit og et fældesnit.
- Sørg for, at savkæden ikke sidder fast i savesnittet. Grenen må ikke knække eller splintre af.
- Snavs, sten, løs bark, søm, klemmer og tråd skal fjernes fra træet.

### ADVARSEL

Klap høreværnet op direkte efter afslutningen af saveproceduren for at gøre det muligt at høre lyd- og advarselssignaler.

#### Afgrening:

- Fjern nedhængende grene ved at lave snittet over grenen. Afgren aldrig højere end skulderhøjde.

#### Flugtområde:

- Fjern underskoven rundt om træet for at sikre let tilbagestrækning. Flugtområdet bør være forskudt ca. 45° bag den planlagte fældningsretning.

#### Skæring af forhug:

- Anbring et forhug i den retning, du ønsker, træet skal falde.
- Begynd med det nederste, vandrette snit.
- Snitdybden skal være på ca. en 1/3 af stammens diameter. Dermed undgås det, at savkæden eller styreskinnen kommer i klemme ved savning af det andet kærvsnit.
- Lav derefter et skråt savsnit med en snitvinkel på ca. 45° ovenfra, der præcist møder det nederste savsnit.

### FARE

Træd aldrig ind foran et træ med forhug.

#### Fældesnit:

- Lav fældesnittet fra den anden side af stammen, mens du står til venstre for træstammen og saver med trækkende savkæde.
- Fældesnittet skal være vandret mindst 5 cm over det vandrette forhug.
- Det skal være så dybt, at afstanden til forhuglinjen er mindst 1/10 af stammens diameter.

- Den del af stammen, der ikke er gennemsavet, kaldes fælde-kammen. Fælde-kammen forhindrer, at træet drejer og falder i den forkerte retning. Sav ikke igennem fælde-kammen.
- Når fældesnittet nærmer sig fælde-kammen, begynder træet at falde.
- Hvis det viser sig, at træet muligvis ikke falder i den ønskede retning eller hælder tilbage og klemmer savkæden fast, afbrydes fældesnittet, og der anvendes en kile af træ, plastik eller aluminium til åbning af snittet og nedlægning af træet i den ønskede retning.
- Hvis stammens diameter er større end kædesværdets længde, skal der udføres to snit.
- Efter udførelse af fældesnittet falder træet af sig selv eller ved hjælp af fælde-kilen eller kobenet.

### FARE

Så snart træet begynder at falde, skal du trække produktet ud af snittet, stoppe motoren, sætte produktet fra dig og forlade arbejdsområdet ad tilbagestræksvejen. Pas op nedfaldende grene og undgå at snuble.

#### 11.3.6 Frigørelse af en fastklemt kædesav

Hvis kædesaven fastklemmes under skæringen, gør man som følger:

1. Sluk for kædesaven, og fastgør den sikkert mod træstammens inderside (dvs. ind mod træstammen) eller til en separat værktøjswire.
2. Træk kædesaven ud af hakket, mens grenen løftes mest muligt.
3. evt. bruge en håndsav eller en anden kædesav til at frigøre den fastklemt kædesav, idet der saves mindst 30 cm væk fra den fastklemt kædesav.

Uanset om der bruges en hånd- eller kædesav til at frigøre en fastklemt kædesav, skal snittene til frigørelse af kædesaven altid foretages på ydersiden (i retning mod grenspidserne), så kædesaven ikke rives med af de afsavede dele og der med komplicerer situationen yderligere.

#### 11.4 Efter brug

- **Før man lægger produktet fra sig, skal man altid slukke for produktet og afvente, at det er helt standset.**
- Sæt sværd- og kædebeskyttelsen (17) på sværdet (7).
- Aktivér kædebremsen (16).
- Lad produktet køle af.
- Træk netstikket ud af netstikkontakten, når produktet ikke er i brug.

## 12 Rengøring og vedligeholdelse

### ADVARSEL

Reparations- og vedligeholdelsesarbejde, der ikke er beskrevet i denne brugsanvisning, må kun udføres på et professionelt værksted. Brug kun originale reservedele.

### ADVARSEL

Forkert udført vedligeholdelses- eller rengøringsarbejde kan forårsage personskader!

### ADVARSEL

I forbindelse med rengørings-, reparations- og vedligeholdelsesarbejde kan produktet starte uventet og derved forårsage personskader.

- Sluk for produktet.
- Træk netstikket ud.
- Lad produktet køle af.

### ADVARSEL

Fare for personskade ved håndtering af savkæden eller sværdet!

- Brug skærefaste handsker.

### 12.1 Rengøring

1. Vi anbefaler, at produktet altid rengøres umiddelbart efter brug.
2. Brug en pensel eller fejekost til rengøring af savkæden, ingen væske.
3. Hold greb og gribeflader tørre, rene og fri for olie og fedt. Glatte greb og gribeflader umuliggør sikker betjening af og kontrol med elværktøjet i uforudsete situationer.
4. Rengør evt. grebene med en fugtig klud vredet op i sæbevand.
5. Hold beskyttelsesanordninger, luftslidser og motorhus fri for støv og snavs. Tør produktet af med en ren klud\*, eller blæs den over med trykluft\* ved lavt tryk. Vi anbefaler, at produktet altid rengøres umiddelbart efter brug.
6. Ventilationsåbninger må aldrig tildækkes.
7. Brug ikke rengørings- eller opløsningsmidler; disse kan angribe produktets plastdele. Sørg for, at vand ikke kan trænge ind i produktet.
8. Rengør noten på kædesværdet ved hjælp af en pensel eller med trykluft.

9. Rengør kædehjulet.

\* = indgår ikke nødvendigvis i leveringsomfanget!

### 12.2 Vedligeholdelse

#### Bemærk:

Vedligehold produktet med omhu. Kontrollér med jævne mellemrum, om bevægelige dele fungerer, som de skal, og at de ikke sidder fast, om dele er brækket eller beskadiget på en sådan måde, at produktets funktion er forringet. Få beskadigede dele repareret, før produktet tages i brug.

Stil produktet på en plan, lige overflade.

#### 12.2.1 Kontrol af kædehjul (18) (fig. 2)

1. Drej kædespændehjulet (6) imod uret for at løsne kædespændingen og fjerne kædehjulsafdækningen (5).
2. Tag sværdet (7) og savkæden (8) af.
3. Kontrollér indløbssporene på kædehjulet (18) med et kontrolværktøj\*.
4. Hvis indløbssporene er dybere end  $a=0,5$  mm, må du ikke anvende produktet, men skal kontakte en forhandler. Kædehjulet (18) skal udskiftes.
5. Monter sværdet (7) og savkæden (8) igen, som beskrevet under 9.1.

\* = indgår ikke nødvendigvis i leveringsomfanget!

#### 12.2.2 Kontrol af sværd (7) (fig. 1)


1. Drej kædespændehjulet (6) imod uret for at løsne kædespændingen og fjerne kædehjulsafdækningen (5).
2. Tag sværdet (7) og savkæden (8) af.
3. Mål notdybden i sværdet (7) med målestokken på en fillære\*.
4. Sværdet (7) skal udskiftes, hvis et af følgende punkter gør sig gældende:
  - Kædesværdet er beskadiget.
  - Den målte notdybde er mindre end den minimale notdybde for kædesværdet (4 mm).
  - Kædesværdets not er indsnævret eller udspilet.
5. Monter sværdet (7) og savkæden (8) som beskrevet under 9.1.

\* = indgår ikke nødvendigvis i leveringsomfanget!

#### 12.2.3 Udskiftning af sværd (7) (fig. 2)

1. Drej kædespændehjulet (6) imod uret for at løsne kædespændingen og fjerne kædehjulsafdækningen (5).
2. Tag sværdet (7) og savkæden (8) af. For at afmontere sværdet (7) skal det svinges op og holdes i en vinkel på ca. 45 grader for lettere at kunne tage savkæden (8) ud af noten på sværdet (7).
3. Udskift sværdet (7) og monter sværdet (7) samt savkæden (8) som beskrevet under 9.1.

## 12.2.4 Udskiftning og indkøring af savkæde (8) (fig. 2)

 **FARE**

**Risiko for alvorlig personskade på grund af savkæden, som kan gå i stykker eller springe af!**


- Fastgør aldrig en ny savkæde til et slidt kædedrev eller til en beskadiget eller slidt styreskinne. Savkæden kan springe af eller gå i stykker.

- Anvend kun savkæder og sværd, der er beregnet til dette produkt.
- Før udskiftning af savkæden skal du rengøre noten på kædesværdet, da savkæden kan springe ud af skinnen, hvis der er aflejringer af snavs. Aflejringerne kan også opsuge savkædeolien. Dette vil medføre, at savkædeolien ikke eller kun til en vis grad kommer ned på undersiden af skinnen, og at smøringen forringes.
1. Drej kædespændehjulet (6) imod uret for at løsne kædespændingen og fjerne kædehjulafdækningen (5).
2. Tag sværdet (7) og savkæden (8) af.
3. Læg savkæden (8) ud i en løkke, så snitkanterne er justeret med uret. For at justere savkæden (8) skal du orientere dig efter piktogrammerne (pilene) på savkæden (8) eller over styrebolten (20).
4. Læg savkæden (8) ind i noten i sværdet (7).
5. Indsæt sværdet (7) på styrebolten (20) og på stagsbolten (19). Styrebolten (20) og stagsbolten (19) skal være i langhullet i sværdet (7).
6. Før savkæden (8) rundt om kædehjulet (18), og kontrollér savkædens (8) indjustering.
7. Sæt kædehjulafdækningen (5) på igen. Sørg for, at kædehjulafdækningen (5) befinder sig i noten i huset.
8. Skru kædespændehjulet (6) håndfast i urets retning.
9. Kontrollér endnu engang placeringen af savkæde (8) og savkædens spænding (8).

### **Bemærk:**

Ved en ny savkæde forringes spændekraften efter noget tid. Derfor skal du efterspænde savkæden efter de første 5 snit, senest efter 10 minutters savetid.

## 12.2.5 Slibning af savkæden (8)


 **ADVARSEL**

**Øget fare for ulykker på grund af en forkert slebet savkæde!**

På grund af afvigelser i målangivelser for skæringsgeometrien ved slibning øges faren for tilbageslag af produktet.

- Få savkæden slebet af en fagmand.

Savkæden kan efterslibes på et autoriseret værksted. Forsøg ikke at slibe savkæden selv, hvis du ikke har et egnet værktøj og den nødvendige erfaring.

 **FORSIGTIG**


Slibning af kæden kræver specialværktøj for at sikre, at skæreværktøjerne slibes i den rigtige vinkel og den rigtige dybde. Efter slibningen skal alle skæreled have samme bredde og længde.

### **Bemærk:**

En skarp savkæden sikrer en optimal snitydelse. Den arbejder sig nemt gennem træet og efterlader store, lange træspåner.

En savkæde er sløv, hvis du skal trykke skæreudstyret mod træet, og hvis træspånerne er meget små. Ved en meget sløv savkæde er der overhovedet ingen spåner, men kun træstøv.

1. Træk elnetstikket ud.
2. For at kunne udføre slibningen skal savkæde (8) være spændt stramt for at muliggøre korrekt slibning.
3. For at kunne udføre slibningen er en rundfil\* med 4,0 mm diameter nødvendig.

 **FORSIGTIG**

Alle andre diametre beskadiger savkæden og kan resultere i farer under arbejdet!

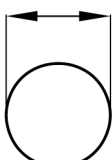

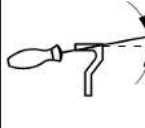

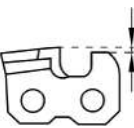
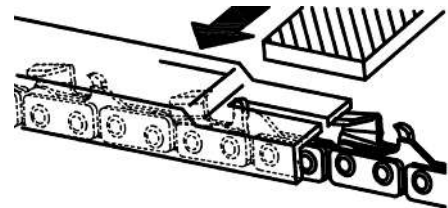

4. Slibningen må kun udføres indefra i udadgående retning. Før filen\* fra indersiden af skæretanden i udadgående retning. Hæv filen\*, når du trækker den tilbage.
5. Slib først tænderne på den ene side. Vend derefter savkæde (8) om og slib tænderne på den anden side.
6. Savkæden (8) er slidt og skal erstattes med en ny savkæde (8), når der kun er ca. 4 mm tilovers på skæretanden.
7. Efter slibningen skal alle skæreled have den samme længde og bredde.

8. Efter hver tredje slibning skal slibedybden (dybdebegrænsning) kontrolleres og højden slibes efter med en fladfil\*.  
Der bør være en afstand på ca. 0,65 mm mellem

dybdebegrænsningen og skæretanden. Afrund dybdebegrænsningen en smule mod fronten efter tilbagestillingen.

\* = indgår ikke nødvendigvis i leveringsomfanget!

### 12.2.5.1 Vejledning til slibning af kæden

Savkædetype	Fildiameter	Øvre vinkel	Nedre vinkel	Øvre hældningsvinkel (55°)	Standard dybde-mål
					
		Indspænding-rotationsvinkel	Indspænding-hældningsvinkel	Sidevinkel	
21PBX	ca. 4,8 mm	30°	10°	85°	0,64 mm
					
Dybdeanslag				Fil	

## 13 Opbevaring

Opbevar produktet og dets tilbehør mørkt, tørt og frostfrit og utilgængeligt for børn. Den optimale opbevaringstemperatur er mellem 5°C og 30°C.

Opbevar produktet i den originale emballage. Tildæk produktet for at beskytte det mod støv eller fugt. Opbevar brugsanvisningen sammen med produktet.

### 13.1 Forberedelse til opbevaring

1. Sæt kædebeskyttelsen på.
2. Tøm produktet fuldstændigt.
3. Rengør og kontrollér produktet for skader.

### 13.2 Transport

- Produktet må kun transporteres i det dertil beregnede håndtag.

## 14 Elektrisk tilslutning

Den installerede elektromotor er tilsluttet, så den er driftsklar. Tilslutningen opfylder de relevante VDE- og DIN-bestemmelser. Elnettilslutningen hos kunden samt den anvendte forlængerledning skal opfylde disse forskrifter.

### Bemærk:

- Produktet opfylder kravene iht. EN 61000-3-11 og skal overholde specielle tilslutningsbetingelser. Det vil sige, at brug ved tilslutning til vilkårlige, frit valgbare tilslutningspunkter ikke er tilladt.
- Produktet kan under ugunstige netforhold medføre midlertidige spændingssvingninger.
- Produktet er udelukket beregnet til brug på tilslutningspunkter, som a) ikke overskrider en maks. tilladt netimpedans "Z" (Zmaks. = 0,415 Ω) eller b) har en konstantstrøm-belastbarhed på nettet på mindst 100 A pr. fase.

- Du skal som bruger, hvis nødvendigt efter aftale med dit elforsyningsselskab, sikre, at de tilslutningspunkter, hvorfra des aftages strøm til produktet, opfylder mindst det ene af de to ovennævnte krav a) eller b).

### 14.1 Vigtige anvisninger

Hvis motoren overbelastes, slår den fra af sig selv. Efter en afkølingsfase (varierer tidsmæssigt) kan motoren startes igen.

### 14.2 Beskadede elektriske tilslutningsledninger

Der opstår ofte isoleringsskader på elektriske tilslutningsledninger.

Årsagerne hertil kan være:

- tryksteder, hvis tilslutningsledninger føres gennem vindues- eller døråbninger;
- knæksteder, når tilslutningsledningen fastgøres eller trækkes forkert;
- skæresteder, hvis tilslutningsledningen køres over;
- isolationsskader, når stikket trækkes ud af vægstikkontakten;
- Revner pga. ældning af isoleringen.

Sådanne beskadede elektriske tilslutningsledninger må ikke anvendes og er livsfarlige pga. isoleringsskaderne.

Elektriske tilslutningsledninger skal kontrolleres for skader med jævne mellemrum. Sørg for, at tilslutningsledningen ikke hænger i elnettet, når den kontrolleres.

Elektriske tilslutningsledninger skal opfylde de relevante VDE- og DIN-bestemmelser. Der må kun anvendes tilslutningsledninger med samme mærkning "H07RN-F".

Påtryk af typebetegnelsen på tilslutningskablet er et krav.

#### Sikkerhedsforskrifter for udskiftning af beskadede eller defekte nettilslutningsledninger Tilslutningstype Y

Hvis det bliver nødvendigt at udskifte elnettilslutningsledningen, skal dette udføres af producenten eller dennes repræsentant for at undgå, at sikkerheden bringes i fare.

### 14.3 Vekselstrømsmotor

Tilslutning og reparation af elektrisk udstyr må kun forestås af autoriserede elektrikere.

- Se til, at netspændingen stemmer overens med spændingen på produktets typeskilt.
- Forlængerledninger op til en længde på 25 m skal have et tværsnit på 1,5 kvadratmillimeter.

## 15 Reparation og reservedelsbestilling

Kontrollér efter reparation eller vedligeholdelse, om alle sikkerhedstekniske dele er monteret og er i fejlfri tilstand. Dele, der kan forårsage personskader, kan opbevares utilgængeligt for uvedkommende og børn.

### PAS PÅ

Iht. produktansvarsloven fraskriver vi os ansvaret for skader, der skyldes forkert reparation eller brug af ikke-originale reservedele.

Kontakt en kundeservice eller en autoriseret fagmand. Det samme gælder også for tilbehørsdele.

#### Tilslutning og reparation

Tilslutning og reparation af elektrisk udstyr må kun forestås af autoriserede elektrikere.

### 15.1 Bestilling af reservedele

Husk at angive følgende oplysninger, når der bestilles reservedele:

- Modelbetegnelse
- Varenummer
- Data på typeskiltet

#### Reservedele/tilbehør

Olietankdæksel	3910207003
----------------	------------

### 15.2 Tilladte skæresæt

Styreskiner:	
Kædesværd Kangxin AP14-52-507P	3910207001
Savkæder:	
Savkæde Kangxin 3/8LP-52	3910207002

## 16 Bortskaffelse og genanvendelse

#### Oplysninger om emballage



Emballeringsmaterialerne er genanvendelige. Emballage skal bortskaffes jf. gældende miljøregler.

## Oplysning om bortskaffelse af elskrot



**Brugt elektrisk og elektronisk udstyr (elskrot) hører ikke til husholdningsaffaldet, men skal indsamles og/eller bortskaffes separat!**

- Brugte batterier, der ikke er permanent installeret i et brugt produkt, skal udtages i intakt tilstand inden aflevering! Sådanne batterier skal bortskaffes i henhold til batteriloven.
- Ejere og/eller brugere af elektriske og elektroniske maskiner er juridisk forpligtet til at returnere sådanne efter brug.
- Slutbrugeren er eneansvarlig for at slette sine personlige oplysninger på den brugte maskine, der skal bortskaffes!
- Symbolet med den overstregede skrælde-spand betyder, at brugte elektriske og elektroniske apparater (elskrot) ikke må bortskaffes sammen med husholdningsaffald.
- Brugte elektriske og elektroniske apparater (elskrot) kan afleveres gratis på følgende steder:
  - Offentlige bortskaffelses- og/eller indsamlingssteder (f.eks. kommunale genbrugsstationer)
  - LIDL tilbyder dig returneringsmuligheder direkte hos filialerne og markederne. Returnering og bortskaffelse er gratis for dig.
  - Du kan gratis aflevere op til tre brugte elektriske apparater pr. apparattype, med en maksimal kantlængde på 25 centimeter, hos producenten

uden først at skulle købe et nyt apparat hos samme, eller du kan aflevere sådanne apparater på et andet autoriseret indsamlingssted i dit nærområde.

- Du kan indhente yderligere tilbagetagningsbetingelser hos producenter og distributører hos disses respektive kundeservice.
- Hvis et nyt elektrisk apparat leveres af producenten til en privat husstand, kan producenten foranledige, at det gamle elektriske apparat afhentes gratis efter anmodning fra slutbrugeren. For at gøre dette skal du kontakte producentens kundeservice.
- Disse erklæringer gælder kun for apparater, der installeres og sælges i landene i EU, og som er underlagt det europæiske direktiv 2012/19/EU. I lande uden for EU kan der gælde forskellige regler for bortskaffelse af brugte elektriske og elektroniske apparater (elskrot).

**Information om muligheder for bortskaffelse af brugt udstyr fås ved henvendelse til kommunen.**

### Brændstof og olie

- Inden produktet bortskaffes, skal brændstoftanken og motoroliebeholderen tømmes!
- Brændstof og motorolie hører ikke til i husholdningsaffald eller afløb, men skal indsamles og/eller bortskaffes separat!
- Tomme olie- og brændstofbeholdere skal bortskaffes i henhold til gældende miljøregler.

## 17 Afhjælpning af fejl

Følgende tabel viser fejlsymptomer og beskriver, hvordan disse kan hjælpes, hvis produktet ikke fungerer korrekt. Hvis man ikke kan lokalisere og afhjælpne problemet, skal man kontakte sit serviceværksted.

Fejl	Mulig årsag	Afhjælpning
Produktet starter ikke.	Netstik ikke tilsluttet nettet.	Tilslut netstikket til en stikkontakt.
	Netspænding mangler. Hussikringen bliver udløst.	Kontrollér stikkontakt, nettislutningsledning, ledning, netstik; evt. reparation skal udføres af elinstallatør. Kontrollér hussikring.
	Kædebremser er aktiveret.	Kontrollér kædebremse, løsn evt. kædebremse.
	Tænd/Sluk-kontakt er defekt.	Kontakt vores kundeservice.
	Kulbørster slidte.	
	Motor er defekt.	
Savkæden bevæger sig ikke.	Kædebremse blokeret.	Kontrollér kædebremse, løsn evt. kædebremse.
Dårlig skæreydelse.	Savkæde monteret forkert.	Monter savkæden korrekt.
	Savkæden er sløv.	Få savkæden slebet af en fagmand, eller udskift savkæden.
	Kædespænding utilstrækkelig.	Kontrollér savkæden. Spænd evt. savkæden.
Produkt kører trægt/savkæde springer af.	Kædespænding utilstrækkelig.	Kontrollér savkæden. Spænd evt. savkæden.

Fejl	Mulig årsag	Afhjælpning
Savkæde bliver varm, røgudvikling ved savning, farvning af skinne.	For lidt savkædeolie.	Kontrollér olieautomatikken. Påfyld evt. savkædeolie.
Usædvanlig vibration	Kædesværd sidder løst.	Kontrollér, om kædesværdet sidder godt fast.

## 18 EU-overensstemmelseserklæring

### Oversættelse af den originale overensstemmelseserklæring

#### Producent:

Schepach GmbH  
Günzburger Straße 69  
D-89335 Ichenhausen, Tyskland

Vi erklærer under eget ansvar, at det her beskrevne produkt overholder de gældende direktiver og standarder.

Mærke: **PARKSIDE**  
Art.-betegnelse: **Elektrisk kædesav - PEKS 1600 C3**  
Art.-nr. **3910209974 - 3910209981; 39102099915; 39102099959**  
IAN-nr. **495499\_2504**  
Serie-nr. **01001 - 46072**

#### EU-direktiver:

2014/30/EU, 2006/42/EG, 2000/14/EG\_2005/88/EG, 2011/65/EU\*, (EU) 2015/863,

\* Genstanden, der beskrives ovenfor i erklæringen, opfylder forskrifterne i Europa-Parlamentets og Rådets direktiv 2011/65/EU af 8. juni 2011 om begrænsning af anvendelsen af visse farlige stoffer i elektrisk og elektronisk udstyr.

#### Anvendte standarder:

EN 62841-1:2015/A11:2022; EN 62841-4-1:2020;  
EN IEC 55014-1:2021; EN IEC 55014-2:2021;  
EN IEC 61000-3-2:2019/A2:2024;  
EN IEC 61000-3-11:2019; EN IEC 63000:2018

#### 2006/42/EF - Bilag IV

Bemyndiget organ: TÜV SÜD  
Product Service GmbH  
Ridlerstraße 65  
80339 Munich  
Germany  
Nummer: 0123  
Certifikatnummer: M6A 011284 0666

#### 2000/14/EF\_2005/88/EF – Tillæg: V

Garanteret lydeffektniveau ( $L_{wA}$ ): 106 dB  
Målt lydeffektniveau ( $L_{wA}$ ): 103,3 dB

#### Dokumentationsansvarlig:

Tobias Ihle  
Günzburger Str. 69  
D-89335 Ichenhausen  
Ichenhausen, Tyskland 22.07.2025

  
Simon Schünk  
Division Manager Product Center

  
Andreas Pecher  
Head of Project Management

## Garantibevis

### Kære kunde,

Alle vores produkter gennemgår strenge kvalitetskontrol for at sikre, at de når dig i perfekt stand. I det usandsynlige tilfælde, at enheden udvikler en fejl, bedes du kontakte vores serviceafdeling på den adresse, der vises på dette garantibevis. Selvfølgelig, hvis du foretrækker at ringe til os så er vi også glade for at tilbyde vores bistand under servicenummer trykt nedenfor. Bemærk følgende betingelser, som garantikrav kan gøres:

- Disse garanti vilkår omfatter yderligere garanti rettigheder og påvirker ikke dine lovbestemte rettigheder for garanti. Vi vil ikke debitere dig for denne garanti.
- Vores garanti dækker kun problemer forårsaget af materiale- eller produktionsfejl, og det er begrænset til afhjælpning af disse mangler eller udskiftning af enheden. Bemærk, at vores enheder ikke er designet til brug i kommercielle, handel eller industrielle applikationer. Derfor er garantien ugyldig, hvis udstyret bruges i kommerciel, handel eller industrielle applikationer eller for andre tilsvarende aktiviteter. Følgende er også udelukket fra vores garanti: kompensation for transportskader, skader forårsaget af manglende overholdelse af installations- / monteringsvejledning eller skader forårsaget af uprofessionel installation, manglende overholdelse brugsanvisningen (f.eks. tilslutning til den forkerte netspænding eller strøm type), misbrug eller u hensigtsmæssig brug (såsom overbelastning af apparatet eller brug af ikke-godkendte værktøj eller tilbehør), manglende overholdelse af vedligeholdelses- og sikkerhedsforskrifter, indtrængen af fremmedlegemer i apparatet (f.eks. sand, sten eller støv), virkninger af vold eller ydre påvirkninger (f.eks. skader forårsaget af enheden bliver droppet) og normal slitage som følge af korrekt funktion af apparatet.

Garantien erklæres ugyldige, hvis der gøres forsøg på at manipulere med enheden.

- Garantien er gyldig i en periode på 3 år fra købsdatoen af enheden. Garantikrav skal indsendes inden udløbet af perioden garanti senest to uger efter defekten blive bemærket. Ingen garantikrav vil blive accepteret efter udløbet af garantiperioden. Den oprindelige garantiperiode fortsat anvendelse til enheden, selvom reparationer udføres eller dele udskiftes. I sådanne tilfælde, det udførte arbejde eller dele monteret vil ikke resultere i en forlængelse af garantiperioden, og ingen ny garanti bliver aktiv for det udførte eller dele monteret arbejde. Dette gælder også, når der anvendes en tjeneste på stedet.
- For at du kan gøre dit garantikrav gældende, bedes du kontakte nedenstående serviceadresse. Hvis reklamationen ligger inden for garantiperioden, vil vi fremsende dig en returmærkat, med hvilken du gratis kan returnere dit defekte apparat til os. Det ville hjælpe os, hvis du kunne beskrive karakteren af problemet så detaljeret som muligt. Hvis fejlen er dækket af vores garanti så din enhed vil enten blive repareret med det samme og returneret til dig, eller vi vil sende dig en ny enhed.

Selvfølgelig er vi også glade tilbyde en afgiftsudløsende reparationsservice for eventuelle mangler, der ikke er omfattet af anvendelsesområdet for denne garanti eller til enheder, som ikke længere er dækket. At drage fordel af denne service, skal du sende enheden til vores service-adresse.

## Afvikling i garantitilfælde

For at sikre en hurtig behandling af dit anliggende skal du følgende nedenstående anvisninger:

- Ved alle forespørgsel bedes du holde kassebonen og varenummeret (f.eks. IAN 495499\_2504) klar som bevis for købet.
- Varenummeret fremgår af typeskiltet på produktet, en gravure på produktet, forsiden af din vejledning (forneden til venstre) eller mærkaten på bag- eller undersiden af produktet.
- Hvis der opstår funktionsfejl eller øvrige mangler, bedes du først kontakte nedenstående serviceafdeling telefonisk eller via e-mail.
- Et produkt, som registreres som defekt, kan du efterfølgende sende portofrit til den serviceadresse, du får oplyst, med vedlæggelse af kvitteringen (kassebon) og oplysning om manglen, og hvornår den er opstået.
- På parkside-diy.com kan du se og downloade denne og mange andre manualer. Med denne QR-kode kommer du direkte til parkside-diy.com. Vælg dit land, og søg efter brugsanvisninger ved hjælp af søgebilledet. Ved at indtaste varenummeret (IAN) 495499\_2504 kommer du til brugsanvisningen for din vare.



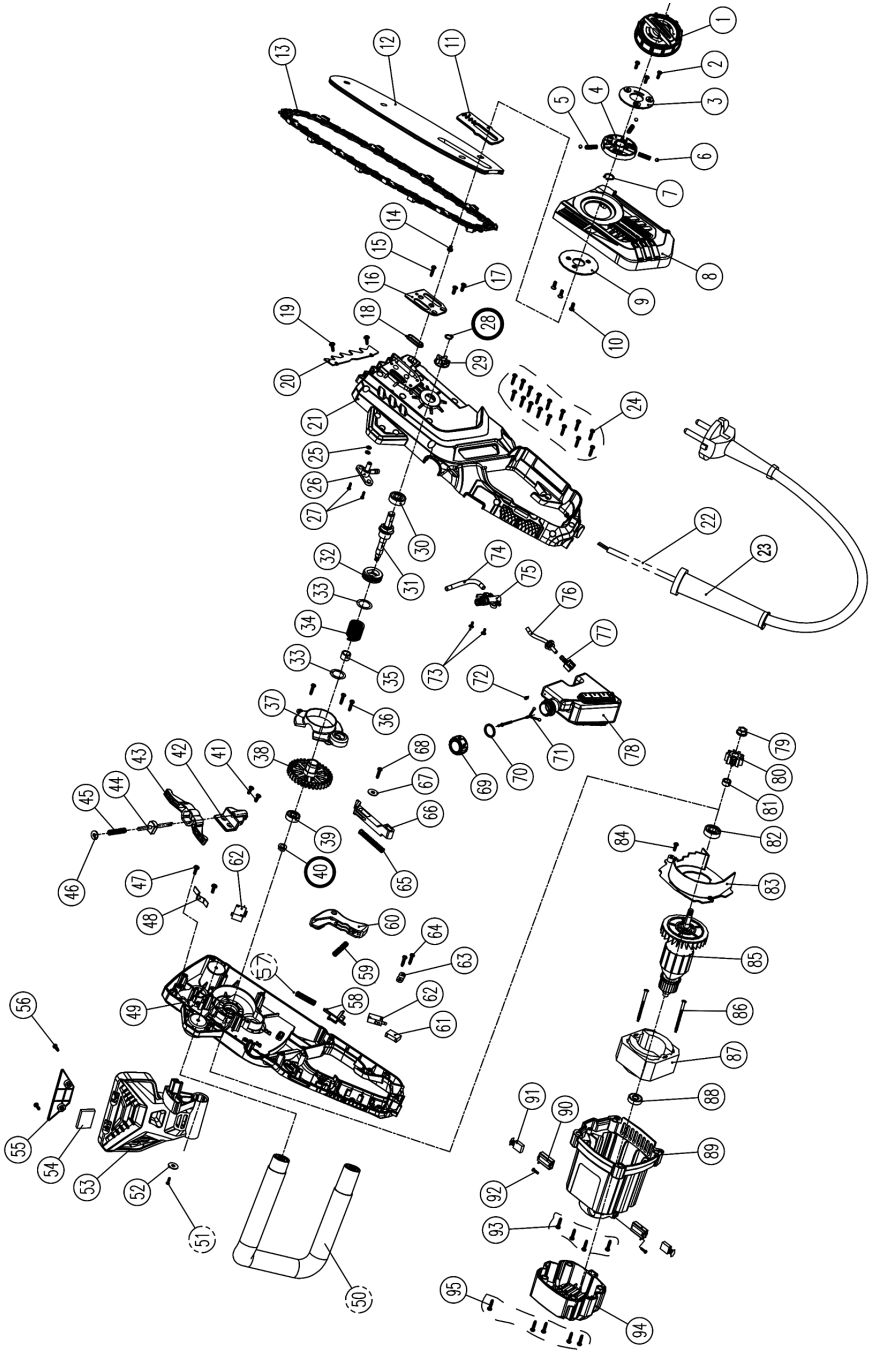
**Servicekontakt (DK):**

**Navn:** Sotek  
Charlottevej 30 E  
DK - 4270 Hong

**Telefon:** 00800 4003 4003

**E-mail:** service.DK@scheppach.com

**Hjemsted:** Danmark

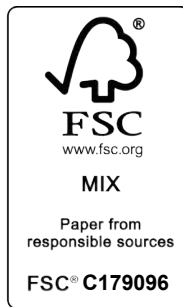


## Notizen





SCHEPPACH GMBH  
Günzburger Str. 69  
D-89335 Ichenhausen



Status of the information · Stand der Informationen · Version des informations · Stand van de informatie · Información disponible ·  
Versione delle informazioni · Stav informáci · Stav informáci · Az információk kelle · Stan informáci · Informationsstatus  
Update: 08/2025 · Ident.-No.: 495499\_2504\_39102099915