

CLAMP AWNING

GB IE NI

CLAMP AWNING
Assembly instructions

FR BE

STORE D'EXTÉRIEUR
Notice de montage

DE AT CH

KLEMMARKISE
Aufbauanleitung

DK

MARKISE
Monteringsvejledning

NL BE

KLEM LUIFEL
Montagehandleiding

GB IE NI

Before reading, fold out the illustration page and get to know all of the functions of your unit.

DK

Klap siden med illustrationerne op inden du læser dem og gør dig efterfølgende fortrolig med alle apparatets funktioner.

FR BE

Dépliez la page avec les illustrations avant la lecture et informez-vous ensuite au sujet des fonctions de l'appareil.

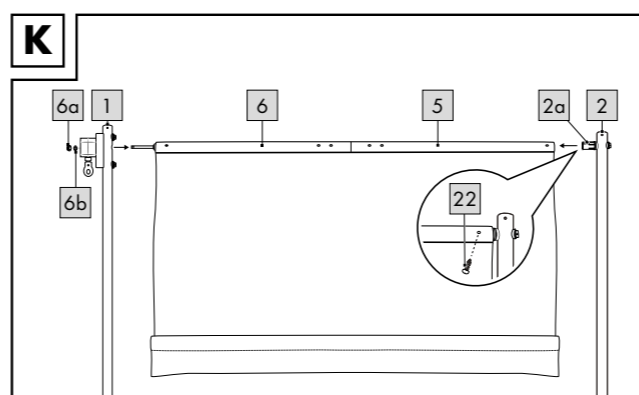
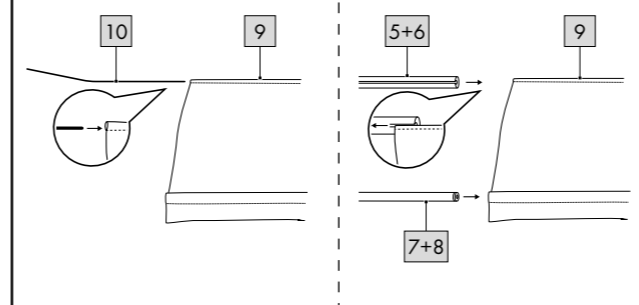
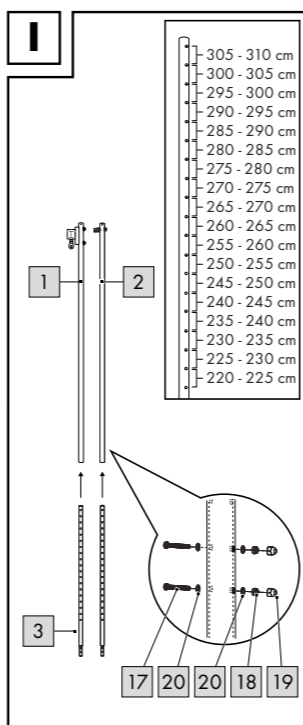
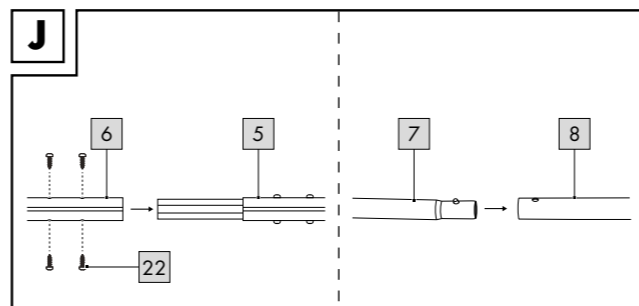
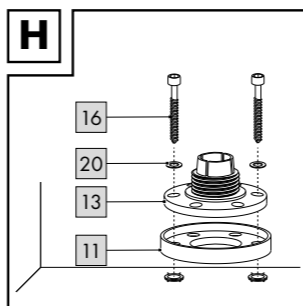
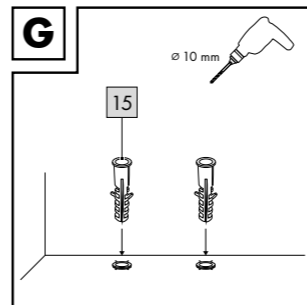
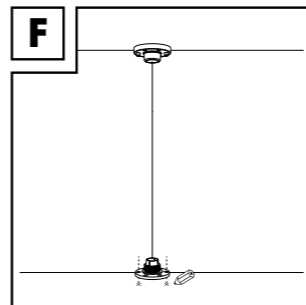
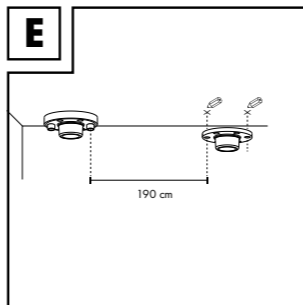
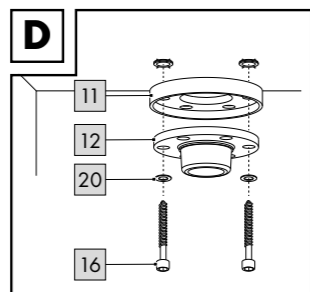
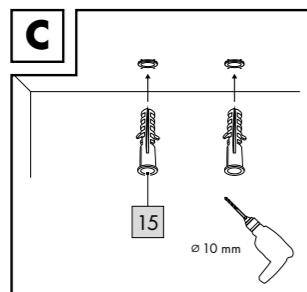
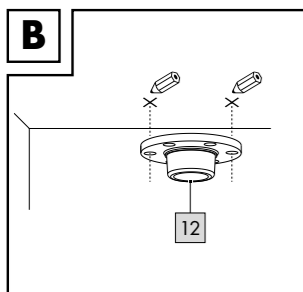
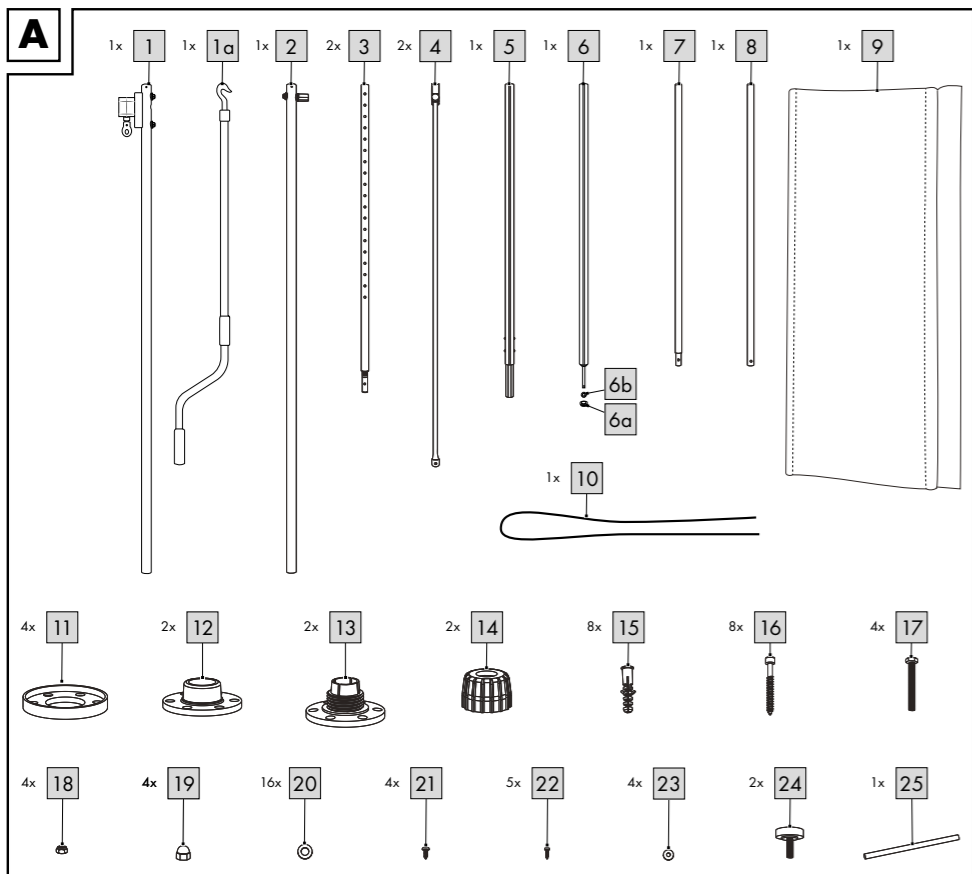
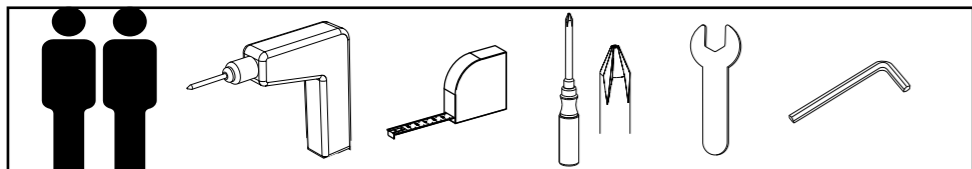
NL BE

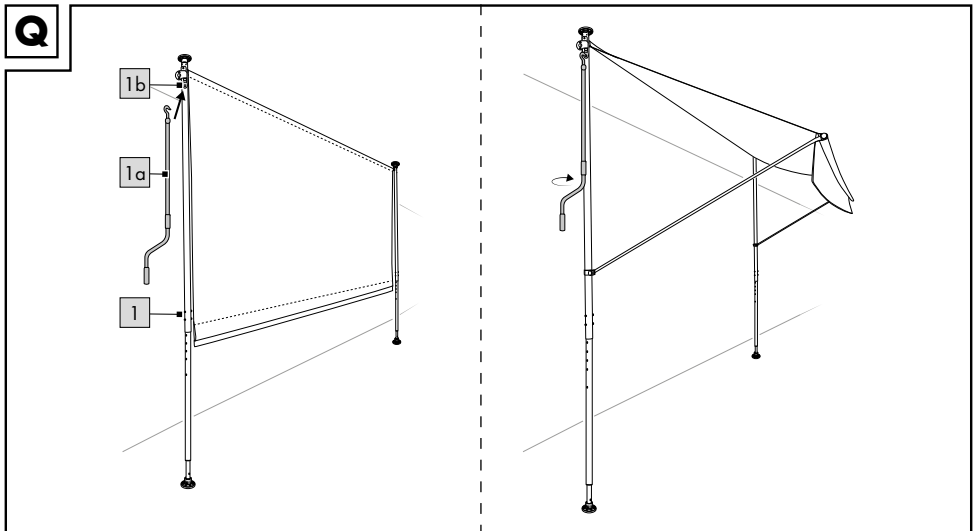
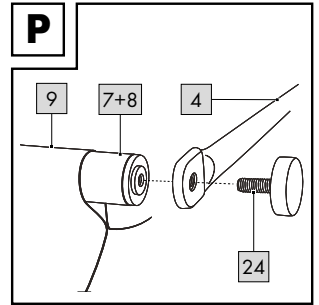
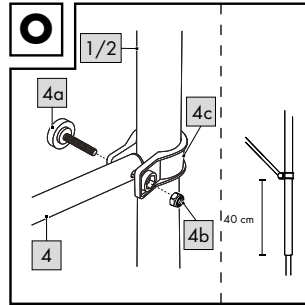
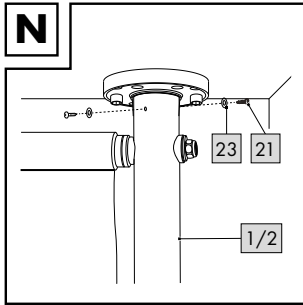
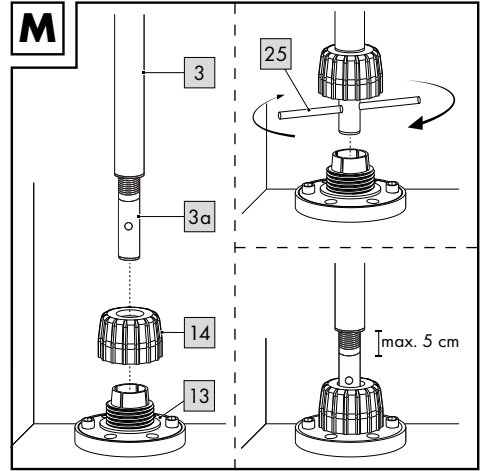
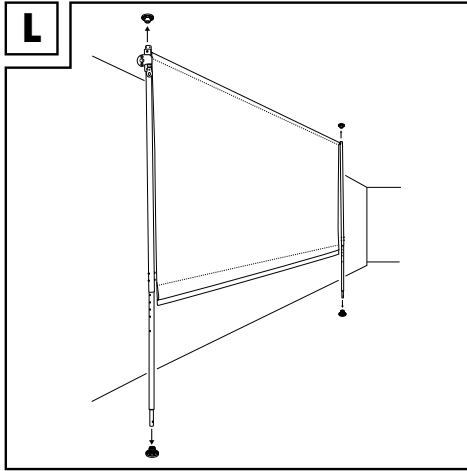
Klap voor het lezen de pagina met de afbeeldingen open en maak u vervolgens vertrouwd met alle functies van het apparaat.

DE AT CH

Klappen Sie vor dem Lesen die Seite mit den Abbildungen aus und machen Sie sich anschließend mit allen Funktionen des Artikels vertraut.

GB/IE/NI	Assembly and safety information	Page	10
DK	Monterings- og sikkerhedsanvisninger	Side	18
FR/BE	Consignes de montage et de sécurité	Page	25
NL/BE	Montage- en veiligheidstips	Pagina	35
DE/AT/CH	Aufbau- und Sicherheitshinweise	Seite	43





GB **IE** **NI**

**IMPORTANT, RETAIN FOR FUTURE REFERENCE:
READ CAREFULLY!**

DK

**VIGTIGT, SKAL OPBEVARES TIL SENERE BRUG:
SKAL LÆSES OMHYGGELIGT!**

FR **BE**

**IMPORTANT, À CONSERVER POUR CONSULTATION
ULTÉRIEURE : À LIRE ATTENTIVEMENT !**

NL **BE**

**BELANGRIJK, BEWAREN VOOR LATERE
RAADPLEGING: ZORGVULDIG LEZEN!**

DE **AT** **CH**

**WICHTIG, FÜR SPÄTERE BEZUGNAHME
AUFBEWAHREN: SORGFÄLTIG LESEN!**

GB IE NI

Package contents	10
Technical data	10
Intended use	10
Safety information	11 - 12
Life-threatening hazard	11
Risk of injury	11 - 12
Preventing damage to the product	12
Important pre-installation information ...	12 - 13
Suitable installation site	12
Suitable installation materials	12 - 13
Assembly	13 - 15
Installing the ceiling bracket	13
Installing the floor bracket	13 - 14
Installing the posts	14
Installing the awning frame	14
Fastening the awning frame into the bracket	14 - 15
Installing the drop arms and front bar ...	15
Use	15
Storage, cleaning	15
Disposal	16
Notes on the guarantee and service handling	16 - 17

FR BE

Étendue de la livraison	25
Caractéristiques techniques	25
Utilisation conforme à sa destination	25
Consignes de sécurité	26 - 27
Danger de mort	26
Risque de blessure	26 - 27
Éviter les dommages matériels	27
Informations importantes avant le montage	27 - 28
Surface de montage adaptée	27 - 28
Matériel de montage approprié	28
Montage	28 - 31
Montage du support de plafond	28
Montage du support au sol	29
Montage des tubes verticaux	29
Montage de l'armature du store ...	29 - 30
Fixation de l'armature du store dans le support	30
Montage du bras de sortie et du tube de descente	30 - 31
Utilisation	31
Stockage, nettoyage	31
Mise au rebut	31
Indications concernant la garantie et le service après-vente	32 - 34

DK

Leveringsomfang	18
Tekniske data	18
Bestemmelsesmæssig brug	18
Sikkerhedsanvisninger	18 - 20
Livsfare	18 - 19
Fare for kvæstelser	19
Undgå tingsskader	20
Vigtige informationer inden montering	20
Egnet monteringsflade	20
Egnet monteringsmateriale	20
Montering	20 - 23
Montering af loftsbeslag	21
Montering af gulvbeslag	21
Montering af rør	21
Montering af markisestativ	21 - 22
Fastgøring af markisestativ i holderen ...	22
Montering af udfaldsarmer og faldrør ..	22 - 23
Brug	23
Opbevaring, rengøring	23
Henvisninger vedr. bortskaffelse	23
Oplysninger om garanti og servicehåndtering	23 - 24

NL BE


Leveringsomvang	35
Technische gegevens	35
Beoogd gebruik	35
Veiligheidstips	36 - 37
Levensgevaar	36
Kans op lichamelijk letsel	36 - 37
Voorkomen van materiële schade	37
Belangrijke informatie voor de montage	37 - 38
Geschikt montageoppervlak	37
Geschikt montage materiaal	38
Montage	38 - 41
Plafondsteun monteren	38
Bodemsteun monteren	38 - 39
Standbuizen monteren	39
Zonnescherminconstructie monteren ...	39 - 40
Zonnescherminconstructie in de steun vastzetten	40
Uitvalarmen en valbuis monteren ...	40 - 41
Gebruik	41
Opslag, reiniging	41
Afvalverwerking	41
Opmerkingen over garantie en serviceafhandeling	41 - 42



Lieferumfang	43
Technische Daten	43
Bestimmungsgemäße Verwendung	43
Sicherheitshinweise	44 - 45
Lebensgefahr	44
Verletzungsgefahr	44 - 45
Vermeidung von Sachschäden	45
Wichtige Informationen	
vor der Montage	45 - 46
Geeignete Montagefläche	45 - 46
Geeignetes Montagematerial	46
Montage	46 - 49
Deckenhalterung montieren	46 - 47
Bodenhalterung montieren	47
Standrohre montieren	47
Markisengestell montieren	48
Markisengestell in der Halterung befestigen	48 - 49
Ausfallarme und Fallrohr montieren	49
Verwendung	49
Lagerung, Reinigung	49
Hinweise zur Entsorgung	49 - 50
Hinweise zur Garantie und Serviceabwicklung	50 - 51

Congratulations!

You have chosen to purchase a high-quality product. Familiarise yourself with the product before using it for the first time.

 **Read the following assembly instructions and the safety information carefully.**

Use the product only as described and only for the given areas of application. Store these assembly instructions carefully. When passing the product on to third parties, please also hand over all accompanying documents.

Package contents (Fig. A)

- 1 x upper post (1) with hand crank (1a)
- 1 x upper post (2)
- 2 x lower post (3)
- 2 x drop arm (4)
- 1 x roller shaft (5)
- 1 x roller shaft (6) incl. nut (6a) and washer (6b)
- 2 x front bar (7)/(8)
- 1 x awning cloth (9)
- 1 x plastic piping (10)
- 4 x plastic cap (11)
- 2 x ceiling bracket (12)
- 2 x floor bracket (13)
- 2 x lock nut (14)
- 8 x dowel Ø 10/50 (15)
- 8 x screw ST6 x 50mm (16)

- 4 x screw M6 x 45mm (17)
- 4 x nut (18)
- 4 x plastic cap nut (19)
- 16 x washer M6 (20)
- 4 x screw ST3.5 x 9.5mm (21)
- 5 x screw ST3 x 9.5mm (22)
- 4 x washer M4 (23)
- 2 x knurled screw (24)
- 1 x tie rod (25)
- 1 x assembly instructions

Technical data


Dimensions:

approx. 200 x 220-310cm (W x H)

Radius of drop arms: max. 150cm

The product corresponds to wind resistance class 0 (wind speed < 20km/h).

The product must not be used in wind speeds greater than 20km/h for safety reasons!

 Date of manufacture
(month/year): 12/2021

Intended use

The product is a sun shade designed for outdoor use, such as on balconies or terraces, and manufactured for private use.

The product is not intended for commercial use.

Safety information

Life-threatening hazard!

- Never leave children unattended with the packaging materials. There is a risk of suffocation.
- The product is not a toy or a climbing apparatus!
Ensure that persons, especially children, do not pull themselves up on the product or stand on it. The product can tip over.
- The maximum load of the non-retractable parts of the awning must not exceed 15kg!
- Check the product for damage or wear before each use. Only use the product if it is in perfect condition!
- Ensure that the plastic caps have no external damage. Defective plastic caps must be replaced.
- When installing on balconies or installation sites not at ground level, the floor and ceiling brackets must be fastened with suitable mounting materials in order to prevent the product from falling.
- Because of the risk of falling, make sure that the person installing the product is sufficiently secured with a harness.

Risk of injury!

- Mind your fingers in particular when retracting and extending the product. There is a risk of injury from crushing.
- The product may only be used under adult supervision and must not be used as a toy.
- Ensure the product is properly stabilised before using it.
- Keep open flames, barbecues, and patio heaters away from the product.
- Check that all parts have been properly assembled before each use.
- Improper installation can impair the product's safety and functionality.
- The product must not be used in adverse weather conditions such as strong winds, rain or snow.
- Retract the product if wind speeds higher than 20km/h are expected (strong breeze, larger branches and trees move, and the wind is clearly audible).
- Never use the product as shelter during storms.
- Close the product if the wind picks up or in other adverse weather conditions.
- Before opening or closing the product, ensure that there are no persons or objects in the opening or closing areas.

- The product offers protection from direct sunlight outdoors. Due to reflecting UV radiation, appropriate sunscreen products should still be used.
- Place the product on a flat, level surface.
- Check regularly to make sure all screws are tight!
- The manufacturer accepts no liability for accidents which occur as a result of ignoring the safety information above or due to improper handling.

Preventing damage to the product!

- Secure the product during extreme weather conditions, e.g. strong winds. Store the product in a sheltered area.

Important pre-installation information

WARNING! For optimal stability of the product, the floor and ceiling brackets must be firmly screwed in place, especially on balconies or locations not at ground level. If the product is not screwed to the floor and ceiling, the manufacturer is absolved of all liability.

WARNING! Before you begin installing the product, measure the height between the floor and the ceiling.

WARNING! Installing the product requires at least two people due to its size.

WARNING! As tools/machinery need to be used, manual skills are indispensable.

Suitable installation site

For ceiling installation, a concrete ceiling or a load-bearing wooden beam structure is suitable.

For floor installation, a concrete foundation or concrete slab of at least 50 x 50 x 5cm (L x W x D) is suitable.

Note: if you attach the product to a wooden beam structure, you must firmly fasten the product to it as wood warps depending on the temperature and humidity. Enquire at a specialist retailer about suitable installation materials.

Note: alternative installation conditions must be checked by a specialist company for their load-bearing capacity and durability.

Suitable installation materials

Before installing the product, the installation material must be determined.

If the installation surface is load-bearing, the appropriate installation materials for fastening the product must be selected.

Fastening materials:

- Dowel Ø 10/50 (15) and screw ST6 x 50mm (16) for concrete and load-bearing masonry.
- Screw ST6 x 50mm (16) for load-bearing wooden beam structures.

Note: inquire at a specialist retailer about suitable installation materials for the floor and ceiling brackets.

Assembly

To assemble the product you will need the following tools (not included in the package contents): a suitable drill, measuring tape, a cross-head screwdriver, a spanner and a hex key.

WARNING! Because of the risk of falling, make sure that the person installing the product is sufficiently secured with a harness.

Note: for optimal stability of the product, the floor and ceiling brackets must be firmly screwed in place.

Installing the ceiling bracket

Important: both ceiling brackets must be perfectly aligned and have a distance of exactly 190cm from each other (measured between the inner drill holes of both ceiling brackets) (Fig. E).

Place the ceiling bracket (12) in the desired position and mark 2 holes opposite each other with a pencil (Fig. B).

1. Using the appropriate tool, drill 2 holes in the marked places. Insert 1 dowel (15) into each hole (Fig. C).

Note: use other dowels and screws if required for the installation surface.

2. Place a plastic cap (11) onto each ceiling bracket (12) and insert 2 screws (16) through each washer (20) (Fig. D).
3. Mount the ceiling bracket onto the ceiling.
4. Mount the second ceiling bracket as described in steps 1 – 3.

Installing the floor bracket

1. Plumb the exact position of the floor bracket (13) with a cord (not included in the package contents). Mark the correct places and, using a pencil, mark 2 holes opposite each other (Fig. F).

Note: the floor bracket (13) must be positioned perpendicular to the ceiling bracket (12).

2. Using the appropriate tool, drill 2 holes in the marked places. Insert 1 dowel (15) into each hole (Fig. G).

Note: if necessary, use other dowels and screws if required for the mounting surface.

3. Place a plastic cap (11) onto each floor bracket (13) and insert 2 screws (16) through each washer (20) (Fig. H).
4. Mount the floor bracket onto the floor.
5. Mount the second floor bracket as described in steps 1 – 4.

Important: the floor brackets must be perfectly aligned and have a distance of exactly 190cm from each other (measured between the inner drill holes of both floor brackets).

Installing the posts (Fig. I)

There are 18 adjustment options for setting the correct length of the posts.

1. Connect each upper (1)/(2) and lower post (3) at the appropriate length.
2. Fasten each upper (1)/(2) and lower post (3) with 2 screws (17) and washers (20). Fasten each screw (17) with a nut (18) and washer (20). Then place a plastic cap (19) on each nut.

Installing the awning frame

1. Slot both drive shaft poles (5)/(6) together (Fig. J).
2. Fasten the drive shaft (5 + 6) with 4 screws (22).
3. Slot both front bars (7)/(8) together (Fig. J). The locking button must visibly and audibly click into place.

4. Run the plastic piping (10) through the narrower tunnel of the awning cloth (9).
5. Insert the awning cloth with plastic piping into the drive shaft (5 + 6) as shown.

Note: make sure that the bottom fold of the tunnel (front bar tunnel) is always facing upward during installation.

6. Insert the front bar (7 + 8) into the front bar tunnel in the awning cloth (9).
7. Place the end of the roller shaft (5) on the catch (2a) of the post (2) (Fig. K).

Note: the catch (2a) must be completely inside the roller shaft (5).

8. Remove the pre-mounted nut (6a) and washer (6b) from the roller shaft (6).
9. Insert the end of the roller shaft (6) into the post (1). Use the nut (6a) and washer (6b) to fasten it (Fig. K).

Note: make sure that the bolt on the roller shaft (6) is properly aligned.

10. Fasten the roller shaft (5) with 1 screw (22) (Fig. K).

Fastening the awning frame in the bracket

Important: assembling the product requires at least two people due to its size.

1. First insert the awning frame into the ceiling brackets (Fig. L).
2. Place the lock nut (14) onto the threaded spindle (3a) (Fig. M).
3. Insert the tie rod (25) through the hole in the threaded spindle (3a) and turn it to change the height of the post (Fig. M).

Note: please note the maximum extension length (max. 5cm) of the threaded spindle (3a).

4. Turn the lock nut (14) in the floor bracket (13) to fasten the threaded spindle (Fig. M).

Note: please note that the threaded spindle (3a) may only be unscrewed by no more than 5cm (Fig. M).

5. Finally, fasten the posts on each ceiling bracket with 2 screws (21) and washers (23) (Fig. N).

Note: for easier installation, drill two holes into each ceiling bracket before fastening the posts.

Installing the drop arms and front bar

1. Unscrew the knurled screw (4a), the corresponding nut (4b) and the drop arm bracket (4c) from each drop arm (4).
2. Place the drop arm bracket (4c) on a post (1/2) (Fig. O).

Note: ensure that both drop arm brackets (4c) are fixed at the same height on the posts (approx. 40cm from the bottom edge of the upper post to the bottom edge of the drop arm bracket).

3. Tightly screw the drop arms back into each drop arm bracket (4c) with the knurled screws (4a) and the corresponding nuts (4b).

Note: the knurled screw (4a) points outwards.

4. Fasten each drop arm (4) onto the front bar (7 + 8) with the knurled screws (24) (Fig. P).

Use (Fig. Q)

1. Hook the hand crank (1a) into the crank lug (1b) of the upper post (1).
2. Turn the hand crank (1a) to open or close the product.
3. Remove the hand crank (1a) after each use and store it in a secure location.

Storage, cleaning

When not in use, always store the product clean and dry at room temperature.

Clean only with water and wipe dry afterwards with a cloth.

IMPORTANT! Never clean the product with harsh cleaning agents.

Leave the product open to dry.

Disposal

Dispose of the article and the packaging materials in accordance with current local regulations. Packaging materials such as foil bags are not suitable to be given to children. Keep the packaging materials out of the reach of children.



Dispose of the products and the packaging in an environmentally friendly manner.



The recycling code is used to identify various materials for recycling. The code consists of the recycling symbol – which is meant to reflect the recycling cycle – and a number which identifies the material.

Notes on the guarantee and service handling

The product was produced with great care and under continuous quality control. DELTA-SPORT HANDELSKONTOR GmbH gives private end customers a three-year guarantee on this product from the date of purchase (guarantee period) in accordance with the following provisions. The guarantee is only valid for material and manufacturing defects.

The guarantee does not cover parts subject to normal wear and tear that are thus considered wear parts (e.g. batteries) or fragile parts such as switches, rechargeable batteries, or parts made of glass.

Claims under this guarantee are excluded if the product has been used incorrectly, improperly, or contrary to the intended purpose, or if the provisions in the instructions for use were not observed, unless the end customer proves that a material or manufacturing defect exists that was not caused by one of the aforementioned circumstances.

Claims under the guarantee can only be made within the guarantee period by presenting the original sales receipt. Please therefore keep the original sales receipt. The guarantee period is not extended by any repairs carried out under the guarantee, under statutory guarantees, or as a gesture of goodwill. This also applies to replaced and repaired parts.

If you wish to make a claim please first contact the service hotline mentioned below or contact us by e-mail. If there is a guarantee case, then the product will be repaired or replaced free of charge to you or the purchase price will be refunded, depending on our choice.

Your legal rights, in particular guarantee claims against the respective seller, are not limited by this guarantee.

IAN: 384313_2107

Ⓜ Service Great Britain

Tel.: 0800 404 7657

E-Mail: deltasport@lidl.co.uk

Ⓜ Service Ireland

Ⓜ Tel.: 1890 930 034

(0,08 EUR/

Min., (peak))


(0,06 EUR/

Min., (off peak))

E-Mail: deltasport@lidl.ie

Hjertelig tillykke!

Du har valgt at købe et kvalitetsprodukt. Lær produktet at kende, inden du bruger det første gang.

 **Det gør du ved at læse nedenstående monteringsvejledning og sikkerhedsanvisningerne omhyggeligt.**

Brug kun produktet som beskrevet og til de angivne anvendelsesområder. Opbevar denne monteringsvejledning et sikkert sted. Udlever også alle dokumenter, hvis produktet videregives til en tredjepart.

Leveringsomfang (fig. A)

- 1 x øverste rør (1) med håndsving (1a)
- 1 x øverste rør (2)
- 2 x nederste rør (3)
- 2 x udfaldsarm (4)
- 1 x drivaksel (5)
- 1 x drivaksel (6) inkl. møtrik (6a) og spændeskive (6b)
- 2 x faldrør (7)/(8)
- 1 x markisedug (9)
- 1 x plastickæde (10)
- 4 x plastickappe (11)
- 2 x loftsbeslag (12)
- 2 x gulvbeslag (13)
- 2 x låseanordning (14)
- 8 x dyvel Ø 10/50 (15)
- 8 x skrue ST6 x 50 mm (16)
- 4 x skrue M6 x 45 mm (17)


- 4 x møtrik (18)
- 4 x plasticdæksel (19)
- 16 x spændeskive M6 (20)
- 4 x skrue ST3,5 x 9,5 mm (21)
- 5 x skrue ST3 x 9,5 mm (22)
- 4 x spændeskive M4 (23)
- 2 x fingerskrue (24)
- 1 x spændestang (25)
- 1 x monteringsvejledning

Tekniske data

Mål: ca. 200 x 220-310 cm (B x H)

Maksimal rækkevidde af udfaldsarmene: maks. 150 cm

Artiklen overholder vindmodstands-klassen 0 (vindhastighed < 20 km/h). Artiklen må af sikkerhedsgrunde ikke benyttes ved højere vindhastigheder end 20 km/h!

 Fremstillingsdato
(måned/år): 12/2021

Bestemmelsesmæssig brug

Artiklen er fremstillet til privat brug som udendørs solbeskyttelse, f.eks. på balkon eller terrasse. Artiklen er ikke beregnet til erhvervs-mæssig brug.

Sikkerhedsanvisninger

Livsfare!

- Lad aldrig børn være alene med emballagematerialet. Der er kvælningsfare.

- Artiklen er ikke beregnet til at klatre på eller lege med!
Sørg for, at personer, især børn, ikke står på artiklen eller løfter sig op i den. Artiklen kan vælte.
- Den maksimale belastning af de dele af markisen, der ikke kan køres ind, må ikke overskride 15 kg!
- Kontroller artiklen for skader og slitage inden hver brug. Artiklen må kun anvendes i fejlfri stand!
- Sørg for, at plastickapperne ikke har tegn på udvendige skader. Defekte plastickapper skal udskiftes.
- Ved montering på altaner eller monteringssteder, der ikke er i niveau med jorden, skal gulv- og loftsbeslagene skrues fast med egnet monteringsmateriale for at forhindre, at den falder ned.
- På grund af fare for at falde ned skal der sørges for tilstrækkelig sikring med en faldsele.
- En ikke korrekt udført montering kan påvirke sikkerheden og funktionen.
- Artiklen må ikke anvendes under dårlige vejrforhold som kraftig vind, regn eller sne.
- Artiklen skal køres ind, hvis der ventes vindhastigheder over 20 km/h (hård vind, store grene og træer bevæger sig, og vinden kan tydeligt høres).
- Artiklen må ikke anvendes som læ i tordenvejr.
- Luk artiklen, hvis den blæser op eller i andre dårlige vejrforhold.
- Kontroller inden artiklen åbnes og lukkes, at der ikke er nogen personer eller genstande i åbnings- eller lukkeområdet.
- Artiklen beskytter mod direkte sollys i det fri. På grund af reflekterende UV-stråling må du ikke undlade at bruge passende solbeskyttelse.

Fare for kvæstelser!

- Pas på fingrene, når artiklen køres ind og ud. Der er fare for kvæstelser.
- Artiklen må kun anvendes under opsyn af voksne og er ikke beregnet til brug som legetøj.
- Sørg for, at artiklen er stabil inden brug.
- Undgå åben ild, grill og terrassevarmere i nærheden af artiklen.
- Kontroller før hver brug, at alle dele er monteret korrekt.
- Stil artiklen på et jævnt, vandret underlag.
- Kontroller regelmæssigt, at alle skrueforbindelser sidder fast!
- Producenten hæfter ikke for ulykker, der opstår på grund af tilsidesættelse af ovenstående sikkerhedsanvisninger eller på grund af forkert håndtering.

Undgå tingsskader!

- Fastgør artiklen under ekstreme vejrforhold, såsom ved stærke vindstød. Opbevar artiklen i beskyttede rum.

Vigtige informationer inden montering

ADVARSEL! Gulv- og loftsbeslag skal skrues omhyggeligt fast for at sikre, at artiklen sidder optimalt fast, især på altaner eller på monteringssteder, der ikke er i niveau med jorden. Hvis artiklen ikke er skruet fast til gulv og loft, bortfalder producentens erstatningsansvar.

ADVARSEL! Før du begynder at montere artiklen, skal du måle højden mellem gulv og loft.

ADVARSEL! Montering af artiklen bør på grund af størrelsen gennemføres af mindst to personer.

ADVARSEL! På grund af den nødvendige brug af værktøj/maskiner er håndværksmæssige færdigheder påkrævet.

Egnet monteringsflade

Et betonloft eller en bærende træbjælkekonstruktion egner sig til loftsmontage. Et betonfundament eller betonplader på min. 50 x 50 x 5 cm (l x b x d) egner sig til gulvmontering.

Bemærk: Hvis du skal fastgøre artiklen på en træbjælkekonstruktion, skal du skrue artiklen fast i denne, da træ ændrer form afhængigt af temperatur- og fugtighed. Spørg om egnede monteringsmaterialer i dit byggemarked.

Bemærk: Andre monteringsforhold skal kontrolleres for bæreevne og styrke af en fagmand.

Egnet monteringsmateriale

Monteringsmaterialet skal bestemmes inden montering af artiklen. Hvis monteringsfladen er bæredygtig, skal der vælges et passende monteringsmateriale til fastgøringen. Fastgøringsmateriale:

- Dyvel Ø 10/50 (15) og skrue ST6 x 50 mm (16) til beton og bærende murværk.
- Skrue ST6 x 50 mm (16) til bærende træbjælkekonstruktion.

Bemærk: Spørg om egnede monteringsmaterialer til gulv- og loftsbeslag i dit byggemarked.

Montering

For at montere artiklen skal du bruge følgende værktøj, der ikke medfølger ved levering: en egnet boremaskine, et målebånd, en stjerneskruetrækker, en skruenøgle og en unbrakonøgle.

ADVARSEL! På grund af fare for at falde ned skal der sørges for tilstrækkelig sikring med en faldsele.

Bemærk: Gulv- og loftsbeslag skal skrues omhyggeligt fast for at sikre, at artiklen sidder optimalt fast.

Montering af loftsbeslag

Vigtigt: Begge loftsbeslag skal være nøjagtigt på linje og have en indbyrdes afstand på nøjagtig 190 cm (målt mellem de indvendige borehuller på de to loftsbeslag) (fig. E).

Placer loftsbeslaget (12) på det ønskede sted, og aftegn 2 huller over for hinanden (fig. B).

1. Bor 2 huller på de aftegnede steder med et passende værktøj. Stik 1 dyvel (15) i hvert hul (fig. C).

Bemærk: Anvend om nødvendigt andre dyvler og skruer, hvis monteringsstedet kræver det.

2. Sæt en plastickappe (11) på det pågældende loftsbeslag (12), og før de 2 skruer (16) igennem hver sin spændeskive (20) (fig. D).

3. Monter loftsbeslaget på loftet.

4. Monter det andet loftsbeslag som beskrevet i trin 1-3.

Montering af gulvbeslag

1. Find den nøjagtige placering af gulvbeslaget (13) med en lodsnor (medfølger ikke ved levering). Marker de relevante steder, og aftegn 2 huller over for hinanden (fig. F).

Bemærk: Gulvbeslaget (13) skal sidde lodret under loftsbeslaget (12).

2. Bor 2 huller på de aftegnede steder med et passende værktøj. Stik 1 dyvel (15) i hvert hul (fig. G).

Bemærk: Anvend om nødvendigt andre dyvler og skruer, hvis monteringsstedet kræver det.

3. Sæt en plastickappe (11) på det pågældende gulvbeslag (13), og før de 2 skruer (16) igennem hver sin spændeskive (20) (fig. H).

4. Monter gulvbeslaget på gulvet.

5. Monter det andet gulvbeslag som beskrevet i trin 1-4.

Vigtigt: Gulvbeslagene skal være nøjagtigt på linje og have en indbyrdes afstand på nøjagtig 190 cm (målt mellem de indvendige borehuller på de to gulvbeslag).

Montering af rør (fig. I)

Du har 18 indstillingsmuligheder for at indstille den rigtige rørlængde.

1. Sæt det øverste (1)/(2) og det nederste rør (3) sammen i en passende længde.

2. Fastgør det øverste rør (1)/(2) og nederste rør (3) med 2 skruer (17) og spændeskiver (20). Fastgør den pågældende skrue (17) med en møtrik (18) og spændeskive (20). Sæt plasticafdækninger (19) på møtrikkerne til sidst.

Montering af markisestativ

1. Stik de to drivakselrør (5)/(6) ind i hinanden (fig. J).

2. Fastgør drivakslen (5 + 6) med 4 skruer (22).

3. Stik de to faldrør (7)/(8) ind i hinanden (fig. J). Låseknappen skal synligt og hørbart gå i hak.
4. Før plastickæden (10) ind i den smalle tunnel i markisedugen (9).
5. Skub markisedugen med plastickæden ind i drivakslen (5 + 6) som vist.

Bemærk: Vær opmærksom på, at den nederste tunnelfold (løbegang) hele tiden skal vende opad under monteringen.

6. Før faldrøret (7 + 8) igennem løbegangen i markisedugen (9).
7. Sæt enden af drivakslen (5) på rørets (2) medbringer (2a) (fig. K).

Bemærk: Medbringeren (2a) skal sidde helt inde i drivakslen (5).

8. Fjern de formonterede møtrikker (6a) og spændeskiven (6b) fra drivakslen (6).
9. Stik enden af drivakslen (6) ind i røret (1). Fastgør den ved hjælp af møtrikkerne (6a) og spændeskiven (6b) (fig. K).

Bemærk: Sørg for, at boltene vender rigtigt på drivakslen (6).

10. Fastgør drivakslen (5) med 1 skrue (22) (fig. K).

Fastgøring af markisestativ i holderen

Vigtigt: Montering af artiklen bør på grund af størrelsen gennemføres af mindst to personer.

1. Sæt først markisestativet i loftsbeslagene (fig. L).

2. Sæt låsen (14) på gevindspindelen (3a) (fig. M).
3. Stik spændestangen (25) igennem hullet i gevindspindelen (3a), og drej den for at ændre højden på røret (fig. M).

Bemærk: Overhold den maksimale udrækningslængde (maks. 5 cm) for gevindspindelen (3a).

4. Skru låsen (14) fast på gulvbeslaget (13) for at fastgøre gevindspindelen (fig. M).

Bemærk: Vær opmærksom på, at gevindspindelen (3a) kun må skrues maks. 5 cm ud (fig. M).

5. Fastgør til sidst rørene på hvert loftsbeslag med 2 skruer (21) og spændeskiver (23) (fig. N).

Bemærk: For at gøre monteringen lettere kan du bore to huller i hvert loftsbeslag inden fastgøring af rørene.

Montering af udfaldsarme og faldrør

1. Tag en udfaldsarm (4) ad gangen, og skru fingerskrue (4a), tilhørende møtrik (4b) og udfaldsarmholder (4c) af.
2. Sæt udfaldsarmens holder (4c) på et rør (1/2) (fig. O).

Bemærk: Kontroller, at begge udfaldsarmholdere (4c) er fastgjort i samme højde på rørene (ca. 40 cm fra underkanten af øverste rør til underkanten af udfaldsarmholderen).

3. Skru udfaldsarmene fast i hver sin udfaldsarmholder (4c) med fingerskruen (4a) og de tilhørende møtrikker (4b).

Bemærk: Fingerskruen (4a) skal vende udad.

4. Fastgør udfaldsarmene (4) på faldrøret (7 + 8) med fingerskruen (24) (fig. P).

Brug (fig. Q)

1. Hæng et håndsving (1a) i øsknen (1b) på det øverste rør (1).
2. Drej håndsvinget (1a) for at åbne eller lukke artiklen.
3. Fjern håndsvinget (1a) efter hver brug, og opbevar det et sikkert sted.

Opbevaring, rengøring

Opbevar altid artiklen tør og ren ved stuetemperatur, når den ikke er i brug.

Rengør kun med vand, og tør efter med et viskestykke.

VIGTIGT! Må aldrig rengøres med skræppe rengøringsmidler.

Lad artiklen tørre, mens den er åben.

Henvisninger vedr. bortskaffelse

Bortskaf artikel og emballage i overensstemmelse med lokalt gældende forskrifter. Emballagematerialer som f.eks. plastposer hører ikke hjemme i børnehænder. Opbevar emballagen utilgængeligt for børn.



Bortskaf produkter og emballage miljørigtigt.



Genbrugskoden anvendes til mærkning af forskellige materialer med henblik på genvinding. Koden består af genbrugssymbolet – som afspejler genvindingskredsløbet – og et nummer, der kendetegner materialet.

Oplysninger om garanti og servicehåndtering

Varen er fremstillet med største omhu og under løbende kontrol. DELTA-SPORT HANDELSKONTOR GmbH yder private slutkunder tre års garanti på varen fra købsdato (Garantifrist) i henhold til følgende bestemmelser. Garantien gælder kun for materiale- og fremstillingsfejl. Garantien omfatter ikke dele, der er udsat for normal slid og derfor skal betragtes som sliddele (f.eks. batterier) og ikke skrøbelige dele, f.eks. kontakter, genopladelige batterier eller dele, der er fremstillet af glas.

Garantien kan ikke gøres gældende, hvis varen er blevet anvendt ukorrekt eller uagtsomt eller til andre formål end det tilsigtede eller i det tilsigtede omfang. Garantien bortfalder ligeledes ved manglende overholdelse af anvisningerne i betjeningsvejledningen. Kunden skal kunne påvise, at der er tale om materiale- eller fremstillingsfejl og ikke fejl som følge af ovenstående omstændigheder. Garantien kan kun gøres gældende i garantiperioden mod fremvisning af original kvittering. Gem derfor den originale kvittering. Garantiperioden forlænges ikke i tilfælde af reparation i henhold til garantien, den lovpligtige garanti eller pr. kulance. Dette gælder også for udskiftede og reparerede dele.

I tilfælde af klager er det muligt at kontakte nedenstående servicelinje eller kontakte os pr. e-mail. Ved garantisager vil vi efter eget skøn reparere varen uden beregning, ombytte varen eller refundere købsprisen. Der er ingen yderligere rettigheder under garantien.

Dine lovmæssige rettigheder, herunder navnlig garantikrav over for sælger, indskrænkes ikke som følge af denne garanti.

IAN: 384313_2107

Ⓝ Service Danmark

Tel.: 32 710005

E-Mail: deltasport@lidl.dk

Félicitations !

Vous venez d'acquérir un article de grande qualité. Avant la première utilisation, familiarisez-vous avec l'article.



Pour cela, veuillez lire attentivement la notice de montage suivante et les consignes de sécurité.

Utilisez l'article uniquement comme indiqué et pour les domaines d'utilisation mentionnés. Conservez cette notice de montage. Si vous cédez l'article à un tiers, veillez à lui remettre l'ensemble de la documentation.

Étendue de la livraison (fig. A)

- 1 tube vertical supérieur (1) avec manivelle (1a)
- 1 tube vertical supérieur (2)
- 2 tubes verticaux inférieurs (3)
- 2 bras de sortie (4)
- 1 arbre d'entraînement (5)
- 1 arbre d'entraînement (6) avec écrou (6a) et rondelle (6b)
- 2 tubes de descente (7)/(8)
- 1 toile de store (9)
- 1 armature en plastique (10)
- 4 capuchons en plastique (11)
- 2 supports de plafond (12)
- 2 supports au sol (13)
- 2 sécurités (14)
- 8 chevilles Ø 10/50 (15)
- 8 vis ST6 x 50 mm (16)

- 4 vis M6 x 45 mm (17)
- 4 écrous (18)
- 4 capuchons en plastique (19)
- 16 rondelles plates M6 (20)
- 4 vis ST3,5 x 9,5 mm (21)
- 5 vis ST3 x 9,5 mm (22)
- 4 rondelles plates M4 (23)
- 2 vis moletées (24)
- 1 barre de serrage (25)
- 1 notice de montage

Caractéristiques techniques

Dimensions :

env. 200 x 220-310 cm (l x h)

Portée des bras de sortie :

max. 150 cm

L'article correspond à la classe de résistance au vent 0 (vitesse du vent < 20 km/h).

Pour des raisons de sécurité, l'article ne doit pas être utilisé en cas de vent > 20 km/h !



Date de fabrication

(mois/année) : 12/2021

Utilisation conforme à sa destination

L'article est conçu pour se protéger du soleil en extérieur, par exemple sur un balcon ou une terrasse, et est destiné à un usage privé.

L'article n'est pas prévu pour une utilisation commerciale.

Consignes de sécurité

Danger de mort !

- Ne laissez jamais les enfants sans surveillance avec le matériel d'emballage. Il existe des dangers de suffocation.
- L'article n'est ni un jouet, ni un appareil pour l'escalade ! Assurez-vous que personne, en particulier les enfants, ne monte ou se hisse sur l'article. L'article risque de se renverser.
- La charge maximale des parties non rétractables du store ne doit pas dépasser 15 kg !
- Avant chaque utilisation, vérifiez que l'article n'est pas endommagé ou usé. L'article ne doit être utilisé qu'en parfait état !
- Veillez à ce que les capuchons en plastique ne présentent aucun dommage externe. Les capuchons en plastique défectueux doivent être remplacés.
- Pour l'installation sur un balcon ou à des endroits n'étant pas au niveau du sol, les supports au sol et de plafond doivent être vissés avec un matériel de montage approprié afin d'éviter toute chute.
- En raison du risque de chute, le port d'un harnais est indispensable pour assurer une sécurité adéquate.

Risque de blessure !

- Faites attention à vos doigts lors de l'ouverture et de la fermeture. Il existe un risque de blessure par écrasement.
- L'article ne doit être utilisé que sous la surveillance d'adultes et non pas comme un jouet.
- Avant d'utiliser l'article, veillez à une bonne stabilité.
- Pas de feu ouvert, de barbecue ou de chauffage de terrasse à proximité de l'article.
- Avant chaque utilisation, vérifiez que toutes les pièces ont été correctement assemblées.
- Un montage réalisé de manière incorrecte peut compromettre la sécurité et le bon fonctionnement.
- L'article ne doit pas être utilisé dans des conditions météorologiques défavorables telles que le vent fort, la pluie ou la neige.
- Fermeture de l'article à des vitesses de vent attendues supérieures à 20 km/h (vent fort, branches et arbres plus gros en mouvement et vent clairement audible).
- N'utilisez pas l'article pour vous protéger en cas de tempête.
- Fermez l'article en cas de vent fort ou d'autres conditions météorologiques défavorables.

- Avant d'ouvrir et de fermer l'article, assurez-vous qu'il n'y a aucune personne ou objet dans la zone d'ouverture ou de fermeture.
- L'article offre une protection contre les rayons directs du soleil en extérieur. En raison du rayonnement UV réfléchissant, il convient de ne pas renoncer à des protections solaires appropriées.
- Placez l'article sur une surface plane et horizontale.
- Contrôlez régulièrement la bonne fixation de tous les raccords vissés !
- Aucune responsabilité n'est engagée pour les accidents résultant du non-respect des consignes de sécurité susmentionnées ou d'une manipulation non conforme.

Éviter les dommages matériels !

- Sécurisez l'article en cas de conditions météorologiques extrêmes, par exemple en cas de vent fort. Stockez l'article dans des endroits protégés.

Informations importantes avant le montage

ATTENTION ! Afin d'assurer la fixation optimale de l'article, les supports au sol et de plafond doivent être bien vissés, en particulier sur les balcons ou les lieux de montage n'étant pas au niveau du sol. Si l'article n'est pas vissé au sol ou au plafond, le fabricant n'est pas responsable des dommages subis.

ATTENTION ! Avant de commencer le montage de l'article, mesurez la hauteur entre le sol et le plafond.

ATTENTION ! En raison de ses dimensions, l'article doit être assemblé par au moins deux personnes.

ATTENTION ! En raison de l'utilisation nécessaire d'outils/de machines, des connaissances manuelles sont indispensables.

Surface de montage adaptée

Un plafond en béton ou une poutre porteuse en bois sont des surfaces adaptées à la fixation au plafond. Des fondations en béton ou des dalles en béton d'au moins 50 x 50 x 5 cm (L x La x P) sont des surfaces adaptées à la fixation au sol.

Remarque : si vous fixez l'article à une poutre en bois, vous devez bien le visser, car le bois change de forme avec la température et l'humidité.

Veillez contacter votre revendeur spécialisé pour obtenir des informations sur le matériel de montage approprié.

Remarque : toute autre condition de montage doit être vérifiée par une entreprise spécialisée pour s'assurer de la capacité de charge et de la solidité.

Matériel de montage approprié

Avant le montage de l'article, le matériel de montage doit être identifié. Si la surface de montage est portante, il faut choisir pour la fixation le matériel de montage approprié.

Matériel de fixation :

- Chevilles Ø 10/50 (15) et vis ST6 x 50 mm (16) pour béton et maçonnerie porteuse.
- Vis ST6 x 50 mm (16) pour poutre porteuse en bois.

Remarque : veuillez contacter votre revendeur spécialisé pour obtenir des informations sur le matériel de montage approprié pour le support au sol et de plafond.

Montage

Pour le montage de l'article, vous avez besoin des outils suivants, non compris dans l'étendue de la livraison : une perceuse appropriée, un ruban à mesurer, un tournevis cruciforme, une clé ainsi qu'une clé hexagonale.

ATTENTION ! En raison du risque de chute, le port d'un harnais est indispensable pour assurer une sécurité adéquate.

Remarque : afin d'assurer la fixation optimale de l'article, les supports au sol et de plafond doivent être bien vissés.

Montage du support de plafond

Important : les deux supports de plafond doivent être parfaitement alignés et espacés d'exactly 190 cm (mesurés entre les trous intérieurs des deux supports de plafond) (fig. E).

Placez le support de plafond (12) dans la position souhaitée et marquez 2 trous opposés (fig. B).

1. Percez 2 trous aux emplacements marqués avec l'outil adapté. Insérez 1 cheville (15) dans chacun des deux trous (fig. C).

Remarque : si nécessaire, utilisez d'autres chevilles et vis si la surface de montage l'exige.

2. Placez un capuchon en plastique (11) sur le support de plafond correspondant (12) et insérez 2 vis (16) à travers la rondelle correspondante (20) (fig. D).
3. Montez le support de plafond au plafond.
4. Montez le deuxième support de plafond comme décrit aux étapes 1 - 3.

Montage du support au sol

1. Déterminez la position exacte du support au sol (13) à l'aide d'un câble (non compris dans l'étendue de la livraison). Repérez les emplacements appropriés et marquez 2 trous opposés (fig. F).

Remarque : le support au sol (13) doit être placé verticalement au support de plafond (12).

2. Percez 2 trous aux emplacements marqués avec l'outil adapté. Insérez 1 cheville (15) dans chacun des deux trous (fig. G).

Remarque : si nécessaire, utilisez d'autres chevilles et vis si la surface de montage l'exige.

3. Placez un capuchon en plastique (11) sur le support au sol correspondant (13) et insérez 2 vis (16) à travers la rondelle correspondante (20) (fig. H).

4. Montez le support au sol sur le sol.

5. Montez le deuxième support au sol comme décrit aux étapes 1 - 4.

Important : les deux supports au sol doivent être parfaitement alignés et espacés d'exactly 190 cm (mesurés entre les trous intérieurs des deux supports au sol).

Montage des tubes verticaux (fig. I)

Vous disposez de 18 possibilités de réglage pour régler la longueur adéquate des tubes verticaux.

1. Raccordez le tube vertical supérieur (1)/(2) et le tube vertical inférieur (3) ensemble à la longueur appropriée.

2. Fixez le tube vertical supérieur (1)/(2) et le tube vertical inférieur (3) avec 2 vis (17) et des rondelles (20). Fixez la vis correspondante (17) avec un écrou (18) et une rondelle (20). Enfin, placez les capuchons en plastique (19) sur les écrous correspondants.

Montage de l'armature du store

1. Insérez les deux tubes de l'arbre d'entraînement (5)/(6) l'un dans l'autre (fig. J).

2. Fixez l'arbre d'entraînement (5 + 6) avec 4 vis (22).

3. Insérez les deux tubes de descente (7)/(8) l'un dans l'autre (fig. J). Le bouton de verrouillage doit s'enclencher de manière visible et audible.

4. Insérez l'armature en plastique (10) dans le tunnel plus étroit de la toile du store (9).

5. Glissez la toile du store avec l'armature en plastique dans l'arbre d'entraînement (5 + 6) comme indiqué.

Remarque : notez que le pli inférieur du passage (passage tubulaire descendant) doit toujours être orienté vers le haut pendant l'installation.

6. Insérez le tube de descente (7 + 8) dans le passage tubulaire descendant de la toile du store (9).

7. Insérez l'extrémité de l'arbre d'entraînement (5) sur le dispositif d'entraînement (2a) du tube vertical (2) (fig. K).

Remarque : le dispositif d'entraînement (2a) doit se trouver entièrement dans l'arbre d'entraînement (5).

8. Enlevez les vis (6a) et les rondelles (6b) prémontées de l'arbre d'entraînement (6).

9. Insérez l'extrémité de l'arbre d'entraînement (6) dans le tube vertical (1). Fixez-la à l'aide des écrous (6a) et des rondelles (6b) (fig. K).

Remarque : veillez à ce que le boulon sur l'arbre d'entraînement (6) soit orienté dans le bon sens.

10. Fixez l'arbre d'entraînement (5) avec 1 vis (22) (fig. K).

Fixation de l'armature du store dans le support

Important : en raison de ses dimensions, l'article doit être assemblé par au moins deux personnes.

1. Insérez d'abord l'armature du store dans les supports de plafond (fig. L).

2. Placez la sécurité (14) sur la tige filetée (3a) (fig. M).

3. Insérez la barre de serrage (25) dans le trou de la tige filetée (3a) et faites-la tourner pour modifier la hauteur du tube vertical (fig. M).

Remarque : respectez la longueur de course maximale (max. 5 cm) de la tige filetée (3a).

4. Tournez la sécurité (14) sur le support au sol (13) pour fixer la tige filetée (fig. M).

Remarque : veillez à ce que la tige filetée (3a) ne puisse pas être dévissée de plus de 5 cm (fig. M).

5. Pour finir, fixez le tube vertical au support de plafond correspondant avec 2 vis (21) et des rondelles (23) (fig. N).

Remarque : pour faciliter le montage, percez deux trous dans les supports de plafond avant de fixer les tubes verticaux.

Montage du bras de sortie et du tube de descente

1. Prenez chaque bras de sortie (4) et dévissez la vis moletée (4a), l'écrou correspondant (4b) et le support du bras de sortie (4c).

2. Insérez le support de bras de sortie (4c) sur un tube vertical (1/2) (fig. O).

Remarque : veillez à ce que les deux supports de bras de sortie (4c) soient fixés sur les tubes verticaux à la même hauteur (env. 40 cm du bord inférieur du tube vertical supérieur jusqu'au bord inférieur du bras de sortie).

3. Vissez bien les bras de sortie dans le support correspondant (4c) à l'aide de la vis moletée (4a) et de l'écrou correspondant (4b).

Remarque : la vis moletée (4a) pointe vers l'extérieur.

4. Fixez les bras de sortie (4) sur le tube de descente (7 + 8) à l'aide de la vis moletée (24) (fig. P).

Utilisation (fig. Q)

1. Accrochez la manivelle (1a) dans l'anneau de la manivelle (1b) du tube vertical supérieur (1).
2. Tournez la manivelle (1a) pour ouvrir ou fermer l'article.
3. Retirez la manivelle (1a) après chaque utilisation et rangez-la en lieu sûr.

Stockage, nettoyage

Lorsque vous n'utilisez pas l'article, rangez-le toujours dans un endroit sec et propre à une température ambiante.

Nettoyez uniquement avec de l'eau puis essuyez avec un chiffon de nettoyage.

IMPORTANT ! Ne lavez jamais avec des produits de nettoyage agressifs.

Laissez sécher l'article ouvert.

Mise au rebut

Éliminez l'article et le matériel d'emballage conformément aux directives locales en vigueur. Le matériel d'emballage tel que les sachets en plastique par exemple ne doivent pas arriver dans les mains des enfants. Conservez le matériel d'emballage hors de portée des enfants.



Ce produit est recyclable. Il est soumis à la responsabilité élargie du fabricant et est collecté séparément.



Éliminez les produits et les emballages dans le respect de l'environnement.



Le code de recyclage est utilisé pour identifier les différents matériaux pour le retour dans le circuit de recyclage. Le code se compose du symbole de recyclage, qui doit correspondre au circuit de recyclage, et d'un numéro identifiant le matériau.

Indications concernant la garantie et le service après-vente

L'article a été produit avec grand soin et sous un contrôle constant. DELTA-SPORT HANDELSKONTOR GmbH accorde au client final privé une garantie de trois ans sur cet article à compter de la date d'achat (période de garantie) conformément aux dispositions suivantes. La garantie ne vaut que pour les défauts de matériaux et de fabrication. La garantie ne couvre pas les pièces soumises à une usure normale, lesquelles doivent donc être considérées comme des pièces d'usure (comme par ex. les piles), de même qu'elle ne couvre pas les pièces fragiles, telles que les interrupteurs, les batteries ou les pièces fabriquées en verre.

Les réclamations au titre de cette garantie sont exclues si l'article a été utilisé de manière abusive ou inappropriée, hors du cadre de son usage ou du champ d'application prévu ou si les instructions de la notice d'utilisation n'ont pas été respectées, à moins que le client final ne prouve que l'article présentait un défaut de matériau ou de fabrication n'étant pas dû à l'une des conditions mentionnées ci-dessus.

Les réclamations au titre de la garantie ne peuvent être adressées pendant la période de garantie qu'en présentant le ticket de caisse original. Veuillez pour cela conserver le ticket de caisse original. Ceci s'applique également aux pièces remplacées et réparées.

Si vous avez des plaintes à formuler, veuillez d'abord contacter le service d'assistance téléphonique ci-dessous ou nous contacter par courrier électronique. Si le cas est couvert par la garantie, nous nous engageons - à notre appréciation - à réparer ou à remplacer l'article gratuitement pour vous ou à vous rembourser le prix d'achat. Aucun autre droit ne découle de la garantie.

Vos droits légaux, en particulier les droits de garantie contre le vendeur concerné, ne sont pas limités par cette garantie.

Article L217-16 du Code de la consommation

Lorsque l'acheteur demande au vendeur, pendant le cours de la garantie commerciale qui lui a été consentie lors de l'acquisition ou de la réparation d'un bien meuble, une remise en état couverte par la garantie, toute période d'immobilisation d'au moins sept jours vient s'ajouter à la durée de la garantie qui restait à courir.

Cette période court à compter de la demande d'intervention de l'acheteur ou de la mise à disposition pour réparation du bien en cause, si cette mise à disposition est postérieure à la demande d'intervention.

Indépendamment de la garantie commerciale souscrite, le vendeur reste tenu des défauts de conformité du bien et des vices rédhibitoires dans les conditions prévues aux articles L217-4 à L217-13 du Code de la consommation et aux articles 1641 à 1648 et 2232 du Code Civil.

Article L217-4 du Code de la consommation

Le vendeur livre un bien conforme au contrat et répond des défauts de conformité existant lors de la délivrance.

Il répond également des défauts de conformité résultant de l'emballage, des instructions de montage ou de l'installation lorsque celle-ci a été mise à sa charge par le contrat ou a été réalisée sous sa responsabilité.

Article L217-5 du Code de la consommation

Le bien est conforme au contrat :
1° S'il est propre à l'usage habituellement attendu d'un bien semblable et, le cas échéant :

- s'il correspond à la description donnée par le vendeur et posséder les qualités que celui-ci a présentées à l'acheteur sous forme d'échantillon ou de modèle ;
 - s'il présente les qualités qu'un acheteur peut légitimement attendre eu égard aux déclarations publiques faites par le vendeur, par le producteur ou par son représentant, notamment dans la publicité ou l'étiquetage ;
- 2° Ou s'il présente les caractéristiques définies d'un commun accord par les parties ou être propre à tout usage spécial recherché par l'acheteur, porté à la connaissance du vendeur et que ce dernier a accepté.

Article L217-12 du Code de la consommation

L'action résultant du défaut de conformité se prescrit par deux ans à compter de la délivrance du bien.

Article 1641 du Code civil

Le vendeur est tenu de la garantie à raison des défauts cachés de la chose vendue qui la rendent impropre à l'usage auquel on la destine, ou qui diminuent tellement cet usage que l'acheteur ne l'aurait pas acquise, ou n'en aurait donné qu'un moindre prix, s'il les avait connus.

Article 1648 1er alinéa du Code civil

L'action résultant des vices rédhibitoires doit être intentée par l'acquéreur dans un délai de deux ans à compter de la découverte du vice.

Les pièces détachées indispensables à l'utilisation du produit sont disponibles pendant la durée de la garantie du produit.

IAN : 384313_2107

Ⓡ Service Belgique

Tel. : 070 270 171

(0,15 EUR/Min.)

E-Mail : deltasport@lidl.be

Gefeliciteerd!

Met uw aankoop hebt u voor een hoogwaardig artikel gekozen. Zorg ervoor dat u voor het eerste gebruik met het artikel vertrouwd raakt.

 **Lees hiervoor de volgende montagehandleiding en de veiligheidstips zorgvuldig door.**

Gebruik het artikel alleen zoals omschreven en voor het aangegeven doel. Bewaar deze montagehandleiding goed. Geef alle documenten mee als u het artikel aan iemand anders geeft.

Leveringsomvang (afb. A)

- 1 x bovenste standbuis (1) met handslinger (1a)
- 1 x bovenste standbuis (2)
- 2 x onderste standbuis (3)
- 2 x uitvalarm (4)
- 1 x aandrijfvas (5)
- 1 x aandrijfvas (6), incl. moer (6a) en sluitring (6b)
- 2 x valbuis (7)/(8)
- 1 x zonneschermdoek (9)
- 1 x kunststof pees (10)
- 4 x kunststof kap (11)
- 2 x plafondsteun (12)
- 2 x bodemsteun (13)
- 2 x borging (14)
- 8 x plug Ø 10/50 (15)
- 8 x schroef ST6 x 50 mm (16)
- 4 x schroef M6 x 45 mm (17)

- 4 x moer (18)
- 4 x kunststof afdekking (19)
- 16 x sluitring M6 (20)
- 4 x schroef ST3,5 x 9,5 mm (21)
- 5 x schroef ST3 x 9,5 mm (22)
- 4 x sluitring M4 (23)
- 2 x kartelschroef (24)
- 1 x spanstang (25)
- 1 x montagehandleiding

Technische gegevens

Afmetingen:


ca. 200 x 220-310 cm (b x h)

Uitslag van de uitvalarmen:

max. 150 cm

Het artikel voldoet aan windweerstandsklasse 0 (windsnelheid < 20 km/h).

Bij windsnelheden > 20 km/h mag het artikel om veiligheidsredenen niet worden gebruikt!

 Productiedatum
(maand/jaar): 12/2021

Beoogd gebruik

Dit artikel is ontwikkeld als zonwering voor buiten, bijv. op het balkon of terras, en gemaakt voor particulier gebruik.

Het artikel is niet bestemd voor zakelijk gebruik.

Veiligheidstips

Levensgevaar!

- Laat kinderen nooit zonder toezicht alleen met het verpakkingsmateriaal. Er bestaat verstikkingsgevaar.
- Het artikel is geen klim- of speeltoestel! Zorg ervoor dat niemand, in het bijzonder kinderen, op het artikel gaat staan of zich eraan omhoogtrekt. Het artikel kan omvallen.
- De maximale belasting van de niet-inschuifbare onderdelen van het zonnescherm mag niet hoger zijn dan 15 kg!
- Controleer het artikel voor elk gebruik op beschadigingen of slijtage. Het artikel mag alleen in goede staat worden gebruikt!
- Let erop dat de kunststof kappen geen uitwendige beschadigingen vertonen. Defecte kunststof kappen moeten worden vervangen.
- Bij de montage op balkons of niet gelijkvloers gelegen montageplaatsen moeten de bodem- en plafondsteunen met geschikt montage materiaal worden vastgeschroefd om een val te voorkomen.
- Vanwege het bestaande valgevaar moet u ervoor zorgen dat u met een gordel voldoende bent gezekeerd.

Kans op lichamelijk letsel!

- Let bij het in- en uitschuiven met name op uw vingers. Er bestaat een kans op lichamelijk letsel door beknelling.
- Het artikel mag alleen worden gebruikt onder toezicht van volwassenen en mag niet worden gebruikt als speelobject.
- Let er voordat u het artikel gebruikt op of dit voldoende stabiliteit biedt.
- Gebruik geen open vuur, barbecues of terrasverwarmers in de buurt van het artikel.
- Controleer voor elk gebruik of alle onderdelen juist zijn gemonteerd.
- Een onjuist uitgevoerde montage kan de veiligheid en werking beïnvloeden.
- Het artikel mag niet in ongunstige weersomstandigheden zoals harde wind, regen of sneeuw worden gebruikt.
- Schuif het artikel in wanneer er windsnelheden van meer dan 20 km/h worden verwacht (frisse wind, grotere takken en bomen bewegen en wind is duidelijk hoorbaar).
- Gebruik het artikel in geen geval als bescherming bij noodweer.
- Sluit het artikel bij toenemende wind of andere ongunstige weersomstandigheden.

- Verzeker u er voordat u het artikel opent en sluit van dat zich geen personen of voorwerpen in het openings- of sluitgebied bevinden.
- Het artikel biedt bescherming tegen directe zonnestraling buitenshuis. In verband met reflecterende uv-straling moet een passend zonnebrandmiddel worden gebruikt.
- Plaats het artikel op een vlakke ondergrond die waterpas is.
- Controleer regelmatig of alle schroeven goed zijn aangedraaid!
- Voor ongelukken die worden veroorzaakt door het negeren van de bovenstaande veiligheidstips of ondeskundig gebruik kan geen aansprakelijkheid worden genomen.

Voorkomen van materiële schade!

- Zet het artikel vast bij extreme weersomstandigheden, zoals harde wind. Berg het artikel op in een beschutte ruimte.

Belangrijke informatie voor de montage

WAARSCHUWING! Voor een optimale bevestiging van het artikel moeten de bodem- en plafondsteunen stevig worden vastgeschroefd, in het bijzonder op balkons of niet gelijkvloers gelegen montageplaten.

Als u het artikel niet aan bodem en plafond vastschroeft, vervalt elke aansprakelijkheid van de fabrikant.

WAARSCHUWING! Voordat u aan de montage van het artikel begint, meet u de hoogte tussen bodem en plafond op.

WAARSCHUWING! De montage van het artikel moet vanwege de grootte door ten minste twee personen worden uitgevoerd.

WAARSCHUWING! Omdat er met gereedschap/machines moet worden gewerkt, is ambachtelijke kennis onontbeerlijk.

Geslacht montageoppervlak

Voor de plafondmontage is een betonnen plafond of een dragende houten balkconstructie geschikt.

Voor de bodemmontage is een betonfundering of zijn betonplaten van min. 50 x 50 x 5 cm (l x b x d) geschikt.

Aanwijzing: als u het artikel aan een houten balkconstructie bevestigt, moet u het artikel goed eraan vastschroeven, omdat hout onder invloed van de temperatuur en vocht van vorm verandert. Informeer in een vakhandel welke montagematerialen geschikt zijn.

Aanwijzing: andere montageondergronden moeten door een gespecialiseerd bedrijf op draagkracht en vastheid worden gecontroleerd.

Geslacht montagemateriaal

Voordat het artikel wordt gemonteerd, moet worden bepaald welk montagemateriaal vereist is.

Als het montageoppervlak draagkrachtig is, moet het hierbij passende montagemateriaal voor de bevestiging worden uitgekozen.

Bevestigingsmateriaal:

- Plug Ø 10/50 (15) en schroef ST6 x 50 mm (16) voor beton en dragend metselwerk.
- Schroef ST6 x 50 mm (16) voor dragende houten balkconstructie.

Aanwijzing: informeer in een vakhandel welke montagematerialen voor de bodem- en plafondsteun geschikt zijn.

Montage

Voor de montage van het artikel hebt u het volgende, niet meegeleverde gereedschap nodig: een geschikte boormachine, een meetlint, een kruiskopschroevendraaier, een moersleutel en een binnenzeskantsleutel.

WAARSCHUWING! Vanwege het bestaande valgevaar moet u ervoor zorgen dat u met een gordel voldoende bent gezekeerd.

Aanwijzing: voor een optimale bevestiging van het artikel moeten de bodem- en plafondsteunen stevig worden vastgeschroefd.

Plafondsteun monteren

Belangrijk: beide plafondsteunen moeten precies op een lijn liggen en op een afstand van exact 190 cm van elkaar liggen (gemeten tussen de boorgaten aan de binnenkant van beide plafondsteunen) (afb. E). Breng de plafondsteun (12) op de gewenste plaats aan en teken 2 tegenover elkaar liggende gaten af (afb. B).

1. Boor op de afgetekende plaatsen 2 gaten met adequaat gereedschap. Steek in beide gaten 1 plug (15) (afb. C).

Aanwijzing: gebruik zo nodig andere pluggen en schroeven, als het montageoppervlak dit vereist.

2. Plaats een kunststof kap (11) op de betreffende plafondsteun (12) en voer 2 schroeven (16) door de betreffende sluitring (20) (afb. D).
3. Monteer de plafondsteun aan het plafond.
4. Monteer de tweede plafondsteun zoals beschreven in stap 1 - 3.

Bodemsteun monteren

1. Lijn met een touw de precieze positie van de bodemsteun (13) (niet meegeleverd) loodrecht uit. Markeer de betreffende plaatsen en teken 2 tegenover elkaar liggende gaten af (afb. F).

Aanwijzing: de bodemsteun (13) moet zich loodrecht onder de plafondsteun (12) bevinden.

2. Boor op de afgetekende plaatsen 2 gaten met adequaat gereedschap. Steek in beide gaten 1 plug (15) (afb. G).

Aanwijzing: gebruik zo nodig andere pluggen en schroeven, als het montageoppervlak dit vereist.

3. Plaats een kunststof kap (11) op de betreffende bodemsteun (13) en voer 2 schroeven (16) door de betreffende sluitring (20) (afb. H).
4. Monteer de bodemsteun aan de bodem.
5. Monteer de tweede bodemsteun zoals beschreven in stap 1 - 4.

Belangrijk: de bodemsteunen moeten precies op een lijn liggen en op een afstand van exact 190 cm van elkaar liggen (gemeten tussen de boorgaten aan de binnenkant van beide bodemsteunen).

Standbuizen monteren (afb. I)

U hebt 18 instelmogelijkheden om de juiste lengte van de standbuizen te bepalen.

1. Koppel telkens de bovenste standbuis (1)/(2) en de onderste standbuis (3) op de passende lengte aan elkaar.

2. Maak telkens de bovenste standbuis (1)/(2) en de onderste standbuis (3) vast met 2 schroeven (17) en sluitringen (20). Maak de betreffende schroef (17) vast met een moer (18) en sluitring (20). Plaats ten slotte de kunststof afdekkingen (19) op de moeren.

Zonnescherminstructie monteren

1. Schuif de beide aandrijfasbuizen (5)/(6) in elkaar (afb. J).
2. Maak de aandrijfas (5 + 6) vast met 4 schroeven (22).
3. Schuif de beide valbuizen (7)/(8) in elkaar (afb. J). De vergrendelingsknop moet hierbij zichtbaar en hoorbaar vastklikken.
4. Voer de kunststof pees (10) in de smallere tunnel van het zonneschermdoek (9).
5. Schuif het zonneschermdoek met de kunststof pees zoals afgebeeld in de aandrijfas (5 + 6).

Aanwijzing: zorg ervoor dat de tunnelplooi aan de onderkant (valbuistunnel) tijdens de montage altijd naar boven wijst.

6. Voer de valbuis (7 + 8) in de valbuistunnel van het zonneschermdoek (9).
7. Schuif het uiteinde van de aandrijfas (5) op de meenemer (2a) van de standbuis (2) (afb. K).

Aanwijzing: de meenemer (2a) moet zich helemaal in de aandrijfas (5) bevinden.

8. Verwijder de voorgemonteerde moer (6a) en sluitring (6b) van de aandrijfas (6).

9. Schuif het uiteinde van de aandrijfas (6) in de standbuis (1). Bevestig deze met behulp van de moer (6a) en sluitring (6b) (afb. K).

Aanwijzing: let erop dat u de pen van de aandrijfas (6) goed uitlijnt.

10. Maak de aandrijfas (5) vast met 1 schroef (22) (afb. K).

Zonnescherminstructie in de steun vastzetten

Belangrijk: de montage van het artikel moet vanwege de grootte door ten minste twee personen worden uitgevoerd.

1. Plaats de zonnescherminstructie eerst in de plafondsteunen (afb. L).

2. Plaats de borging (14) op de schroefdraadspil (3a) (afb. M).

3. Steek de spanstang (25) door de boring van de schroefdraadspil (3a) en draai eraan om de hoogte van de standbuis te veranderen (afb. M).

Aanwijzing: houd rekening met de maximale uitschuiflengte (max. 5 cm) van de schroefdraadspil (3a).

4. Draai de borging (14) op de bodemsteun (13) om de schroefdraadspil vast te maken (afb. M).

Aanwijzing: houd er rekening mee dat de schroefdraadspil (3a) max. 5 cm mag worden uitgedraaid (afb. M).

5. Maak ten slotte de standbuizen aan de betreffende plafondsteun vast met 2 schroeven (21) en sluitringen (23) (afb. N).

Aanwijzing: boor voor een eenvoudigere montage telkens twee gaten in de plafondsteunen voor, voordat u de standbuizen vastmaakt.

Uitvalarmen en valbuis monteren

1. Neem telkens een uitvalarm (4) en schroef de kartelschroef (4a), de bijbehorende moer (4b) en de uitvalarmsteun (4c) los.

2. Schuif de uitvalarmsteun (4c) op een standbuis (1/2) (afb. O).

Aanwijzing: zorg ervoor dat beide uitvalarmsteunen (4c) op dezelfde hoogte aan de standbuizen zijn bevestigd (houd daarbij een afstand van ca. 40 cm van de onderkant van de bovenste standbuis tot de onderkant van de uitvalarmsteun aan).

3. Schroef de uitvalarmen met de kartelschroef (4a) en de bijbehorende moer (4b) vast in de betreffende uitvalarmsteun (4c).

Aanwijzing: de kartelschroef (4a) wijst hierbij naar buiten.

4. Bevestig de beide uitvalarmen (4) aan de valbuis (7 + 8) met de kartelschroef (24) (afb. P).

Gebruik (afb. Q)

1. Steek de handslinger (1a) in het slingeroog (1b) van de bovenste standbuis (1).
2. Draai aan de handslinger (1a) om het artikel te openen of te sluiten.
3. Verwijder de handslinger (1a) na elk gebruik en bewaar deze op een veilige plaats.

Opslag, reiniging

Bewaar het artikel wanneer u dit niet gebruikt altijd droog en schoon op kamertemperatuur.

Reinig alleen met water en veeg vervolgens droog met een schoonmaakdoek.

BELANGRIJK! Reinig nooit met agressieve reinigingsmiddelen.

Laat het artikel in geopende staat drogen.

Afvalverwerking

Voer het artikel en verpakkingsmaterialen in overeenstemming met actuele lokale voorschriften af. Verpakkingsmaterialen, zoals bv. foliezakjes, horen niet thuis in kinderhanden.

Berg het verpakkingsmateriaal buiten het bereik van kinderen op.



Voer de producten en verpakkingen op milieuvriendelijke wijze af.



De recyclingcode dient om verschillende materialen te kenmerken ten behoeve van hergebruik via het recyclingproces. De code bestaat uit het recyclingsymbool, dat het recyclingproces weerspiegelt, en een getal dat het materiaal identificeert.

Opmerkingen over garantie en serviceafhandeling

Het artikel werd met de grootste zorgvuldigheid en onder permanent toezicht geproduceerd. De firma DELTA-SPORT HANDELSKONTOR GmbH verleent particuliere eindklanten op dit artikel drie jaar garantie, te rekenen vanaf de datum van aankoop (garantietermijn) en dit op grond van de volgende bepalingen. De garantie geldt alleen voor materiaal- en verwerkingsfouten.

De garantie is niet van toepassing op onderdelen die aan een normale slijtage onderhevig zijn en daarom als niet-slijtvaste onderdelen te beschouwen zijn (bv. batterijen) en evenmin op breekbare onderdelen, bv. schakelaars, accu's of onderdelen die van glas gemaakt zijn.

Uit de garantie voortvloeiende claims zijn uitgesloten als het artikel onvakkundig, verkeerd of niet in het kader van de voorziene bepaling of in het kader van het voorziene gebruikdoeleinde gebruikt werd of indien richtlijnen in de gebruiksaanwijzing niet in acht genomen werden, tenzij de eindklant aantoont dat er sprake is van een materiaal- of verwerkingsfout die niet op één van de hoger vermelde omstandigheden gebaseerd is.

Uit de garantie voortvloeiende claims kunnen alleen tijdens de garantieperiode op vertoon van de originele kassabon ingediend worden. Gelieve daarom de originele kassabon te bewaren. De garantieperiode wordt door eventuele reparaties op grond van de garantie, wettelijke waarborg of coulance niet verlengd. Dit geldt ook voor vervangen en gerepareerde onderdelen.

Gelieve u bij klachten in eerste instantie tot de hieronder vermelde servicehotline te richten of met ons per e-mail contact op te nemen.

Is er sprake van een garantiegeval, dan wordt het artikel door ons – naar onze keuze – voor u gratis gerepareerd, wordt het vervangen of wordt de aankoopsom terugbetaald. Verdere rechten op grond van de garantie bestaan niet.


Uw wettelijke rechten, in het bijzonder rechten op garantie tegenover de betreffende verkoper, worden door deze garantie niet beperkt.

IAN: 384313_2107

 Service België

Tel.: 070 270 171
(0,15 EUR/Min.)


E-Mail: deltasport@lidl.be

 Service Nederland

Tel.: 0900 0400223
(0,10 EUR/Min.)

E-Mail: deltasport@lidl.nl

Herzlichen Glückwunsch!
Mit Ihrem Kauf haben Sie sich für einen hochwertigen Artikel entschieden. Machen Sie sich vor der ersten Verwendung mit dem Artikel vertraut.

 **Lesen Sie hierzu aufmerksam die nachfolgende Aufbauanleitung und die Sicherheitshinweise.**

Benutzen Sie den Artikel nur wie beschrieben und für die angegebenen Einsatzbereiche. Bewahren Sie diese Aufbauanleitung gut auf. Händigen Sie alle Unterlagen bei Weitergabe des Artikels an Dritte ebenfalls mit aus.

Lieferumfang (Abb. A)

- 1 x oberes Standrohr (1) mit Handkurbel (1a)
- 1 x oberes Standrohr (2)
- 2 x unteres Standrohr (3)
- 2 x Ausfallarm (4)
- 1 x Antriebswelle (5)
- 1 x Antriebswelle (6) inkl. Schraubenmutter (6a) und Unterlegscheibe (6b)
- 2 x Fallrohr (7)/(8)
- 1 x Markisentuch (9)
- 1 x Kunststoffkeder (10)
- 4 x Kunststoffkappe (11)
- 2 x Deckenhalterung (12)
- 2 x Bodenhalterung (13)
- 2 x Sicherung (14)
- 8 x Dübel Ø 10/50 (15)


- 8 x Schraube ST6 x 50 mm (16)
- 4 x Schraube M6 x 45 mm (17)
- 4 x Schraubenmutter (18)
- 4 x Kunststoffabdeckung (19)
- 16 x Unterlegscheibe M6 (20)
- 4 x Schraube ST3,5 x 9,5 mm (21)
- 5 x Schraube ST3 x 9,5 mm (22)
- 4 x Unterlegscheibe M4 (23)
- 2 x Rändelschraube (24)
- 1 x Spannstange (25)
- 1 x Aufbauanleitung

Technische Daten

Maße: ca. 200 x 220-310 cm (B x H)

Ausladung der Ausfallarme:
max. 150 cm

Der Artikel entspricht der Windwiderstandsklasse 0 (Windgeschwindigkeit < 20 km/h). Der Artikel darf bei höheren Windgeschwindigkeiten ab 20 km/h aus Sicherheitsgründen nicht benutzt werden!

 Herstellungsdatum
(Monat/Jahr): 12/2021

Bestimmungsgemäße Verwendung

Der Artikel ist als Sonnenschutz für den Außenbereich, z. B. Balkon oder Terrasse, konzipiert und für den privaten Gebrauch hergestellt. Der Artikel ist nicht für den gewerblichen Gebrauch bestimmt.

Sicherheitshinweise

Lebensgefahr!

- Lassen Sie Kinder niemals unbeaufsichtigt mit dem Verpackungsmaterial. Es besteht Erstickenungsgefahr.
- Der Artikel ist kein Kletter- oder Spielgerät!
Stellen Sie sicher, dass sich Personen, insbesondere Kinder, nicht auf den Artikel stellen oder daran hochziehen. Der Artikel kann umfallen.
- Die Höchstlast der nicht einfahrbaren Teile der Markise darf 15 kg nicht überschreiten!
- Prüfen Sie den Artikel vor jedem Gebrauch auf Beschädigungen oder Abnutzungen. Der Artikel darf nur in einwandfreiem Zustand verwendet werden!
- Achten Sie darauf, dass die Kunststoffkappen keine äußeren Beschädigungen aufzeigen. Defekte Kunststoffkappen müssen ausgetauscht werden.
- Bei Montage auf Balkonen oder nicht ebenerdig gelegenen Montageorten müssen die Boden- und Deckenhalterungen mit geeignetem Montagematerial verschraubt werden, um einen Absturz zu verhindern.

- Aufgrund bestehender Absturzgefahr ist eine ausreichende Sicherung durch Gurtzeug sicherzustellen.

Verletzungsgefahr!

- Achten Sie beim Ein- und Ausfahren besonders auf Ihre Finger. Es besteht Verletzungsgefahr durch Quetschungen.
- Der Artikel darf nur unter Aufsicht von Erwachsenen und nicht als Spielzeug verwendet werden.
- Achten Sie vor der Benutzung des Artikels auf die richtige Stabilität.
- Kein offenes Feuer, Grills, Heizpilze in der Nähe des Artikels.
- Prüfen Sie vor jedem Gebrauch, dass alle Teile sachgerecht montiert wurden.
- Eine nicht korrekt durchgeführte Montage kann die Sicherheit und Funktion beeinträchtigen.
- Der Artikel darf nicht bei widrigen Wetterbedingungen wie starkem Wind, Regen oder Schnee verwendet werden.
- Einfahren des Artikels bei zu erwartenden Windgeschwindigkeiten ab 20 km/h (frischer Wind, größere Zweige und Bäume bewegen sich und Wind ist deutlich hörbar).
- Verwenden Sie den Artikel keinesfalls als Schutz bei Unwettern.

- Schließen Sie den Artikel bei auf- frischem Wind oder anderen widrigen Wetterbedingungen.
- Vergewissern Sie sich vor dem Öffnen und Schließen des Artikels, dass sich keine Personen oder Gegenstände im Öffnungs- bzw. Schließbereich aufhalten.
- Der Artikel bietet Schutz vor direk- ter Sonneneinstrahlung im Freien. Aufgrund von reflektierender UV- Strahlung darf auf angemessene Sonnenschutzmittel nicht verzichtet werden.
- Stellen Sie den Artikel auf einen ebenen, waagerechten Unter- grund.
- Kontrollieren Sie regelmäßig den festen Sitz aller Schraubverbindun- gen!
- Keine Haftung für Unfälle, die durch Missachtung der o.g. Sicher- heitshinweise oder durch unsach- gemäße Handhabung entstehen.

Vermeidung von Sachschäden!

- Sichern Sie den Artikel bei extre- men Wetterbedingungen, wie z. B. bei starkem Wind. Lagern Sie den Artikel in geschützten Räumen.

Wichtige Informationen vor der Montage

ACHTUNG! Für einen optimalen Halt des Artikels müssen die Bo- den- und Deckenhalterungen fest verschraubt werden, insbesondere auf Balkonen oder nicht ebener- dig gelegenen Montageorten. Bei Nichtverschraubung des Artikels an Boden und Decke entfällt jegliche Haftung durch den Hersteller.

ACHTUNG! Bevor Sie mit der Montage des Artikels anfangen, messen Sie die Höhe zwischen Boden und Decke aus.

ACHTUNG! Die Montage des Ar- tikels sollte aufgrund der Größe mit mindestens zwei Personen durchge- führt werden.

ACHTUNG! Aufgrund der erforder- lichen Verwendung von Werkzeu- gen/Maschinen sind handwerkliche Kenntnisse unabdingbar.

Geeignete Montagefläche

Für die Deckenmontage ist eine Betondecke oder eine tragende Holzbalkenkonstruktion geeignet. Für die Bodenmontage ist ein Betonfundament oder Betonplatten von mind. 50 x 50 x 5 cm (L x B x T) geeignet.

Hinweis: Sollten Sie den Artikel an einer Holzbalkenkonstruktion befestigen, müssen Sie den Artikel daran fest verschrauben, da Holz seine Form temperatur- und feuchtigkeitsbedingt verändert. Informieren Sie sich bezüglich geeigneter Montage-materialien im Fachhandel.

Hinweis: Anderweitige Montagebeschaffenheiten müssen durch einen Fachbetrieb auf die Tragfähigkeit und Festigkeit überprüft werden.

Geeignetes Montage-material

Vor der Montage des Artikels muss das Montagematerial bestimmt werden.

Wenn die Montagefläche tragfähig ist, muss das entsprechend passende Montagematerial zum Befestigen ausgewählt werden.

Befestigungsmaterial:

- Dübel Ø 10/50 (15) und Schraube ST6 x 50 mm (16) für Beton und tragendes Mauerwerk.
- Schraube ST6 x 50 mm (16) für tragende Holzbalkenkonstruktion.

Hinweis: Informieren Sie sich bezüglich geeigneter Montage-materialien für die Boden- und Deckenhalterung im Fachhandel.

Montage

Für die Montage des Artikels benötigen Sie folgende, nicht im Lieferumfang enthaltene, Werkzeuge: eine geeignete Bohrmaschine, ein Maßband, einen Kreuzschlitz-Schraubendreher, einen Schraubenschlüssel sowie einen Innensechskantschlüssel.

ACHTUNG! Aufgrund bestehender Absturzgefahr ist eine ausreichende Sicherung durch Gurtzeug sicherzustellen.

Hinweis: Für einen optimalen Halt des Artikels müssen die Boden- und Deckenhalterungen fest verschraubt werden.

Deckenhalterung montieren

Wichtig: Beide Deckenhalterungen müssen genau auf einer Linie liegen und einen Abstand von genau 190 cm zueinander haben (gemessen zwischen den innenliegenden Bohrlöchern der beiden Deckenhalterungen) (Abb. E).

Positionieren Sie die Deckenhalterung (12) an der gewünschten Stelle und zeichnen Sie 2 sich gegenüberliegende Löcher vor (Abb. B).

1. Bohren Sie an den vorgezeichneten Stellen mit dem entsprechenden Werkzeug 2 Löcher. Stecken Sie in beide Löcher jeweils 1 Dübel (15) (Abb. C).

Hinweis: Verwenden Sie ggf. andere Dübel und Schrauben, wenn die Montagefläche dies erfordert.

2. Setzen Sie eine Kunststoffkappe (11) auf die jeweilige Deckenhalterung (12) und führen Sie 2 Schrauben (16) durch die jeweilige Unterlegscheibe (20) (Abb. D).
3. Montieren Sie die Deckenhalterung an der Decke.
4. Montieren Sie die zweite Deckenhalterung, wie in den Schritten 1-3 beschrieben.

Bodenhalterung montieren

1. Loten Sie die genaue Position der Bodenhalterung (13) mit einem Seil (nicht im Lieferumfang enthalten) aus. Markieren Sie die entsprechenden Stellen und zeichnen Sie 2 sich gegenüberliegende Löcher vor (Abb. F).

Hinweis: Die Bodenhalterung (13) muss sich senkrecht unter der Deckenhalterung (12) befinden.

2. Bohren Sie an den vorgezeichneten Stellen mit dem entsprechenden Werkzeug 2 Löcher. Stecken Sie in beide Löcher jeweils 1 Dübel (15) (Abb. G).

Hinweis: Verwenden Sie gegebenenfalls andere Dübel und Schrauben, wenn die Montagefläche dies erfordert.

3. Setzen Sie eine Kunststoffkappe (11) auf die jeweilige Bodenhalterung (13) und führen Sie 2 Schrauben (16) durch die jeweilige Unterlegscheibe (20) (Abb. H).
4. Montieren Sie die Bodenhalterung am Boden.
5. Montieren Sie die zweite Bodenhalterung, wie in den Schritten 1-4 beschrieben.

Wichtig: Die Bodenhalterungen müssen genau auf einer Linie liegen und einen Abstand von genau 190 cm zueinander haben (gemessen zwischen den innenliegenden Bohrlöchern der beiden Bodenhalterungen).

Standrohre montieren (Abb. I)

Sie haben 18 Einstellmöglichkeiten, um die richtige Länge der Standrohre einzustellen.

1. Verbinden Sie jeweils das obere Standrohr (1)/(2) und das untere Standrohr (3) in passender Länge miteinander.
2. Fixieren Sie jeweils das obere Standrohr (1)/(2) und das untere Standrohr (3) mit 2 Schrauben (17) und Unterlegscheiben (20). Fixieren Sie die jeweilige Schraube (17) mit einer Schraubenmutter (18) und Unterlegscheibe (20). Setzen Sie abschließend die Kunststoffabdeckungen (19) auf die jeweilige Schraubenmutter.

Markisengestell montieren

1. Stecken Sie die beiden Antriebswellenrohre (5)/(6) ineinander (Abb. J).
2. Fixieren Sie die Antriebswelle (5 + 6) mit 4 Schrauben (22).
3. Stecken Sie die beiden Fallrohre (7)/(8) ineinander (Abb. J). Der Arretierknopf muss dabei sichtbar und hörbar einrasten.
4. Führen Sie den Kunststoffkeder (10) in den schmaleren Tunnel des Markisentuchs (9).
5. Schieben Sie das Markisentuch mit dem Kunststoffkeder, wie abgebildet, in die Antriebswelle (5 + 6).

Hinweis: Beachten Sie, dass die untere Tunnelfalte (Fallrohr tunnel) während der Montage stets nach oben zeigen muss.

6. Führen Sie das Fallrohr (7 + 8) in den Fallrohr tunnel im Markisentuch (9).
7. Stecken Sie das Ende der Antriebswelle (5) auf den Mitnehmer (2a) des Standrohrs (2) (Abb. K).

Hinweis: Der Mitnehmer (2a) muss sich komplett in der Antriebswelle (5) befinden.

8. Entfernen Sie die vormontierte Schraubenmutter (6a) und Unterlegscheibe (6b) von der Antriebswelle (6).

9. Stecken Sie das Ende der Antriebswelle (6) in das Standrohr (1). Befestigen Sie sie mithilfe der Schraubenmutter (6a) und Unterlegscheibe (6b) (Abb. K).

Hinweis: Achten Sie auf die korrekte Ausrichtung des Bolzens an der Antriebswelle (6).

10. Fixieren Sie die Antriebswelle (5) mit 1 Schraube (22) (Abb. K).

Markisengestell in der Halterung befestigen

Wichtig: Die Montage des Artikels sollte aufgrund der Größe mit mindestens zwei Personen durchgeführt werden.

1. Setzen Sie das Markisengestell zuerst in die Deckenhalterungen ein (Abb. L).
2. Setzen Sie die Sicherung (14) auf die Gewindespindel (3a) (Abb. M).
3. Stecken Sie die Spannstange (25) durch die Bohrung in der Gewindespindel (3a) und drehen Sie sie, um die Höhe des Standrohres zu verändern (Abb. M).

Hinweis: Beachten Sie die maximale Ausziehlänge (max. 5 cm) der Gewindespindel (3a).

4. Drehen Sie die Sicherung (14) auf die Bodenhalterung (13), um die Gewindespindel zu fixieren (Abb. M).

Hinweis: Achten Sie darauf, dass die Gewindespindel (3a) max.

5 cm herausgedreht werden darf (Abb. M).

5. Fixieren Sie abschließend die Standrohre an der jeweiligen Deckenhalterung mit 2 Schrauben (21) und Unterlegscheiben (23) (Abb. N).

Hinweis: Für eine leichtere Montage bohren Sie vor dem Fixieren der Standrohre jeweils zwei Löcher in die Deckenhalterungen vor.

Ausfallarme und Fallrohr montieren

1. Nehmen Sie sich jeweils einen Ausfallarm (4) und schrauben Sie die Rändelschraube (4a), die entsprechende Schraubenmutter (4b) sowie die Ausfallarmhalterung (4c) ab.

2. Stecken Sie die Ausfallarmhalterung (4c) auf ein Standrohr (1/2) (Abb. O).

Hinweis: Stellen Sie sicher, dass beide Ausfallarmhalterungen (4c) auf der gleichen Höhe an den Standrohren befestigt sind (ca. 40 cm von der Unterkante des oberen Standrohres bis zur Unterkante der Ausfallarmhalterung).

3. Schrauben Sie die Ausfallarme in der jeweiligen Ausfallarmhalterung (4c) mit der Rändelschraube (4a) und der entsprechenden Schraubenmutter (4b) fest.

Hinweis: Die Rändelschraube (4a) zeigt dabei nach außen.

4. Befestigen Sie die Ausfallarme (4) jeweils am Fallrohr (7 + 8) mit der Rändelschraube (24) (Abb. P).

Verwendung (Abb. Q)

1. Hängen Sie die Handkurbel (1a) in die Kurbelöse (1b) des oberen Standrohrs (1) ein.

2. Drehen Sie die Handkurbel (1a), um den Artikel zu öffnen oder zu schließen.

3. Entfernen Sie die Handkurbel (1a) nach jeder Verwendung und verwahren Sie sie sicher.

Lagerung, Reinigung

Lagern Sie den Artikel bei Nichtbenutzung immer trocken und sauber bei Raumtemperatur.

Nur mit Wasser reinigen und anschließend mit einem Reinigungstuch trockenwischen.

WICHTIG! Nie mit scharfen Reinigungsmitteln reinigen.

Lassen Sie den Artikel geöffnet trocknen.

Hinweise zur Entsorgung

Entsorgen Sie den Artikel und die Verpackungsmaterialien entsprechend aktueller örtlicher Vorschriften. Verpackungsmaterialien, wie z. B. Folienbeutel, gehören nicht in Kinderhände.

Bewahren Sie das Verpackungsmaterial für Kinder unerschwinglich auf.



Entsorgen Sie den Artikel und die Verpackung umweltschonend.



Der Recycling-Code dient der Kennzeichnung verschiedener Materialien zur Rückführung in den Wiederverwertungskreislauf (Recycling). Der Code besteht aus dem Recyclingsymbol – das den Verwertungskreislauf widerspiegeln soll – und einer Nummer, die das Material kennzeichnet.

Hinweise zur Garantie und Serviceabwicklung

Der Artikel wurde mit großer Sorgfalt und unter ständiger Kontrolle produziert. DELTA-SPORT HANDELSKONTOR GmbH räumt privaten Endkunden auf diesen Artikel drei Jahre Garantie ab Kaufdatum (Garantiefrist) nach Maßgabe der folgenden Bestimmungen ein. Die Garantie gilt nur für Material- und Verarbeitungsfehler. Die Garantie erstreckt sich nicht auf Teile, die der normalen Abnutzung unterliegen und deshalb als Verschleißteile anzusehen sind (z. B. Batterien) sowie nicht auf zerbrechliche Teile, z. B. Schalter, Akkus oder Teile, die aus Glas gefertigt sind.

Ansprüche aus dieser Garantie sind ausgeschlossen, wenn der Artikel unsachgemäß oder missbräuchlich oder nicht im Rahmen der vorgesehenen Bestimmung oder des vorgesehenen Nutzungsumfangs verwendet wurde oder Vorgaben in der Anleitung/Anweisung nicht beachtet wurden, es sei denn, der Endkunde weist nach, dass ein Material- oder Verarbeitungsfehler vorliegt, der nicht auf einem der vorgenannten Umstände beruht.

Ansprüche aus der Garantie können nur innerhalb der Garantiefrist unter Vorlage des Originalkassenbelegs geltend gemacht werden. Bitte bewahren Sie deshalb den Originalkassenbeleg auf. Die Garantiefrist wird durch etwaige Reparaturen aufgrund der Garantie, gesetzlicher Gewährleistung oder Kulanz nicht verlängert. Dies gilt auch für ersetzte und reparierte Teile.

Bitte wenden Sie sich bei Beanstandungen zunächst an die untenstehende Service-Hotline oder setzen Sie sich per E-Mail mit uns in Verbindung. Liegt ein Garantiefall vor, wird der Artikel von uns – nach unserer Wahl – für Sie kostenlos repariert, ersetzt oder der Kaufpreis erstattet. Weitere Rechte aus der Garantie bestehen nicht.

Ihre gesetzlichen Rechte, insbesondere Gewährleistungsansprüche gegenüber dem jeweiligen Verkäufer, werden durch diese Garantie nicht eingeschränkt.

IAN: 384313_2107

Ⓢ Service Deutschland

Tel.: 0800-5435111

E-Mail: deltasport@lidl.de

Ⓢ Service Österreich

Tel.: 0820 201 222

(0,15 EUR/Min.)

E-Mail: deltasport@lidl.at

Ⓢ Service Schweiz

Tel.: 0842 665566

(0,08 CHF/Min.,

Mobilfunk max.

0,40 CHF/Min.)

E-Mail: deltasport@lidl.ch

