

PETROL HEDGE TRIMMER PBHS 650 A1 BENZIN-HECKENSCHERE PBHS 650 A1 TAILLE-HAIES THERMIQUE PBHS 650 A1

(GB) (IE) (NI) (CY) (MT)

PETROL HEDGE TRIMMER

Operating and Safety Instructions
Translation of Original Operating Manual

(FR) (BE) (CH)

TAILLE-HAIES THERMIQUE

Consignes d'utilisation et de sécurité
Traduction des instructions d'origine

(CZ)

BENZINOVÉ NŮŽKY NA ŽIVÝ PLOT

Pokyny pro obsluhu a bezpečnostní pokyny
Překlad originálního provozního návodu

(SK)

BENZÍNOVÉ NOŽNICE NA ŽIVÝ PLOT

Pokyny pre obsluhu a bezpečnostné pokyny
Preklad originálneho návodu na obsluhu

(DK)

BENZIN HÆKKEKLIPPER

Drifts- og sikkerhedsinstruktioner
Oversættelse af den originale driftsvejledning

(HU)

BENZINES SÖVÉNYNYÍRÓ

Kezelési és biztonsági útmutató
Az eredeti használati útmutató fordítása

(HR)

BENZINSKE ŠKARE ZA ŽIVICU

Upute za posluživanje i za Vašu sigurnost
Prijevod originalnih uputa za uporabu

(BG)

БЕНЗИНОВ ХРАСТОРЕЗ

Инструкции за обслужване и безопасност
Превод на оригиналното ръководство за експлоатация

(DE) (AT) (CH)

BENZIN-HECKENSCHERE

Bedienungs- und Sicherheitshinweise
Originalbetriebsanleitung

(NL) (BE)

BENZINE HEGGENSCHAAR

Bedienings- en veiligheidsinstructies
Vertaling van de originele handleiding

(PL)

SPALINOWE NOŻYCE DO ŻYWOPŁOTU

Wskazówki dotyczące obsługi i bezpieczeństwa
Tłumaczenie oryginalnej instrukcji obsługi

(ES)

CORTASETOS DE GASOLINA

Instrucciones de utilización y de seguridad
Traducción del manual de instrucciones original

(IT) (MT) (CH)

TAGLIASIEPI A BENZINA

Indicazioni per l'uso e per la sicurezza
Traduzione delle istruzioni d'uso originali

(SI)

BENCINSKE ŠKARJE ZA ŽIVO MEJO

Navodila za upravljanje in varnostna opozorila
Prevod originalnega navodila za uporabo

(RO)

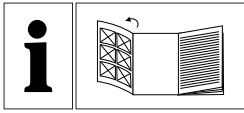
FOARFECĂ PENTRU GARD VIU, CU MOTOR PE BENZINĂ

Instrucțiuni de utilizare și de siguranță
Traducerea instrucțiunilor de utilizare originale

(GR) (CY)

ΜΠΟΡΝΤΟΥΡΟΨΑΛΙΔΟ ΒΕΝΖΙΝΗΣ

Οδηγίες χειρισμού και ασφαλείας
Μετάφραση του πρωτοτύπου των οδηγιών χρήσης



GB IE NI CY MT

Before reading, unfold the page containing the illustrations and familiarise yourself with all functions of the device.

DE AT CH

Klappen Sie vor dem Lesen die Seite mit den Abbildungen aus und machen Sie sich anschließend mit allen Funktionen des Gerätes vertraut.

FR BE CH

Avant de lire le mode d'emploi, ouvrez la page contenant les illustrations et familiarisez-vous ensuite avec toutes les fonctions de l'appareil.

NL BE

Vouw vóór het lezen de pagina met de afbeeldingen open en maak u vertrouwd met alle functies van het apparaat.

CZ

Před čtením si otevřete stranu s obrázky a potom se seznámte se všemi funkcemi přístroje.

PL

Przed przeczytaniem proszę rozłożyć stronę z ilustracjami, a następnie proszę zapoznać się z wszystkimi funkcjami urządzenia.

SK

Pred čítaním si odklopte stranu s obrázkami a potom sa oboznámte so všetkými funkciami prístroja.

ES

Antes de empezar a leer abra la página que contiene las imágenes y, en seguida, familiarícese con todas las funciones del dispositivo.

DK

Før du læser, vend siden med billeder frem og bliv bekendt med alle apparatets funktioner.

IT MT CH

Prima di leggere aprire la pagina con le immagini e prendere confidenza con le diverse funzioni dell'apparecchio.

HU

Olvasás előtt kattintson az ábrát tartalmazó oldalra és végezetül ismerje meg a készülék mindegyik funkcióját.

SI

Pred branjem odprite stran s slikami in se nato seznanite z vsemi funkcijami naprave.

HR

Prije nego što pročitate tekst, otvorite stranicu sa slikama i upoznajte se na osnovu toga sa svim funkcijama uređaja.

RO

Înainte de a citi instrucțiunile, priviți imaginile și familiarizați-vă cu toate funcțiile aparatului.

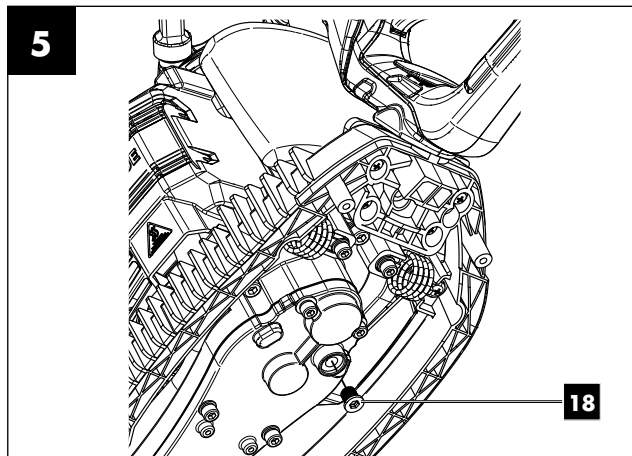
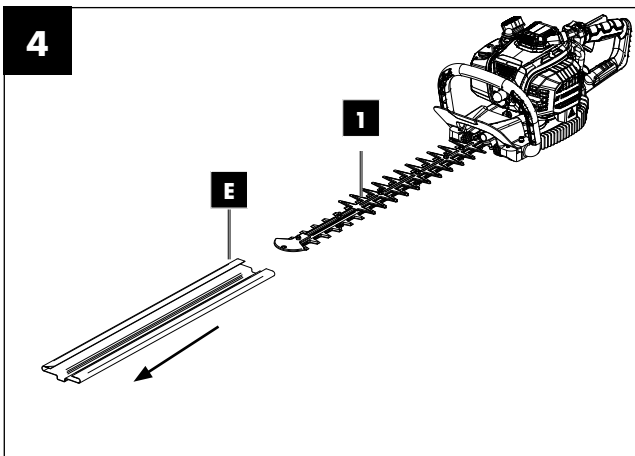
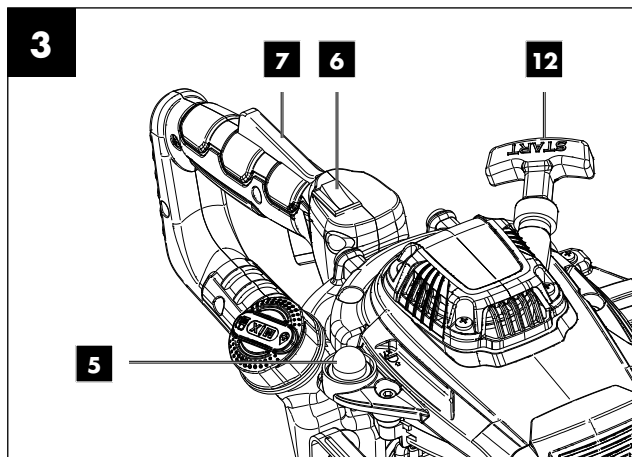
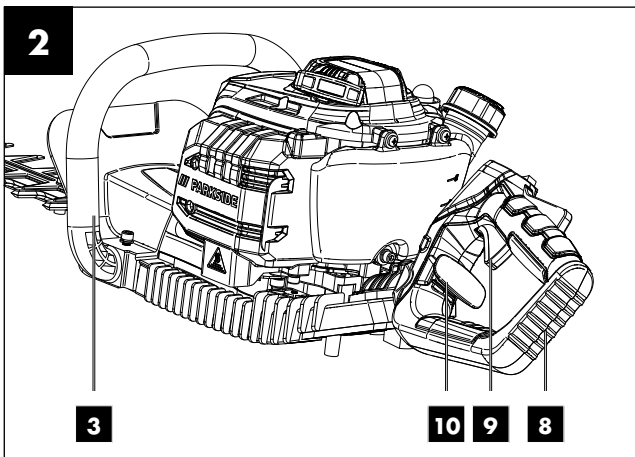
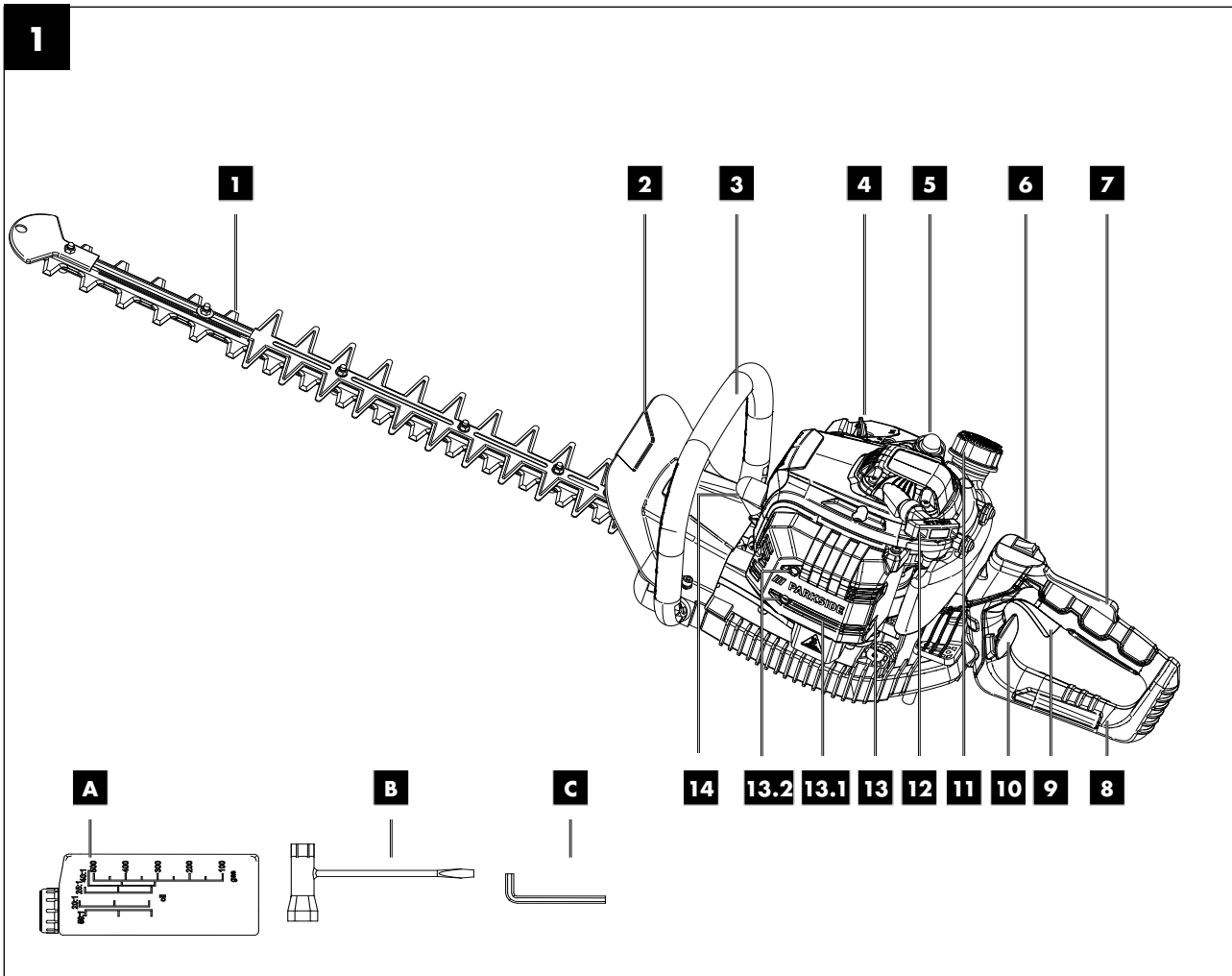
BG

Преди да прочетете отворете страницата с фигурите и след това се запознайте с всички функции на уреда.

GR CY

Πριν ξεκινήσετε την ανάγνωση, ανοίξτε τη σελίδα με τις εικόνες και εξοικειωθείτε με όλες τις λειτουργίες της συσκευής.

GB / IE / NI / CY / MT	Operating and Safety Instructions	Page	01
DE / AT / CH	Bedienungs- und Sicherheitshinweise	Seite	17
FR / BE / CH	Consignes d'utilisation et de sécurité	Page	33
NL / BE	Bedienings- en veiligheidsinstructies	Pagina	49
CZ	Pokyny pro obsluhu a bezpečnostní pokyny	Strana	65
PL	Wskazówki dotyczące obsługi i bezpieczeństwa	Strona	80
SK	Pokyny pre obsluhu a bezpečnostné pokyny	Strana	96
ES	Instrucciones de utilización y de seguridad	Página	111
DK	Drifts- og sikkerhedsinstruktioner	Side	127
IT / MT / CH	Indicazioni per l'uso e per la sicurezza	Pagina	142
HU	Kezelési és biztonsági útmutató	Oldal	158
SI	Navodila za upravljanje in varnostna opozorila	Stran	174
HR	Upute za posluživanje i za Vašu sigurnost	Stranica	189
RO	Instrucțiuni de utilizare și de siguranță	Pagina	204
BG	Инструкции за обслужване и безопасност	Страница	222
GR / CY	Οδηγίες χειρισμού και ασφαλείας	Σελίδα	239



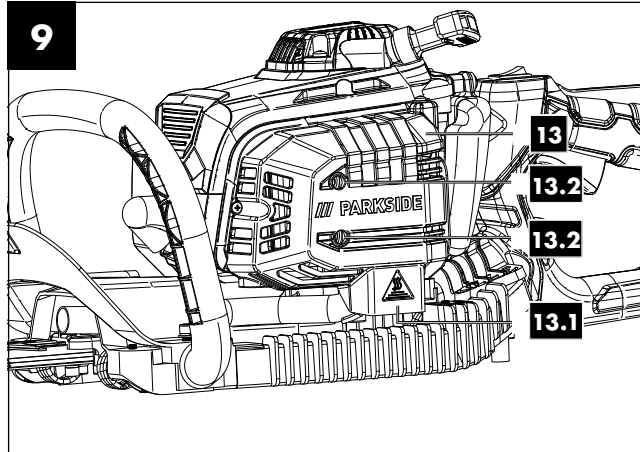
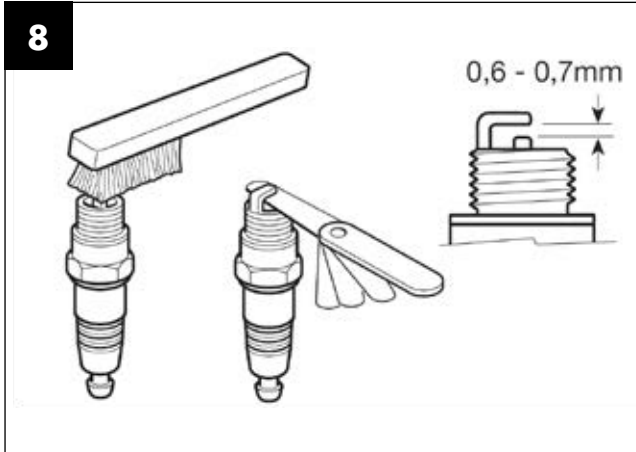
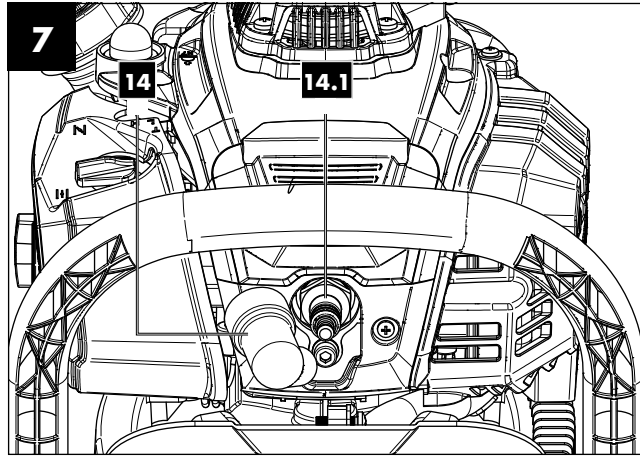
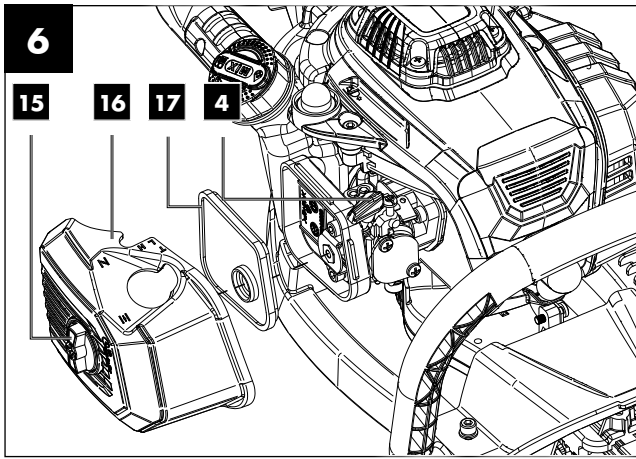


Table of contents:	Page:
1. Explanation of the symbols on the device	2
2. Introduction.....	4
3. Device description (Fig. 1-9)	4
4. Scope of delivery	4
5. Proper use.....	4
6. Safety information	5
7. Working instructions.....	7
8. Technical data.....	8
9. Before commissioning	9
10. Operation	10
11. Working instructions.....	11
12. Transport.....	11
13. Cleaning and maintenance	11
14. Storage	13
15. Disposal and recycling	13
16. Troubleshooting.....	14
17. Warranty certificate	15
18. Exploded view.....	257
19. Declaration of conformity	260

1. Explanation of the symbols on the device

	Read the operating and safety instructions before start-up and follow them!
	Wearing safety shoes is recommended!
	Use hearing protection!
	Use safety goggles!
	Wear work gloves!
	Attention! Keep bystanders away from the work area!
	Observe warnings and safety instructions!
	Attention! There is a risk of fire and explosion.
	Attention: Risk of injury! Never have your hands near the blades. Never touch a blade when switching on or working with the device.
	Warning - Hot surfaces!



Do not operate the device in rain or in humid conditions. Danger of electric shock!



Attention: flammable substances. Fire, naked flames and smoking prohibited!



Mixing ratio: 40 parts petrol to 1 part oil



Turn the choke lever. "Warm start and work" and "Cold start"



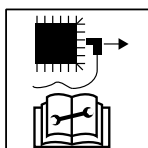
Specification of the guaranteed sound power level L_{WA} in dB.



Press the "Primer" fuel pump 7x



Attention! Risk of suffocation!
The exhaust gases are toxic. Do not operate the engine in areas that are not ventilated.



Before maintenance work switch off the device and pull off the spark plug connector!



The product complies with the applicable European directives.

2. Introduction

MANUFACTURER:

Scheppach GmbH

Günzburger Straße 69

D-89335 Ichenhausen

DEAR CUSTOMER,

We hope your new tool brings you much enjoyment and success.

NOTE:

In accordance with the applicable product liability laws, the manufacturer of this device assumes no liability for damage to the device or caused by the device arising from:

- Improper handling,
- Failure to comply with the operating instructions.
- Repairs carried out by third parties, unauthorised specialists.
- Installing and replacing non-original spare parts,
- Application other than specified,

Please consider:

Read through the complete text in the operating manual before installing and commissioning the device.

The operating manual is intended to help the user to become familiar with the machine and take advantage of its application possibilities in accordance with the recommendations.

The operating manual includes important instructions for safe, proper and economic operation of the device, for avoiding danger, for minimising repair costs and downtimes, and for increasing the reliability and extending the service life of the device.

In addition to the safety instructions in this operating manual, you must also observe the regulations applicable to the operation of the device in your country.

Keep the operating manual package with the machine at all times and store it in a plastic cover to protect it from dirt and moisture. They must be read and carefully observed by all operating personnel before starting the work.

The device may only be used by personnel who have been trained to use it and who have been instructed with respect to the associated hazards. The required minimum age must be observed.

In addition to the safety instructions in this operating manual and the separate regulations of your country, the generally recognised technical rules relating to the operation of such machines must also be observed.

We accept no liability for accidents or damage that occur due to a failure to observe this manual and the safety instructions.

3. Device description (Fig. 1-9)

1. Cutting device
2. Hand guard
3. Front handle
4. Cold start lever (choke)
5. Fuel pump primer
6. On/Off button
7. Throttle interlock
8. Rear handle
9. Throttle
10. Interlocking handle
11. Tank cover
12. Start pull cord
13. Silencer
 - 13.1 Silencer outlet opening
 - 13.2 Silencer screws
14. Spark plug connector
 - 14.1 Spark plug
15. Wing screw
16. Air filter cover
17. Air filter
18. Lubrication port

4. Scope of delivery

- Petrol hedge trimmer
- Oil-petrol mixing bottle (A)
- Spark plug wrench (B)
- Allen key, 4 mm (C)
- Blade guard (E) (pre-fitted)
- Operating manual

5. Proper use

The machine complies with the applicable EC machinery directive.

Before starting any work, all protective and safety devices must be in place.

These petrol hedge trimmers are intended to cut soft, newly grown hedge material. It is not suitable for the cutting of branches, solid wood or other cutting material.

The machine has been designed to be operated by one person.

The operator is responsible for third parties in the area of operations.

Observe all safety information and danger notices on the machine.

Ensure that all of the safety information and danger notices on the machine are complete and in legible condition.

Only use the machine when in a technically faultless condition, appropriately and in compliance with the operating manual and with full knowledge of safety and hazards!

In particular, rectify malfunctions that could impair safety immediately (or commission rectification works accordingly)!

The manufacturer's safety, operating and maintenance specifications as well as the dimensions given in the technical data must be observed.

Relevant accident prevention regulations and other generally recognized safety and technical rules must also be observed.

The machine may only be used, maintained or repaired by trained persons who are familiar with it and have been informed of the dangers. Any liability of the manufacturer for damages resulting from arbitrary changes to the machine is excluded.

The machine is intended for use only with original accessories and original tools from the manufacturer.

Any use beyond this is improper use. The manufacturer is not responsible for the resultant damages, the user bears this risk alone.

The petrol hedge trimmer may only be used for cutting hedges, bushes and shrubs. Any other use not specified in these usage instructions may damage the trimmer or cause severe injuries to the user and is therefore explicitly prohibited from the list of possible uses.

The device must not be used for commercial, craft or industrial purposes.

If you are not sure whether working conditions are safe or unsafe, do not work with the machine.

WARNING! For your own safety, please thoroughly read this manual and the general safety instructions before turning the machine on. If you give the machine to third parties, always include these instructions.

Please observe that our equipment was not designed with the intention of use for commercial or industrial purposes. We assume no guarantee if the equipment is used in commercial or industrial applications, or for equivalent work.

6. Safety information

6.1 Safe work

THIS PETROL HEDGE TRIMMER CAN CAUSE SERIOUS INJURIES!

Read the instructions for correct handling, preparation, maintenance, starting and shutting down the hedge trimmer carefully. Familiarise yourself with all actuators and with using the petrol hedge trimmer properly.

Read and observe the following instructions and the safety instructions valid in the respective country before commissioning these products in order to protect yourself and others from possible injuries.

Always store these safety instructions (operating manual) together with the petrol hedge trimmer.

The petrol hedge trimmer may only be operated by persons with sufficient experience.

Children are never permitted to use the petrol hedge trimmer.

Only give or lend the petrol hedge trimmer to persons who are familiar with the petrol hedge trimmer and its handling. Always provide the operating manual.

Repairs to the device must be done by the manufacturer or companies named by them.

6.2 First time users

Anyone working with the petrol hedge trimmer for the first time must receive practical instruction in the use of the petrol hedge trimmer and the personnel protective equipment from an experienced operator.

- **Remain attentive.** Pay attention to what you are doing. Remain sensible when working. Do not use the device while tired or under the influence of drugs, alcohol or medication. A moment of inattention while operating power tools may result in serious personal injury.
- **Familiarise yourself with the device with the help of the operating manual before use.** Inadequately informed operators can endanger themselves and others through improper use.
- Do not use the device for purposes for which it is not intended (see "5. Proper use").
- **Avoid abnormal posture.** Make sure that you have secure footing and always maintain your balance. This is especially true when using a stepladder or ladder.
- **Wear suitable work clothing:**
 - Do not wear loose clothing or jewellery, which can become entangled in moving parts
 - Sturdy gloves and non-slip footwear
 - Wear a hair net if you have long hair
- **Wear personal protective equipment:**
 - Hearing protection
 - Safety goggles or face protection
 - Work gloves
 - Safety shoes
 - Safety helmet approved in situations where head injuries are to be expected.
- **We recommend wearing leg protection and a safety jacket.**
- **Keep the work area orderly!** Disorder can lead to accidents.
- **Take environmental influences into account:**
 - Do not expose the petrol hedge trimmer to rain.
 - Do not use the petrol hedge trimmer in a damp or wet environment.
 - Reschedule work in the event of adverse weather (rain, snow, ice, wind), increased risk of accidents!
 - Ensure good lighting.
 - Do not use the petrol hedge trimmer in the vicinity of combustible fluids or gases.
- **Familiarise yourself with your environment and pay attention to possible hazards that you may not hear due to the noise from the motor.**
- **Beware of overhead power lines**
- **Never leave the petrol hedge trimmer running unattended.**
- **When taking a break, the petrol hedge trimmer must be set down in such a way that no one is endangered.** Secure the petrol hedge trimmer from unauthorised access.
- **Persons under the age of 18 may not operate the device.**
- **Keep other persons away.**

- **The user is responsible for all accidents and hazards that occur to other people and their property.**
- **The operator is responsible for third parties in the area of operations.**
- **Keep away from children.**
- **Do not allow other persons, especially children, to touch the tool or the motor.** Keep them away from your work area.
- **Always ensure that the petrol hedge trimmer is properly in one of the prescribed working positions before starting the engine.**
- **Ensure that all handles and safety equipment are installed when using the petrol hedge trimmer.** Never attempt to use an incomplete petrol hedge trimmer or one with an impermissible modification.
- **Do not use blunt, cracked or damaged cutting devices.**
- **Only start cutting when the cutting device is running.**
- **Do not overload the machine!** They work better and more safely in the specified output range.
- **Only operate the device with the protective devices fully and correctly attached and do not change anything on the machine that could affect safety.**
- **Do not modify the device or parts of the device.**
- **Do not use any cutting device which does not correspond to the characteristics specified in this user manual.** The use of other tools and other accessories may result in a danger of injury.
- **Switch the machine off and remove the spark plug connector from the spark plug:**
 - In the event the petrol hedge trimmer makes contact with soil, stones, nails or other foreign objects, check whether the device is damaged.
 - Adjusting the working position of the cutting unit
 - Inspection, maintenance or work on the hedge trimmer.
 - Repair work
 - Maintenance and cleaning work
 - Rectification of faults (this also includes blocking of the cutting device)
 - Transport and storage
 - Leaving the petrol hedge trimmer (even with brief interruptions)
- **Take care of your petrol hedge trimmer:**
 - Keep tools sharp and clean in order to be able to work better and more safely.
 - Keep the handle dry and free of oil and grease.
 - Follow the maintenance instructions.
- **Check the machine for potential damage:**
 - Protective devices must be carefully inspected to ensure that they are fault-free and function as intended prior to continued use of the machine.
 - Check whether the moving parts function faultlessly and do not jam or whether parts are damaged. All parts must be correctly mounted and all conditions must be fulfilled to ensure fault-free operation of the petrol hedge trimmer.
 - Damaged protective devices and parts must be repaired properly or replaced by a recognised specialist workshop unless otherwise specified in the usage instructions.
 - Damaged or illegible safety stickers must be replaced.

- **Do not leave a tool key inserted!** Before switching on, always make sure that keys and adjusting tools are removed.
- **Store unused devices in a dry, locked place and out of reach of children.**
- **Store the petrol hedge trimmer where fuel vapours cannot come into contact with open fire or sparks.** Allow the petrol hedge trimmer to cool down before storing it.
- **When transporting or storing the petrol hedge trimmer, always cover the cutting device with the cutting device protector.**
- **Do not carry out any repairs on the machine unless you are trained to do so.** Do not carry out any repairs to the machine other than those described in the chapter "13. Cleaning and maintenance", contact the manufacturer or the responsible customer service directly.
- **Avoid using the petrol hedge trimmer if people, and especially children, are in the vicinity.**
- **If the cutting device touches a foreign object, the operating noises get louder or the petrol hedge trimmer vibrates unusually excessively, stop the engine and allow the petrol hedge trimmer to come to a standstill.** Disconnect the spark plug connector from the spark plug and take the following measures:
 1. check for damage;
 2. check for loose parts and fasten all parts;
 3. replace damaged parts with equivalent parts or have them repaired.
- **Do not use the petrol hedge trimmer with a faulty or heavily worn cutting device.**
- **To reduce the risk of fire, make sure that the engine and silencer are free of debris, leaves or leaking lubricant.**
- **Always use both hands when the petrol hedge trimmer is equipped with two handles.**
- **If the petrol hedge trimmer is shut down for maintenance, inspection or storage, turn off the engine, disconnect the spark plug connector from the spark plug and ensure that all rotating parts have stopped.** Allow the machine to cool down before checking, adjusting, etc.

Repairs to the other parts of the machine must be done by the manufacturer or their customer service centre.

Only use original spare parts. The use of other spare parts and accessories may result in accidents for the user. The manufacturer is not responsible for damage resulting from this.

6.3 Safe use of fuels

Handle fuel with care! Fuels and fuel vapours are flammable and can cause serious damage if they are inhaled or come into contact with the skin.

Caution is therefore advised when using fuel and ensure good ventilation.

- **Switch off the engine and allow the device to cool before refuelling the petrol hedge trimmer.**
- **Do not smoke and avoid naked flames when refuelling.**
- **Wear gloves when refuelling.**

- **Do not refuel in enclosed spaces (risk of explosion).**
- **Only refuel outdoors.**
- **Ensure that you do not spill fuel or oil.** Clean the petrol hedge trimmer immediately if you spill fuel or oil. Change your clothes immediately if you spill fuel or oil on them.
- **Make sure that no fuel gets into the soil.**
- **Carefully seal the tank plug immediately after refuelling and ensure that it does not become loose during operation.**
- **Ensure that the tank cover and fuel lines are tight.** If the event of leaks, the device must not be operated.
- **Only transport and store fuels in approved and labelled containers.**
- **Keep children away from fuels.**
- **Do not transport and store fuels in the vicinity of flammable or easily flammable substances as well as sparks or naked flames.**
- **Move at least three meters away from the refuelling area before starting the device.**
- **If the tank is emptied, this should be done outdoors.**
- **Never store the petrol hedge trimmer or fuel tank in a room where there is an open flame, such as in a water heater.**
- **To reduce the risk of fire, keep the engine and silencer free of cutting waste, leaves and lubricants!**
- **Never remove the fuel filler cap or top up with petrol when the engine is running or hot.**
- **Allow the engine and exhaust parts to cool before refilling.**
- **If petrol has overflowed try not to start the engine but remove the machine from the petrol contaminated surface before starting.**

6.4 Residual risks

Even when used as intended, there may still be residual risks due to the design determined by the intended use, despite compliance with all relevant safety regulations. Residual risks can be minimised if the "6. Safety Instructions" and the "5. Intended Use" together with the operating manual as a whole are observed. Consideration and caution lower the risk of personal injuries and damage.

Furthermore, despite all precautions having been met, some non-obvious residual risks may still remain:

- Injury due to ejected parts.
- Breakage and ejection of blade pieces.
- Danger of carbon monoxide poisoning when using the device in enclosed or poorly ventilated spaces.
- Danger of burning if hot components are touched.
- Impairment of hearing in the event of prolonged work without hearing protection.

7. Working instructions

Before commissioning and regularly while working with the petrol hedge trimmer, carry out the following checks:

- Is the petrol hedge trimmer fully and properly assembled? Ensure that all nuts and screws are tightened.
- Is the petrol hedge trimmer in a good and safe condition?
 - Are all safety functions working?
- Is the fuel tank filled?
- Is the cutting device undamaged and sharpened?
- Are the motor and silencer free of deposits, leaves or escaping lubricant?
- Is the handle clean and dry, free of oil, grease and resin?
- Is the workplace free of trip hazards?
- Are you wearing the required protective equipment?
- Have you read and understood all the safety instructions?
- Is the throttle easy to access and functional?
- Is the on/off button functional?
- Does the cutting device always remain still when idling?

If the cutting device moves when idling, the idle speed must be reduced (see "13.2 Setting the idle speed").

- Make sure that the transmission is sufficiently lubricated (see "13. Cleaning and maintenance").

7.1 General behaviour when working with the hedge trimmer

- Do not work alone. Someone should be within reach for emergencies.
- Keep children, persons and animals away from your work area (at least 15 m).
- Do not work on snow, ice or other slippery surfaces, risk of slipping.
- Do not work when the light conditions are insufficient (e.g. fog, rain, driving snow or twilight).
- Shoo animals away from the hedge before cutting so they are not injured.
- Make sure that you have a safe and tidy workplace. Remove objects which could be ejected from the work area.
- Avoid abnormal posture. Keep your balance at all times. Do not work with your upper body bent over.
- Only operate the petrol hedge trimmer with firm footing.
- Switch the petrol hedge trimmer off when changing location.
- Keep hands and feet away from the cutting device if it is moving.
- Hold the petrol hedge trimmer so that no exhaust gases can be breathed in. Do not work in enclosed spaces.
- Do not use the petrol hedge trimmer to lift or shovel away pieces of wood or other objects.
- Make sure to remove any foreign objects from the hedges (e.g. wire), since they may damage the cutting device of the petrol hedge trimmer.
- Always hold the petrol hedge trimmer tightly with both hands, left hand on the front handle and the right hand on the rear handle. Never work with only one hand.
- If the throttle is released, the cutting device continues to run for a short time (freewheel effect).
- Start cutting with the cutting device running.
- Never touch the cutting device with your hands during operation.

- Never work
 - with your arms stretched
 - in hard to reach places
 - leaning too far forward
- Never work with the petrol hedge trimmer above shoulder height.
- Never touch wire fences or the floor with the running cutting device.
- Switch the motor off and pull out the spark plug
 - If there are any noticeable changes in the behaviour of the device
 - To eliminate jammed material to be cut
 - To check the cutting device if you hit any stones, nails, or other hard objects with it.
 - To eliminate faults
 - With breaks in work
 - Before leaving the hedge trimmer
- Do not place the hedge trimmer which is hot directly onto dry grass or other flammable objects.
- Before starting work, make sure that:
 - There are no other persons or animals in the work area.
 - An obstacle free path to the rear is available for you.
 - The floor is free from all foreign bodies, brushwood and branches.
 - You have firm footing.

If people with blood circulation disorders are exposed to vibrations too often, damage to the nervous system or blood vessels can occur.

7.2 You can reduce the vibrations:

- With strong, warm work gloves.
- Shortening the work time (take several long breaks).

See a doctor if your fingers swell up, you feel unwell or your fingers go numb.

7.3 Working with the hedge trimmer

Hold the petrol hedge trimmer at a safe distance away from your body with two hands.

- The maximal diameter to cut depends on the wood's type, age, moisture and hardness.
- Therefore cut very thick branches using branch shears to your desired length before trimming the hedge.
- Thanks to its double-sided blade, the petrol hedge trimmer can be moved forward and backward or from one side to the other swinging it back and forth.
- Cut the sides of the hedges first and then the top edge.
- Cut the hedges from bottom to the top.
- Cut the hedges in trapezium shape. This prevents the lower hedge area from becoming bare due to insufficient light.
- Stretch a guide over the complete length of the hedge when you want to shorten the upper edge of the hedge evenly.
- Trim in several passes if you have to cut down a large portion of the hedge.

7.4 The right time to cut:

- Leaf hedge: June and October
- Conifer hedge: April and August
- fast growing hedge: around every 6 weeks from May

Pay attention to nesting birds in the hedge. Delay the hedge cut or leave this area out if this is the case.

Always observe all safety instructions.

7.5 Behaviour in case of malfunctions or accidents

In case of malfunctions or accidents, stop the petrol hedge trimmer immediately with the on/off button (6).

7.6 First aid

A first-aid kit according to DIN 13164 should always be available at the workplace in the event of an accident. Immediately refill removed material.

When you request assistance, provide the following information:

- Where it happened?
- What happened?
- How many injured?
- What type of injury?
- Who is reporting?

8. Technical data

Type of engine	Two-stroke engine - air-cooled
Displacement cm ³	22.5
Engine output in kW	0.65
Idle speed n _i /rpm.....	3000 +/- 300
Max. engine speed rpm.....	10500
Tank contents L.....	0.28
Mixture ratio (fuel/two-stroke oil)	40:1
Cutting length mm	560
Max. cutting thickness mm.....	27
Dimensions L x W x H mm	1100 x 245 x 200
Blade length mm.....	700
Spark plug.....	L8RTC
Weight kg.....	5.2

Technical changes reserved!

Noise

Information about noise level measured in accordance with applicable standards:

Sound pressure level L _{pA}	97.8 dB
Uncertainty K _{pA}	3 dB
Sound power level L _{WA}	107.3 dB
Uncertainty K _{WA}	2.53 dB

Wear hearing protection.

Excessive noise can result in a loss of hearing.

Vibration

Vibration (rear handle) A _{hv}	4.838 m/s ²
Measurement uncertainty K _{hv}	1.5 m/s ²
Vibration (front handle) A _{fv}	5.389 m/s ²

Keep the noise level and vibration to a minimum!

- Only use devices which are free of defects.
- Maintain and clean the device at regular intervals.
- Adapt your working methods to the device.
- Do not overload the device.
- Have the device checked if necessary.

- Switch the device off if it is not in use.
- Wear gloves.

WARNING

Avoid the risks associated with vibration, e.g. the risk of white finger syndrome (circulatory disorders) by taking frequent breaks from work where you rub your palms together, for example.

- Always wear protective gloves and make sure your hands are warm.
- Take regular breaks from work.

9. Before commissioning

- Open the packaging and carefully remove the device.
- Remove the packaging material, as well as the packaging and transport safety devices (if present).
- Check whether the scope of delivery is complete.
- Check the device and accessory parts for transport damage.
- If possible, keep the packaging until the expiry of the warranty period.

ATTENTION

The device and the packaging are not children's toys! Do not let children play with plastic bags, films or small parts! There is a danger of choking or suffocating!

- Familiarise yourself with the product by means of the operating instructions before using for the first time.
- With accessories as well as wearing parts and replacement parts use only original parts. Replacement parts can be obtained from your dealer.
- When ordering please provide our article number as well as type and year of manufacture for your equipment.

The petrol hedge trimmer is not filled with the fuel mixture when delivered.

The device is operated with a mixture of petrol (unleaded) and two-stroke motor oil.

Pay extra attention when handling petrol. Smoking and naked flames are not permitted (risk of explosion).

Before each commissioning, check the device for the following:

- Check the fuel system for leakage.
- Faultless condition and completeness of the guards and the cutting device.
- Tight fit of all screw connections.
- Smooth running of all moving parts.

Fuel and oil

- Recommended fuels
 - Use only a mixture of unleaded petrol and special 2-stroke engine oil. Mix the fuel mixture as per the fuel mixing table.
 - Do not use E10 fuel.

Attention:

Do not use a fuel mixture that has been stored for more than 90 days.

Attention:

Do not use 2-stroke oil that recommends a mixing ratio of 100:1. The engine guarantee of the manufacturer becomes invalid in the event of damage to the engine due to insufficient lubrication.

Attention:

Use only designated and approved vessels for the transport and storage of fuel. Put the correct amount of petrol and 2-stroke oil into the enclosed oil-petrol mixing bottle (A). Then shake the vessel well.

Never use oil for 4-stroke engines or water-cooled 2-stroke engines. This can cause the spark plug to become fouled, the exhaust part to become blocked or the piston ring to become stuck. Fuel mixtures that have not been used for one month or longer can clog the carburettor or impair engine operation. Put unused fuel in an airtight vessel and store it in a dark, cool room.

Fuel mixing table

Mixing procedure: 40 parts petrol to 1 part oil

Example:

1 l petrol: 0.025 l 2-stroke oil

5 l petrol: 0.125 l 2-stroke oil

Warning! Pay attention to the exhaust gases.

Always switch off the engine before refuelling.

Never add petrol to the device while the engine is running or it is hot. There is a risk of fire!

Only fuel the unit outdoors or in well-ventilated rooms. Make sure that no fuel gets into the soil (environmental protection).

Use a suitable surface. Only use bio chain oil.

Fuels only have a limited shelf life as they age. Expired fuels and fuel mixtures can result in start problems. Therefore only mix as much fuel as required for one month's use. Only store fuels in approved and labelled containers. Store the fuel container in a dry and safe place.

Make sure that the fuel container cannot be reached by children when stored.

Attention! Before commissioning, find out how to take the device out of operation in an emergency!

9.1 Refuelling the petrol hedge trimmer

- Switch off the engine and allow it to cool!
- Wear safety gloves!
- Avoid skin and eye contact!
- Always observe, "Safe use of fuels", see 6.3.

1. Only refuel the petrol hedge trimmer outdoors or in sufficiently ventilated rooms.
2. Clean the area surrounding the filling area. Impurities in the tank lead to operational faults.

3. Shake the oil-petrol mixture bottle (A) with the fuel mixture again before filling it into the tank.
4. Carefully open the tank cover (11) of the fuel tank so that any possible overpressure can be relieved.
5. Carefully fill the petrol mixture up to the lower edge of the filler neck. Use a funnel or a filling aid (not included in the scope of delivery) to avoid spilling of the fuel.
6. Close the tank cover (11) again. Ensure that the tank cover (11) is tightly sealed.
7. Clean the tank cap (11) and the surroundings.
8. Check the tank and fuel lines for leaks.
9. Press the "Primer" fuel pump (5) if necessary.
10. Move at least three meters away from the refuelling area before starting the engine.

9.2 Drain the fuel

Only empty the fuel tank outdoors or in well-ventilated rooms. Make sure that no fuel gets into the soil (environmental protection). Use a suitable base.

1. Hold a collection container under the fuel tank.
2. Unscrew and remove the tank cover (11) of the fuel tank.
3. Drain the petrol/oil mixture completely.
4. Screw the tank filler cap (11) back on by hand.

10. Operation

10.1 Adjusting the rear handle (8) (Fig. 2)

The rear handle (8) can be adjusted in 3 working positions in order to guide the petrol hedge trimmer easier.

- While adjusting, the throttle (9) cannot be actuated.
1. Use the left hand to hold the petrol hedge trimmer tight by the front handle (3).
 2. Push the locking handle (10) backwards and turn the handle to the desired position.
 3. Release the interlocking handle (10). Ensure that the interlocking handle re-engages and the handle is affixed securely.

10.2 Starting the device

⚠ Risk of injury!

Only start the petrol hedge trimmer when the cutting device is fitted! Remove the corresponding transport protection and inspect the device to ensure that its operating status is good.

Never use a cutting device that is damaged, poorly adjusted or maintained, or not fully mounted and secured.

Check before use!

Check that the device is in a safe condition:

- Ensure that the On/Off switch (6), the throttle interlock (7), and the throttle (9) are functioning properly.
- Check the device for leaks.
- Check the device for visible damage.
- Check that all parts of the device are securely attached.
- Check that all safety devices are in good condition and functional.

10.2.1 Starting with a cold engine (Fig. 1, 3, 4)

Support the petrol hedge trimmer when starting it and hold it firmly. Ensure that the cutting device is free.

1. Remove the blade guard (E) from the cutting device (1).
2. Set the petrol hedge trimmer down on a firm and level surface. The cutting device (1) must not come into contact with the floor.
3. Press the fuel pump primer (5) 7x.
4. Turn the cold start lever (choke) (4) to "Cold start".
5. Hold the petrol hedge trimmer firmly by the front handle (3) and pull the start pull cord (12) out slowly until you feel the first resistance.
6. Now pull the start pull cord (12) and the engine should start. If the engine does not start, repeat the process. As long as the cold start lever (choke) (4) is set to "Cold start", the engine will run for only a short time and then stop.
7. As soon as the engine has stopped, actuate the throttle interlock (7) and the throttle (9) together. The (choke) lever (4) will automatically spring back to the "warm start" operating position.
8. Now pull the start pull cord (12) again and the engine should start.
9. After actuating the throttle lever (9) once, the engine runs at idle speed.
10. Allow the engine to warm up briefly.

If the engine does not start even after several attempts, read the "Troubleshooting" chapter.

Attention

Always pull the start pull cord (12) out straight. If it is pulled out at an angle, friction will occur on the lug. This friction causes the cord to wear through and wear out faster. Hold the handle of the start pull cord (12) firmly when the pull cord (12) winds back in.

Never allow the start pull cord (12) to spin back. This can result in damage.

Note:

With high outside temperatures, it may be necessary to start the engine without the cold start lever (choke) (4) even when the engine is cold.

Note:

If the cutting device (1) moves at idle or the engine stops on its own when the throttle is released, a carburettor adjustment must be made (see chapter "13.2 Setting the idle speed").

10.2.2 Starting the engine when warm

1. The cold start lever (choke) does not have to be set to "Warm start" to start a warm engine.
2. Hold the petrol hedge trimmer firmly by the front handle (3) and pull the start pull cord (12) out slowly until you feel the first resistance.
3. Now pull the start pull cord (12) quickly. The device should start after 1-2 pulls. If the device has still not started after 6 pulls, repeat the procedure described under "Starting the engine when cold".

10.3 Operation of the hedge trimmer (Fig. 1)

1. Hold the petrol hedge trimmer's front handle (3) with your left hand.
2. Use the right hand to hold the rear handle (8) firmly. The heel of the hand rests on the throttle interlock (7) and the index finger operates the throttle (9).
3. Press the throttle (9).
4. The cutting device starts running.

If the throttle (9) is released, the cutting device stops and the engine idles.

Contact the manufacturer if the cutting device still continues to run with the motor at idle.

Do not work with the petrol hedge trimmer again under any circumstances!

10.4 Blocking the cutting device (Fig. 1)

If the cutting device (1) becomes blocked during operation, switch off the petrol hedge trimmer with the on/off switch (6) and remove the spark plug connector (14).

Then remove the material that causing the blockage and check the cutting device (1) for possible damage.

10.5 Shutting the engine off

1. Press the ON/OFF button (6) and keep it depressed.
2. Wait until the engine has come to a standstill before setting the device down.
3. Release the on/off button (6).

11. Working instructions

11.1 Working with the hedge trimmer

- The hedge trimmer is suitable for cutting hedges, bushes and shrubs.
- Hold the hedge trimmer at a safe distance away from your body with two hands.
- The maximal diameter to cut depends on the wood's type, age, moisture and hardness.
- Therefore cut very thick branches using branch shears to your desired length before trimming the hedge.
- Thanks to the its double-sided cutting unit, the hedge trimmer can be moved forward and backward or from one side to the other swinging it back and forth.
- Cut the sides of the hedges first and then the top edge.
- Cut hedges from bottom to the top.
- Cut the hedges in trapezium shape. This prevents the lower hedge area from becoming bare due to insufficient light.
- Stretch a guide over the complete length of the hedge when you want to shorten the upper edge of the hedge evenly.
- Trim in several passes if you have to cut down a large portion of the hedge.
- Make sure to remove any foreign objects from the hedges (e.g. wire), since they may damage the blade of the hedge trimmer.
- **Attention!** The blades are still running! Do not stop the blades with your hand.

The right time to cut:

- Leaf hedge: June and October
- Conifer hedge: April and August
- Fast growing hedge: around every 6 weeks from May

Pay attention to nesting birds in the hedge. Delay the hedge cut or leave this area out if this is the case.

12. Transport

To transport the device, switch the engine off, wait until the cutting device has come to a standstill and attach the blade guard (E) (Fig. 4).

Carry the device by the front handle (3). Hold the cutting device (1) backwards and keep the hot silencer (13) away from your body.

Only transport the device in the boot of the car or on a separate transport surface.

Secure the petrol hedge trimmer against tipping, damage and from fuel leaking.

13. Cleaning and maintenance

Before any maintenance and cleaning work

- Shut off engine
- Wait until the cutting device is at a standstill
- Remove the spark plug connector (except for idling adjustments)
- Leave the device to cool down

Note

The device should be thoroughly cleaned after each use.

Only carry out cleaning and maintenance work to the extent specified in this operating manual.

Further maintenance and cleaning work, as described in this chapter, may only be carried out by customer service.

Do not carry out maintenance work in the vicinity of naked flames. Risk of fire!

Safety devices removed for maintenance and cleaning must always be properly reattached and checked.

Only use original parts. Other parts can lead to unpredictable damage and injuries.

Wear gloves in order to prevent potential injuries.

In order to ensure reliable use of the petrol hedge trimmer for a long time, carry out the following maintenance work on a regular basis.

Check the petrol hedge trimmer for obvious defects such as

- loose fastenings
- worn or damaged components
- bent, broken or damaged cutting device
- Tank plug and fuel lines for leaks

Check the petrol hedge trimmer after every use

- Wear, especially sliding clearance of the cutting device.
- Covers or protective devices correctly mounted and intact.

Necessary repairs or maintenance work is carried out before using the petrol hedge trimmer.

13.1 Lubricating the transmission (Fig. 5)

Lubricate the drive every 10 to 20 operating hours.

1. Using the 4 mm Allen key (C) supplied, open the screw of the lubrication hole (18) on the underside of the hedge trimmer.
2. Place the grease gun on the lubrication hole (18).
3. Squeeze some grease into it.
4. Screw the screw of the lubrication hole (18) back in.

Attention! Top up with only a little grease. Under no circumstances overfill.

13.2 Setting the idle speed

If the cutting device (1) moves at idle or the engine stops by itself when the throttle is released, a carburettor adjustment must be made.

Note:

Have carburettor adjustments (e.g. idle speed) carried out only by qualified specialists to avoid engine damage.

13.3 Cleaning or replacing the air filter (Fig. 6)

Fouled air filters diminish the engine output due to reduced air supply to the carburettor. Dust and pollen clog the pores of the foam insert. Regular inspection is therefore essential. Clean the air filter (17) approx. every 15 operating hours, more often in particularly dusty conditions.

1. Set the cold start lever (choke) (4) to "Cold start" so that no particles of dirt get into the carburettor.
2. Remove the air filter cover (16). To do this, loosen the wing screw (15).
3. Remove the air filter (17) from the foam.
4. Wash the air filter (17) in lukewarm soapy water. Do not blow out the particles of dirt, there is a danger of eye injuries!
5. Clean the inside of the air filter with a brush.
6. Allow the air filter (17) to dry and reinsert it again.
7. Attach the air filter cover (16) again.

Attention:

Never clean the air filter with petrol or inflammable cleaning agents.

In order to prolong the service life of the engine, a damaged air filter must be replaced immediately.

⚠ Warning!

Never leave the engine running if the air filter element is not inserted.

13.4 Clean or replace the fuel filter

Check the fuel filter if necessary. A contaminated fuel filter hinders the fuel supply.

Open the tank cover (11) and pull the fuel filter through the opening using a wire hook (not included in the scope of delivery).

- In the event of light contamination:
 - Remove the fuel filter from the fuel line and clean the filter in cleaning solvent.

- In the event of heavy contamination:

- Replace the fuel filter.

1. To remove the fuel filter from the fuel line, squeeze the hose clamp and slide it down.
2. Now the fuel filter can be removed from the fuel line.

13.5 Check, clean or replace spark plug (Fig. 7/8)

Attention

Do not touch the spark plug (14.1) or the spark plug connector (14) while the engine is running. High voltage!

Danger of burning if motor is hot. Wear safety gloves!

Check the spark plug and the gap of the electrodes regularly.

13.5.1 Checking the spark plug

1. Remove the spark plug connector (14) from the spark plug (14.1).
2. Unscrew the spark plug (14.1) with the supplied spark plug wrench (B).
3. Check the electrode gap. This must be 0.6 to 0.7mm.

13.5.2 Cleaning the spark plug

Check the spark plug for dirt and grime after 10 operating hours and if necessary, clean it with a copper wire brush.

Then service the spark plug every 50 operating hours.

Replace the spark plug:

- Once a month in the event of regularly use
- If the insulating body is damaged
- In the event of heavy electrode erosion
- In the event of heavily contaminated or oily electrodes

13.5.3 Checking the ignition spark

1. Remove the spark plug connector (14) from the spark plug (14.1).
2. Unscrew the spark plug (14.1) with the supplied spark plug wrench (B).
3. Insert the spark plug connector (14) firmly.
4. Push the spark plug (14.1) against the engine housing using insulated tongs (not in the vicinity of the spark plug hole).
5. Pull firmly on the start pull cord (12).
6. A spark must be visible between the electrodes when functioning properly.

13.6 Silencer / outlet opening (Fig. 9)

Do not retighten the silencer screws if the motor is still hot.

1. Regularly check whether the screws (13.2) of the silencer (13) have come loose or not. Use the 4 mm Allen key (C) to tighten any loose screws.
2. Clean the outlet opening (13.1) regularly.

13.7 Cleaning

Clean the petrol hedge trimmer carefully after each use so that it keeps functioning properly.

Wear protective gloves when cleaning the cutting device!

- Clean the housing with a soft brush or a dry cloth. Water, cleaning agents and polish must not be used.
- Ensure that the ventilation slots for cooling the motor are free (danger of overheating).

- Clean the cutting device regularly with a brush or a cloth. Never clean the cutting device with water (danger of corrosion!)
- Clean and oil all moving parts regularly.

- Never use grease!
- Use environmentally friendly oil.

13.8 Maintenance schedule

Device part	Action	Before starting work	Weekly	In the event of malfunctions	In the event of damage	If necessary
Cutting device (1)	Check and pay attention to the state of sharpness	X				
	Check the sliding clearance of the cutting device	X				
	Sharpen					X
Motor	Tighten silencer screws					X
	Clean / replace the fuel filter					X
	Clean / replace the air filter					every 15 operating hours, more often in dusty conditions
	Lubricate transmission					every 20 operating hours, at least once a year

Service information

With this product, it is necessary to note that the following parts are subject to natural or usage-related wear, or that the following parts are required as consumables.

Wearing parts*:

Cutting blades (set)	(5910402011)
Spark plug	(3904801048)
Air filter	(3910404001)

* may not be included in the scope of supply!

14. Storage

Store unused devices with the blade guard pushed on in a dry, locked place and out of reach of children.

Clean and maintain the device before storing it.

Caution:

Never stow the device for longer than 30 days without carrying out the following steps:

Stowing the device for more than 30 days

If you stow the device for longer than 30 days, it must be prepared ahead of time. Otherwise, the remaining fuel in the carburettor will evaporate and leave a rubbery sediment behind. This could make it difficult to start and result in expensive repair work.

- Drain the fuel (see 9.2.)
- Start the engine and let it run until it stops in order to remove the fuel from the carburettor.
- Allow the engine to cool down (approx. 5 minutes).

- Remove the spark plug (see 13.5.).
- Add 1 teaspoon of clean 2-stroke oil to the combustion chamber.
- Pull the starter cord slowly several times to coat the internal components.
- Re-insert the spark plug (see 13.5).

Note:

Store the device in a dry location, far away from potential sources of ignition, such as furnaces, hot water boilers with gas, gas dryers, etc.

15. Disposal and recycling

Information on packaging



The packaging materials are recyclable. Please dispose of packaging in an environmentally friendly manner.

Contact your local refuse disposal authority for more details of how to dispose of your worn-out electrical devices.

Fuels and oils

- Before disposing of the unit, the fuel tank and the engine oil tank must be emptied!
- Fuel and engine oil do not belong in household waste or drains, but must be collected or disposed of separately!
- Empty oil and fuel tanks must be disposed of in an environmentally friendly manner.

16. Troubleshooting

Fault	Possible cause	Remedy
Hedge trimmer does not run	<ul style="list-style-type: none"> • Engine, no fuel • Fault in the fuel line • Fuel filter clogged • Spark plug defective • Carburettor defective • Internal fault 	<ul style="list-style-type: none"> • Check the fuel quantity • Check the fuel line for kinks or damage • Clean or replace the fuel filter. • Replace spark plug • Contact the manufacturer or the responsible customer service centre • Contact the manufacturer or the responsible customer service centre
Hedge trimmer cuts with interruptions	<ul style="list-style-type: none"> • Internal fault • On/off switch defective 	<ul style="list-style-type: none"> • Contact the manufacturer or the responsible customer service centre • Contact the manufacturer or the responsible customer service centre
Motor runs, cutting device remains stationary	<ul style="list-style-type: none"> • Cutting device blocked • Internal fault • Clutch defective 	<ul style="list-style-type: none"> • Remove object • Contact the manufacturer or the responsible customer service centre • Contact the manufacturer or the responsible customer service centre
Cutting device gets hot	<ul style="list-style-type: none"> • No lubrication → friction • Cutting device is blunt 	<ul style="list-style-type: none"> • Oiling the cutting device • Have the cutting device sharpened

17. Warranty certificate

Dear Customer,

All of our products undergo strict quality checks to ensure that they reach you in perfect condition. In the unlikely event that your device develops a fault, please contact our service department at the address shown on this guarantee card. Of course, if you would prefer to call us then we are also happy to offer our assistance under the service number printed below. Please note the following terms under which guarantee claims can be made:

- These guarantee terms cover additional guarantee rights and do not affect your statutory warranty rights. We do not charge you for this guarantee.
- Our guarantee only covers problems caused by material or manufacturing defects, and it is restricted to the rectification of these defects or replacement of the device. Please note that our devices have not been designed for use in commercial, trade or industrial applications. Consequently, the guarantee is invalidated if the equipment is used in commercial, trade or industrial applications or for other equivalent activities. The following are also excluded from our guarantee: compensation for transport damage, damage caused by failure to comply with the installation/assembly instructions or damage caused by unprofessional installation, failure to comply with the operating instructions (e.g. connection to the wrong mains voltage or current type), misuse or inappropriate use (such as overloading of the device or use of non-approved tools or accessories), failure to comply with the maintenance and safety regulations, ingress of foreign bodies into the device (e.g. sand, stones or dust), effects of force or external influences (e.g. damage caused by the device being dropped) and normal wear resulting from proper operation of the device.

The guarantee is rendered null and void if any attempt is made to tamper with the device.

- The guarantee is valid for a period of 3 years starting from the purchase date of the device. Guarantee claims should be submitted before the end of the guarantee period within two weeks of the defect being noticed. No guarantee claims will be accepted after the end of the guarantee period. The original guarantee period remains applicable to the device even if repairs are carried out or parts are replaced. In such cases, the work performed or parts fitted will not result in an extension of the guarantee period, and no new guarantee will become active for the work performed or parts fitted. This also applies when an on-site service is used.
- In order to assert your guarantee claim, please contact the service partner shown below. If the complaint is within the guarantee period, we will provide you with a return slip, with which you can return your defective device free of charge to us. It would help us if you could describe the nature of the problem in as much detail as possible. If the defect is covered by our guarantee then your device will either be repaired immediately and returned to you, or we will send you a new device.

Of course, we are also happy offer a chargeable repair service for any defects which are not covered by the scope of this guarantee or for units which are no longer covered. To take advantage of this service, please send the device to our service address.

Service-Hotline (GB):

00800 4003 4003
(0,00 EUR/Min.)

Service-Hotline (IE):

00800 4003 4003
(0,00 EUR/Min.)

Service-Hotline (NI):

00800 4003 4003
(0,00 EUR/Min.)

Service-Email (GB):

service.GB@schepbach.com

Service-Email (IE):

service.IE@schepbach.com

Service-Email (NI):

service.NI@schepbach.com

Service Address (GB):

Forest Park & Garden
Coed Court, Taffsmead Road
Treforest, Ind. Estate, Pontypridd CF375SW
CF375SW

Service Address (IE):

LetMeRepair
1 Langlands Court / Kelvin South Business Park
East Kilbride G75 0YB

Service Address (NI):

Forest Park & Garden
Coed Court, Taffsmead Road
Treforest, Ind. Estate, Pontypridd

Service-Hotline (CY):

00800 4003 4003
(0,00 EUR/Min.)

Numero servizio assistenza (IT):

00800 4003 4003
(0,00 EUR/Min.)

Service-Email (CY):

service.CY@schepbach.com

Indirizzo e-mail (IT):

service.IT@schepbach.com

Service Address (CY):

GEORGE C SOLOMONIDES & SON LTD
PO.BOX 56236 / 169, LEONTIOS A'
GR - 3305 LIMASSOL/CYPRUS

Indirizzo servizio assistenza (IT):

TeleMarCom
Am Ziegelweiher 24
DE - 61130 Nidderau



At www.lidl-service.com you can download this and many more manuals, product videos plus installation software.

The QR code takes you directly to the Lidl service page (www.lidl-service.com) and you can open your operating manual by entering the article number (IAN) 422496_2210.

Inhalt:	Seite:
1. Erklärung der Symbole auf dem Gerät.....	18
2. Einleitung	20
3. Gerätebeschreibung (Abb. 1-9)	20
4. Lieferumfang	20
5. Bestimmungsgemäße Verwendung.....	20
6. Sicherheitshinweise	21
7. Arbeitshinweise	23
8. Technische Daten	25
9. Vor Inbetriebnahme	25
10. Bedienung.....	26
11. Arbeitshinweise	27
12. Transport.....	28
13. Reinigung und Wartung	28
14. Lagerung.....	30
15. Entsorgung und Wiederverwertung.....	30
16. Störungsabhilfe	31
17. Garantiekunde	32
18. Explosionszeichnung.....	257
19. Konformitätserklärung.....	260

1. Erklärung der Symbole auf dem Gerät

	Vor Inbetriebnahme Bedienungsanleitung und Sicherheitshinweise lesen und beachten!
	Das Tragen von Sicherheitsschuhen wird empfohlen!
	Gehörschutz verwenden!
	Schutzbrille verwenden!
	Arbeitshandschuhe tragen!
	Achtung! Unbeteiligte Personen vom Arbeitsbereich fern halten!
	Warn- und Sicherheitshinweise beachten!
	Achtung! Es besteht Brand- und Explosionsgefahr.
	Achtung Verletzungsgefahr! Greifen Sie mit Ihren Händen nie in die Nähe der Messer. Berühren Sie beim Einschalten oder bei der Arbeit mit dem Gerät nie ein Messer.
	Warnung vor heißen Oberflächen.



Das Gerät nicht bei Regen oder bei feuchten Bedingungen betreiben. Gefahr eines Stromschlags!



Achtung feuergefährliche Stoffe. Feuer, offenes Licht und Rauchen verboten!



Mischverhältnis: 40 Teile Benzin auf 1 Teil Öl



Choke-Hebel drehen. „Warmstart und Arbeiten“ und „Kaltstart“



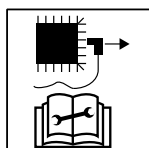
Angabe des garantierten Schalleistungspegels L_{WA} in dB.



7x Kraftstoffpumpe „Primer“ drücken



Achtung! Erstickungsgefahr!
Die Abgase sind giftig, betreiben Sie den Motor daher nicht in unbelüfteten Bereichen.



Vor Wartungsarbeiten Gerät abstellen und Zündkerzenstecker abziehen!



Das Produkt entspricht den geltenden europäischen Richtlinien.

2. Einleitung

HERSTELLER:

Scheppach GmbH

Günzburger Straße 69
D-89335 Ichenhausen

VEREHRTER KUNDE,

wir wünschen Ihnen viel Freude und Erfolg beim Arbeiten mit Ihrem neuen Gerät.

HINWEIS:

Der Hersteller dieses Gerätes haftet nach dem geltenden Produkthaftungsgesetz nicht für Schäden, die an diesem Gerät oder durch dieses Gerät entstehen bei:

- unsachgemäßer Behandlung,
- Nichtbeachtung der Bedienungsanweisung,
- Reparaturen durch Dritte, nicht autorisierte Fachkräfte,
- Einbau und Austausch von nicht originalen Ersatzteilen,
- nicht bestimmungsgemäßer Verwendung.

Beachten Sie:

Lesen Sie vor der Montage und vor Inbetriebnahme den gesamten Text der Bedienungsanleitung durch.

Diese Bedienungsanleitung soll es Ihnen erleichtern, Ihr Gerät kennenzulernen und dessen bestimmungsgemäße Einsatzmöglichkeiten zu nutzen.

Die Bedienungsanleitung enthält wichtige Hinweise, wie Sie mit dem Gerät sicher, fachgerecht und wirtschaftlich arbeiten, und wie Sie Gefahren vermeiden, Reparaturkosten sparen, Ausfallzeiten verringern und die Zuverlässigkeit und Lebensdauer des Gerätes erhöhen.

Zusätzlich zu den Sicherheitsbestimmungen dieser Bedienungsanleitung müssen Sie unbedingt die für den Betrieb des Gerätes geltenden Vorschriften Ihres Landes beachten.

Bewahren Sie die Bedienungsanleitung, in einer Plastikhülle geschützt vor Schmutz und Feuchtigkeit, bei dem Gerät auf. Sie muss von jeder Bedienungsperson vor Aufnahme der Arbeit gelesen und sorgfältig beachtet werden.

An dem Gerät dürfen nur Personen arbeiten, die im Gebrauch des Gerätes unterwiesen und über die damit verbundenen Gefahren unterrichtet sind. Das geforderte Mindestalter ist einzuhalten.

Neben den in dieser Bedienungsanleitung enthaltenen Sicherheitshinweisen und den besonderen Vorschriften Ihres Landes sind die für den Betrieb von baugleichen Maschinen allgemein anerkannten technischen Regeln zu beachten.

Wir übernehmen keine Haftung für Unfälle oder Schäden, die durch Nichtbeachten dieser Anleitung und der Sicherheitshinweise entstehen.

3. Gerätebeschreibung (Abb. 1-9)

1. Schneideeinrichtung
2. Handschutz
3. Vorderer Handgriff
4. Kaltstarthebel (Choke)
5. Kraftstoffpumpe „Primer“
6. Ein-/Austaster
7. Gashebelsperre
8. Hinterer Handgriff
9. Gashebel
10. Verriegelungsgriff
11. Tankdeckel
12. Startseilzug
13. Schalldämpfer
- 13.1 Austrittsöffnung Schalldämpfer
- 13.2 Schrauben Schalldämpfer
14. Zündkerzenstecker
- 14.1 Zündkerze
15. Flügelschraube
16. Luffilterabdeckung
17. Luffilter
18. Schmieröffnung

4. Lieferumfang

- Benzin-Heckenschere
- Öl-Benzinmischflasche (A)
- Zündkerzenschlüssel (B)
- Innensechskantschlüssel 4 mm (C)
- Messerschutz (E) (vormontiert)
- Bedienungsanleitung

5. Bestimmungsgemäße Verwendung

Die Maschine entspricht der gültigen EG-Maschinenrichtlinie. Vor Arbeitsaufnahme müssen sämtliche Schutz- und Sicherheitseinrichtungen an der Maschine montiert sein.

Diese Benzin-Heckenschere ist dazu ausgelegt, weiches, neu gewachsenes Heckenmaterial zu schneiden. Sie ist nicht zum Schneiden von Ästen, festem Holz oder anderem Schneidmaterial geeignet.

Die Maschine ist zur Bedienung durch eine Person konzipiert. Die Bedienungsperson ist im Arbeitsbereich gegenüber Dritten verantwortlich.

Alle Sicherheits- und Gefahrenhinweise an der Maschine beachten.

Alle Sicherheits- und Gefahrenhinweise an der Maschine vollständig in lesbarem Zustand halten.

Maschine nur in technisch einwandfreiem Zustand sowie bestimmungsgemäß, sicherheits- und gefahrenbewusst unter Beachtung der Betriebsanleitung benutzen!

Insbesondere Störungen, die die Sicherheit beeinträchtigen können, umgehend beseitigen (lassen)!

Die Sicherheits-, Arbeits- und Wartungsvorschriften des Herstellers sowie die in den technischen Daten angegebenen Abmessungen müssen eingehalten werden.

Die zutreffenden Unfallverhütungsvorschriften und die sonstigen, allgemein anerkannten sicherheitstechnischen Regeln müssen beachtet werden.

Die Maschine darf nur von sachkundigen Personen genutzt, gewartet oder repariert werden, die damit vertraut und über die Gefahren unterrichtet sind. Eigenmächtige Veränderungen an der Maschine schließen eine Haftung des Herstellers für daraus resultierende Schäden aus.

Die Maschine darf nur mit Originalzubehör und Original-Werkzeugen des Herstellers genutzt werden.

Jeder darüber hinausgehende Gebrauch gilt als nicht bestimmungsgemäß. Für daraus resultierende Schäden haftet der Hersteller nicht, das Risiko dafür trägt allein der Benutzer.

Die Benzin-Heckenschere darf nur zum Schneiden von Hecken, Büschen und Sträuchern benutzt werden. Ein anderweitiger, nicht in dieser Gebrauchsanweisung angegebener Gebrauch kann die Schere beschädigen oder den Benutzer schwer verletzen, und er wird daher ausdrücklich von der Aufzählung der möglichen Anwendungen ausgeschlossen.

Das Gerät darf nicht für den gewerblichen, handwerklichen oder industriellen Gebrauch eingesetzt werden.

Wenn Sie nicht sicher sind, ob eine Arbeitsbedingung sicher oder unsicher ist, arbeiten Sie nicht mit der Maschine.

WARNHINWEIS! Bitte lesen Sie vor der Inbetriebnahme des Geräts zu Ihrer eigenen Sicherheit dieses Handbuch und die allgemeinen Sicherheitshinweise gründlich durch. Wenn Sie das Gerät Dritten überlassen, legen Sie diese Gebrauchsanweisung immer bei.

Bitte beachten Sie, dass unsere Geräte bestimmungsgemäß nicht für den gewerblichen, handwerklichen oder industriellen Einsatz konstruiert wurden. Wir übernehmen keine Gewährleistung, wenn das Gerät in Gewerbe-, Handwerks- oder Industriebetrieben sowie bei gleichzusetzenden Tätigkeiten eingesetzt wird.

6. Sicherheitshinweise

6.1 Sicheres Arbeiten

DIESE BENZIN-HECKENSCHERE KANN ERNSTHAFTE VERLETZUNGEN VERURSACHEN!

Lesen Sie sorgfältig die Anweisungen zum korrekten Umgang, zur Vorbereitung, zur Instandhaltung, zum Starten und Abstellen der Heckenschere. Machen Sie sich mit allen Stellteilen und der sachgerechten Benutzung der Benzin-Heckenschere vertraut.

Lesen und beachten Sie vor Inbetriebnahme dieses Erzeugnisses die folgenden Hinweise und die im jeweiligen Land gültigen Sicherheitsbestimmungen, um sich selbst und andere vor möglichen Verletzungen zu schützen.

Bewahren Sie diese Sicherheitshinweise (Bedienungsanleitung) immer zusammen mit der Benzin-Heckenschere auf.

Die Benzin-Heckenschere darf nur von Personen mit ausreichender Erfahrung bedient werden.

Kinder dürfen die Benzin-Heckenschere niemals benutzen.

Geben oder Verleihen Sie die Benzin-Heckenschere nur an Personen, die mit der Benzin-Heckenschere und ihrer Handhabung vertraut sind. Geben Sie immer die Bedienungsanleitung mit.

Reparaturen am Gerät haben durch den Hersteller bzw. von ihm benannte Firmen zu erfolgen.

6.2 Erstbenutzer

Wer zum ersten Mal mit der Benzin-Heckenschere arbeitet, muss eine praktische Einweisung in den Gebrauch der Benzin-Heckenschere und der Personenschutz-ausrüstung von einer erfahrenen Bedienperson erhalten.

- **Seien Sie aufmerksam.** Achten Sie darauf, was Sie tun. Gehen Sie mit Vernunft an die Arbeit. Verwenden Sie das Gerät nicht, wenn Sie müde sind oder unter dem Einfluss von Drogen, Alkohol oder Medikamenten stehen. Ein Moment der Unachtsamkeit beim Gebrauch des Gerätes kann zu ernsthaften Verletzungen führen.
- **Machen Sie sich vor Gebrauch mit Hilfe der Bedienungsanleitung mit dem Gerät vertraut.** Unzureichend informierte Bediener können sich und andere Personen durch unsachgemäßen Gebrauch gefährden.
- Benützen Sie das Gerät nicht für Zwecke, für die es nicht bestimmt ist (siehe „5. Bestimmungsgemäße Verwendung“).
- **Vermeiden Sie abnormale Körperhaltung.** Sorgen Sie für sicheren Stand und halten Sie jederzeit das Gleichgewicht. Dies gilt besonders, wenn Sie Tritte oder eine Leiter benutzen.
- **Tragen Sie geeignete Arbeitskleidung:**
 - keine weite Kleidung oder Schmuck, sie können von beweglichen Teilen erfasst werden
 - feste Handschuhe und rutschfestes Schuhwerk
 - ein Haarnetz bei langen Haaren
- **Tragen Sie persönliche Schutzkleidung:**
 - Gehörschutz
 - Schutzbrille oder Gesichtsschutz
 - Arbeitshandschuhe
 - Sicherheitsschuhe
 - geprüfter Schutzhelm in Situationen, bei denen mit Kopfverletzungen gerechnet werden muss.
- **Wir empfehlen das Tragen eines Beinschutzes und einer Sicherheitsjacke.**
- **Halten Sie Ihren Arbeitsbereich in Ordnung!** Unordnung kann Unfälle zur Folge haben.
- **Berücksichtigen Sie Umgebungseinflüsse:**
 - Setzen Sie die Benzin-Heckenschere nicht dem Regen aus.
 - Verwenden Sie die Benzin-Heckenschere nicht in feuchter oder nasser Umgebung.
 - Verschieben Sie die Arbeit bei ungünstigem Wetter (Regen, Schnee, Eis, Wind) – erhöhte Unfallgefahr!
 - Sorgen Sie für gute Beleuchtung.
 - Verwenden Sie die Benzin-Heckenschere nicht in der Nähe von brennbaren Flüssigkeiten oder Gasen.
- **Machen Sie sich vertraut mit Ihrer Umgebung und achten Sie auf mögliche Gefahren, die Sie wegen des Motorengeräusches eventuell nicht hören können.**
- **Vorsicht vor oberirdischen Stromleitungen**

- **Lassen Sie die Benzin-Heckenschere nie unbeaufsichtigt.**
- **Bei Arbeitspausen ist die Benzin-Heckenschere so abzulegen, dass niemand gefährdet wird.** Benzin-Heckenschere vor unbefugtem Zugriff sichern.
- **Personen unter 18 Jahren dürfen das Gerät nicht bedienen.**
- **Halten Sie andere Personen fern.**
- **Der Benutzer ist verantwortlich für Unfälle oder Gefahren, die gegenüber anderen Personen oder deren Eigentum auftreten.**
- **Der Bedienende ist im Arbeitsbereich gegenüber Dritten verantwortlich.**
- **Halten Sie Kinder fern.**
- **Lassen Sie andere Personen, insbesondere Kinder, nicht das Werkzeug oder den Motor berühren.** Halten Sie sie von Ihrem Arbeitsbereich fern.
- **Stellen Sie immer sicher, dass sich die Benzin-Heckenschere ordnungsgemäß in einer der vorgegebenen Arbeitspositionen befindet, bevor der Motor gestartet wird.**
- **Stellen Sie immer sicher, dass alle Griffe und Sicherheitseinrichtungen beim Gebrauch der Benzin-Heckenschere angebaut sind.** Versuchen Sie niemals, eine unvollständige Benzin-Heckenschere oder eine mit nicht zulässigem Umbau zu benutzen.
- **Verwenden Sie keine stumpfe, gesprungene oder beschädigte Schneideinrichtung.**
- **Beginnen Sie mit dem Schneiden erst, wenn die Schneideinrichtung läuft.**
- **Überlasten Sie die Maschine nicht!** Sie arbeiten besser und sicherer im angegebenen Leistungsbereich.
- **Betreiben Sie das Gerät nur mit kompletten und korrekt angebrachten Schutzeinrichtungen und ändern Sie an der Maschine nichts, was die Sicherheit beeinträchtigen könnte.**
- **Das Gerät bzw. Teile des Gerätes nicht verändern.**
- **Verwenden Sie keine Schneideinrichtung, die nicht den angegebenen Kenndaten dieser Gebrauchsanleitung entsprechen.** Der Gebrauch anderer Werkzeuge und anderen Zubehörs kann eine Verletzungsgefahr für Sie bedeuten.
- **Schalten Sie die Maschine ab und ziehen Sie den Zündkerzenstecker von der Zündkerze bei:**
 - Berührung der Benzin-Heckenschere mit Erdsreich, Steinen, Nägeln oder sonstigen Fremdkörpern, kontrollieren Sie, ob das Gerät beschädigt ist.
 - Einstellung der Arbeitsposition der Schneideinrichtung
 - Überprüfung, Instandhaltung oder Arbeiten an der Heckenschere.
 - Reparaturarbeiten
 - Wartungs- und Reinigungsarbeiten
 - Beseitigung von Störungen (dazu gehört auch das Blockieren der Schneideinrichtung)
 - Transport und Lagerung
 - Verlassen der Benzin-Heckenschere (auch bei kurzzeitigen Unterbrechungen)

- **Pflegen Sie Ihre Benzin-Heckenschere mit Sorgfalt:**
 - Halten Sie die Werkzeuge scharf und sauber, um besser und sicherer arbeiten zu können.
 - Halten Sie Handgriffe trocken und frei von Öl und Fett.
 - Befolgen Sie die Wartungsvorschriften.
- **Überprüfen Sie die Maschine auf eventuelle Beschädigungen:**
 - Vor weiterem Gebrauch der Maschine müssen Schutzvorrichtungen sorgfältig auf ihre einwandfreie und bestimmungsgemäße Funktion untersucht werden.
 - Überprüfen Sie, ob die beweglichen Teile einwandfrei funktionieren und nicht klemmen oder ob Teile beschädigt sind. Sämtliche Teile müssen richtig montiert sein und alle Bedingungen erfüllen, um einwandfreien Betrieb der Benzin-Heckenschere sicherzustellen.
 - Beschädigte Schutzvorrichtungen und Teile müssen sachgemäß durch eine anerkannte Fachwerkstatt repariert oder ausgewechselt werden, soweit nichts anderes in der Gebrauchsanweisung angegeben ist.
 - Beschädigte oder unleserliche Sicherheitsaufkleber sind zu ersetzen.
- **Lassen Sie keine Werkzeugschlüssel stecken!** Überprüfen Sie stets vor dem Einschalten, dass Schlüssel und Einstellwerkzeuge entfernt sind.
- **Bewahren Sie unbenutzte Geräte an einem trockenen, verschlossenen Ort außerhalb der Reichweite von Kindern auf.**
- **Lagern Sie die Benzin-Heckenschere dort, wo Benzindämpfe nicht mit offenem Feuer oder Funken in Kontakt kommen können.** Lassen Sie die Benzin-Heckenschere immer abkühlen, bevor Sie diese lagern.
- **Beim Transport oder bei der Lagerung der Benzin-Heckenschere ist die Schneideinrichtung immer mit dem Schutz für die Schneideinrichtung abzudecken.**
- **Nehmen Sie keine Reparatur an der Maschine vor, es sei denn, sie besitzen hierfür eine Ausbildung.** Nehmen Sie keine weiteren Reparaturen, als im Kapitel „1.3. Reinigung und Wartung“ beschrieben sind, an der Maschine vor, sondern wenden Sie sich direkt an den Hersteller bzw. zuständigen Kundendienst.
- **Der Gebrauch der Benzin-Heckenschere ist zu vermeiden, wenn sich Personen, vor allem Kinder, in der Nähe befinden.**
- **Berührt die Schneideinrichtung einen Fremdkörper oder sollten sich die Betriebsgeräusche verstärken oder die Benzin-Heckenschere ungewöhnlich stark vibrieren, stellen Sie den Motor ab und lassen Sie die Benzin-Heckenschere zum Stillstand kommen.** Ziehen Sie den Zündkerzenstecker von der Zündkerze und ergreifen Sie folgende Maßnahmen:
 1. auf Schäden überprüfen;
 2. auf lose Teile überprüfen und alle losen Teile befestigen;
 3. beschädigte Teile gegen gleichwertige Teile austauschen oder reparieren lassen.
- **Benutzen Sie die Benzin-Heckenschere nicht mit einer defekten oder stark abgenutzten Schneideinrichtung.**

- **Um die Brandgefahr zu vermindern, achten Sie darauf, dass der Motor und der Schalldämpfer frei von Ablagerungen, Laub oder austretendem Schmiermittel sind.**
- **Benutzen Sie immer beide Hände, wenn die Benzin-Heckenschere mit zwei Griffen ausgerüstet ist.**
- **Wenn die Benzin-Heckenschere zwecks Wartung, Inspektion oder Lagerung stillgesetzt wird, schalten Sie den Motor aus, ziehen Sie den Zündkerzenstecker von der Zündkerze und vergewissern Sie sich, dass alle rotierenden Teile zum Stillstand gekommen sind.** Lassen Sie die Maschine abkühlen, bevor Sie diese überprüfen, einstellen usw.

Reparaturen an anderen Teilen der Maschine haben durch den Hersteller bzw. einer Kundendienststelle zu erfolgen.

Nur Originalersatzteile verwenden. Durch den Gebrauch anderer Ersatzteile und anderen Zubehörs können Unfälle für den Benutzer entstehen. Für hieraus resultierende Schäden haftet der Hersteller nicht.

6.3 Sicherer Umgang mit Kraftstoffen

Gehen Sie mit Kraftstoff sorgfältig um! Kraftstoffe und Kraftstoffdämpfe sind feuergefährlich und können beim Einatmen und auf der Haut schwere Schäden verursachen. Beim Umgang mit Kraftstoff ist daher Vorsicht geboten und für eine gute Belüftung zu sorgen.

- **Schalten Sie vor dem Betanken der Benzin-Heckenschere den Motor aus und lassen Sie das Gerät abkühlen.**
- **Beim Tanken nicht rauchen und offenes Feuer vermeiden.**
- **Tragen Sie beim Tanken Handschuhe.**
- **Tanken Sie nicht in geschlossenen Räumen (Explosionsgefahr).**
- **Tanken Sie nur im Freien.**
- **Achten Sie darauf, Kraftstoff oder Öl nicht zu verschütten.** Säubern Sie die Benzin-Heckenschere sofort, wenn Sie Kraftstoff oder Öl verschüttet haben. Wechseln Sie Ihre Kleidung sofort, wenn Sie Kraftstoff oder Öl darüber verschüttet haben.
- **Achten Sie darauf, dass kein Kraftstoff ins Erdreich gelangt.**
- **Verschließen Sie den Tankverschluss nach dem Betanken wieder sorgfältig und achten Sie darauf, dass er sich während des Betriebes nicht löst.**
- **Achten Sie darauf, dass Tankdeckel und Benzinleitungen dicht sind.** Bei Undichtigkeiten dürfen Sie das Gerät nicht in Betrieb nehmen.
- **Transportieren und lagern Sie Kraftstoffe nur in dafür zugelassenen und gekennzeichneten Behältern.**
- **Halten Sie Kinder von Kraftstoffen fern.**
- **Transportieren und lagern Sie Kraftstoffe nicht in der Nähe von brennbaren oder leicht entzündlichen Stoffen sowie Funken oder offenem Feuer.**
- **Entfernen Sie sich zum Starten des Gerätes mindestens drei Meter vom Tankplatz.**

- **Wird der Tank entleert, sollte dies im Freien vorgenommen werden.**
- **Lagern Sie die Benzin-Heckenschere oder den Kraftstoffbehälter niemals in einem Raum, in dem sich eine offene Flamme, wie zum Beispiel in einem Warmwasseraufbereiter, befindet.**
- **Zur Verringerung der Bandgefahr – Motor und Schalldämpfer frei halten von Schnittresten, Blättern und Schmiermitteln!**
- **Bei laufendem oder heißem Motor niemals den Tankverschluss entfernen oder Benzin nachfüllen.**
- **Lassen Sie vor dem Nachfüllen den Motor und die Auspuffteile abkühlen.**
- **Falls Benzin übergelaufen ist, versuchen Sie nicht den Motor zu starten sondern entfernen Sie die Maschine vor dem Starten von der benzinverschmutzten Fläche.**

6.4 Restrisiken

Auch bei bestimmungsgemäßer Verwendung können trotz Einhaltung aller einschlägigen Sicherheitsbestimmungen aufgrund der durch den Verwendungszweck bestimmten Konstruktion noch Restrisiken bestehen. Restrisiken können minimiert werden, wenn die „6. Sicherheitshinweise“ und die „5. Bestimmungsgemäße Verwendung“ sowie die Betriebsanleitung insgesamt beachtet werden. Rücksichtnahme und Vorsicht verringern das Risiko von Personenverletzungen und Beschädigungen.

Des Weiteren können trotz aller getroffener Vorkehrungen nicht offensichtliche Restrisiken bestehen:

- Verletzung durch weggeschleuderte Teile.
- Bruch und Herausschleudern von Messerstücken.
- Gefahr einer Kohlenmonoxidvergiftung bei Verwendung des Gerätes in geschlossenen oder schlecht belüfteten Räumen.
- Verbrennungsgefahr bei Berührung heißer Bauteile.
- Beeinträchtigung des Gehörs bei länger andauernden Arbeiten ohne Gehörschutz.

7. Arbeitshinweise

Führen Sie vor Inbetriebnahme und regelmäßig während des Arbeitens mit der Benzin-Heckenschere folgende Überprüfungen durch:

- Ist die Benzin-Heckenschere komplett und vorschriftsmäßig montiert? Achten Sie auch darauf, dass alle Muttern und Schrauben fest angezogen sind.
- Ist die Benzin-Heckenschere in gutem und sicherem Zustand?
 - Sind alle Sicherheitsfunktionen in Ordnung?
- Ist der Benzintank gefüllt?
- Ist die Schneideinrichtung unbeschädigt und geschärft?
- Sind Motor und Schalldämpfer frei von Ablagerungen, Laub oder austretendem Schmiermittel?
- Ist der Handgriff sauber und trocken – frei von Öl, Fett und Harz?
- Ist der Arbeitsplatz frei von Stolpergefahren?
- Tragen Sie die erforderliche Schutzausrüstung?
- Haben Sie alle Hinweise gelesen und verstanden?
- Ist der Gashebel leichtgängig und funktionsfähig?

- Ist der Ein-/Austaster funktionsfähig?
- Bleibt die Schneideinrichtung im Leerlauf immer stehen?

Wenn die Schneideinrichtung im Leerlauf läuft, muss die Leerlaufdrehzahl gesenkt werden (siehe „13.2 Einstellen der Leerlaufdrehzahl“).

- Vergewissern Sie sich, dass das Getriebe ausreichend geschmiert ist (siehe unter „13. Reinigung und Wartung“).

7.1 Allgemeines Verhalten beim Arbeiten mit der Heckenschere

- Arbeiten Sie nicht allein. Für Nothfälle sollte sich jemand in Rufnähe aufhalten.
- Halten Sie Kinder, Personen und Tiere von Ihrem Arbeitsbereich fern (min. 15 m Abstand).
- Arbeiten Sie nicht auf Schnee, Eis oder anderem glatten Untergrund – Rutschgefahr.
- Arbeiten Sie nicht bei unzureichenden Lichtverhältnissen (z. B. bei Nebel, Regen, Schneetreiben oder Dämmerung).
- Verscheuchen Sie vor dem Schneiden Tiere aus der Hecke, um diese nicht zu verletzen.
- Sorgen Sie für einen sicheren und aufgeräumten Arbeitsplatz. Entfernen Sie Gegenstände, die weggeschleudert werden können, aus dem Arbeitsbereich.
- Vermeiden Sie abnormale Körperhaltung. Halten Sie jederzeit das Gleichgewicht. Arbeiten Sie nicht mit vorgebeugtem Oberkörper.
- Betreiben Sie die Benzin-Heckenschere nur mit sicherem Stand.
- Schalten Sie die Benzin-Heckenschere bei einem Standortwechsel aus.
- Halten Sie Hände und Füße von der Schneideinrichtung fern, wenn diese sich bewegen.
- Halten Sie die Benzin-Heckenschere so, dass Sie keine Abgase einatmen können. Arbeiten Sie nicht in geschlossenen Räumen.
- Benutzen Sie die Benzin-Heckenschere nicht zum Aufheben oder Wegschaufeln von Holzstücken oder sonstigen Gegenständen.
- Entfernen Sie unbedingt Fremtteile aus der Hecke (z. B. Draht), da diese die Schneideinrichtung der Benzin-Heckenschere beschädigen können.
- Halten Sie die Benzin-Heckenschere immer mit beiden Händen fest, linke Hand am vorderen Handgriff und rechte Hand am hinteren Handgriff. Arbeiten Sie niemals einhändig.
- Wenn Sie den Gashebel loslassen, läuft die Schneideinrichtung noch kurze Zeit nach (Freilauffeffekt).
- Beginnen Sie den Schnitt mit laufender Schneideinrichtung.
- Fassen Sie nie die Schneidvorrichtung während des Betriebes mit den Händen an.
- Arbeiten Sie niemals
 - mit gestreckten Armen
 - an schwer erreichbaren Stellen
 - zu weit vorgebeugt
- Arbeiten Sie niemals mit der Benzin-Heckenschere über Schulterhöhe.
- Berühren Sie niemals mit laufender Schneideinrichtung Drahtzäune oder den Boden.
- Schalten Sie den Motor aus und ziehen Sie den Zündstecker
 - bei spürbaren Veränderungen im Geräteverhalten
 - zur Beseitigung von eingeklemmtem Schnittgut

- zum Überprüfen der Schneideinrichtung, wenn sie mit Steinen, Nägeln oder sonstigen harten Gegenständen in Berührung gekommen ist.
- zur Beseitigung von Störungen
- bei Arbeitspausen
- vor dem Verlassen der Heckenschere
- Stellen Sie die heiß gelaufene Benzin-Heckenschere nicht ins trockene Gras oder auf brennbare Gegenstände.
- Stellen Sie vor Beginn der Arbeit sicher, dass:
 - sich im Arbeitsbereich keine weiteren Personen oder Tiere aufhalten.
 - hindernisfreies Zurückweichen für Sie sichergestellt ist.
 - der Fußbereich frei von allen Fremdkörpern, Gestrüpp und Ästen ist.
 - sicherer Stand gewährleistet ist.

Wenn Personen mit Blutkreislaufstörungen zu oft Vibrationen ausgesetzt werden, können Schädigungen am Nervensystem oder an Blutgefäßen auftreten.

7.2 Sie können die Vibrationen reduzieren:

- durch kräftige, warme Arbeitshandschuhe.
- Verkürzung der Arbeitszeit (mehrere lange Pausen einlegen).

Gehen Sie zum Arzt, wenn Ihre Finger anschwellen, Sie sich unwohl fühlen oder die Finger gefühllos werden.

7.3 Arbeiten mit der Heckenschere

Die Benzin-Heckenschere mit beiden Händen auf sicheren Abstand vom Körper halten.

- Der maximale Schnittdurchmesser ist abhängig von der Holzart, dem Alter, dem Feuchtigkeitsgehalt und der Härte des Holzes.
- Kürzen Sie deshalb sehr dicke Zweige vor dem Schneiden der Hecke mit einer Astschere auf die entsprechende Länge.
- Die Benzin-Heckenschere kann durch ihre doppelseitigen Messer vorwärts und rückwärts oder durch Pendelbewegungen von einer zur anderen Seite geführt werden.
- Schneiden Sie zuerst die Seiten der Hecken und erst dann die Oberkante.
- Die Hecke von unten nach oben schneiden.
- Schneiden Sie die Hecke trapezförmig. Das verhindert ein Verkahlen des unteren Heckenbereiches aufgrund Lichtmangels.
- Spannen Sie eine Richtschnur über die Länge der Hecke, wenn Sie die Oberkante der Hecke gleichmäßig stützen wollen.
- Schneiden Sie in mehreren Durchgängen, wenn starkes Zurückschneiden nötig ist.

7.4 Der richtige Zeitpunkt zum Schneiden:

- Laubhecke: Juni und Oktober
- Nadelhecke: April und August
- schnell wachsende Hecke: ab Mai ca. alle 6 Wochen

Achten Sie auf brütende Vögel in der Hecke. Verschieben Sie dann das Schneiden der Hecke oder nehmen Sie diesen Bereich aus.

Beachten Sie auf jeden Fall alle Sicherheitshinweise.

7.5 Verhalten bei Störungen oder Unfällen

Setzen Sie die Benzin-Heckenschere bei Störungen oder Unfällen sofort mit dem Ein-/Austaster (6) außer Betrieb.

7.6 Erste Hilfe

Für einen eventuell eintretenden Unfall sollte immer ein Verbandskasten nach DIN 13164 am Arbeitsplatz vorhanden sein. Entnommenes Material sofort wieder auffüllen.

Wenn Sie Hilfe anfordern, geben Sie folgende Angaben:

- Wo es geschah?
- Was geschah?
- Wieviele Verletzte?
- Welche Verletzungsart?
- Wer meldet?

8. Technische Daten

Motortyp.....	Zweitakt-Motor - Luftgekühlt
Hubraum cm ³	22,5
Motorleistung kW.....	0,65
Leerlaufdrehzahl n ₀ /min ⁻¹	3000 +/- 300
Max. Motordrehzahl min ⁻¹	10500
Tankinhalt L.....	0,28
Mischungsverhältnis (Kraftstoff/Zweitakt-Öl).....	40:1
Schnittlänge mm.....	560
Max. Schnittstärke mm.....	27
Abmessung L/B/H mm.....	1100 x 245 x 200
Schwertlänge mm.....	700
Zündkerze.....	L8RTC
Gewicht kg.....	5,2

Technische Änderungen vorbehalten!

Geräusch

Information zur Geräuschentwicklung nach den einschlägigen Normen gemessen:

Schalldruckpegel L _{pA}	97,8 dB
Unsicherheit K _{pA}	3 dB
Schalleistungspegel L _{WA}	107,3 dB
Unsicherheit K _{WA}	2,53 dB

Tragen Sie einen Gehörschutz.

Die Einwirkung von Lärm kann Gehörverlust bewirken.

Vibration

Vibration (hinterer Handgriff) A _{hw}	4,838 m/s ²
Messunsicherheit K _{hw}	1,5 m/s ²
Vibration (vorderer Handgriff) A _{hw}	5,389 m/s ²

Beschränken Sie die Geräuschentwicklung und Vibration auf ein Minimum!

- Verwenden Sie nur einwandfreie Geräte.
- Warten und reinigen Sie das Gerät regelmäßig.
- Passen Sie Ihre Arbeitsweise dem Gerät an.
- Überlasten Sie das Gerät nicht.
- Lassen Sie das Gerät gegebenenfalls überprüfen.
- Schalten Sie das Gerät aus, wenn es nicht benutzt wird.
- Tragen Sie Handschuhe.

WARNUNG

Vermeiden Sie die Schwingungsrisiken, z. B. das Risiko einer Weißfingererkrankung (Durchblutungsstörungen), durch häufige Arbeitspausen, in denen Sie z. B. Ihre Handflächen aneinanderreiben.

- Tragen Sie immer Schutzhandschuhe und achten Sie auf warme Hände.
- Legen Sie regelmäßige Arbeitspausen ein.

9. Vor Inbetriebnahme

- Öffnen Sie die Verpackung und nehmen Sie das Gerät vorsichtig heraus.
- Entfernen Sie das Verpackungsmaterial sowie Verpackungs- und Transportsicherungen (falls vorhanden).
- Überprüfen Sie, ob der Lieferumfang vollständig ist.
- Kontrollieren Sie das Gerät und die Zubehörteile auf Transportschäden.
- Bewahren Sie die Verpackung nach Möglichkeit bis zum Ablauf der Garantiezeit auf.

ACHTUNG

Gerät und Verpackungsmaterialien sind kein Kinderspielzeug! Kinder dürfen nicht mit Kunststoffbeuteln, Folien und Kleinteilen spielen! Es besteht Verschluckungs- und Erstickengefahr!

- Machen Sie sich vor dem Einsatz anhand der Bedienungsanweisung mit dem Gerät vertraut.
- Verwenden Sie bei Zubehör sowie Verschleiß- und Ersatzteilen nur Original-Teile. Ersatzteile erhalten Sie bei Ihrem Fachhändler.
- Geben Sie bei Bestellungen unsere Artikelnummern sowie Typ und Baujahr des Gerätes an.

Die Benzin-Heckenschere wird nicht mit Kraftstoffgemisch befüllt ausgeliefert.

Das Gerät wird mit einer Mischung aus Benzin (bleifrei) und Zweitakt-Motoröl betrieben.

Beim Umgang mit Benzin ist erhöhte Aufmerksamkeit geboten. Rauchen und offenes Feuer sind nicht zulässig (Explosionsgefahr).

Prüfen Sie das Gerät vor jeder Inbetriebnahme auf:

- Dichtheit des Kraftstoffsystems.
- Einwandfreien Zustand und Vollständigkeit der Schutzeinrichtungen und der Schnittrichtung.
- Festen Sitz sämtlicher Verschraubungen.
- Leichtgängigkeit aller beweglichen Teile.

Kraftstoff und Öl

- Empfohlene Treibstoffe
 - Benutzen Sie nur ein Gemisch aus bleifreiem Benzin und speziellem 2-Takt-Motoröl. Mischen Sie das Treibstoffgemisch nach der Treibstoff-Mischtabelle an.
 - Verwenden Sie keinen E10-Kraftstoff.

Achtung:

Verwenden Sie kein Kraftstoffgemisch, das mehr als 90 Tage lang gelagert wurde.

Achtung:

Verwenden Sie kein 2-Takt-Öl, das ein Mischverhältnis von 100:1 empfiehlt. Bei Motorschäden auf Grund ungenügender Schmierung entfällt die Motorgarantie des Herstellers.

Achtung:

Verwenden Sie zum Transport und zur Lagerung von Kraftstoff nur dafür vorgesehene und zugelassene Behälter. Geben Sie jeweils die richtige Menge Benzin und 2-Takt-Öl in die beiliegende Öl-Benzinmischflasche (A). Schütteln Sie anschließend den Behälter gut durch.

Verwenden Sie niemals Öl für 4-Takt-Motoren oder wassergekühlte 2-Takt-Motoren. Dadurch können die Zündkerze verschmutzt, das Abluftteil blockiert oder der Kolbenring verklebt werden. Treibstoffgemische, die einen Monat oder länger nicht genutzt wurden, können den Vergaser verstopfen oder den Motorbetrieb beeinträchtigen. Geben Sie nicht benötigten Treibstoff in einen luftdichten Behälter und bewahren Sie diesen in einem dunklen, kühlen Raum auf.

Treibstoff -Misch-Tabelle

Mischverfahren: 40 Teile Benzin auf 1 Teil Öl

Beispiel:

1 l Benzin: 0,025 l 2-Takt-Öl

5 l Benzin: 0,125 l 2-Takt-Öl

Warnung! Achten Sie auf die Abgase.

Schalten Sie den Motor vor dem Betanken immer aus.

Geben Sie niemals Benzin in das Gerät, während der Motor läuft oder es heiß ist. Es besteht Brandgefahr!

Tanken Sie nur im Freien oder in gut belüfteten Räumen. Darauf achten, dass kein Kraftstoff ins Erdreich gelangt (Umweltschutz). Geeignete Unterlage verwenden. Verwenden Sie nur Bio-Kettenöl.

Kraftstoffe sind nur begrenzt lagerfähig, sie altern. Überlagerte Kraftstoffe und Kraftstoffgemische können zu Startproblemen führen. Mischen Sie deshalb nur soviel Kraftstoff, wie Sie in einem Monat verbrauchen. Lagern Sie Kraftstoffe nur in dafür zugelassenen und gekennzeichneten Behältern. Bewahren Sie Kraftstoffbehälter trocken und sicher auf.

Achten Sie darauf, dass die Kraftstoffbehälter für Kinder unzugänglich gelagert werden.

Achtung! Informieren Sie sich vor Inbetriebnahme, wie Sie im Notfall das Gerät schnellstmöglich außer Betrieb setzen!

9.1 Betanken der Heckenschere

- Motor ausschalten und abkühlen lassen!
- Schutzhandschuhe tragen!
- Haut- und Augenkontakt vermeiden!
- Unbedingt „Sicherer Umgang mit Kraftstoffen“ beachten, siehe 6.3.

1. Betanken Sie die Benzin-Heckenschere nur im Freien oder in ausreichend belüfteten Räumen.
2. Säubern Sie die Umgebung des Einfüllbereiches. Verunreinigungen im Tank verursachen Betriebsstörungen.

3. Schütteln Sie den Öl-Benzinmischflasche (A) mit dem Kraftstoffgemisch vor dem Einfüllen in den Tank noch einmal.
4. Öffnen Sie den Tankdeckel (11) des Kraftstofftanks vorsichtig, damit evtl. vorhandener Überdruck abgebaut werden kann.
5. Füllen Sie das Kraftstoffgemisch vorsichtig bis zur Unterkante des Einfüllstutzens ein. Nutzen Sie einen Trichter oder eine Einfüllhilfe (nicht im Lieferumfang enthalten), um ein Verschütten des Kraftstoffes zu vermeiden.
6. Verschließen Sie den Tankdeckel (11) wieder. Stellen Sie sicher, dass der Tankdeckel (11) dicht schließt.
7. Säubern Sie den Tankverschluss (11) und die Umgebung.
8. Überprüfen Sie den Tank und die Kraftstoffleitungen auf Undichtigkeiten.
9. Betätigen Sie gegebenenfalls die Kraftstoffpumpe „Primer“ (5).
10. Entfernen Sie sich vor dem Starten des Motors mindestens drei Meter vom Tankplatz.

9.2 Kraftstoff ablassen

Entleeren Sie den Kraftstofftank nur im Freien oder in gut belüfteten Räumen. Achten Sie darauf, dass kein Kraftstoff ins Erdreich gelangt (Umweltschutz). Verwenden Sie eine geeignete Unterlage.

1. Halten Sie einen Auffangbehälter unter den Kraftstofftank.
2. Schrauben Sie den Tankdeckel (11) des Kraftstofftanks auf und entfernen Sie diesen.
3. Lassen Sie das Benzin-/Ölgemisch vollständig ab.
4. Schrauben Sie den Tankdeckel (11) von Hand wieder fest.

10. Bedienung

10.1 Einstellen des hinteren Handgriffs (8) (Abb. 2)

Zum leichteren Führen der Benzin-Heckenschere kann der hintere Handgriff (8) in 3 Arbeitspositionen eingestellt werden.

- Während des Verstellens kann der Gashebel (9) nicht betätigt werden.

1. Halten Sie mit der linken Hand die Benzin-Heckenschere am vorderen Handgriff (3) fest.
2. Schieben Sie den Verriegelungsgriff (10) nach hinten und drehen Sie den Handgriff in die gewünschte Position.
3. Lassen Sie den Verriegelungsgriff (10) los. Achten Sie darauf, dass der Verriegelungsgriff wieder einrastet und der Handgriff sicher fixiert ist.

10.2. Gerät starten

⚠ Verletzungsgefahr!

Starten Sie die Benzin-Heckenschere nur, wenn die Schneideinrichtung montiert ist! Nehmen Sie den entsprechenden Transportschutz ab und inspizieren Sie das Gerät auf guten Betriebszustand.

Verwenden Sie niemals eine beschädigte, schlecht eingestellte oder gewartete bzw. nicht vollständig und sicher montierte Schneideinrichtung.

Vor Gebrauch prüfen!

Prüfen Sie, ob sich das Gerät in einem sicheren Zustand befindet:

- Stellen Sie sicher, dass der Ein-/Austaster (6), die Gashebelsperre (7) und der Gashebel (9) vorschriftsmäßig funktionieren.
- Prüfen Sie das Gerät auf Leckagen.
- Prüfen Sie das Gerät auf sichtbare Schäden.
- Prüfen Sie, ob alle Teile des Gerätes sicher angebracht sind.
- Prüfen Sie, ob sich alle Sicherheitsvorrichtungen in einem guten Zustand befinden und funktionsfähig sind.

10.2.1 Starten bei kaltem Motor (Abb. 1, 3, 4)

Stützen Sie die Benzin-Heckenschere zum Starten ab und halten Sie sie gut fest. Achten Sie darauf, dass die Schneideinrichtung frei steht.

1. Entfernen Sie den Messerschutz (E) von der Schneideinrichtung (1).
2. Stellen Sie die Benzin-Heckenschere auf einen stabilen und ebenen Untergrund. Die Schneideinrichtung (1) darf dabei den Boden nicht berühren.
3. Drücken Sie 7x die Kraftstoffpumpe „Primer“ (5).
4. Drehen Sie den Kaltstarthebel (Choke) (4) auf „Kaltstart“.
5. Halten Sie die Benzin-Heckenschere am vorderen Handgriff (3) fest und ziehen Sie den Startseilzug (12) langsam bis zum ersten Widerstand heraus.
6. Ziehen Sie nun den Startseilzug (12) rasch an, bis der Motor startet. Sollte der Motor nicht starten, wiederholen Sie den Vorgang. So lange der Kaltstarthebel (Choke) (4) auf „Kaltstart“ steht, läuft der Motor nur kurz an und geht wieder aus.
7. Sobald der Motor ausgegangen ist, betätigen Sie die Gashebelsperre (7) und den Gashebel (9) zusammen. Der (Choke) (4) springt automatisch in die Betriebsstellung „Warmstart“.
8. Ziehen Sie nun erneut den Startseilzug (12) rasch an, bis der Motor startet.
9. Nach einmaliger Betätigung des Gashebels (9) läuft der Motor im Standgas.
10. Lassen Sie den Motor kurz warmlaufen.

Springt der Motor auch nach mehreren Versuchen nicht an, lesen Sie das Kapitel „Störungsabhilfe“.

Achtung

Ziehen Sie den Startseilzug (12) stets gerade heraus. Wird er in einem Winkel herausgezogen, entsteht Reibung an der Öse. Durch diese Reibung wird die Schnur durchgescheuert und nutzt sich schneller ab. Halten Sie den Griff des Startseilzugs (12) fest, wenn sich den Startseilzug (12) wieder einzieht. Lassen Sie niemals den Startseilzug (12) zurückschleudern. Dies kann zu Beschädigungen führen.

Hinweis:

Bei hohen Außentemperaturen kann es vorkommen, dass auch bei kaltem Motor ohne Kaltstarthebel (Choke) (4) gestartet werden muss.

Hinweis:

Wenn sich die Schneideinrichtung (1) im Leerlauf bewegt oder der Motor bei Gaswegnahme von allein ausgeht, muss eine Vergasereinstellung vorgenommen werden (siehe Kapitel „13.2 Einstellen der Leerlaufdrehzahl“).

10.2.2 Starten bei warmem Motor

1. Der Kaltstarthebel (Choke) muss zum Starten des warmen Motors auf „Warmstart“ stehen.
2. Halten Sie die Benzin-Heckenschere am vorderen Handgriff (3) fest und ziehen Sie den Startseilzug (12) langsam bis zum ersten Widerstand heraus.
3. Ziehen Sie nun den Startseilzug (12) rasch an. Das Gerät sollte nach 1-2 Zügen starten. Falls das Gerät nach 6 Zügen immer noch nicht startet, wiederholen Sie den Vorgang unter „Starten bei kaltem Motor“.

10.3 Betrieb der Heckenschere (Abb. 1)

1. Halten Sie die Benzin-Heckenschere am vorderen Handgriff (3) mit der linken Hand fest.
2. Halten Sie mit der rechten Hand den hinteren Handgriff (8) fest. Dabei liegt der Handballen auf der Gashebelsperre (7) und der Zeigefinger betätigt den Gashebel (9).
3. Drücken Sie den Gashebel (9).
4. Die Schneideinrichtung läuft an.

Wird der Gashebel (9) losgelassen, stoppt die Schneideinrichtung und der Motor läuft im Leerlauf.

Wenden Sie sich an den Hersteller, falls die Schneideinrichtung trotzdem im Leerlauf weiterläuft.

Arbeiten Sie auf keinen Fall weiter mit der Benzin-Heckenschere!

10.4 Blockierung der Schneideinrichtung (Abb. 1)

Sollte die Schneideinrichtung (1) während der Arbeit blockieren, setzen Sie die Benzin-Heckenschere mit dem Ein-/Austaster (6) außer Betrieb und ziehen Sie den Zündkerzenstecker (14) ab.

Beseitigen Sie danach das blockierende Material und prüfen Sie die Schneideinrichtung (1) auf eventuelle Beschädigungen.

10.5 Motor abstellen

1. Drücken Sie den Ein-/Aus-Taster (6) und halten diesen gedrückt.
2. Warten Sie, bis der Motor zum Stillstand gekommen ist, bevor Sie das Gerät aus der Hand legen.
3. Lassen Sie den Ein-/Aus-Taster (6) los.

11. Arbeitshinweise

11.1 Arbeiten mit der Heckenschere

- Die Heckenschere ist zum Schneiden von Hecken, Büschen und Sträuchern geeignet.
- Die Heckenschere mit beiden Händen auf sicherem Abstand vom Körper halten.
- Der maximale Schnittdurchmesser ist abhängig von der Holzart, dem Alter, dem Feuchtigkeitsgehalt und der Härte des Holzes.
- Kürzen Sie deshalb sehr dicke Zweige vor dem Schneiden der Hecke mit einer Astschere auf die entsprechende Länge.

- Die Heckenschere kann durch ihre doppelseitigen Messer vorwärts und rückwärts oder durch Pendelbewegungen von einer zur anderen Seite geführt werden.
- Schneiden Sie zuerst die Seiten der Hecken und erst dann die Oberkante.
- Schneiden Sie die Hecke von unten nach oben.
- Schneiden Sie die Hecke trapezförmig. Das verhindert ein Verkahlen des unteren Heckenbereiches wegen Lichtmangels.
- Spannen Sie eine Richtschnur über die Länge der Hecke, wenn Sie die Oberkante der Hecke gleichmäßig stützen wollen.
- Schneiden Sie in mehreren Durchgängen, wenn starkes Zurückschneiden nötig ist.
- Entfernen Sie unbedingt Fremtteile aus der Hecke (z. B. Draht), da diese die Messer der Heckenschere beschädigen können.
- **Achtung!** Die Messer laufen nach! Bremsen Sie die Messer nicht mit der Hand ab.

Der richtige Zeitpunkt zum Schneiden:

- Laubhecke: Juni und Oktober
- Nadelhecke: April und August
- schnell wachsende Hecke: ab Mai ca. alle 6 Wochen

Achten Sie auf brütende Vögel in der Hecke. Verschieben Sie dann das Schneiden der Hecke oder nehmen Sie diesen Bereich aus.

12. Transport

Schalten Sie zum Transportieren des Gerätes den Motor aus, warten Sie, bis die Schneideinrichtung stillsteht und bringen Sie den Messerschutz (E) an (Abb. 4).

Tragen Sie das Gerät am vorderen Handgriff (3). Halten Sie dabei die Schneideinrichtung (1) nach hinten und den heißen Schalldämpfer (13) vom Körper weg.

Transportieren Sie das Gerät im KFZ nur im Kofferraum oder auf einer separaten Transportfläche.

Sichern Sie dabei die Benzin-Heckenschere gegen Umkippen, Beschädigungen und Auslaufen von Kraftstoff.

13. Reinigung und Wartung

Vor jeder Wartungs- und Reinigungsarbeit

- Motor ausschalten
- Stillstand der Schneideinrichtung abwarten
- Zündkerzenstecker abziehen (außer bei LeerlaufEinstellungen)
- Gerät abkühlen lassen

Hinweis

Nach jedem Gebrauch sollte das Gerät gründlich gereinigt werden.

Führen Sie die Reinigungs- und Wartungsarbeiten nur soweit aus, wie in dieser Bedienungsanleitung angegeben.

Weitergehende Wartungs- und Reinigungsarbeiten dürfen nur vom Kundendienst durchgeführt werden.

Führen Sie Wartungsarbeiten nicht in der Nähe von offenem Feuer durch. Brandgefahr!

Zum Warten und Reinigen entfernte Sicherheitseinrichtungen müssen unbedingt wieder ordnungsgemäß angebracht und überprüft werden.

Nur Originalteile verwenden. Andere Teile können zu unvorhersehbaren Schäden und Verletzungen führen.

Tragen Sie Handschuhe, um mögliche Verletzungen zu vermeiden.

Damit eine lange und zuverlässige Nutzung der Benzin-Heckenschere gewährleistet ist, führen Sie die folgenden Wartungsarbeiten regelmäßig aus.

Überprüfen Sie die Benzin-Heckenschere auf offensichtliche Mängel wie

- lose Befestigungen
- verschlissene oder beschädigte Bauteile
- verbogene, gebrochene oder beschädigte Schneideinrichtung
- Tankverschluss und Kraftstoffleitungen auf Dichtigkeit

Überprüfen Sie die Benzin-Heckenschere nach jedem Gebrauch auf

- Verschleiß, insbesondere Gleitspiel der Schneideinrichtung.
- Richtig montierte und intakte Abdeckungen oder Schutzrichtungen.

Notwendige Reparaturen oder Wartungsarbeiten sind vor dem Einsatz der Benzin-Heckenschere durchzuführen.

13.1 Getriebe schmieren (Abb. 5)

Schmieren Sie das Getriebe alle 10 bis 20 Betriebsstunden.

1. Öffnen Sie mit dem mitgelieferten Innensechskantschlüssel 4 mm (C) die Schraube der Schmieröffnung (18) auf der Unterseite der Heckenschere.
2. Setzen Sie die Fettpresse an die Schmieröffnung (18) an.
3. Drücken Sie etwas Fett hinein.
4. Schrauben Sie die Schraube der Schmieröffnung (18) wieder ein.

Achtung! Nur wenig Fett auffüllen. Keinesfalls überfüllen.

13.2 Einstellen der Leerlaufdrehzahl

Wenn sich die Schneideinrichtung (1) im Leerlauf bewegt oder der Motor bei Gaswegnahme von allein ausgeht, muss eine Vergasereinstellung vorgenommen werden.

Hinweis:

Lassen Sie die Vergasereinstellungen (z. B. Leerlaufdrehzahl) nur von qualifiziertem Fachpersonal durchführen, um Motorschäden zu vermeiden.

13.3 Luftfilter reinigen bzw. auswechseln (Abb. 6)

Verschmutzte Luftfilter verringern die Motorleistung durch zu geringe Luftzufuhr zum Vergaser. Staub und Pollen verstopfen die Poren des Schaumstoffeinsatzes. Regelmäßige Kontrolle ist daher unerlässlich.

Reinigen Sie den Luftfilter (17) ca. alle 15 Betriebsstunden, bei besonders staubigen Verhältnissen öfter.

1. Kaltstarthebel (Choke) (4) auf „Kaltstart“ stellen, damit keine Schmutzpartikel in den Vergaser gelangen.
2. Entfernen Sie die Luftfilterabdeckung (16). Lösen Sie dazu die Flügelschraube (15).
3. Nehmen Sie den Luftfilter (17) aus Schaumstoff heraus.
4. Waschen Sie den Luftfilter (17) in lauwarmen Seifenlauge aus. Pusten Sie Schmutzpartikel nicht aus, es besteht die Gefahr von Augenverletzungen!
5. Reinigen Sie den Luftfilterinnenraum mit einem Pinsel.
6. Lassen Sie den Luftfilter (17) gut trocknen und setzen Sie ihn wieder ein.
7. Bringen Sie die Luftfilterabdeckung (16) wieder an.

Achtung:

Luftfilter nie mit Benzin oder brennbaren Lösungsmitteln reinigen.

Um die Lebensdauer des Motors nicht zu verkürzen, muss ein beschädigter Luftfilter sofort ersetzt werden.

⚠ Warnung!

Lassen Sie den Motor niemals laufen, wenn das Luftfilterelement nicht eingesetzt ist.

13.4 Benzinfilter reinigen bzw. auswechseln

Kontrollieren Sie den Benzinfilter bei Bedarf. Ein verschmutzter Benzinfilter behindert die Kraftstoffzufuhr.

Öffnen Sie den Tankdeckel (11) und ziehen Sie den Benzinfilter mit einem Drahthaken (nicht im Lieferumfang enthalten) durch die Öffnung.

- Bei leichter Verschmutzung:
 - ziehen Sie den Benzinfilter von der Kraftstoffleitung ab und reinigen Sie den Filter in Reinigungsbenzin.
 - Bei starker Verschmutzung:
 - ersetzen Sie den Benzinfilter.
1. Um den Benzinfilter von der Kraftstoffleitung abzunehmen, drücken Sie die Schlauchklemme zusammen und schieben diese nach unten.
 2. Nun lässt sich der Benzinfilter von der Kraftstoffleitung nehmen.

13.5 Zündkerze überprüfen, reinigen bzw. auswechseln (Abb. 7/8)

Achtung

Berühren Sie die Zündkerze (14.1) oder den Zündkerzenstecker (14) nicht bei laufendem Motor. Hochspannung! Verbrennungsgefahr bei heißem Motor. Schutzhandschuhe tragen!

Kontrollieren Sie regelmäßig die Zündkerze und den Abstand der Elektroden.

13.5.1 Zündkerze prüfen

1. Ziehen Sie den Zündkerzenstecker (14) von der Zündkerze (14.1) ab.
2. Schrauben Sie die Zündkerze (14.1) mit dem mitgelieferten Zündkerzenschlüssel (B) heraus.
3. Überprüfen Sie den Elektrodenabstand. Dieser muss 0,6 bis 0,7mm betragen.

13.5.2 Zündkerze reinigen

Überprüfen Sie die Zündkerze erstmals nach 10 Betriebsstunden auf Verschmutzung und reinigen Sie diese gegebenenfalls mit einer Kupferdrahtbürste.

Danach die Zündkerze alle 50 Betriebsstunden warten.

Wechseln Sie die Zündkerze aus:

- jeden Monat bei regelmäßigem Betrieb
- wenn der Isolationskörper beschädigt ist
- bei starkem Elektrodenabbrand
- bei stark verschmutzten oder verölten Elektroden

13.5.3 Zündfunke prüfen

1. Ziehen Sie den Zündkerzenstecker (14) von der Zündkerze (14.1) ab.
2. Schrauben Sie die Zündkerze (14.1) mit dem mitgelieferten Zündkerzenschlüssel (B) heraus.
3. Stecken Sie den Zündkerzenstecker (14) fest auf.
4. Drücken Sie die Zündkerze (14.1) mit einer isolierten Zange gegen das Motorgehäuse (nicht in der Nähe des Zündkerzenloches).
5. Ziehen Sie kräftig den Startseilzug (12).
6. Bei einwandfreier Funktion muss ein Funke zwischen den Elektroden sichtbar sein.

13.6 Schalldämpfer / Austrittsöffnung (Abb. 9)

Ziehen Sie die Schalldämpferschrauben nicht nach, wenn der Motor heiß ist.

1. Kontrollieren Sie regelmäßig, ob sich die Schrauben (13.2) des Schalldämpfers (13) nicht gelöst haben. Verwenden Sie den Innensechskantschlüssel 4 mm (C), um evtl. lockere Schrauben nachzuziehen.
2. Reinigen Sie regelmäßig die Austrittsöffnung (13.1).

13.7 Reinigung

Reinigen Sie die Benzin-Heckenschere sorgfältig nach jedem Gebrauch, damit die einwandfreie Funktion erhalten bleibt.

Tragen Sie beim Reinigen der Schneideinrichtung Schutzhandschuhe!

- Reinigen Sie das Gehäuse mit einer weichen Bürste oder einem trockenen Lappen. Wasser, Lösungsmittel und Poliermittel dürfen nicht verwendet werden.
- Achten Sie darauf, dass die Lüftungsschlitze für die Motor Kühlung frei sind (Gefahr der Überhitzung).
- Reinigen Sie die Schneideinrichtung regelmäßig mit einer Bürste oder einem Lappen. Reinigen Sie die Schneideinrichtung nie mit Wasser (Korrosionsgefahr!).
- Reinigen und ölen Sie regelmäßig alle beweglichen Teile.
- Niemals Fett verwenden!
- Verwenden Sie umweltverträgliches Öl.

13.8 Wartungsplan

Geräteteil	Aktion	Vor Arbeitsbeginn	Wöchentlich	Bei Störungen	Bei Beschädigungen	Bei Bedarf
Schneideinrichtung (1)	Prüfen und auf Schärfezustand achten	X				
	Gleitspiel Schneideinrichtung kontrollieren	X				
	Schärfen					X
Motor	Schalldämpferschrauben festziehen					X
	Benzinfilter reinigen / auswechseln					X
	Luftfilter reinigen / auswechseln					alle 15 Betriebsstunden (bei staubigen Verhältnissen öfter)
	Getriebe schmieren					alle 20 Betriebsstunden, mindestens einmal jährlich

Service-Informationen

Es ist zu beachten, dass bei diesem Produkt folgende Teile einem gebrauchsmäßigen oder natürlichen Verschleiß unterliegen bzw. folgende Teile als Verbrauchsmaterialien benötigt werden.

Verschleißteile*:

Schneidmesser (Satz)	(5910402011)
Zündkerze	(3904801048)
Luftfilter	(3910404001)

* nicht zwingend im Lieferumfang enthalten!

14. Lagerung

Bewahren Sie unbenutzte Geräte mit aufgeschobenem Messerschutz an einem trockenen, verschlossenen Ort außerhalb der Reichweite von Kindern auf.

Reinigen und warten Sie das Gerät, bevor Sie es einlagern.

Vorsicht:

Verstauen Sie das Gerät nie länger als 30 Tage, ohne folgende Schritte zu durchlaufen:

Verstauen des Gerätes für mehr als 30 Tage

Wenn Sie das Gerät länger als 30 Tage verstauen, muss es hierfür hergerichtet werden. Andernfalls verdunstet der im Vergaser befindliche, restliche Treibstoff und lässt einen gummiartigen Bodensatz zurück. Dies könnte den Start erschweren und teure Reparaturarbeiten zur Folge haben.

- Lassen Sie den Kraftstoff ab (siehe 9.2)
- Starten Sie den Motor und lassen Sie ihn laufen, bis dieser anhält, um den Treibstoff aus dem Vergaser zu entfernen.
- Lassen Sie den Motor abkühlen (ca. 5 Minuten).

- Entfernen Sie die Zündkerze (siehe 13.5.).
- Geben Sie 1 Teelöffel sauberes 2-Takt-Öl in die Verbrennungskammer.
- Ziehen Sie mehrere Male langsam an der Starterleine, um die internen Komponenten zu beschichten.
- Setzen Sie die Zündkerze wieder ein (siehe 13.5).

Hinweis:

Verstauen Sie das Gerät an einem trockenen Ort, weit entfernt von möglichen Entzündungsquellen, z. B. Ofen, Heißwasserboiler mit Gas, Gastrockner etc..

15. Entsorgung und Wiederverwertung

Hinweise zur Verpackung



Die Verpackungsmaterialien sind recyclebar. Bitte Verpackungen umweltgerecht entsorgen.

Möglichkeiten zur Entsorgung des ausgedienten Gerätes erfahren Sie bei Ihrer Gemeinde- oder Stadtverwaltung.

Kraftstoffe und Öle

- Vor der Entsorgung des Geräts müssen der Kraftstofftank und der Motorölbehälter geleert werden!
- Kraftstoff und Motoröl gehören nicht in den Hausmüll oder Abfluss, sondern sind einer getrennten Erfassung bzw. Entsorgung zuzuführen!
- Leere Öl- und Kraftstoffbehälter müssen umweltgerecht entsorgt werden.

16. Störungsabhilfe

Störung	Mögliche Ursache	Abhilfe
Heckenschere läuft nicht	<ul style="list-style-type: none"> • Motor, kein Kraftstoff • Fehler in der Kraftstoffleitung • Benzinfilter verstopft • Zündkerze defekt • Vergaser defekt • Interner Fehler 	<ul style="list-style-type: none"> • Kraftstoffmenge prüfen • Kraftstoffleitung auf Knicke oder Beschädigungen überprüfen • Benzinfilter reinigen bzw. austauschen • Zündkerze ersetzen • Hersteller bzw. zuständige Kundendienststelle aufsuchen • Hersteller bzw. zuständige Kundendienststelle aufsuchen
Heckenschere schneidet mit Unterbrechungen	<ul style="list-style-type: none"> • Interner Fehler • Ein-/Austaster defekt 	<ul style="list-style-type: none"> • Hersteller bzw. zuständige Kundendienststelle aufsuchen • Hersteller bzw. zuständige Kundendienststelle aufsuchen
Motor läuft, Schneideeinrichtung bleibt stehen	<ul style="list-style-type: none"> • Schneideeinrichtung blockiert • Interner Fehler • Kupplung defekt 	<ul style="list-style-type: none"> • Gegenstand entfernen • Hersteller bzw. zuständige Kundendienststelle aufsuchen • Hersteller bzw. zuständige Kundendienststelle aufsuchen
Schneideeinrichtung wird heiß	<ul style="list-style-type: none"> • Fehlende Schmierung → Reibung • Schneideeinrichtung ist stumpf 	<ul style="list-style-type: none"> • Ölen der Schneideeinrichtung • Schneideeinrichtung schärfen lassen

17. Garantiekunde

Sehr geehrte Kundin, sehr geehrter Kunde,

unsere Produkte unterliegen einer strengen Qualitätskontrolle. Sollte dieses Gerät dennoch einmal nicht einwandfrei funktionieren, bedauern wir dies sehr und bitten Sie, sich an unseren Servicedienst unter der auf dieser Garantiekarte angegebenen Adresse zu wenden. Gern stehen wir Ihnen auch telefonisch über die unten angegebene Servicrufnummer zur Verfügung. Für die Geltendmachung von Garantieansprüchen gilt Folgendes:

- Diese Garantiebedingungen regeln zusätzliche Garantieleistungen. Ihre gesetzlichen Gewährleistungsansprüche werden von dieser Garantie nicht berührt. Unsere Garantieleistung ist für Sie kostenlos.
- Die Garantieleistung erstreckt sich ausschließlich auf Mängel, die auf Material- oder Herstellungsfehler zurückzuführen sind und ist auf die Behebung dieser Mängel bzw. den Austausch des Gerätes beschränkt. Bitte beachten Sie, dass unsere Geräte bestimmungsgemäß nicht für den gewerblichen, handwerklichen oder industriellen Einsatz konstruiert wurden. Ein Garantievertrag kommt daher nicht zustande, wenn das Gerät in Gewerbe-, Handwerks- oder Industriebetrieben sowie bei gleichzusetzenden Tätigkeiten eingesetzt wird. Von unserer Garantie sind ferner Ersatzleistungen für Transportschäden, Schäden durch Nichtbeachtung der Montageanleitung oder aufgrund nicht fachgerechter Installation, Nichtbeachtung der Gebrauchsanleitung (wie durch z.B. Anschluss an eine falsche Netzspannung oder Stromart), missbräuchliche oder unsachgemäße Anwendungen (wie z.B. Überlastung des Gerätes oder Verwendung von nicht zugelassenen Einsatzwerkzeugen oder Zubehör), Nichtbeachtung der Wartungs- und Sicherheitsbestimmungen, Eindringen von Fremdkörpern in das Gerät (wie z.B. Sand, Steine oder Staub), Gewaltanwendung oder Fremdeinwirkungen (wie z. B. Schäden durch Herunterfallen) sowie durch verwendungsgemäßen, üblichen Verschleiß ausgeschlossen.

Der Garantieanspruch erlischt, wenn an dem Gerät bereits Eingriffe vorgenommen wurden.

- Die Garantiezeit beträgt 3 Jahre und beginnt mit dem Kaufdatum des Gerätes. Garantieansprüche sind vor Ablauf der Garantiezeit innerhalb von zwei Wochen, nachdem Sie den Defekt erkannt haben, geltend zu machen. Die Geltendmachung von Garantieansprüchen nach Ablauf der Garantiezeit ist ausgeschlossen. Die Reparatur oder der Austausch des Gerätes führt weder zu einer Verlängerung der Garantiezeit noch wird eine neue Garantiezeit durch diese Leistung für das Gerät oder für etwaige eingebaute Ersatzteile in Gang gesetzt. Dies gilt auch bei Einsatz eines Vor-Ort-Services.
- Für die Geltendmachung Ihres Garantieanspruches wenden Sie sich bitte an die unten angegebene Service-Adresse. Sofern die Reklamation innerhalb der Garantiezeit liegt, werden wir Ihnen einen Retourenschein zur Verfügung stellen, mit dem Sie Ihr defektes Gerät kostenfrei an uns zurücksenden können. Beschreiben Sie uns bitte den Reklamationsgrund möglichst genau. Ist der Defekt des Gerätes von unserer Garantieleistung erfasst, erhalten Sie umgehend ein repariertes oder neues Gerät zurück.

Selbstverständlich beheben wir gegen Erstattung der Kosten auch gerne Defekte am Gerät, die vom Garantiumfang nicht oder nicht mehr erfasst sind. Dazu senden Sie das Gerät bitte an unsere Serviceadresse.

Service-Hotline (DE):

+800 4003 4003
(0,00 EUR/Min.)

Service-Hotline (AT):

+800 4003 4003
(0,00 EUR/Min.)

Service-Hotline (CH):

+800 4003 4003
(0,00 EUR/Min.)

Service-Email (DE):

service.DE@schepbach.com

Service-Email (AT):

service.AT@schepbach.com

Service-Email (CH):

service.CH@schepbach.com

Service Adresse (DE):

Schepbach GmbH
Günzburger Str. 69
DE - 89335 Ichenhausen

Service Adresse (AT):

Gausch Hubert
Bairisch Kölldorf 267
AT - 8344 Bad Gleichenberg

Service Adresse (CH):

Klaus-Häberling AG
Industriestraße 6
CH - 8610 Uster



Auf www.lidl-service.com können Sie diese und viele weitere Handbücher, Produktvideos und Installationssoftware herunterladen.

Mit dem QR-Code gelangen Sie direkt auf die Lidl-Service-Seite (www.lidl-service.com) und können mittels der Eingabe der Artikelnummer (IAN) 422496_2210 ihre Bedienungsanleitung öffnen.

Table des matières:	Page:
1. Explication des symboles sur l'appareil.....	34
2. Introduction.....	36
3. Description de l'appareil (fig. 1 - 9).....	36
4. Fournitures	36
5. Utilisation conforme	36
6. Consignes de sécurité.....	37
7. Consignes de travail	39
8. Caractéristiques techniques.....	41
9. Avant la mise en service	41
10. Commande.....	42
11. Consignes de travail	44
12. Transport.....	44
13. Nettoyage et maintenance.....	44
14. Stockage.....	46
15. Élimination et recyclage.....	47
16. Dépannage	47
17. Certificat de garantie.....	48
18. Vue éclatée.....	257
19. Déclaration de conformité.....	260

1. Explication des symboles sur l'appareil

	Lire la notice d'utilisation et observer les consignes de sécurité avant de procéder à la mise en service !
	Il est recommandé de porter des chaussures de sécurité !
	Utiliser une protection auditive !
	Utiliser des lunettes de protection !
	Porter des gants de travail !
	Attention ! Maintenir les personnes non autorisées à distance de la zone de travail !
	Respecter les consignes d'avertissement et de sécurité !
	Attention ! Il existe un risque d'incendie et d'explosion.
	Attention : risque de blessures ! N'approchez jamais vos mains des lames. Lors de l'activation ou pendant le travail avec l'appareil, ne touchez jamais une lame.
	Avertissement relatif aux surfaces brûlantes.



L'appareil ne doit pas être utilisé en cas de pluie ou dans des conditions humides. Risque d'électrocution !



Attention substances inflammables. Feu, éclairage ouvert et fumer sont interdits !



Proportion du mélange : 40 volumes d'essence pour 1 volume d'huile



Tournez le levier du starter manuel. « Démarrage à chaud et travaux » et « Démarrage à froid »



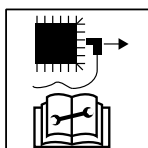
Indication du niveau de puissance sonore garanti L_{WA} en dB.



Appuyez 7x sur la pompe à carburant « Primer »



Attention ! Risque d'asphyxie !
Les gaz d'échappement sont nocifs. Par conséquent, vous ne devez pas faire fonctionner le moteur dans des zones non ventilées.



Avant les travaux de maintenance, arrêtez l'appareil et retirez le connecteur de bougie d'allumage !



Le produit respecte les directives européennes en vigueur.

2. Introduction

FABRICANT :

Scheppach GmbH

Günzburger Straße 69
D-89335 Ichenhausen

CHER CLIENT,

Nous espérons que votre nouvelle machine vous apportera satisfaction et de bons résultats.

REMARQUE :

Conformément à la loi en vigueur sur la responsabilité du fait des produits, le fabricant de cet appareil n'est pas responsable des dommages survenus ou générés sur l'appareil en cas de :

- Manipulation incorrecte,
- Inobservation de la notice d'utilisation
- Réparations effectuées par des tiers, des spécialistes non autorisés
- Montage et remplacement des pièces de rechange non originales
- Utilisation non conforme

Nous vous recommandons :

Lisez l'ensemble du texte de la notice d'utilisation avant le montage et la mise en service.

La présente notice d'utilisation a pour objectif de vous familiariser avec votre appareil et d'en exploiter les possibilités d'emploi conforme.

La notice d'utilisation contient des remarques importantes sur la manière de travailler en toute sécurité, réglementairement et économiquement avec l'appareil et sur la façon d'éviter les dangers, d'économiser les coûts de réparation, de réduire les périodes d'arrêt et d'augmenter la fiabilité et la durée de vie de l'appareil.

Outre les dispositions de sécurité figurant dans cette notice d'utilisation, vous devez absolument observer les prescriptions concernant le fonctionnement de l'appareil en vigueur dans votre pays.

Conservez la notice d'utilisation dans une pochette en plastique à l'abri de la poussière et de l'humidité près de l'appareil. Chaque opérateur doit l'avoir lue avant le début des travaux et doit la respecter minutieusement.

Seules des personnes formées à l'utilisation de l'appareil et informées des dangers associés sont autorisées à travailler avec l'appareil. Respecter la limite d'âge minimum requis.

Outre les consignes de sécurité reprises dans la présente notice d'utilisation et les prescriptions particulières en vigueur dans votre pays, respecter également les règles techniques générales concernant l'utilisation des machines similaires.

Nous déclinons toute responsabilité concernant les accidents ou dommages qui surviendraient en raison d'un non-respect de cette notice et des consignes de sécurité.

3. Description de l'appareil (fig. 1-9)

1. Unité de coupe
2. Protection des mains
3. Poignée avant
4. Levier de démarrage à froid (starter manuel)
5. Pompe à carburant « Primer »
6. Bouton marche/arrêt
7. Gachette de sécurité
8. Poignée arrière
9. Gâchette d'accélérateur
10. Poignée de verrouillage
11. Couvercle de réservoir
12. Câble de démarrage
13. Silencieux
- 13.1 Ouverture de sortie du silencieux
- 13.2 Vis du silencieux
14. Connecteur de bougie d'allumage
- 14.1 Bougie d'allumage
15. Vis papillon
16. Couvercle du filtre à air
17. Filtre à air
18. Ouverture de lubrification

4. Fournitures

- Taille-haies thermique
- Bidon de mélange huile-essence (A)
- Clé à bougie d'allumage (B)
- Clé à six pans creux 4 mm (C)
- Protège-lame (E) (prémonté)
- Notice d'utilisation

5. Utilisation conforme

La machine correspond à la directive CE sur les machines en vigueur.

Avant de commencer à utiliser la machine, toutes les protections et équipements de sécurité doivent être mis en place.

Ce taille-haie à essence est conçu pour couper les jeunes haies tendres. Il ne convient pas à la coupe des branches, du bois solide ou de tout autre matériau de coupe.

Cette machine est conçue pour être utilisée par une seule personne.

L'opérateur est responsable vis-à-vis des tiers dans la zone de travail.

Observer toutes les mentions de danger et de sécurité sur cette machine.

S'assurer que toutes les mentions de danger et de sécurité restent lisibles sur la machine.

Utilisez la machine uniquement dans un état technique irréprochable ainsi que de façon conforme à sa destination, en toute conscience de la sécurité et des dangers, en respectant le mode d'emploi !

(Faire) immédiatement éliminer les défauts, en particulier ceux qui peuvent entraver la sécurité !

Respecter les prescriptions de sécurité, de travail et de maintenance du fabricant, ainsi que les dimensions indiquées dans les caractéristiques techniques.

Les instructions de prévention des accidents concernées et autres règles techniques de sécurité généralement admises doivent être observées.

La machine ne doit être utilisée, entretenue ou réparée que par des spécialistes qui en sont familiers et informés des dangers. Toute modification arbitraire de la machine annule toute garantie du fabricant pour les dommages en résultant.

La machine ne doit être utilisée qu'avec des accessoires originaux et des outils originaux du fabricant.

Toute utilisation hors de ce cadre est considérée comme non conforme. Le fabricant n'est pas responsable des dommages en résultant, seul l'utilisateur en porte le risque.

Le taille-haie à essence ne doit être utilisé que pour la coupe de haies, de buissons et d'arbustes. Toute autre utilisation qui ne serait pas indiquée dans ces instructions d'utilisation risque d'endommager le taille-haie ou de blesser gravement l'utilisateur. Elle est donc expressément exclue de la liste des applications possibles.

L'appareil ne doit pas être utilisé à des fins commerciales, artisanales ou industrielles.

Si vous n'êtes pas certain que toutes les conditions sont réunies pour travailler en toute sécurité, n'utilisez pas la machine.

AVERTISSEMENT ! Pour votre sécurité, merci de lire entièrement cette notice et les informations concernant la sécurité avant d'utiliser la machine. Lorsque vous prêtez la machine, joignez toujours la notice à la machine.

Veillez tenir compte du fait que nos appareils n'ont pas été conçus pour être utilisés dans le domaine professionnel, industriel ou artisanal. Nous ne n'accordons aucune garantie lorsque l'appareil est utilisé à des fins professionnelles, artisanales ou industrielles ou lors de toute utilisation de la même nature.

6. Consignes de sécurité

6.1 Travail en toute sécurité

CE TAILLE-HAIE À ESSENCE PEUT CAUSER DE SÉVÈRES BLESSURES !

Lisez avec soin les notices pour garantir une manipulation, une préparation, un entretien, un démarrage et un arrêt corrects du taille-haie. Familiarisez-vous avec tous les organes de commande afin d'utiliser correctement le taille-haie à essence.

Avant de mettre ce produit en service, lisez et respectez les remarques suivantes, ainsi que les règles de sécurité en vigueur dans le pays concerné afin d'éviter d'éventuelles blessures pour vous-même et autrui.

Veillez toujours conserver ces consignes de sécurité (notice d'utilisation) avec le taille-haie à essence.

Le taille-haie à essence ne doit être utilisé que par des personnes possédant une expérience suffisante.

L'utilisation du taille-haie à essence par des enfants est strictement interdite.

Ne donnez ou ne prêtez le taille-haie à essence qu'à des personnes qui connaissent bien le matériel en question et sa manipulation. Remettez toujours la notice d'utilisation.

Les réparations de l'appareil doivent être effectuées par le fabricant ou par des entreprises qu'il aura missionnées à cet effet.

6.2 Nouveaux utilisateurs

Toute personne qui utilise un taille-haie à essence pour la première fois doit recevoir une formation pratique à l'utilisation du taille-haie à essence et de l'équipement de protection individuelle par un opérateur expérimenté.

- **Soyez attentif.** Faire attention à ce que l'on fait. Procéder de manière raisonnable. N'utilisez pas l'appareil en cas de fatigue ou si vous êtes sous l'influence de drogues, de l'alcool ou de médicaments. Tout moment d'inattention lors de l'utilisation de l'appareil peut conduire à des blessures graves.
- **Avant de commencer à utiliser l'appareil, familiarisez-vous avec son fonctionnement à l'aide de la notice d'utilisation.** Les opérateurs ne disposant pas des informations nécessaires peuvent compromettre leur propre sécurité, ainsi que celle de tierces personnes par une utilisation non conforme.
- N'utilisez pas l'appareil à des fins pour lesquelles il n'a pas été conçu (voir « 5. Utilisation conforme »).
- **Évitez toute position du corps anormale.** Veiller à adopter une position stable et à toujours maintenir son équilibre. en particulier si vous vous servez d'un marchepied ou d'une échelle.
- **Portez des vêtements de travail adaptés :**
 - proscrire les vêtements amples ou bijoux qui risqueraient d'être entraînés par les pièces mobiles
 - porter des gants solides et des chaussures antidérapantes
 - attacher les cheveux longs avec un filet
- **Portez une tenue de protection individuelle :**
 - Protection auditive
 - Lunettes de protection ou masque de protection
 - Gants de travail
 - Chaussures de sécurité
 - casque de protection testé là où il existe des risques de blessures à la tête.
- **Nous recommandons le port d'une protection pour les jambes et d'une veste de sécurité.**
- **Garder la zone de travail bien rangée !** Le désordre peut entraîner des accidents.
- **Tenez compte des facteurs environnementaux :**
 - N'exposez pas le taille-haie à essence à la pluie.
 - N'utilisez pas le taille-haie à essence dans un environnement humide ou mouillé.
 - Reportez le travail en cas de conditions météorologiques défavorables (pluie, neige, gel, vent) - risque d'accident accru !
 - Veiller à ce que la zone de travail soit bien éclairée.
 - N'utilisez pas le taille-haie à essence à proximité de liquides ou de gaz inflammables.

- **Familiarisez-vous avec l'environnement et prêtez attention aux éventuels dangers que l'on pourrait ne pas entendre en raison du bruit du moteur.**
- **Prudence vis-à-vis des lignes électriques aériennes**
- **Ne faites jamais fonctionner le taille-haie à essence sans surveillance.**
- **Lors des pauses, le taille-haie à essence doit être déposé de sorte qu'il ne mette personne en danger.** Sécurisez le taille-haie à essence contre tout accès non autorisé.
- **L'appareil ne doit en aucun cas être utilisé par des personnes de moins de 18 ans.**
- **Maintenez les autres personnes à distance.**
- **L'utilisateur est responsable des accidents ou des dangers encourus par d'autres personnes ou leur propriété.**
- **L'opérateur est responsable vis-à-vis des tiers dans la zone de travail.**
- **Maintenez le matériel à distance des enfants.**
- **Ne laissez pas d'autres personnes, en particulier les enfants, toucher l'outil ou le moteur.** Maintenez-les à distance de la zone de travail.
- **Avant de démarrer le moteur, assurez-vous que le taille-haie à essence est placé correctement dans l'une des positions de travail prédéfinies.**
- **Assurez-vous que toutes les poignées et dispositifs de sécurité sont en place lors de l'utilisation du taille-haie à essence.** N'essayez jamais d'utiliser un taille-haie à essence incomplet ou avec des modifications non autorisées.
- **N'utilisez pas d'unité de coupe émoussée, endommagée ou ayant bondi.**
- **Ne commencez pas à découper avant que l'unité de coupe ne fonctionne.**
- **Ne surchargez pas la machine !** Ils fonctionnent en effet de manière plus satisfaisante et plus sûre dans leur plage de puissance.
- **N'utilisez l'appareil que lorsque tous les dispositifs de protection sont présents et installés correctement. N'apportez à la machine aucune modification susceptible de nuire à la sécurité.**
- **Ne modifiez pas l'appareil ou ses pièces.**
- **N'utilisez pas d'unité de coupe qui ne correspond pas aux caractéristiques indiquées dans cette notice d'utilisation.** Le recours à d'autres outils et accessoires peut entraîner un risque de blessures.
- **Éteignez la machine et débranchez le connecteur de bougie d'allumage de la bougie d'allumage :**
 - Si le taille-haie à essence entre en contact avec de la terre, des pierres, des clous ou d'autres corps étrangers, vérifiez que l'appareil n'est pas endommagé.
 - Réglage de la position de travail du dispositif de coupe
 - Contrôle, entretien ou travaux sur le taille-haie.
 - Travaux de réparation
 - Travaux de maintenance et de nettoyage
 - Élimination des dysfonctionnements (notamment le blocage de l'unité de coupe)
 - Transport et entreposage

- Quitter le taille-haie à essence (même en cas d'interruption momentanée)
- **Prenez soin de votre taille-haie à essence :**
 - Veillez à ce que les outils demeurent acérés et propres afin d'assurer un fonctionnement plus efficace et plus sûr.
 - Veillez à ce que les poignées soient sèches et exemptes d'huile et de graisse.
 - Suivre les prescriptions de maintenance.
- **Vérifier si la machine présente des dommages :**
 - Avant de poursuivre l'utilisation de la machine, il convient de vérifier soigneusement que les dispositifs de protection fonctionnent parfaitement et conformément aux dispositions.
 - Vérifier que les pièces mobiles fonctionnent parfaitement, ne sont pas coincées et ne sont pas endommagées. Toutes les pièces doivent être montées correctement et toutes les conditions doivent être remplies pour garantir un fonctionnement impeccable du taille-haie à essence.
 - Sauf indication contraire dans les instructions d'utilisation, les dispositifs de protection et pièces endommagées doivent être réparés ou remplacés conformément aux dispositions par un atelier spécialisé et agréé.
 - Les autocollants de sécurité endommagés ou illisibles doivent être remplacés.
- **Ne laissez aucune clé se coincer !** Avant toute mise en service, veillez systématiquement à ce que les clés et outils de réglages aient été retirés.
- **Les appareils non utilisés doivent être conservés dans un lieu sec, verrouillé et hors de portée des enfants.**
- **Stockez le taille-haie à essence à un endroit où les vapeurs d'essence ne peuvent pas entrer en contact avec des flammes nues ou des étincelles.** Laissez toujours refroidir le taille-haie à essence avant de le stocker.
- **Couvrez toujours l'unité de coupe avec la protection adéquate lors du transport ou du stockage du taille-haie à essence.**
- **Ne procédez à aucune réparation sur la machine, sauf si vous avez été formé à cet effet.** Ne procédez pas à d'autres réparations que celles décrites au chapitre « 13. Nettoyage et maintenance ». Adressez-vous alors directement au fabricant ou au service clients compétent.
- **Éviter d'utiliser le taille-haie à essence si des personnes, surtout des enfants, se trouvent à proximité.**
- **Si l'unité de coupe touche un corps étranger ou si le bruit généré par le fonctionnement augmente, ou si le taille-haie à essence vibre plus fortement que d'habitude, arrêtez le moteur et attendez que le taille-haie à essence soit immobile.** Retirez le connecteur de bougie de la bougie d'allumage et prenez les mesures suivantes :
 1. Rechercher les dommages ;
 2. Rechercher les pièces desserrées et les fixer ;
 3. Remplacer les pièces endommagées par des pièces équivalentes ou les faire réparer.
- **N'utilisez pas le taille-haie à essence avec une unité de coupe défectueuse ou fortement usée.**

- **Pour éviter tout risque d'incendie, veillez à ce que le moteur et le silencieux sont exempts de dépôts, de feuilles ou de fuite de lubrifiant.**
- **Utilisez toujours les deux mains si le taille-haie à essence est équipé de deux poignées.**
- **Si le taille-haie à essence est arrêté pour la maintenance, l'inspection ou le stockage, désactivez le moteur, retirez le connecteur de bougie de la bougie d'allumage et assurez-vous que toutes les pièces rotatives sont arrêtées.** Laissez refroidir la machine avant de la contrôler, la régler, etc.

Les réparations qui concernent d'autres pièces de la machine doivent être effectuées par le fabricant ou par l'une de ses agences de service clients.

Utilisez uniquement des pièces de rechange d'origine. L'utilisation d'autres pièces de rechange et d'autres accessoires peut entraîner des accidents pour l'utilisateur. Le fabricant décline toute responsabilité quant aux dommages qui pourraient en résulter.

6.3 Manipulation sûre des carburants

Manipulez le carburant avec prudence ! Les carburants et les vapeurs de carburant sont inflammables et peuvent causer de graves lésions s'ils sont inhalés ou entrent en contact avec la peau.

Soyez donc prudents lorsque vous manipulez du carburant et assurez-vous d'avoir une ventilation adéquate.

- **Avant de faire le plein du taille-haie à essence, arrêtez le moteur et laissez refroidir l'appareil.**
- **Ne fumez pas et n'allumez pas de flamme lorsque vous faites le plein.**
- **Portez des gants lorsque vous faites le plein.**
- **Ne faites jamais le plein dans des espaces clos (risque d'explosion).**
- **Faites le plein uniquement en extérieur.**
- **Veillez à ne pas renverser de carburant ou d'huile.** Nettoyez immédiatement le taille-haie à essence si vous avez renversé du carburant ou de l'huile. Changez-vous immédiatement si vous avez renversé du carburant ou de l'huile sur vos vêtements.
- **Veillez à ce que le carburant ne pénètre pas dans le sol.**
- **Refermez soigneusement le bouchon de réservoir après avoir fait le plein et veillez à ce qu'il ne se desserre pas pendant l'utilisation.**
- **Veillez à ce que le couvercle de réservoir et les conduites d'essence soient étanches.** En cas de problème d'étanchéité, ne mettez pas l'appareil en marche.
- **Transportez et stockez les carburants uniquement dans des récipients autorisés et marqués à cet effet.**
- **Tenez les enfants à l'écart des carburants.**
- **Ne transportez et ne stockez pas de carburant à proximité de substances combustibles ou facilement inflammables, d'étincelles ou de flamme nue.**
- **Pour démarrer l'appareil, éloignez-vous de trois mètres au moins du lieu où vous avez fait le plein.**

- **La vidange du réservoir doit s'effectuer à l'extérieur.**
- **Ne stockez jamais le taille-haie à essence ou le réservoir de carburant dans une pièce où se trouve une flamme nue, par exemple, dans un conditionneur d'eau chaude.**
- **Pour réduire les risques d'incendie – le moteur et le silencieux doivent rester exempts de résidus de coupe, de feuilles et de lubrifiants !**
- **Lorsque le moteur est en marche ou qu'il est chaud, ne retirez jamais le bouchon du réservoir ou ne faites jamais l'appoint d'essence.**
- **Avant l'appoint, laissez refroidir le moteur et les pièces d'échappement.**
- **En cas de débordement d'essence, ne tentez jamais de démarrer le moteur, mais éloignez la machine de la zone encrassée d'essence avant le démarrage.**

6.4 Risques résiduels

Même en cas d'utilisation conforme et de respect des dispositions de sécurité en vigueur, les risques résiduels ne sauraient être complètement exclus en raison de la structure de l'appareil. Les risques résiduels peuvent être minimisés en respectant les consignes des chapitres « 6. Consignes de sécurité » et « 5. Utilisation conforme », ainsi que le mode d'emploi dans son ensemble. L'attention et la prudence réduisent le risque de blessures et de dommages.

En outre, malgré toutes les précautions prises, il peut demeurer des risques résiduels qui ne sont pas évidents.

- Blessure par les pièces projetées.
- Rupture et projection de morceaux de lames.
- Risque d'intoxication au monoxyde de carbone en cas d'utilisation de l'appareil dans des espaces clos ou mal ventilés.
- Risque de brûlures en cas de contact avec des composants brûlants.
- Perte d'audition en cas de travaux prolongés sans protection auditive.

7. Consignes de travail

Procédez aux contrôles suivants avant la mise en service, puis régulièrement pendant l'utilisation du taille-haie à essence :

- Le taille-haie à essence est-il complet et monté conformément aux instructions ? Veillez également à ce que tous les écrous et vis soient bien serrés.
- Le taille-haie à essence est-il dans un état impeccable et sûr ?
 - Toutes les fonctions de sécurité sont-elles opérationnelles ?
- Le réservoir d'essence est-il plein ?
- L'unité de coupe est-elle intacte et affûtée ?
- Le moteur et le silencieux sont-ils exempts de dépôts, de feuilles ou de fuite de lubrifiant ?
- Les poignées sont-elles propres et sèches – exemptes d'huile, de graisse et de résine ?
- Le lieu de travail est-il exempt de risques de trébuchement ?
- Portez-vous l'équipement de protection individuelle nécessaire ?

- Avez-vous lu et compris toutes les remarques ?
- La gâchette d'accélérateur fonctionne-t-elle facilement et est-elle opérationnelle ?
- L'interrupteur On/Off est-il opérationnel ?
- L'unité de coupe s'arrête-t-elle toujours en marche à vide ?

Si l'unité de coupe fonctionne en marche à vide, le régime ralenti doit être diminuée (voir « 13.2 Réglage du régime ralenti »).

- Assurez-vous que la transmission est suffisamment lubrifiée (voir « 13. Nettoyage et maintenance »).

7.1 Comportement général lors de l'utilisation d'un taille-haie

- Ne travaillez pas seul. En cas d'urgence, quelqu'un doit se trouver à portée de voix.
- Tenez les enfants, les autres personnes et les animaux à distance de votre zone de travail (distance min. de 15 m).
- Ne travaillez pas sur la neige, le gel ou toute autre surface glissante – Risque de glissade.
- Ne travaillez pas dans des conditions d'éclairage insuffisantes (par exemple en cas de brouillard, de pluie, de neige fondue ou au crépuscule).
- Avant de tailler, éloignez les animaux de la haie afin de ne pas les blesser.
- Veillez à ce que votre lieu de travail soit sûr et bien rangé. Éloignez de la zone de travail les objets susceptibles d'être projetés.
- Évitez toute position du corps anormale. Maintenez votre équilibre à tout moment. Ne travaillez pas avec le haut du corps penché en avant.
- N'utilisez le taille-haie à essence que si vous êtes dans une position parfaitement stable.
- Lors d'un changement de lieu, arrêtez le taille-haie à essence.
- N'approchez pas les mains et les pieds de l'unité de coupe pendant un mouvement.
- Tenez le taille-haie à essence de manière à ne pas risquer d'inhaler les gaz d'échappement. Ne travaillez pas dans des espaces clos.
- N'utilisez pas le taille-haie à essence pour ramasser ou déblayer des morceaux de bois ou d'autres objets.
- Enlevez impérativement les corps étrangers de la haie (fil de fer, p.ex.), car ils peuvent endommager l'unité de coupe du taille-haie à essence.
- Tenez toujours le taille-haie à essence à deux mains : la main gauche sur la poignée avant et la main droite sur la poignée arrière. Ne travaillez jamais d'une main.
- Lorsque vous relâchez la gâchette d'accélérateur, l'unité de coupe continue d'avancer brièvement (effet de roue libre).
- Débutez la coupe avec l'unité de coupe en marche.
- Ne touchez jamais l'unité de coupe avec les mains pendant son fonctionnement.
- Ne travaillez jamais
 - les bras tendus
 - dans des lieux difficiles d'accès
 - trop penché
- Ne travaillez jamais avec le taille-haie à essence au-dessus de la hauteur d'épaules.
- Ne touchez jamais les clôtures en fil de fer ou le sol lorsque l'unité de coupe fonctionne.

- Arrêtez le moteur et débranchez le connecteur de bougie
 - si vous constatez un changement de comportement de l'appareil
 - pour éliminer les découpes coincées
 - pour vérifier l'unité de coupe si elle est entrée en contact avec des pierres, des clous ou d'autres objets durs.
 - pour éliminer les dysfonctionnements
 - lors des pauses
 - avant de quitter le taille-haie
- Ne placez pas le taille-haie à essence chaud dans l'herbe sèche ou sur des objets inflammables.
- Avant de débiter le travail, assurez-vous que :
 - personne d'autre et aucun animal ne se trouvent dans la zone de travail.
 - vous pouvez reculer sans obstacle.
 - vos pieds ne risquent pas de rencontrer de corps étrangers, de broussailles et de branches.
 - vous bénéficiez d'une stabilité suffisante.

Si les personnes souffrant de problèmes de circulation sanguine sont exposées trop fréquemment à des vibrations, des lésions du système nerveux ou circulatoire peuvent survenir.

7.2 Vous pouvez réduire les vibrations :

- en portant des gants de travail solides et chauds.
- en réduisant son temps de travail (en prenant plusieurs pauses longues).

Consultez un médecin si vos doigts enflent, si vous vous sentez mal ou si vos doigts deviennent insensibles.

7.3 Travaux avec le taille-haie

Tenir le taille-haie à essence des deux mains et à une distance sûre du corps.

- Le diamètre de coupe maximal dépend de l'essence du bois, de son âge, du taux d'humidité et de la dureté du bois.
- Avant de tailler la haie, coupez les branches très épaisses à la longueur souhaitée à l'aide d'un coupe-branches.
- Vous pouvez guider le taille-haie à essence grâce à sa lame double-face vers l'avant ou l'arrière, ou d'un côté à l'autre avec les mouvements pendulaire.
- Coupez d'abord les côtés de la haie, puis le dessus.
- Couper la haie de bas en haut.
- Taillez la haie de manière trapézoïdale. Ceci permet d'éviter un dénudement de la partie inférieure de la haie en raison du manque de lumière.
- Tendez une corde qui vous servira de repère le long de la haie si vous souhaitez tailler le haut de la haie avec régularité.
- Procédez à la taille en plusieurs passages si une taille importante est nécessaire.

7.4 Le calendrier idéal pour la taille :

- Haie à feuillage caduc : juin et octobre
- Haie à feuillage persistant : avril et août
- Haie à croissance rapide : toutes les 6 semaines env. à partir de mai

Faites attention aux oiseaux qui couvent dans la haie. Dans ce cas, repoussez la taille de la haie ou ne taillez pas cette zone.

Dans tous les cas, respectez toutes les consignes de sécurité.

7.5 Comportement à adopter en cas de dysfonctionnement ou d'accident

En cas de panne ou d'accident, mettez immédiatement le taille-haie à essence hors service au moyen de l'interrupteur On/Off (6).

7.6 Premiers secours

En cas d'accident, une trousse de secours conforme à la norme DIN 13164 doit toujours être disponible sur le lieu de travail.

Tout élément prélevé doit être immédiatement remplacé.

Si vous appelez à l'aide, fournissez les indications suivantes :

- Localisation de l'accident?
- Nature de l'accident?
- Nombre de blessés?
- Type de blessures?
- Identité de la personne qui signale l'accident?

8. Caractéristiques techniques

Type de moteur	Moteur à deux temps - Refroidi à l'air
Cylindrée cm ³	22,5
Puissance du moteur kW	0,65
Régime ralenti n ₀ tr/min ⁻¹	3 000 +/- 300
Vitesse de rotation du moteur max. en tr/min ⁻¹	10500
Volume du réservoir L	0,28
Rapport de mélange (carburant/huile à deux temps)	40:1
Longueur de coupe mm	560
Épaisseur de coupe max. mm	27
Dimensions L/l/H mm	1100 x 245 x 200
Longueur de tranchant mm	700
Bougie d'allumage	L8RTC
Poids en kg	5,2

Sous réserve de modifications techniques !

Bruit

Informations concernant le développement de bruit mesurée selon les normes en vigueur :

Niveau de pression sonore L _{pA}	97,8 dB
Incertitude K _{pA}	3 dB
Niveau de puissance sonore L _{WA}	107,3 dB
Incertitude K _{WA}	2,53 dB

Portez une protection auditive.

Les nuisances sonores peuvent entraîner une perte d'audition.

Vibration

Vibration (poignée arrière) A _{hv}	4,838 m/s ²
Incertitude de mesure K _{hv}	1,5 m/s ²
Vibration (poignée avant) A _{hv}	5,389 m/s ²

Limitez autant que possible la génération de bruit et de vibrations !

- Utilisez uniquement des appareils en parfait état.
- Procédez régulièrement à la maintenance et au nettoyage de l'appareil.
- Adaptez votre mode de travail à l'appareil.
- Ne surchargez pas l'appareil.
- Faites au besoin contrôler l'appareil.
- Arrêtez l'appareil lorsqu'il n'est pas utilisé.
- Portez des gants de protection.

AVERTISSEMENT

Évitez les risques liés aux vibrations, p. ex. le risque d'un syndrome de Raynaud (trouble de la circulation sanguine), en effectuant souvent des pauses pendant lesquelles vous frottez les surfaces de vos mains l'une contre l'autre.

- Portez toujours des gants de protection et soyez attentifs à toute augmentation de la chaleur de vos mains.
- Effectuez régulièrement des pauses.

9. Avant la mise en service

- Ouvrez l'emballage et sortez-en délicatement l'appareil.
- Retirez le matériau d'emballage, ainsi que les protections d'emballage et de transport (s'il y a lieu).
- Vérifiez que les fournitures sont complètes.
- Vérifiez que l'appareil et les accessoires n'ont pas été endommagés lors du transport.
- Conservez si possible l'emballage jusqu'à la fin de la période de garantie.

ATTENTION

L'appareil et les matériaux d'emballage ne sont pas des jouets ! Les enfants ne doivent pas jouer avec les sacs en plastique, films d'emballage et pièces de petite taille ! Il existe un risque d'ingestion et d'étouffement !

- Familiarisez-vous avec l'appareil à l'aide de la notice d'utilisation avant de commencer à l'utiliser.
- N'utilisez que des pièces originales pour les accessoires ainsi que les pièces d'usure et de rechange. Vous trouverez les pièces de rechange chez votre distributeur spécialisé.
- Lors de la commande, indiquez nos numéros d'articles, ainsi que le type et l'année de construction de l'appareil.

Le taille-haie à essence n'est pas livré avec un mélange de carburants.

L'appareil fonctionne avec un mélange d'essence (sans plomb) et d'huile de moteur à deux temps.

La plus grande prudence est de mise lors de la manipulation de l'essence. Il est interdit de fumer et d'allumer une flamme nue (risque d'explosion).

Vérifiez l'appareil quant aux points suivants avant chaque mise en service :

- Étanchéité du circuit à carburant.
- État irréprochable et intégrité des dispositifs de protection et du dispositif de coupe.
- Bonne fixation de tous les raccords vissés.
- Mobilité de toutes les pièces mobiles.

Carburant et huile

- Carburants recommandés
 - Utilisez uniquement un mélange d'essence sans plomb et d'huile spéciale moteur 2 temps. Mélangez les carburants selon le tableau des mélanges de carburants.
 - N'utilisez pas de carburant E10.

Attention :

N'utilisez pas de mélange de carburants si celui-ci a été stocké plus de 90 jours.

Attention :

N'utilisez pas d'huile pour moteur 2 temps qui recommande un rapport de mélange de 100:1. Les dommages au moteur résultant d'une lubrification insuffisante ne sont pas couverts par la garantie moteur du fabricant.

Attention :

Pour le transport et le stockage de carburant, utilisez uniquement les récipients prévus à cet effet et autorisés. Versez la quantité adéquate d'essence et d'huile moteur à 2 temps dans le bidon de mélange huile-essence fourni (A). Secouez ensuite bien le récipient.

N'utilisez jamais d'huile pour moteur 4 temps ou d'huile pour moteur 2 temps refroidie à l'eau. Cela pourrait encrasser les bougies d'allumage, obstruer le dispositif d'évacuation d'air ou coller la bague de piston. Les mélanges de carburants qui datent d'un mois ou plus ne doivent pas être utilisés, car ils peuvent obstruer le carburateur ou entraver le fonctionnement du moteur. Versez le carburant non utilisé dans un récipient étanche à l'air et stockez-le dans une pièce sombre et fraîche.

Tableau de mélange de carburants

Procédure de mélange : 40 volumes d'essence pour 1 volume d'huile

Exemple :

1 l d'essence : 0,025 l d'huile pour moteur 2 temps

5 l d'essence : 0,125 l d'huile pour moteur 2 temps

Avertissement ! Soyez attentifs aux gaz d'échappement.

Arrêtez toujours le moteur avant de faire le plein.

Ne faites pas l'appoint d'essence de l'appareil si le moteur tourne ou qu'il est chaud. Il existe un risque d'incendie !

Faites le plein uniquement en extérieur ou dans des locaux bien ventilés. Veillez à ce que le carburant ne pénètre pas dans le sol (protection de l'environnement). Utilisez un support adéquat. Utilisez uniquement de l'huile de chaîne biodégradable.

Les carburants ne peuvent être stockés que momentanément car ils vieillissent. Par conséquent, les carburants et mélanges de carburants stockés trop longtemps peuvent conduire à des problèmes de démarrage. Par conséquent, ne mélangez que la quantité de carburant que vous consommez en un mois. Stockez les carburants uniquement dans des récipients autorisés et marqués à cet effet. Conservez le réservoir de carburant au sec et en lieu sûr.

Veillez à ce que les réservoirs de carburant soient stockés hors de portée des enfants.

Attention ! Avant la mise en service, informez-vous concernant la manière de mettre l'appareil hors service le plus rapidement possible en cas d'urgence !

9.1 Plein du taille-haie

- Coupez le moteur et laissez-le refroidir !
- Portez des gants de protection !
- Évitez tout contact avec la peau et les yeux !
- Respecter impérativement les consignes de la section « Manipulation sûre des carburants ». Voir 6.3.

1. Faites uniquement le plein du taille-haie à essence en extérieur ou dans des locaux suffisamment ventilés.
2. Nettoyez l'espace autour de la zone de remplissage. Des impuretés dans le réservoir causent des dysfonctionnements.
3. Secouez encore une fois la bouteille d'huile/essence (A) contenant le mélange de carburants avant de le verser dans le réservoir.
4. Ouvrez prudemment le couvercle de réservoir (11) du réservoir de carburant afin qu'une éventuelle surpression existante puisse être évacuée.
5. Versez le mélange de carburants avec précaution jusqu'à l'arête inférieure de la tubulure de remplissage. Utilisez une trémie ou un entonnoir (non fourni) pour éviter de renverser du carburant.
6. Refermez de nouveau le couvercle de réservoir (11). Assurez-vous que le couvercle de réservoir (11) se ferme de manière étanche.
7. Nettoyez le bouchon de réservoir (11) et son environnement.
8. Vérifiez l'étanchéité du réservoir et des conduites de carburant.
9. Actionnez au besoin la pompe à carburant « Primer » (5).
10. Avant le démarrage du moteur, éloignez-vous au moins de trois mètres du lieu d'approvisionnement en essence.

9.2 Purge de carburant

Videz le réservoir de carburant uniquement en extérieur ou dans des locaux bien ventilés. Veillez à ce que le carburant ne pénètre pas dans le sol (protection de l'environnement). Utilisez un support adapté.

1. Maintenez un récipient de collecte sous le réservoir de carburant.
2. Dévissez le couvercle de réservoir (11) du carburant et retirez-le.
3. Laissez le mélange essence/huile s'écouler complètement.
4. Revissez manuellement le couvercle de réservoir (11).

10. Commande**10.1 Réglage de la poignée arrière (8) (fig. 2)**

Pour un guidage facile du taille-haie à essence, la poignée arrière (8) peut être réglée en 3 positions de travail.

- Pendant le réglage, la gâchette d'accélérateur (9) ne peut pas être actionnée.

1. Avec la main gauche, tenez le taille-haie à essence au niveau de la poignée avant (3).
2. Poussez la poignée de verrouillage (10) vers l'arrière et tournez la poignée dans la position de votre choix.

3. Relâchez la poignée de verrouillage (10). Veillez à ce que la poignée de verrouillage s'enclenche à nouveau et à ce que la poignée soit fixée en toute sécurité.

10.2 Démarrage de l'appareil

⚠ Risque de blessure !

Ne démarrez le taille-haie à essence que si une unité de coupe y est montée ! Retirez la protection de transport et inspectez l'appareil pour vous assurer qu'il est en bon état de fonctionnement. N'utilisez jamais d'unité de coupe endommagée, mal réglée, mal entretenue, incomplète ou mal montée.

À contrôler avant l'utilisation !

Vérifiez que l'état de fonctionnement de l'appareil est sûr :

- Assurez-vous que l'interrupteur On/Off (6), le blocage de la gâchette d'accélérateur (7) et la gâchette d'accélérateur (9) fonctionnent conformément aux instructions.
- Vérifiez que l'appareil ne fuit pas.
- Vérifiez que l'appareil ne présente pas de dommages visibles.
- Vérifier que toutes les pièces de l'appareil sont correctement montées.
- Vérifiez que tous les dispositifs de sécurité sont en bon état et fonctionnels.

10.2.1 Démarrage du moteur à froid (fig. 1, 3, 4)

Soutenez le taille-haie à essence au moment de le démarrer et tenez-le fermement. Veillez à ce que l'unité de coupe soit dégagée.

1. Retirez le protège-lame (E) de l'unité de coupe (1).
2. Placez le taille-haie à essence sur un sol plan et solide. Le dispositif de coupe (1) ne doit pas toucher le sol.
3. Appuyez 7x sur la pompe à carburant « Primer » (5).
4. Tournez le levier de démarrage à froid (starter manuel) (4) en position « Démarrage à froid ».
5. Tenez le taille-haie à essence par la poignée avant (3) et tirez lentement sur le câble de démarrage (12) jusqu'à sentir une résistance.
6. Tirez à présent fermement sur le câble de démarrage (12) jusqu'à ce que le moteur démarre. Si le moteur ne démarre pas, répétez le processus. Tant que le levier de démarrage à froid (starter manuel) (4) est réglé sur « Démarrage à froid », le moteur ne démarre que brièvement, puis s'arrête à nouveau.
7. Dès que le moteur est arrêté, actionnez simultanément le blocage de la gâchette d'accélérateur (7) et la gâchette d'accélérateur (9). Le starter manuel (4) passe automatiquement en position « Démarrage à chaud ».
8. Tirez à présent de nouveau fermement sur le câble de démarrage (12) jusqu'à ce que le moteur démarre.
9. Après actionnement de l'accélérateur (9), le moteur fonctionne au ralenti.
10. Laissez le moteur tourner à chaud brièvement.

Si le moteur ne démarre toujours pas après plusieurs tentatives, lisez le chapitre « Dépannage ».

Attention

Tirez toujours droit sur le câble de démarrage (12). Si vous tirez dessus de manière inclinée, un frottement s'exerce sur l'œillet. Le frottement use le cordon et l'abîme plus vite. Tenez la poignée du câble de démarrage (12) lorsque ce dernier (12) rentre à nouveau.

Ne laissez jamais le câble de démarrage (12) revenir brutalement en arrière. Cela risquerait d'entraîner des dommages.

Remarque :

Lorsque les températures extérieures sont élevées, il peut être nécessaire de démarrer sans levier de démarrage à froid (starter manuel) (4) même lorsque le moteur est froid.

Remarque :

Si l'unité de coupe (1) fonctionne en marche à vide ou que le moteur s'arrête de lui-même à la coupure des gaz, un réglage du carburateur doit avoir lieu (voir le chapitre 13.2 « Réglage du régime de ralenti »).

10.2.2 Démarrage lorsque le moteur est chaud

1. Le levier de démarrage (starter manuel) doit être positionné sur « Démarrage à chaud » pour démarrer le moteur chaud.
2. Tenez le taille-haie à essence par la poignée avant (3) et tirez lentement sur le câble de démarrage (12) jusqu'à sentir une résistance.
3. Tirez à présent fermement sur le câble de démarrage (12). L'appareil doit démarrer après 1-2 courses. Si l'appareil ne démarre toujours pas après 6 tentatives, répétez l'opération décrite à la section « Démarrage lorsque le moteur est froid ».

10.3 Fonctionnement du taille-haie (fig. 1)

1. Avec la main gauche, tenez la poignée avant (3) du taille-haie à essence.
2. Avec la main droite, tenez la poignée arrière (8). La paume de la main repose sur le blocage de la gâchette d'accélérateur (7) et l'index actionne la gâchette d'accélérateur (9).
3. Actionnez la gâchette d'accélérateur (9).
4. L'unité de coupe démarre.

Lorsque vous relâchez la gâchette d'accélérateur (9), l'unité de coupe s'arrête et le moteur marche à vide.

Adressez-vous au fabricant si le dispositif de coupe continue néanmoins de fonctionner en marche à vide.

Ne continuez en aucun cas de faire fonctionner le taille-haie à essence !

10.4 Blocage de l'unité de coupe (fig. 1)

Si l'unité de coupe (1) se bloque en cours de travail, mettez le taille-haie à essence hors service au moyen de l'interrupteur On/Off (6) et retirez le connecteur de bougie d'allumage (14). Éliminez ensuite le matériau bloqué et vérifiez si le dispositif de coupe (1) présente des dommages.

10.5 Arrêter le moteur

1. Appuyez sur l'interrupteur On/Off (6) et maintenez-le enfoncé.
2. Attendez toujours que le moteur se soit arrêté avant de poser l'appareil.
3. Relâchez l'interrupteur On/Off (6).

11. Consignes de travail

11.1 Travaux avec le taille-haie

- Le taille-haie est adapté à la coupe de haies, de buissons et d'arbustes.
- Tenir le taille-haie des deux mains et à une distance sûre du corps.
- Le diamètre de coupe maximal dépend de l'essence du bois, de son âge, du taux d'humidité et de la dureté du bois.
- Avant de tailler la haie, coupez les branches très épaisses à la longueur souhaitée à l'aide d'un coupe-branches.
- Vous pouvez guider le taille-haie grâce à sa lame double-face vers l'avant ou l'arrière, ou d'un côté à l'autre avec les mouvements pendulaire.
- Coupez d'abord les côtés de la haie, puis le dessus.
- Taillez la haie de bas en haut.
- Taillez la haie de manière trapézoïdale. Ceci permet d'éviter un dénudement de la partie inférieure de la haie en raison du manque de lumière.
- Tendez une corde qui vous servira de repère le long de la haie si vous souhaitez tailler le haut de la haie avec régularité.
- Procédez à la taille en plusieurs passages si une taille importante est nécessaire.
- Enlevez impérativement les corps étrangers de la haie (fil de fer, p.ex.), car ils peuvent endommager les lames du taille-haie.
- **Attention !** Les lames continuent à fonctionner ! Ne freinez pas les lames avec la main.

Le calendrier idéal pour la taille :

- Haie à feuillage caduc : juin et octobre
- Haie à feuillage persistant : avril et août
- Haie à croissance rapide : toutes les 6 semaines env. à partir de mai

Faites attention aux oiseaux qui couvent dans la haie. Dans ce cas, repoussez la taille de la haie ou ne taillez pas cette zone.

12. Transport

Pour transporter l'appareil, coupez le moteur, attendez que l'unité de coupe s'immobilise et installez le protège-lame (E) (fig. 4).

Portez l'appareil par la poignée avant (3). Tenez alors l'unité de coupe (1) vers l'arrière et éloignez le silencieux chaud (13) de votre corps.

Dans un véhicule, ne transportez l'appareil que dans le coffre ou sur une surface de transport séparée.

Protégez alors le taille-haie à essence afin d'éviter tout risque de renversement, de dommages et de fuites de carburant.

13. Nettoyage et maintenance

Avant tout travail de maintenance et de nettoyage

- Arrêtez le moteur
- Attendez que l'unité de coupe se soit immobilisée
- Retirer le connecteur de bougie d'allumage (sauf pour les réglages de la marche à vide)
- Laisser refroidir l'appareil

Remarque

Après chaque utilisation, nettoyez soigneusement l'appareil. Procédez aux travaux de nettoyage et de maintenance conformément aux indications du présent mode d'emploi.

Les travaux de maintenance et de nettoyage réalisés en complément de ceux décrits dans ce chapitre ne peuvent être effectués que par le service clients.

N'effectuez pas de travaux de maintenance à proximité d'une flamme nue. Risque d'incendie ! Les dispositifs de sécurité retirés en vue de la maintenance et du nettoyage doivent impérativement être remis en place et contrôlés correctement.

Utilisez uniquement des pièces d'origine. Les autres pièces peuvent causer des dommages et blessures imprévisibles.

Portez des gants afin d'éviter les blessures.

Pour garantir une utilisation durable et fiable du taille-haie à essence, effectuez régulièrement les travaux de maintenance suivants.

Vérifiez que le taille-haie à essence ne présente pas de défaut visible :

- des raccords lâches
- des composants usés ou endommagés
- une unité de coupe tordue, cassée ou endommagée
- Étanchéité du bouchon de réservoir et des conduites de carburant

Après chaque utilisation, procédez aux vérifications suivantes sur le taille-haie à essence

- de l'usure, en particulier du jeu de glissement de l'unité de coupe.
- Les couvercles et dispositifs de protection sont bien montés et sont intacts.

Avant d'utiliser le taille-haie à essence, effectuez les réparations ou les travaux de maintenance nécessaires.

13.1 Lubrification de la transmission (fig. 5)

Lubrifiez la transmission toutes les 10 à 20 heures de service.

1. Avec la clé à six pans creux 4 mm (C) fournie, ouvrez la vis de l'ouverture de lubrification (18) située sur la partie inférieure du taille-haie.
2. Appliquez la pompe à graisse sur l'ouverture de lubrification (18).
3. Introduisez de la graisse en petite quantité.
4. Revissez la vis de l'ouverture de lubrification (18).

Attention ! Procéder à un graissage léger. Ne jamais graisser de manière excessive.

13.2 Réglage du régime ralenti

Si l'unité de coupe (1) fonctionne en marche à vide ou que le moteur s'arrête de lui-même à la coupure des gaz, un réglage du carburateur doit avoir lieu.

Remarque :

Confiez les réglages du carburateur (par exemple, régime du ralenti) uniquement à des spécialistes qualifiés pour éviter d'endommager le moteur.

13.3 Nettoyage ou remplacement du filtre à air (fig. 6)

Des filtres à air encrassés réduisent la puissance du moteur en raison d'une alimentation en air trop faible vers le carburateur. La poussière et le pollen obstruent les pores de la cartouche en mousse. Pour cette raison, un contrôle régulier est indispensable.

Nettoyez le filtre à air (17) toutes les 15 heures de fonctionnement env., plus souvent en cas de conditions poussiéreuses.

1. Placez le levier de démarrage à froid (starter manuel) (4) en position « Démarrage à froid » pour éviter que des particules de saleté ne pénètrent dans le carburateur.
2. Retirez le couvercle du filtre à air (16). Desserrez pour ce faire la vis papillons (15).
3. Retirez le filtre à air (17) en mousse.
4. Lavez le filtre à air (17) à l'eau savonneuse tiède. Ne soufflez pas sur les particules de saleté : vous risqueriez de vous blesser les yeux !
5. Nettoyez l'intérieur du filtre à air à l'aide d'un pinceau.
6. Laissez bien sécher le filtre à air (17) et remettez-le en place.
7. Remettez le couvercle du filtre à air (16) en place.

Attention :

Ne nettoyez jamais le filtre à air à l'essence ou avec du détergent inflammable.

Pour ne pas raccourcir la durée de vie du moteur, tout filtre à air endommagé doit être immédiatement remplacé.

⚠ Avertissement !

Ne faites pas tourner le moteur si aucun filtre à air n'est installé.

13.4 Nettoyer ou remplacer le filtre à essence

Contrôlez le filtre à essence si nécessaire. Un filtre à essence encrassé entrave l'arrivée de carburant.

Ouvrez le couvercle de réservoir (11) et tirez le filtre à essence à travers l'ouverture au moyen d'un crochet métallique (non fourni).

- En cas d'encrassement léger :
 - retirez le filtre à essence de la conduite de carburant et nettoyez le filtre dans de l'essence de nettoyage.
- En cas de fort encrassement :
 - Remplacez le filtre à essence.

1. Pour retirer le filtre à essence de la conduite de carburant, comprimez le collier de serrage et faites-le glisser vers le bas.
2. Il est alors possible de retirer le filtre à essence de la conduite de carburant.

13.5 Vérification, nettoyage ou remplacement de la bougie d'allumage (fig. 7/8)

Attention

Ne touchez pas la bougie d'allumage (14.1) ou le connecteur de bougie d'allumage (14) lorsque le moteur tourne. Haute tension !

Risque de brûlures lorsque le moteur est chaud. Portez des gants de protection !

Contrôlez régulièrement la bougie d'allumage et l'écartement des électrodes.

13.5.1 Vérifier la bougie d'allumage

1. Débranchez le connecteur de bougie d'allumage (14) de la bougie d'allumage (14.1).
2. Dévissez la bougie d'allumage (14.1) avec la clé à bougie d'allumage fournie (B).
3. Vérifiez l'écart entre les électrodes. Celui-ci doit être compris entre 0,6 et 0,7 mm.

13.5.2 Nettoyage de la bougie d'allumage

Contrôlez la bougie d'allumage pour la première fois après 10 heures de fonctionnement et, si nécessaire, nettoyez-les avec une brosse en cuivre.

Procédez ensuite à la maintenance de la bougie d'allumage toutes les 50 heures de fonctionnement.

Remplacez la bougie d'allumage :

- chaque mois en cas de fonctionnement régulier
- lorsque le corps isolant est endommagé
- en cas de forte combustion des électrodes
- lorsque les électrodes sont fortement encrassées ou lubrifiées

13.5.3 Contrôle de l'étincelle d'allumage

1. Débranchez le connecteur de bougie d'allumage (14) de la bougie d'allumage (14.1).
2. Dévissez la bougie d'allumage (14.1) avec la clé à bougie d'allumage fournie (B).
3. Branchez solidement le connecteur de bougie d'allumage (14).
4. Appuyez la bougie d'allumage (14.1) contre le carter de moteur à l'aide d'une pince isolée (pas à proximité du trou de la bougie d'allumage).
5. Tirez fermement sur le câble de démarrage (12).
6. Si tout fonctionne correctement, une étincelle doit être visible entre les électrodes.

13.6 Silencieux/ouverture de sortie (fig. 9)

Ne resserrez pas les vis du silencieux lorsque le moteur est chaud.

1. Contrôlez régulièrement que les vis (13.2) du silencieux (13) ne se sont pas desserrées. Utilisez la clé à six pans creux 4 mm (C) pour resserrer les vis éventuellement desserrées.
2. Nettoyez régulièrement l'ouverture de sortie (13.1).

13.7 Nettoyage

Nettoyez soigneusement le taille-haie à essence après chaque utilisation afin de préserver son bon fonctionnement.

Portez des gants de protection pour nettoyer l'unité de coupe !

- Nettoyez le boîtier avec une brosse à poils souples ou avec un chiffon sec. L'eau, les solvants et les agents de polissage ne doivent pas être utilisés.
- Veillez à ce que les fentes d'aération de refroidissement du moteur soient dégagées (risque de surchauffe).

- Nettoyez régulièrement l'unité de coupe à l'aide d'une brosse ou d'un chiffon. Ne nettoyez jamais l'unité de coupe avec de l'eau (risque de corrosion !)
- Nettoyez et huilez régulièrement toutes les pièces mobiles.
- N'utilisez jamais de graisse !
- Utilisez de l'huile respectueuse de l'environnement.

13.8 Plan de maintenance

Pièce de l'appareil	Action	Avant de commencer les travaux	Chaque semaine	En cas de défaut	En cas de dommage	Si nécessaire
Dispositif de coupe (1)	Contrôler et faire attention au tranchant	X				
	Contrôler le mouvement de glissement du dispositif de coupe	X				
	Meuler					X
Moteur	Serrer à fond les vis de l'amortisseur de bruit					X
	Nettoyer/remplacer le filtre à carburant					X
	Nettoyer/remplacer le filtre à air					Toutes les 15 heures de fonctionnement, plus souvent en cas de conditions poussiéreuses
	Lubrifier la transmission					Toutes les 20 heures de service, au moins une fois par an

Informations de service

Notez que, pour ce produit, les composants suivants sont soumis à une usure naturelle ou due à l'utilisation et que les composants suivants sont nécessaires en tant que consommables.

Pièces d'usure* :

Lame de coupe (jeu)	(5910402011)
Bougie d'allumage	(3904801048)
Filtre à air	(3910404001)

* ne sont pas des composants obligatoires de la livraison !

14. Stockage

Les appareils non utilisés doivent être conservés, protégés, lame relevé, dans un lieu sec, verrouillé et hors de portée des enfants.

Nettoyez et entretenez l'appareil avant de le stocker.

Prudence :

Ne rangez jamais l'appareil pour plus de 30 jours sans procéder comme suit :

Rangement de l'appareil pour plus de 30 jours

Si vous rangez l'appareil pour plus de 30 jours, celui-ci doit être préparé en conséquence. Dans le cas contraire, le carburant résiduel du carburateur s'évaporerait et laisserait un résidu caoutchouteux. Cela pourrait compliquer le démarrage et nécessiter des travaux de réparation chers.

- Videz le carburant (voir 9.2)
- Démarrez le moteur et laissez-le tourner jusqu'à ce que le moteur s'arrête, pour retirer le carburant du carburateur.
- Laissez le moteur refroidir (env. 5 minutes).
- Retirez la bougie d'allumage (voir 13.5).
- Versez l'équivalent d'une cuillère à café d'huile pour moteur 2 temps propre dans la chambre de combustion.
- Tirez plusieurs fois lentement sur le cordon de démarrage afin de recouvrir les composants internes.
- Remettez la bougie d'allumage (voir 13.5).

Remarque :

Rangez l'appareil dans un lieu sec, à bonne distance des éventuelles sources d'ignition, telles que des fours, chaudières à l'eau chaude avec gaz, dessiccateurs de gaz, etc.

15. Élimination et recyclage**Remarques relatives à l'emballage**

Les matériaux d'emballage sont recyclables. Merci d'éliminer les emballages de manière respectueuse de l'environnement.

Pour connaître les possibilités d'élimination de l'appareil usé, adressez-vous aux autorités communales ou municipales.

Carburants et huiles

- Vider le réservoir de carburant et le réservoir d'huile moteur avant d'éliminer l'appareil !
- Le carburant et l'huile moteur ne doivent pas être jetés avec les ordures ménagères ni dans les égouts, mais éliminés séparément !
- Les réservoirs de carburant et d'huile vides doivent être éliminés de manière respectueuse de l'environnement.

16. Dépannage

Panne	Cause possible	Remède
Le taille-haie ne fonctionne pas	<ul style="list-style-type: none"> • Moteur, absence de carburant • Erreur au niveau de la conduite de carburant • Filtre à carburant obstrué • Bougie d'allumage défectueuse • Carburateur défectueux • Erreur interne 	<ul style="list-style-type: none"> • Contrôler la quantité de carburant • Contrôler la conduite de carburant afin de s'assurer qu'elle n'est ni coudée, ni endommagée • Nettoyer ou remplacer le filtre à carburant. • Remplacer la bougie d'allumage • Consulter le fabricant ou le service client responsable • Consulter le fabricant ou le service client responsable
Le taille-haie fonctionne avec des interruptions	<ul style="list-style-type: none"> • Erreur interne • Interrupteur marche/arrêt défectueux 	<ul style="list-style-type: none"> • Consulter le fabricant ou le service client responsable • Consulter le fabricant ou le service client responsable
Le moteur tourne, le dispositif de coupe reste immobile	<ul style="list-style-type: none"> • Dispositif de coupe obstrué • Erreur interne • Embayage défectueux 	<ul style="list-style-type: none"> • Éliminer l'obstruction • Consulter le fabricant ou le service client responsable • Consulter le fabricant ou le service client responsable
Le dispositif de coupe devient brûlante	<ul style="list-style-type: none"> • Lubrification insuffisante → Frottement • Le dispositif de coupe est émoussé 	<ul style="list-style-type: none"> • Lubrification du dispositif de coupe • Faire meuler le dispositif de coupe

17. Certificat de garantie

Chère Cliente, Cher Client,

Nos produits sont soumis à un contrôle de qualité très strict. Si cet appareil devait toutefois ne pas fonctionner impeccablement, nous en serions désolés. Dans un tel cas, nous vous prions de bien vouloir prendre contact avec notre service après-vente à l'adresse indiquée sur le bulletin de garantie ou vous adresser au marché de la construction le plus proche. Pour faire valoir une demande de garantie, ce qui suit est valable :

1. Les conditions de garantie règlent les prestations de garantie supplémentaires. Vos droits de garantie légaux ne sont en rien altérés par la garantie présente. Notre prestation de garantie est gratuite.
2. La prestation de garantie s'applique exclusivement aux défauts occasionnés par des vices de fabrication ou de matériau et est limitée à l'élimination de ces défauts ou encore au remplacement de l'appareil. Veillez au fait que nos appareils, conformément à leur affectation, n'ont pas été construits pour être utilisés dans un environnement professionnel, industriel ou artisanal. Un contrat de garantie ne peut avoir lieu dès lors que l'appareil est utilisé à des activités dans des entreprises professionnelles, artisanales ou industrielles ou toute autre activité du même genre. Sont également exclus de notre garantie : les prestations de substitution de dommages dus aux transports, les dommages occasionnés par le non-respect des instructions de montage ou en raison d'une installation non conforme, du non-respect du mode d'emploi (comme par exemple le raccordement à une mauvaise tension réseau ou à un mauvais type de courant), les applications abusives ou non conformes (comme par exemple une surcharge de l'appareil ou encore l'emploi d'accessoires non homologués), le non-respect des prescriptions de maintenance et de sécurité, l'infiltration de corps étrangers dans l'appareil (comme par exemple du sable, des pierres ou de la poussière), l'emploi de la force ou l'influence extérieure (comme par exemple les dommages dus à une chute), ainsi que l'usure normale conforme à l'utilisation. Ceci est particulièrement valable pour les accumulateurs pour lesquels nous offrons toutefois une période de garantie de 12 mois.

Le droit à la garantie disparaît dès lors que des interventions ont lieu sur l'appareil.

3. Le délai de garantie s'élève à 3 ans et commence à la date de l'achat de l'appareil. Les demandes de garanties doivent être présentées avant écoulement du délai de garantie, dans les deux semaines suivant le moment auquel le défaut a été reconnu. Toute reconnaissance de demande de garantie après écoulement du délai de garantie est exclue. La réparation ou l'échange de l'appareil n'entraîne nullement une prolongation de la durée de garantie. Elle ne fait pas non plus commencer un nouveau délai de garantie, en raison de cette prestation, pour l'appareil ou pour toute autre pièce de rechange intégrée. Ceci est également valable lorsqu'un service après-vente sur place a été consulté.
4. Pour faire valoir votre droit à la garantie, contactez le service après-vente à l'adresse indiquée ci-dessous. Si vous formulez votre réclamation pendant la période de validité de la garantie, nous vous ferons parvenir un bon de retour qui vous permettra de nous retourner sans frais l'appareil défectueux. Décrivez la raison de la réclamation le plus précisément possible. Si le défaut de l'appareil est compris dans notre prestation de garantie, nous vous retournerons sans délai un appareil réparé ou encore un nouveau.

Hotline du service (FR):

00800 4003 4003
(0,00 €/Min.)

Service-hotline (BE):

00800 4003 4003
(0,00 €/Min.)

Service-Hotline (CH):

00800 4003 4003
(0,00 €/Min.)

Email du service (FR):

service.FR@schepbach.com

E-mailadres (BE):

service.BE@schepbach.com

Service-Email (CH):

service.CH@schepbach.com

Adresse du service (FR):

Schepbach France Strassburg
2, Impasse Jean Millot
FR - 6700 Strasbourg

Serviceadres (BE):

Service Center Bruyninckx
Guldendelle 30
BE - 1930 Zwentem (Nossegem)

Service-Adresse (CH):

Klaus-Häberling AG
Industriestraße 6
CH - 8610 Uster



À l'adresse www.lidl-service.com, vous pouvez télécharger ce manuel et bien d'autres, les vidéos de produit et les logiciels d'installation.

Le QR-Code vous permet d'accéder directement à la page de service Lidl (www.lidl-service.com) et d'ouvrir votre notice d'utilisation à l'aide du numéro d'article (IAN) 422496_2210.

1.	Verklaring van de symbolen op het apparaat	50
2.	Inleiding	52
3.	Apparaatbeschrijving (afb. 1-9)	52
4.	Inhoud van de levering	52
5.	Beoogd gebruik	52
6.	Veiligheidsvoorschriften	53
7.	Werkinstructies	55
8.	Technische gegevens	57
9.	Voor de ingebruikname	57
10.	Bediening	58
11.	Werkinstructies	59
12.	Transport	60
13.	Reiniging en onderhoud	60
14.	Opslag	62
15.	Afvalverwerking en hergebruik	62
16.	Verhelpen van storingen	63
17.	Garantiebewijs	64
18.	Explosietekening	257
19.	Conformiteitsverklaring	260

1. Verklaring van de symbolen op het apparaat

	Lees voorafgaand aan de inbedrijfstelling de gebruikshandleiding en de veiligheidsvoorschriften!
	Het dragen van veiligheidsschoenen wordt aanbevolen!
	Gehoorbescherming dragen!
	Veiligheidsbril dragen!
	Werkhandschoenen dragen!
	Let op! Onbevoegde personen moeten uit de buurt van het werkterrein worden gehouden!
	Waarschuwingen en veiligheidsvoorschriften in acht nemen!
	Let op! Er bestaat gevaar voor brand en explosie.
	Let op gevaar voor letsel! Grijp nooit met uw handen in de nabijheid van de messen. Raak bij het inschakelen of tijdens de werkzaamheden aan het apparaat nooit de messen aan.
	Waarschuwing voor hete oppervlakken.



Het apparaat mag niet bij regen of in vochtige omgevingen worden gebruikt. Risico op een elektrische schok!



Let op brandgevaarlijke stoffen. Vuur, open vlammen en roken verboden!



Mengverhouding: 40 delen benzine op 1 deel olie



Choke-hendel draaien. „Warme start en werkzaamheden“ en „Koude start“



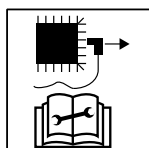
Weergave van het gegarandeerde geluidsvermogensniveau L_{WA} in dB.



7x de brandstofpomp „Primer“ indrukken



Let op! verstikkingsgevaar!
De uitlaatgassen zijn giftig, gebruik de motor daarom niet in niet-geventileerde bereiken.



Voor onderhoudswerkzaamheden het apparaat uitschakelen en bougiestekker losmaken!



Het product voldoet aan de geldende EU-bepalingen.

2. Inleiding

FABRIKANT:

Scheppach GmbH

Günzburger Straße 69
D-89335 Ichenhausen

GEACHTE KLANT,

Wij wensen u veel plezier en succes bij het werken met uw nieuwe apparaat.

AANWIJZING:

De fabrikant van dit apparaat is volgens de van kracht zijnde wet inzake productaansprakelijkheid niet aansprakelijk voor schade die aan dit apparaat of door dit apparaat ontstaan bij:

- ondeskundige behandeling,
- veronachtzaming van de instructies voor de bediening,
- reparaties door derden, niet geautoriseerde vakmensen
- inbouw en vervanging van niet-originele reserveonderdelen
- Niet-beoogd gebruik

Let op:

Lees voor de montage en voor de inbedrijfstelling de complete tekst van de gebruikshandleiding door.

De gebruikshandleiding is bedoeld om het gemakkelijker te maken, uw apparaat te leren kennen en de beoogde toepassingsmogelijkheden van het apparaat te benutten.

De gebruikshandleiding bevat belangrijke aanwijzingen, hoe u met het apparaat veilig, vakkundig en economisch werkt en hoe u gevaren vermijdt, reparatiekosten uitspaart, uitvaltijden vermindert en de betrouwbaarheid en levensduur van het apparaat verhoogt.

Aanvullend op de veiligheidsbepalingen van deze gebruikshandleiding moet u absoluut de voor de werking van het apparaat geldende voorschriften van uw land in acht nemen.

Bewaar de gebruikshandleiding bij het product in een plastic hoes, beschermd tegen vuil en vocht. De gebruikshandleiding moet door elke bediener van de machine voor aanvang van de werkzaamheden worden gelezen en zorgvuldig worden nageleefd.

Aan het apparaat mogen alleen personen werken, die voor het gebruik van het apparaat geïnstrueerd en over de daarmee verbonden gevaren geïnformeerd zijn. De vereiste minimumleeftijd moet aangehouden worden.

Naast de in deze gebruikshandleiding opgenomen veiligheidsvoorschriften en de bijzondere voorschriften van uw land moet u de algemeen erkende technische voorschriften in acht nemen voor de werking van machines van hetzelfde type.

Wij kunnen niet aansprakelijk worden gesteld voor ongevallen of schade, veroorzaakt door niet-naleving van deze handleiding of de veiligheidsvoorschriften.

3. Apparaatbeschrijving (afb. 1-9)

1. Snij-inrichting
2. Handbescherming
3. Voorste handgreep
4. Koudstarthendel (choke)
5. Brandstofpomp „Primer“
6. Aan-uitknop
7. Gashendelblokkering
8. Achterste handgreep
9. Gashendel
10. Vergrendelingsgreep
11. Tankdop
12. Starterkoord
13. Geluiddemper
- 13.1 Uitlaatopening geluiddemper
- 13.2 Schroeven geluiddemper
14. Bougiestekker
- 14.1 Bougie
15. Vleugelschroef
16. LuchtfILTERDEKSEL
17. LuchtfILTER
18. Smeergat

4. Inhoud van de levering

- Benzine heggenschaar
- Mengfles olie-benzine (A)
- Bougiesleutel (B)
- Inbussleutel 4 mm (C)
- Mesbescherming (E) (voorgemonteerd)
- Gebruikshandleiding

5. Beoogd gebruik

De machine voldoet aan de geldende EG-machinerichtlijn.

Voor werkopname moeten alle beschermings- en veiligheidsvoorzieningen op de machine zijn gemonteerd.

Deze benzine heggenschaar is geschikt voor het snoeien van zachte, jong aangegroeide bladeren. De schaar is niet geschikt voor het snoeien van takken, vast hout of ander snoei-materiaal.

De machine is vervaardigd voor bediening door één persoon. De bedieningspersoon is in de werkomgeving verantwoordelijk voor derden.

Neem alle veiligheidsinformatie op de machine in acht.

Alle veiligheids- en gevareninstructies op de machine moeten altijd volledig en in leesbare staat worden gehouden.

Gebruik de machine alleen in technisch onberispelijke staat en ook overeenkomstig de bestemming, bewust van veiligheid en gevaren met inachtneming van de bedrijfshandleiding!

In het bijzonder storings-, die de veiligheid kunnen benadelen, direct (laten) verhelpen!

De veiligheids-, werk- en onderhoudsvoorschriften van de fabrikant alsook de in de technische gegevens aangegeven afmetingen moeten in acht worden genomen.

De desbetreffende ongevallenpreventievoorschriften alsook de overige algemene erkende veiligheidstechnische voorschriften moeten in acht worden genomen.

De machine mag alleen door deskundige personen worden gebruikt, onderhouden en worden gerepareerd, die bekend zijn met deze werkzaamheden en op de hoogte zijn van de gevaren. Zelf aangebrachte wijzigingen aan de machine sluiten een aansprakelijkheid van de fabrikant voor hieruit voortvloeiende schade uit.

De machine mag uitsluitend met de originele accessoires en originele gereedschappen van de fabrikant worden gebruikt. Ieder daarboven uitgaand gebruik geldt als niet volgens de voorschriften. Voor hieruit voortvloeiende schade kan de fabrikant niet aansprakelijk worden gesteld, het risico hiervoor ligt volledig bij de gebruiker.

De benzine heggenschaar mag uitsluitend worden gebruikt voor het snoeien van heggen, bosjes en struiken. Een ander, niet in deze gebruiksaanwijzing aangegeven gebruik, kan de schaar ernstig beschadigen of kan bij de gebruiker ernstig letsel veroorzaken en wordt daarom uitdrukkelijk uitgesloten van de opsomming van mogelijke toepassingen.

Het apparaat is niet vervaardigd voor bedrijfsmatig, ambachtelijk of industrieel gebruik.

Wanneer u er niet zeker van bent, of de werkomstandigheden veilig of onveilig zijn, dient u de machine niet te gebruiken.

WAARSCHUWING! Lees voor de ingebruikname van het apparaat deze handleiding voor uw eigen veiligheid en de algemene veiligheidsvoorschriften grondig door. Als u het apparaat aan derden geeft om te gebruiken, dient u deze gebruiksaanwijzing altijd mee te leveren.

Let erop dat onze apparaten volgens het beoogd gebruik niet voor bedrijfsmatige, ambachtelijke of industriële toepassingen zijn ontworpen. Wij aanvaarden geen aansprakelijkheid wanneer het apparaat in bedrijfsmatige, ambachtelijke of industriële ondernemingen of bij soortgelijke werkzaamheden wordt ingezet.

6. Veiligheidsvoorschriften

6.1 Veilig werken

DEZE BENZINE HEGGENSCHAAR KAN ERNSTIGE VERWONDINGEN VEROORZAKEN!

Lees zorgvuldig de aanwijzingen voor een juiste omgang, voorbereiding, instandhouding, starten en het neerzetten van de heggenschaar. Zorg ervoor dat u bekend bent met alle steldelen en een juist gebruik van de benzine heggenschaar.

Lees voordat u het product in gebruik neemt de volgende instructies en de veiligheidsvoorschriften die in het betreffende land van toepassing zijn, om uzelf en anderen te beschermen tegen mogelijk letsel.

Bewaar deze veiligheidsvoorschriften (gebruiksaanwijzing) altijd bij de benzine heggenschaar.

De benzine heggenschaar mag uitsluitend door personen met voldoende ervaring worden bediend.

Kinderen mogen de benzine heggenschaar nooit gebruiken.

De benzine heggenschaar mag alleen aan personen worden gegeven of uitgeleend die bekend zijn met het gebruik van de benzine heggenschaar. Verstrek altijd de gebruikshandleiding.

Reparaties aan het apparaat moeten door de fabrikant resp. door erkende bedrijven worden uitgevoerd.

6.2 Nieuwe gebruiker

Iedereen die voor het eerst met de benzine heggenschaar werkt, moet een praktische instructie krijgen in het gebruik van de benzine heggenschaar en de persoonlijke beschermingsmiddelen door een ervaren bedieningspersoon.

- **Wees oplettend.** Ga voorzichtig te werk. Gebruik uw gezond verstand tijdens de werkzaamheden. Gebruik het apparaat niet als u moe bent of onder invloed bent van drugs, alcohol of medicamenten. Een moment van onachtzaamheid bij het gebruik van het apparaat kan leiden tot ernstig letsel.
- **Maak u voor aanvang van de werkzaamheden vertrouwd met het apparaat aan de hand van de gebruikshandleiding.** Bij onvakkundig gebruik kunnen onvoldoende geïnformeerde gebruikers zichzelf en anderen in gevaar brengen.
- Gebruik het apparaat niet voor doeleinden waarvoor het niet bestemd is (zie „5. Beoogd gebruik“).
- **Vermijd een abnormale lichaamshouding.** Zorg ervoor dat u stevig en stabiel staat. Dit geldt met name als u een trap of ladder gebruikt.
- **Draag geschikte werkkleding:**
 - geen wijde kleding of sieraden, deze kunnen door bewegende delen worden vastgegrepen
 - stevige handschoenen en schoeisel met anti-slip zolen
 - een haarnetje bij lang haar
- **Draag persoonlijke beschermingsmiddelen:**
 - gehoorbescherming
 - veiligheidsbril of gezichtsbescherming
 - werkhandschoenen
 - Veiligheidsschoenen
 - geteste veiligheidshelm in situaties waarbij rekening moet worden gehouden met hoofdletsels.
- **Wij adviseren het dragen van beenbescherming en een veiligheidsjas.**
- **Houd uw werkomgeving schoon!** Een rommelige werkomgeving kan ongevallen met zich meebrengen.
- **Houd rekening met omgevingsinvloeden:**
 - Stel de benzine heggenschaar niet bloot aan regen.
 - Gebruik de benzine heggenschaar niet in een vochtige of natte omgeving.
 - Stel de werkzaamheden uit bij ongunstige weersomstandigheden (regen, sneeuw, ijs, wind) – verhoogd gevaar voor ongevallen!
 - Zorg voor goede verlichting.
 - Gebruik de benzine heggenschaar niet in de buurt van ontvlambare vloeistoffen of gassen.
- **Maak u vertrouwd met uw omgeving en neem mogelijke gevaren in acht, die u door het geluid van de motor wellicht niet kunt horen.**

- **Voorzichtig met bovenaardse stroomleidingen**
- **Laat de benzine heggenschaar nooit zonder toezicht achter.**
- **Bij werkonderbrekingen moet de benzine heggenschaar dusdanig worden neergelegd dat niemand in gevaar wordt gebracht.** Benzine heggenschaar tegen onbevoegde toegang beveiligen.
- **Personen jonger dan 18 jaar mogen het apparaat niet gebruiken.**
- **Buiten bereik van personen houden.**
- **De gebruiker is verantwoordelijk voor ongevallen en gevaren waarbij derden of hun eigendommen zijn betrokken.**
- **De bedienende persoon is in de werkomgeving verantwoordelijk voor derden.**
- **Zorg dat kinderen uit de buurt blijven.**
- **Laat andere personen, met name kinderen, het gereedschap of de motor niet aanraken.** Let op dat deze personen buiten de werkomgeving verblijven.
- **Controleer altijd of de benzine heggenschaar conform de voorschriften in een van de vooraf aangegeven werkposities bevindt, voordat de motor wordt gestart.**
- **Controleer altijd of alle grepen en veiligheidsvoorzieningen bij het gebruik van benzine heggenschaar zijn aangebouwd.** Probeer nooit een onvolledige benzine heggenschaar of een niet toegestane ombouw te gebruiken.
- **Gebruik geen stompe, gesprongen of beschadigde snij-inrichting.**
- **Begin pas met het snijden, als de snij-inrichting draait.**
- **Zorg dat de machine niet overbelast raakt!** U kunt beter en veiliger werken binnen het aangegeven vermogensbereik.
- **Gebruik het apparaat alleen met complete en juist aangebrachte veiligheidsvoorzieningen en wijzig niets aan de machine als dit de veiligheid kan beïnvloeden.**
- **Het apparaat resp. delen van het apparaat niet wijzigen.**
- **Gebruik geen snij-inrichting die niet voldoet aan de aangegeven kengegevens van deze gebruikshandleiding.** Bij gebruik van andere gereedschappen en accessoires bestaat gevaar voor letsel.
- **Schakel de machine uit en trek de bougiestekker van de bougie bij:**
 - Bij het aanraken van de benzine heggenschaar met aarde, stenen, spijkers of andere vreemde voorwerpen, controleer of het apparaat beschadigd is.
 - Instelling van de werkpositie van de snij-inrichting
 - Controleren en instandhouding van of werkzaamheden verrichten aan de heggenschaar.
 - Reparatiewerkzaamheden
 - Onderhouds- en reinigingswerkzaamheden
 - Verhelpen van storingen (hiertoe behoort ook het blokkeren van de snij-inrichting)
 - Transport en opslag
 - Verlaten van de benzine heggenschaar (ook bij kortstondige onderbrekingen)

- **Onderhoud uw benzine heggenschaar zorgvuldig:**
 - Houd het gereedschap scherp en schoon om beter en veiliger te kunnen werken.
 - Houd handgrepen droog en vrij van olie en vet.
 - Neem de onderhoudsvoorschriften in acht.
- **Controleer de machine op eventuele beschadigingen:**
 - Voor verder gebruik van de machine moeten veiligheidsvoorzieningen zorgvuldig op probleemloze en beoogde werking worden gecontroleerd.
 - Controleer of de bewegende delen probleemloos functioneren en niet vastklemmen of onderdelen beschadigd zijn. Alle onderdelen moeten correct gemonteerd zijn en aan alle voorwaarden voldoen voor een goede werking van de benzine heggenschaar.
 - Beschadigde veiligheidsvoorzieningen en onderdelen moeten door een erkende dealer correct worden gerepareerd en vervangen, voor zover niets anders in de gebruiksaanwijzing is aangegeven.
 - Beschadigde of onleesbare veiligheidsstickers moeten worden vervangen.
- **Laat geen gereedschapsleutel steken!** Controleer voor het inschakelen of de sleutel en het instelgereedschap zijn verwijderd.
- **Bewaar ongebruikte apparaten op een droge, afgesloten locatie buiten het bereik van kinderen.**
- **Bewaar de benzine heggenschaar waar benzinedampen niet in aanraking kunnen komen met open vuur of vonken.** Laat de benzine heggenschaar altijd afkoelen voordat u deze opbergt.
- **Tijdens het transport of bij opslag van de benzine heggenschaar moet de snij-inrichting altijd worden afgedekt met de bescherming voor de snij-inrichting.**
- **Probeer het niet om de machine zelf te repareren, tenzij u hiervoor bent opgeleid.** Voer geen andere reparaties, dan in hoofdstuk „13. Reiniging en onderhoud“ beschreven, uit aan de machine, maar neem direct contact op met de fabrikant resp. de verantwoordelijke klantenservice.
- **Het gebruik van de benzine heggenschaar moet worden vermeden, als personen, met name kinderen, in de nabijheid verblijven.**
- **Als de snij-inrichting een vreemd voorwerp raakt of als de bedrijfsgeluiden anders klinken of de benzine heggenschaar trilt ongewoon sterk, moet u de motor uitschakelen en wachten tot de benzine heggenschaar tot stilstand is gekomen.** Trek de bougiestekker van de bougie en neem de volgende maatregelen:
 1. controleer op beschadiging;
 2. controleer op losse onderdelen en bevestiging alle losse onderdelen;
 3. laat beschadigde onderdelen vervangen door gelijksoortige onderdelen of laat deze repareren.
- **Gebruik de benzine heggenschaar niet met een defecte of overmatig versleten snij-inrichting.**

- **Om brandgevaar te vermijden, dient u in acht te nemen dat de motor en geluiddemper vrij van afzettingen, bladeren of vrijkomend smeermiddel zijn.**
- **Gebruik altijd beide handen als de benzine heggenschaar is voorzien van twee grepen.**
- **Als de benzine heggenschaar voor onderhoud, inspectie of opslag wordt stilgezet, schakelt u de motor uit, trekt u de bougiestekker van de bougie en controleert u of alle roterende onderdelen tot stilstand zijn gekomen.** Laat de machine afkoelen voordat u deze gaat controleren, instellen enz.

Reparaties aan andere delen van de machine moeten door de fabrikant resp. door erkende bedrijven worden uitgevoerd. Gebruik uitsluitend originele onderdelen. Bij gebruik van andere reserveonderdelen en accessoires bestaat gevaar voor persoonlijk letsel. Voor schade als gevolg hiervan kan de fabrikant niet aansprakelijk worden gesteld.

6.3 Veilige omgang met brandstoffen

Ga zorgvuldig om met brandstof! Brandstoffen en brandstofdampen zijn brandgevaarlijk en kunnen bij het inademen en bij contact met de huid ernstig letsel veroorzaken. Bij de omgang met brandstof is daarom voorzichtigheid geboden en moet voor een goede ventilatie worden gezorgd.

- **Zet voor het bijtanken van de benzine heggenschaar de motor uit en laat het apparaat afkoelen.**
- **Bij het tanken niet roken en open vuur vermijden.**
- **Draag handschoenen bij het tanken.**
- **Niet tanken in gesloten ruimtes (explosiegevaar).**
- **Tank uitsluitend in de buitenlucht.**
- **Erop letten dat brandstof of olie niet morsen.**
Reinig de benzine heggenschaar direct, als u brandstof of olie hebt gemorst. Vervang uw kleding direct als u daar brandstof of olie op hebt gemorst.
- **Let erop dat er geen brandstof in de grond loopt.**
- **Sluit de tankdeksel na het tanken weer zorgvuldig en let erop dat deze tijdens het gebruik niet loskomt.**
- **Let erop dat de tankdeksel en benzineleidingen dicht zijn.** Bij lekkages mag u het apparaat niet gebruiken.
- **Transporteer en bewaar brandstof uitsluitend in daarvoor toegestane en gemarkeerde reservoirs.**
- **Houd kinderen uit de buurt van brandstoffen.**
- **Transporteer en bewaar brandstoffen niet in de buurt van brandbare of licht ontvlambare stoffen, zoals vonken of open vuur.**
- **Blijf bij het starten van het apparaat minimaal drie meter uit de buurt van de tankplaats.**
- **Als de tank moet worden geleegd, moet dit in de buitenlucht plaatsvinden.**

- **Bewaar de benzine heggenschaar of de brandstoftank nooit in een ruimte waarin sprake is van open vuur, zoals bijv. in een warmwaterbereider.**
- **Om brandgevaar te reduceren #end# motor en geluiddemper vrijhouden van zaagresten, bladeren en smeermiddelen!**
- **Bij een draaiende of hete motor nooit de tankdeksel verwijderen of benzine bijvullen.**
- **Laat voor het bijvullen eerst de motor en de uitlaatdelen afkoelen.**
- **Als er benzine wordt gemorst, moet u niet proberen om de motor te starten maar verwijdert u de machine vóór het starten uit het bereik waar de brandstof is gemorst.**

6.4 Restriscio's

Ook bij beoogd gebruik kunnen er ondanks het aanhouden van de toepasselijke veiligheidsbepalingen restriscio's bestaan vanwege de constructie voor het gebruiksdoel. Restriscio's kunnen worden geminimaliseerd als de "6. Veiligheidsvoorschriften" en het "5. Beoogd gebruik", alsook de gebruikshandleiding in acht worden genomen. Oplettendheid en voorzichtigheid reduceren het risico op persoonlijk letsel en beschadigingen.

Bovendien kunnen er ondanks alle getroffen voorzieningen verborgen restriscio's bestaan:

- Verwonding door wegslingerende delen.
- Breuk en wegslingeren van messtukken.
- Gevaar op koolmonoxidevergiftiging bij gebruik van het apparaat in gesloten of slecht geventileerde ruimtes.
- Gevaar voor brandwonden bij aanraken van hete componenten.
- Aantasting van het gehoor bij langdurig werken zonder gehoorbescherming.

7. Werkinstructies

Voer voor ingebruikname en regelmatig tijdens de werkzaamheden met de benzine heggenschaar de volgende controles uit:

- Is de benzine heggenschaar volledig en conform de voorschriften gemonteerd? Let erop dat alle moeren en schroeven goed zijn aangehaald.
- Is de benzine heggenschaar in goede en veilige staat?
 - Zijn alle veiligheidsfuncties in orde?
- Is de benzinetank gevuld?
- Is de snij-inrichting onbeschadigd en geslepen?
- Zijn motor en geluiddemper vrij van afzettingen, bladeren of vrijkomend smeermiddel?
- Is de handgreep schoon en droog - vrij van olie, vet en hars?
- Is de werkplek vrij van gevaar voor struikelen?
- Draagt u de persoonlijke beschermingsuitrusting?
- Heeft u alle aanwijzingen gelezen en begrepen?
- Loopt de gashendel soepel en werkt deze?
- Werkt de aan/uit-toets?
- Blijft de snij-inrichting bij stationair lopen altijd stilstaan?

Als de snij-inrichting bij stationair toerental, moet het stationair toerental worden verlaagd (zie „13.2 Stationair toerental instellen“).

- Controleer of de aandrijvingen voldoende zijn gesmeerd (zie onder „13. Reiniging en onderhoud“).

7.1 Algemeen gedrag bij het werken met de heggenschaar

- Werk niet alleen. Bij noodgevallen moet iemand zich binnen roepafstand bevinden.
- Houd kinderen, personen en dieren uit de buurt van de werkomgeving (min. 15 m afstand).
- Werk niet op sneeuw, ijs of andere gladde ondergronden #end# gevaar voor uitglijden.
- Werk niet bij onvoldoende lichtomstandigheden (bijv. bij mist, regen, sneeuwbuien of schemer).
- Jaag voor het snoeien dieren uit de heg om ze niet te verwonden.
- Zorg voor een veilige en opgeruimde werkplek. Verwijder voorwerpen die kunnen worden weggeslingerd, uit de werkomgeving.
- Vermijd een abnormale lichaamshouding. Zorg dat u te allen tijde uw evenwicht bewaard. Werk niet met een voorover gebogen bovenlichaam.
- Gebruik de benzine heggenschaar alleen in veilige toestand.
- Schakel de benzine heggenschaar bij een verplaatsing van de werkplek.
- Houd handen en voeten uit de buurt van de snij-inrichting als deze zich bewegen.
- Houd de benzine heggenschaar dusdanig dat u geen uitlaatgassen kunt inademen. Werk niet in gesloten ruimtes.
- Gebruik de benzine heggenschaar niet voor het optillen of wegschuffelen van houten stukken of overige voorwerpen.
- Verwijder beslist vreemde objecten uit de heg (bijv. draad), aangezien deze de snij-inrichting van de benzine heggenschaar kunnen beschadigen.
- Houd de benzine heggenschaar altijd met beide handen goed vast, linkerhand op de voorste handgreep en de rechter handgreep op de achterste handgreep. Werk nooit met één hand.
- Als de gashendel wordt losgelaten, loopt de snij-inrichting nog korte tijd na (vrijloop).
- Begin de snede met een draaiende snij-inrichting.
- Grijp nooit de snij-inrichting tijdens het gebruik met beide handen vast.
- Werk nooit met
 - gestrekte armen
 - op lastig bereikbare plekken
 - te ver voorovergebogen
- Werk nooit met de benzine heggenschaar boven schouderhoogte.
- Raak nooit draadhekken of de grond met een draaiende snij-inrichting.
- Schakel de motor uit en trek de bougiestekker eruit
 - bij merkbare veranderingen aan het apparaat
 - voor het verwijderen van vastgeklemd snoeimateriaal
 - ter controle van de snij-inrichting, als deze in aanraking is gekomen met stenen, spijkers of andere harde voorwerpen.
 - voor het verhelpen van storingen
 - bij werkonderbrekingen
 - voor het achterlaten van de heggenschaar

- Leg de warmgedraaide benzine heggenschaar niet neer in droog gras of op andere brandbare voorwerpen.
- Controleer voorafgaand aan de werkzaamheden of:
 - in de werkomgeving zich geen overige personen of dieren bevinden.
 - u zonder obstakels kunt uitwijken.
 - het voetbereik vrij is van alle vreemde voorwerpen, kreupelhout en takken.
 - een veilige stand is gewaarborgd.

Indien personen met storingen in de bloedsomloop te vaak aan trillingen worden blootgesteld, kunnen beschadigingen aan het zenuwstelsel of bloedvaten optreden.

7.2 U kunt de trillingen reduceren:

- door stevige, warme werkhandschoenen.
- het verkorten van de werktijd (meerdere langere werkonderbrekingen instellen).

Raadpleeg een arts, als uw vingers opzwellen, u zich ongemakkelijk voelt of als u vingers gevoelloos worden.

7.3 Werken met de heggenschaar

Houd de benzine heggenschaar met beide handen vast op veilige afstand van het lichaam.

- De maximale snijdiameter is afhankelijk van de houtsoort, de leeftijd, het vochtgehalte en de hardheid van het hout.
- Snoei daarom de hele dikke takken met een takkenschaar terug op de gewenste lengte voordat de haag wordt geknipt.
- De benzine heggenschaar kan door zijn dubbelzijdige messen vooruit en achteruit of door zwenkbewegingen van de ene naar de andere kant worden gebracht.
- Snoei eerst de zijkanten van de heg en daarna pas de bovenkant.
- Snoei de heg van onderen naar boven.
- Snij de heg trapezevormig. Dit voorkomt dat de onderkant van de heg kaal wordt als gevolg van lichtgebrek.
- Span een koord langs de bovenkant van de haag wanneer u de bovenkant van de haag gelijkmatig wilt knippen.
- Knip in meerdere passages als sterk moet worden teruggesnoeid.

7.4 Het juiste tijdstip voor snoeien:

- Bladhaag: juni en oktober
- Conifeerhaag: april en augustus
- snelgroeiende heg: vanaf mei ca. elke 6 weken

Let op voor nestelende vogels in de haag. Stel in dat geval het knippen uit of sla dit gedeelte over.

Neem in elk geval alle veiligheidsvoorschriften in acht.

7.5 Handelen bij storingen of ongevallen

Stel de benzine heggenschaar bij storingen of ongevallen direct met de aan/uit-schakelaar (6) buiten werking.

7.6 Eerste hulp

Voor mogelijke ongevallen moet er op de werkplek altijd een verbanddoos volgens DIN 13164 onder handbereik zijn. Vul de verbanddoos altijd direct weer aan.

Geef de volgende gegevens door als om hulp wordt gevraagd:

- Waar het is gebeurd?
- Wat er is gebeurd?
- Hoeveel gewonden er zijn?
- Wat de aard is van de verwondingen?
- Wie om hulp vraagt?

8. Technische gegevens

Motor type	Tweetakt-motor - luchtgekoeld
Cilinderinhoud cm ³	22,5
Motorvermogen kW	0,65
Stationair toerental n _v /min ⁻¹	3000 +/- 300
Max. motortoerental min ⁻¹	10500
Tankinhoud L	0,28
Mengverhouding (brandstof/tweetaktolie)	40:1
Snijlengte mm	560
Max. snijhoogte mm	27
Afmeting L/B/H mm	1100 x 245 x 200
Snijbladlengte mm	700
Bougie	L8RTC
Gewicht kg	5,2

Technische wijzigingen voorbehouden!

Geluid

Informatie over de geluidsproductie gemeten volgens de relevante normen:

Geluidsdruk niveau L _{pA}	97,8 dB
Onzekerheid K _{pA}	3 dB
Geluidsvermogensniveau L _{WA}	107,3 dB
Onzekerheid K _{WA}	2,53 dB

Draag gehoorbescherming.

Het effect van lawaai kan gehoorverlies zijn.

Trilling

Trilling (achterste handgreep) A _{hv}	4,838 m/s ²
Meetonauwkeurigheid K _{hv}	1,5 m/s ²
Trilling (voorste handgreep) A _{hv}	5,389 m/s ²

Beperk de geluidsproductie en trilling tot een minimum!

- Gebruik uitsluitend goed functionerende apparaten.
- Onderhoud en reinig het apparaat regelmatig.
- Pas uw werkwijze aan het apparaat aan.
- Zorg dat het apparaat niet overbelast raakt.
- Laat het apparaat eventueel controleren.
- Schakel het apparaat uit als deze niet in bedrijf is.
- Draag handschoenen.

WAARSCHUWING

Voorkom de risico's van trillingen, bijvoorbeeld het risico van wittevingerziekte (doorbloedingsstoornissen) door frequente werkpauses in te lassen waarbij u bijvoorbeeld uw handen tegen elkaar wrijft.

- Draag altijd veiligheidshandschoenen en let op warme handen.
- Las regelmatig pauses in.

9. Voor de ingebruikname

- Open de verpakking en haal het apparaat er voorzichtig uit.
- Verwijder het verpakkingsmateriaal evenals de verpakings- en transportbeveiligingen (indien voorhanden).
- Controleer of de inhoud van de levering volledig is.
- Controleer het apparaat en de hulpstukken op transportschade.
- Bewaar de verpakking indien mogelijk tot na het verstrijken van de garantietijd.

LET OP

Het apparaat en de verpakkingsmaterialen zijn geen kinderspeelgoed! Kinderen mogen niet met plastic zakken, folies en kleine onderdelen spelen! Er bestaat gevaar voor inslikken en verstikkingsgevaar!

- Zorg aan de hand van de gebruiksaanwijzing dat u vertrouwd raakt met het apparaat, voordat u ermee gaat werken.
- Gebruik bij accessoires alsook slijtage- en reserveonderdelen uitsluitend originele onderdelen. Reserveonderdelen zijn verkrijgbaar bij de leverancier.
- Geef bij bestellingen onze artikelnummers alsook type en bouwjaar van het apparaat aan.

De benzine heggenschaar wordt niet geleverd met een brandstofmengsel in de tank.

Het apparaat wordt gebruikt met een mengsel van benzine (loodvrij) en tweetakt-motorolie.

Bij de omgang met benzine is verhoogde aandacht vereist. Roken en open vuur zijn niet toegestaan (explosiegevaar).

Controleer het apparaat voor elke ingebruikname op:

- Dichtheid van het brandstofsysteem.
- Perfecte staat en volledigheid van de veiligheidsvoorzieningen en de snij-inrichting.
- Stevige bevestiging van de schroefverbindingen.
- Soepel lopen van alle bewegende delen.

Brandstof en olie

- Aanbevolen brandstoffen
- Gebruiken uitsluitend een mengsel van loodvrije benzine en speciale 2-taktmotorolie. Meng het brandstofmengsel volgens de brandstofmengtabel.
- Gebruik hiervoor geen E10-brandstof.

Let op:

Gebruik geen brandstofmengsel dat meer dan 90 dagen lang opgeslagen is geweest.

Let op:

Gebruik geen 2-takt olie dat een mengverhouding van 100:1 adviseert. Bij schade aan de motor op basis van onvoldoende smering vervalt de garantie van de fabrikant.

Let op:

Gebruik alleen aangewezen en goedgekeurde tanks voor het transport en de opslag van brandstof. Giet altijd de juiste hoeveelheid benzine en 2-takt-olie in de meegeleverde mengfles voor olie-benzine (A). Schud vervolgens de tank goed door.

Gebruik nooit olie voor 4-takt-motoren of watergekoelde 2-takt-motoren. Hierdoor kan de bougie verontreinigd raken, de uitlaat geblokkeerd raken of de zuigerveer verstopt raken. Brandstofmengsels die een maand of langer niet zijn gebruikt, kunnen de carburateur verstoppen of de werking van de motor beïnvloeden. Voer brandstof wat u niet nodig heeft, in een luchtdichte tank en bewaar deze in een donkere, koele ruimte.

Brandstof-mengtabel

Mengmethode: 40 delen benzine op 1 deel olie

Voorbeeld:

1 l benzine: 0,025 l 2-takt-olie

5 l benzine: 0,125 l 2-takt-olie

Waarschuwing! Let op de uitlaatgassen.

Schakel de motor voor het tanken altijd uit.

Giet nooit benzine in het apparaat, terwijl de motor draait of heet is. Er bestaat brandgevaar!

Vul de tank uitsluitend bij in de buitenlucht of in goed geventileerde ruimtes. Let erop dat er geen brandstof in de grond terecht komt (milieubescherming). Gebruik een geschikte ondergrond. Gebruik alleen bio-kettingolie.

Brandstoffen kunnen slechts beperkt worden opgeslagen. Ze kunnen verouderen. Te lang opgeslagen brandstof en brandstofmengsels kunnen tot startproblemen leiden. Meng daarom slechts zo veel brandstof, als wat u in een maand verbruikt. Bewaar brandstoffen alleen in daarvoor toegestane en gemarkeerde tanks. Bewaar brandstoftanks droog en veilig.

Let op dat de brandstoftank niet toegankelijk zijn voor kinderen.

Let op! Informeer voor de ingebruikname, hoe u in noodgeval het apparaat zo snel mogelijk buiten gebruik kunt zetten!

9.1 Tanken van de heggenschaar

- Motor uitschakelen en laten afkoelen!
 - Draag veiligheidshandschoenen!
 - Huid- en oogcontact vermijden!
 - Neem hierbij absoluut de „Veilige omgang met brandstoffen“ in acht, zie 6.3.
1. Tank de benzine heggenschaar uitsluitend vol in de buitenlucht of in goed geventileerde ruimtes.
 2. Maak de omgeving van het vulgedeelte schoon. Verontreinigingen in de tank veroorzaken bedrijfsstoringen.
 3. Schud de mengfles voor olie-benzine (A) met het brandstofmengsel voor het vullen van de tank nog een keer.
 4. Open voorzichtig de tankdop (11) van de brandstoftank zodat eventuele overdruk kan ontsnappen.
 5. Vul voorzichtig het brandstofmengsel bij tot aan de onderkant van de vulpijp. Gebruik een trechter of een vul-

hulp (niet bij de levering inbegrepen) om morsen van de brandstof te voorkomen.

6. Sluit de tankdop (11) weer. Controleer of de tankdop (11) goed sluit.
7. Reinig de tankdop (11) en de omgeving.
8. Controleer de tank en de brandstofleidingen op lekkage.
9. Druk eventueel op de brandstofpomp "Primer" (5).
10. Neem minimaal drie meter van de plek waar u brandstof hebt bijgevoerd voordat u de motor start.

9.2 Brandstof aftappen

Leeg de brandstoftank alleen in de buitenlucht of in goed geventileerde ruimtes. Let erop dat er geen brandstof in de grond loopt (om het milieu te beschermen). Gebruik een geschikte ondergrond.

1. Houd een opvangreservoir onder de brandstoftank.
2. Schroef de tankdop (11) van de brandstoftank los en verwijder deze.
3. Tap het benzine-/oliemengsel volledig af.
4. Schroef de tankdop (11) er weer handvast op.

10. Bediening

10.1 Instellen van de achterste handgreep (8) (afb. 2)

Voor een eenvoudiger bedienen van de benzine heggenschaar kan de achterste handgreep (8) in 3 werkposities worden ingesteld.

- Tijdens het instellen kan de gashendel (9) niet worden bediend.
1. Houd met de linkerhand de benzine heggenschaar vast aan de voorste handgreep (3).
 2. Schuif de vergrendelingsgreep (10) omhoog en draai de handgreep in de gewenste positie.
 3. Laat de vergrendelingsgreep (10) los. Let op dat de vergrendelingsgreep weer vastklikt en de handgreep goed is gefixeerd.

10.2 Apparaat starten

⚠ Letselgevaar!

Start het benzine heggenschaar alleen als er een snij-inrichting is gemonteerd! Verwijder de overeenkomstige transportbeveiliging en inspecteer het apparaat op een goede bedrijfstoestand. Gebruik nooit een beschadigd, slecht ingesteld of slecht onderhouden resp. niet volledig en veilig gemonteerde snij-inrichting.

Voor gebruik controleren!

Controleer of het apparaat zich in een veilige toestand bevindt:

- Controleer of de aan/uit-toets (6), de gashendelblokkering (7) en de gashendel (9) conform de voorschriften functioneren.
- Controleer het apparaat op lekkages.
- Controleer het apparaat op zichtbare schade.

- Controleer of alle onderdelen van het apparaat goed zijn aangebracht.
- Controleer of alle veiligheidsvoorzieningen in een goede toestand zijn en functioneren.

10.2.1 Starten bij koude motor (afb. 1, 3, 4)

Ondersteun de benzine heggenschaar voor het starten en houd deze goed vast. Let op dat de snij-inrichting vrij staat.

1. Verwijder de mesbescherming (E) van de snij-inrichting (1).
2. Plaats de benzine heggenschaar op een stabiele en vlakke ondergrond. De snij-inrichting (1) mag hierbij niet de vloer raken.
3. Druk 7x op de brandstofpomp "Primer" (5).
4. Draai de koude start-hendel (choke) (4) op "Koude start".
5. Houd de benzine heggenschaar bij de voorste handgreep (3) vast en trek het starterkoord (12) er langzaam tot aan de eerste weerstand uit.
6. Trek nu het starterkoord (12) snel aan tot de motor start. Als de motor niet start, herhaalt u de werkwijze. Zo lang de koude start-hendel (choke) (4) op "Koude start" staat, start de motor slechts kort en gaat daarna weer uit.
7. Zodra de motor is uitgegaan, drukt u de gashendelblokkering (7) en de gashendel (9) gelijktijdig in. De start-hendel (choke) (4) springt automatisch in de bedrijfsstand "warme start".
8. Trek nu opnieuw snel aan het starterkoord (12) tot de motor start.
9. Na hernieuwde bediening van de gashendel (9) loopt de motor bij stationair toerental.
10. Laat de motor kort warmlopen.

Als de motor ook na meerdere pogingen niet aanspringt, dient u hoofdstuk "Verhelpen van storingen" te raadplegen.

let op

Trek het starterkoord (12) er altijd recht uit. Als het starterkoord onder een hoek wordt aangetrokken, kan er wrijving bij het oog ontstaan. Door deze wrijving slijt het koord door en slijt sneller. Houd de greep van het starterkoord (12) vast tot de starterkoord (12) weer opwickelt.

Laat nooit het starterkoord (12) terugschieten. Dit kan tot schade leiden.

Aanwijzing:

Bij hoge buitentemperaturen kan het zijn dat ook bij een koude motor zonder koude start-hendel (choke) (4) moet worden gestart.

Aanwijzing:

Als de snij-inrichting (1) bij stationair toerental zich beweegt of als de motor bij het wegnemen van gas uit zichzelf uitgaat, moet een instelling aan de carburateur worden aangebracht (zie hoofdstuk "13.2 Instellen van het stationair toerental").

10.2.2 Starten bij warme motor

1. De koude start-hendel (choke) moet voor het starten van de warme motor op "warme start" staan.

2. Houd de benzine heggenschaar bij de voorste handgreep (3) vast en trek het starterkoord (12) er langzaam tot aan de eerste weerstand uit.
3. Trek nu hard en snel aan het starterkoord (12). Het apparaat moet na 1-2 keer trekken starten. Als het apparaat na 6 keer aantrekken nog altijd niet start, herhaalt u de werkwijze onder „Starten bij koude motor“.

10.3 Bedrijf van de heggenschaar (afb. 1)

1. Houd de benzine heggenschaar met de linkerhand de voorste handgreep (3) vast.
2. Houd met de rechterhand de achterste handgreep (8) vast. Hierbij liggen de handpallen op de gashendelblokkering (7) en met uw wijsvinger bedient u de gashendel (9).
3. Druk de gashendel (9) in.
4. De snij-inrichting start.

Als de gashendel (9) wordt losgelaten, stopt de snij-inrichting en de motor draait stationair.

Neem contact op met de fabrikant indien de snij-inrichting desondanks bij stationair toerental doorloopt.

Werk in geen geval verder met de benzine heggenschaar!

10.4 Blokkering van de snij-inrichting (afb. 1)

Als de snij-inrichting (1) tijdens de werkzaamheden blokkeert, zet u de benzine heggenschaar met de aan/uit-schakelaar (6) buiten werking en koppelt u de bougiestekker (14) los.

Verwijder vervolgens het blokkerende materiaal en controleer de snij-inrichting (1) op eventuele beschadigingen.

10.5 Motor uitzetten

1. Druk op de aan/uit-knop (6) en houd deze ingedrukt.
2. Wacht totdat de motor tot stilstand is gekomen, voordat u het apparaat weglegt.
3. Laat de aan/uit-knop (6) los.

11. Werkinstructies

11.1 Werken met de heggenschaar

- De heggenschaar is geschikt voor het snijden van heggen, bosjes en struiken.
- Houd de heggenschaar met beide handen op veilige afstand van het lichaam.
- De maximale snijdiameter is afhankelijk van de houtsoort, de leeftijd, het vochtgehalte en de hardheid van het hout.
- Snoei daarom de hele dikke takken met een takkenschaar terug op de gewenste lengte voordat de haag wordt geknipt.
- De heggenschaar kan door zijn dubbelzijdige messen vooruit en achteruit of door zwenkbewegingen van de ene naar de andere kant worden gebracht.
- Snoei eerst de zijkanten van de heg en daarna pas de bovenkant.
- Snoei de heg van onderen naar boven.
- Snij de heg trapezevormig. Zo voorkomt u dat de onderkant van de heg kaal wordt als gevolg van lichtgebrek.
- Span een koord langs de bovenkant van de haag wanneer u de bovenkant van de haag gelijkmatig wilt knippen.
- Knip in meerdere passages als sterk moet worden teruggesnoeid.

- Verwijder beslist vreemde objecten uit de heg (bijv. draad), aangezien deze de messen van de heggenschaar kunnen beschadigen.
- **Let op!** De messen draaien na! Rem de messen niet af met de hand.

De juiste tijdstip voor snoeien:

- Bladhaag: juni en oktober
- Conifeerhaag: april en augustus
- snelgroeïende heg: vanaf mei ca. elke 6 weken

Let op voor nestelende vogels in de haag. Stel in dat geval het knippen uit of sla dit gedeelte over.

12. Transport

Schakel voor het transporteren van het apparaat de motor uit, wacht tot de snij-inrichting stilstaat en breng de mesbescherming (E) aan (afb. 4).

Draag het apparaat alleen aan de voorste handgreep (3). Houd de snij-inrichting (1) naar achteren en de warme geluidsdemper (13) uit de buurt van uw lichaam.

Transporteer het apparaat in de auto alleen in de bagageruimte of op een afzonderlijk transportoppervlak.

Borg hierbij dat de benzine-heggenschaar tegen omvallen, beschadigingen en weglopen van de brandstof.

13. Reiniging en onderhoud

Voor elke onderhouds- en reinigingswerkzaamheden

- De motor uitzetten
- Stilstand van de snij-inrichting afwachten
- Bougiestekker loskoppelen (met uitzondering voor de instellingen voor het stationair toerental)
- Apparaat laten afkoelen

aanwijzing

Na elk gebruik moet het apparaat grondig worden gereinigd. Voer de reinigings- en onderhoudswerkzaamheden alleen uit, zoals in deze gebruikshandleiding is aangegeven.

Alle onderhouds- en reparatiewerkzaamheden, zoals deze in dit hoofdstuk zijn beschreven, mogen uitsluitend door de klantenservice worden uitgevoerd.

Voer de onderhoudswerkzaamheden niet uit in de buurt van open vuur. Brandgevaar!

De voor het onderhouden en reinigen van verwijderde veiligheidsvoorzieningen moeten absoluut weer worden aangebracht en gecontroleerd conform de beoogde veiligheidsvoorschriften.

Gebruik uitsluitend originele onderdelen. Andere onderdelen kunnen onvoorzienbare schade en letsel tot gevolg hebben.

Draag veiligheidshandschoenen om mogelijk letsel te voorkomen.

Opdat een lange en betrouwbaar gebruik van de benzine heggenschaar is gewaarborgd, voert u de volgende onderhoudswerkzaamheden regelmatig uit.

Controleer de benzine heggenschaar op zichtbare defecten zoals

- Losse bevestigingen
- Versleten of beschadigde onderdelen
- Verbogen, gebroken of beschadigde snij-inrichting
- tankdop en brandstofleidingen op lekkage

Controleer de benzine heggenschaar na elk gebruik op

- Slijtage, met name glijspeling van de snij-inrichting.
- juist gemonteerde en intacte afdekkingen of veiligheidsvoorzieningen.

Vereiste reparaties of onderhoudswerkzaamheden moeten voor het gebruik van de benzine heggenschaar worden uitgevoerd.

13.1 Aandrijvingen smeren (afb. 5)

Smeer de aandrijving elke 10 tot 20 bedrijfsuren.

1. Open met de meegeleverde inbussleutel 4 mm (C) de schroef van de smeeroening (18) aan de onderzijde van de heggenschaar.
2. Plaats de vetspuit op de smeeroening (18).
3. Pers hier wat vet in.
4. Schroef de schroef van de smeeroening (18) weer vast.

Let op! Breng slechts een beetje vet in. In geen geval overvullen.

13.2 Instellen van het stationaire toerental

Als de snij-inrichting (1) bij stationair toerental zich beweegt of als de motor bij het wegnemen van gas uit zichzelf uitgaat, moet een instelling aan de carburateur worden aangebracht.

Aanwijzing:

Laat de instellingen aan de carburateur (bijv. stationair toerental) uitsluitend door gekwalificeerd vakpersoneel uitvoeren, om schade aan de motor te vermijden.

13.3 LuchtfILTER reinigen resp. vervangen (afb. 6)

Vervuilde luchtfilters verminderen het motorvermogen door een te geringe luchttoevoer naar de carburateur. Stof en pollen verstopen de poriën van de schuimvulling. Regelmatige controle is daarom absoluut noodzakelijk.

Reinig het luchtfILTER (17) ca. elke 15 bedrijfsuren, bij bijzonder stoffige omstandigheden vaker.

1. Koude start-hendel (choke) (4) op „koude start“ zetten zodat er geen vuildeeltjes in de carburateur terechtkomen.
2. Verwijder het luchtfILTERdeksel (16). Draai hiertoe de vleugelschroef (15) los.
3. Trek het luchtfILTER (17) van schuimstof er uit.
4. Was het luchtfILTER (17) in een lauwwarm sopje. Blaas de vuildeeltjes er niet uit, er bestaat gevaar voor oogletsel!
5. Reinig de binnenzijde van het luchtfILTER met een kwast.
6. Laat het luchtfILTER (17) goed drogen en plaats deze weer terug.
7. Breng de luchtfILTERafdekking (16) weer aan.

Let op:

Luchtfilter nooit met benzine of brandbare oplosmiddelen reinigen.

Om de levensduur van de motor niet te verkorten, moet een beschadigd luchtfiler direct worden vervangen.

⚠ Waarschuwing!

Laat de motor nooit draaien, als het luchtfilerelement niet is geplaatst.

13.4 Benzinefilter reinigen resp. vervangen

Controleer, indien nodig, het benzinefilter. Een verontreinigde benzinefilter hindert de brandstoftoevoer.

Open de tankdop (11) en trek de benzinefilter met een draadhaak (niet bij de levering inbegrepen) door de opening.

- Bij lichte verontreiniging:
 - Trek het benzinefilter los van de brandstofleiding en reinig het filter in wasbenzine.
 - Bij sterke verontreiniging:
 - vervang de benzinefilter.
1. Om de benzinefilter van de brandstofleiding weg te nemen, drukt u de slangklem samen en schuift u deze omlaag.
 2. Nu kunt u het benzinefilter wegnemen van de brandstofleiding.

13.5 Bougie controleren, reinigen resp. vervangen (afb. 7/8)**let op**

Raak de bougie (14.1) of de bougiestekker (14) niet aan bij een draaiende motor. Hoogspanning!

Gevaar voor brandwonden bij een warme motor. Draag veiligheidshandschoenen!

Controleer regelmatig de bougie en de afstand van de elektroden.

13.5.1 Bougie controleren

1. Verwijder de bougiestekker (14) van de bougie (14.1).
2. Draai de bougie (14.1) er met de meegeleverde bougiesleutel (B) uit.
3. Controleer de elektrodenafstand. Deze moet 0,6 tot 0,7 mm zijn.

13.5.2 Bougie reinigen

Controleer de bougie voor de eerste keer na 10 bedrijfsuren op verontreiniging en reinig deze eventueel met een koperdraadborstel.

Daarna de bougie elke 50 bedrijfsuren onderhouden.

De bougie vervangen:

- elke maand bij regelmatig gebruik
- als het isolatie-element beschadigd is
- bij ernstige erosie van de elektroden
- bij sterk verontreinigde of vette elektroden

13.5.3 Ontstekingsvonk controleren

1. Verwijder de bougiestekker (14) van de bougie (14.1).
2. Draai de bougie (14.1) er met de meegeleverde bougiesleutel (B) uit.
3. Steek de bougiestekker (14) er goed op.

4. Druk de bougie (14.1) met een isolatietang tegen de motorbehuizing (niet in de buurt van het bougiegat).
5. Trek nu krachtig aan het starterkoord (12).
6. Bij een probleemloos gebruik moet een vonk tussen de elektroden zichtbaar zijn.

13.6 Geluiddemper / Uitlaatopening (afb. 9)

Haal de schroeven van de geluiddemper niet aan als de motor warm is.

1. Controleer regelmatig of de schroeven (13.2) van de geluiddemper (13) niet zijn losgeraakt. Gebruik de inbus-sleutel 4 mm (C) om evt. losse schroeven aan te halen.
2. Reinig regelmatig de uitlaatopening (13.1).

13.7 Reiniging

Reinig de benzine heggenschaar zorgvuldig na elk gebruik, zodat een probleemloze werking blijft behouden.

Draag bij het reinigen van de snij-inrichting veiligheidshandschoenen!

- Reinig de behuizing met een zachte borstel of een droge doek. Water, oplosmiddelen en polijstmiddelen mogen niet worden gebruikt.
- Let op dat de ventilatiesleuven voor de motorkoeling vrij zijn (gevaar op oververhitting).
- Reinig de snij-inrichting regelmatig met een borstel of een doek. Reinig de snij-inrichting nooit met water (gevaar voor corrosie!)
- Reinig en smeer regelmatig alle bewegende delen.
- Gebruik nooit vet!
- Gebruik een milieuvriendelijke olie.

13.8 Onderhoudsschema

Deel van het apparaat	Actie	Voordat u begint te werken	wekelijks	Bij storingen	Bij beschadigingen	Indien nodig
Snij-inrichting (1)	Controleren en op scherpte letten	X				
	Glijspeling van de snij-inrichting controleren	X				
	slijpen					X
Motor	Geluidsdemperschroeven aanhalen					X
	Benzinefilter reinigen / vervangen					X
	Luchtfilter reinigen / vervangen					Elke 15 bedrijfsuren (bij stoffige omstandigheden vaker)
	Aandrijvingen smeren					Elke 20 bedrijfsuren, ten minste een keer per jaar

Service-informatie

Let op dat bij dit product de volgende delen onderhevig zijn aan gebruiksmatige of natuurlijke slijtage, resp. de volgende delen als verbruiksmateriaal wordt gebruikt.

Slijtageonderdelen*:

Snijmessen (set)	(5910402011)
Bougie	(3904801048)
Luchtfilter	(3910404001)

* niet persé in de leveringsomvang opgenomen!

14. Opslag

Bewaar apparaten die u niet gebruikt met een aangebrachte mesbeveiliging op een droge, afgesloten locatie buiten het bereik van kinderen.

Reinig en onderhoud het apparaat voordat u het opslaat.

Voorzichtig:

Berg het apparaat nooit langer op dan 30 dagen zonder de volgende stappen uit te voeren:

Het apparaat langer dan 30 dagen opbergen

Als u het apparaat langer dan 30 dagen wilt opbergen, moet deze hiervoor geschikt worden gemaakt. Anders zal de in de carburateur aanwezige, resterende brandstof verdund worden en kan een rubberachtig bezinksel achterblijven. Hierdoor wordt het starten moeilijker en zullen er kostbare reparatiewerkzaamheden moeten worden uitgevoerd.

- Tap eerst de brandstof af (zie 9.2)
- Start de motor en laat deze draaien tot de motor stopt om het brandstof uit de carburateur te verwijderen.
- Laat de motor afkoelen (ca. 5 minuten).
- Verwijder de bougie (zie 13.5).

- Doe 1 theelepel schoon 2-takt-olie in de verbrandingsruimte.
- Trek nu meerdere keren langzaam aan het starterkoord om de interne componenten van een oliecoating te voorzien.
- Plaats de bougie weer terug (zie 13.5).

Aanwijzing:

Berg het apparaat op een droge locatie op, ver uit de buurt van mogelijke ontstekingsbronnen, zoals bijv. een oven, heetwaterboiler met gas, gasdroger etc.

15. Afvalverwerking en hergebruik

Aanwijzingen op de verpakking



De verpakkingsmaterialen zijn recyclebaar. Verpakkingen milieuvriendelijk afvoeren.

Informatie over het afvoeren van versleten apparatuur kunt u opvragen bij uw gemeente.

Brandstoffen en oliën

- Voor het afvoeren van het apparaat moeten de brandstoftank en het motorreservoir worden geleegd!
- Brandstof en motorolie horen niet bij het huishoudelijke afval of in het riool, maar moeten worden ingezameld resp. gescheiden worden afgevoerd!
- Lege olie- en brandstoftanks moet milieuvriendelijk worden afgevoerd.

16. Verhelpen van storingen

Storing	Mogelijke oorzaak	Oplossing
Heggenschaar loopt niet	<ul style="list-style-type: none"> • Motor, geen brandstof • Fout in de brandstofleiding • Benzinefilter verstopt • Bougie defect • Carburateur defect • Interne fout 	<ul style="list-style-type: none"> • Brandstofhoeveelheid controleren • Brandstofleiding op knikken of beschadigingen controleren • Benzinefilter reinigen resp. vervangen. • Bougie vervangen • Fabrikant resp. erkende klantenservice raadplegen • Fabrikant resp. erkende klantenservice raadplegen
Heggenschaar snijdt met onderbrekingen	<ul style="list-style-type: none"> • Interne fout • Aan-uitknop defect 	<ul style="list-style-type: none"> • Fabrikant resp. erkende klantenservice raadplegen • Fabrikant resp. erkende klantenservice raadplegen
Motor draait, snij-inrichting blijft stilstaan	<ul style="list-style-type: none"> • Snij-inrichting blokkeert • Interne fout • Koppeling defect 	<ul style="list-style-type: none"> • Voorwerp verwijderen • Fabrikant resp. erkende klantenservice raadplegen • Fabrikant resp. erkende klantenservice raadplegen
Snij-inrichting wordt heet	<ul style="list-style-type: none"> • Onjuiste smering → wrijving • Snij-inrichting is bot 	<ul style="list-style-type: none"> • Oliën van de snij-inrichting • Snij-inrichting laten slijpen

17. Garantiebewijs

Geachte klant,

onze producten zijn aan een strenge kwaliteitscontrole onderhevig. Mocht dit apparaat echter ooit niet naar behoren functioneren, spijt het ons ten zeerste en vragen u zich tot onze servicedienst onder het adres vermeld op dit garantiebewijs te wenden. Wij staan ook graag telefonisch tot uw dienst via het hieronder vermelde servicetelefoonnummer. Voor vorderingen in verband met garantie geldt het volgende:

- Deze garantievoorwaarden regelen bijkomende garantieprestaties. Uw wettelijke garantieclaims blijven onaangetast door deze garantie. Onze garantieprestatie is voor uw gratis.
- De garantieprestatie heeft uitsluitend betrekking op gebreken die te wijten zijn aan materiaal- of fabricagefouten en is beperkt tot het verhelpen van deze gebreken of het vervangen van het apparaat. Wij wijzen erop dat onze apparaten overeenkomstig hun bestemming niet geconstrueerd zijn voor commercieel, ambachtelijk of industrieel gebruik. Een garantieovereenkomst komt daarom niet tot stand als het apparaat in ambachtelijke of industriële bedrijven alsmede bij gelijk te stellen activiteiten wordt gebruikt. Uitgesloten van onze garantie zijn verder schadeloosstellingen voor transportschade, schade door nietnaleving van de montage-instructies of op grond van ondeskundige installatie, niet-naleving van de handleiding (zoals door b.v. aansluiting op een verkeerde netspanning of stroomsoort), oneigenlijke of onoordeelkundige toepassingen (zoals b.v. overbelasting van het apparaat of gebruik van niet toegestane inzetgereedschappen of toebehoren), niet-naleving van de onderhouds- en veiligheidsbepalingen, binnendringen van vreemde voorwerpen in het apparaat (zoals b.v. zand, stenen of stof), gebruikmaking van geweld of invloeden van buitenaf (zoals b.v. schade door neervallen) alsmede door normale slijtage die zich bij het doelmatig gebruik van het apparaat voordoet.

Er kan geen aanspraak op garantie worden gemaakt als op het apparaat reeds ingrepen werden uitgevoerd.

- De garantieperiode bedraagt 3 jaar en gaat in op de datum van aankoop van het apparaat. Garantieclaims dienen voor het verloop van de garantieperiode binnen de twee weken na het vaststellen van het defect geldend te worden gemaakt. Het geldend maken van garantieclaims na verloop van de garantieperiode is uitgesloten. De herstelling of vervanging van het apparaat leidt noch tot een verlenging van de garantieperiode noch wordt door deze prestatie een nieuwe garantieperiode voor het apparaat of voor eventueel ingebouwde wisselstukken op gang gebracht. Dit geldt ook bij het ter plaatse uitvoeren van een serviceactiviteit.
- Om een garantieclaim geldend te maken neem contact op met het hieronder vermelde serviceadres. Als de klacht binnen de garantieperiode valt, ontvangt u van ons een retourbon waarmee u uw defecte apparaat gratis naar ons kunt retourneren. Wij verzoeken u de reden van de klacht zo nauwkeurig mogelijk te beschrijven. Valt het defect van het apparaat binnen onze garantieprestatie bezorgen wij u per omgaande een hersteld of nieuw apparaat terug.

Uiteraard staan wij ook tot u dienst om mits betaling van de kosten defecten van het apparaat te verhelpen die buiten de garantieomvang vallen. Te dien einde stuurt u het apparaat aan ons serviceadres op.

Service-hotline / Hotline du service (NL):

00800 4003 4003
(0,00 €/Min.)

Service-hotline (BE):

00800 4003 4003
(0,00 €/Min.)

E-mailadres / Email du service (NL):

service.NL@schepbach.com

E-mailadres (BE):

service.BE@schepbach.com

Serviceadres / Adresse du service (NL):

EURO Elektrowerkzeug- und Maschinen Service
Bürgerbuschweg 20
DE - 51381 Leverkusen

Serviceadres (BE):

Service Center Bruyninckx
Guldendelle 30
BE - 1930 Zaventem (Nossegem)



Op www.lidl-service.com kunt u deze en talloze andere handleidingen, productvideo's en installatiesoftware downloaden.

Met de QR-code komt u direct op de Lidl-Service-pagina (www.lidl-service.com) en kunt u met het invoeren van het artikelnummer (IAN) 422496_2210 uw gebruikshandleiding openen.

1.	Vysvětlení symbolů na přístroji	66
2.	Úvod	68
3.	Popis produktu (obr. 1-9)	68
4.	Rozsah dodávky	68
5.	Použití v souladu s určením	68
6.	Bezpečnostní pokyny	69
7.	Pracovní pokyny	71
8.	Technické údaje	72
9.	Před uvedením do provozu	73
10.	Obsluha	74
11.	Pracovní pokyny	75
12.	Přeprava	75
13.	Čištění a údržba	75
14.	Skladování	77
15.	Likvidace a recyklace	78
16.	Odstraňování poruch	78
17.	Záruční list	79
18.	Rozpadový výkres	257
19.	Prohlášení o shodě	260

1. Vysvětlení symbolů na přístroji

	Před uvedením do provozu si přečtěte a dodržujte návod k obsluze a bezpečnostní pokyny!
	Doporučuje se nosit bezpečnostní obuv!
	Používejte ochranná sluchátka!
	Používejte ochranné brýle!
	Noste pracovní rukavice!
	Pozor! Nedovolte nepovolaným osobám zdržovat se v pracovním prostoru!
	Dodržujte výstražné a bezpečnostní pokyny!
	Pozor! Hrozí nebezpečí požáru a výbuchu.
	Pozor, nebezpečí zranění! Nikdy nesahejte rukama do blízkosti nožů. Nikdy se při zapínání nebo při práci s přístrojem nedotýkejte nože.
	Varování před horkými povrchy.



Přístroj neprovozujte za deště nebo ve vlhkém prostředí. Nebezpečí zásahu elektrickým proudem!



Pozor hořlavé látky. Zákaz ohně, otevřeného plamene a kouření!



Poměr mísení: 40 dílů benzínu na 1 díl oleje



Otočte pákou sytiče. „Teplý start a práce“ a „Studený start“



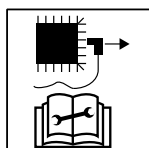
Údaje zaručené hladiny akustického výkonu L_{WA} v dB.



7x stiskněte palivové čerpadlo „Primer“



Pozor! udušení!
Výfukové plyny jsou jedovaté, proto motor nenechávejte běžet v nevětraných prostorách.



Před údržbou přístroj vypněte a sejměte konektor zapalovací svíčky!



Výrobek odpovídá platným evropským směrnicím.

2. Úvod

VÝROBCE:

Scheppach GmbH

Günzburger Straße 69
D-89335 Ichenhausen

VÁŽENÝ ZÁKAZNÍKU,

přejeme vám mnoho radosti a úspěchu při práci s novým zařízením.

UPOZORNĚNÍ:

Výrobce tohoto zařízení neručí podle platného zákona o odpovědnosti za vady výrobku za škody, které vzniknou na tomto zařízení nebo jeho prostřednictvím v případě:

- neodborné manipulace,
- nedodržování návodu k obsluze,
- oprav prostřednictvím třetích osob, neautorizovaných odborníků,
- montáže a výměny neoriginálních náhradních dílů,
- použití, které není v souladu s určením,

Mějte na paměti:

Před montáží a zprovozněním si přečtěte celý text návodu k obsluze.

Tento návod k obsluze vám má usnadnit seznámení se zařízením a jeho používání v souladu s určením.

Návod k obsluze obsahuje důležité pokyny, jak se zařízením pracovat bezpečně, odborně a ekonomicky, abyste se vyhnuli rizikům, ušetřili náklady za opravy, omezili dobu nečinnosti a zvýšili spolehlivost a životnost zařízení.

Kromě bezpečnostních ustanovení tohoto návodu k obsluze musíte bezpodmínečně dodržovat předpisy své země, které platí pro provoz zařízení.

Uchovávejte návod k obsluze u zařízení v plastovém obalu, který jej bude chránit před znečištěním a vlhkostí. Před započetím práce si jej musí každý pracovník obsluhy přečíst a pečlivě jej dodržovat.

Se zařízením smíjí pracovat jen osoby, které jsou poučeny o jeho použití a informovány o nebezpečích, která jsou s ním spojena. Dodržujte minimální požadovaný věk obsluhy.

Kromě bezpečnostních pokynů, které jsou obsaženy v tomto návodu k obsluze, a zvláštních předpisů vaší země, je při provozu konstrukčně stejných strojů zapotřebí dodržovat všeobecně uznávaná technická pravidla.

Nepřebíráme žádnou záruku za nehody nebo škody způsobené nedodržováním tohoto návodu a bezpečnostních pokynů.

3. Popis produktu (obr. 1-9)

1. Řezací zařízení
2. Ochrana rukou
3. Přední rukojeť
4. Páka na studený start (sytič)
5. Palivové čerpadlo „Primer“
6. Tlačítko pro zapnutí/vypnutí
7. Pojistka plynové páčky
8. Zadní rukojeť
9. Plynová páčka
10. Blokovací rukojeť
11. Víko nádrže

12. Startovací tažné lanko
13. Tlumič hluku
- 13.1 Výstupní otvor tlumiče hluku
- 13.2 Šrouby tlumiče hluku
14. Konektor zapalovací svíčky
- 14.1 Zapalovací svíčka
15. Křídlový šroub
16. Kryt vzduchového filtru
17. Vzduchový filtr
18. Mazací otvor

4. Rozsah dodávky

- Benzínové nůžky na živý plot
- Láhev na míchání benzínu a oleje (A)
- Klíč na zapalovací svíčky (B)
- Inbusový klíč 4 mm (C)
- Ochrana nožů (E) (předmontovaná)
- Návod k obsluze

5. Použití v souladu s určením

Stroj odpovídá platné ES směrnici o strojních zařízeních.

Před zahájením práce musí být na stroji namontovaná veškerá ochranná a bezpečnostní zařízení.

Tyto benzínové nůžky na živý plot jsou dimenzovány ke stříhání měkkého, nově narostlého materiálu živých plotů. Nejsou vhodné ke stříhání větví, tvrdého dřeva nebo jiného řezného materiálu.

Stroj je koncipován k obsluze jednou osobou.

Obsluhující osoba je v pracovní oblasti odpovědná vůči třetím osobám.

Dbejte všech pokynů ohledně bezpečnosti a rizik u stroje.

Všechny pokyny ohledně bezpečnosti a rizik u stroje udržujte v kompletním a čitelném stavu.

Stroj používejte pouze v technicky bezvadném stavu, v souladu s jeho určením, odpovědně a s vědomím všech nebezpečí, a dodržujte návod k obsluze!

Okamžitě odstraňte zejména poruchy (nebo je nechte opravit), které mohou ohrozit bezpečnost!

Je nutné dodržovat veškeré předpisy výrobce týkající se bezpečnosti, práce a údržby stroje, a také rozměry uvedené v technických údajích.

Je nutné dodržovat příslušné předpisy úrazové prevence a ostatní všeobecně uznávaná bezpečnostně technická pravidla.

Stroj smíjí používat, udržovat nebo opravovat jen osoby, které jsou s ním obeznámeny a jsou informovány o nebezpečí. Svévolné změny stroje vylučují ručení výrobce za škody, které takto vzniknou.

Stroj smí být používán jen s originálním příslušenstvím a originálními nástroji výrobce.

Jakékoli použití, které toto nařízení překračuje, je považováno za použití v rozporu s určením. Za takto vzniklé škody výrobce neručí. Riziko nese výhradně uživatel.

Benzínové nůžky na živý plot smí být používány jen ke stříhání živých plotů, keřů a křovin. Jiné způsoby použití, neuvedené v návodu k obsluze, mohou nůžky poškodit nebo způsobit vážné zranění uživatele, a jsou proto výslovně vyloučeny z výčtu možných způsobů využití.

Přístroj se nesmí používat pro komerční, řemeslné a průmyslové účely.

Pokud si nejste jisti, zda jsou pracovní podmínky bezpečné či nikoliv, se strojem nepracujte.

VÝSTRAŽNÉ UPOZORNĚNÍ! Před uvedením přístroje do provozu si za účelem vlastní bezpečnosti důkladně přečtěte tuto příručku a všeobecné bezpečnostní pokyny. Pokud přístroj přenecháte třetím osobám, přiložte k němu vždy tento návod k použití.

Respektujte prosím, že náš přístroj v souladu s určením není konstruován pro komerční, řemeslné a průmyslové použití. Nepřebíráme zodpovědnost v případě, když se přístroj použije v komerčních, řemeslných nebo průmyslových provozech, a při srovnatelných činnostech.

6. Bezpečnostní pokyny

6.1 Bezpečná práce

TYTO BENZÍNOVÉ NŮŽKY NA ŽIVÝ PLOT MOHOU ZPŮSOBIT VÁŽNÁ ZRANĚNÍ!

Přečtěte si pečlivě pokyny ke správnému zacházení, k přípravě, k údržbě, ke spuštění a zastavení nůžek na živý plot. Seznamte se se všemi ovladači a správným používáním benzínových nůžek na živý plot.

Před uvedením tohoto výrobku do provozu si přečtěte následující pokyny a bezpečnostní ustanovení platná v dotyčné zemi a řiďte se jimi, abyste ochránili sebe a ostatní před možnými zraněními.

Uchovávejte tyto bezpečnostní pokyny (návod k obsluze) vždy pohromadě s benzínovými nůžkami na živý plot.

Benzínové nůžky na živý plot smí být používány jen osobami s dostatečnými zkušenostmi.

Děti nesmí benzínové nůžky na živý plot nikdy používat.

Dávejte nebo půjčujte benzínové nůžky na živý plot pouze osobám, které jsou s nůžkami a manipulací s nimi obeznámeny. Poskytněte vždy zároveň s přístrojem i návod k obsluze.

Opravy přístroje musí provést výrobce, resp. jím pověřená firma.

6.2 První uživatel

Uživatel, který s benzínovými nůžkami na živý plot pracuje poprvé, musí obdržet praktické zaškolení do jejich používání a do používání osobních ochranných pomůcek od zkušeného pracovníka obsluhy.

• **Buďte pozorní.** Dávejte pozor na to, co děláte. Pracujte s rozumem. Přístroj nepoužívejte, jste-li unavení nebo pod vlivem drog, alkoholu nebo léků. Okamžik nepozornosti při používání přístroje může vést k vážným zraněním.

- **Seznamte se s přístrojem před jeho použitím pomocí návodu k obsluze.** Nedostatečně informovaní pracovníci obsluhy mohou v důsledku neodborného používání ohrozit sebe a jiné osoby.
- Přístroj používejte pouze k účelům, ke kterým je určený (viz „5. Použití v souladu s určením“).
- **Vyvarujte se abnormálního držení těla.** Zaujměte bezpečný postoj a neustále udržujte rovnováhu. To platí, zejména pokud používáte schůdky nebo žebřík.
- **Noste vhodný pracovní oděv:**
 - Nenoste volný oděv ani šperky, mohly by být zachyceny pohyblivými díly
 - pevné rukavice a protiskluzová obuv
 - Sítka na vlasy, pokud je nosíte dlouhé
- **Noste osobní ochranné pomůcky:**
 - Ochranu sluchu
 - Ochranné brýle nebo ochrana obličeje
 - Pracovní rukavice
 - Bezpečnostní obuv
 - Osvědčená helma pro situace, v nichž je nutno počítat s možným úrazem hlavy.
- **Doporučujeme nosit ochranu nohou a bezpečnostní vestu.**
- **Udržujte pracovní oblast v pořádku!** Nepořádek může mít za následek nehody.
- **Berte v úvahu vlivy okolního prostředí:**
 - Benzínové nůžky na živý plot nevystavujte dešti.
 - Benzínové nůžky na živý plot nepoužívejte ve vlhkém nebo mokřím prostředí.
 - Při nepříznivém počasí (déšť, sníh, led, vítr) práci odložte – zvýšené riziko úrazu!
 - Zajistěte dobré osvětlení.
 - Benzínové nůžky na živý plot nepoužívejte v blízkosti hořlavých kapalin nebo plynů.
- **Seznamte se se svým okolím a dbejte na možná nebezpečí, která možná kvůli hluku stroje neslyšíte.**
- **Pozor na nadzemní elektrická vedení**
- **Benzínové nůžky na živý plot nikdy nenechávejte bez dozoru.**
- **Během přestávek v práci musí být benzínové nůžky na živý plot uloženy tak, aby nikoho neohrozily.** Zajistěte benzínové nůžky na živý plot proti neoprávněnému přístupu.
- **Přístroj nesmí používat osoby mladší 18 let.**
- **Zabraňte přístupu jiným osobám.**
- **Uživatel je odpovědný za nehody nebo ohrožení třetích osob nebo jejich majetku.**
- **Obsluhující je v pracovní oblasti odpovědný vůči třetím osobám.**
- **Držte mimo dosah dětí.**
- **Nenechte jiné osoby, zvláště děti, dotýkat se nástroje ani motoru.** Nedovolte jim vstoupit do vaší pracovní oblasti.
- **Vždy se ujistěte, že se benzínové nůžky na živý plot řádně nacházejí v některé z předepsaných pracovních pozic, než spustíte motor.**

- **Při používání benzinových nůžek na živý plot se vždy ujistěte, že jsou nasazeny všechny rukojeti a bezpečnostní zařízení.** Nikdy se nepokoušejte používat nekompletní benzinové nůžky na živý plot nebo nůžky s neautorizovanou úpravou.
- **Nepoužívejte řezací zařízení, které je tupé, ohnuté nebo poškozené.**
- **S řezáním začněte, až se řezací zařízení rozběhne.**
- **Stroj nepřetěžujte!** V uvedeném rozsahu výkonu budete pracovat lépe a bezpečněji.
- **Přístroj používejte pouze s kompletními a správně namontovanými ochrannými zařízeními a na stroji neměňte nic, co by mohlo narušit bezpečnost.**
- **Přístroj, resp. díly přístroje neměňte.**
- **Nepoužívejte řezací zařízení, které neodpovídá zadaným charakteristikám podle tohoto návodu k obsluze.** Použití jiných nástrojů a příslušenství pro vás může znamenat nebezpečí poranění.
- **Stroj vypněte a vytáhněte zástrčku zapalovací svíčky ze zásuvky v následujících případech:**
 - Pokud se benzinové nůžky na živý plot dostanou do kontaktu se zeminou, kameny, hřebíky nebo jinými cizími tělesy, zkontrolujte, zda není přístroj poškozen.
 - Nastavení pracovní polohy řezacího zařízení
 - Kontrola, údržba nebo práce prováděné na nůžkách na živý plot.
 - Opravy
 - Údržba a čištění
 - Odstraňování poruch (k tomu patří i blokování řezacího zařízení)
 - Přeprava a skladování
 - Opuštění benzinových nůžek na živý plot (i na krátké přerušení)
- **Pečujte o benzinové nůžky na živý plot:**
 - Udržujte nástroje ostré a čisté, abyste mohli pracovat lépe a bezpečněji.
 - Udržujte rukojeti suché a zbavené oleje a tuku.
 - Dodržujte předpisy pro údržbu.
- **Zkontrolujte stroj, zda není případně poškozený:**
 - Před dalším používáním stroje se musí ochranná zařízení pečlivě prohlédnout, zda fungují bezvadně a v souladu s určením.
 - Zkontrolujte, zda pohyblivé díly bezvadně fungují a nejsou vzpříčené, a zda nejsou díly poškozené. Všechny díly musí být správně sestaveny a musí splňovat všechny podmínky pro správnou funkci benzinových nůžek na živý plot.
 - Poškozená ochranná zařízení a díly musí odborně opravit nebo vyměnit uznávaný odborný servis, není-li v návodu k obsluze uvedeno jinak.
 - Poškozené nebo nečitelné bezpečnostní samolepky je třeba vyměnit.
- **Nenechte v přístroji žádné nástrojové klíče!** Vždy před zapnutím zkontrolujte, zda jsou klíče a seřizovací nástroje odstraněny.
- **Nepoužívané přístroje skladujte na suchém uzamčeném místě mimo dosah dětí.**

- **Benzinové nůžky na živý plot skladujte na místě, kde se benzinové výpary nemohou dostat do kontaktu s otevřeným ohněm nebo jiskrami.** Před uskladněním vždy nechte benzinové nůžky na živý plot vychladnout.
- **Při přepravě nebo skladování benzinových nůžek na živý plot je třeba vždy řezací zařízení zakrýt ochranou na řezací zařízení.**
- **Neprovádějte na stroji žádné opravy, leda byste k tomu měli patřičné vyškolení.** Neprovádějte na stroji žádné další opravy, než jaké jsou popsány v kapitole „13. Čištění a údržba“, nýbrž se obraťte přímo na výrobce resp. příslušný zákaznický servis.
- **Je nutné zabránit používání benzinových nůžek na živý plot, pokud se v blízkosti nachází osoby, především děti.**
- **Dotkne-li se řezacího zařízení cizího tělesa nebo pokud zesílí provozní hluk nebo benzinové nůžky na živý plot neobvykle silně vibrují, zastavte motor a nechte benzinové nůžky na živý plot zastavit.** Vytáhněte konektor zapalovací svíčky ze zapalovací svíčky a učiňte následující opatření:
 1. zkontrolujte poškození;
 2. zkontrolujte, zda nejsou uvolněné díly a všechny uvolněné díly upevněte;
 3. poškozené díly nahraďte rovnocennými díly nebo je nechte opravit.
- **Nepoužívejte benzinové nůžky na živý plot s poškozeným nebo silně opotřebovaným řezacím zařízením.**
- **Aby se snížilo nebezpečí požáru, dbejte na to, aby v motoru a tlumiči hluku nebyly nánosy usazenin, listí nebo uniklé mazivo.**
- **Vždy používejte obě ruce, pokud jsou benzinové nůžky na živý plot vybaveny dvěma rukojetmi.**
- **Pokud jsou benzinové nůžky na živý plot zastaveny z důvodu provádění údržby, inspekce nebo skladování, vypněte motor, vytáhněte konektor zapalovací svíčky ze zapalovací svíčky a ujistěte se, že došlo k zastavení všech rotujících dílů.** Před prováděním kontroly, nastavení atd. nechte stroj vychladnout.

Opravy jiných součástí stroje musí provést výrobce, resp. jedno z jeho servisních středisek.

Používejte pouze originální náhradní díly. Použití jiných náhradních dílů a jiného příslušenství může způsobit nehody uživatele. Za škody takto vzniklé nenese výrobce žádnou zodpovědnost.

6.3 Bezpečná manipulace s palivou

S palivem zacházejte opatrně! Paliva a palivové výpary jsou hořlavé a mohou způsobit vážná poškození při vdechnutí a na kůži. Při manipulaci s palivou je proto nutné být opatrný a zajistit dobré větrání.

- **Před čerpáním pohonných hmot u benzinových nůžek na živý plot vypněte motor a nechte přístroj vychladnout.**

- **Při tankování nekuřte a vyvarujte se otevřeného ohně.**
- **Při tankování používejte rukavice.**
- **Netankujte v uzavřených prostorách (nebezpečí výbuchu).**
- **Tankujte jen na otevřeném prostranství.**
- **Dbejte na to, abyste palivo nebo olej nerozlili.**
Pokud dojde k rozliti paliva nebo oleje, okamžitě benzinové nůžky na živý plot vyčistěte. Pokud si vylijete palivo nebo olej na oděv, ihned se převlékněte.
- **Dbejte na to, aby se palivo nedostalo do půdy.**
- **Uzávěr nádrže po natankování opět pečlivě uzavřete a dbejte na to, aby se během provozu neuvolnil.**
- **Dbejte na těsnost víka nádrže a benzinových vedení.** Při netěsnostech nesmíte přístroj uvést do provozu.
- **Paliva přepravujte a skladujte pouze v nádobách, které jsou k tomu schválené a jsou označené.**
- **Držte paliva mimo dosah dětí.**
- **Paliva nepřepravujte a neskladujte v blízkosti hořlavých nebo snadno zápalných látek, ani jisker či otevřeného ohně.**
- **Vzdalte se před spuštěním přístroje nejméně tři metry od místa tankování.**
- **Pokud je třeba nádrž vyprázdnit, učiňte tak venku.**
- **Nikdy neskladujte benzinové nůžky na živý plot ani zásobník paliva v místnosti, v které je otevřený plamen, například v ohřívači horké vody.**
- **Ke snížení rizika požáru udržujte motor a tlumič hluku zbavené zbytků po řezání, listí a maziv!**
- **Nikdy neodstraňujte uzávěr nádrže nebo nedoplňujte benzin, když je motor v chodu nebo je horký.**
- **Před doplňováním nechte motor a výfukové díly vychladnout.**
- **Pokud přeteče benzin, nepokoušejte se nastartovat motor, nýbrž odstraňte stroj přes nastartování z plochy znečištěné benzínem.**

6.4 Zbytková rizika

I v případě použití k určenému účelu se mohou navzdory dodržování všech příslušných bezpečnostních směrnic kvůli konstrukci přístroje podmíněně účelem použití vyskytnout zbytková rizika. Zbytková rizika lze minimalizovat, pokud dodržíte „6. Bezpečnostní pokyny“ a „5. Použití v souladu s určením“ a také celkový návod k obsluze. Ohled a opatrnost snižují nebezpečí zranění osob a poškození.

Přes všechna učiněná preventivní opatření se mohou stále vyskytovat zbytková rizika, která nejsou očividná:

- Zranění v důsledku odmrštěných dílů.
- Prasknutí a vyvržení kusů nože.
- Nebezpečí otravy oxidem uhelnatým při použití přístroje v uzavřených nebo špatně větraných prostorách.
- Nebezpečí popálení při kontaktu s horkými součástmi.
- Poškození sluchu při déletrvajícím práci bez ochranných sluchátek.

7. Pracovní pokyny

Před uvedením benzinových nůžek na živý plot do provozu a pravidelně během práce s nimi provádějte následující kontroly:

- Jsou benzinové nůžky na živý plot kompletní a sestavené v souladu s předpisy? Dbejte také na to, aby byly všechny matice a šrouby pevně dotažené.
- Jsou benzinové nůžky na živý plot v dobrém a bezpečném stavu?
 - Jsou všechny bezpečnostní funkce v pořádku?
- Je benzinová nádrž plná?
- Je řezací zařízení nepoškozené a naostřené?
- Jsou motor a tlumič hluku zbavené usazenin, listí nebo uniklého maziva?
- Je rukojeť čistá a suchá – bez oleje, tuku a pryskyřice?
- Nehrozí na pracovišti nebezpečí klopýtnutí?
- Nosíte požadované ochranné pomůcky?
- Přečetli jste si všechny pokyny a porozuměli jim?
- Má plynová páčka lehký chod a je funkční?
- Je tlačítko zapnutí/vypnutí funkční?
- Zastaví se vždy řezací zařízení ve volnoběhu?

Pokud řezací zařízení běží na volnoběh, musí se volnoběžné otáčky snížit (viz „13.2 Nastavení volnoběžných otáček“).

- Ujistěte se, že je převodovka dostatečně namazaná (viz „13. Čištění a údržba“).

7.1 Všeobecné chování při práci s nůžkami na živý plot

- Nepracujte sami. Pro případy nouze by se někdo měl zdržovat v doslechu.
- Nepouštějte do své pracovní oblasti děti, jiné osoby a zvířata (min. 15 m odstup).
- Nepracujte na sněhu, ledu nebo jiném hladkém povrchu – nebezpečí uklouznutí.
- Nepracujte za nedostatečných světelných podmínek (např. v mlze, za deště, sněhové vánice nebo za šera).
- Před stříháním z plotu vyžeňte zvířata, abyste je neporanili.
- Zajistěte bezpečné a uklizené pracoviště. Odstraňte z pracovní oblasti předměty, které by mohly být odmrštěny.
- Vyvarujte se abnormálního držení těla. Vždy udržujte rovnováhu. Nepracujte v předklonu.
- Benzinové nůžky na živý plot používejte pouze se stabilním postojem.
- Při změně stanoviště benzinové nůžky na živý plot vypněte.
- Držte ruce a nohy dál od řezacího zařízení, pokud je v pohybu.
- Benzinové nůžky na živý plot držte tak, abyste se nemohli nadýchat výfukových plynů. Nepracujte v uzavřených prostorách.
- Nepoužívejte benzinové nůžky na živý plot ke sbírání nebo odklizení kusů dřeva nebo jiných předmětů.
- Z živého plotu bezpodmínečně odstraňte cizí tělesa (např. drát), protože by mohla poškodit řezací zařízení benzinových nůžek na živý plot.
- Držte benzinové nůžky na živý plot vždy pevně oběma rukama, levou rukou za přední rukojeť a pravou za zadní. Nikdy nepracujte jen jednou rukou.
- Když pustíte plynovou páčku, řezací zařízení ještě krátkou dobu dobíhá (efekt volnoběhu).

- Řez zahajte s běžícím řezacím zařízením.
- Během provozu nikdy na řezací zařízení nesahejte rukama.
- Nikdy nepracujte
 - s nataženými pažemi
 - na těžko dostupných místech
 - příliš předklonění
- Nikdy nepracujte s benzínovými nůžkami na živý plot nad výškou ramen.
- Nikdy se běžícím řezacím zařízením nedotýkejte drátěných plotů nebo země.
- Vypněte motor a vytáhněte zapalovací konektor
 - při citelných změnách v chování přístroje
 - k odstranění vzpříčeného řezaného materiálu
 - k překontrolování řezacího zařízení, pokud přišlo do styku s kameny, hřebíky nebo jinými tvrdými předměty.
 - k odstranění poruch
 - při pracovních přestávkách
 - před opuštěním nůžek na živý plot
- Nepokládejte horké benzínové nůžky na živý plot do suché trávy nebo na hořlavé předměty.
- Před zahájením práce se ujistěte, že:
 - se v pracovní oblasti nezdržují žádné osoby ani zvířata.
 - máte zajištěnou možnost volného ustoupení dozadu.
 - oblast nohou je zbavená veškerých cizích předmětů, chrástí a větví.
 - máte zajištěný bezpečný postoj.

Pokud jsou osoby s poruchami krevního oběhu vystaveny příliš často vibracím, může dojít k poškození nervového systému nebo krevních cév.

7.2 Vibrace můžete snížit:

- Prostřednictvím tlustých, teplých pracovních rukavic.
- Zkrácením pracovní doby (vkládejte více delších přestávek).

Jděte k lékaři, pokud vám otečou prsty, necítíte se dobře nebo v prstech ztrácíte cit.

7.3 Práce s nůžkami na živý plot

Benzínové nůžky na živý plot držte oběma rukama v bezpečné vzdálenosti od těla.

- Maximální průměr řezu závisí na druhu dřeva, stáří, obsahu vlhkosti a tvrdosti dřeva.
- Velmi silné větve proto před řezáním živého plotu zkrátte nůžkami na větve na odpovídající délku.
- Benzínové nůžky na živý plot lze díky jejich oboustrannému noži vést dopředu i zpátky nebo kývavým pohybem ze jedné strany na druhou.
- Nejprve stříhejte boky živého plotu a teprve pak horní okraj.
- Živý plot stříhejte zdola nahoru.
- Živý plot stříhejte do lichoběžníkového tvaru. Zabrání to řídnutí spodních partií živého plotu kvůli nedostatku světla.
- Pokud chcete horní hranu živého plotu přistříhnout rovnoměrně, napněte si vodící šňůru přes celou délku živého plotu.
- Když je zapotřebí odříznout velké množství materiálu, provádějte řezání v několika záběrech.

7.4 Správný okamžik pro stříhání:

- Listnaté živé ploty: červen a říjen
- Jehličnaté živé ploty: duben a srpen
- rychle rostoucí živé ploty: od května cca každých 6 týdnů

Dávejte pozor na ptáky hnízdící v živých plotech. V takovém případě stříhání živého plotu odložte nebo tento úsek nestříhejte.

V každém případě dodržujte všechny bezpečnostní pokyny.

7.5 Chování při poruchách nebo nehodách

Při poruchách nebo nehodách benzínové nůžky na živý plot ihned odstavte tlačítkem zapnutí/vypnutí (6) z provozu.

7.6 První pomoc

Pro případ nehody by na pracovišti měla být vždy k dispozici lékárníčka v souladu s DIN 13164. Odebraný materiál vždy hned zase doplňte.

Při žádosti o pomoc uveďte následující údaje:

- Kde se to stalo?
- Co se stalo?
- Kolik je zraněných?
- Jaký druh zranění?
- Kdo oznamuje!?

8. Technické údaje

Typ motoru.....	Dvoutaktní motor - chlazený vzduchem
Zdvihový objem cm ³	22,5
Výkon motoru kW.....	0,65
Volnoběžné otáčky n _v /min ⁻¹	3000 +/- 300
Max. otáčky motoru min ⁻¹	10500
Obsah nádrže l.....	0,28
Směšovací poměr (palivo/dvoutaktní olej).....	40:1
Délka řezu mm.....	560
Max. tloušťka řezu mm.....	27
Rozměry d/š/v mm.....	1100 x 245 x 200
Délka střížné lišty mm.....	700
Zapalovací svíčka.....	L8RTC
Hmotnost kg.....	5,2

Technické změny vyhrazeny!

Hluk

Informace k tvorbě hluku měřené podle příslušných norem:

Hladina akustického tlaku L _{PA}	97,8 dB
Kolísavost K _{PA}	3 dB
Hladina akustického výkonu L _{WA}	107,3 dB
Kolísavost K _{WA}	2,53 dB

Používejte ochranu sluchu.

Působení hluku může vést ke ztrátě sluchu.

Vibrace

Vibrace (zadní rukojeť) A _{hv}	4,838 m/s ²
Nepřesnost měření K _{hv}	1,5 m/s ²
Vibrace (přední rukojeť) A _{hv}	5,389 m/s ²

Omezte hlučnost a vibrace na minimum!

- Používejte pouze bezvadné přístroje.
- Pravidelně provádějte údržbu a čištění přístroje.
- Přizpůsobte svůj styl práce přístroji.
- Přístroj nepřetěžujte.
- Případně nechte přístroj přezkoušet.
- Přístroj vypněte, když se nepoužívá.
- Používejte rukavice.

VAROVÁNÍ

Vyvarujte se ohrožení způsobených vibracemi, např. rizika bělení prstů (Raynaudův fenomén, poruchy prokrvení); dělejte v práci časté přestávky a při nich si např. třete dlaně o sebe.

- Noste vždy ochranné rukavice a dbejte na to, abyste měli teplé ruce.
- Dělejte při práci pravidelně přestávky.

9. Před uvedením do provozu

- Otevřete balení a opatrně vyjměte přístroj.
- Odstraňte materiál obalu a obalové a přepravní pojistky (pokud je jimi výrobek opatřen).
- Zkontrolujte, zda je rozsah dodávky úplný.
- Zkontrolujte přístroj a díly příslušenství, zda se při přepravě nepoškodily.
- Uchovejte obal dle možností až do uplynutí záruční doby.

POZOR

Zařízení a obalové materiály nejsou hračka! S plastovými sáčky, fóliemi a drobným díly si nesmějí hrát děti! Hrozí nebezpečí spolknutí těchto věcí a udušení!

- Před použitím se podle návodu k obsluze seznámte s přístrojem.
- Používejte u příslušenství a opotřebitelných a náhradních dílů pouze originální díly. Náhradní díly obdržíte u specializovaného prodejce.
- Uveďte při objednávání naše čísla výrobku a rovněž typ a rok výroby přístroje.

Benzínové nůžky na živý plot se neexpedují s náplní palivové směsi.

Přístroj je poháněn směsí benzínu (bezolovnatého) a motorového oleje pro dvoutaktní motory.

Při manipulaci s benzínem je třeba zvýšené pozornosti. Kouření a otevřený oheň nejsou přípustné (nebezpečí výbuchu).

Před každým uvedením přístroje do provozu zkontrolujte:

- Těsnost palivového systému.
- Bezvadný stav a úplnost ochranných zařízení a řezacího ústrojí.
- Pevné utažení veškerých šroubových spojů.
- Lehkost chodu všech pohyblivých dílů.

Palivo a olej

- Doporučené pohonné hmoty
 - Používejte pouze směs bezolovnatého benzínu a speciálního motorového oleje pro dvoutaktní motory. Směs pohonné hmoty namíchejte podle tabulky mísení pohonných hmot.
 - Nepoužívejte palivo E10.

Pozor:

Nepoužívejte žádnou palivovou směs, která byla uskladněna déle než 90 dnů.

Pozor:

Nepoužívejte olej pro dvoutaktní motory, u kterého se doporučuje směšovací poměr 100:1. Na poškození motoru, ke kterému dojde v důsledku nedostatečného mazání, se nevztahuje záruka na motor výrobce.

Pozor:

K přepravě a skladování paliva používejte pouze k tomu určené a schválené nádoby. Nalijte vždy správné množství benzínu a oleje pro dvoutaktní motory do přiložené lahve na míchání oleje a benzínu (A). Následně nádobu dobře protřepejte.

Nikdy nepoužívejte olej pro čtyřtaktní motory nebo dvoutaktní motory chlazené vodou. Tak může dojít ke znečištění zapalovacích svíček, zablokování odvětrávacího dílu nebo ke slepení pístního kroužku. Směsi pohonné hmoty, které nebyly používány déle než měsíc nebo déle, mohou ucpat karburátor nebo narušit provoz motoru. Nepotřebnou pohonnou hmotu nalijte do vzduchotěsné nádoby a uchovávejte ji v tmavé, chladné místnosti.

Tabulka mísení pohonné hmoty

Postup mísení: 40 dílů benzínu na 1 díl oleje

Příklad:

- 1 l benzínu: 0,025 l oleje pro dvoutaktní motory
- 5 l benzínu: 0,125 l oleje pro dvoutaktní motory

Varování! Dávejte pozor na výfukové plyny.

Před čerpáním pohonných hmot motor vždy vypněte.

Nikdy nenalévejte benzín do přístroje, když motor běží nebo je ještě horký. Hrozí nebezpečí požáru!

Tankujte pouze venku nebo v dobře větraných prostorách. Dbejte na to, aby se palivo nedostalo do země (ochrana životního prostředí). Použijte vhodný podklad. Používejte pouze bioolej na řetěz.

Paliva jsou jen omezeně skladovatelná, podléhají stárnutí. Příliš dlouho skladovaná paliva a palivové směsi mohou vést k problémům při startování. Smíchejte proto vždy jen tolik paliva, kolik spotřebujete za měsíc. Paliva skladujte pouze v nádobách, které jsou k tomu schválené a jsou označené. Uchovávejte nádoby s palivem na suchém a bezpečném místě.

Dbejte na to, aby byly nádoby s palivem uloženy mimo dosah dětí.

Pozor! Před uvedením do provozu se informujte, jak můžete v případě nouze přístroj co nejrychleji odstavit z provozu!

9.1 Čerpání pohonných hmot benzínových nůžek na živý plot

- Vypněte motor a nechte jej vychladnout!
 - Noste ochranné rukavice!
 - Vyhýbejte se kontaktu paliva s pokožkou a očima!
 - Bezpodmínečně dodržujte „Bezpečnou manipulaci s palivou“, viz 6.3.
1. Do benzínových nůžek na živý plot provádějte čerpání pohonných hmot pouze venku nebo v dostatečně větraných místnostech.
 2. Očistěte okolí oblasti plnění. Nečistoty v nádrži způsobují provozní poruchy.
 3. Před naplněním palivové směsi do nádrže láhev se směsí oleje a benzínu (A) znovu protřepejte.
 4. Opatrně otevřete víko palivové nádrže (11), abyste mohli uvolnit případný přetlak.
 5. Opatrně naplňte palivovou směs až ke spodnímu okraji plnicího hrdla. Abyste zabránili rozlití paliva, použijte trychtýř nebo pomůcku pro plnění (není v rozsahu dodávky).
 6. Znovu zavřete víko nádrže (11). Zajistěte, aby bylo víko nádrže (11) těsně uzavřené.
 7. Očistěte uzávěr nádrže (11) a okolí.
 8. Zkontrolujte nádrž a palivová vedení, zda nevykazují netěsnosti.
 9. Aktivujte případně palivové čerpadlo „Primer“ (5).
 10. Vzdalte se před spuštěním motoru nejméně tři metry od místa tankování.

9.2 Vypuštění paliva

Palivovou nádrž vyprazdňujte pouze venku nebo v dobře větraných prostorách. Dbejte na to, aby se palivo nedostalo do půdy (ochrana životního prostředí). Použijte vhodnou podložku.

1. Podržte záchytnou nádobu pod palivovou nádrží.
2. Odšroubujte víko palivové nádrže (11) a sejměte je.
3. Úplně vypusťte směs benzínu a oleje.
4. Víko nádrže (11) opět rukou pevně zašroubujte.

10. Obsluha

10.1 Nastavení zadní rukojeti (8) (obr. 2)

Pro snadnější vedení benzínových nůžek na živý plot lze zadní rukojeť (8) nastavit do 3 pracovních poloh.

- Během přestavování se nesmí stisknout páčka plynu (9).
1. Benzínové nůžky na živý plot držte levou rukou za přední rukojeť (3).
 2. Zatlačte zajišťovací rukojeť (10) dozadu a otočte rukojeť do požadované polohy.
 3. Pusťte blokovací úchyt (10). Dbejte na to, aby blokovací úchyt znovu zaklapl a rukojeť byla pevně zafixovaná.

10.2 Spuštění přístroje

⚠ Nebezpečí zranění!

Benzínové nůžky na živý plot spouštějte pouze tehdy, když je nasazeno řezací zařízení! Odstraňte příslušnou ochranu pro přepravu a přístroj zkontrolujte, zda je v dobrém provozním stavu.

Nikdy nepoužívejte poškozené, nesprávně nastavené nebo udržované, resp. nekompletní a nespolehlivě namontované řezací zařízení.

Před použitím zkontrolujte!

Zkontrolujte, zda je přístroj v bezpečném stavu:

- Ujistěte se, že tlačítko zapnutí/vypnutí (6), pojistka plynové páčky (7) a plynová páčka (9) fungují podle předpisů.
- Zkontrolujte případné netěsnosti přístroje.
- Zkontrolujte viditelné poškození přístroje.
- Zkontrolujte, zda jsou všechny díly přístroje bezpečně namontovány.
- Zkontrolujte, zda jsou všechna bezpečnostní zařízení v dobrém stavu a funkční.

10.2.1 Startování při studeném motoru (obr. 1, 3, 4)

Benzínové nůžky na živý plot podepřete, abyste je mohli spustit, a pevně je držte. Dbejte na to, aby bylo řezací zařízení volné.

1. Sejměte ochranu nožů (E) z řezacího zařízení (1).
2. Benzínové nůžky na živý plot postavte na stabilní a rovný povrch. Řezací zařízení (1) se přitom nesmí dotýkat země.
3. 7x stiskněte palivové čerpadlo „Primer“ (5).
4. Otočte páku na studený start (sytič) (4) na „Studený start“.
5. Podržte benzínové nůžky na živý plot za přední rukojeť (3) a vytahujte pomalu startovací tažné lanko (12), až pocítíte odpor.
6. Nyní za startovací tažné lanko (12) rychle zatáhněte, až motor nastartuje. Pokud motor nenaskočí, postup opakujte. Dokud je páka na studený start (sytič) (4) na „Studený start“, motor jen krátce naběhne a pak se zase vypne.
7. Jakmile se motor vypne, stiskněte pojistku plynové páčky (7) současně s plynovou páčkou (9). (Sytič) (4) skočí automaticky do provozní polohy „Teplý start“.
8. Nyní znovu rychle zatáhněte za startovací tažné lanko (12), až motor nastartuje.
9. Po jednom stisknutí plynové páčky (9) se rozběhne motor v zastaveném stavu.
10. Nechte motor krátce zahřát.

Pokud motor ani po několika pokusech nenaskočí, přečtěte si kapitolu „Nápověda při poruchách“.

Pozor

Startovací tažné lanko (12) vždy vytáhněte rovně. Pokud za ně budete tahat v úhlu, dojde ke tření u oka. V důsledku tohoto tření se šňůra odírá a rychleji opotřebovává. Když se startovací tažné lanko (12) navíjí zpátky, pevně držte jeho rukojeť (12).

Nenechte nikdy startovací tažné lanko (12) vymrštit dozadu. To může vést k poškození.

Upozornění:

Při vysokých venkovních teplotách se může stát, že se bude muset startovat bez páky na studený start (sytiče) (4) i při studeném motoru.

Upozornění:

Pokud řezací zařízení (1) běží na volnoběh nebo se motor po uvolnění plynu sám zastaví, je třeba provést seřízení karburátoru (viz kapitola „13.2 Nastavení volnoběžných otáček“).

10.2.2 Startování při teplém motoru

1. Páka na studený start (sytič) musí k nastartování teplého motoru být v poloze „Teplý start“.
2. Podržte benzínové nůžky na živý plot za přední rukojeť (3) a vytahujte pomalu startovací tažné lanko (12), až pocítíte odpor.
3. Jen rychle zatáhněte za startovací tažné lanko (12). Příklad by měl nastartovat po 1-2 zatáhnutích. Pokud přístroj nenastartuje ani po 6 zatáhnutích, opakujte postup popsáný v „Startování se studeným motorem“.

10.3 Provoz benzínových nůžek na živý plot (obr. 1)

1. Přední rukojeť benzínových nůžek na živý plot (3) držte levou rukou.
2. Držte pevně pravou rukou zadní rukojeť (8). Dlaň ruky přitom spočívá na blokaci plynové páčky (7) a ukazovák stiskne plynovou páčku (9).
3. Stiskněte plynovou páčku (9).
4. Řezací zařízení se rozběhne.

Když pustíte plynovou páčku (9), řezací zařízení se zastaví a motor běží na volnoběh.

Obráťte se na výrobce, pokud řezné zařízení běží přesto na volnoběhu dál.

V žádném případě nepokračujte v práci s benzínovými nůžkami na živý plot!

10.4 Blokování řezacího zařízení (obr. 1)

Pokud by se řezací zařízení (1) během práce zablokovalo, odstavte benzínové nůžky na živý plot tlačítkem zapnutí/vypnutí (6) z provozu a vytáhněte konektor zapalovací svíčky (14). Odstraňte pak blokující materiál a zkontrolujte řezací zařízení (1), zda není poškozené.

10.5 Vypnutí motoru

1. Stiskněte a podržte tlačítko zapnutí/vypnutí (6).
2. Než dáte přístroj z rukou, počkejte, až se motor zastaví.
3. Uvolněte tlačítko zapnutí/vypnutí (6).

11. Pracovní pokyny

11.1 Práce s nůžkami na živý plot

- Nůžky na živý plot jsou vhodné ke stříhání živých plotů, keřů a křoví.
- Nůžky na živý plot držte oběma rukama v bezpečné vzdálenosti od těla.
- Maximální průměr řezu závisí na druhu dřeva, stáří, obsahu vlhkosti a tvrdosti dřeva.
- Velmi silné větve proto před řezáním živého plotu zkrátte nůžkami na větve na odpovídající délku.
- Nůžky na živý plot lze díky jejich oboustrannému noži vést dopředu i zpátky nebo kývavým pohybem ze jedné strany na druhou.
- Nejprve stříhejte boky živého plotu a teprve pak horní okraj.
- Živý plot stříhejte zdola nahoru.

- Živý plot stříhejte do lichoběžníkového tvaru. Zabrání to řidnutí spodních partií živého plotu kvůli nedostatku světla.
- Pokud chcete horní hranu živého plotu přistříhnout rovnoměrně, napněte si vodící šňůru přes celou délku živého plotu.
- Když je zapotřebí odříznout velké množství materiálu, provádějte řezání v několika záběrech.
- Z živého plotu bezpodmínečně odstraňte cizí tělesa (např. drát), protože by mohla poškodit nože nůžek na živý plot.
- **Pozor!** Nože mají doběh! Nože nebrzděte rukou.

Správný okamžik pro stříhání:

- Listnaté živé ploty: červen a říjen
- Jehličnaté živé ploty: duben a srpen
- rychle rostoucí živé ploty: od května cca každých 6 týdnů

Dávejte pozor na ptáky hnízdící v živých plotech. V takovém případě stříhání živého plotu odložte nebo tento úsek nestříhejte.

12. Přeprava

Pro přepravu přístroje vypněte motor, počkejte, až se řezací zařízení zastaví a nasadte ochranu nožů (E) (obr. 4).

Noste přístroj pouze za přední rukojeť (3). Držte přitom řezací zařízení (1) směrem dolů a horký tlumič hluku (13) od těla.

V osobním voze přepravujte přístroj pouze v zavazadlovém prostoru nebo na samostatné přepravní ploše.

Benzínové nůžky na živý plot zajistěte proti převrácení, poškození a úniku paliva.

13. Čištění a údržba

Před každou údržbou a čištěním

- Vypněte motor
- Počkejte, až se řezací zařízení zastaví
- Vytáhněte konektor zapalovací svíčky (vyjma nastavování volnoběhu)
- Nechte přístroj vychladnout

Upozornění

Po každém použití by se měl přístroj důkladně vyčistit.

Čištění a údržbu provádějte pouze tak, jak je uvedeno v tomto návodu k obsluze.

Údržba a čištění nad rámec prací popsáných v této kapitole smí provádět pouze zákaznický servis.

Neprovádějte údržbové práce v blízkosti otevřeného ohně. Nebezpečí požáru!

Bezpečnostní zařízení odstraněná za účelem údržby a čištění musí být bezpodmínečně opět řádně umístěna a zkontrolována.

Používejte pouze originální díly. Jiné díly mohou vést k nepředvídaným škodám a úrazům.

Noste rukavice, abyste se vyvarovali možných zranění.

Aby bylo zaručeno dlouhé a spolehlivé používání benzínových nůžek na živý plot, provádějte pravidelně následující údržbové práce.

Zkontrolujte, zda na benzinových nůžkách na živý plot nejsou zjevné závady, jako např.

- volná upevnění
- opotřebené nebo poškozené součásti
- ohnuté, prasklé nebo poškozené řezací zařízení
- Zkontrolujte těsnost uzávěru nádrže a vedení paliva

Po každém použití zkontrolujte benzinové nůžky na živý plot

- opotřebení, zejména vůle řezacího zařízení.
- zda jsou správně namontované a nedotčené kryty nebo ochranná zařízení.

Potřebné opravy nebo údržbové práce je nutné provést před použitím benzinových nůžek na živý plot.

13.1 Mazání převodovky (obr. 5)

Mažte převodovku po každých 10 až 20 hodinách provozu.

1. Pomocí dodaného inbusového klíče 4 mm (C) otevřete šroub mazacího otvoru (18) na spodní straně nůžek na živý plot.
2. Umístěte mazací pistoli na mazací otvor (18).
3. Vtlačte do ní trochu tuku.
4. Šroub mazacího otvoru (18) zašroubujte zpět.

Pozor! Doplňte jen málo tuku. V žádném případě nepřepřilňovat.

13.2 Nastavení volnoběžných otáček

Pokud řezací zařízení (1) běží na volnoběh nebo se motor po uvolnění plynu sám zastaví, je třeba provést seřízení karburátoru.

Upozornění:

Nechte nastavení karburátoru (např. otáčky volnoběhu) provádět pouze kvalifikovaný odborný personál, abyste zamezili poškození motoru.

13.3 Čištění, popř. výměna vzduchového filtru (obr. 6)

Znečištěné vzduchové filtry snižují výkon motoru omezením přívodu vzduchu do karburátoru. Prach a pyl ucpávají póry pěnové vložky. Proto je nezbytná pravidelná kontrola.

Vzduchový filtr (17) čistěte přibližně každých 15 provozních hodin, ve zvlášť prašných podmínkách častěji.

1. Páku na studený start (sytič) (4) nastavte na „Studený start“, aby se do karburátoru nedostaly žádné částice nečistot.
2. Sejměte kryt vzduchového filtru (16). Za tím účelem povolte křídlový šroub (15).
3. Vyjměte vzduchový filtr (17) z pěnové podložky.
4. Vzduchový filtr (17) omyjte ve vlažné mýdlové vodě. Částice nečistot nevyfukujte, hrozí nebezpečí poranění očí!
5. Vyčistěte vnitřek vzduchového filtru štětcem.
6. Nechte vzduchový filtr (17) dobře vyschnout a pak jej opět vložte zpět.
7. Nasadte zpět kryt vzduchového filtru (16).

Pozor:

Vzduchový filtr nikdy nečistěte benzinem nebo hořlavými čisticími prostředky.

Aby nedošlo ke zkrácení životnosti motoru, je nutné poškozený vzduchový filtr okamžitě vyměnit.

⚠ Varování!

Nikdy nenechte motor běžet, když není v přístroji vložka vzduchového filtru.

13.4 Vyčistěte nebo vyměňte benzinový filtr

V případě potřeby zkontrolujte benzinový filtr. Znečištěný benzinový filtr brání přívodu paliva.

Otevřete víko nádrže (11) a drátěným hákem vytáhněte benzinový filtr otvorem (není v rozsahu dodávky).

- Při lehkém znečištění:
 - stáhněte benzinový filtr z palivového vedení a vyčistěte ho čisticím benzinem.
- Při silném znečištění:
 - benzinový filtr vyměňte.

1. Chcete-li benzinový filtr vyjmout z palivového vedení, stiskněte hadicovou svorku a posuňte ji dolů.
2. Nyní lze benzinový filtr z palivového vedení vyjmout.

13.5 Kontrola, čištění nebo výměna zapalovací svíčky (obr. 7/8)

Pozor

Zapalovací svíčky (14.1) nebo konektoru zapalovací svíčky (14) se nikdy nedotýkejte při běžícím motoru. Vysoké napětí! Nebezpečí popálení o horký motor. Noste ochranné rukavice!

Pravidelně kontrolujte zapalovací svíčku a vzdálenost elektrod.

13.5.1 Kontrola zapalovací svíčky

1. Stáhněte konektor zapalovací svíčky (14) ze zapalovací svíčky (14.1).
2. Vyšroubujte zapalovací svíčku (14.1) dodaným klíčem na zapalovací svíčky (B).
3. Zkontrolujte vzdálenost elektrod. Musí činit 0,6 až 0,7 mm.

13.5.2 Čištění zapalovací svíčky

Zkontrolujte zapalovací svíčku poprvé po 10 provozních hodinách, zda není znečištěná, a případně ji vyčistěte měděným kartáčem.

Poté svíčku zapalování čistěte po každých 50 hodinách provozu.

Vyměňte zapalovací svíčku:

- při pravidelném provozu každý měsíc
- když je izolační těleso poškozené
- při silném opálení elektrod
- při silně znečištěných nebo zaolejovaných elektrodách

13.5.3 Kontrola zapalovací jiskry

1. Stáhněte konektor zapalovací svíčky (14) ze zapalovací svíčky (14.1).
2. Vyšroubujte zapalovací svíčku (14.1) dodaným klíčem na zapalovací svíčky (B).

3. Pevně zasuněte konektor zapalovací svíčky (14).
4. Přitlačte zapalovací svíčku (14.1) izolovanými kleštěmi na kryt motoru (ne do blízkosti otvoru zapalovací svíčky).
5. Silně zatáhněte za startovací tažné lanko (12).
6. Při bezvadné funkci musí být vidět jiskra mezi elektrodami.

13.6 Tlumič hluku / výstupní otvor (obr. 9)

Nedotahujte šrouby tlumiče hluku, když je motor horký.

1. Pravidelně kontrolujte, jestli se šrouby (13.2) tlumiče hluku (13) neuvolnily. Pomocí inbusového klíče 4 mm (C) utáhněte všechny uvolněné šrouby.
2. Výstupní otvor (13.1) pravidelně čistěte.

13.7 Čištění

Benzínové nůžky na živý plot po každém použití pečlivě vyčistěte, abyste zachovali jejich správnou funkci.

Při čištění řezacího zařízení noste ochranné rukavice!

- Kryt čistěte měkkým kartáčem nebo suchým hadříkem. Voda, rozpouštědla a leštidla se nesmějí používat.
- Dbejte na to, aby větrací štěrby pro chlazení motoru zůstaly volné (nebezpečí přehřátí).
- Řezací zařízení pravidelně čistěte kartáčem nebo hadříkem. Řezací zařízení nikdy nečistěte vodou (nebezpečí koroze!).
- Pravidelně čistěte a olejujte všechny pohyblivé díly.
- Nikdy nepoužívejte tuk!
- Používejte ekologický olej.

13.8 Plán údržby

Součást přístroje	Akce	Před začátkem práce	Týdně	Při poruchách	Při poškození	V případě potřeby
Řezací zařízení (1)	Zkontrolujte a dbejte na naostřený stav	X				
	Zkontrolujte kluznou vůli řezacího zařízení	X				
	ostření					X
Motor	Dotáhněte šrouby tlumiče hluku					X
	Vyčistěte / vyměňte benzínový filtr					X
	Vyčistěte / vyměňte vzduchový filtr					každých 15 provozních hodin, při prašných podmínkách častěji
	Mazání převodovky					každých 20 provozních hodin, nejméně jednou ročně

Servisní informace

Je nutno dávat pozor na to, že v případě tohoto výrobku podléhají následující díly opotřebení přirozeně nebo použitím, resp. jsou potřeba následující díly jako spotřební materiály.

Díly podléhající opotřebení*:

Řezací nůž (sada)	(5910402011)
Zapalovací svíčka	(3904801048)
vzduchový filtr	(3910404001)

* není nutně zahrnuto v obsahu dodávky!

14. Skladování

Nepoužívané přístroje uchovávejte s nasazeným ochranným krytem nože na suchém uzamčeném místě mimo dosah dětí.

Před uskladněním přístroj vyčistěte a proveďte údržbu.

Pozor:

Přístroj nikdy neskladujte na déle než 30 dní, aniž byste provedli následující kroky:

Uložení přístroje ne dobu delší než 30 dnů

Pokud uložíte přístroj na déle než 30 dní, musíte jej náležitě připravit. V opačném případě se zbytek pohonné hmoty karburátoru bude vypařovat a zanechá gumovité usazeniny. To by mohlo ztížit start a mohlo by být příčinou drahé opravy.

- Vypusťte palivo (viz 9.2)
- Nastartujte motor a nechte ho běžet tak dlouho, dokud se pohonná hmota z karburátoru nevyčerpá a motor se sám nezastaví.
- Nechte motor vychladnout (cca 5 minut).
- Vyjměte zapalovací svíčku (viz 13.5.).
- Do spalovací komory nalijte 1 čajovou lžičku čistého oleje pro 2-takt.
- Několikrát zatáhněte za lanko startéru, aby se vnitřní komponenty pokryly olejem.
- Vyměňte zapalovací svíčku (viz 13.5).

Upozornění:

Uložte přístroj na suchém místě, dostatečně vzdáleném od možných zápalných zdrojů, např. kamen, plynového bojleru na horkou vodu, plynové sušičky atd.

15. Likvidace a recyklace

Upozornění k obalu



Balící materiály jsou recyklovatelné. Obaly prosím likvidujte způsobem šetrným k životnímu prostředí.

O možnostech likvidace vysloužilého přístroje vám podá informace správa vaší obce nebo vašeho města.

Paliva a oleje

Před likvidací přístroje je nutné vyprázdnit palivovou nádrž a nádrž na motorový olej!

Palivo a motorový olej nepatří do domovního odpadu nebo odtoku, ale musí se sbírat a likvidovat odděleně!

Prázdné zásobníky oleje a paliva musí být zlikvidovány ekologicky.

16. Odstraňování poruch

Porucha	Možná příčina	Řešení
Nůžky na živý plot neběží	<ul style="list-style-type: none">Motor, chybí palivoZávada v palivovém vedeníBenzínový filtr ucpanýVadná zapalovací svíčkaVadný karburátorInterní chyba	<ul style="list-style-type: none">Kontrola množství palivaKontrola palivového vedení, zda není zalomené nebo poškozenéVyčistěte resp. vyměňte benzínový filtr.Vyměňte zapalovací svíčkuVyhledejte výrobce resp. příslušný zákaznický servisVyhledejte výrobce resp. příslušný zákaznický servis
Nůžky na živý plot řežou přerušovaně	<ul style="list-style-type: none">Interní chybaTlačítko pro zapnutí/vypnutí je vadné	<ul style="list-style-type: none">Vyhledejte výrobce resp. příslušný zákaznický servisVyhledejte výrobce resp. příslušný zákaznický servis
Motor běží, řezací zařízení zůstává stát	<ul style="list-style-type: none">Řezací zařízení zablokovanéInterní chybaSpojka vadná	<ul style="list-style-type: none">Odstraňte předmětVyhledejte výrobce resp. příslušný zákaznický servisVyhledejte výrobce resp. příslušný zákaznický servis
Řezací zařízení je horké	<ul style="list-style-type: none">Chybějící mazivo → třeníŘezací zařízení je tupé	<ul style="list-style-type: none">Naolejujte řezací zařízeníNechte řezací zařízení naostřit

17. Záruční list

Vážena zakaznice, váženy zakazniku,

naše výrobky podléhají přísné kontrole kvality. Pokud i přesto tento přístroj bezvadně nefunguje, velice toho litujeme a prosíme Vás, abyste se obrátili na náš zákaznický servis, jehož adresa je uvedena na tomto záručním listu. Rádi Vám budeme k dispozici také telefonicky na níže uvedeném servisním čísle. Pro uplatňování nároků na záruku platí následující:

- Tyto záruční podmínky upravují dodatečný záruční servis. Vašich zákonných nároků na záruku se tato záruka netýká. Náš záruční servis je pro Vás bezplatný.
- Záruční servis se vztahuje výhradně na nedostatky, které lze odvodit z vad materiálu nebo výrobních vad a je také omezen pouze na odstranění těchto nedostatků, resp. výměnu přístroje. Dbejte prosím na to, že naše přístroje nebyly podle svého účelu určeny konstruovány pro živnostenské, řemeslnické nebo průmyslové použití. Záruční smlouva tak není realizována, pokud byl přístroj používán v živnostenských, řemeslných nebo průmyslových podnicích a při srovnatelných činnostech. Z naší záruky je dále vyloučeno poskytnutí náhrady za dopravní škody, škody způsobené nedodržením montážního návodu nebo z důvodů neodborné instalace, nedodržení návodu k použití (jako např. připojení na chybné síťové napětí nebo druh proudu), nedovoleného nebo neodborného používání (jako např. přetížení přístroje nebo použití neschválených vložných nástrojů nebo příslušenství), nedodržení pokynů pro údržbu a bezpečnostních pokynů, vniknutí cizích těles do přístroje (jako např. písek, kameny nebo prach), použití násilí nebo poškození v důsledku cizích vlivů (jako např. škody způsobené pádem), jakož také běžného opotřebení způsobeného používáním.

Nárok na záruku zaniká, pokud bylo do přístroje již zasahováno

- Záruční doba činí 3 roky a začíná datem koupě přístroje. Nároky na záruku před vypršením záruční doby je třeba uplatňovat během dvou týdnů od zjištění defektu. Uplatňování nároků na záruku po vypršení záruční doby je vyloučeno. Oprava nebo výměna přístroje nevede k prodloužení záruční doby, ani k zahájení nové záruční doby za provedený výkon pro přístroj nebo pro případné zamontované náhradní díly. Toto platí také v případě servisu v místě Vašeho bydliště.
- Pro uplatnění nároku ze záruky se prosím obraťte na adresu servisu uvedenou dole. Pokud se reklamáce uplatňuje v záruční době, dáme Vám k dispozici formulář pro vrácení, pomocí kterého nám můžete vadný přístroj zdarma zaslat zpět. Popište nám prosím pokud možno přesně důvod reklamáce. Je-li defekt přístroje v našem záručním servisu obsažen, obdržíte obratem opravený nebo nový přístroj.

Samozřejmě rádi za úhradu nákladů odstraníme defekty na přístroji, které nespádají nebo již nespádají do rozsahu záruky. K tomu nám přístroj prosím zašlete na naši servisní adresu.

Servisní horká linka (CZ):

00800 4003 4003

(0,00 €/Min.)

Adresa elektronické pošty (CZ):

service.CZ@schepach.com

Adresa servisního střediska (CZ):

GARLAND distributor s.r.o.

Hradecká 1136

CZ - 50601 Jicín



Na stránkách www.lidl-service.com si můžete stáhnout tyto a mnoho dalších manuálů, produktových videí a instalačních softwarů.

Pomocí kódu QR můžete přímo na stránce servisních služeb Lidl (www.lidl-service.com) otevřít svůj návod k obsluze zadáním čísla výrobku (IAN) 422496_2210.

1.	Objaśnienie symboli na urządzeniu	81
2.	Wprowadzenie	83
3.	Opis urządzenia (rys. 1-9)	83
4.	Zakres dostawy	83
5.	Użytkowanie zgodne z przeznaczeniem.....	83
6.	Wskazówki dotyczące bezpieczeństwa	84
7.	Wskazówki dotyczące pracy.....	87
8.	Dane techniczne.....	88
9.	Przed uruchomieniem.....	88
10.	Obsługa	90
11.	Wskazówki dotyczące pracy.....	91
12.	Transport.....	91
13.	Czyszczenie i konserwacja	91
14.	Przechowywanie	93
15.	Utylizacja i ponowne wykorzystanie	94
16.	Pomoc dotycząca usterek.....	94
17.	Gwarancja	95
18.	Rysunek eksplozji	257
19.	Deklaracja zgodności	260

1. Objasnienie symboli na urzadzeniu

	Przed uruchomieniem nalezy przeczytac niniejsza instrukcje obslugi i przestrzegac wskazowek dotyczacych bezpieczenstwa!
	Zaleca sie noszenie obuwia ochronnego!
	Uzywac nausznikow ochronnych!
	Uzywac okularow ochronnych!
	Zakladac rękawice robocze!
	Uwaga! Blokowac dostep osob postronnych do obszaru pracy!
	Przestrzegac wskazowek ostrzegawczych i dotyczacych bezpieczenstwa!
	Uwaga! Istnieje niebezpieczenstwo pozaru i wybuchu.
	Uwaga, niebezpieczenstwo obrazen! Nigdy nie umieszczac rak w poblizu nozy. Podczas wlaczenia lub podczas pracy z urzadzeniem nie dotykac noza.
	Ostrzezenie przed goracymi powierzchniami.



Nie wolno używać urządzenia podczas deszczu ani w wilgotnym otoczeniu. Niebezpieczeństwo porażenia prądem!



Uwaga, substancje łatwopalne. Ogień, otwarte źródło światła i palenie zabronione!



Proporcje mieszania: 40 dawek benzyny na 1 dawkę oleju



Obrócić dźwignię zasysacza. „Rozruch na ciepło i prace” oraz „Rozruch na zimno”



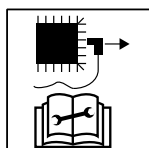
Wskazanie gwarantowanego poziomu mocy akustycznej L_{WA} w dB.



Nacisnąć 7x pompę paliwa „Primer”



Uwaga! uduszenia!
Spaliny są trujące, dlatego nie eksploatować silnika w niewentylowanych pomieszczeniach.



Przed przystąpieniem do prac konserwacyjnych należy wyłączyć urządzenie i wyciągnąć końcówkę przewodu świecy zapłonowej!



Produkt jest zgodny z obowiązującymi europejskimi dyrektywami.

2. Wprowadzenie

PRODUCENT:

Scheppach GmbH

Günzburger Straße 69
D-89335 Ichenhausen

SZANOWNY KLIENCIE,

Życzymy dużo satysfakcji i powodzenia podczas pracy z nowym urządzeniem.

WSKAZÓWKA:

Zgodnie z obowiązującą ustawą o odpowiedzialności cywilnej za produkt, producent nie odpowiada za szkody powstałe przy tym urządzeniu lub przez to urządzenie w przypadku:

- nieprawidłowej obsługi,
- nieprzestrzegania instrukcji obsługi,
- napraw wykonywanych przez osoby trzecie, specjalistów nieautoryzowanych,
- montażu i wymiany nieoryginalnych części zamiennych,
- użytkowania niezgodnego z przeznaczeniem,

Przestrzegać:

Przed przystąpieniem do montażu i uruchomienia przeczytać cały tekst instrukcji obsługi.

Instrukcja obsługi ma na celu ułatwienie zapoznania się z urządzeniem i wykorzystania możliwości użytkowania go zgodnie z przeznaczeniem.

Instrukcja obsługi zawiera ważne wskazówki dotyczące bezpiecznej, fachowej i ekonomicznej pracy z niniejszym urządzeniem oraz sposobu unikania zagrożeń, oszczędności kosztów napraw, redukcji czasów przestoju i zwiększenia niezawodności i trwałości urządzenia.

Dodatkowo oprócz zasad bezpieczeństwa zawartych w niniejszej instrukcji obsługi należy przestrzegać przepisów danego kraju obowiązujących dla eksploatacji urządzenia.

Instrukcję obsługi przechowywać przy urządzeniu, w torebce plastikowej chroniącej przed zanieczyszczeniem i wilgocią. Każda osoba obsługująca musi przeczytać ją przed przystąpieniem do pracy i dokładnie jej przestrzegać.

Przy urządzeniu mogą pracować wyłącznie osoby, które zostały przeszkolone w zakresie użytkowania urządzenia i poinstruowane o związanych z tym zagrożeniach. Przestrzegać ustawowego wieku minimalnego.

Oprócz wskazówek dotyczących bezpieczeństwa zawartych w niniejszej instrukcji obsługi i specjalnych przepisów danego kraju należy przestrzegać ogólnie uznanych zasad technicznych dotyczących eksploatacji maszyn o tej samej budowie. Nie ponosimy odpowiedzialności za wypadki ani szkody powstałe wskutek nieprzestrzegania niniejszej instrukcji oraz wskazówek dotyczących bezpieczeństwa.

3. Opis urządzenia (rys. 1–9)

1. Przyrząd tnący
2. Osłona rąk
3. Przedni uchwyt ręczny
4. Dźwignia zimnego rozruchu (zasysacz)
5. Pompa paliwowa „Primer”
6. Przycisk włączania / wyłączania
7. Blokada dźwigni gazu
8. Tylny uchwyt ręczny
9. Dźwignia gazu
10. Uchwyt blokujący
11. Korek wlewu paliwa
12. Uruchamiająca linka ciągnowa
13. Tłumik hałasu
- 13.1 Otwór wylotowy tłumika hałasu
- 13.2 Śruby tłumika hałasu
14. Końcówka przewodu świecy zapłonowej
- 14.1 Świeca zapłonowa
15. Śruba skrzydełkowa
16. Osłona filtra powietrza
17. Filtr powietrza
18. Otwór smarowania

4. Zakres dostawy

- Spalione nożyce do żywopłotu
- Butelka do mieszania oleju i benzyny (A)
- Klucz do świec (B)
- Klucz imbusowy 4 mm (C)
- Osłona noża (E) (wstępnie zamontowana)
- Instrukcja obsługi

5. Użytkowanie zgodne z przeznaczeniem

Maszyna odpowiada obowiązującej dyrektywie maszynowej WE.

Przed rozpoczęciem pracy na maszynie muszą być zamontowane wszystkie urządzenia ochronne i zabezpieczające.

Spalinowe nożyce do żywopłotu są przeznaczone do cięcia miękkiego, odrośniętego żywopłotu. Nie są przystosowane do cięcia gałęzi, twardego drewna lub innego materiału.

Maszyna jest przeznaczona do obsługi przez jedną osobę.

Operator jest odpowiedzialny w obszarze roboczym za bezpieczeństwo osób trzecich.

Przestrzegać wszystkich wskazówek bezpieczeństwa i wskazówek dotyczących zagrożeń umieszczonych na maszynie.

Wszystkie wskazówki dotyczące bezpieczeństwa i zagrożeń, umieszczone na maszynie należy utrzymywać w stanie czytelnym.

Maszynę wolno używać tylko, jeżeli znajduje się w nienaganym stanie technicznym, oraz zgodnie z przeznaczeniem, ze świadomością zagrożeń i przestrzegając instrukcji eksploatacji! Zwłaszcza usterki wpływające negatywnie na bezpieczeństwo należy natychmiast usuwać (zlecać ich usunięcie)!

Przestrzegać wskazówek producenta dotyczących bezpieczeństwa, pracy i konserwacji oraz wymiarów podanych w rozdziale Dane techniczne.

Przestrzegać odnośnych przepisów bezpieczeństwa pracy oraz pozostałych, ogólnie uznanych zasad bezpieczeństwa technicznego.

Użytkowanie, konserwacja i naprawa maszyny są dozwolone wyłącznie dla osób, które zostały wykwalifikowane w tym zakresie i poinformowane o zagrożeniach. Samowolne modyfikacje maszyny wykluczają odpowiedzialność producenta za wynikające stąd szkody.

Maszynę wolno użytkować wyłącznie z oryginalnym wyposażeniem i narzędziami producenta.

Każde użycie wykraczające poza wyżej podane jest uważane za niezgodne z przeznaczeniem. Za wynikające stąd szkody producent nie odpowiada; ryzyko ponosi wyłącznie użytkownik.

Spalinowe nożyce do żywopłotu są przeznaczone wyłącznie do cięcia żywopłotów, zarośli i krzewów. Inne użycie, nieopisane w niniejszej instrukcji użytkowania, może prowadzić do uszkodzenia nożyc lub ciężkich obrażeń użytkownika i jest wyraźnie wykluczone z listy możliwych zastosowań.

Urządzenie nie zostało skonstruowane do użytku komercyjnego, rzemieślniczego lub przemysłowego.

W przypadku wątpliwości, czy warunki robocze są bezpieczne, nie należy pracować z maszyną.

WSKAZÓWKA OSTRZEGAWCZA! Przed uruchomieniem urządzenia dla własnego bezpieczeństwa należy dokładnie zapoznać się z niniejszym podręcznikiem i ogólnymi wskazówkami dotyczącymi bezpieczeństwa. Jeżeli urządzenie jest przekazywane osobom trzecim, należy zawsze dołączać instrukcję użytkowania.

Należy pamiętać, że zgodnie z przeznaczeniem nasze urządzenia nie zostały skonstruowane do użytku komercyjnego, rzemieślniczego lub przemysłowego. Nie ponosimy odpowiedzialności w przypadku, gdy urządzenie jest stosowane w zakładach komercyjnych, rzemieślniczych i przemysłowych oraz do podobnych działań.

6. Wskazówki dotyczące bezpieczeństwa

6.1 Bezpieczna praca

SPALINOWE NOŻYCE DO ŻYWOPŁOTU MOGĄ POWODOWAĆ POWAŻNE OBRAŻENIA!

Przeczytać uważnie instrukcje dotyczące prawidłowego postępowania, przygotowania, utrzymania, uruchamiania i wyłączania nożyc do żywopłotu. Zapoznać się ze wszystkimi elementami nastawczymi oraz prawidłowym użytkowaniem spalinowych nożyc do żywopłotu.

Przed uruchomieniem produktu należy przeczytać poniższe wskazówki i obowiązujące w danym państwie przepisy bezpieczeństwa i następnie ich przestrzegać, aby chronić siebie i inne osoby przed możliwymi obrażeniami.

Niniejsze wskazówki dotyczące bezpieczeństwa (instrukcję obsługi) przechowywać zawsze ze spalinowymi nożycami do żywopłotu.

Spalinowe nożyce do żywopłotu mogą być obsługiwane wyłącznie przez osoby z odpowiednim doświadczeniem.

Niedozwolone jest użytkowanie spalinowych nożyc do żywopłotu przez dzieci.

Spalinowe nożyce do żywopłotu przekazywać lub pożyczać tylko osobom, które są zaznajomione z tym urządzeniem i jego obsługą. Zawsze przekazywać również instrukcję obsługi.

Naprawy urządzenia są dopuszczalne wyłącznie przez producenta lub wyznaczone przez niego firmy.

6.2 Użytkownik początkujący

Osoba pracująca pierwszy raz ze spalinowymi nożycami do żywopłotu musi przejść przeszkolenie praktyczne z użycia spalinowych nożyc do żywopłotu i osobistego wyposażenia ochronnego, udzielone przez doświadczonego operatora.

- **Postępować ostrożnie.** Skupiać się na wykonywanych czynnościach. Pracować z rozsądkiem. Nie używać urządzenia w stanie zmęczenia lub też będąc pod wpływem narkotyków, alkoholu lub leków. Chwila nieuwagi podczas używania urządzenia może spowodować poważne obrażenia.
- **Przed użyciem urządzenia należy zapoznać się z nim na podstawie instrukcji obsługi.** Nieodpowiednio poinformowani operatorzy mogą stanowić zagrożenie dla siebie i innych poprzez niewłaściwe użytkowanie.
- Nie używać urządzenia do celów, do których nie jest przeznaczone (patrz „5. Użytkowanie zgodne z przeznaczeniem”).
- **Unikać nietypowej pozycji ciała.** Zadbaj o stabilną pozycję i zachowanie równowagi w każdej chwili. Dotyczy to w szczególności korzystania ze stopni lub drabiny.
- **Stosować odpowiednią odzież roboczą:**
 - nie nosić luźnej odzieży ani biżuterii, mogłoby dojść do ich pochwycenia przez ruchome części
 - mocna osłona rąk i antypoślizgowe obuwie
 - siatka na włosy w przypadku długich włosów
- **Nosić osobistą odzież ochronną:**
 - Nauszniki ochronne
 - okulary ochronne lub osłona twarzy
 - Rękawice robocze
 - Obuwie ochronne
 - sprawdzony kask ochronny w sytuacjach, w których występuje zagrożenie urazem głowy.
- **Zalecamy zakładanie ochraniaczy nóg i kurtki ochronnej.**
- **Utrzymywać porządek w obszarze roboczym!** Nieporządek może być przyczyną wypadków.
- **Uwzględnić oddziaływania otoczenia:**
 - Nie wystawiać spalinowych nożyc do żywopłotu na działanie deszczu.
 - Nie używać spalinowych nożyc do żywopłotu w wilgotnym lub mokrym otoczeniu.

- Przełożyć prace na inny dzień, jeżeli pogoda jest nieprzyjająca (deszcz, śnieg, oblodzenie, wiatr) – większe ryzyko wypadku!
- Zadbaj o dobre oświetlenie.
- Nie używać spalinowych nożyc do żywopłotu w pobliżu palnych cieczy lub gazów.
- **Zapoznać się z otoczeniem i zwracać uwagę na ewentualne zagrożenia, które mogą zostać pominięte wskutek hałasu silnika.**
- **Zachować ostrożność przed nadziemnymi przewodami prądowymi**
- **Nigdy nie pozostawiać spalinowych nożyc do żywopłotu bez nadzoru.**
- **Podczas przerw w pracy odkładać spalinowe nożyce do żywopłotu w taki sposób, aby nie stanowiły dla nikogo zagrożenia.** Zabezpieczyć nożyce do żywopłotu przed nieuprawnionym dostępem.
- **Osoby poniżej 18. roku życia nie mogą używać urządzenia.**
- **Nie pozwalać innym osobom zbliżać się do miejsca pracy.**
- **Użytkownik ponosi odpowiedzialność za wypadki lub zagrożenia wobec innych osób lub ich własności.**
- **Operator jest odpowiedzialny w obszarze roboczym za osoby trzecie.**
- **Nie pozwalać dzieciom zbliżać się do miejsca pracy.**
- **Nie pozwalać innym osobom, w szczególności dzieciom, na dotykanie narzędzia lub silnika.** Nie dopuszczać ich do obszaru roboczego.
- **Przed uruchomieniem silnika zawsze upewnić się, że spalinowe nożyce do żywopłotu znajdują się prawidłowo w zalecanych pozycjach roboczych.**
- **Upewnić się zawsze, że wszystkie uchwyty i urządzenia zabezpieczające są zamontowane podczas pracy ze spalinowymi nożycami do żywopłotu.** Nigdy nie próbować użytkowania niekompletnych spalinowych nożyc do żywopłotu lub nożyc po niedozwolonej przebudowie.
- **Nie używać tępego, pękniętego lub uszkodzonego przyrządu tnącego.**
- **Rozpocząć cięcie, gdy przyrząd tnący działa.**
- **Nie przeciążać maszyny!** Podany zakres mocy umożliwia lepszą i bezpieczniejszą pracę.
- **Urządzenie należy eksploatować wyłącznie z kompletnymi i prawidłowo zamontowanymi urządzeniami ochronnymi i nie należy dokonywać żadnych zmian przy maszynie, które mogłyby naruszyć jej bezpieczeństwo.**
- **Nie zmieniać urządzenia lub jego części.**
- **Nie używać przyrządu tnącego, który nie odpowiada parametrom podanym w instrukcji obsługi.** Używanie innych narzędzi i innego osprzętu może powodować niebezpieczeństwo odniesienia obrażeń.

• **Wyłączyć maszynę i wyjąć końcówkę przewodu świecy zapłonowej ze świecy zapłonowej podczas:**

- W przypadku zetknięcia się spalinowych nożyc do żywopłotu z glebą, kamieniami, gwoździami lub innymi przypadkowymi przedmiotami, czy urządzenie jest uszkodzone.
- Ustawianie pozycji roboczej przyrządu tnącego
- Sprawdzenie, konserwacja, lub prace z nożycami do żywopłotu.
- prac naprawczych
- prac konserwacyjnych i napraw
- Usuwanie zakłóceń (obejmuje to również blokowanie przyrządu tnącego)
- Transport i przechowywanie
- Opuszczanie spalinowych nożyc do żywopłotu (także przy krótkich przerwach)

• **Dbać starannie o spalinowe nożyce do żywopłotu:**

- Narzędzia utrzymywać w stanie ostrym i czystym, aby umożliwić lepszą i bezpieczniejszą pracę.
- Uchwyty utrzymywać w stanie suchym, wolnym od oleju i smaru.
- Stosować się do wskazówek dotyczących konserwacji.

• **Sprawdzić maszynę pod kątem ewentualnych uszkodzeń:**

- Przed dalszym użyciem maszyny należy starannie zbadać osłony pod kątem prawidłowego i zgodnego z przeznaczeniem działania.
- Skontrolować, czy ruchome części działają bez zarzutu i nie zacinają się oraz czy części nie są uszkodzone. Wszystkie części muszą być prawidłowo zamontowane, a wszystkie warunki spełnione, aby zagwarantować prawidłową pracę spalinowych nożyc do żywopłotu.
- Uszkodzone urządzenia ochronne i części należy oddać prawidłowo do naprawy lub wymiany do warsztatu specjalistycznego, o ile nie podano inaczej w instrukcji użytkowania.
- Uszkodzone lub nieczytelne naklejki bezpieczeństwa należy od razu wymieniać.

• **Nie pozostawiaj kluczy narzędziowych przy narzędziu!** Zawsze przed włączeniem skontrolować, czy klucze i narzędzia nastawcze są usunięte.

• **Nieużywane urządzenia przechowywać w suchym, zamkniętym miejscu, poza zasięgiem dzieci.**

• **Spalinowe nożyce do żywopłotu przechowywać w miejscu, w którym opary benzyny nie wchodzi w kontakt z otwartym ogniem lub iskrami.** Przed przechowywaniem spalinowych nożyc do żywopłotu należy pozostawić je do ostygnięcia.

• **Podczas transportu oraz przechowywania spalinowych nożyc do żywopłotu należy zawsze osłonić przyrząd tnący ochroną dla tego przyrządu.**

- **Nie podejmować żadnej naprawy maszyny, chyba że posiada się wykształcenie w tym zakresie.** Nie podejmować żadnych dodatkowych napraw maszyny, niż te opisane w rozdziale „13. Czyszczenie i konserwacja”, zwrócić się bezpośrednio do producenta lub właściwego serwisu obsługi klienta.
- **Należy unikać użytkowania spalinowych nożyc do żywopłotu, jeśli w pobliżu znajdują się inne osoby, zwłaszcza dzieci.**
- **Jeżeli przyrząd tnący dotyka innego przedmiotu lub nasilą się odgłosy pracy, bądź spalinowe nożyce do żywopłotu zaczną nietypowo wibrować, wyłączyć silnik i zatrzymać spalinowe nożyce do żywopłotu.** Wyjąć końcówkę przewodu świecy zapłonowej ze świecy, oraz podjąć następujące środki:
 1. sprawdzić pod kątem uszkodzeń;
 2. sprawdzić pod kątem luźnych elementów i zamocować wszystkie luźne elementy;
 3. uszkodzone elementy wymienić na elementy tej samej jakości lub zlecić ich naprawę.
- **Nie używać spalinowych nożyc do żywopłotu z uszkodzonym lub mocno zużytym przyrządem tnącym.**
- **W celu uniknięcia zagrożenia pożarowego czyścić silnik, rurę wydechową oraz obszar wokół zbiornika paliwa z trawy, liści lub wyciekającego smaru.**
- **Używać zawsze obu rąk, jeśli spalinowe nożyce do żywopłotu wyposażone są w dwa uchwyty.**
- **W celu konserwacji, kontroli oraz przechowywania spalinowych nożyc do żywopłotu należy wyłączyć silnik, wyjąć końcówkę przewodu świecy zapłonowej ze świecy oraz upewnić się, że wszystkie części obrotowe znajdują się w stanie spoczynku.** Nie przystępować do kontroli, ustawianiem itp., dopóki urządzenie nie wystygnie.

Naprawy innych części maszyny powinny być przeprowadzone przez producenta lub jego punkty obsługi klienta. Stosować wyłącznie oryginalne części zamienne. Stosowanie innych części zamiennych oraz innych akcesoriów może spowodować wypadki dla użytkownika. Producent nie ponosi odpowiedzialności za powstałe w wyniku tego szkody.

6.3 Bezpieczne obchodzenie się z paliwami
Obchodzić się ostrożnie z paliwem napędowym!
Paliwa i opary paliwa są łatwopalne, a podczas wdychania lub przy kontakcie ze skórą mogą spowodować ciężkie obrażenia. Podczas postępowania z paliwem konieczna jest zatem ostrożność i zapewnienie dobrej wentylacji.

- **Przed tankowaniem spalinowych nożyc do żywopłotu wyłączyć silnik i zostawić urządzenie do ostygnięcia.**
- **Podczas tankowania nie palić i unikać otwartych źródeł ognia.**
- **Podczas tankowania nosić rękawice.**

- **Nie tankować w zamkniętych pomieszczeniach (niebezpieczeństwo wybuchu).**
- **Paliwo uzupełniać jedynie na zewnątrz.**
- **Zwracać uwagę, aby nie rozlać paliwa lub oleju.** W razie rozlania paliwa lub oleju natychmiast wycisnąć spalinowe nożyce do żywopłotu. Ponadto w razie rozlania paliwa lub oleju natychmiast zmienić ubranie.
- **Zwracać uwagę, aby paliwo nie przedostało się do gleby.**
- **Po zamknięciu ponownie starannie zamknąć pokrywę zbiornika i zwracać uwagę, aby podczas pracy nie doszło do poluzowania pokrywy.**
- **Zwracać uwagę, aby pokrywa zbiornika i przewody paliwowe były szczelne.** W razie nieuszczelności nie uruchamiać urządzenia.
- **Transportować i przechowywać paliwa tylko w dopuszczonych i oznaczonych pojemnikach.**
- **Trzymać paliwa z dala od dzieci.**
- **Nie transportować i przechowywać paliw w pobliżu palnych lub łatwo zapalnych substancji oraz iskiei i otwartego ognia.**
- **W celu uruchomienia urządzenia odsunąć się przynajmniej trzy metry od miejsca tankowania.**
- **Jeżeli zbiornik jest opróżniany, należy to przeprowadzać na zewnątrz.**
- **Spalinowych nożyc do żywopłotu lub zbiornika paliwa nie należy nigdy przechowywać w pomieszczeniu, w którym znajduje się otwarty płomień, przykładowo podgrzewacz wody ciepłej.**
- **W celu ograniczenia zagrożenia pożarem – utrzymywać silnik i tłumik bez pociętych resztek, liści i smarów!**
- **Nigdy nie otwierać wlewu paliwa, bądź uzupełniać go przy włączonym lub rozgrzanym silniku.**
- **Przed uzupełnieniem paliwa wyłączyć silnik i zostawić urządzenie do ostygnięcia.**
- **W przypadku przelania benzyny nie uruchamiać silnika, tylko oddalić maszynę przed jej uruchomieniem od powierzchni ubrudzonej benzyną.**

6.4 Ryzyka szczątkowe

Również przy zgodnym z przeznaczeniem zastosowaniu mogą – mimo przestrzegania wszystkich obowiązujących przepisów bezpieczeństwa – występować ze względu na określoną przez cel przeznaczenia konstrukcję ryzyka resztkowe. Ryzyka szczątkowe można zminimalizować przestrzegając rozdziału „6. Wskazówki dotyczące bezpieczeństwa” oraz „5. Użytkowanie zgodne z przeznaczeniem”, jak i całej instrukcji eksploatacji. Respektowanie wytycznych i ostrożność zmniejszają ryzyko obrażeń u osób i uszkodzeń.

Ponadto, pomimo wszelkich podjętych kroków, mogą się pojawić ukryte ryzyka szczątkowe:

- Obrażenie ze strony wyslizgujących się części.
- Pęknięcie lub wyslizgnięcie się kawałków noża.

- Zagrożenie zatrucia czadem przy zastosowaniu urządzenia w pomieszczeniach zamkniętych lub niedostatecznie wentylowanych.
- Niebezpieczeństwo poparzenia przy dotykaniu gorących podzespołów.
- Uszkodzenie słuchu przy dłuższych pracach bez ochrony słuchu.

7. Wskazówki dotyczące pracy

Przed uruchomienie i regularnie podczas pracy ze spalinowymi nożycami do żywopłotu wykonywać następujące kontrole:

- Czy spalinowe nożyce do żywopłotu są zamontowane zgodnie z przepisami? Upewnić się, że wszystkie nakrętki i śruby są mocno dokręcone.
- Czy stan spalinowych nożyc do żywopłotu jest dobry i bezpieczny?
 - Czy wszystkie funkcje bezpieczeństwa działają prawidłowo?
- Czy zbiornik benzyny jest napełniony?
- Czy przyrząd tnący jest nieuszkodzony i naostrzony?
- Czy silnik i tłumik hałasu są wolne od osadów, liści i wyciekającego smaru?
- Czy rękojeść jest czysta i sucha, – wolna od oleju, smaru i żywicy?
- Czy na stanowisku roboczym nie występuje niebezpieczeństwo potknięcia?
- Czy założone jest wymagane wyposażenie ochronne?
- Czy przeczytano i zrozumiano wszystkie wskazówki?
- Czy dźwignia gazu działa sprawnie i prawidłowo?
- Czy wyłącznik/wyłącznik działa prawidłowo?
- Czy przyrząd tnący zatrzymuje się zawsze na biegu jałowym?

Jeśli na biegu jałowym przyrząd tnący pracuje, należy zmniejszyć prędkość obrotową na biegu jałowym (patrz „13.2 Ustawianie prędkości obrotowej na biegu jałowym”).

- Upewnić się, że przekładnia jest odpowiednio nasmarowana (patrz w punkcie „13. Czyszczenie i konserwacja”).

7.1 Ogólne postępowanie podczas pracy z nożycami do żywopłotu

- Nie pracować w pojedynkę. W sytuacjach awaryjnych powinna być zapewniona możliwość wezwania pomocy.
- Nie pozwalać dzieciom, innym osobom ani zwierzętom zbliżać się do obszaru roboczego (odstęp min. 15 m).
- Nie pracować na śniegu, lodzie lub innej śliskiej powierzchni – Niebezpieczeństwo poślizgnięcia.
- Nie wykonywać prac w warunkach niedostatecznego oświetlenia (np. podczas mgły, deszczu, śnieżycy lub o zmierzchu).
- Przed rozpoczęciem cięcia wypłoszyć zwierzęta żywopłotu, aby ich nie zranić.
- Zadbaj o bezpieczne i posprzątane miejsce pracy. Usunąć z obszaru roboczego przedmioty, które mogą być odrzucone.
- Unikaj nietypowej pozycji ciała. Zawsze utrzymywać równowagę. Nie pracować w pochylonej pozycji.
- Używać spalinowych nożyc do żywopłotu zawsze w stabilnej pozycji.

- W przypadku zmiany lokalizacji wyłączyć spalinowe nożyce do żywopłotu.
- Ręce i stopy trzymać z dala od przyrządu tnącego, gdy jest włączony.
- Spalinowe nożyce do żywopłotu trzymać w taki sposób, aby nie wdychać spalin. Nie pracować w zamkniętych pomieszczeniach.
- Nie używać spalinowych nożyc do żywopłotu do podnoszenia lub przesuwania kawałków drewna lub innych przedmiotów.
- Koniecznie usuwać obce przedmioty z żywopłotu (np. drut), ponieważ mogą one uszkodzić przyrząd tnący spalinowych nożyc do żywopłotu.
- Spalinowe nożyce do żywopłotu trzymać zawsze mocno oburącz, lewą ręką za przednią rękojeść, a prawą ręką za tylną rękojeść. Nigdy nie pracować jedną ręką.
- Po zwolnieniu dźwigni gazu przyrząd tnący pracuje jeszcze przez krótki czas (efekt swobodnego biegu).
- Cięcie rozpoczynać przy pracującym przyrządzie tnącym.
- Nie dotykać przyrządu tnącego rękami podczas eksploatacji.
- Nigdy nie pracować
 - z wyciągniętymi ramionami
 - przy ciężko dostępnych miejscach
 - ze zbyt mocnym wychyleniem do przodu
- Nigdy nie pracować ze spalinowymi nożycami do żywopłotu ponad wysokością ramion.
- Nigdy nie dotykać pracującym przyrządem tnącym ogrodzeń z drutu ani podłoża.
- Wyłączyć silnik i wyciągnąć wtyczkę zapiętna
 - jeżeli praca urządzenia zmienia się w zauważalny sposób
 - w celu usunięcia zakleszczonego ciętego materiału
 - w celu sprawdzenia przyrządu tnącego, jeżeli zetknie się z kamieniami, gwoźdźmi lub innymi twardymi przedmiotami.
 - w celu usunięcia usterek
 - podczas przerw w pracy
 - przed pozostawieniem nożyc do żywopłotu
- Nie pozostawiać gorących spalinowych nożyc do żywopłotu na suchej trawie lub na palnych przedmiotach.
- Przed rozpoczęciem prac upewnić się, że:
 - w obszarze roboczym nie przebywają dodatkowe osoby lub zwierzęta.
 - zapewniona jest nieograniczona możliwość wycofania się dla operatora.
 - na podłożu nie występują przypadkowe przedmioty, krzaki i gałęzie.
 - zapewniona jest stabilna pozycja.

Jeżeli osoby z zaburzeniami krążenia są narażone zbyt często na wibracje, może dojść do uszkodzenia układu nerwowego lub naczyniowego.

7.2 Wibracje można zredukować:

- zakładając mocne, ciepłe rękawice robocze.
- skracając czas pracy (organizując wiele długich przerw).

Udać się do lekarza, jeżeli puchną palce, w razie złego samopoczucia lub utraty czucia w palcach.

7.3 Prace z nożycami do żywoptotu

Trzymać spalinowe nożyce do żywoptotu obiema rękami, w bezpiecznej odległości od ciała.

- Maksymalna średnica cięcia zależy od rodzaju drewna, jego wieku, zawartości wilgoci i twardości.
- Bardzo grube gałęzie należy przed zastosowaniem nożyc skrócić za pomocą nożyc do gałęzi na odpowiednią długość.
- Dzięki dwustronnym nożom spalinowe nożyce do żywoptotu mogą być prowadzone do przodu i wstecz, a dzięki ruchom wahadłowym z jednej strony na drugą.
- Najpierw obcinać bok żywoptotu, a dopiero potem górną krawędź.
- Obcinać żywoptot z dołu do góry.
- Obcinać żywoptot w formie trapezowej. Zapobiega to „ogoloceniu” dolnej części żywoptotu ze względu na mniejszy dostęp do światła.
- Poprowadzić przez długość żywoptotu naprężony sznur traserski, jeżeli górna krawędź żywoptotu ma być przycięta równomiernie.
- Jeżeli konieczne jest mocne przycięcie, wykonywać cięcie w kilku podejściach.

7.4 Właściwy okres przycinania:

- Żywoptot liściasty: czerwiec do października
- Żywoptot iglasty: kwiecień do sierpnia
- szybko rosnący żywoptot: od maja co ok. 6 tygodni

Zwracać uwagę na ptaki wysiadujące jaja w żywoptocie. W takim przypadku przesunąć obcinanie żywoptotu w czasie lub pominąć ten obszar.

Przestrzegać zawsze wszystkich wskazówek dotyczących bezpieczeństwa.

7.5 Zachowanie w razie zakłóceń lub wypadków

W razie zakłóceń lub wypadków natychmiast wyłączyć spalinowe nożyce do żywoptotu włącznikiem/wyłącznikiem (6).

7.6 Pierwsza pomoc

Na wypadek ewentualnych wypadków na stanowisku pracy zawsze powinna znajdować się apteczka pierwszej pomocy wg DIN 13164. Pobrany materiał należy niezwłocznie uzupełnić.

Jeżeli jest potrzebna pomoc, proszę podać następujące dane:

- Gdzie miał miejsce wypadek?
- Co miało miejsce?
- Ile jest osób rannych?
- Jakiego rodzaju są obrażenia?
- Kto dokonuje zgłoszenia?

8. Dane techniczne

Rodzaj silnikaSilnik dwusuwowy – chłodzony powietrzem
Pojemność skokowa cm^3 22,5
Moc silnika kW 0,65
Prędkość obrotowa na biegu jałowym n_r/min^{-1} 3000 +/- 300
Maks. prędkość obrotowa silnika min^{-1} 10500
Pojemność zbiornika L 0,28
Stosunek mieszanki
(paliwo/olej do silników dwusuwowych)40:1

Długość cięcia mm 560
Maks. grubość cięcia mm 27
Wymiary dł./szer./wys. mm 1100 x 245 x 200
Długość miecza mm 700
Świeca zapłonowa L8RTC
Ciężar kg 5,2

Zmiany techniczne zastrzeżone!

Hałas

Informacja i emisja hałasu mierzona według obowiązujących norm:

Poziom ciśnienia akustycznego L_{pA} 97,8 dB
Niepewność K_{pA} 3 dB
Poziom mocy akustycznej L_{WA} 107,3 dB
Niepewność K_{WA} 2,53 dB

Nosić nauszники ochronne.

Hałas może powodować utratę słuchu.

Wibracje

Wibracja (tylna rękojeść) A_{hv} 4,838 m/s^2
Niepewność pomiaru K_{hv} 1,5 m/s^2
Wibracja (przednia rękojeść) A_{hv} 5,389 m/s^2

Wytwarzanie hałasu oraz wibracje należy ograniczyć do minimum!

- Stosować wyłącznie sprawne urządzenia.
- Urządzenie poddawać regularnej konserwacji i czyszczeniu.
- Dostosować metodę pracy do urządzenia.
- Nie przeciążać urządzenia.
- W razie potrzeby oddać urządzenie do przeglądu.
- Gdy urządzenie nie jest używane, powinno być wyłączone.
- Zakładać rękawice.

OSTRZEŻENIE

Należy unikać zagrożeń związanych z wibracjami, np. ryzyka wystąpienia choroby białych palców (zaburzenia krążenia), robiąc częste przerwy w pracy, np. pocierając dłonie o siebie.

- Zawsze należy używać rękawic ochronnych i upewnić się, że ręce są ciepłe.
- Zapewnić regularne przerwy w pracy.

9. Przed uruchomieniem

- Otworzyć opakowanie i wyjąć ostrożnie urządzenie.
- Usunąć materiał opakowaniowy oraz zabezpieczenia opakowania/transportowe (jeśli występują).
- Sprawdzić, czy zakres dostawy jest kompletny.
- Sprawdzić urządzenie i elementy wyposażenia pod kątem uszkodzeń w trakcie transportu.
- W miarę możliwości zachować opakowanie do zakończenia okresu gwarancyjnego.

UWAGA

Urządzenie i materiały opakowaniowe nie mogą służyć jako zabawka dla dzieci! Dzieciom nie wolno bawić się workami z tworzywa sztucznego, foliami i drobnymi elementami! Istnieje niebezpieczeństwo połknięcia i uduszenia!

- Przed użyciem urządzenia zapoznać się z nim na podstawie instrukcji obsługi.
- W przypadku akcesoriów i części zużywalnych i zamiennych stosować wyłącznie oryginalne części. Części zamienne można nabyć u swojego dystrybutora.
- Przy zamówieniach podawać nasze numery artykułów oraz typ i rok produkcji urządzenia.

Spalinowe nożyce do żywopłotu nie są dostarczane z napełnieniem mieszanką paliwową.

Urządzenie jest eksploatowane z mieszanką z benzyny (bezołowiowej) i oleju do silników dwusuwowych.

Podczas obchodzenia się z benzyną należy zachować ostrożność. Palenie tytoniu i otwarty płomień nie są dozwolone (niebezpieczeństwo wybuchu).

Przed każdym uruchomieniem sprawdzić urządzenie pod kątem:

- Szczelności systemu paliwowego.
- Nienagannego stanu i kompletności urządzeń ochronnych i narzędzia do cięcia.
- Stałego osadzenia wszystkich połączeń śrubowych.
- Lekkiego przesuwania wszystkich ruchomych części.

Paliwo i olej

- Zalecane paliwa
- Używać wyłącznie mieszankę bezołowiowej benzyny i specjalnego 2-taktowego oleju silnikowego. Mieszankę paliw mieszać zgodnie z wytycznymi z tabeli mieszania paliw.
- Nie należy stosować paliwa E10.

Uwaga:

Nie stosować mieszanki paliwowej, która była składowana przez ponad 90 dni.

Uwaga:

Nie stosować oleju 2-taktowego z współczynnikiem mieszania 100:1. W przypadku szkód silnika spowodowanych niewystarczającym smarowaniem gwarancja producenta silnika nie ma zastosowania.

Uwaga:

Do transportu i do składowania paliwa stosować tylko przewidziane i dozwolone do tego celu pojemniki. Do dołączonej butelki do mieszania oleju i benzyny (A) dodawać zawsze odpowiednią ilość benzyny i oleju do silników dwusuwowych. Następnie dobrze wstrząsnąć pojemnikiem.

Nigdy nie stosować oleju do silników 4-taktowych lub chłodzonych wodą silników 2-taktowych. W ten sposób może nastąpić zabrudzenie świecy zapłonowej, blokowanie elementu powietrza odlotowego lub sklejenie pierścienia tłokowego. Mieszanki paliwa, które nie są używane przez ponad miesiąc, mogą zatkać gaźnik lub pogorszyć pracę silnika. Nie umieszczać wymaganego paliwa w hermetycznym pojemniku i przechowywać go w ciemnym, chłodnym pomieszczeniu.

Tabela mieszania paliwa

Sposób mieszania: 40 dawek benzyny na 1 dawkę oleju

Przykład:

1 l benzyny: 0,025 l oleju do silników 2-suwowych

5 l benzyny: 0,125 l oleju do silników 2-suwowych

Ostrzeżenie! Zwracać uwagę na spaliny.

Przed tankowaniem zawsze wyłączać silnik.

Nigdy nie wprowadzać benzyny do urządzenia, gdy silnik pracuje lub jest gorący. Istnieje niebezpieczeństwo wywołania pożaru!

Tankować tylko na zewnątrz lub w dobrze wentylowanych pomieszczeniach. Zwracać uwagę, aby paliwo nie przedostało się do gleby (ochrona środowiska). Stosować odpowiednie podkładki. Stosować wyłącznie ekologiczny olej łańcuchowy.

Paliwa można przechowywać tylko w ograniczonym stopniu, ulegają starzeniu. Zbyt długo przechowywane paliwo lub mieszanki paliwowe mogą powodować problemy podczas uruchamiania. Zmieszać tylko taką ilość paliwa, jaka została zużyta w ciągu miesiąca. Paliwa przechowywać tylko w dopuszczonych i oznaczonych pojemnikach. Przechowywać zbiornik paliwa w suchym i bezpiecznym miejscu.

Zwracać uwagę, aby zbiornik paliwa był przechowywany w miejscu niedostępnym dla dzieci.

Uwaga! Przed uruchomieniem dowiedzieć się, w jaki sposób szybko wyłączyć urządzenie w razie awarii!

9.1 Tankowanie nożyc do żywopłotu

- Wyłączyć silnik i pozostawić go do ostygnięcia!
- Nosić rękawiczki ochronne!
- Unikać kontaktu ze skórą i oczami!
- Koniecznie uwzględnić punkt „Bezpieczne obchodzenie się z paliwami”, patrz 6.3.

1. Spalinowe nożyce do żywopłotu tankować tylko na zewnątrz lub w wystarczająco wentylowanych pomieszczeniach.
2. Wyczyścić otoczenie obszaru wlewu. Zanieczyszczenia w zbiorniku powodują zakłócenia pracy.
3. Przed napełnieniem zbiornika jeszcze raz wstrząsnąć butelką do mieszania benzyny i oleju (A) z mieszanką paliwową.
4. Ostrożnie otworzyć korek wlewu paliwa (11) zbiornika paliwa, aby możliwe było zredukowanie ew. występującego nadciśnienia.

5. Napełnić ostrożnie mieszankę paliwa, aż do dolnej krawędzi króćca wlewowego. Należy użyć lejka lub przyrządu do napełniania (nieobjęty zakresem dostawy), aby uniknąć rozlania paliwa.
6. Zamknąć korek wlewu paliwa (11). Upewnić się, że korek wlewu paliwa (11) jest szczelny.
7. Wyczyścić zamknięcie zbiornika (11) i otoczenie.
8. Sprawdzić zbiornik i przewody paliwowe pod kątem nieszczelności.
9. W razie potrzeby uruchomić pompę paliwa „Primer” (5).
10. Przed uruchomieniem urządzenia odsunąć się przynajmniej trzy metry od miejsca tankowania.

9.2 Spuszczanie paliwa

Opróżniać zbiornik paliwa tylko na zewnątrz lub w dobrze wentylowanych pomieszczeniach. Zwracać uwagę, aby paliwo nie przedostało się do gleby (ochrona środowiska). Użyć odpowiedniej podkładki.

1. Pod zbiornikiem paliwa trzymać pojemnik wylapujący.
2. Odkręcić i zdjąć korek wlewu paliwa (11) zbiornika paliwa.
3. Całkowicie spuścić benzynę/mieszankę oleju.
4. Ręcznie wkręcić korek wlewu paliwa (11).

10. Obsługa

10.1 Ustawienie tylnej rękojeści (8) (rys. 2)

W celu łatwiejszego prowadzenia spalinowych nożyc do żywoptotu tylną rękojeść (8) można ustawić w 3 pozycjach roboczych.

- Podczas przestawiania nie można uruchamiać dźwigni gazu (9).
1. Przytrzymać spalinowe nożyce do żywoptotu lewą ręką za przednią rękojeść (3).
 2. Przesunąć uchwyt blokujący (10) do tyłu i obrócić rękojeść na żądaną pozycję.
 3. Zwolnić uchwyt blokujący (10). Zwracać uwagę, aby uchwyt blokujący ponownie się zatrzasnął i rękojeść została bezpiecznie zamocowana.

10.2 Uruchamianie urządzenia

⚠ Niebezpieczeństwo odniesienia obrażeń!

Spalinowe nożyce do żywoptotu uruchamiać tylko, gdy przyrząd tnący jest zamontowany! Zdjąć odpowiednią ochronę transportową i wykonać przegląd urządzenia pod kątem odpowiedniego stanu roboczego.

Nigdy nie należy używać uszkodzonego, źle wyregulowanego lub konserwowanego przyrządu tnącego lub takiego, który nie jest w pełni i bezpiecznie zmontowany.

Przed użyciem sprawdzić!

Sprawdzić, czy urządzenie znajduje się w bezpiecznym stanie:

- Upewnić się, że włącznik/wyłącznik (6) blokada dźwigni gazu (7) i dźwignia gazu (9) działają prawidłowo.

- Sprawdzić urządzenie pod kątem przecieków.
- Sprawdzić urządzenie pod kątem widocznych uszkodzeń.
- Sprawdzić, czy wszystkie części urządzenia są bezpiecznie umieszczone.
- Sprawdzić, czy wszystkie urządzenia bezpieczeństwa są w dobrym stanie i sprawne.

10.2.1 Uruchamianie w przypadku zimnego silnika (rys. 1, 3, 4)

Podeprzeć spalinowe nożyce do żywoptotu w celu uruchomienia i dobrze przytrzymać. Zwracać uwagę, aby przyrząd tnący nie był blokowany.

1. Zdjąć osłonę noża (E) z przyrządu tnącego (1).
2. Ustawić spalinowe nożyce do żywoptotu na stabilnym i płaskim podłożu. Przyrząd tnący (1) nie może dotykać podłoża.
3. Nacisnąć 7x pompę paliwa „Primer” (5).
4. Obrócić dźwignię zimnego rozruchu (zasysacz) (4) na pozycję „Rozruch na zimno”.
5. Przytrzymać spalinowe nożyce do żywoptotu za przednią rękojeść (3) i powoli wyciągać uruchamiającą linkę ciągnową (12), aż do pierwszego oporu.
6. Wtedy szybko pociągnąć uruchamiającą linkę ciągnową (12), aż do uruchomienia silnika. Jeżeli silnik nie uruchomi się, ponownie powtórzyć czynności. Dopóki dźwignia zimnego rozruchu (zasysacz) (4) jest w pozycji „Rozruch na zimno”, silnik włącza się tylko na chwilę i ponownie wyłącza się.
7. Gdy silnik się wyłączy, uruchomić jednocześnie blokadę dźwigni gazu (7) i dźwignię gazu (9). (Zasysacz) (4) automatycznie przeskakuje w położenie robocze „Rozruch na ciepło”.
8. Wtedy ponownie szybko pociągnąć uruchamiającą linkę ciągnową (12), aż do uruchomienia silnika.
9. Po jednokrotnym uruchomieniu dźwigni gazu (9) silnik pracuje w biegu jałowym.
10. Pozostawić silnik na chwilę do rozgrzania.

Jeżeli silnik nie zaskoczy po kilku próbach, przeczytać rozdział „Rozwiązywanie problemów”.

Uwaga

Uruchamiającą linkę ciągnową (12) wyciągać zawsze prosto. Jeżeli zostanie ona wyciągnięta pod kątem, powstaje tarcie w obszarze uchwytu. To tarcie powoduje wycieranie sznura, a tym samym jego szybsze zużycie. Mocno przytrzymać uchwyt uruchamiającej linki ciągnowej (12), gdy uruchamiająca linka ciągnowa (12) ponownie się wciąga. Nigdy nie pozwalać, aby uruchamiająca linka ciągnowa (12) została cofnięta. Może to prowadzić do uszkodzeń.

Wskazówka:

Przy wysokich temperaturach na zewnątrz może się zdarzyć, że przy zimnym silniku będzie konieczne uruchomienie bez dźwigni zimnego rozruchu (zasysacz) (4).

Wskazówka:

Jeżeli przyrząd tnący (1) znajduje się na biegu jałowym lub silnik automatycznie gaśnie przy odejmowaniu gazu, należy dokonać ustawienia gaźnika (patrz rozdział „13.2 Ustawienie prędkości obrotowej biegu jałowego”).

10.2.2 Uruchamianie w przypadku ciepłego silnika

1. Dźwignia zimnego rozruchu (zasysacz) musi w celu uruchomienia ciepłego silnika znajdować się w pozycji „Rozruch na ciepło”.
2. Przytrzymać spalinowe nożyce do żywopłotu za przednią rękojeść (3) i powoli wyciągać uruchamiającą linkę ciągnową (12), aż do pierwszego oporu.
3. Szybko pociągnąć uruchamiającą linkę ciągnową (12). Urządzenie powinno się uruchomić po 1–2 pociągnięciach. Jeżeli urządzenie po 6 pociągnięciach nadal się nie uruchomiło, powtórzyć proces opisany w punkcie „Uruchamianie przy zimnym silniku”.

10.3 Praca z nożycami do żywopłotu (rys. 1)

1. Przytrzymać spalinowe nożyce do żywopłotu lewą ręką za przednią rękojeść (3).
2. Przytrzymać prawą ręką za tylną rękojeść (8). Kłęb kciuka przylega do blokady dźwigni gazu (7) a palec wskazujący uruchamia dźwignię gazu (9).
3. Wcisnąć dźwignię gazu (9).
4. Przyrząd tnący uruchamia się.

Po zwolnieniu dźwigni gazu (9) przyrząd tnący zatrzymuje się i silnik pracuje na biegu jałowym.

Jeśli mimo to na biegu jałowym przyrząd tnący dalej pracuje, należy skontaktować się z producentem.

W żadnym wypadku nie kontynuować pracy ze spalinowymi nożycami do żywopłotu!

10.4 Blokowanie przyrządu tnącego (rys. 1)

Jeżeli podczas pracy nastąpi blokada przyrządu tnącego (1), wyłączyć włącznikiem/wyłącznikiem (6) spalinowe nożyce do żywopłotu i odłączyć końcówkę przewodu świecy zapłonowej (14).

Następnie usunąć blokujący materiał i sprawdzić przyrząd tnący (1) pod kątem ewentualnego uszkodzenia.

10.4.1 Wyłączanie silnika

1. Wcisnąć włącznik/wyłącznik (6) i przytrzymać go w pozycji.
2. Przed odstawieniem urządzenia odczekać, aż silnik się zatrzyma.
3. Zwolnić włącznik/wyłącznik (6).

11. Wskazówki dotyczące pracy

11.1 Praca z nożycami do żywopłotu

- Nożyce do żywopłotu są przeznaczone do cięcia żywopłotów, zarośli i krzewów.
- Trzymać nożyce do żywopłotu obiema rękami, w bezpiecznej odległości od ciała.
- Maksymalna średnica cięcia zależy od rodzaju drewna, jego wieku, zawartości wilgoci i twardości.
- Bardzo grube gałęzie należy przed zastosowaniem nożyc skrócić za pomocą nożyc do gałęzi na odpowiednią długość.
- Dzięki dwustronnym nożom nożyce do żywopłotu mogą być prowadzone do przodu i wstecz, a dzięki ruchom wahadłowym z jednej strony na drugą.

- Najpierw obcinać bok żywopłotu, a dopiero potem górną krawędź.
- Przycinać żywopłot z dołu do góry.
- Obcinać żywopłot w formie trapezowej. Zapobiega to „ogoloceniu” dolnej części żywopłotu ze względu na mniejszy dostęp do światła.
- Poprowadzić przez długość żywopłotu naprężony sznur traserski, jeżeli górna krawędź żywopłotu ma być przycięta równomiernie.
- Jeżeli konieczne jest mocne przycięcie, wykonywać cięcie w kilku podejściach.
- Konieczne usuwać obce przedmioty z żywopłotu (np. drut), ponieważ mogą one uszkodzić ostrza nożyc do żywopłotu.
- **Uwaga!** Noże poruszają się jeszcze chwilę po wyłączeniu! Nie zatrzymywać noży ręką.

Właściwy okres przycinania:

- Żywopłot liściasty: czerwiec do października
- Żywopłot iglasty: kwiecień do sierpnia
- szybko rosnący żywopłot: od maja co ok. 6 tygodni

Zwracać uwagę na ptaki wysiadujące jaja w żywopłocie. W takim przypadku przesunąć obcinanie żywopłotu w czasie lub pominąć ten obszar.

12. Transport

W celu transportu urządzenia wyłączyć silnik, poczekać na zatrzymanie się przyrządu tnącego i założyć osłonę noża (E) (rys. 4).

Urządzenie należy przenosić za rękojeść przednią (3). Przyrząd tnący (1) należy trzymać przy tym odchylony do tyłu, a gorący tłumik hałasu (13) trzymać z dala od ciała.

Urządzenie przewozić w samochodzie tylko w bagażniku lub na oddzielnej powierzchni transportowej.

Zabezpieczyć spalinowe nożyce do żywopłotu przed przechyleniem, uszkodzeniami i wyciekami paliwa.

13. Czyszczenie i konserwacja

Przed każdą czynnością związaną z konserwacją i czyszczeniem

- Wyłączyć silnik
- Odczekać aż przyrząd tnący się zatrzyma
- Wyciągnąć końcówkę przewodu świecy zapłonowej (z wyjątkiem ustawień biegu jałowego)
- Zaczekać, aż urządzenie ostygnie

Wskazówka

Urządzenia należy dokładnie czyścić po każdym użyciu. Czyszczenie i konserwację przeprowadzać tylko zgodnie z opisem w niniejszej instrukcji obsługi.

Bardziej zaawansowane czynności związane z konserwacją i czyszczeniem, niż opisane w tym rozdziale, mogą być wykonywane wyłącznie przez serwis obsługi klienta.

Nie wykonywać czynności konserwacyjnych w pobliżu otwartego płomienia. Zagrożenie pożarowe!

Urządzenia zabezpieczające usunięte w celu konserwacji i czyszczenia należy koniecznie z powrotem zamocować i sprawdzić.

Stosować wyłącznie oryginalne części. Inne części mogą spowodować nieprzewidziane szkody i obrażenia.

Nosić rękawice, aby uniknąć obrażeń.

W celu zagwarantowania długiego i niezawodnego użytkowania spalinowych nożyc do żywopłotu, wykonywać regularnie poniższe czynności konserwacyjne.

Sprawdzić spalinowe nożyce do żywopłotu pod kątem widocznych wad:

- luźne zamocowania
- zużyte lub uszkodzone elementy
- wygięte, pęknięte lub uszkodzone urządzenie tnące
- zamknięcie zbiornika i przewody paliwowe pod kątem szczelności

Sprawdzać spalinowe nożyce do żywopłotu po każdym użyciu pod kątem

- zużycie, w szczególności poślizg urządzenia tnącego
- prawidłowo zamontowanych i nieuszkodzonych osłon lub urządzeń ochronnych.

Niezbędne naprawy lub czynności konserwacyjne należy wykonać przed zastosowaniem spalinowych nożyc do żywopłotu.

13.1 Smarowanie przekładni (rys. 5)

Smarowanie przekładni co 10 do 20 roboczogodzin.

1. Przy użyciu dostarczonego klucza imbusowego 4 mm (C) otworzyć śrubę otworu smarowniczego (18) pod spodem nożyc do żywopłotu.
2. Nałożyć praskę smarową na otwór smarowniczy (18).
3. Wcisnąć niewielką ilość smaru.
4. Wkręcić z powrotem śrubę otworu smarowniczego (18).

Uwaga! Napełnić tylko niewielką ilością smaru. Nigdy nie przepętniać.

13.2 Ustawianie prędkości obrotowej na biegu jałowym

Jeżeli przyrząd tnący (1) znajduje się na biegu jałowym lub silnik automatycznie gaśnie przy odejmowaniu gazu, należy dokonać ustawienia gaźnika.

Wskazówka:

Ustawienia gaźnika (np. prędkość obrotowa biegu jałowego) zlecać do wykonania wyłącznie wykwalifikowanemu, specjalistycznemu personelowi, aby uniknąć uszkodzenia silnika.

13.3 Czyszczenie lub wymiana filtra powietrza (rys. 6)

Zabrudzone filtry powietrza zmniejszają wydajność silnika poprzez zbyt małe doprowadzanie powietrza do gaźnika. Kurz i pyłki zapychają pory wkładki piankowej. Dlatego regularna kontrola jest niezbędna.

Filtr powietrza (17) czyścić mniej więcej co 15 roboczogodzin, przy zapyłonym otoczeniu części.

1. Dźwignię zimnego rozruchu (zasysacz) (4) ustawić na „Rozruch na zimno”, aby żadne cząsteczki zanieczyszczeń nie przedostały się do gaźnika.
2. Wykręcić pokrywę filtra powietrza (16). Zwolnić śrubę skrzydełkową (15).
3. Wyjąć filtr powietrza (17) z pianki.
4. Umyć filtr powietrza (17) w letniej wodzie z dodatkiem mydła. Nie wydmuchiwać cząsteczek zanieczyszczeń, istnieje niebezpieczeństwo zranienia oczu!
5. Wyczyścić wnętrze filtra powietrza pędzelkiem.
6. Pozostawić filtr powietrza (17) do całkowitego wyschnięcia i włożyć go ponownie.
7. Założyć z powrotem osłonę filtra powietrza (16).

Uwaga:

Nigdy nie czyścić filtra powietrza za pomocą benzyny lub palnych rozpuszczalników.

Aby nie skracać okresu użytkowania silnika, należy natychmiast wymienić uszkodzony filtr powietrza.

⚠ Ostrzeżenie!

Nigdy nie uruchamiać silnika, gdy element filtra powietrza nie jest umieszczony.

13.4 Wyczyścić lub wymienić filtr paliwa

W razie potrzeby sprawdzić filtr paliwa. Zanieczyszczony filtr paliwa zakłóca dopływ paliwa.

Otworzyć korek wlewu paliwa (11) i wyciągnąć filtr paliwa hakiem drucianym (nie jest objęty zakresem dostawy) przez otwór.

- W przypadku lekkich zabrudzeń:
 - wyciągnąć filtr paliwa z przewodu paliwa i wyczyścić filtr benzyną do czyszczenia.
- W przypadku silnych zabrudzeń:
 - wymienić filtr paliwa.

1. Aby wyjąć filtr paliwa z przewodu paliwa ścisnąć opaskę zaciskową i przesunąć ją w dół.
2. Teraz można zdjąć filtr paliwa z przewodu paliwa.

13.5 Sprawdzić, wyczyścić lub wymienić świecę zapłonową (rys. 7/8)

Uwaga

Nie dotykać świecy zapłonowej (14.1) lub końcówki przewodu świecy zapłonowej (14) przy pracującym silniku. Wysokie napięcie!

Ryzyko poparzenia przez gorący silnik. Nosić rękawiczki ochronne!

Sprawdzać regularnie świecę zapłonową oraz odstęp elektrod.

13.5.1 Kontrola świecy zapłonowej

1. Wyciągnąć końcówkę przewodu świecy zapłonowej (14) ze świecy (14.1).
2. Wykręcić świecę zapłonową (14.1) za pomocą dostarczonego klucza do świec (B).
3. Sprawdzić odstęp elektrod. Musi on wynosić 0,6 do 0,7 mm.

13.5.2 Czyszczenie świecy zapłonowej

Sprawdzić świecę zapłonową po 10 roboczogodzinach pod kątem zabrudzeń i wyczyścić ją ewentualnie szczotką drucianą. Następnie przeprowadzać konserwację świecy zapłonowej co 50 roboczogodzin.

Wymienić świecę zapłonową:

- co miesiąc w przypadku regularnej eksploatacji
- gdy korpus izolacji jest uszkodzony
- jeżeli elektrody są mocno nadpalone
- jeżeli elektrody są mocno zabrudzone lub zaolejone

13.5.3 Kontrola iskry zapłonowej

1. Wyciągnąć końcówkę przewodu świecy zapłonowej (14) ze świecy (14.1).
2. Wykręcić świecę zapłonową (14.1) za pomocą dostarczonego klucza do świec (B).
3. Nałożyć mocno końcówkę przewodu świecy zapłonowej (14).
4. Docisnąć świecę zapłonową (14.1) przy użyciu zaizolowanych kleszczy do obudowy silnika (nie w pobliżu otworu świecy zapłonowej).
5. Pociągnąć mocno uruchamiającą linkę ciągnową (12).
6. W przypadku prawidłowego działania musi być widoczna iskra między elektrodami.

13.6 Tłumik hałasu / otwór wylotowy (rys. 9)

Nie dokręcać śrub tłumika hałasu, jeżeli silnik jest gorący.

1. Sprawdzać regularnie, czy śruby (13.2) tłumika hałasu (13) nie uległy poluzowaniu. Użyć klucza imbusowego 4 mm (C), aby dokręcić luźne śruby.
2. Czyścić regularnie otwór wylotowy (13.1).

13.7 Czyszczenie

Czyścić starannie spalinowe nożyce do żywopłotu po każdym użyciu, aby zapewnić ich prawidłowe działanie. Podczas czyszczenia przyrządu tnącego zakładać rękawice ochronne!

- Czyścić obudowę miękką szczotką lub suchą ściereczką. Nie stosować wody, rozpuszczalników ani środków do polerowania.
- Zwracać uwagę, aby szczeliny wentylacyjne chłodzenia silnika były odsłonięte (niebezpieczeństwo przegrzania).
- Czyścić regularnie przyrząd tnący szczotką lub ściereczką. Nigdy nie czyścić przyrządu tnącego wodą (niebezpieczeństwo korozji!).
- Czyścić i naoliwiać regularnie wszystkie ruchome części.
- Nigdy nie używać smaru!
- Używać ekologicznego oleju.

13.8 Plan konserwacji

Część urządzenia	Działanie	Przed rozpoczęciem pracy	Co tydzień	W przypadku usterek	W przypadku uszkodzeń	W razie potrzeby
Przyrząd tnący (1)	Skontrolować i sprawdzić stan ostrości	X				
	Skontrolować luz ślizgowy przyrządu tnącego	X				
	Ostrzyć					X
Silnik	Dokręcić śruby tłumika					X
	Wyczyścić/ wymienić filtr benzyny					X
	Wyczyścić/ wymienić filtr powietrza					co 15 roboczogodzin, przy zapyłonym otoczeniu części
	Nasmarować przekładnię					co 20 roboczogodzin, przynajmniej raz w roku

Informacje serwisowe

Należy pamiętać, że w przypadku tego produktu poniższe części podlegają naturalnemu zużyciu lub zużyciu uwarunkowanemu użytkowaniem, bądź są potrzebne jako materiały zużywalne.

Części zużywalne*:

Nóż tnący (zestaw)	(5910402011)
Świeca zapłonowa	(3904801048)
Filtr powietrza	(3910404001)

* opcjonalnie w zakresie dostawy!

14. Przechowywanie

Nieużywane urządzenia przechowywać z założoną osłoną noża w suchym, zamkniętym miejscu, poza zasięgiem dzieci.

Przed odłożeniem urządzenia na miejsce należy je wyczyścić i poddać konserwacji.

Ostrożnie:

Nie przechowywać nigdy urządzenia dłużej niż 30 dni, bez wykonania następujących czynności:

Składowanie urządzenia dłużej niż 30 dni

Jeżeli urządzenie przechowywane jest dłużej niż 30 dni, należy je odpowiednio przygotować. W przeciwnym razie paliwo pozostałe w gaźniku ulotni się, pozostawiając gumowy nalot. Mogłoby to utrudnić uruchomienie i skutkować drogą naprawą.

- Spuścić paliwo (patrz 9.2)
- Uruchomić silnik i pozostawić pracujący do momentu aż się zatrzyma, by usunąć paliwo z gaźnika.
- Pozostawić silnik do ostygnięcia (ok. 5 minut).
- Wyjąć świecę zapłonową (patrz 13.5).
- Dodać jedną łyżeczkę czystego oleju do silników dwusuwowych do komory spalania.
- Pociągnąć kilkakrotnie powoli linkę rozrusznika, by pokryć olejem komponenty wewnętrzne.
- Ponownie włożyć świecę zapłonową (patrz 13.5).

Wskazówka:

Przechowywać urządzenie w suchym miejscu, z dala od ewentualnych źródeł zapłonu, np. piec, bojler grzewczy na gaz, suszarka gazowa, itp.

15. Utylizacja i ponowne wykorzystanie

Wskazówki dotyczące opakowania



Materiały opakowaniowe nadają się do recyklingu. Opakowania należy utylizować w sposób przyjazny dla środowiska.

Informacji o możliwościach utylizacji starych urządzeń można zasięgnąć w urzędzie miasta lub gminy.

Paliwa i oleje

- Przed utylizacją urządzenia należy opróżnić zbiornik paliwa i zbiornik oleju silnikowego!
- Paliwa i oleju silnikowego nie należy wyrzucać do odpadów domowych ani kanalizacji, ale należy je zbierać lub usuwać oddzielnie!
- Puste zbiorniki po oleju i paliwie należy utylizować w sposób przyjazny dla środowiska.

16. Pomoc dotycząca usterek

Usterka	Możliwa przyczyna	Środek zaradczy
Nożyce do żywopłotu nie pracują	<ul style="list-style-type: none">• Silnik, brak paliwa• Błąd w przewodzie paliwowym• Filtr benzyny zatkany• Uszkodzona świeca zapłonowa• Uszkodzony gaźnik• Wewnętrzny błąd	<ul style="list-style-type: none">• Sprawdzić poziom paliwa• Sprawdzić przewód paliwowy pod kątem zgięć lub uszkodzeń• Wyczyścić lub wymienić filtry benzyny.• Wymienić świecę zapłonową• Skontaktować się z producentem lub właściwym punktem obsługi klienta• Skontaktować się z producentem lub właściwym punktem obsługi klienta
Nożyce do żywopłotu tną z przerwami	<ul style="list-style-type: none">• Wewnętrzny błąd• Uszkodzony przycisk włączania / wyłączenia	<ul style="list-style-type: none">• Skontaktować się z producentem lub właściwym punktem obsługi klienta• Skontaktować się z producentem lub właściwym punktem obsługi klienta
Silnik pracuje, przyrząd tnący zatrzymuje się	<ul style="list-style-type: none">• Przyrząd tnący zablokowany• Wewnętrzny błąd• Sprzęgło uszkodzone	<ul style="list-style-type: none">• Usunąć przedmiot• Skontaktować się z producentem lub właściwym punktem obsługi klienta• Skontaktować się z producentem lub właściwym punktem obsługi klienta
Przyrząd tnący staje się gorący	<ul style="list-style-type: none">• Brak smarowania → tarcie• Przyrząd tnący jest tępy	<ul style="list-style-type: none">• Naoliwić przyrząd tnący• Zlecić ostrzenie przyrządu tnącego

17. Gwarancja

Droży Klienci,

Wszystkie nasze produkty przechodzą przez rygorystyczną kontrolę jakości, aby zapewnić, że dotrą do Państwa w idealnym stanie. W mało prawdopodobnej sytuacji wystąpienia usterki w Państwa urządzeniu, proszę skontaktować się z naszym działem serwisu pod adresem podanym w niniejszej karcie gwarancyjnej. Oczywiście, jeśli wolelibyście Państwo do nas zadzwonić, jesteśmy również gotowi zaoferować pomoc pod numerem telefonu serwisu wydrukowanym poniżej. Proszę zwrócić uwagę na następujące warunki gwarancyjne, jakich należy przestrzegać w celu zgłaszania roszczeń gwarancyjnych:

- Te warunki gwarancji dotyczą dodatkowych uprawnień gwarancyjnych i w żadnym stopniu nie ograniczają Państwa praw ustawowych. Niniejsza gwarancja jest oferowana bezpłatnie.
- Nasza gwarancja obejmuje jedynie problemy wynikające z wad materiałowych lub wad wykonania i ogranicza się do usunięcia tych wad lub wymiany urządzenia. Proszę zwrócić uwagę, że nasze urządzenia nie są przeznaczone do użytkowania w zastosowaniach komercyjnych, handlowych lub przemysłowych. W związku z powyższym, gwarancja traci ważność, jeśli urządzenie zostanie wykorzystane w zastosowaniach komercyjnych, handlowych lub przemysłowych lub w innych równoważnych zastosowaniach. Gwarancja nie obejmuje również następujących kwestii: odszkodowanie za uszkodzenia w transporcie, uszkodzenia spowodowane nieprzestrzeganiem instrukcji instalacji/montażu lub uszkodzenia spowodowane niefachową instalacją, nieprzestrzeganiem instrukcji obsługi (np. podłączenie do błędnego napięcia lub natężenia sieciowego), błędnym lub nieodpowiednim użytkowaniem (np. przeciążenie urządzenia lub użycie niezatwierdzonych narzędzi lub akcesoriów), nieprzestrzeganiem przepisów konserwacji lub bezpieczeństwa, przedostaniem się ciał obcych do urządzenia (np. piasek, kamienie lub pył), rezultaty użycia siły lub zewnętrznych czynników (np. uszkodzenie spowodowane upuszczeniem urządzenia) i normalne zużycie wynikające z poprawnego użytkowania urządzenia.

Każda próba ingerencji w urządzenie lub jego modyfikacji skutkuje unieważnieniem gwarancji.

- Gwarancja obowiązuje przez 3 lata od dnia zakupu urządzenia. Roszczenia gwarancyjne należy składać przed upływem okresu gwarancji w okresie dwóch tygodni od zauważenia wady. Roszczenia gwarancyjne składane po upływie okresu gwarancji nie będą przyjmowane. Wraz z wymianą urządzenia lub jego części składowych rozpoczyna się ponownie okres gwarancyjny zgodnie z art. 581§1 Kodeksu Cywilnego. Dotyczy to również korzystania z serwisu na miejscu.
- W celu zgłoszenia roszczenia gwarancyjnego należy skorzystać z podanego poniżej adresu serwisu. Jeżeli reklamacja zostanie złożona w okresie objętym gwarancją, udostępniemy Państwu formularz zwrotu, który umożliwi bezpłatne odesłanie uszkodzonego urządzenia. Bardzo pomoże nam jak najbardziej szczegółowe opisanie przez Państwa charakteru problemu. Jeśli wada jest objęta gwarancją, urządzenie zostanie albo niezwłocznie naprawione i przekazane Państwu albo prześlemy Państwu nowe urządzenie.

Oczywiście z przyjemnością oferujemy także usługę odpłatnej naprawy wad, które nie są objęte zakresem niniejszej gwarancji, a także usługi pogwarancyjnej naprawy urządzeń. Aby skorzystać z takich usług, proszę przelać urządzenie na adres naszego serwisu.

Infolinia serwisu (PL):

00800 4003 4003
(0,00 €/Min.)

Adres e-mail (PL):

service.PL@scheppach.com

Adres serwisu (PL):

Arconet Sp. Z o.o
ul. Grobelnego 4
PL - 05-300 Minsk Mazowiecki



Na stronie www.lidl-service.com można pobrać ten oraz wiele innych podręczników, filmów produktowych oraz programów instalacyjnych.

Za pomocą kodu QR przechodzi się bezpośrednio do strony serwisu Lidl (www.lidl-service.com), a po wpisaniu numeru artykułu (IAN) 422496_2210 można pobrać instrukcję obsługi.

1.	Vysvetlenie symbolov na prístroji	97
2.	Úvod	99
3.	Popis prístroja (obr. 1 - 9).....	99
4.	Rozsah dodávky.....	99
5.	Použitie v súlade s určením.....	99
6.	Bezpečnostné upozornenia.....	100
7.	Pracovné pokyny.....	102
8.	Technické údaje	103
9.	Pred uvedením do prevádzky	104
10.	Obsluha	105
11.	Pracovné pokyny.....	106
12.	Preprava	106
13.	Čistenie a údržba.....	106
14.	Skladovanie.....	109
15.	Likvidácia a opätovné zhodnotenie.....	109
16.	Odstraňovanie porúch.....	109
17.	Záručný list	110
18.	Rozložený výkres	257
19.	Vyhlásenie o zhode	260

1. Vysvetlenie symbolov na prístroji

	Pred uvedením do prevádzky si prečítajte návod na obsluhu a bezpečnostné upozornenia a dodržiavajte ich!
	Odporúča sa nosiť bezpečnostnú obuv!
	Používajte ochranu sluchu!
	Používajte ochranné okuliare!
	Noste pracovné rukavice!
	Pozor! Zabráňte prístupu nezúčastnených osôb do pracovnej oblasti!
	Dodržiavajte výstražné a bezpečnostné upozornenia!
	Pozor! Hrozí nebezpečenstvo požiaru a výbuchu.
	Pozor, nebezpečenstvo poranenia! Rukami nikdy nesaahajte do blízkosti nožov. Pri zapínaní alebo počas práce s prístrojom sa nikdy nechytajte noža.
	Varovanie pred horúcimi povrchmi.



Prístroj neprevádzkujte v daždi ani vo vlhkých podmienkach. Nebezpečenstvo zásahu elektrickým prúdom!



Pozor, horľavé látky. Oheň, otvorený plameň a fajčenie zakázané!



Miešací pomer: 40 dielov benzínu na 1 diel oleja



Otočte páčku sýtiča. „Teplý štart a práca“ a „Studený štart“



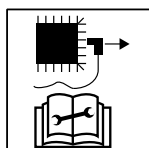
Údaj o zaručenej hladine akustického výkonu L_{WA} v dB.



7x stlačte palivové čerpadlo „Primer“



Pozor! a udusení! Výfukové plyny sú jedovaté, preto motor nepoužívajte v nevetraných oblastiach.



Pred údržbovými prácami zastavte prístroj a vytiahnite konektor zapalovacej sviečky!



Výrobok zodpovedá platným európskym smerniciam.

2. Úvod

VÝROBCA:

Scheppach GmbH

Günzburger Straße 69
D-89335 Ichenhausen

VÁŽENÝ ZÁKAZNÍK,

Želáme Vám veľa zábavy a úspechov pri práci s Vaším novým prístrojom.

UPOZORNENIE:

Výrobca tohto prístroja neručí podľa platného zákona o ručení za výrobok za škody, ktoré vzniknú na tomto prístroji alebo budú spôsobené týmto prístrojom pri:

- neodbornej manipulácii,
- nedodržaní návodu na obsluhu,
- opravách tretími osobami, neautorizovanými odborníkmi,
- montáži a výmene neoriginálnych náhradných dielov,
- použití v rozpore s určením,

Dodržiavajte:

Pred montážou a uvedením do prevádzky si prečítajte celý text návodu na obsluhu.

Návod na obsluhu vám má uľahčiť, aby ste sa oboznámili s prístrojom a používali ho v súlade s jeho určenými možnosťami použitia.

Návod na obsluhu obsahuje dôležité pokyny, ako s prístrojom bezpečne, odborne a hospodárne pracovať a ako zabrániť nebezpečenstvám, ušetríte náklady na opravy, znížite časy prestojov a zvýšite spoľahlivosť a životnosť príslušenstva.

Okrem bezpečnostných ustanovení tohto návodu na obsluhu musíte bezpodmienečne dodržiavať predpisy svojej krajiny platné pre prevádzku prístroja.

Návod na obsluhu uschovajte pri prístroji a v plastovom obale, aby bol chránený pred špinou a vlhkosťou. Všetci obsluhujúci pracovníci si ho musia pred začiatkom práce prečítať a starostlivo ho dodržiavať.

Na prístroji môžu pracovať len osoby, ktoré boli poučené o používaní prístroja a boli informované o nebezpečenstvách, ktoré sú s tým spojené. Treba dodržiavať požadovaný minimálny vek.

Okrem bezpečnostných upozornení obsiahnutých v tomto návode na obsluhu a osobitných predpisov vašej krajiny treba rešpektovať všeobecne uznávané technické pravidlá pre prevádzku konštrukčne rovnakých strojov.

Nepreberáme zodpovednosť za žiadne nehody ani škody, ku ktorým dôjde v dôsledku nedodržania tohto návodu a bezpečnostných upozornení.

3. Popis prístroja (obr. 1 – 9)

1. Rezacie zariadenie
2. Ochrana rúk
3. Predná rukoväť
4. Páčka pre studený štart (sýtič)
5. Palivové čerpadlo „Primer“
6. Zapínač/vypínač
7. Blokovanie plynovej páky
8. Zadná rukoväť

9. Plynová páka
10. Blokovaná rukoväť
11. Veko palivovej nádrže
12. Štartovacie tiahlo
13. Tlmič zvuku
- 13.1 Výstupný otvor tlmiča zvuku
- 13.2 Skrutky tlmiča zvuku
14. Konektor zapaľovacej sviečky
- 14.1 Zapaľovacia sviečka
15. Krídlová skrutka
16. Kryt vzduchového filtra
17. vzduchový filter
18. Mazací otvor

4. Rozsah dodávky

- Benzínové nožnice na živý plot
- Zmiešavacia fľaša na olej/benzín (A)
- Kľúč na zapaľovacie sviečky (B)
- Imbusový kľúč 4 mm (C)
- Ochrana noža (E) (predmontovaná)
- Návod na obsluhu

5. Použitie v súlade s určením

Stroj zodpovedá platnej smernici ES o strojových zariadeniach.

Pred začiatkom práce musia byť na stroji namontované všetky ochranné a bezpečnostné zariadenia.

Tieto benzínové nožnice na živý plot sú dimenzované na strihanie mäkkého, novo vyrasteneho živého plotu. Nie sú vhodné na strihanie konárov, pevného dreva ani iného rezného materiálu.

Stroj je určený iba na obsluhu jednou osobou.

Obsluhujúca osoba je v pracovnej oblasti zodpovedná za tretie osoby.

Dodržiavajte všetky bezpečnostné upozornenia a upozornenia na nebezpečenstvá na stroji.

Všetky bezpečnostné upozornenia a upozornenia na nebezpečenstvá na stroji udržiavajte v čitateľnom stave.

Stroj používajte iba v technicky bezchybnom stave, v súlade s určením, za zohľadnenia bezpečnosti a vedomia možných rizík a za dodržiavania návodu na obsluhu!

Okamžite odstráňte (nechajte odstrániť) poruchy, ktoré by mohli ovplyvniť bezpečnosť!

Musia sa dodržiavať bezpečnostné, pracovné predpisy a predpisy týkajúce sa údržby, ako aj rozmery uvedené v technických údajoch.

Dodržiavajte príslušné predpisy BOZP a ostatné všeobecne prijaté bezpečnostnotechnické pravidlá.

Stroj smú používať, udržiavať alebo opravovať iba osoby, ktoré sú s ním oboznámené a poučené o nebezpečenstvách. Pri škodách vzniknutých v dôsledku svojvoľných zmien na stroji je vylúčená záruka výrobcu.

Stroj sa smie používať iba spolu s originálnym príslušenstvom a originálnymi nástrojmi od výrobcu.

Akkoľvek iné použitie je považované za použitie v rozpore s určením. Za škody z toho vzniknuté výrobca neručí, riziko znáša samotný používateľ.

Benzínové nožnice na živý plot sa smú používať iba na strihanie živých plotov, krovia a kríkov. Iné použitie, ktoré nie je uvedené v tomto návode na použitie, môže poškodiť nožnice alebo ťažko zraniť používateľa. Preto je výslovne vylúčené z výpočtu možných použití.

Prístroj sa nesmie používať na komerčné, remeselné ani priemyselné účely.

Ak si nie ste istí, či je pracovná podmienka bezpečná alebo nebezpečná, nepracujte so strojom.

VÝSTRAŽNÉ UPOZORNENIE! Pred uvedením zariadenia do prevádzky si v záujme vlastnej bezpečnosti dôkladne prečítajte túto príručku a všeobecné bezpečnostné upozornenia. Ak prístroj preneháivate tretím osobám, vždy k nemu priložte tento návod na použitie.

Dbajte, prosím, na to, že naše prístroje neboli v súlade s určitým skonštruované na komerčné, remeselné ani priemyselné použitie. Ak sa prístroj používa v komerčných, remeselných alebo priemyselných podnikoch, ako aj na podobné činnosti, nepreberáme žiadnu záruku.

6. Bezpečnostné upozornenia

6.1 Bezpečná práca

TIETO BENZÍNÓVÉ NOŽNICE NA ŽIVÝ PLOT MÔŽU SPÔSOBIŤ VÁŽNE PORANENIA!

Pozorne si prečítajte pokyny k správne mu zaobchádzaniu, príprave, udržiavaniu, spúšťaniu a vypínaniu nožníc na živý plot. Oboznámte sa so všetkými nastavovacími dielmi a s odborným používaním benzínových nožníc na živý plot.

Pred uvedením tohto výrobku do prevádzky si prečítajte a rešpektujte nasledujúce upozornenia a platné bezpečnostné ustanovenia platné v príslušnej krajine, aby ste chránili seba a ostatné osoby pred možnými poraneniami.

Uchovajte tieto bezpečnostné upozornenia (návod na obsluhu) vždy spolu s benzínovými nožnicami na živý plot.

Benzínové nožnice na živý plot smú obsluhovať len dostatočne skúsené osoby.

Deti nesmú nikdy používať benzínové nožnice na živý plot.

Benzínové nožnice na živý plot dajte alebo požičajte len osobám, ktoré sú oboznámené s benzínovými nožnicami na živý plot a ich manipuláciou. Vždy s nimi odovzdajte aj návod na obsluhu.

Opravy na prístroji musí vykonávať výrobca, resp. ním menovaná firma.

6.2 Prvý používateľ

Kto s benzínovými nožnicami na živý plot pracuje ako prvý, musí od skúseného operátora absolvovať praktické zaškolenie v používaní benzínových nožníc na živý plot a osobných ochranných prostriedkoch.

- **Budte opatrní.** Dávajte pozor na to, čo robíte. Pri práci sa riadte zdravým úsudkom. Nepoužívajte prístroj, ak ste unavení alebo ste pod vplyvom drog, alkoholu či liekov. Jediná chvíľka nepozornosti pri používaní prístroja môže viesť k závažným zraneniam.
- **Pred použitím sa s prístrojom oboznámte na základe návodu na obsluhu.** Nedostatočne informovaná obsluha môže ohroziť samú seba a iné osoby v dôsledku neodborného použitia.
- Prístroj nepoužívajte na účely, na ktoré nie je určený (pozri „5. Použitie v súlade s určením“).
- **Vyhýbajte sa abnormálnemu držaniu tela.** Postarajte sa o bezpečný postoj a neustále udržiavajte rovnováhu. Toto platí najmä pri použití schodikov alebo rebríka.
- **Noste vhodný pracovný odev:**
 - žiadne voľné oblečenie ani šperky, mohli by ich zachytiť pohyblivé diely,
 - pevné rukavice a protišmykovú obuv,
 - pri dlhých vlasoch sieťku na vlasy.
- **Noste osobné ochranné prostriedky:**
 - Ochrana sluchu
 - Ochranné okuliare alebo ochranu tváre
 - Pracovné rukavice
 - Bezpečnostná obuv
 - Otestovanú ochrannú prilbu v situáciách, pri ktorých treba počítať s poraneniami hlavy.
- **Odporúčame nosiť ochranu nôh a bezpečnostnú bundu.**
- **Udržiavajte svoju pracovnú oblasť v poriadku!** Neporiadok môžu mať za následok úrazy.
- **Zohľadnite vplyvy okolia:**
 - Nevystavujte benzínové nožnice na živý plot dažďu.
 - Benzínové nožnice na živý plot nepoužívajte vo vlhkom ani mokrom prostredí.
 - Odložte prácu v nepriaznivom počasí (dážď, sneh, ľad, vietor) – zvýšené nebezpečenstvo úrazu!
 - Zabezpečte dobré osvetlenie.
 - Nepoužívajte benzínové nožnice na živý plot v blízkosti horľavých kvapalín alebo plynov.
- **Oboznámte sa so svojim prostredím a dávajte pozor na možné nebezpečenstvá, ktoré prípadne nemusíte počuť pre hluk motora.**
- **Pozor na podzemné elektrické vedenia**
- **Nikdy nenechávajte benzínové nožnice na živý plot bežať bez dozoru.**
- **Počas pracovných prestávok sa musia benzínové nožnice na živý plot odložiť tak, aby nikto nebol ohrozený.** Zabezpečte benzínové nožnice na živý plot proti neoprávnenému prístupu.
- **Osoby mladšie ako 18 rokov nesmú prístroj obsluhovať.**
- **Zabráňte prístupu ďalších osôb.**
- **Používateľ je zodpovedný za úrazy alebo nebezpečenstvá, ktoré sa prihodia iným osobám alebo ich majetku.**

- **Obsluhujúca osoba je v pracovnej oblasti zodpovedná za tretie osoby.**
- **Zabráňte prístupu detí.**
- **Zabráňte iným osobám, predovšetkým deťom, aby sa dotýkali nástroja alebo motora.** Udržujte ich v dostatočnej vzdialenosti od pracovnej oblasti.
- **Pred naštartovaním motora vždy zabezpečte, aby sa benzínové nožnice na živý plot nachádzali podľa predpisu v niektorej z určených pracovných polôh.**
- **Vždy sa uistite, či sú pri použití benzínových nožníc na živý plot namontované všetky rukoväte a bezpečnostné zariadenia.** Nikdy sa nepokúšajte používať nekompletné benzínové nožnice na živý plot ani nožnice na živý plot s nedovolenou prestavbou.
- **Nepoužívajte tupé, prasknuté ani poškodené rezacie zariadenie.**
- **S rezaním začnite až po spustení rezacieho zariadenia.**
- **Nepreťažujte stroj!** Pracujte lepšie a bezpečnejšie v uvedenom rozsahu výkonu.
- **Prevádzkujte prístroj iba s kompletne a správne namontovanými ochrannými zariadeniami a nič na stroji nemeňte, čo by mohlo negatívne ovplyvniť bezpečnosť.**
- **Nemeňte prístroj, resp. časti prístroja.**
- **Nepoužívajte rezacie zariadenie, ktoré nezodpovedá uvedeným parametrom tohto návodu na použitie.** Používanie iných nástrojov a iného príslušenstva môže pre vás znamenať nebezpečenstvo poranenia.
- **Vypnite stroj a vytiahnite konektor zapalovacej sviečky zo zapalovacej sviečky pri:**
 - kontakte benzínových nožníc na živý plot s pôdou, kameňmi, kĺncami alebo inými cudzími telesami, skontrolujte, či je prístroj poškodený.
 - nastavovaní pracovnej polohy rezacieho zariadenia
 - kontrole, udržiavaní alebo práci na nožniciach na živý plot
 - opravárskych prácach
 - údržbárskych a čistiacich prácach
 - odstraňovaní porúch (k tomu patrí aj zablokovanie rezacieho zariadenia)
 - Preprava a skladovanie
 - opustení benzínových nožníc na živý plot (aj pri krátkodobých prerušeníach)
- **O vaše benzínové nožnice na živý plot sa svedomite starajte:**
 - S cieľom lepšej a bezpečnej práce udržiavajte nástroje ostré a čisté.
 - Rukoväti udržiavajte suché a bez oleja a tuku.
 - Dodržiavajte predpisy týkajúce sa údržby.
- **Skontrolujte stroj ohľadom prípadných poškodení:**
 - Pred ďalším používaním stroja sa musia ochranné zariadenia dôkladne prekontrolovať, či fungujú bezchybne a v súlade s určením.
 - Skontrolujte, či pohyblivé diely fungujú bezchybne a nezasekávajú sa, alebo či nie sú poškodené diely. Všetky diely musia byť správne namontované a spĺňať všetky podmienky, aby bola zaistená bezchybná prevádzka benzínových nožníc na živý plot.

- Poškodené ochranné zariadenia a diely sa musia nechať odbornou opravou alebo vymeniť v autorizovanej dielni, pokiaľ nie je v návode na použitie uvedené inak.
- Poškodené alebo nečitateľné bezpečnostné nálepky sa musia nahradiť.
- **Nenechávajte zasunuté kľúče od nástrojov!** Pred zapnutím sa vždy uistite, že kľúče a nastavovacie prístroje sú odstránené.
- **Nepoužívaný prístroj uchovávajte na suchom, uzavretom mieste mimo dosahu detí.**
- **Benzínové nožnice na živý plot skladujte tam, kde sa benzínové pary nemôžu dostať do kontaktu s otvoreným ohňom alebo iskrami.** Benzínové nožnice na živý plot nechajte pred ich uskladnením vždy vychladnúť.
- **Pri preprave alebo pri skladovaní benzínových nožníc na živý plot sa musí rezacie zariadenie vždy zakryť ochranou pre rezacie zariadenie.**
- **Na stroji vykonávajte opravy len vtedy, ak máte na to vzdelanie.** Nevykonávajte na stroji žiadne ďalšie opravy, ako sú opísané v kapitole „13. Čistenie a údržba“, ale obráťte sa priamo na výrobcu, resp. príslušný zákaznícky servis.
- **Benzínové nožnice na živý plot nepoužívajte, ak sa v blízkosti nachádzajú nejaké osoby, predovšetkým deti.**
- **Ak sa rezacie zariadenie dotkne cudzieho telesa alebo ak by zosilnel prevádzkový zvuk alebo ak by benzínové nožnice na živý plot vibrovali neobvykle silno, vypnite motor a benzínové nožnice na živý plot nechajte zastaviť.** Konektor zapalovacej sviečky vytiahnite zo zapalovacej sviečky a vykonajte nasledujúce opatrenia:
 1. skontrolujte ohľadom poškodení;
 2. prekontrolujte ohľadom voľných dielov a upevnite všetky voľné diely;
 3. poškodené diely nechajte opraviť alebo vymeniť za rovnocenné diely.
- **Benzínové nožnice na živý plot s chybným alebo silne opotrebovaným rezacím zariadením nepoužívajte.**
- **Na zníženie nebezpečenstva požiaru dbajte na to, aby sa na motore a flmíči zvuku nenachádzali usadeniny, lístie ani vytečené mazivo.**
- **Ak sú benzínové nožnice na živý plot vybavené dvomi rukoväťami, vždy používajte obe ruky.**
- **Ak sa benzínové nožnice na živý plot odstavajú za účelom údržby, inšpekcie alebo skladovania, vypnite motor, vytiahnite konektor zapalovacej sviečky zo zapalovacej sviečky a uistite sa, či sa zastavili všetky rotujúce diely.** Stroj nechajte pred jeho kontrolou, nastavovaním atď. vychladnúť.

Opravy na iných dieloch stroja musí vykonávať výrobca, resp. jeden z jeho zákazníckych servisov.

Používajte iba originálne diely. Použitie iných náhradných dielov a iného príslušenstva môže mať za následok úrazu používateľa. Za škody, ktoré z toho vyplývajú, výrobca neručí.

6.3 Bezpečné zaobchádzanie s palivami

S palivami zaobchádzajte opatrne! Palivá a palivové výpary sú horľavé a pri vdychovaní a na pokožke môžu spôsobiť ťažké poškodenia. Pri zaobchádzaní s palivami preto dbajte na opatrnosť a zabezpečte dobré vetranie.

- **Pred tankovaním benzínových nožníc na živý plot vypnite motor a prístroj nechajte vychladnúť.**
- **Pri tankovaní nefajčíte a zabráňte prítomnosti otvoreného ohňa.**
- **Pri tankovaní nosíte rukavice.**
- **Netankujte v uzatvorených miestnostiach (nebezpečenstvo výbuchu).**
- **Tankujte len v exteriéri.**
- **Dávajte pozor, aby ste nerozliali palivo alebo olej.** Ak ste rozliali palivo alebo olej, benzínové nožnice na živý plot ihneď vyčistíte. Ihneď si prezlečte odev, ak ste ho obľiali palivom alebo olejom.
- **Dbajte na to, aby sa do pôdy nedostalo žiadne palivo.**
- **Uzáver palivovej nádrže po tankovaní opäť dôkladne uzatvorte a dbajte na to, aby sa počas prevádzky neuvolnil.**
- **Dbajte na to, aby boli veko palivovej nádrže a vedenia benzínu tesné.** V prípade netesností prístroj nesmiete uviesť do prevádzky.
- **Palivá prepravujte a skladujte iba v nádobách na to schválených a označených.**
- **Deti držte v dostatočnej vzdialenosti od palív.**
- **Palivá neprepravujte a neskladujte v blízkosti horľavých alebo ľahko zápalných látok, ako aj iskier alebo otvoreného ohňa.**
- **Pre naštartovanie prístroja sa vzdialte aspoň tri metre od miesta tankovania.**
- **Keď sa nádrž vyprázdňuje, malo by sa to vykonať vonku.**
- **Benzínové nožnice na živý plot ani palivovú nádrž nikdy neskladujte v miestnosti, v ktorej sa nachádza otvorený plameň, ako napríklad v bojleri.**
- **Na zníženie nebezpečenstva požiaru – motor a tlmič zvuku udržiavajte od zvyškov z rezania, listov a mazív!**
- **Pri bežiacom alebo horúcom motore nikdy neotvárajte uzáver palivovej nádrže ani nedopĺňajte benzín.**
- **Pred dopĺňaním nechajte vychladnúť motor a diely výfuku.**
- **Ak pretiekol benzín, nepokúšajte sa naštartovať motor, ale stroj pred štartovaním odstráňte z plochy znečistenej benzínom.**

6.4 Zvyškové riziká

Aj pri použití v súlade s určením môžu z dôvodu konštrukcie určenej účelom použitia ešte existovať zvyškové riziká napriek dodržaniu príslušných bezpečnostných ustanovení. Zvyškové riziká je možné minimalizovať, keď sa dodržiavajú dohromady „6. Bezpečnostné upozornenia“ a „5. Použitie v súlade s určením“, ako aj návod na obsluhu. Ohľaduplnosť a opatrnosť znižujú riziko poranení osôb a poškodení.

Napriek všetkým prijatým opatreniam môžu pretrvávajúť zvyškové riziká, ktoré nie sú očividné:

- poranenie spôsobené vymrštenými dielmi,
- zlomenie alebo vymrštenie kusov noža,
- nebezpečenstvo otravy oxidom uhoľnatým pri použití prístroja v uzatvorených alebo zle vetraných priestoroch,
- nebezpečenstvo popálenia pri kontakte s horúcimi konštrukčnými dielmi,
- poškodenie sluchu pri dlhšie trvajúcich prácach bez ochrany sluchu.

7. Pracovné pokyny

Pred uvedením do prevádzky a pravidelne počas práce s benzínovými nožnicami na živý plot vykonávajúce nasledujúce kontroly:

- Sú benzínové nožnice na živý plot kompletne namontované podľa predpisov? Dbajte na to, aby boli všetky matice a skrutky pevne utiahnuté.
- Sú benzínové nožnice na živý plot v dobrom a bezpečnom stave?
 - Sú všetky bezpečnostné funkcie v poriadku?
- Je benzínová nádrž naplnená?
- Je rezacie zariadenie nepoškodené a naoštrené?
- Sú motor a tlmič zvuku bez usadenín, lístia alebo vytečeného maziva?
- Je rukoväť čistá a suchá – bez oleja, tuku a živice?
- Je pracovisko bez nebezpečenstiev zakopnutia?
- Nosíte potrebné osobné ochranné vybavenie?
- Prečítali ste si upozornenia a porozumeli ste im?
- Ide plynová páka ľahko a je funkčná?
- Je zapínač/vypínač funkčný?
- Zostane rezacie zariadenie v chode naprázdno vždy stáť?

Keď rezacie zariadenie beží v chode naprázdno, musia sa znížiť otáčky pri chode naprázdno (pozri „13.2 Nastavenie otáčok pri chode naprázdno“).

- Uistite sa, že prevodovka je dostatočne namazaná (pozri „13. Čistenie a údržba“).

7.1 Všeobecné správanie sa pri práci s nožnicami na živý plot

- Nepracujte sami. Pre núdzové prípady by sa mal niekto nachádzať vo vzdialenosti počuteľnosti.
- Zabráňte prístupu detí, osôb a zvierat z vašej pracovnej oblasti (vzdialenosť min. 15 m).
- Nepracujte na snehu, ľade alebo inom hladkom podklade – nebezpečenstvo pošmyknutia.
- Nepracujte v nedostatočných svetelných pomeroch (napr. v hmle, daždi, snehovej fujavici alebo za súmraku).
- Pred rezaním odplašte zvieratá zo živého plotu, aby ste ich nezranili.
- Postarajte sa o bezpečné a upratané pracovisko. Odstráňte z pracovnej oblasti predmety, ktoré môžu byť vymrštené.
- Vyhýbajte sa abnormálnemu držaniu tela. Vždy udržiavajte rovnováhu. Nepracujte s hornou časťou tela v predklone.
- Prevádzkujte benzínové nožnice na živý plot len v bezpečnom postoji.
- Pri zmene stanoviska vypnite benzínové nožnice na živý plot.

- Držte ruky a nohy v bezpečnej vzdialenosti od rezacieho zariadenia, keď sa hýbu.
- Držte benzínové nožnice na živý plot tak, aby ste nemohli vdychnúť spaliny. Nepracujte v uzatvorených miestnostiach.
- Benzínové nožnice na živý plot nepoužívajte na zdvíhanie alebo odpratanie kusov dreva či iných predmetov.
- Zo živého plotu bezpodmienečne odstráňte cudzie telesá (napr. drôty), pretože by mohli poškodiť rezacie zariadenie benzínových nožíc na živý plot.
- Benzínové nožnice na živý plot vždy pevne držte oboma rukami, ľavá ruka na prednej rukoväti a pravá ruka na zadnej rukoväti. Nikdy nepracujte jednou rukou.
- Po pustení plynovej páky rezacie zariadenie ešte chvíľu dobieha (voľnobežný efekt).
- Začnite rez so spusteným rezacím zariadením.
- Počas prevádzky sa nikdy rukami nedotýkajte rezacieho prípravku.
- Nikdy nepracujte
 - s natiiahnutými rukami,
 - na ťažko dostupných miestach,
 - príliš v predklone.
- S benzínovými nožnicami na živý plot nikdy nepracujte nad výškou ramien.
- So spusteným rezacím zariadením sa nikdy nedotýkajte drôtených plotov ani zeme.
- Vypnite motor a vyťahnite konektor zapalovania
 - pri citelných zmenách správania sa prístroja,
 - na odstránenie zaseknutého reziva,
 - na kontrolu rezacieho zariadenia, keď prišlo do kontaktu s kameňmi, klincami alebo inými tvrdými predmetmi,
 - na odstránenie porúch,
 - pri pracovných prestávkach,
 - pred opustením nožíc na živý plot.
- Nekladte zahriate benzínové nožnice na živý plot do suchej trávy ani na horľavé predmety.
- Pred začiatkom práce zabezpečte, aby:
 - sa v pracovnej oblasti nezdržiavali žiadne osoby ani zvieratá.
 - ste mali zaistený ústup bez prekážok.
 - bola oblasť nôh bez akýchkoľvek cudzích telies, krovín a konárov.
 - bol zaručený bezpečný postoj.

Ak sú osoby s poruchou krvného obehu príliš často vystavené vibráciám, môže dôjsť k poškodeniu nervového systému alebo krvných ciev.

7.2 Vibrácie môžete znížiť:

- pevnými, teplými pracovnými rukavicami.
- skrátením pracovnej doby (urobením si viacerých dlhých prestávok).

Navštívte lekára, ak vám opuchnú prsty, cítite nevoľnosť alebo si necítíte prsty.

7.3 Práca s nožnicami na živý plot

Benzínové nožnice na živý plot držte oboma rukami v bezpečnej vzdialenosti od tela.

- Maximálny priemer rezu závisí od druhu dreva, veku, obsahu vlhkosti a tvrdosti dreva.

- Pred rezaním živého plotu preto vždy nožnicami na konáre skráťte veľmi hrubé vetvy na príslušnú dĺžku.
- Benzínové nožnice na živý plot je možné vďaka ich obojstranným nožom viesť dopredu a dozadu alebo kyvadlovými pohybmi z jednej strany na druhú.
- Najskôr strihajte bočné strany živého plotu a až potom hornú hranu.
- Živý plot strihajte zdola nahor.
- Živý plot strihajte do tvaru lichobežníka. To zabráňuje hollým miestam v spodnej časti živého plotu v dôsledku nedostatku svetla.
- Ak chcete rovnomerne pristrihnúť hornú hranu živého plotu, napnite smerovú šnúru po dĺžke živého plotu.
- Ak je nutné väčšie zrezanie, tak režte na viackrát.

7.4 Správny čas na strihanie:

- Listnatý živý plot: jún a október
- Ihličnatý živý plot: apríl a august
- Rýchlo rastúci živý plot: od mája cca každých 6 týždňov

Dávajte pozor na vtáky v živom plote, ktoré sedia na vajciach. Rezanie živého plotu vtedy odložte alebo sa tomuto miestu vyhnite.

V každom prípade dodržiavajte všetky bezpečnostné upozornenia.

7.5 Správanie sa pri poruchách alebo úrazoch

V prípade poruchy alebo úrazu okamžite vyradte benzínové nožnice na živý plot z prevádzky pomocou zapínača/vypínača (6).

7.6 Prvá pomoc

Pre prípadný výskyt nehody by mala byť na pracovisku vždy k dispozícii lekárnička podľa DIN 13164. Odobratý materiál ihneď doplňte späť.

Keď žiadate o pomoc, uvádzajte nasledujúce údaje:

- Kde sa udalosť stala?
- Čo sa stalo?
- Koľko je zranených?
- O aký typ poranenia ide?
- Kto udalosť hlásil?!

8. Technické údaje

Typ motora	Dvojtaktový motor – vzduchom chladený
Zdvihový objem cm ³	22,5
Výkon motora kW	0,65
Otáčky pri chode naprázdno n _r /min ⁻¹	3000 +/- 300
Max. otáčky motora min ⁻¹	10500
Objem nádrže l	0,28
Zmiešavací pomer (palivo/olej pre dvojtakté motory)	40:1
Dĺžka rezu mm	560
Max. hrúbka rezu mm	27
Rozmery D/Š/V mm	1100 x 245 x 200
Dĺžka jazyka mm	700
Zapaľovacia sviečka	L8RTC
Hmotnosť kg	5,2

Technické zmeny vyhradené!

Hluk

Informácie týkajúce sa tvorby hluku namerané podľa príslušných noriem:

Hladina akustického tlaku L_{pA}	97,8 dB
Neistota K_{pA}	3 dB
Hladina akustického výkonu L_{WA}	107,3 dB
Neistota K_{WA}	2,53 dB

Noste ochranu sluchu.

Vplyv hluku môže spôsobiť stratu sluchu.

Vibrácia

Vibrácie (zadná rukoväť) A_{hv}	4,838 m/s ²
Neistota merania K_{hv}	1,5 m/s ²
Vibrácie (predná rukoväť) A_{hv}	5,389 m/s ²

Obmedzte vznik hluku a vibrácie na minimum!

- Používajte iba bezchybné stroje.
- Prístroj pravidelne čistite a vykonávajte jeho údržbu.
- Váš spôsob práce prispôbte prístroju.
- Prístroj neprefažujte.
- Prístroj nechajte v prípade potreby prekontrolovať.
- Ak sa prístroj nepoužíva, vypnite ho.
- Noste rukavice.

VAROVANIE

Zabráňte rizikám vibrácií, napr. riziku ochorenia bielych prstov (poruchy obehového systému) v dôsledku častých pracovných prestávok, pri ktorých si napr. triete povrchy dlaní o seba.

- Vždy noste ochranné rukavice a dbajte na teplé ruky.
- Robte pravidelné pracovné prestávky.

9. Pred uvedením do prevádzky

- Otvorte obal a opatrne vyberte prístroj.
- Odstráňte baliaci materiál, ako aj obalové a prepravné poistky (ak sú použité).
- Skontrolujte, či je rozsah dodávky kompletný.
- Prístroj a diely príslušenstva skontrolujte ohľadom poškodení spôsobených prepravou.
- Obal podľa možnosti uschovajte až do uplynutia záručnej doby.

POZOR

Prístroj a obalové materiály nie sú hračkami pre deti! Deti sa nesmú hrať s plastovými vreckami, fóliami a malými dielmi! Existuje nebezpečenstvo prehltnutia a zadusení!

- Pred prácou sa oboznámte s prístrojom za pomoci návodu na obsluhu.
- Pri príslušenstve, ako aj pri opotrebovateľných a náhradných dieloch používajte iba originálne diely. Náhradné diely získate u svojho špecializovaného predajcu.
- Pri objednávkach uvádzajte naše čísla výrobkov, ako aj typ a rok výroby prístroja.

Pri dodaní nie sú benzínové nožnice na živý plot naplnené palivovou zmesou.

Prístroj sa prevádzkuje so zmesou benzínu (bezolovnatý) a oleja pre dvojtaktné motory.

Pri zaobchádzaní s benzínom je namieste zvýšená pozornosť. Fajčenie a otvorený oheň sú zakázané (nebezpečenstvo výbuchu).

Skontrolujte prístroj pred každým uvedením do prevádzky na:

- Tesnosť palivového systému.
- Bezchybný stav a úplnosť ochranných zariadení a rezacieho prípravku.
- Pevné utiahnutie všetkých skrutkových spojov.
- Lhkosť chodu všetkých pohyblivých dielov.

Palivo a olej

- Odporúčané palivá
 - Používajte iba zmes bezolovnatého benzínu a špeciálneho motorového oleja pre 2-taktné motory. Zmiešajte palivovú zmes podľa tabuľky miešania palív.
 - Nepoužívajte palivo E10.

Pozor:

Nepoužívajte palivovú zmes, ktorá bola skladovaná dlhšie ako 90 dní.

Pozor:

Nepoužívajte olej pre 2-taktné motory s odporúčaným miešacím pomerom 100:1. V prípade poškodenia motora z dôvodu nedostatočného mazania zaniká záruka výrobcu na motor.

Pozor:

Na prepravu a skladovanie paliva používajte iba nádoby, ktoré sú na to určené a schválené. Do priloženej zmiešavacej fľaše na olej/benzín (A) nalejte správne množstvo benzínu a oleja pre 2-taktné motory. Následne dobre pretrepte nádobu.

Nikdy nepoužívajte olej pre 4-taktné motory ani vodou chladené 2-taktné motory. Môže sa tým znečistiť zapalovacia sviečka, zablokovať časť odpadového vzduchu alebo zalepiť piestový krúžok. Palivové zmesi, ktoré sa nepoužili mesiac alebo dlhšie, môžu upchať karburátor alebo negatívne ovplyvniť prevádzku motora. Nepotrebné palivo nalejte do vzduchotesnej nádoby a uskladnite ju v tmavej, chladnej miestnosti.

Tabuľka na miešanie paliva

Proces miešania: 40 dielov benzínu na 1 diel oleja

Príklad:

- 1 l benzínu: 0,025 l oleja pre 2-taktné motory
- 5 l benzínu: 0,125 l oleja pre 2-taktné motory

Varovanie! Dávajte pozor na spaliny.

Pred tankovaním vždy vypnite motor.

Keď motor beží alebo je horúci, nikdy nelejte benzín do prístroja. Vzniká nebezpečenstvo požiaru!

Tankujte len vonku alebo v dobre vetraných miestnostiach. Dbajte na to, aby sa do pôdy nedostalo žiadne palivo (ochrana životného prostredia). Používajte vhodnú podložku. Používajte iba bio refazový olej.

Palivá sú skladovateľné iba obmedzene, starnú. Nadmerne dlho skladované palivo a palivové zmesi tak môžu viesť k problémom pri štartovaní. Zmiešajte preto len toľko paliva, koľko potrebujete na jeden mesiac. Palivá skladujte iba v nádobách na to schválených a označených. Palivovú nádrž uschovajte na suchom a bezpečnom mieste.

Dbajte na to, aby bola palivová nádrž uskladnená mimo dosahu detí.

Pozor! Pred uvedením do prevádzky sa informujte, ako môžete prístroj v núdzovom prípade čo najrýchlejšie vyradiť z prevádzky!

9.1 Tankovanie nožníc na živý plot

- Motor vypnite a nechajte vychladieť!
- Noste ochranné rukavice!
- Zabráňte kontaktu s pokožkou a očami!
- Bezpodmienečne dbajte na „Bezpečné zaobchádzanie s palivami“, pozri 6.3.

1. Benzínové nožnice na živý plot tankujte len vonku alebo v dostatočne vetraných miestnostiach.
2. Vyčistite okolie oblastí plnenia. Nečistoty v nádrži spôsobujú prevádzkové poruchy.
3. Pred naplnením do nádrže ešte raz potraсте zmiešavačou fľašou na olej/benzín (A) s palivovou zmesou.
4. Opatrne otvorte veko palivovej nádrže (11), aby sa mohol odbúrať prípadný pretlak.
5. Zmes paliva opatrne naplňte po horný okraj plniaceho hrdla. Použite lievik alebo pomôcku na plnenie (nie sú v rozsahu dodávky), aby ste nerozliali palivo.
6. Opäť zatvorte veko palivovej nádrže (11). Uistite sa, že je veko palivovej nádrže (11) tesne zatvorené.
7. Vyčistite uzáver palivovej nádrže (11) a okolie.
8. Skontrolujte, či nie sú nádrž a palivové potrubia netesné.
9. Prípadne stlačte palivové čerpadlo „Primer“ (5).
10. Pred naštartovaním motora sa vzdialte aspoň tri metre od miesta tankovania.

9.2 Vypustenie paliva

Palivovú nádrž vyprázdňujte len vonku alebo v dobre vetraných miestnostiach. Dbajte na to, aby sa do pôdy nedostalo žiadne palivo (ochrana životného prostredia). Použite vhodnú podložku.

1. Pod palivovou nádržou držte záchytnú nádobu.
2. Odskrutkujte veko palivovej nádrže (11) a odstráňte ho.
3. Úplne vypustíte zmes benzínu a oleja.
4. Rukou opäť pevne naskrutkujte veko palivovej nádrže (11).

10. Obsluha

10.1 Nastavenie zadnej rukoväť (8) (obr. 2)

Zadnú rukoväť (8) je možné nastaviť v 3 pracovných polohách pre jednoduchšie vedenie benzínových nožníc na živý plot.

- Počas prestavovania sa nesmie stláčať plynová páka (9).

1. Benzínové nožnice na živý plot držte ľavou rukou za prednú rukoväť (3).
2. Posuňte blokovacie držadlo (10) dozadu a otočte rukoväť do požadovanej polohy.
3. Pustite blokovacie držadlo (10). Dbajte na to, aby blokovacie držadlo opäť zapadlo a rukoväť bola bezpečne upevnená.

10.2 Naštartovanie prístroja

⚠ Nebezpečenstvo poranenia!

Benzínové nožnice na živý plot naštartujte, len ak je namontované rezacie zariadenie! Odstráňte príslušnú prepravnú ochranu a vykonajte inšpekciu prístroja ohľadom dobrého prevádzkového stavu.

Nikdy nepoužívajte poškodené, zle nastavené alebo udržiavané, príp. neúplne a nebezpečne namontované rezacie zariadenie.

Pred použitím skontrolujte!

Skontrolujte, či sa prístroj nachádza v bezpečnom stave:

- Uistite sa, že zapínač/vypínač (6), blokovanie plynovej páky (7) a plynová páka (9) fungujú podľa predpisov.
- Prístroj skontrolujte ohľadom netesností.
- Skontrolujte prístroj, či nevykazuje viditeľné škody.
- Skontrolujte, či sú všetky diely prístroja bezpečne namontované.
- Skontrolujte, či sa všetky bezpečnostné zariadenia nachádzajú v dobrom stave a či sú funkčné.

10.2.1 Štartovanie pri studenom motore (obr. 1, 3, 4)

Benzínové nožnice na živý plot pri štartovaní nepodopierajte a dobre ich držte. Dbajte na to, aby rezacie zariadenie stálo voľne.

1. Odstráňte ochranu noža (E) z rezacieho zariadenia (1).
2. Položte benzínové nožnice na živý plot na stabilný a rovný podklad. Rezacie zariadenie (1) sa pritom nesmie dotýkať zeme.
3. Stlačte 7x palivové čerpadlo „Primer“ (5).
4. Otočte páčku pre studený štart (sýtič) (4) do polohy „Studený štart“.
5. Pevne držte benzínové nožnice na živý plot za prednú rukoväť (3) a pomaly vytiahnite štartovacie tiahlo (12) až po prvý odpor.
6. Teraz rýchlo priťahujte štartovacie tiahlo (12), kým sa nenašartuje motor. Ak by sa motor nenašartoval, zopakujte proces. Kým je páčka pre studený štart (sýtič) (4) v polohe „Studený štart“, motor sa rozbehne len nakrátko a znova zhasne.
7. Len čo sa motor vypne, stlačte spolu blokovanie plynovej páky (7) a plynovú páku (9). (Sýtič) (4) automaticky preskočí do prevádzkovej polohy „Teplý štart“.
8. Teraz znova rýchlo potiahnite štartovacie tiahlo (12), kým sa nenašartuje motor.
9. Po jednom stlačení plynovej páky (9) beží motor na voľnobeh.
10. Nechajte motor nakrátko zahrievať.

Ak motor nenaskočí ani po viacerých pokusoch, prečítajte si kapitolu „Odstraňovanie porúch“.

Pozor

Štartovacie tiahlo (12) vždy vyfahujte rovno. Ak ho vytiahnete pod uhlom, vznikne trenie na očku. V dôsledku tohto trenia sa šnúra prederie a rýchlejšie sa opotrebuje. Pevne držte rukoväť štartovacieho tiahla (12), keď sa štartovacie tiahlo (12) opäť vtiahne.

Nikdy nenechajte štartovacie tiahlo (12) vymrštiť späť. Môže to viesť k poškodeniam.

Upozornenie:

Pri vysokých vonkajších teplotách sa môže stať, že je nutné naštartovať aj pri studenom motore bez páčky pre studený štart (sýtič) (4).

Upozornenie:

Ak sa rezacie zariadenie (1) pohybuje v chode naprázdno alebo motor pri ubratí plynu sám od seba zhasne, musí sa vykonať nastavenie karburátora (pozri kapitolu „13.2 Nastavenie otáčok pri chode naprázdno“).

10.2.2 Štartovanie pri teplom motore

1. Páčka pre studený štart (sýtič) musí byť pre naštartovanie teplého motora v polohe „Teplý štart“.
2. Pevne držte benzínové nožnice na živý plot za prednú rukoväť (3) a pomaly vytiahnite štartovacie tiahlo (12) až po prvý odpor.
3. Teraz opäť prudko potiahnite štartovacie tiahlo (12). Prístroj by sa mal spustiť po 1 – 2 potiahnutiach. Ak sa prístroj nespustil po 6 potiahnutiach, zopakujte proces uvedený v časti „Spustenie pri studenom motore“.

10.3 Prevádzka nožníc na živý plot (obr. 1)

1. Ľavou rukou pevne držte prednú rukoväť (3) benzínových nožníc na živý plot.
2. Pravou rukou pevne držte zadnú rukoväť (8). Dlaň pritom leží na blokovani plynovej páky (7) a ukazovák stláča plynovú páku (9).
3. Stlačte plynovú páku (9).
4. Rezacie zariadenie sa rozbehne.

Ak sa pustí plynová páka (9), rezacie zariadenie sa zastaví a motor beží v chode naprázdno.

Ak rezacie zariadenie napriek tomu naďalej ide v chode naprázdno, obráťte sa na výrobcu.

V žiadnom prípade ďalej nepracujte s nožnicami na živý plot!

10.4 Blokovanie rezacieho zariadenia (obr. 1)

Ak by rezacie zariadenie (1) počas práce zablokovalo prácu, vyradte benzínové nožnice na živý plot pomocou zapínača/vypínača (6) z prevádzky a vytiahnite konektor zapalovacej sviečky (14).

Potom odstráňte blokujúci materiál a skontrolujte rezacie zariadenie (1), či prípadne nie je poškodené.

10.5 Vypnutie motora

1. Stlačte zapínač/vypínač (6) a držte ho stlačený.
2. Pred odložením prístroja počkajte na zastavenie motora.
3. Pustite zapínač/vypínač (6).

11. Pracovné pokyny

11.1 Práca s nožnicami na živý plot

- Nožnice na živý plot sa hodia na strihanie živých plotov, krovia a kríkov.
- Nožnice na živý plot držte oboma rukami v bezpečnej vzdialenosti od tela.
- Maximálny priemer rezu závisí od druhu dreva, veku, obsahu vlhkosti a tvrdosti dreva.
- Pred rezaním živého plotu preto vždy nožnicami na konáre skráťte veľmi hrubé vetvy na príslušnú dĺžku.
- Nožnice na živý plot je možné vďaka ich obojstranným nožom viesť dopredu a dozadu alebo kyvadlovými pohybmi z jednej strany na druhú.
- Najskôr strihajte bočné strany živého plotu a až potom hornú hranu.
- Živý plot strihajte zdola nahor.
- Živý plot strihajte do tvaru lichobežníka. To zabráňuje hollým miestam v spodnej časti živého plotu kvôli nedostatku svetla.
- Ak chcete rovnomerne pristrihnúť hornú hranu živého plotu, napnite smerovú šnúru po dĺžke živého plotu.
- Ak je nutné väčšie zrezanie, tak režte na viackrát.
- Zo živého plotu bezpodmienečne odstráňte cudzie telesá (napr. drôti), pretože by mohli poškodiť nože nožníc na živý plot.
- **Pozor!** Nože dobiehajú! Nebrzdte nože rukou.

Správny čas na strihanie:

- Listnatý živý plot: jún a október
- Ihličnatý živý plot: apríl a august
- Rýchlo rastúci živý plot: od mája cca každých 6 týždňov

Dávajte pozor na vtáky v živom plote, ktoré sedia na vajíčkach. Rezanie živého plotu vtedy odložte alebo sa tomuto miestu vyhnite.

12. Preprava

Na prepravu prístroja vypnite motor, počkajte, kým sa rezacie zariadenie zastaví a namontujte ochranu noža (E) (obr. 4). Prístroj prenášajte za prednú rukoväť (3). Držte pritom rezacie zariadenie (1) smerom dozadu a horúci tlmíč zvuku (13) preč od tela.

V osobnom automobile prepravujte prístroj v batožinovom priestore a na samostatnej prepravnej ploche. Zaisťte pritom benzínové nožnice na živý plot proti preklopeniu, poškodeniu a vytečeniu paliva.

13. Čistenie a údržba

Pred každou údržbou a čistením

- Vypnutie motora
- Počkajte, kým sa rezacie zariadenie zastaví.
- Vytiahnite konektor zapalovacej sviečky (s výnimkou nastavení chodu naprázdno).
- Prístroj nechajte vychladnúť.

Upozornenie

Po každom použití by sa mal prístroj dôkladne vyčistiť.

Vykonávajújte čistiace a údržbové práce len tak, ako je to uvedené v tomto návode na obsluhu.

Ďalšie údržbové a čistiace práce, ktoré nie sú opísané v tejto kapitole, smie vykonávať iba zákaznický servis.

Nevykonávajújte údržbové práce v blízkosti otvoreného ohňa. Nebezpečenstvo požiaru!

Bezpečnostné zariadenia odstránené za účelom údržby a čistenia sa musia bezpodmienečne riadne namontovať späť a skontrolovať.

Používajte len originálne diely. Iné diely môžu viesť k nepredvídateľným škodám a poraneniam.

Noste rukavice, aby ste predišli možným poraneniam.

Aby bolo zaručené dlhé a spoľahlivé používanie benzínových nožníc na živý plot, pravidelne vykonávajújte nasledujúce údržbové práce.

Skontrolujte, či benzínové nožnice na živý plot nevykazujú zjavné nedostatky ako

- voľné upevnenia,
- opotrebované alebo poškodené konštrukčné diely,
- ohnuté, zlomené alebo poškodené rezacie zariadenie,
- tesnosť uzáveru palivovej nádrže a palivových potrubí.

Po každom použití skontrolujte, či majú benzínové nožnice na živý plot

- opotrebovanie, najmä preklzávanie rezacieho zariadenia.
- správne namontované a neporušené kryty alebo ochranné zariadenia.

Potrebné opravy a údržbové práce sa musia vykonať pred použitím benzínových nožníc na živý plot.

13.1 Mazanie prevodovky (obr. 5)

Prevodovku namažte každých 10 až 20 prevádzkových hodín.

1. Dodaným imbusovým kľúčom 4 mm (C) odskrutkujte skrutku mazacieho otvoru (18) na spodnej strane nožníc na živý plot.
2. Nasadte mazací lis na mazací otvor (18).
3. Zatláčajte dovnútra trochu maziva.
4. Zaskrutkujte späť skrutku mazacieho otvoru (18).

Pozor! Naplňte len trochu tuku. V žiadnom prípade ju nepreplňte.

13.2 Nastavenie otáčok pri chode naprázdno

Ak sa rezacie zariadenie (1) pohybuje v chode naprázdno alebo motor pri ubratí plynu sám od seba zhasne, musí sa vykonať nastavenie karburátora.

Upozornenie:

Nechajte vykonať nastavenia karburátora (napr. otáčky pri chode naprázdno) len kvalifikovaným odborným personálom, aby ste predišli poškodeniam motora.

13.3 Čistenie, resp. výmena vzduchového filtra (obr. 6)

Znečistené vzduchové filtre znižujú výkon motora vplyvom príliš malého prívodu vzduchu ku karburátoru. Prach a peľ upchávajú póry penovej vložky. Preto je nevyhnutná pravidelná kontrola.

Vyčistíte vzduchový filter (17) cca každých 15 prevádzkových hodín, ak je mimoriadne zaprášený, tak častejšie.

1. Prestavte páčku pre studený štart (sýtič) (4) do polohy „Studený štart“, aby sa do karburátora nedostali žiadne častice nečistôt.
2. Zložte kryt vzduchového filtra (16). Za týmto účelom uvoľnite krídlovú skrutku (15).
3. Vyberte vzduchový filter (17) z peny.
4. Umyte vzduchový filter (17) vo vlažnom mydlovom lúhu. Nevyfukujte častice nečistôt, hrozí nebezpečenstvo poranenia očí!
5. Vyčistite vnútorný priestor vzduchového filtra štetcom.
6. Nechajte vzduchový filter (17) dobre vyschnúť a nasadte ho späť.
7. Nasadte späť kryt vzduchového filtra (16).

Pozor:

Vzduchový filter nikdy nečistíte benzínom ani horľavými rozpúšťadlami.

Poškodený vzduchový filter sa musí ihneď vymeniť, aby sa neškrtila životnosť motora.

⚠ Varovanie!

Motor nikdy nechajte bežať, keď ešte nie je osadená vložka vzduchového filtra.

13.4 Čistenie, resp. výmena benzínového filtra

V prípade potreby skontrolujte benzínový filter. Znečistený benzínový filter zabraňuje prívodu paliva.

Otvorte veko palivovej nádrže (11) a pretiahnite benzínový filter pomocou drôteného háčika (nie je v rozsahu dodávky) cez otvor.

- Pri ľahkom znečistení:
 - vytiahnite benzínový filter z palivového potrubia a vyčistite ho čistiacim benzínom.
- Pri silnom znečistení:
 - vymeňte benzínový filter.

1. Na odobratie benzínového filtra z palivového potrubia stlačte hadicovú sponu a posuňte ju nadol.
2. Benzínový filter sa dá teraz odobrať z palivového potrubia.

13.5 Skontrolujte, vyčistite, resp. vymeňte zapalovaciu sviečku (obr. 7/8).

Pozor

Keď beží motor, nedotýkajte sa zapalovacej sviečky (14.1) ani konektora zapalovacej sviečky (14). Vysoké napätie! Nebezpečenstvo popálenia na horúcom motore. Noste ochranné rukavice!

Pravidelne kontrolujte zapalovaciu sviečku a vzdialenosť elektród.

13.5.1 Kontrola zapalovacej sviečky

1. Vytiahnite konektor zapalovacej sviečky (14) zo zapalovacej sviečky (14.1).
2. Vyskrutkujte zapalovaciu sviečku (14.1) pomocou dodaného kľúča na zapalovacie sviečky (B).
3. Skontrolujte vzdialenosť elektród. Musí byť 0,6 až 0,7 mm.

13.5.2 Čistenie zapalovacej sviečky

Skontrolujte zapalovaciu sviečku až po 10 prevádzkových hodinách ohľadom znečistenia a vyčistite ho prípadne pomocou kefy z medeného drôtu.

Údržbu zapalovacej sviečky vykonávajte každých 50 prevádzkových hodín.

Vymeňte zapalovaciu sviečku:

- každý mesiac pri pravidelnej prevádzke,
- keď je poškodené izolačné teleso,
- pri silnom opálení elektród,
- keď sú elektródy silno znečistené alebo zamazané olejom.

13.5.3 Kontrola zapalovacej iskry

1. Vytiahnite konektor zapalovacej sviečky (14) zo zapalovacej sviečky (14.1).
2. Vyskrutkujte zapalovaciu sviečku (14.1) pomocou dodaného kľúča na zapalovacie sviečky (B).
3. Pevne nasuňte konektor zapalovacej sviečky (14).
4. Pritlačte zapalovaciu sviečku (14.1) izolovanými kliešťami proti telesu motora (nie v blízkosti otvoru pre zapalovaciu sviečku).
5. Silno potiahnite štartovacie tiahlo (12).
6. Ak funguje bezchybne, medzi elektródami musí byť viditeľná iskra.

13.6 Tlmič zvuku/výstupný otvor (obr. 9)

Keď je motor horúci, nedotýhajte skrutky tlmiča vzduchu.

1. Pravidelne kontrolujte, či sa neuvolnili skrutky (13.2) tlmiča zvuku (13). Na dotiahnutie prípadných uvoľnených skrutiek použite imbusový kľúč 4 mm (C).
2. Pravidelne čistite výstupný otvor (13.1).

13.7 Čistenie

Po každom použití dôkladne vyčistite benzínové nožnice na živý plot, aby zostala zachovaná bezchybná funkcia.

Pri čistení rezacieho zariadenia noste ochranné rukavice!

- Vyčistite teleso mäkkou kefou alebo suchou handrou. Voda, rozpúšťadlo a leštídlo sa nesmú používať.
- Dbajte na to, aby boli vetracie štrbiny pre chladenie motora voľné (nebezpečenstvo prehriatia).
- Pravidelne čistite rezacie zariadenie kefou alebo handrou. Rezacie zariadenie nikdy nečistíte vodou (nebezpečenstvo korózie!).
- Pravidelne čistite a olejujte všetky pohyblivé diely.
- Nikdy nepoužívajte tuk!
- Používajte olej šetrný k životnému prostrediu.

13.8 Plán údržby

Časť prístroja	Akcia	Pred začiatkom práce	Týždenne	V prípade porúch	V prípade poškodení	V prípade potreby
Rezacie zariadenie (1)	Kontrola a zohľadnenie stavu ostrenia	X				
	Kontrola klznej vôle rezacieho zariadenia	X				
	Ostriť					X
Motor	Pevné utiahnutie skrutiek tlmiča zvuku					X
	Čistenie/výmena benzínového filtra					X
	Čistenie/výmena vzduchového filtra					každých 15 prevádzkových hodín, ak je zaprášený, tak častejšie
	Mazanie prevodovky					každých 20 prevádzkových hodín, aspoň raz ročne

Service informácie

Je potrebné dbať na to, že pri tomto výrobku podliehajú nasledujúce diely použitiu primeranému alebo prirodzenému opotrebovaniu, resp. nasledujúce diely sú potrebné ako spotrebné materiály.

Diely podliehajúce opotrebovaniu*:

Rezací nôž (súprava)	(5910402011)
Zapaľovacia sviečka	(3904801048)
vzduchový filter	(3910404001)

* nie je nutne obsiahnuté v rozsahu dodávky!

14. Skladovanie

Uchovajte nepoužité prístroje s nasunutou ochranou noža na suchom, uzavretom mieste mimo dosahu detí.

Skôr ako prístroj uskladníte, vyčistite ho a vykonajte na ňom údržbu.

Opatrne:

Prístroj neuložte nikdy na dlhšie ako 30 dní bez vykonania nasledujúcich krokov:

Uloženie prístroja na viac ako 30 dní

Ak prístroj uložíte na dlhšie ako 30 dní, musí sa na to pripraviť. V opačnom prípade sa vyparí zvyšné palivo nachádzajúce sa v karburátore a zanechá usadeninu podobnú gume. Mohlo by to sťažiť štart a mať za následok drahé opravy.

- Vypustíte palivo (pozri 9.2).
- Naštartujete motor a nechajte ho bežať, kým sa motor nezaštaví, aby ste odstránili palivo z karburátora.

16. Odstraňovanie porúch

Porucha	Možná príčina	Náprava
Nožnice na živý plot nebežia	<ul style="list-style-type: none">• Motor, žiadne palivo• Chyba v palivovom potrubí• Upchatý benzínový filter• Chybná zapaľovacia sviečka• Chybný karburátor• Interná chyba	<ul style="list-style-type: none">• Skontrolujte množstvo paliva.• Palivové potrubie skontrolujte ohľadom zalomení alebo poškodení• Vyčistite, resp. vymeňte benzínový filter.• Vymeňte zapaľovacia sviečka.• Navštívte výrobcu, resp. príslušné servisné stredisko.• Navštívte výrobcu, resp. príslušné servisné stredisko.
Nožnice na živý plot strihajú s prerušeniami	<ul style="list-style-type: none">• Interná chyba• Chybný zapínač/vypínač	<ul style="list-style-type: none">• Navštívte výrobcu, resp. príslušné servisné stredisko.• Navštívte výrobcu, resp. príslušné servisné stredisko.
Motor beží, rezacie zariadenie zostane stáť	<ul style="list-style-type: none">• Zablokované rezacie zariadenie• Interná chyba• Chybná spojka	<ul style="list-style-type: none">• Odstráňte predmet.• Navštívte výrobcu, resp. príslušné servisné stredisko.• Navštívte výrobcu, resp. príslušné servisné stredisko.
Rezacie zariadenie sa zahrieva	<ul style="list-style-type: none">• Chýbajúce mazanie → trenie• Rezacie zariadenie je tupé	<ul style="list-style-type: none">• Naolejajte rezacie zariadenie.• Nechajte naostríť rezacie zariadenie.

- Motor nechajte vychladnúť (cca 5 minút).
- Odstráňte zapaľovacia sviečka (pozri 13.5).
- Do spaľovacej komory nalejte 1 čajovú lyžičku oleja pre 2-taktné motory.
- Niekoľkokrát pomaly ťahajte za lanko štartéra, aby ste na vnútorné komponenty naniesli olej.
- Nasadte späť zapaľovacia sviečka (pozri 13.5).

Upozornenie:

Prístroj uložte na suchom mieste, ďaleko od možných zápalných zdrojov, napr. pecí, teplovodných bojlerov na plyn, plynových sušičiek atď.

15. Likvidácia a opätovné zhodnotenie

Upozornenia k baleniu



Baliace materiály sa dajú recyklovať. Prosím, likvidujte balenia ekologicky.

O možnostiach likvidácie opotrebovaného prístroja sa informujte na vašej samospráve alebo štátnej správe.

Palivá a oleje

- Pred likvidáciou prístroja sa musí palivová nádrž a nádoba na motorový olej vyprázdniť!
- Palivo a motorový olej nepatria do domového odpadu, ale musia sa zbierať, resp. likvidovať oddelene!
- Prázdne olejové a palivové nádrže sa musia ekologicky zlikvidovať.

17. Záručný list

Vážená zákazníčka, vážený zákazník,

naše výrobky podliehajú prísnej kontrole kvality. V prípade, že nebude prístroj napriek tomu bezchybne fungovať, je nám to veľmi ľúto a prosíme Vás, aby ste sa obrátili na našu servisnú službu na adrese uvedenej na tomto záručnom liste. Radi Vám budeme k dispozícii taktiež telefonicky na uvedenom servisnom telefónnom čísle. Pri uplatňovaní nárokov na záručné plnenie platia nasledujúce podmienky:

- Tieto záručné podmienky upravujú dodatočné záručné plnenie. Vaše zákonné nároky na záruku nie sú touto zárukou dotknuté. Naše záručné plnenie je pre Vás zadarmo.
- Záručné plnenie sa vzťahuje výlučne len na nedostatky, ktoré sú spôsobené chybami materiálu alebo výrobnými chybami, a je obmedzené na odstránenie týchto nedostatkov resp. výmenu prístroja. Prosím, dbajte na to, že naše prístroje neboli svojím určením konštruované na profesionálne, remeselnícke ani priemyselné použitie. Táto záručná zmluva sa preto neuzatvára, ak sa prístroj bude používať v profesionálnych, remeselníckych alebo priemyselných prevádzkach ako aj na činnosti rovnocenné s takýmto použitím. Z našej záruky sú okrem toho vylúčené náhradné plnenie za škody pri transporte, škody spôsobené nedodržaním návodu na montáž alebo na základe neodbornej inštalácie, nedodržaním návodu na použitie (ako napr. pripojením na nesprávne sieťové napätie alebo druh prúdu), zneužívaním alebo nesprávnym používaním (ako napr. preťaženie prístroja alebo použitie neprípustných pracovných nástrojov alebo príslušenstva), nedodržaním pokynov pre údržbu a bezpečnostných pokynov, vniknutím cudzích telies do prístroja (ako napr. piesok, kamene alebo prach), použitím násilia alebo cudzieho pôsobenia (napr. škody spôsobené pádom), a taktiež je vylúčené bežné opotrebenie primerané použitiu.

Nárok na záruku zaniká, ak už boli na prístroji svojvoľne uskutočnené zásahy.

- Doba záruky je 3 roky a začína sa dátumom nákupu prístroja. Nároky na záruku sa musia uplatniť pred koncom uplynutia záručnej doby do dvoch týždňov od zistenia nedostatku. Uplatnenie nárokov na záruku po uplynutí záručnej doby je vylúčené. Oprava alebo výmena prístroja nevedie k predĺženiu záručnej doby ani nedochádza na základe tohto plnenia ku vzniku novej záručnej doby pre prístroj ani pre akékoľvek inštalované náhradné diely. To platí taktiež pri nasadení miestneho servisu.
- Pre uplatnenie Vášho nároku na záruku sa, prosím, obráťte na nižšie uvedenú adresu servisu. Pokiaľ reklamácia prebieha počas záručnej doby, dáme Vám k dispozícii formulár o vrátení tovaru, s ktorým nám môže svoj chybný prístroj bezplatne poslať späť. Prosím, popíšte nám čo najpresnejšie dôvod reklamácie. Ak spadá defekt prístroja pod naše záručné plnenie, dostanete obratom naspäť opravený alebo nový prístroj.

Samozrejme Vám radi opravíme závady na prístroji na vaše náklady, ak tieto závady nespádajú alebo už nespádajú do rozsahu záruky. Prosím, pošlite nám v takom prípade prístroj na našu servisnú adresu.

Priama linka servisu (SK):

00800 4003 4003
(0,00 €/Min.)

E-mailová adresa (SK):

service.SK@scheppach.com

Adresa servisu (SK):

GARLAND distributor, s.r.o.
Hradecká 1136
CZ - 50601 Jicin



Na stránke www.lidl-service.com si môžete stiahnuť tieto a veľa ďalších príručiek, videí o výrobkoch a inštaláčne softvéry.

Pomocou kódu QR môžete priamo otvoriť stránku služieb spoločnosti Lidl (www.lidl-service.com) a otvoriť si návod na obsluhu zadáním čísla výrobku (IAN) 422496_2210.

1.	Explicación de los símbolos en el aparato.....	112
2.	Introducción.....	114
3.	Descripción del aparato (fig. 1-9)	114
4.	Volumen de suministro	114
5.	Uso previsto.....	114
6.	Indicaciones de seguridad	115
7.	Indicaciones de trabajo.....	117
8.	Datos técnicos	119
9.	Antes de la puesta en marcha	119
10.	Manejo	120
11.	Indicaciones de trabajo.....	121
12.	Transporte.....	122
13.	Limpieza y mantenimiento	122
14.	Almacenamiento	124
15.	Eliminación y reciclaje	124
16.	Solución de averías.....	125
17.	Certificado de garantía	126
18.	Plano de explosión	257
19.	Declaración de conformidad	260

1. Explicación de los símbolos en el aparato

	¡Antes de la puesta en marcha, leer y seguir el manual de instrucciones así como las indicaciones de seguridad!
	¡Se recomienda utilizar calzado de seguridad!
	¡Utilizar protección auditiva!
	¡Utilizar gafas de protección!
	¡Llevar guantes de trabajo de protección!
	¡Atención! ¡No deje que en la zona de trabajo entre nadie que no vaya a trabajar!
	¡Seguir las advertencias y las instrucciones de seguridad!
	¡Atención! Existe peligro de incendio y explosión.
	¡Atención: peligro de lesiones! Nunca acerque las manos a las cuchillas. Nunca toque una cuchilla cuando encienda el aparato o trabaje con él.
	Advertencia de superficies calientes.



No use el aparato si llueve o hay mucha humedad. ¡Peligro de accidente eléctrico!



Atención: sustancias inflamables. ¡Prohibido hacer fuegos o llama viva y fumar!



Proporción: 40 partes de gasolina y 1 parte de aceite



Gire la palanca del estrangulador de aire. "Arranque en caliente y trabajar" y "Arranque en frío"



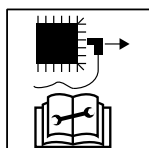
Especificación del nivel garantizado de potencia acústica L_{WA} en dB.



Pulse 7 veces la bomba de combustible ("cebador")



¡Atención! de asfixia!
Los gases de escape son tóxicos, por lo que no debe hacer funcionar el motor en espacios sin ventilación.



¡Antes de realizar trabajos de mantenimiento, debe apagar el aparato y retirar el conector de la bujía de encendido!



El producto cumple con las normativas europeas vigentes.

2. Introducción

FABRICANTE:

Scheppach GmbH

Günzburger Straße 69
D-89335 Ichenhausen (Alemania)

ESTIMADO CLIENTE:

Le deseamos éxito y disfrute al trabajar con su nuevo aparato.

NOTA:

El fabricante de este aparato, de acuerdo con la legislación alemana de responsabilidad sobre productos, no se hace responsable de los daños originados en este aparato o causados por éste en los siguientes casos:

- manejo incorrecto,
- inobservancia de las instrucciones de servicio,
- reparaciones efectuadas por personal técnico no autorizado ajeno a nuestra empresa,
- montaje y sustitución de piezas de repuesto no originales,
- empleo no conforme al previsto,

Observe lo siguiente:

Lea antes del montaje y de la puesta en marcha el texto completo del presente manual de instrucciones.

El presente manual de instrucciones tiene como fin facilitarle los conocimientos necesarios sobre su aparato y que pueda aprovechar sus posibilidades de uso conforme a las previstas. El manual de instrucciones incluye importantes indicaciones sobre cómo debe trabajar con el aparato de forma segura, competente y rentable y cómo puede evitar peligros, ahorrar costes por reparaciones, reducir los tiempos de inactividad y aumentar la fiabilidad y la vida útil del aparato.

Además de las normas de seguridad incluidas en este manual de instrucciones, deberá observar estrictamente las prescripciones vigentes en su país para el funcionamiento del aparato.

Conserve el manual de instrucciones en una funda de plástico, protegido del polvo y de la humedad, con el aparato. Este deberá leerse y observarse con atención por cada persona empleada antes de comenzar a trabajar por primera vez.

En el aparato solo deben trabajar personas instruidas en su manejo y familiarizadas con los peligros que este conlleva. Debe respetarse la edad laboral mínima.

Además de las indicaciones de seguridad incluidas en el presente manual de instrucciones y las prescripciones especiales vigentes en su país, deberán observarse las normas técnicas generalmente reconocidas para el funcionamiento de máquinas de estructura similar.

Declinamos cualquier responsabilidad de posibles accidentes o daños que puedan producirse por no obedecer las presentes instrucciones e indicaciones de seguridad.

3. Descripción del aparato (fig. 1-9)

1. Dispositivo de corte
2. Protector de manos
3. Asa delantera
4. Palanca de arranque en frío (estrangulador de aire)
5. Bomba de combustible "Primer"
6. Interruptor de conexión/desconexión
7. Bloqueo de la palanca de aceleración
8. Asa trasera
9. Palanca de aceleración
10. Palanca de bloqueo
11. Tapa del depósito
12. Cable de arranque
13. Silenciador
- 13.1 Abertura de salida del silenciador
- 13.2 Tornillos del silenciador
14. Conector de bujía de encendido
- 14.1 bujía de encendido
15. Tornillo de mariposa
16. Cubierta del filtro de aire
17. Filtro de aire
18. Abertura de lubricación

4. Volumen de suministro

- Cortasetos de gasolina
- Botella mezcladora de gasolina-aceite (A)
- Llave de bujías de encendido (B)
- Llave Allen de 4 mm (C)
- Protección de la cuchilla (E) (premontada)
- Manual de instrucciones

5. Uso previsto

La máquina cumple la directiva de máquinas CE en vigor.

Antes de empezar a trabajar, deben estar montados en la máquina todos los dispositivos de protección y seguridad.

Este cortasetos de gasolina está diseñado para cortar setos blandos recién crecidos. No es apto para cortar ramas, madera dura u otros materiales.

La máquina está diseñada para ser manejada por una persona.

El personal de servicio es responsable en la zona de trabajo frente a terceros.

Observe todas las indicaciones de seguridad y peligro de la máquina.

Todas las indicaciones de seguridad y peligro colocadas en la máquina se deben mantener íntegras y legibles.

La máquina solo debe usarse en estado técnicamente perfecto y para el uso previsto, con conciencia de la seguridad y los peligros, observando las instrucciones de servicio.

¡Las averías que puedan afectar especialmente a la seguridad deben ser subsanadas de inmediato!

Se deben respetar las normas de seguridad, trabajo y mantenimiento establecidas por el fabricante, así como las dimensiones indicadas en los datos técnicos.

Deben observarse las prescripciones de prevención de accidentes aplicables y las reglas técnicas de seguridad especiales reconocidas con carácter general.

La máquina solo deben usarla, mantenerla y repararla expertos que la conozcan y conozcan los peligros. En caso de modificación arbitraria de la máquina, el fabricante no asume responsabilidad alguna por los daños derivados.

La máquina solo se debe usar con accesorios y herramientas originales del fabricante.

Cualquier otro uso se considerará uso indebido. El fabricante no se responsabilizará de los daños resultantes. El riesgo lo asumirá solamente el usuario.

El cortasetos de gasolina solo se debe usar para cortar setos, arbustos y matas. Cualquier otro uso no indicado en estas instrucciones de uso puede dañar el cortasetos o lesionar al usuario, y por ello queda excluido de la lista de posibles aplicaciones.

Este aparato no debe destinarse a usos comerciales, artesanales ni industriales.

No trabaje con la máquina cuando dude sobre si una condición de trabajo es segura o no.

¡AVISO DE ADVERTENCIA! Por su propia seguridad, lea detenidamente este manual y las indicaciones generales de seguridad antes de la puesta en marcha del aparato. Si cede el aparato a un tercero, incluya siempre estas instrucciones de uso.

Recuerde que nuestros aparatos no están diseñados para usos comerciales, artesanales ni industriales. No concedemos ningún tipo de garantía si se utiliza el aparato en empresas comerciales, artesanales o industriales, ni en actividades de características similares.

6. Indicaciones de seguridad

6.1 Trabajo seguro

¡ESTE CORTASETOS DE GASOLINA PUEDE PROVOCAR LESIONES GRAVES!

Lea atentamente las instrucciones para la correcta manipulación, preparación, conservación, puesta en marcha y parada del cortasetos. Familiarícese con todos los elementos de mando y el uso apropiado del cortasetos de gasolina.

Antes de poner en marcha este producto, lea las siguientes indicaciones, así como las normas de seguridad vigentes en su país, para protegerse a sí mismo y a otras personas de posibles lesiones.

Guarde estas indicaciones de seguridad (manual de instrucciones) siempre con el cortasetos de gasolina.

El cortasetos de gasolina solo deben usarlo personas con suficiente experiencia.

Nunca permita que los niños utilicen el cortasetos de gasolina.

Solamente debe dar o prestar el cortasetos a personas de gasolina que lo conozcan y sepan cómo manejarlo. Acompañelo siempre del manual de instrucciones.

El aparato debe repararlo el fabricante o las empresas autorizadas por él.

6.2 Usuario principiante

Un operador experimentado debe enseñar cómo usar el cortasetos de gasolina y el equipo de protección personal a toda persona que lo maneje por primera vez.

- **Concéntrese.** Preste atención a lo que hace. Trabaje de manera sensata. No use el aparato si está cansado o si está bajo el efecto de drogas, alcohol o medicamentos. Un descuido durante el uso del aparato puede causar lesiones graves.
- **Antes de usar el aparato, familiarícese con él mediante el manual de instrucciones.** Los usuarios insuficientemente informados pueden manejar mal el aparato y ponerse en peligro a sí mismos y a otras personas.
- No use el aparato para fines inadecuados (véase "5. Uso previsto").
- **Evite las posturas anormales.** Proporcione una buena estabilidad y mantenga siempre el equilibrio. Respete esta norma sobre todo cuando use peldaños o una escalera de mano.
- **Utilice ropa de trabajo adecuada:**
 - No use ropa holgada ni joyas, ya que pueden engancharse en las piezas móviles.
 - Use protectores de manos resistentes y calzado antideslizante
 - Si tiene el cabello largo, recójalo con una redecilla.
- **Use equipo de protección personal:**
 - Protección auditiva
 - Gafas de protección o protección para la cara
 - Guantes de trabajo
 - Calzado de seguridad
 - Casco verificado cuando la cabeza pueda sufrir lesiones.
- **Recomendamos usar protección para las piernas y una chaqueta de seguridad.**
- **Mantenga su zona de trabajo en orden.** El desorden puede causar accidentes.
- **Tenga en cuenta las influencias ambientales:**
 - Nunca exponga el cortasetos de gasolina a la lluvia.
 - No use el cortasetos de gasolina en un entorno húmedo o mojado.
 - Si hace mal tiempo (lluvia, nieve, hielo, viento), posponga el trabajo: ¡el peligro de accidente es mayor!
 - Procure una buena iluminación.
 - No use el cortasetos de gasolina cerca de líquidos o gases inflamables.
- **Conozca su entorno y tenga en cuenta los peligros que pueda no oír debido al ruido del motor.**
- **Tenga cuidado con los cables eléctricos aéreos**
- **Nunca desatienda el cortasetos de gasolina.**
- **Cuando haga una pausa, pose el cortasetos de gasolina de modo que no suponga un peligro para nadie.** Cuide de que nadie pueda acceder al cortasetos de gasolina sin autorización.
- **El aparato no deben manejarlo niños ni menores de 18 años.**
- **No deje que se acerquen otras personas.**

- **El usuario es responsable de los accidentes o peligros que puedan afectar a otras personas o sus bienes.**
- **Dentro de la zona de trabajo, quien maneja el aparato es responsable ante terceros.**
- **No deje que se acerquen los niños.**
- **No deje a otras personas tocar la herramienta ni el motor, sobre todo a los niños.** Manténgalos apartados de su zona de trabajo.
- **Antes de arrancar el motor, asegúrese siempre de que el cortasetos de gasolina se encuentre en una de las posiciones de trabajo definidas.**
- **Asegúrese siempre de que todas las empuñaduras y los dispositivos de seguridad estén montados al utilizar el cortasetos de gasolina.** No intente nunca utilizar un cortasetos de gasolina incompleto o uno que haya sido modificado sin autorización.
- **No use dispositivos de corte romos, agrietados o dañados.**
- **Antes de empezar a cortar, espere a que el dispositivo de corte esté en marcha.**
- **¡No sobrecargue la máquina!** Trabajaré mejor y con mayor seguridad en el rango especificado de potencia.
- **Use siempre el aparato con los dispositivos de protección íntegra y correctamente colocados, y no cambie en la máquina nada que pueda reducir la seguridad.**
- **No modifique el aparato ni ninguna de sus piezas.**
- **Use solamente dispositivos de corte que cumplan los datos de referencia indicados en estas instrucciones de uso.** Si usa otras herramientas u otros accesorios, puede sufrir lesiones.
- **Apague la máquina y quite el conector de la bujía de encendido en los siguientes casos:**
 - Si el cortasetos de gasolina entra en contacto con tierra, piedras, clavos u otros cuerpos extraños, compruebe que este no esté dañado.
 - Ajuste de la posición de trabajo del dispositivo de corte
 - Comprobación, conservación o trabajos en el cortasetos.
 - Trabajos de reparación
 - Trabajos de mantenimiento y limpieza
 - Reparación de averías (entre ellas está el bloqueo del dispositivo de corte)
 - Transporte y almacenamiento
 - Abandono del cortasetos de gasolina (aunque sea durante una breve interrupción)
- **Cuide su cortasetos de gasolina con cuidado:**
 - Tenga las herramientas afiladas y limpias para trabajar mejor y de un modo más seguro.
 - Tenga las asas secas y limpias de aceite y grasa.
 - Respete las normas de mantenimiento.
- **Observe si la máquina está dañada:**
 - Antes de seguir usando la máquina, examine a fondo los dispositivos de protección y compruebe que funcionan bien y del modo previsto.
 - Compruebe que las piezas móviles funcionan sin problemas, que no se atascan y que no hay piezas dañadas. Para que el cortasetos de gasolina funcione bien, todas las piezas deben estar bien montadas y cumplir todos los requisitos.

- Los dispositivos de protección y piezas dañados deben repararse o sustituirse correctamente en un taller especializado reconocido en tanto no se indique lo contrario en las instrucciones de uso.
- Se deben cambiar los adhesivos de seguridad que estén dañados o ilegibles.
- **¡No deje ninguna llave de herramienta insertada!** Antes de encender el aparato, compruebe siempre que ha quitado las llaves y herramientas de ajuste.
- **Guarde los aparatos que no usen en un lugar seco y cerrado al que no puedan acceder los niños.**
- **Guarde el cortasetos de gasolina en sitios donde los vapores de gasolina no puedan entrar en contacto con fuego o chispas.** Deje enfriar el cortasetos de gasolina siempre antes de guardarlo.
- **Durante el transporte o el almacenamiento del cortasetos de gasolina, hay que cubrir siempre el dispositivo de corte con la protección correspondiente.**
- **No haga ninguna reparación en la máquina salvo que esté formado para ello.** No haga en la máquina más reparaciones que las que se describen en el capítulo "13. Limpieza y mantenimiento". Si hace falta, contacte directamente con el fabricante o con el servicio posventa competente.
- **Debe evitarse el uso del cortasetos de gasolina cuando haya personas o animales en las inmediaciones.**
- **Si el dispositivo de corte entra en contacto con un objeto extraño o si aumenta el ruido de funcionamiento, o bien si el cortasetos de gasolina emite una vibración fuertemente anormal, apague el motor y deje que el cortasetos se detenga.** Desconecte el conector de la bujía de encendido de la bujía de encendido y tome las siguientes medidas:
 1. comprobar la presencia de daños,
 2. comprobar la presencia de piezas sueltas y fijar todas la que haya,
 3. sustituir o reparar las piezas dañadas por otras equivalentes.
- **No utilice nunca el cortasetos de gasolina con un dispositivo de corte dañado o excesivamente desgastado.**
- **Para reducir el riesgo de incendio, asegúrese de que el motor y el silenciador estén libres de residuos, hojas o fugas de lubricante.**
- **Utilice siempre ambas manos cuando el cortasetos de gasolina esté equipado con dos empuñaduras.**
- **Si el cortasetos de gasolina se detiene por razones de mantenimiento, inspección o almacenamiento, apague el motor, desconecte el conector de la bujía de encendido y asegúrese de que todas las piezas giratorias se hayan detenido.** Deje que la máquina se enfríe antes de efectuar comprobaciones, ajustes, etc.

Las reparaciones en otras piezas de la máquina debe hacerlas el fabricante o uno de sus servicios de atención al cliente.

Use solamente piezas de repuesto originales. Si se usan otras piezas de repuesto u otros accesorios, el usuario puede tener un accidente. El fabricante no se responsabilizará de los daños que se deriven de ello.

6.3 Manipulación segura de los combustibles
¡Proceda con cuidado durante la manipulación del combustible! Los combustibles y los vapores de combustible son inflamables y pueden causar lesiones graves si se inhalan o entran en contacto con la piel. Por tanto, al manipular combustible tenga cuidado y procure una buena ventilación.

- **Antes de reponer el combustible del cortasetos de gasolina, apague el motor y deje que el aparato se enfríe.**
- **Cuando reponga combustible, no fume y evite la presencia de llamas descubiertas.**
- **Para reponer combustible, use guantes.**
- **No reponga combustible en espacios cerrados (puede causar una explosión).**
- **Reposte siempre el combustible al aire libre.**
- **Tenga cuidado de no derramar combustible ni aceite.** Si derrama combustible o aceite, limpie el cortasetos de gasolina de inmediato. Si derrama combustible o aceite encima de su ropa, cámbiese inmediatamente.
- **No deje que penetre combustible en la tierra.**
- **Después de reponer combustible, vuelva a poner cuidadosamente el tapón del depósito y cuide de que no se desprenda durante el funcionamiento.**
- **Compruebe que la tapa del depósito y los conductos de gasolina son herméticos.** Si observa alguna fuga, no ponga el aparato en marcha.
- **Transporte y almacene los combustibles siempre en recipientes homologados y señalizados.**
- **Mantenga los combustibles fuera del alcance de los niños.**
- **No transporte ni almacene los combustibles cerca de materiales inflamables ni cerca de chispas o llamas descubiertas.**
- **Para arrancar al aparato, aléjese por lo menos tres metros del lugar donde reponga combustible.**
- **El depósito debe vaciarse al aire libre.**
- **No guarde nunca el cortasetos de gasolina o el depósito de combustible en un espacio donde haya una llama descubierta como, por ejemplo, en un calentador de agua.**
- **¡Para reducir el peligro de incendio, tenga el motor y el silenciador limpios de restos de cortes, hojas y lubricantes!**
- **Nunca retire el tapón del depósito ni añada combustible cuando el motor esté en marcha o caliente.**
- **Deje que el motor y las piezas del sistema de escape se enfríen antes de volver a llenar el depósito.**
- **Si el combustible se ha desbordado, no intente arrancar el motor; en su lugar, retire la máquina de la superficie manchada de combustible antes de proceder al arranque.**

6.4 Riesgos residuales

Aunque el aparato se use correctamente y se respeten todas las normas de seguridad aplicables, puede haber riesgos residuales a causa de su construcción y de los fines para los que ha sido diseñado. Los riesgos residuales se pueden minimizar respetando "6. Indicaciones de seguridad", "5. Uso previsto" y el manual de instrucciones completo. Teniendo consideración y cuidado se reduce el riesgo de daños personales y materiales.

Además, a pesar de todas las precauciones adoptadas puede seguir habiendo riesgos residuales no evidentes:

- Lesiones por expulsión de piezas.
- Rotura y expulsión de fragmentos de cuchilla.
- Peligro de intoxicación por monóxido de carbono si el aparato se usa en espacios cerrados o mal ventilados.
- Peligro de quemaduras si se tocan componentes calientes.
- Peligro de lesiones en los oídos si se trabaja mucho tiempo sin protección auditiva.

7. Indicaciones de trabajo

Compruebe lo siguiente antes de poner en marcha el cortasetos de gasolina y a intervalos regulares mientras trabaje con él:

- ¿El cortasetos de gasolina está completamente y reglamentariamente montado? Compruebe que todas las tuercas y tornillos están firmemente apretados.
- ¿Está el cortasetos de gasolina en un estado bueno y seguro?
 - ¿Se realizan correctamente todas las funciones de seguridad?
- ¿Está lleno el depósito de gasolina?
- ¿Está el dispositivo de corte intacto y afilado?
- ¿Están el motor y el silenciador limpios de sedimentos, hojas o fugas de lubricante?
- ¿Está el asidero seco y limpio (de aceite, grasa y resina)?
- ¿Está el lugar de trabajo libre de obstáculos donde se pueda tropezar?
- ¿Lleva puesto el equipo de protección necesario?
- ¿Ha leído y entendido todas las indicaciones?
- ¿La palanca de aceleración se mueve con suavidad y funciona bien?
- ¿Funciona bien el botón de encendido/apagado?
- ¿El dispositivo de corte se queda siempre parado cuando el motor está al ralentí?

Si el dispositivo de corte se mueve cuando el motor está al ralentí, se deben reducir las revoluciones del ralentí (véase "13.2 Ajuste del número de revoluciones en régimen de marcha al ralentí").

- Asegúrese de que el engranaje está suficientemente lubricado (ver "13. Limpieza y mantenimiento").

7.1 Comportamiento general al trabajar con el cortasetos

- No trabaje solo. Asegúrese de tener cerca a otra persona a quien llamar en caso de emergencia.
- No deje que se acerquen a su zona de trabajo personas (sobre todo niños) ni animales (deben estar a una distancia mínima de 15 m).

- No trabaje sobre nieve, hielo u otro suelo deslizante: puede resbalar.
- No trabaje si no tiene suficiente luz (por ejemplo si hay niebla, lluvia o ventisca, o si se está poniendo el sol).
- Antes de empezar a cortar, ahuyente a los animales que haya en el seto para no herirlos.
- Compruebe que su lugar de trabajo es seguro y está despejado. Quite de la zona de trabajo los objetos que puedan salir despedidos.
- Evite las posturas anormales. Mantenga el equilibrio en todo momento. No trabaje con el tronco inclinado hacia delante.
- Use siempre el cortasetos de gasolina en una postura estable.
- Apague el cortasetos de gasolina si cambia de sitio.
- Cuando el dispositivo de corte esté en movimiento, mantenga alejadas de él las manos y los pies.
- Sujete el cortasetos de gasolina de modo que no pueda inhalar gases de escape. No trabaje en espacios cerrados.
- No use el cortasetos de gasolina para levantar o desenterrar trozos de madera u otros objetos.
- Quite obligatoriamente cualquier objeto extraño que haya en el seto (por ejemplo, alambre), ya que puede dañar el dispositivo de corte del cortasetos de gasolina.
- Sujete siempre el cortasetos de gasolina con las dos manos: la izquierda en el asidero delantero y la derecha en el asidero trasero. Nunca trabaje con una sola mano.
- Cuando suelte la palanca de aceleración, el dispositivo de corte continuará en marcha unos instantes (efecto de marcha libre).
- Empiece a cortar con el dispositivo de corte en marcha.
- Nunca toque el dispositivo de corte con las manos mientras esté en funcionamiento.
- Nunca trabaje:
 - Con los brazos estirados
 - En lugares de difícil acceso
 - Demasiado inclinado hacia delante
- Nunca trabaje con el cortasetos de gasolina por encima de la altura de los hombros.
- Nunca toque alambradas o el suelo con el dispositivo de corte en marcha.
- Apague el motor y quite el capuchón de la bujía de encendido:
 - Si nota algún cambio en el comportamiento del aparato
 - Para quitar restos de corte enganchados
 - Para comprobar el dispositivo de corte cuando este haya entrado en contacto con piedras, clavos u otros objetos duros
 - Para reparar averías
 - Cuando haga una pausa
 - Antes de alejarse del cortasetos
- Si el cortasetos de gasolina se ha calentado, no lo ponga sobre hierba seca ni sobre un objeto inflamable.
- Antes de empezar a trabajar, compruebe que:
 - No hay personas ni animales en la zona de trabajo
 - Puede retroceder sin que ningún obstáculo se lo impida.
 - No hay cuerpos extraños, maleza ni ramas en la zona de los pies.
 - Su posición es estable y segura.

Si una persona con trastornos circulatorios se expone con demasiada frecuencia a las vibraciones, puede sufrir daños vasculares o del sistema nervioso.

7.2 Puede reducir las vibraciones:

- Usando guantes de trabajo fuertes que abriguen.
- Reduciendo el tiempo de trabajo (intercalando varias pausas largas)

Vaya al médico si se siente mal, se le hinchan los dedos o pierde sensibilidad en ellos.

7.3 Trabajos con el cortasetos

Mantenga el cortasetos de gasolina a una distancia segura del cuerpo con ambas manos.

- El diámetro máximo de corte depende del tipo, la edad, el contenido en humedad y de la dureza de la madera.
- Acorte por tanto las ramas muy gruesas con unas tijeras de podar a la longitud correspondiente antes de recortar el seto.
- El cortasetos de gasolina se puede guiar con su cuchilla de doble filo hacia delante o atrás o mediante movimientos pendulares de un lado a otro.
- Corte primero los laterales de los setos y a continuación el lado superior.
- Corte el seto de abajo arriba.
- Corte el seto con forma trapezoidal. Así se evitarán las pérdidas de follaje en la parte inferior del seto causadas por falta de luz.
- Tense una guía a lo largo del seto si desea recortar de manera homogénea el borde superior del seto.
- Corte realizando varias pasadas si se requiere una poda fuerte.

7.4 El momento correcto para la poda:

- Setos de hoja caduca: entre junio y octubre
- Setos de hoja perenne: entre abril y agosto
- setos de crecimiento rápido: a partir de mayo aprox. cada 6 semanas

Fíjese en la existencia de nidos de pájaro en el seto. Retrase entonces la poda del seto o excluya esta zona.

Respete siempre todas las indicaciones de seguridad.

7.5 Comportamiento en caso de avería o accidente

En caso de avería o accidente, desconecte inmediatamente el cortasetos de gasolina con el botón de encendido/apagado (6).

7.6 Primeros auxilios

Para atender posibles accidentes, en el lugar de trabajo se deberá disponer siempre de un botiquín conforme con la norma DIN 13164. El material extraído del botiquín deberá reponerse de inmediato.

Si pide ayuda, proporcione la siguiente información:

- ¿Dónde ha ocurrido?
- ¿Qué ha ocurrido?
- ¿Cuántos heridos hay?
- ¿Qué tipo de lesión se ha producido?
- ¿Quién es usted?

8. Datos técnicos

Tipo del motor.....	Motor de dos tiempos refrigerado por aire
Cilindrada cm ³	22,5
Potencia del motor kW.....	0,65
Número de revoluciones en régimen de marcha al ralentí n ₀ rpm.....	3000 +/- 300
Máxima velocidad del motor en rpm	10500
Capacidad de depósito L.....	0,28
Proporción de la mezcla (combustible/aceite para motores de dos tiempos)	40:1
Longitud de corte en mm	560
Máximo grosor de corte en mm.....	27
Dimensiones longitud/anchura/altura en mm	1100 x 245 x 200
Longitud de espada en mm	700
bujía de encendido.....	L8RTC
Peso en kg	5,2

¡Reservado el derecho a introducir modificaciones técnicas!

Ruido

Información sobre la generación de ruidos determinada según las normas correspondientes:

Nivel de presión acústica L _{pA}	97,8 dB
Incertidumbre K _{pA}	3 dB
Nivel de potencia acústica L _{WA}	107,3 dB
Incertidumbre K _{WA}	2,53 dB

Utilice protección auditiva.

El efecto del ruido puede causar pérdida auditiva.

Vibraciones

Vibración (en el asidero trasero) A _{hv}	4,838 m/s ²
Inseguridad de medición K _{hv}	1,5 m/s ²
Vibración (en el asidero delantero) A _{hv}	5,389 m/s ²

¡Limite la generación de ruidos y la vibración al mínimo!

- Utilice únicamente aparatos en perfecto estado.
- Efectúe el mantenimiento del aparato y límpielo con regularidad.
- Adapte su forma de trabajo al aparato.
- No sobrecargue el aparato.
- En caso necesario, haga revisar el aparato.
- Desconecte el aparato si no lo utiliza.
- Use guantes.

ADVERTENCIA

Evite los riesgos de las vibraciones, p. ej., el riesgo de síndrome de Raynaud (trastornos circulatorios), realizando descansos frecuentes en los que, p. ej., se frote las palmas de las manos.

- Utilice use guantes protectores y asegúrese de que sus manos estén calientes.
- Realice pausas de trabajo regulares.

9. Antes de la puesta en marcha

- Abra el embalaje y extraiga el aparato cuidadosamente.
- Retire el material de embalaje y los seguros de embalaje y transporte (si los hubiera).
- Compruebe la integridad del volumen de suministro.
- Compruebe que no haya daños de transporte en el aparato y en los componentes de los accesorios.
- Conserve el embalaje por si fuera preciso hasta la extinción del período de garantía.

ATENCIÓN

¡El aparato y los materiales de embalaje no son aptos como juguetes para niños! ¡Los niños no deben jugar con bolsas de plástico, láminas o piezas pequeñas! ¡Existe peligro de atragantamiento y asfixia!

- Familiarícese con el equipo antes de su uso con ayuda de las instrucciones de servicio.
- Emplee únicamente piezas originales para los accesorios, piezas de desgaste y piezas de repuesto. Puede encargar las piezas de repuesto a su proveedor técnico.
- Indique en los pedidos nuestro número de artículo, el tipo de equipo y el año de construcción del mismo.

El cortasetos de gasolina no se entrega lleno de mezcla de combustible.

El aparato funciona con una mezcla de gasolina (sin plomo) y aceite para motores de dos tiempos.

Tenga mucho cuidado al manipular la gasolina. No fume ni acerque llamas descubiertas (puede causar una explosión).

Compruebe el aparato antes de cada puesta en marcha:

- Estanqueidad del sistema de combustible.
- Estado impecable e integridad de los dispositivos de protección y del dispositivo de corte.
- Asiento fijo de todas las atornilladuras.
- Marcha suave de todas las piezas móviles.

Combustible y aceite

- Combustibles recomendados
 - Utilice solo una mezcla de gasolina sin plomo y aceite especial para motores de dos tiempos. Prepare la mezcla de combustible tal y como se indica en la tabla de mezcla de combustible.
 - No use combustible E10.

Atención:

No use ninguna mezcla de combustible que se haya almacenado durante más de 90 días.

Atención:

No utilice aceite de dos tiempos con una proporción de mezcla recomendada de 100:1. En caso de daños de motor debido a una lubricación insuficiente, se suprime la garantía del motor del fabricante.

Atención:

Emplee para el transporte y el almacenamiento de combustible solo los recipientes previstos y autorizados para ello. Vierta en cada caso la cantidad correcta de gasolina y de aceite de dos tiempos en el recipiente de mezcla de gasolina y aceite suministrado (A). A continuación, agite bien el recipiente.

No utilice nunca aceite para motores de cuatro tiempos o para motores de dos tiempos refrigerados por agua. De lo contrario, se pueden ensuciar la bujía de encendido, bloquear la sección de escape de aire o quedar adherido el aro de pistón. Las mezclas de combustible que no se hayan empleado durante un mes o más, pueden obstruir el carburador o menoscabar el funcionamiento del motor. Agregue el combustible no necesario en un recipiente hermético y consérvelo en un espacio oscuro y fresco.

Tabla de mezcla de combustible

Método de mezcla: 40 partes de gasolina y 1 parte de aceite

Ejemplo:

1 l de gasolina: 0,025 l de aceite de 2 tiempos

5 l de gasolina: 0,125 l de aceite de 2 tiempos

¡Advertencia! Preste atención a los gases de escape.

Desconecte el motor siempre antes de rellenar el depósito de combustible.

No agregue nunca gasolina al aparato mientras el motor esté en marcha o todavía caliente. ¡Existe peligro de incendio!

Llene el depósito solo al aire libre o en estancias con buena ventilación. Asegúrese de que el combustible no penetre en la tierra (protección del medio ambiente). Utilice una base adecuada. Utilice únicamente aceite bio para cadenas.

Los combustibles solo se pueden almacenar un tiempo limitado, ya que envejecen. Si los combustibles y mezclas de combustible se almacenan demasiado tiempo, pueden causar problemas de arranque. Por lo tanto, mezcle solamente la cantidad de combustible que vaya a consumir en un mes. Almacene los combustibles siempre en recipientes homologados y debidamente señalizados. Guarde los recipientes de combustible en un lugar seco y seguro.

Almacene los recipientes de combustible en un lugar al que no puedan acceder los niños.

¡Atención! Antes de poner en marcha el aparato, averigüe la manera más rápida de apagarlo en caso de emergencia.

9.1 Reponer el combustible del cortasetos

- ¡Apague el motor y déjelo enfriar!
- ¡Usar guantes de protección!
- Evite el contacto con la piel y los ojos.
- Siga obligatoriamente el apartado "Manipulación segura de los combustibles", véase 6.3.

1. Reponga siempre el combustible del cortasetos de gasolina al aire libre o en un espacio suficientemente ventilado.
2. Limpie el entorno de la zona de llenado. Si el depósito está sucio, se producirán fallos de funcionamiento.

3. Agite de nuevo la botella mezcladora de gasolina-aceite (A) con la mezcla de combustible antes de echarla en el depósito.
4. Abra con cuidado la tapa del depósito (11) de combustible para eliminar progresivamente cualquier posible exceso de presión.
5. Introduzca con cuidado la mezcla de combustible hasta el borde inferior de la tubuladura de llenado. Utilice un embudo o una herramienta auxiliar de llenado (no incluida en el volumen de suministro) para evitar el derrame del combustible.
6. Cierre de nuevo la tapa del depósito (11). Compruebe que la tapa del depósito (11) quede herméticamente cerrada.
7. Limpie el tapón del depósito (11) y la zona de alrededor.
8. Compruebe que no hay fugas en el depósito ni en los conductos de combustible.
9. Si hace falta, accione el "cebador" (5) de la bomba de combustible.
10. Antes de arrancar el motor, aléjese por lo menos tres metros del depósito.

9.2 Soltar combustible

Vacíe el depósito de combustible solo al aire libre o en espacios bien ventilados. No deje que penetre combustible en la tierra (protección del medio ambiente). Utilice una base adecuada.

1. Sujete un recipiente colector debajo del depósito de combustible.
2. Desenrosque la tapa del depósito de combustible (11) y quitela.
3. Suelte por completo la mezcla de gasolina y aceite.
4. Vuelva a enroscar la tapa del depósito (11) a mano.

10. Manejo

10.1 Ajuste del asidero trasero (8) (fig. 2)

Para mover el cortasetos de gasolina más fácilmente, el asidero trasero (8) se puede ajustar en 3 posiciones de trabajo.

- Durante el ajuste, la palanca de aceleración (9) no se puede accionar.

1. Sujete el cortasetos de gasolina con la mano izquierda por el asidero delantero (3).
2. Empuje la palanca de bloqueo (10) hacia abajo y gire el asidero hasta la posición deseada.
3. Suelte la palanca de bloqueo (10). Compruebe que la palanca de bloqueo vuelva a quedar encajada y que el asidero esté fijado de manera segura.

10.2 Arrancar el aparato

⚠ ¡Peligro de lesiones!

¡Arranque el cortasetos de gasolina solo si está montado el dispositivo de corte! Retire la protección de transporte correspondiente e inspeccione el aparato en cuanto a su buen estado de funcionamiento.

No emplee nunca un dispositivo de corte dañado, mal ajustado o mantenido o sin montar completamente o de manera segura.

¡Comprobar antes del uso!

Compruebe si el aparato se encuentra en un estado seguro de funcionamiento:

- Compruebe que el botón de encendido/apagado (6), el bloqueo de la palanca de aceleración (7) y la palanca de aceleración (9) funcionan según lo prescrito.
- Compruebe si el aparato presenta fugas.
- Compruebe si el aparato presenta daños visibles.
- Compruebe si todas las piezas del aparato van fijadas de manera segura.
- Compruebe si todos los dispositivos de seguridad se encuentran en un buen estado y están operativos.

10.2.1 Arranque con el motor frío (fig. 1, 3, 4)

Para arrancar el cortasetos de gasolina, apóyelo y sujételo bien. Compruebe que el dispositivo de corte esté despejado.

1. Retire la protección de la cuchilla (E) del dispositivo de corte (1).
2. Coloque el cortasetos de gasolina sobre una superficie estable y plana. El dispositivo de corte (1) no debe tocar el suelo.
3. Pulse 7 veces la bomba de combustible "Primer" (5).
4. Gire la palanca de arranque en frío (estrangulador de aire) (4) hacia la posición "Arranque en frío".
5. Sujete firmemente el cortasetos de gasolina por el asidero delantero (3) y tire del cable de arranque (12) lentamente hasta notar la primera resistencia.
6. A continuación, tire rápidamente del cable de arranque (12) hasta que el motor arranque. Si el motor no arranca, repita el procedimiento. Mientras la palanca de arranque en frío (estrangulador de aire) (4) esté en "arranque en frío", el motor solo se pondrá en marcha brevemente y volverá a apagarse.
7. En cuanto el motor se apague, accione el bloqueo de la palanca de aceleración (7) y la palanca de aceleración (9) simultáneamente. El estrangulador de aire (4) salta automáticamente a la posición de servicio "Arranque en caliente".
8. A continuación, vuelva a tirar rápidamente del cable de arranque (12) hasta que el motor arranque.
9. Después de accionar una vez la palanca de aceleración (9), el motor funciona al ralentí.
10. Deje que el motor se caliente brevemente.

Si el motor no arranca tras varios intentos lea el capítulo "Solución de averías".

Atención

Tire del cable de arranque (12) siempre en línea recta. Si se tira del mismo de manera angulada, se producirá una fricción en la zona del ojal. Esta fricción roza el cordón, desgastándolo con mayor rapidez. Sujete el asa del cable de arranque (12) firmemente cuando el cable de arranque (12) se vuelva a retraer.

No deje nunca que el cable de arranque (12) se recoja con excesiva rapidez. Esto podría ocasionar daños.

Nota:

A altas temperaturas exteriores, puede que haya que arrancar el motor frío sin la palanca de arranque en frío (estrangulador de aire) (4).

Nota:

Si el dispositivo de corte (1) se mueve con la marcha al ralentí o el motor se detiene automáticamente cuando se le deja de dar gas, debe realizarse un ajuste del carburador (véase capítulo "13.2 Ajuste del número de revoluciones en régimen de marcha al ralentí").

10.2.2 Arranque con el motor caliente

1. La palanca de arranque en frío (estrangulador de aire) debe estar en "Arranque en caliente" para el arranque del motor en caliente.
2. Sujete fijamente el cortasetos de gasolina por el asidero delantero (3) y tire del cable de arranque (12) lentamente hasta notar la primera resistencia.
3. A continuación, tire rápidamente del cable de arranque (12). El aparato debería ponerse en marcha después de 1-2 tracciones. En caso de que el aparato no se ponga en marcha después de 6 tracciones, repita el procedimiento descrito en "Arranque con el motor frío".

10.3 Funcionamiento del cortasetos (fig. 1)

1. Sujete firmemente el asidero delantero (3) del cortasetos de gasolina con la mano izquierda.
2. Sujete firmemente el asidero trasero con la mano derecha (8). Al hacerlo, la palma de la mano debe estar situada sobre el bloqueo de la palanca de aceleración (7) y el dedo índice debe accionar la palanca de aceleración (9).
3. Empuje la palanca de aceleración (9).
4. El dispositivo de corte se pone en marcha.

Si suelta la palanca de aceleración (9), el dispositivo de corte se parará y el motor funcionará al ralentí.

Contacte con el fabricante si, a pesar de este ajuste, el dispositivo de corte se sigue moviendo cuando el motor está al ralentí. ¡En ningún caso siga trabajando con el cortasetos de gasolina!

10.4 Bloqueo del dispositivo de corte (fig. 1)

Si el dispositivo de corte (1) se bloquea durante el funcionamiento, desconecte el cortasetos de gasolina con el botón de encendido/apagado (6) y retire el conector de bujía de encendido (14).

A continuación, retire el material de bloqueo y compruebe que el dispositivo de corte (1) no esté dañado.

10.5 Parar el motor

1. Pulse el botón de encendido/apagado (6) y manténgalo pulsado.
2. Espere hasta que se haya detenido el motor antes de soltar el aparato de las manos.
3. Suelte el botón de encendido/apagado (6).

11. Indicaciones de trabajo

11.1 Trabajar con el cortasetos

- El cortasetos es adecuado para cortar setos, arbustos y matas.
- Mantenga el cortasetos a una distancia segura del cuerpo con ambas manos.
- El diámetro máximo de corte depende del tipo, la edad, el contenido en humedad y de la dureza de la madera.

- Acorte por tanto las ramas muy gruesas con unas tijeras de podar a la longitud correspondiente antes de recortar el seto.
- El cortasetos se puede guiar con su cuchilla de doble filo hacia delante o atrás o mediante movimientos pendulares de un lado a otro.
- Corte primero los laterales de los setos y a continuación el lado superior.
- Corte el seto de abajo arriba.
- Corte el seto con forma trapezoidal. Así se evitarán las pérdidas de follaje en la parte inferior del seto causadas por falta de luz.
- Tense una guía a lo largo del seto si desea recortar de manera homogénea el borde superior del seto.
- Corte realizando varias pasadas si se requiere una poda fuerte.
- Quite obligatoriamente cualquier objeto extraño que haya en el seto (por ejemplo, alambre), ya que puede dañar las cuchillas del cortasetos.
- **¡Atención!** ¡Se mantiene una marcha en inercia de las cuchillas! No detenga las cuchillas con las manos.

El momento correcto para el corte:

- Setos de hoja caduca: entre junio y octubre
- Setos de hoja perenne: entre abril y agosto
- setos de crecimiento rápido: a partir de mayo aprox. cada 6 semanas

Fíjese en la existencia de nidos de pájaro en el seto. Retrase entonces la poda del seto o excluya esta zona.

12. Transporte

Para transportar el aparato, apague el motor, espere a que el dispositivo de corte se pare y ponga la protección de la cuchilla (E) (fig. 4).

Transporte el aparato por el asidero delantero (3). Hágalo con el dispositivo de corte (1) mirando hacia atrás y aparte su cuerpo del silenciador (13) caliente.

Si transporta el aparato en un vehículo, póngalo siempre en el maletero o en una superficie de transporte separada.

Asegure el cortasetos de gasolina para que no vuelque, no se dañe y no pierda combustible.

13. Limpieza y mantenimiento

Antes de cualquier trabajo de mantenimiento o limpieza

- Apague el motor
- Espere a que se pare el dispositivo de corte
- Quite el conector de la bujía de encendido (salvo que esté ajustando el ralentí)
- Deje enfriar el aparato

Nota

Después de cada uso, de limpiarse el aparato en profundidad.

Realice los trabajos de limpieza y mantenimiento únicamente en la medida indicada en este manual de instrucciones.

Los trabajos de mantenimiento y limpieza que no se describan en este capítulo debe realizarlos el servicio posventa.

No haga trabajos de mantenimiento cerca de llamas descubiertas. ¡Peligro de incendio!

Es absolutamente obligatorio volver a colocar correctamente y comprobar los dispositivos de seguridad que se hayan quitado para realizar el mantenimiento y la limpieza.

Use solamente piezas originales. Si usa otras piezas, puede causar daños y lesiones imprevisibles.

Use guantes para evitar posibles lesiones.

Para que el cortasetos de gasolina funcione durante mucho tiempo de manera fiable, realice regularmente los siguientes trabajos de mantenimiento.

Observe si el cortasetos de gasolina tiene deficiencias evidentes como

- Sujeciones sueltas
- Componentes desgastados o dañados
- Un dispositivo de corte deformado, roto o dañado
- Compruebe la estanqueidad del tapón del depósito y los conductos de combustible

Después de usar el cortasetos de gasolina, observe

- Está gastado, sobre todo si el dispositivo de corte tiene juego de deslizamiento.
- las cubiertas o dispositivos de protección están intactos y bien montados.

Antes de usar el cortasetos de gasolina, realice las reparaciones o trabajos de mantenimiento que sean necesarios.

13.1 Lubricar el engranaje (fig. 5)

Lubrique el engranaje cada 10-20 horas de servicio.

1. Utilice la llave Allen de 4 mm suministrada (C) para abrir el tornillo del orificio de lubricación (18) en la parte inferior del cortasetos.
2. Aplique la pistola de engrasar en el orificio de engrase (18).
3. Bombee un poco de grasa en su interior.
4. Vuelva a enroscar el tornillo del orificio de lubricación (18).

¡Atención! Rellene solo un poco de grasa. No sobrellene.

13.2 Ajuste de las revoluciones del ralentí

Si el dispositivo de corte (1) se mueve con la marcha al ralentí o el motor se detiene automáticamente cuando se le deja de dar gas, debe realizarse un ajuste del carburador.

Nota:

Los ajustes del carburador (p. ej., revoluciones del ralentí) debe llevarlos a cabo exclusivamente personal técnico cualificado con el fin de evitar daños en el motor.

13.3 Limpiar y cambiar el filtro de aire (fig. 6)

Los filtros de aire contaminados reducen la potencia del motor debido a una menor alimentación de aire hacia el carburador. El polvo y el polen taponan los poros del elemento de espuma. Por lo tanto, es indispensable realizar verificaciones regulares.

Limpie el filtro de aire (17) aproximadamente cada 15 horas de servicio. Si hay mucho polvo, hágalo más a menudo.

1. Ponga la palanca de arranque en frío (estrangulador de aire) (4) en la posición "Arranque en frío" para que no entren partículas de suciedad en el carburador.
2. Retire la cubierta del filtro de aire (16). Para hacerlo, afloje primero el tornillo de mariposa (15).
3. Saque el filtro de aire (17) de espuma.
4. Lave el filtro de aire (17) en lejía jabonosa tibia. ¡No sople para expulsar las partículas de suciedad: puede hacerse daño en los ojos!
5. Limpie el interior del filtro de aire con un pincel.
6. Deje que el filtro de aire (17) se seque bien y vuelva a ponerlo.
7. Vuelva a colocar la cubierta del filtro de aire (16).

Atención:

Nunca limpie los filtros de aire con gasolina o con disolventes inflamables.

A fin de prolongar la vida útil del motor, deberá sustituirse de inmediato un filtro de aire dañado.

⚠ ¡Advertencia!

No deje el motor nunca en marcha si no se ha colocado el elemento del filtro de aire.

13.4 Limpiar y cambiar el filtro de gasolina

Compruebe el filtro de gasolina cuando haga falta. Si el filtro de gasolina está sucio, impedirá el suministro de combustible. Abra la tapa del depósito (11) y haga pasar el filtro de gasolina a través de la abertura usando un gancho de alambre (no incluido en el volumen de suministro).

- Con poca suciedad:
 - Quite el filtro de gasolina del conducto de combustible y limpie el filtro con gasolina de lavado.
- Con mucha suciedad:
 - Cambie el filtro de gasolina.

1. Para quitar el filtro de gasolina del conducto de combustible, apriete la abrazadera de la manguera y deslícela hacia abajo.
2. Ahora se puede quitar el filtro de gasolina del conducto de combustible.

13.5 Controlar, limpiar o cambiar la bujía de encendido (fig. 7/8)

Atención

No toque la bujía de encendido (14.1) ni el conector de la bujía de encendido (14) con el motor en marcha. ¡Alta tensión! Peligro de quemaduras cuando el motor está caliente. ¡Usar guantes de protección!

Compruebe regularmente la bujía de encendido y la distancia que hay entre los electrodos.

13.5.1 Comprobar la bujía de encendido

1. Quite el conector de bujía de encendido (14) de la bujía de encendido (14.1).
2. Desenrosque la bujía de encendido (14.1) con la llave de bujías de encendido (B) suministrada.
3. Compruebe la distancia entre los electrodos. Esta debe ser de 0,6 a 0,7 mm.

13.5.2 Limpiar la bujía de encendido

Revise la bujía de encendido sólo después de las primeras 10 horas de servicio en busca de contaminación y, en caso necesario, límpiela con un cepillo de alambre de cobre.

Posteriormente, se le debe dar mantenimiento a la bujía de encendido cada 50 horas de servicio.

Cambie la bujía de encendido:

- Cada mes si usa el aparato regularmente
- Cuando el cuerpo de aislamiento esté dañado
- Cuando los electrodos estén muy erosionados
- Cuando los electrodos estén muy sucios o cubiertos de aceite

13.5.3 Comprobar la chispa de encendido

1. Quite el conector de bujía de encendido (14) de la bujía de encendido (14.1).
2. Desenrosque la bujía de encendido (14.1) con la llave de bujías de encendido (B) suministrada.
3. Encaje firmemente el conector de la bujía de encendido (14).
4. Utilizando una pinza aislada, apriete la bujía de encendido (14.1) contra el cárter del motor (no lo haga cerca del agujero de la bujía de encendido).
5. A continuación, tire enérgicamente del cable de arranque (12).
6. Si el funcionamiento es correcto, se debe ver una chispa entre los electrodos.

13.6 Silenciador / abertura de salida (fig. 9)

No apriete los tornillos del silenciador cuando el motor esté caliente.

1. Compruebe regularmente que los tornillos (13.2) del silenciador (13) no se hayan aflojado. Utilice la llave Allen de 4 mm (C) para apretar los tornillos que puedan estar sueltos.
2. Limpie regularmente la abertura de salida (13.1).

13.7 Limpieza

Para que el cortasetos de gasolina siga funcionando perfectamente, límpielo a fondo después de usarlo.

¡Use guantes de protección para limpiar el dispositivo de corte!

- Limpie la carcasa con una escobilla suave o un paño seco. No use agua, disolventes ni productos para pulir.
- Compruebe que están despejadas las ranuras de ventilación que refrigeran el motor (peligro de sobrecalentamiento).
- Limpie regularmente el dispositivo de corte con una escobilla o un paño. Nunca limpie el dispositivo de corte con agua (¡riesgo de corrosión!)
- Limpie y engrase regularmente todas las piezas móviles.
- ¡Nunca use grasa!
- Use un aceite que sea respetuoso con el medio ambiente.

13.8 Plan de mantenimiento

Pieza del aparato	Acción	Antes del inicio del trabajo	Cada semana	En caso de averías	En caso de formación de chispas	En caso necesario
Dispositivo de corte (1)	Comprobar y observar el estado de afilado	X				
	Compruebe el juego de deslizamiento del dispositivo de corte	X				
	Afilar					X
Motor	Apriete los tornillos del silenciador					X
	Limpie / cambie el filtro de gasolina					X
	Limpie / cambie el filtro de aire					Cada 15 horas de servicio (más a menudo si hay mucho polvo)
	Lubricación del engranaje					cada 20 horas de servicio, por lo menos una vez al año

Información sobre el servicio técnico

Hay que tener en cuenta que los siguientes componentes de este producto están sometidos a desgaste natural o por el uso o que se requieren los siguientes materiales de uso único.

Piezas de desgaste*:

Cortador (juego)	(5910402011)
bujía de encendido	(3904801048)
Filtro de aire	(3910404001)

* ¡No se incluyen obligatoriamente en el volumen de suministro!

14. Almacenamiento

Si no va a usar un aparato, póngale la protección de la cuchilla y guárdelo en un lugar seco y cerrado al que no puedan acceder los niños.

Limpie el aparato y realícele un mantenimiento antes de proceder a guardarlo.

Precaución:

Nunca guarde el aparato más de 30 días sin antes realizar las operaciones descritas a continuación:

Almacenamiento del aparato durante más de 30 días

Si almacena el aparato durante más de 30 días, este debe estar preparado para ello. De lo contrario, el combustible residual en el carburador se evapora y deja un sedimento gomoso. Esto podría dificultar el arranque y ocasionar costosas reparaciones.

- Purgue el combustible (véase 9.2)
- Arranque el motor y déjelo en marcha hasta que el motor se detenga para vaciar el combustible del carburador.

- Deje enfriar el motor (aprox. 5 minutos).
- Retire la bujía de encendido (véase 13.5).
- Introduzca 1 cucharilla de aceite limpio para motores de 2 tiempos en la cámara de combustión.
- Tire varias veces despacio de la cuerda de arranque para recubrir los componentes internos.
- Vuelva a montar la bujía de encendido (véase 13.5).

Nota:

Almacene el aparato en un lugar seco, lejos de posibles fuentes de ignición, p. ej., horno, calentador de agua con gas, secadora de gas, etc.

15. Eliminación y reciclaje

Notas sobre el embalaje



Los materiales de embalaje son reciclables. Deseche los embalajes de forma respetuosa con el medio ambiente.

En su ayuntamiento o administración municipal podrá obtener información sobre las distintas opciones de eliminación de un aparato fuera de uso.

Combustibles y aceites

- ¡Antes de desechar el aparato, se deben vaciar el depósito de combustible y el depósito de aceite del motor!
- ¡El combustible y el aceite de motor no deben tirarse a la basura ni a los desagües domésticos, sino que deben recogerse y eliminarse por separado!
- Los depósitos de aceite y combustible vacíos deben desecharse de forma respetuosa con el medio ambiente.

16. Solución de averías

Avería	Causa posible	Solución
El cortasetos no arranca	<ul style="list-style-type: none"> Motor, sin combustible Hay un fallo en el conducto de combustible El filtro de gasolina está obstruido La bujía de encendido está defectuosa El carburador está defectuoso Fallo interno 	<ul style="list-style-type: none"> Comprobar la cantidad de combustible Observar si el conducto de combustible está doblado o dañado Limpiar o cambiar el filtro de gasolina. Cambiar la bujía de encendido Contactar con el fabricante o el servicio de atención al cliente competente Contactar con el fabricante o el servicio de atención al cliente competente
El cortasetos se detiene al cortar	<ul style="list-style-type: none"> Fallo interno Interruptor de conexión/desconexión defectuoso 	<ul style="list-style-type: none"> Contactar con el fabricante o el servicio de atención al cliente competente Contactar con el fabricante o el servicio de atención al cliente competente
Motor en marcha, el dispositivo de corte se queda parado	<ul style="list-style-type: none"> El dispositivo de corte está bloqueado Fallo interno El embrague está defectuoso 	<ul style="list-style-type: none"> Quitar el objeto Contactar con el fabricante o el servicio de atención al cliente competente Contactar con el fabricante o el servicio de atención al cliente competente
El dispositivo de corte se calienta	<ul style="list-style-type: none"> Falta lubricación → rozamiento El dispositivo de corte está desafilado 	<ul style="list-style-type: none"> Lubricación del dispositivo de corte Llevar a afilar el dispositivo de corte

17. Certificado de garantía

Estimado cliente,

Nuestros productos están sometidos a un estricto control de calidad. No obstante, lamentaríamos que este aparato dejara de funcionar correctamente, en tal caso, le rogamos que se dirija a nuestro servicio de atención al cliente en la dirección indicada en la parte inferior de la presente tarjeta de garantía. Con mucho gusto le atenderemos también telefónicamente en el número de servicio indicado a continuación. Para hacer válido el derecho de garantía, proceda de la siguiente forma:

- Estas condiciones de garantía regulan prestaciones de la garantía adicionales. Sus derechos legales a prestación de garantía no se ven afectados por la presente garantía. Nuestra prestación de garantía es gratuita para usted. La prestación de garantía se extiende exclusivamente a defectos ocasionados por fallos de material o de producción y está limitada a la reparación de los mismos o al cambio del aparato. Tenga en consideración que nuestro aparato no está indicado para un uso comercial, en taller o industrial. Por lo tanto, no procederá un contrato de garantía cuando se utilice el aparato en zonas industriales, comerciales o talleres, así como actividades similares. De nuestra garantía se excluye cualquier otro tipo de prestación adicional por daños ocasionados por el transporte, daños ocasionados por la no observancia de las instrucciones de montaje o por una instalación no profesional, no observancia de las instrucciones de uso (como, p. ej., conexión a una tensión de red o corriente no indicada), aplicaciones impropias o indebidas (como, p. ej., sobrecarga del aparato o uso de herramientas o accesorios no homologados), no observancia de las disposiciones de mantenimiento y seguridad, introducción de cuerpos extraños en el aparato (como, p. ej., arena, piedras o polvo), uso violento o influencias externa (como, p. ej., daños por caídas), así como por el desgaste habitual por el uso.

El derecho a garantía pierde su validez cuando ya se hayan realizado intervenciones en el aparato.

- El periodo de garantía es de 3 años y comienza en la fecha de la compra del aparato. El derecho de garantía debe hacerse válido, antes de finalizado el plazo de garantía, dentro de un periodo de dos semanas una vez detectado el defecto. El derecho de garantía vence una vez transcurrido el plazo de garantía. La reparación o cambio del aparato no conllevará ni una prolongación del plazo de garantía ni un nuevo plazo de garantía ni para el aparato ni para las piezas de repuesto montadas. Esto también se aplica en el caso de un servicio in situ.
- Para reclamar sus derechos de garantía, póngase en contacto con la dirección de servicio que aparece a continuación. Si la reclamación se encuentra dentro del período de garantía, pondremos a su disposición un impreso de devolución con el que podrá devolvernos su aparato defectuoso sin cargo alguno. Describa con la mayor precisión posible el motivo de la reclamación. Si nuestra prestación de garantía incluye el defecto aparecido en el aparato, recibirá de inmediato un aparato reparado o nuevo de vuelta.

Naturalmente, también solucionaremos los defectos del aparato que no se encuentren comprendidos o ya no se encuentren comprendidos en la garantía, en este caso contra reembolso de los costes. Para ello, envíe el aparato a nuestra dirección de servicio técnico.

Cliente Servicio (ES):

00800 4003 4003
(0,00 EUR/Min.)

Correo electrónico de servicio (ES):

service.ES@scheppach.com

Dirección del servicio (ES):

ISTEGA S.L.
Ctra. De Cambre al Temple, 106 - A Barcala
ES - 15660 Cambre (A Coruña)



En www.lidl-service.com puede descargar estos y muchos otros manuales, videotutoriales de productos y software de instalación.

El código QR le direcciona directamente a la página de servicio de Lidl (www.lidl-service.com) y puede abrir el manual de instrucciones introduciendo el número de artículo (IAN) 422496_2210.

Indholdsfortegnelse:	Side:
1. Forklaring til symbolerne på maskinen	128
2. Indledning.....	130
3. Apparatbeskrivelse (fig. 1-9).....	130
4. Leveringsomfang	130
5. Tilsigtet brug	130
6. Sikkerhedsforskrifter	131
7. Arbejdsinstrukser	133
8. Tekniske data.....	134
9. Før ibrugtagning.....	135
10. Betjening	136
11. Arbejdsinstrukser	137
12. Transport.....	137
13. Rengøring og vedligeholdelse	137
14. Opbevaring.....	139
15. Bortskaffelse og genanvendelse	140
16. Afhjælpning af fejl.....	140
17. Garantibevis	141
18. Eksplosionstegning	257
19. Overensstemmelseserklæring.....	260

1. Forklaring til symbolerne på maskinen

	Læs og overhold brugsanvisningen og sikkerhedsforskrifterne før ibrugtagning!
	Det anbefales at benytte sikkerhedssko!
	Benyt høreværn!
	Benyt beskyttelsesbriller!
	Benyt arbejdshandsker!
	Pas på! Hold udenforstående personer væk fra arbejdsområdet!
	lagttag advarsels- og sikkerhedsforskrifter!
	Pas på! Fare for brand og eksplosion.
	Pas på fare for kvæstelser! Stik aldrig fingrene ind i nærheden af knivene. Berør aldrig knivene, når apparatet tændes, eller når der arbejdes med apparatet.
	Advarsel mod varme overflader.



Brug ikke apparatet, når det regner eller under fugtige betingelser. Fare for elektrisk stød!



Pas på brandfarlige stoffer. Brand, åben ild og rygning er forbudt!



Blandingsforhold: 40 dele benzin blandes med 1 del olie



Drej choker-armen. "Varmstart og arbejde" og "koldstart"



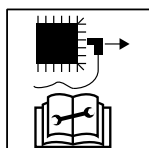
Angivelse af det garanterede lydeffektniveau L_{WA} in dB.



Tryk 7 gange på brændstofpumpen "primer"



Pas på! Kvælningsfare!
Udstødningsgasserne er giftige; undlad derfor at benytte motoren i områder uden ventilation.



Inden vedligeholdelsesarbejde skal apparatet slukkes og tændrørsstikket tages af!



Produktet opfylder gældende EU-direktiver.

2. Indledning

PRODUCENT:

Scheppach GmbH

Günzburger Straße 69
D-89335 Ichenhausen

KÆRE KUNDE

Vi ønsker dig rigtig god fornøjelse og held og lykke med arbejdet med dit nye apparat.

BEMÆRK:

Iht. den gældende lov om produktansvar hæfter producenten af denne maskine ikke for skader, der opstår på eller i forbindelse med denne maskine i forbindelse med:

- forkert behandling
- manglende overholdelse af betjeningsvejledningen
- reparationer gennemført af tredjemand og/eller af ikke autoriserede fagfolk
- indbygning og udskiftning af ikke originale reservedele
- brug i strid med formålet

Vær opmærksom på følgende:

Læs hele brugsanvisningens tekst igennem før montering og før ibrugtagning.

Formålet med denne brugsanvisning er at gøre det lettere for dig at lære apparatet at kende og benytte det som tilsigtet. Brugsanvisningen indeholder vigtige oplysninger om, hvordan man bruger apparatet sikkert, professionelt og økonomisk, og hvordan man undgår farer, sparer reparationsomkostninger, reducerer driftsstop og øger apparatets driftssikkerhed og levetid.

Udover sikkerhedsbestemmelserne i denne brugsanvisning skal de forskrifter vedr. brug af apparatet, der måtte gælde i det enkelte land (brugslandet), overholdes til punkt og prikke. Opbevar brugsanvisningen i nærheden apparatet; pak den ind i en plastikpose, så den er beskyttet mod snavs og fugt. Den skal læses og overholdes nøje af alle betjeningspersoner, før arbejdet startes.

Arbejde på apparatet på kun udføres af personer, der er instrueret i brug af apparatet, og som er informeret om de dermed forbundne farer. Den lovmæssige mindstealder skal overholdes.

Ud over sikkerhedsanvisningerne i denne brugsanvisning og de særlige forskrifter, der gælder i brugslandet, skal de almindeligt anerkendte, tekniske regler, der gælder i forbindelse med brug af træbearbejdningsmaskiner, overholdes.

Vi fraskriver os ethvert ansvar for uheld eller skader, der måtte opstå som følge af manglende overholdelse af denne vejledning og sikkerhedsinstrukserne.

3. Apparatbeskrivelse (fig. 1-9)

1. Skæreanordning
2. Håndbeskyttelse
3. Forreste håndtag
4. Startarm (choker)
5. Brændstofpumpe "primer"
6. Tænd/Sluk-knap
7. Spærreknap til gasregulator
8. Bageste støttegreb
9. Gashåndtag
10. Låsehåndtag
11. Tankdæksel
12. Startsnoretræk
13. Lyddæmper
- 13.1 Udløbsåbning lyddæmper
- 13.2 Skruer, lyddæmper
14. Tændrørsstik
- 14.1 Tændrør
15. Vingeskrue
16. Luffilterafdækning
17. Luffilter
18. Smøreåbning

4. Leveringsomfang

- Benzindrevet hækkeklipper
- Olie-benzinblandingsflaske (A)
- Tændrørnsøgle (B)
- Unbrakonøgle 4 mm (C)
- Knivbeskyttelse (E) (formonteret)
- Brugsanvisning

5. Tilsigtet brug

Maskinen lever op til bestemmelserne i det gældende EF-maskindirektiv.

Før arbejdet startes, skal alle beskyttelses- og sikkerhedsanordninger være monteret på maskinen.

Denne benzin-hækkeklipper er konstrueret til at klippe blødt, nyvokset hækmateriale. Den er ikke egnet til at klippe i grene, fast træ eller andet skæremateriale.

Maskinen er beregnet til at blive betjent af en person.

Den person, der betjener maskinen, bærer ansvaret over for tredjemand i arbejdsområdet.

Læs og overhold alle sikkerheds- og farehenvvisninger på maskinen.

Sørg for, at alle sikkerheds- og farehenvvisninger på maskinen altid er i læselig stand.

Brug kun maskinen, hvis den er i teknisk fejlfri stand, den skal bruges iht. det fastlagte formål samt sikkerheds- og farebevidst iht. betjeningsvejledningen!

Især alle fejlfunktioner, der har indflydelse på sikkerheden, skal straks afhjælpes af dig selv (eller af tredjemand)!

Producentens sikkerheds-, arbejds- og vedligeholdelsesforskrifter samt målene i de tekniske data skal overholdes.

De pågældende uheldsforebyggende forskrifter og de øvrige, almindeligt anerkendte, sikkerhedstekniske regler skal overholdes.

Maskinen må kun bruges, vedligeholdes eller repareres af sagkyndige personer, der er fortrolige med dette arbejde og som er informeret om de farer, der kan opstå. Producenten fraskriver sig ansvaret for skader, der skyldes, at der er foretaget ændringer på maskinen på eget initiativ.

Maskinen må kun bruges med originalt tilbehør og originalt værktøj fra producenten.

Enhver anden form for anvendelse regnes som værende i strid med tilsigtet brug. Producenten fraskriver sig ethvert ansvar for skader, der skyldes utilsigtet anvendelse; risikoen bæres alene af brugeren.

Benzin-hækkeklipperen må kun bruges til at klippe hække, buske og buskads. Al anden form for brug, der ikke er nævnt i denne brugsanvisning, kan beskadige knivene eller kvæste brugeren alvorligt, af den grund gøres der udtrykkeligt opmærksom på, at det derfor ikke er nødvendigt at nævne alle mulige anvendelser.

Apparatet må ikke anvendes til erhvervsmæssig, håndværksmæssig eller industriel brug.

Arbejd ikke med maskinen, hvis du ikke er sikker på, om en arbejdsbetingelse er sikker eller usikker.

ADVARSEL! Læs for din egen sikkerheds skyld denne manual og de generelle sikkerhedsforskrifter grundigt igennem, før maskinen tages i brug. Gives maskinen videre til tredjemand, skal du sørge for, at brugsanvisningen følger med.

Vær opmærksom på, at vores apparater ikke er konstrueret til erhvervsmæssig, håndværksmæssig eller industriel brug. Vi fraskriver os ansvaret, hvis apparatet bruges i erhvervs-, håndværks- eller industrivirksomheder samt til lignende arbejde.

6. Sikkerhedsforskrifter

6.1 Sikkert arbejde

DENNE BENZIN-HÆKKEKLIPPER KAN FORÅRSAGE ALVORLIGE PERSONSKADER!

Læs omhyggeligt instruktionerne for korrekt omgang, forberedelse, pasning, start og parkering af slukning af hækkeklipperen. Gør dig fortrolig med indstillingsdelene og faglig korrekt brug af benzin-hækkeklipperen.

Før du tager dette produkt i brug, skal du læse og overholde følgende forskrifter samt de gældende sikkerhedsbestemmelser i det respektive land for at beskytte dig selv og andre mod mulige personskader.

Opbevar altid disse sikkerhedsforskrifter (brugsanvisningen) sammen med benzin-hækkeklipperen.

Benzin-hækkeklipperen må kun betjenes af personer med tilstrækkelig erfaring.

Børn må aldrig benytte benzin-hækkeklipperen. Benzin-hækkeklipperen må kun gives eller udlejes til personer, der er fortrolige med samme, samt hvordan den skal håndteres. Sørg for, at brugsanvisningen altid følger med.

Reparation af apparatet må kun forstås af producenten og/eller af firmaer, som er autoriseret hertil af producenten.

6.2 Førstegangsbrugere

Enhver, der arbejder med benzin-hækkeklipperen for første gang, skal modtage praktisk instruktion i brugen af benzin-hækkeklipperen og de personlige værnemidler af en erfaren operatør.

- **Vær opmærksom.** Vær opmærksom på, hvad du laver. Udfør arbejdet med fornuft. Brug ikke apparatet, hvis du er træt eller under indflydelse af narkotika, alkohol eller medicamenter. Et øjebliks uagtsomhed, mens apparatet bruges, kan føre til alvorlige personskader.
- **Gør dig fortrolig med brugen af apparatet ved at læse brugsanvisningen, før arbejdet påbegyndes.** Utilstrækkeligt informerede brugere kan udsættes sig selv og andre personer for fare på grund af forkert brug.
- Undlad at benytte apparatet til formål, det ikke er beregnet til (se "5. Tilsigtet brug").
- **Undgå unormal kropsholdning.** Sørg for at stå sikkert og hold altid ligevægten. Dette gælder især, hvis du bruger trappetrin eller stige.
- **Brug passende arbejdstøj:**
 - Brug ikke løstsiddende tøj eller smykker; sådanne kan hænge fast i bevægelige dele
 - robuste handsker og skridsikkert fodtøj
 - hårnet til personer med langt hår
- **brug personlige værnemidler:**
 - Høreværn
 - beskyttelsesbriller eller ansigtsværn
 - Arbejdshandsker
 - Sikkerhedssko
 - godkendt hjelm i situationer, hvor der kan påregnes hovedskader.
- **Vi anbefaler, at man benytter benbeskyttelse og sikkerhedsjakke.**
- **Hold orden arbejdsområdet!** Uorden kan føre til ulykker.
- **Tag højde for påvirkninger udefra:**
 - Udsæt ikke benzin-hækkeklipperen for regn.
 - Brug ikke benzin-hækkeklipperen i fugtige eller våde omgivelser.
 - Undlad at arbejde under ugunstige vejrforhold (regn, sne, is, vind) – øget ulykkesfare!
 - Sørg for god belysning.
 - Brug ikke benzin-hækkeklipperen i nærheden af brændbare væsker eller gasser.
- **Gør dig fortrolig med omgivelserne, og vær opmærksom på mulige farer, som du evt. ikke kan høre på grund af motorlarmen.**
- **Pas på elektriske luftledninger**
- **Efterlad aldrig benzin-hækkeklipperen uden opsyn.**
- **I arbejds pauser skal benzin-hækkeklipperen opbevares på en sådan måde, at ingen personer kan blive bragt i fare.** Benzin-hækkeklipperen skal sikres mod uvedkommende adgang.
- **Personer under 18 år må ikke betjene apparatet.**
- **Hold andre personer på afstand.**

- **Brugeren er ansvarlig for ulykker eller farer, som kan skade tredjeparter personligt eller deres ejendom.**
- **Operatøren bærer ansvaret over for tredjemand i arbejdsområdet.**
- **Børn skal holdes på afstand.**
- **Sørg for, at andre personer, især børn, ikke kommer i berøring med værktøjet eller motoren.** Hold dem væk fra dit arbejdsområde.
- **Sørg altid for, at benzin-hækkeklipperen befinder sig korrekt i en af de foreskrevne arbejdspositioner, inden motoren startes.**
- **Kontrollér altid, at alle håndtag og sikkerhedsanordninger er monteret, inden benzin-hækkeklipperen tages i brug.** Forsøg aldrig at bruge en ufuldstændig hækkeklipper eller en benzin-hækkeklipper med uautoriserede ændringer.
- **Brug ikke stumpe, knækkede eller beskadigede skæreanordninger.**
- **Påbegynd først skæringen, når skæreanordningen kører.**
- **Undlad at overbelaste maskinen!** De arbejde bedre og mere sikkert i det angivende ydelsesområde.
- **Benyt kun apparatet med komplette og korrekt monterede beskyttelsesanordninger, og undlad at ændre noget ved maskinen, som kan bringe sikkerheden i fare.**
- **Apparatet og/eller dets dele må ikke ændres.**
- **Brug ikke skæreanordninger, der ikke svarer til de egenskaber, der er angivet i denne brugsanvisning.** Brug af andre værktøjer og andet tilbehør kan være forbundet med fare for personskader for dig.
- **Sluk maskinen, og tag tændrørshætten af tændrøret:**
 - Hvis benzin-hækkeklipperen kommer i kontakt med jord, sten, søm eller andre fremmedlegemer, skal du kontrollere, om apparatet er blevet beskadiget.
 - Indstilling af skæreanordningens arbejdsposition
 - Kontrol, pasning af eller arbejde på hækkeklipperen.
 - Reparationsarbejde
 - Vedligeholdelses- og rengøringsarbejde
 - Udbedring af fejl (inkl. blokering af skæreanordningen)
 - Transport og opbevaring
 - Forladelse af benzin-hækkeklipperen (også ved kortvarige afbrydelser)
- **Plej benzin-hækkeklipperen med omhu:**
 - Hold værktøjerne skarpe og rene for at kunne arbejde bedre og mere sikkert.
 - Hold håndtagene tørre og fri for olie og fedt.
 - Følg vedligeholdelsesforskrifterne.
- **Kontrollér maskinen for eventuelle skader:**
 - Før fortsat brug af maskinen skal beskyttelsesanordninger undersøges med omhu for at sikre, at de fungerer korrekt og som tilsigtet.
 - Kontrollér, om de bevægelige dele fungerer fejlfrit og ikke sidder i klemme, eller om dele er beskadiget. Samtlige dele skal være korrekt monteret og opfylde alle betingelser for at sikre korrekt drift af benzin-hækkeklipperen.
 - Beskadigede beskyttelsesanordninger og dele skal repareres eller udskiftes på et anerkendt professionelt værksted, medmindre andet er angivet i brugsanvisningen.

- Beskadigede eller ulæselige sikkerhedsmærkater skal erstattes med nye.
- **Lad ikke værktøjsnøgler blive siddende i værktøjet!** Kontrollér altid, at nøgler og indstillingsværktøjer er fjernet, før maskinen tændes.
- **Opbevar ubenyttede apparater tørt og utilgængeligt for børn.**
- **Opbevar benzin-hækkeklipperen et sted, hvor benzindampe ikke kan komme i kontakt med åben ild eller gnister.** Lad altid benzin-hækkeklipperen køle af, inden den stilles til opbevaring.
- **Under transport eller opbevaring af benzin-hækkeklipperen skal skæreanordningen altid dækkes til med beskyttelsen til skæreanordningen.**
- **Forsøg ikke selv at reparere maskinen, medmindre du besidder den dertil påkrævede uddannelse.** Udfør ikke andre reparationer på maskinen end dem, der er beskrevet i kapitel "13. Rengøring og vedligeholdelse", men kontakt producenten direkte eller den ansvarlige kundeservice.
- **Undgå at bruge benzin-hækkeklipperen, når personer, især børn, er i nærheden.**
- **Hvis skæreanordningen berører et fremmedlegeme, eller hvis driftsstøjen forstærkes, eller benzin-hækkeklipperen vibrerer usædvanligt kraftigt, skal du slukke for motoren, så benzin-hækkeklipperen standser.** Træk tændrørsskiftet af tændrøret, og træf følgende forholdsregler:
 1. Kontrollér for skader;
 2. Kontrollér for løse dele, og fastgør alle løse dele;
 3. Få beskadigede dele udskiftet med ækvivalente dele eller repareret.
- **Benzin-hækkeklipperen må ikke benyttes med defekt eller meget slidt skæreanordning.**
- **For at reducere brandfaren skal man se til, at motoren og lyddæmperen er fri for aflejringer, løv eller udløbende smøremiddel.**
- **Brug altid begge hænder, hvis benzin-hækkeklipperen har to håndtag.**
- **Når du afslutter arbejdet med benzin-hækkeklipperen med henblik på vedligeholdelse, inspektion eller opbevaring, skal du slukke motoren, tage tændrørshætten af og sikre, at alle roterende dele er stoppet.** Lad maskinen køle af, inden du kontrollerer, indstiller den osv.

Reparation af andre maskindele skal forestås af producenten og/eller på et kundeservicested.

Brug kun originale reservedele. Brug af andre reservedele og andet tilbehør afstedkomme ulykker for brugeren. Producenten frasiger sig ethvert ansvar for heraf resulterende skader.

6.3 Sikker omgang med brændstof
Håndter brændstof med omhu! Brændstof og brændstoffdampe er brandfarlige og kan forårsage alvorlig skade ved indånding eller på huden.
 Der skal derfor udvises forsigtighed ved omgang med brændstof og sørges for god ventilation.

- **Sluk benzin-hækkeklipperen motor inden tankningen, og lad apparatet køle af.**
- **Under tankning skal rygning og åben ild undgås.**
- **Brug handsker i forbindelse med tankningen.**
- **Der må ikke tankes i lukkede rum (eksplosionsfare).**
- **Tank kun udendørs.**
- **Pas på ikke at spilde brændstof eller olie.** Rengør straks benzin-hækkeklipperen, hvis du har spildt brændstof eller olie. Skift straks tøjet, hvis du har spildt brændstof eller olie på det.
- **Sørg for, at der ikke trænger brændstof ned i jorden.**
- **Luk atter tanklukningen grundigt efter tankningen, og se til at det ikke løsner sig under drift.**
- **Sørg for, at tankdæksel og benzinledninger er tætte.** Apparatet må ikke tages i brug, hvis der konstateres utætheder.
- **Brændstof må kun transporteres og opbevares i hertil godkendte og mærkede beholdere.**
- **Børn må aldrig komme nær brændstof.**
- **Brændstof må ikke transporteres og opbevares i nærheden af brændbare eller let-antændelige stoffer eller åben ild.**
- **Apparatet skal startes mindst tre meter fra tankningsstedet.**
- **Hvis tanken tømmes, skal dette foregå udenørs.**
- **Opbevar aldrig benzin-hækkeklipperen eller brændstofbeholderen i et rum, hvor der forekommer åbne flammer som f.eks. vandvarmere.**
- **For at mindske risikoen for brand – skal motoren og lyddæmperen holdes fri for afklip, blade og smøremidler!**
- **Fjern aldrig tanklukningen eller påfyld aldrig benzin, mens motoren kører eller er meget varm.**
- **Lad motoren og udstødningsdelene køle af en tankningen.**
- **Hvis benzin er løbet over, må du ikke forsøge at starte motoren; fjern i stedet maskinen fra det benzin-forurenede område før start.**

6.4 Restrisici

Selv med tilsigtet brug og overholdelse af alle relevante sikkerhedsforskrifter kan der stadig forekomme restrisici pga. konstruktionen, der er bestemt af anvendelsesformålet. Restrisici kan minimeres, hvis "6. Sikkerhedsforskrifter" og "5. Tilsigtet brug" og brugsanvisningen som helhed overholdes. Hensyn og forsigtighed reducerer risikoen for (person)skader.

Desuden kan der forefindes ikke-åbenbare restrisici, selv om alle foranstaltninger er truffet:

- Personskade pga. udslyngede dele.
- Brud og udslyngning af knivstykker.
- Fare for kulilteforgiftning, hvis apparatet anvendes i lukkede eller dårligt ventilerede rum.
- Fare for forbrænding ved berøring af meget varme komponenter.

- Høreskader ved længerevarende arbejde uden brug af høreværn.

7. Arbejdsinstrukser

Udfør følgende kontroller før ibrugtagning og regelmæssigt, mens du arbejder med benzin-hækkeklipperen:

- Er benzin-hækkeklipperen monteret fuldstændigt og som foreskrevet? Sørg også for, at alle møtrikker og skrueer er spændt ordentligt fast.
- Er benzin-hækkeklipperen i god og sikker stand?
 - Er alle sikkerhedsfunktioner i orden?
- Er benzintanken fyldt?
- Er skæreanordningen uskadet og slebet?
- Er motor og lyddæmper fri for aflejringer, løv eller udløbende smøremiddel?
- Er håndtaget rent og tørt – fri for olie, fedt og harpiks?
- Er arbejdspladsen uden snublefare?
- Bruger du de påkrævede værnemidler?
- Har du læst og forstået alle forskrifter?
- Går gashåndtaget let og funktionelt?
- Er Tænd/Sluk-knappen funktionel?
- Stopper skæreanordningen altid i tomgang?

Hvis skæreanordningen kører i tomgang, skal omdrejningstallet i tomgang sænkes (se "13.2 Indstilling af omdrejningstal i tomgang").

- Kontrollér, at gearet er tilstrækkeligt smurt (se under "13. Rengøring og vedligeholdelse").

7.1 Generel adfærd under arbejdet med hækkeklipperen

- Undlad at arbejde alene. I nødstilfælde bør andre personer være inden for råbeafstand.
- Børn, voksne og dyr skal holdes ude af arbejdsområdet (min. 15 m afstand).
- Undlad at arbejde på sne, is eller andet glat underlag – Skridfare.
- Undlad at arbejde i utilstrækkelige lysforhold (f.eks. i tåge, regn, snevej eller skumring).
- Før du klipper, skal du skræmme dyr væk fra hækken for ikke at skade dem.
- Sørg for en sikker og ryddelig arbejdsplads. Fjern genstande, der kan slynges væk, fra arbejdsområdet.
- Undgå unormal kropsholdning. Sørg for altid at bevare ligevægten. Undlad at arbejde med forover-bøjet overkrop.
- Benzin-hækkeklipperen må kun benyttes, når du har sikkert fodfæste.
- Husk at slukke benzin-hækkeklipperen, inden du flytter dig.
- Hold hænder og fødder på afstand af skæreanordningen, når denne er i bevægelse.
- Hold benzin-hækkeklipperen således, at du ikke kan komme til at indånde udstødningsgas. Undlad at arbejde i lukkede rum.
- Undlad at bruge benzin-hækkeklipperen til at løfte eller skovle træstykker eller andre genstande væk.
- Husk altid først at fjerne fremmedlegemer fra hækken (f.eks. ledning), da sådanne kan beskadige benzin-hækkeklipperens skæreanordning.

- Hold altid benzin-hækkeklipperen fast med begge hænder; venstre hånd på det forreste håndtag og højre hånd på det bageste håndtag. Arbejd aldrig med kun én hånd.
- Når gashåndtaget slippes, fortsætter skæreanordningen med at køre i et stykke tid (friløbseffekt).
- Påbegynd først snittet, når skæreanordningen kører.
- Tag aldrig fat i skæreanordningen med hænderne under drift.
- Arbejd aldrig
 - med strakte arme
 - på vanskeligt tilgængelige steder
 - for langt foroverbøjet
- Arbejd aldrig med benzin-hækkeklipperen over skulderhøjde.
- Sørg for, at skæreanordningen aldrig kommer i kontakt med trådhegn eller jorden, mens den kører.
- Sluk for motoren, og fjern tændrørshætten
 - ved mærkbare ændringer i apparatets adfærd
 - ved fjernelse af fastsiddende skæremateriale
 - ved kontrol af skæreanordningen, efter at denne har været i kontakt med sten, søm eller andre hårde genstande.
 - ved afhjælpning af fejl
 - i arbejds pauser
 - inden hækkeklipperen forlades
- Stil ikke den varme benzin-hækkeklipper fra dig i tørt græs eller på brændbare genstande.
- Inden arbejdet påbegyndes, skal du sikre dig, at:
 - ingen andre personer eller dyr opholder sig i arbejdsområdet.
 - uhindret tilbagetrædning er garanteret for dig.
 - fodområdet er fri for fremmedlegemer, kvas og grene.
 - sikkert fodfæste er garanteret.

Udsættes personer med kredsløbsforstyrrelser for vibrationer for ofte, kan dette føre til skader på nervesystemet eller blodkarrene.

7.2 Du kan reducere vibrationerne:

- via kraftige, varme arbejdshandsker.
- forkortelse af arbejdstiden (hold flere, længere pauser).

Kontakt læge, hvis dine fingre svulmer op, du føler dig utilpas eller bliver følelsesløs i fingrene.

7.3 Arbejde med hækkeklipperen

Brug begge hænder til at holde benzin-hækkeklipperen på sikker afstand af kroppen.

- Den maks. klippediameter afhænger af træsort samt træets alder, fugtighedsindhold og hårdhed.
- Afkort derfor meget tykke grene i den rigtige længde med en grensaks, før du går i gang med at klippe hækken.
- Benzin-hækkeklipperen kan takket være den dobbeltsidige kniv føres frem og tilbage eller via pendulbevægelser fra den ene side til den anden.
- Klip først siderne på hækken, og derefter toppen.
- Klip hækken nedefra og op.
- Klip hækken trapezformet. Dette forhindrer, at den nederste del af hækken bliver alt for tynd og nøgen på grund af manglende lys.
- Spænd en arbejdssnor langs med hele hækken, hvis du ønsker at studse hækken overkant ensartet.
- Klip hækken i flere omgange, hvis det er nødvendigt at klippe meget tilbage.

7.4 Det rigtige tidspunkt for klipping:

- Løvhække: Juni og oktober
- Nålehæk: April og august
- hurtigtvoksende hæk: fra maj ca. hver 6. uge

Vær opmærksom, hvis der ruger fugle i hækken. I dette tilfælde udskydes klippingen af hækken helt, eller man undlader at klippe netop dette område.

Overhold altid alle sikkerhedsforskrifter.

7.5 Adfærd ved fejl eller ulykker

Stag straks benzin-hækkeklipperen ud af drift med Tænd-knappen (6) i tilfælde af fejl eller ulykker.

7.6 Førstehjælp

For det tilfælde, at der skulle ske ulykker, bør der altid være en førstehjælpkasse iht. DIN 13164 på arbejdspladsen. Brugt materiale i førstehjælpskassen skal straks fyldes op igen. Hvis du tilkalder hjælp, skal du huske at angive følgende:

- Hvor det skete?
- Hvad der skete?
- Hvor mange kvæstede personer?
- Hvilken form for kvæstelser?
- Hvem melder?

8. Tekniske data

Motorstype	Totakt-motor - luftkølet
Slagvolumen cm ³	22,5
Motoreffekt kW	0,65
Omdrejningstal i tomgang n ₀ /min ⁻¹	3000 +/- 300
Maks. Motorhastighed min ⁻¹	10500
Tankindhold liter	0,28
Blandingsforhold (brændstof/totakt-olie)	40:1
Snitlængde mm	560
Maks. snittykkelse mm	27
Mål L/B/H mm	1100 x 245 x 200
Sværdlængde mm	700
Tændrør	L8RTC
Vægt (kg)	5,2

Forbehold for tekniske ændringer!

Støj

Information om støj udvikling er målt iht. de gældende standarder:

Lydtryksniveau L _{pA}	97,8 dB
Usikkerhed K _{pA}	3 dB
Lydeffektniveau L _{WA}	107,3 dB
Usikkerhed K _{WA}	2,53 dB

Brug høreværn.

Støjpåvirkning kan føre til høretab.

Vibration

Vibration (bageste håndtag) A _{hv}	4,838 m/s ²
Måleusikkerhed K _{hv}	1,5 m/s ²
Vibration (forreste håndtag) A _{hv}	5,389 m/s ²

Begræns støj udviklingen og vibration til et minimum!

- Brug kun intakte og ubeskadigede produkter.
- Vedligehold og rengør produktet med jævne mellemrum.
- Tilpas arbejdsmåden efter produktet.
- Overbelast ikke produktet.
- Lad i givet fald produktet blive underkastet et eftersyn.
- Sluk produktet, når det ikke benyttes.
- Brug handsker.

ADVARSEL

Undgå vibrationsrisici, f.eks. risiko for "hvide fingre" (kredsløbsforstyrrelser) ved hjælp af hyppige arbejds pauser, hvor du f.eks. gnider håndfladerne mod hinanden.

- Benyt altid beskyttelseshandsker, og sørg for at have varme hænder.
- Hold pauser med jævne mellemrum.

9. Før ibrugtagning

- Åbn emballagen, og tag forsigtigt maskinen ud.
- Fjern emballeringsmaterialet samt emballage-/transportringer (hvis sådanne findes).
- Kontrollér, om leveringsomfanget er fuldstændigt.
- Kontrollér maskinen og tilbehørsdelene for transportskader.
- Opbevar så vidt muligt emballagen frem til udløbet af garantiperioden.

PAS PÅ

Apparatet og emballeringsmaterialet er ikke legetøj! Børn må ikke lege med plastposer, folie og smådele! Fare for slugning og kvælning!

- Gør dig fortrolig med apparatet ved at læse brugsanvisningen, før arbejdet startes.
- Tilbehør samt slid- og reservedele må kun være originale dele. Reservedele fås hos din forhandler.
- Husk at bestillinger skal være forsynet med artikelnumre samt apparattype og fremstillingsår.

Benzin-hækkeklipperen leveres ikke med påfyldt brændstofblanding.

Apparatet drives af en blanding af benzin (blyfri) og to-takt-motorolie.

Ved håndtering med benzin skal man være særlig opmærksom. Rygning og åben ild er ikke tilladt (eksplosionsfare).

Inden hver ibrugtagning af apparatet skal man kontrollere følgende:

- Brændstofs systemets tæthed.
- Fejlfri tilstand og fuldstændighed af beskyttelsesanordninger og skæreanordningen.
- Korrekt montering af samtlige forskruinger.
- Let og ubesværet gang af alle bevægelige dele.

Brændstof og olie

- Anbefalet brændstof
 - Brug kun en blanding af blyfri benzin og speciel 2-takts-motorolie. Bland brændstofblandingen i henhold til brændstof-blandingstabellen.
 - Brug ikke E10-brændstof.

Pas på!

Brug ikke brændstofblandinger, der har været lagret i mere end 90 dage.

Pas på!

Brug ikke 2-takt-olie, som anbefaler et blandingsforhold på 100:1. Ved motorskader grundet utilstrækkelig smøring bortfalder producentens motorgaranti.

Pas på!

Brug kun beholdere, der er beregnet og godkendt til transport og opbevaring af brændstof. Kom den korrekte mængde benzin og 2-takts-olie i den medfølgende olie-benzinblandingsflaske (A). Ryst herefter beholderen grundigt.

Brug aldrig olie til 4-takt-motorer eller vandkølede 2-takt-motorer. Dette kan tilsmudse tændrøret, blokere afgangsluftdelen eller fastklæbe stempelringen. Brændstofblandinger, der ikke har været brugt i en måned eller mere, kan tilstoppe karburatoren eller forstyrre motordriften. Kom unødvendigt brændstof i en lufttæt beholder, og opbevar denne mørkt og køligt.

Brændstof-blandingstabel

Blandingsmetode: 40 dele benzin blandes med 1 del olie

F.eks.:

- 1 liter benzin: 0,025 liter 2-takt-olie
- 5 liter benzin: 0,125 liter 2-takt-olie

Advarsel! Vær opmærksom på udstødningsgasserne.

Sluk altid motoren, inden du tanker.

Kom aldrig benzin i apparatet, mens motoren kører eller er varm. Brandfare!

Fyld kun tanken udendørs eller i rum med god ventilation. Vær opmærksom på, at der ikke trænger brændstof ned i jorden (miljøbeskyttelse). Brug et egnet underlag. Brug kun bio-kædeolie.

Brændstof kan kun opbevares i begrænset tid pga. ældning. Brændstof og brændstofblandinger, der opbevares for længe, kan medføre startproblemer. Bland derfor kun så meget brændstof, som du regner med at forbruge på en måned. Brændstof må kun opbevares i hertil godkendte og mærkede beholdere. Opbevar brændstofbeholdere tørt og sikkert.

Sørg for at opbevare brændstofbeholdere utilgængeligt for børn.

Pas på! Inden ibrugtagning skal du finde ud af, hvordan du tager apparatet ud af drift hurtigst muligt i en nødsituation!

9.1 Tankning af hækkeklipperen

- Sluk for motoren, og lad den køle af!
 - Brug beskyttelseshandsker!
 - Undgå kontakt med hud og øjne!
 - Overhold "Sikker omgang med brændstof", se 6.3.
1. Tank kun benzin-hækkeklipperen udendørs eller i rum med tilstrækkelig god ventilation.
 2. Rengør området omkring påfyldningshullet. Urenheder i tanken medfører driftsforstyrrelser.
 3. Ryst olie-benzinblandingsflasken (A) en ekstra gang før påfyldning på tanken.
 4. Åbn forsigtigt tankdækslet (11) på brændstoftanken, så et evt. overtryk kan slippe ud.
 5. Fyld brændstofblandingen forsigtigt op til påfyldningsstudens underste kant. Brug en tragt eller andet påfyldningsredskab (medfølger ikke) for at undgå, at der spildes brændstof.
 6. Luk tankdækslet (11) igen. Kontrollér, at tankdækslet (11) slutter tæt.
 7. Rengør tankdækslet (11) og området omkring det.
 8. Kontrollér tanken og brændstoffledningerne for utætheder.
 9. Aktiver evt. brændstofpumpen "Primer" (5).
 10. Gå mindst tre meter væk fra tankningsstedet, før motoren startes.

9.2 Aftapning af brændstof

Tøm kun brændstoftanken udendørs eller i rum med god ventilation. Vær opmærksom på, at der ikke trænger brændstof ned i jorden (miljøbeskyttelse). Brug kun egnet underlag.

1. Hold en opsamlingsbeholder ind under brændstoftanken.
2. Skru tankdækslet (11) af brændstoftanken, og fjern det.
3. Lad al benzin-/olieblandingen løbe af.
4. Skru tankdækslet (11) fast igen med hånden.

10. Betjening

10.1 Indstilling af bageste håndtag (8), (fig. 2)

Det bageste håndtag (8) kan indstilles i 3 arbejdsstillinger for at gøre det nemmere at styre benzin-hækkeklipperen.

- Under justeringen kan gashåndtaget (9) ikke betjenes.
1. Hold fast i det forreste håndtag (3) på benzin-hækkeklipperen med venstre hånd.
 2. Skub låsehåndtaget (10) tilbage, og drej håndtaget i den ønskede position.
 3. Slip låsehåndtaget (10). Kontrollér, at låsehåndtaget atter går i indgreb, så håndtaget er forsvarligt fastgjort.

10.2 Start af apparatet

⚠ Kvæstelsesfare!

Start først benzin-hækkeklipperen, når skæreanordningen er monteret! Fjern den pågældende transportbeskyttelse, og efterse apparatet for at sikre, at det er i god driftstilstand.

Brug aldrig et beskadiget, dårligt indstillet eller vedligeholdt respektive et ikke fuldstændigt og sikkert monteret skæreanordning.

Kontrollér før brug!

Kontrollér, om apparatet er i sikker tilstand:

- Sørg for, at Tænd/Sluk-knappen (6), spærreknappen til gasregulatoren (7) og gashåndtaget (9) fungerer som foreskrevet.
- Kontrollér apparatet for lækager.
- Kontrollér apparatet for synlige skader.
- Kontrollér, om alle dele af apparatet er monteret sikkert.
- Kontrollér, om alt sikkerhedsudstyr er i god og funktionel tilstand.

10.2.1 Start af kold motor (fig. 1, 3, 4)

Understøt benzin-hækkeklipperen ved start, og hold den godt fast. Sørg for, at skæreanordningen står frit.

1. Fjern knivbeskyttelsen (E) fra skæreanordningen (1).
2. Stil benzin-hækkeklipperen på et stabilt og plant underlag. Skæreanordningen (1) må da ikke røre ved jorden.
3. Tryk 7 gange på brændstofpumpen "Primer" (5).
4. Drej koldstart-armen (chokeren) (4) hen på "Koldstart".
5. Hold benzin-hækkeklipperen fast i det forreste håndtag (3), og træk startsnoretrækket (12) langsomt ud, til den første modstand mærkes.
6. Træk nu hurtigt i startsnoretrækket (12), til motoren går i gang. Skulle motoren ikke starte, gentages processen. Så længe koldstart-armen (chokeren) (4) står på "Koldstart", vil motoren kun starte kortvarigt og går derefter ud igen.
7. Så snart motoren er gået ud, aktiverer man spærreknappen til gasregulatoren (7) og gashåndtaget (9) på samme tid. Koldstart-armen (chokeren) (4) springer automatisk i driftstillingen "Varmstart".
8. Træk derefter igen hurtigt i startsnoretrækket (12), til motoren starter.
9. Motoren kører i tomgang, når gashåndtaget (9) aktiveres én gang.
10. Lad motoren varme op et lille stykke tid.

Hvis motoren ikke starter efter flere forsøg, henvises til kapitlet "Fejlfinding".

Pas på!

Træk altid startsnoretrækket (12) lige ud. Hvis man trækker i en vinkel, udsættes øjet for friktion. Under denne friktion gennemskures snoren og slides dermed hurtigere. Hold fast i startsnoretrækkets greb (12), når startsnoretrækket (12) trækker sig ind igen.

Lad aldrig startsnoretrækket (12) springe tilbage af sig selv. Dette kan medføre skader.

Bemærk:

Ved høje udetemperaturer kan det ske, at motoren skal startes uden koldstart-arm (choker) (4), selv om motoren er kold.

Bemærk:

Hvis skæreanordningen (1) kører i tomgang, eller motoren stopper af sig selv, når gashåndtaget slippes, skal man justere karburatoren (se afsnit 13.2 "Indstilling af omdrejningstal i tomgang").

10.2.2 Start af varm motor

1. Ved start af en varm motor skal koldstart-armen (chokeren) stå på "Varmstart".
2. Hold benzin-hækkeklipperen fast i det forreste håndtag (3), og træk startsnoretrækket (12) langsomt ud, til den første modstand mærkes.
3. Træk derefter raskt i startsnoretrækket (12). Apparatet bør starte efter 1-2 træk. Hvis apparatet stadig ikke starter efter 6 træk, skal man gentage proessen under "Start af kold motor".

10.3 Betjening af hækkeklipperen (fig. 1)

1. Hold fast i det forreste håndtag (3) på benzin-hækkeklipperen med venstre hånd.
2. Hold fast i det bageste håndtag (8) med højre hånd. Her ved hviler håndballerne på spærreknappen til gasregulatoren (7), og pegefingern aktivere gashåndtaget (9).
3. Tryk på gashåndtaget (9).
4. Skæreanordningen starter.

Hvis gashåndtaget (9) slippes, stopper skæreanordningen, og motoren kører i tomgang.

Kontakt producenten, hvis skæret alligevel kører videre i tomgang.

Der må da under ingen omstændigheder arbejdes videre benzin-hækkeklipperen!

10.4 Blokering af skæreanordningen (fig. 1)

Hvis skæreanordningen (1) sætter sig fast under arbejdet, skal man slukke for benzin-hækkeklipperen med Tænd/Sluk-knappen (6) og tage tændrørshætten (14) af.

Fjern derefter det blokerende materiale, og kontrollér skæreanordningen (1) for eventuelle skader.

10.5 Stop af motoren

1. Tryk på Tænd/Sluk-knappen (6), og hold den inde.
2. Vent, til motoren er standset, inden du lægger apparatet fra dig.
3. Slip Tænd/Sluk-knappen (6).

11. Arbejdsinstrukser

11.1 Arbejde med hækkeklipperen

- Hækkeklipperen er velegnet til klipning af hække, buskads og lignende.
- Brug begge hænder til at holde hækkeklipperen på sikker afstand af kroppen.
- Den maks. klippediameter afhænger af træsort samt træets alder, fugtighedsindhold og hårdhed.
- Afkort derfor meget tykke grene i den rigtige længde med en grensaks, før du går i gang med at klippe hækken.
- Hækkeklipperen kan takket være den dobbeltsidige kniv føres frem og tilbage eller via pendulbevægelser fra den ene side til den anden.
- Klip først siderne på hækken, og derefter toppen.
- Klip hækken nedefra og op.
- Klip hækken trapezformet. Dette forhindrer, at den nederste del af hækken bliver alt for tynd og nøgen på grund af manglende lys.
- Spænd en arbejdssnor langs med hele hækken, hvis du ønsker at studse hækken overkant ensartet.

- Klip hækken i flere omgange, hvis det er nødvendigt at klippe meget tilbage.
- Husk altid først at fjerne fremmedlegemer fra hækken (f.eks. ledning), da sådanne kan beskadige hækkeklipperens knive.
- **Pas på!** Knivene kører stadigvæk! Forsøg ikke at bremse knivene med hånden.

Det rigtige tidspunkt for klipning:

- Løvhække: Juni og oktober
- Nålehæk: April og august
- hurtigtvoksende hæk: fra maj ca. hver 6. uge

Vær opmærksom, hvis der ruger fugle i hækken. I dette tilfælde udskydes klipningen af hækken helt, eller man undlader at klippe netop dette område.

12. Transport

Sluk motoren, hvis apparatet skal transporteres, vent til skæreanordningen er standset, og påsæt knivbeskyttelsen (E) (fig. 4). Bær apparatet i det forreste håndtag (3). Sørg da for at holde skæreanordningen (1) bagud og den varme lyddæmper (13) på afstand af kroppen.

Hvis apparatet skal transporteres i et køretøj, skal det opbevares i bagagerummet eller på en separat transportflade. Benzin-hækkeklipperen skal da sikres, så den ikke kan vælte, blive beskadiget, eller så brændstof ikke kan løbe ud.

13. Rengøring og vedligeholdelse

Inden enhver form for vedligeholdelses- og rengøringsarbejde

- Sluk for motoren
- Vent, til skæreanordningen er helt stoppet
- Tag tændrørshætten af (undtagen under indstilling af omdrejningstal i tomgang)
- Lad apparatet køle af

Bemærk

Efter hver brug skal apparatet rengøres grundigt.

Der må kun udføres det rengørings- og vedligeholdelsesarbejde, som er beskrevet i denne brugsanvisning.

Vedligeholdelses- og rengøringsarbejde, som ikke er beskrevet i dette kapitel, må kun udføres af kundeservice.

Der må ikke vedligeholdelsesarbejde i nærheden af åben ild. Brandfare!

Sikkerhedsanordninger, der fjernes i forbindelse med vedligeholdelse og rengøring, skal genmonteres korrekt og testes.

Brug kun originale dele. Andre dele kan føre til uforudsete skader og kvæstelser.

Benyt handsker for at undgå evt. personskader.

For at sikre lang og pålidelig brug af benzin-hækkeklipperen skal følgende vedligeholdelsesarbejde udføres med jævne mellemrum.

Kontrollér benzin-hækkeklipperen for synlige fejl og mangler som

- løse fastgørelser
- slidte eller beskadigede komponenter
- bøjet, knækket eller beskadiget skæreenhed
- at tanklukning og brændstoffledninger er tætte

Kontrollér benzin-hækkeklipperen efter hver brug for

- slitage, især frigang i skæreenheden.
- korrekt monterede og intakte afdækninger og sikkerhedsanordninger.

Nødvendige reparationer eller vedligeholdelsesarbejde skal udføres, før benzin-hækkeklipperen tages i brug.

13.1 Smøring af gear (fig. 5)

Smør gearet hver 10. til 20. driftstime.

1. Brug den medfølgende 4 mm-unbrakonøgle (C) til at åbne smøreåbningskruen (18) på undersiden af hækkeklipperen.
2. Sæt smørepistolen an mod smøreåbningen (18).
3. Pres en smule fedt ind i niplen.
4. Skru atter skruen ind i smøreåbningen (18).

Pas på! Påfyld kun lidt fedt. Undgå overfyldning.

13.2 Indstilling af omdrejningstal i tomgang

Hvis skæreenordningen (1) kører i tomgang, eller motoren stopper af sig selv, når gashåndtaget slippes, skal man justere karburatoren.

Bemærk:

Få karburatorindstillingerne (f.eks. omdrejningstal i tomgang) foretaget, men kun af kvalificerede fagfolk, for at undgå motorskader.

13.3 Rengøring og/eller udskiftning af luftfilter (fig. 6)

Snavsede luftfiltre forringer motorydelsen, fordi karburatoren forsynes med for lidt luft. Støv og pollen tilstopper porerne i skumstof-indsatsen. Regelmæssig kontrol er derfor nødvendigt. Rengør luftfilteret (17) ca. for hver 15 driftstimer, oftere i meget støvede forhold.

1. Stil koldstart-armen (chokeren) (4) på "Koldstart", så smudspartikler ikke kan trænge ind i karburatoren.
2. Fjern luftfilterafdækningen (16). Dette gøres ved at løsne vingeskruen (15).
3. Tag skumstof-luftfilteret (17) ud.
4. Vask luftfilteret (17) i lunkent læbelud. Fjern ikke smudspartikler med trykluft; risiko for øjenskader!
5. Rengør luftfilteret indvendigt med en pensel.
6. Lad luftfilteret (17) tørre helt, og indsæt det igen.
7. Anbring luftfilterafdækningen (16) igen.

Pas på!

Rengør aldrig luftfilteret med benzin eller brændbare opløsningsmidler.

For ikke at forkorte motorens levetid skal et beskadiget luftfilter straks udskiftes.

⚠ Advarsel!

Lad aldrig motoren køre, hvis luftfilterelementet ikke er sat i.

13.4 Rengøring og/eller udskiftning benzinfiler

Kontrollér benzinfileret ved behov. Et tilsudsset benzinfiler hindrer tilførsel af brændstof.

Åbn tankdækslet (11), og træk benzinfileret gennem åbningen med en trådkrog (medfølger ikke).

- Ved lettere tilsudsning:
 - træk benzinfileret ud af brændstoffledningen, og rens fileret i rensebenzin.
- Ved kraftigere tilsudsning:
 - udskift benzinfileret.

1. Man fjerner benzinfileret fra brændstoffledningen ved at klemme slangeklemmen sammen og skubbe den ned.
2. Nu kan benzinfileret tages ud af brændstoffledningen.

13.5 Kontrol, rengøring og/eller udskiftning af tændrør (fig. 7/8)

Pas på!

Undlad at røre ved tændrøret (14.1) eller tændrørshætten (14), mens motoren kører. Højspænding!

Fare for forbrænding pga. meget varm motor. Brug beskyttelseshandsker!

Kontrollér med jævne mellemrum tændrøret og afstanden mellem elektroderne.

13.5.1 Kontrol af tændrør

1. Tag tændrørshætten (14) af tændrøret (14.1).
2. Skru tændrøret (14.1) ud med den medfølgende tændrørsnøgle (B).
3. Kontrollér elektrodeafstanden. Denne skal være 0,6 til 0,7mm.

13.5.2 Rengøring af tændrør

Kontrollér tændrøret første gang for snavs efter 10 driftstimer og rengør det i givet fald med en kobbertrådbørste.

Vedligehold herefter tændrøret hver 50. driftstime.

Udskift tændrøret:

- hver måned ved regelmæssig brug
- hvis isoleringen er beskadiget
- ved kraftig elektrode-erosion
- ved kraftigt tilsudsede eller olierede elektroder

13.5.3 Kontrol af tændingsgnister

1. Tag tændrørshætten (14) af tændrøret (14.1).
2. Skru tændrøret (14.1) ud med den medfølgende tændrørsnøgle (B).
3. Sæt tændrørshætten (14) ordentligt på.
4. Brug en isoleret tang til at presse tændrøret (14.1) mod motorhuset (ikke i nærheden af tændrørshullet).
5. Træk derefter hårdt i startsnoretrækket (12).
6. Ved korrekt funktion skal der dannes en gnist mellem elektroderne.

13.6 Lyddæmper / udløbsåbning (fig. 9)

Efterspænd aldrig lyddæmperens skruer, mens motoren er varm.

1. Kontrollér jævnlgt, at lyddæmperens (13) skruer (13.2) ikke har løsnet sig. Brug 4 mm-unbrakonøglen (C) til at efterspænde evt. løsnede skruer.
2. Rengør udløbsåbningen (13.1) med jævne mellemrum.

13.7 Rengøring

Rengør benzin-hækkeklipperen med omhu efter hver brug, så den altid fungerer problemfrit.

Brug beskyttelseshandsker, når du rengør skæreanordningen!

- Rengør huset med en blød børste eller en tør klud. Der må ikke anvendes vand, opløsningsmiddel og poleringsmiddel.
- Sørg for, at ventilationslidserne til motorkøling er frie (fare for overophedning).

- Rengør skæreanordningen med en børste eller en klud med jævne mellemrum. Rengør aldrig skæreanordningen med vand (korrosionsfare!)
- Rengør og smør alle bevægelige dele med jævne mellemrum.
- Brug aldrig fedt!
- Brug miljøvenlig olie.

13.8 Vedligeholdelsesplan

Apparatdel	Handling	Inden arbejdsstart	Hver uge	Ved fejl	Ved skader	Efter behov
Skæreanordning (1)	Kontrolleres for skarp tilstand	X				
	Kontrollér skæreanordningens glideslør	X				
	Opslib					X
Motor	Fastspænd lyd-dæmperskruer					X
	Rengøring / udskift benzinfilter					X
	Rengør / udskift luftfilter					for hver 15 driftstimer, oftere i støvede forhold
	Smøring af gearret					for hver 20 driftstimer, mindst en gang årligt

Serviceinformationer

Vær opmærksom på, at følgende dele på dette produkt slides som følge af brug eller naturligt slid, og at der er brug for følgende dele som forbrugsmaterialer.

Sliddele*:

Knive (sæt)	(5910402011)
Tændrør	(3904801048)
Luftfilter	(3910404001)

* følger ikke nødvendigvis med leverancen!

14. Opbevaring

Opbevar ubenyttede apparater med opskubbet knivbeskyttelse på et tørt, aflukket sted, utilgængeligt for børn.

Rengør og vedligehold apparatet, inden det stilles til opbevaring.

Forsigtig:

Opbevar aldrig apparatet længere end 30 dage uden at følge nedenstående punkter:

Opbevaring af apparatet i mere end 30 dage

Hvis du opbevarer apparatet længere end 30 dage, skal det forberedes til dette. Ellers fordamper det resterende brændstof i karburatoren og efterlader et gummiagtigt bundfald. Det kan vanskeliggøre start og medføre dyre reparationsarbejder.

- Lad brændstoffet løbe af (se 9.2)
- Start motoren, og lad den køre, indtil den stopper, for at fjerne brændstoffet fra karburatoren.
- Lad motoren køle af (ca. 5 minutter).
- Fjern tændrøret (se 13.5).
- Hæld 1 teske ren 2-taktsolie i forbrændingskammeret.
- Træk gentagne gange langsomt i startsnoren for at coate de interne komponenter.
- Isæt tændrøret igen (se 13.5).

Bemærk:

Apparatet skal opbevares et tørt sted, i sikker afstand fra eventuelle antændelseskilder, f.eks. ovne, varmtvandskedler med gas, gastørresystemer osv.

15. Bortskaffelse og genanvendelse

Oplysninger om emballage



Emballagematerialerne er genanvendelige. Emballage skal altid bortskaffes jf. gældende miljøregler.

Informationer om muligheder for bortskaffelse af gamle apparater fås ved henvendelse til kommunen.

Brændstof og olie

- Inden apparatet bortskaffes, skal brændstoftanken og motoroliebeholderen tømmes!
- Brændstof og motorolie hører ikke til i husholdningsaffald eller afløb, men skal indsamles og/eller bortskaffes separat!
- Tomme olie- og brændstofbeholdere skal bortskaffes i henhold til gældende miljøregler.

16. Afhjælpning af fejl

Fejl	Mulig årsag	Afhjælpning
Hækkeklipper vil ikke starte	<ul style="list-style-type: none">• Motor, intet brændstof• Fejl i brændstofledningen• Benzinfiler tilstoppet• Tændrør defekt• Karburator defekt • Intern fejl	<ul style="list-style-type: none">• Kontrol af brændstofmængde• Kontrollér brændstofledning for knæk eller skader• Rengør eller udskift benzinfiler.• Udskift tændrør• Kontakt producent og/eller relevant kundeservice-sted• Kontakt producent og/eller relevant kundeservice-sted
Hækkeklipper klipper med afbrydelser	<ul style="list-style-type: none">• Intern fejl• Tænd/Sluk-kontakt defekt	<ul style="list-style-type: none">• Kontakt producent og/eller relevant kundeservice-sted• Kontakt producent og/eller relevant kundeservice-sted
Motor kører, skæreanordning står stille	<ul style="list-style-type: none">• Skæreanordning sidder fast• Intern fejl • Kobling defekt	<ul style="list-style-type: none">• Fjern genstand• Kontakt producent og/eller relevant kundeservice-sted• Kontakt producent og/eller relevant kundeservice-sted
Skæreanordning bliver meget varm	<ul style="list-style-type: none">• Manglende smøring → friktion• Skæreanordning er stump	<ul style="list-style-type: none">• Smøring af skæreanordning• Få skæreanordning opslebet

17. Garantibevis

Kære kunde,

Alle vores produkter gennemgår strenge kvalitetskontrol for at sikre, at de når dig i perfekt stand. I det usandsynlige tilfælde, at enheden udvikler en fejl, bedes du kontakte vores serviceafdeling på den adresse, der vises på dette garantibevis. Selvfølgelig, hvis du foretrækker at ringe til os så er vi også glade for at tilbyde vores bistand under servicenummer trykt nedenfor. Bemærk følgende betingelser, som garantikrav kan gøres:

- Disse garanti vilkår omfatte yderligere garanti rettigheder og påvirker ikke dine lovbestemte rettigheder for garanti. Vi vil ikke debitere dig for denne garanti.
- Vores garanti dækker kun problemer forårsaget af materiale- eller produktionsfejl, og det er begrænset til afhjælpning af disse mangler eller udskiftning af enheden. Bemærk, at vores enheder ikke er designet til brug i kommercielle, handel eller industrielle applikationer. Derfor er garantien ugyldig, hvis udstyret bruges i kommerciel, handel eller industrielle applikationer eller for andre tilsvarende aktiviteter. Følgende er også udelukket fra vores garanti: kompensation for transportskader, skader forårsaget af manglende overholdelse af installations- / monteringsvejledning eller skader forårsaget af uprofessionel installation, manglende overholdelse brugsanvisningen (f.eks tilslutning til den forkerte netspænding eller strøm type), misbrug eller uhensigtsmæssig brug (såsom overbelastning af apparatet eller brug af ikke-godkendte værktøj eller tilbehør), manglende overholdelse af vedligeholdelses- og sikkerhedsforskrifter, indtrængen af fremmedlegemer i apparatet (f.eks sand, sten eller støv) , virkninger af vold eller ydre påvirkninger (f.eks skader forårsaget af enheden bliver droppet) og normal slitage som følge af korrekt funktion af apparatet.

Garantien erklæres ugyldig, hvis der gøres forsøg på at manipulere med enheden.

- Garantien er gyldig i en periode på 3 år fra købsdatoen af enheden. Garantikrav skal indsendes inden udløbet af perioden garanti senest to uger efter defekten blive bemærket. Ingen garantikrav vil blive accepteret efter udløbet af garantiperioden. Den oprindelige garantiperiode fortsat anvendelse til enheden, selvom reparationer udføres eller dele udskiftes. I sådanne tilfælde, det udførte arbejde eller dele monteret vil ikke resultere i en forlængelse af garantiperioden, og ingen ny garanti bliver aktiv for det udførte eller dele monteret arbejde. Dette gælder også, når der anvendes en tjeneste på stedet.
- For at du kan gøre dit garantikrav gældende, bedes du kontakte nedenstående serviceadresse. Hvis reklamationen ligger inden for garantiperioden, vil vi fremsende dig en returmærkat, med hvilken du gratis kan returnere dit defekte apparat til os. Det ville hjælpe os, hvis du kunne beskrive karakteren af problemet så detaljeret som muligt. Hvis fejlen er dækket af vores garanti så din enhed vil enten blive repareret med det samme og returneret til dig, eller vi vil sende dig en ny enhed.

Selvfølgelig er vi også glade tilbyde en afgiftsudløsende reparationservice for eventuelle mangler, der ikke er omfattet af anvendelsesområdet for denne garanti eller til enheder, som ikke længere er dækket. At drage fordel af denne service, skal du sende enheden til vores service-adresse.

Tjeneste-Hotline (DK):

00800 4003 4003
(0,00 €/Min.)

Tjeneste-mail (DK):

service.DK@schepbach.com

Tjeneste Adresse (DK):

Sotek
Charlottevej 30 E
DK - 4270 Hong



På www.lidl-service.com kan du downloade disse og mange flere manualer, produktvideoer og installationssoftware.

Med QR-koden kan du få direkte adgang til Lidl-service-siden (www.lidl-service.com) og åbne din betjeningsvejledning ved at indtaste artikelnummeret (IAN) 422496_2210.

Indice:	Pagina:
1. Spiegazione dei simboli sull'apparecchio	143
2. Introduzione	145
3. Descrizione dell'apparecchio (Fig. 1-9)	145
4. Contenuto della fornitura.....	145
5. Impiego conforme alla destinazione d'uso.....	145
6. Indicazioni di sicurezza.....	146
7. Istruzioni di lavoro.....	148
8. Dati tecnici.....	150
9. Prima della messa in funzione.....	150
10. Funzionamento.....	151
11. Istruzioni di lavoro.....	153
12. Trasporto.....	153
13. Pulizia e manutenzione.....	153
14. Stoccaggio	155
15. Smaltimento e riciclaggio	155
16. Risoluzione dei guasti	156
17. Certificato di garanzia.....	157
18. Disegno esploso.....	257
19. Dichiarazione di conformità	260

1. Spiegazione dei simboli sull'apparecchio

	Prima della messa in funzione leggere attentamente e attenersi alle istruzioni per l'uso e alle avvertenze sulla sicurezza!
	Si suggerisce di indossare calzature di sicurezza!
	Impiegare degli otoprotettori!
	Impiegare occhiali protettivi!
	Indossare guanti da lavoro!
	Attenzione! Il personale non interessato deve essere tenuto lontano dall'area di lavoro!
	Osservare le indicazioni di avvertenza e di sicurezza!
	Attenzione! Sussiste il rischio di incendio ed esplosione.
	Attenzione: pericolo di lesioni! Non allungare mai le mani nei pressi delle lame. Non toccare mai la lama durante il funzionamento o le operazioni con lo strumento.
	Avviso di superfici calde.



Non mettere l'apparecchio in funzione in caso di pioggia o in condizioni di umidità. Pericolo di scossa elettrica!



Attenzione: sostanze potenzialmente infiammabili. Divieto di fumare, di fiamme libere e fuoco!

 +  40:1

Rapporto di miscelazione: 40 parti di benzina per 1 parte di olio



Ruotare la leva starter. "Avviamento a caldo e lavoro" e "Avviamento a freddo"



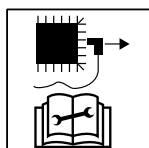
Indicazione del livello di potenza acustica garantito L_{WA} in dB.



Premere 7 volte la pompa del carburante "Primer".



Attenzione! soffocamento!
I gas di scarico sono velenosi, pertanto non azionare il motore in spazi non ventilati.



Prima di eseguire lavori di manutenzione, depositare l'apparecchio e rimuovere la pipetta della candela di accensione dalle candele!



Il prodotto è conforme alle direttive europee in vigore.

2. Introduzione

FABBRICANTE:

Scheppach GmbH

Günzburger Straße 69
89335 Ichenhausen, Germania

GENTILE CLIENTE,

Le auguriamo un piacevole utilizzo del Suo nuovo apparecchio.

AVVERTENZA:

Sulla base della legge attualmente in vigore sulla responsabilità per prodotti difettosi, il produttore del presente apparecchio non risponde dei danni all'apparecchio in questione o derivanti da esso in caso di:

- manipolazione impropria,
- mancato rispetto delle istruzioni per l'uso,
- riparazioni da parte di terzi, personale tecnico non autorizzato,
- montaggio e sostituzione di pezzi di ricambio non originali,
- utilizzo non conforme,

Da osservare:

Prima del montaggio e della messa in funzione, leggere tutto il testo delle istruzioni per l'uso.

Le presenti istruzioni per l'uso le consentono di conoscere l'apparecchio di sfruttare le sue possibilità d'impiego conformi.

Le istruzioni per l'uso contengono avvertenze importanti su come utilizzare l'apparecchio in modo sicuro, corretto ed economico e su come evitare i pericoli, risparmiare sui costi di riparazione, ridurre i tempi di inattività e aumentare l'affidabilità e la durata di vita dell'apparecchio.

Oltre alle disposizioni di sicurezza contenute nelle qui presenti istruzioni per l'uso, è necessario altresì osservare le norme in vigore nel proprio Paese per l'apparecchio.

Conservare le istruzioni per l'uso vicino all'apparecchio, protette da sporcizia e umidità in una copertina di plastica. Esse devono essere lette e rispettate attentamente da tutti gli operatori prima di iniziare il lavoro.

Possono lavorare sull'apparecchio solo persone che sono state istruite sull'uso dell'apparecchio e che sono state informate dei rischi a esso associati. L'età minima richiesta per gli operatori deve essere assolutamente rispettata.

Oltre alle indicazioni di sicurezza contenute nelle presenti istruzioni per l'uso e alle disposizioni speciali in vigore nel proprio Paese, devono essere rispettate le regole tecniche generalmente riconosciute per l'utilizzo di macchine simili.

Si declina ogni responsabilità in caso di incidenti o danni dovuti al mancato rispetto delle presenti istruzioni per l'uso e delle indicazioni di sicurezza.

3. Descrizione dell'apparecchio (Fig. 1-9)

1. Dispositivo di taglio
2. Protezione delle mani
3. Impugnatura anteriore
4. Leva di avvio a freddo (valvola dell'aria)
5. Pompa del carburante "primer"
6. Pulsante On/Off
7. Blocco della leva del gas
8. Maniglia posteriore
9. Leva gas
10. Impugnatura di bloccaggio
11. Coperchio del serbatoio
12. Cavo di avviamento
13. Silenziatore
- 13.1 Apertura di uscita silenziatore
- 13.2 Viti silenziatore
14. Pipetta della candela
- 14.1 Candela di accensione
15. Vite ad alette
16. Coperchio del filtro dell'aria
17. Filtro dell'aria
18. Apertura per lubrificante

4. Contenuto della fornitura

- Tosasiepi a benzina
- Bottiglia di miscelazione olio-benzina (A)
- Chiave per candele (B)
- Chiave a brugola 4 mm (C)
- Protezione delle lame (E) (premontata)
- Istruzioni per l'uso

5. Impiego conforme alla destinazione d'uso

La macchina è conforme alla Direttiva Macchine CE in vigore. Prima di iniziare l'attività, è necessario che tutti i dispositivi di protezione e di sicurezza siano montati sulla macchina.

Questo tosasiepi a benzina è concepito per tagliare siepi o simili teneri e appena cresciuti. Non è adatto al taglio di rami, legno duro o altri materiali potenzialmente tagliabili.

La macchina è concepita per l'utilizzo esclusivo da parte di un'unica persona.

La persona addetta è responsabile, nell'area di lavoro, per la sicurezza di terzi.

Osservare tutte le avvertenze di sicurezza e le indicazioni di pericolo presenti sulla macchina.

Mantenere leggibili tutte le avvertenze di sicurezza e le indicazioni di pericolo presenti sulla macchina.

Utilizzare la macchina solo in perfette condizioni tecniche e secondo le disposizioni, attenendosi alle istruzioni d'uso nella piena consapevolezza dei rischi e delle norme di sicurezza! In particolare provvedere immediatamente a (far) riparare qualsiasi guasto in grado di compromettere la sicurezza!

Le disposizioni di sicurezza, lavoro e manutenzione del produttore e le misure indicate nei Dati tecnici devono essere rispettate.

Le disposizioni antinfortunistiche in vigore e tutte le altre normative tecniche di sicurezza generalmente riconosciute devono essere rispettate.

La macchina può essere utilizzata, sottoposta a manutenzione o riparata soltanto da persone specializzate che abbiano familiarità con essa e siano state istruite sui pericoli. Modifiche arbitrarie alla macchina escludono la responsabilità del produttore per i danni che ne derivano.

La macchina può essere utilizzata soltanto con accessori e utensili originali del produttore.

Qualsiasi uso diverso risulta non conforme alla destinazione d'uso. Il fabbricante non si assume alcuna responsabilità per i danni risultanti da tale uso; il rischio è esclusivamente a carico dell'utilizzatore.

Il tosasiepi a benzina è destinato ad essere utilizzato soltanto per tagliare siepi, cespugli e arbusti. Un utilizzo diverso da quanto indicato nelle presenti istruzioni per l'uso, può danneggiare il tosasiepi o provocare gravi lesioni all'utilizzatore ed è pertanto escluso espressamente dall'elenco delle possibili applicazioni.

Lo strumento non può essere utilizzato a scopo commerciale, artigianale o industriale.

Qualora non si sia certi della sicurezza di una certa condizione di lavoro, non operare con la macchina.

AVVERTENZA! Si prega, per la propria sicurezza personale, di leggere il presente manuale prima della messa in funzione dello strumento e di prendere visione delle avvertenze generali di sicurezza. Qualora lo strumento sia affidato a terzi, allegare sempre queste istruzioni per l'uso.

Si prega di osservare che i nostri apparecchi non sono destinati a un uso commerciale, artigianale o industriale. Non ci si assume alcuna responsabilità se l'apparecchio è impiegato nel quadro di un'attività commerciale, artigianale, industriale o simili.

6. Indicazioni di sicurezza

6.1 Lavoro sicuro

QUESTO TOSASIEPI A BENZINA PUÒ CAUSARE LESIONI GRAVI!

Leggere attentamente le istruzioni per la corretta manipolazione, la preparazione, la manutenzione, l'avvio e lo spegnimento del tosasiepi. Familiarizzare con tutti gli elementi di regolazione e con l'uso corretto del tosasiepi a benzina.

Leggere e rispettare, prima della messa in funzione di questo prodotto, le seguenti avvertenze e le norme in vigore nel rispettivo paese, per proteggere sé stessi e gli altri da eventuali lesioni.

Conservare queste indicazioni di sicurezza (istruzioni per l'uso) sempre assieme al tosasiepi a benzina.

Il tosasiepi a benzina può essere azionato solo da persone con sufficiente esperienza.

I bambini non devono mai utilizzare la tosasiepi a benzina.

Fare utilizzare o prestare il tosasiepi a benzina solo a persone che abbiano familiarità con l'apparecchio stesso e il suo utilizzo. Consegnare sempre anche le istruzioni per l'uso.

Le riparazioni sull'apparecchio devono essere eseguite dal produttore o da un'azienda da questi nominata.

6.2 Nuovi utenti

Chi lavora per la prima volta con il tosasiepi a benzina, deve ricevere un'istruzione pratica sull'uso del tosasiepi a benzina stesso e sui dispositivi di protezione individuale da parte di un operatore esperto.

- **Prestare attenzione.** Fare attenzione a cosa si sta facendo. Attenersi alle regole di buon senso durante il lavoro. Non utilizzare l'apparecchio quando si è stanchi o sotto l'influsso di droghe, alcool o medicinali. Un momento di negligenza durante l'uso dell'apparecchio può causare lesioni gravi.
- **Prima dell'impiego familiarizzare con l'apparecchio con l'ausilio delle istruzioni per l'uso.** Gli operatori che non sono informati a sufficienza possono mettere in pericolo se stessi e altre persone in seguito ad un uso improprio.
- Non utilizzare l'apparecchio per scopi a cui non è destinato (vedere "5. Uso conforme alla destinazione d'uso").
- **Evitare una postura anomala.** Accertarsi che la posizione sia sicura e mantenere sempre l'equilibrio. Questo vale in particolare se si utilizzano scalini o una scala.
- **Indossare indumenti di protezione adeguati:**
 - non indossare abbigliamento largo o gioielli perché possono rimanere impigliati in componenti in movimento
 - guanti robusti e calzature antiscivolo
 - una retina per capelli se si portano i capelli lunghi
- **Indossare indumenti di protezione individuale:**
 - Otoprotettori
 - Occhiali protettivi o una protezione per il viso
 - Guanti da lavoro
 - Calzature di sicurezza
 - casco di protezione verificato in situazioni nelle quali si potrebbero presentare lesioni alla testa.
- **Consigliamo di indossare una protezione per le gambe e una giacca di sicurezza.**
- **Mantenere in ordine la zona di lavoro!** Il disordine può causare incidenti.
- **Tenere in considerazione gli influssi ambientali:**
 - Non esporre il tosasiepi a benzina alla pioggia.
 - Non utilizzare il tosasiepi a benzina in ambiente umido o bagnato.
 - Rimandare il lavoro in caso di cattive condizioni atmosferiche (pioggia, neve, ghiaccio, vento) - maggiore rischio di incidenti!
 - Fare in modo che il luogo sia ben illuminato.
 - Non utilizzare il tosasiepi a benzina in prossimità di liquidi o gas infiammabili.
- **Prendere confidenza con il proprio ambiente e prestare attenzione a eventuali pericoli che non si potrebbero sentire a causa dei rumori del motore.**

- **Attenzione ai cavi elettrici in superficie**
- **Non lasciare mai il tosasiepi a benzina incustodito.**
- **Nelle pause di lavoro, il tosasiepi a benzina deve essere messa in sosta, in modo che nessuno venga messo in pericolo.** Mettere in sicurezza il tosasiepi a benzina contro un accesso non autorizzato.
- **Le persone di età inferiore a 18 anni non possono usare l'apparecchio.**
- **Tenere le altre persone a distanza.**
- **L'operatore è responsabile per qualsiasi incidente o potenziali pericoli che possano recare danno ad altre persone o a oggetti di loro proprietà.**
- **L'utilizzatore è responsabile, nell'area di lavoro, per la sicurezza di terzi.**
- **Tenere i bambini lontani.**
- **Non consentire ad altre persone, in particolare bambini, di toccare l'attrezzo o il motore.** Tenere queste persone lontane dalla zona di lavoro.
- **Assicurarsi che il tosasiepi a benzina si trovi regolarmente in una delle posizioni di lavoro pre-stabilite prima di avviare il motore.**
- **Accertarsi sempre che tutte le maniglie e i dispositivi di sicurezza siano montati quando si utilizza il tosasiepi a benzina.** Non cercare mai di utilizzare un tosasiepi a benzina incompleto oppure sottoposto a una modifica non ammessa.
- **Non usare un dispositivo di taglio smussato, staccato o danneggiato.**
- **Iniziare con il taglio solo se il dispositivo di taglio è in funzione.**
- **Non sovraccaricare la macchina!** Funzionano meglio e in modo più sicuro nel campo di potenza indicato.
- **Azionare l'apparecchio solo con dispositivi di protezione correttamente applicati e non eseguire modifiche sulla macchina che possano compromettere la sicurezza.**
- **Non modificare l'apparecchio o parti di esso.**
- **Non utilizzare un dispositivo di taglio non conforme ai dati caratteristici indicati nelle presenti istruzioni d'uso.** L'utilizzo di altri attrezzi e accessori può implicare un pericolo di lesioni per l'utilizzatore.
- **Spegnere la macchina e rimuovere la pipetta della candela di accensione nei seguenti casi:**
 - In caso di contatto del tosasiepi a benzina con il terreno, con pietre, chiodi o altri corpi estranei; verificare che l'apparecchio non sia danneggiato.
 - Della regolazione della posizione di lavoro del dispositivo di taglio
 - Di un controllo, la manutenzione o lavori sul tosasiepi a benzina.
 - Operazioni di riparazione
 - Operazioni di manutenzione e pulizia
 - Eliminazione dei guasti (tra questi anche il blocco del dispositivo di taglio)
 - Trasporto e stoccaggio
 - Abbandono del tosasiepi a benzina (anche in caso di brevi interruzioni)

- **Prendersi cura del proprio tosasiepi a benzina con diligenza:**
 - Mantenere gli attrezzi affilati e puliti per lavorare meglio e in modo più sicuro.
 - Mantenere le impugnature asciutte e libere da olio e grasso.
 - Attenersi alle istruzioni di manutenzione.
- **Verificare se la macchina presenta eventuali danni:**
 - Prima dell'ulteriore utilizzo della macchina, controllare attentamente che i dispositivi di protezione ed altri componenti funzionino perfettamente e in modo conforme.
 - Controllare che le parti mobili funzionino correttamente e non si blocchino, e che non siano danneggiate. Tutti i componenti devono essere montati correttamente e tutte le condizioni devono essere soddisfatte al fine di assicurare un esercizio perfetto del tosasiepi a benzina.
 - I dispositivi di protezione e le parti danneggiate devono essere riparati o sostituiti correttamente in un'officina specializzata autorizzata, a meno che non venga specificato altrimenti nelle istruzioni per l'uso.
 - Occorre sostituire gli adesivi di sicurezza danneggiati o illeggibili.
- **Non lasciare inserite alcuna chiave dell'attrezzo!** Verificare sempre prima dell'accensione che la chiave e gli attrezzi di regolazione siano stati rimossi.
- **Conservare gli apparecchi inutilizzati in un luogo chiuso e asciutto, fuori dalla portata dei bambini.**
- **Riporre il tosasiepi a benzina in un luogo in cui i vapori della benzina non possano entrare in contatto con fiamme o scintille libere.** Lasciare sempre raffreddare il tosasiepi a benzina prima di stoccarlo.
- **Durante il trasporto e l'immagazzinaggio del tosasiepi a benzina, occorre coprire sempre il dispositivo di taglio con la relativa protezione.**
- **Non eseguire riparazioni sulla macchina, a meno che non si possieda una formazione specifica.** Non effettuare riparazioni sulla macchina diverse da quelle descritte al capitolo "13. Pulizia e manutenzione", rivolgendosi direttamente al produttore o al servizio clienti competente.
- **L'utilizzo del tosasiepi a benzina deve essere evitato se sono presenti persone nei pressi della macchina, in particolare bambini.**
- **Nel caso in cui un corpo estraneo entri in contatto con il dispositivo di taglio o se i rumori di funzionamento dovessero aumentare d'intensità o se il tosasiepi a benzina vibrasse in modo insolito, spegnere il motore e lasciare arrestare il tosasiepi a benzina.** Rimuovere la pipetta della candela di accensione e eseguire i seguenti passaggi:
 1. verificare la presenza di danni;
 2. verificare la presenza di componenti allentati e fissarli, se necessario;
 3. sostituire o fare riparare i componenti danneggiati.
- **Non utilizzare il tosasiepi a benzina con un dispositivo di taglio danneggiato o eccessivamente usurato.**
- **Per evitare un pericolo di incendio, tenere il motore e il silenziatore privi di materiali sparsi, foglie e lubrificanti superflui.**

- **Utilizzare sempre entrambe le mani e se il tosasiepi a benzina è dotato di due maniglie.**
- **Quando il tosasiepi a benzina viene arrestato per effettuare una manutenzione, una riparazione, un'ispezione o per l'immagazzinaggio, spegnere il motore, staccare la pipetta della candela di accensione e accertarsi che tutte le parti in movimento si siano completamente fermate.** Prima di controllare o regolare la macchina, farla raffreddare.

Le riparazioni su altre parti della macchina devono essere eseguite dal produttore o dal suo servizio di assistenza clienti. Utilizzare solo pezzi di ricambio originali. Utilizzando altri pezzi di ricambi e accessori, si possono verificare incidenti per gli utilizzatori. Il produttore non si assume alcune responsabilità per danni di questo tipo.

6.3 Manipolazione sicura dei carburanti

Maneggiare il carburante con cura! I carburanti e i loro fumi sono potenzialmente infiammabili e possono causare gravi danni se inalati o se vengono a contatto con la pelle. Nel trattamento del carburante, è pertanto necessario prestare la massima cautela e provvedere a una buona ventilazione.

- **Spegnere il motore prima del rifornimento del tosasiepi a benzina e lasciare raffreddare l'apparecchio.**
- **Non fumare durante il rifornimento ed evitare fiamme libere.**
- **Indossare un paio di guanti durante il rifornimento.**
- **Non procedere al rifornimento in locali chiusi (pericolo di esplosione).**
- **Fare rifornimento solo all'aperto.**
- **Fare attenzione a non rovesciare il carburante o l'olio.** Pulire subito il tosasiepi a benzina in caso di fuoriuscita di carburante o olio. Cambiarsi subito d'abito in caso di versamenti di carburante o olio.
- **Assicurarsi che non penetri del carburante all'interno della rete fognaria.**
- **Richiudere con cura il tappo del serbatoio dopo il rifornimento e assicurarsi che non si stacchi durante il funzionamento.**
- **Verificare che il tappo del serbatoio e le linee della benzina siano a tenuta.** In caso di difetti di tenuta, non azionare il dispositivo.
- **Trasportare e immagazzinare il carburante solo in recipienti idonei e appositamente contrassegnati.**
- **Tenere i carburanti fuori dalla portata dei bambini.**
- **Non trasportare e immagazzinare i carburanti nei pressi di sostanze combustibili o facilmente infiammabili, né vicino a scintille o fiamme libere.**
- **All'avvio del dispositivo, allontanarsi di almeno tre metri dal luogo di rifornimento.**
- **Se fosse necessario svuotare il serbatoio, farlo sempre in un luogo all'aperto.**

- **Non riporre mai il tosasiepi a benzina o il serbatoio del carburante in un luogo in cui siano presenti fiamme libere, come ad esempio vicino ad una caldaia.**
- **Per ridurre il pericolo di incendio, – tenere motore e silenziatore liberi da resti di taglio, foglie e lubrificanti!**
- **Non rimuovere mai il tappo del serbatoio o rabboccare benzina con il motore in funzione o quando è caldo.**
- **Fare raffreddare il motore e i componenti dello scarico prima del rabbocco.**
- **Nel caso in cui sia stata versata della benzina, non tentare di accendere il motore ma allontanare la macchina dalla superficie sporca prima dell'accensione.**

6.4 Rischi residui

Anche in caso di impiego conforme alla destinazione d'uso, possono sussistere dei rischi residui dovuti alla struttura determinata dall'uso previsto, nonostante il rispetto di tutte le norme di sicurezza pertinenti. I rischi residui possono essere minimizzati se si rispettano nel complesso "6. Indicazioni di sicurezza" e "5. Uso conforme alla destinazione d'uso", nonché le istruzioni per l'uso della macchina stessa. Una grande cautela e attenzione riducono il rischio di lesioni personali e danni materiali.

Inoltre, nonostante tutte le misure precauzionali adottate, possono comunque venirsi a creare dei rischi residui non evidenti:

- Lesioni dovute alla proiezione di pezzi.
- Rottura e proiezione all'esterno di pezzi della lama.
- Pericolo di intossicazione da monossido di carbonio in caso di utilizzo del dispositivo in ambienti chiusi o con scarsa ventilazione.
- Pericolo di ustioni in caso di contatto con componenti caldi.
- Compromissione dell'udito all'atto di lavori prolungati e costanti senza indossare otoprotettori.

7. Istruzioni di lavoro

Eseguire i seguenti controlli prima della messa in funzione e regolarmente durante il lavoro con il tosasiepi a benzina:

- Il tosasiepi a benzina è montato in modo completo e conforme alle disposizioni? Prestare attenzione al fatto che tutti dadi e le viti siano stretti correttamente.
- Il tosasiepi a benzina è in stato corretto e sicuro?
 - Tutte le funzioni di sicurezza funzionano correttamente?
- Il serbatoio di benzina è riempito?
- Il dispositivo di taglio non presenta danni ed è affilato?
- Il motore e il silenziatore sono privi di depositi, foglie o lubrificante fuoriuscito?
- La maniglia è pulita e asciutta – prova di olio, grasso e resina?
- Il luogo di lavoro non presenta un pericolo di inciampamento?
- Si indossano i dispositivi di protezione necessari?
- Si sono lette e comprese le avvertenze?
- La leva del gas si muove in modo semplice ed è funzionante?

- Il pulsante ON/OFF è funzionante?
- Il dispositivo di taglio rimane sempre con marcia al minimo?

Se il dispositivo di taglio funziona al minimo, occorre ridurre la velocità di minimo (vedere "13.2 Regolazione della velocità di minimo").

- Accertarsi che il riduttore sia lubrificato a sufficienza (vedere la sezione sottostante "13. Pulizia e manutenzione").

7.1 Comportamento generale durante il lavoro con la tosasiepi

- Non lavorare da soli. Per i casi di emergenza, qualcuno dovrebbe rimanere a portata d'orecchio.
- Tenere bambini, persone e animali lontani dalla propria area di lavoro (min. 15 m di distanza).
- Non lavorare sulla neve, sul ghiaccio o su un altro fondo liscio - Pericolo di scivolamento.
- Non operare in condizioni di illuminazione insufficienti (ad es. con nebbia, pioggia, nevischio o in penombra).
- Prima del taglio, allontanare animali dalla siepe, per non ferirli.
- Garantire un luogo di lavoro sicuro e sgombro. Rimuovere dall'area di lavoro gli oggetti che possono essere proiettati all'esterno.
- Evitare una postura anomala. Mantenere sempre l'equilibrio. Non lavorare con il busto piegato in avanti.
- Azionare il tosasiepi a benzina solo in una condizione stabile.
- Disattivare il tosasiepi a benzina quando si cambia luogo.
- Tenere mani e piedi lontano dal dispositivo di taglio quando lo si sposta.
- Tenere il tosasiepi a benzina in modo da non inalare i gas di scarico. Non lavorare in locali chiusi.
- Non utilizzare il tosasiepi a benzina per raccogliere o per spazzare via tondelli di legno o altri oggetti.
- Rimuovere assolutamente dalla siepe componenti esterni (ad es. filo metallico), in quanto tali pezzi possono danneggiare il dispositivo di taglio del tosasiepi a benzina.
- Tenere sempre bene stretta il tosasiepi a benzina con entrambe le mani, la mano sinistra sulla maniglia e la destra sulla maniglia posteriore. Non lavorare mai con una mano.
- Se si rilascia la leva del gas, il dispositivo di taglio continua a funzionare ancora per breve tempo (effetto della ruota libera).
- Iniziare il taglio con dispositivo di taglio in funzione.
- Non afferrare mai il dispositivo di taglio con le mani durante il funzionamento.
- Non lavorare mai
 - a braccia tese
 - in punti difficili da raggiungere
 - inclinandosi troppo in avanti
- Non lavorare mai con il tosasiepi a benzina al di sopra dell'altezza delle spalle.
- Non toccare mai con dispositivo di taglio in funzione recinzioni metalliche o il terreno.
- Spegnerne il motore ed estrarre la spina di alimentazione
 - in caso di modifiche evidenti al funzionamento dell'apparecchio
 - per l'eliminazione del prodotto da tagliare rimasto incastrato
 - per controllare il dispositivo di taglio quando è entrato in contatto con pietre, chiodi o altri oggetti duri.
 - per l'eliminazione di guasti

- durante le pause di lavoro
- prima di abbandonare la tosasiepi
- Non appoggiare il tosasiepi a benzina surriscaldato sull'erba asciutta o su oggetti infiammabili.
- Prima dell'inizio del lavoro, assicurarsi che:
 - nell'area di lavoro non sostino persone o animali.
 - sia possibile indietreggiare senza ostacoli.
 - l'area dei piedi sia libera da qualsiasi corpo estraneo, sterpaglia e ramo.
 - sia garantito uno stato sicuro.

Se persone con problemi di circolazione sono soggetti a vibrazioni troppo frequenti, possono presentarsi danni al sistema nervoso o ai vasi sanguigni.

7.2 È possibile ridurre le vibrazioni:

- Indossando guanti da lavoro caldi e robusti.
- Riducendo l'orario di lavoro (inserire più pause lunghe).

Recarsi dal medico se si gonfiano le dita, non ci si sente bene o le dita perdono sensibilità.

7.3 Lavoro con il tosasiepi

Tenere il tosasiepi a benzina con entrambe le mani ad una distanza di sicurezza.

- Il diametro di taglio massimo dipende dal tipo di legno, dall'età, dall'umidità contenuta e dalla durezza del legno.
- Accorciare dunque i rami molto spessi alla lunghezza adeguata prima di tagliare la siepe usando un'apposita cesoia.
- Il tosasiepi a benzina può essere spostato, grazie alle sue lame bifacciali, in avanti o all'indietro oppure da un lato all'altro con movimenti oscillatori.
- Tagliare per prima cosa i lati delle siepi e solo successivamente il bordo superiore.
- Tagliare la siepe dal basso verso l'alto.
- Tagliare la siepe a forma di trapezio. Questo impedisce il diradamento della parte inferiore della siepe a causa dell'assenza di luce.
- Tendere una corda per tracciare su tutta la lunghezza della siepe se si desidera potare il bordo superiore della siepe in modo uniforme.
- Eseguire il tagli in più passate se è necessaria una potatura massiccia.

7.4 Il momento giusto per tagliare:

- Siepe di latifoglie: Giugno e ottobre
- Siepe di conifere: Aprile e agosto
- Siepe a rapida crescita: da maggio ogni circa 6 settimane

Fare attenzione agli uccelli che fanno il nido nella siepe. Posticipare il taglio della siepe o tralasciare l'area interessata.

Attenersi in ogni caso alle indicazioni di sicurezza.

7.5 Comportarsi in caso di guasti o incidenti

In caso di guasti o incidenti, mettere subito fuori servizio il tosasiepi a benzina con il pulsante ON/OFF (6).

7.6 Pronto soccorso

Qualora si presenti un infortunio, si dovrebbe sempre tenere sul posto di lavoro una cassetta di pronto soccorso come da DIN 13164. Il materiale prelevato deve essere prontamente rimpiazzato.

Quando si richiede aiuto, fornire le seguenti indicazioni:

- Dove è successo?
- Cosa è successo?
- Quanti feriti?
- Che tipo di ferite sono?
- La persona addetta alla segnalazione?

8. Dati tecnici

Tipo di motore.....	Motore a due tempi - raffreddato ad aria
Cilindrata cm ³	22,5
Potenza del motore kW.....	0,65
Numero di giri a vuoto n _v /min ⁻¹	3000 +/- 300
Max. numero di giri del motore min ⁻¹	10500
Capacità del serbatoio L.....	0,28
Rapporto di miscelazione (carburante/olio a due tempi)....	40:1
Lunghezza di taglio mm	560
Max. spessore di taglio mm	27
Dimensioni Lun./Lar./Alt. mm.....	1100 x 245 x 200
Lunghezza della lama mm.....	700
Candela di accensione	L8RTC
Peso kg.....	5,2

Con riserva di modifiche tecniche!

Rumore

Informazioni relative all'emissione sonora misurata in base alle norme in vigore:

Livello di pressione acustica L _{pA}	97,8 dB
Incertezza K _{pA}	3 dB
Livello di potenza acustica L _{WA}	107,3 dB
Incertezza K _{WA}	2,53 dB

Indossare degli otoprotettori.

L'esposizione al rumore può provocare la perdita dell'udito.

Vibrazione

Vibrazioni (maniglia posteriore) A _{hv}	4,838 m/s ²
Incertezza di misura K _{hv}	1,5 m/s ²
Vibrazioni (maniglia anteriore) A _{hv}	5,389 m/s ²

Ridurre al minimo la rumorosità e le vibrazioni!

- Utilizzare soltanto apparecchi che si trovano in uno stato perfetto.
- Eseguire regolarmente la manutenzione e la pulizia dell'apparecchio.
- Adattare il proprio modo di lavorare all'apparecchio.
- Non sovraccaricare l'apparecchio.
- Far eventualmente controllare l'apparecchio.
- Spegnerne l'apparecchio quando non viene utilizzato.
- Indossare un paio di guanti.

AVVISO

Evitare eventuali rischi da vibrazioni, ad es. la possibile sindrome del dito bianco (detta anche "Fenomeno di Raynaud", che comporta problemi di vascolarizzazione) effettuando pause di lavoro frequenti, durante le quali si possono ad es. sfregare i palmi delle mani tra loro.

- Indossare sempre scarpe antinfortunistiche e tenere calde le mani.
- Effettuare pause di lavoro regolari.

9. Prima della messa in funzione

- Aprire l'imballaggio ed estrarre con cautela l'apparecchio.
- Rimuovere il materiale di imballaggio nonché le staffe di sicurezza per il trasporto e l'imballaggio (se presenti).
- Controllare se il contenuto della fornitura è completo.
- Controllare l'apparecchio e gli accessori per rilevare l'eventuale presenza di danni dovuti al trasporto.
- Ove possibile, conservare l'imballaggio fino alla scadenza della garanzia.

ATTENZIONE

L'apparecchio e il materiale di imballaggio non sono giocattoli per bambini! I bambini non devono giocare con i sacchetti di plastica, pellicole e piccole parti! Sussiste il pericolo di ingerimento e soffocamento!

- Prima dell'impiego, familiarizzare con l'apparecchio con l'aiuto del manuale di istruzioni.
- Utilizzare solo pezzi originali per quanto riguarda accessori e pezzi di ricambio o soggetti ad usura. È possibile acquistare i pezzi di ricambio presso il proprio rivenditore specializzato.
- In caso di ordinazioni, indicare i nostri codici di articoli, il tipo e l'anno di costruzione dell'apparecchio.

Il tosasiepi a benzina non viene consegnato con il pieno di miscela di carburante.

L'apparecchio viene azionato con una miscela di benzina (senza piombo) e olio per motore a due tempi.

Quando si tratta benzina, occorre prestare particolare attenzione. Vietato fumare e usare fiamme libere (pericolo di esplosione).

Controllare l'apparecchio prima di ogni messa in funzione:

- Tenuta del sistema del carburante.
- Stato impeccabile ed integrità dei dispositivi di protezione e del dispositivo di taglio.
- Posizionamento corretto di tutti i collegamenti a vite.
- Mobilità di tutte le parti in movimento.

Carburante e olio

- Carburanti consigliati
- Utilizzare una miscela di benzina senza piombo e di olio speciale per motori a 2 tempi. Realizzare la miscela di carburante come da tabella di miscelazione del carburante.
- Non utilizzare carburante E10.

Attenzione:

Non utilizzare una miscela di carburante che sia stata stoccata per un periodo superiore a 90 giorni.

Attenzione:

Non utilizzare olio per motori a 2 tempi con un rapporto di miscela consigliato di 100:1. In caso di danni al motore dovuti a lubrificazione insufficiente, decade la garanzia del produttore sul motore.

Attenzione:

Utilizzare per il trasporto e lo stoccaggio di carburante solo contenitori appositamente predisposti e ammessi. Aggiungere sempre la quantità corretta di benzina ed olio per motore a 2 tempi nella bottiglia di miscelazione olio-benzina in dotazione (A). Scuotere poi bene il contenitore.

Non utilizzare mai olio per motori a 4 tempi o motori a 2 tempi raffreddati ad acqua. Questo potrebbe sporcare la candela d'accensione, bloccare l'elemento di scarico dell'aria o fare incastrare l'anello del pistone. Le miscele di carburante non utilizzate per un mese o più possono intasare il carburatore o influenzare il funzionamento del motore. Non inserire il carburante necessario all'interno di un contenitore a tenuta d'aria e conservarlo in un locale buio e freddo.

Tabella di miscelazione del carburante

Procedura di miscelazione: 40 parti di benzina per 1 parte di olio

Esempio:

1 l benzina: 0,025 l olio per motore a 2 tempi

5 l benzina: 0,125 l olio per motore a 2 tempi

Avviso! Fare attenzione ai gas di scarico.

Spegnere sempre il motore prima di eseguire il rifornimento. Non inserire mai benzina nello strumento mentre il motore è in funzione o è caldo. Sussiste il pericolo di incendio! Riempire il serbatoio solo all'aperto o in locali con sufficiente ventilazione. Assicurarsi che il carburante non penetri nel terreno (tutela ambientale). Utilizzare un supporto idoneo. Utilizzare soltanto olio per la catena bio.

I carburanti si possono immagazzinare solo per periodi limitati, perché invecchiano. I carburanti e le miscele di carburante obsoleti possono causare problemi di avviamento. Miscelare dunque il carburante sufficiente per un utilizzo mensile. Immagazzinare il carburante solo in recipienti idonei e appositamente contrassegnati. Conservare al sicuro e in luogo asciutto il serbatoio del carburante.

Assicurarsi che il serbatoio del carburante sia immagazzino senza che sia possibile l'accesso a bambini.

Attenzione! Informarsi, prima della messa in funzione, su come mettere fuori servizio l'apparecchio in caso di emergenza!

9.1 Rifornimento del tosasiepi

- Spegnere il motore e farlo raffreddare!
- Indossare guanti di protezione!
- Evitare il contatto con la pelle o gli occhi!

- Attenersi assolutamente alla sezione "Manipolazione sicura del carburante", vedere 6.3.

1. Rifornire il tosasiepi a benzina solo all'aperto o in locali adeguatamente ventilati.
2. Pulire la zona circostante l'area di riempimento. Impurità nel serbatoio causano anomalie di funzionamento.
3. Scuotere ancora una volta la bottiglia di miscelazione olio-benzina (A) prima di rabboccare con esso il serbatoio.
4. Aprire con cautela il tappo del serbatoio (11), per scaricare eventuali sovrappressioni presenti.
5. Riempire attentamente con la miscela di carburante fino al bordo inferiore del bocchettone di riempimento. Utilizzare un imbuto o un altro ausilio (non in dotazione) per evitare uno sversamento del carburante.
6. Richiudere il tappo del serbatoio (11). Accertarsi che il tappo del serbatoio (11) sia chiuso a tenuta.
7. Pulire il tappo del serbatoio (11) e l'area circostante.
8. Verificare l'assenza di difetti di tenuta sulle linee del carburante.
9. Azionare se necessario la pompa del carburante "Primer" (5).
10. Prima dell'avvio del motore, allontanarsi di almeno tre metri dalla luogo di rifornimento.

9.2 Scaricare il carburante

Svuotare il serbatoio del carburante solo all'aperto o in locali con ventilazione adeguata. Assicurarsi che il carburante non penetri in alcun modo nel terreno (tutela ambientale). Utilizzare un supporto adeguato.

1. Tenere un contenitore di raccolta sotto il serbatoio del carburante.
2. Svitare il tappo del serbatoio del carburante (11) e rimuoverlo.
3. Fare uscire la miscela benzina/olio completamente.
4. Stringere di nuovo manualmente il tappo del serbatoio (11).

10. Funzionamento**10.1 Regolazione della maniglia posteriore (8)**

(Fig. 2)

Per facilitare la guida del tosasiepi a benzina, è possibile regolare la maniglia posteriore (8) in 3 diverse posizioni di lavoro.

- Durante la regolazione, non azionare la leva dell'acceleratore (9).
1. Tenere stretto il tosasiepi a benzina con la mano sinistra sulla maniglia anteriore (3).
 2. Spingere la maniglia di bloccaggio (10) verso il basso e ruotare l'impugnatura nella posizione desiderata.
 3. Rilasciare la maniglia di bloccaggio (10). Assicurarsi che la maniglia di bloccaggio scatti in posizione e che la maniglia di bloccaggio ben fissa.

10.2 Avvio dello strumento

⚠ Pericolo di lesioni!

Avviare il tosasiepi a benzina solo con il dispositivo di taglio montato! Rimuovere la relativa protezione di trasporto e ispezionare lo strumento per verificare che sia in buono stato.

Non utilizzare mai un dispositivo di taglio danneggiato, regolato o sottoposto a manutenzione in modo errato oppure non montato completamente e in modo sicuro.

Eseguire in controllo prima dell'uso!

Controllare che lo strumento sia in condizioni sicure:

- Assicurarsi che il pulsante ON/OFF (6), il blocco dell'acceleratore (7) e la leva dell'acceleratore (9) funzionino correttamente.
- Controllare se l'apparecchio presenta delle perdite.
- Controllare la presenza di danni visibili sullo strumento.
- Controllare che tutti i componenti dello strumento siano applicati in modo sicuro.
- Controllare che tutti i dispositivi di sicurezza siano in buone condizioni e pronti al funzionamento.

10.2.1 Avvio con motore freddo (Fig. 1, 3, 4)

Sostenere il tosasiepi a benzina per avviarlo e tenerlo saldamente. Assicurarsi che il dispositivo di taglio sia libero.

1. Rimuovere la protezione delle lame (E) dal dispositivo di taglio (1).
2. Posizionare il tosasiepi a benzina su un fondo stabile e piano. Il dispositivo di taglio (1) non deve in questo caso toccare terra.
3. Premere 7 volte sulla pompa del carburante "Primer" (5).
4. Ruotare la leva di avviamento a freddo (Starter) (4) su "Avviamento a freddo".
5. Tenere il tosasiepi a benzina per la maniglia anteriore (3) ed estrarre lentamente il cavo di avviamento (12) fino a quando non si avverte una prima resistenza.
6. Tirare a quel punto in un colpo il cavo di avviamento (12) fino all'avvio del motore. Se il motore non si avvia, ripetere il processo. Per il tempo in cui la leva di avviamento a freddo (Starter) (4) rimane su "Avviamento a freddo", il motore funziona solo per breve tempo e si spegne subito dopo.
7. Quando il motore è spento, azionare insieme il blocco della leva dell'acceleratore (7) e la leva dell'acceleratore (9) stessa. Lo (Starter) (4) ritorna automaticamente in posizione operativa "Avviamento a caldo".
8. A questo punto tirare di nuovo rapidamente il cavo di avviamento (12) fino all'avvio del motore.
9. Dopo aver premuto una volta la leva dell'acceleratore (9) il motore si avvia in posizione di minimo.
10. Lasciare riscaldare il motore per breve tempo, facendolo funzionare.

Se il motore non si avvia nemmeno dopo molteplici tentativi, leggere il capitolo "Risoluzione dei guasti".

Attenzione

Tirare sempre il cavo di avviamento (12) in modo dritto. Se lo si estrae formando un angolo, si genera dell'attrito sull'occhiello. A seguito di tale attrito, la corda si consuma e si usura più rapidamente. Tenere stretta la maniglia del cavo di avviamento (12) quando il cavo di avviamento (12) tende a rientrare.

Non lasciare mai che il cavo di avviamento (12) scatti all'indietro. Questo può provocare dei danni.

Avvertenza:

In caso di temperature elevate può avvenire che anche a motore freddo l'avviamento debba essere effettuato senza leva di avvio a freddo (Starter) (4).

Avvertenza:

Se il dispositivo di taglio (1) gira al minimo o il motore si spegne da solo quando si rilascia l'acceleratore, è necessario eseguire una regolazione del carburatore (vedere capitolo "13.2 Impostazione del numero di giri del minimo").

10.2.2 Avvio con motore caldo

1. La leva di avviamento a freddo (Starter) deve essere su "Avviamento a caldo" per l'avvio con motore caldo.
2. Tenere il tosasiepi a benzina per la maniglia anteriore (3) ed estrarre lentamente il cavo di avviamento (12) fino a quando non si avverte una prima resistenza.
3. Tirare ora rapidamente il cavo di avviamento (12). Il dispositivo dovrebbe avviarsi dopo 1-2 colpi. Se l'apparecchio continua a non partire dopo 6 tiri, ripetere l'operazione riportata alla sezione "Avvio con motore freddo".

10.3 Funzionamento del tosasiepi (Fig. 1)

1. Tenere stretto il tosasiepi a benzina con la mano sinistra sulla maniglia anteriore (3).
2. Tenere stretta la maniglia posteriore (8) con la mano destra. In questo caso il palmo della mano appoggia sul blocco della leva dell'acceleratore (7) e il dito indice aziona la leva dell'acceleratore (9).
3. Premere la leva dell'acceleratore (9).
4. Il dispositivo di taglio si avvia.

Quando si rilascia la leva dell'acceleratore (9), il dispositivo di taglio si arresta e il motore funziona con marcia al minimo.

Rivolgersi al produttore qualora il dispositivo di taglio continui comunque a funzionare a vuoto.

Non continuare a lavorare con il tosasiepi a benzina in nessun caso!

10.4 Bloccaggio del dispositivo di taglio (Fig. 1)

Se il dispositivo di taglio (1) si blocca durante il lavoro, mettere il tosasiepi a benzina fuori servizio con il pulsante ON/OFF (6) e rimuovere la pipetta della candela di accensione (14). Eliminare poi il materiale che causa il blocco e controllare che il dispositivo di taglio (1) non presenti eventuali danni.

10.5 Spegnimento del motore

1. Premere il pulsante ON/OFF (6) e tenerlo premuto.
2. Attendere l'arresto del motore prima di deporre l'apparecchio.
3. Rilasciare il pulsante ON/OFF (6).

11. Istruzioni di lavoro

11.1 Lavoro con il tosasiepi

- Il tosasiepi è adatto soltanto per tagliare siepi, cespugli e arbusti.
- Tenere il tosasiepi con entrambe le mani ad una distanza di sicurezza.
- Il diametro di taglio massimo dipende dal tipo di legno, dall'età, dall'umidità contenuta e dalla durezza del legno.
- Accorciare dunque i rami molto spessi alla lunghezza adeguata prima di tagliare la siepe usando un'apposita cesoia.
- Il tosasiepi può essere spostato, grazie alla sua lama bilata, in avanti o all'indietro oppure da un lato all'altro con movimenti oscillatori.
- Tagliare per prima cosa i lati delle siepi e solo successivamente il bordo superiore.
- Tagliare la siepe dal basso verso l'alto.
- Tagliare la siepe a forma di trapezio. Questo impedisce la calcificazione della parte inferiore della siepe a causa dell'assenza di luce.
- Tendere una corda per tracciare su tutta la lunghezza della siepe se si desidera potare il bordo superiore della siepe in modo uniforme.
- Eseguire il tagli in più passate se è necessaria una potatura massiccia.
- Rimuovere assolutamente dalla siepe componenti esterni (ad es. filo metallico), in quanto tali pezzi possono danneggiare le lame della tosasiepi.
- **Attenzione!** Le lame continuano a funzionare! Non frenare le lame con la mano.

Il momento giusto per tagliare:

- Siepe di latifoglie: Giugno e ottobre
- Siepe di conifere: Aprile e agosto
- Siepe a rapida crescita: da maggio ogni circa 6 settimane

Fare attenzione agli uccelli che fanno il nido nella siepe. Posticipare il taglio della siepe o tralasciare l'area interessata.

12. Trasporto

Per il trasporto dell'apparecchio, spegnere il motore, attendere fino a quando il dispositivo di taglio non si arresta e applicare la protezione delle lame (E) (Fig. 4).

Trasportare l'apparecchio afferrandolo per la maniglia anteriore (3). Tenere dunque il dispositivo di taglio (1) rivolto all'indietro e il silenziatore (13) caldo lontano dal corpo.

Trasportare l'apparecchio nell'autoveicolo sono all'interno del bagagliaio o su un piano di trasporto separato.

Mettere in sicurezza il tosasiepi a benzina per evitare che si ribalti, subisca danni e fuoriesca del carburante.

13. Pulizia e manutenzione

Prima di qualsiasi lavoro di manutenzione e pulizia

- Spegnere il motore
- Attendere fino all'arresto del dispositivo di taglio
- Estrarre la pipetta della candela (ad eccezione delle impostazioni di marcia al minimo)
- Far raffreddare l'apparecchio

Indicazione

Dopo ogni utilizzo, si dovrebbe pulire con cura il dispositivo. Eseguire le operazioni di pulizia e manutenzione solo come indicato nelle presenti istruzioni per l'uso.

Altre operazioni di manutenzione e pulizia diverse da quelle descritte in questo capitolo possono essere eseguite solo dal servizio clienti.

Non eseguire le operazioni di manutenzione nelle vicinanze di fiamme libere. Pericolo di incendio! I dispositivi rimossi per la manutenzione e la pulizia devono essere assolutamente riapplicati e controllati in modo corretto.

Utilizzare solo pezzi originali. Pezzi diversi possono portare a danni e lesioni non prevedibili.

Indossare guanti per evitare possibili lesioni.

Per garantire un utilizzo duraturo e affidabile del tosasiepi a benzina, eseguire regolarmente le seguenti operazioni di manutenzione.

Verificare la presenza di danni evidenti sul tosasiepi a benzina, quali

- fissaggi allentati
- componenti usurati o danneggiati
- dispositivo di taglio piegato, rotto o danneggiato
- Difetti di tenuta sul tappo del serbatoio e sulle linee del carburante

Controllare il tosasiepi a benzina dopo ogni uso, nella fattispecie

- Usura, in particolare gioco di scorrimento del dispositivo di taglio.
- Coperture o dispositivi di protezione montati correttamente e intatti.

Le riparazioni o le operazioni di manutenzione necessari devono essere eseguiti prima dell'uso del tosasiepi a benzina.

13.1 Lubrificazione del riduttore (Fig. 5)

Lubrificare il meccanismo ogni 10 - 20 ore di esercizio.

1. Utilizzando la chiave a brugola da 4 mm (C) in dotazione, aprire la vite del foro di lubrificazione (18) sul lato inferiore del tosasiepi.
2. Applicare l'ingrassatore a pressione sul foro di lubrificazione (18).
3. Spremere un po' di grasso all'interno.
4. Riavvitare la vite del foro di lubrificazione (18).

Attenzione! Rabboccare con poco grasso. Non esagerare mai nel riempimento.

13.2 Regolazione della velocità di minimo

Se il dispositivo di taglio (1) gira al minimo o il motore si spegne da solo quando si rilascia l'acceleratore, è necessario eseguire una regolazione del carburatore.

Avvertenza:

Lasciare che sia solo personale specializzato e qualificato a impostare le regolazioni del carburatore (ad es. il numero di giri al minimo), al fine di evitare danni al motore.

13.3 Pulizia o sostituzione del filtro dell'aria (Fig. 6)

Filtri dell'aria sporchi riducono la potenza del motore a causa di un afflusso di aria troppo ridotto al carburatore. La polvere e il polline ostruiscono i pori dell'inserito in gommapiuma. È dunque essenziale un controllo regolare.

Pulire il filtro dell'aria (17) ogni circa 15 ore di servizio, in caso di condizioni di polvere particolari.

1. Portare la leva di avviamento a freddo (starter) (4) su "Avviamento a freddo", in modo che non possano accedere particelle contaminanti nel carburatore.
2. Rimuovere la copertura del filtro dell'aria (16). Allentare a tal fine la vite ad alette (15).
3. Estrarre il filtro dell'aria (17) in gommapiuma.
4. Lavare il filtro dell'aria (17) con una liscivia tiepida di acqua e sapone. Non soffiare via le particelle contaminanti, sussiste il pericolo di lesioni agli occhi!
5. Pulire l'interno del filtro dell'aria con un pennello.
6. Lasciare che il filtro dell'aria (17) si asciughi bene e reinserirlo.
7. Rimontare la copertura del filtro dell'aria (16).

Attenzione:

Non pulire mai il filtro dell'aria con benzina o solventi infiammabili.

Per non ridurre la durata di vita del motore, occorre sostituire subito un'eventuale filtro dell'aria danneggiato.

⚠ Avviso!

Non lasciare mai funzionare il motore se non è inserito l'elemento del filtro dell'aria.

13.4 Pulire o sostituire il filtro benzina

Controllare il filtro benzina all'occorrenza. Un filtro benzina sporco impedisce l'alimentazione di carburante.

Aprire il tappo del serbatoio (11) ed estrarre il filtro benzina con un gancio metallico (non in dotazione) attraverso l'apertura.

- In caso di sporco leggero:
 - estrarre il filtro benzina dal condotto del carburante e pulire il filtro nella benzina di pulizia.
 - In caso di sporco pesante:
 - sostituire il filtro benzina.
1. Per rimuovere il filtro benzina dal condotto del carburante, premere la fascetta del condotto e spingerla verso il basso.
 2. A questo punto è possibile rimuovere il filtro benzina dal condotto del carburante.

13.5 Ispezione, pulizia e sostituzione della candela di accensione (Fig. 7/8)**Attenzione**

Non toccare la candela di accensione (14.1) o la pipetta della candela (14) con motore in funzione. Alta tensione! Pericolo di ustione in caso di motore caldo. Indossare guanti di protezione!

Controllare regolarmente la candela di accensione e la distanza degli elettrodi.

13.5.1 Ispezione della candela di accensione

1. Rimuovere la pipetta della candela (14) dalla candela di accensione (14.1).
2. Svitare la candela di accensione (14.1) con la chiave per candele (B) in dotazione.
3. Controllare la distanza degli elettrodi. Questa deve essere compresa tra 0,6 e 0,7 mm.

13.5.2 Pulizia della candela di accensione

Controllare la presenza di sporco sulla candela di accensione una prima volta dopo 10 ore di servizio e pulirla poi all'occorrenza con una spazzola metallica in rame.

Sottoporre poi a manutenzione la candela di accensione ogni 50 ore di servizio.

Sostituire la candela di accensione:

- ogni mese in caso di funzionamento regolare
- se il corpo isolante è danneggiato
- in caso di combustione degli elettrodi
- in caso di elettrodi sporchi o oliati

13.5.3 Controllo della scintilla di accensione

1. Rimuovere la pipetta della candela (14) dalla candela di accensione (14.1).
2. Svitare la candela di accensione (14.1) con la chiave per candele (B) in dotazione.
3. Inserire correttamente la pipetta della candela (14).
4. Premere sulla candela di accensione (14.1) con una pinza isolata contro all'alloggiamento del motore (non nelle vicinanze del foro della candela di accensione).
5. Tirare con forza il cavo di avviamento (12).
6. Per un funzionamento impeccabile, si deve vedere una scintilla tra gli elettrodi.

13.6 Silenziatore/apertura di uscita (Fig. 9)

Non stringere le viti del silenziatore se il motore è caldo.

1. Controllare regolarmente che le viti (13.2) del silenziatore (13) non siano allentate. Per stringere le viti allentate usare la chiave a brugola da 4 mm (C).
2. Pulire regolarmente l'apertura di uscita (13.1).

13.7 Pulizia

Pulire con attenzione il tosasiepi a benzina dopo ogni utilizzo, in modo che funzioni sempre in modo impeccabile.

Indossare guanti protettivi durante la pulizia del dispositivo di taglio!

- Pulire l'alloggiamento con una spazzola morbida o con stracci asciutti. Non usare acqua, detersivi e lucidanti.
- Assicurarsi che le bocchette di ventilazione per il raffreddamento del motore siano libere (pericolo di surriscaldamento).

- Pulire regolarmente il dispositivo di taglio con una spazzola o con stracci. Non pulire mai il dispositivo di taglio con acqua (pericolo di corrosione!)

- Pulire e oliare regolarmente tutti i componenti mobili.
- Non utilizzare mai grasso!
- Utilizzare olio ecocompatibile.

13.8 Piano di manutenzione

Parte del dispositivo	Azione	Prima dell'inizio del lavoro	Settimanale	In caso di difetti	In caso di danni	All'occorrenza
Dispositivo di taglio (1)	Controllare e fare attenzione allo stato di affilatura	X				
	Controllare il gioco di scorrimento del dispositivo di taglio	X				
	Affilatura					X
Motore	Stringere le viti del silenziatore					X
	Pulire / sostituire il filtro della benzina					X
	Pulire / sostituire il filtro dell'aria					ogni 15 ore di esercizio, in ambienti polverosi più spesso
	Lubrificazione del meccanismo					Ogni 20 ore di esercizio, come minimo una volta all'anno

Informazioni sulle riparazioni

Occorre osservare che i seguenti pezzi di questo prodotto sono soggetti a usura dovuta all'uso o naturale o che i seguenti pezzi sono necessari come materiali di consumo.

Pezzi di usura*:

Lame di taglio (set)	(5910402011)
Candela di accensione	(3904801048)
Filtro dell'aria	(3910404001)

* non necessariamente compreso nell'ambito della fornitura!

14. Stoccaggio

Conservare gli strumenti inutilizzati con protezione delle lame aperta in un luogo chiuso e asciutto, fuori dalla portata dei bambini.

Pulire e sottoporre a manutenzione l'apparecchio prima di immagazzinarlo.

Cautela:

Non riporre mai l'apparecchio per un periodo superiore a 30 giorni senza aver prima eseguito le seguenti operazioni:

Stoccaggio dell'apparecchio per più di 30 giorni

Se si deve stoccare lo strumento per un periodo superiore a 30 giorni, occorre predisporre il tutto per fare questo. In caso contrario il carburante residuo presente nel carburatore evapora e lascia un sedimento gommoso. Questo potrebbe rendere difficile l'avvio e comportare costosi lavori di riparazione.

- Scaricare il carburante (vedere 9.2).
- Avviare il motore e farlo funzionare fino a quando non si ferma, al fine di rimuovere il carburante dal carburatore.
- Lasciare raffreddare il motore (circa 5 minuti).
- Rimuovere la candela di accensione (vedere 13.5.).
- Introdurre 1 cucchiaino di olio pulito per motore a 2 tempi nella camera di combustione.
- Tirare più volte lentamente sulla cordicella del motorino di avviamento per ricoprire i componenti interni.
- Reinserrire la candela di accensione (vedere 13.5).

Avvertenza:

Stoccare l'apparecchio in un locale asciutto, a una distanza sufficiente da possibili sorgenti di accensione, ad es. forni, boiler dell'acqua calda a gas, asciugatrici a gas, ecc.

15. Smaltimento e riciclaggio

Avvertenze per l'imballaggio



Il materiale d'imballaggio è riciclabile. Si prega di smaltire gli imballaggi nel rispetto dell'ambiente.

La vostra amministrazione comunale o altri servizi cittadini vi possono fornire informazioni sulle opzioni di smaltimento dell'apparecchio fuori servizio.

Carburanti e oli

- Prima dello smaltimento dell'apparecchio, occorre scaricare il serbatoio del carburante e quello dell'olio motore!
- Il carburante e l'olio motore non rientrano nei rifiuti domestici, né possono essere gettati nelle fogne, ma devono essere trattati e smaltiti in modo separato!

- I serbatoi dell'olio e del carburante devono essere smaltiti in modo rispettoso nei confronti dell'ambiente.

16. Risoluzione dei guasti

Guasto	Possibile causa	Rimedio
Il tosasiepi non funziona	<ul style="list-style-type: none">• Motore, nessun carburante• Errore nella linea del carburante • Filtro della benzina ostruito• Candela di accensione difettosa• Carburatore difettoso • Errore interno	<ul style="list-style-type: none">• Controllare la quantità di carburante• Controllare la presenza di pieghe o danni sulla linea del carburante• Pulire o sostituire il filtro della benzina.• Sostituire la candela di accensione• Consultare il produttore o il centro di assistenza clienti competente• Consultare il produttore o il centro di assistenza clienti competente
Il tosasiepi taglia in modo discontinuo	<ul style="list-style-type: none">• Errore interno• Pulsante On/Off difettoso	<ul style="list-style-type: none">• Consultare il produttore o il centro di assistenza clienti competente• Consultare il produttore o il centro di assistenza clienti competente
Il motore gira, ma il dispositivo di taglio rimane fermo	<ul style="list-style-type: none">• Dispositivo di taglio bloccato• Errore interno • Accoppiamento difettoso	<ul style="list-style-type: none">• Rimuovere l'oggetto• Consultare il produttore o il centro di assistenza clienti competente• Consultare il produttore o il centro di assistenza clienti competente
Il dispositivo di taglio si scalda	<ul style="list-style-type: none">• Lubrificazione carente → Attrito• Il dispositivo di taglio non è affilato	<ul style="list-style-type: none">• Lubrificare il dispositivo di taglio• Fare affilare il dispositivo di taglio

17. Certificato di garanzia

Gentili clienti,

I nostri prodotti sono soggetti ad un rigido controllo di qualità. Se l'apparecchio non dovesse tuttavia funzionare correttamente, ci scusiamo e vi preghiamo di rivolgervi al nostro servizio di assistenza clienti all'indirizzo indicato in questa scheda di garanzia. Siamo a vostra disposizione anche telefonicamente al numero del servizio assistenza sotto indicato. Per la rivendicazione dei diritti di garanzia vale quanto segue:

- Queste condizioni di garanzia regolano ulteriori prestazioni di garanzia. La presente garanzia non tocca i vostri diritti al ricorso di garanzia previsti dalla legge. Le nostre prestazioni di garanzia sono per voi gratuite.
- La prestazione di garanzia riguarda esclusivamente le anomalie riconducibili a difetti del materiale o di produzione ed è limitata all'eliminazione di queste anomalie o alla sostituzione dell'apparecchio. Tenete presente che i nostri apparecchi non sono stati costruiti per l'impiego professionale, artigianale o industriale. Un contratto di garanzia non viene concluso quando l'apparecchio viene usato in imprese commerciali, artigianali o industriali, o con attività equivalenti. Dalla nostra garanzia sono escluse inoltre le prestazioni di risarcimento per danni dovuti al trasporto o danni causati dalla mancata osservanza delle istruzioni per il montaggio o per installazione non corretta, dalla mancata osservanza delle istruzioni per l'uso (come per es. collegamento a tensione di rete o tipo di corrente non corretto), dall'uso improprio o illecito (come per es. sovraccarico dell'apparecchio o utilizzo di utensili o accessori non consentiti), dalla mancata osservanza delle norme di sicurezza e di manutenzione, dalla penetrazione di corpi estranei nell'apparecchio (come per es. sabbia, pietre o polvere), dall'impiego della forza o dall'influsso esterno (come per es. danni dovuti a caduta) e dall'usura normale e dovuta all'impiego.

Il diritti di garanzia decadono quando sono già effettuati interventi sull'apparecchio.

- Il periodo di garanzia è 3 anni e inizia alla data d'acquisto dell'apparecchio. I diritti di garanzia devono essere fatti valere prima della scadenza del periodo di garanzia, entro due settimane dopo avere accertato il difetto. È esclusa la rivendicazione di diritti di garanzia dopo la scadenza del relativo periodo. La riparazione o la sostituzione dell'apparecchio non comporta una proroga del periodo di garanzia e con questa prestazione per l'apparecchio o per pezzi di ricambio eventualmente installati non inizia un nuovo periodo di garanzia. Questo vale anche nel caso si ricorra ad un servizio sul posto.
- Per la rivendicazione dei vostri diritti di garanzia, vi preghiamo di rivolgervi all'indirizzo di assistenza sotto indicato. Se il reclamo perviene entro il periodo di garanzia, sarà messa a vostra disposizione una bolla di reso con la quale potrete restituire gratuitamente l'apparecchio difettoso. Indicate il motivo di reclamo nel modo più dettagliato possibile. Se il difetto dell'apparecchio rientra nella nostra prestazione di garanzia, ricevete l'apparecchio riparato o un apparecchio nuovo a stretto giro di posta.

Naturalmente effettuiamo a pagamento anche riparazioni sull'apparecchio che non rientrano o non rientrano più nella garanzia. A tale scopo inviate l'apparecchio all'indirizzo del servizio assistenza.

La prestazione in garanzia vale per difetti del materiale o di fabbricazione. Questa garanzia non si estende a componenti del prodotto esposti a normale logorio, che possono pertanto essere considerati come componenti soggetti a usura (esempio capacità della batteria, calcificazione, lampade, pneumatici, filtri, spazzole...). La garanzia non si estende altresì a danni che si verificano su componenti delicati (esempio interruttori, batterie, parti realizzate in vetro, schermi, accessori vari) nonché danni derivanti dal trasporto o altri incidenti.

Numero servizio assistenza (IT):

00800 4003 4003
(0,00 EUR/Min.)

Service-Hotline (CH):

00800 4003 4003
(0,00 €/Min.)

Indirizzo e-mail (IT):

service.IT@schepach.com

Service-Email (CH):

service.CH@schepach.com

Indirizzo servizio assistenza (IT):

TeleMarCom
Am Ziegelweiher 24
DE - 61130 Nidderau

Service-Adresse (CH):

Klaus-Häberling AG
Industriestraße 6
CH - 8610 Uster



Su www.lidl-service.com è possibile scaricare questo e molti altri manuali, video di prodotti e software di installazione.

Con il codice QR si accede direttamente alla pagina di assistenza di Lidl (www.lidl-service.com) ed è possibile consultare le istruzioni per l'uso desiderate inserendo il numero di articolo (IAN) 422496_2210.

1.	A készüléken található szimbólumok magyarázata	159
2.	Bevezetés.....	161
3.	lék leírása (1-9. ábra)	161
4.	Szállított elemek	161
5.	Rendeltetésszerű használat	161
6.	Biztonsági utasítások.....	162
7.	Munkavégzési utasítások	164
8.	Műszaki adatok	166
9.	Üzembe helyezés előtt	166
10.	Kezelés	167
11.	Munkavégzési utasítások	168
12.	Szállítás.....	169
13.	Tisztítás és karbantartás.....	169
14.	Tárolás	171
15.	Ártalmatlanítás és újrahasznosítás	171
16.	Hibaelhárítás	171
17.	Jótállási tájékoztató.....	172
18.	Robbantott ábra.....	257
19.	Megfelelőségi nyilatkozat	260

1. A készüléken található szimbólumok magyarázata

	Üzembe helyezés előtt olvassa el és vegye figyelembe a kezelési útmutatót és a biztonsági utasításokat!
	Biztonsági lábbeli viselése javasolt!
	Használjon hallásvédőt!
	Használjon védőszemüveget!
	Viseljen munkakesztyűt!
	Figyelem! Az illetéktelen személyeket tartsa távol a munkaterülettől!
	Tartsa be a figyelmeztető és biztonsági utasításokat!
	Figyelem! Tűz- és robbanásveszély áll fenn.
	Figyelem, sérülésveszély! Kezével ne nyúljon a kések közelébe. Bekapcsoláskor vagy a berendezés használata közben soha ne érintse meg a késeket.
	Figyelmeztetés forró felületekre.



A készüléket tilos esőben vagy nedves körülmények között üzemeltetni. Áramütés veszélye!



Figyelem, tűzveszélyes anyagok. Tilos a tűz és nyílt láng használata és a dohányzás!



Keverési arány: 40 rész benzin 1 rész olajhoz



Fordítsa el a szívatókart. „Melegindítás és munkavégzés” és „Hidegindítás”



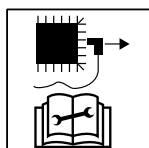
Garantált hangteljesítményszint megadása L_{WA} dB-ben.



Nyomja meg 7-szer a „Primer” üzemanyag-szivattyút



Figyelem! Fulladásveszély!
A kipufogógázok mérgezőek, a motort ezért ne működtesse nem szellőztetett területeken.



A karbantartási munkák megkezdése előtt állítsa le a készüléket és húzza le a gyertyapipát!



A termék megfelel a hatályos európai irányelveknek.

2. Bevezetés

GYÁRTÓ:

Scheppach GmbH

Günzburger Straße 69
D-89335 Ichenhausen

KEDVES ÜGYFELÜNK!

Sok örömet és sikert kívánunk új készüléke használatához.

MEGJEGYZÉS:

E gép gyártója a hatályos termékfelelősségi törvény szerint nem felelős a gépen esett vagy a gép által okozott károkért a következő esetekben:

- szakszerűtlen kezelés,
- a kezelési útmutató be nem tartása,
- harmadik fél által végzett illetéktelen javítás,
- nem eredeti pótalkatrészek beépítése és cseréje,
- nem rendeltetésszerű használat,

Vegye figyelembe a következőket:

A szerelés és üzembe helyezés előtt olvassa el a kezelési útmutató teljes szövegét.

Kezelési útmutatónkból megismerheti készülékét, és elsajátíthatja a rendeltetésszerű használatához szükséges ismereteket.

A kezelési útmutató fontos információkat tartalmaz arról, hogyan dolgozhat a géppel biztonságosan, szakszerűen és gazdaságosan, hogyan előzheti meg a baleseteket, csökkentheti a javítási költségeket és az időkieséseket, és növelheti a gép megbízhatóságát és élettartamát.

A jelen kezelési útmutató biztonsági rendelkezésein túl feltétlenül tartsa be az országában a készülék üzemeltetésével kapcsolatosan érvényes előírásokat is.

A szennyeződés és nedvesség ellen műanyag tokba csomagolt kezelési útmutatót tartsa a készülék közelében. Munkába állás előtt minden kezelő olvassa el, és gondosan tartsa be előírásait.

A gépen csak olyan személyek dolgozhatnak, akiket betanítottak a készülék használatára, és megismertettek az előforduló veszélyforrásokkal. Tartsa be a kezelők minimális életkorára vonatkozó rendelkezést.

A jelen kezelési útmutató biztonsági rendelkezésein és országában a készülék üzemeltetésére vonatkozó előírásokon túl feltétlenül tartsa be az azonos kialakítású gépek üzemeltetésére vonatkozó általánosan elismert műszaki szabályokat is.

Nem vállalunk felelősséget az olyan balesetekért vagy károkért, amelyek azért keletkeznek, mert nem vették figyelembe a jelen útmutatót és a biztonsági utasításokat.

3. lék leírása (1–9. ábra)

1. Vágóberendezés
2. Kézvédelem
3. Első markolat
4. Hidegindító kar (szívató)
5. Üzemanyag-szivattyú „primer”
6. Be-/kikapcsoló gomb
7. Gázkar zárja
8. Hátsó markolat
9. Gázkar
10. Reteszelő markolat
11. Tanksapka
12. Berántó zsinór
13. Hangtompító
- 13.1 Hangtompító kilépő nyílása
- 13.2 Hangtompító csavarjai
14. Gyertyapipa
- 14.1 Gyújtógyertya
15. Szárnyas csavar
16. Légszűrőfedél
17. légszűrő
18. Kenőnyílás

4. Szállított elemek

- Benzines sövénynyíró
- Olaj-benzin keverőflakon (A)
- Gyertyakulcs (B)
- 4 mm-es imbuszkulcs (C)
- Késvédő (E) (előszerelt)
- Kezelési útmutató

5. Rendeltetésszerű használat

A gép megfelel az érvényben lévő EK Gépek irányelvének.

A munka megkezdése előtt az összes védő- és biztonsági berendezést fel kell szerelni a gépre.

Ezt a benzines sövénynyírót gyenge, frissen nőtt sövény viszszavágására tervezték. A sövénynyíró nem alkalmas ágak, kemény fa és egyéb felvágandó anyagok vágására.

A gépet egy személy általi kezelésre tervezték.

A kezelő személyzet felelős a munkaterületen tartózkodó harmadik felekért.

Tartsa be a gépen olvasható összes biztonsági és veszély jelzést.

A gépen található összes biztonsági és veszélyekre vonatkozó utasítást tartsa teljes mértékben olvasható állapotban.

A gépet csak műszakilag kifogástalan állapotban, valamint a rendeltetésének megfelelően, biztonság- és veszélytudatosan, a használati utasítás figyelembevételével szabad használni! Különösen a biztonságot hátrányosan befolyásoló üzemzavarokat hárít(tas)sa el haladéktalanul!

Tartsa be a gyártó biztonsági, munkavégszi és karbantartási előírásait, valamint a műszaki adatok között megadott méretkorlátokat.

Tartsa be a vonatkozó baleset-megelőzési előírásokat és a többi általánosan elfogadott biztonságtechnikai szabályt.

A gépet csak olyan személy üzemeltetheti, tarthatja karban és javíthatja, akit ezzel megbíztak és a veszélyekkel kapcsolatban kioktattak. Ha a gépet önkényesen megváltoztatja, az ebből eredő károkért a gyártó nem vállal felelősséget.

A gépet kizárólag a gyártó eredeti tartozékaival és eredeti szerszámaival szabad használni.

Minden ettől eltérő használat nem rendeltetésszerűnek minősül. Az ebből eredő károkért a gyártó nem felel; a kockázatot egyedül a használó viseli.

A benzines sövénynyíró kizárólag sövények, bokrok és cserjefélék vágására használható. Jelen használati útmutatóban nem megadott felhasználás a sövénynyíró vagy a felhasználó súlyos sérülését okozhatja, ezért az a lehetséges felhasználások felsorolásából ki van zárva.

A készüléket ne használja kisipari, kéziipari vagy ipari célokra. Amennyiben nem biztos abban, hogy egy adott munkafeltétel biztonságos vagy nem biztonságos, akkor ne dolgozzon a géppel.

FIGYELMEZTETÉS! Kérjük, hogy a saját biztonságga érdekében a készülék üzembe helyezése előtt figyelmesen olvassa el jelen kézikönyvet és az általános biztonsági utasításokat. Ha a készüléket továbbadja harmadik félnek, mindig mellékelje a használati útmutatót is.

Kérjük, vegye figyelembe, hogy készülékeinket rendeltetésük szerint nem kisipari, kéziipari vagy ipari használatra tervezték. A készülékre semmilyen garanciát nem vállalunk, ha kisipari, kéziipari vagy ipari, valamint ezekkel egyenértékű tevékenységekhez használja.

6. Biztonsági utasítások

6.1 Biztonságos munkavégzés

EZ A BENZINES SÖVENYNYÍRÓ SÚLYOS SÉRÜLÉSEKET OKOZHAT!

Gondosan olvassa el az utasításokat a sövénynyíró helyes kezeléséhez, előkészítéséhez, javításához, elindításához és leállításához. Ismerje meg a sövénynyíró összes állítható alkatrészét és szakszerű használatát.

Ezen termék üzembe helyezése előtt olvassa el a következő utasításokat, valamint az adott országban hatályos biztonsági rendelkezéseket, hogy megvédje magát és másokat az esetleges sérülésektől.

A jelen biztonsági utasításokat (kezelési útmutatót) mindig a benzines sövénynyíróval együtt tárolja.

A benzines sövénynyírókat csak megfelelő tapasztalattal rendelkező személyek kezelhetik.

Gyermekek semmilyen körülmények között sem használhatják a benzines sövénynyírókat.

A benzines sövénynyírókat csak olyan személyeknek adja át végleg vagy kölcsönbe, akik ismerik a benzines sövénynyírókat és annak kezelését. Mindig mellékelje hozzá a kezelési útmutatót is.

A készülék javításait a gyártó, illetve az általa megnevezett vállalatok végezzék.

6.2 Első használó

Ha valaki első alkalommal dolgozik a benzines sövénynyíróval, akkor egy tapasztalt kezelőszemély részesítse a benzines sövénynyíró használatával és a személyi védőfelszereléssel kapcsolatos gyakorlati oktatásban.

- **Legyen óvatos.** Figyeljen arra, amit csinál. Dolgozzon ésszel. Ne használja a készüléket, ha fáradt, vagy ha drogok, alkohol vagy gyógyszerek hatása alatt áll. A készülék használata során egy pillanatnyi figyelmetlenség is súlyos sérüléseket okozhat.
- **A használat előtt ismerje meg a készüléket a kezelési útmutató segítségével.** A nem kellően tájékozott kezelők a szakszerűtlen használat folytán veszélyeztethetik saját magukat és más személyeket.
- Ne használja a készüléket olyan célokra, amelyek nem minősülnek rendeltetésszerűnek (lásd: „5. Rendeltetésszerű használat”).
- **Kerülje a rendellenes testtartást.** Gondoskodjon a stabil munkavégzési helyzetéről, és mindig őrizze meg egyensúlyát. Ez különösen érvényes akkor, amikor fellépőt vagy létrát használ.
- **Viseljen megfelelő munkaruhát:**
 - Kerülje a bő ruházatot vagy ékszert, mert azok beakadhatnak a mozgó alkatrészekbe
 - Erős kézvédő és csúszásmentes lábbeli
 - Hosszú haj esetén hajháló
- **Viseljen egyéni védőruházatot:**
 - Hallásvédő
 - Védőszemüveg vagy arcvédő
 - Munkavédelmi kesztyű
 - Munkavédelmi cipő
 - Bevizsgált munkavédelmi sisak olyan helyzetekben, amelyeknél fejsérülések lehetőségével kell számolni.
- **Lábvédő és munkavédelmi kabát viselését is javasoljuk.**
- **Tartsa rendben a munkaterületet!** A rendtelenség balesetveszélyes.
- **Vegye figyelembe a környezeti hatásokat:**
 - A benzines sövénynyírókat ne érje eső.
 - Ne használja nedves vagy vizes környezetben a benzines sövénynyírókat.
 - Kedvezőtlen időjárás (eső, hó, jég, szél) esetén halassza el a munkát – fokozott balesetveszély!
 - Gondoskodjon a jó világításról.
 - Ne használja éghető folyadékok vagy gázok közelében a benzines sövénynyírókat.
- **Ismerkedjen meg a környezetével, és ügyeljen a lehetséges veszélyekre, amelyeket a motor zaja miatt esetleg nem észlel.**
- **Ügyeljen a föld feletti áramvezetésekre**
- **Soha ne hagyja felügyelet nélkül a benzines sövénynyírókat.**
- **A munkavégzés közbeni szünetekhez úgy helyezze le a benzines sövénynyírókat, hogy az senkit ne veszélyeztessen.** Biztosítsa illetéktelen hozzáférés ellen a benzines sövénynyírókat.

- **18 év alatti személyek nem kezelhetik a készüléket.**
- **Minden más személyt tartson távol.**
- **A felhasználó felel az olyan balesetekért vagy veszélyekért, amelyek más személyeket vagy azok tulajdonát fenyegetik.**
- **A kezelőszemély felelős a munkaterületen tartózkodó harmadik felekért.**
- **Tartsa távol a gyermekeket.**
- **Ne hagyja, hogy a szerszámhoz vagy a motorhoz más személyek, különösen gyermekek nyúljanak.** Tartsa távol őket a munkaterülettől.
- **Mielőtt beindítja a motort, mindig győződjön meg arról, hogy a benzines sövénynyíró előírás szerint az egyik meghatározott munkapozícióban található.**
- **Mindig győződjön meg arról, hogy használat közben minden fogantyú és biztonsági berendezés fel van szerelve a benzines sövénynyíróra.** Soha ne próbáljon nem teljes, ill. engedély nélkül átépített benzines sövénynyírót használni.
- **Ne használjon tompa, megrepedt vagy sérült vágó szerkezetet.**
- **Csak akkor kezdje meg a vágást, amikor mozog a vágó szerkezet.**
- **Ne terhelje túl a gépet!** A megadott teljesítménytartományban jobban és biztonságosabban dolgozhat.
- **Csak helyes és megfelelően felhelyezett védőberendezésekkel üzemeltesse a készüléket, és egyetlen olyan módosítást se végezzen a gépen, amely negatív hatással lenne a biztonságra.**
- **Ne módosítsa a készüléket, illetve a készülék alkatrészeit.**
- **Ne használjon olyan vágó szerkezetet, amely nem felel meg a jelen használati útmutatóban megadott jellemzőknek.** Más szerszámok és tartozékok használata sérülésveszélyt okozhat.
- **Kapcsolja ki a gépet, és húzza le a gyertyapipát a gyújtógyertyáról a következő esetekben:**
 - ha a benzines sövénynyíró a talajjal, kövekkel, szegekkel vagy egyéb idegen anyagokkal érintkezik, akkor ellenőrizze, hogy nem sérült-e meg a készülék
 - a vágó szerkezet munkahelyzetének beállítása
 - a sövénynyíró ellenőrzése, javítása vagy a sövénynyíróval való munkavégzés
 - javítási munkálatok
 - karbantartási és javítási munkálatok
 - üzemzavarok elhárítása (ide tartozik a vágó szerkezet blokkolása is)
 - Szállítás és tárolás
 - eltávolodás a benzines sövénynyírótól (rövid szünetek esetén is)
- **Gondosan ápolja a benzines sövénynyírót:**
 - Tartsa élesen és tisztán a szerszámokat, hogy jobban és biztonságosabban dolgozhasson velük.
 - A fogantyúkat tartsa szárazon, olajtól és zsírtól mentesen.
 - Tartsa be a karbantartásra vonatkozó előírásokat.

- **Ellenőrizze a gépet, hogy nem sérült-e:**

- A gép további használata előtt gondosan vizsgálja meg, hogy kifogástalan és rendeltetésszerű-e a védőszerkezetek működése.
- Ellenőrizze, hogy a mozgó részek kifogástalanul működnek, nem szorulnak és nem sérültek-e. A benzines sövénynyíró kifogástalan üzemeltetése megköveteli, hogy minden alkatrésze helyesen legyen felszerelve, és az összes feltételt betartsák.
- A sérült védőberendezéseket márkaszervizzel szakszerűen ki kell javíttatni vagy cseréltetni, ha a használati utasítás nem rendelkezik másként.
- Cserélje ki a sérült vagy nem olvasható biztonsági címkéket.
- **Ne hagyja bedugva a szerszámkulcsot!** Bekapcsolás előtt mindig ellenőrizze, hogy kivette-e kulcsot és a beállítószerszámokat.
- **A nem használt készüléket száraz és zárt helyen őrizze, ahol a gyermekek nem férnek hozzá.**
- **Olyan helyen tárolja a benzines sövénynyírót, ahol a benzingőzök nem érintkezhetnek nyílt lánggal vagy szikrákkal.** Tárolás előtt mindig hagyja lehűlni a benzines sövénynyírót.
- **A benzines sövénynyíró szállításakor vagy tárolásakor a vágó szerkezetet mindig takarja le a vágó szerkezethez tartozó védelemmel.**
- **Ne végezzen javításokat a gépen, kivéve, ha ehhez megfelelő szakképesítéssel rendelkezik.** Ne végezzen a gépen a „13. Tisztítás és karbantartás” című fejezetben felsoroltaktól eltérő javításokat. Helyette forduljon közvetlenül a gyártóhoz, illetve az illetékes ügyfélszolgálathoz.
- **A benzines sövénynyíró használata kerülendő, ha személyek, különösen ha gyerekek tartózkodnak a közelben.**
- **Ha a vágó szerkezet idegen anyagot ér, vagy ha a működési zajok felerősödnek, ill. a benzines sövénynyíró szokatlanul erősen kezd rezegni, akkor állítsa le a motort, és hagyja teljesen leállni a benzines sövénynyírót.** Húzza le a gyújtógyertyapipát a gyújtógyertyáról, és tegye meg a következő intézkedéseket:
 1. ellenőrizze az esetleges sérüléseket;
 2. ellenőrizze, hogy nem lazultak-e meg alkatrészek, ezeket rögzítse;
 3. a sérült alkatrészeket cserélje ki megfelelő alkatrészekre vagy javíttassa meg.
- **Ne használja a benzines sövénynyírót hibás vagy nagyon elhasználódott vágó szerkezettel.**
- **A tűzveszély csökkentése érdekében figyeljen rá, hogy a motoron és a hangtompítón ne legyenek lerakódások, lomb vagy távozó ke-nőanyag.**
- **Mindig mindkét kezét használja, ha a benzines sövénynyíró két külön fogantyúval van ellátva.**
- **Ha karbantartás, ellenőrzés vagy tárolás céljából megállítja a benzines sövénynyírót, akkor kapcsolja ki a motort, húzza le a gyertyapipát a gyújtógyertyáról, és bizonyosodjon meg arról, hogy az összes mozgó alkatrész leállt.** Hagyja lehűlni a gépet, mielőtt azt ellenőrzi, beállítja stb.

A gép többi alkatrészének javításait a gyártó, illetve annak vevőszolgálat végezze.

Csak eredeti pótalkatrészeket használjon. Az egyéb pótalkatrészek és tartozékok használata következtében balesetek érhetik a felhasználót. Az ebből eredő károkért a gyártó nem felel.

6.3 Az üzemanyagok biztonságos kezelése

Gondosan kezelje az üzemanyagot! Az üzemanyag és az üzemanyag gőze tűzveszélyes, ha pedig belélegzi, vagy a bőrére kerül, súlyos sérüléseket okozhat. Az üzemanyagok kezelése során ezért fokozott óvatossággal kell eljárni, és mindig gondoskodni kell a megfelelő szellőzésről.

- **A benzines sövénynyíró tankolása előtt kapcsolja ki a motort, és hagyja lehűlni a készüléket.**
- **Tankolás közben ne dohányozzon, és kerülje a nyílt láng használatát.**
- **Tankolás közben viseljen kesztyűt.**
- **A tankolást ne végezze zárt helyiségben (robbanásveszély).**
- **Csak a szabadban tankoljon.**
- **Ügyeljen rá, hogy ne folyjon ki az üzemanyag vagy az olaj.** Ha kifolyt az üzemanyag vagy az olaj, azonnal tisztítsa meg a benzines sövénynyírót. Ha az üzemanyag vagy az olaj a ruhájára ömlött, azonnal cserélje le.
- **Ügyeljen arra, hogy az üzemanyag ne kerüljön a talajba.**
- **Tankolás után gondosan zárja vissza a tanksapka zárját, és ügyeljen arra, hogy ne lazuljon meg üzem közben.**
- **Ügyeljen arra, hogy a tanksapka és a benzin vezetékai tömítettek legyenek.** Tömítetlenség esetén a készüléket nem szabad üzembe helyezni.
- **Az üzemanyagot csak arra engedélyezett, és megjelölt tartályokban szabad szállítani és tárolni.**
- **Tartsa távol a gyermekeket az üzemanyagtól.**
- **Az üzemanyagot ne szállítsa és ne tárolja éghető vagy gyúlékony anyagok, valamint szikra és nyílt láng közelében.**
- **A készülék indításához távolodjon el legalább három méternyire a tankolás helyszínétől.**
- **Ha leüríti a tartályt, akkor ezt a szabadban végezze.**
- **A benzines sövénynyírót vagy az üzemanyag-tartályt soha ne tárolja olyan helyiségben, ahol nyílt láng, például vízmelegítő található.**
- **A tűzveszély csökkentése érdekében a motort és a hangtompítót tartsa vágási maradványoktól, levelektől és kenőanyagoktól szabadon!**
- **Soha ne távolítsa el a tanksapka zárját és ne töltsön be benzint, ha a motor üzemel vagy meleg.**
- **Mielőtt újra feltöltené, hagyja kihűlni a motort és a kipufogó szerelvényeket.**
- **Ha a benzin túlfolyt, ne próbálja meg elindítani a motort, hanem távolítsa el a gépet a benzinnel szennyezett területről.**

6.4 Fennmaradó kockázatok

Rendeltetésszerű használat esetén, az összes vonatkozó biztonsági rendelkezés betartása ellenére is jelentkezhetnek még maradvány kockázatok, melyek a használat céljának megfelelő szerkezetből adódnak. A fennmaradó kockázatok minimalizálhatók, amennyiben betartják a „6. Biztonsági utasítások” és „5. Rendeltetésszerű használat” című fejezetek előírásait, valamint a teljes üzemeltetési útmutatót. Ezek figyelembevételével és az óvatosság csökkentik a személyi sérülések és a károk kockázatát.

A nem nyilvánvaló fennmaradó kockázatok azonban minden elővigyázatosság ellenére sem szüntethetők meg:

- A kirepülő tárgyak által okozott sérülések.
- A kés darabjainak letörése és kivetődése.
- Szénmonoxid-mérgezés a készülék zárt térben, rosszul szellőző helyiségben való használata miatt.
- Égési sérülések veszélye a forró alkotóelemek megérintése folytán.
- Halláskárosodás, ha hosszú ideig dolgozik a géppel hallásvédő nélkül.

7. Munkavégzési utasítások

Az üzembe helyezés előtt és a benzines sövénynyíróval végzett munka közben rendszeresen ellenőrizze a következőket:

- A benzines sövénynyírón teljesen és az előírásoknak megfelelően össze van szerelve? Ügyeljen arra, hogy az összes anya és csavar szorosan meg legyen húzva.
- A benzines sövénynyíró jó és biztonságos állapotban van?
 - Az összes biztonsági funkció rendben van?
- Fel van töltve a benzintartály?
- A vágó szerkezet ép, és meg van élezve?
- A motoron és a hangtompítón nincsenek lerakódások, levelek vagy kilépő kenőanyag?
- A markolat tiszta és száraz, valamint olaj-, zsír- és gyantamentes?
- A munkahelyen nem áll fenn botlásveszély?
- Viseli a szükséges védőfelszerelést?
- Az összes utasítást elolvasta és megértette?
- A gázkar könnyen mozog és működőképes?
- A be-/kikapcsoló gomb működőképes?
- A vágó szerkezet üresjáratban mindig állva marad?

Ha a vágó szerkezet üresjáratban mozog, akkor csökkenteni kell az üresjárat fordulatszámot (lásd: „13.2 Az üresjárat fordulatszám beállítása”).

- Bizonyosodjon meg arról, hogy a hajtómű megfelelően meg van kenve (lásd: „13. Tisztítás és karbantartás”).

7.1 Általános magatartás a sövénynyíróval végzett munka során

- Ne dolgozzon egyedül. Vészhelyzet esetére valakinek hívótávolságon belül kell lennie.
- A gyerekeket, többi személyt és állatokat tartsa távol a munkaterülettől (min. 15 m távolság).
- Ne dolgozzon havon, jégen vagy egyéb csúszós talajon – csúszásveszély.

- Ne dolgozzon, ha nem megfelelőek a fényviszonyok (pl. ködben, esőben, hófúvásban vagy alkonyatkor).
- A vágás megkezdése előtt zavarja ki az állatokat a sövényből, hogy ezek ne sérüljenek meg.
- Gondoskodjon arról, hogy a munkavégzés helye biztonságos és rendezett legyen. Távolítsa el a munkaterületről azokat a tárgyakat, amelyek elrepitésére kerülhetne sor.
- Kerülje a rendellenes testtartást. Mindig őrizze meg az egyensúlyát. Ne dolgozzon előre hajlított felsőtesttel.
- Csak akkor üzemeltesse a benzines sövénynyírót, ha Ön stabilan áll.
- Helyszínváltoztatás esetén kapcsolja ki a benzines sövénynyírót.
- Kezeit és lábait tartsa távol a mozgó vágó szerkezettől.
- Úgy tartsa a benzines sövénynyírót, hogy ne kelljen kipufogógázokat belélegeznie. Ne dolgozzon zárt helyiségekben.
- Ne használja a benzines sövénynyírót fadarabok és egyéb tárgyak felemeléséhez vagy ellapátolásához.
- Feltétlenül távolítsa el az idegen anyagokat (pl. huzalt) a sövényből, mivel azok károsíthatják a benzines sövénynyíró vágó szerkezetét.
- Mindig két kézzel, szorosan fogja a benzines sövénynyírót: bal kéz az elülső markolaton, jobb kéz a hátsó markolaton. Soha ne dolgozzon egy kézzel.
- Amikor elengedi a gázkart, a vágó szerkezet még rövid ideig utánfut (szabadonfutás).
- Járó vágó szerkezettel kezdje meg a vágást.
- Üzem közben soha ne fogja meg kézzel a vágó szerkezetet.
- Soha ne dolgozzon
 - nyújtott karokkal
 - nehezen elérhető helyeken
 - túlságosan előrehajolva
- Soha ne dolgozzon vállmagasság fölé tartott benzines sövénynyíróval.
- A járó vágó szerkezettel soha ne érintsen drótkerítéseket vagy a talajt.
- Kapcsolja ki a motort, és húzza le a gyertyapipát
 - a készülék viselkedésének érezhető változásai esetén
 - a beszorult vágandó anyag eltávolításához
 - a vágó szerkezet ellenőrzéséhez, ha az kövekkel, szeggekkel vagy egyéb kemény tárgyakkal érintkezett
 - üzemzavarok elhárításához
 - munkavégzési szünetekben
 - a sövénynyírótól való eltávolodás előtt
- A felforrósodott benzines sövénynyírót ne állítsa a száraz fűbe vagy éghető tárgyakra.
- A munka megkezdése előtt győződjön meg arról, hogy:
 - a munkaterületen nem tartózkodnak további személyek vagy állatok.
 - az Ön számára biztosított az akadálytalan visszahúzó-dás lehetősége.
 - a lábai körül nincsenek idegen anyagok, bozót vagy ágak.
 - biztosított a stabil állás.

Ha vérkeringési zavarokban szenvedő személyek túl gyakran vannak vibrációnak kitéve, akkor az idegrendszer vagy az erek károsodására kerülhet sor.

7.2 Csökkentheti a vibrációt:

- erős, meleg munkakesztyű viselésével.
- a munkaidő lerövidítésével (több hosszabb szünet beiktatásával).

Forduljon orvoshoz, ha az ujjai megduzzadnak, nem érzi jól magát, vagy az ujjai zsibbadni kezdenek.

7.3 Munkavégzés a sövénynyíróval

Tartsa a benzines sövénynyírót mindkét kezével biztonságos távolságra a testétől.

- A maximális vágási átmérő függ a fa fajtájától, a korától, a nedvességtartalmától és a keménységétől.
- Ezért vágja a nagyon vastag ágakat a sövény nyírása előtt egy gallyazóollóval a megfelelő hosszúságúra.
- A benzines sövénynyíró a kétoldalú késének köszönhetően előre- és hátrafelé vagy ingamozgással egyik oldalról a másikra mozgatható.
- Először a sövény oldalait vágja le, majd a felső oldalát.
- A sövényt alulról felfelé vágja.
- A sövényt trapéz formára vágja. Ez megakadályozza a sövény alsó részének fényhiány miatti felkopaszodását.
- Feszítsen ki egy zsinórmértéket a sövény hossza mentén, ha a sövény felső oldalát egyenletesen szeretné levágni.
- Vágjon több menetben, ha erős visszavágásra van szükség.

7.4 Megfelelő időpont a vágáshoz:

- Lombos sövény: június és október
- Tülevelű sövény: április és augusztus
- Gyorsan növekvő sövény: májustól kb. 6 hetente

Ügyeljen a sövényben költő madarakra. Ebben az esetben halassa el a sövény megnyírását, vagy hagyja ki azt a részt.

Minden esetben vegye figyelembe a biztonsági utasításokat.

7.5 Üzemzavarok vagy balesetek esetén tanúsítandó magatartás

Üzemzavarok vagy balesetek esetén a be-/kikapcsoló gombbal (6) azonnal helyezze üzemén kívül a benzines sövénynyírót.

7.6 Elsősegély

Az esetlegesen fellépő balesetek esetére mindig legyen egy, a DIN 13164 szabványnak megfelelő elsősegélydoboz a munkahelyen. Azonnal pótolja a kivett anyagokat.

Ha segítséget kér, akkor adja meg a következő adatokat:

- Hol történt az eset?
- Mi történt?
- Hány sérült van?
- Milyen típusú a sérülés?
- Ki teszi a bejelentést?

8. Műszaki adatok

Motor típusKétütemű motor – léghűtéses
Lökettérfogat cm^3 22,5
Motor teljesítménye kW 0,65
Üresjárat fordulatszám, n_r/perc^{-1} 3000 +/- 300
Max. motorfordulatszám, perc^{-1} 10500
Tartály térfogata, l 0,28
Keverési arány (üzemanyag/kétütemű olaj) 40:1
Vágáshossz mm 560
Max. vágásvastagság, mm 27
Méreték, H/Sz/Ma, mm 1100 x 245 x 200
Kard hossza mm 700
Gyújtógyertya L8RTC
Tömeg kg 5,2

A műszaki változtatás jogát fenntartjuk!

Zaj

Információk a vonatkozó szabványok szerint mért zajképződési értékekhez:

L_{pA} hangnyomásszint 97,8 dB
K_{pA} bizonytalanság 3 dB
L_{WA} hangteljesítményszint 107,3 dB
K_{WA} bizonytalanság 2,53 dB

Viseljen hallásvédőt.

A zaj következtében hallásvesztésre kerülhet sor.

Rezgés

A_{hv} vibráció (hátsó markolat) 4,838 m/s^2
K_{hv} mérési bizonytalanság 1,5 m/s^2
A_{hv} vibráció (elülső markolat) 5,389 m/s^2

Korlátozza minimális szintre a zajképződést és a vibrációt!

- Csak kifogástalan állapotban lévő eszközöket használjon.
- Rendszeresen végezze el a készülék karbantartását és tisztítását.
- Munkamódszerét igazítsa a készülékhez.
- Ne terhelje túl a készüléket.
- Szükség szerint ellenőriztesse a készüléket.
- Kapcsolja ki a készüléket, ha nem használja.
- Viseljen kesztyűt.

FIGYELMEZTETÉS

Kerülje a rezgés által okozott kockázatokat, pl. a Raynaud-szindróma (keringési zavar) kialakulását gyakori munkaszünetek beiktatásával, amikor pl. egymáshoz dörzsöli a két kezét.

- Mindig viseljen védőkesztyűt, és ügyeljen rá, hogy melegen tartsa a kezét.
- Rendszeresen tartson szünetet a munkában.

9. Üzembe helyezés előtt

- Nyissa ki a csomagolást, és óvatosan vegye ki a készüléket.
- Távolítsa el a csomagolóanyagot, valamint a csomagolási/szállítási biztosítékokat (ha vannak).
- Ellenőrizze, hogy hiánytalan-e a szállítmány.

- Ellenőrizze a készülék és a tartozékok szállításból eredő sérüléseit.
- Lehetőség szerint a jótállási idő leteltéig őrizze meg a csomagolást.

FIGYELEM

A készülék és a csomagolóanyag nem játékszer! Ne engedje, hogy a gyermekek a műanyag zacskókkal, fóliákkal és apró részekkel játszanak! Lenyelés és fulladás veszélye áll fenn!

- Használat előtt ismerje meg a kezelési útmutató segítségével a készüléket.
- Tartozékként és pótalkatrészként csak eredeti alkatrészeket használjon. Pótalkatrészeket szakkereskedőjénél vásárolhat.
- Rendelésnél adja meg a cikkszámot, valamint a gép típusát és gyártási évét.

A benzines sövénynyíró nem üzemanyag-keverékkel feltöltve kerül kiszállításra.

Töltse fel (ólommentes) benzint és kétütemű motorolaj keverékkel a készüléket.

A benzin kezelése során fokozott figyelem szükséges. A dohányzás és a nyílt láng használata tilos (robbanásveszély).

Minden üzembe helyezés előtt vizsgálja meg a készüléket az alábbi szempontok szerint:

- Az üzemanyagrendszer tömítettségét.
- a védőberendezések és a vágóberendezés kifogástalan állapota és hiánytalansága.
- Az összes csavarozás stabil elhelyezkedését.
- Minden mozgó alkatrész könnyű mozgását.

Üzemanyag és olaj

- Ajánlott üzemanyagok
 - Csak ólommentes normál benzin és speciális, kétütemű motorolaj keverékét használja. Az üzemanyag-keveréket az üzemanyag keverési táblázata alapján keverje be.
 - Ne használjon E10-es üzemanyagot.

Figyelem:

Ne használjon olyan üzemanyagkeveréket, amelyet 90 napnál hosszabb ideig tároltak.

Figyelem:

Ne használjon olyan kétütemű olajat, amelyhez 100:1 keverési arány ajánlott. A nem megfelelő kenés miatt bekövetkező motorkárok esetén a gyártó motorra adott garanciája megszűnik.

Figyelem:

Az üzemanyag szállításához és tárolásához csak erre a célra alkalmas és engedélyezett tartályt használjon. Tegye a megfelelő mennyiségű benzint és kétütemű olajat a mellékelt olaj-benzin keverőflakonba (A). Ezután alaposan rázza fel a flakont.

Soha ne használjon 4-ütemű motorokhoz vagy vízűtéses 2-ütemű motorokhoz való olajat. Emiatt a gyújtógyertya elszennyeződhet, a füstgázrész eltömődhet vagy a dugattyúgyűrű beragadhat. Az olyan üzemanyag-keverék, amelyet egy hónavnál hosszabb ideje nem használtak fel, eltömítheti a porlasztót vagy csökkentheti a motor teljesítményét. A fel nem használt üzemanyagot töltsé légmentesen záródó tartályba, és tárolja sötét, hűvös helyiségben.

Üzemanyag keverési táblázata

Keverési eljárás: 40 rész benzin 1 rész olajhoz

Példa:

1 l benzin: 0,025 l kétütemű olaj

5 l benzin: 0,125 l kétütemű olaj

Figyelmeztetés! Ügyeljen a kipufogógázra.

Tankolás előtt a motort mindig kapcsolja ki.

Soha ne töltsön benzint a készülékbe, ha a motor jár, vagy még forró. Tűzveszély áll fenn!

Üzemanyagot csak a szabadban vagy megfelelően szellőző helyiségben tankoljon. Ügyeljen arra, hogy ne jusson üzemanyag a talajba (környezetvédelem). Használjon megfelelő alátétet. Csak bio lánckenő olajat használjon.

Az üzemanyagok csak korlátozottan tárolhatók, mivel előregszeneznek. A túl sokáig tárolt üzemanyagok és üzemanyag-keverékek indítási problémákat okozhatnak. Ezért csak annyi üzemanyagot keverjen, amennyit egy hónap alatt elhasznál. Az üzemanyagokat csak erre a célra engedélyezett és megjelölt tartályokban tárolja. Az üzemanyagtartályokat száraz és tiszta helyen tárolja.

Ügyeljen arra, hogy gyermekek által nem elérhető helyen tárolja az üzemanyagtartályokat.

Figyelem! Az üzembe helyezés előtt tájékozódjon arról, hogy vészhelyzetben hogyan lehet a lehető leggyorsabban üzemem kívül helyezni a készüléket!

9.1 A sövénynyíró megtankolása

- Kapcsolja ki a motort és hagyja lehűlni!
- Viseljen védőkesztyűt!
- Kerülje a bőrre és szembe kerülést!
- Feltétlenül vegye figyelembe „Az üzemanyagok biztonságos kezelése” című részt, lásd a 6.3 pontot.

1. A benzines sövénynyíró csak a szabadban vagy megfelelően szellőző helyiségben tankolja meg.
2. Tisztítsa meg a betöltési terület környékét. A tartályban lévő szennyeződések üzemzavarokat okoznak.
3. Az üzemanyag-keverék tartályba töltés előtt még egyszer rázza fel az olaj-benzin keverőflakont (A).
4. Óvatosan nyissa ki az üzemanyagtartály tanksapkáját (11), hogy az esetleges túlnyomás fokozatosan szűnjön meg.
5. Óvatosan töltsé be az üzemanyag-keveréket a betöltő-csonk alsó széléig. Használjon tölcsért vagy betöltő segédeszközt (nem szerepelnek a szállított elemek között), hogy elkerülje az üzemanyag kiömlését.

6. Zárja vissza a tanksapkát (11). Győződjön meg arról, hogy a tanksapka (11) tömören zár.
7. Tisztítsa meg a tanksapka zárját (11) és környékét.
8. Ellenőrizze, nem tömítetlen-e a tartály vagy az üzemanyag-vezetékek.
9. Szükség esetén működtesse a „Primer” üzemanyag-szivattyút (5).
10. A motor beindítása előtt legalább 3 méter távolságra távolodjon el a töltőhelytől.

9.2 Engedje le az üzemanyagot

Az üzemanyagtartályt csak a szabadban vagy jól szellőző helyiségben ürítse ki. Ügyeljen arra, hogy az üzemanyag ne kerüljön a talajba (környezetvédelem). Használjon megfelelő alátétet.

1. Állítson egy gyűjtőtartályt az üzemanyagtartály alá.
2. Csavarja ki az üzemanyagtartály tanksapkáját (11), és távolítsa el.
3. Engedje le teljesen a benzin/olaj keveréket.
4. Csavarja vissza kézzel a helyére a tanksapkát (11).

10. Kezelés

10.1 A hátsó markolat (8) beállítása (2. ábra)

A benzines sövénynyíró vezetésének megkönnyítéséhez a hátsó markolat (8) 3 munkapozícióba állítható be.

- Átállítás közben a gázkar (9) nem működtethető.

1. Bal kezével tartsa erősen a benzines sövénynyíró az elülső markolatnál (3).
2. Tolja hátra a reteszelő markolatot (10), és fordítsa a kívánt pozícióba a markolatot.
3. Engedje el a reteszelő markolatot (10). Ügyeljen arra, hogy a reteszelő markolat ismét bepattanjon, és a markolat biztonságosan legyen rögzítve.

10.2 A készülék elindítása

⚠ Sérülésveszély!

Csak akkor indítsa el a benzines sövénynyíró, ha a vágó szerkezet fel van szerelve! Vegye le a megfelelő szállításvédőt, majd vizsgálja meg, hogy a készülék jó üzemállapotban van-e. Soha ne használjon sérült, rosszul beállított vagy rosszul karbantartott, ill. nem teljesen és nem biztonságosan összeszerelt vágó szerkezetet.

Használat előtt ellenőrizzen!

Ellenőrizze, hogy a készülék biztonságos állapotban van-e:

- Győződjön meg arról, hogy a be-/kikapcsoló gomb (6), a gázkar zárja (7) és a gázkar (9) az előírásoknak megfelelően működik.
- Ellenőrizze, hogy nincsenek-e szivárgások a készüléken.
- Ellenőrizze, hogy nincsenek-e látható károk a készüléken.
- Ellenőrizze, hogy a készülék minden alkatrésze biztonságosan van-e felszerelve.
- Ellenőrizze, hogy az összes biztonsági berendezés jó állapotban van-e, és működőképes-e.

10.2.1 Indítás hideg motorral (1., 3., 4. ábra)

Indításhoz támassza le a benzines sövénynyírót, és tartsa erősen. Ügyeljen arra, hogy a vágó szerkezet szabad legyen.

1. Távolítsa el a késvédőt (E) a vágó szerkezetről (1).
2. Állítsa stabil és sima felületre a benzines sövénynyírót. Ekkor a vágó szerkezet (1) nem érintkezhet a talajjal.
3. Nyomja meg 7-szer a „Primer” üzemanyag-szivattyút (5).
4. Fordítsa a hidegindító kart (szívatót) (4) „Hidegindítás” állásba.
5. Tartsa erősen a benzines sövénynyírót az elülső markolatnál (3) fogva, és lassan húzza meg a berántót (12), amíg ellenállást nem érez.
6. Most hirtelen rántsa meg a berántót (12), hogy a motor elinduljon. Ha a motor nem indul el, ismétlje meg a folyamatot. Amíg a hidegindító kar (szívató) (4) „Hidegindítás” állásban van, a motor csak rövid ideig működik, majd ismét leáll.
7. Amint a motor leáll, működtesse együtt a gázkar zárját (7) és a gázkart (9). A hidegindító kar (szívató) (4) automatikusan „Melegindítás” üzemi helyzetbe ugrik.
8. Most hirtelen rántsa meg újra a berántót (12), hogy a motor beinduljon.
9. A gázkar (9) egyszeri működtetése után a motor állandó gázzal működik.
10. Hagyja a motort rövid ideig felmelegedni.

Ha a motor többszöri próbálkozás után sem indul be, akkor olvassa el a „Hibaelhárítás” c. fejezetet.

Figyelem

A berántót (12) mindig egyenesen húzza ki. Ha ferdén húzza, súrlódás keletkezik a gyűrűn. A súrlódás következtében a zsinór sérül, és így gyorsabban elhasználódik. Tartsa erősen a berántó (12) fogantyúját, amikor a berántó (12) újra behúzódik.

Soha ne hagyja visszacsapódni a berántót (12). Ez károsodásokhoz vezethet.

Megjegyzés:

Magas külső hőmérsékletek esetén előfordulhat, hogy hideg motor esetén is hidegindító kar (szívató) (4) nélküli indítást kell végezni.

Megjegyzés:

Ha a vágó szerkezet (1) üresjáratban mozog, vagy ha a motor gázélvételkor magától leáll, akkor porlasztóbeállítást kell végezni (lásd: „13.2 Az üresjárat fordulatszám beállítása” c. fejezet).

10.2.2 Meleg motor indítása

1. Meleg motor indításához a hidegindító karnak (szívató) „Melegindítás” állásban kell lennie.
2. Tartsa erősen a benzines sövénynyírót az elülső markolatnál (3) fogva, és lassan húzza meg a berántót (12), amíg ellenállást nem érez.
3. Ekkor húzza meg hirtelen a berántót (12). A készüléknek 1-2 rántásra be kell indulnia. Ha a készülék 6 rántás után még mindig nem indul be, ismétlje meg a folyamatot a „Hideg motor indítása” résznél leírtak szerint.

10.3 A sövénynyíró üzemeltetése (1. ábra)

1. Bal kezével tartsa erősen a benzines sövénynyírót az elülső markolatnál (3) fogva.
2. Jobb kezével tartsa erősen a hátsó markolatot (8). Ekkor a kézbegyek a gázkar zárján (7) fekszenek, és a gázkart (9) a mutatóujj működteti.
3. Nyomja meg a gázkart (9).
4. Elindul a vágó szerkezet.

Ha elengedi a gázkart (9), a vágó szerkezet leáll, és a motor üresjáratban jár.

Forduljon a gyártóhoz, ha a biztonsági berendezés ennek ellenére üresjáratban tovább fut.

Semmi esetre se dolgozzon tovább a benzines sövénynyíróval!

10.4 A vágó szerkezet blokkolása (1. ábra)

Ha munkavégzés közben a vágó szerkezet (1) blokkolására kerül sor, akkor a be-/kikapcsoló gombbal (6) helyezze üzemen kívül a benzines sövénynyírót, és húzza le a gyertyapipát (14). Ezután távolítsa el a blokkolást okozó anyagot, és ellenőrizze, hogy nem sérült-e esetleg a vágó szerkezet (1).

10.5 A motor leállítása

1. Nyomja meg a be-/kikapcsoló gombot (6), és tartsa nyomva.
2. Várja meg, amíg a motor leáll, mielőtt leteszi a készüléket!
3. Engedje el a be-/kikapcsoló gombot (6).

11. Munkavégzési utasítások

11.1 Munkavégzés a sövénynyíróval

- A sövénynyíró sövények, bokrok és cserjefélék vágására alkalmas.
- Tartsa a sövénynyírót mindkét kezével biztonságos távolságra a testétől.
- A maximális vágási átmérő függ a fa fajtájától, a korától, a nedvességtartalmától és a keménységétől.
- Ezért vágja a nagyon vastag ágakat a sövény nyírása előtt egy gallyazóollóval a megfelelő hosszúságúra.
- A sövénynyíró a kétoldalú késével előre és hátrafelé vagy ingamozgással egyik oldalról a másikra mozgatható.
- Először a sövény oldalait vágja le, majd a felső oldalát.
- A sövényt alulról felfelé vágja.
- A sövényt trapéz formára vágja. Ez megakadályozza a sövény alsó részének felkopaszodását a fényhiány miatt.
- Feszítsen ki egy zsinórmértéket a sövény hossza mentén, ha a sövény felső oldalát egyenletesen szeretné levágni.
- Vágjon több menetben, ha erős visszavágásra van szükség.
- Feltétlenül távolítsa el az idegen anyagokat (pl. huzalt) a sövényből, mivel azok a sövénynyíró kését károsíthatják.
- **Figyelem!** A kések a tovább forognak! Soha ne fekezze le a kezével a késeket.

A megfelelő időpont a vágáshoz:

- Lombos sövény: június és október
- Tűlevelű sövény: április és augusztus
- Gyorsan növekvő sövény: májustól kb. 6 hetente

Ügyeljen a sövényben költő madarakra. Ebben az esetben halassza el a sövény megnyírását, vagy hagyja ki azt a részt.

12. Szállítás

A készülék szállításához kapcsolja ki a motort, várja meg, hogy megálljon a vágó szerkezet, és helyezze fel a késvédőt (E) (4. ábra).

A készüléket az első markolatnál (3) fogva hordozza. Eközben a vágó szerkezet (1) hátrafelé nézzen, és a forró hangtompítót (13) tartsa távol a testétől.

A készüléket személygépkocsiban csak a csomagtartóban vagy külön szállítófelületen szállítsa.

Ehhez biztosítsa felborulás, sérülések és az üzemanyag kifolyása ellen a benzines sövénynyíró.

13. Tisztítás és karbantartás

Minden egyes karbantartási és javítási munkálat előtt

- A motor kikapcsolása
- Várja meg, hogy a vágó szerkezet nyugalmi állapotba kerüljön
- Húzza le a gyertyapipát (kivéve az üresjárat beállítását)
- Hagyja lehűlni a készüléket

Megjegyzés

A készüléket minden használat után alaposan meg kell tisztítani.

A tisztítási és karbantartási munkálatokat csak abban a mértékben végezze, ahogyan azokat ez a kezelési útmutató ismerteti.

A jelen fejezetben leírtakon túlmenő karbantartási és javítási munkálatokat csak az ügyfélszolgálat végezhet.

Ne végezze nyílt láng közelében a karbantartási munkálatokat. Tűzveszély!

A karbantartáshoz és javításhoz eltávolított biztonsági berendezéseket feltétlenül szerelje vissza a megfelelő módon, és ellenőrizze őket.

Csak eredeti alkatrészeket használjon. Az egyéb alkatrészek előre nem látható károkhoz és sérülésekhez vezethetnek.

Az esetleges sérülések elkerülése érdekében viseljen kesztyűt.

A benzines sövénynyíró hosszú és megbízható használatának garantálása érdekében rendszeresen végezze el az alábbi karbantartási munkálatokat.

Ellenőrizze a benzines sövénynyíró szemmel látható hiányosságait, például

- a laza rögzítéseket
- a kopott vagy sérült alkatrészeket
- az elhajlott, eltört vagy sérült vágó szerkezetet
- a tanksapka zárja és az üzemanyag-vezetékek tömítettségét

A benzines sövénynyíró után ellenőrizze

- a kopást, különösen a vágó szerkezet csúszóhézagját.
- a helyesen felszerelt és ép burkolatokat vagy védőberendezéseket.

A szükséges javításokat vagy karbantartási munkálatokat a benzines sövénynyíró használata előtt végezze el.

13.1 A hajtómű kenése (5. ábra)

Kenje a meghajtást 10 - 20 üzemóránként.

1. A mellékelt 4 mm-es imbuszkulccsal (C) oldja ki a kenőnyílás (18) csavarját a sövénynyíró alján.
2. Helyezze fel a zsírzóprést a kenőnyílásra (18).
3. Nyomjon be egy kis zsírt.
4. Csavarja vissza a kenőnyílás (18) csavarját.

Figyelem! Csak kevés zsírt töltsön be. Semmiképp se töltse túl.

13.2 Az üresjárat fordulatszám beállítása

Ha a vágó szerkezet (1) üresjáratban mozog, vagy ha a motor gázérvételkor magától leáll, akkor porlasztóbeállítást kell végezni.

Megjegyzés:

A porlasztó beállítását (pl. az üresjárat fordulatszám beállítását) csak képzett szakemberrel végeztesse, a motor károsodását elkerülendő.

13.3 A légszűrő tisztítása, illetve cseréje (6. ábra)

Ha szennyezett a levegőszűrő, kevesebb levegő jut a porlasztóba, és csökken a motor teljesítménye. A por és a pollen eltömíti a habszivacs betét pórusait. Ezért a rendszeres ellenőrzés elengedhetetlen.

Kb. 15 üzemóránként, poros viszonyok esetén gyakrabban tisztítsa meg a légszűrőt (17).

1. A hidegindító kart (szívatót) (4) állítsa „Hidegindítás” állásba, hogy ne kerülhessenek szennyező részecskék a porlasztóba.
2. Távolítsa el a légszűrőfedelelet (16). Ehhez oldja ki a szárnyas csavart (15).
3. Vegye ki a légszűrőt (17) a habszivacsból.
4. Langyos szappanos vízben mossa ki a légszűrőt (17). Ne fújja ki a szennyező részecskéket – szemsérülés veszélye áll fenn!
5. Tisztítsa meg ecsettel a légszűrő belsejét.
6. Hagyja alaposan megszáradni a légszűrőt (17), majd helyezze vissza.
7. Helyezze vissza a légszűrőfedelelet (16).

Figyelem:

A légszűrőt soha ne tisztítsa benzinnel vagy gyúlékony oldószerekkel.

Hogy a motor élettartama ne csökkenjen, a sérült levegőszűrőt azonnal ki kell cserélni.

⚠ Figyelmeztetés!

Soha ne működtesse a motort, ha a légszűrő nincs behelyezve.

13.4 A benzinszűrő tisztítása, illetve cseréje

Szükség esetén ellenőrizze a benzinszűrőt. A szennyezett benzinszűrő akadályozza az üzemanyag-szállítást.

Nyissa fel a tanksapkát (11), és egy dróthoroggal (nem szerepel a szállított elemek között) húzza át a benzinszűrőt a nyíláson.

- Enyhe szennyeződés esetén:
 - húzza le a benzinszűrőt az üzemanyag-vezetékéről, és tisztítóbenzinnel tisztítsa meg a szűrőt.
- Erős szennyeződés esetén:
 - cserélje ki a benzinszűrőt.

1. A benzinszűrőnek az üzemanyag-vezetékéről történő levételéhez nyomja össze a tömlőkapcsot, és tolja lefelé.
2. Ekkor a benzinszűrő levehető az üzemanyag-vezetékéről.

13.5 A gyújtógyertya ellenőrzése, tisztítása, illetve cseréje (7./8. ábra)

Figyelem

Járó motor esetén ne érintse meg a gyújtógyertyát (14.1) vagy a gyertyapipát (14). Nagyfeszültség!

Égési sérülések veszélye a forró motornál. Viseljen védőkesztyűt!

Rendszeresen ellenőrizze a gyújtógyertyát és az elektródák távolságát.

13.5.1 A gyújtógyertya ellenőrzése

1. Húzza le a gyertyapipát (14) a gyújtógyertyáról (14.1).
2. A mellékelt gyertyakulccsal (B) csavarja ki a gyújtógyertyát (14.1).
3. Ellenőrizze a gyertyahézagot. Ennek 0,6 és 0,7 mm között kell lennie.

13.5.2 A gyújtógyertya tisztítása

Először 10 üzemóra után ellenőrizze, hogy a gyújtógyertya nem szennyezett-e, és szükség esetén tisztítsa meg rézszerű kefével.

A gyújtógyertya karbantartását ezután 50 üzemóránként végezze.

Cserélje ki a gyújtógyertyát:

- rendszeres üzemeltetés esetén havonta
- ha megsérült a szigetelőtest
- az elektródaerős leégése esetén
- erősen szennyezett vagy olajos elektródák esetén

13.5.3 A gyújtószikra ellenőrzése

1. Húzza le a gyertyapipát (14) a gyújtógyertyáról (14.1).
2. A mellékelt gyertyakulccsal (B) csavarja ki a gyújtógyertyát (14.1).
3. Szorosan illessze fel a gyertyapipát (14).
4. Egy szigetelt fogóval nyomja a motorház felé a gyújtógyertyát (14.1) (ne a gyújtógyertyafurat közelében).
5. Erősen húzza meg a berántót (12).
6. Kifogástalan működés esetén látható szikrának kell jelentkeznie az elektródák között.

13.6 Hangtompító / kilépő nyílás (9. ábra)

Ne akkor végezze a hangtompító csavarjainak utánhúzását, amikor forró a motor.

1. Rendszeresen ellenőrizze, hogy nem oldódtak-e ki a hangtompító (13) csavarjai (13.2). Használja a 4 mm-es imbuszkulcsot (C) az esetlegesen meglazult csavarok utánhúzásához.
2. Rendszeresen tisztítsa meg a kilépő nyílást (13.1).

13.7 Tisztítás

Minden egyes használatot követően gondosan tisztítsa meg a benzines sövénynyírót, hogy a kifogástalan működés fenntartható legyen.

A vágó szerkezet tisztítása során viseljen védőkesztyűt!

- A házat puha kefével vagy száraz ronggyal tisztítsa meg. Víz, oldószer és polírozószer használata nem megengedett.
- Ügyeljen arra, hogy a motorhűtés szellőző nyílásai szabadok legyenek (túlmelegedés veszélye).
- Rendszeresen tisztítsa meg kefével vagy ronggyal a vágó szerkezetet. Soha ne tisztítsa vízzel a vágó szerkezetet (korrózióveszély!)
- Rendszeresen tisztítsa meg és olajozza meg az összes mozgó alkatrészt.
- Soha ne használjon zsírt!
- Környezetbarát olajat használjon.

13.8 Karbantartási terv

Készülék alkotóeleme	Tevékenység	Munkakezdet előtt	Hetente	Üzemzavar esetén	Károsodás esetén	Szükség esetén
Vágó szerkezet (1)	Ellenőrizze, és ügyeljen az éllezés állapotára	X				
	A vágó szerkezet siklási holtjátékának ellenőrzése	X				
	Éllezés					X
Motor	A hangtompító csavarjainak meghúzása					X
	A benzinszűrő tisztítása / cseréje					X
	A légszűrő tisztítása / cseréje					15 üzemóránként, poros viszonyok esetén gyakrabban
	A hajtómű kenése					20 üzemóránként, legalább évente egyszer

Szervizinformációk

Vegye figyelembe, hogy ennél a terméknel a következő alkatrészek használati vagy természetes kopásnak kitétt elemek, illetve a következő alkatrészekre használati anyagokként van szükség.

Kopóalkatrészek*:

Vágókések (készlet)	(5910402011)
Gyújtógyertya	(3904801048)
légszűrő	(3910404001)

* nem szerepel kötelezően a szállított elemek között!

14. Tárolás

A nem használt készüléket feltölt késvédővel, száraz és zárt, gyermekek által nem elérhető helyen tárolja.

Tárolás előtt mindig tisztítsa meg és kapcsolja ki a készüléket.

Vigyázat:

A készüléket soha ne tárolja 30 napnál hosszabb ideig anélkül, hogy elvégezné az alábbi lépéseket:

A készülék tárolása 30 napnál hosszabb ideig

Ha a készüléket 30 napnál hosszabb ideig tárolja, akkor azt ehhez elő kell készíteni. Különben a porlasztóban lévő maradék üzemanyag elpárolog, és gumiszerű üledéket hagy maga után. Ez megnehezítheti a beindítást, ami kötelező javítási munkálatokat eredményezhet.

- Eressze le az üzemanyagot (lásd: 9.2).
- Indítsa be a motort és hagyja járni, amíg le nem áll, hogy a porlasztóból eltávolítsa az üzemanyagot.

16. Hibaelhárítás

Üzemzavar	Lehetséges ok	Megoldás
Nem jár a sövénynyíró	<ul style="list-style-type: none">• Motor, nincs üzemanyag• Hiba az üzemanyag-vezetékben• A benzinszűrő eltömődött• Meghibásodott a gyújtógyertya.• A porlasztó hibás• Belső hiba	<ul style="list-style-type: none">• Ellenőrizze az üzemanyag-mennyiséget• Ellenőrizze, hogy az üzemanyag-vezeték nincs-e megtörve vagy megsérülve• Tisztítsa meg, illetve cserélje ki a benzinszűrőt.• Cserélje ki a gyújtógyertyát• Forduljon a gyártóhoz, illetve az illetékes ügyfélszolgálati kirendeltséghez• Forduljon a gyártóhoz, illetve az illetékes ügyfélszolgálati kirendeltséghez
A sövénynyíró szaggatot-tan vág	<ul style="list-style-type: none">• Belső hiba• Meghibásodott a be-/kikapcsoló gomb	<ul style="list-style-type: none">• Forduljon a gyártóhoz, illetve az illetékes ügyfélszolgálati kirendeltséghez• Forduljon a gyártóhoz, illetve az illetékes ügyfélszolgálati kirendeltséghez
A motor jár, de a vágó szerkezet állva marad	<ul style="list-style-type: none">• Blokkolva van a vágó szerkezet• Belső hiba• A tengelykapcsoló hibás	<ul style="list-style-type: none">• Távolítsa el a tárgyat• Forduljon a gyártóhoz, illetve az illetékes ügyfélszolgálati kirendeltséghez• Forduljon a gyártóhoz, illetve az illetékes ügyfélszolgálati kirendeltséghez
Felforrósodik a vágó szerkezet	<ul style="list-style-type: none">• Kenés szükséges → súrlódás• A vágó szerkezet tompa	<ul style="list-style-type: none">• Olajozza meg a vágó szerkezetet• Éleztesse meg a vágó szerkezetet

- Hagyja lehűlni a motort (kb. 5 perc).
- Vegye ki a gyújtógyertyát (lásd: 13.5).
- Adjon 1 teáskanál tiszta 2-ütemű olajat az égéskamrába.
- Többször húzza meg az indítókötelet, hogy a belső alkatrészeket is bevonja.
- Helyezze vissza a gyújtógyertyát (lásd: 13.5).

Megjegyzés:

A készüléket száraz helyen raktározza, lehetőleg gyújtóforrástól, pl. tűzhelytől, gázüzemű vízmelegítőtől, gázzsárítótól stb. távol.

15. Ártalmatlanítás és újrahasznosítás

A csomagolásra vonatkozó megjegyzések



A csomagolóanyagok újrahasznosíthatók. Kérjük, ártalmatlanítsa a csomagolásokat környezetbarát módon.

Az elhasználdott készülék ártalmatlanítási lehetőségeiről a helyi önkormányzatnál tájékozódhat.

Üzemanyagok és olajok

- A készülék ártalmatlanítása előtt le kell üríteni az üzemanyagtartályt és a motorolaj tartályát!
- Az üzemanyag és a motorolaj nem minősül kommunális hulladéknak, és nem szabad a csatornába önteni, ezek szelektíven gyűjtendőek, illetve le kell adni őket ártalmatlanításra!
- Az üres olajoskannákat és üzemanyagtartályokat ártalmatlanítsa környezetbarát módon.

A termék megnevezése: Benzines sövénynyíró	Gyártási szám: 422496_2210
A termék típusa: PBHS 650 A1	
A gyártó cégneve, címe, e-mail címe: Scheppach GmbH Günzburger Straße 69 DE-89335 Ichenhausen E-mail cím: (HU): service.HU@scheppach.com	Szerviz neve, címe, telefonszáma: ATISGEP Kft Szentesi út 100 HU - 5903 Orosháza Szerviz forródrót: 00800 4003 4003 (0,00 Ft./perc)
Az importáló/ forgalmazó neve és címe: Lidl Magyarország Kereskedelmi Bt., H-1037 Budapest, Rádl árok 6.	

- A jótállási idő a Magyarország területén, Lidl Magyarország Kereskedelmi Bt. üzletében történt vásárlás napjától számított 3 év, amely jogvesztő. A jótállási idő a fogyasztó részére történő átadással, vagy ha az üzembe helyezést a forgalmazó, vagy annak megbízottja végzi, az üzembe helyezés napjával kezdődik.
- A jótállási igény a jótállási jeggyel és/vagy a vásárlást igazoló blokkal érvényesíthető. A jótállási jegy szabálytalan kiállítása, vagy átadásának elmaradása nem érinti a jótállási kötelezettség-vállalás érvényességét. Kérjük, hogy a vásárlás tényének és időpontjának bizonyítására őrizze meg a pénztári fizetésnél kapott jótállási jegyet és a vásárlást igazoló blokkot.
- A vásárlástól számított három munkanapon belül érvényesített csereigény esetén a forgalmazó köteles a terméket kicserélni, feltéve ha a hiba a rendeltetészerű használatot akadályozza. A jótállási jogokat a termék tulajdonosaként a fogyasztó érvényesítheti az áruházakban, valamint a jótállási tájékoztatóban feltüntetett szervizekben. (A magyar Polgári Törvénykönyv alapján fogyasztónak minősül a szakmája, önálló foglalkozása vagy üzleti tevékenysége körén kívül eljáró természetes személy.)
A jótállás ideje alatt a fogyasztó hibás teljesítés esetén kérheti a termék kijavítását, kicserélését, vagy ha a termék nem javítható vagy cserélhető, vagy az a forgalmazónak aránytalan többletköltséggel járna, illetve a fogyasztó kijavításhoz, kicseréléshez fűződő érdeke alapos ok miatt megszűnt, árleszállítást kérhet, vagy elállhat a szerződéstől és visszakérheti a vételárat. A kijavítás során a termékbe csak új alkatrész kerülhet beépítésre.
- A fogyasztó a hiba felfedezése után a lehető legrövidebb időn belül köteles a hibát bejelenteni és a terméket a jótállási jogok érvényesítése céljából átadni. A hiba felfedezésétől számított két hónapon belül bejelentett jótállási igényt időben közöltnek kell tekinteni. A közlés elmaradásából eredő kárért a fogyasztó felelős. A jótállási igény érvényesíthetőségének határideje a termék, vagy fődarabjának kicserélése esetén a csere napján újraindul.
- A rögzített bekötésű, illetve a 10 kg-nál súlyosabb, vagy tömegközlekedési eszközön nem szállítható terméket az üzemeltetés helyén kell megjavítani. Abban az esetben, ha a javítás a helyszínen nem végezhető el, a termék ki- és visszaszereléséről, valamint szállításáról a forgalmazónak kell gondoskodnia.
- A jótállás nem áll fenn, ha a hiba a nem rendeltetészerű használatból, átalakításból, helytelen tárolásból, vagy a használati utasítástól eltérő kezeléssel, vagy bármely a vásárlást követő behatásból fakad, vagy elemi kár okozta, és azt a forgalmazó, vagy a szerviz bizonyítja. A jótállás nem vonatkozik a mozgó kopó alkatrészek (világítótestek, gumibroncsok stb.) rendeltetészerű felhasználására. A szerviz és a forgalmazó a kijavítás során nem felel a terméken a fogyasztó vagy harmadik személyek által tárolt adatokért vagy beállításokért.
- Fogyasztói jogvita esetén a fogyasztó a megyei (fővárosi) kereskedelmi és iparkamarák mellett működő békéltető testület eljárását is kezdeményezheti.
A jótállás a fogyasztó törvényből eredő szavatossági jogait és azok érvényesíthetőségét nem érinti..



A www.lidl-service.com weboldalon lehetősége van ennek és még sok más ismertetőnek, termékvideónak és installációs szoftvernek a letöltésére.

A QR-kóddal közvetlenül a Lidl szervizoldalára jut (www.lidl-service.com), ahol a 422496_2210 cikkszám (IAN) megadásával megnyithatja a termék kezelési útmutatóját.

Kijavítást ellenőrző szelvény:

A jótállási igény bejelentésének időpontja:	A hiba oka:
Javításra átvétel időpontja:	A hiba javításának módja:
A fogyasztó részére történő visszaadás időpontja:	
A szerviz bélyegzője, kelt és aláírás:	

Kicserélést ellenőrző szelvény:

A jótállási igény bejelentésének időpontja:	
Kicserelés időpontja:	
A cserélő bolt bélyegzője, kelt és aláírás:	

1.	Razlaga simbolov na napravi	175
2.	Uvod	177
3.	Opis naprave (sl. 1 –9).....	177
4.	Obseg dostave.....	177
5.	Namenska uporaba.....	177
6.	Varnostni napotki	178
7.	Delovna navodila.....	180
8.	Tehnični podatki	181
9.	Pred zagonom.....	182
10.	Uporaba	183
11.	Delovna navodila.....	184
12.	Prevoz	184
13.	Čiščenje in vzdrževanje.....	184
14.	Skladiščenje.....	186
15.	Odlaganje med odpadke in reciklaža	187
16.	Pomoč pri motnjah	187
17.	Garancijski list	188
18.	Eksplozijska risba	257
19.	Izjava o skladnosti	260

1. Razlaga simbolov na napravi

	Pred zagonom preberite navodila za uporabo in varnostne napotke ter jih upoštevajte!
	Priporočeno je nositi zaščitne čevlje!
	Uporablajte zaščito za sluh!
	Uporablajte zaščitna očala!
	Nosite delovne rokavice!
	Pozor! Prepovedano je približevanje nepooblaščenih oseb delovnemu območju!
	Upoštevajte opozorilne in varnostne napotke!
	Pozor! Obstaja nevarnost požara in eksplozij.
	Pozor, nevarnost telesnih poškodb! Z rokami nikoli ne segajte v bližino nožev. Ob vklopu ali med delom se nikoli ne dotikajte noža.
	Opozorilo pred vročimi površinami.



Naprave ne uporabljajte v dežju ali vlažnih pogojih. Nevarnost električnega udara!



Pozor, vnetljive snovi. Ogenj, odprta luč in kajenje prepovedano!



Mešalno razmerje: 40 delov bencina in 1 del olja



Zavrtite ročico dušilke. „Topli zagon in delo“ in „Hladni zagon“



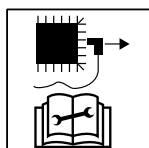
Zagotovljen nivo moči zvoka L_{WA} v dB.



7 x pritisnite črpalko za gorivo „Primer“



Pozor! se zadušijo!
Izpušni plini so strupeni, zato motor ne sme delovati v neprežračenih območjih.



Pred vzdrževalnimi deli ustavite napravo in izvlecite vtič vžigalne svečke!



Izdelek ustreza veljavnim evropskim direktivam.

2. Uvod

PROIZVAJALEC:

Scheppach GmbH

Günzburger Straße 69
D-89335 Ichenhausen

SPOŠTOVANI KUPEC,

želimo vam veliko veselja in uspeha pri delu z vašo novo napravo.

NAPOTEK:

Proizvajalec te naprave skladno z veljavnim zakonom o odgovornosti za izdelke ne jamči za poškodbe na tej napravi ali poškodbe s to napravo, do katerih pride pri:

- nepravilnem ravnanju,
- neupoštevanju navodil za uporabo,
- popravilih, ki jih izvedejo tretji, nepooblaščen strokovnjaki,
- vgraditvi neoriginalnih nadomestnih delov in zamenjava z njimi,
- uporaba, ki ni v skladu z namenom uporabe,

Upoštevajte naslednje:

Pred montažo in zagonom preberite celotno besedilo navodil za uporabo.

Ta navodila za uporabo vam olajšajo spoznati napravo in izkoristiti njene možnosti uporabe, ki so v skladu z določili.

Navodila za uporabo vsebujejo pomembne napotke o varnem, strokovnem in ekonomičnem delu z napravo, o izogibanju nevarnostim, prihranku stroškov za popravila, zmanjšanju časov izpada in povečanju zanesljivosti ter življenjske dobe naprave.

Poleg varnostnih določil v teh navodilih za uporabo morate nujno upoštevati predpise svoje države, ki veljajo za uporabo naprave.

Navodila za uporabo shranite poleg naprave, ovita v plastični ovitek, tako da bodo zaščitena pred umazanijo in vlago. Pred sprejemom dela mora vsaka upravljalna oseba prebrati in skrbno upoštevati omenjena navodila.

Na napravi lahko delajo samo osebe, ki so poučene o uporabi naprave in o nevarnostih, ki so povezane s tem. Upoštevajte zahtevano najnižjo starost.

Poleg varnostnih napotkov iz teh navodil in posebnih predpisov vaše države morate pri uporabi identičnih strojev upoštevati tudi splošno veljavna tehnična pravila.

Ne prevzemamo nikakršne odgovornosti za nezgode in poškodbe, nastale zaradi neupoštevanja teh navodil in varnostnih napotkov.

3. Opis naprave (sl. 1–9)

1. Priprava za rezanje
2. Zaščita rok
3. Sprednji ročaj
4. Zagonska ročica za hladni zagon (dušilka)
5. Črpalka za gorivo „Primer“
6. Tipka za vklop/izklop
7. Blokada ročice za plin
8. Zadnji ročaj
9. Ročica za plin
10. Blokirni držaj
11. Pokrov rezervoarja
12. Zaganjalna vrstica
13. Dušilnik zvoka
- 13.1 Izhodna odprtina zvočne izolacije
- 13.2 Vijaki zvočne izolacije
14. Vtič vžigalne svečke
- 14.1 Vžigalna svečka
15. Krilati vijak
16. Pokrov zračnega filtra
17. zračni filter
18. Odprtina za mazanje

4. Obseg dostave

- Bencinske škarje za živo mejo
- Steklenica za mešanico olja in bencina (A)
- Ključ za vžigalne svečke (B)
- Inbus ključ, 4 mm (C)
- Varovalo noža (E) (vnaprej montiran)
- Navodila za uporabo

5. Namenska uporaba

Stroj ustreza veljavni direktivi o strojih ES.

Pred začetkom dela je treba namestiti vse zaščitne in varovalne priprave na stroju.

Bencinske škarje za živo mejo so oblikovane za rezanje mehkega, novo zraslega materiala žive meje. Škarje niso primerne za rezanje vej, trdega lesa ali drugega rezalnega materiala. Stroj je osnovan za upravljanje z eno osebo.

Upravljaavec je v delovnem območju odgovoren za tretje osebe. Upoštevajte vse varnostne napotke in opozorila o nevarnostih na stroju.

Vsi varnostni napotki in opozorila o nevarnostih na stroju morajo biti popolni in v čitljivem stanju.

Stroj lahko uporabljate samo v tehnično brezhibnem stanju in skladno z namenom ter navodili za uporabo, pri tem pa morate biti osveščeni o varnosti in se zavedati nevarnosti!

Še posebej tiste motnje, ki lahko vplivajo na varnost, morate (dati) takoj odpraviti!

Upoštevati morate proizvajalčeve predpise glede varnosti, dela in vzdrževanja ter meritve iz tehničnih podatkov.

Upoštevati morate zadevne predpise za preprečevanje nezgod in ostala, splošno priznana varnostno-tehnična pravila.

Stroj smejo uporabljati, vzdrževati ali popravljati samo strokovne osebe, ki se na to spoznajo in so poučene o nevarnostih. Lastnoročne spremembe na stroju izključujejo garancijo proizvajalca za poškodbe, do katerih pride kot posledica.

Stroj se lahko uporablja samo z originalnim priborom in originalnimi orodji proizvajalca.

Vsaka vrsta uporabe, ki presega opisano, velja za namenjeno uporabo. Proizvajalec ne daje garancije za poškodbe, ki nastanejo kot posledica take uporabe; tveganje pri takih delih nosi izključno uporabnik.

Bencinske škarje za živo mejo se lahko uporablja samo za rezanje živih mej, grmičevja in grmovja. Druge vrste uporabe, ki niso navedene v teh navodilih za uporabo, lahko povzročijo poškodbe škarij ali hude telesne poškodbe uporabnika in so zaradi tega izrecno izključene iz seznama dovoljenih vrst uporabe.

Naprave ni dovoljeno uporabljati na gospodarskem, obrtnem ali industrijskem področju.

Če niste prepričani, ali je delovni pogoji varen ali nevaren, ne delajte s strojem.

OPOZORILNI NAPOTEK! Pred zagonom naprave zaradi lastne varnosti temeljito preberite ta priročnik in splošne varnostne napotke. Če napravo prepustite tretjim osebam, vedno priložite ta navodila za uporabo.

Prosimo, upoštevajte, da naše naprave namensko niso konstruirane za gospodarsko, obrtno ali industrijsko uporabo. Ne prevzemamo nobene odgovornosti, če napravo uporabljate v gospodarskih, obrtnih ali industrijskih obratih ter enakih dejavnostih.

6. Varnostni napotki

6.1 Varno delo

TE BENCINSKE ŠKARJE ZA ŽIVO MEJO LAHKO POVZROČIJO HUDE TELESNE POŠKODBE!

Skrbno preberite navodila za pravilno ravnanje, pripravo, servisiranje, zagon in zaustavljanje škarij za živo mejo. Seznanite se z vsemi nastavljalnimi deli in z ustrezno uporabo bencinskih škarij za živo mejo.

Pred zagonom tega izdelka preberite in upoštevajte naslednje napotke in v vaši državi veljavna varnostna določila, da sebe in druge zaščitite pred morebitnimi poškodbami.

Te varnostne napotke (navodila za uporabo) vedno shranite skupaj z bencinskimi škarjami za živo mejo.

Bencinske škarje za živo mejo lahko uporabljajo samo osebe z zadostnimi izkušnjami.

Otroci ne smejo uporabljati bencinskih škarij za živo mejo.

Bencinske škarje za živo mejo dajte ali posodite samo osebam, ki poznajo bencinske škarje za živo mejo in delo z njimi. Navodila za uporabo morate vedno predati skupaj s škarjami.

Popravila na napravi lahko izvaja le proizvajalec oz. podjetje, ki jih za to pooblasti proizvajalec.

6.2 Prvi uporabnik

Kdor bencinske škarje za živo mejo uporablja prvič, mora v uporabo bencinskih škarij in osebno zaščitno opremo uvesti upravljavec z izkušnjami.

- **Bodite pozorni.** Pazite, kaj delate. Dela se lotevajte razumno. Naprave ne uporabljajte, če ste utrujeni ali pod vplivom drog, alkohola ali zdravil. Trenutek nepozornosti pri uporabi naprave lahko privede do resnih telesnih poškodb.
- **Pred uporabo se s pomočjo navodil za uporabo seznanite z napravo.** Neizobraženi in neinformirani upravljavci lahko z nestrokovno uporabo ogrozijo sebe in druge.
- Naprave ne uporabljajte za namene, za katere ni določena (glejte »5. Namenska uporaba«).
- **Izogibajte se neobičajnim telesnim držam.** Pazite, da stojite varno in da vedno ohranjate ravnotežje. To velja še posebej, če uporabljate podnožje ali lestev.
- **Nosite primerna delovna oblačila:**
 - ne nosite širokih oblačil ali nakita, ker vas lahko zagrabi-jo premikajoči se deli,
 - trpežne rokavice in ne drseča obutev
 - mrežico za lase, če imate dolge lase,
- **Nosite osebna zaščitna oblačila:**
 - Zaščita za sluh
 - zaščitna očala ali zaščita za obraz,
 - Delovne rokavice
 - Varnostne rokavice
 - preizkušeno zaščitno čelado v situacijah, pri katerih je treba upoštevati možnost telesnih poškodb.
- **Priporočamo uporabo ščitnikov za goleni in varnostne jakne.**
- **Delovni prostor vzdržujte v urejenem stanju!** Nered lahko povzroči nezgode.
- **Upoštevajte vplive okolice:**
 - Bencinskih škarij za živo mejo ne izpostavljajte dežju.
 - Bencinskih škarij za živo mejo ne uporabljajte v vlažnem ali mokrem okolju.
 - V primeru slabega vremena prestavite načrtovano delo (dež, sneg, poledica, veter) – nevarnost nesreč je povečana.
 - Poskrbite za dobro osvetlitev.
 - Bencinskih škarij za živo mejo ne uporabljajte v bližini vnetljivih tekočin ali plinov.
- **Spoznajte se z okolico i pazite na možne nevarnosti, ki jih zaradi hrupa motorja lahko preslišite.**
- **Pazite na nadzemske električne vodnike.**
- **Bencinskih škarij za živo mejo nikoli ne pustite brez nadzora.**
- **Pri delovnih premorih morate bencinske škarje za živo mejo odložiti tako, da ne bo nihče ogrožen.** Bencinske škarje za živo mejo zavarujte pred nepooblaščenim dostopom.
- **Osebe, mlajše od 18 let, ne smejo uporabljati naprave.**
- **Druge osebe se ne smejo približevati.**
- **Za nesreče ali nevarnosti, ki zadevajo druge osebe ali njihovo imetje, je odgovoren upravljavec.**
- **Upravljavec je v delovnem območju odgovoren za tretje osebe.**
- **Otrokom ne pustite blizu.**

- **Druge osebe, še posebej otroci, se ne smejo dotikati orodja ali motorja.** Ne smejo se zadrževati v bližini delovnega območja.
- **Pred vsakim zagonom motorja vedno preverite, ali so bencinske škarje za živo mejo pravilno nastavljene v enem od vnaprej določenih delovnih položajev.**
- **Vedno poskrbite, da bodo pri uporabi bencinskih škarij za živo mejo nameščeni vsi ročaji in varnostne naprave.** Nikoli ne poskusite uporabiti nepopolnih bencinskih škarij za živo mejo ali škarij, ki so bile predelane na nedovoljen način.
- **Ne uporabljajte tope, počene ali poškodovane priprave za rezanje.**
- **Z rezanjem začnite šele, ko priprava za rezanje deluje.**
- **Stroja ne preobremenite.** V navedenem območju moči lahko delate bolje in varneje.
- **Napravo uporabljajte samo z v celoti in pravilno nameščenimi zaščitnimi pripravami ter na njej ne spreminjajte ničesar, kar bi lahko ogrozilo varnost.**
- **Ne spreminjajte naprave ali delov naprave.**
- **Ne uporabljajte priprav za rezanje, ki ne ustrezajo karakteristikam v teh navodilih za uporabo.** Uporaba drugih orodij in drugega pribora lahko za vas predstavlja nevarnost poškodb.
- **Izklopite stroj in vžigalni vtič snemite z vžigalne svečke:**
 - kadar pride do stika bencinskih škarij za živo mejo z zemljo, kamni, žebli ali drugimi tujimi telesi, preverite, ali je naprava poškodovana.
 - Nastavitev delovnega položaja priprave za rezanje
 - Preverjanje škarij za živo mejo, njihovo vzdrževanje ali dela na njih.
 - kadar izvajate popravila,
 - kadar izvajate vzdrževalna dela ali čiščenje,
 - kadar odpravljate motnje (k temu spadajo tudi blokada priprave za rezanje),
 - pri prevozu in skladiščenju,
 - Zapustitev bencinskih škarij za živo mejo (tudi pri kratkotrajnih prekinitvah dela)
- **Bencinske škarje za živo mejo negujte skrbno:**
 - Orodja morajo biti ostra in čista, da lahko z njimi delate bolje in varneje.
 - Ročaji morajo biti suhi, na njih pa ne sme biti olja in masti.
 - Upoštevajte predpise za vzdrževanje.
- **Preverite stroj glede morebitnih poškodb:**
 - Pred nadaljnjo uporabo stroja morate natančno preveriti, ali zaščitne naprave delujejo brezhibno in ustrezno.
 - Prepričajte se, da premični deli brezhibno delujejo, se ne zatikajo in niso poškodovani. Vsi deli morajo biti pravilno nameščeni in morajo izpolnjevati vse pogoje, da je zagotovljeno brezhibno delovanje bencinskih škarij za živo mejo.
 - Poškodovane zaščitne priprave in dele mora priznana strokovna delavnica ustrezno popraviti ali zamenjati, če v navodilih za uporabo ni podano nič drugega.
 - Poškodovane ali nečitljive varnostne nalepke je treba zamenjati.

- **Ne pustite vstavljenih nobenih orodnih ključev.** Pred vklopom vedno preverite, ali ste odstranili ključe in nastavljajna orodja.
- **Ko naprave ne uporabljate, jo hranite na suhem, zaprtem mestu izven dosega otrok.**
- **Bencinske škarje za živo mejo hranite na mestu, kjer bencinski hlapi ne morejo priti v stik z odprtim ognjem ali iskrami.** Bencinske škarje za živo mejo vedno pustite, da se ohladijo, preden jih uskladiščite.
- **Pri transportu ali skladiščenju bencinskih škarij za živo mejo je treba pripravo za rezanje vedno prekriti s ščitnikom priprave za rezanje.**
- **Na stroju ne izvajajte del, razen če nimate izobrazbe za taka dela.** Na stroju ne izvajajte popravil, ki presegajo fista, opisana v poglavju »13. Čiščenje in vzdrževanje«, temveč stopite v neposreden stik s proizvajalcem oz. pristojno servisno službo.
- **Ne uporabljajte bencinskih škarij za živo mejo, če so v bližini osebe, predvsem otroci.**
- **Če se priprava za rezanje dotakne tujka ali pa bencinske škarje za živo mejo med delovanjem postane glasnejše oziroma se pojavijo nenavadni tresljaji, zaustavite motor in počakajte, da se bencinske škarje za živo mejo zaustavijo.** Snemite vtič vžigalne svečke z vžigalne svečke in sprejmite naslednje ukrepe:
 1. preverite morebitne poškodbe;
 2. preverite, ali se je kateri del razrahljal, in takšne dele zategnite;
 3. poškodovane dele nadomestite z enakovrednimi ali pa jih posredujte v popravilo.
- **Bencinskih škarij za živo mejo ne uporabljajte z okvarjeno ali močno obrabljeno pripravo za rezanje.**
- **Za preprečitev nevarnosti požara pazite, da bosta motor in dušilnik brez oblog, listja oziroma iz njiju ne izteka mazivo.**
- **Vedno uporabljajte obe roki, če so bencinske škarje za živo mejo opremljene z dvema ročajema.**
- **Če bencinske škarje za živo mejo zaradi vzdrževanja, pregleda ali skladiščenja prenehate uporabljati, izklopite motor, snemite vtič vžigalne svečke z vžigalne svečke in zagotovite, da so se vsi vrtljivi deli zaustavili.** Stroj vedno pustite, da se ohladi, preden ga pregledate, nastavljate ipd.

Popravila na drugih delih stroja lahko izvaja proizvajalec ali ena od njegovih servisnih služb.

Uporabljajte samo originalne nadomestne dele. Uporaba drugih nadomestnih delov in drugih delov pribora lahko povzroči nezgodo uporabnika. Proizvajalec ne odgovarja za škodo ali poškodbe, ki nastanejo kot posledica takšne uporabe.

6.3 Varno ravnanje z gorivi

Z gorivom ravnajte skrbno! Goriva in hlapi goriv so požarno nevarni in pri vdihavanju ter stiku s kožo lahko povzročijo hude poškodbe. Pri ravnanju z gorivom je zaradi tega potrebna previdnost in je treba poskrbeti za dobro prezračevanje.

- **Pred dolivanjem goriva v bencinske škarje za živo mejo izklopite motor in počakajte, da se naprava ohladi.**
- **Pri dolivanju goriva ne kadite in se ne približujete odprtemu ognju.**
- **Pri dolivanju goriva nosite rokavice.**
- **Goriva ne dolivajte v zaprtih prostorih (nevarnost eksplozije).**
- **Dolivajte ga samo na prostem.**
- **Pazite, da se gorivo ali olje ne bosta razlila.** Če pride do razlitja goriva ali olja, takoj očistite bencinske škarje za živo mejo. Če pride do razlitja goriva ali olja, se takoj preoblecite.
- **Pazite, da gorivo ne zaide v zemljo.**
- **Po dolivanju goriva znova skrbno zaprite pokrov rezervoarja in pri tem pazite, da ga med delom ne boste izgubili.**
- **Pazite, da bodo pokrovček rezervoarja in vodi za gorivo tesnili.** Če so prisotna puščajoča mesta, naprave ne smete zagnati.
- **Goriva transportirajte in skladiščite samo v vsebnikih, ki so za to dovoljeni in označeni.**
- **Otrokom ne pustite v bližino goriv.**
- **Goriv ne transportirajte in skladiščite v bližini gorljivih ali lahko vnetljivih snovi, kot so iskre ali odprti ognji.**
- **Pred zagonom naprave se od mesta za dolivanje goriva odmaknite za najmanj tri metre.**
- **Če je treba izprazniti rezervoar, storite to na prostem.**
- **Bencinske škarje za živo mejo ali posodi za gorivo nikoli ne skladiščite v prostoru, kjer so odprti plameni, kot na primer v električnem grelcu za vodo.**
- **Za zmanjšanje nevarnosti požara – motor in dušilnik naj bosta brez ostankov rezanja, listov in mazalnih sredstev.**
- **Ob delujočem ali vročem motorju nikoli ne odstranjajte pokrovčka rezervoarja ali ne dolivajte bencina.**
- **Pred dolivanjem naj se motor in deli izpušnega sistema ohladijo.**
- **Če se bencin razlije, ne zaženite motorja, ampak stroj pred zagonom odstranite s površine, po kateri se je razlil bencin.**

6.4 Preostala tveganja

Tudi pri pravilni uporabi lahko kljub upoštevanju vseh zadevnih varnostnih določil lahko obstajajo preostala tveganja zaradi konstrukcije, ki jo zahteva namen uporabe. Preostala tveganja se lahko zmanjša na minimalno mero, če upoštevate poglavja »6. Varnostni napotki« in »5. Namenska uporaba«, kot tudi celotna navodila za uporabo. Upoštevanje teh navodil in previdnost zmanjšata tveganje telesnih poškodb in škode.

Poleg tega lahko kljub vsem izpolnjenim preventivnim ukrepom ostanejo preostala tveganja, ki niso očitna:

- Poškodbe zaradi izvrženih delov.
- Zlom in izmet kosov rezila.

- Nevarnost zastrupitve z ogljikovim monoksidom pri uporabi naprav v zaprtih ali slabo prezračenih prostorih.
- Nevarnost opeklin pri dotiku vročih sestavnih delov.
- Škodovanje sluhu pri daljših delih brez zaščite za sluh.

7. Delovna navodila

Naslednje preglede izvajajte pred zagonom in redno med deli z bencinskimi škarjami za živo mejo:

- Ali so bencinske škarje za živo mejo sestavljene v celoti in v skladu s predpisi? Preverite, ali so vsi vijaki in vse matice dobro zategnjeni.
- Ali so bencinske škarje za živo mejo v primernem in varnem stanju?
 - Ali so vse varnostne funkcije v redu?
- Ali je rezervoar za gorivo napolnjen?
- Ali je naprava za rezanje nepoškodovana in naostrena?
- Ali sta motor in dušilnik brez oblog, listja oziroma iz njiju ne izteka mazivo?
- Ali je ročaj čist in suh – ali so na njemu olje, mast oziroma smola?
- Ali so v delovnem prostoru nevarnosti, zaradi katerih se lahko spotaknete?
- Ali nosite potrebno zaščitno opremo?
- Ali ste prebrali in razumeli vse napotke?
- Ali je ročica za plin lahko premična in ali deluje?
- Ali tipka za vklop/izklop deluje?
- Ali naprava za rezanje vedno ostane v prostem teku?

Kadar priprava za rezanje deluje v prostem teku, se mora številno vrtljajev v prostem teku znižati (glejte »13.2 Nastavljanje števila vrtljajev v prostem teku«).

- Zagotovite, da je menjalnik dovolj namazan (glejte poglavje »13. Čiščenje in vzdrževanje«).

7.1 Splošno ravnanje pri delu s škarjami za živo mejo

- Nikoli ne delajte sami. Zaradi možnih nujnih primerov mora biti druga oseba dovolj blizu, da jo lahko pokličete.
- Otroci, osebe in živali se ne smejo približevati delovnemu območju (min. 15 m oddaljenosti).
- Ne delajte na snegu, ledu ali drugih gladkih površinah – nevarnost zdrsa.
- Če pogoji osvetlitve niso zadostni, ne izvajajte del (npr. v megli, dežju, snežnem metežu ali mraku).
- Pred rezanjem morate iz žive meje prepoditi živali, da jih ne bi poškodovali.
- Poskrbite za varen in pospravljen delovni prostor. Iz delovnega območja odstranite predmete, ki jih lahko izvrže.
- Izogibajte se neobičajnim telesnim držam. Vedno ohranjajte ravnotežje. Ne delajte v sklonjenem telesnem položaju.
- Bencinske škarje za živo mejo uporabljajte samo, če stojite varno.
- Kadar menjavate lokacijo, morate bencinske škarje za živo mejo izklopiti.
- Rok in nog ne približujte premikajoči se pripravi za rezanje.
- Bencinske škarje za živo mejo držite tako, da ne boste mogli vdihavati izpušnih plinov. Ne delajte v zaprtih prostorih.
- Bencinskih škarij za živo mejo ne uporabljajte za dviganje ali odmetavanje lesenih kosov ali drugih predmetov.

- Iz žive meje obvezno odstranite tuje predmete (npr. žico), ker lahko poškodujejo pripravo za rezanje na bencinskih škarjah za živo mejo.
- Bencinske škarje za živo mejo vedno držite z obema rokama, leva roka mora biti na sprednjem ročaju, desna roka pa na zadnjem ročaju. Nikoli ne delajte z eno roko.
- Če ročico za plin izpustite, priprava za rezanje deluje naprej še kratek čas (učinek prostega teka).
- Rezanje začnite z delujočo pripravo za rezanje.
- Priprave za rezanje se med delovanjem ne dotikajte z rokami.
- Nikoli ne delajte
 - z iztegnjenimi rokavi
 - na težko dosegljivih mestih
 - preveč sklonjeni
- Z bencinskimi škarjami za živo mejo nikoli ne delajte nad višino ramen.
- Z delujočo pripravo za rezanje se nikoli ne dotikajte žičnatih ograj ali tal.
- Izklopite motor in izvlecite vžigalni vtič
 - če pride do občutnih sprememb obnašanja naprave,
 - za odstranjevanje zagozdenega rezanega materiala,
 - da bi preverili pripravo za rezanje, kadar pride v stik s kamni, žebli ali drugimi trdimi predmeti,
 - za odpravljanje motenj,
 - pri delovnih premorih,
 - preden zapustite škarje za rezanje žive meje.
- Če postanejo bencinske škarje za živo mejo med delom vroče, jih ne odlagajte v suho travo ali vnetljive predmete.
- Pred začetkom dela poskrbite:
 - da v delovnem območju ne bo drugih oseb ali živali,
 - da boste imeli omogočen umik brez ovir,
 - da v območju nog ne bo nobenih tujih predmetov, goščave in vej,
 - da bo zagotovljen varen stoječ položaj.

Če so osebe z motnjami krvnega obtoka prepogosto izpostavljene vibracijam, lahko pride do poškodb živčnega sistema ali žil.

7.2 Vibracije lahko zmanjšate:

- z debelimi, toplimi delovnimi rokavicami,
- s skrajšanjem delovnega časa (uvedite več daljših premorov).

Če vaši prsti otečejo, se ne počutite dobro ali izgubite občutek v prstih, obiščite zdravnika.

7.3 Delo s škarjami za živo mejo

Bencinske škarje za živo mejo držite z obema rokama na varni razdalji od telesa.

- Največji premer reza je odvisen od vrste lesa, starosti, vsebnosti vlage in trdnosti lesa.
- Zaradi tega morate debele veje pred rezanjem žive meje skrajšati na primerno dolžino.
- Bencinske škarje za živo mejo se lahko zaradi dvostranskega razila vodi naprej in nazaj ali pa z nihajočim gibanjem z ene strani na drugo.
- Najprej odrežite stranice žive meje in šele nato zgornji rob.
- Živo mejo režite od spodaj navzgor.
- Živo mejo režite v obliki trapeza. To preprečuje ogolenje spodnjega območja žive meje zaradi pomanjkanja luči.

- Če želite zgornji rob žive meje podpreti enakomerno, morate po celi dolžini žive meje napeti vodilno vrvico.
- Če je potrebno močno obrezovanje, izvedite rezanje v več prehodih.

7.4 Pravi čas za rezanje:

- Listnata živa meja: Junij in oktober
- Igljučna živa meja: April in avgust
- hitro rastoča živa meja: od maja pribl. vsakih 6 tednov

Pazite na ptice, ki gnezdiijo v živi meji. V tem primeru prestavite rezanje žive meje ali pa delo na tem območju izključite.

V vsakem primeru upoštevajte vse varnostne napotke.

7.5 Obnašanje v primeru motenj ali nesreče

Bencinskih škarij za živo mejo v primeru motenj ali nesreče takoj izklopite s tipko za vklop/izklop (6).

7.6 Prva pomoč

Za primer morebitne nesreče mora biti na delovnem mestu vedno prva pomoč v skladu z DIN 13164. Porabljeni material je treba takoj dopolniti.

Ko pokličete pomoč, navedite naslednje informacije:

- Kje se je zgodilo?
- Kaj se je zgodilo?
- Koliko poškodovanih?
- Kakšne vrste poškodb?
- Kdo kliče?

8. Tehnični podatki

Tip motorja	Dvotaktni motor – zračno hlajenje
Delovna prostornina cm ³	22,5
Motorna moč kW	0,65
Število vrtljajev v prostem teku n _v /min ⁻¹	3000 +/- 300
Maks. število vrtljajev motorja min ⁻¹	10500
Kapaciteta rezervoarja L.....	0,28
Razmerje mešanice (gorivo/dvotaktno olje)	40:1
Rezalna dolžina v mm	560
Maks. debelina reza mm	27
Dimenzije D/Š/V mm	1100 x 245 x 200
Dolžina meča mm.....	700
Vžigalna svečka.....	L8RTC
Teža kg	5,2

Tehnične spremembe so pridržane!

Hrup

Informacije o nastajanju hrupa, izmerjene v skladu z zadevnimi standardi:

Raven hrupa L _{PA}	97,8 dB
Nezanesljivost K _{PA}	3 dB
Nivo moči zvoka L _{WA}	107,3 dB
Negotovost K _{WA}	2,53 dB

Nosite zaščito za sluh.

Zaradi vpliva hrupa lahko oglušite.

Vibracije

Vibracije (zadnji ročaj) A_{hv} 4,838 m/s²

Merilna negotovost K_{hv} 1,5 m/s²

Vibracije (sprednji ročaj) A_{hv} 5,389 m/s²

Omejite hrupnost in vibracije na najnižjo možno raven!

- Uporabljajte samo brezhibne naprave.
- Redno vzdržujte in čistite napravo.
- Svoj način dela prilagodite napravi.
- Ne preobremenite naprave.
- Po potrebi predajte napravo v pregled.
- Izklopite napravo, ko je ne uporabljate.
- Nosite rokavice.

OPOZORILO

Izognite se tveganjem zaradi vibracij, npr. tveganje za sindrom belih prstov (motnje prekrvitve) s pogostimi premori med delom, med katerimi dlani drgnete eno ob drugo.

- Vedno nosite zaščitne rokavice in pazite, da so vaše roke tople.
- Med delom redno delajte premore.

9. Pred zagonom

- Odprite embalažo in napravo previdno vzemite ven.
- Odstranite embalažni material ter ovojna in transportna varovala (če obstajajo).
- Preverite, ali je obseg dostave celovit.
- Preverite, če so se naprava in deli pribora poškodovali med transportom.
- Po možnosti embalažo shranite do preteka garancijskega časa.

POZOR

Naprava in embalažni material nista otroški igrači! Otroci se ne smejo igrati s plastičnimi vrečkami, folijami in majhnimi deli! Obstaja nevarnost, da jih pogoltnejo in se z njimi zadušijo!

- Pred uporabo morate s pomočjo navodil za uporabo spoznati napravo.
- Kot pribor, obrabne in nadomestne dele uporabljajte samo originalne dele. Nadomestne dele dobite pri svojem specializiranem trgovcu.
- Pri naročanju navedite našo številko artikla in tip ter leto izdelave naprave.

Bencinske škarje za živo mejo niso dostavljene napolnjene z mešanico goriva.

Napravo se poganja z mešanico bencina (neosvinčenega) in dvotaktnega motornega olja.

Pri ravnanju z bencinom morate biti bolj previdni. Kajenje in odprt ogenj nista dovoljena (nevarnost eksplozije).

Pred vsakim zagonom preverite napravo glede naslednjih točk:

- Tesnjenje sistema za gorivo.
- Brezhibno stanje in celovitost zaščitnih naprav in rezalne priprave.

- Dobra pritrditev vseh vijčnih povezav.
- Lahko premikanje vseh premičnih delov.

Gorivo in olje

- Priporočena goriva
- Uporabljajte samo mešanico neosvinčenega bencina in posebnega 2-taktnega motornega olja. Mešanico goriva zmešajte skladno s tabelo za mešanje goriva.
- Ne uporabljajte goriva E10.

Pozor:

Ne uporabljajte mešanic goriva, ki so bile skladiščene dlje kot 90 dni.

Pozor:

Ne uporabljajte 2-taktnih olj, na katerih se priporoča razmerje mešanice 100:1. V primeru poškodb motorja, do katerih pride zaradi nezadostnega mazanja, garancija preneha veljati.

Pozor:

Za prevažanje in skladiščenje goriva uporabljajte samo predvidene in dovoljene vsebnike. V priloženo steklenico za mešanico olja in bencina (A) vedno dodajte primerno količino bencina in 2-taktnega olja. Nato posodo dobro premešajte.

Nikoli ne uporabljajte olja za 4-taktne motorje ali vodno hlajene 2-taktne motorje. S tem lahko povzročite umazanje vžigalnih svečk, blokado izpušnega dela ali lepljenje batnega obročka. Mešanice goriv, ki se jih ne uporablja en mesec ali dlje, lahko zamašijo uplinjač ali poslabšajo delovanje motorja. Nepotrebno gorivo vlijete v zračno neprepustno posodo, ki jo shranite na temnem, hladnem prostoru.

Tabela za mešanje goriva

Postopek mešanja: 40 delov bencina in 1 del olja

Primer:

1 l bencina: 0,025 l 2-taktnega olja

5 l bencina: 0,125 l 2-taktnega olja

Opozorilo! Pazite na izpušni plin.

Pred dolivanjem goriva vedno izklopite motor.

Bencina nikoli ne dolivajte v napravo, medtem ko motor deluje ali je vroč. Obstaja nevarnost požara!

Gorivo dolivajte samo na prostem ali v dobro prezračenih prostorih. Pazite, da gorivo ne zaide v zemljo (zaščita okolja). Uporabljajte primerno podlago. Uporabljajte samo biološko olje za verige.

Goriva se lahko skladišči samo omejen čas, ker se starajo. Predolgo stoječa goriva in mešanice goriv lahko povzročijo težave pri zagonu. Zaradi tega zmešajte samo toliko goriva, kot ga boste porabili v enem mesecu. Goriva skladiščite samo v vsebnikih, ki so za to dovoljeni in označeni. Vsebnik za goriva hranite na suhem in varnem.

Pazite, da bo vsebnik za gorivo shranjen na mestu, nedostopnem za otroke.

Pozor! Pred zagonom se pozanimajte, kako lahko napravo v nujnem primeru čim hitreje izklopite.

9.1 Dolivanje goriva v škarje za živo mejo

- Izklopite motor in počakajte, da se ohladi!
- Nosite zaščitne rokavice!
- Izogibajte se stiku s kožo in očmi!
- Nujno upoštevajte poglavje »Varno ravnanje z gorivi«, glejte 6.3.

1. V bencinske škarje za živo mejo dolivajte gorivo samo na prostem ali v dovolj prezračenih prostorih.
2. Očistite okolico območja za dolivanje goriva. Nečistoče v rezervoarju povzročijo motnje pri delovanju.
3. Preden mešanico goriva dolijete v steklenico za mešanico olja in bencina (A), jo pretresite še enkrat.
4. Pokrov rezervoarja za gorivo (11) odprite počasi, da sprostite nadtlak, ki je morda prisoten.
5. Mešanico goriva dolijte počasi do spodnjega roba nastavka za polnjenje. Uporabite lijak ali pripomoček za dolivanje (ni v obsegu dobave), da se izognete razlivanju goriva.
6. Pokrov rezervoarja (11) znova zaprite. Prepričajte se, da je pokrov rezervoarja (11) tesno zaprt.
7. Očistite pokrov rezervoarja (11) in okolico.
8. Preverite, ali rezervoar in vodi za gorivo puščajo.
9. Po potrebi uporabite črpalko za gorivo „Primer“ (5).
10. Pred zagonom motorja se od mesta za dolivanje goriva odmaknite za vsaj tri metre.

9.2 Izpustite gorivo

Rezervoar za gorivo praznite samo na prostem ali v dobro prezračenih prostorih. Pazite, da gorivo ne izteče v zemljo (varovanje okolja). Uporabite primerno podlago.

1. Pod rezervoar za gorivo podstavite lovilno posodo.
2. Odvijte pokrov rezervoarja (11) na rezervoarju za gorivo in ga odstranite.
3. Izpustite celotno mešanico bencina/olja.
4. Pokrov rezervoarja (11) z roko znova zategnite.

10. Uporaba

10.1 Nastavitev zadnjega ročaja (8) (sl. 2)

Za lažje vodenje bencinskih škarij za živo mejo lahko zadnji ročaj (8) nastavite v 3 delovne položaje.

- Med prestavljanjem ne morete sprožiti ročice za plin (9).

1. Z levo roko dobro primite sprednji ročaj (3) bencinskih škarij za živo mejo.
2. Zaporni ročaj (10) potisnite nazaj in zavrtite ročaj v želeni položaj.
3. Spustite zaporno ročico (10). Pazite, da se bo zaporni ročaj znova zaskočil in bo držalni ročaj dobro pritrjen.

10.2 Zagon naprave

⚠ Nevarnost telesnih poškodb!

Bencinske škarje za živo mejo zaženite samo, če ima priključeno pripravo za rezanje! Snemite ustrezno transportno varovalo in preverite, ali je naprava v dobrem delovnem stanju.

Nikoli ne uporabljajte poškodovane, slabo nastavljene ali vzdrževane oziroma nepopolno in nevarno montirane priprave za rezanje.

Pred uporabo izvedite preverjanje!

Preverite, ali je naprava v varnem stanju:

- Preverite, ali tipka za vklop/izklop (6), blokada ročice za plin (7) in ročica za plin (9) delujejo skladno s predpisi.
- Preverite, ali naprava pušča.
- Preverite, ali so na napravi vidne poškodbe.
- Preverite, ali so vsi deli naprave dobro nameščeni.
- Preverite, ali so vse varnostne priprave v dobrem stanju in delujejo.

10.2.1 Zagon pri mrzlem motorju (sl. 1, 3, 4)

Bencinske škarje za živo mejo pred zagonom podprite in jih dobro primite. Pazite, da bo material za rezanje stal trdno.

1. Snemite varovalo noža (E) s priprave za rezanje (1).
2. Bencinske škarje za živo mejo postavite na ravno in stabilno podlago. Priprava za rezanje (1) se pri tem ne sme dotikati tal.
3. Sedemkrat pritisnite gumb »Primer« (5) črpalke za gorivo.
4. Ročico za hladni zagon (dušilka) (4) obrnite v položaj za »hladni zagon«.
5. Bencinske škarje za živo mejo dobro primite za sprednji ročaj (3) in zaganjalno vrstico (12) počasi povlecite, dokler ne začutite prvega upora.
6. Nato zaganjalno vrstico (12) povlecite hitro, da se motor zažene. Če se motor ne zažene, postopek ponovite. Dokler je ročica za hladni zagon (dušilka) (4) preklopljena na »hladni zagon«, se motor zaganja samo kratek čas, nato pa se znova izklopi.
7. Takoj ko se motor izteče, pritisnite blokado ročice za plin (7) in ročico za plin (9) skupaj. Ročica (dušilka) (4) se samodejno premakne v delovni položaj »topli zagon«.
8. Nato zaganjalno vrstico (12) ponovno povlecite hitro, dokler se ne zažene motor.
9. Ko zagonsko ročico (9) pritisnete prvič, se motor zažene v stanju s plinom za prosti tek.
10. Motor pustite delovati kratek čas, da se segreje.

Če se motor ne zažene tudi po več poskusih, glejte poglavje »Pomoč ob motnjah«.

Pozor

Zaganjalno vrstico (12) vedno povlecite naravnost ven. Če jo povlečete pod kotom, pride do trenja na ušescu. Zaradi trenja se vrstica odrgne in tako hitreje obrablja. Ko se zaganjalna vrstica (12) znova uvleče, dobro držite ročaj zaganjalne vrstice (12).

Zaganjalne vrstice (12) nikoli ne izpustite, da bi sunkovito skočila na svoje mesto. S tem lahko povzročite poškodbe.

Napotek:

Pri višjih zunanjih temperaturah se lahko zgodi, da je treba motor včasih zagnati v hladnem stanju tudi brez ročice za hladni zagon (dušilka) (4).

Napotek:

Kadar se priprava za rezanje (1) premika v prostem teku ali se motor pri odvzemu plina samodejno zaustavi, je treba nastaviti uplinjač (glejte poglavje »13.2 Nastavljanje števila vrtljajev v prostem teku«).

10.2.2 Zagon pri toplem motorju

1. Ročica za hladni zagon (dušilka) mora biti za ogrevanje motorja v položaju za »topli zagon«.
2. Bencinske škarje za živo mejo dobro primite za sprednji ročaj (3) in zaganjalno vrstico (12) počasi povlecite, dokler ne začutite prvega upora.
3. Nato zaganjalno vrstico (12) povlecite hitro. Naprava se mora zagnati v 1–2 potegih. Če se naprava po 6 potegih še vedno ne zažene, ponovite postopek, ki je opisan v poglavju »Zagon pri hladnem motorju«.

10.3 Uporaba škarij za živo mejo (sl. 1)

1. Z levo roko dobro primite levi sprednji ročaj (3) na bencinskih škarjah za živo mejo.
2. Z desno roko primite zadnji ročaj (8). Pri tem je kepa mišic palca na blokadi ročice za plin (7), s kazalcem pa upravljate ročico za plin (9).
3. Pritisnite ročico za plin (9).
4. Priprava za rezanje se zažene.

Če ročico za plin (9) izpustite, se priprava za rezanje zaustavi, motor pa teče v prostem teku.

Če priprava za rezanje kljub temu še naprej deluje v prostem teku, stopite v stik s proizvajalcem.

Z bencinskimi škarjami za živo mejo nikakor ne delajte naprej!

10.4 Blokada priprave za rezanje (sl. 1)

Če se priprava za rezanje (1) med delom blokira, morate bencinske škarje za živo mejo zaustaviti s tipko za vklop/izklop (6) in izvleči vtič vžigalne svečke (14).

Nato odstranite material, ki povzroča blokado, in preverite, ali je priprava za rezanje (1) morda poškodovane.

10.5 Zaustavitev motorja

1. Pritisnite tipko za vklop/izklop (6) in jo pridržite pritisnjeno.
2. Počakajte, da se motor ustavi, preden boste odložili napravo.
3. Izpustite tipko za vklop/izklop (6).

11. Delovna navodila

11.1 Delo s škarjami za živo mejo

- Škarje za živo mejo so primerne za rezanje živih mej, grmičevja in grmovja.
- Škarje za živo mejo držite z obema rokama na varni razdalji od telesa.
- Največji premer reza je odvisen od vrste lesa, starosti, vsebnosti vlage in trdnosti lesa.
- Zaradi tega morate debele veje pred rezanjem žive meje skrajšati na primerno dolžino.
- Škarje za živo mejo se lahko zaradi dvostranskega noža vodi naprej in nazaj ali pa z nihajočim gibanjem z ene strani na drugo.
- Najprej odrežite stranice žive meje in šele nato zgornji rob.

- Živo mejo režite od spodaj navzgor.
- Živo mejo režite v obliki trapeza. To preprečuje ogolenje spodnjega območja žive meje zaradi pomanjkanja luči.
- Če želite zgornji rob žive meje podpreti enakomerno, morate po celi dolžini žive meje napeti vodilno vrstico.
- Če je potrebno močno obrezovanje, izvedite rezanje v več prehodih.
- Iz žive meje obvezno odstranite tuje predmete (npr. žico), ker lahko poškodujejo rezilo na škarjah za živo mejo.
- **Pozor!** Noži delujejo še nekaj časa po izklopu! Nožev ne zaustavljajte z roko.

Pravi čas za rezanje:

- Listnata živa meja: Junij in oktober
- Igljična živa meja: April in avgust
- hitro rastoča živa meja: od maja pribl. vsakih 6 tednov

Pazite na ptice, ki gnezdiijo v živi meji. V tem primeru prestavite rezanje žive meje ali pa delo na tem območju izključite.

12. Prevoz

Za transport naprave izklopite motor, počakajte, da se priprava za rezanje zaustavi in namestite varovalo noža (E) (sl. 4). Napravo nosite za sprednji ročaj (3). Pri tem držite pripravo za rezanje (1) nazaj, vročo zvočno izolacijo (13) pa proč od telesa.

Napravo transportirajte v motornem vozilu samo v prtljajniku ali na ločeni transportni površini.

Pri tem morate bencinske škarje za živo mejo zavarovati pred prevračanjem, poškodbami in iztekom goriva.

13. Čiščenje in vzdrževanje

Pred vsakim vzdrževalnim in čistilnim delom

- Izklopite motor
- Počakajte, da se priprava za rezanje zaustavi
- Snemite vtič vžigalne svečke (razen pri nastavitvah v prostem teku)
- Počakajte, da se naprava ohladi

Napotek

Po vsaki uporabi temeljito očistite napravo.

Čistilna in vzdrževalna dela izvajajte samo v tistem obsegu, kot je opisano v teh navodilih za uporabo.

Ostala vzdrževalna in čistilna dela, ki niso opisana v tem poglavju, lahko izvaja samo servisna služba.

Vzdrževalnih del ne izvajajte v bližini odprtega ognja. Nevarnost požara.

Varnostne priprave, ki ste jih odstranili za vzdrževanje in čiščenje, morate nujno namestiti nazaj v pravilnem vrstnem redu in jih preveriti.

Uporabljajte samo originalne dele. Drugi deli lahko povzročijo nepredvidljivo materialno škodo in telesne poškodbe.

Nosite rokavice, da se izognete morebitnim poškodbam.

Za zagotovitev daljše in zanesljivejše uporabe bencinskih škarij za živo mejo morate redno izvajati vzdrževalna dela, opisana v nadaljevanju.

Preverite, ali so bencinske škarje za živo mejo vidno poškodovane

- ohlapni pritrdilni elementi,
- obrabljeni ali poškodovani sestavni deli,
- upognjena, zlomljena ali poškodovana priprava za rezanje,
- tesnjenje pokrovčka rezervoarja in vodov za gorivo,

Po vsaki uporabi na bencinskih škarijah za živo mejo preverite

- Obraba, še posebej drsna zračnost priprave za rezanje.
- pravilno montirane in neokrnjene pokrove ali zaščitne priprave

Pred uporabo bencinskih škarij za živo mejo je treba izvesti nujna popravila ali vzdrževalna dela.

13.1 Mazanje menjalnika (sl. 5)

Gonila mažite vsakih 10 do 20 obratovalnih ur.

1. S priloženim inbus ključem 4 mm (C) odprite vijak odprtine za mazanje (18) na spodnji strani škarij za živo mejo.
2. Stiskalnico za mast namestite na odprtino za mazanje (18).
3. Vanjo iztisnite nekaj masti.
4. Ponovno privijte vijak odprtine za mazanje (18).

Pozor! Dolijte samo malo masti. Ne dolijte preveč masti.

13.2 Nastavitev števila vrtljajev v prostem teku

Kadar se priprava za rezanje (1) premika v prostem teku ali se motor pri odvzemu plina samodejno zaustavi, je treba nastaviti uplinjač.

Napotek:

Nastavitve na uplinjaču (npr. število vrtljajev v prostem teku) dajte nastavljeni samo strokovnjakom, da preprečite poškodbe motorja.

13.3 Čiščenje oz. zamenjava zračnega filtra (sl. 6)

Umazani zračni filtri zmanjšajo motorno moč zaradi manjšega dovajanja zraka v uplinjač. Prah in pelod zamašita pore penastega vložka. Zaradi tega je potrebno redno pregledovanje. Zračni filter (17) čistite pribl. vsakih 15 obratovalnih ur, v posebej prašnih razmerah pa pogosteje.

1. Ročico za hladni zagon (dušilko) (4) premaknite v položaj za »hladni zagon«, da v uplinjač ne prispejo umazani delci.
2. Odstranite pokrov zračnega filtra (16). Za ta namen odvijte krilate vijake (15).
3. Zračni filter (17) odstranite iz penaste mase.
4. Zračni filter (17) operite v mlačni milnici. Delcev umazanih ne izpihujte, ker obstaja nevarnost poškodb oči.
5. Notranji prostor zračnega filtra očistite s čopičem.
6. Zračni filter (17) pustite, da se dobro posuši, nato pa ga vstavite nazaj.
7. Ponovno namestite pokrov zračnega filtra (16).

Pozor:

Zračnega filtra nikoli ne čistite z bencinom ali vnetljivimi topili.

Da se življenjska doba motorja ne bi skrajšala, je treba poškodovani zračni filter takoj zamenjati.

⚠ Opozorilo!

Motorja nikoli ne pustite teči, če ni vstavljen zračni filter.

13.4 Čiščenje oz. zamenjava bencinskega filtra

Bencinski filter preverjajte po potrebi. Umazani bencinski filter preprečuje dovajanje goriva.

Z žičnatim kavljem (ni v obsegu dobave) odprite pokrov rezervoarja (11) in bencinski filter izvalcite skozi odprtino.

- Če je bencinski filter umazan malo:
 - bencinski filter odstranite z vodo za gorivo in filter očistite v čistilnem bencinu.
- Če je bencinski filter močno umazan:
 - bencinski filter zamenjajte.

1. Če želite odstraniti bencinski filter iz voda za gorivo, stisnite cevno objemko in jo potisnite navzdol.
2. Zdaj lahko bencinski filter odstranite z voda za gorivo.

13.5 Preverjanje, čiščenje oz. zamenjava vžigalne svečke (sl. 7/8)

Pozor

Kadar motor deluje, se ne dotikajte vžigalne svečke (14.1) ali vtiča vžigalne svečke (14). Visoka napetost!

Nevarnost opeklin, kadar je motor vroč. Nosite zaščitne rokavice!

Redno preverjajte vžigalne svečke in razdaljo elektrod.

13.5.1 Preverjanje vžigalne svečke

1. Povlecite vtič vžigalne svečke (14) z vžigalne svečke (14.1).
2. Vžigalno svečko (14.1) odvijte s priloženim ključem za vžigalne svečke (B).
3. Preverite razdaljo elektrod. Ta mora biti 0,6 do 0,7mm.

13.5.2 Čiščenje vžigalne svečke

Vžigalno svečko po 10 obratovalnih urah prvič preverite glede umazanih in jo po potrebi očistite s krtačo z bakrenimi žicami. Nato svečko vzdržujte vsakih 50 obratovalnih ur.

Zamenjajte vžigalno svečko:

- pri redni uporabi vsak mesec
- kadar je izolacija poškodovana
- če je elektroda močno ožgana
- če so elektrode močno umazane ali zamaščene

13.5.3 Preverjanje vžigalne iskre

1. Povlecite vtič vžigalne svečke (14) z vžigalne svečke (14.1).
2. Vžigalno svečko (14.1) odvijte s priloženim ključem za vžigalne svečke (B).
3. Vtič vžigalne svečke (14) namestite trdno nazaj.
4. Vžigalno svečko (14.1) z izoliranimi kleščami pritisnite ob ohišje motorja (ne v bližini luknje vžigalne svečke).
5. Nato močno povlecite zaganjalno vrstico (12).
6. Pri brezhlebnem delovanju se mora med elektrodami pojaviti iskra.

13.6 Nastavljanje zvočne izolacije/izhodne odprtine (sl. 9)

Vijakov dušilca zvoka ne zategujte, kadar je motor vroč.

1. Redno preverjajte, ali so vijaki (13.2) zvočne izolacije (13) odvit. Z inbus ključem 4 mm (C) privijte morebitne ohlapne vijake.
2. Redno čistite izhodno odprtino (13.1).

13.7 Čiščenje

Bencinske škarje za živo mejo čistite skrbno po vsaki uporabi, da ohranite brezhibno delovanje.

Pri čiščenju priprave za rezanje nosite zaščitne rokavice.

- Ohišje čistite z mehko ščetko ali suho krpo. Ne uporabljajte vode, topil in sredstev za loččenje.

- Pazite, da bodo prezračevalne reže za hlajenje motorja proste (nevarnost pregrevanja).
- Pripravo za rezanje čistite redno s krtačo ali krpo. Pripravo za rezanje ne čistite z vodo (nevarnost korozije).
- Redno čistite in oljite vse premične dele:
- Nikoli ne uporabljajte masti.
- Uporabljajte okolju prijazno olje.

13.8 Načrt vzdrževanja

Del naprave	Dejanje	Pred začetkom dela	Tedensko	Ob motnjah	Ob poškodbah	Po potrebi
Priprava za rezanje (1)	Preverite in pazite na ostrino	X				
	Preverite drsno zračnost priprave za rezanje	X				
	Ostriti					X
Motor	Zategnite vijake dušilca zvoka					X
	Očistite/zamenjajte bencinski filter					X
	Očistite/zamenjajte zračni filter					vsakih 15 obratovalnih ur, v posebej prašnih razmerah pa pogosteje)
	Namažite gonila					vsakih 20 delovnih ur, najmanj enkrat letno

Informacije o servisu

Upoštevajte, da so pri tem izdelku sledeči deli podvrženi obrabi, ki izhajajo iz uporabe, ali naravni obrabi oz. so sledeči deli potrebni kot potrošni material.

Obrabljivi deli*:

Rezalni noži (komplet)	(5910402011)
Vžigalna svečka	(3904801048)
Zračni filter	(3910404001)

* Ni nujno v obsegu dostave!

14. Skladiščenje

Ko naprave ne uporabljate, jo hranite na suhem, zaprtem mestu izven dosega otrok z nameščenim ščitnikom rezila.

Preden napravo skladiščite, jo očistite in servisirajte.

Previdno:

Naprave nikoli ne spravite za več kot 30 dni, ne da bi izvedli naslednje korake:

Shranjevanje naprave za več kot 30 dni

Če napravo spravite za več kot 30 dni, jo je treba za to pripraviti. Drugače preostalo gorivo v uplinjaču izhlapi in pusti gumi podobno usedlino. To lahko oteži zagon in ima za posledico draga popravila.

- Izpustite gorivo (glejte 9.2.).
- Zaženite motor in ga pustite delovati, dokler se ne zaustavi, da tako odstranite gorivo iz uplinjača.
- Počakajte, da se motor ohladi (pribl. 5 minut).
- Odstranite vžigalno svečko (glejte 13.5.).
- V izgorevalno komoro dolijte 1 čajno žličko čistega 2-taktnega olja.
- Večkrat počasi povlecite za zagonsko vrvico, da tako prevlečete notranje komponente.
- Znova vstavite vžigalno svečko (glejte 13.5.).

Napotek:

Napravo spravite na suhem mestu, daleč proč od morebitnih virov vžiga, npr. peči, plinskih grelnikov za vodo, plinskih sušilnikov, itd.

15. Odlaganje med odpadke in reciklaža

Napotki za embalažo



Embalažne materiale je mogoče reciklirati.
Embalažo zavrzite okolju prijazno.

Več informacij o odlaganju iztrošene naprave med odpadke izveste pri lokalni skupnosti ali občinski upravi.

Goriva in olja

- Pred odstranjevanjem naprave med odpadke je treba rezervoar za gorivo in rezervoar za motorno olje izprazniti!
- Gorivo in motorno olje ne sodita med gospodinjske, pač pa ju morate zavreči oz. oddati na zbirno mesto ločeno!
- Prazne posode za olje in gorivo je treba zavreči okolju prijazno.

16. Pomoč pri motnjah

Motnja	Mogoč vzrok	Ukrep
Škarje za živo mejo ne delujejo	<ul style="list-style-type: none">• Motor, ni goriva• Napaka v vodih za gorivo• Bencinski filter je zamašen• Vžigalna svečka je okvarjena• Uplinjač je okvarjen• Notranja napaka	<ul style="list-style-type: none">• Preverite nivo goriva• Preverite, ali so vodi za gorivo prepognjeni oziroma poškodovani• Očistite oz. zamenjajte bencinski filter.• Zamenjajte vžigalno svečko• Obiščite proizvajalca oz. pristojno servisno službo• Obiščite proizvajalca oz. pristojno servisno službo
Škarje za živo mejo režejo s prekinitvami	<ul style="list-style-type: none">• Notranja napaka• Okvarjena tipka za vklop/izklop	<ul style="list-style-type: none">• Obiščite proizvajalca oz. pristojno servisno službo• Obiščite proizvajalca oz. pristojno servisno službo
Motor deluje, vendar ostane priprava za rezanje pri miru	<ul style="list-style-type: none">• Priprava za rezanje je blokirana• Notranja napaka• Sklopka je okvarjen	<ul style="list-style-type: none">• Odstranite predmet• Obiščite proizvajalca oz. pristojno servisno službo• Obiščite proizvajalca oz. pristojno servisno službo
Priprava za rezanje postane vroča	<ul style="list-style-type: none">• Pomanjkljivo mazanje → trenje• Priprava za rezanje je topa	<ul style="list-style-type: none">• Naoljite pripravo za rezanje• Pripravo za rezanje dajte nabrusiti

17. Garancijski list

Proizvajalec:

Scheppach GmbH
Günzburger Straße 69
DE-89335 Ichenhausen

Pooblaščenih serviser (SI):

Sbay d.o.o.
Veliko Mlačevo 59b
SI - 1290 Grosuplje

Telefonska št. servisa (SI):

00800 4003 4003
(0,00 €/Min.)

E-poštni naslov (SI):

service.SI@scheppach.com

Garancijski list

1. S tem garancijskim listom Scheppach GmbH jamčimo, da bo izdelek v garancijskem roku ob normalni in pravilni uporabi brezhibno deloval in se zavezujemo, da bomo ob izpolnjenih spodaj navedenih pogojih odpravili morebitne pomanjkljivosti in okvare zaradi napak v materialu ali izdelavi oziroma po svoji presoji izdelek zamenjali ali vrnili kupnino.
2. Garancija je veljavna na ozemlju Republike Slovenije.
3. Garancijski rok za proizvod je 3 od datuma izročitve blaga. Datum izročitve blaga je razviden iz računa.
4. Kupec je dolžan okvaro javiti pooblaščenemu servisu oziroma se informirati o nadaljnjih postopkih na zgoraj navedeni telefonski številki. Svetujemo vam, da pred tem natančno preberete navodila o sestavi in uporabi izdelka.
5. Kupec je dolžan pooblaščenemu servisu predložiti garancijski list in račun, kot potrjuje in dokazuje o nakupu ter dnevu izročitve blaga.
6. V primeru, da proizvod popravlja nepooblaščen servis ali oseba, kupec ne more uveljavljati zahtevkov iz te garancije.
7. Vzroki za okvaro oziroma nedelovanje izdelka morajo biti lastnosti stvari same in ne vzroki, ki so zunaj proizvajalčeve oziroma prodajalčeve sfere. Kupec ne more uveljavljati zahtevkov iz te garancije, če se ni držal priloženih navodil za sestavo in uporabo izdelka ali če je izdelek kakorkoli spremenjen ali nepravilno vzdrževan.
8. Jamčimo servis in rezervne dele še 3 leta po preteku garancijskega roka.
9. Obrabni deli oz. potrošni material so izvzeti iz garancije.
10. Vsi potrebni podatki za uveljavljanje garancije se nahajajo na dveh ločenih dokumentih (garancijski list, račun).
11. Ta garancija proizvajalca ne izključuje pravic potrošnika, ki izhajajo iz odgovornosti prodajalca za napake na blagu.

Prodajalec:

Lidl Slovenija d.o.o. k.d., Pod lipami 1, SI-1218 Komenda



S spletne strani www.lidl-service.com si lahko prenesete ostale priročnike, videoposnetke o izdelkih in namestitveno programsko opremo.

S kodo QR neposredno odprete Lidlovo storitveno spletno stran (www.lidl-service.com), kjer lahko z vnosom številke izdelka (IAN) 422496_2210 odprete ustrezna navodila za uporabo.

1.	Objašnjenje simbola na uređaju.....	190
2.	Uvod.....	192
3.	Opis uređaja (sl. 1-9).....	192
4.	Opseg isporuke.....	192
5.	Namjenska uporaba.....	192
6.	Sigurnosne napomene.....	193
7.	Radne upute.....	195
8.	Tehnički podaci.....	196
9.	Prije stavljanja u pogon.....	197
10.	Rukovanje.....	198
11.	Radne upute.....	199
12.	Transport.....	199
13.	Čišćenje i održavanje.....	199
14.	Skladištenje.....	201
15.	Zbrinjavanje i recikliranje.....	201
16.	Otklanjanje neispravnosti.....	202
17.	Jamstveni certifikat.....	203
18.	Povećani crtež.....	257
19.	Izjava o sukladnosti.....	260

1. Objašnjenje simbola na uređaju

	Prije stavljanja u pogon pročitajte i poštujujte priručnik za rukovanje i sigurnosne napomene!
	Preporučuje se nošenje zaštitnih cipela!
	Rabite štitnik sluha!
	Rabite zaštitne naočale!
	Nosite radne rukavice!
	Pozor! Udaljite nezaposlene osobe iz radnog područja!
	Pridržavajte se upozorenja i sigurnosnih napomena!
	Pozor! Postoji opasnost od požara i eksplozije.
	Pozor, opasnost od ozljeda! Nikada ne posežite rukama u blizinu noževa. Prilikom uključivanja ili rada s uređajem nikada ne dirajte nož.
	Upozorenje na vruće površine.



Ne rabite uređaj po kiši ili u vlažnim uvjetima. Opasnost od električnog udara!



Pozor, zapaljivi materijali. Zabranjeni su vatra, otvoreno svjetlo i pušenje!



Omjer miješanja: 40 udjela benzina na 1 udio ulja



Okrenite polugu prigušnice. "Toplo pokretanje i rad" i "Hladno pokretanje"



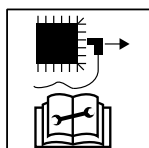
Informacija o zajamčenoj razini zvučne snage L_{WA} u dB.



Pritisnite 7x pumpu za gorivo "Primer"



Pozor! gušenja!
Ispušni plinovi su otrovni, motor stoga ne rabite u neprozračnim prostorima.



Prije radova održavanja isključite uređaj i izvucite utikač svjeće!



Proizvod udovoljava važećim europskim direktivama.

2. Uvod

PROIZVOĐAČ:

Scheppach GmbH

Günzburger Straße 69
D-89335 Ichenhausen

CIJENJENI KUPČE,

Želimo vam mnogo zadovoljstva i uspjeha pri radu s novim uređajem.

NAPOMENA:

Prema važećem njemačkom Zakonu o odgovornosti za proizvode, proizvođač ovog uređaja ne odgovara za štete koje nastanu na ovom uređaju ili koje ovaj uređaj uzrokuje u slučaju:

- nestručnim rukovanjem
- nepridržavanja priručnika za uporabu,
- popravcima koje obave neovlašteni stručnjaci
- montažom i zamjenom neoriginalnih rezervnih dijelova
- nenamjenske uporabe,

Vodite računa o sljedećem:

Prije montaže i stavljanja u pogon pročitajte cjelokupan tekst priručnika za uporabu.

ovaj priručnik za uporabu pomoći će vam da upoznate uređaj i upotrebljavate ga na propisan način.

Priručnik za uporabu sadržava važne napomene za siguran, ispravan i učinkovit rad s uređajem te za izbjegavanje opasnosti, smanjivanje troškova popravka i prekida rada te povećavanje pouzdanosti i vijeka trajanja uređaja.

Osim sigurnosnih propisa iz ovog priručnika za uporabu svakako se pridržavajte i nacionalnih propisa koji se odnose na rad ovog uređaja.

Čuvajte priručnik za uporabu u blizini uređaja, zaštićenog od prljavštine i vlage u plastičnoj vrećici. Prije početka rada svi rukovatelji moraju pročitati i pozorno se pridržavati ovog priručnika.

Na uređaju smiju raditi samo osobe koje su podučene u uporabi uređaja i upućene u opasnosti koje su povezane s njegovom uporabom. Strojem smiju rukovati samo osobe odgovarajuće minimalne dobi.

Osim sigurnosnih napomena sadržanih u ovom priručniku za uporabu i posebnih nacionalnih propisa valja se pridržavati i općeprihvaćenih tehničkih pravila za rad konstrukcijski identičnih naprava.

Ne preuzimamo odgovornost za nezgode ili štete koje nastanu zbog nepridržavanja ovog priručnika i sigurnosnih napomena.

3. Opis uređaja (sl. 1-9)

1. Rezni sklop
2. Štitnik za ruke
3. Prednja ručka
4. Poluga za hladno pokretanje (prigušnica)
5. Pumpa za gorivo "pokretač"
6. Prekidač za uključivanje/isključivanje
7. Blokada poluge gasa
8. Stražnja ručka
9. Poluga gasa
10. Ručka za blokiranje
11. Poklopac rezervoara
12. Uže pokretača
13. Prigušivač zvuka
 - 13.1 Izlazni otvor prigušivača zvuka
 - 13.2 Vijci prigušivača zvuka
14. Utikač svjeće
- 14.1 svjećica
15. Vijak s krilatom glavom
16. Pokrov filtra zraka
17. filter zraka
18. Otvor za podmazivanje

4. Opseg isporuke

- Benzinske škare za živicu
- Boca za miješanje ulja i benzina (A)
- Ključ za svjeće (B)
- Imbus ključ 4 mm (C)
- Štitnik noža (E) (predmontiran)
- Priručnik za uporabu

5. Namjenska uporaba

Stroj ispunjava važeću Direktivu EZ-a o strojevima.

Prije početka rada moraju na stroju biti montirane sve zaštitne i sigurnosne naprave.

Ove benzinske škare za živicu konstruirane su za rezanje mekog, tek izraslog materijala za živicu. Nisu prikladne za rezanje granja, tvrdog drva ili drugog materijala za rezanje. Stroj je konstruiran tako da njime rukuje jedna osoba.

U radnom je prostoru rukovatelj odgovoran za treće osobe.

Pridržavajte se svih sigurnosnih napomena i napomena o opasnosti na stroju.

Sve sigurnosne napomene i napomene o opasnosti na stroju moraju biti potpune i čitljive.

Rabite stroj samo ako je tehnički ispravan i rabite ga namjenski, svjesni sigurnosti i opasnosti, pridržavajući se priručnika za uporabu!

Naročito odmah otklonite (ili dajte otkloniti) neispravnosti koje mogu umanjiti sigurnost!

Valja se pridržavati proizvođačkih propisa o sigurnosti, radu i održavanju te dimenzija navedenih u tehničkim podacima.

Valja se pridržavati odgovarajućih propisa o zaštiti na radu i ostalih, općeprihvaćenih pravila o tehničkoj sigurnosti.

Stroj smiju rabiti, održavati i popravljati samo stručne osobe koje su upoznate s njime i koje su podučene o opasnostima. Proizvođač neće odgovarati za štete uzrokovane neovlaštenim izmjenama stroja.

Stroj je dopušteno rabiti samo s originalnim priborom i alatima proizvođača.

Svaka uporaba koja odstupa od gore navedene smatra se nenamjenskom. Proizvođač neće odgovarati za štete nastale takvom uporabom; rizik snosi isključivo korisnik.

Benzinske škare za živicu dopušteno je rabiti samo za rezanje živica, guštara i grmlja. Svaka druga uporaba koja nije navedena u ovom priručniku za uporabu može oštetiti škare ili teško ozlijediti korisnika i stoga izričito nije navedena pri nabrojaju mogućih primjena.

Uređaj nije dopušteno rabiti za komercijalnu, obrtničku ili industrijsku uporabu.

Ako niste sigurni je li neki radni uvjet siguran ili nesiguran, ne radite sa strojem.

UPOZORENJE! Prije stavljanja uređaja u pogon radi vlastite sigurnosti temeljito pročitajte ovaj priručnik i opće sigurnosne napomene. Ako uređaj predate drugim osobama, uvijek predajte i ovaj priručnik za uporabu.

Vodite računa o tome da naši uređaji namjenski nisu konstruirani za komercijalnu, obrtničku ili industrijsku uporabu. Ne preuzimamo odgovornost ako se uređaj rabi u komercijalnim, obrtničkim ili industrijskim pogonima te za srodne postupke.

6. Sigurnosne napomene

6.1 Siguran rad

OVE BENZINSKE ŠKARE ZA ŽIVICU MOGU UZROKOVATI NAJTEŽE OZLJEDE!

Pozorno pročitajte upute za ispravno rukovanje, pripremanje, servisiranje, pokretanje i polaganje škara za živicu. Upoznajte se sa svim izvršnim dijelovima i propisnom uporabom benzinskih škara za živicu.

Prije stavljanja u pogon ovog proizvoda pročitajte i pridržavajte se sljedećih uputa i važećih nacionalnih sigurnosnih propisa kako biste sebe i druge zaštitili od mogućih ozljeda.

Čuvajte ove sigurnosne napomene (priručnik za uporabu) uvijek zajedno s benzinskim škarama za živicu.

Benzinskim škarama za živicu smiju rukovati samo osobe s dovoljnim iskustvom.

Djeca nikada ne smiju rabiti benzinske škare za živicu.

Predajte ili iznajmite benzinske škare za živicu samo osobama koje su upoznate s benzinskim škarama za živicu i njihovim rukovanjem. Uvijek predajte i priručnik za uporabu.

Popravke na uređaju smiju obavljati proizvođač ili tvrtke s njegovim ovlaštenjem.

6.2 Prvi korisnik

Prvi korisnik benzinskih škara za živicu mora primiti praktičnu poduku o uporabi benzinskih škara za živicu i opremi za osobnu zaštitu od iskusnog rukovatelja.

- **Budite oprezni.** Pazite na ono što radite. Radite razumno. Ne rabite uređaj ako ste umorni ili pod utjecajem narkotika, alkohola ili lijekova. Trenutak nepozornosti pri uporabi uređaja može uzrokovati ozbiljne ozljede.
- **Prije uporabe upoznajte se s uređajem s pomoću priručnika za uporabu.** Nedovoljno informirani korisnici mogu zbog nepravilne uporabe ugroziti sebe i druge osobe.
- Ne rabite uređaj za svrhe za koje on nije namijenjen (vidi "5. Namjenska uporaba").
- **Izbjegavajte abnormalan položaj tijela.** Zauzmite siguran položaj tijela i uvijek održavajte ravnotežu. To naročito vrijedi kada rabite stepenice ili ljestve.
- **Nosite prikladnu radnu odjeću:**
 - to nije široka odjeća ili nakit jer ih pokretni dijelovi mogu zahvatiti
 - čvrste rukavice i cipele protiv klizanja
 - mrežicu za kosu ako imate dugu kosu
- **Nosite osobnu zaštitnu odjeću:**
 - Zaštitu za sluh
 - Zaštitne naočale ili štitnik za lice
 - Radne rukavice
 - Zaštitne cipele
 - ispitanu zaštitnu kacigu u situacijama kod kojih mogu nastati ozljede glave.
- **Preporučujemo nošenje štitnika nogu i zaštitnu jaknu.**
- **Održavajte red u radnom prostoru!** Nered može uzrokovati nesreće.
- **Vodite računa o okolnim uvjetima:**
 - Ne izlažite benzinske škare za živicu kiši.
 - Ne rabite benzinske škare za živicu u vlažnoj ili mokroj okolini.
 - Odgodite rad u slučaju nepovoljnog vremena (kiše, snijega, leda, vjetra) – povećana opasnost od nesreća!
 - Pobrinite se za dobro osvjetljenje.
 - Ne rabite benzinske škare za živicu u blizini zapaljivih tekućina ili plinova.
- **Upoznajte se s okolinom i vodite računa o mogućim opasnostima koje možda ne možete čuti zbog buke motora.**
- **Oprez od nadzemnih električnih vodova**
- **Ne ostavljajte benzinske škare za živicu bez nadzora.**
- **Prilikom pauza u radu benzinske škare za živicu valja položiti tako da nikoga ne ugrožavaju.** Osigurajte benzinske škare za živicu od neovlaštenog pristupa.
- **Osobe mlađe od 18 godina ne smiju rukovati uređajem.**
- **Udaljite druge osobe.**
- **Korisnik je odgovoran za nesreće ili opasnosti počinjene drugim osobama ili njihovoj imovini.**
- **U radnom području rukovatelj je odgovoran za treće osobe.**
- **Udaljite djecu.**

- **Ne dopustite drugim osobama, a naročito dje-
ci, da diraju alat ili motor.** Udaljite ih iz svog radnog prostora.
- **Uvijek se pobrinite za to da se benzinske škare za živicu ispravno nalaze u jednom od propisanih radnih položaja prije pokretanja motora.**
- **Uvijek se pobrinite za to da su sve ručke i sigurnosne naprave montirane prilikom uporabe benzinskih škara za živicu.** Nikada ne pokušavajte rabiti nepotpune benzinske škare za živicu ili škare s nedopuštenim prepravcima.
- **Ne rabite tup, iskočio ili oštećen rezni sklop.**
- **Počnite s rezanjem tek kada se rezni sklop kreće.**
- **Ne preopterećujte stroj!** Radit ćete bolje i sigurnije u navedenom rasponu snage.
- **Rabite uređaj samo s kompletnim i ispravno postavljenim zaštitnim napravama i na stroju ne mijenjajte ništa što bi moglo umanjiti sigurnost.**
- **Ne mijenjajte uređaj i dijelove uređaja.**
- **Ne rabite rezni sklop koji ne odgovara specificiranim karakteristikama iz ovog priručnika za uporabu.** Uporaba drugih alata i drugog pribora može predstavljati opasnost od ozljeda za vas.
- **Isključite stroj i skinite utikač svjeće sa svjeće prilikom:**
 - U slučaju kontakta benzinskih škara za živicu sa zemljom, kamenjem, čavlima ili drugim stranim tijelima provjerite je li uređaj oštećen.
 - namještanja radnog položaja reznog sklopa
 - provjeravanja servisiranja ili rada na škarama za živicu.
 - Radovi popravljaja
 - Radovi održavanja i čišćenja
 - Otklanjanje neispravnosti (u što spada blokiranje reznog sklopa)
 - Transport i skladištenje
 - Napuštanje benzinske škare za živicu (i kod kratkotrajnih prekida)
- **Pozorno njegujte benzinske škare za živicu:**
 - Oštrite i čistite alate kako biste mogli raditi bolje i sigurnije.
 - Održavajte ručke suhima i bez ulja i masnoće.
 - Pridržavajte se propisa za održavanje.
- **Provjerite postoje oštećenja na stroju:**
 - Prije nastavka uporabe stroja potrebno je pažljivo provjeriti ispravno i namjensko funkcioniranje zaštitnih naprava.
 - Provjerite funkcioniraju li pokretni dijelovi ispravno i da ne zapinju te jesu li dijelovi oštećeni. Svi dijelovi moraju biti ispravno montirani i ispunjavati sve uvjete kako bi se osigurao ispravan rad benzinskih škara za živicu.
 - Ovlaštena specijalizirana radionica mora ispravno popraviti ili zamijeniti oštećene zaštitne naprave i dijelove, osim ako nije drukčije navedeno u priručniku za uporabu.
 - Oštećene ili nečitljive sigurnosne naljepnice valja zamijeniti.
- **Ključeve za alat nemojte ostaviti utaknutima!** Prije uključivanja uvijek provjerite jesu li ključevi i alati za namještanje izvađeni.

- **Čuvajte nekorištene uređaje na suhom, zatvorenom mjestu izvan dosega djece.**
- **Skladištite benzinske škare za živicu ondje gdje benzinske pare ne mogu doći u dodir s otvorenim plamenom ili iskrama.** Pustite benzinske škare za živicu uvijek da se ohlade prije skladištenja.
- **Prilikom transporta ili skladištenja benzinskih škara za živicu rezni sklop valja uvijek pokriti štitnikom reznog sklopa.**
- **Ne obavljajte popravke na stroju ako za to niste kvalificirani.** Ne obavljajte popravke na stroju koji nisu opisani u poglavlju "13. Čišćenje i održavanje", nego se obratite izravno proizvođaču ili mjerodavnoj servisnoj službi.
- **Valja izbjegavati uporabu benzinskih škara za živicu ako se u blizini nalaze druge osobe, prvenstveno djeca.**
- **Ako rezni sklop dodirne strano tijelo ili ako se radni zvukovi pojačaju ili benzinske škare za živicu počnu neobično jako vibrirati, isključite motor i pustite benzinske škare za živicu da se zaustave.** Skinite utikač svjeće sa svjeće i poduzmite sljedeće mjere:
 1. provjerite postoje li oštećenja;
 2. provjerite postoje li labavi dijelovi i učvrstite sve labave dijelove;
 3. zatražite zamjenu ili popravljajanje oštećenih dijelova ekvivalentnim dijelovima.
- **Ne rabite benzinske škare za živicu s neispravnim ili jako istrošenim reznim sklopom.**
- **Kako bi se smanjila opasnost od požara, pobrinite se za to da su motor i prigušivač zvuka očišćeni od naslaga, lišća ili isteklog maziva.**
- **Uvijek rabite obje ruke ako su benzinske škare za živicu opremljene dvjema ručkama.**
- **Kada se benzinske škare za živicu zaustavljaju radi održavanja, provjeravanja ili skladištenja, isključite motor, izvucite utikač svjeće sa svjeće i uvjerite se u to da su se svi rotirajući dijelovi zaustavili.** Pustite stroj da se ohladi prije provjeravanja, namještanja itd.

Popravke na drugim dijelovima stroja moraju obaviti proizvođač ili njegova servisna služba.

Rabite samo originalne rezervne dijelove. Uporabom drugih rezervnih dijelova i drugog pribora mogu nastati nesreće za korisnika. Proizvođač ne odgovara za štete koje proizidu iz toga.

6.3 Sigurno rukovanje motornim gorivima
Pozorno postupajte s motornim gorivom! Motor na goriva i njihove pare zapaljivi su i mogu u slučaju udisanja i na koži uzrokovati teške ozljede. Prilikom rukovanja motornim gorivom stoga je potreban oprez i valja osigurati dobro provjetranje.

- **Prije ulijevanja goriva u benzinske škare za živicu isključite motor i pustite uređaj da se ohladi.**
- **Prilikom ulijevanja goriva ne pušite i izbjegavajte otvoren plamen.**
- **Prilikom ulijevanja goriva nosite rukavice.**

- **Ne ulijevajte gorivo u zatvorenim prostorijama (opasnost od eksplozije).**
- **Točite samo na otvorenom.**
- **Pobrinite se za to da se gorivo ili ulje ne prolije.** Odmah očistite benzinske škarke za živicu ako ste prolili motorno gorivo ili ulje. Odmah promijenite odjeću ako ste prolili gorivo ili ulje.
- **Pobrinite se za to da gorivo ne dospije u zemlju.**
- **Ponovno oprezno zatvorite zatvarač spremnika nakon ulijevanja goriva i pobrinite se za to da se on tijekom rada ne otpusti.**
- **Pobrinite se za to da su poklopac spremnika i vodovi za benzin nepropusni.** U slučaju propuštanja ne smijete stavljati uređaj u pogon.
- **Transportirajte i skladištite goriva samo u za to odobrenim i označenim spremnicima.**
- **Udaljite djecu od motornih goriva.**
- **Ne transportirajte i skladištite motorna goriva u blizini gorivih ili lakozapaljivih materijala te iskara ili otvorenog plamena.**
- **Radi pokretanja uređaja udaljite se najmanje tri metra od mjesta ulijevanja goriva.**
- **Kod pražnjenja spremnika to bi trebalo obavljati na otvorenom.**
- **Benzinske škarke za živicu ili spremnik goriva nikada ne skladištite u prostoriji u kojoj se nalazi otvoreni plamen, na primjer u uređaju za pripremu tople vode.**
- **Radi smanjenja opasnosti od požara – očistite motor i prigušivač zvuka od ostataka rezanja, listova i maziva!**
- **Kada motor radi ili je vruć, nikada ne skidajte zatvarač spremnika i ne dolijevajte benzin.**
- **Prije dolijevanja pustite motor i ispušne dijelove da se ohlade.**
- **Ako se benzin prelio, ne pokušavajte pokretati motor, nego prije pokretanja maknite stroj s površine onečišćene benzinom.**

6.4 Potencijalni rizici

I prilikom namjenske uporabe unatoč pridržavanju svih primjenjivih sigurnosnih propisa zbog konstrukcije određene namjenom i dalje mogu postojati potencijalni rizici. Potencijalne rizike moguće je minimizirati pridržavanjem poglavlja "6. Sigurnosne napomene" i "5. Namjenska uporaba" te cijelog priručnika za uporabu. Obzirnost i oprez smanjuju rizik od tjelesnih ozljeda i oštećenja.

Osim toga, unatoč svim poduzetim mjerama opreza, mogu postojati skriveni potencijalni rizici:

- Ozljede zbog izbačenih dijelova.
- Lom i izbacivanje komadića noža.
- Opasnost od trovanja ugljičnim monoksidom u slučaju uporabe uređaja u zatvorenim ili loše provjetranim prostorijama.
- Opasnost od opeklina u slučaju dodirivanja vrućih komponenta.
- Oštećenje sluha u slučaju dugotrajnog rada bez štitnika sluha.

7. Radne upute

Prije stavljanja u pogon i redovito tijekom rada s benzinskim škarama za živicu obavite sljedeće provjere:

- Jesu li benzinske škarke za živicu potpuno i propisno montirane? Pobrinite se za to da su sve matice i svi vijci čvrsti pritegnuti.
- Jesu li benzinske škarke za živicu u dobrom i sigurnom stanju?
 - Jesu li sve sigurnosne funkcije ispravne?
- Je li spremnik benzina napunjen?
- Je li rezni sklop neoštećen i naoštren?
- Jesu li motor i prigušivač zvuka očišćeni od naslaga, lišća ili isteklog maziva?
- Je li ručka čista i suha – bez ulja, masnoće i smole?
- Postoje li opasnosti od spoticanja na radnom mjestu?
- Nosite li potrebnu zaštitnu opremu?
- Jeste li pročitali i pomno proučili sve upute?
- Je li poluga gasa pokretljiva i funkcionalna?
- Je li tipkalo za uključivanje/isključivanje funkcionalno?
- Zaustavlja li se rezni sklop uvijek u praznom hodu?

Ako rezni sklop nastavi raditi u praznom hodu, potrebno je smanjiti brzinu vrtnje u praznom hodu (vidi "13.2 Namještanje brzine vrtnje u praznom hodu").

- Uvjerite se u to da je prijenosnik dovoljno podmazan (vidi "13. Čišćenje i održavanje").

7.1 Opće ponašanje prilikom rada sa škarama za živicu

- Ne radite sami. U slučaju izvanredne situacije netko mora biti u blizini.
- Udaljite djecu, druge osobe i životinje iz radnog područja (min. udaljenost 15 m).
- Ne radite na snijegu, ledu ili drugoj glatkoj podlozi – opasnost od pokliznuća.
- Ne radite pri lošim svjetlosnim uvjetima (npr. po magli, kiši, snijegu ili u suton).
- Prije rezanja otjerajte životinje iz živice kako ih ne biste ozlijedili.
- Osigurajte sigurno i uredno radno mjesto. Uklonite predmete iz radnog područja koji se mogu razletjeti.
- Izbjegavajte abnormalan položaj tijela. U svakom trenutku održavajte ravnotežu. Ne radite savijeni u struku.
- Rabite benzinske škarke za živicu samo ako ste zauzeli siguran položaj tijela.
- Isključite benzinske škarke za živicu prilikom promjene lokacije.
- Udaljite šake i stopala od reznog sklopa dok se on kreće.
- Držite benzinske škarke za živicu tako da ne možete udisati dimne plinove. Ne radite u zatvorenim prostorijama.
- Benzinske škarke za živicu ne rabite za podizanje ili izbacivanje komada drva ili drugih predmeta.
- Svakako uklonite strane dijelove iz živice (npr. žicu) jer oni mogu oštetiti rezni sklop benzinskih škara za živicu.
- Benzinske škarke za živicu uvijek čvrsto držite objema rukama, lijevom rukom za prednju ručku, a desnom rukom za stražnju ručku. Nikada ne radite jednom rukom.
- Kada pustite polugu gasa, rezni sklop nastavlja raditi još neko kratko vrijeme (efekt slobodnog hoda).
- Počnite rezanje s pokrenutim reznim sklopom.
- Nikada ne primajte rezni sklop rukama tijekom rada.

- Nikada ne radite
 - s ispruženim rukama
 - na teško pristupačnim mjestima
 - previše sagnuti
- Benzinskim škarama za živicu nikada ne radite iznad visine ramena.
- Pokrenutim reznim sklopom nikada ne dodirujte žičane ograde ili tlo.
- Isključite motor i izvucite utikač svječice
 - ako se ponašanje uređaja osjetno promijeni
 - radi uklanjanja uglavljene rezane građe
 - radi provjeravanja reznog sklopa u slučaju kontakta s kamenjem, čavlima ili drugim tvrdim predmetima.
 - radi otklanjanja neispravnosti
 - kod pauza u radu
 - prije napuštanja škara za živicu
- Ne stavljajte vruće benzinske škare za živicu u suhu travu ili na zapaljive predmete.
- Prije početka rada pobrinite se za to da:
 - u radnom području nema drugih osoba ili životinja.
 - možete se povući bez prepreka.
 - na mjestu stajanja nema stranih tijela, grmlja i granja.
 - zauzeli ste siguran položaj tijela.

Ako su osobe s poremećajima u cirkulaciji krvi prečesto izložene vibracijama, mogu se pojaviti smetnje u živčanom sustavu ili na krvnim žilama.

7.2 Vibracije možete smanjiti:

- s pomoću čvrstih, toplih radnih rukavica.
- skraćivanjem vremena rada (pravite češće duge pauze).

Potražite liječničku pomoć ako vam prsti oteknu, ako se ne osjećate dobro ili ako izgubite osjet u prstima.

7.3 Rad sa škarama za živicu

Držite benzinske škare za živicu objema rukama na sigurnoj udaljenosti od tijela.

- Maksimalan promjer rezanja ovisi o vrsti drva, starosti, sadržaju vlage i tvrdoći drva.
- Stoga vrlo debele grane prije orezivanja živice skratite na odgovarajuću duljinu škarama za grane.
- Benzinske škare za živicu zbog dvostranog noža moguće je voditi naprijed i natrag ili, oscilacijskim pokretima, s jedne na drugu stranu.
- Najprije orežite strane živice, a tek zatim gornji rub.
- Orezujte živicu odozdo prema gore.
- Orezujte živicu u obliku trapeza. Time se sprječava ogoljivanje donjeg dijela živice zbog nedostatka svjetlosti.
- Napnite uzicu po cijeloj duljini živice ako želite jednoliko orezati gornji rub živice.
- Režite u više prolaza ako je potrebno snažno povratno rezanje.

7.4 Ispravan trenutak rezanja:

- Listopadna živica: lipanj i listopad
- Zimzelena živica: travanj i kolovoz
- Brzorastuća živica: od svibnja otprilike svakih 6 tjedana

Vodite računa o izlegnutim pticama u živici. U tom slučaju odgodite rezanje živice ili zaobiđite to područje.

U svakom slučaju pogledajte sve sigurnosne napomene.

7.5 Ponašanje u slučaju neispravnosti ili nesreća

U slučaju neispravnosti ili nesreća odmah isključite benzinske škare za živicu tipkalom za uključivanje/isključivanje (6).

7.6 Prva pomoć

Za slučaj eventualne nesreće na radnom mjestu uvijek treba postojati kutija prve pomoći prema normi DIN 13164. Izvađeni materijal odmah ponovno napunite.

Kad tražite pomoć, navedite sljedeće podatke:

- Gdje se dogodilo?
- Što se dogodilo?
- Koliko je ozlijeđenih?
- Koja vrsta ozljede?
- Tko prijavljuje?

8. Tehnički podaci

Tip motora	Dvotaktni motor - hlađen zrakom
Stapajni prostor cm ³	22,5
Snaga motora kW	0,65
Brzina vrtnje u praznom hodu n _v /min ⁻¹	3000 +/- 300
Maks. brzina vrtnje motora min ⁻¹	10500
Zapremina spremnika L	0,28
Omjer miješanja (motorno gorivo / ulje za dvotaktne motore)	40:1
Duljina reza mm	560
Maks. debljina rezanja mm	27
Dimenzije D/Š/V mm	1100 x 245 x 200
Duljina mača mm	700
svječica	L8RTC
Masa kg	5,2

Pridržavamo pravo na tehničke izmjene!

Buka

Informacija o razini buke izmjerena u skladu s primjenjivim normama:

Razina zvučnog tlaka L _{pA}	97,8 dB
Nesigurnost K _{pA}	3 dB
Razina zvučne snage L _{WA}	107,3 dB
Nesigurnost K _{WA}	2,53 dB

Nosite štitnik sluha.

Djelovanje buke može uzrokovati gubitak sluha.

Vibracije

Vibracije (stražnja ručka) A _{hv}	4,838 m/s ²
Nesigurnost mjerenja K _{hv}	1,5 m/s ²
Vibracije (prednja ručka) A _{hv}	5,389 m/s ²

Ograničite izloženost buci i vibracije na minimum!

- Rabite samo ispravne uređaje.
- Redovito održavajte i čistite uređaj.
- Prilagodite način rada uređaju.
- Ne preopterećujte uređaj.
- Po potrebi zatražite provjeru uređaja.
- Isključite uređaj kada nije u uporabi.
- Nosite rukavice.

UPOZORENJE

Izbjegavajte opasnosti uzrokovane vibracijama, npr. opasnost od bolesti bijelih prstiju (smetnje cirkulacije), tako da uzimate česte stanke pri radu tijekom kojih npr. protrljate dlanove.

- Uvijek nosite zaštitne rukavice i vodite računa o tome da su vam šake tople.
- Pravite redovite stanke pri radu.

9. Prije stavljanja u pogon

- Otvorite pakiranje i oprezno izvadite uređaj.
- Uklonite ambalažni materijal te ambalažne i transportne osigurače (ako postoje).
- Provjerite je li isporučena oprema kompletna.
- Provjerite postoje li na uređaju i priboru štete kod transporta.
- Sačuvajte pakiranje po mogućnosti do isteka jamstvenog razdoblja.

POZOR

Uređaj i ambalažni materijali nisu dječja igračka! Djeca se ne smiju igrati plastičnim vrećicama, folijama i malim dijelovima! Postoji opasnost od gutanja i gušenja!

- Prije uporabe upoznajte se s uređajem prema priručniku za uporabu.
- Za pribor te potrošne i rezervne dijelove rabite samo originalne dijelove. Rezervne dijelove možete nabaviti od ovlaštenog distributera.
- Prilikom naručivanja navedite naše brojeve artikala te tip i godinu proizvodnje uređaja.

Benzinske škarre za živicu ne isporučuju se napunjene smjesom goriva.

Uređaj radi sa smjesom benzina (bezolovnog) i ulja za dvotaktne motore.

Prilikom rukovanja benzinom potreban je povećan oprez. Pušenje i otvoren plamen nisu dopušteni (opasnost od eksplozije).

Prije svake uporabe na uređaju provjerite sljedeće:

- Nepropusnost sustava goriva.
- Ispravnost i cjelovitost zaštitnih naprava i reznog sklopa.
- Pritegnutost svih vijčanih spojeva.
- Pokretljivost svih pokretnih dijelova.

Motorno gorivo i ulje

- Preporučena pogonska goriva
- Rabite samo smjesu bezolovnog benzina i specijalnog ulja za dvotaktne motore. Pomiješajte smjesu pogonskog goriva prema tablici miješanja pogonskog goriva.
- Ne rabite motorno gorivo E10.

Pozor:

Ne rabite smjesu goriva koja je bila uskladištena dulje od 90 dana.

Pozor:

Ne rabite ulje za dvotaktne motore koje preporučuje omjer miješanja od 100:1. U slučaju oštećenja motora zbog nedovoljnog podmazivanja prestaje jamstvo proizvođača za motor.

Pozor:

Radi transporta i skladištenja motornog goriva rabite samo za to predviđene i odobrene spremnike. Ulijte ispravnu količinu benzina i ulja za 2-taktne motore u priloženu bocu za miješanje ulja i benzina (A). Zatim dobro protresite spremnik.

Nikada ne rabite ulje za četverotaktne motore ili dvotaktne motore hlađene vodom. Time se svjećica može oštetiti, ispušni sklop blokirati ili stapni prsten zalijepiti. Smjese pogonskog goriva koje se nisu rabile dulje od jednog mjeseca mogu začepiti rasplinjač ili ometati rad motora. Ulijte suvišno pogonsko gorivo u hermetički zatvoren spremnik i spremite ga u tamnu, hladnu prostoriju.

Tablica miješanja pogonskog goriva

Postupak miješanja: 40 udjela benzina na 1 udio ulja

Primjer:

1 l benzina: 0,025 l ulja za dvotaktne motore

5 l benzina: 0,125 l ulja za 2-taktne motore

Upozorenje! Vodite računa o dimnim plinovima.

Uvijek isključite motor prije ulijevanja goriva.

Nikada ne ulijevajte benzin u uređaj dok motor radi ili kada je vruć. Postoji opasnost od požara!

Ulijevajte gorivo samo na otvorenom ili u dobro provjetranim prostorijama. Pobrinite se za to da motorno gorivo ne dospije u zemlju (zaštita okoliša). Uporabite prikladnu podlogu. Rabite samo biološko ulje za lance.

Motorna goriva mogu se skladištiti samo ograničeno jer stare. Predugo skladištena motorna goriva i smjese goriva mogu uzrokovati probleme pri pokretanju. Stoga pomiješajte tek toliko motornog goriva koliko potrošite u jednom mjesecu. Skladištite motorna goriva samo u za to odobrenim i označenim spremnicima. Spremnike goriva čuvajte na suhom i sigurnom mjestu.

Pobrinite se za to da se spremnici goriva čuvaju tako da su nepristupačni djeci.

Pozor! Prije stavljanja u pogon informirajte se o tome kako u izvanrednoj situaciji što brže isključiti uređaj!

9.1 Ulijevanje goriva u škarre za živicu

- Isključite motor i pustite ga da se ohladi!
- Nosite zaštitne rukavice!
- Izbjegavajte kontakt s kožom i očima!
- Svakako pogledajte "Sigurno rukovanje motornim gorivima", vidi 6.3.

1. Ulijevajte gorivo u benzinske škarre za živicu samo na otvorenom ili u dovoljno provjetranim prostorijama.
2. Očistite okolinu područja ulijevanja. Onečišćenja u spremniku uzrokuju neispravnosti u radu.
3. Ponovno protresite bocu za miješanje ulja i benzina (A) sa smjesom goriva prije ulijevanja u spremnik.

4. Oprezno otvorite poklopac spremnika goriva (11) kako bi se mogao otpustiti eventualni pretlak.
5. Oprezno ulijte smjesu goriva do donjeg ruba nastavka za ulijevanje. Uporabite lijevak ili pomagalo za punjenje (nije sadržano u opsegu isporuke) kako biste izbjegli prolijevanje motornog goriva.
6. Ponovno zatvorite poklopac spremnika (11). Pobrinite se za to da se poklopac spremnika (11) hermetički zatvara.
7. Očistite zatvarač spremnika (11) i okolinu.
8. Provjerite spremnik i postojanje propuštanja na vodovima za gorivo.
9. Po potrebi aktivirajte pumpu za gorivo "Primer" (5).
10. Prije pokretanja motora udaljite se najmanje tri metra od mjesta ulijevanja goriva.

9.2 Ispuštanje motornog goriva

Praznite spremnik goriva samo na otvorenom ili u dobro provjetravanim prostorijama. Pobrinite se za to da motorno gorivo ne dospije u zemlju (zaštita okoliša). Uporabite prikladan dokument.

1. Postavite prihvatni spremnik ispod spremnika goriva.
2. Odvrnite poklopac spremnika goriva (11) i skinite ga.
3. Potpuno ispuštite smjesu benzina i ulja.
4. Ponovno rukom pritegnite poklopac spremnika (11).

10. Rukovanje

10.1 Namještanje stražnje ručke (8) (sl. 2)

Radi lakšeg vođenja benzinskih škara za živicu stražnju ručku (8) moguće je namjestiti u 3 radna položaja.

- Polugu gasa (9) ne može se pritisnuti tijekom namještanja.
1. Lijevom rukom čvrsto držite prednju ručku (3) benzinskih škara za živicu.
 2. Pomaknite ručku za blokiranje (10) prema natrag i okrenite ručku u željeni položaj.
 3. Pustite ručku za blokiranje (10). Pobrinite se za to da se ručka za blokiranje ponovno uglavi, a ručka čvrsto fiksira.

10.2 Pokretanje uređaja

⚠ Opasnost od ozljeda!

Pokrenite benzinske škaru za živicu samo ako je montiran rezni sklop! Demontirajte odgovarajući transportni štitnik i provjerite ispravno radno stanje uređaja.

Nikada ne rabite oštećen, loše namješten, loše održavan ili nepotpuno i nesigurno montiran rezni sklop.

Provjerite prije uporabe!

Provjerite je li uređaj u sigurnom stanju:

- Pobrinite se za to da tipkalo za uključivanje/isključivanje (6), blokada poluge gasa (7) i poluga gasa (9) propisno funkcioniraju.
- Provjerite postoje li istjecanja na uređaju.
- Provjerite postoje li vidljiva oštećenja na uređaju.
- Provjerite jesu li svi dijelovi uređaja ispravno montirani.
- Provjerite jesu li sve sigurnosne naprave ispravne i funkcionalne.

10.2.1 Pokretanje s hladnim motorom (sl. 1, 3, 4)

Poduprite benzinske škaru za živicu radi pokretanja i čvrsto ih držite. Pobrinite se za to da je rezni sklop slobodan.

1. Skinite štitnik noža (E) s reznog sklopa (1).
2. Postavite benzinske škaru za živicu na stabilnu i ravnu podlogu. Rezni sklop (1) ne smije pritom dodirivati tlo.
3. Pritisnite 7x pumpu za gorivo "Primer" (5).
4. Pritisnite polugu za hladno pokretanje (prigušnicu) (4) na "Hladno pokretanje".
5. Čvrsto držite benzinske škaru za živicu za prednju ručku (3) i polako izvucite uže pokretača (12) do prvog otpora.
6. Sada naglo povucite uže pokretača (12) sve dok se motor ne pokrene. Ako se motor ne pokrene, ponovite postupak. Dok god je poluga za hladno pokretanje (prigušnica) (4) na "Hladno pokretanje", motor se nakratko pokreće i ponovno se isključuje.
7. Kada se motor isključi, istodobno pritisnite blokadu poluge gasa (7) i polugu gasa (9). Poluga (prigušnica) (4) automatski prelazi u radni položaj "Toplo pokretanje".
8. Sada ponovno naglo povucite uže pokretača (12) dok se motor ne pokrene.
9. Nakon jednog pritiska poluge gasa (9) motor radi u praznom hodu.
10. Pustite da se motor kratko zagrije.

Ako se motor ne pokrene ni nakon više pokušaja, pročitajte poglavlje "Otklanjanje smetnji".

Pozor

Uže pokretača (12) uvijek povlačite ravno naprijed. Ako se ono povuče pod kutom, nastaje trenje na ušici. Zbog tog trenja se uzica izlizuju i brže se troše. Ručku užeta pokretača (12) držite čvrsto kada se uže pokretača (12) ponovno uvlači. Nikada ne dopustite da se uže pokretača (12) odbije. To može uzrokovati oštećenja.

Napomena:

Pri visokim vanjskim temperaturama može se dogoditi da pokretanje hladnog motora također treba obaviti bez poluge za hladno pokretanje (prigušnice) (4).

Napomena:

Ako se rezni sklop (1) u praznom hodu pomiče ili ako se motor automatski isključuje kada pustite gas, potrebno je obaviti namještanje rasplinjača (vidi poglavlje "13.2 Namještanje brzine vrtnje u praznom hodu").

10.2.2 Pokretanje s toplim motorom

1. Radi pokretanja toplog motora poluga za hladno pokretanje (prigušnicu) mora biti na "Toplo pokretanje".
2. Čvrsto držite benzinske škaru za živicu za prednju ručku (3) i polako izvucite uže pokretača (12) do prvog otpora.
3. Naglo povucite uže pokretača (12). Uređaj bi se trebao pokrenuti nakon 1-2 povlačenja. Ako se uređaj ne pokrene ni nakon 6 povlačenja, ponovite postupak opisan u odjeljku "Pokretanje s hladnim motorom".

10.3 Rad škara za živicu (sl. 1)

1. Lijevom rukom čvrsto držite prednju ručku (3) benzinskih škara za živicu.
2. Desnom rukom čvrsto držite stražnju ručku (8). Pritom se palčana uzvisina nalazi na blokadi poluge gasa (7), a kažiprst pritišće polugu gasa (9).
3. Pritisnite polugu gasa (9).
4. Rezni sklop se pokreće.

Ako se poluga gasa (9) pusti, rezni sklop se zaustavlja i motor radi u praznom hodu.

Obratite se proizvođaču ako rezni sklop unatoč tome nastavi raditi u praznom hodu.

Nipošto ne nastavljajte rad s benzinskim škarama za živicu!

10.4 Blokiranje reznog sklopa (sl. 1)

Ako se rezni sklop (1) blokira tijekom rada, isključite benzinske škaru za živicu tipkalom za uključivanje/isključivanje (6) i skinite utikač svjeće (14).

Zatim uklonite blokirajući materijal i provjerite postoje li oštećenja na reznom sklopu (1).

10.5 Isključite motor.

1. Pritisnite i držite pritisnuto tipkalo za uključivanje/isključivanje (6).
2. Pričekajte dok se motor ne zaustavi, a tek zatim pustite uređaj.
3. Pustite tipkalo za uključivanje/isključivanje (6).

11. Radne upute

11.1 Rad sa škarama za živicu

- Škare za živicu prikladne su za rezanje živice, guštare i grmlja.
- Držite škaru za živicu objema rukama na sigurnoj udaljenosti od tijela.
- Maksimalan promjer rezanja ovisi o vrsti drva, starosti, sadržaju vlage i tvrdoći drva.
- Stoga vrlo debele grane prije orezivanja živice skratite na odgovarajuću duljinu škarama za grane.
- Škare za živicu zbog dvostranog noža moguće je voditi naprijed i natrag ili, oscilacijskim pokretima, s jedne na drugu stranu.
- Najprije orežite strane živice, a tek zatim gornji rub.
- Orezujte živicu odozdo prema gore.
- Orezujte živicu u obliku trapeza. Time se sprječava ogoljivanje donjeg dijela živice zbog nedostatka svjetlosti.
- Napnite uzicu po cijeloj duljini živice ako želite jednoliko orezati gornji rub živice.
- Režite u više prolaza ako je potrebno snažno povratno rezanje.
- Svakako uklonite strane dijelove iz živice (npr. žicu) jer oni mogu oštetiti noževu škara za živicu.
- **Pozor!** Noževi se nastavljaju okretati! Ne usporavajte noževu rukom.

Ispravan trenutak rezanja:

- Listopadna živica: lipanj i listopad
- Zimzelena živica: travanj i kolovoz
- Brzorastuća živica: od svibnja otprilike svakih 6 tjedana

Vodite računa o izlegnutim pticama u živici. U tom slučaju odgodite rezanje živice ili zaobidite to područje.

12. Transport

Radi transportiranja uređaja isključite motor, pričekajte dok se rezni sklop ne zaustavi i postavite štitnik noža (E) (sl. 4).

Uređaj nosite za prednju ručku (3). Pritom držite rezni sklop (1) prema natrag, a vrući prigušivač zvuka (13) dalje od tijela. U motornom vozilu uređaj transportirajte samo u prtljažniku ili na posebnoj transportnoj površini.

Pritom osigurajte benzinske škaru za živicu od prevrtanja, oštećenja i istjecanja motornog goriva.

13. Čišćenje i održavanje

Prije svih radova održavanja i čišćenja

- Isključite motor
- Pričekajte da se rezni sklop zaustavi
- Skinite utikač svjeće (osim kod namještanja praznog hoda)
- Pustite uređaj da se ohladi

Napomena

Nakon svake uporabe trebalo bi temeljito očistiti uređaj. Radove čišćenja i održavanja provedite samo kao što je opisano u ovom priručniku za uporabu.

Ostale radove održavanja i čišćenja koji nisu opisani u ovom poglavlju smije obavljati samo servisna služba.

Ne obavljajte radove održavanja u blizini otvorenog plamena. Opasnost od požara!

Sigurnosne naprave demontirane radi održavanja i čišćenja potrebno je svakako ponovno ispravno montirati i provjeriti.

Rabite samo originalne dijelove. Drugi dijelovi mogu uzrokovati nepredvidive štete i ozljede.

Nosite rukavice kako biste izbjegli moguće ozljede.

Kako bi se zajamčila duga i pouzdana uporaba benzinskih škara za živicu, redovito obavljajte sljedeće radove održavanja.

Provjerite postoje li vidljivi nedostaci na benzinskim škarama za živicu kao što su

- labava učvršćenja
- istrošene ili oštećene komponente
- savijen, slomljen ili oštećen rezni sklop
- Nepropusnost zatvarača spremnika i vodova za gorivo

Provjerite benzinske škaru za živicu nakon svake uporabe na

- trošenje, naročito klizna zračnost u reznom sklopu.
- Ispravno montirane i ispravne pokrove ili zaštitne naprave.

Potrebne popravke ili radove održavanja valja obaviti prije uporabe benzinskih škara za živicu.

13.1 Podmazivanje prijenosnika (sl. 5)

Podmazujte prijenosnik svakih 10 do 20 radnih sati.

1. Isporučenim imbus ključem od 4 mm (C) otvorite vijak otvora za podmazivanje (18) na donjoj strani škara za živicu.
2. Postavite ručnu mazalicu na otvor za podmazivanje (18).
3. Utisnite malo masti.
4. Ponovno uvrnite vijak otvora za podmazivanje (18).

Pozor! Dolijte samo malo masti. Nipošto ne prepunajte.

13.2 Namještanje brzine vrtnje u praznom hodu

Ako se rezni sklop (1) u praznom hodu pomiče ili ako se motor automatski isključi kada se pusti gas, potrebno je obaviti namještanje rasplinjača.

Napomena:

Namještanje rasplinjača (npr. brzine vrtnje u praznom hodu) prepustite samo kvalificiranom stručnom osoblju kako biste izbjegli oštećenja motora.

13.3 Čišćenje i zamjena filtra zraka (sl. 6)

Onečišćeni filtri zraka smanjuju snagu motora zbog premalog dovoda zraka u rasplinjač. Prašina i pelud začepuju pore spužvastog uložka. Stoga je nužna redovita provjera. Čistite filtar zraka (17) otprilike svakih 15 radnih sati, a u vrlo prašnjavim uvjetima i češće.

1. Postavite polugu za hladno pokretanje (prigušnicu) (4) na "Hladno pokretanje" kako čestice prljavštine ne bi dospjele u rasplinjač.
2. Skinite pokrov filtra zraka (16). Otpustite vijak s krilatom glavom (15).
3. Izvadite filtar zraka (17) iz spužve.
4. Isperite filtar zraka (17) u mlakoj otopini sapunice. Ne ispuhujte čestice prljavštine jer postoji opasnost od ozljede očiju!
5. Unutrašnjost filtra zraka očistite kistom.
6. Pustite filtar zraka (17) da se dobro osuši, a zatim ga ponovno umetnite.
7. Ponovno postavite pokrov filtra zraka (16).

Pozor:

Filtar zraka nikada ne čistite benzinom ili zapaljivim otapalima.

Kako se ne bi skratio vijek trajanja motora, oštećen filtar zraka potrebno je odmah zamijeniti.

⚠ Upozorenje!

Nikada ne puštajte motor da radi ako nije umetnu uložak filtra zraka.

13.4 Čišćenje i zamjena benzinskog filtra

Po potrebi provjerite benzinski filtar. Onečišćen benzinski filtar ometa dovod goriva.

Otvorite poklopac spremnika (11) i izvucite benzinski filtar s pomoću žičane kuke (nije sadržana u opsegu isporuke) kroz otvor.

- U slučaju malog onečišćenja:
 - izvucite benzinski filtar iz voda za gorivo i očistite filtar u benzinu za čišćenje.

- U slučaju velikog onečišćenja:

- zamijenite benzinski filtar.

1. Kako biste izvadili benzinski filtar iz voda za gorivo, pritisnite crijevnu stezaljku i pomaknite je prema dolje.
2. Sada je benzinski filtar moguće skinuti s voda za gorivo.

13.5 Provjeravanje, čišćenje i zamjena svjeće (sl. 7/8)

Pozor

Ne dirajte svjećicu (14.1) ili utikač svjeće (14) kada motor radi. Visoki napon!

Opasnost od opekline u slučaju vrućeg motora. Nosite zaštitne rukavice!

Redovito provjeravajte svjećicu i razmak elektroda.

13.5.1 Provjeravanje svjeće

1. Skinite utikač svjeće (14) sa svjeće (14.1).
2. Odvrnite svjećicu (14.1) isporučeni ključem za svjećice (B).
3. Provjerite razmak elektroda. On mora iznositi 0,6 do 0,7 mm.

13.5.2 Čišćenje svjeće

Provjerite onečišćenost svjeće prvi put nakon 10 radnih sati i po potrebi je očistite bakrenom žičanom četkom.

Nakon toga održavajte svjećicu svakih 50 radnih sati.

Zamijenite svjećicu:

- svaki mjesec pri redovitom radu
- ako je izolacijsko kućište oštećeno
- u slučaju velikog izgaranja elektroda
- u slučaju onečišćenih ili zamašćenih elektroda

13.5.3 Provjeravanje iskre paljenja

1. Skinite utikač svjeće (14) sa svjeće (14.1).
2. Odvrnite svjećicu (14.1) isporučeni ključem za svjećice (B).
3. Čvrsto natakните utikač svjeće (14).
4. Pritisnite svjećicu (14.1) izoliranim kliještama na kućište motora (ne u blizini otvor za svjećicu).
5. Snažno povucite užu pokretača (12).
6. U slučaju ispravnog funkcioniranja mora biti vidljiva iskra između elektroda.

13.6 Prigušivač zvuka / izlazni otvor (sl. 9)

Ne pritežite vijke prigušivača zvuka kada je motor vruć.

1. Redovito provjeravajte da se vijci (13.2) prigušivača zvuka (13) nisu otpustili. Uporabite imbus ključ od 4 mm (C) kako biste dodatno pritegnuli eventualno olabavljene vijke.
2. Redovito čistite izlazni otvor (13.1).

13.7 Čišćenje

Pozorno očistite benzinske škaru za živicu nakon svake uporabe kako bi se zadržalo njihovo ispravno funkcioniranje.

Prilikom čišćenja reznog sklopa nosite zaštitne rukavice!

- Čistite kućište mekom četkom ili suhom krpom. Nije dopušteno rabiti vodu, otapala i sredstva za poliranje.
- Pobrinite se za to da su ventilacijski prorezi za hlađenje motora slobodni (opasnost od pregrijavanja).

- Redovito čistite rezni sklop četkom ili krpom. Rezni sklop nikada ne čistite vodom (opasnost od korozije!)
- Redovito čistite i uljite sve pokretne dijelove.

- Nikada ne rabite mast!
- Rabite ekološko ulje.

13.8 Plan održavanja

Dio uređaja	Radnja	Prije početka rada	Tjedno	U slučaju neispravnosti	U slučaju oštećenja	Po potrebi
Rezni sklop (1)	Provjeravanje i osiguravanje naoštrenosti	X				
	Provjeravanje klizne zračnosti reznog sklopa	X				
	Oštrenje					X
Motor	Pritezanje vijaka prigušivača zvuka					X
	Čišćenje/zamjena benzinskog filtra					X
	Čišćenje/zamjena filtra zraka					svakih 15 radnih sati, a u prašnjavim uvjetima i češće)
	Podmazivanje prijenosnika					svakih 20 radnih sati, najmanje jedanput godišnje

Servisne informacije

Valja voditi računa o tome da kod ovog proizvoda sljedeći dijelovi podliježu trošenju zbog uporabe ili prirodnom trošenju, odnosno da su sljedeći dijelovi potrebni kao potrošni materijali.

Potrošni dijelovi*:

Rezni noževi (komplet)	(5910402011)
svječića	(3904801048)
filtrar zraka	(3910404001)

* Nisu nužno uključeni u opseg isporuke!

14. Skladištenje

Čuvajte nekorištene uređaje s nataknutim štitnikom noža na suhom, zatvorenom mjestu izvan dosega djece.

Očistite i obavite održavanje uređaja prije skladištenja.

Opres:

Nikada ne spremajte uređaj na dulje od 30 dana ako niste obavili sljedeće korake:

Spremanje uređaja na dulje od 30 dana

Ako uređaj spremate na dulje od 30 dana, potrebno ga je pripremiti za to. U suprotnom će preostalo pogonsko gorivo koje se nalazi u rasplinjaču ishlapjeti i ostaviti talog sličan gumi. To bi moglo otežati pokretanje i uzrokovati skupe radove popravljavanja.

- Ispustite motorno gorivo (vidi 9.2)
- Pokrenite motor i pustite ga da radi dok se ne zaustavi kako biste uklonili pogonsko gorivo iz rasplinjača.

- Pustite motor da se ohladi (cca 5 minuta).
- Izvadite svječiću (vidi 13.5.).
- Uljite 1 čajnu žličicu čistog ulja za dvotaktne motore u komoru za izgaranje.
- Polako više puta povucite poteznu uzicu kako bi se premazale unutarnje komponente.
- Ponovno umetnite svječiću (vidi 13.5).

Napomena:

Spremite uređaj na suho mjesto, daleko od mogućih izvora zapaljenja, npr. pećnica, plinskih kotlova s vrućom vodom, plinskih sušilica itd.

15. Zbrinjavanje i recikliranje

Napomene o ambalaži



Ambalažni materijali mogu se reciklirati. Molimo zbrinite ambalažu na ekološki način.

O mogućnostima zbrinjavanja starog uređaja raspitajte se kod mjerodavne općinske ili gradske službe.

Motorna goriva i ulja

- Prije zbrinjavanja uređaja potrebno je isprazniti rezervoar goriva i spremnik motornog ulja!
- Gorivo i motorna ulja ne spadaju u kućni otpad ili kanalizaciju, nego ih valja odnijeti na odvojeno mjesto prikupljanja i zbrinjavanja!
- Prazne spremnike ulja i goriva potrebno je ekološki zbrinuti.

16. Otklanjanje neispravnosti

Neispravnost	Mogući uzrok	Rješenje
Škare za živicu ne rade	<ul style="list-style-type: none"> • Motor, nema motornog goriva • Pogreška u vodu za gorivo • Benzinski filter je začepljen • Svjećica je neispravna • Rasplinjač je neispravan • Interna pogreška 	<ul style="list-style-type: none"> • Provjerite količinu goriva • Provjerite postoje li pregibi ili oštećenja na vodu za gorivo • Očistite ili zamijenite benzinski filter. • Zamijenite svjećicu • Obratite se proizvođaču ili mjerodavnoj servisnoj službi • Obratite se proizvođaču ili mjerodavnoj servisnoj službi
Škare za živicu režu s prekidima	<ul style="list-style-type: none"> • Interna pogreška • Prekidač za uključivanje/isključivanje je neispravan 	<ul style="list-style-type: none"> • Obratite se proizvođaču ili mjerodavnoj servisnoj službi • Obratite se proizvođaču ili mjerodavnoj servisnoj službi
Motor radi, ali rezni sklop miruje	<ul style="list-style-type: none"> • Rezni sklop je blokiran • Interna pogreška • Spojka je neispravna 	<ul style="list-style-type: none"> • Uklonite predmet • Obratite se proizvođaču ili mjerodavnoj servisnoj službi • Obratite se proizvođaču ili mjerodavnoj servisnoj službi
Rezni sklop postaje vruć	<ul style="list-style-type: none"> • Nedovoljno podmazivanje → trenje • Rezni sklop je tup 	<ul style="list-style-type: none"> • Nauljite rezni sklop • Zatražite oštrenje reznog sklopa

17. Jamstveni certifikat

Poštovani kupci,

Naši proizvodi podliježu strogoj kontroli kvalitete. Ako unatoč tome ovaj uređaj ne funkcionira ispravno, vrlo nam je žao zbog toga i molimo vas da se obratite na adresu navedenu na ovoj jamstvenoj kartici. Rado ćemo vam pomoći i telefonski na dolje navedeni telefonski broj servisne službe. Za ostvarivanje jamstvenih zahtjeva vrijedi sljedeće:

- Ovi jamstveni uvjeti reguliraju dodatne jamstvene usluge. Ovo jamstvo ne umanjuje vaše zakonske jamstvene zahtjeve. Naše jamstvene usluge za vas su besplatne.
- Jamstvo obuhvaća isključivo nedostatke u materijalu ili proizvodnji i ograničene su na otklanjanje tih nedostataka ili na zamjenu uređaja. Imajte na umu da naši uređaji namjenski nisu konstruirani za gospodarsku, obrtničku ili industrijsku uporabu. Jamstveni ugovor stoga prestaje vrijediti ako se uređaj rabi u gospodarskim, obrtničkim ili industrijskim pogonima te za srodne postupke. Naše jamstvo nadalje ne obuhvaća kompenzacije za transportne štete, štete nastale nepoštivanjem priručnika za montažu ili neispravnom montažom, nepoštivanjem priručnika za uporabu (npr. priključivanjem na pogrešan napon ili na pogrešnu jakost struje), zlouporabom ili pogrešnom uporabom (npr. preopterećivanjem uređaja ili uporabom nedopuštenih montažnih alata ili pribora), nepoštivanjem propisa za održavanje i sigurnost, prodiranjem stranih tijela u uređaj (npr. pijeska, kamenja ili prašine), primjenom sile ili vanjskim utjecajima (npr. štete zbog pada s visine) te uobičajenim habanjem koje nastaje tijekom uporabe.

Jamstveni zahtjevi prestaju vrijediti ako se na uređaju poduzmu neodobreni zahvati.

- Jamstveno razdoblje traje 3 godine i započinje s datumom kupnje uređaja. Jamstvene zahtjeve valja uputiti najkasnije dva tjedna prije isteka jamstvenog razdoblja nakon otkrivanja nedostataka.
 - (1) U slučaju manjeg popravka jamstveni rok se produljuje onoliko koliko je kupac bio lišen uporabe stvari.
 - (2) Međutim, kad je zbog neispravnosti stvari izvršena njezina zamjena ili njezin bitni popravak, jamstveni rok počinje teći ponovno od zamjene, odnosno od vraćanja popravljene stvari.
 - (3) Ako je zamijenjen ili bitno popravljen samo neki dio stvari, jamstveni rok počinje teći ponovno samo za taj dio.
- Ostvarivanje jamstvenih zahtjeva nakon isteka jamstvenog razdoblja je isključeno.
- Radi ostvarivanja jamstvenog zahtjeva molimo obratite se na dolje navedenu adresu. Ako reklamaciju uputite unutar garancijskog razdoblja, poslat ćemo vam povratnicu s pomoću koje nam možete besplatno vratiti svoj neispravan uređaj. Što točnije opišite razlog reklamacije. Ako je nedostatak uređaja obuhvaćen našim jamstvom, odmah ćete dobiti natrag popravljen ili nov uređaj.

Naravno da ćemo nedostatke uređaja koji nisu obuhvaćeni jamstvom ili za koje je jamstvo isteklo rado otkloniti uz naknadu troškova. U tu svrhu pošaljite uređaj našem servisnoj službi.

Usluga-Hotline (HR):

00800 4003 4003

(0,00 €/Min.)

Usluga-Email (HR):

service.HR@schepach.com

Usluga-Adresa (HR):

Microtec sistemi d.o.o

Ilirska 33

HR - 10000 Zagreb / Croatia



Na stranici www.lidl-service.com možete preuzeti ovaj i mnogo drugih priručnika, filmova o proizvodima i instalacijski softver.

S pomoću QR koda izravno prelazite na stranicu Lidl Service (www.lidl-service.com) i unošenjem broja artikla (IAN) 422496_2210 možete otvoriti svoj priručnik za uporabu.

1. Explicarea simbolurilor de pe aparat	205
2. Introducere	207
3. Descrierea aparatului (fig. 1-9).....	207
4. Pachetul de livrare.....	207
5. Utilizarea conformă cu destinația	207
6. Indicații de securitate.....	208
7. Indicații de lucru	211
8. Date tehnice	212
9. Înainte de punerea în funcțiune	213
10. Operarea	214
11. Indicații de lucru	215
12. Transportul	215
13. Curățarea și întreținerea curentă.....	216
14. Depozitare	218
15. Eliminarea ca deșeu și revalorificarea.....	218
16. Remedierea avariilor	219
17. Certificatul de garanție	220
18. Vedere explodată	257
19. Declarația de conformitate	260

1. Expliciteaza simbolurilor de pe aparat

	Înainte de punerea în funcțiune citiți și țineți cont de manualul de utilizare și de indicațiile de securitate!
	Se recomandă purtarea de încălțăminte de siguranță!
	Folosiți căști antifonice!
	Purtați ochelari de protecție!
	Purtați mănuși de lucru!
	Atenție! Țineți persoanele neimplicate departe de zona de lucru!
	Respectați indicațiile de avertizare și de securitate!
	Atenție! Pericol de incendiu și explozie.
	Atenție pericol de vătămare! Nu vă apropiați niciodată mâinile de cuțite. Nu atingeți niciodată un cuțit atunci când porniți sau lucrați cu aparatul.
	Avertizare cu privire la suprafețele fierbinți.



Nu exploatați aparatul la ploaie sau la condiții de umiditate. Pericol de electrocutare!



Atenție la substanțele inflamabile. Interzis focul, flacăra deschisă și fumatul!



Raport de amestec: 40 părți benzină la 1 parte ulei



Rotiți pârghia șoc. „Pornire la cald și funcționare” și „Pornire la rece”



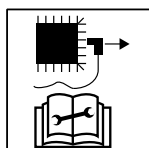
Specificația nivelului puterii acustice garantat L_{WA} în dB.



Apăsați de 7x pompa de carburant „Amorsare”



Atenție! de asfixiere!
Gazele arse sunt toxice, de aceea nu operați motorul în zonele neventilate.



Înainte de efectuarea lucrărilor de întreținere, opriți aparatul și scoateți fișa bujiilor!



Produsul este conform cu directivele europene aplicabile.

2. Introducere

PRODUCĂTOR:

Scheppach GmbH
Günzburger Straße 69
D-89335 Ichenhausen

STIMATE CLIENT,

Vă dorim să aveți multe satisfacții și mult succes în lucrul cu noul dumneavoastră aparat.

INDICAȚIE:

Conform legii privind garantarea produselor, producătorul acestui aparat nu răspunde pentru deteriorările apărute la acest aparat sau din cauza acestui aparat în caz de:

- manevrare improprie,
- nerespectare a instrucțiunilor de operare,
- reparații executate de terțe persoane, specialiști neautorizați,
- montare și schimbare a altor piese de schimb decât cele originale,
- utilizare neconformă cu destinația,

Acordați atenție:

Înainte de montajul și punerea în funcțiune citiți întregul text al manualului de utilizare.

Acest manual de utilizare are rolul de a vă facilita cunoașterea aparatului dumneavoastră și utilizarea posibilităților aplicative conforme cu destinația.

Manualul de utilizare conține indicații importante privind modul de lucru sigur, în conformitate cu prescripțiile și economic cu aparatul și cum să evitați pericolele, să economisiți costuri de reparație, să micșorați timpii de nefuncționare și să măriți fiabilitatea și durata de serviciu a aparatului.

Suplimentar față de dispozițiile de siguranță din acest manual de utilizare trebuie să respectați în mod obligatoriu prescripțiile în vigoare referitoare la exploatarea aparatului din țara dumneavoastră.

Păstrați manualul de utilizare într-o husă de plastic protejat de murdărie și umiditate, la aparat. Acestea trebuie citite de personalul de operare înainte de începerea lucrului și respectate riguros.

La aparat au voie să lucreze numai persoane care au fost instruite privitor la utilizarea aparatului și care cunosc pericolele legate de aceasta. Respectați vârsta minimă necesară.

În afară de indicațiile privind securitatea cuprinse în acest manual de utilizare și prevederile speciale ale țării dumneavoastră, trebuie respectate regulamentele tehnice general recunoscute pentru exploatarea mașinilor de acest tip constructiv.

Nu ne asumăm răspunderea pentru accidente sau pagube produse prin nerespectarea acestui manual și a indicațiilor de securitate.

3. Descrierea aparatului (fig. 1-9)

1. Unitate de tăiere
2. Apărătoare pentru mână
3. Mâner frontal
4. Manetă de pornire la rece (șoc)
5. Pompa de carburant „Amorsă”
6. Buton de pornire/oprire
7. Piedică manetă de alimentare
8. Mâner posterior
9. Pârghie de accelerare
10. Mâner de blocare
11. Capac rezervor
12. Tracțiune prin cablu pentru pornire
13. Amortizor zgomot
- 13.1 Orificiu de evacuare amortizor zgomot
- 13.2 Șuruburi amortizor zgomot
14. Fișa bujiilor
- 14.1 Bujie
15. Șurub-fluture
16. Scutul filtrului de aer
17. Filtrul de aer
18. Orificiu de lubrifiere

4. Pachetul de livrare

- Foarfecă pentru garduri vii pe benzină
- Sticlă de amestec ulei-benzină (A)
- Cheie de bujii (B)
- Cheie Inbus 4 mm (C)
- Teacă pentru cuțite (E) (preasamblată)
- Manual de utilizare

5. Utilizarea conformă cu destinația

Mașina corespunde directivei CE valabile privind echipamentele tehnice.

Înainte de începerea lucrului trebuie să fie montate toate dispozitivele de protecție și de siguranță la mașină.

Acest foarfecă pentru garduri vii pe benzină este conceput pentru a tăia gardul viu moale, proaspăt crescut. Nu este potrivit pentru tăierea crengilor, a lemnului masiv sau a altor materiale de tăiat.

Mașina este concepută pentru operare de către o persoană.

Operatorul poartă răspunderea față de terțe persoane în zona de lucru.

Țineți cont de toate indicațiile de securitate și de cele referitoare la pericole de la mașină.

Păstrați toate indicațiile de securitate și cele referitoare la pericole de la mașină complete și în stare lizibilă.

Utilizați mașina doar în stare tehnică impecabilă, precum și cu respectarea scopului acesteia, a securității și pericolelor potențiale, respectând manualul de utilizare!

Remediați (încredințați în vederea remedierii) cu precădere avariile care pot influența securitatea lucrului!

Trebuie respectate instrucțiunile de siguranță, de lucru și de întreținere ale producătorului, precum și dimensiunile specificate în datele tehnice.

Prescripțiile respective de prevenire a accidentelor și alte regulile tehnice de securitate generale consacrate trebuie să fie luate în considerare.

Utilizarea, întreținerea curentă sau repararea mașinii este permisă numai persoanelor experte care sunt familiarizate cu aceste activități și care sunt instruite asupra pericolelor posibile. Modificările abuzive ale mașinii exclud orice răspundere a producătorului pentru prejudiciile rezultate din situațiile respective. Folosirea mașinii este permisă numai cu accesoriile originale și sculele originale ale producătorului.

Orice altă utilizare este considerată neconformă cu destinația. Pentru prejudicii rezultate din aceste situații, producătorul nu își asumă răspunderea; riscul este suportat exclusiv de utilizator.

Foarfecele pentru garduri vii pe benzină pot fi utilizate pentru tăierea gardurilor vii, a tufelor și a arbuștilor. Orice altă utilizare care nu este specificată în acest manual de utilizare poate deteriora foarfecele sau răni grav utilizatorul și, prin urmare, este exclusă în mod expres din lista utilizărilor posibile.

Aparatul nu trebuie să fie utilizat în scopuri comerciale, meșteșugărești sau industriale.

Dacă nu sunteți sigur că o condiție de lucru este sigură sau nesigură, nu lucrați cu mașina.

INDICAȚIE DE AVERTIZARE! Pentru siguranța dumneavoastră, vă rugăm să citiți cu atenție acest manual și indicațiile generale de securitate înainte de a pune în funcțiune aparatul. Dacă cesionați aparatul unor terți, atașați întotdeauna acest manual de utilizare.

Vă rugăm să aveți în vedere că aparatele noastre nu au fost construite având ca destinație utilizarea profesională sau industrială. Nu preluăm garanția dacă aparatul este utilizat în regim profesional sau industrial, precum și la activități la fel de solicitante.

6. Indicații de securitate

6.1 Lucrul în siguranță

ACEST FOARFECE PENTRU GARDURI VII PE BENZINĂ POATE PROVOCA VĂTĂMĂRI GRAVE!

Citiți cu atenție instrucțiunile pentru manevrarea, pregătirea, întreținerea generală, pornirea și oprirea corectă a foarfecelui pentru garduri vii. Familiarizați-vă cu toate comenzile și cu utilizarea corectă a foarfecelui pentru garduri vii pe benzină.

Înainte de punerea în funcțiune a acestui produs, citiți și respectați următoarele indicații și reglementările de siguranță aplicabile în țara respectivă pentru a vă proteja pe dumneavoastră și pe ceilalți de posibilele vătămări.

Păstrați întotdeauna aceste indicații de securitate (manual de utilizare) împreună cu foarfecele pentru garduri vii pe benzină.

Foarfecele pentru garduri vii pe benzină poate fi utilizat numai de persoane cu experiență suficientă.

Copiii nu trebuie să folosească niciodată foarfecele pentru garduri vii pe benzină.

Dați sau împrumutați foarfecele pentru garduri vii pe benzină numai persoanelor care sunt familiarizate cu foarfecele pentru garduri vii pe benzină și cu manevrarea acestuia. Furnizați întotdeauna manualul de utilizare.

Reparațiile la aparat trebuie efectuate de către producător sau de către companii desemnate de acesta.

6.2 Primul utilizator

Orice persoană care lucrează pentru prima dată cu foarfecele pentru garduri vii pe benzină trebuie să primească instrucțiuni practice de utilizare a foarfecelui pentru garduri vii pe benzină și a echipamentului personal de protecție de la un operator experimentat.

- **Fiți atenți.** Concentrați-vă la fiecare operațiune efectuată. Procedați în mod rațional atunci când lucrați. Nu utilizați aparatul atunci când sunteți obosit sau sub influența drogurilor, a alcoolului sau a medicamentelor. Un moment de neatenție în folosirea aparatului poate duce la accidentări serioase.
- **Înainte de utilizare, familiarizați-vă cu aparatul prin intermediul manualului de utilizare.** Operatorii informați insuficient pot fi periclitați și pot periclita alte persoane prin utilizarea necorespunzătoare.
- Nu utilizați aparatul în alte scopuri decât cele pentru care a fost prevăzut (a se vedea „5. Utilizarea conformă cu destinația”).
- **Evitați o poziție anormală a corpului.** Asigurați-vă o poziție stabilă și mențineți-vă în permanență echilibrul. Acest lucru este valabil mai ales dacă folosiți trepte sau o scară.
- **Purtați îmbrăcăminte de lucru adecvată:**
 - fără îmbrăcăminte largă sau bijuterii, acestea pot fi prinse de componentele mobile
 - mănuși rezistente și încălțăminte antiderapantă
 - o plasă de păr pentru părul lung
- **Purtați îmbrăcăminte personală de protecție:**
 - Căști antifonice
 - ochelari de protecție sau protecție pentru față
 - Mănuși de lucru
 - Încălțăminte de siguranță
 - cască de protecție testată în situații în care sunt de așteptat răniri la cap.
- **Vă recomandăm să purtați protecție pentru picioare și o vestă de siguranță.**
- **Mențineți în ordine zona dumneavoastră de lucru!** Dezordinea poate duce la accidente.

- **Luați în considerare influențele mediului:**
 - Nu expuneți foarfecele pentru garduri vii pe benzină la ploaie.
 - Nu utilizați foarfecele pentru garduri vii pe benzină în medii umede sau ude.
 - Amânați lucrările în caz de vreme nefavorabilă (ploaie, zăpadă, gheață, vânt) – risc crescut de accidente!
 - Asigurați o iluminare corespunzătoare.
 - Nu utilizați foarfecele pentru garduri vii pe benzină în apropierea lichidelor sau gazelor inflamabile.
- **Familiarizați-vă întotdeauna cu împrejurimile și fiți atenți la posibilele pericole, pe care nu le puteți auzi din cauza zgomotului produs de motor.**
- **Aveți grijă la liniile electrice aeriene**
- **Nu acționați niciodată foarfecele pentru garduri vii pe benzină nesupravegheat.**
- **În timpul pauzelor de la muncă, foarfece pentru garduri vii pe benzină trebuie depozitat astfel încât nimeni să nu fie pus în pericol.** Asigurați foarfecele pentru garduri vii pe benzină împotriva accesului neautorizat.
- **Tinerii sub 18 ani nu pot folosi aparatul.**
- **Țineți alte persoane la distanță.**
- **Utilizatorul este responsabil pentru accidente sau pericolele care apar față de alte persoane sau față de proprietatea acestora.**
- **Operatorul este responsabil față de părțile terțe din zona de lucru.**
- **Țineți copiii la distanță.**
- **Nu permiteți altor persoane, în special copiilor, să atingă unealta sau motorul.** Țineți aceste persoane la distanță de zona dumneavoastră de lucru.
- **Asigurați-vă întotdeauna că foarfecele pentru garduri vii pe benzină se află în mod corespunzător într-una dintre pozițiile de lucru specificate, înainte de a porni motorul.**
- **Asigurați-vă întotdeauna că toate mânerele și dispozitivele de siguranță sunt montate atunci când utilizați foarfecele pentru garduri vii pe benzină.** Nu încercați niciodată să folosiți foarfecele pentru garduri vii pe benzină incomplet sau cu o modificare neautorizată.
- **Nu utilizați unități de tăiere tocite, boante sau deteriorate.**
- **Nu începeți să tăiați până când unitatea de tăiere nu este în funcțiune.**
- **Nu suprasolicitați mașina!** Veți lucra mai bine și mai sigur în domeniul de putere indicat.
- **Folosiți aparatul numai cu dispozitive de protecție complete și corect montate și nu modificați nimic de pe mașină care ar putea afecta siguranța.**
- **Nu modificați aparatul sau părți ale acestuia.**
- **Nu utilizați unități de tăiere care nu respectă caracteristicile specificate în acest manual de folosire.** Utilizarea altor unelte de lucru și altor accesorii poate constitui pericol de vătămare pentru dumneavoastră.

- **Oprțiți mașina și scoateți fișa bujiilor de pe bujie:**
 - Dacă foarfecele pentru garduri vii pe benzină intră în contact cu solul, pietre, cuie sau alte corpuri străine, verificați dacă aparatul este deteriorat.
 - Setarea poziției de lucru a unității de tăiere
 - Verificarea, întreținerea generală sau efectuarea de lucrări la foarfecele pentru garduri vii.
 - Lucrări de reparații
 - Lucrări de întreținere curentă și curățare
 - Eliminarea defecțiunilor (aceasta include și blocarea unității de tăiere)
 - Transport și depozitare
 - Părăsirea foarfecelui pentru garduri vii pe benzină (chiar și pentru întreruperi scurte)
- **Îngrijiți cu atenție foarfecele dumneavoastră pentru garduri vii pe benzină:**
 - Păstrați uneltele ascuțite și curate, pentru a putea lucra mai bine și mai sigur.
 - Păstrați mânerele uscate și lipsite de ulei și grăsimi.
 - Urmați prevederile de întreținere curentă.
- **Verificați dacă mașina prezintă eventuale defecțiuni:**
 - Înainte de utilizarea în continuare a mașinii, verificați riguros funcționarea impecabilă și conformă cu destinația a dispozitivelor de protecție.
 - Verificați dacă piesele mobile funcționează impecabil, nu se blochează sau dacă există piese deteriorate. Toate piesele trebuie să fie montate corect și să îndeplinească toate condițiile pentru a asigura funcționarea impecabilă a foarfecelui pentru garduri vii pe benzină.
 - Dispozitivele de protecție și piesele deteriorate trebuie să fie reparate sau înlocuite corespunzător într-un atelier de specialitate autorizat, dacă în manualul de utilizare nu este indicat altceva.
 - Autocolantele de siguranță deteriorate sau ilizibile trebuie înlocuite.
- **Nu lăsați chei de scule introduse!** Înainte de conectare, verificați dacă cheile și uneltele de reglaj au fost înlăturate.
- **Păstrați aparatele nefolosite într-un loc uscat, închis, în afara razei de acțiune a copiilor.**
- **Depozitați foarfecele pentru garduri vii pe benzină într-un loc în care vaporii de benzină nu pot intra în contact cu foc deschis sau scânteii.** Lăsați întotdeauna foarfecele pentru garduri vii pe benzină să se răcească înainte de depozitare.
- **Atunci când transportați sau depozitați foarfecele pentru garduri vii pe benzină, acoperiți întotdeauna unitatea de tăiere cu protecția unității de tăiere.**
- **Nu efectuați nicio reparație la mașină decât dacă sunteți instruit în acest sens.** Nu efectuați alte reparații decât cele descrise în capitolul „13. Curățarea și întreținerea curentă”, la mașină, ci contactați direct producătorul sau serviciul de asistență pentru clienți responsabil.
- **Evitați să folosiți foarfecele pentru garduri vii pe benzină atunci când în apropiere se află persoane, în special copii.**

- Dacă unitatea de tăiere atinge un obiect străin sau dacă zgomotul de funcționare crește sau dacă foarfecele pentru garduri vîi pe benzină vibrează în mod anormal, opriți motorul și lăsați foarfecele pentru garduri vîi pe benzină să se oprească. Scoateți fișa bujiilor de la bujie și luați următoarele măsuri:
 1. verificați dacă există deteriorări;
 2. verificați dacă există piese desfăcute și fixați toate piesele desfăcute;
 3. înlocuiți piesele deteriorate cu piese echivalente sau trimiteți-le la reparat.
- Nu utilizați foarfecele pentru garduri vîi pe benzină cu o unitate de tăiere defectă sau foarte uzată.
- Pentru a reduce riscul de incendiu, asigurați-vă că motorul și amortizorul de zgomot nu prezintă depuneri, frunze sau scurgeri de lubrifiant.
- Folosiți întotdeauna ambele mâini dacă foarfecele pentru garduri vîi pe benzină are două mânere.
- Atunci când foarfecele pentru garduri vîi pe benzină este oprit pentru întreținere curentă, inspecție sau depozitare, opriți motorul, scoateți fișa bujiilor de la bujie și asigurați-vă că toate piesele rotative s-au oprit. Lăsați mașina să se răcească înainte de a o verifica, regla etc.

Reparațiile la alte părți ale mașinii trebuie efectuate de către producător sau de către unul dintre punctele sale de serviciu pentru clienți.

Folosiți numai piese de schimb originale. Utilizarea altor piese de schimb și accesorii poate provoca accidente utilizatorului. Pentru prejudicii rezultate din aceste situații, producătorul nu își asumă răspunderea.

6.3 Manevrarea în siguranță a carburanților

Manipulați carburantul cu grijă! Carburanții și vaporii de carburant sunt inflamabili și pot provoca leziuni grave în caz de inhalare și pe piele. Prin urmare, trebuie să se acorde atenție la manevrarea carburantului și să se asigure o bună ventilație.

- Înainte de alimentarea foarfecelui pentru garduri vîi pe benzină, opriți motorul și lăsați aparatul să se răcească.
- Nu fumați în timpul alimentării cu carburant și evitați flăcările deschise.
- Purtați mănuși atunci la alimentarea cu carburant.
- Nu alimentați cu carburant în interior (risc de explozie).
- Alimentați cu carburant doar în aer liber.
- Aveți grijă să nu vărsați carburant sau ulei. Curățați imediat foarfecele pentru garduri vîi pe benzină dacă ați vărsat carburant sau ulei. Schimbați-vă imediat hainele dacă ați vărsat carburant sau ulei pe ele.
- Asigurați-vă că nu pătrunde carburant în sol.

- Închideți din nou cu grijă bușonul rezervorului după alimentare și asigurați-vă că nu se desprinde în timpul funcționării.
- Asigurați-vă că capacul rezervorului și conductele de combustibil sunt bine strânse. În cazul în care există scurgeri, nu utilizați aparatul.
- Transportați și depozitați carburanții numai în recipiente aprobate și etichetate.
- Țineți copiii departe de carburanți.
- Nu transportați și nu depozitați carburanții în apropierea substanțelor inflamabile sau ușor inflamabile, a scânteilor sau a focului deschis.
- Îndepărtați-vă la cel puțin trei metri de punctul de realimentare pentru a porni aparatul.
- În cazul în care rezervorul este golit, acest lucru trebuie făcut în aer liber.
- Nu depozitați niciodată foarfecele pentru garduri vîi pe benzină sau rezervorul de carburant într-o încăpere în care există o flăcără deschisă, cum ar fi într-o centrală de apă caldă.
- Pentru a reduce pericolul de curea – Păstrați motorul și amortizorul zgomot libere de resturi de tăiere, frunze și lubrifiant!
- Nu scoateți niciodată bușonul rezervorului și nu adăugați benzină atunci când motorul este în funcțiune sau fierbinte.
- Lăsați motorul și piesele de eșapament să se răcească înainte de a umple din nou rezervorul.
- Dacă s-a vărsat benzină, nu încercați să porniți motorul, ci îndepărtați mașina de pe suprafața contaminată cu benzină înainte de a o porni.

6.4 Riscuri reziduale

Chiar și atunci când sunt utilizate conform destinației, pot exista riscuri reziduale datorate proiectării determinate de utilizarea preconizată, în ciuda respectării tuturor reglementărilor de siguranță relevante. Riscurile reziduale pot fi reduse la minimum dacă sunt respectate „6. Indicațiile de securitate” și „5. Utilizarea prevăzută”, precum și manualul de exploatare în ansamblu. Atenția și precauția reduc riscul de vătămare corporală și de deteriorare.

În plus, există riscuri reziduale care nu sunt evidente, chiar dacă se întreprind toate măsurile preventive:

- Vătămare datorată pieselor proiectate.
- Ruperea și aruncarea în exterior a bucăților de cuțit.
- Pericol de intoxicație cu monoxid de carbon în cazul utilizării aparatului în încăperi închise sau slab ventilate.
- Pericol de provocare a arsurilor la atingerea componentelor fierbinți.
- Afectarea auzului în timpul muncii prelungite fără căști antifonice.

7. Indicații de lucru

Efectuați următoarele verificări înainte de punerea în funcțiune și în mod regulat în timpul lucrului cu foarfecele pentru garduri vii pe benzină:

- Este foarfecele pentru garduri vii pe benzină asamblat complet și în conformitate cu instrucțiunile? De asemenea, asigurați-vă că toate piulițele și șuruburile sunt strânse.
- Foarfecele pentru garduri vii pe benzină este în stare bună și sigură?
 - Toate funcțiile de siguranță sunt în ordine?
- Rezervorul de benzină este plin?
- Unitatea de tăiere este nedeteriorată și ascuțită?
- Prezintă motorul și amortizorul zgomot depunerii, frunze sau scurgeri de lubrifiant?
- Este mânerul curat și uscat – fără ulei, grăsime și rășină?
- Este locul de muncă lipsit de pericole de împiedicare?
- Purtați echipamentul de protecție necesar?
- Ați citit și ați înțeles toate indicațiile?
- Este pârghia de accelerare lină și funcțională?
- Este funcțional butonul de pornire/oprire?
- Unitatea de tăiere se oprește întotdeauna la mers în gol?

Dacă unitatea de tăiere este la mers în gol, trebuie redusă turația de mers în gol (a se vedea „13.2 Reglarea turației de mers în gol”).

- Asigurați-vă că transmisia este suficient de lubrificată (a se vedea punctul „13. Curățarea și întreținerea curentă”).

7.1 Comportamentul general la lucrul cu foarfecele pentru garduri vii

- Nu lucrați singur. În caz de urgență, ar trebui să existe o persoană în imediata apropiere.
- Țineți copiii, oamenii și animalele departe de zona de lucru (distanța minimă de 15 m).
- Nu lucrați pe zăpadă, gheață sau alte suprafețe alunecoase – Pericol de alunecare.
- Nu lucrați în condiții de iluminare insuficientă (de exemplu, în condiții de ceață, ploaie, zăpadă sau amurg).
- Înainte de tăiere, speriați animalele din gardul viu pentru a nu le răni.
- Asigurați un loc de muncă sigur și ordonat. Îndepărtați obiectele care pot fi aruncate din zona de lucru.
- Evitați o poziție anormală a corpului. Păstrați-vă echilibrul în permanență. Nu lucrați cu partea superioară a corpului aplecată în față.
- Utilizați foarfecele pentru garduri vii pe benzină numai în poziție stabilă.
- Opriți foarfecele pentru garduri vii pe benzină atunci când schimbați locul de amplasare.
- Țineți mâinile și picioarele departe de unitatea de tăiere atunci când aceasta este în mișcare.
- Țineți foarfecele pentru garduri vii pe benzină astfel încât să nu puteți inhala gazele evacuate. Nu lucrați în spații închise.

- Nu utilizați foarfecele pentru garduri vii pe benzină pentru a ridica sau îndepărta bucăți de lemn sau alte obiecte.
- Asigurați-vă că îndepărtați părțile străine din gardul viu (de exemplu, sârma), deoarece acestea pot deteriora unitatea de tăiere a foarfecilor pentru garduri vii pe benzină.
- Țineți întotdeauna foarfecele pentru garduri vii pe benzină cu ambele mâini, mâna stângă pe mânerul anterior și mâna dreaptă pe mânerul din posterior. Nu lucrați niciodată cu o singură mână.
- Când eliberați pârghia de accelerare, unitatea de tăiere continuă să funcționeze pentru o perioadă scurtă de timp (efect de inerție).
- Începeți tăierea cu unitatea de tăiere în funcțiune.
- Nu prindeți niciodată unitatea de tăiere cu mâinile în timpul funcționării.
- Nu lucrați niciodată
 - cu brațele întinse
 - în locuri greu accesibile
 - prea aplecat în față
- Nu lucrați niciodată cu foarfecele pentru garduri vii pe benzină peste înălțimea umărului.
- Nu atingeți niciodată gardurile de sârmă sau solul când unitatea de tăiere este în funcțiune.
- Deconectați motorul și scoateți fișa bujiilor
 - în cazul în care apar modificări notabile în comportamentul aparatului
 - pentru îndepărtarea materialului de tăiere blocat
 - pentru a verifica unitatea de tăiere dacă a intrat în contact cu pietre, cuie sau alte obiecte dure.
 - pentru eliminarea defectelor
 - în timpul pauzelor de lucru
 - înainte de a părăsi foarfecele pentru garduri vii
- Nu așezați foarfecele pentru garduri vii pe benzină fierbinte în iarbă uscată sau pe obiecte inflamabile.
- Asigurați-vă înainte de efectuarea lucrărilor, că:
 - în zona de lucru nu sunt prezente alte persoane sau animale.
 - vă puteți muta înapoi fără niciun obstacol.
 - zona piciorului este lipsită de orice corp străin, tufișuri și crengi.
 - este garantată o poziție sigură.

Dacă persoanele cu tulburări de circulație sanguină sunt expuse prea des la vibrații, pot apărea leziuni ale sistemului nervos sau ale vaselor de sânge.

7.2 Puteți reduce vibrațiile:

- prin mănuși de lucru puternice și călduroase.
- Reducerea programului de lucru (luarea mai multor pauze lungi).

Mergeți la medic dacă vi se umflă degetele, dacă vă simțiți inconfortabil sau dacă vă amortesc degetele.

7.3 Lucrul cu foarfecele pentru garduri vii

Țineți foarfecele pentru garduri vii pe benzină cu ambele mâini la o distanță sigură față de corp.

- Diametrul maxim de tăiere depinde de specia de lemn, de vârsta, de conținutul de umiditate și de duritatea lemnului.
- Prin urmare, înainte de a tăia gardul viu, scurtați ramurile foarte groase la o lungime corespunzătoare cu un foarfecă de crengi.
- Foarfecele pentru garduri vii pe benzină poate fi ghidat înainte și înapoi prin cuțitele sale cu două părți sau dintr-o parte în alta prin mișcări pendulare.
- Tăiați mai întâi părțile laterale ale gardului viu și abia apoi partea superioară.
- Tăiați gardul viu de jos în sus.
- Tăiați gardul viu în formă trapezoidală. Acest lucru previne ca partea inferioară a gardului să nu se rărească din cauza lipsei de lumină.
- Întindeți o linie de ghidare de-a lungul gardului viu, dacă doriți să tăiați marginea superioară a gardului viu în mod uniform.
- Tăiați în mai multe treceri dacă este necesară o tăiere puternică.

7.4 Momentul potrivit pentru a tăia:

- Gard viu cu frunze: Iunie și octombrie
- Gard viu de conifere: Aprilie și august
- gard viu cu creștere rapidă: din luna mai, aproximativ la fiecare 6 săptămâni

Fiți atenți la păsările care se reproduc, din gardul viu. Amânați tăierea gardului viu sau excludeți această zonă.

Respectați toate indicațiile de securitate.

7.5 Comportamentul în caz de defecțiuni sau accidente

În caz de defecțiuni sau accidente, opriți imediat foarfecele pentru garduri vii pe benzină cu ajutorul butonului de pornire/oprire (6).

7.6 Primul ajutor

La locul de muncă trebuie să fie întotdeauna disponibilă o trusă de prim ajutor conform DIN 13164 în caz de accident. Reumpleți imediat materialul îndepărtat. Dacă solicitați asistență, furnizați următoarele date:

- Unde s-a întâmplat?
- Ce s-a întâmplat?
- Câți răniți?
- Ce fel de vătămare?
- Cine anunță?

8. Date tehnice

Tipul de motor	Motor în doi timpi - răcit cu aer
Capacitate cilindrică cm ³	22,5
Puterea motorului kW	0,65
Turația de mers în gol n ₀ /min ⁻¹	3000 +/- 300
Turația max. a motorului min ⁻¹	10500
Capacitatea rezervorului L	0,28
Raportul de amestec (carburant / ulei în doi timpi)	40:1
Lungime de tăiere mm	560
Lungime max. tăieturi mm	27
Dimensiune L/l/h mm	1100 x 245 x 200
Lungimea lamei mm	700
Bujie	L8RTC
Masa kg	5,2

Ne rezervăm dreptul asupra modificărilor tehnice!

Zgomot

Informații privind zgomotul produs măsurat în conformitate cu normele relevante:

Nivelul presiunii acustice L _{pA}	97,8 dB
Incertitudinea K _{pA}	3 dB
Nivelul puterii acustice L _{WA}	107,3 dB
Incertitudinea K _{WA}	2,53 dB

Purtați căști antiacustice.

Influența zgomotului poate provoca pierderea auzului.

Vibrație

Vibrații (mâner posterior) A _{hv}	4,838 m/s ²
Imprecizia de măsurare K _{hv}	1,5 m/s ²
Vibrații (mâner anterior) A _{hv}	5,389 m/s ²

Limitați zgomotul produs și vibrațiile la minimum!

- Utilizați numai aparate ireproșabile.
- Întrețineți și curățați regulat aparatul.
- Adaptați modul dumneavoastră de lucru cu aparatul.
- Nu suprasolicitați aparatul.
- Dacă este cazul, permiteți verificarea aparatului.
- Deconectați aparatul când nu este folosit.
- Purtați mănuși de protecție.

AVERTIZARE

Evitați riscurile de oscilații, de ex. riscul bolii degetelor albe (tulburări circulatorii) din cauza pauzelor de lucru frecvente, de ex. prin frecarea suprafețelor mâinilor.

- Purtați întotdeauna mănușile de protecție și acordați atenție mâinilor calde.
- Inserați pauze de lucru regulate.

9. Înainte de punerea în funcțiune

- Deschideți ambalajul și scoateți cu precauție aparatul.
- Înlăturați materialul de ambalat, precum și siguranțele de ambalare și de transport (dacă există).
- Verificați dacă pachetul de livrare este complet.
- Verificați dacă aparatul și accesoriile prezintă deteriorări de la transport.
- Dacă este posibil, păstrați ambalajul până la expirarea perioadei de garanție.

ATENȚIE

Aparatul și materialele de ambalat nu sunt jucării pentru copii! Copiii nu au voie să se joace cu sacii din plastic, foliile și piesele mici! Există pericol de înghițire și sufocare!

- Înainte de utilizare, familiarizați-vă cu aparatul prin intermediul instrucțiunilor de operare.
- În cazul accesoriilor, precum și al pieselor de uzură și de schimb, utilizați numai piese originale. Piese de schimb se găsesc la reprezentantul comercial.
- În caz de comenzi, indicați numărul articolului, precum și tipul și anul fabricației aparatului.

Foarfecele pentru garduri vii pe benzină nu este livrat plin cu amestec de carburant.

Aparatul funcționează cu un amestec de benzină (fără plumb) și ulei de motor în doi timpi.

Este necesară o atenție sporită la manevrarea benzinei. Fumatul și flăcările goale nu sunt permise (risc de explozie).

Verificați aparatul înainte de fiecare punere în funcțiune:

- Etanșeitarea sistemului de carburant.
- Starea impecabilă și integralitatea dispozitivelor de protecție și a dispozitivului de tăiere.
- Stabilitatea tuturor îmbinărilor filetate.
- Funcționarea mecanică ușoară a tuturor pieselor mobile.

Carburant și ulei

- Carburanți recomandați
 - Utilizați numai un amestec de benzină fără plumb și ulei special pentru motoare în 2 timpi. Amestecați mixul de carburant în conformitate cu tabelul de amestecare a carburantului.
 - Nu utilizați carburant E10.

Atenție:

Nu utilizați un amestec de carburant care a fost depozitat mai mult de 90 de zile.

Atenție:

Nu folosiți ulei în 2 timpi, care recomandă un raport de amestec de 100:1. În cazul deteriorării motorului din cauza lubrifierii insuficiente, nu se aplică garanția producătorului pentru motor.

Atenție:

Folosiți numai recipiente prevăzute și aprobate pentru transportul și depozitarea carburantului. Puneți cantitatea corectă de benzină și de ulei în 2 timpi în sticla de amestec ulei-benzină inclusă (A). Apoi agitați bine recipientul.

Nu utilizați niciodată ulei pentru motoarele în 4 timpi sau pentru motoarele în 2 timpi răcite cu apă. Acest lucru poate cauza murdărirea bujiei, blocarea părții de evacuare sau îmbâcsirea inelului de piston. Amestecurile de carburant care nu au fost utilizate timp de o lună sau mai mult, pot înfundă carburatorul sau pot afecta funcționarea motorului. Puneți carburantul de care nu aveți nevoie într-un recipient ermetic și depozitați-l într-un loc întunecos și răcoros.

Tabel de amestecare a carburantului

Metoda de amestecare: 40 părți benzină la 1 parte ulei

Exemplu:

1 l de benzină: 0,025 l ulei în 2 timpi

5 l de benzină: 0,125 l ulei în 2 timpi

Avertizare! Aveți grijă la gazele evacuate.

Oprți întotdeauna motorul înainte de alimentare.

Nu adăugați niciodată benzină în aparat în timp ce motorul este în funcțiune sau când acesta este fierbinte. Există pericol de incendiu!

Alimentați cu carburant numai în aer liber sau în spații bine ventilate. Asigurați-vă că niciun carburant nu ajunge în sol (protecția mediului). Folosiți o bază adecvată. Utilizați numai ulei pentru lanț organic.

Carburanții pot fi depozitați doar pentru o perioadă limitată de timp, ei se pot altera. Carburantul și amestecurile de carburant suprapuse pot duce astfel la probleme de pornire. Prin urmare, amestecați doar atât de mult carburant cât consumați într-o lună. Transportați și depozitați carburanții numai în recipiente aprobate și etichetate. Păstrați rezervoarele de carburant uscate și sigure.

Aveți în vedere, ca rezervorul de carburant să fie depozitat departe de accesul copiilor.

Atenție! Înainte de punerea în funcțiune, aflați cum să opriți aparatul cât mai repede posibil în caz de urgență!

9.1 Alimentarea foarfecelui pentru garduri vii pe benzină

- Oprți motorul și lăsați-l să se răcească!
- Purtați mănuși de protecție!
- Evitați contactul cu pielea și ochii!
- Neapărat respectați „Manevrarea în siguranță a carburanților”, a se vedea 6.3.

1. Alimentați foarfecelul pentru garduri vii pe benzină numai în aer liber sau în încăperi ventilate corespunzător.

2. Curățați zona din jurul zonei de umplere. Contaminanții din rezervor provoacă defecțiuni de funcționare.
3. Agitați din nou sticla de amestec ulei-benzină (A) cu amestecul de carburant înainte de a-l turna în rezervor.
4. Deschideți cu grijă capacul (11) al rezervorului de combustibil, astfel încât să se poată elibera orice suprapresiune existentă.
5. Umpleți cu grijă cu amestec de carburant până la marginea inferioară a ștuțului de umplere. Folosiți o pâlnie sau un dispozitiv de umplere (nu este inclusă în pachetul de livrare) pentru a evita vărsarea carburantului.
6. Închideți din nou capacul rezervorului de combustibil (11). Asigurați-vă că capacul rezervorului de combustibil (11) se închide etanș.
7. Curățați bușonul rezervorului de combustibil (11) și zona din jurul lui.
8. Verificați dacă există scurgeri în rezervor și în conductele de carburant.
9. Apăsați pompa de carburant „Amorsare” (5) dacă este cazul.
10. Îndepărtați-vă la cel puțin trei metri de punctul de alimentare, înainte de a porni motorul.

9.2 Golirea carburantului

Goliți rezervorul de combustibil numai în aer liber sau în încăperi bine ventilate. Asigurați-vă că niciun carburant nu ajunge în sol (protecția mediului). Utilizați un substrat adecvat.

1. Țineți un recipient de colectare sub rezervorul de combustibil.
2. Deșurubați capacul rezervorului de combustibil (11) și îndepărtați-l.
3. Scurgeți complet amestecul de benzină/ulei.
4. Înșurubați la loc cu mâna capacul rezervorului (11).

10. Operarea

10.1 Reglajul mânerului din spate (8) (Fig. 2)

Pentru o ghidare mai ușoară a foarfecelui pentru garduri vii pe benzină, mânerul posterior (8) poate fi reglat în 3 poziții de lucru.

- Pârghia de accelerare (9) nu poate fi acționată în timpul corectării.
1. Țineți foarfecelul pentru garduri vii pe benzină de mânerul anterior (3) cu mâna stângă.
 2. Împingeți mânerul de blocare (10) spre înapoi și rotiți mânerul în poziția dorită.
 3. Eliberați mânerul de blocare (10). Asigurați-vă că mânerul de blocare se fixează la loc și că mânerul este bine fixat.

10.2 Pornire aparat

⚠ Pericol de vătămare!

Porniți foarfecelul pentru garduri vii pe benzină numai atunci când unitatea de tăiere este montată! Îndepărtați protecția la transport corespunzătoare și inspectați aparatul pentru a verifica dacă este în stare bună de funcționare.

Nu utilizați niciodată o unitate de tăiere deteriorată, prost reglată sau prost întreținută sau care nu este completă și sigur asamblată.

Verificați înainte de utilizare!

Verificați dacă aparatul este în stare sigură:

- Asigurați-vă că butonul de pornire/oprire (6), pedicula manetei de alimentare (7) și pârghia de accelerare (9) funcționează corect.
- Verificați dacă aparatul prezintă scurgeri.
- Verificați dacă aparatul prezintă deteriorări vizibile.
- Verificați dacă toate piesele aparatului sunt bine fixate.
- Verificați dacă toate dispozitivele de siguranță sunt în stare bună și în stare de funcționare.

10.2.1 Pornirea cu motorul rece (Fig. 1, 3, 4)

Sprrijiniți foarfecelul pentru garduri vii pe benzină pentru a a-l porni și țineți-l ferm. Aveți în vedere, ca unitatea de tăiere să fie liberă.

1. Îndepărtați teaca pentru cuțite (E) de pe unitatea de tăiere (1).
2. Amplasați foarfecelul pentru garduri vii pe benzină pe un substrat stabil și plan. Unitatea de tăiere (1) nu trebuie să atingă solul.
3. Apăsați pompa de carburant „Amorsare” (5) de 7 ori.
4. Rotiți maneta de pornire la rece (șoc) (4) pe „pornire la rece”.
5. Țineți foarfecelul pentru garduri vii pe benzină de mânerul anterior (3) și trageți încet tracțiunea prin cablu pentru pornire (12) până la prima rezistență.
6. Strângeți acum rapid tracțiunea prin cablu pentru pornire (12), până când pornește motorul. Dacă nu pornește motorul, repetați procedul. Atâta timp cât pârghia de pornire la rece (șoc) (4) stă în poziția „Pornire la rece”, motorul funcționează numai scurt și se oprește din nou.
7. După ce motorul s-a oprit, acționați împreună pedicula manetei de alimentare (7) și pârghia de accelerare (9). (Șocul) (4) sare automat în poziția de funcționare „Pornire la cald”.
8. Acum strângeți din nou rapid tracțiunea prin cablu pentru pornire (12) până când motorul pornește.
9. După acționarea unică a pârghiei de accelerare (9) funcționează motorul în turația de staționare.
10. Lăsați motorul să funcționeze scurt la cald.

Dacă motorul nu pornește nici după mai multe încercări, citiți capitolul „Asistență în caz de defecțiuni”.

Atenție

Trageți întotdeauna tracțiunea prin cablu pentru pornire (12) drept înainte. În cazul în care este trasă în unghi, va exista o frecare la nivelul ochetului. Această frecare face ca sfoara să se deterioreze și să se uzeze mai repede. Mențineți ferm mânerul tracțiunii prin cablu pentru pornire (12), dacă tracțiunea prin cablu pentru pornire (12) este trasă din nou.

Nu lăsați tracțiunea prin cablu pentru pornire (12) să se arunce înapoi. Acest lucru poate duce la deteriorări.

Indicație:

La temperaturi exterioare ridicate, se poate întâmpla să porniți fără pârghia de pornire la rece (șoc) (4) chiar și atunci când motorul este rece.

Indicație:

Dacă unitatea de tăiere (1) merge în gol sau dacă motorul se oprește singur când se eliberează accelerația, trebuie efectuată o reglare a carburatorului (a se vedea capitolul „13.2 Reglajul turăției de mers în gol”).

10.2.2 Pornirea cu motorul cald

1. Maneta de pornire la rece (șoc) trebuie să fie în poziția „pornire la cald” pentru a porni motorul la cald.
2. Țineți foarfecele pentru garduri vii pe benzină de mânerul anterior (3) și trageți încet tracțiunea prin cablu pentru pornire (12) până la prima rezistență.
3. Strângeți acum rapid tracțiunea prin cablu pentru pornire (12). Aparatul trebuie să pornească după 1-2 trageri. În cazul în care aparatul nu pornește după 6 trageri, repetați procedeul de la „Pornirea cu motorul rece”.

10.3 Funcționarea foarfecelui pentru garduri vii (Fig. 1)

1. Țineți foarfecele pentru garduri vii pe benzină de mânerul anterior (3) cu mâna stângă.
2. Țineți ferm cu mâna dreaptă mânerul posterior (8). Călcâiul mâinii se sprijină pe piedica manetei de alimentare (7), iar degetul arătător acționează pârghia de accelerare (9).
3. Eliberați pârghia de accelerare (9).
4. Unitatea de tăiere pornește.

Când pârghia de accelerare (9) este eliberată, unitatea de tăiere se oprește și motorul merge în gol.

Contactați producătorul dacă unitatea de tăiere continuă să meargă la mers în gol.

Nu lucrați mai departe cu foarfece pentru garduri vii pe benzină sub nicio formă!

10.4 Blocarea unității de tăiere (Fig. 1)

În cazul în care unitatea de tăiere (1) se blochează în timpul lucrului, opriți foarfecele pentru garduri vii pe benzină cu ajutorul butonului de pornire/oprire (6) și deconectați fișa bujiilor (14).

Îndepărtați apoi materialul de blocare și verificați dacă unitatea de tăiere (1) este deteriorată.

10.5 Oprirea motorului

1. Apăsăți butonul pornit/oprit (6) și mențineți-l apăsat.
2. Așteptați până când motorul se oprește, înainte de a lăsa aparatul jos.
3. Eliberați butonul de pornire/oprire (6).

11. Indicații de lucru

11.1 Lucrul cu foarfecele pentru garduri vii

- Foarfecile pentru garduri vii sunt potrivite pentru tăierea gardului viu, a tufelor și a tufelor.
- Țineți foarfecele pentru garduri vii cu ambele mâini la o distanță sigură față de corp.
- Diametrul maxim de tăiere depinde de specia de lemn, de vârsta, de conținutul de umiditate și de duritatea lemnului.
- Prin urmare, înainte de a tăia gardul viu, scurtați ramurile foarte groase la o lungime corespunzătoare cu un foarfece de crengi.
- Foarfecele pentru garduri vii poate fi ghidat înainte și înapoi prin cuțitele sale cu două părți sau dintr-o parte în alta prin mișcări pendulare.
- Tăiați mai întâi părțile laterale ale gardului viu și abia apoi partea superioară.
- Tăiați gardul viu de jos în sus.
- Tăiați gardul viu în formă trapezoidală. Acest lucru previne ca partea inferioară a gardului să nu se rărească din cauza lipsei de lumină.
- Întindeți o linie de ghidare de-a lungul gardului viu, dacă doriți să tăiați marginea superioară a gardului viu în mod uniform.
- Tăiați în mai multe treceri dacă este necesară o tăiere puternică.
- Asigurați-vă că îndepărtați părțile străine din gardul viu (de exemplu, sârma), deoarece acestea pot deteriora cuțitele foarfecelor pentru garduri vii.
- **Atenție!** Cuțitele se opresc inertial! Nu frânați cuțitele cu mâna.

Momentul potrivit pentru a tăia:

- Gard viu cu frunze: Iunie și octombrie
- Gard viu de conifere: Aprilie și august
- gard viu cu creștere rapidă: din luna mai, aproximativ la fiecare 6 săptămâni

Fiți atenți la păsările care se reproduc, din gardul viu. Amânați tăierea gardului viu sau excludeți această zonă.

12. Transportul

Pentru a transporta aparatul, opriți motorul, așteptați până când unitatea de tăiere se oprește și fixați teaca pentru cuțite (E) (Fig. 4).

Transportați aparatul numai la mânerul frontal (3). Țineți unitatea de tăiere (1) în spate și amortizorul de zgomot fierbinte (13) departe de corp.

Transportați aparatul în autovehicul numai în portbagaj sau pe o suprafață de transport separată.

Asigurați foarfecele pentru garduri vii pe benzină împotriva răsturnării, deteriorării și scurgerilor de carburant.

13. Curățarea și întreținerea curentă

Înainte de orice lucrare de întreținere curentă și curățare

- Deconectați motorul
- Așteptați ca unitatea de tăiere să se oprească
- Scoateți fișa bujiilor (cu excepția setărilor de mers în gol)
- Lăsați aparatul să se răcească

Indicație

După fiecare utilizare trebuie să fie curățat temeinic aparatul.

Executați lucrările de curățare și de întreținere curentă, așa cum sunt indicate în acest manual de utilizare. Lucrările de întreținere curentă și curățare mai ample decât cele descrise în acest capitol pot fi efectuate numai de către serviciul clienți.

Nu efectuați lucrări de întreținere curentă în apropierea focului deschis. Pericol de incendiu! Este esențial ca dispozitivele de siguranță îndepărtate pentru întreținere și curățare să fie fixate din nou și verificate în mod corespunzător.

Folosiți numai piese originale. Alte piese pot provoca daune și vătămări imprevizibile.

Purtați mănuși pentru a evita posibilele vătămări.

Pentru a asigura o utilizare îndelungată și fiabilă a foarfecelui pentru garduri vii pe benzină, efectuați în mod regulat următoarele lucrări de întreținere curentă.

Verificați foarfecele pentru garduri vii pe benzină pentru deficiențe evidente,

- cum fixări slăbite
- cum componente uzate sau deteriorate
- cum unitate de tăiere îndoită, ruptă sau deteriorată
- cum ar fi etanșeitatea bușonului rezervorului de combustibil și în conductele de carburant

Curățați foarfecele pentru garduri vii pe benzină după fiecare utilizare

- Uzura, în special jocul de alunecare al unității de tăiere.
- Apărători sau dispozitive de protecție montate corect și intacte.

Orice reparații sau lucrări de întreținere curentă necesare trebuie efectuate înainte de exploatarea foarfecelui pentru garduri vii pe benzină.

13.1 Lubrifierea transmisiei (Fig. 5)

Lubrificați transmisia la fiecare 10 până la 20 de ore de funcționare.

1. Folosind cheia Inbus de 4 mm (C) furnizată, deschideți șurubul orificiului de lubrifiere (18) de pe partea inferioară a foarfecelui pentru garduri vii.
2. Atașați presa de grăsime la niplul de lubrifiere (18).
3. Introduceți puțină unsoare.
4. Înșurubați la loc șurubul orificiului de lubrifiere (18).

Atenție! Adăugați doar puțină unsoare. Nu supraîncărcați.

13.2 Reglajul turației de mers în gol

Dacă unitatea de tăiere (1) merge în gol sau dacă motorul se oprește singur când se eliberează accelerația, trebuie efectuată o reglare a carburatorului.

Indicație:

Încredințați executarea reglajelor carburatorului (de ex. turația de mers în gol) numai personalului de specialitate calificat, pentru a evita deteriorările motorului.

13.3 Curățarea sau schimbarea filtrului de aer (Fig. 6)

Filtrul de aer murdărit diminuează puterea motorului din cauza admisiei prea scăzute a aerului de la carburator. Praful și polenul înfundă porii inserției din material expandat. De aceea, este indispensabil controlul regulat.

Curățați filtrul de aer (17) la aproximativ fiecare 15 ore de funcționare, mai des în condiții deosebit de prăfuite.

1. Reglați maneta de pornire la rece (șoc) (4) pe „pornire la rece”, astfel încât să nu intre particule de murdărie în carburator.
2. Îndepărtați apărătoarea filtrului de aer (16). În acest sens, desfaceți șurubul-fluture (15).
3. Îndepărtați filtrul de aer din spumă (17).
4. Spălați filtrul de aer (17) în apă caldă cu săpun. Nu suflați particulele de murdărie, există riscul de rănire a ochilor!
5. Curățați interiorul filtrului de aer cu o pensulă.
6. Lăsați filtrul de aer (17) să se usuce bine și montați-l din nou.
7. Montați din nou apărătoarea filtrului de aer (16).

Atenție:

Nu curățați niciodată filtrul de aer cu benzină sau solventi inflamabili.

Pentru a evita scurtarea duratei de serviciu a motorului, un filtru de aer deteriorat trebuie înlocuit imediat.

⚠ Avertizare!

Nu lăsați niciodată motorul să funcționeze, dacă elementul filtrului de aer nu este introdus.

13.4 Curățați sau schimbați filtrul de benzină

Verificați filtrul de benzină, dacă este necesar. Un filtru de benzină murdar obstrucționează alimentarea cu carburant.

Deschideți capacul rezervorului de combustibil (11) și trageți filtrul de benzină prin deschidere cu un cârlig de sârmă (nu este inclus în pachetul de livrare).

- În caz de murdărire ușoară:
 - scoateți filtrul de benzină de pe conducta de carburant și curățați filtrul în benzină de curățare.
 - În caz de murdărire puternică:
 - înlocuiți filtrul de benzină.
1. Pentru a scoate filtrul de benzină din conducta de carburant, strângeți clema de fixare a furtunului și glisați-o în jos.
 2. Acum, filtrul de benzină poate fi îndepărtat din conducta de carburant.

13.5 Verificați bujia, curățați-o sau schimbați-o (Fig. 7/8)

Atenție

Nu atingeți bujia (14.1) sau fișa bujiilor (14) atunci când motorul este în funcțiune. Înaltă tensiune!

Pericol de provocare a arsurilor atunci când motorul este fierbinte. Purtați mănuși de protecție!

Verificați periodic bujia și distanța dintre electrozi.

13.5.1 Verificarea bujiei

1. Desprindeți fișa bujiilor (14) de pe bujie (14.1).
2. Deșurubați bujia (14.1) cu ajutorul cheii de bujii (B) furnizate.
3. Verificați distanța dintre electrozi. Aceasta trebuie să fie de 0,6 până la 0,7 mm.

13.5.2 Curățarea bujiei

Verificați bujia prima dată după 10 ore de funcționare cu privire la murdărire și, după caz, curățați-o cu o perie din sârmă de cupru.

Întrețineți curent apoi bujia la fiecare 50 ore de funcționare.

Schimbați bujia:

- în fiecare lună în caz de funcționare regulată
- în cazul în care corpul izolator este deteriorat
- în caz de eroziune severă a electrozului
- în caz de electrozi foarte murdari sau uleioși

13.5.3 Verificarea scânteii

1. Desprindeți fișa bujiilor (14) de pe bujie (14.1).
2. Deșurubați bujia (14.1) cu ajutorul cheii de bujii (B) furnizate.
3. Introduceți fișa bujiilor (14).
4. Apăsați bujia (14.1) către carcasa motorului cu un clește izolat (nu în apropierea orificiului bujiei).
5. Trageți puternic de tracțiunea prin cablu pentru pornire (12).
6. Atunci când funcționează corect, trebuie să fie vizibilă o scânteie între electrozi.

13.6 Amortizor zgomot / orificiu de evacuare (Fig. 9)

Nu strângeți șuruburile amortizorului de zgomot atunci când motorul este fierbinte.

1. Verificați în mod regulat dacă șuruburile (13.2) ale amortizorului de zgomot (13) nu s-au slăbit. Folosiți cheia Inbus de 4 mm (C) pentru a strânge toate șuruburile eventual slăbite.
2. Curățați periodic orificiul de evacuare (13.1).

13.7 Curățarea

Curățați foarfecile pentru garduri vii pe benzină cu grijă după fiecare utilizare, pentru a menține o funcționare impecabilă.

Purtați mănuși de protecție atunci când curățați unitatea de tăiere!

- Curățați carcasa cu o perie moale sau o lavetă uscată. Nu trebuie să se utilizeze apă, solvenți și agenți de lustruire.
- Asigurați-vă că fantele de ventilare pentru răcirea motorului sunt libere (pericol de supraîncălzire).
- Curățați în mod regulat unitatea de tăiere cu o perie sau o lavetă. Nu curățați niciodată unitatea de tăiere cu apă (risc de coroziune!)
- Curățați și ungeți cu ulei în mod regulat toate piesele mobile.
- Nu utilizați niciodată grăsime!
- Utilizați numai ulei ecologic.

13.8 Plan de întreținere curentă

Piesa aparatului	Acțiune	Înainte de începerea lucrului	Săptămânal	În caz de defecțiuni	În caz de deteriorări	Dacă este necesar
Unitate de tăiere (1)	Verificați și acordați atenție stării de ascuțire	X				
	Verificați jocul de alunecare al unității de tăiere	X				
	Ascuțire					X
Motorul	Strângeți bine șuruburile amortizor de zgomot					X
	Curățați/schimbați filtrul de benzină					X
	Curățați/schimbați filtrul de aer					la fiecare 15 ore de funcționare, mai des în condiții de praf)
	Lubrificați transmisia					la fiecare 20 de ore de funcționare, cel puțin o dată pe an

Informații cu privire la service

Trebuie menționat faptul că, în cazul acestui produs, următoarele piese sunt supuse uzurii în conformitate cu utilizarea prevăzută sau uzurii naturale, respectiv că următoarele componente sunt necesare drept consumabile.

Piese de uzură*:

Cuțit de tăiere (set)	(5910402011)
Bujie	(3904801048)
Filtrul de aer	(3910404001)

* nu este inclus în mod obligatoriu în pachetul de livrare!

14. Depozitare

Păstrați aparatele nefolosite cu teaca pentru cuțite pusă, într-un loc uscat, închis, în afara razei de acțiune a copiilor.

Curățați și întrețineți aparatul înainte de a-l depozita.

Precauție:

Nu depozitați niciodată aparatul pentru mai mult de 30 de zile fără a parcurge următorii pași:

Depozitarea aparatului pentru mai mult de 30 de zile

Dacă depozitați aparatul pentru o perioadă mai mare de 30 de zile, acesta trebuie pregătit în acest scop. În caz contrar, carburantul rămas în carburator se va evapora și va lăsa în urmă un sediment cauciucat.

Acest lucru ar putea îngreuna pornirea și ar putea duce la reparații costisitoare.

- Scurgeți carburantul (a se vedea punctul 9.2)
- Porniți motorul și lăsați-l să funcționeze până când se oprește pentru a elimina carburantul din carburator.
- Lăsați motorul să se răcească (aprox. 5 minute).
- Scoateți bujia (a se vedea punctul 13.5).
- Adăugați 1 linguriță de ulei curat în 2 timpi în camera de ardere.
- Trageți încet de câteva ori de cablul starterului pentru a acoperi componentele interne.
- Introduceți din nou bujia (a se vedea 13.5).

Indicație:

Depozitați aparatul într-un loc uscat, departe de posibilele surse de aprindere, de exemplu, cuptor, boiler de apă caldă cu gaz, uscător pe gaz etc.

15. Eliminarea ca deșeu și revalorificarea

Indicații referitoare la ambalaj



Materialele de ambalare sunt reciclabile. Vă rugăm să eliminați ambalajele ca deșeu, în mod ecologic.

Posibilitățile de reciclare ale aparatelor casate le puteți afla de la administrația comunală sau municipală.

Carburanți și uleiuri

- Înainte de eliminarea ca deșeu a aparatului, rezervorul de combustibil și rezervorul de ulei de motor trebuie golite!
- Carburantul și uleiul de motor nu reprezintă gunoi menajer și nu trebuie aruncate în sistemul de canalizate, ci trebuie colectate separat, respectiv eliminate ca deșeu!

- Rezervoarele goale de ulei și carburant trebuie să fie eliminate ecologic.

16. Remedierea avariilor

Defecțiune	Cauza posibilă	Remediere
Foarfecele pentru garduri vii nu funcționează	<ul style="list-style-type: none">• Motor, fără carburant• Defecțiune la conducta de carburant• Filtru de benzină înfundat• Bujie defectă• Carburator defect• Eroare internă	<ul style="list-style-type: none">• Verificarea cantității de carburant• Verificați conducta de carburant să nu fie îndoită sau deteriorată• Curățați sau înlocuiți filtrul de benzină.• Înlocuiți bujia• Contactați producătorul sau punctul de serviciu pentru clienți responsabil• Contactați producătorul sau punctul de serviciu pentru clienți responsabil
Foarfecele pentru garduri vii taie intermitent	<ul style="list-style-type: none">• Eroare internă• Butonul de pornire/oprire este defect	<ul style="list-style-type: none">• Contactați producătorul sau punctul de serviciu pentru clienți responsabil• Contactați producătorul sau punctul de serviciu pentru clienți responsabil
Motorul funcționează, unitatea de tăiere stă	<ul style="list-style-type: none">• Unitatea de tăiere blocată• Eroare internă• Cuplaj defect	<ul style="list-style-type: none">• Îndepărtați obiectul• Contactați producătorul sau punctul de serviciu pentru clienți responsabil• Contactați producătorul sau punctul de serviciu pentru clienți responsabil
Unitate de tăiere se încălzește	<ul style="list-style-type: none">• Lipsa de lubrifiere → Frecare• Unitatea de tăiere este tocită	<ul style="list-style-type: none">• Ungerea cu ulei a unității de tăiere• Ascuțiți unitate de tăiere

17. Certificatul de garanție

Stimată clientă, stimat client,

toate produsele noastre sunt supuse la verificări stricte de calitate, pentru a avea siguranța că ajung la dvs. în stare perfectă. În cazul puțin probabil în care la dispozitiv apare un defect, contactați departamentul nostru de service la adresa indicată pe această fișă de garanție. Bineînțeles, dacă preferați să ne apelați, ne bucurăm să vă oferim asistență la numărul de service imprimat mai jos. Rețineți următorii termeni sub care pot fi făcute cereri în baza garanției:

- Acești termeni de garanție acoperă drepturi de garanție suplimentare și nu afectează drepturile privind garanția prevăzute de lege. Pentru această garanție nu vă taxăm.
- Garanția noastră acoperă numai problemele cauzate de defecte de material sau de fabricație și se limitează la remedierea acestor defecte sau înlocuirea dispozitivului. Rețineți că dispozitivele noastre nu au fost concepute pentru utilizarea în aplicații comerciale, profesionale sau industriale. În consecință, garanția este invalidată dacă echipamentul este utilizat în activități comerciale, profesionale sau industriale sau în alte activități echivalente. De asemenea, garanția exclude următoarele: compensarea pentru deteriorare la transport, deteriorări cauzate de nerespectarea instrucțiunilor de instalare/asamblare sau deteriorări cauzate de instalarea neprofesională, nerespectarea instrucțiunilor de instalare (de exemplu, conectarea la altă tensiune de rețea sau alt tip de curent), utilizări incorecte sau necorespunzătoare (precum supraîncărcarea dispozitivului sau utilizarea de scule sau accesorii neaprobate), nerespectarea normelor de întreținere și de protecție a muncii, pătrunderea de corpuri străine în dispozitiv (de exemplu, nisip, pietre sau praf), efecte cauzate de forțe sau de influențe externe (de exemplu, deteriorări cauzate de căderea dispozitivului) și uzura normală care rezultă în urma operării corespunzătoare a dispozitivului.

Garanția este declarată nulă și neavenită în cazul oricărei încercări de a modifica dispozitivul.

- Garanția este valabilă pentru o perioadă de 3 ani de la data cumpărării dispozitivului. Cererile în baza garanției trebuie transmise înaintea terminării perioadei de garanție, în interval de două săptămâni de la observarea defectului. După încheierea perioadei de garanție nu vor mai fi acceptate cereri în baza garanției. Perioada inițială de garanție rămâne în vigoare pentru dispozitiv chiar dacă sunt efectuate reparații sau sunt înlocuite componente. În asemenea cazuri, lucrările efectuate sau componentele înlocuite nu vor avea ca rezultat extinderea perioadei de garanție și nu va mai fi activată nicio altă garanție pentru lucrarea efectuată sau componentele montate. Această situație este valabilă și atunci când se utilizează un service la fața locului.
- Pentru solicitări privitoare la drepturile de garanție pentru produs, vă rugăm să vă adresați la adresa de service indicată mai jos. În măsura în care reclamația se află în intervalul perioadei de garanție, vă vom pune la dispoziție un bon de retur, cu care puteți returna fără costuri aparatul dumneavoastră defect. Ne-ar fi de ajutor dacă ați putea descrie natura problemei cât mai detaliat posibil. Dacă defectul este acoperit de garanția noastră, atunci dispozitivul fie va fi reparat imediat și returnat, fie vă vom trimite un nou dispozitiv.
- Timpul de nefuncționare din cauza lipsei de conformitate apărute în cadrul termenului de garanție prelungeste termenul de garanție legală de conformitate și cel al garanției comerciale și curge, după caz, din momentul la care a fost adusă la cunoștința vânzătorului lipsa de conformitate a produsului sau din momentul prezentării produsului la vânzător/unitatea de service până la aducerea produsului în stare de utilizare normală și, respectiv, al notificării în scris în vederea ridicării produsului sau predării efective a produsului către consumator.
- Produsele de folosință îndelungată care înlocuiesc produsele defecte în cadrul termenului de garanție vor beneficia de un nou termen de garanție care curge de la data preschimbării produsului.

Bineînțeles, putem oferi și servicii de reparații cu plată pentru orice defecte care nu fac parte din aria de acoperire a acestei garanții sau pentru unități care nu mai sunt acoperite. Pentru a beneficia de acest serviciu, trimiteți dispozitivul la adresa noastră de service.

Hotline serviciu (RO):

00800 4003 4003

(0,00 EUR/Min.)

Serviciu de e-mail (RO):

service.RO@schepach.com

Adresa serviciu (RO):

Machine House S.R.L.

Str. Nicolae Balcescu Nr. 6a

RO - 200676 - Croaiova, jud. DOLJ

Romania



De pe www.lidl-service.com puteți descărca aceste manuale, video-uri de produs și software de instalare și multe altele de acest fel.

Cu codul QR ajungeți direct pe pagina de service Lidl (www.lidl-service.com) și puteți deschide instrucțiunea de operare prin introducerea numărului de articol (IAN) 422496_2210.

1.	Обяснение на символите върху уреда	223
2.	Увод	225
3.	Описание на уреда (фиг. 1-9).....	225
4.	Обем на доставката.....	225
5.	Употреба по предназначение.....	225
6.	Указания за безопасност	226
7.	Указания за работа	229
8.	Технически данни	230
9.	Преди пускане в експлоатация	230
10.	Управление	232
11.	Указания за работа	233
12.	Транспортиране.....	233
13.	Почистване и поддръжка	233
14.	Съхранение	236
15.	Изхвърляне и рециклиране	236
16.	Отстраняване на неизправности.....	236
17.	Гаранция.....	237
18.	Изображение в разглобен вид	257
19.	Декларация за съответствие	260

1. Обяснение на символите върху уреда

	Преди пускане в експлоатация прочетете и спазвайте ръководството за употреба и указанията за безопасност!
	Препоръчва се носенето на предпазни обувки!
	Използвайте защита слуха!
	Използвайте защитни очила!
	Носете работни ръкавици!
	Внимание! Дръжте минувачите далеч от работната зона!
	Спазвайте предупредителните указания и указанията за безопасност!
	Внимание! Съществува опасност от пожар и експлозия.
	Внимание, опасност от нараняване! Никога не посягайте с ръцете си близо до ножовете. Никога не докосвайте нож, когато включвате или работите с уреда.
	Предупреждение за горещи повърхности.



Не използвайте уреда при дъжд или мокри условия. Опасност от електрически удар!



Внимание, запалими вещества. Забранени са огънят, откритият пламък и тютюнопушенето!

 +  40:1

Съотношение на смесване: 40 части бензин към 1 част масло



Завъртете лоста на смукача. „Топъл старт и работи“ и „Студен старт“



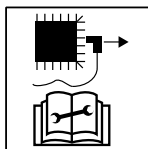
Данни за гарантираното ниво на звукова мощност L_{WA} в dB.



7x натискане на горивна помпа „Primer“



Внимание! задушаване!
Отработените газове са отровни, затова не използвайте двигателя на места без вентилация.



Преди работи по поддръжка изключете уреда и изтеглете лулата на запалителната свещ!



Продуктът отговаря на приложимите европейски директиви.

2. Увод

ПРОИЗВОДИТЕЛ:

Scherrach GmbH

Günzburger Straße 69
D-89335 Ichenhausen, Германия

УВАЖАЕМИ КЛИЕНТИ,

Желаем Ви много приятни моменти и успехи при работата с Вашия нов уред.

УКАЗАНИЕ:

Съгласно действащия закон за продуктовата отговорност, производителят на този уред не носи отговорност за щети, възникнали по или поради този уред, при:

- неправилно боравене,
- неспазване на ръководството за обслужване,
- ремонти от неупълномощени специалисти, явяващи се трети лица,
- вграждане и подмяна на не оригинални резервни части,
- употреба не по предназначение,

Обърнете внимание:

Преди монтажа и пускането в експлоатация прочетете целия текст на ръководството за обслужване.

Целта на това ръководство за употреба е да Ви улесни при запознаването с Вашия уред и използването на неговите възможности за употреба съгласно предписанията.

Ръководството за употреба съдържа важни указания относно безопасната, правилната и икономичната работа с уреда, избягването на опасности, спестяването на разходи за ремонт, намаляването на времената на престой и увеличаването на надеждността и експлоатационния живот на електрическия инструмент.

В допълнение към указанията за безопасност в това ръководство за употреба, задължително трябва да спазвате отнасящите се до експлоатацията на уреда предписания във Вашата страна.

Съхранявайте ръководството за употреба при уреда, защитено от замърсяване и влага в пластмасова торбичка. То трябва да бъде прочетено и внимателно спазвано от всеки оператор преди започване на работа.

С уреда могат да работят само лица, които са инструктирани относно употребата на уреда и са запознати със свързаните с това опасности. Изискваната минимална възраст трябва да се спазва.

Освен съдържащите се в това ръководство за експлоатация указания за безопасност и специалните разпоредби във Вашата страна, при работата с машини трябва да се спазват и общопризнатите правила на техниката.

Не поемаме отговорност за злополуки или щети, възникнали поради неспазване на това ръководство или на указанията за безопасност.

3. Описание на уреда (фиг. 1-9)

1. Режещо приспособление
2. Защита на ръцете
3. Предна ръкохватка
4. Лост за студен старт (въздушен заслон на карбуратора)
5. Горивна помпа „Primer“
6. Бутон за Вкл./Изкл.
7. Блокировка на лоста за газ
8. Задна ръкохватка
9. Лост за газта
10. Блокираща ръкохватка
11. Капак на резервоара
12. Стартова въжена система
13. Шумозаглушител
- 13.1 Изходен отвор за шумозаглушителя
- 13.2 Винтове на шумозаглушителя
14. Лула на запалителна свещ
- 14.1 Запалителна свещ
15. Крилчат винт
16. Капак на въздушния филтър
17. Въздушен филтър
18. Отвор за смазване

4. Обем на доставката

- Бензинова ножица за плет
- Бутилка за смесване на масло и бензин (А)
- Ключ за запалителна свещ (В)
- Ключ с вътрешен шестостен 4 mm (С)
- Защита на ножа (Е) (предварително монтирана)
- Ръководство за употреба

5. Употреба по предназначение

Машината отговаря на действащата Директива на ЕО относно машините.

Преди започване на работа всички защитни и предпазни устройства на машината трябва да са монтирани.

Тази бензинова ножица за плет е предназначена за рязане на мек, новоизраснал плет. Не е подходяща за рязане на клони, солидно дърво или друг материал за рязане.

Машината е проектирана за обслужване от едно лице.

Обслужващото лице е отговорно за трети лица в работната зона.

Съблюдавайте всички указания за безопасност и предупреждения за опасности върху машината.

Поддържайте всички указания за безопасност и предупреждения за опасности върху машината в четливо състояние.

Използвайте машината само в технически изрядно състояние, по предназначение, съблюдавайки безопасността и опасностите, като спазвате ръководството за експлоатация!

Незабавно отстранявайте (възлагайте отстраняването) специално (на) неизправности, които могат да застрашат безопасността!

Предписанията за безопасност, работа и поддръжка на производителя, както и посочените размери в техническите данни, трябва да бъдат спазвани.

Съответните предписания за безопасност на труда и другите, общопризнати правила на техниката на безопасност, трябва да бъдат спазвани.

Машината може да се използва, поддържа или ремонтира само от компетентни лица, които са запознати с нея и са инструктирани относно опасностите. Своеволни промени по машината освобождават производителя от отговорност за възникнали в резултат от това щети.

Машината може да се използва само с оригинални принадлежности и инструменти от производителя.

Всяка различаваща се от това употреба се счита за употреба не по предназначение. За щети в резултат на това производителят не носи отговорност, рискът се поема само от потребителя.

Бензиновата ножица за плет може да се използва само за подрязване на плет, храсти и шубраци. Всяка друга употреба, която не е посочена в тази инструкция, може да повреди ножицата или сериозно да нарани потребителя и следователно е изрично изключена от списъка с възможни употреби.

Уредът не трябва да се използва за търговски, занаятчийски или промишлени цели.

Ако не сте сигурни, дали дадено условие на работа е безопасно или опасно, не работете с машината.

ПРЕДУПРЕДИТЕЛНО УКАЗАНИЕ! За Ваша собствена безопасност, моля, прочетете внимателно това ръководство и общите указания за безопасност, преди да пуснете уреда в експлоатация. Ако ще предоставяте уреда на трети лица, винаги им давайте и тази инструкция за употреба.

Моля, обърнете внимание, че нашите уреди не са конструирани с предназначение за търговска, професионална или промишлена употреба. Не поемаме гаранция, ако уредът се използва в търговски, занаятчийски или промишлени предприятия, както и при равнотежни дейности.

6. Указания за безопасност

6.1 Безопасна работа

ТАЗИ БЕНЗИНОВА НОЖИЦА ЗА ПЛАТ МОЖЕ ДА ПРИЧИНИ СЕРИОЗНИ НАРАНЯВАНИЯ!

Прочетете внимателно инструкциите за правилно боравене, за подготовка, за поддръжане в изправност, за стартиране и спиране на ножицата за плет. Запознайте се с всички органи за управление и с правилното използване на бензиновата ножица за плет.

Преди да пуснете този продукт в експлоатация, прочетете и спазвайте следните указания и разпоредбите за безопасност, приложими в съответната държава, за да предпазите себе си и другите от възможни наранявания.

Винаги съхранявайте тези указания за безопасност (ръководство за употреба) заедно с бензиновата ножица за плет.

Бензиновата ножица за плет може да се управлява само от лица с достатъчен опит.

Деца никога не бива да използват бензиновата ножица за плет.

Давайте или заемайте бензиновата ножица за плет само на хора, които са запознати с бензиновата ножица за плет и знаят как да я използват. Винаги предоставяйте и ръководството за употреба.

Ремонтът на уреда трябва да се извършва от производителя или фирми, посочени от него.

6.2 Първи потребител

Всеки, който работи за първи път с бензиновата ножица за плет, трябва да получи практически инструкции за нейното използване и използването на лични предпазни средства от опитен оператор.

- **Бъдете внимателни.** Внимавайте за това, което правите. Подхождайте разумно към работата. Не използвайте уреда, ако сте уморени или сте под влияние на наркотици, алкохол или медикаменти. Момент невнимание при използването на уреда може да доведе до сериозни наранявания.
- **Преди употреба се запознайте с уреда посредством ръководството за употреба.** Недостатъчно информираните оператори могат да застрашат себе си и другите чрез неправилна употреба.
- Не използвайте уреда за цели, за които не е предназначен (вижте „5. Употреба по предназначение“).
- **Избягвайте неправилна стойка на тялото.** Осигурете си стабилен стоеж и пазете равновесие по всяко време. Това е особено вярно, ако използвате стъпала или стълба.
- **Носете подходящо работно облекло:**
 - без широки дрехи или бижута, те биха могли да бъдат хванати от движещи се части
 - здрави ръкавици и обувки с нехлъзгащи се подметки
 - мрежа за коса при дълга коса
- **Носете лично защитно облекло:**
 - Защита за слуха
 - защитни очила или защитен шлем за лице
 - Работни ръкавици
 - Предпазни обувки
 - тествана предпазна каска в ситуации, при които се очакват наранявания на главата.
- **Препоръчваме носенето на предпазни средства за краката и защитно яке.**
- **Поддържайте Вашето работно място подредено!** Безпорядъкът може да доведе до злополуки.
- **Съблюдавайте влиянието на околната среда:**
 - Не излагайте бензиновата ножица за плет на дъжд.
 - Не използвайте бензиновата ножица за плет във влажна или мокра среда.

- Отложете работата, ако атмосферните условия са неблагоприятни (дъжд, сняг, лед, вятър) #край# повишен риск от злополуки!
- Осигурявайте добро осветление.
- Не използвайте бензиновата ножица за плет в близост до запалими течности или газове.
- **Запознайте се със заобикалящата Ви среда и внимавайте за възможни опасности, които може да не сте в състояние да чуете поради шума, издаван от двигателя.**
- **Предпазливост при надземни електрически проводници**
- **Никога не оставяйте бензиновата ножица за плет без надзор.**
- **По време на прекъсване на работа бензиновата ножица за плет трябва да бъде оставена така, че да не застрашава никого.** Осигурете бензиновата ножица за плет срещу неотроризиран достъп.
- **Лицата под 18-годишна възраст не могат да работят с уреда.**
- **Дръжте други лица далеч.**
- **Потребителят носи отговорност за всяка злополука или опасност, която сполетява други хора или тяхното имущество.**
- **Обслужващият е отговорен за трети лица в работната зона.**
- **Дръжте деца далеч.**
- **Не позволявайте на други лица, особено деца, да докосват инструмента или двигателя.** Дръжте ги далеч от Вашето работно място.
- **Винаги се уверявайте, че бензиновата ножица за плет се намира правилно в една от предварително зададените работни позиции, преди да стартирате двигателя.**
- **Винаги се уверявайте, че всички дръжки и устройства за безопасност са монтирани при употребата на бензиновата ножица за плет.** Никога не се опитвайте да използвате бензиновата ножица за плет, която не е окомплектована или е с недопустимо преустройство.
- **Не използвайте тъпо, напукано или повредено режещо приспособление.**
- **Не започвайте да режете, докато режещото приспособление не започне да работи.**
- **Не претоварвайте машината!** Ще работите по-добре и по-сигурно в посочения диапазон на работни характеристики.
- **Работете с уреда само с пълни и правилно монтирани защитни устройства и не променяйте нищо по машината, което може да наруши безопасността.**
- **Не модифицирайте уреда, респ. негови части.**
- **Не използвайте режещо приспособление, което не отговаря на спецификациите, дадени в това ръководство за употреба.** Използването на други инструменти и принадлежности може да представлява опасност от нараняване за Вас.

• **Изключете машината и изтеглете лулата на запалителната свещ от запалителната свещ при:**

- влизане на бензиновата ножица за плет в контакт с пръст, камъни, гвоздеи или други чужди предмети, проверете дали уредът не е повреден;
- настройка на работната позиция на режещото приспособление;
- проверка, поддържане в изправност или работи по ножицата за плет;
- ремонт;
- поддръжка и почистване;
- отстраняване на неизправности (това включва и блокиране на режещото приспособление);
- транспортиране и съхранение;
- Оставяне на бензиновата ножица за плет (дори и при кратки прекъсвания).

• **Поддържайте грижливо Вашата бензинова ножица за плет:**

- Поддържайте инструментите остри и чисти, за да можете да работите по-добре и по-сигурно.
- Пазете дръжките сухи и чисти от масло и грес.
- Следвайте предписанията за поддръжка.

• **Проверявайте машината за евентуални повреди:**

- Преди следваща употреба на машината защитните устройства трябва да бъдат внимателно проверени, за да се гарантира, че функционират правилно и по предназначение.
- Проверявайте дали движещите се части функционират изрядно и не заяждат, или дали няма повредени части. Всички части трябва да бъдат монтирани правилно и да отговарят на всички условия, за да се осигури правилна работа на бензиновата ножица за плет.
- Повредени предпазни устройства и части трябва да бъдат ремонтирани или подменени правилно от признат специализиран сервиз, освен ако не е посочено друго в ръководството за употреба.
- Повредените или нечетливите стикери с предупредителни надписи трябва да се сменят.

• **Не оставяйте поставени ключове и инструменти!** Преди включване винаги проверявайте дали ключовете и инструментите за настройка са отстранени.

• **Съхранявайте неизползваните уреди на сухо, заключено място, недостъпно за деца.**

• **Съхранявайте бензиновата ножица за плет на места, където бензиновите изпарения не могат да осъществят контакт с открит пламък или искри.** Винаги оставяйте бензиновата ножица за плет да се охлади, преди да я приберете за съхранение.

• **При транспортиране или при съхранение на бензиновата ножица за плет режещото приспособление трябва винаги да е покрито с предпазителя за режещо приспособление.**

• **Не ремонтирайте машината, освен ако не сте обучени за това.** Не извършвайте никакви допълнителни ремонти освен тези, описани в глава „13. Почистване и поддръжка“ са описани на машината, но се свържете директно с производителя или отговорния сервиз за клиенти.

- **Употребата на бензиновата ножица за плет трябва да се избягва, ако наблизо има хора, преди всичко деца.**
- **Ако режещото приспособление докосне чуждо тяло, работните шумове се увеличат или бензиновата ножица за плет започне да вибрира необичайно силно, изключете двигателя и изчакайте бензиновата ножица за плет да спре.** Извадете лулата на запалителната свещ от запалителната свещ и извършете следните действия:
 1. проверете за повреди;
 2. проверете за хлабави части и закрепете всички хлабави части;
 3. сменете повредените части с еквивалентни части или възложете ремонт.
- **Не използвайте бензиновата ножица за плет с дефектно или силно износено режещо приспособление.**
- **За да избегнете опасност от пожар, внимавайте за това, двигателят и шумозаглушителят да са чисти от отлагания, шума или изтичащо смазочно средство.**
- **Винаги използвайте двете ръце, ако бензиновата ножица за плет е оборудвана с две дръжки.**
- **Ако работата с бензиновата ножица за плет се спира с цел поддръжка, инспекция или съхранение, изключете двигателя, извадете лулата на запалителната свещ от запалителната свещ и се уверете, че всички въртящи се части са спрели.** Оставете машината да изстине, преди да я проверите, настройвате и т.н.

Ремонтът на други части на машината трябва да се извършва от производителя, респ. някой от неговите сервизни центрове.

Използвайте само оригинални резервни части. Използването на други резервни части и други принадлежности може да е причина за злополука на потребителя. Производителят не носи отговорност за произтичащи от това щети.

6.3 Безопасно боравене с гориво

Боравете грижливо с горивото! Горивата и горивните изпарения са запалими и могат да причинят сериозни щети при вдишване и върху кожата. Поради тази причина трябва да се внимава при боравенето с горивото и трябва да се осигури добра вентилация.

- **Преди да заредите бензиновата ножица за плет изключете двигателя и оставете уреда да се охлади.**
- **При зареждане с гориво не пушете и избягвайте открит пламък.**
- **По време на зареждане с гориво носете ръкавици.**
- **Не зареждайте с гориво в затворени помещения (опасност от експлозия).**
- **Зареждайте с гориво само на открито.**

- **Внимавайте да не разлеете гориво или масло.** Почистете незабавно бензиновата ножица за плет, ако разлеете гориво или масло. Незабавно сменете дрехите си, ако разлеете гориво или масло върху тях.
- **Внимавайте в почвата да не попадне гориво.**
- **След зареждане с гориво затворете внимателно капачката на резервоара и се уверете, че няма да се развие по време на работа.**
- **Уверете се, че капака на резервоара и бензинопроводите са херметични.** Не трябва да работите с уреда, ако има течове.
- **Транспортирайте и съхранявайте горивото само в одобрени и маркирани резервоари.**
- **Дръжте децата далеч от горивото.**
- **Не транспортирайте и не съхранявайте горивата в близост до възпламеняващи се или запалими материали, искри или открит пламък.**
- **Преди стартирането на уреда се отдалечете най-малко на три метра от мястото на зареждане.**
- **Ако резервоарът се изпразва, това трябва да става на открито.**
- **Никога не съхранявайте бензиновата ножица за плет или горивния резервоар в помещение, в което има открит пламък, като напр. водонагревател.**
- **За да намалите риска от пожар –, дръжте двигателя и шумозаглушителя чисти от остатъците от подрязването, листата и смазочните материали!**
- **Никога не сваляйте капачката на резервоара или доливайте бензин при работещ или горещ двигател.**
- **Преди доливането оставете двигателя и частите на ауспуха да изстинат.**
- **Ако е изтекъл бензин, не се опитвайте да стартирате двигателя, а отдалечете машината от замърсената с бензин повърхност преди стартирането.**

6.4 Остатъчни рискове

Дори при използване по предназначение, поради конструкцията, наложена от целта на употреба, е възможно да има остатъчни рискове въпреки спазването на всички съответни правила за безопасност. Остатъчните рискове могат да бъдат сведени до минимум, ако „6. Указания за безопасност“ и „5. Употреба по предназначение“, както и ръководството за експлоатация като цяло се спазват. Вниманието и предпазливостта намаляват риска от нараняване и материални щети.

Освен това, въпреки всички взети предпазни мерки, могат да съществуват неяви остатъчни рискове:

- Нараняване от изхвърлени части.
- Счупване и изхвърляне на парчета от ножовете.
- Опасност от отравяне с въглероден окис при използване на уреда в затворени или слабо вентилирани помещения.

- Опасност от изгаряне при докосване на горещи конструктивни детайли.
- Увреждане на слуха при продължителна работа без защита за слуха.

7. Указания за работа

Преди пускане в експлоатация и редовно по време на работа с бензиновата ножица за плет извършвайте следните проверки:

- Окомплектована и правилно сглобена ли е бензиновата ножица за плет? Също така се уверете, че всички гайки и болтове са здраво затегнати.
- В добро и безопасно състояние ли е бензиновата ножица за плет?
 - Наред ли са всички функции за безопасност?
- Пълен ли е бензиновият резервоар?
- Неповредено и заточено ли е режещото приспособление?
- Чистили са двигателят и шумозаглушителят от отлагания, шума и изтичащо транспортно средство?
- Чиста и суха ли е ръкохватката – без масло, грес и смола?
- На работното място няма ли опасности от спъване?
- Носете ли необходимите лични предпазни средства?
- Прочетохте и разбрахте ли всички указания?
- Лесноподвижен и функциониращ ли е лостът за газта?
- Функционира ли е бутонът за включване/изключване?
- Режещото приспособление винаги ли спира, когато работи на празен ход?

Ако режещото приспособление работи на празен ход, оборотите на празен ход трябва да се понижат (вижте „13.2 Настройка на оборотите на празен ход“).

- Уверете се, че редукторът е достатъчно смазан (вижте „13. Почистване и поддръжка“).

7.1 Общо поведение при работа с ножицата за плет

- Не работете сами. Наблизо трябва да има някой в случай на злополука.
- Дръжте децата, хората и животните далеч от работната зона (мин. разстояние от 15 m).
- Не работете върху сняг, лед или други хлъзгави повърхности – опасност от подхлъзване.
- Не работете в условия на недостатъчна осветеност (напр. при мъгла, дъжд, виелица или сумрак).
- Преди подкастриане пропъдете животните далеч от живия плет, за да не ги нараните.
- Осигурете безопасно и подредено работно място. Отстранете предметите, които могат да бъдат изхвърлени от работната зона.
- Избягвайте неправилна стойка на тялото. През цялото време пазете равновесие. Не работете с наведена напред горна част на тялото.
- Работете с бензиновата ножица за плет само ако сте заели стабилна стойка.
- Изключвайте бензиновата ножица за плет, когато сменяте местоположението си.
- Дръжте ръцете и краката си далеч от режещото приспособление, когато се движите.

- Дръжте бензиновата ножица за плет така, че да не можете да вдишвате отработените газове. Не работете в затворени помещения.
- Не използвайте бензиновата ножица за плет, за да повдигате или изгребвате парчета дървен материал или други предмети.
- Непременно отстранете чуждите тела от плета (напр. тел), тъй като те могат да повредят режещото приспособление на бензиновата ножица за плет.
- Винаги дръжте бензиновата ножица за плет с две ръце, лявата ръка на предната ръкохватка, а дясната ръка на задната ръкохватка. Не работете с една ръка.
- Когато пуснете лоста за газта, режещото приспособление продължава да работи за кратко време (ефектът на свободния ход).
- Започнете рязането с работещо режещо приложение.
- По време на работа никога не докосвайте режещото устройство с ръце.
- Никога не работете
 - с опънати ръце
 - на труднодостъпни места
 - твърде приведени
- Никога не работете с бензиновата ножица за плет над височината на раменете.
- Никога не докосвайте телени огради или земята, докато режещото приспособление работи.
- Изключвайте двигателя и издърпвайте запалителния щекер
 - при забележими промени в поведението на уреда
 - за отстраняване на заседнали остатъци от подрязването
 - за да проверите дали режещото приспособление е влязло в контакт с камъни, гвоздеи или други твърди предмети.
 - за отстраняване на неизправности
 - при спиране на работата
 - преди оставяне на ножицата за плет
- Не поставяйте загрялата се бензинова ножица за плет в суха трева или върху запалими предмети.
- Преди да започнете работа, уверете се, че:
 - в работната зона няма други хора или животни.
 - можете да отстъпите назад без препятствия.
 - зоната за краката е свободна от всякакви чужди тела, трънаци и клони.
 - сте заели стабилен стоеж.

Ако хората с нарушено кръвообращение са изложени на вибрации твърде често, може да настъпи увреждане на нервната система или кръвоносните съдове.

7.2 Можете да намалите вибрациите:

- със здрави, топли работни ръкавици.
- Чрез намаляване на работното време (неколкократно дълги почивки).

Посетете лекарска помощ, ако пръстите ви се подуят изтръпнат или почувствате дискомфорт.

7.3 Работа с ножицата за плет

Дръжте бензиновата ножица за плет с две ръце на безопасно разстояние от тялото.

- Максималният диаметър на рязане зависи от вида на дървото, възрастта, съдържанието на влага и твърдостта на дървесината.
- Затова преди подрязването на плета скъсявайте много дебели клони до желаната дължина с ножица за храсти.
- Благодарение на двустранния си нож, бензиновата ножица за плет може да се води напред и назад или с люлеещи движения от едната към другата страна.
- Първо подрязвайте страните на плета и едва тогава горния ръб.
- Подрязвайте плета от долу нагоре.
- Подрязвайте плета трапецовидно. Това предотвратява образуване на голи участъци в долната част на плета поради недостиг на светлина.
- Опънете водещ шнур по дължината на плета, ако желаете да подрежете горния ръб на плета равномерно.
- Режете на голям брой преходи, ако е необходимо голямо подрязване.

7.4 Правилният момент за рязане:

- Широколистен плет: юни и октомври
- Иглолистен плет: април и август
- Бързорастящ плет: от май припл. на всеки 6 седмици

Внимавайте за мътещи птици в плета. Тогава отложете подрязването на плета или изключете тази част.

Винаги съблюдавайте всички указания за безопасност.

7.5 Поведение в случай на неизправности или злополуки

В случай на неизправности или злополуки незабавно изключете бензиновата ножица за плет с бутона за включване/изключване (6).

7.6 Първа помощ

В случай на злополука на работното място винаги трябва да имате на разположение комплект за оказване на първа помощ в съответствие с DIN 13164. Изваденият материал трябва да се попълни незабавно.

Ако търсите помощ, посочете следната информация:

- Къде се е случила злополуката?
- Какво се е случило?
- Колко са ранените?
- Какъв е видът на нараняванията?
- Кой се обажда?

8. Технически данни

Тип на двигателя.....	Двухтактов двигател – с въздушно окачване
Обем см ³	22,5
Мощност на двигателя kW.....	0,65
Обороти на празен ход n ₀ /min ⁻¹	3000 +/- 300
Макс. обороти на двигателя min ⁻¹	10500
Вместимост на резервоара L.....	0,28
Съотношение на смесване (гориво/масло за двухтактов двигател).....	40:1

Дължина на рязане mm.....	560
Максимална дебелина на рязане mm.....	27
Размери Д/Ш/В mm.....	1100 x 245 x 200
Дължина на ножа mm.....	700
Запалителна свещ.....	L8RTC
Тегло kg.....	5,2

Запазва се правото на технически промени!

Шум

Информация за образуването на шум съгласно приложимите стандарти:

Ниво на звукова налягане L _{PA}	97,8 dB
Неопределеност K _{PA}	3 dB
Ниво на звукова мощност L _{WA}	107,3 dB
Неопределеност K _{WA}	2,53 dB

Носете защита за слуха.

Въздействието на шум може да причини загуба на слуха.

Вибрации

Вибрация (задна ръкохватка) A _{hv}	4,838 m/s ²
Неопределеност на измерването K _{hv}	1,5 m/s ²
Вибрация (предна ръкохватка) A _{hv}	5,389 m/s ²

Ограничавайте образуването на шум и и вибрациите до минимум!

- Използвайте само изправни уреди.
- Поддържайте и почиствайте редовно уреда.
- Съобразявайте начина си на работа спрямо уреда.
- Не претоварвайте уреда.
- При нужда възлагайте проверка на уреда.
- Изключвайте уреда, когато той не се използва.
- Носете ръкавици.

ПРЕДУПРЕЖДЕНИЕ

Избягвайте рисковете от вибрациите, напр. риска от „синдрома на белия пръст“ (нарушения на кръвообращението), правейки чести почивки, по време на които напр. триете дланите си една в друга.

- Винаги носете предпазни ръкавици и се грижете ръцете Ви да са топли.
- Редовни правете почивки.

9. Преди пускане в експлоатация

- Отворете опаковката и внимателно извадете уреда.
- Отстранете опаковъчния материал, както и опаковъчните и транспортните осигуровки (ако има такива).
- Проверете дали обемът на доставката е пълен.
- Проверете уреда и принадлежностите за повреди от транспортирането.
- По възможност запазете опаковката до изтичане на гаранционния срок.

ВНИМАНИЕ

Уредът и опаковъчните материали не са играчка за деца! Деца не бива да играят с пластмасови торбички, фолио и дребни части! Съществува опасност от поглъщане и задушаване!

- Преди употреба се запознайте с уреда посредством инструкциите за обслужване.
- За принадлежности, както за и износващи се и резервни части, използвайте само оригинални части. Резервни части можете да си набавите от Вашия специализиран доставчик.
- При поръчки посочвайте нашия номер на артикул, както и типа и годината на производство на уреда.

Бензиновата ножица за плет не се доставя заредена с горивна смес.

Уредът работи със смес от бензин (безоловен) и масло за двутактови двигатели.

Необходимо е повишено внимание при работа с бензин. Пушенето и откритият огън не са разрешени (опасност от експлозия).

Проверявайте уреда преди всеки пуск в експлоатация за:

- Херметичност на горивната система.
- Изрядно състояние и пълнота на защитните устройства и устройството за рязане.
- Здраво закрепване на всички винтови съединения.
- Лесна подвижност на всички движещи се части.

Гориво и масло

- Препоръчителни горива
- Използвайте само смес от безоловен бензин и специално масло за 2-тактови двигатели. Смесвайте горивната смес съгласно таблицата за смесване на горивото.
- Не използвайте гориво E10.

Внимание:

Не използвайте горивна смес, която е била съхранявана повече от 90 дни.

Внимание:

Не използвайте масло за 2-тактови двигатели, за което се препоръчва съотношение на смесване от 100:1. При повреда по двигателя поради недостатъчно смазване отпада гаранцията на производителя за двигателя.

Внимание:

За транспортиране и за съхранение на гориво използвайте само предвидени за целта съдове. Изсипете правилното количество бензин и масло за 2-тактови двигатели в приложената бутилка за смесване на масло и бензин (A). След това разклатете добре съда.

Никога не използвайте масло за 4-тактови двигатели или 2-тактови двигатели с водно охлаждане. Така запалителната свещ може да се замърси, изпускателната система да блокира или буталният пръстен да слепне. Горивни смеси, които не са били използвани за един месец или по-дълго, могат да запушат карбуратора или да нарушат работата на двигателя. Изсипете ненужното гориво в херметично затворен съд и го съхранявайте в тъмно и хладно помещение.

Таблица за смесване на гориво

Метод на смесване: 40 части бензин към 1 част масло

Пример:

1 | бензин: 0,025 | масло за 2-тактови двигатели

5 | бензин: 0,125 | масло за 2-тактови двигатели

Предупреждение! Внимавайте за отработените газове.

Винаги изключвайте двигателя преди зареждане с гориво.

Никога не доливайте бензин в уреда, докато двигателят работи или е горещ. Съществува опасност от пожар!

Зареждайте с гориво само в добре проветрени помещения. Внимавайте да не попада гориво в пръстта (опасване на околната среда). Използвайте подходяща подложка. Използвайте само биологично масло за вериги.

Горивата могат да се съхраняват само за ограничен период от време, стареят. По този начин прекомерните запаси от гориво и горивни смеси могат да доведат до проблеми със стартирането. Затова смесвайте само толкова гориво, колкото ще изразходите за един месец. Съхранявайте горивото само в одобрени и маркирани резервоари. Съхранявайте горивния резервоар на сухо и безопасно място.

Уверете се, че горивните резервоари се съхраняват на недостъпно за деца място.

Внимание! Преди пускане в експлоатация разберете как да изключите уреда възможно най-бързо при спешни случаи!

9.1 Зареждане на ножицата за плет с гориво

- Изключете двигателя и го оставете да изстине!
- Носете предпазни ръкавици!
- Избягвайте контакт с кожата и очите!
- От съществено значение е да се спазва „Безопасно боравене с гориво“, вижте 6.3.

1. Зареждайте ножицата за плет с гориво само на открито или в добре проветривани помещения.
2. Почистете около зоната за пълнене. Замърсявания в резервоара причиняват експлоатационни неизправности.
3. Разклатете още веднъж бутилката за смесване на масло и бензин (A) с горивната смес преди наливането в резервоара.
4. Отваряйте капака на резервоара (11) на резервоара за гориво внимателно, за да може евент. наличното свръхналягане да се понижи.
5. Внимателно налейте горивна смес до долния ръб на гърловината за зареждане. Използвайте фуния или помощно средство за пълнене (не са включени в обема на доставката), за да избегнете разливане на горивото.
6. Затворете отново капака на резервоара (11). Уверете се, че капакът на резервоара (11) затваря плътно.
7. Почистете капачката на резервоара (11) и около нея.
8. Проверете резервоара и горивопроводите за течове.

9. Ако е необходимо, задействайте горивната помпа „Primer“ (5).
10. Преди стартирането на двигателя се отдалечете най-малко на три метра от мястото на зареждане.

9.2 Изпускане на гориво

Изпразвайте резервоара за гориво само на открито или в добре проветривани помещения. Внимавайте в почвата да не попадне гориво (опазване на околната среда). Използвайте подходяща подложка.

1. Дръжте събирателен съд под резервоара за гориво.
2. Развийте и свалете капака на резервоара (11).
3. Изпуснете напълно сместа от бензин и масло.
4. Затегнете отново винтовете на капака на резервоара (11) на ръка.

10. Управление

10.1 Настройте задната ръкохватка (8) (фиг. 2)

Задната ръкохватка (8) може да се настрои на 3 работни позиции, за да се улесни воденето на бензиновата ножица за плет.

- Лостът за газта (9) не може да се задейства по време на настройката.
1. С лявата ръка хванете здраво предната ръкохватка (3) на бензиновата ножица за плет.
 2. Плъзнете блокиращата ръкохватка (10) назад и завъртете ръкохватката до желаната позиция.
 3. Освободете блокиращата ръкохватка (10). Уверете се, че блокиращата ръкохватка щраква обратно на мястото си и че ръкохватката е здраво фиксирана.

10.2 Стартиране на уреда

⚠ Опасност от нараняване!

Стартирайте бензиновата ножица за плет едва когато режещото приспособление е монтирано! Свалете съответната защита при транспортиране и инспектирайте уреда за добро работно състояние.

Никога не използвайте повредено, лошо настроено или поддържано, съотв. не напълно и сигурно монтирано режещо приспособление.

Проверете преди употреба!

Проверете дали уредът се намира в безопасно състояние:

- Уверете се, че бутонът за включване/изключване (6), блокировката на лоста за газта (7) и лостът за газ (9) работят правилно.
- Проверете уреда за течове.
- Проверете уреда за видими щети.
- Проверете дали всички части на уреда са поставени сигурно.
- Проверете дали всички приспособления за безопасност са в добро състояние и функциониращи.

10.2.1 Стартиране при студен двигател (фиг. 1, 3, 4)

Когато стартирате бензиновата ножица за плет, подпрете я и я хванете здраво. Уверете се, че режещото приспособление е свободно.

1. Свалете защитата на ножа (E) от режещото приспособление (1).
2. Поставете бензиновата ножица за плет върху стабилна и равна повърхност. Режещото приспособление (1) не трябва да докосва земята.
3. Натиснете 7x горивната помпа „Primer“ (5).
4. Завъртете лоста за студен старт (смукач) (4) на „Студен старт“.
5. Хванете здраво бензиновата ножица за плет за предната ръкохватка (3) и дръпнете стартовата въжена система (12) бавно, докато усетите първото съпротивление.
6. Дърпайте бързо стартовата въжена система (12), докато двигателят се стартира. Ако двигателят не се стартира, повторете процеса. Докато лостът за студен старт (смукача) (4) е в положение „Студен старт“, двигателят се стартира за кратко и след това отново изгасва.
7. Докато двигателят е изключен, задействайте едновременно блокировката на лоста за газта (7) и лоста за газта (9). (Смукачът) (4) автоматично отскача в работно положение „Топъл старт“.
8. Дърпайте отново бързо стартовата въжена система (12), докато двигателят се стартира.
9. След еднократно задействане на лоста за газта (9) двигателят работи на празен ход.
10. Оставете двигателя да се загрее за кратко.

Ако двигателят не се стартира след няколко опита, прочетете глава „Помощ при отстраняване на неизправности“.

Внимание

Винаги дърпайте стартовата въжена система (12) направо. Ако тя се изтегля под ъгъл, възниква триене при ухото. Чрез това триене шнурът се протрива и износва по-бързо. Хванете здраво дръжката на стартовата въжена система (12), когато стартовата въжена система (12) се прибира отново.

Никога не позволявайте на стартовата въжена система (12) да се върне обратно. Това може да доведе до повреда.

Указание:

Ако външната температура е висока, може да се наложи да стартирате двигателя без лоста за студен старт (смукач) (4), дори ако двигателят е студен.

Указание:

Карбураторът трябва да се настрои, ако режещото приспособление (1) се движи на празен ход или двигателят изгасва автоматично при отнемане на газта (вижте глава „13.2 Настройка на оборотите на празен ход“).

10.2.2 Стартиране при топъл двигател

1. За стартиране лостът за студен старт (смукач) трябва да е в положение „Топъл старт“.
2. Хванете здраво бензиновата ножица за плет за предната ръкохватка (3) и дръпнете стартовата въжена система (12) бавно, докато усетите първото съпротивление.
3. Дръпнете бързо стартовата въжена система (12). Уредът трябва да се стартира след 1-2 дръпвания. Ако уредът все още не се стартира след 6 дръпвания, повторете процеса, описан в „Стартиране при студен двигател“.

10.3 Работа на ножицата за плет (фиг. 1)

1. С лявата ръка хванете здраво предната ръкохватка (3) на бензиновата ножица за плет.
2. С дясната ръка хванете здраво задната ръкохватка (8). Дланта е върху блокировката на лоста за газта (7), а показалецът задейства лоста за газта (9).
3. Натиснете лоста за газта (9).
4. Режещото приспособление се стартира.

Ако пуснете лоста за газта (9), режещото приспособление спира и двигателят работи на празен ход.

Свържете се с производителя, ако режещото приспособление продължава да работи на празен ход.

В никакъв случай не продължавайте да работите с бензиновата ножица за плет!

10.4 Блокиране на режещото приспособление (фиг. 1)

Ако режещото приспособление (1) се блокира по време на работа, изключете бензиновата ножица за плет с бутона за включване/изключване (6) и изтеглете лулата на запалителната свещ (14).

След това отстранете блокиращия материал и проверете режещото приспособление (1) за повреда.

10.5 Спрете двигателя

1. Натиснете бутона за включване/изключване. (6) и го задръжте натиснат.
2. Изчакайте, докато двигателят спре, преди да оставите уреда.
3. Пуснете бутона за включване/изключване (6).

11. Указания за работа

11.1 Работа с ножицата за плет

- Ножицата за плет е подходяща за подрязване на живи плетове и храсти.
- Дръжте ножицата за плет с две ръце на безопасно разстояние от тялото.
- Максималният диаметър на рязане зависи от вида на дървото, възрастта, съдържанието на влага и твърдостта на дървесината.
- Затова преди подрязването на плета скъсявайте много дебели клони до желаната дължина с ножица за храсти.
- Благодарение на двустранния си нож, ножицата за плет може да се води напред и назад или с люлеещи движения от едната към другата страна.

- Първо подрязвайте страните на плета и едва тогава горния ръб.
- Подрязвайте плета от долу нагоре.
- Подрязвайте плета трапецовидно. Това предотвратява образуване на голи участъци в долната част на плета поради недостиг на светлина.
- Опънете водещ шнур по дължината на плета, ако желаете да подрежете горния ръб на плета равномерно.
- Режете на голям брой преходи, ако е необходимо голямо подрязване.
- Непременно отстранете чуждите тела от плета (напр. тел), тъй като те могат да повредят ножовете на ножицата за плет.
- **Внимание!** Ножовете продължават да се движат по инерция! Не спирайте ножовете с ръка.

Правилният момент за рязане:

- Широколистен плет: юни и октомври
- Иглолистен плет: април и август
- бързорастящ плет: от май припл. на всеки 6 седмици

Внимавайте за мътещи птици в плета. Тогава отложете подрязването на плета или изключете тази част.

12. Транспортиране

При транспортиране на уреда, изключете двигателя, изчакайте режещото приспособление да спре и поставете защитата на ножа (E) (фиг. 4).

Носете уреда за предната ръкохватка (3). Дръжте режещото приспособление (1) назад, а горещият шумозаглушител (13) далеч от тялото си.

Транспортирайте уреда в моторно превозно средство само в багажника или на отделна транспортна повърхност.

Осигурете бензиновата ножица за плет срещу преобръщане, повреда и изтичане на гориво.

13. Почистване и поддръжка

Преди всяка работа по поддръжка и почистване

- Изключете двигателя
- Изчакайте режещото приспособление да спре
- Изтеглете лулата на запалителната свещ (с изключение на настройките на празен ход)
- Оставете уреда да изстине

Указание

Уредът трябва да се почиства старателно след всяка употреба.

Извършвайте дейностите по почистване и поддръжка само до степента, посочена в това ръководство за употреба.

Всички работи по поддръжката и почистването, различни от описаните в тази глава, могат да се извършват само от сервиза за клиенти.

Не извършвайте работи по поддръжката в близост до открит пламък. Опасност от пожар!

Предпазните устройства, свалени за поддръжка и почистване, трябва да бъдат правилно монтирани отново и проверени.

Използвайте само оригинални части. Другите части могат да доведат до непредвидими щети и наранявания.

Носете ръкавици, за да избегнете възможни наранявания.

За да осигурите продължителна и надеждна употреба на бензиновата ножица за плет, извършвайте редовно следните работи по поддръжката.

Проверете бензиновата ножица за плет за очевидни дефекти като

- хлабави закрепвания
- износени или повредени конструктивни детайли
- изкривено, счупено или повредено режещо приспособление
- капачката на резервоара и горивопроводите за течове

Проверявайте бензиновата ножица за плет след всяка употреба

- износване, особено хлабина на режещото приспособление.
- правилно монтирани и изрядни капаци или защитни устройства.

Преди да използвате бензиновата ножица за плет, трябва да се извършат необходимите ремонти или дейности по поддръжката.

13.1 Смазване на редуктора (фиг. 5)

Смазвайте редуктора на всеки 10 до 20 работни часа.

1. Използвайте предоставения ключ с вътрешен шестостен 4 mm (C), за да отвинтите винта на отвора за смазване (18) от долната страна на ножицата за плет.
2. Поставете такалемита на отвора за смазване (18).
3. Вкарайте малко грес.
4. Завинтете отново винта на отвора за смазване (18).

Внимание! Напълнете само малко грес. В никакъв случай не препълвайте.

13.2 Настройка на оборотите на празен ход

Карбураторът трябва да се настрои, ако режещото приспособление (1) се движи на празен ход или двигателят изгасва автоматично при отнемане на газта.

Указание:

Настройките на карбуратора (напр. оборотите на празен ход) могат да се извършват само от квалифицирани специалисти, за да се избегнат повреди на двигателя.

13.3 Почистване, респ. смяна на въздушния филтър (фиг. 6)

Замърсеният въздушен филтър намалява мощността на двигателя поради недостатъчно подаване на въздух към карбуратора. Прах и полени запушват порите на вложката от пенопласт. Следователно редовните проверки са от съществено значение.

Почиствайте въздушния филтър (17) при бл. на всеки 15 работни часа, по-често при особено прашни условия.

1. Поставете лоста за студен старт (смукач) (4) в положение „Студен старт“, така че в карбуратора да не попадат частици мръсотия.
2. Свалете капака на въздушния филтър (16). За целта развийте крилчатия винт (15).
3. Извадете въздушния филтър (17) от пяната.
4. Измийте въздушния филтър (17) в хладка сапунена вода. Не издухвайте частиците мръсотия, има опасност от нараняване на очите!
5. Почистете вътрешността на въздушния филтър с четка.
6. Оставете въздушния филтър (17) да изсъхне напълно и го поставете отново.
7. Монтирайте отново капака на въздушния филтър (16).

Внимание:

Никога не почиствайте въздушния филтър с бензин или горими разтворители.

За да не се съкрати експлоатационният живот на двигателя, повреден въздушен филтър трябва да се сменя незабавно.

⚠ Предупреждение!

Никога не оставяйте двигателя да работи, ако елементът на въздушния филтър не е поставен.

13.4 Почистване, респ. смяна на бензиновия филтър

Проверете бензиновия филтър, ако е необходимо. Мръсният бензинов филтър пречи на подаването на гориво. Отворете капака на резервоара (11) и използвайте телена кука (не е включена в обема на доставката), за да издърпате бензиновия филтър през отвора.

- При леко замърсяване:
 - издърпайте бензиновия филтър от тръбопровода за гориво и почистете филтъра с почистващ бензин.
- При силно замърсяване:
 - сменете бензиновия филтър.

1. За да извадите бензиновия филтър от тръбопровода за гориво, захванете скобата на маркуча и я плъзнете надолу.
2. Сега бензиновият филтър може да бъде изваден от тръбопровода за гориво.

13.5 Проверка, почистване, респ. смяна на запалителната свещ (фиг. 7/8)

Внимание

Не докосвайте запалителната свещ (14.1) или лулата на запалителната свещ (14), докато двигателят работи. Високо напрежение!

Опасност от изгаряне при горещ двигател. Носете предпазни ръкавици!

Проверявайте редовно запалителната свещ и разстояние между електродите.

13.5.1 Проверка на запалителната свещ

1. Издърпайте лулата на запалителната свещ (14) от запалителната свещ (14.1).
2. Развийте запалителната свещ (14.1) с доставения ключ за запалителна свещ (B).
3. Проверете разстоянието между електродите. Трябва да е 0,6 до 0,7 mm.

13.5.2 Почистване на запалителната свещ

За първи път проверете запалителната свещ след 10 работни часа за замърсяване и я почистете, ако е необходимо, с медна телена четка.

След това обслужвайте запалителната свещ на всеки 50 работни часа.

Сменяйте запалителната свещ:

- всеки месец при редовна експлоатация
- ако запалителното тяло е повредено
- при силно обгаряне на електродите
- при силно замърсени или омаслени електроди

13.5.3 Проверка на искрата за запалване

1. Издърпайте лулата на запалителната свещ (14) от запалителната свещ (14.1).
2. Развийте запалителната свещ (14.1) с доставения ключ за запалителна свещ (B).
3. Закрепете здраво лулата на запалителната свещ (14).
4. С помощта на изолирани клещи натиснете запалителната свещ (14.1) към корпуса на двигателя (не близо до отвора за свещта).
5. Издърпайте силно стартовата въжена система (12).

6. При правилно функциониране между електродите трябва да се вижда искра.

13.6 Шумозаглушител / Изходен отвор (фиг. 9)

Не затягайте отново болтовете на шумозаглушителя, когато двигателят е горещ.

1. Проверявайте редовно дали винтовете (13.2) на шумозаглушителя (13) не са се разхлабили. Използвайте ключа с вътрешен шестостен 4 mm (C), за да затегнете всички евент. разхлабени винтове.
2. Почиствайте редовно изходния отвор (13.1).

13.7 Почистване

Почиствайте внимателно бензиновата ножица за плет след всяка употреба, за да сте сигурни, че ще продължи да функционира правилно.

При почистване на режещото приспособление носете защитни ръкавици!

- Почистете корпуса с мека четка или суха кърпа. Не трябва да се използват вода, разтворители и полиращи средства.
- Уверете се, че вентилационните отвори на двигателя са свободни (опасност от прегряване).
- Почиствайте режещото приспособление редовно с четка или кърпа. Никога не почиствайте режещото приспособление с вода (риск от корозия!)
- Редовно почиствайте и смазвайте всички движещи се части.
- Никога не използвайте грес!
- Използвайте екологично чисто масло.

13.8 План за поддръжка

Части на уреда	Действие	Преди начало на работата	Ежеседмично	При неизправности	При повреди	При необходимост
Режещо приспособление (1)	Проверка и следене на състоянието на заточване	X				
	Проверка на хлабината на режещото приспособление	X				
	точа					X
Двигател	Затягане на винтовете на шумозаглушителя					X
	Почистване/Смяна на бензиновия филтър					X
	Почистване/Смяна на въздушния филтър					на всеки 15 работни часа, по-често при особено прашни условия
	Смажете редуктора,					на всеки 20 работни часа, поне веднъж годишно

Сервизна информация

Трябва да се има предвид, че следните части на този продукт са обект на износване поради износване или на естествено износване, респ. следните части са необходими като консумативи.

Бързоизносващи се части*:

Режещ нож (комплект)	(5910402011)
Запалителна свещ	(3904801048)
Въздушен филтър	(3910404001)

* не за включени задължително в обема на доставката!

14. Съхранение

Съхранявайте неизползваните инструменти с поставена защита на ножа на сухо, заключено място, недостъпно за деца.

Почистете и извършете поддръжка на уреда, преди да го приберете.

Предпазливост:

Никога не прибирайте уреда за по-дълго от 30 дни, без да сте извършили следните стъпки:

Прибиране на уреда за повече от 30 дни

Ако прибирате уреда за по-дълго от 30 дни, той трябва да бъде подготвен за това. В противен случай намиращото се в карбуратора останало гориво се изпарява и остава подобна на гума утайка. Това би могло да затрудни стартирането и да доведе до скъпи ремонти.

- Изпуснете горивото (вижте 9.2)
- Стартирайте двигателя и го оставете да работи, докато той спре, за да се отстрани горивото от карбуратора.

16. Отстраняване на неизправности

Неизправност	Възможна причина	Отстраняване
Ножицата за плет не работи	<ul style="list-style-type: none">• Двигател, няма гориво• Грешка в тръбопровода за гориво• Запушен бензинов филтър• Дефектна запалителна свещ• Дефектен карбуратор• Вътрешна грешка	<ul style="list-style-type: none">• Проверка на количеството гориво• Проверка на тръбопровода за гориво за прегъвания или повреди• Почистване, респ. смяна на бензиновия филтър.• Смяна на запалителната свещ• Свържете се с производителя, респ. отговорния сервиз за техническо обслужване• Свържете се с производителя, респ. отговорния сервиз за техническо обслужване
Ножицата за плет реже с прекъсвания	<ul style="list-style-type: none">• Вътрешна грешка• Дефектен бутон за Вкл./Изкл	<ul style="list-style-type: none">• Свържете се с производителя, респ. отговорния сервиз за техническо обслужване• Свържете се с производителя, респ. отговорния сервиз за техническо обслужване
Двигателят работи, режещото приспособление спира	<ul style="list-style-type: none">• Блокирано режещо приспособление• Вътрешна грешка• Дефектен съединител	<ul style="list-style-type: none">• Отстраняване на предмета• Свържете се с производителя, респ. отговорния сервиз за техническо обслужване• Свържете се с производителя, респ. отговорния сервиз за техническо обслужване
Режещото приспособление се нагрива	<ul style="list-style-type: none">• Липса на смазване → триене• Режещото приспособление е затъпяло	<ul style="list-style-type: none">• Смазване на режещото приспособление• Възложете заточване на режещото приспособление

- Оставете двигателя да се охлади (ок. 5 минути).
- Свалете запалителната свещ (вижте 13.5).
- Добавете 1 чаена лъжичка чисто масло за 2-тактови двигатели в камерата на карбуратора.
- Изтеглете няколко пъти бавно шнура за стартиране, за да се намажат вътрешните компоненти.
- Поставете отново запалителната свещ (вижте 13.5).

Указание:

Приберете уреда на сухо място, далеч от възможни източници на възпламеняване, напр. фурна, газов бойлер за гореща вода, газова сушилка и т.н.

15. Изхвърляне и рециклиране

Указания за опаковката



Опаковъчните материали са рециклируеми. Моля, изхвърлете опаковката по природосъобразен начин.

Можете да се информирате относно възможностите за изхвърляне на излезли от употреба уреди от Вашите общински или градски власти.

Горива и масла

- Преди да изхвърлите уреда, резервоарът за гориво и резервоарът за моторно масло трябва да бъдат изпразнени!
- Горивото и моторното масло не трябва да се изхвърлят заедно с битовите отпадъци или в канализацията, а трябва да се събират и изхвърлят отделно!
- Празните резервоари за масло и гориво трябва да се изхвърлят по екологичен начин.

17. Гаранция

Уважаеми клиенти, за този уред получавате 3 години гаранция от датата на покупката. В случай на несъответствие на продукта с договора за продажба Вие имате законно право да предявите рекламация пред продавача на продукта при условията и в сроковете, определени в глава трета, раздел II и III и глава четвърта от Закона за предоставяне на цифрово съдържание и цифрови услуги и за продажба на стоки (ЗПЦСЦУПС)*.

Вашите права, произтичащи от посочените разпоредби, не се ограничават от нашата по-долу представена търговска гаранция, не са свързани с разходи за потребителите и независимо от нея продавачът на продукта отговаря за липсата на съответствие на потребителската стока с договора за продажба съгласно ЗПЦСЦУПС.

Гаранционни условия

Гаранционният срок е 3 години от датата на получаване на стоката. Пазете добре оригиналната касова бележка. Този документ е необходим като доказателство за покупката. Ако в рамките на три години от датата на закупуване на този продукт се появи дефект на материала или производствен дефект, продуктът ще бъде безплатно ремонтиран или заменен. Гаранцията предполага в рамките на тригодишния гаранционен срок да се представят дефектния уред, касовата бележка (касовият бон), както и всички други документи, установяващи наличието на дефект и писмено да се обясни в какво се състои дефектът и кога е възникнал. Ако дефектът е покрит от нашата гаранция, Вие ще получите обратно ремонтирания или нов продукт. В случай на замяна на дефектна стока първоначалните гаранционен срок и гаранционни условия се запазват. В случай на ремонт на дефектна стока, срокът на ремонта се прибавя към гаранционния срок. За евентуално наличните и установени повреди и дефекти още при покупката трябва да се съобщи веднага след разопаковането. Евентуалните ремонти след изтичане на гаранционния срок са срещу заплащане.

Ремонтът или замяната на продукта не поражда нова гаранция.

Обхват на гаранцията

Уредът е произведен грижливо според строгите изисквания за качество и добросъвестно изпитан преди доставка. Гаранцията важи за дефекти на материала или производствени дефекти. Гаранцията не обхваща консумативите, както и частите на продукта, които подлежат на нормално износване, поради което могат да бъдат разглеждани като бързо износващи се части (например филтри или приставки) или повредите на чупливи части (например прекъсвачи, батерии или такива произведени от стъкло). Гаранцията отпада, ако уредът е повреден поради неправилно използване или в резултат на неосъществяване на техническа поддръжка. За правилната употреба на продукта трябва точно да се спазват всички указания в упътването за експлоатация. Предназначение и действия, които не се препоръчват от упътването за експлоатация или за които то предупреждава, трябва задължително да се избягват. Продуктът е предназначен само за частна, а не за професионална употреба. При злоупотреба и неправилно третиране, употреба на сила и при интервенции, които не са извършени от клона на нашия оторизиран сервиз, гаранцията отпада.

Процедура при гаранционен случай

За да се гарантира бърза обработка на Вашия случай, следвайте следните указания:

- За всички запитвания подгответе касовата бележка и идентификационния номер (422496_2210) като доказателство за покупката.
- Вземете артикулния номер от фабричната табелка.
- При възникване на функционални или други дефекти първо се свържете по телефона или чрез имейл с долупосочения сервизен отдел. След това ще получите допълнителна информация за уреждането на Вашата рекламация.
- След съгласуване с нашия сервиз можете да изпратите дефектния продукт на посочения Ви адрес на сервиза безплатно за Вас, като приложите касовата бележка (касовия бон) и посочите писмено в какво се състои дефектът и кога е възникнал. За да се избегнат проблеми с приемането и допълнителни разходи, задължително използвайте само адреса, който Ви е посочен. Осигурете изпращането да не е като експресен товар или като друг специален товар. Изпратете уреда заедно с всички принадлежности, доставени при покупката, и осигурете достатъчно сигурна транспортна опаковка.

Ремонтен сервиз / извънгаранционно обслужване

Ремонти извън гаранцията можете да възложите на клона на нашия сервиз срещу заплащане. Той с удоволствие ще Ви направи предварителна калкулация. Можем да обработваме само уреди, които са достатъчно опаковани и изпратени с платени транспортни разходи.

Внимание: Изпратете Вашия уред на клона на нашия сервиз почистен и с указание за дефекта.

Уредите, предмет на извънгаранционно обслужване, изпратени с неплатени транспортни разходи – с наложен платеж, като експресен или друг специален товар – не се приемат.

Ние ще извършим безплатно изхвърлянето на изпратените от Вас дефектни уреди.

Сервизно обслужване

България

Тел.: **00800 4003 4003**

Е-мейл: **service.BG@schepbach.com**

IAN 422496_2210

Вносител

Моля, обърнете внимание, че следващият адрес не е адрес на сервиза. Първо се свържете с горепосочения сервизен център.

Provita-92 SD
2 DABENSKO SHOSE str.
4300 Karlovo

* Като физическо лице – потребител, независимо от настоящата търговска гаранция, Вие се ползвате от правата на законова-та гаранция, предоставена от Закона за предоставяне на цифрово съдържание и цифрови услуги и за продажбата на стоки / ЗПЦСЦУПС/. По-специално Вие имате право при несъответствие на стоката да бъде извършен ремонт или замяна по Ваш избор, освен ако това е невъзможно или е свързано с непропорционално големи разходи за продавача. Вие имате право на пропорцио-нално намаляване на цената или на разваляне на договора при наличие на условията на чл. 33, ал. 3 от ЗПЦСЦУПС. Условията и сроковете на законовата гаранция са регламентирани в глава трета, раздел II и III и в глава четвърта на ЗПЦСЦУПС



От www.lidl-service.com можете да изтеглите тези и много други ръководства, видеоклипове за проду-кти и инсталационен софтуер.

С QR кода отивате директно на страницата Lidl Service (www.lidl-service.com) и можете да отворите Вашето ръководство за експлоатация, въвеждайки артикулния номер (IAN) 422496_2210.

Περιεχόμενα:	Σελίδα:
1. Εξήγηση των συμβόλων πάνω στη συσκευή	240
2. Εισαγωγή	242
3. Περιγραφή της συσκευής (Εικ. 1-9)	242
4. Παραδοτέο υλικό	242
5. Προβλεπόμενη χρήση	242
6. Υποδείξεις ασφαλείας	243
7. Υποδείξεις εργασίας	246
8. Τεχνικά χαρακτηριστικά	247
9. Πριν από τη θέση σε λειτουργία	248
10. Χειρισμός	249
11. Υποδείξεις εργασίας	250
12. Μεταφορά	251
13. Καθαρισμός και συντήρηση	251
14. Αποθήκευση	253
15. Απόρριψη και ανακύκλωση	254
16. Αντιμέτωπιση προβλημάτων	254
17. Εγγυη ση	255
18. Διευρυμένο σχέδιο	257
19. Δήλωση συμμόρφωσης	260

1. Εξήγηση των συμβόλων πάνω στη συσκευή

	Πριν θέσετε τη συσκευή σε λειτουργία, διαβάστε και τηρείτε τις οδηγίες χειρισμού και τις υποδείξεις ασφαλείας!
	Συνιστάται να φοράτε υποδήματα ασφαλείας!
	Χρησιμοποιείτε προστασία ακοής!
	Χρησιμοποιείτε προστατευτικά γυαλιά!
	Φοράτε γάντια εργασίας!
	Προσοχή! Κρατάτε μακριά από την περιοχή εργασίας άτομα που δεν συμμετέχουν στην εργασία!
	Λαμβάνετε υπόψη σας τις υποδείξεις προειδοποίησης και τις υποδείξεις ασφαλείας!
	Προσοχή! Υπάρχει κίνδυνος φωτιάς και έκρηξης.
	Προσοχή Κίνδυνος τραυματισμού! Μη πιάνετε ποτέ με το χέρι σας σημεία κοντά στα μαχαίρια. Ποτέ μην αγγίζετε ένα μαχαίρι κατά την ενεργοποίηση της συσκευής ή κατά την εργασία με αυτή.
	Προειδοποίηση για καυτές επιφάνειες.



Μην χρησιμοποιείτε τη συσκευή σε βροχή ή σε υγρές συνθήκες. Κίνδυνος ηλεκτροπληξίας!



Προσοχή, εύφλεκτα υλικά. Απαγορεύονται φωτιά, γυμνές φλόγες και κάπνισμα!

 +  40:1

Αναλογία ανάμειξης: 40 μέρη βενζίνη προς 1 μέρος λαδιού



Περιστρέψτε τον μοχλό τσοκ. «Θερμή εκκίνηση και εργασία» και «Ψυχρή εκκίνηση»



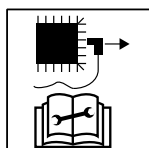
Δήλωση της εγγυημένης στάθμης ηχητικής ισχύος L_{WA} σε dB.



Πιέστε 7 φορές την αντλία καυσίμου «Primer» (σύστημα αρχικής πλήρωσης)



Προσοχή! κίνδυνος ασφυξίας!
Τα καυσαέρια είναι τοξικά, επομένως μην έχετε το μοτέρ σε λειτουργία σε μη αεριζόμενους χώρους.



Πριν από εργασίες συντήρησης, απενεργοποιείτε τη συσκευή και αφαιρείτε τον σύνδεσμο μπουζί!



Το προϊόν συμμορφώνεται με τις ισχύουσες Ευρωπαϊκές Οδηγίες.

2. Εισαγωγή

ΚΑΤΑΣΚΕΥΑΣΤΗΣ:

Scheppach GmbH

Günzburger Straße 69
D-89335 Ichenhausen

ΑΞΙΟΤΙΜΕ ΠΕΛΑΤΗ,

Σας ευχόμαστε πολλή ευχαρίστηση και καλή επιτυχία κατά την εργασία με τη νέα σας συσκευή.

ΥΠΟΔΕΙΞΗ:

Ο κατασκευαστής αυτής της συσκευής δεν ευθύνεται σύμφωνα με τον ισχύοντα νόμο περί ευθύνης προϊόντων για ζημιές, που προκαλούνται σε αυτή τη συσκευή ή από αυτή τη συσκευή στις εξής περιπτώσεις:

- ακατάλληλος χειρισμός,
- παράβλεψη του εγχειριδίου χειρισμού,
- επισκευές από τρίτους, μη εξουσιοδοτημένους ειδικούς,
- τοποθέτηση και αντικατάσταση μη γνήσιων ανταλλακτικών,
- μη ενδεδειγμένη χρήση,

Προσέξτε:

Διαβάστε πριν από τη συναρμολόγηση και τη θέση σε λειτουργία όλο το κείμενο του εγχειριδίου χειρισμού.

Αυτές οι οδηγίες χειρισμού έχουν σκοπό να σας διευκολύνουν να γνωρίσετε τη συσκευή και να εκμεταλλευτείτε τις ενδεδειγμένες δυνατότητες χρήσης της.

Οι οδηγίες χειρισμού περιέχουν σημαντικές υποδείξεις για να εργάζεστε με τη συσκευή με ασφάλεια, σωστά και οικονομικά και για να αποφεύγετε κινδύνους, να εξοικονομείτε έξοδα επισκευής, να μειώνετε τους χρόνους αδυναμίας λειτουργίας και να αυξάνετε την αξιοπιστία και τη διάρκεια ζωής της συσκευής.

Επιπρόσθετα στους κανόνες ασφαλείας στις παρούσες οδηγίες χειρισμού, πρέπει να λαμβάνετε οπωσδήποτε υπόψη σας τις διατάξεις που ισχύουν στη χώρα σας για τη λειτουργία της συσκευής.

Φυλάξτε τις οδηγίες χειρισμού σε ένα πλαστικό κάλυμμα προστατευμένες από ρύπους και υγρασία, κοντά στη συσκευή. Κάθε ένας από το προσωπικό χειρισμού πρέπει να τις διαβάζει και να τις τηρεί ευλαβικά πριν από την ανάληψη της εργασίας.

Στη συσκευή επιτρέπεται να εργάζονται μόνο πρόσωπα, που έχουν ενημερωθεί για τη χρήση της συσκευής και γνωρίζουν τους κινδύνους που σχετίζονται με αυτή. Πρέπει να τηρείται το απαιτούμενο ελάχιστο όριο ηλικίας.

Εκτός από τις υποδείξεις ασφαλείας που αναφέρονται στο παρόν εγχειρίδιο οδηγιών χρήσης και τις ειδικές διατάξεις της χώρας σας, πρέπει να προσέχετε για τη λειτουργία μηχανημάτων παρόμοιας κατασκευής τους γενικά αναγνωρισμένους τεχνικούς κανόνες.

Δεν αναλαμβάνουμε καμία ευθύνη για ατυχήματα ή ζημιές που οφείλονται σε παράβλεψη αυτών των οδηγιών και των υποδείξεων ασφαλείας.

3. Περιγραφή της συσκευής (Εικ. 1-9)

1. Διάταξη κοπής
2. Προστασία χεριών
3. Μπροστινή χειρολαβή
4. Μοχλός ψυχρής εκκίνησης (τσοκ)
5. Αντλία καυσίμου «Primer»
6. Μπουτόν ενεργοποίησης/ απενεργοποίησης
7. Ασφάλιση μοχλού γκαζιού
8. Πίσω χειρολαβή
9. Μοχλός γκαζιού
10. Λαβή ασφάλισης
11. Καπάκι ρεζερβουάρ
12. Μηχανισμός σχοινιού εκκίνησης
13. Σιγαστήρας
- 13.1 Άνοιγμα εξόδου σιγαστήρα
- 13.2 Βίδες σιγαστήρα
14. Σύνδεσμος μπουζί
- 14.1 Μπουζί
15. Βίδα τύπου πεταλούδας
16. Κάλυμμα φίλτρου αέρα
17. Φίλτρο αέρα
18. Άνοιγμα λίπανσης

4. Παραδοτέο υλικό

- Ψαλίδι μπορντούρας βενζίνης
- Δοχείο ανάμιξης λαδιού-βενζίνης (A)
- Μπουζόκλειδο (B)
- Κλειδί Άλεν 4 mm (C)
- Προστατευτικό μαχαίριου (E) (προεγκατεστημένο)
- Οδηγίες χειρισμού

5. Προβλεπόμενη χρήση

Το μηχάνημα συμμορφώνεται με την ισχύουσα Οδηγία περί μηχανημάτων της ΕΚ.

Πριν την έναρξη εργασίας πρέπει να έχουν εγκατασταθεί στο μηχάνημα όλες οι διατάξεις προστασίας και ασφαλείας.

Αυτό το ψαλίδι μπορντούρας βενζίνης έχει σχεδιαστεί για την κοπή μαλακού, νεοφυούς υλικού φυτικών φρακτών. Δεν ενδείκνυται για κοπή κλαδιών, ξύλου ή άλλων παρόμοιων υλικών.

Το μηχάνημα έχει σχεδιαστεί για χειρισμό από ένα άτομο.

Ο χειριστής είναι υπεύθυνος έναντι τρίτων στην περιοχή εργασίας.

Τηρείτε όλες τις υποδείξεις ασφαλείας και υποδείξεις κινδύνου που υπάρχουν πάνω στο μηχάνημα.

Διατηρείτε σε ευανάγνωστη κατάσταση όλες τις υποδείξεις ασφαλείας και υποδείξεις κινδύνου που υπάρχουν πάνω στο μηχάνημα.

Χρησιμοποιείτε το μηχάνημα μόνο αν βρίσκεται σε τεχνικά άφογη κατάσταση και σύμφωνα με την ενδεδειγμένη χρήση του, με συνείδηση των κινδύνων και της ασφαλείας και τηρώντας τις οδηγίες χρήσης!

Ιδιαίτερως, πρέπει να αποκαθιστάτε άμεσα βλάβες (ή να αναθέτετε την άμεση αποκατάσταση βλαβών) που μπορούν να επηρεάσουν την ασφάλεια!

Πρέπει να τηρούνται οι κανονισμοί ασφαλείας, εργασίας και συντήρησης που έχει καθορίσει ο κατασκευαστής, καθώς και οι διαστάσεις που αναφέρονται στα Τεχνικά δεδομένα.

Πρέπει να τηρούνται οι σχετικές διατάξεις πρόληψης ατυχημάτων, καθώς και οι λοιποί, γενικά αναγνωρισμένοι τεχνικοί κανόνες ασφαλείας.

Η χρήση, συντήρηση και επισκευή της μηχανής επιτρέπεται μόνο σε εξειδικευμένα άτομα που διαθέτουν την ανάλογη εξοικείωση και έχουν ενημερωθεί σχετικά με τους κινδύνους. Οι εξ ιδίων τροποποιήσεις στο μηχάνημα αποκλείουν την ευθύνη του κατασκευαστή για όσες ζημιές προκύπτουν από αυτές.

Η λειτουργία του μηχανήματος επιτρέπεται μόνο με γνήσια αξεσουάρ και γνήσια εργαλεία του κατασκευαστή. Κάθε άλλη χρήση θεωρείται ως μη προβλεπόμενη. Για ζημιές που προκύπτουν από αυτή τη χρήση δεν ευθύνεται ο κατασκευαστής. Τον σχετικό κίνδυνο αναλαμβάνει αποκλειστικά ο χρήστης.

Το ψαλίδι μπορντούρας βενζίνης επιτρέπεται να χρησιμοποιείται μόνο για να κόβει φράκτες από θάμνους, πώδη φυτά και θάμνους. Μια διαφορετική χρήση η οποία δεν αναφέρεται στις παρούσες οδηγίες χρήσης μπορεί να επιφέρει ζημιά στο ψαλίδι ή βαρύ τραυματισμό του χρήστη, και επομένως αποκλείεται ρητά από τον κατάλογο των πιθανών εφαρμογών. Η συσκευή δεν επιτρέπεται να χρησιμοποιείται για εμπορική, βιοτεχνική ή βιομηχανική χρήση.

Εάν δεν είστε βέβαιοι αν κάποιες συνθήκες εργασίας είναι ασφαλείς ή μη ασφαλείς, μην εργαστείτε με το μηχάνημα.

ΥΠΟΔΕΙΞΗ ΠΡΟΕΙΔΟΠΟΙΗΣΗΣ! Για τη δική σας ασφάλεια, πριν τη θέση σε λειτουργία της συσκευής διαβάστε σχολαστικά και πλήρως το παρόν εγχειρίδιο και τις γενικές υποδείξεις ασφαλείας. Όταν παραδίδετε τη συσκευή σε τρίτους, πάντα παραδίδετε μαζί και τις παρούσες οδηγίες χρήσης.

Παρακαλούμε να έχετε υπόψη σας ότι οι συσκευές μας κανονικά δεν έχουν σχεδιαστεί για εμπορική, βιοτεχνική ή βιομηχανική χρήση. Δεν αναλαμβάνουμε καμία ευθύνη αν η συσκευή χρησιμοποιηθεί σε εμπορικές, βιοτεχνικές ή βιομηχανικές επιχειρήσεις καθώς και σε παρόμοιες δραστηριότητες.

6. Υποδείξεις ασφαλείας

6.1 Ασφάλεια κατά την εργασία

ΑΥΤΟ ΤΟ ΨΑΛΙΔΙ ΜΠΟΡΝΤΟΥΡΑΣ ΒΕΝΖΙΝΗΣ ΜΠΟΡΕΙ ΝΑ ΠΡΟΚΑΛΕΣΕΙ ΣΟΒΑΡΟΥΣ ΤΡΑΥΜΑΤΙΣΜΟΥΣ!

Διαβάστε προσεκτικά τις οδηγίες για σωστό χειρισμό, προετοιμασία, σέρβις, εκκίνηση και τερματισμό λειτουργίας του ψαλιδιού μπορντούρας. Εξοικειωθείτε με όλα τα όργανα χειρισμού και με την κατάλληλη χρήση του ψαλιδιού μπορντούρας βενζίνης.

Διαβάστε πριν από τη θέση σε λειτουργία αυτού του προϊόντος και τηρείτε τις ακόλουθες υποδείξεις και τις νομικές διατάξεις για την ασφάλεια που ισχύουν στην εκάστοτε χώρα, για να προστατεύετε τον εαυτό σας και άλλους από πιθανούς τραυματισμούς.

Φυλάσσετε αυτές τις υποδείξεις ασφαλείας (οδηγίες χειρισμού) πάντα μαζί με το ψαλίδι μπορντούρας βενζίνης.

Το ψαλίδι μπορντούρας βενζίνης επιτρέπεται να χρησιμοποιείται μόνο από άτομα με επαρκή εμπειρία.

Ποτέ δεν επιτρέπεται να χρησιμοποιούν παιδιά το ψαλίδι μπορντούρας βενζίνης.

Δίνετε ή δανείζετε το ψαλίδι μπορντούρας βενζίνης μόνο σε άτομα τα οποία είναι εξοικειωμένα με το ψαλίδι μπορντούρας βενζίνης και τον χειρισμό του. Δίνετε πάντα μαζί και τις οδηγίες χειρισμού.

Οι επισκευές στη συσκευή πρέπει να γίνονται από τον κατασκευαστή ή από τις εταιρείες που έχει αυτός ορίσει.

6.2 Πρώτος χρήστης

Όποιος εργαστεί για πρώτη φορά με το ψαλίδι μπορντούρας βενζίνης πρέπει να λάβει από έναν έμπειρο χειριστή μια πρακτική κατάρτιση στη χρήση του ψαλιδιού μπορντούρας βενζίνης και στον ατομικό εξοπλισμό προστασίας.

- **Να είστε προσεκτικοί.** Προσέχετε κάθε σας ενέργεια. Να εκτελείτε τις εργασίες βάσει της λογικής. Μη χρησιμοποιείτε τη συσκευή όταν είστε κουρασμένοι ή υπό την επίδραση ναρκωτικών, οινοπνεύματος ή φαρμάκων. Μία στιγμή απροσεξίας κατά τη χρήση της συσκευής μπορεί να οδηγήσει σε σοβαρούς τραυματισμούς.
- **Πριν τη χρήση, εξοικειωθείτε με τη συσκευή με τη βοήθεια των οδηγιών χειρισμού.** Οι χειριστές με ανεπαρκή πληροφόρηση μπορούν να θέσουν σε κίνδυνο τον εαυτό τους και άλλα άτομα λόγω ακατάλληλης χρήσης της συσκευής.
- **Μη χρησιμοποιείτε τη συσκευή για σκοπούς για τους οποίους δεν προορίζεται (βλ. «5. Ενδεικτική χρήση»).**
- **Αποφεύγετε μη κανονική στάση σώματος.** Να φροντίζετε για ασφαλή στήριξη και να διατηρείτε πάντα την ισορροπία σας. Αυτό ισχύει ιδιαίτερα όταν χρησιμοποιείτε σκαλοπάτια ή σκάλα.
- **Φοράτε κατάλληλο ρουχισμό εργασίας:**
 - όχι φαρδιά ρούχα ή κοσμήματα, επειδή αυτά μπορούν να πιαστούν από κινητά μέρη
 - ανθεκτικά γάντια και αντιολισθητικά υποδήματα
 - ένα δίχτυ μαλλιών αν έχετε μακριά μαλλιά
- **Φοράτε ατομικό εξοπλισμό προστασίας:**
 - Προστασία ακοής
 - προστατευτικά γυαλιά ή προστασία προσώπου
 - Γάντια εργασίας
 - Υποδήματα ασφαλείας
 - εγκεκριμένο προστατευτικό κράνος σε περιπτώσεις στις οποίες πρέπει να αναμένεται κίνδυνος τραυματισμών στο κεφάλι.
- **Συνιστούμε τη χρήση ενός προστατευτικού άνω μέρους των ποδιών και ενός μπουφάν ασφαλείας.**
- **Διατηρείτε την περιοχή εργασίας σας σε τάξη!** Η ακαταστασία μπορεί να έχει ως συνέπεια ατυχήματα.
- **Λαμβάνετε υπόψη τις επιδράσεις από το περιβάλλον:**
 - Μη εκθέτετε το ψαλίδι μπορντούρας βενζίνης σε βροχή.

- Μη χρησιμοποιείτε το ψαλίδι μπορντούρας βενζίνης σε περιβάλλον με υγρασία ή νερό.
- Αναβάλλετε την εργασία όταν ο καιρός είναι ακατάλληλος (βροχή, χιόνι, πάγος, άνεμος) – αυξημένος κίνδυνος ατυχήματος!
- Φροντίζετε για καλό φωτισμό.
- Μη χρησιμοποιείτε το ψαλίδι μπορντούρας βενζίνης κοντά σε υγρά ή αέρια καύσιμα.
- **Να εξοικειώνεστε με το περιβάλλον σας και να προσέχετε για ενδεχόμενους κινδύνους τους οποίους ενδεχομένως δεν μπορείτε να ακούσετε λόγω του θορύβου του μοτέρ.**
- **Προσοχή σε εναέριες γραμμές ρεύματος**
- **Ποτέ μην αφήσετε το ψαλίδι μπορντούρας βενζίνης χωρίς επιτήρηση.**
- **Κατά τα διαλείμματα της εργασίας αφήνετε το ψαλίδι μπορντούρας βενζίνης με τρόπο ώστε να μην εκτίθεται κανένας σε κίνδυνο.** Προστατευτείτε το ψαλίδι μπορντούρας βενζίνης από μη εξουσιοδοτημένη πρόσβαση.
- **Άτομα κάτω των 18 ετών δεν επιτρέπεται να χειρίζονται τη συσκευή.**
- **Κρατάτε μακριά άλλα άτομα.**
- **Ο χρήστης είναι υπεύθυνος για ατυχήματα ή κινδύνους που προκύπτουν κατά άλλων ατόμων ή της ιδιοκτησίας τους.**
- **Το άτομο που χειρίζεται το μηχάνημα είναι στην περιοχή εργασίας υπεύθυνος έναντι τρίτων.**
- **Κρατάτε μακριά τα παιδιά.**
- **Μην αφήνετε άλλα άτομα, ιδίως παιδιά, να αγγίζουν το εργαλείο ή το μοτέρ.** Κρατάτε αυτά τα άτομα μακριά από τον χώρο εργασίας.
- **Πάντα να βεβαιώνετε ότι το ψαλίδι μπορντούρας βενζίνης βρίσκεται κανονικά σε μία από τις προβλεπόμενες θέσεις εργασίας, πριν την εκκίνηση του μοτέρ.**
- **Πάντα να βεβαιώνετε ότι έχουν τοποθετηθεί όλες οι λαβές και διατάξεις ασφαλείας κατά τη χρήση του ψαλιδιού μπορντούρας βενζίνης.** Ποτέ μην επιχειρήσετε να χρησιμοποιήσετε ένα ψαλίδι μπορντούρας βενζίνης που δεν είναι πλήρες ή που έχει υποστεί μη επιτρεπόμενη μετασκευή.
- **Μη χρησιμοποιείτε διάταξη κοπής που είναι στομωμένη, έχει ρωγμές ή έχει υποστεί ζημιά.**
- **Ξεκινήστε την κοπή μόνο αφού είναι σε κίνηση η διάταξη κοπής.**
- **Μην υπερφορτώνετε το μηχάνημα!** Εργάζεστε καλύτερα και με μεγαλύτερη ασφάλεια στην προβλεπόμενη περιοχή ισχύος.
- **Χρησιμοποιείτε τη συσκευή μόνο με πλήρεις και σωστά τοποθετημένες προστατευτικές διατάξεις και μην τροποποιείτε στο μηχάνημα τίποτα που θα μπορούσε να επηρεάσει την ασφάλεια.**
- **Μην τροποποιήσετε τη συσκευή ή οποιοδήποτε εξάρτημα της συσκευής.**
- **Μη χρησιμοποιείτε διάταξη κοπής η οποία δεν αντιστοιχεί στις ονομαστικές τιμές που αναφέρονται στις παρούσες οδηγίες χρήσης.** Η χρήση άλλων εργαλείων και άλλων αξεσουάρ μπορεί να οδηγήσει σε κίνδυνο τραυματισμού σας.

- **Απενεργοποιήστε το μηχάνημα και αφαιρέστε τον σύνδεσμο μπουζί από το μπουζί σε περίπτωση:**
 - Σε περίπτωση επαφής του ψαλιδιού μπορντούρας βενζίνης με χώμα, πέτρες, καρφιά ή άλλα ξένα σώματα, ελέγξτε αν η συσκευή έχει υποστεί ζημιά.
 - Ρύθμιση της θέσης εργασίας της διάταξης κοπής
 - Έλεγχος, σέρβις ή εργασίες στο ψαλίδι μπορντούρας.
 - Εργασίες επισκευής
 - Εργασίες συντήρησης και καθαρισμού
 - Αποκατάσταση προβλημάτων (απαιτείται και μπλοκάρισμα της διάταξης κοπής)
 - Μεταφορά και αποθήκευση
 - Απομάκρυνση από το ψαλίδι μπορντούρας βενζίνης (ακόμα και για μικρές διακοπές εργασίας)
- **Φροντίζετε με επιμέλεια το ψαλίδι μπορντούρας βενζίνης:**
 - Διατηρείτε τα εργαλεία αιχμηρά και καθαρά, για να μπορείτε να εργάζεστε καλύτερα και με μεγαλύτερη ασφάλεια.
 - Διατηρείτε τις λαβές κρατήματος στεγνές και απαλλαγμένες από λάδια και γράσα.
 - Τηρείτε τους κανονισμούς συντήρησης.
- **Ελέγξτε το μηχάνημα για ενδεχόμενες ζημιές:**
 - Πριν την περαιτέρω χρήση του μηχανήματος πρέπει να εξεταστούν προσεκτικά οι προστατευτικές διατάξεις για την άψογη και προβλεπόμενη λειτουργία τους.
 - Ελέγξτε ότι λειτουργούν απρόσκοπτα και δεν κολλάνε τα κινούμενα μέρη, ή αν υπάρχουν εξαρτήματα που έχουν υποστεί ζημιά. Όλα τα εξαρτήματα πρέπει να είναι σωστά εγκατεστημένα και να εκπληρώνουν όλες τις προϋποθέσεις για να εξασφαλίζεται η απρόσκοπτη λειτουργία του ψαλιδιού μπορντούρας βενζίνης.
 - Προστατευτικές διατάξεις και εξαρτήματα που έχουν υποστεί ζημιά πρέπει να επισκευαστούν ή να αντικατασταθούν όπως προβλέπεται από ένα αναγνωρισμένο και εξειδικευμένο συνεργείο, εφόσον δεν αναφέρεται κάτι διαφορετικό στις οδηγίες χρήσης.
 - Πρέπει να αντικαθιστάτε τα αυτοκόλλητα ασφαλείας που έχουν υποστεί ζημιά ή είναι δυσανάγνωστα.
- **Μην αφήσετε κλειδί εργαλείου τοποθετημένο!** Πάντα πριν την ενεργοποίηση ελέγχετε ότι έχουν αφαιρεθεί κλειδιά και εργαλεία ρύθμισης.
- **Φυλάσσετε τη συσκευή σε ένα ξηρό, κλειστό χώρο, μακριά από παιδιά, όταν δεν τη χρησιμοποιείτε.**
- **Αποθηκεύετε το ψαλίδι μπορντούρας βενζίνης σε θέσεις όπου τυχόν ατμοί βενζίνης δεν μπορούν να έρθουν σε επαφή με γυμνή φλόγα ή σπινθήρες.** Πάντα αφήνετε το ψαλίδι μπορντούρας βενζίνης να κρυώσει, πριν το αποθηκεύσετε.
- **Κατά τη μεταφορά ή την αποθήκευση του ψαλιδιού μπορντούρας βενζίνης πρέπει πάντα να καλύπτετε τη διάταξη κοπής με το προστατευτικό που προβλέπεται για αυτήν.**
- **Μην πραγματοποιήσετε καμία επισκευή στο μηχάνημα, εκτός αν έχετε την εκπαίδευση για αυτό.** Ποτέ μην πραγματοποιήσετε στο μηχάνημα άλλες επισκευές από αυτές που περιγράφονται στο κεφάλαιο «13. Καθαρισμός και συντήρηση», αλλά απευθύνεστε απευθείας στον κατασκευαστή ή σε αρμόδιο κέντρο εξυπηρέτησης πελατών.

- **Αποφεύγετε τη χρήση του ψαλιδιού μπορντούρας βενζίνης, αν βρίσκονται κοντά άλλα άτομα, και προπάντων παιδιά.**
- **Αν η διάταξη κοπής έρθει σε επαφή με ένα ζένο σώμα, αν οι θόρυβοι λειτουργίας δυναμώσουν ή αν το ψαλίδι μπορντούρας βενζίνης παρουσιάζει ασυνήθιστα έντονους κραδασμούς, σβήστε το μοτέρ και αφήστε το ψαλίδι μπορντούρας βενζίνης να ακινητοποιηθεί.** Αφαιρέστε τον σύνδεσμο μπουζί από το μπουζί και λάβετε τα εξής μέτρα:
 1. ελέγξτε για ζημιές,
 2. ελέγξτε για λασκαρισμένα εξαρτήματα και στερεώστε όλα τα λασκαρισμένα εξαρτήματα,
 3. παραδώστε τη συσκευή για αντικατάσταση των εξαρτημάτων που έχουν υποστεί ζημιά με ισοδύναμα εξαρτήματα ή επισκευή τους.
- **Μη χρησιμοποιείτε το ψαλίδι μπορντούρας βενζίνης με διάταξη κοπής που είναι ελαττωματική ή έντονα φθαρμένη.**
- **Για την αποφυγή κινδύνου φωτιάς, προσέχετε το μοτέρ και ο σιγαστήρας να είναι απαλλαγμένα από αποθέσεις, φύλλα ή από εξερχόμενο λιπαντικό.**
- **Χρησιμοποιείτε πάντα και τα δύο χέρια, αν το ψαλίδι μπορντούρας βενζίνης είναι εξοπλισμένο με δύο λαβές.**
- **Αν η εργασία με το ψαλίδι μπορντούρας βενζίνης τερματιστεί με σκοπό τη συντήρηση, επιθεώρηση ή αποθήκευση, απενεργοποιήστε το μοτέρ, αφαιρέστε τον σύνδεσμο μπουζί από το μπουζί και βεβαιωθείτε ότι όλα τα περιστρεφόμενα μέρη έχουν ακινητοποιηθεί.** Αφήστε πρώτα να κρυώσει το μηχάνημα, πριν το ελέγξετε, ρυθμίσετε κλπ.

Οι επισκευές σε άλλα μέρη του μηχανήματος πρέπει να γίνονται από τον κατασκευαστή ή από μία από τις υπηρεσίες εξυπηρέτησης πελατών που έχει ορίσει.

Χρησιμοποιείτε μόνο γνήσια ανταλλακτικά. Από τη χρήση άλλων ανταλλακτικών και άλλων αξεσουάρ μπορεί να προκύψουν ατυχήματα για το χρήστη. Για ζημιές που προκύπτουν από αυτή τη χρήση δεν ευθύνεται ο κατασκευαστής.

6.3 Ασφάλεια στον χειρισμό καυσίμων

Πρέπει να μεταχειρίζεστε με προσοχή το καύσιμο! Τα καύσιμα και οι ατμοί καυσίμων είναι εύφλεκτα υλικά και επίσης σε περίπτωση εισπνοής και επαφής με το δέρμα μπορούν να προκαλέσουν βαριές σωματικές βλάβες. Επομένως κατά τον χειρισμό καυσίμων απαιτείται προσοχή και να εξασφαλίζεται καλός αερισμός.

- **Πριν τον ανεφοδιασμό καυσίμου του ψαλιδιού μπορντούρας βενζίνης, απενεργοποιήστε το μοτέρ και αφήστε τη συσκευή να κρυώσει.**
- **Κατά τον εφοδιασμό καυσίμου μην καπνίζετε και αποφεύγετε γυμνές φλόγες.**
- **Φοράτε γάντια κατά τον εφοδιασμό καυσίμου.**
- **Μην πραγματοποιείτε τον εφοδιασμό καυσίμου σε κλειστούς χώρους (κίνδυνος έκρηξης).**
- **Ο εφοδιασμός καυσίμου να γίνεται μόνο σε ανοικτό χώρο.**

- **Προσέχετε, να μη σας χυθεί καύσιμο ή λάδι.** Καθαρίστε άμεσα το ψαλίδι μπορντούρας βενζίνης αν χυθεί καύσιμο ή λάδι. Αλλάξτε άμεσα τα ρούχα σας, αν χυθεί πάνω τους καύσιμο ή λάδι.
- **Προσέχετε να μην εισχωρήσει καύσιμο στο έδαφος.**
- **Μετά τον εφοδιασμό καυσίμου κλείστε πάλι προσεκτικά το πώμα ρεζερβουάρ και προσέξτε να μη λασκάρει το πώμα κατά τη διάρκεια της λειτουργίας.**
- **Προσέχετε να μην υπάρχει διαρροή από το καπάκι ρεζερβουάρ και τους αγωγούς βενζίνης.** Αν υπάρχουν διαρροές δεν επιτρέπεται να θέσετε σε λειτουργία τη συσκευή.
- **Μεταφέρετε και αποθηκεύετε καύσιμα μόνο σε δοχεία που είναι εγκεκριμένα και εσημασμένα για τον σκοπό αυτόν.**
- **Κρατάτε μακριά τα παιδιά από τα καύσιμα.**
- **Μη μεταφέρετε και αποθηκεύετε καύσιμα κοντά σε υλικά που καίγονται ή είναι εύφλεκτα, ούτε κοντά σε σπινθήρες ή γυμνές φλόγες.**
- **Για την εκκίνηση της συσκευής απομακρυνθείτε τουλάχιστον τρία μέτρα από τη θέση ανεφοδιασμού καυσίμου.**
- **Αν πρόκειται να αδειάσετε το ρεζερβουάρ, αυτό πρέπει να το κάνετε σε ανοικτό χώρο.**
- **Ποτέ μην αποθηκεύετε το ψαλίδι μπορντούρας βενζίνης ή το δοχείο καυσίμου σε ένα χώρο στον οποίο βρίσκεται γυμνή φλόγα, όπως π.χ. σε ένα χώρο μπόιλερ.**
- **Για τη μείωση του κινδύνου φωτιάς – διατηρείτε το μοτέρ και τον σιγαστήρα καθαρά από αποθέσεις, φύλλα και λιπαντικά!**
- **Όταν το μοτέρ είναι σε λειτουργία ή ζεστό ποτέ μην αφαιρείτε το πώμα ρεζερβουάρ και μη συμπληρώνετε βενζίνη.**
- **Πριν από τη συμπλήρωση αφήστε να κρυώσει το μοτέρ και τα εξαρτήματα της εξάτμισης.**
- **Αν έχει ξεχειλίσει και χυθεί βενζίνη, μην επιχειρήσετε να θέσετε σε λειτουργία το μοτέρ, αλλά πριν την εκκίνηση απομακρύνετε το μηχάνημα από την επιφάνεια που έχει λερωθεί με βενζίνη.**

6.4 Υπολειπόμενοι κίνδυνοι

Ακόμα και με την ενδεδειγμένη χρήση και παρά την τήρηση όλων των εφάρμοσιμων διατάξεων ασφαλείας μπορεί ακόμα να υπάρχουν υπολειπόμενοι κίνδυνοι λόγω της κατασκευής που υπαγορεύεται από τον σκοπό χρήσης. Οι υπολειπόμενοι κίνδυνοι μπορούν να ελαχιστοποιηθούν όταν τηρούνται οι «6. Υποδείξεις ασφαλείας» και η «5. Ενδεδειγμένη χρήση», καθώς και οι οδηγίες χρήσης στην ολότητά τους. Οι προφυλάξεις και η προσοχή μειώνουν το κίνδυνο τραυματισμών και ζημιών.

Επιπλέον, μπορεί παρά όλες τις λαμβανόμενες προφυλάξεις να προκύψουν μη εμφανείς υπολειπόμενοι κίνδυνοι:

- Τραυματισμός από εκτοξευόμενα αντικείμενα.
- Θραύση και εκσφενδονισμός θραυσμάτων μαχαίριων.

- Κίνδυνος δηλητηρίασης από μονοξειδίο του άνθρακα σε περίπτωση χρήσης της συσκευής σε κλειστούς ή ανεπαρκώς αεριζόμενους χώρους.
- Κίνδυνος εγκαυμάτων σε περίπτωση επαφής με καυτά δομικά μέρη.
- Επιπτώσεις στην ακοή σε περίπτωση παρατεταμένων εργασιών χωρίς προστασία ακοής.

7. Υποδείξεις εργασίας

Πριν τη θέση σε λειτουργία και τακτικά κατά τη διάρκεια της εργασίας διενεργείτε τους εξής ελέγχους στο ψαλίδι μορνούρας βενζίνης:

- Έχει το ψαλίδι μορνούρας βενζίνης συναρμολογηθεί πλήρως και σύμφωνα με τους κανονισμούς; Προσέχετε ώστε όλες οι βίδες και τα παξιμάδια να είναι καλά σφιγμένα.
- Είναι το ψαλίδι μορνούρας βενζίνης σε καλή και ασφαλή κατάσταση;
 - Είναι εντάξει όλες οι λειτουργίες ασφαλείας;
- Είναι γεμάτο το ρεζερβουάρ βενζίνης;
- Είναι η διάταξη κοπής απαλλαγμένη από ζημιές και ακοινισμένη;
- Είναι το μοτέρ και ο σιγαστήρας απαλλαγμένα από αποθέσεις, φύλλα ή από εξερχόμενο λιπαντικό;
- Είναι η χειρολαβή καθαρή και στεγνή – απαλλαγμένη από λάδι, γράσο και ρετσίνα;
- Είναι ο χώρος εργασίας απαλλαγμένος από κινδύνους σκοντάμματος;
- Φοράτε τον απαιτούμενο εξοπλισμό προστασίας;
- Έχετε διαβάσει και κατανοήσει όλες τις υποδείξεις;
- Κινείται ο μοχλός γκαζιού ελεύθερα και είναι λειτουργικός;
- Είναι λειτουργικό το μπουτόν ενεργοποίησης/ απενεργοποίησης;
- Παραμένει η διάταξη κοπής ακίνητη στο ρελαντί;

Όταν η διάταξη κοπής λειτουργεί στο ρελαντί, πρέπει να χαμηλωθεί ο αριθμός στροφών χωρίς φορτίο (βλ. «13.2 Ρύθμιση του αριθμού στροφών χωρίς φορτίο»).

- Να βεβαιώνετε ότι το κιβώτιο μετάδοσης είναι επαρκώς λιπασμένο (δείτε στο σημείο «13. Καθαρισμός και συντήρηση»).

7.1 Γενική συμπεριφορά κατά την εργασία με το ψαλίδι μορνούρας

- Μην εργάζεστε μόνοι σας. Θα πρέπει να υπάρχει κάποιος κοντά σας που μπορείτε να φωνάξετε σε περίπτωση ανάγκης.
- Κρατάτε παιδιά, άλλα άτομα και ζώα μακριά από την περιοχή εργασίας σας (απόσταση τουλάχιστ. 15 m).
- Μην εργάζεστε πάνω σε χιόνι, πάγο ή άλλο ολισθηρό υπόβαθρο – κίνδυνος γλιστρήματος.
- Μην εργάζεστε σε συνθήκες ανεπαρκούς φωτισμού (π.χ. με ομίχλη, βροχή, αιωρούμενο χιόνι ή σκοτεινιά).
- Πριν την κοπή, διώχνετε τυχόν ζώα από τον φράχτη από θάμνους, για να μην τα τραυματίσετε.
- Φροντίστε ώστε ο χώρος εργασίας να είναι ασφαλής και τακτοποιημένος. Αφαιρέστε από την περιοχή εργασίας αντικείμενα τα οποία μπορούν να εκσφενδονιστούν.
- Αποφεύγετε μη κανονική στάση σώματος. Διατηρείτε πάντα την ισορροπία σας. Μην εργάζεστε με το άνω σώμα σκυμμένο.

- Χρησιμοποιείτε το ψαλίδι μορνούρας βενζίνης μόνο με ασφαλή στήριξη του σώματός σας.
- Απενεργοποιείτε το ψαλίδι μορνούρας βενζίνης αν θέλετε να αλλάξετε θέση.
- Κρατάτε χέρια και πόδια μακριά από τη διάταξη κοπής, όταν αυτή κινείται.
- Κρατάτε το ψαλίδι μορνούρας βενζίνης ώστε να μην μπορείτε να εισπνέετε καυσαέρια. Μην εργάζεστε σε κλειστούς χώρους.
- Μην χρησιμοποιείτε το ψαλίδι μορνούρας βενζίνης για την ανύψωση ή την απομάκρυνση κομματιών ξύλου ή άλλων αντικειμένων.
- Απομακρύνετε οπωσδήποτε ξένα υλικά από τον φράχτη από θάμνους (π.χ. σύρματα), επειδή αυτά μπορούν να προξενήσουν ζημιά στη διάταξη κοπής του ψαλιδιού μορνούρας βενζίνης.
- Κρατάτε πάντα το ψαλίδι μορνούρας βενζίνης σταθερά και με τα δύο χέρια, με το αριστερό χέρι στην μπροστινή χειρολαβή και το δεξιό χέρι στην πίσω χειρολαβή. Ποτέ μην εργάζεστε με το ένα χέρι.
- Όταν αφήνετε ελεύθερο τον μοχλό γκαζιού, η διάταξη κοπής συνεχίζει να κινείται για λίγο (φαινόμενο ελεύθερης κίνησης).
- Ξεκινάτε την κοπή με τη διάταξη κοπής ήδη σε κίνηση.
- Μην πιάνετε ποτέ τη διάταξη κοπής με τα χέρια κατά τη διάρκεια της λειτουργίας.
- Ποτέ μην εργάζεστε
 - με τεντωμένα χέρια
 - σε δυσπρόσιτες θέσεις
 - πολύ σκυμμένοι
- Ποτέ μην εργάζεστε με το ψαλίδι μορνούρας βενζίνης πάνω από το ύψος των ώμων.
- Ποτέ μη φέρνετε την κινούμενη διάταξη κοπής σε επαφή με συρματοπλέγματα ή με το έδαφος.
- Σβήστε το μοτέρ και αφαιρέστε το μπουζί
 - όταν αντιληφθείτε μεταβολή της συμπεριφοράς της συσκευής
 - για την απομάκρυνση σφηνωμένου υλικού κοπής
 - για έλεγχο της διάταξης κοπής, αν αυτή έχει έρθει σε επαφή με πέτρες, καρφιά ή άλλα σκληρά αντικείμενα.
 - για την εξάλειψη προβλημάτων
 - στα διαλείμματα της εργασίας
 - πριν την απομάκρυνση από το ψαλίδι μορνούρας
- Μην αφήνετε το ψαλίδι μορνούρας βενζίνης, που έχει θερμανθεί από τη λειτουργία, μέσα σε ξερά χόρτα ή αντικείμενα που μπορεί να αναφλεγούν.
- Πριν την έναρξη της εργασίας βεβαιώνετε ότι:
 - δεν βρίσκονται άλλα άτομα ή ζώα μέσα στην περιοχή εργασίας.
 - είναι εξασφαλισμένη η υποχώρηση χωρίς εμπόδια.
 - η περιοχή στήριξης των ποδιών είναι ελεύθερη από ξένα σώματα, λόχμες και κλαδιά.
 - είναι εξασφαλισμένη η ασφαλής στήριξη στα πόδια.

Αν άτομα με διαταραχές της κυκλοφορίας του αίματος εκτιθενται πολύ συχνά σε κραδασμούς, μπορεί να προκύψουν ζημιές στο νευρικό σύστημα ή στα αιμοφόρα αγγεία.

7.2 Μπορείτε να μειώσετε τους κραδασμούς:

- με ανθεκτικά, ζεστά γάντια εργασίας.
- μείωση του χρόνου εργασίας (κάνετε πολλά συχνά διαλείμματα).

Επισκεφθείτε γιατρό αν τα δάχτυλά σας πρηστούν, αν αισθανθείτε αδιαθεσία ή αν μουδιάσουν τα δάχτυλά σας.

7.3 Εργασία με το ψαλίδι μπορντούρας

Κρατάτε το ψαλίδι μπορντούρας βενζίνης σε ασφαλή απόσταση από το σώμα σας χρησιμοποιώντας και τα δύο χέρια.

- Η μέγιστη διάμετρος κοπής εξαρτάται από το είδος του ξύλου, την ηλικία του, την περιεχόμενη υγρασία και τη σκληρότητα του ξύλου.
- Για τον λόγο αυτόν, πριν την κοπή του φράχτη από θάμνους, κόβετε τα πολύ χονδρά κλαδιά με μια ψαλίδα στο αντίστοιχο μήκος.
- Επειδή το ψαλίδι μπορντούρας βενζίνης κόβει με το μαχαίρι του και από τις δύο πλευρές, μπορείτε να το περνάτε προς τα εμπρός και προς τα πίσω ή με κινήσεις ταλάντωσης από τη μία πλευρά στην άλλη.
- Κόβετε πρώτα τις πλευρές των φραχτών από θάμνους και μετά την πάνω πλευρά.
- Κόβετε τον φράχτη από θάμνους από κάτω προς τα πάνω.
- Κόβετε τον φράχτη από θάμνους σε σχήμα τραπέζιου. Με αυτόν τον τρόπο αποτρέπεται η απογύμνωση της κάτω περιοχής του φράχτη λόγω έλλειψης φωτός.
- Τεντώστε ένα σπάγκο καθοδήγησης σε όλο το μήκος του φράχτη από θάμνους, αν θέλετε να κουρέψετε ομοιόμορφα τον φράχτη από θάμνους.
- Κόβετε με πολλαπλές διελεύσεις, αν χρειάζεται έντονο κλάδεμα.

7.4 Η σωστή χρονική στιγμή για κοπή:

- φράχτης από θάμνους με φύλλα: Ιούνιος και Οκτώβριος
- φράχτης από θάμνους με βελόνες: Απρίλιος και Αύγουστος
- φράχτης από θάμνους ταχείας ανάπτυξης: από τον Μάιο περ. κάθε 6 εβδομάδες

Προσέχετε για πτηνά που κλωσούν μέσα στον φράχτη από θάμνους. Σε αυτή την περίπτωση αναβάλετε την κοπή του φράχτη από θάμνους ή εξαιρέστε την περιοχή αυτή.

Τηρείτε σε κάθε περίπτωση όλες τις υποδείξεις ασφαλείας.

7.5 Συμπεριφορά σε περιπτώσεις βλαβών ή ατυχημάτων

Σε περιπτώσεις βλαβών ή ατυχημάτων θέστε το ψαλίδι μπορντούρας βενζίνης άμεσα εκτός λειτουργίας χρησιμοποιώντας τον διακόπτη ενεργοποίησης/ απενεργοποίησης (6).

7.6 Πρώτες βοήθειες

Για την περίπτωση που τυχόν προκύψει ατύχημα, θα πρέπει πάντα να υπάρχει στον χώρο εργασίας ένα κουτί πρώτων βοηθειών σύμφωνα με το DIN 13164. Συμπληρώνετε πάντα αμέσως τα υλικά που έχουν καταναλωθεί.

Όταν ζητάτε βοήθεια, παρέχετε τις εξής πληροφορίες:

- Που έγινε το συμβάν?
- Τι συνέβη?

- Πόσοι τραυματίες?
- Είδος τραυματισμών?
- Ποιος μιλάει?

8. Τεχνικά χαρακτηριστικά

Τύπος κινητήρα.....	Δίχρονο μοτέρ - αερόψυκτο
Κυβισμός cm ³	22,5
Ισχύς μοτέρ kW.....	0,65
Αριθμός στροφών χωρίς φορτίο n ₀ /min ⁻¹	3000 +/- 300
Μέγ. αριθμός στροφών μοτέρ min ⁻¹	10500
Χωρητικότητα ρεζερβουάρ, L.....	0,28
Αναλογία ανάμειξης (καυσίμου / λαδιού δίχρονων μοτέρ).....	40:1
Μήκος κοπής, mm.....	560
Μέγ. πάχος κοπής, mm.....	27
Διαστάσεις Μ/Π/Υ, mm.....	1100 x 245 x 200
Μήκος λάμας, mm.....	700
Μπουζί.....	L8RTC
Βάρος kg.....	5,2

Με την επιφύλαξη τεχνικών τροποποιήσεων!

Θόρυβος

Πληροφορίες σχετικά με την παραγωγή θορύβου με μετρήσεις σύμφωνα με τα σχετικά πρότυπα:

Επίπεδο ηχητικής πίεσης L _{PA}	97,8 dB
Αβεβαιότητα K _{PA}	3 dB
Στάθμη ηχητικής ισχύος L _{WA}	107,3 dB
Αβεβαιότητα K _{WA}	2,53 dB

Φοράτε ωτασπίδες.

Η επίδραση του θορύβου ενδέχεται να προκαλέσει απώλεια ακοής.

Κραδασμοί

Κραδασμοί (πίσω χειρολαβή) A _{hw}	4,838 m/s ²
Αβεβαιότητα μέτρησης K _{hw}	1,5 m/s ²
Κραδασμοί (μπροστινή χειρολαβή) A _{hw}	5,389 m/s ²

Περιορίζετε την παραγωγή θορύβου και τους κραδασμούς στο ελάχιστο!

- Χρησιμοποιείτε μόνο συσκευές που είναι σε άψογη κατάσταση.
- Συντηρείτε και καθαρίζετε τακτικά τη συσκευή.
- Προσαρμόζετε τον τρόπο εργασίας σας στη συσκευή.
- Μην υπερφορτώνετε τη συσκευή.
- Αν χρειάζεται δώστε τη συσκευή για έλεγχο.
- Απενεργοποιείτε τη συσκευή όταν δεν χρησιμοποιείται.
- Φοράτε γάντια.

ΠΡΟΕΙΔΟΠΟΙΗΣΗ

Αποφεύγετε τους κινδύνους από κραδασμούς, π.χ. τον κίνδυνο συνδρόμου λευκών δακτύλων (διαταραχές της αιμάτωσης) κάνοντας συχνά διαλείμματα κατά την εργασία, στα οποία π.χ. τρίβετε μεταξύ τους τις παλάμες.

- Φοράτε πάντα προστατευτικά γάντια και προσέχετε να είναι πάντα ζεστά τα χέρια σας.
- Κάνετε τακτικά διαλείμματα εργασίας.

9. Πριν από τη θέση σε λειτουργία

- Ανοίξτε τη συσκευασία και αφαιρέστε προσεκτικά τη συσκευή.
- Απομακρύνετε το υλικό συσκευασίας καθώς και τις ασφάλειες συσκευασίας/και μεταφοράς (εφόσον υπάρχουν).
- Ελέγξτε εάν είναι πλήρης η παράδοση.
- Ελέγξτε τη συσκευή και τα αξεσουάρ για τυχόν ζημιές από τη μεταφορά.
- Φυλάξτε τη συσκευασία κατά το δυνατό μέχρι τη λήξη της εγγύησης.

ΠΡΟΣΟΧΗ

Η συσκευή και τα υλικά συσκευασίας δεν είναι παιδικά παιχνίδια! Τα παιδιά δεν επιτρέπεται να παίζουν με πλαστικές σακούλες, μεμβράνες και μικροεξαρτήματα! Υπάρχει κίνδυνος κατάποσης και ασφυξίας!

- Πριν τη χρήση, εξοικειωθείτε με τη συσκευή με τη βοήθεια των οδηγιών χειρισμού.
- Για παρελκόμενα, φθειρόμενα εξαρτήματα και ανταλλακτικά χρησιμοποιείτε μόνο γνήσια εξαρτήματα. Ανταλλακτικά μπορείτε να προμηθευτείτε από τον τοπικό σας εξειδικευμένο έμπορο.
- Κατά τις παραγγελίες αναφέρετε τον αριθμό είδους των προϊόντων μας καθώς και τον τύπο και το έτος κατασκευής της συσκευής.

Το ψαλίδι μπορντούρας βενζίνης δεν παραδίδεται γεμισμένο με μείγμα καυσίμου.

Η συσκευή λειτουργεί με ένα μείγμα βενζίνης (αμόλυβδης) και λαδιού δίχρονων μοτέρ.

Κατά τον χειρισμό της βενζίνης απαιτείται αυξημένη προσοχή. Δεν επιτρέπεται κάπνισμα και γυμνή φλόγα (κίνδυνος έκρηξης).

Ελέγχετε τη συσκευή πριν από κάθε θέση σε λειτουργία για τα εξής:

- Στεγανότητα του συστήματος καυσίμου.
- Άψογη κατάσταση και πληρότητα των προστατευτικών διατάξεων και της διάταξης κοπής.
- Σταθερή συναρμογή όλων των βιδωτών συνδέσεων.
- Ευκολία κίνησης όλων των κινητών μερών.

Καύσιμο και λάδι

- Συνιστώμενα καύσιμα
- Χρησιμοποιείτε μόνο μείγμα από αμόλυβδη βενζίνη και ειδικό λάδι 2χρονων κινητήρων. Αναμιγνύετε το μείγμα καυσίμου σύμφωνα με τον πίνακα ανάμιξης καυσίμου.
- Μη χρησιμοποιείτε καύσιμο E10.

Προσοχή:

Μη χρησιμοποιείτε μείγμα καυσίμου που έχει αποθηκευτεί για περισσότερο από 90 ημέρες.

Προσοχή:

Μη χρησιμοποιείτε λάδι 2χρονων κινητήρων το οποίο συνιστάται να χρησιμοποιείται σε αναλογία 100:1. Σε περίπτωση ζημιών στο μοτέρ λόγω ανεπαρκούς λίπανσης, παύει να ισχύει η εγγύηση κατασκευαστή για το μοτέρ.

Προσοχή:

Για τη μεταφορά και την αποθήκευση καυσίμου χρησιμοποιείτε μόνο τα δοχεία που προβλέπονται και επιτρέπονται για τον σκοπό αυτόν. Προσθέτετε την εκάστοτε σωστή ποσότητα βενζίνης και λαδιού 2χρονων μοτέρ στο παρεχόμενο δοχείο ανάμιξης λαδιού-βενζίνης (A). Κατόπιν ανακινείτε καλά το δοχείο.

Ποτέ μη χρησιμοποιήσετε λάδι για 4χρονους κινητήρες ή υδρόψυκτους 2χρονους κινητήρες. Σε μια τέτοια περίπτωση υπάρχει το ενδεχόμενο για ρύπανση του μπουζί, έμφραξη της εξάτμισης ή κόλλημα του δακτυλίου εμβόλου. Μείγματα καυσίμου τα οποία δεν έχουν χρησιμοποιηθεί για ένα μήνα ή περισσότερο μπορούν να προκαλέσουν έμφραξη στο καρμπυρατέρ ή να επηρεάσουν αρνητικά τη λειτουργία του μοτέρ. Φυλάσσετε το καύσιμο που δεν σε ένα δοχείο που κλείνει αεροστεγώς και σε σκοτεινό, δροσερό χώρο.

Πίνακας ανάμιξης καυσίμου

Διαδικασία ανάμιξης: 40 μέρη βενζίνη προς 1 μέρος λαδιού

Παράδειγμα:

1 L βενζίνη: 0,025 L λάδι 2χρονων κινητήρων

5 L βενζίνη: 0,125 L λάδι 2χρονων κινητήρων

Προειδοποίηση! Προσέχετε τα καυσαέρια.

Πάντα σβήνετε το μοτέρ πριν τον ανεφοδιασμό με καύσιμο. Ποτέ μην προσθέτετε βενζίνη στη συσκευή ενώ το μοτέρ είναι σε λειτουργία ή είναι ακόμα σε υψηλή θερμοκρασία. Υπάρχει κίνδυνος πυρκαγιάς!

Πραγματοποιείτε τον εφοδιασμό καυσίμου σε ανοικτό χώρο ή σε καλά αεριζόμενους χώρους. Προσέχετε να μη χυθεί καύσιμο στο έδαφος (προστασία του περιβάλλοντος). Χρησιμοποιείτε κατάλληλο υπόθεμα. Χρησιμοποιείτε μόνο βιολογικό λάδι αλυσίδας.

Τα καύσιμα μπορούν να αποθηκεύονται μόνο για περιορισμένο χρόνο, επειδή παλιώνουν. Τα καύσιμα και τα μείγματα καυσίμου που έχουν αποθηκευτεί για πολύ καιρό μπορεί να προκαλέσουν προβλήματα εκκίνησης. Επομένως αναμιγνύετε μόνο όσο καύσιμο καταναλώνετε μέσα σε ένα μήνα. Αποθηκεύετε τα καύσιμα μόνο σε δοχεία που είναι εγκεκριμένα και επισημασμένα για τον σκοπό αυτόν. Φυλάσσετε τα δοχεία καυσίμου σε στεγνή και ασφαλή κατάσταση.

Προσέχετε τα δοχεία καυσίμου να φυλάσσονται μακριά από παιδιά.

Προσοχή! Πληροφορηθείτε πριν τη θέση σε λειτουργία πώς μπορείτε να θέσετε τη συσκευή το ταχύτερο εκτός λειτουργίας σε περίπτωση ανάγκης!

9.1 Ανεφοδιασμός του ψαλιδιού μπορντούρας

- Απενεργοποιήστε το μοτέρ και αφήστε το να κρυώσει!
 - Φοράτε προστατευτικά γάντια!
 - Αποφεύγετε την επαφή με το δέρμα και τα μάτια!
 - Λάβετε οπωσδήποτε υπόψη σας την ενότητα «Ασφάλεια στον χειρισμό καυσίμων», βλ. 6.3.
1. Ο ανεφοδιασμός του ψαλιδιού μπορντούρας βενζίνης πρέπει να γίνεται μόνο σε ανοικτό χώρο ή σε επαρκώς αεριζόμενους χώρους.
 2. Καθαρίστε τον περίγυρο της περιοχής προσθήκης. Τυχόν ακαθαρσίες μέσα στο ρεζερβουάρ προκαλούν προβλήματα λειτουργίας.
 3. Πριν την προσθήκη στο ρεζερβουάρ, ανακινήστε ακόμα μία φορά τη φιάλη ανάμιξης λαδιού-βενζίνης (Α) που περιέχει το μείγμα καυσίμου.
 4. Ανοίξτε προσεκτικά το καπάκι ρεζερβουάρ (11) του ρεζερβουάρ καυσίμου, ώστε να μπορεί να εκτονωθεί τυχόν υπερπίεση.
 5. Προσθέστε προσεκτικά μείγμα καυσίμου έως το κάτω χείλος του στομίου πλήρωσης. Χρησιμοποιήστε μια χοάνη ή ένα βοήθημα προσθήκης (δεν συμπεριλαμβάνεται στο παραδοτέο υλικό), για να αποφύγετε να σας χυθεί το καύσιμο.
 6. Κλείστε πάλι το καπάκι ρεζερβουάρ (11). Βεβαιωθείτε ότι το καπάκι ρεζερβουάρ (11) έχει κλείσει στεγανά.
 7. Καθαρίστε το πώμα ρεζερβουάρ (11) και τη γύρω περιοχή του.
 8. Ελέγξτε το ρεζερβουάρ και τους αγωγούς καυσίμου για σημεία διαρροών.
 9. Αν χρειάζεται χρησιμοποιήστε την αντλία καυσίμου «Primer» (αρχικής πλήρωσης) (5).
 10. Πριν την εκκίνηση του μοτέρ απομακρυνθείτε τουλάχιστον τρία μέτρα από το σημείο ανεφοδιασμού.

9.2 Αποστράγγιση του καυσίμου

Εκκενώνετε το ρεζερβουάρ καυσίμου μόνο σε ανοικτό χώρο ή σε καλά αεριζόμενους χώρους. Προσέχετε να μην εισχωρήσει καύσιμο στο έδαφος (προστασία του περιβάλλοντος). Χρησιμοποιήστε ένα κατάλληλο υπόθεμα.

1. Κρατάτε πάντα ένα δοχείο συλλογής κάτω από το ρεζερβουάρ καυσίμου.
2. Βιδώστε το καπάκι ρεζερβουάρ (11) του ρεζερβουάρ καυσίμου και αφαιρέστε το.
3. Αφήστε να εκρεύσει πλήρως το μείγμα βενζίνης/λαδιού.
4. Βιδώστε πάλι το καπάκι ρεζερβουάρ (11) με το χέρι.

10. Χειρισμός

10.1 Ρύθμιση της πίσω χειρολαβής (8) (Εικ. 2)

Για την ευκολότερη καθοδήγηση του ψαλιδιού μπορντούρας βενζίνης, μπορεί η πίσω χειρολαβή (8) να ρυθμιστεί σε 3 θέσεις εργασίας.

- Κατά τη διάρκεια της διαδικασίας ρύθμισης δεν μπορεί να χρησιμοποιηθεί ο μοχλός γκαζιού (9).
1. Κρατήστε σταθερά το ψαλίδι μπορντούρας βενζίνης με το αριστερό χέρι από την μπροστινή χειρολαβή (3).

2. Μετακινήστε τη λαβή ασφάλισης (10) προς τα πίσω και περιστρέψτε τη χειρολαβή στην επιθυμητή θέση.
3. Αφήστε ελεύθερη τη λαβή ασφάλισης (10). Προσέχετε ώστε η λαβή ασφάλισης να ασφαλίσει πάλι και η χειρολαβή να είναι καλά στερεωμένη.

10.2 Εκκίνηση της συσκευής

⚠ Κίνδυνος τραυματισμού!

Θέστε σε λειτουργία το ψαλίδι μπορντούρας βενζίνης μόνο όταν έχει εγκατασταθεί η διάταξη κοπής! Αφαιρέστε την κατάλληλη προστασία μεταφοράς και επιθεωρήστε τη συσκευή για καλή κατάσταση λειτουργίας.

Ποτέ μη χρησιμοποιήσετε μια διάταξη κοπής που έχει υποστεί ζημιά, είναι ακατάλληλα ρυθμισμένη ή συντηρημένη ή δεν έχει συναρμολογηθεί πλήρως και με ασφάλεια.

Ελέγχετε πριν τη χρήση!

Ελέγξτε αν η συσκευή βρίσκεται σε ασφαλή κατάσταση:

- Βεβαιωθείτε πως το μπουτόν ενεργοποίησης/ απενεργοποίησης (6), η ασφάλιση μοχλού γκαζιού (7) και ο μοχλός γκαζιού (9) λειτουργούν σύμφωνα με τις προδιαγραφές.
- Ελέγξτε τη συσκευή για διαρροές.
- Ελέγξτε τη συσκευή για ορατές ζημιές.
- Ελέγξτε αν όλα τα εξαρτήματα της συσκευής έχουν τοποθετηθεί με ασφάλεια.
- Ελέγξτε αν όλα τα συστήματα ασφαλείας βρίσκονται σε καλή κατάσταση και είναι λειτουργικά.

10.2.1 Εκκίνηση με κρύο μοτέρ (Εικ. 1, 3, 4)

Για την εκκίνηση στηρίζετε το ψαλίδι μπορντούρας βενζίνης και κρατάτε το σταθερά. Προσέχετε να είναι ελεύθερη η διάταξη κοπής.

1. Αφαιρέστε το προστατευτικό μαχαίριου (E) από τη διάταξη κοπής (1).
2. Αποθέστε το ψαλίδι μπορντούρας βενζίνης πάνω σε μια σταθερή και οριζόντια επιφάνεια στήριξης. Η διάταξη κοπής (1) δεν επιτρέπεται να έρθει σε επαφή με το έδαφος.
3. Πιέστε 7 φορές την αντλία καυσίμου «Primer» (αρχικής πλήρωσης) (5).
4. Γυρίστε τον μοχλό ψυχρής εκκίνησης (τσοκ) (4) στη θέση «Ψυχρή εκκίνηση».
5. Κρατήστε το ψαλίδι μπορντούρας βενζίνης σταθερά από την μπροστινή χειρολαβή (3) και τραβήξτε τον μηχανισμό σχοινοίου εκκίνησης (12) αργά έως ότου αισθανθείτε την πρώτη αντίσταση.
6. Τραβήξτε γρήγορα τον μηχανισμό σχοινοίου εκκίνησης (12), μέχρι να ξεκινήσει το μοτέρ. Αν δεν ξεκινήσει το μοτέρ, επαναλάβετε τη διαδικασία. Όσο ο μοχλός ψυχρής εκκίνησης (τσοκ) (4) βρίσκεται στη θέση «Ψυχρή εκκίνηση», το μοτέρ τίθεται σε λειτουργία για λίγο και μετά σβήνει πάλι.
7. Μόλις σβήσει το μοτέρ, πατήστε την ασφάλιση μοχλού γκαζιού (7) και τον μοχλό γκαζιού (9) μαζί. Ο μοχλός ψυχρής εκκίνησης (τσοκ) (4) μεταβαίνει αυτόματα στη θέση λειτουργίας «Θερμή εκκίνηση».
8. Τώρα τραβήξτε πάλι γρήγορα τον μηχανισμό σχοινοίου εκκίνησης (12), μέχρι να ξεκινήσει το μοτέρ.

9. Μετά από μια ενεργοποίηση του μοχλού γκαζιού (9) το μοτέρ λειτουργεί σε αυξημένο ρελαντί.
10. Αφήστε το μοτέρ λίγη ώρα να ζεσταθεί.

Αν το μοτέρ δεν ξεκινά μετά από αρκετές προσπάθειες, διαβάστε το κεφάλαιο «Αντιμέτωπη προβλημάτων».

Προσοχή

Πάντα τραβάτε ευθεία έξω το σχοινί στον μηχανισμό σχοινού εκκίνησης (12). Αν τραβήξετε το σχοινί υπό γωνία, προκύπτει τριβή στον κρίκο. Λόγω αυτής της τριβής, το σχοινί καταπονείται και φθείρεται πολύ ταχύτερα. Κρατάτε σταθερά τη λαβή του μηχανισμού σχοινού εκκίνησης (12) όταν τραβιέται πάλι μέσα ο μηχανισμός σχοινού εκκίνησης (12).

Ποτέ μην αφήνετε τον μηχανισμό σχοινού εκκίνησης (12) να τινάζεται απότομα πίσω στη θέση του. Αυτό μπορεί να προκαλέσει ζημιές.

Υπόδειξη:

Αν επικρατούν υψηλές εξωτερικές θερμοκρασίες, μπορεί να χρειαστεί εκκίνηση χωρίς μοχλό ψυχρής εκκίνησης (τσοκ) (4) ακόμα και αν είναι κρύο το μοτέρ.

Υπόδειξη:

Αν η διάταξη κοπής (1) κινείται κατά τη λειτουργία στο ρελαντί ή αν το μοτέρ σβήνει από μόνο του όταν αφήνετε το γκάζι, χρειάζεται να ρυθμιστεί το καρμπιρατέρ (βλ. κεφάλαιο «13.2 Ρύθμιση του αριθμού στροφών χωρίς φορτίο»).

10.2.2 Εκκίνηση με ζεστό μοτέρ

1. Ο μοχλός ψυχρής εκκίνησης (τσοκ) πρέπει να βρίσκεται στη θέση «Θερμή εκκίνηση» για την εκκίνηση του μοτέρ όταν είναι ζεστό.
2. Κρατήστε το ψαλίδι μπορντούρας βενζίνης σταθερά από την μπροστινή χειρολαβή (3) και τραβήξτε τον μηχανισμό σχοινού εκκίνησης (12) αργά έως ότου αισθανθείτε την πρώτη αντίσταση.
3. Τραβήξτε γρήγορα τον μηχανισμό σχοινού εκκίνησης (12). Η συσκευή θα πρέπει να τεθεί σε λειτουργία μετά από 12 τραβήγματα. Αν η συσκευή δεν ξεκινά ακόμα και μετά από 6 τραβήγματα, επαναλάβετε τη διαδικασία στην ενότητα «Εκκίνηση με κρύο μοτέρ».

10.3 Λειτουργία του ψαλιδιού μπορντούρας (Εικ. 1)

1. Κρατήστε σταθερά το ψαλίδι μπορντούρας βενζίνης με το αριστερό χέρι από την μπροστινή χειρολαβή (3).
2. Κρατήστε σταθερά με το δεξιό χέρι την πίσω χειρολαβή (8). Τότε η βάση του αντίχειρα βρίσκεται πάνω στην ασφάλιση μοχλού γκαζιού (7) και ο δείκτης χειρίζεται τον μοχλό γκαζιού (9).
3. Πιέστε τον μοχλό γκαζιού (9).
4. Η διάταξη κοπής αρχίζει να κινείται.

Αν αφήσετε ελεύθερο τον μοχλό γκαζιού (9), η διάταξη κοπής σταματά και το μοτέρ λειτουργεί στο ρελαντί.

Απευθυνθείτε στον κατασκευαστή σε περίπτωση που η διάταξη κοπής συνεχίζει να κινείται και στο ρελαντί.

Σε αυτή την περίπτωση ποτέ μη συνεχίσετε την εργασία με το ψαλίδι μπορντούρας βενζίνης!

10.4 Μπλοκάρισμα της διάταξης κοπής (Εικ. 1)

Σε περίπτωση που μπλοκάρει η διάταξη κοπής (1) κατά τη διάρκεια της εργασίας, θέστε το ψαλίδι μπορντούρας βενζίνης εκτός λειτουργίας χρησιμοποιώντας το μπουτόν ενεργοποίησης/ απενεργοποίησης (6) και αφαιρέστε τον σύνδεσμο μπουζί (14).

Κατόπιν απομακρύνετε το υλικό που δημιουργεί το μπλοκάρισμα και ελέγξτε τη διάταξη κοπής (1) για τυχόν ζημιές.

10.5 Σβήσιμο του μοτέρ

1. Πατήστε το μπουτόν ενεργοποίησης/ απενεργοποίησης (6) και κρατήστε το πατημένο.
2. Περιμένετε να ακινητοποιηθεί το μοτέρ πριν αφήσετε τη συσκευή από τα χέρια σας.
3. Αφήστε ελεύθερο το μπουτόν ενεργοποίησης/ απενεργοποίησης (6).

11. Υποδείξεις εργασίας

11.1 Εργασία με το ψαλίδι μπορντούρας

- Το ψαλίδι μπορντούρας προορίζεται για να κόβει φράκτες από θάμνους, ποώδη φυτά και θάμνους.
- Κρατάτε το ψαλίδι μπορντούρας σε ασφαλή απόσταση από το σώμα χρησιμοποιώντας και τα δύο χέρια.
- Η μέγιστη διάμετρος κοπής εξαρτάται από το είδος του ξύλου, την ηλικία του, την περιεχόμενη υγρασία και τη σκληρότητα του ξύλου.
- Για τον λόγο αυτόν, πριν την κοπή του φράχτη από θάμνους, κόβετε τα πολύ χονδρά κλαδιά με μια ψαλίδα στο αντίστοιχο μήκος.
- Επειδή το ψαλίδι μπορντούρας κόβει με το μαχαίρι του και από τις δύο πλευρές, μπορείτε να το περνάτε προς τα εμπρός και προς τα πίσω ή με κινήσεις ταλάντωσης από τη μία πλευρά στην άλλη.
- Κόβετε πρώτα τις πλευρές των φραχτών από θάμνους και μετά την πάνω πλευρά.
- Κόβετε τον φράχτη από θάμνους από κάτω προς τα πάνω.
- Κόβετε τον φράχτη από θάμνους σε σχήμα τραπέζιου. Με αυτόν τον τρόπο αποτρέπεται η απογύμνωση της κάτω πλευράς του φράχτη λόγω έλλειψης φωτός.
- Τεντώστε ένα σπάγκο καθοδήγησης σε όλο το μήκος του φράχτη από θάμνους, αν θέλετε να κουρέψετε ομοιόμορφα τον φράχτη από θάμνους.
- Κόβετε με πολλαπλές διελεύσεις, αν χρειάζεται έντονο κλάδεμα.
- Απομακρύνετε οπωσδήποτε ξένα υλικά από τον φράχτη από θάμνους (π.χ. σύρματα), επειδή αυτά μπορούν να προξενήσουν ζημιές στα μαχαίρια του ψαλιδιού μπορντούρας.
- **Προσοχή!** Τα μαχαίρια συνεχίζουν να κινούνται μετά την απενεργοποίηση! Μην επιχειρήσετε να σταματήσετε τα μαχαίρια με το χέρι σας.

Η σωστή χρονική στιγμή για κοπή:

- φράχτης από θάμνους με φύλλα: Ιούνιος και Οκτώβριος
- φράχτης από θάμνους με βελόνες: Απρίλιος και Αύγουστος
- φράχτης από θάμνους ταχείας ανάπτυξης: από τον Μάιο περ. κάθε 6 εβδομάδες

Προσέχετε για πηγά που κλωσουν μέσα στον φράχτη από θάμνους. Σε αυτή την περίπτωση αναβάλετε την κοπή του φράχτη από θάμνους ή εξαιρέστε την περιοχή αυτή.

12. Μεταφορά

Για τη μεταφορά της συσκευής, σβήστε το μοτέρ, περιμένετε να ακινητοποιηθεί η διάταξη κοπής και τοποθετήστε το προστατευτικό μαχαιριού (E) (Εικ. 4).

Μεταφέρετε τη συσκευή από την μπροστινή χειρολαβή (3). Για το σκοπό αυτό κρατάτε τη διάταξη κοπής (1) προς τα πίσω και τον καυτό σιγαστήρα (13) μακριά από το σώμα σας.

Όταν μεταφέρετε τη συσκευή με αυτοκίνητο, τοποθετείτε την μόνο στο πορτμπαγκάζ ή πάνω σε ξεχωριστή επιφάνεια μεταφοράς.

Ασφαλίστε το ψαλίδι μπορντούρας βενζίνης από ανατροπή, ζημιές και έκχυση καυσίμου.

13. Καθαρισμός και συντήρηση

Πριν από κάθε εργασία συντήρησης και καθαρισμού

- Σβήστε το μοτέρ
- Περιμένετε να ακινητοποιηθεί η διάταξη κοπής
- Αφαιρέστε τον σύνδεσμο μπουζί (εκτός αν ρυθμίζετε το ρελαντί)
- Αφήστε τη συσκευή να κρυώσει

Υπόδειξη!

Μετά από κάθε χρήση, η συσκευή θα πρέπει να καθαρίζεται σχολαστικά.

Εκτελείτε τις εργασίες καθαρισμού και συντήρησης μόνο μέχρι την έκταση που περιγράφεται στις παρούσες οδηγίες χειρισμού.

Εργασίες συντήρησης και καθαρισμού πέραν από τις περιγραφόμενες σε αυτό το κεφάλαιο, επιτρέπεται να διενεργούνται μόνο από την εξυπηρέτηση πελατών.

Μη διενεργείτε εργασίες συντήρησης κοντά σε γυμνή φλόγα. Κίνδυνος πυρκαγιάς!

Οι διατάξεις ασφαλείας που αφαιρέθηκαν για τη συντήρηση και τον καθαρισμό πρέπει οπωσδήποτε να τοποθετηθούν πάλι κανονικά και να ελεγχθούν.

Χρησιμοποιείτε μόνο γνήσια εξαρτήματα. Άλλα εξαρτήματα μπορεί να οδηγήσουν σε απρόβλεπτες ζημιές και τραυματισμούς.

Φοράτε γάντια, για να αποφεύγετε ενδεχόμενους τραυματισμούς.

Για να εξασφαλιστεί μια μεγάλης διάρκειας και αξιόπιστη χρήση του ψαλιδιού μπορντούρας βενζίνης, διενεργείτε σε τακτική βάση τις εργασίες συντήρησης που περιγράφονται παρακάτω.

Ελέγξτε το ψαλίδι μπορντούρας βενζίνης για εμφανείς ελλείψεις όπως

- λασκαρισμένες στερεώσεις
- δομικά μέρη που παρουσιάζουν φθορά ή ζημιά
- διάταξη κοπής που έχει λυγίσει, σπάσει ή υποστεί ζημιά
- Πώμα ρεζερβουάρ και αγωγούς καυσίμου για στεγανότητα

Ελέγξτε το ψαλίδι μπορντούρας βενζίνης μετά από κάθε χρήση για

- Φθορά, ιδιαιτέρως τζόγος ολίσθησης της διάταξης κοπής.
- Σωστά εγκατεστημένα και σε άψογη κατάσταση καλύμματα ή προστατευτικές διατάξεις.

Οι απαιτούμενες επισκευές ή εργασίες συντήρησης πρέπει να διενεργούνται πριν τη χρήση του ψαλιδιού μπορντούρας βενζίνης.

13.1 Λίπανση κιβωτίου μετάδοσης (Εικ. 5)

Λιπαίνετε το κιβώτιο μετάδοσης κάθε 10 έως 20 ώρες λειτουργίας.

1. Με το παρεχόμενο κλειδί Άλεν 4 mm (C) ξεβιδώστε τη βίδα του ανοίγματος λίπανσης (18) στην κάτω πλευρά του ψαλιδιού μπορντούρας.
2. Τοποθετήστε τον γρασαδόρο στο άνοιγμα λίπανσης (18).
3. Πιέστε για να εισέλθει λίγο γράσο.
4. Βιδώστε πάλι τη βίδα του ανοίγματος λίπανσης (18).

Προσοχή! Προσθέστε μόνο λίγο γράσο. Σε καμία περίπτωση μην προσθέσετε υπερβολική ποσότητα.

13.2 Ρύθμιση του αριθμού στροφών χωρίς φορτίο

Αν η διάταξη κοπής (1) κινείται στο ρελαντί ή αν το μοτέρ σβήνει από μόνο του αν αφήνετε το γκάτζι, τότε χρειάζεται να ρυθμιστεί το καρμπιρατέρ.

Υπόδειξη:

Αναθέτετε τις ρυθμίσεις στο καρμπιρατέρ (π.χ. αριθμός στροφών χωρίς φορτίο) μόνο σε ειδικευμένο τεχνικό προσωπικό, για να αποφεύγετε ζημιές στο μοτέρ.

13.3 Καθαρισμός ή αντικατάσταση φίλτρου αέρα (Εικ. 6)

Τα λερωμένα φίλτρα αέρα μειώνουν την ισχύ μοτέρ λόγω πολύ μικρής τροφοδοσίας αέρα προς το καρμπιρατέρ. Σκόνη και γύρη φράζουν τους πόρους του ενθέτου από αφρώδες υλικό. Επομένως ο τακτικός έλεγχος είναι απολύτως απαραίτητος. Καθαρίζετε το φίλτρο αέρα (17) περ. κάθε 15 ώρες λειτουργίας, και συχνότερα σε συνθήκες αυξημένης σκόνης.

1. Θέστε τον μοχλό ψυχρής εκκίνησης (τσοκ) (4) στη θέση «Ψυχρή εκκίνηση» ώστε να μη φθάσει κανένα σωματίδιο ακαθαρσίας στο καρμπιρατέρ.
2. Αφαιρέστε το κάλυμμα φίλτρου αέρα (16). Για τον σκοπό αυτόν ξεβιδώστε τη βίδα τύπου πεταλούδας (15).
3. Αφαιρέστε το φίλτρο αέρα (17) από το αφρώδες υλικό.
4. Πλύνετε το φίλτρο αέρα (17) σε χλιαρό σαπουνόνερο. Μη φυσάτε τα σωματίδια ακαθαρσίας γιατί υπάρχει κίνδυνος τραυματισμού των ματιών!
5. Καθαρίστε το εσωτερικό χώρο του φίλτρου με ένα πινέλο.
6. Αφήστε το φίλτρο αέρα (17) να στεγνώσει καλά και τοποθετήστε το πάλι.
7. Τοποθετήστε πάλι το κάλυμμα φίλτρου (16).

Προσοχή:

Ποτέ μην καθαρίζετε το φίλτρο αέρα με βενζίνη ή με καύσιμους διαλύτες.

Για να μη μειωθεί η διάρκεια ζωής του μοτέρ, πρέπει ένα φίλτρο αέρα που έχει υποστεί ζημιές να αντικαθίσταται άμεσα.

⚠ Προσοχή!

Ποτέ μην αφήνετε σε λειτουργία το μοτέρ όταν δεν έχει τοποθετηθεί το στοιχείο φίλτρου αέρα.

13.4 Καθαρισμός ή αντικατάσταση του φίλτρου βενζίνης

Αν χρειάζεται να ελέγξετε το φίλτρο βενζίνης. Ένα λερωμένο φίλτρο βενζίνης εμποδίζει την τροφοδοσία καυσίμου.

Ανοίξτε το καπάκι ρεζερβουάρ (11) και τραβήξτε το φίλτρο βενζίνης από το άνοιγμα με ένα συρμάτινο γάντζο (δεν περιλαμβάνεται στο παραδοτέο υλικό).

- Σε περίπτωση ελαφράς ρύπανσης:
 - αφαιρέστε το φίλτρο βενζίνης από τον αγωγό καυσίμου και καθαρίστε το φίλτρο μέσα σε βενζίνη καθαρισμού.
- Σε περίπτωση έντονης ρύπανσης:
 - αντικαταστήστε το φίλτρο βενζίνης.

1. Για να αφαιρέσετε το φίλτρο βενζίνης από τον αγωγό καυσίμου, συμπίεστε τον σφιγκτήρα εύκαμπτου σωλήνα και μετακινήστε τον προς τα κάτω.
2. Τώρα μπορεί το φίλτρο βενζίνης να αφαιρεθεί από τον αγωγό καυσίμου.

13.5 Έλεγχος, καθαρισμός ή αντικατάσταση μπουζί (Εικ. 7/8)

Προσοχή

Μην αγγίζετε το μπουζί (14.1) ή τον σύνδεσμο μπουζί (14) όταν το μοτέρ είναι σε λειτουργία. Υψηλή τάση!

Κίνδυνος εγκαυμάτων όταν είναι ζεστό το μοτέρ. Φοράτε προστατευτικά γάντια!

Ελέγχετε τακτικά τα μπουζί και την απόσταση των ηλεκτροδίων.

13.5.1 Έλεγχος μπουζί

1. Αφαιρέστε τον σύνδεσμο μπουζί (14) από το μπουζί (14.1).
2. Ξεβιδώστε το μπουζί (14.1) χρησιμοποιώντας το παρεχόμενο μπουζόκλειδο (B).
3. Ελέγξτε το διάκενο ηλεκτροδίων. Αυτή πρέπει να είναι 0,6 έως 0,7 mm.

13.5.2 Καθαρισμός μπουζί

Ελέγξτε το μπουζί πρώτη φορά μετά από 10 ώρες λειτουργίας για ρύπανση και αν χρειάζεται καθαρίστε το με μια βούρτσα με χάλκινες τρίχες.

Κατόπιν συντηρείτε το μπουζί κάθε 50 ώρες λειτουργίας.

Αντικαθιστάτε το μπουζί:

- κάθε μήνα όταν χρησιμοποιείτε τακτικά τη συσκευή
- όταν έχει υποστεί ζημιά το μονωτικό σώμα
- σε περίπτωση καψίματος των ηλεκτροδίων
- αν τα ηλεκτρόδια έχουν έντονη ρύπανση ή είναι λερωμένα με λάδι

13.5.3 Έλεγχος σπινθήρα ανάφλεξης

1. Αφαιρέστε τον σύνδεσμο μπουζί (14) από το μπουζί (14.1).
2. Ξεβιδώστε το μπουζί (14.1) χρησιμοποιώντας το παρεχόμενο μπουζόκλειδο (B).
3. Τοποθετήστε σταθερά τον σύνδεσμο μπουζί (14) στη θέση του.
4. Χρησιμοποιώντας μια μονωμένη τσιμπίδα, πιέστε το μπουζί (14.1) πάνω στο περίβλημα μοτέρ (όχι κοντά στην οπή του μπουζί).
5. Τραβήξτε με δύναμη τον μηχανισμό σχοινιού εκκίνησης (12).
6. Αν η λειτουργία είναι κανονική πρέπει να είναι ορατός ένας σπινθήρας ανάμεσα στα ηλεκτρόδια.

13.6 Σιγαστήρας / Άνοιγμα εξόδου (Εικ. 9)

Μη σφίγγετε τις βίδες του σιγαστήρα όταν είναι ζεστό το μοτέρ.

1. Ελέγχετε τακτικά, ότι δεν έχουν λασκάρει οι βίδες (13.2) του σιγαστήρα (13). Χρησιμοποιήστε το κλειδί Άλεν 4 mm (C) για να σφίξετε τυχόν λασκαρισμένες βίδες.
2. Καθαρίζετε τακτικά το άνοιγμα εξόδου (13.1).

13.7 Καθαρισμός

Καθαρίστε το ψαλίδι μπورνοτούρας βενζίνης προσεκτικά μετά από κάθε χρήση, ώστε να διατηρείται η απρόσκοπτη λειτουργία.

Φοράτε προστατευτικά γάντια κατά τον καθαρισμό της διάταξης κοπής!

- Καθαρίστε το περίβλημα με μια μαλακή βούρτσα ή με ένα στεγνό πανί. Δεν επιτρέπεται να χρησιμοποιηθούν νερό, διαλυτικά και γυαλιστικά.
- Προσέξτε να είναι ελεύθερες οι σχισμές αερισμού για την ψύξη του μοτέρ (κίνδυνος υπερθέρμανσης).
- Καθαρίζετε τη διάταξη κοπής τακτικά με μια βούρτσα ή ένα πανί. Ποτέ μην καθαρίζετε τη διάταξη κοπής με νερό (κίνδυνος διάβρωσης!)
- Καθαρίζετε και λαδώνετε τακτικά όλα τα κινητά μέρη.
- Ποτέ μη χρησιμοποιήσετε γράσο!
- Χρησιμοποιείτε λάδι φιλικό προς το περιβάλλον.

13.8 Πρόγραμμα συντήρησης

Εξάρτημα συσκευής	Ενέργεια	Πριν την έναρξη της εργασίας	Κάθε εβδομάδα	Σε περίπτωση βλάβης	Σε περίπτωση ζημιάς	Όταν χρειάζεται
Διάταξη κοπής (1)	Ελέγξτε και προσέξτε για ακονισμένη κατάσταση	X				
	Έλεγχος τζόγου ολίσθησης διάταξης κοπής	X				
	ακονίζω					X
Μοτέρ	Σύσφιξη βιδών σιγαστήρα					X
	Καθαρισμός / αντικατάσταση φίλτρου βενζίνης					X
	Καθαρισμός / αντικατάσταση φίλτρου αέρα					κάθε 15 ώρες λειτουργίας, συχνότερα σε συνθήκες αυξημένης σκόνης
	Λίπανση κιβωτίου μετάδοσης					κάθε 20 ώρες λειτουργίας, τουλάχιστον μία φορά το χρόνο

Πληροφορίες σέρβις

Πρέπει να έχετε υπόψη σας ότι σε αυτό το προϊόν τα παρακάτω εξαρτήματα υπόκεινται σε φθορά ανάλογα με τη χρήση ή φυσική φθορά, δηλ. τα παρακάτω εξαρτήματα χρειάζονται ως αναλώσιμα.

Φθειρόμενα εξαρτήματα*:

Μαχαίρια κοπής (σετ)	(5910402011)
Μπουζί	(3904801048)
Φίλτρο αέρα	(3910404001)

* Δεν περιλαμβάνονται υποχρεωτικά στο αντικείμενο παράδοσης!

14. Αποθήκευση

Φυλάσσετε τη συσκευή με τοποθετημένο προστατευτικό μαχαιριού σε ένα ξηρό, κλειστό χώρο, μακριά από παιδιά, όταν δεν τη χρησιμοποιείτε.

Καθαρίζετε και συντηρείτε τη συσκευή, πριν την αποθηκεύσετε.

Προσοχή:

Ποτέ μη φυλάσσετε τη συσκευή για περισσότερο από 30 ημέρες, χωρίς να εκτελείτε τα εξής βήματα:

Φύλαξη της συσκευής για περισσότερο από 30 ημέρες

Όταν φυλάσσετε τη συσκευή για περισσότερο από 30 ημέρες, πρέπει να την προετοιμάσετε κατάλληλα. Διαφορετικά, θα εξατμιστεί το υπολειπόμενο καύσιμο στο καρμπυρατέρ και θα παραμείνει μια κολλώδης απόθεση. Αυτή θα μπορούσε να δυσκολέψει την εκκίνηση και να έχει σαν συνέπεια την ανάγκη για δαπανηρές εργασίες επισκευής.

- Εκκενώστε το καύσιμο (βλ. 9.2.)
- Θέστε σε λειτουργία το μοτέρ και αφήστε το να λειτουργήσει μέχρι να σταματήσει, για να απομακρύνετε το καύσιμο από το καρμπυρατέρ.
- Αφήστε το μοτέρ να κρυώσει (περ. 5 λεπτά).
- Αφαιρέστε το μπουζί (βλ. 13.5.).
- Προσθέστε στον θάλαμο καύσης 1 κουταλάκι του γλυκού καθαρό λάδι 2χρονων κινητήρων.
- Τραβήξτε επανειλημμένα και αργά το σχοινί εκκίνησης, ώστε να επιτευχθεί επικάλυψη των εσωτερικών εξαρτημάτων.
- Τοποθετήστε πάλι το μπουζί (βλ. 13.5).

Υπόδειξη:

Φυλάξτε τη συσκευή σε ένα ξηρό μέρος, μακριά από ενδεχόμενες πηγές ανάφλεξης, όπως π.χ. φούρνο, μπόιλερ αερίου, στεγνωτήριο με αέριο κλπ.

15. Απόρριψη και ανακύκλωση

Υποδείξεις σχετικά με τη συσκευασία



Τα υλικά συσκευασίας είναι ανακυκλώσιμα. Παρακαλούμε να απορρίψετε τις συσκευασίες με τρόπο φιλικό προς το περιβάλλον.

Σχετικά με τις δυνατότητες απόρριψης της συσκευής στο τέλος της ωφέλιμης ζωής της μπορείτε να πληροφορηθείτε από τις τοπικές ή δημοτικές σας αρχές.

Καύσιμα και λάδια

- Πριν την απόρριψη της συσκευής πρέπει να εκκενωθούν το ρεζερβουάρ καυσίμου και το δοχείο λαδιού κινητήρα!
- Το καύσιμο και το λάδι κινητήρα δεν πρέπει να απορρίπτονται στα οικιακά απορρίμματα, αλλά πρέπει να συλλέγονται ή να απορρίπτονται ξεχωριστά!
- Τα κενά δοχεία λαδιού και δοχεία καυσίμου πρέπει να απορρίπτονται με τρόπο φιλικό προς το περιβάλλον.

16. Αντιμετώπιση προβλημάτων

Πρόβλημα	Ενδεχόμενη αιτία	Αντιμετώπιση
Το ψαλίδι μπορντούρας δεν λειτουργεί	<ul style="list-style-type: none">• Μοτέρ, απουσία καυσίμου• Πρόβλημα στον αγωγό καυσίμου• Φραγμένο φίλτρο βενζίνης• Βλάβη μπουζί• Βλάβη καρμπυρατέρ• Εσωτερικό σφάλμα	<ul style="list-style-type: none">• Ελέγξτε την ποσότητα καυσίμου• Ελέγξτε τον αγωγό καυσίμου για τσάκισμα ή ζημιές• Καθαρίστε ή αντικαταστήστε το φίλτρο βενζίνης.• Αντικαταστήστε το μπουζί• Απευθυνθείτε στον κατασκευαστή ή σε αρμόδια υπηρεσία εξυπηρέτησης πελατών• Απευθυνθείτε στον κατασκευαστή ή σε αρμόδια υπηρεσία εξυπηρέτησης πελατών
Το ψαλίδι μπορντούρας κόβει αλλά με διακοπές	<ul style="list-style-type: none">• Εσωτερικό σφάλμα• Βλάβη του μπουτόν ενεργοποίησης/ απενεργοποίησης	<ul style="list-style-type: none">• Απευθυνθείτε στον κατασκευαστή ή σε αρμόδια υπηρεσία εξυπηρέτησης πελατών• Απευθυνθείτε στον κατασκευαστή ή σε αρμόδια υπηρεσία εξυπηρέτησης πελατών
Το μοτέρ λειτουργεί, αλλά η διάταξη κοπής παραμένει ακίνητη	<ul style="list-style-type: none">• Διάταξη κοπής μπλοκαρισμένη• Εσωτερικό σφάλμα• Βλάβη συμπλέκτη	<ul style="list-style-type: none">• Αφαίρεση αντικειμένων• Απευθυνθείτε στον κατασκευαστή ή σε αρμόδια υπηρεσία εξυπηρέτησης πελατών• Απευθυνθείτε στον κατασκευαστή ή σε αρμόδια υπηρεσία εξυπηρέτησης πελατών
Η διάταξη κοπής θερμαίνεται πολύ	<ul style="list-style-type: none">• Έλλειψη λίπανσης → Τριβή• Η διάταξη κοπής είναι στομωμένη	<ul style="list-style-type: none">• Λάδωμα της διάταξης κοπής• Δώστε τη διάταξη κοπής για ακόνισμα

17. Εγγύηση

Αξιότιμη πελάτισσα, αξιότιμε πελάτη,

Τα προϊόντα μας υπόκεινται σε αυστηρούς ελέγχους ποιότητας. Εάν παρ'όλα αυτά κάποτε δεν λειτουργήσουν άψογα, λυπούμαστε πολύ και σας παρακαλούμε να αποτανθείτε προς το τμήμαμας Εξυπηρέτησης Πελατών, στη διεύθυνση που αναφέρετε σε αυτή την εγγύηση. Ευχαρίστως σας βοηθούμε και τηλεφωνικώς στον αριθμό που αναφέρετε πιο κάτω. Για την κατίσχυση των αξιώσεων εγγύησης ισχύουν τα εξής:

- Αυτοί οι όροι εγγύησης ρυθμίζουν πρόσθετες παροχές εγγύησης. Από την εγγύηση αυτή δεν θίγονται οι νόμιμες αξιώσεις σας για εγγύηση. Η παροχή της εγγύησής μας είναι για σας δωρεάν
- Η εγγύηση καλύπτει αποκλειστικά και μόνο βλάβες που οφείλονται σε ελαττώματα υλικών ή παραγωγής και περιορίζονται στην αποκατάσταση αυτών των ελαττωμάτων ή την αντικατάσταση της συσκευής. Παρακαλούμε να προσέξετε πως οι συσκευές μας δεν προορίζονται για τη βιομηχανία, τη βιοτεχνία και την επαγγελματική χρήση. Για το λόγο αυτό δεν υφίσταται σύμβαση εγγύησης σε περίπτωση χρήσης της συσκευής στη βιομηχανία, βιοτεχνία, για επαγγελματικό ή άλλο παρόμοιο σκοπό. Από την εγγύησή μας αποκλείονται πέραν τούτου αποζημιώσεις για βλάβες μεταφοράς, βλάβες οφειλόμενες σε μη τήρηση της Οδηγίας συναρμολόγησης, ή σε εσφαλμένη εγκατάσταση, μη τήρηση της Οδηγίας χρήσης (π.χ. σύνδεση σε λάθος τάση δικτύου ή είδος ρεύματος), καταχρηστική ή όχι ορθή χρήση (π.χ. υπερφόρτωση ή χρήση μη εγκεκριμένων ανταλλακτικών εργαλείων ή εξαρτημάτων), μη τήρηση των Υποδείξεων συντήρησης και ασφαλείας, είσοδος ξένων αντικειμένων στη συσκευή (όπως π.χ. άμμος ή σκόνη), χρήση βίας ή εξωτερική επίδραση (όπως π.χ. βλάβες από πτώση) καθώς και βλάβες που οφείλονται σε κοινή φθορά.

Η αξίωση εγγύησης εκπίπτει σε περίπτωση που έγιναν ήδη ξένες επεμβάσεις στη συσκευή.

- Η διάρκεια της εγγύησης ανέρχεται σε 3 έτη και αρχίζει από την ημερομηνία αγοράς της συσκευής. Οι αξιώσεις εγγύησης πρέπει να κατασχυθούν πριν την πάροδο της προθεσμίας της εγγύησης εντός δύο εβδομάδων από την διαπίστωση του ελαττώματος. Αποκλείεται η κατίσχυση αξιώσεων εγγύησης μετά την πάροδο της προθεσμίας της εγγύησης. Με την αντικατάσταση της συσκευής, σύμφωνα με το ΝΟΜΟ 2251/1994, ξεκινάει εκ νέου ο χρόνος εγγύησης.
- Για την προβολή της αξίωσής σας έναντι της εγγύησης, παρακαλούμε να απευθυνθείτε στη διεύθυνση σέρβις που αναφέρεται παρακάτω. Εφόσον η αίτησή σας βρίσκεται εντός της περιόδου εγγύησης, θα θέσουμε στη διάθεσή σας ένα δελτίο επιστροφής, με το οποίο μπορείτε να μας αποστείλετε χωρίς χρέωσή σας την ελαττωματική συσκευή. Παρακαλούμε επίσης να μας περιγράψετε την αιτία για την διαμαρτυρία σας όσο πιο αναλυτικά γίνεται. Εάν το ελάττωμα της συσκευής σας καλύπτεται από την εγγύησή μας, είτε θα σας επιστραφεί ταχύτατα η επισκευασμένη συσκευή σας, είτε θα λάβετε μία νέα συσκευή

Φυσικά επισκευάζουμε ευχαρίστως έναντι αμοιβής και ελαττώματα στη συσκευή σας που δεν καλύπτονται ή δεν καλύπτονται πλέον από την εγγύηση. Για το σκοπό αυτό σας παρακαλούμε να αποστείλετε τη συσκευή σας στη διεύθυνση του τμήματος μας για Εξυπηρέτηση Πελατών

Ανοικτή γραμμή σέρβις (GR/CY):

00800 4003 4003

(0,00 €/Min.)

Διεύθυνση e-mail (GR):

service.GR@schepach.com

Διεύθυνση e-mail (CY):

service.CY@schepach.com

Διεύθυνση σέρβις (GR/CY):

GEORGE C SOLOMONIDES & SON LTD

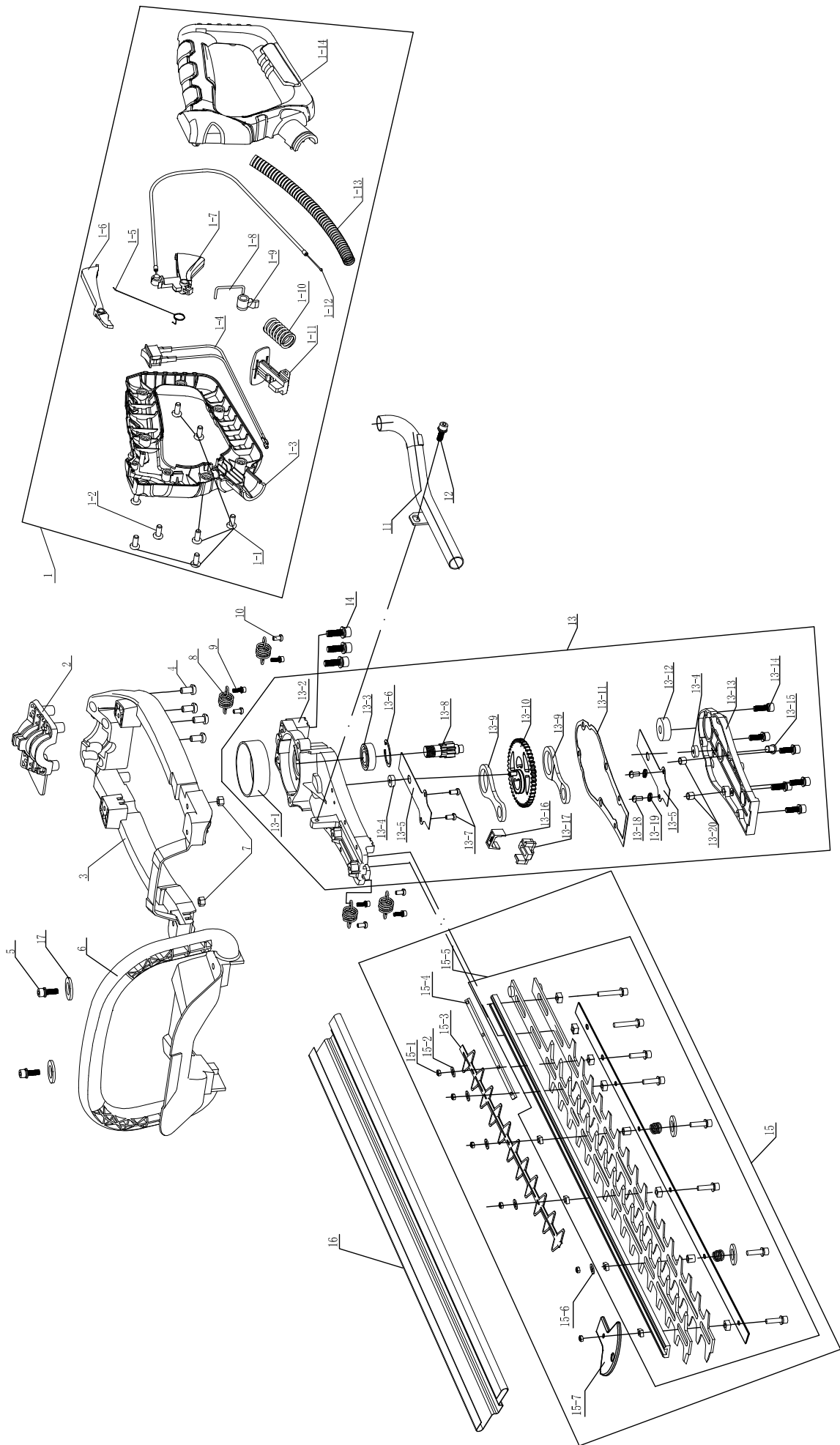
PO.BOX 56236 / 169, LEONTIOS A'

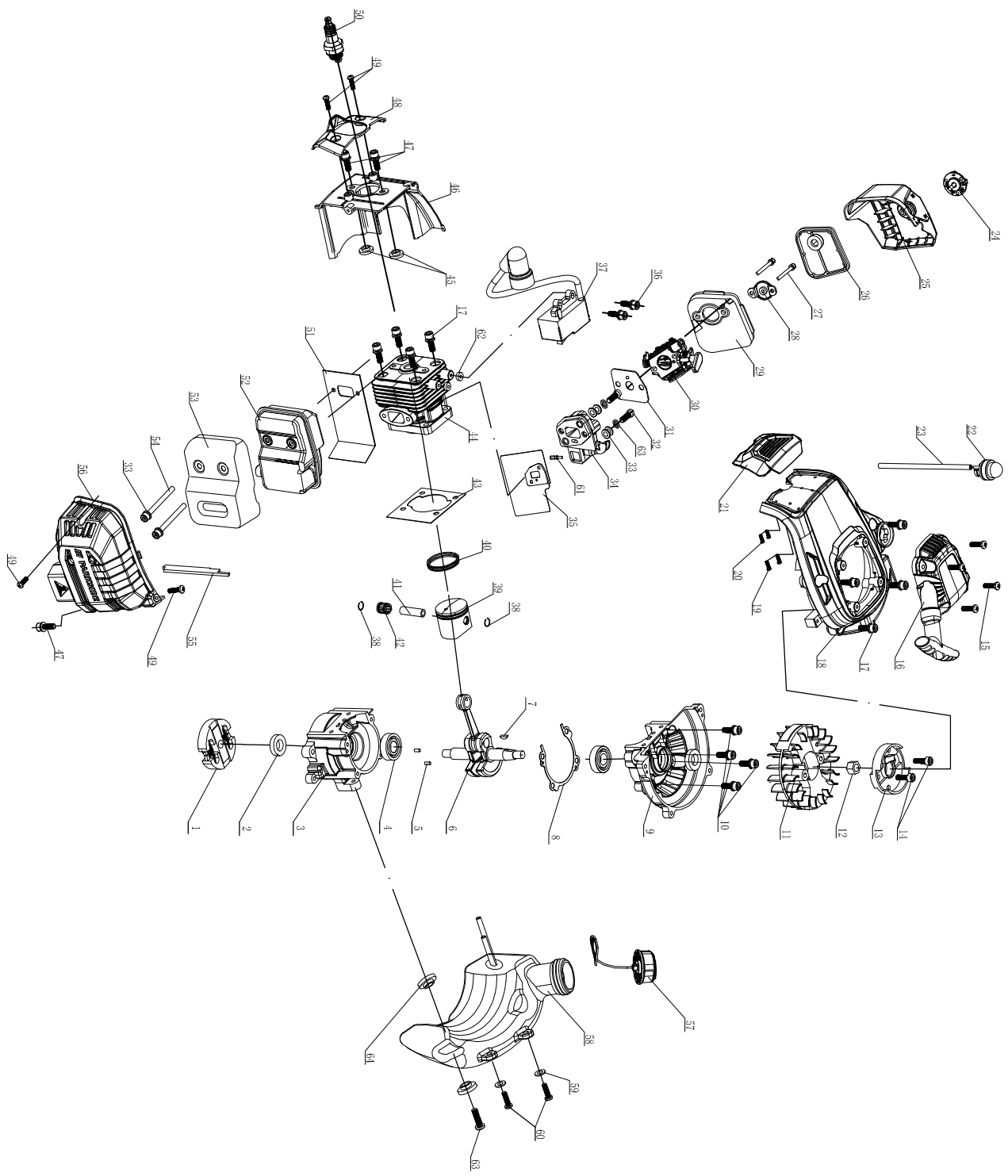
GR - 3305 LIMASSOL/CYPRUS



Από τη διεύθυνση www.lidl-service.com μπορείτε να κατεβάσετε αυτό και πολλά άλλα εγχειρίδια, βίντεο προϊόντων και λογισμικό εγκατάστασης.

Με τον κώδικα QR μεταβαίνετε απευθείας στη σελίδα εξυπηρέτησης του Lidl (www.lidl-service.com) και μπορείτε να ανοίξετε τις οδηγίες χρήσης σας εισάγοντας τον κωδικό προϊόντος (IAN) 422496_2210.





EG-Konformitätserklärung
Originalkonformitätserklärung
EC Declaration of Conformity
 Translation of the original EC declaration of conformity
Déclaration de conformité CE
 Traduction de la déclaration de conformité EC originale



Scheppach GmbH, Günzburger Str. 69, D-89335 Ichenhausen

DE	erklärt folgende Konformität gemäß EU-Richtlinie und Normen für den Artikel	PL	deklaruje, że produkt jest zgodny z następującymi dyrektywami UE i normami
GB	hereby declares the following conformity under the EU Directive and standards for the following article	LT	pareiškia, taip atitiktis pagal ES direktyvos ir standartai šį straipsnį
FR	déclare la conformité suivante selon la directive UE et les normes pour l'article	HU	az EU-irányelv és a vonatkozó szabványok szerinti következő megfeleloségi nyilatkozatot teszi a termékre
IT	dichiara la seguente conformità secondo le direttive e le normative UE per l'articolo	SI	izjavlja sledeco skladnost z EU-direktivo in normami za artikel
ES	declara la conformidad siguiente según la directiva la UE y las normas para el artículo	CZ	prohlašuje následující shodu podle smernice EU a norem pro výrobek
PT	declara o seguinte conformidade com a Directiva da UE e as normas para o seguinte artigo	SK	prehlasuje nasledujúcu zhodu podľa smernice EU a noriem pre výrobok
DK	erklærer hermed, at følgende produkt er i overensstemmelse med nedenstående EU-direktiver og standarder	HR	ovime izjavljuje da postoji skladnost prema EU-smjernica i normama za sljedece artikle
NL	verklaart hierbij dat het volgende artikel voldoet aan de daarop betrekking hebbende EG-richtlijnen en normen	GR	δηλώνει την ακόλουθη συμμόρφωση σύμφωνα με την Οδηγία ΕΚ και τα πρότυπα για το προϊόν
FI	vakuuttaa täten, että seuraava tuote täyttää alla esitettyt EU-direktiivit ja standardit	RO	declară următoarea conformitate corespunzător directivelor și normelor UE pentru articolul
SE	försäkrar härmed följande överensstämmelse enligt EU-direktiv och standarder för följande artikeln	BG	декларира съответното съответствие съгласно Дирек-тива на ЕС и норми за артикул

Marke / Brand / Marque: **Parkside**
 Art.-Bezeichnung: **BENZIN-HECKENSCHERE - PBHS 650 A1**
 Article name: **PETROL HEDGE TRIMMER - PBHS 650 A1**
 Nom d'article: **TAILLE-HAIES THERMIQUE - PBHS 650 A1**
 Art.-Nr. / Art. no. / Numéro d'article: **3910405974; 3910405976 - 3910405979; 39104059915**
 IAN-Nr. / IAN no. / N° IAN : **422496_2210**
 Serien-Nr. / Serial no. / N° série: **01001 - 04293**

2014/29/EU	2004/22/EG	89/686/EWG_96/58/EG	X	2000/14/EG_2005/88/EG
2014/35/EU	2014/68/EU	90/396/EWG		Annex V
X 2014/30/EU	X 2011/65/EU*		X	Annex VI Noise: measured L_{WA} = 107.3 dB; guaranteed L_{WA} = 110 dB P = 0.65 KW Notified Body: TÜV SÜD Product Service GmbH · Ridlerstraße 65 80339 MÜNCHEN Notified Body No.: 0123
X 2006/42/EG			X	2016/1628/EU
	Annex IV Notified Body: Notified Body No.: Certificate No.:			Emission. No: e24*2016/1628*2018/989SHA1/P*0230*01

Standard references:
EN 10517:2019; EN 14982:2009

Die alleinige Verantwortung für die Ausstellung dieser Konformitätserklärung trägt der Hersteller.
 This declaration of conformity is issued under the sole responsibility of the manufacturer.
 Le fabricant assume seul la responsabilité d'établir la présente déclaration de conformité.

- * Der oben beschriebene Gegenstand der Erklärung erfüllt die Vorschriften der Richtlinie 2011/65/EU des Europäischen Parlaments und des Rates vom 8. Juni 2011 zur Beschränkung der Verwendung bestimmter gefährlicher Stoffe in Elektro- und Elektronikgeräten.
- * The object of the declaration described above fulfils the regulations of the directive 2011/65/EU of the European Parliament and Council from 8th June 2011, on the restriction of the use of certain hazardous substances in electrical and electronic equipment.
- * L'appareil décrit ci-dessus dans la déclaration est conforme aux réglementations de la directive 2011/65/EU du Parlement Européen et du Conseil du 8 juin 2011 visant à limiter l'utilisation de substances dangereuses dans la fabrication des appareils électriques et électroniques.

Ichenhausen, 05.01.2023

Signature / Andreas Pecher / Head of Project Management

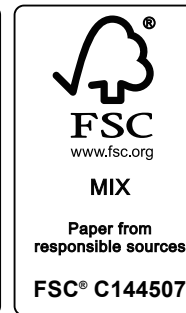
First CE: 2022
Subject to change without notice

Documents registrar: Thomas Schuster
 Günzburger Str. 69, D-89335 Ichenhausen



SCHEPPACH GMBH

Günzburger Str. 69
D-89335 Ichenhausen



Last Information Update · Stand der Informationen · Version des informations · Stand van de informatie · Stav informací · Stan informacij · Stav informácií · Estado de las informaciones · Tilstand af information ·
Versione delle informazioni · Információk állása · Stanje informacij · Zadnje informacije · Stadiul informațiilor · Дата на информация · Έκδοση των πληροφοριών
Update: 02 / 2023 · Ident.-No.: 422496_2210_39104059915

IAN 422496_2210