



## **CORDLESS IMPACT DRIVER PDSSA 20-Li B2**

(GB) (IE) (NI)

### **CORDLESS IMPACT DRIVER**

Translation of the original instructions

(NL) (BE)

### **ACCU-DRAAISLAGSCHROEF-MACHINE**

Vertaling van de originele gebruiksaanwijzing

(FR) (BE)

### **VISSEUSE À CHOCS SANS FIL**

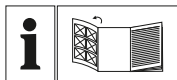
Traduction des instructions d'origine

(DE) (AT) (CH)

### **AKKU-DREHSCHLAGSCHRAUBER**

Originalbetriebsanleitung

**IAN 418088\_2210**



GB IE NI

Before reading, unfold the page containing the illustrations and familiarise yourself with all functions of the device.

---

FR BE

Avant de lire le mode d'emploi, ouvrez la page contenant les illustrations et familiarisez-vous ensuite avec toutes les fonctions de l'appareil.

---

NL BE

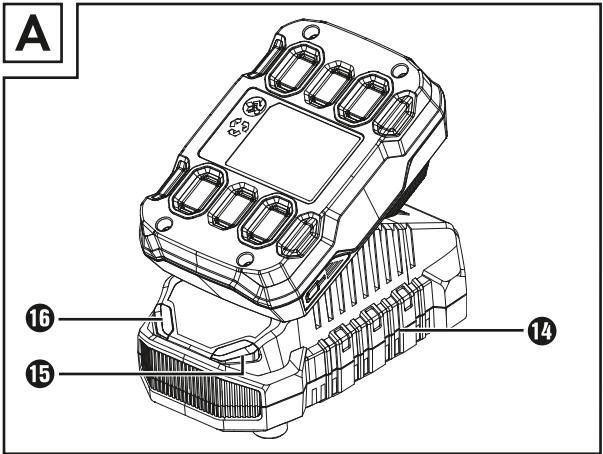
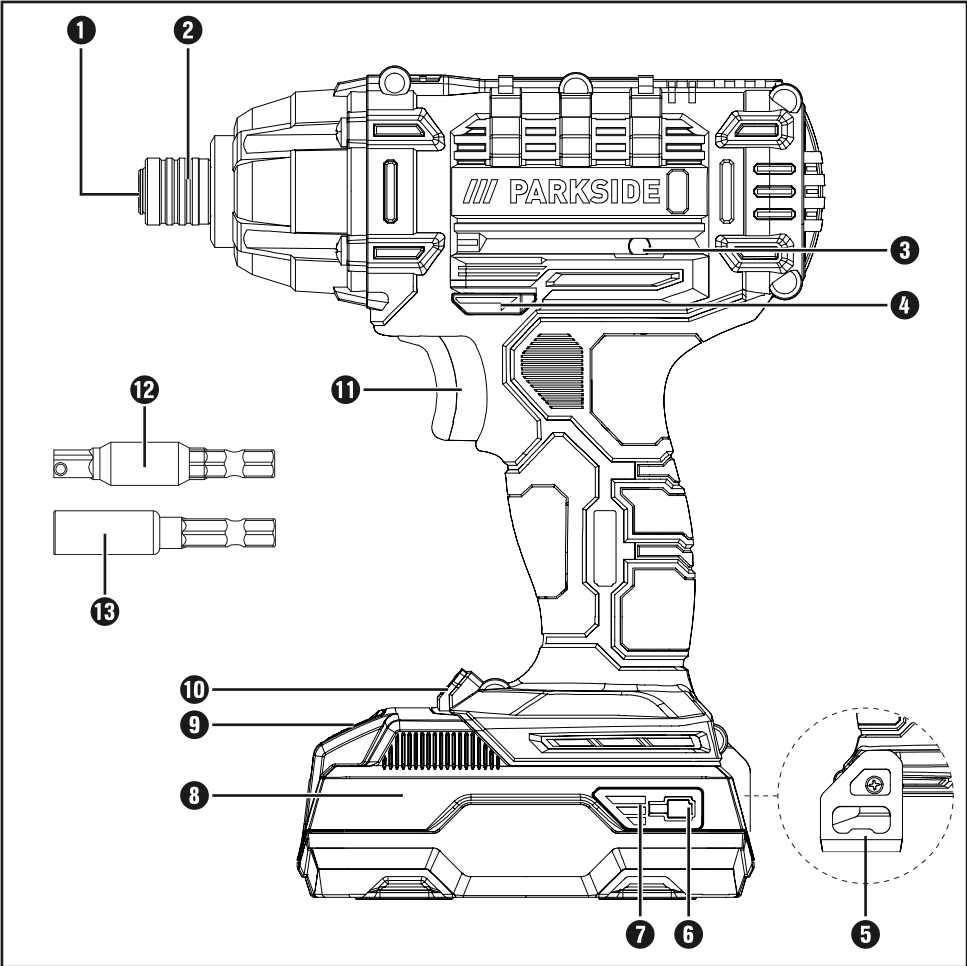
Vouw vóór het lezen de pagina met de afbeeldingen open en maak u vertrouwd met alle functies van het apparaat.

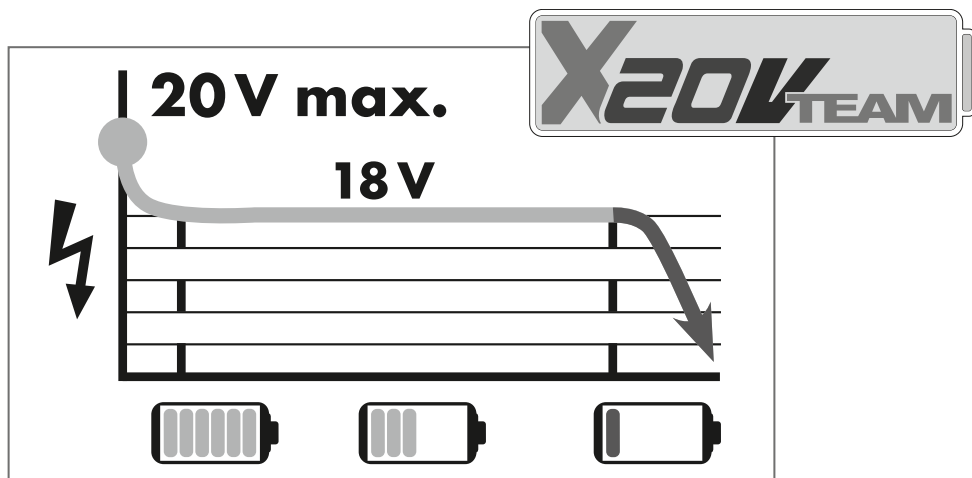
---

DE AT CH

Klappen Sie vor dem Lesen die Seite mit den Abbildungen aus und machen Sie sich anschließend mit allen Funktionen des Gerätes vertraut.

GB/IE/NI	Translation of the original instructions	Page	1
FR/BE	Traduction des instructions d'origine	Page	13
NL/BE	Vertaling van de originele gebruiksaanwijzing	Pagina	27
DE/AT/CH	Originalbetriebsanleitung	Seite	41





All Parkside tools and the chargers PLG 20 A1/A4/C1/A2/C2/A3/C3/PDSL G 20 A1/PLGS 2012 A1 of the X20V Team series are compatible with the PAP 20 A1/A2/A3/B1/B3/PAPS 204 A1/PAPS 208 A1 battery pack.

Charging times Charging currents	max. 2,4 A Charger PLG 20 A1/A4/C1	max. 3,5 A Charger PLG 20 A2/C2	max. 4,5 A Charger PLG 20 A3/C3	max. 4,5 A Charger PDSL G 20 A1	max. 12,0 A Charger PLGS 2012 A1
<b>2 Ah</b> PAP 20 A1/B1 Battery pack	<u>60 min</u> 2,4 A	<u>45 min</u> 3,5 A	<u>35 min</u> 3,8 A	<u>35 min</u> 3,8 A	<u>35 min</u> 3,8 A
<b>3 Ah</b> PAP 20 A2 Battery pack	<u>90 min</u> 2,4 A	<u>60 min</u> 3,5 A	<u>45 min</u> 4,5 A	<u>45 min</u> 4,5 A	<u>32 min</u> 5,3 A
<b>4 Ah</b> PAP 20 A3/B3 Battery pack	<u>120 min</u> 2,4 A	<u>80 min</u> 3,5 A	<u>60 min</u> 4,5 A	<u>60 min</u> 4,5 A	<u>35 min</u> 7,8 A
<b>4 Ah</b> PAPS 204 A1 Battery pack	<u>120 min</u> 2,4 A	<u>80 min</u> 3,5 A	<u>50 min</u> 4,5 A	<u>50 min</u> 4,5 A	<u>35 min</u> 6,0 A
<b>8 Ah</b> PAPS 208 A1 Battery pack	<u>210 min</u> 2,4 A	<u>165 min</u> 3,5 A	<u>120 min</u> 4,5 A	<u>120 min</u> 4,5 A	<u>45 min</u> 12,0 A

# Contents

<b>Introduction</b> .....	<b>2</b>
Intended use .....	2
Features .....	2
Package contents .....	2
Technical data .....	2
<b>General power tool safety warnings</b> .....	<b>3</b>
1. Work area safety .....	4
2. Electrical safety .....	4
3. Personal safety .....	4
4. Power tool use and care .....	5
5. Battery tool use and care .....	5
6. Service .....	6
Safety instructions specifically for impact screwdrivers .....	6
Original accessories/additional equipment .....	6
Safety guidelines for battery chargers .....	6
<b>Before use</b> .....	<b>7</b>
Charging the battery pack (see fig. A) .....	7
Attaching/disconnecting the battery pack to/from the appliance .....	7
Checking the battery charge level .....	7
<b>Use</b> .....	<b>7</b>
Switching on and off .....	7
Setting the speed/tightening torque .....	8
Changing the direction of rotation .....	8
Inserting the bits .....	8
<b>Maintenance and cleaning</b> .....	<b>8</b>
<b>Disposal</b> .....	<b>8</b>
<b>Kompernass Handels GmbH warranty</b> .....	<b>9</b>
<b>Service</b> .....	<b>10</b>
<b>Importer</b> .....	<b>10</b>
<b>Translation of the original Conformity Declaration</b> .....	<b>11</b>
<b>Ordering a replacement battery and charger</b> .....	<b>12</b>

## **CORDLESS IMPACT DRIVER**

### **PDSSA 20-Li B2**

#### **Introduction**

Congratulations on the purchase of your new appliance. You have chosen a high-quality product. The operating instructions are part of this product. They contain important information about safety, usage and disposal. Before using the product, please familiarise yourself with all operating and safety instructions. Use the product only as described and for the range of applications specified. Please also pass these operating instructions on to any future owner.

#### **Intended use**

This appliance is intended for screwing in and unscrewing screws as well as for tightening and loosening nuts. The appliance has clockwise/anticlockwise rotation, a 1/4" hexagon socket bit holder and an LED working light. The light on this appliance is intended to illuminate the immediate work area of the appliance. The rotary impact function of the appliance enables the power of the motor to be converted into uniform rotary impacts. The impact mechanism comes into effect during tightening and loosening. The appliance is designed for use by adults. Young people under 16 years of age may only use the appliance under supervision. The manufacturer accepts no liability for damages caused by improper use or incorrect operation of the appliance.

Use this product only as described and for the areas of applications specified. The appliance is not intended for commercial use. Any other usage or modification of the appliance is deemed to be improper and carries a significant risk of accidents. The manufacturer accepts no responsibility for damage(s) attributable to misuse.

#### **Features**

- ❶ Tool holder
- ❷ Locking sleeve
- ❸ Bit holder (magnetic)
- ❹ Rotation direction switch/lock
- ❺ Belt clip
- ❻ Battery charge level button
- ❼ Battery display LED
- ❽ Battery pack\*
- ❾ Release button for battery pack
- ❿ LED work light
- ⓫ ON/OFF switch/Speed control
- ⓬ Adapter to 1/4" square
- ⓭ Bit holder
- ⓮ High-speed charger\*
- ⓯ Red charge control LED
- ⓰ Green charge control LED

#### **Package contents**

- 1 cordless impact driver
- 1 adapter from hex (1/4") to square
- 1 1/4" extension (50 mm)
- 1 belt clip
- 1 carrying case
- 1 set of operating instructions

#### **Technical data**

##### **Cordless impact driver PDSSA 20-Li B2**


Rated voltage	20 V $\overline{=}$ (DC)
Idle speed	$n_0$ 0-2800 rpm
Rated stroke rate	0-3600 ipm
Max. torque	180 Nm
Suitable for metal screws	≤ M8
Suitable for wood screws	≤ 8 mm $\varnothing$
Tool holder	1/4"

**Battery PAP 20 B1 \***


Type	LITHIUM ION
Rated voltage	20 V $\equiv$ (DC)
Capacity	2 Ah
Cells	5

**High-speed battery charger PLG 20 C1 \***

**INPUT**

Rated voltage	230-240 V $\sim$ , 50 Hz (AC)
Rated power consumption	65 W
Fuse (internal)	3.15 A 

**OUTPUT**

Rated voltage	21.5 V $\equiv$ (DC)
Rated current	2.4 A
Charging time	approx. 60 min
Protection class	II /  (double insulation)

\* BATTERY AND CHARGER NOT INCLUDED  
IN DELIVERY

**Noise emission value**

Noise measurement value determined in accordance with EN 62841. The A-rated noise level of the tool is typically:

Sound pressure level	$L_{PA} = 83$ dB (A)
Uncertainty	$K_{PA} = 3$ dB
Sound power level	$L_{WA} = 94$ dB (A)
Uncertainty	$K_{WA} = 3$ dB

**Vibration emission value**

Total vibration values (vector total of three directions) determined in accordance with EN 62841:

Tightening screws and nuts of maximum permissible size	$a_h = 5.677$ m/s <sup>2</sup>
Uncertainty	$K = 1.5$ m/s <sup>2</sup>

**Wear hearing protection!**

**NOTE**

- ▶ The vibration emission values and the noise emission values given in these instructions have been measured in accordance with a standardised test procedure and can be used for comparison of the power tool with another tool.
- ▶ The specified total vibration values and the noise emission values can also be used to make a provisional load estimate.

** WARNING!**

- ▶ Depending on the manner in which the power tool is being used, and in particular the kind of workpiece that is being worked, the vibration and noise emission values can deviate from the values given in these instructions during actual use of the power tool.
- ▶ Try to keep the load as low as possible. Measures to reduce the vibration load are, e.g. wearing gloves and limiting the working time. Wherein all states of operation must be included (e.g. times when the power tool is switched off and times where the power tool is switched on but running without load).



**General power tool safety warnings**

** WARNING!**

- ▶ Read all safety warnings, instructions, illustrations and specifications provided with this power tool. Failure to follow all instructions listed below may result in electric shock, fire and/or serious injury.

**Save all warnings and instructions for future reference.**

The term „power tool“ in the warnings refers to your mains-operated (corded) power tool or battery-operated (cordless) power tool.

## 1. Work area safety

- a) **Keep work area clean and well lit.** Cluttered or dark areas invite accidents.
- b) **Do not operate power tools in explosive atmospheres, such as in the presence of flammable liquids, gases or dust.** Power tools create sparks which may ignite the dust or fumes.
- c) **Keep children and bystanders away while operating a power tool.** Distractions can cause you to lose control.

## 2. Electrical safety

- a) **Power tool plugs must match the outlet. Never modify the plug in any way. Do not use any adapter plugs with earthed (grounded) power tools.** Unmodified plugs and matching outlets will reduce risk of electric shock.
- b) **Avoid body contact with earthed or grounded surfaces, such as pipes, radiators, ranges and refrigerators.** There is an increased risk of electric shock if your body is earthed or grounded.
- c) **Do not expose power tools to rain or wet conditions.** Water entering a power tool will increase the risk of electric shock.
- d) **Do not abuse the cord. Never use the cord for carrying, pulling or unplugging the power tool. Keep cord away from heat, oil, sharp edges or moving parts.** Damaged or entangled cords increase the risk of electric shock.
- e) **When operating a power tool outdoors, use an extension cord suitable for outdoor use.** Use of a cord suitable for outdoor use reduces the risk of electric shock.
- f) **If operating a power tool in a damp location is unavoidable, use a residual current device (RCD) protected supply.** Use of an RCD reduces the risk of electric shock.

## 3. Personal safety

- a) **Stay alert, watch what you are doing and use common sense when operating a power tool. Do not use a power tool while you are tired or under the influence of drugs, alcohol or medication.** A moment of inattention while operating power tools may result in serious personal injury.
- b) **Use personal protective equipment. Always wear eye protection.** Protective equipment such as a dust mask, non-skid safety shoes, hard hat or hearing protection used for appropriate conditions will reduce personal injuries.
- c) **Prevent unintentional starting. Ensure the switch is in the off-position before connecting to power source and/or battery pack, picking up or carrying the tool.** Carrying power tools with your finger on the switch or energising power tools that have the switch on invites accidents.
- d) **Remove any adjusting key or wrench before turning the power tool on.** A wrench or a key left attached to a rotating part of the power tool may result in personal injury.
- e) **Do not overreach. Keep proper footing and balance at all times.** This enables better control of the power tool in unexpected situations.
- f) **Dress properly. Do not wear loose clothing or jewellery. Keep your hair and clothing away from moving parts.** Loose clothes, jewellery or long hair can be caught in moving parts.
- g) **If devices are provided for the connection of dust extraction and collection facilities, ensure these are connected and properly used.** Use of dust collection can reduce dust-related hazards.
- h) **Do not let familiarity gained from frequent use of tools allow you to become complacent and ignore tool safety principles.** A careless action can cause severe injury within a fraction of a second.



#### 4. Power tool use and care

- a) Do not force the power tool. Use the correct power tool for your application. The correct power tool will do the job better and safer at the rate for which it was designed.
- b) Do not use the power tool if the switch does not turn it on and off. Any power tool that cannot be controlled with the switch is dangerous and must be repaired.
- c) Disconnect the plug from the power source and/or remove the battery pack, if detachable, from the power tool before making any adjustments, changing accessories, or storing power tools. Such preventive safety measures reduce the risk of starting the power tool accidentally.
- d) Store idle power tools out of the reach of children and do not allow persons unfamiliar with the power tool or these instructions to operate the power tool. Power tools are dangerous in the hands of untrained users.
- e) Maintain power tools and accessories. Check for misalignment or binding of moving parts, breakage of parts and any other condition that may affect the power tool's operation. If damaged, have the power tool repaired before use. Many accidents are caused by poorly maintained power tools.
- f) Keep cutting tools sharp and clean. Properly maintained cutting tools with sharp cutting edges are less likely to bind and are easier to control.
- g) Use the power tool, accessories and tool bits etc. in accordance with these instructions, taking into account the working conditions and the work to be performed. Use of the power tool for operations different from those intended could result in a hazardous situation.
- h) Keep handles and grasping surfaces dry, clean and free from oil and grease. Slippery handles and grasping surfaces do not allow for safe handling and control of the tool in unexpected situations.

#### 5. Battery tool use and care

- a) Recharge only with the charger specified by the manufacturer. A charger that is suitable for one type of battery pack may create a risk of fire when used with another battery pack.
- b) Use power tools only with specifically designated battery packs. Use of any other battery packs may create a risk of injury and fire.
- c) When battery pack is not in use, keep it away from other metal objects, like paper clips, coins, keys, nails, screws or other small metal objects, that can make a connection from one terminal to another. Shorting the battery terminals together may cause burns or a fire.
- d) Under abusive conditions, liquid may be ejected from the battery; avoid contact. If contact accidentally occurs, flush with water. If liquid contacts eyes, additionally seek medical help. Liquid ejected from the battery may cause irritation or burns.
- e) Do not use a battery pack or tool that is damaged or modified. Damaged or modified batteries may exhibit unpredictable behaviour resulting in fire, explosion or risk of injury.
- f) Do not expose a battery pack or tool to fire or excessive temperature. Exposure to fire or temperature above 130 °C (265 °F) may cause explosion.
- g) Follow all charging instructions and do not charge the battery pack or tool outside the temperature range specified in the instructions. Charging improperly or at temperatures outside the specified range may damage the battery and increase the risk of fire.



**CAUTION! RISK OF EXPLOSION!**  
Never charge non-rechargeable batteries!



**Protect the rechargeable battery from heat, for example from continuous exposure to sunlight, fire, water and moisture.** There is a risk of explosion.

## 6. Service

- a) Have your power tool serviced by a qualified repair person using only identical replacement parts. This will ensure that the safety of the power tool is maintained.
- b) Never service damaged battery packs. Service of battery packs should only be performed by the manufacturer or authorized service providers.

### Safety instructions specifically for impact screwdrivers

- Wear hearing protection when impact screwing. Exposure to loud noise can lead to hearing loss.
- Secure the workpiece! A workpiece securely held by a clamping device or vice is much safer than one held in your hand.
- Hold the power tool firmly. High torques can occur for brief periods while tightening and loosening screws.
- Wait until the power tool has come to a standstill before putting it down. The tool can jam, this leading to loss of control of the appliance.
- Always hold the tool by its insulated handles when working with power tools that may come into contact with hidden electrical cables. Fasteners contacting a "live" wire may make exposed metal parts of the power tool "live" and could give the operator an electric shock.

### Original accessories/additional equipment

- Only use the accessories and additional equipment that are specified in the operating instructions and are compatible with the appliance.

#### **WARNING!**

- Do not use any accessories which are not recommended by PARKSIDE. This can lead to an electric shock and fire.

### Safety guidelines for battery chargers

- This appliance may be used by children aged 8 years and above and by persons with limited physical, sensory or mental capabilities or lack of experience and knowledge, provided that they are under supervision or have been told how to use the appliance safely and are aware of the potential risks. Do not allow children to use the appliance as a toy. Cleaning and user maintenance tasks may not be carried out by children unless they are supervised.
- To avoid potential risks, damaged mains cables should be replaced by the manufacturer, their customer service department or a similarly qualified person.



The charger is suitable for indoor use only.

#### **WARNING!**

- To avoid potential risks, damaged mains cables should be replaced by the manufacturer, their customer service department or a similarly qualified person.

#### **ATTENTION!**

- ◆ This charger can only charge the following batteries: PAP 20 A1/PAP 20 A2/PAP 20 A3/PAP 20 B1/PAP 20 B3/PAPS 204 A1/PAPS 208 A1.
- ◆ A current list of battery compatibility can be found at [www.lidl.de/Akku](http://www.lidl.de/Akku).



**ATTENTION!**  
Hot surface. Risk of burns.

## Before use

### Charging the battery pack (see fig. A)

#### ⚠ CAUTION!

- ▶ Always unplug the appliance before you remove the battery pack from or connect the battery pack to the charger.

#### NOTE

- ▶ The recommended ambient temperature range for using tools and batteries is between -5°C and 50°C.
- ▶ Never charge the battery pack if the ambient temperature is below 10°C or above 40°C. If a lithium-ion battery is to be stored for an extended period, the charge level should be checked regularly. The optimum charge level is between 50% and 80%. The storage climate should be cool and dry and the ambient temperature should be between 0°C and 50°C.

- ◆ Connect the battery pack **8** to the rapid battery charger **14** (see Fig. A).
- ◆ Insert the power plug into the socket. The control LED **15** lights up red.
- ◆ The green control LED **16** indicates that the charging process is complete and the battery pack **8** is ready.

#### ⚠ CAUTION!

- ◆ If the red control LED **15** flashes, this means that the battery pack **8** has overheated and cannot be charged.
- ◆ If the red and green control LEDs **15** **16** both flash, this means that the battery pack **8** is defective.

- ◆ Insert the battery pack **8** back into the appliance.
- ◆ Switch off the charger for at least 15 minutes between successive charging sessions. Also disconnect the power plug from the mains power socket.

### Attaching/disconnecting the battery pack to/from the appliance

#### Inserting the battery pack

- ◆ Push the rotation direction switch **4** into the middle position (lock). Allow the battery pack **8** to click into the handle.

#### Removing the battery pack

- ◆ Press the release button **9** and remove the battery pack.

### Checking the battery charge level

- ◆ Press the battery charge level button **6** to check the status of the battery (see also main diagram).  
The status/remaining charge will be shown on the battery display LED **7** as follows:  
RED/ORANGE/GREEN = maximum charge  
RED/ORANGE = medium charge  
RED = low charge – charge the battery

## Use

### Switching on and off

#### Switching on

- ◆ To start the appliance, press the ON/OFF switch **11** and keep it pressed in. The LED work light **10** lights up when the ON/OFF switch **11** is depressed lightly or fully. This allows for illumination of the work area in low lighting.

#### Switching off

- ◆ Release the ON/OFF switch **11** to switch off the appliance.

## Setting the speed/tightening torque

- ◆ Press the ON/OFF switch **11** lightly for a low speed/tightening torque. Increasing the pressure increases the speed/tightening torque.
- The tightening torque depends on the selected speed and impact duration.

### **⚠ CAUTION!**

- ◆ The tightening torque actually attained must always be checked with a torque wrench!

### **NOTE**

- ▶ The integrated motor brake ensures rapid stoppage.

## Changing the direction of rotation

- ◆ Change the direction of rotation by pressing the rotational direction switch **4** towards the left or right.

## Inserting the bits

- ◆ Insert the adapter **12** or bit holder **13** into the tool holder **1**.
- ◆ To do this, pull the locking sleeve **2** backwards and allow the adapter **12** or bit holder **13** to engage.

## Maintenance and cleaning



**WARNING! RISK OF INJURY! Always switch the appliance off and remove the battery before carrying out any work on the appliance.**

The appliance is maintenance-free.

- The appliance must always be kept clean, dry and free from oil or grease.
- Never allow liquids to get into the appliance.
- Use a soft, dry cloth to clean the housing. Never use petrol, solvents or cleansers which can damage plastic.
- If a lithium-ion battery is to be stored for an extended period, the charge level should be checked regularly. The optimum charge level is between 50% and 80%. The optimum storage environment is cool and dry.

### **NOTE**

- ▶ Replacement parts not listed (such as carbon brushes, switch) can be ordered via our service hotline.

## Disposal



### **Do not dispose of power tools in your normal domestic waste!**

The adjacent symbol of a crossed-out dustbin means that this appliance is subject to Directive 2012/19/EU. This directive states that this appliance may not be disposed of in the normal household waste at the end of its useful life, but must be taken to specially set-up collection locations, recycling depots or disposal companies.

**The disposal is free of charge for the user. Protect the environment and dispose of this appliance properly.**



Your local community or municipal authorities can provide information on how to dispose of the worn-out product.



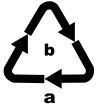
### **Do not dispose of batteries in your normal household waste!**

Defective or worn-out rechargeable batteries must be recycled according to Directive 2006/66/EC. Batteries/rechargeable batteries must be treated as hazardous waste and must therefore be disposed of in an environmentally sound manner by appropriate bodies (dealers, specialist dealers, public municipal bodies, commercial disposal companies). Batteries/rechargeable batteries may contain toxic heavy metals.

For this reason, do not dispose of batteries/rechargeable batteries in domestic waste. Take them to a specialist collection point. Only return batteries that are fully discharged.



The packaging is made from environmentally friendly material and can be disposed of at your local recycling plant.



Dispose of the packaging in an environmentally friendly manner.

Note the labelling on the packaging and separate the packaging material components for disposal if necessary. The packaging material is labelled with abbreviations (a) and numbers (b) with the following meanings:

1–7: plastics, 20–22: paper and cardboard, 80–98: composites.

## Kompernass Handels GmbH warranty

Dear Customer,

This appliance has a 3-year warranty valid from the date of purchase. If included with the product on delivery, the battery packs of the X12V and X20V Team series also come with a 3-year warranty from the date of purchase. If this product has any faults, you, the buyer, have certain statutory rights. Your statutory rights are not restricted in any way by the warranty described below.

### Warranty conditions

The warranty period starts on the date of purchase. Please keep your receipt in a safe place. This will be required as proof of purchase.

If any material or manufacturing fault occurs within three years of the date of purchase of the product, we will either repair or replace the product for you or refund the purchase price (at our discretion).

This warranty service requires that you present the defective appliance and the proof of purchase (receipt) within the three-year warranty period, along with a brief written description of the fault and of when it occurred.

If the defect is covered by the warranty, your product will either be repaired or replaced by us. The repair or replacement of a product does not signify the beginning of a new warranty period.

### Warranty period and statutory claims for defects

The warranty period is not prolonged by repairs effected under the warranty. This also applies to replaced and repaired components. Any damage and defects present at the time of purchase must be reported immediately after unpacking. Repairs carried out after expiry of the warranty period shall be subject to a fee.

### Scope of the warranty

This appliance has been manufactured in accordance with strict quality guidelines and inspected meticulously prior to delivery.

The warranty covers material faults or production faults. The warranty does not cover product parts that are subject to normal wear and tear and can therefore be considered wearing parts, such as saw blades, replacement blades, abrasive papers, etc. or for damage to fragile parts, such as switches or parts made of glass.

The warranty does not apply if the product has been damaged, improperly used or improperly maintained. The directions in the operating instructions for the product regarding proper use of the product are to be strictly followed. Uses and actions that are discouraged in the operating instructions or which are warned against must be avoided.

This product is intended solely for private use and not for commercial purposes. The warranty shall be deemed void in cases of misuse or improper handling, use of force and modifications / repairs which have not been carried out by one of our authorised Service centres.

### The warranty does not apply to

- Normal reduction of the battery capacity over time
- Commercial use of the product
- Damage to or alteration of the product by the customer
- Non-compliance with safety and maintenance instructions, operating errors
- Damage caused by natural hazards

## Warranty claim procedure

To ensure quick processing of your case, please observe the following instructions:

- Please have the till receipt and the item number (IAN) 418088\_2210 available as proof of purchase.
- You will find the item number on the type plate on the product, an engraving on the product, on the front page of the operating instructions (below left) or on the sticker on the rear or bottom of the product.
- If functional or other defects occur, please contact the service department listed either by **telephone** or by **e-mail**.
- You can return a defective product to us free of charge to the service address that will be provided to you. Ensure that you enclose the proof of purchase (till receipt) and information about what the defect is and when it occurred.



You can download these instructions along with many other manuals, product videos and installation software at [www.lidl-service.com](http://www.lidl-service.com).

This QR code will take you directly to the Lidl service page ([www.lidl-service.com](http://www.lidl-service.com)) where you can open your operating instructions by entering the item number (IAN) 418088\_2210.

## WARNING!

- ▶ Have the power tool repaired by the service centre or a qualified electrician and only using genuine replacement parts. This will ensure that the safety of the appliance is maintained.
- ▶ Always ensure that the power plug or the mains cable is replaced only by the manufacturer of the appliance or by an approved customer service provider. This will ensure that the safety of the appliance is maintained.

## Service

### Service Great Britain

Tel.: 0800 404 7657

E-Mail: [kompernass@lidl.co.uk](mailto:kompernass@lidl.co.uk)

### Service Ireland

Tel.: 1800 101010

E-Mail: [kompernass@lidl.ie](mailto:kompernass@lidl.ie)

IAN 418088\_2210

## Importer

Please note that the following address is not the service address. Please use the service address provided in the operating instructions.

### For EU market



KOMPERNASS HANDELS GMBH

BURGSTRASSE 21

44867 BOCHUM

GERMANY

[www.kompernass.com](http://www.kompernass.com)

### For GB market

Lidl Great Britain Ltd

Lidl House 14 Kingston Road

Surbiton

KT5 9NU

## Translation of the original Conformity Declaration

We, KOMPERNASS HANDELS GMBH, document officer: Mr. Semi Uguzlu, BURGSTR. 21, 44867 BOCHUM, GERMANY, hereby declare that this product complies with the following standards, normative documents and EC directives:

### **Machinery Directive**

(2006/42/EC)

### **EMC (Electromagnetic Compatibility)**

(2014/30/EU)

### **RoHS Directive**

(2011/65/EU)\*

\* The manufacturer bears the full responsibility for compliance with this conformity declaration. The object of the declaration described above complies with the requirements of the Directive 2011/65/EU of the European Parliament and Council of 8 June 2011 on the limitations of use of certain dangerous substances in electrical and electronic appliances.

### **Applied harmonised standards**

EN 62841-1:2015

EN 62841-2-2:2014

EN IEC 55014-1:2021

EN IEC 55014-2:2021

EN IEC 63000:2018

**Type/appliance designation:** Cordless impact driver PDSSA 20-Li B2

**Year of manufacture:** 03–2023

**Serial number:** IAN 418088\_2210

Bochum, 19/12/2022



Semi Uguzlu

- Quality Manager -

We reserve the right to make technical changes in the context of further product development.



This mark confirms that the product complies with the product safety requirements applicable in the UK.

## Ordering a replacement battery and charger

You can easily order a replacement battery or charger on the Internet at [www.kompernass.com](http://www.kompernass.com).



X20V 4 Ah



X20V 2 Ah



PDSL20 A1

- ◆ Scan the QR code with your smartphone/tablet.  
You can use this QR code to go directly to our website to view and order the available replacement parts.

### NOTE

- ▶ If you have problems with your online order, you can contact our service centre by phone or email.
- ▶ Always quote the article number (IAN) 418088\_2210 in your order.
- ▶ Please note that online ordering of replacement parts is not possible for all countries.



# Table des matières

<b>Introduction</b> .....	<b>14</b>
Utilisation conforme à l'usage prévu .....	14
Équipement .....	14
Matériel livré .....	14
Caractéristiques techniques .....	14
<b>Avertissements de sécurité généraux pour l'outil électrique</b> .....	<b>15</b>
1. Sécurité de la zone de travail .....	16
2. Sécurité électrique .....	16
3. Sécurité des personnes .....	16
4. Utilisation et entretien de l'outil électrique .....	17
5. Utilisation des outils fonctionnant sur batteries et précautions d'emploi .....	17
6. Entretien .....	18
Consignes de sécurité spécifiques aux visseuses à chocs .....	18
Accessoires/équipements supplémentaires d'origine .....	18
Consignes de sécurité relatives aux chargeurs .....	19
<b>Avant la mise en service</b> .....	<b>19</b>
Recharger le pack d'accus (voir fig. A) .....	19
Mettre le pack d'accus dans l'appareil/l'en retirer .....	20
Contrôler l'état de l'accu .....	20
<b>Mise en service</b> .....	<b>20</b>
Mise en marche/mise hors service .....	20
Réglage de la vitesse de rotation/du couple de serrage .....	20
Inverser le sens de rotation .....	20
Mettre en place les embouts .....	20
<b>Entretien et nettoyage</b> .....	<b>20</b>
<b>Mise au rebut</b> .....	<b>21</b>
<b>Garantie de Kompernass Handels GmbH</b> .....	<b>22</b>
<b>Service après-vente</b> .....	<b>23</b>
<b>Importateur</b> .....	<b>23</b>
<b>Traduction de la déclaration de conformité originale</b> .....	<b>24</b>
<b>Commande d'une batterie de rechange et d'un chargeur</b> .....	<b>25</b>

## VISSEUSE À CHOCS SANS FIL PDSSA 20-Li B2

### Introduction

Nous vous félicitons pour l'achat de votre nouvel appareil. Vous venez ainsi d'opter pour un produit de grande qualité. Le mode d'emploi fait partie de ce produit. Il contient des remarques importantes concernant la sécurité, l'usage et la mise au rebut. Avant d'utiliser le produit, veuillez vous familiariser avec toutes les consignes d'utilisation et de sécurité. N'utilisez le produit que conformément aux consignes et pour les domaines d'utilisation prévus. Si vous cédez le produit à un tiers, remettez-lui également tous les documents.

### Utilisation conforme à l'usage prévu

Cet appareil est destiné au vissage et dévissage de vis ainsi qu'au serrage et desserrage d'écrous. L'appareil présente une marche à droite/à gauche, un porte-embout hexagonal 1/4" et une lampe de travail LED. La lumière de cet appareil sert à éclairer la zone de travail immédiatement devant l'appareil. La fonction de vissage à chocs de l'appareil permet de transformer la force du moteur en percussions rotatives régulières. Le mécanisme de percussion est engagé lors du vissage et du dévissage.

L'appareil est conçu pour être utilisé par des adultes. Les jeunes de plus de 16 ans ne doivent utiliser l'appareil que sous surveillance. Le fabricant décline toute responsabilité pour tous dommages résultant de l'utilisation non conforme à sa destination ou incorrecte de l'appareil.

N'utilisez l'appareil que conformément aux consignes et pour les domaines d'utilisation prévus. L'appareil n'est pas conçu pour un usage professionnel. Toute utilisation autre ou modification de l'appareil est considérée comme non conforme et s'accompagne de risques d'accident non négligeables. Le fabricant n'assume aucune responsabilité pour les dommages résultant d'une utilisation non conforme à l'usage prévu.

### Équipement

- ❶ Porte-outil
- ❷ Manchon de verrouillage
- ❸ Support d'embout (magnétique)
- ❹ Sélecteur du sens de rotation/blocage
- ❺ Clip de ceinture
- ❻ Touche d'état accu
- ❼ LED d'affichage d'état de l'accu
- ❽ Pack d'accus\*
- ❾ Touche déverrouillage du pack d'accus
- ❿ Lampe de travail LED
- ⓫ Interrupteur MARCHE/ARRÊT/réglage de la vitesse
- ⓬ Adaptateur sur embout carré 1/4"
- ⓭ Porte-embout
- ⓮ Chargeur rapide\*
- ⓯ LED rouge de contrôle de charge
- ⓰ LED verte de contrôle de charge

### Matériel livré

- 1 visseuse à chocs sans fil
- 1 adaptateur sur embout carré 1/4"
- 1 rallonge 1/4" (50 mm)
- 1 clip de ceinture
- 1 mallette de transport
- 1 mode d'emploi

### Caractéristiques techniques

#### Visseuse à chocs sans fil PDSSA 20-Li B2

Tension nominale	20 V === (courant continu)
Vitesse nominale à vide	$n_0$ 0–2800 min <sup>-1</sup>
Fréquence nominale de frappe	0–3600 min <sup>-1</sup>
Couple max.	180 Nm
Adapté aux vis métal	≤ M8
Adapté aux vis bois	≤ 8 mm Ø
Porte-outil	1/4"

**Batterie PAP 20 B1 \***

Type	LITHIUM-IONS
Tension nominale	20 V === (courant continu)
Capacité	2 Ah
Cellules	5

**Chargeur rapide de la batterie PLG 20 C1 \***

**ENTRÉE/Input**

Tension nominale	230-240 V ~, 50 Hz (courant alternatif)
------------------	--

Puissance nominale absorbée	65 W
-----------------------------	------

Fusible (interne)	3,15 A 
-------------------	--

**SORTIE/Output**

Tension nominale	21,5 V === (courant continu)
Courant nominal	2,4 A
Temps de charge	env. 60 min
Classe de protection	II/□ (double isolation)

\* BATTERIE ET CHARGEUR NON INCLUS DANS LA LIVRAISON

**Valeur d'émissions sonores**

Valeur de mesure du bruit déterminée conformément à la norme EN 62841. Le niveau de bruit A pondéré typique de l'outil électrique est de :

Niveau de pression acoustique	$L_{PA} = 83$ dB (A)
Imprecision	$K_{PA} = 3$ dB
Niveau de puissance acoustique	$L_{WA} = 94$ dB (A)
Imprecision	$K_{WA} = 3$ dB

**Valeur d'émission des vibrations**

Valeurs totales des vibrations (somme vectorielle triaxiale) déterminées selon la norme EN 62841 :

Vissage de vis et d'écrous d'une taille maximale admissible de	$a_h = 5,677$ m/s <sup>2</sup>
Imprecision	$K = 1,5$ m/s <sup>2</sup>

**Porter une protection auditive !**

**REMARQUE**

- ▶ Les valeurs d'émission de vibrations et les valeurs d'émissions sonores indiquées ont été mesurées conformément à une méthode de mesure normée et peuvent être utilisées pour comparer des outils électriques.
- ▶ Les valeurs d'émission de vibrations et les valeurs d'émissions sonores indiquées peuvent également être utilisées pour une évaluation préliminaire de la sollicitation.

**⚠ AVERTISSEMENT!**

- ▶ Pendant l'utilisation effective de l'outil électrique, les émissions de vibrations et sonores peuvent différer des valeurs indiquées en fonction de la manière dont l'outil électrique est utilisé, et en particulier en fonction du type de pièce à usiner.
- ▶ Essayez de garder la sollicitation aussi faible que possible. Des mesures d'exemple de réduction de la sollicitation des vibrations sont le port de gants lors de l'utilisation de l'outil et la limitation du temps de travail. À ce titre, toutes les parts du cycle de travail doivent être prises en compte (par exemple les durées pendant lesquelles l'outil est éteint et celles pendant lesquelles il est allumé mais fonctionne sans charge).



**Avertissements de sécurité généraux pour l'outil électrique**

**⚠ AVERTISSEMENT!**

- ▶ Lire tous les avertissements de sécurité, les instructions, les illustrations et les spécifications fournis avec cet outil électrique. Ne pas suivre les instructions énumérées ci-dessous peut provoquer un choc électrique, un incendie et/ou une blessure sérieuse.

**Conservé tous les avertissements et toutes les instructions pour pouvoir s'y reporter ultérieurement.**

Le terme „outil électrique“ dans les avertissements fait référence à votre outil électrique alimenté par le secteur (avec cordon d'alimentation) ou votre outil électrique fonctionnant sur batterie (sans cordon d'alimentation).

## 1. Sécurité de la zone de travail

- a) Conserver la zone de travail propre et bien éclairée. Les zones en désordre ou sombres sont propices aux accidents.
- b) Ne pas faire fonctionner les outils électriques en atmosphère explosive, par exemple en présence de liquides inflammables, de gaz ou de poussières. Les outils électriques produisent des étincelles qui peuvent enflammer les poussières ou les fumées.
- c) Maintenir les enfants et les personnes présentes à l'écart pendant l'utilisation de l'outil électrique. Les distractions peuvent vous faire perdre le contrôle de l'outil.

## 2. Sécurité électrique

- a) Il faut que les fiches de l'outil électrique soient adaptées au socle. Ne jamais modifier la fiche de quelque façon que ce soit. Ne pas utiliser d'adaptateurs avec des outils électriques à branchement de terre. Des fiches non modifiées et des socles adaptés réduisent le risque de choc électrique.
- b) Éviter tout contact du corps avec des surfaces reliées à la terre telles que les tuyaux, les radiateurs, les cuisinières et les réfrigérateurs. Il existe un risque accru de choc électrique si votre corps est relié à la terre.
- c) Ne pas exposer les outils électriques à la pluie ou à des conditions humides. La pénétration d'eau à l'intérieur d'un outil électrique augmente le risque de choc électrique.
- d) Ne pas maltraiter le cordon. Ne jamais utiliser le cordon pour porter, tirer ou débrancher l'outil électrique. Maintenir le cordon à l'écart de la chaleur, du lubrifiant, des arêtes vives ou des parties en mouvement. Des cordons endommagés ou emmêlés augmentent le risque de choc électrique.

- e) Lorsqu'on utilise un outil électrique à l'extérieur, utiliser un prolongateur adapté à l'utilisation extérieure. L'utilisation d'un cordon adapté à l'utilisation extérieure réduit le risque de choc électrique.
- f) Si l'usage d'un outil électrique dans un emplacement humide est inévitable, utiliser une alimentation protégée par un dispositif à courant différentiel résiduel (RCD). L'usage d'un RCD réduit le risque de choc électrique.

## 3. Sécurité des personnes

- a) Rester vigilant, regarder ce que vous êtes en train de faire et faire preuve de bon sens dans votre utilisation de l'outil électrique. Ne pas utiliser un outil électrique lorsque vous êtes fatigué ou sous l'emprise de drogues, de l'alcool ou de médicaments. Un moment d'inattention en cours d'utilisation d'un outil électrique peut entraîner des blessures graves.
- b) Utiliser un équipement de protection individuelle. Toujours porter une protection pour les yeux. Les équipements de protection individuelle tels que les masques contre les poussières, les chaussures de sécurité antidérapantes, les casques ou les protections auditives utilisés pour les conditions appropriées réduisent les blessures.
- c) Éviter tout démarrage intempestif. S'assurer que l'interrupteur est en position arrêté avant de brancher l'outil au secteur et/ou au bloc de batteries, de le ramasser ou de le porter. Porter les outils électriques en ayant le doigt sur l'interrupteur ou brancher des outils électriques dont l'interrupteur est en position marche est source d'accidents.
- d) Retirer toute clé de réglage avant de mettre l'outil électrique en marche. Une clé laissée fixée sur une partie tournante de l'outil électrique peut donner lieu à des blessures.
- e) Ne pas se précipiter. Garder une position et un équilibre adaptés à tout moment. Cela permet un meilleur contrôle de l'outil électrique dans des situations inattendues.

- f) **S'habiller de manière adaptée. Ne pas porter de vêtements amples ou de bijoux. Garder les cheveux et les vêtements à distance des parties en mouvement.** Des vêtements amples, des bijoux ou les cheveux longs peuvent être pris dans des parties en mouvement.
- g) **Si des dispositifs sont fournis pour le raccordement d'équipements pour l'extraction et la récupération des poussières, s'assurer qu'ils sont connectés et correctement utilisés.** Utiliser des collecteurs de poussière peut réduire les risques dus aux poussières.
- h) **Rester vigilant et ne pas négliger les principes de sécurité de l'outil sous prétexte que vous avez l'habitude de l'utiliser.** Une fraction de seconde d'inattention peut provoquer une blessure grave.

#### **4. Utilisation et entretien de l'outil électrique**

- a) **Ne pas forcer l'outil électrique. Utiliser l'outil électrique adapté à votre application.** L'outil électrique adapté réalise mieux le travail et de manière plus sûre au régime pour lequel il a été construit.
- b) **Ne pas utiliser l'outil électrique si l'interrupteur ne permet pas de passer de l'état de marche à arrêt et inversement.** Tout outil électrique qui ne peut pas être commandé par l'interrupteur est dangereux et il faut le réparer.
- c) **Débrancher la fiche de la source d'alimentation et/ou enlever le bloc de batteries, s'il est amovible, avant tout réglage, changement d'accessoires ou avant de ranger l'outil électrique.** De telles mesures de sécurité préventives réduisent le risque de démarrage accidentel de l'outil électrique.
- d) **Conservé les outils électriques à l'arrêt hors de la portée des enfants et ne pas permettre à des personnes ne connaissant pas l'outil électrique ou les présentes instructions de le faire fonctionner.** Les outils électriques sont dangereux entre les mains d'utilisateurs novices.
- e) **Observer la maintenance des outils électriques et des accessoires.** Vérifier qu'il n'y a pas de mauvais alignement ou de blocage

des parties mobiles, des pièces cassées ou toute autre condition pouvant affecter le fonctionnement de l'outil électrique. En cas de dommages, faire réparer l'outil électrique avant de l'utiliser. De nombreux accidents sont dus à des outils électriques mal entretenus.

- f) **Garder affûtés et propres les outils permettant de couper.** Des outils destinés à couper correctement entretenus avec des pièces coupantes tranchantes sont moins susceptibles de bloquer et sont plus faciles à contrôler.
- g) **Utiliser l'outil électrique, les accessoires et les lames etc., conformément à ces instructions, en tenant compte des conditions de travail et du travail à réaliser.** L'utilisation de l'outil électrique pour des opérations différentes de celles prévues peut donner lieu à des situations dangereuses.
- h) **Il faut que les poignées et les surfaces de préhension restent sèches, propres et dépourvues d'huiles et de graisses.** Des poignées et des surfaces de préhension glissantes rendent impossibles la manipulation et le contrôle en toute sécurité de l'outil dans les situations inattendues.

#### **5. Utilisation des outils fonctionnant sur batteries et précautions d'emploi**

- a) **Ne recharger qu'avec le chargeur spécifié par le fabricant.** Un chargeur qui est adapté à un type de bloc de batteries peut créer un risque de feu lorsqu'il est utilisé avec un autre type de bloc de batteries.
- b) **N'utiliser les outils électriques qu'avec des blocs de batteries spécifiquement désignés.** L'utilisation de tout autre bloc de batteries peut créer un risque de blessure et de feu.
- c) **Lorsqu'un bloc de batteries n'est pas utilisé, le maintenir à l'écart de tout autre objet métallique, par exemple trombones, pièces de monnaie, clés, clous, vis ou autres objets de petite taille qui peuvent donner lieu à une connexion d'une borne à une autre.** Le court-circuitage des bornes d'une batterie entre elles peut causer des brûlures ou un feu.

- d) Dans de mauvaises conditions, du liquide peut être éjecté de la batterie; éviter tout contact. En cas de contact accidentel, nettoyer à l'eau. Si le liquide entre en contact avec les yeux, rechercher en plus une aide médicale. Le liquide éjecté des batteries peut causer des irritations ou des brûlures.
- e) **Ne pas utiliser un bloc de batteries ou un outil fonctionnant sur batteries qui a été endommagé ou modifié.** Les batteries endommagées ou modifiées peuvent avoir un comportement imprévisible provoquant un feu, une explosion ou un risque de blessure.
- f) **Ne pas exposer un bloc de batteries ou un outil fonctionnant sur batteries au feu ou à une température excessive.** Une exposition au feu ou à une température supérieure à 130 °C (265 °F) peut provoquer une explosion.
- g) **Suivre toutes les instructions de charge et ne pas charger le bloc de batteries ou l'outil fonctionnant sur batteries hors de la plage de températures spécifiée dans les instructions.** Un chargement incorrect ou à des températures hors de la plage spécifiée de températures peut endommager la batterie et augmenter le risque de feu.



**ATTENTION ! RISQUE D'EXPLOSION !**  
**Ne rechargez jamais des piles non rechargeables.**



**Protégez l'accu de la chaleur, par ex. aussi du rayonnement solaire continu, du feu, de l'eau et de l'humidité.** Il y a risque d'explosion.

## 6. Entretien

- a) **Faire entretenir l'outil électrique par un réparateur qualifié utilisant uniquement des pièces de rechange identiques.** Cela assure le maintien de la sécurité de l'outil électrique.
- b) **Ne jamais effectuer d'opération d'entretien sur des blocs de batteries endommagés.** Il convient que l'entretien des blocs de batteries ne soit effectué que par le fabricant ou les fournisseurs de service autorisés.

## Consignes de sécurité spécifiques aux visseuses à chocs

- **Pendant le vissage à chocs, portez une protection auditive.** L'exposition au bruit peut provoquer une perte d'acuité auditive.
- **Sécurisez la pièce à traiter.** Toute pièce à traiter maintenue par des dispositifs de serrage ou un étau est mieux sécurisée qu'avec votre seule main.
- **Tenez l'outil électrique fermement en main.** Le fait de serrer ou de desserrer des vis peut provoquer subitement des couples de réaction élevés.
- **Attendez que l'outil soit à l'arrêt avant de le poser.** L'outil risque de se coincer et cela peut faire perdre le contrôle de l'outil électrique.
- **Tenez l'outil électrique par les surfaces de préhension isolées lorsque vous effectuez des travaux où la vis peut heurter des lignes électriques cachées.** Les fixations en contact avec un fil « sous tension » peuvent « mettre sous tension » les parties métalliques exposées de l'outil électrique et provoquer un choc électrique chez l'opérateur.

## Accessoires/équipements supplémentaires d'origine

- Utiliser uniquement des accessoires et des équipements supplémentaires qui sont spécifiés dans le mode d'emploi ou dont la puissance est compatible avec l'appareil.

### **! AVERTISSEMENT !**

- N'utilisez aucun accessoire non recommandé par PARKSIDE. Cela peut provoquer un choc électrique et un incendie.

## Consignes de sécurité relatives aux chargeurs

- Cet appareil peut être utilisé par des enfants à partir de 8 ans et par des personnes ayant des capacités physiques, sensorielles ou mentales réduites ou disposant de peu d'expérience et/ou de connaissances, à condition qu'ils soient surveillés ou qu'ils aient été initiés à l'utilisation sécurisée de l'appareil et qu'ils aient compris les dangers en résultant. Les enfants ne doivent pas jouer avec l'appareil. Le nettoyage et la maintenance utilisateur ne doivent pas être réalisés par des enfants s'ils ne sont pas surveillés.
- Si le cordon d'alimentation de l'appareil est endommagé, il doit être remplacé par le fabricant, son service après-vente ou une personne de qualification similaire afin d'éviter tout risque.



Le chargeur convient uniquement à une exploitation en intérieur.

### **⚠ AVERTISSEMENT !**

- Si le cordon d'alimentation de l'appareil est endommagé, il doit être remplacé par le fabricant, son service après-vente ou une personne de qualification similaire afin d'éviter tout risque.

### **⚠ ATTENTION !**

- ◆ Ce chargeur peut recharger uniquement les batteries suivantes : PAP 20 A1/PAP 20 A2/PAP 20 A3/PAP 20 B1/PAP 20 B3/PAPS 204 A1/PAPS 208 A1.

### **⚠ ATTENTION !**

- ◆ Une liste à jour de la compatibilité des batteries est disponible sur [www.Lidl.de/Akku](http://www.Lidl.de/Akku).



**ATTENTION !** Surface brûlante. Il y a un risque de brûlure.

## Avant la mise en service

### Recharger le pack d'accus (voir fig. A)

### **⚠ PRUDENCE !**

- ▶ Débranchez toujours la fiche secteur du chargeur avant d'en retirer le pack d'accus ou de le mettre en place.

### **REMARQUE**

- ▶ La plage de température ambiante recommandée pour l'utilisation avec les outils et les batteries se situe entre -5 °C et 50 °C.
- ▶ Ne chargez jamais le pack d'accus lorsque la température ambiante est inférieure à 10 °C ou supérieure à 40 °C. Si un accus lithium-ions doit rester stocké pendant une période prolongée, il faut contrôler régulièrement son état de charge. L'état de charge optimal se situe entre 50% et 80%. Le climat de stockage doit être frais et sec dans une température ambiante située entre 0 °C et 50 °C.

- ◆ Placez le pack d'accus **8** dans le chargeur rapide **14** (voir fig. A).
- ◆ Insérez la fiche secteur dans la prise secteur. La LED de contrôle **15** s'allume en rouge.
- ◆ La LED verte de contrôle **16** vous signale que l'opération de charge est terminée et que le pack d'accus **8** est prêt à être utilisé.

### **⚠ ATTENTION !**

- ◆ Si la LED de contrôle rouge **15** se met à clignoter, cela signifie que le pack d'accus **8** surchauffe et qu'il ne peut pas être rechargé.
- ◆ Si les LED de contrôle rouge et verte **15** **16** clignent ensemble, cela signifie que le pack d'accus **8** est défectueux.

- ◆ Introduisez le pack d'accus **8** dans l'appareil.
- ◆ Éteignez le chargeur pendant au moins 15 minutes entre deux opérations de chargement consécutives. Débranchez pour cela la fiche secteur.

## Mettre le pack d'accus dans l'appareil/l'en retirer

### Mettre en place le pack d'accus

- ◆ Placez l'inverseur de sens de rotation **4** en position centrale (verrouillage). Faites s'enclencher le pack d'accus **8** dans la poignée.

### Retirer le pack d'accus

- ◆ Appuyez sur la touche pour déverrouiller **9** puis retirez le pack d'accus.

## Contrôler l'état de l'accu

- ◆ Pour vérifier l'état de l'accu, appuyez sur la touche d'état de l'accu **6** (voir aussi la figure principale).  
L'état et la puissance restante s'affichent comme suit dans la LED d'affichage de l'accu **7** :  
ROUGE/ORANGE/VERT = charge maximale  
ROUGE/ORANGE = charge moyenne  
ROUGE = charge faible - charger l'accu

## Mise en service

### Mise en marche/mise hors service

#### Mise en marche

- ◆ Pour la mise en service de l'appareil, appuyez sur l'interrupteur MARCHE/ARRÊT **11** et maintenez-le enfoncé.  
La lampe de travail LED **10** s'allume lorsque l'interrupteur MARCHE/ARRÊT **11** est légèrement ou entièrement enfoncé. Elle permet ainsi d'éclairer la zone de travail si la luminosité n'est pas suffisante.

#### Éteindre

- ◆ Pour éteindre l'appareil, relâchez l'interrupteur MARCHE/ARRÊT **11**.

## Réglage de la vitesse de rotation/du couple de serrage

- ◆ Une légère pression sur l'interrupteur MARCHE/ARRÊT **11** entraîne une vitesse de rotation/un couple de serrage réduit. La vitesse de rotation/le couple de serrage augmente avec la pression sur l'interrupteur.
- ◆ Le couple de serrage dépend de la vitesse de rotation choisie et de la durée de la percussion.

### ATTENTION !

- ◆ Le couple de serrage réellement atteint doit toujours être contrôlé à l'aide d'une clé dynamométrique !

### REMARQUE

- ▶ Le frein moteur intégré veille à une immobilisation rapide.

## Inverser le sens de rotation

- ◆ Inversez le sens de rotation en tournant le sélecteur du sens de rotation **4** vers la droite ou vers la gauche.

## Mettre en place les embouts

- ◆ Insérez l'adaptateur **12** ou le porte-embout **13** dans le porte-outil **1**.
- ◆ Tirez le manchon de verrouillage **2** à l'arrière et faites s'enclencher l'adaptateur **12** ou le porte-embout **13**.

## Entretien et nettoyage



**AVERTISSEMENT ! RISQUE DE BLESSURES !** Avant d'effectuer tout travail sur l'appareil, éteignez-le et retirez l'accu.

L'appareil ne nécessite aucune maintenance particulière.

- L'appareil doit toujours être propre, sec et exempt d'huile ou de graisse.
- Aucun liquide ne doit pénétrer à l'intérieur de l'appareil.



- Pour le nettoyage du boîtier, utilisez un chiffon sec. N'utilisez jamais d'essence, de solvant ou de nettoyant qui attaquent le plastique.
- Si un accu lithium-ions doit rester stocké pendant une période prolongée, il faut contrôler régulièrement son état de charge. L'état de charge optimal se situe entre 50% et 80%. Le climat de stockage idéal est frais et sec.

**REMARQUE**

- ▶ Vous pouvez commander des pièces détachées non listées (comme les balais de charbon, les interrupteurs par ex.) auprès de notre hotline du service après-vente.

**Mise au rebut**



**Ne jetez pas les outils électriques dans les ordures ménagères !**

Le symbole ci-contre, d'une poubelle barrée sur roues, indique que cet appareil doit respecter la directive 2012/19/EU. Cette directive stipule que vous ne devez pas éliminer cet appareil en fin de vie avec les ordures ménagères, mais le rapporter aux points de collecte, aux centres de recyclage ou aux entreprises de gestion des déchets spécialement équipés à cet effet.

**Ce recyclage est gratuit. Respectez l'environnement et recyclez en bonne et due forme.**



Renseignez-vous auprès de votre commune ou des services administratifs de votre ville pour connaître les possibilités de recyclage du produit usagé.



**Ne jetez pas les accus dans les ordures ménagères !**

Directive 2006/66/CE. Déposez le pack d'accus et/ou l'appareil auprès des points de collecte existants. Les piles/batteries doivent être traitées comme des déchets spéciaux devant être obligatoirement recyclés dans le respect de l'environnement par les entités correspondantes (commerçants, revendeurs spécialisés, services municipaux, entreprises de recyclage professionnel). Les piles/batteries peuvent contenir des métaux lourds toxiques.

Par conséquent, ne jetez pas les piles/batteries dans les ordures ménagères, rappelez-les au contraire à un point de collecte séparé. Ne rappelez les piles/batteries qu'à l'état déchargé.



L'emballage est constitué de matériaux écologiques que vous pouvez recycler par le biais des services de recyclage locaux.



Éliminez l'emballage d'une manière respectueuse de l'environnement. Observez le marquage sur les différents matériaux d'emballage et triez-les séparément si nécessaire. Les matériaux d'emballage sont repérés par des abréviations (a) et des numéros (b) qui ont la signification suivante : 1-7 : Plastiques, 20-22 : Papier et carton, 80-98 : Matériaux composites.

## **Garantie de Kompernass Handels GmbH**

Chère cliente, cher client,

Cet appareil est garanti 3 ans à partir de la date d'achat. S'ils sont compris dans la livraison, les blocs-batteries de la série X12V et X20V Team sont également garantis 3 ans à compter de la date d'achat. Si ce produit venait à présenter des vices, vous disposez de droits légaux face au vendeur de ce produit. Vos droits légaux ne sont pas restreints par notre garantie présentée ci-dessous.

### **Conditions de garantie**

La période de garantie débute à la date d'achat. Veuillez bien conserver le ticket de caisse. Celui-ci servira de preuve d'achat.

Si dans un délai de trois ans suivant la date d'achat de ce produit, un vice de matériel ou de fabrication venait à apparaître, le produit sera réparé, remplacé gratuitement par nos soins ou le prix d'achat remboursé, selon notre choix. Cette prestation sous garantie nécessite, dans le délai de trois ans, la présentation de l'appareil défectueux et du justificatif d'achat (ticket de caisse) ainsi que la description brève du vice et du moment de son apparition.

Si le vice est couvert par notre garantie, vous recevrez le produit réparé ou un nouveau produit en retour. Aucune nouvelle période de garantie ne débute avec la réparation ou l'échange du produit.

### **Période de garantie et réclamation légale pour vices cachés**

L'exercice de la garantie ne prolonge pas la période de garantie. Cette disposition s'applique également aux pièces remplacées ou réparées. Les dommages et vices éventuellement déjà présents à l'achat doivent être signalés immédiatement après le déballage. Toute réparation survenant après la période sous garantie fera l'objet d'une facturation.

### **Étendue de la garantie**

L'appareil a été fabriqué avec soin conformément à des directives de qualité strictes et consciencieusement contrôlé avant sa livraison.

La prestation de la garantie s'applique aux vices de matériel et de fabrication. L'étendue de la garantie ne couvre pas les pièces du produit qui sont exposées à une usure normale et peuvent de ce fait être considérées comme pièces d'usure, comme p. ex. les lames de scie, les lames de rechange, les papiers abrasifs, etc., ni aux détériorations de pièces fragiles, p. ex. interrupteurs ou pièces en verre.

Cette garantie devient caduque si le produit est détérioré, utilisé ou entretenu de manière non conforme. Toutes les instructions listées dans le manuel d'utilisation doivent être exactement respectées pour une utilisation conforme du produit. Des buts d'utilisation et actions qui sont déconseillés dans le manuel d'utilisation, ou dont vous êtes avertis doivent également être évités.

Le produit est uniquement destiné à un usage privé et ne convient pas à un usage professionnel. La garantie est annulée en cas d'entretien incorrect et inapproprié, d'usage de la force et en cas d'intervention non réalisée par notre centre de service après-vente agréé.

### **La garantie ne s'applique pas dans les cas suivants**

- usure normale de la capacité de l'accu
- utilisation commerciale du produit
- détérioration ou modification du produit par le client
- non-respect des consignes de sécurité et de maintenance, erreur d'utilisation
- dommages causés par des événements élémentaires

## Procédure en cas de garantie

Afin de garantir un traitement rapide de votre demande, veuillez suivre les indications suivantes :

- Veuillez avoir à portée de main pour toutes questions le ticket de caisse et la référence article (IAN) 418088\_2210 en tant que justificatif de votre achat.
- Vous trouverez la référence sur la plaque signalétique sur le produit, une gravure sur le produit, sur la page de garde du mode d'emploi (en bas à gauche) ou sur l'autocollant au dos ou sur le dessous du produit.
- Si des erreurs de fonctionnement ou d'autres vices venaient à apparaître, veuillez d'abord contacter le département service clientèle cité ci-dessous par **téléphone** ou par **e-mail**.
- Vous pouvez ensuite retourner un produit enregistré comme étant défectueux en joignant le ticket de caisse et en indiquant en quoi consiste le vice et quand il est survenu, sans devoir l'affranchir à l'adresse de service après-vente communiquée.



Sur [www.lidl-service.com](http://www.lidl-service.com), vous pourrez télécharger ce mode d'emploi et de nombreux autres manuels, vidéos produit et logiciels d'installation.

Grâce à ce code QR, vous arriverez directement sur le site Lidl service après-vente ([www.lidl-service.com](http://www.lidl-service.com)) et vous pourrez ouvrir votre mode d'emploi en saisissant votre référence (IAN) 418088\_2210.

### **⚠ AVERTISSEMENT !**

- ▶ **Faites réparer vos appareils par le service après-vente ou un électricien et uniquement avec des pièces de rechange d'origine.** Cela assure le maintien de la sécurité de l'appareil.
- ▶ **Confiez toujours le remplacement de la fiche ou du cordon d'alimentation au fabricant de l'appareil ou à son service après-vente.** Cela assure le maintien de la sécurité de l'appareil.

## Service après-vente

**(FR) Service France**  
Tel.: 0800 919270  
E-Mail: [kompernass@lidl.fr](mailto:kompernass@lidl.fr)

**(BE) Service Belgique**  
Tel.: 0800 12089  
E-Mail: [kompernass@lidl.be](mailto:kompernass@lidl.be)

IAN 418088\_2210

## Importateur

Veuillez tenir compte du fait que l'adresse suivante n'est pas une adresse de service après-vente. Veuillez d'abord contacter le service mentionné.

### Pour le marché de l'UE

 KOMPERNASS HANDELS GMBH  
BURGSTRASSE 21  
44867 BOCHUM  
ALLEMAGNE  
[www.kompernass.com](http://www.kompernass.com)

### Pour le marché du Royaume-Uni

Lidl Great Britain Ltd  
Lidl House 14 Kingston Road  
Surbiton  
KT5 9NU

## Traduction de la déclaration de conformité originale

Nous soussignés, KOMPERNASS HANDELS GMBH, responsable du document : M. Semi Uguzlu, BURGSTR. 21, 44867 BOCHUM, ALLEMAGNE, déclarons par la présente que ce produit est en conformité avec les normes, documents normatifs et directives CE suivants :

### Directive relative aux machines

(2006/42/CE)

### Compatibilité électromagnétique

(2014/30/EU)

### Directive RoHS

(2011/65/EU)\*

\* La seule responsabilité pour l'établissement de cette déclaration de conformité incombe au fabricant. L'objet de la déclaration décrit ci-dessus répond aux prescriptions de la directive 2011/65/EU du Parlement européen et du Conseil en date du 8 juin 2011 visant la restriction de l'utilisation de certaines substances dangereuses dans les appareils électriques et électroniques.

### Normes harmonisées appliquées

EN 62841-1:2015

EN 62841-2-2:2014

EN IEC 55014-1:2021

EN IEC 55014-2:2021

EN IEC 63000:2018

**Type/désignation de l'appareil :** Visseuse à chocs sans fil PDSSA 20-Li B2

**Année de fabrication :** 03-2023

**Numéro de série :** IAN 418088\_2210

Bochum, le 19/12/2022



Semi Uguzlu

- Responsable qualité -

Sous réserve de modifications techniques à des fins de perfectionnement.



Ce signe confirme que le produit est conforme aux exigences de sécurité en vigueur au Royaume-Uni.

## Commande d'une batterie de recharge et d'un chargeur

Sur Internet, vous pouvez commander confortablement une batterie de recharge ou un chargeur sur [www.kompernass.com](http://www.kompernass.com).



- ◆ Scannez le code QR avec votre smartphone/tablette.  
Ce code QR vous donne un accès direct à notre site web sur lequel vous pouvez visualiser et commander les pièces de rechange disponibles.

### REMARQUE

- ▶ Si vous rencontrez des problèmes avec la commande en ligne, vous pouvez vous adresser par téléphone ou par e-mail à notre Centre de service après-vente.
- ▶ Veuillez toujours indiquer à la commande la référence article (IAN) 418088\_2210.
- ▶ Veuillez noter qu'une commande en ligne de pièces de rechange n'est pas possible pour tous les pays de livraison.



# Inhoud

<b>Inleiding</b> .....	<b>28</b>
Gebruik in overeenstemming met bestemming .....	28
Uitrusting .....	28
Inhoud van het pakket .....	28
Technische gegevens .....	28
<b>Algemene veiligheidsvoorschriften voor elektrisch gereedschap</b> .....	<b>29</b>
1. Veiligheid op de werkplek .....	30
2. Elektrische veiligheid .....	30
3. Veiligheid van personen .....	30
4. Gebruik en behandeling van het elektrische gereedschap .....	31
5. Gebruik en behandeling van het accugereedschap .....	31
6. Service .....	32
Apparaatspecifieke veiligheidsvoorschriften voor slagschroefmachines .....	32
Originele accessoires/hulpapparatuur .....	32
Veiligheidsvoorschriften voor opladers .....	33
<b>Vóór de ingebruikname</b> .....	<b>33</b>
Accupack opladen (zie afb. A) .....	33
Accupack in het apparaat plaatsen/uit het apparaat nemen .....	34
Toestand van de accu controleren .....	34
<b>Ingebruikname</b> .....	<b>34</b>
In-/uitschakelen .....	34
Toerental/draaimoment instellen .....	34
Draairichting wijzigen .....	34
Bits in houder insteken .....	34
<b>Onderhoud en reiniging</b> .....	<b>35</b>
<b>Afvoeren</b> .....	<b>35</b>
<b>Garantie van Kompernaß Handels GmbH</b> .....	<b>36</b>
<b>Service</b> .....	<b>37</b>
<b>Importeur</b> .....	<b>37</b>
<b>Vertaling van de oorspronkelijke conformiteitsverklaring</b> .....	<b>38</b>
<b>Bestelling reserveaccu en oplader</b> .....	<b>39</b>

## **ACCU-DRAAISLAGSCHROEF- MACHINE PDSSA 20-Li B2**

### **Inleiding**

Hartelijk gefeliciteerd met de aankoop van uw nieuwe apparaat. U hebt hiermee gekozen voor een hoogwaardig product. De gebruiksaanwijzing maakt deel uit van dit product. Deze bevat belangrijke aanwijzingen voor veiligheid, gebruik en afvoer. Lees alle bedienings- en veiligheidsvoorschriften voordat u het product in gebruik neemt. Gebruik het product uitsluitend op de voorgeschreven wijze en voor de aangegeven doeleinden. Geef alle documenten mee als u het product overdraagt aan een derde.

### **Gebruik in overeenstemming met bestemming**

Dit apparaat is bestemd voor het indraaien en losdraaien van schroeven en voor het vastdraaien en losdraaien van moeren. Het apparaat biedt de draairichtingen rechts/links, een inbus-bithouder van 1/4" en een LED-werklamp. De werklamp van dit apparaat is bedoeld om het directe werkvlak van het apparaat te verlichten. De draaislagfunctie van het apparaat zet de kracht van de motor om in gelijkmatige draaislagen. Deze slagbeweging wordt zowel tijdens het vastdraaien als tijdens het losdraaien gebruikt.

Het apparaat is alleen bestemd voor gebruik door volwassenen. Jongeren van 16 jaar of ouder mogen het apparaat alleen gebruiken op voorwaarde dat ze onder toezicht staan. De fabrikant aanvaardt geen aansprakelijkheid voor schade die voortvloeit uit gebruik dat niet in overeenstemming is met de bestemming van het apparaat of door een verkeerde bediening.

Gebruik het apparaat uitsluitend op de voorgeschreven wijze en voor de aangegeven doeleinden. Het apparaat is niet bestemd voor bedrijfsmatig of commercieel gebruik. Elk ander gebruik of elke wijziging van het apparaat geldt als niet in overeenstemming met de bestemming en brengt ernstig gevaar voor ongelukken met zich mee. De fabrikant aanvaardt geen enkele aansprakelijkheid voor schade die voortvloeit uit gebruik in strijd met de bestemming.

### **Uitrusting**

- ❶ Gereedschapshouder
- ❷ Vergrendelingshuls
- ❸ Bithouder (magnetisch)
- ❹ Draairichtingschakelaar/vergrendeling
- ❺ Riemclip
- ❻ Toets accutoestand
- ❼ Accuniveau-indicator
- ❽ Accupack\*
- ❾ Knop voor ontgrendeling van het accupack
- ❿ LED-werklamp
- ⓫ Aan-/uitknop/toerentalregeling
- ⓬ Adapter naar 1/4" vierkant
- ⓭ Bithouder
- ⓮ Snellader\*
- ⓯ Rode accu-indicatorlampje
- ⓰ Groene accu-indicatorlampje

### **Inhoud van het pakket**

- 1 accu-draaislagschroefmachine
- 1 adapter naar 1/4" vierkant
- 1 verlenging van 1/4" (50 mm)
- 1 riemclip
- 1 draagtas
- 1 gebruiksaanwijzing

### **Technische gegevens**

#### **Accu-draaislagschroefmachine PDSSA 20-Li B2**

Nominale spanning	20 V === (gelijkstroom)
Toerental (onbelast)	$n_0$ 0-2800 min <sup>-1</sup>
Nom. aantal slagen	0-3600 min <sup>-1</sup>
Max. draaimoment	180 Nm
Geschikt voor metaalschroeven	≤ M8
Geschikt voor houtschroeven	≤ 8 mm Ø
Gereedschapshouder	1/4"



### Accupack PAP 20 B1 \*

Type	LITHIUM-ION
Nominale spanning	20 V $\equiv$ (gelijkstroom)
Capaciteit	2 Ah
Cellen	5

### Accu-snellader PLG 20 C1 \*

#### INGANG/Input

Nominale spanning	230 - 240 V $\sim$ , 50 Hz (wisselstroom)
Nominaal vermogen	65 W
Zekering (intern)	3,15 A $\overline{\square}$ <small>T3.15A</small>

#### UITGANG/Output

Nominale spanning	21,5 V $\equiv$ (gelijkstroom)
Nominale stroom	2,4 A
Oplaadduur	ca. 60 min
Beschermingsklasse	II / $\square$ (dubbel geïsoleerd)

\* BATTERIJ EN OPLADER NIET INBEGREPEN IN LEVERING

### Geluidsemisiewaarde

Gemeten waarde voor geluid vastgesteld conform EN 62841. Het A-gewogen geluidsniveau van het elektrische gereedschap bedraagt gemiddeld:

Geluidsdrukniveau	$L_{PA} = 83$ dB (A)
Onzekerheid	$K_{PA} = 3$ dB
Geluidsvermogensniveau	$L_{WA} = 94$ dB (A)
Onzekerheid	$K_{WA} = 3$ dB

### Trillingsemisiewaarde

Totale trillingswaarde (vectorsom van drie richtingen) bepaald conform EN 62841:

Vastdraaien van schroeven en moeren met een max. grootte	$a_h = 5,677$ m/s <sup>2</sup>
Onzekerheid	$K = 1,5$ m/s <sup>2</sup>

### Draag gehoorbescherming!

### OPMERKING

- ▶ De vermelde totale trillingswaarden en trillingsemisiewaarden zijn in een genormeerde testopstelling gemeten en kunnen ook worden gebruikt voor vergelijking van een elektrisch gereedschap met een ander elektrisch gereedschap.
- ▶ De vermelde totale trillingswaarden en trillingsemisiewaarden kunnen ook worden gebruikt voor een voorlopige inschatting van de belasting.

### ⚠ WAARSCHUWING!

- ▶ De trillings- en geluidsemisieniveaus kunnen tijdens het daadwerkelijke gebruik van het elektrische gereedschap afwijken van de vermelde waarden, afhankelijk van de aard en het gebruik van het elektrische gereedschap, en in het bijzonder afhankelijk van het soort werkstuk dat wordt bewerkt.
- ▶ Probeer de belasting zo klein mogelijk te houden. Om de trillingsbelasting te reduceren, kunt u bijvoorbeeld handschoenen dragen tijdens het gebruik van het gereedschap en slechts beperkte tijd met het gereedschap werken. Daarbij dient u rekening te houden met alle aspecten van de bedrijfscyclus (bijvoorbeeld perioden waarin het gereedschap is uitgeschakeld en perioden waarin het gereedschap weliswaar is ingeschakeld, maar niet wordt belast).



## Algemene veiligheidsvoorschriften voor elektrisch gereedschap

### ⚠ WAARSCHUWING!

- ▶ Lees alle veiligheidsvoorschriften, aanwijzingen, afbeeldingen en technische gegevens van dit elektrische gereedschap. Het niet-naleven van de navolgende aanwijzingen kan elektrische schokken, brand en/of ernstig letsel veroorzaken.

**Bewaar alle veiligheidsvoorschriften en instructies voor toekomstig gebruik.**

De in de veiligheidsvoorschriften gebruikte term “elektrisch gereedschap” heeft betrekking op elektrisch gereedschap dat op netvoeding werkt (met snoer) en op elektrisch gereedschap dat op accu’s werkt (zonder snoer).

## 1. Veiligheid op de werkplek

- a) Houd uw werkomgeving schoon en goed verlicht. Wanorde en een niet-verlichte werkomgeving kunnen leiden tot ongelukken.
- b) Gebruik het elektrische gereedschap niet in explosiegevaarlijke omgevingen waarin zich brandbare vloeistof, gas of stof bevindt. Elektrisch gereedschap geeft namelijk vonken af die stof of dampen kunnen doen ontvlammen.
- c) Houd kinderen en andere personen uit de buurt terwijl u elektrisch gereedschap gebruikt. Als u afgeleid raakt, zou u namelijk de controle over het elektrische gereedschap kunnen verliezen.

## 2. Elektrische veiligheid

- a) De stekker van het elektrische gereedschap moet in het stopcontact passen. De stekker mag op geen enkele wijze worden veranderd. Gebruik geen verloopstekker in combinatie met geaard elektrisch gereedschap. Onveranderde stekkers en passende stopcontacten verminderen het risico op een elektrische schok.
- b) Voorkom lichamelijk contact met geaarde oppervlakken zoals buizen, verwarmingstoestellen, fornuizen en koelkasten. Er bestaat een verhoogd risico op een elektrische schok als uw lichaam geaard is.
- c) Houd elektrisch gereedschap uit de buurt van regen of vocht. Als er water in een elektrisch gereedschap binnendringt, bestaat er verhoogd risico op een elektrische schok.
- d) Gebruik het aansluitsnoer niet voor oneigenlijke doelen, bijvoorbeeld om het elektrische gereedschap te dragen, om het gereedschap op te hangen of om de stekker uit het stopcontact te trekken. Houd het aansluitsnoer uit de buurt van hitte, olie, scherpe randen of bewegende onderdelen. Beschadigde of in de war geraakte aansluitsnoeren verhogen de kans op een elektrische schok.

- e) Gebruik bij het werken met elektrisch gereedschap buitenshuis alleen verlengsnoeren die zijn goedgekeurd voor gebruik buitenshuis. Het gebruik van een verlengsnoer dat geschikt is voor gebruik buitenshuis, vermindert het risico op een elektrische schok.
- f) Als u het niet kunt vermijden om het elektrische gereedschap in een vochtige omgeving te gebruiken, maak dan gebruik van een aardlekschakelaar. Het gebruik van een aardlekschakelaar vermindert het risico op een elektrische schok.

## 3. Veiligheid van personen

- a) Wees alert, let op wat u doet en gebruik uw gezond verstand wanneer u elektrisch gereedschap gebruikt. Gebruik geen elektrisch gereedschap als u moe bent of onder invloed bent van drugs, alcohol of medicijnen. Eén moment van onoplettendheid kan bij het gebruik van elektrisch gereedschap al tot ernstig letsel leiden.
- b) Draag persoonlijke beschermingsmiddelen en draag altijd een veiligheidsbril. Het dragen van persoonlijke beschermingsmiddelen zoals een stofmasker, antislip-veiligheidsschoenen, een veiligheidshelm of gehoorbescherming, afhankelijk van het type en het gebruik van het elektrische gereedschap, vermindert het risico op letsel.
- c) Voorkom onbedoelde inschakeling. Controleer of het elektrische gereedschap uitgeschakeld is voordat u het aansluit op de netvoeding en/of op een accu en voordat u het gereedschap optilt of draagt. Als u bij het dragen van elektrisch gereedschap uw vinger op de aan-/uitknop houdt of als u reeds ingeschakeld elektrisch gereedschap op de netvoeding aansluit, kan dit tot ongelukken leiden.
- d) Verwijder alle afstelgereedschap of moersleutels voordat u het elektrische gereedschap aanzet. Gereedschap of moersleutels die zich in een draaiend onderdeel van het elektrische gereedschap bevinden, kunnen letsel veroorzaken.
- e) Voorkom een abnormale lichaamshouding. Zorg dat u stevig staat en bewaar altijd uw evenwicht. Zo kunt u het elektrische gereedschap in onverwachte situaties beter onder controle houden.

- f) Draag geschikte kleding. Draag geen wijde kleding of sieraden. Houd haar en kleding uit de buurt van bewegende onderdelen. Loszittende kleding, sieraden of haren kunnen door bewegende onderdelen worden gegrepen.
- g) Als stofafzuigings- en opvangvoorzieningen kunnen worden bevestigd, moeten deze worden aangesloten en correct worden gebruikt. Het gebruik van een stofafzuiging kan risico's door stof beperken.
- h) Laat u niet misleiden door schijnbare veiligheid en negeer de veiligheidsregels voor elektrisch gereedschap niet, ook wanneer u na veelvuldig gebruik vertrouwd bent met het elektrische gereedschap. Onachtzaamheid kan in een fractie van een seconde tot ernstig letsel leiden.
- e) Onderhoud elektrisch gereedschap en hulpstukken zorgvuldig. Controleer of bewegende onderdelen naar behoren werken en niet klemmen, en of er geen onderdelen gebroken of zodanig beschadigd zijn dat de werking van het elektrische gereedschap wordt aangetast. Laat beschadigde onderdelen vóór de ingebruikname van het elektrische gereedschap repareren. Veel ongelukken zijn het gevolg van slecht onderhoud van elektrisch gereedschap.
- f) Houd snijwerktuigen scherp en schoon. Met zorg onderhouden snijwerktuigen lopen minder vaak vast en zijn gemakkelijker te bedienen.
- g) Gebruik elektrisch gereedschap, hulpstukken en dergelijke in overeenstemming met de handleiding. Houd daarbij rekening met de werkomstandigheden en de te verrichten werkzaamheden. Het gebruik van elektrisch gereedschap voor andere doeleinden dan de beoogde toepassingen kan tot gevaarlijke situaties leiden.

#### 4. Gebruik en behandeling van het elektrische gereedschap

- a) Voorkom overbelasting van het elektrische gereedschap. Gebruik voor uw werkzaamheden het daarvoor bedoelde elektrische gereedschap. Met een geschikt elektrisch gereedschap werkt u beter en veiliger in het aangegeven vermogensbereik.
- b) Gebruik geen elektrisch gereedschap waarvan de aan-/uitknop defect is. Elektrisch gereedschap dat niet meer aan- of uitgezet kan worden, is gevaarlijk en moet worden gerepareerd.
- c) Haal de stekker uit het stopcontact en/of verwijder de afneembare accu voordat u instellingen aan het apparaat verricht, hulpstukken verwisselt of het elektrische gereedschap weglegt. Deze voorzorgsmaatregel voorkomt dat het elektrische gereedschap onbedoeld kan worden gestart.
- d) Berg elektrisch gereedschap buiten het bereik van kinderen op als het niet in gebruik is. Zorg ervoor dat het elektrische gereedschap niet wordt gebruikt door personen die er niet mee vertrouwd zijn of die deze instructies niet hebben gelezen. Elektrisch gereedschap is gevaarlijk als het door onervaren personen wordt gebruikt.

#### 5. Gebruik en behandeling van het accugereedschap

- a) Laad de accu's uitsluitend op met een oplader die door de fabrikant wordt aanbevolen. Er bestaat brandgevaar als een oplader die voor een bepaald type accu's bestemd is, voor andere accu's wordt gebruikt.
- b) Gebruik alleen de daarvoor bestemde accu's in de elektrische apparaten. Het gebruik van andere accu's kan tot verwondingen en brandgevaar leiden.
- c) Houd een niet-gebruikte accu uit de buurt van paperclips, munten, sleutels, spijkers, schroeven en andere kleine metalen voorwerpen die een overbrugging van de contacten kunnen veroorzaken. Kortsluiting tussen de accucontacten kan verbrandingen of brand tot gevolg hebben.

- d) Bij onjuist gebruik kan er vloeistof uit de accu lekken. Vermijd contact met accuvloeistof. Spoel bij onbedoeld contact met accuvloeistof de vloeistof weg met water. Raadpleeg bovendien een arts als er accuvloeistof in de ogen komt. Lekkende accuvloeistof kan leiden tot huidirritatie en brandwonden.
- e) **Gebruik geen beschadigde of gemodificeerde accu.** Beschadigde of gemodificeerde accu's kunnen zich onvoorspelbaar gedragen en brand, explosies of letselgevaar tot gevolg hebben.
- f) **Stel een accu niet bloot aan vuur of hoge temperaturen.** Vuur en temperaturen boven 130 °C (265 °F) kunnen een explosie veroorzaken.
- g) **Volg alle aanwijzingen voor het opladen op en laad de accu of het accugereedschap nooit op buiten het in de gebruiksaanwijzing aangegeven temperatuurbereik.** Bij verkeerd opladen of opladen buiten het toegestane temperatuurbereik kan de accu stuk gaan en kan het brandgevaar toenemen.



**VOORZICHTIG! EXPLOSIEGEVAAR!**  
Laad niet-oplaadbare accu's nooit op.



Bescherm de accu

tegen hitte, bijv. ook tegen continu zonlicht, vuur, water en vocht. Er bestaat explosiegevaar.

## 6. Service

- a) Laat uw elektrische gereedschap alleen door gekwalificeerde vakmensen en uitsluitend met originele vervangingsonderdelen repareren. Op die manier blijft de veiligheid van het elektrische gereedschap gewaarborgd.
- b) **Pleeg nooit onderhoud aan beschadigde accu's.** Alle accuonderhoud mag uitsluitend worden uitgevoerd door de fabrikant of een bevoegde klantenservice.

## Apparaatspecifieke veiligheidsvoorschriften voor slagschroefmachines

- **Draag gehoorbescherming tijdens het slagschroeven.** De inwerking van geluid kan gehoorverlies veroorzaken.
- **Zet het werkstuk vast.** Een werkstuk dat is vastgezet met lijmklemmen of een bankschroef, blijft beter op zijn plaats dan een met de hand vastgehouden werkstuk.
- **Houd het elektrische gereedschap stevig vast.** Bij het vast- en losdraaien van schroeven kunnen kortstondig hoge reactiekrachten optreden.
- **Wacht tot het elektrische gereedschap tot stilstand is gekomen voordat u het weglegt.** Het gereedschap kan namelijk blijven haken, zodat u de controle over het apparaat verliest.
- **Houd het gereedschap altijd bij de geïsoleerde handgrepen vast als u werkt met elektrisch gereedschap dat in contact kan komen met verborgen elektrische kabels.** Bij contact tussen een schroef of het gebruikte gereedschap en een leiding waar spanning op staat, kunnen ook metalen onderdelen van het apparaat onder spanning komen te staan, met een elektrische schok tot gevolg.

## Originele accessoires/ hulpapparatuur

- Gebruik uitsluitend accessoires en hulpapparatuur die in de gebruiksaanwijzing zijn aangegeven resp. waarvan de aansluiting compatibel is met het apparaat.

### **WAARSCHUWING!**

- Gebruik geen accessoires die niet door PARKSIDE worden aanbevolen. Dit kan een elektrische schok en brand tot gevolg hebben.

## Veiligheidsvoorschriften voor opladers

- Dit apparaat mag worden gebruikt door kinderen vanaf 8 jaar en door personen met beperkte fysieke, zintuiglijke of geestelijke vermogens of gebrek aan ervaring of kennis, mits ze onder toezicht staan of over het veilige gebruik van het apparaat zijn geïnstrueerd en de daaruit voortkomende gevaren hebben begrepen. Kinderen mogen niet met het apparaat spelen. Kinderen mogen zonder toezicht geen reiniging en gebruikersonderhoud uitvoeren.
- Wanneer het netsnoer van dit apparaat beschadigd raakt, moet het worden vervangen door de fabrikant of de klantendienst van de fabrikant of een persoon met vergelijkbare kwalificaties, om risico's te vermijden.



De oplader is alleen geschikt voor gebruik binnenshuis.

### WAARSCHUWING!

- Wanneer het netsnoer van dit apparaat beschadigd raakt, moet het worden vervangen door de fabrikant of de klantendienst van de fabrikant of een persoon met vergelijkbare kwalificaties, om risico's te vermijden.

### LET OP!

- ▶ Met deze oplader kunnen alleen de volgende accu's worden opgeladen: PAP 20 A1/PAP 20 A2/PAP 20 A3/PAP 20 B1/PAP 20 B3/PAPS 204 A1/PAPS 208 A1.
- ▶ Een actuele lijst met compatibele accu's is te vinden op [www.lidl.de/akku](http://www.lidl.de/akku).



LET OP! Heet oppervlak.

Er bestaat verbrandingsgevaar.

## Vóór de ingebruikname

### Accupack opladen (zie afb. A)

#### VOORZICHTIG!

- ▶ Trek altijd de stekker uit het stopcontact, voordat u het accupack uit de oplader haalt resp. in de oplader plaatst.

#### OPMERKING

- ▶ Het aanbevolen omgevingstemperatuurbereik voor gebruik met gereedschappen en accu's ligt tussen -5 °C en 50 °C.
- ▶ Laad het accupack nooit op als de omgevingstemperatuur lager is dan 10 °C of hoger is dan 40 °C. Als een lithium-ion-accu langere tijd moet worden opgeslagen, moet de laadtoestand periodiek worden gecontroleerd. De optimale laadtoestand ligt tussen 50% en 80%. De accu moet worden opgeslagen in een koele, droge omgeving met een temperatuur tussen 0 °C en 50 °C.
- ◆ Plaats het accupack **8** op de snellader **14** (zie afb. A).
- ◆ Steek de stekker in het stopcontact. Het indicatorlampje **15** brandt rood.
- ◆ Het groene indicatorlampje **16** geeft aan dat het opladen is voltooid en dat het accupack **8** klaar voor gebruik is.

**⚠ LET OP!**

- ◆ Als het rode indicatorlampje **15** knippert, is het accupack **8** oververhit en kan het niet worden opgeladen.
- ◆ Als het rode en het groene indicatorlampje **15** **15** tegelijkertijd knipperen, is het accupack **8** defect.
- ◆ Schuif het accupack **8** in het apparaat.
- ◆ Schakel de oplader tussen twee opeenvolgende laadprocessen minstens 15 minuten uit. Haal daartoe de stekker uit het stopcontact.

**Accupack in het apparaat plaatsen/ uit het apparaat nemen****Accupack plaatsen**

- ◆ Schuif de draairichtingschakelaar **4** naar de middelste stand (vergrendeling). Klik het accupack **8** vast in de handgreep.

**Accupack uit het apparaat halen**

- ◆ Druk op de ontgrendelingsknop **9** en neem het accupack uit het apparaat.

**Toestand van de accu controleren**

- ◆ Druk voor controle van de accutoestand op de toets Accutoestand **6** (zie ook de hoofdafbeelding).  
De toestand resp. de resterende capaciteit wordt met de accuniveau-indicator **7** als volgt aangegeven:  
ROOD/ORANJE/GROEN = maximale lading  
ROOD/ORANJE = middelhoge lading  
ROOD = zwakke lading - accu opladen

**Ingebruikname****In-/uitschakelen****Inschakelen**

- ◆ Druk voor inschakeling van het apparaat op de aan-/uitknop **11** en houd deze ingedrukt. Het LED-werklampje **10** brandt bij een gedeeltelijk of volledig ingedrukte aan-/uitknop **11**. Zo kunt u het werkvlak verlichten bij ongunstige lichtomstandigheden.

**Uitschakelen**

- ◆ Laat de aan-/uitknop **11** los om het apparaat uit te schakelen.

**Toerental/draaimoment instellen**

- ◆ Druk voorzichtig op de aan-/uitknop **11** om met een laag toerental te werken. Hoe groter de druk op de knop, hoe hoger het toerental.
- Het draaimoment hangt af van het gekozen toerental en van de slagduur.

**⚠ LET OP!**

- ◆ Het reële draaimoment moet in principe met een draaimomentsleutel worden gecontroleerd!

**OPMERKING**

- ▶ De geïntegreerde motorrem zorgt ervoor dat het apparaat snel stilstaat.

**Draairichting wijzigen**

- ◆ Wijzig de draairichting door de draairichtingschakelaar **4** naar rechts resp. naar links te drukken.

**Bits in houder insteken**

- ◆ Steek de adapter **12** of de bithouder **13** in de gereedschapshouder **1**.
- ◆ Trek daartoe de vergrendelingshuls **2** naar achter en laat de adapter **12** of bithouder **13** vastklikken.

## Onderhoud en reiniging



**WAARSCHUWING! LETSELGEVAAR!**  
Schakel het apparaat voorafgaand aan alle werkzaamheden aan het apparaat uit en haal de accu eruit.

Het apparaat is onderhoudsvrij.

- Het apparaat moet altijd schoon, droog en vrij van olie of smeervet zijn.
- Er mogen geen vloeistoffen in het apparaat terechtkomen.
- Gebruik voor het schoonmaken van de behuizing een droge doek. Gebruik nooit benzine, oplosmiddelen of schoonmaakmiddelen die kunststof aantasten.
- Als een lithium-ionaccu langere tijd moet worden opgeslagen, moet de laadtoestand periodiek worden gecontroleerd. De optimale laadtoestand ligt tussen 50% en 80%. Het optimale opslagklimaat is koel en droog.

### OPMERKING

- ▶ Niet vermelde reserveonderdelen (zoals koolborstels, schakelaars) kunt u bestellen via onze service-hotline.

## Afvoeren



**Deponeer elektrisch gereedschap niet bij het huisvuil!**

Het pictogram hiernaast met een doorgekruiste vuilnisbak geeft aan dat dit apparaat is onderworpen aan de Richtlijn 2012/19/EU. Deze richtlijn stelt dat u apparaat aan het einde van zijn levensduur niet met het normale huisvuil mag afvoeren, maar moet inleveren bij speciaal daartoe bestemde inzamelpunten, milieuparken of afvalverwerkingsbedrijven.

**Afvoeren is voor u kosteloos. Spaar het milieu en voer producten op een voor het milieu verantwoorde manier af.**



Informatie over mogelijkheden voor het afvoeren van het afgedankte product krijgt u bij uw gemeentereiniging.



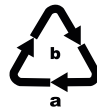
**Deponeer accu's niet bij het huisvuil!**

Defecte of afgedankte accu's moeten conform Richtlijn 2006/66/EC worden gerecycled. Batterijen/accu's moeten als gevaarlijk afval worden behandeld en moeten daarom worden ingeleverd bij een bevoegde organisatie (winkel, vakhandel, openbaar afvalpunt, commercieel afvalverwerkingsbedrijf). Batterijen/accu's kunnen giftige zware metalen bevatten.

Deponeer batterijen/accu's daarom niet bij het huisvuil, maar lever ze gescheiden in. Lever batterijen/accu's uitsluitend in ontladen toestand in.



De verpakking bestaat uit milieuvriendelijke materialen, die u via de plaatselijke recyclepunten kunt afvoeren.



Voer de verpakking af conform de milieuvoorschriften. Let op de aanduiding op de verschillende verpakkingsmaterialen en voer ze zo nodig gescheiden af. De verpakkingsmaterialen zijn voorzien van afkortingen (a) en cijfers (b) met de volgende betekenis: 1-7: kunststoffen, 20-22: papier en karton, 80-98: composietmaterialen.

## Garantie van Kompernaß Handels GmbH

Geachte klant,

U hebt op dit apparaat 3 jaar garantie vanaf de aankoopdatum. Voor zover meegeleverd hebt u op de accupacks van de X12V en de X20V Team-serie eveneens 3 jaar garantie vanaf de aankoopdatum. In geval van gebreken in dit product hebt u wettelijke rechten tegenover de verkoper van het product. Deze wettelijke rechten worden door onze hierna beschreven garantie niet beperkt.

### Garantievoorwaarden

De garantieperiode geldt vanaf de datum van aankoop. Bewaar de kassabon zorgvuldig. U hebt hem nodig als bewijs van aankoop.

Als er binnen drie jaar vanaf de aankoopdatum van dit product een materiaal- of fabricagefout optreedt, wordt - naar onze keuze - het product door ons kosteloos gerepareerd of vervangen of wordt de koopprijs terugbetaald. Voorwaarde voor deze garantie is dat het defecte apparaat en het aankoopbewijs (kassabon) binnen de termijn van drie jaar worden overlegd en dat kort wordt omschreven waaruit het gebrek bestaat en wanneer het is opgetreden.

Wanneer het defect door onze garantie wordt gedekt, krijgt u het gerepareerde product of een nieuw product retour. Met de reparatie of vervanging van het product begint er geen nieuwe garantieperiode.

### Garantieperiode en wettelijke aanspraken bij gebreken

De garantieperiode wordt door deze waarborg niet verlengd. Dat geldt ook voor vervangen en gerepareerde onderdelen. Eventueel al bij aankoop aanwezige schade en gebreken moeten meteen na het uitpakken worden gemeld. Voor reparaties na afloop van de garantieperiode worden kosten in rekening gebracht.

### Garantieomvang

Het apparaat is op basis van strenge kwaliteitsnormen met de grootst mogelijke zorg vervaardigd en voorafgaand aan de levering nauwkeurig gecontroleerd.

De garantie geldt voor materiaal- of fabricagefouten. De garantie geldt niet voor productonderdelen die onderhevig zijn aan normale slijtage en die daarom als slijtonderdelen kunnen worden beschouwd, bijv. zaagbladen, reservemesjes, schuurpapier enz. of voor schade aan breekbare onderdelen zoals schakelaars of onderdelen die van glas zijn gemaakt.

Deze garantie vervalt wanneer het product is beschadigd, ondeskundig is gebruikt of is gerepareerd. Voor deskundig gebruik van het product moeten alle in de gebruiksaanwijzing beschreven aanwijzingen precies worden opgevolgd. Gebruiksdoeleinden en handelingen die in de gebruiksaanwijzing worden afgeraden of waarvoor wordt gewaarschuwd, moeten beslist worden vermeden.

Het product is uitsluitend bestemd voor privégebruik en niet voor bedrijfsmatige doeleinden. Bij verkeerd gebruik en ondeskundige behandeling, bij gebruik van geweld en bij reparaties die niet door ons erkend servicefiliaal zijn uitgevoerd, vervalt de garantie.

### Garantie geldt niet bij

- normale afname van de accu capaciteit
- commercieel/bedrijfsmatig gebruik van het product
- beschadiging of modificatie van het product door de klant
- niet-naleving van de veiligheids- en onderhoudsvorschriften, bedieningsfouten
- schade door natuurrampen



## Afhandeling bij een garantiekwestie

Voor een snelle afhandeling van uw aanvraag neemt u de volgende aanwijzingen in acht:

- Houd voor alle aanvragen de kassabon en het artikelnummer (IAN) 418088\_2210 als aankoopbewijs bij de hand.
- Het artikelnummer vindt u op het typeplaatje van het product, op het product gegraveerd, op de titelpagina van de gebruiksaanwijzing (linksonder) of op de sticker op de achter- of onderkant van het product.
- Als er fouten in de werking of andere gebreken optreden, neemt u eerst contact op met de hierna genoemde serviceafdeling, **telefonisch** of **via e-mail**.
- Een als defect geregistreerd product kunt u dan zonder portokosten naar het aan u doorgegeven serviceadres sturen. Voeg het aankoopbewijs (kassabon) bij en vermeld waaruit het gebrek bestaat en wanneer het is opgetreden.



Op [www.lidl-service.com](http://www.lidl-service.com) kunt u deze en vele andere handleidingen, productvideo's en installatiesoftware downloaden.

Met deze QR-code gaat u direct naar de website van Lidl Service ([www.lidl-service.com](http://www.lidl-service.com)) en kunt u met het invoeren van het artikelnummer (IAN) 418088\_2210 de gebruiksaanwijzing openen.

### **WAARSCHUWING!**

- ▶ Laat uw apparaten door het servicepunt of een elektricien repareren, en uitsluitend met originele vervangingsonderdelen. Op die manier blijft de veiligheid van het apparaat gewaarborgd.
- ▶ Laat de stekker of het snoer altijd vervangen door de fabrikant van het apparaat of diens klantenservice. Op die manier blijft de veiligheid van het apparaat gewaarborgd.

## Service

### **NL** Service Nederland

Tel.: 0800 0249630

E-Mail: [kompernass@lidl.nl](mailto:kompernass@lidl.nl)

### **BE** Service België

Tel.: 0800 12089

E-Mail: [kompernass@lidl.be](mailto:kompernass@lidl.be)

IAN 418088\_2210

## Importeur

Let op: het volgende adres is geen serviceadres. Neem eerst contact op met het opgegeven serviceadres.

### Voor de EU-markt



KOMPERNASS HANDELS GMBH  
BURGSTRASSE 21  
44867 BOCHUM  
DUITSLAND  
[www.kompernass.com](http://www.kompernass.com)

### Voor de Britse markt

Lidl Great Britain Ltd  
Lidl House 14 Kingston Road  
Surbiton  
KT5 9NU

## Vertaling van de oorspronkelijke conformiteitsverklaring

Wij, KOMPERNASS HANDELS GMBH, documentverantwoordelijke persoon: de heer Semi Uguzlu, BURGSTR. 21, 44867 BOCHUM, DUITSLAND, verklaren hierbij dat dit product voldoet aan de volgende normen, normatieve documenten en EU-richtlijnen:

**Machinerichtlijn**  
(2006/42/EC)

**Elektromagnetische compatibiliteit**  
(2014/30/EU)

**RoHS-richtlijn**  
(2011/65/EU)\*

\* De volledige verantwoordelijkheid voor het afgeven van deze conformiteitsverklaring ligt bij de fabrikant. Het hierboven beschreven object van de verklaring voldoet aan de voorschriften van de Richtlijn 2011/65/EU van het Europees Parlement en de Raad van 8 juni 2011 aangaande de beperking van het gebruik van bepaalde gevaarlijke stoffen in elektrische en elektronische apparaten.

### Toegepaste geharmoniseerde normen

EN 62841-1:2015

EN 62841-2-2:2014

EN IEC 55014-1:2021

EN IEC 55014-2:2021

EN IEC 63000:2018

**Type/apparaatbeschrijving:** Accu-draaislagschroefmachine PDSSA 20-Li B2

**Productiejaar:** 03-2023

**Serienummer:** IAN 418088\_2210

Bochum, 19-12-2022



Semi Uguzlu

- Kwaliteitsmanager -

Technische wijzigingen vanwege verdere ontwikkeling voorbehouden.



Dit teken bevestigt dat het product voldoet aan de britse productveiligheidseisen.

## Bestelling reserveaccu en oplader

U kunt een reserveaccu of oplader gemakkelijk en doorlopend via internet bestellen op [www.kompernass.com](http://www.kompernass.com).



- ◆ Scan de QR-code met uw smartphone/tablet.  
Met deze QR-code gaat u rechtstreeks naar onze website en kunt u de beschikbare vervangingsonderdelen bekijken en bestellen.

### OPMERKING

- ▶ Mocht u problemen ondervinden met de online bestelling, dan kunt u telefonisch of via e-mail contact opnemen met ons servicecenter.
- ▶ Vermeld altijd het artikelnummer (IAN) 418088\_2210 bij uw bestelling.
- ▶ Houd er rekening mee dat online bestellen van vervangingsonderdelen niet in alle landen mogelijk is.



# Inhaltsverzeichnis

<b>Einleitung</b> .....	<b>42</b>
Bestimmungsgemäßer Gebrauch .....	42
Ausstattung .....	42
Lieferumfang .....	42
Technische Daten .....	42
<b>Allgemeine Sicherheitshinweise für Elektrowerkzeuge</b> .....	<b>43</b>
1. Arbeitsplatzsicherheit .....	44
2. Elektrische Sicherheit .....	44
3. Sicherheit von Personen .....	44
4. Verwendung und Behandlung des Elektrowerkzeugs .....	45
5. Verwendung und Behandlung des Akkuwerkzeugs .....	45
6. Service .....	46
Gerätespezifische Sicherheitshinweise für Schlagschrauber .....	46
Originalzubehör/-zusatzgeräte .....	46
Sicherheitshinweise für Ladegeräte .....	46
<b>Vor der Inbetriebnahme</b> .....	<b>47</b>
Akku-Pack laden (siehe Abb. A) .....	47
Akku-Pack ins Gerät einsetzen/entnehmen .....	47
Akkuzustand prüfen .....	48
<b>Inbetriebnahme</b> .....	<b>48</b>
Ein-/ausschalten .....	48
Drehzahl/Anziedrehmoment einstellen .....	48
Drehrichtung umschalten .....	48
Bits einsetzen .....	48
<b>Wartung und Reinigung</b> .....	<b>48</b>
<b>Entsorgung</b> .....	<b>49</b>
<b>Garantie der Kompernaß Handels GmbH</b> .....	<b>50</b>
<b>Service</b> .....	<b>51</b>
<b>Importeur</b> .....	<b>51</b>
<b>Original-Konformitätserklärung</b> .....	<b>52</b>
<b>Ersatz-Akku und Ladegerät Bestellung</b> .....	<b>53</b>

## **AKKU-DREH Schlag- SCHRAUBER PDSSA 20-Li B2**

### **Einleitung**

Wir beglückwünschen Sie zum Kauf Ihres neuen Gerätes. Sie haben sich damit für ein hochwertiges Produkt entschieden. Die Bedienungsanleitung ist Teil dieses Produkts. Sie enthält wichtige Hinweise für Sicherheit, Gebrauch und Entsorgung. Machen Sie sich vor der Benutzung des Produkts mit allen Bedien- und Sicherheitshinweisen vertraut. Benutzen Sie das Produkt nur wie beschrieben und für die angegebenen Einsatzbereiche. Händigen Sie alle Unterlagen bei Weitergabe des Produkts an Dritte mit aus.

### **Bestimmungsgemäßer Gebrauch**

Das Gerät ist zum Eindrehen und Lösen von Schrauben sowie zum Anziehen und Lösen von Muttern vorgesehen. Das Gerät besitzt einen Rechts-/Linkslauf, eine 1/4" Innensechskant-Bitaufnahme und ein LED-Arbeitslicht. Das Licht dieses Gerätes ist dazu bestimmt, den direkten Arbeitsbereich des Gerätes zu beleuchten. Mit der Dreh Schlagfunktion des Gerätes wird die Kraft des Motors in gleichmäßige Drehschläge umgesetzt. Das Schlagwerk setzt beim Festziehen und beim Lösen ein.

Das Gerät ist zum Gebrauch durch Erwachsene bestimmt. Jugendliche über 16 Jahre dürfen das Gerät nur unter Aufsicht benutzen. Der Hersteller haftet nicht für Schäden, die durch bestimmungswidrigen Gebrauch oder falsche Bedienung verursacht wurden.

Benutzen Sie das Gerät nur wie beschrieben und für die angegebenen Einsatzbereiche. Das Gerät ist nicht für den gewerblichen Einsatz bestimmt. Jede andere Verwendung oder Veränderung des Gerätes gilt als nicht bestimmungsgemäß und birgt erhebliche Unfallgefahren. Für aus bestimmungswidriger Verwendung entstandene Schäden übernimmt der Hersteller keine Haftung.

### **Ausstattung**

- ❶ Werkzeugaufnahme
- ❷ Verriegelungshülse
- ❸ Bit-Halterung (Magnetisch)
- ❹ Drehrichtungsumschalter/Sperre
- ❺ Gürtelclip
- ❻ Taste Akkuzustand
- ❼ Akku-Display-LED
- ❽ Akku-Pack\*
- ❾ Taste zur Entriegelung des Akku-Packs
- ❿ LED-Arbeitsleuchte
- ⓫ EIN-/AUS-Schalter/Drehzahlregulierung
- ⓬ Adapter auf 1/4" Vierkant
- ⓭ Bithalter
- ⓮ Schnell-Ladegerät\*
- ⓯ Rote Ladekontroll-LED
- ⓰ Grüne Ladekontroll-LED

### **Lieferumfang**

- 1 Akku-Drehschlagschrauber
- 1 Adapter auf 1/4" Vierkant
- 1 1/4" Verlängerung (50 mm)
- 1 Gürtelclip
- 1 Tragekoffer
- 1 Bedienungsanleitung

### **Technische Daten**

#### **Akku-Drehschlagschrauber PDSSA 20-Li B2**

Bemessungsspannung	20 V $\overline{\text{---}}$ (Gleichstrom)
Leerlaufdrehzahl	$n_0$ 0–2800 min <sup>-1</sup>
Nennschlagzahl	0–3600 min <sup>-1</sup>
Max. Drehmoment	180 Nm
Geeignet für Metallschrauben	≤ M8
Geeignet für Holzschrauben	≤ 8 mm Ø
Werkzeugaufnahme	1/4"

**Akku PAP 20 B1 \***

Typ	LITHIUM-IONEN
Bemessungsspannung	20 V $\equiv$ (Gleichstrom)
Kapazität	2 Ah
Zellen	5

**Akku-Schnellladegerät PLG 20 C1 \***

**EINGANG/Input**

Bemessungsspannung	230-240 V $\sim$ , 50 Hz (Wechselstrom)
Bemessungsaufnahme	65 W
Sicherung (innen)	3,15 A $\frac{T3,15A}{\square}$

**AUSGANG/Output**

Bemessungsspannung	21,5 V $\equiv$ (Gleichstrom)
Bemessungsstrom	2,4 A
Ladedauer	ca. 60 min
Schutzklasse	II/ $\square$ (Doppelisolierung)

\* AKKU UND LADEGERÄT SIND NICHT IM LIEFERUMFANG ENTHALTEN

**Geräuschemissionswert**

Messwert für Geräusch ermittelt entsprechend EN 62841. Der A-bewertete Geräuschpegel des Elektrowerkzeugs beträgt typischerweise:

Schalldruckpegel	$L_{PA} = 83$ dB (A)
Unsicherheit	$K_{PA} = 3$ dB
Schallleistungspegel	$L_{WA} = 94$ dB (A)
Unsicherheit	$K_{WA} = 3$ dB

**Schwingungsemissionswert**

Schwingungsgesamtwerte (Vektorsumme dreier Richtungen) ermittelt entsprechend EN 62841:

Anziehen von Schrauben und Muttern maximaler zulässiger Größe	$a_h = 5,677$ m/s <sup>2</sup>
Unsicherheit	$K = 1,5$ m/s <sup>2</sup>

**Gehörschutz tragen!**

**HINWEIS**

- ▶ Die angegebenen Schwingungsgesamtwerte und die angegebenen Geräuschemissionswerte sind nach einem genormten Prüfverfahren gemessen worden und können zum Vergleich eines Elektrowerkzeugs mit einem anderen verwendet werden.

**HINWEIS**

- ▶ Die angegebenen Schwingungsgesamtwerte und die angegebenen Geräuschemissionswerte können auch zu einer vorläufigen Einschätzung der Belastung verwendet werden.

**! WARNUNG!**

- ▶ Die Schwingungs- und Geräuschemissionen können während der tatsächlichen Benutzung des Elektrowerkzeugs von den Angabewerten abweichen, abhängig von der Art und Weise, in der das Elektrowerkzeug verwendet wird, insbesondere, welche Art von Werkstück bearbeitet wird.
- ▶ Versuchen Sie, die Belastung so gering wie möglich zu halten. Beispielhafte Maßnahmen zur Verringerung der Vibrationsbelastung sind das Tragen von Handschuhen beim Gebrauch des Werkzeugs und die Begrenzung der Arbeitszeit. Dabei sind alle Anteile des Betriebszyklus zu berücksichtigen (beispielsweise Zeiten, in denen das Elektrowerkzeug abgeschaltet ist, und solche, in denen es zwar eingeschaltet ist, aber ohne Belastung läuft).



**Allgemeine Sicherheitshinweise für Elektrowerkzeuge**

**! WARNUNG!**

- ▶ Lesen Sie alle Sicherheitshinweise, Anweisungen, Bilderungen und technischen Daten, mit denen dieses Elektrowerkzeug versehen ist. Versäumnisse bei der Einhaltung der nachfolgenden Anweisungen können elektrischen Schlag, Brand und/oder schwere Verletzungen verursachen.

**Bewahren Sie alle Sicherheitshinweise und Anweisungen für die Zukunft auf.**

Der in den Sicherheitshinweisen verwendete Begriff „Elektrowerkzeug“ bezieht sich auf netzbetriebene Elektrowerkzeuge (mit Netzleitung) und auf akku-betriebene Elektrowerkzeuge (ohne Netzleitung).

## 1. Arbeitsplatzsicherheit

- a) Halten Sie Ihren Arbeitsbereich sauber und gut beleuchtet. Unordnung und unbeleuchtete Arbeitsbereiche können zu Unfällen führen.
- b) Arbeiten Sie mit dem Elektrowerkzeug nicht in explosionsgefährdeter Umgebung, in der sich brennbare Flüssigkeiten, Gase oder Stäube befinden. Elektrowerkzeuge erzeugen Funken, die den Staub oder die Dämpfe entzünden können.
- c) Halten Sie Kinder und andere Personen während der Benutzung des Elektrowerkzeugs fern. Bei Ablenkung können Sie die Kontrolle über das Elektrowerkzeug verlieren.

## 2. Elektrische Sicherheit

- a) Der Anschlussstecker des Elektrowerkzeugs muss in die Steckdose passen. Der Stecker darf in keiner Weise verändert werden. Verwenden Sie keine Adapterstecker gemeinsam mit Schutzgeerdeten Elektrowerkzeugen. Unveränderte Stecker und passende Steckdosen verringern das Risiko eines elektrischen Schlages.
- b) Vermeiden Sie Körperkontakt mit geerdeten Oberflächen wie von Rohren, Heizungen, Herden und Kühlschränken. Es besteht ein erhöhtes Risiko durch elektrischen Schlag, wenn Ihr Körper geerdet ist.
- c) Halten Sie Elektrowerkzeuge von Regen oder Nässe fern. Das Eindringen von Wasser in ein Elektrowerkzeug erhöht das Risiko eines elektrischen Schlages.
- d) Zweckentfremden Sie die Anschlussleitung nicht, um das Elektrowerkzeug zu tragen, aufzuhängen oder um den Stecker aus der Steckdose zu ziehen. Halten Sie die Anschlussleitung fern von Hitze, Öl, scharfen Kanten oder sich bewegenden Teilen. Beschädigte oder verwickelte Anschlussleitungen erhöhen das Risiko eines elektrischen Schlages.
- e) Wenn Sie mit einem Elektrowerkzeug im Freien arbeiten, verwenden Sie nur Verlängerungsleitungen, die auch für den Außenbereich geeignet sind. Die Anwendung einer für den Außenbereich geeigneten Verlängerungsleitung verringert das Risiko eines elektrischen Schlages.

- f) Wenn der Betrieb des Elektrowerkzeugs in feuchter Umgebung nicht vermeidbar ist, verwenden Sie einen Fehlerstromschutzschalter. Der Einsatz eines Fehlerstromschutzschalters vermindert das Risiko eines elektrischen Schlages.

## 3. Sicherheit von Personen

- a) Seien Sie aufmerksam, achten Sie darauf, was Sie tun, und gehen Sie mit Vernunft an die Arbeit mit einem Elektrowerkzeug. Benutzen Sie kein Elektrowerkzeug, wenn Sie müde sind oder unter dem Einfluss von Drogen, Alkohol oder Medikamenten stehen. Ein Moment der Unachtsamkeit beim Gebrauch des Elektrowerkzeugs kann zu ernsthaften Verletzungen führen.
- b) Tragen Sie persönliche Schutzausrüstung und immer eine Schutzbrille. Das Tragen persönlicher Schutzausrüstung, wie Staubmaske, rutschfeste Sicherheitsschuhe, Schutzhelm oder Gehörschutz, je nach Art und Einsatz des Elektrowerkzeugs, verringert das Risiko von Verletzungen.
- c) Vermeiden Sie eine unbeabsichtigte Inbetriebnahme. Vergewissern Sie sich, dass das Elektrowerkzeug ausgeschaltet ist, bevor Sie es an die Stromversorgung und/oder den Akku anschließen, es aufnehmen oder tragen. Wenn Sie beim Tragen des Elektrowerkzeugs den Finger am Schalter haben oder das Elektrowerkzeug eingeschaltet an die Stromversorgung anschließen, kann dies zu Unfällen führen.
- d) Entfernen Sie Einstellwerkzeuge oder Schraubenschlüssel, bevor Sie das Elektrowerkzeug einschalten. Ein Werkzeug oder Schlüssel, der sich in einem drehenden Teil des Elektrowerkzeugs befindet, kann zu Verletzungen führen.
- e) Vermeiden Sie eine abnormale Körperhaltung. Sorgen Sie für einen sicheren Stand und halten Sie jederzeit das Gleichgewicht. Dadurch können Sie das Elektrowerkzeug in unerwarteten Situationen besser kontrollieren.
- f) Tragen Sie geeignete Kleidung. Tragen Sie keine weite Kleidung oder Schmuck. Halten Sie Haare und Kleidung fern von sich bewegenden Teilen. Lockere Kleidung, Schmuck oder lange Haare können von sich bewegenden Teilen erfasst werden.



- g) Wenn Staubabsaug- und -auffangeinrichtungen montiert werden können, sind diese anzuschließen und richtig zu verwenden. Die Verwendung einer Staubabsaugung kann Gefährdungen durch Staub verringern.
- h) Wiegen Sie sich nicht in falscher Sicherheit und setzen Sie sich nicht über die Sicherheitsregeln für Elektrowerkzeuge hinweg, auch wenn Sie nach vielfachem Gebrauch mit dem Elektrowerkzeug vertraut sind. Achtloses Handeln kann binnen Sekundenbruchteilen zu schweren Verletzungen führen.

#### 4. Verwendung und Behandlung des Elektrowerkzeugs

- a) Überlasten Sie das Elektrowerkzeug nicht. Verwenden Sie für Ihre Arbeit das dafür bestimmte Elektrowerkzeug. Mit dem passenden Elektrowerkzeug arbeiten Sie besser und sicherer im angegebenen Leistungsbereich.
- b) Benutzen Sie kein Elektrowerkzeug, dessen Schalter defekt ist. Ein Elektrowerkzeug, das sich nicht mehr ein- oder ausschalten lässt, ist gefährlich und muss repariert werden.
- c) Ziehen Sie den Stecker aus der Steckdose und/oder entfernen Sie den abnehmbaren Akku, bevor Sie Geräteeinstellungen vornehmen, Einsatzwerkzeugteile wechseln oder das Elektrowerkzeug weglegen. Diese Vorsichtsmaßnahme verhindert den unbeabsichtigten Start des Elektrowerkzeugs.
- d) Bewahren Sie unbenutzte Elektrowerkzeuge außerhalb der Reichweite von Kindern auf. Lassen Sie keine Personen das Elektrowerkzeug benutzen, die mit diesem nicht vertraut sind oder diese Anweisungen nicht gelesen haben. Elektrowerkzeuge sind gefährlich, wenn sie von unerfahrenen Personen benutzt werden.
- e) Pflegen Sie Elektrowerkzeuge und Einsatzwerkzeug mit Sorgfalt. Kontrollieren Sie, ob bewegliche Teile einwandfrei funktionieren und nicht klemmen, ob Teile gebrochen oder so beschädigt sind, dass die Funktion des Elektrowerkzeugs beeinträchtigt ist. Lassen Sie beschädigte Teile vor dem Einsatz des

Elektrowerkzeuges reparieren. Viele Unfälle haben ihre Ursache in schlecht gewarteten Elektrowerkzeugen.

- f) Halten Sie Schneidwerkzeuge scharf und sauber. Sorgfältig gepflegte Schneidwerkzeuge mit scharfen Schneidkanten verkleben sich weniger und sind leichter zu führen.
- g) Verwenden Sie Elektrowerkzeug, Einsatzwerkzeug, Einsatzwerkzeuge usw. entsprechend diesen Anweisungen. Berücksichtigen Sie dabei die Arbeitsbedingungen und die auszuführende Tätigkeit. Der Gebrauch von Elektrowerkzeugen für andere als die vorgesehenen Anwendungen kann zu gefährlichen Situationen führen.
- h) Halten Sie Griffe und Griffflächen trocken, sauber und frei von Öl und Fett. Rutschige Griffe und Griffflächen erlauben keine sichere Bedienung und Kontrolle des Elektrowerkzeugs in unvorhergesehenen Situationen.

#### 5. Verwendung und Behandlung des Akkuwerkzeugs

- a) Laden Sie die Akkus nur mit Ladegeräten auf, die vom Hersteller empfohlen werden. Durch ein Ladegerät, das für eine bestimmte Art von Akkus geeignet ist, besteht Brandgefahr, wenn es mit anderen Akkus verwendet wird.
- b) Verwenden Sie nur die dafür vorgesehenen Akkus in den Elektrowerkzeugen. Der Gebrauch von anderen Akkus kann zu Verletzungen und Brandgefahr führen.
- c) Halten Sie den nicht benutzten Akku fern von Büroklammern, Münzen, Schlüsseln, Nägeln, Schrauben oder anderen kleinen Metallgegenständen, die eine Überbrückung der Kontakte verursachen könnten. Ein Kurzschluss zwischen den Akkukontakten kann Verbrennungen oder Feuer zur Folge haben.
- d) Bei falscher Anwendung kann Flüssigkeit aus dem Akku austreten. Vermeiden Sie den Kontakt damit. Bei zufälligem Kontakt mit Wasser abspülen. Wenn die Flüssigkeit in die Augen kommt, nehmen Sie zusätzlich ärztliche Hilfe in Anspruch. Austretende Akkufflüssigkeit kann zu Hautreizungen oder Verbrennungen führen.

- e) **Benutzen Sie keinen beschädigten oder veränderten Akku.** Beschädigte oder veränderte Akkus können sich unvorhersehbar verhalten und zu Feuer, Explosion oder Verletzungsgefahr führen.
- f) **Setzen Sie einen Akku keinem Feuer oder zu hohen Temperaturen aus.** Feuer oder Temperaturen über 130 °C (265 °F) können eine Explosion hervorrufen.
- g) **Befolgen Sie alle Anweisungen zum Laden und laden Sie den Akku oder das Akkuwerkzeug niemals außerhalb des in der Betriebsanleitung angegebenen Temperaturbereichs.** Falsches Laden oder Laden außerhalb des zugelassenen Temperaturbereichs kann den Akku zerstören und die Brandgefahr erhöhen.



**VORSICHT! EXPLOSIONSGEFAHR!**  
Laden Sie nicht aufladbare Batterien niemals auf.



**Schützen Sie den Akku vor Hitze, z. B. auch vor dauernder Sonneneinstrahlung, Feuer, Wasser und Feuchtigkeit.** Es besteht Explosionsgefahr.

## 6. Service

- a) **Lassen Sie Ihr Elektrowerkzeug nur von qualifiziertem Fachpersonal und nur mit Original-Ersatzteilen reparieren.** Damit wird sichergestellt, dass die Sicherheit des Elektrowerkzeugs erhalten bleibt.
- b) **Warten Sie niemals beschädigte Akkus.** Sämtliche Wartung von Akkus sollte nur durch den Hersteller oder bevollmächtigte Kundendienststellen erfolgen.

## Gerätespezifische Sicherheitshinweise für Schlagschrauber

- **Tragen Sie Gehörschutz beim Schlagschrauben.** Die Einwirkung von Lärm kann Hörverlust bewirken.
- **Sichern Sie das Werkstück.** Ein mit Spannvorrichtungen oder Schraubstock festgehaltenes Werkstück ist sicherer gehalten als mit Ihrer Hand.
- **Halten Sie das Elektrowerkzeug gut fest.** Beim Festziehen und Lösen von Schrauben können kurzfristig hohe Reaktionsmomente auftreten.

- **Warten Sie, bis das Elektrowerkzeug zum Stillstand gekommen ist, bevor Sie es ablegen.** Das Einsatzwerkzeug kann sich verhaken und zum Verlust der Kontrolle über das Elektrowerkzeug führen.
- **Halten Sie das Elektrowerkzeug an den isolierten Griffflächen, wenn Sie Arbeiten ausführen, bei denen die Schraube verborgene Stromleitungen treffen kann.** Der Kontakt der Schraube mit einer spannungsführenden Leitung kann auch metallene Geräteteile unter Spannung setzen und zu einem elektrischen Schlag führen.

## Originalzubehör/-zusatzgeräte

- **Benutzen Sie nur Zubehör und Zusatzgeräte, die in der Bedienungsanleitung angegeben sind bzw. deren Aufnahme mit dem Gerät kompatibel ist.**

### **! WARNUNG!**

- **Verwenden Sie kein Zubehör welches nicht von PARKSIDE empfohlen wurde.** Dies kann zu elektrischem Schlag und Feuer führen.

## Sicherheitshinweise für Ladegeräte

- **Dieses Gerät kann von Kindern ab 8 Jahren und darüber sowie von Personen mit verringerten physischen, sensorischen oder mentalen Fähigkeiten oder Mangel an Erfahrung und Wissen benutzt werden, wenn sie beaufsichtigt oder bezüglich des sicheren Gebrauchs des Gerätes unterwiesen wurden und die daraus resultierenden Gefahren verstehen.** Kinder dürfen nicht mit dem Gerät spielen. Reinigung und Benutzer-Wartung dürfen nicht von Kindern ohne Beaufsichtigung durchgeführt werden.

- Wenn die Netzanschlussleitung dieses Gerätes beschädigt wird, muss sie durch den Hersteller oder seinen Kundendienst oder eine ähnlich qualifizierte Person ersetzt werden, um Gefährdungen zu vermeiden.



Das Ladegerät ist nur für den Betrieb im Innenbereich geeignet.

**⚠️ WARNUNG!**

- Wenn die Netzanschlussleitung dieses Gerätes beschädigt wird, muss sie durch den Hersteller oder seinen Kundendienst oder eine ähnlich qualifizierte Person ersetzt werden, um Gefährdungen zu vermeiden.

**⚠️ ACHTUNG!**

- ◆ Dieses Ladegerät kann nur die folgenden Batterien laden: PAP 20 A1/PAP 20 A2/PAP 20 A3/PAP 20 B1/PAP 20 B3/PAPS 204 A1/PAPS 208 A1.
- ◆ Eine aktuelle Liste der Akkukompatibilität finden Sie unter [www.lidl.de/Akku](http://www.lidl.de/Akku).



**ACHTUNG!** Heiße Oberfläche. Es besteht Verbrennungsgefahr.

## Vor der Inbetriebnahme

### Akku-Pack laden (siehe Abb. A)

**⚠️ VORSICHT!**

- ▶ Ziehen Sie immer den Netzstecker, bevor Sie den Akku-Pack aus dem Ladegerät nehmen bzw. einsetzen.

**HINWEIS**

- ▶ Der empfohlene Umgebungstemperaturbereich für die Verwendung mit Werkzeugen und Batterien liegt zwischen -5 °C und 50 °C.

**HINWEIS**

- ▶ Laden Sie den Akku-Pack nie, wenn die Umgebungstemperatur unterhalb 10 °C oder oberhalb 40 °C liegt. Soll ein Lithium-Ionen-Akku längere Zeit gelagert werden, muss regelmäßig der Ladezustand kontrolliert werden. Der optimale Ladezustand liegt zwischen 50 und 80%. Das Lagerungsklima soll kühl und trocken sein in einer Umgebungstemperatur zwischen 0 und 50 °C.

- ◆ Stecken Sie den Akku-Pack **8** in das Schnell-Ladegerät **14** (siehe Abb. A).
- ◆ Stecken Sie den Netzstecker in die Steckdose. Die Kontroll-LED **15** leuchtet rot.
- ◆ Die grüne Kontroll-LED **16** signalisiert Ihnen, dass der Ladevorgang abgeschlossen und der Akku-Pack **8** einsatzbereit ist.

**⚠️ ACHTUNG!**

- ◆ Sollte die rote Kontroll-LED **15** blinken, dann ist der Akku-Pack **8** überhitzt und kann nicht aufgeladen werden.
- ◆ Sollte die rote und grüne Kontroll-LED **15 16** gemeinsam blinken, dann ist der Akku-Pack **8** defekt.
- ◆ Schieben Sie den Akku-Pack **8** in das Gerät ein.
- ◆ Schalten Sie das Ladegerät zwischen aufeinanderfolgenden Ladevorgängen für mindestens 15 Minuten ab. Ziehen Sie dazu den Netzstecker.

### Akku-Pack ins Gerät einsetzen/entnehmen

#### Akku-Pack einsetzen

- ◆ Bringen Sie den Drehrichtungsumschalter **4** in Mittelstellung (Sperr). Lassen Sie den Akku-Pack **8** in den Griff einrasten.

#### Akku-Pack entnehmen

- ◆ Drücken Sie die Taste zur Entriegelung **9** und entnehmen Sie den Akku-Pack **8**.

## Akkuzustand prüfen

- ◆ Drücken Sie zum Prüfen des Akkuzustands die Taste Akkuzustand **6** (siehe auch Hauptabbildung).  
Der Ladungszustand wird in der Akku-Display-LED **7** wie folgt angezeigt:  
ROT/ORANGE/GRÜN = maximale Ladung  
ROT/ORANGE = mittlere Ladung  
ROT = schwache Ladung – Akku aufladen

## Inbetriebnahme

### Ein-/ausschalten

#### Einschalten

- ◆ Drücken Sie zur Inbetriebnahme des Gerätes den EIN-/AUS-Schalter **11** und halten Sie ihn gedrückt.  
Die LED-Arbeitsleuchte **10** leuchtet bei leicht oder vollständig gedrücktem EIN-/AUS-Schalter **11**. Sie ermöglicht so das Ausleuchten des Arbeitsbereiches bei ungünstigen Lichtverhältnissen.

#### Ausschalten

- ◆ Lassen Sie zum Ausschalten des Gerätes den EIN-/AUS-Schalter **11** los.

### Drehzahl/Anziehdrehmoment einstellen

- ◆ Leichter Druck auf den EIN-/AUS-Schalter **11** bewirkt eine niedrige Drehzahl/Anziehdrehmoment. Mit zunehmendem Druck erhöht sich die Drehzahl/Anziehdrehmoment.
- Das Anziehdrehmoment ist abhängig von der gewählten Drehzahl und der Schlagdauer.

#### **ACHTUNG!**

- ◆ Das tatsächlich erzielte Anziehdrehmoment ist grundsätzlich mit einem Drehmoment-schlüssel zu überprüfen!

#### **HINWEIS**

- ▶ Die integrierte Motorbremse sorgt für einen schnellen Stillstand.

## Drehrichtung umschalten

- ◆ Wechseln Sie die Drehrichtung, indem Sie den Drehrichtungsumschalter **4** nach rechts bzw. links durchdrücken.

## Bits einsetzen

- ◆ Setzen Sie den Adapter **12** oder den Bithalter **15** in die Werkzeugaufnahme **1** ein.
- ◆ Ziehen Sie dabei die Verriegelungshülse **2** nach hinten und lassen den Adapter **12** oder den Bithalter **15** einrasten.

## Wartung und Reinigung



### **WARNUNG! VERLETZUNGSGEFAHR!**

**Schalten Sie vor allen Arbeiten am Gerät das Gerät aus und entnehmen Sie den Akku.**

Das Gerät ist wartungsfrei.

- Das Gerät muss stets sauber, trocken und frei von Öl oder Schmierfetten sein.
- Es dürfen keine Flüssigkeiten in das Innere der Geräte gelangen.
- Verwenden Sie zum Reinigen des Gehäuses ein trockenes Tuch. Verwenden Sie niemals Benzin, Lösungsmittel oder Reiniger, die Kunststoff angreifen.
- Soll ein Lithium-Ionen-Akku längere Zeit gelagert werden, muss regelmäßig der Ladezustand kontrolliert werden. Der optimale Ladezustand liegt zwischen 50 und 80%. Das optimale Lagerungsklima ist kühl und trocken.

#### **HINWEIS**

- ▶ Nicht aufgeführte Ersatzteile (wie z. B. Kohlebürsten, Schalter) können Sie über unsere Service - Hotline bestellen.

## Entsorgung



### Werfen Sie Elektrowerkzeuge nicht in den Hausmüll!

Das nebenstehende Symbol einer durchgestrichenen Mülltonne auf Rädern zeigt an, dass dieses Gerät der Richtlinie 2012/19/EU unterliegt. Diese Richtlinie besagt, dass Sie dieses Gerät am Ende seiner Nutzungszeit nicht mit dem normalen Hausabfall entsorgen dürfen, sondern in speziell eingerichteten Sammelstellen, Wertstoffhöfen oder Entsorgungsbetrieben abgeben müssen.

**Diese Entsorgung ist für Sie kostenfrei. Schonen Sie die Umwelt und entsorgen Sie fachgerecht.**

### Für den deutschen Markt gilt

Beim Kauf eines Neugerätes haben Sie das Recht, das entsprechende Altgerät an Ihren Händler zurückzugeben. Händler von Elektro- und Elektronikgeräten mit einer Verkaufsfläche von mindestens 400 qm sowie Lebensmittelhändler mit einer Verkaufsfläche von mindestens 800 qm, die regelmäßig Elektro- und Elektronikgeräte verkaufen, sind außerdem verpflichtet, bis zu drei Altgeräte unentgeltlich zurückzunehmen, auch ohne dass ein Neugerät gekauft wird, wenn die Altgeräte in keiner Abmessung größer sind als 25 cm. LIDL bietet Ihnen Rücknahmemöglichkeiten direkt in den Filialen und Märkten an. Informieren Sie sich auch bei Ihrem Händler über die Rücknahmemöglichkeiten vor Ort.



Weitere Möglichkeiten zur Entsorgung des ausgedienten Produkts erfahren Sie bei Ihrer Gemeinde- oder Stadtverwaltung.



### Werfen Sie Akkus nicht in den Hausmüll!

Defekte oder verbrauchte Akkus müssen gemäß Richtlinie 2006/66/EG recycelt werden. Batterien/Akkus sind als Sondermüll zu behandeln und müssen daher durch entsprechende Stellen (Händler, Fachhändler, öffentliche kommunale Stellen, gewerbliche Entsorgungsunternehmen) umweltgerecht entsorgt werden. Batterien/Akkus können giftige Schwermetalle enthalten.

Werfen Sie Batterien/Akkus daher nicht in den Hausmüll, sondern führen Sie diese einer separaten Sammlung zu. Geben Sie Batterien/Akkus nur im entladenen Zustand zurück.



Die Verpackung besteht aus umweltfreundlichen Materialien, die Sie über die örtlichen Recyclingstellen entsorgen können.



Entsorgen Sie die Verpackung umweltgerecht. Beachten Sie die Kennzeichnung auf den verschiedenen Verpackungsmaterialien und trennen Sie diese gegebenenfalls gesondert. Die Verpackungsmaterialien sind gekennzeichnet mit Abkürzungen (a) und Ziffern (b) mit folgender Bedeutung: 1–7: Kunststoffe, 20–22: Papier und Pappe, 80–98: Verbundstoffe.

## Garantie der Kompernaß Handels GmbH

Sehr geehrte Kundin, sehr geehrter Kunde,

Sie erhalten auf dieses Gerät 3 Jahre Garantie ab Kaufdatum. Sofern im Lieferumfang enthalten, erhalten Sie auf die Akku-Packs der X12V und X20V Team Serie ebenfalls 3 Jahre Garantie ab Kaufdatum. Im Falle von Mängeln dieses Produkts stehen Ihnen gegen den Verkäufer des Produkts gesetzliche Rechte zu. Diese gesetzlichen Rechte werden durch unsere im Folgenden dargestellte Garantie nicht eingeschränkt.

### Garantiebedingungen

Die Garantiefrist beginnt mit dem Kaufdatum. Bitte bewahren Sie den Kassenbon gut auf. Dieser wird als Nachweis für den Kauf benötigt.

Tritt innerhalb von drei Jahren ab dem Kaufdatum dieses Produkts ein Material- oder Fabrikationsfehler auf, wird das Produkt von uns – nach unserer Wahl – für Sie kostenlos repariert, ersetzt oder der Kaufpreis erstattet. Diese Garantieleistung setzt voraus, dass innerhalb der Dreijahresfrist das defekte Gerät und der Kaufbeleg (Kassenbon) vorgelegt und schriftlich kurz beschrieben wird, worin der Mangel besteht und wann er aufgetreten ist.

Wenn der Defekt von unserer Garantie gedeckt ist, erhalten Sie das reparierte oder ein neues Produkt zurück. Mit Reparatur oder Austausch des Produkts beginnt kein neuer Garantiezeitraum.

### Garantiezeit und gesetzliche Mängelansprüche

Die Garantiezeit wird durch die Gewährleistung nicht verlängert. Dies gilt auch für ersetzte und reparierte Teile. Eventuell schon beim Kauf vorhandene Schäden und Mängel müssen sofort nach dem Auspacken gemeldet werden. Nach Ablauf der Garantiezeit anfallende Reparaturen sind kostenpflichtig.

### Garantieumfang

Das Gerät wurde nach strengen Qualitätsrichtlinien sorgfältig produziert und vor Auslieferung gewissenhaft geprüft.

Die Garantieleistung gilt für Material- oder Fabrikationsfehler. Der Garantieumfang erstreckt sich nicht auf Produktteile, die normaler Abnutzung ausgesetzt sind und daher als Verschleißteile angesehen werden können, wie z. B. Sägeblätter, Ersatzklingen, Schleifpapiere, etc. oder auf Beschädigungen an zerbrechlichen Teilen, wie z. B. Schalter oder Teile, die aus Glas gefertigt sind.

Diese Garantie verfällt, wenn das Produkt beschädigt, nicht sachgemäß benutzt oder gewartet wurde. Für eine sachgemäße Benutzung des Produkts sind alle in der Bedienungsanleitung aufgeführten Anweisungen genau einzuhalten. Verwendungszwecke und Handlungen, von denen in der Bedienungsanleitung abgeraten oder vor denen gewarnt wird, sind unbedingt zu vermeiden.

Das Produkt ist nur für den privaten und nicht für den gewerblichen Gebrauch bestimmt. Bei missbräuchlicher und unsachgemäßer Behandlung, Gewaltanwendung und bei Eingriffen, die nicht von unserer autorisierten Serviceniederlassung vorgenommen wurden, erlischt die Garantie.

### Garantieleistung gilt nicht bei

- normaler Abnutzung der Akkukapazität
- gewerblichen Gebrauch des Produktes
- Beschädigung oder Veränderung des Produktes durch den Kunden
- Missachtung der Sicherheits- und Wartungsvorschriften, Bedienungsfehler
- Schäden durch Elementarereignisse

## Abwicklung im Garantiefall

Um eine schnelle Bearbeitung Ihres Anliegens zu gewährleisten, folgen Sie bitte den folgenden Hinweisen:

- Bitte halten Sie für alle Anfragen den Kassenbon und die Artikelnummer (IAN) 418088\_2210 als Nachweis für den Kauf bereit.
- Die Artikelnummer entnehmen Sie bitte dem Typenschild am Produkt, einer Gravur am Produkt, dem Titelblatt der Bedienungsanleitung (unten links) oder dem Aufkleber auf der Rück- oder Unterseite des Produktes.
- Sollten Funktionsfehler oder sonstige Mängel auftreten, kontaktieren Sie zunächst die nachfolgend benannte Serviceabteilung **telefonisch** oder per **E-Mail**.
- Ein als defekt erfasstes Produkt können Sie dann unter Beifügung des Kaufbelegs (Kassenbon) und der Angabe, worin der Mangel besteht und wann er aufgetreten ist, für Sie portofrei an die Ihnen mitgeteilte Serviceanschrift übersenden.



Auf [www.lidl-service.com](http://www.lidl-service.com) können Sie diese und viele weitere Handbücher, Produktvideos und Installationssoftware herunterladen.

Mit diesem QR-Code gelangen Sie direkt auf die Lidl-Service-Seite ([www.lidl-service.com](http://www.lidl-service.com)) und können mittels der Eingabe der Artikelnummer (IAN) 418088\_2210 Ihre Bedienungsanleitung öffnen.

### **WARNUNG!**

- ▶ Lassen Sie Ihre Geräte von der Service-stelle oder einer Elektrofachkraft und nur mit Original-Ersatzteilen reparieren. Damit wird sichergestellt, dass die Sicherheit des Gerätes erhalten bleibt.
- ▶ Lassen Sie den Austausch des Steckers oder der Netzleitung immer vom Hersteller des Gerätes oder seinem Kundendienst ausführen. Damit wird sichergestellt, dass die Sicherheit des Gerätes erhalten bleibt.

## Service

### **Service Deutschland**

Tel.: 0800 5435 111 (kostenfrei aus dem dt. Festnetz/Mobilfunknetz)  
E-Mail: [kompernass@lidl.de](mailto:kompernass@lidl.de)

### **Service Österreich**

Tel.: 0800 447 744  
E-Mail: [kompernass@lidl.at](mailto:kompernass@lidl.at)

### **Service Schweiz**

Tel.: 0800 56 44 33  
E-Mail: [kompernass@lidl.ch](mailto:kompernass@lidl.ch)

IAN 418088\_2210

## Importeur

Bitte beachten Sie, dass die folgende Anschrift keine Serviceanschrift ist. Kontaktieren Sie zunächst die benannte Servicestelle.

### Für den EU-Markt

KOMPERNASS HANDELS GMBH  
BURGSTRASSE 21  
44867 BOCHUM  
DEUTSCHLAND  
[www.kompernass.com](http://www.kompernass.com)

### Für den GB-Markt

Lidl Great Britain Ltd  
Lidl House 14 Kingston Road  
Surbiton  
KT5 9NU

## Original-Konformitätserklärung

Wir, KOMPERNASS HANDELS GMBH, Dokumentenverantwortlicher: Herr Semi Uguzlu, BURGSTR. 21, 44867 BOCHUM, DEUTSCHLAND, erklären hiermit, dass dieses Produkt mit den folgenden Normen, normativen Dokumenten und EG-Richtlinien übereinstimmt:

### Maschinenrichtlinie

(2006/42/EG)

### Elektromagnetische Verträglichkeit

(2014/30/EU)

### RoHS-Richtlinie

(2011/65/EU)\*

\* Die alleinige Verantwortung für die Ausstellung dieser Konformitätserklärung trägt der Hersteller. Der oben beschriebene Gegenstand der Erklärung erfüllt die Vorschriften der Richtlinie 2011/65/EU des Europäischen Parlaments und des Rates vom 8. Juni 2011 zur Beschränkung der Verwendung bestimmter gefährlicher Stoffe in Elektro- und Elektronikgeräten.

### Angewandte harmonisierte Normen

EN 62841-1:2015

EN 62841-2-2:2014

EN IEC 55014-1:2021

EN IEC 55014-2:2021

EN IEC 63000:2018

**Typ/Gerätebezeichnung:** Akku-Drehschlagschrauber PDSSA 20-Li B2

**Herstellungsjahr:** 03–2023

**Seriennummer:** IAN 418088\_2210

Bochum, 19.12.2022



Semi Uguzlu

- Qualitätsmanager -

Technische Änderungen im Sinne der Weiterentwicklung sind vorbehalten.



Dieses Zeichen bestätigt, dass das Produkt den in Großbritannien geltenden Anforderungen an die Produktsicherheit entspricht.



## Ersatz-Akku und Ladegerät Bestellung

Sie können einen Ersatz-Akku oder ein Ladegerät bequem im Internet unter [www.kompernass.com](http://www.kompernass.com) dauerhaft nachbestellen.



- ◆ Scannen Sie den QR-Code mit Ihrem Smartphone/Tablet.  
Mit diesem QR-Code gelangen Sie direkt auf unsere Webseite und können die verfügbaren Ersatzteile einsehen und bestellen.

### HINWEIS

- ▶ Sollten Sie Probleme mit der Online-Bestellung haben, können Sie sich telefonisch oder per E-Mail an unser Servicecenter wenden.
- ▶ Geben Sie immer die Artikelnummer (IAN) 418088\_2210 bei Ihrer Bestellung mit an.
- ▶ Bitte beachten Sie, dass nicht für alle Lieferländer eine Online-Bestellung von Ersatzteilen möglich ist.



**KOMPERNASS HANDELS GMBH**

BURGSTRASSE 21

44867 BOCHUM

GERMANY

[www.kompernass.com](http://www.kompernass.com)

Last Information Update · Version des informations · Stand van de informatie · Stand der Informationen:  
12 / 2022 · Ident.-No.: PDSSA20-LiB2-122022-1

---

IAN 418088\_2210