



CORDLESS IMPACT DRIVER / AKKU-DREH-SCHLAGSCHRAUBER / VISSEUSE À CHOCS SANS FIL PDSSA 20-Li A1

(GB) (IE)

CORDLESS IMPACT DRIVER

Translation of the original instructions

(FR) (BE)

VISSEUSE À CHOCS SANS FIL

Traduction des instructions d'origine

(CZ)

AKU RÁZOVÝ UTAHOVÁK

Překlad originálního provozního návodu

(SK)

AKU RÁZOVÝ UŤAHOVÁK

Překlad originálneho návodu na obsluhu

(DK)

BATTERIDREVEN SLAGNØGLE

Oversættelse af den originale driftsvejledning

(HU)

AKKUS ÜTVEFÚRÓ

Az originál használati utasítás fordítása

(DE) (AT) (CH)

AKKU-DREH-SCHLAGSCHRAUBER

Originalbetriebsanleitung

(NL) (BE)

ACCU-DRAAISLAGSCHROEFMACHINE

Vertaling van de originele gebruiksaanwijzing

(PL)

KLUCZ UDAROWY

Tłumaczenie oryginalnej instrukcji obsługi

(ES)

ATORNILLADORA DE IMPACTO RECARGABLE

Traducción del manual de instrucciones original

(IT)

AVVITATORE A PERCUSSIONE RICARICABILE

Traduzione delle istruzioni d'uso originali

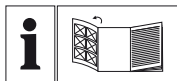
(SI)

AKUMULATORSKI VRTALNI UDARNI VIJAČNIK

Prevod originalnega navodila za uporabo

IAN 380745_2110

(DE) (AT) (BE) (NL)
(CZ) (PL) (SK)



GB IE

Before reading, unfold the page containing the illustrations and familiarise yourself with all functions of the device.

DE AT CH

Klappen Sie vor dem Lesen die Seite mit den Abbildungen aus und machen Sie sich anschließend mit allen Funktionen des Gerätes vertraut.

FR BE

Avant de lire le mode d'emploi, ouvrez la page contenant les illustrations et familiarisez-vous ensuite avec toutes les fonctions de l'appareil.

NL BE

Vouw vóór het lezen de pagina met de afbeeldingen open en maak u vertrouwd met alle functies van het apparaat.

CZ

Před čtením si otevřete stranu s obrázky a potom se seznamte se všemi funkcemi přístroje.

PL

Przed przeczytaniem proszę rozłożyć stronę z ilustracjami, a następnie proszę zapoznać się z wszystkimi funkcjami urządzenia.

SK

Pred čítaním si odklopte stranu s obrázkami a potom sa oboznámte so všetkými funkciami prístroja.

ES

Antes de empezar a leer abra la página que contiene las imágenes y, en seguida, familiarícese con todas las funciones del dispositivo.

DK

Før du læser, vend siden med billeder frem og bliv bekendt med alle apparatets funktioner.

IT

Prima di leggere aprire la pagina con le immagini e prendere confidenza con le diverse funzioni dell'apparecchio.

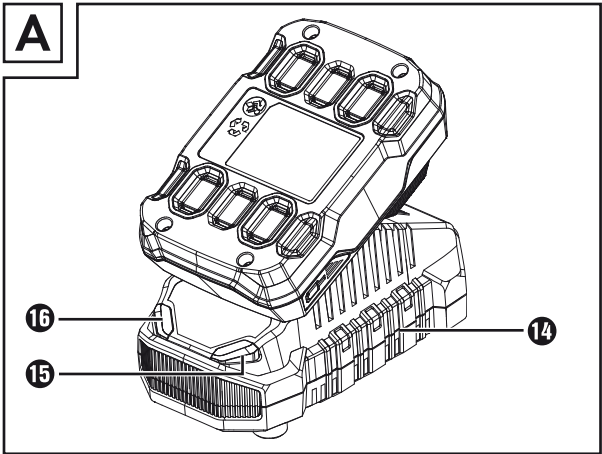
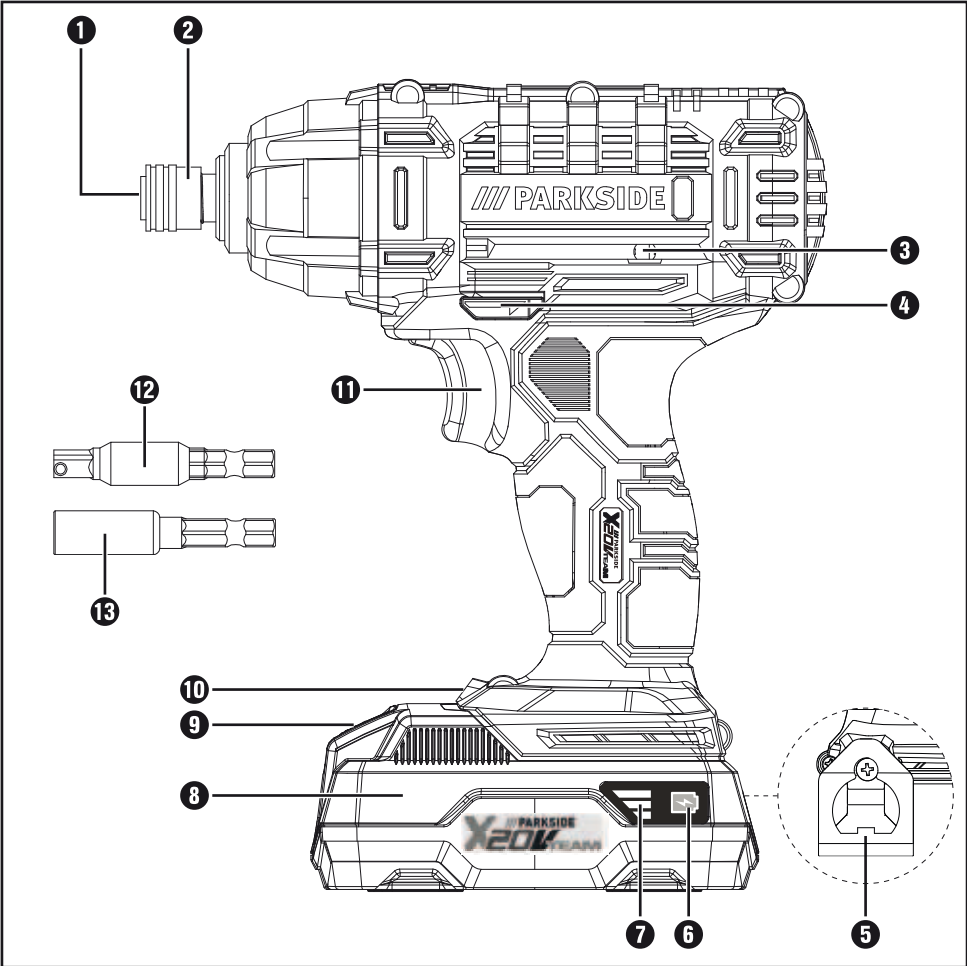
HU

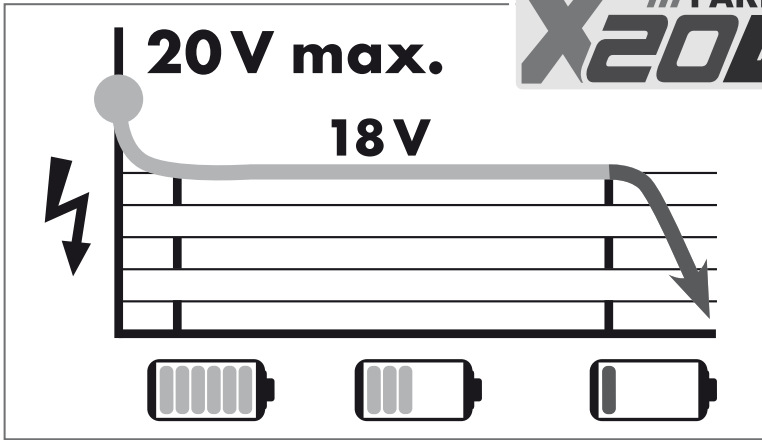
Olvasás előtt kattintson az ábrát tartalmazó oldalra és végezetül ismerje meg a készülék mindegyik funkcióját.

SI

Pred branjem odprite stran s slikami in se nato seznanite z vsemi funkcijami naprave.

GB/IE	Translation of the original instructions	Page	1
DE/AT/CH	Originalbetriebsanleitung	Seite	13
FR/BE	Traduction des instructions d'origine	Page	27
NL/BE	Vertaling van de originele gebruiksaanwijzing	Pagina	43
CZ	Překlad originálního provozního návodu	Strana	57
PL	Tłumaczenie oryginalnej instrukcji obsługi	Strona	69
SK	Preklad originálneho návodu na obsluhu	Strana	83
ES	Traducción del manual de instrucciones original	Página	95
DK	Oversættelse af den originale driftsvejledning	Side	109
IT	Traduzione delle istruzioni d'uso originali	Pagina	121
HU	Az originál használati utasítás fordítása	Oldal	135
SI	Prevod originalnega navodila za uporabo	Stran	149





All Parkside tools and the chargers PLG 20 A1/A4/C1/A2/C2/A3/C3/PDSLГ 20 A1 of the X20V Team series are compatible with the PAP 20 A1/A2/A3/B1/B3/PAPS 204 A1/PAPS 208 A1 battery pack.

Alle Parkside Geräte und die Ladegeräte PLG 20 A1/A4/C1/A2/C2/A3/C3/PDSLГ 20 A1 der X20 V Team Serie sind mit dem Akku-Pack PAP 20 A1/A2/A3/B1/B3/PAPS 204 A1/PAPS 208 A1 kompatibel.

Tous les outils Parkside et les chargeurs PLG 20 A1/A4/C1/A2/C2/A3/C3/PDSLГ 20 A1 de la série X20 V Team sont compatibles avec la batterie PAP 20 A1/A2/A3/B1/B3/PAPS 204 A1/PAPS 208 A1.

Charging times Ladezeiten Temps de charge	max. 2,4 A Charger Ladegerät Chargeur PLG 20 A1/A4/C1	max. 3,5 A Charger Ladegerät Chargeur PLG 20 A2/C2	max. 4,5 A Charger Ladegerät Chargeur PLG 20 A3/C3	max. 4,5 A Charger Ladegerät Chargeur PDSLГ 20 A1
Charging currents Ladeströme Courants de charge				
2 Ah PAP 20 A1/B1 Battery pack · Akku · Batterie	<u>60 min</u> 2,4 A	<u>45 min</u> 3,5 A	<u>35 min</u> 3,8 A	<u>35 min</u> 3,8 A
3 Ah PAP 20 A2 Battery pack · Akku · Batterie	<u>90 min</u> 2,4 A	<u>60 min</u> 3,5 A	<u>45 min</u> 4,5 A	<u>45 min</u> 4,5 A
4 Ah PAP 20 A3/B3 Battery pack · Akku · Batterie	<u>120 min</u> 2,4 A	<u>80 min</u> 3,5 A	<u>60 min</u> 4,5 A	<u>60 min</u> 4,5 A
4 Ah PAPS 204 A1 Battery pack · Akku · Batterie	<u>120 min</u> 2,4 A	<u>80 min</u> 3,5 A	<u>50 min</u> 4,5 A	<u>50 min</u> 4,5 A
8 Ah PAPS 208 A1 Battery pack · Akku · Batterie	<u>210 min</u> 2,4 A	<u>165 min</u> 3,5 A	<u>120 min</u> 4,5 A	<u>120 min</u> 4,5 A

Contents

Introduction	2
Intended use.....	2
Features.....	2
Package contents.....	2
Technical data.....	2
General power tool safety warnings	3
1. Work area safety.....	4
2. Electrical safety.....	4
3. Personal safety.....	4
4. Power tool use and care.....	5
5. Battery tool use and care.....	5
6. Service.....	6
Safety instructions specifically for impact screwdrivers.....	6
Original accessories/additional equipment.....	6
Safety guidelines for battery chargers.....	6
Before use	7
Charging the battery pack (see fig. A).....	7
Attaching/disconnecting the battery pack to/from the appliance.....	7
Checking the battery charge level.....	7
Use	7
Switching on and off.....	7
Setting the speed/tightening torque.....	7
Changing the direction of rotation.....	8
Inserting the bits.....	8
Maintenance and cleaning	8
Kompernass Handels GmbH warranty	8
Service	10
Importer	10
Disposal	10
Translation of the original Conformity Declaration	11
Ordering a replacement battery	12
Telephone ordering.....	12

CORDLESS IMPACT DRIVER PDSSA 20-Li A1

Introduction

Congratulations on the purchase of your new appliance. You have chosen a high-quality product. The operating instructions are part of this product. They contain important information about safety, usage and disposal. Before using the product, please familiarise yourself with all operating and safety instructions. Use the product only as described and for the range of applications specified. Please also pass these operating instructions on to any future owner.

Intended use

This appliance is intended for screwing in and unscrewing screws as well as for tightening and loosening nuts. The appliance has clockwise/anticlockwise rotation, a 1/4" hexagon socket bit holder and an LED working light. The light on this appliance is intended to illuminate the immediate work area of the appliance. The rotary impact function of the appliance enables the power of the motor to be converted into uniform rotary impacts. The impact mechanism comes into effect during tightening and loosening. The appliance is designed for use by adults. Young people under 16 years of age may only use the appliance under supervision. The manufacturer accepts no liability for damages caused by improper use or incorrect operation of the appliance.

Use this product only as described and for the areas of applications specified. The appliance is not intended for commercial use. Any other usage or modification of the appliance is deemed to be improper and carries a significant risk of accidents. The manufacturer accepts no responsibility for damage(s) attributable to misuse.

Features

- ❶ Tool holder
- ❷ Locking sleeve
- ❸ Bit holder (magnetic)
- ❹ Rotation direction switch/lock
- ❺ Belt clip
- ❻ Battery charge level button
- ❼ Battery display LED
- ❽ Battery pack*
- ❾ Release button for battery pack
- ❿ LED work light
- ⓫ ON/OFF switch/Speed control
- ⓬ Adapter to 1/4" square
- ⓭ Bit holder
- ⓮ High-speed charger*
- ⓯ Red charge control LED
- ⓰ Green charge control LED

Package contents

- 1 cordless impact driver PDSSA 20-Li A1
- 1 adapter from hex (1/4") to square
- 1 1/4" extension (50 mm)
- 1 belt clip
- 1 carrying case
- 1 set of operating instructions

Technical data

Cordless impact driver PDSSA 20-Li A1	
Rated voltage	20 V $\overline{=}$ (DC)
Idle speed	n_0 0-2800 rpm
Rated stroke rate	0-3600 ipm
Max. torque	180 Nm
Suitable for metal screws	≤ M8
Suitable for wood screws	≤ 8 mm \varnothing
Tool holder	1/4"

Battery PAP 20 A1 *

Type	LITHIUM ION
Rated voltage	20 V \equiv (DC)
Capacity	2 Ah
Cells	5

High-speed battery charger PLG 20 A1 *

INPUT

Rated voltage	230-240 V \sim , 50 Hz (AC)
Rated power consumption	65 W
Fuse (internal)	3.15 A

OUTPUT

Rated voltage	21.5 V \equiv (DC)
Rated current	2.4 A
Charging time	approx. 60 min
Protection class	II / (double insulation)

* BATTERY AND CHARGER NOT INCLUDED
IN DELIVERY

Noise emission value

Noise measurement value determined in accordance with EN 62841. The A-rated noise level of the tool is typically:

Sound pressure level	$L_{PA} = 83$ dB (A)
Uncertainty	$K_{PA} = 3$ dB
Sound power level	$L_{WA} = 94$ dB (A)
Uncertainty	$K_{WA} = 3$ dB

Vibration emission value

Total vibration values (vector total of three directions) determined in accordance with EN 62841:

Tightening screws and nuts of maximum permissible size	$a_h = 5.677$ m/s ²
Uncertainty	$K = 1.5$ m/s ²

Wear hearing protection!

NOTE

- ▶ The vibration emission values and the noise emission values given in these instructions have been measured in accordance with a standardised test procedure and can be used for comparison of the power tool with another tool.
- ▶ The specified total vibration values and the noise emission values can also be used to make a provisional load estimate.

WARNING!

- ▶ Depending on the manner in which the power tool is being used, and in particular the kind of workpiece that is being worked, the vibration and noise emission values can deviate from the values given in these instructions during actual use of the power tool.
- ▶ Try to keep the load as low as possible. Measures to reduce the vibration load are, e.g. wearing gloves and limiting the working time. Wherein all states of operation must be included (e.g. times when the power tool is switched off and times where the power tool is switched on but running without load).



General power tool safety warnings

WARNING!

- ▶ Read all safety warnings, instructions, illustrations and specifications provided with this power tool. Failure to follow all instructions listed below may result in electric shock, fire and/or serious injury.

Save all warnings and instructions for future reference.

The term „power tool“ in the warnings refers to your mains-operated (corded) power tool or battery-operated (cordless) power tool.

1. Work area safety

- a) **Keep work area clean and well lit.** Cluttered or dark areas invite accidents.
- b) **Do not operate power tools in explosive atmospheres, such as in the presence of flammable liquids, gases or dust.** Power tools create sparks which may ignite the dust or fumes.
- c) **Keep children and bystanders away while operating a power tool.** Distractions can cause you to lose control.

2. Electrical safety

- a) **Power tool plugs must match the outlet. Never modify the plug in any way. Do not use any adapter plugs with earthed (grounded) power tools.** Unmodified plugs and matching outlets will reduce risk of electric shock.
- b) **Avoid body contact with earthed or grounded surfaces, such as pipes, radiators, ranges and refrigerators.** There is an increased risk of electric shock if your body is earthed or grounded.
- c) **Do not expose power tools to rain or wet conditions.** Water entering a power tool will increase the risk of electric shock.
- d) **Do not abuse the cord. Never use the cord for carrying, pulling or unplugging the power tool. Keep cord away from heat, oil, sharp edges or moving parts.** Damaged or entangled cords increase the risk of electric shock.
- e) **When operating a power tool outdoors, use an extension cord suitable for outdoor use.** Use of a cord suitable for outdoor use reduces the risk of electric shock.
- f) **If operating a power tool in a damp location is unavoidable, use a residual current device (RCD) protected supply.** Use of an RCD reduces the risk of electric shock.

3. Personal safety

- a) **Stay alert, watch what you are doing and use common sense when operating a power tool. Do not use a power tool while you are tired or under the influence of drugs, alcohol or medication.** A moment of inattention while operating power tools may result in serious personal injury.
- b) **Use personal protective equipment. Always wear eye protection.** Protective equipment such as a dust mask, non-skid safety shoes, hard hat or hearing protection used for appropriate conditions will reduce personal injuries.
- c) **Prevent unintentional starting. Ensure the switch is in the off-position before connecting to power source and/or battery pack, picking up or carrying the tool.** Carrying power tools with your finger on the switch or energising power tools that have the switch on invites accidents.
- d) **Remove any adjusting key or wrench before turning the power tool on.** A wrench or a key left attached to a rotating part of the power tool may result in personal injury.
- e) **Do not overreach. Keep proper footing and balance at all times.** This enables better control of the power tool in unexpected situations.
- f) **Dress properly. Do not wear loose clothing or jewellery. Keep your hair and clothing away from moving parts.** Loose clothes, jewellery or long hair can be caught in moving parts.
- g) **If devices are provided for the connection of dust extraction and collection facilities, ensure these are connected and properly used.** Use of dust collection can reduce dust-related hazards.
- h) **Do not let familiarity gained from frequent use of tools allow you to become complacent and ignore tool safety principles.** A careless action can cause severe injury within a fraction of a second.

4. Power tool use and care

- a) Do not force the power tool. Use the correct power tool for your application. The correct power tool will do the job better and safer at the rate for which it was designed.
- b) Do not use the power tool if the switch does not turn it on and off. Any power tool that cannot be controlled with the switch is dangerous and must be repaired.
- c) Disconnect the plug from the power source and/or remove the battery pack, if detachable, from the power tool before making any adjustments, changing accessories, or storing power tools. Such preventive safety measures reduce the risk of starting the power tool accidentally.
- d) Store idle power tools out of the reach of children and do not allow persons unfamiliar with the power tool or these instructions to operate the power tool. Power tools are dangerous in the hands of untrained users.
- e) Maintain power tools and accessories. Check for misalignment or binding of moving parts, breakage of parts and any other condition that may affect the power tool's operation. If damaged, have the power tool repaired before use. Many accidents are caused by poorly maintained power tools.
- f) Keep cutting tools sharp and clean. Properly maintained cutting tools with sharp cutting edges are less likely to bind and are easier to control.
- g) Use the power tool, accessories and tool bits etc. in accordance with these instructions, taking into account the working conditions and the work to be performed. Use of the power tool for operations different from those intended could result in a hazardous situation.
- h) Keep handles and grasping surfaces dry, clean and free from oil and grease. Slippery handles and grasping surfaces do not allow for safe handling and control of the tool in unexpected situations.

5. Battery tool use and care

- a) Recharge only with the charger specified by the manufacturer. A charger that is suitable for one type of battery pack may create a risk of fire when used with another battery pack.
- b) Use power tools only with specifically designated battery packs. Use of any other battery packs may create a risk of injury and fire.
- c) When battery pack is not in use, keep it away from other metal objects, like paper clips, coins, keys, nails, screws or other small metal objects, that can make a connection from one terminal to another. Shorting the battery terminals together may cause burns or a fire.
- d) Under abusive conditions, liquid may be ejected from the battery; avoid contact. If contact accidentally occurs, flush with water. If liquid contacts eyes, additionally seek medical help. Liquid ejected from the battery may cause irritation or burns.
- e) Do not use a battery pack or tool that is damaged or modified. Damaged or modified batteries may exhibit unpredictable behaviour resulting in fire, explosion or risk of injury.
- f) Do not expose a battery pack or tool to fire or excessive temperature. Exposure to fire or temperature above 130 °C (265 °F) may cause explosion.
- g) Follow all charging instructions and do not charge the battery pack or tool outside the temperature range specified in the instructions. Charging improperly or at temperatures outside the specified range may damage the battery and increase the risk of fire.



CAUTION! RISK OF EXPLOSION!
Never charge non-rechargeable batteries!



Protect the rechargeable battery from heat, for example from continuous exposure to sunlight, fire, water and moisture. There is a risk of explosion.

6. Service

- a) Have your power tool serviced by a qualified repair person using only identical replacement parts. This will ensure that the safety of the power tool is maintained.
- b) Never service damaged battery packs. Service of battery packs should only be performed by the manufacturer or authorized service providers.

Safety instructions specifically for impact screwdrivers

- Wear hearing protection when impact screwing. Exposure to loud noise can lead to hearing loss.
- Secure the workpiece! A workpiece securely held by a clamping device or vice is much safer than one held in your hand.
- Hold the power tool firmly. High torques can occur for brief periods while tightening and loosening screws.
- Wait until the power tool has come to a standstill before putting it down. The tool can jam, this leading to loss of control of the appliance.
- Always hold the tool by its insulated handles when working with power tools that may come into contact with hidden electrical cables. Fasteners contacting a "live" wire may make exposed metal parts of the power tool "live" and could give the operator an electric shock.

Original accessories/additional equipment

- Only use the accessories and additional equipment that are specified in the operating instructions and are compatible with the appliance.

⚠ WARNING!

- Do not use any accessories which are not recommended by PARKSIDE. This can lead to an electric shock and fire.

Safety guidelines for battery chargers

- This appliance may be used by children aged 8 years and above and by persons with limited physical, sensory or mental capabilities or lack of experience and knowledge, provided that they are under supervision or have been told how to use the appliance safely and are aware of the potential risks. Do not allow children to use the appliance as a toy. Cleaning and user maintenance tasks may not be carried out by children unless they are supervised.
- To avoid potential risks, damaged mains cables should be replaced by the manufacturer, their customer service department or a similarly qualified person.



The charger is suitable for indoor use only.

⚠ WARNING!

- To avoid potential risks, damaged mains cables should be replaced by the manufacturer, their customer service department or a similarly qualified person.

⚠ ATTENTION!

- ◆ This charger can only charge the following batteries: PAP 20 A1/PAP 20 A2/PAP 20 A3/PAP 20 B1/PAP 20 B3/PAPS 204 A1/PAPS 208 A1.
- ◆ A current list of battery compatibility can be found at www.lidl.de/Akku.



ATTENTION!
Hot surface. Risk of burns.

Before use

Charging the battery pack (see fig. A)

⚠ CAUTION!

- ▶ Always unplug the appliance before you remove the battery pack from or connect the battery pack to the charger.

NOTE

- ▶ Never charge the battery pack if the ambient temperature is below 10°C or above 40°C. If a lithium-ion battery is to be stored for an extended period, the charge level should be checked regularly. The optimum charge level is between 50% and 80%. The storage climate should be cool and dry and the ambient temperature should be between 0°C and 50°C.

- ◆ Connect the battery pack **8** to the rapid battery charger **14** (see Fig. A).
- ◆ Insert the power plug into the socket. The control LED **15** lights up red.
- ◆ The green control LED **16** indicates that the charging process is complete and the battery pack **8** is ready.

⚠ CAUTION!

- ◆ If the red control LED **15** flashes, this means that the battery pack **8** has overheated and cannot be charged.
- ◆ If the red and green control LEDs **15** **16** both flash, this means that the battery pack **8** is defective.
- ◆ Insert the battery pack **8** back into the appliance.
- ◆ Switch off the charger for at least 15 minutes between successive charging sessions. Also disconnect the power plug from the mains power socket.

Attaching/disconnecting the battery pack to/from the appliance

Inserting the battery pack

- ◆ Push the rotation direction switch **4** into the middle position (lock). Allow the battery pack **8** to click into the handle.

Removing the battery pack

- ◆ Press the release button **9** and remove the battery pack.

Checking the battery charge level

- ◆ Press the battery charge level button **6** to check the status of the battery (see also main diagram).
The status/remaining charge will be shown on the battery display LED **7** as follows:
RED/ORANGE/GREEN = maximum charge
RED/ORANGE = medium charge
RED = low charge – charge the battery

Use

Switching on and off

Switching on

- ◆ To start the appliance, press the ON/OFF switch **11** and keep it pressed in. The LED work light **10** lights up when the ON/OFF switch **11** is depressed lightly or fully. This allows for illumination of the work area in low lighting.

Switching off

- ◆ Release the ON/OFF switch **11** to switch off the appliance.

Setting the speed/tightening torque

- ◆ Press the ON/OFF switch **11** lightly for a low speed/tightening torque. Increasing the pressure increases the speed/tightening torque.
- The tightening torque depends on the selected speed and impact duration.

⚠ CAUTION!

- ◆ The tightening torque actually attained must always be checked with a torque wrench!

NOTE

- ▶ The integrated motor brake ensures rapid stoppage.

Changing the direction of rotation

- ◆ Change the direction of rotation by pressing the rotational direction switch **4** towards the left or right.

Inserting the bits

- ◆ Insert the adapter **12** or bit holder **13** into the tool holder **1**.
- ◆ To do this, pull the locking sleeve **2** backwards and allow the adapter **12** or bit holder **13** to engage.

Maintenance and cleaning

WARNING! RISK OF INJURY! Always switch the appliance off and remove the battery before carrying out any work on the appliance.

The appliance is maintenance-free.

- The appliance must always be kept clean, dry and free from oil or grease.
- Never allow liquids to get into the appliance.
- Use a soft, dry cloth to clean the housing. Never use petrol, solvents or cleansers which can damage plastic.
- If a lithium-ion battery is to be stored for an extended period, the charge level should be checked regularly. The optimum charge level is between 50% and 80%. The optimum storage environment is cool and dry.

NOTE

- ▶ Replacement parts not listed (such as carbon brushes, switch) can be ordered via our service hotline.

**Kompernass Handels GmbH
warranty**

Dear Customer,

This appliance has a 3-year warranty valid from the date of purchase. If this product has any faults, you, the buyer, have certain statutory rights. Your statutory rights are not restricted in any way by the warranty described below.

Warranty conditions

The warranty period starts on the date of purchase. Please keep your receipt in a safe place. This will be required as proof of purchase.

If any material or manufacturing fault occurs within three years of the date of purchase of the product, we will either repair or replace the product for you or refund the purchase price (at our discretion). This warranty service requires that you present the defective appliance and the proof of purchase (receipt) within the three-year warranty period, along with a brief written description of the fault and of when it occurred.

If the defect is covered by the warranty, your product will either be repaired or replaced by us. The repair or replacement of a product does not signify the beginning of a new warranty period.

X 12 V and X 20 V Team Series battery packs come with a 3-year warranty valid from the date of purchase.

**Warranty period and statutory claims
for defects**

The warranty period is not prolonged by repairs effected under the warranty. This also applies to replaced and repaired components. Any damage and defects present at the time of purchase must be reported immediately after unpacking. Repairs carried out after expiry of the warranty period shall be subject to a fee.

Scope of the warranty

This appliance has been manufactured in accordance with strict quality guidelines and inspected meticulously prior to delivery.

The warranty covers material faults or production faults. The warranty does not extend to product parts subject to normal wear and tear or to fragile parts which could be considered as consumable parts such as switches or parts made of glass.

The warranty does not apply if the product has been damaged, improperly used or improperly maintained. The directions in the operating instructions for the product regarding proper use of the product are to be strictly followed. Uses and actions that are discouraged in the operating instructions or which are warned against must be avoided.

This product is intended solely for private use and not for commercial purposes. The warranty shall be deemed void in cases of misuse or improper handling, use of force and modifications / repairs which have not been carried out by one of our authorised Service centres.

The warranty period does not apply to

- Normal reduction of the battery capacity over time
- Commercial use of the product
- Damage to or alteration of the product by the customer
- Non-compliance with safety and maintenance instructions, operating errors
- Damage caused by natural hazards

Warranty claim procedure

To ensure quick processing of your case, please observe the following instructions:

- Please have the till receipt and the item number (IAN) 380745_2110 available as proof of purchase.
- You will find the item number on the type plate on the product, an engraving on the product, on the front page of the operating instructions (below left) or on the sticker on the rear or bottom of the product.

- If functional or other defects occur, please contact the service department listed either by **telephone** or by **e-mail**.
- You can return a defective product to us free of charge to the service address that will be provided to you. Ensure that you enclose the proof of purchase (till receipt) and information about what the defect is and when it occurred.



You can download these instructions along with many other manuals, product videos and installation software at www.lidl-service.com.

This QR code will take you directly to the Lidl service page (www.lidl-service.com) where you can open your operating instructions by entering the item number (IAN) 380745_2110.

⚠ WARNING!

- ▶ **Have the power tool repaired by the service centre or a qualified electrician and only using genuine replacement parts.** This will ensure that the safety of the appliance is maintained.
- ▶ **Always ensure that the power plug or the mains cable is replaced only by the manufacturer of the appliance or by an approved customer service provider.** This will ensure that the safety of the appliance is maintained.

Service

GB Service Great Britain
Tel.: 0800 404 7657
E-Mail: kompernass@lidl.co.uk

IE Service Ireland
Tel.: 1800 101010
E-Mail: kompernass@lidl.ie

IAN 380745_2110

Importer

Please note that the following address is not the service address. Please use the service address provided in the operating instructions.

KOMPERNASS HANDELS GMBH
BURGSTRASSE 21
44867 BOCHUM
GERMANY
www.kompernass.com

Disposal



Do not dispose of power tools in your normal domestic waste!

The adjacent symbol of a crossed-out dustbin means that this appliance is subject to Directive 2012/19/EU. This directive states that this appliance may not be disposed of in the normal household waste at the end of its useful life, but must be taken to specially set-up collection locations, recycling depots or disposal companies.

The disposal is free of charge for the user.
Protect the environment and dispose of this appliance properly.



Your local community or municipal authorities can provide information on how to dispose of the worn-out product.



Do not dispose of batteries in your normal household waste!

Defective or worn-out rechargeable batteries must be recycled according to Directive 2006/66/EC. Batteries/rechargeable batteries must be treated as hazardous waste and must therefore be disposed of in an environmentally sound manner by appropriate bodies (dealers, specialist dealers, public municipal bodies, commercial disposal companies). Batteries/rechargeable batteries may contain toxic heavy metals.

For this reason, do not dispose of batteries/rechargeable batteries in domestic waste. Take them to a specialist collection point. Only return batteries that are fully discharged.



The packaging is made from environmentally friendly material and can be disposed of at your local recycling plant.



Dispose of the packaging in an environmentally friendly manner. Note the labelling on the packaging and separate the packaging material components for disposal if necessary. The packaging material is labelled with abbreviations (a) and numbers (b) with the following meanings: 1–7: plastics, 20–22: paper and cardboard, 80–98: composites.



The product is recyclable, subject to extended producer responsibility and is collected separately.

Translation of the original Conformity Declaration

We, KOMPERNASS HANDELS GMBH, document officer: Mr. Semi Uguzlu, BURGSTR. 21, 44867 BOCHUM, GERMANY, hereby declare that this product complies with the following standards, normative documents and EC directives:

Machinery Directive

(2006/42/EC)

EC Low Voltage Directive (charger only)

(2014/35/EU)

EMC (Electromagnetic Compatibility)

(2014/30/EU)

RoHS Directive

(2011/65/EU)*

* The manufacturer bears the full responsibility for compliance with this conformity declaration. The object of the declaration described above complies with the requirements of the Directive 2011/65/EU of the European Parliament and Council of 8 June 2011 on the limitations of use of certain dangerous substances in electrical and electronic appliances.

Applied harmonised standards

EN 62841-1:2015

EN 62841-2-2:2014

EN 55014-1:2017

EN 55014-2:2015

EN IEC 63000:2018

Type/appliance designation: Cordless impact driver PDSSA 20-Li A1

Year of manufacture: 01-2022

Serial number: IAN 380745_2110

Bochum, 31/01/2022



Semi Uguzlu

- Quality Manager -

We reserve the right to make technical changes in the context of further product development.

Ordering a replacement battery

If you want to order a replacement battery for your appliance, you can do so easily via the Internet on www.kompernass.com or by telephone.

Due to limited stocks, this item may sell out in a relatively short time.



NOTE

- ▶ Online ordering of replacement parts might not be possible in some countries. In this is the case, please contact the Service hotline.

Telephone ordering

GB Service Great Britain Tel.: 0800 404 7657

IE Service Ireland Tel.: 1800 101010

To ensure a fast processing of your order, have the article number of your appliance to hand (IAN 380745_2110) in case of questions. The article number can be found on the type plate or the title page of these instructions.

Inhaltsverzeichnis

Einleitung	14
Bestimmungsgemäßer Gebrauch	14
Ausstattung	14
Lieferumfang	14
Technische Daten	14
Allgemeine Sicherheitshinweise für Elektrowerkzeuge	15
1. Arbeitsplatzsicherheit	16
2. Elektrische Sicherheit	16
3. Sicherheit von Personen	16
4. Verwendung und Behandlung des Elektrowerkzeugs	17
5. Verwendung und Behandlung des Akkuwerkzeugs	17
6. Service	18
Gerätespezifische Sicherheitshinweise für Schlagschrauber	18
Originalzubehör/-zusatzgeräte	18
Sicherheitshinweise für Ladegeräte	19
Vor der Inbetriebnahme	19
Akku-Pack laden (siehe Abb. A)	19
Akku-Pack ins Gerät einsetzen/entnehmen	20
Akkuzustand prüfen	20
Inbetriebnahme	20
Ein-/ausschalten	20
Drehzahl/Anziehdrehmoment einstellen	20
Drehrichtung umschalten	20
Bits einsetzen	20
Wartung und Reinigung	20
Garantie der Kompernaß Handels GmbH	21
Service	22
Importeur	22
Entsorgung	23
Original-Konformitätserklärung	24
Ersatz-Akku Bestellung	25
Telefonische Bestellung	25

AKKU-DREH Schlag- SCHRAUBER PDSSA 20-Li A1

Einleitung

Wir beglückwünschen Sie zum Kauf Ihres neuen Gerätes. Sie haben sich damit für ein hochwertiges Produkt entschieden. Die Bedienungsanleitung ist Teil dieses Produkts. Sie enthält wichtige Hinweise für Sicherheit, Gebrauch und Entsorgung. Machen Sie sich vor der Benutzung des Produkts mit allen Bedien- und Sicherheitshinweisen vertraut. Benutzen Sie das Produkt nur wie beschrieben und für die angegebenen Einsatzbereiche. Händigen Sie alle Unterlagen bei Weitergabe des Produkts an Dritte mit aus.

Bestimmungsgemäßer Gebrauch

Das Gerät ist zum Eindrehen und Lösen von Schrauben sowie zum Anziehen und Lösen von Muttern vorgesehen. Das Gerät besitzt einen Rechts-/Linkslauf, eine 1/4" Innensechskant-Bitaufnahme und ein LED-Arbeitslicht. Das Licht dieses Gerätes ist dazu bestimmt, den direkten Arbeitsbereich des Gerätes zu beleuchten. Mit der Dreh Schlagfunktion des Gerätes wird die Kraft des Motors in gleichmäßige Drehschläge umgesetzt. Das Schlagwerk setzt beim Festziehen und beim Lösen ein.

Das Gerät ist zum Gebrauch durch Erwachsene bestimmt. Jugendliche über 16 Jahre dürfen das Gerät nur unter Aufsicht benutzen. Der Hersteller haftet nicht für Schäden, die durch bestimmungswidrigen Gebrauch oder falsche Bedienung verursacht wurden.

Benutzen Sie das Gerät nur wie beschrieben und für die angegebenen Einsatzbereiche. Das Gerät ist nicht für den gewerblichen Einsatz bestimmt. Jede andere Verwendung oder Veränderung des Gerätes gilt als nicht bestimmungsgemäß und birgt erhebliche Unfallgefahren. Für aus bestimmungswidriger Verwendung entstandene Schäden übernimmt der Hersteller keine Haftung.

Ausstattung

- ❶ Werkzeugaufnahme
- ❷ Verriegelungshülse
- ❸ Bit-Halterung (Magnetisch)
- ❹ Drehrichtungsumschalter/Sperre
- ❺ Gürtelclip
- ❻ Taste Akkuzustand
- ❼ Akku-Display-LED
- ❽ Akku-Pack*
- ❾ Taste zur Entriegelung des Akku-Packs
- ❿ LED-Arbeitsleuchte
- ⓫ EIN-/AUS-Schalter/Drehzahlregulierung
- ⓬ Adapter auf 1/4" Vierkant
- ⓭ Bithalter
- ⓮ Schnell-Ladegerät*
- ⓯ Rote Ladekontroll-LED
- ⓰ Grüne Ladekontroll-LED

Lieferumfang

- 1 Akku-Drehschlagschrauber PDSSA 20-Li A1
- 1 Adapter auf 1/4" Vierkant
- 1 1/4" Verlängerung (50 mm)
- 1 Gürtelclip
- 1 Tragekoffer
- 1 Bedienungsanleitung

Technische Daten

Akku-Drehschlagschrauber PDSSA 20-Li A1

Bemessungsspannung	20 V $\overline{\text{---}}$ (Gleichstrom)
Leerlaufdrehzahl	n_0 0–2800 min ⁻¹
Nennschlagzahl	0–3600 min ⁻¹
Max. Drehmoment	180 Nm
Geeignet für Metallschrauben	≤ M8
Geeignet für Holzschrauben	≤ 8 mm Ø
Werkzeugaufnahme	1/4"

Akku PAP 20 A1 *

Typ	LITHIUM-IONEN
Bemessungsspannung	20 V \equiv (Gleichstrom)
Kapazität	2 Ah
Zellen	5

Akku-Schnellladegerät PLG 20 A1 *

EINGANG/Input

Bemessungsspannung	230–240 V \sim , 50 Hz (Wechselstrom)
Bemessungsaufnahme	65 W
Sicherung (innen)	3,15 A

AUSGANG/Output

Bemessungsspannung	21,5 V \equiv (Gleichstrom)
Bemessungsstrom	2,4 A
Ladedauer	ca. 60 min
Schutzklasse	II/ (Doppelisolierung)

* AKKU UND LADEGERÄT SIND NICHT IM LIEFERUMFANG ENTHALTEN

Geräuschemissionswert

Messwert für Geräusch ermittelt entsprechend EN 62841. Der A-bewertete Geräuschpegel des Elektrowerkzeugs beträgt typischerweise:

Schalldruckpegel	$L_{PA} = 83$ dB (A)
Unsicherheit	$K_{PA} = 3$ dB
Schallleistungspegel	$L_{WA} = 94$ dB (A)
Unsicherheit	$K_{WA} = 3$ dB

Schwingungsemissionswert

Schwingungsgesamtwerte (Vektorsumme dreier Richtungen) ermittelt entsprechend EN 62841:

Anziehen von Schrauben und Muttern maximaler zulässiger Größe	$a_h = 5,677$ m/s ²
Unsicherheit	$K = 1,5$ m/s ²

Gehörschutz tragen!

HINWEIS

- ▶ Die angegebenen Schwingungsgesamtwerte und die angegebenen Geräuschemissionswerte sind nach einem genormten Prüfverfahren gemessen worden und können zum Vergleich eines Elektrowerkzeugs mit einem anderen verwendet werden.
- ▶ Die angegebenen Schwingungsgesamtwerte und die angegebenen Geräuschemissionswerte können auch zu einer vorläufigen Einschätzung der Belastung verwendet werden.

! WARNUNG!

- ▶ Die Schwingungs- und Geräuschemissionen können während der tatsächlichen Benutzung des Elektrowerkzeugs von den Angabewerten abweichen, abhängig von der Art und Weise, in der das Elektrowerkzeug verwendet wird, insbesondere, welche Art von Werkstück bearbeitet wird.
- ▶ Versuchen Sie, die Belastung so gering wie möglich zu halten. Beispielhafte Maßnahmen zur Verringerung der Vibrationsbelastung sind das Tragen von Handschuhen beim Gebrauch des Werkzeugs und die Begrenzung der Arbeitszeit. Dabei sind alle Anteile des Betriebszyklus zu berücksichtigen (beispielsweise Zeiten, in denen das Elektrowerkzeug abgeschaltet ist, und solche, in denen es zwar eingeschaltet ist, aber ohne Belastung läuft).



Allgemeine Sicherheitshinweise für Elektrowerkzeuge

! WARNUNG!

- ▶ Lesen Sie alle Sicherheitshinweise, Anweisungen, Bebilderungen und technischen Daten, mit denen dieses Elektrowerkzeug versehen ist. Versäumnisse bei der Einhaltung der nachfolgenden Anweisungen können elektrischen Schlag, Brand und/oder schwere Verletzungen verursachen.

Bewahren Sie alle Sicherheitshinweise und Anweisungen für die Zukunft auf.

Der in den Sicherheitshinweisen verwendete Begriff „Elektrowerkzeug“ bezieht sich auf netzbetriebene Elektrowerkzeuge (mit Netzleitung) und auf akkubetriebene Elektrowerkzeuge (ohne Netzleitung).

1. Arbeitsplatzsicherheit

- a) Halten Sie Ihren Arbeitsbereich sauber und gut beleuchtet. Unordnung und unbeleuchtete Arbeitsbereiche können zu Unfällen führen.
- b) Arbeiten Sie mit dem Elektrowerkzeug nicht in explosionsgefährdeter Umgebung, in der sich brennbare Flüssigkeiten, Gase oder Stäube befinden. Elektrowerkzeuge erzeugen Funken, die den Staub oder die Dämpfe entzünden können.
- c) Halten Sie Kinder und andere Personen während der Benutzung des Elektrowerkzeugs fern. Bei Ablenkung können Sie die Kontrolle über das Elektrowerkzeug verlieren.

2. Elektrische Sicherheit

- a) Der Anschlussstecker des Elektrowerkzeugs muss in die Steckdose passen. Der Stecker darf in keiner Weise verändert werden. Verwenden Sie keine Adapterstecker gemeinsam mit schutzgeerdeten Elektrowerkzeugen. Unveränderte Stecker und passende Steckdosen verringern das Risiko eines elektrischen Schlagess.
- b) Vermeiden Sie Körperkontakt mit geerdeten Oberflächen wie von Rohren, Heizungen, Herden und Kühlschränken. Es besteht ein erhöhtes Risiko durch elektrischen Schlag, wenn Ihr Körper geerdet ist.
- c) Halten Sie Elektrowerkzeuge von Regen oder Nässe fern. Das Eindringen von Wasser in ein Elektrowerkzeug erhöht das Risiko eines elektrischen Schlagess.
- d) Zweckentfremden Sie die Anschlussleitung nicht, um das Elektrowerkzeug zu tragen, aufzuhängen oder um den Stecker aus der Steckdose zu ziehen. Halten Sie die Anschlussleitung fern von Hitze, Öl, scharfen Kanten oder sich bewegenden Teilen. Beschädigte oder verwickelte Anschlussleitungen erhöhen das Risiko eines elektrischen Schlagess.

- e) Wenn Sie mit einem Elektrowerkzeug im Freien arbeiten, verwenden Sie nur Verlängerungsleitungen, die auch für den Außenbereich geeignet sind. Die Anwendung einer für den Außenbereich geeigneten Verlängerungsleitung verringert das Risiko eines elektrischen Schlagess.
- f) Wenn der Betrieb des Elektrowerkzeugs in feuchter Umgebung nicht vermeidbar ist, verwenden Sie einen Fehlerstromschutzschalter. Der Einsatz eines Fehlerstromschutzschalters vermindert das Risiko eines elektrischen Schlagess.

3. Sicherheit von Personen

- a) Seien Sie aufmerksam, achten Sie darauf, was Sie tun, und gehen Sie mit Vernunft an die Arbeit mit einem Elektrowerkzeug. Benutzen Sie kein Elektrowerkzeug, wenn Sie müde sind oder unter dem Einfluss von Drogen, Alkohol oder Medikamenten stehen. Ein Moment der Unachtsamkeit beim Gebrauch des Elektrowerkzeugs kann zu ernsthaften Verletzungen führen.
- b) Tragen Sie persönliche Schutzausrüstung und immer eine Schutzbrille. Das Tragen persönlicher Schutzausrüstung, wie Staubmaske, rutschfeste Sicherheitsschuhe, Schutzhelm oder Gehörschutz, je nach Art und Einsatz des Elektrowerkzeugs, verringert das Risiko von Verletzungen.
- c) Vermeiden Sie eine unbeabsichtigte Inbetriebnahme. Vergewissern Sie sich, dass das Elektrowerkzeug ausgeschaltet ist, bevor Sie es an die Stromversorgung und/oder den Akku anschließen, es aufnehmen oder tragen. Wenn Sie beim Tragen des Elektrowerkzeugs den Finger am Schalter haben oder das Elektrowerkzeug eingeschaltet an die Stromversorgung anschließen, kann dies zu Unfällen führen.
- d) Entfernen Sie Einstellwerkzeuge oder Schraubenschlüssel, bevor Sie das Elektrowerkzeug einschalten. Ein Werkzeug oder Schlüssel, der sich in einem drehenden Teil des Elektrowerkzeugs befindet, kann zu Verletzungen führen.
- e) Vermeiden Sie eine abnormale Körperhaltung. Sorgen Sie für einen sicheren Stand und halten Sie jederzeit das Gleichgewicht. Dadurch können Sie das Elektrowerkzeug in unerwarteten Situationen besser kontrollieren.

- f) Tragen Sie geeignete Kleidung. Tragen Sie keine weite Kleidung oder Schmuck. Halten Sie Haare und Kleidung fern von sich bewegenden Teilen. Lockere Kleidung, Schmuck oder lange Haare können von sich bewegenden Teilen erfasst werden.
- g) Wenn Staubabsaug- und -auffangeinrichtungen montiert werden können, sind diese anzuschließen und richtig zu verwenden. Die Verwendung einer Staubabsaugung kann Gefährdungen durch Staub verringern.
- h) Wiegen Sie sich nicht in falscher Sicherheit und setzen Sie sich nicht über die Sicherheitsregeln für Elektrowerkzeuge hinweg, auch wenn Sie nach vielfachem Gebrauch mit dem Elektrowerkzeug vertraut sind. Achtloses Handeln kann binnen Sekundenbruchteilen zu schweren Verletzungen führen.
- e) Pflegen Sie Elektrowerkzeuge und Einsatzwerkzeug mit Sorgfalt. Kontrollieren Sie, ob bewegliche Teile einwandfrei funktionieren und nicht klemmen, ob Teile gebrochen oder so beschädigt sind, dass die Funktion des Elektrowerkzeugs beeinträchtigt ist. Lassen Sie beschädigte Teile vor dem Einsatz des Elektrowerkzeuges reparieren. Viele Unfälle haben ihre Ursache in schlecht gewarteten Elektrowerkzeugen.
- f) Halten Sie Schneidwerkzeuge scharf und sauber. Sorgfältig gepflegte Schneidwerkzeuge mit scharfen Schneidkanten verkleben sich weniger und sind leichter zu führen.
- g) Verwenden Sie Elektrowerkzeug, Einsatzwerkzeug, Einsatzwerkzeuge usw. entsprechend diesen Anweisungen. Berücksichtigen Sie dabei die Arbeitsbedingungen und die auszuführende Tätigkeit. Der Gebrauch von Elektrowerkzeugen für andere als die vorgesehenen Anwendungen kann zu gefährlichen Situationen führen.

4. Verwendung und Behandlung des Elektrowerkzeugs

- a) Überlasten Sie das Elektrowerkzeug nicht. Verwenden Sie für Ihre Arbeit das dafür bestimmte Elektrowerkzeug. Mit dem passenden Elektrowerkzeug arbeiten Sie besser und sicherer im angegebenen Leistungsbereich.
- b) Benutzen Sie kein Elektrowerkzeug, dessen Schalter defekt ist. Ein Elektrowerkzeug, das sich nicht mehr ein- oder ausschalten lässt, ist gefährlich und muss repariert werden.
- c) Ziehen Sie den Stecker aus der Steckdose und/oder entfernen Sie den abnehmbaren Akku, bevor Sie Geräteeinstellungen vornehmen, Einsatzwerkzeugteile wechseln oder das Elektrowerkzeug weglegen. Diese Vorsichtsmaßnahme verhindert den unbeabsichtigten Start des Elektrowerkzeugs.
- d) Bewahren Sie unbenutzte Elektrowerkzeuge außerhalb der Reichweite von Kindern auf. Lassen Sie keine Personen das Elektrowerkzeug benutzen, die mit diesem nicht vertraut sind oder diese Anweisungen nicht gelesen haben. Elektrowerkzeuge sind gefährlich, wenn sie von unerfahrenen Personen benutzt werden.

- h) Halten Sie Griffe und Griffflächen trocken, sauber und frei von Öl und Fett. Rutschige Griffe und Griffflächen erlauben keine sichere Bedienung und Kontrolle des Elektrowerkzeugs in unvorhergesehenen Situationen.

5. Verwendung und Behandlung des Akkuwerkzeugs

- a) Laden Sie die Akkus nur mit Ladegeräten auf, die vom Hersteller empfohlen werden. Durch ein Ladegerät, das für eine bestimmte Art von Akkus geeignet ist, besteht Brandgefahr, wenn es mit anderen Akkus verwendet wird.
- b) Verwenden Sie nur die dafür vorgesehenen Akkus in den Elektrowerkzeugen. Der Gebrauch von anderen Akkus kann zu Verletzungen und Brandgefahr führen.
- c) Halten Sie den nicht benutzten Akku fern von Büroklammern, Münzen, Schlüsseln, Nägeln, Schrauben oder anderen kleinen Metallgegenständen, die eine Überbrückung der Kontakte verursachen könnten. Ein Kurzschluss zwischen den Akkukontakten kann Verbrennungen oder Feuer zur Folge haben.

- d) Bei falscher Anwendung kann Flüssigkeit aus dem Akku austreten. Vermeiden Sie den Kontakt damit. Bei zufälligem Kontakt mit Wasser abspülen. Wenn die Flüssigkeit in die Augen kommt, nehmen Sie zusätzlich ärztliche Hilfe in Anspruch. Austretende Akkufflüssigkeit kann zu Hautreizungen oder Verbrennungen führen.
- e) Benutzen Sie keinen beschädigten oder veränderten Akku. Beschädigte oder veränderte Akkus können sich unvorhersehbar verhalten und zu Feuer, Explosion oder Verletzungsgefahr führen.
- f) Setzen Sie einen Akku keinem Feuer oder zu hohen Temperaturen aus. Feuer oder Temperaturen über 130 °C (265 °F) können eine Explosion hervorrufen.
- g) Befolgen Sie alle Anweisungen zum Laden und laden Sie den Akku oder das Akkutowerkzeug niemals außerhalb des in der Betriebsanleitung angegebenen Temperaturbereichs. Falsches Laden oder Laden außerhalb des zugelassenen Temperaturbereichs kann den Akku zerstören und die Brandgefahr erhöhen.



VORSICHT! EXPLOSIONSGEFAHR!
Laden Sie nicht aufladbare Batterien niemals auf.



Schützen Sie den Akku vor Hitze, z. B. auch vor dauernder Sonneneinstrahlung, Feuer, Wasser und Feuchtigkeit.
Es Besteht Explosionsgefahr.

6. Service

- a) Lassen Sie Ihr Elektrowerkzeug nur von qualifiziertem Fachpersonal und nur mit Original-Ersatzteilen reparieren. Damit wird sichergestellt, dass die Sicherheit des Elektrowerkzeugs erhalten bleibt.
- b) Warten Sie niemals beschädigte Akkus. Sämtliche Wartung von Akkus sollte nur durch den Hersteller oder bevollmächtigte Kundendienststellen erfolgen.

Gerätespezifische Sicherheits-hinweise für Schlagschrauber

- Tragen Sie Gehörschutz beim Schlag-schrauben. Die Einwirkung von Lärm kann Hörverlust bewirken.
- Sichern Sie das Werkstück. Ein mit Spannvorrichtungen oder Schraubstock festgehaltenes Werkstück ist sicherer gehalten als mit Ihrer Hand.
- Halten Sie das Elektrowerkzeug gut fest. Beim Festziehen und Lösen von Schrauben können kurzfristig hohe Reaktionsmomente auftreten.
- Warten Sie, bis das Elektrowerkzeug zum Stillstand gekommen ist, bevor Sie es ablegen. Das Einsatzwerkzeug kann sich verhaken und zum Verlust der Kontrolle über das Elektrowerkzeug führen.
- Halten Sie das Elektrowerkzeug an den isolierten Griffflächen, wenn Sie Arbeiten ausführen, bei denen die Schraube verborgene Stromleitungen treffen kann. Der Kontakt der Schraube mit einer spannungsführenden Leitung kann auch metallene Geräteteile unter Spannung setzen und zu einem elektrischen Schlag führen.

Originalzubehör/-zusatzgeräte

- Benutzen Sie nur Zubehör und Zusatzgeräte, die in der Bedienungsanleitung angegeben sind bzw. deren Aufnahme mit dem Gerät kompatibel ist.

! WARNUNG!

- Verwenden Sie kein Zubehör welches nicht von PARKSIDE empfohlen wurde. Dies kann zu elektrischem Schlag und Feuer führen.

Sicherheitshinweise für Ladegeräte

- Dieses Gerät kann von Kindern ab 8 Jahren und darüber sowie von Personen mit verringerten physischen, sensorischen oder mentalen Fähigkeiten oder Mangel an Erfahrung und Wissen benutzt werden, wenn sie beaufsichtigt oder bezüglich des sicheren Gebrauchs des Gerätes unterwiesen wurden und die daraus resultierenden Gefahren verstehen. Kinder dürfen nicht mit dem Gerät spielen. Reinigung und Benutzer-Wartung dürfen nicht von Kindern ohne Beaufsichtigung durchgeführt werden.
- Wenn die Netzanschlussleitung dieses Gerätes beschädigt wird, muss sie durch den Hersteller oder seinen Kundendienst oder eine ähnlich qualifizierte Person ersetzt werden, um Gefährdungen zu vermeiden.



Das Ladegerät ist nur für den Betrieb im Innenbereich geeignet.

⚠️ WARNUNG!

- Wenn die Netzanschlussleitung dieses Gerätes beschädigt wird, muss sie durch den Hersteller oder seinen Kundendienst oder eine ähnlich qualifizierte Person ersetzt werden, um Gefährdungen zu vermeiden.

⚠️ ACHTUNG!

- ◆ Dieses Ladegerät kann nur die folgenden Batterien laden: PAP 20 A1/PAP 20 A2/PAP 20 A3/PAP 20 B1/PAP 20 B3/PAPS 204 A1/PAPS 208 A1.
- ◆ Eine aktuelle Liste der Akkukompatibilität finden Sie unter www.lidl.de/Akku.



ACHTUNG! Heiße Oberfläche. Es besteht Verbrennungsgefahr.

Vor der Inbetriebnahme

Akku-Pack laden (siehe Abb. A)

⚠️ VORSICHT!

- ▶ Ziehen Sie immer den Netzstecker, bevor Sie den Akku-Pack aus dem Ladegerät nehmen bzw. einsetzen.

HINWEIS

- ▶ Laden Sie den Akku-Pack nie, wenn die Umgebungstemperatur unterhalb 10 °C oder oberhalb 40 °C liegt. Soll ein Lithium-Ionen-Akku längere Zeit gelagert werden, muss regelmäßig der Ladezustand kontrolliert werden. Der optimale Ladezustand liegt zwischen 50 und 80%. Das Lagerungsklima soll kühl und trocken sein in einer Umgebungstemperatur zwischen 0 und 50 °C.
- ◆ Stecken Sie den Akku-Pack **8** in das Schnell-Ladegerät **14** (siehe Abb. A).
- ◆ Stecken Sie den Netzstecker in die Steckdose. Die Kontroll-LED **15** leuchtet rot.
- ◆ Die grüne Kontroll-LED **16** signalisiert Ihnen, dass der Ladevorgang abgeschlossen und der Akku-Pack **8** einsatzbereit ist.

⚠️ ACHTUNG!

- ◆ Sollte die rote Kontroll-LED **15** blinken, dann ist der Akku-Pack **8** überhitzt und kann nicht aufgeladen werden.
- ◆ Sollte die rote und grüne Kontroll-LED **15 16** gemeinsam blinken, dann ist der Akku-Pack **8** defekt.
- ◆ Schieben Sie den Akku-Pack **8** in das Gerät ein.
- ◆ Schalten Sie das Ladegerät zwischen aufeinanderfolgenden Ladevorgängen für mindestens 15 Minuten ab. Ziehen Sie dazu den Netzstecker.

Akku-Pack ins Gerät einsetzen/entnehmen

Akku-Pack einsetzen

- ◆ Bringen Sie den Drehrichtungsumschalter **4** in Mittelstellung (Sperrung). Lassen Sie den Akku-Pack **8** in den Griff einrasten.

Akku-Pack entnehmen

- ◆ Drücken Sie die Taste zur Entriegelung **9** und entnehmen Sie den Akku-Pack **8**.

Akkuzustand prüfen

- ◆ Drücken Sie zum Prüfen des Akkuzustands die Taste Akkuzustand **6** (siehe auch Hauptabbildung).
Der Ladungszustand wird in der Akku-Display-LED **7** wie folgt angezeigt:
ROT/ORANGE/GRÜN = maximale Ladung
ROT/ORANGE = mittlere Ladung
ROT = schwache Ladung – Akku aufladen

Inbetriebnahme

Ein-/ausschalten

Einschalten

- ◆ Drücken Sie zur Inbetriebnahme des Gerätes den EIN-/AUS-Schalter **11** und halten Sie ihn gedrückt.
Die LED-Arbeitsleuchte **10** leuchtet bei leicht oder vollständig gedrücktem EIN-/AUS-Schalter **11**. Sie ermöglicht so das Ausleuchten des Arbeitsbereiches bei ungünstigen Lichtverhältnissen.

Ausschalten

- ◆ Lassen Sie zum Ausschalten des Gerätes den EIN-/AUS-Schalter **11** los.

Drehzahl/Anziehdrehmoment einstellen

- ◆ Leichter Druck auf den EIN-/AUS-Schalter **11** bewirkt eine niedrige Drehzahl/Anziehdrehmoment. Mit zunehmendem Druck erhöht sich die Drehzahl/Anziehdrehmoment.
- Das Anziehdrehmoment ist abhängig von der gewählten Drehzahl und der Schlagdauer.

ACHTUNG!

- ◆ Das tatsächlich erzielte Anziehdrehmoment ist grundsätzlich mit einem Drehmoment-schlüssel zu überprüfen!

HINWEIS

- ▶ Die integrierte Motorbremse sorgt für einen schnellen Stillstand.

Drehrichtung umschalten

- ◆ Wechseln Sie die Drehrichtung, indem Sie den Drehrichtungsumschalter **4** nach rechts bzw. links durchdrücken.

Bits einsetzen

- ◆ Setzen Sie den Adapter **12** oder den Bithalter **13** in die Werkzeugaufnahme **1** ein.
- ◆ Ziehen Sie dabei die Verriegelungshülse **2** nach hinten und lassen den Adapter **12** oder den Bithalter **13** einrasten.

Wartung und Reinigung



WARNUNG! VERLETZUNGSGEFAHR!
Schalten Sie vor allen Arbeiten am Gerät das Gerät aus und entnehmen Sie den Akku.

Das Gerät ist wartungsfrei.

- Das Gerät muss stets sauber, trocken und frei von Öl oder Schmierfetten sein.
- Es dürfen keine Flüssigkeiten in das Innere der Geräte gelangen.
- Verwenden Sie zum Reinigen des Gehäuses ein trockenes Tuch. Verwenden Sie niemals Benzin, Lösungsmittel oder Reiniger, die Kunststoff angreifen.
- Soll ein Lithium-Ionen-Akku längere Zeit gelagert werden, muss regelmäßig der Ladezustand kontrolliert werden. Der optimale Ladezustand liegt zwischen 50 % und 80 %. Das optimale Lagerungsklima ist kühl und trocken.

HINWEIS

- ▶ Nicht aufgeführte Ersatzteile (wie z. B. Kohlebürsten, Schalter) können Sie über unsere Service - Hotline bestellen.

Garantie der Kompernaß Handels GmbH

Sehr geehrte Kundin, sehr geehrter Kunde,

Sie erhalten auf dieses Gerät 3 Jahre Garantie ab Kaufdatum. Im Falle von Mängeln dieses Produkts stehen Ihnen gegen den Verkäufer des Produkts gesetzliche Rechte zu. Diese gesetzlichen Rechte werden durch unsere im Folgenden dargestellte Garantie nicht eingeschränkt.

Garantiebedingungen

Die Garantiefrist beginnt mit dem Kaufdatum. Bitte bewahren Sie den Kassenbon gut auf. Dieser wird als Nachweis für den Kauf benötigt.

Tritt innerhalb von drei Jahren ab dem Kaufdatum dieses Produkts ein Material- oder Fabrikationsfehler auf, wird das Produkt von uns – nach unserer Wahl – für Sie kostenlos repariert, ersetzt oder der Kaufpreis erstattet. Diese Garantieleistung setzt voraus, dass innerhalb der Dreijahresfrist das defekte Gerät und der Kaufbeleg (Kassenbon) vorgelegt und schriftlich kurz beschrieben wird, worin der Mangel besteht und wann er aufgetreten ist.

Wenn der Defekt von unserer Garantie gedeckt ist, erhalten Sie das reparierte oder ein neues Produkt zurück. Mit Reparatur oder Austausch des Produkts beginnt kein neuer Garantiezeitraum.

Sie erhalten auf die Akku-Packs der X12V und X20V Team Serie 3 Jahre Garantie ab Kaufdatum.

Garantiezeit und gesetzliche Mängelansprüche

Die Garantiezeit wird durch die Gewährleistung nicht verlängert. Dies gilt auch für ersetzte und reparierte Teile. Eventuell schon beim Kauf vorhandene Schäden und Mängel müssen sofort nach dem Auspacken gemeldet werden. Nach Ablauf der Garantiezeit anfallende Reparaturen sind kostenpflichtig.

Garantieumfang

Das Gerät wurde nach strengen Qualitätsrichtlinien sorgfältig produziert und vor Auslieferung gewissenhaft geprüft.

Die Garantieleistung gilt für Material- oder Fabrikationsfehler. Diese Garantie erstreckt sich nicht auf Produktteile, die normaler Abnutzung ausgesetzt sind und daher als Verschleißteile angesehen werden können oder für Beschädigungen an zerbrechlichen Teilen, z. B. Schalter oder Teile, die aus Glas gefertigt sind.

Diese Garantie verfällt, wenn das Produkt beschädigt, nicht sachgemäß benutzt oder gewartet wurde. Für eine sachgemäße Benutzung des Produkts sind alle in der Bedienungsanleitung aufgeführten Anweisungen genau einzuhalten. Verwendungszwecke und Handlungen, von denen in der Bedienungsanleitung abgeraten oder vor denen gewarnt wird, sind unbedingt zu vermeiden.

Das Produkt ist nur für den privaten und nicht für den gewerblichen Gebrauch bestimmt. Bei missbräuchlicher und unsachgemäßer Behandlung, Gewaltanwendung und bei Eingriffen, die nicht von unserer autorisierten Serviceniederlassung vorgenommen wurden, erlischt die Garantie.

Garantiezeit gilt nicht bei

- normaler Abnutzung der Akkukapazität
- gewerblichen Gebrauch des Produktes
- Beschädigung oder Veränderung des Produktes durch den Kunden
- Missachtung der Sicherheits- und Wartungsvorschriften, Bedienungsfehler
- Schäden durch Elementarereignisse

Abwicklung im Garantiefall

Um eine schnelle Bearbeitung Ihres Anliegens zu gewährleisten, folgen Sie bitte den folgenden Hinweisen:

- Bitte halten Sie für alle Anfragen den Kassenbon und die Artikelnummer (AN) 380745_2110 als Nachweis für den Kauf bereit.
- Die Artikelnummer entnehmen Sie bitte dem Typenschild am Produkt, einer Gravur am Produkt, dem Titelblatt der Bedienungsanleitung (unten links) oder dem Aufkleber auf der Rück- oder Unterseite des Produktes.
- Sollten Funktionsfehler oder sonstige Mängel auftreten, kontaktieren Sie zunächst die nachfolgend benannte Serviceabteilung **telefonisch** oder per **E-Mail**.
- Ein als defekt erfasstes Produkt können Sie dann unter Beifügung des Kaufbelegs (Kassenbon) und der Angabe, worin der Mangel besteht und wann er aufgetreten ist, für Sie portofrei an die Ihnen mitgeteilte Serviceanschrift übersenden.



Auf www.lidl-service.com können Sie diese und viele weitere Handbücher, Produktvideos und Installationssoftware herunterladen.

Mit diesem QR-Code gelangen Sie direkt auf die Lidl-Service-Seite (www.lidl-service.com) und können mittels der Eingabe der Artikelnummer (IAN) 380745_2110 Ihre Bedienungsanleitung öffnen.

! WARNUNG!

- ▶ Lassen Sie Ihre Geräte von der Servicestelle oder einer Elektrofachkraft und nur mit Original-Ersatzteilen reparieren. Damit wird sichergestellt, dass die Sicherheit des Gerätes erhalten bleibt.
- ▶ Lassen Sie den Austausch des Steckers oder der Netzleitung immer vom Hersteller des Gerätes oder seinem Kundendienst ausführen. Damit wird sichergestellt, dass die Sicherheit des Gerätes erhalten bleibt.

Service

DE Service Deutschland

Tel.: 0800 5435 111 (kostenfrei aus dem dt. Festnetz/Mobilfunknetz)
E-Mail: kompennass@lidl.de

AT Service Österreich

Tel.: 0820 201 222
E-Mail: kompennass@lidl.at

CH Service Schweiz

Tel.: 0842 665566 (0,08 CHF/Min., Mobilfunk max. 0,40 CHF/Min.)
E-Mail: kompennass@lidl.ch

IAN 380745_2110

Importeur

Bitte beachten Sie, dass die folgende Anschrift keine Serviceanschrift ist. Kontaktieren Sie zunächst die benannte Servicestelle.

KOMPENASS HANDELS GMBH
BURGSTRASSE 21
44867 BOCHUM
DEUTSCHLAND
www.kompennass.com

Entsorgung



Werfen Sie Elektrowerkzeuge nicht in den Hausmüll!

Das nebenstehende Symbol einer durchgestrichenen Mülltonne auf Rädern zeigt an, dass dieses Gerät der Richtlinie 2012/19/EU unterliegt. Diese Richtlinie besagt, dass Sie dieses Gerät am Ende seiner Nutzungszeit nicht mit dem normalen Haushaltsmüll entsorgen dürfen, sondern in speziell eingerichteten Sammelstellen, Wertstoffhöfen oder Entsorgungsbetrieben abgeben müssen.

Diese Entsorgung ist für Sie kostenfrei. Schonen Sie die Umwelt und entsorgen Sie fachgerecht.

Für den deutschen Markt gilt

Beim Kauf eines Neugerätes haben Sie das Recht, das entsprechende Altgerät an Ihren Händler zurückzugeben. Händler von Elektro- und Elektronikgeräten mit einer Verkaufsfläche von mindestens 400 qm sowie Lebensmittelhändler mit einer Verkaufsfläche von mindestens 800 qm, die regelmäßig Elektro- und Elektronikgeräte verkaufen, sind außerdem verpflichtet, Altgeräte unentgeltlich zurückzunehmen, auch ohne dass ein Neugerät gekauft wird, wenn die Altgeräte in keiner Abmessung größer sind als 25 cm. LIDL bietet Ihnen Rücknahmemöglichkeiten direkt in den Filialen und Märkten an. Informieren Sie sich auch bei Ihrem Händler über die Rücknahmemöglichkeiten vor Ort.



Weitere Möglichkeiten zur Entsorgung des ausgedienten Produkts erfahren Sie bei Ihrer Gemeinde- oder Stadtverwaltung.



Werfen Sie Akkus nicht in den Hausmüll!

Defekte oder verbrauchte Akkus müssen gemäß Richtlinie 2006/66/EG recycelt werden. Batterien/Akkus sind als Sondermüll zu behandeln und müssen daher durch entsprechende Stellen (Händler, Fachhändler, öffentliche kommunale Stellen, gewerbliche Entsorgungsunternehmen) umweltgerecht entsorgt werden. Batterien/Akkus können giftige Schwermetalle enthalten.

Werfen Sie Batterien/Akkus daher nicht in den Hausmüll, sondern führen Sie diese einer separaten Sammlung zu. Geben Sie Batterien/Akkus nur im entladenen Zustand zurück.



Die Verpackung besteht aus umweltfreundlichen Materialien, die Sie über die örtlichen Recyclingstellen entsorgen können.



Entsorgen Sie die Verpackung umweltgerecht. Beachten Sie die Kennzeichnung auf den verschiedenen Verpackungsmaterialien und trennen Sie diese gegebenenfalls gesondert. Die Verpackungsmaterialien sind gekennzeichnet mit Abkürzungen (a) und Ziffern (b) mit folgender Bedeutung: 1-7: Kunststoffe, 20-22: Papier und Pappe, 80-98: Verbundstoffe.



Das Produkt ist recycelbar, unterliegt einer erweiterten Herstellerverantwortung und wird getrennt gesammelt.

Original-Konformitätserklärung

Wir, KOMPERNASS HANDELS GMBH, Dokumentenverantwortlicher: Herr Semi Uguzlu, BURGSTR. 21, 44867 BOCHUM, DEUTSCHLAND, erklären hiermit, dass dieses Produkt mit den folgenden Normen, normativen Dokumenten und EG-Richtlinien übereinstimmt:

Maschinenrichtlinie

(2006/42/EG)

EG-Niederspannungsrichtlinie (nur Ladegerät)

(2014/35/EU)

Elektromagnetische Verträglichkeit

(2014/30/EU)

RoHS Richtlinie

(2011/65/EU)*

* Die alleinige Verantwortung für die Ausstellung dieser Konformitätserklärung trägt der Hersteller. Der oben beschriebene Gegenstand der Erklärung erfüllt die Vorschriften der Richtlinie 2011/65/EU des Europäischen Parlaments und des Rates vom 8. Juni 2011 zur Beschränkung der Verwendung bestimmter gefährlicher Stoffe in Elektro- und Elektronikgeräten.

Angewandte harmonisierte Normen

EN 62841-1:2015

EN 62841-2-2:2014

EN 55014-1:2017

EN 55014-2:2015

EN IEC 63000:2018

Typ/Gerätebezeichnung: Akku-Drehschlagschrauber PDSSA 20-Li A1

Herstellungsjahr: 01 – 2022

Seriennummer: IAN 380745_2110

Bochum, 31.01.2022



Semi Uguzlu

- Qualitätsmanager -

Technische Änderungen im Sinne der Weiterentwicklung sind vorbehalten.

Ersatz-Akku Bestellung

Wenn Sie einen Ersatz-Akku für Ihr Gerät bestellen möchten, so können Sie dies entweder bequem im Internet unter www.kompernass.com oder telefonisch abwickeln.

Dieser Artikel kann aufgrund begrenzter Vorratsmenge nach kurzer Zeit ausverkauft sein.



HINWEIS

- ▶ Die Bestellung von Ersatzteilen kann in einigen Ländern nicht online vorgenommen werden. Kontaktieren Sie in diesem Fall bitte die Service-Hotline.

Telefonische Bestellung

- Ⓓ **Service Deutschland** Tel.: 0800 5435 111 (Kostenfrei aus dem dt. Festnetz/Mobilfunknetz)
- Ⓐ **Service Österreich** Tel.: 0820 201 222
- Ⓒ **Service Schweiz** Tel.: 0842 665566 (0,08 CHF/Min., Mobilfunk max. 0,40 CHF/Min.)

Um eine schnelle Bearbeitung Ihrer Bestellung zu gewährleisten, halten Sie bitte für alle Anfragen die Artikelnummer (IAN 380745_2110) des Gerätes bereit. Die Artikelnummer entnehmen Sie bitte dem Typenschild oder dem Titelblatt dieser Anleitung.

Table des matières

Introduction	28
Utilisation conforme à l'usage prévu	28
Équipement	28
Matériel livré	28
Caractéristiques techniques	28
Avertissements de sécurité généraux pour l'outil électrique	29
1. Sécurité de la zone de travail	30
2. Sécurité électrique	30
3. Sécurité des personnes	30
4. Utilisation et entretien de l'outil électrique	31
5. Utilisation des outils fonctionnant sur batteries et précautions d'emploi	31
6. Entretien	32
Consignes de sécurité spécifiques aux visseuses à chocs	32
Accessoires/équipements supplémentaires d'origine	32
Consignes de sécurité relatives aux chargeurs	33
Avant la mise en service	33
Recharger le pack d'accus (voir fig. A)	33
Mettre le pack d'accus dans l'appareil/l'en retirer	34
Contrôler l'état de l'accum	34
Mise en service	34
Mise en marche/mise hors service	34
Réglage de la vitesse de rotation/du couple de serrage	34
Inverser le sens de rotation	34
Mettre en place les embouts	34
Entretien et nettoyage	34
Garantie pour Kompernass Handels GmbH pour la Belgique	35
Garantie pour Kompernass Handels GmbH pour la France	36
Service après-vente	38
Importateur	38
Mise au rebut	39
Traduction de la déclaration de conformité originale	40
Commande d'accum de rechange	41
Commande téléphonique	41

VISSEUSE À CHOCS SANS FIL PDSSA 20-Li A1

Introduction

Nous vous félicitons pour l'achat de votre nouvel appareil. Vous venez ainsi d'opter pour un produit de grande qualité. Le mode d'emploi fait partie de ce produit. Il contient des remarques importantes concernant la sécurité, l'usage et la mise au rebut. Avant d'utiliser le produit, veuillez vous familiariser avec toutes les consignes d'utilisation et de sécurité. N'utilisez le produit que conformément aux consignes et pour les domaines d'utilisation prévus. Si vous cédez le produit à un tiers, remettez-lui également tous les documents.

Utilisation conforme à l'usage prévu

Cet appareil est destiné au vissage et dévissage de vis ainsi qu'au serrage et desserrage d'écrous. L'appareil présente une marche à droite/à gauche, un porte-embout hexagonal 1/4" et une lampe de travail LED. La lumière de cet appareil sert à éclairer la zone de travail immédiatement devant l'appareil. La fonction de vissage à chocs de l'appareil permet de transformer la force du moteur en percussions rotatives régulières. Le mécanisme de percussion est engagé lors du vissage et du dévissage.

L'appareil est conçu pour être utilisé par des adultes. Les jeunes de plus de 16 ans ne doivent utiliser l'appareil que sous surveillance. Le fabricant décline toute responsabilité pour tous dommages résultant de l'utilisation non conforme à sa destination ou incorrecte de l'appareil.

N'utilisez l'appareil que conformément aux consignes et pour les domaines d'utilisation prévus. L'appareil n'est pas conçu pour un usage professionnel. Toute utilisation autre ou modification de l'appareil est considérée comme non conforme et s'accompagne de risques d'accident non négligeables. Le fabricant n'assume aucune responsabilité pour les dommages résultant d'une utilisation non conforme à l'usage prévu.

Équipement

- ① Porte-outil
- ② Manchon de verrouillage
- ③ Support d'embout (magnétique)
- ④ Sélecteur du sens de rotation/blocage
- ⑤ Clip de ceinture
- ⑥ Touche d'état accu
- ⑦ LED d'affichage d'état de l'accu
- ⑧ Pack d'accus*
- ⑨ Touche déverrouillage du pack d'accus
- ⑩ Lampe de travail LED
- ⑪ Interrupteur MARCHE/ARRÊT/réglage de la vitesse
- ⑫ Adaptateur sur embout carré 1/4"
- ⑬ Porte-embout
- ⑭ Chargeur rapide*
- ⑮ LED rouge de contrôle de charge
- ⑯ LED verte de contrôle de charge

Matériel livré

- 1 visseuse à chocs sans fil PDSSA 20-Li A1
- 1 adaptateur sur embout carré 1/4"
- 1 rallonge 1/4" (50 mm)
- 1 clip de ceinture
- 1 mallette de transport
- 1 mode d'emploi

Caractéristiques techniques

Visseuse à chocs sans fil PDSSA 20-Li A1

Tension nominale	20 V === (courant continu)
Vitesse nominale à vide	n_0 0–2800 min ⁻¹
Fréquence nominale de frappe	0–3600 min ⁻¹
Couple max.	180 Nm
Adapté aux vis métal	≤ M8
Adapté aux vis bois	≤ 8 mm Ø
Porte-outil	1/4"

Batterie PAP 20 A1 *

Type	LITHIUM-IONS
Tension nominale	20 V \equiv (courant continu)
Capacité	2 Ah
Cellules	5

Chargeur rapide de la batterie PLG 20 A1 *

ENTRÉE/Input

Tension nominale	230 - 240 V \sim , 50 Hz (courant alternatif)
------------------	--

Puissance nominale absorbée	65 W
-----------------------------	------

Fusible (interne)	3,15 A
-------------------	--------

SORTIE/Output

Tension nominale	21,5 V \equiv (courant continu)
Courant nominal	2,4 A
Temps de charge	env. 60 min
Classe de protection	II/ (double isolation)

* BATTERIE ET CHARGEUR NON INCLUS DANS LA LIVRAISON

Valeur d'émissions sonores

Valeur de mesure du bruit déterminée conformément à la norme EN 62841. Le niveau de bruit A pondéré typique de l'outil électrique est de :

Niveau de pression acoustique	$L_{PA} = 83$ dB (A)
Imprecision	$K_{PA} = 3$ dB
Niveau de puissance acoustique	$L_{WA} = 94$ dB (A)
Imprecision	$K_{WA} = 3$ dB

Valeur d'émission des vibrations

Valeurs totales des vibrations (somme vectorielle triaxiale) déterminées selon la norme EN 62841 :

Vissage de vis et d'écrous d'une taille maximale admissible de	$a_h = 5,677$ m/s ²
Imprecision	$K = 1,5$ m/s ²

Porter une protection auditive !

REMARQUE

- ▶ Les valeurs d'émission de vibrations et les valeurs d'émissions sonores indiquées ont été mesurées conformément à une méthode de mesure normée et peuvent être utilisées pour comparer des outils électriques.
- ▶ Les valeurs d'émission de vibrations et les valeurs d'émissions sonores indiquées peuvent également être utilisées pour une évaluation préliminaire de la sollicitation.

AVERTISSEMENT!

- ▶ Pendant l'utilisation effective de l'outil électrique, les émissions de vibrations et sonores peuvent différer des valeurs indiquées en fonction de la manière dont l'outil électrique est utilisé, et en particulier en fonction du type de pièce à usiner.
- ▶ Essayez de garder la sollicitation aussi faible que possible. Des mesures d'exemple de réduction de la sollicitation des vibrations sont le port de gants lors de l'utilisation de l'outil et la limitation du temps de travail. À ce titre, toutes les parts du cycle de travail doivent être prises en compte (par exemple les durées pendant lesquelles l'outil est éteint et celles pendant lesquelles il est allumé mais fonctionne sans charge).



Avertissements de sécurité généraux pour l'outil électrique

AVERTISSEMENT!

- ▶ Lire tous les avertissements de sécurité, les instructions, les illustrations et les spécifications fournis avec cet outil électrique. Ne pas suivre les instructions énumérées ci-dessous peut provoquer un choc électrique, un incendie et/ou une blessure sérieuse.

Conserver tous les avertissements et toutes les instructions pour pouvoir s'y reporter ultérieurement.

Le terme „outil électrique“ dans les avertissements fait référence à votre outil électrique alimenté par le secteur (avec cordon d'alimentation) ou votre outil électrique fonctionnant sur batterie (sans cordon d'alimentation).

1. Sécurité de la zone de travail

- a) Conserver la zone de travail propre et bien éclairée. Les zones en désordre ou sombres sont propices aux accidents.
- b) Ne pas faire fonctionner les outils électriques en atmosphère explosive, par exemple en présence de liquides inflammables, de gaz ou de poussières. Les outils électriques produisent des étincelles qui peuvent enflammer les poussières ou les fumées.
- c) Maintenir les enfants et les personnes présentes à l'écart pendant l'utilisation de l'outil électrique. Les distractions peuvent vous faire perdre le contrôle de l'outil.

2. Sécurité électrique

- a) Il faut que les fiches de l'outil électrique soient adaptées au socle. Ne jamais modifier la fiche de quelque façon que ce soit. Ne pas utiliser d'adaptateurs avec des outils électriques à branchement de terre. Des fiches non modifiées et des socles adaptés réduisent le risque de choc électrique.
- b) Éviter tout contact du corps avec des surfaces reliées à la terre telles que les tuyaux, les radiateurs, les cuisinières et les réfrigérateurs. Il existe un risque accru de choc électrique si votre corps est relié à la terre.
- c) Ne pas exposer les outils électriques à la pluie ou à des conditions humides. La pénétration d'eau à l'intérieur d'un outil électrique augmente le risque de choc électrique.
- d) Ne pas maltraiter le cordon. Ne jamais utiliser le cordon pour porter, tirer ou débrancher l'outil électrique. Maintenir le cordon à l'écart de la chaleur, du lubrifiant, des arêtes vives ou des parties en mouvement. Des cordons endommagés ou emmêlés augmentent le risque de choc électrique.

- e) Lorsqu'on utilise un outil électrique à l'extérieur, utiliser un prolongateur adapté à l'utilisation extérieure. L'utilisation d'un cordon adapté à l'utilisation extérieure réduit le risque de choc électrique.
- f) Si l'usage d'un outil électrique dans un emplacement humide est inévitable, utiliser une alimentation protégée par un dispositif à courant différentiel résiduel (RCD). L'usage d'un RCD réduit le risque de choc électrique.

3. Sécurité des personnes

- a) Rester vigilant, regarder ce que vous êtes en train de faire et faire preuve de bon sens dans votre utilisation de l'outil électrique. Ne pas utiliser un outil électrique lorsque vous êtes fatigué ou sous l'emprise de drogues, de l'alcool ou de médicaments. Un moment d'inattention en cours d'utilisation d'un outil électrique peut entraîner des blessures graves.
- b) Utiliser un équipement de protection individuelle. Toujours porter une protection pour les yeux. Les équipements de protection individuelle tels que les masques contre les poussières, les chaussures de sécurité antidérapantes, les casques ou les protections auditives utilisés pour les conditions appropriées réduisent les blessures.
- c) Éviter tout démarrage intempestif. S'assurer que l'interrupteur est en position arrêt avant de brancher l'outil au secteur et/ou au bloc de batteries, de le ramasser ou de le porter. Porter les outils électriques en ayant le doigt sur l'interrupteur ou brancher des outils électriques dont l'interrupteur est en position marche est source d'accidents.
- d) Retirer toute clé de réglage avant de mettre l'outil électrique en marche. Une clé laissée fixée sur une partie tournante de l'outil électrique peut donner lieu à des blessures.
- e) Ne pas se précipiter. Garder une position et un équilibre adaptés à tout moment. Cela permet un meilleur contrôle de l'outil électrique dans des situations inattendues.

- f) **S'habiller de manière adaptée. Ne pas porter de vêtements amples ou de bijoux. Garder les cheveux et les vêtements à distance des parties en mouvement.** Des vêtements amples, des bijoux ou les cheveux longs peuvent être pris dans des parties en mouvement.
- g) **Si des dispositifs sont fournis pour le raccordement d'équipements pour l'extraction et la récupération des poussières, s'assurer qu'ils sont connectés et correctement utilisés.** Utiliser des collecteurs de poussière peut réduire les risques dus aux poussières.
- h) **Rester vigilant et ne pas négliger les principes de sécurité de l'outil sous prétexte que vous avez l'habitude de l'utiliser.** Une fraction de seconde d'inattention peut provoquer une blessure grave.

4. Utilisation et entretien de l'outil électrique

- a) **Ne pas forcer l'outil électrique. Utiliser l'outil électrique adapté à votre application.** L'outil électrique adapté réalise mieux le travail et de manière plus sûre au régime pour lequel il a été construit.
- b) **Ne pas utiliser l'outil électrique si l'interrupteur ne permet pas de passer de l'état de marche à arrêt et inversement.** Tout outil électrique qui ne peut pas être commandé par l'interrupteur est dangereux et il faut le réparer.
- c) **Débrancher la fiche de la source d'alimentation et/ou enlever le bloc de batteries, s'il est amovible, avant tout réglage, changement d'accessoires ou avant de ranger l'outil électrique.** De telles mesures de sécurité préventives réduisent le risque de démarrage accidentel de l'outil électrique.
- d) **Conservé les outils électriques à l'arrêt hors de la portée des enfants et ne pas permettre à des personnes ne connaissant pas l'outil électrique ou les présentes instructions de le faire fonctionner.** Les outils électriques sont dangereux entre les mains d'utilisateurs novices.
- e) **Observer la maintenance des outils électriques et des accessoires.** Vérifier qu'il n'y a pas de mauvais alignement ou de blocage

- des parties mobiles, des pièces cassées ou toute autre condition pouvant affecter le fonctionnement de l'outil électrique. En cas de dommages, faire réparer l'outil électrique avant de l'utiliser. De nombreux accidents sont dus à des outils électriques mal entretenus.
- f) **Garder affûtés et propres les outils permettant de couper.** Des outils destinés à couper correctement entretenus avec des pièces coupantes tranchantes sont moins susceptibles de bloquer et sont plus faciles à contrôler.
- g) **Utiliser l'outil électrique, les accessoires et les lames etc., conformément à ces instructions, en tenant compte des conditions de travail et du travail à réaliser.** L'utilisation de l'outil électrique pour des opérations différentes de celles prévues peut donner lieu à des situations dangereuses.
- h) **Il faut que les poignées et les surfaces de préhension restent sèches, propres et dépourvues d'huiles et de graisses.** Des poignées et des surfaces de préhension glissantes rendent impossibles la manipulation et le contrôle en toute sécurité de l'outil dans les situations inattendues.

5. Utilisation des outils fonctionnant sur batteries et précautions d'emploi

- a) **Ne recharger qu'avec le chargeur spécifié par le fabricant.** Un chargeur qui est adapté à un type de bloc de batteries peut créer un risque de feu lorsqu'il est utilisé avec un autre type de bloc de batteries.
- b) **N'utiliser les outils électriques qu'avec des blocs de batteries spécifiquement désignés.** L'utilisation de tout autre bloc de batteries peut créer un risque de blessure et de feu.
- c) **Lorsqu'un bloc de batteries n'est pas utilisé, le maintenir à l'écart de tout autre objet métallique, par exemple trombones, pièces de monnaie, clés, clous, vis ou autres objets de petite taille qui peuvent donner lieu à une connexion d'une borne à une autre.** Le court-circuitage des bornes d'une batterie entre elles peut causer des brûlures ou un feu.

- d) Dans de mauvaises conditions, du liquide peut être éjecté de la batterie; éviter tout contact. En cas de contact accidentel, nettoyer à l'eau. Si le liquide entre en contact avec les yeux, rechercher en plus une aide médicale. Le liquide éjecté des batteries peut causer des irritations ou des brûlures.
- e) **Ne pas utiliser un bloc de batteries ou un outil fonctionnant sur batteries qui a été endommagé ou modifié.** Les batteries endommagées ou modifiées peuvent avoir un comportement imprévisible provoquant un feu, une explosion ou un risque de blessure.
- f) **Ne pas exposer un bloc de batteries ou un outil fonctionnant sur batteries au feu ou à une température excessive.** Une exposition au feu ou à une température supérieure à 130 °C (265 °F) peut provoquer une explosion.
- g) **Suivre toutes les instructions de charge et ne pas charger le bloc de batteries ou l'outil fonctionnant sur batteries hors de la plage de températures spécifiée dans les instructions.** Un chargement incorrect ou à des températures hors de la plage spécifiée de températures peut endommager la batterie et augmenter le risque de feu.



ATTENTION ! RISQUE D'EXPLOSION !
Ne rechargez jamais des piles non rechargeables.



Protégez l'accu de la chaleur, par ex. aussi du rayonnement solaire continu, du feu, de l'eau et de l'humidité. Il y a risque d'explosion.

6. Entretien

- a) **Faire entretenir l'outil électrique par un réparateur qualifié utilisant uniquement des pièces de rechange identiques.** Cela assure le maintien de la sécurité de l'outil électrique.
- b) **Ne jamais effectuer d'opération d'entretien sur des blocs de batteries endommagés.** Il convient que l'entretien des blocs de batteries ne soit effectué que par le fabricant ou les fournisseurs de service autorisés.

Consignes de sécurité spécifiques aux visseuses à chocs

- **Pendant le vissage à chocs, portez une protection auditive.** L'exposition au bruit peut provoquer une perte d'acuité auditive.
- **Sécurisez la pièce à traiter.** Toute pièce à traiter maintenue par des dispositifs de serrage ou un étau est mieux sécurisée qu'avec votre seule main.
- **Tenez l'outil électrique fermement en main.** Le fait de serrer ou de desserrer des vis peut provoquer subitement des couples de réaction élevés.
- **Attendez que l'outil soit à l'arrêt avant de le poser.** L'outil risque de se coincer et cela peut faire perdre le contrôle de l'outil électrique.
- **Tenez l'outil électrique par les surfaces de préhension isolées lorsque vous effectuez des travaux où la vis peut heurter des lignes électriques cachées.** Les fixations en contact avec un fil « sous tension » peuvent « mettre sous tension » les parties métalliques exposées de l'outil électrique et provoquer un choc électrique chez l'opérateur.

Accessoires/équipements supplémentaires d'origine

- Utiliser uniquement des accessoires et des équipements supplémentaires qui sont spécifiés dans le mode d'emploi ou dont la puissance est compatible avec l'appareil.

⚠ AVERTISSEMENT !

- N'utilisez aucun accessoire non recommandé par PARKSIDE. Cela peut provoquer un choc électrique et un incendie.

Consignes de sécurité relatives aux chargeurs

- Cet appareil peut être utilisé par des enfants à partir de 8 ans et par des personnes ayant des capacités physiques, sensorielles ou mentales réduites ou disposant de peu d'expérience et/ou de connaissances, à condition qu'ils soient surveillés ou qu'ils aient été initiés à l'utilisation sécurisée de l'appareil et qu'ils aient compris les dangers en résultant. Les enfants ne doivent pas jouer avec l'appareil. Le nettoyage et la maintenance utilisateur ne doivent pas être réalisés par des enfants s'ils ne sont pas surveillés.
- Si le cordon d'alimentation de l'appareil est endommagé, il doit être remplacé par le fabricant, son service après-vente ou une personne de qualification similaire afin d'éviter tout risque.



Le chargeur convient uniquement à une exploitation en intérieur.

⚠ AVERTISSEMENT !

- Si le cordon d'alimentation de l'appareil est endommagé, il doit être remplacé par le fabricant, son service après-vente ou une personne de qualification similaire afin d'éviter tout risque.

⚠ ATTENTION !

- ◆ Ce chargeur peut recharger uniquement les batteries suivantes : PAP 20 A1/PAP 20 A2/PAP 20 A3/PAP 20 B1/PAP 20 B3/PAPS 204 A1/PAPS 208 A1.
- ◆ Une liste à jour de la compatibilité des batteries est disponible sur www.Lidl.de/Akku.



ATTENTION ! Surface brûlante. Il y a un risque de brûlure.

Avant la mise en service

Recharger le pack d'accus (voir fig. A)

⚠ PRUDENCE !

- ▶ Débranchez toujours la fiche secteur du chargeur avant d'en retirer le pack d'accus ou de le mettre en place.

REMARQUE

- ▶ Ne chargez jamais le pack d'accus lorsque la température environnante est inférieure à 10 °C ou supérieure à 40 °C. Si un accus lithium-ions doit rester stocké pendant une période prolongée, il faut contrôler régulièrement son état de charge. L'état de charge optimal se situe entre 50% et 80%. Le climat de stockage doit être frais et sec dans une température ambiante située entre 0 °C et 50 °C.

- ◆ Placez le pack d'accus **8** dans le chargeur rapide **14** (voir fig. A).
- ◆ Insérez la fiche secteur dans la prise secteur. La LED de contrôle **15** s'allume en rouge.
- ◆ La LED verte de contrôle **16** vous signale que l'opération de charge est terminée et que le pack d'accus **8** est prêt à être utilisé.

⚠ ATTENTION !

- ◆ Si la LED de contrôle rouge **15** se met à clignoter, cela signifie que le pack d'accus **8** surchauffe et qu'il ne peut pas être rechargé.
- ◆ Si les LED de contrôle rouge et verte **15 16** clignent ensemble, cela signifie que le pack d'accus **8** est défectueux.
- ◆ Introduisez le pack d'accus **8** dans l'appareil.
- ◆ Éteignez le chargeur pendant au moins 15 minutes entre deux opérations de chargement consécutives. Débranchez pour cela la fiche secteur.

Mettre le pack d'accus dans l'appareil/l'en retirer

Mettre en place le pack d'accus

- ◆ Placez l'inverseur de sens de rotation **4** en position centrale (verrouillage). Faites s'enclencher le pack d'accus **8** dans la poignée.

Retirer le pack d'accus

- ◆ Appuyez sur la touche pour déverrouiller **9** puis retirez le pack d'accus.

Contrôler l'état de l'accu

- ◆ Pour vérifier l'état de l'accu, appuyez sur la touche d'état de l'accu **6** (voir aussi la figure principale).
L'état et la puissance restante s'affichent comme suit dans la LED d'affichage de l'accu **7** :
ROUGE/ORANGE/VERT = charge maximale
ROUGE/ORANGE = charge moyenne
ROUGE = charge faible - charger l'accu

Mise en service

Mise en marche/mise hors service

Mise en marche

- ◆ Pour la mise en service de l'appareil, appuyez sur l'interrupteur MARCHE/ARRÊT **11** et maintenez-le enfoncé.
La lampe de travail LED **10** s'allume lorsque l'interrupteur MARCHE/ARRÊT **11** est légèrement ou entièrement enfoncé. Elle permet ainsi d'éclairer la zone de travail si la luminosité n'est pas suffisante.

Éteindre

- ◆ Pour éteindre l'appareil, relâchez l'interrupteur MARCHE/ARRÊT **11**.

Réglage de la vitesse de rotation/du couple de serrage

- ◆ Une légère pression sur l'interrupteur MARCHE/ARRÊT **11** entraîne une vitesse de rotation/un couple de serrage réduit. La vitesse de rotation/le couple de serrage augmente avec la pression sur l'interrupteur.

- ◆ Le couple de serrage dépend de la vitesse de rotation choisie et de la durée de la percussion.

ATTENTION !

- ◆ Le couple de serrage réellement atteint doit toujours être contrôlé à l'aide d'une clé dynamométrique !

REMARQUE

- ▶ Le frein moteur intégré veille à une immobilisation rapide.

Inverser le sens de rotation

- ◆ Inversez le sens de rotation en tournant le sélecteur du sens de rotation **4** vers la droite ou vers la gauche.

Mettre en place les embouts

- ◆ Insérez l'adaptateur **12** ou le porte-embout **13** dans le porte-outil **1**.
- ◆ Tirez le manchon de verrouillage **2** à l'arrière et faites s'enclencher l'adaptateur **12** ou le porte-embout **13**.

Entretien et nettoyage



AVERTISSEMENT ! RISQUE DE BLESSURES ! Avant d'effectuer tout travail sur l'appareil, éteignez-le et retirez l'accu.

L'appareil ne nécessite aucune maintenance particulière.

- L'appareil doit toujours être propre, sec et exempt d'huile ou de graisse.
- Aucun liquide ne doit pénétrer à l'intérieur de l'appareil.
- Pour le nettoyage du boîtier, utilisez un chiffon sec. N'utilisez jamais d'essence, de solvant ou de nettoyant qui attaquent le plastique.
- Si un accu lithium-ions doit rester stocké pendant une période prolongée, il faut contrôler régulièrement son état de charge. L'état de charge optimal se situe entre 50% et 80%. Le climat de stockage idéal est frais et sec.

REMARQUE

- Vous pouvez commander des pièces détachées non listées (comme les balais de charbon, les interrupteurs par ex.) auprès de notre hotline du service après-vente.

Garantie pour Kompernass Handels GmbH pour la Belgique

Chère cliente, cher client,

Cet appareil est garanti 3 ans à partir de la date d'achat. Si ce produit venait à présenter des vices, vous disposez de droits légaux face au vendeur de ce produit. Vos droits légaux ne sont pas restreints par notre garantie présentée ci-dessous.

Conditions de garantie

La période de garantie débute à la date d'achat. Veuillez bien conserver le ticket de caisse. Celui-ci servira de preuve d'achat.

Si dans un délai de trois ans suivant la date d'achat de ce produit, un vice de matériel ou de fabrication venait à apparaître, le produit sera réparé, remplacé gratuitement par nos soins ou le prix d'achat remboursé, selon notre choix. Cette prestation sous garantie nécessite, dans le délai de trois ans, la présentation de l'appareil défectueux et du justificatif d'achat (ticket de caisse) ainsi que la description brève du vice et du moment de son apparition.

Si le vice est couvert par notre garantie, vous recevrez le produit réparé ou un nouveau produit en retour. Aucune nouvelle période de garantie ne débute avec la réparation ou l'échange du produit.

Les blocs-batteries de la série X 12 V et X 20 V Team sont garantis 3 ans à compter de la date d'achat.

Période de garantie et réclamation légale pour vices cachés

L'exercice de la garantie ne prolonge pas la période de garantie. Cette disposition s'applique également aux pièces remplacées ou réparées. Les dommages et vices éventuellement déjà présents à l'achat doivent être signalés immédiatement après le déballage. Toute réparation survenant après la période sous garantie fera l'objet d'une facturation.

Étendue de la garantie

L'appareil a été fabriqué avec soin conformément à des directives de qualité strictes et consciencieusement contrôlé avant sa livraison.

La prestation de la garantie s'applique aux vices de matériel et de fabrication. Cette garantie ne s'étend pas aux pièces du produit qui sont exposées à une usure normale et peuvent de ce fait être considérées comme pièces d'usure, ni aux détériorations de pièces fragiles, par ex. interrupteurs ou pièces en verre.

Cette garantie devient caduque si le produit est détérioré, utilisé ou entretenu de manière non conforme. Toutes les instructions listées dans le manuel d'utilisation doivent être exactement respectées pour une utilisation conforme du produit. Des buts d'utilisation et actions qui sont déconseillés dans le manuel d'utilisation, ou dont vous êtes avertis doivent également être évités.

Le produit est uniquement destiné à un usage privé et ne convient pas à un usage professionnel. La garantie est annulée en cas d'entretien incorrect et inapproprié, d'usage de la force et en cas d'intervention non réalisée par notre centre de service après-vente agréé.

La période de garantie ne s'applique pas dans les cas suivants

- usure normale de la capacité de l'accu
- utilisation commerciale du produit
- détérioration ou modification du produit par le client
- non-respect des consignes de sécurité et de maintenance, erreur d'utilisation
- dommages causés par des événements élémentaires

Procédure en cas de garantie

Afin de garantir un traitement rapide de votre demande, veuillez suivre les indications suivantes :

- Veuillez avoir à portée de main pour toutes questions le ticket de caisse et la référence article (IAN) 380745_2110 en tant que justificatif de votre achat.
- Vous trouverez la référence sur la plaque signalétique sur le produit, une gravure sur le produit, sur la page de garde du mode d'emploi (en bas à gauche) ou sur l'autocollant au dos ou sur le dessous du produit.
- Si des erreurs de fonctionnement ou d'autres vices venaient à apparaître, veuillez d'abord contacter le département service clientèle cité ci-dessous par **téléphone** ou par **e-mail**.
- Vous pouvez ensuite retourner un produit enregistré comme étant défectueux en joignant le ticket de caisse et en indiquant en quoi consiste le vice et quand il est survenu, sans devoir l'affranchir à l'adresse de service après-vente communiquée.



Sur www.lidl-service.com, vous pourrez télécharger ce mode d'emploi et de nombreux autres manuels, vidéos produit et logiciels d'installation.

Grâce à ce code QR, vous arriverez directement sur le site Lidl service après-vente (www.lidl-service.com) et vous pourrez ouvrir votre mode d'emploi en saisissant votre référence (IAN) 380745_2110.

Garantie pour Kompernass Handels GmbH pour la France

Chère cliente, cher client,

Cet appareil est garanti 3 ans à partir de la date d'achat. Si ce produit venait à présenter des vices, vous disposez de droits légaux face au vendeur de ce produit. Vos droits légaux ne sont pas restreints par notre garantie présentée ci-dessous.

Conditions de garantie

La période de garantie débute à la date d'achat. Veuillez bien conserver le ticket de caisse. Celui-ci servira de preuve d'achat.

Si dans un délai de trois ans suivant la date d'achat de ce produit, un vice de matériel ou de fabrication venait à apparaître, le produit sera réparé, remplacé gratuitement par nos soins ou le prix d'achat remboursé, selon notre choix. Cette prestation sous garantie nécessite, dans le délai de trois ans, la présentation de l'appareil défectueux et du justificatif d'achat (ticket de caisse) ainsi que la description brève du vice et du moment de son apparition.

Si le vice est couvert par notre garantie, vous recevrez le produit réparé ou un nouveau produit en retour. Aucune nouvelle période de garantie ne débute avec la réparation ou l'échange du produit.

Les blocs-batteries de la série X 12 V et X 20 V Team sont garantis 3 ans à compter de la date d'achat.

Période de garantie et réclamation légale pour vices cachés

L'exercice de la garantie ne prolonge pas la période de garantie. Cette disposition s'applique également aux pièces remplacées ou réparées. Les dommages et vices éventuellement déjà présents à l'achat doivent être signalés immédiatement après le déballage. Toute réparation survenant après la période sous garantie fera l'objet d'une facturation.

Étendue de la garantie

L'appareil a été fabriqué avec soin conformément à des directives de qualité strictes et consciencieusement contrôlé avant sa livraison.

La prestation de la garantie s'applique aux vices de matériel et de fabrication. Cette garantie ne s'étend pas aux pièces du produit qui sont exposées à une usure normale et peuvent de ce fait être considérées comme pièces d'usure, ni aux détériorations de pièces fragiles, par ex. interrupteurs ou pièces en verre.

Cette garantie devient caduque si le produit est détérioré, utilisé ou entretenu de manière non conforme. Toutes les instructions listées dans le manuel d'utilisation doivent être exactement respectées pour une utilisation conforme du produit. Des buts d'utilisation et actions qui sont déconseillés dans le manuel d'utilisation, ou dont vous êtes avertis doivent également être évités.

Le produit est uniquement destiné à un usage privé et ne convient pas à un usage professionnel. La garantie est annulée en cas d'entretien incorrect et inapproprié, d'usage de la force et en cas d'intervention non réalisée par notre centre de service après-vente agréé.

Article L217-16 du Code de la consommation

Lorsque l'acheteur demande au vendeur, pendant le cours de la garantie commerciale qui lui a été consentie lors de l'acquisition ou de la réparation d'un bien meuble, une remise en état couverte par la garantie, toute période d'immobilisation d'au moins sept jours vient s'ajouter à la durée de la garantie qui restait à courir. Cette période court à compter de la demande d'intervention de l'acheteur ou de la mise à disposition pour réparation du bien en cause, si cette mise à disposition est postérieure à la demande d'intervention.

Indépendamment de la garantie commerciale suscrite, le vendeur reste tenu des défauts de conformité du bien et des vices rédhibitoires dans les conditions prévues aux articles L217-4 à L217-13 du Code de la consommation et aux articles 1641 à 1648 et 2232 du Code Civil.

Article L217-4 du Code de la consommation

Le vendeur livre un bien conforme au contrat et répond des défauts de conformité existant lors de la délivrance. Il répond également des défauts de conformité résultant de l'emballage, des instructions de montage ou de l'installation lorsque celle-ci a été mise à sa charge par le contrat ou a été réalisée sous sa responsabilité.

Article L217-5 du Code de la consommation

Le bien est conforme au contrat :

- 1° S'il est propre à l'usage habituellement attendu d'un bien semblable et, le cas échéant :
 - s'il correspond à la description donnée par le vendeur et posséder les qualités que celui-ci a présentées à l'acheteur sous forme d'échantillon ou de modèle ;
 - s'il présente les qualités qu'un acheteur peut légitimement attendre eu égard aux déclarations publiques faites par le vendeur, par le producteur ou par son représentant, notamment dans la publicité ou l'étiquetage ;
- 2° Ou s'il présente les caractéristiques définies d'un commun accord par les parties ou être propre à tout usage spécial recherché par l'acheteur, porté à la connaissance du vendeur et que ce dernier a accepté.

Article L217-12 du Code de la consommation

L'action résultant du défaut de conformité se prescrit par deux ans à compter de la délivrance du bien.

Article 1641 du Code civil

Le vendeur est tenu de la garantie à raison des défauts cachés de la chose vendue qui la rendent impropre à l'usage auquel on la destine, ou qui diminuent tellement cet usage que l'acheteur ne l'aurait pas acquise, ou n'en aurait donné qu'un moindre prix, s'il les avait connus.

Article 1648 1er alinéa du Code civil

L'action résultant des vices rédhibitoires doit être intentée par l'acquéreur dans un délai de deux ans à compter de la découverte du vice.

Les pièces détachées indispensables à l'utilisation du produit sont disponibles pendant la durée de la garantie du produit.

La période de garantie ne s'applique pas dans les cas suivants

- usure normale de la capacité de l'accu
- utilisation commerciale du produit
- détérioration ou modification du produit par le client
- non-respect des consignes de sécurité et de maintenance, erreur d'utilisation
- dommages causés par des événements élémentaires

Procédure en cas de garantie

Afin de garantir un traitement rapide de votre demande, veuillez suivre les indications suivantes :

- Veuillez avoir à portée de main pour toutes questions le ticket de caisse et la référence article (IAN) 380745_2110 en tant que justificatif de votre achat.
- Vous trouverez la référence sur la plaque signalétique sur le produit, une gravure sur le produit, sur la page de garde du mode d'emploi (en bas à gauche) ou sur l'autocollant au dos ou sur le dessous du produit.
- Si des erreurs de fonctionnement ou d'autres vices venaient à apparaître, veuillez d'abord contacter le département service clientèle cité ci-dessous par **téléphone** ou par **e-mail**.
- Vous pouvez ensuite retourner un produit enregistré comme étant défectueux en joignant le ticket de caisse et en indiquant en quoi consiste le vice et quand il est survenu, sans devoir l'affranchir à l'adresse de service après-vente communiquée.



Sur www.lidl-service.com, vous pourrez télécharger ce mode d'emploi et de nombreux autres manuels, vidéos produit et logiciels d'installation.

Grâce à ce code QR, vous arrivez directement sur le site Lidl service après-vente (www.lidl-service.com) et vous pourrez ouvrir votre mode d'emploi en saisissant votre référence (IAN) 380745_2110.

⚠ AVERTISSEMENT !

- ▶ **Faites réparer vos appareils par le service après-vente ou un électricien et uniquement avec des pièces de rechange d'origine.** Cela assure le maintien de la sécurité de l'appareil.
- ▶ **Confiez toujours le remplacement de la fiche ou du cordon d'alimentation au fabricant de l'appareil ou à son service après-vente.** Cela assure le maintien de la sécurité de l'appareil.

Service après-vente

(FR) Service France

Tel.: 0800 919270
E-Mail: kompernass@lidl.fr

(BE) Service Belgique

Tel.: 070 270 171 (0,15 EUR/Min.)
E-Mail: kompernass@lidl.be

IAN 380745_2110

Importateur

Veuillez tenir compte du fait que l'adresse suivante n'est pas une adresse de service après-vente. Veuillez d'abord contacter le service mentionné.

KOMPERNASS HANDELS GMBH

BURGSTRASSE 21

44867 BOCHUM

ALLEMAGNE

www.kompernass.com

Mise au rebut



Ne jetez pas les outils électriques dans les ordures ménagères !

Le symbole ci-contre, d'une poubelle barrée sur roues, indique que cet appareil doit respecter la directive 2012/19/EU. Cette directive stipule que vous ne devez pas éliminer cet appareil en fin de vie avec les ordures ménagères, mais le rapporter aux points de collecte, aux centres de recyclage ou aux entreprises de gestion des déchets spécialement équipés à cet effet.

Ce recyclage est gratuit. Respectez l'environnement et recyclez en bonne et due forme.



Renseignez-vous auprès de votre commune ou des services administratifs de votre ville pour connaître les possibilités de recyclage du produit usagé.



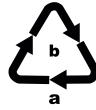
Ne jetez pas les accus dans les ordures ménagères !

Directive 2006/66/CE. Déposez le pack d'accus et/ou l'appareil auprès des points de collecte existants. Les piles/batteries doivent être traitées comme des déchets spéciaux devant être obligatoirement recyclés dans le respect de l'environnement par les entités correspondantes (commerçants, revendeurs spécialisés, services municipaux, entreprises de recyclage professionnel). Les piles/batteries peuvent contenir des métaux lourds toxiques.

Par conséquent, ne jetez pas les piles/batteries dans les ordures ménagères, rappez-les au contraire à un point de collecte séparé. Ne rappez-les piles/batteries qu'à l'état déchargé.



L'emballage est constitué de matériaux écologiques que vous pouvez recycler par le biais des services de recyclage locaux.



Éliminez l'emballage d'une manière respectueuse de l'environnement. Observez le marquage sur les différents matériaux d'emballage et triez-les séparément si nécessaire. Les matériaux d'emballage sont repérés par des abréviations (a) et des numéros (b) qui ont la signification suivante : 1-7 : Plastiques, 20-22 : Papier et carton, 80-98 : Matériaux composites.



Le produit recyclable doit être trié ou rapporté dans un point de collecte pour être recyclé.

Traduction de la déclaration de conformité originale

Nous soussignés, KOMPERNASS HANDELS GMBH, responsable du document : M. Semi Uguzlu, BURGSTR. 21, 44867 BOCHUM, ALLEMAGNE, déclarons par la présente que ce produit est en conformité avec les normes, documents normatifs et directives CE suivants :

Directive relative aux machines

(2006/42/CE)

Directive basse tension CE (chargeur uniquement)

(2014/35/EU)

Compatibilité électromagnétique

(2014/30/EU)

Directive RoHS

(2011/65/EU)*

* La seule responsabilité pour l'établissement de cette déclaration de conformité incombe au fabricant. L'objet de la déclaration décrit ci-dessus répond aux prescriptions de la directive 2011/65/EU du Parlement européen et du Conseil en date du 8 juin 2011 visant la restriction de l'utilisation de certaines substances dangereuses dans les appareils électriques et électroniques.

Normes harmonisées appliquées

EN 62841-1:2015

EN 62841-2-2:2014

EN 55014-1:2017

EN 55014-2:2015

EN IEC 63000:2018

Type/désignation de l'appareil : Visseuse à chocs sans fil PDSSA 20-Li A1

Année de fabrication : 01-2022

Numéro de série : IAN 380745_2110

Bochum, le 31/01/2022



Semi Uguzlu

- Responsable qualité -

Sous réserve de modifications techniques à des fins de perfectionnement.

Commande d'accu de recharge

Si vous souhaitez commander un accu de recharge pour votre appareil, vous pouvez le faire très aisément soit sur le site www.kompernass.com soit par téléphone.

En raison d'un stock limité, il est possible que cet article soit épuisé très rapidement.



REMARQUE

- Dans certains pays, la commande de pièces détachées ne peut pas être réalisée en ligne. Dans ce cas, veuillez contacter la hotline du service après-vente.

Commande téléphonique

FR Service France Tel.: 0800 919270

BE Service Belgique Tel.: 070 270 171 (0,15 EUR/Min.)

Pour que votre commande soit traitée plus rapidement, veuillez s.v.p. tenir prêt le numéro de référence de l'appareil (IAN 380745_2110) pour répondre à toute demande de renseignements. Vous trouverez le numéro de référence sur la plaque signalétique ou sur la page de garde de ce mode d'emploi.

Inhoud

Inleiding	44
Gebruik in overeenstemming met bestemming	44
Uitrusting	44
Inhoud van het pakket	44
Technische gegevens	44
Algemene veiligheidsvoorschriften voor elektrisch gereedschap	45
1. Veiligheid op de werkplek	46
2. Elektrische veiligheid	46
3. Veiligheid van personen	46
4. Gebruik en behandeling van het elektrische gereedschap	47
5. Gebruik en behandeling van het accugereedschap	47
6. Service	48
Apparaatspecifieke veiligheidsvoorschriften voor slagschroefmachines	48
Originele accessoires/hulpapparatuur	48
Veiligheidsvoorschriften voor opladers	49
Vóór de ingebruikname	49
Accupack opladen (zie afb. A)	49
Accupack in het apparaat plaatsen/uit het apparaat nemen	50
Toestand van de accu controleren	50
Ingebruikname	50
In-/uitschakelen	50
Toerental/draaimoment instellen	50
Draairichting wijzigen	50
Bits in houder insteken	50
Onderhoud en reiniging	50
Garantie van Kompernaß Handels GmbH	51
Service	52
Importeur	52
Afvoeren	53
Vertaling van de oorspronkelijke conformiteitsverklaring	54
Vervangende accu bestellen	55
Telefonische bestelling	55

ACCU-DRAAISLAGSCHROEF- MACHINE PDSSA 20-Li A1

Inleiding

Hartelijk gefeliciteerd met de aankoop van uw nieuwe apparaat. U hebt hiermee gekozen voor een hoogwaardig product. De gebruiksaanwijzing maakt deel uit van dit product. Deze bevat belangrijke aanwijzingen voor veiligheid, gebruik en afvoer. Lees alle bedienings- en veiligheidsvoorschriften voordat u het product in gebruik neemt. Gebruik het product uitsluitend op de voorgeschreven wijze en voor de aangegeven doeleinden. Geef alle documenten mee als u het product overdraagt aan een derde.

Gebruik in overeenstemming met bestemming

Dit apparaat is bestemd voor het indraaien en losdraaien van schroeven en voor het vastdraaien en losdraaien van moeren. Het apparaat biedt de draairichtingen rechts/links, een inbus-bithouder van 1/4" en een LED-werklamp. De werk lamp van dit apparaat is bedoeld om het directe werkvlak van het apparaat te verlichten. De draaislagfunctie van het apparaat zet de kracht van de motor om in gelijkmatige draaislagen. Deze slagbeweging wordt zowel tijdens het vastdraaien als tijdens het losdraaien gebruikt.

Het apparaat is alleen bestemd voor gebruik door volwassenen. Jongeren van 16 jaar of ouder mogen het apparaat alleen gebruiken op voorwaarde dat ze onder toezicht staan. De fabrikant aanvaardt geen aansprakelijkheid voor schade die voortvloeit uit gebruik dat niet in overeenstemming is met de bestemming van het apparaat of door een verkeerde bediening.

Gebruik het apparaat uitsluitend op de voorgeschreven wijze en voor de aangegeven doeleinden. Het apparaat is niet bestemd voor bedrijfsmatig of commercieel gebruik. Elk ander gebruik of elke wijziging van het apparaat geldt als niet in overeenstemming met de bestemming en brengt ernstig gevaar voor ongelukken met zich mee. De fabrikant aanvaardt geen enkele aansprakelijkheid voor schade die voortvloeit uit gebruik in strijd met de bestemming.

Uitrusting

- ❶ Gereedschapshouder
- ❷ Vergrendelingshuls
- ❸ Bithouder (magnetisch)
- ❹ Draairichtingschakelaar/vergrendeling
- ❺ Riemclip
- ❻ Toets accutoestand
- ❼ Accuniveau-indicator
- ❽ Accupack*
- ❾ Knop voor ontgrendeling van het accupack
- ❿ LED-werklamp
- ⓫ Aan-/uitknop/toerentalregeling
- ⓬ Adapter naar 1/4" vierkant
- ⓭ Bithouder
- ⓮ Snellader*
- ⓯ Rode accu-indicatorlampje
- ⓰ Groene accu-indicatorlampje

Inhoud van het pakket

- 1 accu-draaislagschroefmachine PDSSA 20-Li A1
- 1 adapter naar 1/4" vierkant
- 1 verlenging van 1/4" (50 mm)
- 1 riemclip
- 1 draagtas
- 1 gebruiksaanwijzing

Technische gegevens

Accu-draaislagschroefmachine PDSSA 20-Li A1

Nominale spanning	20 V == (gelijkstroom)
Toerental (onbelast)	n_0 0-2800 min ⁻¹
Nom. aantal slagen	0-3600 min ⁻¹
Max. draaimoment	180 Nm
Geschikt voor metaalschroeven	≤ M8
Geschikt voor houtschroeven	≤ 8 mm Ø
Gereedschapshouder	1/4"

Accupack PAP 20 A1 *

Type	LITHIUM-ION
Nominale spanning	20 V \equiv (gelijkstroom)
Capaciteit	2 Ah
Cellen	5

Accu-snellader PLG 20 A1 *

INGANG/Input

Nominale spanning	230 - 240 V \sim , 50 Hz (wisselstroom)
Nominaal vermogen	65 W
Zekering (intern)	3,15 A $\frac{T3.15A}{\square}$

UITGANG/Output

Nominale spanning	21,5 V \equiv (gelijkstroom)
Nominale stroom	2,4 A
Oplaadduur	ca. 60 min
Beschermingsklasse	II / \square (dubbel geïsoleerd)

* BATTERIJ EN OPLADER NIET INBEGREPEN IN LEVERING

Geluidsemisiewaarde

Gemeten waarde voor geluid vastgesteld conform EN 62841. Het A-gewogen geluidsniveau van het elektrische gereedschap bedraagt gemiddeld:

Geluidsdrukniveau	$L_{PA} = 83$ dB (A)
Onzekerheid	$K_{PA} = 3$ dB
Geluidsvermogensniveau	$L_{WA} = 94$ dB (A)
Onzekerheid	$K_{WA} = 3$ dB

Trillingsemisiewaarde

Totale trillingswaarde (vectorsom van drie richtingen) bepaald conform EN 62841:

Vastdraaien van schroeven en moeren met een max. grootte	$a_h = 5,677$ m/s ²
Onzekerheid	$K = 1,5$ m/s ²

Draag gehoorbescherming!

OPMERKING

- ▶ De vermelde totale trillingswaarden en trillingsemisiewaarden zijn in een genormeerde testopstelling gemeten en kunnen ook worden gebruikt voor vergelijking van een elektrisch gereedschap met een ander elektrisch gereedschap.
- ▶ De vermelde totale trillingswaarden en trillingsemisiewaarden kunnen ook worden gebruikt voor een voorlopige inschatting van de belasting.

⚠ WAARSCHUWING!

- ▶ De trillings- en geluidsemisieniveaus kunnen tijdens het daadwerkelijke gebruik van het elektrische gereedschap afwijken van de vermelde waarden, afhankelijk van de aard en het gebruik van het elektrische gereedschap, en in het bijzonder afhankelijk van het soort werkstuk dat wordt bewerkt.
- ▶ Probeer de belasting zo klein mogelijk te houden. Om de trillingsbelasting te reduceren, kunt u bijvoorbeeld handschoenen dragen tijdens het gebruik van het gereedschap en slechts beperkte tijd met het gereedschap werken. Daarbij dient u rekening te houden met alle aspecten van de bedrijfscyclus (bijvoorbeeld perioden waarin het gereedschap is uitgeschakeld en perioden waarin het gereedschap weliswaar is ingeschakeld, maar niet wordt belast).



Algemene veiligheidsvoorschriften voor elektrisch gereedschap

⚠ WAARSCHUWING!

- ▶ Lees alle veiligheidsvoorschriften, aanwijzingen, afbeeldingen en technische gegevens van dit elektrische gereedschap. Het niet-naleven van de navolgende aanwijzingen kan elektrische schokken, brand en/of ernstig letsel veroorzaken.

Bewaar alle veiligheidsvoorschriften en instructies voor toekomstig gebruik.

De in de veiligheidsvoorschriften gebruikte term “elektrisch gereedschap” heeft betrekking op elektrisch gereedschap dat op netvoeding werkt (met snoer) en op elektrisch gereedschap dat op accu’s werkt (zonder snoer).

1. Veiligheid op de werkplek

- a) Houd uw werkomgeving schoon en goed verlicht. Wanorde en een niet-verlichte werkomgeving kunnen leiden tot ongelukken.
- b) Gebruik het elektrische gereedschap niet in explosiegevaarlijke omgevingen waarin zich brandbare vloeistof, gas of stof bevindt. Elektrisch gereedschap geeft namelijk vonken af die stof of dampen kunnen doen ontvlammen.
- c) Houd kinderen en andere personen uit de buurt terwijl u elektrisch gereedschap gebruikt. Als u afgeleid raakt, zou u namelijk de controle over het elektrische gereedschap kunnen verliezen.

2. Elektrische veiligheid

- a) De stekker van het elektrische gereedschap moet in het stopcontact passen. De stekker mag op geen enkele wijze worden veranderd. Gebruik geen verloopstekker in combinatie met geaard elektrisch gereedschap. Onveranderde stekkers en passende stopcontacten verminderen het risico op een elektrische schok.
- b) Voorkom lichamelijk contact met geaarde oppervlakken zoals buizen, verwarmingstoestellen, fornuizen en koelkasten. Er bestaat een verhoogd risico op een elektrische schok als uw lichaam geaard is.
- c) Houd elektrisch gereedschap uit de buurt van regen of vocht. Als er water in een elektrisch gereedschap binnendringt, bestaat er verhoogd risico op een elektrische schok.
- d) Gebruik het aansluitsnoer niet voor oneigenlijke doelen, bijvoorbeeld om het elektrische gereedschap te dragen, om het gereedschap op te hangen of om de stekker uit het stopcontact te trekken. Houd het aansluitsnoer uit de buurt van hitte, olie, scherpe randen of bewegende onderdelen. Beschadigde of in de war geraakte aansluitsnoeren verhogen de kans op een elektrische schok.

- e) Gebruik bij het werken met elektrisch gereedschap buitenshuis alleen verlengsnoeren die zijn goedgekeurd voor gebruik buitenshuis. Het gebruik van een verlengsnoer dat geschikt is voor gebruik buitenshuis, vermindert het risico op een elektrische schok.
- f) Als u het niet kunt vermijden om het elektrische gereedschap in een vochtige omgeving te gebruiken, maak dan gebruik van een aardlekschakelaar. Het gebruik van een aardlekschakelaar vermindert het risico op een elektrische schok.

3. Veiligheid van personen

- a) Wees alert, let op wat u doet en gebruik uw gezond verstand wanneer u elektrisch gereedschap gebruikt. Gebruik geen elektrisch gereedschap als u moe bent of onder invloed bent van drugs, alcohol of medicijnen. Eén moment van onoplettendheid kan bij het gebruik van elektrisch gereedschap al tot ernstig letsel leiden.
- b) Draag persoonlijke beschermingsmiddelen en draag altijd een veiligheidsbril. Het dragen van persoonlijke beschermingsmiddelen zoals een stofmasker, antislip-veiligheidsschoenen, een veiligheidshelm of gehoorbescherming, afhankelijk van het type en het gebruik van het elektrische gereedschap, vermindert het risico op letsel.
- c) Voorkom onbedoelde inschakeling. Controleer of het elektrische gereedschap uitgeschakeld is voordat u het aansluit op de netvoeding en/of op een accu en voordat u het gereedschap optilt of draagt. Als u bij het dragen van elektrisch gereedschap uw vinger op de aan-/uitknop houdt of als u reeds ingeschakeld elektrisch gereedschap op de netvoeding aansluit, kan dit tot ongelukken leiden.
- d) Verwijder alle afstelgereedschap of moersleutels voordat u het elektrische gereedschap aanzet. Gereedschap of moersleutels die zich in een draaiend onderdeel van het elektrische gereedschap bevinden, kunnen letsel veroorzaken.
- e) Voorkom een abnormale lichaamshouding. Zorg dat u stevig staat en bewaar altijd uw evenwicht. Zo kunt u het elektrische gereedschap in onverwachte situaties beter onder controle houden.

- f) Draag geschikte kleding. Draag geen wijde kleding of sieraden. Houd haar en kleding uit de buurt van bewegende onderdelen. Loszittende kleding, sieraden of haren kunnen door bewegende onderdelen worden gegrepen.
- g) Als stofafzuigings- en opvangvoorzieningen kunnen worden bevestigd, moeten deze worden aangesloten en correct worden gebruikt. Het gebruik van een stofafzuiging kan risico's door stof beperken.
- h) Laat u niet misleiden door schijnbare veiligheid en negeer de veiligheidsregels voor elektrisch gereedschap niet, ook wanneer u na veelvuldig gebruik vertrouwd bent met het elektrische gereedschap. Onachtzaamheid kan in een fractie van een seconde tot ernstig letsel leiden.
- e) Onderhoud elektrisch gereedschap en hulpstukken zorgvuldig. Controleer of bewegende onderdelen naar behoren werken en niet klemmen, en of er geen onderdelen gebroken of zodanig beschadigd zijn dat de werking van het elektrische gereedschap wordt aangetast. Laat beschadigde onderdelen vóór de ingebruikname van het elektrische gereedschap repareren. Veel ongelukken zijn het gevolg van slecht onderhoud van elektrisch gereedschap.
- f) Houd snijwerktoelagen scherp en schoon. Met zorg onderhouden snijwerktoelagen lopen minder vaak vast en zijn gemakkelijker te bedienen.
- g) Gebruik elektrisch gereedschap, hulpstukken en dergelijke in overeenstemming met de handleiding. Houd daarbij rekening met de werkomstandigheden en de te verrichten werkzaamheden. Het gebruik van elektrisch gereedschap voor andere doeleinden dan de beoogde toepassingen kan tot gevaarlijke situaties leiden.

4. Gebruik en behandeling van het elektrische gereedschap

- a) Voorkom overbelasting van het elektrische gereedschap. Gebruik voor uw werkzaamheden het daarvoor bedoelde elektrische gereedschap. Met een geschikt elektrisch gereedschap werkt u beter en veiliger in het aangegeven vermogensbereik.
- b) Gebruik geen elektrisch gereedschap waarvan de aan-/uitknop defect is. Elektrisch gereedschap dat niet meer aan- of uitgezet kan worden, is gevaarlijk en moet worden gerepareerd.
- c) Haal de stekker uit het stopcontact en/of verwijder de afneembare accu voordat u instellingen aan het apparaat verricht, hulpstukken verwisselt of het elektrische gereedschap weglegt. Deze voorzorgsmaatregel voorkomt dat het elektrische gereedschap onbedoeld kan worden gestart.
- d) Berg elektrisch gereedschap buiten het bereik van kinderen op als het niet in gebruik is. Zorg ervoor dat het elektrische gereedschap niet wordt gebruikt door personen die er niet mee vertrouwd zijn of die deze instructies niet hebben gelezen. Elektrisch gereedschap is gevaarlijk als het door onervaren personen wordt gebruikt.

5. Gebruik en behandeling van het accugereedschap

- a) Laad de accu's uitsluitend op met een oplader die door de fabrikant wordt aanbevolen. Er bestaat brandgevaar als een oplader die voor een bepaald type accu's bestemd is, voor andere accu's wordt gebruikt.
- b) Gebruik alleen de daarvoor bestemde accu's in de elektrische apparaten. Het gebruik van andere accu's kan tot verwondingen en brandgevaar leiden.
- c) Houd een niet-gebruikte accu uit de buurt van paperclips, munten, sleutels, spijkers, schroeven en andere kleine metalen voorwerpen die een overbrugging van de contacten kunnen veroorzaken. Kortsluiting tussen de accucontacten kan verbrandingen of brand tot gevolg hebben.

- d) Bij onjuist gebruik kan er vloeistof uit de accu lekken. Vermijd contact met accuvloeistof. Spoel bij onbedoeld contact met accuvloeistof de vloeistof weg met water. Raadpleeg bovendien een arts als er accuvloeistof in de ogen komt. Lekkende accuvloeistof kan leiden tot huidirritatie en brandwonden.
- e) **Gebruik geen beschadigde of gemodificeerde accu.** Beschadigde of gemodificeerde accu's kunnen zich onvoorspelbaar gedragen en brand, explosies of letselgevaar tot gevolg hebben.
- f) **Stel een accu niet bloot aan vuur of hoge temperaturen.** Vuur en temperaturen boven 130 °C (265 °F) kunnen een explosie veroorzaken.
- g) **Volg alle aanwijzingen voor het opladen op en laad de accu of het accugereedschap nooit op buiten het in de gebruiksaanwijzing aangegeven temperatuurbereik.** Bij verkeerd opladen of opladen buiten het toegestane temperatuurbereik kan de accu stuk gaan en kan het brandgevaar toenemen.



VOORZICHTIG! EXPLOSIEGEVAAR!
Laad niet-oplaadbare accu's nooit op.



Bescherm de accu

tegen hitte, bijv. ook tegen continu zonlicht, vuur, water en vocht. Er bestaat explosiegevaar.

6. Service

- a) Laat uw elektrische gereedschap alleen door gekwalificeerde vakmensen en uitsluitend met originele vervangingsonderdelen repareren. Op die manier blijft de veiligheid van het elektrische gereedschap gewaarborgd.
- b) **Pleeg nooit onderhoud aan beschadigde accu's.** Alle accuonderhoud mag uitsluitend worden uitgevoerd door de fabrikant of een bevoegde klantenservice.

Apparaatspecifieke veiligheidsvoorschriften voor slagschroefmachines

- **Draag gehoorbescherming tijdens het slagschroeven.** De inwerking van geluid kan gehoorverlies veroorzaken.
- **Zet het werkstuk vast.** Een werkstuk dat is vastgezet met lijmklemmen of een bankschroef, blijft beter op zijn plaats dan een met de hand vastgehouden werkstuk.
- **Houd het elektrische gereedschap stevig vast.** Bij het vast- en losdraaien van schroeven kunnen kortstondig hoge reactiekrachten optreden.
- **Wacht tot het elektrische gereedschap tot stilstand is gekomen voordat u het weglegt.** Het gereedschap kan namelijk blijven haken, zodat u de controle over het apparaat verliest.
- **Houd het gereedschap altijd bij de geïsoleerde handgrepen vast als u werkt met elektrisch gereedschap dat in contact kan komen met verborgen elektrische kabels.** Bij contact tussen een schroef of het gebruikte gereedschap en een leiding waar spanning op staat, kunnen ook metalen onderdelen van het apparaat onder spanning komen te staan, met een elektrische schok tot gevolg.

Originele accessoires/ hulpapparatuur

- Gebruik uitsluitend accessoires en hulpapparatuur die in de gebruiksaanwijzing zijn aangegeven resp. waarvan de aansluiting compatibel is met het apparaat.

⚠ WAARSCHUWING!

- Gebruik geen accessoires die niet door PARKSIDE worden aanbevolen. Dit kan een elektrische schok en brand tot gevolg hebben.

Veiligheidsvoorschriften voor opladers

- Dit apparaat mag worden gebruikt door kinderen vanaf 8 jaar en door personen met beperkte fysieke, zintuiglijke of geestelijke vermogens of gebrek aan ervaring of kennis, mits ze onder toezicht staan of over het veilige gebruik van het apparaat zijn geïnstrueerd en de daaruit voortvloeiende gevaren hebben begrepen. Kinderen mogen niet met het apparaat spelen. Kinderen mogen zonder toezicht geen reiniging en gebruikersonderhoud uitvoeren.
- Wanneer het netsnoer van dit apparaat beschadigd raakt, moet het worden vervangen door de fabrikant of de klantendienst van de fabrikant of een persoon met vergelijkbare kwalificaties, om risico's te vermijden.



De oplader is alleen geschikt voor gebruik binnenshuis.

⚠ WAARSCHUWING!

- Wanneer het netsnoer van dit apparaat beschadigd raakt, moet het worden vervangen door de fabrikant of de klantendienst van de fabrikant of een persoon met vergelijkbare kwalificaties, om risico's te vermijden.

⚠ LET OP!

- ▶ Met deze oplader kunnen alleen de volgende accu's worden opgeladen: PAP 20 A1/PAP 20 A2/PAP 20 A3/PAP 20 B1/PAP 20 B3/PAPS 204 A1/PAPS 208 A1.
- ▶ Een actuele lijst met compatibele accu's is te vinden op www.lidl.de/akku.



LET OP! Heet oppervlak.

Er bestaat verbrandingsgevaar.

Vóór de ingebruikname

Accupack opladen (zie afb. A)

⚠ VOORZICHTIG!

- ▶ Trek altijd de stekker uit het stopcontact, voordat u het accupack uit de oplader haalt resp. in de oplader plaatst.

OPMERKING

- ▶ Laad het accupack nooit op als de omgevingstemperatuur lager is dan 10 °C of hoger is dan 40 °C. Als een lithium-ion-accu langere tijd moet worden opgeslagen, moet de laadtoestand periodiek worden gecontroleerd. De optimale laadtoestand ligt tussen 50% en 80%. De accu moet worden opgeslagen in een koele, droge omgeving met een temperatuur tussen 0 °C en 50 °C.
- ◆ Plaats het accupack **8** op de snellader **14** (zie afb. A).
- ◆ Steek de stekker in het stopcontact. Het indicatorlampje **15** brandt rood.
- ◆ Het groene indicatorlampje **16** geeft aan dat het opladen is voltooid en dat het accupack **8** klaar voor gebruik is.

⚠ LET OP!

- ◆ Als het rode indicatorlampje **15** knippert, is het accupack **8** oververhit en kan het niet worden opgeladen.
- ◆ Als het rode en het groene indicatorlampje **15** **16** tegelijkertijd knipperen, is het accupack **8** defect.
- ◆ Schuif het accupack **8** in het apparaat.
- ◆ Schakel de oplader tussen twee opeenvolgende laadprocessen minstens 15 minuten uit. Haal daartoe de stekker uit het stopcontact.

Accupack in het apparaat plaatsen/ uit het apparaat nemen

Accupack plaatsen

- ◆ Schuif de draairichtingschakelaar **4** naar de middelste stand (vergrendeling). Klik het accupack **8** vast in de handgreep.

Accupack uit het apparaat halen

- ◆ Druk op de ontgrendelingsknop **9** en neem het accupack uit het apparaat.

Toestand van de accu controleren

- ◆ Druk voor controle van de accutoestand op de toets Accutoestand **6** (zie ook de hoofdafbeelding).
De toestand resp. de resterende capaciteit wordt met de accuniveau-indicator **7** als volgt aangegeven:
ROOD/ORANJE/GROEN = maximale lading
ROOD/ORANJE = middelhoge lading
ROOD = zwakke lading - accu opladen

Ingebruikname

In-/uitschakelen

Inschakelen

- ◆ Druk voor inschakeling van het apparaat op de aan-/uitknop **11** en houd deze ingedrukt. Het LED-werkklampje **10** brandt bij een gedeeltelijk of volledig ingedrukte aan-/uitknop **11**. Zo kunt u het werkvlak verlichten bij ongunstige lichtomstandigheden.

Uitschakelen

- ◆ Laat de aan-/uitknop **11** los om het apparaat uit te schakelen.

Toerental/draaimoment instellen

- ◆ Druk voorzichtig op de aan-/uitknop **11** om met een laag toerental te werken. Hoe groter de druk op de knop, hoe hoger het toerental.
- Het draaimoment hangt af van het gekozen toerental en van de slagduur.

LET OP!

- ◆ Het reële draaimoment moet in principe met een draaimomentsleutel worden gecontroleerd!

OPMERKING

- ▶ De geïntegreerde motorrem zorgt ervoor dat het apparaat snel stilstaat.

Draairichting wijzigen

- ◆ Wijzig de draairichting door de draairichtingschakelaar **4** naar rechts resp. naar links te drukken.

Bits in houder insteken

- ◆ Steek de adapter **12** of de bithouder **13** in de gereedschapshouder **1**.
- ◆ Trek daartoe de vergrendelingshuls **2** naar achter en laat de adapter **12** of bithouder **13** vastklikken.

Onderhoud en reiniging



WAARSCHUWING! LETSELGEVAAR!
Schakel het apparaat voorafgaand aan alle werkzaamheden aan het apparaat uit en haal de accu eruit.

Het apparaat is onderhoudsvrij.

- Het apparaat moet altijd schoon, droog en vrij van olie of smeervet zijn.
- Er mogen geen vloeistoffen in het apparaat terechtkomen.
- Gebruik voor het schoonmaken van de behuizing een droge doek. Gebruik nooit benzine, oplosmiddelen of schoonmaakmiddelen die kunststof aantasten.
- Als een lithium-ionaccu langere tijd moet worden opgeslagen, moet de laadtoestand periodiek worden gecontroleerd. De optimale laadtoestand ligt tussen 50% en 80%. Het optimale opslagklimaat is koel en droog.

OPMERKING

- ▶ Niet vermelde reserveonderdelen (zoals koolborstels, schakelaars) kunt u bestellen via onze service-hotline.

Garantie van Kompernaß Handels GmbH

Geachte klant,

U hebt op dit apparaat 3 jaar garantie vanaf de aankoopdatum. In geval van gebreken in dit product hebt u wettelijke rechten tegenover de verkoper van het product. Deze wettelijke rechten worden door onze hierna beschreven garantie niet beperkt.

Garantievoorwaarden

De garantieperiode geldt vanaf de datum van aankoop. Bewaar de kassabon zorgvuldig. U hebt hem nodig als bewijs van aankoop.

Als er binnen drie jaar vanaf de aankoopdatum van dit product een materiaal- of fabricagefout optreedt, wordt - naar onze keuze - het product door ons kosteloos gerepareerd of vervangen of wordt de koopprijs terugbetaald. Voorwaarde voor deze garantie is dat het defecte apparaat en het aankoopbewijs (kassabon) binnen de termijn van drie jaar worden overlegd en dat kort wordt omschreven waaruit het gebrek bestaat en wanneer het is opgetreden.

Wanneer het defect door onze garantie wordt gedekt, krijgt u het gerepareerde product of een nieuw product retour. Met de reparatie of vervanging van het product begint er geen nieuwe garantieperiode.

U hebt op de accupacks van de X 12 V Team-serie en de X 20 V Team-serie 3 jaar garantie vanaf de aankoopdatum.

Garantieperiode en wettelijke aanspraken bij gebreken

De garantieperiode wordt door deze waarborg niet verlengd. Dat geldt ook voor vervangen en gerepareerde onderdelen. Eventueel al bij aankoop aanwezige schade en gebreken moeten meteen na het uitpakken worden gemeld. Voor reparaties na afloop van de garantieperiode worden kosten in rekening gebracht.

Garantieomvang

Het apparaat is op basis van strenge kwaliteitsnormen met de grootst mogelijke zorg vervaardigd en voorafgaand aan de levering nauwkeurig gecontroleerd.

De garantie geldt voor materiaal- of fabricagefouten. Deze garantie geldt niet voor productonderdelen die onderhevig zijn aan normale slijtage en die daarom als slijtonderdelen worden beschouwd, of voor schade aan breekbare onderdelen zoals schakelaars of onderdelen die van glas zijn gemaakt.

Deze garantie vervalt wanneer het product is beschadigd, ondeskundig is gebruikt of is gerepareerd. Voor deskundig gebruik van het product moeten alle in de gebruiksaanwijzing beschreven aanwijzingen precies worden opgevolgd. Gebruiksdoeleinden en handelingen die in de gebruiksaanwijzing worden afgeraden of waarvoor wordt gewaarschuwd, moeten beslist worden vermeden.

Het product is uitsluitend bestemd voor privégebruik en niet voor bedrijfsmatige doeleinden. Bij verkeerd gebruik en ondeskundige behandeling, bij gebruik van geweld en bij reparaties die niet door ons erkend servicefiliaal zijn uitgevoerd, vervalt de garantie.

Garantieperiode geldt niet bij

- normale afname van de accucapaciteit
- commercieel/bedrijfsmatig gebruik van het product
- beschadiging of modificatie van het product door de klant
- niet-naleving van de veiligheids- en onderhoudsvorschriften, bedieningsfouten
- schade door natuurrampen

Afhandeling bij een garantiekwesitie

Voor een snelle afhandeling van uw aanvraag neemt u de volgende aanwijzingen in acht:

- Houd voor alle aanvragen de kassabon en het artikelnummer (bijv. IAN 12345) als aankoopbewijs bij de hand.
- Het artikelnummer vindt u op het typeplaatje van het product, op het product gegraveerd, op de titelpagina van de gebruiksaanwijzing (linksonder) of op de sticker op de achter- of onderkant van het product.
- Als er fouten in de werking of andere gebreken optreden, neemt u eerst contact op met de hierna genoemde serviceafdeling, **telefonisch** of **via e-mail**.
- Een als defect geregistreerd product kunt u dan zonder portokosten naar het aan u doorgegeven serviceadres sturen. Voeg het aankoopbewijs (kassabon) bij en vermeld waaruit het gebrek bestaat en wanneer het is opgetreden.



Op www.lidl-service.com kunt u deze en vele andere handleidingen, productvideo's en installatiesoftware downloaden.

Met deze QR-code gaat u direct naar de website van Lidl Service (www.lidl-service.com) en kunt u met het invoeren van het artikelnummer (IAN) 380745_2110 de gebruiksaanwijzing openen.

WAARSCHUWING!

- ▶ Laat uw apparaten door het servicepunt of een elektricien repareren, en uitsluitend met originele vervangingsonderdelen. Op die manier blijft de veiligheid van het apparaat gewaarborgd.
- ▶ Laat de stekker of het snoer altijd vervangen door de fabrikant van het apparaat of diens klantenservice. Op die manier blijft de veiligheid van het apparaat gewaarborgd.

Service

Service Nederland

Tel.: 0800 0249630

E-Mail: kompernass@lidl.nl

Service België

Tel.: 070 270 171 (0,15 EUR/Min.)

E-Mail: kompernass@lidl.be

IAN 380745_2110

Importeur

Let op: het volgende adres is geen serviceadres. Neem eerst contact op met het opgegeven serviceadres.

KOMPERNASS HANDELS GMBH

BURGSTRASSE 21

44867 BOCHUM

DUITSLAND

www.kompernass.com

Afvoeren



Deponeer elektrisch gereedschap niet bij het huisvuil!

Het pictogram hiernaast met een doorgekruiste vuilnisbak geeft aan dat dit apparaat is onderworpen aan de Richtlijn 2012/19/EU. Deze richtlijn stelt dat u dit apparaat aan het einde van zijn levensduur niet met het normale huisvuil mag afvoeren, maar moet inleveren bij speciaal daartoe bestemde inzamelpunten, milieuparken of afvalverwerkingsbedrijven.

Afvoeren is voor u kosteloos. Spaar het milieu en voer producten op een voor het milieu verantwoorde manier af.



Informatie over mogelijkheden voor het afvoeren van het afgedankte product krijgt u bij uw gemeentereiniging.



Deponeer accu's niet bij het huisvuil!

Defecte of afgedankte accu's moeten conform Richtlijn 2006/66/EC worden gerecycled. Batterijen/accu's moeten als gevaarlijk afval worden behandeld en moeten daarom worden ingeleverd bij een bevoegde organisatie (winkel, vakhandel, openbaar afvalpunt, commercieel afvalverwerkingsbedrijf). Batterijen/accu's kunnen giftige zware metalen bevatten.

Deponeer batterijen/accu's daarom niet bij het huisvuil, maar lever ze gescheiden in. Lever batterijen/accu's uitsluitend in ontladen toestand in.



De verpakking bestaat uit milieuvriendelijke materialen, die u via de plaatselijke recyclepunten kunt afvoeren.



Voer de verpakking af conform de milieuvoorschriften. Let op de aanduiding op de verschillende verpakkingsmaterialen en voer ze zo nodig gescheiden af. De verpakkingsmaterialen zijn voorzien van afkortingen (a) en cijfers (b) met de volgende betekenis: 1-7: kunststoffen, 20-22: papier en karton, 80-98: composietmaterialen.



Het product is recycleerbaar; er is een uitgebreide producentenverantwoordelijkheid op van toepassing en het afval wordt gescheiden ingezameld..

Vertaling van de oorspronkelijke conformiteitsverklaring

Wij, KOMPERNASS HANDELS GMBH, documentverantwoordelijke persoon: de heer Semi Uguzlu, BURGSTR. 21, 44867 BOCHUM, DUITSLAND, verklaren hierbij dat dit product voldoet aan de volgende normen, normatieve documenten en EU-richtlijnen:

Machinerichtlijn
(2006/42/EC)

EG-laagspanningsrichtlijn (alleen oplader)
(2014/35/EU)

Elektromagnetische compatibiliteit
(2014/30/EU)

RoHS-richtlijn
(2011/65/EU)*

* De volledige verantwoordelijkheid voor het afgeven van deze conformiteitsverklaring ligt bij de fabrikant. Het hierboven beschreven object van de verklaring voldoet aan de voorschriften van de Richtlijn 2011/65/EU van het Europees Parlement en de Raad van 8 juni 2011 aangaande de beperking van het gebruik van bepaalde gevaarlijke stoffen in elektrische en elektronische apparaten.

Toegepaste geharmoniseerde normen

EN 62841-1:2015
EN 62841-2-2:2014
EN 55014-1:2017
EN 55014-2:2015
EN IEC 63000:2018

Type/apparaatbeschrijving: Accu-draaislagschroefmachine PDSSA 20-Li A1

Productiejaar: 01-2022

Serienummer: IAN 380745_2110

Bochum, 31-01-2022



Semi Uguzlu
- Kwaliteitsmanager -

Technische wijzigingen vanwege verdere ontwikkeling voorbehouden.

Vervangende accu bestellen

Wanneer u voor uw apparaat een vervangende accu wilt bestellen, kunt u dit eenvoudig op internet regelen, op www.kompennass.com, of telefonisch afhandelen.

Dit artikel kan vanwege de beperkte voorraad na korte tijd uitverkocht zijn.



OPMERKING

- In sommige landen is het online bestellen van vervangingsonderdelen niet mogelijk. Neem in dat geval contact op met de servicehelpdesk.

Telefonische bestelling

NL Service Nederland Tel.: 0800 0249630

BE Service België Tel.: 070 270 171 (0,15 EUR/Min.)

Voor een snelle verwerking van uw bestelling dient u voor alle aanvragen het artikelnummer (IAN IAN 380745_2110) van het apparaat bij de hand te hebben. Het artikelnummer vindt u op het typeplaatje van het apparaat of op de titelpagina van deze gebruiksaanwijzing.

Obsah

Úvod	58
Použití v souladu s určením	58
Vybavení	58
Rozsah dodávky	58
Technické údaje	58
Obecné bezpečnostní pokyny pro elektrická nářadí	59
1. Bezpečnost na pracovišti	60
2. Elektrická bezpečnost	60
3. Bezpečnost osob	60
4. Manipulace s elektrickým nářadím a jeho použití	61
5. Manipulace s akumulátorovým nářadím a jeho použití	61
6. Servis	62
Specifické bezpečnostní pokyny pro nárazové šroubováky	62
Originální příslušenství/originální přídatná zařízení	62
Bezpečnostní pokyny pro nabíječky	63
Před uvedením do provozu	63
Nabíjení akumulátoru (viz obr. A)	63
Vložení akumulátoru do přístroje/jeho vyjmutí z přístroje	63
Kontrola stavu akumulátoru	64
Uvedení do provozu	64
Zapnutí/vypnutí	64
Nastavení počtu otáček/utahovacího momentu	64
Přepínání směru otáčení	64
Vložení bitů	64
Údržba a čištění	64
Záruka společnosti Kompnass Handels GmbH	65
Servis	66
Dovozce	66
Likvidace	66
Překlad originálu prohlášení o shodě	67
Objednávka náhradního akumulátoru	68
Telefonická objednávka	68

AKU RÁZOVÝ UTAHOVÁK PDSSA 20-Li A1

Úvod

Blahopřejeme Vám k zakoupení Vašeho nového přístroje. Rozhodli jste se pro vysoce kvalitní výrobek. Návod k obsluze je součástí tohoto výrobku. Obsahuje důležité informace o bezpečnosti, použití a likvidaci. Před použitím výrobku se seznamte se všemi provozními a bezpečnostními pokyny. Výrobek používejte pouze předepsaným způsobem a pro uvedené oblasti použití. Při předávání výrobku třetím osobám předejte spolu s ním i tyto podklady.

Použití v souladu s určením

Tento přístroj je určen k vešroubování a povolování šroubů a k utahování a povolování matic. Přístroj je pravotočivý/levotočivý, má 1/4" upnutí bitů s vnitřním šestihranem a pracovní světlo LED. Světlo tohoto přístroje je určeno k tomu, aby přímo osvětlovalo pracovní prostor přístroje. Pomocí rotačně přiklepové funkce přístroje se síla motoru přemění na stejnoměrné rotační přiklepy. Přiklepové ústrojí se používá při utahování a povolování. Přístroj je určen k použití dospělými osobami. Mladiství nad 16 let smí přístroj používat pouze pod dozorem. Výrobce neodpovídá za škody, vzniklé použitím k jinému účelu nebo za škody vzniklé nesprávnou obsluhou.

Přístroj používejte pouze předepsaným způsobem a v uvedených oblastech použití. Přístroj není určen pro podnikatelské účely. Jakékoli jiné použití nebo úprava přístroje jsou považovány za použití v rozporu s určením a představují značné riziko úrazu. Za škody, které vzniknou při použití v rozporu s určením, nepřebírá výrobce odpovědnost.

Vybavení

- 1 upnutí nástroje
- 2 zajišťovací pouzdro
- 3 držák bitů (magnetický)
- 4 přepínač směru otáčení/zablokování
- 5 klip na pásek
- 6 tlačítko stavu akumulátoru
- 7 LED displej akumulátoru
- 8 akumulátor*
- 9 tlačítko pro uvolnění akumulátoru
- 10 pracovní světlo LED
- 11 spínač ZAP/VYP/regulace otáček
- 12 adaptér na 1/4" čtyřhran
- 13 držák bitů
- 14 rychlonabíječka*
- 15 červená LED kontrolka nabíjení
- 16 zelená LED kontrolka nabíjení

Rozsah dodávky

- 1 aku rázový utahovák PDSSA 20-Li A1
- 1 adaptér na 1/4" čtyřhran
- 1 1/4" prodloužení (50 mm)
- 1 klip na pásek
- 1 kufřík
- 1 návod k obsluze

Technické údaje

Aku rázový utahovák PDSSA 20-Li A1

Domezovací napětí 20 V \equiv (stejnoseměrný proud)

Frekvence otáčení při chodu naprázdno n_0 0–2800 min⁻¹

Jmenovitý počet úderů 0–3600 min⁻¹

Max. krouticí moment 180 Nm

Vhodný pro kovové šrouby ≤ M8

Vhodný pro vruty ≤ 8 mm Ø

Upnutí nástroje 1/4"

Akumulátor: PAP 20 A1 *

Typ	LITHIO-IONTOVÝ
Domezovací napětí	20 V \equiv (stejnoseměrný proud)
Kapacita	2 Ah
Články	5

Rychlonabíječka akumulátorů: PLG 20 A1 *

VSTUP/input

Domezovací napětí 230–240 V \sim , 50 Hz (střídavý proud)

Domezovací příkon 65 W

Pojistka (vnitřní) 3,15 A

VÝSTUP/output

Domezovací napětí 21,5 V \equiv (stejnoseměrný proud)

Domezovací proud 2,4 A

Doba nabíjení cca 60 min

Třída ochrany II / (dvojitá izolace)

* BATERIE A NABÍJENÍ NENÍ VLOŽENO
DODÁVANÉ DODÁVKY

Hodnota emise hluku

Naměřená hodnota hluku stanovena dle EN 62841. Typická hladina hluku elektrického nářadí s hodnocením A:

Hladina akustického tlaku	$L_{PA} = 83$ dB (A)
Nejistota	$K_{PA} = 3$ dB
Hladina akustického výkonu	$L_{WA} = 94$ dB (A)
Nejistota	$K_{WA} = 3$ dB

Hodnota emise vibrací

Celkové hodnoty vibrací (součet vektorů tří směrů) stanoveny v souladu s EN 62841:

Utahování šroubů a matic maximální přípustné velikosti	$a_h = 5,677$ m/s ²
Nejistota	$K = 1,5$ m/s ²

Používat ochranu sluchu!

UPOZORNĚNÍ

- ▶ Uvedené hodnoty emise vibrací a uvedené hodnoty emise hluku byly měřeny pomocí standardizované zkušební metody a lze je použít pro srovnání elektrického nářadí s jiným nářadím.
- ▶ Uvedené hodnoty emise vibrací a uvedené hodnoty emise hluku lze rovněž použít k předběžnému posouzení zatížení.

VÝSTRAHA!

- ▶ Emise vibrací a hluku se mohou lišit během skutečného používání elektrického nářadí od uvedených hodnot v závislosti na způsobu, kterým se elektrické nářadí používá, zejména na způsobu, jakým je obrobek opracováván.
- ▶ Snažte se udržovat zatížení co nejnižší. Příkladem opatření ke snížení zatížení vibracemi je použití rukavic při práci s nářadím a omezení doby práce s nářadím. Přitom se musí zohlednit všechny části provozního cyklu (například časy, kdy je elektrické nářadí vypnuté, a časy, kdy je sice zapnuté, ale běží bez zatížení).



Obecné bezpečnostní pokyny pro elektrická nářadí

VÝSTRAHA!

- ▶ **Přečtěte si veškeré bezpečnostní pokyny, instrukce, ilustrace a technická data, jimiž je toto elektrické nářadí opatřeno.** Zanedbání dodržování následujících bezpečnostních upozornění a pokynů může vést k úrazu elektrickým proudem, k požáru a/nebo těžkým zraněním.

Veškerá bezpečnostní upozornění a pokyny uschovejte pro budoucí použití.

Pojem „elektrické nářadí“ užívaný v bezpečnostních pokynech se vztahuje na elektrická nářadí napájená ze sítě (se síťovým kabelem) a na elektrická nářadí napájená akumulátorem (bez síťového kabelu).

1. Bezpečnost na pracovišti

- a) Pracovní prostor udržujte v čistotě a dobře osvětlený. Nepořádek a neosvětlený pracovní prostor mohou vést k úrazům.
- b) S elektrickým nářadím nepracujte v prostředí ohroženém výbuchem, ve kterém se nachází hořlavé kapaliny, plyny nebo prach. Elektrické nářadí vytváří jiskry, od nichž se může vznítit prach nebo výpary.
- c) Nedovoďte dětem ani jiným osobám, aby se přibližovaly k elektrickému nářadí v době, kdy ho používáte. V případě odvedení pozornosti můžete ztratit kontrolu nad elektrickým nářadím.

2. Elektrická bezpečnost

- a) Přípojná zástrčka elektrického nářadí musí odpovídat zásuvce. Zástrčka se nesmí žádným způsobem pozměňovat. Nepoužívejte adaptérové zástrčky v kombinaci s uzemněným elektrickým nářadím. Nepozměněné zástrčky a jim odpovídající zásuvky snižují riziko úrazu elektrickým proudem.
- b) Zabraňte kontaktu těla s uzemněnými povrchy jako např. od trubek, topení, sporáků a chladniček. Je-li Vaše tělo uzemněné, hrozí zvýšené riziko úrazu elektrickým proudem.
- c) Elektrická nářadí chraňte před deštěm a vlhkostí. Vniknutím vody do elektrického nářadí se zvyšuje riziko úrazu elektrickým proudem.
- d) Nepoužívejte přípojovací vedení v rozporu s jeho určením pro přenášení či zavěšování elektrického nářadí nebo k vytahování zástrčky ze zásuvky. Udržujte přípojovací vedení v dostatečné vzdálenosti od zdrojů vysoké teploty, oleje, ostrých hran nebo pohyblivých částí přístroje. Poškozená nebo zapletená přípojovací vedení zvyšují riziko úrazu elektrickým proudem.
- e) Pokud pracujete s elektrickým nářadím venku, používejte pouze taková prodlužovací vedení, jež jsou schválena i pro venkovní použití. Používáním prodlužovacího vedení vhodného pro venkovní použití se snižuje riziko úrazu elektrickým proudem.

- f) Pokud nelze zabránit provozu elektrického nářadí ve vlhkém prostředí, používejte proudový chránič. Použitím proudového chrániče se snižuje riziko úrazu elektrickým proudem.

3. Bezpečnost osob

- a) Buďte neustále pozorní, sledujte své počínání a k práci s elektrickým nářadím přistupujte s rozumem. Elektrické nářadí nepoužívejte, jste-li unavení nebo pod vlivem drog, alkoholu či léků. Jediný okamžik nepozornosti při používání elektrického nářadí může způsobit vážná zranění.
- b) Noste osobní ochranné prostředky a vždy i ochranné brýle. Nošením osobních ochranných prostředků, jako je ochranná maska proti prachu, protiskluzová bezpečnostní obuv, ochranná přilba nebo ochrana sluchu, a to v závislosti na druhu a použití elektrického nářadí, se snižuje riziko zranění.
- c) Zabraňte neúmyslnému uvedení přístroje do provozu. Než elektrické nářadí zapojíte do elektrické sítě a/nebo připojíte akumulátor nebo než nářadí zvednete či přenesete, ujistěte se, zda je vypnuté. Pokud máte při přenášení elektrického nářadí prst na spínači, nebo pokud do sítě zapojíte již zapnuté elektrické nářadí, může dojít k úrazu.
- d) Předtím, než elektrické nářadí zapnete, odstraňte nastavovací nástroje nebo šroubováky. Pokud se nástroj nebo šroubovák nachází v otáčející se části elektrického nářadí, může to vést ke zranění.
- e) Vyhýbejte se nepřírozenému držení těla. Zajistěte si bezpečnou stabilitu a neustále udržujte rovnováhu. Tak dokážete elektrické nářadí v neočekávaných situacích lépe kontrolovat.
- f) Noste vhodný oděv. Nenoste volné oblečení ani šperky. Vlasy a oděv udržujte v bezpečné vzdálenosti od pohyblivých částí. Volný a nepřiléhavý oděv, šperky nebo dlouhé vlasy mohou být pohyblivými částmi zachyceny.

- g) Pokud lze namontovat zařízení pro odsávání a zachytávání prachu, potom se tato musí připojit a správně použít. Použitím odsávání prachu se může snížit ohrožení prachem.
- h) Nenechte se ukonejšit falešným bezpečím a neopomíjejte bezpečnostní předpisy pro elektrická nářadí, i když elektrická nářadí po opakovaném použití již znáte. Nepozorná manipulace může způsobit v zlomku sekundy vážná zranění.
- f) Řezné nástroje udržujte v ostrém a čistém stavu. Pečlivě udržované řezné nástroje s ostrými řeznými hranami se méně zasekávají a snáze se vedou.
- g) Elektrická nářadí, příslušenství, vsazené nástroje atd. používejte dle těchto pokynů. Zohledňujte přitom pracovní podmínky a vykonávanou činnost. Použití elektrických nářadí k jiným než určeným účelům může vést ke vzniku nebezpečných situací.

4. Manipulace s elektrickým nářadím a jeho použití

- a) Elektrická nářadí nepřetěžujte. Pro práci používejte elektrická nářadí vhodná k danému účelu. S vhodným elektrickým nářadím se Vám bude v uvedeném výkonovém rozsahu pracovat lépe a bezpečněji.
- b) Nepoužívejte elektrická nářadí, jehož spínač je vadný. Elektrická nářadí, které se již nedá zapnout nebo vypnout, představuje nebezpečí a musí se opravit.
- c) Před nastavováním přístroje, výměnou dílů vsazeného nástroje nebo odložením elektrického nářadí, vytáhněte zástrčku ze zásuvky a/nebo vyjměte vyjímatelný akumulátor. Toto bezpečnostní opatření zabraňuje neúmyslnému spuštění elektrického nářadí.
- d) Nepoužívaná elektrická nářadí udržujte mimo dosah dětí. Nedovolte používat elektrická nářadí osobám, které s ním nejsou obeznámeny nebo které nečetly tento návod. Elektrická nářadí jsou nebezpečná, pokud je používají nezkušené osoby.
- e) Údržbu elektrických nářadí a vsazeného nástroje vykonávejte pečlivě. Zkontrolujte, zda jsou v pořádku pohyblivé části přístroje a zda nejsou sevřené, zda nejsou některé součásti rozbité nebo natolik poškozené, že je funkčnost elektrického nářadí omezena. Poškozené části elektrického nářadí nechte před jeho použitím opravit. Řada úrazů má svou příčinu ve špatné údržbě elektrických nářadí.

- h) Udržujte rukojeti a plochy rukojetí suché, čisté a bez oleje a mastnoty. Kluzké rukojeti a plochy rukojetí neumožňují bezpečnou obsluhu a kontrolu elektrického nářadí v neočekávaných situacích.

5. Manipulace s akumulátorovým nářadím a jeho použití

- a) Akumulátory nabíjejte pouze nabíječkami doporučenými výrobcem. U nabíječky, která je určena pro určitý typ akumulátorů, hrozí nebezpečí vzniku požáru, je-li používána s jinými akumulátory.
- b) V elektrickém nářadí používejte jen akumulátory pro ně určené. Používání jiných akumulátorů může způsobit zranění a požár.
- c) Nepoužívaný akumulátor udržujte v dostatečné vzdálenosti od kancelářských sponek, mincí, klíčů, hřebíků, šroubů a jiných drobných kovových předmětů, které mohou způsobit přemostění kontaktů. Zkrat mezi kontakty akumulátoru může způsobit popáleniny nebo požár.
- d) Při nesprávném použití může z akumulátoru vytéct kapalina. Zabraňte kontaktu s kapalinou akumulátoru. Při náhodném kontaktu opláchněte zasazené místo vodou. Pokud kapalina vnikne do očí, vyhledejte lékařskou pomoc. Kapalina unikající z akumulátoru může způsobit podráždění pokožky nebo popáleniny.
- e) Nepoužívejte poškozený nebo upravený akumulátor. Poškozené nebo upravené akumulátory mohou reagovat nepředvídatelně a způsobit požár, výbuch nebo zranění.

- f) Akumulátor nevystavujte ohni nebo příliš vysokým teplotám. Oheň nebo teploty nad 130 °C (265 °F) mohou způsobit výbuch.
- g) Dodržujte všechny pokyny k nabíjení a akumulátor nebo akumulátorový nástroj nikdy nenabíjejte mimo teplotní rozsah uvedený v návodu k obsluze. Nesprávné nabíjení nebo nabíjení mimo přípustný rozsah teplot může vést ke zničení akumulátoru a zvýšit nebezpečí požáru.



POZOR! NEBEZPEČÍ VÝBUCHU!
Nikdy nenabíjejte baterie, které nejsou určeny k nabíjení.



Chraňte akumulátor před horkem, např. také před dlouhodobým slunečním zářením, ohněm, vodou a vlhkostí. Hrozí nebezpečí výbuchu.

6. Servis

- a) Nechte elektrické nářadí opravovat pouze kvalifikovanými odborníky a používejte pouze originální náhradní díly. Tím zajistíte, že zůstane zachována bezpečnost elektrického nářadí.
- b) Nikdy neprovádějte údržbu u poškozených akumulátorů. Veškerou údržbu akumulátorů by měl provádět jen výrobce nebo autorizovaný zákaznický servis.

Specifické bezpečnostní pokyny pro nárazové šroubováky

- Při rázovém šroubování noste ochranu sluchu. Působení hluku může vést ke ztrátě sluchu.
- Obrobek zajistěte. Obrobek, upevněný v upínacím přípravku nebo svěráku, drží spolehlivěji, než když jej přidržujete svou rukou.
- Držte elektrické nářadí pevně. Při dotahování a povolování šroubů se mohou krátkodobě vyskytnout vysoké reakční momenty.
- Před odložením elektrického nářadí počkejte, než se úplně zastaví. Vsazovací nástroj se může zaseknout, což vede ke ztrátě kontroly nad elektrickým nářadím.
- Při práci, kde šroub může zasáhnout skryté elektrické vedení, držte nářadí za izolované uchopovací plochy. Kontakt šroubu nebo vsazovacího nářadí s vedením pod napětím může vést napětí i na kovové díly přístroje a způsobit úraz elektrickým proudem.

Originální příslušenství / originální přídavná zařízení

- Používejte výhradně příslušenství a přídavná zařízení, která jsou uvedena v návodu k obsluze resp. taková, jejichž upínání je s přístrojem kompatibilní.

⚠ VÝSTRAHA!

- Nepoužívejte příslušenství, které nebylo doporučeno firmou PARKSIDE. To může vést k úrazu elektrickým proudem a požáru.

Bezpečnostní pokyny pro nabíječky

- Děti ve věku od 8 let a osoby s omezenými fyzickými, smyslovými nebo mentálními schopnostmi či nedostatkem zkušeností a znalostí mohou používat tento přístroj, avšak pouze tehdy, pokud jsou pod dohledem nebo pokud byly poučeny o bezpečném používání přístroje a pokud porozuměly z toho vyplývajícím nebezpečím. Děti si nesmí s přístrojem hrát. Čištění a uživatelskou údržbu nesmí provádět děti bez dozoru.
- Pokud se připojovací kabel tohoto přístroje poškodí, musí jej vyměnit výrobce, jeho zákaznický servis nebo obdobně kvalifikovaná osoba, aby se tak zabránilo nebezpečím.



Nabíječka je vhodná pouze pro provoz ve vnitřních prostorách.

VÝSTRAHA!

- Pokud se připojovací kabel tohoto přístroje poškodí, musí jej vyměnit výrobce, jeho zákaznický servis nebo obdobně kvalifikovaná osoba, aby se tak zabránilo nebezpečím.

POZOR!

- Tato nabíječka může nabíjet pouze následující baterie: PAP 20 A1/PAP 20 A2/PAP 20 A3/PAP 20 B1/PAP 20 B3/PAPS 204 A1/PAPS 208 A1.
- Aktuální seznam kompatibility akumulátorů naleznete na adrese www.lidl.de/akku.



POZOR! Horký povrch.
Hrozí nebezpečí popálení.

Před uvedením do provozu

Nabíjení akumulátoru (viz obr. A)

POZOR!

- Než akumulátor vyjmete z nabíječky, resp. jej do ní vložíte, vytáhněte vždy zástrčku ze sítě.

UPOZORNĚNÍ

- Nikdy nenabíjejte baterii, pokud je okolní teplota pod 10 °C nebo nad 40 °C. Chcete-li lithium-iontovou baterii skladovat delší dobu, je nutné pravidelně kontrolovat stav nabití. Optimální stav nabití je mezi 50% a 80%. Skladovací klima by mělo být chladné a suché při okolní teplotě mezi 0 °C a 50 °C.
- ◆ Zasuňte akumulátor **8** do rychlonabíječky **14** (viz obr. A).
- ◆ Zastrčte síťovou zástrčku do zásuvky. LED kontrolka **15** svítí červeně.
- ◆ Zelená LED kontrolka **16** Vám signalizuje, že je nabíjení ukončeno a akumulátor **8** je připraven k použití.

POZOR!

- ◆ Jestliže bliká červená kontrolka LED **15**, pak je akumulátor **8** přehřátý a nelze jej nabíjet.
- ◆ Jestliže blikají společně červená a zelená kontrolka LED **15** **16**, pak je akumulátor **8** vadný.
- ◆ Zasuňte akumulátor **8** do přístroje.
- ◆ Mezi nabíjením, následujícími po sobě, vypněte nabíječku minimálně na 15 minut. Vytáhněte síťovou zástrčku ze zásuvky.

Vložení akumulátoru do přístroje/ jeho vyjmutí z přístroje

Vložení akumulátoru

- ◆ Nastavte přepínač směru otáčení **4** do střední polohy (zablokování). Nechte akumulátor **8** zaskočit do rukojeti.

Vyjmutí akumulátoru

- ◆ Stiskněte tlačítko pro uvolnění akumulátoru **9** a vyjměte akumulátor.

Kontrola stavu akumulátoru

- ◆ Pro kontrolu stavu akumulátoru stiskněte tlačítko stavu akumulátoru **6** (viz také hlavní obrázek). Stav resp. zbývajícím výkon se na LED displeji akumulátoru **7** zobrazí takto:
ČERVENÁ/ORANŽOVÁ/ZELENÁ = maximální nabití
ČERVENÁ/ORANŽOVÁ = průměrné nabití
ČERVENÁ = slabé nabití - akumulátor je nutné nabít

Uvedení do provozu

Zapnutí/vypnutí

Zapnutí

- ◆ K uvedení přístroje do provozu stiskněte spínač ZAP/VYP **11** a podržte jej stisknutý. Pracovní světlo LED **10** se rozsvítí při lehkém nebo úplném stisknutí spínače ZAP/VYP **11**. Umožňuje tak osvětlení pracovního prostoru při nepříznivých světelných poměrech.

Vypnutí

- ◆ K vypnutí přístroje pusíte spínač ZAP/VYP **11**.

Nastavení počtu otáček/utahovacího momentu

- ◆ Lehké stisknutí spínače ZAP/VYP **11** má za následek nízké otáčky/utahovací moment. Se zesilujícím stiskem se počet otáček/utahovací moment zvyšuje.
- Utahovací moment je závislý na zvoleném počtu otáček a délce úderu.

⚠ POZOR!

- ◆ Skutečně docílený utahovací moment je zásadně třeba zkontrolovat momentovým klíčem!

UPOZORNĚNÍ

- ▶ Integrovaná motorová brzda umožňuje rychlé zastavení.

Přepínání směru otáčení

- ◆ Směr otáčení změňte stisknutím přepínače směru otáčení **4** směrem doprava, resp. doleva.

Vložení bitů

- ◆ Vložte adaptér **12** nebo držák bitů **13** do upnutí nástroje **1**.
- ◆ Přetáhněte zajišťovací pouzdro **2** směrem zpět a nechte adaptér **12** nebo držáku bitů **13** na svém místě.

Údržba a čištění



VÝSTRAHA! NEBEZPEČÍ ZRANĚNÍ!

Před jakoukoli prací na přístroji přístroj vypněte a vyjměte akumulátor.

Přístroj je bezúdržbový.

- Přístroj musí být vždy čistý, suchý a zbavený oleje a maziv.
- Do přístroje se nesmí dostat žádné kapaliny.
- K čištění povrchu používejte suchý hadřík. Nikdy nepoužívejte benzin, rozpouštědla nebo čisticí prostředky, které narušují umělou hmotu.
- Pokud je nutné lithium-iontový akumulátor skladovat po delší dobu, musí se pravidelně kontrolovat stav jeho nabití. Optimální stav nabití je mezi 50 % a 80 %. Optimální skladovací klima je chladné a suché.

UPOZORNĚNÍ

- ▶ Neuvedené náhradní díly (jako např. uhlíkové kartáče, spínače) můžete objednat přes naši servisní a poradenskou linku.

Záruka společnosti Kompernass Handels GmbH

Vážená zákaznice, vážený zákazník,

na tento přístroj získáváte záruku v trvání 3 let od data zakoupení. V případě závad tohoto výrobku máte zákonná práva vůči prodejci výrobku. Tato zákonná práva nejsou omezena naší níže uvedenou zárukou.

Záruční podmínky

Záruční doba začíná plynout dnem nákupu. Dobře uschovejte pokladní doklad. Tento doklad je potřebný jako důkaz o koupi.

Pokud se do tří let od data zakoupení tohoto výrobku vyskytne vada materiálu nebo výrobní závada, pak Vám podle našeho uvážení výrobek zdarma opravíme, vyměníme nebo uhradíme kupní cenu. Předpokladem této záruky je, že bude během tříleté lhůty předložen vadný přístroj a doklad o koupi (pokladní doklad) a stručně se popíše, v čem závada spočívá a kdy se vyskytla.

Vztahuje-li se na závadu naše záruka, obdržíte zpět buď opravený nebo nový produkt. Opravou nebo výměnou výrobku nezačne plynout nová záruční doba.

Na akumulátor řady X 12 V a X 20 V Team 3 získáváte záruku v trvání 3 let od data zakoupení.

Záruční doba a zákonné nároky vyplývající ze závad

Záručním plněním se záruční doba neprodlužuje. To platí i pro vyměněné a opravené součásti. Poškození nebo vady vyskytující se případně již při nákupu se musí oznámit ihned po vybalení. Po uplynutí záruční doby podléhají veškeré opravy zpoplatnění.

Rozsah záruky

Přístroj byl vyroben pečlivě podle přísných směrnic kvality a před expedicí byl svědomitě vyzkoušen.

Záruka se vztahuje na materiálové nebo výrobní vady. Tato záruka se nevztahuje na součásti výrobku, které jsou vystaveny běžnému opotřebením, a proto je lze považovat za spotřební díly, nebo na poškození křehkých součástí, jako jsou např. spínače nebo díly, které jsou vyrobeny ze skla.

Tato záruka zaniká, pokud je výrobek poškozen, nebyl řádně používán nebo udržován. Pro zajištění správného používání výrobku se musí přesně dodržovat všechny pokyny uvedené v návodu k obsluze. Účelům použití a úkonům, které se v návodu k obsluze nedoporučují nebo se před nimi varuje, je třeba se bezpodmínečně vyhnout.

Výrobek je určen pouze pro soukromé účely a ne pro komerční použití. Při nesprávném a neodborném používání, při použití násilí a při zásazích, které nebyly provedeny našimi autorizovanými servisními provozovny, záruční nároky zanikají.

Záruční lhůta neplatí v těchto případech

- normální opotřebením kapacity akumulátoru
- komerční použití výrobku
- poškození nebo změna výrobku zákazníkem
- nedodržení bezpečnostních předpisů a předpisů údržby, chyby obsluhy
- škody vlivem přírodních živlů

Vyřízení v případě záruky

Pro zajištění rychlého Vaší žádosti postupujte podle následujících pokynů:

- Pro všechny dotazy mějte připraven pokladní lístek a číslo výrobku (IAN) 380745_2110 jako doklad o koupi.
- Číslo výrobku naleznete na typovém štítku na výrobku, rytině na výrobku, na titulní straně návodu k obsluze (vlevo dole) nebo na nálepce na zadní nebo spodní straně výrobku.
- Pokud by se měly vyskytovat funkční vady nebo jiné závady, kontaktujte nejprve níže uvedené servisní oddělení **telefonicky** nebo **e-mailem**.
- Výrobek, zaevidovaný jako vadný výrobek pak můžete při přiložení dokladu o nákupu (pokladní lístek) a při uvedení, v čem spočívá vada a kdy k ní došlo, poslat výrobek pro Vás bez poštovního na adresu, kterou Vám oznámí servis.



Na webových stránkách www.lidl-service.com si můžete stáhnout tyto a mnoho dalších příruček, videí o výrobku a instalační software.

Pomocí kódu QR se dostanete přímo na stránku servisu Lidl (www.lidl-service.com) a můžete pomocí zadání čísla výrobku (IAN) 380745_2110 otevřít svůj návod k obsluze.

⚠ VÝSTRAHA!

- ▶ Nechte své přístroje opravit v servisní dílně nebo odborným elektrikářem a pouze za použití originálních náhradních dílů. Tím se zajistí, že zůstane zachována bezpečnost přístroje.
- ▶ Výměnu zástrčky nebo síťového kabelu svěďte vždy výrobci přístroje nebo jeho zákaznickému servisu. Tím se zajistí, že zůstane zachována bezpečnost přístroje.

Servis

CZ Servis Česko
 Tel.: 800143873
 E-Mail: kompernass@lidl.cz

IAN 380745_2110

Dovozce

Dbejte prosím na to, že následující adresa není adresou servisu. Kontaktujte nejprve uvedený servis.

KOMPERNASS HANDELS GMBH
 BURGSTRASSE 21
 44867 BOCHUM
 NĚMECKO
 www.kompernass.com

Likvidace



Nevyhazujte elektrické nářadí do domovního odpadu!

Symbol přeškrtnuté pojízdné popelnice uvedený vedle označuje, že tento přístroj podléhá směrnici č. 2012/19/EU. Tato směrnice uvádí, že tento přístroj se na konci své životnosti nesmí likvidovat s běžným domovním odpadem, ale musí se odevzdat v určených sběrných místech či dvorech nebo podnikách oprávněných k nakládání s odpady.

Tato likvidace je pro Vás zdarma. Chraňte životní prostředí a zajistěte odbornou likvidaci přístroje.



Informace o možnostech likvidace vysloužilého výrobku vám podá obecní nebo městská správa.



Akumulátory nevyhazujte do domovního odpadu!

Vadné nebo spotřebované akumulátory se musí recyklovat podle směrnice č. 2006/66/EC. S bateriemi/akumulátory je nutné zacházet jako s nebezpečným odpadem, a proto musí být ekologicky zlikvidovány odpovídajícími subjekty (prodejci, specializovaní prodejci, orgány veřejné správy, komerční firmy zabývající se likvidací odpadu). Baterie/akumulátory mohou obsahovat toxické těžké kovy.

Nevyhazujte proto baterie/akumulátory do domovního odpadu, nýbrž je dopravte na sběrné místo tříděného odpadu. Baterie/akumulátory odevzdávejte pouze zcela vybité.



Obal je z ekologických materiálů. Lze ho zlikvidovat v místních recyklačních kontejnerech.



Balení zlikvidujte ekologicky. Dbejte na označení na různých obalových materiálech a v případě potřeby tyto obaly rozřídíte. Obalové materiály jsou označeny zkratkami (a) a číslicemi (b) s následujícím významem: 1-7: plasty, 20-22: papír a lepenka, 80-98: kompozitní materiály.



Výrobek je recyklovatelný, podléhá rozšířené odpovědnosti výrobce a je shromažďován odděleně.

Překlad originálu prohlášení o shodě

My, KOMPERNASS HANDELS GMBH, osoba odpovědná za dokumentaci: pan Semi Uguzlu, BURGSTR. 21, 44867 BOCHUM, DEUTSCHLAND/ NĚMECKO, prohlašujeme, že tento výrobek je ve shodě s následujícími normami, normativními dokumenty a směrnicemi ES:

Směrnice o strojních zařízeních
(2006/42/EC)

Směrnice ES o nízkém napětí (pouze nabíječka)
(2014/35/EU)

Směrnice o elektromagnetické kompatibilitě
(2014/30/EU)

Směrnice o omezení používání nebezpečných látek (RoHS)
(2011/65/EU)*

* Výhradní odpovědnost za vystavení tohoto prohlášení o shodě nese výrobce. Výše popsaný předmět prohlášení je v souladu s předpisy směrnice č. 2011/65/EU Evropského parlamentu a Rady ze dne 8. června 2011 o omezení používání určitých nebezpečných látek v elektrických a elektronických zařízeních.

Použité harmonizované normy

EN 62841-1:2015
EN 62841-2-2:2014
EN 55014-1:2017
EN 55014-2:2015
EN IEC 63000:2018

Typ/označení přístroje: Aku rázový utahovák PDSSA 20-Li A1

Rok výroby: 01–2022

Sériové číslo: IAN 380745_2110

Bochumi, 31.01.2022



Semi Uguzlu
- manažer kvality -

Technické změny ve smyslu dalšího vývoje jsou vyhrazeny.

Objednávka náhradního akumulátoru

Chcete-li si pro svůj přístroj objednat náhradní akumulátor, můžete to pohodlně vyřídit přes internet na webových stránkách www.kompernass.com nebo telefonicky.

Tento výrobek může být vzhledem k omezenému množství na skladě v krátkém čase vyprodán.



UPOZORNĚNÍ

- Objednávání náhradních dílů nelze v některých zemích provést on-line. V takovém případě kontaktujte servisní poradenskou linku.

Telefonická objednávka

CZ Servis Česko Tel.: 800143873

Aby bylo zaručeno rychlé zpracování Vaší objednávky, připravte si prosím pro všechny poptávky číslo výrobku (IAN 380745_2110). Číslo výrobku naleznete na typovém štítku nebo na titulním listu tohoto návodu.

Spis treści

Wstęp	70
Użytkowanie zgodne z przeznaczeniem	70
Wyposażenie	70
Zakres dostawy	70
Dane techniczne	71
Ogólne wskazówki bezpieczeństwa dla elektronarzędzi	72
1. Bezpieczeństwo na stanowisku pracy	72
2. Bezpieczeństwo elektryczne	72
3. Bezpieczeństwo osób	73
4. Użytkowanie i obsługa elektronarzędzia	73
5. Stosowanie i obsługa narzędzia akumulatorowego	74
6. Serwis	74
Szczegółowe wskazówki bezpieczeństwa dla wkrętarki udarowej	75
Oryginalne akcesoria i urządzenia dodatkowe	75
Zasady bezpieczeństwa użycia ładowarek	75
Przed uruchomieniem	76
Ładowanie akumulatora (patrz rys. A)	76
Wkładanie/wyjmowanie akumulatora z urządzenia	76
Sprawdzanie stanu naładowania akumulatora	76
Uruchomienie	77
Włączanie/wyłączanie	77
Ustawianie prędkości obrotowej/momentu dokręcenia	77
Zmiana kierunku obrotów	77
Wkładanie bitów	77
Konserwacja i czyszczenie	77
Gwarancja Kompernaß Handels GmbH	78
Serwis	79
Importer	79
Utylizacja	80
Tłumaczenie oryginalnej deklaracji zgodności	81
Zamawianie dodatkowego akumulatora	82
Zamawianie telefoniczne	82

KLUCZ UDAROWY PDSSA 20-Li A1

Wstęp

Gratulujemy zakupu nowego urządzenia. Wybrany produkt charakteryzuje się wysoką jakością. Instrukcja obsługi stanowi część niniejszego produktu. Zawiera ona ważne informacje na temat bezpieczeństwa, użytkowania i utylizacji. Przed rozpoczęciem użytkowania produktu należy zapoznać się ze wszystkimi informacjami dotyczącymi obsługi i bezpieczeństwa. Produkt należy użytkować wyłącznie zgodnie z zamieszczonym tu opisem oraz w podanym zakresie zastosowań. W przypadku przekazania urządzenia osobie trzeciej należy dotyczyć do niego również całą dokumentację.

Użytkowanie zgodnie z przeznaczeniem

Urządzenie jest przeznaczone do wkręcania i odkręcania śrub, jak również do dokręcania i odkręcania nakrętek. Urządzenie posiada bieg w prawo/lewo, uchwyt na bity 1/4" oraz oświetlenie robocze LED. Oświetlenie, w jakie wyposażone jest urządzenie, jest przeznaczone do oświetlania obszaru roboczego urządzenia. Dzięki funkcji uderzenia w urządzeniu siła wytwarzana przez silnik przekształcana jest w równomierne uderzenia obrotowe. Mechanizm udarowy zaczyna działać przy dokręcaniu i odkręcaniu.

Urządzenie jest przeznaczone do użytku przez osoby dorosłe. Osoby powyżej 16. roku życia mogą pracować z urządzeniem wyłącznie pod nadzorem. Producent urządzenia nie ponosi odpowiedzialności za szkody spowodowane użytkowaniem w sposób niezgodny z jego przeznaczeniem lub nieprawidłową obsługą urządzenia.

Urządzenia należy używać zgodnie z opisem i w podanych zakresach zastosowania. Urządzenie nie jest przeznaczone do zastosowań komercyjnych. Jakikolwiek inne użycie lub modyfikacje urządzenia traktowane są jako niezgodne z przeznaczeniem i niosą za sobą poważne niebezpieczeństwo wypadku. Producent nie ponosi żadnej odpowiedzialności za szkody powstałe w wyniku użycia urządzenia w sposób niezgodny z jego przeznaczeniem.

Wyposażenie

- ❶ Uchwyt narzędziowy
- ❷ Uchwyt wiertarski samozaciskowy
- ❸ Uchwyt bitów (magnetyczny)
- ❹ Przełącznik kierunku obrotów/blokada
- ❺ Zaczep do paska
- ❻ Przycisk stanu naładowania akumulatora
- ❼ Wskaźnik LED stanu naładowania akumulatora
- ❽ Akumulator*
- ❾ Przycisk odblokowania akumulatora
- ❿ Lampka robocza LED
- ⓫ Włącznik/wyłącznik/regulacja prędkości obrotowej
- ⓬ Adapter na kwadrat 1/4"
- ⓭ Uchwyt do bitów
- ⓮ Szybka ładowarka*
- ⓯ Czerwona dioda kontrolna ładowania
- ⓰ Zielona dioda kontrolna ładowania

Zakres dostawy

- 1 klucz udarowy PDSSA 20-Li A1
- 1 adapter na kwadrat 1/4"
- 1 przedłużenie 1/4" (50 mm)
- 1 zaczep do paska
- 1 futerał
- 1 instrukcja obsługi

Dane techniczne

Klucz udarowy PDSSA 20-Li A1

Napięcie znamionowe 20 V \equiv (prąd stały)

Prędkość obrotowa na biegu
jałowym n_0 0–2800 min⁻¹

Udar nominalny 0–3600 min⁻¹

Maksymalny moment
obrotowy 180 Nm

Nadaje się do wkrętów do
metalów ≤ 8 M

Nadaje się do wkrętów do
drewna ≤ 8 mm \varnothing

Uchwyt narzędziowy 1/4"

Akumulator PAP 20 A1 *

Typ litowy

Napięcie znamionowe 20 V \equiv (prąd stały)

Pojemność 2 Ah

Ogniwa 5

Szybka ładowarka do akumulatora PLG 20 A1 *

Wejście

Napięcie znamionowe 230–240 V \sim , 50 Hz
(prąd przemienny)

Znamionowy pobór mocy 65 W

Bezpiecznik (wewnętrzny) 3,15 A

Wyjście

Napięcie znamionowe 21,5 V \equiv (prąd stały)

Prąd znamionowy 2,4 A

Czas ładowania ok. 60 min

Klasa ochrony II / (podwójna
izolacja)

* AKUMULATOR I ŁADOWARKA NIE SĄ ZAWARTE
W ZESTAWIE

Wartość emisji hałasu

Wartość pomiarowa hałasu ustalona zgodnie z normą EN 62841. Oceniany na A poziom hałasu elektronarzędzia wynosi z reguły:

Poziom ciśnienia akustycznego $L_{PA} = 83$ dB (A)

Niepewność pomiarów $K_{PA} = 3$ dB

Poziom mocy akustycznej $L_{WA} = 94$ dB (A)

Niepewność pomiarów $K_{WA} = 3$ dB

Wartość emisji drgań

Całkowite wartości drgań (suma wektorów trzech kierunków) ustalone zgodnie z normą EN 62841:

Dokręcanie śrub i nakrętek o maksymalnie dopuszczalnym rozmiarze $a_h = 5,677$ m/s²

Niepewność pomiarów $K = 1,5$ m/s²

Nosić ochronniki słuchu!

WSKAZÓWKA

- Podane w tej instrukcji łączne wartości drgań oraz wartości emisji hałasu zostały zmierzone znormalizowaną metodą pomiaru i mogą zostać wykorzystane do porównania jednego elektronarzędzia z innym.
- Podane łączne wartości drgań oraz podane wartości emisji hałasu mogą posłużyć także do wstępnej oceny stopnia narażenia.

OSTRZEŻENIE!

- Emisje drgań i hałasu mogą w czasie korzystania z elektronarzędzia różnić się od wskazanych wartości, zależnie od sposobu użytkowania elektronarzędzia, a w szczególności od rodzaju przedmiotu obrabianego.
- Należy starać się, aby obciążenie było jak najmniejsze. Przykładowe środki ograniczające narażenie na wibracje obejmują noszenie rękawic w trakcie korzystania z narzędzia i ograniczenie czasu pracy. Należy przy tym uwzględnić wszystkie części cyklu pracy (na przykład czas, przez jaki elektronarzędzie pozostaje wylączone oraz takie, w których jest ono wprawdzie włączone, ale pracuje bez obciążenia).



Ogólne wskazówki bezpieczeństwa dla elektronarzędzi

⚠️ OSTRZEŻENIE!

- ▶ Przeczytaj wszystkie wskazówki bezpieczeństwa, instrukcje, zapoznaj się z ilustracjami oraz danymi technicznymi dotyczącymi tego elektronarzędzia.

Nieprzestrzeganie poniższych instrukcji może być przyczyną porażenia prądem elektrycznym, pożaru i/lub ciężkich obrażeń ciała.

Wszystkie wskazówki bezpieczeństwa oraz instrukcje należy zachować do późniejszego wykorzystania.

Użyte we wskazówkach bezpieczeństwa pojęcie „elektonarzędzie” dotyczy narzędzi elektrycznych zasilanych z sieci (przez kabel sieciowy) oraz narzędzi elektrycznych zasilanych akumulatorami (bez kabla sieciowego).

1. Bezpieczeństwo na stanowisku pracy

- a) Stanowisko pracy należy utrzymywać w czystości i dbać o jego dobre oświetlenie. Nieporządek i niedostateczne oświetlenie mogą doprowadzić do różnych wypadków.
- b) Nigdy nie używaj elektronarzędzia w otoczeniu zagrożonym wybuchem, w którym znajdują się łatwopalne ciecze, gazy lub pyły. Elektronarzędzia wytwarzają iskry, które mogą spowodować zapłon pyłu lub oparów.
- c) W czasie użytkowania elektronarzędzia zwróć uwagę na to, aby w pobliżu nie przebywały dzieci ani żadne inne osoby. W przypadku odwrócenia uwagi od pracy możesz stracić kontrolę nad elektronarzędziem.

2. Bezpieczeństwo elektryczne

- a) Wtyk przyłączeniowy elektronarzędzia musi pasować do gniazda zasilania. Dokonywanie zmian we wtyku jest zabronione. Nigdy nie używaj adapterów wtyków w połączeniu z elektronarzędziami mającymi uziemienie. Oryginalne wtyki oraz pasujące gniazda wtykowe zmniejszają ryzyko porażenia prądem elektrycznym.
- b) Unikaj kontaktu z uziemionymi powierzchniami, takimi jak rury, grzejniki, kuchenki lub lodówki. Zetknięcie się z uziemionym przedmiotem zwiększa ryzyko porażenia prądem elektrycznym.
- c) Nigdy nie narażaj elektronarzędzia na działanie deszczu lub wilgoci. Przedostanie się wody do wnętrza elektronarzędzia zwiększa ryzyko porażenia prądem elektrycznym.
- d) Nigdy nie chwytaj za kabel zasilający, np. w celu przeniesienia bądź zawieszenia elektronarzędzia lub wyciągnięcia wtyku z gniazda zasilania. Chroń kabel zasilający przed źródłami gorąca, olejem, ostrymi krawędziami lub poruszającymi się częściami urządzenia. Uszkodzone lub poplątane kable zasilające zwiększają ryzyko porażenia prądem elektrycznym.
- e) Podczas pracy z elektronarzędziem na zewnątrz stosuj wyłączenie przedłużacze, które są dopuszczone również do użytku na zewnątrz pomieszczeń. Stosowanie przedłużacza przystosowanego do pracy na zewnątrz pomieszczeń zmniejsza ryzyko porażenia prądem elektrycznym.
- f) Jeśli nie da się uniknąć pracy z elektronarzędziem w wilgotnym otoczeniu, zastosuj wyłącznik różnicowo-prądowy. Zastosowanie wyłącznika różnicowo-prądowego zmniejsza ryzyko porażenia prądem elektrycznym.

3. Bezpieczeństwo osób

- a) Zawsze zachowuj ostrożność i uważaj na to, co robisz. Praca z elektronarzędziem wymaga także zachowania zasad zdrowego rozsądku. Nie korzystaj z elektronarzędzia w przypadku przemęczenia, bycia pod wpływem narkotyków, alkoholu lub lekarstw. Nawet chwila nieuwagi podczas korzystania z elektronarzędzia może spowodować poważne obrażenia ciała.
- b) Noś środki ochrony indywidualnej i obowiązkowo okulary ochronne. Noszenie środków ochrony indywidualnej, np. maski przeciwpyłowej, antypoślizgowego obuwia roboczego, kasku lub ochronników słuchu - w zależności od rodzaju i zastosowania elektronarzędzia - zmniejsza ryzyko odniesienia obrażeń.
- c) Unikaj sytuacji prowadzących do przypadkowego uruchomienia urządzenia. Przed podłączeniem do zasilania sieciowego i/lub akumulatora, przed chwyceniem lub przeniesieniem elektronarzędzia upewnij się, że elektronarzędzie jest wyłączone. Trzymanie palca na wyłączniku w trakcie przenoszenia elektronarzędzia lub podłączenie elektronarzędzia do zasilania z wciśniętym już wyłącznikiem może doprowadzić do wypadku.
- d) Przed włączeniem elektronarzędzia usuń wszystkie przyrządy regulacyjne lub klucze. Narzędzie lub klucz pozostawiony w obracającej się części elektronarzędzia może spowodować obrażenia ciała.
- e) Unikaj nienaturalnej postawy ciała. Zadbaj o utrzymanie stabilnej postawy i przez cały czas utrzymuj równowagę. Dzięki temu będziesz lepiej kontrolować elektronarzędzie w przypadku nieoczekiwanych sytuacji.
- f) Noś odpowiednią odzież. Nie zakładaj luźnych ubrań ani biżuterii. Włosy, odzież i odzież trzymaj z dala od ruchomych części urządzenia. Ruchome części urządzenia mogą pochwycić luźną, odstającą odzież, biżuterię lub długie włosy.

- g) Jeżeli możliwe jest podłączenie odciągu i zbiornika pyłu, należy je podłączyć i używać ich w prawidłowy sposób. Zastosowanie odciągu pyłowego może zmniejszyć zagrożenia związane z zapyleniem.
- h) Nie ulegaj złudnemu poczuciu bezpieczeństwa i nie ignoruj zasad bezpieczeństwa dla elektronarzędzi, nawet jeśli po wielokrotnym korzystaniu jesteś zaznajomiony z elektronarzędziem. Nieuwaga może w ciągu ułamków sekund stać się przyczyną poważnych obrażeń.

4. Użytkowanie i obsługa elektronarzędzia

- a) Nie przeciążaj elektronarzędzia. Elektronarzędzia używaj zawsze do ściśle określonego zakresu użytkowania. Z odpowiednim elektronarzędziem pracuje się lepiej i bezpieczniej w podanym zakresie mocy.
- b) Nie używaj elektronarzędzia z uszkodzonym wyłącznikiem. Elektronarzędzie, którego nie można włączyć ani wyłączyć, stanowi zagrożenie i musi zostać niezwłocznie przekazane do naprawy.
- c) Przed dokonaniem ustawień elektronarzędzia, wymianą narzędzi roboczych lub odłożeniem elektronarzędzia na bok wyciągnij wtyk z gniazda zasilania i/lub wyjmij akumulator. Ten środek ostrożności uniemożliwi przypadkowe uruchomienie elektronarzędzia.
- d) Nieużywane elektronarzędzia przechowuj w miejscu niedostępnym dla dzieci. Nie pozwalaj na używanie elektronarzędzia przez osoby, które nie wiedzą, jak się z nim obchodzić lub nie przeczytały niniejszych instrukcji. Elektronarzędzia w rękach niepowołanych osób stanowią duże zagrożenie.

- e) Elektronarzędzia i narzędzia robocze wymagają starannej pielęgnacji. Sprawdź, czy ruchome elementy działają prawidłowo i nie blokują się, czy żaden z elementów nie pękł lub nie jest uszkodzony w stopniu uniemożliwiającym prawidłowe działanie elektronarzędzia. Przed zastosowaniem elektronarzędzia zleć naprawę uszkodzonych części. Przyczyną wielu wypadków z elektronarzędziami jest ich niewłaściwa konserwacja.
- f) Dbaj o to, aby narzędzia skrawające były ostre i czyste. Zadbane narzędzia skrawające z ostrymi ostrzami rzadziej się blokują i pozwalają się lepiej prowadzić.
- g) Korzystaj z elektronarzędzia, narzędzi roboczych itd. zgodnie z niniejszymi instrukcjami. Uwzględnij przy tym warunki pracy i wykonywaną czynność. Używanie elektronarzędzi do celów innych niż przewiduje to ich przeznaczenie może doprowadzić do niebezpiecznych sytuacji.
- h) Uchwyty i powierzchnie uchwytów utrzymuj w czystości, w stanie suchym, wolne od olejów i smarów. Śliskie uchwyty i powierzchnie uchwytów nie dają gwarancji bezpiecznej obsługi i kontroli elektronarzędzia w trudnych do przewidzenia sytuacjach.

5. Stosowanie i obsługa narzędzia akumulatorowego

- a) Akumulatory ładuj wyłącznie za pomocą ładowarek zalecanych przez producenta. Używanie ładowarki do ładowania akumulatorów innych niż te, do których jest ona przewidziana, stwarza zagrożenie pożarowe.
- b) Stosuj zawsze akumulatory przewidziane do określonego elektronarzędzia. Używanie innych akumulatorów może doprowadzić do obrażeń i niebezpieczeństwa pożaru.
- c) Nieużywany akumulator przechowuj z dala od spinaczy biurowych, monet, kluczy, gwoździ, śrub lub innych drobnych metalowych przedmiotów, które mogłyby powodować zwarcie styków. Zwarcie między stykami akumulatora może spowodować oparzenia lub pożar.

- d) Przy nieprawidłowym użytkowaniu z akumulatora może wydostać się ciecz. Unikaj kontaktu z tą cieczą. W razie przypadkowego kontaktu zmyj wodą. W przypadku przedostania się cieczy do oczu skorzystaj dodatkowo z pomocy lekarza. Wydostająca się z akumulatora ciecz może powodować podrażnienia skóry lub poparzenia.
- e) Nie wolno używać uszkodzonego lub zmodyfikowanego akumulatora. Uszkodzone lub zmodyfikowane akumulatory mogą zachowywać się nieprzewidywalnie i doprowadzić do pożaru, eksplozji lub obrażeń.
- f) Nie wystawiaj akumulatora na działanie ognia lub wysokiej temperatury. Ogień lub temperatury powyżej 130°C (265°F) mogą spowodować wybuch.
- g) Przestrzegaj wszystkich instrukcji dotyczących ładowania i nie ładuj akumulatora lub narzędzia akumulatorowego poza wskazanym w instrukcji obszarem temperatur. Niewłaściwe ładowanie lub ładowanie poza dopuszczonym zakresem temperatur może spowodować zniszczenie akumulatora oraz zwiększyć zagrożenie pożarowe.



PRZESTROGA! NIEBEZPIECZEŃSTWO WYBUCHU! Nigdy nie ładuj baterii jednorazowych.



Chroń akumulator przed wysoką temperaturą, np. przed ciągłym działaniem promieni słonecznych, ognia, wody i wilgoci. Niebezpieczeństwo eksplozji.

6. Serwis

- a) Naprawę elektronarzędzia powierzaj zawsze wykwalifikowanemu specjalście i używaj zawsze oryginalnych części zamiennych. Dzięki temu zapewnione jest bezpieczeństwo użytkownika elektronarzędzia.
- b) Nigdy nie wolno naprawiać uszkodzonych akumulatorów. Każda konserwacja akumulatorów powinna być przeprowadzana wyłącznie przez producenta lub autoryzowany punkt serwisowy.

Szczegółowe wskazówki bezpieczeństwa dla wkrętarki udarowej

- Podczas wkręcania udarowego noś ochronnik słuchu. Narażenie na hałas może powodować utratę słuchu.
- Zabezpieczyć obrabiany przedmiot. Detal zamocowany za pomocą uchwytu mocującego lub w imadle, jest utrzymywany bezpieczniejsz niż w rękach.
- Trzymaj mocno elektronarzędzie. W czasie dokręcania i odkręcania śrub mogą występować chwilowo wysokie momenty reakcyjne.
- Przed odłożeniem elektronarzędzia odczekaj na całkowite unieruchomienie. narzędzie robocze może się zaklinować i spowodować utratę kontroli nad elektronarzędziem.
- Podczas prac, w trakcie których elektronarzędzie może natrafić na ukryte przewody elektryczne, narzędzie robocze należy zawsze trzymać za izolowane uchwyty. Kontakt śruby lub wkrętu z przewodem elektrycznym może spowodować przejście napięcia również na metalowe elementy urządzenia i porażenie elektryczne.

Oryginalne akcesoria i urządzenia dodatkowe

- Używaj wyłącznie akcesoriów i urządzeń dodatkowych, które zostały wymienione w instrukcji obsługi lub których mocowanie jest kompatybilne z urządzeniem.

OSTRZEŻENIE!

- Nie używaj akcesoriów, które nie zostały zalecone przez firmę PARKSIDE. Może to spowodować porażenie prądem elektrycznym i pożar.

Zasady bezpieczeństwa użycia ładowarek

- To urządzenie może być używane przez dzieci od 8. roku życia oraz przez osoby o zmniejszonych zdolnościach fizycznych, sensorycznych lub umysłowych lub też osoby nieposiadające odpowiedniego doświadczenia i/lub wiedzy, wyłącznie pod nadzorem lub po przeszkoleniu w zakresie bezpiecznego użytkowania urządzenia oraz potencjalnych zagrożeń. Dzieciom nie wolno bawić się urządzeniem. Dzieciom bez opieki osób dorosłych nie wolno czyścić ani konserwować urządzenia.
- W przypadku uszkodzenia kabla zasilającego należy zlecić jego wymianę producentowi, w punkcie serwisowym lub osobie posiadającej odpowiednie kwalifikacje. Dzięki temu unikniemy poważnych zagrożeń.



Ładowarka nadaje się tylko do użytku w zamkniętych pomieszczeniach.

OSTRZEŻENIE!

- W przypadku uszkodzenia kabla zasilającego należy zlecić jego wymianę producentowi, w punkcie serwisowym lub osobie posiadającej odpowiednie kwalifikacje. Dzięki temu unikniemy poważnych zagrożeń.

⚠ UWAGA!

- ▶ W tej ładowarce można ładować tylko następujące baterie: PAP 20 A1/PAP 20 A2/PAP 20 A3/PAP 20 B1/PAP 20 B3/PAPS 204 A1/PAPS 208 A1.
- ▶ Aktualna lista zgodności akumulatorów znajduje się na stronie internetowej www.lidl.de/akku.



UWAGA! Gorąca powierzchnia. Niebezpieczeństwo poparzenia.

Przed uruchomieniem

Ładowanie akumulatora (patrz rys. A)

⚠ PRZESTROGA!

- ▶ Przed wyjęciem wzgl. włożeniem akumulatora do ładowarki należy zawsze wyciągnąć wtyk z gniazda.

WSKAZÓWKA

- ▶ Nigdy nie ładuj akumulatora, jeśli temperatura otoczenia jest niższa niż 10°C lub wyższa niż 40°C. W przypadku dłuższego przechowywania akumulatora litowego należy regularnie kontrolować jego poziom naładowania. Optymalny stan naładowania wynosi pomiędzy 50% a 80%. Miejsce przechowywania powinno być suche i chłodne, z temperaturą otoczenia między 0°C a 50°C.
- ◆ Włóż akumulator **8** do szybkiej ładowarki **14** (patrz rys. A).
- ◆ Włóż wtyk sieciowy do gniazda zasilania. Dioda kontrolna LED **15** świeci się w kolorze czerwonym.
- ◆ Zielona dioda kontrolna LED **16** sygnalizuje zakończenie ładowania i gotowość akumulatora **8** do użytku.

⚠ UWAGA!

- ◆ Jeśli czerwona dioda kontrolna LED **15** zacznie migać, akumulator **8** się przegrzał i nie można go naładować.
- ◆ Jeśli czerwona i zielona dioda kontrolna LED **15** **16** migają razem, wtedy akumulator **8** jest uszkodzony.
- ◆ Wsuń akumulator **8** do urządzenia.
- ◆ Między kolejnymi ładowaniami wyłączaj zawsze ładowarkę na co najmniej 15 minut. W tym celu wyciągnij wtyk z gniazda.

Wkładanie/wyjmowanie akumulatora z urządzenia

Wkładanie akumulatora

- ◆ Przesuń przełącznik kierunku obrotów **4** w położenie środkowe (blokada). Pozwól, aby akumulator **8** zatrzasnął się w uchwycie.

Wyjmowanie akumulatora

- ◆ Naciśnij przycisk odblokowania **9** i wyjmij akumulator.

Sprawdzanie stanu naładowania akumulatora

- ◆ W celu sprawdzenia stanu naładowania akumulatora naciśnij przycisk stanu naładowania **6** (patrz rysunek główny). Stan lub pozostały poziom naładowania zostaje wyświetlony na wskaźniku LED stanu naładowania akumulatora **7** w następujący sposób:
CZERWONY/POMARAŃCZOWY/
ZIELONY = maksymalny poziom naładowania
CZERWONY/POMARAŃCZOWY = średni poziom naładowania
CZERWONY = słabe naładowanie - naładować akumulator

Uruchomienie

Włączanie/wyłączanie

Włączanie

- ◆ W celu uruchomienia urządzenia naciśnij i przytrzymaj włącznik/wyłącznik ①. Oświetlenie robocze LED ⑩ świeci się przy lekko lub całkowicie wciśniętym włączniku/wyłączniku ①. Pozwala to na oświetlenie miejsca pracy w warunkach słabego oświetlenia.

Wyłączanie

- ◆ W celu wyłączenia urządzenia zwolnij przycisk włącznika/wyłącznika ①.

Ustawianie prędkości obrotowej/ momentu dokręcenia

- ◆ Lekkie naciśnięcie włącznika/wyłącznika ① powoduje pracę z niską prędkością obrotową/ momentem dokręcania. Wraz ze wzrostem siły nacisku na przycisk prędkość obrotowa/moment dokręcania wzrasta.
- Moment dokręcania jest zależny od aktualnie wybranej prędkości obrotowej i czasu udaru.

UWAGA!

- ◆ Faktycznie osiągnięty moment dokręcenia należy z zasady zawsze sprawdzić kluczem dynamometrycznym!

WSKAZÓWKA

- ▶ Wbudowany hamulec silnikowy zapewnia szybkie zatrzymanie.

Zmiana kierunku obrotów

- ◆ Zmień kierunek obrotów, przestawiając położenie przełącznika ④ w prawo lub w lewo.

Wkładanie bitów

- ◆ Włóż adapter ⑫ lub uchwyt do bitów ⑬ w uchwyt narzędziowy ①.
- ◆ Pociągnij przy tym uchwyt wiertarski samoza-ciskowy ② do tyłu i pozwól, by adapter ⑫ lub uchwyt bitów ⑬ się zatrzasnął.

Konserwacja i czyszczenie



OSTRZEŻENIE! NIEBEZPIECZEŃ-STWO OBRAŻEŃ! Przed rozpoczęciem wszelkich prac przy urządzeniu należy je wyłączyć i wyjąć akumulator.

Urządzenie jest bezobsługowe.

- Urządzenie musi być zawsze czyste, suche i niezabrudzone olejem ani smarem.
- Do wnętrza urządzeń nie mogą się przedostać żadne ciecze.
- Do czyszczenia obudowy używaj suchej ściereczki. Nigdy nie używaj benzyny, rozpuszczalników ani środków myjących, niszczących tworzywo sztuczne.
- W przypadku dłuższego przechowywania akumulatora litowego należy regularnie kontrolować jego poziom naładowania. Optymalny stan naładowania wynosi pomiędzy 50% a 80%. Optymalne warunki przechowywania to chłodne i suche miejsce.

WSKAZÓWKA

- ▶ Niewymienione tutaj części zamienne (np. szczotki węglowe, przełączniki) można zamówić za pośrednictwem naszej infolinii serwisowej.

Gwarancja Kompernaß Handels GmbH

Szanowny Kliencie,

To urządzenie objęte jest 3-letnią gwarancją, licząc od daty zakupu. W przypadku wad tego produktu, masz gwarantowane ustawowo prawa w stosunku sprzedawcy. Te ustawowe prawa nie są ograniczone przez nasze opisane poniżej warunki gwarancji.

Warunki gwarancji

Okres gwarancji rozpoczyna się od daty zakupu. Należy zachować paragon. Jest on wymagany jako dowód zakupu.

Jeżeli w ciągu trzech lat od daty zakupu produktu ujawni się w nim wada materiałowa lub produkcyjna, produkt zostanie wedle naszego uznania nieodpłatnie naprawiony, wymieniony na nowy lub zostanie zwrócona jego cena. Warunkiem spełnienia tego świadczenia gwarancyjnego jest dostarczenie w trakcie tego trzyletniego okresu uszkodzonego urządzenia wraz z dowodem zakupu (paragonem) oraz krótkim opisem wady i daty jej wystąpienia.

Jeżeli wada jest objęta naszą gwarancją, otrzymasz z powrotem naprawiony lub nowy produkt. Zgodnie z art. 581 §1 polskiego kodeksu cywilnego wraz z wymianą produktu lub jego istotnej części rozpoczyna się nowy okres gwarancyjny.

Akumulatory z serii X 12 V oraz X 20 V Team objęte są 3-letnią gwarancją, licząc od daty zakupu.

Okres gwarancji i ustawowe roszczenia gwarancyjne

Wykonanie usługi gwarancyjnej nie przedłuża okresu gwarancji. Dotyczy to również wymienionych i naprawionych części. Wszelkie szkody i wady wykryte w chwili zakupu należy zgłosić bezpośrednio po rozpakowaniu urządzenia. Po upływie okresu gwarancji wszelkie naprawy są wykonywane odpłatnie.

Zakres gwarancji

Urządzenie zostało starannie wyprodukowane i poddane przed wysyłką skrupulatnej kontroli jakości.

Gwarancja obejmuje wady materiałowe lub produkcyjne. Niniejsza gwarancja nie obejmuje części produktu, podlegających normalnemu zużyciu, ani uszkodzeń części łatwo łamliwych, np. przetłaczniaków, lub części wykonanych ze szkła.

Niniejsza gwarancja traci swoją ważność, jeśli produkt został uszkodzony, nie używano go prawidłowo lub nie serwisowano należycie. W celu zapewnienia prawidłowego stosowania produktu należy ściśle przestrzegać wszystkich instrukcji wymienionych w instrukcjach obsługi. Należy bezwzględnie unikać zastosowania oraz postępowania, których odradza się w instrukcji obsługi lub przed którymi się w niej ostrzeża.

Produkt przeznaczony jest wyłącznie do użytku domowego, a nie do zastosowań komercyjnych. Niewłaściwe użytkowanie urządzenia, używanie go w sposób niezgodny z jego przeznaczeniem, użycie siły lub ingerencja w urządzenie, dokonywana poza naszymi autoryzowanymi punktami serwisowymi, powodują utratę gwarancji.

Okres gwarancji nie ma zastosowania w następujących przypadkach

- normalne zużycie pojemności baterii
- komercyjne wykorzystanie produktu
- uszkodzenie lub modyfikacja produktu przez klienta
- nieprzestrzeganie przepisów bezpieczeństwa i konserwacji, błędy w obsłudze
- szkody spowodowane zjawiskami naturalnymi

Realizacja zobowiązań gwarancyjnych

W celu zapewnienia szybkiego załatwienia sprawy, postępuj zgodnie z poniższymi wskazówkami:

- W przypadku wszelkich pytań przygotuj paragon fiskalny oraz numer artykułu (IAN) 380745_2110 jako dowód zakupu.
- Numer artykułu można znaleźć na tabliczce znamionowej na produkcie, wygrawerowany na urządzeniu, zapisany na stronie tytułowej instrukcji obsługi (w dolnym lewym rogu) lub na naklejce z tyłu bądź na spodzie urządzenia.
- W przypadku wystąpienia błędów działania lub innych wad, prosimy o kontakt z odpowiednim działem serwisu **telefonicznie** lub **przez e-mail**.
- Zarejestrowany jako wadliwy produkt możesz wtedy wraz z dołączonym dowodem zakupu (paragonem) oraz opisem i datą wystąpienia usterki wysłać nieodpłatnie na przekazany wcześniej adres serwisu.



Na stronie www.lidl-service.com możesz pobrać te i wiele innych instrukcji, filmów o produktach oraz oprogramowanie instalacyjne.

Za pomocą tego kodu QR możesz przejść bezpośrednio na stronę serwisu Lidl (www.lidl-service.com), gdzie możesz otworzyć instrukcję obsługi, wpisując numer artykułu (IAN) 380745_2110.

⚠ OSTRZEŻENIE!

- ▶ Naprawy urządzenia zlecaj wyłącznie serwisowi lub elektrykowi, stosując tylko oryginalne części zamienne. Zapewni to odpowiedni poziom bezpieczeństwa użytkowania urządzenia po naprawie.
- ▶ Wymianę wtyku lub kabla przewodu zasilającego powierzaj zawsze producentowi elektronarzędzia lub autoryzowanemu serwisowi. Zapewni to odpowiedni poziom bezpieczeństwa użytkowania urządzenia po naprawie.

Serwis

PL Serwis Polska
Tel.: 22 397 4996
E-Mail: kompernass@lidl.pl
IAN 380745_2110

Importer

Pamiętaj, że poniższy adres nie jest adresem serwisu. Skontaktuj się najpierw z odpowiednim punktem serwisowym.

KOMPERNASS HANDELS GMBH
BURGSTRASSE 21
44867 BOCHUM
NIEMCY
www.kompernass.com

Utylizacja



Urządzeń elektrycznych nie wolno wyrzucać razem z odpadami domowymi!

Widoczny obok symbol przekreślonego pojemnika na kółkach na śmieci oznacza, że urządzenie to podlega postanowieniom dyrektywy 2012/19/EU. Dyrektywa ta stanowi, że zużytego urządzenia nie wolno wyrzucać wraz ze zwykłymi odpadami domowymi, lecz należy je oddać do wyspecjalizowanych punktów zbiórki odpadów, centrów recyklingu lub zakładów utylizacji odpadów.

Utylizacja jest dla użytkownika bezpłatna. Chroń środowisko i usuwaj odpady w prawidłowy sposób.



Informacje na temat możliwości utylizacji wystuzzonego urządzenia można uzyskać w urzędzie gminy lub miasta.



Akumulatorów nie wolno wyrzucać razem z odpadami domowymi!

Li-ion

Uszkodzone lub zużyte akumulatory należy poddać procesowi recyklingu zgodnie z dyrektywą 2006/66/EC. Baterie/akumulatory należy traktować jako odpady specjalne i w związku z tym należy je utylizować w sposób przyjazny dla środowiska przez odpowiednie podmioty (sprzedawców, wyspecjalizowanych sprzedawców, publiczne podmioty komunalne, komercyjne firmy zajmujące się utylizacją odpadów). Baterie/akumulatory mogą zawierać toksyczne metale ciężkie.

Dlatego nie wolno wyrzucać baterii/akumulatorów do odpadów domowych, lecz oddawać je do oddzielnych punktów zbiórki odpadów. Baterie/akumulatory należy oddawać tylko w stanie rozładowanym.



Opakowanie urządzenia wykonane jest z materiałów przyjaznych dla środowiska naturalnego, które można oddać w lokalnych punktach zbiórki.



Opakowania należy utylizować w sposób przyjazny dla środowiska. Przestrzegać oznaczeń na różnych materiałach opakowaniowych i w razie potrzeby utylizuj je zgodnie z zasadami segregacji odpadów. Materiały opakowaniowe są oznaczone skrótami (a) i cyframi (b) w następujący sposób: 1-7: tworzywa sztuczne, 20-22: papier i tektura, 80-98: kompozyty.



Produkt można poddać recyklingowi, podlega rozszerzonej odpowiedzialności producenta i jest zbierany w ramach systemu segregacji odpadów.

Tłumaczenie oryginalnej deklaracji zgodności

My, KOMPERNASS HANDELS GMBH, osoba odpowiedzialna za sporządzenie dokumentacji: Semi Uguzlu, BURGSTR. 21, 44867 BOCHUM, NIEMCY, oświadczamy niniejszym, że produkt ten jest zgodny z następującymi normami, dokumentami normatywnymi oraz dyrektywami WE:

Dyrektywa maszynowa
(2006/42/EC)

Dyrektywa niskonapięciowa WE (tylko ładowarka)
(2014/35/EU)

Dyrektywa w sprawie kompatybilności elektromagnetycznej
(2014/30/EU)

Dyrektywa w sprawie stosowania substancji szkodliwych dla zdrowia
(2011/65/EU)*

* Wyłączną odpowiedzialność za wystawienie niniejszej deklaracji zgodności ponosi producent. Opisany powyżej przedmiot oświadczenia spełnia wymagania przepisów dyrektywy 2011/65/EU Parlamentu Europejskiego i Rady z dnia 8 czerwca 2011 r. w sprawie ograniczenia stosowania określonych substancji niebezpiecznych w urządzeniach elektrycznych i elektronicznych.

Zastosowane normy zharmonizowane

EN 62841-1:2015

EN 62841-2-2:2014

EN 55014-1:2017

EN 55014-2:2015

EN IEC 63000:2018

Typ/nazwa urządzenia: Klucz udarowy PDSSA 20-Li A1

Rok produkcji: 01-2022

Numer seryjny: IAN 380745_2110

Bochum, 31.01.2022 r.



Semi Uguzlu
- dyrektor ds. jakości -

Zastrzegamy sobie prawo do wprowadzania zmian technicznych w ramach procesu udoskonalania urządzenia.

Zamawianie dodatkowego akumulatora

Jeśli chcesz zamówić dodatkowy akumulator do urządzenia, możesz to zrobić wygodnie przez Internet na stronie www.kompernass.com lub telefonicznie.

Artykuł ten może być po krótkim czasie niedostępny ze względu na niewielkie ilości zapasów magazynowych.



WSKAZÓWKA

- ▶ W niektórych krajach nie jest możliwe zamówienie części zamiennych online. W takim wypadku skontaktuj się z infolinią serwisową.

Zamawianie telefoniczne

PL Serwis Polska Tel.: 22 397 4996

Aby zapewnić szybką realizację zamówienia, prosimy przygotować sobie numer katalogowy przypisany do urządzenia (IAN 380745_2110). Numer katalogowy znajduje się na tabliczce znamionowej lub na stronie tytułowej niniejszej instrukcji.

Obsah

Úvod	84
Používanie v súlade s určením	84
Vybavenie	84
Rozsah dodávky	84
Technické údaje	84
Všeobecné bezpečnostné pokyny pre elektrické náradie	85
1. Bezpečnosť na pracovisku	86
2. Elektrická bezpečnosť	86
3. Bezpečnosť osôb	86
4. Manipulácia s elektrickým náradím a jeho použitie	87
5. Používanie a manipulácia s akumulátorovým náradím	87
6. Servis	88
Bezpečnostné upozornenia špecifické pre rázové uťahováky	88
Originálne príslušenstvo/prídavné zariadenia	88
Bezpečnostné pokyny pre nabíjačky	89
Pred uvedením do prevádzky	89
Nabitie boxu s akumulátorom (pozri obr. A)	89
Vloženie/vybratie boxu s akumulátorom do/z prístroja	90
Kontrola stavu akumulátora	90
Uvedenie do prevádzky	90
Zapnutie/vypnutie	90
Nastavenie otáčok/uťahovacieho momentu	90
Prepínanie smeru otáčania	90
Vloženie bitov	90
Údržba a čistenie	90
Záruka spoločnosti Kompennass Handels GmbH	91
Servis	92
Dovozca	92
Likvidácia	92
Preklad originálneho vyhlásenia o zhode	93
Objednanie náhradného akumulátora	94
Telefonická objednávka	94

AKU RÁZOVÝ UŤAHOVÁK PDSSA 20-Li A1

Úvod

Srdečne vám gratulujeme ku kúpe vášho nového prístroja. Touto kúpou ste sa rozhodli pre výrobok vysokej kvality. Návod na obsluhu je súčasťou tohto výrobku. Obsahuje dôležité upozornenia týkajúce sa bezpečnosti, používania a likvidácie. Pred používaním výrobku sa oboznámte so všetkými pokynmi na obsluhu a bezpečnostnými pokynmi. Výrobok používajte iba podľa popisu a v uvede-
ných oblastiach použitia. Pri postúpení výrobku tretej osobe odovzdajte spolu s ním aj všetky dokumenty.

Používanie v súlade s určením

Prístroj je určený na zaskrutkovanie a odskrutkovanie skrutiek, ako aj na uťahovanie a povolenie matíc. Prístroj disponuje pravým/ľavým chodom, 1/4" upnutím bitu s vnútorným šesťhranom a LED pracovným svetlom. Svetlo tohto prístroja je určené na priame osvetlenie pracovnej oblasti prístroja. Pomocou rotačno-príklepovej funkcie prístroja sa sila motora premieňa na rovnomerné rotačné príklepy. Príklepový mechanizmus sa spustí pri uťahovaní a povolení.

Tento prístroj je určený na používanie dospelými osobami. Mladiství vo veku viac ako 16 rokov smú prístroj používať iba pod dozorom. Výrobca neručí za škody, ktoré boli spôsobené používaním v rozpore s určením alebo nesprávnou obsluhou.

Prístroj používajte len tak, ako je popísané a len na uvedené oblasti použitia. Prístroj nie je určený na priemyselné použitie. Akékoľvek iné používanie alebo zmeny prístroja sa považujú za používanie v rozpore s určením a súvisia s nimi značné nebezpečenstvá úrazu. Za škody vzniknuté v dôsledku použitia v rozpore s určením výrobcu nepreberá žiadnu zodpovednosť.

Vybavenie

- 1 upnutie nástroja
- 2 puzdro zabezpečovacieho mechanizmu
- 3 držiak bitov (magnetický)
- 4 prepínač smeru otáčania/poistka
- 5 príchytka na opasok
- 6 tlačidlo stavu nabitia akumulátora
- 7 LED displeja akumulátora
- 8 box s akumulátorom*
- 9 tlačidlo na odblokovanie boxu s akumulátorom
- 10 pracovné svetidlo s LED
- 11 spínač ZAP/VYP/regulácia otáčok
- 12 adaptér na 1/4" štvorhran
- 13 Držiak bitov
- 14 rýchlonabíjačka*
- 15 červená LED kontrolka nabíjania
- 16 zelená LED kontrolka nabíjania

Rozsah dodávky

- 1 aku rázový uťahovák PDSSA 20-Li A1
- 1 adaptér na 1/4" štvorhran
- 1 1/4" predĺženie (50 mm)
- 1 príchytka na opasok
- 1 kufor
- 1 návod na obsluhu

Technické údaje

Aku rázový uťahovák PDSSA 20-Li A1

Dimenzačné napätie	20 V === (jednosmerný prúd)
Otáčky pri chode naprázdno	n_0 0 – 2800 min ⁻¹
Menovitý počet úderov	0 – 3600 min ⁻¹
Max. krútiaci moment	180 Nm
Vhodné pre skrutky do kovov	≤ M8
Vhodné pre skrutky do dreva	≤ 8 mm Ø
Upnutie nástroja	1/4"

Akumulátor: PAP 20 A1 *

Typ	LÍTIUM-IÓNOVÝ
Dimenzačné napätie	20 V \equiv (jednosmerný prúd)
Kapacita	2 Ah
Články	5

Rýchlonabíjačka akumulátora: PLG 20 A1 *

VSTUP/Input

Dimenzačné napätie	230 - 240 V \sim , 50 Hz (striedavý prúd)
Dimenzačný príkon	65 W
Poistka (vnútorná)	3,15 A $\frac{T3,15A}{\square}$

VÝSTUP/Output

Dimenzačné napätie	21,5 V \equiv (jednosmerný prúd)
Dimenzačný prúd	2,4 A
Doba nabíjania	cca 60 min
Trieda ochrany	II/ \square (dvojitá izolácia)

* BATÉRIA A NABÍJAČ NIE SÚ NAPLNENÉ DODANÉ DODÁVKY

Hodnota emisii hluku

Nameraná hodnota hluku stanovená v súlade s EN 62841. Vyhodnotená hodnota hladiny hluku A elektrického náradia je typicky:

Hladina akustického tlaku	$L_{PA} = 83$ dB (A)
Neurčitost	$K_{PA} = 3$ dB
Hladina akustického výkonu	$L_{WA} = 94$ dB (A)
Neurčitost	$K_{WA} = 3$ dB

Hodnota emisie vibrácií

Celkové hodnoty vibrácií (súčet vektorov troch smerov) zisťované podľa EN 62841:

Uťahovanie skrutiek a matíc maximálnej dovolenej veľkosti	$a_h = 5,677$ m/s ²
Neurčitost	$K = 1,5$ m/s ²

Noste ochranu sluchu!

UPOZORNENIE

- ▶ Uvedené celkové hodnoty vibrácií a uvedené hodnoty emisie hluku boli merané podľa normovaného skúšobného postupu a môžu sa použiť na porovnanie jedného elektrického náradia s druhým.
- ▶ Uvedené celkové hodnoty vibrácií a uvedené hodnoty emisie hluku sa môžu tiež použiť na predbežný odhad zaťaženia.

⚠ VÝSTRAHA!

- ▶ Emisie vibrácií a hluku sa môžu líšiť od uvedených hodnôt počas skutočného používania elektrického náradia, v závislosti od spôsobu, akým sa elektrické náradie používa, obzvlášť od druhu obrobku.
- ▶ Pokúste sa zaťaženie udržať podľa možnosti na čo najnižšej hodnote. Prikladom opatrení na zníženie zaťaženia vibráciami je nosenie rukavíc pri používaní náradia a obmedzenie pracovného času. Musia sa pritom zohľadniť všetky podiely prevádzkového cyklu (napríklad časy, v priebehu ktorých je elektrické náradie vypnuté a časy, počas ktorých je náradie síce zapnuté, ale beží bez zaťaženia).



Všeobecné bezpečnostné pokyny pre elektrické náradie

⚠ VÝSTRAHA!

- ▶ Prečítajte si všetky bezpečnostné pokyny, upozornenia, ilustrácie a technické údaje, ktorými je opatrené toto elektrické náradie. Zanedbania pri dodržiavaní nasledujúcich pokynov môžu mať za následok zásah elektrickým prúdom, požiar a/alebo ťažké poranenia.

Pre prípad budúceho použitia uschovajte všetky bezpečnostné pokyny a upozornenia.

V bezpečnostných pokynoch používaný pojem „elektrické náradie“ sa týka elektrického náradia napájaného zo siete (so sieťovým vedením) a elektrického náradia prevádzkovaného s akumulátorom (bez sieťového vedenia).

1. Bezpečnosť na pracovisku

- a) Udržiavajte svoje pracovisko v čistote a dobre osvetlené. Neporiadok a neosvetlené pracovné oblasti môžu viesť k úrazom.
- b) Nepracujte s elektrickým náradím na miestach s nebezpečenstvom výbuchu, na ktorých sa nachádzajú horľavé kvapaliny, plyny alebo prach. Z elektrického náradia vychádzajú iskry, ktoré môžu tento prach alebo výpary zapáliť.
- c) Počas používania elektrického náradia zabráňte prístupu deťom a iným osobám. Pri odvrátení pozornosti môžete stratiť kontrolu nad elektrickým náradím.

2. Elektrická bezpečnosť

- a) Prípojná zástrčka elektrického náradia musí byť vhodná pre danú zásuvku. Zástrčka sa nesmie žiadnym spôsobom meniť. Spolu s elektrickým náradím, ktoré má ochranné uzemnenie, nepoužívajte žiadne sieťové adaptéry. Nezmenené zástrčky a vhodné zásuvky znižujú riziko zásahu elektrickým prúdom.
- b) Vyvarujte sa telesnému kontaktu s uzemnenými povrchmi ako sú potrubia, vykurovacie telesá, sporáky a chladničky. Ak je vaše telo uzemnené, hrozí zvýšené riziko zásahu elektrickým prúdom.
- c) Chráňte elektrické náradie pred dažďom alebo vlhkosťou. Vniknutie vody do elektrického náradia zvyšuje riziko zásahu elektrickým prúdom.
- d) Nepoužívajte pripojovacie vedenie na iné účely, ako napr. na nosenie, zavesenie elektrického náradia alebo na vyťahovanie zástrčky z elektrickej zásuvky. Pripojovacie vedenie udržiavajte mimo zdrojov tepla, oleja, ostrých hrán alebo pohybujúcich sa častí prístroja. Poškodené alebo zamotané pripojovacie vedenia zvyšujú riziko zásahu elektrickým prúdom.
- e) Ak pracujete s elektrickým náradím vonku, používajte len také predlžovacie vedenia, ktoré sú schválené na vonkajšie použitie. Použitie predlžovacieho vedenia vhodného pre vonkajšie prostredie zníži riziko zásahu elektrickým prúdom.

- f) Ak nie je možné zabrániť prevádzke elektrického náradia vo vlhkom prostredí, použite prúdový chránič. Používanie prúdového chrániča znižuje riziko zásahu elektrickým prúdom.

3. Bezpečnosť osôb

- a) Buďte vždy pozorní a dávajte pozor na to, čo robíte a pri práci s elektrickým náradím postupujte s rozvahou. Nepoužívajte elektrické náradie, ak ste unavení alebo ak ste pod vplyvom drog, alkoholu alebo liekov. Aj okamih nepozornosti pri používaní elektrického náradia môže spôsobiť vážne zranenia.
- b) Vždy noste osobné ochranné prostriedky a ochranné okuliare. Nosenie osobných ochranných prostriedkov, ako je maska proti prachu, protišmyková bezpečnostná obuv, ochranná prilba alebo ochrana sluchu, podľa druhu a použitia elektrického náradia, znižuje riziko poranení.
- c) Zabráňte neúmyselnému uvedeniu do prevádzky. Pred zapojením napájania elektrického náradia do siete a/alebo akumulátora a pred jeho zdvíhaním a prenášaním sa presvedčte, či je vypnuté. Ak máte pri prenášaní elektrického náradia prst na spínači, alebo ak elektrické náradie zapojíte do zdroja elektrického prúdu zapnuté, môže to viesť k úrazom.
- d) Skôr než zapnete elektrické náradie, odstráňte nastavovacie náradie alebo kľúč na skruty. Náradie alebo kľúč, ktorý sa nachádza na otáčajúcej sa časti elektrického náradia, môže spôsobiť zranenia.
- e) Vyhýbajte sa neprirodenému držaniu tela. Majte pevný postoj a udržiavajte stále rovnováhu. Takto môžete elektrické náradie lepšie kontrolovať v neočakávaných situáciách.
- f) Noste vhodný odev. Nenoste voľný odev ani šperky. Vlasy a odev sa musia udržiavať v bezpečnej vzdialenosti od pohybujúcich sa častí elektrického náradia.
- g) Ak je možná montáž zariadení na odsávanie a zachytávanie prachu, musia sa tieto pripojiť a používať správne. Používanie odsávania prachu môže zredukovať ohrozenie prachom.

h) Nenechajte sa ukolísať falošnou istotou a nepovznášajte sa nad bezpečnostné predpisy pre elektrické náradia, aj keď ste po viacnásobnom použití oboznámení s elektrickým náradím. Neodborná manipulácia môže v rámci zlomku sekundy viesť k ťažkým poraneniam.

4. Manipulácia s elektrickým náradím a jeho použitie

- a) Nepreťažujte elektrické náradie. Pri svojej práci používajte len na tento účel určené elektrické náradie. So správnym elektrickým náradím pracujete lepšie a bezpečnejšie v uvedenom rozsahu jeho výkonu.
- b) Nepoužívajte elektrické náradie s poškodeným spínačom. Elektrické náradie, ktoré sa nedá zapnúť alebo vypnúť, je nebezpečné a musí sa opraviť.
- c) Pred vykonávaním nastavení na prístroji, výmenou vložených nástrojov alebo pred odložením elektrického náradia vytiahnite zástrčku z elektrickej zásuvky a/alebo odstráňte odoberateľný akumulátor. Toto preventívne opatrenie zabraňuje neúmyselnému spusteniu elektrického náradia.
- d) Nepoužívané elektrické náradie uschovávajúte mimo dosahu detí. Nedovoľte používať elektrické náradie osobám, ktoré s ním nie sú oboznámené alebo si neprečítali tieto pokyny. Elektrické náradie je nebezpečné, ak ho používajú neskúsené osoby.
- e) Elektrické náradie a vložený nástroj starostlivo udržiavajte. Skontrolujte, či pohyblivé diely fungujú bezchybne a nie sú zaseknuté, či niektoré diely nie sú zlomené alebo poškodené tak, aby bola obmedzená funkcia elektrického náradia. Pred použitím elektrického náradia nechajte opraviť poškodené časti. Veľa úrazov je spôsobených nedostatočnou údržbou elektrického náradia.
- f) Rezné nástroje udržiavajte ostré a čisté. Starostlivo udržiavané rezné nástroje s ostrými reznými hranami sa menej zasekávajú a ľahšie sa dajú viesť.

g) Elektrické náradie, príslušenstvo, vložené nástroje atď. používajte v súlade s týmito pokynmi. Zohľadnite prítomné pracovné podmienky a činnosť, ktorú budete vykonávať. Použitie elektrického náradia na iný ako určený účel použitia môže mať za následok nebezpečné situácie.

h) Rukoväte a úchopné plochy udržiavajte suché, čisté a bez oleja a tuku. Klzké rukoväte a úchopné plochy neumožňujú bezpečnú obsluhu a kontrolu elektrického náradia v nepredvídateľných situáciách.

5. Používanie a manipulácia s akumulátorovým náradím

- a) Akumulátory nabíjajte len v nabíjačkách, ktoré odporúča výrobca. Pri nabíjačkách, ktoré sú vhodné pre určitý druh akumulátorov, hrozí nebezpečenstvo požiaru, ak sa použijú s inými akumulátormi.
- b) V elektrických náradiach používajte len akumulátory, určené na tento účel. Používanie iných akumulátorov môže viesť k úrazom a nebezpečenstvu požiaru.
- c) Nepoužívaný akumulátor nepribližujte ku kancelárskym sponkám, minciam, kľúčom, klincom, skrutkám a iným malým kovovým predmetom, ktoré by mohli spôsobiť premostenie kontaktov. Skrat medzi kontaktmi akumulátora môže spôsobiť popáleniny alebo požiar.
- d) Pri nesprávnom používaní môže z akumulátora vytekať kvapalina. Vyhybajte sa kontaktu s touto kvapalinou. Po náhodnom kontakte miesto opláchnite vodou. Ak sa kvapalina dostane do očí, vyhládajte dodatočne lekársku pomoc. Unikajúca kvapalina môže spôsobiť podráždenie kože alebo popáleniny.
- e) Nepoužívajte poškodený ani upravený akumulátor. Poškodené alebo upravené akumulátory sa môžu správať nepredvídateľne a viesť k požiaru, výbuchu alebo nebezpečenstvu zranenia.
- f) Akumulátor nevystavujte ohňu ani príliš vysokým teplotám. Oheň alebo teploty vyššie ako 130 °C (265 °F) môžu spôsobiť výbuch.

- g) Dodržiavajte všetky pokyny na nabíjanie a akumulátor alebo akumulátorové náradie nenabíjajte nikdy mimo rozsahu teplôt uvedeneho v návode na obsluhu. Nesprávne nabíjanie alebo nabíjanie mimo prípustného rozsahu teplôt môže akumulátor zničiť a zvýšiť nebezpečenstvo požiaru.



POZOR! NEBEZPEČENSTVO VÝBUCHU! Nikdy nenabíjajte batérie, ktoré nemožno nabíjať.



Chrňte akumulátor pred teplom, napr. aj pred trvalým slnečným žiarením, ohňom, vodou a vlhkosťou.

Hrozí nebezpečenstvo výbuchu.

6. Servis

- a) Elektrické náradie môže opravovať len kvalifikovaný personál a len s použitím originálnych náhradných dielov. Takto sa zabezpečí, že zostane zachovaná bezpečnosť elektrického náradia.
- b) Nikdy nevykonávajte údržbu na poškodených akumulátoroch. Akúkoľvek údržbu na akumulátoroch by mal vykonávať iba výrobca alebo splnomocnené zákaznícke servisy.

Bezpečnostné upozornenia špecifické pre rázové ťahováky

- Pri rázovom ťahovaní používajte ochranu sluchu. Nadmerné pôsobenie hluku môže spôsobiť stratu sluchu.
- Obrobok zaistíte. Obrobok, ktorý je uchytený v upínacom zariadení alebo vo zveráku, je pridržovaný bezpečnejšie ako vašou rukou.
- Elektrické náradie držte dobre pevne. Pri ťahovaní alebo povolení skrutiek sa môžu krátko objaviť vysoké reakčné momenty.
- Pred odložením elektrického náradia počkajte, dokiaľ sa úplne nezastaví. Vložený nástroj sa môže zaseknúť a mať za následok stratu kontroly nad elektrickým náradím.
- Pri prácach, pri ktorých môže skrutka zasiahnuť skryté elektrické vedenia, držte náradie za izolované uchopovacie plochy. Kontakt skrutky alebo používaného nástroja s vedením, ktoré vedie napätie, môže uviesť pod napätie aj kovové časti prístroja a spôsobiť zásah elektrickým prúdom.

Originálne príslušenstvo/prídavné zariadenia

- Používajte len príslušenstvo a prídavné zariadenia, ktoré sú uvedené v návode na obsluhu, príp. ktorých upnutie je kompatibilné s prístrojom.

⚠ VÝSTRAHA!

- Nepoužívajte žiadne príslušenstvo, ktoré nebolo odporúčané spoločnosťou PARKSIDE. Môže to viesť k zásahu elektrickým prúdom a požiaru.

Bezpečnostné pokyny pre nabíjačky

- Tento prístroj môžu používať deti od 8 rokov, ako aj osoby so zníženými fyzickými, zmyslovými alebo mentálnymi schopnosťami alebo nedostatkom skúseností a vedomostí, ak sú pod dohľadom alebo boli o bezpečnom používaní prístroja poučené a pochopili z toho vyplývajúce nebezpečenstvá. Deti sa nesmú hrať s prístrojom. Deti nesmú vykonávať čistenie ani používateľskú údržbu bez dohľadu.
- Ak sa prípojný sieťový kábel tohto prístroja poškodí, musí sa nechať vymeniť výrobcom alebo jeho zákazníckym servisom alebo obdobne kvalifikovanou osobou, aby sa zabránilo nebezpečenstvu.



Nabíjačka je určená len na prevádzku v interiéri.

VÝSTRAHA!

- Ak sa pripájací sieťový kábel tohto prístroja poškodí, musí sa nechať vymeniť výrobcom alebo jeho zákazníckym servisom alebo obdobne kvalifikovanou osobou, aby sa zabránilo nebezpečenstvám.

POZOR!

- ▶ Ta polnilnik lahko polni samo naslednje baterije: PAP 20 A1/PAP 20 A2/PAP 20 A3/PAP 20 B1/PAP 20 B3/PAPS 204 A1/PAPS 208 A1.
- ▶ Veljaven seznam združljivih akumulatorjev najdete na www.lidl.de/akku.



POZOR! Horúci povrch. Hrozí nebezpečenstvo popálenia.

Pred uvedením do prevádzky

Nabitie boxu s akumulátorom (pozri obr. A)

POZOR!

- ▶ Pred vyberaním akumulátorového článku z nabíjačky alebo jeho vkladáním do nej vždy vytiahnite sieťovú zástrčku.

UPOZORNENIE

- ▶ Akumulatorja nikoli ne polnite, če je temperatura okolice pod 10 °C ali nad 40 °C. Če litij-ionski akumulator hranite dlje časa, morate redno preverjati njegovo napolnjenost. Najprimernejša napolnjenost je med 50 in 80 %. Akumulator naj bo shranjen na hladnem in suhem mestu pri temperaturi okolja od 0 °C do 50 °C.
- ◆ Zastrčite box s akumulátorom **8** do rýchlonabíjačky **14** (pozri obr. A).
- ◆ Zastrčite sieťovú zástrčku do zásuvky. LED kontrolka **15** svieti červeno.
- ◆ Zelená LED kontrolka **16** vám signalizuje, že nabíjanie je ukončené a box s akumulátorom **8** je pripravený na použitie.

POZOR!

- ◆ Ak by mala červená LED kontrolka **15** blikať, potom je box s akumulátorom **8** prehriaty a nemôže sa nabíjať.
- ◆ Ak budú blikať červená a zelená LED kontrolka **15** **16** naraz, potom je box s akumulátorom **8** chybný.
- ◆ Vložte akumulátor **8** do prístroja.
- ◆ Medzi nabíjaniami nasledujúcimi po sebe vypnite nabíjačku minimálne na 15 minút. Pritom vytiahnite sieťovú zástrčku.

Vloženie/vybratie boxu s akumulátorom do/z prístroja

Vloženie boxu s akumulátorom

- ◆ Prepnite prepínač smeru otáčania **4** do stredovej polohy (poistka). Nechajte box s akumulátorom **8** zaskočiť do rukoväte.

Vybratie boxu s akumulátorom

- ◆ Stlačte tlačidlo na odblokovanie **9** a vyberte box s akumulátorom.

Kontrola stavu akumulátora

- ◆ Na kontrolu stavu nabitia akumulátora stlačte tlačidlo stavu nabitia akumulátora **6** (pozri tiež hlavný obrázok). Stav nabitia alebo zvýšený výkon signalizuje LED displej stavu nabitia akumulátora **7** nasledovne:
ČERVENÁ/ORANŽOVÁ/ZELENÁ = maximálne nabitie
ČERVENÁ/ORANŽOVÁ = stredné nabitie
ČERVENÁ = nízka kapacita nabitia - nabiť akumulátor

Uvedenie do prevádzky

Zapnutie/vypnutie

Zapnutie

- ◆ Na uvedenie prístroja do prevádzky stlačte spínač ZAP/VYP **11** a podržte ho stlačený. Pracovné LED svetlo **10** sa rozsvieti pri jemne alebo úplne stlačení spínača ZAP/VYP **11**. Umožňuje osvetlenie pracovného priestoru za nepriaznivých svetelných pomeroch.

Vypnutie

- ◆ Na vypnutie prístroja pustite spínač ZAP/VYP **11**.

Nastavenie otáčok/uťahovacieho momentu

- ◆ Jemným stlačením spínača ZAP/VYP **11** dosiahnete nízke otáčky/uťahovací moment. S narastajúcim tlakom sa zvýšia otáčky/uťahovací moment.
- Uťahovací moment je závislý od zvolených otáčok a trvania rázov.

POZOR!

- ◆ Skutočne dosiahnutý uťahovací moment je potrebné skontrolovať výlučne pomocou momentového kľúča!

UPOZORNENIE

- ▶ Integrovaná motorová brzda zaistí rýchle zastavenie.

Prepínanie smeru otáčania

- ◆ Smer otáčania zmeníte prepnutím prepínača smeru otáčania **4** doprava, príp. doľava.

Vloženie bitov

- ◆ Vložte adaptér **12** alebo držiak bitov **13** do upnutia nástroja **1**.
- ◆ Potiahnite pritom za puzdro zabezpečovacieho mechanizmu **2** smerom dozadu a nechajte adaptér **12** alebo držiak bitov **13** zapadnúť do západky.

Údržba a čistenie



VÝSTRAHA! NEBEZPEČENSTVO PORANENIA! Pred akýmikoľvek prácami na prístroji prístroj vypnite a vyberte z neho akumulátor.

Tento prístroj si nevyžaduje údržbu.

- Prístroj musí byť vždy čistý, suchý a bez oleja alebo mazacieho tuku.
- Do vnútra prístroja sa nesmú dostať žiadne tekutiny.
- Na čistenie telesa používajte suchú utierku. Nikdy nepoužívajte benzín, rozpúšťadlá alebo čistiace prostriedky, ktoré poškadzujú umelú hmotu.
- Pri dlhšom skladovaní lítium-iónového akumulátora musíte zaistiť pravidelné kontroly jeho stavu nabitia. Optimálny stav nabitia je v rozsahu 50 % až 80 %. Na uskladnenie je najvhodnejšie chladné a suché prostredie.

UPOZORNENIE

- ▶ Neuvedené náhradné diely (ako napr. uhlíkové kedy, vypínač) si môžete objednať prostredníctvom poradenskej linky nášho servisu.

Záruka spoločnosti Kompennass Handels GmbH

Vážená zákazníčka, vážený zákazník,

na tento prístroj máte záruku 3 roky od dátumu zakúpenia. V prípade nedostatkov tohto výrobku máte práva vyplývajúce zo zákona voči predajcovi tohto výrobku. Tieto Vaše práva vyplývajúce zo zákona nie sú obmedzené našou zárukou, uvedenou nižšie.

Záručné podmienky

Záručná doba začína plynúť dátumom zakúpenia. Prosím, uschovajte si pokladničný blok. Tento bude potrebný ako dôkaz o zakúpení.

Ak v priebehu troch rokov od dátumu zakúpenia tohto výrobku dôjde k chybe materiálu alebo výrobnej chybe, výrobok vám – podľa nášho uváženia – bezplatne opravíme, vymeníme alebo uhradíme kúpnu cenu. Podmienkou tohto záručného plnenia je, že počas trojročnej lehoty sa poškodený prístroj a doklad o zakúpení (pokladničný blok) predloží so stručným opisom, v čom spočíva nedostatok prístroja a kedy sa vyskytol.

Ak je chyba pokrytá našou zárukou, zašleme Vám späť opravený alebo nový výrobok. Opravou alebo výmenou výrobku nezačína plynúť žiadna nová záručná doba.

Na box s akumulátorom série X 12 V a X 20 V Team máte záruku 3 roky od dátumu zakúpenia.

Záručná doba a zákonné nároky na odstránenie chýb

Záručná doba sa záručným plnením nepredlžuje. To platí aj pre vymenené a opravené diely. Poškodenia a chyby zistené prípadne už pri kúpe, sa musia hlásiť okamžite po vybalení. Po uplynutí záručnej doby podliehajú prípadné opravy poplatku.

Rozsah záruky

Prístroj bol starostlivo vyrobený v súlade s prísnyimi smernicami kvality a pred dodaním bol svedomito preskúšaný.

Záručné plnenie sa vzťahuje na chyby materiálu alebo výrobné chyby. Táto záruka sa nevzťahuje na časti výrobku, ktoré sú vystavené bežnému opotrebovaniu a preto ich možno pokladať za rýchlo opotrebitelné diely, ani na poškodenia krehkých dielov, ako sú napríklad spínače alebo diely vyrobené zo skla.

Táto záruka zaniká v prípade poškodenia výrobku neodborným používaním alebo neodbornou údržbou. Na správne používanie výrobku sa musia presne dodržiavať všetky pokyny, uvedené v návode na obsluhu. Bezpodmienečne sa musí zabrániť použitiu alebo úkonom, ktoré sa v návode na obsluhu neodporúčajú alebo pred ktorými sa varuje.

Výrobok je určený len na súkromné použitie a nie na priemyselné používanie. Záruka zaniká pri nesprávnom a neodbornom zaobchádzaní, pri použití násillia a pri zásahoch, ktoré neboli vykonané naším autorizovaným servisom.

Záručná doba neplatí pri

- normálnom opotrebovaní kapacity akumulátora
- komerčnom používaní výrobku
- poškodení alebo zmene výrobku zákazníkom
- nerešpektovaní predpisov týkajúcich sa bezpečnosti a údržby, chybách obsluhy
- škodách v dôsledku elementárnych udalostí

Vybavenie v prípade záruky

Na zaručenie rýchleho vybavenia Vašej žiadosti postupujte podľa nasledujúcich pokynov:

- Na všetky otázky majte pripravený pokladničný doklad a číslo výrobku (IAN) 380745_2110 ako doklad o nákupe.
- Číslo výrobku nájdete na typovom štítku na výrobku, na gravúre na výrobku, na titulnej stránke návodu na obsluhu (dole vľavo) alebo ako nálepku na zadnej alebo spodnej strane výrobku.
- Ak dôjde k funkčným poruchám alebo iným nedostatkom, kontaktujte najprv nižšie uvedené servisné oddelenie **telefonicky** alebo **e-mailom**.
- Výrobok, zaevidovaný ako poruchový, môžete potom spolu s dokladom o nákupe (pokladničný blok) a uvedením popisu chyby a dátumu, kedy k nej došlo, bezplatne odoslať na adresu servisného strediska, ktorá Vám bude oznámená.



Na webovej stránke www.lidl-service.com si môžete stiahnuť tieto a mnoho ďalších príručiek, videá o výrobkoch a inštaláciu softvéru.

Pomocou tohto QR-kódu sa dostanete priamo na stránku servisu Lidl (www.lidl-service.com) a pomocou zadania čísla výrobku (IAN) 380745_2110 otvoríte váš návod na obsluhu.

⚠ VÝSTRAHA!

- ▶ Opravy vašich prístrojov zverte servisnému stredisku alebo odbornému elektrikárovi a pri opravách použite iba originálne náhradné diely. Tým sa zaistí, že sa zachová bezpečnosť prístroja.
- ▶ Výmenu zástrčky alebo sieťového kábla nechajte vykonať len výrobcom prístroja alebo jeho zákazníckym servisom. Tým sa zaistí, že sa zachová bezpečnosť prístroja.

Servis

SK Servis Slovensko
 Tel. 0850 232001
 E-Mail: kompernass@lidl.sk
IAN 380745_2110

Dovozca

Majte na pamäti, že nižšie uvedená adresa nie je adresou servisného strediska. Najprv kontaktujte uvedené servisné stredisko.

KOMPERNASS HANDELS GMBH
 BURGSTRASSE 21
 44867 BOCHUM
 NEMECKO
 www.kompernass.com

Likvidácia



Elektrické náradie neodhadzujte do komunálneho odpadu!

Symbol preškrtnutej odpadovej nádoby na kolieskach upozorňuje, že tento prístroj podlieha smernici č. 2012/19/EU. Táto smernica stanovuje, že tento prístroj po uplynutí doby používania nesmiete zlikvidovať s normálnym domovým odpadom, ale musíte ho odovzdať v špeciálne zriadených zberných miestach, zberných dvoch alebo v prevádzkach na likvidáciu odpadov.

Táto likvidácia je pre vás bezplatná. Chráňte životné prostredie a likvidujte odborne.



Informácie o možnostiach likvidácie výrobku, ktorý doslúžil, získate od svojej obecnej alebo mestskej samosprávy.



Akumulátory neodhadzujte do komunálneho odpadu!

Chybné alebo použité batérie sa musia recyklovať podľa smernice č. 2006/66/EC. S batériami/akumulátormi sa musí zaobchádzať ako so špeciálnym odpadom, a preto sa musia ekologicky zlikvidovať na zodpovedajúcich miestach (predajca, špecializovaný predajca, verejné miesta na zber odpadu, komerčné podniky zaoberajúce sa likvidáciou odpadu). Batérie/akumulátory môžu obsahovať jedovaté ťažké kovy.

Batérie/akumulátory preto neodhadzujte do domového odpadu, ale odovzdajte ich na samostatný zber. Batérie/akumulátory odovzdajte len vo vybitom stave.



Balenie sa skladá výlučne z materiálov, ktoré neškodia životnému prostrediu. Môžete ho vyhodiť do nádob určených na zber a recykliáciu odpadov.



Obal zlikvidujte ekologicky. Dbajte na označenie na rôznych obalových materiáloch a triedte ich osobitne. Obalové materiály sú označené skratkami (a) a číslicami (b) s nasledujúcim významom: 1–7: plasty, 20–22: papier a lepenka, 80–98: kompozitné materiály.



Produkt je recyklovateľný, podlieha rozšírenej zodpovednosti výrobcu a zbiera sa oddelene.

Preklad originálneho vyhlásenia o zhode

My, spoločnosť KOMPERNASS HANDELS GMBH, zodpovedná osoba za dokumentáciu:
pán Semi Uguzlu, BURGSTR. 21, 44867 BOCHUM, DEUTSCHLAND/NEMECKO vyhlasujeme,
že tento výrobok je v súlade s nasledovnými normami, normatívnymi dokumentmi a smernicami ES:

Smernica o strojových zariadeniach

(2006/42/EC)

Smernica ES o nízkom napätí (iba nabíjačka)

(2014/35/EU)

Elektromagnetická kompatibilita

(2014/30/EU)

Smernica RoHS

(2011/65/EU)*

* Výhradnú zodpovednosť za vydanie tohto vyhlásenia o zhode nesie výrobca. Vyššie opísaný predmet vyhlásenia je v súlade s predpismi smernice č. 2011/65/EU Európskeho parlamentu a Rady z 8. júna 2011 o obmedzení používania určitých nebezpečných látok v elektrických a elektronických zariadeniach.

Použité harmonizované normy

EN 62841-1:2015

EN 62841-2-2:2014

EN 55014-1:2017

EN 55014-2:2015

EN IEC 63000:2018

Typ/označenie prístroja: Aku rázový uťahovák PDSSA 20-Li A1

Rok výroby: 01-2022

Sériové číslo: IAN 380745_2110

Bochum, 31.01.2022



Semi Uguzlu

- Manažér kvality -

Technické zmeny v zmysle ďalšieho vývoja sú vyhradené.

Objednanie náhradného akumulátora

Náhradný akumulátor pre váš prístroj si môžete objednať buď pohodlne na internete na adrese www.kompernass.com, alebo telefonicky.

Tento výrobok sa z dôvodu obmedzených skladových zásob môže v krátkom čase vypredať.



UPOZORNENIE

- ▶ V niektorých krajinách nie je on-line objednávanie náhradných dielov dostupné. V takom prípade zavolajte na poradenskú linku.

Telefonická objednávka

SK Servis Slovensko Tel. 0850 232001

Na zaistenie rýchleho spracovania vašej objednávky si pripravte, prosím, číslo tovaru (IAN 380745_2110) prístroja. Číslo tovaru nájdete na typovom štítku alebo na titulnej strane tohto návodu.

Índice

Introducción	96
Uso previsto	96
Equipamiento	96
Volumen de suministro	96
Características técnicas	97
Indicaciones generales de seguridad para las herramientas eléctricas	98
1. Seguridad en el lugar de trabajo	98
2. Seguridad eléctrica	98
3. Seguridad de las personas	98
4. Uso y manejo de la herramienta eléctrica	99
5. Uso y manejo de la herramienta inalámbrica	100
6. Asistencia técnica	100
Indicaciones de seguridad específicas para los atornilladores de impacto	100
Accesorios/equipos adicionales originales	101
Indicaciones de seguridad para los cargadores	101
Antes de la puesta en funcionamiento	101
Carga de la batería (consulte la fig. A)	101
Inserción/extracción de la batería del aparato	102
Comprobación del nivel de carga de la batería	102
Puesta en funcionamiento	102
Encendido/apagado	102
Ajuste de la velocidad/par de apriete	102
Cambio del sentido de giro	103
Inserción de las puntas	103
Mantenimiento y limpieza	103
Garantía de Kompernass Handels GmbH	103
Asistencia técnica	105
Importador	105
Desecho	105
Declaración de conformidad original	106
Pedido de una batería de repuesto	107
Pedido por teléfono	107

ATORNILLADORA DE IMPACTO RECARGABLE PDSSA 20-Li A1

Introducción

Felicidades por la compra de su aparato nuevo. Ha adquirido un producto de alta calidad. Las instrucciones de uso forman parte del producto y contienen indicaciones importantes acerca de la seguridad, del uso y del desecho de este producto.

Antes de usar el producto, familiarícese con todas las indicaciones de manejo y de seguridad. Utilice el producto únicamente como se describe y para los ámbitos de aplicación indicados. Entregue todos los documentos cuando transfiera el producto a terceros.

Uso previsto

Este aparato está previsto para atornillar y desatornillar tornillos y para apretar y aflojar tuercas. El aparato tiene marcha hacia la derecha/izquierda y cuenta con un soporte con hexágono interno de 1/4" para puntas de destornillador y una luz de trabajo led. La luz de este aparato está concebida para iluminar la zona de trabajo en el entorno directo del aparato. Con la función de atornillado de impacto del aparato, la fuerza del motor se transforma en impactos giratorios uniformes. El mecanismo percutor se emplea tanto para apretar como para desapretar.

Este aparato está previsto para su uso por parte de personas adultas. Los menores de 16 años solo pueden utilizar el aparato bajo supervisión. El fabricante no asume responsabilidad alguna por los daños derivados de una utilización contraria al uso previsto o por un manejo inadecuado.

Utilice el producto exclusivamente de la manera descrita y para los ámbitos de aplicación indicados. Este aparato no está indicado para su uso comercial o industrial. La utilización del aparato para otros fines o su modificación se consideran contrarias al uso previsto y aumentan considerablemente el riesgo de accidentes. El fabricante no se responsabiliza por los daños derivados de una utilización contraria al uso previsto.

Equipamiento

- ❶ Portaherramientas
- ❷ Casquillo de bloqueo
- ❸ Soporte para puntas (magnético)
- ❹ Interruptor de cambio del sentido de giro/bloqueo
- ❺ Clip para el cinturón
- ❻ Botón del nivel de carga de la batería
- ❼ Led del nivel de carga de la batería
- ❽ Batería*
- ❾ Botón de desencastre de la batería
- ❿ Led de trabajo
- ⓫ Interruptor de encendido/apagado/regulador de velocidad
- ⓬ Adaptador para puntas cuadradas de 1/4"
- ⓭ Soporte para puntas
- ⓮ Cargador rápido*
- ⓯ Led rojo de control de carga
- ⓰ LED verde de control de carga

Volumen de suministro

- 1 atornilladora de impacto recargable PDSSA 20-Li A1
- 1 adaptador para puntas cuadradas de 1/4"
- 1 prolongación de 1/4" (50 mm)
- 1 clip para el cinturón
- 1 maletín de transporte
- 1 manual de instrucciones de uso

Características técnicas

Atornilladora de impacto recargable PDSSA 20-Li A1

Tensión asignada	20 V --- (corriente continua)
Velocidad de ralentí	n_0 0-2800 r. p.m.
Cantidad nominal de impactos	0-3600 r. p.m.
Par de apriete máx.	180 Nm
Apto para tornillos para metales	\leq M8
Apto para tornillos para madera	\leq 8 mm \varnothing
Portaherramientas	1/4"

Batería: PAP 20 A1*

Tipo	IONES DE LITIO
Tensión asignada	20 V --- (corriente continua)
Capacidad	2 Ah
Células	5

Cargador rápido de la batería: PLG 20 A1*

ENTRADA/input

Tensión asignada	230-240 V \sim , 50 Hz (corriente alterna)
------------------	--

Consumo asignado de potencia	65 W
Fusible (interior)	3,15 A

SALIDA/output

Tensión asignada	21,5 V --- (corriente continua)
Corriente asignada	2,4 A
Duración de la carga	aprox. 60 min
Clase de aislamiento	II/ (aislamiento doble)

* LA BATERÍA Y EL CARGADOR NO SE INCLUYEN EN EL VOLUMEN DE SUMINISTRO

Valor de emisión sonora

Medición de ruidos según la norma EN 62841. Valores típicos del nivel sonoro con ponderación A de la herramienta eléctrica:

Nivel de presión sonora	$L_{PA} = 83$ dB (A)
Incertidumbre	$K_{PA} = 3$ dB
Nivel de potencia acústica	$L_{WA} = 94$ dB (A)
Incertidumbre	$K_{WA} = 3$ dB

Valor de emisión de vibraciones

Valores totales de vibraciones (suma vectorial de tres líneas) calculados según la norma EN 62841:

Apriete de tornillos y tuercas del diámetro máximo permitido	$a_h = 5,677$ m/s ²
Incertidumbre	$K = 1,5$ m/s ²

¡Utilice protecciones auditivas!

INDICACIÓN

- ▶ Los valores totales de emisión de vibraciones y de ruidos especificados en estas instrucciones de uso se han calculado según un procedimiento de prueba estandarizado y pueden utilizarse para comparar varias herramientas eléctricas.
- ▶ Los valores totales de emisión de vibraciones y de ruidos especificados también pueden utilizarse para realizar una valoración preliminar de la carga.

¡ADVERTENCIA!

- ▶ La emisión de vibraciones y de ruidos puede diferir de los valores especificados durante el propio uso de la herramienta eléctrica según cómo se esté utilizando y, especialmente, según cómo sea la pieza de trabajo que se esté procesando.
- ▶ Intente que la carga sea lo más reducida posible. Algunas medidas para reducir la carga de las vibraciones son el uso de guantes al manejar la herramienta y la limitación del tiempo de trabajo. Para ello, deben tenerse en cuenta todas las partes del ciclo de funcionamiento (por ejemplo, los momentos en los que la herramienta eléctrica está desconectada y los momentos en los que está conectada, pero funciona sin carga).



Indicaciones generales de seguridad para las herramientas eléctricas

⚠ ¡ADVERTENCIA!

- ▶ Lea todas las indicaciones de seguridad, las instrucciones, las ilustraciones y los datos técnicos suministrados con esta herramienta eléctrica. El incumplimiento de las siguientes instrucciones puede provocar descargas eléctricas, incendios o lesiones graves.

Conservar todas las indicaciones de seguridad y las instrucciones para el futuro.

El término "herramienta eléctrica" utilizado en las indicaciones de seguridad se refiere a las herramientas eléctricas de accionamiento eléctrico (con cable de red) y a las de accionamiento por batería (sin cable de red).

1. Seguridad en el lugar de trabajo

- a) Mantenga limpia y bien iluminada la zona de trabajo. El desorden y la falta de iluminación en el lugar de trabajo pueden provocar accidentes.
- b) No trabaje con la herramienta eléctrica en un entorno potencialmente explosivo en el que haya líquidos, gases o polvos inflamables. Las herramientas eléctricas generan chispas que pueden incendiar el polvo o los vapores.
- c) Mantenga a los niños y a otras personas alejados durante el manejo de la herramienta eléctrica. Si se distrae, podría perder el control de la herramienta eléctrica.

2. Seguridad eléctrica

- a) El enchufe de la herramienta eléctrica debe encajar correctamente en la toma eléctrica. No debe modificarse el enchufe de ninguna forma. No utilice ningún enchufe adaptador junto con herramientas eléctricas con conexión a tierra. El uso de enchufes sin manipular conectados a una toma eléctrica adecuada reduce el riesgo de descarga eléctrica.

- b) Evite el contacto físico con cualquier superficie que esté conectada a tierra, como tuberías, sistemas de calefacción, cocinas y neveras. Si su cuerpo hace contacto con la toma de tierra, existe mayor riesgo de descarga eléctrica.
- c) Mantenga el aparato alejado de la lluvia o de humedades. La penetración de agua en una herramienta eléctrica aumenta el riesgo de descarga eléctrica.
- d) No utilice el cable de conexión para otros usos, p. ej., para transportar y colgar la herramienta eléctrica o para fírr del enchufe y desconectarlo de la red eléctrica. Mantenga el cable de conexión alejado del calor, del aceite, de los bordes cortantes o de las piezas móviles. Un cable de conexión dañado o enredado aumenta el riesgo de descarga eléctrica.
- e) Si desea utilizar la herramienta eléctrica al aire libre, utilice exclusivamente los alargadores de cable homologados para su uso en exteriores. El uso de un alargador adecuado para exteriores reduce el riesgo de descarga eléctrica.
- f) Si no puede evitarse el uso de la herramienta eléctrica en un entorno húmedo, utilice un interruptor diferencial residual. Su uso reduce el riesgo de descarga eléctrica.

3. Seguridad de las personas

- a) Esté alerta, preste atención a lo que hace y proceda con sensatez a la hora de trabajar con una herramienta eléctrica. No utilice ninguna herramienta eléctrica si se siente cansado o se encuentra bajo la influencia de drogas, alcohol o medicamentos. Un solo momento de distracción mientras utiliza la herramienta eléctrica puede causar lesiones graves.
- b) Utilice siempre un equipo de protección individual y gafas de protección. El uso de un equipo de protección individual, como mascarilla anti-polvo, calzado de seguridad antideslizante, casco o protecciones auditivas según el tipo de herramienta eléctrica en cuestión, reduce el riesgo de lesiones.

- c) Evite que el aparato pueda ponerse en marcha accidentalmente. Asegúrese de que la herramienta eléctrica esté apagada antes de conectarla a la red eléctrica o a la batería, asírla o transportarla. Si transporta la herramienta eléctrica con los dedos en el interruptor o conecta la herramienta eléctrica ya encendida a la red eléctrica, puede provocar accidentes.
- d) Antes de encender la herramienta eléctrica, retire las herramientas de ajuste o las llaves. Las herramientas o llaves que se encuentren dentro del alcance de la pieza giratoria de la herramienta eléctrica pueden producir lesiones.
- e) Evite mantener una postura corporal forzada. Busque una postura segura y mantenga el equilibrio en todo momento. Así podrá controlar mejor la herramienta eléctrica, especialmente en situaciones inesperadas.
- f) Utilice ropa adecuada. No lleve ropa ancha ni joyas. Mantenga el pelo y la ropa lejos de las piezas móviles. La ropa holgada, las joyas o el pelo suelto pueden quedar atrapados en las piezas móviles.
- g) Si se admite el montaje de dispositivos de aspiración y de acumulación de polvo, deben conectarse y utilizarse correctamente. El uso de un dispositivo de aspiración de polvo puede reducir los riesgos causados por el polvo.
- h) Evite cultivar un sentimiento de falsa seguridad y no se desvíe de lo dispuesto por las normas de seguridad aplicables a las herramientas eléctricas aun cuando esté muy familiarizado con la herramienta eléctrica por haberla utilizado repetidas veces. Un descuido en la manipulación puede causar lesiones graves en una fracción de segundo.
- b) No utilice ninguna herramienta eléctrica con el interruptor defectuoso. Una herramienta que no pueda encenderse o apagarse es peligrosa y debe repararse.
- c) Desconecte el enchufe de la red eléctrica o retire la batería extraíble antes de realizar cualquier ajuste en el aparato, cambiar los accesorios o abandonar la herramienta eléctrica. Estas medidas de seguridad evitan que la herramienta eléctrica se encienda de forma accidental.
- d) Guarde las herramientas eléctricas que no vaya a utilizar fuera del alcance de los niños. No permita el uso de la herramienta eléctrica a personas que no estén familiarizadas con su manejo o que no hayan leído estas indicaciones. Las herramientas eléctricas son peligrosas cuando están en manos de personas inexpertas.
- e) Mantenga las herramientas eléctricas y los accesorios en perfecto estado. Compruebe que las piezas móviles funcionen correctamente y no se atasquen, y asegúrese de que ninguna pieza se haya roto ni esté dañada de forma que el funcionamiento del aparato pueda verse afectado. Encargue la reparación de las piezas dañadas antes de utilizar la herramienta eléctrica. Muchos accidentes se deben al mal estado de las herramientas eléctricas.
- f) Mantenga las herramientas de corte limpias y afiladas, ya que así se atascan menos y son más fáciles de guiar.
- g) Utilice la herramienta eléctrica, los accesorios, las herramientas intercambiables, etc. según lo dispuesto en estas instrucciones. Tenga en cuenta las condiciones de trabajo y los procedimientos que deban seguirse. El uso de las herramientas eléctricas para aplicaciones distintas a las previstas puede causar situaciones peligrosas.
- h) Mantenga los mangos y las superficies de agarre secos, limpios y sin restos de aceite o grasa. Si los mangos o las superficies de agarre están resbaladizos, no podrá manejarse ni controlarse la herramienta eléctrica de forma segura en caso de imprevistos.

4. Uso y manejo de la herramienta eléctrica

- a) No sobrecargue la herramienta eléctrica. Utilice la herramienta eléctrica adecuada para el trabajo en cuestión. De esta manera, trabajará mejor y de forma más segura dentro del rango de potencia indicado.

5. Uso y manejo de la herramienta inalámbrica

- a) Cargue la batería exclusivamente con los cargadores recomendados por el fabricante. El uso de un cargador con una batería que no le corresponde entraña peligro de incendios.
- b) Utilice exclusivamente las baterías indicadas para las herramientas eléctricas. El uso de otras baterías puede provocar lesiones y peligro de incendios.
- c) Mantenga la batería que no utilice alejada de grapas, monedas, llaves, clavos, tornillos u otros pequeños objetos de metal que puedan provocar un puenteadado de los contactos. Un cortocircuito entre los contactos de la batería puede provocar quemaduras o incendios.
- d) Un uso incorrecto puede provocar una fuga de líquidos de la batería. Evite el contacto con dichos líquidos. En caso de contacto accidental, lave la zona afectada con agua. Si el líquido entra en contacto con los ojos, busque también asistencia médica. El líquido derramado de la batería puede causar irritaciones cutáneas o quemaduras.
- e) No utilice ninguna batería dañada o modificada. Las baterías dañadas o modificadas pueden funcionar de forma imprevista y provocar incendios, explosiones o peligro de lesiones.
- f) No exponga la batería al fuego ni a altas temperaturas. El fuego o las temperaturas superiores a 130 °C (265 °F) pueden provocar explosiones.
- g) Observe todas las instrucciones de carga y no cargue nunca la batería ni la herramienta inalámbrica fuera del rango de temperatura especificado en las instrucciones de uso. Una carga incorrecta o fuera del rango de temperatura permitido puede destruir la batería y aumentar el peligro de incendios.



Proteja la batería contra el calor, p. ej., también contra la radiación solar duradera, así como contra el fuego, el agua y la humedad. Existe peligro de explosión.

6. Asistencia técnica

- a) Encargue exclusivamente la reparación de su herramienta eléctrica al personal cualificado especializado y solo con recambios originales. De esta forma, se garantiza que la seguridad del aparato no se vea afectada.
- b) No realice ninguna tarea de mantenimiento en las baterías defectuosas. Solo el fabricante o el servicio autorizado de asistencia técnica pueden realizar las tareas de mantenimiento en las baterías.

Indicaciones de seguridad específicas para los atornilladores de impacto

- Utilice protecciones auditivas para usar el atornillador de impacto. El efecto del ruido puede provocar pérdidas auditivas.
- Fije la pieza de trabajo. Una pieza de trabajo sujeta con dispositivos de fijación o tornillos de banco estará mejor fijada que si la sujeta con la mano.
- Sujete bien la herramienta eléctrica. Al apretar o aflojar tornillos, pueden producirse pares de reacción altos de poca duración.
- Espere a que la herramienta eléctrica se detenga totalmente antes de posarla. La herramienta intercambiable podría engancharse y provocar una pérdida de control del aparato.
- Sujétela siempre por sus mangos aislados cuando trabaje con herramientas eléctricas que puedan entrar en contacto con cables eléctricos ocultos. El contacto del tornillo con cables conductores de electricidad también puede someter las piezas metálicas del aparato a la tensión eléctrica y provocar una descarga eléctrica.



¡CUIDADO! ¡PELIGRO DE EXPLOSIÓN! No recargue nunca las pilas no recargables.

Accesorios/equipos adicionales originales

- Utilice exclusivamente los accesorios y equipos adicionales especificados en las instrucciones de uso y compatibles con el aparato.

¡ADVERTENCIA!

- No utilice accesorios no recomendados por PARKSIDE, ya que podrían ocasionar descargas eléctricas o incendios.

Indicaciones de seguridad para los cargadores

- Este aparato puede ser utilizado por niños a partir de 8 años y por personas cuyas facultades físicas, sensoriales o mentales sean reducidas o carezcan de los conocimientos y de la experiencia necesarios siempre que sean vigilados o hayan sido instruidos correctamente sobre el uso seguro del aparato y hayan comprendido los peligros que entraña. Los niños no deben jugar con el aparato. Los niños no deben realizar las tareas de limpieza y mantenimiento del aparato sin supervisión.
- Si se estropea el cable de conexión de red de este aparato, encomiende su sustitución al fabricante, a su servicio de atención al cliente o a una persona que posea una cualificación similar para evitar peligros.



El cargador solo es apto para su uso en interiores.

¡ADVERTENCIA!

- Si se estropea el cable de conexión de red de este aparato, encomiende su sustitución al fabricante, a su servicio de atención al cliente o a una persona que posea una cualificación similar para evitar peligros.

¡ATENCIÓN!

- Este cargador solo puede cargar las siguientes baterías: PAP 20 A1/PAP 20 A2/PAP 20 A3/PAP 20 B1/PAP 20 B3/PAPS 204 A1/PAPS 208 A1.
- Encontrará la lista actual de baterías compatibles en www.lidl.de/akku.



¡ATENCIÓN! Superficie caliente. Existe peligro de quemaduras.

Antes de la puesta en funcionamiento

Carga de la batería (consulte la fig. A)

¡CUIDADO!

- Desconecte el enchufe de la red eléctrica antes de extraer la batería del cargador o introducirla en él.

INDICACIÓN

- Nunca cargue la batería con una temperatura ambiente inferior a 10 °C o superior a 40 °C. Si pretende almacenar la batería de iones de litio durante un periodo prolongado de tiempo, debe comprobar regularmente el nivel de carga. El nivel de carga óptimo está entre el 50 % y el 80 %. El aparato debe almacenarse en un lugar fresco y seco con una temperatura ambiente de entre 0 °C y 50 °C.
- ◆ Conecte la batería **8** al cargador rápido **14** (consulte la fig. A).
- ◆ Conecte el enchufe en la toma eléctrica. El led de control **15** se ilumina en rojo.

- ◆ El led de control verde **16** señala que el proceso de carga ha finalizado y que la batería **8** está lista para su uso.

⚠ ¡ATENCIÓN!

- ◆ Si el led rojo de control **15** parpadea, significa que la batería **8** se ha sobrecalentado y no puede cargarse.
- ◆ Si el led rojo de control y el led verde de control **15 16** parpadean al mismo tiempo, significa que la batería **8** está defectuosa.
- ◆ Coloque la batería **8** en el aparato.
- ◆ Entre cada carga consecutiva, apague el cargador durante al menos 15 minutos. Para ello, desconecte el enchufe de la red eléctrica.

Inserción/extracción de la batería del aparato**Inserción de la batería**

- ◆ Ajuste el interruptor del sentido de giro **4** en la posición intermedia (bloqueo). Encastre la batería **8** en el mango.

Extracción de la batería

- ◆ Pulse el botón de desbloqueo **9** y retire la batería **8**.

Comprobación del nivel de carga de la batería

- ◆ Para comprobar el nivel de carga de la batería, pulse el botón del nivel de carga de la batería **6** (consulte también la ilustración principal). El nivel de carga de la batería se muestra en el led del nivel de carga de la batería **7** de la manera siguiente:
ROJO/NARANJA/VERDE = carga máxima
ROJO/NARANJA = carga media
ROJO = poca carga; cargue la batería

Puesta en funcionamiento**Encendido/apagado****Encendido**

- ◆ Para poner en funcionamiento el aparato, mantenga pulsado el interruptor de encendido/apagado **11**.
El led de trabajo **10** se ilumina al pulsar ligeramente o presionar hasta el fondo el interruptor de encendido/apagado **11**. De esta manera, puede iluminarse la zona de trabajo en caso de que las condiciones de luminosidad sean desfavorables.

Apagado

- ◆ Para apagar el aparato, suelte el interruptor de encendido/apagado **11**.

Ajuste de la velocidad/par de apriete

- ◆ Si pulsa ligeramente el interruptor de encendido/apagado **11**, la velocidad/par de apriete serán reducidos. Si ejerce una mayor presión, aumentará la velocidad/par de apriete.
- El par de apriete depende de la velocidad seleccionada y de la duración del impacto.

⚠ ¡ATENCIÓN!

- ◆ ¡Por norma general, el par de apriete generado debe comprobarse con una llave dinámica!

INDICACIÓN

- El freno integrado del motor permite detener el aparato rápidamente.

Cambio del sentido de giro

- ◆ Para cambiar el sentido de giro, pulse el interruptor de cambio del sentido de giro ④ y desplácelo hacia la derecha o hacia la izquierda.

Inserción de las puntas

- ◆ Coloque el adaptador ⑫ o el soporte para puntas ⑬ en el portaherramientas ①.
- ◆ Para ello, tire del casquillo de bloqueo ② hacia atrás para que el adaptador ⑫ o el soporte para puntas ⑬ queden encastrados.

Mantenimiento y limpieza



¡ADVERTENCIA! ¡PELIGRO DE LESIONES! Antes de realizar cualquier tarea en el aparato, apáguelo y extraiga la batería.

Este aparato no requiere mantenimiento.

- El aparato debe estar siempre limpio, seco y sin restos de aceite ni grasas lubricantes.
- Evite que pueda penetrar cualquier líquido en el interior del aparato.
- Utilice un paño seco para la limpieza de la carcasa. No utilice nunca bencina, disolventes ni productos de limpieza que puedan dañar el plástico.
- Si pretende almacenar la batería de iones de litio durante un periodo prolongado de tiempo, debe comprobar regularmente el nivel de carga. El nivel de carga óptimo está entre el 50 % y el 80 %. Debe almacenarse el producto en un lugar fresco y seco.

INDICACIÓN

- Los recambios no especificados (p. ej., escobillas de carbón o interruptores) pueden solicitarse a través de nuestro servicio de asistencia técnica.

Garantía de Kompennass Handels GmbH

Estimado cliente:

Este aparato cuenta con una garantía de 3 años a partir de la fecha de compra. Si se detectan defectos en el producto, puede ejercer sus derechos legales frente al vendedor. Estos derechos legales no se ven limitados por la garantía descrita a continuación.

Condiciones de la garantía

El plazo de la garantía comienza con la fecha de compra. Guarde bien el comprobante de caja, ya que lo necesitará como justificante de compra.

Si dentro de un periodo de tres años a partir de la fecha de compra de este producto se detecta un defecto en su material o un error de fabricación, asumiremos la reparación o sustitución gratuita del producto o restituiremos el precio de compra a nuestra elección. La prestación de la garantía requiere la presentación del aparato defectuoso y del justificante de compra (comprobante de caja), así como una breve descripción por escrito del defecto detectado y de las circunstancias en las que se haya producido dicho defecto, dentro del plazo de tres años.

Si el defecto está cubierto por nuestra garantía, le devolveremos el producto reparado o le suministraremos uno nuevo. La reparación o sustitución del producto no supone el inicio de un nuevo periodo de garantía.

Las baterías de la serie X 12 V y X 20 V Team cuentan con una garantía de 3 años a partir de la fecha de compra.

Duración de la garantía y reclamaciones legales por vicios

La duración de la garantía no se prolonga por hacer uso de ella. Este principio también se aplica a las piezas sustituidas y reparadas. Si después de la compra del aparato, se detecta la existencia de daños o de defectos al desembalarlo, deben notificarse de inmediato. Cualquier reparación que se realice una vez finalizado el plazo de garantía estará sujeta a costes.

Alcance de la garantía

El aparato se ha fabricado cuidadosamente según estándares elevados de calidad y se ha examinado en profundidad antes de su entrega.

La prestación de la garantía se aplica a defectos en los materiales o errores de fabricación. Esta garantía no cubre las piezas del producto normalmente sometidas al desgaste y que, en consecuencia, puedan considerarse piezas de desgaste ni los daños producidos en los componentes frágiles, p. ej., interruptores o piezas de vidrio.

Se anulará la garantía si el producto se daña o no se utiliza o mantiene correctamente. Para utilizar correctamente el producto, deben observarse todas las indicaciones especificadas en las instrucciones de uso. Debe evitarse cualquier uso y manejo que esté desaconsejado o frente al que se advierta en las instrucciones de uso.

El producto está previsto exclusivamente para su uso privado y no para su uso comercial. En caso de manipulación indebida e incorrecta, uso de la fuerza y apertura del aparato por personas ajenas a nuestros centros de asistencia técnica autorizados, la garantía perderá su validez.

La garantía no cubre los siguientes casos

- Desgaste normal de la capacidad de la batería.
- Uso comercial o industrial del producto.
- Daño o alteración del producto por parte del cliente.
- Incumplimiento de las instrucciones de seguridad y mantenimiento y errores en el manejo.
- Daños provocados por fuerza mayor.

Proceso de reclamación conforme a la garantía

Para garantizar una tramitación rápida de su reclamación, le rogamos que observe las siguientes indicaciones:

- Mantenga siempre a mano el comprobante de caja y el número de artículo (IAN) 380745_2110 como justificante de compra.
- Podrá ver el número de artículo en la placa de características del producto, grabado en el producto, en la portada de las instrucciones de uso (parte inferior izquierda) o en el adhesivo de la parte trasera o inferior del producto.
- Si se producen errores de funcionamiento u otros defectos, póngase primero en contacto con el departamento de asistencia técnica especificado a continuación **por teléfono o por correo electrónico**.
- Podrá enviar el producto calificado como defectuoso junto con el justificante de compra (comprobante de caja) y la descripción del defecto y de las circunstancias en las que se haya producido de forma gratuita a la dirección de correo proporcionada.



En www.lidl-service.com, podrá descargar este manual de usuario y muchos otros más, así como vídeos sobre los productos y software de instalación.

Con este código QR, accederá directamente a la página del Servicio Lidl (www.lidl-service.com) y podrá abrir las instrucciones de uso mediante la introducción del número de artículo (IAN) 380745_2110.

⚠ ¡ADVERTENCIA!

- ▶ Encomiende exclusivamente la reparación del aparato al servicio de asistencia técnica o a un electricista especializado y solo con los recambios originales. De esta forma, se garantizará que la seguridad del aparato no se vea afectada.
- ▶ Encomiende siempre la sustitución del enchufe o del cable de red al fabricante del aparato o a su servicio de asistencia técnica. De esta forma, se garantizará que la seguridad del aparato no se vea afectada.

Asistencia técnica

ES Servicio España
Tel.: 900 984 989
E-Mail: kompernass@idl.es

IAN 380745_2110

Importador

Tenga en cuenta que la dirección siguiente no es una dirección de asistencia técnica. Póngase primero en contacto con el centro de asistencia técnica especificado.

KOMPERNASS HANDELS GMBH
BURGSTRASSE 21
44867 BOCHUM
ALEMANIA
www.kompernass.com

Desecho



No deseche las herramientas eléctricas con la basura doméstica.

El símbolo adyacente de un contenedor tachado sobre unas ruedas indica que este aparato está sujeto a la Directiva 2012/19/EU. Dicha Directiva estipula que el aparato no debe desecharse con la basura doméstica normal al finalizar su vida útil, sino en puntos de recogida, puntos limpios o a través de empresas de desechos previstas especialmente para ello.

Este tipo de desecho es gratuito. Cuide el medio ambiente y deseche el aparato de la manera adecuada.



Puede informarse acerca de las posibilidades de desecho de los aparatos usados en su administración municipal o ayuntamiento.



Li-ion

¡No deseche la batería con la basura doméstica!

Las baterías defectuosas o agotadas deben reciclarse según la Directiva 2006/66/EC. Las pilas/baterías son residuos especiales que deben desecharse de forma ecológica a través de las entidades correspondientes (comercios, distribuidores especializados, instalaciones públicas municipales o empresas de desechos industriales). Las pilas/baterías pueden contener metales pesados tóxicos.

Por lo tanto, las pilas/baterías no deben desecharse con la basura doméstica, sino reciclarse por separado. Devuelva las pilas o baterías exclusivamente en estado descargado.



El embalaje consta de materiales ecológicos que pueden desecharse a través de los centros de reciclaje locales.



Deseche el embalaje de forma respetuosa con el medio ambiente. Observe las indicaciones de los distintos materiales de embalaje y, si procede, reciclelos de la manera correspondiente. Los materiales de embalaje cuentan con abreviaciones (a) y cifras (b) que significan lo siguiente: 1-7: plásticos; 20-22: papel y cartón; 80-98: materiales compuestos.



Este producto es reciclable, está sujeto a una responsabilidad ampliada del fabricante y se recoge por separado.

Declaración de conformidad original

En virtud del presente documento, nosotros, KOMPERNASS HANDELS GMBH, responsable de los documentos: Semi Uguzlu, BURGSTR. 21, 44867 BOCHUM (ALEMANIA), declaramos que este producto cumple con lo dispuesto por las siguientes normas, documentos normativos y directivas CE:

Directiva relativa a las máquinas
(2006/42/EC)

Directiva CE de bajo voltaje (solo cargador)
(2014/35/EU)

Compatibilidad electromagnética
(2014/30/EU)

Directiva sobre las restricciones a la utilización de determinadas sustancias peligrosas en aparatos eléctricos y electrónicos
(2011/65/EU)*

* La responsabilidad exclusiva de la expedición de esta declaración de conformidad recaerá sobre el fabricante. El objeto descrito de la declaración cumple con las disposiciones de la Directiva 2011/65/UE del Parlamento Europeo y del Consejo del 8 de junio de 2011 sobre las restricciones a la utilización de determinadas sustancias peligrosas en aparatos eléctricos y electrónicos.

Normas armonizadas aplicadas

EN 62841-1:2015

EN 62841-2-2:2014

EN 55014-1:2017

EN 55014-2:2015

EN IEC 63000:2018

Tipo/denominación del aparato: Atornilladora de impacto recargable PDSSA 20-Li A1

Año de fabricación: 01-2022

Número de serie: IAN 380745_2110

Bochum, 31/01/2022



Semi Uguzlu

- Responsable de calidad -

Reservado el derecho a realizar modificaciones técnicas en relación con el desarrollo tecnológico.

Pedido de una batería de repuesto

Si desea solicitar una batería de repuesto para su aparato, puede hacerlo cómodamente por Internet en www.kompernass.com o por teléfono.

No obstante, es posible que este artículo se agote rápidamente debido a las existencias limitadas.



INDICACIÓN

- ▶ Es posible que, en algunos países, no pueda realizarse el pedido de recambios por Internet. En tal caso, póngase en contacto con la línea de atención al cliente.

Pedido por teléfono

ES Servicio España Tel.: 900 984 989

Para garantizar la rápida tramitación de su pedido, tenga a mano el número de artículo (IAN 380745_2110) del aparato para todas sus consultas. Podrá consultar el número de artículo en la placa de características o en la portada de estas instrucciones de uso.

Indholdsfortegnelse

Indledning	110
Anvendelsesområde	110
Udstyr	110
Pakkens indhold	110
Tekniske data	110
Generelle sikkerhedsanvisninger til elværktøj	111
1. Sikkerhed på arbejdspladsen	112
2. Elektrisk sikkerhed	112
3. Personsikkerhed	112
4. Anvendelse og behandling af elværktøjet	113
5. Anvendelse og behandling af det batteridrevne værktøj	113
6. Service	114
Sikkerhedsanvisninger specielt for slagskruemaskiner	114
Originalt tilbehør/originalt ekstraudstyr	114
Sikkerhedsanvisninger for opladere	114
Før første brug	115
Opladning af batteripakken (se fig. A)	115
Indsætning/udtagning af batteripakke	115
Kontrol af batteriets tilstand	115
Første brug	115
Tænd/sluk	115
Indstilling af omdrejningstal/tilspændingsmoment	115
Omskiftning af omdrejningsretning	116
Indsætning af bits	116
Vedligeholdelse og rengøring	116
Garanti for Kompernass Handels GmbH	116
Service	118
Importør	118
Bortskaffelse	118
Oversættelse af den originale overensstemmelseserklæring	119
Bestilling af reservebatteri	120
Telefonisk bestilling	120

BATTERIDREVEN SLAGNØGLE PDSSA 20-Li A1

Indledning

Tillykke med købet af dit nye produkt. Du har valgt et produkt af høj kvalitet. Betjeningsvejledningen er en del af dette produkt. Den indeholder vigtige informationer om sikkerhed, anvendelse og bortskaffelse. Du bør sætte dig ind i alle produktets betjenings- og sikkerhedsanvisninger før brug. Brug kun produktet som beskrevet og kun til de angivne anvendelsesområder. Lad vejledningen følge med produktet, hvis du giver det videre til andre.

Anvendelsesområde

Med dette produkt kan du skrue skruer ind og løsne dem samt stramme og løsne møtrikker. Produktet er udstyret med højre-/venstreløb, en 1/4" unbrako-bitholder og en LED-arbejdslampe. Lyset i dette produkt er beregnet til oplysning af produktets direkte arbejdsområde. Takket være produktets drejeslagfunktion omdannes motoreffekten til ensartede drejeslag. Slagværket aktiveres, når skruer og møtrikker strammes og løsnes.

Produktet må kun bruges af voksne. Unge over 16 år må kun bruge produktet under opsyn.

Producenten er ikke ansvarlig for skader, der skyldes anvendelse til andre formål end anvendelsesområdet eller forkert betjening.

Brug kun produktet som beskrevet og kun til de angivne anvendelsesområder. Produktet er ikke beregnet til erhvervsmæssig brug. Enhver anden anvendelse eller ændring af produktet anses for at være uden for anvendelsesområdet og indebærer betydelige farer for uheld. Producenten påtager sig intet ansvar for skader, der opstår som følge af anvendelse uden for anvendelsesområdet.

Udstyr

- ❶ Værktøjsholder
- ❷ Låsekappe
- ❸ Bit-holder (magnetisk)
- ❹ Omskifter til omdrejningsretning/spærring
- ❺ Bælteclips
- ❻ Knap til kontrol af batteriets tilstand
- ❼ Batteriets display-LED
- ❽ Batteripakke*
- ❾ Knap til frigørelse af batteripakken
- ❿ LED-arbejdslampe
- ⓫ TÆND-/SLUK-knap/hastighedsregulator
- ⓬ Adapter til 1/4" firkant
- ⓭ Bitholder
- ⓮ Hurtigoplader*
- ⓯ Rød LED til kontrol af opladning
- ⓰ Grøn ladekontrol-LED

Pakkens indhold

- 1 batteridreven slag-nøgle PDSSA 20-Li A1
- 1 adapter til 1/4" firkant
- 1 1/4" forlænger (50 mm)
- 1 bælteclips
- 1 taske
- 1 betjeningsvejledning

Tekniske data

Batteridreven slag-nøgle PDSSA 20-Li A1

Mærkespænding	20 V $\overline{\text{---}}$ (jævnstrøm)
Tomgangshastighed	n_0 0–2800 min ⁻¹
Nominal slagfrekvens	0–3600 min ⁻¹
Maks. drejningsmoment	180 Nm
Egnet til metalskrue	≤ M8
Egnet til træskrue	≤ 8 mm Ø
Værktøjsholder	1/4"

Genopladeligt batteri PAP 20 A1 *

Type	LITHIUM-ION
Mærkespænding	20 V \equiv (jævnstrøm)
Kapacitet	2 Ah
Celler	5

Hurtigoplader PLG 20 A1 *

INDGANG/input

Mærkespænding	230-240 V \sim , 50 Hz (vekselstrøm)
---------------	---

Nominelt effektforbrug	65 W
------------------------	------

Sikring (intern)	3,15 A
------------------	--------

UDGANG/output

Mærkespænding	21,5 V \equiv (jævnstrøm)
---------------	-----------------------------

Mærkestrøm	2,4 A
------------	-------

Opladningstid	ca. 60 min
---------------	------------

Beskyttelsesklasse	II/ (dobbeltisolering)
--------------------	------------------------

* BATTERI OG OPLADER ER IKKE I LEVERING
BEMÆRKET

Støjemissionsværdi

Måleværdi for støj beregnet iht. EN 62841. Det A-vægtede støjniveau for elværktøjet udgør typisk:

Lydrykniveau	$L_{PA} = 83$ dB (A)
--------------	----------------------

Usikkerhed	$K_{PA} = 3$ dB
------------	-----------------

Lydeffektniveau	$L_{WA} = 94$ dB (A)
-----------------	----------------------

Usikkerhed	$K_{WA} = 3$ dB
------------	-----------------

Vibrationsemissionsværdi

Samlede vibrationsværdier (vektorsum i tre retninger) beregnet iht. EN 62841:

Tilspænding af skruer og møtrikker af maksimalt tilladt størrelse	$a_h = 5,677$ m/s ²
---	--------------------------------

Usikkerhed	$K = 1,5$ m/s ²
------------	----------------------------

Bær høreværn!

BEMÆRK

- ▶ De angivne samlede vibrationsværdier og de angivne vibrationsemissionsværdier er målt iht. standardiserede testmetoder og kan anvendes til sammenligning af forskellige elværktøjer.
- ▶ De angivne samlede vibrationsværdier og de angivne støjemissionsværdier kan også anvendes til en indledende vurdering af faren ved belastningen.

ADVARSEL!

- ▶ Svingsnings- og støjemissionen kan afvige fra de angivne værdier under den faktiske anvendelse af elværktøjet afhængigt af måden, elværktøjet anvendes på og især af emnet, der forarbejdes.
- ▶ Prøv at holde belastningen så lav som muligt. Vibrationsbelastningen kan f.eks. reduceres ved brug af handsker ved anvendelse af værktøjet samt ved nedsættelse af den tid, værktøjet bruges. Her skal der tages hensyn til hele driftscyklussen (f.eks. perioder, hvor elværktøjet er slukket, og perioder, hvor det er tændt, men kører uden belastning).



Generelle sikkerhedsanvisninger til elværktøj

ADVARSEL!

- ▶ **Læs alle sikkerhedsanvisninger, instruktioner, illustrationer og tekniske data, som dette elværktøj er forsynet med.** Hvis de efterfølgende anvisninger ikke overholdes, kan det medføre elektrisk stød, brand og/eller alvorlige kvæstelser.

Opbevar sikkerhedsanvisningerne og -instruktionerne til senere brug.

Begrebet "elværktøj", der anvendes i sikkerhedsanvisningerne, henviser både til elværktøj, der anvendes med ledning til lysnettet, og batteridrevet elværktøj (uden strømledning).

1. Sikkerhed på arbejdspladsen

- a) Hold arbejdspladsen ren og godt oplyst. Rod og dårligt oplyste arbejdspladser kan medføre uheld.
- b) Arbejd aldrig med elværktøj i eksplosionsfarlige omgivelser, hvor der befinder sig brændbare væsker, gasser eller støv. Elværktøj danner gnister, som kan antænde støvet eller dampene.
- c) Hold børn og andre personer på afstand, når elværktøjet bruges. Hvis du bliver distraheret, kan du miste kontrollen over elværktøjet.

2. Elektrisk sikkerhed

- a) Elværktøjets tilslutningsstik skal passe ind i stikkontakten. Stikket må ikke ændres på nogen måde.
Der må ikke bruges adapterstik sammen med beskyttelsesjordet elværktøj. Uændrede stik og de rigtige stikkontakter reducerer risikoen for elektrisk stød.
- b) Undgå kropskontakt med jordforbundne overflader som f.eks. rør, radiatorer, komfurer og køleskabe. Der er øget risiko for elektrisk stød, hvis din krop har jordforbindelse.
- c) Hold elværktøjet væk fra regn og fugt. Hvis der kommer vand ind i elværktøjet, er der forhøjet risiko for elektrisk stød.
- d) Brug ikke tilslutningsledningen til noget, den ikke er beregnet til, f.eks. til at bære eller hænge værktøjet op i eller til at trække stikket ud af stikkontakten. Hold tilslutningsledningen på afstand af varme, olie, skarpe kanter eller bevægelige dele. Beskadigede eller sammenflettede tilslutningsledninger øger risikoen for elektrisk stød.
- e) Hvis du anvender elværktøj udendørs, må du kun bruge forlængerledninger, som også er godkendt til udendørs brug. Når du anvender en forlængerledning, der er beregnet til udendørs brug, reduceres risikoen for elektrisk stød.
- f) Hvis det ikke er muligt at undgå at bruge elværktøjet i fugtige omgivelser, skal der installeres en fejlstrømsafbryder. Installation af en fejlstrømsafbryder reducerer risikoen for elektrisk stød.

3. Personssikkerhed

- a) Vær opmærksom og bevidst om, hvad du laver, og arbejd fornuftigt med elværktøjet. Brug ikke elværktøjet, hvis du er ukoncentreret eller påvirket af narkotika, alkohol eller medicin. Selv et øjeblik uopmærksomhed ved brug af elværktøjet kan medføre alvorlige kvæstelser.
- b) Brug personligt beskyttelsesudstyr, og bær altid beskyttelsesbriller. Når du bruger personligt beskyttelsesudstyr som støvmaske, skridsikre sikkerhedssko, beskyttelseshandsker, sikkerhedshjelm og høreværn afhængigt af elværktøjets type og anvendelse, reduceres risikoen for personskader.
- c) Undgå uønsket igangsætning. Kontrollér, at elværktøjet er slukket, før du forbinder det med elforsyningen og/eller tilslutter batteriet, løfter elværktøjet eller bærer det. Hvis du bærer elværktøjet rundt med fingeren på kontakten, eller hvis elværktøjet sluttes til strømforsyningen, mens det er tændt, kan der opstå uheld.
- d) Fjern indstillingsværktøj eller skrueøgler, før du tænder for elværktøjet. Hvis der sidder et værktøj eller en skrueøgler på en roterende del af elværktøjet, kan det medføre personskader.
- e) Undgå unormale kroppsstillinger. Sørg for, at du står sikkert, og hold altid balancen. Derved kan du bedre kontrollere elværktøjet i uventede situationer.
- f) Bær velegnet påklædning. Bær ikke løstsiddende tøj eller smykker. Hold hår og tøj på afstand af dele, der bevæger sig. Løst tøj, smykker eller hår kan gribe fat i dele, der bevæger sig.
- g) Hvis der kan monteres støvopsugnings- og opsamlingsanordninger, skal disse tilsluttes og anvendes korrekt. Anvendelse af denne type anordninger nedsætter støvriskoen.
- h) Lad dig ikke lulle ind i en falsk følelse af sikkerhed, og tilsidesæt ikke sikkerhedsreglerne for elværktøj, selv om du er fortrolig med elværktøjet efter mange ganges anvendelse. Uforsigtige handlinger kan føre til alvorlige kvæstelser på en brøkdæl af et sekund.

4. Anvendelse og behandling af elværktøjet

- a) Overbelast ikke elværktøjet. Brug et elværktøj, der er egnet til arbejdet. Du arbejder bedre og mere sikkert i det angivne effektområde, hvis du bruger det rigtige elværktøj.
- b) Brug ikke elværktøj med defekt kontakt. Elværktøj, som ikke længere kan tændes og slukkes, er farligt og skal repareres.
- c) Træk stikket ud af stikkontakten og/eller fjern det aftagelige batteri, før du foretager indstillinger på produktet, udskifter indsatsværktøj eller lægger elværktøjet fra dig. Disse forholdsregler forhindrer, at elværktøjet starter ved en fejl.
- d) Opbevar elværktøj uden for børns rækkevidde, når værktøjet ikke anvendes. Personer, som ikke kender elværktøjet, eller som ikke har læst disse anvisninger, må ikke bruge produktet. Elværktøj er farligt, hvis det anvendes af uerfarne personer.
- e) Vedligehold elværktøjet og dets indsatsværktøj omhyggeligt. Kontrollér, om bevægelige dele fungerer, som de skal og ikke sætter sig fast, om dele er defekte eller så beskadigede, at elværktøjets funktion er forringet. Få beskadigede dele repareret, inden du bruger elværktøjet. Mange uheld skyldes dårligt vedligeholdt elværktøj.
- f) Hold skærende værktøj skarpt og rent. Omhyggeligt vedligeholdt værktøj med skarpe skær sætter sig ikke så ofte fast og er lettere at styre.
- g) Brug elværktøj, indsatsværktøj, udskiftelige dele osv. iht. disse anvisninger. Tag hensyn til arbejdsbetingelserne og det arbejde, der skal udføres. Anvendelse af elværktøj til andet end den tilsigtede anvendelse kan føre til farlige situationer.
- h) Hold håndtag og gribeblader tørre, rene og fri for olie og fedt. Glatte håndtag og gribeblader gør sikker betjening og kontrol over elværktøjet umulig i uforudsete situationer.

5. Anvendelse og behandling af det batteridrevne værktøj

- a) Oplad kun batterierne med opladere, som producenten har anbefalet. Hvis du bruger en oplader, der er beregnet til en bestemt type batterier, er der fare for brand, hvis den anvendes sammen med andre batterier.
- b) Brug kun batterier, der er beregnet til elværktøjet. Anvendelse af andre batterier kan medføre personskader og brandfare.
- c) Når batteriet ikke benyttes, skal det holdes borte fra kontorclips, mønter, nøgler, søm, skruer eller andre små metalgenstande, som kan forårsage kortslutning mellem kontakterne. Kortslutning mellem batteriets kontakter kan medføre forbrændinger eller brand.
- d) Ved forkert anvendelse kan der løbe væske ud af batteriet. Undgå kontakt med denne væske. Skyl efter med vand, hvis du alligevel kommer i kontakt med væsken. Hvis væsken kommer i øjnene, skal du søge læge. Batterivæske, der løber ud, kan medføre hudirritationer eller forbrændinger.
- e) Brug aldrig et beskadiget eller modificeret batteri. Beskadigede eller modificerede batterier kan føre til uforudsigelig funktion samt til brand, eksplosioner eller risiko for personskader.
- f) Udsæt ikke batteriet for ild eller høje temperaturer. Ild eller temperaturer over 130 °C (265 °F) kan forårsage eksplosioner.
- g) Følg alle anvisninger for opladning, og oplad aldrig batteriet eller batteridrevet værktøj uden for det temperaturinterval, som er angivet i betjeningsvejledningen. Forkert opladning eller opladning uden for det tilladte temperaturinterval kan ødelægge batteriet og øge brandfaren.



FORSIGTIG! EKSPLOSIONSFARE!

Oplad aldrig batterier, der ikke er beregnet til det.



Beskyt batteriet mod varme på grund af f.eks. konstant sollys, ild, vand og fugt. Fare for eksplosion.

6. Service

- a) Lad kun en kvalificeret reparatør reparere dit elværktøj og kun med originale reservedele. Derved garanteres det, at elværktøjets sikkerhed bevares.
- b) Vedligehold aldrig beskadigede batterier. Vedligeholdelse af batterier må kun udføres af producenten eller et autoriseret serviceværksted.

Sikkerhedsanvisninger specielt for slagskruemaskiner

- Bær høreværn ved slagskruning. Støjpåvirkningen kan medføre høretab.
- Sørg for at fastgøre emnet. Emner, der er fastgjort med en spændeanordning eller skruestik, holdes mere sikkert end med hånden.
- Hold godt fast i elværktøjet. Når skruer fastspændes og løsnes, kan der kortvarigt forekomme høje reaktionsmomenter.
- Vent, til elværktøjet er stille, før du lægger det fra dig. Indsatsværktøjet kan sætte sig fast og føre til, at man mister kontrollen over elværktøjet.
- Hold elværktøjet ved de isolerede gribeoverflader, når du udfører arbejde, hvor skruen kan ramme skjulte kraftledninger. Kontakten mellem skruen eller indsatsværktøjet og en spændingsførende ledning kan også sætte produktdele af metal under spænding og medføre elektrisk stød.

Originalt tilbehør/originalt ekstraudstyr

- Brug kun tilbehør og ekstraudstyr, som er angivet i betjeningsvejledningen, eller hvis monteringen er kompatibel med elværktøjet.

ADVARSEL!

- Brug ikke tilbehør, som ikke er anbefalet af PARKSIDE. Det kan føre til elektrisk stød og brand.

Sikkerhedsanvisninger for opladere

- Dette produkt kan bruges af børn fra 8 år og derover og af personer med nedsatte fysiske, motoriske eller mentale evner eller manglende erfaring og/eller viden, hvis de er under opsyn eller undervises i sikker brug af produktet og de farer, der kan være forbundet med det. Børn må ikke lege med produktet. Rengøring og brugervedligeholdelse må ikke udføres af børn uden opsyn.
- Hvis dette produkts tilslutningsledning beskadiges, skal den udskiftes af producenten eller dennes kundeservice eller af en person med tilsvarende kvalifikationer, så farlige situationer undgås.



Opladeren er kun beregnet til indendørs brug.

ADVARSEL!

- Hvis dette produkts tilslutningsledning beskadiges, skal den udskiftes af producenten eller dennes kundeservice eller af en person med tilsvarende kvalifikationer, så farlige situationer undgås.

OBS!

- ▶ Denne oplader kan kun oplade følgende batterier: PAP 20 A1/PAP 20 A2/PAP 20 A3/PAP 20 B1/PAP 20 B3/PAPS 204 A1/PAPS 208 A1.
- ▶ Der findes en opdateret liste for batteri-kompatibiliteten på www.lidl.de/akku.



OBS! Varm overflade. Der er fare for forbrænding.

Før første brug

Opladning af batteripakken (se fig. A)

⚠ FORSIGTIG!

- ▶ Træk altid strømstikket ud, før du tager batteripakken ud af opladeren eller sætter den ind.

BEMÆRK

- ▶ Oplad aldrig batteri-pakken, hvis den omgivende temperatur er under 10 °C eller over 40 °C. Hvis litium-ion batteriet skal opbevares i længere tid, skal dets opladningstilstand kontrolleres regelmæssigt. Den optimale opladningstilstand er mellem 50 % og 80 %. Opbevaringsforholdene skal være kølige og tørre med en omgivende temperatur på mellem 0 °C og 50 °C.

- ◆ Sæt batteripakken **8** ind i hurtigopladeren **14** (se fig. A).
- ◆ Sæt strømstikket i stikkontakten. Kontrol-LED **15** lyser rødt.
- ◆ Den grønne kontrol-LED **15** viser, at opladningen er afsluttet, og at batteripakken **8** kan anvendes.

⚠ OBS!

- ◆ Hvis den røde kontrol-LED **15** blinker, er batteripakken **8** overophedet og kan ikke oplades.
- ◆ Hvis den røde og grønne kontrol-LED **15** **16** blinker samtidig, er batteripakken **8** defekt.
- ◆ Sæt batteripakken **8** ind i produktet.
- ◆ Sluk opladeren i mindst 15 minutter mellem opladninger, der foretages lige efter hinanden. Det gøres ved at trække stikket ud.

Indsætning/udtagning af batteripakke

Indsætning af batteripakken

- ◆ Stil omskifteren for omdrejningsretning **4** på midterstillingen (spærring). Sæt batteripakken **8** ind i håndtaget, til den klikker på plads.

Udtagning af batteripakken

- ◆ Tryk på knappen til frigørelse **9**, og tag batteripakken ud.

Kontrol af batteriets tilstand

- ◆ Tryk på knappen batteritilstand **6** for at kontrollere tilstanden (se endvidere hovedbilledet). Tilstanden eller resteffekten vises på følgende måde i batteriets display-LED **7**:
RØD/ORANGE/GRØN = maksimal opladning
RØD/ORANGE = mellem-opladning
RØD = svag opladning - oplad batteriet

Første brug

Tænd/sluk

Sådan tænder du

- ◆ Tryk på TÆND-/SLUK-knappen **11** for at tænde produktet, og bliv ved med at trykke på den. LED-arbejdslampen **10** lyser, når der trykkes lidt eller helt på TÆND-/SLUK-knappen **11**. Arbejdslampen gør det muligt at oplyse arbejdsområdet ved dårlige lysforhold.

Sådan slukker du

- ◆ Slip TÆND-/SLUK-knappen **11** for at slukke for produktet.

Indstilling af omdrejningstal/ tilspændingsmoment

- ◆ Et let tryk på TÆND-/SLUK-knappen **11** giver et lavt omdrejningstal/tilspændingsmoment. Ved forøgelse af trykket forhøjes omdrejningstallet/tilspændingsmomentet.
- Tilspændingsmomentet afhænger af valgt omdrejningstal og slagvarighed.

⚠ OBS!

- ◆ Det faktiske opnåede tilspændingsmoment skal kontrolleres med en momentnøgle!

BEMÆRK

- ▶ Den integrerede motorbremse giver hurtig standstill.

Omskiftning af omdrejningsretning

- ◆ Skift omdrejningsretningen ved at stille omskifteren til omdrejningsretning ④ til højre eller venstre.

Indsætning af bits

- ◆ Sæt adapteren ⑫ eller bitholderen ⑬ ind i værktøjsholderen ①.
- ◆ Træk låsekappen ② til bagsiden, og lad adapteren ⑫ eller bitholderen ⑬ gå i indgreb.

Vedligeholdelse og rengøring



ADVARSEL! FARE FOR PERSON-SKADER! Sluk altid produktet før arbejdet, og tag batteriet ud.

Produktet er vedligeholdelsesfrit.

- Produktet skal altid være rent, tørt og uden olie eller smørefedt.
- Der må ikke komme væske ind i produktet.
- Brug en tør klud til rengøring af huset. Brug aldrig benzin, opløsningsmidler eller rensmidler, som angriber plast.
- Hvis lithium-ion-batteriet skal opbevares i længere tid, skal dets opladningstilstand kontrolleres regelmæssigt. Den optimale opladningstilstand er mellem 50 % og 80 %. Det optimale opbevaringsklima er køligt og tørt.

BEMÆRK

- Reservedele, som ikke er angivet (som f.eks. kulbørster, kontakter), kan bestilles hos vores service-hotline.

Garanti for Kompennass Handels GmbH

Kære kunde

På dette produkt får du 3 års garanti fra købsdatoen. I tilfælde af mangler ved produktet har du en række juridiske rettigheder i forhold til sælgeren af produktet. Dine juridiske rettigheder forringes ikke af den nedenfor anførte garanti.

Garantibetingelser

Garantiperioden begynder på købsdatoen. Opbevar venligst kvitteringen et sikkert sted. Den er nødvendig for at kunne dokumentere købet.

Hvis der inden for tre år fra dette produkts købsdato opstår en materiale- eller fabrikationsfejl, vil produktet – efter vores valg – blive repareret eller udskiftet, eller købsprisen vil blive refunderet gratis til dig. Denne garantiydelse forudsætter, at det defekte produkt afleveres, og købsbeviset (kvitteringen) forevises i løbet af fristen på tre år, og at der gives en kort skriftlig beskrivelse af, hvori manglen består, og hvornår den er opstået.

Hvis defekten er dækket af vores garanti, får du et repareret eller et nyt produkt retur. Reparation eller ombytning af produktet udløser ikke en ny garantiperiode.

På batteripakker i X 12 V og X 20 V Team-serien får du 3 års garanti fra købsdatoen.

Garantiperiode og juridiske mangelkrav

Garantiperioden forlænges ikke, hvis der gøres brug af garantien. Det gælder også for udskiftede og reparerede dele. Skader og mangler, som eventuelt allerede fandtes ved køb, samt manglende dele, skal anmeldes straks efter udpakningen. Når garantiperioden er udløbet, er reparation af skader betalingspligtig.

Garantiens omfang

Produktet er produceret omhyggeligt efter strenge kvalitetsretningslinjer og testet grundigt inden leveringen.

Garantien dækker materiale- og fabrikationsfejl. Denne garanti omfatter ikke produktdele, der er udsat for normal slitage og derfor kan betragtes som sliddele, eller skader på skrøbelige dele som f.eks. kontakter eller dele af glas.

Denne garanti bortfalder, hvis produktet er blevet beskadiget, ikke er forskriftsmæssigt anvendt eller vedligeholdt. For at sikre forskriftsmæssig anvendelse af produktet skal alle anvisninger nævnt i betjeningsvejledningen nøje overholdes. Anvendelsesformål og handlinger, som frarådes eller der advares imod i betjeningsvejledningen, skal ubetinget undgås.

Produktet er kun beregnet til privat og ikke til kommercielt brug. Ved misbrug og uhensigtsmæssig brug, anvendelse af vold og ved indgreb, som ikke er foretaget af vores autoriserede serviceafdeling, bortfalder garantien.

Garantiperioden gælder ikke ved

- Normalt forbrug af batteriets kapacitet
- Erhvervs-mæssig anvendelse af produktet
- Beskadigelser eller ændringer på produktet udført af kunden
- Manglende overholdelse af sikkerheds- og vedligeholdelsesforskrifter, betjeningsfejl
- Skader som følge af naturkatastrofer

Afvikling af garantisager

For at sikre en hurtig behandling af din anmeldelse bør du følge nedenstående anvisninger:

- Ved alle forespørgsler bedes du have kvitteringen og artikelnummeret (IAN) 380745_2110 klar som dokumentation for købet.
- Artikelnummeret kan du finde på typeskiltet på produktet, som indgravering på produktet, på betjeningsvejledningens forside (nederst til venstre) eller som klæbemærke på bag- eller undersiden af produktet.
- Hvis der opstår funktionsfejl eller øvrige mangler, bedes du først kontakte nedennævnte serviceafdeling **telefonisk** eller **via e-mail**.
- Et produkt, der er registreret som defekt, kan du derefter indsende portofrit til den oplyste serviceadresse med vedlæggelse af købsbevis (kvittering) og en beskrivelse af, hvori manglen består, og hvornår den er opstået.



På www.lidl-service.com kan du downloade denne og mange andre manualer, produktvideoer og installationssoftware.

Med denne QR-kode kommer du direkte til Lidl-servicesiden (www.lidl-service.com) og kan åbne den ønskede betjeningsvejledning ved indtastning af artikelnummeret (IAN) 380745_2110.

⚠ ADVARSEL!

- ▶ Få produktet repareret hos et serviceværksted eller af en elektriker og kun med originale reservedele. Derved garanteres det, at produktets sikkerhed bevares.
- ▶ Lad altid produktets producent eller dennes kundeservice udskifte stikket eller ledningen. Derved garanteres det, at produktets sikkerhed bevares.

Service

DK Service Danmark
 Tel.: 32 710005
 E-Mail: kompernass@lidl.dk
 IAN 380745_2110

Importør

Bemærk at den efterfølgende adresse ikke er en serviceadresse. Kontakt først det nævnte servicested.
 KOMPERNASS HANDELS GMBH
 BURGSTRASSE 21
 44867 BOCHUM
 TYSKLAND
 www.kompernass.com

Bortskaffelse



Smid ikke elværktøj ud sammen med husholdningsaffaldet!

Det viste symbol med den overstregede affaldscontainer på hjul viser, at dette produkt er underlagt direktivet 2012/19/EU. Dette direktiv angiver, at produktet ikke må bortskaffes sammen med det normale husholdningsaffald, når dets brugstid er omme, men skal afleveres på specielle indsamlingssteder, genbrugspladser eller affaldsvirksomheder.

Denne bortskaffelse er gratis for dig. Skån miljøet, og bortskaf produktet korrekt.



Du kan få oplysninger hos kommunen om bortskaffelse af udtjente produkter.



Li-ion

Smid ikke batterier ud sammen med husholdningsaffald!

Defekte eller kasserede batterier skal genanvendes i henhold til direktiv 2006/66/EC. Batterier/genopladelige batterier skal behandles som specialaffald og skal derfor bortskaffes miljøvenligt på de relevante steder (forhandlere, specialforretninger, offentlige myndigheder, kommercielle affaldsvirksomheder). Batterier/genopladelige batterier kan indeholde giftige tungmetaller.

Bortskaf derfor ikke batterier/genopladelige batterier sammen med husholdningsaffaldet, men aflever dem til separat indsamling. Aflever kun batterier/genopladede batterier, når de er afladet.



Emballagen består af miljøvenlige materialer, som kan bortskaffes på de lokale genbrugspladser.



Bortskaf emballagen miljøvenligt. Vær opmærksom på mærkningen på de forskellige emballeringsmaterialer, og aflever dem sorteret til bortskaffelse.

Emballagematerialerne er mærket med forkortelserne (a) og tallene (b) med følgende betydning: 1-7: Plast, 20-22: Papir og pap, 80-98: Kompositmaterialer.



Produktet kan genbruges, er underlagt udvidet producentansvar og indsamles separat.

Oversættelse af den originale overensstemmelseserklæring

Vi, KOMPERNASS HANDELS GMBH, dokumentansvarlig: Semi Uguzlu, BURGSTR. 21, 44867 BOCHUM, TYSKLAND, erklærer hermed, at dette produkt stemmer overens med følgende standarder, standardiseringsdokumenter og EU-direktiver:

Maskindirektivet

(2006/42/EC)

EF lavspændingsdirektiv (kun oplader)

(2014/35/EU)

Elektromagnetisk kompatibilitet

(2014/30/EU)

RoHS-direktivet

(2011/65/EU)*

* Ansvar for udstedelsen af denne overensstemmelseserklæring er udelukkende producentens. Den ovenfor beskrevne genstand i erklæringen opfylder forskrifterne i Europa-Parlamentets og Rådets direktiv 2011/65/EU af 8. juni 2011 om begrænsning af anvendelsen af visse farlige stoffer i elektrisk og elektronisk udstyr.

Anvendte harmoniserede standarder

EN 62841-1:2015

EN 62841-2-2:2014

EN 55014-1:2017

EN 55014-2:2015

EN IEC 63000:2018

Type/produktbetegnelse: Batteridreven slagnøgle PDSSA 20-Li A1

Produktionsår: 01-2022

Serienummer: IAN 380745_2110

Bochum, 31.01.2022



Semi Uguzlu
- Kvalitetschef -

Vi forbeholder os ret til tekniske ændringer med henblik på videreudvikling.

Bestilling af reservebatteri

Hvis du vil bestille et reservebatteri til produktet, kan du gøre det på internettet under www.kompernass.com eller pr. telefon.

Denne artikel kan være udsolgt i løbet af kort tid på grund af den begrænsede lagerbeholdning.



BEMÆRK

► I nogle lande kan bestilling af reservedele ikke foretages online. Kontakt i så fald service-hotline.

Telefonisk bestilling

DK Service Danmark Tel.: 32 710005

For at sikre hurtig behandling af din bestilling bedes du have produktets artikelnummer (IAN 380745_2110) ved hånden ved alle forespørgsler. Artikelnummeret kan findes på typeskiltet eller på titelbladet i denne vejledning.

Indice

Introduzione	122
Uso conforme	122
Dotazione	122
Materiale in dotazione	122
Dati tecnici	122
Indicazioni generali di sicurezza per elettrotensili	123
1. Sicurezza sul posto di lavoro	124
2. Sicurezza elettrica	124
3. Sicurezza delle persone	124
4. Uso e trattamento dell'elettrotensile	125
5. Uso e trattamento dell'utensile a batteria	125
6. Assistenza	126
Avvertenze di sicurezza specifiche per avvitatori a impulsi	126
Accessori/apparecchi aggiuntivi originali	126
Avvertenze di sicurezza per caricabatteria	127
Prima della messa in funzione	127
Carica del pacco batteria (vedere fig. A)	127
Inserimento/rimozione del pacco batteria dall'apparecchio	128
Controllo della carica della batteria	128
Messa in funzione	128
Accensione/spegnimento	128
Regolazione del numero di giri/della coppia di serraggio	128
Commutazione del senso di rotazione	128
Inserimento delle punte	128
Manutenzione e pulizia	128
Garanzia della Kompernass Handels GmbH	129
Assistenza	130
Importatore	130
Smaltimento	131
Dichiarazione di conformità originale	132
Ordine di una batteria di ricambio	133
Ordine telefonico	133

AVVITATORE A PERCUSSIONE RICARICABILE PDSSA 20-Li A1

Introduzione

Congratulazioni per l'acquisto del nuovo apparecchio. È stato scelto un prodotto di alta qualità. Il manuale di istruzioni è parte integrante del presente prodotto. Esso contiene importanti note per la sicurezza, l'uso e lo smaltimento. Prima di utilizzare il prodotto, acquisire dimestichezza con tutte le indicazioni relative ai comandi e alla sicurezza. Utilizzare il prodotto solo come descritto e per i campi d'impiego indicati. In caso di cessione del prodotto a terzi, consegnare anche tutta la relativa documentazione.

Uso conforme

Questo apparecchio è destinato all'inserimento e allo svitamento di viti, nonché al serraggio e all'allentamento di dadi. L'apparecchio dispone di rotazione verso destra/verso sinistra, portainseriti a esagono cavo da 1/4" e luce di lavoro LED.

La luce di questo apparecchio è prevista per illuminare la zona di lavoro diretta dell'apparecchio.

La funzione di rotazione battente dell'apparecchio consente di convertire la forza del motore in rotazioni battenti uniformi. Il dispositivo di percussione si inserisce nel serraggio e nell'allentamento.

L'apparecchio è destinato all'uso da parte degli adulti. I minori di 16 anni possono usare l'apparecchio solo se sorvegliati. La casa produttrice non è responsabile per i danni causati da un impiego non conforme alle regole o da un uso non corretto.

Utilizzare l'apparecchio solo nei modi descritti e per i campi di utilizzo indicati. L'apparecchio non è destinato all'uso commerciale. Qualunque altro impiego e qualunque modifica dell'apparecchio sono da considerarsi non conformi alla destinazione e comportano il rischio di infortuni. Il produttore declina ogni responsabilità per i danni derivanti da uso non conforme.

Dotazione

- 1 Portapunte
- 2 Bussola di bloccaggio
- 3 Supporto punta (magnetico)
- 4 Commutatore del senso di rotazione/blocco
- 5 Clip per cinghia
- 6 Tasto del livello di carica della batteria
- 7 Spia LED della batteria
- 8 Pacco batteria*
- 9 Tasto per lo sbloccaggio del pacco batteria
- 10 Luce di lavoro LED
- 11 Interruttore ON/OFF/Regolazione della velocità
- 12 Adattatore a esagono da 1/4"
- 13 Portainseriti
- 14 Caricabatteria rapido*
- 15 LED di controllo carica rosso
- 16 LED di controllo carica verde

Materiale in dotazione

1 avvitatore a percussione ricaricabile PDSSA 20-Li A1

1 adattatore a esagono da 1/4"

1 prolunga da 1/4" (50 mm)

1 clip per cinghia

1 valigetta da trasporto

1 manuale di istruzioni per l'uso

Dati tecnici

Avvitatore a percussione ricaricabile PDSSA 20-Li A1

Tensione nominale	20 V $\overline{\text{---}}$ (corrente continua)
Numero di giri in folle	n_0 0-2800 min ⁻¹
Numero di impulsi nominale	0-3600 min ⁻¹
Coppia massima	180 Nm
Adatta a viti per metallo	≤ M8
Adatta a viti per legno	≤ 8 mm Ø
Portapunte	1/4"

Batteria PAP 20 A1 *

Tipo	IONI DI LITIO
Tensione nominale	20 V $\overline{=}$ (corrente continua)
Capacità	2 Ah
Celle	5

Caricabatteria rapido PLG 20 A1 *

INGRESSO/Input

Tensione nominale	230-240 V \sim , 50 Hz (corrente alternata)
-------------------	---

Potenza assorbita nominale 65 W

Fusibile (interno)	3,15 A
--------------------	--------

USCITA/Output

Tensione nominale	21,5 V $\overline{=}$ (corrente continua)
-------------------	---

Corrente nominale 2,4 A

Durata della carica circa 60 min

Classe di protezione II / (isolamento doppio)

* BATTERIA E CARICABATTERIA NON COMPRESI NELLA FORNITURA

Valore di emissione acustica

Valore di misurazione dei rumori determinato secondo EN 62841. Valori tipici del livello di rumore dell'elettrotensile classificato A:

Livello di pressione acustica	$L_{PA} = 83$ dB (A)
Fattore di incertezza	$K_{PA} = 3$ dB
Livello di potenza acustica	$L_{WA} = 94$ dB (A)
Fattore di incertezza	$K_{WA} = 3$ dB

Valore di emissione delle vibrazioni

Valori totali di vibrazione (somma dei vettori di tre direzioni) rilevati ai sensi della norma EN 62841:

Serraggio di viti e dadi di dimensioni massime ammesse $a_h = 5,677$ m/s²

Fattore di incertezza $K = 1,5$ m/s²

Indossare una protezione acustica!

NOTA

- Il valore complessivo delle vibrazioni e il valore di emissione acustica indicati sono stati misurati secondo un procedimento di prova standardizzato e possono essere usati per il confronto tra due elettrotensili.
- Il valore complessivo delle vibrazioni e il valore di emissione acustica indicati possono anche essere usati per una stima provvisoria del carico.

AVVERTENZA!

- Il valore di emissione delle vibrazioni e il valore di emissione acustica possono scostarsi dai valori indicati a seconda del modo in cui l'elettrotensile viene utilizzato e, in particolare, del modo in cui il pezzo viene lavorato.
- Cercare di ridurre il più possibile la sollecitazione. Provvedimenti adeguati per la riduzione della sollecitazione da vibrazioni prevedono l'uso di guanti durante l'impiego dell'elettrotensile e la limitazione dei tempi di lavoro. Occorre tenere in considerazione tutte le componenti del ciclo di esercizio (per esempio i tempi nei quali l'elettrotensile è spento e i tempi in cui è acceso ma funziona senza carico).



Indicazioni generali di sicurezza per elettrotensili

AVVERTENZA!

- Osservare tutte le indicazioni relative alla sicurezza, le istruzioni, le illustrazioni e i dati tecnici di cui è dotato questo elettrotensile. Il mancato rispetto delle seguenti istruzioni può causare scosse elettriche, incendi e/o gravi lesioni.

Conservare le indicazioni relative alla sicurezza e le istruzioni per uso futuro.

Il termine "elettrotensile" utilizzato nelle indicazioni relative alla sicurezza si riferisce a elettrotensili collegabili alla rete elettrica (con cavo di rete) o a elettrotensili a batteria (senza cavo di rete).

1. Sicurezza sul posto di lavoro

- a) **Mantenere l'area di lavoro pulita e ben illuminata.** Il disordine e la scarsa illuminazione dell'area di lavoro potrebbero dare luogo a infortuni.
- b) **Non lavorare con elettrodomestici in ambienti a rischio di esplosione, in presenza di liquidi, gas o polveri infiammabili.** Gli elettrodomestici generano scintille che possono incendiare la polvere o i vapori.
- c) **Tenere lontani i bambini e altre persone durante l'uso dell'elettrodomestico.** In caso di distrazione, si potrebbe perdere il controllo dell'elettrodomestico.

2. Sicurezza elettrica

- a) **La spina dell'elettrodomestico deve essere idonea all'inserimento nella presa. La spina non deve essere assolutamente modificata. Non utilizzare connettori adattatori con elettrodomestici collegati a terra.** Le spine non modificate e le prese idonee riducono il rischio di scosse elettriche.
- b) **Evitare il contatto corporeo con superfici collegate a terra, come tubi, termosifoni, fornelletti e frigoriferi.** Quando il corpo è a diretto contatto col suolo, sussiste un maggiore pericolo di scosse elettriche.
- c) **Tenere gli elettrodomestici lontano dalla pioggia o dall'umidità.** La penetrazione di acqua in un apparecchio elettrico aumenta il rischio di scosse elettriche.
- d) **Non utilizzare il cavo di allacciamento per scopi non conformi, come ad es. per trasportare l'elettrodomestico, per appenderlo o per scollegare la spina dalla presa. Tenere il cavo di allacciamento lontano dal calore, dall'olio, da angoli acuminati o da parti in movimento.** Cavi di allacciamento danneggiati o aggrovigliati aumentano il rischio di scosse elettriche.
- e) **Se si lavora all'aperto con un elettrodomestico, utilizzare solo prolunghe ammesse anche per uso esterno.** L'utilizzo di un cavo di prolunga idoneo all'uso esterno riduce il rischio di scosse elettriche.

- f) **Se è inevitabile l'uso dell'elettrodomestico in un ambiente umido, utilizzare un interruttore differenziale.** L'uso di un interruttore differenziale evita il rischio di scosse elettriche.

3. Sicurezza delle persone

- a) **Prestare attenzione controllando le operazioni in corso e procedendo con cura quando si lavora con un elettrodomestico. Non utilizzare l'elettrodomestico se non si è concentrati o riposati a sufficienza, o se si è sotto l'influsso di droghe, alcol o farmaci.** Un solo momento di distrazione nell'uso dell'elettrodomestico può dare luogo a gravi lesioni.
- b) **Indossare dispositivi di protezione individuali e sempre occhiali di protezione.** L'uso di un dispositivo di protezione individuale come mascherina antipolvere, scarpe antiscivolo, casco protettivo o paraorecchi acustici, a seconda dell'uso e dell'impiego dell'elettrodomestico, riduce il rischio di lesioni.
- c) **Evitare l'accensione involontaria. Accertarsi che l'elettrodomestico sia spento prima di collegarlo all'alimentazione e/o alla batteria, sollevarlo o trasportarlo.** Se si tiene il dito sull'interruttore mentre si sposta l'elettrodomestico o si collega l'elettrodomestico alla rete elettrica con l'interruttore su ON, si possono verificare infortuni.
- d) **Rimuovere gli utensili di regolazione o le chiavi per dadi prima di accendere l'elettrodomestico.** Un utensile o una chiave lasciati in una parte rotante dell'elettrodomestico possono provocare lesioni.
- e) **Evitare posture innaturali. Provvedere a una posizione sicura e mantenere sempre l'equilibrio.** In tal modo si può controllare meglio l'elettrodomestico, soprattutto in situazioni impreviste.
- f) **Indossare un abbigliamento idoneo. Non indossare abiti larghi o gioielli. Tenere lontani i capelli e gli indumenti dalle parti in movimento.** Gli abiti larghi e sciolti, i gioielli o i capelli lunghi possono impigliarsi nelle parti mobili.

- g) Se è possibile montare dispositivi aspirapolvere e aspiratrucioli, occorre collegarli e utilizzarli correttamente. L'uso di un aspiratore per polvere può ridurre i pericoli associati alla polvere.
- h) Anche se si è acquisita dimestichezza con l'apparecchio usando spesso, non sentirsi troppo sicuri e non mancare di rispettare le regole sulla sicurezza nell'uso di elettrodomestici. Una piccola disattenzione può dare luogo a gravi lesioni in una frazione di secondo.

4. Uso e trattamento dell'elettrodomestico

- a) Non sovraccaricare l'elettrodomestico. Utilizzare l'elettrodomestico idoneo al proprio lavoro. Con l'elettrodomestico adatto si lavora meglio e con maggiore sicurezza nell'intervallo di potenza indicato.
- b) Non utilizzare elettrodomestici con interruttore guasto. Un elettrodomestico che non si riesce più a spegnere o ad accendere è pericoloso e deve essere riparato.
- c) Staccare la spina dalla presa di corrente e/o rimuovere la batteria, se sfilabile, prima di eseguire impostazioni sull'apparecchio, sostituire gli utensili o riportare l'elettrodomestico. Questa misura precauzionale consente di impedire l'avvio involontario dell'elettrodomestico.
- d) Conservare gli elettrodomestici non utilizzati fuori della portata dei bambini. Non consentire l'uso dell'elettrodomestico a persone inesperte o che non abbiano letto le presenti istruzioni. Gli elettrodomestici sono pericolosi se utilizzati da persone inesperte.
- e) Trattare gli elettrodomestici e gli utensili con cura. Controllare che le parti mobili dell'apparecchio funzionino perfettamente e non si inceppino e che non vi siano elementi rotti o danneggiati al punto da compromettere la funzione dell'elettrodomestico. Fare riparare le parti danneggiate prima di utilizzare l'elettrodomestico. Molti infortuni derivano da una cattiva manutenzione degli elettrodomestici.

- f) Mantenere gli utensili da taglio ben affilati e puliti. Gli utensili da taglio trattati con cura e con bordi di taglio affilati si inceppano meno spesso e sono più facili da controllare.
- g) Utilizzare elettrodomestici, utensili, ecc. conformi a queste istruzioni. Tenere conto delle condizioni di lavoro e dell'attività da eseguire. L'uso di elettrodomestici per applicazioni diverse da quelle previste può dare luogo a situazioni di pericolo.
- h) Mantenere le impugnature e le superfici di presa asciutte, pulite e prive di olio e grasso. Impugnature e superfici di presa scivolose non consentono un controllo e un utilizzo sicuro dell'elettrodomestico in situazioni impreviste.

5. Uso e trattamento dell'utensile a batteria

- a) Caricare le batterie solo con i caricabatterie che vengono consigliati dal costruttore. Se un caricabatterie adatto a un determinato tipo di batteria viene utilizzato con batterie diverse, vi è pericolo di incendio.
- b) Utilizzare solo le batterie appositamente previste per gli elettrodomestici. L'uso di batterie diverse può dare luogo a lesioni e al rischio di incendio.
- c) Tenere la batteria non utilizzata lontano da graffette, monete, chiavi, chiodi, viti o altra minuteria in metallo, poiché tali oggetti potrebbero provocare un cortocircuito fra i contatti. Un cortocircuito fra i contatti della batteria può dare luogo a ustioni o incendio.
- d) In caso di utilizzo errato, potrebbe fuoriuscire del liquido dalla batteria. Evitare il contatto con questo liquido. In caso di contatto accidentale, sciacquare con acqua. Se il liquido entra a contatto con gli occhi, consultare un medico. Il liquido che fuoriesce dalla batteria potrebbe provocare irritazioni cutanee o ustioni.
- e) Non utilizzare una batteria danneggiata o modificata. Batterie danneggiate o modificate possono comportarsi in modo imprevisto e provocare incendio, esplosione o pericolo di lesioni.

- f) Non esporre mai una batteria a fuoco o alte temperature. Fuoco o temperature superiori a 130 °C (265 °F) possono provocare un'esplosione.
- g) Seguire tutte le indicazioni per la carica e non caricare mai la batteria o l'utensile a batteria al di fuori dell'intervallo di temperatura indicato nel presente manuale di istruzioni per l'uso. Un caricamento sbagliato o il caricamento al di fuori dell'intervallo di temperatura consentito potrebbe distruggere la batteria e aumentare il pericolo d'incendio.



CAUTELA! PERICOLO DI ESPLOSIONE! Non caricare mai batterie non ricaricabili.



Proteggere la batteria dal calore, per es. anche da irradiazione solare permanente, fuoco, acqua e umidità. Sussiste il pericolo di esplosione.

6. Assistenza

- a) Fare riparare l'elettro utensile solo da personale qualificato specializzato e solo con ricambi originali. In tal modo si garantisce che la sicurezza dell'elettro utensile venga mantenuta.
- b) Non sottoporre mai a manutenzione le batterie danneggiate. Si consiglia di far eseguire la manutenzione delle batterie solo dal produttore o dal centro di assistenza clienti autorizzato.

Avvertenze di sicurezza specifiche per avvitatori a impulsi

- Indossare protezioni per l'udito mentre si utilizza l'avvitatore a impulsi. Il forte rumore potrebbe provocare la perdita dell'udito.
- Fissare il pezzo da lavorare. Un utensile tenuto fermo con dispositivi di bloccaggio o con una morsa è più stabile rispetto a un utensile tenuto in mano.
- Tenere l'elettro utensile ben fermo. Nel serrare o nello svitare viti potrebbero verificarsi brevemente momenti di reazione elevati.
- Attendere l'arresto dell'elettro utensile prima di riporlo. L'elettro utensile potrebbe incastrarsi con conseguente perdita del controllo.
- Sostenere sempre l'elettro utensile dalle superfici di presa isolate quando si eseguono lavori nei quali l'elettro utensile potrebbe colpire cavi elettrici nascosti. Il contatto della vite con una linea sotto tensione può mettere sotto tensione anche le parti dell'apparecchio di metallo e causare così una scossa elettrica.

Accessori/apparecchi aggiuntivi originali

- Utilizzare solo accessori e apparecchi aggiuntivi che siano indicati nel manuale o la cui sede sia compatibile con l'apparecchio.

AVVERTENZA!

- Non usare accessori che non siano stati consigliati da PARKSIDE. In caso contrario vi è pericolo di folgorazione o incendio.

Avvertenze di sicurezza per caricabatteria

- Questo apparecchio può essere utilizzato da bambini a partire dagli 8 anni di età e da persone con capacità fisiche, sensoriali o mentali ridotte o insufficiente esperienza o conoscenza, solo se sorvegliati o istruiti sull'uso sicuro dell'apparecchio e qualora ne abbiano compreso i pericoli associati. I bambini non devono giocare con l'apparecchio. La pulizia e la manutenzione a cura dell'utente non devono essere eseguite da bambini, a meno che non siano sorvegliati.
- In caso di danni al cavo di rete dell'apparecchio, farlo sostituire dal produttore, dal servizio di assistenza clienti o da personale altrettanto qualificato per evitare pericoli.



Il caricabatteria è indicato solo per l'uso in ambienti interni.

⚠ AVVERTENZA!

- In caso di danni al cavo di rete dell'apparecchio, farlo sostituire dal produttore, dal servizio di assistenza clienti o da personale altrettanto qualificato per evitare pericoli.

⚠ ATTENZIONE!

- ▶ Il presente caricabatteria è indicato solamente per la ricarica delle seguenti batterie: PAP 20 A1/PAP 20 A2/PAP 20 A3/PAP 20 B1/PAP 20 B3/PAPS 204 A1/PAPS 208 A1.
- ▶ Su www.lidl.de/akku è disponibile un elenco aggiornato di tutte le batterie compatibili.



ATTENZIONE! Superficie rovente. Sussiste il pericolo di ustioni.

Prima della messa in funzione

Carica del pacco batteria (vedere fig. A)

⚠ CAUTELA!

- ▶ Staccare sempre la spina dalla presa prima di prelevare o inserire il pacco batteria nell'apparecchio.

NOTA

- ▶ Non caricare il pacco batteria se la temperatura ambiente è al di sotto di 10 °C o al di sopra di 40 °C. Se si intende conservare la batteria agli ioni di litio per un periodo prolungato, occorre controllarne periodicamente la carica. La carica ottimale è compresa tra il 50% e l'80%. L'ambiente di stoccaggio deve essere fresco e asciutto e avere una temperatura ambiente compresa fra 0 °C e 50 °C.
- ◆ Inserire il pacco batteria **8** nel caricabatteria rapido **14** (vedere fig. A).
- ◆ Inserire la spina nella presa. Il LED di controllo **15** si accende con luce rossa.
- ◆ Il LED di controllo verde **16** segnala che il processo di carica è concluso e che il pacco batteria **8** è pronto per l'uso.

⚠ ATTENZIONE!

- ◆ Se il LED di controllo rosso **15** lampeggia, ciò significa che il pacco batteria **8** è surriscaldato e non può essere caricato.
- ◆ Se i LED di controllo rosso e verde **15 16** lampeggiano contemporaneamente, la batteria è **8** guasta.
- ◆ Introdurre il pacco batteria **8** nell'apparecchio.
- ◆ Spegnerne il caricabatteria per almeno 15 minuti fra due procedimenti di carica consecutivi. Per farlo, scollegare la spina dalla presa di corrente.

Inserimento/rimozione del pacco batteria dall'apparecchio

Inserimento del pacco batteria

- ◆ Portare il commutatore del senso di rotazione **4** nella posizione centrale (blocco). Inserire il pacco batteria **8** in posizione nell'impugnatura.

Rimozione del pacco batteria

- ◆ Premere il tasto per lo sbloccaggio **9** e rimuovere il pacco batteria **8**.

Controllo della carica della batteria

- ◆ Per controllare la carica della batteria, premere il tasto del livello di carica della batteria **6** (vedere anche la figura principale). Il livello di carica è indicato come segue dalla spia LED della batteria **7**:
ROSSO/ARANCIONE/VERDE = carica massima
ROSSO/ARANCIONE = carica media
ROSSO = carica debole - caricare la batteria

Messa in funzione

Accensione/spengimento

Accensione

- ◆ Per mettere in funzione l'apparecchio, premere l'interruttore ON/OFF **11** e tenerlo premuto. La luce di lavoro LED **10** si accende se l'interruttore ON/OFF **11** è leggermente o completamente premuto. Ciò consente di illuminare l'area di lavoro quando l'illuminazione dell'ambiente non è favorevole.

Spengimento

- ◆ Per spegnere l'apparecchio, rilasciare l'interruttore ON/OFF **11**.

Regolazione del numero di giri/ della coppia di serraggio

- ◆ Premendo leggermente l'interruttore ON/OFF **11** si riduce il numero di giri/la coppia di serraggio. Aumentando la pressione aumenta anche il numero di giri/la coppia di serraggio.
- La coppia di serraggio dipende dal numero di giri selezionato e dalla durata del funzionamento a impulsi.

ATTENZIONE!

- ◆ Come norma generale, controllare la coppia di serraggio effettivamente ottenuta con una chiave dinamometrica.

NOTA

- ▶ Il freno motore integrato provvede a un arresto rapido.

Commutazione del senso di rotazione

- ◆ Per commutare il senso di rotazione, premere il commutatore del senso di rotazione **4** a destra o a sinistra.

Inserimento delle punte

- ◆ Inserire l'adattatore **12** o il portainseri **13** nel portapunte **1**.
- ◆ Nel farlo, tirare indietro la bussola di bloccaggio **2** e fare innestare l'adattatore **12** o il portainseri **13**.

Manutenzione e pulizia



AVVERTENZA! PERICOLO DI LESIONI! Prima di qualsiasi intervento sull'apparecchio, spegnere l'apparecchio e rimuovere la batteria.

L'apparecchio non necessita di manutenzione.

- L'apparecchio deve essere sempre pulito, asciutto e privo di olio o grassi lubrificanti.
- Impedire la penetrazione di liquidi all'interno degli apparecchi.
- Per la pulizia dell'alloggiamento, utilizzare un panno asciutto. Non utilizzare mai benzina, solventi o detergenti in grado di aggredire la plastica.
- Se si intende conservare la batteria agli ioni di litio per un periodo prolungato, occorre controllarne periodicamente la carica. La carica ottimale è compresa tra il 50% e l'80%. L'ambiente ottimale per la conservazione deve essere fresco e asciutto.

NOTA

► I pezzi di ricambio non indicati (come ad es. spazzole di carbone, interruttori) possono essere ordinati tramite la nostra linea diretta di assistenza.

Garanzia della Kompernass Handels GmbH

Egregio Cliente,

Questo apparecchio ha una garanzia di 3 anni dalla data di acquisto. Qualora questo prodotto presentasse vizi, Le spettano diritti legali nei confronti del venditore del prodotto. La garanzia qui di seguito descritta non costituisce alcun limite a tali diritti legali.

Condizioni di garanzia

Il periodo di garanzia decorre dalla data di acquisto. Si prega di conservare bene lo scontrino di cassa. Quest'ultimo è necessario come prova d'acquisto.

Qualora entro tre anni a partire dalla data d'acquisto del prodotto si presentasse un difetto del materiale o di fabbricazione, provvederemo a nostra discrezione a riparare o a sostituire gratuitamente il prodotto oppure a rimborsare il prezzo d'acquisto. Questa prestazione di garanzia ha come presupposto che l'apparecchio guasto e la prova d'acquisto (scontrino di cassa) vengano presentati entro il termine di tre anni e che si descriva per iscritto in cosa consiste il difetto e quando si è evidenziato.

Se il vizio rientra nell'ambito della nostra garanzia, il Suo prodotto verrà riparato o sostituito da uno nuovo. Con la riparazione o la sostituzione del prodotto non decorre un nuovo periodo di garanzia.

I pacchi batteria della serie X 12 V e X 20 V Team hanno una garanzia di 3 anni dalla data di acquisto.

Periodo di garanzia e diritti legali di rivendicazione di vizi

Il periodo di garanzia non viene prolungato da interventi in garanzia. Ciò vale anche per le parti sostituite e riparate. Danni e vizi eventualmente già presenti al momento dell'acquisto devono venire segnalati immediatamente dopo che l'apparecchio è stato disimballato. Le riparazioni eseguite dopo la scadenza del periodo di garanzia sono a pagamento.

Ambito della garanzia

L'apparecchio è stato prodotto con cura secondo severe direttive qualitative e debitamente collaudato prima della consegna.

La prestazione in garanzia vale per difetti del materiale o di fabbricazione. Questa garanzia non si estende a componenti del prodotto esposti a normale logorio, che possono pertanto essere considerati come componenti soggetti a usura o a danni che si verificano su componenti delicati, come ad es. interruttori, batterie o parti realizzate in vetro.

Questa garanzia decade se il prodotto è stato danneggiato oppure utilizzato o sottoposto a interventi di manutenzione in modo non conforme. Per un utilizzo adeguato del prodotto si devono rigorosamente rispettare tutte le istruzioni espresse nel manuale di istruzioni per l'uso. Si devono assolutamente evitare modalità di utilizzo e azioni che il manuale di istruzioni per l'uso sconsiglia o da cui esso mette in guardia.

Il prodotto è destinato esclusivamente all'uso domestico e non a quello commerciale. La garanzia decade in caso di impiego improprio o manomissione, uso della forza e interventi non eseguiti dalla nostra filiale di assistenza autorizzata.

Il periodo di garanzia non si applica nei seguenti casi

- normale usura della capacità della batteria
- uso commerciale del prodotto
- danneggiamento o modifica del prodotto da parte del cliente
- mancata osservanza delle prescrizioni di sicurezza e manutenzione, errori di utilizzo
- danni derivanti da eventi naturali

Trattamento dei casi di garanzia

Per garantire una rapida evasione della Sua richiesta, La preghiamo di seguire le seguenti istruzioni:

- Tenga a portata di mano per qualsiasi richiesta lo scontrino di cassa e il codice dell'articolo (IAN) 380745_2110 come prova di acquisto.
- Il codice dell'articolo è riportato sulla targhetta identificativa o su un'incisione presenti sul prodotto, sul frontespizio del manuale di istruzioni (in basso a sinistra) o su un adesivo applicato alla parte posteriore o inferiore del prodotto.
- Qualora si presentassero malfunzionamenti o altri tipi di vizi, contatti innanzitutto il reparto assistenza clienti qui di seguito indicato **telefonticamente** o via **e-mail**.
- Una volta che il prodotto è stato registrato come difettoso, lo può poi spedire a nostro carico, provvedendo ad allegare la prova di acquisto (scontrino di cassa), una descrizione del vizio e l'indicazione della data in cui si è presentato, all'indirizzo del servizio di assistenza clienti che Le è stato comunicato.



Sul sito www.lidl-service.com è possibile scaricare questo e molti altri manuali di istruzioni, filmati sui prodotti e software d'installazione.

Con questo codice QR si giunge direttamente al sito dell'assistenza clienti Lidl (www.lidl-service.com) e con la digitazione del codice articolo (IAN) 380745_2110 si può aprire il manuale di istruzioni di proprio interesse.

⚠ AVVERTENZA!

- ▶ **Far riparare gli apparecchi dal centro di assistenza o da un elettricista specializzato e solo con pezzi di ricambio originali.** In tal modo si garantisce il mantenimento della sicurezza dell'apparecchio.
- ▶ **Fare eseguire sempre la sostituzione della spina o del cavo dal produttore dell'apparecchio o dal relativo centro di assistenza.** In tal modo si garantisce il mantenimento della sicurezza dell'apparecchio.

Assistenza

IT Assistenza Italia
Tel.: 02 36003201
E-Mail: kompernass@lidl.it

IAN 380745_2110

Importatore

Badi che il seguente indirizzo non è quello del servizio di assistenza clienti. Contatti innanzitutto il servizio di assistenza clienti indicato.

KOMPERNASS HANDELS GMBH
BURGSTRASSE 21
44867 BOCHUM
GERMANIA
www.kompernass.com

Smaltimento



Non smaltire gli elettrodomestici assieme ai normali rifiuti domestici!

Il simbolo del bidone dei rifiuti barrato, raffigurato lateralmente, indica che l'apparecchio è soggetto alla Direttiva 2012/19/EU. Tale direttiva prescrive che, al termine della sua vita utile, l'apparecchio non venga smaltito assieme ai normali rifiuti domestici, bensì conferito in appositi centri di raccolta, centri di riciclaggio o aziende di smaltimento.

Lo smaltimento è gratuito per l'utente. Rispettare l'ambiente e smaltire l'apparecchio in modo conforme alle direttive pertinenti.



Per lo smaltimento del prodotto una volta che ha terminato la sua funzione, informarsi presso l'amministrazione comunale.



Non smaltire le batterie assieme ai normali rifiuti domestici!

Le batterie difettose o esauste devono essere riciclate in base alla direttiva 2006/66/EC. Le pile/batterie vanno trattate come rifiuti speciali e devono essere smaltite nel rispetto dell'ambiente attraverso i punti di raccolta competenti (rivenditori, negozi specializzati, enti pubblici comunali, aziende di smaltimento professionali). Le pile/batterie possono contenere metalli pesanti tossici.

Pertanto non smaltire le pile/batterie assieme ai normali rifiuti domestici, bensì conferirle ad una raccolta differenziata. Restituire le pile/batterie solo se scariche.



L'imballaggio è costituito da materiali ecocompatibili che possono essere smaltiti tramite gli appositi centri di raccolta e riciclaggio.



Smaltire l'imballaggio conformemente alle norme di tutela ambientale. Tenere conto dei codici presenti sui vari materiali di imballaggio ed eventualmente separare i materiali effettuando una raccolta differenziata. I materiali di imballaggio presentano codici costituiti da abbreviazioni (a) e numeri (b) con il seguente significato: 1-7: materie plastiche, 20-22: carta e cartone, 80-98: materiali compositi.



Il prodotto è riciclabile, soggetto ad una responsabilità estesa del produttore e va differenziato.

Dichiarazione di conformità originale

La Società KOMPERNASS HANDELS GMBH, responsabile della documentazione: nella persona del Sig. Semi Uguzlu, BURGSTR. 21, 44867 BOCHUM, GERMANIA, dichiara con la presente che questo prodotto è conforme alle seguenti norme, documenti normativi e Direttive CE:

Direttiva macchine

(2006/42/EC)

Direttiva CE sul basso voltaggio (solo caricabatterie)

(2014/35/EU)

Compatibilità elettromagnetica

(2014/30/EU)

Direttiva RoHS

(2011/65/EU)*

* Il produttore è il responsabile esclusivo del rilascio di questa dichiarazione di conformità. L'oggetto della dichiarazione sopra descritto soddisfa le prescrizioni della Direttiva 2011/65/EU del Parlamento Europeo e del Consiglio Europeo dell'8 giugno 2011 sulla restrizione dell'uso di determinate sostanze pericolose nelle apparecchiature elettriche ed elettroniche.

Norme armonizzate utilizzate

EN 62841-1:2015

EN 62841-2-2:2014

EN 55014-1:2017

EN 55014-2:2015

EN IEC 63000:2018

Tipo/denominazione dell'apparecchio: Avvitatore a percussione ricaricabile PDSSA 20-Li A1

Anno di produzione: 01-2022

Numero di serie: IAN 380745_2110

Bochum, 31/01/2022



Semi Uguzlu

- Direttore qualità -

Con riserva di modifiche tecniche volte al miglioramento del prodotto.

Ordine di una batteria di ricambio

Se si desidera ordinare una batteria di ricambio per il proprio apparecchio, lo si può fare comodamente via Internet sul sito www.kompernass.com o telefonicamente.

Dato che le scorte sono limitate, questo articolo potrebbe esaurirsi entro breve tempo.



NOTA

- In alcuni paesi non è possibile ordinare online i pezzi di ricambio. In questo caso contattare la linea diretta di assistenza.

Ordine telefonico

IT Assistenza Italia Tel.: 02 36003201

Per garantire un'evasione rapida dell'ordine, tenere a portata di mano il codice dell'articolo (IAN 380745_2110) dell'apparecchio. Il codice dell'articolo è indicato sulla targhetta identificativa nonché sulla pagina di copertina del presente manuale.

Tartalomjegyzék

Bevezető	136
Rendeltetésszerű használat	136
Felszereltség	136
A csomag tartalma	136
Műszaki adatok	136
Általános biztonsági utasítások elektromos kéziszerszámokhoz	137
1. Munkahelyi biztonság	138
2. Elektromos biztonság	138
3. Személyi biztonság	138
4. Az elektromos kéziszerszám használata és kezelése	139
5. Az akkumulátoros kéziszerszám használata és kezelése	139
6. Szerviz	140
Ütvecsavarozókra vonatkozó készülékspecifikus biztonsági utasítások	140
Eredeti tartozékok/kiegészítő eszközök	140
Töltőkre vonatkozó biztonsági utasítások	141
Üzembe helyezés előtt	141
Az akkumulátor-telep töltése (lásd az A ábrát)	141
Akkumulátor-telep behelyezése a készülékbe/kivétele a készülékből	142
Az akkumulátor állapotának ellenőrzése	142
Üzembe helyezés	142
Be-, kikapcsolás	142
Fordulatszám/meghúzási nyomaték beállítása	142
Forgásirány átkapcsolása	142
Bitfejek behelyezése	142
Karbantartás és tisztítás	143
A Kompernass Handels GmbH garanciája	143
Szerviz	145
Gyártja	145
Ártalmatlanítás	145
Eredeti megfelelőségi nyilatkozat	146
Pótakkumulátor rendelése	147
Telefonos rendelés	147

AKKUS ÜTVEFÚRÓ PDSSA 20-Li A1

Bevezető

Gratulálunk új készüléke megvásárlásához. Vásárlásával kiváló minőségű termék mellett döntött. A használati útmutató a termék része. Fontos tudnivalókat tartalmaz a biztonságra, a használatra és az ártalmatlanításra vonatkozóan. A termék használata előtt ismerkedjen meg valamennyi használati és biztonsági utasítással. A terméket csak a leírtak szerint és a megadott célokra használja. A termék harmadik személynek történő továbbadása esetén adja át a készülékhez tartozó valamennyi leírást is.

Rendeltetészerű használat

Ez a készülék csavarok be- és kicsavarására, valamint csavaranyák meghúzására és kicsavarására készült. A készülék jobb-/balmenetes, 1/4" belsőhatlapú bitbefogóval és LED-munkafénnyel rendelkezik. A készülék fénye nem alkalmas a készülék közvetlen munkaterületének megvilágítására. A készülék forgó-ütő funkciója révén a motor ereje egyenletes forgó ütésekké alakul. Az ütőmű a csavarok meghúzásánál és kilazításánál lép működésbe.

A készüléket csak felnőttek használhatják. 16 év feletti fiatalok csak felügyelet mellett használhatják a készüléket. A gyártó nem vállal felelősséget a nem rendeltetészerű használatból vagy helytelen kezeléssel eredő károkért.

A készüléket csak a leírtak szerint és a megadott alkalmazási területeken használja. A készülék nem alkalmas üzleti célú használatra. A készülék minden más használata vagy módosítása nem rendeltetészerűnek minősül és jelentős balesetveszélyt okozhat. A nem rendeltetészerű használatból eredő károkért a gyártó nem vállal felelősséget.

Felszereltség

- 1 szerszámbefogó
- 2 reteszelő persely
- 3 bittartó (mágneses)
- 4 forgásirányváltó kapcsoló/zár
- 5 övcspesz
- 6 akkumulátor-állapotjelző gomb
- 7 akkumulátor-kijelző LED
- 8 akkumulátor-telep*
- 9 gomb az akkumulátor-telep kireteszeléséhez
- 10 LED-munkafény
- 11 be-, kikapcsoló/fordulatszám-szabályozó
- 12 négylapú 1/4"-es adapter
- 13 bittartó
- 14 gyorstöltő*
- 15 piros töltésjelző LED
- 16 zöld töltésjelző LED

A csomag tartalma

- 1 akkus ütvefúró PDSSA 20-Li A1
- 1 db négylapú 1/4"-es adapter
- 1 db 1/4"-es hosszabbító (50 mm)
- 1 övcspesz
- 1 hordtáska
- 1 használati útmutató

Műszaki adatok

Akkus ütvefúró PDSSA 20-Li A1

Névleges feszültség	20 V === (egyenáram)
Üresjárat fordulatszám	n_0 0 – 2800 min ⁻¹
Névleges ütésszám	0 – 3600 min ⁻¹
Max. forgatónyomaték	180 Nm
Alkalmas fémcsvarok	≤ M8
Alkalmas facsvarok	≤ 8 mm Ø
Szerszámbefogó	1/4"

Akkumulátor: PAP 20 A1 *

Típus	LÍTIUM-ION
Névleges feszültség	20 V \equiv (egyenáram)
Kapacitás	2 Ah
Cellaszám	5

Akkumulátor-gyorstöltő: PLG 20 A1 *

BEMENET/Input

Névleges feszültség	230 - 240 V \sim , 50 Hz (váltóáram)
---------------------	---

Névleges teljesítményfelvétel	65 W
Biztosíték (belső)	3,15 A $\frac{T3,15A}{\square}$

KIMENET/Output

Névleges feszültség	21,5 V \equiv (egyenáram)
Névleges áramerősség	2,4 A
Töltési idő	kb. 60 perc
Védelmi osztály	II / \square (dupla szigetelés)

* AZ AKKUMULÁTORT ÉS A TÖLTŐT A CSOMAG NEM TARTALMAZZA

Zajkibocsátási érték

A zaj mért értéke az EN 62841 szabvány szerint került meghatározásra. Az elektromos kéziszerszám A-súlyozott zajszintjének jellemző értéke:

Hangnyomásszint	$L_{PA} = 83$ dB (A)
Bizonytalansági érték	$K_{PA} = 3$ dB
Hangerőszint	$L_{WA} = 94$ dB (A)
Bizonytalansági érték	$K_{WA} = 3$ dB

Rezgéskibocsátási érték

Rezgés összértéke (három irány vektorösszege), az EN 62841 szabvány szerint mérve:

Legnagyobb megengedett méretű csavarok és anyák meghúása	$a_1 = 5,677$ m/s ²
Bizonytalansági érték	$K = 1,5$ m/s ²

Viseljen hallásvédőt!

MEGJEGYZÉS

- ▶ A megadott rezgés-kibocsátási értékek és a megadott zajkibocsátási értékek szabványos mérési eljárással lettek meghatározva és felhasználhatók az elektromos szerszámok egymással való összehasonlítására.
- ▶ A megadott rezgés összértékek és zajkibocsátási szintek a terhelés előzetes megbecsüléséhez is felhasználhatók.

FIGYELMEZTETÉS!

- ▶ A rezgéskibocsátási érték és zajkibocsátási szint az elektromos kéziszerszám tényleges használata során a megadott értékektől eltérhet annak függvényében, hogy miként és hogyan használja az elektromos készüléket, és különösen, hogy milyen fajta munkadarabon dolgozik.
- ▶ Próbálja a terhelést a lehető legalacsonyabb szinten tartani. A rezgésterhelés csökkenthető például kesztyű viselésével a szerszám használata során, illetve a munkaidő korlátozásával. Ebben az esetben a működési ciklus minden részét figyelembe kell venni (például amikor az elektromos kéziszerszám ki van kapcsolva, és amikor bár be van kapcsolva, de terhelés nélkül fut).



Általános biztonsági utasítások elektromos kéziszerszámokhoz

FIGYELMEZTETÉS!

- ▶ Tanulmányozza az elektromos kéziszerszámhoz tartozó összes biztonsági figyelmeztetést, utasítást, ábrát és műszaki adatot. Az alábbi utasítások figyelmen kívül hagyása áramütést, tüzet és/vagy súlyos sérüléseket okozhat.

Őrizze meg az összes biztonsági előírást és utasítást későbbi használatra.

A biztonsági előírásokban használt „elektromos kéziszerszám” kifejezés hálózatról (hálózati vezetéken át) üzemeltetett elektromos kéziszerszámokra vagy akkumulátoros elektromos kéziszerszámokra (hálózati vezeték nélkül) vonatkozik.

1. Munkahelyi biztonság

- a) Tartsa tisztán és jól megvilágítva a munkaterületét. A rendtelenség és a rosszul megvilágított munkaterület balesetet okozhat.
- b) Ne dolgozzon az elektromos kéziszerszámmal olyan robbanásveszélyes környezetben, ahol gyúlékony folyadékok, gázok vagy porok vannak. Az elektromos kéziszerszámok szikráznak, a szikra pedig meggyújthatja a port vagy gőzöket.
- c) Az elektromos kéziszerszám használata közben ne engedjen közel gyermekeket és más személyeket. Ha elterelik a figyelmét, elveszítheti uralmát az elektromos kéziszerszám felett.

2. Elektromos biztonság

- a) Az elektromos kéziszerszám csatlakozódugójának illeszkednie kell a csatlakozóaljzatba. A csatlakozót semmilyen módon nem szabad megváltoztatni. A földelt elektromos kéziszerszámokat ne használja adapterrel. A nem módosított csatlakozó és a megfelelő csatlakozóaljzat használata csökkenti az áramütés veszélyét.
- b) Ügyeljen arra, hogy teste ne érintkezzen földelt felülettel, mint például csővezeték, fűtőtűtest, tűzhely vagy hűtőszekrény felületével. Az áramütés kockázata nagyobb, ha a teste földelve van.
- c) Óvja az elektromos kéziszerszámot esőtől vagy nedves környezettől. Növeli az áramütés kockázatát, ha víz kerül az elektromos kéziszerszámba.
- d) Ne használja a csatlakozóvezetékét rendeltetésellenes célra, ne hordozza és ne akassza fel az elektromos kéziszerszámot a kábelnél fogva és ne a vezetéknél fogva húzza ki a csatlakozódugót az aljzatból. Tartsa távol a csatlakozóvezetékét hőtől, olajtól, éles szegélyektől vagy mozgó alkatrészekről. A sérült vagy összezsavarodott csatlakozóvezeték növeli az áramütés kockázatát.

- e) Ha a szabadban dolgozik az elektromos kéziszerszámmal, akkor csak olyan hosszabbító vezetékeket használjon, ami kültéren is engedélyezett. A kültéri használatra alkalmas hosszabbító kábellel csökkentheti az áramütés veszélyét.
- f) Ha az elektromos kéziszerszám nedves helyen történő használata elkerülhetetlen, akkor használjon hibaáram védőkapcsolót. A hibaáram védőkapcsoló használata csökkenti az áramütés veszélyének kockázatát.

3. Személyi biztonság

- a) Legyen figyelmes, ügyeljen arra, amit csinál és megfontoltan végezze a munkát az elektromos kéziszerszámmal. Ne használjon elektromos kéziszerszámot, ha fáradt, vagy ha kábítószert, alkohol vagy gyógyszer hatása alatt áll. Az elektromos kéziszerszám használatakor már egy pillanatnyi figyelmetlenség is komoly sérüléseket okozhat.
- b) Viseljen egyéni védőeszközt és mindig vegyen fel védőszemüveget. Az elektromos kéziszerszám jellegének és alkalmazásának megfelelő egyéni védőeszköz, például pormaszk, csúszásmentes biztonsági cipő, védősisak vagy fülvédő csökkenti a személyi sérülések veszélyét.
- c) Előzze meg a készülék véletlenszerű bekapcsolását. Győződjön meg arról, hogy az elektromos kéziszerszám ki van kapcsolva, mielőtt a villamos hálózatra és/vagy az akkumulátorra csatlakoztatja, illetve kézbe veszi vagy viszi. Balesetet okozhat, ha az elektromos kéziszerszám hordozása közben az ujj a kapcsolón van vagy az elektromos kéziszerszám már bekapcsolott állapotban van, amikor csatlakoztatja az áramellátásra.
- d) Távolítsa el a beállításához használt szerszámokat vagy csavarkulcsokat az elektromos kéziszerszám bekapcsolása előtt. Az elektromos kéziszerszám forgó részében maradt szerszám vagy kulcs balesetet okozhat.
- e) Kerülje a normálistól eltérő testtartást. Vegyen fel biztonságos álló helyzetet és tartsa meg folyamatosan az egyensúlyát. Ily módon váratlan helyzetekben is jobban úrrá tud lenni az elektromos kéziszerszámon.

- f) Viseljen alkalmas ruházatot. Ne viseljen bő ruházatot vagy ékszer. Tartsa távol a haját és ruháját a mozgó részekről. A laza ruházat, az ékszer vagy a hosszú haj beleakadhat a mozgó részekbe.
 - g) Amennyiben a készülékhez pórelszívó és porgyűjtő berendezés is szerelhető, akkor ezeket csatlakoztatni és megfelelően használni kell. A pórelszívó alkalmazása csökkentheti a por általi veszélyeztetést.
 - h) Ne gondolja, hogy biztonságban van és ne hagyja figyelmen kívül az elektromos kéziszerszámokra vonatkozó biztonsági előírásokat akkor sem, ha többszöri használat után jól ismeri az elektromos kéziszerszám használatát. A figyelmetlen használat a másodperc töredéke alatt súlyos sérüléseket okozhat.
- e) Gondosan ápolja az elektromos kéziszerszámokat és a betétszámokat. Ellenőrizze, hogy a mozgó részek tökéletesen működnek és nincsenek beszorulva, részei nincsenek eltörve vagy olyannyira megsérülve, hogy az befolyásolná az elektromos kéziszerszám működését. Az elektromos kéziszerszám használata előtt javíttassa meg a sérült részeket. Sok balesetet a rosszul karbantartott elektromos kéziszerszámok okoznak.
 - f) A vágószerszámokat tartsa mindig élesen és tisztán. A gondosan karbantartott éles vágóeszközök kisebb valószínűséggel szorulnak be és könnyebben irányíthatók.
 - g) Az elektromos kéziszerszámot, a betétszámokat stb. a használati utasításoknak megfelelően használja. Vegye figyelembe a munkakörülményeket és az elvégzendő feladatot. Az elektromos kéziszerszám nem rendeltetészerű használata veszélyes helyzeteket teremthet.
 - h) A markolatokat és fogófelületeket tartsa szárazon, tisztán és olaj- illetve zsírmentesen. A csúszós markolatok és fogófelületek nem teszik lehetővé az elektromos kéziszerszám biztonságos használatát és irányítását váratlan helyzetekben.

4. Az elektromos kéziszerszám használata és kezelése

- a) Ne terhelje túl az elektromos kéziszerszámot. A munkájának megfelelő elektromos kéziszerszámmal jobban és biztonságosabban tud dolgozni a megadott teljesítmény-tartományban.
- b) Ne használjon olyan elektromos kéziszerszámot, amelyiknek hibás a kapcsolója. Ha az elektromos kéziszerszámot már nem lehet be- és kikapcsolni, akkor a használata veszélyes és meg kell javíttatni.
- c) Húzza ki a hálózati csatlakozódugót a csatlakozóaljzatból és/vagy távolítsa el a levehető akkumulátort, mielőtt beállításokat végez a készüléken, betétszámokat cserél vagy az elektromos kéziszerszámot elteszi. Ezzel a megelőző biztonsági intézkedéssel megakadályozható az elektromos kéziszerszám véletlen bekapcsolása.
- d) A nem használt elektromos kéziszerszámot gyermekektől elzárva tárolja. Ne engedje, hogy olyan személyek használják az elektromos kéziszerszámot, akik nem ismerik annak használatát vagy nem olvasták az erre vonatkozó utasításokat. Az elektromos kéziszerszámok veszélyesek, ha tapasztalatlan személyek használják azokat.

5. Az akkumulátoros kéziszerszám használata és kezelése

- a) Az akkumulátort csak a gyártó által ajánlott töltővel töltsen. Olyan töltő esetén, amely egy bizonyos típusú akkumulátor töltésére alkalmas, tűzveszély áll fenn, ha másfajta akkumulátorral használják.
- b) Csak az elektromos kéziszerszámba való akkumulátort használja. Más akkumulátorok használata sérülést okozhat és tűzveszélyes.
- c) A nem használt akkumulátort tartsa megfelelő távolságban gémkapcsoktól, érméktől, kulcsoktól, szögektől, csavaroktól vagy más apró fémtárgyaktól, amelyek rövidzárlatot okozhatnak. Az akkumulátor érintkezői közötti rövidzárlat égési sérülést vagy tüzet okozhat.

- d) Helytelen alkalmazás esetén folyadék szivároghat ki az akkumulátorból. Ne érjen hozzá. Ha véletlenül mégis hozzáér, öblítse le vízzel. Ha a folyadék a szembe kerül, forduljon orvoshoz. A kiszivárgó akkumulátor-folyadék bőrirritációt vagy égési sérülést okozhat.
- e) Ne használjon sérült vagy módosított akkumulátort. A sérült vagy módosított akkumulátorok kiszámíthatatlanul viselkedhetnek és tüzet, robbanást vagy sérülést okozhatnak.
- f) Ne tegye ki az akkumulátort tűznek vagy magas hőmérsékletnek. Tűz vagy 130 °C (265 °F) feletti hőmérséklet robbanást okozhat.
- g) Kövesse a töltésre vonatkozó utasításokat, és soha ne töltsön az akkumulátort és az akkumulátoros kéziszerszámot a használati útmutatóban megadott hőmérséklet-tartományon kívül. A helytelen töltés és a megengedett hőmérséklet-tartományon kívüli töltés tönkreteheti az akkumulátort és növeli a tűzveszélyt.



VIGYÁZAT! ROBBANÁSVESZÉLY!

Soha ne töltsön fel egyszer használatos elemeket.



Védje az akkumulátort

hősegtől, például tartós napsütéstől, tűztől, víztől és nedvességtől. Robbanásveszély áll fenn.

6. Szerviz

- a) Az elektromos kéziszerszámot csak képzett szakemberrel és csak eredeti cserealkatrészekkel javíttassa. Ezzel biztosítható az elektromos kéziszerszám hosszan tartó és biztonságos működése.
- b) Soha ne végezzen karbantartást sérült akkumulátorokon. Az akkumulátorok karbantartását csak a gyártó vagy hivatalos vevőszolgálatok végezhetik.

Ütvecsavarozókra vonatkozó készülékspecifikus biztonsági utasítások

- Viseljen hallásvédőt az ütvecsavarozás során. A zaj halláskárosodást okozhat.
- Rögzítse megfelelően a munkadarabot. Befogóeszkővel vagy satuval rögzítve biztonságosabban lehet tartani a munkadarabot, mint kézzel.
- Fogja erősen az elektromos kéziszerszámot. A csavarok meghúzásakor és kilazításakor rövid időre nagy reakciónyomatékok léphetnek fel.
- Mielőtt leteszi az elektromos kéziszerszámot, várja meg amíg teljesen leáll. A betétszszám beakadhat és emiatt elveszítheti uralmát a készülék felett.
- Az elektromos kéziszerszámot csak a szigetelt markolófelületénél fogja meg, ha olyan munkát végez, ahol az elektromos kéziszerszám rejtett áramvezetékekbe ütközhet. Ha a csavar feszültség alatt álló vezetékhez ér, akkor az a készülék fém részeit is feszültség alá helyezheti és áramütést okozhat.

Eredeti tartozékok/kiegészítő eszközök

- Csak a használati útmutatóban megadott tartozékokat és kiegészítő eszközöket használja, ill. amelyek befogója kompatibilis a készülékkel.

⚠ FIGYELMEZTÉS!

- Ne használjon nem a PARKSIDE által javasolt tartozékot. Ez áramütést és tüzet okozhat.

Töltőkre vonatkozó biztonsági utasítások

- Ezt a készüléket 8 éves kor feletti gyermekek és csökkent fizikai, érzékszervi vagy szellemi képességű, illetve tapasztalattal és ismeretekkel nem rendelkező személyek csak felügyelet mellett használhatják, vagy ha felvilágosították őket a készülék biztonságos használatáról és megértették az ebből eredő veszélyeket. Gyermekek nem játszhatnak a készülékkel. Tisztítást és a felhasználó által végzendő karbantartást felügyelet nélküli gyermekek nem végezhetnek.
- A veszélyek elkerülése érdekében a sérült csatlakozóvezetékét a gyártónak, a gyártó vevőszolgálatának vagy hasonló szakképzett személynek kell kicserélnie.



A töltő kizárólag beltéri használatra alkalmas.

⚠ FIGYELMEZTETÉS!

- A veszélyek elkerülése érdekében a sérült csatlakozóvezetékét a gyártónak, a gyártó vevőszolgálatának vagy hasonló szakképzett személynek kell kicserélnie.

⚠ FIGYELEM!

- ▶ Ez a töltő csak az alábbi akkumulátorokkal használható: PAP 20 A1/PAP 20 A2/PAP 20 A3/PAP 20 B1/PAP 20 B3/PAPS 204 A1/PAPS 208 A1.
- ▶ A kompatibilis akkumulátorok aktuális listája a www.lidl.de/akku oldalon található.



FIGYELEM! Forró felület.
Égési sérülés veszélye áll fenn.

Üzembe helyezés előtt

Az akkumulátor-telep töltése (lásd az A ábrát)

⚠ VIGYÁZAT!

- ▶ Mindig húzza ki a hálózati csatlakozódugót, mielőtt az akkumulátor-telepet kiveszi a töltőből vagy belehelyezi.

TUDNIVALÓ

- ▶ Soha ne töltsen az akkumulátor-telepet akkor, ha a környezeti hőmérséklet 10 °C alatt vagy 40 °C felett van. A lítium-ion akkumulátor hosszabb tárolása esetén rendszeresen ellenőrizni kell az akkumulátor töltöttségét. Az optimális töltöttségi állapot 50% és 80% között van. Hűvös, száraz helyen, 0 °C és 50 °C közötti környezeti hőmérsékleten kell tárolni.
- ◆ Helyezze be az akkumulátor-telepet **8** a gyorsöltőbe **14** (lásd az A ábrát).
- ◆ Csatlakoztassa a hálózati csatlakozódugót a csatlakozóaljzatba. A töltésjelző LED **15** pirosan világít.
- ◆ A zöld töltésjelző LED **16** azt jelzi, hogy a töltési folyamat lezárult és az akkumulátor-telep **8** üzemkész.

⚠ FIGYELEM!

- ◆ Ha a piros töltésjelző LED **15** villog, akkor az akkumulátor-telep **8** túlhevült és nem tölthető.
- ◆ Ha a piros és a zöld töltésjelző LED **15** **16** egyszerre villog, akkor az akkumulátor-telep **8** meghibásodott.
- ◆ Helyezze be az akkumulátor-telepet **8** a készülékbe.
- ◆ Az egymást követő töltések között kapcsolja ki a töltőt legalább 15 percre. Ehhez húzza ki a hálózati csatlakozódugót.

Akkumulátor-telep behelyezése a készülékbe/kivétele a készülékből

Akkumulátor-telep behelyezése

- ◆ Tolja a forgásirányváltó kapcsolót **4** közé-pállásba (zár). Kattints be az akkumulátor-telepet **8** a markolatba.

Az akkumulátor-telep kivétele

- ◆ Nyomja meg a kireteszelő gombot **9** és vegye ki az akkumulátor-telepet **8**.

Az akkumulátor állapotának ellenőrzése

- ◆ Az akkumulátor állapotának ellenőrzéséhez nyomja meg az akkumulátor-állapotjelző gombot **6** (lásd a fő ábrát is). A töltöttségi állapot az alábbiak szerint jelenik meg az akkumulátor-kijelző LED-en **7**:
 PIROS/NARANCSSÁRGA/ZÖLD = maximális töltés
 PIROS/NARANCSSÁRGA = közepes töltés
 PIROS = gyenge töltés – akkumulátor töltése szükséges

Üzembe helyezés

Be-, kikapcsolás

Bekapcsolás

- ◆ A készülék üzembe helyezéséhez nyomja meg és tartsa lenyomva a be-, kikapcsolót **11**. A LED-munkafény **10** világít kissé vagy teljesen lenyomott be-, kikapcsoló **11** esetén. Ez lehetővé teszi a munkaterület megvilágítását kedvezőtlen fényviszonyok esetén.

Kikapcsolás

- ◆ A készülék kikapcsolásához engedje el a be-, kikapcsolót **11**.

Fordulatszám/meghúzási nyomaték beállítása

- ◆ A be-, kikapcsolóra **11** gyakorolt enyhe nyomás esetén a készülék alacsony fordulatszámmal/meghúzási nyomatékkal működik. Növekvő nyomással emelkedik a fordulatszám/meghúzási nyomaték.
- A meghúzási nyomaték függ a választott fordulatszámától és az ütés időtartamától.

! FIGYELEM!

- ◆ A ténylegesen elért meghúzási nyomatékot alapvetően egy nyomatékkulccsal kell ellenőrizni!

TUDNIVALÓ

- ▶ A beépített motorfék a készülék gyors leállítását biztosítja.

Forgásirány átkapcsolása

- ◆ A forgásirány módosításához nyomja jobbra, illetve balra a forgásirányváltó kapcsolót **4**.

Bitfejek behelyezése

- ◆ Helyezze be az adaptert **12** vagy a bittartót **13** a szerszámbefogóba **1**.
- ◆ Ehhez húzza hátra a reteszelő perselyt **2** és hagyja bekattanni az adaptert **12** vagy a bittartót **13**.

Karbantartás és tisztítás



FIGYELMEZTETÉS! SÉRÜLÉSVESZÉLY!

A készüléken végzendő bármely művelet előtt kapcsolja ki a készüléket és vegye ki az akkumulátort.

A készülék nem igényel karbantartást.

- A készüléknek mindig tisztának, száraznak és olaj- vagy kenőanyagmentesnek kell lenni.
- Ne hagyja, hogy folyadék kerüljön a készülék belsejébe.
- A készülékház tisztításához használjon száraz törlőkendőt. Soha ne használjon benzint vagy olyan oldószert, tisztítószeret, amely kárt tesz a műanyagban.
- A lítium-ion akkumulátor hosszabb tárolása esetén rendszeresen ellenőrizni kell az akkumulátor töltöttségét. Az optimális töltöttségi állapot 50% és 80% között van. Az optimális tárolási környezet hűvös és száraz.

TUDNIVALÓ

- ▶ A felsorolásban nem szereplő alkatrészeket (mint pl. szénkefe, kapcsoló) szerviz-forródróton keresztül rendelheti meg.

A Kompennass Handels GmbH garanciája

Tisztelt Vásárlónk!

A készülékre a vásárlás napjától számított 3 év garanciát vállalunk. A termék meghibásodása esetén. Önt jogszabályban foglalt jogok illetik meg az eladóval szemben. Az alábbi garanciánk nem korlátozza vagy szünteti meg a jogszabályban biztosított jogokat.

Garanciális feltételek

A garanciális időszak a vásárlás napján kezdődik. Gondosan őrizze meg a nyugtát. Ez a vásárlás igazolásához szükséges.

Ha a termékvásárlás napjától számított három éven belül anyag- vagy gyártási hibát észlel, akkor a terméket saját belátásunk szerint ingyen megjavítjuk, kicseréljük vagy visszafizetjük az árát. A garancia feltétele a hibás készülék és a vásárlást igazoló bizonylat (pénztári blokk) három éves garanciaidőn belüli bemutatása, valamint a hiba lényegének és megjelenése idejének rövidleírása.

Ha garanciánk fedezetet nyújt a hibára, akkor javított vagy egy új terméket kap vissza. A termék javítása vagy cseréje esetén a garancia nem kezdődik előlről.

Az X 12 V és X 20 V Team termékcsalád akkumulátor-telepeire a vásárlás napjától számított 3 év garanciát vállalunk.

Garanciális idő és a jogszabályban foglalt szavatossági igények

A garancia ideje nem hosszabbodik meg a jótállással. Ez a cserélt és javított alkatrészekre is vonatkozik. Az esetlegesen már a vásárláskor is fennálló sérüléseket és hiányosságokat a kicsomagolás után azonnal jelezni kell. A garanciai lejárta után esedékes javítások díjkötelesek.

A garancia köre

A készüléket szigorú minőségi előírások szerint gyártottuk és kiszállítás előtt lelkiismeretesen ellenőriztük.

A garancia anyag- vagy gyártási hibákra vonatkozik. A garancia nem terjed ki a termék normális elhasználódásnak kitett és ezért kopó alkatrészeknek tekinthető alkatrészeire vagy a törékeny alkatrészek – mint például kapcsolók, akkumulátorok vagy üvegből készült alkatrészek – sérüléseire.

A garancia megszűnik akkor, ha a termék megsérül, nem megfelelően használják vagy nem tartják karban. A termék megfelelő használata érdekében a használati útmutatóban foglalt összes utasítást pontosan be kell tartani. Feltétlenül kerülni kell minden olyan felhasználási és kezelési módot, amit a használati útmutató nem javasol, vagy amelynek elkerülésére kifejezetten figyelmeztet.

A termék csak magánhasználatra és nem ipari használatra készült. A garancia érvényét veszti visszaélő vagy szakszerűtlen kezelés, erőszak alkalmazása vagy olyan beavatkozások esetén, amelyeket általunk nem engedélyezett szervizben végeztek el.

A garanciális idő nem érvényes

- az akkumulátor-kapacitás normális elhasználódása esetén
- a termék ipari használata esetén
- ha az ügyfél megrongálja vagy megváltoztatja a terméket
- ha nem tartja be a biztonsági vagy karbantartási előírásokat, kezelési hiba esetén
- természeti esem

A garancia érvényesítése

Ügyének gyors feldolgozása érdekében kövesse a következő utasításokat:

- Kérjük, hogy minden kapcsolatfelvételnél tartsa készenlétben a vásárlást igazoló pénztári blokkot és a cikkszámot (IAN) 380745_2110.
- A cikkszám a termék adattábláján, a termékre gravírozva, a használati útmutató címlapján (balra lent) vagy a termék hátoldalán vagy alján lévő címkén található.
- Működési hiba vagy más hiba észlelése esetén vegye fel a kapcsolatot az alábbi szervizszéssel **telefonon** vagy **e-mailben**.
- Küldje el díjmentesen a megadott szerviz címére a hibásnak talált terméket és a vásárlást igazoló bizonylatot (pénztári blokk), illetve röviden írja le azt is, hogy hol és mikor jelentkezett a hiba.



Más használati útmutatókhoz, termékbemutató videókhoz és a telepítési szoftverekhez hasonlóan ezt is letöltheti a www.lidl-service.com oldalról.

Ezzel a QR-kóddal közvetlenül a Lidl ügyfélszolgálati oldalra kerülnek (www.lidl-service.com) és a cikkszám megadásával (IAN) 380745_2110 megnyithatja a használati útmutatót.

⚠ FIGYELMEZTETÉS!

- ▶ A készüléket szervizben vagy villamosági szakemberrel és kizárólag eredeti alkatrészek felhasználásával javíttassa. Ezzel biztosítható a készülék hosszan tartó biztonsága.
- ▶ A csatlakozódugót és a hálózati vezetéket mindig a készülék gyártójával vagy ügyfélszolgálatával cseréltesse ki. Ezzel biztosítható a készülék hosszan tartó biztonsága.

Szerviz

(HU) Szerviz Magyarország
 Tel.: 06800 21225
 E-Mail: kompernass@lidl.hu

IAN 380745_2110

Gyártja

Ügyeljen arra, hogy az alábbi cím nem a szerviz címe. Először forduljon a megjelölt szervizhez.

KOMPERNASS HANDELS GMBH
 BURGSTRASSE 21
 44867 BOCHUM
 NÉMETORSZÁG
 www.kompernass.com

Ártalmatlanítás



Ne dobjon elektromos kéziszerszámot a háztartási hulladékba!

Az áthúzott kerekes szeméttároló itt látható szimbóluma azt jelzi, hogy ez a készülék a 2012/19/EU irányelv hatálya alá tartozik. Ez az irányelv azt mondja ki, hogy a készülék életciklusa végén nem szabad a szokásos háztartási hulladékkal ártalmatlanítani, hanem külön létrehozott gyűjtőhelyen, újrahasznosító központokban vagy hulladékkezelő üzemben kell leadni.

Ez az ártalmatlanítás az Ön számára díjtalan. Kímélje a környezetet és ártalmatlanítson szakszerűen.



Az elhasználdott termék ártalmatlanításának lehetőségeiről tájékozódjon települése vagy városa önkormányzatánál.



Li-ion

Ne dobjon akkumulátort a háztartási hulladékba!

A hibás vagy elhasználdott akkumulátorokat a 2006/66/EC irányelv szerint újra kell hasznosítani. Az akkumulátorokat/elemeket veszélyes hulladékként kell kezelni és ezért megfelelő helyeken (kereskedők, szakkereskedők, önkormányzati létesítmények, ipari hulladékkezelő vállalatok) környezetbarát módon kell ártalmatlanítani. Az elemek/akkumulátorok mérgező nehézfémeket tartalmazhatnak.

Ezért ne dobja az elemeket/akkumulátorokat a háztartási hulladékba, hanem vigye el külön gyűjtőhelyre. Az elemeket/akkumulátorokat csak lemeült állapotban adja le.



A csomagolás környezetbarát anyagokból készült, amit a helyi hulladékhasznosítónál adhat le ártalmatlanításra.



Ártalmatlanítsa a csomagolást környezetbarát módon. Vegye figyelembe a különböző csomagolóanyagokon lévő jelzéseket és adott esetben válassza külön azokat. A csomagolóanyagok rövidítésekkel (a) és számjegyekkel (b) vannak megjelölve, az alábbi jelentéssel: 1-7: műanyag, 20-22: papír és karton, 80-98: kompozit anyagok.



A termék újrahasznosítható, kiterjesztett gyártói felelősség körébe tartozik és külön kell gyűjteni.

Eredeti megfelelőségi nyilatkozat

Mi, a KOMPERNASS HANDELS GMBH, dokumentációért felelős személy: Semi Uguzlu, BURGSTR. 21, 44867 BOCHUM, NÉMETORSZÁG, ezennel kijelentjük, hogy ez a termék megfelel az alábbi szabványoknak, normatív dokumentumoknak és EK-irányelveknek:

Gépekre vonatkozó irányelv

(2006/42/EC)

EK kisfeszültségű irányelv (csak töltő)

(2014/35/EU)

Elektromágneses összeférhetőség

(2014/30/EU)

RoHS irányelv

(2011/65/EU)*

* A kiállított megfelelőségi nyilatkozat tekintetében kizárólag a gyártó felel. A nyilatkozat fenti tárgya megfelel az Európa Parlament és Tanács 2011. június 8-i, egyes veszélyes anyagok elektromos és elektronikus berendezésekben való alkalmazásának korlátozásáról szóló 2011/65/EU irányelv előírásainak.

Alkalmazott harmonizált szabványok

EN 62841-1:2015

EN 62841-2-2:2014

EN 55014-1:2017

EN 55014-2:2015

EN IEC 63000:2018

Típus/készülék megnevezése: Akkus ütvefűrő PDSSA 20-Li A1

Gyártási év: 2022.01.

Sorozatszám: IAN 380745_2110

Bochum, 2022.01.31.



Semi Uguzlu

- minőségbiztosítási vezető -

A továbbfejlesztés érdekében fenntartjuk a műszaki változtatások jogát.

Pótakkumulátor rendelése

Készülékéhez kényelmesen rendelhet pótakkumulátort a www.kompernass.com internetoldalon vagy telefonon.

A korlátozott raktárkészlet miatt ez a termék adott esetben rövid időn belül elfogyhat.



TUDNIVALÓ

- ▶ A pótalkatrészek rendelése egyes országokban nem lehetséges interneten keresztül. Ebben az esetben forduljon szerviz-ügyfélszolgálatunkhoz.

Telefonos rendelés

(HU) Szerviz Magyarország Tel.: 06800 21225

A rendelés gyors feldolgozása érdekében megkeresése során tartsa készenlétben készüléke cikkszámát (IAN 380745_2110). A cikkszám a típusátlán vagy a jelen használati útmutató címlapján található.

Kazalo

Uvod	150
Predvidena uporaba	150
Oprema	150
Vsebina kompleta	150
Tehnični podatki	150
Splošna varnostna navodila za električna orodja	151
1. Varnost na delovnem mestu	152
2. Električna varnost	152
3. Varnost oseb	152
4. Uporaba in ravnanje z električnim orodjem	153
5. Uporaba in ravnanje z akumulatorskim orodjem	153
6. Servis	154
Varnostna navodila, ki veljajo posebej za udarni vijačnik	154
Originalni pribor/originalne dodatne naprave	154
Varnostna navodila za polnilnike	155
Pred prvo uporabo	155
Polnjenje akumulatorja (glejte sliko A)	155
Vstavljanje/odstranjevanje akumulatorja	156
Preverjanje stanja akumulatorja	156
Začetek uporabe	156
Vklop/izklop	156
Nastavitev števila vrtljajev/zateznega navora	156
Preklop smeri vrtenja	156
Vstavljanje nastavkov	156
Vzdrževanje in čiščenje	156
Proizvajalec	157
Pooblaščen serviser	157
Garancijski list	157
Odstranjevanje med odpadke	158
Izvirna izjava o skladnosti	159
Naročanje nadomestnega akumulatorja	160
Telefonsko naročilo	160

AKUMULATORSKI VRTALNI UDARNI VIJAČNIK PDSSA 20-Li A1

Uvod

Čestitamo vam ob nakupu nove naprave. Odločili ste se za kakovosten izdelek. Navodila za uporabo so sestavni del tega izdelka. Vsebujejo pomembna navodila za varnost, uporabo in odlaganje izdelka med odpadke. Preden začnete izdelek uporabljati, se seznanite z vsemi navodili za uporabo in varnost. Izdelek uporabljajte le tako, kot je opisano, in samo za navedena področja uporabe. Ob predaji izdelka tretji osebi zraven priložite vso dokumentacijo.

Predvidena uporaba

Ta naprava je namenjena za privijanje in odvijanje vijakov ter za zategovanje in odvijanje matic.

Naprava ima desni/levi tek, šestrobni sprejemni nastavek velikosti 1/4" in delovno luč LED. Luč na tej napravi je predvidena za osvetljevanje neposrednega delovnega območja naprave. S funkcijo udarjanja med vrtenjem naprave se moč motorja pretvori v enakomerno udarjajoče vrtljaje. Udarni mehanizem učinkuje pri zategovanju in odvijanju.

Napravo smejo uporabljati samo odrasle osebe. Mladostniki starosti nad 16 let smejo napravo uporabljati samo pod nadzorom. Proizvajalec ne odgovarja za škodo, ki bi nastala zaradi nepredvidene ali napačne uporabe.

Napravo uporabljajte samo na opisani način in za navedene namene. Naprava ni predvidena za poslovno uporabo. Vsaka druga vrsta uporabe ali sprememba naprave velja za nepredvideno in povzroči bistveno nevarnost nesreče. Proizvajalec ne prevzema nobene odgovornosti za škodo, nastalo zaradi nepredvidene uporabe.

Oprema

- ❶ nastavek za orodje
- ❷ zaporna puša
- ❸ držalo za nastavke (magnetno)
- ❹ preklopnik smeri vrtenja/zapora
- ❺ sponka za pas
- ❻ tipka za stanje akumulatorja
- ❼ lučka LED akumulatorja
- ❽ akumulator*
- ❾ tipka za sprostitvev akumulatorja
- ❿ delovna luč LED
- ⓫ stikalo za vklop/izklop/upravljanje števila vrtljajev
- ⓬ štirikotni 1/4"-adapter
- ⓭ držalo za nastavke
- ⓮ hitri polnilnik*
- ⓯ rdeča lučka LED za polnjenje
- ⓰ zelena lučka LED za polnjenje

Vsebina kompleta

- 1 akumulatorski vrtnalni udarni vijaknik PDSSA 20-Li A1
- 1 štirikotni 1/4"-adapter
- 1 1/4"-podaljšek (50 mm)
- 1 sponka za pas
- 1 prenosni kovček
- 1 navodila za uporabo

Tehnični podatki

Akumulatorski vrtnalni udarni vijaknik PDSSA 20-Li A1

Nazivna napetost	20 V \equiv (enosmerni tok)
Število vrtljajev v prostem teku	n_0 0-2800 min ⁻¹
Nazivno število udarcev	0-3600 min ⁻¹
Največji navor	180 Nm
Primeren za kovinske vijake	≤ M8
Primeren za lesene vijake	≤ 8 mm Ø
Nastavek za orodje	1/4"

Akumulator: PAP 20 A1 *

Tip	LITIJ-IONIŠKI
Nazivna napetost	20 V \equiv (enosmerni tok)
Kapaciteta	2 Ah
Celic	5

Hitri polnilnik akumulatorjev: PLG 20 A1 *

VHOD/Input

Nazivna napetost	230-240 V \sim , 50 Hz (izmenični tok)
Nazivna vhodna moč	65 W
Varovalka (notranja)	3,15 A

IZHOD/Output

Nazivna napetost	21,5 V \equiv (enosmerni tok)
Nazivni tok	2,4 A
Trajanje polnjenja	pribl. 60 min
Razred zaščite	II/ (dvojna izolacija)

* AKUMULATOR IN POLNILNIK NISTA V OBSEGU DOBAVE.

Vrednost emisij hrupa

Merilna vrednost hrupa je ugotovljena v skladu z EN 62841. A-vrednotena raven hrupa pri električnem orodju običajno znaša:

Raven zvočnega tlaka	$L_{PA} = 83$ dB (A)
Negotovost	$K_{PA} = 3$ dB
Raven zvočne moči	$L_{WA} = 94$ dB (A)
Negotovost	$K_{WA} = 3$ dB

Vrednost emisij tresljajev

Skupne vrednosti tresljajev (vektorska vsota treh smeri), izračunane v skladu z EN 62841:

Privijanje vijakov in matic največje dovoljene velikosti	$a_h = 5,677$ m/s ²
Negotovost	$K = 1,5$ m/s ²

Nosite zaščito sluha!

OPOMBA

- ▶ Navedene skupne vrednosti tresljajev in navedene vrednosti emisij hrupa so bile izmerjene v standardiziranem preskusnem postopku in se lahko uporabljajo za medsebojno primerjavo električnih orodij.
- ▶ Navedene skupne vrednosti tresljajev in navedene vrednosti emisij hrupa se lahko uporabljajo tudi za uvodno oceno izpostavljenosti.

OPOZORILO!

- ▶ Emisije tresljajev in hrupa lahko med dejansko uporabo električnega orodja odstopajo od navedenih vrednosti, kar je odvisno od vsakokratnega načina uporabe električnega orodja, še posebej pa od vrste obdelovanca za obdelavo.
- ▶ Obremenitev poskušajte ohranjati na čim nižji ravni. Primera ukrepov za zmanjšanje obremenitve s tresljaji sta nošenje rokavic pri uporabi orodja in omejitev delovnega časa. Ob tem je treba upoštevati vse dele obratovalnega cikla (na primer čase, ko je električno orodje izklopljeno, ter čase, v katerih je vklopljeno, vendar obratuje brez obremenitve).



Splošna varnostna navodila za električna orodja

OPOZORILO!

- ▶ Preberite vsa varnostna navodila, navodila, slike in tehnične podatke, s katerimi je opremljeno to električno orodje. Nedoslednost pri upoštevanju spodnjih navodil lahko povzroči električni udar, požar in/ali hude telesne poškodbe.

Vsa varnostna navodila in druga navodila shranite za prihodnjo uporabo.

Izraz »električno orodje«, ki se uporablja v varnostnih navodilih, se nanaša na električna orodja z napajanjem iz električnega omrežja (z električnim kablom) in na električna orodja z akumulatorskim napajanjem (brez električnega kabla).

1. Varnost na delovnem mestu

- a) Svoje delovno območje vzdržujte čisto in dobro osvetljeno. Nered in neosvetljena delovna območja lahko privedejo do nezgod.
- b) Električnega orodja ne uporabljajte v okoljih, kjer je prisotna nevarnost eksplozije in kjer so prisotni vnetljivi plini, tekočine ali prah. Električna orodja se iskrijo, kar lahko povzroči vžig praha ali hlapov.
- c) Otrokom in drugim osebam med uporabo električnega orodja ne pustite blizu. Zaradi odvrtačanja pozornosti lahko izgubite nadzor nad električnim orodjem.

2. Električna varnost

- a) Priključni vtič električnega orodja mora biti primeren za vtičnico. Vtiča ni dovoljeno spreminjati na noben način. Skupaj z zaščitno ozemljenimi električnimi orodji ne uporabljajte vtičev za prilagoditev. Nespremenjeni vtiči in primerne vtičnice zmanjšajo tveganje električnega udara.
- b) Izogibajte se telesnemu stiku z ozemljenimi površinami, kot so cevi, radiatorji, štedilniki in hladilniki. Če je vaše telo ozemljeno, je povečano tveganje zaradi električnega udara.
- c) Električno orodje varujte pred dežjem ali vlago. Vdor vode v električno orodje poveča tveganje električnega udara.
- d) Električnega kabla ne uporabljajte za druge namene, na primer za prenašanje ali obešanje električnega orodja ali za vlečenje vtiča iz vtičnice. Električni kabel varujte pred vročino, oljem, ostrimi robovi ali premikajočimi se deli. Poškodovani ali zviti električni kabli povečajo tveganje električnega udara.
- e) Če z električnim orodjem delate na prostem, uporabljajte samo električne podaljške, ki so odobreni za uporabo na prostem. Uporaba električnega podaljška, primerne za uporabo na prostem, zmanjša tveganje električnega udara.
- f) Če se ne morete izogniti uporabi električnega orodja v vlažnem okolju, uporabite zaščitno stikalo za okvarni tok. Uporaba zaščitnega stikala za okvarni tok zmanjša tveganje električnega udara.

3. Varnost oseb

- a) Bodite pozorni, pazite, kaj počnete, dela z električnim orodjem se lotite premišljeno. Električnega orodja ne uporabljajte, ko ste utrujeni ali pod vplivom drog, alkohola ali zdravil. Že en sam trenutek nepazljivosti pri uporabi električnega orodja lahko povzroči hude telesne poškodbe.
- b) Nosite osebno zaščitno opremo in vedno tudi zaščitna očala. Uporaba osebne zaščitne opreme, kot so maska za zaščito pred prahom, nedrešči zaščitni čevlji, zaščitna čelada ali zaščita sluha, odvisno od vrste in uporabe električnega orodja, zmanjša tveganje telesnih poškodb.
- c) Preprečite nenamerni zagon naprave. Prepričajte se, da je električno orodje izključeno, preden ga priključite na električno napajanje in/ali akumulator, ga dvignete ali prenašate. Če imate pri prenašanju električnega orodja prst na stikalu ali vklopljeno električno orodje priključite na električno napajanje, lahko pride do nesreče.
- d) Pred vklopom električnega orodja odstranite nastavitvena orodja ali ključe za vijake. Orodje ali ključ za vijake na vrtečem se delu električnega orodja lahko povzroči telesne poškodbe.
- e) Izogibajte se neobičajni drži telesa. Poskrbite za trdno stojišče in vedno vzdržujte ravnotežje. Tako lahko električno orodje v nepričakovanih situacijah bolje obvladate.
- f) Nosite primerna oblačila. Ne nosite ohlapnih oblačil ali nakita. Lase in oblačila imejte varno oddaljena od premikajočih se delov. Premikajoči se deli lahko zagrabijo ohlapna oblačila, nakit ali dolge lase.
- g) Če lahko vgradite priprave za sesanje ali prestrezanje praha, jih priključite in jih uporabljajte pravilno. Uporaba naprave za sesanje praha lahko zmanjša nevarnost zaradi praha.
- h) Ne bodite iz napačnih razlogov prepričani o lastni varnosti in ne ravnajte drugače, kot je navedeno v varnostnih pravilih za električno orodje, tudi če ste električno orodje uporabili že večkrat in ste z njim seznanjeni. Nepazljivo ravnanje lahko v nekaj sekundah povzroči hude telesne poškodbe.

4. Uporaba in ravnanje z električnim orodjem

- a) Električnega orodja ne preobremenjujte. Za svoje delo uporabljajte primerno električno orodje. Delo s primernim električnim orodjem v navedenem območju moči je boljše in varnejše.
- b) Ne uporabljajte električnih orodij z okvarjenim stikalom. Električno orodje, ki ga ni več mogoče vklopiti ali izklopiti, je nevarno in ga je treba popraviti.
- c) Pred spreminjanjem nastavitve naprave, menjavo delovnega orodja ali odlaganjem električnega orodja izvezite vtič iz vtičnice in/ali odstranite snemljivi akumulator. S tem previdnostnim ukrepom preprečite nenamerni zagon električnega orodja.
- d) Ko električnih orodij ne uporabljate, jih hranite zunaj dosega otrok. Osebam, ki z uporabo niso seznanjene ali niso prebrale teh navodil, ne dovolite uporabljati električnega orodja. Električna orodja so nevarna, če jih uporabljajo neizkušene osebe.
- e) Električna orodja in delovna orodja skrbno vzdržujte. Preverjajte, ali premični deli orodja delujejo brezhibno in niso zatakneni ter ali deli niso odlomljeni ali tako poškodovani, da je ovirano delovanje električnega orodja. Pred uporabo električnega orodja poskrbite za popravilo poškodovanih delov. Veliko nesreč nastane zaradi slabo vzdrževanih električnih orodij.
- f) Rezalna orodja vzdržujte ostra in čista. Skrbno vzdrževana rezalna orodja z ostrimi rezili se manj zatikajo in so lažje vodljiva.
- g) Električno orodje, pribor, delovno orodje itd. uporabljajte skladno s temi navodili. Pri tem upoštevajte delovne pogoje in vrsto opravila, ki ga izvajate. Uporaba električnih orodij za namene, za katere niso predvidena, lahko povzroči nevarne situacije.
- h) Ročaje in površine ročajev vzdržujte suhe, čiste ter brez olja in maščobe. Drseči ročaji in površine za oprijem ne omogočajo varne uporabe ter obvladovanja električnega orodja v nepredvidljivih situacijah.

5. Uporaba in ravnanje z akumulatorskim orodjem

- a) Akumulatorje polnite samo s polnilniki, ki jih priporoča proizvajalec. Če polnilnik, ki je namenjen za določeno vrsto akumulatorjev, uporabljate z drugimi vrstami akumulatorjev, obstaja nevarnost požara.
- b) V električnih orodjih uporabljajte samo zanje predvidene akumulatorje. Uporaba drugih akumulatorjev lahko povzroči telesne poškodbe in nevarnost požara.
- c) Akumulator, ki ga ne uporabljate, hranite stran od pisarniških sponk, kovancev, ključev, žebeljev, vijakov in drugih manjših kovinskih predmetov, ki bi lahko povzročili premostitev kontaktov. Kratek stik med kontakti akumulatorja lahko povzroči opekline ali požar.
- d) Ob napačni uporabi lahko iz akumulatorja izteče tekočina. Izogibajte se stiku s to tekočino. Ob nenamernem stiku mesto sperite z vodo. Če pride tekočina v oči, poleg tega poiščite zdravniško pomoč. Iztekajoča akumulatorska tekočina lahko draži kožo ali povzroči opekline.
- e) Ne uporabljajte poškodovanih ali spremenjenih akumulatorjev. Poškodovani ali spremenjeni akumulatorji se lahko obnašajo nepredvidljivo in povzročijo požar, eksplozijo ali nevarnost telesnih poškodb.
- f) Akumulatorjev ne izpostavljajte ognju ali previsokim temperaturam. Ogenj ali temperatura nad 130 °C (265 °F) lahko povzročijo eksplozijo.
- g) Upoštevajte vsa navodila za polnjenje in akumulatorja ali akumulatorskega orodja nikoli ne polnite zunaj temperaturnega območja, navedenega v navodilih za uporabo. Napačno polnjenje ali polnjenje zunaj dovoljenega temperaturnega območja lahko uniči akumulator in poveča nevarnost požara.



POZOR! NEVARNOST EKSPLOZIJE!

Nikoli ne polnite baterij, ki niso namenjene za polnjenje.



Akumulator zaščitite

pred vročino, na primer tudi pred dolgotrajno neposredno sončno svetlobo, in ognjem, vodo ter vlago. Obstaja nevarnost eksplozije.

6. Servis

- a) Električno orodje dajte v popravilo samo usposobljenemu strokovnemu osebju, ki naj uporablja izključno originalne nadomestne dele. S tem zagotovite, da se ohrani varnost električnega orodja.
- b) Poškodovanih akumulatorjev nikoli ne vzdržujte. Vsakršno vzdrževanje akumulatorjev naj izvaja izključno proizvajalec ali pooblaščen servisna služba.

Varnostna navodila, ki veljajo posebej za udarni vijaknik

- Pri udarnem vijachenju nosite zaščito sluha. Učinek hrupa lahko povzroči izgubo sluha.
- Obdelovanec zavarujte. Obdelovanec, ki je pričvrščen z napenjalom ali primežem, je tako nameščen varneje, kot če ga držite z roko.
- Električno orodje trdno držite. Pri zategovanju in rahljanju vijakov se lahko pojavijo nenadni visoki reakcijski navori.
- Preden električno orodje odložite, počakajte, da se zaustavi in umiri. Delovno orodje se lahko zatakne in privede do izgube nadzora nad električnim orodjem.
- Kadar izvajate dela, pri katerih lahko električno orodje zadene skrite električne napeljave, prijemajte električno orodje samo za izolirane površine za oprijem. Stik vijaka z napeljavo pod napetostjo lahko povzroči prenos napetosti tudi na kovinske dele naprave in privede do električnega udara.

Originalni pribor/originalne dodatne naprave

- Uporabljajte samo pribor in dodatne naprave, ki so navedeni v navodilih za uporabo oziroma imajo pritrilne nastavke, skladne z napravo.

⚠ OPOZORILO!

- Ne uporabljajte pribora, ki ga ni priporočil PARKSIDE. To lahko privede do električnega udara in ognja.

Varnostna navodila za polnilnike

- Otroci od 8. leta starosti naprej in osebe z zmanjšanimi telesnimi, zaznavnimi ali duševnimi sposobnostmi ali s pomanjkljivimi izkušnjami in znanjem smejo napravo uporabljati le pod nadzorom ali če so bili poučeni o varni uporabi naprave in so razumeli nevarnosti, ki izhajajo iz njene uporabe. Otroci se z napravo ne smejo igrati. Otroci brez nadzora ne smejo čistiti ali opravljati uporabniškega vzdrževanja naprave.
- Če je električni priključni kabel pri tej napravi poškodovan, ga mora zamenjati proizvajalec, njegova servisna služba ali podobno usposobljena oseba, da ne pride do nevarnosti.



Polnilnik je primeren samo za uporabo v notranjih prostorih.

OPOZORILO!

- Če je električni priključni kabel pri tej napravi poškodovan, ga mora zamenjati proizvajalec, njegova servisna služba ali podobno usposobljena oseba, da ne pride do nevarnosti.

POZOR!

- ▶ Ta polnilnik lahko polni samo naslednje baterije: PAP 20 A1/PAP 20 A2/PAP 20 A3/PAP 20 B1/PAP 20 B3/PAPS 204 A1/PAPS 208 A1.
- ▶ Veljaven seznam združljivih akumulatorjev najdete na www.lidl.de/akku.



POZOR! Vroča površina. Obstaja nevarnost opeklin.

Pred prvo uporabo

Polnjenje akumulatorja (glejte sliko A)

PREVIDNO!

- ▶ Preden akumulator vzamete iz polnilnika oz. ga vstavite vanj, zmeraj potegnite električni vtič iz vtičnice.

OPOMBA

- ▶ Akumulatorja nikoli ne polnite, če je temperatura okolice pod 10 °C ali nad 40 °C. Če litij-ionski akumulator hranite dlje časa, morate redno preverjati njegovo napoljenost. Najprimernejša napoljenost je med 50 in 80 %. Akumulator naj bo shranjen na hladnem in suhem mestu pri temperaturi okolja od 0 °C do 50 °C.
- ◆ Akumulator **8** vtaknite v hitri polnilnik **14** (glejte sliko A).
- ◆ Električni vtič priključite v električno vtičnico. Lučka LED za polnjenje **15** sveti rdeče.
- ◆ Zelena lučka LED za polnjenje **16** sporoča, da je postopek polnjenja zaključen in je akumulator **8** pripravljen za uporabo.

POZOR!

- ◆ Če rdeča lučka LED za polnjenje **15** utripa, je akumulator **8** pregret in ga ni mogoče napolniti.
- ◆ Če rdeča in zelena lučka LED za polnjenje **15** **16** utripata skupaj, je akumulator **8** okvarjen.
- ◆ Akumulator **8** potisnite v napravo.
- ◆ Polnilnik med dvema zaporednima postopkoma polnjenja izklopite za najmanj 15 minut. V ta namen potegnite električni vtič iz vtičnice.

Vstavljanje/odstranjevanje akumulatorja

Vstavitev akumulatorja

- ◆ Preklopnik smeri vrtenja **4** potisnite v srednji položaj (zapora). Akumulator **8** vstavite v ročaj, tako da se zaskoči.

Odstranitev akumulatorja

- ◆ Pritisnite tipko za sprostitvev **9** in akumulator **8** odstranite.

Preverjanje stanja akumulatorja

- ◆ Za preverjanje stanja akumulatorja pritisnite tipko za stanje akumulatorja **6** (glejte tudi glavno sliko). Stanje napoljenosti se prikaže na lučki LED akumulatorja **7** takole:
RDEČA/ORANŽNA/ZELENA = povsem napoljen
RDEČA/ORANŽNA = napoljen do polovice
RDEČA = skoraj prazen - akumulator napolnite

Začetek uporabe

Vklop/izklop

Vklop

- ◆ Za zagon naprave pritisnite stikalo za vklop/izklop **11** in ga držite pritisnjena. Delovna luč LED **10** sveti, ne glede na to, kako močno držite pritisnjeno stikalo za vklop/izklop **11**. Zagotavlja osvetlitev delovnega območja v neugodnih svetlobnih razmerah.

Izklop

- ◆ Za izklop naprave spustite stikalo za vklop/izklop **11**.

Nastavitev števila vrtljajev/zateznega navora

- ◆ Z rahlim pritiskom stikala za vklop/izklop **11** nastavite nizko število vrtljajev/zatezni navor. Z močnejšim pritiskanjem se število vrtljajev/zatezni navor zviša.
- Zatezni navor je odvisen od izbranega števila vrtljajev in trajanja udarcev.

POZOR!

- ◆ Dejansko doseženi zatezni navor je treba načeloma preveriti z navornim ključem!

OPOMBA

- ▶ Vgrajena zavora motorja poskrbi za hitro zaustavitev.

Preklop smeri vrtenja

- ◆ Smer vrtenja zamenjate tako, da preklopnik smeri vrtenja **4** potisnete do konca v levo ali desno.

Vstavljanje nastavkov

- ◆ Vstavite adapter **12** ali držalo za nastavke **13** v nastavek za orodje **1**.
- ◆ Pri tem potegnite zaporno pušo **2** nazaj in spustite adapter **12** ali držalo za nastavke **13**, da se zaskoči.

Vzdrževanje in čiščenje



OPOZORILO! NEVARNOST TELESNIH POŠKODB! Napravo pred vsemi deli na napravi izklopite in odstranite akumulator.

Naprava ne potrebuje vzdrževanja.

- Naprava mora biti zmeraj čista, suha in brez olja ali maziv.
- V notranjost naprave ne smejo vdreti nobene tekočine.

- Za čiščenje ohišja uporabljajte suho krpo. Nikoli ne uporabljajte bencina, topil ali čistil, ki razžirajo umetne snovi.
- Če litij-ionski akumulator hranite dlje časa, morate redno preverjati njegovo napolnjenost. Najprimernejša napolnjenost je med 50 in 80 %. Akumulatorje je najbolje hraniti na hladnem in suhem.

OPOMBA

- ▶ Nenavedene nadomestne dele (npr. oglene ščetke, stikala) lahko naročite pri našem telefonskem servisu.

Proizvajalec

KOMPERNASS HANDELS GMBH
 BURGSTRASSE 21
 44867 BOCHUM
 NEMČIJA
 www.kompernass.com

Pooblaščeni serviser

SI Servis Slovenija
 Tel.: 080 080 917
 E-Mail: kompernass@idl.si

IAN 380745_2110

⚠ OPOZORILO!

- ▶ Naprave dajte v popravilo samo servisni službi ali strokovnjaku za elektrotehniko, ki naj uporablja le originalne nadomestne dele. S tem zagotovite, da se ohrani varnost naprave.
- ▶ Zamenjavo vtiča ali priključne napeljave zmeraj prepustite proizvajalcu naprave ali njegovi servisni službi. S tem zagotovite, da se ohrani varnost naprave.

Garancijski list

1. S tem garancijskim listom Kompernass Handels GmbH jamčimo, da bo izdelek v garancijskem roku ob normalni in pravilni uporabi brezhibno deloval in se zavezuujemo, da bomo ob izpolnjenih spodaj navedenih pogojih odpravili morebitne pomanjkljivosti in okvare zaradi napak v materialu ali izdelavi oziroma po svoji presoji izdelek zamenjali ali vrnilo kupnino.
2. Garancija je veljavna na ozemlju Republike Slovenije.
3. Garancijski rok za proizvod je 3 leta od datuma izročitve blaga. Datum izročitve blaga je razviden iz računa.
4. Kupec je dolžan okvaro javiti pooblaščenemu servisu oziroma se informirati o nadaljnjih postopkih na zgoraj navedeni telefonski številki. Svetujemo vam, da pred tem natančno preberete navodila o sestavi in uporabi izdelka.
5. Kupec je dolžan pooblaščenemu servisu predložiti garancijski list in račun, kot potrdilo in dokazilo o nakupu ter dnevu izročitve blaga.
6. V primeru, da proizvod popravilja nepooblaščen servis ali oseba, kupec ne more uveljavljati zahtevkov iz te garancije.
7. Vzroki za okvaro oziroma nedelovanje izdelka morajo biti lastnosti stvari same in ne vzroki, ki so zunaj proizvajalčeve oziroma prodajalčeve sfere. Kupec ne more uveljavljati zahtevkov iz te garancije, če se ni držal priloženih navodil za sestavo in uporabo izdelka ali če je izdelek kakorkoli spremenjen ali nepravilno vzdrževan.
8. Jamčimo servis in rezervne dele še 3 leta po preteku garancijskega roka.
9. Obrabni deli oz. potrošni material so izvzeti iz garancije.

10. Vsi potrebni podatki za uveljavljanje garancije se nahajajo na dveh ločenih dokumentih (garancijski list, račun).
11. Ta garancija proizvajalca ne izključuje pravic potrošnika, ki izhajajo iz odgovornosti prodajalca za napake na blagu.

Garancijska doba ne velja pri

- normalnem zmanjšanju kapacitete akumulatorja,
- poslovni rabi izdelka,
- poškodbami ali spremembi izdelka s strani stranke,
- neupoštevanju predpisov o varnosti in vzdrževanju, napačne uporabe,
- poškodbah zaradi naravnih nesreč.

Za akumulatorje serij X 12 V in X 20 V Team serije dobite tri leta garancije od datuma nakupa.

Prodajalec:

Lidl Slovenija d.o.o. k.d., Pod lipami 1, SI-1218 Komenda

Odstranjevanje med odpadke



Električnih orodij ne zavržite med gospodinjske odpadke!

Ta simbol prečrtanega smetnjaka na kolesih pomeni, da za to napravo velja Direktiva 2012/19/EU. Ta direktiva predpisuje, da naprave po koncu uporabe ni dovoljeno zavreči med običajne gospodinjske odpadke, ampak jo morate oddati na posebnih zbirališčih ali deponijah za odpadke ali pri podjetjih za odstranjevanje odpadkov.

To odstranjevanje med odpadke je za vas brezplačno. Varujte svoje okolje in odpadke ustrezno odstranjujte.



○ možnostih za odstranitev odsluženega izdelka vprašajte pri svoji občinski ali mestni upravi.



Akumulatorjev ne odvrzite med gospodinjske odpadke!

Okvarjene ali izpraznjene akumulatorje je treba v skladu z Direktivo 2006/66/EC reciklirati. Baterije/akumulatorje je treba obravnavati kot posebne odpadke in jih je treba oddati na ustreznih mestih (v trgovini ali specializirani trgovini ali pri javnih komunalnih službah ali podjetjih za odstranjevanje odpadkov) za okoljsko ustrezno odstranitev. Baterije/akumulatorji lahko vsebujejo strupene težke kovine.

Zato baterij/akumulatorjev ne zavržite med gospodinjske odpadke, ampak jih oddajte na ustreznem zbirališču. Baterije/akumulatorje oddajajte samo izpraznjene.



Emblaža je iz okolju prijaznih materialov. Odvržete jo lahko v lokalne smetnjake za reciklažne materiale.



Emblažo odložite med odpadke na okoljsko primeren način. Upoštevajte oznake na različnih embalažnih materialih in jih po potrebi ločite med seboj. Embalažni materiali so označeni s kraticami (a) in številkami (b) z naslednjim pomenom: 1–7: umetne snovi, 20–22: papir in karton, 80–98: kompozitni materiali.



Izdelek je mogoče reciklirati, je podvržen razširjeni odgovornosti proizvajalca in se zbira ločeno.

Izvirna izjava o skladnosti

Mi, podjetje KOMPERNASS HANDELS GMBH in odgovorna oseba za dokumentacijo: gospod Semi Uguzlu, BURGSTR. 21, 44867 BOCHUM, NEMČIJA, izjavljamo, da je ta izdelek skladen z naslednjimi standardi, normativnimi dokumenti in direktivami ES:

Direktiva o strojih
(2006/42/EC)

Direktiva ES o nizki napetosti (samo polnilnik)
(2014/35/EU)

Direktiva o elektromagnetni združljivosti
(2014/30/EU)

Direktiva o omejevanju uporabe nevarnih snovi
(2011/65/EU)*

* Za izdajo te izjave o skladnosti je odgovoren izključno proizvajalec. Zgoraj opisani predmet izjave izpolnjuje predpise Direktive 2011/65/EU Evropskega parlamenta in Sveta z dne 8. junija 2011 o omejevanju uporabe nekaterih nevarnih snovi v električni in elektronski opremi.

Uporabljeni usklajeni standardi

EN 62841-1:2015

EN 62841-2-2:2014

EN 55014-1:2017

EN 55014-2:2015

EN IEC 63000:2018

Tip/oznaka naprave: Akumulatorski vrtni udarni vijak PDSSA 20-Li A1

Leto izdelave: 01-2022

Serijska številka: IAN 380745_2110

Bochum, 31. 1. 2022



Semi Uguzlu

- vodja kakovosti -

Pridržujemo si pravico do tehničnih sprememb zaradi razvoja.

Naročanje nadomestnega akumulatorja

Če želite naročiti nadomestni akumulator za svojo napravo, lahko to udobno izvedete na internetu na naslovu www.kompernass.com ali po telefonu.

Ta izdelek bo zaradi omejene zaloge morda v kratkem času razprodan.



OPOMBA

- ▶ V nekaterih državah spletno naročanje nadomestnih delov ni mogoče.
V tem primeru pokličite servisno številko.

Telefonsko naročilo

SI Servis Slovenija Tel.: 080 080 917

Za zagotavljanje hitre obdelave naročila imejte pripravljeno številko artikla (IAN 380745_2110) za svojo napravo. Številko artikla najdete na tipski tablici ali na naslovnici teh navodil.



KOMPERNASS HANDELS GMBH

BURGSTRASSE 21

44867 BOCHUM

GERMANY

www.kompernass.com

Last Information Update · Stand der Informationen · Version des informations · Stand van de informatie · Stav informací · Stan informáci
Stav informácii · Estado de las informaciones · Tilstand af information · Versione delle informazioni · Információk állása · Stanje informacij:
02 / 2022 · Ident.-No.: PDSSA20-LiA1-012022-1

IAN 380745_2110