

# SILVERCREST®



## BLUETOOTH® BIKE SPEAKER / BLUETOOTH®-FAHRRAD-LAUTSPRECHER / ENCEINTE BLUETOOTH® POUR VÉLO SBFL 5 A1

(GB) (IE)

### BLUETOOTH® BIKE SPEAKER

Operating instructions

(FR) (BE)

### ENCEINTE BLUETOOTH® POUR VÉLO

Mode d'emploi

(ES)

### ALTAVOZ BLUETOOTH® PARA BICICLETA

Instrucciones de uso

(DE) (AT) (CH)

### BLUETOOTH®-FAHRRAD- LAUTSPRECHER

Bedienungsanleitung

(NL) (BE)

### BLUETOOTH®-FIETS-LUIDSPREKER

Gebruiksaanwijzing

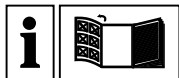
(IT)

### ALTOPARLANTE BLUETOOTH® PER BICICLETTA

Istruzioni per l'uso

IAN 455455\_2304





GB IE

Before reading, unfold the page containing the illustrations and familiarise yourself with all functions of the device.

---

DE AT CH

Klappen Sie vor dem Lesen die Seite mit den Abbildungen aus und machen Sie sich anschließend mit allen Funktionen des Gerätes vertraut.

---

FR BE

Avant de lire le mode d'emploi, ouvrez la page contenant les illustrations et familiarisez-vous ensuite avec toutes les fonctions de l'appareil.

---

NL BE

Vouw vóór het lezen de pagina met de afbeeldingen open en maak u vertrouwd met alle functies van het apparaat.

---

ES

Antes de empezar a leer abra la página que contiene las imágenes y, en seguida, familiarícese con todas las funciones del dispositivo.

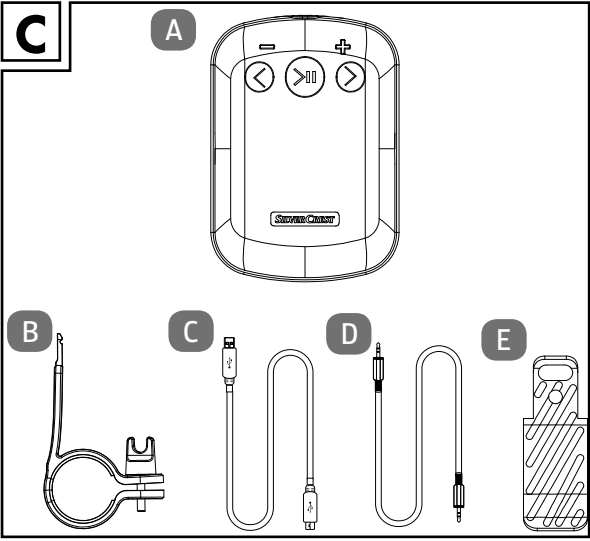
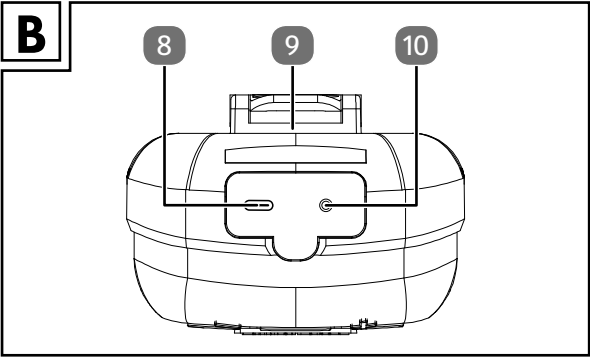
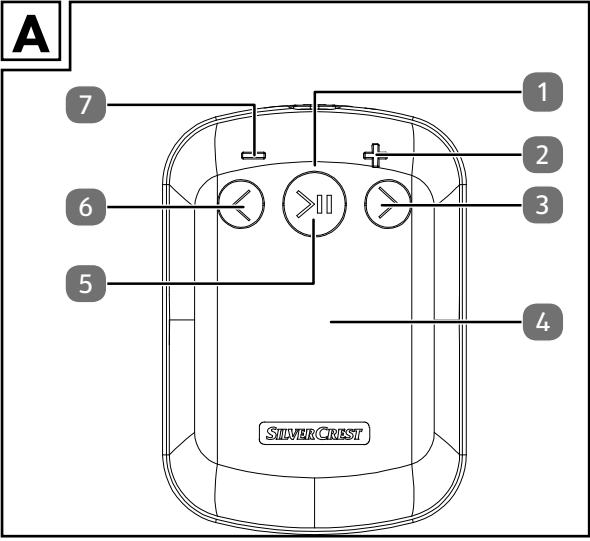
---

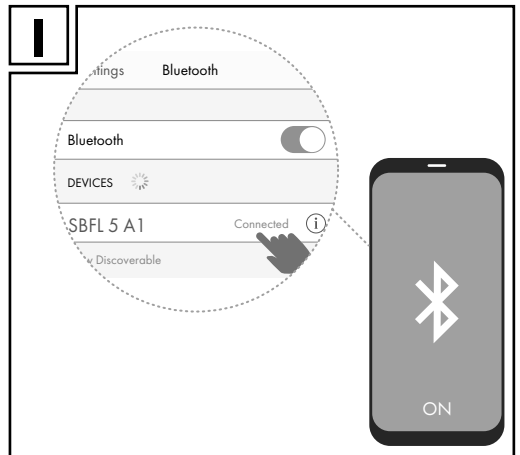
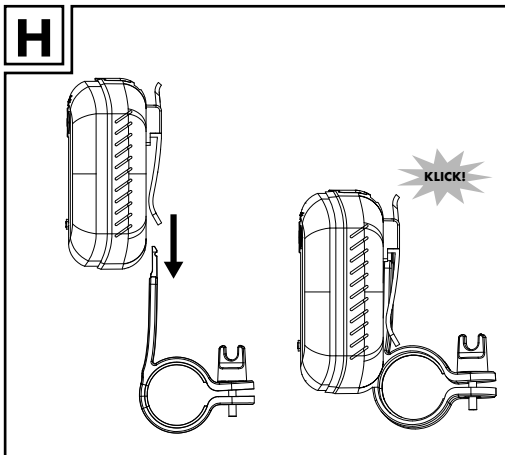
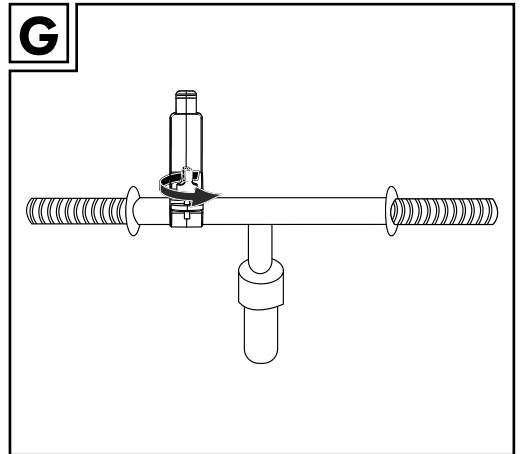
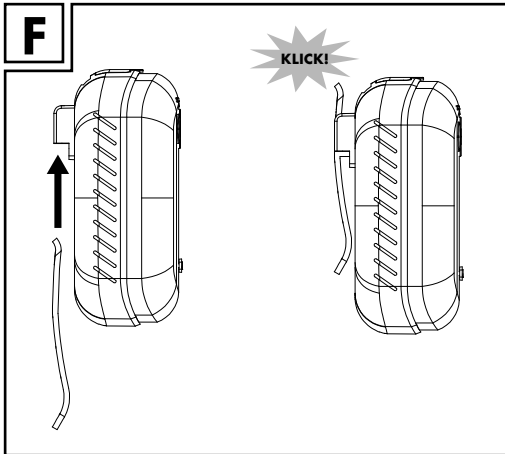
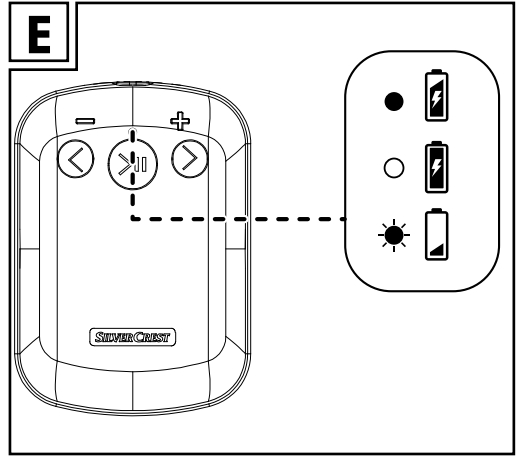
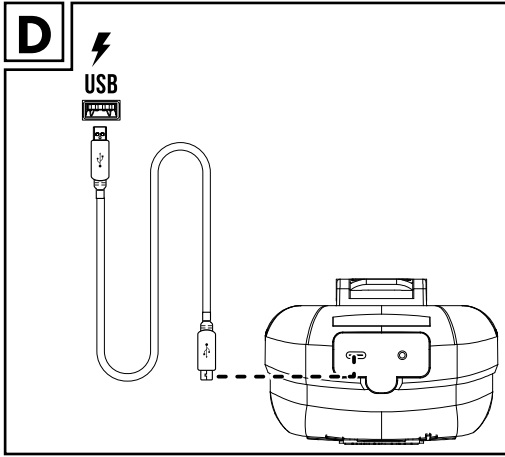
IT

Prima di leggere aprire la pagina con le immagini e prendere confidenza con le diverse funzioni dell'apparecchio.

---

GB/IE	Operating instructions	Page	5
DE/AT/CH	Bedienungsanleitung	Seite	21
FR/BE	Mode d'emploi	Page	37
NL/BE	Gebruiksaanwijzing	Pagina	55
ES	Instrucciones de uso	Página	69
IT	Istruzioni per l'uso	Pagina	83





# Contents

<b>1.</b>	<b>Introduction .....</b>	<b>6</b>
1.1.	Information about this user manual.....	6
1.2.	Explanation of symbols.....	6
<b>2.</b>	<b>Proper use.....</b>	<b>7</b>
<b>3.</b>	<b>Safety instructions.....</b>	<b>7</b>
3.1.	Safe handling of rechargeable batteries.....	8
<b>4.</b>	<b>Description of components.....</b>	<b>9</b>
<b>5.</b>	<b>Package contents .....</b>	<b>10</b>
<b>6.</b>	<b>Charging the device .....</b>	<b>10</b>
<b>7.</b>	<b>Attaching the mounting clip .....</b>	<b>11</b>
<b>8.</b>	<b>Attach bicycle speaker.....</b>	<b>11</b>
<b>9.</b>	<b>Operating LED .....</b>	<b>11</b>
<b>10.</b>	<b>Operate bicycle speaker.....</b>	<b>12</b>
10.1.	Pairing via Bluetooth®.....	12
<b>11.</b>	<b>Play music via Bluetooth® .....</b>	<b>12</b>
11.1.	Controlling the volume .....	12
<b>12.</b>	<b>Play back music via AUX port .....</b>	<b>13</b>
12.1.	Controlling the volume .....	13
<b>13.</b>	<b>Storage .....</b>	<b>13</b>
<b>14.</b>	<b>Cleaning the device .....</b>	<b>13</b>
<b>15.</b>	<b>Troubleshooting .....</b>	<b>13</b>
<b>16.</b>	<b>Technical specifications .....</b>	<b>14</b>
<b>17.</b>	<b>EU declaration of conformity .....</b>	<b>14</b>
<b>18.</b>	<b>Information on trademarks and licences .....</b>	<b>15</b>
<b>19.</b>	<b>Disposal .....</b>	<b>15</b>
<b>20.</b>	<b>MEDION AG Warranty .....</b>	<b>16</b>
20.1.	Conditions of warranty .....	16
20.2.	Warranty period and legal claims for defects .....	16
20.3.	Scope of warranty.....	16
20.4.	Processing of warranty claims.....	17
<b>21.</b>	<b>Service .....</b>	<b>17</b>
21.1.	Supplier/Producer/Importer .....	18

## 1. Introduction

### 1.1. Information about this user manual



Congratulations on purchasing your new device. You have chosen a high-quality product. The user manual is an integral part of this product. It contains important safety information and instructions for use and disposal. Before using the product, please familiarise yourself with all operating and safety instructions. Only use the product as described and for the specified applications. Keep this user manual in a safe place. If you give this product to someone else, ensure that you also hand over all the documents.

### 1.2. Explanation of symbols



#### **DANGER!**

Warning: risk of fatal injury!

- Follow the instructions to avoid situations that will lead to fatal or serious injuries.



#### **WARNING!**

Warning: risk of possible fatal injury and/or serious irreversible injuries!

- Follow the instructions to avoid situations that may lead to fatal or serious injuries.



#### **ATTENTION!**

Follow these instructions to prevent damage to the device!

- Follow the instructions to avoid situations that may damage the device.



Instructions and tips on operating the device.



Safety instruction



Instruction



List



Products that feature this symbol meet the requirements of the EU directives (see EU declaration of conformity section).



Symbol for direct current (DC)

## 2. Proper use

The bicycle speaker is an electronic communication device. The bicycle speaker allows you to listen to music while out riding without touching your mobile phone.

The device is only intended for private use, not for commercial use. Please note that we shall not be liable in cases of improper use:

- Do not convert or modify the device without our express agreement and use only replacement parts or accessories that we have supplied or approved.
- Comply with all the information in this user manual, especially the safety instructions. Any other use is considered improper and can cause personal injury or property damage.

## 3. Safety instructions

- This device may be used by children over the age of 8 and by persons with reduced physical, sensory or mental abilities or by those with limited experience and/or knowledge, provided that they are supervised or have been instructed in the safe use of the device and have understood the associated risks.
- Children must not be allowed to play with the device.
- Do not allow children to clean the device or perform maintenance tasks on it unless they are aged 8 years or older and properly supervised.
- Do not use if the device or the charging cable is visibly damaged or if the device has been dropped.
- Ensure that no naked flames (for example, lit candles) are placed on or near the bicycle speaker. Risk of fire!
- The bicycle speaker must not be exposed to direct sources of heat (e.g. heaters) or direct sunlight or artificial light.
- Avoid contact with splashing and dripping water and aggressive liquids. Do not operate the bicycle speaker near water.

# SILVERCREST®

- In particular, the bicycle speaker must never be submerged. Do not place any objects filled with liquid (e.g. vases or drinks) on or near the bicycle speaker.
- Make sure the bicycle speaker is not exposed to excessive shocks and vibrations.
- Do not kink or crush the charging cable.
- Prevent foreign bodies from getting into the device. Otherwise, the bicycle speaker could be damaged.
- Do not, under any circumstances, make any unauthorised modifications to the device or try to open and/or repair a component yourself.
- Road safety always comes first! The current traffic situation always takes precedence over the operation of the bicycle speaker.



## **ATTENTION!**

### **Data security**

Note that data transmitted by radio is not encrypted and may be intercepted by third parties.

## **3.1. Safe handling of rechargeable batteries**



## **WARNING!**

### **Risk of injury!**

Rechargeable batteries may contain combustible materials. If handled incorrectly, rechargeable batteries can leak, become very hot, ignite or even explode, which could damage your device and/or your health.

- Charge the battery only with the original accessory (USB charging cable).
- Recharge flat batteries immediately to prevent damage.
- Do not expose the device to direct sunlight, heat or fire.
- Please also observe the information on disposal in "19. Disposal" on page 15.



## 4. Description of components

See **Fig. A**

1. Status LED
2. Increase volume
3. fast forward/next track/  
Press 3 seconds – EQ2
4. Speaker
5. Start/stop playback/  
Press 2 sec – Pair Bluetooth®  
hold down for a long time – switch the device on/off
6. fast rewind/previous track/  
Press 3 seconds – EQ1
7. Decrease volume

See **Fig. B**

8. USB Type C charging socket
9. Mounting shaft for bracket
10. Audio input

## 5. Package contents



### **DANGER!**

### **Risk of choking and suffocation!**

There is a risk of choking and suffocation due to swallowing or inhaling small parts or plastic wrap.

■ Keep the plastic packaging out of the reach of children.

- ▶ Remove the product from the packaging and remove all packaging materials.
- ▶ Please check your purchase to ensure that all items are included. If anything is missing, please contact us within 14 days of purchase.

The following items are supplied with your product:

See **Fig. C**

- A Speaker
- B Bicycle bracket
- C USB cable (type A to type C)
- D Audio cable (3.5 mm jack)
- E Mounting clip

1 non-slip rubber pad, approx. 3 mm, for bicycle bracket

1 non-slip rubber pad, approx. 5.5 mm, for bicycle bracket (not illustrated)

Short manual

The user manual is available for download at [www.lidl-service.com](http://www.lidl-service.com) (article number 455455\_2304)

## 6. Charging the device

Charge the battery of the bicycle speaker fully before using it for the first time.

- ▶ Connect the USB-C plug of the supplied USB charging cable to the port on the device (see **Fig. D**).
- ▶ Insert the USB-A plug into a suitable USB port.
- ▶ Charge the device as soon as the status LED flashes red.



Charge the speaker only with a USB power adaptor that corresponds to the technical specifications. Charging via the USB port of a PC or laptop is not possible.

While the device is being charged, the status LED is red and the status LED switches off when the device is fully charged (see **Fig. E**).

## 7. Attaching the mounting clip

- ▶ Insert the mounting clip into the device as shown in **Fig. F**.

The mounting clip must click audibly into place.

The mounting clip does not need to be removed from the device for further use. Should it become necessary to remove the mounting clip, proceed as follows:

- ▶ Use a suitable object, such as a crosshead screwdriver, to press the lock-in point in the upper opening of the mounting clip.
- ▶ Pull the mounting clip down and out of the device.

## 8. Attach bicycle speaker



The bicycle bracket is suitable for all standard handlebars.

- ▶ Loosen the mounting screw of the bicycle bracket (B), making sure that the small locking nut on the underside does not get lost.
- ▶ Place a non-slip rubber pad suitable for the handlebars in the bicycle bracket.
- ▶ Attach the bicycle bracket to the handlebar of the bicycle and align the bracket so that you can operate the bicycle speaker optimally (see **Fig. G**).
- ▶ Tighten the mounting screw firmly again.
- ▶ Slide the bicycle speaker onto the bicycle bracket so that the mounting clip goes over the track of the bicycle bracket and then clicks into place audibly. (see **Fig. H**).

## 9. Operating LED

The operating LED (I) indicates the following operating states:

Signal	Meaning
Operating light flashes blue quickly	Pairing mode
Operating light lights up blue	Paired, playback
Operating light flashes blue	Playback is paused
Indicator lamp lights purple	Charging is in progress, in ON mode (playback paused)
Operating light lights up red	Charging in progress, in OFF mode
Operating light flashes red	Flat battery
Indicator lamp lights green	Playback in Aux mode
Indicator lamp flashes green	Playback paused in Aux mode

## 10. Operate bicycle speaker

- ▶ Press and hold the play button (5) until you hear a tone and the operating LED (1) lights up.

The device switches to pairing mode and is ready to connect an external device via Bluetooth®.

### 10.1. Pairing via Bluetooth®

- ▶ Enable the Bluetooth® function on your external device and pair the devices. Refer to the user manual for your audio playback device for more information. The name of the bicycle speaker is "SBFL 5 A1" (see **Fig. 1**).

Pairing is completed as soon you hear a tone, the operating LED (1) is permanently blue and playback starts.

- ▶ If you want to stop data transfer via Bluetooth®, switch off the Bluetooth® function on the external device.
- ▶ Switch off the device by holding down the play button (5) for about 2 seconds.

The next time you turn it on, the bicycle speaker will automatically connect to the last paired device.

## 11. Play music via Bluetooth®

You can play and control music from your mobile phone via the bicycle speaker.

- ▶ Press the play button (5) to pause music playback.
- ▶ Press the play button again to resume music playback.
- ▶ Press the > button (3) to skip to the next track.
- ▶ Press the < button (6) once to skip back to the start of the track that is currently being played.
- ▶ Press the < button (6) twice to skip to the previous track.

### 11.1. Controlling the volume

- ▶ Press the + button (2) to increase the volume.
- ▶ Press the - button (7) to decrease the volume.

## 12. Play back music via AUX port

If you connect the bicycle speaker to an external audio device, playback is controlled only by the external audio device.

### 12.1. Controlling the volume

For better control of the volume, you should set the volume of the external audio device to the highest level and then use the bicycle speaker itself to control the volume.

- ▶ Press the + button (2) to increase the volume.
- ▶ Press the - button (7) to decrease the volume.

## 13. Storage

- ▶ When you are not using the device, disconnect the USB charging cable from the power supply and store the device in a dry, dust-free and frost-free place, away from direct sunlight.
- ▶ If you do not intend to use the device for a prolonged period, charge the device before and regularly during storage (approx. every 3 to 4 months) to prevent the battery from becoming fully discharged.
- ▶ Observe the environmental conditions for storage specified in the technical specifications.

## 14. Cleaning the device

- ▶ Do not use any solvents or caustic/gaseous cleaning agents to clean the device's surfaces and accessories. Wipe the surfaces with a damp cloth.
- ▶ Make sure that no liquids penetrate the device.

## 15. Troubleshooting

If the device stops working properly, please refer to the troubleshooting table shown below to see if you can resolve the problem yourself.

Never attempt to repair the device yourself. If a repair is necessary, please contact our Service Centre or a suitable authorised repair workshop.

<b>Problem</b>	<b>Solution</b>
Bicycle speaker does not work.	<ul style="list-style-type: none"> <li>▶ Battery is not sufficiently charged.</li> <li>▶ Switch on the device. Connect it to the external device.</li> </ul>
Battery is not charging.	<ul style="list-style-type: none"> <li>▶ Check the USB connection.</li> <li>▶ Is the operating light red or purple? Contact the Service Department if this is not the case.</li> </ul>

## 16. Technical specifications

Device	
Dimensions (W x H x D)	Approx. 72 x 53 x 102 mm (without mounting clip)
Ambient temperature (during operation):	0°C to +35°C at a relative air humidity of max. 85% (non-condensing)
Weight	approx. 163 g. (incl. battery and without accessories)
Output power	5 watt speaker
Speaker impedance	3 Ω
Input voltage/ input current	5.0 V --- 1 A
Protection class	IPX7 Protection against temporary immersion
Rechargeable battery	
Type	3.7 V ---, Li-Ion, 1200 mAh, 4.44 Wh
Charging time	Max. 3 hours
Bluetooth®	
Bluetooth version	V5.3
Bluetooth profile	A2DP / AVRCP
Frequency	2402–2480 MHz
Max. transmission power	-0.42 dBm
Range	Up to 10 m outdoors

## 17. EU declaration of conformity



MEDION AG hereby declares that the radio equipment type SBFL 5 A1 complies with the directive 2014/53/EU and the RoHS directive 2011/65/EU.

The complete EU declaration of conformity is available at:  
[www.medion.com/conformity](http://www.medion.com/conformity).

## 18. Information on trademarks and licences

The Bluetooth® word mark and logos are registered trademarks of Bluetooth SIG, Inc. and are used by the manufacturer under licence.

The USB™ word mark and logos are registered trademarks of the USB Implementers Forum, Inc. and are used by the manufacturer under licence.

SilverCrest® is a registered trademark of Lidl Stiftung & Co. KG, 74167 Neckarsulm, Germany.

All other names and products are trademarks or registered trademarks of their respective owners.

## 19. Disposal



### PACKAGING

Your device has been packaged to protect it from damage during transport. The packaging is made of materials that can be recycled in an environmentally friendly manner.



Observe the following **labels on the** packaging materials regarding waste separation with the abbreviations (a) and numbers (b):

1–7: plastics/20–22: **paper and cardboard**/80–98: **composite materials**



### DEVICE

Old devices that carry the symbol illustrated may not be disposed of in ordinary household waste.

In accordance with Directive 2012/19/EU, these devices must be disposed of correctly at the end of their service life.

This involves separating the materials in the device for the purpose of recycling as well as minimising the environmental impact and negative effects on human health.

Take old devices to an electrical scrap collection point or a recycling centre.

Contact your local waste disposal company or your local authority for more information on this subject.

- The rechargeable battery is an integral component of the device, which means users cannot replace it themselves.
- **WARNING!** There is a risk of explosion if the battery is replaced incorrectly.
- Only replace batteries with the same type or an equivalent type recommended by the manufacturer.

## 20. MEDION AG Warranty

Dear customer,

The warranty on this product is 3 years from the date of purchase. In the event of defects in this product, you have legal rights against the product vendor. These legal rights are in no way limited by the warranty described below.

### 20.1. Conditions of warranty

The warranty period begins on the date of purchase. Please take care to keep the original purchase receipt. This document will serve as a proof of purchase.

If, within three years of the date of purchase of this product, any defect in material or manufacture should become evident, the product will – as we choose – be repaired free of charge or replaced. This warranty is subject to presentation, within the three-year term, of the defective product and the proof of purchase (receipt) and a brief, written description of what constitutes the defect and when it became evident.

If the defect is covered by our warranty, you will receive back the repaired product or a new replacement. Repair or exchange of the product does not lead to a renewed warranty period.

### 20.2. Warranty period and legal claims for defects

The warranty period is not prolonged by the above fulfilment. This also applies for replaced and repaired parts. Any damage or defects present at the time of purchase must be notified immediately after unpacking. Repairs that are carried out after the expiration of the warranty period are subject to a charge.

### 20.3. Scope of warranty

The product is manufactured in accordance with strict quality guidelines and thoroughly tested before dispatch.

The warranty applies for defects in materials or manufacture. This warranty does not extend to product parts that are subject to normal wear and can therefore be regarded as wearing parts or to damage to fragile parts, e.g. switches, batteries or parts made of glass.

This warranty is void if the product has been damaged or not properly used or serviced. For proper use of the product, exact compliance with all instructions listed in the user manual is required. It is essential to avoid procedures and use for purposes against which the user manual advises or warns.

The product is intended for private use only and not for industrial/commercial use. Improper handling and usage not in accordance with the intended purpose, use of force and any interventions that are not carried out by our authorised service centre will render the warranty null and void.



## 20.4. Processing of warranty claims

**For speedy processing of your request, please observe the following instructions:**

- For all enquiries, please keep the receipt and the article number IAN 455455\_2304 to hand as proof of purchase.
- The article number is to be found on the type plate, an engraving, on the title page of your instructions (bottom left) or on an adhesive label on the rear or underside.
- If functional or other defects occur, first contact the service department named below by telephone or via our contact form.


## 21. Service



You can download this user manual and many other manuals, product videos and installation software from [www.lidl-service.com](http://www.lidl-service.com).

Scan this QR code to be directed straight to the Lidl Service website ([www.lidl-service.com](http://www.lidl-service.com)) where you can open your user manual by entering the article number IAN 455455\_2304.

<p><b>GB</b></p>	<p><b>Service United Kingdom</b></p> <p>Hotline</p> <p>☎ +44 333 3213106</p> <p>🕒 Mon – Fri: 09.00 – 17.00</p> <p>Please use the contact form at <a href="http://www.medion.com/contact">www.medion.com/contact</a></p>
<p><b>IE</b></p>	<p><b>Service Ireland</b></p> <p>Hotline</p> <p>☎ 1 800 992508</p> <p>🕒 Mon – Fri: 09.00 – 17.00</p> <p>Please use the contact form at <a href="http://www.medion.com/contact">www.medion.com/contact</a></p>

	<p><b>Service North Ireland</b> Hotline ☎ 1 800 992508  🕒 Mon – Fri: 09.00 – 17.00 Please use the contact form at <a href="http://www.medion.com/contact">www.medion.com/contact</a></p>
	<p>IAN 455455_2304</p>

## 21.1. Supplier/Producer/Importer

Please note that you cannot use the address below for returns. Please contact the Service Centre mentioned above.

MEDION AG  
Am Zehnthof 77  
45307 Essen  
GERMANY

# Inhaltsverzeichnis

<b>1.</b>	<b>Einführung.....</b>	<b>20</b>
1.1.	Informationen zu dieser Bedienungsanleitung.....	20
1.2.	Zeichenerklärung.....	20
<b>2.</b>	<b>Bestimmungsgemäßer Gebrauch.....</b>	<b>21</b>
<b>3.</b>	<b>Sicherheitshinweise.....</b>	<b>21</b>
1.3.	Sicherer Umgang mit Akkus.....	22
<b>4.</b>	<b>Teilebeschreibung.....</b>	<b>23</b>
<b>5.</b>	<b>Lieferumfang.....</b>	<b>24</b>
<b>6.</b>	<b>Gerät aufladen.....</b>	<b>24</b>
<b>7.</b>	<b>Befestigungsclip anbringen.....</b>	<b>25</b>
<b>8.</b>	<b>Fahrradlautsprecher befestigen.....</b>	<b>25</b>
<b>9.</b>	<b>Betriebs-LED.....</b>	<b>25</b>
<b>10.</b>	<b>Fahrradlautsprecher bedienen.....</b>	<b>26</b>
10.1.	Über Bluetooth® koppeln.....	26
<b>11.</b>	<b>Musik wiedergeben via Bluetooth®.....</b>	<b>26</b>
10.2.	Lautstärke regeln.....	26
<b>12.</b>	<b>Musik wiedergeben via AUX-Anschluss.....</b>	<b>27</b>
10.3.	Lautstärke regeln.....	27
<b>13.</b>	<b>Aufbewahrung.....</b>	<b>27</b>
<b>14.</b>	<b>Gerät reinigen.....</b>	<b>27</b>
<b>15.</b>	<b>Problemlösung.....</b>	<b>28</b>
<b>16.</b>	<b>Technische Daten.....</b>	<b>28</b>
<b>17.</b>	<b>EU-Konformitätsinformation.....</b>	<b>29</b>
<b>18.</b>	<b>Informationen zu Warenzeichen und Lizenzen.....</b>	<b>29</b>
<b>19.</b>	<b>Entsorgung.....</b>	<b>29</b>
<b>20.</b>	<b>Garantie der MEDION AG.....</b>	<b>30</b>
20.1.	Garantiebedingungen.....	31
20.2.	Garantiezeit und gesetzliche Mängelansprüche.....	31
20.3.	Garantieumfang.....	31
20.4.	Abwicklung im Garantiefall.....	31
<b>21.</b>	<b>Service.....</b>	<b>32</b>
21.1.	Lieferant/Produzent/Importeur.....	33

## 1. Einführung

### 1.1. Informationen zu dieser Bedienungsanleitung



Herzlichen Glückwunsch zum Kauf Ihres neuen Gerätes. Sie haben sich damit für ein hochwertiges Produkt entschieden. Die Bedienungsanleitung ist Bestandteil dieses Produkts. Sie enthält wichtige Hinweise für Sicherheit, Gebrauch und Entsorgung. Machen Sie sich vor der Benutzung des Produkts mit allen Bedien- und Sicherheitshinweisen vertraut. Benutzen Sie das Produkt nur wie beschrieben und für die angegebenen Einsatzbereiche. Bewahren Sie diese Bedienungsanleitung gut auf. Händigen Sie alle Unterlagen bei Weitergabe des Produkts an Dritte mit aus.

### 1.2. Zeichenerklärung



#### **GEFAHR!**

Warnung vor unmittelbarer Lebensgefahr!

- Folgen Sie den Anweisungen, um Situationen, die zum Tode oder zu schweren Verletzungen führen, zu vermeiden.



#### **WARNUNG!**

Warnung vor möglicher Lebensgefahr und/oder schweren, irreversiblen Verletzungen!

- Folgen Sie den Anweisungen, um Situationen, die zum Tode oder zu schweren Verletzungen führen können, zu vermeiden.



#### **ACHTUNG!**

Hinweise beachten, um Sachschäden zu vermeiden!

- Folgen Sie den Anweisungen, um Situationen, die zu Sachschäden führen können, zu vermeiden.



Hinweise und Tipps zur Bedienung des Gerätes.



Sicherheitshinweis



Handlungsanweisung



Aufzählung



Mit diesem Symbol markierte Produkte erfüllen die Anforderungen der EU-Richtlinien (siehe Kapitel „EU-Konformitätsinformation“).



Symbol für Gleichstrom

## 2. Bestimmungsgemäßer Gebrauch

Der Fahrradlautsprecher ist ein Gerät der Kommunikationselektronik. Mit dem Fahrradlautsprecher können Sie während der Fahrt Musik hören ohne das Mobiltelefon per Hand zu bedienen.

Das Gerät ist nur für den privaten und nicht für den gewerblichen Gebrauch bestimmt.

Bitte beachten Sie, dass im Falle des nicht bestimmungsgemäßen Gebrauchs die Haftung erlischt:

- Bauen Sie das Gerät nicht ohne unsere Zustimmung um, und verwenden Sie nur von uns gelieferte oder genehmigte Ersatz- und Zubehörteile.
- Beachten Sie alle Informationen in dieser Bedienungsanleitung, insbesondere die Sicherheitshinweise. Jede andere Bedienung gilt als nicht bestimmungsgemäß und kann zu Personen- oder Sachschäden führen.

## 3. Sicherheitshinweise

- Dieses Gerät kann von Kindern ab 8 Jahren und älter und von Personen mit reduzierten physischen, sensorischen oder mentalen Fähigkeiten oder Mangel an Erfahrung und/oder Wissen benutzt werden, wenn sie beaufsichtigt werden oder bezüglich des sicheren Gebrauchs des Gerätes unterwiesen wurden und die daraus resultierenden Gefahren verstanden haben.
- Kinder dürfen nicht mit dem Gerät spielen.
- Reinigung und Benutzer-Wartung dürfen nicht durch Kinder durchgeführt werden, es sei denn, sie sind älter als 8 Jahre und beaufsichtigt.
- Nehmen Sie das Gerät nicht in Betrieb, wenn Gerät oder Ladekabel sichtbare Schäden aufweisen oder das Gerät heruntergefallen ist.
- Achten Sie darauf, dass keine offenen Brandquellen (z. B. brennende Kerzen) auf oder neben dem Fahrradlautsprecher stehen. Es besteht Brandgefahr!

- Der Fahrradlautsprecher darf keinen direkten Wärmequellen (z. B. Heizungen) oder direktem Sonnenlicht oder Kunstlicht ausgesetzt werden.
- Vermeiden Sie den Kontakt mit Spritz- und Tropfwasser und aggressiven Flüssigkeiten. Betreiben Sie den Fahrradlautsprecher nicht in der Nähe von Wasser.
- Der Fahrradlautsprecher darf insbesondere niemals untergetaucht werden. Stellen Sie keine mit Flüssigkeit gefüllten Gegenstände, z. B. Vasen oder Getränke, in die Nähe des Fahrradlautsprechers.
- Achten Sie darauf, dass der Fahrradlautsprecher keinen übermäßigen Erschütterungen und Vibrationen ausgesetzt wird.
- Knicken oder quetschen Sie das Ladekabel nicht.
- Vermeiden Sie, dass Fremdkörper ins Gerät eindringen. Andernfalls könnte der Fahrradlautsprecher beschädigt werden.
- Auf keinen Fall selbstständig Veränderungen am Gerät vornehmen oder versuchen, ein Geräteteil selbst zu öffnen und/oder zu reparieren.
- Verkehrssicherheit geht immer vor! Die aktuelle Verkehrslage hat immer Vorrang gegenüber der Bedienung des Fahrradlautsprechers.



## **ACHTUNG!**

### **Datensicherheit**

Beachten Sie, dass durch Funk übertragene Daten nicht verschlüsselt sind und u. U. von Dritten abgehört werden können.

## **1.3. Sicherer Umgang mit Akkus**



## **WARNUNG!**

### **Verletzungsgefahr!**

Akkus können brennbare Stoffe enthalten. Bei unsachgemäßer Behandlung können Akkus auslaufen, sich stark erhitzen, entzünden oder gar explodieren, was Schäden für Ihr Gerät und ihre Gesundheit zur Folge haben kann.

- Laden Sie den Akku ausschließlich mit dem Original-Zubehörteil (USB-Ladekabel) auf.
- Laden Sie entladene Akkus umgehend wieder auf, um Schäden zu vermeiden.
- Setzen Sie das Gerät nicht direkter Sonne, Hitze oder Feuer aus.
- Beachten Sie auch die Hinweise zur Entsorgung in „19. Entsorgung“ auf Seite 29.

## 4. Teilebeschreibung

Siehe **Abb. A**

1. Status-LED
2. Lautstärke erhöhen
3. schneller Vorlauf/nächster Titel/  
3 Sek. drücken - EQ2
4. Lautsprecher
5. Wiedergabe starten/stoppen/  
2 Sek. drücken - Bluetooth® koppeln  
lange gedrückt halten - Gerät ein-/ausschalten
6. schneller Rücklauf/vorheriger Titel/  
3 Sek. drücken - EQ1
7. Lautstärke verringern

Siehe **Abb. B**

8. USB-Typ C-Ladebuchse
9. Befestigungsschraube für Halterung
10. Audioeingang

## 5. Lieferumfang



### GEFAHR!

#### Erstickungsgefahr!

Es besteht Erstickungsgefahr durch Verschlucken oder Einatmen von Kleinteilen oder Folien.

■ Halten Sie die Verpackungsfolie von Kindern fern.

- ▶ Entnehmen Sie das Produkt aus der Verpackung, und entfernen Sie sämtliches Verpackungsmaterial.
- ▶ Bitte überprüfen Sie die Vollständigkeit der Lieferung, und benachrichtigen Sie uns bitte innerhalb von 14 Tagen nach dem Kauf, falls die Lieferung nicht komplett ist.

Mit dem von Ihnen erworbenen Paket haben Sie erhalten:

Siehe **Abb. C**

- A Lautsprecher
- B Fahrradhalterung
- C USB Kabel (Typ A auf Typ C)
- D Audiokabel (3,5 mm Klinke)
- E Halterclip

1 Antirutschgummi ca. 3 mm für Fahrradhalterung

1 Antirutschgummi ca. 5,5 mm für Fahrradhalterung (ohne Abbildung)

Kurzanleitung

Bedienungsanleitung (als Download verfügbar unter [www.lidl-service.com](http://www.lidl-service.com) – Artikelnummer 455455\_2304)

## 6. Gerät aufladen

Laden Sie den Akku des Fahrradlautsprechers vor der ersten Verwendung vollständig auf.

- ▶ Verbinden Sie den USB-C-Stecker des mitgelieferten USB-Ladekabels mit dem Anschluss des Gerätes (siehe **Abb. D**).
- ▶ Stecken Sie den USB-A-Stecker in einen geeigneten USB-Anschluss.
- ▶ Laden Sie das Gerät, sobald die Status-LED rot blinkt.



Laden Sie den Lautsprecher ausschließlich mit einem, den technischen Daten entsprechenden, USB-Netzteil. Ein Laden über den USB-Anschluss eines PCs oder eines Notebooks ist nicht möglich.

Während das Gerät geladen wird, leuchtet die Status-LED rot, Status-LED erlischt, wenn das Gerät vollständig geladen ist (siehe **Abb. E**).



## 7. Befestigungsclip anbringen

- ▶ Stecken Sie den Befestigungsclip wie in **Abb. F** dargestellt in das Gerät.

Der Befestigungsclip muss hörbar einrasten.

Der Befestigungsclip muss für die weitere Verwendung nicht mehr vom Gerät entfernt werden, sollte es doch einmal notwendig sein den Befestigungsclip zu entfernen, gehen Sie wie folgt vor:

- ▶ Drücken Sie mit einem passenden Gegenstand, z. B. Kreuzschlitzschraubendreher, in die obere Öffnung des Befestigungsclips auf den Rastpunkt.
- ▶ Ziehen Sie den Befestigungsclip nach unten aus dem Gerät.

## 8. Fahrradlautsprecher befestigen



Die Fahrradhalterung ist für alle handelsüblichen Lenker geeignet.

- ▶ Lösen Sie die Befestigungsschraube der Fahrradhalterung (B), achten Sie dabei darauf, dass die kleine Kontermutter auf der Unterseite nicht verloren geht.
- ▶ Lege Sie ein für den Lenker geeignetes Antirutschgummi in die Fahrradhalterung.
- ▶ Befestigen Sie die Fahrradhalterung an der Lenkstange des Fahrrads, und richten Sie die Halterung so aus, dass Sie den Fahrradlautsprecher optimal bedienen können (siehe **Abb. G**).
- ▶ Ziehen Sie die Befestigungsschraube wieder handfest an.
- ▶ Schieben Sie den Fahrradlautsprecher so auf die Fahrradhalterung, dass der Befestigungsclip über die Halteschiene der Fahrradhalterung geführt wird und dann hörbar einrastet. (siehe **Abb. H**).

## 9. Betriebs-LED

Die Betriebs-LED (1) zeigt Ihnen folgende Betriebszustände an:

Signal	Bedeutung
Kontrollleuchte blinkt schnell blau	Pairing-Modus
Kontrollleuchte leuchtet blau	Gekoppelt, Wiedergabe
Kontrollleuchte blinkt blau	Wiedergabe pausiert
Kontrollleuchte leuchtet violett	Ladevorgang läuft, im ON-Modus (Wiedergabe pausiert)
Kontrollleuchte leuchtet rot	Ladevorgang läuft, im OFF-Modus
Kontrollleuchte blinkt rot	Akku leer
Kontrollleuchte leuchtet grün	Wiedergabe im Aux Modus
Kontrollleuchte blinkt grün	Wiedergabe pausiert im Aux Modus

## 10. Fahrradlautsprecher bedienen

- ▶ Drücken und halten Sie die Wiedergabetaste (5) gedrückt, bis ein akustisches Signal ertönt und die Betriebs-LED (1) aufleuchtet.

Das Gerät schaltet automatisch in den Pairing-Modus und ist bereit, ein externes Gerät über Bluetooth® zu verbinden.

### 10.1. Über Bluetooth® koppeln

- ▶ Aktivieren Sie die Bluetooth®-Funktion auf ihrem externen Gerät, und führen Sie einen Kopplungsvorgang durch. Lesen Sie dazu die Anleitung ihres Wiedergabegerätes. Der Name des Fahrradlautsprechers ist „SBFL 5 A1“ (siehe **Abb. 1**).

Die Kopplung ist abgeschlossen, sobald ein akustisches Signal ertönt, die Betriebs-LED (1) permanent blau leuchtet, und die Wiedergabe startet.

- ▶ Wenn Sie die Bluetooth®-Übertragung beenden möchten, schalten Sie Bluetooth® am externen Gerät aus.
- ▶ Schalten Sie das Gerät aus, indem Sie die Wiedergabetaste (5) für ca. 2 Sekunden gedrückt halten.

Beim nächsten Einschalten wird sich der Fahrradlautsprecher automatisch mit dem zuletzt gekoppelten Gerät verbinden.

## 11. Musik wiedergeben via Bluetooth®

Sie können über die Auto-Freisprecheinrichtung Musik von Ihrem Mobiltelefon wiedergeben und steuern.

- ▶ Drücken Sie die Wiedergabe-Taste (5), um die Musikwiedergabe zu unterbrechen.
- ▶ Drücken Sie die Wiedergabe-Taste erneut, um die Musikwiedergabe fortzusetzen.
- ▶ Drücken Sie die Taste > (3), um zum nächsten Titel zu springen.
- ▶ Drücken Sie die Taste < (6) einmal, um zum Anfang des aktuellen Titels zu springen.
- ▶ Drücken Sie die Taste < (6) zweimal, um zum vorherigen Titel zu springen.

### 10.2. Lautstärke regeln

- ▶ Drücken Sie die +-Taste (2), um die Lautstärke zu erhöhen.
- ▶ Drücken Sie die --Taste (7), um die Lautstärke zu verringern.

## 12. Musik wiedergeben via AUX-Anschluss

Wenn Sie den Fahrradlautsprecher mit einem externen Audiogerät verbinden, dann erfolgt die Steuerung der Wiedergabe ausschließlich über das externe Audiogerät.

### 10.3. Lautstärke regeln

Zur besseren Steuerung der Lautstärke, sollten Sie die Lautstärke des externen Audiogerätes auf die höchste Stufe stellen und dann die eigentliche Steuerung der Lautstärke über den Fahrradlautsprecher vornehmen.

- ▶ Drücken Sie die +-Taste (2), um die Lautstärke zu erhöhen.
- ▶ Drücken Sie die --Taste (7), um die Lautstärke zu verringern.

## 13. Aufbewahrung

- ▶ Wenn Sie das Gerät nicht benutzen, trennen Sie das USB-Ladekabel vom Strom, und bewahren Sie das Gerät an einem trockenen, staub- und frostfreien Ort ohne direkte Sonneneinstrahlung auf.
- ▶ Bei längerer Nichtbenutzung laden Sie das Gerät vor und regelmäßig während der Lagerung auf (ca. alle 3-4 Monate), um eine Tiefenentladung des Akkus zu vermeiden.
- ▶ Beachten Sie die in den technischen Daten genannten Umgebungsbedingungen für die Lagerung.

## 14. Gerät reinigen

- ▶ Verwenden Sie zum Reinigen der Geräteoberfläche und des Zubehörs keine Lösungsmittel, ätzende oder gasförmige Reinigungsmittel. Wischen Sie die Oberflächen mit einem angefeuchteten Tuch ab.
- ▶ Stellen Sie sicher, dass keine Flüssigkeiten in das Gerät eindringen.

## 15. Problemlösung

Bei einer Störung des Geräts prüfen Sie bitte zunächst, ob Sie das Problem mit Hilfe der folgenden Übersicht selbst beheben können.

Versuchen Sie auf keinen Fall, die Geräte selbst zu reparieren. Wenn eine Reparatur notwendig ist, wenden Sie sich bitte an unser Service Center oder eine andere geeignete Fachwerkstatt.

Problem	Behebung
Fahrradlautsprecher funktioniert nicht	<ul style="list-style-type: none"><li>▶ Akku nicht ausreichend aufgeladen</li><li>▶ Gerät einschalten. Verbindung zum externen Gerät herstellen.</li></ul>
Akku wird nicht geladen	▶ USB-Anschluss überprüfen.
	▶ Leuchtet die Kontrollleuchte rot oder violett? Ist dies nicht der Fall, Service kontaktieren.

## 16. Technische Daten

Gerät	
Abmessungen (B x H x T)	ca. 72 x 53 x 102 mm (Ohne Befestigungsclip)
Umgebungstemperatur (in Betrieb):	0 °C bis +35 °C bei einer relativen Luftfeuchtigkeit (nicht kondensierend) von max. 85 %
Gewicht	ca. 163 g. (inkl. Akku und ohne Zubehör)
Ausgangsleistung	5 Watt Lautsprecher
Lautsprecherimpedanz	3 Ω
Eingangsspannung/ Eingangsstrom	5,0 V $\overline{=}$ 1 A
Schutzart	IPX7 Schutz gegen zeitweiliges Untertauchen
Akku	
Typ	3,7 V $\overline{=}$ , Li-Ion, 1200 mAh, 4,44 Wh
Ladezeit	max. 3 Stunden
Bluetooth®	
Bluetooth Version	V5.3
Bluetooth Profil	A2DP / AVRCP
Frequenz	2402 - 2480 MHz

Max. Sendeleistung	-0,42 dBm
Reichweite	bis zu 10 m im Freien

## 17. EU-Konformitätsinformation



Hiermit erklärt die MEDION AG, dass der Funkanlagentyp SBFL 5 A1 der Richtlinie 2014/53/EU sowie der RoHS-Richtlinie 2011/65/EU entspricht.

Der vollständige Text der EU-Konformitätserklärung ist unter der folgenden Internetadresse verfügbar: [www.medion.com/conformity](http://www.medion.com/conformity).

## 18. Informationen zu Warenzeichen und Lizenzen

Die Bluetooth®-Wortmarke und die Logos sind eingetragene Marken von Bluetooth SIG, Inc. und werden vom Hersteller unter Lizenz verwendet.

Die USB™-Wortmarke und die Logos sind eingetragene Marken der USB Implementers Forum, Inc. und werden vom Hersteller unter Lizenz verwendet.

SilverCrest® ist ein eingetragenes Warenzeichen der Lidl Stiftung & Co. KG, 74167 Neckarsulm, Deutschland.

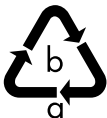
Alle weiteren Namen und Produkte sind Warenzeichen oder eingetragene Warenzeichen ihrer jeweiligen Eigentümer.

## 19. Entsorgung



### VERPACKUNG

Ihr Gerät befindet sich zum Schutz vor Transportschäden in einer Verpackung. Verpackungen sind aus Materialien hergestellt, die umweltschonend entsorgt und einem fachgerechten Recycling zugeführt werden können.



Beachten Sie folgende **Kennzeichnung von Verpackungsmaterialien** bei der Mülltrennung mit den Abkürzungen (a) und Nummern (b):

1–7: Kunststoffe/20–22: **Papier und Pappe**/80–98: **Verbundstoffe**



### GERÄT

Alle mit dem nebenstehenden Symbol gekennzeichneten Elektro- bzw. Elektronikgeräte dürfen nicht im normalen Hausmüll entsorgt werden, sondern sind vom Endnutzer am Ende ihrer Lebenserwartung einer vom unsortierten Siedlungsabfall getrennten Erfassung zuzuführen.

Die Endnutzer haben Altbatterien und Altakkumulatoren, die nicht vom Altgerät umschlossen sind, sowie Lampen, die zerstörungsfrei aus dem Altgerät entnommen werden können, vor der Abgabe an einer Erfassungsstelle vom Altgerät zerstörungsfrei zu trennen und einer separaten Sammlung zuzuführen.

Vertreiber mit einer Verkaufsfläche für Elektro- und Elektronikgeräte von mindestens 400 Quadratmetern sowie Vertreiber von Lebensmitteln mit einer Gesamtverkaufsfläche von mindestens 800 Quadratmetern, die mehrmals im Kalenderjahr oder dauerhaft Elektro- und Elektronikgeräte anbieten und auf dem Markt bereitstellen, sind verpflichtet, bei der Abgabe eines neuen Elektro- oder Elektronikgerätes an einen Endnutzer ein Altgerät des Endnutzers der gleichen Geräteart, das im Wesentlichen die gleichen Funktionen wie das neue Gerät erfüllt, am Ort der Abgabe oder in unmittelbarer Nähe hierzu unentgeltlich zurückzunehmen und auf Verlangen des Endnutzers unabhängig vom Kauf eines neuen Elektro- oder Elektronikgerätes bis zu drei Altgeräte pro Geräteart, die in keiner äußeren Abmessung größer als 25 Zentimeter sind, im Einzelhandelsgeschäft oder in unmittelbarer Nähe hierzu unentgeltlich zurückzunehmen.

Bei einem Vertrieb unter Verwendung von Fernkommunikationsmitteln gelten alle Lager- und Versandflächen für Elektro- und Elektronikgeräte des Vertreibers als Verkaufsfläche sowie alle Lager- und Verkaufsflächen des Vertreibers als Gesamtverkaufsfläche. Zudem ist bei einem Vertrieb unter Verwendung von Fernkommunikationsmitteln bei Abgabe des neuen Elektro- bzw. Elektronikgerätes durch Auslieferung bei einem privaten Haushalt die unentgeltliche Abholung des Altgerätes bei diesem Ort der Abgabe auf Geräte der Kategorien 1, 2 und 4 der Anlage 1 zu § 2 Abs. 1 ElektroG beschränkt (Wärmeüberträger, Bildschirme, Monitore und Geräte, die Bildschirme mit einer Oberfläche von mehr als 100 Quadratzentimetern enthalten, Großgeräte).

Zur Abgabe von Altgeräten stehen in Ihrer Nähe kostenfreie Erfassungsstellen sowie ggf. weitere Annahmestellen für die Wiederverwendung der Altgeräte zur Verfügung. Die Adressen können Sie von Ihrer Kommunalverwaltung erhalten.

Verfügt das Altgerät über Datenspeicher, sollten vor der Rückgabe alle Daten extern gesichert und von dem Altgerät dauerhaft und unwiderruflich gelöscht werden. Endnutzer sind ausschließlich selbst dafür verantwortlich, dass alle personenbezogenen Daten auf den zu entsorgenden Altgeräten gelöscht sind.

- Der Akku ist fest eingebaut und kann nicht vom Benutzer selbst ausgetauscht werden.
- **WARNUNG!** Explosionsgefahr bei unsachgemäßem Austausch des Akkus.
- Ersatz nur durch den gleichen oder einen vom Hersteller empfohlenen gleichwertigen Typ.

## 20. Garantie der MEDION AG

Sehr geehrte Kundin, sehr geehrter Kunde,

Sie erhalten auf dieses Gerät 3 Jahre Garantie ab Kaufdatum. Im Falle von Mängeln dieses Produkts stehen Ihnen gegen den Verkäufer des Produkts gesetzliche Rechte zu. Diese gesetzlichen Rechte werden durch unsere im Folgenden dargestellte Garantie nicht eingeschränkt.

## 20.1. Garantiebedingungen

Die Garantiefrist beginnt mit dem Kaufdatum. Bitte bewahren Sie den Originalkassenbon gut auf. Diese Unterlage wird als Nachweis für den Kauf benötigt.

Tritt innerhalb von drei Jahren ab dem Kaufdatum dieses Produkts ein Material- oder Fabrikationsfehler auf, wird das Produkt von uns – nach unserer Wahl – für Sie kostenlos repariert oder ersetzt. Diese Garantieleistung setzt voraus, dass innerhalb der Drei-Jahres-Frist das defekte Gerät und der Kaufbeleg (Kassenbon) vorgelegt und schriftlich kurz beschrieben wird, worin der Mangel besteht und wann er aufgetreten ist.

Wenn der Defekt von unserer Garantie gedeckt ist, erhalten Sie das reparierte oder ein neues Produkt zurück. Mit Reparatur oder Austausch des Produkts beginnt kein neuer Garantiezeitraum.

## 20.2. Garantiezeit und gesetzliche Mängelansprüche

Die Garantiezeit wird durch die Gewährleistung nicht verlängert. Dies gilt auch für ersetzte und reparierte Teile. Eventuell schon beim Kauf vorhandene Schäden und Mängel müssen sofort nach dem Auspacken gemeldet werden. Nach Ablauf der Garantiezeit anfallende Reparaturen sind kostenpflichtig.

## 20.3. Garantieumfang

Das Gerät wurde nach strengen Qualitätsrichtlinien sorgfältig produziert und vor Auslieferung gewissenhaft geprüft.

Die Garantieleistung gilt für Material- oder Fabrikationsfehler. Diese Garantie erstreckt sich nicht auf Produktteile, die normaler Abnutzung ausgesetzt sind und daher als Verschleißteile angesehen werden können oder für Beschädigungen an zerbrechlichen Teilen, z. B. Schalter, Akkus oder die aus Glas gefertigt sind.

Diese Garantie verfällt, wenn das Produkt beschädigt, nicht sachgemäß benutzt oder gewartet wurde. Für eine sachgemäße Benutzung des Produkts sind alle in der Bedienungsanleitung aufgeführten Anweisungen genau einzuhalten. Verwendungszwecke und Handlungen, von denen in der Bedienungsanleitung abgeraten oder vor denen gewarnt wird, sind unbedingt zu vermeiden.

Das Produkt ist lediglich für den privaten und nicht für den gewerblichen Gebrauch bestimmt. Bei missbräuchlicher und unsachgemäßer Behandlung, Gewaltanwendung und bei Eingriffen, die nicht von unserer autorisierten Service-Niederlassung vorgenommen wurden, erlischt die Garantie.

## 20.4. Abwicklung im Garantiefall

**Um eine schnelle Bearbeitung Ihres Anliegens zu gewährleisten, folgen Sie bitte den folgenden Hinweisen:**

- Bitte halten Sie für alle Anfragen den Kassenbon und die Artikelnummer IAN 455455\_2304 als Nachweis für den Kauf bereit.
- Die Artikelnummer entnehmen Sie bitte dem Typenschild, einer Gravur, auf dem Titelblatt Ihrer Anleitung (unten links) oder als Aufkleber auf der Rück- oder Unterseite.

- Sollten Funktionsfehler oder sonstige Mängel auftreten, kontaktieren Sie zunächst die nachfolgend benannte Serviceabteilung telefonisch oder über unser Kontaktformular.

## 21. Service



Auf [www.lidl-service.com](http://www.lidl-service.com) können Sie diese Anleitung und viele weitere Handbücher, Produktvideos und Installationssoftware herunterladen.

Mit diesem QR-Code gelangen Sie direkt auf die Lidl-Service-Seite ([www.lidl-service.com](http://www.lidl-service.com)) und können mittels der Eingabe der Artikelnummer IAN 455455\_2304 Ihre Bedienungsanleitung öffnen.

<b>DE</b>	<p><b>Service Deutschland</b></p> <p>Hotline</p> <p>☎ +49 201 22099 222</p> <p>🕒 Mo. - Fr.: 09:00 - 17:00</p> <p>Bitte benutzen Sie das Kontaktformular unter: <a href="http://www.medion.com/contact">www.medion.com/contact</a></p>
<b>AT</b>	<p><b>Service Österreich</b></p> <p>Hotline</p> <p>☎ +43 1 928 7661</p> <p>🕒 Mo. - Fr.: 09:00 - 17:00</p> <p>Bitte benutzen Sie das Kontaktformular unter: <a href="http://www.medion.com/contact">www.medion.com/contact</a></p>
<b>CH</b>	<p><b>Service Schweiz</b></p> <p>Hotline</p> <p>☎ 0848 - 33 33 32</p> <p>🕒 Mo. - Fr.: 09:00 - 17:00</p> <p>Bitte benutzen Sie das Kontaktformular unter: <a href="http://www.medion.com/contact">www.medion.com/contact</a></p>
	<div style="border: 1px solid black; padding: 5px; display: inline-block;">IAN 455455_2304</div>



## **21.1. Lieferant/Produzent/Importeur**

Bitte beachten Sie, dass die folgende Anschrift keine Retourenanschrift ist. Kontaktieren Sie zunächst die oben benannte Servicestelle.

MEDION AG  
Am Zehnhof 77  
45307 Essen  
DEUTSCHLAND



# Sommaire

<b>1.</b>	<b>Introduction .....</b>	<b>37</b>
1.1.	Informations concernant la présente notice d'utilisation .....	37
1.2.	Explication des symboles.....	37
<b>2.</b>	<b>Utilisation conforme .....</b>	<b>38</b>
<b>3.</b>	<b>Consignes de sécurité .....</b>	<b>38</b>
3.1.	Manipulation sûre des batteries.....	39
<b>4.</b>	<b>Description des éléments .....</b>	<b>40</b>
<b>5.</b>	<b>Contenu de la livraison .....</b>	<b>41</b>
<b>6.</b>	<b>Charge de l'appareil .....</b>	<b>41</b>
<b>7.</b>	<b>Mise en place du clip de fixation .....</b>	<b>42</b>
<b>8.</b>	<b>Fixation du haut-parleur de vélo.....</b>	<b>42</b>
<b>9.</b>	<b>LED de fonctionnement .....</b>	<b>42</b>
<b>10.</b>	<b>Utilisation du haut-parleur de vélo.....</b>	<b>43</b>
10.1.	Appairage via Bluetooth®.....	43
<b>11.</b>	<b>Lire de la musique via Bluetooth®.....</b>	<b>43</b>
11.1.	Réglage du volume .....	43
<b>12.</b>	<b>Lecture de musique via le port AUX .....</b>	<b>44</b>
12.1.	Réglage du volume .....	44
<b>13.</b>	<b>Stockage .....</b>	<b>44</b>
<b>14.</b>	<b>Nettoyage de l'appareil .....</b>	<b>44</b>
<b>15.</b>	<b>Dépannage .....</b>	<b>44</b>
<b>16.</b>	<b>Caractéristiques techniques .....</b>	<b>45</b>
<b>17.</b>	<b>Information sur la conformité UE.....</b>	<b>45</b>
<b>18.</b>	<b>Informations sur les marques déposées et licences .....</b>	<b>46</b>
<b>19.</b>	<b>Recyclage.....</b>	<b>46</b>
<b>20.</b>	<b>Garantie de la société MEDION AG (France).....</b>	<b>47</b>
20.1.	Conditions de garantie .....	47
20.2.	Article L217-16 du Code de la consommation .....	47
20.3.	Période de garantie et réclamation légale pour vices cachés.....	47
20.4.	Étendue de la garantie.....	47
20.5.	Procédure en cas de garantie .....	48
20.6.	Article L217-4 du Code de la consommation .....	48
20.7.	Article L217-5 du Code de la consommation .....	48
20.8.	Article L217-12 du Code de la consommation .....	49
20.9.	Article 1641 du Code civil .....	49
20.10.	Article 1648 1er alinéa du Code civil .....	49
<b>21.</b>	<b>Garantie de la société MEDION AG (Belgique &amp; Suisse).....</b>	<b>49</b>
21.1.	Conditions de garantie .....	49

# SILVERCREST®

21.2.	Période de garantie et réclamation légale pour vices cachés.....	50
21.3.	Étendue de la garantie.....	50
21.4.	Procédure en cas de garantie .....	50
<b>22.</b>	<b>SAV .....</b>	<b>51</b>
22.1.	Fournisseur/producteur/importateur .....	52

## 1. Introduction

### 1.1. Informations concernant la présente notice d'utilisation



Félicitations pour l'achat de votre nouvel appareil. Vous avez opté pour un produit de qualité. La notice d'utilisation fait partie du produit. Elle contient des remarques importantes en matière de sécurité, d'utilisation et de recyclage.

Avant d'utiliser le produit, lisez toutes les consignes de sécurité et d'utilisation.

Utilisez le produit exclusivement de la manière décrite et pour les applications indiquées. Conservez la présente notice d'utilisation en lieu sûr. En cas de cession du produit à un tiers, il convient de lui transmettre tous les documents.

### 1.2. Explication des symboles



#### **DANGER !**

Danger de mort imminente !

- Suivez les instructions afin d'éviter toute situation pouvant entraîner des blessures graves, voire mortelles.



#### **AVERTISSEMENT !**

Éventuel danger de mort et/ou de blessures graves irréversibles !

- Suivez les instructions afin d'éviter toute situation pouvant entraîner des blessures graves, voire mortelles.



#### **ATTENTION !**

Respectez les consignes afin d'éviter tout dommage matériel !

- Suivez les instructions pour éviter toute situation pouvant entraîner des dommages matériels.



Informations et conseils pour l'utilisation de l'appareil.

- Consigne de sécurité

- ▶ Instruction

- Énumération



Les produits portant ce symbole sont conformes aux exigences des directives de l'Union européenne (voir chapitre « Information relative à la conformité UE »).



Symbole de courant continu

## 2. Utilisation conforme

Le haut-parleur de vélo est un dispositif de l'électronique de communication. Le haut-parleur de vélo vous permet d'écouter de la musique tout en pédalant, sans utiliser votre téléphone portable à la main.

L'appareil est destiné exclusivement à un usage privé et non à une utilisation commerciale.

Veillez noter qu'en cas d'utilisation non conforme, la garantie sera annulée :

- Ne transformez pas l'appareil sans notre accord et utilisez uniquement des pièces de rechange et accessoires livrés ou autorisés par nos soins.
- Tenez compte de toutes les informations figurant dans cette notice d'utilisation, en particulier des consignes de sécurité. Toute autre utilisation est considérée comme non conforme et peut entraîner des dommages corporels ou matériels.

## 3. Consignes de sécurité

- Cet appareil peut être utilisé par des enfants âgés de plus de 8 ans et par des personnes présentant des capacités physiques, sensorielles ou mentales restreintes ou manquant d'expérience et/ou de connaissances s'ils sont surveillés ou s'ils ont reçu des instructions pour pouvoir utiliser l'appareil en toute sécurité et ont compris les dangers en résultant.
- Les enfants ne doivent pas jouer avec l'appareil.
- Le nettoyage et l'entretien incombant à l'utilisateur ne doivent pas être réalisés par des enfants, à moins qu'ils soient âgés de plus de 8 ans et qu'ils soient surveillés.
- N'allumez pas l'appareil si le câble de charge ou l'appareil lui-même présente des dommages visibles ou si celui-ci est tombé.
- Veillez à ce qu'aucune source de feu nu (par ex., bougies allumées) ne se trouve sur ou à proximité du haut-parleur de vélo. Risque d'incendie !

- Le haut-parleur de vélo ne doit pas être exposé à des sources directes de chaleur (p. ex. chauffages), ni à la lumière directe du soleil ou artificielle.
- Évitez tout contact avec des projections ou des gouttes d'eau et des liquides agressifs. N'utilisez pas le haut-parleur de vélo à proximité d'eau.
- Plus particulièrement, le haut-parleur de vélo ne doit jamais être immergé. Ne placez aucun objet rempli de liquide, par ex. un vase ou des boissons, à proximité du haut-parleur de vélo.
- Veillez à ce que le haut-parleur de vélo ne soit pas soumis à des vibrations ou des vibrations excessives.
- Veillez à ne pas plier ou écraser le câble de charge.
- Évitez de faire pénétrer des corps étrangers dans l'appareil, Sinon, le haut-parleur de vélo pourrait être endommagé.
- Ne modifiez en aucun cas vous-même l'appareil et n'essayez pas d'ouvrir et/ou de réparer vous-même une quelconque partie de l'appareil.
- La sécurité routière passe avant tout ! La situation actuelle de la circulation prévaut toujours sur la commande du haut-parleur de vélo.



## **ATTENTION !**

### **Protection des données**

Veillez noter que les données transmises via radio ne sont pas chiffrées et peuvent, dans certaines circonstances, être écoutées par des tiers.

## **3.1. Manipulation sûre des batteries**



### **AVERTISSEMENT !**

#### **Risque de blessure !**

Les batteries peuvent contenir des substances inflammables. En cas de manipulation incorrecte, les batteries peuvent fuir, chauffer fortement, s'enflammer ou même exploser, ce qui pourrait endommager l'appareil et nuire à votre santé.

# SILVERCREST®

- Chargez la batterie uniquement avec l'accessoire d'origine (câble de charge USB).
- Rechargez immédiatement les batteries, pour éviter tout dommage.
- N'exposez pas l'appareil à la lumière directe du soleil, à la chaleur ou au feu.
- Veuillez également respecter les remarques relatives au recyclage au « 19. Recyclage » à la page 46

## 4. Description des éléments

Voir **fig. A**

1. LED d'état
2. Augmentation du volume
3. avance rapide/titre suivant/  
Appuyer 3 secondes – EQ2
4. Haut-parleur
5. Démarrer/ arrêter la lecture  
Appuyer 2 secondes – appairage Bluetooth®  
Appuyer longuement – allumer/éteindre l'appareil
6. retour rapide/titre précédent/  
Appuyer 3 secondes – EQ1
7. Diminution du volume

Voir **fig. B**

8. Prise de charge USB de type C
9. Corps de fixation pour support
10. Entrée audio



## 5. Contenu de la livraison



### **DANGER !**

#### **Risque de suffocation !**

L'ingestion ou l'inhalation de petites pièces ou de films présente un risque de suffocation.

- Conservez le film d'emballage hors de portée des enfants.

- ▶ Retirez le produit de l'emballage et enlevez tous les emballages.
- ▶ Veuillez vérifier si tous les éléments sont présents et nous signaler toute pièce manquante dans les 14 jours suivant l'achat.

Le produit que vous avez acheté comprend :

Voir **fig. C**

- A Haut-parleurs
- B Support vélo
- C Câble USB (type A vers type C)
- D Câble audio (jack 3,5 mm)
- E Clip de support

1 caoutchouc antidérapant d'env. 3 mm pour le support vélo

1 caoutchouc antidérapant d'env. 5,5 mm pour le support vélo (sans illustration)

Guide de démarrage rapide

Notice d'utilisation disponible (en téléchargement sur [www.lidl-service.com](http://www.lidl-service.com) - référence 455455\_2304)

## 6. Charge de l'appareil

Rechargez complètement la batterie du haut-parleur de vélo avant la première utilisation.

- ▶ Branchez le connecteur USB-C du câble USB fourni dans le port correspondant de l'appareil (voir **fig. D**).
- ▶ Insérez le connecteur USB-A dans un port USB adapté.
- ▶ Chargez l'appareil dès que la LED d'état clignote en rouge.



Chargez le haut-parleur uniquement à l'aide d'un bloc d'alimentation USB conforme aux spécifications techniques. La charge via le port USB d'un PC ou d'un ordinateur portable n'est pas possible.

Pendant la charge de l'appareil, la LED d'état s'allume en rouge et s'éteint lorsque l'appareil est complètement chargé (voir **fig. E**).

## 7. Mise en place du clip de fixation

- ▶ Insérez le clip de fixation dans l'appareil, comme illustré sur la **fig. F**.

Le clip de fixation doit s'enclencher de façon audible.

Il n'est plus nécessaire de retirer le clip de fixation de l'appareil pour une utilisation ultérieure, mais s'il est nécessaire de retirer le clip de fixation une fois, procédez comme suit :

- ▶ Appuyez sur le point d'arrêt à l'aide d'un objet approprié, tel qu'un tournevis à fente croisée, dans l'ouverture supérieure du clip de fixation.
- ▶ Faites glisser le clip de fixation de l'appareil vers le bas.

## 8. Fixation du haut-parleur de vélo



Le support vélo est adapté à tous les guidons disponibles dans le commerce.

- ▶ Desserrez la vis de fixation du support vélo (B), en veillant à ne pas perdre le petit écrou situé en dessous.
- ▶ Placez un caoutchouc antidérapant adapté au guidon dans le support vélo.
- ▶ Fixez le support vélo au guidon de votre vélo et alignez le support de manière à pouvoir utiliser le haut-parleur de vélo de manière optimale (voir **Fig. G**).
- ▶ Resserrez ensuite l'écrou de fixation à la main.
- ▶ Poussez le haut-parleur de vélo sur le support vélo de manière à ce que le clip de fixation soit guidé sur le rail du support vélo et qu'il s'enclenche de manière audible. (voir **fig. H**).

## 9. LED de fonctionnement

Les LED de fonctionnement (1) vous indiquent les états de fonctionnement suivants :

Signal	Signification
Le voyant lumineux clignote rapidement en bleu	Mode d'appairage
Le voyant lumineux s'allume en bleu	Appairé, lecture
Le voyant lumineux clignote en bleu	Pause de la lecture
Le voyant lumineux s'allume en violet	Charge en cours, en mode ON (lecture en pause)
Le voyant lumineux s'allume en rouge	Processus de charge en cours, en mode OFF
Le voyant lumineux clignote en rouge	Batterie déchargée
Le voyant lumineux s'allume en vert	Lecture en mode Aux
Le voyant lumineux clignote en vert	La lecture est en pause en mode Aux

## 10. Utilisation du haut-parleur de vélo

- ▶ Appuyez sur la touche de lecture (5) et maintenez-la enfoncée jusqu'à ce qu'un signal sonore retentisse et que la LED de fonctionnement(1) s'allume.

L'appareil s'allume automatiquement en mode d'appairage et est prêt à être connecté avec un appareil externe via Bluetooth®.

### 10.1. Appairage via Bluetooth®

- ▶ Activez la fonction Bluetooth® sur votre périphérique externe et effectuez le processus d'appairage. Pour cela, veuillez lire la notice d'utilisation de votre périphérique de lecture. Le nom du kit mains libres pour voiture est « SBFL 5 A1 » (voir **Fig. I**).

L'appairage est terminé dès qu'un signal sonore retentit, que la LED de fonctionnement (1) s'allume en permanence en bleu et que la lecture démarre.

- ▶ Pour quitter la transmission via Bluetooth®, désactivez la fonction Bluetooth® du périphérique externe.
- ▶ Éteignez l'appareil en maintenant la touche de lecture (5) enfoncée pendant environ 2 secondes.

Lors de la prochaine mise sous tension, le haut-parleur de vélo se connectera automatiquement au dernier appareil appairé.

## 11. Lire de la musique via Bluetooth®

Le kit mains libres pour voiture vous permet de lire et de contrôler la musique de votre téléphone portable.

- ▶ Appuyez sur la touche Lecture (5) pour interrompre la lecture de la musique.
- ▶ Appuyez une nouvelle fois sur la touche Lecture pour reprendre la lecture de la musique.
- ▶ Appuyez sur la touche > (3) pour passer au titre suivant.
- ▶ Appuyez une fois sur la touche < (6) pour revenir au début d'un titre en cours de lecture.
- ▶ Appuyez deux fois sur la touche < (6) pour revenir au titre précédent.

### 11.1. Réglage du volume

- ▶ Appuyez sur le bouton + (2) pour augmenter le volume.
- ▶ Appuyez sur le bouton - (7) pour baisser le volume.

## 12. Lecture de musique via le port AUX

Si vous connectez le haut-parleur de vélo à un périphérique audio externe, le contrôle de la lecture se fait uniquement via le périphérique audio externe.

### 12.1. Réglage du volume

Pour un meilleur contrôle du volume, réglez le volume du périphérique audio externe au niveau le plus élevé, puis effectuez le contrôle réel du volume via le haut-parleur de vélo.

- ▶ Appuyez sur le bouton + (2) pour augmenter le volume.
- ▶ Appuyez sur le bouton - (7) pour baisser le volume.

## 13. Stockage

- ▶ Lorsque vous n'utilisez pas l'appareil, débranchez le câble de charge USB et conservez l'appareil dans un endroit sec, à l'abri de la poussière, du gel et d'une exposition directe aux rayons du soleil.
- ▶ En cas de non-utilisation prolongée, rechargez l'appareil avant et pendant le stockage de manière régulière (env. tous les 3-4 mois), afin d'éviter une décharge totale de la batterie.
- ▶ Respectez les conditions environnementales de stockage indiquées dans les caractéristiques techniques.

## 14. Nettoyage de l'appareil

- ▶ N'utilisez ni solvants ni produits d'entretien corrosifs ou gazeux pour nettoyer la surface de l'appareil et les accessoires. Essayez les surfaces avec un chiffon humide.
- ▶ Veillez à ce qu'aucun liquide ne pénètre dans l'appareil.

## 15. Dépannage

En cas de panne de l'appareil, vérifiez d'abord si vous pouvez résoudre le problème vous-même à l'aide du tableau suivant.

N'essayez en aucun cas de réparer vous-même l'appareil. Si une réparation s'avère nécessaire, veuillez vous adresser à notre SAV ou à un autre atelier spécialisé.

Problème	Solution
Le haut-parleur de vélo ne fonctionne pas	<ul style="list-style-type: none"><li>▶ La batterie n'est pas suffisamment chargée</li><li>▶ Mettre l'appareil en marche. Établir une connexion au périphérique externe.</li></ul>
La batterie ne charge pas	▶ Vérifiez la connexion USB.
	▶ Le voyant lumineux s'affiche en rouge ou en violet ? Dans le cas contraire, contacter le SAV.

## 16. Caractéristiques techniques

<b>Appareil</b>	
Dimensions (l x H x P)	env. 72 x 53 x 102 mm (sans clip de fixation)
Température ambiante (en fonctionnement) :	0 °C à +35 °C pour une humidité relative de 85 % max. (sans condensation)
Poids	environ 163 g. (avec batterie et sans accessoires)
Puissance de sortie	Haut-parleur de 5 watts
Impédance du haut- parleur	3 Ω
Tension d'entrée / cou- rant d'entrée	5,0 V === 1 A
Type de protection	IPX7 Protection contre l'immersion temporaire
<b>Batterie</b>	
Type	3,7 V ===, Li-Ion, 1200 mAh, 4,44 Wh
Temps de charge	Env. 3 heures
<b>Bluetooth®</b>	
Version Bluetooth	V5.3
Profil Bluetooth	A2DP / AVRCP
Fréquence	2402 – 2480 MHz
Puissance d'émission max.	-0,42 dBm
Portée	Jusqu'à 10 m en extérieur

## 17. Information sur la conformité UE



L'entreprise MEDION AG déclare par la présente que le type de dispositif sans fil SBFL 5 A1 est conforme à la directive 2014/53/UE et à la directive RoHS 2011/65/UE.

La déclaration de conformité UE intégrale est disponible à l'adresse Internet suivante : [www.medion.com/conformity](http://www.medion.com/conformity).

## 18. Informations sur les marques déposées et licences

Le nom de marque et les logos Bluetooth® sont des marques déposées de Bluetooth SIG, Inc. et sont utilisés sous licence par le fabricant.

Le nom de marque et les logos USB™ sont des marques déposées d'USB Implementers Forum, Inc. et sont utilisés sous licence par le fabricant.

SilverCrest® est une marque déposée de Lidl Stiftung & Co. Kg.

74167 Neckarsulm, Allemagne.

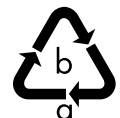
Tous les autres noms et produits constituent des marques ou des marques déposées de leurs propriétaires respectifs.

## 19. Recyclage



### EMBALLAGE

Votre appareil se trouve dans un emballage qui le protège des dommages dus au transport. Les emballages sont fabriqués à partir de matériaux qui peuvent être éliminés de manière écologique en étant soumis à un recyclage approprié.



Tenez compte du marquage **suivant des emballages** pour le tri des déchets avec les abréviations (a) et numéros (b) :

1-7 : Plastiques/20-22: **papier et carton/80-98 : matériaux composites**



### APPAREIL

Il est interdit d'éliminer les appareils usagés portant le symbole ci-contre avec les déchets ménagers.

Conformément à la Directive 2012/19/UE, l'appareil doit être recyclé de manière réglementaire lorsqu'il arrive en fin de cycle de vie.

Les matériaux recyclables contenus dans l'appareil sont ainsi recyclés, ce qui évite la pollution de l'environnement et les effets néfastes sur la santé humaine.

Remettez l'appareil usagé à un centre de collecte de déchets électriques et électroniques ou auprès d'une déchetterie.

Pour de plus amples renseignements, adressez-vous à l'entreprise de collecte des déchets locale ou à votre municipalité.

- La batterie est installée de manière fixe et ne peut pas être remplacée par l'utilisateur lui-même.
- **AVERTISSEMENT !** Risque d'explosion en cas de remplacement incorrect de la batterie.
- Remplacement uniquement par une batterie du même type ou de type équivalent recommandé par le fabricant.

## **20. Garantie de la société MEDION AG (France)**

Chère Cliente, Cher Client,

Cet appareil est garanti 3 ans à partir de la date d'achat. En cas de vices de ce produit, vous disposez de droits légaux vis-à-vis du vendeur du produit. Ces droits légaux ne sont pas restreints par notre garantie présentée ci-dessous.

### **20.1. Conditions de garantie**

La période de garantie débute à la date de l'achat. Veuillez conserver précieusement le ticket de caisse d'origine. Ce document servira de preuve d'achat.

Si, dans un délai de trois ans suivant la date d'achat de ce produit, un vice de matériel ou de fabrication venait à apparaître, le produit sera réparé ou remplacé gratuitement par nos soins, selon notre choix. Cette prestation de garantie implique de présenter dans ce délai de trois ans l'appareil défectueux et le justificatif d'achat (ticket de caisse) ainsi qu'une brève description par écrit du vice et du moment de son apparition.

Si le vice est couvert par notre garantie, vous recevrez le produit réparé ou un nouveau produit en retour. Aucune nouvelle période de garantie ne débute avec la réparation ou l'échange du produit.

### **20.2. Article L217-16 du Code de la consommation**

Lorsque l'acheteur demande au vendeur, pendant le cours de la garantie commerciale qui lui a été consentie lors de l'acquisition ou de la réparation d'un bien meuble, une remise en état couverte par la garantie, toute période d'immobilisation d'au moins sept jours vient s'ajouter à la durée de la garantie qui restait à courir. Cette période court à compter de la demande d'intervention de l'acheteur ou de la mise à disposition pour réparation du bien en cause, si cette mise à disposition est postérieure à la demande d'intervention.

### **20.3. Période de garantie et réclamation légale pour vices cachés**

La période de garantie se prolonge de la durée de la perte d'usage conformément aux dispositions légales suivantes. Cette disposition s'applique également aux pièces remplacées ou réparées. Les dommages et vices éventuellement déjà présents à l'achat doivent être signalés immédiatement après le déballage. Toute réparation survenant après la période sous garantie fera l'objet d'une facturation.

### **20.4. Étendue de la garantie**

L'appareil a été fabriqué avec soin conformément à des directives de qualité strictes et consciencieusement contrôlé avant sa livraison.

La prestation de garantie est valable pour des vices de matériel et de fabrication. Cette garantie ne s'étend pas aux pièces du produit qui sont exposées à une usure normale et peuvent de ce fait être considérées comme pièces d'usure ni aux détériorations de pièces fragiles, p. ex. interrupteurs, batteries ou pièces en verre.

Cette garantie devient caduque si le produit est détérioré, utilisé ou entretenu de manière non conforme. Pour une utilisation conforme du produit, toutes les instructions énumérées dans le mode d'emploi doivent être strictement respectées. Des buts d'utilisation et actions qui sont déconseillés dans le mode d'emploi, ou dont vous êtes avertis, doivent également être impérativement évités.

Le produit est uniquement destiné à un usage privé et ne convient pas à un usage professionnel. La garantie est annulée en cas d'entretien incorrect et inapproprié, d'usage de la force et d'interventions non réalisées par notre centre SAV agréé.

## 20.5. Procédure en cas de garantie

**Afin de garantir un traitement rapide de votre demande, veuillez suivre les indications suivantes :**

- Veuillez avoir à portée de main pour toutes questions le ticket de caisse et la référence IAN 455455\_2304 en tant que justificatif de votre achat.
- Vous trouverez la référence sur la plaque signalétique, une gravure, sur la page de garde de votre mode d'emploi (en bas à gauche) ou sous forme d'autocollant au dos ou sur le dessous.
- Si des erreurs de fonctionnement ou d'autres vices venaient à apparaître, veuillez d'abord contacter le SAV cité ci-dessous par téléphone ou via notre formulaire de contact.

Indépendamment de la garantie commerciale souscrite, le vendeur reste tenu des défauts de conformité du bien et des vices rédhibitoires dans les conditions prévues aux articles L217-4 à L217-13 du Code de la consommation et aux articles 1641 à 1648 et 2232 du Code Civil.

## 20.6. Article L217-4 du Code de la consommation

Le vendeur livre un bien conforme au contrat et répond des défauts de conformité existant lors de la délivrance.

Il répond également des défauts de conformité résultant de l'emballage, des instructions de montage ou de l'installation lorsque celle-ci a été mise à sa charge par le contrat ou a été réalisée sous sa responsabilité.

## 20.7. Article L217-5 du Code de la consommation

Le bien est conforme au contrat :

1. S'il est propre à l'usage habituellement attendu d'un bien semblable et, le cas échéant :
  - s'il correspond à la description donnée par le vendeur et possède les qualités que celui-ci a présentées à l'acheteur sous forme d'échantillon ou de modèle ;
  - s'il présente les qualités qu'un acheteur peut légitimement attendre eu égard aux déclarations publiques faites par le vendeur, par le producteur ou par son représentant, notamment dans la publicité ou l'étiquetage ;



2. Ou s'il présente les caractéristiques définies d'un commun accord par les parties ou être propre à tout usage spécial recherché par l'acheteur, porté à la connaissance du vendeur et que ce dernier a accepté.

## **20.8. Article L217-12 du Code de la consommation**

L'action résultant du défaut de conformité se prescrit par deux ans à compter de la délivrance du bien.

## **20.9. Article 1641 du Code civil**

Le vendeur est tenu de la garantie à raison des défauts cachés de la chose vendue qui la rendent impropre à l'usage auquel on la destine, ou qui diminuent tellement cet usage que l'acheteur ne l'aurait pas acquise, ou n'en aurait donné qu'un moindre prix, s'il les avait connus.

## **20.10. Article 1648 1er alinéa du Code civil**

L'action résultant des vices rédhibitoires doit être intentée par l'acquéreur dans un délai de deux ans à compter de la découverte du vice.

## **21. Garantie de la société MEDION AG (Belgique & Suisse)**

Chère Cliente, Cher Client,

Cet appareil est garanti 3 ans à partir de la date d'achat. En cas de vices de ce produit, vous disposez de droits légaux vis-à-vis du vendeur du produit. Ces droits légaux ne sont pas restreints par notre garantie présentée ci-dessous.

### **21.1. Conditions de garantie**

La période de garantie débute à la date de l'achat. Veuillez conserver précieusement le ticket de caisse d'origine. Ce document servira de preuve d'achat.

Si, dans un délai de trois ans suivant la date d'achat de ce produit, un vice de matériel ou de fabrication venait à apparaître, le produit sera réparé ou remplacé gratuitement par nos soins, selon notre choix. Cette prestation de garantie implique de présenter dans ce délai de trois ans l'appareil défectueux et le justificatif d'achat (ticket de caisse) ainsi qu'une brève description par écrit du vice et du moment de son apparition.

Si le vice est couvert par notre garantie, vous recevrez le produit réparé ou un nouveau produit en retour. Aucune nouvelle période de garantie ne débute avec la réparation ou l'échange du produit.

## 21.2. Période de garantie et réclamation légale pour vices cachés

L'exercice de la garantie ne prolonge pas la période de garantie. Cette disposition s'applique également aux pièces remplacées ou réparées. Les dommages et vices éventuellement déjà présents à l'achat doivent être signalés immédiatement après le déballage. Toute réparation survenant après la période sous garantie fera l'objet d'une facturation.

## 21.3. Étendue de la garantie

L'appareil a été fabriqué avec soin conformément à des directives de qualité strictes et consciencieusement contrôlé avant sa livraison.

La prestation de garantie est valable pour des vices de matériel et de fabrication. Cette garantie ne s'étend pas aux pièces du produit qui sont exposées à une usure normale et peuvent de ce fait être considérées comme pièces d'usure ni aux détériorations de pièces fragiles, p. ex. interrupteurs, batteries ou pièces en verre.

Cette garantie devient caduque si le produit est détérioré, utilisé ou entretenu de manière non conforme. Pour une utilisation conforme du produit, toutes les instructions énumérées dans le mode d'emploi doivent être strictement respectées. Des buts d'utilisation et actions qui sont déconseillés dans le mode d'emploi, ou dont vous êtes avertis, doivent également être impérativement évités.

Le produit est uniquement destiné à un usage privé et ne convient pas à un usage professionnel. La garantie est annulée en cas d'entretien incorrect et inapproprié, d'usage de la force et d'interventions non réalisées par notre centre SAV agréé.

## 21.4. Procédure en cas de garantie

**Afin de garantir un traitement rapide de votre demande, veuillez suivre les indications suivantes :**

- Veuillez avoir à portée de main pour toutes questions le ticket de caisse et la référence IAN 455455\_2304 en tant que justificatif de votre achat.
- Vous trouverez la référence sur la plaque signalétique, une gravure, sur la page de garde de votre mode d'emploi (en bas à gauche) ou sous forme d'autocollant au dos ou sur le dessous.
- Si des erreurs de fonctionnement ou d'autres vices venaient à apparaître, veuillez d'abord contacter le SAV cité ci-dessous par téléphone ou via notre formulaire de contact.

## 22. SAV



Vous pouvez télécharger cette notice d'utilisation ainsi que de nombreuses autres notices, vidéos produit et logiciels d'installation sur [www.lidl-service.com](http://www.lidl-service.com).

Scannez le code QR ci-contre pour accéder directement au site Lidl Service ([www.lidl-service.com](http://www.lidl-service.com)) et saisissez la référence IAN 455455\_2304 correspondante pour consulter votre notice d'utilisation.

<p><b>FR</b></p>	<p><b>SAV France</b> Hotline ☎ +33 1 243166030  🕒 Lun - Ven : 09h00 à 17h00 Veuillez utiliser le formulaire de contact sous : <a href="http://www.medion.com/contact">www.medion.com/contact</a></p>
<p><b>BE</b></p>	<p><b>SAV Belgique</b> Hotline ☎ +32 2 2006198  🕒 Lun - Ven : 09h00 à 17h00 Veuillez utiliser le formulaire de contact sous : <a href="http://www.medion.com/contact">www.medion.com/contact</a></p>
<p><b>CH</b></p>	<p><b>SAV Suisse</b> Hotline ☎ 0848 - 33 33 32  🕒 Lun - Ven: 09h00 à 17h00 Veuillez utiliser le formulaire de contact sous : <a href="http://www.medion.com/contact">www.medion.com/contact</a></p>
<p>IAN 455455_2304</p>	

## **22.1. Fournisseur/producteur/importateur**

Veillez noter que l'adresse suivante n'est pas celle du service des retours. Contactez d'abord le service après-vente mentionné ci-dessus.

MEDION AG  
Am Zehnthof 77  
45307 Essen  
ALLEMAGNE

# Inhoudsopgave

<b>1.</b>	<b>Inleiding.....</b>	<b>55</b>
1.1.	Informatie over deze gebruiksaanwijzing.....	55
1.2.	Betekenis van de symbolen.....	55
<b>2.</b>	<b>Gebruiksdoel .....</b>	<b>56</b>
<b>3.</b>	<b>Veiligheidsvoorschriften .....</b>	<b>56</b>
3.1.	Veilig omgaan met accu's.....	57
<b>4.</b>	<b>Beschrijving van de onderdelen .....</b>	<b>58</b>
<b>5.</b>	<b>Inhoud van de levering.....</b>	<b>59</b>
<b>6.</b>	<b>Apparaat opladen.....</b>	<b>59</b>
<b>7.</b>	<b>Bevestigingsclip aanbrengen .....</b>	<b>60</b>
<b>8.</b>	<b>Fietsluidspreker bevestigen .....</b>	<b>60</b>
<b>9.</b>	<b>Bedrijfsled .....</b>	<b>60</b>
<b>10.</b>	<b>Fietsluidspreker bedienen.....</b>	<b>61</b>
10.1.	Koppelen via Bluetooth® .....	61
<b>11.</b>	<b>Muziek afspelen via Bluetooth® .....</b>	<b>61</b>
11.1.	Volume regelen .....	61
<b>12.</b>	<b>Muziek afspelen via AUX-aansluiting .....</b>	<b>62</b>
12.1.	Volume regelen .....	62
<b>13.</b>	<b>Opbergen .....</b>	<b>62</b>
<b>14.</b>	<b>Apparaat reinigen.....</b>	<b>62</b>
<b>15.</b>	<b>Probleemoplossing.....</b>	<b>62</b>
<b>16.</b>	<b>Technische gegevens.....</b>	<b>63</b>
<b>17.</b>	<b>EU-conformiteitsinformatie .....</b>	<b>63</b>
<b>18.</b>	<b>Informatie over handelsmerken en licenties .....</b>	<b>64</b>
<b>19.</b>	<b>Afvalverwerking .....</b>	<b>64</b>
<b>20.</b>	<b>Garantie van MEDION AG .....</b>	<b>65</b>
20.1.	Garantiebepalingen .....	65
20.2.	Garantieperiode en wettelijke klachten over gebreken .....	65
20.3.	Onvang van de garantie.....	65
20.4.	Afhandeling onder garantie.....	66
<b>21.</b>	<b>Service .....</b>	<b>66</b>
21.1.	Leverancier/producent/importeur.....	67



## 1. Inleiding

### 1.1. Informatie over deze gebruiksaanwijzing



Gefeliciteerd met de aankoop van uw nieuwe apparaat. U hebt gekozen voor een hoogwaardig product. De gebruiksaanwijzing maakt deel uit van dit product. Deze bevat belangrijke instructies met betrekking tot veiligheid, gebruik en afvalverwerking. Lees alle bedieningsinstructies en veiligheidsvoorschriften aandachtig door voordat u het product in gebruik neemt. Gebruik het product alleen zoals beschreven en uitsluitend voor de vermelde toepassingsgebieden. Bewaar deze gebruiksaanwijzing goed. Als u het product doorgeeft aan iemand anders, overhandig hem of haar dan ook alle bijbehorende documenten.

### 1.2. Betekenis van de symbolen



#### **GEVAAR!**

Waarschuwing voor acuut levensgevaar!

- Houd u aan de instructies om situaties te voorkomen die de dood of ernstig letsel tot gevolg hebben.



#### **WAARSCHUWING!**

Waarschuwing voor mogelijk levensgevaar en/of ernstig blijvend letsel!

- Houd u aan de instructies om situaties te voorkomen die de dood of ernstig letsel tot gevolg kunnen hebben.



#### **LET OP!**

Neem de aanwijzingen in acht om materiële schade te voorkomen!

- Houd u aan de instructies om situaties te voorkomen die materiële schade tot gevolg kunnen hebben.



Aanwijzingen en tips over de bediening van het apparaat.



Veiligheidsvoorschrift



Instructie voor een uit te voeren handeling



Opsomming



Producten die zijn gemarkeerd met dit symbool, voldoen aan de eisen van de EU-richtlijnen (zie het hoofdstuk 'EU-conformiteitsinformatie').



Symbool voor gelijkstroom

## 2. Gebruiksdoel

De fietsluidspreker is een apparaat uit de communicatie-elektronica. Met de fietsluidspreker kunt u tijdens een rit naar muziek luisteren zonder de mobiele telefoon handmatig te bedienen.

Het apparaat is uitsluitend bedoeld voor particuliere doeleinden en niet voor commercieel gebruik.

Houd er rekening mee dat bij gebruik van het apparaat voor een ander doel dan waarvoor het is bestemd, de aansprakelijkheid vervalt:

- Bouw het product zonder onze toestemming niet om en gebruik uitsluitend door ons geleverde of goedgekeurde vervangende onderdelen en accessoires.
- Neem alle informatie in deze gebruiksaanwijzing en in het bijzonder de veiligheidsvoorschriften in acht. Elke andere vorm van gebruik geldt als niet in overeenstemming met het gebruiksdoel en kan letsel of materiële schade tot gevolg hebben.

## 3. Veiligheidsvoorschriften

- Dit apparaat kan worden gebruikt door kinderen vanaf 8 jaar en door personen met een lichamelijke, zintuiglijke of geestelijke beperking of met onvoldoende kennis en/of ervaring, mits er iemand toezicht op hen houdt of hun is geleerd hoe ze het apparaat veilig kunnen gebruiken en ze hebben begrepen welke gevaren het gebruik van het apparaat met zich meebrengt.
- Kinderen mogen niet met het apparaat spelen.
- Reiniging en gebruikersonderhoud mogen niet worden uitgevoerd door kinderen, tenzij ze ouder zijn dan 8 jaar en er iemand toezicht op hen houdt.
- Gebruik de set niet als het apparaat zelf of de oplaadkabel zichtbaar beschadigd is of het apparaat is gevallen.
- Zet geen open vuur (bijv. brandende kaarsen) op of naast de fietsluidspreker. Er bestaat brandgevaar!



- De fietsluidspreker mag niet blootgesteld worden aan directe warmtebronnen (bijvoorbeeld radiatoren) of direct zon- of lamplicht.
- Vermijd contact met spat- en druiptwater en agressieve vloeistoffen. Gebruik de fietsluidspreker niet in de buurt van water.
- De fietsluidspreker mag absoluut niet ondergedompeld worden. Plaats geen met vloeistof gevulde voorwerpen (bijv. vazen) in de buurt van het fietsluidspreker.
- Zorg ervoor dat de fietsluidspreker niet wordt blootgesteld aan overmatige schokken en trillingen.
- Zorg ervoor dat er geen knikken in de laadkabel komen en dat de kabel nergens klem zit.
- Voorkom dat er vreemde voorwerpen in het apparaat komen. Anders kan de fietsluidspreker beschadigd raken.
- Breng in geen geval op eigen initiatief veranderingen aan het apparaat aan en probeer niet om een onderdeel van het apparaat zelf te openen en/of te repareren.
- Verkeersveiligheid gaat altijd voor! De actuele verkeerssituatie heeft altijd voorrang op het bedienen van de fietsluidspreker.



## **LET OP!**

### **Gegevensbeveiliging**

Houd er rekening mee dat data die via een draadloze verbinding worden overgedragen niet versleuteld zijn en eventueel door anderen kunnen worden onderschept.

## **3.1. Veilig omgaan met accu's**



### **WAARSCHUWING!**

#### **Gevaar voor letsel!**

Accu's kunnen brandbare stoffen bevatten. Bij onjuist gebruik kunnen accu's gaan lekken, heel warm worden, vlam vatten of zelfs exploderen, wat kan leiden tot schade aan het apparaat en risico's voor de gezondheid.

# SILVERCREST®

- Laad de accu uitsluitend op met de originele kabel (USB-oplaadkabel).
- Laad lege accu's direct weer op om schade te voorkomen.
- Stel het apparaat niet bloot aan direct zonlicht, warmte of vuur.
- Houd u aan de aanwijzingen over afvalverwerking in "19. Afvalverwerking" op blz. 64.

## 4. Beschrijving van de onderdelen

Zie **afb. A**

1. Statusled
2. Volume verhogen
3. Snel vooruit/volgende nummer/  
3 sec. indrukken - EQ2
4. Luidspreker
5. Afspelen starten/stoppen/  
2 seconden indrukken - Bluetooth® koppelen  
Lang ingedrukt houden - apparaat in-/uitschakelen
6. Snel terugspoelen/vorig nummer/  
3 sec. indrukken - EQ1
7. Volume verlagen

Zie **afb. B**

8. Oplaadaansluiting USB-type C
9. Bevestigingsschacht voor houder
10. Audio-ingang

## 5. Inhoud van de levering



### GEVAAR!

#### Verstikkingsgevaar!

Er bestaat verstikkingsgevaar door het inslikken of inademen van kleine onderdelen of folie.

■ Houd verpakkingsfolie buiten het bereik van kinderen.

- ▶ Haal het product uit de verpakking en verwijder al het verpakkingsmateriaal.
- ▶ Controleer de levering op volledigheid en informeer ons binnen 14 dagen na aankoop, als de levering niet compleet is.

Het door u gekochte pakket moet het volgende bevatten:

Zie **afb. C**

- A Luidspreker
- B Houder voor fietsmontage
- C USB-kabel (type A naar type C)
- D Audiokabel (3,5-mm jackplug)
- E Bevestigingsclip

1 antisliprubber circa 3 mm voor de fietstelefoonhouder

1 antisliprubber circa 5,6 mm voor fietstelefoonhouder (niet afgebeeld)

Beknopte gebruiksaanwijzing

Gebruiksaanwijzing, te downloaden op [www.lidl-service.com](http://www.lidl-service.com) (artikelnummer 455455\_2304)

## 6. Apparaat opladen

Laad de accu van de fietsluidspreker helemaal op vóór het eerste gebruik.

- ▶ Verbind de USB-C-stekker van de inbegrepen USB-laadkabel met de aansluiting van het apparaat (zie **afb. D**).
- ▶ Steek de USB-A-stekker in een geschikte USB-aansluiting.
- ▶ Laad het apparaat op zodra de statusled rood knippert.



Laad de luidspreker alleen op met een USB-adapter die voldoet aan de technische specificaties. Opladen via de USB-poort van een pc of notebook is niet mogelijk.

Tijdens het opladen brandt de statusled rood. De statusled gaat uit wanneer het apparaat volledig is opgeladen (zie **Afb. E**).

## 7. Bevestigingsclip aanbrengen

- ▶ Steek de bevestigingsclip in het apparaat zoals aangegeven in **afb. F**.

De bevestigingsclip moet hoorbaar vastklikken.

Voor verder gebruik hoeft u de bevestigingsclip niet meer van het apparaat te verwijderen.

Als u de bevestigingsclip toch moet verwijderen, volgt u deze stappen:

- ▶ Druk met een geschikt voorwerp, bijvoorbeeld een kruiskopschroevendraaier, in de bovenste opening van de bevestigingsclip op het steunpunt.
- ▶ Trek de bevestigingsclip naar beneden van het apparaat.

## 8. Fietsluidspreker bevestigen



De fietstelefoonhouder is geschikt voor standaard sturen.

- ▶ Draai de bevestigingsschroef van de houder voor fietsmontagemontage (B) los en let er daarbij op dat u de kleine contra moer aan de onderkant niet kwijtraakt.
- ▶ Plaats een voor het stuur passende antisliprubber in de fietstelefoonhouder.
- ▶ Bevestig de houder voor fietsmontage aan het stuur en richt de houder zo dat u de fietsluidspreker optimaal kunt bedienen (zie **afb. G**).
- ▶ Draai de bevestigingsschroef weer handvast aan.
- ▶ Schuif de fietsluidspreker zo op de houder voor fietsmontage dat de bevestigingsclip over de houderrail van de houder wordt geleid en vervolgens hoorbaar vastklikt. (zie **afb. H**).

## 9. Bedrijfsled

De bedrijfsled (I) geeft de volgende bedrijfstoestanden aan:

Signaal	Betekenis
Controlelampje knippert snel blauw	Pairing-modus
Controlelampje brandt blauw	Gekoppeld, afspelen
Controlelampje knippert blauw	Afspelen gepauzeerd
Controlelampje brandt paars	Bezig met opladen, in ON-modus (afspelen gepauzeerd)
Controlelampje brandt rood	Laadproces is bezig, in de OFF-modus
Controlelampje knippert rood	Accu leeg
Controlelampje brandt groen	Afspelen in de Aux-modus
Controlelampje knippert groen	Afspelen gepauzeerd in de Aux-modus

## 10. Fietsluidspreker bedienen

- ▶ Houd de afspeltoets (5) ingedrukt tot u een geluidssignaal hoort en de bedrijfsled (1) gaat branden.

Het apparaat gaat automatisch naar de pairing-modus en kan nu via Bluetooth® verbinding maken met een extern apparaat.

### 10.1. Koppelen via Bluetooth®

- ▶ Activeer de Bluetooth®-functie op uw externe apparaat en koppel de apparaten met elkaar. Lees hiervoor de gebruiksaanwijzing van uw afspeelapparaat. De naam van de fietsluidspreker is "SBFL 5 A1" (zie **afb. 1**).

De koppeling is voltooid wanneer er een geluidssignaal klinkt, de bedrijfsled (1) continu blauw brandt en het afspelen begint.

- ▶ U kunt de Bluetooth®-verbinding verbreken door Bluetooth® op het externe apparaat uit te schakelen.
- ▶ Schakel het apparaat uit door de afspeltoets (5) ongeveer 2 seconden ingedrukt te houden.

De volgende keer dat u de fietsluidspreker inschakelt, maakt de fietsluidspreker automatisch verbinding met het laatst gekoppelde apparaat.

## 11. Muziek afspelen via Bluetooth®

U kunt via de fietsluidspreker muziek afspelen vanaf uw mobiele telefoon.

- ▶ Druk op de afspeltoets (5) om het afspelen van muziek te onderbreken.
- ▶ Druk opnieuw op de afspeltoets om het afspelen van de muziek voort te zetten.
- ▶ Druk op de toets > (3) om naar het volgende nummer te springen.
- ▶ Druk één maal op de toets < (6) om naar het begin van het huidige nummer te springen.
- ▶ Druk twee maal op de toets < (6) om naar het vorige nummer te springen.

### 11.1. Volume regelen

- ▶ Druk op de toets + (2) om het volume te verhogen.
- ▶ Druk op de toets - (7) om het volume te verlagen.

## 12. Muziek afspelen via AUX-aansluiting

Als u de fietsluidspreker aansluit op een extern audioapparaat, kunt u het afspelen alleen bedienen via het externe audioapparaat.

### 12.1. Volume regelen

Voor een betere volumeregeling zet u het volume van het externe audioapparaat op de hoogste stand en voert u daarna de werkelijke volumeregeling uit via de fietsluidspreker.

- ▶ Druk op de toets + (2) om het volume te verhogen.
- ▶ Druk op de toets - (7) om het volume te verlagen.

## 13. Opbergen

- ▶ Als u het apparaat niet gebruikt, koppel dan de USB-laadkabel los van de stroom en berg het apparaat op een droge, stof- en vorstvrije plaats op waar het niet wordt blootgesteld aan direct zonlicht.
- ▶ Bij langer niet-gebruik moet u het apparaat vóór en regelmatig tijdens het niet-gebruik opladen (ca. om de 3-4 maanden) om diepontlading van de accu te voorkomen.
- ▶ Neem de omgevingsomstandigheden voor opslag in acht die staan vermeld bij de technische gegevens.

## 14. Apparaat reinigen

- ▶ Gebruik voor het reinigen van het oppervlak van het apparaat en de accessoires geen oplosmiddelen of bijtende of gasvormige reinigingsmiddelen. Neem de oppervlakken af met een licht bevochtigde doek.
- ▶ Voorkom dat er vloeistoffen in het apparaat binnendringen.

## 15. Probleemoplossing

Ga bij een storing van het apparaat eerst na of u het probleem aan de hand van het onderstaande overzicht zelf kunt oplossen.

Probeer in geen geval het product zelf te repareren. Neem als een reparatie nodig is, contact op met ons Service Center of een ander professioneel reparatiebedrijf.

Probleem	Oplossing
Fietsluidspreker werkt niet	<ul style="list-style-type: none"><li>▶ Accu niet voldoende opgeladen</li><li>▶ Schakel het apparaat in. Breng verbinding met extern apparaat tot stand.</li></ul>
Accu wordt niet geladen	<ul style="list-style-type: none"><li>▶ Controleer de USB-poort.</li><li>▶ Brandt het controlelampje rood of paars? Als dat niet het geval is, moet u contact opnemen met de serviceafdeling.</li></ul>

## 16. Technische gegevens

<b>Apparaat</b>	
Afmetingen (b x h x d)	ca. 72 x 53 x 102 mm (zonder bevestigingsclip)
Omgevingstemperatuur (bij gebruik):	0 °C tot +35 °C bij een relatieve luchtvochtigheid (niet-condenserend) van max. 85 %
Gewicht	ca. 163 g. (inclusief accu en zonder accessoires)
Uitgangsvermogen	5 watt luidspreker
Luidsprekerimpedantie	3 Ω
Ingangsspanning/ ingangsstroom	5,0 V === 1 A
Beschermingsklasse	IPX7 Bescherming tegen tijdelijke onderdompeling
<b>Accu</b>	
Type	3,7 V===, li-ion, 1200 mAh, 4,44 Wh
Laadtijd	max. 3 uur
<b>Bluetooth®</b>	
Bluetoothversie	V5.3
Bluetoothprofiel	A2DP/AVRCP
Frequentie	2402 - 2480 MHz
Max. zendvermogen	-0,42 dBm
Bereik	tot 10 m buiten

## 17. EU-conformiteitsinformatie



Hiermee verklaart MEDION AG dat het type radiografisch apparaat SBFL 5 A1 voldoet aan de richtlijn 2014/53/EU en de RoHS-richtlijn 2011/65/EU.

De volledige tekst van de EU-conformiteitsverklaring is te vinden op de volgende website: [www.medion.com/conformity](http://www.medion.com/conformity).

## 18. Informatie over handelsmerken en licenties

Het woordmerk Bluetooth® en de bijbehorende logo's zijn gedeponeerde merken van Bluetooth SIG, Inc. en worden door de fabrikant onder licentie gebruikt.

Het woordmerk en de logo's van USB™ zijn gedeponeerde merken van USB Implementers Forum, Inc. en worden door de fabrikant onder licentie gebruikt.

SilverCrest® is een gedeponeerd handelsmerk van Lidl Stiftung & Co. KG, 74167 Neckarsulm, Duitsland.

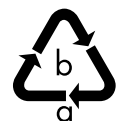
Alle overige namen en producten zijn handelsmerken of gedeponeerde handelsmerken van de respectieve eigenaren.

## 19. Afvalverwerking



### VERPAKKING

Uw apparaat zit ter bescherming tegen transportschade in een verpakking. Verpakkingen zijn gemaakt van materialen die milieuvriendelijk kunnen worden afgevoerd en vakkundig kunnen worden gerecycled.



Let op de volgende **markering van verpakkingsmateriaal** bij het scheiden van afval met de afkortingen (a) en (b):

1-7: kunststoffen/20-22: **papier en karton**/80-98: **composietmaterialen**



### APPARAAT

Oude apparaten met het hiernaast afgebeelde symbool mogen niet bij het gewone huishoudelijke afval worden gedaan.

Volgens richtlijn 2012/19/EU moet het apparaat aan het einde van de levensduur volgens de voorschriften worden afgevoerd.

Hierbij worden voor hergebruik geschikte stoffen in het apparaat gerecycled, zodat belasting van het milieu en negatieve gevolgen voor de menselijke gezondheid worden voorkomen.

Lever het apparaat in bij een inzamelpunt voor oude elektrische apparaten of bij een afvalsorteercentrum.

Neem voor meer informatie contact op met het lokale afvalverwerkingsbedrijf of met uw gemeente.

- De accu is vast ingebouwd en kan niet door de gebruiker zelf worden vervangen.
- **WAARSCHUWING!** Explosiegevaar als de accu niet op de juiste manier wordt vervangen.
- De accu mag uitsluitend worden vervangen door hetzelfde of een gelijkwaardig type zoals aangegeven door de fabrikant.



## **20. Garantie van MEDION AG**

Geachte klant,

u ontvangt op dit apparaat een garantie van 3 jaar vanaf de aankoopdatum. In geval van gebreken aan dit product heeft u wettelijke rechten tegenover de verkoper van het product. Deze wettelijke rechten worden niet aangetast door onze garantie die hieronder wordt toegelicht,.

### **20.1. Garantiebepalingen**

De garantieperiode begint op de aankoopdatum. Berg de kassabon daarom goed op. Deze bon heeft u nodig als aankoopbewijs.

Treedt binnen een termijn van drie jaar vanaf de aankoopdatum van dit product een materiaal- of productiefout op, wordt het product door ons – naar ons inzicht – kosteloos gerepareerd of vervangen. Deze garantie stelt voorop dat binnen de periode van drie jaar het defecte apparaat en het aankoopbewijs (kassabon) worden overlegd en schriftelijk kort wordt beschreven waaruit het gebrek bestaat en wanneer het opgetreden is.

Wanneer het defect door onze garantie wordt gedekt, ontvangt u het gerepareerde of een nieuw product terug. Met de reparatie of vervanging van het product begint geen nieuwe garantieperiode.

### **20.2. Garantieperiode en wettelijke klachten over gebreken**

De garantieperiode wordt door de vrijwaring niet verlengd. Dat geldt ook voor vervangen of gerepareerde onderdelen. Beschadigingen of gebreken die eventueel al bij aankoop aanwezig zijn, moeten meteen na het uitpakken worden gemeld. Voor reparaties na afloop van de garantietermijn worden kosten in rekening gebracht.

### **20.3. Onvang van de garantie**

Het apparaat is volgens strenge kwaliteitsrichtlijnen zorgvuldig geproduceerd en voor aflevering nauwgezet gecontroleerd.

De garantie geldt voor materiaal- of productiefouten. Deze garantie dekt geen productonderdelen die onderhevig zijn aan normale slijtage en daarom als slijtageonderdelen kunnen worden beschouwd of voor beschadigingen aan breekbare onderdelen, bv. schakelaars, accu's of glazen onderdelen.

Deze garantie vervalt wanneer het product beschadigd, onjuist gebruikt of gerepareerd is. Voor een correct gebruik van het product moeten alle in de gebruiksaanwijzing vermelde instructies nauwkeurig worden nagekomen. Gebruik en handelingen die in de gebruiksaanwijzing worden afgeraden of waarvoor wordt gewaarschuwd, moeten absoluut worden vermeden.

Het product is uitsluitend bedoeld voor particulier gebruik en is niet geschikt voor zakelijke toepassingen. Bij misbruik of onjuiste omgang, gebruik van geweld en bij ingrepen die niet door ons erkende onderhoudscentrum zijn uitgevoerd, kom de garantie te vervallen.

## 20.4. Afhandeling onder garantie

**Om een snelle verwerking van uw verzoek te kunnen garanderen, dient u de volgende aanwijzingen op te volgen:**

- Houd voor alle aanvragen de kassabon en het artikelnummer IAN 455455\_2304 als bewijs voor de aankoop gereed.
- De artikelnummers vindt u op het typeplaatje, gegraveerd op het product, op het titelblad van uw handleiding (linksonder) of als sticker op de achter- of onderzijde.
- Wanneer storingen in de werking of andere gebreken optreden, neemt u eerst telefonisch of via ons contactformulier contact op met de hieronder vermelde onderhoudsafdeling.

## 21. Service



Op [www.lidl-service.com](http://www.lidl-service.com) kunt u deze gebruiksaanwijzing en een groot aantal andere gebruiksaanwijzingen, productvideo's en installatiesoftware downloaden.

Met deze QR-code komt u direct op de Lidl-servicepagina ([www.lidl-service.com](http://www.lidl-service.com)) en kunt u via het invoeren van het artikelnummer IAN 455455\_2304 uw gebruiksaanwijzing openen.



### Service Nederlands

Hotline

☎ +31 9002352534

⊕ Ma. - Vr.: 09:00 - 17:00

Maak gebruik van het contactformulier onder: [www.medion.com/contact](http://www.medion.com/contact)



### Service België

Hotline

☎ +32 2 2006198

⊕ Ma. - Vr.: 09:00 - 17:00

Maak gebruik van het contactformulier onder: [www.medion.com/contact](http://www.medion.com/contact)

IAN 455455\_2304

## **21.1. Leverancier/producent/importeur**

Houd er rekening mee dat het onderstaande adres geen retouradres is. Neem eerst contact op met het bovengenoemde servicecentrum.

MEDION AG  
Am Zehnthof 77  
45307 Essen  
DUITSLAND



# Índice

<b>1.</b>	<b>Introducción .....</b>	<b>70</b>
1.1.	Información acerca de este manual de instrucciones .....	70
1.2.	Explicación de los símbolos .....	70
<b>2.</b>	<b>Uso previsto .....</b>	<b>71</b>
<b>3.</b>	<b>Indicaciones de seguridad .....</b>	<b>71</b>
3.1.	Manipulación segura de las baterías .....	72
<b>4.</b>	<b>Descripción de las piezas .....</b>	<b>73</b>
<b>5.</b>	<b>Volumen de suministro .....</b>	<b>74</b>
<b>6.</b>	<b>Carga del aparato .....</b>	<b>74</b>
<b>7.</b>	<b>Montaje del clip de fijación .....</b>	<b>75</b>
<b>8.</b>	<b>Fijación del altavoz para bicicleta .....</b>	<b>75</b>
<b>9.</b>	<b>LED de servicio .....</b>	<b>75</b>
<b>10.</b>	<b>Manejo del altavoz para bicicleta .....</b>	<b>76</b>
10.1.	Emparejamiento mediante Bluetooth® .....	76
<b>11.</b>	<b>Reproducción de música a través de Bluetooth® .....</b>	<b>76</b>
11.1.	Control del volumen .....	76
<b>12.</b>	<b>Reproducción de música a través de la conexión AUX.....</b>	<b>77</b>
12.1.	Control del volumen .....	77
<b>13.</b>	<b>Almacenamiento .....</b>	<b>77</b>
<b>14.</b>	<b>Limpieza del aparato .....</b>	<b>77</b>
<b>15.</b>	<b>Solución de problemas .....</b>	<b>77</b>
<b>16.</b>	<b>Datos técnicos .....</b>	<b>78</b>
<b>17.</b>	<b>Información de conformidad UE.....</b>	<b>79</b>
<b>18.</b>	<b>Información sobre marcas registradas y licencias .....</b>	<b>79</b>
<b>19.</b>	<b>Eliminación.....</b>	<b>79</b>
<b>20.</b>	<b>Garantía de MEDION AG .....</b>	<b>80</b>
20.1.	Condiciones de la garantía .....	80
20.2.	Periodo de garantía y reclamaciones por defectos .....	80
20.3.	Alcance de la garantía .....	80
20.4.	Pasos a seguir en caso de garantía .....	81
<b>21.</b>	<b>Atención al cliente .....</b>	<b>81</b>
21.1.	Proveedor/fabricante/importador .....	82

## 1. Introducción

### 1.1. Información acerca de este manual de instrucciones



Enhorabuena por la adquisición de su nuevo aparato. Con esta compra se ha decidido por un producto de alta calidad. El manual de instrucciones forma parte de este producto. Incluye indicaciones importantes para la seguridad, el uso y la eliminación. Antes de utilizar el producto, familiarícese con todas las indicaciones de manejo y seguridad. Utilice el producto únicamente según lo descrito y para los campos de aplicación indicados. Guarde bien este manual de instrucciones. En caso de que transfiera el producto a terceros, entregue también todos los documentos.

### 1.2. Explicación de los símbolos



#### ¡PELIGRO!

Advertencia de peligro de muerte inminente.

- Siga las instrucciones para evitar situaciones que conllevan la muerte o lesiones graves.



#### ¡ADVERTENCIA!

Advertencia de posible peligro de muerte o de lesiones graves irreversibles.

- Siga las instrucciones para evitar situaciones que puedan conllevar la muerte o lesiones graves.



#### ¡ATENCIÓN!

Respete las indicaciones para evitar daños materiales.

- Siga las instrucciones para evitar situaciones que puedan conllevar daños materiales.



Indicaciones y consejos para el uso del aparato.

- Indicación de seguridad
- ▶ Instrucción operativa
- Enumeración



Los productos marcados con este símbolo cumplen los requisitos de las directivas de la UE (véase el capítulo «Información de conformidad UE»).



Símbolo de corriente continua

## 2. Uso previsto

El altavoz para bicicleta es un aparato de la electrónica de comunicación. Con el altavoz para bicicleta podrá escuchar música mientras conduce, sin necesidad de utilizar el teléfono móvil con la mano. El aparato ha sido diseñado solo para el uso particular y no está indicado para fines comerciales.

Tenga en cuenta que cualquier uso indebido del aparato conlleva la pérdida de la garantía:

- No realice ninguna modificación en el aparato sin nuestra autorización previa y utilice solo las piezas de recambio y los accesorios suministrados o autorizados.
- Tenga en cuenta toda la información contenida en este manual de instrucciones, especialmente, las indicaciones de seguridad. Cualquier otro uso se considerará contrario al uso previsto y puede provocar daños materiales o personales.

## 3. Indicaciones de seguridad

- Este aparato puede ser utilizado por niños a partir de los 8 años y por personas con discapacidades físicas, sensoriales o mentales y por aquellas que no tengan la suficiente experiencia o conocimientos, siempre que sean supervisadas o hayan recibido las correspondientes instrucciones sobre el manejo seguro y hayan comprendido los peligros resultantes.
- Los niños no deben jugar con el aparato.
- La limpieza y el mantenimiento del aparato no pueden ser realizados por niños, a menos que tengan más de 8 años y lo hagan bajo supervisión.
- No ponga en marcha el aparato si este o el cable de carga presentan daños visibles o si se ha caído el aparato.
- Asegúrese de que no haya fuentes de fuego abiertas (como velas encendidas) sobre o junto al altavoz para bicicleta. ¡Existe peligro de incendio!

# SILVERCREST®

- El altavoz para bicicleta no debe exponerse a fuentes de calor directas (como calefacciones) ni a la luz solar o artificial directa.
- Evite el contacto con salpicaduras y gotas de agua y con líquidos agresivos. No utilice el altavoz para bicicleta cerca del agua.
- En concreto, nunca sumerja el altavoz para bicicleta. No coloque objetos llenos de líquido, p. ej., jarrones o bebidas, cerca del altavoz para bicicleta.
- Asegúrese de que el altavoz para bicicleta no esté expuesto a sacudidas y vibraciones excesivas.
- No doble ni aplaste el cable de carga.
- Evite que penetren cuerpos extraños en el aparato. De lo contrario, el altavoz para bicicleta podría dañarse.
- Nunca modifique el aparato por cuenta propia, ni intente abrir o reparar ningún componente del aparato.
- ¡La seguridad vial es siempre lo primero! La situación actual del tráfico siempre tiene prioridad sobre el uso del altavoz para bicicleta.



## ¡ATENCIÓN!

### Seguridad de los datos

Tenga en cuenta que los datos transmitidos por radio no están cifrados y, en determinadas circunstancias, pueden ser interceptados por terceros.

## 3.1. Manipulación segura de las baterías



### ¡ADVERTENCIA!

#### ¡Peligro de lesiones!

Las baterías pueden contener sustancias inflamables. En caso de un tratamiento inadecuado, las baterías pueden derramarse, calentarse excesivamente, inflamarse o incluso explotar, lo que podría comportar daños para su aparato y su salud.

- Cargue la batería exclusivamente con el accesorio original (cable de carga USB).



- Recargue las baterías descargadas inmediatamente para evitar daños.
- No exponga el aparato a la acción directa del sol, el calor o el fuego.
- Tenga también en cuenta las indicaciones para la eliminación en «19. Eliminación» en la página 79.

## 4. Descripción de las piezas

Véase **fig. A**

1. LED de estado
2. subir el volumen
3. avance rápido/pista siguiente/  
pulsar 3 segundos – EQ2
4. altavoz
5. iniciar/detener la reproducción/  
pulsar 2 segundos – emparejar Bluetooth®  
mantener pulsado – encender/apagar el aparato
6. retroceso rápido/pista anterior/  
pulsar 3 segundos – EQ1
7. bajar el volumen

Véase **fig. B**

8. conector hembra de carga USB tipo C
9. eje de fijación para el soporte
10. entrada de audio

## 5. Volumen de suministro



**¡PELIGRO!**

**¡Peligro de asfixia!**

Existe peligro de asfixia por la ingestión o inhalación de piezas pequeñas o láminas de plástico.

- Mantenga la lámina de plástico del embalaje alejada de los niños.

- ▶ Extraiga el producto del embalaje y retire todo el material de embalaje.
- ▶ Compruebe que el suministro esté completo, y, si no fuera este el caso, avísenos dentro de un plazo de 14 días después de su compra.

Con el paquete que ha adquirido recibirá lo siguiente:

Véase **fig. C**

- A altavoz
- B soporte para bicicleta
- C cable USB (tipo A a tipo C)
- D cable de audio (jack de 3,5 mm)
- E clip de fijación

1 goma antideslizante de aprox. 3 mm para el soporte para bicicleta

1 goma antideslizante de aprox. 5,5 mm para el soporte para bicicleta (sin figura)

guía breve

manual de instrucciones (disponible para su descarga en [www.lidl-service.com](http://www.lidl-service.com), número de artículo 455455\_2304)

## 6. Carga del aparato

Cargue completamente la batería del altavoz para bicicleta antes de usarlo por primera vez.

- ▶ Inserte la clavija USB-C del cable de carga USB suministrado en la toma del aparato (véase **fig. D**).
- ▶ Inserte la clavija USB-A en una conexión USB adecuada.
- ▶ Cargue el aparato en cuanto el LED de estado parpadee en rojo.



Cargue el altavoz únicamente con una fuente de alimentación USB que cumpla con las especificaciones técnicas. La carga a través del puerto USB de un PC o Notebook no es posible.

Mientras el aparato se está cargando, el LED de estado se ilumina en rojo; el LED de estado se apaga cuando el aparato está completamente cargado (véase **fig. E**).

## 7. Montaje del clip de fijación

- ▶ Inserte el clip de fijación como se muestra en la **fig. F**.

El clip de fijación debe encastrar de manera audible.

No es necesario retirar el clip de fijación del aparato para su uso posterior, pero en caso de que sea necesario retirar el clip de fijación, siga estos pasos:

- ▶ Con un objeto adecuado, p. ej. un destornillador de ranura en cruz, presione el punto de retención en la abertura superior del clip de fijación.
- ▶ Tire del clip de fijación hacia abajo para sacarlo del aparato.

## 8. Fijación del altavoz para bicicleta



El soporte para bicicleta es adecuado para todos los volantes usuales.

- ▶ Afloje el tornillo de fijación del soporte para bicicleta (B) procurando no perder la contratuerca pequeña situada en la parte inferior.
- ▶ Coloque una goma antideslizante adecuada para el manillar en el soporte para bicicleta.
- ▶ Fije el soporte para bicicleta en el manillar de la bicicleta y alinee el soporte para un uso óptimo del altavoz para bicicleta (véase **fig. G**).
- ▶ Vuelva a apretar el tornillo de fijación con la mano.
- ▶ Deslice el altavoz para bicicleta sobre el soporte para bicicleta de modo que el clip de fijación pase por el carril de soporte del soporte para bicicleta y encaje audiblemente. (véase **fig. H**).

## 9. LED de servicio

El LED de servicio (1) le indica los siguientes estados de funcionamiento:

Señal	Significado
El testigo parpadea rápidamente en azul	Modo de emparejamiento
El testigo se enciende en color azul	Emparejado, reproducción
El testigo parpadea en azul	Reproducción pausada
El testigo se enciende en color violeta	Proceso de carga en curso, en el modo ON (reproducción pausada)
El testigo se enciende en color rojo	Proceso de carga en curso, en el modo OFF
El testigo parpadea en rojo	Batería vacía

Señal	Significado
El testigo se enciende en color verde	Reproducción en el modo Aux
El testigo parpadea en verde	Reproducción pausada en el modo Aux

## 10. Manejo del altavoz para bicicleta

- ▶ Mantenga pulsada la tecla de reproducción (5) hasta que suene una señal acústica y se encienda el LED de servicio (1).

El aparato cambia automáticamente al modo de emparejamiento y está listo para conectarse con un dispositivo externo mediante Bluetooth®.

### 10.1. Emparejamiento mediante Bluetooth®

- ▶ Active la función de Bluetooth® en su dispositivo externo y ejecute un proceso de emparejamiento. Lea al respecto el manual de su dispositivo reproductor. El nombre del altavoz para bicicleta es «SBFL 5 A1» (véase **fig. 1**).

El emparejamiento ha finalizado en cuanto suena una señal acústica, el LED de servicio (1) se ilumina permanentemente en azul y se inicia la reproducción.

- ▶ Si desea finalizar la transmisión mediante Bluetooth®, apague el Bluetooth® en el dispositivo externo.
- ▶ Apague el aparato manteniendo pulsada la tecla de reproducción (5) durante unos 2 segundos.

La próxima vez que lo encienda, el altavoz para bicicleta se conectará automáticamente al último dispositivo emparejado.

## 11. Reproducción de música a través de Bluetooth®

A través del altavoz para bicicleta puede reproducir y controlar música de su teléfono móvil.

- ▶ Pulse la tecla de reproducción (5) para detener la reproducción de música.
- ▶ Vuelva a pulsar la tecla de reproducción para reanudar la reproducción de música.
- ▶ Pulse la tecla > (3) para saltar a la pista siguiente.
- ▶ Pulse la tecla < (6) para saltar al principio del título actual.
- ▶ Pulse dos veces la tecla < (6) para saltar a la pista anterior.

### 11.1. Control del volumen

- ▶ Pulse la tecla + (2) para subir el volumen.
- ▶ Pulse la tecla - (7) para bajar el volumen.

## 12. Reproducción de música a través de la conexión AUX

Si conecta el altavoz para bicicleta a un dispositivo de audio externo, el control de la reproducción se realiza exclusivamente a través del dispositivo de audio externo.

### 12.1. Control del volumen

Para un mejor control del volumen, debe ajustar el volumen del dispositivo de audio externo al nivel más alto y luego controlar el volumen real a través del altavoz para bicicleta.

- ▶ Pulse la tecla + (2) para subir el volumen.
- ▶ Pulse la tecla - (7) para bajar el volumen.

## 13. Almacenamiento

- ▶ Cuando no vaya a utilizar el aparato, desenchufe el cable de carga USB de la corriente y guarde el aparato en un lugar seco, protegido del polvo, de las heladas y de la radiación solar directa.
- ▶ Si no lo va a utilizar durante mucho tiempo, cargue el aparato antes de guardarlo y también de manera periódica durante el almacenamiento (aprox. cada 3-4 meses) para evitar una descarga profunda de la batería.
- ▶ Tenga en cuenta las condiciones medioambientales para el almacenamiento indicadas en los datos técnicos.

## 14. Limpieza del aparato

- ▶ Para limpiar la superficie del aparato y los accesorios, no utilice disolventes ni productos de limpieza corrosivos o gaseosos. Las superficies deben limpiarse con un paño húmedo.
- ▶ Asegúrese de que no entre ningún líquido en el aparato.

## 15. Solución de problemas

Si se produce un fallo en el aparato, compruebe primero si puede solucionar el problema con ayuda del siguiente resumen.

En ningún caso trate de reparar usted mismo los aparatos. Si fuera necesario reparar el aparato, póngase en contacto con nuestro Centro de servicio técnico o cualquier otro taller especializado autorizado.

Problema	Solución
El altavoz para bicicleta no funciona	<ul style="list-style-type: none"><li>▶ La batería no está suficientemente cargada.</li><li>▶ Encienda el aparato. Establezca la conexión con un dispositivo externo.</li></ul>

Problema	Solución
La batería no carga.	▶ Compruebe el puerto USB.
	▶ ¿Se enciende el testigo en color rojo o violeta? En caso negativo, póngase en contacto con el servicio técnico.

## 16. Datos técnicos

Aparato	
Dimensiones (An × Al × P)	aprox. 72 × 53 × 102 mm (sin clip de fijación)
Temperatura ambiente (en funcionamiento):	De 0 °C a +35 °C con una humedad relativa del aire (sin condensación) de máx. 85 %
Peso	aprox. 163 g (incl. batería y sin accesorios)
Potencia de salida	Altavoz de 5 W
Impedancia del altavoz	3 Ω
Tensión de entrada/corriente de entrada	5,0 V === 1 A
Grado de protección	IPX7 Protección contra inmersión temporal
Batería	
Tipo	3,7 V ===, iones de litio, 1200 mAh, 4,44 Wh
Tiempo de carga	máx. 3 horas
Bluetooth®	
Versión Bluetooth	V5.3
Perfil de Bluetooth	A2DP/AVRCP
Frecuencia	2402-2480 MHz
Potencia de emisión máx.	-0,42 dBm
Alcance	hasta 10 m en el exterior

## 17. Información de conformidad UE

**CE** Por la presente, MEDION AG declara que el tipo de equipo inalámbrico SBFL 5 A1 cumple la directiva 2014/53/UE, así como la directiva 2011/65/UE sobre restricciones de sustancias peligrosas.

El texto completo de la declaración de conformidad UE está disponible en la siguiente dirección de Internet: [www.medion.com/conformity](http://www.medion.com/conformity).

## 18. Información sobre marcas registradas y licencias

La marca denominativa Bluetooth® y los logotipos son marcas registradas de Bluetooth SIG, Inc. utilizadas por el fabricante con la correspondiente licencia.

La marca denominativa USB™ y los logotipos son marcas registradas de USB Implementers Forum, Inc. utilizadas por el fabricante con la correspondiente licencia.

SilverCrest® es una marca registrada de Lidl Stiftung & Co. KG, 74167 Neckarsulm, Alemania.

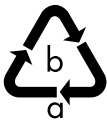
El resto de nombres y productos son marcas o marcas registradas de su respectivo propietario.

## 19. Eliminación



### EMBALAJE

El aparato se envía embalado para protegerlo de posibles daños durante el transporte. Los embalajes están hechos con materiales que pueden desecharse de forma respetuosa con el medioambiente y llevarse a un punto de reciclaje.



Observe la siguiente **indicación de los materiales** de embalaje al separar los residuos con las abreviaturas (a) y (b):

1-7: plásticos/20-22: **papel y cartón**/80-98: **materiales compuestos**



### APARATO

Los residuos eléctricos o electrónicos marcados con este símbolo no deben eliminarse con la basura doméstica normal.

De acuerdo con la Directiva 2012/19/UE, al final de su vida útil el aparato debe llevarse a un punto de recogida de residuos adecuado.

De este modo, es posible reutilizar o reciclar los materiales y componentes reutilizables del aparato y evitar la contaminación del medioambiente y los efectos negativos en la salud de las personas.

Lleve el aparato usado a un punto de reciclaje o de recogida de aparatos eléctricos y electrónicos.

Para más información, diríjase a la empresa municipal de recogida de residuos o a las autoridades locales pertinentes.

- La batería está montada de forma fija y no puede ser reemplazada por el propio usuario.
- **¡ADVERTENCIA!** Peligro de explosión en caso de un cambio inadecuado de la batería.
- La batería debe sustituirse por otra igual o por un tipo de batería similar recomendado por el fabricante.

## 20. Garantía de MEDION AG

Estimado cliente:

Este aparato tiene 3 años de garantía a partir de la fecha de la compra. En caso de darse un fallo en este producto, Ud. tiene derechos legales frente al vendedor del producto. Estos derechos legales no quedarán limitados por nuestra garantía, descrita a continuación.

### 20.1. Condiciones de la garantía

El periodo de garantía comienza en la fecha de compra. Guarde cuidadosamente el recibo de compra original. Este documento se requiere como comprobante de la compra.

Si en un periodo de tres años a partir de la fecha de compra se detectara un daño de material o de producción, el producto será reparado o sustituido gratuitamente por nosotros (la decisión de si se procede a una reparación o a una sustitución nos corresponde a nosotros). Este servicio de garantía requiere que se nos presenten en este periodo de tres años el aparato defectuoso y el comprobante de la compra (recibo o tique), junto con una breve descripción por escrito del tipo de fallo y de cuándo se produjo.

Si el fallo está cubierto por nuestra garantía, recibirá de vuelta el producto reparado o uno nuevo. Con la reparación o la sustitución del producto no empieza un nuevo periodo de garantía.

### 20.2. Periodo de garantía y reclamaciones por defectos

El periodo de garantía no se prolongará por la prestación de garantía. Esto también es válido para las piezas reparadas o sustituidas. Los daños y defectos que pudieran existir ya en el momento de la compra deberán ser notificados inmediatamente después de haber desenvuelto el aparato. Una vez expirado el periodo de garantía las reparaciones no son gratuitas.

### 20.3. Alcance de la garantía

El aparato ha sido fabricado con esmero cumpliendo las más estrictas normas de calidad y ha sido controlado detenidamente antes de su expedición.

El servicio de garantía cubre los daños de material y de fabricación. Esta garantía no es aplicable a las partes del producto que están expuestas al desgaste normal, y por ello se pueden considerar piezas de desgaste, ni a daños en piezas frágiles, como interruptores, pilas o piezas de vidrio.

La garantía se extingue en caso de daños originados por influencias externas o de un uso o mantenimiento inadecuados. Para el uso adecuado del producto hay que tener en



cuenta exactamente todas las indicaciones especificadas en el manual de instrucciones. Hay que evitar en todo caso aquellos usos y acciones que se recomienda evitar en el manual de instrucciones.

El producto se ha diseñado exclusivamente para su uso particular y no es apto para fines comerciales. La garantía perderá su validez en caso de una utilización abusiva o inapropiada, en caso de haber empleado la fuerza o en reparaciones que no hayan sido efectuadas por nuestro taller autorizado.

## 20.4. Pasos a seguir en caso de garantía

**Para asegurar una solución rápida de su caso, rogamos siga las siguientes instrucciones:**

- Para cualquier tipo de consulta, tenga a mano el recibo de compra y el número de artículo (p. ej., IAN 455455\_2304) como comprobante de compra.
- Encontrará el número de artículo en la placa de características, un grabado, en el título del manual de instrucciones (en la esquina inferior izquierda) o en una pegatina en la parte posterior o inferior.
- En caso de fallos de funcionamiento u otros daños, rogamos que contacte primero con el servicio de atención al cliente indicado a continuación por teléfono o a través de nuestro formulario de contacto.

## 21. Atención al cliente



En [www.lidl-service.com](http://www.lidl-service.com) puede descargarse estas instrucciones, así como muchos otros manuales, vídeos del producto y software de instalación.

Con este código QR accederá directamente a la página de servicio de Lidl ([www.lidl-service.com](http://www.lidl-service.com)) e introduciendo el número de artículo IAN 455455\_2304 podrá abrir su manual de instrucciones.

**ES**

### Atención al cliente España

Hotline

☎ +34 91 904 28 00

🕒 Lu - Vi: 9:00 - 17:00 h

Utilice el formulario de contacto en: [www.medion.com/contact](http://www.medion.com/contact)

IAN 455455\_2304

## **21.1. Proveedor/fabricante/importador**

Tenga en cuenta que la siguiente dirección no es una dirección para devoluciones. Póngase en contacto primero con la oficina de servicio técnico indicada arriba.

MEDION AG  
Am Zehnthof 77  
45307 Essen  
ALEMANIA

# Indice

<b>1.</b>	<b>Introduzione</b> .....	<b>84</b>
1.1.	Informazioni relative alle presenti istruzioni per l'uso.....	84
1.2.	Spiegazione dei simboli .....	84
<b>2.</b>	<b>Utilizzo conforme</b> .....	<b>85</b>
<b>3.</b>	<b>Indicazioni di sicurezza</b> .....	<b>85</b>
3.1.	Utilizzo sicuro delle batterie ricaricabili .....	86
<b>4.</b>	<b>Descrizione dei componenti</b> .....	<b>87</b>
<b>5.</b>	<b>Contenuto della confezione</b> .....	<b>88</b>
<b>6.</b>	<b>Ricarica del dispositivo</b> .....	<b>88</b>
<b>7.</b>	<b>Applicazione della clip di fissaggio</b> .....	<b>89</b>
<b>8.</b>	<b>Fissaggio dell'altoparlante per bicicletta</b> .....	<b>89</b>
<b>9.</b>	<b>LED di funzionamento</b> .....	<b>89</b>
<b>10.</b>	<b>Utilizzo dell'altoparlante per bicicletta</b> .....	<b>90</b>
10.1.	Associazione tramite Bluetooth® .....	90
<b>11.</b>	<b>Riproduzione di musica tramite Bluetooth®</b> .....	<b>90</b>
11.1.	Regolazione del volume .....	90
<b>12.</b>	<b>Riproduzione di musica tramite presa AUX</b> .....	<b>91</b>
12.1.	Regolazione del volume .....	91
<b>13.</b>	<b>Conservazione</b> .....	<b>91</b>
<b>14.</b>	<b>Pulizia del dispositivo</b> .....	<b>91</b>
<b>15.</b>	<b>Risoluzione dei problemi</b> .....	<b>91</b>
<b>16.</b>	<b>Dati tecnici</b> .....	<b>92</b>
<b>17.</b>	<b>Informazioni sulla conformità UE</b> .....	<b>92</b>
<b>18.</b>	<b>Informazioni su marchi e licenze</b> .....	<b>93</b>
<b>19.</b>	<b>Smaltimento</b> .....	<b>93</b>
<b>20.</b>	<b>Garanzia di MEDION AG</b> .....	<b>94</b>
20.1.	Condizioni di garanzia.....	94
20.2.	Garanzia e diritti in materia di garanzia legale .....	94
20.3.	Copertura della garanzia.....	94
20.4.	Evasione delle richieste di riparazione in garanzia .....	95
<b>21.</b>	<b>Servizio</b> .....	<b>95</b>
21.1.	Fornitore / Produttore / Importatore.....	96

## 1. Introduzione

### 1.1. Informazioni relative alle presenti istruzioni per l'uso



Congratulazioni per l'acquisto del suo nuovo dispositivo. Il prodotto scelto è di alta qualità. Le istruzioni per l'uso sono parte integrante del prodotto. Esse contengono importanti indicazioni per la sicurezza, l'uso e lo smaltimento del prodotto. Prima di utilizzare il prodotto, familiarizzare con tutte le indicazioni relative all'uso e alla sicurezza. Utilizzare il prodotto solo come descritto e per lo scopo indicato. Conservare con cura le presenti istruzioni per l'uso. In caso di cessione del prodotto a terzi, insieme ad esso consegnare anche tutta la relativa documentazione.

### 1.2. Spiegazione dei simboli



#### **PERICOLO!**

Pericolo di morte immediato!

- Seguire le istruzioni per evitare situazioni che causano la morte o lesioni gravi.



#### **AVVERTENZA!**

Possibile pericolo di morte e/o di lesioni gravi irreversibili!

- Seguire le istruzioni per evitare situazioni che possono essere letali o causare lesioni gravi.



#### **CAUTELA!**

Attenersi agli avvisi al fine di evitare danni materiali!

- Seguire le istruzioni per evitare situazioni che possono causare danni materiali.



Indicazioni e suggerimenti per l'utilizzo del dispositivo.



Indicazione di sicurezza



Istruzione operativa



Elenco



I prodotti contrassegnati da questo simbolo soddisfano i requisiti delle direttive UE (vedere il capitolo "Informazioni sulla conformità UE").



Simbolo della corrente continua

## **2. Utilizzo conforme**

L'altoparlante per bicicletta è un dispositivo dell'elettronica di comunicazione. L'altoparlante per bicicletta consente di ascoltare musica durante la marcia senza dover utilizzare il telefono cellulare con le mani.

Il dispositivo è destinato esclusivamente all'utilizzo privato e non a quello professionale.

L'utilizzo non conforme comporta il decadimento della garanzia:

- Non modificare il dispositivo senza il nostro consenso e utilizzare esclusivamente pezzi di ricambio e accessori forniti o approvati da noi.
- Attenersi a tutte le informazioni fornite nelle presenti istruzioni per l'uso, in particolare agli avvisi di sicurezza. Qualsiasi altro uso è considerato non conforme e può provocare danni a persone o cose.

## **3. Indicazioni di sicurezza**

- Il presente dispositivo può essere utilizzato da bambini a partire da un'età di 8 anni e anche da persone con capacità fisiche, sensoriali o intellettive ridotte o con carenza di esperienza e/o di conoscenze, a condizione che siano sorvegliate o istruite circa l'utilizzo sicuro del dispositivo e che abbiano compreso i pericoli che ne derivano.
- I bambini non devono giocare con il dispositivo.
- La pulizia e la manutenzione non devono essere eseguite da bambini, a meno che questi non abbiano più di 8 anni e non siano sorvegliati.
- Non mettere in funzione il dispositivo se questo o il cavo di ricarica presentano danni visibili o se il dispositivo è caduto.
- Assicurarsi che sopra o vicino all'altoparlante per bicicletta non siano presenti fiamme libere (ad es. candele accese). Pericolo d'incendio!

# SILVERCREST®

- Non lasciare l'altoparlante per bicicletta esposto a fonti di calore dirette (ad es. riscaldamento) o ai raggi diretti del sole o fonti di luce artificiale.
- Evitare il contatto con spruzzi e gocce d'acqua e liquidi aggressivi. Non utilizzare l'altoparlante per bicicletta vicino all'acqua.
- In particolare, l'altoparlante per bicicletta non deve mai essere immerso. Non collocare oggetti contenenti liquidi, per esempio vasi o bevande, sopra o in prossimità dell'altoparlante per bicicletta.
- Assicurarsi che l'altoparlante per bicicletta non sia esposto a eccessivi sobbalzi e vibrazioni.
- Non piegare o schiacciare il cavo di ricarica.
- Evitare che corpi estranei penetrino all'interno del dispositivo. In caso contrario, l'altoparlante per bicicletta potrebbe danneggiarsi.
- Non apportare in nessun caso modifiche al dispositivo e non tentare di aprire e/o riparare autonomamente un componente del dispositivo.
- La sicurezza stradale viene sempre prima di tutto! Le condizioni del traffico sono sempre prioritarie rispetto all'uso dell'altoparlante per bicicletta.



## **ATTENZIONE!**

### **Sicurezza dei dati**

Prestare attenzione al fatto che i dati trasmessi via radio non sono criptati e potrebbero essere intercettati da terzi.

## **3.1. Utilizzo sicuro delle batterie ricaricabili**



## **AVVERTENZA!**

### **Pericolo di lesioni!**

Le batterie ricaricabili possono contenere sostanze infiammabili. Se trattate in modo improprio, le batterie possono perdere liquidi, surriscaldarsi, bruciare e persino esplodere, causando danni al dispositivo e alla salute delle persone.

- Caricare la batteria esclusivamente con gli accessori originali (cavo di carica USB).
- Ricaricare immediatamente le batterie scariche per evitare danni.
- Non esporre il dispositivo al sole, a fonti di calore o al fuoco.
- Osservare inoltre le indicazioni sullo smaltimento riportate al paragrafo "19. Smaltimento" a pagina 93.

## 4. Descrizione dei componenti

Vedere la **fig. A**

1. LED di stato
2. Incremento del volume
3. Avanzamento veloce/traccia successiva/  
pressione per 3 secondi - EQ2
4. Altoparlante
5. Avvio/arresto della riproduzione/  
pressione per 2 secondi - Associazione Bluetooth®  
pressione prolungata - Accensione/spengimento del dispositivo
6. Scorrimento veloce indietro/traccia precedente/  
pressione per 3 secondi - EQ1
7. Riduzione del volume

Vedere la **fig. B**

8. Presa di ricarica USB tipo C
9. Asta di fissaggio per supporto
10. Ingresso audio

## 5. Contenuto della confezione



### PERICOLO!

#### Pericolo di soffocamento!

Pericolo di soffocamento in caso di ingestione o inalazione di componenti piccoli o pellicole dell'imballaggio.

- Tenere la pellicola dell'imballaggio fuori dalla portata dei bambini.

- ▶ Estrarre il prodotto dall'imballaggio e rimuovere tutto il materiale d'imballaggio.
- ▶ Verificare l'integrità della confezione e comunicare l'eventuale incomplezza della fornitura entro 14 giorni dall'acquisto.

La confezione acquistata include:

Vedere la **fig. C**

- A Altoparlante
- B Supporto per bicicletta
- C Cavo USB (tipo A su tipo C)
- D Cavo audio (spinotto da 3,5 mm)
- E Clip di fissaggio

1 gommino antiscivolo di circa 3 mm per il supporto per bicicletta

1 gommino antiscivolo di circa 5,5 mm per il supporto per bicicletta (non raffigurati)

Guida rapida

Istruzioni per l'uso (scaricabili alla pagina [www.lidl-service.com](http://www.lidl-service.com) – codice articolo 455455\_2304)

## 6. Ricarica del dispositivo

Prima di utilizzare l'altoparlante per bicicletta per la prima volta, ricaricare completamente la batteria.

- ▶ Collegare alla presa del dispositivo il connettore USB C del cavo di ricarica USB in dotazione (vedere la **fig. D**).
- ▶ Inserire il connettore USB A in una presa USB adatta.
- ▶ Caricare il dispositivo non appena il LED di stato lampeggia con luce rossa.



Caricare l'altoparlante esclusivamente con un alimentatore USB conforme alle specifiche tecniche. La ricarica tramite la porta USB di un PC o di un notebook non è possibile.



Mentre il dispositivo è in carica, il LED di stato si illumina con luce rossa e si spegne quando il dispositivo è completamente carico (vedere la **fig. E**).

## 7. Applicazione della clip di fissaggio

- ▶ Innestare la clip di fissaggio sul dispositivo come mostrato nella **fig. F**.

La clip di fissaggio deve innestarsi con uno scatto percettibile.

La clip di fissaggio non deve essere rimossa dal dispositivo per un ulteriore utilizzo, ma se è necessario rimuovere la clip di fissaggio, procedere come segue:

- ▶ Con un oggetto adatto, ad esempio un cacciavite a croce, premere il punto di innesto nell'apertura superiore della clip di fissaggio.
- ▶ Tirare la clip di fissaggio verso il basso per disinnestarla dal dispositivo.

## 8. Fissaggio dell'altoparlante per bicicletta



Il supporto per bicicletta è adatto a tutti i manubri reperibili in commercio.

- ▶ Svitare la vite di fissaggio del supporto per bicicletta (B), facendo attenzione a non perdere il piccolo controdado sul lato inferiore.
- ▶ Inserire nel supporto per bicicletta un gommino antiscivolo adatto al manubrio.
- ▶ Fissare il supporto per bicicletta al manubrio della bicicletta e allineare il supporto per poter utilizzare in modo ottimale l'altoparlante per bicicletta (vedere la **fig. G**).
- ▶ Serrare nuovamente a mano la vite di fissaggio.
- ▶ Spingere l'altoparlante per bicicletta sul supporto per bicicletta in modo che la clip di fissaggio passi attraverso la guida del supporto per bicicletta e si inserisca con uno scatto. (vedere la **fig. H**).

## 9. LED di funzionamento

Il LED di funzionamento (I) indica i seguenti stati di funzionamento:

Segnale	Significato
La spia lampeggia velocemente con luce blu	Modalità di associazione
La spia ha luce fissa di colore blu	Associato, riproduzione
La spia lampeggia con luce blu	Riproduzione in pausa
La spia ha luce fissa di colore viola	Ricarica in corso, in modalità ON (riproduzione in pausa)
La spia ha luce fissa di colore rosso	Ricarica in corso, in modalità OFF
La spia lampeggia con luce rossa	Batteria scarica
La spia ha luce fissa di colore verde	Riproduzione in modalità AUX

Segnale	Significato
La spia lampeggia con luce verde	Riproduzione in pausa in modalità AUX

## 10. Utilizzo dell'altoparlante per bicicletta

- ▶ Premere il tasto di riproduzione (5) e tenerlo premuto fino a quando non viene emesso un segnale acustico e il LED di funzionamento (1) si illumina.

Il dispositivo commuta automaticamente in modalità di associazione ed è pronto a connettersi tramite Bluetooth® a un dispositivo esterno.

### 10.1. Associazione tramite Bluetooth®

- ▶ Attivare la funzione Bluetooth® sul dispositivo esterno ed eseguire l'associazione. A tale scopo leggere le istruzioni del dispositivo di riproduzione. Il nome dell'altoparlante per bicicletta è "SBFL 5 A1" (vedere la **fig. 1**).

L'associazione è completata quando viene emesso un segnale acustico, il LED di funzionamento (1) rimane acceso con luce fissa blu e inizia la riproduzione.

- ▶ Per terminare la trasmissione Bluetooth®, disattivare la modalità Bluetooth® sul dispositivo esterno.
- ▶ Spegnerne il dispositivo tenendo premuto il tasto di riproduzione (5) per circa 2 secondi.

Alla successiva accensione, l'altoparlante per bicicletta si collegherà automaticamente all'ultimo dispositivo associato.

## 11. Riproduzione di musica tramite Bluetooth®

Attraverso l'altoparlante per bicicletta è possibile riprodurre e gestire la musica del proprio cellulare.

- ▶ Premere il tasto di riproduzione (5) per interrompere la riproduzione di brani musicali.
- ▶ Premere nuovamente il tasto di riproduzione per riprendere la riproduzione dei brani musicali.
- ▶ Premere il tasto > (3) per passare alla traccia successiva.
- ▶ Premere una volta il tasto < (6) per tornare all'inizio di una traccia riprodotta.
- ▶ Premere due volte il tasto < (6) per passare alla traccia precedente.

### 11.1. Regolazione del volume

- ▶ Premere il tasto + (2) per aumentare il volume.
- ▶ Premere il tasto - (7) per ridurre il volume.

## 12. Riproduzione di musica tramite presa AUX

Se si collega l'altoparlante per bicicletta a un dispositivo audio esterno, il controllo della riproduzione avviene esclusivamente tramite il dispositivo audio esterno.

### 12.1. Regolazione del volume

Per un migliore controllo del volume, è consigliabile impostare il volume del dispositivo audio esterno al livello più alto possibile, quindi effettuare il controllo effettivo del volume tramite l'altoparlante per bicicletta.

- ▶ Premere il tasto + (2) per aumentare il volume.
- ▶ Premere il tasto - (7) per ridurre il volume.

## 13. Conservazione

- ▶ Quando non si utilizza il dispositivo, scollegare dall'alimentazione il cavo di ricarica USB e riporre il dispositivo in un luogo asciutto, al riparo dalla polvere, dal gelo e dai raggi diretti del sole.
- ▶ Se si prevede di non utilizzare il dispositivo a lungo, ricaricarlo sia prima sia periodicamente, durante il periodo di non utilizzo (ca. ogni 3-4 mesi), così da evitare che la batteria ricaricabile si scarichi completamente.
- ▶ Rispettare le condizioni ambientali di conservazione indicate nei dati tecnici.

## 14. Pulizia del dispositivo

- ▶ Per pulire la superficie del dispositivo e degli accessori, non utilizzare solventi né detersivi corrosivi o gassosi. Pulire le superfici con un panno umido.
- ▶ Assicurarsi che non penetrino liquidi all'interno del dispositivo.

## 15. Risoluzione dei problemi

In caso di anomalie del dispositivo, verificare per prima cosa se sia possibile risolvere il problema con l'ausilio del prospetto seguente.

Non tentare mai di riparare autonomamente i dispositivi. Nel caso sia necessaria una riparazione, rivolgersi al nostro servizio di assistenza o a un altro centro di riparazione specializzato.

Problema	Soluzione
L'altoparlante per bicicletta non funziona	<ul style="list-style-type: none"> <li>▶ La batteria non è sufficientemente carica</li> <li>▶ Accendere il dispositivo. Instaurare la connessione con il dispositivo esterno.</li> </ul>
La batteria non si carica.	▶ Controllare la presa USB.
	▶ La spia diventa rossa o viola? In caso contrario contattare il servizio di assistenza.

## 16. Dati tecnici

Dispositivo	
Dimensioni (L x A x P)	ca. 72 x 53 x 102 mm (senza clip di fissaggio)
Temperatura ambiente (in funzione):	da 0 °C a +35 °C con un'umidità relativa massima (senza formazione di condensa) dell'85%
Peso	circa 163 g. (con batteria e senza accessori)
Potenza in uscita	Diffusore acustico da 5 Watt
Impedenza diffusore acustico	3 Ω
Tensione in ingresso/ corrente di ingresso	5,0 V --- 1 A
Grado di protezione	IPX7 Protetto da immersione temporanea
Batteria ricaricabile	
Tipo	3,7 V ---, batteria agli ioni di litio, 1200 mAh, 4,44 Wh
Tempo di ricarica	max. 3 ore
Bluetooth®	
Versione Bluetooth	V5.3
Profilo Bluetooth	A2DP / AVRCP
Frequenza	2402-2480 MHz
Potenza max. di trasmissione	-0,42 dBm
Portata	All'aperto fino a 10 m

## 17. Informazioni sulla conformità UE



Con la presente MEDION AG dichiara che il tipo di apparecchiatura radio SBFL 5 A1 è conforme alla direttiva 2014/53/UE e alla direttiva 2011/65/UE. Il testo completo della dichiarazione di conformità UE è disponibile al seguente indirizzo Internet: [www.medion.com/conformity](http://www.medion.com/conformity).

## 18. Informazioni su marchi e licenze

Il marchio Bluetooth® e i relativi loghi sono marchi registrati di Bluetooth SIG, Inc. e vengono utilizzati dal costruttore su licenza.

Il marchio USB™ e i relativi logo sono marchi registrati di USB Implementers Forum, Inc. e vengono utilizzati dal costruttore su licenza.

SilverCrest® è un marchio registrato di Lidl Stiftung & Co. KG, 74167 Neckarsulm, Germania.

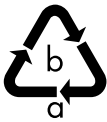
Tutti gli altri nomi e prodotti sono marchi o marchi registrati dei rispettivi proprietari.

## 19. Smaltimento



### IMBALLAGGIO

L'imballaggio protegge il dispositivo da eventuali danni durante il trasporto. Gli imballaggi sono prodotti con materiali che possono essere smaltiti nel rispetto dell'ambiente e destinati a un corretto riciclaggio.



Attenersi alla seguente **etichettatura dei materiali di imballaggio** per la separazione dei rifiuti con abbreviazioni (a) e codici numerici (b):

1-7: plastiche / 20-22: carta e cartone / 80-98: materiali compositi



### APPARECCHIATURE ELETTRICHE ED ELETTRONICHE

Tutti i dispositivi usati contrassegnati con il simbolo riportato qui a lato non devono essere smaltiti insieme ai rifiuti domestici.

Come previsto dalla direttiva 2012/19/UE, al termine della sua vita utile il dispositivo deve essere smaltito correttamente.

In questo modo i materiali contenuti nel dispositivo verranno riciclati, riducendo l'impatto ambientale e gli effetti negativi sulla salute umana.

Consegnare il dispositivo dismesso a un punto di raccolta per rifiuti elettronici o a un centro di riciclaggio.

Per ulteriori informazioni, rivolgersi all'azienda locale di smaltimento o all'amministrazione comunale.

- La batteria è integrata in modo fisso e non può essere sostituita autonomamente dall'utilizzatore.
- **AVVERTENZA!** Pericolo di esplosione in caso di sostituzione errata della batteria.
- Sostituire la batteria soltanto con una batteria dello stesso tipo o di un tipo equivalente a quello consigliato dal produttore.

## 20. Garanzia di MEDION AG

Gentile cliente,

il presente apparecchio è coperto da una garanzia di 3 anni a partire dalla data d'acquisto. In caso di difetti del prodotto Le vengono riconosciuti tutti i diritti legali nei confronti del venditore del prodotto. Tali diritti legali non si limitano alla nostra garanzia esposta di seguito.

### 20.1. Condizioni di garanzia

Il periodo di garanzia decorre dalla data di acquisto. Si prega di conservare con cura lo scontrino fiscale originale, in quanto verrà richiesto come prova di acquisto.

Qualora, entro tre anni dalla data di acquisto di questo prodotto, Lei dovesse riscontrare un difetto del materiale o di fabbricazione, noi provvederemo, gratuitamente e a nostra discrezione, alla riparazione o alla sostituzione del prodotto. Requisiti per l'esercizio di questa garanzia entro il periodo di tre anni sono la presentazione dell'apparecchio difettoso e della prova di acquisto insieme ad una breve descrizione scritta del difetto con indicazione delle circostanze in cui si è presentato.

Se il difetto è coperto dalla nostra garanzia, Le verrà restituito il prodotto riparato o Le verrà consegnato un prodotto nuovo. Alla riparazione o sostituzione del prodotto non è legato l'inizio di un nuovo periodo di garanzia.

### 20.2. Garanzia e diritti in materia di garanzia legale

La durata della garanzia non può essere prolungata. Questo vale anche per le parti sostituite e riparate. Eventuali danni e difetti presenti già al momento dell'acquisto devono essere comunicati subito dopo l'apertura della confezione. Una volta decorso il periodo di garanzia, eventuali riparazioni necessarie saranno a pagamento.

### 20.3. Copertura della garanzia

L'apparecchio è stato fabbricato secondo rigorosi criteri di qualità e debitamente collaudato prima della consegna.

La prestazione in garanzia vale per difetti del materiale o di fabbricazione. Questa garanzia non si estende a componenti del prodotto esposti a normale logorio, che possono pertanto essere considerati come componenti soggetti a usura (esempio capacità della batteria, calcificazione, lampade, pneumatici, filtri, spazzole...). La garanzia non si estende altresì a danni che si verificano su componenti delicati (esempio interruttori, batterie, parti realizzate in vetro, schermi, accessori vari) nonché danni derivanti dal trasporto o altri incidenti.

La presente garanzia decade se il prodotto è danneggiato o in caso di utilizzo o manutenzione impropri. Per garantire il corretto uso del prodotto è necessario osservare scrupolosamente tutte le istruzioni riportate nel manuale. Evitare assolutamente usi e azioni sconsigliati nel manuale o per cui è presente un avvertimento.

Il prodotto è destinato solo per uso privato e non per uso commerciale. In caso di impiego improprio o manomissione, uso della forza e interventi non eseguiti dalla nostra filiale di assistenza autorizzata, la garanzia decade.

## 20.4. Evasione delle richieste di riparazione in garanzia

**Per garantire un'elaborazione rapida della Sua richiesta, La preghiamo di attenersi alle seguenti istruzioni:**

- Per tutte le richieste tenga a portata di mano lo scontrino fiscale e il codice articolo IAN 455455\_2304 come prova di acquisto.
- Il codice articolo è riportato sulla targhetta, sull'incisione, sul frontespizio del manuale di istruzioni (in basso a sinistra) o come adesivo sul retro o sul fondo del prodotto.
- In caso di malfunzionamento o altri difetti contatti per prima cosa, telefonicamente o tramite il nostro modulo di contatto, il servizio di assistenza indicato di seguito.

## 21. Servizio



All'indirizzo [www.lidl-service.com](http://www.lidl-service.com) è possibile scaricare questo e numerosi altri manuali, video dei prodotti e software di installazione.

Questo codice QR conduce direttamente alla pagina di assistenza Lidl ([www.lidl-service.com](http://www.lidl-service.com)), dove si possono aprire le istruzioni per l'uso inserendo il numero di articolo IAN 455455\_2304.

<b>IT</b>	<b>Assistenza in Italia</b> Hotline ☎ +39 02 36000340 🕒 Lun. - Ven.: 9:00 - 17:00 Utilizzare il modulo di contatto sottostante: <a href="http://www.medion.com/contact">www.medion.com/contact</a>
<b>CH</b>	<b>Assistenza in Svizzera</b> Numero verde ☎ 0848 - 33 33 32 🕒 Lun. - Ven.: 9:00 - 17:00 Utilizzare il modulo di contatto sottostante: <a href="http://www.medion.com/contact">www.medion.com/contact</a>
<div style="border: 1px solid black; padding: 5px; display: inline-block;">IAN 455455_2304</div>	

# **SILVERCREST®**

## **21.1. Fornitore / Produttore / Importatore**

L'indirizzo riportato di seguito non è quello a cui spedire la merce resa. Per prima cosa contatti il centro di assistenza indicato sopra.

MEDION AG  
Am Zehnthof 77  
45307 Essen  
GERMANIA



**MEDION AG**

Am Zehnthof 77  
45307 Essen  
GERMANY

Model no.: SBFL 5 A1

Version: V3.0

Part 1/2

Prodotto in Cina

Last Information Update · Stand der Informationen · Version des informations

Stand van de informatie · Estado de las informaciones · Versione delle informazioni:

Update: 11/2023 · Ident.-No.: 50073643-43639-11/2024-8



IAN 455455\_2304

8