



CORDLESS TABLE LAMP

GB (E) (N)

CORDLESS TABLE LAMP

Short manual

(F) (BE)

LAMPE DE TABLE SANS FIL

Guide de démarrage rapide

(NL) (BE)

ACCU-TAFELLAMP

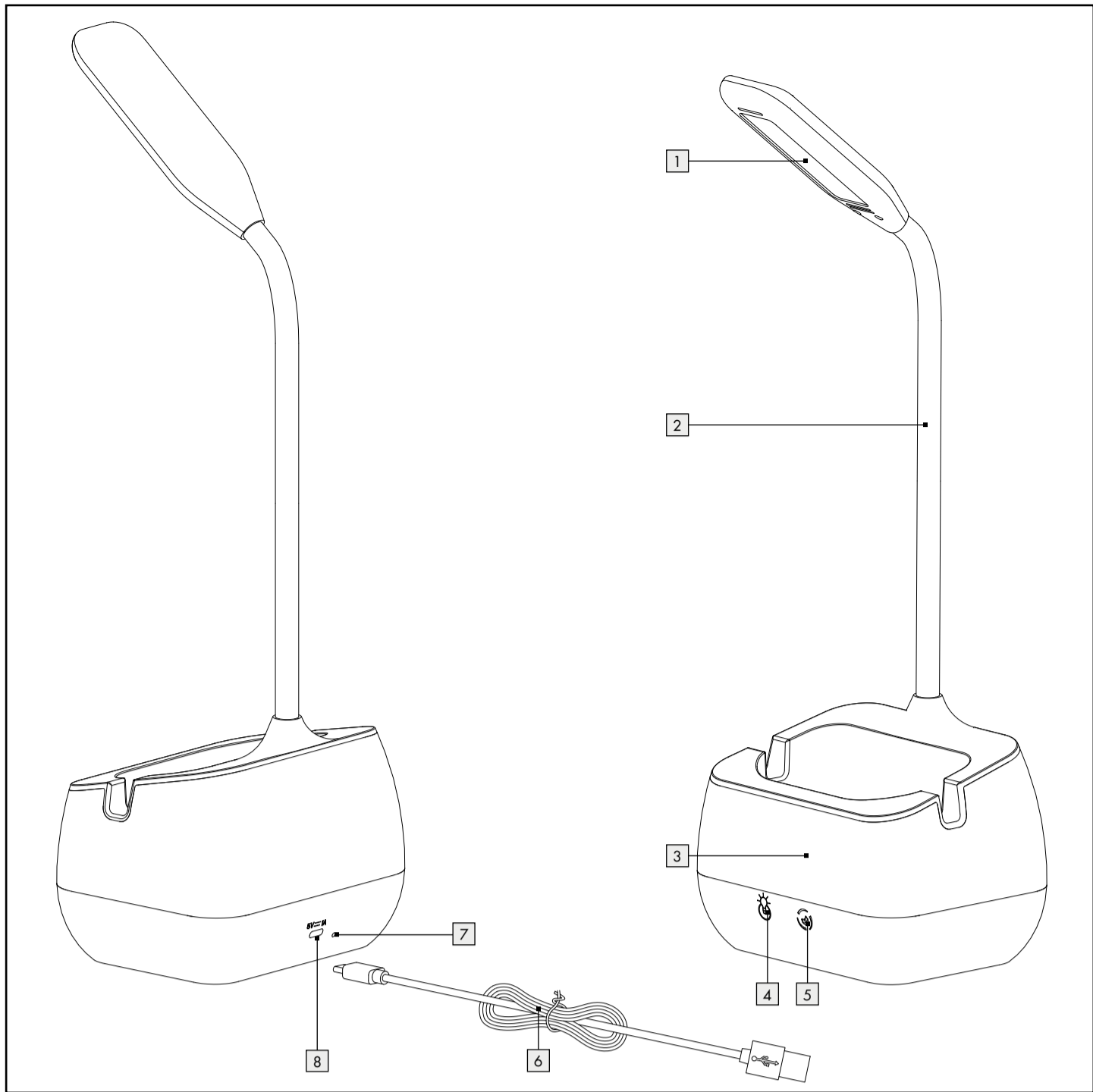
Korte handleiding

(DE) (AT) (CH)

AKKU-TISCHLEUCHTE

Kurzanleitung

IAN 462901_2310



List of pictograms used			
	Direct current/voltage		USB-connection
	Class III product		CE mark indicates conformity with relevant EU directives applicable for this product.
	Safety information Instructions for use		The LED cannot be replaced.

Cordless Table Lamp

● Introduction

This document is a shorter printed version of the complete instruction manual. Scanning the QR code takes you straight to the Lidl service website (www.lidl-service.com) where you can view and download the complete instruction manual by entering the article number (IAN) 462901_2310.

The short guide forms an integral part of this product. Prior to using the product, familiarize yourself with all operation and safety notes. Store the short guide in a safe place, and if you give the product to third parties, all documentation should be passed on to them as well.



● Intended use

This product is only suitable for private use in dry indoor locations, e.g. in storage rooms or corridors. The product is not intended for commercial use or for use in other applications. For indoor use only! This luminaire is intended for normal operation.

- This product is not suitable for household room illumination.

● Description of parts

1	Lamp head	5	Light function button
2	Lamp arm	6	USB cable
3	Lamp base	7	Charging indicator
4	ON/OFF button	8	USB Type C input socket

● Technical data

Cordless Table Lamp:

Power: 3,7 W
LEDs: 24 (lamp head)
12 (lamp base)

Rechargeable battery: lithium ion rechargeable battery (18650 (IMR19/68)), 3,7V, 2000mAh (not interchangeable)

Protection class: III/◊

Degree of protection: IP20

Type-C/USB input

voltage/current: 5V===, 1 A

Note: Use only SELV power supply of maximum working output voltage 5V=== (Uout), 1 A.

Note: An AC power adapter is not included. Use a SELV power supply of maximum working output voltage 5V, (Uout), 1 A.

● Scope of delivery

- 1 Cordless Table Lamp
- 1 USB cable
- 1 Set of instructions for use

Safety instructions

BEFORE USING THE PRODUCT, PLEASE FAMILIARISE YOURSELF WITH ALL OF THE SAFETY INFORMATION AND INSTRUCTIONS FOR USE! WHEN PASSING THIS PRODUCT ON TO OTHERS, PLEASE ALSO INCLUDE ALL THE DOCUMENTS!

- **WARNING! DANGER TO LIFE AND RISK OF ACCIDENTS FOR INFANTS AND CHILDREN!** Never leave children unsupervised with the packaging material. Always keep children away from the packaging material.
- This product may be used by children aged 8 years and up, as well as by persons with reduced physical, sensory or mental capacities, or those lacking experience and/or knowledge provided they are supervised or

GB/IE/NI

GB/IE/NI

GB/IE/NI

Risk of leakage of batteries/rechargeable batteries

- Avoid extreme environmental conditions and temperatures, which could affect batteries/rechargeable batteries, e.g. radiators/direct sunlight.
- If batteries/rechargeable batteries have leaked, avoid contact with skin, eyes and mucous membranes with the chemicals! Flush immediately the affected areas with fresh water and seek medical attention!
- **WEAR PROTECTIVE GLOVES!** Leaked or damaged batteries/rechargeable batteries can cause burns on contact with the skin. Wear suitable protective gloves at all times if such an event occurs.
- This product has a built-in rechargeable battery which cannot be replaced by the user. The removal or replacement of the rechargeable battery may only be carried out by the manufacturer or his customer service or by a similarly qualified person in order to avoid hazards. When disposing of the product, it should be noted that this product contains a rechargeable battery.

● Before use

● Charging the product

Note: Remove all packaging materials from the product.

Note: The product must be connected to an AC adapter or to a computer. The technical data of these devices (not included in the scope of delivery) must be observed.

Note: In order to use the product without a USB cable **[6]**, you need to recharge the rechargeable battery before use. The rechargeable battery is firmly integrated into the product.

Note: Charge the product for approx. 12 hours prior to first use.

- Connect the USB cable **[6]** with a computer or with the USB connector of a power adapter.
- Connect the USB type C connector on the USB cable **[6]** to the USB type C input socket **[8]** on the product.
- Plug the power adapter into a socket.
- **Note:** The charging indicator **[7]** lights up red when charging the product. It lights up green when the product is fully charged.
- Disconnect the USB cable **[6]** from the product to prevent the batteries discharging themselves.
- The product is not working at temperatures below 0 °C and above +45 °C due to its battery protection.

● Use

● Bringing into use

- Never direct the LED light beam of the product onto reflective surfaces or at people or animals. Failure to observe this advice may result in eye injury and/or loss of sight to people or animals. Even a weak LED light beam can cause eye damage.
- Place the product on a flat surface.

● Adjusting the lamp head **[1]**

You can adjust the lamp head **[1]** of the product to any position you require.

● Turning the light on/off and dimming (lamp head **[1]**)

- To turn on the lamp head **[1]** of the product, touch the ON/OFF button **[4]** on the lamp base **[3]**.
- The product has 3 dimmer settings. To dim the light, simply touch the ON/OFF button **[4]** as follows:

- 1 touch = light shines at maximum brightness
- 2 touches = light shines at medium brightness
- 3 touches = light shines at minimum brightness
- 4 touches = light turns off

Note: The next time you touch the ON/OFF button **[4]**, the product turns on again.

● Selecting the light colour (lamp head **[1]**)

- You can set the colour of the light in 3 stages from warm-white (approx. 3000K) to cold-white (approx. 6000K). To do this, touch and hold the ON/OFF button **[4]**.
- **Note:** When you turn the product off and on again later, it will automatically be set to the last light colour used.

● Turning the light on/off and selecting the light color (lamp base **[3]**)

- To turn on the light at the lamp base **[3]** of the product, touch the light function button **[5]**.
- You can set the color of the light in 7 colors and 1 continuous color-changing setting by repeatedly touching the light function button **[5]**.
- To turn off the light at the lamp base **[3]**, touch and hold the light function button **[5]** until it switches off.

● Maintenance and cleaning

The product requires no maintenance. The LEDs cannot be replaced.

- Switch off the product and the USB charging cable must be disconnected from the power adapter (external) or from the computer (external) or from the "charging device".
- Never immerse the product in water or other liquids.
- Never use caustic cleaners.
- Regularly clean the product with a dry, lint-free cloth. Use a slightly moist cloth to remove any stubborn dirt.

● Disposal

The packaging is made entirely of recyclable materials, which you may dispose of at local recycling facilities.

- Observe the marking of the packaging materials for waste separation, which are marked with abbreviations (a) and numbers (b) with following meaning: 1-7: plastics/20-22: paper and fibreboard/80-98: composite materials.

- Contact your local refuse disposal authority for more details of how to dispose of your worn-out product.

- To help protect the environment, please dispose of the product properly when it has reached the end of its useful life and not in the household waste. Information on collection points and their opening hours can be obtained from your local authority.

Faulty or used batteries/rechargeable batteries must be recycled in accordance with Directive 2006/66/EC and its amendments. Please return the batteries/rechargeable batteries and/or the product to the available collection points.

Environmental damage through incorrect disposal of the batteries/rechargeable batteries!

Batteries/rechargeable batteries may not be disposed of with the usual domestic waste. They may contain toxic heavy metals and are subject to hazardous waste treatment rules and regulations. The chemical symbols for heavy metals are as follows: Cd = cadmium, Hg = mercury, Pb = lead. That is why you should dispose of used batteries/rechargeable batteries at a local collection point.

GB/IE/NI

GB/IE/NI

GB/IE/NI

GB/IE/NI

commerciale ou à d'autres domaines d'utilisation. Exclusivement réservé à une utilisation en intérieur! Ce produit est prévu pour un fonctionnement normal.

- Ce produit ne convient pas à l'éclairage de pièces dans le foyer domestique.

● Descriptif des pièces

1	Tête de lampe	5	Touche de fonction lumineuse
2	Bras de lampe	6	Câble USB
3	Pied de lampe	7	Témoins de charge
4	Touche MARCHÉ/ARRÊT	8	Prise d'entrée USB Type-C

● Caractéristiques techniques

Lampe de table à batterie :

Puissance : 3,7W
LED : 24 (tête de lampe)

12 (pied de lampe)

Pile rechargeable : Pile lithium-ions (18650 (IMR19/68)), 3,7V, 2000 mAh (non remplaçable)

Classe de protection : III/◊

Indice de protection : IP20

Tension/courant d'entrée

USB Type C : 5V===, 1 A

Remarque : Utilisez exclusivement l'alimentation électrique SELV avec une puissance maximale de sortie de 5V=== (Uout), 1 A.

Remarque : Aucun bloc d'alimentation n'est fourni. Utilisez exclusivement l'alimentation électrique SELV d'une puissance maximale de sortie de 5V (Uout), 1 A.

● Contenu de la livraison

1 lampe de table sans fil

1 câble USB

1 mode d'emploi

Consignes de sécurité

FAMILIARISEZ-VOUS AVEC TOUTES LES INDICATIONS DE MANIPULATION ET DE SÉCURITÉ AVANT LA PREMIÈRE UTILISATION DU PRODUIT ! LORSQUE VOUS TRANSMETTEZ CE PRODUIT À DES TIERS, REMETTEZ-LEUR ÉGALEMENT TOUS LES DOCUMENTS !

- **AVERTISSEMENT ! DANGER DE MORT ET RISQUE D'ACCIDENTS POUR LES NOURRISSONS ET LES ENFANTS !** Ne laissez jamais les enfants manipuler sans surveillance les matériaux d'emballage. Tenez toujours les enfants éloignés des matériaux d'emballage.

- Ce produit peut être utilisé par des enfants de 8 ans et plus ainsi que par des personnes avec des capacités physiques, psychiques ou sensorielles limitées ou manquant d'expérience ou de connaissance, s'ils sont surveillés ou s'ils ont été informés de l'utilisation du produit de manière sûre et comprennent les risques liés à son utilisation. Les enfants ne doivent pas jouer avec le produit. Le nettoyage et la maintenance utilisateur ne doivent pas être effectués par des enfants non surveillés.
- Ce produit n'est pas un jouet, il doit être tenu hors de portée des enfants. Les enfants ne sont pas en mesure de reconnaître les dangers liés à des produits électriques.
- N'utilisez pas le produit si vous constatez le moindre dommage.
- Protégez le produit de l'humidité. N'immergez jamais le produit dans de l'eau ou d'autres liquides !
- Lors du branchement du produit sur une alimentation électrique, veillez à ce que la tension respective corresponde aux données du chapitre « Caractéristiques techniques ».
- Ne procédez à aucune modification ni réparation sur le produit. Les LED ne peuvent et ne doivent pas être remplacées.
- Les LED ne peuvent pas être remplacées.
- Si les LED arrivent en fin de vie, l'ensemble du produit doit alors être remplacé.
- Mettez le produit au rebut si le produit et le câble USB **[6]** sont endommagés.
- Veillez à ce que le câble USB **[6]** ne puisse pas être endommagé par des arêtes coupantes ou des objets chauds. Avant l'utilisation, déroulez complètement le câble USB **[6]**.
- Protégez le produit d'une chaleur ou d'un froid importants.
- Veuillez noter que les adaptateurs secteur, tant qu'ils sont branchés, consomment une faible quantité d'énergie même si le produit n'est pas branché. Pour mettre les adaptateurs secteur hors service, débranchez-les de la prise.
- Aucun adaptateur secteur n'est fourni à la livraison.
- Le câble USB fourni **[6]** est uniquement conçu pour être utilisé avec le produit.
- Ne pas regarder directement dans l'éclairage du produit ou diriger le produit en direction des yeux d'autres personnes. Ceci peut endommager la vue.
- Un rayonnement optique dangereux peut émaner de ce produit. Ne pas regarder directement dans l'éclairage du produit. Ceci peut causer des risques de troubles oculaires.
- **Remarque :** chargez complètement la batterie avant le stockage. Si vous souhaitez stocker le produit pendant plus de 3 mois, chargez complètement la batterie tous les 3 mois.
- **Remarque :** utilisez le produit au moins une fois dans les 3 mois suivant l'achat.

Consignes de sécurité relatives aux piles/aux piles rechargeables

- **DANGER DE MORT !** Rangez les piles/piles rechargeables hors de la portée des enfants. En cas d'ingestion, consultez immédiatement un médecin !
- Une ingestion peut entraîner des brûlures, une perforation des tissus mous et la mort. Des brûlures graves peuvent apparaître dans les 2 heures suivant l'ingestion.
- **RISQUE D'EXPLOSION !** Ne rechargez jamais des piles non rechargeables. Ne court-circuitez pas les piles/piles rechargeables et/ou ne les ouvrez pas ! Autrement, vous risquez de provoquer une surchauffe, un incendie ou une explosion.
- Ne jetez jamais des piles/piles rechargeables au feu ou dans l'eau.
- Ne pas soumettre les piles/piles rechargeables à une charge mécanique.

Risque de fuite des piles/piles rechargeables

- Évitez d'exposer les piles/piles rechargeables à des conditions et températures extrêmes susceptibles de les endommager, par ex. sur des radiateurs/exposition directe aux rayons du soleil.
- Lorsque les piles/piles rechargeables fuient, évitez tout contact du produit chimique avec la peau, les yeux ou les muqueuses ! Rincez les zones touchées à l'eau claire et consultez immédiatement un médecin !
- **PORTER DES GANTS DE PROTECTION !** Les piles/piles rechargeables endommagées ou sujettes à des fuites peuvent provoquer des brûlures au contact de la peau. Vous devez donc porter des gants adéquatés pour les manipuler.
- Ce produit contient une pile rechargeable ne pouvant pas être remplacée par l'utilisateur. Le démontage ou le remplacement de la pile rechargeable doit uniquement être effectué par le fabricant, son service après-vente ou une personne possédant une qualification similaire, afin de prévenir toute mise en danger. Lors de la mise au rebut, il y a lieu de rappeler que ce produit contient une pile rechargeable.

● Avant l'utilisation

● Charger le produit

Remarque : retirez tous les matériaux d'emballage du produit.

Remarque : le produit doit être raccorder à un adaptateur secteur ou un ordinateur. Les données techniques de ces appareils (non fournis) doivent être respectées.

Remarque : pour pouvoir utiliser le produit sans câble USB **[6]**, vous devez charger la batterie intégrée avant de l'utiliser. La batterie est montée de manière fixe dans le produit.

Remarque : avant la première utilisation, chargez le produit pendant env. 12 heures.

● Warranty

The product has been manufactured to strict quality guidelines and meticulously examined before delivery. In the event of material or manufacturing defects you have legal rights against the retailer of this product. Your legal rights are not limited in any way by our warranty detailed below.

The warranty for this product is 3 years from the date of purchase. The warranty period begins on the date of purchase. Keep the original sales receipt in a safe location as this document is required as proof of purchase.

Any damage or defects already present at the time of purchase must be reported without delay after unpacking the product.

Should the product show any fault in materials or manufacture within 3 years from the date of purchase, we will repair or replace it – at our choice – free of charge to you. The warranty period is not extended as a result of a claim being granted. This also applies to replaced and repaired parts.

This warranty becomes void if the product has been damaged, or used or maintained improperly.

The warranty covers material or manufacturing defects. This warranty does not cover product parts subject to normal wear and tear, thus considered consumables (e.g. batteries, tubes, cartridges), nor damage to fragile parts, e.g. switches or glass parts.

For this product, the rechargeable battery is also covered by its warranty period.

● Warranty claim procedure

To ensure quick processing of your case, please observe the following instructions:

Please have the till receipt and the item number (IAN 462901_2310) available as proof of purchase.

You will find the item number on the rating plate, an engraving on the front page of the instructions for use (bottom left), or as a sticker on the rear or bottom of the product.

If functional or other defects occur, please contact the service department listed either by telephone or by e-mail. You can return a defective product to us free of charge to the service address that will be provided to you. Ensure that you enclose the proof of purchase (till receipt) and information about what the defect is and when it occurred.

● Service

Service Great Britain

Tel.: 08000569216
E-Mail: owim@lidl.co.uk

Service Ireland

Tel.: 1800 200736
E-Mail: owim@lidl.ie

Service Northern Ireland

Tel.: 0800 0927852
E-Mail: owim@lidl.ie

CE

instructed in the safe use of the product and they understand the associated risks. Do not allow children to play with the product. Cleaning and user maintenance must not be performed by children without supervision.

- This product is not a toy and should be kept out of the reach of children. Children are not aware of the dangers associated with handling electrical products.
- Do not use the product if you detect any type of damage.
- Protect the product from moisture and humidity. Never immerse the product in water or other liquids!
- When connecting the product to a power supply, make sure that the respective voltage corresponds to the information in the chapter "Technical data".
- Do not carry out any modifications or repairs to the product yourself. The LEDs cannot and must not be replaced.
- The LEDs are not replaceable.
- If the LEDs fail at the end of their life, the entire product must be replaced.
- Dispose of the product when the product and the USB cable **[6]** are damaged.
- Ensure the USB cable **[6]** cannot be damaged by sharp edges or hot objects. Unwind the USB cable **[6]** completely before use.
- Protect the product from extreme heat and cold.
- Please be aware that while the adapters are plugged in, they use a small amount of power, even when the product is not switched on. To take the adapters out of operation, unplug from the socket.
- Mains adapter is not included.
- The USB cable **[6]** provided is only suitable for use with the product.
- Do not look directly into the light of the product and do not direct the product into other people's eyes. This can impair the eyesight.
- This product may emit dangerous optical radiation. Do not look directly into the light of the product. This may be harmful to your eyes.
- **Note:** Fully charge the battery before storage. If you want to store the product for longer than 3 months, fully charge the battery every 3 months.
- **Note:** Use the product at least once within 3 months of purchase.

Safety instructions for batteries/rechargeable batteries

- **DANGER TO LIFE!** Keep batteries/rechargeable batteries out of reach of children. If accidentally swallowed seek immediate medical attention.
- Swallowing may lead to burns, perforation of soft tissue, and death. Severe burns can occur within 2 hours of ingestion.
- **DANGER OF EXPLOSION!** Never recharge non-rechargeable batteries. Do not short-circuit batteries/rechargeable batteries and/or open them. Overheating, fire or bursting can be the result.
- Never throw batteries/rechargeable batteries into fire or water.
- Do not exert mechanical loads to batteries/rechargeable batteries.

GB/IE/NI

GB/IE/NI

Légende des pictogrammes utilisés			
	Courant continu/ Tension continue		Port USB
	Classe de protection III		La marque CE indique la conformité aux directives européennes applicables à ce produit.
	Instructions de sécurité Instructions de manipulation		Les LED ne peuvent pas être remplacées.

Lampe de table sans fil

● Introduction

Ce document est une version imprimée abrégée du mode d'emploi complet. En scannant le code QR, vous accédez directement à la page de service de Lidl (www.lidl-service.com), et en saisissant le numéro d'article (IAN) 462901_2310, vous pouvez consulter et télécharger le mode d'emploi complet.

Ce mode d'emploi résumé fait partie de ce produit. Avant d'utiliser le produit pour la première fois, veuillez lire soigneusement toutes les instructions d'utilisation et consignes de sécurité. Veuillez conserver le mode d'emploi résumé et fournir tous les documents aux autres utilisateurs lorsque vous leur transmettez le produit.



● Utilisation conforme

Ce produit est exclusivement conçu pour l'utilisation dans des locaux intérieurs secs dans le cadre d'un usage privé, p. ex. dans des entrepôts ou des corridors. Le produit n'est pas destiné à une utilisation

GB/IE/NI

GB/IE/NI

FR/BE

- Afin de contribuer à la protection de l'environnement, veuillez ne pas jeter votre produit usagé dans les ordures ménagères, mais éliminez-le de manière appropriée. Pour obtenir des renseignements concernant les points de collecte et leurs horaires d'ouverture, vous pouvez contacter votre municipalité.

Les piles/piles rechargeables défectueuses ou usagées doivent être recyclées conformément à la directive 2006/66/CE et ses modifications. Les piles et/ou piles rechargeables et/ou le produit doivent être retournés dans les centres de collecte proposés.

Pollution de l'environnement par la

La garantie couvre les défauts de matériels et de fabrication. Cette garantie ne couvre pas les pièces du produit soumises à une usure normale, et qui sont donc considérées comme des pièces d'usure (par exemple les piles, tuyaux, les cartouches d'encre), ni les dommages aux pièces fragiles, par exemple les interrupteurs ou les pièces en verre.

La période de garantie s’applique également à la batterie sur ce produit.

- Faire valoir sa garantie**

Pour garantir la rapidité d’exécution de la procédure de garantie, veuillez respecter les indications suivantes :

Veuillez conserver le ticket de caisse et la référence du produit (IAN 462901_2310) à titre de preuve d’achat pour toute demande. Le numéro de référence de l’article est indiqué sur la plaque d’identification, gravé sur la page de titre de votre manuel (en bas à gauche) ou sur un autocollant apposé sur la face arrière ou inférieure du produit. En cas de dysfonctionnement du produit, ou de tout autre défaut, contactez en premier lieu le service après-vente par téléphone ou par e-mail aux coordonnées indiquées ci-dessous.

Vous pouvez alors envoyer franco de port tout produit considéré comme défectueux ou service clientèle indiqué, accompagné de la preuve d’achat (ticket de caisse) et d’une description écrite du défaut avec mention de sa date d’apparition.

- Service après-vente**
- | | |
|----------------------------|--|
| | Service après-vente France
Tél. : 0800904879
E-Mail : owim@lidl.fr |
| | Service après-vente Belgique
Tél. : 080071011
Tél. : 80023970 (Luxembourg)
E-Mail : owim@lidl.be |

- Correct et doelmatig gebruik**
- | | |
|----------------------------|---|
| | Dit product is uitsluitend geschikt voor privégebruik in droge ruimtes, bijv. in bergingen of gangen. Het product is niet bestemd voor commercieel gebruik of voor andere toepassingen. Alleen voor gebruik binnenshuis! Dit product is bestemd voor normaal gebruik. |
| | Dit product is niet geschikt als kamerverlichting in huishoudens. |

- Service**
- | | |
|----------------------------|---|
| | Service Nederland
Tel.: 08000225537
E-Mail: owim@lidl.nl |
| | Service België
Tel.: 080071011
Tel.: 80023970 (Luxemburg)
E-Mail: owim@lidl.be |

- Technische gegevens**

- Beschrijving van de onderdelen**

- Technische gegevens**

- Service**
- | | |
|----------------------------|---|
| | Service Nederland
Tel.: 08000225537
E-Mail: owim@lidl.nl |
| | Service België
Tel.: 080071011
Tel.: 80023970 (Luxemburg)
E-Mail: owim@lidl.be |

- Technische gegevens**

- Beschrijving van de onderdelen**

- Technische gegevens**

- Service**
- | | |
|----------------------------|---|
| | Service Nederland
Tel.: 08000225537
E-Mail: owim@lidl.nl |
| | Service België
Tel.: 080071011
Tel.: 80023970 (Luxemburg)
E-Mail: owim@lidl.be |

- Technische gegevens**

- Beschrijving van de onderdelen**

- Technische gegevens**

- Service**
- | | |
|----------------------------|--|
| | Service Deutschland
Tel.: 0800 5435 111
E-Mail: owim@lidl.de |
| | Service Österreich
Tel.: 0800 292726
E-Mail: owim@lidl.at |
| | Service Schweiz
Tel.: 0800562153
E-Mail: owim@lidl.ch |

- Technische gegevens**

Legenda van de gebruikte pictogrammen		
	Gelijkstroom/ -spanning	 USB-aansluiting
	Beschermingsklasse III	De CE-markering duidt op conformiteit met relevante EU-richtlijnen die van toepassing zijn op dit product.
	Veiligheidsinstructies Instructies	De LED's kunnen niet worden vervangen.

- Accu-tafellamp**

- Inleiding**
- | | |
|----------------------------|---|
| | Bij dit document gaat het om een verkorte versie van de volledige gebruiksaanwijzing. Door het scannen van de QR-code komt u direct op de Lidl-Servicepagina (www.lidl-service.com) en kunt u door het invoeren van het artikelnummer (IAN) 462901_2310 de volledige gebruiksaanwijzing bekijken en downloaden. |
|----------------------------|---|

De beknopte handleiding maakt deel uit van het product. Maak u voor het gebruik van het product vertrouwd met alle bedienings- en veiligheidsinstructies. Bewaar de beknopte handleiding zorgvuldig en overhandig alle documenten bij de doorgifte van het product aan derden.



- Correct et doelmatig gebruik**
- | | |
|----------------------------|---|
| | Dit product is uitsluitend geschikt voor privégebruik in droge ruimtes, bijv. in bergingen of gangen. Het product is niet bestemd voor commercieel gebruik of voor andere toepassingen. Alleen voor gebruik binnenshuis! Dit product is bestemd voor normaal gebruik. |
| | Dit product is niet geschikt als kamerverlichting in huishoudens. |

- Service**
- | | |
|----------------------------|---|
| | Service Nederland
Tel.: 08000225537
E-Mail: owim@lidl.nl |
| | Service België
Tel.: 080071011
Tel.: 80023970 (Luxemburg)
E-Mail: owim@lidl.be |

- Technische gegevens**

- Beschrijving van de onderdelen**

- Technische gegevens**

- Service**
- | | |
|----------------------------|---|
| | Service Nederland
Tel.: 08000225537
E-Mail: owim@lidl.nl |
| | Service België
Tel.: 080071011
Tel.: 80023970 (Luxemburg)
E-Mail: owim@lidl.be |

Alle beschadigingen of gebreken die reeds op het moment van aankoop aanwezig zijn, moeten meteen na het uitpakken van het product worden gemeld.

Mocht het product binnen 3 jaar na aankoopdatum een materiaal- of fabricagefout vertonen, zullen wij het – naar onze keuze – gratis voor u repareren of vervangen. De garantieperiode wordt door een plaatsgevonden garantieverlening niet verlengd. Dit geldt ook voor vervangen en gerepareerde onderdelen.

Deze garantie vervalt als het product werd beschadigd of onjuist is gebruikt of onderhouden.

De garantie dekt materiaal- en fabricagefouten af. Deze garantie dekt geen productonderdelen die aan normale slijtage onderhevig zijn en daarom als verbruiksartikelen worden beschouwd (bv. batterijen, slangen, inktpatronen), noch dekt zij schade aan breekbare onderdelen, bv. schakelaars of onderdelen die van glas zijn gemaakt.

Bij dit product geldt de garantieperiode ook voor de oplaadbare batterij.

- Garantie**

Om een snelle afhandeling van uw reclamatie te waarborgen dient u de volgende instructies in acht te nemen:

Houd bij alle vragen alstublieft de kassabon en het artikelnummer (IAN 462901_2310) als bewijs van aankoop bij de hand.

- Service**
- | | |
|----------------------------|---|
| | Service Nederland
Tel.: 08000225537
E-Mail: owim@lidl.nl |
| | Service België
Tel.: 080071011
Tel.: 80023970 (Luxemburg)
E-Mail: owim@lidl.be |

- Technische gegevens**

- Beschrijving van de onderdelen**

- Technische gegevens**

- Service**
- | | |
|----------------------------|---|
| | Service Nederland
Tel.: 08000225537
E-Mail: owim@lidl.nl |
| | Service België
Tel.: 080071011
Tel.: 80023970 (Luxemburg)
E-Mail: owim@lidl.be |

- Technische gegevens**

- Beschrijving van de onderdelen**

- Technische gegevens**

- Beschrijving van de onderdelen**

- | | | | |
|----------------------------|----------------------------|----------------------------|----------------------------|
| | | | |
| 1 Lampkop | 5 Lichtfunctienop | 6 USB-kabel | 7 Laadindicator |
| 2 Lampenarm | 8 USB-ingang (type C) | | |
| 3 Lampvoet | | | |
| 4 AAN/UIT-knop | | | |

- Technische gegevens**

- Accu-tafellamp:**
- | | |
|--|---|
| Vermogen: | 3,7W |
| LEDs: | 24 (Lampkop) |
| | 12 (Lampenvoet) |
| Accu: | Lithium-ion-accu (18650 (IMR19/68)), 3,7V, 2000mAh (niet vervangbaar) |
| Beschermingsklasse: | III/ |
| Beschermings-type: | IP20 |
| Type-C-USB ingangsspanning/stroom: | 5V ⚡ , 1 A |
| Opmerking: gebruik uitsluitend de SEIV-voeding met een maximaal uitgangsvermogen van 5V ⚡ (Uout), 1 A. | |
| Opmerking: een netadapter is niet inbegrepen. Gebruik de SEIV-voeding met een maximaal uitgangsvermogen van 5V (Uout), 1 A. | |

- Omvang van de levering**

- 1 accu-tafellamp
- 1 USB-kabel
- 1 gebruiksaanwijzing

- Veiligheidsinstructies**

MAAK U VOOR DE EERSTE INGEBRUIKNAME VAN HET PRODUCT VERTROUWD MET ALLE BEDIENINGS- EN VEILIGHEIDVOORSCHRIFTEN! GEEF OOK ALLE DOCUMENTEN MEE WANNEER U HET PRODUCT AAN DERDEN GEEFT!

- WAARSCHUWING! LEVENSGEVAAR EN KANS OP ONGELUKKEN VOOR KLEUTERS EN KINDEREN!** Laat kinderen nooit zonder toezicht bij het verpakkingsmateriaal. Houd kinderen altijd uit de buurt van het verpakkingsmateriaal.
- Dit product kan door kinderen vanaf 8 jaar en ouder alsmede door personen met verminderde fysieke, sensorische of mentale vaardigheden of een gebrek aan ervaring en kennis worden gebruikt, als zij onder toezicht

- Service**
- | | |
|----------------------------|---|
| | Service Nederland
Tel.: 08000225537
E-Mail: owim@lidl.nl |
| | Service België
Tel.: 080071011
Tel.: 80023970 (Luxemburg)
E-Mail: owim@lidl.be |

- Technische gegevens**

Het artikelnummer vindt u op de typeplaat, ingegraveerd, op het titelblad van uw handleiding (links onder) of als sticker op de achter- of onderzijde. Wanneer er storingen in de werking of andere gebreken optreden, dient u eerst telefonisch of per e-mail contact met de onderstaande service-afdeling op te nemen.

Een als defect geregistreerd product kunt u dan samen met uw aankoopbewijs (kassabon) en vermelding van de concrete schade alsmede het tijdstip van optreden voor u franco aan het u meegedeelde servicepunt verzenden.

- Service**
- | | |
|----------------------------|---|
| | Service Nederland
Tel.: 08000225537
E-Mail: owim@lidl.nl |
| | Service België
Tel.: 080071011
Tel.: 80023970 (Luxemburg)
E-Mail: owim@lidl.be |

- Technische gegevens**

- Beschrijving van de onderdelen**

- Technische gegevens**

- Service**
- | | |
|----------------------------|---|
| | Service Nederland
Tel.: 08000225537
E-Mail: owim@lidl.nl |
| | Service België
Tel.: 080071011
Tel.: 80023970 (Luxemburg)
E-Mail: owim@lidl.be |

- Technische gegevens**

- Beschrijving van de onderdelen**

- Technische gegevens**

- Service**
- | | |
|----------------------------|---|
| | Service Nederland
Tel.: 08000225537
E-Mail: owim@lidl.nl |
| | Service België
Tel.: 080071011
Tel.: 80023970 (Luxemburg)
E-Mail: owim@lidl.be |

- Technische gegevens**

- Beschrijving van de onderdelen**

- Technische gegevens**

- staan of geïnstrueerd werden met betrekking tot het veilige gebruik van het product en als ze de hieruit voortvloeiende gebreken begrijpen. Kinderen mogen niet met het product spelen. Reiniging en onderhoud mogen niet door kinderen zonder toezicht worden uitgevoerd.
- Dit product is geen speelgoed, het hoort niet thuis in kinderhanden. Kinderen zien de gevaren niet die door de omgang met elektrische producten ontstaan.
- Gebruik het product niet als u beschadigingen constateert.
- Bescherm het product tegen natheid en vocht. Nooit in water of andere vloeistoffen dompelen!
- Let er bij het aansluiten van het product op een stroomvoorziening op dat de desbetreffende spanning overeen moet komen met de gegevens uit het onderdeel "Technische gegevens".
- Voer geen veranderingen of reparaties uit aan het product. De leds kunnen er mogen niet worden vervangen.
- Mochten de leds aan het einde van hun levensduur uitvallen, moet het gehele product worden vervangen.
- Gooi het product weg als het product en de USB-kabel beschadigd zijn.
- Zorg ervoor dat de USB-kabel niet door scherpe randen of hete voorwerpen kan worden beschadigd. Wickel de USB-kabel voor het gebruik volledig af.
- Bescherm het product tegen grote hitte en kou.
- Houd er rekening mee dat de netadapter, zolang deze is aangesloten, nog een gering vermogen opneemt, ook als het product niet is aangesloten. Om de netadapter buiten gebruik te nemen, verwijdert u deze uit het stopcontact.
- Een netadapter is niet meegeleverd.
- De meegeleverde USB-kabel is uitsluitend geschikt voor het gebruik met dit product.
- Niet direct in het licht van het product kijken of het product op de ogen van andere mensen richten. Dit kan het gezichtsvermogen verminderen.
- Van dit product kan een gevaarlijke optische straling uitgaan. Kijk niet direct in het licht van het product. Dit kan onder bepaalde omstandigheden schadelijk zijn voor uw ogen.

- Opmerking:** laad de batterij voor het opbergen volledig op. Wanneer u het product langer dan 3 maanden wilt opbergen, moet u de batterij elke 3 maanden volledig opladen.
- Opmerking:** gebruik het product ten minste een keer binnen 3 maanden na aankoop.

- Veiligheidsinstructies voor batterijen/accu's**

- LEVENSGEVAAR!** Houd batterijen/accu's buiten het bereik van kinderen. Raadpleeg bij inslikken onmiddellijk een arts!

- Service**
- | | |
|----------------------------|---|
| | Service Nederland
Tel.: 08000225537
E-Mail: owim@lidl.nl |
| | Service België
Tel.: 080071011
Tel.: 80023970 (Luxemburg)
E-Mail: owim@lidl.be |

- Technische gegevens**

- Beschrijving van de onderdelen**

- Technische gegevens**

Die Kurzanleitung ist Bestandteil dieses Produkts. Machen Sie sich vor der Benutzung des Produkts mit allen Bedien- und Sicherheitshinweisen vertraut. Bewahren Sie die Kurzanleitung gut auf und händigen Sie alle Unterlagen bei Weitergabe des Produkts an Dritte mit aus.



- Bestimmungsgemäße Verwendung**
- | | |
|----------------------------|--|
| | Dieses Produkt ist ausschließlich für den privaten Einsatz im Trockenem, z. B. in Lagern oder Korridoren, geeignet. Das Produkt ist nicht für den gewerblichen Einsatz oder für andere Einsatzbereiche bestimmt. Nur zur Verwendung im Innenbereich! Dieses Produkt ist vorgesehen für den normalen Betrieb. |
| | Dieses Produkt ist nicht zur Raumbeleuchtung im Haushalt geeignet. |

- Service**
- | | |
|----------------------------|---|
| | Service Nederland
Tel.: 08000225537
E-Mail: owim@lidl.nl |
| | Service België
Tel.: 080071011
Tel.: 80023970 (Luxemburg)
E-Mail: owim@lidl.be |

Werven Sie Ihr Produkt, wenn es ausgedient hat, im Interesse des Umweltschutzes nicht in den Hausmüll, sondern führen Sie es einer fachgerechten Entsorgung zu. Über Sammelstellen und deren Öffnungszeiten können Sie sich bei Ihrer zuständigen Verwaltung informieren.

Defekte oder verbrauchte Batterien/Akkus müssen gemäß Richtlinie 2006/66/EG und deren Änderungen recycelt werden. Geben Sie Batterien/Akkus und/oder das Produkt über die angebotenen Sammel-einrichtungen zurück.

- Umweltschäden durch falsche Entsorgung der Batterien/Akkus!**

Batterien/Akkus dürfen nicht über den Hausmüll entsorgt werden. Sie können giftige Schwermetalle enthalten und unterliegen der Sondermüllbehandlung. Die chemischen Symbole der Schwermetalle sind wie folgt: Cd = Cadmium, Hg = Quecksilber, Pb = Blei. Geben Sie deshalb verbrauchte Batterien/ Akkus bei einer kommunalen Sammelstelle ab.

- Garantie**

Das Produkt wurde nach strengen Qualitätsrichtlinien hergestellt und vor der Auslieferung sorgfältig geprüft. Im Falle von Material- oder Herstellungsfehlern haben Sie gegenüber dem Verkäufer des Produkts gesetzliche Rechte. Ihre gesetzlichen Rechte werden in keiner Weise durch unsere unten aufgeführte Garantie eingeschränkt.

Die Garantie für dieses Produkt beträgt 3 Jahre ab Kaufdatum. Die Garantiezeit beginnt mit dem Kaufdatum. Bewahren Sie den Originalkaufbeleg an einem sicheren Ort auf, da dieses Dokument als Nachweis des Kaufs erforderlich ist.

Alle Schäden oder Mängel, die bereits zum Zeitpunkt des Kaufs vorhanden sind, müssen unverzüglich nach dem Auspacken des Produkts gemeldet werden.

Sollte das Produkt innerhalb von 3 Jahren ab Kaufdatum einen Material- oder Herstellungsfehler aufweisen, werden wir es - nach unserer Wahl - kostenlos für Sie reparieren oder ersetzen. Die Garantiezeit verlängert sich durch einen stattgegebenen Gewährleistungsanspruch nicht. Dies gilt auch für ersetzte und reparierte Teile.

Diese Garantie erlischt, wenn das Produkt beschädigt oder unsachgemäß verwendet oder gewartet wurde.

- Inslikken kan leiden tot inwendige verbrandingen, perforatie van zacht weefsel en tot de dood. Ernstige inwendige verbrandingen kunnen binnen 2 uur na het inslikken optreden.
- EXPLOSIEGEVAAR!** Laad niet oplaadbare batterijen nooit op. Sluit de batterijen/accu's niet kort en/of open deze niet. Door-door kan de batterij oververhit raken, in brand vliegen of exploderen.
- Gooi batterijen/accu's nooit in het vuur of water.
- Stel batterijen/accu's nooit bloot aan mechanische belastingen.

- Risico dat de batterijen/accu's lekken**

- Vermijd extreme omstandigheden en temperaturen die invloed op de batterijen/accu's zouden kunnen hebben bijv. radiatoren/direct zonlicht.
- Bij lekkende batterijen/accu's het contact van de chemicaliën met de huid, ogen en slijmvliezen vermijden! Spoel de desbetreffende plekken direct af met schoon water en raadpleeg onmiddellijk een arts!
- DRAAG VEILIGHEIDSHANDSCHOENEN!** Lekkende of beschadigde batterijen/accu's kunnen in geval van huid-contact chemische brandwonden veroorzaken. Draag daarom in dit geval geschikte veiligheids handschoenen.
- Dit product heeft een geïntegreerde accu die niet door de gebruiker kan worden vervangen. Demontage of vervangen van de accu mag alleen door de fabrikant of diens klantenservice of een vergelijkbaar gekwalificeerde persoon worden uitgevoerd, om gewaren te vermijden. Let er bij de afvoer op dat dit product een accu bevat.

- Voor het gebruik**

- Product opladen**

- Opmerking:** verwijder al het verpakkingsmateriaal van het product.
- Opmerking:** het product moet op een netadapter of op een computer worden aangesloten. Daarbij moet rekening worden gehouden met de technische gegevens van deze apparaten (niet meegeleverd).
- Opmerking:** om het product zonder USB-kabel te kunnen gebruiken, moet u de ingebouwde accu voor gebruik opladen. De accu is vast in het product ingebouwd.
- Opmerking:** laad het product voor het eerste gebruik ca. 12 uur lang op.

- Sluit de USB-kabel aan op een computer of de USB-poort van een netadapter.
- Sluit de USB-stekker type C van de USB-kabel aan op de USB-ingang type C in het product.
- Steek de netadapter in een stopcontact.
- Opmerking:** de laadindicator brandt rood tijdens het opladen van het product. Het brandt groen als het product volledig is opgeladen.
- Haal de USB-kabel uit het product om ontleding van de accu te voorkomen.

- Technische gegevens**

- Teilebeschreibung**
- | | | | |
|----------------------------|----------------------------|----------------------------|----------------------------|
| | | | |
| 1 Lampenkopf | 2 Lampenarm | 3 Lampenfuß | 4 EIN-/AUS-Taste |
| | 5 Lichtfunktionstaste | 6 USB-Kabel | 7 Ladestandsanzeige |
| | 8 USB-Typ-C-Eingangsbuchse | | |

- Technische Daten**

- Akku-Tischleuchte:**
- | | |
|---|---|
| Leistung: | 3,7W |
| LEDs: | 24 (Lampenkopf) |
| | 12 (Lampenfuß) |
| Akku: | Lithium-Ionen-Akku (18650 (IMR19/68)), 3,7V, 2000mAh (nicht austauschbar) |
| Schutzklasse: | III/ |
| Schutzart: | IP20 |
| Typ-C-USB Eingangsspannung/-strom: | 5V ⚡ , 1 A |
| Hinweis: Verwenden Sie nur die SEIV-Stromversorgung mit einer maximalen Ausgangsleistung von 5V ⚡ (Uout), 1 A. | |
| Hinweis: Ein Netzteil ist nicht im Lieferumfang enthalten. Verwenden Sie die SEIV-Stromversorgung mit einer maximalen Ausgangsleistung von 5V (Uout), 1 A. | |

- Lieferumfang**

- Service**
- | | |
|----------------------------|--|
| | Service Deutschland
Tel.: 0800 5435 111
E-Mail: owim@lidl.de |
| | Service Österreich
Tel.: 0800 292726
E-Mail: owim@lidl.at |
| | Service Schweiz
Tel.: 0800562153
E-Mail: owim@lidl.ch |

- Technische gegevens**

- Het product werkt vanwege de accubescherming niet bij temperaturen lager dan 0 °C en hoger dan +45 °C.

- Gebruik**

- Ingebruikname**