



## **CORDLESS JIGSAW PSTDA 20-Li A1**

(GB) (IE) (NI)

### **CORDLESS JIGSAW**

Translation of the original instructions

(FR) (BE)

### **SCIE SAUTEUSE PENDULAIRE SANS FIL**

Traduction des instructions d'origine

(DE) (AT) (CH)

### **AKKU-PENDELHUBSTICHSÄGE**

Originalbetriebsanleitung

(DK)

### **BATTERIDREVEN PENDULSTIKSAV**

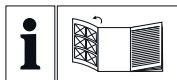
Oversættelse af den originale driftsvejledning

(NL) (BE)

### **ACCU-DECOUPERZAAG MET PENDELSLAG**

Vertaling van de originele gebruiksaanwijzing

**IAN 279504**



GB IE NI

Before reading, unfold the page containing the illustrations and familiarise yourself with all functions of the device.

---

DK

Før du læser, vend siden med billeder frem og bliv bekendt med alle apparatets funktioner.

---

FR BE

Avant de lire le mode d'emploi, ouvrez la page contenant les illustrations et familiarisez-vous ensuite avec toutes les fonctions de l'appareil.

---

NL BE

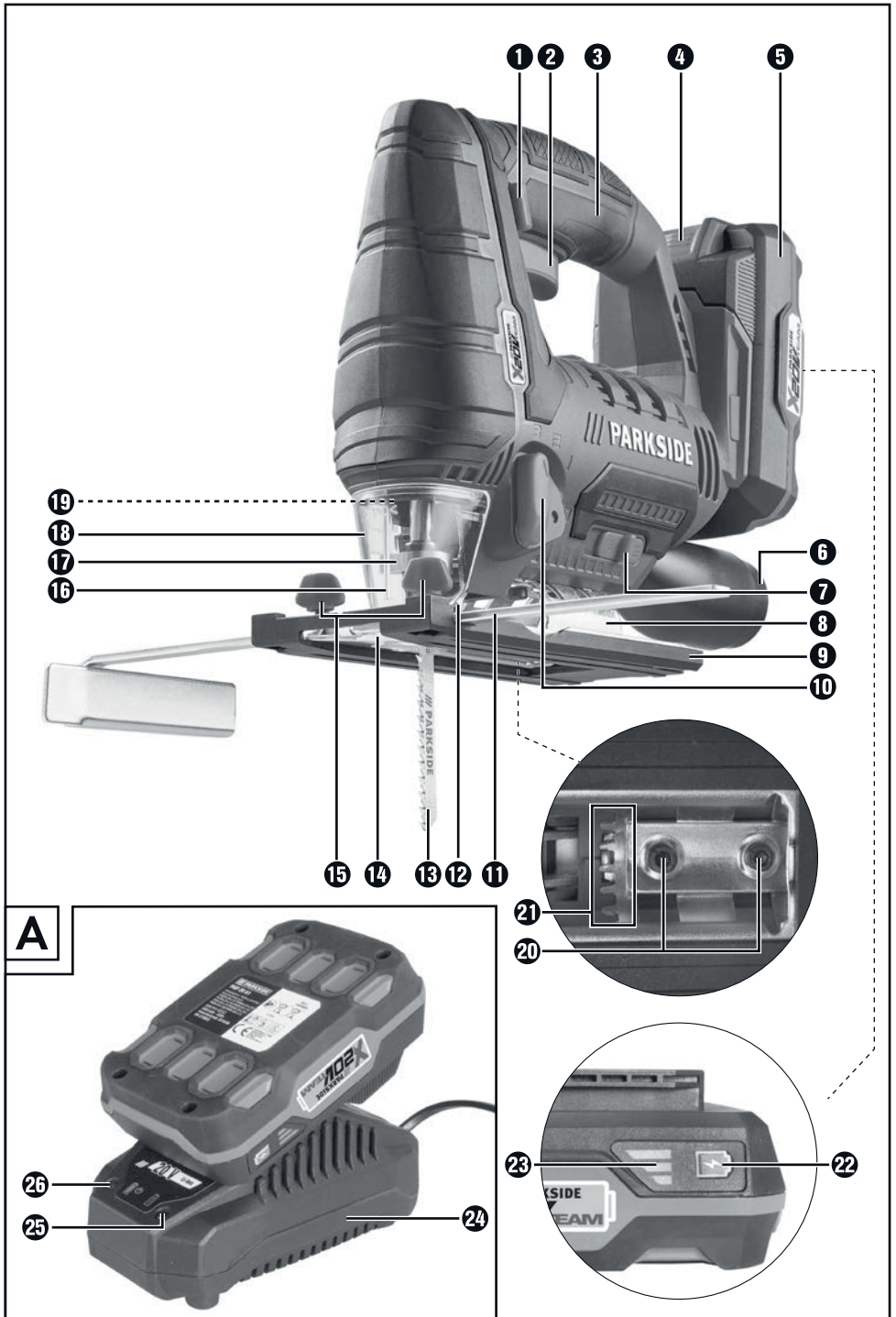
Vouw vóór het lezen de pagina met de afbeeldingen open en maak u vertrouwd met alle functies van het apparaat.

---

DE AT CH

Klappen Sie vor dem Lesen die Seite mit den Abbildungen aus und machen Sie sich anschließend mit allen Funktionen des Gerätes vertraut.

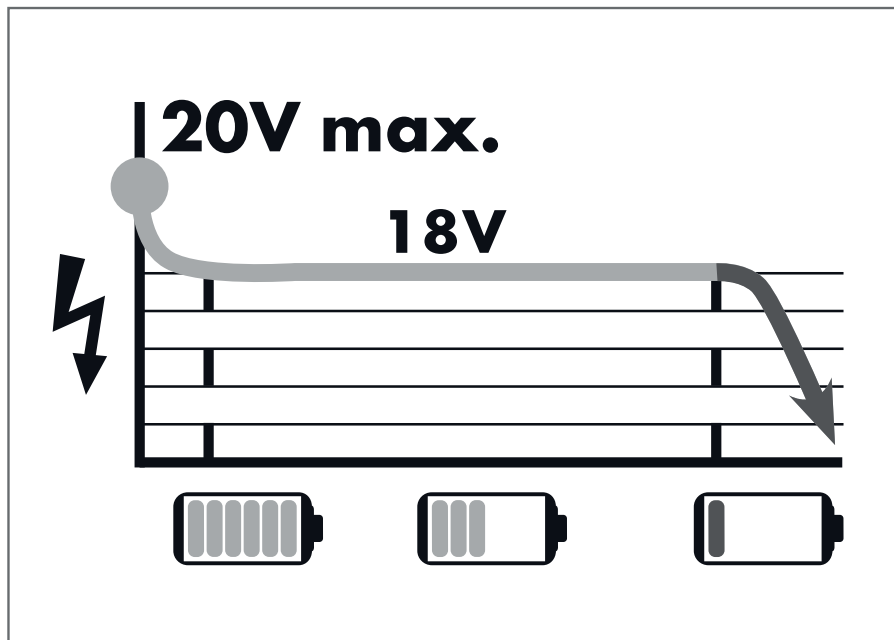
GB/IE/NI	Translation of the original instructions	Page	1
DK	Oversættelse af den originale driftsvejledning	Side	13
FR/BE	Traduction des instructions d'origine	Page	25
NL/BE	Vertaling van de originele gebruiksaanwijzing	Pagina	39
DE/AT/CH	Originalbetriebsanleitung	Seite	53





**BATTERY COMPATIBLE WITH ALL DEVICES OF THE SERIES „PARKSIDE X 20V TEAM“**

- 2 SPEED CORDLESS IMPACT DRILL PSBSA 20-Li A1
- CORDLESS HAMMER DRILL PABH 20-Li B2
- CORDLESS DRILL PABS 20-Li C3
- CORDLESS IMPACT DRIVER PDSSA 20-Li A1
- CORDLESS CIRCULAR SAW PHKSA 20-Li A1
- CORDLESS JIGSAW PSTDA 20-Li A1
- CORDLESS SABRE SAW PSSA 20-Li A1
- CORDLESS ANGLE GRINDER PWSA 20-Li A1
- CORDLESS MULTI-PURPOSE TOOL PAMFW 20-Li A1



# Contents

<b>Introduction</b> .....	<b>2</b>
Intended use .....	2
Features .....	2
Package contents .....	2
Technical data .....	2
<b>General Power Tool Safety Warnings</b> .....	<b>3</b>
1. Work area safety .....	3
2. Electrical safety .....	3
3. Personal safety .....	4
4. Power tool use and care .....	4
5. Use and handling of the cordless electrical power tool .....	5
6. Service .....	5
Appliance-specific safety instructions for jigsaws .....	5
Safety guidelines for battery chargers .....	5
Original accessories/auxiliary equipment .....	6
Information on saw blades .....	6
<b>Before use</b> .....	<b>6</b>
Charging the battery pack (see fig. A) .....	6
Attaching/disconnecting the battery pack to/from the appliance .....	7
Checking the battery charge level .....	7
<b>Initial operation</b> .....	<b>7</b>
Fitting/changing the saw blade .....	7
Fitting the blade guard .....	7
Fitting the rip fence .....	7
Connecting the sawdust extractor .....	7
Sawdust blowing function .....	7
Fitting the splinter guard .....	8
Fitting the sliding shoe .....	8
<b>Use</b> .....	<b>8</b>
Setting the cutting angle .....	8
Setting the stroke rate .....	8
Adjusting the pendulum stroke .....	8
Switching on/off .....	8
<b>Maintenance and cleaning</b> .....	<b>9</b>
<b>Kompernass Handels GmbH warranty</b> .....	<b>9</b>
<b>Service</b> .....	<b>10</b>
Importer .....	10
<b>Disposal</b> .....	<b>10</b>
<b>Translation of the original Conformity Declaration</b> .....	<b>11</b>
<b>Ordering a replacement battery</b> .....	<b>12</b>
Online ordering .....	12
Telephone ordering .....	12

## **CORDLESS JIGSAW**

### **PSTDA 20-Li A1**

#### **Introduction**

Congratulations on the purchase of your new appliance. You have chosen a high-quality product. The operating instructions are part of this product. They contain important information about safety, usage and disposal. Before using the product, please familiarise yourself with all operating and safety instructions. Use the product only as described and for the range of applications specified. Please also pass these operating instructions on to any future owner.

#### **Intended use**

This appliance is suitable for making straight and curved cuts as well as mitre cuts of up to 45° in angular workpieces made of plastic, wood or light metal. This appliance is exclusively intended for private use in dry indoor spaces. Observe the guidelines on saw blade types. Any other usage of or modification to the appliance is deemed to be improper and carries a significant risk of accidents. The manufacturer accepts no responsibility for damage(s) attributable to misuse.

#### **Features**

- ➊ Safety lock-out for ON/OFF switch
- ➋ ON/OFF switch
- ➌ Handle
- ➍ Release button for battery pack
- ➎ Battery pack
- ➏ Extraction nozzle
- ➐ Switch for sawdust blower
- ➑ Footplate
- ➒ Sliding shoe (removable)
- ➓ Pendulum stroke switch
- ➔ Rip fence
- ➕ Guide roller
- ➖ Saw blade
- ➗ Splinter guard
- ➘ Insertion openings (each incl. locking screw)
- ➙ Guard rail
- ➚ Quick-release chuck
- ➛ Blade guard
- ➜ Working light
- ➝ Clamping screws
- ➞ Tothing

- ➟ Battery charge level button
- ➠ Battery display LED
- ➡ High-speed charger
- Red charge control LED
- ➣ Green charge control LED

#### **Package contents**

- 1 cordless jigsaw incl. extraction nozzle and adaptor
- 1 high-speed battery charger
- 1 battery pack
- 1 rip fence
- 2 saw blades for woodworking
- 1 saw blade for metalworking
- 1 hex key
- 1 splinter guard
- 1 operating manual

#### **Technical data**

##### **Cordless jigsaw:**

##### **PSTDA 20-Li A1**

Rated voltage:	20 V $\text{---}$ (DC)
Rated idle stroke speed:	$n_0$ 0-2700 rpm
Stroke:	20 mm
Pendulum stroke:	3 stages and fine-cut setting
Cutting depth:	wood/aluminium/metal: 80/12/5 mm
Cuts:	0° - 15° - 30° - 45° left/right


##### **Use only the following battery to operate the cordless tool: PAP 20 A1**

Type:	LITHIUM ION
Rated voltage:	20 V $\text{---}$ (DC)
Capacity:	2.0 Ah
Cells:	5


##### **Use only the following high-speed battery charger to charge the cordless tool: PLG 20 A1**

##### **INPUT:**

Rated voltage:	230-240 V $\sim$ , 50 Hz (alternating current)
----------------	---

Rated power consumption:	65 W
Fuse (internal):	3.15 A 

##### **OUTPUT:**

Rated voltage:	21.5 V $\text{---}$ (DC)
Rated current:	2.4 A
Charging time:	approx. 60 min
Protection class:	II/  (double insulation)

**Noise emission value:**

Noise measurement value determined in accordance with EN 60745. The A-rated noise level of the power tool is typically as follows:

Sound pressure level:  $L_{PA} = 80 \text{ dB (A)}$

Uncertainty K:  $K_{PA} = 3 \text{ dB}$

Sound power level:  $L_{WA} = 91 \text{ dB (A)}$

Uncertainty K:  $K_{WA} = 3 \text{ dB}$

**Wear hearing protection!**

**Total vibration value:**

(vector total of three directions) determined in accordance with EN 60745:

Cutting boards:  $a_{h,B} = 5.9 \text{ m/s}^2$

Uncertainty K =  $1.5 \text{ m/s}^2$

Cutting sheet metal:  $a_{h,M} = 7.2 \text{ m/s}^2$

Uncertainty K =  $1.5 \text{ m/s}^2$

**NOTE**

- ▶ The vibration level specified in these instructions has been measured in accordance with the standardised measuring procedure specified in EN 60745 and can be used to make equipment comparisons. The specified vibration emission value can also be used to make an initial exposure estimate.

**⚠ WARNING!**

- ▶ The vibration level will vary according to the use of the power tool and may sometimes be higher than the value specified in these instructions. Regular use of the power tool in this way may cause the user to underestimate the vibration. Try to keep the vibration loads as low as possible. Measures to reduce the vibration load are, e.g. wearing gloves and limiting the working time. Wherein all states of operation must be included (e.g. times when the power tool is switched off and times where the power tool is switched on but running without load).



**General Power Tool Safety Warnings**

**⚠ WARNING!**

- ▶ Read all safety warnings and all instructions. Failure to follow the warnings and instructions may result in electric shock, fire and/or serious injury.

**Save all warnings and instructions for future reference.**

The term "power tool" in the warnings refers to your mains-operated (corded) power tool or battery-operated (cordless) power tool.

**1. Work area safety**

- Keep work area clean and well lit.** Cluttered or dark areas invite accidents.
- Do not operate power tools in explosive atmospheres, such as in the presence of flammable liquids, gases or dust.** Power tools create sparks which may ignite the dust or fumes.
- Keep children and bystanders away while operating a power tool.** Distractions can cause you to lose control.

**2. Electrical safety**

- Power tool plugs must match the outlet. Never modify the plug in any way. Do not use any adapter plugs with earthed (grounded) power tools.** Unmodified plugs and matching outlets will reduce risk of electric shock.
- Avoid body contact with earthed or grounded surfaces, such as pipes, radiators, ranges and refrigerators.** There is an increased risk of electric shock if your body is earthed or grounded.
- Do not expose power tools to rain or wet conditions.** Water entering a power tool will increase the risk of electric shock.

- d) Do not abuse the cord. Never use the cord for carrying, pulling or unplugging the power tool. Keep cord away from heat, oil, sharp edges or moving parts. Damaged or entangled cords increase the risk of electric shock.
- e) When operating a power tool outdoors, use an extension cord suitable for outdoor use. Use of a cord suitable for outdoor use reduces the risk of electric shock.
- f) If operating a power tool in a damp location is unavoidable, use a residual current device (RCD) protected supply. Use of an RCD reduces the risk of electric shock.

### 3. Personal safety

- a) Stay alert, watch what you are doing and use common sense when operating a power tool. Do not use a power tool while you are tired or under the influence of drugs, alcohol or medication. A moment of inattention while operating power tools may result in serious personal injury.
- b) Use personal protective equipment. Always wear eye protection. Protective equipment such as dust mask, non-skid safety shoes, hard hat, or hearing protection used for appropriate conditions will reduce personal injuries.
- c) Prevent unintentional starting. Ensure the switch is in the off-position before connecting to power source and/or battery pack, picking up or carrying the tool. Carrying power tools with your finger on the switch or energising power tools that have the switch on invites accidents.
- d) Remove any adjusting key or wrench before turning the power tool on. A wrench or a key left attached to a rotating part of the power tool may result in personal injury.
- e) Do not overreach. Keep proper footing and balance at all times. This enables better control of the power tool in unexpected situations.
- f) Dress properly. Do not wear loose clothing or jewellery. Keep your hair, clothing and gloves away from moving parts. Loose clothes, jewellery or long hair can be caught in moving parts.

- g) If devices are provided for the connection of dust extraction and collection facilities, ensure these are connected and properly used. Use of dust collection can reduce dust-related hazards.

### 4. Power tool use and care

- a) Do not force the power tool. Use the correct power tool for your application. The correct power tool will do the job better and safer at the rate for which it was designed.
- b) Do not use the power tool if the switch does not turn it on and off. Any power tool that cannot be controlled with the switch is dangerous and must be repaired.
- c) Disconnect the plug from the power source and/or the battery pack from the power tool before making any adjustments, changing accessories or storing power tools. Such preventive safety measures reduce the risk of starting the power tool accidentally.
- d) Store idle power tools out of the reach of children and do not allow persons unfamiliar with the power tool or these instructions to operate the power tool. Power tools are dangerous in the hands of untrained users.
- e) Maintain power tools. Check for misalignment or binding of moving parts, breakage of parts and any other condition that may affect the power tool's operation. If damaged, have the power tool repaired before use. Many accidents are caused by poorly maintained power tools.
- f) Keep cutting tools sharp and clean. Properly maintained cutting tools with sharp cutting edges are less likely to bind and are easier to control.
- g) Use the power tool, accessories and tool bits, etc. in accordance with these instructions, taking into account the working conditions and the work to be performed. Use of the power tool for operations different from those intended could result in a hazardous situation.



## 5. Use and handling of the cordless electrical power tool

- a) Charge a rechargeable battery unit using only the charger recommended by the manufacturer. Chargers are often designed for a particular type of rechargeable battery unit. There is the danger of fire if other types of rechargeable battery units are used.
- b) Only the rechargeable battery units supplied are to be used with an electrical power tool. The use of other rechargeable battery units may lead to the danger of injury or fire.
- c) When they are not being used, store rechargeable battery units away from paper-clips, coins, keys, nails, screws or other small metal objects that could cause the contacts to be bridged. Short-circuiting the contacts of a rechargeable battery unit may result in heat damage or fire.
- d) Fluids may leak out of rechargeable battery units if they are misused. If this happens, avoid contact with the fluid. If contact occurs, flush the affected area with water. Seek additional medical help if any of the fluid gets into your eyes. Escaping battery fluid may cause skin irritation or burns.



**CAUTION! RISK OF EXPLOSION!**  
Never charge non-rechargeable batteries!



Protect the rechargeable battery from heat, for example from continuous exposure to sunlight, fire, water and moisture. There is a risk of explosion.



## 6. Service

- a) Have your power tool serviced by a qualified repair person using only identical replacement parts. This will ensure that the safety of the power tool is maintained.

## Appliance-specific safety instructions for jigsaws

- Hold the power tool by the insulated gripping surfaces when carrying out work during which the power tool may contact hidden power cables. Contact with a live wire may electrify exposed metal parts of the power tool and could give the operator an electric shock.

## Safety guidelines for battery chargers

- This appliance may be used by children aged 8 years and above and by persons with limited physical, sensory or mental capabilities or lack of experience and knowledge, provided that they are under supervision or have been told how to use the appliance safely and are aware of the potential risks. Do not allow children to use the appliance as a toy. Cleaning and user maintenance tasks may not be carried out by children unless they are supervised.
- To avoid potential risks, damaged mains cables should be replaced by the manufacturer, their customer service department or a similarly qualified person.



The charger is suitable for indoor use only.

### **WARNING!**

- If the power cord requires replacement, this should be carried out by the manufacturer or an approved representative to avoid safety hazards.

## Original accessories/auxiliary equipment

- Use only the accessories and additional equipment that are specified in the operating instructions and are compatible with the appliance.

## Information on saw blades


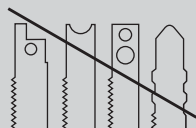
The Parkside basic equipment includes saw blades for use with wood and metal.

- 2 saw blades for general wood cutting
- 1 saw blade for light metals up to 5 mm

### NOTE

- ▶ You can use any saw blade, provided it is fitted with a suitable mounting (single-lug shank).

### Saw blade type

suitable	unsuitable
	

## Before use

### Charging the battery pack (see fig. A)

#### ⚠ CAUTION!

- ▶ Always unplug the appliance before you remove the battery pack from or connect the battery pack to the charger.

#### NOTE

- ▶ Never charge the battery pack if the ambient temperature is below 10°C or above 40°C. If a lithium-ion battery is to be stored for an extended period, the charge level should be checked regularly. The optimum charge level is between 50% and 80%. The storage climate should be cool and dry and the ambient temperature should be between 0°C and 50°C.

- ◆ Connect the battery pack **5** to the high-speed battery charger **24** (see fig. A).
- ◆ Insert the power plug into the socket. The control LED **25** lights up red.
- ◆ The green LED **26** indicates that the charging process is complete and the battery pack **5** is ready.

#### ⚠ CAUTION!

- ◆ If the red control LED **25** flashes, this means that the battery pack **5** has overheated and cannot be charged.
- ◆ If the red and green control LEDs **25** **26** both flash, this means that the battery pack **5** is broken.
- ◆ Push the battery pack **5** back into the appliance.
- Never recharge a battery pack again immediately after rapid charging. There is a risk that the battery pack will overheat and this will reduce the lifespan of the battery.
- ◆ Switch off the charger for at least 15 minutes between successive charging sessions. To do this, disconnect the power plug.

## Attaching/disconnecting the battery pack to/from the appliance

### Inserting the battery pack:

- ◆ Allow the battery pack **5** to click into place in the appliance.

### Removing the battery pack:

- ◆ Press the release button **4** and remove the battery pack.

## Checking the battery charge level

- ◆ Press the battery charge level button **22** to check the status of the battery (see also main diagram). The status will be shown on the battery display LED **23** as follows:
  - ◆ RED/ORANGE/GREEN = maximum charge
  - ◆ RED/ORANGE = medium charge
  - ◆ RED = low charge - charge the battery

## Initial operation

### Fitting/changing the saw blade

Remove the battery before carrying out any work on the power tool (e.g. maintenance, changing tools, etc.) as well as during the transport and storage of the power tool.

Unintentional activation of the ON/OFF switch can result in injury.

- ◆ Press the blade guard together **18** at the height of the outer catches and pull it off to the front.
- ◆ Turn the quick-release chuck **17** and hold it in this position.
- ◆ Push the required saw blade into the quick-release chuck **17** as far as the stop.
- ◆ Release the quick-release chuck **17** so that it returns to its initial position. The saw blade is now locked.
- **CAUTION!** The saw blade teeth must face the front (see fold-out page)!

### Fitting the blade guard

Fit the blade guard **18** before you connect the appliance to a dust extractor.

- ◆ Fit the blade guard **18** onto the appliance so that the two outer catches engage in the recesses in the housing.
- ◆ Remove the blade guard **18** for working without a dust extractor or when making mitre cuts. To do this, press the blade guard together **18** at the height of the outer catches and pull it off to the front.


### Fitting the rip fence

The rip fence **11** can be fitted on the left or right of the appliance.

- ◆ Undo both the clamping screws on the insertion openings **15**.
- ◆ Push the rip fence **11** into the insertion openings **15**.
- ◆ Retighten the two locking screws.

### Connecting the sawdust extractor

- ◆ Push the extraction nozzle **6** into the vacuum extraction duct until it is secured in place. Optional, depending on the diameter of the dust and sawdust extractor.
- ◆ Attach an approved dust and sawdust extractor to the extraction nozzle **6**.

-  Wear a dust mask.

### Supporting the extraction function:

- ◆ Press the sawdust blower switch **7** to the "O" position.

### Sawdust blowing function

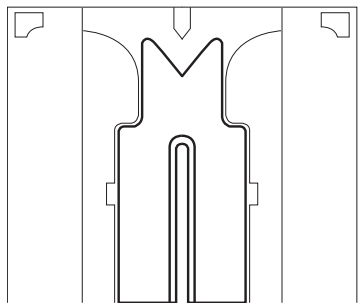
#### Switching the sawdust blowing function on:

- ◆ Press the sawdust blower switch **7** to the  position.

## Fitting the splinter guard

The splinter guard **14** can prevent the tearing up of the surface when sawing wood. The splinter guard **14** can only be used with certain sawblade types without the sliding shoe **9** and only at a cutting angle of 0°.

- ◆ Press the splinter guard **14** into the footplate **8** from below (notch facing upwards).



## Fitting the sliding shoe

When working on sensitive surfaces, you can fit the sliding shoe **9** on the baseplate **8** to prevent scratching the surface.

- ◆ Mount the sliding shoe **9** onto the front of the baseplate **8** and press it up at the back until it clicks into place on the baseplate **8**.
- ◆ To remove the sliding shoe **9**, unfasten it at the rear of the baseplate **8** and slide it off the front.

## Use

### Setting the cutting angle

- ◆ Undo the clamping screws **20** with the supplied hex key and pull the baseplate **8** to the rear.
- ◆ Adjust the cutting angle to 0°/15°/30°/45° with the aid of the markings on the baseplate **8**. Push the baseplate **8** forwards so that the locking pin engages in the toothing **21**.
- ◆ Retighten the clamping screws **20** with the hex key.

### NOTE

- ▶ When using a cutting angle of 15°/30°/45°, the blade guard **13** and the splinter guard **14** must be detached beforehand.

### Setting the stroke rate

The ON/OFF switch **2** has a variable speed control. Press the ON/OFF switch **2** lightly for a low speed. Increasing the pressure increases the speed.

### NOTE

- ▶ The integrated motor brake ensures rapid stoppage.

### Adjusting the pendulum stroke

- ◆ You can use the pendulum stroke switch **10** to adjust the pendulum movement of the saw blade **13**. You can achieve fine, clean-cut edges without pendulum movement (setting "0"). Deactivate pendulum movement when working on thin workpieces. You can achieve an increasingly fast work rate if the pendulum stroke is activated (settings 1-3).

### Switching on/off

#### Switching the appliance on:

- ◆ Push the safety lock-out **1** to the left or right and keep it pressed.
- ◆ Press the ON/OFF switch **2**.  
Once the saw is running, you can release the safety lock-out **1**. The working light **19** illuminates when the ON/OFF switch **2** is depressed lightly or completely. This provides illumination of the work area in poor lighting conditions.

#### Switching the appliance off:

Release the ON/OFF switch **2**.

## Maintenance and cleaning



**WARNING! RISK OF INJURY! Always switch the appliance off and remove the battery before carrying out any work on the appliance.**

- The appliance must always be kept clean, dry and free from oil or grease.
- Use a soft, dry cloth to clean the housing.
- If a lithium-ion battery is to be stored for an extended period, the charge level should be checked regularly. The optimum charge level is between 50% and 80%. The optimum storage environment is cool and dry.
- Clean the appliance after completing your sawing work.
- Remove any dirt (e.g. sawdust). If necessary, clean the saw blade mount with a brush or compressed air.

## Kompennass Handels GmbH warranty

Dear Customer,

This appliance has a 3-year warranty valid from the date of purchase. If this product has any faults, you, the buyer, have certain statutory rights. Your statutory rights are not restricted in any way by the warranty described below.

### Warranty conditions

The validity period of the warranty starts from the date of purchase. Please keep your original receipt in a safe place. This document will be required as proof of purchase.

If any material or production fault occurs within three years of the date of purchase of the product, we will either repair or replace the product for you at our discretion. This warranty service is dependent on you presenting the defective appliance and the proof of purchase (receipt) and a short written description of the fault and its time of occurrence.

If the defect is covered by the warranty, your product will either be repaired or replaced by us. The repair or replacement of a product does not signify the beginning of a new warranty period.

### Warranty period and statutory claims for defects

The warranty period is not prolonged by repairs effected under the warranty. This also applies to replaced and repaired components. Any damage and defects present at the time of purchase must be reported immediately after unpacking. Repairs carried out after expiry of the warranty period shall be subject to a fee.

### Scope of the warranty

This appliance has been manufactured in accordance with strict quality guidelines and inspected meticulously prior to delivery.

The warranty covers material faults or production faults. The warranty does not extend to product parts subject to normal wear and tear or fragile parts such as switches, batteries, baking moulds or parts made of glass.

The warranty does not apply if the product has been damaged, improperly used or improperly maintained. The directions in the operating instructions for the product regarding proper use of the product are to be strictly followed. Uses and actions that are discouraged in the operating instructions or which are warned against must be avoided.

This product is intended solely for private use and not for commercial purposes. The warranty shall be deemed void in cases of misuse or improper handling, use of force and modifications/repairs which have not been carried out by one of our authorised Service centres.

### Warranty claim procedure

To ensure quick processing of your case, please observe the following instructions:

- Please have the till receipt and the item number (e.g. IAN 12345) available as proof of purchase.
- You will find the item number on the type plate, an engraving on the front page of the instructions (bottom left), or as a sticker on the rear or bottom of the appliance.
- If functional or other defects occur, please contact the service department listed either by **telephone** or by **e-mail**.

- You can return a defective product to us free of charge to the service address that will be provided to you. Ensure that you enclose the proof of purchase (bill receipt) and information about what the defect is and when it occurred.



You can download these instructions along with many other manuals, product videos and software on [www.lidl-service.com](http://www.lidl-service.com).

## Service

### **⚠ WARNING!**

- ▶ Have the power tool repaired by the service centre or a qualified electrician and only using **genuine replacement parts**. This will ensure that the safety of the appliance is maintained.
- ▶ Always ensure that the **power plug or the mains cable is replaced only by the manufacturer of the appliance or by an approved customer service provider**. This will ensure that the safety of the appliance is maintained.

#### **GB Service Great Britain**

Tel.: 0871 5000 720 (£ 0.10/Min.)

E-Mail: [kompernass@lidl.co.uk](mailto:kompernass@lidl.co.uk)

#### **IE Service Ireland**

Tel.: 1890 930 034

(0,08 EUR/Min., (peak))

(0,06 EUR/Min., (off peak))

E-Mail: [kompernass@lidl.ie](mailto:kompernass@lidl.ie)

IAN 279504

## Importer

Please note that the following address is not the service address. Please contact the service address provided.

KOMPERNASS HANDELS GMBH

BURGSTRASSE 21

44867 BOCHUM

GERMANY

[www.kompernass.com](http://www.kompernass.com)

## Disposal



The packaging is made from environmentally friendly material and can be disposed of at your local recycling plant.



**Do not dispose of power tools in your normal household waste!**

European Directive 2012/19/EU requires that worn-out power tools be collected separately and recycled in an environmentally compatible manner.



**Do not dispose of batteries in your normal household waste!**

Defective or worn-out rechargeable batteries must be recycled according to Directive 2006/66/EC. Take the battery pack and/or appliance to a nearby collection facility.

Please consult your local authorities regarding suitable disposal of worn out power tools/battery packs.

## Translation of the original Conformity Declaration

We, KOMPERNASS HANDELS GMBH, document officer: Mr. Semi Uguzlu, BURGSTR. 21, 44867 BOCHUM, GERMANY, hereby declare that this product complies with the following standards, normative documents and EC directives:

### **Machinery Directive**

**(2006/42/EC)**

### **EC Low Voltage Directive**

**(2014/35/EU)**

### **EMC (Electromagnetic Compatibility)**

**(2014/30/EU)**

### **RoHS Directive**

**(2011/65/EU)\***

\*The manufacturer bears the full responsibility for compliance with this conformity declaration. The object of the declaration described above complies with the requirements of the Directive 2011/65/EU of the European Parliament and Council of 8 June 2011 on the limitations of use of certain dangerous substances in electrical and electronic appliances.

### **Applied harmonised standards:**

EN 60745-1: 2009 / A11: 2010

EN 60745-2-11: 2010

EN 62233: 2008

EN 55014-1: 2006 / A2: 2011

EN 55014-2: 2015

EN 60335-1: 2012 / A11: 2014

EN 60335-2-29: 2004 / A2:2010

EN 61000-3-2: 2014

EN 61000-3-3: 2013

### **Type designation of machine:**

Cordless jigsaw PSTDA 20-Li A1

**Year of manufacture: 10-2016**

**Serial number: IAN 279504**

Bochum, 30/09/2016



Semi Uguzlu

- Quality Manager -

We reserve the right to make technical changes in the context of further product development.

## Ordering a replacement battery

If you want to order a replacement battery for your appliance, you can do so easily via the Internet on [www.kompennass.com](http://www.kompennass.com) or by telephone.

The price of the replacement battery is €20, including VAT and shipping. Due to limited stocks, this item may sell out in a relatively short time.



### Online ordering

To order a replacement battery from the Accessories Shop:

- Use your Internet browser to visit [www.kompennass.com](http://www.kompennass.com).
- Click on the corresponding flag on the right hand side at the bottom of the page to select the desired country and language.
- Click on the tab "Accessory Shop" and then select the appropriate replacement battery under the heading "Topseller".
- After you have placed the rechargeable battery in the shopping basket, click the "Checkout" button and follow the on-screen instructions to complete the ordering process.

#### NOTE

- ▶ Online ordering of replacement parts is not possible in all countries. In this case, please contact the Service hotline.
- The promotion is limited to one battery per customer/appliance and also to a timeline of two months after the promotion period. Thereafter, the replacement battery can be ordered as a replacement part under other conditions.

### Telephone ordering

#### **GB** Service Great Britain

Tel.: 0871 5000 720 (£ 0.10/Min.)

E-Mail: [kompennass@lidl.co.uk](mailto:kompennass@lidl.co.uk)

#### **IE** Service Ireland

Tel.: 1890 930 034 (0,08 EUR/Min., (peak))

(0,06 EUR/Min., (off peak))

E-Mail: [kompennass@lidl.ie](mailto:kompennass@lidl.ie)

To ensure that your order is processed swiftly, have the article number of your appliance to hand (e.g. IAN 279504) in case of questions. The article number can be found on the type plate or the title page of these instructions.



# Indholdsfortegnelse

<b>Indledning</b> .....	<b>14</b>
Anvendelsesområde .....	14
Udstyr .....	14
Pakkens indhold .....	14
Tekniske data .....	14
<b>Generelle sikkerhedsanvisninger til elværktøjer</b> .....	<b>15</b>
1. Sikkerhed på arbejdspladsen .....	15
2. Elektrisk sikkerhed .....	15
3. Personsikkerhed .....	16
4. Anvendelse og behandling af elværktøjet .....	16
5. Anvendelse og behandling af det genopladelige værktøj .....	17
6. Service .....	17
Specielle sikkerhedsanvisninger for stiksave .....	17
Sikkerhedsanvisninger for opladere .....	17
Originalt tilbehør / originalt ekstraudstyr .....	17
Oplysninger om savklinger .....	17
<b>Før første brug</b> .....	<b>18</b>
Opladning af batteripakke (se fig. A) .....	18
Indsætning / udtagning af den genopladelige batteripakke .....	18
Kontrol af det genopladelige batteris tilstand .....	18
<b>Første brug</b> .....	<b>18</b>
Montering/udsiftning af savklinge .....	18
Montering af beskyttelsesafdækning .....	19
Montering af parallelanslag .....	19
Tilslutning af spånudsugning .....	19
Spånblæsefunktion .....	19
Montering af spånbeskytter .....	19
Montering af glidesko .....	19
<b>Betjening</b> .....	<b>20</b>
Indstilling af snitvinkel .....	20
Indstilling af slagfrekvens .....	20
Indstilling af pendulslag .....	20
Sådan tændes / slukkes produktet .....	20
<b>Vedligeholdelse og rengøring</b> .....	<b>20</b>
<b>Garanti for Kompernass Handels GmbH</b> .....	<b>20</b>
<b>Service</b> .....	<b>22</b>
Importør .....	22
<b>Bortskaffelse</b> .....	<b>22</b>
<b>Oversættelse af den originale overensstemmelseserklæring</b> .....	<b>23</b>
<b>Bestilling af genopladeligt reservebatteri</b> .....	<b>24</b>
Online-bestilling .....	24
Telefonisk bestilling .....	24

## BATTERIDREVEN PENDULSTIKSAV PSTDA 20-Li A1 Indledning

Tillykke med købet af dit nye produkt. Du har valgt et produkt af høj kvalitet. Betjeningsvejledningen er en del af dette produkt. Den indeholder vigtige informationer om sikkerhed, anvendelse og bortskaffelse. Du bør sætte dig ind i alle produktets betjenings- og sikkerhedsanvisninger før brug. Brug kun produktet som beskrevet og kun til de angivne anvendelsesområder. Lad vejledningen følge med produktet, hvis du giver det videre til andre.

### Anvendelsesområde

Produktet er beregnet til lige og kurvede snit samt geringsnits på op til 45° på kantede emner i plast, træ og letmetal. Produktet er udelukkende beregnet til privat brug i tørre rum. Vær opmærksom på anvisningerne vedrørende savklingetyper. Enhver anden anvendelse eller ændring af produktet anses for at være uden for anvendelsesområdet og indebærer betydelige farer for uheld. Producenten påtager sig intet ansvar for skader, der opstår som følge af anvendelse uden for anvendelsesområdet.

### Udstyr

- 1 Startspærre for tænd-/sluk-knap
- 2 Tænd-/sluk-knap
- 3 Greb
- 4 Knap til frigørelse af batteripakke
- 5 Genopladelig batteripakke
- 6 Udsugningsstuds
- 7 Knap til spånblæseanordning
- 8 Bundplade
- 9 Glidesko (aftagelig)
- 10 Pendulslagsknap
- 11 Parallelslag
- 12 Føringsrulle
- 13 Savklinge
- 14 Spånbeskytter
- 15 Indføringsåbninger (inkl. stopskruer)
- 16 Beskyttelsesbøjle
- 17 Hurtigskiftepatron
- 18 Beskyttelsesafdækning
- 19 Arbejdslys
- 20 Klemskruer
- 21 Fortanding
- 22 Knap til kontrol af batteriets tilstand

- 23 Display-LED for genopladeligt batteri
- 24 Hurtigoplader
- 25 Rød LED til kontrol af opladning
- 26 Grøn LED til kontrol af opladning

### Pakkens indhold

- 1 batteridreven pendulstiksav inkl. udsugningsstuds og adaptere
- 1 hurtigladeapparat til genopladelige batterier
- 1 pakke genopladelige batterier
- 1 parallelslag
- 2 savklinger til træforarbejdning
- 1 savklinge til metalforarbejdning
- 1 sekskantnøgle
- 1 spånbeskytter
- 1 betjeningsvejledning

### Tekniske data

#### Batteridreven pendulstiksav:

##### PSTDA 20-Li A1

Mærkespænding:	20 V $\equiv$ (jævnstrøm)
Tomgangsslagsfrekvens:	$n_0$ 0 - 2700 min <sup>-1</sup>
Slaglængde:	20 mm
Pendulslag:	3 trin og indstilling af finsnit
Skæredybde:	Træ/aluminium/metal: 80/12/5 mm
Snitvinkel:	0° - 15° - 30° - 45° mod venstre/højre

#### Brug kun følgende genopladelige batteri til drift af værktøjet: PAP 20 A1

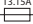
Type:	LITHIUM-ION
Mærkespænding:	20 V $\equiv$ (jævnstrøm)
Kapacitet:	2,0 Ah
Celler:	5

#### Brug kun følgende oplader til opladning af værktøjets genopladelige batteri: PLG 20 A1

##### INDGANG / input:

Mærkespænding:	230 - 240 V $\sim$ , 50 Hz (vekselstrøm)
----------------	---

Nominelt effektforbrug: 65 W

Sikring (intern): 3,15 A 

##### UDGANG / output:

Mærkespænding:	21,5 V $\equiv$ (jævnstrøm)
Mærkestrøm:	2,4 A
Opladningstid:	ca. 60 min
Beskyttelsesklasse:	II/III (dobbeltisolering)

### Støjemissionsværdi:

Måleværdi for støj beregnet iht. EN ISO 60745.  
Det A-vægtede støjniveau for elværktøjet er typisk som følger:

Lydrykniveau:  $L_{PA} = 80 \text{ dB (A)}$

Usikkerhed K:  $K_{PA} = 3 \text{ dB}$

Lydeffektniveau:  $L_{WA} = 91 \text{ dB (A)}$

Usikkerhed K:  $K_{WA} = 3 \text{ dB}$

### Bær høreværn!

### Samlede vibrationsværdier:

(vektorsum i tre retninger) beregnet iht. EN 60745:

Savning af spånplader:  $a_{h,B} = 5,9 \text{ m/s}^2$

Usikkerhed K = 1,5 m/s<sup>2</sup>

Savning af metalplader:  $a_{h,M} = 7,2 \text{ m/s}^2$

Usikkerhed K = 1,5 m/s<sup>2</sup>

### BEMÆRK

- ▶ Vibrationsniveauet, som er angivet i disse anvisninger, er målt med en målemetode, der er standardiseret efter EN 60745, og som kan anvendes til sammenligning af elværktøjer. Den angivne vibrationsemissionsværdi kan også anvendes til en indledende vurdering af faren ved vibrationsniveauet.

### ⚠ ADVARSEL!

- ▶ Vibrationsniveauet ændrer sig afhængigt af elværktøjets anvendelse og kan i mange tilfælde ligge over værdien, der er angivet i disse anvisninger. Vibrationsbelastningen kan undervurderes, hvis elværktøjet jævnligt anvendes på denne måde. Prøv at holde belastningen forårsaget af vibrationer så lav som muligt. Vibrationsbelastningen kan f.eks. reduceres ved brug af handsker under anvendelse af værktøjet samt ved nedsættelse af den tid, værktøjet bruges. Her skal der tages hensyn til hele driftscyklussen (f.eks. perioder, hvor elværktøjet er slukket, og perioder, hvor det er tændt, men kører uden belastning).



## Generelle sikkerhedsanvisninger til elværktøjer

### ⚠ ADVARSEL!

- ▶ Læs alle sikkerhedsanvisninger og -instruktioner. Hvis de angivne sikkerhedsanvisninger og -instruktioner ikke overholdes, kan det medføre elektrisk stød, brand og/eller alvorlige kvæstelser.

### Opbevar sikkerhedsanvisningerne og -instruktionerne til senere brug.

Begrebet "elværktøj", der anvendes i sikkerhedsanvisningerne, henviser både til elværktøj, der anvendes med ledning til lysnettet, og batteridrevet elværktøj (uden strømledning).

## 1. Sikkerhed på arbejdspladsen

- Hold arbejdspladsen ren og godt oplyst. Rod og dårligt oplyste arbejdspladser kan medføre uheld.
- Arbejd aldrig med elværktøj i eksplosionsfarlige omgivelser, hvor der befinder sig brændbare væsker, gasser eller støv. Elværktøj danner gnister, som kan antænde støvet eller dampene.
- Hold børn og andre personer på afstand, når elværktøjet bruges. Hvis du bliver distraheret, kan du miste kontrollen over produktet.

## 2. Elektrisk sikkerhed

- Elværktøjets tilslutningsstik skal passe til stikkontakten. Stikket må ikke ændres på nogen måde. Der må ikke bruges adapterstik sammen med beskyttelsesjordet elværktøj. Uændrede stik og de rigtige stikkontakter reducerer risikoen for elektrisk stød.
- Undgå kropskontakt med jordforbundne overflader som f.eks. rør, radiatorer, komfurer og køleskabe. Der er øget risiko for elektrisk stød, hvis din krop har jordforbindelse.
- Hold elværktøjet væk fra regn og fugt. Hvis der trænger vand ind i elværktøjet, øges risikoen for elektrisk stød.

- d) Brug ikke ledningen til noget, den ikke er beregnet til, f.eks. til at bære eller hænge værktøjet op i eller til at trække stikket ud af stikkontakten. Hold ledningen på afstand af varme, olie, skarpe kanter eller produktets bevægelige dele. Beskadigede eller sammenfildrede ledninger øger risikoen for elektrisk stød.
- e) Hvis du anvender elværktøj udendørs, skal der bruges en forlængerledning, som er godkendt til brug udendørs. Når du anvender en forlængerledning, der er beregnet til udendørs brug, reduceres risikoen for elektrisk stød.
- f) Hvis det ikke er muligt at undgå at bruge elværktøjet i fugtige omgivelser, skal der installeres en fejlstrømsafbryder. Installation af en fejlstrømsafbryder reducerer risikoen for elektrisk stød.

### 3. Personssikkerhed

- a) Vær altid opmærksom og bevidst om, hvad du laver, og arbejd fornuftigt med elværktøjet. Brug ikke elværktøjet, hvis du er ukoncentreret eller påvirket af narkotika, alkohol eller medicin. Selv et øjebliks uopmærksomhed ved brug af elværktøjet kan medføre alvorlige kvæstelser.
- b) Brug personligt beskyttelsesudstyr, og bær altid beskyttelsesbriller. Når du bruger personligt beskyttelsesudstyr som f.eks. støvmaske, skridsikre sikkerhedssko, beskytteshandsker, sikkerhedshjelm og høreværn afhængigt af elværktøjets type og anvendelse, reduceres risikoen for kvæstelser.
- c) Undgå uønsket igangsætning. Kontrollér, at elværktøjet er slukket, før du forbinder det med elforsyningen og/eller tilslutter batteriet, tager elværktøjet op eller bærer det. Hvis du har en finger på kontakten, eller hvis elværktøjet er tændt, mens du bærer det, kan der opstå uheld.
- d) Fjern indstillingsværktøj eller skruenøgler, før du tænder for elværktøjet. Hvis der sidder et værktøj eller en skruenøgle på en roterende del af elværktøjet, kan det medføre personskader.
- e) Undgå unormale kropstillinger. Sørg for, at du står sikkert, og hold altid balancen. Derved kan du bedre kontrollere elværktøjet i uventede situationer.
- f) Bær velegnet påklædning. Bær ikke løstsiddende tøj eller smykker. Hold hår, tøj og handsker på afstand af dele, der bevæger sig. Løst tøj, smykker eller hår kan gribes fat af dele, der bevæger sig.
- g) Hvis der monteres opsugnings- og opsamlingsanordninger, skal disse tilsluttes og anvendes korrekt. Anvendelse af denne type anordninger nedsætter støvrisikoen.

### 4. Anvendelse og behandling af elværktøjet

- a) Overbelast ikke elværktøjet. Brug et elværktøj, der er egnet til arbejdet. Du arbejder bedre og mere sikkert i det angivne effektområde, hvis du bruger det rigtige elværktøj.
- b) Brug ikke elværktøj med defekt kontakt. Elværktøj, som ikke længere kan tændes og slukkes, er farligt og skal repareres.
- c) Tag stikket ud af stikkontakten, og/eller fjern batteriet, før du foretager indstillinger på værktøjet eller tilbehørsdelene eller lægger værktøjet fra dig. Disse forholdsregler forhindrer, at elværktøjet starter ved en fejl.
- d) Opbevar elværktøj uden for børns rækkevidde, når værktøjet ikke anvendes. Personer, som ikke kender produktet, eller som ikke har læst disse anvisninger, må ikke bruge produktet. Elværktøj er farligt, hvis det anvendes af uerfarne personer.
- e) Vedligehold elværktøjet omhyggeligt. Kontrollér, om bevægelige dele fungerer, som de skal og ikke sætter sig fast, om dele er defekte eller så beskadigede, at elværktøjets funktion er påvirket. Få beskadigede dele repareret, inden du bruger produktet. Mange uheld skyldes dårligt vedligeholdt elværktøj.
- f) Hold skærende værktøjer skarpe og rene. Omhyggeligt vedligeholdt værktøj med skarpe skær sætter sig ikke så ofte fast og er lettere at styre.
- g) Brug elværktøj, tilhører, udskiftelige dele osv. iht. disse anvisninger. Tag hensyn til arbejdsbetingelserne og det arbejde, der skal udføres. Anvendelse af elværktøj til andet end de til tænkte anvendelsesområder kan føre til farlige situationer.

## 5. Anvendelse og behandling af det genopladelige værktøj

- Oplad kun batterierne i opladere, som producenten har anbefalet. Hvis der bruges andre batterier til opladeren, end dem opladeren er beregnet til, er der fare for brand.
- Brug kun batterier, der er beregnet til elværktøj. Anvendelse af andre batterier kan medføre personskader og brandfare.
- Når batteriet ikke benyttes, skal det holdes borte fra kontorclips, mønter, nøgler, søm, skruer eller andre små metalgenstande, som kan forårsage en kortslutning mellem kontakterne. En kortslutning mellem batteriets kontakter kan medføre forbrændinger og brand.
- Ved forkert anvendelse kan der løbe væske ud af batteriet. Undgå kontakt med denne væske. Skyl efter med vand, hvis du alligevel kommer i kontakt med væsken. Hvis væsken kommer i øjnene, skal du søge læge. Batterivæske, der løber ud, kan medføre hudirritationer eller forbrændinger.



### FORSIGTIG! EKSPLOSIONSFARE!

Oplad aldrig batterier, der ikke er beregnet til det.



Beskyt batteriet mod varme på grund af f.eks. vedvarende solstråler, ild, vand og fugt. Fare for eksplosion.



## 6. Service

- Lad kun en kvalificeret reparatør reparere dit elværktøj og kun med originale reservedele. Derved garanteres det, at elværktøjets sikkerhed bevares.

### Specielle sikkerhedsanvisninger for stiksav

- Hold fast i elværktøjet på de isolerede grebflader, når du udfører et arbejde, hvor elværktøjet kan ramme skjulte ledninger. Kontakt med en spændingsførende ledning kan også sætte produktdele af metal under spænding og medføre elektrisk stød.

## Sikkerhedsanvisninger for opladere

- Dette produkt kan bruges af børn fra 8 år og derover og af personer med nedsatte fysiske, motoriske eller mentale evner eller manglende erfaring og/eller viden, hvis de er under opsyn eller undervises i sikker brug af produktet og de farer, der kan være forbundet med det. Børn må ikke lege med produktet. Rengøring og brugervedligeholdelse må ikke udføres af børn uden opsyn.
- Hvis dette produkts tilslutningsledning beskadiges, skal den udskiftes af producenten eller dennes kundeservice eller af en person med tilsvarende kvalifikationer, så farlige situationer undgås.



Opladeren er kun beregnet til indendørs brug.



### ADVARSEL!

- Hvis det bliver nødvendigt at udskifte tilslutningsledningen, skal dette udføres af producenten eller dennes repræsentant for at undgå sikkerhedsmæssige farer.

## Originalt tilbehør / originalt ekstraudstyr

- Brug kun tilbehør og ekstraudstyr, som er angivet i betjeningsvejledningen, eller hvis monteringen er kompatibel med elværktøjet.

## Oplysninger om savklinger

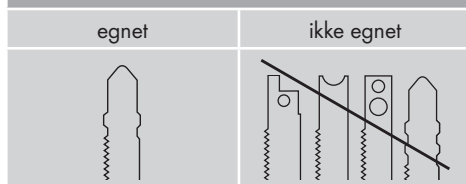
Parkside-basisudstyret indeholder savklinger til anvendelse fortrinsvist i træ og metal.

- 2 savklinger til almindelige træsnit
- 1 savklinge til letmetal op til 5 mm

## BEMÆRK

- ▶ Du kan også bruge andre savklinger, hvis de har det rigtige skaft (skaft med en knast).

## Savklingetype



## Før første brug

### Opladning af batteripakke (se fig. A)

#### ⚠ FORSIGTIG!

- ▶ Træk altid strømstikket ud, før du tager den genopladelige batteripakke ud af opladeren eller sætter den ind.

## BEMÆRK

- ▶ Oplad aldrig den genopladelige batteripakke, hvis den omgivende temperatur er under 10 °C eller over 40 °C. Hvis lithium-ion-batteriet skal opbevares i længere tid, skal dets opladningstilstand kontrolleres regelmæssigt. Den optimale opladningstilstand er mellem 50 % og 80 %. Opbevaringsforholdene skal være kølige og tørre med en omgivende temperatur mellem 0 °C og 50 °C.

- ◆ Sæt batteripakken 5 ind i hurtigopladeren 24 (se fig. A).
- ◆ Sæt strømstikket i stikkontakten. Kontrol-LED 25 lyser rødt.
- ◆ Den grønne kontrol-LED 25 viser, at opladningen er afsluttet, og at batteripakken 5 kan anvendes.

#### ⚠ OBS!

- ◆ Hvis den røde kontrol-LED 25 blinker, er batteripakken 5 overophedet og kan ikke oplades.
- ◆ Hvis den røde og grønne kontrol-LED 25 26 blinker samtidig, er batteripakken 5 defekt.

- ◆ Sæt batteripakken 5 ind i produktet.
- Oplad aldrig den genopladelige batteripakke én gang til lige efter hurtigopladningen. Der er fare for, at den genopladelige batteripakke bliver overophedet, og at det genopladelige batteris levetid reduceres.
- ◆ Sluk opladeren i mindst 15 minutter mellem opladninger, der foretages lige efter hinanden. Det gøres ved at trække stikket ud.

## Indsætning / udtagning af den genopladelige batteripakke

### Indsætning af batteripakken:

- ◆ Lad den genopladelige batteripakke 5 gå i indgreb i produktet.

### Udtagning af batteripakken:

- ◆ Tryk på knappen til frigørelse 4, og tag batteripakken ud.

## Kontrol af det genopladelige batteris tilstand

- ◆ Tryk på knappen batteritilstand for at kontrollere tilstanden 22 (se endvidere hovedbilledet). Tilstanden vises på følgende måde med display-LED'en for det genopladelige batteri 23:
  - ◆ RØD / ORANGE / GRØN = maksimal opladning
  - ◆ RØD / ORANGE = mellem-opladning
  - ◆ RØD = svag opladning - oplad batteriet

## Første brug

### Montering/udskiftning af savklinge

Tag det genopladelige batteri ud af elværktøjet, før der arbejdes på det (f.eks. vedligeholdelse, værktøjsskift osv.) samt ved transport og opbevaring af det.

Hvis tænd-/slukknappen aktiveres ved en fejltagelse, er der fare for tilskadecomst.

- ◆ Tryk beskyttelsesafdækningen 18 sammen på højde med de udvendige holdere, og tag den af forfra.
- ◆ Drej hurtigskiftepatronen 17 og hold den drejet.
- ◆ Sæt savklingen ind i hurtigskiftepatronen indtil anslag 17.

- ◆ Slip hurtigskiftepatronen **17** - den skal gå tilbage til udgangspositionen. Nu er savklingen låst fast.
- OBS! Savbladets tænder skal vende fremad (se klap-ud-siden)!

### Montering af beskyttelsesafdækning

Montér beskyttelsesafdækningen **18**, før produktet sluttes til en støvudsugning.

- ◆ Sæt beskyttelsesafdækningen **18** på produktet, så de to yderste holdere går i indgreb i udskæringerne på huset.
- ◆ Tag beskyttelsesafdækningen **18** af ved arbejde uden støvudsugning samt til geringsssnit. Tryk beskyttelsesafdækningen **18** sammen på højde med de udvendige holdere, og tag den af forfra.


### Montering af parallelanslag

Parallelanslaget **11** kan fastgøres på venstre eller højre side af produktet.

- ◆ Løsn begge stopskruer på indføringsåbningerne **15**.
- ◆ Sæt parallelanslaget **11** ind i indføringsåbningerne **15**.
- ◆ Skru stopskruerne fast igen.

### Tilslutning af spånudsugning

- ◆ Stik udsugningsstudsens **6** ind i udsugningskanalen, indtil den er klemt fast. Afhængigt af støv- og spånudsugningens diameter.
- ◆ Tilslut en godkendt støv- og spånudsugning til udsugningsstudsens **6**.

-  Brug en støvmaske.

### Forbedret udsugningsfunktion:

- ◆ Stil knappen til spånblæsefunktionen **7** på position "O".

### Spånblæsefunktion

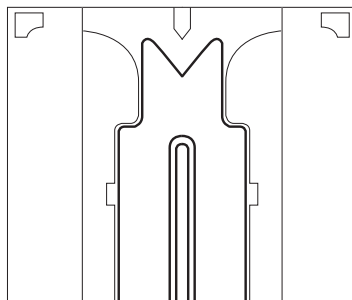
#### Start spånblæsefunktionen:

- ◆ Stil knappen til spånblæsefunktionen **7** på position .

### Montering af spånbeskytter

Spånbeskytteren **14** kan forhindre, at overfladen rives op ved savning af træ. Spånbeskytteren **14** kan kun anvendes ved bestemte savklingetyper uden glidesko **9** og kun ved en snitvinkel på 0°.

- ◆ Pres spånbeskytteren **14** ind i bundpladen **8** fra neden (udskæring opad).



### Montering af glidesko

Ved bearbejdning af følsomme overflader kan du sætte glideskoen **9** på bundpladen **8**, så overfladen ikke ridses.

- ◆ Sæt glideskoen **9** foran på bundpladen **8**, og pres den op bagtil, indtil den går i indgreb på bundpladen **8**.
- ◆ For at fjerne glideskoen **9** skal du løsne den på den bageste del af bundpladen **8** og tage den af forfra.

## Betjening

### Indstilling af snitvinkel

- ◆ Løsn klemskrue(rne) 20 med den medfølgende sekskantnøgle, og træk bundpladen 8 bagud.
- ◆ Indstil snitvinklen 0°/15°/30°/45° ved hjælp af markeringerne på bundpladen 8. Skub bundpladen 8 frem, så låsestiften klikker fast i fortandingen 21.
- ◆ Spænd klemskrue(rne) 20 med unbrakonøglen.

#### BEMÆRK

- ▶ Ved en snitvinkel på 15°/30°/45° skal beskyttelsesafdækningen 18 og spånbeskytteren 14 først tages af.

### Indstilling af slagfrekvens

TÆND-/SLUK-knappen 2 har en variabel hastighedsregulering. Et let tryk på TÆND-/SLUK-knappen 2 giver et lavt omdrejningstal. Hver gang du trykker, forhøjes omdrejningstallet.

#### BEMÆRK

- ▶ Den integrerede motorbremse giver hurtig stilstand.

### Indstilling af pendulslag

- ◆ Du kan indstille savklings 16 pendulbevægelser med pendulslagsknappen 10. Uden pendulbevægelse (position "0") får du fine og perfekte snitkanter. Slå pendulslaget fra ved tynde arbejdsemner. Med aktiveret pendulslag (position 1-3) kan du arbejde hurtigere og hurtigere.

### Sådan tændes / slukkes produktet

#### Sådan tændes produktet:

- ◆ Tryk startspærren 1 til venstre eller højre, og hold den nede.
- ◆ Aktiver TÆND-/SLUK-knappen 2. Når maskinen er startet, kan du slippe startspærren 1 igen. Arbejdslyset 19 lyser, når TÆND-/SLUK-knappen 2 trykkes en smule eller helt ned. Den gør det muligt at oplyse arbejdsområdet ved uhensigtsmæssige lysforhold.

#### Sådan slukkes produktet:

Slip TÆND-/SLUK-knappen 2 igen.

## Vedligeholdelse og rengøring



**ADVARSEL! FARE FOR KVÆSTELSER!**  
Sluk altid produktet før arbejdet, og tag batteriet ud.

- Produktet skal altid være rent, tørt og uden olie eller smørefedt.
- Brug en tør klud til rengøring af huset.
- Hvis det genopladelige lithium-ion-batteri skal opbevares i længere tid, skal dets opladningstilstand kontrolleres regelmæssigt. Den optimale opladningstilstand er mellem 50 % og 80 %. Det optimale opbevaringsklima er køligt og tørt.
- Rengør produktet lige efter, at savearbejdet er afsluttet.
- Fjern snavs (f.eks. savspåner). Rengør savklingskøftet med en pensel eller ved at blæse det rent med trykluft.

## Garanti for

### Kompernass Handels GmbH

Kære kunde

På dette produkt får du 3 års garanti fra købsdatoen. I tilfælde af mangler ved produktet har du en række juridiske rettigheder i forhold til sælgeren af produktet. Dine juridiske rettigheder forringes ikke af den nedenfor anførte garanti.

#### Garantibetingelser

Garantiperioden begynder på købsdatoen. Opbevar venligst din originale kvittering et sikkert sted. Dette dokument er nødvendigt for at kunne dokumentere købet.

Hvis der inden for tre år fra købsdatoen for dette produkt opstår en materiale- eller fabrikationsfejl, vil produktet – efter vores valg – blive repareret eller ombyttet gratis for dig. Denne garantiydelse forudsætter, at det defekte produkt og købsbeviset (kvittering) afleveres inden for tre-års-fristen, og der gives en kort skriftlig beskrivelse af, hvori manglen består, og hvornår den er opstået.

Hvis defekten er dækket af vores garanti, får du et repareret eller et nyt produkt retur. Reparation eller ombytning af produktet udløser ikke en ny garantiperiode.



## Garantiperiode og juridiske mangelkrav

Garantiperioden forlænges ikke, hvis der gøres brug af garantien. Det gælder også for udskiftede og reparerede dele. Skader og mangler, som eventuelt allerede fandtes ved køb, samt manglende dele, skal anmeldes straks efter udpakningen. Når garantiperioden er udløbet, er reparation af skader betalingspligtig.

## Garantiens omfang

Produktet er produceret omhyggeligt efter strenge kvalitetsretningslinjer og testet grundigt inden levering.

Garantien dækker materiale- og fabrikationsfejl. Denne garanti omfatter ikke produktdele, der er udsat for normal slidage, og derfor kan betragtes som sliddele, eller for skader på skrøbelige dele, som f.eks. kontakter, batterier, bageforme eller dele som er lavet af glas.

Denne garanti bortfalder, hvis produktet er blevet beskadiget, ikke er forskriftsmæssigt anvendt eller vedligeholdt. For at sikre forskriftsmæssig anvendelse af produktet skal alle anvisninger nævnt i betjeningsvejledningen nøje overholdes. Anvendelsesformål og handlinger, som frarådes eller der advares imod i betjeningsvejledningen, skal ubetinget undgås.

Produktet er kun beregnet til privat og ikke til kommercielt brug. Ved misbrug og uhensigtsmæssig brug, anvendelse af vold og ved indgreb, som ikke er foretaget af vores autoriserede serviceafdeling, bortfalder garantien.

## Afvikling af garantisager

For at sikre en hurtig behandling af din anmeldelse bør du følge nedenstående anvisninger:

- Ved alle forespørgsler bedes du have kvitteringen og artikelnummeret (f.eks. IAN 12345) klar som dokumentation for købet.
- Artikelnummeret kan du finde på typeskiltet, som indgravering, på vejledningens forside (nederst til venstre) eller som et klæbemærke på bag- eller undersiden.
- Hvis der opstår funktionsfejl eller øvrige mangler, bedes du først kontakte nedennævnte serviceafdeling **telefonisk** eller **via e-mail**.
- Et produkt, der er registreret som defekt, kan du derefter indsende portofrit til den oplyste serviceadresse med vedlæggelse af købsbevis (kvittering) og en beskrivelse af, hvori manglen består, og hvornår den er opstået.



På [www.lidl-service.com](http://www.lidl-service.com) kan du downloade denne og mange andre håndbøger, produktvideoer og software.

## Service

### ADVARSEL!

- ▶ Få produktet repareret hos et serviceværksted eller af en elektriker og kun med originale reservedele. Derved garanteres det, at produktets sikkerhed bevares.
- ▶ Lad altid produktets producent eller dennes kundeservice udskifte stikket eller ledningen. Derved garanteres det, at produktets sikkerhed bevares.

### Service Danmark

Tel.: 32 710005

E-Mail: [kompernass@lidl.dk](mailto:kompernass@lidl.dk)

IAN 279504

## Importør

Bemærk, at den efterfølgende adresse ikke er en serviceadresse. Kontakt først det angivne servicested.

KOMPERNASS HANDELS GMBH

BURGSTRASSE 21

44867 BOCHUM

GERMANY

[www.kompernass.com](http://www.kompernass.com)

## Bortskaffelse



Emballagen består af miljøvenlige materialer, som kan bortskaffes på de lokale genbrugspladser.



**Bortskaf ikke elværktøj sammen med husholdningsaffaldet!**

I henhold til det europæiske direktiv 2012/19/EU skal kasseret elværktøj indsamles særskilt og afleveres til miljøvenligt genbrug.



**Smid ikke genopladelige batterier ud sammen med husholdningsaffaldet!**

Defekte eller kasserede batterier/genopladelige batterier skal genanvendes i henhold til direktiv 2006/66/EC. Aflever batteripakken og/eller produktet på de lokale genbrugspladser.

Du kan få oplysninger om bortskaffelsesmuligheder for brugt elværktøj hos kommunens tekniske forvaltning.

## Oversættelse af den originale overensstemmelseserklæring

Vi, KOMPERNASS HANDELS GMBH, dokumentansvarlig: Semi Uguzlu, BURGSTR. 21, D-44867 BOCHUM, TYSKLAND, erklærer hermed, at dette produkt stemmer overens med følgende standarder, standardiseringsdokumenter og EU-direktiver:

**Maskindirektivet  
(2006 / 42 / EG)**

**EU-lavspændingsdirektivet  
(2014 / 35 / EU)**

**Elektromagnetisk kompatibilitet  
(2014 / 30 / EU)**

**RoHS-direktivet  
(2011 / 65 / EU)\***

\* Ansvar for udstedelsen af denne overensstemmelseserklæring er udelukkende producentens. Den ovenfor beskrevne genstand i erklæringen opfylder forskrifterne i Europa-Parlamentets og Rådets direktiv 2011/65/EU af 8. juni 2011 om begrænsning af anvendelsen af visse farlige stoffer i elektrisk og elektronisk udstyr.

### Anvendte harmoniserede standarder:

EN 60745-1: 2009 / A11: 2010

EN 60745-2-11: 2010

EN 62233: 2008

EN 55014-1: 2006 / A2: 2011

EN 55014-2: 2015

EN 60335-1: 2012 / A11: 2014

EN 60335-2-29: 2004 / A2:2010

EN 61000-3-2: 2014

EN 61000-3-3: 2013

### Typebetegnelse for maskinen:

Batteridreven pendulstiksav PSTDA 20-Li A1

**Produktionsår: 10-2016**

**Serienummer: IAN 279504**

Bochum, 30.09.2016



Semi Uguzlu

- Kvalitetschef -

Vi forbeholder os ret til tekniske ændringer med henblik på videreudvikling.

## Bestilling af genopladeligt reservebatteri

Hvis du vil bestille et genopladeligt reservebatteri til produktet, kan du gøre det på internettet under [www.kompernass.com](http://www.kompernass.com) eller pr. telefon.

Prisen for det genopladelige reservebatteri er 20 € inkl. moms og forsendelse. Denne artikel kan være udsolgt i løbet af kort tid på grund af den begrænsede lagerbeholdning.



### Online-bestilling

Bestil det genopladelige reservebatteri i tilbehørs-shoppen på følgende måde:

- Åbn siden [www.kompernass.com](http://www.kompernass.com) med din internetbrowser.
- Klik til højre på det ønskede flag for at vælge land og sprog.
- Klik på fanen "Tilbehørs-shop" og vælg derefter det ønskede genopladelige reservebatteri til produktet under rubrikken "Topseller".
- Når du har lagt det genopladelige reservebatteri i indkøbskurven, skal du klikke på knappen "Kasse" og følge anvisningerne, der vises på skærmen, for at afslutte bestillingen.

#### **BEMÆRK**

- ▶ I nogle lande kan bestilling af reservedele ikke foretages online. Kontakt i så fald service-hotline.
- Kampagnen er begrænset til et genopladeligt batteri pr. kunde / produkt samt til en periode på to måneder efter kampagnetsrummet. Derefter kan det genopladelige reservebatteri bestilles på andre betingelser.

### Telefonisk bestilling

- Ⓚ **Service Danmark**  
Tel.: 32 710005  
E-Mail: [kompernass@lidl.dk](mailto:kompernass@lidl.dk)

For at sikre hurtig behandling af din bestilling bedes du have produktets artikelnummer (f.eks. IAN 279504) klar ved alle forespørgsler. Artikelnummeret kan findes på typeskiltet eller på titelbladet i denne vejledning.

# Table des matières

<b>Introduction</b> . . . . .	<b>26</b>
Utilisation conforme à l'usage prévu . . . . .	26
Équipement . . . . .	26
Matériel livré . . . . .	26
Caractéristiques techniques . . . . .	26
<b>Avertissements de sécurité généraux pour l'outil</b> . . . . .	<b>27</b>
1. Sécurité de la zone de travail . . . . .	27
2. Sécurité électrique . . . . .	28
3. Sécurité des personnes . . . . .	28
4. Utilisation et entretien de l'outil électrique . . . . .	29
5. Utilisation et manipulation d'un outil à accu . . . . .	29
6. Service après vente . . . . .	29
Consignes de sécurité spécifiques aux scies sauteuses . . . . .	30
Consignes de sécurité relatives aux chargeurs . . . . .	30
Accessoires/équipements supplémentaires d'origine . . . . .	30
Informations relatives aux lames . . . . .	30
<b>Avant la mise en service</b> . . . . .	<b>31</b>
Recharger le pack d'accus (voir fig. A) . . . . .	31
Mettre le pack d'accus dans l'appareil / l'en retirer . . . . .	31
Contrôler l'état de l'accu . . . . .	31
<b>Mise en service</b> . . . . .	<b>31</b>
Montage / remplacement de la lame . . . . .	31
Montage du capot de protection . . . . .	32
Montage de la butée parallèle . . . . .	32
Raccordement de l'aspiration des copeaux . . . . .	32
Fonction de soufflage des copeaux . . . . .	32
Monter le dispositif pare-éclats . . . . .	32
Monter la semelle . . . . .	32
<b>Utilisation</b> . . . . .	<b>32</b>
Réglage de l'angle de coupe . . . . .	32
Réglage de la fréquence d'oscillation . . . . .	33
Réglage du mouvement pendulaire . . . . .	33
Mise en marche / arrêt . . . . .	33
<b>Entretien et nettoyage</b> . . . . .	<b>33</b>
<b>Garantie de Kompernass Handels GmbH</b> . . . . .	<b>34</b>
<b>Service après-vente</b> . . . . .	<b>35</b>
Importateur . . . . .	35
<b>Mise au rebut</b> . . . . .	<b>36</b>
<b>Traduction de la déclaration de conformité originale</b> . . . . .	<b>37</b>
<b>Commande d'accu de rechange</b> . . . . .	<b>38</b>
Commande en ligne . . . . .	38
Commande téléphonique . . . . .	38

## **SCIE SAUTEUSE PENDULAIRE SANS FIL PSTDA 20-Li A1**

### **Introduction**

Nous vous félicitons pour l'achat de votre nouvel appareil. Vous venez ainsi d'opter pour un produit de grande qualité. Le mode d'emploi fait partie de ce produit. Il contient des remarques importantes concernant la sécurité, l'usage et la mise au rebut. Avant d'utiliser le produit, veuillez vous familiariser avec toutes les consignes d'utilisation et de sécurité. N'utilisez le produit que conformément aux consignes et pour les domaines d'utilisation prévus. Si vous cédez le produit à un tiers, remettez-lui également tous les documents.

### **Utilisation conforme à l'usage prévu**

Cet appareil est conçu pour des coupes droites et courbes, ainsi que des coupes en biais jusqu'à 45° sur des pièces équilibrées en plastique, bois et métal léger. L'appareil est exclusivement homologué pour un usage privé dans des locaux secs. Veuillez tenir compte des remarques relatives aux types de lames. Toute utilisation autre ou modification de l'appareil est considérée comme non conforme et s'accompagne de risques d'accident non négligeables. Le fabricant n'assume aucune responsabilité pour les dommages résultant d'une utilisation non conforme à l'usage prévu.

### **Équipement**

- 1 Sécurité anti-démarrage sur l'interrupteur marche/arrêt
- 2 Interrupteur marche/arrêt
- 3 Poignée
- 4 Touche déverrouillage du pack d'accus
- 5 Pack d'accus
- 6 Manchon d'aspiration
- 7 Interrupteur dispositif de soufflage de copeaux
- 8 Plaque de fond
- 9 Semelle (amovible)
- 10 Sélecteur de mouvement pendulaire
- 11 Butée parallèle
- 12 Galet de guidage
- 13 Lame
- 14 Dispositif pare-éclats
- 15 Orifices d'insertion (chacun avec vis de blocage)
- 16 Étrier de protection
- 17 Mandrin à serrage rapide

- 18 Capot de protection
- 19 Lampe de travail
- 20 Vis de serrage
- 21 Denture
- 22 Touche d'état accu
- 23 LED d'affichage de l'accu
- 24 Chargeur rapide
- 25 LED rouge de contrôle de charge
- 26 LED verte de contrôle de charge

### **Matériel livré**

- 1 scie sauteuse pendulaire sans fil, avec manchon d'aspiration et adaptateurs
- 1 chargeur rapide pour accu
- 1 pack d'accus
- 1 butée parallèle
- 2 lames pour l'usage du bois
- 1 lame pour l'usage du métal
- 1 clé à six pans
- 1 dispositif pare-éclats
- 1 mode d'emploi

### **Caractéristiques techniques**

#### **Scie sauteuse pendulaire sans fil :**

#### **PSTDA 20-Li A1**

Tension nominale :	20 V $\equiv$ (courant continu)
Nombre nominal de cycles à vide :	$n_0$ 0 - 2700 min <sup>-1</sup>
Course :	20 mm
Course pendulaire :	3 niveaux et réglage coupe de précision
Profondeur de coupe :	bois / aluminium / métal : 80/12/5 mm
Coupes :	0° - 15° - 30° - 45° à gauche/à droite

#### **Pour charger l'outil sans fil, utilisez uniquement l'accu suivant : PAP 20 A1**

Type :	LITHIUM-IONS
Tension nominale :	20 V $\equiv$ (courant continu)
Capacité :	2,0 Ah
Cellules :	5

#### **Pour charger l'outil sans fil, utilisez uniquement le chargeur rapide pour accu suivant : PLG 20 A1**

### ENTRÉE / Input :

Tension nominale : 230 - 240 V ~, 50 Hz  
(courant alternatif)

Puissance nominale  
absorbée :

65 W

Fusible (interne) :

3,15 A 

### SORTIE / Output :

Tension nominale : 21,5 V === (courant continu)

Courant nominal : 2,4 A

Temps de charge : env. 60 min

Classe de protection : II /  (double isolation)

### Valeurs d'émissions sonores :

Valeur de mesure du bruit déterminée conformément à la norme EN 60745. Le niveau de bruit A pondéré typique de l'outil électrique est de :

Niveau de pression

acoustique :  $L_{PA} = 80 \text{ dB (A)}$

Imprecision K :  $K_{PA} = 3 \text{ dB}$

Niveau de puissance

acoustique :  $L_{WA} = 91 \text{ dB (A)}$

Imprecision K :  $K_{WA} = 3 \text{ dB}$

### Porter une protection auditive !

### Valeurs totales de vibration :

(somme vectorielle triaxiale) déterminées conformément à EN 60745 :

Sciage de panneaux d'aggloméré :  $a_{h,b} = 5,9 \text{ m/s}^2$

Imprecision K = 1,5 m/s<sup>2</sup>

Sciage de tôle métallique :  $a_{h,b} = 7,2 \text{ m/s}^2$

Imprecision K = 1,5 m/s<sup>2</sup>

### REMARQUE

- ▶ Le niveau de vibrations indiqué dans ces instructions a été mesuré conformément aux méthodes de mesure décrites dans la norme EN 60745 et peut être utilisé pour la comparaison d'appareils. La valeur d'émission des vibrations déclarée peut également être utilisée pour une évaluation préliminaire de l'exposition.

### AVERTISSEMENT !

- ▶ Le niveau des vibrations varie en fonction de l'usage de l'outil électrique et peut, dans certains cas, excéder la valeur indiquée dans ces instructions. La sollicitation vibratoire pourrait être sous-estimée si l'outil électrique est utilisé régulièrement de cette manière. Essayez de garder la sollicitation par vibrations aussi faible que possible. Des mesures d'exemple de réduction de la sollicitation des vibrations sont le port de gants lors de l'utilisation de l'outil et la limitation du temps de travail. Pour cela, toutes les parts du cycle de travail doivent être prises en compte (par exemple les durées pendant lesquelles l'outil est éteint et celles pendant lesquelles il est allumé mais fonctionne sans charge).



### Avertissements de sécurité généraux pour l'outil

### AVERTISSEMENT !

- ▶ Lire tous les avertissements de sécurité et toutes les instructions. Ne pas suivre les avertissements et instructions peut donner lieu à un choc électrique, un incendie et/ou une blessure sérieuse.

### Conservé tous les avertissements et toutes les instructions pour pouvoir s'y reporter ultérieurement.

Le terme "outil" dans les consignes de sécurité fait référence à votre outil électrique alimenté par le secteur (avec cordon d'alimentation) ou à votre outil fonctionnant sur batterie (sans cordon d'alimentation).

### 1. Sécurité de la zone de travail

- Conservé la zone de travail propre et bien éclairée. Les zones en désordre ou sombres sont propices aux accidents.
- Ne pas faire fonctionner les outils électriques en atmosphère explosive, par exemple en présence de liquides inflammables, de gaz ou de poussières.

Les outils électriques produisent des étincelles qui peuvent enflammer les poussières ou les fumées.

- c) **Maintenir les enfants et les personnes présentes à l'écart pendant l'utilisation de l'outil.** Les distractions peuvent vous faire perdre le contrôle de l'outil.

## 2. Sécurité électrique

- a) **La fiche de l'outil doit être adaptée à la prise secteur. Ne jamais modifier la fiche de quelque façon que ce soit.**  
**Ne pas utiliser d'adaptateurs avec des outils à branchement de terre.** Des fiches non modifiées et des socles adaptés réduiront le risque de choc électrique.
- b) **Eviter tout contact du corps avec des surfaces reliées à la terre telles que les tuyaux, les radiateurs, les cuisinières et les réfrigérateurs.** Il existe un risque accru de choc électrique si votre corps est relié à la terre.
- c) **Ne pas exposer les outils à la pluie ou à des conditions humides.** La pénétration d'eau à l'intérieur d'un outil augmentera le risque de choc électrique.
- d) **Ne pas maltraiter le cordon. Ne jamais utiliser le cordon pour porter, tirer ou débrancher l'outil. Maintenir le cordon à l'écart de la chaleur, du lubrifiant, des arêtes ou des parties en mouvement.** Des cordons endommagés ou emmêlés augmentent le risque de choc électrique.
- e) **En cas d'utilisation d'un outil électrique à l'extérieur, utiliser une rallonge adaptée à l'utilisation extérieure.** L'utilisation d'un cordon adapté à l'utilisation extérieure réduit le risque de choc électrique.
- f) **Si l'usage d'un outil dans un emplacement humide est inévitable, utiliser une alimentation protégée par un dispositif à courant résiduel (RCD).** L'usage d'un RCD réduit le risque de choc électrique.

## 3. Sécurité des personnes

- a) **Rester vigilant, regarder ce que vous êtes en train de faire et faire preuve de bon sens dans votre utilisation de l'outil. Ne pas utiliser un outil lorsque vous êtes fatigué ou sous l'emprise de drogues, d'alcool ou de médicaments.** Un moment d'inattention en cours d'utilisation d'un outil peut entraîner des blessures graves des personnes.
- b) **Utiliser un équipement de sécurité. Toujours porter une protection pour les yeux.** Les équipements de sécurité tels que les masques contre les poussières, les chaussures de sécurité antidérapantes, les casques ou les protections acoustiques utilisés pour les conditions appropriées réduiront les blessures de personnes.
- c) **Eviter tout démarrage intempestif. S'assurer que l'interrupteur est en position arrêt avant de brancher l'outil au secteur et/ou au bloc de batteries, de le ramasser ou de le porter.** Porter les outils en ayant le doigt sur l'interrupteur ou brancher des outils dont l'interrupteur est en position marche est source d'accidents.
- d) **Retirer toute clé de réglage avant de mettre l'outil en marche.** Une clé laissée fixée sur une partie tournante de l'outil peut donner lieu à des blessures de personnes.
- e) **Ne pas se précipiter. Garder une position et un équilibre adaptés à tout moment.** Cela permet un meilleur contrôle de l'outil dans des situations inattendues.
- f) **S'habiller de manière adaptée. Ne pas porter de vêtements amples ou de bijoux. Garder les cheveux, les vêtements et les gants à distance des parties en mouvement.** Des vêtements amples, des bijoux ou les cheveux longs peuvent être pris dans des parties en mouvement.
- g) **Si des dispositifs sont fournis pour le raccordement d'équipements pour l'extraction et la récupération des poussières, s'assurer qu'ils sont connectés et correctement utilisés.** Utiliser des collecteurs de poussière peut réduire les risques dus aux poussières.



#### 4. Utilisation et entretien de l'outil électrique

- a) Ne pas forcer l'outil. Utiliser l'outil adapté à votre application. L'outil adapté réalisera mieux le travail et de manière plus sûre au régime pour lequel il a été construit.
- b) Ne pas utiliser l'outil si l'interrupteur ne permet pas de passer de l'état de marche à arrêt et vice versa. Tout outil qui ne peut pas être commandé par l'interrupteur est dangereux et il faut le réparer.
- c) Débrancher la fiche de la source d'alimentation en courant et/ou le bloc de batteries de l'outil avant tout réglage, changement d'accessoires ou avant de ranger l'outil. De telles mesures de sécurité préventives réduisent le risque de démarrage accidentel de l'outil.
- d) Conserver les outils à l'arrêt hors de la portée des enfants et Ne pas permettre à des personnes ne connaissant pas l'outil ou les présentes instructions de le faire fonctionner. Les outils sont dangereux entre les mains d'utilisateurs novices.
- e) Observer la maintenance de l'outil. Vérifier qu'il n'y a pas de mauvais alignement ou de blocage des parties mobiles, des pièces cassées ou toute autre condition pouvant affecter le fonctionnement de l'outil. En cas de dommages, faire réparer l'outil avant de l'utiliser. De nombreux accidents sont dus à des outils mal entretenus.
- f) Garder affûtés et propres les outils permettant de couper. Des outils destinés à couper correctement entretenus avec des pièces coupantes tranchantes sont moins susceptibles de bloquer et sont plus faciles à contrôler.
- g) Utiliser l'outil, les accessoires et les lames etc., conformément à ces instructions. En tenant compte des conditions de travail et du travail à réaliser. L'utilisation de l'outil pour des opérations différentes de celles prévues pourrait donner lieu à des situations dangereuses.

#### 5. Utilisation et manipulation d'un outil à accu

- a) Uniquement recharger les accus dans les chargeurs recommandés par le fabricant. Un chargeur compatible pour certains types d'accus peut provoquer un incendie s'il est utilisé avec d'autres accus.
- b) N'utiliser les outils qu'avec des blocs de batteries spécifiquement désignés. L'utilisation de tout autre bloc de batteries peut créer un risque de blessure et de feu.
- c) Tenir les accus inutilisés à l'abri des agrafes, pièces de monnaie, clés, clous, vis et autres objets en métal susceptibles de court-circuiter les contacts. Un court-circuit entre les contacts des accus peut provoquer des brûlures ou un incendie.
- d) L'accu peut couler en cas d'usage incorrect. Éviter tout contact avec ce liquide. Laver à l'eau en cas de contact involontaire. En cas de contact du liquide avec les yeux, il faut en plus consulter un médecin. Le liquide qui s'écoule des accus peut causer des irritations de la peau ou des brûlures.



**ATTENTION ! RISQUE D'EXPLOSION !**  
Ne rechargez jamais des piles non rechargeables.



Protégez l'accu de la chaleur, par ex. aussi du rayonnement solaire continu, du feu, de l'eau et de l'humidité.



Il y a un risque d'explosion.



#### 6. Service après vente

- a) Faire entretenir l'outil par un réparateur qualifié utilisant uniquement des pièces de rechange identiques. Cela assurera que la sécurité de l'outil est maintenue.

## Consignes de sécurité spécifiques aux scies sauteuses

- **Tenez l'outil électrique par les surfaces de préhension isolées lors de la réalisation d'une opération au cours de laquelle l'outil électrique peut entrer en contact avec un câblage non apparent.** Le contact avec une ligne électrique peut également mettre les parties métalliques de l'appareil sous tension et provoquer un choc électrique.

## Consignes de sécurité relatives aux chargeurs

- Cet appareil peut être utilisé par des enfants à partir de 8 ans et par des personnes ayant des capacités physiques, sensorielles ou mentales réduites ou disposant de peu d'expérience et/ou de connaissances, à condition qu'ils soient surveillés ou qu'ils aient été initiés à l'utilisation sécurisée de l'appareil et qu'ils aient compris les dangers en résultant. Les enfants ne doivent pas jouer avec l'appareil. Le nettoyage et la maintenance utilisateur ne doivent pas être réalisés par des enfants s'ils ne sont pas surveillés.
- Si le cordon d'alimentation de l'appareil est endommagé, il doit être remplacé par le fabricant, son service après-vente ou une personne de qualification similaire afin d'éviter tout risque.



Le chargeur convient uniquement à une exploitation en intérieur.

## ⚠ AVERTISSEMENT !

- Lorsqu'un remplacement du cordon d'alimentation est nécessaire, il doit être réalisé par le fabricant ou par son représentant pour éviter toute situation dangereuse.

## Accessoires/équipements supplémentaires d'origine

- **Utilisez uniquement les accessoires et équipements supplémentaires spécifiés dans le mode d'emploi ou dont le logement est compatible avec l'appareil.**

## Informations relatives aux lames


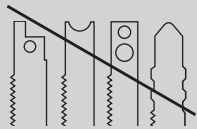
L'équipement de base Parkside comprend déjà des lames de scie adaptées aux principales utilisations dans le bois et le métal.

- 2 lames pour les coupes générales dans le bois
- 1 lame pour métaux légers jusqu'à 5 mm

## REMARQUE

- ▶ Vous pouvez également utiliser d'autres lames, à condition qu'elles comportent le dispositif de prise en charge correspondant (tige à attache simple).

## Type de lame

adapté	inadapté
	

## Avant la mise en service

### Recharger le pack d'accus (voir fig. A)

#### **⚠ ATTENTION !**

- ▶ Débranchez toujours la fiche secteur avant de retirer le pack d'accus du chargeur ou de le mettre en place.

#### **REMARQUE**

- ▶ Ne chargez jamais le pack d'accus lorsque la température ambiante est inférieure à 10°C ou supérieure à 40°C. Si un accus lithium-ions doit rester stocké pendant une période prolongée, il faut contrôler régulièrement son état de charge. L'état de charge optimal se situe entre 50% et 80%. Le climat de stockage doit être frais et sec dans une température ambiante située entre 0°C et 50°C.

- ◆ Placez le pack d'accus 5 dans le chargeur rapide 24 (voir fig. A).
- ◆ Insérez la fiche secteur dans la prise secteur. La LED de contrôle 25 s'allume en rouge.
- ◆ La LED verte de contrôle 26 vous signale que l'opération de charge est terminée et que le pack d'accus 5 est prêt à être utilisé.

#### **⚠ ATTENTION!**

- ◆ Si la LED de contrôle rouge 25 se met à clignoter, cela signifie que le pack d'accus 5 surchauffe et qu'il ne peut pas être rechargé.
- ◆ Si les LED de contrôle rouge et verte 25 26 clignotent ensemble, cela signifie que le pack d'accus 5 est défectueux.
- ◆ Introduisez le pack d'accus 5 dans l'appareil.
- Ne chargez jamais un pack d'accus une seconde fois immédiatement après un processus de chargement rapide. Il y a un risque que le pack d'accus soit surchargé et que la durée de vie de l'accu et du chargeur s'en voit raccourcie.
- ◆ Éteignez le chargeur pendant au moins 15 minutes entre deux opérations de charge consécutives.  
Débranchez pour cela la fiche secteur.

### Mettre le pack d'accus dans l'appareil / l'en retirer

#### Mettre en place le pack d'accus :

- ◆ Faites s'enclencher le pack d'accus 5 dans l'appareil.

#### Retirer le pack d'accus :

- ◆ Appuyez sur la touche pour déverrouiller 4 puis retirez le pack d'accus.

### Contrôler l'état de l'accu

- ◆ Pour vérifier l'état de l'accu, appuyez sur la touche d'état de l'accu 22 (voir aussi la figure principale).  
L'état et la puissance restante s'affichent comme suit par les LED d'affichage de l'accu 23 :
- ◆ ROUGE / ORANGE / VERT = charge maximale /  
ROUGE / ORANGE = charge moyenne  
ROUGE = charge faible - charger l'accu

## Mise en service

### Montage / remplacement de la lame

Avant de débuter tout travail sur l'outil électrique (par ex. maintenance, changement d'outil, etc.) ainsi que lors de son transport et de son stockage, retirez l'accu de l'outil.

En cas d'actionnement involontaire de l'interrupteur Marche/Arrêt, il y a risque de blessure.

- ◆ Comprimez le capot de protection 18 à hauteur des fixations extérieures et tirez-le vers l'avant.
- ◆ Tournez le mandrin à serrage rapide 17 et maintenez-le tourné.
- ◆ Enfoncez la lame de scie nécessaire jusqu'à la butée dans le mandrin à serrage rapide 17.
- ◆ Relâchez le mandrin à serrage rapide 17, il doit revenir dans sa position d'origine. La lame est alors verrouillée.
- ATTENTION ! Les dents de la lame doivent alors être orientées vers l'avant (voir page dépliant) !

## Montage du capot de protection

Montez le capot de protection **18** avant de raccorder l'appareil à un dispositif d'aspiration.

- ◆ Posez le capot de protection sur **18** l'appareil de sorte que les deux fixations extérieures s'enclenchent dans les évidements du boîtier.
- ◆ Retirez le capot de protection **18** pour les travaux sans aspiration de poussière et pour les coupes en onglets. À cette fin, comprimez le capot de protection **18** à hauteur des fixations extérieures et tirez-le vers l'avant.


## Montage de la butée parallèle

La butée parallèle **11** peut être fixée au choix à gauche ou à droite de l'appareil.

- ◆ Desserrez les deux vis de blocage des orifices d'insertion **15**.
- ◆ Poussez la butée parallèle **11** dans les orifices d'insertion **15**.
- ◆ Revissez bien les deux vis de blocage.

## Raccordement de l'aspiration des copeaux

- ◆ Enfichez le manchon d'aspiration **6** dans le canal d'aspiration jusqu'à ce qu'il soit bien serré. Au choix suivant le diamètre du dispositif d'aspiration des poussières et copeaux.
- ◆ Branchez un dispositif adapté pour l'aspiration des poussières et copeaux au manchon d'aspiration **6**.


-  Portez un masque de protection contre la poussière.

### Soutenir la fonction d'aspiration des copeaux :

- ◆ Poussez l'interrupteur du dispositif de soufflage des copeaux **7** jusque sur la position "O".

### Fonction de soufflage des copeaux

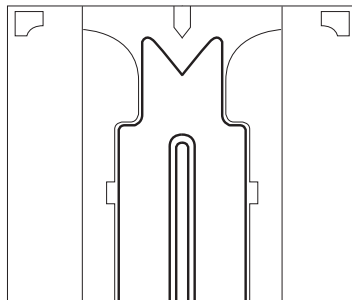
#### Allumer la fonction de soufflage des copeaux :

- ◆ Poussez l'interrupteur du dispositif de soufflage des copeaux **7** jusqu'en position .

## Monter le dispositif pare-éclats

Le dispositif pare-éclats **14** peut empêcher une déchirure de la surface du bois pendant son sciage. Le dispositif pare-éclats **14** ne peut être utilisé qu'avec certains types de lames, sans semelle **9** et uniquement lorsque l'angle de coupe est de 0°.

- ◆ Poussez le dispositif pare-éclats **14** par le bas dans la plaque de fond **8** (l'entaille regarde vers le haut).



## Monter la semelle

Lors de l'usage de surfaces délicates, vous pouvez fixer la semelle **9** sur la plaque de fond **8** pour éviter de rayer la surface.

- ◆ Insérez la semelle **9** sur l'avant de la plaque de fond **8** et poussez celle-ci à l'arrière jusqu'à ce qu'elle s'emboîte sur la plaque de fond **8**.
- ◆ Pour retirer la semelle **9**, dégagez celle-ci de la partie arrière de la plaque de fond **8** puis enlevez-la vers l'avant.

## Utilisation

### Réglage de l'angle de coupe

- ◆ Desserrez les vis de serrage **20** à l'aide de la clé à six pans creux livrée et tirez la plaque de fond **8** vers l'arrière.
- ◆ Réglez l'angle de coupe au niveau de la plaque de fond **8** à l'aide de l'échelle gravée 0° / 15° / 30° / 45°. Glissez la plaque de fond **8** vers l'avant jusqu'à ce que la broche de blocage s'enclenche dans la denture **21**.
- ◆ Avec la clé six pans, serrez les vis de serrage **20**.

### REMARQUE

- ▶ Avec un angle de coupe de 15°/30°/45°, il faut retirer au préalable le capot de protection 13 et le dispositif pare-éclats 14.

### Réglage de la fréquence d'oscillation

L'interrupteur MARCHE/ARRÊT 2 est équipé d'un variateur de vitesse. Une légère pression sur l'interrupteur MARCHE/ARRÊT 2 fait démarrer l'appareil à une vitesse de rotation réduite. La vitesse de rotation augmente avec la pression.

### REMARQUE

- ▶ Le frein moteur intégré veille à une immobilisation rapide.

### Réglage du mouvement pendulaire

- ◆ Vous pouvez, à l'aide du sélecteur de mouvement pendulaire 10, régler le mouvement pendulaire de la lame 13. Sans mouvement pendulaire (position "0"), la scie exécute une coupe fine et propre. En cas de pièces minces, coupez le mouvement pendulaire. Si le mouvement pendulaire est activé (Position 1 - 3), chaque position correspond à une avance plus rapide.

### Mise en marche / arrêt

#### Allumage de l'appareil :

- ◆ Appuyez sur la sécurité anti-démarrage 1 vers la gauche ou vers la droite et maintenez-la appuyée.
- ◆ Actionnez l'interrupteur MARCHE / ARRÊT 2. Après que la machine a démarré, vous pouvez relâcher la sécurité anti-démarrage 1. La lampe de travail 15 s'allume lorsque l'interrupteur MARCHE/ARRÊT 2 est légèrement ou entièrement enfoncé. Elle permet d'illuminer la zone de travail lorsque la luminosité n'est pas suffisante.

#### Éteindre l'appareil :

- Relâchez l'interrupteur MARCHE/ARRÊT 2.

### Entretien et nettoyage



**AVERTISSEMENT ! RISQUE DE BLESSURES !** Avant de travailler sur l'appareil, éteignez-le et retirez l'accu.

- L'appareil doit toujours être propre, sec et exempt d'huile ou de graisse.
- Pour le nettoyage du boîtier, utilisez un chiffon sec.
- Si un accu lithium-ions doit rester stocké pendant une période prolongée, il faut contrôler régulièrement son état de charge. L'état de charge optimal se situe entre 50% et 80%. Le climat de stockage idéal est frais et sec.
- Effectuez le nettoyage de l'appareil une fois le travail de sciage terminé.
- Éliminez les salissures (par ex. dues aux copeaux de bois). Nettoyez le logement de la lame de scie si nécessaire à l'aide d'un pinceau ou par soufflage à l'air comprimé.

## **Garantie de Kompernass Handels GmbH**

Chère cliente, cher client,

Cet appareil est garanti 3 ans à partir de la date d'achat. Si ce produit venait à présenter des vices, vous disposez de droits légaux face au vendeur de ce produit. Vos droits légaux ne sont pas restreints par notre garantie présentée ci-dessous.

### **Conditions de garantie**

La période de garantie débute à la date de l'achat. Veuillez bien conserver le ticket de caisse d'origine. Ce document servira de preuve d'achat.

Si dans un délai de trois ans suivant la date d'achat de ce produit, un vice de matériel ou de fabrication venait à apparaître, le produit sera réparé ou remplacé gratuitement par nos soins, selon notre choix. Cette prestation de garantie nécessite dans un délai de trois ans la présentation de l'appareil défectueux et du justificatif d'achat (ticket de caisse) ainsi que la description brève du vice et du moment de son apparition.

Si le vice est couvert par notre garantie, vous recevrez le produit réparé ou un nouveau produit en retour. Aucune nouvelle période de garantie ne débute avec la réparation ou l'échange du produit.

### **Période de garantie et réclamation légale pour vices cachés**

L'exercice de la garantie ne prolonge pas la période de garantie. Cette disposition s'applique également aux pièces remplacées ou réparées. Les dommages et vices éventuellement déjà présents à l'achat doivent être signalés immédiatement après le déballage. Toute réparation survenant après la période sous garantie fera l'objet d'une facturation.

### **Étendue de la garantie**

L'appareil a été fabriqué avec soin conformément à des directives de qualité strictes et consciencieusement contrôlé avant sa livraison.

La prestation de garantie est valable pour des vices de matériel et de fabrication. Cette garantie ne s'étend pas aux pièces du produit qui sont exposées à une usure normale et peuvent de ce fait être considérées comme pièces d'usure, ni aux détériorations de pièces fragiles, par ex. connecteur, accu, moules ou pièces en verre.

Cette garantie devient caduque si le produit est détérioré, utilisé ou entretenu de manière non conforme. Toutes les instructions listées dans le manuel d'utilisation doivent être exactement respectées pour une utilisation conforme du produit. Des buts d'utilisation et actions qui sont déconseillés dans le manuel d'utilisation, ou dont vous êtes avertis doivent également être évités.

Le produit est uniquement destiné à un usage privé et ne convient pas à un usage professionnel. La garantie est annulée en cas d'entretien incorrect et inapproprié, d'usage de la force et en cas d'intervention non réalisée par notre centre de service après-vente agréé.

## Procédure en cas de garantie

Afin de garantir un traitement rapide de votre demande, veuillez suivre les indications suivantes :

- Veuillez avoir à portée de main pour toutes questions le ticket de caisse et la référence article (par ex. IAN 12345) en tant que justificatif de votre achat.
- Vous trouverez la référence sur la plaque signalétique, une gravure, sur la page de garde de votre manuel d'utilisation (en bas à gauche) ou sous forme d'autocollant au dos ou sur le dessous.
- Si des erreurs de fonctionnement ou d'autres vices venaient à apparaître, veuillez d'abord contacter le département service clientèle cité ci-dessous par **téléphone** ou **par e-mail**.
- Vous pouvez ensuite retourner un produit enregistré comme étant défectueux en joignant le ticket de caisse et en indiquant en quoi consiste le vice et quand il est survenu, sans devoir l'affranchir à l'adresse de service après-vente communiquée.



Sur [www.lidl-service.com](http://www.lidl-service.com), vous pouvez télécharger ce manuel ainsi que beaucoup d'autres, des vidéos produit et logiciels.

## Service après-vente

### ⚠ AVERTISSEMENT !

- ▶ Faites réparer vos appareils par le service après-vente ou un électricien et uniquement avec des pièces de rechange d'origine. Cela assure le maintien de la sécurité de l'appareil.
- ▶ Confiez toujours le remplacement de la fiche ou du cordon d'alimentation au fabricant de l'appareil ou à son service après-vente. Cela assure le maintien de la sécurité de l'appareil.

#### FR Service France

Tel.: 0800 919270

E-Mail: [kompennass@lidl.fr](mailto:kompennass@lidl.fr)

#### BE Service Belgique

Tel.: 070 270 171 (0,15 EUR/Min.)

E-Mail: [kompennass@lidl.be](mailto:kompennass@lidl.be)

IAN 279504

## Importateur

Veuillez tenir compte du fait que l'adresse suivante n'est pas une adresse de service après-vente. Veuillez d'abord contacter le service après-vente mentionné.

KOMPENASS HANDELS GMBH

BURGSTRASSE 21

44867 BOCHUM

GERMANY

[www.kompennass.com](http://www.kompennass.com)

## Mise au rebut



L'emballage est constitué de matériaux écologiques que vous pouvez recycler par le biais des postes de recyclage locaux.



Le produit recyclable doit être trié ou rapporté dans un point de collecte pour être recyclé.



**Ne jetez pas les outils électriques dans les ordures ménagères !**

Conformément à la directive européenne 2012/19/EU, les outils électriques usagés doivent faire l'objet d'un tri et d'un recyclage respectueux de l'environnement.



**Ne jetez pas les accus dans les ordures ménagères !**

Les accus défectueux ou usagés doivent être recyclés conformément à la Directive 2006/66/EC. Déposez le pack d'accus et / ou l'appareil auprès des points de collecte existants. Informez-vous auprès des services administratifs communaux ou municipaux quant aux possibilités de mise au rebut des outils électriques / packs d'accus.



## Traduction de la déclaration de conformité originale

Nous soussignés, KOMPERNASS HANDELS GMBH,  
responsable du document : M. Semi Uguzlu, BURGSTR. 21, 44867 BOCHUM, ALLEMAGNE, déclarons  
par la présente que ce produit est en conformité avec les normes, documents normatifs  
et directives CE suivants :

### Directive relative aux machines

(2006 / 42 / CE)

### Directive européenne sur les basses tensions

(2014 / 35 / EU)

### Compatibilité électromagnétique

(2014 / 30 / EU)

### Directive RoHS

(2011 / 65 / EU)\*

\*La seule responsabilité pour l'établissement de cette déclaration de conformité incombe au fabricant.  
L'objet de la déclaration décrit ci-dessus répond aux prescriptions de la directive 2011/65/EU du Parlement  
européen et du Conseil en date du 8 juin 2011 visant la restriction de l'utilisation de certaines substances  
dangereuses dans les appareils électriques et électroniques.

### Normes harmonisées appliquées :

EN 60745-1 : 2009 / A11 : 2010

EN 60745-2-11 : 2010

EN 62233 : 2008

EN 55014-1 : 2006 / A2 : 2011

EN 55014-2 : 2015

EN 60335-1 : 2012 / A11 : 2014

EN 60335-2-29 : 2004 / A2:2010

EN 61000-3-2 : 2014

EN 61000-3-3 : 2013

### Désignation du modèle de la machine :

Scie sauteuse pendulaire sans fil PSTDA 20-Li A1

### Année de fabrication : 10-2016

### Numéro de série : IAN 279504

Bochum, le 30/09/2016




Semi Uguzlu

- Responsable qualité -

Sous réserve de modifications techniques à des fins de perfectionnement.

## Commande d'accu de rechange

Si vous souhaitez commander un accu de rechange pour votre appareil, vous pouvez le faire très aisément soit sur le site [www.kompernass.com](http://www.kompernass.com) ou bien par téléphone.

Le prix de l'accu de rechange est de 20 €, TVA et transport inclus. En raison d'un stock limité, il est possible que cet article soit épuisé en l'espace de peu de temps.



## Commande en ligne

Pour commander un accu de rechange en ligne dans la boutique d'accessoires :

- rendez-vous sur le site [www.kompernass.com](http://www.kompernass.com) dans votre navigateur Internet.
- Cliquez en bas à droite sur le drapeau correspondant pour sélectionner le pays et la langue souhaités.
- Cliquez maintenant sur l'onglet "Boutique accessoires" et sélectionnez ensuite sous la rubrique "Topseller" l'accu de rechange correspondant à votre appareil.
- Après avoir mis l'accu de rechange dans la corbeille, cliquez sur le bouton "Caisse" et suivez les instructions affichées à l'écran pour terminer l'opération de commande.

### REMARQUE

- ▶ Dans certains pays, la commande de pièces détachées ne peut pas être réalisée en ligne. Dans ce cas, veuillez contacter la hotline du service après-vente.
- Cette promotion est limitée à un accu par client / appareil, ainsi qu'à une durée de deux mois après la période promotionnelle. L'accu de rechange peut ensuite être commandé à d'autres conditions.

## Commande téléphonique

### FR Service France

Tel.: 0800 919270

E-Mail: [kompernass@lidl.fr](mailto:kompernass@lidl.fr)

### BE Service Belgique

Tel.: 070 270 171 (0,15 EUR/Min.)

E-Mail: [kompernass@lidl.be](mailto:kompernass@lidl.be)

Pour que votre commande soit traitée plus rapidement, veuillez s.v.p. tenir prêt le numéro de référence de l'appareil (par ex. IAN 279504) pour répondre à toute demande de renseignements. Vous trouverez le numéro de référence sur la plaque signalétique ou sur la page de garde de ce mode d'emploi.

# Inhoud

<b>Inleiding</b> .....	<b>40</b>
Gebruik in overeenstemming met bestemming .....	40
Uitrusting .....	40
Inhoud van het pakket .....	40
Technische gegevens .....	40
<b>Algemene veiligheidsvoorschriften voor elektrische gereedschappen</b> .....	<b>41</b>
1. Veiligheid op de werkplek .....	41
2. Elektrische veiligheid .....	42
3. Veiligheid van personen .....	42
4. Gebruik en behandeling van het elektrische gereedschap .....	43
5. Gebruik en behandeling van het accugereedschap .....	43
6. Service .....	43
Apparaatspecifieke veiligheidsvoorschriften voor decoupeerzagen .....	44
Veiligheidsvoorschriften voor opladers .....	44
Originele accessoires/hulpapparatuur .....	44
Informatie over zaagbladen .....	44
<b>Vóór de ingebruikname</b> .....	<b>45</b>
Accupack opladen (zie afb. A) .....	45
Accupack in het apparaat plaatsen/uit het apparaat nemen .....	45
Toestand van de accu controleren .....	45
<b>Ingebruikname</b> .....	<b>45</b>
Zaagblad monteren / verwisselen .....	45
Beschermkap monteren .....	46
Parallelaanslag monteren .....	46
Spaanafzuiging aansluiten .....	46
Spaanblaasfunctie .....	46
Splinterbescherming monteren .....	46
Glij schoen monteren .....	46
<b>Bediening</b> .....	<b>46</b>
Zaaghoek instellen .....	46
Slagfrequentie instellen .....	47
Pendelslag instellen .....	47
Inschakelen / uitschakelen .....	47
<b>Onderhoud en reiniging</b> .....	<b>47</b>
<b>Garantie van Kompernaß Handels GmbH</b> .....	<b>48</b>
<b>Service</b> .....	<b>49</b>
Importeur .....	49
<b>Afvoeren</b> .....	<b>50</b>
<b>Vertaling van de oorspronkelijke conformiteitsverklaring</b> .....	<b>51</b>
<b>Vervangende accu bestellen</b> .....	<b>52</b>
Online bestelling .....	52
Telefonische bestelling .....	52

## **ACCU-DECOUPEERZAAG MET PENDELSLAG PSTDA 20-Li A1**

### **Inleiding**

Hartelijk gefeliciteerd met de aankoop van uw nieuwe apparaat. U hebt hiermee gekozen voor een hoogwaardig product. De gebruiksaanwijzing maakt deel uit van dit product. Deze bevat belangrijke aanwijzingen voor veiligheid, gebruik en afvoer. Lees alle bedienings- en veiligheidsvoorschriften. Gebruik het product uitsluitend op de voorgeschreven wijze en voor de aangegeven doeleinden.

Geef alle documenten mee als u het product overdraagt aan een derde.

### **Gebruik in overeenstemming met bestemming**

Het apparaat is geschikt voor het maken van rechte en ronde zaagsnedes alsmede verstekzaagsnedes tot 45° in werkstukken van kunststof, hout en licht metaal. Het apparaat is uitsluitend bestemd voor privégebruik in droge ruimtes. Neem de voorschriften voor zaagbladtypes in acht. Elk ander gebruik of elke wijziging van het apparaat geldt als niet in overeenstemming met de bestemming en brengt ernstig gevaar voor ongelukken met zich mee. De fabrikant aanvaardt geen enkele aansprakelijkheid voor schade die voortvloeit uit gebruik in strijd met de bestemming.

### **Uitrusting**

- 1 Inschakelblokkering voor aan-/uitknop
- 2 Aan-/uitknop
- 3 Handgreep
- 4 Knop voor ontgrendeling van het accupack
- 5 Accupack
- 6 Afzuigopening
- 7 Schakelaar voor de spanblaasfunctie
- 8 Zool
- 9 Glijshoen (afneembaar)
- 10 Pendelslagschakelaar
- 11 Parallelaanslag
- 12 Geleiderol
- 13 Zaagblad
- 14 Splinterbescherming
- 15 Inschuifopeningen (elk incl. borgschroef)
- 16 Beschermbeugel
- 17 Snelspanner
- 18 Beschermkap

- 19 Werklicht
- 20 Klembouten
- 21 Vertanding
- 22 Toets Accutoestand
- 23 Accu-display-LED
- 24 Snellader
- 25 Rode controle-LED voor opladen
- 26 Groene controle-LED voor opladen

### **Inhoud van het pakket**

- 1 ACCU-DECOUPEERZAAG MET PENDELSLAG met afzuigopening en adapters
- 1 accu-snellader
- 1 accupack
- 1 parallelaanslag
- 2 zaagbladen voor houtbewerking
- 1 zaagblad voor metaalbewerking
- 1 inbussleutel
- 1 splinterbescherming
- 1 gebruiksaanwijzing

### **Technische gegevens**


#### **ACCU-DECOUPEERZAAG MET PENDELSLAG: PSTDA 20-Li A1**

Nominale spanning:	20 V === (gelijkstroom)
Nominale slagfrequentie (onbelast):	$n_0$ 0 - 2700 min <sup>-1</sup>
Slag:	20 mm
Pendelslag:	3 standen en fijnsnede-instelling
Zaagdiepte:	Hout/aluminium/metaal: 80/12/5 mm
Verstek:	0° - 15° - 30° - 45° links/rechts

#### **Gebruik voor het accugereedschap alleen de volgende accu: PAP 20 A1**

Type:	LITHIUM-ION
Nominale spanning:	20 V === (gelijkstroom)
Capaciteit:	2,0 Ah
Cellen:	5

#### **Gebruik voor het opladen van het accugereedschap alleen de volgende accu-snellader: PLG 20 A1**

INGANG/Input:	
Nominale spanning:	230 - 240 V ~, 50 Hz (wisselstroom)
Nominaal vermogen:	65 W
Zekering (intern):	3,15 A 

**UITGANG/Output:**

Nominale spanning: 21,5 V  $\overline{\text{---}}$  (gelijkstroom)

Nominale stroom: 2,4 A

Oplaadduur: ca. 60 min

Beschermingsklasse: II/ $\square$  (dubbel geïsoleerd)

**Geluidsemisiewaarde:**

Gemeten waarde voor geluid vastgesteld conform EN 60745. Het A-gewogen geluidsniveau van het elektrische gereedschap bedraagt gemiddeld:

Geluidsdrkniveau:  $L_{PA} = 80 \text{ dB (A)}$

Onzekerheid K:  $K_{PA} = 3 \text{ dB}$

Geluidsvermogensniveau:  $L_{WA} = 91 \text{ dB (A)}$

Onzekerheid K:  $K_{WA} = 3 \text{ dB}$

**Draag gehoorbescherming!**

**Totale trillingswaarden:**

(vectorsom van drie richtingen) bepaald conform EN 60745:

Zagen van spaanplaat:  $a_{h,B} = 5,9 \text{ m/s}^2$

Onzekerheid K = 1,5  $\text{m/s}^2$

Zagen van metaalplaat:  $a_{h,M} = 7,2 \text{ m/s}^2$

Onzekerheid K = 1,5  $\text{m/s}^2$

**OPMERKING**

- Het in deze gebruiksaanwijzing vermelde trillingsniveau is gemeten conform een in EN 60745 genormeerde meetprocedure en kan worden gebruikt voor apparaatvergelijking. De vermelde trillingsemisiewaarde kan ook worden gebruikt voor een voorlopige beoordeling van de blootstelling.

**! WAARSCHUWING!**

- Het trillingsniveau verandert afhankelijk van het gebruik van het elektrische gereedschap en kan in bepaalde gevallen hoger zijn dan de in deze gebruiksaanwijzing aangegeven waarde. De trillingsbelasting kan worden onderschat wanneer het elektrische gereedschap regelmatig op een dergelijke manier wordt gebruikt. Probeer de belasting door trillingen zo klein mogelijk te houden. U kunt bijvoorbeeld handschoenen dragen tijdens het gebruik van het gereedschap en slechts beperkte tijd met het gereedschap werken om de trillingsbelasting te reduceren. Daarbij dient u rekening te houden met alle aspecten van de bedrijfscyclus (bijvoorbeeld perioden waarin het gereedschap is uitgeschakeld en perioden waarin het gereedschap weliswaar is ingeschakeld, maar niet wordt belast).



**Algemene veiligheidsvoorschriften voor elektrische gereedschappen**

**! WAARSCHUWING!**

- Lees alle veiligheidsvoorschriften en aanwijzingen. Het niet naleven van de veiligheidsvoorschriften en -aanwijzingen kan elektrische schokken, brand en/of ernstig letsel veroorzaken.

**Bewaar alle veiligheidsvoorschriften en -aanwijzingen voor toekomstig gebruik.**

De in de veiligheidsinstructies gebruikte term "elektrisch gereedschap" heeft betrekking op elektrische gereedschappen die op netvoeding werken (met snoer) en op elektrische gereedschappen die op accu's werken (zonder snoer).

**1. Veiligheid op de werkplek**

- Houd uw werkomgeving schoon en goed verlicht. Wanorde en een niet verlichte werkomgeving kunnen ongelukken tot gevolg hebben.

- b) Werk met het elektrische gereedschap niet in explosiegevaarlijke omgevingen waarin zich brandbare vloeistoffen, gassen of stof bevinden. Elektrisch gereedschap geeft vonken af die stof of dampen kunnen doen ontvlammen.
- c) Houd kinderen en andere personen uit de buurt tijdens het gebruik van het elektrische gereedschap. Als u afgeleid raakt, zou u de controle over het apparaat kunnen verliezen.

## 2. Elektrische veiligheid

- a) De stekker van het elektrische gereedschap moet in het stopcontact passen. De stekker mag op geen enkele wijze worden veranderd. Gebruik geen verloopstekker in combinatie met gearde elektrische gereedschappen. Onveranderde stekkers en passende stopcontacten verminderen het risico op elektrische schokken.
- b) Voorkom lichamelijk contact met gearde oppervlakken, zoals buizen, verwarmingen, fornuizen en koelkasten. Er bestaat een verhoogd risico op elektrische schokken als uw lichaam geard is.
- c) Houd elektrisch gereedschap uit de buurt van regen of vocht. Als er water in een elektrisch apparaat binnendringt, bestaat er een verhoogde kans op een elektrische schok.
- d) Gebruik het snoer niet voor een ander doel, bijvoorbeeld om het elektrische gereedschap te dragen, op te hangen of om de stekker uit het stopcontact te trekken. Houd het snoer uit de buurt van hittebronnen, olie, scherpe randen of bewegende onderdelen. Beschadigde of verwarde snoeren verhogen de kans op een elektrische schok.
- e) Gebruik bij het werken met elektrisch gereedschap buitenshuis alleen verlengsnoeren die zijn goedgekeurd voor gebruik buitenshuis. Het gebruik van een verlengsnoer dat geschikt is voor gebruik buitenshuis, vermindert het risico op een elektrische schok.
- f) Gebruik een aardlekschakelaar als het gebruik van het elektrische gereedschap in een vochtige omgeving onvermijdelijk is. Het gebruik van een aardlekschakelaar vermindert het risico op een elektrische schok.

## 3. Veiligheid van personen

- a) Wees altijd alert, let op wat u doet en gebruik uw gezond verstand bij het gebruik van elektrisch gereedschap. Gebruik geen elektrisch gereedschap als u moe bent of onder invloed bent van drugs, alcohol of medicijnen. Een moment van onoplettendheid kan bij het gebruik van het elektrische gereedschap al tot ernstig letsel leiden.
- b) Draag persoonlijke beschermingsmiddelen en altijd een veiligheidsbril. Het dragen van persoonlijke beschermingsmiddelen zoals een stofmasker, antislip-veiligheidsschoenen, veiligheidshelm of gehoorbescherming, al naar gelang het type en het gebruik van het elektrische gereedschap, vermindert het risico op letsel.
- c) Voorkom onbedoelde inschakeling. Zorg ervoor dat het elektrische gereedschap is uitgeschakeld voordat u het aansluit op de netvoeding en/of de accu, het optilt of draagt. Als u bij het dragen van het elektrische gereedschap uw vinger op de aan-/uitknop houdt of het apparaat al ingeschakeld op de netvoeding aansluit, kan dit tot ongelukken leiden.
- d) Verwijder het afstelgereedschap of de sleutel voordat u het elektrische gereedschap aanzet. Gereedschap of een sleutel die zich in een draaiend onderdeel van het apparaat bevindt, kan letsel tot gevolg hebben.
- e) Voorkom een abnormale lichaamshouding. Zorg dat u stevig staat en bewaar altijd uw evenwicht. Daardoor kunt u het elektrische gereedschap in onverwachte situaties beter controleren.
- f) Draag geschikte kleding. Draag geen wijde kleding of sieraden. Houd haar, kleding en handschoenen ver van bewegende onderdelen. Los zittende kleding, sieraden of haren kunnen door bewegende onderdelen gegrepen worden.
- g) Als stofafzuigings- en opvangvoorzieningen kunnen worden bevestigd, zorg er dan voor dat deze zijn aangesloten en correct worden gebruikt. Het gebruik van een stofafzuiging kan risico's door stof beperken.

## 4. Gebruik en behandeling van het elektrische gereedschap

- a) Voorkom overbelasting van het apparaat. Gebruik voor uw werkzaamheden het daarvoor bedoelde elektrische gereedschap. Met een passend elektrisch apparaat werkt u beter en veiliger in het aangegeven vermogensbereik.
- b) Gebruik geen elektrisch gereedschap waarvan de aan-/uitknop defect is. Elektrisch gereedschap dat niet meer aan- of uitgezet kan worden, is gevaarlijk en moet gerepareerd worden.
- c) Haal de stekker uit het stopcontact of verwijder de accu, voordat u instellingen aan het apparaat verricht, accessoires verwisselt of het apparaat weglegt. Deze voorzorgsmaatregel voorkomt dat het elektrische gereedschap onbedoeld kan worden gestart.
- d) Berg elektrisch gereedschap buiten het bereik van kinderen op als het niet in gebruik is. Zorg ervoor dat het apparaat niet wordt gebruikt door personen die hiermee niet vertrouwd zijn of die deze instructies niet hebben gelezen. Elektrisch gereedschap is gevaarlijk als het door onervaren personen wordt gebruikt.
- e) Onderhoud elektrisch gereedschap zorgvuldig. Controleer of bewegende onderdelen naar behoren werken en niet klemmen, en of er geen onderdelen gebroken of zodanig beschadigd zijn dat daardoor de werking van het elektrische gereedschap nadelig wordt beïnvloed. Laat beschadigde onderdelen vóór de ingebruikname van het apparaat repareren. Veel ongelukken zijn het gevolg van slecht onderhoud van elektrisch gereedschap.
- f) Houd snijgereedschappen scherp en schoon. Met zorg onderhouden zagen met scherpe zaagvlakken lopen minder vaak vast en zijn gemakkelijker te sturen.
- g) Gebruik elektrisch gereedschap, accessoires, hulpstukken en dergelijke in overeenstemming met deze instructies. Houd daarbij rekening met de werkomstandigheden en de te verrichten werkzaamheden.  
Het gebruik van elektrisch gereedschap voor andere doeleinden dan de beoogde toepassingen kan tot gevaarlijke situaties leiden.

## 5. Gebruik en behandeling van het accugereedschap

- a) Laad de accu uitsluitend op met een oplader die door de fabrikant wordt aanbevolen. Er bestaat brandgevaar als een oplader die voor een bepaald type accu's bestemd is, voor andere accu's wordt gebruikt.
- b) Gebruik alleen de daarvoor bestemde accu's in de elektrische apparaten. Het gebruik van andere accu's kan tot verwondingen en brandgevaar leiden.
- c) Houd een niet-gebruikte accu uit de buurt van nietjes, munten, sleutels, spijkers, schroeven en andere kleine metalen voorwerpen die een overbrugging van de contacten kunnen veroorzaken. Kortsluiting tussen de accucontacten kan verbrandingen of brand tot gevolg hebben.
- d) Bij onjuist gebruik kan er vloeistof uit de accu lekken. Vermijd contact met accuvloeistof. Spoel bij onbedoeld contact met accuvloeistof de vloeistof weg met water. Raadpleeg bovendien een arts als er accuvloeistof in de ogen komt. Lekkende accuvloeistof kan leiden tot huidirritatie en brandwonden.



**VOORZICHTIG! EXPLOSIEGEVAAR!**  
Probeer niet-oplaadbare accu's nooit op te laden.



Bescherm de accu tegen hitte, bijv. ook tegen continu zonlicht, vuur, water en vocht.



Er bestaat explosiegevaar.



## 6. Service

- a) Laat uw elektrisch gereedschap alleen door gekwalificeerde vakmensen en uitsluitend met originele onderdelen repareren. Op die manier blijft de veiligheid van het elektrische gereedschap gewaarborgd.

## Apparaatspecifieke veiligheidsvoorschriften voor decoupeerzagen

- Pak het elektrische gereedschap alleen vast aan de geïsoleerde greepvlakken wanneer u werkzaamheden uitvoert waarbij het elektrische gereedschap met verborgen elektriciteitsleidingen in aanraking kan komen. Bij contact met een leiding waar spanning op staat, kunnen ook metalen onderdelen van het apparaat onder spanning komen te staan en een elektrische schok tot gevolg hebben.

## Veiligheidsvoorschriften voor opladers

- Dit apparaat mag worden gebruikt door kinderen vanaf 8 jaar en door personen met beperkte fysieke, zintuiglijke of geestelijke vermogens of gebrek aan ervaring of kennis, mits ze onder toezicht staan of over het veilige gebruik van het apparaat zijn geïnstrueerd en de daaruit voortkomende gevaren hebben begrepen. Kinderen mogen niet met het apparaat spelen. Kinderen mogen zonder toezicht geen reiniging en gebruikersonderhoud uitvoeren.
- Wanneer het netsnoer van dit apparaat beschadigd raakt, moet het worden vervangen door de fabrikant of de klantendienst van de fabrikant of een persoon met vergelijkbare kwalificaties, om risico's te vermijden.



De oplader is alleen geschikt voor gebruik binnenshuis.

## **⚠ WAARSCHUWING!**

- Wanneer het snoer moet worden vervangen, moet dit worden uitgevoerd door de fabrikant of diens vertegenwoordiger, om veiligheidsrisico's te voorkomen.

## Originele accessoires/hulpapparatuur

- Gebruik alleen accessoires en hulpstukken die vermeld staan in de gebruiksaanwijzing resp. waarvan gebruik compatibel is met het apparaat.

## Informatie over zaagbladen

Het Parkside-basispakket bevat al zaagbladen voor de belangrijkste toepassingen in hout en metaal.

- 2 zaagbladen voor algemene houtsnedes
- 1 zaagblad voor lichte metalen tot 5 mm

## OPMERKING

- ▶ U kunt elk zaagblad gebruiken, mits het een passend heft (inklemschacht) heeft.

## Type zaagblad

geschikt	niet geschikt



## Vóór de ingebruikname

### Accupack opladen (zie afb. A)

#### VOORZICHTIG!

- ▶ Trek altijd de stekker uit het stopcontact, voordat u het accupack uit de oplader haalt resp. in de oplader plaatst.

#### OPMERKING

- ▶ Laad het accupack nooit op als de omgevingstemperatuur lager is dan 10 °C of hoger is dan 40 °C. Als een lithium-ionaccu langere tijd moet worden opgeslagen, moet de laadtoestand periodiek worden gecontroleerd. De optimale laadtoestand ligt tussen 50% en 80%. De accu moet worden opgeslagen in een koele, droge omgeving met een temperatuur tussen 0 °C en 50 °C.

- ◆ Plaats het accupack **5** op de snellader **24** (zie afb. A).
- ◆ Steek de stekker in het stopcontact. De controle-LED **25** brandt rood.
- ◆ De groene controle-LED **26** geeft aan dat het opladen is voltooid en dat het accupack **5** klaar is voor gebruik.

#### LET OP!

- ◆ Als het rode indicatorlampje **25** knippert, dan is het accupack **5** oververhit en kan het niet worden opgeladen.
- ◆ Als het rode en het groene indicatorlampje **25** **26** tegelijkertijd knipperen, dan is het accupack **5** defect.
- ◆ Schuif het accupack **5** in het apparaat.
- Laad een accupack nooit onmiddellijk na de snellaadprocedure voor de tweede keer op. Het accupack kan oververhit raken, wat de levensduur van de accu reduceert.
- ◆ Schakel de oplader tussen twee opeenvolgende laadprocessen minstens 15 minuten uit. Haal daartoe de stekker uit het stopcontact.

### Accupack in het apparaat plaatsen/ uit het apparaat nemen

#### Accupack plaatsen:

- ◆ Klik het accupack **5** vast in het apparaat.

#### Accupack uit het apparaat halen:

- ◆ Druk op de ontgrendelingsknop **4** en neem het accupack uit het apparaat.

### Toestand van de accu controleren

- ◆ Druk voor controle van de accutoestand op de toets Accutoestand **22** (zie ook de hoofdafbeelding).  
De toestand wordt op de accu-display-LED **23** als volgt aangegeven:
- ◆ ROOD/ORANJE/GROEN = maximale lading  
ROOD/ORANJE = middelhoge lading  
ROOD = zwakke lading - accu opladen

## Ingebruikname

### Zaagblad monteren / verwisselen

Bij alle werkzaamheden aan het elektrische gereedschap (bijv. onderhoud, verwisselen van zaagbladen, enz.) en bij het vervoeren en opbergen moet de accu worden verwijderd. Bij onbedoeld drukken op de aan-/uitknop bestaat er letselgevaar.

- ◆ Druk de beschermkap **18** ter hoogte van de buitenste houders samen en trek hem naar voren toe van het apparaat.
- ◆ Draai de snelspanner **17** en houd deze gedraaid.
- ◆ Druk het benodigde zaagblad tot aan de aanslag in de snelspanner **17**.
- ◆ Laat de snelspanner **17** los; hij moet nu teruggaan naar zijn uitgangspositie. Het zaagblad is nu vergrendeld.
- LET OP! De tanden van het zaagblad moeten daarbij naar voren wijzen (zie uitvouwpagina)!

## Beschermkap monteren

Monteer de beschermkap **18** voordat u het apparaat aansluit op een stofafzuiging.

- ◆ Plaats de beschermkap **18** zodanig op het apparaat, dat de beide buitenste houders in de uitsparingen van de behuizing vastklikken.
- ◆ Neem de beschermkap **18** van het apparaat voor werkzaamheden zonder stofafzuiging en voor verstekzaagsnedes. Druk daartoe de beschermkap **18** ter hoogte van de buitenste houders samen en trek hem naar voren toe van het apparaat.


## Parallelaanslag monteren

De parallelaanslag **11** kan links of rechts op het apparaat worden bevestigd.

- ◆ Draai de beide borgschroeven van de inschuifopeningen **15** los.
- ◆ Schuif de parallelaanslag **11** in de inschuifopeningen **15**.
- ◆ Schroef de beide borgschroeven weer vast.

## Spaanafzuiging aansluiten

- ◆ Steek de afzuigopening **6** in het afzuigkanaal tot deze vastklemt. Dit hangt af van de diameter van de stof- en spaanafzuiging.
- ◆ Sluit een goedgekeurde stof- en spaanafzuiging aan op de afzuigopening **6**.

-  Draag een stofmasker.

## Afzuigfunctie ondersteunen:

- ◆ Schuif de schakelaar voor de spaanblaasfunctie **7** naar de stand "O".

## Spaanblaasfunctie

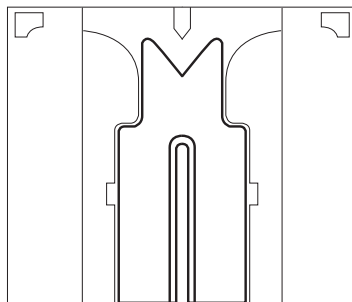
### Spaanblaasfunctie inschakelen:

- ◆ Schuif de schakelaar voor de spaanblaasfunctie **7** naar de stand .

## Splinterbescherming monteren

De splinterbescherming **14** kan splinteren van het oppervlak bij het zagen van hout voorkomen. De splinterbescherming **14** kan alleen bij bepaalde typen zaagbladen, zonder glij schoen **9** en alleen bij een zaaghoek van 0° worden gebruikt.

- ◆ Druk de splinterbescherming **14** van onder af in de zool **8** (inkeping omhoog).



## Glij schoen monteren

Bij het bewerken van kwetsbare oppervlakken kunt u de glij schoen **9** op de zool **8** plaatsen om krassen op het oppervlak te voorkomen.

- ◆ Hang de glij schoen **9** aan de voorzijde van de zool **8** en druk hem aan de achterzijde omhoog tot hij op de zool **8** vastklikt.
- ◆ Voor het verwijderen van de glij schoen **9** maakt u deze los aan de achterkant van de zool **8** en neemt u hem naar voren af.

## Bediening

### Zaaghoek instellen

- ◆ Draai de klembouten **20** los met de meegeleverde inbussleutel en schuif de zool **8** naar achteren.
- ◆ Stel de verstekhoek van 0° / 15° / 30° / 45° in met behulp van de markeringen op de zool **8**. Schuif de zool **8** naar voren, zodat de borgpen in de vertanding **21** grijpt.
- ◆ Zet de klembouten **20** vast met de inbussleutel.

### OPMERKING

- ▶ Bij een zaaghoek van 15°/30°/45° moeten vóór het zagen de beschermkap **13** en de splinterbescherming **14** worden verwijderd.

### Slagfrequentie instellen

De aan-/uitknop **2** heeft een variabele toerentalregeling. Licht drukken op de aan-/uitknop **2** resulteert in een laag toerental. Met toenemende druk wordt het toerental hoger.

### OPMERKING

- ▶ De geïntegreerde motorrem zorgt ervoor dat het apparaat snel stilstaat.

### Pendelslag instellen

- ◆ Met de pendelslagschakelaar **10** kunt u de pendelbeweging van het zaagblad **18** instellen. Zonder pendelbeweging (stand 0) bereikt u fijne en zuivere zaagranden. Schakel bij dunne werkstukken de pendelslag uit. Als de pendelslag is geactiveerd (stand 1-3), gaat het zagen sneller.

### Inschakelen / uitschakelen

#### Apparaat inschakelen:

- ◆ Druk de inschakelblokkering **1** naar links of rechts en houd deze ingedrukt.
- ◆ Druk op de aan-/uitknop **2**. Nadat de machine is gestart, kunt u de inschakelblokkering **1** weer loslaten. Het werklicht **19** brandt bij een licht of volledig ingedrukte aan-/uitknop **2**. Hiermee kunt u het werkvlak verlichten bij ongunstige lichtomstandigheden.

#### Apparaat uitschakelen:

Laat de aan-/uitknop **2** los.

## Onderhoud en reiniging



**WAARSCHUWING! LETSELGEVAAR!**  
Schakel het apparaat voorafgaand aan alle werkzaamheden aan het apparaat uit en haal de accu eruit.

- Het apparaat moet altijd schoon, droog en vrij van olie of smeervet zijn.
- Gebruik voor het schoonmaken van de behuizing een droge doek.
- Als een lithium-ionaccu langere tijd moet worden opgeslagen, moet de laadtoestand periodiek worden gecontroleerd. De optimale laadtoestand ligt tussen 50% en 80%. Het optimale opslagklimaat is koel en droog.
- Maak het apparaat na het zagen altijd schoon.
- Verwijder verontreinigingen (bijv. door zaagspanen). Reinig het zaagbladasgat eventueel met een kwastje of door het met perslucht schoon te blazen.

## **Garantie van Kompernaß Handels GmbH**

Geachte klant,

U hebt op dit apparaat 3 jaar garantie vanaf de aankoopdatum. In geval van gebreken in dit product hebt u wettelijke rechten tegenover de verkoper van het product. Deze wettelijke rechten worden door onze hierna beschreven garantie niet beperkt.

### **Garantievoorwaarden**

De garantieperiode geldt vanaf de datum van aankoop. Bewaar de originele kassabon. U hebt de bon nodig als bewijs van aankoop.

Als er binnen drie jaar vanaf de aankoopdatum van dit product een materiaal- of fabricagefout optreedt, wordt het product door ons – naar onze keuze – voor u kosteloos gerepareerd of vervangen. Voorwaarde voor deze garantie is dat binnen de termijn van drie jaar het defecte apparaat en het aankoopbewijs (kassabon) worden overlegd en dat kort wordt omschreven waaruit het gebrek bestaat en wanneer het is opgetreden.

Wanneer het defect door onze garantie wordt gedekt, krijgt u het gerepareerde product of een nieuw product retour. Met de reparatie of vervanging van het product begint er geen nieuwe garantieperiode.

### **Garantieperiode en wettelijke aanspraken bij gebreken**

De garantieperiode wordt door deze waarborg niet verlengd. Dat geldt ook voor vervangen en gerepareerde onderdelen. Eventueel al bij aankoop aanwezige schade en gebreken moeten meteen na het uitpakken worden gemeld. Voor reparaties na afloop van de garantieperiode worden kosten in rekening gebracht.

### **Garantieomvang**

Het apparaat is op basis van strenge kwaliteitsnormen met de grootst mogelijke zorg vervaardigd en voorafgaand aan de levering nauwkeurig gecontroleerd.

De garantie geldt voor materiaal- of fabricagefouten. Deze garantie geldt niet voor productonderdelen die blootstaan aan normale slijtage en derhalve als aan slijtage onderhevige onderdelen kunnen worden aangemerkt, of voor beschadigingen aan breekbare onderdelen, bijv. schakelaars, accu's, bakvormen of onderdelen die van glas zijn gemaakt.

Deze garantie vervalt wanneer het product is beschadigd, ondeskundig is gebruikt of is gerepareerd. Voor deskundig gebruik van het product moeten alle in de gebruiksaanwijzing beschreven aanwijzingen precies worden opgevolgd. Gebruiksdoeleinden en handelingen die in de gebruiksaanwijzing worden afgeraden of waarvoor wordt gewaarschuwd, moeten beslist worden vermeden.

Het product is uitsluitend bestemd voor privégebruik en niet voor bedrijfsmatige doeleinden. Bij verkeerd gebruik en ondeskundige behandeling, bij gebruik van geweld en bij reparaties die niet door ons erkend servicefiliaal zijn uitgevoerd, vervalt de garantie.

## Afhandeling bij een garantiekwestie

Voor een snelle afhandeling van uw aanvraag neemt u de volgende aanwijzingen in acht:

- Houd voor alle aanvragen de kassabon en het artikelnummer (bijv. IAN 12345) als aankoopbewijs bij de hand.
- Het artikelnummer vindt u op het typeplaatje, in het product gegraveerd, op de titelpagina van de gebruiksaanwijzing (linksonder) of als sticker op de achter- of onderkant van het product.
- Als er fouten in de werking of andere gebreken optreden, neemt u eerst contact op met de hierna genoemde serviceafdeling, **telefonisch** of **via e-mail**.
- Een als defect geregistreerd product kunt u dan zonder portokosten naar het aan u doorgegeven serviceadres sturen. Voeg het aankoopbewijs (kassabon) bij en vermeld waaruit het gebrek bestaat en wanneer het is opgetreden.



Op [www.lidl-service.com](http://www.lidl-service.com) kunt u deze en vele andere handboeken, productvideo's en software downloaden.

## Service

### WAARSCHUWING!

- ▶ Laat uw apparaten door het servicepunt of een elektricien repareren, en uitsluitend met originele vervangingsonderdelen. Op die manier blijft de veiligheid van het apparaat gewaarborgd.
- ▶ Laat de stekker of het snoer altijd vervangen door de fabrikant van het apparaat of diens klantenservice. Op die manier blijft de veiligheid van het apparaat gewaarborgd.

#### Service Nederland

Tel.: 0900 0400223 (0,10 EUR/Min.)  
E-Mail: [kompennass@lidl.nl](mailto:kompennass@lidl.nl)

#### Service België

Tel.: 070 270 171 (0,15 EUR/Min.)  
E-Mail: [kompennass@lidl.be](mailto:kompennass@lidl.be)

IAN 279504

## Importeur

Let op: het volgende adres is geen serviceadres. Neem eerst contact op met het opgegeven serviceadres.

KOMPENASS HANDELS GMBH  
BURGSTRASSE 21  
44867 BOCHUM  
GERMANY  
[www.kompennass.com](http://www.kompennass.com)

## Afvoeren



De verpakking bestaat uit milieuvriendelijke materialen, die u via de plaatselijke recyclepunten kunt afvoeren.



**Deponeer elektrisch gereedschap niet bij het huisvuil!**

Conform de Europese richtlijn 2012/19/EU moet afgedankt elektrisch gereedschap gescheiden worden ingezameld en op een milieuvriendelijke wijze worden gerecycled.



**Deponeer accu's niet bij het huisvuil!**

Defecte of afgedankte accu's moeten conform Richtlijn 2006/66/EC worden gerecycled.

Lever het accupack en/of het apparaat in bij de hiervoor bestemde inzamelpunten.

Over afvoermogelijkheden voor afgedankt elektrisch gereedschap/een afgedankt accupack kunt u informatie opvragen bij uw gemeentereiniging.

## Vertaling van de oorspronkelijke conformiteitsverklaring

Wij, KOMPERNASS HANDELS GMBH, documentverantwoordelijke persoon: de heer Semi Uguzlu, BURGSTR. 21, 44867 BOCHUM, DUITSLAND, verklaren hierbij dat dit product voldoet aan de volgende normen, normatieve documenten en EU-richtlijnen:

**Machinerichtlijn**

**(2006 / 42 / EG)**

**EG-laagspanningsrichtlijn**

**(2014/35/EU)**

**Elektromagnetische compatibiliteit**

**(2014 / 30 / EU)**

**RoHS-richtlijn**

**(2011 / 65 / EU)\***

\*De volledige verantwoordelijkheid voor het afgeven van deze conformiteitsverklaring ligt bij de fabrikant. Het hierboven beschreven object van de verklaring voldoet aan de voorschriften van de Richtlijn 2011/65/EU van het Europees Parlement en de Raad van 8 juni 2011 aangaande de beperking van het gebruik van bepaalde gevaarlijke stoffen in elektrische en elektronische apparaten.

**Toegepaste geharmoniseerde normen:**

EN 60745-1: 2009 / A11: 2010

EN 60745-2-11: 2010

EN 62233: 2008

EN 55014-1: 2006 / A2: 2011

EN 55014-2: 2015

EN 60335-1: 2012 / A11: 2014

EN 60335-2-29: 2004 / A2:2010

EN 61000-3-2: 2014

EN 61000-3-3: 2013

**Typeaanduiding van het apparaat:**

ACCU-DECOUPEERZAAG MET PENDELSLAG PSTDA 20-Li A1

**Productiejaar: 10-2016**

**Serienummer: IAN 279504**

Bochum, 30-09-2016



Semi Uguzlu

- Kwaliteitsmanager -

Technische wijzigingen vanwege verdere ontwikkeling voorbehouden.

## Vervangende accu bestellen

Wanneer u voor uw apparaat een vervangende accu wilt bestellen, kunt u dit eenvoudig op internet regelen, op [www.kompernass.com](http://www.kompernass.com), of telefonisch afhandelen.

De prijs van een vervangende accu bedraagt € 20 incl. BTW en verzending. Dit artikel kan vanwege de beperkte voorraad na korte tijd uitverkocht zijn.



### Online bestelling

Zo bestelt u een vervangende accu in de accessoireshop:

- Ga in uw webbrowser naar de website [www.kompernass.com](http://www.kompernass.com).
- Klik rechtsonder op het vlaggetje van uw land en taal.
- Klik nu op "Accessoireshop" en kies vervolgens in de rubriek "Topseller" de bij uw apparaat horende vervangende accu.
- Nadat u de vervangende accu in de winkelwagen hebt gelegd, klikt u op "Afrekenen" en volgt u de aanwijzingen die op het beeldscherm verschijnen om de bestelling te voltooien.

#### OPMERKING

- ▶ In sommige landen is het online bestellen van vervangingsonderdelen niet mogelijk. Neem in dat geval contact op met de service-hotline.
- De actie is beperkt tot één accu per klant/apparaat, alsmede tot een looptijd van twee maanden na de actieperiode. Daarna kan de vervangende accu als vervangingsonderdeel tegen de normaal geldende voorwaarden worden besteld.

### Telefonische bestelling

- (NL) **Service Nederland**  
Tel.: 0900 0400223 (0,10 EUR/Min.)  
E-Mail: [kompernass@lidl.nl](mailto:kompernass@lidl.nl)
- (BE) **Service België**  
Tel.: 070 270 171 (0,15 EUR/Min.)  
E-Mail: [kompernass@lidl.be](mailto:kompernass@lidl.be)

Voor een snelle verwerking van uw bestelling dient u voor alle aanvragen het artikelnummer (bijv. IAN 279504) van het apparaat bij de hand te hebben. Het artikelnummer vindt u op het typeplaatje van het apparaat of op de titelpagina van deze gebruiksaanwijzing.



# Inhaltsverzeichnis

<b>Einleitung</b> . . . . .	<b>54</b>
Bestimmungsgemäßer Gebrauch . . . . .	54
Ausstattung . . . . .	54
Lieferumfang . . . . .	54
Technische Daten . . . . .	54
<b>Allgemeine Sicherheitshinweise für Elektrowerkzeuge</b> . . . . .	<b>55</b>
1. Arbeitsplatz-Sicherheit . . . . .	55
2. Elektrische Sicherheit . . . . .	55
3. Sicherheit von Personen . . . . .	56
4. Verwendung und Behandlung des Elektrowerkzeugs . . . . .	56
5. Verwendung und Behandlung des Akkuwerkzeugs . . . . .	57
6. Service . . . . .	57
Gerätespezifische Sicherheitshinweise für Stichsägen . . . . .	57
Sicherheitshinweise für Ladegeräte . . . . .	57
Originalzubehör / -zusatzgeräte . . . . .	58
Informationen zu Sägeblättern . . . . .	58
<b>Vor der Inbetriebnahme</b> . . . . .	<b>58</b>
Akku-Pack laden (siehe Abb. A) . . . . .	58
Akku-Pack ins Gerät einsetzen / entnehmen . . . . .	59
Akkuzustand prüfen . . . . .	59
<b>Inbetriebnahme</b> . . . . .	<b>59</b>
Sägeblatt montieren / wechseln . . . . .	59
Schutzhaube montieren . . . . .	59
Parallelanschlag montieren . . . . .	59
Spanabsaugung anschließen . . . . .	59
Spanblasfunktion . . . . .	59
Spanreißschutz montieren . . . . .	60
Gleitschuh montieren . . . . .	60
<b>Bedienung</b> . . . . .	<b>60</b>
Schnittwinkel einstellen . . . . .	60
Hubzahl einstellen . . . . .	60
Pendelhub einstellen . . . . .	60
Einschalten / Ausschalten . . . . .	60
<b>Wartung und Reinigung</b> . . . . .	<b>61</b>
<b>Garantie der Kompersaß Handels GmbH</b> . . . . .	<b>61</b>
<b>Service</b> . . . . .	<b>62</b>
Importeur . . . . .	62
<b>Entsorgung</b> . . . . .	<b>63</b>
<b>Original-Konformitätserklärung</b> . . . . .	<b>63</b>
<b>Ersatz-Akku Bestellung</b> . . . . .	<b>64</b>
Online-Bestellung . . . . .	64
Telefonische Bestellung . . . . .	64

# AKKU-PENDELHUBSTICHSÄGE PSTDA 20-Li A1

## Einleitung

Wir beglückwünschen Sie zum Kauf Ihres neuen Gerätes. Sie haben sich damit für ein hochwertiges Produkt entschieden. Die Bedienungsanleitung ist Teil dieses Produkts. Sie enthält wichtige Hinweise für Sicherheit, Gebrauch und Entsorgung. Machen Sie sich vor der Benutzung des Produkts mit allen Bedien- und Sicherheitshinweisen vertraut. Benutzen Sie das Produkt nur wie beschrieben und für die angegebenen Einsatzbereiche. Händigen Sie alle Unterlagen bei Weitergabe des Produkts an Dritte mit aus.

## Bestimmungsgemäßer Gebrauch

Das Gerät ist für gerade und kurvige Schnitte sowie Gehrungsschnitte bis 45° an kantigen Werkstücken aus Kunststoff, Holz und Leichtmetall geeignet. Das Gerät ist ausschließlich für den privaten Gebrauch in trockenen Räumen zugelassen. Beachten Sie die Hinweise zu Sägeblatttypen. Jede andere Verwendung oder Veränderung des Gerätes gilt als nicht bestimmungsgemäß und birgt erhebliche Unfallgefahren. Für aus bestimmungswidriger Verwendung entstandene Schäden übernimmt der Hersteller keine Haftung.

## Ausstattung

- 1 Einschaltperre für Ein-/Ausshalter
- 2 Ein-/Aus-Schalter
- 3 Griff
- 4 Taste zur Entriegelung des Akku-Packs
- 5 Akku-Pack
- 6 Absaugstutzen
- 7 Schalter Späneblasvorrichtung
- 8 Fußplatte
- 9 Gleitschuh (abnehmbar)
- 10 Pendelhubschalter
- 11 Parallelschlag
- 12 Führungsrolle
- 13 Sägeblatt
- 14 Spanreißschutz
- 15 Einschuböffnungen (jeweils inkl. Feststellschraube)
- 16 Schutzbügel
- 17 Schnellspannfutter
- 18 Schutzhaube
- 19 Arbeitslicht
- 20 Klemmschrauben
- 21 Verzahnung
- 22 Taste Akkuzustand

- 23 Akku-Display-LED
- 24 Schnell-Ladegerät
- 25 Rote Ladekontroll-LED
- 26 Grüne Ladekontroll-LED

## Lieferumfang

- 1 Akku-Pendelhubstichsäge inkl. Absaugstutzen und Adapter
- 1 Akku-Schnellladegerät
- 1 Akku-Pack
- 1 Parallelschlag
- 2 Sägeblätter zur Holzbearbeitung
- 1 Sägeblatt zur Metallbearbeitung
- 1 Sechskantschlüssel
- 1 Spanreißschutz
- 1 Betriebsanleitung

## Technische Daten

### Akku-Pendelhubstichsäge:

#### PSTDA 20-Li A1

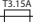
Bemessungsspannung:	20 V $\equiv$ (Gleichstrom)
Bemessungs-Leerlaufhubzahl:	$n_0$ 0 - 2700 min <sup>-1</sup>
Hub:	20 mm
Pendelhub:	3 Stufen und Feinschnitt-Einstellung
Schnitttiefe:	Holz/Aluminium/Metall: 80/12/5 mm
Schnitte:	0° - 15° - 30° - 45° links/rechts

### Verwenden Sie zum Betrieb des Akku-Werkzeugs nur folgenden Akku: PAP 20 A1

Typ:	LITHIUM-IONEN
Bemessungsspannung:	20 V $\equiv$ (Gleichstrom)
Kapazität:	2,0 Ah
Zellen:	5

### Verwenden Sie zum Laden des Akku-Werkzeugs nur folgendes Akku-Schnellladegerät: PLG 20 A1

#### EINGANG / Input:

Bemessungsspannung:	230 - 240 V $\sim$ , 50 Hz (Wechselstrom)
Bemessungsaufnahme:	65 W
Sicherung (innen):	3,15 A 

#### AUSGANG / Output:

Bemessungsspannung:	21,5 V $\equiv$ (Gleichstrom)
Bemessungsstrom:	2,4 A
Ladedauer:	ca. 60 min
Schutzklasse:	II/III (Doppelisolierung)

### Geräuschemissionswert:

Messwert für Geräusch ermittelt entsprechend EN 60745. Der A-bewertete Geräuschpegel des Elektrowerkzeugs beträgt typischerweise:

Schalldruckpegel:  $L_{PA} = 80 \text{ dB (A)}$

Unsicherheit K:  $K_{PA} = 3 \text{ dB}$

Schallleistungspegel:  $L_{WA} = 91 \text{ dB (A)}$

Unsicherheit K:  $K_{WA} = 3 \text{ dB}$

### Gehörschutz tragen!

### Schwingungsgesamtwerte:

(Vektorsumme dreier Richtungen) ermittelt entsprechend EN 60745:

Sägen von Spanplatte:  $a_{h,B} = 5,9 \text{ m/s}^2$

Unsicherheit K = 1,5  $\text{m/s}^2$

Sägen von Metallblech:  $a_{h,M} = 7,2 \text{ m/s}^2$

Unsicherheit K = 1,5  $\text{m/s}^2$

### HINWEIS

- ▶ Der in diesen Anweisungen angegebene Schwingungspegel ist entsprechend einem in EN 60745 genormten Messverfahren gemessen worden und kann für den Gerätevergleich verwendet werden. Der angegebene Schwingungsemissionswert kann auch zu einer einleitenden Einschätzung der Aussetzung verwendet werden.

### ⚠️ WARNUNG!

- ▶ Der Schwingungspegel wird sich entsprechend dem Einsatz des Elektrowerkzeugs verändern und kann in manchen Fällen über dem in diesen Anweisungen angegebenen Wert liegen. Die Schwingungsbelastung könnte unterschätzt werden, wenn das Elektrowerkzeug regelmäßig in solcher Weise verwendet wird. Versuchen Sie, die Belastung durch Vibrationen so gering wie möglich zu halten. Beispielhafte Maßnahmen zur Verringerung der Vibrationsbelastung sind das Tragen von Handschuhen beim Gebrauch des Werkzeugs und die Begrenzung der Arbeitszeit. Dabei sind alle Anteile des Betriebszyklus zu berücksichtigen (beispielsweise Zeiten, in denen das Elektrowerkzeug abgeschaltet ist, und solche, in denen es zwar eingeschaltet ist, aber ohne Belastung läuft).



## Allgemeine Sicherheitshinweise für Elektrowerkzeuge

### ⚠️ WARNUNG!

- ▶ Lesen Sie alle Sicherheitshinweise und Anweisungen. Versäumnisse bei der Einhaltung der Sicherheitshinweise und Anweisungen können elektrischen Schlag, Brand und/oder schwere Verletzungen verursachen.

### Bewahren Sie alle Sicherheitshinweise und Anweisungen für die Zukunft auf.

Der in den Sicherheitshinweisen verwendete Begriff „Elektrowerkzeug“ bezieht sich auf netzbetriebene Elektrowerkzeuge (mit Netzkabel) und auf akkubetriebene Elektrowerkzeuge (ohne Netzkabel).

## 1. Arbeitsplatz-Sicherheit

- Halten Sie Ihren Arbeitsbereich sauber und gut beleuchtet. Unordnung und unbeleuchtete Arbeitsbereiche können zu Unfällen führen.
- Arbeiten Sie mit dem Elektrowerkzeug nicht in explosionsgefährdeter Umgebung, in der sich brennbare Flüssigkeiten, Gase oder Stäube befinden. Elektrowerkzeuge erzeugen Funken, die den Staub oder die Dämpfe entzünden können.
- Halten Sie Kinder und andere Personen während der Benutzung des Elektrowerkzeugs fern. Bei Ablenkung können Sie die Kontrolle über das Gerät verlieren.

## 2. Elektrische Sicherheit

- Der Anschlussstecker des Elektrowerkzeuges muss in die Steckdose passen. Der Stecker darf in keiner Weise verändert werden. Verwenden Sie keine Adapterstecker gemeinsam mit schutzgeerdeten Elektrowerkzeugen. Unveränderte Stecker und passende Steckdosen verringern das Risiko eines elektrischen Schlages.
- Vermeiden Sie Körperkontakt mit geerdeten Oberflächen, wie von Rohren, Heizungen, Herden und Kühlschränken. Es besteht ein erhöhtes Risiko durch elektrischen Schlag, wenn Ihr Körper geerdet ist.

- c) Halten Sie Elektrowerkzeuge von Regen oder Nässe fern. Das Eindringen von Wasser in ein Elektrogerät erhöht das Risiko eines elektrischen Schlages.
- d) Zweckentfremden Sie das Kabel nicht, um das Elektrowerkzeug zu tragen, aufzuhängen oder um den Stecker aus der Steckdose zu ziehen. Halten Sie das Kabel fern von Hitze, Öl, scharfen Kanten oder sich bewegenden Geräteteilen. Beschädigte oder verwickelte Kabel erhöhen das Risiko eines elektrischen Schlages.
- e) Wenn Sie mit einem Elektrowerkzeug im Freien arbeiten, verwenden Sie nur Verlängerungskabel, die auch für den Außenbereich zugelassen sind. Die Anwendung eines für den Außenbereich geeigneten Verlängerungskabels verringert das Risiko eines elektrischen Schlages.
- f) Wenn der Betrieb des Elektrowerkzeuges in feuchter Umgebung nicht vermeidbar ist, verwenden Sie einen Fehlerstromschutzschalter. Der Einsatz eines Fehlerstromschutzschalters vermindert das Risiko eines elektrischen Schlages.
- d) Entfernen Sie Einstellwerkzeuge oder Schraubenschlüssel, bevor Sie das Elektrowerkzeug einschalten. Ein Werkzeug oder Schlüssel, der sich in einem drehenden Geräteteil befindet, kann zu Verletzungen führen.
- e) Vermeiden Sie eine abnormale Körperhaltung. Sorgen Sie für einen sicheren Stand und halten Sie jederzeit das Gleichgewicht. Dadurch können Sie das Elektrowerkzeug in unerwarteten Situationen besser kontrollieren.
- f) Tragen Sie geeignete Kleidung. Tragen Sie keine weite Kleidung oder Schmuck. Halten Sie Haare, Kleidung und Handschuhe fern von sich bewegenden Teilen. Lockere Kleidung, Schmuck oder lange Haare können von sich bewegenden Teilen erfasst werden.
- g) Wenn Staubabsaug- und -auffangeinrichtungen montiert werden können, vergewissern Sie sich, dass diese angeschlossen sind und richtig verwendet werden. Die Verwendung einer Staubabsaugung kann Gefährdungen durch Staub verringern.

### 3. Sicherheit von Personen

- a) Seien Sie stets aufmerksam, achten Sie darauf, was Sie tun und gehen Sie mit Vernunft an die Arbeit mit einem Elektrowerkzeug. Benutzen Sie kein Elektrowerkzeug, wenn Sie müde sind oder unter dem Einfluss von Drogen, Alkohol oder Medikamenten stehen. Ein Moment der Unachtsamkeit beim Gebrauch des Elektrowerkzeuges kann zu ernsthaften Verletzungen führen.
- b) Tragen Sie persönliche Schutzausrüstung und immer eine Schutzbrille. Das Tragen persönlicher Schutzausrüstung wie Staubmaske, rutschfeste Sicherheitsschuhe, Schutzhelm oder Gehörschutz, je nach Art und Einsatz des Elektrowerkzeuges, verringert das Risiko von Verletzungen.
- c) Vermeiden Sie eine unbeabsichtigte Inbetriebnahme. Vergewissern Sie sich, dass das Elektrowerkzeug ausgeschaltet ist, bevor Sie es an die Stromversorgung und / oder den Akku anschließen, es aufnehmen oder tragen. Wenn Sie beim Tragen des Elektrowerkzeuges den Finger am Schalter haben oder das Gerät bereits eingeschaltet an die Stromversorgung anschließen, kann dies zu Unfällen führen.

### 4. Verwendung und Behandlung des Elektrowerkzeugs

- a) Überlasten Sie das Gerät nicht. Verwenden Sie für Ihre Arbeit das dafür bestimmte Elektrowerkzeug. Mit dem passenden Elektrowerkzeug arbeiten Sie besser und sicherer im angegebenen Leistungsbereich.
- b) Benutzen Sie kein Elektrowerkzeug, dessen Schalter defekt ist. Ein Elektrowerkzeug, das sich nicht mehr ein- oder ausschalten lässt, ist gefährlich und muss repariert werden.
- c) Ziehen Sie den Stecker aus der Steckdose und / oder entfernen Sie den Akku, bevor Sie Geräteeinstellungen vornehmen, Zubehörteile wechseln oder das Gerät weglegen. Diese Vorsichtsmaßnahme verhindert den unbeabsichtigten Start des Elektrowerkzeuges.
- d) Bewahren Sie unbenutzte Elektrowerkzeuge außerhalb der Reichweite von Kindern auf. Lassen Sie Personen das Gerät nicht benutzen, die mit diesem nicht vertraut sind oder diese Anweisungen nicht gelesen haben. Elektrowerkzeuge sind gefährlich, wenn sie von unerfahrenen Personen benutzt werden.

- e) Pflegen Sie Elektrowerkzeuge mit Sorgfalt. Kontrollieren Sie, ob bewegliche Teile einwandfrei funktionieren und nicht klemmen, ob Teile gebrochen oder so beschädigt sind, dass die Funktion des Elektrowerkzeuges beeinträchtigt ist. Lassen Sie beschädigte Teile vor dem Einsatz des Gerätes reparieren. Viele Unfälle haben ihre Ursache in schlecht gewarteten Elektrowerkzeugen.
- f) Halten Sie Schneidwerkzeuge scharf und sauber. Sorgfältig gepflegte Schneidwerkzeuge mit scharfen Schneidkanten verkleben sich weniger und sind leichter zu führen.
- g) Verwenden Sie Elektrowerkzeug, Zubehör, Einsatzwerkzeuge usw. entsprechend diesen Anweisungen. Berücksichtigen Sie dabei die Arbeitsbedingungen und die auszuführende Tätigkeit. Der Gebrauch von Elektrowerkzeugen für andere als die vorgesehenen Anwendungen kann zu gefährlichen Situationen führen.

## 5. Verwendung und Behandlung des Akkuwerkzeugs

- a) Laden Sie die Akkus nur in Ladegeräten auf, die vom Hersteller empfohlen werden. Für ein Ladegerät, das für eine bestimmte Art von Akkus geeignet ist, besteht Brandgefahr, wenn es mit anderen Akkus verwendet wird.
- b) Verwenden Sie nur die dafür vorgesehenen Akkus in den Elektrowerkzeugen. Der Gebrauch von anderen Akkus kann zu Verletzungen und Brandgefahr führen.
- c) Halten Sie den nicht benutzten Akku fern von Büroklammern, Münzen, Schlüsseln, Nägeln, Schrauben oder anderen kleinen Metallgegenständen, die eine Überbrückung der Kontakte verursachen könnten. Ein Kurzschluss zwischen den Akkukontakten kann Verbrennungen oder Feuer zur Folge haben.
- d) Bei falscher Anwendung kann Flüssigkeit aus dem Akku austreten. Vermeiden Sie den Kontakt damit. Bei zufälligem Kontakt mit Wasser abspülen. Wenn die Flüssigkeit in die Augen kommt, nehmen Sie zusätzlich ärztliche Hilfe in Anspruch. Austretende Akkuflüssigkeit kann zu Hautreizungen oder Verbrennungen führen.



**VORSICHT! EXPLOSIONSGEFAHR!**  
Laden Sie nicht aufladbare Batterien niemals auf.



Schützen Sie den Akku vor Hitze, z. B. auch vor dauernder Sonneneinstrahlung, Feuer, Wasser und Feuchtigkeit. Es Besteht Explosionsgefahr.



## 6. Service

- a) Lassen Sie Ihr Elektrowerkzeug nur von qualifiziertem Fachpersonal und nur mit Original-Ersatzteilen reparieren. Damit wird sichergestellt, dass die Sicherheit des Elektrowerkzeugs erhalten bleibt.

## Gerätespezifische Sicherheitshinweise für Stichsäge

- Halten Sie das Elektrowerkzeug an den isolierten Griffflächen, wenn Sie Arbeiten ausführen, bei denen das Elektrowerkzeug verborgene Stromleitungen treffen kann. Der Kontakt mit einer spannungsführenden Leitung kann auch metallene Geräteteile unter Spannung setzen und zu einem elektrischen Schlag führen.

## Sicherheitshinweise für Ladegeräte

- Dieses Gerät kann von Kindern ab 8 Jahren und darüber sowie von Personen mit verringerten physischen, sensorischen oder mentalen Fähigkeiten oder Mangel an Erfahrung und Wissen benutzt werden, wenn sie beaufsichtigt oder bezüglich des sicheren Gebrauchs des Gerätes unterwiesen wurden und die daraus resultierenden Gefahren verstehen. Kinder dürfen nicht mit dem Gerät spielen. Reinigung und Benutzer-Wartung dürfen nicht von Kindern ohne Beaufsichtigung durchgeführt werden.

- Wenn die Netzanschlussleitung dieses Gerätes beschädigt wird, muss sie durch den Hersteller oder seinen Kundendienst oder eine ähnlich qualifizierte Person ersetzt werden, um Gefährdungen zu vermeiden.



Das Ladegerät ist nur für den Betrieb im Innenbereich geeignet.

## ⚠️ WARNUNG!

- Wenn ein Ersatz der Anschlussleitung erforderlich ist, dann ist dies vom Hersteller oder seinem Vertreter auszuführen, um Sicherheitsgefährdungen zu vermeiden.

## Originalzubehör / -zusatzgeräte

- Benutzen Sie nur Zubehör und Zusatzgeräte, die in der Bedienungsanleitung angegeben sind bzw. deren Aufnahme mit dem Gerät kompatibel ist.

## Informationen zu Sägeblättern

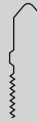
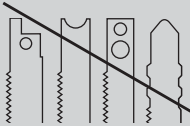
Die Parkside-Grundausrüstung beinhaltet bereits Sägeblätter für Hauptanwendungen in Holz und Metall.

- 2 Sägeblätter für allgemeine Holzschnitte
- 1 Sägeblatt für Leichtmetalle bis 5 mm

## HINWEIS

- ▶ Sie können jedes Sägeblatt verwenden, vorausgesetzt, es ist mit der passenden Aufnahme (Einnockenschaft) versehen.

## Sägeblatttyp

geeignet	ungeeignet
	

## Vor der Inbetriebnahme

### Akku-Pack laden (siehe Abb. A)

#### ⚠️ VORSICHT!

- ▶ Ziehen Sie immer den Netzstecker, bevor Sie den Akku-Pack aus dem Ladegerät nehmen bzw. einsetzen.

#### HINWEIS

- ▶ Laden Sie den Akku-Pack nie, wenn die Umgebungstemperatur unterhalb 10 °C oder oberhalb 40 °C liegt. Soll ein Lithium-Ionen-Akku längere Zeit gelagert werden, muss regelmäßig der Ladezustand kontrolliert werden. Der optimale Ladezustand liegt zwischen 50 % und 80 %. Das Lagerungsklima soll kühl und trocken sein in einer Umgebungstemperatur zwischen 0 °C und 50 °C.

- ◆ Stecken Sie den Akku-Pack **5** in das Schnell-Ladegerät **24** (siehe Abb. A).
- ◆ Stecken Sie den Netzstecker in die Steckdose. Die Kontroll-LED **25** leuchtet rot.
- ◆ Die grüne Kontroll-LED **26** signalisiert Ihnen, dass der Ladevorgang abgeschlossen und der Akku-Pack **5** einsatzbereit ist.

#### ⚠️ ACHTUNG!

- ◆ Sollte die rote Kontroll-LED **25** blinken, dann ist der Akku-Pack **5** überhitzt und kann nicht aufgeladen werden.
- ◆ Sollte die rote und grüne Kontroll-LED **25** **26** gemeinsam blinken, dann ist der Akku-Pack **5** defekt.
- ◆ Schieben Sie den Akku-Pack **5** in das Gerät ein.
- Laden Sie einen Akku-Pack niemals unmittelbar nach dem Schnell-Ladevorgang ein zweites Mal auf. Es besteht die Gefahr, dass der Akku-Pack überhitzt und dadurch die Lebensdauer des Akkus verringert wird.
- ◆ Schalten Sie das Ladegerät zwischen aufeinanderfolgenden Ladevorgängen für mindestens 15 Minuten ab.  
Ziehen Sie dazu den Netzstecker.

## Akku-Pack ins Gerät einsetzen / entnehmen

### Akku-Pack einsetzen:

- ◆ Lassen Sie den Akku-Pack **5** in das Gerät einrasten.

### Akku-Pack entnehmen:

- ◆ Drücken Sie die Taste zur Entriegelung **4** und entnehmen Sie den Akku-Pack.

## Akkuzustand prüfen

- ◆ Drücken Sie zum Prüfen des Akkuzustands die Taste Akkuzustand **22** (siehe auch Hauptabbildung).  
Der Zustand wird in der Akku-Display-LED **23** wie folgt angezeigt:
- ◆ ROT / ORANGE / GRÜN = maximale Ladung / ROT / ORANGE = mittlere Ladung  
ROT = schwache Ladung - Akku aufladen

## Inbetriebnahme

### Sägeblatt montieren / wechseln

Nehmen Sie den Akku vor allen Arbeiten am Elektrowerkzeug (z. B. Wartung, Werkzeugwechsel etc.) sowie bei dessen Transport und Aufbewahrung aus dem Elektrowerkzeug. Bei unbeabsichtigtem Betätigen des Ein-/Ausschalters besteht Verletzungsgefahr.

- ◆ Drücken Sie die Schutzhaube **18** auf Höhe der äußeren Halterungen zusammen und ziehen Sie sie nach vorn ab.
- ◆ Drehen Sie das Schnellspannfutter **17** und halten Sie es gedreht.
- ◆ Drücken Sie das benötigte Sägeblatt bis zum Anschlag in das Schnellspannfutter **17**.
- ◆ Lassen Sie das Schnellspannfutter **17** los, es muss in seine Ausgangsposition zurückkehren. Das Sägeblatt ist nun verriegelt.
- **ACHTUNG!** Die Zähne des Sägeblattes müssen dabei nach vorne zeigen (Siehe Ausklappseite)!

### Schutzhaube montieren

Montieren Sie die Schutzhaube **18**, bevor Sie das Gerät an eine Staubabsaugung anschließen.

- ◆ Setzen Sie die Schutzhaube **18** so auf das Gerät, dass die beiden äußeren Halterungen in den Aussparungen des Gehäuses einrasten.
- ◆ Nehmen Sie die Schutzhaube **18** für Arbeiten ohne Staubabsaugung sowie für Gehrengschnitte ab. Drücken Sie dafür die Schutzhaube **18** auf Höhe der äußeren Halterungen zusammen und ziehen Sie sie nach vorn ab.


### Parallelanschlag montieren

Der Parallelanschlag **11** kann links oder rechts am Gerät befestigt werden.

- ◆ Lösen Sie die beiden Feststellschrauben der Einschuböffnungen **15**.
- ◆ Schieben Sie den Parallelanschlag **11** in die Einschuböffnungen **15**.
- ◆ Schrauben Sie die beiden Feststellschrauben wieder fest.

### Spanabsaugung anschließen

- ◆ Stecken Sie den Absaugstutzen **6** in den Absaugkanal bis dieser festklemmt. Wahlweise je nach Durchmesser von der Staub- und Spanabsaugung.
- ◆ Schließen Sie eine zugelassene Staub- und Spanabsaugung an den Absaugstutzen **6** an.

-  Tragen Sie eine Staubschutzmaske.

### Absaugfunktion unterstützen:

- ◆ Schieben Sie den Schalter Späneblasvorrichtung **7** in die Position „O“.

### Spanblasfunktion

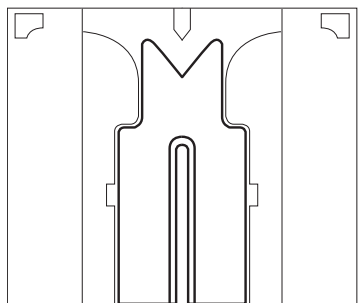
#### Spanblasfunktion einschalten:

- ◆ Schieben Sie den Schalter Späneblasvorrichtung **7** in die Position .

## Spanreißschutz montieren

Der Spanreißschutz **14** kann ein Ausreißen der Oberfläche beim Sägen von Holz verhindern. Der Spanreißschutz **14** kann nur bei bestimmten Sägeblatttypen, ohne Gleitschuh **9** und nur bei einem Schnittwinkel von 0° verwendet werden.

- ◆ Drücken Sie den Spanreißschutz **14** von unten in die Fußplatte **8** ein (Auskerbung nach oben).



## Gleitschuh montieren

Bei der Bearbeitung von empfindlichen Oberflächen können Sie den Gleitschuh **9** auf die Fußplatte **8** aufsetzen, um ein Verkratzen der Oberfläche zu vermeiden.

- ◆ Hängen Sie den Gleitschuh **9** vorne an die Fußplatte **8** ein und drücken Sie ihn hinten hoch, bis er an der Fußplatte **8** einrastet.
- ◆ Zum Abnehmen des Gleitschuhs **9**, lösen Sie ihn am hinteren Teil der Fußplatte **8** und nehmen ihn nach vorne hin ab.

## Bedienung

### Schnittwinkel einstellen

- ◆ Lösen Sie die Klemmschrauben **20** mit dem mitgelieferten Sechskantschlüssel und ziehen die Fußplatte **8** nach hinten.
- ◆ Stellen Sie den Schnittwinkel 0° / 15° / 30° / 45° mit Hilfe der Markierungen an der Fußplatte **8** ein. Schieben Sie die Fußplatte **8** nach vorne, damit der Arretierstift in die Verzahnung **21** einrastet.
- ◆ Spannen Sie die Klemmschrauben **20** mit dem Sechskantschlüssel.

### HINWEIS

- ▶ Bei einem Schnittwinkel von 15° / 30° / 45°, muss die Schutzhaube **18** und der Spanreißschutz **14** vorher entfernt werden.

### Hubzahl einstellen

Der EIN- / AUS-Schalter **2** verfügt über eine variable Geschwindigkeitsregelung. Leichter Druck auf den EIN- / AUS-Schalter **2** bewirkt eine niedrige Drehzahl. Mit zunehmendem Druck erhöht sich die Drehzahl.

### HINWEIS

- ▶ Die integrierte Motorbremse sorgt für einen schnellen Stillstand.

### Pendelhub einstellen

- ◆ Sie können mit dem Pendelhubschalter **10** die Pendelbewegung des Sägeblattes **13** einstellen. Ohne Pendelbewegung (Stellung „0“) erzielen Sie feine und saubere Schnittkanten. Stellen Sie bei dünnen Werkstücken den Pendelhub ab. Mit aktiviertem Pendelhub (Stellung 1-3) erzielen Sie einen zunehmend schnelleren Arbeitsfortschritt.

### Einschalten / Ausschalten

#### Gerät einschalten:

- ◆ Drücken Sie die Einschaltsperrleiste **1** nach links oder rechts und halten diese gedrückt.
- ◆ Betätigen Sie den EIN-/AUS-Schalter **2**. Nachdem die Maschine angelaufen ist, können Sie die Einschaltsperrleiste **1** wieder loslassen. Das Arbeitslicht **19** leuchtet bei leicht oder vollständig gedrücktem EIN- / AUS-Schalter **2**. Es ermöglicht so das Ausleuchten des Arbeitsbereiches bei ungünstigen Lichtverhältnissen.

#### Gerät ausschalten:

Lassen Sie den EIN-/AUS-Schalter **2** los.



## Wartung und Reinigung



**WARNUNG! VERLETZUNGSGEFAHR!**  
Schalten Sie vor allen Arbeiten am Gerät das Gerät aus und entnehmen Sie den Akku.

- Das Gerät muss stets sauber, trocken und frei von Öl oder Schmierfetten sein.
- Verwenden Sie zum Reinigen des Gehäuses ein trockenes Tuch.
- Soll ein Lithium-Ionen-Akku längere Zeit gelagert werden, muss regelmäßig der Ladezustand kontrolliert werden. Der optimale Ladezustand liegt zwischen 50 % und 80 %. Das optimale Lagerungsklima ist kühl und trocken.
- Führen Sie die Reinigung des Gerätes im Anschluss an Ihre Sägearbeit durch.
- Entfernen Sie Verschmutzungen (z.B. durch Sägespäne). Reinigen Sie die Sägeblattaufnahme ggf. mit einem Pinsel oder durch Ausblasen mit Druckluft.

## Garantie der Kompernaß Handels GmbH

Sehr geehrte Kundin, sehr geehrter Kunde,

Sie erhalten auf dieses Gerät 3 Jahre Garantie ab Kaufdatum. Im Falle von Mängeln dieses Produkts stehen Ihnen gegen den Verkäufer des Produkts gesetzliche Rechte zu. Diese gesetzlichen Rechte werden durch unsere im Folgenden dargestellte Garantie nicht eingeschränkt.

### Garantiebedingungen

Die Garantiefrist beginnt mit dem Kaufdatum. Bitte bewahren Sie den Original-Kassenbon gut auf. Diese Unterlage wird als Nachweis für den Kauf benötigt.

Tritt innerhalb von drei Jahren ab dem Kaufdatum dieses Produkts ein Material- oder Fabrikationsfehler auf, wird das Produkt von uns – nach unserer Wahl – für Sie kostenlos repariert oder ersetzt. Diese Garantieleistung setzt voraus, dass innerhalb der Drei-Jahres-Frist das defekte Gerät und der Kaufbeleg (Kassenbon) vorgelegt und schriftlich kurz beschrieben wird, worin der Mangel besteht und wann er aufgetreten ist.

Wenn der Defekt von unserer Garantie gedeckt ist, erhalten Sie das reparierte oder ein neues Produkt zurück. Mit Reparatur oder Austausch des Produkts beginnt kein neuer Garantiezeitraum.

### Garantiezeit und gesetzliche Mängelansprüche

Die Garantiezeit wird durch die Gewährleistung nicht verlängert. Dies gilt auch für ersetzte und reparierte Teile. Eventuell schon beim Kauf vorhandene Schäden und Mängel müssen sofort nach dem Auspacken gemeldet werden. Nach Ablauf der Garantiezeit anfallende Reparaturen sind kostenpflichtig.

### Garantieumfang

Das Gerät wurde nach strengen Qualitätsrichtlinien sorgfältig produziert und vor Auslieferung gewissenhaft geprüft.

Die Garantieleistung gilt für Material- oder Fabrikationsfehler. Diese Garantie erstreckt sich nicht auf Produktteile, die normaler Abnutzung ausgesetzt sind und daher als Verschleißteile angesehen werden können oder für Beschädigungen an zerbrechlichen Teilen, z. B. Schalter, Akkus, Backformen oder Teile die aus Glas gefertigt sind.

Diese Garantie verfällt, wenn das Produkt beschädigt, nicht sachgemäß benutzt oder gewartet wurde. Für eine sachgemäße Benutzung des Produkts sind alle in der Bedienungsanleitung aufgeführten Anweisungen genau einzuhalten. Verwendungszwecke und Handlungen, von denen in der Bedienungsanleitung abgeraten oder vor denen gewarnt wird, sind unbedingt zu vermeiden.

Das Produkt ist nur für den privaten und nicht für den gewerblichen Gebrauch bestimmt. Bei missbräuchlicher und unsachgemäßer Behandlung, Gewaltanwendung und bei Eingriffen, die nicht von unserer autorisierten Service-Niederlassung vorgenommen wurden, erlischt die Garantie.

## Abwicklung im Garantiefall

Um eine schnelle Bearbeitung ihres Anliegens zu gewährleisten, folgen Sie bitte den folgenden Hinweisen:

- Bitte halten Sie für alle Anfragen den Kassenbonn und die Artikelnummer (z. B. IAN 12345) als Nachweis für den Kauf bereit.
- Die Artikelnummer entnehmen Sie bitte dem Typenschild, einer Gravur, auf dem Titelblatt ihrer Anleitung (unten links) oder als Aufkleber auf der Rück- oder Unterseite.
- Sollten Funktionsfehler oder sonstige Mängel auftreten, kontaktieren Sie zunächst die nachfolgend benannte Serviceabteilung **telefonisch** oder per **E-Mail**.
- Ein als defekt erfasstes Produkt können Sie dann unter Beifügung des Kaufbelegs (Kassenbonn) und der Angabe, worin der Mangel besteht und wann er aufgetreten ist, für Sie portofrei an die Ihnen mitgeteilte Service-Anschrift übersenden.



Auf [www.lidl-service.com](http://www.lidl-service.com) können Sie diese und viele weitere Handbücher, Produktvideos und Software herunterladen.

## Service

### **WARNUNG!**

- ▶ Lassen Sie Ihre Geräte von der Servicestelle oder einer Elektrofachkraft und nur mit Original-Ersatzteilen reparieren. Damit wird sichergestellt, dass die Sicherheit des Gerätes erhalten bleibt.
- ▶ Lassen Sie den Austausch des Steckers oder der Netzleitung immer vom Hersteller des Gerätes oder seinem Kundendienst ausführen. Damit wird sichergestellt, dass die Sicherheit des Gerätes erhalten bleibt.

#### **Service Deutschland**

Tel.: 0800 5435 111 (Kostenfrei aus dem dt. Festnetz/Mobilfunknetz)  
E-Mail: [kompernass@lidl.de](mailto:kompernass@lidl.de)

#### **Service Österreich**

Tel.: 0820 201 222 (0,15 EUR/Min.)  
E-Mail: [kompernass@lidl.at](mailto:kompernass@lidl.at)

#### **Service Schweiz**

Tel.: 0842 665566 (0,08 CHF/Min., Mobilfunk max. 0,40 CHF/Min.)  
E-Mail: [kompernass@lidl.ch](mailto:kompernass@lidl.ch)

IAN 279504

## Importeur

Bitte beachten Sie, dass die folgende Anschrift keine Serviceanschrift ist. Kontaktieren Sie zunächst die benannte Servicestelle.

KOMPERNASS HANDELS GMBH  
BURGSTRASSE 21  
44867 BOCHUM  
GERMANY  
[www.kompernass.com](http://www.kompernass.com)

## Entsorgung



Die Verpackung besteht aus umweltfreundlichen Materialien, die Sie über die örtlichen Recyclingstellen entsorgen können.



**Werfen Sie Elektrowerkzeuge nicht in den Hausmüll!**

Gemäß Europäischer Richtlinie 2012/19/EU müssen verbrauchte Elektrowerkzeuge getrennt gesammelt und einer umweltgerechten Wiederverwertung zugeführt werden.



**Werfen Sie Akkus nicht in den Hausmüll!**

Defekte oder verbrauchte Akkus müssen gemäß Richtlinie 2006/66/EC recycelt werden. Geben Sie Akku-Pack und / oder das Gerät über die angebotenen Sammeleinrichtungen zurück.

Über Entsorgungsmöglichkeiten für ausgediente Elektrowerkzeuge / Akku-Pack informieren Sie sich bitte bei Ihrer Gemeinde- oder Stadtverwaltung.

## Original-Konformitätserklärung

Wir, KOMPERNASS HANDELS GMBH, Dokumentenverantwortlicher: Herr Semi Uguzlu, BURGSTR. 21, 44867 BOCHUM, DEUTSCHLAND, erklären hiermit, dass dieses Produkt mit den folgenden Normen, normativen Dokumenten und EG-Richtlinien übereinstimmt:

**Maschinenrichtlinie (2006 / 42 / EG)**

**EG-Niederspannungsrichtlinie (2014 / 35 / EU)**

**Elektromagnetische Verträglichkeit (2014 / 30 / EU)**

**RoHS Richtlinie (2011 / 65 / EU)\***

\*Die alleinige Verantwortung für die Ausstellung dieser Konformitätserklärung trägt der Hersteller. Der oben beschriebene Gegenstand der Erklärung erfüllt die Vorschriften der Richtlinie 2011/65/EU des Europäischen Parlaments und des Rates vom 8. Juni 2011 zur Beschränkung der Verwendung bestimmter gefährlicher Stoffe in Elektro- und Elektronikgeräten.

### **Angewandte harmonisierte Normen:**

EN 60745-1: 2009 / A11: 2010

EN 60745-2-11: 2010

EN 62233: 2008

EN 55014-1: 2006 / A2: 2011

EN 55014-2: 2015

EN 60335-1: 2012 / A11: 2014

EN 60335-2-29: 2004 / A2:2010

EN 61000-3-2: 2014

EN 61000-3-3: 2013

### **Typbezeichnung der Maschine:**

Akku-Pendelhubstichsäge PSTDA 20-Li A1

### **Herstellungsjahr: 10-2016**

### **Seriennummer: IAN 279504**

Bochum, 30.09.2016



Semi Uguzlu

- Qualitätsmanager -

Technische Änderungen im Sinne der Weiterentwicklung sind vorbehalten.

## Ersatz-Akku Bestellung

Wenn Sie einen Ersatz-Akku für Ihr Gerät bestellen möchten, so können Sie dies entweder bequem im Internet unter [www.kompernass.com](http://www.kompernass.com) oder telefonisch abwickeln.

Der Preis des Ersatz-Akkus beträgt 20 € inkl. MwSt. und Versand. Dieser Artikel kann aufgrund begrenzter Vorratsmenge nach kurzer Zeit ausverkauft sein.



### Online-Bestellung

Um einen Ersatz-Akku über den Zubehör-Shop zu bestellen:

- Rufen Sie mit Ihrem Internetbrowser die Seite [www.kompernass.com](http://www.kompernass.com) auf.
- Klicken Sie rechts unten auf die entsprechende Flagge, um das gewünschte Land und die Sprache auszuwählen.
- Klicken Sie jetzt auf den Reiter „Zubehör-Shop“ und wählen anschließend unter der Rubrik „Topseller“ den passenden Ersatz-Akku zu Ihrem Gerät aus.
- Nachdem Sie den Ersatz-Akku in den Warenkorb gelegt haben, klicken Sie auf die Schaltfläche „Kasse“ und befolgen die auf dem Bildschirm angezeigten Anweisungen, um den Bestellvorgang abzuschließen.

### HINWEIS

- ▶ Die Bestellung von Ersatzteilen kann in einigen Ländern nicht online vorgenommen werden. Kontaktieren Sie in diesem Fall bitte die Service-Hotline.
- Die Aktion ist begrenzt auf einen Akku pro Kunde / Gerät, sowie auf eine Laufzeit von zwei Monaten nach dem Aktionszeitraum. Danach kann der Ersatzakku als Ersatzteil zu anderen Konditionen weiterhin bestellt werden.

### Telefonische Bestellung

- DE Service Deutschland**  
Tel.: 0800 5435 111 (Kostenfrei aus dem dt. Festnetz/Mobilfunknetz)
- AT Service Österreich**  
Tel.: 0820 201 222 (0,15 EUR/Min.)  
E-Mail: [kompernass@lidl.at](mailto:kompernass@lidl.at)
- CH Service Schweiz**  
Tel.: 0842 665566 (0,08 CHF/Min., Mobilfunk max. 0,40 CHF/Min.)  
E-Mail: [kompernass@lidl.ch](mailto:kompernass@lidl.ch)

Um eine schnelle Bearbeitung Ihrer Bestellung zu gewährleisten, halten Sie bitte für alle Anfragen die Artikelnummer (z.B. IAN 279504) des Gerätes bereit. Die Artikelnummer entnehmen Sie bitte dem Typenschild oder dem Titelblatt dieser Anleitung.

**KOMPERNASS HANDELS GMBH**

BURGSTRASSE 21

44867 BOCHUM

DEUTSCHLAND/GERMANY

[www.kompernass.com](http://www.kompernass.com)

Last Information Update · Tilstand af information · Version des informations

Stand van de informatie · Stand der Informationen:

09/2016 Ident.-No.: PSTDA20-LiA1-092016-1

---

IAN 279504