

PDF ONLINE  
parkside-diy.com

## SILENT COMPRESSOR PSKO 2410 A1 SILENT-KOMPRESSOR PSKO 2410 A1 COMPRESSEUR SILENCIEUX PSKO 2410 A1

(GB) (IE) (NI) (CY) (MT)

### SILENT COMPRESSOR

Operating and Safety Instructions.

Translation of Original Operating Manual.

(FR) (BE) (CH)

### COMPRESSEUR SILENCIEUX

Consignes d'utilisation et de sécurité.

Traduction des instructions d'origine.

(ES)

### COMPRESOR SILENCIOSO

Instrucciones de utilización y de seguridad.

Traducción del manual de instrucciones original.

(CZ)

### TICHÝ KOMPRESOR

Pokyny pro obsluhu a bezpečnostní pokyny.

Překlad originálního provozního návodu.

(HU)

### SILENT KOMPRESSZOR

Kezelési és biztonsági útmutató.

Az eredeti használati útmutató fordítása.

(DK)

### STØJSVAG KOMPRESSOR

Drifts- og sikkerhedsinstruktioner.

Oversættelse af den originale driftsvejledning.

(DE) (AT) (CH)

### SILENT-KOMPRESSOR

Bedienungs- und Sicherheitshinweise.

Originalbetriebsanleitung.

(NL) (BE)

### SILENT-COMPRESSOR

Bedienings- en veiligheidsinstructies.

Vertaling van de originele handleiding.

(IT) (MT) (CH)

### COMPRESSORE SILENZIOSO

Indicazioni per l'uso e per la sicurezza.

Traduzione delle istruzioni d'uso originali.

(SK)

### TICHÝ KOMPRESOR

Pokyny pre obsluhu a bezpečnostné pokyny.

Překlad originálneho návodu na obsluhu.

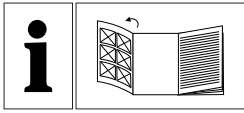
(PL)

### CICHY KOMPRESOR

Wskazówki dotyczące obsługi i bezpieczeństwa.

Tłumaczenie oryginalnej instrukcji obsługi.





(GB) (IE) (NI) (CY) (MT)

Before reading, unfold the page with the illustrations and then familiarise yourself with all the functions of the product.

(DE) (AT) (CH)

Klappen Sie vor dem Lesen die Seite mit den Abbildungen aus und machen Sie sich anschließend mit allen Funktionen des Produkts vertraut.

(FR) (BE) (CH)

Avant de commencer la lecture, ouvrez la page avec les illustrations et familiarisez-vous avec toutes les fonctions du produit.

(NL) (BE)

Vouw voor het lezen de pagina met de afbeeldingen uit en maak u vervolgens vertrouwd met alle functies van het product.

(ES)

Antes de leer las instrucciones y familiarizarse con todas las funciones del producto, despliegue la página con las ilustraciones.

(IT) (MT) (CH)

Prima di leggere, aprire la pagina con le illustrazioni e familiarizzare con tutte le funzioni del prodotto.

(CZ)

Před čtením si rozložte stránku s obrázky a poté se seznamte se všemi funkcemi výrobku.

(SK)

Pred čítaním otvorte stranu s obrázkami a následne sa oboznámte so všetkými funkciami výrobku.

(HU)

Mielőtt megkezdi az olvasást, hajtsa ki az ábrákat tartalmazó oldalt, majd ismerkedjen meg alaposan a termék összes funkciójával.

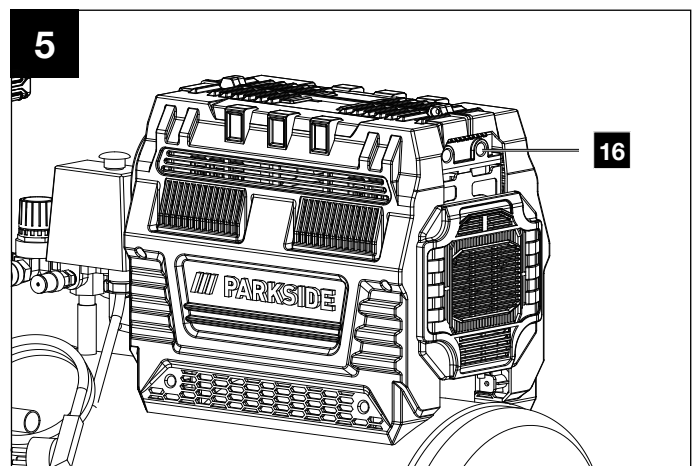
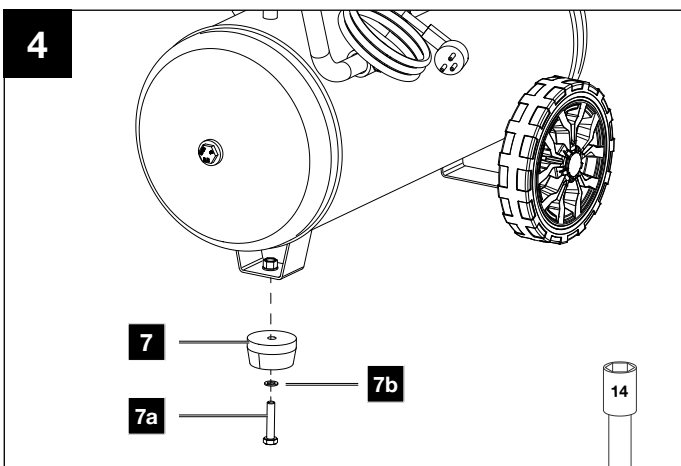
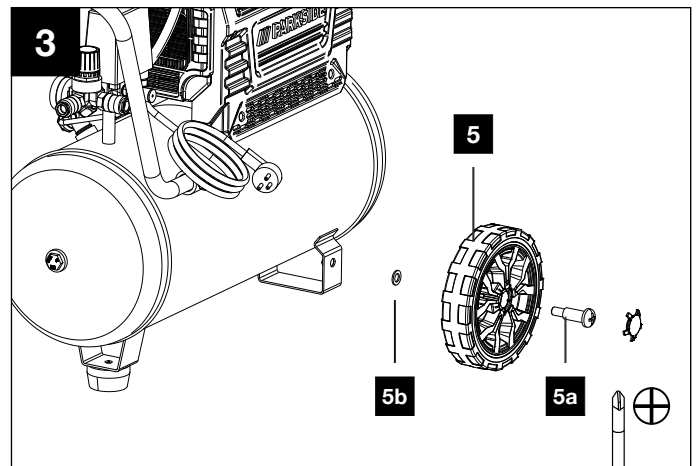
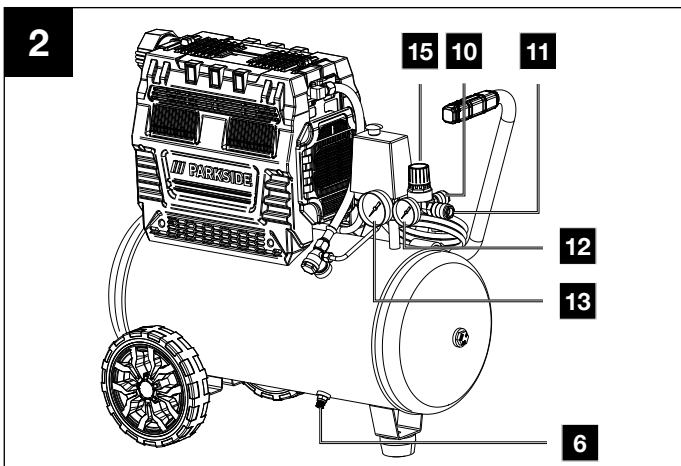
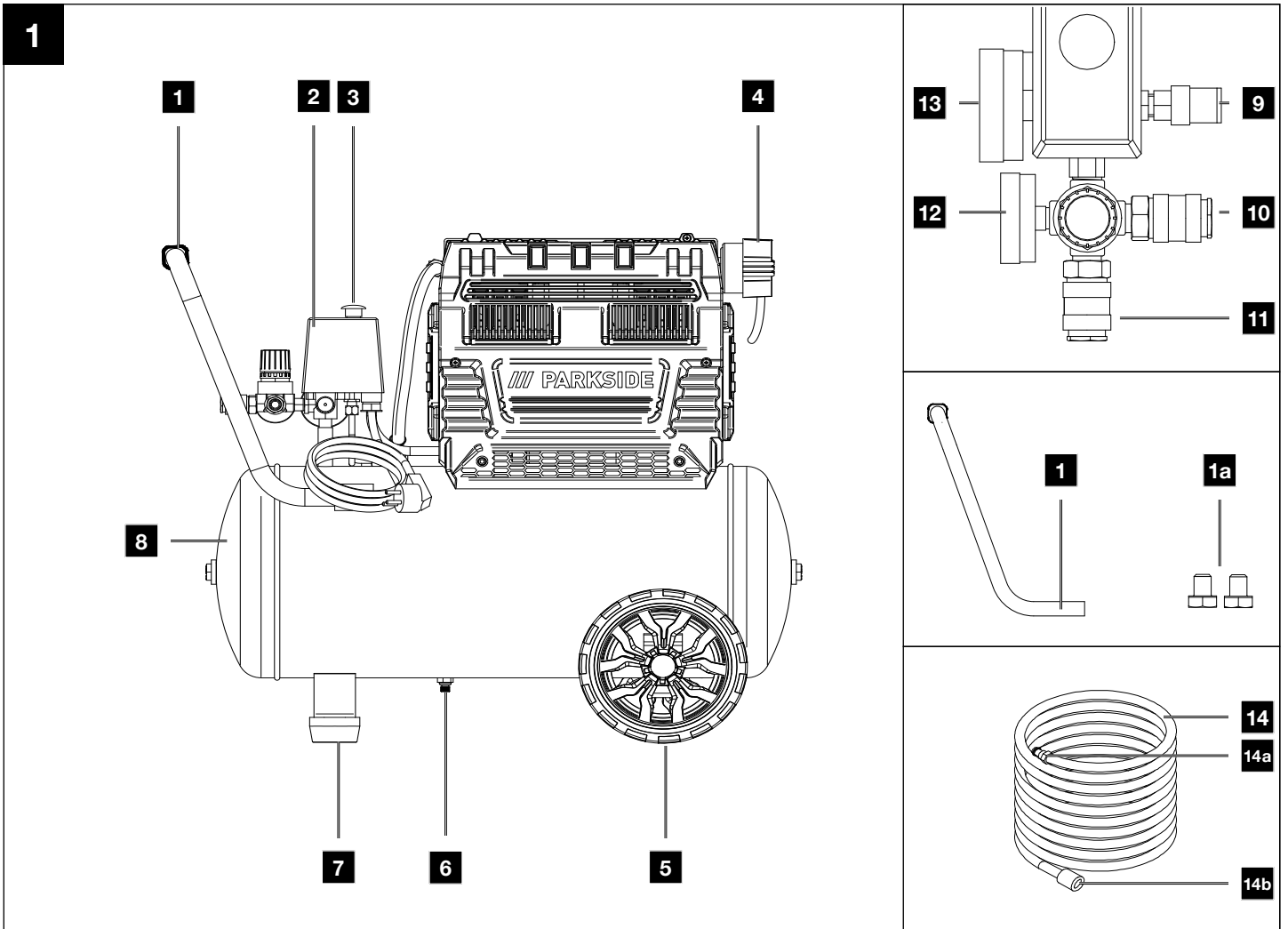
(PL)

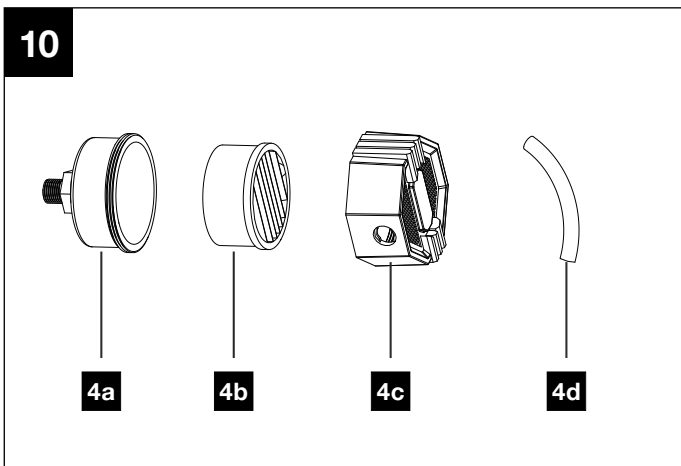
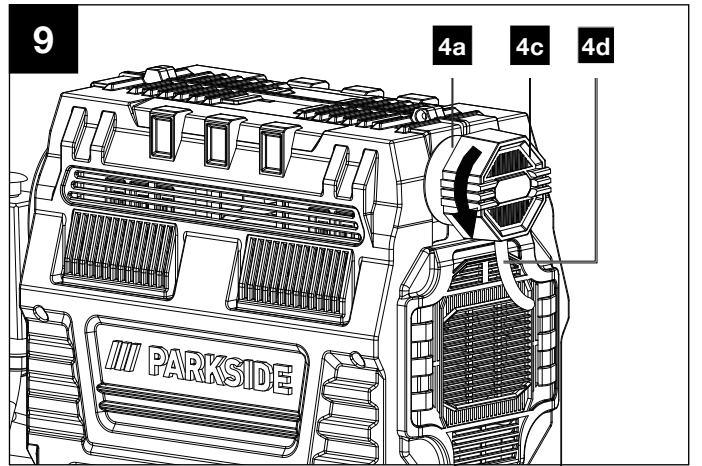
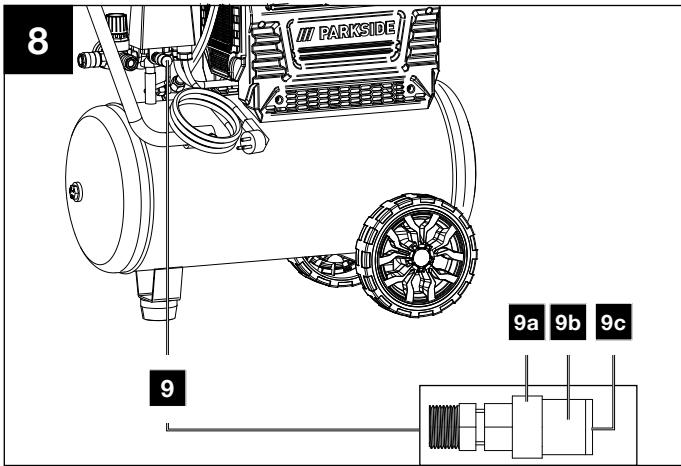
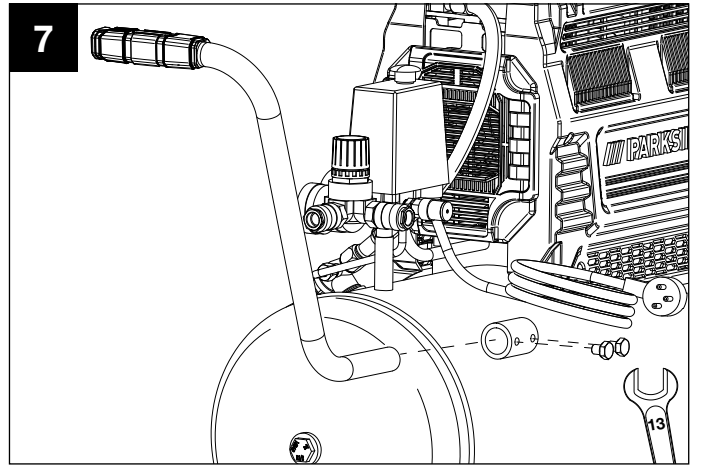
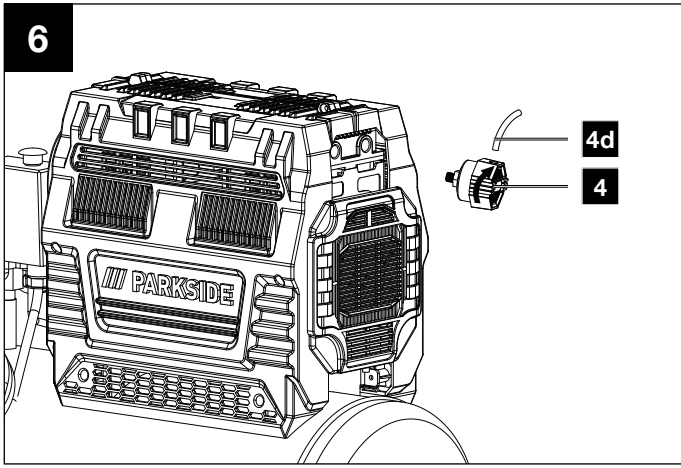
Przed przeczytaniem należy otworzyć stronę z ilustracjami, a następnie zapoznać się ze wszystkimi funkcjami produktu.

(DK)

Klap siden med illustrationerne ud, og gør dig herefter fortrolig med alle produktets funktioner, før du begynder at læse teksten.

|                        |  |        |     |
|------------------------|--|--------|-----|
| GB / IE / NI / CY / MT | Operating and Safety Instructions            | Page   | 01  |
| DE / AT / CH           | Bedienungs- und Sicherheitshinweise          | Seite  | 11  |
| FR / BE / CH           | Consignes d'utilisation et de sécurité       | Page   | 22  |
| NL / BE                | Bedienings- en veiligheidsinstructies        | Pagina | 34  |
| ES                     | Instrucciones de utilización y de seguridad  | Página | 45  |
| IT / MT / CH           | Indicazioni per l'uso e per la sicurezza     | Pagina | 56  |
| CZ                     | Pokyny pro obsluhu a bezpečnostní pokyny     | Strana | 67  |
| SK                     | Pokyny pre obsluhu a bezpečnostné pokyny     | Strana | 77  |
| HU                     | Kezelési és biztonsági útmutató              | Oldal  | 88  |
| PL                     | Wskazówki dotyczące obsługi i bezpieczeństwa | Strona | 100 |
| DK                     | Drifts- og sikkerhedsinstruktioner           | Side   | 111 |







---

|     |  |     |
|-----|--|-----|
| 1.  | Explanation of the symbols on the equipment..... | 2   |
| 2.  | Introduction .....                               | 3   |
| 3.  | Device description (fig. 1-10) .....             | 3   |
| 4.  | Scope of delivery.....                           | 3   |
| 5.  | Proper use .....                                 | 3   |
| 6.  | Safety information .....                         | 4   |
| 7.  | Technical data .....                             | 6   |
| 8.  | Before commissioning.....                        | 6   |
| 9.  | Attachment and operation.....                    | 6   |
| 10. | Electrical connection .....                      | 7   |
| 11. | Cleaning, maintenance and storage.....           | 8   |
| 12. | Transport .....                                  | 8   |
| 13. | Disposal and recycling .....                     | 9   |
| 14. | Troubleshooting.....                             | 9   |
| 15. | Warranty certificate .....                       | 10  |
| 16. | Exploded view .....                              | 123 |
| 17. | Declaration of conformity .....                  | 124 |

## 1. Explanation of the symbols on the equipment



Read the operating and safety instructions before start-up and follow them!



Wear hearing protection. Excessive noise can result in a loss of hearing.



Wear respiratory protection.



Warning against hot parts!



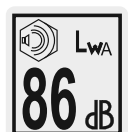
Warning against electrical voltage.



Warning! The equipment is remote-controlled and may start-up without warning.



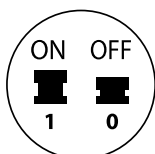
Do not expose the machine to rain. The device may only be stationed, stored and operated in dry ambient conditions.



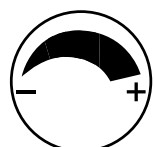
Guaranteed sound power level specified in dB.



Sound pressure level specified in dB.



On/off switch.



Pressure regulator.

## 2. Introduction

### Manufacturer:

Scheppach GmbH  
Günzburger Straße 69  
D-89335 Ichenhausen

### Dear customer,

We hope your new tool brings you much enjoyment and success.

### Note:

In accordance with the applicable product liability laws, the manufacturer of this device assumes no liability for damage to the device or caused by the device arising from:

- Improper handling,
- Non-compliance with the operating manual,
- Repairs carried out by third parties, unauthorised specialists.
- Installing and replacing non-original spare parts,
- Application other than specified,
- Failure of the electrical system in the event of the electrical regulations and VDE provisions 0100, DIN 13 / VDE0113 not being observed.

### Please consider:

Read through the complete text in the operating manual before installing and commissioning the device.

This operating manual should help you familiarise yourself with your power tool and teach you how to use it for its intended purpose.

The operating manual include important instructions for the safe, proper and economic operation of the power tool, for avoiding danger, for minimising repair costs and downtimes and for increasing the reliability and extending the service life of the power tool.

In addition to the safety instructions in this operating manual, you must also observe the regulations applicable to the operation of the power tool in your country.

Keep the operating manual package with the power tool at all times and store it in a plastic cover to protect it from dirt and moisture. They must be read and carefully observed by all operating personnel before starting the work. The power tool may only be used by personnel who have been trained to use it and who have been instructed with respect to the associated hazards.

In addition to the safety instructions in this operating manual and the separate regulations of your country, the generally recognised technical rules relating to the operation of such machines must also be observed.

We accept no liability for accidents or damage that occur due to a failure to observe this manual and the safety instructions.

## 3. Device description (fig. 1-10)

1. Transport handle
- 1a. Screws M8x10
2. Pressure switch
3. On/off switch
4. Air filter
- 4a. Filter housing
- 4b. Filter element

- 4c. Filter cover
- 4d. Hose
5. Wheel
- 5a. Fillister head screw
- 5b. Washer
6. Drain screw for condensate
7. Supporting foot
- 7a. Screw
- 7b. Washer
8. Pressure vessel
9. Safety valve
- 9a. Exhaust nut
- 9b. Connection lock
- 9c. Cap of exhaust nut
10. Quick coupling (regulated compressed air)
11. Quick coupling (regulated compressed air)
12. Pressure gauge (set pressure can be read off)
13. Pressure gauge (vessel pressure can be read off)
14. Compressed air hose (not included in the scope of delivery)
- 14a. Plug nipple
- 14b. Quick coupling
15. Pressure regulator
16. Transport lid

## 4. Scope of delivery

- 1x Air filter
- 1x Transport handle
- 2x Screws M8x10
- 1x Supporting foot
- 2x Wheel
- 1x Assembly material
- 1x Operating manual

## 5. Proper use

The compressor is designed to generate compressed air for compressed-air driven tools which can be driven with an air volume of up to approx. 180 l/min (e. g. tire inflator, blow-out pistol and paint spray gun). Due to the limited air output it is not possible to use the compressor to drive tools with very high air consumption (for example orbital sanders, die grinders and hammer screwdrivers).

The compressor may only be operated in a dry and well ventilated indoor space.

The machine may only be used in the intended manner. Any use beyond this is improper. The user/operator, not the manufacturer, is responsible for damages or injuries of any type resulting from this.

Please observe that our equipment was not designed with the intention of use for commercial or industrial purposes. We assume no guarantee if the equipment is used in commercial or industrial applications, or for equivalent work.

## 6. Safety information

### General power tool safety warnings

**⚠ WARNING! Read all safety warnings, instructions, illustrations and specifications provided with this power tool.** Failure to follow all instructions listed below may result in electric shock, fire and/or serious injury.

#### Save all warnings and instructions for future reference.

The term “power tool” in the warnings refers to your mains-operated (corded) power tool or battery-operated (cordless) power tool.

### Work area safety

- a. **Keep work area clean and well lit.** Cluttered or dark areas invite accidents.
- b. **Do not operate power tools in explosive atmospheres, such as in the presence of flammable liquids, gases or dust.** Power tools create sparks which may ignite the dust or fumes.
- c. **Keep children and bystanders away while operating a power tool.** Distractions can cause you to lose control.

### Electrical safety

- a. **Power tool plugs must match the outlet.** Never modify the plug in any way. Do not use any adapter plugs with earthed (grounded) power tools. Unmodified plugs and matching outlets will reduce risk of electric shock.
- b. **Avoid body contact with earthed or grounded surfaces, such as pipes, radiators, ranges and refrigerators.** There is an increased risk of electric shock if your body is earthed or grounded.
- c. **Do not expose power tools to rain or wet conditions.** Water entering a power tool will increase the risk of electric shock.
- d. **Do not use the cable for another purpose, for example, carrying or hanging the power tool or pulling the plug out of the socket.** Keep the cable away from heat, oil, sharp edges or moving device parts. Damaged or coiled cables increase the risk of an electric shock.
- e. **If you work with a power tool outdoors, only use extension cables that are also suitable for outdoor use.** Use of a cord suitable for outdoor use reduces the risk of electric shock. Only use approved and appropriately identified extension cables for use outdoors. Only use cable reels in the unrolled state.
- f. **If operating a power tool in a damp location is unavoidable, use a residual current device (RCD) protected supply with a trigger current of 30 mA or less.** Use of an RCD reduces the risk of electric shock.

### Personal safety

- a. **Stay alert, watch what you are doing and use common sense when operating a power tool. Do not use a power tool while you are tired or under the influence of drugs, alcohol or medication.** A moment of inattention while operating power tools may result in serious personal injury.

- b. **Use personal protective equipment. Always wear eye protection.** Protective equipment such as a dust mask, non-skid safety shoes, hard hat or hearing protection used for appropriate conditions will reduce personal injuries.
- c. **Prevent unintentional starting. Ensure the switch is in the off-position before connecting to power source and/or battery pack, picking up or carrying the tool.** Carrying power tools with your finger on the switch or energising power tools that have the switch on invites accidents.
- d. **Remove any adjusting key or wrench before turning the power tool on.** A wrench or a key left attached to a rotating part of the power tool may result in personal injury.
- e. **Do not overreach.** Keep proper footing and balance at all times. This enables better control of the power tool in unexpected situations.
- f. **Dress properly. Do not wear loose clothing or jewellery. Keep hair, clothing and gloves away from moving parts.** Loose clothes, jewellery or long hair can be caught in moving parts. Rubber gloves and anti-slip footwear are recommended when working outdoors. Tie long hair back in a hair net.
- g. **If dust extraction and collection devices can be mounted, make sure that they are connected and used properly.** Use of dust collection can reduce dust-related hazards.
- h. **Do not let familiarity gained from frequent use of tools allow you to become complacent and ignore tool safety principles.** A careless action can cause severe injury within a fraction of a second.

### Power tool use and care

- a. **Do not overload the device.** Use the correct power tool for your application. The correct power tool will do the job better and safer at the rate for which it was designed.
- b. **Do not use the power tool if the switch does not turn it on and off. Any power tool that cannot be controlled with the switch is dangerous and must be repaired.**
- c. **Disconnect the plug from the power source and/or remove the battery pack, if detachable, from the power tool before making any adjustments, changing accessories, or storing power tools.** Such preventive safety measures reduce the risk of starting the power tool accidentally.
- d. **Store idle power tools out of the reach of children and do not allow persons unfamiliar with the power tool or these instructions to operate the power tool.** Power tools are dangerous in the hands of untrained users. Unused power tools should be stored in a dry, elevated or closed location out of the reach of children.
- e. **Maintain power tools and accessories.** Check for misalignment or binding of moving parts, breakage of parts and any other condition that may affect the power tool's operation. If damaged, have the power tool repaired before use. Many accidents are caused by poorly maintained power tools.
- f. **Keep cutting tools sharp and clean. Properly maintained cutting tools with sharp cutting edges are less likely to bind and are easier to control.**
- g. **Use the power tool, accessories and tool bits etc. in accordance with these instructions,** taking into account the working conditions and the work to be performed. Use of the power tool for operations different from those intended could result in a hazardous situation.

- h. Keep handles and grasping surfaces dry, clean and free from oil and grease.** Slippery handles and grasping surfaces do not allow for safe handling and control of the tool in unexpected situations.

### Service

- a. Have your power tool serviced by a qualified repair person using only identical replacement parts.** This will ensure that the safety of the power tool is maintained.

### Compressor safety warnings

**⚠ Attention!** The following basic safety measures must be observed when using this compressor for protection against electric shock, and the risk of injury and fire.

Read and observe the entire operating manual before using the device.

### Safe work

1. Take care of your tools
  - Keep your compressor clean in order to work well and safely.
  - Follow the maintenance instructions.
  - Check the connection cable of the power tool regularly and have it replaced by a recognised specialist when damaged.
  - Check extension cables regularly and replace them when damaged.
2. Pull the connector out of the socket
  - When the power tool is not in use or prior to maintenance and when replacing tools such as saw blades, bits, milling heads.
3. Check the power tool for potential damage
  - Protective devices or other parts with minor damage must be carefully inspected to ensure that they function correctly and as intended prior to continued use of the power tool.
  - Check whether the moving parts function faultlessly and do not jam or whether parts are damaged. All parts must be correctly mounted and all conditions must be fulfilled to ensure fault-free operation of the power tool.
  - Damaged protective devices and parts must be properly repaired or replaced by a recognised workshop, insofar as nothing different is specified in the operating manual.
  - Do not use any faulty or damaged connection cables.
4. **Attention!**
  - For your own safety, only use accessories and additional equipment that are indicated in the operating manual or have been recommended or indicated by the manufacturer. Use of other tools or accessories that those recommended in the operating manual or in the catalogue could represent a personal danger to you.
5. Replacing the connection line
  - If the connection line is damaged, it must be replaced by the manufacturer or an electrician to avoid danger. There is a risk of electric shock.
6. Inflating tyres
  - Directly after inflating tyres, check the pressure with a suitable pressure gauge, for example at your filling station.

7. Street-legal compressors in construction site operation
  - Ensure that all hoses and fixtures are suitable for the maximum permissible working pressure of the compressor.
8. Set-up location
  - Only set up the compressor on a flat surface.
9. In case of pressures above 7 bar, it is recommended to equip supply hoses with a safety cable (e. g. a wire rope).
10. Avoid over-stressing the piping system by using flexible hose connections to prevent kinking.

### Additional safety warnings

**Observe the corresponding operating manuals of the respective compressed air tools / compressed air attachments!** The following general warnings must also be observed.

### Safety warnings for working with compressed air and blasting guns

- Ensure there is sufficient distance to the product, at least 2.50 m, and keep the compressed air tools / compressed air attachments away from the compressor during operation.
- The compressor pump and lines can become very hot during operation. Touching these parts will burn you.
- The air which is sucked in by the compressor must be kept free of impurities that could cause fires or explosions in the compressor pump.
- When releasing the hose coupling, hold the hose coupling piece with your hand. This way, you can protect yourself against injury from the rebounding hose.
- Wear safety goggles and a respirator when working with the compressed air pistol. Dusts are harmful to health! Injuries can be easily caused by foreign objects and blown away parts.
- Do not blow at people with the blow-out pistol and do not clean clothes while being worn. Danger of injury!

### Safety warnings when using spraying attachments (e. g. paint sprayers)

- Keep the spray attachment away from the compressor when filling so that no liquid comes into contact with the compressor.
- Never spray in the direction of the compressor when using the spraying attachments (e.g. paint sprayers). Moisture can lead to electrical hazards!
- Do not process any paints or solvents with a flash point below 55 °C. Risk of explosion!
- Do not heat up paints or solvents. Risk of explosion!
- If hazardous liquids are processed, wear protective filter units (face guards). Also, adhere to the safety information provided by the manufacturers of such liquids.
- The details and designations of the Ordinance on Hazardous Substances, which are displayed on the outer packaging of the processed material, must be observed. Additional protective measures are to be undertaken if necessary, particularly the wearing of suitable clothing and masks.
- Do not smoke during the spraying process and/or in the work area. Risk of explosion! Paint vapours are easily combustible.
- Never set up or operate the equipment in the vicinity of a fire place, open lights or sparking machines.
- Do not store or eat food and drink in the work area. Paint vapours are harmful to your health.

- The work area must exceed 30 m<sup>3</sup> and sufficient ventilation must be ensured during spraying and drying.
- Do not spray against the wind. Always adhere to the regulations of the local police authority when spraying combustible or hazardous materials.
- Do not process media such as white spirit, butyl alcohol and methylene chloride with the PVC pressure hose. These media will destroy the pressure hose.
- The work area must be separated from the compressor so that it cannot come into direct contact with the working medium.

#### Operation of pressure vessels

- Anyone who operates a pressure vessel must keep this in good working order, operate and monitor it correctly, perform the necessary maintenance and servicing works immediately and implement safety measures as required according to the circumstances.
- The regulatory authority can instruct necessary monitoring measures in individual cases.
- A pressure vessel must not be operated if it exhibits a defect that poses a danger to personnel or third parties.
- Check the pressure vessel for rust and damage each time before use. The compressor shall not be operated if the pressure vessel is damaged or rusty. If you discover damage, please contact the customer service workshop.

#### Keep these safety instructions in a safe place.

#### Residual risks

Comply with the stipulated maintenance and safety instructions in the operating instructions.

Remain attentive at all times when working, and keep third parties at a safe distance from your work area.

Even when the device is being used properly, there will always be certain residual hazards that cannot be completely ruled out. The following potential hazards can arise due to the type and design of the device:

- Unintentional starting up of the product.
- Damage to hearing if the stipulated hearing protection is not worn.
- Dirt particles, dust etc. can get irritate the eyes or face despite wearing safety goggles.
- Inhaling swirled up particles.

#### ⚠ Warning!

This power tool generates an electromagnetic field during operation. This field can impair active or passive medical implants under certain conditions. In order to prevent the risk of serious or deadly injuries, we recommend that persons with medical implants consult with their physician and the manufacturer of the medical implant prior to operating the power tool.

## 7. Technical data

|                                |                |
|--------------------------------|----------------|
| Mains connection .....         | 230 V-50 Hz    |
| Motor power .....              | 1500 W         |
| Operating mode.....            | S1             |
| Compressor speed.....          | 2850 rpm       |
| Pressure vessel capacity ..... | approx. 24 l   |
| Operating pressure.....        | approx. 10 bar |

|  |                   |
|--|-------------------|
| Theo. intake capacity .....                        | approx. 257 l/min |
| Effective delivery quantity at 7 bar .....         | approx. 103 l/min |
| Effective delivery quantity at 4 bar .....         | approx. 141 l/min |
| Effective delivery quantity at 1 bar .....         | approx. 180 l/min |
| Sound pressure level L <sub>PA</sub> .....         | 68 dB             |
| Measured sound power level L <sub>WA</sub> .....   | 83.6 dB           |
| Guaranteed sound power level L <sub>WA</sub> ..... | 86 dB             |
| Uncertainty K <sub>PA/WA</sub> .....               | 3 dB              |
| Protection category .....                          | IP30              |
| Device weight .....                                | approx. 24 kg     |
| Max. altitude (above mean sea level) .....         | 1000 m            |

The noise emission values have been determined in accordance with EN ISO 3744:1995.

#### Wear hearing protection.

Excessive noise can result in a loss of hearing.

## 8. Before commissioning

- Open the packaging and carefully remove the device.
- Remove the packaging material, packaging and transport safety devices (if applicable).
- Check that the delivery is complete.
- Check the device and accessory parts for transport damage.
- If possible, keep the packaging until the end of the warranty period.

#### ⚠ DANGER

**The device and the packaging are not children's toys! Do not let children play with plastic bags, films or small parts! There is a danger of choking or suffocating!**

- Before connecting the machine, make certain that the data on the type plate matches with the mains power data.
- Check the device for transport damage. Report any damage immediately to the transport company which was used to deliver the compressor.
- Install the compressor near the point of consumption.
- Avoid long air lines and supply lines (extension cables).
- Make sure that the intake air is dry and free of dust.
- Do not install the compressor in a damp or wet room.
- The compressor may only be used in suitable rooms (with good ventilation and an ambient temperature from +5 °C to 40 °C). There must be no dust, acids, vapours, explosive gases or inflammable gases in the room.
- The compressor is designed to be used in dry rooms. It is prohibited to use the compressor in areas where work is conducted with sprayed water.
- The compressor may only be used outdoor briefly when the ambient conditions are dry.
- The compressor must always be kept dry and must not be left outdoors after work is complete.

## 9. Attachment and operation

#### ⚠ Attention!

**Always make sure the device is fully assembled before commissioning!**

You require the following for assembly:

1x open-ended spanner 14 mm

1x open-ended spanner 13 mm

1x socket spanner 14 mm

1x Phillips screwdriver

(not included in the scope of delivery)

### 9.1 Fitting the wheels (fig. 3)

- Fit the supplied wheels (5) as shown.

### 9.2 Installing the supporting foot (fig. 4)

- Fit the supplied supporting foot (7) as shown.

### 9.3 Installing the air filter (fig. 5, 6)

- Remove the transport lid (16) and screw the air filter (4) to the equipment.
- Insert the hose (4d) into the opening of the air filter (4).

### 9.4 Mounting the transport handle (fig. 7)

- Fit the supplied transport handle (1) as shown. Use the enclosed M8x10 screws (1a) and a screwdriver size 13 (not included in the scope of delivery).

### 9.5 Mains connection

- The compressor is equipped with a mains cable with protective contact plug. This can be connected to any 230 V~ 50 Hz protective contact socket, with fuse protection of at least 16 A.
- Before you use the machine, make sure that the mains voltage is the same as the operating voltage and the machine power on the rating plate.
- Long supply cables, extensions, cable reels, etc. cause a drop in voltage and can impede motor start-up.
- At low temperatures below +5 °C, sluggishness may make starting difficult or impossible.

### 9.6 On/Off switch (fig. 1)

- Pull the On/Off switch (3) upwards to switch on the compressor.
- To switch off the compressor, press the On/off switch (3) down.

### 9.7 Setting the pressure (fig. 1, 2)

- Use the pressure regulator (15) to set the pressure on the pressure gauge (12).
- The pressure set can be drawn from the quick couplings (10, 11).
- The vessel pressure can be read off at the pressure gauge (13).

### 9.8 Setting the pressure switch (fig. 1)

- The pressure switch (2) is set at the factory.  
Cut-in pressure approx. 5.5 bar  
Cut-out pressure approx. 8 bar

### 9.9 Fitting the compressed air hose (not included in the scope of delivery) (fig. 1, 2)

- Connect the plug nipple (14a) of the compressed air hose (14) to one of the quick couplings (10, 11). Then attach the compressed air tool to the quick coupling (14b) of the compressed air hose (14).

### 9.10 Thermal protector

The thermal protector is built into the device.

If the thermal protector has tripped, proceed as follows:

- Pull out the mains plug.
- Wait about two to three minutes.
- Plug the device in again.
- If the device does not start, repeat the process.
- If the device does not start again, switch the device off and on again using the on/off switch (3).
- If you have carried out all of the steps above and the device still does not work, contact our service team.

## 10. Electrical connection

**The electrical motor installed is connected and ready for operation. The connection complies with the applicable VDE and DIN provisions. The customer's mains connection as well as the extension cable used must also comply with these regulations.**

When working with spray attachments and during temporary use outdoors, the device must be connected to **a residual current circuit breaker** with a trigger current of 30 mA or less.

### 10.1 Important information

In the event of overloading, the motor will switch itself off. After a cool-down period (time varies) the motor can be switched back on again.

### 10.2 Damaged electrical connection cable

The insulation on electrical connection cables is often damaged.

This may have the following causes:

- Pressure points, where connection cables are passed through windows or doors.
- Kinks where the connection cable has been improperly fastened or routed.
- Places where the connection cables have been cut due to being driven over.
- Insulation damage due to being ripped out of the wall outlet.
- Cracks due to the insulation ageing.

Such damaged electrical connection cables must not be used and are life-threatening due to the insulation damage.

Check the electrical connection cables for damage regularly. Ensure that the connection cables are disconnected from electrical power when checking for damage.

Electrical connection cables must comply with the applicable VDE and DIN provisions. Only use connection cables of the same designation.

The printing of the type designation on the connection cable is mandatory.

### 10.3 AC motor

- The mains voltage must be 230 V~ 50 Hz.
- Extension cables up to 25 m long must have a cross-section of 1.5 mm<sup>2</sup>.

Connections and repair work on the electrical equipment may only be carried out by electricians.

Please provide the following information in the event of any enquiries:

- Type of current for the motor
- Data of machine type plate
- Data of motor type plate

## 11. Cleaning, maintenance and storage

### ⚠ Attention!

Pull out the mains plug before carrying out any cleaning and maintenance work! Risk of injury from electric shock!

### ⚠ Attention!

Wait until the equipment has cooled down completely! Danger of burning!

### ⚠ Attention!

Always depressurise the equipment before carrying out any cleaning and maintenance work! Danger of injury!

### 11.1 Cleaning

- Keep the device as free of dust and dirt as possible. Rub the device clean with a clean cloth or blow it off with compressed air at low pressure.
- We recommend that you clean the device directly after every use.
- Clean the device at regular intervals using a damp cloth and a little soft soap. Do not use aggressive cleaning agents or solvents; they could attack the plastic parts of the device. Make sure that no water can penetrate the device interior.
- The hose and injection tools must be disconnected from the compressor before cleaning. The compressor must not be cleaned with water, solvents or similar.

### 11.2 Maintaining the pressure vessel (fig. 1)

#### ⚠ Attention!

To ensure a long service life for the pressure vessel (8), drain off the condensate after each use by opening the drain screw (6).

Release the vessel pressure first (see 11.6.1).

Open the drain screw (6) by turning it anti-clockwise (looking at the screw from the bottom of the compressor).

In order to drain the condensation water completely out of the pressure vessel (8), it must be tilted slightly to the side so that the drain screw (6) is the lowest point.

Then close the drain screw (6) again (turn it clockwise). Check the pressure vessel (8) for rust and damage each time before use.

Do not use the compressor with a damaged or rusty pressure vessel (8). If you discover damage, please contact the customer service workshop.

#### Instructions on the disposal of condensate:

Dispose of the condensate in accordance with local and national environmental regulations. Ensure that it is not discharged into the wastewater system.

### 11.3 Safety valve (fig. 8)

The safety valve (9) has been set for the highest permitted pressure of the pressure vessel (8). It is not permitted to adjust the safety valve (9) or remove the connection lock (9b) between the exhaust nut (9a) and its cap (9c). Actuate the safety valve (9) every 30 operating hours but at least 3 times a year to ensure that it works when required. Turn the perforated exhaust nut (9a) counterclockwise to open it and use your hands to pull the valve rod outwards over the perforated exhaust nut (9a) to open the outlet of the safety valve (9). Now, the valve audibly releases air. Then, tighten the exhaust nut (9a) clockwise again.

### 11.4 Cleaning the air filter (fig. 9, 10)

The air filter (4) prevents dust and dirt being sucked in. It is essential to clean this air filter (4) after at least every 300 hours in service. A blocked air filter (4) significantly reduces the compressor power.

Turn the air filter (4) counterclockwise to remove it. Open the filter cover (4c) and remove it. You can now take out the filter element (4b). Carefully tap out the filter element (4b), the filter cover (4c) and the filter housing (4a). These components must then be blown out with compressed air (approx. 3 bar) and re-assembled in reverse order.

### 11.5 Service information

With this product, it is necessary to note that the following parts are subject to natural or usage-related wear, or that the following parts are required as consumables.

Wearing parts\*: air filter

\* may not be included in the scope of supply!

### 11.6 Storage

#### ⚠ Attention!

**Pull out the mains plug and ventilate the equipment and all connected pneumatic tools. Store the compressor in such a way that it cannot be used by unauthorised persons.**

#### ⚠ Attention!

**Store the compressor only in a dry location which is not accessible to unauthorised persons. Always store upright, never tilted!**

#### 11.6.1 Releasing excess pressure

Release the excess pressure by switching off the compressor and using the compressed air which is still left in the pressure vessel (8), e. g. with a compressed air tool running in idle mode or with a blow-out pistol.

## 12. Transport

Use the transport handle (1) to transport the device, and drive the compressor with it.

When lifting the compressor, note its weight (see Technical data).

Ensure that the load is well secured when transporting the compressor in a motor vehicle.



### 13. Disposal and recycling

#### Notes for packaging



The packaging materials are recyclable. Please dispose of packaging in an environmentally friendly manner.

#### Notes on the electrical and electronic equipment act [ElektroG]



**Waste electrical and electronic equipment does not belong in household waste, but must be collected and disposed of separately!**

- Used batteries or rechargeable batteries that are not installed permanently in the old appliance must be removed non-destructively before disposal. Their disposal is regulated by the battery law.
- Owners or users of electrical and electronic devices are legally obliged to return them after use.
- The end user is responsible for deleting their personal data from the old device being disposed of!
- The symbol of the crossed-out dustbin means that waste electrical and electronic equipment must not be disposed of with household waste.

- Waste electrical and electronic equipment can be handed in free of charge at the following places:
  - Public disposal or collection points (e.g. municipal works yards)
  - LIDL offers you return options directly in the branches and stores. Return and disposal are free of charge for you.
  - Up to three waste electrical devices per type of device, with an edge length of no more than 25 centimetres, can be returned free of charge to the manufacturer without prior purchase of a new device from the manufacturer or taken to another authorised collection point in your vicinity.
  - Further supplementary take-back conditions of the manufacturers and distributors can be obtained from the respective customer service.
- If the manufacturer delivers a new electrical appliance to a private household, the manufacturer can arrange for the free collection of the old electrical appliance upon request from the end user. Please contact the manufacturer's customer service for this.
- These statements only apply to devices installed and sold in the countries of the European Union and which are subject to the European Directive 2012/19/EU. In countries outside the European Union, different regulations may apply to the disposal of waste electrical and electronic equipment.

### 14. Troubleshooting

| Fault   | Possible cause                                       | Remedy  |
|---|--|---|
| The compressor does not start.  | Mains voltage is not available.                      | Check the cable, mains plug, fuse and socket.   |
|   | Mains voltage is too low.                            | Make sure that the extension cable is not too long. Use an extension cable with large enough wires. |
|   | Outside temperature is too low.                      | Never operate with an outside temperature of below +5 °C.   |
|   | Motor is overheated.                                 | Allow the motor to cool down. If necessary, remedy the cause of the overheating.                    |
| The compressor starts but there is no pressure.   | The safety valve leaks.                              | Contact your local service centre. Only allow qualified personnel to carry out repairs.             |
|   | The seals are damaged.                               | Check the seals and have any damaged seals replaced by a service centre.                            |
|   | The drain screw for condensate leaks.                | Tighten the screw by hand. Check the seal on the screw and replace if necessary.                    |
| The compressor starts, pressure is shown on the pressure gauge, but the tools do not start. | The hose connections have a leak.                    | Check the compressed air hose and tools and replace if necessary.                                   |
|   | A quick coupling has a leak.                         | Contact your local service centre. Only allow qualified personnel to carry out repairs.             |
|   | Insufficient pressure set on the pressure regulator. | Increase the set pressure with the pressure regulator.  |

## 15. Warranty certificate

Dear Customer,

All of our products undergo strict quality checks to ensure that they reach you in perfect condition. In the unlikely event that your device develops a fault, please contact our service department at the address shown on this guarantee card. Of course, if you would prefer to call us then we are also happy to offer our assistance under the service number printed below. Please note the following terms under which guarantee claims can be made:

- These guarantee terms cover additional guarantee rights and do not affect your statutory warranty rights. We do not charge you for this guarantee.
- Our guarantee only covers problems caused by material or manufacturing defects, and it is restricted to the rectification of these defects or replacement of the device. Please note that our devices have not been designed for use in commercial, trade or industrial applications. Consequently, the guarantee is invalidated if the equipment is used in commercial, trade or industrial applications or for other equivalent activities. The following are also excluded from our guarantee: compensation for transport damage, damage caused by failure to comply with the installation/assembly instructions or damage caused by unprofessional installation, failure to comply with the operating instructions (e.g. connection to the wrong mains voltage or current type), misuse or inappropriate use (such as overloading of the device or use of non-approved tools or accessories), failure to comply with the maintenance and safety regulations, ingress of foreign bodies into the device (e.g. sand, stones or dust), effects of force or external influences (e.g. damage caused by the device being dropped) and normal wear resulting from proper operation of the device.

The guarantee is rendered null and void if any attempt is made to tamper with the device.

- The guarantee is valid for a period of 3 years starting from the purchase date of the device. Guarantee claims should be submitted before the end of the guarantee period within two weeks of the defect being noticed. No guarantee claims will be accepted after the end of the guarantee period. The original guarantee period remains applicable to the device even if repairs are carried out or parts are replaced. In such cases, the work performed or parts fitted will not result in an extension of the guarantee period, and no new guarantee will become active for the work performed or parts fitted. This also applies when an on-site service is used.
- In order to assert your guarantee claim, please contact the service partner shown below. If the complaint is within the guarantee period, we will provide you with a return slip, with which you can return your defective device free of charge to us. It would help us if you could describe the nature of the problem in as much detail as possible. If the defect is covered by our guarantee then your device will either be repaired immediately and returned to you, or we will send you a new device.

Of course, we are also happy offer a chargeable repair service for any defects which are not covered by the scope of this guarantee or for units which are no longer covered. To take advantage of this service, please send the device to our service address.

### 15.1 Processing of warranty claims

To ensure that your request is processed quickly, please follow the instructions below:

- Please have the receipt and article number (e.g. IAN 465618\_2404) ready as proof of purchase for all enquiries.
- Please refer to the type plate on the product, an engraving on the product, the title page of your instructions (bottom left) or the sticker on the back or underside of the product for the article number.
- If functional faults or other defects occur, first contact the service department named below by telephone or e-mail.
- You can then send a product recorded as defective to the service address provided to you free of charge, enclosing the proof of purchase (receipt) and stating what the defect is and when it occurred.
- You can view and download these and many other manuals at [parkside-diy.com](http://parkside-diy.com). This QR code will take you directly to [parkside-diy.com](http://parkside-diy.com). Select your country and use the search mask to search for the operating instructions. Enter the article number (IAN) 465618\_2404 to access the operating instructions for your article.



#### Service contact (GB):

**Name:** Forest Park & Garden  
Coed Court, Taffsmead Road  
Treforest, Ind. Estate,  
Pontypridd CF375SW  
**Tel:** 00800 4003 4003  
**E-Mail:** [service.GB@schepach.com](mailto:service.GB@schepach.com)  
**Location:** Great Britain

#### Service contact (IE):

**Name:** Forest Park & Garden  
Coed Court, Taffsmead Road  
Treforest, Ind. Estate,  
Pontypridd CF375SW  
**Tel:** 00800 4003 4003  
**E-Mail:** [service.IE@schepach.com](mailto:service.IE@schepach.com)  
**Location:** Great Britain

#### Service contact (NI):

**Name:** Forest Park & Garden  
Coed Court, Taffsmead Road  
Treforest, Ind. Estate,  
Pontypridd CF375SW  
**Tel:** 00800 4003 4003  
**E-Mail:** [service.NI@schepach.com](mailto:service.NI@schepach.com)  
**Location:** Great Britain

#### Service contact (CY):

**Name:** GEORGE C SOLOMONIDES  
& SON LTD  
PO.BOX 56236 / 169, LEONTIOS A'  
GR - 3022 LIMASSOL/CYPRUS  
**Tel:** 00800 4003 4003  
**E-Mail:** [service.CY@schepach.com](mailto:service.CY@schepach.com)  
**Location:** Cyprus

#### Service contact (IT):

**Name:** TeleMarCom European  
Services GmbH  
Am Ziegelweiher 24  
DE - 61130 Nidderau  
**Tel:** 00800 4003 4003  
**E-Mail:** [service.IT@schepach.com](mailto:service.IT@schepach.com)  
**Location:** Germany

---

|     |  |     |
|-----|--|-----|
| 1.  | Erklärung der Symbole auf dem Gerät..... | 12  |
| 2.  | Einleitung.....                          | 13  |
| 3.  | Gerätebeschreibung (Abb. 1-10).....      | 13  |
| 4.  | Lieferumfang .....                       | 13  |
| 5.  | Bestimmungsgemäße Verwendung .....       | 13  |
| 6.  | Sicherheitshinweise.....                 | 14  |
| 7.  | Technische Daten .....                   | 17  |
| 8.  | Vor Inbetriebnahme.....                  | 17  |
| 9.  | Aufbau und Bedienung.....                | 17  |
| 10. | Elektrischer Anschluss .....             | 18  |
| 11. | Reinigung, Wartung und Lagerung .....    | 18  |
| 12. | Transport .....                          | 19  |
| 13. | Entsorgung und Wiederverwertung.....     | 19  |
| 14. | Störungsabhilfe .....                    | 20  |
| 15. | Garantiekunde.....                       | 21  |
| 16. | Explosionszeichnung.....                 | 123 |
| 17. | Konformitätserklärung.....               | 124 |

## 1. Erklärung der Symbole auf dem Gerät



Vor Inbetriebnahme Bedienungsanleitung und Sicherheitshinweise lesen und beachten!



Tragen Sie einen Gehörschutz. Die Einwirkung von Lärm kann Hörverlust bewirken.



Tragen Sie einen Atemschutz.



Warnung vor heißen Teilen!



Warnung vor elektrischer Spannung.



Warnung! Die Einheit ist ferngesteuert und darf ohne Warnung anlaufen.



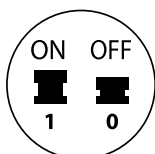
Setzen Sie die Maschine nicht dem Regen aus. Das Gerät darf nur unter trockenen Umgebungsbedingungen stationiert, gelagert und betrieben werden.



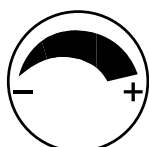
Angabe des Schalleistungspegels in dB.



Angabe des Schalldruckpegels in dB.



Ein-/Ausschalter.



Druckregler.

## 2. Einleitung

### Hersteller:

Scheppach GmbH  
Günzburger Straße 69  
D-89335 Ichenhausen

### Verehrter Kunde,

Wir wünschen Ihnen viel Freude und Erfolg beim Arbeiten mit Ihrem neuen Gerät.

### Hinweis:

Der Hersteller dieses Gerätes haftet nach dem geltenden Produkthaftungsgesetz nicht für Schäden, die an diesem Gerät oder durch dieses Gerät entstehen bei:

- unsachgemäßer Behandlung,
- Nichtbeachtung der Bedienungsanleitung,
- Reparaturen durch Dritte, nicht autorisierte Fachkräfte,
- Einbau und Austausch von nicht originalen Ersatzteilen,
- nicht bestimmungsgemäßer Verwendung,
- Ausfällen der elektrischen Anlage bei Nichtbeachtung der elektrischen Vorschriften und VDE-Bestimmungen 0100, DIN 57113 / VDE0113.

### Beachten Sie:

Lesen Sie vor der Montage und vor Inbetriebnahme den gesamten Text der Bedienungsanleitung durch.

Diese Bedienungsanleitung soll es Ihnen erleichtern, Ihr Elektrowerkzeug kennenzulernen und dessen bestimmungsgemäße Einsatzmöglichkeiten zu nutzen.

Die Bedienungsanleitung enthält wichtige Hinweise, wie Sie mit dem Elektrowerkzeug sicher, fachgerecht und wirtschaftlich arbeiten, und wie Sie Gefahren vermeiden, Reparaturkosten sparen, Ausfallzeiten verringern und die Zuverlässigkeit und Lebensdauer des Elektrowerkzeugs erhöhen.

Zusätzlich zu den Sicherheitsbestimmungen dieser Bedienungsanleitung müssen Sie unbedingt die für den Betrieb des Elektrowerkzeugs geltenden Vorschriften Ihres Landes beachten.

Bewahren Sie die Bedienungsanleitung, in einer Plastikhülle geschützt vor Schmutz und Feuchtigkeit, bei dem Elektrowerkzeug auf. Sie muss von jeder Bedienungsperson vor Aufnahme der Arbeit gelesen und sorgfältig beachtet werden. An dem Elektrowerkzeug dürfen nur Personen arbeiten, die im Gebrauch des Elektrowerkzeugs unterwiesen und über die damit verbundenen Gefahren unterrichtet sind.

Neben den in dieser Bedienungsanleitung enthaltenen Sicherheitshinweisen und den besonderen Vorschriften Ihres Landes sind die für den Betrieb von baugleichen Maschinen allgemein anerkannten technischen Regeln zu beachten.

Wir übernehmen keine Haftung für Unfälle oder Schäden, die durch Nichtbeachten dieser Anleitung und den Sicherheitshinweisen entstehen.

## 3. Gerätebeschreibung (Abb. 1-10)

1. Transportgriff
- 1a. Schrauben M8x10
2. Druckschalter
3. Ein-/Ausschalter
4. Luftfilter
- 4a. Filtergehäuse
- 4b. Filtereinsatz
- 4c. Filterdeckel
- 4d. Schlauch
5. Rad
- 5a. Linsenkopfschraube
- 5b. Beilagscheibe
6. Ablassschraube für Kondenswasser
7. Standfuß
- 7a. Schraube
- 7b. Beilagscheibe
8. Druckbehälter
9. Sicherheitsventil
- 9a. Ablassmutter
- 9b. Verbindungssicherung
- 9c. Kappe der Ablassmutter
10. Schnellkupplung (geregelter Druckluft)
11. Schnellkupplung (geregelter Druckluft)
12. Manometer (eingestellter Druck kann abgelesen werden)
13. Manometer (Kesseldruck kann abgelesen werden)
14. Druckluftschlauch (nicht im Lieferumfang enthalten)
- 14a. Stecknippel
- 14b. Schnellkupplung
15. Druckregler
16. Transportdeckel

## 4. Lieferumfang

- 1x Luftfilter
- 1x Transportgriff
- 2x Schrauben M8x10
- 1x Standfuß
- 2x Rad
- 1x Montagematerial
- 1x Bedienungsanleitung

## 5. Bestimmungsgemäße Verwendung

Der Kompressor dient zum Erzeugen von Druckluft für druckluftbetriebene Werkzeuge, welche mit einer Luftmenge bis ca. 180 l/min. betrieben werden können (z. B. Reifenfüller, Ausblaspistole und Lackierpistole). Aufgrund der begrenzten Luftfördermenge ist es nicht möglich, Werkzeuge zu betreiben, welche einen sehr hohen Luftverbrauch aufweisen (z. B. Schwingschleifer, Stabschleifer und Schlagschrauber).

Der Kompressor darf nur in trockenen und gut belüfteten Innenräumen betrieben werden.

Die Maschine darf nur nach ihrer Bestimmung verwendet werden. Jede weitere darüber hinausgehende Verwendung ist nicht bestimmungsgemäß. Für daraus hervorgerufene Schäden oder Verletzungen aller Art haftet der Benutzer/Bediener und nicht der Hersteller.

Bitte beachten Sie, dass unsere Geräte bestimmungsgemäß nicht für den gewerblichen, handwerklichen oder industriellen Einsatz konstruiert wurden. Wir übernehmen keine Gewährleistung, wenn das Gerät in Gewerbe-, Handwerks- oder Industriebetrieben sowie bei gleichzusetzenden Tätigkeiten eingesetzt wird.

## 6. Sicherheitshinweise

### Allgemeine Sicherheitshinweise für Elektrowerkzeuge

⚠ **WARNUNG! Lesen Sie alle Sicherheitshinweise, Anweisungen, Bilderungen und technischen Daten, mit denen dieses Elektrowerkzeug versehen ist.** Versäumnisse bei der Einhaltung der nachfolgenden Anweisungen können elektrischen Schlag, Brand und/oder schwere Verletzungen verursachen.

### Bewahren Sie alle Sicherheitshinweise und Anweisungen für die Zukunft auf.

Der in den Sicherheitshinweisen verwendete Begriff „Elektrowerkzeug“ bezieht sich auf netzbetriebene Elektrowerkzeuge (mit Netzleitung) oder auf akkubetriebene Elektrowerkzeuge (ohne Netzleitung).

### Arbeitsplatzsicherheit

- a. **Halten Sie Ihren Arbeitsbereich sauber und gut beleuchtet.** Unordnung oder unbeleuchtete Arbeitsbereiche können zu Unfällen führen.
- b. **Arbeiten Sie mit dem Elektrowerkzeug nicht in explosionsgefährdeter Umgebung, in der sich brennbare Flüssigkeiten, Gase oder Stäube befinden.** Elektrowerkzeuge erzeugen Funken, die den Staub oder die Dämpfe entzünden können.
- c. **Halten Sie Kinder und andere Personen während der Benutzung des Elektrowerkzeugs fern.** Bei Ablenkung können Sie die Kontrolle über das Elektrowerkzeug verlieren.

### Elektrische Sicherheit

- a. **Der Anschlussstecker des Elektrowerkzeuges muss in die Steckdose passen.** Der Stecker darf in keiner Weise verändert werden. Verwenden Sie keine Adapterstecker gemeinsam mit schutzgeerdeten Elektrowerkzeugen. Unveränderte Stecker und passende Steckdosen verringern das Risiko eines elektrischen Schlages.
- b. **Vermeiden Sie Körperkontakt mit geerdeten Oberflächen wie von Rohren, Heizungen, Herden und Kühlschränken. Es besteht ein erhöhtes Risiko durch elektrischen Schlag, wenn Ihr Körper geerdet ist.**
- c. **Halten Sie Elektrowerkzeuge von Regen oder Nässe fern.** Das Eindringen von Wasser in ein Elektrowerkzeug erhöht das Risiko eines elektrischen Schlages.
- d. **Zweckentfremden Sie das Kabel nicht, um das Elektrowerkzeug zu tragen, aufzuhängen oder um den Stecker aus der Steckdose zu ziehen.** Halten Sie das Kabel fern von Hitze, Öl, scharfen Kanten oder sich bewegenden Geräteteilen. Beschädigte oder verwickelte Kabel erhöhen das Risiko eines elektrischen Schlages.

- e. **Wenn Sie mit einem Elektrowerkzeug im Freien arbeiten, verwenden Sie nur Verlängerungskabel, die auch für den Außenbereich geeignet sind.** Die Anwendung eines für den Außenbereich geeigneten Verlängerungskabels verringert das Risiko eines elektrischen Schlages. Verwenden Sie im Freien nur dafür zugelassene und entsprechend gekennzeichnete Verlängerungskabel. Verwenden Sie die Kabeltrommel nur im abgerollten Zustand.
- f. **Wenn der Betrieb des Elektrowerkzeuges in feuchter Umgebung nicht vermeidbar ist, verwenden Sie einen Fehlerstromschutzschalter mit einem Auslösestrom von 30 mA oder weniger.** Der Einsatz eines Fehlerstromschutzschalters vermindert das Risiko eines elektrischen Schlages.

### Sicherheit von Personen

- a. **Seien Sie aufmerksam, achten Sie darauf, was Sie tun, und gehen Sie mit Vernunft an die Arbeit mit einem Elektrowerkzeug. Benutzen Sie kein Elektrowerkzeug, wenn Sie müde sind oder unter dem Einfluss von Drogen, Alkohol oder Medikamenten stehen.** Ein Moment der Unachtsamkeit beim Gebrauch des Elektrowerkzeuges kann zu ernsthaften Verletzungen führen.
- b. **Tragen Sie persönliche Schutzausrüstung und immer eine Schutzbrille.** Das Tragen persönlicher Schutzausrüstung, wie Staubmaske, rutschfeste Sicherheitsschuhe, Schutzhelm oder Gehörschutz, je nach Art und Einsatz des Elektrowerkzeuges, verringert das Risiko von Verletzungen.
- c. **Vermeiden Sie eine unbeabsichtigte Inbetriebnahme. Vergewissern Sie sich, dass das Elektrowerkzeug ausgeschaltet ist, bevor Sie es an die Stromversorgung und/oder den Akku anschließen, es aufnehmen oder tragen.** Wenn Sie beim Tragen des Elektrowerkzeuges den Finger am Schalter haben oder das Elektrowerkzeug eingeschaltet an die Stromversorgung anschließen, kann dies zu Unfällen führen.
- d. **Entfernen Sie Einstellwerkzeuge oder Schraubenschlüssel, bevor Sie das Elektrowerkzeug einschalten.** Ein Werkzeug oder Schlüssel, der sich in einem drehenden Geräteteil befindet, kann zu Verletzungen führen.
- e. **Vermeiden Sie eine abnormale Körperhaltung.** Sorgen Sie für einen sicheren Stand und halten Sie jederzeit das Gleichgewicht. Dadurch können Sie das Elektrowerkzeug in unerwarteten Situationen besser kontrollieren.
- f. **Tragen Sie geeignete Kleidung. Tragen Sie keine weite Kleidung oder Schmuck. Halten Sie Haare, Kleidung und Handschuhe fern von sich bewegenden Teilen.** Lockere Kleidung, Schmuck oder lange Haare können von sich bewegenden Teilen erfasst werden. Bei Arbeiten im Freien sind Gummihandschuhe und rutschfestes Schuhwerk empfehlenswert. Tragen Sie bei langen Haaren ein Haarnetz.
- g. **Wenn Staubabsaug- und -auffangeinrichtungen montiert werden können, vergewissern Sie sich, dass diese angeschlossen sind und richtig verwendet werden.** Verwendung einer Staubabsaugung kann Gefährdungen durch Staub verringern.
- h. **Wiegen Sie sich nicht in falscher Sicherheit und setzen Sie sich nicht über die Sicherheitsregeln für Elektrowerkzeuge hinweg, auch wenn Sie nach vielfachem Gebrauch mit dem Elektrowerkzeug vertraut sind.** Achtloses Handeln kann binnen Sekundenbruchteilen zu schweren Verletzungen führen.

## Verwendung und Behandlung des Elektrowerkzeuges

- a. **Überlasten Sie das Gerät nicht.** Verwenden Sie für Ihre Arbeit das dafür bestimmte Elektrowerkzeug. Mit dem passenden Elektrowerkzeug arbeiten Sie besser und sicherer im angegebenen Leistungsbereich.
- b. **Benutzen Sie kein Elektrowerkzeug, dessen Schalter defekt ist. Ein Elektrowerkzeug, das sich nicht mehr ein- oder ausschalten lässt, ist gefährlich und muss repariert werden.**
- c. **Ziehen Sie den Stecker aus der Steckdose und/oder entfernen Sie einen abnehmbaren Akku, bevor Sie Geräteeinstellungen vornehmen, Einsatzwerkzeugteile wechseln oder das Elektrowerkzeug weglegen.** Diese Vorsichtsmaßnahme verhindert den unbeabsichtigten Start des Elektrowerkzeuges.
- d. **Bewahren Sie unbenutzte Elektrowerkzeuge außerhalb der Reichweite von Kindern auf.** Lassen Sie keine Personen das Elektrowerkzeug benutzen, die mit diesem nicht vertraut sind oder diese Anweisungen nicht gelesen haben. Elektrowerkzeuge sind gefährlich, wenn sie von unerfahrenen Personen benutzt werden. Unbenutzte Elektrowerkzeuge sollten an einem trockenen, hochgelegenen oder abgeschlossenen Ort, außerhalb der Reichweite von Kindern, abgelegt werden.
- e. **Pflegen Sie Elektrowerkzeuge und Einsatzwerkzeug mit Sorgfalt.** Kontrollieren Sie, ob bewegliche Teile einwandfrei funktionieren und nicht klemmen, ob Teile gebrochen oder so beschädigt sind, dass die Funktion des Elektrowerkzeuges beeinträchtigt ist. Lassen Sie beschädigte Teile vor dem Einsatz des Elektrowerkzeuges reparieren. Viele Unfälle haben ihre Ursache in schlecht gewarteten Elektrowerkzeugen.
- f. **Halten Sie Schneidwerkzeuge scharf und sauber. Sorgfältig gepflegte Schneidwerkzeuge mit scharfen Schneidkanten verklemmen sich weniger und sind leichter zu führen.**
- g. **Verwenden Sie Elektrowerkzeug, Zubehör, Einsatzwerkzeuge usw. entsprechend diesen Anweisungen.** Berücksichtigen Sie dabei die Arbeitsbedingungen und die auszuführende Tätigkeit. Der Gebrauch von Elektrowerkzeugen für andere als die vorgesehenen Anwendungen kann zu gefährlichen Situationen führen.
- h. **Halten Sie Griffe und Griffflächen trocken, sauber und frei von Öl und Fett.** Rutschige Griffe und Griffflächen erlauben keine sichere Bedienung und Kontrolle des Elektrowerkzeuges in unvorhergesehenen Situationen.

## Service

- a. **Lassen Sie Ihr Elektrowerkzeug nur von qualifiziertem Fachpersonal und nur mit Original-Ersatzteilen reparieren.** Damit wird sichergestellt, dass die Sicherheit des Elektrowerkzeuges erhalten bleibt.

## Sicherheitshinweise für Kompressoren

⚠ **Achtung!** Beim Gebrauch dieses Kompressors sind zum Schutz gegen elektrischen Schlag, Verletzungs- und Brandgefahr folgende grundsätzlichen Sicherheitsmaßnahmen zu beachten.

Lesen und beachten Sie diese Hinweise, bevor Sie das Gerät benutzen.

## Sicheres Arbeiten.

1. Pflegen Sie Ihre Werkzeuge mit Sorgfalt
  - Halten Sie Ihren Kompressor sauber, um gut und sicher zu arbeiten.
  - Befolgen Sie die Wartungsvorschriften.
  - Kontrollieren Sie regelmäßig die Anschlussleitung des Elektrowerkzeugs und lassen Sie diese bei Beschädigung von einem anerkannten Fachmann erneuern.
  - Kontrollieren Sie Verlängerungsleitungen regelmäßig und ersetzen Sie diese, wenn sie beschädigt sind.
2. Ziehen Sie den Stecker aus der Steckdose
  - Bei Nichtgebrauch des Elektrowerkzeugs, vor der Wartung und beim Wechsel von Werkzeugen wie z. B. Sägeblatt, Bohrer, Fräser.
3. Überprüfen Sie das Elektrowerkzeug auf eventuelle Beschädigungen
  - Vor weiterem Gebrauch des Elektrowerkzeugs müssen Schutzvorrichtungen oder leicht beschädigte Teile sorgfältig auf ihre einwandfreie und bestimmungsgemäße Funktion untersucht werden.
  - Überprüfen Sie, ob die beweglichen Teile einwandfrei funktionieren und nicht klemmen oder ob Teile beschädigt sind. Sämtliche Teile müssen richtig montiert sein und alle Bedingungen erfüllen, um den einwandfreien Betrieb des Elektrowerkzeugs zu gewährleisten.
  - Beschädigte Schutzvorrichtungen und Teile müssen bestimmungsgemäß durch eine anerkannte Fachwerkstatt repariert oder ausgewechselt werden, soweit nichts anderes in der Bedienungsanleitung angegeben ist.
  - Benutzen Sie keine fehlerhaften oder beschädigten Anschlussleitungen.
4. **Achtung!**
  - Zu Ihrer eigenen Sicherheit, benutzen Sie nur Zubehör und Zusatzgeräte, die in der Bedienungsanleitung angegeben oder vom Hersteller empfohlen oder angegeben werden. Der Gebrauch anderer als der in der Bedienungsanleitung oder im Katalog empfohlenen Einsatzwerkzeuge oder Zubehöre kann eine persönliche Verletzungsgefahr für Sie bedeuten.
5. Austausch der Anschlussleitung
  - Wenn die Anschlussleitung beschädigt wird, muss sie vom Hersteller oder einer Elektrofachkraft ersetzt werden, um Gefährdungen zu vermeiden. Gefahr durch Stromschläge.
6. Befüllung von Reifen
  - Kontrollieren Sie den Reifendruck unmittelbar nach der Befüllung durch ein geeignetes Manometer, z. B. an einer Tankstelle.
7. Straßenfahrbare Kompressoren im Baustellenbetrieb
  - Achten Sie darauf, dass alle Schläuche und Armaturen für den höchst zulässigen Arbeitsdruck des Kompressors geeignet sind.
8. Aufstellort
  - Stellen Sie den Kompressor nur auf einer ebenen Fläche auf.
9. Es ist empfohlen, dass Zuführschläuche bei Drücken über 7 bar mit einem Sicherheitskabel, z. B. einem Drahtseil ausgestattet werden sollten.

10. Vermeiden Sie starke Belastungen auf das Leitungssystem, indem Sie flexible Schlauchanschlüsse verwenden, um Knickstellen zu vermeiden.

### Zusätzliche Sicherheitshinweise

**Beachten Sie die entsprechenden Betriebsanleitungen der jeweiligen Druckluftwerkzeuge / Druckluftvorsatzgeräte!** Die folgenden allgemeinen Hinweise sind zusätzlich zu beachten.

### Sicherheitshinweise zum Arbeiten mit Druckluft und Ausblaspistolen

- Achten Sie auf ausreichenden Abstand zum Produkt, mind. jedoch 2,50 m und halten Sie die Druckluftwerkzeuge / Druckluftvorsatzgeräte während des Betriebs vom Kompressor fern.
- Verdichterpumpe und Leitungen erreichen im Betrieb hohe Temperaturen. Berührungen führen zu Verbrennungen.
- Die vom Kompressor angesaugte Luft ist frei von Beimpfungen zu halten, die in der Verdichterpumpe zu Bränden oder Explosionen führen können.
- Halten Sie beim Lösen der Schlauchkupplung das Kupplungsstück des Schlauches mit der Hand fest. So vermeiden Sie Verletzungen durch den zurückschnellenden Schlauch.
- Tragen Sie bei Arbeiten mit der Druckluftpistole Schutzbrille und Atemschutzmaske. Stäube sind gesundheitsschädlich! Durch Fremdkörper und weggeblasene Teile können leicht Verletzungen verursacht werden.
- Mit der Ausblaspistole keine Personen anblasen oder Kleidung am Körper reinigen. Verletzungsgefahr!

### Sicherheitshinweise beim Verwenden von Spritz- und Sprühvorsatzgeräten (z. B. Farbspritzen)

- Halten Sie beim Befüllen das Sprühvorsatzgerät vom Kompressor entfernt, damit keine Flüssigkeit in Kontakt mit dem Kompressor kommt.
- Sprühen Sie nie mit dem Sprühvorsatzgeräten (z.B. Farbspritzen) in Richtung des Kompressors. Feuchtigkeit kann zu elektrischen Gefährdungen führen!
- Keine Lacke oder Lösungsmittel mit einem Flammpunkt von weniger als 55 °C verarbeiten. Explosionsgefahr!
- Lacke und Lösungsmittel nicht erwärmen. Explosionsgefahr!
- Werden gesundheitsschädliche Flüssigkeiten verarbeitet, sind zum Schutz Filtergeräte (Gesichtsmasken) erforderlich. Beachten Sie auch die von den Herstellern solcher Stoffe gemachten Angaben über Schutzmaßnahmen.
- Die auf den Umverpackungen der verarbeiteten Materialien aufgetragenen Angaben und Kennzeichnungen der Gefahrstoffverordnung sind zu beachten. Gegebenenfalls sind zusätzliche Schutzmaßnahmen zu treffen, insbesondere geeignete Kleidung und Masken zu tragen.
- Während des Spritzvorgangs sowie im Arbeitsraum darf nicht geraucht werden. Explosionsgefahr! Auch Farbdämpfe sind leicht brennbar.
- Feuerstellen, offenes Licht oder funkensschlagende Maschinen dürfen nicht vorhanden sein bzw. betrieben werden.
- Speisen und Getränke nicht im Arbeitsraum aufbewahren oder verzehren. Farbdämpfe sind gesundheitsschädlich.
- Der Arbeitsraum muss größer als 30 m<sup>3</sup> sein und es muss ausreichender Luftwechsel beim Spritzen und Trocknen gewährleistet sein.

- Nicht gegen den Wind spritzen. Grundsätzlich beim Verspritzen von brennbaren bzw. gefährlichen Spritzgütern die Bestimmungen der örtlichen Polizeibehörde beachten.
- Verarbeiten Sie in Verbindung mit dem PVC-Druckschlauch keine Medien wie Testbenzin, Butylalkohol und Methylenchlorid. Diese Medien zerstören den Druckschlauch.
- Der Arbeitsbereich muss vom Kompressor abgetrennt sein, sodass dieser nicht direkt mit dem Arbeitsmedium in Kontakt kommen kann.

### Betrieb von Druckbehältern

- Wer einen Druckbehälter betreibt, hat diesen in einem ordnungsgemäßen Zustand zu erhalten, ordnungsgemäß zu betreiben, zu überwachen, notwendige Instandhaltungs- und Instandsetzungsarbeiten unverzüglich vorzunehmen und die den Umständen nach erforderlichen Sicherheitsmaßnahmen zu treffen.
- Die Aufsichtsbehörde kann im Einzelfall erforderliche Überwachungsmaßnahmen anordnen.
- Ein Druckbehälter darf nicht betrieben werden, wenn er Mängel aufweist, durch die Beschäftigte oder Dritte gefährdet werden.
- Kontrollieren Sie den Druckbehälter vor jedem Betrieb auf Rost und Beschädigungen. Der Kompressor darf nicht mit einem beschädigten oder rostigen Druckbehälter betrieben werden. Stellen Sie Beschädigungen fest, so wenden Sie sich bitte an die Kundendienstwerkstatt.

### Bewahren Sie die Sicherheitshinweise gut auf.

### Restrisiko

Halten Sie die vorgegebenen Wartungs- und Sicherheitshinweise der Bedienungsanleitung ein. Seien Sie stets aufmerksam bei der Arbeit und halten Sie dritte Personen in einem sicheren Abstand von Ihrem Arbeitsplatz fern.

Auch bei sachgemäßer Verwendung des Gerätes bleibt immer ein gewisses Restrisiko, das nicht ausgeschlossen werden kann. Aus der Art und Konstruktion des Gerätes können die folgenden potentiellen Gefährdungen abgeleitet werden:

- Unbeabsichtigte Inbetriebsetzung des Produktes.
- Schädigung des Gehöres, wenn kein vorgeschriebener Gehörschutz getragen wird.
- Schmutzpartikel, Staub etc. können trotz des Tragens der Schutzbrille in Ihr Auge oder Gesicht gelangen.
- Einatmen von aufgewirbelten Partikeln.

### ⚠ Warnung!

Dieses Elektrowerkzeug erzeugt während des Betriebs ein elektromagnetisches Feld. Dieses Feld kann unter bestimmten Umständen aktive oder passive medizinische Implantate beeinträchtigen. Um die Gefahr von ernsthaften oder tödlichen Verletzungen zu verringern, empfehlen wir Personen mit medizinischen Implantaten ihren Arzt und den Hersteller vom medizinischen Implantat zu konsultieren, bevor das Elektrowerkzeug bedient wird.



## 7. Technische Daten

|  |                        |
|--|------------------------|
| Netzanschluss .....                                    | 230 V~ 50 Hz           |
| Motorleistung .....                                    | 1500 W                 |
| Betriebsart .....                                      | S1                     |
| Kompressor-Drehzahl.....                               | 2850 min <sup>-1</sup> |
| Druckbehältervolumen .....                             | ca. 24 l               |
| Betriebsdruck .....                                    | ca. 10 bar             |
| Theo. Ansaugleistung.....                              | ca. 257 l/min          |
| Effektive Abgabemenge bei 7 bar .....                  | ca. 103 l/min          |
| Effektive Abgabemenge bei 4 bar .....                  | ca. 141 l/min          |
| Effektive Abgabemenge bei 1 bar .....                  | ca. 180 l/min          |
| Schalldruckpegel L <sub>PA</sub> .....                 | 68 dB                  |
| Gemessener Schalleistungspegel L <sub>WA</sub> .....   | 83,6 dB                |
| Garantierter Schalleistungspegel L <sub>WA</sub> ..... | 86 dB                  |
| Unsicherheit K <sub>PA/WA</sub> .....                  | 3 dB                   |
| Schutzart .....  | IP30                   |
| Gerätgewicht .....                                     | ca. 24 kg              |
| Max. Aufstellhöhe (üNN).....                           | 1000 m                 |

Die Geräuschemissionswerte wurden entsprechend EN ISO 3744:1995 ermittelt.

### Tragen Sie einen Gehörschutz.

Die Einwirkung von Lärm kann Hörverlust bewirken.

## 8. Vor Inbetriebnahme

- Öffnen Sie die Verpackung und nehmen Sie das Gerät vorsichtig heraus.
- Entfernen Sie das Verpackungsmaterial sowie Verpackungs- und Transportsicherungen (falls vorhanden).
- Überprüfen Sie, ob der Lieferumfang vollständig ist.
- Kontrollieren Sie das Gerät und die Zubehörteile auf Transportschäden.
- Bewahren Sie die Verpackung nach Möglichkeit bis zum Ablauf der Garantiezeit auf.

### ⚠ GEFAHR

**Gerät und Verpackungsmaterialien sind kein Kinderspielzeug! Kinder dürfen nicht mit Kunststoffbeuteln, Folien und Kleinteilen spielen! Es besteht Verschluckungs- und Erstickengefahr!**

- Überzeugen Sie sich vor dem Anschließen, dass die Daten auf dem Typenschild mit den Netzdaten übereinstimmen.
- Überprüfen Sie das Gerät auf Transportschäden. Etwaige Schäden sofort dem Transportunternehmen melden, mit dem der Kompressor angeliefert wurde.
- Die Aufstellung des Kompressors muss in der Nähe des Verbrauchers erfolgen.
- Lange Luftleitungen und lange Zuleitungen (Verlängerungskabel) sind zu vermeiden.
- Auf trockene und staubfreie Ansaugluft achten.
- Den Kompressor nicht in feuchten oder nassen Räumen aufstellen.
- Der Kompressor darf nur in geeigneten Räumen (gut belüftet, Umgebungstemperatur +5 °C bis 40 °C) betrieben werden. Im Raum dürfen sich keine Stäube, keine Säuren, Dämpfe, explosive oder entflammbare Gase befinden.

- Der Kompressor ist geeignet für den Einsatz in trockenen Räumen. In Bereichen, in denen mit Spritzwasser gearbeitet wird, ist der Einsatz nicht zulässig.
- Der Kompressor darf nur kurzzeitig, bei trockenen Umgebungsbedingungen, im Außenbereich benutzt werden.
- Der Kompressor muss stets trocken gehalten werden und darf nach der Arbeit nicht im Freien verbleiben.

## 9. Aufbau und Bedienung

### ⚠ Achtung!

**Vor der Inbetriebnahme das Gerät unbedingt komplett montieren!**

Zur Montage benötigen Sie:

- 1x Gabelschlüssel 14 mm
- 1x Gabelschlüssel 13 mm
- 1x Steckschlüssel 14 mm
- 1x Kreuzschlitzschraubendreher (nicht im Lieferumfang enthalten)

### 9.1 Montage der Räder (Abb. 3)

- Montieren Sie die beiliegenden Räder (5) wie dargestellt.

### 9.2 Montage des Standfußes (Abb. 4)

- Montieren Sie den beiliegenden Standfuß (7) wie dargestellt.

### 9.3 Montage des Luftfilters (Abb. 5, 6)

- Entfernen Sie den Transportdeckel (16) und schrauben Sie den Luftfilter (4) am Gerät fest.
- Führen Sie den Schlauch (4d) in die Öffnung des Luftfilters (4) ein.

### 9.4 Montage des Transportgriffes (Abb. 7)

- Montieren Sie den beiliegenden Transportgriff (1) wie dargestellt. Verwenden Sie hierzu die beiliegenden Schrauben M8x10 (1a) und einen Schraubenschlüssel SW13 (nicht im Lieferumfang enthalten).

### 9.5 Netzanschluss

- Der Kompressor ist mit einer Netzleitung mit Schutzkontaktstecker ausgerüstet. Dieser kann an jeder Schutzkontaktsteckdose 230 V~ 50 Hz, welche mit 16 A abgesichert ist, angeschlossen werden.
- Achten Sie vor Inbetriebnahme darauf, dass die Netzspannung mit der Betriebsspannung und mit der Maschinenleistung auf dem Typenschild übereinstimmt.
- Lange Zuleitungen, sowie Verlängerungen, Kabeltrommeln usw. verursachen Spannungsabfall und können den Motoranlauf verhindern.
- Bei niedrigen Temperaturen unter +5 °C ist der Motoranlauf durch Schwergängigkeit gefährdet.

### 9.6 Ein-/Ausschalter (Abb. 1)

- Zum Einschalten des Kompressors wird der Ein-/Ausschalter (3) nach oben gezogen.
- Zum Abschalten wird der Ein-/Ausschalter (3) nach unten gedrückt.

### 9.7 Druckeinstellung (Abb. 1, 2)

- Mit dem Druckregler (15) wird der Druck am Manometer (12) eingestellt.
- Der eingestellte Druck kann an den Schnellkupplungen (10, 11) entnommen werden.
- Am Manometer (13) wird der Kesseldruck abgelesen.

### 9.8 Druckschaltereinstellung (Abb. 1)

- Der Druckschalter (2) ist werkseitig eingestellt.  
Einschaltdruck ca. 7,8 bar  
Ausschaltdruck ca. 10 bar

### 9.9 Montage des Druckluftschlauchs (nicht im Lieferumfang enthalten) (Abb. 1, 2)

- Schließen Sie den Stecknippel (14a) des Druckluftschlauchs (14) an eine der Schnellkupplungen (10, 11) an. Schließen Sie danach das Druckluftwerkzeug an der Schnellkupplung (14b) des Druckluftschlauches (14) an.

### 9.10 Thermoschutzschalter

Der Thermoschutzschalter ist im Gerät verbaut.

Löst der Thermoschutzschalter aus, gehen Sie wie folgt vor:

- Ziehen Sie den Netzstecker.
- Warten Sie circa zwei bis drei Minuten.
- Stecken Sie das Gerät wieder ein.
- Startet das Gerät nicht, wiederholen Sie den Vorgang.
- Startet das Gerät erneut nicht, schalten Sie das Gerät am Ein-/Ausschalter (3) aus und wieder an.
- Wenn Sie alle oben genannten Schritte durchgeführt haben und das Gerät trotzdem nicht funktioniert, kontaktieren Sie unseren Service.

## 10. Elektrischer Anschluss

**Der installierte Elektromotor ist betriebsfertig angeschlossen. Der Anschluss entspricht den einschlägigen VDE- und DIN-Bestimmungen. Der kundenseitige Netzanschluss sowie die verwendete Verlängerungsleitung müssen diesen Vorschriften entsprechen.**

Beim Arbeiten mit Spritz- und Sprühvorsatzgeräten sowie bei vorübergehender Anwendung im Freien ist das Gerät unbedingt über **einen Fehlerstromschutzschalter** mit einem Auslösestrom von 30 mA oder weniger anzuschließen.

### 10.1 Wichtige Hinweise

Bei Überlastung des Motors schaltet dieser selbständig ab. Nach einer Abkühlzeit (zeitlich unterschiedlich) lässt sich der Motor wieder einschalten.

### 10.2 Schadhafte Elektro-Anschlussleitung

An elektrischen Anschlussleitungen entstehen oft Isolationsschäden.

Ursachen hierfür können sein:

- Druckstellen, wenn Anschlussleitungen durch Fenster oder Türspalten geführt werden.
- Knickstellen durch unsachgemäße Befestigung oder Führung der Anschlussleitung.
- Schnittstellen durch Überfahren der Anschlussleitung.

- Isolationsschäden durch Herausreißen aus der Wandsteckdose.
- Risse durch Alterung der Isolation.

Solch schadhafte Elektro-Anschlussleitungen dürfen nicht verwendet werden und sind aufgrund der Isolationsschäden lebensgefährlich.

Elektrische Anschlussleitungen regelmäßig auf Schäden überprüfen. Achten Sie darauf, dass beim Überprüfen die Anschlussleitung nicht am Stromnetz hängt.

Elektrische Anschlussleitungen müssen den einschlägigen VDE- und DIN-Bestimmungen entsprechen. Verwenden Sie nur Anschlussleitungen mit gleicher Kennzeichnung.

Ein Aufdruck der Typenbezeichnung auf dem Anschlusskabel ist Vorschrift.

### 10.3 Wechselstrommotor

- Die Netzspannung muss 230 V~ 50 Hz betragen.
- Verlängerungsleitungen bis 25 m Länge müssen einen Querschnitt von 1,5 Quadratmillimeter aufweisen.

Anschlüsse und Reparaturen der elektrischen Ausrüstung dürfen nur von einer Elektro-Fachkraft durchgeführt werden.

Bei Rückfragen bitte folgende Daten angeben:

- Stromart des Motors
- Daten des Maschinen-Typenschilds
- Daten des Motor-Typenschilds

## 11. Reinigung, Wartung und Lagerung

### ⚠ Achtung!

Ziehen Sie vor allen Reinigungs- und Wartungsarbeiten den Netzstecker! Verletzungsgefahr durch Stromstöße!

### ⚠ Achtung!

Warten Sie bis das Gerät vollständig abgekühlt ist! Verbrennungsgefahr!

### ⚠ Achtung!

Vor allen Reinigungs- und Wartungsarbeiten ist das Gerät drucklos zu machen! Verletzungsgefahr!

### 11.1 Reinigung

- Halten Sie das Gerät so staub- und schmutzfrei wie möglich. Reiben Sie das Gerät mit einem sauberen Tuch ab oder blasen Sie es mit Druckluft bei niedrigem Druck aus.
- Wir empfehlen, dass Sie das Gerät direkt nach jeder Benutzung reinigen.
- Reinigen Sie das Gerät regelmäßig mit einem feuchten Tuch und etwas Schmierseife. Verwenden Sie keine aggressiven Reinigungs- oder Lösungsmittel; diese könnten die Kunststoffteile des Gerätes angreifen. Achten Sie darauf, dass kein Wasser in das Geräteinnere gelangen kann.
- Schlauch und Spritzwerkzeuge müssen vor Reinigung vom Kompressor getrennt werden. Der Kompressor darf nicht mit Wasser, Lösungsmitteln o. Ä. gereinigt werden.

## 11.2 Wartung des Druckbehälters (Abb. 1)

### ⚠ Achtung!

Für dauerhafte Haltbarkeit des Druckbehälters (8) ist nach jedem Betrieb das Kondenswasser durch Öffnen der Ablassschraube (6) abzulassen.

Lassen Sie zuvor den Kesseldruck ab (siehe 11.6.1).

Öffnen Sie die Ablassschraube (6) durch Drehen gegen den Uhrzeigersinn (Blickrichtung von der Kompressorunterseite auf die Schraube).

Um das Kondenswasser vollständig aus dem Druckbehälter (8) ablaufen zu lassen, muss dieser leicht zur Seite gekippt werden, sodass die Ablassschraube (6) den tiefsten Punkt darstellt. Verschließen Sie danach die Ablassschraube (6) wieder (Drehen im Uhrzeigersinn). Kontrollieren Sie den Druckbehälter (8) vor jedem Betrieb auf Rost und Beschädigungen.

Der Kompressor darf nicht mit einem beschädigten oder rostigen Druckbehälter (8) betrieben werden. Stellen Sie Beschädigungen fest, so wenden Sie sich bitte an die Kundendienstwerkstatt.

### Hinweise zur Entsorgung des Kondenswassers:

Entsorgen Sie das Kondenswasser gemäß den lokalen und nationalen Umweltvorschriften. Stellen Sie sicher, dass es nicht in das Abwassersystem geleitet wird.

## 11.3 Sicherheitsventil (Abb. 8)

Das Sicherheitsventil (9) ist auf den höchstzulässigen Druck des Druckbehälters (8) eingestellt. Es ist nicht zulässig, das Sicherheitsventil (9) zu verstellen oder die Verbindungssicherung (9b) zwischen der Ablassmutter (9a) und deren Kappe (9c) zu entfernen. Damit das Sicherheitsventil (9) im Bedarfsfall richtig funktioniert, muss dieses alle 30 Betriebsstunden mind. jedoch 3 Mal jährlich betätigt werden. Drehen Sie die perforierte Ablassmutter (9a) zum Öffnen gegen den Uhrzeigersinn und ziehen dann die Ventilstange über die perforierte Ablassmutter (9a) von Hand nach außen, um den Auslass des Sicherheitsventils (9) zu öffnen. Das Ventil lässt nun hörbar Luft ab. Anschließend drehen Sie die Ablassmutter (9a) wieder im Uhrzeigersinn fest.

## 11.4 Reinigen des Luftfilters (Abb. 9, 10)

Der Luftfilter (4) verhindert das Einsaugen von Staub und Schmutz. Es ist notwendig, diesen Luftfilter (4) mindestens alle 300 Betriebsstunden zu reinigen. Ein verstopfter Luftfilter (4) vermindert die Leistung des Kompressors erheblich.

Drehen Sie den Luftfilter (4) gegen den Uhrzeigersinn, um diesen zu entfernen. Drehen Sie den Filterdeckel (4c) auf und nehmen ihn ab. Sie können nun den Filtereinsatz (4b) herausnehmen. Klopfen Sie den Filtereinsatz (4b), den Filterdeckel (4c) und das Filtergehäuse (4a) vorsichtig aus. Diese Bauteile müssen danach mit Druckluft (ca. 3 bar) ausgeblasen und in umgekehrter Reihenfolge wieder montiert werden.

## 11.5 Service-Informationen

Es ist zu beachten, dass bei diesem Produkt folgende Teile einem gebrauchsgemäßen oder natürlichen Verschleiß unterliegen bzw. folgende Teile als Verbrauchsmaterialien benötigt werden.

Verschleißteile\*: Luftfilter

\* nicht zwingend im Lieferumfang enthalten!

## 11.6 Lagerung

### ⚠ Achtung!

**Ziehen Sie den Netzstecker, entlüften Sie das Gerät und alle angeschlossenen Druckluftwerkzeuge. Stellen Sie den Kompressor so ab, dass dieser nicht von Unbefugten in Betrieb genommen werden kann.**

### ⚠ Achtung!

**Den Kompressor nur in trockener und für Unbefugte unzugänglicher Umgebung aufbewahren. Nicht kippen, nur stehend aufbewahren!**

### 11.6.1 Ablassen des Überdrucks

Lassen Sie den Überdruck im Kompressor ab, indem Sie den Kompressor ausschalten und die noch im Druckbehälter (8) vorhandene Druckluft verbrauchen, z. B. mit einem Druckluftwerkzeug im Leerlauf oder mit einer Ausblaspistole.

## 12. Transport

Verwenden Sie zum Transport den Transportgriff (1) und fahren Sie damit den Kompressor.

Beachten Sie beim Anheben des Kompressors dessen Gewicht (siehe Technische Daten).

Sorgen Sie beim Transport des Kompressors in Kraftfahrzeugen für eine gute Ladungssicherung.

## 13. Entsorgung und Wiederverwertung

### Hinweise zur Verpackung



Die Verpackungsmaterialien sind recycelbar. Bitte Verpackungen umweltgerecht entsorgen.

### Hinweise zum Elektro- und Elektronikgerätegesetz (ElektroG)



**Elektro- und Elektronik-Altgeräte gehören nicht in den Hausmüll, sondern sind einer getrennten Erfassung bzw. Entsorgung zuzuführen!**

- Altbatterien oder -akkus, welche nicht fest im Altgerät verbaut sind, müssen vor Abgabe zerstörungsfrei entnommen werden! Deren Entsorgung wird über das Batteriegesetz geregelt.
- Besitzer bzw. Nutzer von Elektro- und Elektronikgeräten sind nach deren Gebrauch gesetzlich zur Rückgabe verpflichtet.
- Der Endnutzer trägt die Eigenverantwortung für das Löschen seiner personenbezogenen Daten auf dem zu entsorgenden Altgerät!
- Das Symbol der durchgestrichenen Mülltonne bedeutet, dass Elektro- und Elektronikaltgeräte nicht über den Hausmüll entsorgt werden dürfen.
- Elektro- und Elektronikaltgeräte können bei folgenden Stellen unentgeltlich abgegeben werden:
  - Öffentlich-rechtliche Entsorgungs- bzw. Sammelstellen (z. B. kommunale Bauhöfe)
  - LIDL bietet Ihnen Rückgabemöglichkeiten direkt in den Filialen und Märkten an. Rückgabe und Entsorgung sind für Sie kostenfrei.

- Bis zu drei Elektroaltgeräte pro Geräteart, mit einer Kantenlänge von maximal 25 Zentimetern, können Sie ohne vorherigen Erwerb eines Neugerätes vom Hersteller kostenfrei bei diesem abgeben oder einer anderen autorisierten Sammelstelle in Ihrer Nähe zuführen.
- Weitere ergänzende Rücknahmebedingungen der Hersteller und Vertrieber erfahren Sie beim jeweiligen Kundenservice.
- Im Falle der Anlieferung eines neuen Elektrogerätes durch den Hersteller an einen privaten Haushalt, kann dieser die unentgeltliche Abholung des Elektroaltgerätes, auf Nachfrage vom Endnutzer, veranlassen. Setzen Sie sich hierzu mit dem Kundenservice des Herstellers in Verbindung.
- Diese Aussagen gelten nur für Geräte, die in den Ländern der Europäischen Union installiert und verkauft werden und die der Europäischen Richtlinie 2012/19/EU unterliegen. In Ländern außerhalb der Europäischen Union können davon abweichende Bestimmungen für die Entsorgung von Elektro- und Elektronik-Altgeräten gelten.

## 14. Störungsabhilfe

| Störung   | Mögliche Ursache                           | Abhilfe  |
|---|--|--|
| Kompressor läuft nicht.   | Netzspannung nicht vorhanden.              | Kabel, Netzstecker, Sicherung und Steckdose überprüfen.  |
|   | Netzspannung zu niedrig.                   | Zu lange Verlängerungskabel vermeiden. Verlängerungskabel mit ausreichendem Aderquerschnitt verwenden.   |
|   | Außentemperatur zu niedrig.                | Nicht unter +5 °C Außentemperatur betreiben.   |
|   | Motor überhitzt.                           | Motor abkühlen lassen, ggf. Ursache der Überhitzung beseitigen.  |
| Kompressor läuft, jedoch kein Druck.  | Sicherheitsventil undicht.                 | Kontaktieren Sie Ihr lokales Service-Center. Reparaturen nur von geschultem Personal durchführen lassen. |
|   | Dichtungen kaputt.                         | Dichtungen überprüfen, kaputte Dichtungen bei einer Fachwerkstatt ersetzen lassen.                       |
|   | Ablassschraube für Kondenswasser undicht.  | Schraube per Hand nachziehen. Dichtung auf der Schraube überprüfen, ggf. ersetzen.                       |
| Kompressor läuft, Druck wird am Manometer angezeigt, jedoch Werkzeuge laufen nicht. | Schlauchverbindungen undicht.              | Druckluftschlauch und Werkzeuge überprüfen, ggf. austauschen.  |
|   | Schnellkupplung undicht.                   | Kontaktieren Sie Ihr lokales Service-Center. Reparaturen nur von geschultem Personal durchführen lassen. |
|   | Zu wenig Druck am Druckregler eingestellt. | Druckregler weiter aufdrehen.  |

## 15. Garantiekunde

### Sehr geehrte Kundin, sehr geehrter Kunde,

unsere Produkte unterliegen einer strengen Qualitätskontrolle. Sollte dieses Gerät dennoch einmal nicht einwandfrei funktionieren, bedauern wir dies sehr und bitten Sie, sich an unseren Servicedienst unter der auf dieser Garantiekunde angegebenen Adresse zu wenden. Gern stehen wir Ihnen auch telefonisch über die unten angegebene Servicrufnummer zur Verfügung. Für die Geltendmachung von Garantieansprüchen gilt Folgendes:

- Diese Garantiebedingungen regeln zusätzliche Garantieleistungen. Ihre gesetzlichen Gewährleistungsansprüche werden von dieser Garantie nicht berührt. Unsere Garantieleistung ist für Sie kostenlos.
- Die Garantieleistung erstreckt sich ausschließlich auf Mängel, die auf Material- oder Herstellungsfehler zurückzuführen sind und ist auf die Behebung dieser Mängel bzw. den Austausch des Gerätes beschränkt. Bitte beachten Sie, dass unsere Geräte bestimmungsgemäß nicht für den gewerblichen, handwerklichen oder industriellen Einsatz konstruiert wurden. Ein Garantievertrag kommt daher nicht zustande, wenn das Gerät in Gewerbe-, Handwerks- oder Industriebetrieben sowie bei gleichzusetzenden Tätigkeiten eingesetzt wird. Von unserer Garantie sind ferner Ersatzleistungen für Transportschäden, Schäden durch Nichtbeachtung der Montageanleitung oder aufgrund nicht fachgerechter Installation, Nichtbeachtung der Gebrauchsanleitung (wie durch z. B. Anschluss an eine falsche Netzspannung oder Stromart), missbräuchliche oder unsachgemäße Anwendungen (wie z. B. Überlastung des Gerätes oder Verwendung von nicht zugelassenen Einsatzwerkzeugen oder Zubehör), Nichtbeachtung der Wartungs- und Sicherheitsbestimmungen, Eindringen von Fremdkörpern in das Gerät (wie z. B. Sand, Steine oder Staub), Gewaltanwendung oder Fremdeinwirkungen (wie z. B. Schäden durch Herunterfallen) sowie durch verwendungsgemäßen, üblichen Verschleiß ausgeschlossen.

Der Garantieanspruch erlischt, wenn an dem Gerät bereits Eingriffe vorgenommen wurden.

- Die Garantiezeit beträgt 3 Jahre und beginnt mit dem Kaufdatum des Gerätes. Garantieansprüche sind vor Ablauf der Garantiezeit innerhalb von zwei Wochen, nachdem Sie den Defekt erkannt haben, geltend zu machen. Die Geltendmachung von Garantieansprüchen nach Ablauf der Garantiezeit ist ausgeschlossen. Die Reparatur oder der Austausch des Gerätes führt weder zu einer Verlängerung der Garantiezeit noch wird eine neue Garantiezeit durch diese Leistung für das Gerät oder für etwaige eingebaute Ersatzteile in Gang gesetzt. Dies gilt auch bei Einsatz eines Vor-Ort-Services.
- Für die Geltendmachung Ihres Garantieanspruches wenden Sie sich bitte an die unten angegebene Service-Adresse. Sofern die Reklamation innerhalb der Garantiezeit liegt, werden wir Ihnen einen Retourenschein zur Verfügung stellen, mit dem Sie Ihr defektes Gerät kostenfrei an uns zurücksenden können. Beschreiben Sie uns bitte den Reklamationsgrund möglichst genau. Ist der Defekt des Gerätes von unserer Garantieleistung erfasst, erhalten Sie umgehend ein repariertes oder neues Gerät zurück.

Selbstverständlich beheben wir gegen Erstattung der Kosten auch gerne Defekte am Gerät, die vom Garantieuumfang nicht oder nicht mehr erfasst sind. Dazu senden Sie das Gerät bitte an unsere Serviceadresse.

### 15.1 Abwicklung im Garantiefall

Um eine schnelle Bearbeitung Ihres Anliegens zu gewährleisten, folgen Sie bitte den folgenden Hinweisen:

- Bitte halten Sie für alle Anfragen den Kassenbon und die Artikelnummer (z. B. IAN 465618\_2404) als Nachweis für den Kauf bereit.
- Die Artikelnummer entnehmen Sie bitte dem Typenschild am Produkt, einer Gravur am Produkt, dem Titelblatt Ihrer Anleitung (unten links) oder dem Aufkleber auf der Rück- oder Unterseite des Produktes.
- Sollten Funktionsfehler oder sonstige Mängel auftreten, kontaktieren Sie zunächst die nachfolgend benannte Serviceabteilung telefonisch oder per E-Mail.
- Ein als defekt erfasstes Produkt können Sie dann unter Beifügung des Kaufbelegs (Kassenbon) und der Angabe, worin der Mangel besteht und wann er aufgetreten ist, für Sie portofrei an die Ihnen mitgeteilte Service Anschrift übersenden.
- Auf parkside-diy.com können Sie diese und viele weitere Handbücher einsehen und herunterladen. Mit diesem QR-Code gelangen Sie direkt auf parkside-diy.com. Wählen Sie Ihr Land aus, und suchen Sie über die Suchmaske nach den Bedienungsanleitungen. Mittels Eingabe der Artikelnummer (IAN) 465618\_2404 gelangen Sie zur Bedienungsanleitung für Ihren Artikel.

#### Servicekontakt (DE):

**Name:** Scheppach GmbH  
Günzburger Str. 69  
DE - 89335 Ichenhausen  
**Telefon:** 00800 4003 4003  
**E-Mail:** service.DE@scheppach.com  
**Sitz:** Deutschland

#### Servicekontakt (AT):

**Name:** Gausch Hubert  
Bairisch Kölldorf 267  
AT - 8344 Bad Gleichenberg  
**Telefon:** 00800 4003 4003  
**E-Mail:** service.AT@scheppach.com  
**Sitz:** Österreich

#### Servicekontakt (CH):

**Name:** Klaus-Häberlin AG  
Industriestraße 6  
CH - 8610 Uster  
**Telefon:** 00800 4003 4003  
**E-Mail:** service.CH@scheppach.com  
**Sitz:** Schweiz



---

|     |   |     |
|-----|---|-----|
| 1.  | Explication des symboles sur l'appareil ..... | 23  |
| 2.  | Introduction .....                            | 24  |
| 3.  | Description de l'appareil (fig. 1-10) .....   | 24  |
| 4.  | Fournitures .....                             | 24  |
| 5.  | Utilisation conforme .....                    | 24  |
| 6.  | Consignes de sécurité.....                    | 25  |
| 7.  | Caractéristiques techniques.....              | 28  |
| 8.  | Avant la mise en service.....                 | 28  |
| 9.  | Structure et commande.....                    | 28  |
| 10. | Raccordement électrique .....                 | 29  |
| 11. | Nettoyage, maintenance et stockage.....       | 29  |
| 12. | Transport .....                               | 30  |
| 13. | Élimination et recyclage .....                | 30  |
| 14. | Dépannage.....                                | 31  |
| 15. | Certificat de garantie .....                  | 32  |
| 16. | Vue éclatée.....                              | 123 |
| 17. | Déclaration de conformité .....               | 124 |

## 1. Explication des symboles sur l'appareil



Lire la notice d'utilisation et observer les consignes de sécurité avant de procéder à la mise en service !



Portez une protection auditive. Les nuisances sonores peuvent entraîner une perte d'audition.



Utilisez une protection respiratoire.



Avertissement relatif aux pièces brûlantes !



Avertissement contre la tension électrique.



Avertissement ! L'unité est commandée à distance et peut démarrer sans avertissement.



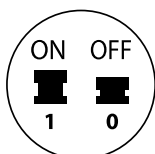
N'exposez pas la machine à la pluie. L'appareil ne peut être stationné, entreposé et exploité que dans des conditions ambiantes sèches.



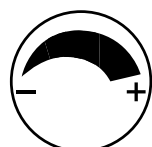
Niveau garanti de puissance sonore en dB.



Indication du niveau de pression sonore en dB.



Interrupteur On/Off.



Régulateur de pression.

## 2. Introduction

### Fabricant :

Scheppach GmbH  
Günzburger Straße 69  
D-89335 Ichenhausen

### Cher client,

Nous espérons que votre nouvelle machine vous apportera satisfaction et de bons résultats.

### Remarque :

Conformément à la loi en vigueur sur la responsabilité du fait des produits, le fabricant de cet appareil n'est pas responsable des dommages survenus ou générés sur l'appareil en cas de :

- Manipulation incorrecte,
- Non-respect de la notice d'utilisation,
- Réparations effectuées par des tiers ou des spécialistes non autorisés,
- Montage et remplacement des pièces de rechange non originales,
- Utilisation non conforme,
- Pannes de l'installation électrique, en cas de non-respect des prescriptions électriques et des dispositions de la VDE 0100, DIN 57113 / VDE0113.

### Attention :

Lisez l'ensemble du texte de la notice d'utilisation avant le montage et la mise en service.

Cette notice d'utilisation a pour objectif de vous familiariser avec votre outil électrique et d'en exploiter les possibilités d'emploi conforme.

La notice d'utilisation contient des remarques importantes sur la manière de travailler en toute sécurité, réglementairement et économiquement avec l'outil électrique, et sur la façon d'éviter les dangers, d'économiser sur les coûts de réparation, de réduire les périodes d'arrêt et d'augmenter la fiabilité et la durée de vie de l'outil.

Outre les dispositions de sécurité figurant dans cette notice d'utilisation, vous devez absolument observer les prescriptions concernant le fonctionnement de l'outil électrique en vigueur dans votre pays.

Conserver la notice d'utilisation dans une pochette en plastique à l'abri de la poussière et de l'humidité près de l'outil électrique. Chaque opérateur doit l'avoir lue avant le début des travaux et doit la respecter minutieusement. Seules des personnes formées à l'utilisation de l'outil électrique et informées des dangers afférents sont autorisées à travailler avec.

Outre les consignes de sécurité reprises dans la présente notice d'utilisation et les prescriptions particulières en vigueur dans votre pays, respecter également les règles techniques générales concernant l'utilisation des machines similaires.

Nous déclinons toute responsabilité concernant les accidents ou dommages qui surviendraient en raison d'un non-respect de cette notice et des consignes de sécurité.

## 3. Description de l'appareil (fig. 1-10)

1. Poignée de transport
- 1a. Vis M8x10
2. Pressostat

3. Interrupteur marche/arrêt
4. Filtre à air
- 4a. Boîtier de filtre
- 4b. Cartouche filtrante
- 4c. Couvercle du filtre
- 4d. Flexible
5. Roue
- 5a. Vis à tête bombée
- 5b. Rondelle plate
6. Vis d'évacuation pour l'eau de condensation
7. Béquille
- 7a. Vis
- 7b. Rondelle plate
8. Réservoir sous pression
9. Soupape de sécurité
- 9a. Écrou de vidange
- 9b. Fixation de connexion
- 9c. Capuchon de l'écrou de vidange
10. Couplage rapide (air comprimé réglé)
11. Couplage rapide (air comprimé réglé)
12. Manomètre (la pression réglée peut y est consultée)
13. Manomètre (permettant de lire la pression de la chaudière)
14. Flexible d'air comprimé (non comprise dans les fournitures)
- 14a. Raccord enfichable
- 14b. Couplage rapide
15. Régulateur de pression
16. Couvercle de transport

## 4. Fournitures

- 1x Filtre à air
- 1x Poignée de transport
- 2x Vis M8x10
- 1x Béquille
- 2x Roue
- 1x Matériel de montage
- 1x Notice d'utilisation

## 5. Utilisation conforme

Le compresseur sert à générer de l'air comprimé pour les outils à air comprimé nécessitant un volume d'air pouvant atteindre env. 180 l/min. (par exemple, gonfleur de pneus, pistolet de soufflage et pistolet à peinture). Du fait du débit d'air limité, il est impossible d'utiliser des outils consommant beaucoup d'air (par exemple, ponceuse orbitale, meuleuse droite et visseuse à percussions).

Le compresseur ne peut être exploité que dans des espaces intérieurs secs et bien ventilés.

La machine doit être utilisée selon les dispositions correspondantes. Toute autre utilisation est considérée comme étant non conforme. Le fabricant décline toute responsabilité quant aux dommages ou blessures qui en résulteraient. Dans ce cas, l'utilisateur/opérateur est le seul responsable.



Remarque : conformément aux dispositions, nos appareils n'ont pas été conçus pour une utilisation commerciale, artisanale ou industrielle. Nous déclinons toute responsabilité si l'appareil est utilisé dans des exploitations commerciales, artisanales ou industrielles, ou dans le cadre d'activités comparables.

## 6. Consignes de sécurité

### Consignes de sécurité générales pour les outils électriques

**△ AVERTISSEMENT ! lisez toutes les consignes de sécurité, les instructions, les illustrations et les caractéristiques techniques fournies avec cet outil électrique.** Toute négligence dans le respect des instructions suivantes peut entraîner un choc électrique, un incendie et/ou des blessures graves.

### Conserver à l'avenir toutes les consignes de sécurité et instructions.

Le terme d'« outil électrique » utilisé dans les consignes de sécurité désigne les outils électriques sur secteur (avec câble secteur) et les outils électriques sur batterie (sans câble secteur).

### Sécurité au poste de travail

- a. **Faire en sorte que la zone de travail soit propre et bien éclairée.** Le désordre ou des zones de travail non éclairées peuvent entraîner des accidents.
- b. **Ne pas utiliser l'outil électrique dans un environnement propice aux explosions, où se trouvent des liquides, gaz ou poussières inflammables.** Les outils électriques génèrent des étincelles, susceptibles de mettre le feu à la poussière ou aux vapeurs.
- c. **Pendant l'utilisation de l'outil électrique, maintenir les enfants et tiers à bonne distance.** Toute déviation peut entraîner une perte de contrôle de l'outil électrique.

### Sécurité électrique

- a. **Le connecteur de raccordement de l'outil électrique doit correspondre à la prise de courant.** Ne modifier d'aucune manière le connecteur. N'utiliser aucun connecteur adaptateur avec des outils électriques mis à la terre. Des connecteurs non modifiés et fiches adaptées réduisent le risque de choc électrique.
- b. **Éviter tout contact physique avec les surfaces mises à la terre, par exemple, tuyaux, chauffages, cuisinières et réfrigérateurs. Si le corps est mis à la terre, le risque de choc électrique est plus important.**
- c. **Mettre les outils électriques à l'abri de la pluie ou de l'humidité.** La pénétration d'eau dans un outil électrique augmente le risque de choc électrique.
- d. **Ne pas utiliser le câble pour transporter ou suspendre l'outil électrique, ni pour débrancher le connecteur de la prise.** Maintenir le câble à l'abri de la chaleur, de l'huile, des arêtes coupantes ou des pièces mobiles. Des câbles endommagés ou emmêlés augmentent le risque de choc électrique.

- e. **Si l'outil électrique est utilisé à l'extérieur, se servir d'une rallonge autorisée pour l'extérieur.** Le recours à une rallonge convenant à l'extérieur réduit le risque de choc électrique. En extérieur, utiliser uniquement des câbles de rallonge autorisés et indiqués comme étant conformes à cet emploi. N'utiliser les tambours de câbles que lorsqu'ils sont déroulés.
- f. **Si l'outil électrique doit impérativement être utilisé en milieu humide, utilisez un disjoncteur différentiel avec un courant de déclenchement de 30 mA ou moins.** Le recours à un disjoncteur de protection à courant de fuite réduit le risque de choc électrique.

### Sécurité des personnes

- a. **Se montrer attentif et faire attention à ses actes et procéder avec prudence lors du travail avec un outil électrique. Ne pas utiliser l'outil électrique en cas de fatigue ou si l'on est sous l'influence de drogues, de l'alcool ou de médicaments.** Tout moment d'inattention lors de l'utilisation de l'outil électrique peut conduire à des blessures graves.
- b. **Toujours porter un équipement de protection individuelle et des lunettes de protection.** Quel que soit le type d'outil électrique et son mode d'utilisation, le port d'un équipement de protection individuelle, tel qu'un masque antipoussières, des chaussures de sécurité antidérapantes, un casque de protection ou une protection auditive réduit le risque de blessures.
- c. **Éviter toute mise en service involontaire. Veiller à ce que l'outil électrique soit arrêté avant de le brancher sur l'alimentation électrique et/ou la batterie, de le prendre ou de le porter.** Le fait de porter l'outil électrique avec le doigt sur l'interrupteur ou alors que l'outil électrique est activé et raccordé à l'alimentation électrique peut entraîner des accidents.
- d. **Avant d'activer l'outil électrique, retirer les outils de réglage ou clés de serrage.** Tout outil ou clé se trouvant dans une pièce rotative de l'appareil peut entraîner des blessures.
- e. **Éviter toute position du corps anormale.** Veiller à adopter une position stable et à toujours maintenir son équilibre. Ainsi, il est possible de mieux contrôler l'outil électrique en cas de situation inattendue.
- f. **Porter des vêtements adaptés. Ne pas porter de vêtements amples ou de bijoux. Maintenir les cheveux, vêtements et gants à bonne distance des pièces mobiles.** Les vêtements amples, bijoux ou cheveux longs risquent d'être happés par les pièces mobiles. En cas de travail en extérieur, il est recommandé de porter des gants en caoutchouc et des chaussures antidérapantes. Recouvrir les cheveux longs d'un filet.
- g. **Si des dispositifs d'aspiration et de collecte des poussières peuvent être montés, veiller à ce qu'ils soient raccordés et utilisés correctement.** Le recours à une aspiration des poussières peut réduire les risques liés à la poussière.
- h. **Ne pas se laisser aller à une fausse impression de sécurité et négliger de respecter les règles de sécurité applicables aux outils électriques, même une fois parfaitement familiarisé avec l'utilisation de cet outil électrique.** Toute manipulation négligente peut entraîner des blessures graves en quelques fractions de seconde.

## Utilisation et manipulation de l'outil électrique

- a. **Ne surchargez pas l'appareil.** Utiliser l'outil électrique qui convient au travail à réaliser. L'outil électrique adapté fonctionne en effet de manière plus satisfaisante et plus sûre dans la plage de puissance indiquée.
- b. **Ne pas utiliser un outil électrique dont l'interrupteur est défectueux. Un outil électrique qu'il est devenu impossible d'activer ou de désactiver représente un danger et doit être réparé.**
- c. **Retirer le connecteur de la prise de courant et/ou retirer la batterie amovible avant d'entreprendre de régler l'appareil, de remplacer les pièces de l'outil d'insertion ou de déposer l'outil électrique.** Cette mesure de sécurité empêche le démarrage imprévu de l'outil électrique.
- d. **Conserver les outils électriques inutilisés hors de portée des enfants.** L'outil électrique ne doit pas être utilisé par des personnes qui ne sont pas familières de ces outils ou qui n'ont pas lu ces instructions. Les outils électriques représentent un danger s'ils sont utilisés par des personnes inexpérimentées. Les outils électriques qui ne sont pas utilisés doivent être rangés à un endroit sec, en hauteur ou verrouillé, hors de portée des enfants.
- e. **Prendre soin des outils électriques et outils auxiliaires.** Vérifier si les pièces mobiles fonctionnent parfaitement, ne sont pas bloquées ou si certaines pièces sont cassées ou si endommagées qu'elles nuisent au bon fonctionnement de l'outil électrique. Faire réparer les pièces endommagées avant d'utiliser l'outil électrique. De nombreux accidents sont dus à des outils électriques mal entretenus.
- f. **Maintenir les outils de coupe aiguisés et propres. Des outils de coupe bien entretenus, aux arêtes de coupe aiguisées, se coincent moins et sont plus faciles à guider.**
- g. **Utiliser l'outil électrique, les accessoires, les outils d'insertion, etc. conformément à ces instructions.** Tenir compte des conditions de travail et de l'activité à réaliser. Toute utilisation des outils électriques dans des buts autres que ceux prévus peut entraîner des situations de danger.
- h. **Veiller à ce que les poignées et leurs surfaces de préhension soient sèches, propres et exemptes d'huile et de graisse.** Des poignées et surfaces de préhension de poignées glissantes compromettent la sécurité d'utilisation et de contrôle de l'outil électrique dans les situations inattendues.

## Entretien

- a. **Ne confier la réparation de l'outil électrique qu'à des spécialistes qualifiés et utiliser uniquement des pièces de rechange d'origine.** Ainsi, la sécurité de l'outil électrique est garantie.

## Consignes de sécurité pour les compresseurs

**⚠ Attention !** Lors de l'utilisation de ce compresseur, respectez les mesures de sécurité élémentaires suivantes assurant une protection contre les chocs électriques, les blessures et les incendies.

Lisez et observez ces consignes avant d'utiliser l'appareil.

## Travail en toute sécurité

1. Prendre soin de ses outils
  - Faire en sorte que le compresseur soit propre pour travailler correctement et en toute sécurité.
  - Suivre les prescriptions de maintenance.
  - Contrôler régulièrement le câble de raccordement de l'outil électrique et le faire remplacer par un spécialiste agréé en cas de dommage.
  - Contrôler régulièrement les rallonges et les remplacer en cas de dommage.
2. Tirer sur le connecteur pour le débrancher de la prise
  - En cas de non-utilisation de l'outil électrique, avant une opération de maintenance et lors du remplacement des outils, par exemple, lame de scie, foret, fraise.
3. Vérifier si l'outil électrique présente des dommages
  - Avant de poursuivre l'utilisation de l'outil électrique, il convient de vérifier soigneusement que les dispositifs de protection et les pièces faciles à endommager fonctionnent parfaitement et conformément aux dispositions.
  - Vérifier que les pièces mobiles fonctionnent parfaitement, ne sont pas coincées et ne sont pas endommagées. Toutes les pièces doivent être montées correctement et toutes les conditions doivent être remplies pour garantir un fonctionnement impeccable de l'outil électrique.
  - Sauf indication contraire dans la notice d'utilisation, les dispositifs de protection et pièces endommagés doivent être réparés ou remplacés conformément aux dispositions par un atelier spécialisé et agréé.
  - N'utiliser aucun câble de raccordement défilant ou endommagé.
4. **Attention !**
  - Par souci de sécurité, n'utiliser que les accessoires et appareils supplémentaires indiqués dans la notice d'utilisation ou recommandés ou indiqués par le fabricant. Toute utilisation d'outils ou d'accessoires autres que ceux recommandés dans la notice d'utilisation ou dans le catalogue peut présenter un risque de blessures.
5. Remplacement du câble de raccordement
  - Si le câble de raccordement est endommagé, il doit être remplacé par le fabricant ou un électricien spécialisé afin d'éviter les dangers. Risque d'électrocutions.
6. Remplissage des pneus
  - Contrôler la pression de gonflage des pneus immédiatement après remplissage au moyen d'un manomètre adapté, par exemple, dans une station-service.
7. Compresseurs mobiles en mode chantier
  - Veiller à ce que tous les flexibles et robinetteries conviennent à la pression de service maximale admissible du compresseur.
8. Lieu d'installation
  - Placer le compresseur uniquement sur une surface plane.
9. En présence de pressions supérieures à 7 bar, il est recommandé de doter les flexibles d'alimentation d'un câble de sécurité, par exemple, un câble métallique.
10. Évitez de déposer des charges lourdes sur la tuyauterie en recourant à des raccords de flexibles pour éviter les points de pliure.

## Consignes de sécurité supplémentaires

**Respectez les modes d'emploi correspondants des outils à air comprimé/appareils frontaux à air comprimé en présence !** Les remarques générales suivantes doivent en outre être respectées.

### Consignes de sécurité à respecter lors de l'utilisation d'air comprimé et de pistolets de soufflage

- Veillez à respecter une distance suffisante par rapport au produit (min. 2,50 m) et maintenez les outils à air comprimé/appareils frontaux à air comprimé à distance du compresseur pendant le fonctionnement.
- La pompe du compresseur et les câbles atteignent des températures élevées en cours de fonctionnement. Tout contact peut entraîner des brûlures.
- L'air aspiré par le compresseur doit demeurer exempt d'impuretés susceptibles d'entraîner des incendies ou des explosions dans la pompe du compresseur.
- Lors du desserrage du couplage de flexible, tenir le raccord du flexible fermement avec sa main. Cela permet d'éviter les blessures causées par le retour du flexible.
- Lorsque vous utilisez le pistolet à air comprimé, portez des lunettes de protection et un masque respiratoire. Les poussières sont nocives pour la santé ! Les corps étrangers et projections de pièces peuvent aisément causer des blessures.
- Ne pas utiliser le pistolet de soufflage sur des personnes ou pour nettoyer des vêtements sur une personne. Risque de blessures !

### Consignes de sécurité lors de l'utilisation d'appareils frontaux d'application au pistolet et de pulvérisation (par exemple, pistolet à peinture)

- Lors du remplissage, tenez l'appareil frontal d'application au pistolet à distance du compresseur afin qu'aucun liquide n'entre en contact avec le compresseur.
- Ne pulvérisez jamais au moyen des appareils frontaux d'application au pistolet (par exemple, pistolet à peinture) en direction du compresseur. L'humidité peut entraîner des risques électriques !
- Ne pas utiliser de peintures ou solvants dont le point de combustion est inférieur à 55 °C. Risque d'explosion !
- Ne pas chauffer les peintures et solvants. Risque d'explosion !
- En cas de traitement de liquides nocifs pour la santé, des dispositifs de filtrage (masques faciaux) sont indispensables pour la protection. Respecter également les indications fournies par les fabricants de ces types de substances concernant les mesures de protection.
- Les indications et marquages prescrits par l'ordonnance sur les substances dangereuses apposés sur les emballages extérieurs des matériaux traités doivent être respectés. Au besoin, des mesures de protection supplémentaires devront être prises, en particulier en ce qui concerne le port de vêtements et de masques adaptés.
- Il est interdit de fumer pendant la pulvérisation ou dans la zone de travail. Risque d'explosion ! Les vapeurs de peinture sont elles aussi facilement inflammables.
- Aucun foyer, flamme nue ou machine générant des étincelles ne doit être présent ou utilisé.
- Ne pas stocker ni consommer d'aliments et de boissons dans la zone de travail. Les vapeurs de peinture sont nocives pour la santé.

- La zone de travail doit être d'une superficie supérieure à 30 m<sup>3</sup> et un renouvellement d'air suffisant doit être garanti pendant la pulvérisation et le séchage.
- Ne pas pulvériser contre le vent. Par principe, respecter toujours les ordres donnés par les services de police locaux lors de la pulvérisation de produits de pulvérisation inflammables ou dangereux.
- Ne pas traiter de fluides, tels que du white spirit, de l'alcool butylique et du chlorure de méthylène avec un flexible de refoulement en PVC. Ces fluides détruiraient le flexible de refoulement.
- La zone de travail doit être isolée du compresseur afin qu'il ne puisse pas entrer en contact direct avec le fluide de travail.

### Fonctionnement des réservoirs sous pression

- Toute personne qui exploite un réservoir sous pression, doit le maintenir en parfait état, l'utiliser correctement, le surveiller, effectuer immédiatement les travaux d'entretien et de réparation nécessaires et prendre les mesures de sécurité nécessaires selon les circonstances.
- L'autorité de surveillance peut ordonner, au cas par cas, des mesures de surveillance nécessaires.
- Un réservoir sous pression ne doit pas être utilisé s'il présente des défauts pouvant mettre en danger les employés ou des tiers.
- Avant chaque utilisation, vérifiez que le réservoir sous pression est exempt de traces de rouille et de dommages. Le compresseur ne doit pas fonctionner avec un réservoir sous pression endommagé ou rouillé. Vous devez connaître les dommages présents. Pour ce faire, veuillez vous adresser à l'atelier du service après-ventes.

### Conserver les consignes de sécurité en bon état.

#### Risque résiduel

Respecter les consignes de sécurité et de maintenance prédéfinies dans la notice d'utilisation.

Se montrer toujours vigilant pendant le travail et tenir les tiers à une distance de sécurité du lieu de travail.

Même si l'appareil est utilisé de manière conforme, il demeure toujours un certain risque résiduel impossible à exclure. Les dangers potentiels suivants sont liés au type et à la construction de l'appareil :

- Mise en service inopinée du produit.
- Lésions auditives si la protection auditive prescrite n'est pas portée.
- Des particules de saleté, de la poussière, etc. peuvent atteindre les yeux ou le visage même en portant des lunettes de protection.
- Inhalation de particules tourbillonnantes.

#### ⚠ Avertissement !

Pendant son fonctionnement, cet outil électrique génère un champ électromagnétique. Ce champ peut dans certaines circonstances nuire aux implants médicaux actifs ou passifs. Pour réduire les risques de blessures graves voire mortelles, nous recommandons aux personnes porteuses d'implants médicaux de consulter leur médecin, ainsi que le fabricant de leur implant avant d'utiliser l'outil électrique.

## 7. Caractéristiques techniques

|  |                        |
|--|------------------------|
| Prise secteur.....                                       | 230 V~50 Hz            |
| Puissance du moteur.....                                 | 1500 W                 |
| Mode de fonctionnement.....                              | S1                     |
| Régime du compresseur.....                               | 2850 min <sup>-1</sup> |
| Volume du réservoir sous pression.....                   | env. 24 l              |
| Pression de service.....                                 | env. 10 bar            |
| Débit théo. d'aspiration.....                            | env. 257 l/min         |
| Volume de distribution effectif à 7 bar.....             | env. 103 l/min         |
| Volume de distribution effectif à 4 bar.....             | env. 141 l/min         |
| Volume de distribution effectif à 1 bar.....             | env. 180 l/min         |
| Niveau de pression sonore L <sub>PA</sub> .....          | 68 dB                  |
| Niveau de puissance sonore mesuré L <sub>WA</sub> .....  | 83,6 dB                |
| Niveau de puissance sonore garanti L <sub>WA</sub> ..... | 86 dB                  |
| Incertitude K <sub>PA/WA</sub> .....                     | 3 dB                   |
| Indice de protection.....                                | IP30                   |
| Poids de l'appareil.....                                 | env. 24 kg             |
| Hauteur de réglage max. (üNN).....                       | 1000 m                 |

Les valeurs d'émission de bruit ont été calculées conformément à la norme EN ISO 3744:1995.

### Portez une protection auditive.

Les nuisances sonores peuvent entraîner une perte d'audition.

## 8. Avant la mise en service

- Ouvrez l'emballage et sortez-en délicatement l'appareil.
- Retirez le matériau d'emballage, ainsi que les protections d'emballage et de transport (s'il y a lieu).
- Vérifiez que les fournitures sont complètes.
- Vérifiez que l'appareil et les accessoires n'ont pas été endommagés lors du transport.
- Conservez si possible l'emballage jusqu'à la fin de la période de garantie.

### ⚠ DANGER

**L'appareil et les matériaux d'emballage ne sont pas des jouets ! Les enfants ne doivent pas jouer avec les sacs en plastique, films d'emballage et pièces de petite taille ! Il existe un risque d'ingestion et d'étouffement !**

- Avant de raccorder la machine, vérifiez que les indications figurant sur la plaque signalétique correspondent aux données du secteur.
- Vérifiez que l'appareil ne présente aucun dommage causé pendant le transport. Signaler immédiatement tout dommage au transporteur qui a livré le compresseur.
- Le montage du compresseur doit être effectué à proximité du consommateur.
- Éviter les longues conduites d'air et d'alimentation (câbles de rallonge).
- Veiller à ce que l'air d'admission soit sec et exempt de poussière.
- Ne pas installer le compresseur dans des pièces humides ou mouillées.
- Le compresseur ne doit être utilisé que dans des lieux adaptés (bien ventilés, présentant une température ambiante comprise entre +5 °C et 40 °C). La pièce doit être exempte de poussières, acides, vapeurs, gaz explosifs ou inflammables.

- Le compresseur convient à une utilisation au sec. Il est interdit de l'utiliser dans des zones soumises à une pulvérisation d'eau.
- Le compresseur ne peut être utilisé à l'extérieur que brièvement dans des conditions ambiantes sèches.
- Le compresseur doit toujours être maintenu au sec et ne doit pas rester à l'extérieur après le travail.

## 9. Structure et commande

### ⚠ Attention !

**Avant la mise en service, monter impérativement l'appareil en entier !**

Pour le montage, vous avez besoin :

- 1x clé plate 14 mm
- 1x clé plate 13 mm
- 1x clé à douille 14 mm
- 1x tournevis cruciforme (non fourni)

### 9.1 Montage des roues (fig. 3)

- Monter les roues fournies (5) en suivant les illustrations.

### 9.2 Montage de la béquille (fig. 4)

- Monter la béquille fournie (7) en suivant les illustrations.

### 9.3 Montage du filtre à air (fig. 5, 6)

- Ôter le couvercle de transport (16) et visser le filtre à air (4) sur l'appareil.
- Insérer le flexible (4d) dans l'ouverture du filtre à air (4).

### 9.4 Montage de la poignée de transport (fig. 7)

- Monter la poignée de transport fournie (1) en suivant les illustrations. Pour ce faire, utilisez les vis M8x10 (1a) fournis et une clé de 13 (non fourni).

### 9.5 Prise secteur

- Le compresseur est doté d'un câble secteur avec fiche de contact de sécurité. Celle-ci peut être raccordée à n'importe quelle prise de contact de sécurité 230 V~ 50 Hz protégée par un fusible 16 A.
- Avant la mise en service, veillez à ce que la tension secteur corresponde à la tension de service et à la puissance de la machine figurant sur la plaque signalétique.
- Les longs câbles, ainsi que les rallonges, les tambours de câbles, etc. provoquent une chute de tension et peuvent empêcher le démarrage du moteur.
- En cas de températures inférieures à +5 °C, le démarrage du moteur peut être difficile.

### 9.6 Interrupteur marche/arrêt (fig. 1)

- Pour mettre le compresseur en marche, tirer l'interrupteur marche/arrêt (3) vers le haut.
- Pour l'arrêter, pousser l'interrupteur marche/arrêt (3) vers le bas.

### 9.7 Réglage de la pression (fig. 1, 2)

- Le régulateur de pression (15) permet de régler la pression sur le manomètre (12).
- La pression réglée apparaît au niveau des couplages rapides (10, 11).
- La pression de la chaudière est relevée sur le manomètre (13).

### 9.8 Réglage du pressostat (fig. 1)

- Le pressostat (2) est réglé en usine.  
Pression d'activation d'env. 5,5 bar  
Pression de désactivation d'env. 8 bar

### 9.9 Montage du flexible d'air comprimé (non compris dans les fournitures) (fig. 1, 2)

- Connecter le raccord mâle (14a) du flexible d'air comprimé (14) à l'un des couplages rapides (10, 11). Raccorder ensuite l'outil à air comprimé au couplage rapide (14b) du flexible haute pression (14).

### 9.10 Interrupteur de protection thermique

L'interrupteur de protection thermique est intégré à l'appareil. Si l'interrupteur de protection thermique se déclenche, procédez comme suit:

- Retirez la fiche d'alimentation.
- Attendez environ deux à trois minutes.
- Rebranchez l'appareil.
- Si l'appareil ne démarre pas, répétez le processus.
- Si l'appareil ne redémarre pas, éteignez et rallumez l'appareil à l'aide de l'interrupteur marche/arrêt (3).
- Si vous avez effectué toutes les opérations ci-dessus et que l'appareil ne fonctionne toujours pas, contactez notre équipe de service.

## 10. Raccordement électrique

**Le moteur électrique installé est prêt à fonctionner une fois raccordé. Le raccordement correspond aux dispositions de la VDE et DIN en vigueur. Le branchement au secteur effectué par le client ainsi que la rallonge électrique utilisée doivent correspondre à ces prescriptions.**

Lors de l'utilisation d'appareils frontaux d'application au pistolet et de pulvérisation, ainsi qu'en cas d'utilisation temporaire en extérieur, l'appareil doit impérativement être raccordé par le biais d'un **disjoncteur différentiel** avec un courant de déclenchement de max. 30 mA.

### 10.1 Consignes importantes

En cas de surcharge du moteur, ce dernier s'arrête de lui-même. Après un temps de refroidissement (d'une durée variable), le moteur peut être remis en marche.

### 10.2 Ligne de raccordement électrique défectueuse

Des détériorations de l'isolation sont souvent présentes sur les lignes de raccordement électriques.

Les causes peuvent en être :

- Des points de pression, si les lignes de raccordement passent par des fenêtres ou interstices de portes.
- Des pliures dues à une fixation ou à un cheminement incorrects des lignes de raccordement.
- Des points d'intersection si les lignes de raccordement se croisent.
- Des détériorations de l'isolation dues à un arrachement hors de la prise murale.
- Des fissures dues au vieillissement de l'isolation.

Des lignes de raccordement électriques endommagées de la sorte ne doivent pas être utilisées et, en raison de leur isolation défectueuse, sont mortellement dangereuses.

Vérifier régulièrement que les lignes de raccordement électriques ne sont pas endommagées. Assurez-vous que la ligne de raccordement ne soit pas raccordée au réseau lors de la vérification.

Les lignes de raccordement électriques doivent correspondre aux dispositions VDE et DIN en vigueur. N'utilisez que les câbles de raccordement dotés du même signe. L'indication de la désignation du type sur la ligne de raccordement est obligatoire.

### 10.3 Moteur à courant alternatif

- La tension secteur doit être de 230 V~ 50 Hz.
- Les rallonges d'une longueur max. de 25 m doivent présenter une section de 1,5 mm<sup>2</sup>.

Les raccordements et réparations sur l'équipement électrique ne doivent être effectués que par un électricien spécialisé.

Pour toute question, veuillez indiquer les données suivantes :

- Type de courant du moteur
- Données figurant sur la plaque signalétique de la machine
- Données figurant sur la plaque signalétique du moteur

## 11. Nettoyage, maintenance et stockage

### ⚠ Attention !

Tirer sur la fiche secteur avant toute intervention de nettoyage et de maintenance ! Risque de blessures par chocs électriques !

### ⚠ Attention !

Attendre que l'appareil ait complètement refroidi ! Risque de brûlures !

### ⚠ Attention !

Dépressuriser l'appareil avant toute intervention de nettoyage et de maintenance ! Risque de blessures !

### 11.1 Nettoyage

- Garder l'appareil au maximum exempt de poussière et de saleté. Frotter l'appareil avec un chiffon propre ou souffler dessus avec de l'air comprimé à faible pression.
- Nous vous recommandons de nettoyer l'appareil après chaque utilisation.
- Nettoyer régulièrement l'appareil avec un chiffon humide et un peu de savon noir. N'utilisez pas de produits de nettoyage ou de solvants agressifs qui risqueraient d'attaquer les pièces en plastique de l'appareil. Veiller à ce que l'eau ne puisse pas pénétrer à l'intérieur de l'appareil.
- Avant nettoyage, le flexible et les outils de pulvérisation doivent être déconnectés du compresseur. Le compresseur ne doit pas être nettoyé à l'eau, aux solvants, etc.

## 11.2 Maintenance du réservoir sous pression (fig. 1)

### ⚠ Attention !

Pour garantir la durabilité du réservoir sous pression (8), après chaque utilisation, l'eau de condensation doit être vidangée en ouvrant la vis de purge (6).

Tout d'abord, laisser baisser la pression de la chaudière (voir 11.6.1).

Ouvrez la vis de purge (6) par une rotation dans le sens inverse des aiguilles d'une montre (vue depuis le dessous du compresseur sur la vis).

Pour permettre à l'eau de condensation de s'écouler entièrement du réservoir sous pression (8), celui-ci doit être légèrement incliné sur le côté de manière à ce que la vis de vidange (6) constitue le point le plus bas.

Resserrer ensuite la vis de purge (6) (rotation horaire). Avant chaque utilisation, vérifier que le réservoir sous pression (8) est exempt de traces de rouille et de dommages.

Le compresseur ne doit pas fonctionner avec un réservoir sous pression (8) endommagé ou rouillé. Vous devez connaître les dommages présents. Pour ce faire, veuillez vous adresser à l'atelier du service après-ventes.

### Consignes d'élimination de l'eau de condensation :

Éliminez l'eau de condensation conformément aux prescriptions locales et nationales en matière d'environnement. Veuillez à ne pas la déverser dans le réseau d'égouts.

## 11.3 Soupape de sécurité (fig. 8)

La soupape de sécurité (9) est réglée sur la pression maximale admissible du réservoir sous pression (8). Il est interdit de modifier le réglage de la soupape de sécurité (9) ou de retirer la fixation de connexion (9b) qui relie l'écrou de vidange (9a) à son capuchon (9c). Pour avoir la garantie que la soupape de sécurité (9) fonctionnera correctement en cas de besoin, elle doit être actionnée au moins toutes les 30 heures de fonctionnement et au moins 3 fois par an. Faire tourner l'écrou de vidange (9a) dans le sens inverse des aiguilles d'une montre pour l'ouvrir, puis tirer avec la main la tige de vanne vers l'extérieur sur l'écrou de vidange perforé (9a) pour ouvrir l'évacuation de la soupape de sécurité (9).

Vous pouvez à présent entendre que la soupape laisse l'air s'échapper. Resserrer ensuite l'écrou de vidange (9a) en le faisant tourner dans le sens des aiguilles d'une montre.

## 11.4 Nettoyage du filtre à air (fig. 9, 10)

Le filtre à air (4) empêche l'aspiration de poussières et saletés. Il est nécessaire de nettoyer ce filtre à air (4) au minimum toutes les 300 heures de fonctionnement. Un filtre à air obstrué (4) réduit considérablement la puissance du compresseur.

Faire tourner le filtre à air (4) dans le sens inverse des aiguilles d'une montre pour le retirer. Ouvrir le couvercle du filtre (4c) en le faisant tourner et le retirer. Il est à présent possible de retirer la cartouche filtrante (4b). Tapoter avec précaution sur la cartouche filtrante (4b), le couvercle de filtre (4c) et le boîtier de filtre (4a). Ces composants doivent ensuite être soufflés avec de l'air comprimé (env. 3 bar) et remontés dans l'ordre inverse.

## 11.5 Informations de service

Notez que, pour ce produit, les composants suivants sont soumis à une usure naturelle ou due à l'utilisation et que les composants suivants sont nécessaires en tant que consommables.

Pièces d'usure\* : Filtre à air

\* ne sont pas des composants obligatoires de la livraison !

## 11.6 Stockage

### ⚠ Attention !

**Débrancher la fiche secteur, purger l'appareil et tous les outils à air comprimé raccordés. Arrêtez le compresseur de manière à ce que celui-ci ne puisse pas être mis en service par une personne non autorisée.**

### ⚠ Attention !

**Ne conserver le compresseur que dans un environnement sec et inaccessible aux personnes non autorisées. Ne pas basculer : conserver uniquement debout !**

### 11.6.1 Évacuer la surpression

Évacuer la surpression du compresseur en l'arrêtant et en consommant l'air comprimé resté dans le réservoir sous pression (8), par exemple, avec un outil à air comprimé en marche à vide ou avec un pistolet de soufflage.

## 12. Transport

Pour le transport, utilisez la poignée de transport (1) et déplacez ainsi le compresseur.

Lors du levage du compresseur, tenez compte de son poids (voir les caractéristiques techniques).

Lors du transport du compresseur dans des automobiles, veillez à une bonne fixation du chargement.

## 13. Élimination et recyclage

### Consignes relatives à l'emballage



Les matériaux d'emballage sont recyclables. Merci d'éliminer les emballages de manière respectueuse de l'environnement.

### Consignes relatives à la loi allemande sur les appareils électriques et électroniques



**Les appareils électriques et électroniques usagés ne doivent pas être jetés avec les ordures ménagères, mais éliminés séparément !**

- Retirer les piles ou batteries amovibles usagées de manière non destructive avant de déposer vos déchets électroniques dans un point de collecte ! L'élimination des piles et batteries est réglementée par la loi allemande sur les piles.
- Les propriétaires et utilisateurs d'appareils électriques et électroniques sont légalement tenus de les rapporter à l'issue de leur utilisation.
- Il incombe à l'utilisateur final de supprimer ses données à caractère personnel enregistrées sur l'appareil usagé !

- Le symbole représentant une poubelle barrée signifie que les appareils électriques et électroniques ne doivent pas être jetés avec les ordures ménagères.
- Les appareils électriques et électroniques peuvent être gratuitement déposés :
  - Dans les points de collecte et d'élimination publics (dépôts municipaux p. ex.)
  - LIDL vous propose des possibilités de retour directement dans les magasins et les supermarchés. Le retour et l'élimination sont gratuits pour vous.
  - Vous pouvez déposer jusqu'à trois appareils électroniques usagés dont les bords ne dépassent pas 25 centimètres de longueur auprès du fabricant ou d'un point de collecte agréé situé près de chez vous sans acheter de nouvel appareil.

- Pour plus de détails concernant les conditions de reprise des fabricants et distributeurs, contactez le service client correspondant.
- En cas de livraison d'un nouvel appareil électronique à un consommateur privé par le fabricant, le fabricant peut accepter de reprendre l'appareil électronique usagé gratuitement sur demande de l'utilisateur final. Pour en être sûr, contactez le service client du fabricant.
- Ces déclarations ne s'appliquent qu'aux appareils vendus et installés dans les pays membres de l'Union européenne et visés par la directive européenne 2012/19/UE. D'autres dispositions d'élimination des appareils électriques et électroniques usagés peuvent s'appliquer dans les pays hors de l'Union européenne.

## 14. Dépannage

| Panne   | Cause possible  | Remède   |
|---|---|--|
| Le compresseur ne fonctionne pas.   | Tension secteur non disponible.                             | Contrôler les câbles, la fiche secteur, le fusible et la prise de courant.   |
|   | Tension secteur trop faible.                                | Éviter les câbles de rallonge trop longs. Utiliser un câble de rallonge présentant des fils d'une coupe transversale suffisante. |
|   | Température extérieure trop faible.                         | Ne pas utiliser par une température extérieure inférieure à +5 °C.   |
|   | Le moteur surchauffe.                                       | Laisser le moteur refroidir. Au besoin, éliminer la cause de la surchauffe.  |
| Le compresseur fonctionne, mais sans pression.  | La soupape de sécurité n'est pas étanche.                   | Contactez le centre d'assistance local. Faire effectuer les réparations seulement par du personnel formé.                        |
|   | Les joints sont endommagés.                                 | Contrôler les joints, faire remplacer les joints endommagés par un atelier spécialisé.   |
|   | La vis de purge de l'eau de condensation n'est pas étanche. | Resserrer la vis à la main. Contrôler l'étanchéité de la vis, remplacer la vis si nécessaire.                                    |
| Le compresseur fonctionne, une pression est indiquée sur le manomètre, mais les outils ne fonctionnent pas. | Les raccords de flexible ne sont pas étanches.              | Contrôler le flexible d'air comprimé et les outils, et les remplacer si nécessaire.  |
|   | Le couplage rapide n'est pas étanche.                       | Contactez le centre d'assistance local. Faire effectuer les réparations seulement par du personnel formé.                        |
|   | La pression est insuffisante sur le régulateur de pression. | Ouvrir davantage le régulateur de pression.  |

## 15. Certificat de garantie

**Chère Cliente, Cher Client,**

Nos produits sont soumis à un contrôle de qualité très strict. Si cet appareil devait toutefois ne pas fonctionner impeccablement, nous en serions désolés. Dans un tel cas, nous vous prions de bien vouloir prendre contact avec notre service après-vente à l'adresse indiquée sur le bulletin de garantie ou vous adresser au marché de la construction le plus proche. Pour faire valoir une demande de garantie, ce qui suit est valable :

- Les conditions de garantie règlent les prestations de garantie supplémentaires. Vos droits de garantie légaux ne sont en rien altérés par la garantie présente. Notre prestation de garantie est gratuite.
- La prestation de garantie s'applique exclusivement aux défauts occasionnés par des vices de fabrication ou de matériau et est limitée à l'élimination de ces défauts ou encore au remplacement de l'appareil. Veillez au fait que nos appareils, conformément à leur affectation, n'ont pas été construits pour être utilisés dans un environnement professionnel, industriel ou artisanal. Un contrat de garantie ne peut avoir lieu dès lors que l'appareil est utilisé à des activités dans des entreprises professionnelles, artisanales ou industrielles ou toute autre activité du même genre. Sont également exclus de notre garantie : les prestations de substitution de dommages dus aux transports, les dommages occasionnés par le non-respect des instructions de montage ou en raison d'une installation non conforme, du non-respect du mode d'emploi (comme par exemple le raccordement à une mauvaise tension réseau ou à un mauvais type de courant), les applications abusives ou non conformes (comme par exemple une surcharge de l'appareil ou encore l'emploi d'accessoires non homologués), le non-respect des prescriptions de maintenance et de sécurité, l'infiltration de corps étrangers dans l'appareil (comme par exemple du sable, des pierres ou de la poussière), l'emploi de la force ou l'influence extérieure (comme par exemple les dommages dus à une chute), ainsi que l'usure normale conforme à l'utilisation. Ceci est particulièrement valable pour les accumulateurs pour lesquels nous offrons toutefois une période de garantie de 12 mois.

Le droit à la garantie disparaît dès lors que des interventions ont lieu sur l'appareil.

- Le délai de garantie s'élève à 3 ans et commence à la date de l'achat de l'appareil. Les demandes de garanties doivent être présentées avant écoulement du délai de garantie, dans les deux semaines suivant le moment auquel le défaut a été reconnu. Toute reconnaissance de demande de garantie après écoulement du délai de garantie est exclue. La réparation ou l'échange de l'appareil n'entraîne nullement une prolongation de la durée de garantie. Elle ne fait pas non plus commencer un nouveau délai de garantie, en raison de cette prestation, pour l'appareil ou pour toute autre pièce de rechange intégrée. Ceci est également valable lorsqu'un service après-vente sur place a été consulté.
- Pour faire valoir votre droit à la garantie, contactez le service après-vente à l'adresse indiquée ci-dessous. Si vous formulez votre réclamation pendant la période de validité de la garantie, nous vous ferons parvenir un bon de retour qui vous permettra de nous retourner sans frais l'appareil défectueux. Décrivez la raison de la réclamation le plus précisément possible. Si le défaut de l'appareil est compris dans notre prestation de garantie, nous vous retournerons sans délai un appareil réparé ou encore un nouveau.

### 15.1 Traitement en cas de garantie

Afin d'assurer un traitement rapide de votre demande, veuillez lire les indications suivantes :

- Veuillez tenir votre ticket de caisse et le numéro d'article le bon de caisse (par ex. IAN 465618\_2404) à disposition en tant que justificatif de votre achat.
- Vous trouverez le numéro d'article sur la plaque signalétique du produit, sur une gravure du produit, sur la page de titre de votre manuel (en bas à gauche) ou sur l'autocollant au dos ou en dessous du produit.
- En cas de survenance de dysfonctionnements ou d'autres défauts, veuillez d'abord contacter le département de service dénommé ci-après par voie téléphonique ou par courrier électronique.
- Vous pouvez alors envoyer un produit enregistré comme étant défectueux à l'adresse de service qui vous a été communiquée, sans frais de port, en y joignant le justificatif d'achat (ticket de caisse) et en indiquant en quoi consiste le défaut et quand il est survenu.
- À l'adresse [parkside.diy.com](http://parkside.diy.com), vous pouvez consulter et télécharger ce manuel et bien d'autres. Ce code QR vous permet d'accéder directement à la page [parkside.diy.com](http://parkside.diy.com). Sélectionnez votre pays et recherchez les notices d'utilisation via le masque de recherche. La saisie du numéro d'article (IAN) 465618\_2404 vous mène à la notice d'utilisation pour votre article.



#### Contact de service (FR):

**Nom :** Netsend GmbH  
Nachtwaid 6  
DE - 79206 Breisach am Rhein  
**Téléphone :** 00800 4003 4003  
**E-mail :** [service.FR@schepach.com](mailto:service.FR@schepach.com)  
**Siège :** Allemagne

#### Contact de service (BE):

**Nom :** TeleMarCom European  
Services GmbH  
Am Ziegelweiher 24  
DE - 61130 Nidderau  
**Téléphone :** 00800 4003 4003  
**E-mail :** [service.BE@schepach.com](mailto:service.BE@schepach.com)  
**Siège :** Allemagne

#### Contact de service (CH):

**Nom :** Klaus-Häberlin AG  
Industriestraße 6  
CH - 8610 Uster  
**Téléphone :** 00800 4003 4003  
**E-mail :** [service.CH@schepach.com](mailto:service.CH@schepach.com)  
**Siège :** Suisse



## CERTIFICAT DE GARANTIE

### **Article L217-16 du Code de la consommation**

Lorsque l'acheteur demande au vendeur, pendant le cours de la garantie commerciale qui lui a été consentie lors de l'acquisition ou de la réparation d'un bien meuble, une remise en état couverte par la garantie, toute période d'immobilisation d'au moins sept jours vient s'ajouter à la durée de la garantie qui restait à courir. Cette période court à compter de la demande d'intervention de l'acheteur ou de la mise à disposition pour réparation du bien en cause, si cette mise à disposition est postérieure à la demande d'intervention.

Indépendamment de la garantie commerciale souscrite, le vendeur reste tenu des défauts de conformité du bien et des vices rédhibitoires dans les conditions prévues aux articles L217-4 à L217-13 du Code de la consommation et aux articles 1641 à 1648 et 2232 du Code Civil.

### **Article L217-4 du Code de la consommation**

Le vendeur livre un bien conforme au contrat et répond des défauts de conformité existant lors de la délivrance.

Il répond également des défauts de conformité résultant de l'emballage, des instructions de montage ou de l'installation lorsque celle-ci a été mise à sa charge par le contrat ou a été réalisée sous sa responsabilité.

### **Article L217-5 du Code de la consommation**

Le bien est conforme au contrat :

1° S'il est propre à l'usage habituellement attendu d'un bien semblable et, le cas échéant :

- s'il correspond à la description donnée par le vendeur et posséder les qualités que celui-ci a présentées à l'acheteur sous forme d'échantillon ou de modèle ;
- s'il présente les qualités qu'un acheteur peut légitimement attendre eu égard aux déclarations publiques faites par le vendeur, par le producteur ou par son représentant, notamment dans la publicité ou l'étiquetage ;

2° Ou s'il présente les caractéristiques définies d'un commun accord par les parties ou être propre à tout usage spécial recherché par l'acheteur, porté à la connaissance du vendeur et que ce dernier a accepté.

### **Article L217-12 du Code de la consommation**

L'action résultant du défaut de conformité se prescrit par deux ans à compter de la délivrance du bien.

### **Article 1641 du Code civil**

Le vendeur est tenu de la garantie à raison des défauts cachés de la chose vendue qui la rendent impropre à l'usage auquel on la destine, ou qui diminuent tellement cet usage que l'acheteur ne l'aurait pas acquise, ou n'en aurait donné qu'un moindre prix, s'il les avait connus.

### **Article 1648 1er alinéa du Code civil**

L'action résultant des vices rédhibitoires doit être intentée par l'acquéreur dans un délai de deux ans à compter de la découverte du vice.

Les pièces détachées indispensables à l'utilisation du produit sont disponibles pendant la durée de la garantie du produit.

---

|     |   |     |
|-----|---|-----|
| 1.  | Verklaring van de symbolen op het apparaat..... | 35  |
| 2.  | Inleiding .....                                 | 36  |
| 3.  | Apparaatbeschrijving (afb. 1-10) .....          | 36  |
| 4.  | Meegeleverd.....                                | 36  |
| 5.  | Beoogd gebruik.....                             | 36  |
| 6.  | Veiligheidsvoorschriften .....                  | 37  |
| 7.  | Technische gegevens.....                        | 39  |
| 8.  | Voor de ingebruikname .....                     | 40  |
| 9.  | Montage en bediening .....                      | 40  |
| 10. | Elektrische aansluiting.....                    | 41  |
| 11. | Reiniging, onderhoud en opslag .....            | 41  |
| 12. | Transport .....                                 | 42  |
| 13. | Afvalverwerking en hergebruik.....              | 42  |
| 14. | Verhelpen van storingen.....                    | 43  |
| 15. | Garantiebewijs.....                             | 44  |
| 16. | Explosietekening .....                          | 123 |
| 17. | Conformiteitsverklaring .....                   | 124 |

## 1. Verklaring van de symbolen op het apparaat



Lees voorafgaand aan de inbedrijfstelling de gebruikshandleiding en de veiligheidsvoorschriften!



Draag gehoorbescherming. Het effect van lawaai kan gehoorverlies zijn.



Draag ademhalingsbescherming.



Waarschuwing voor hete delen!



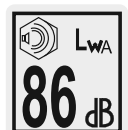
Waarschuwing voor elektrische spanning.



Waarschuwing! De eenheid wordt op afstand aangestuurd en mag zonder waarschuwing starten.



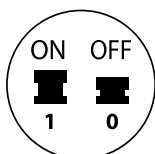
Stel de machine niet bloot aan regen. Het apparaat mag alleen in droge omgevingscondities worden gestationeerd, opgeslagen en gebruikt.



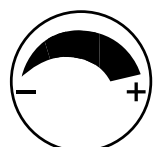
Specificatie van het geluidsvermogensniveau in dB.



Specificatie van het geluidsdrukniveau in dB.



Aan/uit-schakelaar.



Drukregelaar.

## 2. Inleiding

### Fabrikant:

Scheppach GmbH  
Günzburger Straße 69  
D-89335 Ichenhausen

### Geachte klant,

Wij wensen u veel plezier en succes bij het werken met uw nieuwe apparaat.

### Aanwijzing:

De fabrikant van dit apparaat is volgens de van kracht zijnde wet inzake productaansprakelijkheid niet aansprakelijk voor schade die aan dit apparaat of door dit apparaat ontstaan bij:

- ondeskundige behandeling,
- het niet in acht nemen van de gebruikshandleiding,
- reparaties door derden, niet geautoriseerde vakmensen,
- inbouw en vervanging van niet-originele onderdelen,
- niet doelmatig gebruik,
- uitvallen van de elektrische installatie bij het niet in acht nemen van de elektrische voorschriften en VDE-voorschriften 0100, DIN 57113 / VDE0113.

### Let op:

Lees voor de montage en voor de ingebruikname de complete tekst van de gebruikshandleiding door.

De gebruikshandleiding is bedoeld om het gemakkelijker te maken, uw elektrisch gereedschap te leren kennen en de beoogde toepassingsmogelijkheden van het apparaat te benutten.

De gebruikshandleiding bevat belangrijke aanwijzingen, hoe u met het elektrisch gereedschap veilig, vakkundig en economisch werkt en hoe u gevaren vermijdt, reparatiekosten uitspaart, uitvaltijden vermindert en de betrouwbaarheid en levensduur van het elektrisch gereedschap verhoogt.

Aanvullend op de veiligheidsbepalingen van deze gebruiksaanwijzing moet u absoluut de voor de werking van het elektrisch gereedschap geldende voorschriften van uw land in acht nemen. Bewaar de gebruikshandleiding bij het elektrisch gereedschap in een plastic hoes, beschermd tegen vuil en vocht. De gebruiksaanwijzing moet door elke bediener van het apparaat voor aanvang van het werk gelezen en zorgvuldig nageleefd worden. Aan het elektrisch gereedschap mogen alleen personen werken, die voor het gebruik van het elektrisch gereedschap geïnstrueerd en over de daarmee verbonden gevaren geïnformeerd zijn.

Naast de in deze gebruikshandleiding opgenomen veiligheidsvoorschriften en de bijzondere voorschriften van uw land moet u de algemeen erkende technische voorschriften in acht nemen voor de werking van machines van hetzelfde type.

Wij kunnen niet aansprakelijk worden gesteld voor ongevallen of schade, veroorzaakt door niet-naleving van deze handleiding of de veiligheidsvoorschriften.

## 3. Apparaatbeschrijving (afb. 1-10)

1. Transportgreep
- 1a. Schroeven M8x10
2. Drukschakelaar
3. Aan/uit-schakelaar
4. LuchtfILTER

- 4a. Filterhuis
- 4b. Filterelement
- 4c. Filterdeksel
- 4d. Slang
5. Wiel
- 5a. Lenskopbout
- 5b. Volgring
6. Aftapplug voor condenswater
7. Standaard
- 7a. Bout
- 7b. Volgring
8. Drukvat
9. Veiligheidsklep
- 9a. Aftapmoer
- 9b. Verbindingsbeveiliging
- 9c. Dop van de aftapmoer
10. Snelkoppeling (geregelde perslucht)
11. Snelkoppeling (geregelde perslucht)
12. Manometer (ingestelde druk kan afgelezen worden)
13. Manometer (keteldruk kan afgelezen worden)
14. Persluchtslang (niet bij de levering inbegrepen)
- 14a. Steeknippel
- 14b. Snelkoppeling
15. Drukregelaar
16. Transportdeksel

## 4. Meegeleverd

- 1x LuchtfILTER
- 1x Transportgreep
- 2x Schroeven M8x10
- 1x Standaard
- 2x Wiel
- 1x Montagemateriaal
- 1x Gebruikshandleiding

## 5. Beoogd gebruik

De compressor wordt gebruikt voor het genereren van perslucht voor persluchtgereedschap dat kan worden bediend met een luchtvolume tot ca. 180 l/min. (bijv. bandenpomp, luchtpistool en verfspuitpistool). Door de beperkte luchtstroom is het niet mogelijk om gereedschappen met een zeer hoog luchtverbruik te bedienen (bijv. vlakschuurmachine, rechte slijper en slagschroevendraaier).

De compressor mag alleen in droge en goed geventileerde binnenruimtes worden gebruikt.

De machine mag uitsluitend voor het voorgeschreven doel worden gebruikt. Elk ander of verdergaand gebruik is niet volgens de voorschriften. De gebruiker/bediener en niet de fabrikant is aansprakelijk voor ontstane schade of elke vorm van letsel.

Let erop dat onze apparaten volgens het beoogd gebruik niet voor bedrijfsmatige, ambachtelijke of industriële toepassingen zijn ontworpen. Wij aanvaarden geen aansprakelijkheid wanneer het apparaat in bedrijfsmatige, ambachtelijke of industriële ondernemingen of bij soortgelijke werkzaamheden wordt ingezet.

## 6. Veiligheidsvoorschriften

### Algemene veiligheidsvoorschriften voor elektrische apparaten

⚠ **WAARSCHUWING!** Lees alle veiligheidsvoorschriften, aanwijzingen, afbeeldingen en technische gegevens die bij dit elektrisch apparaat zijn meegeleverd. Nalatigheden bij het niet naleven van de onderstaande aanwijzingen kunnen elektrische schok, brand en/of ernstige verwondingen veroorzaken.

### Bewaar alle veiligheidsvoorschriften en -aanwijzingen voor toekomstig gebruik.

Het in de veiligheidsvoorschriften gebruikte begrip "Elektrisch gereedschap" is van toepassing op netgevoed elektrisch gereedschap (met netsnoer) of op accugevoed elektrisch gereedschap (zonder netsnoer).

### Veiligheid op de werkplek

- a. **Houd uw werkomgeving schoon en goed verlicht.** Rommel of slecht verlichte werkplaatsen kunnen leiden tot ongevallen.
- b. **Werk met het elektrisch gereedschap niet in een explosiegevaarlijke omgeving, waarin zich brandbare vloeistoffen, gas of stof bevinden.** Elektrisch gereedschap kan vonken veroorzaken, die het stof of de dampen kunnen ontsteken.
- c. **Houd kinderen en andere personen tijdens het gebruik uit de buurt van het elektrische gereedschap.** Bij afbuiging kunt u de controle over het elektrische apparaat verliezen.

### Elektrische veiligheid

- a. **De aansluitstekker van het elektrische gereedschap moet in het stopcontact passen.** De stekker mag op geen enkele wijze worden gewijzigd. Gebruik geen adapterstekker samen met geaard elektrisch gereedschap. Ongewijzigde stekkers en passende stopcontacten verminderen het risico op elektrische schok.
- b. **Let op dat uw lichaam geen contact maakt met geaarde onderdelen zoals bijv. buizen, radiatoren, elektrische haarden, koelkasten. Er bestaat een verhoogd risico op een elektrische schok als uw lichaam geaard is.**
- c. **Houd elektrisch gereedschap uit de buurt van regen of vocht.** Het indringen van water in een elektrisch apparaat vergroot het risico op een elektrische schok.
- d. **Gebruik de kabel niet om het elektrisch gereedschap te dragen, aan op te hangen of om de stekker uit het stopcontact te trekken.** Houd de kabel uit de buurt van hitte, scherpe randen of bewegende apparaatdelen. Beschadigde of opgewikkelde kabels verhogen het risico op een elektrische schok.
- e. **Als u met een elektrisch gereedschap in de open lucht werkt, gebruik dan alleen een verlengsnoer dat ook geschikt is voor gebruik buiten.** Het gebruik van een voor buiten geschikt verlengsnoer vermindert het risico op een elektrische schok. Gebruik buitenshuis uitsluitend verlengsnoeren die hiervoor zijn goedgekeurd en die als zodanig zijn gelabeld. Gebruik de snoeren alleen als de trommel is afgerold.

- f. **Als het gebruik van het elektrische gereedschap in een vochtige omgeving niet kan worden vermeden, gebruik dan een aardlekschakelaar.** Het gebruik van een aardlekschakelaar voorkomt het risico op een elektrische schok.

### Veiligheid van personen

- a. **Wees altijd voorzichtig, let op waar u mee bezig bent en ga verstandig te werk bij werkzaamheden met elektrisch gereedschap. Maak geen gebruik van elektrisch gereedschap als u moe bent of onder invloed bent van drugs, alcohol of medicamenten.** Een moment van onachtzaamheid bij gebruik van het elektrisch gereedschap kan leiden tot ernstig letsel.
- b. **Draag persoonlijke beschermingsmiddelen en ook altijd een veiligheidsbril.** Het dragen van persoonlijke beschermingsmiddelen zoals een stofmasker, antislip-veiligheidschoenen, een helm of gehoorbescherming, al naar gelang het soort gereedschap en de toepassing ervan, verkleint het risico op verwondingen.
- c. **Voorkom onbedoelde inbedrijfstelling. Controleer of het elektrisch gereedschap is uitgeschakeld voordat u het op de stroomvoorziening en/of de accu aansluit, het gereedschap oppakt of draagt.** Als u tijdens het dragen van het elektrische gereedschap uw vinger op de schakelaar hebt of het reeds ingeschakelde elektrische apparaat op de stroomvoorziening aansluit, kan dit tot letsel en ongevallen leiden.
- d. **Verwijder instelgereedschap of steeksleutels voordat u het elektrisch gereedschap inschakelt.** Een gereedschap of sleutel dat/die zich in een draaiend onderdeel bevindt, kan verwondingen veroorzaken.
- e. **Voorkom een onnatuurlijke lichaamshouding.** Zorg voor een stabiele positie en zorg ervoor dat u altijd stabiel staat. Daardoor kunt u het elektrische gereedschap in onverwachte situaties beter onder controle houden.
- f. **Draag geschikte kleding. Draag geen wijde kleding of sieraden. Houd haren, kleding en handschoenen uit de buurt van bewegende delen.** Loszittende kleding, sieraden of lange haren kunnen worden vastgegrepen door bewegende delen. Bij werkzaamheden in de buitenlucht, adviseren wij rubber handschoenen en antislip schoeisel. Draag bij lang haar een haarnetje.
- g. **Als er stof- en opvangrichtingen gemonteerd kunnen worden, moet u controleren of deze aangesloten zijn en correct worden gebruikt.** Het gebruik van een stofafzuiging kan gevaar door stof verminderen.
- h. **Voorkom een vals gevoel van zekerheid en houd u altijd aan de veiligheidsvoorschriften voor elektrische apparaten, ook als u ervaren bent met het elektrisch apparaat.** Achterloos handelen kan in een fractie van een seconde tot ernstige verwondingen leiden.

### Gebruik en behandeling van het elektrische gereedschap

- a. **Zorg dat het apparaat niet overbelast raakt.** Gebruik voor de werkzaamheden het daarvoor bedoelde elektrische gereedschap. Met het juiste elektrisch gereedschap werkt u beter en veiliger in het aangegeven vermogensbereik.

- b. **Gebruik geen elektrisch gereedschap, waarvan de schakelaar defect is. Een elektrisch gereedschap, dat niet meer in- of uitgeschakeld kan worden, is gevaarlijk en moet gerepareerd worden.**
- c. **Trek de stekker uit het stopcontact en/of verwijder de uitneembare accu voordat u de apparaatinstellingen wijzigt, inzetstukken vervangt of het elektrische apparaat weglegt.** Deze voorzorgsmaatregelen voorkomen dat het elektrische gereedschap onbedoeld start.
- d. **Bewaar ongebruikt elektrisch gereedschap buiten het bereik van kinderen.** Laat het elektrisch apparaat niet gebruiken door personen die er niet mee vertrouwd zijn of deze aanwijzingen niet hebben gelezen. Elektrische gereedschappen zijn gevaarlijk als deze door onervaren personen worden gebruikt. Elektrisch gereedschap dat niet wordt gebruikt, moet op een droge, hooggelegen, afgesloten plaats, buiten het bereik van kinderen, worden bewaard.
- e. **Voer zorgvuldig onderhoud uit aan elektrische apparaten en inzetstukken.** Controleer of bewegende delen probleemloos functioneren en niet klemmen, of onderdelen gebroken of beschadigd zijn, waardoor de functie van het elektrische gereedschap wordt beïnvloed. Laat beschadigde onderdelen voor gebruik van het elektrische apparaat eerst repareren. Veel ongevallen ontstaan door slecht onderhouden elektrisch gereedschap.
- f. **Houd snijgereedschap scherp en schoon. Zorgvuldig onderhouden snijgereedschap met scherpe snijranden komt minder snel vast te zitten en is makkelijker te gebruiken.**
- g. **Gebruik elektrische apparaten, accessoires en inzetstukken, etc. overeenkomstig deze aanwijzingen.** Houd daarbij rekening met de omstandigheden waarin gewerkt wordt en de uit te voeren werkzaamheden. Het gebruik van elektrisch gereedschap voor andere toepassingen dan het voorgeschreven gebruik kan leiden tot gevaarlijke situaties.
- h. **Houd grepen en greepoppervlakken droog, schoon en vrij van olie en vet.** Als grepen en greepoppervlakken glad zijn, kan het elektrisch gereedschap in onvoorziene situaties niet veilig bediend en onder controle gehouden worden.

## Service

- a. **Laat uw elektrisch gereedschap uitsluitend door gekwalificeerd deskundig personeel repareren met uitsluitend originele reserveonderdelen.** Hiermee blijft veilig gebruik van het elektrisch gereedschap gewaarborgd.

## Veiligheidsvoorschriften voor compressoren

**⚠ Let op!** Bij gebruik van deze compressor dient u de volgende fundamentele veiligheidsmaatregelen te nemen ter bescherming tegen elektrische schokken, letsel en brandgevaar. Lees deze aanwijzingen voordat u het apparaat gaat gebruiken.

### Veilig werken.

1. Onderhoud zorgvuldig uw gereedschap
  - Houd de compressor schoon om goed en veiliger te kunnen werken.
  - Neem de onderhoudsvoorschriften in acht.

- Controleer regelmatig het netsnoer van het elektrisch gereedschap en laat deze bij beschadiging door een erkende specialist vervangen.
  - Controleer regelmatig de verlengsnoeren en vervang deze als ze zijn beschadigd.
2. **Neem de stekker uit het stopcontact**
    - Als u het elektrisch gereedschap niet gebruikt, voordat u onderhoud uitvoert of gereedschappen wisselt, zoals zaagbladen, boren en frezen.
  3. **Controleer het elektrisch gereedschap op eventuele beschadigingen**
    - Voor verder gebruik van het elektrisch gereedschap moeten veiligheidsvoorzieningen of licht beschadigde onderdelen zorgvuldig op probleemloze en beoogde werking worden gecontroleerd.
    - Controleer of de bewegende delen probleemloos functioneren en niet vastklemmen of onderdelen beschadigd zijn. Alle onderdelen moeten juist zijn gemonteerd en aan alle voorwaarden voldoen om het probleemloos gebruik van het elektrisch gereedschap te kunnen waarborgen.
    - Beschadigde veiligheidsvoorzieningen en onderdelen moeten conform de voorschriften door een erkende dealer worden gerepareerd en vervangen, voor zover niets anders in de gebruiksaanwijzing is aangegeven.
    - Gebruik geen defecte of beschadigde aansluitkabels.
  4. **Let op!**
    - Gebruik voor uw eigen veiligheid alleen accessoires en hulpapparaten, die in de gebruikshandleiding zijn aangegeven of door de fabrikant worden aanbevolen of aangegeven. Bij gebruik anders dan in de gebruikshandleiding of in de catalogus aanbevolen inzetstukken of accessoires kan gevaar voor persoonlijk letsel ontstaan.
  5. **Het snoer vervangen**
    - Als het snoer wordt beschadigd, moet deze door de fabrikant of een elektricien worden vervangen om gevaar te voorkomen. Gevaar door elektrische schokken.
  6. **Vullen van banden**
    - Controleer de bandenspanning direct na het vullen met behulp van een geschikte manometer, bijvoorbeeld bij een tankstation.
  7. **Mobiele wegcompressoren in de bouw**
    - Let op dat alle slangen en armaturen geschikt zijn voor de hoogst toelaatbare werkdruk van de compressor.
  8. **Opstellingslocatie**
    - Plaats de compressor uitsluitend op een vlak oppervlak.
  9. **Het is aan te bevelen, om toevoerslangen bij een druk boven 7 bar van een veiligheidskabel te voorzien, bijv. een staalkabel.**
  10. **Vermijd zware belasting van het leidingsysteem door flexibele slangaansluitingen te gebruiken en knikken te vermijden.**

## Aanvullende veiligheidsvoorschriften

**Neem de overeenkomstige gebruikshandleidingen van de betreffende persluchtgereedschappen / persluchtvoorzetapparatuur in acht!** De volgende algemene aanwijzingen moeten eveneens in acht worden genomen.

## Veiligheidsvoorschriften voor werkzaamheden met perslucht en luchtpistolen

- Neem voldoende afstand tot het product, ten minste echter 2,50 m en houd de persluchtgereedschappen / persluchtvoorzetapparatuur tijdens het gebruik uit de buurt van de compressor.
- Compressorpompe en leidingen bereiken tijdens bedrijf hoge temperaturen. Contact leidt tot brandwonden.
- De door de compressor aangezogen lucht moet vrijgehouden worden van toevoegingen die brand of explosies in de compressorpompe kunnen veroorzaken.
- Houd bij het losmaken van de slangkoppeling het koppelstuk van de slang met de hand vast. Zo voorkomt u letsel door de terugspringende slang.
- Draag bij de werkzaamheden met het persluchtpistool een veiligheidsbril en luchtwegmasker. Stoffen zijn schadelijk voor de gezondheid! Door vreemde deeltjes en weggeblazen onderdelen kunnen verwondingen ontstaan.
- Met het luchtpistool niet richting personen blazen of kleding op het lichaam wordt gedragen, reinigen. Gevaar voor letsel!

## Veiligheidsvoorschriften bij het gebruik van spuit- en sproeivoorzetapparaten (bijv. verf spuiten)

- Houd bij het vullen het sproeivoorzetapparaat uit de buurt van de compressor, zodat er geen vloeistof in aanraking kan komen met de compressor.
- Spuit met de sproeivoorzetapparaten (bijv. verf spuiten) nooit in de richting van de compressor. Vocht kan leiden tot elektrische gevaren!
- Verwerk geen lak of oplosmiddelen met een vlammpunt lager dan 55 °C. Explosiegevaar!
- Lak en oplosmiddelen niet verwarmen. Explosiegevaar!
- Als er vloeistoffen worden verwerkt die schadelijk zijn voor de gezondheid, zijn er filterapparaten (gelaatsmaskers) nodig ter bescherming. Neem ook de specificaties in acht die door de fabrikanten van dergelijke stoffen wordt verstrekt met betrekking tot voorzorgsmaatregelen.
- De specificaties en aanduidingen van de verordening inzake gevaarlijke stoffen die op de omverpakking van de verwerkte materialen zijn aangebracht, moeten in acht worden genomen. Indien nodig moeten aanvullende voorzorgsmaatregelen worden getroffen, met name wat betreft het dragen van geschikte kleding en maskers.
- Tijdens het spuiten alsook in de werkruimte mag niet worden gerookt. Explosiegevaar! Ook verfdampen zijn licht ontvlambaar.
- Vuur, open verlichting of vonkende machines mogen niet aanwezig zijn resp. bediend worden.
- Bewaar of consumeer geen voedsel en dranken in de werkomgeving. Verfdampen zijn schadelijk voor de gezondheid.
- De werkruimte moet groter zijn dan 30 m<sup>3</sup> en er moet worden gezorgd voor voldoende luchtverversing tijdens het spuiten en drogen.
- Spuit niet tegen de wind in. Neem altijd de voorschriften van de plaatselijke politie in acht bij het spuiten van brandbare of gevaarlijke spuitmateriaal.
- Verwerk geen media zoals testbenzine, butylalcohol en methyleenchloride in combinatie met de PVC-drukslang. Deze media vernietigen de drukslang.
- De werkomgeving moet door de compressor zijn losgekoppeld, zo dat deze niet direct met het werkbereik in aanraking kan komen.

## Gebruik van drukvaten

- Iedereen die een drukvat bedient, moet het conform de voorschriften in goede staat houden, goed bedienen, controleren, noodzakelijke onderhouds- en instandhoudingswerkzaamheden onverwijld uitvoeren en de door de omstandigheden vereiste veiligheidsmaatregelen treffen.
- De toezichthoudende autoriteit kan in individuele gevallen nodige controlemaatregelen vereisen.
- Een drukvat mag niet worden gebruikt als het defecten vertoont die werknemers of derden in gevaar brengen.
- Controleer vóór elk gebruik het drukvat op roestvorming en beschadigingen. De compressor mag niet gebruikt worden als het drukvat beschadigd of roestig is. Neem contact op met de klantendienst-werkplaats als u beschadigingen constateert.

## Bewaar de veiligheidsvoorschriften zorgvuldig.

### Restrisico's

Volg de in de gebruikshandleiding voorgeschreven onderhouds- en veiligheidsvoorschriften op.

Let altijd goed op tijdens het werk en zorg dat derden op een veilige afstand van uw werkplek blijven.

Ook bij een juiste wijze van gebruik van het apparaat blijven er altijd bepaalde restrisico's bestaan, die niet kunnen worden uitgesloten. Uit het soort en de constructie van het apparaat kunnen de volgende potentiële gevaren worden afgeleid:

- Onopzettelijk inschakelen van het product.
- Beschadiging van het gehoor, als de voorgeschreven gehoorbescherming niet wordt gedragen.
- Vuildeeltjes, stof enz. kunnen ondanks het dragen van de veiligheidsbril in uw ogen of gezicht terechtkomen.
- Inademen van opstuivende vuildeeltjes.

### ⚠ Waarschuwing!

Dit elektrisch apparaat genereert een elektromagnetisch veld als het is ingeschakeld. Dit veld kan onder bepaalde omstandigheden interfereren met actieve of passieve medische implantaten. Om het risico op ernstig of dodelijk letsel te beperken, raden we personen met medische implantaten aan om hun arts en de fabrikant van het medische implantaat te raadplegen voordat de machine wordt gebruikt.

## 7. Technische gegevens

|  |                        |
|--|------------------------|
| Netaansluiting.....                                      | 230 V~ 50 Hz           |
| Motorvermogen .....                                      | 1500 W                 |
| Bedrijfsmodus .....                                      | S1                     |
| Toerental compressor.....                                | 2850 min <sup>-1</sup> |
| Inhoud drukvat .....                                     | ca. 24 l               |
| Bedrijfsdruk .....                                       | ca. 10 bar             |
| Theor. aanzuigcapaciteit .....                           | ca. 257 l/min          |
| Effectieve afgiftehoeveelheid bij 7 bar.....             | ca. 103 l/min          |
| Effectieve afgiftehoeveelheid bij 4 bar.....             | ca. 141 l/min          |
| Effectieve afgiftehoeveelheid bij 1 bar.....             | ca. 180 l/min          |
| Geluidsdrukkniveau L <sub>PA</sub> .....                 | 68 dB                  |
| Gemeten geluidsvermogensniveau L <sub>WA</sub> .....     | 83,6 dB                |
| Gewaarborgd geluidsvermogensniveau L <sub>WA</sub> ..... | 86 dB                  |
| Onzekerheid K <sub>PA/WA</sub> .....                     | 3 dB                   |

Beschermingsgraad ..... IP30  
Apparaatgewicht ..... ca. 24 kg  
Max. plaatsingshoogte (boven NAP) ..... 1000 m

De geluidsemissiewaarden zijn volgens EN ISO 3744: 1995 bepaald.

### **Draag gehoorbescherming.**

Het effect van lawaai kan gehoorverlies zijn.

## **8. Voor de ingebruikname**

- Open de verpakking en haal het apparaat er voorzichtig uit.
- Verwijder het verpakkingsmateriaal evenals de verpakkings- en transportbeveiligingen (indien voorhanden).
- Controleer of de inhoud van de levering volledig is.
- Controleer het apparaat en de hulpstukken op transportschade.
- Bewaar de verpakking indien mogelijk tot na het verstrijken van de garantietijd.

### **⚠ GEVAAR**

**Het apparaat en de verpakkingsmaterialen zijn geen kinderspeelgoed! Kinderen mogen niet met plastic zakken, folies en kleine onderdelen spelen! Er bestaat gevaar voor inslikken en verstikkingsgevaar!**

- Controleer vóór het aansluiten of de specificaties op het typeplaatje overeenkomen met de gegevens van het stroomnet.
- Controleer het apparaat op transportschade. Meld eventuele schade direct bij het transportbedrijf die de compressor heeft bezorgd.
- De opstelling van de compressor moet nabij de gebruiker plaatsvinden.
- Lange luchtleidingen en lange snoeren (verlengsnoeren) moeten worden voorkomen.
- Let er op dat de aanzuiglucht droog en stofvrij is.
- De compressor niet in vochtige of natte ruimtes plaatsen.
- De compressor mag uitsluitend in geschikte ruimtes (goed geventileerd, omgevingstemperatuur +5 °C tot 40 °C) worden gebruikt. In de ruimte mag geen sprake zijn van stof, zuren, dampen, explosieve of brandbare gassen.
- De compressor is geschikt voor gebruik in droge ruimtes. In het bereik waar met spatwater wordt gewerkt, is gebruik niet toegestaan.
- De compressor mag alleen kortstondig, bij droge omgevingscondities, buitenshuis worden gebruikt.
- De compressor moet altijd droog worden gehouden en mag na de werkzaamheden niet buitenshuis achter worden geladen.

## **9. Montage en bediening**

### **⚠ Let op!**

**Het apparaat moet voor de ingebruikname volledig zijn gemonteerd!**

Voor de montage heb je nodig:

1x steeksleutel 14 mm

1x steeksleutel 13 mm

1x dopsleutel 14 mm

1x kruiskopschroevendraaier

(niet bij de levering inbegrepen)

### **9.1 Montage van de wielen (afb. 3)**

- Monteer de bijbehorende wielen (5) zoals wordt weergegeven.

### **9.2 Montage van de standaard (afb. 4)**

- Monteer de meegeleverde standaard (7) zoals wordt weergegeven.

### **9.3 Montage van het luchtfilter (afb. 5, 6)**

- Verwijder de transportdeksel (16) en schroef het luchtfilter (4) op het apparaat vast.
- Voer de slang (4d) in de opening van de luchtfilter (4).

### **9.4 Montage van de transportgreep (afb. 7)**

- Monteer de bijbehorende transportgreep (1) zoals wordt weergegeven. Gebruik hiervoor de meegeleverde M8x10 schroeven (1a) en een SW13 moersleutel (niet meegeleverd).

### **9.5 Netaansluiting**

- De compressor is voorzien van een netsnoer met een geaarde stekker. Deze kan op elke geaard stopcontact 230 V~ 50 Hz, welke met 16 A is afgezekerd, worden aangesloten.
- Let bij de ingebruikname er op dat de netspanning overeenkomt met de bedrijfsspanning en met het machinevermogen overeenkomstig de gegevens op het typeplaatje van de machine.
- Lange toevoerleidingen, alsook verlengstukken, kabelhaspels enz. veroorzaken spanningsverlies en kunnen het starten van de motor verhinderen.
- Bij lage temperaturen onder +5 °C wordt het starten van de motor door zwaar lopen in gevaar gebracht.

### **9.6 Aan/uit-schakelaar (afb. 1)**

- Voor het inschakelen van de compressor wordt de aan/uit-schakelaar (3) omhoog getrokken.
- Voor het uitschakelen wordt de aan/uit-schakelaar (3) omlaag gedrukt.

### **9.7 Drukinstelling (afb. 1, 2)**

- Met de drukregelaar (15) wordt de druk op de manometer (12) ingesteld.
- De ingestelde druk kan bij de snelkoppelingen (10, 11) worden afgelezen.
- Op de manometer (13) kunt u de keteldruk aflezen.

### **9.8 Instelling drukschakelaar (afb. 1)**

- De drukschakelaar (2) is in de fabriek ingesteld.  
Inschakeldruk ca. 5,5 bar  
Uitschakeldruk ca. 8 bar

### **9.9 Montage van de perslucht slang (niet bij de levering inbegrepen) (afb. 1, 2)**

- Sluiten van de steeknippel (14a) van de perslucht slang (14) aan op een van de snelkoppelingen (10, 11). Sluit vervolgens het persluchtgereedschap aan op de snelkoppeling (14b) van de perslucht slang (14).

### **9.10 Thermische veiligheidsschakelaar**

De thermische veiligheidsschakelaar is in het apparaat ingebouwd.

Ga als volgt te werk als de thermische stroomonderbreker wordt geactiveerd:



- Trek het netsnoer uit het stopcontact.
- Wacht ongeveer twee tot drie minuten.
- Sluit het apparaat weer aan.
- Herhaal het proces als het apparaat niet start.
- Als het apparaat niet opnieuw start, schakel het apparaat dan met de aan/uit-schakelaar (3) uit en aan.
- Als u al het bovenstaande heeft uitgevoerd en het apparaat werkt nog steeds niet, neem dan contact op met de klantenservice.

## 10. Elektrische aansluiting

**De geïnstalleerde elektromotor is bedrijfsklaar aangesloten. De aansluiting voldoet aan de relevante VDE- en DIN-voorschriften. De netaansluiting van de klant en het gebruikte verlengsnoer moeten eveneens aan deze voorschriften voldoen.**

Bij werkzaamheden met spuit- en sproeivoorzetapparaten alsook bij tijdelijk gebruik in de buitenlucht moet het apparaat absoluut middels **een aardlekschakelaar** met een afschakelstroom van 30 mA of minder worden aangesloten.

### 10.1 Belangrijke aanwijzingen

Bij overbelasting van de motor schakelt deze vanzelf uit. Na een afkoeltijd (deze tijd is verschillend) kan de motor weer worden ingeschakeld.

### 10.2 Defecte elektrische aansluitkabel

Bij elektrische aansluitkabels treedt vaak schade aan de isolatie op.

Mogelijke oorzaken zijn:

- Versleten plekken, als aansluitkabels door venster- of deuropeningen worden geleid.
- Knikken door een onvakkundige bevestiging of geleiding van de aansluitkabel.
- Snijplekken omdat over de aansluitkabel is gereden.
- Beschadigde isolatie omdat de stekker uit het stopcontact is getrokken.
- Scheuren door veroudering van de isolatie.

Dergelijke defecte elektrische aansluitkabels mogen niet worden gebruikt en zijn levensgevaarlijk als de isolatie is beschadigd.

Controleer de elektrische aansluitkabels regelmatig op schade. Let erop dat bij het controleren de aansluitkabel niet op het elektriciteitsnet is aangesloten.

Elektrische aansluitkabels moeten aan de relevante VDE- en DIN-voorschriften voldoen. Gebruik uitsluitend snoeren met dezelfde aanduiding.

Op de aansluitkabel moet de typeaanduiding vermeld staan.

### 10.3 Wisselstroommotor

- De netspanning moet 230 V~ 50 Hz zijn.
- Verlengsnoeren moeten tot een lengte van 25 m een doorsnede hebben van 1,5 vierkante millimeter.

Aansluitingen en reparaties van de elektrische uitrusting mogen uitsluitend door een elektromonteur worden uitgevoerd.

Vermeld in geval van vragen de volgende gegevens:

- Stroomtype van de motor
- Gegevens van het typeplaatje van de machine
- Gegevens van het typeplaatje van de motor

## 11. Reiniging, onderhoud en opslag

### ⚠ Let op!

Trek bij reinigings- en montagewerkzaamheden altijd de stekker uit het stopcontact! Gevaar voor verwonding door stroomstoten!

### ⚠ Let op!

Wacht tot het apparaat volledig is afgekoeld! Gevaar voor brandwonden!

### ⚠ Let op!

Voorafgaand aan alle reinigings- en onderhoudswerkzaamheden moet het apparaat drukloos worden gemaakt! Gevaar voor letsel!

### 11.1 Reiniging

- Houd het apparaat zoveel mogelijk vrij van stof en vuil. Wrijf het apparaat met een schone doek schoon of blaas het met perslucht bij een lage druk uit.
- Wij adviseren om het apparaat direct na elk gebruik te reinigen.
- Reinig het apparaat regelmatig met een vochtige doek en wat zachte zeep. Gebruik geen agressieve reinigings- of oplosmiddelen. Hierdoor kunnen de kunststofonderdelen van het apparaat worden aangetast. Let op dat er geen water in het apparaat terecht komt.
- Slang en spuitgereedschap moeten voor reiniging van de compressor worden losgekoppeld. De compressor mag niet worden gereinigd met water, oplosmiddelen of soortgelijk.

### 11.2 Onderhoud van het drukvat (afb. 1)

#### Let op!

Om het drukvat (8) in goede staat te houden, moet u na elk gebruik het condenswater aftappen door de aftapplug (6) te openen.

Tap eerst de keteldruk af (zie 11.6.1).

Open de aftapplug (6) door deze linksom te draaien (gezien vanaf de onderzijde van de compressor op de schroef).

Om het condenswater volledig uit het drukvat (8) af te tappen, moet deze iets opzij worden gekanteld zodat de aftapplug (6) het laagste punt vormt.

Draai vervolgens de aftapplug (6) weer vast (rechtsom). Controleer (8) vóór elk gebruik het drukvat op roestvorming en beschadigingen.

De compressor mag niet gebruikt worden als het drukvat (8) beschadigd of roestig is. Neem contact op met de klantendienst-werkplaats als u beschadigingen constateert.

#### Aanwijzingen voor het afvoeren van condenswater:

Voer het condenswater af overeenkomstig de lokale en nationale milieuvoorschriften. Let op dat het niet in het afvalwatersysteem terecht komt.

### 11.3 Veiligheidsklep (afb. 8)

De veiligheidsklep (9) is ingesteld op de maximaal toegestane druk van het drukvat (8). Het is niet toegestaan om de veiligheidsklep (9) te verstellen of de verbindingsbeveiliging (9b) tussen de aftapmoer (9a) en de kap (9c) te verwijderen. De veiligheidsklep (9) moet elke 30 bedrijfsuren ten minste echter 3 keer per jaar worden bediend, zodat deze correct functioneert als dit nodig mocht zijn. Draai de geperforeerde aftapmoer (9a) tegen de wijzers van de klok in om te openen en trek dan de klepstang met de hand naar buiten over de geperforeerde aftapmoer (9a) om de uitloop van het veiligheidsklep (9) te openen. De klep laat nu hoorbaar lucht uit. Aansluitend draait u de aftapmoer (9a) weer rechtsom vast.

### 11.4 Reinigen van het luchtfilter (afb. 9, 10)

Het luchtfilter (4) voorkomt het inzuigen van stof en vuil. Het is noodzakelijk om dit luchtfilter (4) ten minste elke 300 bedrijfsuren te reinigen. Een verstopt luchtfilter (4) vermindert de capaciteit van de compressor aanzienlijk.

Draai het luchtfilter (4) linksom om deze te verwijderen. Draai het filterdeksel (4c) open en verwijder het. U kunt nu het filterelement (4b) verwijderen. Klop het filterelement (4b), het filterdeksel (4c) en het filterhuis (4a) voorzichtig uit. Deze componenten moeten daarna met perslucht (ca. 3 bar) worden uitgeblazen en in omgekeerde volgorde worden teruggeplaatst.

### 11.5 Service-informatie

Let op dat bij dit product de volgende delen onderhevig zijn aan gebruiksmatige of natuurlijke slijtage, resp. de volgende delen als verbruiksmateriaal wordt gebruikt.

Slijtageonderdelen\*: Luchtfilter

\* niet persé in de leveringsomvang opgenomen!

### 11.6 Opslag

**⚠ Let op!**

**Haal de stekker uit het stopcontact, ontluichten het apparaat en alle aangesloten persluchtgereedschap. Stel de compressor dusdanig af dat deze niet door onbevoegden in gebruik kan worden genomen.**

**⚠ Let op!**

**De compressor alleen bewaren in een droge omgeving die niet toegankelijk is voor onbevoegden. Niet kantelen, uitsluitend rechtop bewaren!**

#### 11.6.1 Aftappen van de overdruk

Laat de overdruk in de compressor ontsnappen door de compressor uit te schakelen en de nog aanwezige perslucht in het drukvat (8) te gebruiken, bijv. met een persluchtgereedschap op stationair toerental of met een luchtpistool.

## 12. Transport

Gebruik voor het transport de transportgreep (1) en verplaats hiermee de compressor.

Let bij het tillen van de compressor op het gewicht (zie technische gegevens).

Zorg bij het transport van de compressor in aangedreven voertuigen voor een goede laadbeveiliging.

## 13. Afvalverwerking en hergebruik

### Aanwijzingen op de verpakking



De verpakkingsmaterialen zijn recyclebaar. Verpakkingen milieuvriendelijk afvoeren.

### Aanwijzingen betreffende de wetgeving Afgedankte elektrische en elektronische apparatuur (AEEA)



**Afgedankte elektrische en elektronische apparatuur behoort niet bij het huishoudelijke afval, maar moeten worden ingezameld resp. gescheiden worden afgevoerd!**

- Oude batterijen of accu's die niet vast in het afgedankte apparaat zijn geïntegreerd, moeten vóór het afvoeren op niet-destructieve wijze worden verwijderd! Het afvoeren hiervan is geregeld in de wetgeving inzake batterijen.
- Eigenaars resp. gebruikers van elektrische en elektronische apparaten zijn wettelijk verplicht om na gebruik de batterijen en accu's in te leveren.
- De eindgebruiker is verantwoordelijk voor het wissen van persoonsgerelateerde gegevens op het af te voeren afgedankte apparaat!
- Het symbool van de doorgekruiste vuilnisbak betekent dat afgedankte elektrische en elektronische apparatuur niet bij het huishoudelijk afval mag worden gegooid.
- Afgedankte elektrische en elektronische apparatuur kunnen bij de volgende punten kosteloos worden ingeleverd:
  - Openbare afvalverwijderings- of inzamelpunten (bijv. gemeentewerven)
  - LIDL biedt u direct in de filialen en winkels retourmogelijkheden aan. Terugzending en afvoer zijn voor u gratis.
  - Tot drie afgedankte elektronische apparaten per apparaattype, met een randlengte van niet meer dan 25 centimeter, kunnen gratis naar de fabrikant worden teruggebracht zonder eerst een nieuw apparaat van de fabrikant te hoeven kopen, of naar een ander erkend inzamelpunt in je omgeving worden gebracht.
  - Voor verdere aanvullende terugnamevoorwaarden van de fabrikanten en distributeurs verzoeken wij u contact op te nemen met de betreffende klantenservice.
- Bij levering van een nieuw elektrisch apparaat door de fabrikant aan een particulier huishouden, kan de fabrikant op verzoek van de eindgebruiker zorgen voor het kosteloos afhalen van het afgedankte elektrische apparaat. Neem hiertoe contact op met de klantenservice van de fabrikant.
- Deze uitspraken zijn alleen geldig voor apparaten die in de landen van de Europese Unie worden geïnstalleerd en verkocht en die onder de Europese Richtlijn 2012/19/EU vallen. In landen buiten de Europese Unie kunnen andere voorschriften gelden voor het afvoeren van afgedankte elektrische en elektronische apparatuur.

## 14. Verhelpen van storingen

| Storing   | Mogelijke oorzaak                          | Oplossing  |
|---|--|--|
| Compressor draait niet.   | Netspanning niet aanwezig.                 | Kabel, stekker; zekering en stopcontact controleren.   |
|   | Netspanning te laag.                       | Te lang verlengsnoer vermijden. Verlengsnoer met voldoende aderdoorsnede gebruiken.                            |
|   | Buitentemperatuur te laag.                 | Werk niet onder +5 °C buitentemperatuur.   |
|   | Motor oververhit.                          | Motor laten afkoelen, evt. de oorzaak van de oververhitting wegnemen.  |
| Compressor loopt, maar geen druk.   | Veiligheidsklep lek.                       | Neem contact op met uw lokaal servicecentrum. Reparaties uitsluitend laten uitvoeren door geschoold personeel. |
|   | Afdichtingen defect.                       | Afdichtingen controleren, een defecte afdichting bij een gespecialiseerde werkplaats laten vervangen.          |
|   | Aftapplug voor condenswater lek.           | Schroef met de hand aanhalen. Afdichting op de schroef controleren, evt. vervangen.                            |
| De compressor loopt, de druk wordt aangegeven op de manometer, maar het gereedschap loopt niet. | Slangverbindingen lek.                     | Perslucht slang en gereedschap controleren, evt. vervangen.  |
|   | Snelkoppeling lek.                         | Neem contact op met uw lokaal servicecentrum. Reparaties uitsluitend laten uitvoeren door geschoold personeel. |
|   | Te lage druk op de drukregelaar ingesteld. | Drukregelaar weer opendraaien.   |

## 15. Garantiebewijs

### Geachte klant,

onze producten zijn aan een strenge kwaliteitscontrole onderhevig. Mocht dit apparaat echter ooit niet naar behoren functioneren, spijt het ons ten zeerste en vragen u zich tot onze servicedienst onder het adres vermeld op dit garantiebewijs te wenden. Wij staan ook graag telefonisch tot uw dienst via het hieronder vermelde servicetelefoonnummer. Voor vorderingen in verband met garantie geldt het volgende:

- Deze garantievoorwaarden regelen bijkomende garantieprestaties. Uw wettelijke garantieclaims blijven onaangetaast door deze garantie. Onze garantieprestatie is voor uw gratis.
- De garantieprestatie heeft uitsluitend betrekking op gebreken die te wijten zijn aan materiaal- of fabricagefouten en is beperkt tot het verhelpen van deze gebreken of het vervangen van het apparaat. Wij wijzen erop dat onze apparaten overeenkomstig hun bestemming niet geconstrueerd zijn voor commercieel, ambachtelijk of industrieel gebruik. Een garantieovereenkomst komt daarom niet tot stand als het apparaat in ambachtelijke of industriële bedrijven alsmede bij gelijk te stellen activiteiten wordt gebruikt. Uitgesloten van onze garantie zijn verder schadeloosstellingen voor transportschade, schade door nietnaleving van de montage-instructies of op grond van ondeskundige installatie, niet-naleving van de handleiding (zoals door b.v. aansluiting op een verkeerde netspanning of stroomsoort), oneigenlijke of onoordeelkundige toepassingen (zoals b.v. overbelasting van het apparaat of gebruik van niet toegepaste inzetgereedschappen of toebehoren), niet-naleving van de onderhouds- en veiligheidsbepalingen, binnendringen van vreemde voorwerpen in het apparaat (zoals b.v. zand, stenen of stof), gebruikmaking van geweld of invloeden van buitenaf (zoals b.v. schade door neervallen) alsmede door normale slijtage die zich bij het doelmatig gebruik van het apparaat voordoet.

Er kan geen aanspraak op garantie worden gemaakt als op het apparaat reeds ingrepen werden uitgevoerd.

- De garantieperiode bedraagt 3 jaar en gaat in op de datum van aankoop van het apparaat. Garantieclaims dienen voor het verloop van de garantieperiode binnen de twee weken na het vaststellen van het defect geldend te worden gemaakt. Het geldend maken van garantieclaims na verloop van de garantieperiode is uitgesloten. De herstelling of vervanging van het apparaat leidt noch tot een verlenging van de garantieperiode noch wordt door deze prestatie een nieuwe garantieperiode voor het apparaat of voor eventueel ingebouwde wisselstukken op gang gebracht. Dit geldt ook bij het ter plaatse uitvoeren van een serviceactiviteit.
- Om een garantieclaim geldend te maken neem contact op met het hieronder vermelde serviceadres. Als de klacht binnen de garantieperiode valt, ontvangt u van ons een retourbon waarmee u uw defecte apparaat gratis naar ons kunt retourneren. Wij verzoeken u de reden van de klacht zo nauwkeurig mogelijk te beschrijven. Valt het defect van het apparaat binnen onze garantieprestatie bezorgen wij u per omgaande een hersteld of nieuw apparaat terug.

Uiteraard staan wij ook tot u dienst om mits betaling van de kosten defecten van het apparaat te verhelpen die buiten de garantieomvang vallen. Te dien einde stuurt u het apparaat aan ons serviceadres op.

### 15.1 Afhandeling van een garantieclaim

Volg de onderstaande instructies om ervoor te zorgen dat uw claim snel wordt afgehandeld:

- Houd voor alle aanvragen de kassabon en het artikelnummer (bijv. IAN 465618\_2404) bij de hand als bewijs van aankoop.
- Het artikelnummer vindt u op het typeplaatje op het product, een gravure op het product, de titelpagina van uw handleiding (links-onder) of op de sticker op de achterkant of onderkant van het product.
- Neem bij functiestoringen of andere defecten eerst telefonisch of per e-mail contact op met de hieronder genoemde serviceafdeling.
- U kunt dan een als defect geregistreerd product, met bijvoeging van het aankoopbewijs (kassabon) en met vermelding van wat het defect is en wanneer het defect is opgetreden, gratis opsturen naar het aan u opgegeven serviceadres.
- U kunt deze en vele andere handleidingen bekijken en downloaden op [parkside-diy.com](http://parkside-diy.com). Met deze QR-code komt u direct op [parkside-diy.com](http://parkside-diy.com). Selecteer uw land en gebruik het zoekvenster om de gebruikshandleiding te zoeken. Als u het artikelnummer (IAN) 465618\_2404 invoert, gaat u naar de gebruikshandleiding voor uw artikel.

#### Servicecontact (NL):

**Naam:** TeleMarCom European Services GmbH  
Am Ziegelweiher 24  
DE - 61130 Nidderau  
**Telefoon:** 00800 4003 4003  
**E-mail:** [service.NL@schepbach.com](mailto:service.NL@schepbach.com)  
**Vestiging:** Duitsland

#### Servicecontact (BE):

**Naam:** TeleMarCom European Services GmbH  
Am Ziegelweiher 24  
DE - 61130 Nidderau  
**Telefoon:** 00800 4003 4003  
**E-mail:** [service.BE@schepbach.com](mailto:service.BE@schepbach.com)  
**Vestiging:** Duitsland



---

|     |   |     |
|-----|---|-----|
| 1.  | Declaración de los símbolos en el aparato ..... | 46  |
| 2.  | Introducción .....                              | 47  |
| 3.  | Descripción del aparato (fig. 1-10) .....       | 47  |
| 4.  | Volumen de suministro.....                      | 47  |
| 5.  | Uso previsto .....                              | 47  |
| 6.  | Indicaciones de seguridad .....                 | 48  |
| 7.  | Datos técnicos.....                             | 51  |
| 8.  | Antes de la puesta en marcha.....               | 51  |
| 9.  | Estructura y manejo .....                       | 51  |
| 10. | Conexión eléctrica.....                         | 52  |
| 11. | Limpieza, mantenimiento y almacenamiento .....  | 52  |
| 12. | Transporte .....                                | 53  |
| 13. | Eliminación y reciclaje .....                   | 53  |
| 14. | Solución de averías .....                       | 54  |
| 15. | Certificado de garantía.....                    | 55  |
| 16. | Plano de explosión.....                         | 123 |
| 17. | Declaración de conformidad .....                | 124 |

## 1. Declaración de los símbolos en el aparato



¡Antes de la puesta en marcha, leer y seguir el manual de instrucciones así como las indicaciones de seguridad!



Utilice protección auditiva. El efecto del ruido puede causar pérdida auditiva.



Utilice protección respiratoria.



¡Advertencia por piezas calientes!



Advertencia de peligro por tensión eléctrica.



¡Advertencia! La unidad está teledirigida y se puede poner en marcha sin necesidad de aviso.



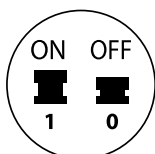
Nunca exponga la máquina a la lluvia. El aparato solo se puede colocar, almacenar y utilizar en condiciones ambientales secas.



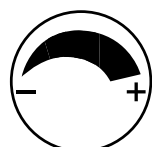
Especificación del nivel de potencia acústica en dB.



Especificación del nivel de presión acústica en dB.



Interruptor de conexión/desconexión.



Regulador de presión.

## 2. Introducción

### Fabricante:

Scheppach GmbH  
Günzburger Straße 69  
D-89335 Ichenhausen

### Estimado cliente:

Le deseamos éxito y disfrute al trabajar con su nuevo aparato.

### Indicación:

El fabricante de este aparato, de acuerdo con la legislación alemana de responsabilidad sobre productos, no se hace responsable de los daños originados en este aparato o causados por éste en los siguientes casos:

- manejo incorrecto,
- Inobservancia del manual de instrucciones,
- reparaciones efectuadas por personal técnico no autorizado ajeno a nuestra empresa,
- montaje y sustitución de piezas de repuesto no originales,
- empleo no conforme al previsto,
- fallos de la instalación eléctrica en caso de incumplimiento de las normas eléctricas y disposiciones VDE 0100, DIN 57113 / VDE 0113.

### Observe lo siguiente:

Lea antes del montaje y de la puesta en marcha el texto completo del presente manual de instrucciones.

El presente manual de instrucciones tiene como fin facilitarle los conocimientos necesarios sobre su herramienta eléctrica y que pueda aprovechar sus posibilidades de uso conforme a las previstas.

El manual de instrucciones incluye importantes indicaciones sobre cómo debe trabajar con la herramienta eléctrica de forma segura, competente y rentable, y cómo puede evitar peligros, ahorrar costes por reparaciones, reducir los tiempos de inactividad y aumentar la fiabilidad y la vida útil de la herramienta eléctrica.

Además de las normas de seguridad incluidas en este manual de instrucciones, deberá observar estrictamente las prescripciones vigentes en su país para el funcionamiento de la herramienta eléctrica.

Conserve el manual de instrucciones en una funda de plástico, protegido del polvo y la humedad, donde la propia herramienta eléctrica. Estas deberán leerse y observarse con atención por cada persona empleada antes de comenzar a trabajar por primera vez. En la herramienta eléctrica solo deben trabajar personas instruidas en su manejo y familiarizadas con los peligros que esta conlleva.

Además de las indicaciones de seguridad incluidas en el presente manual de instrucciones y las prescripciones especiales vigentes en su país, deberán observarse las normas técnicas generalmente reconocidas para el funcionamiento de máquinas de estructura similar.

Declinamos cualquier responsabilidad de posibles accidentes o daños que puedan producirse por no obedecer las presentes instrucciones y advertencias de seguridad.

## 3. Descripción del aparato (fig. 1-10)

1. Mango de transporte
- 1a. Tornillos M8x10
2. Interruptor de presión
3. Interruptor de encendido/apagado
4. Filtro de aire
- 4a. Carcasa de filtro
- 4b. Inserto del filtro
- 4c. Tapa del filtro
- 4d. Manguera
5. Rueda
- 5a. Tornillo alomado
- 5b. Arandela
6. Tornillo de purga para agua de condensación
7. Pie de apoyo
- 7a. Tornillo
- 7b. Arandela
8. Depósito de presión
9. Válvula de seguridad
- 9a. Tuerca de drenaje
- 9b. Bloqueo de la conexión
- 9c. Tapa de la tuerca de drenaje
10. Acoplamiento rápido (aire comprimido regulado)
11. Acoplamiento rápido (aire comprimido regulado)
12. Manómetro (para leer la presión ajustada)
13. Manómetro (para leer la presión de la caldera)
14. Manguera de aire comprimido (no incluida en el volumen de suministro)
- 14a. Racor
- 14b. Acoplamiento rápido
15. Regulador de presión
16. Tapa de transporte

## 4. Volumen de suministro

- 1x Filtro de aire
- 1x Mango de transporte
- 2x Tornillos M8x10
- 1x Pata de apoyo
- 2x Rueda
- 1x Material de montaje
- 1x Manual de instrucciones

## 5. Uso previsto

El compresor sirve para generar aire comprimido para herramientas accionadas por aire comprimido que se pueden operar con un volumen de aire de hasta aprox. 180 l/min (p. ej., inflador de neumáticos, pistola de soplado y pistola de barnizado). Debido al caudal de aire limitado no es posible operar herramientas que presenten un consumo de aire extremadamente alto (p. ej. lijadora orbital, lijadora recta y atornillador de percusión).

El compresor solo puede utilizarse en zonas interiores secas y bien ventiladas.

La máquina únicamente debe utilizarse para el fin previsto. Se considerará inapropiado cualquier uso que vaya más allá. Los daños o lesiones de cualquier tipo producidos a consecuencia de lo anterior serán responsabilidad del usuario/operario, no del fabricante.

Recuerde que nuestros aparatos no están diseñados para usos comerciales, artesanales ni industriales. No concedemos ningún tipo de garantía si se utiliza el equipo en empresas comerciales, artesanales o industriales, ni en actividades de características similares.

## 6. Indicaciones de seguridad

### Indicaciones generales de seguridad para herramientas eléctricas

⚠ **¡ADVERTENCIA!** Lea todas las indicaciones de seguridad, instrucciones, ilustraciones y datos técnicos que acompañan a esta herramienta eléctrica. Si no se respetan las siguientes instrucciones, puede producirse una descarga eléctrica, un incendio y/o lesiones graves.

### Conserve todas las indicaciones de seguridad e instrucciones para futuros usos.

El término empleado en las indicaciones de seguridad "herramienta eléctrica" se refiere tanto a las herramientas eléctricas conectadas a la red eléctrica (con línea de alimentación), como a las herramientas eléctricas que funcionan por batería (sin línea de alimentación).

### Seguridad en el lugar de trabajo

- a. **Tenga su zona de trabajo ordenada y bien iluminada.** Las zonas de trabajo desordenadas o mal iluminadas pueden causar accidentes.
- b. **Con la herramienta eléctrica, no trabaje en entornos en peligro de explosión en los que haya líquidos, gases o polvos inflamables.** Las herramientas eléctricas producen chispas que pueden inflamar el polvo o los vapores.
- c. **Cuando use esta herramienta eléctrica, no permita que se acerquen niños ni otras personas.** Al distraerse puede perder el control de la herramienta eléctrica.

### Seguridad eléctrica

- a. **La clavija de conexión de la herramienta eléctrica debe ser compatible con la toma de enchufe.** Bajo ningún concepto se debe modificar la clavija. No utilice adaptadores de conexión en las herramientas eléctricas con toma de tierra. Las clavijas compatibles y sin modificar reducen el riesgo de una descarga eléctrica.
- b. **Evite el contacto corporal con las superficies conectadas a tierra tales como tuberías, calentadores, estufas y refrigeradores. Existe un mayor riesgo de descarga eléctrica si su cuerpo está en contacto con la tierra.**
- c. **Mantenga las herramientas eléctricas alejadas de la lluvia o la humedad.** La entrada de agua en la herramienta eléctrica aumenta el riesgo de una descarga eléctrica.

- d. **No modifique la finalidad del cable para cargar, colgar la herramienta eléctrica o para desenchufar la clavija de la toma de enchufe.** Aleje el cable lejos del calor, del aceite, los cantos afilados o los componentes móviles del aparato. Unos cables dañados o enrevesados aumentan el riesgo de una descarga eléctrica.
- e. **Si trabaja con una herramienta eléctrica al aire libre, emplee solo cables prolongadores que también sean adecuados para zonas exteriores.** El uso de un cable prolongador adecuado para zonas exteriores reduce el riesgo de una descarga eléctrica. Utilice al aire libre solo cables alargadores autorizados y caracterizados para ello. Utilice el tambor de arrollamiento de cable solo en estado desenrollado.
- f. **Si no se puede evitar el funcionamiento de la herramienta eléctrica en un entorno húmedo, emplee un interruptor de corriente de defecto con una corriente de activación de 30 mA o inferior.** El uso de un interruptor de protección de corriente residual reduce el riesgo de una descarga eléctrica.

### Seguridad de las personas

- a. **Sea cuidadoso y preste atención a lo que hace, y realice con prudencia el trabajo con una herramienta eléctrica. No use ninguna herramienta eléctrica si está cansado o si está bajo el efecto de drogas, alcohol o medicamentos.** Un descuido durante el uso de la herramienta eléctrica puede causar lesiones graves.
- b. **Use equipo de protección individual y lleve siempre gafas de protección.** Usar equipo de protección personal (por ejemplo máscara antipolvo, calzado de seguridad antideslizante, casco o protección auditiva) adecuado al tipo de herramienta eléctrica y su uso reduce el riesgo de sufrir lesiones.
- c. **Evite una puesta en marcha accidental. Asegúrese de que la herramienta eléctrica se encuentre desconectada antes de cogerla o transportarla o conectarla a la alimentación de corriente y/o a la batería.** Si transporta la herramienta eléctrica con el dedo puesto en el interruptor o conecta la herramienta eléctrica a la toma de corriente estando ésta en posición de encendido, puede causar un accidente.
- d. **Antes de encender la herramienta eléctrica, retire cualquier herramienta eléctrica o llave inglesa.** Una herramienta o una llave puesta en una pieza giratoria del aparato pueden causar lesiones.
- e. **Evite posturas forzadas.** Procure una buena estabilidad y mantenga siempre el equilibrio. Así controlará mejor la herramienta eléctrica si surge una situación imprevista.
- f. **Use ropa adecuada. No use ropa holgada ni joyas. No acerque el cabello, la ropa ni los guantes a ninguna pieza móvil.** La ropa holgada, las joyas y el cabello largo pueden engancharse en las piezas móviles. Al trabajar al aire libre se recomienda el uso de guantes de goma y calzado antideslizante. En caso de tener el cabello largo, utilice una red para el pelo.
- g. **Si pueden instalarse dispositivos de aspiración y recogida de polvo, asegúrese de que éstos se conecten y utilicen de la manera correcta.** El uso de un aspirador de polvo puede reducir los riesgos derivados del polvo.



- h. No se confíe ni ignore las reglas de seguridad de las herramientas eléctricas, ni siquiera en caso de estar familiarizado con la herramienta eléctrica por un uso frecuente de la misma.** Un manejo poco atento puede causar lesiones de extrema gravedad en fracciones de segundo.

#### Uso y manipulación de la herramienta eléctrica

- a. No sobrecargue el aparato.** Trabaje con la herramienta eléctrica adecuada. Si usa la herramienta eléctrica adecuada, trabajará mejor y más seguro dentro del rango de potencia indicado.
- b. No emplee una herramienta eléctrica con un interruptor defectuoso. Una herramienta eléctrica que ya no se pueda conectar o desconectar de nuevo, es peligrosa y se debe reparar.**
- c. Retire la clavija de conexión de la toma de enchufe y/o retire una batería extraíble antes de realizar ajustes en el aparato, cambiar piezas intercambiables de la herramienta o guardar la herramienta eléctrica.** Esta medida de precaución evita el arranque involuntario de la herramienta eléctrica.
- d. Conserve la herramienta eléctrica no utilizada fuera del alcance de los niños.** No deje utilizar la herramienta eléctrica a ninguna persona que no esté familiarizada con ella o que no haya leído estas instrucciones. Las herramientas eléctricas son peligrosas si son utilizadas por personas sin experiencia. Herramientas eléctricas sin usar deben almacenarse en un lugar seco, elevado o cerrado, fuera del alcance de los niños.
- e. Cuide con esmero las herramientas eléctricas y los insertos intercambiables de la misma.** Compruebe que las piezas móviles funcionan bien y no se atascan, que no hay piezas rotas ni dañadas, y que la herramienta eléctrica funciona correctamente. Si hay alguna pieza dañada, repárela antes de usar la herramienta eléctrica. Muchos accidentes se deben a herramientas eléctricas que no han recibido el debido mantenimiento.
- f. Mantenga las herramientas de corte afiladas y limpias. Las herramientas de corte con bordes cortantes y afilados conservadas cuidadosamente se atascan menos y son más fáciles de conducir.**
- g. Use la herramienta eléctrica, los accesorios, las herramientas, etc. conforme a estas instrucciones.** Tenga en cuenta las condiciones de trabajo y los trabajos que se deben realizar. El uso de herramientas eléctricas para fines no previstos puede ser peligroso.
- h. Mantenga las empuñaduras y sus superficies secas, limpias y libres de aceite y grasa.** Unas empuñaduras y unas superficies de agarre resbaladizas no permiten realizar un manejo y control seguro de la herramienta eléctrica en situaciones imprevistas.

#### Servicio técnico

- a. Encargue la reparación de su herramienta eléctrica solamente a personal técnico cualificado y únicamente con piezas de repuesto originales.** Así garantizará que la herramienta eléctrica siga siendo segura.

#### Indicaciones de seguridad para compresores

⚠ **¡Atención!** Durante el uso de este compresor deben tenerse en cuenta las siguientes medidas elementales de seguridad para la protección contra descargas eléctricas, el peligro de incendio y el riesgo de sufrir lesiones.

Lea y tenga en cuenta estas indicaciones antes de usar el equipo.

#### Trabajo seguro.

1. Cuide su herramienta con esmero
  - Mantenga su compresor limpia para trabajar de forma correcta y segura.
  - Respete las normas de mantenimiento.
  - Controle con regularidad la línea de conexión de la herramienta eléctrica y renuévela en caso de avería por un profesional reconocido.
  - Controle regularmente las líneas de extensión y sustitúyalas cuando estén dañadas.
2. Retire la clavija de la toma de enchufe
  - Cuando no se utiliza la herramienta eléctrica, antes del mantenimiento y durante el intercambio de herramientas como p. ej. hoja de sierra, taladro, fresadora.
3. Compruebe posibles daños en la herramienta eléctrica
  - Antes de continuar usando la herramienta eléctrica, se debe comprobar cuidadosamente la funcionalidad óptima y especificada de los dispositivos de seguridad o de las piezas ligeramente dañadas.
  - Compruebe que las piezas móviles funcionan sin problemas, que no se atascan y que no hay piezas dañadas. Todas las piezas deben montarse correctamente y cumplir todos los requisitos para garantizar el funcionamiento impecable de la herramienta eléctrica.
  - Dispositivos de protección y piezas dañados deben repararse o sustituirse correctamente en un taller especializado reconocido mientras no se indique otra cosa en las instrucciones de servicio.
  - No utilice líneas de conexión defectuosa o dañada.
4. **¡Atención!**
  - Por su propia seguridad, utilice únicamente los accesorios y aparatos adicionales indicados en el manual de instrucciones o recomendados por el fabricante. El uso de otros herramientas intercambiables o accesorios no recomendados en el manual de instrucciones o en el catálogo puede provocar riesgo de daños personales.
5. Sustitución de la línea de conexión
  - Cualquier daño en la línea de conexión debe ser reparado por un electricista, evitando así cualquier peligro. Peligro por descargas eléctricas.
6. Inflado de neumáticos
  - Compruebe la presión de los neumáticos justo después de inflarlos con ayuda de un manómetro calibrado, p. ej., en una gasolinera.
7. Compresores móviles para obras
  - Asegurarse de que todas las mangueras y válvulas sean adecuadas para que el compresor pueda disfrutar de la mayor presión de trabajo admisible.
8. Lugar de instalación
  - Coloque el compresor únicamente sobre una superficie plana.

9. Se recomienda que las mangueras de suministro con presiones superiores a 7 bar estén equipadas con un cable de seguridad, como por p. ej. un cable de acero.
10. Evite colocar grandes pesos sobre los sistemas de conductos, utilizando conexiones de manguera flexibles para evitar puntos de dobleces.

### Indicaciones de seguridad adicionales

**¡Observe el manual de instrucciones correspondiente para las respectivas herramientas/accesorios neumáticos!** También deben tenerse en cuenta las siguientes instrucciones generales.

### Instrucciones de seguridad para trabajar con aire comprimido y pistolas de soplado

- Asegúrese de que haya suficiente distancia con el producto, al menos 2,50 m, y mantenga las herramientas/accesorios neumáticos alejados del compresor durante el funcionamiento.
- La bomba del compresor y los cables alcanzan altas temperaturas durante el funcionamiento. No tocarlos, puesto que de lo contrario se pueden sufrir quemaduras.
- Mantener el aire aspirado por el compresor libre de impurezas puesto que éstas podrían provocar incendios o explosiones en la bomba.
- Para soltar el acoplamiento de la manguera sujete bien con la mano la pieza de acoplamiento de la manguera. Así se evitarán lesiones puesto que la manguera retrocede de forma brusca.
- Use gafas de protección mascarilla de protección respiratoria cuando trabaje con la pistola de aire comprimido. ¡El polvo es perjudicial para la salud! Es probable sufrir lesiones si hay objetos extraños y salen piezas despedidas.
- No dirija la pistola de soplado hacia personas ni limpie ropa puesta. ¡Peligro de lesión!

### Indicaciones de seguridad para el uso de pulverizadores y accesorios de pulverización (p. ej., rociadores de pintura)

- Durante el llenado, mantenga el accesorio de pulverización alejado del compresor para evitar que el líquido entre en contacto con el compresor.
- Nunca pulverice con los accesorios de rociado (p. ej., rociadores de pintura) apuntando hacia el compresor. ¡La humedad puede ocasionar peligros eléctricos!
- No procese pinturas ni disolventes con un punto de inflamación inferior a los 55°C. ¡Peligro de explosión!
- No caliente pinturas ni disolventes. ¡Peligro de explosión!
- Si se procesan líquidos nocivos para la salud, será preciso utilizar filtros (mascarillas) a modo de protección. Tenga en cuenta también los datos sobre medidas de protección de los fabricantes de dichos productos.
- Es preciso observar los datos indicados en los envoltorios de los materiales procesados y las identificaciones del reglamento sobre materiales nocivos. En caso necesario, es preciso aplicar medidas de protección adicionales, especialmente en lo que respeta a llevar ropa y mascarillas adecuadas.
- En la sala de trabajo y durante el pulverizado no se puede fumar. ¡Peligro de explosión! Incluso los vapores de las pinturas son fácilmente inflamables.

- No debe haber fogones, lumbre directa o máquinas que emitan chispas en las inmediaciones.
- No guarde ni ingiera comida ni bebida en la sala de trabajo. Los vapores de las pinturas son nocivos para la salud.
- La sala de trabajo deberá tener más de 30 m<sup>3</sup> y se debe garantizar una buena ventilación al pulverizar y secar.
- No pulverice contra el viento. Al pulverizar productos inflamables o peligrosos, es preciso observar las disposiciones de la autoridad policial local.
- No procese junto con la manguera de presión de PVC medios como gasolina de comprobación, butanol ni cloruro de metileno. Dichos medios destruyen la manguera de presión.
- La zona de trabajo debe estar separada del compresor para que no pueda entrar en contacto directo con el medio de trabajo.

### Funcionamiento de recipientes de presión

- El recipiente de presión se deberá recibir en perfecto estado, operar de manera correcta, supervisar, realizar de manera inmediata los trabajos necesarios de mantenimiento y conservación. Asimismo, será preciso tomar las medidas de seguridad adecuadas que se adapten a las circunstancias.
- La autoridad de supervisión podrá ordenar en casos aislados medidas de vigilancia necesarias.
- No ponga en funcionamiento un recipiente de presión cuando presente defectos que puedan dañar a uno mismo o a terceros.
- Antes de cada funcionamiento, compruebe que el recipiente de presión no esté dañado ni oxidado. El compresor no debe utilizarse con un recipiente de presión dañado u oxidado. Si detecta algún daño, deberá ponerse en contacto con el taller del servicio técnico.

### Conserve bien las presentes indicaciones de seguridad.

### Riesgos residuales

Cumpla con las instrucciones de mantenimiento y seguridad del manual de instrucciones.

Esté siempre atento durante el trabajo y mantenga a terceras personas a una distancia segura de su lugar de trabajo.

Incluso cuando se utiliza correctamente el aparato, siempre existen riesgos residuales que no se pueden descartar. Debido a la clase y construcción del aparato, se pueden derivar los siguientes peligros potenciales:

- Puesta en funcionamiento accidental del producto.
- Lesiones auditivas, cuando se utiliza sin la protección auditiva obligatoria.
- A pesar de llevar gafas de protección, las partículas de suciedad, polvo, etc., pueden entrar en contacto con sus ojos o su cara.
- Inhalación de partículas en suspensión.

### ⚠ ¡Advertencia!

Esta herramienta eléctrica produce un campo electromagnético mientras funciona. Este campo puede perjudicar bajo circunstancias concretas implantes médicos activos o pasivos. Con el fin de reducir el peligro de lesiones graves o mortales, recomendamos a las personas con implantes médicos que consulten tanto a su médico como al fabricante del implante médico antes de manejar la herramienta eléctrica.

## 7. Datos técnicos

|  |                        |
|--|------------------------|
| Conexión de red .....  | 230 V~ 50 Hz           |
| Potencia del motor .....                                     | 1500 W                 |
| Modo de servicio .....                                       | S1                     |
| Velocidad del compresor .....                                | 2850 min <sup>-1</sup> |
| Volumen del recipiente de presión .....                      | aprox. 24 l            |
| Presión de servicio .....                                    | aprox. 10 bar          |
| Potencia de aspiración teórica .....                         | aprox. 257 l/min       |
| Cantidad de suministro efectivo a 7 bar .....                | aprox. 103 l/min       |
| Cantidad de suministro efectivo a 4 bar .....                | aprox. 141 l/min       |
| Cantidad de suministro efectivo a 1 bar .....                | aprox. 180 l/min       |
| Nivel de presión acústica L <sub>PA</sub> .....              | 68 dB                  |
| Nivel de potencia acústica medido L <sub>WA</sub> .....      | 83,6 dB                |
| Nivel de potencia acústica garantizado L <sub>WA</sub> ..... | 86 dB                  |
| Incertidumbre K <sub>PA/WA</sub> .....                       | 3 dB                   |
| Tipo de protección .....                                     | IP30                   |
| Peso del aparato .....                                       | aprox. 24 kg           |
| Altitud máx. de emplazamiento (s.n.m.) .....                 | 1000 m                 |

Los valores de emisión de ruidos se han determinado conforme a EN ISO 3744:1995.

### Utilice protección auditiva.

El efecto del ruido puede causar pérdida auditiva.

## 8. Antes de la puesta en marcha

- Abra el embalaje y extraiga el aparato cuidadosamente.
- Retire el material de embalaje y los seguros de embalaje y transporte (si los hay).
- Compruebe la integridad del volumen de suministro.
- Compruebe que no haya daños de transporte en el aparato y en los componentes de los accesorios.
- Conserve el embalaje por si fuera preciso hasta la extinción del período de garantía.

### ⚠ PELIGRO

**¡El aparato y los materiales de embalaje no son aptos como juguetes para niños! ¡Los niños no deben jugar con bolsas de plástico, láminas o piezas pequeñas! ¡Existe peligro de atragantamiento y asfixia!**

- Antes de efectuar la conexión, cerciórese de que los datos en la placa de características coinciden con los datos de la red.
- Compruebe que el aparato no haya sufrido daños durante el transporte. Notifique de inmediato cualquier daño detectado a la empresa de transporte encargada de entregar el compresor.
- El compresor se deberá instalar en las inmediaciones del consumidor.
- Se deberá evitar el uso de conductos de aire y cables de conexión largos (cables alargadores).
- Asegúrese de que el aire de aspiración sea seco y esté libre de polvo.
- No coloque el compresor en salas húmedas.
- El compresor solo podrá ser operado en recintos apropiados (con ventilación óptima, temperatura ambiente +5 ° a +40 °C). En la sala no debe haber polvo, ácido, vapor ni gas explosivo o inflamable.

- El compresor es apto para su uso en recintos secos. No se permite su uso en áreas de trabajo donde se produzcan salpicaduras.
- El compresor solo se puede utilizar en el exterior durante períodos cortos en condiciones ambientales secas.
- El compresor debe mantenerse siempre seco y no debe dejarse en el exterior después del trabajo.

## 9. Estructura y manejo

### ⚠ ¡Atención!

**Antes de la puesta en marcha, es imprescindible montar por completo el aparato.**

Para el montaje se necesitan:

- 1x llave de boca de 14 mm
- 1x llave de boca de 13 mm
- 1x llave tubular 14 mm
- 1 destornillador para tornillos de cabeza ranurada en cruz (no incluido en el volumen de suministro)

### 9.1 Montaje de las ruedas (fig. 3)

- Monte las ruedas (5) adjuntas según se muestra.

### 9.2 Montaje de la pata de apoyo (fig. 4)

- Monte la pata de apoyo (7) adjunta según se muestra.

### 9.3 Montaje del filtro de aire (fig. 5, 6)

- Quite la tapa de transporte (16) y atornille el filtro de aire (4) al aparato.
- Inserte la manguera (4d) en la abertura del filtro de aire (4).

### 9.4 Montaje del mango de transporte (fig. 7)

- Monte el mango de transporte (1) incluido como se muestra. Para ello, utilice los tornillos incluidos, M8 × 10 (1a), y una llave inglesa SW13 (no incluida en el volumen de suministro).

### 9.5 Conexión de red

- El compresor está dotado de un cable de red con un enchufe con puesta a tierra. Éste se puede conectar a cualquier toma de puesta a tierra de 230 V~ 50 Hz que esté protegida con 16 A.
- Cerciórese antes de la puesta en marcha de que la tensión de red coincida con la tensión de servicio y con la potencia de la máquina en la placa de características.
- El cableado de gran longitud como, p. ej., los cables alargadores, los tambores de arrollamiento de cable, etc., causan cortes de corriente y pueden dificultar la marcha de la máquina.
- Las bajas temperaturas, inferiores a +5°C, pueden dificultar la marcha del motor.

### 9.6 Interruptor de encendido/apagado (fig. 1)

- Para conectar el compresor, tire del interruptor de encendido/apagado (3) hacia arriba.
- Para desconectarlo, apriete el interruptor de encendido/apagado (3) hacia abajo.

### 9.7 Ajuste de presión (fig. 1, 2)

- La presión se puede regular en el manómetro (12) con el regulador de presión (15).

- La presión regulada se puede obtener de los acoplamientos rápidos (10, 11).
- En el manómetro (13) se lee la presión de la caldera.

### 9.8 Ajuste del interruptor de presión (fig. 1)

- El interruptor de presión (2) viene ajustado de fábrica.  
Presión de conexión aprox. 5,5 bar  
Presión de desconexión aprox. 8 bar

### 9.9 Montaje de la manguera de aire comprimido (no incluida en el volumen de suministro) (fig. 1, 2)

- Conecte el racor (14a) de la manguera de aire comprimido (14) a uno de los acoplamientos rápidos (10, 11). A continuación, conecte la herramienta de aire comprimido al acoplamiento rápido (14b) de la manguera de aire comprimido (14).

### 9.10 Disyuntor térmico

El disyuntor térmico está integrado en el aparato.

Si el disyuntor térmico salta, proceda del modo siguiente:

- Desenchufe la clavija de la red.
- Espere de dos a tres minutos.
- Vuelva a enchufar el aparato.
- Si el aparato no se inicia, repita el proceso.
- Si el aparato no se inicia de nuevo, apague el aparato y vuelva a encenderlo con el interruptor de encendido/apagado (3).
- Si ha realizado todos los pasos anteriores y el aparato todavía no funciona, póngase en contacto con nuestro equipo de servicio.

## 10. Conexión eléctrica

**El motor eléctrico instalado está conectado listo para utilizarse. La conexión cumple las pertinentes disposiciones VDE y DIN. La conexión a la red por parte del cliente, así como el cable alargador utilizado deben cumplir estas normas.**

Cuando se trabaja con accesorios de pulverización y cuando se usa puntualmente al aire libre, el aparato debe conectarse a **un interruptor de corriente de defecto** con una corriente de activación de 30 mA o inferior.

### 10.1 Indicaciones importantes

En caso de sobrecarga del motor, este se desconecta automáticamente. Tras un tiempo de refrigeración (los tiempos varían), puede conectarse de nuevo el motor.

### 10.2 Línea de conexión eléctrica defectuosa

En las líneas de conexión eléctrica surgen a menudo daños de aislamiento.

Las causas para ello pueden ser:

- Zonas aprisionadas al conducir las líneas de conexión a través de ventanas o puertas entreabiertas.
- Dobleces ocasionados por la fijación o el guiado incorrectos de la línea de conexión.
- Zonas de corte al sobrepasar la línea de conexión.
- Daños de aislamiento por tirar de la línea de conexión del enchufe de la pared.
- Grietas causadas por el envejecimiento del aislamiento.

Tales líneas de conexión eléctrica defectuosas no deben utilizarse, pues suponen un riesgo para la vida debido a los daños de aislamiento.

Supervisar con regularidad las líneas de conexión eléctrica en busca de posibles daños. Durante la comprobación, preste atención a que la línea de conexión no cuelgue de la red eléctrica.

Las líneas de conexión eléctrica deben cumplir las pertinentes disposiciones VDE y DIN. Utilice solo líneas de conexión con la misma certificación.

La impresión de la denominación del tipo en el cable de conexión es obligatoria.

### 10.3 Motor de corriente alterna

- La tensión de red debe ser de 230 V~ 50 Hz.
- Los cables alargadores de hasta 25 m de longitud deben poseer una sección de 1,5 milímetros cuadrados.

Las conexiones y reparaciones del equipamiento eléctrico debe realizarlas solo un experto electricista.

En caso de posibles dudas, indique los siguientes datos:

- Tipo de corriente del motor
- Datos de la placa de características de la máquina
- Datos de la placa de características del motor

## 11. Limpieza, mantenimiento y almacenamiento

### ⚠ ¡Atención!

Desenchufe el aparato de la red antes de efectuar cualquier trabajo de limpieza o mantenimiento. Peligro de lesiones por golpes de corriente.

### ⚠ ¡Atención!

Espera a que el aparato se haya enfriado por completo. ¡Peligro de quemaduras!

### ⚠ ¡Atención!

¡Purgue la presión del aparato antes de efectuar los trabajos de mantenimiento y limpieza! ¡Peligro de lesión!

### 11.1 Limpieza

- En lo posible, mantenga el aparato libre de polvo y suciedad. Limpie el aparato con un paño limpio o sople aire comprimido a baja presión.
- Recomendamos limpiar el aparato directamente después del uso.
- Limpie regularmente el aparato con un paño húmedo y algo de jabón blando. No utilice ningún producto de limpieza ni disolventes agresivos; estos podrían deteriorar las piezas de plástico del aparato. Ponga cuidado para que no entre agua en el interior del aparato.
- Antes de realizar la limpieza, desconecte del compresor la manguera y las herramientas de pulverizado. No limpie el compresor con agua, disolventes o similares.

## 11.2 Mantenimiento del recipiente de presión (fig. 1)

### ⚠ ¡Atención!

Para conseguir una prolongada vida útil del recipiente de presión (8), después de cada funcionamiento debe evacuarse el agua de condensación abriendo el tornillo de purga (6).

En primer lugar, purgue la presión de la caldera (véase 11.6.1). Abra el tapón roscado de purga (6) girándolo en el sentido contrario a las agujas del reloj (perspectiva desde la parte inferior del compresor hacia el tornillo).

Para que pueda salir toda el agua de condensación del depósito de presión (8), este deberá inclinarse ligeramente hacia un lado para que el tapón roscado de purga (6) represente el punto más bajo.

A continuación, vuelva a cerrar el tornillo de purga (6) (gírelo en el sentido de las agujas del reloj). Compruebe antes de cada funcionamiento de que el recipiente de presión (8) no esté dañado ni oxidado.

El compresor no debe utilizarse con un recipiente de presión (8) dañado u oxidado. Si detecta algún daño, deberá ponerse en contacto con el taller del servicio técnico.

### Notas sobre la eliminación del agua de condensación:

Elimine el agua de condensación de acuerdo con la normativa medioambiental local y nacional. Asegúrese de que no se vierta en el sistema de alcantarillado.

## 11.3 Válvula de seguridad (fig. 8)

La válvula de seguridad (9) está ajustada a la presión máxima permitida del recipiente de presión (8). No está permitido regular la válvula de seguridad (9) o quitar el bloqueo de la conexión (9b) entre la tuerca de drenaje (9a) y su tapa (9c). Para que la válvula de seguridad (9) funcione correctamente cuando se necesite, esta deberá revisarse cada 30 horas de servicio o, en todo caso, al menos 3 veces al año. Gire la tuerca de drenaje perforada (9a) en el sentido contrario a las agujas del reloj para abrirla, y luego manualmente, tire del vástago de la válvula hacia afuera sobre la tuerca de drenaje perforada (9a) para abrir la salida de la válvula de seguridad (9). La válvula ahora deja salir el aire de forma audible. Luego vuelva a apretar la tuerca de drenaje (9a) en el sentido de las agujas del reloj.

## 11.4 Limpieza del filtro de aire (fig. 9, 10)

El filtro de aire (4) impide aspirar polvo y suciedad. Es necesario limpiar dicho filtro de aire (4) como mín. cada 300 horas de servicio. Un filtro de aire (4) atascado reduce considerablemente la potencia del compresor.

Gire el filtro de aire (4) en el sentido contrario a las agujas del reloj para quitarlo. Abra la tapa del filtro (4c) y quítela. Ahora se puede sacar el inserto del filtro (4b). Sacuda con cuidado el inserto del filtro (4b), la tapa del filtro (4c) y la carcasa del filtro (4a). Después sople estos componentes con aire comprimido (aprox. 3 bar) y vuelva a montarlos siguiendo el orden contrario.

## 11.5 Información sobre el servicio técnico

Hay que tener en cuenta que los siguientes componentes de este producto están sometidos a desgaste natural o por el uso o que se requieren los siguientes materiales de consumo.

Piezas de desgaste\*: Filtro de aire

\* ¡No incluida obligatoriamente en el volumen de suministro!

## 11.6 Almacenamiento

### ⚠ ¡Atención!

**Desenchufe el aparato y purgue de aire el aparato y todas las herramientas de aire comprimido conectadas. Coloque el compresor de manera que no se pueda conectar de forma inesperada.**

### ⚠ ¡Atención!

**Conservar el compresor únicamente en un entorno seco e inaccesible a personas no autorizadas. ¡No volcar! ¡Conservar únicamente en vertical!**

### 11.6.1 Eliminación de la sobrepresión

Elimine la sobrepresión del compresor desconectándolo y consumiendo el aire comprimido que todavía se encuentra en el recipiente de presión, p. ej. con una herramienta de aire comprimido en marcha en vacío o con una pistola de soplado.

## 12. Transporte

Para el transporte, utilice el mango de transporte (1) y mueva el compresor.

Al levantar el compresor, tenga en cuenta su peso (véase Datos técnicos).

Al transportar el compresor en un vehículo de motor, cuide de que la carga esté bien asegurada.

## 13. Eliminación y reciclaje

### Notas sobre el embalaje



Los materiales de embalaje son reciclables. Deseche los embalajes de forma respetuosa con el medio ambiente.

### Notas sobre la Ley alemana de aparatos eléctricos y electrónicos (ElektroG)



**¡Los residuos de equipos eléctricos y electrónicos no forman parte de la basura doméstica, sino que deben recogerse o eliminarse por separado!**

- ¡Antes de la entrega, deben retirarse, libres de daños, las baterías usadas o las baterías recargables que no vengán instaladas de manera permanente en el aparato usado! Su eliminación está regulada por la ley alemana de baterías.
- Los propietarios o usuarios de aparatos eléctricos y electrónicos están legalmente obligados a devolverlas después de su uso.
- ¡El usuario final es responsable de eliminar sus datos personales en el aparato usado que se va a desechar!
- El símbolo del contenedor con ruedas tachado significa que los equipos eléctricos y electrónicos no deben desecharse junto con la basura doméstica.
- Los residuos de equipos eléctricos y electrónicos se pueden entregar de forma gratuita en los siguientes lugares:
  - Puntos públicos de eliminación o recogida (p. ej., obras públicas municipales)
  - LIDL le ofrece opciones de devolución directamente en sus tiendas y mercados. La devolución y la gestión de la eliminación son gratuitas para usted.

- Puede entregar hasta tres aparatos eléctricos usados por tipo de aparato, con una longitud máxima de canto de 25 centímetros, de forma gratuita sin necesidad de adquirir previamente un aparato nuevo del fabricante o llevarlos a otro punto de recogida autorizado en su zona.
- En el correspondiente servicio de atención al cliente podrá encontrar condiciones de devolución adicionales de los fabricantes y distribuidores.
- Si el fabricante entrega un aparato eléctrico nuevo a un domicilio privado, el fabricante puede solicitar que el aparato eléctrico usado sea recogido de forma gratuita a petición del usuario final. Para ello, póngase en contacto con el servicio de atención al cliente del fabricante.
- Estas declaraciones solo se aplican a los aparatos instalados y vendidos en los países de la Unión Europea y sujetos a la Directiva Europea 2012/19/UE. En países fuera de la Unión Europea, se pueden aplicar diferentes regulaciones a la eliminación de residuos de equipos eléctricos y electrónicos.

#### 14. Solución de averías

| Avería  | Causa posible  | Solución   |
|---|--|--|
| El compresor no funciona.   | No dispone de tensión de red.                                  | Compruebe el cable, el enchufe, el fusible y la toma de corriente.   |
|   | Tensión de red es demasiado baja.                              | Evite cables alargadores excesivamente largos. Utilice cables alargadores con sección de cable suficiente.                                       |
|   | Temperatura exterior es demasiado baja.                        | No ponga en funcionamiento cuando la temperatura exterior sea inferior a +5°C.   |
|   | El motor se ha sobrecalentado.                                 | Deje enfriar el motor y, en caso necesario, solucione la causa del sobrecalentamiento.   |
| El compresor está en marcha pero no hay presión.  | La válvula de seguridad presenta fugas.                        | Póngase en contacto con su centro de servicio local. Las reparaciones solo deben ser realizadas por personas dotadas de formación especializada. |
|   | Las juntas están rotas.  | Compruebe las juntas, cambie las juntas en mal estado en un taller especializado.  |
|   | El tornillo de purga para agua de condensación presenta fugas. | Reapriete el tornillo a mano. Compruebe la junta en el tornillo, en caso necesario cámbiela.   |
| El compresor está en marcha, el manómetro indica la presión pero las herramientas no funcionan. | Las conexiones de manguera presentan fugas.                    | Compruebe la manguera de aire comprimido y las herramientas, en caso necesario cámbielas.  |
|   | El acoplamiento rápido presenta fugas.                         | Póngase en contacto con su centro de servicio local. Las reparaciones solo deben ser realizadas por personas dotadas de formación especializada. |
|   | Insuficiente presión está ajustada en el regulador de presión. | Sigue abriendo el regulador de presión.  |

## 15. Certificado de garantía

Estimado cliente,

Nuestros productos están sometidos a un estricto control de calidad. No obstante, lamentaríamos que este aparato dejara de funcionar correctamente, en tal caso, le rogamos que se dirija a nuestro servicio de atención al cliente en la dirección indicada en la parte inferior de la presente tarjeta de garantía. Con mucho gusto le atenderemos también telefónicamente en el número de servicio indicado a continuación. Para hacer válido el derecho de garantía, proceda de la siguiente forma:

- Estas condiciones de garantía regulan prestaciones de la garantía adicionales. Sus derechos legales a prestación de garantía no se ven afectados por la presente garantía. Nuestra prestación de garantía es gratuita para usted. La prestación de garantía se extiende exclusivamente a defectos ocasionados por fallos de material o de producción y está limitada a la reparación de los mismos o al cambio del aparato. Tenga en consideración que nuestro aparato no está indicado para un uso comercial, en taller o industrial. Por lo tanto, no procederá un contrato de garantía cuando se utilice el aparato en zonas industriales, comerciales o talleres, así como actividades similares. De nuestra garantía se excluye cualquier otro tipo de prestación adicional por daños ocasionados por el transporte, daños ocasionados por la no observancia de las instrucciones de montaje o por una instalación no profesional, no observancia de las instrucciones de uso (como, p. ej., conexión a una tensión de red o corriente no indicada), aplicaciones impropias o indebidas (como, p. ej., sobrecarga del aparato o uso de herramientas o accesorios no homologados), no observancia de las disposiciones de mantenimiento y seguridad, introducción de cuerpos extraños en el aparato (como, p. ej., arena, piedras o polvo), uso violento o influencias externa (como, p. ej., daños por caídas), así como por el desgaste habitual por el uso.

El derecho a garantía pierde su validez cuando ya se hayan realizado intervenciones en el aparato.

- El periodo de garantía es de 3 años y comienza en la fecha de la compra del aparato. El derecho de garantía debe hacerse válido, antes de finalizado el plazo de garantía, dentro de un periodo de dos semanas una vez detectado el defecto. El derecho de garantía vence una vez transcurrido el plazo de garantía. La reparación o cambio del aparato no conllevará ni una prolongación del plazo de garantía ni un nuevo plazo de garantía ni para el aparato ni para las piezas de repuesto montadas. Esto también se aplica en el caso de un servicio in situ.
- Para reclamar sus derechos de garantía, póngase en contacto con la dirección de servicio que aparece a continuación. Si la reclamación se encuentra dentro del período de garantía, pondremos a su disposición un impreso de devolución con el que podrá devolvernos su aparato defectuoso sin cargo alguno. Describa con la mayor precisión posible el motivo de la reclamación. Si nuestra prestación de garantía incluye el defecto aparecido en el aparato, recibirá de inmediato un aparato reparado o nuevo de vuelta.

Naturalmente, también solucionaremos los defectos del aparato que no se encuentren comprendidos o ya no se encuentren comprendidos en la garantía, en este caso contra reembolso de los costes. Para ello, envíe el aparato a nuestra dirección de servicio técnico.

### 15.1 Tramitación en caso de garantía

Para asegurarnos de que su solicitud se transmite con rapidez, siga las indicaciones a continuación:

- Para cualquier consultas, tenga a mano el recibo y el número de artículo (por ejemplo, IAN 465618\_2404) como prueba de compra.
- Encontrará el número de artículo en la placa de características del producto, en un grabado del producto, en la portada de su manual (abajo, a la izquierda) o en la pegatina de la parte posterior o inferior del producto.
- En caso de fallos de funcionamiento u otros defectos, póngase primero en contacto por teléfono o correo electrónico con el departamento de servicio que se indica más abajo.
- Después podrá enviar gratuitamente el producto registrado como defectuoso a la dirección de servicio que se le ha facilitado, adjuntando el comprobante de compra (recibo) e indicando cuál es el defecto y cuándo se ha producido.
- Puede consultar y descargar estos y muchos otros manuales en: [parkside-diy.com](http://parkside-diy.com). Este código QR le llevará directamente a [parkside-diy.com](http://parkside-diy.com). Seleccione su país y utilice la máscara de búsqueda para encontrar los manuales de instrucciones. Al introducir el número de artículo (IAN) 465618\_2404 accederá al manual de instrucciones de su artículo.

### Contacto de servicio (ES):

**Nombre:** ISTEGA S.L.  
Ctra. De Cambre al Temple, 106 - A  
Barcala  
ES - 15660 Cambre (A Coruna)

**Teléfono:** 00800 4003 4003

**Correo electrónico:** [service.ES@scheppach.com](mailto:service.ES@scheppach.com)

**Sede:** España



---

|     |  |     |
|-----|--|-----|
| 1.  | Spiegazione dei simboli sull'apparecchio ..... | 57  |
| 2.  | Introduzione.....                              | 58  |
| 3.  | Descrizione dell'apparecchio (Fig. 1-10).....  | 58  |
| 4.  | Contenuto della fornitura.....                 | 58  |
| 5.  | Impiego conforme alla destinazione d'uso ..... | 58  |
| 6.  | Indicazioni di sicurezza .....                 | 59  |
| 7.  | Dati tecnici.....                              | 61  |
| 8.  | Prima della messa in funzione.....             | 62  |
| 9.  | Montaggio e utilizzo .....                     | 62  |
| 10. | Allacciamento elettrico.....                   | 63  |
| 11. | Pulizia, manutenzione e magazzinaggio .....    | 63  |
| 12. | Trasporto .....                                | 64  |
| 13. | Smaltimento e riciclaggio.....                 | 64  |
| 14. | Risoluzione dei guasti .....                   | 65  |
| 15. | Certificato di garanzia .....                  | 66  |
| 16. | Disegno esploso.....                           | 123 |
| 17. | Dichiarazione di conformità.....               | 124 |



## 1. Spiegazione dei simboli sull'apparecchio



Prima della messa in funzione leggere attentamente e attenersi alle istruzioni per l'uso e alle avvertenze sulla sicurezza!



Indossare degli otoprotettori. L'esposizione al rumore può provocare la perdita dell'udito.



Indossare una protezione respiratoria.



Avviso di componenti incandescenti!



Avviso di tensione elettrica.



Avviso! L'unità è controllata a distanza e può avviarsi senza alcun avviso.



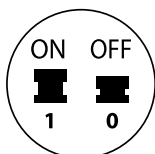
Non esporre la macchina alla pioggia. L'apparecchio può essere installato stazionato, stoccato e azionato solo a condizioni ambientali di asciutto.



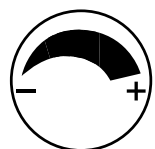
Specificazione del livello di potenza acustica in dB.



Specificazione del livello di pressione acustica in dB.



Interruttore ON/OFF.



Regolatore di pressione.

## 2. Introduzione

### Produttore:

Scheppach GmbH  
Günzburger Straße 69  
D-89335 Ichenhausen

### Egregio cliente,

Le auguriamo un piacevole utilizzo del Suo nuovo apparecchio.

### Avvertenza:

Sulla base della legge attualmente in vigore sulla responsabilità per prodotti difettosi, il produttore del presente apparecchio non risponde dei danni all'apparecchio in questione o derivanti da esso in caso di:

- manipolazione impropria,
- mancato rispetto delle istruzioni per l'uso,
- riparazioni da parte di terzi, personale tecnico non autorizzato,
- montaggio e sostituzione di pezzi di ricambio non originali,
- utilizzo non conforme,
- guasti all'impianto elettrico dovuti alla mancata osservanza delle norme elettriche e delle disposizioni VDE 0100, DIN 57113 / VDE0113.

### Da osservare:

Prima del montaggio e della messa in funzione, leggere tutto il testo delle istruzioni per l'uso.

Le presenti istruzioni per l'uso sono intese a facilitare la conoscenza dell'attrezzo elettrico e a sfruttare le sue possibilità di impiego conformi.

Le istruzioni per l'uso contengono avvertenze importanti su come utilizzare l'utensile elettrico in modo sicuro, corretto ed economico e su come evitare i pericoli, risparmiare sui costi di riparazione, ridurre i tempi di inattività ed aumentare l'affidabilità e la durata dell'utensile elettrico.

Oltre alle disposizioni di sicurezza contenute nelle qui presenti istruzioni per l'uso, è necessario altresì osservare le norme in vigore nel proprio Paese per l'utilizzo dell'utensile elettrico.

Conservare le istruzioni per l'uso vicino all'utensile elettrico, protette da sporcizia e umidità in una copertina di plastica.

Esse devono essere attentamente lette e scrupolosamente osservate da tutti gli operatori prima di iniziare il lavoro. Sull'utensile elettrico possono lavorare soltanto persone che sono state istruite sul suo uso e sui pericoli ad esso collegati.

Oltre alle indicazioni di sicurezza contenute nelle presenti istruzioni per l'uso e alle disposizioni speciali in vigore nel proprio Paese, devono essere rispettate le regole tecniche generalmente riconosciute per l'utilizzo di macchine simili.

Si declina ogni responsabilità in caso di incidenti o danni dovuti al mancato rispetto delle presenti istruzioni e delle avvertenze di sicurezza.

## 3. Descrizione dell'apparecchio (Fig. 1-10)

1. Maniglia di trasporto
- 1a. Viti M8x10
2. Pressostato
3. Interruttore ON/OFF
4. Filtro dell'aria
- 4a. Scatola del filtro

- 4b. Inserto filtrante
- 4c. Coperchio del filtro
- 4d. Tubo flessibile
5. Ruota
- 5a. Vite a testa bombata
- 5b. Rondella di rasamento
6. Valvola di scarico per l'acqua di condensa
7. Piede di appoggio
- 7a. Vite
- 7b. Rondella di rasamento
8. Serbatoio a pressione
9. Valvola di sicurezza
- 9a. Dado di scarico
- 9b. Sicura di connessione
- 9c. Calotta del dado di scarico
10. Giunto rapido (aria compressa regolata)
11. Giunto rapido (aria compressa regolata)
12. Manometro (la pressione impiegata può essere letta)
13. Manometro (è possibile leggere la pressione della caldaia)
14. Flessibile dell'aria compressa (Non incluso nell'oggetto della fornitura)
- 14a. Nipplo a innesto
- 14b. Giunto rapido
15. Regolatore di pressione
16. Coperchio di trasporto

## 4. Contenuto della fornitura

- 1x Filtro dell'aria
- 1x Maniglia di trasporto
- 2x Viti M8x10
- 1x Piede di supporto
- 2x Ruota
- 1x Materiale di montaggio
- 1x Manuale di istruzioni per l'uso

## 5. Impiego conforme alla destinazione d'uso

Il compressore viene utilizzato per generare aria compressa per attrezzi ad aria compressa che possono essere azionati con un volume di aria fino a circa 180 l/min (per esempio sistema di gonfiaggio degli pneumatici, pistola di soffiaggio e pistola di verniciatura). A causa della portata di aria ridotta non è possibile utilizzare attrezzi che hanno un fabbisogno di aria molto elevato (per esempio levigatrici orbitali, smerigliatrici diritte e avvitatori a impulsi).

Il compressore può essere azionato solo in ambienti interni asciutti e ben ventilati.

Utilizzare la macchina solo in modo conforme all'uso previsto. Un uso diverso o che oltrepassi quello previsto è da considerarsi non conforme. L'utente/l'operatore, e non il fabbricante, è unico responsabile dei danni o delle lesioni provocati da un uso non conforme.

Si prega di notare che i nostri apparecchi non sono stati costruiti per uso commerciale, artigianale o industriale. Non ci si assume alcuna responsabilità se l'apparecchio è impiegato nel quadro di un'attività commerciale, artigianale, industriale o simili.

## 6. Indicazioni di sicurezza

### Indicazioni generali di sicurezza per gli attrezzi elettrici

△ **AVVISO!** Leggere tutte le indicazioni di sicurezza, le istruzioni, le illustrazioni e i dati tecnici dei quali è dotato questo attrezzo elettrico. L'inosservanza delle seguenti istruzioni può provocare scosse elettriche, incendi e/o lesioni gravi.

### Conservare tutte le indicazioni di sicurezza e le istruzioni per ulteriore consultazione.

Il termine "attrezzo elettrico" utilizzato nelle indicazioni di sicurezza si riferisce ad attrezzi elettrici alimentati dalla rete (con cavo di rete) e ad attrezzi elettrici funzionanti a batteria (senza cavo di rete).

### Sicurezza sul posto di lavoro

- a. **Tenere la zona di lavoro pulita e ben illuminata.** Zone di lavoro disordinate e non illuminate potrebbero provocare infortuni.
- b. **Non lavorare con l'attrezzo elettrico in aree a rischio di esplosione, nelle quali si trovino fluidi, gas o polveri infiammabili.** Gli attrezzi elettrici generano scintille che possono infiammare la polvere o i vapori.
- c. **Tenere i bambini e le altre persone distanti durante l'utilizzo dell'attrezzo elettrico.** In caso di deviazione, si potrebbe perdere il controllo dell'attrezzo elettrico.

### Sicurezza elettrica

- a. **Il connettore dell'attrezzo elettrico deve essere adatto per la presa di corrente.** e non deve essere assolutamente modificato. Non utilizzare adattatori con gli attrezzi elettrici con collegamento a terra. Il rischio di scossa elettrica si riduce se si utilizzano spine non modificate e prese di corrente adatte.
- b. **Evitare il contatto tra il corpo e le superfici che scaricano a terra, come ad es. tubi, elementi riscaldanti, fornelli e frigoriferi. Sussiste un rischio elevato di scarica elettrica, se il proprio corpo è a potenziale di terra.**
- c. **Conservare gli attrezzi elettrici al riparo da pioggia o umidità.** La penetrazione di acqua in un attrezzo elettrico aumenta il rischio di scarica elettrica.
- d. **Non utilizzare in modo scorretto il cavo mentre si trasporta l'elettrotensile, per appenderlo o per estrarre la spina dalla presa.** Tenere il cavo lontano da calore, olio, spigoli appuntiti o parti dell'apparecchio in movimento. Il rischio di scossa elettrica aumenta se si utilizzano cavi danneggiati o aggrovigliati.
- e. **Quando si lavora all'aperto con un elettrotensile, utilizzare soltanto una prolunga indicato per l'uso in ambienti esterni.** L'impiego di una prolunga idonea all'uso in ambienti esterni riduce il rischio di scossa elettrica. All'aperto utilizzare solo cavi di prolunga consentiti e opportunamente contrassegnati a tale scopo. Utilizzare il tamburo avvolgicavo solo in stato srotolato.
- f. **Se non è possibile evitare di utilizzare l'attrezzo elettrico in un ambiente umido, utilizzare un interruttore differenziale con una corrente di intervento di 30 mA o inferiore.** L'uso di un interruttore differenziale riduce il rischio di scossa elettrica.

### Sicurezza delle persone

- a. **Essere vigili, prestare attenzione a quello che si fa e procedere in modo ragionevole quando si lavora con un attrezzo elettrico. Non utilizzare l'attrezzo elettrico quando si è stanchi o sotto l'effetto di droghe, alcool o medicinali.** Un momento di disattenzione durante l'uso dell'elettrotensile può causare lesioni gravi.
- b. **Indossare dispositivi di protezione individuale e, sempre, occhiali protettivi.** Indossare dispositivi di protezione individuale, quali maschera antipolvere, calzature di sicurezza antiscivolo, elmetto di sicurezza o otoprotettori, riduce il rischio di lesioni a seconda del tipo d'uso dell'attrezzo elettrico.
- c. **Evitare una messa in funzione accidentale. Accertarsi che l'attrezzo elettrico sia spento prima di collegarlo all'alimentazione elettrica e/o all'accumulatore, o prima di sollevarlo o trasportarlo.** Se durante il trasporto dell'attrezzo elettrico si tiene il dito sull'interruttore o se si collega l'attrezzo elettrico già acceso alla corrente elettrica, possono verificarsi incidenti.
- d. **Rimuovere eventuali strumenti di regolazione o chiavi inglesi prima di accendere l'attrezzo elettrico.** Un utensile o una chiave che si trovano all'interno di una parte del dispositivo in movimento possono provocare lesioni.
- e. **Evitare una postura anomala.** Accertarsi che la posizione sia sicura e mantenere sempre l'equilibrio. In questo modo è possibile controllare in modo migliore l'attrezzo elettrico in situazioni impreviste.
- f. **Indossare abbigliamento adeguato. Non indossare indumenti larghi o gioielli. Tenere capelli, capi d'abbigliamento e guanti lontani dalla parti in movimento.** Vestiti larghi, gioielli o capelli lunghi possono impigliarsi nelle parti in movimento. Durante il lavoro all'aperto si raccomandano guanti in gomma e calzature antiscivolo. In caso di capelli lunghi, indossare una retina per raccogliere i capelli.
- g. **Se si possono installare dispositivi di aspirazione e raccolta della polvere, accertarsi che essi siano collegati e utilizzati correttamente.** L'utilizzo di un sistema di aspirazione della polvere può ridurre i rischi dovuti alla polvere stessa.
- h. **Fare in modo di non trovarsi in condizioni di pericolo e tenere conto delle regole di sicurezza per gli attrezzi elettrici anche nel caso in cui, dopo vari utilizzi dell'attrezzo elettrico, sia stata acquisita una certa familiarità.** Maneggiare l'attrezzo senza fare attenzione può causare gravi lesioni nel giro di pochi secondi.

### Utilizzo e manipolazione dell'attrezzo elettrico

- a. **Non sovraccaricare l'apparecchio.** Utilizzare l'attrezzo elettrico adatto al lavoro eseguito. Con l'attrezzo elettrico adatto, si lavora meglio e con maggior sicurezza mantenendosi entro il campo di potenza specificato.
- b. **Non utilizzare attrezzi elettrici con interruttore difettoso. Un attrezzo elettrico che non si riesce più ad accendere o spegnere è pericoloso e deve essere riparato.**
- c. **Estrarre la spina dalla presa e/o rimuovere l'accumulatore estraibile prima di impostare i parametri dell'apparecchio, di sostituire parti degli attrezzi ausiliari o di riporre l'attrezzo elettrico.** Questa precauzione impedisce l'avvio accidentale dell'elettrotensile.

- d. **Tenere gli elettrodomestici non utilizzati fuori dalla portata dei bambini.** Non lasciare che l'attrezzo elettrico venga utilizzato da chi non ha dimestichezza nel suo uso o non ha letto le presenti istruzioni. Gli attrezzi elettrici sono pericolosi se utilizzati da persone inesperte. Gli attrezzi elettrici inutilizzati devono essere depositati in un luogo asciutto, alto o comunque chiuso, fuori dalla portata di bambini.
- e. **Conservare gli attrezzi elettrici e l'attrezzo ausiliario con la massima cura.** Controllare che i componenti mobili funzionino in modo impeccabile e non si blocchino; verificare che non ci siano componenti rotti o danneggiati che possano influenzare il funzionamento dell'elettrodomestico. Fare riparare i componenti danneggiati prima dell'utilizzo dell'attrezzo elettrico. Molti infortuni sono dovuti a una scorretta manutenzione degli attrezzi elettrici.
- f. **Conservare gli utensili di taglio affilati e puliti. Utensili di taglio con bordi affilati e sottoposti ad una manutenzione accurata si bloccano con una frequenza minore e sono più agevoli da controllare.**
- g. **Utilizzare l'attrezzo elettrico, gli accessori, gli attrezzi ausiliari etc. attenendosi alle istruzioni.** e prendendo in considerazione le condizioni operative e l'attività da svolgere. Un utilizzo degli attrezzi elettrici per applicazioni diverse da quelle previste può comportare situazioni pericolose.
- h. **Mantenere le maniglie e le relative superfici asciutte, pulite e libere da olio e grasso.** Maniglie e superfici della maniglia scivolose non permettono un comando e un controllo dell'attrezzo elettrico sicuri in situazioni imprevedibili.

#### Assistenza

- a. **Far riparare l'attrezzo elettrico soltanto da personale specializzato e qualificato e solo utilizzando pezzi di ricambio originali.** In questo modo si garantisce il costante funzionamento sicuro dell'elettrodomestico.

#### Indicazioni di sicurezza per compressori

**⚠ Attenzione!** Quando si utilizza questo compressore adottare le seguenti misure di sicurezza basilari per la protezione contro scosse elettriche e contro il pericolo di lesioni e incendi. Leggere e osservare queste avvertenze prima di utilizzare l'apparecchio.

#### Lavoro in sicurezza.

1. Prendersi cura degli attrezzi elettrici con diligenza
  - Mantenete pulito il proprio compressore per lavorare bene e in sicurezza.
  - Attenersi alle istruzioni di manutenzione.
  - Controllare regolarmente la linea di allacciamento dell'attrezzo elettrico e farlo sostituire da un esperto in caso di danneggiamento.
  - Verificare regolarmente i cordoni di prolunga e sostituirli qualora fossero danneggiati.
2. Estrarre la spina dalla presa
  - In caso di inutilizzo dell'attrezzo elettrico, prima della manutenzione e durante la sostituzione di attrezzi, per esempio lama, trapano, fresa.

3. Verificare che l'attrezzo elettrico non sia danneggiato
  - Prima di utilizzare l'attrezzo elettrico, controllare scrupolosamente che i dispositivi di protezione o le parti leggermente danneggiate funzionino correttamente.
  - Controllare che le parti mobili funzionino correttamente e non si blocchino, e che non siano danneggiate. Tutti i componenti devono essere montati correttamente e tutte le condizioni devono essere soddisfatte al fine di garantire un esercizio perfetto dell'elettrodomestico.
  - Dispositivi di protezione e componenti danneggiati devono essere riparati o sostituiti in modo conforme da un'officina specializzata riconosciuta, salvo diversamente indicato nelle istruzioni per l'uso.
  - Non utilizzare cavi di collegamento difettosi o danneggiati.
4. **Attenzione!**
  - Per la propria sicurezza personale, utilizzare solo gli accessori e i dispositivi supplementari riportati nelle istruzioni per l'uso o consigliati / indicati dal produttore. L'utilizzo di elettrodomestici e accessori diversi da quelli consigliati nelle istruzioni per l'uso o nel catalogo può implicare un pericolo di lesioni personali.
5. Sostituzione del cavo di collegamento
  - Se il cavo di collegamento è danneggiato, deve essere sostituito dal produttore o da un elettricista specializzato, al fine di evitare potenziali pericoli. Pericolo di scariche elettriche.
6. Gonfiaggio degli pneumatici
  - Controllare la pressione di gonfiaggio degli pneumatici subito dopo il gonfiaggio, utilizzando un manometro adatto, per esempio presso una stazione di rifornimento.
7. Compressori mobili su strada per il funzionamento in cantieri
  - Assicurarsi che tutti i flessibili e il valvolame siano adatti alla pressione operativa massima ammessa del compressore.
8. Luogo di installazione
  - Posizionare il compressore solo su una superficie piana.
9. Si consiglia di dotare i flessibili di alimentazione di un cavo di sicurezza, per esempio una fune metallica, in caso di pressione superiori a 7 bar.
10. Evitare carichi pesanti sul sistema di tubazioni impiegando raccordi portagomme per evitare la formazione di punti di piegatura.

#### Ulteriori indicazioni di sicurezza

**Rispettare le istruzioni di servizio corrispondenti dei rispettivi attrezzi pneumatici / dispositivi accessori ad aria compressa!** Occorre inoltre rispettare le indicazioni generali di seguito riportate.

#### Indicazioni di sicurezza per lavorare con aria compressa e pistole di soffiaggio

- Garantire una distanza sufficiente dal prodotto, sempre di almeno 2,50 m e tenere lontani gli attrezzi pneumatici / i dispositivi accessori ad aria compressa durante il funzionamento del compressore.
- La pompa del compressore e le linee del compressore raggiungono temperature elevate durante l'esercizio. Il contatto comporta ustioni.

- L'aria aspirata dal compressore deve essere mantenuta priva di additivi che rischiano di provocare incendi o esplosioni nella pompa del compressore.
- Quando si allenta il raccordo del flessibile, tenere saldamente con la mano il pezzo di raccordo del flessibile. In questo modo si evitano eventuali lesioni causate dal rimbalzo del flessibile.
- Indossare occhiali protettivi e una mascherina per la protezione delle vie aeree quando si lavora con la pistola ad aria compressa. Le polveri sono nocive per la salute! Corpi estranei e componenti soffiati via possono facilmente causare lesioni.
- Non puntare il soffio della pistola di soffiaggio su persone né utilizzarla per pulire indumenti mentre vengono indossati sul corpo. Pericolo di lesioni!

#### Indicazioni di sicurezza durante l'utilizzo di dispositivi accessori di spruzzaggio e spray (ad es. bombolette spray di vernice)

- Durante il riempimento del dispositivo accessorio di spruzzaggio e spray, tenere lontano il compressore al fine di evitare il contatto del liquido con il compressore.
- Non spruzzare mai con i dispositivi accessori di spruzzaggio (ad es. bombolette spray di vernice) nella direzione del compressore. L'umidità può provocare danni elettrici!
- Non utilizzare vernici o solventi con punto di infiammabilità inferiore a 55 °C. Pericolo di esplosione!
- Non riscaldare vernici e solventi. Pericolo di esplosione!
- Se vengono trattati liquidi nocivi per la salute, sono necessari apparecchi filtranti (maschere facciali) per la protezione. Osservare anche le informazioni fornite dai fabbricanti di tali sostanze per quanto riguarda le misure di protezione.
- Occorre osservare le informazioni e le marcature relative all'ordinanza sulle sostanze pericolose GefStoffV applicate sugli imballaggi esterni dei materiali lavorati. È necessario adottare eventualmente ulteriori misure di protezione, in particolare indossare indumenti e maschere adeguate.
- Non è consentito fumare durante il processo di spruzzatura o nell'area di lavoro. Pericolo di esplosione! Anche i fumi delle vernici sono altamente infiammabili.
- Non è consentita la presenza o l'uso di focolari, fiamme libere o macchine che emettono scintille.
- Non conservare o consumare cibi e bevande nell'area di lavoro. I fumi delle vernici sono nocivi per la salute.
- L'area di lavoro deve essere superiore a 30 m<sup>3</sup> e occorre garantire un sufficiente ricambio dell'aria durante la spruzzatura e l'asciugatura.
- Non spruzzare controvento. Osservare tassativamente le disposizioni dell'autorità di polizia locale quando si spruzzano materiali infiammabili o pericolosi.
- Non trattare in collegamento con il flessibile a pressione in PVC fluidi quali acquaragia, butanolo e diclorometano. Questi fluidi distruggono il flessibile a pressione.
- L'area di lavoro deve essere separata dal compressore in modo che non ci sia un contatto diretto con il mezzo di lavoro.

#### Funzionamento di serbatoi a pressione

- Chiunque utilizzi un serbatoio a pressione è tenuto a mantenerlo in condizioni adeguate, a farlo funzionare correttamente, a monitorarlo, a eseguire senza indugio gli interventi di manutenzione e riparazione necessari e ad adottare le misure di sicurezza richieste dalle circostanze.

- L'autorità di controllo può disporre le misure di monitoraggio richieste dal singolo caso.
- Non è consentito far funzionare un serbatoio a pressione se presenta difetti che potrebbero mettere in pericolo gli addetti o terzi.
- Controllare il serbatoio a pressione prima di ogni messa in funzione per verificare che non sia arrugginito o danneggiato. Il compressore non deve essere messo in funzione se il serbatoio a pressione è arrugginito o danneggiato. In caso di danni, prego rivolgersi a un punto di assistenza.

#### Conservare con cura le indicazioni di sicurezza.

#### Rischio residuo

Rispettare le indicazioni di manutenzione e sicurezza definite all'interno delle istruzioni per l'uso.

Fare sempre attenzione durante il lavoro e mantenere le altre persone presenti a un distanza di sicurezza rispetto alla propria postazione di lavoro.

Anche se lo strumento viene utilizzato in modo corretto sussiste sempre comunque un certo rischio residuo che non può essere escluso. In base al tipo e alla struttura dello strumento, possono derivare i seguenti potenziali pericoli:

- Messa in funzione involontaria del prodotto.
- Danni all'udito se non si indossano otoprotettori adeguati.
- Particelle di sporco, polvere etc. possono arrivare negli occhi o sul viso nonostante si indossino occhiali di protezione.
- Possibile inalazione di particelle sollevate nell'aria.

#### ⚠ Avviso!

Questo elettrotensile genera un campo magnetico durante l'esercizio. Tale campo può danneggiare impianti medici attivi o passivi in particolari condizioni. Per ridurre il rischio di lesioni serie o mortali, si raccomanda alle persone con impianti medici di consultare il proprio medico e il produttore dell'impianto medico prima di utilizzare l'elettrotensile.

## 7. Dati tecnici

|   |                        |
|---|------------------------|
| Allacciamento alla rete .....                             | 230 V~ 50 Hz           |
| Potenza del motore .....                                  | 1500 W                 |
| Modalità operativa.....                                   | S1                     |
| Regime del compressore .....                              | 2850 min <sup>-1</sup> |
| Volume del serbatoio a pressione.....                     | circa 24 l             |
| Pressione di servizio.....                                | circa 10 bar           |
| Potenza di uscita Capacità di aspirazione .....           | circa 257 l/min        |
| Portata effettiva a 7 bar .....                           | ca. 103 l/min          |
| Portata effettiva a 4 bar .....                           | ca. 141 l/min          |
| Portata effettiva a 1 bar .....                           | ca. 180 l/min          |
| Livello di pressione acustica L <sub>PA</sub> .....       | 68 dB                  |
| Livello di potenza sonora misurato L <sub>WA</sub> .....  | 83,6 dB                |
| Livello di potenza sonora garantito L <sub>WA</sub> ..... | 86 dB                  |
| Incertezza K <sub>PA</sub> /W <sub>A</sub> .....          | 3 dB                   |
| Tipo di protezione.....                                   | IP30                   |
| Peso dell'apparecchio.....                                | circa 24 kg            |
| Altezza di montaggio (sopra il livello zero).....         | 1000 m                 |

I valori delle emissioni sonore sono stati determinati secondo EN ISO 3744:1995.

## Indossare degli otoprotettori.

L'esposizione al rumore può provocare la perdita dell'udito.

## 8. Prima della messa in funzione

- Aprire l'imballaggio ed estrarre con cautela l'apparecchio.
- Rimuovere il materiale d'imballaggio nonché le staffe di sicurezza per il trasporto e l'imballaggio (se presenti).
- Controllare se il contenuto della fornitura è completo.
- Controllare l'apparecchio e gli accessori per rilevare l'eventuale presenza di danni dovuti al trasporto.
- Ove possibile, conservare l'imballaggio fino alla scadenza della garanzia.

### ⚠ PERICOLO

**L'apparecchio e il materiale di imballaggio non sono giocattoli per bambini! I bambini non devono giocare con i sacchetti di plastica, pellicole e piccole parti! Sussiste il pericolo di ingerimento e soffocamento!**

- Prima del collegamento assicurarsi che i dati sulla piastrina indicatrice corrispondano ai dati della rete.
- Controllare l'apparecchio per rilevare l'eventuale presenza di danni da trasporto. Segnalare immediatamente eventuali danni al corriere che ha consegnato il compressore.
- Il compressore deve essere collocato nelle vicinanze dell'utenza.
- Occorre evitare linee dell'aria lunghe e linee di alimentazione lunghe (cavi di prolunga).
- Accertarsi che l'aria di aspirazione sia secca e priva di polvere.
- Non collocare il compressore in locali umidi o bagnati.
- Il compressore può funzionare solo in locali idonei (ben ventilati, temperatura ambiente da +5 °C a 40 °C). Non è consentita all'interno dell'area la presenza di polveri, acidi, vapori, gas esplosivi o infiammabili.
- Il compressore è adatto per l'uso in locali asciutti. Non è ammissibile l'uso in zone in cui si impiegano spruzzi di acqua.
- Il compressore può essere usato solo per breve tempo in ambienti esterni, a condizioni ambientali di asciutto.
- Il compressore deve sempre essere tenuto asciutto e non deve rimanere all'aperto dopo i lavori.

## 9. Montaggio e utilizzo

### ⚠ Attenzione!

**Prima della messa in funzione è obbligatorio montare completamente l'apparecchio!**

Per il montaggio è necessario disporre di:

- 1x chiave fissa 14 mm
- 1x chiave fissa 13 mm
- 1x chiave a tubo 14 mm
- 1x cacciavite a lama cruciforme (non inclusa nel contenuto della fornitura)

### 9.1 Montaggio delle ruote (Fig. 3)

- Montare le ruote (5) in dotazione come rappresentato.

### 9.2 Montaggio del piede di supporto (Fig. 4)

- Montare il piede di supporto (7) in dotazione come rappresentato.

### 9.3 Montaggio del filtro dell'aria (Fig. 5, 6)

- Rimuovere il coperchio di trasporto (16) e avvitare il filtro dell'aria (4) all'apparecchio.
- Inserire il tubo flessibile (4d) nell'apertura del filtro dell'aria (4).

### 9.4 Montaggio della maniglia di trasporto (Fig. 7)

- Montare la maniglia di trasporto (1) in dotazione come rappresentato. A tal fine, utilizzare le viti M8x10 (1a) fornite in dotazione e una chiave per dadi con apertura 13 (non inclusa nel contenuto della fornitura).

### 9.5 Allacciamento alla rete

- Il compressore è dotato di un cavo di rete con un contatto di terra. Questo può essere collegato a qualsiasi presa collegata a terra 230 V~ 50 Hz protetta a 16 A.
- Prima della messa in funzione, accertarsi che la tensione di rete corrisponda alla tensione di esercizio e alla potenza della macchina riportata sulla piastrina indicatrice.
- Cavi lunghi, prolunghe, tamburi per cavi ecc. causano cadute di tensione e possono ostacolare l'avvio del motore.
- Alle basse temperature al di sotto di +5 °C, l'avvio del motore risulta difficile.

### 9.6 Interruttore ON/OFF (Fig. 1)

- Per accendere il compressore, si tira l'interruttore ON/OFF (3) verso l'alto.
- Per spegnere, si tira l'interruttore ON/OFF (3) verso il basso.

### 9.7 Impostazione della pressione (Fig. 1, 2)

- Con il regolatore di pressione (15) si imposta la pressione sul manometro (12).
- La pressione impostata può essere rilevata sul giunto rapido (10, 11).
- La pressione della caldaia viene letta dal manometro (13).

### 9.8 Impostazione del pressostato (Fig. 1)

- Il pressostato (2) viene impostato in fabbrica.  
Pressione di accensione circa 5,5 bar  
Pressione di spegnimento circa 8 bar

### 9.9 Montaggio del flessibile dell'aria compressa (Non incluso nell'oggetto della fornitura) (Fig. 1, 2)

- Collegare il nipplo a innesto (14a) del flessibile dell'aria compressa (14) a uno dei giunti rapidi (10, 11). In seguito, collegare l'attrezzo pneumatico al giunto rapido (14b) del flessibile dell'aria compressa (14).

### 9.10 Interruttore magnetotermico di protezione

L'interruttore magnetotermico di protezione è integrato nell'apparecchio.

Se l'interruttore magnetotermico di protezione si attiva, procedere nel seguente modo:

- Estrarre la spina elettrica.
- Attendere da due a tre minuti circa.
- Reinserrire l'apparecchio.
- Se l'apparecchio non si avvia, ripetere l'operazione.
- Se l'apparecchio continua a non avviarsi, spegnere l'apparecchio con l'interruttore ON/OFF (3) per poi riaccenderlo.
- Se sono stati eseguiti tutti i passi sopra citati e l'apparecchio continua comunque a non funzionare, contattare il nostro servizio di assistenza.

## 10. Allacciamento elettrico

**Il motore elettrico installato è collegato e pronto per l'esercizio. L'allacciamento è conforme alle disposizioni VDE e DIN pertinenti. L'allacciamento alla rete del cliente e il cavo di prolunga utilizzato devono essere conformi a tali norme.**

Durante i lavori con i dispositivi accessori di spruzzaggio e spray nonché in caso di applicazione provvisoria all'aperto, occorre collegare assolutamente l'apparecchio ad una corrente di intervento di 30 mA tramite **un interruttore differenziale**.

### 10.1 Avvertenze importanti

In caso di sovraccarico il motore si disinserisce automaticamente. Dopo un tempo di raffreddamento (di durata diversa) è possibile inserire nuovamente il motore.

### 10.2 Cavo di alimentazione elettrica difettoso

Sui cavi di alimentazione elettrica si verificano spesso danni all'isolamento.

Le cause possono essere le seguenti:

- Schiacciature, laddove i cavi di alimentazione vengono fatti passare attraverso finestre o interstizi di porte.
- Piegature a causa del fissaggio o della conduzione dei cavi stessi eseguiti in modo non appropriato.
- Tagli causati dal transito sui cavi di alimentazione.
- Danni all'isolamento causati dalle operazioni di distacco dalla presa a parete.
- Cricche a causa dell'invecchiamento dell'isolamento.

Tali cavi di alimentazione elettrica difettosi non possono essere utilizzati e rappresentano un pericolo mortale a causa dei danni all'isolamento.

Controllare regolarmente che i cavi di alimentazione elettrica non siano danneggiati. Assicurarsi che, durante tale controllo, il cavo di alimentazione non sia collegato alla rete elettrica.

I cavi di alimentazione elettrica devono essere conformi alle disposizioni VDE e DIN pertinenti. Impiegare solo linee di allacciamento con il medesimo contrassegno.

La stampa della denominazione del modello sul cavo di alimentazione è obbligatoria.

### 10.3 Motore a corrente alternata

- La tensione di rete deve essere di 230 V~ 50 Hz.
- I cavi di prolunga fino a 25 m di lunghezza devono avere una sezione di 1,5 millimetri quadrati.

Gli allacciamenti e le riparazioni all'impianto elettrico possono essere eseguiti soltanto da un elettricista qualificato.

In caso di domande indicare i seguenti dati:

- Tipo di corrente del motore
- Dati della piastrina indicatrice della macchina
- Dati della piastrina indicatrice del motore

## 11. Pulizia, manutenzione e magazzinaggio

### ⚠ Attenzione!

Staccare la spina di alimentazione prima di tutti gli interventi di pulizia e di manutenzione! Pericolo di lesioni a causa di scosse elettriche!

### ⚠ Attenzione!

Attendere fino a quando l'apparecchio non si sia raffreddato completamente! Pericolo di ustione!

### ⚠ Attenzione!

Prima di qualsiasi lavoro di pulizia e manutenzione, l'apparecchio deve essere depressurizzato! Pericolo di lesioni!

### 11.1 Pulizia

- Mantenere l'apparecchio più pulito possibile dalla polvere e dallo sporco. Pulire l'apparecchio strofinando con un panno pulito o soffiando con aria compressa a bassa pressione.
- Si raccomanda di pulire l'apparecchio subito dopo ogni utilizzo.
- Pulire regolarmente l'apparecchio con un panno umido e del sapone molle. Non impiegare detergenti o solventi aggressivi, i quali potrebbero corrodere le parti in plastica dell'apparecchio. Assicurarsi che non possa penetrare acqua all'interno dell'apparecchio.
- Il tubo flessibile e gli utensili da stampaggio devono essere scollegati prima della pulizia del compressore. Il compressore non deve essere pulito con acqua, solventi o simili.

### 11.2 Manutenzione del serbatoio a pressione (Fig. 1)

#### ⚠ Attenzione!

Per garantire la durabilità a lungo termine del serbatoio a pressione (8), l'acqua di condensa deve essere scaricata dopo ogni operazione mediante l'apertura del tappo di scarico (6).

Per prima cosa scaricare la pressione della caldaia (vedi 11.6.1). Aprire il tappo di scarico (6) ruotando in senso antiorario (guardando dal fondo del compressore verso la vite).

Per far scaricare completamente l'acqua di condensa dal serbatoio a pressione (8), questo deve essere leggermente capovolto sul lato in modo che il tappo di scarico (6) sia il punto più basso. Richiudere poi il tappo di scarico (6) (ruotare in senso orario). Controllare il serbatoio a pressione (8) prima di ogni messa in funzione per verificare che non sia arrugginito o danneggiato. Il compressore non deve essere messo in funzione se il serbatoio a pressione (8) è arrugginito o danneggiato. In caso di danni, prego rivolgersi a un punto di assistenza.

#### Indicazioni per lo smaltimento della condensa:

Smaltire l'acqua di condensa come da disposizioni di tutela dell'ambiente locali e nazionali. Accertarsi che non sia inoltrata nel sistema di acque di scarico.

### 11.3 Valvola di sicurezza (Fig. 8)

La valvola di sicurezza (9) è impostata sulla massima pressione ammessa del serbatoio a pressione (8). Non è possibile regolare la valvola di sicurezza (9) oppure rimuovere la sicura di connessione (9b) tra il dado di scarico (9a) e la relativa calotta (9c).

Affinché la valvola di sicurezza (9) funzioni in maniera corretta in caso di necessità, questa deve essere azionata ogni 30 ore di servizio, in ogni caso almeno 3 volte all'anno. Ruotare il dado di scarico (9a) perforato in senso antiorario per aprirlo, quindi tirare manualmente lo stelo della valvola verso l'esterno sopra il dado di scarico (9a) perforato per aprire lo sfogo della valvola di sicurezza (9). La valvola a questo punto scarica l'aria in maniera percettibile. Serrare poi nuovamente il dado di scarico (9a) in senso orario.

#### 11.4 Pulizia del filtro dell'aria (Fig. 9, 10)

Il filtro dell'aria (4) impedisce l'aspirazione di polvere e sporco. È necessario pulire questo filtro dell'aria (4) almeno ogni 300 ore di servizio. Un filtro dell'aria (4) ostruito riduce notevolmente le prestazioni del compressore.

Ruotare il filtro dell'aria (4) in senso orario per rimuoverlo. Ruotare il coperchio del filtro (4c) e rimuoverlo. A questo punto è possibile estrarre l'insero filtrante (4b). Sbattere l'insero filtrante (4b), il coperchio del filtro (4c) e la scatola del filtro (4a) facendo attenzione. Questi componenti devono, in seguito, essere puliti soffiando al loro interno dell'aria compressa (ca. 3 bar) e rimontati seguendo il procedimento inverso.

#### 11.5 Informazioni sulle riparazioni

Occorre notare che in questo prodotto i seguenti componenti sono soggetti a naturale usura o usura legata all'uso e sono richiesti i seguenti pezzi come materiali di consumo.

Pezzi soggetti a usura\*: Filtro dell'aria

\* non necessariamente compreso nell'ambito della fornitura!

#### 11.6 Stoccaggio

##### ⚠ Attenzione!

**Scollegare la spina elettrica, sfiatare l'apparecchio e tutti gli attrezzi pneumatici collegati. Spegnerne il compressore, in modo che esso non entri in funzione senza motivo.**

##### ⚠ Attenzione!

**Conservare il compressore solo in un ambiente asciutto e inaccessibile a persone non autorizzate. Non rovesciare, conservare solo in verticale!**

##### 11.6.1 Scarico della sovrappressione

Scaricare la sovrappressione nel compressore spegnendo il compressore e adoperando l'aria compressa ancora presente nel serbatoio a pressione (8), per esempio con un attrezzo pneumatico in marcia al minimo o con una pistola di soffiaggio.

## 12. Trasporto

Impiegare l'impugnatura di trasporto (1) per il trasporto e servirsi per spostare il compressore.

Fare attenzione a sollevare il compressore per via del suo peso (vedere Dati Tecnici).

In caso di trasporto del compressore in autoveicoli, assicurarsi che il carico sia bloccato correttamente.

## 13. Smaltimento e riciclaggio

### Avvertenze per l'imballaggio



Il materiale d'imballaggio è riciclabile. Si prega di smaltire gli imballaggi nel rispetto dell'ambiente.

### Avvertenze relative alla legge sui dispositivi elettrici ed elettronici (ElektroG)



**I dispositivi elettrici ed elettronici usati non rientrano nei rifiuti domestici, ma devono essere trattati e smaltiti in modo separato!**

- Le batterie o gli accumulatori utilizzati non integrati nel dispositivo usato devono essere rimossi prima della consegna, senza distruggerli! Il loro smaltimento è regolato dalla legge sulle batterie.
- I proprietari o gli utilizzatori di dispositivi elettrici ed elettronici sono tenuti per legge a restituirli al termine della loro durata utile.
- L'utente finale è responsabile in prima persona per la cancellazione dei suoi dati personali in relazione al dispositivo usato da smaltire!
- Il simbolo del bidone della spazzatura barrato indica che i dispositivi elettrici ed elettronici non possono essere smaltiti insieme ai normali rifiuti domestici.
- I dispositivi elettrici ed elettronici possono essere restituiti gratuitamente presso i seguenti centri:
  - Centri di raccolta e smaltimento di diritto pubblico (ad es. depositi comunali)
  - LIDL vi offre la possibilità di restituzione direttamente nelle filiali e nei negozi. La restituzione e lo smaltimento sono per voi del tutto gratuiti.
  - È possibile consegnare gratuitamente al produttore, senza dovere acquistare prima un nuovo dispositivo da questi, fino a tre dispositivi elettronici usati per ogni tipo di dispositivo con una lunghezza del bordo di massimo 25 centimetri, oppure portare il dispositivo presso un altro centro di raccolta autorizzato nelle proprie vicinanze.
  - Altre condizioni di ritiro complementari del produttore e del distributore sono reperibile presso il rispettivo servizio clienti.
- In caso di consegna da parte del produttore di un nuovo dispositivo elettronico presso un privato, quest'ultimo può richiedere il ritiro gratuito del dispositivo elettronico usato, su richiesta dell'utente finale stesso. Contattare a tale proposito il servizio clienti del produttore.
- Quanto esposto si applica solo ad apparecchi installati e distribuiti in un paese dell'Unione Europea e soggetti alla Direttiva europea 2012/19/UE. Nei paesi al di fuori dell'Unione Europea possono applicarsi norme diverse per lo smaltimento di dispositivi elettrici ed elettronici usati.



## 14. Risoluzione dei guasti

| Guasto  | Possibile causa  | Rimedio  |
|---|--|--|
| Il compressore non funziona.  | Tensione di rete non presente.                               | Verificare cavo, spina elettrica, fusibile e presa di corrente.  |
|   | Tensione di rete insufficiente.                              | Evitare cavi di prolunga troppo lunghi. Utilizzare un cavo di prolunga di sezione sufficiente.           |
|   | Temperatura esterna insufficiente.                           | Non operare al di sotto di una temperatura esterna di +5 °C.   |
|   | Il motore si surriscalda.                                    | Lasciar raffreddare il motore, eliminare eventualmente la causa del surriscaldamento.                    |
| Il compressore funziona, ma non vi è pressione.   | Valvola di sicurezza non a tenuta.                           | Contattate il proprio centro di assistenza locale. Far eseguire le riparazioni solo a personale formato. |
|   | Guarnizioni rotte.   | Controllare le guarnizioni, far sostituire le guarnizioni rotte in un'officina specializzata.            |
|   | Tappo di scarico per l'acqua di condensa non a tenuta.       | Serrare la vite manualmente. Verificare la tenuta della vite, eventualmente sostituirla.                 |
| Il compressore funziona, la pressione viene indicata sul manometro, ma gli attrezzi non funzionano. | Raccordi dei flessibili non a tenuta.                        | Verificare il flessibile dell'aria compressa e gli attrezzi, eventualmente sostituirli.                  |
|   | Giunto rapido non a tenuta.                                  | Contattate il proprio centro di assistenza locale. Far eseguire le riparazioni solo a personale formato. |
|   | Troppa poca pressione impostata sul regolatore di pressione. | Aprire ulteriormente il regolatore di pressione.   |

## 15. Certificato di garanzia

Gentili clienti,

i nostri prodotti sono soggetti ad un rigido controllo di qualità. Se l'apparecchio non dovesse tuttavia funzionare correttamente, ci scusiamo e vi preghiamo di rivolgervi al nostro servizio di assistenza clienti all'indirizzo indicato in questa scheda di garanzia. Siamo a vostra disposizione anche telefonicamente al numero del servizio assistenza sotto indicato. Per la rivendicazione dei diritti di garanzia vale quanto segue:

- Queste condizioni di garanzia regolano ulteriori prestazioni di garanzia. La presente garanzia non tocca i vostri diritti al ricorso di garanzia previsti dalla legge. Le nostre prestazioni di garanzia sono per voi gratuite.
- La prestazione di garanzia riguarda esclusivamente le anomalie riconducibili a difetti del materiale o di produzione ed è limitata all'eliminazione di queste anomalie o alla sostituzione dell'apparecchio. Tenete presente che i nostri apparecchi non sono stati costruiti per l'impiego professionale, artigianale o industriale. Un contratto di garanzia non viene concluso quando l'apparecchio viene usato in imprese commerciali, artigianali o industriali, o con attività equivalenti. Dalla nostra garanzia sono escluse inoltre le prestazioni di risarcimento per danni dovuti al trasporto o danni causati dalla mancata osservanza delle istruzioni per il montaggio o per installazione non corretta, dalla mancata osservanza delle istruzioni per l'uso (come per es. collegamento a tensione di rete o tipo di corrente non corretto), dall'uso improprio o illecito (come per es. sovraccarico dell'apparecchio o utilizzo di utensili o accessori non consentiti), dalla mancata osservanza delle norme di sicurezza e di manutenzione, dalla penetrazione di corpi estranei nell'apparecchio (come per es. sabbia, pietre o polvere), dall'impiego della forza o dall'influsso esterno (come per es. danni dovuti a caduta) e dall'usura normale e dovuta all'impiego.

Il diritti di garanzia decadono quando sono già effettuati interventi sull'apparecchio.

- Il periodo di garanzia è 3 anni e inizia alla data d'acquisto dell'apparecchio. I diritti di garanzia devono essere fatti valere prima della scadenza del periodo di garanzia, entro due settimane dopo avere accertato il difetto. È esclusa la rivendicazione di diritti di garanzia dopo la scadenza del relativo periodo. La riparazione o la sostituzione dell'apparecchio non comporta una proroga del periodo di garanzia e con questa prestazione per l'apparecchio o per pezzi di ricambio eventualmente installati non inizia un nuovo periodo di garanzia. Questo vale anche nel caso si ricorra ad un servizio sul posto.
- Per la rivendicazione dei vostri diritti di garanzia, vi preghiamo di rivolgervi all'indirizzo di assistenza sotto indicato. Se il reclamo perviene entro il periodo di garanzia, sarà messa a vostra disposizione una bolla di reso con la quale potrete restituire gratuitamente l'apparecchio difettoso. Indicate il motivo di reclamo nel modo più dettagliato possibile. Se il difetto dell'apparecchio rientra nella nostra prestazione di garanzia, ricevete l'apparecchio riparato o un apparecchio nuovo a stretto giro di posta.

Naturalmente effettuiamo a pagamento anche riparazioni sull'apparecchio che non rientrano o non rientrano più nella garanzia. A tale scopo inviate l'apparecchio all'indirizzo del servizio assistenza.

La prestazione in garanzia vale per difetti del materiale o di fabbricazione. Questa garanzia non si estende a componenti del prodotto esposti a normale logorio, che possono pertanto essere considerati come componenti soggetti a usura (esempio capacità della batteria, calcificazione, lampade, pneumatici, filtri, spazzole...). La garanzia non si estende altresì a danni che si verificano su componenti delicati (esempio interruttori, batterie, parti realizzate in vetro, schermi, accessori vari) nonché danni derivanti dal trasporto o altri incidenti.

### 15.1 Gestione della garanzia

Al fine di garantire una rapida elaborazione della vostra richiesta, si prega di seguire le istruzioni riportate di seguito:

- per qualsiasi richiesta, tenere a portata di mano lo scontrino d'acquisto e il numero dell'articolo (ad es. IAN 465618\_2404) come prova d'acquisto.
- Il numero di articolo può essere riportato sulla targhetta identificativa del prodotto, inciso direttamente sul prodotto, sul frontespizio delle istruzioni (in basso a sinistra) oppure sull'adesivo posto sul retro o sul lato inferiore del prodotto.
- In caso di malfunzionamento o altri difetti, contattare innanzitutto il servizio di assistenza sotto indicato per telefono o via e-mail.
- Potete inviare gratuitamente il prodotto difettoso all'indirizzo di assistenza fornito, allegando la prova d'acquisto (scontrino) e indicando il difetto e la data in cui si è verificato.
- È possibile visualizzare e scaricare questo manuale e molti altri su parkside-diy.com. Questo codice QR vi porterà direttamente su parkside-diy.com. Selezionate il vostro Paese e utilizzate la maschera di ricerca per cercare le istruzioni per l'uso. Inserire il numero di articolo (IAN) 465618\_2404 per accedere alle istruzioni per l'uso dell'articolo.

#### Contatto assistenza (IT):

**Nome:** TeleMarCom European Services GmbH  
Am Ziegelweiher 24  
DE - 61130 Nidderau  
**Telefono:** 00800 4003 4003  
**E-mail:** service.IT@scheppach.com  
**Sede:** Germania

#### Contatto assistenza (CH):

**Nome:** Klaus-Häberlin AG  
Industriestraße 6  
CH - 8610 Uster  
**Telefono:** 00800 4003 4003  
**E-mail:** service.CH@scheppach.com  
**Sede:** Svizzera



---

|     |                                      |     |
|-----|--------------------------------------|-----|
| 1.  | Vysvětlení symbolů na přístroji..... | 68  |
| 2.  | Úvod.....                            | 69  |
| 3.  | Popis přístroje (obr. 1-10).....     | 69  |
| 4.  | Rozsah dodávky.....                  | 69  |
| 5.  | Použití v souladu s určením.....     | 69  |
| 6.  | Bezpečnostní pokyny.....             | 70  |
| 7.  | Technické údaje.....                 | 72  |
| 8.  | Před uvedením do provozu.....        | 72  |
| 9.  | Montáž a obsluha.....                | 73  |
| 10. | Elektrické připojení.....            | 73  |
| 11. | Čištění, údržba a skladování.....    | 74  |
| 12. | Přeprava.....                        | 75  |
| 13. | Likvidace a recyklace.....           | 75  |
| 14. | Odstraňování poruch.....             | 75  |
| 15. | Záruční list.....                    | 76  |
| 16. | Rozpadový výkres.....                | 123 |
| 17. | Prohlášení o shodě.....              | 124 |

## 1. Vysvětlení symbolů na přístroji



Před uvedením do provozu si přečtěte a dodržujte návod k obsluze a bezpečnostní pokyny!



Používejte ochranu sluchu. Působení hluku může vést ke ztrátě sluchu.



Noste ochranu dýchacích cest.



Varování před horkými díly!



Varování před elektrickým napětím.



Varování! Jednotka je dálkově řízená a smí se rozběhnout bez varování.



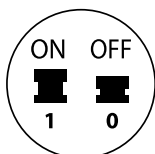
Stroj nikdy nevystavujte dešti. Přístroj se smí instalovat, skladovat a provozovat pouze za suchých okolních podmínek.



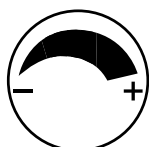
Údaje o hladině akustického výkonu v dB.



Údaje o hladině akustického výkonu v dB.



Spínač pro zapnutí/vypnutí.



Regulátor tlaku.

## 2. Úvod

### Výrobce:

Scheppach GmbH  
Günzburger Straße 69  
D-89335 Ichenhausen

### Vážený zákazníku,

přejeme vám mnoho radosti a úspěchu při práci s novým zařízením.

### Upozornění:

Výrobce tohoto zařízení neručí podle platného zákona o odpovědnosti za vady výrobku za škody, které vzniknou na tomto zařízení nebo jeho prostřednictvím v případě:

- neodborné manipulace,
- Nedodržování návodu k obsluze,
- oprav prostřednictvím třetích osob, neautorizovaných odborníků,
- montáže a výměny neoriginálních náhradních dílů,
- použití, které není v souladu s určením,
- Výpadky elektrického zařízení v případě nedodržení elektrických předpisů a ustanovení VDE 0100, DIN 57113 / VDE0113.

### Mějte na paměti:

Před montáží a zprovozněním si přečtěte celý text návodu k obsluze.

Tento návod k obsluze vám má usnadnit seznámení s elektrickým nástrojem a jeho používání v souladu s určením.

Návod k obsluze obsahuje důležité pokyny, jak s elektrickým nástrojem pracovat bezpečně, odborně a ekonomicky, abyste se vyhnuli rizikům, ušetřili náklady za opravy, omezili dobu nečinnosti a zvýšili spolehlivost a životnost elektrického nástroje. Kromě bezpečnostních ustanovení tohoto návodu k obsluze musíte bezpodmínečně dodržovat předpisy své země, které platí pro provoz elektrického nástroje.

Uchovávejte návod k obsluze u elektrického nástroje v plastovém obalu, který jej bude chránit před znečištěním a vlhkostí. Před započítím práce si jej musí každý pracovník obsluhy přečíst a pečlivě jej dodržovat. S elektrickým nástrojem směřjí pracovat jen osoby, které jsou poučeny o jeho použití a informovány o nebezpečí, která jsou s ním spojena.

Kromě bezpečnostních pokynů, které jsou obsaženy v tomto návodu k obsluze, a zvláštních předpisů vaší země, je při provozu konstrukčně stejných strojů zapotřebí dodržovat všeobecně uznávaná technická pravidla.

Nepřebíráme žádnou záruku za nehody nebo škody způsobené nedodržováním tohoto návodu a bezpečnostních pokynů.

## 3. Popis přístroje (obr. 1-10)

1. Převravní úchyt
- 1a. Šrouby M8x10
2. Tlakový spínač
3. Spínač / vypínač
4. Vzduchový filtr
- 4a. Filtrační skříň
- 4b. Filtrační vložka
- 4c. Kryt filtru
- 4d. Hadice
5. Kolo

- 5a. Šroub s čokovitou hlavou
- 5b. Příložka
6. Výpustný šroub pro kondenzační vodu
7. Podpěrná noha
- 7a. Šroub
- 7b. Příložka
8. Tlaková nádoba
9. Pojistný ventil
- 9a. Vypouštěcí matice
- 9b. Zajištění spoje
- 9c. Krytka vypouštěcí matice
10. Rychlospojka (regulovaný stlačený vzduch)
11. Rychlospojka (regulovaný stlačený vzduch)
12. Manometr (nastavený tlak lze odečíst)
13. Manometr (tlak kotle lze odečíst)
14. Hadice stlačeného vzduchu (není obsaženo v rozsahu dodávky)
- 14a. Nástrčná spojka
- 14b. Rychlospojka
15. Regulátor tlaku
16. Převravní kryt

## 4. Rozsah dodávky

- 1x Vzduchový filtr
- 1x Převravní úchyt
- 2x Šrouby M8x10
- 1x Podpěrná noha
- 2x Kolo
- 1x Montážní materiál
- 1x Návod k obsluze

## 5. Použití v souladu s určením

Kompresor slouží k vytvoření stlačeného vzduchu pro pneumaticky poháněné nástroje, které lze ovládat pomocí množství vzduchu do cca 180 l/min. (např. zařízení na huštění pneumatik, vyfukovací pistole a lakovací pistole). V důsledku omezeného množství dodávaného vzduchu není možné pohánět nástroje, které mají velmi vysokou spotřebu vzduchu (např. oscilační brusky, tyčové brusky a nárazové šroubováky).

Kompresor se smí provozovat pouze v suchých a dobře větraných vnitřních prostorách.

Stroj se smí používat pouze v souladu s jeho určením. Jakékoliv jiné použití je v rozporu s určením. Za škody nebo zranění všeho druhu, které vzniknou na základě použití v rozporu s určením, zodpovídá uživatel/obsluhující osoba a ne výrobce.

Respektujte prosím, že náš přístroj v souladu s určením není konstruován pro komerční, řemeslné a průmyslové použití. Nepřebíráme zodpovědnost v případě, když se přístroj použije v komerčních, řemeslných nebo průmyslových provezech, a při srovnatelných činnostech.

## 6. Bezpečnostní pokyny

### Obecné bezpečnostní pokyny pro elektrické nástroje

**△ VAROVÁNÍ!** Přečtěte si všechny bezpečnostní pokyny, instrukce, ilustrace a technické údaje, kterými je tento elektrický nástroj opatřen. Pokud zanedbáte dodržování následujících instrukcí, může to způsobit zásah elektrickým proudem, požár a/nebo těžká zranění.

### Uchovejte si do budoucna veškeré bezpečnostní pokyny a instrukce.

Pojem „elektrický nástroj“, který je uveden v bezpečnostních pokynech, se vztahuje na elektrický nástroj (se síťovým kabelem), poháněný proudem ze sítě nebo na elektrický nástroj poháněný akumulátorem (bez síťového kabelu).

### Bezpečnost na pracovišti

- Udržujte svou pracovní oblast čistou a dobře osvětlenou.** Pracovní oblasti, ve kterých je nepořádek nebo nejsou osvětlené, mohou vést k nehodám.
- Nepracujte s tímto elektrickým nástrojem v prostředí ohroženém výbuchem, ve kterém se nacházejí hořlavé kapaliny, plyny nebo prach.** Elektrické nástroje vytvářejí jiskry, které by mohly zapálit prach nebo výpary.
- Udržujte děti nebo jiné osoby během používání elektrického nástroje v patřičné vzdálenosti.** Při nesoustředěnosti můžete ztratit kontrolu nad elektrickým nástrojem.

### Elektrická bezpečnost

- Přípojná zástrčka elektrického nástroje musí být vhodná pro danou zásuvku.** Zástrčka se nesmí žádným způsobem měnit. V kombinaci s uzemněnými elektrickými nástroji nepoužívejte žádné zásuvkové adaptéry. Nezměněné zástrčky a vhodné zásuvky zmenšují riziko zasažení elektrickým proudem.
- Zabraňte kontaktu těla s uzemněnými povrchy jako trubkami, topení, sporáky a chladničkami. Je-li vaše tělo uzemněné, hrozí zvýšené riziko zasažení elektrickým proudem.**
- Elektrické nástroje chraňte před deštěm a vlhkem.** Vniknutí vody do elektrického nástroje zvyšuje riziko zásahu elektrickým proudem.
- Kabel nepoužívejte k přenášení a zavěšení elektrického nástroje, nebo k vytažení zástrčky ze zásuvky.** Kabel nenechávejte v horku, v oleji, na ostrých hranách nebo u pohyblivých dílů. Poškozené nebo zamotané kabely zvyšují riziko zasažení elektrickým proudem.
- Používáte-li elektrický nástroj venku, používejte prodlužovací kabely vhodné i pro venkovní použití.** Používání vhodného prodlužovacího kabelu, vhodného pro venkovní použití, snižuje riziko zasažení elektrickým proudem. Venku používejte pouze k tomu schválené a odpovídajícím způsobem označené prodlužovací kabely. Naviják prodlužovacích kabelů používejte pouze s odvinutým kabelem.
- Pokud není možno zabránit provozu elektrického nástroje ve vlhkém prostředí, používejte proudový chránič se spouštěcím proudem 30 mA nebo méně.** Použití vložky pro proudový chránič zmírňuje riziko zasažení elektrickým proudem.

### Bezpečnost osob

- Při práci s elektrickým nástrojem buďte pozorní a neustále dávejte pozor na to, co děláte a postupujte vždy s rozvahou. Nepoužívejte elektrický nástroj, jste-li unavení nebo pod vlivem drog, alkoholu nebo léků.** Okamžik nepozornosti při používání elektrického nástroje může vést k vážným zraněním.
- Používejte osobní ochranné pracovní prostředky a vždy ochranné brýle.** Použití osobních ochranných prostředků jako je protiprachová maska, protiskluzová bezpečnostní obuv, ochranná přilba nebo ochrana sluchu podle druhu a způsobu použití elektrických nástrojů zmenšuje riziko zranění.
- Zabraňte neúmyslnému uvedení do provozu. Než elektrický nástroj připojíte k napájení proudem a/nebo akumulátoru a než jej budete zvedat nebo nosit, ujistěte se, že je vypnutý.** Máte-li při přenášení elektrického nástroje prst na spínači nebo zapojíte-li elektrický nástroj do zásuvky zapnutý, může to vést k nehodám.
- Před zapnutím elektrického nástroje odstraňte veškeré seřizovací nástroje nebo klíče.** Nástroj nebo klíč, který se nachází v otáčejícím se dílu nástroje, může vést ke zraněním.
- Zabraňte nestabilnímu držení těla.** Zajistěte si stabilní postoj a vždy udržujte rovnováhu. Tak můžete elektrický nástroj v nečekaných situacích lépe udržet pod kontrolou.
- Noste vhodný oděv. Nenoste volný oděv nebo šperky. Udržujte vlasy, oděv a rukavice v bezpečné vzdálenosti od pohybujících se dílů.** Volný oděv, šperky nebo dlouhé vlasy mohou být zachyceny rotujícími díly. Při práci venku se doporučují gumové rukavice a neklouzavá obuv. V případě dlouhých vlasů noste vlasovou síťku.
- Jsou-li namontována zařízení pro odsávání a zachycování prachu, ujistěte se, že jsou správně připojena a správně používána.** Používání odsávání prachu může snížit ohrožení prachem.
- Nenechte se ukolébat falešným pocitem bezpečí a nepřeskočte bezpečnostní pravidla pro elektrické nástroje, i když je po častém používání elektrického nástroje znáte.** Nedbalé chování může vést ve zlomku sekundy k těžkým zraněním.

### Používání a manipulace s elektrickým nástrojem

- Přístroj nepřetěžujte.** Pro svou práci používejte vhodný elektrický nástroj. S vhodným elektrickým nástrojem budete pracovat lépe a bezpečněji v udávaném rozsahu výkonu.
- Nepoužívejte elektrický nástroj, jehož vypínač je vadný. Elektrický nástroj, který již nelze zapnout nebo vypnout, je nebezpečný a musí být opraven.**
- Než budete provádět nastavení nástroje, měnit díly vložného nástroje nebo elektrický nástroj odložíte, vytáhněte zástrčku ze zásuvky a/nebo vyjměte vyjímatelný akumulátor.** Tato preventivní bezpečnostní opatření brání neúmyslnému spuštění elektrického nástroje.
- Uchovávejte nepoužívané elektrické nástroje mimo dosah dětí.** Nenechte elektrický nástroj používat osoby, které s ním nejsou seznámeny nebo si nepřečetly tento návod. Elektrické nástroje představují nebezpečí, jsou-li používány nezkušenými osobami. Nepoužívané elektrické nástroje by měly být uloženy na suchém, vysoko položeném nebo uzamčeném místě, mimo dosah dětí.

- e. O elektrické nástroje a nástavec pečlivě pečujte.** Kontro-  
lujte, zda pohyblivé díly fungují bezvadně a nejsou vzpříčené,  
zda nejsou prasklé nebo tak poškozené, že je omezena funkč-  
nost elektrického nástroje. Poškozené díly nechte před pou-  
žíváním elektrického nástroje opravit. Příčinou mnoha nehod je  
špatně udržovaný elektrický nástroj.
- f. Udržujte řezné nástroje ostré a čisté. Pečlivě udržova-  
né řezné nástroje s ostrými břity se méně přičí a lze je  
snadněji vést.**
- g. Používejte elektrický nástroj, příslušenství, nástavce atd.  
v souladu s instrukcemi.** Zohledněte přitom pracovní pod-  
mínky a prováděnou činnost. Používání elektrických nástrojů  
pro jiné než určené aplikace může vést k nebezpečným si-  
tuacím.
- h. Rukojeti a úchopné plochy udržujte suché, čisté a bez  
oleje a tuku.** Kluzké rukojeti a úchopné plochy neumožňují  
bezpečnou obsluhu a kontrolu elektrického nástroje v ne-  
předvídatelných situacích.

## Servis

- a. Nechte svůj elektrický nástroj opravovat pouze kvalifi-  
kovaný odborný personál a pouze za použití originálních  
náhradních dílů.** To zajistí, aby zůstala zachována bezpeč-  
nost elektrického nástroje.

## Bezpečnostní pokyny pro kompresory

⚠ **Pozor!** Při používání tohoto kompresoru se na ochranu proti  
zasažení elektrickým proudem, nebezpečí zranění a požáru musí  
dodržovat následující základní bezpečnostní opatření.  
Před použitím přístroje si přečtěte a dodržujte tato upozornění.

### Bezpečná práce.

- Pečujte svědomitě o své nástroje
  - Udržujte svůj kompresor v čistotě, abyste mohli pracovat  
dobře a bezpečně.
  - Dodržujte předpisy pro údržbu.
  - Kontrolojte pravidelně připojovací vedení elektrického ná-  
stroje a nechte je při poškození vyměnit uznávaným od-  
borníkem.
  - Kontrolojte pravidelně prodlužovací vedení a v případě po-  
škození je vyměňte.
- Vytáhněte vidlici z elektrické zásuvky
  - Pokud elektrický nástroj nepoužíváte, před údržbou a při  
výměně nástrojů, např. pilového listu, vrtáků, fréz.
- Zkontrolujte elektrický nástroj, zda není případně poško-  
zený
  - Před dalším používáním elektrického nástroje se musí  
ochranná zařízení nebo lehce poškozené díly pečlivě pro-  
hlédnout, zda fungují bezvadně a v souladu s určením.
  - Zkontrolujte, zda pohyblivé díly bezvadně fungují a nejsou  
vzpříčené, a zda nejsou díly poškozené. Veškeré díly musí  
být správně namontované a splňovat všechny podmínky pro  
zaručení bezvadného provozu elektrického nástroje.
  - Poškozená ochranná zařízení a díly musí v souladu s urče-  
ním opravit nebo vyměnit uznávaná odborná dílna, není-li  
v návodu k obsluze uvedeno jinak.
  - Nepoužívejte žádné vadné nebo poškozené přívodní ka-  
bely.

## 4. Pozor!

- Pro svou vlastní bezpečnost používejte pouze příslušen-  
ství a přídavné přístroje, které jsou uvedeny v návodu k  
obsluze nebo které doporučuje nebo uvádí výrobce. Po-  
užití jiného nářadí nebo příslušenství než je doporučeno v  
návodu k obsluze nebo v katalogu pro vás může znamenat  
nebezpečí zranění.
- Výměna přívodního vedení
  - Je-li poškozeno přívodní vedení, musí být nahrazeno  
výrobcem nebo odborným elektrikářem, aby se přede-  
šlo možným nebezpečím. Nebezpečí zásahů elektrickým  
proudem.
- Plnění pneumatik
  - Zkontrolujte tlak v pneumatikách bezprostředně po jejich  
naplnění vhodným manometrem, např. na čerpací stanici.
- Pojízdné kompresory v provozu staveniště
  - Dbejte na to, aby byly všechny hadice a armatury vhodné  
pro nejvyšší přípustný pracovní tlak kompresoru.
- Místo instalace
  - Kompresor postavte pouze na rovnou plochu.
- Doporučujeme, aby přívodní hadice byly při tlaku vyšším  
než 7 bar vybaveny bezpečnostním kabelem, např. ocelo-  
vým lanem.
- Vyvarujte se silného zatížení systému vedení, přičemž po-  
užívejte flexibilní hadicové přípojky, abyste zabránili jejich  
zlomení.

## Doplňující bezpečnostní pokyny

**Dodržujte příslušné návody k obsluze příslušných pneu-  
matických nástrojů / přídavných pneumatických přístrojů!**  
Navíc je třeba dodržovat následující všeobecné pokyny.

### Bezpečnostní pokyny k práci se stlačeným vzduchem a vyfukovacími pistolemi

- Dbejte na dostatečnou vzdálenost od výrobku, min. však 2,50  
m a držte pneumatické nástroje / přídavné pneumatické pří-  
stroje během provozu mimo dosah kompresoru.
- Čerpadlo kompresoru a vedení dosahují v provozu vysokých  
teplot. Doteky vedou k popáleninám.
- Kompresorem nasávaný vzduch je třeba udržovat bez přímě-  
sí, které mohou v čerpadle kompresoru způsobit požár nebo  
výbuch.
- Při uvolňování hadicové spojky přidržte rukou spojovací díl  
hadice. Zabráníte tak poranění způsobené vyvrženou hadicí.
- Při práci s pneumatickou pistolí noste ochranné brýle a  
ochrannou dýchací masku. Prach je zdraví škodlivý! Cizími  
tělesy a odfouknutými částicemi mohou být způsobena  
lehká zranění.
- Nefoukejte vyfukovací pistolí na osoby nebo oděv na těle.  
Nebezpečí zranění!

### Bezpečnostní pokyny při používání stříkacích a přídav- ných rozprašovacích přístrojů (např. nástřiky barvou)

- Při plnění držte přídavný rozprašovací přístroj mimo dosah  
kompresoru, aby žádná kapalina nepřišla do styku s kom-  
presorem.
- Rozprašování přídavnými rozprašovacími přístroji (např. ná-  
střiky barvou) nikdy neprovádějte směrem ke kompresoru.  
Vlhkost může vést k ohrožení v důsledku zasažení elektric-  
kým proudem!

- Nepracujte s laky nebo rozpouštědly o bodu vznícení nižším než 55° C. Nebezpečí výbuchu!
- Laky a rozpouštědla nezahlívejte. Nebezpečí výbuchu!
- Pokud se zpracovávají zdraví škodlivé kapaliny, jsou zapotřebí ochranné filtrační přístroje (obličejové masky). Respektujte také údaje výrobců takových látek ohledně ochranných opatření.
- Řiďte se údaji a označeními nařízení o nebezpečných látkách uvedenými na obalech zpracovávaných materiálů. Případně je třeba učinit doplňková ochranná opatření, především používat vhodný oděv a masky.
- Během stříkacího procesu a v pracovním prostoru je zakázáno kouřit. Nebezpečí výbuchu! I výpary barev jsou lehce vznětlivé.
- V prostoru se nesmí vyskytovat žádné topeniště, otevřené světlo nebo stroje generující jiskry, resp. se nesmí provozovat.
- V pracovním prostoru neukládejte ani nekonzumujte jídla ani nápoje. Výpary barev jsou zdraví škodlivé.
- Pracovní prostor musí být větší než 30 m<sup>3</sup> a musí mít zajištěnou dostatečnou výměnu vzduchu při nástřiku a schnutí.
- Nestříkejte proti větru. Při nástřiku hořlavých, resp. nebezpečných nástřikových materiálů zásadně dodržujte nařízení místního policejního úřadu.
- Ve spojení s tlakovou hadicí z PVC nepracujte s médii jako lakový benzín, butylalkohol a metylenchlorid. Tato média ničí tlakovou hadici.
- Pracovní oblast musí být oddělena od kompresoru, aby nemohl přijít do přímého styku s pracovním médiem.

#### Provoz tlakových nádob

- Každý, kdo provozuje tlakovou nádobu, ji musí udržovat v řádném stavu, řádně ji provozovat, sledovat, neprodleně provádět nutné údržbářské a opravárenské práce a podle okolností přijmout nezbytná bezpečnostní opatření.
- Orgán dozoru může v jednotlivých případech nařídit nezbytná dozorová opatření.
- Tlaková nádoba, která vykazuje závady, které by ohrožovaly zaměstnance nebo třetí osoby, nesmí být provozována.
- Před každým uvedením do provozu tlakovou nádobu zkontrolujte, zda se na ní nevyskytuje koroze a poškození. Kompresor nesmí být provozován s poškozenou nebo zkorodovanou tlakovou nádobou. Pokud zjistíte poškození, obraťte se prosím na dílnu zákaznického servisu.

#### Bezpečnostní pokyny dobře uchovejte.

##### Zbýlé riziko

Dodržujte pokyny k údržbě a bezpečnostní pokyny uvedené v návodu k použití.

Při práci buďte vždy pozorní a třetí osoby udržujte v bezpečné vzdálenosti od svého pracoviště.

I při správném použití přístroje existuje určité zbylé riziko, které nelze vyloučit. Z typu a konstrukce přístroje mohou vyplývat následující potenciální nebezpečí:

- Neúmyslné uvedení přístroje do provozu.
- Poškození sluchu, pokud není používána předepsaná ochrana sluchu.
- Částice nečistot, prach atd. se mohou i při používání ochranných brýlí dostat do očí nebo obličejů.
- Vdechnutí rozvířených částic.

#### ⚠ Varování!

Tento elektrický nástroj vytváří během provozu elektromagnetické pole. Toto pole může za určitých podmínek ovlivňovat aktivní nebo pasivní zdravotní implantáty. Pro snížení rizika vážných nebo smrtelných úrazů doporučujeme osobám se zdravotními implantáty, aby se před obsluhou tohoto elektrického nástroje obrátily na svého lékaře nebo na výrobce zdravotního implantátu.

## 7. Technické údaje

|   |                        |
|---|------------------------|
| Síťová přípojka.....                                      | 230 V~ 50 Hz           |
| Výkon motoru .....  | 1500 W                 |
| Druh provozního režimu .....                              | S1                     |
| Otáčky kompresoru .....                                   | 2850 min <sup>-1</sup> |
| Objem tlakové nádoby .....                                | cca 24 l               |
| Provozní tlak .....                                       | cca 10 bar             |
| Teor. Sací výkon .....                                    | cca 257 l/min          |
| Efektivní dodané množství při 7 bar .....                 | cca 103 l/min          |
| Efektivní dodané množství při 4 bar .....                 | cca 141 l/min          |
| Efektivní dodané množství při 1 bar .....                 | cca 180 l/min          |
| Hladina akustického tlaku L <sub>PA</sub> .....           | 68 dB                  |
| Naměřená hladina akustického výkonu L <sub>WA</sub> ..... | 83,6 dB                |
| Zaručená hladina akustického výkonu L <sub>WA</sub> ..... | 86 dB                  |
| Kolísavost K <sub>PA/WA</sub> .....                       | 3 dB                   |
| Stupeň krytí .....  | IP30                   |
| Hmotnost přístroje.....                                   | cca 24 kg              |
| Max. instalační výška (m n.m.) .....                      | 1000 m                 |

Hodnoty hlukových emisí byly stanoveny podle EN ISO 3744:1995.

#### Používejte ochranu sluchu.

Působení hluku může vést ke ztrátě sluchu.

## 8. Před uvedením do provozu

- Otevřete balení a opatrně vyjměte přístroj.
- Odstraňte balicí materiál a obalové a přepravní pojistky (pokud je jimi výrobek opatřen).
- Zkontrolujte, zda je rozsah dodávky úplný.
- Zkontrolujte přístroj a díly příslušenství, zda se při přepravě nepoškodily.
- Uchovejte obal dle možností až do uplynutí záruční doby.

#### ⚠ RIZIKO

**Zařízení a obalové materiály nejsou hračka! S plastovými sáčky, fóliemi a drobným díly si nesmějí hrát děti! Hrozí nebezpečí spolknutí těchto věcí a udušení!**

- Před připojením se přesvědčte, že jsou údaje na typovém štítku shodné s údaji sítě.
- Zkontrolujte, zda se přístroj při přepravě nepoškodil. Případné škody ihned nahlaste přepravní společnosti, která vám kompresor dodala.
- Kompresor musí být nainstalován v blízkosti spotřebiče.
- Je třeba zabránit dlouhým vzduchovým a přívodním vedením (prodlužovacím kabelům).
- Dbejte na to, aby byl nasávaný vzduch suchý a bezprašný.
- Kompresor neinstalujte ve vlhkých nebo mokřích prostorech.



- Kompresor se smí provozovat pouze ve vhodných prostorech (dobře větraných, s teplotou prostředí +5 °C až 40 °C). V prostoru nesmí být prach, kyseliny, výpary a výbušné nebo hořlavé plyny.
- Kompresor je vhodný k použití v suchých prostorech. V oblastech, v nichž se pracuje se stříkající vodou, není jeho použití přípustné.
- Kompresor se smí používat ve vnějším prostředí za suchých okolních podmínek pouze po krátkou dobu.
- Kompresor musí být neustále udržován v suchu a po skončení práce nesmí zůstat pod širým nebem.

## 9. Montáž a obsluha

### ⚠ Pozor!

**Před uvedením do provozu přístroj bezpodmínečně kompletně smontujte!**

K montáži potřebujete:

- 1x vidlicový klíč 14 mm
- 1x vidlicový klíč 13 mm
- 1x nástrčný klíč 14 mm
- 1x šroubovák s křížovou hlavou (není v rozsahu dodávky)

### 9.1 Montáž kol (obr. 3)

- Namontujte přiložená kola (5) způsobem, znázorněným na obrázku.

### 9.2 Montáž podpěrné nohy (obr. 4)

- Namontujte přiloženou podpěrnou nohu (7), jak je znázorněno na obrázku.

### 9.3 Montáž vzduchového filtru (obr. 5, 6)

- Odstraňte přepravní kryt (16) a přišroubujte vzduchový filtr (4) k přístroji.
- Zaveďte hadici (4d) do otvoru vzduchového filtru (4).

### 9.4 Montáž přepravního úchyty (obr. 7)

- Namontujte přiložený přepravní úchyt (1), jak je znázorněno na obrázku. K tomu použijte přiložené šrouby M8x10 (1a) a klíč na šrouby vel. 13 (není součástí rozsahu dodávky).

### 9.5 Síťová přípojka

- Kompresor je vybaven síťovým vedením se zástrčkou s ochranným kontaktem. Ten lze zapojit do každé zásuvky s ochranným kontaktem 230 V~ 50 Hz, která je zajištěna pojistkou 16 A.
- Před uvedením do provozu dbejte na to, aby síťové napětí souhlasilo s provozním napětím a s výkonem stroje na typovém štítku.
- Dlouhá přívodní vedení a také prodlužovačky, kabelové bubny atd., způsobují pokles napětí a mohou bránit rozběhu motoru.
- Při nízkých teplotách pod +5 °C je rozběh motoru ohrožený těžkým chodem.

### 9.6 Za-/vypínač (obr. 1)

- K zapnutí kompresoru se za-/vypínač (3) vytáhne nahoru.
- K vypnutí se za-/vypínač (3) zamáčkne dolů.

### 9.7 Nastavení tlaku (obr. 1, 2)

- Regulátorem tlaku (15) se nastaví tlak na manometru (12).
- Nastavený tlak lze zjistit na rychlospojce (10, 11).
- Na manometru (13) odečtete tlak kotle.

### 9.8 Nastavení tlakového spínače (obr. 1)

- Tlakový spínač (2) je nastaven z výroby.  
Spínací tlak cca 5,5 bar  
Vypínací tlak cca 8 bar

### 9.9 Montáž pneumatické hadice (není obsaženo v rozsahu dodávky) (obr. 1, 2)

- Připojte nástrčnou spojku (14a) pneumatické hadice (14) k jedné z rychlospojek (10, 11). Připojte poté pneumatický nástroj k rychlospojce (14b) pneumatické hadice (14).

### 9.10 Tepelný ochranný vypínač

Tepelný ochranný vypínač je zabudovaný v přístroji.

Vypne-li se tepelný ochranný vypínač, postupujte následujícím způsobem:

- Vytáhněte síťovou zástrčku.
- Vyčkejte cca dvě až tři minuty.
- Zapojte znovu přístroj.
- Pokud se přístroj nespustí, opakujte postup.
- Pokud se přístroj opět nespustí, vypněte a znovu zapněte přístroj za-/vypínačem (3).
- Pokud jste provedli všechny výše uvedené kroky a přístroj přesto nefunguje, kontaktujte náš servis.

## 10. Elektrické připojení

**Instalovaný elektromotor je připojen v provozuschopném stavu. Přípojka musí odpovídat příslušným předpisům VDE a DIN. Těmto předpisům musí odpovídat síťová přípojka zákazníka i použité prodlužovací kabely.**

Při provádění prací se stříkacími a přidavnými rozprašovacími přístroji a při dočasném používání pod širým nebem je nutné přístroj bezpodmínečně připojit přes **proudový chránič** se spouštěcím proudem 30 mA nebo méně.

### 10.1 Důležité pokyny

Při přetížení se motor sám vypne. Po určité době na vychladnutí (čas se liší) je možné motor znovu zapnout.

### 10.2 Vadný elektrický přívodní kabel

U elektrických přívodních kabelů často dochází k poškození izolace.

Jeho příčinami mohou být:

- Smáčknutá místa, je-li přívodní kabel veden oknem nebo šterbinou ve dveřích.
- Prohnutí kvůli nevhodnému upevnění nebo vedení přívodního kabelu.
- Zlomení kvůli přejíždění přes přívodní kabel.
- Poškození izolace kvůli vytržení z elektrické zásuvky ve stěně.
- Praskliny v důsledku stárnutí izolace.

Tyto vadné elektrické přívodní kabely nesmí být používány a kvůli poškození izolace jsou životu nebezpečné.

Pravidelně kontrolujte, zda elektrické přívodní kabely nejsou poškozeny. Dávejte pozor, aby nebyl přívodní kabel při kontrole připojen do elektrické sítě.

Elektrické přívodní kabely musí odpovídat příslušným předpisům VDE a DIN. Používejte pouze přípojné vedení se stejným označením.

Uvedení typového označení na přívodním kabelu je povinné.

### 10.3 Motor na střídavý proud

- Síťové napětí musí být 230 V~ 50 Hz.
- Prodlužovací kabely do délky 25 m mít průměr 1,5 milimetru čtverečního.

Připojení a opravy elektrického vybavení mohou provádět pouze odborní elektrikáři.

Při zpětných dotazech uvádějte prosím tyto údaje:

- Typ proudu napájecího motor
- Údaje z typového štítku stroje
- Údaje z typového štítku motoru

## 11. Čištění, údržba a skladování

### ⚠ Pozor!

Před prováděním veškerého čištění a údržby vytáhněte síťovou zástrčku! Nebezpečí poranění proudem!

### ⚠ Pozor!

Vyčkejte na úplné ochlazení přístroje! Nebezpečí popálení!

### ⚠ Pozor!

Před veškerým čištěním a údržbou je třeba přístroj odtlakovat! Nebezpečí zranění!

### 11.1 Čištění

- Zařízení maximálně chraňte před prachem a znečištěním. Otřete přístroj čistým hadrem nebo jej ofoukněte stlačeným vzduchem s nízkým tlakem.
- Doporučujeme přístroj vyčistit ihned po každém použití.
- Čistěte přístroj pravidelně vlhkým hadrem a trochou tekutého mýdla. Nepoužívejte žádné agresivní čisticí prostředky nebo rozpouštědla; neboť by mohly poškodit plastové díly přístroje. Dbejte na to, aby se dovnitř přístroje nemohla dostat žádná voda.
- Hadice a vstřikovací nástroje musí být před čištěním odpojeny od kompresoru. Kompresor se nesmí čistit vodou, rozpouštědly apod.

### 11.2 Údržba tlakové nádoby (obr. 1)

#### ⚠ Pozor!

Pro trvalou životnost tlakové nádoby (8) je nutné po každém ukončení provozu vypustit otevřením výpustného šroubu (6) kondenzační vodu.

Vypustěte nejdříve tlak kotle (viz 11.6.1).

Otevřete výpustný šroub (6) otočením proti směru chodu hodinových ručiček (směr pohledu od dolní strany kompresoru na šroub).

Pro úplné vypuštění kondenzované vody z tlakové nádoby (8) se musí tato nádoba mírně naklonit na stranu, aby výpustný šroub (6) představoval nejnižší položený bod.

Zavřete poté opět výpustný šroub (6) (otáčejte ve směru hodinových ručiček). Před každým uvedením do provozu tlakovou nádobu (8) zkontrolujte, zda se na ní nevyskytuje koroze a poškození.

Kompresor nesmí být provozován s poškozenou nebo zkorodovanou tlakovou nádobou (8). Pokud zjistíte poškození, obraťte se prosím na dílnu zákaznického servisu.

### Upozornění ohledně likvidace kondenzátu:

Kondenzát zlikvidujte v souladu s místními a národními předpisy na ochranu životního prostředí. Zajistěte, aby nebyl vypouštěn do systému odvodu odpadních vod.

### 11.3 Pojistný ventil (obr. 8)

Pojistný ventil (9) je nastaven na maximální přípustný tlak tlakové nádoby (8). Není přípustné pojistný ventil (9) seřizovat nebo odstranit spojovací pojistku (9b) mezi vypouštěcí maticí (9a) a její krytkou (9c). Aby pojistný ventil (9) v případě potřeby správně fungoval, musí se aktivovat každých 30 provozních hodin, minimálně však 3 x ročně. Pro otevření otáčejte perforovanou vypouštěcí maticí (9a) proti směru hodinových ručiček a poté vytáhněte tyčku ventilu přes perforovanou vypouštěcí maticí (9a) směrem ven, abyste otevřeli výpusť pojistného ventilu (9). Ventil nyní slyšitelně vypouští vzduch. Následně vypouštěcí maticí (9a) zase utáhněte otáčením po směru hodinových ručiček.

### 11.4 Čištění vzduchového filtru (obr. 9, 10)

Vzduchový filtr (4) zamezuje nasátí prachu a nečistot. Je nutné čistit tento vzduchový filtr (4) minimálně po každých 300 provozních hodinách. Zanesený vzduchový filtr (4) značně snižuje výkon kompresoru.

Otáčejte vzduchovým filtrem (4) proti směru hodinových ručiček, abyste jej odebrali. Vytočte kryt filtru (4c) nahoru a sejměte jej. Nyní můžete vytáhnout filtrační vložku (4b). Vyklepejte opatrně filtrační vložku (4b), kryt filtru (4c) a filtrační skříň (4a). Tyto díly se poté musí vyfouknout stlačeným vzduchem (cca 3 bar) a opět namontovat v opačném pořadí.

### 11.5 Servisní informace

Je nutno dbát na to, že v případě tohoto výrobku následující díly podléhají opotřebení, které je dáno používáním nebo se tak děje přirozeně, příp. že na následující díly je pohlíženo jako na spotřební materiál.

Díly podléhající opotřebení\*: Vzduchový filtr

\* není nutně zahrnuto v obsahu dodávky!

### 11.6 Skladování

#### ⚠ Pozor!

**Vytáhněte síťovou zástrčku, odvdzdušněte přístroj a všechny připojené pneumatické nástroje. Umístěte kompresor tak, aby nemohl být uveden do provozu neoprávněnými osobami.**

#### ⚠ Pozor!

**Kompresor skladujte pouze v suchém prostředí chráněném před přístupem nepovolaných osob. Nepřevracejte, skladujte pouze nastojato!**

### 11.6.1 Vypuštění přetlaku

Přetlak z kompresoru vypustíte tím, že jej vypnete a spotřebujete stlačený vzduch, který ještě zbývá v tlakové nádobě (8), například pneumatickým nástrojem ve volnoběhu nebo vyfukovací pistolí.

## 12. Přeprava

Používejte přepravní úchyt (1) pro přepravu kompresoru.

Při zvedání kompresoru vezměte v úvahu jeho hmotnost (viz Technická data).

Při přepravě kompresoru vozidlem se postarejte o dobré zajištění nákladu.

## 13. Likvidace a recyklace

### Upozornění k obalu



Balící materiály jsou recyklovatelné. Obaly prosím likvidujte způsobem šetrným k životnímu prostředí.

### Upozornění k zákonu o elektrických a elektronických zařízeních (ElektroG)



**Odpadní elektrická a elektronická zařízení nepatří do domovního odpadu, ale musí se sbírat a likvidovat odděleně!**

- Staré baterie nebo akumulátory, které nejsou napevno zabudované ve starém přístroji, musí být před odevzdáním bez poškození vyjmuty! Jejich likvidaci upravuje zákon o bateriích.

## 14. Odstraňování poruch

| Porucha   | Možná příčina   | Řešení   |
|---|---|--|
| Kompresor neběží.   | Není k dispozici síťové napětí.                       | Zkontrolujte kabel, síťovou zástrčku, pojistku a zásuvku.  |
|   | Síťové napětí příliš nízké.                           | Zabraňte příliš dlouhému prodlužovacímu kabelu. Použijte prodlužovací kabel s dostatečným průřezem vodičů. |
|   | Venkovní teplota příliš nízká.                        | Neprovozujte při venkovní teplotě nižší než +5 °C.   |
|   | Motor se přehřívá.                                    | Nechte motor vychladnout, popř. odstraňte příčinu přehřátí.  |
| Kompresor běží, ale tlak není k dispozici.                              | Pojistný ventil netěsní.                              | Kontaktujte své místní servisní centrum. Opravy svěřte pouze vyškolenému personálu.                        |
|   | Zničená těsnění.                                      | Zkontrolujte těsnění, ta poničená nechte vyměnit ve specializované dílně.                                  |
|   | Výpustný šroub pro kondenzační vodu netěsní.          | Šroub dotáhněte rukou. Zkontrolujte těsnění na šroubu, popř. vyměňte.                                      |
| Kompresor běží, tlak se zobrazuje na manometru, ale nástroje nefungují. | Hadicové spoje netěsní.                               | Zkontrolujte pneumatickou hadici a nástroje, popř. vyměňte.  |
|   | Rychlospojka netěsní.                                 | Kontaktujte své místní servisní centrum. Opravy svěřte pouze vyškolenému personálu.                        |
|   | Na tlakovém regulátoru je nastaven příliš nízký tlak. | Otočte tlakový regulátor dále.   |

- Majitelé nebo uživatelé elektrických a elektronických zařízení jsou ze zákona povinni je po použití vrátit.
- Koncový uživatel je zodpovědný za vymazání svých osobních údajů ze starého zařízení určeného k likvidaci!
- Symbol přeškrtnuté popelnice znamená, že se odpadní elektrická a elektronická zařízení nesmí likvidovat společně s domovním odpadem.
- Elektrická a elektronická zařízení můžete bezplatně odevzdat na následujících místech:
  - Veřejné skládky nebo sběrná místa odpadů (např. obecní stavební dvory)
  - LIDL nabízí možnosti vrácení přímo na pobočkách a v obchodech. Vrácení a likvidace jsou pro Vás zdarma.
  - Až tři kusy elektroodpadu od jednoho typu spotřebiče s délkou hrany maximálně 25 cm lze bezplatně vrátit výrobci, aniž by bylo nutné předtím zakoupit nový spotřebič od výrobce nebo jej odevzdat na jiném autorizovaném sběrném místě ve vašem okolí.
  - Pro další doplňující podmínky zpětného odběru výrobců a distributorů se obraťte na příslušný zákaznický servis.
- V případě, že výrobce dodá nový elektrospotřebič do soukromé domácnosti, může na žádost koncového uživatele zajistit bezplatný sběr elektroodpadu. Za tímto účelem kontaktujte zákaznický servis výrobce.
- Tato prohlášení se vztahují pouze na přístroje instalované a prodávané v zemích Evropské unie a podléhající evropské směrnici 2012/19/EU. V zemích mimo Evropskou unii mohou pro likvidaci elektroodpadu platit jiné předpisy.

## 15. Záruční list

### Vážena zakaznice, vážený zakazníku,

naše výrobky podléhají přísné kontrole kvality. Pokud i přesto tento přístroj bezvadně nefunguje, velice toho litujeme a prosíme Vás, abyste se obrátili na náš zákaznický servis, jehož adresa je uvedena na tomto záručním listu. Rádi Vám budeme k dispozici také telefonicky na níže uvedeném servisním čísle. Pro uplatňování nároků na záruku platí následující:

- Tyto záruční podmínky upravují dodatečný záruční servis. Vašich zákonných nároků na záruku se tato záruka netýká. Náš záruční servis je pro Vás bezplatný.
- Záruční servis se vztahuje výhradně na nedostatky, které lze odvodit z vad materiálu nebo výrobních vad a je také omezen pouze na odstranění těchto nedostatků, resp. výměnu přístroje. Dbejte prosím na to, že naše přístroje nebyly podle svého účelu určeny konstruovány pro živnostenské, řemeslnické nebo průmyslové použití. Záruční smlouva tak není realizována, pokud byl přístroj používán v živnostenských, řemeslných nebo průmyslových podnicích a při srovnatelných činnostech. Z naší záruky je dále vyloučeno poskytnutí náhrady za dopravní škody, škody způsobené nedodržováním montážního návodu nebo z důvodů neodborné instalace, nedodržování návodu k použití (jako např. připojení na chybné síťové napětí nebo druh proudu), nedovoleného nebo neodborného používání (jako např. přetížení přístroje nebo použití neschválených vložných nástrojů nebo příslušenství), nedodržování pokynů pro údržbu a bezpečnostních pokynů, vniknutí cizích těles do přístroje (jako např. písek, kameny nebo prach), použití násilí nebo poškození v důsledku cizích vlivů (jako např. škody způsobené pádem), jakož také běžného opotřebení způsobeného používáním.

Nárok na záruku zaniká, pokud bylo do přístroje již zasahováno

- Záruční doba činí 3 roky a začíná datem koupě přístroje. Nároky na záruku před vypršením záruční doby je třeba uplatňovat během dvou týdnů od zjištění defektu. Uplatňování nároků na záruku po vypršení záruční doby je vyloučeno. Oprava nebo výměna přístroje nevede k prodloužení záruční doby, ani k zahájení nové záruční doby za provedený výkon pro přístroj nebo pro případné zamontované náhradní díly. Toto platí také v případě servisu v místě Vašeho bydliště.
- Pro uplatnění nároku ze záruky se prosím obraťte na adresu servisu uvedenou dole. Pokud se reklamáce uplatňuje v záruční době, dáme Vám k dispozici formulář pro vrácení, pomocí kterého nám můžete vadný přístroj zdarma zaslat zpět. Popište nám prosím pokud možno přesně důvod reklamáce. Je-li defekt přístroje v našem záručním servisu obsažen, obdržíte obratem opravený nebo nový přístroj.

Samozřejmě rádi za úhradu nákladů odstraníme defekty na přístroji, které nespadají nebo již nespadají do rozsahu záruky. K tomu nám přístroj prosím zašlete na naši servisní adresu.

### 15.1 Postup v případě záruky

Abyste zajistili rychlé vyřízení své žádosti, postupujte podle níže uvedených pokynů:

- Pro všechny dotazy si prosím připravte účtenku a číslo výrobku (např. IAN 465618\_2404) jako doklad o nákupu.
- Číslo výrobku naleznete na typovém štítku na výrobku, na rytině na výrobku, na titulní straně návodu (vlevo dole) nebo na nálepce na zadní nebo spodní straně výrobku.
- V případě chyb funkce nebo jiných závad se nejprve telefonicky nebo e-mailem obraťte na níže uvedené servisní oddělení.
- Poté můžete bezplatně zaslat výrobek označený jako vadný na adresu servisu, přiložit doklad o koupi (účtenku) a uvést, o jakou vadu se jedná a kdy k ní došlo.
- Tyto a mnoho dalších příruček si můžete prohlédnout a stáhnout na stránkách parkside-diy.com. Tento QR kód vás přenese přímo na stránky parkside-diy.com. Vyberte svou zemi a pomocí vyhledávací masky vyhledejte návody k obsluze. Zadejte číslo výrobku (IAN) 465618\_2404, abyste získali přístup k návodu k obsluze vašeho výrobku.

### Kontakt na servis (CZ):

**Jméno:** S&E Solutions s.r.o. - Zahrada v akci  
Moravská 1278  
CZ - 57001 Litomyšl  
**Telefon:** 00800 4003 4003  
**E-mail:** service.CZ@scheppach.com  
**Sídlo:** Česká republika



---

|     |   |     |
|-----|---|-----|
| 1.  | Vysvetlenie symbolov na prístroji ..... | 78  |
| 2.  | Úvod .....                              | 79  |
| 3.  | Popis prístroja (obr. 1 – 10) .....     | 79  |
| 4.  | Rozsah dodávky .....                    | 79  |
| 5.  | Použitie v súlade s určením .....       | 79  |
| 6.  | Bezpečnostné upozornenia .....          | 80  |
| 7.  | Technické údaje .....                   | 82  |
| 8.  | Pred uvedením do prevádzky .....        | 82  |
| 9.  | Zloženie a obsluha .....                | 83  |
| 10. | Elektrická prípojka .....               | 83  |
| 11. | Čistenie, údržba a skladovanie .....    | 84  |
| 12. | Preprava .....                          | 85  |
| 13. | Likvidácia a opätovné zhodnotenie ..... | 85  |
| 14. | Odstraňovanie porúch .....              | 86  |
| 15. | Záručný list .....                      | 87  |
| 16. | Rozložený výkres .....                  | 123 |
| 17. | Vyhlásenie o zhode .....                | 124 |

## 1. Vysvetlenie symbolov na prístroji



Pred uvedením do prevádzky si prečítajte návod na obsluhu a bezpečnostné upozornenia a dodržiavajte ich!



Noste ochranu sluchu. Vplyv hluku môže spôsobiť stratu sluchu.



Používajte ochranu dýchacích ciest.



Varovanie pred horúcimi dielmi!



Varovanie pred elektrickým napätím.



Varovanie! Jednotka je riadená diaľkovo a môže sa spustiť bez varovania.



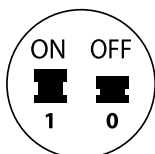
Nevystavujte stroj dažďu. Zariadenie sa smie umiestniť, uskladniť a prevádzkovať len v suchých okolitých podmienkach.



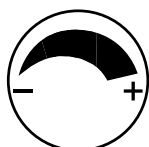
Údaj o hladine akustického výkonu v dB.



Údaj o hladine akustického tlaku v dB.



Zapínač/vypínač.



Regulátor tlaku.

## 2. Úvod

### Výrobca:

Scheppach GmbH  
Günzburger Straße 69  
D-89335 Ichenhausen

### Vážený zákazník,

Želáme Vám veľa zábavy a úspechov pri práci s Vaším novým prístrojom.

### Upozornenie:

Výrobca tohto prístroja neručí podľa platného zákona o ručení za výrobok za škody, ktoré vzniknú na tomto prístroji alebo budú spôsobené týmto prístrojom pri:

- neodbornej manipulácii,
- Nedodržiavanie návodu na obsluhu
- opravách tretími osobami, neautorizovanými odborníkmi,
- montáži a výmene neoriginálnych náhradných dielov,
- použití v rozpore s určením,
- Výpadky elektrického zariadenia pri nedodržiavaní elektrických predpisov a ustanovení VDE 0100, DIN 57113/VDE0113.

### Dodržiavajte:

Pred montážou a uvedením do prevádzky si prečítajte celý text návodu na obsluhu.

Tento návod na obsluhu vám má uľahčiť, aby ste sa oboznámili s elektrickým náradím a používali ho v súlade s určenými možnosťami použitia.

Návod na obsluhu obsahuje dôležité pokyny, ako s elektrickým náradím bezpečne, odborne a hospodárne pracovať a ako zabrániť nebezpečenstvám, ušetríte náklady na opravy, znížite časy prestojov a zvýšite spoľahlivosť a životnosť elektrického náradia.

Okrem bezpečnostných ustanovení tohto návodu na obsluhu musíte bezpodmienečne dodržiavať predpisy svojej krajiny platné pre prevádzku elektrického náradia.

Návod na obsluhu uschovajte pri elektrickom náradí a v plastovom obale, aby bol chránený pred špinou a vlhkosťou. Všetci obsluhujúci pracovníci si ho musia pred začiatkom práce prečítať a starostlivo ho dodržiavať. Na elektrickom náradí môžu pracovať len osoby, ktoré boli poučené o používaní elektrického náradia a boli informované o nebezpečenstvách, ktoré sú s tým spojené.

Okrem bezpečnostných upozornení obsiahnutých v tomto návode na obsluhu a osobitných predpisov vašej krajiny treba rešpektovať všeobecne uznávané technické pravidlá pre prevádzku konštrukčne rovnakých strojov.

Nepreberáme zodpovednosť za žiadne nehody ani škody, ku ktorým dôjde v dôsledku nedodržania tohto návodu a bezpečnostných upozornení.

## 3. Popis prístroja (obr. 1 – 10)

1. Prepravná rukoväť
  - 1a. Skrutky M8x10
  2. Tlakový spínač
  3. Vypínač zap/vyp
  4. Vzduchový filter
    - 4a. Teleso filtra
    - 4b. Filtračná vložka

- 4c. Kryt filtra
- 4d. Hadica
5. Koleso
- 5a. Skrutka so šošovkovitou hlavou
- 5b. Podložka
6. Výpustná skrutka pre kondenzovanú vodu
7. Oporná noha
- 7a. Skrutka
- 7b. Podložka
8. Tlaková nádoba
9. Poistný ventil
- 9a. Vypúšťacia matica
- 9b. Poistka spojenia
- 9c. Uzáver vypúšťacej matice
10. Rýchlospojka (regulovaný stlačený vzduch)
11. Rýchlospojka (regulovaný stlačený vzduch)
12. Manometer (možnosť odčítania nastaveného tlaku)
13. Manometer (možnosť odčítania tlaku v kotle)
14. Pneumatická hadica (není obsaženo v rozsahu dodávky)
- 14a. Zástrčná vsuvka
- 14b. Rýchlospojka
15. Regulátor tlaku
16. Prepravný kryt

## 4. Rozsah dodávky

- 1x Vzduchový filter
- 1x Prepravná rukoväť
- 2x Skrutky M8x10
- 1x Oporná noha
- 2x Koleso
- 1x Montážny materiál
- 1x Návod na obsluhu

## 5. Použitie v súlade s určením

Kompresor slúži na vytvorenie stlačeného vzduchu pre nástroje poháňané stlačeným vzduchom, ktoré je možno prevádzkovať s množstvom vzduchu po cca 180 l/min (napr. pištoľ na plnenie pneumatík, vyfukovacia pištoľ a pištoľ na striekanie laku). Z dôvodu obmedzeného množstva dopravovaného vzduchu nie je možné prevádzkovanie nástrojov, ktoré vykazujú veľmi vysokú spotrebu vzduchu (napr. vibračná brúska, tyčová brúska a nárazový uťahovač).

Kompresor sa smie prevádzkovať len v suchých a dobre vetraných vnútorných priestoroch.

Stroj sa môže používať iba v súlade so svojím určením. Každé iné použitie presahujúce určenie je považované za používanie v rozpore s určením. Za škody z neho vzniknuté alebo poranenia akéhokoľvek druhu ručí používateľ/obsluha a nie výrobca.

Dbajte, prosím, na to, že naše prístroje neboli v súlade s určením skonštruované na komerčné, remeselné ani priemyselné použitie. Ak sa prístroj používa v komerčných, remeselných alebo priemyselných podnikoch, ako aj na podobné činnosti, nepreberáme žiadnu záruku.

## 6. Bezpečnostné upozornenia

### Všeobecné bezpečnostné upozornenia pre elektrické náradia

⚠ **VÝSTRAHA!** Prečítajte si všetky bezpečnostné upozornenia, pokyny, ilustrácie a technické údaje, ktorými je opatrené toto elektrické náradie. Zanedbania pri dodržiavaní nasledujúcich pokynov môžu spôsobiť zásah elektrickým prúdom, požiar a/alebo ťažké poranenia.

### Všetky bezpečnostné upozornenia a pokyny uschovajte pre prípad neskoršieho použitia.

Pojem „elektrické náradie“ použitý v bezpečnostných upozorneniach sa vzťahuje na elektrické náradie napájané zo siete (so sieťovým káblom) alebo na elektrické náradie napájané z akumulátora (bez sieťového vedenia).

### Bezpečnosť pracoviska

- a. **Pracovný priestor udržiavajte čistý a dobre osvetlený.** Neporiadok a neosvetlené pracovné priestory môžu viesť k úrazom.
- b. **S elektrickým náradím nepracujte v prostredí ohrozenom výbuchom, v ktorom sa nachádzajú horľavé kvapaliny, plyny alebo prach.** Elektrické prístroje vytvárajú iskry, ktoré môžu zapáliť prach alebo výpary.
- c. **Deti a iné osoby držte v dostatočnej vzdialenosti od elektrického prístroja počas jeho používania.** Pri nepozornosti môžete stratiť kontrolu nad elektrickým náradím.

### Elektrická bezpečnosť

- a. **Pripojovacia zástrčka elektrického prístroja musí pasovať do zásuvky.** Zástrčka sa nesmie nijako upravovať. Nepoužívajte adaptérové zástrčky spolu s uzemnenými elektrickými prístrojmi. Neupravované zástrčky a vhodné zásuvky znižujú riziko zásahu elektrickým prúdom.
- b. **Vyhýbajte sa telesnému kontaktu s uzemnenými plochami, ako napríklad rúry, vykurovacie zariadenia, sporáky a chladničky. Keď je vaše telo uzemnené, hrozí zvýšené riziko zásahu elektrickým prúdom.**
- c. **Chráňte elektrické prístroje pred dažďom alebo vlhkosťou.** Vniknutie vody do elektrického náradia zvyšuje riziko zásahu elektrickým prúdom.
- d. **Nepoužívajte kábel na nosenie či zavesenie elektrického prístroja, ani na vytiahnutie zástrčky zo zásuvky.** Kábel chráňte pred vysokými teplotami, olejom, ostrými hranami alebo pohybujúcimi sa časťami prístroja. Poškodené alebo zamotané káble zvyšujú riziko zásahu elektrickým prúdom.
- e. **Ak s elektrickým prístrojom pracujete vonku, používajte iba predlžovacie káble, ktoré sú vhodné aj pre exteriér.** Použitie predlžovacieho kábla vhodného pre vonkajšie priestory znižuje riziko zásahu elektrickým prúdom. Na voľnom priestranstve používajte iba povolené a príslušne označené predlžovacie káble. Používajte káblový bubon iba v rozvinutom stave.
- f. **Ak je nevyhnutná prevádzka elektrického náradia vo vlhkom prostredí, použite prúdový chránič so spúšťacím prúdom 30 mA alebo menej.** Používanie ochranného vypínača proti chybnému prúdu znižuje riziko zásahu elektrickým prúdom.

### Bezpečnosť osôb

- a. **Buďte pozorní, dávajte pozor na to, čo robíte, a s elektrickým náradím pracujte rozumne. Elektrické náradie nepoužívajte, ak ste unavení alebo ste pod vplyvom drog, alkoholu či liekov.** Jediná chvíľka nepozornosti pri používaní elektrického prístroja môže viesť k závažným poraneniam.
- b. **Noste osobné ochranné vybavenie a vždy používajte ochranné okuliare.** Nosenie osobného ochranného výstroja, ako je protiprachová maska, protišmyková bezpečnostná obuv, ochranná prilba či ochrana sluchu, znižuje v závislosti od typu elektrického prístroja a jeho použitia riziko poranení.
- c. **Zabráňte neúmyselnému uvedeniu do prevádzky. Pred zdvihnutím alebo nosením sa uistite, že je elektrické náradie vypnuté, predtým ako ho pripojíte k napájaniu prúdom a/alebo ku akumulátoru.** Ak máte pri prenášaní elektrického náradia prst na vypínači, alebo ak zapnutý elektrický prístroj pripojíte k napájaniu prúdom, môže dôjsť k úrazom.
- d. **Pred zapnutím elektrického náradia odstráňte nastavovacie nástroje alebo skrutkovače.** Nástroj alebo kľúč, ktorý sa nachádza v otáčajúcej sa časti prístroja, môže viesť k poraneniam.
- e. **Vyhýbajte sa abnormálnemu držaniu tela.** Zaistite si bezpečný postoj a vždy udržiavajte rovnováhu. Vďaka tomu budete môcť elektrické náradie lepšie kontrolovať pri neočakávaných situáciách.
- f. **Noste vhodný odev. Nenoste voľný odev ani šperky. Vlasy, odev a rukavice držte mimo dosahu pohybujúcich sa dielov.** Voľný odev, šperky či dlhé vlasy môžu zachytiť pohybujúce sa časti. Pri prácach vonku odporúčame nosiť gumené rukavice a protišmykovú obuv. Pri dlhých vlasoch noste sieťku na vlasy.
- g. **Ak sa dajú namontovať zariadenia na odsávanie a zachytávanie prachu, uistite sa, že sú pripojené a správne sa používajú.** Použitie zariadenia na odsávanie prachu znižuje riziká spôsobené prachom.
- h. **Nenechajte sa ukolísť falošnou bezpečnosťou a dbajte na bezpečnostné pravidlá pre elektrické náradie, aj keď ste vďaka mnohonásobnému použitiu oboznámení s elektrickým náradím.** Lahkovážne konanie môže v okamihu viesť k ťažkým poraneniam.

### Používanie a ošetrovanie elektrického prístroja

- a. **Prístroj nepreťažujte.** Pri práci používajte elektrické náradie určené na daný účel. Je lepšie a bezpečnejšie pracovať s vhodným elektrickým náradím v udávanom rozsahu výkonu.
- b. **Nepoužívajte elektrické náradie s chybným spínačom. Elektrické náradie, ktoré sa nedá zapnúť alebo vypnúť, je nebezpečné a musí sa opraviť.**
- c. **Skôr ako vykonáte nastavenia prístroja, vymeníte časť vloženého nástroja alebo elektrické náradia odložte, vytiahnite zástrčku zo zásuvky a/alebo odoberte odnímateľný akumulátor.** Toto bezpečnostné opatrenie zabráni neúmyselnému spusteniu elektrického prístroja.
- d. **Nepoužívané elektrické náradie uchovávajte mimo dosahu detí.** Elektrické náradie nedovoľte používať osobám, ktoré s ním nie sú oboznámené alebo si neprečítali tieto inštrukcie. Elektrické náradie je nebezpečné, ak ho používajú neskúsené osoby. Nepoužívané elektrické prístroje sa musia skladovať na suchom, vysoko položenom alebo uzatvorenom priestore, mimo dosahu detí.



**e. O svoje elektrické náradie a vložený nástroj sa dôkladne starajte.** Skontrolujte, či pohyblivé časti bezchybne fungujú a nie sú zablokované a či sú zlomené alebo natoľko poškodené diely, že by sa mohla negatívne ovplyvniť funkcia elektrického prístroja. Pred použitím elektrického náradia dajte poškodené diely opraviť. Príčinou mnohých úrazov je nesprávna údržba elektrických prístrojov.

**f. Rezné nástroje udržiavajte ostré a čisté. Starostlivo udržiavané rezné nástroje s ostrými reznými hranami sa menej zasekávajú a ľahšie sa vedú.**

**g. Používajte elektrické náradie, príslušenstvo, vložené nástroje atď. podľa týchto pokynov.** Zohľadnite pritom pracovné podmienky a vykonávanú činnosť. Používanie elektrického náradia na iné ako predpísané používania môže viesť k nebezpečným situáciám.

**h. Rukoväte a plochy rukoväti udržiavajte vždy suché, čisté a bez oleja a tuku.** Klzké rukoväti a plochy rukoväti neumožňujú bezpečnú obsluhu a kontrolu elektrického náradia v nepredvídateľných situáciách.

## Servis

**a. Vaše elektrické náradie nechajte opravovať len kvalifikovaným odborným personálom a len s originálnymi náhradnými dielmi.** Tým sa zabezpečí zachovanie bezpečnosti elektrického prístroja.

## Bezpečnostné upozornenia pre kompresory

**⚠ Pozor!** Pri používaní tohto kompresora je nutné na ochranu pred zásahom elektrickým prúdom, nebezpečenstvom poranenia a nebezpečenstvom požiaru dodržiavať nasledujúce základné bezpečnostné opatrenia.

Pred použitím prístroja si prečítajte si a dodržiavajte tieto upozornenia.

## Bezpečná práca.

1. O vaše prístroje sa dôkladne starajte
  - Udržiavajte váš kompresor čistý, aby pracoval dobre a bezpečne.
  - Dodržiavajte predpisy týkajúce sa údržby.
  - Pravidelne kontrolujte pripojovacie vedenie elektrického prístroja a pri poškodení ho nechajte vymeniť odborníkom.
  - Predlžovacie vedenia pravidelne kontrolujte a v prípade poškodenia ich vymeňte.
2. Zástrčku vyťahnite zo zásuvky.
  - Pri nepoužívaní elektrického prístroja, pred údržbou a pri výmene nástrojov, napr. pílového kotúča, vrtáka, frézy.
3. Elektrický prístroj skontrolujte ohľadne prípadných poškodení
  - Pred ďalším používaním elektrického prístroja sa musia ochranné zariadenia alebo ľahko poškodené diely dôkladne prekontrolovať na ich bezchybnú funkciu v súlade s určením.
  - Skontrolujte, či pohyblivé diely fungujú bezchybne a nezasekávajú sa, alebo či nie sú poškodené diely. Všetky diely musia byť správne namontované a splniť všetky podmienky pre zaručenie bezchybnej prevádzky elektrického prístroja.

- Poškodené ochranné zariadenia a diely sa musia v súlade s predpismi nechať opraviť alebo vymeniť v autorizovanej dielni, pokiaľ nie je v návode na obsluhu uvedené inak.
- Nepoužívajte chybné ani poškodené prípojné vedenia.

## 4. Pozor!

- V záujme vašej vlastnej bezpečnosti používajte iba príslušenstvo a prídavné zariadenia, ktoré sú uvedené v návode na obsluhu alebo sú odporúčané či uvedené výrobcom. Použitie iných vložených nástrojov alebo príslušenstva než tých, ktoré odporúča návod na obsluhu alebo katalóg, môže pre vás znamenať nebezpečenstvo fyzického zranenia.
5. Výmena prípojného vedenia
    - Ak je prípojné vedenie poškodené, musí ho výrobca alebo kvalifikovaná osoba v oblasti elektrieky vymeniť, aby sa zabránilo ohrozeniam. Nebezpečenstvo v dôsledku zásahov elektrickým prúdom.
  6. Naplnenie pneumatík
    - Bezprostredne po naplnení skontrolujte tlak pneumatík vhodným manometrom, napr. na čerpacej stanici.
  7. Po komunikáciách prepravovateľné kompresory v stave niskovej prevádzke
    - Dbajte na to, aby všetky hadice a armatúry boli vhodné pre najvyšší prípustný prevádzkový tlak kompresora.
  8. Inštalácia
    - Kompresor umiestnite iba na rovnú plochu.
  9. Odporúča sa, aby sa privádzacie hadice pri tlakoch nad 7 barov vybavili bezpečnostným káblom, napr. drôteným lanom.
  10. Zabráňte silným zaťaženiám na systém vedení tým, že použijete flexibilné hadicové prípojky, aby ste zabránili zalomeným miestam.

## Dodatočné bezpečnostné upozornenia

**Dodržiavajte príslušné návody na obsluhu jednotlivých pneumatických nástrojov/pneumatických prídavných prístrojov!** Nasledujúce všeobecné pokyny sa musia dodatočne dodržiavať.

## Bezpečnostné upozornenia pre prácu so stlačeným vzduchom a vyfukovacími pištoľami

- Dbajte na dostatočnú vzdialenosť od produktu, min. však 2,50 m a udržiavajte pneumatické nástroje/pneumatické prídavné prístroje počas prevádzky v dostatočnej vzdialenosti od kompresora.
- Kompresorové čerpadlo a vedenia dosahujú počas prevádzky vysoké teploty. Dotýkanie sa môže viesť k popáleninám.
- Vzduch nasávaný z kompresora je potrebné udržiavať bez prímiesí, ktoré by v kompresorovom čerpadle mohli viesť k požiarom alebo výbuchom.
- Pri uvoľňovaní hadicovej spojky držte spojku hadice pevne rukou. Tak zabránite poraneniám spôsobeným vymrštením hadice.
- Pri prácach s pneumatickou pištoľou noste ochranné okuliare a respirátor. Prach je zdraviu škodlivý! Cudzie telesá a vyfúknuté diely môžu ľahko spôsobiť poranenia.
- Nefúkajte vyfukovacou pištoľou na osoby alebo na oblečenie na tele. Nebezpečenstvo poranenia!

### Bezpečnostné upozornenia pri používaní postrekovačov a rozprašovacích prídavných zariadení (napr. rozprašovače farby)

- Udržujte rozprašovacie prídavné zariadenie v dostatočnej vzdialenosti od kompresora, aby sa nedostal do kontaktu s tekutinou.
- Používajte rozprašovacie prídavné zariadenia (napr. rozprašovače farby) v smere kompresora. Vlhkosť môže viesť ku elektrickým rizikám!
- Nespracúvajte laky alebo rozpúšťadlá s bodom vzplanutia nižším ako 55 °C. Nebezpečenstvo výbuchu!
- Laky a rozpúšťadlá nezahrievajte. Nebezpečenstvo výbuchu!
- Ak sa spracovávajú zdraví škodlivé kvapaliny, vyžadujú sa na ochranu filtračné prístroje (masky na tvár). Dodržiavajte tiež informácie o ochranných opatreniach poskytnutých výrobcami týchto látok.
- Dbajte na údaje uvedené na obaloch spracúvaných materiálov a označenia nariadenia o nebezpečných látkach. V prípade potreby sa musia urobiť dodatočné ochranné opatrenia, predovšetkým sa musí nosiť vhodné oblečenie a masky.
- Počas procesu striekania, ako aj v pracovnom priestore sa nesmie fajčiť. Nebezpečenstvo výbuchu! Lahko horľavé sú aj výpary z farieb.
- Ohniská, otvorený plameň alebo stroje tvoriace iskry nesmú byť prítomné, resp. prevádzkované.
- Jedlá a nápoje neuchovávajte ani nekonzumujte v pracovnom priestore. Výpary z farieb sú zdraví škodlivé.
- Pracovný priestor musí byť väčší ako 30 m<sup>3</sup> a pri striekaní a sušení musí byť zaistená dostatočná výmena vzduchu.
- Nikdy nestriekajte proti vetru. Pri postrekovaní horľavých, resp. nebezpečných postrekovacích materiálov rešpektujte ustanovenia miestneho policajného orgánu.
- Pomocou PVC tlakovzdušnej hadice nespracúvajte médiá, ako lakový benzín, butylalkohol a dichlórmétán. Tieto médiá poškodzujú tlakovzdušnú hadicu.
- Pracovná oblasť musí byť od kompresora oddelená tak, aby sa tento nedostal do priameho kontaktu s pracovným médiom.

### Prevádzka tlakových nádob

- Používateľ tlakovej nádoby musí udržiavať tlakovú nádobu v riadnom stave, správne ju používať, riadne kontrolovať, bezodkladne vykonávať potrebné údržbárske práce a opravy a podľa potreby prijať potrebné bezpečnostné opatrenia.
- Dozorný úrad môže v jednotlivých prípadoch nariadiť potrebné kontrolné opatrenia.
- Tlaková nádoba sa nesmie prevádzkovať, ak vykazuje nedostatky, ktoré môžu viesť k ohrozeniu zamestnancov alebo tretích osôb.
- Pred každou prevádzkou skontrolujte, či tlaková nádoba nejaví známky hrdze a poškodení. Kompresor sa nesmie prevádzkovať s poškodenou alebo zhrdzavenou tlakovou nádobou. V prípade zistenia poškodení sa obráťte na zákaznícky servis.

### Bezpečnostné pokyny si dobre uschovajte.

### Zvyškové riziko

Dodržiňte určené údržbové a bezpečnostné upozornenia návodu na obsluhu.

Pri práci buďte vždy pozorní a tretie osoby udržiavajte v bezpečnej vzdialenosti od vášho pracoviska.

Určité zvyškové riziko, ktoré nie je možné vylúčiť, pretrváva vždy aj pri odbornom používaní prístroja. Z druhu a konštrukcie prístroja je možné odvodit nasledujúce potenciálne ohrozenia:

- Neúmyselné uvedenie výrobku do prevádzky.
- Poškodenie sluchu, ak sa nenesie predpísaná ochrana sluchu.
- Častice nečistôt, prach atď. sa do vašich očí alebo tváre môžu dostať aj napriek noseniu ochranných okuliarov.
- Vdychovanie rozvírených častíc.

### ⚠ Varovanie!

Tento elektrický prístroj vytvára počas prevádzky elektromagnetické pole. Toto pole môže za určitých okolností ovplyvniť aktívne alebo pasívne implantáty. Na zníženie nebezpečenstva závažných alebo smrteľných poranení odporúčame osobám s implantátmi prekonzultovať situáciu so svojím lekárom a výrobcom implantátu ešte predtým, ako začnú obsluhovať elektrický prístroj.

## 7. Technické údaje

|   |                        |
|---|------------------------|
| Sieťová prípojka.....                                     | 230 V~ 50 Hz           |
| Výkon motora .....  | 1500 W                 |
| Prevádzkový režim .....                                   | S1                     |
| Otáčky kompresora .....                                   | 2850 min <sup>-1</sup> |
| Objem tlakovej nádoby.....                                | cca 24 l               |
| Prevádzkový tlak .....                                    | cca 10 bar             |
| Teor. Výkon nasávania.....                                | cca 257 l/min          |
| Účinné dodávané množstvo pri 7 bar .....                  | cca 103 l/min          |
| Účinné dodávané množstvo pri 4 bar .....                  | cca 141 l/min          |
| Účinné dodávané množstvo pri 1 bar .....                  | cca 180 l/min          |
| Hladina akustického tlaku L <sub>PA</sub> .....           | 68 dB                  |
| Nameraná hladina akustického výkonu L <sub>WA</sub> ..... | 83,6 dB                |
| Zaručená hladina akustického výkonu L <sub>WA</sub> ..... | 86 dB                  |
| Neistota K <sub>PA/WA</sub> .....                         | 3 dB                   |
| Druh krytia .....   | IP 20                  |
| Hmotnosť prístroja.....                                   | cca 24 kg              |
| Max. výška inštalácie (m.n.m.) .....                      | 1000 m                 |

Hodnoty emisie hluku zariadenia boli určené podľa EN ISO 3744:1995.

### Noste ochranu sluchu.

Vplyv hluku môže spôsobiť stratu sluchu.

## 8. Pred uvedením do prevádzky

- Otvorte obal a opatrne vyberte prístroj.
- Odstráňte baliaci materiál, ako aj obalové a prepravné poistky (ak sú použité).
- Skontrolujte, či je rozsah dodávky kompletný.
- Prístroj a diely príslušenstva skontrolujte ohľadom poškodení spôsobených prepravou.
- Obal podľa možnosti uschovajte až do uplynutia záručnej doby.

### ⚠ NEBEZPEČENSTVO

**Prístroj a obalové materiály nie sú hračkami pre deti! Deti sa nesmú hrať s plastovými vreckami, fóliami a malými dielmi! Existuje nebezpečenstvo prehltnutia a zadusenia!**

- Pred pripojením sa presvedčte, či sa údaje na typovom štítku zhodujú s parametrami elektrickej siete.

- Prístroj skontrolujte ohľadom poškodení spôsobených prevrou. Okamžite oznámte akékoľvek škody dopravnej spoločnosti, ktorá dodala kompresor.
- Kompresor musí byť nainštalovaný v blízkosti spotrebiteľa.
- Nepoužívajte dlhé vzduchové vedenia a dlhé prívody (predĺžovacie káble).
- Dbajte aj na suchý nasávací vzduch bez prachu.
- Neinštalujte kompresor vo vlhkých a mokrych priestoroch.
- Kompresor je možné prevádzkovať len vo vhodných priestoroch (dobře vetraných, okolitá teplota +5 °C až 40 °C). V priestore sa nesmú vyskytovať prachy, kyseliny, výpary, výbušné a horľavé plyny.
- Kompresor je vhodný na použitie v suchých priestoroch. Použitie nie je povolené v oblastiach, kde sa pracuje s rozprašovanou vodou.
- Kompresor sa smie používať len krátky čas, v suchých okolitých podmienkach a v exteriéri.
- Kompresor musí byť vždy suchý a nesmie sa po práci nechávať vo voľnom priestore.

## 9. Zloženie a obsluha

### ⚠ Pozor!

**Prístroj pred uvedením do prevádzky bezpodmienečne kompletne zmontujte!**

Na montáž potrebujete:

- 1x vidlicový kľúč 14 mm
  - 1x vidlicový kľúč 13 mm
  - 1x nástrčkový kľúč 14 mm
  - 1x krížový skrutkovač
- (nie je v rozsahu dodávky)

### 9.1 Montáž kolies (obr. 3)

- Namontujte priložené kolesá (5) tak, ako je na obrázku.

### 9.2 Montáž opornej nohy (obr. 4)

- Namontujte priloženú opornú nohu (7) tak, ako je na obrázku.

### 9.3 Montáž vzduchového filtra (obr. 5, 6)

- Odstráňte prepravňý kryt (16) a pripevnite vzduchový filter (4) na prístroj.
- Zaveďte hadicu (4d) do otvoru vzduchového filtra (4).

### 9.4 Montáž prepravnej rukoväti (obr. 7)

- Namontujte priloženú prepravňú rukoväť (1) tak, ako je na obrázku. Použite na to priložené skrutky M8x10 (1a) a kľúč na skrutky rozmeru 13 (nie sú v rozsahu dodávky).

### 9.5 Sieťová prípojka

- Kompresor je vybavený sieťovým vedením s ochrannou vidlicou. Tento je možné pripojiť na každú zásuvku s ochranných kontaktom 230 V~ 50 Hz, ktorá je poistená 16 A poistkou.
- Pred uvedením do prevádzky dbajte na to, aby sa sieťové napätie zhodovalo s prevádzkovým napätím a výkonom stroja na typovom štítku.
- Dlhé prívody, ako aj predĺženia, káblové bubny atď. spôsobujú pokles napätia a môžu zabrániť rozbehu motora.
- Pri nízkych teplotách pod +5 °C je rozbeh motora ohrozený ťažkým chodom.

### 9.6 Zapínač/vypínač (obr. 1)

- Pre zapnutie kompresora sa zapínač/vypínač (3) potiahne nahor.
- Na vypnutie sa zapínač/vypínač (3) zatlačí nadol.

### 9.7 Nastavenie tlaku (obr. 1, 2)

- Pomocou regulátora tlaku (15) sa na manometri (12) nastavuje tlak.
- Nastavený tlak sa dá odčítať na rýchlospojke (10, 11).
- Na manometri (13) sa odčíta tlak v kotle.

### 9.8 Nastavenie tlakového spínača (obr. 1)

- Tlakový spínač (2) je nastavený z výroby.  
Spínací tlak cca 5,5 bar  
Vypínací tlak cca 8 bar

### 9.9 Montáž hadice na stlačený vzduch (není obsaženo v rozsahu dodávky) (obr. 1, 2)

- Pripojte nasúvaciu vsuvku (14a) hadice na stlačený vzduch (14) na niektorú z rýchlospojok (10, 11). Potom pripojte pneumatický nástroj na rýchlospojku (14b) hadice na stlačený vzduch (14).

### 9.10 Tepelný ochranný spínač

Tepelný ochranný spínač je zabudovaný do prístroja.

Ak sa tepelný ochranný spínač spustí, postupujte nasledovne:

- Vytiahnite sieťovú zástrčku.
- Počkajte cca 2 až 3 minúty.
- Opäť pripojte prístroj.
- Ak sa prístroj nespustí, zopakujte proces.
- Ak sa prístroj opäť nespustí, vypnite a opäť zapnite prístroj cez zapínač/vypínač (3).
- Ak ste vykonali všetky vyššie uvedené kroky a prístroj napriek tomu nefunguje, kontaktujte náš servis.

## 10. Elektrická prípojka

**Nainštalovaný elektromotor je pripojený a pripravený na prevádzku. Pripojenie zodpovedá príslušným ustanoveniam VDE a DIN. Sieťová prípojka na strane zákazníka, ako aj predĺžovacie vedenie musia zodpovedať týmto predpisom.**

Pri prácach s postrekovačmi a rozprašovacími prídavnými zariadeniami, ako aj pri dočasnom používaní vo voľnom priestore, sa musí prístroj pripojiť len pomocou **prúdového chrániča** s vypínacím prúdom 30 mA.

### 10.1 Dôležité upozornenia

Pri preťažení motora sa tento samočinne vypne. Po vychladení (časovo odlišné) je možné motor znovu zapnúť.

### 10.2 Poškodené elektrické prípojné vedenie

Na elektrických prípojných vedeniach často vznikajú škody na izolácii.

Príčinami môžu byť:

- Stlačené miesta, keď sa prípojné vedenia vedú cez okno alebo medzeru medzi dverami.
- Zalomené miesta v dôsledku neodborného upevnenia alebo vedenia prípojného vedenia.

- Rozrezané miesta vzniknuté pri prejazde cez prípojné vedenie.
- Škody na izolácii pri vytrhnutí zo zásuvky v stene.
- Trhliny pri zostarnutí izolácie.

Takéto poškodené elektrické prípojné vedenia sa nesmú používať a z dôvodu poškodenia izolácie sú životunebezpečné.

Elektrické prípojné vedenia pravidelne kontrolujte ohľadne poškodení. Dávajte pozor na to, aby pri kontrole prípojného vedenia nebolo vedenie pripojené k elektrickej sieti.

Elektrické prípojné vedenia musia zodpovedať príslušným ustanoveniam VDE a DIN. Používajte iba prípojné vedenia s rovnakým označením.

Vytlačenie označenia typu na prípojnom kábli je predpis.

### 10.3 Motor na striedavý prúd

- Sieťové napätie sa nachádza medzi 230 V~ 50 Hz.
- Predlžovacie vedenia do dĺžky 25 m musia vykazovať prierez 1,5 mm<sup>2</sup>.

Prípojky a opravy elektrickej výbavy smie vykonávať iba vyučený elektrikár.

V prípade otázok uveďte, prosím, nasledujúce údaje:

- Druh prúdu motora,
- Údaje z typového štítku stroja
- Údaje z typového štítku motora.

## 11. Čistenie, údržba a skladovanie

### ⚠ Pozor!

Pred všetkými čistiacimi a montážnymi prácami vyťahnite sieťovú zástrčku! Nebezpečenstvo úrazu elektrickým prúdom!

### ⚠ Pozor!

Počkajte, kým prístroj úplne nevychladne! Nebezpečenstvo popálenia!

### ⚠ Pozor!

Pred všetkými čistiacimi a údržbovými prácami musí byť prístroj bez tlaku! Nebezpečenstvo poranenia!

### 11.1 Čistenie

- Udržiavajte prístroj podľa možností bez prachu a nečistôt. Zariadenie vydrhnite čistou handričkou alebo vyfúkajte stlačeným vzduchom pri nízkom tlaku.
- Prístroj odporúčame čistiť bezprostredne po každom použití.
- Stroj pravidelne čistite vlhkou handričkou a malým množstvom mazľavého mydla. Nepoužívajte agresívne čistiace prostriedky ani rozpúšťadlá, mohli by poškodiť plastové diely zariadenia. Dbajte na to, aby sa do vnútra stroja nedostala žiadna voda.
- Hadica a striekacie nástroje sa pred čistením musia odpojiť od kompresora. Kompresor sa nesmie čistiť vodou, rozpúšťadlami a pod.

### 11.2 Údržba tlakovej nádoby (obr. 1)

#### ⚠ Pozor!

Na zaručenie dlhej životnosti tlakovej nádoby (8) je potrebné po každej prevádzke otvoriť vypúšťaciu skrutku (6) a vypustiť kondenzovanú vodu.

Znížte najskôr tlak v kotle (pozri 11.6.1.).

Otvorte vypúšťaciu skrutku (6) otočením proti smeru hodinových ručičiek (smer pohľadu na skrutku zo spodnej strany kompresora).

Na úplné vypustenie kondenzovanej vody z tlakovej nádoby (8) sa musí táto mierne naklopiť tak, aby vypúšťacia skrutka (6) predstavovala najnižší bod.

Potom vypúšťaciu skrutku (6) opäť zatvorte (otočte v smere pohybu hodinových ručičiek). Pred každou prevádzkou skontrolujte, či tlaková nádoba (8) nejaví známky hrdze a poškodení.

Kompresor sa nesmie prevádzkovať s poškodenou alebo zhrdzavenou tlakovou nádobou (8). V prípade zistenia poškodení sa obráťte na zákaznícky servis.

#### Upozornenia k likvidácii kondenzovanej vody:

Kondenzovanú vodu zlikvidujte v súlade s miestnymi a vnútroštátnymi predpismi o ochrane životného prostredia. Zabezpečte, aby sa nevypúšťala do kanalizácie.

### 11.3 Poistný ventil (obr. 8)

Poistný ventil (9) je nastavený na najvyšší prípustný tlak tlakovej nádoby (8). Poistný ventil (9) nie je prípustné prestavovať alebo odstraňovať poistku spojenia (9b) medzi vypúšťacou maticou (9a) a jej uzáverom (9c). Poistný ventil (9) sa musí aktivovať každých 30 prevádzkových hodín min. 3-krát ročne, aby v prípade potreby fungoval. Otvorte perforovanú vypúšťaciu maticu (9a) v protismere hodinových ručičiek a následne potiahnite ventillovú tyčku cez perforovanú vypúšťaciu maticu (9a) ručne smerom von, aby ste otvorili výpusť poistného ventilu (9). Cez ventil teraz počuteľne uniká vzduch. Následne utiahnite vypúšťaciu maticu (9a) otočením v smere hodinových ručičiek.

### 11.4 Čistenie vzduchového filtra (obr. 9, 10)

Vzduchový filter (4) zabraňuje nasatiu prachu a nečistôt. Je potrebné vyčistiť tento vzduchový filter (4) aspoň každých 300 prevádzkových hodín. Upchatý vzduchový filter (4) výrazne znižuje výkon kompresora.

Otočte vzduchový filter (4) v protismere hodinových ručičiek, aby ste ho mohli odstrániť. Odskrutkujte a odstráňte kryt filtra (4c). Teraz môžete vyskrutkovať filtračnú vložku (4b). Opatrne vyklepte filtračnú vložku (4b), kryt filtra (4c) a teleso filtra (4a). Tieto konštrukčné diely sa potom musia vyfúkať stlačeným vzduchom (cca 3 bar) a opäť namontovať v opačnom poradí.

### 11.5 Servisné informácie

Je potrebné dbať na to, že pri tomto produkte podliehajú nasledujúce diely použitiu primeranému alebo prirodzenému opotrebovaniu, resp. nasledujúce diely sú potrebné ako spotrebné materiály.

Diely podliehajúce opotrebovaniu\*: Vzduchový filter

\* nie je nutne obsiahnuté v rozsahu dodávky!

## 11.6 Skladovanie

### ⚠ Pozor!

**Vytiahnite sieťovú zástrčku, odvzdušnite prístroj a všetky pripojené pneumatické nástroje. Odstavte kompresor tak, aby ho nemohli uviesť do prevádzky neoprávnené osoby.**

### ⚠ Pozor!

**Skladujte kompresor len v suchom prostredí neprístupnom pre nepovolanych. Nesklápajte, skladujte len v stoj!**

### 11.6.1 Uvoľnenie pretlaku

Uvoľnite pretlak v kompresore vypnutím kompresora a uvoľnite stlačený vzduch v tlakovej nádobe (8), napr. pomocou pneumatického nástroja v chode naprázdno alebo vyfukovacou pištoľou.

## 12. Preprava

Na prepravu používajte prepravnú rukoväť (1) a pomocou nej presúvajte kompresor.

Pri dvíhaní kompresora zohľadnite jeho hmotnosť (pozri Technické údaje).

Pri preprave kompresora v motorových vozidlách sa postarajte o dobré zabezpečenie nákladu.

## 13. Likvidácia a opätovné zhodnotenie

### Upozornenia k baleniu



Baliace materiály sa dajú recyklovať. Prosím, likvidujte balenia ekologicky.

### Upozornenia k elektrickým a elektronickým zariadeniam (ElektroG)



**Elektrické a elektronické staré zariadenia nepatria do domového odpadu, ale musia sa zbierať, resp. likvidovať oddelene!**

- Staré batérie alebo akumulátory, ktoré nie sú pevne zabudované v starom prístroji, sa musia vybrať bez porušenia! Ich likvidácia je regulovaná zákonom o batériách.
- Vlastníci alebo používatelia elektrických a elektronických zariadení sú zo zákona povinní ich po použití vrátiť.
- Koncový užívateľ je zodpovedný za vymazanie svojich osobných údajov na starom zariadení, ktoré má byť zlikvidované!
- Symbol prečiarknutého odpadkového koša na kolieskach znamená, že staré elektrické a elektronické zariadenia sa nesmú likvidovať s domovým odpadom.
- Elektrické a elektronické zariadenia je možné bezplatne odovzdať na týchto miestach:
  - Verejná likvidácia alebo zberné miesta (napr. obecné stavebné dvory).
  - LIDL vám ponúka možnosti vrátenia priamo v pobočkách a supermarketoch. Vrátenie a likvidáciu máte bezplatne.
  - Až tri staré elektrické zariadenia jedného typu s maximálnou dĺžkou hrany 25 centimetrov môžete bezplatne odovzdať bez toho, aby ste si najprv zakúpili nové zariadenie od výrobcu, alebo ich odovzdajte na inom autorizovanom zbernom mieste vo vašom okolí.

- Viac doplňujúcich podmienok spätného odberu výrobcov a distribútorov sa dozviete v príslušnom zákaznickom servise.

- V prípade dodania nového elektrického zariadenia výrobcom do domácnosti môže výrobca na požiadanie koncového užívateľa zabezpečiť bezplatný odvoz starého elektrického zariadenia. Za týmto účelom kontaktujte zákaznický servis výrobcu.
- Tieto vyhlásenia sa vzťahujú iba na zariadenia inštalované a predávané v krajinách Európskej únie a podliehajúce európskej smernici 2012/19/EÚ. V krajinách mimo Európskej únie môžu na likvidáciu elektrických a elektronických zariadení platiť odlišné predpisy.

## 14. Odstraňovanie porúch

| Porucha   | Možná príčina  | Náprava   |
|---|--|---|
| Kompresor nebeží.   | Sieťové napätie nie je prítomné.                     | Skontrolujte kábel, sieťovú zástrčku, poistku a zásuvku.  |
|   | Sieťové napätie je príliš nízke.                     | Zabráňte príliš dlhým predlžovacím káblom. Použite predlžovací kábel s dostatočným prierezom jadra. |
|   | Vonkajšia teplota je príliš nízka.                   | Neprevádzkujte pri vonkajšej teplote nižšej ako +5 °C.  |
|   | Motor sa prehrieva.                                  | Nechajte vychladnúť motor, v príp. potreby odstráňte príčinu prehriatia.                            |
| Kompresor beží, ale nie je prítomný žiaden tlak.                    | Poistný ventil je netesný.                           | Kontaktujte vaše miestne servisné centrum. Opravy nechajte vykonať len vyškolený personál.          |
|   | Tesnenia sú poškodené.                               | Skontrolujte tesnenia, poškodené tesnenia nechajte vymeniť v odbornej dielni.                       |
|   | Vypúšťacia skrutka pre kondenzovanú vodu je netesná. | Dotiahnite skrutku ručne. Skontrolujte tesnenie na skrutke, v príp. potreby vymeňte.                |
| Kompresor beží, tlak sa zobrazí na manometri, ale nástroje nebežia. | Spoje hadíc sú netesné.                              | Skontrolujte, v príp. potreby vymeňte hadicu na stlačený vzduch.                                    |
|   | Rýchlospojka je netesná.                             | Kontaktujte vaše miestne servisné centrum. Opravy nechajte vykonať len vyškolený personál.          |
|   | Na regulátore tlaku je nastavený príliš nízky tlak.  | Ďalej otáčajte tlakový regulátor.   |

## 15. Záručný list

Vážená zákazníčka, vážený zákazník,

naše výrobky podliehajú prísnej kontrole kvality. V prípade, že nebude prístroj napriek tomu bezchybne fungovať, je nám to veľmi ľúto a prosíme Vás, aby ste sa obrátili na našu servisnú službu na adrese uvedenej na tomto záručnom liste. Radi Vám budeme k dispozícii taktiež telefonicky na uvedenom servisnom telefónnom čísle. Pri uplatňovaní nárokov na záručné plnenie platia nasledujúce podmienky:

- Tieto záručné podmienky upravujú dodatočné záručné plnenie. Vaše zákonné nároky na záruku nie sú touto zárukou dotknuté. Naše záručné plnenie je pre Vás zadarmo.
- Záručné plnenie sa vzťahuje výlučne len na nedostatky, ktoré sú spôsobené chybami materiálu alebo výrobnými chybami, a je obmedzené na odstránenie týchto nedostatkov resp. výmenu prístroja. Prosím, dbajte na to, že naše prístroje neboli svojim určením konštruované na profesionálne, remeselnícke ani priemyselné použitie. Táto záručná zmluva sa preto neuzatvára, ak sa prístroj bude používať v profesionálnych, remeselníckych alebo priemyselných prevádzkach ako aj na činnosti rovnocenné s takýmto použitím. Z našej záruky sú okrem toho vylúčené náhradné plnenie za škody pri transporte, škody spôsobené nedodržaním návodu na montáž alebo na základe neodbornej inštalácie, nedodržaním návodu na použitie (ako napr. pripojením na nesprávne sieťové napätie alebo druh prúdu), zneužívaním alebo nesprávnym používaním (ako napr. preťaženie prístroja alebo použitie neprípustných pracovných nástrojov alebo príslušenstva), nedodržaním pokynov pre údržbu a bezpečnostných pokynov, vniknutím cudzích telies do prístroja (ako napr. piesok, kamene alebo prach), použitím násilia alebo cudzieho pôsobenia (napr. škody spôsobené pádom), a taktiež je vylúčené bežné opotrebenie primerané použitiu.

Nárok na záruku zaniká, ak už boli na prístroji svojvoľne uskutočnené zásahy.

- Doba záruky je 3 roky a začína sa dátumom nákupu prístroja. Nároky na záruku sa musia uplatniť pred koncom uplynutia záručnej doby do dvoch týždňov od zistenia nedostatku. Uplatnenie nárokov na záruku po uplynutí záručnej doby je vylúčené. Oprava alebo výmena prístroja nevedie k predĺženiu záručnej doby ani nedochádza na základe tohto plnenia ku vzniku novej záručnej doby pre prístroj ani pre akékoľvek inštalované náhradné diely. To platí taktiež pri nasadení miestneho servisu.
- Pre uplatnenie Vášho nároku na záruku sa, prosím, obráťte na nižšie uvedenú adresu servisu. Pokiaľ reklamácia prebieha počas záručnej doby, dáme Vám k dispozícii formulár o vrátení tovaru, s ktorým nám môže svoj chybný prístroj bezplatne poslať späť. Prosím, popíšte nám čo najpresnejšie dôvod reklamácie. Ak spadá defekt prístroja pod naše záručné plnenie, dostanete obratom naspäť opravený alebo nový prístroj.

Samozrejme Vám radi opravíme závady na prístroji na vaše náklady, ak tieto závady nespádajú alebo už nespádajú do rozsahu záruky. Prosím, pošlite nám v takom prípade prístroj na našu servisnú adresu.

### 15.1 Spracovanie záruky

Aby sme mohli zaručiť rýchle vybavenie Vašej žiadosti, riadte sa nasledujúcimi pokynmi:

- Pre všetky otázky si pripravte pokladničný blok a číslo artikla (napr. IAN 465618\_2404) ako doklad o kúpe.
- Číslo artikla nájdete na typovom štítku na výrobku, vyryté na výrobku, na titulnej strane vášho návodu (vľavo dole) alebo na nálepke na zadnej alebo spodnej strane výrobku.
- Ak by sa vyskytli funkčné poruchy alebo iné chyby, najskôr kontaktujte nižšie uvedené servisné oddelenie telefonicky alebo e-mailom.
- Výrobok, ktorý bol zachytený ako chybný, potom môžete bezplatne zaslať na Vám oznámenú adresu servisu. Priložte k nemu doklad o kúpe (pokladničný blok) a uveďte, o akú chybu ide a kedy sa vyskytla.
- Túto príručku a mnohé ďalšie si môžete prečítať a stiahnuť na stránke parkside-diy.com. Pomocou tohto QR kódu sa dostanete priamo na stránku parkside-diy.com. Vyberte svoju krajinu a hľadajte návody na obsluhu pomocou masky vyhľadávania. K návodu na obsluhu vášho artikla sa dostanete zadáním čísla artikla (IAN) 465618\_2404.

### Kontakt na servis (SK):

**Meno:** S&E Solutions s.r.o. - Zahrada v akci  
Moravská 1278  
CZ - 57001 Litomyšl  
**Telefón:** 00800 4003 4003  
**E-mail:** service.SK@scheppach.com  
**Sídlo:** Česká republika



---

|     |   |     |
|-----|---|-----|
| 1.  | A készüléken található szimbólumok magyarázata..... | 89  |
| 2.  | Bevezetés.....                                      | 90  |
| 3.  | A készülék leírása (1-10. ábra).....                | 90  |
| 4.  | Szállított elemek.....                              | 90  |
| 5.  | Rendeltetésszerű használat.....                     | 90  |
| 6.  | Biztonsági utasítások.....                          | 91  |
| 7.  | Műszaki adatok.....                                 | 93  |
| 8.  | Üzembe helyezés előtt.....                          | 94  |
| 9.  | Felépítés és kezelés.....                           | 94  |
| 10. | Elektromos csatlakoztatás.....                      | 95  |
| 11. | Tisztítás, karbantartás és tárolás.....             | 95  |
| 12. | Szállítás.....                                      | 96  |
| 13. | Ártalmatlanítás és újrahasznosítás.....             | 96  |
| 14. | Hibaelhárítás.....                                  | 97  |
| 15. | Jótállási tájékoztató.....                          | 98  |
| 16. | Robbantott ábra.....                                | 123 |
| 17. | Megfelelőségi nyilatkozat.....                      | 124 |



## 1. A készüléken található szimbólumok magyarázata



Üzembe helyezés előtt olvassa el és vegye figyelembe a kezelési útmutatót és a biztonsági utasításokat!



Viseljen hallásvédőt. A zaj következtében hallásvesztésre kerülhet sor.



Viseljen légzésvédelmet.



Figyelmeztetés forró alkatrészekre!



Figyelmeztetés elektromos feszültségre.



Figyelmeztetés! Az egység távvezérelt, és figyelmeztetés nélkül elindulhat.



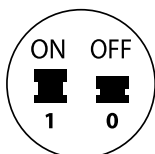
A gépet ne érje eső. A készüléket csak száraz környezeti feltételek mellett szabad tárolni, raktározni és üzemeltetni.



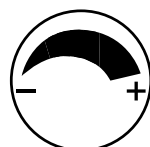
Hangteljesítményszint értéke dB-ben.



Hangnyomásszint értéke dB-ben.



Be-/kikapcsoló.



Nyomásszabályozó.

## 2. Bevezetés

### Gyártó:

Scheppach GmbH  
Günzburger Straße 69  
D-89335 Ichenhausen

### Kedves Ügyfelünk!

Sok örömet és sikert kívánunk új készüléke használatához.

### Megjegyzés:

E gép gyártója a hatályos termékfelelősségi törvény szerint nem felelős a gépen esett vagy a gép által okozott károkért a következő esetekben:

- Szakszerűtlen kezelés,
- A kezelési útmutató be nem tartása,
- Harmadik fél által végzett illetéktelen javítás,
- Nem eredeti pótalkatrészek beépítése és cseréje,
- Nem rendeltetésszerű használat,
- Ha figyelmen kívül hagyja az elektromos berendezésekre vonatkozó előírásokat, valamint a VDE 0100, a DIN 57113 / VDE0113 előírásait, akkor az elektromos berendezés működésképtelenné válhat.

### Vegye figyelembe a következőket:

A szerelés és üzembe helyezés előtt olvassa el a kezelési útmutató teljes szövegét.

Kezelési útmutatónkából megismerheti elektromos szerszámát, és elsajátíthatja a rendeltetésszerű használatához szükséges ismereteket.

A kezelési útmutató fontos információkat tartalmaz arról, hogyan dolgozhat az elektromos szerszámmal biztonságosan, szakszerűen és gazdaságosan, hogyan kerülheti el a veszélyeket, csökkentheti a javítási költségeket és az időkieséseket, és növelheti a gép megbízhatóságát és élettartamát.

A jelen kezelési útmutató biztonsági rendelkezéseinek túl feltétel nélkül tartsa be az országában az elektromos szerszám üzemeltetésével kapcsolatosan érvényes előírásokat is.

A szennyeződés és nedvesség ellen műanyag tokba csomagolt kezelési útmutatót az elektromos szerszám közelében tárolja. Munkába állás előtt minden kezelő olvassa el, és gondosan tartsa be előírásait. Az elektromos szerszámon csak olyan személyek dolgozhatnak, akiket betanítottak az elektromos szerszám használatára, és megismertettek az előforduló veszélyforrásokkal.

A jelen kezelési útmutató biztonsági rendelkezéseinek és országában a készülék üzemeltetésére vonatkozó előírásokon túl feltétel nélkül tartsa be az azonos kialakítású gépek üzemeltetésére vonatkozó általánosan elismert műszaki szabályokat is.

Nem vállalunk felelősséget az olyan balesetekért vagy károkért, amelyek azért keletkeznek, mert nem vettük figyelembe a jelen útmutatót és a biztonsági utasításokat.

## 3. A készülék leírása (1-10. ábra)

1. Szállítási fogantyú
- 1a. Csavar, M8x10
2. Nyomáskapcsoló
3. Be-/kikapcsoló
4. Légszűrő
- 4a. Szűrőház

- 4b. Szűrőbetét
- 4c. Szűrőfedél
- 4d. Tömlő
5. Kerék
- 5a. Lencsefejú csavar
- 5b. Hézagoló alátét
6. Kondenzvíz leeresztő csavarja
7. Állító láb
- 7a. Csavar
- 7b. Hézagoló alátét
8. Nyomástartó edény
9. Biztonsági szelep
- 9a. Leeresztő anya
- 9b. Csatlakozás rögzítése
- 9c. A leeresztő anya sapkája
10. Gyorscsatlakozó (szabályozott sűrített levegő)
11. Gyorscsatlakozó (szabályozott sűrített levegő)
12. Manométer (leolvasható a beállított nyomás)
13. Manométer (leolvasható a kazán nyomása)
14. Sűrített levegő tömlője (nem található meg a szállított elemek között)
- 14a. Dugaszcsonk
- 14b. Gyorscsatlakozó
15. Nyomásszabályozó
16. Szállítási fedél

## 4. Szállított elemek

- 1 db Légszűrő
- 1 db Szállítási fogantyú
- 2 db Csavar, M8x10
- 1 db Állító láb
- 2 db Kerék
- 1 db Szerelőanyag
- 1 db Kezelési útmutató

## 5. Rendeltetésszerű használat

A kompresszor sűrített levegő előállítására szolgál olyan sűrített levegős szerszámokhoz, amelyek maximum kb. 150 l/perc levegőmennyiséggel működtethetők (például abroncsfúvópisztoly vagy festékpisztoly). A szállított levegő korlátozott mennyisége miatt nagyon nagy levegőfogyasztású szerszámok (pl. rezgőcsiszolók, rúdcsiszolók és ütőműves csavarbehajtók) üzemeltetése nem lehetséges.

A kompresszort csak száraz és jól szellőző beltéri helyiségben szabad üzemeltetni.

A gépet csak rendeltetésszerűen szabad használni. Minden ettől eltérő használat nem rendeltetésszerűnek minősül. Az ebből fakadó minden kárért és sérülésért nem a gyártó, hanem a felhasználó/kezelő viseli a felelősséget.

Kérjük, vegye figyelembe, hogy készülékeinket rendeltetésük szerint nem kisipari, kéziipari vagy ipari használatra tervezték. A készülékre semmilyen garanciát nem vállalunk, ha kisipari, kéziipari vagy ipari, valamint ezekkel egyenértékű tevékenységekhez használja.

## 6. Biztonsági utasítások

### Az elektromos szerszámokra vonatkozó általános biztonsági utasítások

▲ **FIGYELMEZTETÉS!** Olvassa el az összes biztonsági utasítást, egyéb utasítást, ábrát és műszaki adatot, melyet az elektromos szerszámhoz mellékeltek. A következő útmutatók betartásának elmulasztása áramütést, tüzet és/vagy súlyos sérüléseket okozhat.

### Az összes biztonsági utasítást és útmutatót őrizze meg későbbi használat céljából.

A biztonsági utasításokban használt «elektromos szerszám» fogalom a hálózatról üzemeltetett elektromos szerszámokra (hálózati vezetékkel), illetve az akkumulátorral üzemeltetett elektromos szerszámokra (hálózati vezeték nélkül) vonatkozik.

### A munkahely biztonsága

- Gondoskodjon a munkahely tisztaságáról és megfelelő megvilágításáról.** A rendetlenség, illetve a megvilágítatlan munkaterületek balesetekhez vezethetnek.
- Ne dolgozzon az elektromos szerszámmal olyan robbanásveszélyes környezetben, ahol éghető folyadékok, gázok vagy porok találhatók.** Az elektromos szerszámok szikráznak, és a szikrák meggyújthatják a port és a gőzöket.
- Az elektromos szerszám használata során tartsa távol a gyermekeket és más személyeket.** A figyelem elterelése miatt elveszízheti uralmát az elektromos szerszám felett.

### Elektromos biztonság

- Az elektromos szerszám csatlakozódugója illeszkedjen a csatlakozóaljzatba.** A csatlakozódugót semmilyen módon nem szabad módosítani. A védőföldeléssel ellátott elektromos szerszámokkal együtt ne használjon adapteres csatlakozót. A változatlan csatlakozódugók és a hozzájuk illő csatlakozóaljzatok csökkentik az áramütés kockázatát.
- Kerülje el a teste földelt felületekkel, például csövekkel, fűtésekkel, tűzhelyekkel és hűtőszekrényekkel való érintkezését.** Megné az áramütés kockázata, ha a teste földelve van.
- Tartsa esőtől és nedvességtől távol az elektromos szerszámokat.** Az elektromos szerszámba hatoló víz növeli az áramütés kockázatát.
- Ne használja a kábelt a rendeltetésétől eltérő módon, például az elektromos szerszám szállításához, felakasztásához vagy a csatlakozódugó aljzataból való kihúzásához.** Tartsa távol a kábelt hőtől, olajtól, éles élektől és a készülék mozgó alkatrészeitől. A sérült vagy összegubancolódott kábel növeli az áramütés kockázatát.
- Ha a szabadban dolgozik az elektromos szerszámmal, akkor csak olyan hosszabbító kábeleket alkalmazzon, amelyek kültéri használatra is alkalmasak.** A kültéri használatra engedélyezett hosszabbító kábel használata csökkenti az áramütés kockázatát. A szabadban csak engedélyezett és megfelelő jelöléssel ellátott hosszabbítókábel használjon. Kábeldob használata esetén mindig tekerje le teljesen a kábelt.

- Ha elkerülhetetlen, hogy nedves környezetben használja az elektromos szerszámot, akkor használjon hibaáram-védőkapcsolót, melynek kioldási áramerőssége 30 mA vagy annál kevesebb.** A hibaáram-védőkapcsoló használata csökkenti az áramütés kockázatát.

### Személyi biztonság

- Legyen figyelmes, ügyeljen arra, amit csinál, és az elektromos szerszám használata során józan ésszel cselekedjen. Ne használja az elektromos szerszámot, ha fáradt, vagy ha drogok, alkohol vagy gyógyszerek hatása alatt áll.** Az elektromos szerszám használata során egy pillanatrai figyelmetlenség is súlyos sérüléseket okozhat.
- Viseljen személyi védőfelszerelést, és mindig használjon védőszemüveget.** Az elektromos szerszám típusától és használatától függően alkalmazott személyi védőfelszerelések, például porvédő maszk, biztonsági kesztyű, védősisak vagy hallásvédő viselése csökkenti a sérülések kockázatát.
- Kerülje el az akaratlan üzembe helyezést. A szerszám áramellátásra és/vagy akkumulátorra való csatlakoztatása, felvétele vagy szállítása előtt győződjön meg arról, hogy ki van-e kapcsolva az elektromos szerszám.** Ha az elektromos szerszám szállítása közben a kapcsolón tartja az ujját, vagy a készüléket bekapcsolva csatlakoztatja az áramellátásra, akkor balesetek történhetnek.
- Az elektromos szerszám bekapcsolása előtt távolítsa el a beállító szerszámokat vagy a csavarkulcsokat.** A készülék forgó részében maradt szerszám vagy kulcs sérüléseket okozhat.
- Kerülje a rendellenes testtartást.** Álljon stabilan a lábán, és mindig őrizze meg egyensúlyát. Így váratlan helyzetekben is jobban irányíthatja az elektromos szerszámot.
- Megfelelő ruházatot viseljen. Ne viseljen túl bő ruházatot vagy ékszereket. Haját, ruházatát és kesztyűjét tartsa távol a maguktól mozgó alkatrészekről.** A mozgó alkatrészek elkapathatják a laza ruházatot, az ékszereket vagy a hosszú hajat. Ha a szabadban dolgozik, akkor ajánlatos gumikesztyűt és csúszásmentes lábbelit viselni. Ha hosszú a haja, viseljen hajhálót.
- Ha lehetséges a porszívó és -gyűjtő berendezések felszerelése, akkor győződjön meg arról, hogy ezek csatlakoztatva vannak és megfelelően használhatók.** Porelszívó használatával csökkentheti a por által okozott veszélyeket.
- Ne keltsen hamis biztonságérzetet és ne szegje meg az elektromos szerszámra vonatkozó biztonsági előírásokat még abban az esetben sem, ha az elektromos szerszámot többszöri használat után ismerni véli.** A másodperc törtrésze alatt bekövetkező súlyos sérülések lehetnek a következményei annak, ha a szerszámot gondatlanul kezeli.

### Az elektromos szerszám használata és kezelése

- Ne terhelje túl a készüléket.** A munkájához mindig az arra megfelelő elektromos szerszámot használja. A megfelelő elektromos szerszámmal jobban és biztonságosabban dolgozhat a megadott teljesítménytartományban.
- Ne használjon olyan elektromos szerszámot, amelynek hibás a kapcsolója. Az az elektromos szerszám, amelyet nem lehet be- vagy kikapcsolni, veszélyesnek számít, és meg kell javítani.**

- c. **Húzza ki a csatlakozódugót a csatlakozóaljzatból, és/vagy vegye ki a kivehető akkumulátort, mielőtt beállításokat végez a készüléken, cserélhető szerszámokat cserél ki vagy félretesz az elektromos szerszámot.** Ezen elővigyázatossági intézkedések megakadályozzák az elektromos szerszám akaratlan elindulását.
- d. **Tartsa gyermekektől távol a nem használt elektromos szerszámokat.** Ne hagyja, hogy az elektromos szerszámot olyan személyek használják, akik nem ismerik azt vagy nem olvasták el a jelen utasításokat. Az elektromos szerszámok veszélyesek, ha tapasztalatlan személyek használják őket. A használaton kívüli elektromos szerszámokat száraz, magasan fekvő vagy elzárt helyen kell tárolni, ahol nem férnek hozzá gyermekek.
- e. **Gondosan ápolja az elektromos szerszámokat és a cserélhető szerszámot.** Ellenőrizze, hogy a mozgó alkatrészek kifogástalanul működnek-e, nem szorulnak, nincsenek-e törött vagy sérült alkatrészek, amelyek negatív hatással lennének az elektromos szerszám működésére. Az elektromos szerszám használata előtt javíttassa meg a sérült alkatrészeket. Sok balesetet a rosszul karbantartott elektromos szerszámok okoznak.
- f. **Tartsa élesen és tisztán a vágószerszámokat. A gondosan ápol, éles vágóélekkel rendelkező vágószerszámok kevésbé szorulnak be, és könnyebben vezethetők.**
- g. **Az elektromos szerszámot, tartozékokat, betétszerszámokat stb. a jelen utasításoknak megfelelően használja.** Közben vegye figyelembe a munkafeltételeket és a végrehajtandó feladatot is. Az elektromos szerszámoknak a tervezett alkalmazásoktól eltérő használata veszélyes helyzetekhez vezethet.
- h. **A fogantyúkat és a fogantyúfelületeket mindig száraz, tiszta, valamint olajtól és zsírtól mentes állapotban kell tartani.** A csúszós fogantyú és fogantyúfelületek nem teszik lehetővé az elektromos szerszám biztonságos üzemeltetését és afölötti uralmának megőrzését előre nem látható helyzetekben.

## Szerviz

- a. **Csak képzett szakszeméllyel és csak eredeti pótalkatrészek használatával javíttassa meg elektromos szerszámát.** Ezáltal biztosítható az elektromos szerszám biztonságának megőrzése.

## Kompresszorokra vonatkozó biztonsági utasítások

⚠ **Figyelem!** A kompresszor használata során az elektromos áramütés, a sérülés- és tűzveszély elleni védelem érdekében tartsa be a következő alapvető biztonsági intézkedéseket. A készülék használata előtt olvassa el és tartsa be ezeket az megjegyzéseket.

### Biztonságos munkavégzés.

- Gondosan ápolja a szerszámot
  - A megfelelő és biztonságos munkavégzés érdekében tartsa tisztán a kompresszort.
  - Tartsa be a karbantartásra vonatkozó előírásokat.

- Rendszeresen ellenőrizze az elektromos szerszám csatlakozókábelét, és sérülés esetén elismert szakemberrel cseréltesse ki.
  - Rendszeresen ellenőrizze a hosszabbító kábeleket, és cserélje ki azokat, ha megsérülnek.
- A hálózati dugót húzza ki a dugaszoló aljzatból
    - Ha nem használja az elektromos szerszámot, karbantartás előtt, valamint a szerszámok, pl. fűrészlap, fúró, marófej cseréjekor.
  - Ellenőrizze az elektromos szerszámot, hogy nem sérült-e
    - Az elektromos szerszám további használata előtt gondosan ellenőrizze a védőberendezések vagy a könnyebben sérült részek kifogástalan és rendeltetésszerű működését.
    - Ellenőrizze, hogy a mozgó részek kifogástalanul működnek, nem szorulnak és nem sérültek-e. Az elektromos szerszám kifogástalan üzemeltetéséhez minden alkatrészt helyesen kell felszerelni és minden feltételt be kell tartani.
    - A sérült védőberendezéseket és alkatrészeket rendeltetésszerűen, márkaszervizzel javíttassa meg vagy cseréltesse ki, amennyiben a kezelési utasítás nem rendelkezik másként.
    - Ne használjon hibás vagy sérült csatlakozóvezetékét.
  - Figyelem!**
    - A saját biztonsága érdekében csak a használati útmutatóban megadott vagy a gyártó által ajánlott vagy megadott tartozékokat és kiegészítő készülékeket használja. A kezelési utasításban vagy a katalógusban javasoltaktól eltérő betétek vagy tartozékok használata személyi sérülések veszélyével fenyegethet.
  - A csatlakozóvezeték cseréje
    - Ha megsérül a csatlakozóvezeték, akkor a veszélyek elkerüléséhez a gyártó vagy villanyszerelő cserélje ki azt. Áramütés veszélye.
  - Abroncs felfújása
    - Felfújás után azonnal ellenőrizze az abroncsnyomást egy megfelelő mérőkészülékkel, például egy benzinkúton.
  - Közúti közlekedésre alkalmas kompresszorok építkezéseken
    - Ügyeljen rá, hogy minden tömlő és szerelvény megfeleljen a kompresszor megengedett legnagyobb üzemi nyomásának.
  - Felállítás helye
    - Állítsa a kompresszort vízszintes felületre.
  - 7 bar feletti nyomás esetén a bevezetőtömlőket érdemes biztonsági kábellel, pl. egy drótkötéllel felszerelni.
  - Úgy kerülje el a vezetékrendszer nagy terheléseit, hogy rugalmas tömlőcsatlakozókat használ, és kerüli a törési helyeket.

## További biztonsági utasítások

**Vegye figyelembe az adott sűrített levegős szerszám / sűrített levegős előtét berendezés megfelelő üzemeltetési útmutatóját!** Az alábbi általános megjegyzéseket szintén figyelembe kell venni.

### A sűrített levegővel és a kifúvópisztollyal való munkavégzésre vonatkozó biztonsági utasítások

- Ügyeljen rá, hogy megfelelő, legalább 2,50 m-es távolságot tartson a terméktől, és üzem közben tartsa távol a sűrített levegős szerszámokat / sűrített levegős előtét berendezéseket a kompresszortól.

- A kompresszorszivattyú és a vezetékek üzem közben erősen felmelegsznek. Megérintésük égési sérülést okoz.
- A kompresszor által beszívott levegőbe nem kerülhet semmilyen adalékanyag, mert ez a kompresszorszivattyúnál tüzet vagy robbanást okozhat.
- A tömlőcsatlakozó meglazításakor tartsa kézzel szorosan a tömlő csatlakozódarabját. Így elkerülheti a visszacsapódó tömlő miatti sérüléseket.
- Amikor a sűrített levegős pisztollyal dolgozik, viseljen védőszemüveget és légzésvédő maszkot. A képződő por károsítja az egészséget! Az idegen testek és kifúvott tárgyak könnyebb sérüléseket okozhatnak.
- A kifúvópisztollyal ne fújjon le személyeket, és ne használja a ruházat a testen való megtisztítására. Sérülésveszély!

#### **A szóró és fúvó előtétkészülékek (pl. festékszóró) használatára vonatkozó biztonsági utasítások**

- A szóró előtétkészüléket feltöltés közben tartsa távol a kompresszortól, hogy ne érhesse folyadék a kompresszort.
- A szóró előtétkészülékkel (pl. festékszóróval) soha ne végezzen szórást a kompresszor irányába. A nedvesség elektromos veszélyeket okozhat!
- Ne használjon 55 °C alatti lobbaspontú lakkot vagy oldószert. Robbanásveszély!
- Ne melegítse fel a lakkot vagy az oldószert. Robbanásveszély!
- Egészségkárosító folyadékokkal való munkavégzéskor védelem céljából szűrő felszerelés (arcmaszk) használata szükséges. Vegye figyelembe az ilyen anyagok gyártói által megadott, védelmi intézkedésekre vonatkozó információkat is.
- A felhasználandó anyagok külső csomagolásain elhelyezett, veszélyes anyagokra vonatkozó rendelet szerinti adatokat és jelöléseket figyelembe kell venni. Szükség esetén kiegészítő óvintézkedéseket kell foganatosítani, így elsősorban megfelelő ruházatot és maszkot kell viselni.
- A szórási folyamat közben, és a munkaterületen általánosságban tilos a dohányzás. Robbanásveszély! A festékgőz is könnyen éghető.
- Kerülni kell a tűzfészeket, nyílt láng és szikraképződéssel járó gépek használatát, és ezek közelségét.
- Tilos a munkatérben ételt vagy italt tárolni vagy fogyasztani. A festékgőz károsítja az egészséget.
- A munkatér legyen nagyobb, mint 30 m<sup>3</sup>, továbbá szóráskor, valamint száradáskor biztosítani kell a megfelelő levegőcserét.
- Soha ne végezzen szórást széllal szemben. Éghető, ill. veszélyes szóróanyagok szórásakor alapvetően be kell tartani a helyi rendőrhatalóság rendelkezéseit.
- PVC nyomótömlő esetén nem szabad olyan anyagokkal dolgozni, mint például lakkbenzin, butil-alkohol vagy metilén-klorid. Ezek az anyagok károsítják a nyomótömlőt.
- A munkaterületet el kell választani a kompresszortól, hogy a berendezés ne kerülhessen közvetlen érintkezésbe a munkaközeggel.

#### **Nyomástartály működtetése**

- Nyomástartály működtetése esetén a tartályt megfelelő állapotban kell tartani, előírás szerint kell üzemeltetni és felügyelni, a karbantartási és javítási munkákat haladéktalanul el kell végezni, és a körülményektől függő szükséges biztonsági intézkedéseket meg kell hozni.
- A felügyeleti szerv rendkívüli esetben szükséges felügyeleti intézkedéseket is megkövetelhet.

- Nem szabad nyomástartályt üzemeltetni, ha olyan hiányosság mutatkozik, amely az alkalmazottakat vagy más személyeket veszélyeztet.
- Minden egyes üzemeltetés előtt ellenőrizze, hogy nem rozsdás vagy sérült-e a nyomástartály. A kompresszort nem szabad sérült vagy rozsdás nyomástartállyal üzemeltetni. Ha sérüléseket észlelt, forduljon vevőszolgálati szervizünkhöz.

#### **Őrizze meg a biztonsági utasításokat.**

#### **Maradék kockázat**

Tartsa be a kezelési útmutató előírt karbantartási és biztonsági utasításait.

Munka közben mindig legyen figyelmes, és külső személyeket tartson biztonságos távolságra a munkavégzési helytől.

A készülék szakszerű használata esetén is mindig marad egy bizonyos maradék kockázat, ami nem zárható ki. A készülék típusából és szerkezetéből adódóan az alábbi lehetséges veszélyek származhatnak:

- A termék akaratlan üzembe helyezése.
- Halláskárosodás, ha nem viseli az előírt hallásvédőt.
- Szennyeződés részecskék, por stb. kerülhet a szemébe vagy az arcára a védőszemüveg viselése esetén is.
- Felkavart részecskék belégzése.

#### **⚠ Figyelmeztetés!**

Ez az elektromos szerszám üzem közben elektromágneses mezőt hoz létre. Ez a mező bizonyos körülmények között negatív hatással lehet az aktív vagy passzív orvosi implantátumokra. A komoly és súlyos sérülések kockázatának elkerülése érdekében javasoljuk, hogy az orvosi implantátummal rendelkező személyek az elektromos szerszám használata előtt keressék fel orvosukat és implantátumuk gyártóját.

## **7. Műszaki adatok**

|  |                        |
|--|------------------------|
| Hálózati csatlakozás.....                            | 230 V~ 50 Hz           |
| Motorteljesítmény.....                               | 1500 W                 |
| Üzem mód.....  | S1                     |
| Kompresszor-fordulatszám.....                        | 2850 min <sup>-1</sup> |
| Nyomótartály-térfogat.....                           | kb. 24 l               |
| Üzemi nyomás.....                                    | kb. 10 bar             |
| Elm. Szívóteljesítmény.....                          | kb. 257 l/perc         |
| Hatásos leadott teljesítmény 7 bar mellett.....      | kb. 103 l/perc         |
| Hatásos leadott teljesítmény 4 bar mellett.....      | kb. 141 l/perc         |
| Hatásos leadott teljesítmény 1 bar mellett.....      | kb. 180 l/perc         |
| L <sub>PA</sub> hangnyomásszint.....                 | 68 dB                  |
| L <sub>WA</sub> mért hangteljesítményszint.....      | 83,6 dB                |
| L <sub>WA</sub> garantált hangteljesítményszint..... | 86 dB                  |
| Bizonytalanság, K <sub>PA/WA</sub> .....             | 3 dB                   |
| Védelmi fokozat.....                                 | IP30                   |
| A berendezés súlya.....                              | kb. 24 kg              |
| Max. felállítási magasság (tengerszint felett).....  | 1000 m                 |

A zajkibocsátási értékek megállapítása az EN ISO 3744:1995 szabvány alapján történt.

#### **Viseljen hallásvédőt.**

A zaj következtében hallásvesztésre kerülhet sor.

## 8. Üzembe helyezés előtt

- Nyissa ki a csomagolást, és óvatosan vegye ki a készüléket.
- Távolítsa el a csomagolóanyagot, valamint a csomagolási és szállítási biztosítékokat (ha vannak).
- Ellenőrizze, hogy hiánytalan-e a szállítmány.
- Ellenőrizze a készülék és a tartozékok szállításból eredő sérüléseit.
- Lehetőség szerint a jótállási idő leteltéig őrizze meg a csomagolást.

### ⚠ VESZÉLY

**A készülék és a csomagolóanyag nem játékszer! Ne engedje, hogy a gyermekek a műanyag zacskókkal, fóliákkal és apró részekkel játszanak! Lenyelés és fulladás veszélye áll fenn!**

- A csatlakoztatás előtt győződjön meg arról, hogy a típustáblán szereplő adatok egyeznek a hálózati adatokkal.
- Ellenőrizze, hogy nincsenek-e szállítási sérülések a készüléken. Az esetleges sérüléseket azonnal jelentse a kompresszort kiszállító szállítmányozónak.
- A kompresszor telepítése a fogyasztó közelében történjen.
- Kerülje a hosszú légvezetékek és hosszú tápvezetékek (hosszszabítók kábel) használatát.
- Ügyeljen arra, hogy a beszívott levegő száraz és pormentes legyen.
- Ne helyezze el nyirkos vagy nedves helyiségben a kompresszort.
- A kompresszort csak megfelelő helyiségben (jól szellőző, +5 °C és 40 °C közötti környezeti hőmérséklet) szabad működtetni. A helyiségnek portól, savaktól, gőzöktől, robbanásveszélyes és gyúlékony gázoktól mentesnek kell lennie.
- A kompresszort száraz helyiségben történő használatra tervezték. Olyan területeken, ahol a munkavégzés porlasztott vízzel történik, használata nem megengedett.
- A kompresszort csak rövid ideig, száraz környezeti feltételek esetén szabad kültéren használni.
- A kompresszort mindig szárazon kell tartani, és használat után nem szabad kint hagyni a szabadban.

## 9. Felépítés és kezelés

### ⚠ Figyelem!

**Az üzembe helyezés előtt feltétlenül szerelje össze teljesen a készüléket!**

A szereléshez a következőkre van szükség:

1 db villáskulcs, 14 mm

1 db villáskulcs, 13 mm

1 dugókulcs 14 mm

1 db csillagcsavarhúzó

(nem szerepel a szállított elemek között)

### 9.1 A kerekek felszerelése (3. ábra)

- Szerelje fel a két mellékelt kereket (5) az ábrán látható módon.

### 9.2 Az állító láb felszerelése (4. ábra)

- Szerelje fel a mellékelt állító lábat (7) az ábrán látható módon.

### 9.3 A légszűrő felszerelése (5., 6. ábra)

- Távolítsa el a szállítási fedelet (16), és csavarozza fel erősen a készülékre a légszűrőt (4).
- Helyezze a tömlőt (4d) a légszűrő (4) nyílásába.

### 9.4 A szállító fogantyú felszerelése (7. ábra)

- Szerelje fel a mellékelt szállító fogantyút (1) az ábrán látható módon. Ehhez használja a mellékelt M8x10 (1a) méretű csavarokat és egy 13-as kulcsnyílású csavarkulcsot (nem tartozik a szállított elemek közé).

### 9.5 Hálózati csatlakozás

- A kompresszor védőérintkezős csatlakozós hálózati kábellel rendelkezik. Ez minden 230 V~ 50 Hz, 16 A biztosítókkal és védőföldeléssel ellátott aljzathoz csatlakoztatható.
- Az üzembe helyezés előtt ügyeljen arra, hogy a hálózati feszültség egyezzen a típustáblán szereplő üzemi feszültséggel és gépteljesítménnyel.
- A hosszú tápvezetékek, hosszabbítók, kábeldobok stb. feszültségesést okoznak, és megakadályozhatják a motor indítását.
- +5 °C alatti alacsony hőmérsékletek esetén szintén számolni kell a motor nehézkes indításával.

### 9.6 Be-/kikapcsoló (1. ábra)

- A kompresszor bekapcsolásához húzza felfelé a be-/kikapcsolót (3).
- Kikapcsoláshoz nyomja lefelé a be-/kikapcsolót (3).

### 9.7 A nyomás beállítása (1., 2. ábra)

- A nyomásszabályozóval (15) beállíthatja a nyomást a manométeren (12).
- A beállított nyomás a gyorscsatlakozónál (10, 11) vételezhető.
- A manométeren (13) leolvasható a tartálynomás.

### 9.8 A nyomáskapcsoló beállítása (1. ábra)

- A nyomáskapcsoló (2) gyárilag beállított.  
Bekapcsolási nyomás kb. 5,5 bar  
Kikapcsolási nyomás kb. 8 bar

### 9.9 A sűrítettlevegő-tömlő felszerelése (nav iekļautas piegādes komplektā) (1., 2. ábra)

- Csatlakoztassa a sűrítettlevegő-tömlőt (14) dugaszcsomkját (14a) az egyik gyorscsatlakozóra (10, 11). Ezután csatlakoztassa a sűrítettlevegő-tömlőt (14) gyorscsatlakozójára (14b) a sűrített levegős szerszámot.

### 9.10 Termikus védőkapcsoló

A termikus védőkapcsoló be van szerelve a készülékbe.

Ha kioldott a termikus védőkapcsoló, akkor az alábbiak szerint járjon el:

- Húzza ki a hálózati dugót.
- Várjon kb. 2 vagy három percet.
- Dugja be újra a készüléket.
- Ha a készülék nem indul el, ismétlje meg a folyamatot.
- Ha a készülék ismétlen nem indul el, kapcsolja ki a készüléket a be-/kikapcsolóval (3), majd kapcsolja be újra.
- Ha elvégezte az összes fent megadott lépést, és a készülék továbbra sem működik, vegye fel a kapcsolatot Szerviz részlegünkkel!

## 10. Elektromos csatlakoztatás

**A telepített villanymotor üzemkész állapotban van csatlakoztatva. A csatlakoztatás megfelel a vonatkozó VDE és DIN előírásoknak. Az ügyfél által biztosított hálózati csatlakozásnak, valamint az alkalmazott hosszabbító vezetéknek meg kell felelnie ezen előírásoknak.**

Ha szóró és fúvó előtétkészülékekkel dolgozik, valamint ha ideiglenesen a szabadban üzemelteti a kompresszort, akkor a berendezést feltétlenül olyan **hibaáram-védőkapcsolóra** kell csatlakoztatni, melynek kioldási áramerőssége nem haladja meg a 30 mA értéket.

### 10.1 Fontos utasítások

A motor túlterhelés esetén magától lekapcsol. A (változó időtartamú) lehűlés után a motor ismét bekapcsolható.

### 10.2 Sérült elektromos csatlakozóvezetékek

Az elektromos csatlakozóvezetéseken gyakran sérült a szigetelés. Ennek okai a következők:

- Megnyomódások, ha a csatlakozóvezetéseket ablak- vagy ajtónyílásokon vezet át.
- Megtörések, amikor szakszerűtlenül vezetik vagy rögzítik a csatlakozóvezetéseket.
- Elnyíródások, amikor áthajtanak a csatlakozóvezetéseken.
- A szigetelés sérülései, amikor a vezeték kirántják a konnektorból.
- Repedések a szigetelés elöregedése miatt.

Az ilyen sérült elektromos csatlakozóvezetékek nem használhatók, és a szigetelés sérülései miatt életveszélyesek.

Rendszeresen ellenőrizze az elektromos csatlakozóvezetékek sérüléseit. Ügyeljen arra, hogy a csatlakozóvezeték az ellenőrzéskor ne legyen az áramhálózatra csatlakoztatva.

Az elektromos csatlakozóvezetékeknek meg kell felelniük a vonatkozó VDE- és DIN-előírásoknak. Csak azonos jelölésű csatlakozó vezetéseket használjon.

A csatlakozókábelen kötelező a nyomtatott típusmegnevezés megléte.

### 10.3 Váltóáramú motor

- A hálózati feszültség értéke 230 V ~ 50 Hz legyen.
- A legfeljebb 25 m hosszabbító vezeték legalább 1,5 négyzetmilliméter keresztmetszettel rendelkezzenek.

A csatlakoztatásokat és az elektromos szerelvényen végzett javításokat csak villanszerelő hajthatja végre.

Információ kérése esetén a következő adatokat adja meg:

- A motor áramneme
- A gép típustáblájának adatai
- A motor típustáblájának adatai

## 11. Tisztítás, karbantartás és tárolás

### ⚠ Figyelem!

Minden tisztítási és karbantartási munkát előtt húzza ki a hálózati csatlakozódugót! Áramlökések miatti sérülésveszély!

### ⚠ Figyelem!

Várja meg, amíg a készülék teljesen lehűl! Égési sérülések veszélye!

### ⚠ Figyelem!

Minden tisztítási és karbantartási munka előtt nyomásmentesíteni kell a készüléket! Sérülésveszély!

### 11.1 Tisztítás

- Tartsa a lehető legnagyobb mértékben por- és szennyeződésmentesen a készüléket. A készüléket törölje le tiszta ronggyal, vagy fúvassa ki alacsony nyomású sűrített levegővel.
- Azt javasoljuk, hogy a készüléket minden használat után tisztítsa meg.
- Rendszeresen tisztítsa meg a készüléket egy nedves ruhával és egy kis kenőszappannal. Ne használjon agresszív tisztító- vagy oldószereket, mivel ezek kikezdehetik a készülék műanyag alkatrészeit. Ügyeljen arra, hogy ne juthasson víz a készülék belsejébe.
- A tömlőt és a szórószerszámokat a tisztítás előtt távolítsa el a kompresszorról. A kompresszort nem szabad vízzel, oldószerekkel és hasonlókkal tisztítani.

### 11.2 A nyomástartó edény karbantartása (1. ábra)

#### ⚠ Figyelem!

A nyomástartó edény (8) hosszú élettartama érdekében minden egyes üzemeltetés után eressze le a kondenzvizet a leeresztő csavar (6) kioldásával.

Először eressze le a tartálynomást (lásd: 11.6.1).

Oldja ki a leeresztő csavart (6) az óramutató járásával ellentétes irányba forgatva (a csavart a kompresszor alja felől nézve).

Ahhoz, hogy a kondenzvíz teljesen kifolyhasson a nyomástartó edényből (8), billentse kissé oldalra a nyomástartó edényt, hogy a leeresztő csavar (6) legyen a legmélyebben.

Ezután zárja vissza a leeresztő csavart (6) (az óramutató járásának irányába forgatva). Minden egyes üzemeltetés előtt ellenőrizze, hogy nem rozsdás vagy sérült-e a nyomástartó edény (8).

A kompresszort nem szabad sérült vagy rozsdás nyomástartó edénnyel (8) üzemeltetni. Ha sérüléseket észlelt, forduljon vendégszolgálati szervizünkhöz.

#### A kondenzvíz ártalmatlanítására vonatkozó tudnivalók:

A kondenzvizet a helyi és nemzeti környezetvédelmi előírásoknak megfelelően ártalmatlanítsa. Ügyeljen arra, hogy ne juthasson a szennyvízrendszerbe.

### 11.3 Biztonsági szelep (8. ábra)

A biztonsági szelep (9) a nyomástartó edény (8) legnagyobb megengedett nyomására van beállítva. A biztonsági szelep (9) átállítása, vagy a leeresztő anya (9a) és a sapkája (9c) közötti csatlakozás rögzítésének (9b) eltávolítása nem engedélyezett. 30 üzemóránként, alkalmanként legalább 3-szor működtesse a biztonsági szelepet (9), hogy szükség esetén megfelelően működjön. Kioldáshoz forgassa az óramutató járásával ellentétes irányba a perforált leeresztő anyát (9a), majd a perforált leeresztő anyán (9a) keresztül, kézzel húzza kifelé a szelepszárat, hogy ezzel kinyissa a biztonsági szelep (9) kimenetét. A szelep ekkor hallhatóan kiengedi a levegőt. Ezután az óramutató járásának irányába forgatva húzza meg újra a leeresztő anyát (9a).

#### 11.4 A légszűrő tisztítása (9., 10. ábra)

A légszűrő (4) megakadályozza a por és szennyeződés beszívását. A légszűrőt (4) legalább 300 üzemóránként meg kell tisztítani. Az eltömődött légszűrő (4) jelentősen rontja a kompresszor teljesítményét.

Forgassa el a légszűrőt (4) az óramutató járásával ellenkező irányba, hogy eltávolítható legyen. Csavarozza ki a szűrőfedelelet (4c), és vegye le. Ekkor ki tudja venni a szűrőbetétet (4b). Óvatosan ütögesse ki a szűrőbetétet (4b), a szűrőfedelelet (4c) és a szűrőházat (4a). Ezeket az alkatrészeket ezután sűrített levegővel (kb. 3 bar) fújja ki, és fordított sorrendben szerelje vissza őket.

#### 11.5 Szervizinformációk

Vegye figyelembe, hogy ennél a terméknél a következő alkatrészek használati vagy természetes kopásnak kitett elemek, illetve a következő alkatrészekre használati anyagokként van szükség. Kopásnak kitett alkatrészek\*: légszűrő

\* nem szerepel kötelezően a szállított elemek között!

#### 11.6 Tárolás

##### ⚠ Figyelem!

**Húzza ki a hálózati csatlakozót, légtelenítse a készüléket és az összes csatlakoztatott sűrített levegős szerszámot. Úgy helyezze el a kompresszort, hogy illetéktelen személyek ne tudják üzembe helyezni.**

##### ⚠ Figyelem!

**A kompresszort kizárólag száraz és jogosulatlan személyek számára nem hozzáférhető környezetben tárolja. Ne elbillentett helyzetben, hanem állva tárolja!**

#### 11.6.1 A túlnyomás leeresztése

A túlnyomás leengedéséhez kapcsolja ki a kompresszort, és használja fel a nyomástartó edényben (8) még meglévő sűrített levegőt például egy sűrített levegős szerszám üresen járatásával vagy kifúvópisztoly működtetésével.

## 12. Szállítás

A gép szállításához a szállítási fogantyút (1) használja, és ezzel mozgassa a kompresszort.

A kompresszor felemelésekor ügyeljen annak súlyára (lásd a Műszaki adatokat).

A kompresszor gépjárművel végzett szállításánál gondoskodik a rakomány megfelelő biztosításáról.

## 13. Ártalmatlanítás és újrahasznosítás

### A csomagolásra vonatkozó megjegyzések



A csomagolóanyagok újrahasznosíthatók. Kérjük, ártalmatlanítsa a csomagolásokat környezetbarát módon.

### Megjegyzések az elektromos és elektronikai berendezések ártalmatlanításáról (törvényi rendelkezések)



**A leselejtezett elektromos és elektronikai berendezések nem minősülnek kommunális hulladéknak, hanem szelektíven gyűjtendőek, illetve le kell adni őket ártalmatlanításra!**

- A leselejtezett akkumulátorokat és elemeket, melyek nincsenek rögzített módon telepítve a készülékbe, leadás előtt roncslásmentesen el kell távolítani! Ezek ártalmatlanítását az akkumulátorok hulladékkezelésére vonatkozó törvény szabályozza.
- Az elektromos és elektronikai berendezések tulajdonosát, illetve használóját törvény kötelezi a berendezések leadására az élettartamuk lejártával.
- A végfelhasználó saját maga viseli a felelősséget adatainak törléséért az ártalmatlanítandó készülékről!
- Az áthúzott kuka ikonja arra utal, hogy a leselejtezett elektromos és elektronikai berendezések nem minősülnek kommunális hulladéknak, és külön kell őket ártalmatlanítani.
- A leselejtezett elektromos és elektronikai berendezéseket az alábbi átvevőhelyeken lehet díjmentesen leadni újrahasznosításra:
  - Önkormányzati hulladékszigetek és gyűjtőhelyek (kerületi, illetve települési hulladékudvarok)
  - A LIDL közvetlen visszaadási lehetőséget biztosít fiókjában és piacterein. A visszaadás és az ártalmatlanítás díjmentes.
  - Készülékfajtánként legfeljebb három darab, 25 cm-t elhosszúságot meg nem haladó leselejtezett berendezést anélkül lehet térítésmentesen visszavinni a gyártónak, hogy előtte új készüléket vásárolt volna nála, illetve ugyanígy leadhatja őket az Ön közelében található illetékes gyűjtőhelyen is.
  - A gyártók és forgalmazók további, kiegészítő visszavételi rendelkezéseiről az adott szolgáltató ügyfélszolgálatán tájékozódhat.
- Ha magánháztartásába kiszállítással rendelt új elektronikai berendezést a gyártótól, akkor végfelhasználóként a gyártótól kérheti a régi berendezés díjtalan elszállítását. Ennek érdekében vegye fel a kapcsolatot a gyártó ügyfélszolgálatával.
- A fentebb közöltek csak azokra a berendezésekre vonatkoznak, melyeket az Európai Unióban telepítettek és értékesítettek, és így a 2012/19/EU európai irányelv hatálya alá tartoznak. Az Európai Unió kívüli országban a fentiekől eltérő rendelkezések vonatkozhatnak a leselejtezett elektromos és elektronikai berendezések ártalmatlanítására.



## 14. Hibaelhárítás

| Üzemzavar   | Lehetséges ok  | Megoldás  |
|---|--|---|
| Nem jár a kompresszor.  | Nem áll rendelkezésre hálózati feszültség.             | Ellenőrizze a kábelt, hálózati csatlakozót, biztosítékot és csatlakozóaljzatot.                                     |
|   | Túl alacsony a hálózati feszültség.                    | Kerülje a túl hosszú hosszabbító kábelek használatát. Megfelelő huzalkeresztmetszetű hosszabbító kábelt használjon. |
|   | Túl alacsony a külső hőmérséklet.                      | Ne használja a készüléket +5 °C külső hőmérséklet alatt.  |
|   | A motor túlmelegedett.                                 | Hagyja lehűlni a motort, adott esetben szüntesse meg a túlmelegedés okát.   |
| A kompresszor jár, de nincs nyomás.   | Tömítetlen a biztonsági szelep.                        | Lépjen kapcsolatba a helyi szerviz központtal. A javításokat kizárólag képzett szakemberrel végeztesse el.          |
|   | A tömítések tönkrementek.                              | Ellenőrizze a tömítéseket, a tönkrement tömítéseket cseréltesse ki szakműhellyel.                                   |
|   | A kondenzvíz leeresztő csavarja tömítetlen.            | Húzza meg kézzel a csavart. Ellenőrizze a csavar tömítését, szükség esetén cserélje ki.                             |
| A kompresszor jár, a manométer nyomást jelez, de a szerszámok nem működnek. | A tömlőcsatlakozások tömítetlenek.                     | Ellenőrizze, és szükség esetén cserélje ki a sűrített levegős tömlőt és a szerszámokat.                             |
|   | A gyorscsatlakozó tömítetlen.                          | Lépjen kapcsolatba a helyi szerviz központtal. A javításokat kizárólag képzett szakemberrel végeztesse el.          |
|   | Túl alacsony nyomás van beállítva a nyomásszabályozón. | Állítson be magasabb értéket a nyomásszabályozón.   |

|   |  |
|---|--|
| A termék megnevezése:<br>Csendes kompresszor  | Gyártási szám:<br>465618_2404  |
| A termék típusa:<br>PSKO 2410 A1  |  |
| A gyártó cégneve, címe, e-mail címe:<br><b>Scheppach GmbH</b><br><b>Günzburger Straße 69</b><br><b>DE-89335 Ichenhausen</b><br><br><b>E-mail cím: (HU):</b><br>service.HU@scheppach.com | Szerviz neve, címe, telefonszáma:<br><b>ATISGEP Kft</b><br><b>Szentesi út 100</b><br><b>HU - 5903 Orosháza</b><br><br><b>Szerviz forródrót:</b><br>00800 4003 4003 |
| Az importáló/ forgalmazó neve és címe:<br>Lidl Magyarország Kereskedelmi Bt., H-1037 Budapest, Rádl árok 6.   |  |

1. A jótállási idő a Magyarország területén, Lidl Magyarország Kereskedelmi Bt. üzletében történt vásárlás napjától számított 3 év, amely jogvesztő. A jótállási idő a fogyasztó részére történő átadással, vagy ha az üzembe helyezést a forgalmazó, vagy annak megbízottja végzi, az üzembe helyezés napjával kezdődik.
2. A jótállási igény a jótállási jeggyel és/vagy a vásárlást igazoló blokkal érvényesíthető. A jótállási jegy szabálytalan kiállítás, vagy átadásának elmaradása nem érinti a jótállási kötelezettség-vállalás érvényességét. Kérjük, hogy a vásárlás tényének és időpontjának bizonyítására őrizze meg a pénztári fizetésnél kapott jótállási jegyet és a vásárlást igazoló blokkot.
3. A vásárlástól számított három munkanapon belül érvényesített csereigény esetén a forgalmazó köteles a terméket kicserélni, feltéve ha a hiba a rendeltetészerű használatot akadályozza. A jótállási jogokat a termék tulajdonosaként a fogyasztó érvényesítheti az áruházakban, valamint a jótállási tájékoztatóban feltüntetett szervizekben. (A magyar Polgári Törvénykönyv alapján fogyasztónak minősül a szakmája, önálló foglalkozása vagy üzleti tevékenysége körén kívül eljáró természetes személy.)  
A jótállás ideje alatt a fogyasztó hibás teljesítés esetén kérheti a termék kijavítását, kicserélését, vagy ha a termék nem javítható vagy cserélhető, vagy az a forgalmazónak aránytalan többletköltséggel járna, illetve a fogyasztó kijavításhoz, kicseréléshez fűződő érdeke alapos ok miatt megszűnt, árleszállítást kérhet, vagy elállhat a szerződéstől és visszakérheti a vételárat. A kijavítás során a termékbe csak új alkatrész kerülhet beépítésre.
4. A fogyasztó a hiba felfedezése után a lehető legrövidebb időn belül köteles a hibát bejelenteni és a terméket a jótállási jogok érvényesítése céljából átadni. A hiba felfedezésétől számított két hónapon belül bejelentett jótállási igényt időben közöltnek kell tekinteni. A közlés elmaradásából eredő kárért a fogyasztó felelős. A jótállási igény érvényesíthetőségének határideje a termék, vagy fődarabjának kicserélése esetén a csere napján újraindul.
5. A rögzített bekötésű, illetve a 10 kg-nál súlyosabb, vagy tömegközlekedési eszközön nem szállítható terméket az üzemeltetés helyén kell megjavítani. Abban az esetben, ha a javítás a helyszínen nem végezhető el, a termék ki- és visszaszereléséről, valamint szállításáról a forgalmazónak kell gondoskodnia.
6. A jótállás nem áll fenn, ha a hiba a nem rendeltetészerű használatból, átalakításból, helytelen tárolásból, vagy a használati utasítástól eltérő kezelésből, vagy bármely a vásárlást követő behatásból fakad, vagy elemi kár okozta, és azt a forgalmazó, vagy a szerviz bizonyítja. A jótállás nem vonatkozik a mozgó kopó alkatrészek (világítótetek, gumibroncsok stb.) rendeltetészerű elhasználódására. A szerviz és a forgalmazó a kijavítás során nem felel a terméken a fogyasztó vagy harmadik személyek által tárolt adatokért vagy beállításokért.
7. Fogyasztói jogvita esetén a fogyasztó a megyei (fővárosi) kereskedelmi és iparkamarák mellett működő békéltető testület eljárását is kezdeményezheti.  
A jótállás a fogyasztó törvényből eredő szavatossági jogait és azok érvényesíthetőségét nem érinti.

#### Kijavítást ellenőrző szelvény:

|  |                                  |
|--|----------------------------------|
| <b>A jótállási igény bejelentésének időpontja:</b>       | <b>A hiba oka:</b>               |
| <b>Javításra átvétel időpontja:</b>                      | <b>A hiba javításának módja:</b> |
| <b>A fogyasztó részére történő visszaadás időpontja:</b> |                                  |
| <b>A szerviz bélyegzője, kelt és aláírás:</b>            |                                  |

**Kicserélést ellenőrző szelvény:**

|  |  |
|--|--|
| <b>A jótállási igény bejelentésének időpontja:</b> |  |
| <b>Kicserelés időpontja:</b>                       |  |
| <b>A cserélő bolt bélyegzője, kelt és aláírás:</b> |  |

**15.1 Garanciális eset lebonyolítása**

Igényének gyors feldolgozása érdekében kérjük, kövesse az alábbi útmutatásokat:

- Amikor hozzánk fordul, a vásárlás igazolására minden esetben tartsa kéznél a pénztári bizonylatot és a cikkszámot (pl. IAN 465618\_2404).
- A cikkszám a termék típusáblájáról olvasható le, illetve bele van gravírozva a termékbe, valamint az útmutató címlapján (bal oldalt alul) és a termék hátoldalán vagy alján elhelyezett matricán is fel van tüntetve.
- Amennyiben működési hiba lép fel, vagy egyéb hiányosság tapasztalható, először lépjen kapcsolatba az alább megnevezett szervizrészleggel telefonon vagy e-mailben.
- A hibásnak vélt terméket a vásárlást igazoló számlát (pénztári bizonylatot) mellékelve, a hiba vagy hiányosság mibenlétének leírásával és a hiba időpontjának megadásával díjmentesen elküldheti az illetékes szervizrészleg postacímére.
- A parkside-diy.com címen megtekinthető és letölthető ez a kézikönyv és számos másik is. Ezzel a QR-kóddal közvetlenül a parkside-diy.com oldalra jut. Válassza ki az országot, és keresse meg a keresési ablak révén a kezelési útmutatót. A cikkszám (IAN) 465618\_2404 megadásával juthat el az adott termékhez tartozó kezelési útmutatóhoz.

**Szerviz elérhetősége (HU):**

**Név:** ATISGEP Kft  
Szentesi út 100  
HU - 5903 Orosháza  
**Telefon:** 00800 4003 4003  
**E-mail:** service.HU@schepach.com  
**Székhely:** Magyarország



---

|     |  |     |
|-----|--|-----|
| 1.  | Objaśnienie symboli na urządzeniu.....         | 101 |
| 2.  | Wprowadzenie.....                              | 102 |
| 3.  | Opis urządzenia (rys. 1-10).....               | 102 |
| 4.  | Zakres dostawy .....                           | 102 |
| 5.  | Użytkowanie zgodne z przeznaczeniem .....      | 102 |
| 6.  | Wskazówki dotyczące bezpieczeństwa.....        | 103 |
| 7.  | Dane techniczne.....                           | 106 |
| 8.  | Przed uruchomieniem .....                      | 106 |
| 9.  | Montaż i obsługa.....                          | 106 |
| 10. | Przyłącze elektryczne.....                     | 107 |
| 11. | Czyszczenie, konserwacja i przechowywanie..... | 107 |
| 12. | Transport .....                                | 108 |
| 13. | Utylizacja i ponowne wykorzystanie.....        | 108 |
| 14. | Pomoc dotycząca usterek.....                   | 109 |
| 15. | Gwarancja .....                                | 110 |
| 16. | Rysunek eksplozji.....                         | 123 |
| 17. | Deklaracja zgodności .....                     | 124 |

## 1. Objaśnienie symboli na urządzeniu



Przed uruchomieniem należy przeczytać niniejszą instrukcję obsługi i przestrzegać wskazówek dotyczących bezpieczeństwa!



Nosić nauszники ochronne. Hałas może powodować utratę słuchu.



Nosić ochronę dróg oddechowych.



Ostrzeżenie przed gorącymi częściami!



Ostrzeżenie przed napięciem elektrycznym.



Ostrzeżenie! Jednostka jest zdalnie sterowana i może się uruchomić bez ostrzeżenia.



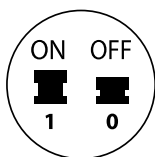
Nie wystawiać maszyny na działanie deszczu. Urządzenie wolno ustawiać, przechowywać i eksploatować tylko w suchych warunkach otoczenia.



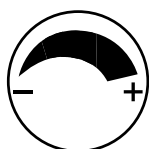
Wskazanie poziomu mocy akustycznej w dB.



Wskazanie poziomu ciśnienia akustycznego w dB.



Włącznik/wyłącznik.



Regulator ciśnienia.

## 2. Wprowadzenie

### Producent:

Scheppach GmbH  
Günzburger Straße 69  
D-89335 Ichenhausen

### Szanowny Kliencie,

Życzymy dużo satysfakcji i powodzenia podczas pracy z nowym urządzeniem.

### Wskazówka:

Zgodnie z obowiązującą ustawą o odpowiedzialności cywilnej za produkt, producent nie odpowiada za szkody powstałe przy tym urządzeniu lub przez to urządzenie w przypadku:

- nieprawidłowej obsługi,
- Nieprzestrzeganie instrukcji obsługi,
- napraw wykonywanych przez osoby trzecie, specjalistów nieautoryzowanych,
- montażu i wymiany nieoryginalnych części zamiennych,
- użytkownika niezgodnego z przeznaczeniem,
- Awarii instalacji elektrycznej w przypadku nieprzestrzegania przepisów elektrycznych oraz postanowień VDE 0100, DIN 57113 / VDE0113.

### Przestrzegać:

Przed przystąpieniem do montażu i uruchomienia przeczytać cały tekst instrukcji obsługi.

Instrukcja obsługi ma na celu ułatwienie zapoznania się z narzędziem elektrycznym i wykorzystania możliwości użytkownika go zgodnie z przeznaczeniem.

Instrukcja obsługi zawiera ważne wskazówki dotyczące bezpiecznej, fachowej i ekonomicznej pracy z niniejszym narzędziem elektrycznym oraz sposobu unikania zagrożeń, oszczędności kosztów napraw, redukcji czasów przestoju i zwiększenia niezawodności i żywotności urządzenia.

Dodatkowo oprócz zasad bezpieczeństwa zawartych w niniejszej instrukcji obsługi należy przestrzegać przepisów danego kraju obowiązujących dla eksploatacji narzędzia elektrycznego.

Instrukcję obsługi przechowywać przy narzędziu elektrycznym, w torebce plastikowej chroniącej przed zanieczyszczeniem i wilgocią. Każda osoba obsługująca musi przeczytać ją przed przystąpieniem do pracy i dokładnie jej przestrzegać. Przy narzędziu elektrycznym mogą pracować wyłącznie osoby, które zostały przeszkolone w zakresie użytkowania urządzenia i poinstruowane o związanych z tym zagrożeniach.

Oprócz wskazówek dotyczących bezpieczeństwa zawartych w niniejszej instrukcji obsługi i specjalnych przepisów danego kraju należy przestrzegać ogólnie uznanych zasad technicznych dotyczących eksploatacji maszyn o tej samej budowie.

Nie ponosimy odpowiedzialności za wypadki ani szkody powstałe wskutek nieprzestrzegania niniejszej instrukcji oraz wskazówek bezpieczeństwa.

## 3. Opis urządzenia (rys. 1-10)

1. Uchwyt transportowy
- 1a. Śruby M8x10
2. Przełącznik ciśnienia
3. Włącznik/wyłącznik

4. Filtr powietrza
- 4a. Obudowa filtra
- 4b. Wkład filtra
- 4c. Pokrywa filtra
- 4d. Wąż
5. Koło
- 5a. Śruba z łbem soczewkowym
- 5b. Podkładka
6. Korek spustowy dla skroplonej wody
7. Nóżka
- 7a. Śruba
- 7b. Podkładka
8. Zbiornik ciśnieniowy
9. Zawór bezpieczeństwa
- 9a. Nakrętka spustowa
- 9b. Połączenie bezpieczeństwa
- 9c. Nasadka nakrętki spustowej
10. Szybkozłęczce (regulowane sprężone powietrze)
11. Szybkozłęczce (regulowane sprężone powietrze)
12. Manometr (można odczytać ustawione ciśnienie)
13. Manometr (można odczytać ustawione ciśnienie w kotle)
14. Wąż sprężonego powietrza (nie jest objęte zakresem dostawy)
- 14a. Złączka wtykowa
- 14b. Szybkozłęczce
15. Regulator ciśnienia
16. Pokrywa transportowa

## 4. Zakres dostawy

- 1x Filtr powietrza
- 1x Uchwyt transportowy
- 2x Śruby M8x10
- 1x Podpora
- 2x Koło
- 1x Materiał montażowy
- 1x Instrukcja obsługi

## 5. Użytkowanie zgodne z przeznaczeniem

Sprężarka służy do wytwarzania sprężonego powietrza dla narzędzi napędzanych sprężonym powietrzem, które mogą być eksploatowane z objętością powietrza do ok. 180 l/min (np. napelniacz opon, pistolet wydmuchowy i pistolet natryskowy). Ze względu na ograniczony przepływ powietrza praca z narzędziami o bardzo dużym zużyciu powietrza nie jest możliwa (np. szlifierki oscylacyjne, szlifierki prętowe i wkrętaki udarowe).

Sprężarkę wolno eksploatować wyłącznie w suchych i dobrze wentylowanych pomieszczeniach wewnętrznych.

Maszynę wolno użytkować wyłącznie zgodnie z jej przeznaczeniem. Każde użycie wykraczające poza to jest niezgodne z przeznaczeniem. Za wynikające z tego szkody i obrażenia wszelkiego rodzaju odpowiada użytkownik/operator, a nie producent.

Należy pamiętać, że zgodnie z przeznaczeniem nasze urządzenia nie zostały skonstruowane do użytku komercyjnego, rzemieślniczego lub przemysłowego. Nie ponosimy odpowiedzialności w przypadku, gdy urządzenie jest stosowane w zakładach komercyjnych, rzemieślniczych i przemysłowych oraz do podobnych działalności.

## 6. Wskazówki dotyczące bezpieczeństwa

### Ogólne wskazówki dotyczące bezpieczeństwa dla narzędzi elektrycznych

**△ OSTRZEŻENIE! Należy przeczytać wszystkie wskazówki dotyczące bezpieczeństwa i instrukcje oraz przestudiować wszystkie ilustracje i parametry techniczne dostarczone wraz z niniejszym narzędziem elektrycznym.** Nieprzestrzeganie poniższych wskazówek bezpieczeństwa i instrukcji może doprowadzić do porażenia prądem, pożaru i/lub poważnych obrażeń.

### Przechowywać na przyszłość wszystkie wskazówki dotyczące bezpieczeństwa i instrukcje.

Używany we wskazówkach dotyczące bezpieczeństwa termin „narzędzie elektryczne” odnosi się do elektronarzędzi zasilanych z sieci (z przewodem sieciowym) lub do narzędzi elektrycznych zasilanych za pomocą akumulatora (bez przewodu sieciowego).

### Bezpieczeństwo w miejscu pracy

- a. **Utrzymywać obszar roboczy w czystości i zapewnić dobre oświetlenie.** Nieporządek lub brak oświetlenia obszaru roboczego może prowadzić do wypadków.
- b. **Nie pracować z narzędziem elektrycznym w otoczeniu zagrożonym wybuchem, w którym znajdują się palne płyny, gazy lub pyły.** Narzędzia elektryczne wytwarzają iskry, które mogą spowodować zapłon pyłu lub oparów.
- c. **Nie dopuszczać, aby dzieci i inne osoby zbliżyły się do obszaru roboczego podczas używania narzędzia elektrycznego.** W chwili nieuwagi można łatwo stracić kontrolę nad narzędziem elektrycznym.

### Bezpieczeństwo elektryczne

- a. **Wtyczka przyłączeniowa narzędzia elektrycznego musi pasować do gniazda.** Wtyczki nie wolno w żaden sposób modyfikować. Nie używać żadnych przejściówek z uzziemionymi narzędziami elektrycznymi. Niemodyfikowane wtyczki i odpowiednie gniazda zmniejszają ryzyko porażenia prądem.
- b. **Unikać kontaktu fizycznego z uzziemionymi powierzchniami, takimi jak rury, grzejniki, piece i lodówki.** Ryzyko porażenia prądem zwiększa się, jeśli ciało użytkownika jest uzziemione.
- c. **Nie wystawiać narzędzi elektrycznych na deszcz i wilgoć.** Przedostanie się wody do narzędzia elektrycznego zwiększa ryzyko porażenia prądem.
- d. **Nie wykorzystywać kabla niezgodnie z przeznaczeniem w celu przenoszenia, zawieszania narzędzia elektrycznego lub w celu wyjęcia wtyczki z gniazda.** Kabel przechowywać z dala od gorąca, oleju, ostrych krawędzi lub ruchomych części urządzeń. Uszkodzone lub splątane kable zwiększają ryzyko porażenia prądem.

- e. **W przypadku pracy z narzędziem elektrycznym na wolnym powietrzu, używać wyłącznie przedłużaczy przeznaczonych również do pracy w warunkach zewnętrznych.** Zastosowanie kabla przedłużającego przystosowanego do warunków zewnętrznych zmniejsza ryzyko porażenia prądem. Na zewnątrz używać wyłącznie dopuszczonych do tego i odpowiednio oznaczonych kabli przedłużających. Bębny kablowe stosować wyłącznie w stanie rozwiniętym.
- f. **Jeżeli użycie narzędzia elektrycznego w wilgotnym otoczeniu jest nieuniknione, używać wyłącznika ochronnego różnicowo prądowego o prądzie wyzwalającym 30 mA lub mniejszym.** Zastosowanie wyłącznika ochronnego prądowego zmniejsza ryzyko porażenia prądem.

### Bezpieczeństwo osób

- a. **Podczas pracy z narzędziem elektrycznym należy być ostrożnym, zwracać uwagę na wykonywane czynności i zachowywać zdrowy rozsądek. Nie używać narzędzia elektrycznego w stanie zmęczenia lub też będąc pod wpływem narkotyków, alkoholu lub leków.** Chwila nieuwagi podczas używania narzędzia elektrycznego może spowodować poważne obrażenia.
- b. **Stosować osobiste wyposażenie ochronne i nosić zawsze okulary ochronne.** Stosowanie środków ochrony indywidualnej, jak maska przeciwpyłowa, antypoślizgowe obuwie ochronne, kask lub naszniki ochronne, w zależności od rodzaju i zastosowania narzędzia elektrycznego, zmniejsza ryzyko odniesienia obrażeń.
- c. **Nie dopuszczać do niezamierzonego uruchomienia. Przed podłączeniem do zasilania i/lub akumulatora, podnoszeniem lub przenoszeniem upewnić się, że narzędzie elektryczne jest wyłączone.** Trzymanie palca na włączniku podczas przenoszenia narzędzia elektrycznego lub podłączanie włączonego narzędzia elektrycznego do zasilania może prowadzić do wypadków.
- d. **Przed włączeniem narzędzia elektrycznego usunąć narzędzia nastawcze lub klucze płaskie.** Narzędzie lub klucz znajdujące się w obracającej się części urządzenia może prowadzić do powstania obrażeń.
- e. **Unikać nietypowej pozycji ciała.** Zadbaj o stabilną pozycję i zachowanie równowagi w każdej chwili. Pozwala to na lepszą kontrolę narzędzia elektrycznego w niespodziewanych sytuacjach.
- f. **Nosić odpowiednią odzież. Podczas pracy nie nosić luźnej odzieży i biżuterii. Włosy, odzież i rękawice trzymać z dala od części ruchomych.** Luźna odzież, biżuteria lub długie włosy mogą zostać pochwycone przez części ruchome. Podczas prac na wolnym powietrzu zaleca się używanie rękawic gumowych i obuwia antypoślizgowego. W przypadku długich włosów nosić siatkę na włosy.
- g. **Jeżeli istnieje możliwość zamontowania urządzeń odsysających i odpylających, upewnić się, że są one podłączone i mogą być prawidłowo używane.** Zastosowanie odsysania pyłu może zmniejszyć zagrożenia spowodowane przez pył.
- h. **Przestrzegamy przed złudnym poczuciem bezpieczeństwa i ignorowaniem zasad bezpieczeństwa dla elektronarzędzi, również gdy użytkownik w wyniku wielokrotnego użycia jest zaznajomiony z obsługą elektronarzędzia.** Brak czujności może w ułamku sekundy doprowadzić do powstania ciężkich obrażeń.

## Zastosowanie i obsługa narzędzia elektrycznego

- a. **Nie przeciążać urządzenia.** Używać narzędzia elektrycznego przeznaczonego do danej pracy. Odpowiednie narzędzie elektryczne umożliwia lepszą i bezpieczniejszą pracę w podanym zakresie mocy.
- b. **Nie używać narzędzia elektrycznego, którego włącznik jest uszkodzony. Narzędzie elektryczne, którego nie da się już włączać lub wyłączać, jest niebezpieczne i musi zostać naprawione.**
- c. **Przed rozpoczęciem ustawień, wymianą osprzętu lub odłożeniem elektronarzędzia należy wyjąć wtyczkę z gniazda i/lub usunąć wyjmowany akumulator.** Ten środek ostrożności zapobiega niezamierzonemu uruchomieniu narzędzia elektrycznego.
- d. **Nie używane narzędzia elektryczne przechowywać poza zasięgiem dzieci.** Nie zezwalać na używanie narzędzia elektrycznego osobom, które nie są z nim obeznane lub nie przeczytały niniejszych instrukcji. Narzędzia elektryczne stanowią zagrożenie, jeśli są używane przez niedoświadczone osoby. Nieużywane narzędzia elektryczne należy odkładać w suchym, wysoko położonym lub zamkniętym miejscu, poza zasięgiem dzieci.
- e. **Należy dbać należyście o narzędzia elektryczne i osprzęt.** Kontrolować, czy części ruchome działają prawidłowo i nie zacinają się, czy części nie są pęknięte lub uszkodzone w sposób wpływający negatywnie na działanie narzędzia elektrycznego. Przed zastosowaniem narzędzia elektrycznego zapewnić naprawę uszkodzonych części. Wiele wypadków jest spowodowanych nieprawidłową konserwacją narzędzi elektrycznych.
- f. **Narzędzia tnące muszą być ostre i utrzymywane w stanie czystości. Starannie konserwowane narzędzia tnące z krawędziami tnącymi rzadziej się zacinają i są łatwiejsze w obsłudze.**
- g. **Używać narzędzi elektrycznych, akcesoriów, narzędzi roboczych itd. zgodnie z niniejszymi instrukcjami.** Uwzględnić warunki pracy i wykonywane czynności. Używanie narzędzia elektrycznego do zastosowań innych, niż przewidziane, może prowadzić do niebezpiecznych sytuacji.
- h. **Uchwyty i powierzchnie chwytowe utrzymywać w stanie suchym, czystym i wolnym od oleju i smaru.** Śliskie uchwyty i powierzchnie chwytowe nie pozwalają na bezpieczne trzymanie elektronarzędzia i kontrolę nad nim w nieoczekiwanych sytuacjach.

## Serwis

- a. **Naprawę narzędzia elektrycznego może wykonywać wyłącznie wykwalifikowany personel i tylko przy użyciu oryginalnych części zamiennych.** Zapewnia to bezpieczeństwo dalszej pracy narzędzia elektrycznego.

## Wskazówki dotyczące bezpieczeństwa dla kompresorów

⚠ **Uwaga!** Podczas używania niniejszej sprężarki przestrzegać poniższych zasadniczych środków bezpieczeństwa w celu ochrony przed porażeniem prądem elektrycznym, przed obrażeniami i pożarem. Przed użyciem urządzenia przeczytać te wskazówki i przestrzegać ich.

## Bezpieczna praca.

1. Dbać starannie o narzędzia
  - Sprężarkę utrzymywać w stanie czystym, aby zapewnić prawidłową i bezpieczną eksploatację.
  - Stosować się do wskazówek dotyczących konserwacji.
  - Regularnie kontrolować przewód przyłączeniowy narzędzia elektrycznego i w przypadku uszkodzenia zlecić uznanemu specjalście jego wymianę.
  - Regularnie kontrolować i w razie uszkodzenia wymieniać przewody przedłużające.
2. Wtyczkę należy wyjąć z gniazdka
  - W przypadku nieużywania narzędzia elektrycznego, przed przystąpieniem do konserwacji i przy wymianie narzędzi, jak np. brzeszczot piły, wiertła, frezy.
3. Sprawdzić narzędzie elektryczne pod kątem ewentualnych uszkodzeń
  - Przed dalszym użyciem narzędzia elektrycznego należy starannie zbadać urządzenia ochronne i lekko uszkodzone części pod kątem prawidłowego i zgodnego z przeznaczeniem działania.
  - Skontrolować, czy ruchome części działają bez zarzutu i nie zacinają się oraz czy części nie są uszkodzone. Wszystkie części muszą być prawidłowo zamontowane, a wszystkie warunki spełnione, aby zagwarantować prawidłową pracę narzędzia elektrycznego.
  - Uszkodzone urządzenia ochronne i części należy zgodnie z ich przeznaczeniem oddać do naprawy lub wymiany do warsztatu specjalistycznego, o ile nie podano inaczej w instrukcji obsługi.
  - Nie stosować wadliwych lub uszkodzonych przewodów przyłączeniowych.
4. **Uwaga!**
  - Dla własnego bezpieczeństwa używać tylko akcesoriów i przyrządów dodatkowych podanych w instrukcji obsługi lub zalecanych lub podanych przez producenta. Użycie innych narzędzi roboczych lub innych akcesoriów niż zalecane w instrukcji obsługi lub katalogu stwarza ryzyko obrażeń dla użytkownika.
5. Wymiana przewodu przyłączeniowego
  - Jeżeli przewód przyłączeniowy ulegnie uszkodzeniu, należy zlecić jego wymianę producentowi lub wykwalifikowanemu elektrykowi, aby uniknąć zagrożeń. Niebezpieczeństwo porażenia prądem elektrycznym.
6. Pompowanie opon
  - Ciśnienie w oponach należy sprawdzać bezpośrednio po napompowaniu za pomocą odpowiedniego manometru, np. na stacji benzynowej.
7. Sprężarki drogowe podczas pracy na placu budowy
  - Zwrócić uwagę, czy wszystkie węże i zawory są odpowiednio dla maksymalnego dopuszczalnego ciśnienia roboczego sprężarki.
8. Miejsce ustawienia
  - Ustawiać sprężarkę tylko na płaskiej powierzchni.
9. Zaleca się, by węże doprowadzające w przypadku wartości ciśnienia powyżej 7 bar były wyposażone w kabel bezpieczeństwa, np. linkę stalową.
10. Unikać silnych obciążeń systemu przewodów stosując elastyczne przyłącza węży, by uniknąć miejsc zgięcia.



## **Dodatkowe wskazówki dotyczące bezpieczeństwa**

**Przestrzegać odpowiednich instrukcji eksploatacji danych narzędzi / przystawek pneumatycznych!** Przestrzegać dodatkowo następujących ogólnych wskazówek.

### **Wskazówki dotyczące bezpieczeństwa przy pracy ze sprężonym powietrzem i pistoletami pneumatycznymi**

- Zwracać uwagę na wystarczającą odległość od produktu, przynajmniej 2,50 m, i przechowywać narzędzia / przystawki pneumatyczne z dala od sprężarki podczas pracy.
- Pompa sprężarkowa i przewody osiągają podczas pracy wysokie temperatury. Dotknięcie ich spowoduje poparzenia.
- Powietrze zasysane przez sprężarkę musi być wolne od domieszek, które mogłyby spowodować pożar lub eksplozję w pompie sprężarkowej.
- Podczas luzowania złączki węża należy mocno trzymać ją dłonią. W ten sposób można uniknąć obrażeń spowodowanych odbiciem węża.
- Podczas pracy z pistoletem pneumatycznym nosić okulary ochronne i maskę oddechową. Pyły są szkodliwe dla zdrowia! Ciała obce i nadmuchiwane części mogą łatwo spowodować obrażenia.
- Nie należy używać pistoletu wydmuchowego do wydmuchiwania ludzi lub czyszczenia odzieży na ciele. Niebezpieczeństwo odniesienia obrażeń!

### **Wskazówki dotyczące bezpieczeństwa podczas stosowania przystawek natryskowych i rozpylających (np. natryskiwanie farb)**

- Podczas napełniania trzymać przystawkę rozpylającą z dala od sprężarki, aby żadna ciecz nie miała kontaktu ze sprężarką.
- Nigdy nie spryskiwać przystawkami rozpylającymi (np. natryskiwanie farby) w kierunku sprężarki. Wilgoć może powodować zagrożenia elektryczne!
- Nie należy używać lakierów lub rozpuszczalników o temperaturze zapłonu poniżej 55 °C. Niebezpieczeństwo wybuchu!
- Nie należy podgrzewać lakierów i rozpuszczalników. Niebezpieczeństwo wybuchu!
- W przypadku przetwarzania cieczy szkodliwych dla zdrowia są niezbędne do ochrony urządzenia filtrujące (maski na twarz). Należy również przestrzegać informacji podanych przez producentów takich substancji dotyczących środków ochronnych.
- Należy przestrzegać informacji i oznaczeń rozporządzenia o substancjach niebezpiecznych umieszczonych na zewnętrznych opakowaniach przetwarzanych materiałów. W razie potrzeby należy podjąć dodatkowe środki ochronne, w szczególności należy nosić odpowiednią odzież i maski.
- Palenie tytoniu podczas opryskiwania oraz w obszarze roboczym nie jest dozwolone. Niebezpieczeństwo wybuchu! Opary farb są również bardzo łatwopalne.
- Paleniska, otwarte światło lub iskrzące maszyny nie mogą być dostępne lub obsługiwane.
- W miejscu pracy nie wolno przechowywać i spożywać żywności i napojów. Opary farb są szkodliwe dla zdrowia.
- Przestrzeń robocza musi być większa niż 30 m<sup>3</sup> i musi być zapewniona wystarczająca wymiana powietrza podczas natryskiwania i suszenia.

- Nie rozpryskiwać pod wiatr. Podczas opryskiwania łatwopalnych lub niebezpiecznych materiałów natryskowych należy zawsze przestrzegać przepisów lokalnego urzędu policji.
- Nie przetwarzać mediów takich jak benzyna lakowa, alkohol butylowy i chlorek metylenu przy użyciu węża ciśnieniowego PVC. Te media niszczą wąż ciśnieniowy.
- Obszar roboczy musi być oddzielony od sprężarki tak, aby nie mogła mieć ona bezpośredniego kontaktu z medium roboczym.

### **Eksploatacja zbiorników ciśnieniowych**

- Każda osoba, która używa zbiornika ciśnieniowego, jest zobowiązana do jego utrzymywania w prawidłowym stanie, do jego prawidłowego używania i monitorowania, do niezwłocznego dokonywania niezbędnych prac związanych z utrzymaniem i naprawą oraz do podejmowania niezbędnych środków bezpieczeństwa odpowiednio do warunków.
- Organ nadzorujący może w danym przypadku nakazać niezbędne środki nadzorujące.
- Zbiornik ciśnieniowy nie może być używany, jeżeli wykazuje wady, które stanowią zagrożenie dla pracowników lub osób trzecich.
- Przed każdym używaniem należy sprawdzić zbiornik ciśnieniowy pod kątem rdzy i uszkodzeń. Kompresora nie wolno używać z uszkodzonym lub zardzewiałym zbiornikiem ciśnieniowym. W razie stwierdzenia uszkodzeń, proszę zwrócić się do warsztatu serwisowego.

### **Niniejsze wskazówki dotyczące bezpieczeństwa przechowywać w bezpiecznym miejscu.**

#### **Ryzyko resztkowe**

Przestrzegać zalecanych wskazówek konserwacji i bezpieczeństwa, zawartych w instrukcji obsługi. Zachować ostrożność podczas pracy i nakazać osobom trzecim zachowanie bezpiecznej odległości od stanowiska pracy.

Nawet w przypadku prawidłowego użytkowania urządzenia pozostaje zawsze pewne ryzyko resztkowe, którego nie można wykluczyć. Ze względu na rodzaj i konstrukcję urządzenia można wyróżnić poniższe potencjalne zagrożenia:

- Niezamierzone uruchomienie produktu.
- Uszkodzenie słuchu, jeżeli nie jest zakładana zalecana ochrona słuchu.
- Cząsteczki zanieczyszczeń, pył, itp. mogą przedostać się do oczu lub twarzy mimo zakładania okularów ochronnych.
- Wdychanie wznoszących się cząsteczek.

#### **⚠ Ostrzeżenie!**

Niniejsze narzędzie elektryczne wytwarza podczas pracy pole elektromagnetyczne. Pole to może w pewnych okolicznościach wpływać negatywnie na aktywne lub pasywne implanty medyczne. W celu zmniejszenia ryzyka poważnych lub śmiertelnych obrażeń, osobom z implantami medycznymi przed użyciem narzędzia elektrycznego zalecamy konsultację z lekarzem i producentem.

## 7. Dane techniczne

|  |                        |
|--|------------------------|
| Przyłącze sieciowe .....                                     | 230 V~ 50 Hz           |
| Moc silnika .....  | 1500 W                 |
| Tryb pracy .....   | S1                     |
| Prędkość obrotowa sprężarki.....                             | 2850 min <sup>-1</sup> |
| Pojemność zbiornika ciśnieniowego .....                      | ok. 24 l               |
| Ciśnienie robocze .....                                      | ok. 10 barów           |
| Teor. Wydajność ssania.....                                  | ok. 257 l/min          |
| Efektywna ilość dozowania przy 7 barach .....                | ok. 103 l/min          |
| Efektywna ilość dozowania przy 4 barach .....                | ok. 141 l/min          |
| Efektywna ilość dozowania przy 1 barze .....                 | ok. 180 l/min          |
| Poziom ciśnienia akustycznego L <sub>PA</sub> .....          | 68 dB                  |
| Zmierzony poziom mocy akustycznej L <sub>WA</sub> .....      | 83,6 dB                |
| Zagwarantowany poziom mocy akustycznej L <sub>WA</sub> ..... | 86 dB                  |
| Niepewność K <sub>PA/WA</sub> .....                          | 3 dB                   |
| Stopień ochrony .....  | IP30                   |
| Ciężar urządzenia .....                                      | ok. 24 kg              |
| Maks. wysokość ustawienia (n.p.m.).....                      | 1000 m                 |

Wartości emisji hałasu zostały ustalone zgodnie z EN ISO 3744:1995.

### Nosić nauszники ochronne.

Hałas może powodować utratę słuchu.

## 8. Przed uruchomieniem

- Otworzyć opakowanie i wyjąć ostrożnie urządzenie.
- Usunąć materiał opakowaniowy oraz zabezpieczenia opakowania transportowe (jeśli występują).
- Sprawdzić, czy zakres dostawy jest kompletny.
- Sprawdzić urządzenie i elementy wyposażenia pod kątem uszkodzeń transportowych.
- W miarę możliwości zachować opakowanie do zakończenia okresu gwarancyjnego.

### ⚠ NIEBEZPIECZEŃSTWO

**Urządzenie i materiały opakowaniowe nie mogą służyć jako zabawka dla dzieci! Dzieciom nie wolno bawić się workami z tworzywa sztucznego, foliami i drobnymi elementami! Istnieje niebezpieczeństwo połamania i uduszenia!**

- Przed podłączeniem do sieci upewnić się, że dane na tabliczce znamionowej są zgodne z parametrami sieci.
- Sprawdzić urządzenie pod kątem uszkodzeń transportowych. Wszelkie szkody zgłosić niezwłocznie firmie przewoźnej, która dostarczyła sprężarkę.
- Sprężarka musi być zainstalowana w pobliżu odbiornika.
- Należy unikać długich przewodów powietrza i długich przewodów doprowadzających (przedłużacze).
- Upewnić się, że powietrze zasysane jest suche i bezpyłowe.
- Nie używać sprężarki w wilgotnych lub mokrych pomieszczeniach.
- Sprężarkę można używać tylko w odpowiednich pomieszczeniach (dobrze wentylowane, temperatura otoczenia od +5 °C do 40 °C). Pomieszczenie nie może zawierać żadnych pyłów, kwasów, oparów, gazów wybuchowych lub palnych.

- Sprężarka nadaje się do stosowania w suchych pomieszczeniach. Stosowanie w miejscach, w których pracuje się z wodą rozpryskową, jest niedozwolone.
- Sprężarka może być używana na zewnątrz tylko przez krótki czas, przy suchych warunkach otoczenia.
- Sprężarka musi być zawsze sucha i nie wolno jej pozostawiać na zewnątrz po zakończeniu pracy.

## 9. Montaż i obsługa

### ⚠ Uwaga!

**Przed uruchomieniem urządzenie koniecznie całkowicie zmontować!**

Elementy niezbędne do montażu:

- 1x klucz widlasty 14 mm
- 1x klucz widlasty 13 mm
- 1x klucz nasadowy 14 mm
- 1x śrubokręt do wkrętów z rowkiem krzyżowym (nie wchodzi w zakres dostawy)

### 9.1 Montaż kół (rys. 3)

- Zamontować dołączone koła (5) w sposób przedstawiony na rysunku.

### 9.2 Montaż podpory (rys. 4)

- Zamontować dołączoną podporę (7) w sposób przedstawiony na rysunku.

### 9.3 Montaż filtra powietrza (rys. 5, 6)

- Usunąć pokrywę transportową (16) i na urządzeniu przykręcić filtr powietrza (4).
- Wąż (4d) wprowadzić w otwór filtra powietrza (4).

### 9.4 Montaż uchwytu transportowego (rys. 7)

- Zamontować dołączony uchwyt transportowy (1) w sposób przedstawiony na rysunku. W tym celu należy użyć dołączonych śrub M8x10 (1a) i klucza maszynowego płaskiego SW13 (nie zawarty w zakresie dostawy).

### 9.5 Przyłącze sieciowe

- Sprężarka jest wyposażona w kabel sieciowy z wtyczką z zestykiem ochronnym. Można go podłączyć do każdego gniazda wtykowego 230 V~ 50 Hz, zabezpieczonego 16 A.
- Przed uruchomieniem należy upewnić się, że napięcie sieciowe odpowiada napięciu robocznemu i mocy maszyny podanej na tabliczce znamionowej.
- Długie przewody zasilające, jak również przedłużacze, bębny kablowe itp. powodują spadki napięcia i mogą uniemożliwić uruchomienie silnika.
- Przy niskich temperaturach poniżej +5 °C rozruch silnika jest zagrożony przez ciężką pracę.

### 9.6 Włącznik/wyłącznik (rys. 1)

- W celu włączenia sprężarki należy włącznik/wyłącznik (3) pociągnąć w górę.
- W celu wyłączenia należy włącznik/wyłącznik (3) wcisnąć w dół.

### 9.7 Ustawienia ciśnienia (rys. 1, 2)

- Ciśnienie na manometrze (12) jest ustawiane regulatorem ciśnienia (15).

- Ustawione ciśnienie można odczytać na szybkozłączy (10, 11).
- Na manometrze (13) można odczytać ciśnienie w kotle.

### 9.8 Ustawienie przełącznika ciśnienia (rys. 1)

- Przełącznik ciśnienia (2) jest ustawiony fabrycznie.  
Ciśnienie włączenia ok. 5,5 barów  
Ciśnienie wyłączenia ok. 8 barów

### 9.9 Montaż węży sprężonego powietrza (nie jest objęte zakresem dostawy) (rys. 1, 2)

- Podłączyć złącze wtykowe (14a) węży sprężonego powietrza (14) do jednego z szybkozłączy (10, 11). Następnie podłączyć narzędzie pneumatyczne do szybkozłącza (14b) węży sprężonego powietrza (14).

### 9.10 Przełącznik termiczny

Przełącznik termiczny jest zamontowany na urządzeniu. W razie aktywacji przełącznika termicznego należy postępować w następujący sposób:

- Wyciągnąć wtyczkę sieciową.
- Odczekać około dwóch do trzech minut.
- Ponownie włożyć urządzenie.
- Jeżeli urządzenie nie uruchamia się, powtórzyć proces.
- Jeżeli urządzenie nie uruchamia się, wyłączyć urządzenie wyłącznikiem/wyłącznikiem (3) i ponownie włączyć.
- Jeżeli wykonano wszystkie powyższe kroki, a urządzenie nadal nie działa, należy skontaktować się z naszym działem serwisu.

## 10. Przyłącze elektryczne

Zainstalowany silnik elektryczny jest gotowy do eksploatacji. Przyłącze odpowiada właściwym przepisom VDE (Związek Elektryków Niemieckich) oraz normom DIN. Przyłącze sieciowe udostępniane przez klienta oraz przedłużacz muszą być zgodne z powyższymi przepisami.

Przy pracy z przystawkami natryskowymi i rozpylającymi oraz również przy tymczasowym zastosowaniu na zewnątrz jest konieczne podłączenie urządzenia za pomocą **wyłącznika ochronnego różnicowo-prądowego** o prądzie wyzwalającym nie większym niż 30 mA.

### 10.1 Ważne wskazówki

W przypadku przeciążenia silnika wyłącza się on samoczynnie. Po czasie chłodzenia (zróżnicowany), silnik można ponownie uruchomić.

### 10.2 Uszkodzony elektryczny przewód przyłączeniowy

Na przewodach elektrycznych powstają często uszkodzenia izolacji.

Przyczyną może być:

- Ściskanie, w przypadku gdy przewody są prowadzone przez okna lub szczeliny w drzwiach.
- Zagięcia, w przypadku nieprawidłowego zamocowania lub prowadzenia przewodów.
- Przecięcia, w przypadku najeżdżania na przewody.
- Uszkodzenia izolacji, w przypadku wyrywania z gniazdka ściennego.
- Pęknięcia, spowodowane starzeniem się izolacji.

Uszkodzonych przewodów elektrycznych nie wolno używać - ze względu na uszkodzenie izolacji zagrażają życiu.

Przewody elektryczne należy regularnie kontrolować pod kątem uszkodzeń. Pamiętać, by podczas sprawdzania przewodu nie był on podłączony do sieci elektrycznej.

Przewody elektryczne muszą odpowiadać właściwym przepisom VDE (Związek Elektryków Niemieckich) oraz normom DIN. Stosować wyłącznie przewody elektryczne tym samym oznaczeniem. Przestrzegać informacji znajdującej się na oznaczeniu typu umieszczonym na przewodzie.

### 10.3 Silnik prądu przemiennego

- Napięcie sieciowe musi wynosić 230 V~ 50 Hz.
- Przedłużacze o długości 25 m muszą posiadać przekrój wynoszący 1,5 milimetra kwadratowego.

Podłączanie oraz naprawy wyposażenia elektrycznego mogą być przeprowadzane przez wykwalifikowanego elektryka.

W przypadku pytań proszę o podanie następujących danych:

- Rodzaj prądu silnika
- Dane z tabliczki identyfikacyjnej maszyny
- Dane z tabliczki identyfikacyjnej silnika

## 11. Czyszczenie, konserwacja i przechowywanie

### ⚠ Uwaga!

Przed wszelkimi pracami związanymi z czyszczeniem i konserwacją odłączyć wtyczkę od zasilania! Niebezpieczeństwo odniesienia obrażeń w wyniku uderzeń prądu!

### ⚠ Uwaga!

Odczekać, aż urządzenie całkowicie ostygnie! Ryzyko poparzenia!

### ⚠ Uwaga!

Przed podjęciem jakichkolwiek prac związanych z czyszczeniem i konserwacją należy odłączyć urządzenie od ciśnienia! Niebezpieczeństwo odniesienia obrażeń!

### 11.1 Czyszczenie

- Dokładać starań, aby urządzenie nie było pokryte pyłem ani zabrudzone. Urządzenie czyścić czystą ściereczką lub przedmuchiwać sprężonym powietrzem pod niskim ciśnieniem.
- Zalecamy czyszczenie urządzenia bezpośrednio po każdym użyciu.
- Urządzenie powinno się regularnie czyścić wilgotną szmatką i niewielką ilością mydła szarego. Nie stosować żadnych żrących środków czyszczących lub rozpuszczalników, mogą one powodować uszkodzenie elementów urządzenia wykonanych z tworzywa sztucznego. Zwracać uwagę, aby do wnętrza urządzenia nie dostała się woda.
- Przed czyszczeniem należy odłączyć wąż i narzędzia natryskowe od sprężarki. Sprężarka nie może być czyszczona wodą, rozpuszczalnikami itd.

## 11.2 Konserwacja zbiornika ciśnieniowego (rys. 1)

### ⚠ Uwaga!

W celu zapewnienia trwałej przydatności zbiornika ciśnieniowego (8) należy po każdej pracy odprowadzić wodę kondensacyjną poprzez otwarcie korka spustowego (6).

Najpierw należy spuścić ciśnienie w kotle (patrz 11.6.1).

Otworzyć korek spustowy (6), obracając go w kierunku przeciwnym do ruchu wskazówek zegara (patrz na śrubę od dołu sprężarki).

Aby całkowicie odprowadzić wodę kondensacyjną ze zbiornika ciśnieniowego (8), lekko przechylić go na bok, tak aby korek spustowy (6) znajdował się w najniższym punkcie.

Następnie ponownie zamknąć korek spustowy (6) (obrót w kierunku zgodnym z ruchem wskazówek zegara). Przed każdym zastosowaniem należy sprawdzić zbiornik (8) ciśnieniowy pod kątem rdzy i uszkodzeń.

Sprężarki nie wolno używać z uszkodzonym lub zardzewiałym zbiornikiem ciśnieniowym (8). W razie stwierdzenia uszkodzeń, proszę zwrócić się do warsztatu serwisowego.

### Wskazówki dotyczące utylizacji wody kondensacyjnej:

Zutylizować wodę kondensacyjną zgodnie z lokalnymi i krajowymi przepisami dotyczącymi ochrony środowiska. Upewnić się, że nie jest ona odprowadzana do kanalizacji.

## 11.3 Zawór bezpieczeństwa (rys. 8)

Zawór bezpieczeństwa (9) jest ustawiony na maksymalne dopuszczalne ciśnienie zbiornika ciśnieniowego (8). Przesłanie zaworu bezpieczeństwa (9) lub usunięcie połączenia bezpieczeństwa (9b) między nakrętką spustową (9a) a jej nasadką jest niedozwolone (9c). Aby zawór bezpieczeństwa (9) w razie potrzeby działał prawidłowo, należy go uruchamiać co 30 roboczogodzin, a przynajmniej 3 razy w roku.

Aby otworzyć wylot zaworu bezpieczeństwa (9), należy odkręcić perforowaną nakrętkę spustową (9a) w kierunku przeciwnym do ruchu wskazówek zegara, a następnie wyciągnąć ręcznie trzpień zaworu przez perforowaną nakrętkę spustową (9a). Zawór wypuszcza słyszalnie powietrze. Następnie ponownie dokręcić nakrętkę spustową (9a) w kierunku zgodnym z ruchem wskazówek zegara.

## 11.4 Czyszczenie filtra powietrza (rys. 9, 10)

Filtr powietrza (4) zapobiega zasysaniu pyłu i zabrudzeń. Czyszczenie filtra powietrza (4) jest konieczne przynajmniej co 300 roboczogodzin. Zatkany filtr powietrza (4) znacznie zmniejsza wydajność sprężarki.

Obrócić filtr powietrza (4) przeciwnie do ruchu wskazówek zegara, aby moc go zdjąć. Przekręcić pokrywę filtra (4c) i zdjąć ją. Można teraz wyjąć wkład filtra (4b). Ostrożnie oklepać wkład filtra (4b), pokrywę filtra (4c) oraz obudowę filtra (4a). Następnie elementy przedmuchać sprężonym powietrzem (ok. 3 bary) i ponownie zamontować w odwrotnej kolejności.

## 11.5 Informacje serwisowe

Należy pamiętać, że w przypadku tego produktu poniższe części podlegają naturalnemu zużyciu lub zużyciu uwarunkowanemu użytkowaniem, bądź są potrzebne jako materiały zużywalne. Części zużywalne\*: Filtr powietrza

\* opcjonalnie w zakresie dostawy!

## 11.6 Przechowywanie

### ⚠ Uwaga!

**Wyjąć wtyczkę sieciową, odpowietrzyć urządzenie i wszystkie podłączone narzędzia pneumatyczne. Wyłączyć sprężarkę tak, aby nie mogła zostać uruchomiona przez niepowołane osoby.**

### ⚠ Uwaga!

**Sprężarkę należy przechowywać wyłącznie w suchym otoczeniu niedostępnym dla niepowołanych osób. Nie przechylać się, przechowywać tylko w pozycji pionowej!**

### 11.6.1 Spuszczanie nadciśnienia

Spuścić nadciśnienie w sprężarce poprzez wyłączenie sprężarki i wykorzystanie sprężonego powietrza, które jest jeszcze dostępne w zbiorniku ciśnieniowym (8), np. przy pomocy narzędzia pneumatycznego na biegu jałowym lub pistoletu wydmuchowego.

## 12. Transport

Uchwyt transportowy (1) służy do transportu i napędzania kompresora.

Podczas podnoszenia kompresora należy zwrócić uwagę na jego ciężar (patrz Dane techniczne).

Podczas transportu kompresora w pojazdach mechanicznych należy upewnić się, że ładunek jest odpowiednio zabezpieczony.

## 13. Utylizacja i ponowne wykorzystanie

### Wskazówki dotyczące opakowania



Materiały opakowaniowe nadają się do recyklingu. Opakowania należy utylizować w sposób przyjazny dla środowiska.

### Wskazówki dotyczące ustawy o urządzeniach elektrycznych i elektronicznych (ElektroG)



**Zużyte urządzenia elektryczne i elektroniczne nie wchodzi w skład odpadów domowych, lecz muszą być zbierane i usuwane oddzielnie!**

- Zużyty sprzęt może mieć szkodliwy wpływ na środowisko i zdrowie ludzi z uwagi na potencjalną zawartość niebezpiecznych substancji, mieszanin oraz części składowych. Gospodarstwo domowe spełnia ważną rolę w przyczynianiu się do ponownego użycia i odzysku surowców wtórnych, w tym recyklingu zużytego sprzętu. Na tym etapie kształtuje się postawy, które wpływają na zachowanie wspólnego dobra jakim jest czyste środowisko naturalne.
- Stare baterie lub akumulatory, które nie są na stałe zainstalowane w starym urządzeniu, należy usunąć przed oddaniem go do serwisu nie powodując zniszczenia! Ich utylizacja jest regulowana ustawą o bateriach.
- Właściciele lub użytkownicy urządzeń elektrycznych i elektronicznych są prawnie zobowiązani do ich zwrotu po zakończeniu użytkowania.

- Użytkownik końcowy jest odpowiedzialny za usunięcie swoich danych osobowych ze starego urządzenia przeznaczonego do utylizacji!
- Symbol przekreślonego kosza na śmieci oznacza, że zużytego urządzenia elektrycznego i elektronicznego nie wolno wyrzucać razem z odpadami domowymi.
- Zużyte urządzenia elektryczne i elektroniczne można bezpłatnie oddawać w następujących miejscach:
  - Publiczne punkty utylizacji lub zbiórki (np. podwórza budynków komunalnych)
  - LIDL oferuje możliwość zwrotu bezpośrednio w filiach i marketach. Klient nie ponosi kosztów za utylizację i zwrot.
  - Do trzech sztuk urządzeń elektrycznych i elektronicznych każdego typu, o długości krawędzi nie większej niż 25 centymetrów, można bezpłatnie zwrócić do producenta bez konieczności wcześniejszego zakupu nowego urządzenia od producenta lub można je oddać do innego autoryzowanego punktu zbiórki w swojej okolicy.

- W celu uzyskania informacji na temat dodatkowych warunków przyjmowania zwrotów przez producentów i dystrybutorów należy skontaktować się z odpowiednim działem obsługi klienta.
- W przypadku dostarczenia przez producenta nowego urządzenia elektrycznego do prywatnego gospodarstwa domowego, może ono zorganizować bezpłatną zbiórkę zużytych urządzeń elektrycznych i elektronicznych na wniosek użytkownika końcowego. W tym celu należy skontaktować się z działem obsługi klienta producenta.
- Niniejsze oświadczenia dotyczą wyłącznie urządzeń zainstalowanych i sprzedawanych w krajach Unii Europejskiej i podlegają Dyrektywie Europejskiej 2012/19/UE. W krajach spoza Unii Europejskiej mogą obowiązywać inne przepisy dotyczące utylizacji zużytych urządzeń elektrycznych i elektronicznych.

## 14. Pomoc dotycząca usterek

| Usterka  | Możliwa przyczyna   | Środek zaradczy  |
|--|---|--|
| Sprężarka nie pracuje.   | Napięcie sieciowe nie jest dostępne.                      | Sprawdzić kabel, wtyczkę sieciową, bezpiecznik i gniazdko.   |
|  | Napięcie sieciowe zbyt niskie.                            | Unikać zbyt długich przedłużaczy. Należy użyć przedłużacza o odpowiednim przekroju żyły.             |
|  | Temperatura zewnętrzna za niska.                          | Nie pracować poniżej +5 °C temperatury zewnętrznej.  |
|  | Silnik przegrzany.  | Pozostawić silnik do ochłodzenia, w razie potrzeby usunąć przyczynę przegrzania.                     |
| Sprężarka działa, lecz brak ciśnienia.   | Nieszczelny zawór bezpieczeństwa.                         | Skontaktować się z lokalnym centrum serwisowym. Naprawy zlecać wyłącznie przeszkolonemu personelowi. |
|  | Zepsute uszczelki.  | Sprawdzić uszczelki, wymienić uszkodzone uszczelki w wyspecjalizowanym warsztacie.                   |
|  | Nieszczelny korek spustowy wody kondensacyjnej.           | Dokręcić śrubę ręcznie. Sprawdzić uszczelnienie na śrubie, w razie potrzeby wymienić.                |
| Sprężarka pracuje, ciśnienie jest wskazywane na manometrze, ale narzędzia nie pracują. | Nieszczelne połączenia węzłowe.                           | Sprawdzić wąż sprężonego powietrza i narzędzia, w razie potrzeby wymienić.                           |
|  | Nieszczelne szybkozłącze.                                 | Skontaktować się z lokalnym centrum serwisowym. Naprawy zlecać wyłącznie przeszkolonemu personelowi. |
|  | Ustawiono zbyt niskie ciśnienie na regulatorze ciśnienia. | Ponownie przykręcić regulator ciśnienia.   |

## 15. Gwarancja

Drodzy Klienci,

Wszystkie nasze produkty przechodzą przez rygorystyczną kontrolę jakości, aby zapewnić, że dotrą do Państwa w idealnym stanie. W mało prawdopodobnej sytuacji wystąpienia usterki w Państwa urządzeniu, proszę skontaktować się z naszym działem serwisu pod adresem podanym w niniejszej karcie gwarancyjnej. Oczywiście, jeśli wolelibyście Państwo do nas zadzwonić, jesteśmy również gotowi zaoferować pomoc pod numerem telefonu serwisu wydrukowanym poniżej. Proszę zwrócić uwagę na następujące warunki gwarancyjne, jakich należy przestrzegać w celu zgłaszania roszczeń gwarancyjnych:

- Te warunki gwarancji dotyczą dodatkowych uprawnień gwarancyjnych i w żadnym stopniu nie ograniczają Państwa praw ustawowych. Niniejsza gwarancja jest oferowana bezpłatnie.
- Nasza gwarancja obejmuje jedynie problemy wynikające z wad materiałowych lub wad wykonania i ogranicza się do usunięcia tych wad lub wymiany urządzenia. Proszę zwrócić uwagę, że nasze urządzenia nie są przeznaczone do użytkowania w zastosowaniach komercyjnych, handlowych lub przemysłowych. W związku z powyższym, gwarancja traci ważność, jeśli urządzenie zostanie wykorzystane w zastosowaniach komercyjnych, handlowych lub przemysłowych lub w innych równoważnych zastosowaniach. Gwarancja nie obejmuje również następujących kwestii: odszkodowanie za uszkodzenia w transporcie, uszkodzenia spowodowane nieprzestrzeganiem instrukcji instalacji/montażu lub uszkodzenia spowodowane niefachową instalacją, nieprzestrzeganiem instrukcji obsługi (np. podłączenie do błędnego napięcia lub natężenia sieciowego), błędnym lub nieodpowiednim użytkowaniem (np. przeciążenie urządzenia lub użycie niezatwierdzonych narzędzi lub akcesoriów), nieprzestrzeganiem przepisów konserwacji lub bezpieczeństwa, przedostaniem się ciał obcych do urządzenia (np. piasek, kamienie lub pył), rezultaty użycia siły lub zewnętrznych czynników (np. uszkodzenie spowodowane upuszczeniem urządzenia) i normalne zużycie wynikające z poprawnego użytkowania urządzenia.

Każda próba ingerencji w urządzenie lub jego modyfikacji skutkuje unieważnieniem gwarancji.

- Gwarancja obowiązuje przez 3 lata od dnia zakupu urządzenia. Roszczenia gwarancyjne należy składać przed upływem okresu gwarancji w okresie dwóch tygodni od zauważenia wady. Roszczenia gwarancyjne składane po upływie okresu gwarancji nie będą przyjmowane. Wraz z wymianą urządzenia lub jego części składowych rozpoczyna się ponownie okres gwarancyjny zgodnie z art. 581§1 Kodeksu Cywilnego. Dotyczy to również korzystania z serwisu na miejscu.
- W celu zgłoszenia roszczenia gwarancyjnego należy skorzystać z podanego poniżej adresu serwisu. Jeżeli reklamacja zostanie złożona w okresie objętym gwarancją, udostępnimy Państwu formularz zwrotu, który umożliwi bezpłatne odesłanie uszkodzonego urządzenia. Bardzo pomoże nam jak najbardziej szczegółowe opisanie przez Państwa charakteru problemu. Jeśli wada jest objęta gwarancją, urządzenie zostanie albo niezwłocznie naprawione i przekazane Państwu albo prześlemy Państwu nowe urządzenie.

Oczywiście z przyjemnością oferujemy także usługę odpłatnej naprawy wad, które nie są objęte zakresem niniejszej gwarancji, a także usługi pogwarancyjnej naprawy urządzeń. Aby skorzystać z takich usług, proszę przelać urządzenie na adres naszego serwisu.

### 15.1 Rozpatrywanie roszczenia gwarancyjnego

Aby zapewnić szybkie rozpatrzenie zapytania, należy postępować zgodnie z poniższymi instrukcjami:

- W przypadku wszystkich zapytań należy przygotować paragon i numer artykułu (np. IAN 465618\_2404) jako dowód zakupu.
- Numer artykułu można znaleźć na tabliczce znamionowej produktu, na grawerze na produkcie, na stronie tytułowej instrukcji obsługi (w lewym dolnym rogu) lub na naklejce z tyłu lub na spodzie produktu.
- Jeśli wystąpią usterki w działaniu lub inne wady, należy najpierw skontaktować się telefonicznie lub za pośrednictwem poczty elektronicznej z wymienionym poniżej działem serwisu.
- Następnie można bezpłatnie wysłać produkt zarejestrowany jako wadliwy na podany adres serwisowy, załączając dowód zakupu (paragon) i podając, na czym polega wada i kiedy wystąpiła.
- Te i wiele innych instrukcji można przeglądać i pobierać na stronie parkside-diy.com. Ten kod QR przeniesie Cię bezpośrednio na stronę parkside-diy.com. Należy wybrać kraj i użyć maski wyszukiwania, aby wyszukać instrukcję obsługi. Wprowadzenie numeru artykułu (IAN) 465618\_2404 spowoduje przejście do instrukcji obsługi danego artykułu.

#### Kontakt z serwisem (PL):

**Nazwa:** Arconet Sp. Z o.o  
ul.Grobelnego 4  
PL - 05-300 Minsk Mazowiecki

**Telefon:** 00800 4003 4003

**E-mail:** service.PL@schepach.com

**Siedziba:** Polska



---

|     |   |     |
|-----|---|-----|
| 1.  | Forklaring til symbolerne på maskinen.....    | 112 |
| 2.  | Indledning.....                               | 113 |
| 3.  | Apparatbeskrivelse (fig. 1-10).....           | 113 |
| 4.  | Leveringsomfang.....                          | 113 |
| 5.  | Tilsluttet brug.....                          | 113 |
| 6.  | Sikkerhedsforskrifter .....                   | 114 |
| 7.  | Tekniske data .....                           | 116 |
| 8.  | Før ibrugtagning .....                        | 116 |
| 9.  | Opbygning og betjening.....                   | 117 |
| 10. | El-tilslutning.....                           | 117 |
| 11. | Rengøring, vedligeholdelse og opbevaring..... | 118 |
| 12. | Transport .....                               | 118 |
| 13. | Bortskaffelse og genanvendelse .....          | 119 |
| 14. | Afhjælpning af fejl.....                      | 120 |
| 15. | Garantibevis .....                            | 121 |
| 16. | Ekspllosionstegning .....                     | 123 |
| 17. | Overensstemmelseserklæring.....               | 124 |

## 1. Forklaring til symbolerne på maskinen



Læs og overhold brugsanvisningen og sikkerhedsforskrifterne før ibrugtagning!



Brug høreværn. Støjpåvirkning kan føre til høretab.



Benyt åndedrætsværn.



Advarsel mod varme dele!



Advarsel mod elektrisk spænding.



Advarsel! Enheden er fjernstyret og kan starte uden varsel.



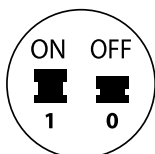
Udsæt ikke maskinen for regn. Apparatet må kun placeres, opbevares og benyttes i tørre omgivelser.



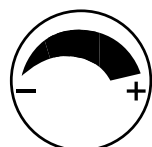
Angivelse af lydeffektniveau i dB.



Angivelse af lydtryksniveau i dB.



Tænd/Sluk-kontakt.



Trykregulator.



## 2. Indledning

### Producent:

Scheppach GmbH  
Günzburger Straße 69  
D-89335 Ichenhausen

### Kære kunde,

Vi ønsker dig rigtig god fornøjelse og held og lykke med arbejdet med dit nye apparat.

### Bemærk:

Iht. den gældende lov om produktansvar hæfter producenten af denne maskine ikke for skader, der opstår på eller i forbindelse med denne maskine i forbindelse med:

- forkert behandling
- Tilsidesættelse af brugsanvisningen,
- reparationer gennemført af tredjemand og/eller af ikke autoriserede fagfolk
- indbygning og udskiftning af ikke originale reservedele
- brug i strid med formålet
- Svigt af det elektriske anlæg som følge af tilsidesættelse af de elektriske forskrifter og VDE-bestemmelserne 0100, DIN 57113 / VDE0113.

### Vær opmærksom på følgende:

Læs hele brugsanvisningens tekst igennem før montering og før ibrugtagning.

Formålet med denne brugsanvisning er at gøre det lettere for dig at lære dit elværktøj at kende og bruge det som tilsigtet.

Brugsanvisningen indeholder vigtige oplysninger om, hvordan man bruger elværktøjet sikkert, professionelt og økonomisk, og hvordan man undgår farer, sparer reparationsomkostninger, reducerer driftsstop og øger elværktøjets driftssikkerhed og levetid.

Udover sikkerhedsbestemmelserne i denne brugsanvisning skal de forskrifter vedr. brug af elværktøjet, der måtte gælde i det enkelte land (brugslandet), overholdes til punkt og prikke. Opbevar brugsanvisningen i nærheden elværktøjet; pak den ind i en plastikpose, så den er beskyttet mod snavs og fugt. Den skal læses og overholdes nøje af alle betjeningspersoner, før arbejdet startes. Arbejde på elværktøjet på kun udføres af personer, der er instrueret i brug af samme, og som er informeret om de dermed forbundne farer.

Ud over sikkerhedsanvisningerne i denne brugsanvisning og de særlige forskrifter, der gælder i brugslandet, skal de almindeligt anerkendte, tekniske regler, der gælder i forbindelse med brug af træbearbejdningsmaskiner, overholdes.

Vi fraskriver os ethvert ansvar for uheld eller skader, der måtte opstå som følge af manglende overholdelse af denne vejledning og sikkerhedsinstrukserne.

## 3. Apparatbeskrivelse (fig. 1-10)

1. Transportgreb
- 1a. Skruer M8x10
2. Pressostat
3. Tænd/Sluk-kontakt
4. Luftfilter
- 4a. Filterhus
- 4b. Filterindsats

- 4c. Filterdæksel
- 4d. Slange
5. Hjul
- 5a. Linsehovedskrue
- 5b. Spændeskive
6. Aftapningsskrue for kondensvand
7. Fod
- 7a. Skrue
- 7b. Spændeskive
8. Trykbeholder
9. Sikkerhedsventil
- 9a. Aftapningsmøtrik
- 9b. Forbindelsessikring
- 9c. Hætte til aftapningsmøtrik
10. Lynkobling (reguleret trykluft)
11. Lynkobling (reguleret trykluft)
12. Manometer (indstillet tryk kan aflæses)
13. Manometer (kedeltryk kan aflæses)
14. Trykluftslange (følger ikke med leveringen)
- 14a. Indstiksnippel
- 14b. Lynkobling
15. Trykregulator
16. Transportdæksel

## 4. Leveringsomfang

- 1x Luftfilter
- 1x Transportgreb
- 2x Skruer M8x10
- 1x Fod
- 2x Hjul
- 1x Monteringsmateriale
- 1x Brugsanvisning

## 5. Tilsigtet brug

Kompressoren bruges til at generere trykluft til trykluftdrevne værktøjer, som kan benyttes med en luftmængde på op til ca. 180 l/min. (f.eks. dækluffpumpe, udblæsningspistol og sprøjtepistol). På grund af den begrænsede lufttransportmængde er det ikke muligt at benytte værktøjer, der bruger meget luft (f.eks. oscillerende slibemaskiner, stavslibere og slagskruemaskiner).

Kompressoren må kun bruges i tørre og godt ventilerede indendørs rum.

Maskinen må kun bruges til det tilsigtede formål. Enhver anden form for brug falder uden for den korrekte anvendelse. Brugeren, ikke producenten, bærer ansvaret for materielle skader eller personskader af enhver art, der måtte opstå som følge heraf.

Vær opmærksom på, at vores maskiner ikke er konstrueret til erhvervsmæssig, håndværksmæssig eller industriel brug. Vi fraskriver os ansvaret, hvis maskinen bruges i erhvervs-, håndværks- eller industrivirksomheder samt til lignende arbejde.

## 6. Sikkerhedsforskrifter

### Generelle sikkerhedsforskrifter for elværktøj

△ **ADVARSEL!** Læs alle sikkerhedsforskrifter, anvisninger, illustrationer og tekniske data, der følger med dette elværktøj. Følges de følgende instruktioner ikke nøje som beskrevet, kan dette føre til elektrisk stød, brand og/eller alvorlige personskader.

### Opbevar alle sikkerhedsforskrifter og anvisninger til fremtidig brug.

Udtrykket "elværktøj", der er anvendt i sikkerhedsforskrifterne, henviser til lysnet-drevne elværktøjer (med lysnetkabel) eller til batteridrevne elværktøjer (uden lysnetkabel).

### Arbejdspladssikkerhed

- a. **Hold arbejdsområdet rent og godt oplyst.** Uorden eller uoplyste arbejdsområder kan føre til ulykker.
- b. **Arbejd ikke med elværktøjet i eksplosionsfarlige omgivelser, hvor der findes brændbare væsker, gasser eller støv.** Elværktøj genererer gnister, der kan antænde støv eller dampe.
- c. **Hold børn og andre personer på afstand, når der arbejdes med elværktøjet.** Hvis du bliver distraheret, risikerer du at miste kontrollen over elværktøjet.

### Elektrisk sikkerhed

- a. **Elværktøjets tilslutningsstik skal passe til stikkontakten.** Stikket må ikke ændres på nogen måde. Undlad brug af adapterstik sammen med elektrisk jordet elværktøj. Uændrede stik og passende stikkontakter mindsker risikoen for at få stød.
- b. **Undgå kropskontakt med jordede overflader som rør, varmeapparater, komfurer og køleskabe.** Der er øget risiko for elektrisk stød, hvis din krop er jordforbundet.
- c. **Hold elværktøj på afstand af regn og fugt.** Indtrængning af vand i et elværktøj øger risikoen for at få stød.
- d. **Brug ikke kablet utilsigtet til at bære eller ophænge elværktøjet eller til at trække stikket ud af stikkontakten med.** Hold kablet på afstand af varme, olie, skarpe kanter eller bevægelige dele af apparatet. Beskadigede eller sammenfildrede kabler øger risikoen for at få stød.
- e. **Når du arbejder udendørs med et elværktøj, må du kun bruge forlængerkabler, som også er egnet til udendørs brug.** Brug af forlængerkabel, der er egnet til udendørs brug, reducerer risikoen for at få elektrisk stød. Brug til arbejde ude i det fri kun forlængerledninger, der er godkendt og mærket hertil. Brug kun kabeltromlen i afrullet tilstand.
- f. **Hvis brug af elværktøjet i fugtigt miljø er uundgåelig, skal der anvendes et fejlstrømsrelæ med en udløsningsstrøm på 30 mA eller mindre.** Brug af et fejlstrømsrelæ mindsker risikoen for at få elektrisk stød.

### Personers sikkerhed

- a. **Vær opmærksom, vær agtpågivende på, hvad du gør, og arbejd altid fornuftigt med et elværktøj. Brug ikke et elværktøj, hvis du er træt eller påvirket af narkotika, alkohol eller medikamenter.** Et øjeblik uagtsomhed, mens elværktøjet bruges, kan føre til alvorlige personskader.
- b. **Brug personlige værnemidler og altid beskyttelsesbriller.** Brug af personlige værnemidler såsom støvmaske, skridsikre sikkerhedssko, beskyttelseshjelm eller høreværn, afhængigt af hvad elværktøjet bruges til, mindsker risikoen for personskader.
- c. **Undgå utilsigtet ibrugtagning. Sørg for, at elværktøjet er slukket, før du tilslutter, opsamler eller bærer det hen til strømforsyningen og/eller batteriet.** Hvis du holder fingren på kontakten, mens du bærer elværktøjet eller tilslutter det til strømforsyningen, kan dette forårsage ulykker.
- d. **Fjern indstillingsværktøj eller skruenøgler, inden du tilslutter elværktøjet.** Værktøj eller nøgler, som måtte befinde sig i en roterende del af apparatet, kan medføre personskader.
- e. **Undgå unormale kropsholdninger.** Sørg for at stå sikkert, og hold altid ligevægten. På denne måde kan du bedre kontrollere elværktøjet, hvis der opstår uventede situationer.
- f. **Brug egnet tøj. Brug ikke løstsiddende tøj eller smykker. Hold hår, tøj og handske på afstand af bevægelige dele.** Løstsiddende tøj, smykker eller langt hår kan blive viklet ind i bevægelige dele. Til arbejde ude i det fri anbefales det at bruge gummihandske og skridsikret fodværk. Beskyt langt hår under et hårnæ.
- g. **Hvis der kan monteres støvudsugnings- og opsamlingsindretninger, skal man sikre sig, at disse er tilsluttet og bruges rigtigt.** Brug af støvudsugning kan mindske faren pga. støv.
- h. **Forlad dig ikke på falsk sikkerhed, og overskrid ikke sikkerhedsreglerne for elværktøjer, selvom du evt. føler dig fortrolig med elværktøjet efter længere tids brug.** Skødesløse handlinger kan føre til alvorlige personskader på en brøkdels af et sekund.

### Anvendelse og behandling af elværktøjet

- a. **Overbelast ikke produktet.** Til arbejdet skal man benytte det hertil beregnede elværktøj. Du arbejder bedre og mere sikkert med det passende elværktøj i det angivne effektområde.
- b. **Brug aldrig et elværktøj med defekt kontakt. Et elværktøj, der ikke kan tændes eller slukkes, er farligt og skal repareres.**
- c. **Træk stikket ud af stikkontakten, og/eller fjern et udtage-ligt batteri, før du foretager justeringer på enheden, skifter værktøjsdele eller lægger elværktøjet fra dig.** Denne forholdsregel forhindrer utilsigtet start af elværktøjet.
- d. **Opbevar ubenyttet elværktøj utilgængeligt for børn.** Lad ikke personer bruge elværktøjet, som ikke er fortrolige med det, eller som ikke har læst denne vejledning. Elværktøjer er farlige i hænderne på uerfarne personer. Ubrugt elværktøj bør opbevares et tørt sted, der skal være aflåst, eller der befinder sig højt oppe; dette sted skal være uden for børns rækkevidde.

- e. Elværktøjer og indsatsværktøjer skal plejes omhyggeligt.** Kontrollér med jævne mellemrum, om bevægelige dele fungerer, som de skal, og at de ikke sidder fast, om dele er brækket eller beskadiget på en sådan måde, at elværktøjets funktion er forringet. Få beskadigede dele repareret eller udskiftet, før elværktøjet tages i brug. Mange ulykker skyldes dårligt vedligeholdt elværktøj.
- f. Hold skæreværktøj skarpt og rent. Omhyggeligt plejet skæreværktøj med skarpe skærekanter sætter sig mindre hyppigt fast og er lettere at føre.**
- g. Brug elværktøj, tilbehør, indsatsværktøjer osv. i henhold til disse instruktioner.** Tag hensyn til arbejdsvilkårene og den aktivitet, der skal udføres. Brug af elværktøj til andre formål end de tilsigtede kan medføre farlige situationer.
- h. Hold greb og gribeflader tørre, rene og fri for olie og fedt.** Glatte greb og gribeflader umuliggør sikker betjening af og kontrol med elværktøjet i uforudsete situationer.

### Service

- a. Elværktøjet må kun repareres af uddannet fagpersonale, og der må kun bruges originale reservedele.** Dette sikrer, at elværktøjet også fremover er sikker at bruge.

### Sikkerhedsforskrifter for kompressorer

**△ Pas på!** Når denne kompressor bruges, skal følgende principielle sikkerhedsforanstaltninger overholdes for at beskytte mod elektrisk stød, kvæstelses- og brandfare. Læs og følg disse anvisninger, før du bruger apparatet.

### Sikkert arbejde.

- Plej dine værktøjer omhyggeligt
  - Hold kompressoren ren, så arbejdet med den bliver godt og sikkert
  - Følg vedligeholdelsesforskrifterne.
  - Kontrollér elværktøjets tilslutningsledning med regelmæssige mellemrum, og få den udskiftet af en anerkendt fagmand, hvis den skulle blive beskadiget.
  - Kontrollér forlængerledningerne med regelmæssige mellemrum og erstæt disse, hvis de er beskadiget.
- Træk stikket ud af stikkontakten
  - Når elværktøjet ikke er i brug, før vedligeholdelse, og når værktøjer som f.eks. savblad, bor, fræser skiftes.
- Kontroller elværktøjet for eventuelle beskadigelser
  - Før videre brug af elværktøjet skal beskyttelsesskærme eller let beskadigede dele undersøges nøje for at sikre, at de fungerer korrekt og iht. formålet.
  - Kontrollér, om de bevægelige dele fungerer fejlfrit og ikke sidder i klemme, eller om dele er beskadiget. Alle dele skal være monteret rigtigt og opfylde alle betingelser for at sikre en korrekt drift af elværktøjet.
  - Beskadigede beskyttelsesskærme og dele skal repareres eller udskiftes på et anerkendt specialværksted, medmindre andet er angivet i betjeningsvejledningen.
  - Brug ikke defekte eller beskadigede tilslutningsledninger.

### 4. Pas på!

- Af hensyn til egen sikkerhed må der kun benyttes tilbehør og ekstraudstyr, som er angivet i betjeningsvejledningen eller anbefalet eller angivet af producenten. Brug af værktøjer eller tilbehør, som ikke er anbefalet i betjeningsvejledningen eller i kataloget, kan medføre fare for personskade for operatøren.
- 5. Udskiftning af tilslutningsledningen
  - Hvis tilslutningsledningen bliver beskadiget, skal den udskiftes af producenten eller en autoriseret elektriker for at forebygge risici. Fare pga. elektrisk stød.
- 6. Fyldning af dæk
  - Kontrollér dæktrykket umiddelbart efter fyldningen ved hjælp af et egnet manometer, f.eks. på en tankstation.
- 7. Kompressorer til brug på vej anvendt i byggepladsdrift
  - Kontrollér, at alle slanger og armaturer er egnet til brug med kompressorens højst tilladte arbejdstryk.
- 8. Opstillingssted
  - Kompressoren må kun opstilles på en plan overflade.
- 9. Det anbefales at udstyre tilføringsslanger med et sikkerhedskabel f.eks. et stålkabel ved tryk over 7 bar.
- 10. Undgå, at ledningssystemet udsættes for kraftige belastninger; dette gøres ved at bruge fleksible slangetilslutninger for at undgå knæksteder.

### Yderligere sikkerhedsforskrifter

**Overhold den tilhørende brugsanvisning for de respektive trykluftværktøjer / trykluftadaptere!** Desuden skal følgende generelle anvisninger iagttages.

### Sikkerhedsanvisninger vedr. arbejde med trykluft og trykluftpistoler

- Sørg for at holde tilstrækkelig afstand til produktet, dog mindst 2,50 m, og hold trykluftværktøj/trykluftadaptere på afstand af kompressoren under drift.
- Kompressorpumpe og ledninger bliver meget varme under drift. Berøring vil medføre forbrænding.
- Den luft, der indsuges af kompressoren, skal holdes fri for urenheder, som ville kunne medføre brand eller eksplosion i kompressorumpen.
- Når man løsner slangekoblingen, skal man holde fast i slanges koblingsstykke med hånden. På denne måde kan man undgå personskader pga. den tilbagespringende slange.
- Under arbejde med trykluftpistol skal der benyttes beskyttelsesbriller og åndedrætsværn. Støv er sundhedsskadeligt! Fremmedlegemer og udblæste dele kan let forårsage personskader.
- Trykluftpistol må ikke benyttes til at blæse direkte mod personer eller til at rengøre tøj på kroppen. Fare for tilskadekomst!

### Sikkerhedsforskrifter ved anvendelse af sprøjte- og sprayadaptere (f.eks. malingsprøjter)

- Hold sprøjteadapteren på afstand af kompressoren under påfyldning for at forhindre væske i at komme i kontakt med kompressoren.
- Sprøjt aldrig med sprøjteadapteren (f.eks. malingsprøjter) i retning mod kompressoren. Fugt kan medføre elektrisk stød!
- Der må ikke forarbejdes lak eller opløsningsmidler med et flammepunkt under 55°C. Eksplosionsfare!

- Lak og opløsningsmidler må ikke opvarmes. Eksplosionsfare!
- Hvis der forarbejdes sundhedsskadelige væsker, skal der benyttes filtreringsudstyr (ansigtsmasker) som beskyttelse. Se også oplysninger om beskyttelsesforanstaltninger fra producenterne af sådanne stoffer.
- De oplysninger og mærkninger iht. den tyske forordning om farlige stoffer, der er angivet på emballagen af det materiale, der skal forarbejdes, skal iagttages. Der skal evt. træffes yderligere foranstaltninger, navnlig skal der benyttes egnet tøj og masker.
- Under sprøjteprocessen og i arbejdsrummet må der ikke ryges. Eksplosionsfare! Også malingsdampe er let brændbare.
- Der må ikke forefindes eller benyttes brandkilder, åben ild eller gnistfrembringende maskiner.
- Mad og drikkevarer må hverken opbevares eller fortæres i arbejdsrummet. Malingsdampe er sundhedsskadelige.
- Arbejdsrummet skal være større end 30 m<sup>3</sup>, og der skal sikres tilstrækkelig luftudskiftning under sprøjtning og tørring.
- Undgå at sprøjte mod vindretningen. Ved sprøjtning af brændbart eller farligt sprøjtemateriale skal man principielt følge bestemmelserne fra det lokale politi.
- I forbindelse med PVC-trykslangen må der ikke forarbejdes medier såsom mineralisk terpentin, butylalkohol og methylenchlorid. Disse medier ødelægger trykslangen.
- Arbejdsområdet skal være adskilt fra kompressoren, så den ikke kan komme i direkte kontakt med arbejdsmediet.

#### Drift af trykbeholdere

- Når man arbejder med en trykbeholder, skal denne holdes i ordentlig stand, betjenes korrekt, overvåges, og alle nødvendige vedligeholdelses- og reparationsarbejder skal udføres uden undtagelse, ligesom der skal træffes de nødvendige sikkerhedsforanstaltninger i forhold til de givne omstændigheder.
- De tilsynshavende myndigheder kan i enkelt tilfælde påbyde de nødvendige overvågningsforanstaltninger.
- En trykbeholder må ikke benyttes, hvis den opviser tegn på fejl og mangler, som kan bevirke, at bruger eller tredjepart udsættes for fare.
- Inden hver brug skal trykbeholderen kontrolleres for rust og beskadigelser. Kompressoren må ikke benyttes med en beskadiget eller rusten trykbeholder. Hvis der konstateres beskadigelser, bedes man venligst kontakte kundeservice-værkstedet.

#### Opbevar sikkerhedsforskrifterne et sikkert sted.

#### Restrisiko

Overhold de fastlagte vedligeholdelses- og sikkerhedsforskrifter i betjeningsvejledningen.

Vær altid opmærksom under arbejdet og hold fremmede i en sikker afstand til arbejdspladsen.

Der vil altid være en restrisiko, der ikke kan udelukkes helt, også selv om produktet bruges korrekt. Følgende, potentielle farer kan afledes på basis af produktets type og konstruktion:

- Utilsigtet ibrugtagning af produktet.
- Høreskader, hvis der ikke bruges foreskrevet høreværn.
- Snavspartikler, støv osv. kan komme i øjnene eller ansigtet, også selv om der bruges beskyttelsesbriller.
- Indånding af ophvirvlede partikler.

#### ⚠ Advarsel!

Dette elværktøj fremstiller et elektromagnetisk felt under driften. Dette felt kan under bestemte omstændigheder forringe aktive eller passive medicinske implantater. For at forringe faren for alvorlige kvæstelser eller kvæstelser med døden til følge anbefales det personer med medicinske implantater at gå til læge og kontakte producenten af det medicinske implantat, før elværktøjet betjenes.

## 7. Tekniske data

|  |                        |
|--|------------------------|
| Nettilslutning.....                              | 230 V~ 50 Hz           |
| Motoreffekt .....                                | 1500 W                 |
| Driftsfunktion .....                             | S1                     |
| Kompressorhastighed .....                        | 2850 min <sup>-1</sup> |
| Trykbeholdervolumen .....                        | ca. 24 liter           |
| Driftstryk.....                                  | ca. 10 bar             |
| Teo. indsugningseffekt .....                     | ca. 257 liter/min      |
| Effektiv leveringshastighed ved 7 bar.....       | ca. 103 l/min          |
| Effektiv leveringshastighed ved 4 bar.....       | ca. 141 l/min          |
| Effektiv leveringshastighed ved 1 bar.....       | ca. 180 l/min          |
| Lydtryksniveau L <sub>PA</sub> .....             | 68 dB                  |
| Målt lydeffektniveau L <sub>WA</sub> .....       | 83,6 dB                |
| Garanteret lydeffektniveau L <sub>WA</sub> ..... | 86 dB                  |
| Usikkerhed K <sub>PA/WA</sub> .....              | 3 dB                   |
| Beskyttelsesgrad .....                           | IP30                   |
| Apparatvægt.....                                 | ca. 24 kg              |
| Max opstillingshøjde (m.o.h.).....               | 1000 m                 |

Støjemissionsværdierne er bestemt i overensstemmelse med EN ISO 3744:1995.

#### Brug høreværn.

Støjpåvirkning kan føre til høretab.

## 8. Før ibrugtagning

- Åbn emballagen, og tag forsigtigt maskinen ud.
- Fjern emballagematerialet samt emballage- og transportsikringer (hvis sådanne findes).
- Kontrollér, om leveringsomfanget er fuldstændigt.
- Kontrollér maskinen og tilbehørsdelene for transportskader.
- Opbevar så vidt muligt emballagen frem til udløbet af garanti-perioden.

#### ⚠ FARE

**Apparatet og emballeringsmaterialet er ikke legetøj! Børn må ikke lege med plastposer, folie og smådele! Fare for slugning og kvælning!**

- Kontrollér inden tilslutningen, at dataene på typeskiltet stemmer overens med netdataene.
- Kontrollér maskinen for transportskader. Meld straks evt. skader til den transportvirksomhed, som kompressoren blev leveret med.
- Kompressoren skal opstilles i nærheden af forbrugeren.
- Lange luftledninger og lange forsyningsledninger (forlænger-kabler) skal undgås.
- Indsugningsluften skal være tør og støvfri.
- Brug ikke kompressoren i fugtige eller våde rum.

- Kompressoren må kun bruges i egnede rum (godt ventileret, omgivelsestemperatur +5°C til +40°C). I rummet må der ikke forefindes støv, syre, dampe, eksplosive eller brændbare gasser.
- Kompressoren er egnet til brug i tørre rum. Den må ikke benyttes i områder, hvor der arbejdes med stænkvand.
- Kompressoren må kun benyttes kortvarigt udendørs, og kun i tørre omgivelser.
- Kompressoren skal altid holdes tør og må ikke efterlades udendørs efter arbejdet.

## 9. Opbygning og betjening

### △ Pas på!

**Sørg under alle omstændigheder for, at maskinen er monteret fuldstændigt, før den tages i brug!**

Til montage skal du bruge:

- 1x gaffelnøgle 14 mm
- 1x gaffelnøgle 13 mm
- 1x topnøgle 14 mm
- 1x stjerneskruestrækker (ikke indeholdt i leveringsomfanget)

### 9.1 Montering af hjul (fig. 3)

- Monter de medfølgende hjul (5) som vist.

### 9.2 Montering af fod (fig. 4)

- Monter den medfølgende fod (7) som vist.

### 9.3 Montering af luftfilter (fig. 5, 6)

- Fjern transportdækslet (16), og skru luftfilteret (4) fast på apparatet.
- Indfør slangen (4d) i åbningen i luftfiltret (4).

### 9.4 Montering af transportgreb (fig. 7)

- Monter det medfølgende transportgreb (1) som vist. Dette gøres ved hjælp af de medfølgende skruer M8x10 (1a) og en skrue nøgle SW13 (medfølger ikke).

### 9.5 Nettilslutning

- Kompressoren har en netledning med sikkerhedsstik. Dette kan tilsluttes til en hvilken som helst sikkerhedsstikkontakt 230 V~ 50 Hz, som er sikret med 16 A.
- Sørg inden ibrugtagning for, at netspændingen stemmer overens med driftsspændingen og med maskinydelsen på typeskiltet.
- Lange forsynings- og forlængerledninger, kabeltromler osv. forårsager spændingsfald og kan bevirke, at motoren ikke vil starte.
- Ved lave temperaturer under +5°C kan motorstart være besværliggjort pga. træghed.

### 9.6 Tænd/Sluk-kontakt (fig. 1)

- Kompressoren tændes ved at trække Tænd/Sluk-kontakten (3) op.
- Den slukkes ved at trykke Tænd/Sluk-kontakten (3) ned.

### 9.7 Trykindstilling (fig. 1, 2)

- Med trykregulatoren (15) indstiller man trykket på manometret (12).
- Det indstillede tryk kan aflæses på lynkoblingerne (10, 11).
- På manometeret (13) kan man aflæse kedeltrykket.

### 9.8 Indstilling af pressostat (fig. 1)

- Pressostaten (2) er indstillet på fabrikken.  
Tændingstryk ca. 5,5 bar  
Slukningstryk ca. 8 bar

### 9.9 Montering af trykluftslange (følger ikke med leveringen) (fig. 1, 2)

- Tilslut trykluftslangens (14) påsætningsnippel (14a) til en af lynkoblingerne (10, 11). Tilslut derefter trykluftværktøjet til trykluftslangens (14) lynkobling (14b).

### 9.10 Termobeskyttelsesafbryder

Termobeskyttelsesafbryderen er indbygget i apparatet.

Man løsner termobeskyttelsesafbryderes som følger:

- Træk netstikket ud.
- Vent i ca. to til tre minutter.
- Indsæt apparatstikket igen.
- Skulle apparatet ikke starte, gentages processen.
- Hvis apparatet stadig ikke starter, skal man slukke og tænde det på Tænd/Sluk-kontakten (3).
- Hvis man har udført alle ovenstående trin, og apparatet stadig ikke fungerer, bedes man kontakte vores serviceafdeling.

## 10. El-tilslutning

**Den installerede elmotor er tilsluttet, så den er driftsklar. Tilslutningen opfylder de relevante VDE- og DIN-bestemmelser. Nettilslutningen hos kunden samt den anvendte forlængerledning skal opfylde disse forskrifter.**

Når man arbejder med sprøjte- og sprayadaptore, og når man bruger dem midlertidigt udendørs, skal apparatet tilsluttes et **fejlstrømsrelæ** med en udløsningsstrøm på 30 mA eller mindre.

### 10.1 Vigtige anvisninger

Hvis motoren overbelastes, slår den fra af sig selv. Efter en afkølingsfase (varierer tidsmæssigt), kan motoren tændes igen.

### 10.2 Defekt elektrisk tilslutningsledning

Der opstår ofte isoleringsskader på elektriske tilslutningsledninger.

Årsagerne hertil kan være:

- Tryksteder, når tilslutningsledninger trækkes gennem vinduer eller døråbninger.
- Knæksteder, når tilslutningsledning fastgøres eller trækkes forkert.
- Skæresteder, når tilslutningsledningen køres over.
- Isolationsskader, når stikket trækkes ud af stikkontakten på væggen.
- Revner pga. ældning af isoleringen.

Sådanne defekte elektriske tilslutningsledninger må ikke anvendes og er livsfarlige pga. isoleringsskaderne.

Elektriske tilslutningsledninger skal kontrolleres for skader med jævne mellemrum. Sørg for, at tilslutningsledningen ikke hænger i lysnettet, når den kontrolleres.

Elektriske tilslutningsledninger skal opfylde de relevante VDE- og DIN-bestemmelser. Der må kun anvendes tilslutningsledninger med samme mærkning.

Påtryk af typebetegnelsen på tilslutningskablet er et krav.

### 10.3 Vekselstrømsmotor

- Netspændingen skal være 230 V~ 50 Hz.
- Forlængerledninger op til en længde på 25 m skal have et tværsnit på 1,5 kvadratmillimeter.

Tilslutning og reparation af elektrisk udstyr må kun forestås af autoriserede elektrikere.

Ved forespørgsler bedes følgende data opgives:

- Motorens strømtype
- Dataene på maskinens typeskilt
- Dataene på motorens typeskilt

## 11. Rengøring, vedligeholdelse og opbevaring

### ⚠ Pas på!

Træk elstikket ud, før rengørings- og vedligeholdelsesarbejde gennemføres! Fare for tilskadekomst som følge af strømstød!

### ⚠ Pas på!

Vent til maskinen er kølet helt af! Fare for forbrænding!

### ⚠ Pas på!

Inden enhver form for rengørings- og vedligeholdelsesarbejde skal apparatet gøres trykløst! Fare for tilskadekomst!

### 11.1 Rengøring

- Hold maskinen fri for støv og snavs. Tør maskinen af med en ren klud, eller blæs den over med trykluft ved lavt tryk.
- Det anbefales, at maskinen altid rengøres umiddelbart efter brug.
- Rengør maskinen med en fugtig klud og en smule brun sæbe med jævne mellemrum. Undlad brug af aggressive rengørings- eller opløsningsmidler; disse kan angribe apparatets plastdele. Sørg for, at vand ikke kan trænge ind i maskinen.
- Slange og sprøjteværktøjer skal kobles fra kompressoren, inden de rengøres. Kompressoren må ikke rengøres med vand, opløsningsmidler el.lign.

### 11.2 Vedligeholdelse af trykbeholderen (fig. 1)

#### Pas på!

Af hensyn til trykbeholderens (8) levetid skal man aftømme kondensvandet efter hver brug ved at åbne aftapningsskruen (6).

Forinden skal man aflaste kedeltrykket (se 11.6.1).

Aftapningsskruen (6) åbnes ved at dreje den imod urets retning (set fra undersiden af kompressoren i retning mod skruen).

For at alt kondensvandet kan løbe ud af trykbeholderen (8), skal denne vippes en smule til siden, så aftapningsskruen (6) befinder sig på det laveste sted.

Luk derefter aftapningsskruen (6) igen (ved at dreje den i urets retning). Inden hver brug skal trykbeholderen (8) kontrolleres for rust og skader.

Kompressoren må ikke benyttes med en beskadiget eller rusten trykbeholder (8). Hvis der konstateres beskadigelser, bedes man venligst kontakte kundeservice-værkstedet.

### Oplysning om bortskaffelse af kondensvand:

Kondensvandet skal bortskaffes i henhold til lokale og nationale miljøregler. Sørg for, at det ikke ender i kloaksystemet.

### 11.3 Sikkerhedsventil (fig. 8)

Sikkerhedsventilen (9) er indstillet til det højst tilladte tryk for trykbeholderen (8). Det er ikke tilladt at justere sikkerhedsventilen (9) eller fjerne forbindelsessikringen (9b) mellem aftapningsmøtrikken (9a) og dennes hætte (9c). For at sikkerhedsventilen (9) skal fungere korrekt, når det kræves, skal den aktiveres mindst hver 30. driftstime; dog mindst 3 gange om året. Man åbner den perforerede aftapningsmøtrik (9a) ved at dreje den imod uret og derefter med hånden trække ventilspindlen udad hen over den perforerede aftapningsmøtrik (9a) for at åbne sikkerhedsventilens (9) udløb. Ventilen lukker nu hørbart luft ud. Derefter spænder man atter aftapningsmøtrikken (9a) fast ved at dreje den i urets retning.

### 11.4 Rengøring af luftfilteret (fig. 9, 10)

Luftfilteret (4) forhindrer ind sugning af støv og smuds. Det er nødvendigt at rense dette luftfilter (4) som minimum for hver 300 driftstimer. Et tilstoppet luftfilter (4) reducerer kompressorens ydelse betragteligt.

Drej luftfilteret (4) imod urets retning for at fjerne det. Drej filterdækslet (4c) op, og tag det af. Man kan nu tage filterindsatsen (4b) ud. Bank filterindsatsen (4b), filterdækslet (4c) og filterhuset (4a) forsigtigt ud. Disse komponenter skal derefter udblæses med trykluft (ca. 3 bar) og monteres igen i omvendt rækkefølge.

### 11.5 Serviceinformationer

Vær opmærksom på, at følgende dele på dette produkt slides som følge af brug eller naturligt slid, og at der er brug for følgende dele som forbrugsmaterialer.

Sliddele\*: Luftfilter

\* følger ikke nødvendigvis med leverancen!

### 11.6 Opbevaring

#### ⚠ Pas på!

**Træk netstikket ud, ventiler apparatet og alle tilsluttede trykluftværktøjer. Sluk for kompressoren på en sådan måde, at den ikke kan tages i drift af uvedkommende.**

#### ⚠ Pas på!

**Kompressoren må kun opbevares tørt og utilgængeligt for uvedkommende. Må ikke kippes, må kun opbevares stående!**

### 11.6.1 Aflastning af overtryk

Aflast overtrykket i kompressoren ved at slukke den og opbruge den trykluft, der stadig findes i trykbeholderen (8), f.eks. med et trykluftværktøj i tomgang eller med en udblæsningspistol.

## 12. Transport

Til transport skal man anvende transportgrebet (1) og køre kompressoren med dette.

Når kompressoren løftes, skal man være opmærksom på dens vægt (se tekniske data).

Ved transport af kompressoren i køretøjer skal man se til, at lasten er sikret forsvarligt.

## 13. Bortskaffelse og genanvendelse

### Oplysninger om emballage



Emballagematerialerne er genanvendelige. Emballage skal altid bortskaffes jf. gældende miljøregler.

### Oplysninger om loven om brugt elektrisk og elektronisk udstyr (elskrot)



**Brugt elektrisk og elektronisk udstyr (elskrot) hører ikke til husholdningsaffaldet, men skal indsamles og/eller bortskaffes separat!**

- Brugte (genopladelige) batterier, der ikke er permanent installeret i et brugt apparat, skal udtages i intakt tilstand inden aflevering! Sådanne batterier skal bortskaffes i henhold til batteriloven.
- Ejere og/eller brugere af elektriske og elektroniske apparater er juridisk forpligtet til at returnere sådanne efter brug.
- Slutbrugeren er eneansvarlig for at slette sine personlige oplysninger på det brugte apparat, der skal bortskaffes!
- Symbolet med den overstregede skraldespand betyder, at brugte elektriske og elektroniske apparater (elskrot) ikke må bortskaffes sammen med husholdningsaffald.
- Brugte elektriske og elektroniske apparater (elskrot) kan afleveres gratis på følgende steder:
  - Offentlige bortskaffelses- og/eller indsamlingssteder (f.eks. kommunale genbrugsstationer)
  - LIDL tilbyder dig returneringsmuligheder direkte hos filialerne og markederne. Returnering og bortskaffelse er gratis for dig.
  - Du kan gratis aflevere op til tre brugte elektriske apparater pr. apparattype, med en maksimal kantlængde på 25 centimeter, hos producenten uden først at skulle købe et nyt apparat hos samme, eller du kan aflevere sådanne apparater på et andet autoriseret indsamlingssted i dit nærområde.
  - Du kan indhente yderligere tilbagetagningsbetingelser hos producenter og distributører hos disses respektive kundeservice.
- Hvis et nyt elektrisk apparat leveres af producenten til en privat husstand, kan producenten foranledige, at det gamle elektriske apparat afhentes gratis efter anmodning fra slutbrugeren. For at gøre dette skal du kontakte producentens kundeservice.
- Disse erklæringer gælder kun for apparater, der installeres og sælges i landene i EU, og som er underlagt det europæiske direktiv 2012/19/EU. I lande uden for EU kan der gælde forskellige regler for bortskaffelse af brugte elektriske og elektroniske apparater (elskrot).

## 14. Afhjælpning af fejl

| Fejl   | Mulig årsag                                  | Afhjælpning   |
|--|--|---|
| Kompressor vil ikke starte.  | Ingen netspænding.                           | Kontrollér kabel, netstik, sikring og stikkontakt.  |
|  | Netspænding for lav.                         | Undgå for lange forlænger kabler. Benyt forlænger kabler med tilstrækkeligt ledningstværsnit. |
|  | Udetemperatur for lav.                       | Undgå brug ved en udetemperatur på under +5°C.  |
|  | Motor overophedet.                           | Lad motoren køle af; afhjælp evt. årsagen til overophedningen.                                |
| Kompressor kører, men uden tryk.   | Sikkerhedsventil utæt.                       | Kontakt det lokale servicecenter. Reparation må kun udføres af uddannet personale.            |
|  | Tætninger defekte.                           | Kontrollér tætninger; få defekte tætninger udskiftet på et professionelt værksted.            |
|  | Aftapningsskrue for kondensvand utæt.        | Efterspænd skruen med hånden. Kontrollér tætning på skruen, udskift ved behov.                |
| Kompressor kører, der vises tryk på manometer, men værktøjer kører ikke. | Slangeforbindelser utætte.                   | Kontrollér trykluftslange og værktøjer, udskift ved behov.                                    |
|  | Lynkobling utæt.                             | Kontakt det lokale servicecenter. Reparation må kun udføres af uddannet personale.            |
|  | For lavt tryk indstillet på trykregulatoren. | Indstil højere tryk på trykregulatoren.   |



## 15. Garantibevis

Kære kunde,

Alle vores produkter gennemgår strenge kvalitetskontrol for at sikre, at de når dig i perfekt stand. I det usandsynlige tilfælde, at enheden udvikler en fejl, bedes du kontakte vores serviceafdeling på den adresse, der vises på dette garantibevis. Selvfølgelig, hvis du foretrækker at ringe til os så er vi også glade for at tilbyde vores bistand under servicenummer trykt nedenfor. Bemærk følgende betingelser, som garantikrav kan gøres:

- Disse garanti vilkår omfatte yderligere garanti rettigheder og påvirker ikke dine lovbestemte rettigheder for garanti. Vi vil ikke debitere dig for denne garanti.
- Vores garanti dækker kun problemer forårsaget af materiale- eller produktionsfejl, og det er begrænset til afhjælpning af disse mangler eller udskiftning af enheden. Bemærk, at vores enheder ikke er designet til brug i kommercielle, handel eller industrielle applikationer. Derfor er garantien ugyldig, hvis udstyret bruges i kommerciel, handel eller industrielle applikationer eller for andre tilsvarende aktiviteter. Følgende er også udelukket fra vores garanti: kompensation for transportskader, skader forårsaget af manglende overholdelse af installations- / monteringsvejledning eller skader forårsaget af uprofessionel installation, manglende overholdelse brugsanvisningen (f.eks tilslutning til den forkerte netspænding eller strøm type), misbrug eller uhensigtsmæssig brug (såsom overbelastning af apparatet eller brug af ikke-godkendte værktøj eller tilbehør), manglende overholdelse af vedligeholdelses- og sikkerhedsforskrifter, indtrængen af fremmedlegemer i apparatet (f.eks sand, sten eller støv) , virkninger af vold eller ydre påvirkninger (f.eks skader forårsaget af enheden bliver droppet) og normal slitage som følge af korrekt funktion af apparatet.

Garantien erklæres ugyldige, hvis der gøres forsøg på at manipulere med enheden.

- Garantien er gyldig i en periode på 3 år fra købsdatoen af enheden. Garantikrav skal indsendes inden udløbet af perioden garanti senest to uger efter defekten blive bemærket. Ingen garantikrav vil blive accepteret efter udløbet af garantiperioden. Den oprindelige garantiperiode fortsat anvendelse til enheden, selvom reparationer udføres eller dele udskiftes. I sådanne tilfælde, det udførte arbejde eller dele monteret vil ikke resultere i en forlængelse af garantiperioden, og ingen ny garanti bliver aktiv for det udførte eller dele monteret arbejde. Dette gælder også, når der anvendes en tjeneste på stedet.
- For at du kan gøre dit garantikrav gældende, bedes du kontakte nedenstående serviceadresse. Hvis reklamationen ligger inden for garantiperioden, vil vi fremsende dig en returmærkat, med hvilken du gratis kan returnere dit defekte apparat til os. Det ville hjælpe os, hvis du kunne beskrive karakteren af problemet så detaljeret som muligt. Hvis fejlen er dækket af vores garanti så din enhed vil enten blive repareret med det samme og returneret til dig, eller vi vil sende dig en ny enhed.

Selvfølgelig er vi også glade tilbyde en afgiftsudløsende reparationservice for eventuelle mangler, der ikke er omfattet af anvendelsesområdet for denne garanti eller til enheder, som ikke længere er dækket. At drage fordel af denne service, skal du sende enheden til vores service-adresse.

### 15.1 Afvikling i garantitilfælde

For at sikre en hurtig behandling af dit anliggende skal du følgende nedenstående anvisninger:

- Ved alle forespørgsel bedes du holde kassebonen og varenummeret (f.eks. IAN 465618\_2404) klar som bevis for købet.
- Varenummeret fremgår af typeskiltet på produktet, en gravure på produktet, forsiden af din vejledning (forneden til venstre) eller mærkaten på bag- eller undersiden af produktet.
- Hvis der opstår funktionsfejl eller øvrige mangler, bedes du først kontakte nedenstående serviceafdeling telefonisk eller via e-mail.
- Et produkt, som registreres som defekt, kan du efterfølgende sende portofrit til den serviceadresse, du får oplyst, med vedlæggelse af kvitteringen (kassebon) og oplysning om manglen, og hvornår den er opstået.
- På parkside-diy.com kan du se og downloade denne og mange andre manualer. Med denne QR-kode kommer du direkte til parkside-diy.com. Vælg dit land, og søg efter brugsanvisninger ved hjælp af søgebilledet. Ved at indtaste varenummeret (IAN) 465618\_2404 kommer du til brugsanvisningen for din vare.

### Servicekontakt (DK):

**Navn:** Sotek  
Charlottevej 30 E  
DK - 4270 Hong

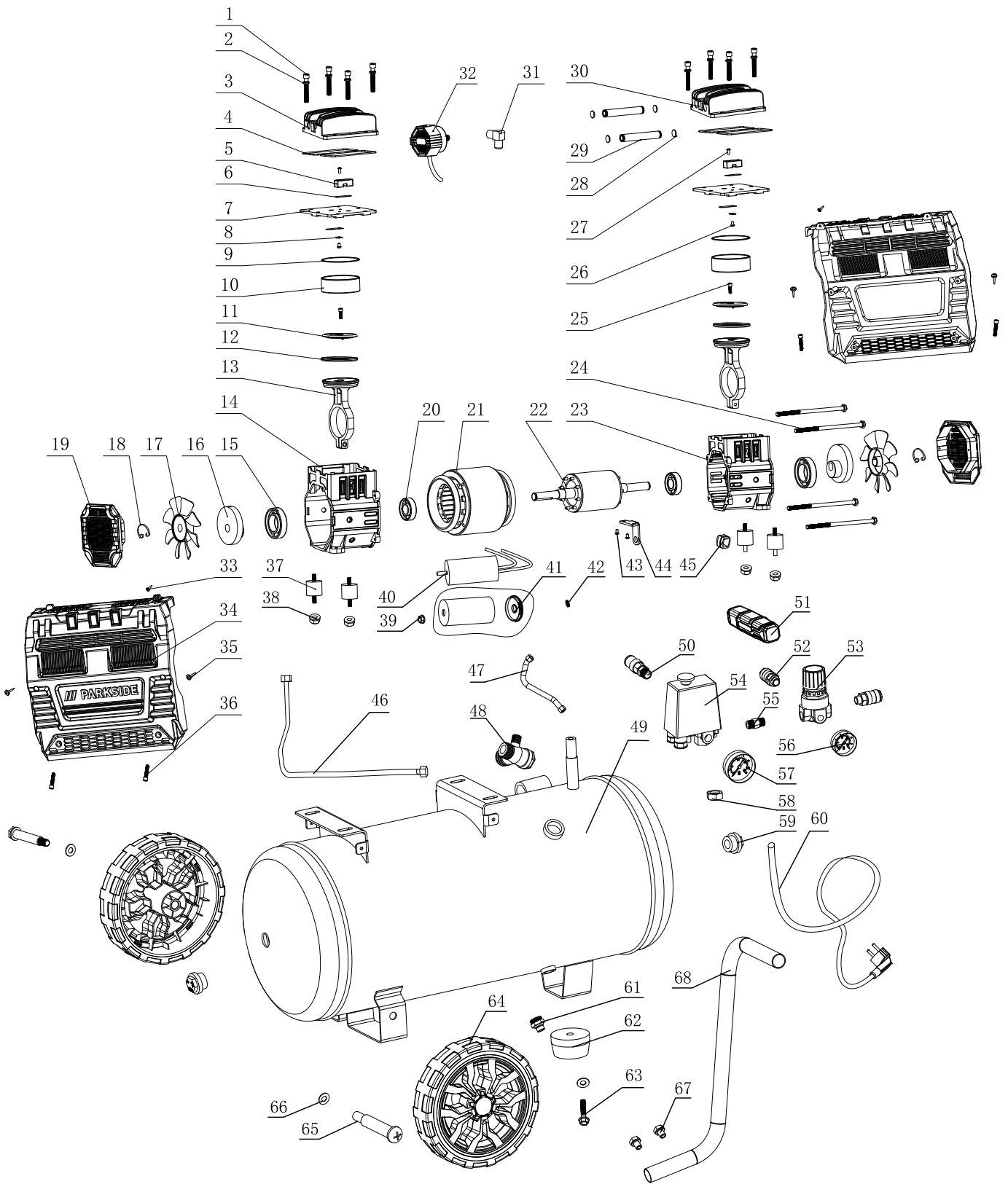
**Telefon:** 00800 4003 4003

**E-mail:** service.DK@scheppach.com

**Hjemsted:** Danmark







# EU-Konformitätserklärung

Originalkonformitätserklärung

## EU Declaration of Conformity

Translation of the original EU Declaration of Conformity

## Déclaration de conformité UE

Traduction de la déclaration de conformité UE originale



Scheppach GmbH, Günzburger Str. 69, D-89335 Ichenhausen

|    |   |    |  |
|----|---|----|--|
| DE | erklärt folgende Konformität gemäß EU-Richtlinien und Normen für den Artikel                                  | PL | deklaruje, że produkt jest zgodny z następującymi dyrektywami UE i normami                               |
| GB | hereby declares the following conformity under the EU Directive and standards for the following article       | LT | pareiškia, taip atitiktis pagal ES direktyvos ir standartai šį straipsnį                                 |
| FR | déclare la conformité suivante selon la directive UE et les normes pour l'article                             | HU | az EU-irányelv és a vonatkozó szabványok szerinti következő megfelelőségi nyilatkozatot teszi a termékre |
| IT | dichiara la seguente conformità secondo le direttive e le normative UE per l'articolo                         | SI | izjavlja sledenco skladnost z EU-direktivo in normami za artikel   |
| ES | declara la conformidad siguiente según la directiva la UE y las normas para el artículo                       | CZ | prohlašuje následující shodu podle směrnice EU a norem pro výrobek                                       |
| PT | declara o seguinte conformidade com a Directiva da UE e as normas para o seguinte artigo                      | SK | prehlasuje nasledujúcu zhodu podľa smernice EÚ a noriem pre výrobok                                      |
| DK | erklærer hermed, at følgende produkt er i overensstemmelse med nedenstående EUDirektiver og standarder        | HR | ovime izjavljujue da postoji sukladnost prema EU-smjernica i norma-ma za sljedece artikle                |
| NL | verklaart hierbij dat het volgende artikel voldoet aan de daarop betrekking hebbende EU-richtlijnen en normen | GR | δηλώνει την ακόλουθη συμμόρφωση σύμφωνα με την Οδηγία ΕΕ και τα πρότυπα για το προϊόν                    |
| FI | vakuuttaa täten, että seuraava tuote täyttää ala esitettyt EU-direktiivit ja standardit                       | RO | declară următoarea conformitate corespunzător directivelor și normelor UE pentru articolul               |
| SE | försäkrar härmed följande överensstämmelse enligt EU-direktiv och standarder för följande artikeln            | BG | декларира съответното съответствие съгласно Дирек-тива на ЕС и норми за артикул                          |

Marke / Brand / Marque:

**Parkside**

Art.-Bezeichnung:

**SILENT-KOMPRESSOR - PSKO 2410 A1**

Article name:

**SILENT COMPRESSOR - PSKO 2410 A1**

Nom d'article:

**COMPRESSEUR SILENCIEUX - PSKO 2410 A1**

Art.-Nr. / Art. no. / Numéro d'article:

**3906171977- 3906171980; 39061719915; 39061719959**

IAN-Nr. / IAN no. / N°IAN :

**465618\_2404**

Serien-Nr. / Serial no. / N° série:

**01001 - 16861**

|   |   |  |  |
|---|---|--|--|
| <input checked="" type="checkbox"/> 2014/29/EU                              | <input type="checkbox"/> 2004/22/EG             | <input type="checkbox"/> 89/686/EWG_96/58/EG | <input checked="" type="checkbox"/> 2000/14/EG_2005/88/EG  |
| <input type="checkbox"/> 2014/35/EU   | <input checked="" type="checkbox"/> 2014/68/EU  | <input type="checkbox"/> 90/396/EWG          | <b>Annex V</b><br>Noise:   |
| <input checked="" type="checkbox"/> 2014/30/EU                              | <input checked="" type="checkbox"/> 2011/65/EU* |  | <b>Annex VI</b><br>Noise: measured $L_{WA} = 83.6$ dB; guaranteed $L_{WA} = 86$ dB<br><input checked="" type="checkbox"/> Notified Body:TÜV SÜD Industrie Service GmbH<br>Westendstrasse 199; 80686 München<br>Notified Body No.: 0036 |
| <input checked="" type="checkbox"/> 2006/42/EG                              |   |  | <input type="checkbox"/> 2016/1628/EU  |
| <b>Annex IV</b><br>Notified Body:<br>Notified Body No.:<br>Certificate No.: |   |  | Emission. No:  |

Standard references:

**EN 1012-1:2010; EN 60204-1:2018; EN IEC 55014-1:2021; EN IEC 55014-2:2021; EN 61000-3-2:2019+A1:2021; EN 61000-3-3:2013+A1:2019+A2:2021; EN 50581:2012; EN 286-1:1998/A1:2002**

Die alleinige Verantwortung für die Ausstellung dieser Konformitätserklärung trägt der Hersteller.

This declaration of conformity is issued under the sole responsibility of the manufacturer.


Le fabricant assume seul la responsabilité d'établir la présente déclaration de conformité.

\* Der oben beschriebene Gegenstand der Erklärung erfüllt die Vorschriften der Richtlinie 2011/65/EU des Europäischen Parlaments und des Rates vom 8. Juni 2011 zur Beschränkung der Verwendung bestimmter gefährlicher Stoffe in Elektro- und Elektronikgeräten.

\* The object of the declaration described above fulfils the regulations of the directive 2011/65/EU of the European Parliament and Council from 8th June 2011, on the restriction of the use of certain hazardous substances in electrical and electronic equipment.

\* L'appareil décrit ci-dessus dans la déclaration est conforme aux réglementations de la directive 2011/65/EU du Parlement Européen et du Conseil du 8 juin 2011 visant à limiter l'utilisation de substances dangereuses dans la fabrication des appareils électriques et électroniques.

Ichenhausen, 24.06.2024

  
Signature / Andreas Pecher / Head of Project Management

**First CE: 2019**

**Subject to change without notice**

**Documents registrar: Tobias Ihle**  
Günzburger Str. 69, D-89335 Ichenhausen

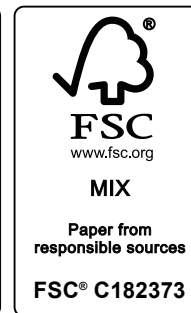








**SCHEPPACH GMBH**  
Günzburger Str. 69  
D-89335 Ichenhausen



Last Information Update · Stand der Informationen · Version des informations · Stand van de informatie · Estado de las informaciones · Versione delle informazioni · Stav informácií · Stav informácií · Információk állása · Stan informacjii · Tilstand af information  
Update: 06 / 2024 · Ident.-No.: 465618\_2404\_39061719915