



## ELECTRIC OVEN & GRILL / GRILL- UND BACKAUTOMAT / MINI-FOUR/GRIL SGBR 1500 D4

(GB) (IE)

### ELECTRIC OVEN & GRILL

Operating instructions

(FR) (BE)

### MINI-FOUR/GRIL

Mode d'emploi

(CZ)

### TROUBA NA GRILOVÁNÍ A PEČENÍ

Návod k obsluze

(SK)

### AUTOMAT NA GRILOVANIE A PEČENIE

Návod na obsluhu

(DK)

### MINIOVN

Betjeningsvejledning

(HU)

### GRILLSÜTŐ

Használati utasítás

(DE) (AT) (CH)

### GRILL- UND BACKAUTOMAT

Bedienungsanleitung

(NL) (BE)

### GRILL- EN BAKAUTOMAAT

Gebruiksaanwijzing

(PL)

### PIEKARNIK ELEKTRYCZNY

Instrukcja obsługi

(ES)

### HORNO ELÉCTRICO CON GRILL

Instrucciones de uso

(IT)

### FORNO ELETTRICO CON GRILL

Istruzioni per l'uso

(SI)

### PEČICA S FUNKCIJO ŽARA

Navodila za uporabo

IAN 390044\_2201

(DE) (AT) (BE) (NL)  
(CZ) (PL) (SK)



GB IE

Before reading, unfold the page containing the illustrations and familiarise yourself with all functions of the device.

DE AT CH

Klappen Sie vor dem Lesen die Seite mit den Abbildungen aus und machen Sie sich anschließend mit allen Funktionen des Gerätes vertraut.

FR BE

Avant de lire le mode d'emploi, ouvrez la page contenant les illustrations et familiarisez-vous ensuite avec toutes les fonctions de l'appareil.

NL BE

Vouw vóór het lezen de pagina met de afbeeldingen open en maak u vertrouwd met alle functies van het apparaat.

CZ

Před čtením si otevřete stranu s obrázky a potom se seznamte se všemi funkcemi přístroje.

PL

Przed przeczytaniem proszę rozłożyć stronę z ilustracjami, a następnie proszę zapoznać się z wszystkimi funkcjami urządzenia.

SK

Pred čítaním si odklopte stranu s obrázkami a potom sa oboznámte so všetkými funkciami prístroja.

ES

Antes de empezar a leer abra la página que contiene las imágenes y, en seguida, familiarícese con todas las funciones del dispositivo.

DK

Før du læser, vend siden med billeder frem og bliv bekendt med alle apparatets funktioner.

IT

Prima di leggere aprire la pagina con le immagini e prendere confidenza con le diverse funzioni dell'apparecchio.

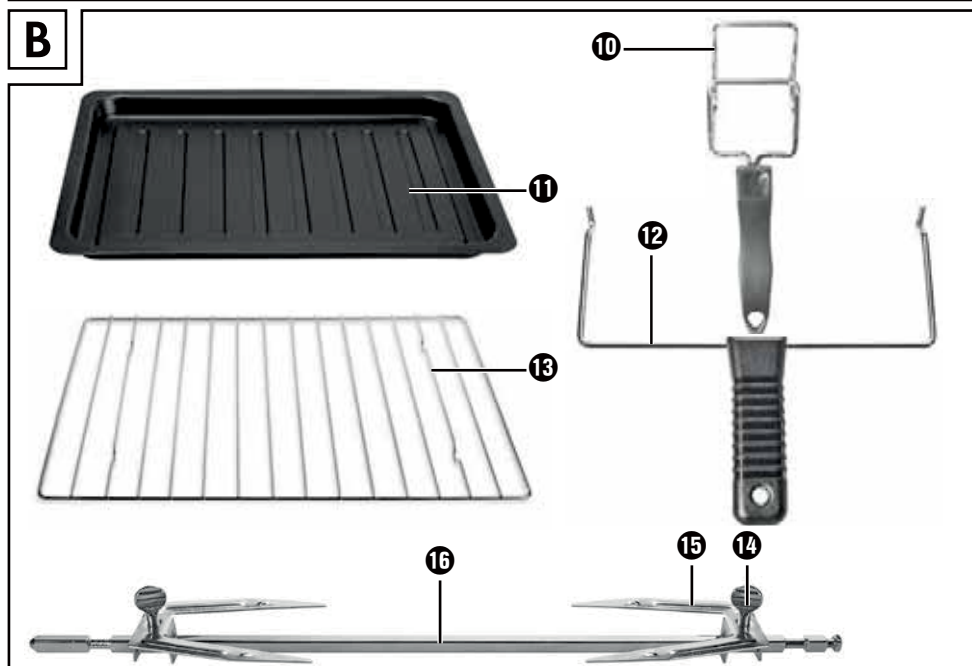
HU

Olvasás előtt kattintson az ábrát tartalmazó oldalra és végezetül ismerje meg a készülék mindegyik funkcióját.

SI

Pred branjem odprite stran s slikami in se nato seznanite z vsemi funkcijami naprave.

GB/IE	Operating instructions	Page	1
DE/AT/CH	Bedienungsanleitung	Seite	21
FR/BE	Mode d'emploi	Page	41
NL/BE	Gebruiksaanwijzing	Pagina	63
CZ	Návod k obsluze	Strana	83
PL	Instrukcja obsługi	Strona	103
SK	Návod na obsluhu	Strana	123
ES	Instrucciones de uso	Página	143
DK	Betjeningsvejledning	Side	163
IT	Istruzioni per l'uso	Pagina	183
HU	Használati utasítás	Oldal	203
SI	Navodila za uporabo	Stran	223



## Contents

<b>Introduction</b> . . . . .	<b>2</b>
<b>Proper use</b> . . . . .	<b>2</b>
<b>Package contents</b> . . . . .	<b>2</b>
<b>Appliance description</b> . . . . .	<b>2</b>
<b>Technical data</b> . . . . .	<b>2</b>
<b>Safety instructions</b> . . . . .	<b>3</b>
<b>Setting up</b> . . . . .	<b>6</b>
<b>Using the appliance</b> . . . . .	<b>6</b>
Glass door . . . . .	6
Inserting the crumb tray . . . . .	6
Using the rotisserie . . . . .	7
Using the baking tray/rack . . . . .	8
<b>Before first use</b> . . . . .	<b>8</b>
<b>Operating the appliance</b> . . . . .	<b>9</b>
Function switch . . . . .	9
Temperature control . . . . .	9
Timer . . . . .	9
<b>Grilling and baking</b> . . . . .	<b>9</b>
<b>Grilling with the rotisserie</b> . . . . .	<b>10</b>
<b>Cleaning and care</b> . . . . .	<b>12</b>
<b>Storage</b> . . . . .	<b>12</b>
<b>Troubleshooting</b> . . . . .	<b>13</b>
<b>Disposal</b> . . . . .	<b>14</b>
<b>Kompernass Handels GmbH warranty</b> . . . . .	<b>14</b>
Service . . . . .	15
Importer . . . . .	15
<b>Recipes</b> . . . . .	<b>16</b>

## Introduction

Congratulations on the purchase of your new appliance.

You have selected a high-quality product.

The operating instructions are part of this product.

They contain important information on safety, usage and disposal. Before using the product, familiarise yourself with all handling and safety guidelines.

Use the product only as described and for the range of applications specified. Please also pass these operating instructions on to any future owner(s).

## Proper use

The automatic oven and grill is intended for the heating, cooking and grilling of food.

This appliance is intended solely for use in private homes. Do not use it for commercial applications.

All other uses are deemed to be improper and may result in property damage or even in personal injury.

## Package contents

- ◆ Electric Oven & Grill
- ◆ 1 baking tray
- ◆ 1 rack
- ◆ 2 tongs
- ◆ Rotisserie with 2 clamps
- ◆ 1 crumb tray
- ◆ Operating instructions

### NOTE

Check contents for completeness and damage immediately after unpacking. Contact Customer Services if necessary.

## Appliance description

Figure A:

- ❶ Drive
- ❷ Temperature control
- ❸ Function switch
- ❹ Timer
- ❺ Control lamp
- ❻ Glass door
- ❼ Crumb tray
- ❽ Lower heating element
- ❾ Spit fitting

Figure B:

- ❿ Tongs (baking tray or rack)
- ⓫ Baking tray
- ⓬ Tongs (for spit)
- ⓭ rack
- ⓮ Restrainer
- ⓯ Skewer clamps
- ⓰ Rotisserie

## Technical data

Rated voltage: 220 - 240 V ~  
(alternating current),  
50/60 Hz


Power consumption: 1500 W



All of the parts of this appliance that come into contact with food are food-safe.

## Safety instructions

### **DANGER – RISK OF ELECTRIC SHOCK!**

- ▶ Do not open the housing of the appliance or attempt to repair it. Doing so can lead to risks and also invalidates the warranty. Defective appliances should be repaired by the retailer or authorized personnel only.
  - ▶ To avoid potential risks, if the appliance power cable is damaged, it must be replaced by the manufacturer, its customer service or by a qualified technician.
  - ▶ Do not allow any liquids to penetrate the housing. Do not expose the appliance to moisture and do not use it outdoors. Additionally, do not place fluid-filled receptacles such as flower vases on the appliance. This increases the risk of fire and of receiving an electric shock! If liquids permeate into the housing, unplug the appliance immediately and arrange for it to be repaired by a qualified technician.
  - ▶ Never touch the appliance, power cable or power plug with wet hands. There is a risk of electric shock!
-  **NEVER** immerse the appliance in water or other liquids! Risk of electrocution if residual liquids come into contact with live components during operation.

## **⚠ WARNING – RISK OF INJURY!**

- ▶ This appliance may be used by children of the age of 8 years or more and by persons with reduced physical, sensory or mental capabilities or lack of experience and/or knowledge if they are being supervised or have been instructed with regard to the safe use of the appliance and have understood the potential risks.
- ▶ Children must not use the appliance as a plaything.
- ▶ Cleaning and user maintenance must not be performed by children unless they are older than 8 years of age and are supervised.
- ▶ Children younger than 8 years of age must be kept away from the appliance and the power cable.
- ▶ Route the power cable in such a way that no one can tread on it or trip over it.
- ▶ Never touch the glass door or the housing during use, these can get very hot. Use oven gloves or something similar to open the glass door to avoid being burnt!
- ▶ Never touch the heating elements or the viewing window when the appliance is in use, or before it has cooled down completely. Do not reach into the cooking chamber when the appliance is in use. Wait until the appliance has cooled down. Otherwise, you could be burnt.
- ▶ Allow the appliance to cool down after use before transporting it.
- ▶ Always use oven gloves or a pot holder if you need to take hold of the appliance.



Caution! Hot surface!

**CAUTION – PROPERTY DAMAGE!**

- ▶ Do not use an external timer switch or a separate remote control system to operate the appliance.
- ▶ Never leave the appliance unattended during operation.
- ▶ Ensure that the appliance, the power cable and the plug do not come into contact with heat sources such as hotplates or naked flames.
- ▶ Only operate the appliance with the original accessories supplied.
- ▶ Do not kink or crush the mains cable.
- ▶ To disconnect, always remove the plug itself from the mains power socket, do not pull on the power cable.
- ▶ When the appliance is in use, ensure that there are no easily inflammable materials in the immediate vicinity (e.g. dishcloths, oven cloths, etc.).
- ▶ Never dry textiles or other objects on or above the appliance. This increases the risk of fire!

**NOTE**

- ▶ No user action is required to switch the product between 50 and 60 Hz. The product adapts automatically to either 50 or 60 Hz.



## Setting up

### **⚠ WARNING! RISK OF FIRE!**

- ▶ Never place the appliance beneath wall cupboards or next to curtains, cupboard walls or other flammable objects.
- ▶ Always ensure a minimum distance between the appliance and hanging cupboards, ceilings, side walls or similar of at least 10 cm above the appliance and 5 cm at the sides. For this reason the appliance may not be used, for example, in cupboards or similar. Otherwise there is likely to be insufficient ventilation for the appliance, which could cause a fire or damage.
- ▶ Always place the appliance on a heat-resistant surface. Failure to do so increases the risk of fire or of it being damaged. The area under the bottom can discolour and be damaged. Additionally, if placed on a soft upper surface, the appliance could cause permanent damage to it due to pressure indentations.

### **⚠ DANGER – ELECTRIC SHOCK!**

- ▶ Do not place the appliance immediately adjacent to sources of water, e.g. sinks or basins, or in damp cellar areas. Otherwise, there is a risk of receiving an electric shock.
- Place the appliance on a solid, level and heat-resistant surface (e.g. stainless steel worktops or natural stone worktops such as granite). Ensure there is sufficient ventilation around the appliance.
- Push the appliance up against the wall, with its rear side facing the wall. The spacers on the back must touch the wall. Ensure that the wall is made of heat-resistant material, e.g. tiles, natural stone or granite.
- Clean all components as described in the section "Cleaning and care".

## Using the appliance

### Glass door

#### **ATTENTION! DAMAGE TO PROPERTY!**

- ▶ Do not lean on the glass door **6**. Do not place any objects on the glass door **6**. This can cause damage to the hinges.
- If you are cooking especially fatty foodstuffs, this can result in increased smoke production. In this case, do not close the glass door **6** completely; instead, leave it slightly open: The glass door **6** has a latching position so that it remains open a little: if you carefully push the glass door **6** closed, it clicks into this position shortly before closing completely.
- When drying fruit (to make dried fruit), the glass door **6** should remain in the latching position to ensure that moisture can escape and that the fruit dries better.

### Inserting the crumb tray

- Push the crumb tray **7** under the lower heating element **8** so that it rests flat on the bottom of the appliance. You can use the higher bent-up side as a handle. The other, less bent side must be inserted into the appliance first.

## Using the rotisserie

### ⚠ WARNING! RISK OF INJURY!

- ▶ Always use the tongs (12) to insert the hot rotisserie (16) into the appliance or to remove it.
- You can use the two skewer clamps (15) to fix the food onto the rotisserie (16). Loosen the restrainer (14) on the skewer clamps (15), push them so that the food is fixed firmly in between the clamps and then screw the restrainer (14) tight again.
- First push the end of the rotisserie (16) without the notch into the drive (1) (Figure 1):

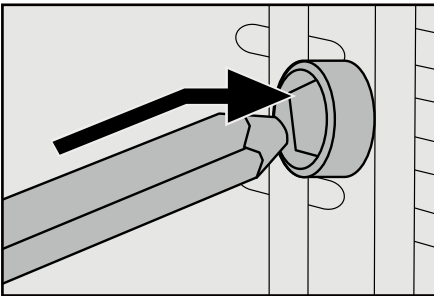


Fig. 1: Push the rotisserie (16) into the drive (1).

- Then insert the other end of the rotisserie (16) with the deep groove in the spit fitting (9) (Figure 2):

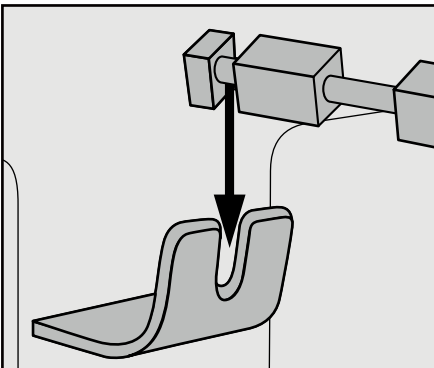


Fig. 2: Insert the rotisserie (16) in the spit fitting (9).

### NOTE

- ▶ Always slide the baking tray (11) into the lower rail when you use the rotisserie (16). This will collect any drips.
- To remove the hot rotisserie (16), grip with the hooks at the end of the tongs (12) into the recesses on the rotisserie (16) (Figure 3):

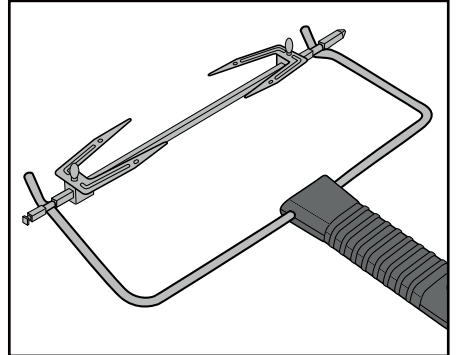


Fig. 3: Hooking the tongs (12) onto the rotisserie (16)

- First lift the left-hand side of the rotisserie (16) out of the spit fitting (9) and then pull the rotisserie (16) from the drive (1).

## Using the baking tray/rack

### ⚠ WARNING! RISK OF INJURY!

- ▶ Always use the tongs ⑩ to insert the hot baking tray ⑪/the hot rack ⑬ into the appliance or to remove it.
- Push the baking tray ⑪/the rack ⑬ into one of the 3 rails in the cooking chamber of the appliance.

### ⚠ ATTENTION! DAMAGE TO PROPERTY!

- ▶ Never place the baking tray ⑪/the rack ⑬ directly onto the heating elements ⑧.
- To remove the hot baking tray ⑪ or the rack ⑬, hook the tongs ⑩ onto them as follows:

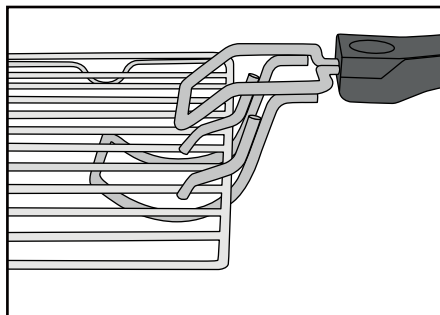


Fig. 4: Hooking the tongs ⑩ onto the rack ⑬

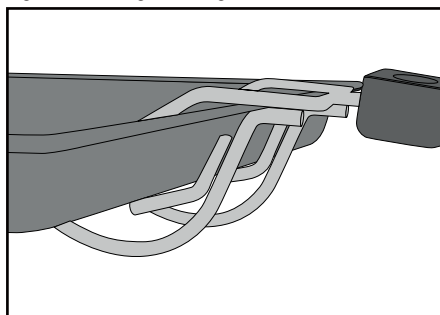



Fig. 5: Hooking the tongs ⑩ onto the baking tray ⑪

## Before first use

- 1) Insert the plug into a mains power socket.
- 2) Turn the temperature control ② clockwise to the maximum temperature (to the stop).
- 3) Turn the function switch ③ to "upper and lower heat" .
- 4) Open the glass door ⑥ leave this open for this operation.
- 5) Remove any installed accessories from the cooking chamber.
- 6) Turn the timer ④ to 20 minutes.

### NOTE

- ▶ The first time the appliance heats up, a small amount of smoke and odour may be generated due to production-related residue. This is normal and is completely harmless. Provide sufficient ventilation by opening a window, for example.

The appliance switches off automatically after 20 minutes.

If you want to interrupt the heating process prematurely, turn the temperature control ② counter-clockwise to the stop and set the timer ④ to "OFF".






- 7) Allow the appliance to cool down, then clean the appliance as described in the chapter "Cleaning and care".

The appliance is now ready for use.

## Operating the appliance

### Function switch

You can switch on the appliance with the function switch **3**, and also set 5 different functions:


Symbol	Meaning
	"Upper heat" e.g. to gratinate
	"Lower heat" e.g. for baking
	"Upper & lower heat" e.g. for baking a pizza
	"Upper heat/hot air/ roisserie" e.g. to roast poultry
	"Upper & lower heat/hot air" e.g. to reheat rolls
<b>OFF</b>	"OFF" the appliance is switched off.

### Temperature control

Use the temperature control **2** to set the desired temperature.

### Timer

Use the timer **4** to switch the device on / set the cooking time.

- Set the timer **4** to the desired cooking time. After expiry of the set time a signal tone sounds and the appliance stops heating. If the function "Upper heat/hot air/roisserie"  is selected, the roisserie **15** will also stop turning.
- If you wish to use the device without a time limit, turn the dial on the timer **4** counter-clockwise to the position "ON".

## Grilling and baking

- 1) Put the crumb tray **7** into the appliance.
- 2) Remove the rack **13** and baking tray **11** from the appliance. If required, cover these with baking paper or lightly grease the baking tray **11** with suitable baking fat.

### NOTE

► Depending on the meal, the oven must be preheated. Refer to the guidelines in the respective recipe. Preheating is useful for:

- very short baking times,
- crisp crusts,
- sensitive meals that require a constant temperature, such as soufflés.

► If no preheating is required, skip step 3).

- 3) Allow the appliance to heat up for approx. 10 minutes (depending on the temperature setting) to the required temperature:
  - Select the required temperature using the temperature control **2**.
  - Select the required function with the function switch **3**.

## NOTE

- ▶ As a general rule, if you are baking or grilling with hot air you can dispense with a preheating of the grilling/cooking space.
    - Use the timer **4** to set the preheat time (approx. 10 minutes).
    - Close the glass door **6**.
- 4) Once the warm-up period is finished, place the foodstuffs on the rack **13** or the baking tray **11** and slide it in on one of the rails. Ensure that there is sufficient space between the foodstuffs and the inner walls/heating elements of the appliance.

## NOTE

- ▶ If you wish to prepare food on the rack **13** that drips excessively, then slide the baking tray **11** onto the bottom rail. By doing this, dripping fat for example will be caught and the appliance is then easier to clean.
- 5) Close the glass door **6** before starting the grilling or baking process.
- 6) If required, use the timer **4** to set the required grilling or baking time. You can set a maximal grilling/baking time of 120 minutes using the timer **4**. Alternatively, you can set the timer **4** to the "ON" position to run the appliance for an unlimited period.

## NOTE

- ▶ If the cooking time for the food is less than 20 minutes, first set the timer **4** to 40 minutes and then turn it back to the required grilling or baking time.

The control lamp **5** indicates that the appliance is now switched on. If you pre-set a baking time, the dial of the timer **4** will move towards the "OFF" position.

The appliance switches off automatically after the set period (if any); there is a beep and the control lamp **5** goes out.

## NOTE

If you want to interrupt the heating process prematurely, turn the temperature control **2** counter-clockwise to the stop and set the timer **4** to "OFF".


- 7) If you do not pre-set a baking time, you can manually stop the heating process by moving the timer **4** to "OFF".
- 8) After cooking, remove the rack **13** or the baking tray **11** using the tongs **10**.
- 9) Set the function switch **3** to "OFF".

## Grilling with the rotisserie

- 1) Put the crumb tray **7** into the appliance.
- 2) If inserted, remove the rotisserie **16** from the appliance.
- 3) Push the baking tray **11** onto the lower rail.
- 4) Fix the food to be grilled with the skewer clamps **15**. Ensure that the food in the cooking chamber can turn freely without touching the sides. The rotisserie **16** may change its direction of rotation if the food strikes against a resistance. The two depressions on the rotisserie **16** must remain freely accessible, otherwise you will not be able to grasp the rotisserie **16** with the tongs **12**.
- 5) Fit the rotisserie **16** in the cooking chamber (see chapter "Using the rotisserie").
- 6) Close the glass door **6**.

## NOTE

If you want to interrupt the heating process prematurely, turn the temperature control **2** counter-clockwise to the stop and set the timer **4** to "OFF".

- 7) Adjust the temperature control **2** to the desired temperature.
- 8) Set the function switch **3** to "Upper heat/hot air/roisserie" .
- 9) If required, set the desired grilling time at the timer **4**. Alternatively, you can set the timer **4** to the "ON" position to run the appliance for an unlimited period.  
The appliance starts the grilling process and the rotisserie **1b** starts turning.

The control lamp **5** indicates that the appliance is now switched on. If you pre-set a baking time, the dial of the timer **4** will move towards the "OFF" position.

The appliance switches off automatically after the set period (if any); there is a beep and the control lamp **5** goes out.



## NOTE

If you want to interrupt the heating process prematurely, turn the temperature control **2** counter-clockwise to the stop and set the timer **4** to "OFF".

- 10) If you do not pre-set a baking time, you can manually stop the heating process by moving the timer **4** to "OFF".
- 11) After the grilling process is completed remove the rotisserie **1b** with the help of the tongs **12**.
- 12) Set the function switch **3** to "OFF".

## EXAMPLE: GRILLED CHICKEN

### Ingredients

- ◆ Grilling chicken (approx. 1.3 kg, guts removed)
  - ◆ Spices (salt, paprika)
  - ◆ Cooking oil
- 1) Season the chicken on the inside and outside with salt and paprika powder. Brush it from the outside with heat resistant cooking oil.
  - 2) Push the chicken onto the rotisserie **1b** and fix it in place with the skewer clamps **15**. Ensure that the notches on the rotisserie **1b** remain free so that you can remove the rotisserie **1b** with the help of the tongs **12**. Depending on the shape of the chicken, it may be necessary to fasten the wings and legs with a fireproof string to stop them impacting the sides when turning.
  - 3) Push the baking tray **11** onto the lower rail.
  - 4) Preheat the appliance for about 10 minutes using the function "Upper & lower heat/hot air"  to 230 °C.
  - 5) Put the chicken on the rotisserie into the appliance using the tongs **12**.
  - 6) Set the function switch to "Upper heat/hot air/roisserie"  and close the door.
  - 7) Set the timer **4** approx. 80 minutes. The cooking time can vary depending on the size and nature of the chicken.
  - 8) Brush the chicken every now and again with some cooking oil. This will make it crispy.
  - 9) Once the set time is up, carefully remove the rotisserie with the chicken using the tongs **12**. Loosen the skewer clamps **15** and pull the chicken off the rotisserie **1b**.

## Cleaning and care

### ⚠ DANGER – ELECTRIC SHOCK!

- ▶ Before cleaning the appliance, disconnect the plug from the mains power socket!  
Risk of electric shock!

⚡ NEVER immerse the appliance in water or any other liquid!

### ⚠ WARNING! RISK OF INJURY!

- ▶ Always allow the appliance to cool down before cleaning it. Otherwise there is a risk of burns!

- It is best to clean the appliance and accessories as soon as they have cooled down. This makes food residues easier to remove.

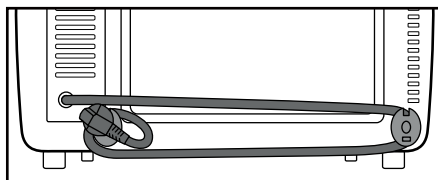
### ⚠ ATTENTION! DAMAGE TO PROPERTY!

- ▶ Do not use abrasive or aggressive cleaning materials. These could damage the surface of the appliance!
- ▶ Do not clean the components of the appliance in a dishwasher!
- ▶ Do not clean the cooking chamber with an oven spray as this may make residues on the heating elements impossible to remove.

- Wipe the appliance with a damp cloth. If necessary, put a little mild detergent on the cloth and wipe this off afterwards with a cloth dampened with clean water. Dry everything properly.
- Clean the cooking chamber and the glass door **6** with a moist cloth. If necessary, put a little mild detergent on the cloth and wipe this off afterwards with a cloth dampened with clean water. Dry everything properly.
- Clean the tongs **10/12**, the rotisserie **16**, the skewer clamps **15**, the restrainer **14**, the baking tray **11**, the rack **13** and the crumb tray **7** in warm soapy water. Dry all parts properly after cleaning.

## Storage

- You can wind the mains cable around the spacers on the rear side of the appliance and attach the plug to one of the spacers:



- Store the cleaned appliance and its accessories in a clean, dust-free and dry location.

## Troubleshooting

Fault	Cause	Solution
The appliance is not working.	The mains plug is not connected to the mains power.	Insert the plug into a mains power socket.
	The mains power socket is defective.	Use a different mains power socket.
	The appliance is defective.	Contact Customer Services.
The control lamp <b>5</b> comes on and but the appliance does not heat up.	The function switch <b>3</b> is set to OFF.	Turn the function switch <b>3</b> to the desired function.
The cooking time of the food seems very long	The glass door <b>6</b> has been opened often to check the cooking progress.	Do not open the glass door <b>6</b> any more often than is absolutely necessary.
	The wrong temperature level has been set.	Check the temperature settings.
Smoke and smells develop during use.	There is detergent or food residue on the heating elements.	Remove the food from the appliance and continue cooking process with the glass door <b>6</b> open until the smoke stops.

If the malfunction cannot be corrected with the above suggestions, or if you have found some other kind of malfunction, please contact our Customer Service.



## Disposal



The adjacent symbol of a crossed-out dustbin means that this appliance is subject to Directive 2012/19/EU. This directive states that this appliance may not be disposed of in the normal household waste at the end of its useful life, but must be taken to specially set-up collection locations, recycling depots or disposal companies.

**The disposal is free of charge for the user. Protect the environment and dispose of this appliance properly.**



Your local community or municipal authorities can provide information on how to dispose of the worn-out product.



The product is recyclable, subject to extended producer responsibility and is collected separately.



Dispose of the packaging in an environmentally friendly manner. Note the labelling on the packaging and separate the packaging material components for disposal if necessary. The packaging material is labelled with abbreviations (a) and numbers (b) with the following meanings: 1-7: Plastics, 20-22: Paper and cardboard, 80-98: Composites



The packaging is made of environmentally friendly materials which you can dispose of at your local recycling centre.

## Kompernass Handels GmbH warranty

Dear Customer,

This appliance has a 3-year warranty valid from the date of purchase. If this product has any faults, you, the buyer, have certain statutory rights. Your statutory rights are not restricted in any way by the warranty described below.

### Warranty conditions

The warranty period starts on the date of purchase. Please keep your receipt in a safe place. This will be required as proof of purchase.

If any material or manufacturing fault occurs within three years of the date of purchase of the product, we will either repair or replace the product for you or refund the purchase price (at our discretion).

This warranty service requires that you present the defective appliance and the proof of purchase (receipt) within the three-year warranty period, along with a brief written description of the fault and of when it occurred.

If the defect is covered by the warranty, your product will either be repaired or replaced by us. The repair or replacement of a product does not signify the beginning of a new warranty period.

### Warranty period and statutory claims for defects

The warranty period is not prolonged by repairs effected under the warranty. This also applies to replaced and repaired components. Any damage and defects present at the time of purchase must be reported immediately after unpacking. Repairs carried out after expiry of the warranty period shall be subject to a fee.

## Scope of the warranty

This appliance has been manufactured in accordance with strict quality guidelines and inspected meticulously prior to delivery.

The warranty covers material faults or production faults. The warranty does not extend to product parts subject to normal wear and tear or to fragile parts which could be considered as consumable parts such as switches, batteries or parts made of glass.

The warranty does not apply if the product has been damaged, improperly used or improperly maintained. The directions in the operating instructions for the product regarding proper use of the product are to be strictly followed. Uses and actions that are discouraged in the operating instructions or which are warned against must be avoided.

This product is intended solely for private use and not for commercial purposes. The warranty shall be deemed void in cases of misuse or improper handling, use of force and modifications / repairs which have not been carried out by one of our authorised Service centres.

## Warranty claim procedure

To ensure quick processing of your case, please observe the following instructions:

- Please have the till receipt and the item number (IAN) 390044\_2201 available as proof of purchase.
- You will find the item number on the type plate on the product, an engraving on the product, on the front page of the operating instructions (below left) or on the sticker on the rear or bottom of the product.
- If functional or other defects occur, please contact the service department listed either by **telephone** or by **e-mail**.
- You can return a defective product to us free of charge to the service address that will be provided to you. Ensure that you enclose the proof of purchase (till receipt) and information about what the defect is and when it occurred.



You can download these instructions along with many other manuals, product videos and installation software at [www.lidl-service.com](http://www.lidl-service.com).

This QR code will take you directly to the Lidl service page ([www.lidl-service.com](http://www.lidl-service.com)) where you can open your operating instructions by entering the item number (IAN) 390044\_2201.

## Service

### GB Service Great Britain

Tel.: 0800 404 7657

E-Mail: [kompernass@lidl.co.uk](mailto:kompernass@lidl.co.uk)

### IE Service Ireland

Tel.: 1800 101010

E-Mail: [kompernass@lidl.ie](mailto:kompernass@lidl.ie)

IAN 390044\_2201

## Importer

Please note that the following address is not the service address. Please use the service address provided in the operating instructions.

KOMPERNASS HANDELS GMBH

BURGSTRASSE 21

44867 BOCHUM

GERMANY

[www.kompernass.com](http://www.kompernass.com)

## Recipes

In this section, we provide you with various sample recipes for preparing dishes. These examples are recommendations. Cooking times may vary.

These recipes are provided without guarantee. All information on ingredients and preparation is indicative only. Modify the suggested recipes to taste. We hope you enjoy the recipes and wish you "bon appetit"!

### NOTE

Take note of the preparation guidelines provided on the food packaging.

### Muffins

Ingredients for four people:

- ◆ 1 cup of flour
- ◆ 1 teaspoon of baking powder
- ◆ 1 egg
- ◆ 1 tablespoon of melted butter
- ◆ 1 cup of milk
- ◆ 3 tablespoons of sugar
- ◆ 1 pinch salt
- ◆ for variations: also nuts, chopped bananas or chocolate flakes

Preparation:

- 1) Gradually mix the flour, baking powder, egg, milk, salt and sugar together in a bowl, one by one.
- 2) Melt the butter in a saucepan and mix it into the dough.
- 3) Subject to taste, blend in the nuts, chocolate flakes or mashed bananas.
- 4) Place the prepared dough into standard muffin moulds and place them on the baking tray **11**.
- 5) Bake the muffins at 220 °C on the bottom rail using top & bottom heat for about 15 minutes.

### Hawaiian toast

Ingredients for 4 pieces of toast:

- ◆ 4 slices of toasting bread
- ◆ 1–2 tablespoons of remoulade
- ◆ 120 g cooked ham
- ◆ 1/2 tin of pineapples
- ◆ 4 slices of cheese for gratinating
- ◆ Curry

Preparation:

- ◆ Toast the bread slices.
- ◆ Spread the remoulade thinly over the pieces of toast and lay the slices of cooked ham on top.
- ◆ Lay one slice of pineapple on each piece of toast. Season with curry.
- ◆ Then place a slice of cheese over each of the pineapple slices.
- ◆ Lay the Hawaiian toasts on the rack **13** and bake at 200 °C for about 8 minutes on the upper rail using top heat.

### Baking deep-frozen pizza

Preparation:

- ◆ Place the rack **13** on the upper rail in the cooking chamber.
- ◆ Place the deep-frozen pizza (without packaging) onto the rack **13**.
- ◆ Bake the pizza, using upper and lower heat, for about 20 minutes.
- ◆ Please follow the instructions on the packaging regarding temperature.

**Spritzgebäck cookies**

Ingredients:

- ◆ 125 g butter
- ◆ 125 g sugar
- ◆ 1 packet of vanilla sugar
- ◆ 1 pinch salt
- ◆ 1 egg
- ◆ 1 egg white
- ◆ 250 g flour (type 405)
- ◆ 1 teaspoon of baking powder
- ◆ Zest of half a lemon

Preparation:

- 1) Beat the butter until foamy.
- 2) Add the sugar, vanilla sugar, lemon zest and eggs.
- 3) Mix the flour, baking powder and salt and stir into the mixture using a mixing spoon.
- 4) Allow the dough to stand for about 10 minutes.
- 5) Shape the dough as desired, e.g. with the assistance of a mincer, cookie cutters or a piping bag.
- 6) Line the baking tray **11** with baking paper and place the cookies on this.
- 7) Bake the cookies on the top rail of a preheated oven at 180°C, using top and bottom heat, for about 10–15 minutes, until they are golden brown.

**NOTE**

This quantity of dough is sufficient for several baking trays **11**.

**Bread rolls**

Ingredients:

- ◆ 300 g flour (or wholemeal flour)
- ◆ 2 heaped teaspoons of baking powder
- ◆ 200 g linseeds
- ◆ 1 egg
- ◆ 500 g quark or curd cheese
- ◆ 1 teaspoon of salt
- ◆ Subject to taste: caraway seeds, onions, bacon ...

Preparation:

- 1) Knead all ingredients together well and then shape into small rolls.
- 2) Line the baking tray **11** with baking paper and place the rolls on this.
- 3) Bake on the top rail at about 200°C for around 30 minutes.

**NOTE**

This quantity of dough is sufficient for several baking trays **11**.

## Meringues

Ingredients:

- ◆ 1 egg white
- ◆ Salt
- ◆ 45 g sugar

Preparation:

- 1) Place the chilled egg white into a fat-free mixing bowl. Ensure that no egg yolk is mixed in with it or the meringue will not solidify.
- 2) Beat the egg white at a slow speed, so that the bubbles formed in the meringue are not too large.
- 3) Add a pinch of salt to taste.
- 4) Gradually add in half of the sugar when the meringue starts to solidify.
- 5) Then beat it at the highest speed until stiff.
- 6) Add the remaining sugar. This allows the meringue to attain the required solidity.
- 7) Fill a piping bag fitted with a large star nozzle with the meringue mixture and squeeze out rosettes, slithers or other shapes onto a baking tray **11** lined with baking paper. Leave a little space between each shape.
- 8) Preheat the oven with grill to approx. 100° C with hot air.
- 9) Bake the meringues with hot air at approx. 100° C for about 2 hours.

## Buttered croutons

Ingredients:

- ◆ 2 slices of toasting bread
- ◆ 1 tbsp. butter

Preparation:

- 1) Cut the bread into small cubes.
- 2) Melt the butter at low heat in a saucepan and mix in the cubed bread.
- 3) Line a baking tray **11** with baking paper and distribute the bread cubes evenly on it.
- 4) Bake the bread cubes at 170°C (top heat) on the upper rail until golden brown (approx. 15-20 minutes).

### NOTE

You can also use herb or garlic butter instead of regular butter. Baking time is then reduced by about 5 minutes.

**Minced meat baguettes**

Ingredients:

- ◆ 2 baguette rolls
- ◆ 250 g minced meat (half and half)
- ◆ 2 tomatoes
- ◆ 1 onion (diced)
- ◆ 2 tbsp. tomato purée
- ◆ 40 g grated Parmesan cheese
- ◆ 4 slices of cheese
- ◆ Salt and pepper

Preparation:

- 1) Slice the baguettes and hollow them out.
- 2) Mix together the minced meat, tomato paste, onion, Parmesan, some salt and a little pepper.
- 3) Shape the minced meat into four equal-sized, flat burgers and place them on the baguette halves.
- 4) Cut the tomatoes into slices and arrange them on the baguettes.
- 5) Arrange the cheese slices on the baguettes.
- 6) Place the baguettes on a baking tray **11** and then bake them on the bottom rail at about 230 °C in a preheated oven using top and bottom heat for about 20 minutes.

**NOTE**

You can also season the minced meat mixture with basil, chilli or other spices.

**Cauliflower (gratinated)**

Ingredients:

- ◆ 1/2 head cauliflower (about 250 g)
- ◆ 3 lemon slices
- ◆ 1 tbsp. butter
- ◆ 1 heaped tsp. flour
- ◆ 1 tbsp. lemon juice
- ◆ 1 tbsp. slivered almonds
- ◆ 2 tbsp. gratin cheese (grated)
- ◆ Salt, pepper, nutmeg

Preparation:

- 1) Divide the cauliflower into florets and wash them.
- 2) Cook the cauliflower with the lemon slices in boiling, salted water for 8-10 minutes until the cauliflower is al dente. Retain about 150 ml of the cooking water before pouring the rest away.
- 3) Melt the butter in a saucepan and then brown the flour, while stirring continuously, for about 1 minute.
- 4) Continue stirring and pour in the cauliflower water and let it cook for about 2 minutes. If the roux gets too solid, gradually add more water until a creamy consistency is achieved. Season with lemon juice, nutmeg, salt and pepper.
- 5) Place the cauliflower in a baking dish (about 14 cm in diameter) and pour the sauce evenly over it.
- 6) Sprinkle in the cheese and almond slivers over it.
- 7) Place the baking dish on the baking tray **11**.
- 8) Bake the prepared dish at 200 °C in a preheated oven, using top and bottom heat, for about 20 minutes on the bottom rail.

## Salmon-filled flaky pastries (burek)

### Ingredients:

- ◆ 1 pack of flaky pastry slices (approx. 8 pieces)
- ◆ 1 pack of smoked salmon, sliced (about 200 g)
- ◆ 1 lemon
- ◆ 1 onion
- ◆ 1 pack of cream cheese (200 g)
- ◆ Fresh dill
- ◆ Salt and pepper
- ◆ 1 egg yolk

### Preparation:

- 1) Separate the puff pastry sheets and, if necessary, allow them to thaw.
- 2) Mix the cream cheese with salt, pepper and the juice of one lemon.
- 3) Finely dice the onion.
- 4) Add half of the salmon and the onion to the cream cheese mixture and mix it all coarsely with a blender.
- 5) Cut the remaining salmon into thin strips.
- 6) Add the salmon and the dill to the mixture and blend all ingredients together.
- 7) Place individual tablespoonfuls of the mixture on a flaky pastry sheet and fold them over.
- 8) Coat the resulting pouch with egg yolk.
- 9) Place the burek pieces on a baking sheet **1**. Leave sufficient space between the individual pouches because the flaky pastry will expand.
- 10) Bake the pastries on the lower rail at around 230 °C using top and bottom heat for about 25–30 minutes. The flaky pastry should turn light brown in colour.

### NOTE

The stated quantity of pastry is sufficient for several baking trays **1**.

# Inhaltsverzeichnis

<b>Einleitung</b> .....	<b>22</b>
<b>Bestimmungsgemäßer Gebrauch</b> .....	<b>22</b>
<b>Lieferumfang</b> .....	<b>22</b>
<b>Gerätebeschreibung</b> .....	<b>22</b>
<b>Technische Daten</b> .....	<b>22</b>
<b>Sicherheitshinweise</b> .....	<b>23</b>
<b>Aufstellen</b> .....	<b>26</b>
<b>Benutzung des Gerätes</b> .....	<b>26</b>
Glastür .....	26
Krümelblech einlegen .....	26
Drehspieß benutzen .....	27
Backblech/Gitterrost benutzen .....	28
<b>Vor dem ersten Gebrauch</b> .....	<b>28</b>
<b>Bedienen des Gerätes</b> .....	<b>29</b>
Funktionsschalter .....	29
Temperaturregler .....	29
Timer .....	29
<b>Grillen und Backen</b> .....	<b>29</b>
<b>Grillen mit Drehspieß</b> .....	<b>30</b>
<b>Reinigung und Pflege</b> .....	<b>32</b>
<b>Aufbewahrung</b> .....	<b>32</b>
<b>Fehlerbehebung</b> .....	<b>33</b>
<b>Entsorgung</b> .....	<b>34</b>
<b>Garantie der Kompernaß Handels GmbH</b> .....	<b>34</b>
Service .....	36
Importeur .....	36
<b>Rezepte</b> .....	<b>36</b>



## Einleitung

Herzlichen Glückwunsch zum Kauf Ihres neuen Gerätes.

Sie haben sich damit für ein hochwertiges Produkt entschieden. Die Bedienungsanleitung ist Bestandteil dieses Produkts. Sie enthält wichtige Hinweise für Sicherheit, Gebrauch und Entsorgung. Machen Sie sich vor der Benutzung des Produkts mit allen Bedien- und Sicherheitshinweisen vertraut. Benutzen Sie das Produkt nur wie beschrieben und für die angegebenen Einsatzbereiche. Händigen Sie alle Unterlagen bei Weitergabe des Produkts an Dritte mit aus.

## Bestimmungsgemäßer Gebrauch

Der Grill- und Backautomat dient ausschließlich dem Erhitzen, Garen und Grillen von Speisen.

Dieses Gerät ist ausschließlich für die Benutzung in privaten Haushalten bestimmt. Nutzen Sie es nicht gewerblich.

Jede andere Verwendung gilt als nicht bestimmungsgemäß und kann zu Sachschäden oder sogar zu Personenschäden führen.

## Lieferumfang

- ◆ Grill- und Backautomat
- ◆ 1 Backblech
- ◆ 1 Gitterrost
- ◆ 2 Zangen
- ◆ Drehspieß mit 2 Klemmen
- ◆ 1 Krümelblech
- ◆ Bedienungsanleitung

### HINWEIS

Kontrollieren Sie den Lieferumfang direkt nach dem Auspacken auf Vollständigkeit und Beschädigungen. Wenden Sie sich, wenn nötig, an den Service.

## Gerätebeschreibung

Abbildung A:

- 1 Antrieb
- 2 Temperaturregler
- 3 Funktionsschalter
- 4 Timer
- 5 Kontrollleuchte
- 6 Glastür
- 7 eingesetztes Krümelblech
- 8 untere Heizstäbe
- 9 Drehspießaufnahme

Abbildung B:

- 10 Zange (für Backblech und Gitterrost)
- 11 Backblech
- 12 Zange (für Drehspieß)
- 13 Gitterrost
- 14 Feststeller
- 15 Drehspießklemmen
- 16 Drehspieß

## Technische Daten

Nennspannung: 220 - 240 V ~  
(Wechselstrom),  
50/60 Hz


Leistungsaufnahme: 1500 W



Alle Teile dieses Gerätes, die mit Lebensmitteln in Berührung kommen, sind lebensmittelecht.

## Sicherheitshinweise

### **GEFAHR – ELEKTRISCHER SCHLAG!**

- ▶ Sie dürfen das Gerätegehäuse des Gerätes nicht öffnen oder reparieren. In diesem Falle ist die Sicherheit nicht gegeben und die Gewährleistung erlischt. Lassen Sie ein defektes Gerät nur vom Händler oder autorisiertem Fachpersonal reparieren.
  - ▶ Wenn die Netzanschlussleitung dieses Gerätes beschädigt wird, muss sie durch den Hersteller oder seinen Kundendienst oder eine ähnlich qualifizierte Person ersetzt werden, um Gefährdungen zu vermeiden.
  - ▶ Lassen Sie keine Flüssigkeiten in das Gerätegehäuse gelangen. Sie dürfen das Gerät keiner Feuchtigkeit aussetzen und nicht im Freien benutzen. Darüber hinaus dürfen Sie keine mit Flüssigkeiten gefüllten Gegenstände, wie z. B. Vasen, auf dem Gerät abstellen. Es besteht Brandgefahr und Gefahr eines elektrischen Schlags! Falls doch einmal Flüssigkeit in das Gerätegehäuse gelangt, ziehen Sie sofort den Netzstecker des Geräts aus der Netzsteckdose und lassen Sie es reparieren.
  - ▶ Fassen Sie Gerät, Netzkabel und -stecker nie mit nassen Händen an. Es besteht sonst die Gefahr eines elektrischen Schlags.
-  Tauchen Sie das Gerät niemals in Wasser oder andere Flüssigkeiten! Hier kann Lebensgefahr durch elektrischen Schlag entstehen, wenn im Betrieb Flüssigkeitsreste auf spannungsführende Teile gelangen.

## **⚠️ WARNUNG – VERLETZUNGSGEFAHR!**

- ▶ Dieses Gerät kann von Kindern ab 8 Jahren sowie von Personen mit reduzierten physischen, sensorischen oder mentalen Fähigkeiten oder Mangel an Erfahrung und/oder Wissen benutzt werden, wenn sie beaufsichtigt oder bezüglich des sicheren Gebrauchs des Gerätes unterwiesen wurden und die daraus resultierenden Gefahren verstanden haben.
- ▶ Kinder dürfen nicht mit dem Gerät spielen.
- ▶ Reinigung und Benutzer-Wartung dürfen nicht durch Kinder durchgeführt werden, es sei denn, sie sind älter als 8 Jahre und beaufsichtigt.
- ▶ Kinder jünger als 8 Jahre sind von Gerät und Anschlussleitung fernzuhalten.
- ▶ Verlegen Sie das Netzkabel so, dass niemand darauf treten oder darüber stolpern kann.
- ▶ Berühren Sie niemals die Glastür oder das Gehäuse während der Benutzung, da diese sehr heiß werden. Verwenden Sie zum Öffnen der Glastür einen Topflappen o. Ä., um Verbrennungen zu vermeiden!
- ▶ Berühren Sie niemals die Heizstäbe oder das Sichtfenster während des Betriebs oder bevor das Gerät abgekühlt ist. Fassen Sie während des Betriebs nicht in den Garraum. Warten Sie bis das Gerät abgekühlt ist. Sie könnten sich andernfalls verbrennen.
- ▶ Lassen Sie das Gerät nach dem Gebrauch erst abkühlen, bevor Sie es transportieren.
- ▶ Benutzen Sie immer Topfhandschuhe oder Topflappen, wenn Sie mit dem heißen Gerät hantieren!



Vorsicht! Heiße Oberfläche!

**ACHTUNG – SACHSCHADEN!**

- ▶ Benutzen Sie keine externe Zeitschaltuhr oder ein separates Fernwirk-system, um das Gerät zu betreiben.
- ▶ Lassen Sie das Gerät während des Betriebes niemals unbeaufsichtigt.
- ▶ Stellen Sie sicher, dass das Gerät, das Netzkabel oder der Netzstecker nicht mit heißen Quellen, wie Kochplatten oder offenen Flammen, in Berührung kommen.
- ▶ Betreiben Sie das Gerät ausschließlich mit dem mitgelieferten Originalzubehör.
- ▶ Knicken oder quetschen Sie das Netzkabel nicht.
- ▶ Ziehen Sie das Netzkabel stets am Stecker aus der Steckdose, ziehen Sie nicht am Kabel selbst.
- ▶ Es dürfen sich während des Betriebs keine leicht brennbaren Materialien in unmittelbarer Umgebung des Grill- und Backautomaten befinden (z. B. Geschirrhandtuch, Topflappen etc.).
- ▶ Trocknen Sie niemals Textilien oder Gegenstände auf, über oder im Gerät. Es besteht Brandgefahr.

**HINWEIS**

- ▶ Es ist keine Aktion seitens der Benutzer erforderlich, um das Produkt zwischen 50 und 60 Hz umzustellen. Das Produkt passt sich sowohl für 50 als auch für 60 Hz an.

## Aufstellen

### ⚠️ **WARNUNG! BRANDGEFAHR!**

- ▶ Stellen Sie das Gerät niemals unter Hängeschränke oder neben Gardinen, Schrankwänden oder anderen entzündlichen Gegenständen.
- ▶ Der Abstand des Gerätes zu Hängeschränken, Decken, seitlichen Wänden oder Ähnlichem muss nach oben hin mindestens 10 cm und seitlich jeweils 5 cm betragen. Daher darf das Gerät z. B. nicht in Schränke o. Ä. gestellt werden. Andernfalls ist keine ausreichende Belüftung des Gerätes möglich und es könnte einen Brand verursachen oder beschädigt werden.
- ▶ Stellen Sie das Gerät nur auf eine hitzebeständige Unterlage. Andernfalls besteht Brandgefahr und das Gerät kann beschädigt werden. Der Bereich unter dem Geräteboden kann sich verfärben und beschädigt werden. Darüber hinaus können bei einem weichen Untergrund dauerhafte Abdrücke in der Unterlage entstehen.

### ⚠️ **GEFAHR - ELEKTRISCHER SCHLAG!**

- ▶ Stellen Sie das Gerät nicht in unmittelbarer Nähe von Wasser auf, z. B. an Spülbecken, Waschwannen oder in feuchten Kellerräumen. Andernfalls besteht die Gefahr eines Stromschlags.
- Stellen Sie das Gerät auf einem festen, ebenen und hitzebeständigen Untergrund (z. B. Edelstahlarbeitsplatten oder Natursteinarbeitsplatten wie Granit) auf. Sorgen Sie für ausreichende Belüftung rund um das Gerät.
- Schieben Sie das Gerät mit der Rückseite bis an die Wand. Die Abstandhalter an der Rückseite müssen die Wand berühren. Achten Sie darauf, dass die Wand aus hitzebeständigem Material besteht, z. B. ein Fliesenspiegel, Naturstein oder Granit.
- Reinigen Sie alle Teile wie im Kapitel „Reinigung und Pflege“ beschrieben.

## Benutzung des Gerätes

### Glastür

#### **ACHTUNG! SACHSCHADEN!**

- ▶ Stützen Sie sich nicht auf der Glastür **6** ab. Stellen Sie keine Gegenstände auf die Glastür **6**. Das führt zu Beschädigungen an den Scharnieren.
- Wenn Sie besonders fetthaltige Speisen zubereiten, kann es zu erhöhter Rauchentwicklung kommen. Schließen Sie in diesem Fall die Glastür **6** nicht ganz, sondern lassen Sie sie einen Spalt breit offen stehen:  
Die Glastür **6** hat eine Raststellung, so dass diese einen Spalt breit offen steht: Wenn Sie die Glastür **6** vorsichtig zuklappen, rastet diese kurz vor dem Schließen in dieser Stellung ein.
- Auch beim Trocknen von Obst, um Trockenobst herzustellen, sollte die Glastür **6** in der Raststellung stehen bleiben, damit die Feuchtigkeit entweichen kann und das Obst besser trocknet.

### Krümellech einlegen

- Schieben Sie das Krümellech **7** unter die unteren Heizstäbe **8**, so dass es flach auf dem Geräteboden aufliegt. Die Seite, die höher gebogen ist, können Sie als Griff benutzen. Die Seite, die nicht so hoch gebogen ist, muss voran in das Gerät geschoben werden.

## Drehspieß benutzen

### ⚠️ **WARNUNG! VERLETZUNGSGEFAHR!**

- ▶ Benutzen Sie immer die Zange **12**, um den heißen Drehspieß **16** in das Gerät einzusetzen oder herauszunehmen.
- Mit den beiden Drehspießklemmen **15** können Sie das Grillgut am Drehspieß **16** fixieren. Lösen Sie die Feststeller **14** an den Drehspießklemmen **15**, verschieben Sie diese so, dass das Grillgut dazwischen fest geklemmt wird und schrauben Sie die Feststeller **14** wieder fest.
- Schieben Sie zuerst das Ende des Drehspießes **16** ohne Nut in den Antrieb **1** (Abb. 1):

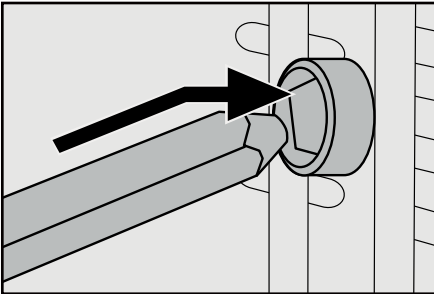


Abb. 1: Drehspieß **16** in den Antrieb **1** schieben.

- Legen Sie dann das andere Ende des Drehspießes **16** mit der tiefen Nut in die Drehspießaufnahme **9** (Abb. 2):

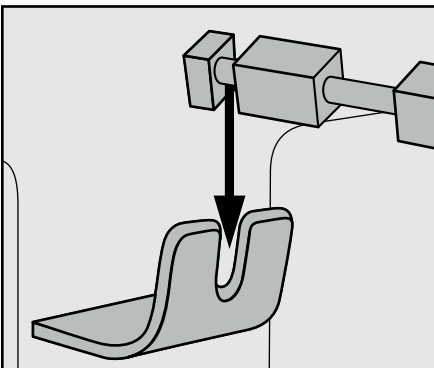


Abb. 2: Drehspieß **16** in die Drehspießaufnahme **9** legen

### HINWEIS

- ▶ Schieben Sie immer das Backblech **11** in die untere Schiene, wenn Sie den Drehspieß **16** verwenden. So werden herunterfallende Flüssigkeiten aufgefangen.
- Um den heißen Drehspieß **16** zu entnehmen, greifen Sie mit den Haken am Ende der Zange **12** in die Vertiefungen am Drehspieß **16** (Abb. 3):

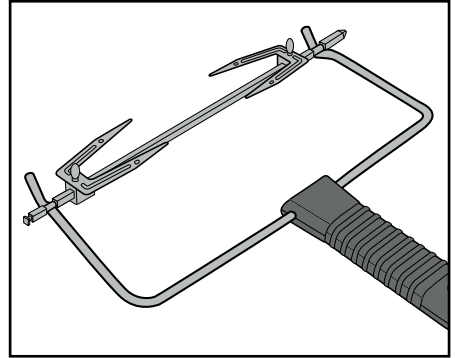


Abb. 3: Einhaken der Zange **12** beim Drehspieß **16**

- Heben Sie zuerst die linke Seite des Drehspießes **16** aus der Drehspießaufnahme **9** und ziehen Sie dann den Drehspieß **16** aus dem Antrieb **1**.

## Backblech/Gitterrost benutzen

### **⚠️ WARNUNG! VERLETZUNGSGEFAHR!**

► Benutzen Sie immer die Zange **10**, um das heiße Backblech **11**/den heißen Gitterrost **13** in das Gerät einzusetzen oder herauszunehmen.

■ Schieben Sie das Backblech **11**/den Gitterrost **13** in eine der 3 Schienen im Garraum des Gerätes.

### **ACHTUNG! SACHSCHADEN!**

► Legen Sie das Backblech **11**/den Gitterrost **13** niemals direkt auf die Heizstäbe **8**.

■ Um das heiße Backblech **11** oder den Gitterrost **13** entnehmen zu können, haken Sie die Zange **10** folgendermaßen ein:

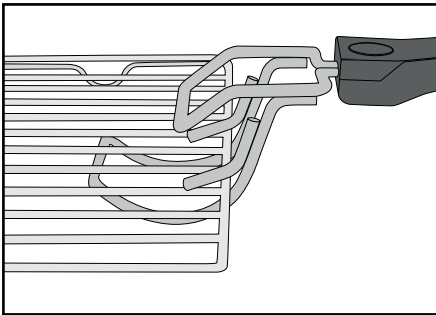


Abb. 4: Einhaken der Zange **10** beim Gitterrost **13**

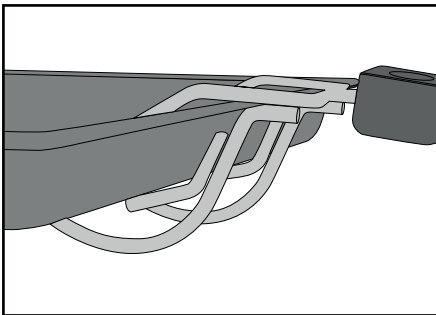



Abb. 5: Einhaken der Zange **10** beim Backblech **11**

## Vor dem ersten Gebrauch

- 1) Stecken Sie den Netzstecker in eine Netzsteckdose.
- 2) Drehen Sie den Temperaturregler **2** bis zum Anschlag im Uhrzeigersinn auf die höchste Temperatur.
- 3) Drehen Sie den Funktionsschalter **3** auf „Ober- und Unterhitze“ .
- 4) Öffnen Sie die Glastür **6** und lassen Sie diese für diesen Vorgang geöffnet.
- 5) Entnehmen Sie eventuell eingesetztes Zubehör aus dem Garraum.
- 6) Drehen Sie den Timer **4** auf 20 Minuten.

### **HINWEIS**

► Beim erstmaligen Aufheizen des Gerätes kann es durch fertigungsbedingte Rückstände zu leichter Rauch- und Geruchsentwicklung kommen. Das ist normal und völlig ungefährlich.

Sorgen Sie für ausreichende Belüftung, öffnen Sie zum Beispiel ein Fenster.

Das Gerät schaltet sich nach 20 Minuten automatisch aus.

Wenn Sie den Heizvorgang vorzeitig unterbrechen wollen, drehen Sie den Temperaturregler **2** bis zum Anschlag gegen den Uhrzeigersinn und stellen Sie den Timer **4** auf „OFF“.






- 7) Lassen Sie das Gerät abkühlen und reinigen Sie das Gerät wie im Kapitel „Reinigen und Pflegen“ beschrieben.

Das Gerät ist nun betriebsbereit.

## Bedienen des Gerätes

### Funktionsschalter

Am Funktionsschalter **3** können Sie das Gerät einschalten sowie 5 verschiedene Funktionen einstellen:


Symbol	Bedeutung
	„Unterhitze“ z. B. zum Kuchenbacken
	„Oberhitze“ z. B. zum Überbacken
	„Ober- & Unterhitze“ z. B. zum Pizza backen
	„Oberhitze/Umluft/ Drehspieß“ z. B. um Geflügel zu grillen
	„Ober- & Unterhitze/Umluft“ z. B. um Brötchen aufzubacken
OFF	„OFF“ das Gerät ist ausgeschaltet

### Temperaturregler

Am Temperaturregler **2** können Sie die gewünschte Temperatur einstellen.

### Timer

Mit Hilfe des Timers **4** können Sie das Gerät einschalten / die Garzeit einstellen:

- Stellen Sie den Timer **4** auf die gewünschte Garzeit. Nach Beendigung der eingestellten Zeit erklingt ein Signalton und das Gerät stoppt das Heizen. Falls die Funktion „Oberhitze/Umluft/Drehspieß“  gewählt ist, stoppt auch das Drehen des Drehspießes **15**.
- Wenn Sie das Gerät ohne Zeitbegrenzung betreiben wollen, drehen Sie den Drehschalter des Timers **4** gegen den Uhrzeigersinn auf die Position „ON“.

## Grillen und Backen

- 1) Legen Sie das Krümelblech **7** in das Gerät.
- 2) Nehmen Sie den Gitterrost **15** und das Backblech **11** aus dem Gerät. Legen Sie diese gegebenenfalls mit Backpapier aus bzw. bestreichen Sie das Backblech **11** mit zum Backen geeignetem Fett.

### HINWEIS

- ▶ Je nach Gericht muss der Backofen vorgeheizt werden. Halten Sie sich an die Vorgaben im jeweiligen Rezept. Das Vorheizen ist auf jeden Fall sinnvoll bei:
  - sehr kurzen Backzeiten,
  - knusprigen Krusten,
  - empfindlichen Gerichten, die eine konstante Temperatur erfordern, wie zum Beispiel Soufflés.
- ▶ Wenn kein Vorheizen nötig ist, überspringen Sie Handlungsschritt 3).

- 3) Lassen Sie das Gerät ca. 10 Minuten (je nach Temperatureinstellung) auf die gewünschte Temperatur aufheizen:
  - Wählen Sie die gewünschte Temperatur mit dem Temperaturregler **2**.
  - Anschließend wählen Sie mit dem Funktionsschalter **3** die gewünschte Funktion.



## HINWEIS

- ▶ Falls Sie die Funktion mit Umluft wählen, können Sie in der Regel auf ein Vorheizen des Grill- und Garraums verzichten.
    - Stellen Sie mit dem Timer **4** die Vorheizzeit ein (ca. 10 Minuten).
    - Schließen Sie die Glastür **6**.
- 4) Ist die Zeit abgelaufen, legen Sie das Grill- bzw. Backgut auf den Gitterrost **13** bzw. das Backblech **11** und schieben Sie es in eine der Schienen. Achten Sie dabei auf einen ausreichenden Abstand des Grill- bzw. Backguts zu den Innenwänden und den Heizstäben des Geräts.

## HINWEIS

- ▶ Wenn Sie stark tropfendes Grillgut auf dem Gitterrost **13** zubereiten, dann schieben Sie das Backblech **11** in die unterste Schiene. So wird z. B. herunter tropfendes Fett aufgefangen und das Gerät ist später leichter zu reinigen.
- 5) Schließen Sie die Glastür **6**, bevor Sie den Grill- Backvorgang starten.
- 6) Stellen Sie ggf. mit dem Timer **4** die gewünschte Grill- bzw. Backzeit ein. Die maximale mit dem Timer **4** einstellbare Grill- bzw. Backzeit beträgt 120 Minuten. Alternativ können Sie den Timer **4** auch auf die Position „ON“ stellen, um das Gerät unbegrenzte Zeit zu betreiben.

## HINWEIS

- ▶ Wenn die Garzeit Ihres Grill- bzw. Backguts weniger als 20 Minuten beträgt, stellen Sie den Timer **4** zunächst auf 40 Minuten und dann zurück auf die gewünschte Grill- bzw. Backzeit.

Die Kontrollleuchte **5** zeigt an, dass das Gerät eingeschaltet ist. Wenn Sie das Gerät mit einer voreingestellter Backzeit benutzen, bewegt sich nun der Schalter des Timers **4** auf die Position „OFF“ zu.

Das Gerät schaltet sich ggf. nach der eingestellten Zeit automatisch aus, ein Signalton erklingt und die Kontrollleuchte **5** erlischt.

## HINWEIS

Wenn Sie den Heizvorgang vorzeitig unterbrechen wollen, drehen Sie den Temperaturregler **2** bis zum Anschlag gegen den Uhrzeigersinn und stellen Sie den Timer **4** auf „OFF“.


- 7) Falls Sie das Gerät nicht mit einer voreingestellter Backzeit betreiben, stellen Sie den Timer **4** auf „OFF“, wenn Sie den Heizvorgang beenden wollen.
- 8) Entnehmen Sie nach dem Heizvorgang den Gitterrost **13** bzw. das Backblech **11** mit Hilfe der Zange **10**.
- 9) Stellen Sie den Funktionsschalter **3** auf „OFF“.

## Grillen mit Drehspieß

- 1) Legen Sie das Krümelblech **7** in das Gerät.
- 2) Falls eingesetzt, nehmen Sie den Drehspieß **16** aus dem Gerät.
- 3) Schieben Sie das Backblech **11** in die unterste Schiene.
- 4) Fixieren Sie das Grillgut mit den Drehspießklemmen **15**. Achten Sie darauf, dass das Grillgut sich frei im Garraum drehen kann, ohne im Garraum anzustoßen. Es kann passieren, dass der Drehspieß **16** die Drehrichtung wechselt, wenn das Grillgut gegen einen Widerstand stößt. Die beiden Vertiefungen, die sich am Drehspieß **16** befinden, müssen frei zugänglich bleiben, ansonsten kann man den Drehspieß **16** nicht mit der Zange **12** greifen.
- 5) Befestigen Sie den Drehspieß **16** im Garraum (siehe Kapitel „Drehspieß benutzen“).
- 6) Schließen Sie die Glastür **6**.

## HINWEIS

Wenn Sie den Heizvorgang vorzeitig unterbrechen wollen, drehen Sie den Temperaturregler **2** bis zum Anschlag gegen den Uhrzeigersinn und stellen Sie den Timer **4** auf „OFF“.

- 7) Stellen Sie am Temperaturregler **2** die gewünschte Temperatur ein.
- 8) Stellen Sie den Funktionsschalter **3** auf „Oberhitze/Umluft/Drehspieß“ .
- 9) Stellen Sie, falls gewünscht, am Timer **4** die gewünschte Grillzeit ein. Alternativ können Sie den Timer **4** auch auf die Position „ON“ stellen, um das Gerät unbegrenzte Zeit zu betreiben.  
Das Gerät startet den Grillvorgang und der Drehspieß **16** dreht sich.

Die Kontrollleuchte **5** zeigt an, dass das Gerät eingeschaltet ist. Wenn Sie das Gerät mit einer voreingestellten Backzeit benutzen, bewegt sich nun der Schalter des Timers **4** auf die Position „OFF“ zu.

Das Gerät schaltet sich ggf. nach der eingestellten Zeit automatisch aus, ein Signalton erklingt und die Kontrollleuchte **5** erlischt.



## HINWEIS

Wenn Sie den Heizvorgang vorzeitig unterbrechen wollen, drehen Sie den Temperaturregler **2** bis zum Anschlag gegen den Uhrzeigersinn und stellen Sie den Timer **4** auf „OFF“.

- 10) Falls Sie das Gerät nicht mit einer voreingestellten Backzeit betreiben, stellen Sie den Timer **4** auf „OFF“, wenn Sie den Heizvorgang beenden wollen.
- 11) Entnehmen Sie nach dem Grillvorgang den Drehspieß **16** mit Hilfe der Zange **12**.
- 12) Stellen Sie den Funktionsschalter **3** auf „OFF“.

## BEISPIEL GRILLHÄHNCHEN


### Zutaten

- ◆ Grillhähnchen (ca. 1,3 kg, ausgenommen)
  - ◆ Gewürze (Salz, Paprika)
  - ◆ Speiseöl
- 1) Würzen Sie das Grillhähnchen von innen und außen mit Salz und Paprikapulver. Streichen Sie es von außen mit hitzebeständigem Speiseöl ein.
  - 2) Schieben Sie das Grillhähnchen auf den Drehspieß **16** und fixieren Sie es mit den Drehspießklemmen **15**. Achten Sie dabei darauf, dass die Vertiefungen am Drehspieß **16** frei bleiben, damit Sie den Drehspieß **16** mit Hilfe der Zange **12** greifen können. Je nach Form des Grillhähnchens ist es nötig die Flügel und Schenkel mit einer feuerfesten Bindschnur zu fixieren, damit diese während des Drehens nicht anstoßen.
  - 3) Schieben Sie das Backblech **11** in die unterste Schiene.
  - 4) Heizen Sie das Gerät ca. 10 Minuten mit der Funktion „Ober- & Unterhitze/Umluft“  auf 230° C vor.
  - 5) Setzen Sie das Grillhähnchen auf dem Drehspieß mit Hilfe der Zange **12** in das Gerät ein.
  - 6) Stellen Sie den Funktionsschalter auf „Oberhitze/Umluft/Drehspieß“  und schließen Sie die Tür.
  - 7) Stellen Sie den Timer **4** auf ca. 80 Minuten. Die Garzeit kann je nach Größe und Beschaffenheit des Grillhähnchens variieren.
  - 8) Bestreichen Sie das Grillhähnchen zwischendurch immer wieder mit etwas Speiseöl. So wird es knusprig.
  - 9) Wenn die eingestellte Zeit abgelaufen ist, entnehmen Sie den Grillspieß mit dem Grillhähnchen vorsichtig mit der Zange **12**. Lösen Sie die Drehspießklemmen **15** und ziehen Sie das Grillhähnchen vom Drehspieß **16**.

## Reinigung und Pflege

### ⚠ GEFAHR - ELEKTRISCHER SCHLAG!

- ▶ Ziehen Sie vor jeder Reinigung den Netzstecker aus der Netzsteckdose! Es besteht die Gefahr eines elektrischen Schlages!

 Tauchen Sie das Gerät niemals in Wasser oder andere Flüssigkeiten!

### ⚠ WARNUNG! VERLETZUNGSGEFAHR!

- ▶ Lassen Sie das Gerät immer erst abkühlen, bevor Sie es reinigen. Es besteht sonst Verbrennungsgefahr!

- Reinigen Sie das Gerät und die Zubehörteile am besten sofort nach dem Abkühlen. Dann lassen sich Lebensmittelreste leichter entfernen.

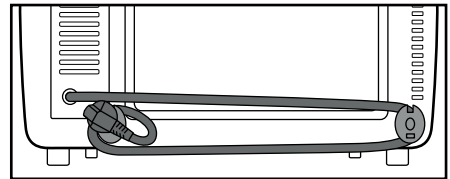
### ⚠ ACHTUNG! SACHSCHADEN!

- ▶ Verwenden Sie keine scheuernden oder aggressiven Reinigungsmittel. Diese können die Oberfläche beschädigen!
- ▶ Reinigen Sie die Teile des Gerätes nicht in der Spülmaschine!
- ▶ Reinigen Sie den Garraum nicht mit einem Backofenspray, da sich Rückstände auf den Heizstäben nicht mehr entfernen lassen.

- Wischen Sie das Gerät mit einem feuchten Tuch ab. Bei Bedarf geben Sie ein mildes Spülmittel auf das Tuch und wischen Sie mit einem mit klarem Wasser befeuchteten Tuch nach. Trocknen Sie alles gut ab.
- Reinigen Sie den Garraum und die Glastür **6** mit einem feuchten Tuch. Bei Bedarf geben Sie ein mildes Spülmittel auf das Tuch und wischen Sie mit einem mit klarem Wasser befeuchteten Tuch nach. Trocknen Sie alles gut ab.
- Reinigen Sie die Zangen **10/12**, den Drehspieß **16**, die Drehspießklemmen **15**, die Feststeller **14**, das Backblech **11**, den Gitterrost **13** und das Krümelblech **7** in warmem Spülwasser. Trocknen Sie alle Teile nach der Reinigung gut ab.

## Aufbewahrung

- Sie können das Netzkabel um die Abstandhalter auf der Rückseite des Gerätes wickeln und den Stecker an einem der Abstandhalter fixieren:



- Bewahren Sie das gereinigte Gerät und seine Zubehörteile an einem sauberen, staubfreien und trockenen Ort auf.

## Fehlerbehebung

Fehler	Ursache	Lösung
Das Gerät funktioniert nicht.	Der Netzstecker ist nicht mit dem Stromnetz verbunden.	Stecken Sie den Netzstecker in eine Netzsteckdose.
	Die Netzsteckdose ist defekt.	Benutzen Sie eine andere Netzsteckdose.
	Das Gerät ist defekt.	Wenden Sie sich an den Service.
Die Kontrollleuchte ❸ leuchtet, aber das Gerät heizt nicht.	Der Funktionsschalter ❸ steht auf OFF.	Drehen Sie den Funktionsschalter ❸ auf die gewünschte Funktion.
Die Garzeit der Speisen erscheint sehr lang.	Die Glastür ❹ wurde sehr oft geöffnet, um den Garfortschritt zu kontrollieren.	Öffnen Sie die Glastür ❹ nicht öfter, als unbedingt notwendig.
	Es ist eine falsche Temperatur eingestellt.	Überprüfen Sie die Temperatureinstellungen.
Während der Benutzung tritt Rauch- und Geruchsentwicklung auf.	An den Heizstäben befinden sich Reinigungs- oder Lebensmittelrückstände.	Entnehmen Sie die Speisen aus dem Gerät und führen Sie den Garvorgang mit geöffneter Glastür ❹ fort, bis die Rauchentwicklung verschwunden ist.

Sollten sich die Störungen nicht mit oben stehenden Fehlerbehebungen beheben lassen oder wenn Sie andere Arten von Störungen feststellen, wenden Sie sich bitte an unseren Service.

## Entsorgung



Das nebenstehende Symbol einer durchgestrichenen Mülltonne auf Rädern zeigt an, dass dieses Gerät der Richtlinie 2012/19/EU unterliegt. Diese Richtlinie besagt, dass Sie dieses Gerät am Ende seiner Nutzungszeit nicht mit dem normalen Haushaltsmüll entsorgen dürfen, sondern in speziell eingerichteten Sammelstellen, Wertstoffhöfen oder Entsorgungsbetrieben abgeben müssen.

**Diese Entsorgung ist für Sie kostenfrei. Schonen Sie die Umwelt und entsorgen Sie fachgerecht.**

### Für den deutschen Markt gilt:

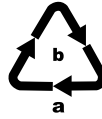
Beim Kauf eines Neugerätes haben Sie das Recht, das entsprechende Altgerät an Ihren Händler zurückzugeben. Händler von Elektro- und Elektronikgeräten mit einer Verkaufsfläche von mindestens 400 qm sowie Lebensmittelhändler mit einer Verkaufsfläche von mindestens 800 qm, die regelmäßig Elektro- und Elektronikgeräte verkaufen, sind außerdem verpflichtet, Altgeräte unentgeltlich zurückzunehmen, auch ohne dass ein Neugerät gekauft wird, wenn die Altgeräte in keiner Abmessung größer sind als 25 cm. LIDL bietet Ihnen Rücknahmemöglichkeiten direkt in den Filialen und Märkten an. Informieren Sie sich auch bei Ihrem Händler über die Rücknahmemöglichkeiten vor Ort.



Weitere Möglichkeiten zur Entsorgung des ausgedienten Produkts erfahren Sie bei Ihrer Gemeinde- oder Stadtverwaltung.



Das Produkt ist recycelbar, unterliegt einer erweiterten Herstellerverantwortung und wird getrennt gesammelt.



Entsorgen Sie die Verpackung umweltgerecht. Beachten Sie die Kennzeichnung auf den verschiedenen Verpackungsmaterialien und trennen Sie diese gegebenenfalls gesondert. Die Verpackungsmaterialien sind gekennzeichnet mit Abkürzungen (a) und Ziffern (b) mit folgender Bedeutung: 1-7: Kunststoffe, 20-22: Papier und Pappe, 80-98: Verbundstoffe.



Die Verpackung besteht aus umweltfreundlichen Materialien, die Sie über die örtlichen Recyclingstellen entsorgen können.

## Garantie der Kompernaß Handels GmbH

Sehr geehrte Kundin, sehr geehrter Kunde,

Sie erhalten auf dieses Gerät 3 Jahre Garantie ab Kaufdatum. Im Falle von Mängeln dieses Produkts stehen Ihnen gegen den Verkäufer des Produkts gesetzliche Rechte zu. Diese gesetzlichen Rechte werden durch unsere im Folgenden dargestellte Garantie nicht eingeschränkt.

### Garantiebedingungen

Die Garantiefrist beginnt mit dem Kaufdatum. Bitte bewahren Sie den Kassenbon gut auf. Dieser wird als Nachweis für den Kauf benötigt. Tritt innerhalb von drei Jahren ab dem Kaufdatum dieses Produkts ein Material- oder Fabrikationsfehler auf, wird das Produkt von uns – nach unserer Wahl – für Sie kostenlos repariert, ersetzt oder der Kaufpreis erstattet. Diese Garantieleistung setzt voraus, dass innerhalb der Dreijahresfrist das defekte Gerät und der Kaufbeleg (Kassenbon) vorgelegt und schriftlich kurz beschrieben wird, worin der Mangel besteht und wann er aufgetreten ist. Wenn der Defekt von unserer Garantie gedeckt ist, erhalten Sie das reparierte oder ein neues Produkt zurück. Mit Reparatur oder Austausch des Produkts beginnt kein neuer Garantiezeitraum.

## Garantiezeit und gesetzliche Mängelansprüche

Die Garantiezeit wird durch die Gewährleistung nicht verlängert. Dies gilt auch für ersetzte und reparierte Teile. Eventuell schon beim Kauf vorhandene Schäden und Mängel müssen sofort nach dem Auspacken gemeldet werden. Nach Ablauf der Garantiezeit anfallende Reparaturen sind kostenpflichtig.

## Garantieumfang

Das Gerät wurde nach strengen Qualitätsrichtlinien sorgfältig produziert und vor Auslieferung gewissenhaft geprüft.

Die Garantieleistung gilt für Material- oder Fabrikationsfehler. Diese Garantie erstreckt sich nicht auf Produktteile, die normaler Abnutzung ausgesetzt sind und daher als Verschleißteile angesehen werden können oder für Beschädigungen an zerbrechlichen Teilen, z. B. Schalter, Akkus oder Teile, die aus Glas gefertigt sind.

Diese Garantie verfällt, wenn das Produkt beschädigt, nicht sachgemäß benutzt oder gewartet wurde. Für eine sachgemäße Benutzung des Produkts sind alle in der Bedienungsanleitung aufgeführten Anweisungen genau einzuhalten. Verwendungszwecke und Handlungen, von denen in der Bedienungsanleitung abgeraten oder vor denen gewarnt wird, sind unbedingt zu vermeiden.

Das Produkt ist nur für den privaten und nicht für den gewerblichen Gebrauch bestimmt. Bei missbräuchlicher und unsachgemäßer Behandlung, Gewaltanwendung und bei Eingriffen, die nicht von unserer autorisierten Serviceniederlassung vorgenommen wurden, erlischt die Garantie.

## Abwicklung im Garantiefall

Um eine schnelle Bearbeitung Ihres Anliegens zu gewährleisten, folgen Sie bitte den folgenden Hinweisen:

- Bitte halten Sie für alle Anfragen den Kassenbon und die Artikelnummer (IAN) 390044\_2201 als Nachweis für den Kauf bereit.
- Die Artikelnummer entnehmen Sie bitte dem Typenschild am Produkt, einer Gravur am Produkt, dem Titelblatt der Bedienungsanleitung (unten links) oder dem Aufkleber auf der Rück- oder Unterseite des Produktes.
- Sollten Funktionsfehler oder sonstige Mängel auftreten, kontaktieren Sie zunächst die nachfolgend benannte Serviceabteilung **telefonisch** oder per **E-Mail**.
- Ein als defekt erfasstes Produkt können Sie dann unter Beifügung des Kaufbelegs (Kassenbon) und der Angabe, worin der Mangel besteht und wann er aufgetreten ist, für Sie portofrei an die Ihnen mitgeteilte Serviceanschrift übersenden.



Auf [www.lidl-service.com](http://www.lidl-service.com) können Sie diese und viele weitere Handbücher, Produktvideos und Installationssoftware herunterladen.

Mit diesem QR-Code gelangen Sie direkt auf die Lidl-Service-Seite ([www.lidl-service.com](http://www.lidl-service.com)) und können durch die Eingabe der Artikelnummer (IAN) 390044\_2201 Ihre Bedienungsanleitung öffnen.

## Service

**DE Service Deutschland**  
Tel.: 0800 5435 111 (kostenfrei  
aus dem dt. Festnetz/Mobilfunknetz)  
E-Mail: kompernass@lidl.de

**AT Service Österreich**  
Tel.: 0820 201 222  
E-Mail: kompernass@lidl.at

**CH Service Schweiz**  
Tel.: 0800 56 44 33

IAN 390044\_2201

## Importeur

Bitte beachten Sie, dass die folgende Anschrift keine Serviceanschrift ist. Kontaktieren Sie zunächst die benannte Servicestelle.

KOMPERNASS HANDELS GMBH  
BURGSTRASSE 21  
44867 BOCHUM  
DEUTSCHLAND  
www.kompernass.com

## Rezepte

In diesem Kapitel geben wir Ihnen einige Beispiele für die Zubereitung von Speisen. Diese Beispiele sind Empfehlungen. Die Zubereitungsdauer kann variieren.

Rezepte ohne Gewähr. Alle Zutaten- und Zubereitungsangaben sind Anhaltswerte. Ergänzen Sie diese Rezeptvorschläge um Ihre persönlichen Erfahrungswerte. Wir wünschen Ihnen auf jeden Fall gutes Gelingen und guten Appetit.

### HINWEIS

Beachten Sie Zubereitungshinweise auf der Verpackung der Lebensmittel.

## Muffins

Zutaten für vier Personen:

- ◆ 1 Tasse Mehl
- ◆ 1 Teelöffel Backpulver
- ◆ 1 Ei
- ◆ 1 Esslöffel geschmolzene Butter
- ◆ 1 Tasse Milch
- ◆ 3 Esslöffel Zucker
- ◆ 1 Prise Salz
- ◆ für verschiedene Varianten zusätzlich Nüsse, zerkleinerte Bananen oder Schokoflocken

Zubereitung:

- 1) Vermischen Sie in einer Schale Mehl, Backpulver, Ei, Milch, Salz und Zucker langsam nacheinander.
- 2) Die Butter in einem Topf schmelzen und mit dem Teig verrühren.
- 3) Je nach Geschmack mit Nüssen, Schokoflocken oder zerdrückten Bananen mischen.
- 4) Den fertigen Teig in typische Muffin-Formen geben und diese auf das Backblech **11** stellen.
- 5) Die Muffins bei 220° C mit Ober- und Unterhitze etwa 15 Minuten auf der unteren Schiene backen.

### Hawaiitoast

Zutaten für 4 Toasts:

- ◆ 4 Scheiben Toast
- ◆ 1-2 Esslöffel Remoulade
- ◆ 120 g gekochter Schinken
- ◆ 1/2 Dose Ananas
- ◆ 4 Scheiben Käse zum Überbacken
- ◆ Curry

Zubereitung:

- ◆ Die Toastscheiben vortoasten.
- ◆ Anschließend dünn mit Remoulade bestreichen und mit dem gekochten Schinken belegen.
- ◆ Jeweils eine Scheibe Ananas auf den belegten Toast legen. Mit Curry würzen.
- ◆ Danach jeweils eine Scheibe Käse oben auf die Ananas legen.
- ◆ Die Hawaii Toasts auf den Gitterrost **13** legen und im Grill- und Backautomaten auf der oberen Schiene bei ca. 200 °C Oberhitze ca. 8 Minuten überbacken.

### Tiefgefrorene Pizza backen

Zubereitung:

- ◆ Schieben Sie den Gitterrost **13** in die obere Schiene des Grill- und Backraums.
- ◆ Legen Sie die tiefgefrorene Pizza ohne Verpackung auf den Gitterrost **13**.
- ◆ Backen Sie die Pizza bei Ober- und Unterhitze ca. 20 Minuten.
- ◆ Bitte beachten Sie die Verpackungsangaben bezüglich der Temperatur.

### Spritzgebäck

Zutaten:

- ◆ 125 g Butter
- ◆ 125 g Zucker
- ◆ 1 Päckchen Vanillinzucker
- ◆ 1 Prise Salz
- ◆ 1 Ei
- ◆ 1 Eiweiß
- ◆ 250 g Mehl (Type 405)
- ◆ 1 Teelöffel Backpulver
- ◆ abgeriebene Schale einer halben Zitrone

Zubereitung:

- 1) Die Butter schaumig schlagen.
- 2) Den Zucker, den Vanillinzucker, die Zitronenschale und die Eier dazugeben.
- 3) Das Mehl, das Backpulver und das Salz mischen und mit einem Rührlöffel unter den Teig rühren.
- 4) Teig ca. 10 Minuten ruhen lassen.
- 5) Den Teig in die gewünschte Form, z. B. mit Hilfe von Fleischwolf, Ausstechformen oder Spritzbeutel, bringen.
- 6) Das Spritzgebäck auf das mit Backpapier ausgelegte Backblech **11** legen.
- 7) Das Spritzgebäck im vorgeheizten Backofen bei ca. 180 °C Ober- und Unterhitze ca. 10-15 Minuten auf der oberen Schiene goldgelb backen.

### HINWEIS

Die Teigmenge reicht für mehrere Backbleche **11**.



## Brötchen

Zutaten:

- ◆ 300 g Mehl (oder Vollkornmehl)
- ◆ gut 2 Teelöffel Backpulver
- ◆ 200 g Leinsamen
- ◆ 1 Ei
- ◆ 500 g Quark
- ◆ 1 Teelöffel Salz
- ◆ je nach Geschmack Kümmel, Zwiebeln, Speck ...

Zubereitung:

- 1) Alles gut durchkneten und kleine Brötchen daraus formen.
- 2) Die Brötchen auf das mit Backpapier ausgelegte Backblech **1** legen.
- 3) Bei ca. 200° C Oberhitze ungefähr 30 Minuten auf der oberen Schiene backen.

### HINWEIS

Die Teigmenge reicht für mehrere Backbleche **1**.

## Baiser

Zutaten:

- ◆ 1 Eiweiß
- ◆ Salz
- ◆ 45 g Zucker

Zubereitung:

- 1) Das gekühlte Eiweiß in eine fettfreie Rührschüssel geben. Es darf kein Eigelb damit vermischt werden, sonst wird der Eischnee nicht fest.
- 2) Das Eiweiß auf langsamer Stufe anschlagen, damit sich keine zu großen Blasen im Eischnee bilden.
- 3) Mit einer kleinen Prise Salz würzen.
- 4) Die Hälfte des Zuckers nach und nach zufügen, wenn der Eischnee anfängt fest zu werden.
- 5) Dann auf höchster Stufe steif schlagen.
- 6) Den restlichen Zucker zufügen. Dadurch erhält die Baisermasse die nötige Festigkeit.
- 7) Das Baiser in einen Spritzbeutel mit großer Sternentülle füllen und mit wenig Abstand Rosetten, Zungen oder sonstige Formen auf das mit Backpapier belegte Backblech **1** spritzen.
- 8) Den Grill- und Backautomaten auf ca. 100° C Umluft vorheizen.
- 9) Das Baiser auf der oberen Schiene bei ca. 100° C Umluft ca. 2 Stunden backen lassen.

**Buttercroutons**

Zutaten:

- ◆ 2 Scheiben Toastbrot
- ◆ 1 EL Butter

Zubereitung:

- 1) Schneiden Sie das Toastbrot in kleine Würfel.
- 2) Schmelzen Sie die Butter bei sanfter Hitze in einem Topf und mischen Sie das Toastbrot unter.
- 3) Legen Sie ein Backblech **1** mit Backpapier aus und verteilen Sie die Toastbrot-Würfel gleichmäßig darauf.
- 4) Backen Sie die Toastbrot-Würfel bei ca. 170°C Oberhitze auf der oberen Schiene, bis Sie goldbraun sind (ca. 15–20 Minuten).

**HINWEIS**

Sie können auch Kräuter- oder Knoblauchbutter anstatt der normalen Butter verwenden. Die Backzeit verringert sich dann um ca. 5 Minuten.

**Hackfleisch-Baguettes**

Zutaten:

- ◆ 2 Baguette-Brötchen
- ◆ 250 g Hackfleisch (halb und halb)
- ◆ 2 Tomaten
- ◆ 1 Zwiebel (gewürfelt)
- ◆ 2 EL Tomatenmark
- ◆ 40 g geriebenen Parmesan
- ◆ 4 Scheiben Käse
- ◆ Salz und Pfeffer

Zubereitung:

- 1) Schneiden Sie die Baguettes auf und hohlen Sie sie aus.
- 2) Vermengen Sie das Gehackte, das Tomatenmark, die Zwiebel, den Parmesan, etwas Salz und etwas Pfeffer.
- 3) Formen Sie das Hackfleisch zu 4 gleich großen, möglichst flachen Frikadellen und legen Sie sie auf die Baguette-Hälften.
- 4) Schneiden Sie die Tomate in Scheiben und verteilen Sie sie auf den Baguettes.
- 5) Verteilen Sie den Käse auf den Baguettes.
- 6) Legen Sie die Baguettes auf ein Backblech **1** und backen Sie sie bei ca. 230°C im vorgeheizten Backofen bei Ober- und Unterhitze für ca. 20 Minuten auf der unteren Schiene.

**HINWEIS**

Sie können das Hackfleisch auch mit Basilikum, Chili oder anderen Gewürzen abschmecken.

## Blumenkohl (überbacken)

Zutaten:

- ◆ 1/2 Kopf Blumenkohl (ca. 250 g)
- ◆ 3 Zitronenscheiben
- ◆ 1 EL Butter
- ◆ 1 gehäufter TL Mehl
- ◆ 1 EL Zitronensaft
- ◆ 1 EL Mandelstifte
- ◆ 2 EL Gratinkäse (gerieben)
- ◆ Salz, Pfeffer, Muskat

Zubereitung:

- 1) Teilen Sie den Blumenkohl in Röschen und waschen Sie diese.
- 2) Garen Sie den Blumenkohl mit den Zitronenscheiben in kochendem Salzwasser für 8-10 Minuten, so dass der Blumenkohl bissfest ist. Fangen Sie beim Abgießen ca. 150 ml des Kochwassers auf.
- 3) Lassen Sie in einem Topf die Butter schmelzen und schwitzen Sie das Mehl unter ständigem Rühren ca. 1 Minute an.
- 4) Gießen Sie unter ständigem Rühren das Kochwasser des Blumenkohls hinzu und lassen Sie es ca. 2 Minuten kochen. Wird die Mehlschwitze zu fest, geben Sie nach und nach noch etwas Wasser hinzu, bis eine sämige Konsistenz entsteht. Mit Zitronensaft, Salz, Pfeffer und Muskat würzen.
- 5) Geben Sie den Blumenkohl in eine Auflaufform (ca. 14 cm Durchmesser) und gießen Sie die Sauce gleichmäßig darüber.
- 6) Streuen Sie den Käse und die Mandelstifte darüber.
- 7) Stellen Sie die Auflaufform auf das Backblech **11**.
- 8) Überbacken Sie den Auflauf bei ca. 200°C im vorgeheizten Backofen bei Ober- und Unterhitze für ca. 20 Minuten auf der unteren Schiene.

## Blätterteigtaschen mit Lachsfüllung

Zutaten:

- ◆ 1 Pck. Blätterteigplatten (ca. 8 Stück)
- ◆ 1 Pck. Lachs, geräuchert, in Scheiben (ca. 200 g)
- ◆ 1 Zitrone
- ◆ 1 Zwiebel
- ◆ 1 Pck. Frischkäse (200 g)
- ◆ frischer Dill
- ◆ Salz und Pfeffer
- ◆ 1 Eigelb

Zubereitung:

- 1) Nehmen Sie die Blätterteigplatten auseinander und lassen Sie sie gegebenenfalls auftauen.
- 2) Vermischen Sie den Frischkäse mit Salz, Pfeffer und dem Saft einer Zitrone.
- 3) Schneiden Sie die Zwiebel in feine Würfel.
- 4) Geben Sie die Hälfte des Lachses und die Zwiebeln zu der Frischkäsemasse und pürieren Sie alles grob mit einem Stabmixer.
- 5) Schneiden Sie den restlichen Lachs in feine Streifen.
- 6) Geben Sie den Lachs und den Dill zu der Masse hinzu und vermischen Sie alles.
- 7) Geben Sie je einen Esslöffel mit der Masse auf eine Blätterteigplatte und klappen Sie diese zusammen.
- 8) Bestreichen Sie die entstandene Tasche mit Eigelb.
- 9) Legen Sie die Blätterteigtaschen auf das Backblech **11**. Lassen Sie genügend Abstand zwischen den einzelnen Taschen, da der Blätterteig aufgeht.
- 10) Die Blätterteigtaschen auf der unteren Schiene bei ca. 230°C Ober- und Unterhitze ca. 25-30 Minuten backen lassen. Der Blätterteig sollte sich leicht braun färben.

### HINWEIS

Die angegebene Menge reicht für mehrere Backbleche **11**.

## Table des matières

<b>Introduction</b> .....	<b>42</b>
<b>Usage conforme</b> .....	<b>42</b>
<b>Matériel livré</b> .....	<b>42</b>
<b>Description de l'appareil</b> .....	<b>42</b>
<b>Caractéristiques techniques</b> .....	<b>42</b>
<b>Consignes de sécurité</b> .....	<b>43</b>
<b>Installation</b> .....	<b>46</b>
<b>Utilisation de l'appareil</b> .....	<b>46</b>
Porte vitrée.....	46
Insérer le tiroir ramasse-miettes.....	46
Utiliser le tournebroche.....	47
Utiliser le plateau/la grille.....	48
<b>Avant la première utilisation</b> .....	<b>48</b>
<b>Utilisation de l'appareil</b> .....	<b>49</b>
Commutateur de fonctions.....	49
Thermostat.....	49
Minuterie.....	49
<b>Grillade et cuisson</b> .....	<b>49</b>
<b>Grillade avec tournebroche</b> .....	<b>50</b>
<b>Nettoyage et entretien</b> .....	<b>52</b>
<b>Entreposage</b> .....	<b>52</b>
<b>Dépannage</b> .....	<b>53</b>
<b>Mise au rebut</b> .....	<b>54</b>
<b>Garantie pour KompernassHandels GmbH pour la Belgique</b> .....	<b>54</b>
<b>Garantie pour Kompernass Handels GmbH pour la France</b> .....	<b>55</b>
<b>Service après-vente</b> .....	<b>57</b>
<b>Importateur</b> .....	<b>57</b>
<b>Recettes</b> .....	<b>58</b>

## Introduction

Toutes nos félicitations pour l'achat de votre nouvel appareil.

Ainsi, vous venez d'opter pour un produit de grande qualité. Le mode d'emploi fait partie de ce produit. Il contient des remarques importantes concernant la sécurité, l'usage et la mise au rebut. Avant l'usage du produit, veuillez vous familiariser avec toutes les consignes d'utilisation et de sécurité. N'utilisez le produit que conformément aux consignes et pour les domaines d'utilisation prévus. Si vous cédez le produit à un tiers, remettez-lui également tous les documents.

## Usage conforme

Le four grill automatique sert exclusivement à réchauffer, cuire et griller des aliments.

Cet appareil est exclusivement réservé à un usage domestique. Évitez de l'utiliser à des fins professionnelles.

Toute autre utilisation est considérée comme non conforme et peut entraîner des dommages matériels, voire des accidents.

## Matériel livré

- ◆ Mini-four/grill
- ◆ 1 plateau
- ◆ 1 grille
- ◆ 2 pinces
- ◆ Tournebroche avec 2 bornes
- ◆ 1 tiroir ramasse-miettes
- ◆ Mode d'emploi

### REMARQUE

Contrôlez le matériel livré directement après avoir procédé au déballage afin de vous assurer que tout est complet et que rien n'a été endommagé. Si nécessaire, veuillez vous adresser au service après-vente.

## Description de l'appareil

Figure A :

- ❶ Entraînement
- ❷ Thermostat
- ❸ Commutateur de fonction
- ❹ Minuterie
- ❺ Voyant de contrôle
- ❻ Porte vitrée
- ❼ Tiroir ramasse-miettes installé
- ❽ Barreaux chauffants inférieurs
- ❾ Logement du tournebroche

Figure B :

- ❿ Pince (pour plateau et grille)
- ⓫ Plateau
- ⓬ Pince (pour tournebroche)
- ⓭ Grille
- ⓮ Dispositif de blocage
- ⓯ Bornes du tournebroche
- ⓰ Tournebroche

## Caractéristiques techniques

Tension nominale : 220 - 240 V ~  
(courant alternatif),  
50/60 Hz


Puissance absorbée : 1500 W



Tous les éléments de cet appareil, entrant en contact avec les aliments sont approuvés pour le contact alimentaire.

## Consignes de sécurité

### **DANGER - RISQUE D'ÉLECTROCUTION !**

- ▶ Il est interdit d'ouvrir ou de réparer le boîtier de l'appareil. Dans ce cas, la sécurité n'est plus assurée et vous perdez le bénéfice de la garantie. Confiez la réparation d'un appareil défectueux uniquement au revendeur ou à un technicien spécialisé.
  - ▶ Si le cordon d'alimentation de cet appareil est endommagé, il doit être remplacé par le fabricant, son service après-vente ou une personne de qualification similaire afin d'éviter tout risque.
  - ▶ Ne laissez pas pénétrer de liquide dans le boîtier de l'appareil. Il est interdit d'exposer l'appareil à l'humidité et de l'utiliser à l'extérieur. Éviter également de poser l'appareil sur des récipients contenant un liquide (vases, etc.). Risque d'incendie ou d'électrocution ! Si toutefois du liquide devait pénétrer dans le boîtier de l'appareil, débranchez immédiatement la fiche de la prise de courant et confiez l'appareil à un atelier spécialisé pour vérification.
  - ▶ Ne saisissez jamais l'appareil, le cordon ou la fiche avec des mains humides. Risque d'électrocution.
-  Ne plongez jamais l'appareil dans de l'eau ou d'autres liquides ! Il y a danger de mort par électrocution si des restes de liquide entrent en contact avec des pièces sous tension pendant le fonctionnement.

## **⚠ ATTENTION – RISQUE DE BLESSURE !**

- ▶ Cet appareil peut être utilisé par des enfants à partir de 8 ans et par des personnes ayant des capacités physiques, sensorielles ou mentales réduites ou un manque d'expérience et de connaissances à condition qu'elles soient surveillées ou qu'elles aient été instruites concernant l'utilisation en toute sécurité de l'appareil et qu'elles aient compris les dangers encourus.
- ▶ Ne pas laisser les enfants jouer avec l'appareil.
- ▶ Le nettoyage et la maintenance réalisés par l'utilisateur ne doivent pas être effectués par des enfants à moins qu'ils soient âgés de plus de 8 ans et surveillés.
- ▶ Éloignez l'appareil et son cordon de raccordement des enfants âgés de moins de 8 ans.
- ▶ Acheminez le cordon d'alimentation de telle manière que personne ne puisse marcher ou trébucher dessus.
- ▶ Ne touchez jamais la porte vitrée ou le boîtier en cours d'utilisation car ils peuvent devenir très chauds. Pour ouvrir la porte vitrée, utilisez une manique ou une protection similaire pour éviter les brûlures !
- ▶ Ne touchez jamais les barreaux chauffants ou la vitre en cours d'opération : attendre que l'appareil soit refroidi. Ne pas mettre la main dans l'enceinte de cuisson en cours d'opération. Attendre que l'appareil soit refroidi. Sinon risque de brûlure.
- ▶ Laissez d'abord l'appareil refroidir avant de le transporter.
- ▶ Utilisez toujours des gants ou des maniques lorsque vous manipulez l'appareil chaud.



Attention ! Surface brûlante !

**ATTENTION – DÉGÂTS MATÉRIELS !**

- ▶ N'utilisez pas de minuterie externe ni de dispositif de commande à distance séparé pour opérer l'appareil.
- ▶ Ne laissez jamais l'appareil sans surveillance en cours d'opération.
- ▶ Assurez-vous que l'appareil, le cordon d'alimentation ou la fiche secteur n'entrent pas en contact avec des sources chaudes telles que des plaques de cuisson ou des flammes nues.
- ▶ Opérez l'appareil uniquement avec les accessoires d'origine fournis.
- ▶ Ne pas tordre, ni plier, ni écraser le cordon d'alimentation.
- ▶ Pour retirer le cordon d'alimentation, toujours prendre soin de retirer la fiche de la prise et ne pas tirer sur le cordon.
- ▶ Éviter toute présence de matériau inflammable à proximité immédiate de l'appareil lorsqu'il est en marche (chiffon, manique, etc.).
- ▶ Ne jamais utiliser l'appareil pour sécher des textiles ou un objet quelconque, que ce soit en posant l'objet à sécher sur ou dans l'appareil. Danger d'incendie !

**REMARQUE**

- ▶ Aucune action de la part de l'utilisateur n'est nécessaire pour passer le produit de 50 à 60 Hz. Le produit est à la fois adapté à 50 et à 60 Hz.



## Installation

### **⚠ AVERTISSEMENT ! RISQUE D'INCENDIE !**

- ▶ N'installez jamais l'appareil sous des armoires suspendues ou à côté de rideaux, de parois d'armoire ou d'autres objets inflammables.
- ▶ La distance entre l'appareil et les armoires suspendues, plafonds, murs latéraux ou autres doit être d'au moins 10 cm en hauteur et 5 cm de chaque côté. Ne pas installer l'appareil dans un buffet, une armoire ou tout espace confiné. En effet, il faut disposer d'un espace libre suffisant autour de l'appareil pour la ventilation (sinon risque de surchauffe ou d'incendie).
- ▶ N'installez l'appareil que sur un support résistant à la chaleur. Sinon, il y a un risque d'incendie et de mise hors service de l'appareil. La zone située sous le fond de l'appareil peut décolorer et être endommagée. D'autre part éviter d'installer le mini-four sur un support en matériau souple, ce qui risquerait de laisser des marques.

### **⚠ DANGER - RISQUE D'ÉLECTROCUTION !**

- ▶ Ne pas mettre l'appareil à proximité immédiate d'eau, par ex. dans un évier, une baignoire ou dans des caves humides. Sinon, il y a un risque d'électrocution.
- Posez l'appareil sur un support stable, plat et résistant à la chaleur (par ex. plans de travail en inox ou plans de travail en pierre naturelle comme le granit). Vérifiez qu'il y a un espace suffisant autour de l'appareil pour la ventilation.
- Poussez l'appareil le dos contre le mur. Les écarteurs au dos doivent toucher le mur. Veillez à ce que le mur soit composé d'un matériau résistant à la chaleur, par ex. carrelage, pierre naturelle ou granit.
- Nettoyez toutes les pièces, comme indiqué au chapitre «Nettoyage et entretien».

## Utilisation de l'appareil

### Porte vitrée

#### **ATTENTION ! RISQUE DE DÉGÂTS MATÉRIELS !**

- ▶ Ne pas prendre appui sur la porte vitrée **6**. De même, ne pas mettre d'objet sur la porte vitrée **6**. Risque de dommage sur les charnières.
- Des fumées peuvent apparaître lors de la cuisson de préparations ayant une forte teneur en corps gras. Dans ce cas, ne pas fermer complètement la porte vitrée **6**, mais laisser entrouvert : la porte vitrée **6** a une position de crantage qui lui permet de rester entrouverte : en refermant la porte vitrée **6** doucement, celle-ci présente une légère résistance sur cette position avant fermeture complète.
- Lors de la déshydratation de fruits également, pour obtenir des fruits secs, la porte vitrée **6** doit rester en position de crantage pour que l'humidité puisse s'échapper et que les fruits sèchent mieux.

### Insérer le tiroir ramasse-miettes

- Glissez le tiroir ramasse-miettes **7** sous les barreaux chauffants inférieurs **8**, de sorte qu'il repose à plat sur le fond de l'appareil. Vous pouvez utiliser le côté le plus relevé et courbé comme poignée. Le côté qui n'est pas aussi relevé doit être glissé le premier en avant dans l'appareil.

## Utiliser le tournebroche

### ⚠ AVERTISSEMENT ! RISQUE DE BLESSURES !

- ▶ Utilisez toujours la pince **12** pour insérer ou retirer le tournebroche chaud **16** dans l'appareil.
- Avec les deux bornes du tournebroche **15**, vous pouvez fixer les aliments à griller sur le tournebroche **16**.  
Desserrez le dispositif de blocage **14** sur les bornes du tournebroche **15**, poussez celui-ci de telle sorte que les aliments à griller soient bien serrés entre les deux et vissez à nouveau le dispositif de blocage **14** fermement.
- Glissez d'abord l'extrémité du tournebroche **16** sans rainure dans l'entraînement **1** (fig. 1) :

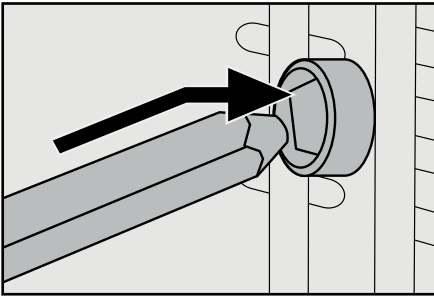


Fig. 1 : Glissez le tournebroche **16** dans l'entraînement **1**.

- Posez ensuite l'autre extrémité du tournebroche **16** avec la rainure profonde dans le logement du tournebroche **9** (fig. 2) :

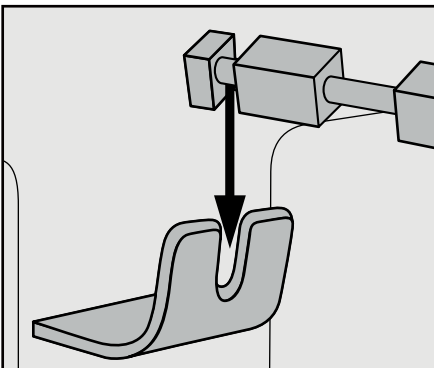


Fig. 2 : Poser le tournebroche **16** dans le logement du tournebroche **9**

## REMARQUE

- ▶ Glissez toujours le plateau **11** dans la glissière inférieure lorsque vous utilisez le tournebroche **16**. Les liquides qui tombent sont ainsi récupérés.
- Pour retirer le tournebroche chaud **16**, saisissez-le avec le crochet situé à l'extrémité de la pince **12** dans les rainures du tournebroche **16** (fig. 3) :

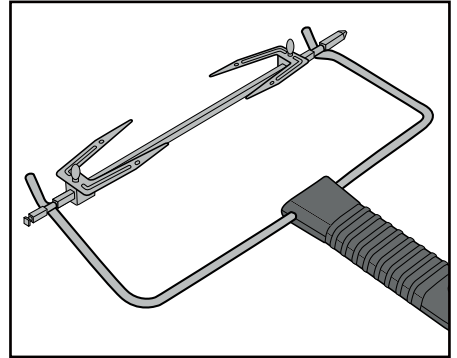


Fig. 3 : Accrochage de la pince **12** avec le tournebroche **16**

- Soulevez d'abord le côté gauche du tournebroche **16** du logement du tournebroche **9** et retirez ensuite le tournebroche **16** de l'entraînement **1**.

## Utiliser le plateau/la grille

### ⚠ AVERTISSEMENT ! RISQUE DE BLESSURES !

- ▶ Utilisez toujours la pince 10 pour insérer ou retirer le plateau 11 chaud/la grille 13 chaude dans l'appareil.
- Glissez le plateau 11/la grille 13 dans l'une des 3 glissières de l'enceinte de cuisson de l'appareil.

### ATTENTION ! RISQUE DE DÉGÂTS MATÉRIELS !

- ▶ Ne posez jamais le plateau 11/la grille 13 directement sur les barreaux chauffants 8.
- Afin de pouvoir retirer le plateau 11 chaud ou la grille 13 accrochez la pince 10 comme suit :

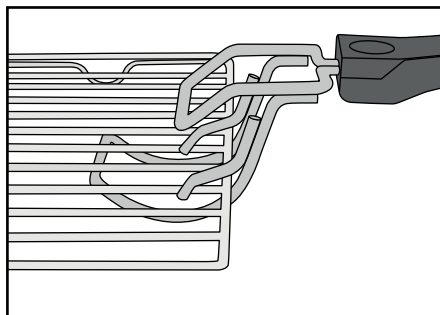


Fig. 4 : Accrochage de la pince 10 avec la grille 13

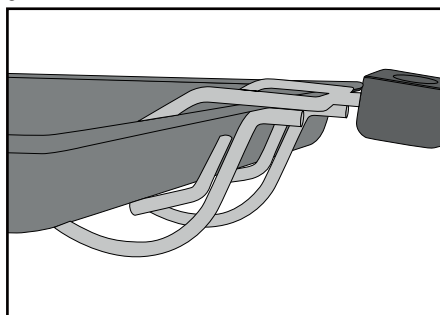



Fig. 5 : Accrochage de la pince 10 avec le plateau 11.

## Avant la première utilisation

- 1) Branchez la fiche secteur dans une prise secteur.
- 2) Réglez le thermostat 2 à la température la plus élevée, en allant jusqu'à la butée dans le sens des aiguilles d'une montre.
- 3) Tournez le commutateur de fonctions 3 sur «Chaleur haut + bas» .
- 4) Ouvrez la porte vitrée 6 et laissez-la ouverte pour ce processus.
- 5) Retirez éventuellement les accessoires insérés de l'enceinte de cuisson.
- 6) Réglez la minuterie 4 sur 20 minutes.

### REMARQUE

- ▶ Lorsque vous faites chauffer l'appareil pour la première fois, les résidus de fabrication peuvent entraîner une légère formation de fumée ou d'odeur. Ce phénomène est tout à fait normal et sans risque. Assurez une aération suffisante, en ouvrant une fenêtre par exemple.

L'appareil s'éteint automatiquement après 20 minutes.

Si vous voulez interrompre prématurément le processus de chauffage, réglez le thermostat 2 jusqu'à la butée dans le sens inverse des aiguilles d'une montre et mettez la minuterie 4 sur «OFF».






- 7) Laissez l'appareil refroidir et nettoyez l'appareil tel que stipulé au chapitre «Nettoyage et entretien».

L'appareil est maintenant prêt à l'emploi.

## Utilisation de l'appareil

### Commutateur de fonctions

Sur le commutateur de fonctions **3** vous pouvez mettre l'appareil en marche et régler 5 fonctions différentes :

Symbole	Signification
	«Chaleur bas», par ex. pour faire de la pâtisserie
	«Chaleur haut», par ex. pour faire gratiner
	«Chaleur haut + bas» par ex. pour cuire des pizzas
	«Chaleur haut/ chaleur tournante/ tournebroche» par ex. pour griller de la volaille
	«Chaleur haut + bas/ chaleur tournante» par ex. pour réchauffer des petits pains
OFF	«OFF» l'appareil est éteint


### Thermostat

Sur le thermostat **2**, vous pouvez régler la température désirée

### Minuterie

La minuterie **4** vous permet d'allumer l'appareil / de régler le temps de cuisson :

- Mettez la minuterie **4** sur le temps de cuisson désiré. A la fin de la durée programmée, un signal sonore retentit et l'appareil arrête de chauffer.

Dans le cas où la fonction «Chaleur haut/chaleur tournante/tournebroche»  est sélectionnée, la rotation du tournebroche **16** s'arrête.

- Si vous souhaitez utiliser l'appareil sans limitation de temps, tournez le sélecteur de la minuterie **4** dans le sens antihoraire sur la position «ON».

### Grillade et cuisson

- 1) Posez le tiroir ramasse-miettes **7** dans l'appareil.
- 2) Retirez la grille **15** et le plateau **11** de l'appareil. Disposez le cas échéant une feuille de papier sulfurisé ou enduisez le plateau **11** de graisse adaptée à la cuisson.

### REMARQUE

- Selon le plat, le four doit être préchauffé. Tenez-vous en aux directives dans chaque recette. Le préchauffage est utile dans tous les cas pour :
  - les temps de cuisson très courts,
  - les croûtes croustillantes,
  - les plats sensibles qui nécessitent une température constante, tels que les soufflés.
- Si aucun préchauffage n'est nécessaire, passez à l'étape d'action 3.

- 3) Mettez l'appareil en chauffe 10 minutes environ (selon le réglage de température) jusqu'à la température souhaitée :
  - Sélectionnez la température souhaitée avec le thermostat **2**.
  - Ensuite, sélectionnez la fonction désirée à l'aide du commutateur de fonctions **3**.

## REMARQUE

- ▶ Si vous sélectionnez la fonction à chaleur tournante, un préchauffage du grill et de l'enceinte de cuisson est en général inutile.
    - Réglez la minuterie **4** sur le temps de préchauffage (environ 10 minutes).
    - Refermez la porte vitrée **6**.
- 4) Le délai écoulé, mettre le plat ou la préparation sur la grille **13** ou le plateau **11** et mettre en place dans l'une des glissières du four. Vérifiez qu'il y a un espace suffisant entre le plat et les parois du four d'une part, et les barreaux chauffants d'autre part.

## REMARQUE

- ▶ Si vous préparez des aliments qui gouttent fortement sur la grille **13**, alors faites glisser le plateau **11** dans la glissière inférieure. La graisse qui s'égoutte est récupérée et l'appareil est ensuite plus facile à nettoyer.
- 5) Refermez la porte vitrée **6** avant de lancer la cuisson.
- 6) Réglez la minuterie **4** sur le temps de gril ou de cuisson souhaité. Le temps de gril ou de cuisson maximal réglable avec la minuterie **4** est de 120 minutes. Vous pouvez également régler la minuterie **4** sur la position «ON» pour utiliser l'appareil sans limitation de durée.

## REMARQUE

- ▶ Lorsque le temps de cuisson pour la préparation du plat est inférieure à 20 minutes, mettre la minuterie **4** d'abord sur 40 minutes, puis sur le temps de cuisson normalement prévu.

Le voyant de contrôle **5** indique que l'appareil est allumé. Si vous utilisez l'appareil avec un temps de cuisson pré-réglé, le sélecteur de la minuterie **4** revient ensuite lentement sur la position «OFF».

L'appareil s'éteint automatiquement au bout du temps réglé, un signal sonore retentit et le voyant de contrôle **5** s'éteint.

## REMARQUE

Si vous voulez interrompre prématurément le processus de chauffage, réglez le thermostat **2** jusqu'à la butée dans le sens inverse des aiguilles d'une montre et mettez la minuterie **4** sur «OFF».


- 7) Si vous n'utilisez pas l'appareil avec un temps de cuisson pré-réglé, réglez la minuterie **4** sur «OFF» lorsque vous souhaitez terminer l'opération de chauffe.
- 8) Après le processus de chauffage, retirez la grille **13** ou le plateau **11** à l'aide de la pince **10**.
- 9) Réglez le commutateur de fonctions **3** sur «OFF».

## Grillade avec tournebroche

- 1) Posez le tiroir ramasse-miettes **7** dans l'appareil.
- 2) S'il est installé, retirez le tournebroche **16** de l'appareil.
- 3) Glissez le plateau **11** dans la glissière inférieure.
- 4) Fixez les aliments à griller aux bornes du tournebroche **16**. Assurez-vous que les aliments à griller peuvent tourner librement dans l'enceinte de cuisson sans toucher l'enceinte de cuisson. Il peut arriver que le tournebroche **16** change de sens de rotation lorsque les aliments à griller butent contre une résistance. Les deux rainures qui se trouvent sur le tournebroche **16** doivent rester librement accessibles sans quoi il est impossible de saisir le tournebroche **16** avec la pince **12**.
- 5) Fixez le tournebroche **16** dans l'enceinte de cuisson (voir chapitre «Utilisation du tournebroche»).
- 6) Refermez la porte vitrée **6**.

## REMARQUE

Si vous voulez interrompre prématurément le processus de chauffage, réglez le thermostat **2** jusqu'à la butée dans le sens inverse des aiguilles d'une montre et mettez la minuterie **4** sur «OFF».

- 7) Réglez la température désirée sur le thermostat **2**.
- 8) Réglez le commutateur de fonction **3** sur «Chaleur haut/chaleur tournante/tournebroche» .
- 9) Réglez la durée de gril souhaitée sur la minuterie **4** si vous le désirez. Vous pouvez également régler la minuterie **4** sur la position «ON» pour utiliser l'appareil sans limitation de durée.  
L'appareil démarre le gril et le tournebroche **16** tourne.

Le voyant de contrôle **5** indique que l'appareil est allumé. Si vous utilisez l'appareil avec un temps de cuisson pré-réglé, le sélecteur de la minuterie **4** revient ensuite lentement vers la position «OFF».

L'appareil s'éteint automatiquement au bout du temps réglé, un signal sonore retentit et le voyant de contrôle **5** s'éteint.

## REMARQUE



Si vous voulez interrompre prématurément le processus de chauffage, réglez le thermostat **2** jusqu'à la butée dans le sens inverse des aiguilles d'une montre et mettez la minuterie **4** sur «OFF».

- 10) Si vous n'utilisez pas l'appareil avec un temps de cuisson pré-réglé, réglez la minuterie **4** sur «OFF» lorsque vous souhaitez terminer l'opération de chauffe.
- 11) Une fois la cuisson finie, retirez le tournebroche **16** à l'aide de la pince **12**.
- 12) Réglez le commutateur de fonctions **3** sur «OFF».

## EXEMPLE POULET GRILLÉ

### Ingrédients

- ◆ Poulet à griller (env. 1,3 kg, éviscéré)
- ◆ Épices (sel, poivre)
- ◆ Huile de cuisson

- 1) Assaisonnez le poulet à griller à l'intérieur et à l'extérieur avec du sel et du poivre. Badigeonnez-le en surface d'huile de cuisson résistante à la chaleur.
- 2) Glissez le poulet à griller sur la broche **16** et fixez-la aux bornes du tournebroche **15**. Assurez-vous que les rainures sur le tournebroche **16** restent dégagées afin que vous puissiez attraper le tournebroche **16** à l'aide de la pince **12**. Selon la forme du poulet à griller, il est nécessaire de fixer les ailes et les cuisses avec une ficelle de liage réfractaire afin que celles-ci ne heurtent pas le four en tournant.
- 3) Glissez le plateau **11** dans la glissière inférieure.
- 4) Préchauffez l'appareil env. 10 minutes avec la fonction «Chaleur haut + bas/chaleur tournante»  sur 230°C.
- 5) Insérez le poulet à griller sur le tournebroche à l'aide de la pince **12** dans l'appareil.
- 6) Réglez le commutateur de fonctions sur «Chaleur haut/chaleur tournante/tournebroche»  et fermez la porter.
- 7) Réglez la minuterie **4** sur env. 80 minutes. Le temps de cuisson peut varier selon la taille et la nature du poulet à griller.
- 8) Arrosez le poulet grillé de temps en temps avec un peu d'huile de cuisson. Ainsi, il sera croustillant.
- 9) Lorsque la durée programmée est écoulée, retirez la broche du poulet grillé doucement avec la pince **12**. Desserrez les bornes du tournebroche **15** et retirez le poulet du tournebroche **16**.

## Nettoyage et entretien

### **⚠ DANGER - RISQUE D'ÉLECTROCUTION !**

- ▶ Avant chaque nettoyage, retirez la fiche secteur de la prise secteur !  
Risque d'électrocution !
- ⚡ Ne plongez jamais l'appareil dans de l'eau ou d'autres liquides !

### **⚠ AVERTISSEMENT ! RISQUE DE BLESSURES !**

- ▶ Laissez toujours refroidir l'appareil avant de le nettoyer. Sinon, il y a un risque de blessures !
- Nettoyez l'appareil et les accessoires le plus tôt possible après le refroidissement. Les restes alimentaires peuvent ensuite être enlevés plus facilement.

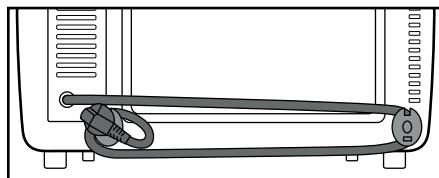
### **ATTENTION ! RISQUE DE DÉGÂTS MATÉRIELS !**

- ▶ N'utilisez pas de produit nettoyant abrasif ou agressif. Ceux-ci peuvent en effet endommager la surface !
- ▶ Ne nettoyez pas les pièces de l'appareil dans le lave-vaisselle !
- ▶ Ne nettoyez pas l'enceinte de cuisson avec un spray pour four, étant donné que les résidus ne peuvent plus être enlevés sur les barreaux chauffants.

- Essuyez l'appareil avec un chiffon humide. Si nécessaire, ajoutez du produit vaisselle doux sur le chiffon et rincez avec un chiffon humidifié à l'eau claire. Bien sécher le tout.
- Nettoyez l'enceinte de cuisson et la porte vitrée **6** à l'aide d'un chiffon humidifié. Si nécessaire, ajoutez du produit vaisselle doux sur le chiffon et rincez avec un chiffon humidifié à l'eau claire. Bien sécher le tout.
- Nettoyez les pinces **10/12**, le tournebroche **16**, les bornes du tournebroche **15**, le dispositif de blocage **14**, le plateau **11**, la grille **15** et le tiroir ramasse-miettes **7** dans de l'eau chaude savonneuse. Veillez à bien sécher toutes les pièces après le nettoyage.

## Entreposage

- Vous pouvez enrouler le cordon d'alimentation autour de l'espaceur au dos de l'appareil et fixer le connecteur à un espaceur :



- Conservez l'appareil nettoyé et ses accessoires dans un endroit sec, propre et exempt de poussières.

## Dépannage

Défaut	Cause	Solution
L'appareil ne fonctionne pas.	La fiche secteur n'est pas raccordée au réseau électrique.	Branchez la fiche secteur dans une prise secteur.
	La prise secteur est défectueuse.	Utilisez une autre prise secteur.
	L'appareil est défectueux.	Adressez-vous au service après-vente.
Le voyant de contrôle ⑤ est allumé mais l'appareil ne chauffe pas.	Le commutateur de fonctions ③ est sur OFF.	Tournez le commutateur de fonctions ③ sur la fonction souhaitée.
Le temps de cuisson des plats semble très long.	La porte vitrée ⑥ a été ouverte très souvent pour contrôler l'avancée de la cuisson.	N'ouvrez pas la porte vitrée ⑥ plus souvent qu'il n'est absolument nécessaire.
	Une mauvaise température est réglée.	Vérifiez les réglages de température.
Pendant l'utilisation, il se forme de la fumée et des odeurs.	Des résidus de nettoyage ou des restes alimentaires se trouvent sur les barreaux chauffants.	Retirez les aliments de l'appareil et poursuivez la cuisson avec la porte vitrée ouverte ⑥ jusqu'à ce que les fumées disparaissent.

Si vous ne parvenez pas à remédier aux pannes à l'aide des indications données ci-dessus ou si vous constatez d'autres types de pannes, veuillez vous adresser à notre service après-vente.



## Mise au rebut



Le symbole ci-contre, d'une poubelle barrée sur roues, indique que cet appareil doit respecter la directive 2012/19/EU. Cette directive stipule que vous ne devez pas éliminer cet appareil en fin de vie avec les ordures ménagères, mais le rapporter aux points de collecte, aux centres de recyclage ou aux entreprises de gestion des déchets spécialement équipés à cet effet.

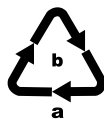
**Ce recyclage est gratuit. Respectez l'environnement et recyclez en bonne et due forme.**



Renseignez-vous auprès de votre commune pour connaître les possibilités de mise au rebut de votre appareil usagé.



Le produit recyclable doit être trié et rapporté dans un point de collecte pour être recycle.



Éliminez l'emballage d'une manière respectueuse de l'environnement. Observez le marquage sur les différents matériaux d'emballage et triez-les séparément si nécessaire. Les matériaux d'emballage sont repérés par des abréviations (a) et des numéros (b) qui ont la signification suivante : 1-7 : Plastiques, 20-22 : Papier et carton, 80-98 : Matériaux composites



L'emballage est réalisé à l'aide de matériaux écologiques qu'il est possible de confier aux centres de recyclage proches de chez vous.

## Garantie pour Kompernass Handels GmbH pour la Belgique

Chère cliente, cher client,

Cet appareil est garanti 3 ans à partir de la date d'achat. Si ce produit venait à présenter des vices, vous disposez de droits légaux face au vendeur de ce produit. Vos droits légaux ne sont pas restreints par notre garantie présentée ci-dessous.

### Conditions de garantie

La période de garantie débute à la date d'achat. Veuillez bien conserver le ticket de caisse. Celui-ci servira de preuve d'achat.

Si dans un délai de trois ans suivant la date d'achat de ce produit, un vice de matériel ou de fabrication venait à apparaître, le produit sera réparé, remplacé gratuitement par nos soins ou le prix d'achat remboursé, selon notre choix. Cette prestation sous garantie nécessite, dans le délai de trois ans, la présentation de l'appareil défectueux et du justificatif d'achat (ticket de caisse) ainsi que la description brève du vice et du moment de son apparition.

Si le vice est couvert par notre garantie, vous recevrez le produit réparé ou un nouveau produit en retour. Aucune nouvelle période de garantie ne débute avec la réparation ou l'échange du produit.

### Période de garantie et réclamation légale pour vices cachés

L'exercice de la garantie ne prolonge pas la période de garantie. Cette disposition s'applique également aux pièces remplacées ou réparées. Les dommages et vices éventuellement déjà présents à l'achat doivent être signalés immédiatement après le déballage. Toute réparation survenant après la période sous garantie fera l'objet d'une facturation.

## Étendue de la garantie

L'appareil a été fabriqué avec soin conformément à des directives de qualité strictes et consciencieusement contrôlé avant sa livraison.

La prestation de la garantie s'applique aux vices de matériel et de fabrication. Cette garantie ne s'étend pas aux pièces du produit qui sont exposées à une usure normale et peuvent de ce fait être considérées comme pièces d'usure, ni aux détériorations de pièces fragiles, par ex. interrupteurs, batteries ou pièces en verre.

Cette garantie devient caduque si le produit est détérioré, utilisé ou entretenu de manière non conforme. Toutes les instructions listées dans le manuel d'utilisation doivent être exactement respectées pour une utilisation conforme du produit. Des buts d'utilisation et actions qui sont déconseillés dans le manuel d'utilisation, ou dont vous êtes avertis doivent également être évités.

Le produit est uniquement destiné à un usage privé et ne convient pas à un usage professionnel. La garantie est annulée en cas d'entretien incorrect et inapproprié, d'usage de la force et en cas d'intervention non réalisée par notre centre de service après-vente agréé.

## Procédure en cas de garantie

Afin de garantir un traitement rapide de votre demande, veuillez suivre les indications suivantes :

- Veuillez avoir à portée de main pour toutes questions le ticket de caisse et la référence article (IAN) 390044\_2201 en tant que justificatif de votre achat.
- Vous trouverez la référence sur la plaque signalétique sur le produit, une gravure sur le produit, sur la page de garde du mode d'emploi (en bas à gauche) ou sur l'autocollant au dos ou sur le dessous du produit.
- Si des erreurs de fonctionnement ou d'autres vices venaient à apparaître, veuillez d'abord contacter le département service clientèle cité ci-dessous par **téléphone** ou par **e-mail**.

- Vous pouvez ensuite retourner un produit enregistré comme étant défectueux en joignant le ticket de caisse et en indiquant en quoi consiste le vice et quand il est survenu, sans devoir l'affranchir à l'adresse de service après-vente communiquée.



Sur [www.lidl-service.com](http://www.lidl-service.com), vous pourrez télécharger ce mode d'emploi et de nombreux autres manuels, vidéos produit et logiciels d'installation.

Grâce à ce code QR, vous arriverez directement sur le site Lidl service après-vente ([www.lidl-service.com](http://www.lidl-service.com)) et vous pourrez ouvrir votre mode d'emploi en saisissant votre référence (IAN) 390044\_2201.

## Garantie pour Kompernass Handels GmbH pour la France

Chère cliente, cher client,

Cet appareil est garanti 3 ans à partir de la date d'achat. Si ce produit venait à présenter des vices, vous disposez de droits légaux face au vendeur de ce produit. Vos droits légaux ne sont pas restreints par notre garantie présentée ci-dessous.

## Conditions de garantie

La période de garantie débute à la date d'achat. Veuillez bien conserver le ticket de caisse. Celui-ci servira de preuve d'achat.

Si dans un délai de trois ans suivant la date d'achat de ce produit, un vice de matériel ou de fabrication venait à apparaître, le produit sera réparé, remplacé gratuitement par nos soins ou le prix d'achat remboursé, selon notre choix. Cette prestation sous garantie nécessite, dans le délai de trois ans, la présentation de l'appareil défectueux et du justificatif d'achat (ticket de caisse) ainsi que la description brève du vice et du moment de son apparition.

Si le vice est couvert par notre garantie, vous recevrez le produit réparé ou un nouveau produit en retour. Aucune nouvelle période de garantie ne débute avec la réparation ou l'échange du produit.

## Période de garantie et réclamation légale pour vices cachés

L'exercice de la garantie ne prolonge pas la période de garantie. Cette disposition s'applique également aux pièces remplacées ou réparées. Les dommages et vices éventuellement déjà présents à l'achat doivent être signalés immédiatement après le déballage. Toute réparation survenant après la période sous garantie fera l'objet d'une facturation.

## Étendue de la garantie

L'appareil a été fabriqué avec soin conformément à des directives de qualité strictes et consciencieusement contrôlé avant sa livraison.

La prestation de la garantie s'applique aux vices de matériel et de fabrication. Cette garantie ne s'étend pas aux pièces du produit qui sont exposées à une usure normale et peuvent de ce fait être considérées comme pièces d'usure, ni aux détériorations de pièces fragiles, par ex. interrupteurs, batteries ou pièces en verre.

Cette garantie devient caduque si le produit est détérioré, utilisé ou entretenu de manière non conforme. Toutes les instructions listées dans le manuel d'utilisation doivent être exactement respectées pour une utilisation conforme du produit. Des buts d'utilisation et actions qui sont déconseillés dans le manuel d'utilisation, ou dont vous êtes avertis doivent également être évités.

Le produit est uniquement destiné à un usage privé et ne convient pas à un usage professionnel. La garantie est annulée en cas d'entretien incorrect et inapproprié, d'usage de la force et en cas d'intervention non réalisée par notre centre de service après-vente agréé.

## Article L217-16 du Code de la consommation

Lorsque l'acheteur demande au vendeur, pendant le cours de la garantie commerciale qui lui a été consentie lors de l'acquisition ou de la réparation d'un bien meuble, une remise en état couverte par la garantie, toute période d'immobilisation d'au moins sept jours vient s'ajouter à la durée de la garantie qui restait à courir. Cette période court à compter de la demande d'intervention de l'acheteur ou de la mise à disposition pour réparation du bien en cause, si cette mise à disposition est postérieure à la demande d'intervention.

Indépendamment de la garantie commerciale souscrite, le vendeur reste tenu des défauts de conformité du bien et des vices rédhibitoires dans les conditions prévues aux articles L217-4 à L217-13 du Code de la consommation et aux articles 1641 à 1648 et 2232 du Code Civil.

## Article L217-4 du Code de la consommation

Le vendeur livre un bien conforme au contrat et répond des défauts de conformité existant lors de la délivrance. Il répond également des défauts de conformité résultant de l'emballage, des instructions de montage ou de l'installation lorsque celle-ci a été mise à sa charge par le contrat ou a été réalisée sous sa responsabilité.

## Article L217-5 du Code de la consommation

Le bien est conforme au contrat :

1° S'il est propre à l'usage habituellement attendu d'un bien semblable et, le cas échéant :

- s'il correspond à la description donnée par le vendeur et posséder les qualités que celui-ci a présentées à l'acheteur sous forme d'échantillon ou de modèle ;
- s'il présente les qualités qu'un acheteur peut légitimement attendre eu égard aux déclarations publiques faites par le vendeur, par le producteur ou par son représentant, notamment dans la publicité ou l'étiquetage ;

2° Ou s'il présente les caractéristiques définies d'un commun accord par les parties ou être propre à tout usage spécial recherché par l'acheteur, porté à la connaissance du vendeur et que ce dernier a accepté.

## Article L217-12 du Code de la consommation

L'action résultant du défaut de conformité se prescrit par deux ans à compter de la délivrance du bien.

## Article 1641 du Code civil

Le vendeur est tenu de la garantie à raison des défauts cachés de la chose vendue qui la rendent impropre à l'usage auquel on la destine, ou qui diminuent tellement cet usage que l'acheteur ne l'aurait pas acquise, ou n'en aurait donné qu'un moindre prix, s'il les avait connus.

## Article 1648 1er alinéa du Code civil

L'action résultant des vices rédhibitoires doit être intentée par l'acquéreur dans un délai de deux ans à compter de la découverte du vice.

Les pièces détachées indispensables à l'utilisation du produit sont disponibles pendant la durée de la garantie du produit.

## Procédure en cas de garantie

Afin de garantir un traitement rapide de votre demande, veuillez suivre les indications suivantes :

- Veuillez avoir à portée de main pour toutes questions le ticket de caisse et la référence article (IAN) 390044\_2201 en tant que justificatif de votre achat.
- Vous trouverez la référence sur la plaque signalétique sur le produit, une gravure sur le produit, sur la page de garde du mode d'emploi (en bas à gauche) ou sur l'autocollant au dos ou sur le dessous du produit.
- Si des erreurs de fonctionnement ou d'autres vices venaient à apparaître, veuillez d'abord contacter le département service clientèle cité ci-dessous par **téléphone** ou par **e-mail**.

- Vous pouvez ensuite retourner un produit enregistré comme étant défectueux en joignant le ticket de caisse et en indiquant en quoi consiste le vice et quand il est survenu, sans devoir l'affranchir à l'adresse de service après-vente communiquée.



Sur [www.lidl-service.com](http://www.lidl-service.com), vous pourrez télécharger ce mode d'emploi et de nombreux autres manuels, vidéos produit et logiciels d'installation.

Grâce à ce code QR, vous arriverez directement sur le site Lidl service après-vente ([www.lidl-service.com](http://www.lidl-service.com)) et vous pourrez ouvrir votre mode d'emploi en saisissant votre référence (IAN) 390044\_2201.

## Service après-vente

### FR Service France

Tel.: 0800 919270

E-Mail: [kompernass@lidl.fr](mailto:kompernass@lidl.fr)

### BE Service Belgique

Tel.: 0800 12089

E-Mail: [kompernass@lidl.be](mailto:kompernass@lidl.be)

IAN 390044\_2201

## Importateur

Veuillez tenir compte du fait que l'adresse suivante n'est pas une adresse de service après-vente. Veuillez d'abord contacter le service mentionné.

KOMPERNASS HANDELS GMBH

BURGSTRASSE 21

44867 BOCHUM

ALLEMAGNE

[www.kompernass.com](http://www.kompernass.com)

## Recettes

Ce chapitre vous présente quelques exemples de recettes. Ces exemples ne sont que des recommandations. Les temps de préparation peuvent varier.

Recettes sans garantie. Toutes les indications relatives aux ingrédients et aux préparations sont des valeurs approximatives. Complétez ces propositions de recette avec vos expériences personnelles.

Nous vous souhaitons beaucoup de réussite et un bon appétit.

### REMARQUE

Noter les conseils de préparation donnés sur les emballages des produits alimentaires.

## Muffins

Recette pour quatre personnes :

- ◆ 1 tasse de farine
- ◆ 1 cuillère à café de levure chimique
- ◆ 1 œuf
- ◆ 1 cuillère à soupe de beurre fondu
- ◆ 1 tasse de lait
- ◆ 3 c-à-s de sucre
- ◆ 1 pincée de sel
- ◆ et pour différentes variantes des noix, de la banane écrasée ou des flocons de chocolat

Préparation :

- 1) Mélanger lentement dans un bol à la file la farine, la levure, l'œuf, le lait, le sel et le sucre.
- 2) Fondre le beurre dans une casserole et le mélanger à la pâte.
- 3) Selon les goûts, ajouter des noix, de la banane écrasée ou des flocons de chocolat.
- 4) Mettre la pâte dans des moules à muffin typiques et les placer sur la plaque de cuisson ①.
- 5) Faire cuire à 220 °C à chaleur haut + bas pendant env. 15 minutes sur le rail inférieur.

## Toast Hawaii

Ingrédients pour 4 toasts :

- ◆ 4 tranches de toast
- ◆ 1 ou -2 cuillères à soupe de rémoulade
- ◆ 120 g de jambon blanc
- ◆ 1/2 boîte d'anasas
- ◆ 4 tranches de fromage pour gratiner
- ◆ Curry

Préparation :

- ◆ Préchauffer les tranches de toast.
- ◆ Puis mettre une fine couche de rémoulade et garnir avec le jambon.
- ◆ Placer respectivement une tranche d'anasas sur le toast. Assaisonner avec du curry.
- ◆ Puis disposer une tranche de fromage sur la tranche d'anasas.
- ◆ Mettre les toasts Hawaii sur la grille ⑬, mettre la grille dans la position supérieure et cuire environ 8 minutes à environ 200 °C à chaleur haut.

## Cuisson d'une pizza congelée

Préparation :

- ◆ Engager la grille ⑬ dans le rail supérieur de l'enceinte de cuisson et de grill.
- ◆ Placer la pizza congelée sans son emballage sur la grille ⑬.
- ◆ Cuire la pizza pendant environ 20 minutes à chaleur de voûte et de sole.
- ◆ Veuillez tenir compte des indications données sur l'emballage concernant la température.

## Biscuits sablés

Ingrédients :

- ◆ 125 g de beurre
- ◆ 125 g de sucre
- ◆ 1 paquet de sucre vanillé
- ◆ 1 pincée de sel
- ◆ 1 œuf
- ◆ 1 blanc d'œuf
- ◆ 250 g de farine (type 405)
- ◆ 1 cuillère à café de levure chimique
- ◆ Zeste râpé d'un demi-citron

Préparation :

- 1) Battre le beurre en mousse.
- 2) Ajouter le sucre, le sucre vanillé, le zeste de citron et les œufs.
- 3) Mélanger la farine, la levure chimique et le sel et les incorporer à la pâte à l'aide d'une cuillère en bois.
- 4) Laisser reposer la pâte environ 10 minutes.
- 5) Mettre la pâte dans le moule souhaité à l'aide d'un hachoir, d'emporte-pièces ou d'une poche à douille.
- 6) Placer les biscuits sablés sur la plaque de cuisson **11** recouverte de papier sulfurisé.
- 7) Faire cuire les biscuits sablés dans un four préchauffé à 180°C à chaleur haut + bas pendant 10-15 minutes environ sur le rail supérieur jusqu'à obtenir une belle couleur dorée.

### REMARQUE

La quantité de pâte suffit pour plusieurs plaques de cuisson **11**.

## Petits pains

Ingrédients :

- ◆ 300 g de farine (ou de farine complète)
- ◆ 2 bonnes cuillères à café de levure chimique
- ◆ 200 g de graines de lin
- ◆ 1 œuf
- ◆ 500 g de fromage blanc
- ◆ 1 cuillère à café de sel
- ◆ plus selon les goûts du cumin, des oignons, du lard ...

Préparation :

- 1) Bien pétrir le tout et former des petits pains.
- 2) Disposer les petits pains sur une plaque de cuisson **11** recouvert de papier sulfurisé.
- 3) Cuire à 200 °C environ à chaleur haut pendant 30 minutes sur le rail supérieur.

### REMARQUE

La quantité de pâte suffit pour plusieurs plaques de cuisson **11**.

## Meringue

Ingrédients :

- ◆ 1 blanc d'œuf
- ◆ Sel
- ◆ 45 g de sucre

Préparation :

- 1) Mettre le blanc d'œuf frais dans un saladier sans gras. Ne pas mélanger de jaune d'œuf, sinon le blanc d'œuf ne montera pas en neige.
- 2) Battre le blanc d'œuf doucement, pour éviter la formation de grosses bulles dans la neige.
- 3) Assaisonner avec une pincée de sel.
- 4) Ajouter à petites doses la moitié du sucre lorsque la neige commence à prendre de la consistance.
- 5) Puis fouetter plus énergiquement.
- 6) Ajouter le reste du sucre. La masse de meringue prend une consistance ferme.
- 7) Remplir de meringue dans une poche à douille avec un grand bec verseur et verser sur la plaque de cuisson ❶ recouvert de papier sulfurisé en formant des rosettes, des langues ou tout autre motif.
- 8) échauffer le mini four/grill à environ 100 °C avec la fonction chaleur tournante.
- 9) Faire cuire environ 2 heures les meringues en position supérieure dans le four à environ 100 °C, en chaleur tournante.

## Croûtons au beurre

Ingrédients :

- ◆ 2 tranches de toast. toa
- ◆ 1 CS de beurre

Préparation :

- 1) Coupez le toast en petits dés.
- 2) Faites fondre le beurre à feu doux dans une casserole et ajoutez les dés de toast.
- 3) Placez du papier sulfurisé sur la plaque de cuisson ❶ et répartissez-y les dés de toast de manière uniforme.
- 4) Faites cuire les dés de toast à env. 170 °C à chaleur haut sur le rail supérieur jusqu'à obtenir une jolie couleur dorée (env. 15 à 20 minutes).

### REMARQUE

Vous pouvez également utiliser du beurre aux herbes ou du beurre à l'ail au lieu de beurre nature. Le temps de cuisson se réduit alors d'env. 5 minutes.

### Baguettes à la viande hachée

Ingrédients :

- ◆ 2 petites baguettes
- ◆ 250 g de viande hachée  
(moitié porc et moitié veau)
- ◆ 2 tomates
- ◆ 1 oignon, coupé en dés
- ◆ 2 CS de concentré de tomates
- ◆ 40 g de parmesan râpé
- ◆ 4 tranches de fromage
- ◆ Sel et poivre

Préparation :

- 1) Coupez les baguettes en deux et retirez la mie.
- 2) Mélangez la viande hachée, le concentré de tomates, les oignons, le parmesan, un peu de sel et un peu de poivre.
- 3) Formez quatre boulettes de viande hachée de taille similaire, les plus plates possibles et posez-les sur les moitiés de baguettes.
- 4) Coupez la tomate en tranches et répartissez-la sur les baguettes.
- 5) Répartissez le fromage sur les baguettes.
- 6) Placez les baguettes sur la plaque de cuisson ① et faites-les cuire à env. 230°C à four préchauffé à chaleur haut+bas pendant env. 20 minutes sur le rail inférieur.

#### REMARQUE

N'hésitez pas à assaisonner la viande hachée à l'aide de basilic, de chili ou d'autres épices.

### Gratin de chou-fleur

Ingrédients :

- ◆ 1/2 tête de chou-fleur (env. 250 g)
- ◆ 3 tranches de citron
- ◆ 1 CS de beurre
- ◆ 1 CC bombée de farine
- ◆ 1 CS de jus de citron
- ◆ 1 CS d'amandes effilées
- ◆ 2 CS de fromage à gratin (râpé)
- ◆ Sel, poivre, noix de muscade

Préparation :

- 1) Détachez les bouquets du chou-fleur et lavez-les.
- 2) Faites cuire le chou-fleur avec les tranches de citron à l'eau bouillante salée pendant 8 à 10 minutes, jusqu'à ce que le chou-fleur soit bien ferme. Réservez env. 150 ml de l'eau de cuisson.
- 3) Faites fondre le beurre dans une casserole et réalisez un roux en remuant la farine constamment pendant env. 1 minute.
- 4) En remuant constamment, ajoutez l'eau de cuisson du chou-fleur et faites bouillir pendant env. 2 minutes. Si le roux devient trop ferme, ajoutez progressivement encore un peu d'eau jusqu'à obtenir une consistance veloutée. Assaisonner d'un jus de citron, de sel, de poivre et de noix de muscade.
- 5) Mettez le chou-fleur dans un moule à gratin (d'un diamètre d'env. 14 cm) et nappez-le uniformément de sauce.
- 6) Parsemez de fromage et d'amandes effilées.
- 7) Placez le moule à gratin sur une plaque de cuisson ①.
- 8) Faites cuire le gratin à env. 200°C à four préchauffé à chaleur haut+bas pendant env. 20 minutes sur le rail inférieur.



## Friands farcis au saumon

Ingrédients :

- ◆ 1 paquet de pâte feuilletée (env. 8 pièces)
- ◆ 1 paquet de saumon fumé en tranches (env. 200 g)
- ◆ 1 citron
- ◆ 1 oignon
- ◆ 1 paquet de fromage frais (200 g)
- ◆ De l'aneth fraîche
- ◆ Sel et poivre
- ◆ 1 jaune d'œuf

Préparation :

- 1) Séparez les feuilles de pâte feuilletée et le cas échéant, laissez-les décongeler.
- 2) Mélangez le fromage frais avec du sel, du poivre et le jus d'un citron.
- 3) Coupez l'oignon en dés fins.
- 4) Ajoutez la moitié du saumon et les oignons au fromage frais et hachez le tout grossièrement à l'aide d'un mixeur.
- 5) Coupez le reste du saumon en fines lamelles.
- 6) Ajoutez le saumon et l'aneth à la préparation et mélangez le tout.
- 7) Mettez une cuillère à soupe remplie de préparation sur une feuille de pâte feuilletée et rabattez les bords.
- 8) Badigeonnez le friand ainsi obtenu de jaune d'œuf.
- 9) Posez les friands sur la plaque de cuisson **11**. Laissez suffisamment d'écart entre les différents friands, car la pâte feuilletée gonflera.
- 10) Faire cuire environ 25 - 30 minutes sur le rail inférieur à environ 230° C, à chaleur haut + bas. La pâte feuilletée doit légèrement brunir.

### REMARQUE

Les quantités indiquées suffisent pour plusieurs plaques de cuisson **11**.

# Inhoud

<b>Inleiding</b> .....	<b>.64</b>
<b>Gebruik in overeenstemming met bestemming</b> .....	<b>.64</b>
<b>Inhoud van het pakket</b> .....	<b>.64</b>
<b>Productbeschrijving</b> .....	<b>.64</b>
<b>Technische gegevens</b> .....	<b>.64</b>
<b>Veiligheidsvoorschriften</b> .....	<b>.65</b>
<b>Plaatsen</b> .....	<b>.68</b>
<b>Gebruik van het apparaat</b> .....	<b>.68</b>
Glazen deur .....	68
Kruimelplaat plaatsen .....	68
Draaispies gebruiken .....	69
Bakplaat/grillrooster gebruiken .....	70
<b>Vóór de ingebruikname</b> .....	<b>.70</b>
<b>Bediening van het apparaat</b> .....	<b>.71</b>
Functieschakelaar .....	71
Temperatuurregelaar .....	71
Timer .....	71
<b>Grillen en bakken</b> .....	<b>.71</b>
<b>Grillen met draaispies</b> .....	<b>.72</b>
<b>Reiniging en onderhoud</b> .....	<b>.74</b>
<b>Opbergen</b> .....	<b>.74</b>
<b>Problemen oplossen</b> .....	<b>.75</b>
<b>Afvoeren</b> .....	<b>.76</b>
<b>Garantie van Kompernaß Handels GmbH</b> .....	<b>.76</b>
Service .....	77
Importeur .....	77
<b>Recepten</b> .....	<b>.78</b>

## Inleiding

Hartelijk gefeliciteerd met de aankoop van uw nieuw apparaat.

U hebt hiermee gekozen voor een hoogwaardig product. De gebruiksaanwijzing maakt deel uit van dit product. Deze bevat belangrijke aanwijzingen voor veiligheid, gebruik en afvoeren. Lees alle bedienings- en veiligheidsvoorschriften voordat u het product in gebruik neemt. Gebruik het product uitsluitend op de voorgeschreven wijze en voor de aangegeven doeleinden. Geef alle documenten mee als u het product doorgeeft aan een derde.

## Gebruik in overeenstemming met bestemming

De grill- en bakautomaat dient uitsluitend voor het opwarmen, garen en grillen van etenswaren.

Dit apparaat is uitsluitend bestemd voor gebruik in privéhuishoudens. Gebruik het apparaat derhalve niet bedrijfsmatig.

Elk ander gebruik geldt als niet in overeenstemming met de bestemming en kan resulteren in materiële schade of zelfs lichamelijk letsel.

## Inhoud van het pakket

- ◆ Grill- en bakautomaat
- ◆ 1 bakplaat
- ◆ 1 grillrooster
- ◆ 2 tangen
- ◆ Draaispies met 2 klemmen
- ◆ 1 kruimelplaat
- ◆ Gebruiksaanwijzing

### OPMERKING

Controleer de inhoud van het pakket direct na het uitpakken op volledigheid en schade. Neem zo nodig contact op met de klantenservice.

## Productbeschrijving

Afbeelding A:

- ❶ Aandrijving
- ❷ Temperatuurregelaar
- ❸ Functieschakelaar
- ❹ Timer
- ❺ Indicatielampje
- ❻ Glazen deur
- ❼ Bevestigde kruimelplaat
- ❽ Onderste verwarmingselementen
- ❾ Draaispieshouder

Afbeelding B:

- ❿ Tang (voor bakplaat en grillrooster)
- ⓫ Bakplaat
- ⓬ Tang (voor draaispies)
- ⓭ Grillrooster
- ⓮ Vergrendeling
- ⓯ Draaispiesklemmen
- ⓰ Draaispies

## Technische gegevens

Nominale spanning: 220 - 240 V ~  
(wisselstroom),  
50/60 Hz


Opgenomen  
vermogen: 1500 W



Alle delen van het apparaat die in aanraking komen met levensmiddelen, zijn levensmiddelveilig.

## Veiligheidsvoorschriften

### **GEVAAR – ELEKTRISCHE SCHOK!**

- ▶ U mag de apparaatbehuizing niet openen of repareren. In dat geval is de veiligheid niet gegarandeerd en vervalt de garantie. Laat een defect apparaat alleen door de dealer of erkend vakkundig personeel repareren.
  - ▶ Wanneer het snoer van dit apparaat beschadigd raakt, moet het worden vervangen door de fabrikant of de klantenservice van de fabrikant of een persoon met vergelijkbare kwalificaties, om risico's te voorkomen.
  - ▶ Laat geen vloeistoffen in de apparaatbehuizing binnendringen. Stel het apparaat niet bloot aan vocht en gebruik het niet in de openlucht. Bovendien mag u geen met vloeistof gevulde voorwerpen, zoals bijv. vazen, op het apparaat plaatsen. Er bestaat brandgevaar en gevaar voor een elektrische schok! Mocht er toch vloeistof in de apparaatbehuizing komen, haal dan meteen de stekker van het apparaat uit het stopcontact en laat het apparaat repareren.
  - ▶ Pak het apparaat, het snoer en de stekker nooit met natte handen vast. Er bestaat anders gevaar voor een elektrische schok!
-  Dompel het apparaat nooit onder in water of in andere vloeistoffen! Er kan levensgevaar ontstaan door een elektrische schok, wanneer bij gebruik vloeistoffen in aanraking komen met onderdelen onder spanning.

## **WAARSCHUWING – LETSELGEVAAR!**

- ▶ Dit apparaat mag worden gebruikt door kinderen vanaf 8 jaar en door personen met beperkte fysieke, zintuiglijke of geestelijke vermogens of gebrek aan ervaring en/of kennis, mits ze onder toezicht staan of over het veilige gebruik van het apparaat zijn geïnstrueerd en de daaruit resulterende gevaren hebben begrepen.
- ▶ Kinderen mogen niet met het apparaat spelen.
- ▶ Reiniging en onderhoud door de gebruiker mogen niet door kinderen worden uitgevoerd, tenzij ze ouder dan 8 jaar zijn en onder toezicht staan.
- ▶ Houd het apparaat en het bijbehorende snoer buiten bereik van kinderen jonger dan 8 jaar.
- ▶ Leg het snoer zo, dat er niemand op trapt of erover kan struikelen.
- ▶ Raak tijdens het gebruik nooit de glazen deur of de behuizing aan, omdat die zeer heet worden. Gebruik een pannenzak of iets dergelijks om de glazen deur te openen om verbrandingen te vermijden!
- ▶ Raak nooit de verwarmingselementen of het kijkvenster aan als het apparaat in bedrijf is of voordat het apparaat is afgekoeld. Kom tijdens het bedrijf niet met uw handen in de gaarruimte. Wacht tot het apparaat is afgekoeld. Anders kunt u zich verbranden.
- ▶ Laat het apparaat na gebruik eerst afkoelen alvorens het te transporteren.
- ▶ Gebruik bij de omgang met het hete apparaat altijd ovenwanten of pannenzakken!



Voorzichtig! Heet oppervlak!

**LET OP – MATERIËLE SCHADE!**

- ▶ Gebruik geen externe tijdschakelklok of een separaat systeem voor afstandsbediening om het apparaat te bedienen.
- ▶ Laat het apparaat nooit onbeheerd als het is ingeschakeld.
- ▶ Let erop dat het apparaat, het snoer en de stekker nooit in aanraking komen met hittebronnen zoals kookplaten of open vuur.
- ▶ Gebruik het apparaat alleen met de meegeleverde originele accessoires.
- ▶ Knik of plet het snoer niet.
- ▶ Trek het snoer altijd met de stekker uit het stopcontact, trek nooit aan het snoer zelf.
- ▶ Tijdens het bedrijf mogen zich geen licht brandbare materialen in de onmiddellijke omgeving van de grill- en bakautomaat bevinden (bijv. vaatdoeken, ovenwanten, enz.).
- ▶ Droog nooit textiel of voorwerpen boven of in het apparaat. Er bestaat brandgevaar!

**OPMERKING**

- ▶ Om het product tussen 50 en 60 Hz te schakelen, is geen tussenkomst van de gebruiker vereist. Het product past zich zowel voor 50 als voor 60 Hz aan.

## Plaatsen

### **WAARSCHUWING! BRANDGEVAAR!**

- ▶ Zet het apparaat nooit onder hangkasten of in de nabijheid van gordijnen, kastenwanden of andere licht ontvlambare voorwerpen.
- ▶ De afstand van het apparaat tot hangkasten, plafonds, zijwanden en dergelijke moet naar boven minstens 10 cm en aan de zijkant minstens 5 cm bedragen. Het apparaat mag dus niet in bijv. een kast of iets dergelijks worden geplaatst. Anders is een voldoende ventilatie van het apparaat niet mogelijk en kan er brand ontstaan of kan het apparaat beschadigd raken.
- ▶ Plaats het apparaat uitsluitend op een hittebestendige ondergrond. Anders bestaat er brandgevaar en kan het apparaat beschadigd raken. Het gebied onder de bodem van het apparaat kan verkleuren en beschadigd raken. Bovendien kunnen bij een zachte ondergrond permanente afdrukken in de ondergrond ontstaan.

### **GEVAAR - ELEKTRISCHE SCHOK!**

- ▶ Plaats het apparaat niet in de onmiddellijke nabijheid van water, bijv. bij een gootsteen, een badkuip of in vochtige kelderruimtes. Anders bestaat er gevaar voor een stroomstroom.
- Plaats het apparaat op een stevige, vlakke en hittebestendige ondergrond (bijv. op een werkblad van roestvrij staal of natuursteen zoals graniet). Zorg voor voldoende ventilatie rondom het apparaat.
- Schuif het apparaat tot de achterkant tegen de wand aan komt. De afstandhouders aan de achterkant moeten de wand raken. Zorg ervoor dat de wand uit hittebestendig materiaal bestaat, bijv. een tegelwand, natuursteen of graniet.
- Maak alle onderdelen schoon, zoals beschreven in het hoofdstuk "Reiniging en onderhoud".

## Gebruik van het apparaat

### Glazen deur

#### **LET OP! MATERIËLE SCHADE!**

- ▶ Leun niet op de glazen deur **6**. Plaats geen voorwerpen op de glazen deur **6**. Hierdoor raken de scharnieren beschadigd.
- Wanneer u voedsel met veel vet bereidt, kan er meer rookontwikkeling ontstaan. Sluit in dat geval de glazen deur **6** niet helemaal, maar laat deze op een kier openstaan: De glazen deur **6** heeft een vergrendelingsstand, zodat deze met een opening ter grootte van een kier open blijft staan: wanneer u de glazen deur **6** voorzichtig dichtdoet, blijft deze kort voor het sluiten in deze stand staan.
- Ook bij het drogen van fruit om gedroogd fruit te maken moet de glazen deur **6** in de vergrendelingsstand blijven staan, zodat het vocht kan ontsnappen en het fruit beter droogt.

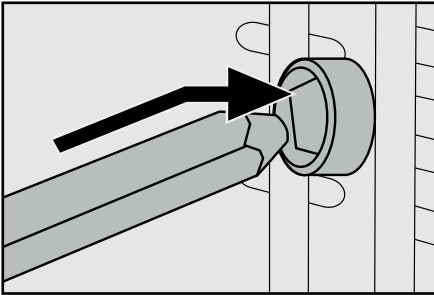
### Kruimelplaat plaatsen

- Schuif de kruimelplaat **7** onder de onderste verwarmingselementen **8**, zodat deze plat op de bodem van het apparaat ligt. De meer gebogen kant kunt u als handgreep gebruiken. De bakplaat moet met de minder gebogen kant vooraan in het apparaat worden geschoven.

## Draaispies gebruiken

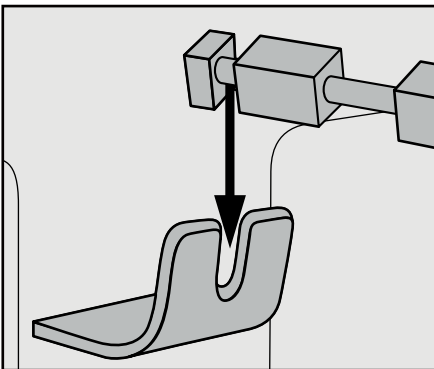
### ⚠ WAARSCHUWING! LETSELGEVAAR!

- ▶ Gebruik altijd de tang **12** om de hete draaispies **16** in het apparaat te plaatsen of uit het apparaat te nemen.
- Met de beide draaispiesklemmen **15** kunt u het te grillen product op de draaispies **16** vastzetten. Maak de vergrendelingen **14** op de draaispiesklemmen **15** los, verschuif deze zodanig dat het te grillen product ertussen wordt vastgeklemd en schroef de vergrendelingen **14** weer vast.
- Schuif eerst het uiteinde van de draaispies **16** zonder uitsparing in de aandrijving **1** (afb. 1):



Afb. 1: Draaispies **16** in de aandrijving **1** schuiven

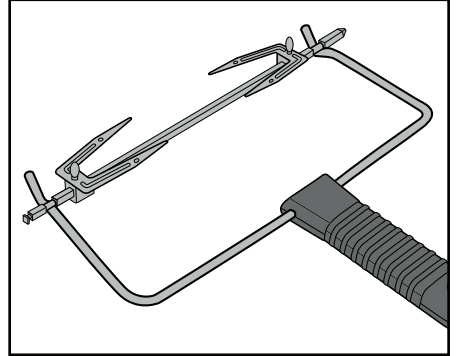
- Leg vervolgens het andere uiteinde van de draaispies **16** met de diepe uitsparing in de draaispieshouder **9** (afb. 2):



Afb. 2: Draaispies **16** in de draaispieshouder **9** leggen

### OPMERKING

- ▶ Schuif de bakplaat **11** altijd in de onderste geleiding wanneer u de draaispies **16** gebruikt. Zo wordt omlaag druipende vloeistof opgevangen.
- Om de hete draaispies **16** te verwijderen, grijpt u met de haak aan het uiteinde van de tang **12** in de verdiepingen op de draaispies **16** (afb. 3):



Afb. 3: Inhaken van de tang **12** onder de draaispies **16**

- Til eerst de linkerkant van de draaispies **16** uit de draaispieshouder **9** en trek dan de draaispies **16** uit de aandrijving **1**.



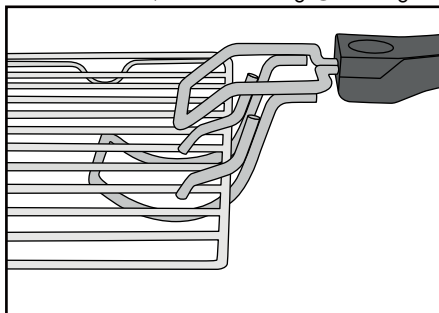
## Bakplaat/grillrooster gebruiken

### ⚠ WAARSCHUWING! LETSELGEVAAR!

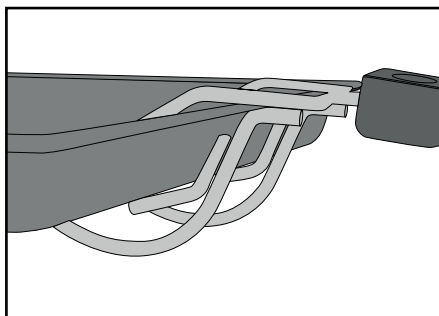
- ▶ Gebruik altijd de tang 10 om de hete bakplaat 11/het hete grillrooster 13 in het apparaat te plaatsen of uit het apparaat te nemen.
- Schuif de bakplaat 11/het grillrooster 13 in een van de 3 geleidingen in de gaarruimte van het apparaat.

### LET OP! MATERIËLE SCHADE!

- ▶ Leg de bakplaat 11/het grillrooster 13 nooit rechtstreeks op de verwarmingselementen 8.
- Om de hete bakplaat 11 of het grillrooster 13 te kunnen uitnemen, haakt u de tang 10 als volgt in:




Afb. 4: Inhaken van de tang 10 bij het grillrooster 13



Afb. 5: Inhaken van de tang 10 bij de bakplaat 11

## Vóór de ingebruikname

- 1) Steek de stekker in een stopcontact.
- 2) Draai de temperatuurregelaar 2 met de wijzers van de klok mee tot aan de aanslag naar de hoogste temperatuur.
- 3) Draai de functieschakelaar 3 naar "Boven- en onderwarmte" .
- 4) Open de glazen deur 6 en laat die voor deze procedure geopend.
- 5) Haal eventuele bevestigde accessoires uit de gaarruimte.
- 6) Draai de timer 4 naar 20 minuten.

### OPMERKING

- ▶ Bij de eerste keer opwarmen van het apparaat kunnen restanten van het productieproces lichte rook- en geurontwikkeling veroorzaken. Dat is normaal en volkomen ongevaarlijk. Zorg voor voldoende ventilatie, open bijvoorbeeld een raam.

Het apparaat wordt na 20 minuten automatisch uitsgeschakeld.

Wanneer u het verwarmen voortijdig wilt onderbreken, draait u de temperatuurregelaar 2 tot aan de aanslag tegen de wijzers van de klok in en zet u de timer 4 op "OFF".

- 7) Laat het apparaat afkoelen en reinig het apparaat zoals beschreven in het hoofdstuk "Reiniging en onderhoud".

Nu is het apparaat gereed voor gebruik.

## Bediening van het apparaat

### Functieschakelaar

Met de functieschakelaar **3** kunt u het apparaat inschakelen en 5 verschillende functies instellen:


Symbol	Betekenis
	"Onderwarmte" bijv. voor het bakken van taarten
	"Bovenwarmte" bijv. voor gratineren
	"Boven- en onderwarmte" bijv. voor het bakken van pizza's
	"Bovenwarmte/ circulatielucht/draaispies" bijv. om gevleugelte te grillen
	"Boven- en onderwarmte/ circulatielucht" bijv. om broodjes af te bakken
OFF	"OFF": het apparaat is uitgeschakeld

### Temperatuurregelaar

Met de temperatuurregelaar **2** kunt u de gewenste temperatuur instellen.

### Timer

Met behulp van de timer **4** kunt u het apparaat inschakelen/de gaartijd instellen:

- Stel de timer **4** in op de gewenste gaartijd. Na afloop van de ingestelde tijd klinkt er een geluidssignaal en stopt het verwarmen. Als de functie "Bovenwarmte/circulatielucht/draaispies"  is gekozen, stopt ook het draaien van de draaispies **16**.
- Als u het apparaat zonder tijdbegrenzing wilt gebruiken, draait u de draaiknop van de timer **4** linksom naar de stand "ON".

## Grillen en bakken

- 1) Leg de kruimelplaat **7** in het apparaat.
- 2) Neem het grillrooster **13** en de bakplaat **11** uit het apparaat. Bedek deze desgewenst met bakpapier resp. bestrijk de bakplaat **11** met voor bakken geschikt vet.

### OPMERKING

- ▶ Afhankelijk van het gerecht moet de oven worden voorverwarmd. Volg de aanwijzingen in het betreffende recept op. Voorverwarmen is in elk geval zinvol bij:
  - zeer korte baktijden,
  - knapperige korsten,
  - kwetsbare gerechten die een constante temperatuur vereisen, zoals bijvoorbeeld soufflés.
- ▶ Wanneer voorverwarmen niet nodig is, kunt u stap 3 overslaan.

- 3) Laat het apparaat ca. 10 minuten (al naar gelang de temperatuurinstelling) op de gewenste temperatuur heet worden:
  - Kies de gewenste temperatuur met de temperatuurregelaar **2**.
  - Kies daarna met de functieschakelaar **3** de gewenste functie.

## OPMERKING

- ▶ Wanneer u de functie met circulatielucht kiest, kunt u in de regel afzien van voorverwarming van de grill- en gaarruimte.
    - Stel met de timer **4** de voorverwarmingstijd in (ca. 10 minuten).
    - Sluit de glazen deur **6**.
- 4) Als de tijd verstreken is, legt u het grill- resp. bakgoed op het grillrooster **15** resp. op de bakplaat **11** en schuift u het in een van de geleidingen. Let daarbij op voldoende afstand tussen het grill- resp. bakgoed en de binnenwanden en verwarmingselementen van het apparaat.

## OPMERKING

- ▶ Als u sterk druppelende levensmiddelen op het grillrooster **15** klaarmaakt, schuif dan de bakplaat **11** in de onderste geleiding. Zodoende wordt bijv. omlaag druipend vet opgevangen en is het apparaat nadien gemakkelijker schoon te maken.
- 5) Sluit de glazen deur **6** voordat u het grillen/bakken start.
- 6) Stel desgewenst met de timer **4** de gewenste grill- of baktijd in. De maximale met de timer **4** instelbare grill- of baktijd bedraagt 120 minuten. U kunt als alternatief de timer **4** op de stand "ON" zetten om het apparaat voor onbepaalde tijd in te schakelen.

## OPMERKING

- ▶ Wanneer de garingstijd van uw grill- resp. bakgoed minder dan 20 minuten bedraagt, zet u de timer **4** eerst op 40 minuten en daarna terug op de gewenste grill- resp. baktijd.

Het indicatielampje **5** geeft aan dat het apparaat is ingeschakeld. Wanneer het u apparaat met een vooraf ingestelde baktijd gebruikt, gaat de schakelaar van de timer **4** naar de stand "OFF".

Het apparaat wordt na de ingestelde tijd automatisch uitgeschakeld, er klinkt een geluidssignaal en het indicatielampje **5** dooft.

## OPMERKING


- Wanneer u het verwarmen voortijdig wilt onderbreken, draait u de temperatuurregelaar **2** tot aan de aanslag tegen de wijzers van de klok in en zet u de timer **4** op "OFF".
- 7) Als u het apparaat zonder vooraf ingestelde baktijd gebruikt, zet u de timer **4** op "OFF" wanneer u het verwarmingsproces wilt stopzetten.
- 8) Haal na het verwarmen het grillrooster **15** resp. de bakplaat **11** met de tang **10** uit het apparaat.
- 9) Zet de functieschakelaar **3** op "OFF".

## Grillen met draaispies

- 1) Leg de kruimelplaat **7** in het apparaat.
- 2) Als de draaispies **16** is bevestigd, neemt u deze uit het apparaat.
- 3) Schuif de bakplaat **11** in de onderste geleider.
- 4) Maak het te grillen product vast met de draaispiesklemmen **15**. Zorg ervoor dat het te grillen product vrij in de gaarruimte kan draaien, zonder ergens tegenaan te stoten. Het kan gebeuren dat de draairichting van de draaispies **16** omkeert wanneer het te grillen product ergens tegenaan stoot.  
De beide verdiepingen die zich op de draaispies **16** bevinden, moeten vrij toegankelijk blijven, anders kan de draaispies **16** niet met de tang **12** worden vastgepakt.
- 5) Bevestig de draaispies **16** in de gaarruimte (zie hoofdstuk "Draaispies gebruiken").
- 6) Sluit de glazen deur **6**.

## OPMERKING

Wanneer u het verwarmen voortijdig wilt onderbreken, draait u de temperatuurregelaar **2** tot aan de aanslag tegen de wijzers van de klok in en zet u de timer **4** op "OFF".

- 7) Stel op de temperatuurregelaar **2** de gewenste temperatuur in.
- 8) Zet de functieschakelaar **3** op "Bovenwarmte/circulatielucht/draaispies" .
- 9) Stel desgewenst met de timer **4** de gewenste grilltijd in. U kunt als alternatief de timer **4** op de stand "ON" zetten om het apparaat voor onbepaalde tijd in te schakelen.  
Het apparaat start het grillproces en de draaispies **16** begint te draaien.

Het indicatielampje **5** geeft aan dat het apparaat is ingeschakeld. Wanneer het u apparaat met een vooraf ingestelde baktijd gebruikt, gaat de schakelaar van de timer **4** naar de stand "OFF".

Het apparaat wordt na de ingestelde tijd automatisch uitgeschakeld, er klinkt een geluidssignaal en het indicatielampje **5** dooft.

## OPMERKING



Wanneer u het verwarmen voortijdig wilt onderbreken, draait u de temperatuurregelaar **2** tot aan de aanslag tegen de wijzers van de klok in en zet u de timer **4** op "OFF - 0".

- 10) Als u het apparaat zonder vooraf ingestelde baktijd gebruikt, zet u de timer **4** op "OFF" wanneer u het verwarmingsproces wilt stopzetten.
- 11) Haal na het grillen de draaispies **16** met de tang **12** uit het apparaat.
- 12) Zet de functieschakelaar **3** op "OFF".

## VOORBEELD GRILLKIP

### Ingrediënten


- ◆ Grillkip (ca. 1,3 kg, ontdaan van ingewanden)
- ◆ Kruiden (zout, paprika)
- ◆ Spijsolie

- 1) Kruid de grillkip van binnen en buiten met zout en paprikapoeder. Bestrijk de kip van buiten met hittebestendige spijsolie.
- 2) Schuif de grillkip op de grillspies **16** en maak hem vast met de draaispiesklemmen **15**. Let er daarbij op dat de verdiepingen op de draaispies **16** vrij blijven, zodat u de draaispies **16** met de tang **12** kunt vastpakken. Al naar gelang de vorm van de grillkip kan het nodig zijn om de vleugels en pootjes met vuurvast opbindtouw vast te binden, zodat deze tijdens het draaien nergens tegenaan stoten.
- 3) Schuif de bakplaat **11** in de onderste geleider.
- 4) Verwarm het apparaat ca. 10 minuten met de functie "Boven- en onderwarmte/circulatielucht"  op 230 °C voor.
- 5) Plaats de grillkip op de draaispies met de tang **12** in het apparaat.
- 6) Zet de functieschakelaar op "Bovenwarmte/circulatielucht/draaispies"  en sluit de deur.
- 7) Zet de timer **4** op ca. 80 minuten. De gaartijd kan variëren, al naar gelang de grootte en toestand van de grillkip.
- 8) Bestrijk de grillkip tussendoor af en toe met een beetje spijsolie. Zo wordt hij knapperig.
- 9) Wanneer de ingestelde tijd is verstreken, haalt u de grillspies met de grillkip voorzichtig met de tang **12** uit het apparaat. Maak de draaispiesklemmen **15** los en trek de grillkip van de draaispies **16**.

## Reiniging en onderhoud

### ⚠ GEVAAR - ELEKTRISCHE SCHOK!

- ▶ Haal voor het schoonmaken altijd eerst de stekker uit het stopcontact! Er bestaat gevaar voor een elektrische schok!

 Dompel het apparaat nooit onder in water of in andere vloeistoffen!

### ⚠ WAARSCHUWING! LETSELGEVAAR!

- ▶ Laat het apparaat na gebruik altijd afkoelen alvorens het te reinigen. Anders bestaat er gevaar voor brandwonden!

- U kunt het apparaat en de accessoires het beste meteen na het afkoelen reinigen. Dan laten resten van levensmiddelen zich gemakkelijker verwijderen.

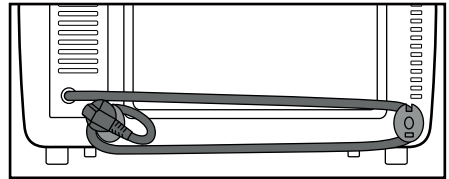
### LET OP! MATERIËLE SCHADE!

- ▶ Gebruik geen schurende of bijtende schoonmaakmiddelen. Deze kunnen de oppervlakken beschadigen!
- ▶ Maak de onderdelen van het apparaat niet schoon in de vaatwasser!
- ▶ Reinig de gaarruimte niet met een ovenspray, omdat resten op de verwarmingselementen dan niet meer kunnen worden verwijderd.

- Veeg het apparaat af met een vochtige doek. Zo nodig doet u wat mild afwasmiddel op de doek en veegt u alles na met een doek die is bevochtigd met schoon water. Droog alles goed af.
- Reinig de gaarruimte en de glazen deur **6** met een vochtige doek. Zo nodig doet u wat mild afwasmiddel op de doek en veegt u alles na met een doek die is bevochtigd met schoon water. Droog alles goed af.
- Reinig de tangen **10/12**, de draaispies **15**, de draaispiesklemmen **15**, de vergrendelingen **14**, de bakplaat **11**, het grillrooster **13** en de kruimelplaat **7** in warm afwaswater. Droog alle onderdelen na het reinigen goed af.

## Opbergen

- U kunt het netsnoer om de afstandhouders op de achterkant van het apparaat wikkelen en de stekker vastzetten in een van de afstandhouders:



- Berg het schoongemaakte apparaat en de accessoires op een schone, stofvrije en droge plaats op.

## Problemen oplossen

Probleem	Oorzaak	Oplossing
Het apparaat werkt niet.	De stekker zit niet in het stopcontact.	Steek de stekker in een stopcontact.
	Het stopcontact is defect.	Gebruik een ander stopcontact.
	Het apparaat is defect.	Neem contact op met de klantenservice.
Het indicatie-lampje ⑤ brandt maar het apparaat wordt niet heet.	De functieschakelaar ③ staat op OFF.	Draai de functieschakelaar ③ naar de gewenste functie.
De gaartijd van de etenswaren lijkt zeer lang.	De glazen deur ⑥ is vaak geopend om de voortgang van het gaarproces te controleren.	Open de glazen deur ⑥ niet vaker dan noodzakelijk.
	Er is een verkeerde temperatuur ingesteld.	Controleer de temperatuurinstellingen.
Tijdens het gebruik treedt er rook- en geurontwikkeling op.	Op de verwarmingselementen bevinden zich reinigings- of levensmiddelresten.	Haal de etenswaren uit het apparaat en ga verder met het gaarproces met geopende glazen deur ⑥, tot de rookontwikkeling is verdwenen.

Neem contact op met de klantenservice, als de storingen met de bovenstaande aanwijzingen niet verholpen kunnen worden, of indien u andere storingen constateert.

## Afvoeren



Het pictogram hiernaast met een doorgekruiste vuilnisbak geeft aan dat dit apparaat is onderworpen aan de Richtlijn 2012/19/EU. Deze richtlijn stelt dat u dit apparaat aan het einde van zijn levensduur niet met het normale huisvuil mag afvoeren, maar moet inleveren bij speciaal daartoe bestemde inzamelpunten, milieuparken of afvalverwerkingsbedrijven.

**Afvoeren is voor u kosteloos. Spaar het milieu en voer producten op een voor het milieu verantwoorde manier af.**



Mogelijkheden voor het afvoeren van het afgedankte product vindt u bij uw gemeente.



Het product is recycleerbaar; er is een uitgebreide producentenverantwoordelijkheid op van toepassing en het afval wordt gescheiden ingezameld.



Voer de verpakking af conform de milieuvorschriften.

Let op de aanduiding op de verschillende verpakkingsmaterialen en voer ze zo nodig gescheiden af. De verpakkingsmaterialen zijn voorzien van afkortingen (a) en cijfers (b) met de volgende betekenissen:  
1-7: kunststoffen,  
20-22: papier en karton,  
80-98: composietmaterialen



De verpakking bestaat uit milieuvriendelijke materialen, die u via plaatselijke recyclepunten kunt afvoeren.

## Garantie van Kompernaß Handels GmbH

Geachte klant,

U hebt op dit apparaat 3 jaar garantie vanaf de aankoopdatum. In geval van gebreken in dit product hebt u wettelijke rechten tegenover de verkoper van het product. Deze wettelijke rechten worden door onze hierna beschreven garantie niet beperkt.

### Garantievoorwaarden

De garantieperiode geldt vanaf de datum van aankoop. Bewaar de kassabon zorgvuldig. U hebt hem nodig als bewijs van aankoop.

Als er binnen drie jaar vanaf de aankoopdatum van dit product een materiaal- of fabricagefout optreedt, wordt - naar onze keuze - het product door ons kosteloos gerepareerd of vervangen of wordt de koopprijs terugbetaald. Voorwaarde voor deze garantie is dat het defecte apparaat en het aankoopbewijs (kassabon) binnen de termijn van drie jaar worden overlegd en dat kort wordt omschreven waaruit het gebrek bestaat en wanneer het is opgetreden.

Wanneer het defect door onze garantie wordt gedekt, krijgt u het gerepareerde product of een nieuw product retour. Met de reparatie of vervanging van het product begint er geen nieuwe garantieperiode.

### Garantieperiode en wettelijke aanspraken bij gebreken

De garantieperiode wordt door deze waarborg niet verlengd. Dat geldt ook voor vervangen en gerepareerde onderdelen. Eventueel al bij aankoop aanwezige schade en gebreken moeten meteen na het uitpakken worden gemeld. Voor reparaties na afloop van de garantieperiode worden kosten in rekening gebracht.

## Garantieomvang

Het apparaat is op basis van strenge kwaliteitsnormen met de grootst mogelijke zorg vervaardigd en voortgaand aan de levering nauwkeurig gecontroleerd.

De garantie geldt voor materiaal- of fabricagefouten. Deze garantie geldt niet voor productonderdelen die onderhevig zijn aan normale slijtage en die daarom als slijtonderdelen worden beschouwd, of voor schade aan breekbare onderdelen zoals schakelaars, accu's of onderdelen die van glas zijn gemaakt.

Deze garantie vervalt wanneer het product is beschadigd, ondeskundig is gebruikt of is gerepareerd. Voor deskundig gebruik van het product moeten alle in de gebruiksaanwijzing beschreven aanwijzingen precies worden opgevolgd. Gebruiksdoeleinden en handelingen die in de gebruiksaanwijzing worden afgeraden of waarvoor wordt gewaarschuwd, moeten beslist worden vermeden.

Het product is uitsluitend bestemd voor privégebruik en niet voor bedrijfsmatige doeleinden. Bij verkeerd gebruik en ondeskundige behandeling, bij gebruik van geweld en bij reparaties die niet door ons erkend servicefiliaal zijn uitgevoerd, vervalt de garantie.

## Afhandeling bij een garantiekwestie

Voor een snelle afhandeling van uw aanvraag neemt u de volgende aanwijzingen in acht:

- Houd voor alle aanvragen de kassabon en het artikelnummer (IAN) 390044\_2201 als aankoopbewijs bij de hand.
- Het artikelnummer vindt u op het typeplaatje van het product, op het product gegraveerd, op de titelpagina van de gebruiksaanwijzing (linksonder) of op de sticker op de achter- of onderkant van het product.
- Als er fouten in de werking of andere gebreken optreden, neemt u eerst contact op met de hierna genoemde serviceafdeling, **telefonisch** of **via e-mail**.

- Een als defect geregistreerd product kunt u dan zonder portokosten naar het aan u doorgegeven serviceadres sturen. Voeg het aankoopbewijs (kassabon) bij en vermeld waaruit het gebrek bestaat en wanneer het is opgetreden.



Op [www.lidl-service.com](http://www.lidl-service.com) kunt u deze en vele andere handleidingen, productvideo's en installatiesoftware downloaden.

Met deze QR-code gaat u direct naar de website van Lidl Service ([www.lidl-service.com](http://www.lidl-service.com)) en kunt u met het invoeren van het artikelnummer (IAN) 390044\_2201 de gebruiksaanwijzing openen.

## Service

**NL** Service Nederland  
Tel.: 0800 0249630  
E-Mail: [kompernass@lidl.nl](mailto:kompernass@lidl.nl)

**BE** Service België  
Tel.: 0800 12089  
E-Mail: [kompernass@lidl.be](mailto:kompernass@lidl.be)

IAN 390044\_2201

## Importeur

Let op: het volgende adres is geen serviceadres. Neem eerst contact op met het opgegeven serviceadres.

KOMPERNASS HANDELS GMBH  
BURGSTRASSE 21  
44867 BOCHUM  
DUITSLAND  
[www.kompernass.com](http://www.kompernass.com)



## Recepten

In dit hoofdstuk geven we een paar voorbeelden van de bereiding van etenswaren. Deze voorbeelden zijn suggesties. De bereidingstijd kan variëren.

Wij aanvaarden geen aansprakelijkheid voor de recepten. Alle gegevens m.b.t. ingrediënten en bereiding zijn richtwaarden. Vul deze receptsuggesties aan met uw persoonlijke bevindingen. Wij wensen u in ieder geval een geslaagde en lekkere maaltijd toe.

### OPMERKING

Neem de bereidingsaanwijzingen op de verpakking van de levensmiddelen in acht.

## Muffins

Ingrediënten voor vier personen:

- ◆ 1 kopje meel
- ◆ 1 theelepel bakpoeder
- ◆ 1 ei
- ◆ 1 eetlepel gesmolten boter
- ◆ 1 kopje melk
- ◆ 3 eetlepels suiker
- ◆ 1 snufje zout
- ◆ Voor verschillende varianten daarnaast noten, bananenpartjes of chocovlokken

Bereiding:

- 1) Meng in een schaal meel, bakpoeder, ei, melk, zout en suiker langzaam door elkaar.
- 2) Smelt de boter in een pan smelten roer deze door het deeg.
- 3) Naar smaak mengen met noten, chocovlokken of geprakte bananen.
- 4) Doe het bereide deeg in hiervoor bestemde muffinvormpjes en zet deze op de bakplaat **11**.
- 5) Bak de muffins op 220 °C met boven- en onderwarmte ca. 15 minuten op het onderste niveau.

## Hawaïtosti's

Ingrediënten voor 4 tosti's:

- ◆ 4 plakjes brood
- ◆ 1-2 eetlepels remoulade
- ◆ 120 g gekookte ham
- ◆ 1/2 blikje ananas
- ◆ 4 plakken kaas om te gratineren
- ◆ Curry

Bereiding:

- ◆ Rooster de plakjes brood.
- ◆ Bestrijk ze daarna dun met remoulade en beleg ze met de gekookte ham.
- ◆ Leg op elke belegde boterham een schijf ananas. Kruid het geheel met curry.
- ◆ Leg daarna op elke schijf ananas een plak kaas.
- ◆ Leg de hawaïtosti's op het grillrooster **13** en gratineer ze in de grill- en bakautomaat op het bovenste niveau bij ca. 200 °C, bovenwarmte ca. 8 minuten.

## Diepvriespizza bakken

Bereiding:

- ◆ Schuif het grillrooster **13** op de bovenste geleidingen van de grill- en bakruimte.
- ◆ Leg de diepvriespizza zonder verpakking op het grillrooster **13** op de bovenste geleidingen van de grill- en .
- ◆ Bak de pizza bij boven- en onderwarmte ca. 20 minuten.
- ◆ Houd u aan de aanwijzingen voor de temperatuur op de verpakking.

## Spritskoekjes

Ingrediënten:

- ◆ 125 g boter
- ◆ 125 g suiker
- ◆ 1 pakje vanillesuiker
- ◆ 1 snufje zout
- ◆ 1 ei
- ◆ 1 eiwitten
- ◆ 250 g meel (type 405)
- ◆ 1 theelepel bakpoeder
- ◆ Geraspte schil van een halve citroen

Bereiding:

- 1) Roer de boter schuimig.
- 2) Voeg suiker, vanillesuiker, citroenschil en eieren toe.
- 3) Meng meel, bakpoeder en zout en roer dit met een lepel door het deeg.
- 4) Laat het deeg ca. 10 minuten rusten.
- 5) Breng het deeg in de gewenste vorm, bijv. met behulp van een vleeswolf, uitsteekvormpjes of een spuitzak.
- 6) Leg de spritskoekjes op de met bakpapier beklede bakplaat **11**.
- 7) Bak de spritsen in de voorverwarmde oven bij 180 °C boven- en onderwarmte ca. 10-15 minuten op het bovenste niveau goudbruin.

### OPMERKING

De hoeveelheid deeg is voldoende voor meerdere bakplaten **11**.

## Broodjes

Ingrediënten:

- ◆ 300 g meel (of volkorenmeel)
- ◆ 2 theelepels bakpoeder
- ◆ 200 g lijnzaad
- ◆ 1 ei
- ◆ 500 g kwark
- ◆ 1 theelepel zout
- ◆ Naar smaak karwijzaad, uien, spek ...

Bereiding:

- 1) Kneed alles goed door elkaar en maak er kleine broodjes van.
- 2) Leg de broodjes op de met bakpapier beklede bakplaat **11**.
- 3) Bak bij ca. 200° C bovenwarmte ongeveer 30 minuten op het bovenste niveau.

### OPMERKING

De hoeveelheid deeg is voldoende voor meerdere bakplaten **11**.

## Meringues

Ingrediënten:

- ◆ 1 eiwitten
- ◆ Zout
- ◆ 45 g suiker

Bereiding:

- 1) Doe het afgekoelde eiwit in een vetvrije roerkom. Er mag geen eigeel bijkomen, anders wordt het eierschuim niet stevig.
- 2) Klop het eiwit op een langzame stand, zodat er geen grote luchtballen in het eierschuim ontstaan.
- 3) Kruid het schuim met een snufje zout.
- 4) Voeg de helft van de suiker beetje bij beetje toe wanneer het eierschuim stevig begint te worden.
- 5) Klop het schuim daarna op de hoogste stand stijf.
- 6) Voeg de rest van de suiker toe. Daardoor krijgt het meringueschuim de benodigde stevigheid.
- 7) Doe het meringueschuim in een spuitzak met een grote stervormige spuitmond en spuit op korte afstand roosjes, tongen of andere vormen op de met bakpapier beklede bakplaat ①.
- 8) De grill- en bakautomaat op ca. 100 °C circulatielucht voorverwarmen.
- 9) De meringues op het hoogste niveau bij ca. 100 °C circulatielucht ca. 2 uur laten bakken.

## Botercroutons

Ingrediënten:

- ◆ 2 plakjes witbrood
- ◆ 1 EL boter

Bereiding:

- 1) Snijd het witbrood in kleine blokjes.
- 2) Smelt de boter bij laag vuur in een pan en meng het witbrood erdoor.
- 3) Bedek de bakplaat ① met bakpapier en verdeel de blokjes witbrood er gelijkmatig over.
- 4) Bak de blokjes witbrood bij ca. 170 °C bovenwarmte op het bovenste niveau, tot ze goudbruin zijn (ca. 15 - 20 minuten).

### OPMERKING

U kunt ook kruiden- of knoflookboter gebruiken in plaats van gewone boter. De baktijd is dan ca. 5 minuten korter.

## Gehaktbaguettes

Ingrediënten:

- ◆ 2 kleine baguettes
- ◆ 250 g gehakt (half-om-half)
- ◆ 2 tomaten
- ◆ 1 ui, gesnipperd
- ◆ 2 el tomatenpuree
- ◆ 40 g geraspte Parmezaanse kaas
- ◆ 4 plakken kaas
- ◆ Zout en peper

Bereiding:

- 1) Snijd de baguettes open en hol ze uit.
- 2) Meng het gehakt, de tomatenpuree, de ui, de Parmezaanse kaas, een beetje zout en een beetje peper door elkaar.
- 3) Maak van het gehaktmengsel 4 even grote, zo plat mogelijke schijven en leg die op de baguettehelften.
- 4) Snijd de tomaten in plakjes en verdeel ze over de baguettes.
- 5) Verdeel de kaas over de baguettes.
- 6) Leg de baguettes op de bakplaat **1** en bak ze bij ca. 230 °C in de voorverwarmde oven met boven- en onderwarmte ca. 20 minuten op het onderste niveau.

### OPMERKING

U kunt het gehaktmengsel verder op smaak brengen met basilicum, chilipoeder of andere kruiden.

## Gegratineerde bloemkool

Ingrediënten:

- ◆ 1/2 bloemkool (ca. 250 g)
- ◆ 3 schijfjes citroen
- ◆ 1 EL boter
- ◆ 1 grote TL bloem
- ◆ 1 EL citroensap
- ◆ 1 EL geschaafde amandel
- ◆ 2 EL gratinkaas (geraspt)
- ◆ Zout, peper, nootmuskaat

Bereiding:

- 1) Snij de bloemkool in roosjes en was deze.
- 2) Kook de bloemkool met de citroenschijfjes in kokend water met zout 8-10 minuten, zodat de bloemkool beetgaar is. Vang bij het afgieten ca. 150 ml van het kookwater op.
- 3) Laat in een pan de boter smelten en bak de bloem al roerend ca. 1 minuut.
- 4) Voeg al roerend het kookwater van de bloemkool toe en laat het ca. 2 minuten koken. Als het bloemmengsel te dik wordt, voegt u beetje bij beetje nog wat water toe, tot er een romig mengsel ontstaat. Kruid het geheel met zout, peper en nootmuskaat.
- 5) Leg de bloemkool in een ovenschaal (ca. 14 cm doorsnede) en giet de saus er gelijkmatig overheen.
- 6) Strooi de kaas en de geschaafde amandel erover.
- 7) Zet de ovenschaal op de bakplaat **1**.
- 8) Gratineer de ovenschotel bij ca. 200 °C in de voorverwarmde oven met boven- en onderwarmte ca. 20 minuten op het onderste niveau.

## Bladerdeegpakketjes met zalmvulling

Ingrediënten:

- ◆ 1 pakje bladerdeegvellen (ca. 8 stuks)
- ◆ 1 pakje zalm, gerookt, in plakken (ca. 200 g)
- ◆ 1 citroen
- ◆ 1 ui
- ◆ 1 pakje roomkaas (200 g)
- ◆ Verse dille
- ◆ Zout en peper
- ◆ 1 eidooier

Bereiding:

- 1) Haal de bladerdeegvellen los en laat ze eventueel ontdooien.
- 2) Meng de roomkaas met zout, peper en het sap van een citroen.
- 3) Snipper de ui.
- 4) Voeg de helft van de zalm en de ui toe aan het roomkaasmengsel en pureer alles grof met een staafmixer.
- 5) Snijd de rest van de zalm in dunne reepjes.
- 6) Voeg de zalm en de dille toe aan het mengsel en meng alles door elkaar.
- 7) Leg steeds een eetlepel van het mengsel op een bladerdeegvel en vouw het dicht.
- 8) Bestrijk het gevouwen pakketje met eigeel.
- 9) Leg de bladerdeegpakketjes op de bakplaat **11**. Laat voldoende afstand tussen de pakketjes, omdat het bladerdeeg rijst.
- 10) Bak de bladerdeegpakketjes op het onderste niveau bij ca. 230 °C boven- en onderwarmte ca. 25-30 minuten. Het bladerdeeg moet een lichtbruine kleur krijgen.

### OPMERKING

De aangegeven hoeveelheid is voldoende voor meerdere bakplaten **11**.

# Obsah

<b>Úvod</b> .....	<b>84</b>
<b>Použití v souladu s určením</b> .....	<b>84</b>
<b>Rozsah dodávky</b> .....	<b>84</b>
<b>Popis přístroje</b> .....	<b>84</b>
<b>Technické údaje</b> .....	<b>84</b>
<b>Bezpečnostní pokyny</b> .....	<b>85</b>
<b>Umístění</b> .....	<b>88</b>
<b>Použití přístroje</b> .....	<b>88</b>
Skleněná dvířka .....	88
Vložení plechu na drobký .....	88
Použití otočného rožně .....	89
Použití pečicího plechu / mřížového roštu .....	90
<b>Před prvním použitím</b> .....	<b>90</b>
<b>Obsluha přístroje</b> .....	<b>91</b>
Přepínač funkcí .....	91
Regulátor teploty .....	91
Časovač .....	91
<b>Grilování a pečení</b> .....	<b>91</b>
<b>Grilování s otočným rožněm</b> .....	<b>92</b>
<b>Čištění a údržba</b> .....	<b>94</b>
<b>Uložení</b> .....	<b>94</b>
<b>Odstranění závad</b> .....	<b>95</b>
<b>Likvidace</b> .....	<b>96</b>
<b>Záruka společnosti Kompnass Handels GmbH</b> .....	<b>96</b>
Servis .....	97
Dovozce .....	97
<b>Recepty</b> .....	<b>98</b>

## Úvod

Gratulujeme vám k zakoupení nového přístroje. Rozhodli jste se pro vysoce kvalitní výrobek. Návod k obsluze je součástí tohoto výrobku. Obsahuje důležité informace o bezpečnosti, použití a likvidaci. Před použitím výrobku se prosím dobře seznámte se všemi provozními a bezpečnostními pokyny. Výrobek používejte pouze předepsaným způsobem a pro uvedené oblasti použití. Při předávání výrobku třetím osobám předejte spolu s ním i tyto podklady.

## Použití v souladu s určením

Grilovací a pečicí trouba slouží výhradně k ohřívání, pečení a grilování jídel.

Tento přístroj je určen výhradně k použití v domácnostech pro soukromé účely. Není určen k profesionálnímu použití.

Jakékoli jiné použití neodpovídá určenému účelu a může vést ke vzniku hmotných škod, nebo dokonce ke škodám na zdraví osob.

## Rozsah dodávky

- ◆ Trouba na grilování a pečení
- ◆ 1 pečicí plech
- ◆ 1 mřížový rošt
- ◆ 2 kleště
- ◆ Otočný rožeň s 2 svorkami
- ◆ 1 plech na drobky
- ◆ Návod k obsluze

### UPOZORNĚNÍ

Po vybalení ihned zkontrolujte rozsah dodávky, zda je úplná a není poškozená. V případě potřeby se obraťte na servis.

## Popis přístroje

Obrázek A:

- ❶ Pohon
- ❷ Regulátor teploty
- ❸ Přepínač funkcí
- ❹ Časovač
- ❺ Kontrolka
- ❻ Skleněná dvířka
- ❼ Vložený plech na drobky
- ❽ Dolní topné tyče
- ❾ Upínání otočného rožně

Obrázek B:

- ❿ Kleště (pro pečicí plech a mřížový rošt)
- ⓫ Pečicí plech
- ⓬ Kleště (pro otočný rožeň)
- ⓭ Mřížový rošt
- ⓮ Zajišťovací šrouby
- ⓯ Svorky otočného rožně
- ⓰ Otočný rožeň

## Technické údaje

Jmenovité napětí: 220 - 240 V ~  
(střídavý proud),  
50/60 Hz


Příkon: 1500 W



Všechny části tohoto přístroje, přicházející do styku s potravinami, jsou bezpečné pro potraviny.

## Bezpečnostní pokyny

### **⚠ NEBEZPEČÍ ÚRAZU ELEKTRICKÝM PROUDEM!**

- ▶ Kryt přístroje nesmíte otvírat nebo opravovat. V takovém případě není zaručena bezpečnost a zaniká záruka. Vadný přístroj nechte opravit pouze prodejcem nebo autorizovaným odborným personálem.
  - ▶ Pokud se napájecí kabel tohoto přístroje poškodí, musí jej vyměnit výrobce, jeho zákaznický servis nebo obdobně kvalifikovaná osoba, aby se tak zabránilo nebezpečím.
  - ▶ Dbejte na to, aby do krytu přístroje nepronikly žádné kapaliny. Přístroj nevystavujte vlhkosti ani jej nepoužívejte venku. Na přístroj nestavte předměty naplněné vodou jako např. vázy. Hrozí nebezpečí požáru a úrazu elektrickým proudem! Pokud se přesto někdy dostane kapalina do krytu přístroje, vytáhněte ihned zástrčku přístroje ze zásuvky a nechte jej opravit.
  - ▶ Přístroje, síťového kabelu ani zástrčky se nikdy nedotýkejte vlhkýma rukama, jinak hrozí nebezpečí zásahu elektrickým proudem.
-  Přístroj nikdy neponořujte do vody či jiných tekutin! Pokud se během provozu dostanou zbytky tekutiny do kontaktu se součástmi, které jsou pod napětím, může dojít k ohrožení života v důsledku zásahu elektrickým proudem.



## **⚠ VÝSTRAHA – NEBEZPEČÍ ZRANĚNÍ!**

- ▶ Děti od 8 let a osoby s omezenými fyzickými, smyslovými nebo mentálními schopnostmi či nedostatkem zkušeností a/nebo znalostí mohou tento přístroj používat pouze tehdy, pokud jsou pod dohledem nebo pokud byly poučeny o bezpečném používání přístroje a pokud porozuměly z toho vyplývajícímu nebezpečí.
- ▶ Děti si nesmí s přístrojem hrát.
- ▶ Čištění a užitelskou údržbu nesmí provádět děti, ledaže jsou starší 8 let a jsou pod dohledem.
- ▶ Děti mladší 8 let nesmí mít přístup k přístroji a přívodnímu kabelu.
- ▶ Pokládejte síťový kabel tak, aby na něj nemohl nikdo stoupnout nebo o něj zakopnout.
- ▶ Během používání se nikdy nedotýkejte skleněných dvířek nebo krytu, protože tyto části jsou velice horké. K otevírání skleněných dvířek použijte kuchyňskou chňapku apod., abyste se nepopálili!
- ▶ Nikdy se nedotýkejte topných tyčí nebo průzoru za provozu nebo dokud přístroj nevychladne. Za provozu nesahejte do grilovacího a pečicího prostoru. Vyčkejte, dokud přístroj nevychladne. Mohli byste se spálit.
- ▶ Chystáte-li se přístroj po použití přemísťovat, nechte jej nejdříve zchladnout.
- ▶ Když manipulujete s horkým přístrojem, používejte vždy kuchyňské chňapky!



Pozor! Horký povrch!

**POZOR – VĚCNÉ ŠKODY!**

- ▶ K provozu přístroje nepoužívejte externí spínací hodiny ani samostatné dálkové ovládání.
- ▶ Přístroj během provozu nikdy nenechávejte bez dozoru.
- ▶ Zajistěte, aby se přístroj, síťový kabel nebo síťová zástrčka nedostaly do kontaktu s tepelnými zdroji, jakými jsou například varná plotýnka nebo otevřený oheň.
- ▶ Přístroj provozujte výhradně spolu s dodaným originálním příslušenstvím.
- ▶ Nepřehýbejte ani nestlačujte síťový kabel.
- ▶ Síťový kabel vždy vytahujte ze zásuvky za zástrčku, nikdy netahejte za samotný kabel.
- ▶ Při provozu nesmí být v bezprostřední blízkosti grilovací a pečicí trouby žádné snadno hořlavé materiály (např. utěrka, chňapka apod.).
- ▶ Nikdy na přístroji, nad ním nebo v něm nesušte textilie ani jiné předměty. Hrozí nebezpečí požáru.

**UPOZORNĚNÍ**

- ▶ K přepnutí výrobku mezi frekvencí 50 a 60 Hz není nutný žádný zásah uživatele. Výrobek se upraví pro 50 i 60 Hz.

## Umístění

### **⚠ VÝSTRAHA! NEBEZPEČÍ POŽÁRU!**

- ▶ Přístroj nikdy nestavte pod závěsné skříňky nebo vedle záclon, skříňových stěn nebo jiných vznětlivých předmětů.
- ▶ Vzdálenost přístroje od závěsných skříněk, stropů, bočních stěn a podobných předmětů musí být minimálně 10 cm směrem nahoru a 5 cm na obě strany. Proto se přístroj nesmí stavět např. do skříní apod. Tam není zajištěno dostatečné odvětrávání přístroje, takže by mohlo dojít k požáru nebo by se trouba mohla poškodit.
- ▶ Přístroj stavte pouze na žáruvzdorný podklad, jinak hrozí nebezpečí požáru a přístroj by se mohl poškodit. Oblast pod dnem přístroje může změnit barvu a poškodit se. Kromě toho by přístroj mohl na měkkém podkladu způsobit trvalé otisky.

### **⚠ NEBEZPEČÍ ÚRAZU ELEKTRICKÝM PROUDEM!**

- ▶ Nestavte přístroj do bezprostřední blízkosti vody, např. k dřezům, vanám nebo do vlhkých sklepních místností. V opačném případě hrozí nebezpečí úrazu elektrickým proudem.
- Postavte přístroj na pevný, rovný a žáruvzdorný podklad (např. pracovní desku z ušlechtilé oceli nebo z přírodního kamene, jako je žula). Zajistěte kolem přístroje dostatečné větrání.
- Přisuňte přístroj zadní stranou až ke zdi. Distanční držáky na zadní straně se musejí zdi dotýkat. Dbejte na to, aby zeď byla ze žáruvzdorného materiálu, např. keramických obkladaček, přírodního kamene nebo žuly.
- Všechny části přístroje vyčistěte tak, jak je popsáno v kapitole „Čištění a údržba“.

## Použití přístroje

### Skleněná dvířka

#### **POZOR! VĚCNÉ ŠKODY!**

- ▶ Neopírejte se o skleněná dvířka **6**. Na skleněná dvířka **6** nepokládejte žádné předměty. Mohou se tím poškodit závěsy.
- Připravujete-li obzvlášť mastná jídla, může se ve zvýšené míře tvořit kouř. V takovém případě skleněná dvířka **6** nedovírejte úplně, ale nechte je pootevřená na malou škvírku: Skleněná dvířka **6** mají aretační polohu, ve které jsou pootevřená na malou škvírku: když skleněná dvířka **6** pomalu zavíráte, krátce před zavřením v této poloze zaaretují.
- Také během sušení ovoce, aby se vytvořilo sušené ovoce, by skleněná dvířka **6** měla zůstat v uzamčené poloze, aby vlhkost mohla unikat a ovoce se lépe usuší.

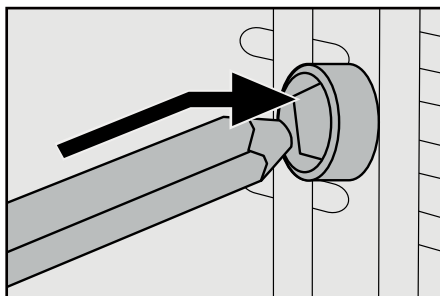
### Vložení plechu na drobky

- Vsuňte plech na drobky **7** pod dolní topné tyče **8** tak, aby přiléhal plochou ke dnu přístroje. Výše ohnutou stranu můžete použít jako rukojeť. Stranu, která není ohnutá tak vysoko, je nutné napřed zasunout do přístroje.

## Použití otočného rozně

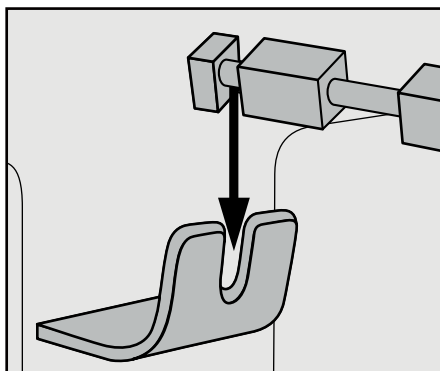
### ⚠ VÝSTRAHA! NEBEZPEČÍ ZRANĚNÍ!

- ▶ Pro vkládání horkého otočného rozně **16** do přístroje nebo jeho vyjímání používejte vždy kleště **12**.
- Pomocí obou svorek otočného rozně **16** můžete na otočném rožni **16** zafixovat grilovanou potravinu. Povolte zajišťovací šrouby **14** na svorkách otočného rozně **16**, posuňte svorky tak, aby pevně svíraly grilovanou potravinu, a utáhněte opět zajišťovací šrouby **14**.
- Nejprve zasuňte konec otočného rozně **16** bez drážky do pohonu **1** (Obr. 1):



Obr. 1: Zasuňte otočný rožně **16** do pohonu **1**

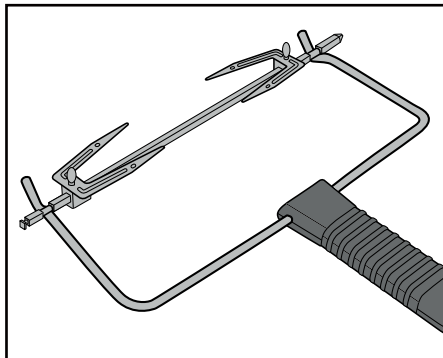
- Potom vložte druhý konec otočného rozně **16** s hlubokou drážkou do upínání otočného rozně **9** (Obr. 2):



Obr. 2: Vložte otočný rožně **16** do upínání otočného rožně **9**

## UPOZORNĚNÍ

- ▶ Když používáte otočný rožně **16**, zasuňte vždy do dolní kolejničky pečicí plech **11**. Poslouží k zachycování odkapávajících tekutin.
- Chcete-li vyjmout horký otočný rožně **16**, zahákněte háky na konci kleští **12** do vybrání na otočném rožni **16** (Obr. 3):



Obr. 3: Zaháknutí kleští **12** do vybrání otočného rožně **16**

- Vyměňte nejprve levou stranu otočného rožně **16** z upínání otočného rožně **9** a potom otočný rožně **16** vytáhněte z pohonu **1**.

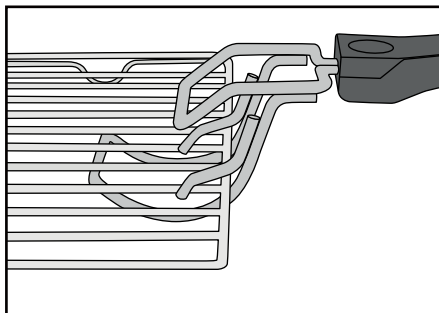
## Použití pečicího plechu / mřížového roštu

### ⚠ VÝSTRAHA! NEBEZPEČÍ ZRANĚNÍ!

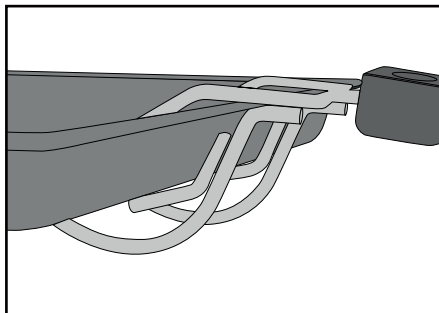
- ▶ Pro vkládání horkého pečicího plechu **11** / horkého mřížového roštu **13** do přístroje nebo jejich vyjímání používejte vždy kleště **10**.
- Zasuňte pečicí plech **11** / mřížový rošt **13** do jedné ze 3 kolejnic v grilovací a pečicího prostoru přístroje.

### POZOR! VĚCNÉ ŠKODY!

- ▶ Nepokládejte pečicí plech **11** / mřížový rošt **13** nikdy přímo na topné tyče **8**.
- Chcete-li vyjmout horký pečicí plech **11** nebo mřížový rošt **13**, zahákněte kleště **10** takto:




Obr. 4: Zaháknutí kleští **10** do mřížového roštu **13**



Obr. 5: Zaháknutí kleští **10** do pečicího plechu **11**

## Před prvním použitím

- 1) Zasuňte zástrčku do síťové zásuvky.
- 2) Otočte regulátor teploty **2** až na doraz ve směru hodinových ručiček na nejvyšší teplotu.
- 3) Otočte přepínač funkcí **3** na „Vrchní a spodní pečení“ .
- 4) Otevřete skleněná dvířka **6** a nechte je proto proces otevřená.
- 5) Vyjměte z grilovacího a pečicího prostoru případně vložené příslušenství.
- 6) Otočte časovač **4** na 20 minut.

### UPOZORNĚNÍ

- ▶ Při prvním zahřátí přístroje může kvůli zbytkům vzniklým při výrobě dojít k výskytu lehkého kouře nebo zápachu. To je zcela normální a není to nebezpečné. Zajistěte dostatečné větrání – otevřete například okno.






Přístroj se automaticky vypne po 20 minutách. Chcete-li vyhřívání předčasně přerušit, otočte regulátor teploty **2** až na doraz proti směru hodinových ručiček a nastavte časovač **4** na „OFF“.

- 7) Nechte přístroj vychladnout a vyčistěte jej tak, jak je popsáno v kapitole „Čištění a údržba“.
- Nyní je přístroj připravený k provozu.

## Obsluha přístroje

### Přepínač funkcí

Přepínačem funkcí **3** můžete zapnout přístroj a nastavit 5 různých funkcí:


Symbol	Význam
	„Spodní pečení“ např. k pečení koláčů
	„Vrchní pečení“ např. k zapékání
	„Vrchní & spodní pečení“ např. k pečení pizzy
	„Vrchní pečení / cirkulace horkého vzduchu / otočný rožněn“ např. ke grilování drůbeže
	„Vrchní & spodní pečení / cirkulace horkého vzduchu“ např. k rozpékání housek
OFF	„OFF“ přístroj je vypnutý

### Regulátor teploty

Pomocí regulátoru teploty **2** můžete nastavit požadovanou teplotu.

### Časovač

Pomocí časovače **4** můžete přístroj zapnout / nastavit dobu pečení:

- Nastavte časovač **4** na požadovanou dobu grilování a pečení. Po ukončení nastavené doby zazní signální tón a přístroj se přestane vyhřívat. Pokud je zvolena funkce „Vrchní & spodní pečení / cirkulace horkého vzduchu / otočný rožněn“ , zastaví se také otáčení otočného rožně **15**.
- Pokud chcete přístroj provozovat bez časového omezení, otočte otočný spínač časovače **4** proti směru hodinových ručiček do polohy „ON“.

## Grilování a pečení

- 1) Vložte do přístroje plech na drobky **7**.
- 2) Vyjměte z přístroje mřížový rošt **13** a pečicí plech **11**. Vložte je případně pečicím papírem, resp. pořízte pečicí plech **11** tukem vhodným na pečení.

### UPOZORNĚNÍ

- Podle typu jídla se trouba musí předehřát. Řiďte se pokyny uvedenými u příslušného receptu. Předehřátí má v každém případě smysl:
  - při velmi krátké době pečení,
  - u křupavých povrchových vrstev,
  - u citlivých jídel, která vyžadují konstantní teplotu, jako např. suflé.
- Pokud předehřátí není nutné, krok 3) přeskočte.

- 3) Nechte přístroj cca 10 minut (podle nastavené teploty) rozehtívat na požadovanou teplotu:
  - Zvolte požadovanou teplotu regulátorem teploty **2**.
  - Poté vyberte přepínačem funkcí **3** požadovanou funkci.

## UPOZORNĚNÍ

- ▶ Pokud vyberete funkci s cirkulací horkého vzduchu, nebývá předehřívání grilovacího a pečicího prostoru zpravidla nutné.
    - Nastavte časovačem 4 dobu předehřívání (cca 10 minut).
    - Zavřete skleněná dvířka 6.
- 4) Jakmile doba uplyne, položte potravinu určenou ke grilování nebo pečení na mřížový rošt 13, resp. pečicí plech 11 a zasuňte jej do jedné z kolejnic. Dbejte při tom na dostatečnou vzdálenost potraviny určené ke grilování, resp. pečení od vnitřních stěn a topných tyčí přístroje.

## UPOZORNĚNÍ

- ▶ Pokud na mřížovém roštu 13 připravujete potraviny, z kterých hodně odkapává tuk, zasuňte v tomto případě do nejspodnější kolejnice pečicí plech 11. Tak se kapající tuk zachytí a přístroj lze později lépe vyčistit.
- 5) Než zapnete grilování nebo pečení, zavřete skleněná dvířka 6.
- 6) Příp. časovačem 4 nastavte požadovanou dobu grilování, resp. pečení. Maximální doba grilování, resp. pečení nastavitelná časovačem 4 je 120 minut. Alternativně můžete časovač 4 nastavit také do polohy „ON“, abyste mohli přístroj provozovat neomezenou dobu.

## UPOZORNĚNÍ

- ▶ Je-li doba přípravy vašeho jídla kratší než 20 minut, nastavte časovač 4 nejprve na 40 minut a pak zpět na požadovanou dobu grilování, resp. pečení.

Kontrolka 5 ukazuje, že je přístroj zapnutý. Když přístroj používáte s předem nastavenou dobou pečení, přesune se spínač časovače 4 do polohy „OFF“.

Přístroj se příp. automaticky vypne po nastavené době, zazní signální zvuk a kontrolka 5 zhasne.

## UPOZORNĚNÍ

Chcete-li vyhřívání předčasně přerušit, otočte regulátor teploty 2 až na doraz proti směru hodinových ručiček a nastavte časovač 4 na „OFF“.


- 7) V případě, že přístroj neprovozujete s předem nastavenou dobou pečení, nastavte časovač 4 na „OFF“, chcete-li dobu ohřívání ukončit.
- 8) Po grilování nebo pečení vyjměte mřížový rošt 13, resp. pečicí plech 11 pomocí kleští 10.
- 9) Nastavte přepínač funkcí 3 na „OFF“.

## Grilování s otočným rožněm

- 1) Vložte do přístroje plech na drobky 7.
- 2) Pokud je otočný rožeň 15 vložen do přístroje, vyjměte ho.
- 3) Zasuňte pečicí plech 11 do nejspodnější kolejnice.
- 4) Zafixujte potravinu, kterou chcete grilovat, svorkami otočného rožně 15. Dbejte na to, aby se grilovaná potravina mohla v grilovacím prostoru volně otáčet, aniž by do něčeho narážela. Může se stát, že otočný rožeň změní směr otáčení, když grilovaná potravina narazí na odpor. Obě vybrání, která se nacházejí na otočném rožni 15, musejí zůstat volně přístupná, jinak není možné otočný rožeň 15 uchopit pomocí kleští 12.
- 5) Upevněte otočný rožeň 15 v grilovacím prostoru (viz kapitola „Použití otočného rožně“).
- 6) Zavřete skleněná dvířka 6.

## UPOZORNĚNÍ

Chcete-li vyhřívání předčasně přerušit, otočte regulátor teploty **2** až na doraz proti směru hodinových ručiček a nastavte časovač **4** na „OFF“.

- 7) Na regulátoru teploty **2** nastavte požadovanou teplotu.
- 8) Nastavte přepínač funkcí **3** na „vrchní pečení/ cirkulace horkého vzduchu/otočný rožeň“ .
- 9) Pokud si přejete, nastavte na časovači **4** požadovanou dobu grilování. Alternativně můžete časovač **4** nastavit také do polohy „ON“, abyste mohli přístroj provozovat neomezenou dobu.  
Přístroj spustí grilování a otočný rožeň **16** se otáčí.

Kontrolka **5** ukazuje, že je přístroj zapnutý. Používáte-li přístroj s předem nastavenou dobou pečení, přesune se nyní spínač časovače **4** do polohy „OFF“.

Přístroj se příp. automaticky vypne po nastavené době, zazní signální zvuk a kontrolka **5** zhasne.

## UPOZORNĚNÍ



Chcete-li vyhřívání předčasně přerušit, otočte regulátor teploty **2** až na doraz proti směru hodinových ručiček a nastavte časovač **4** na „OFF“.

- 10) V případě, že přístroj neprovozujete s předem nastavenou dobou pečení, nastavte časovač **4** na „OFF“, chcete-li dobu ohřívání ukončit.
- 11) Po grilování vyjměte otočný rožeň **16** pomocí kleští **12**.
- 12) Nastavte přepínač funkcí **3** na „OFF“.

## PŘÍKLAD – GRILOVANÉ KUŘE

### Ingredience

- ◆ kuře na grilování (cca 1,3 kg, bez drobů)
- ◆ koření (sůl, paprika)
- ◆ stolní olej

- 1) Okořeňte kuře zevnitř a zvenku solí a paprikou. Potřete ho zvenku stolním olejem vhodným pro vysoké teploty.
- 2) Nasuňte kuře na grilovací rožeň **16** a zafixujte ho svorkami otočného rožně **15**. Dbejte při tom na to, aby vybrání na otočném rožni **16** zůstala volná, abyste rožeň **16** mohli uchopit pomocí kleští **12**. Podle tvaru kuřete může být zapotřebí svázat křídla a stehna záruvzdorným provázekem, aby během otáčení na něco nenarážela.
- 3) Zasuňte pečicí plech **11** do nejspodnější kolejničky.
- 4) Předehřívejte přístroj cca 10 minut pomocí funkce „Vrchní & spodní pečení / cirkulace horkého vzduchu“  na cca 230 °C.
- 5) Vložte kuře na otočném rožni pomocí kleští **12** do přístroje.
- 6) Nastavte přepínač funkcí na „Vrchní pečení / cirkulace horkého vzduchu / otočný rožeň“  a zavřete dvířka.
- 7) Nastavte časovač **4** na cca 80 minut. Doba přípravy se může mírně lišit podle velikosti a vlastností grilovaného kuřete.
- 8) Potřete grilované kuře průběžně vždy trochou stolního oleje. Dosáhnete tak křupavého povrchu.
- 9) Po uplynutí nastavené doby grilovací rožeň s grilovaným kuřetem opatrně vyjměte pomocí kleští **12**. Povolte svorky otočného rožně **15** a stáhněte z něj grilované kuře **16**.





## Odstranění závad

Závada	Příčina	Řešení
Přístroj nefunguje.	Zástrčka není zapojená do zásuvky.	Zasuňte zástrčku do síťové zásuvky.
	Zásuvka je vadná.	Použijte jinou síťovou zásuvku.
	Přístroj je vadný.	Obraťte se na servis.
Kontrolka ❸ svítí, ale přístroj se nezahřívá.	Přepínač funkcí ❹ je v poloze OFF.	Otočte přepínač funkcí ❹ na požadovanou funkci.
Doba přípravy jídla se zdá být velmi dlouhá.	Kvůli kontrole pokroku při pečení či grilování byla skleněná dvířka ❻ otvírána příliš často.	Neotvírejte skleněná dvířka ❻ častěji, než je nezbytně nutné.
	Je nastavena nesprávná teplota.	Zkontrolujte nastavení teploty.
Během používání vzniká kouř a zápach.	Na topných tyčích se nacházejí zbytky čisticího prostředku nebo potravin.	Vyjměte potraviny z přístroje a při otevřených skleněných dvířkách ❻ mějte troubu zapnutou tak dlouho, až se kouř přestane tvořit.

Pokud nemůžete odstranit poruchy výše popsáním způsobem nebo pokud zjistíte jakoukoli jinou závadu, obraťte se na náš servis.

## Likvidace



Symbol přeškrtnuté pojízdné popelnice uvedený vedle označuje, že tento přístroj podléhá směrnici č. 2012/19/EU. Tato směrnice uvádí, že tento přístroj se na konci své životnosti nesmí likvidovat s běžným domovním odpadem, ale musí se odevzdat v určených sběrných místech či dvorech nebo podnicích oprávněných k nakládání s odpady.

**Tato likvidace je pro Vás zdarma. Chraňte životní prostředí a zajistěte odbornou likvidaci přístroje.**



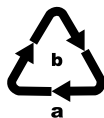
Informace o možnostech likvidace vysloužilého výrobku Vám podá správa Vašeho obecního nebo městského úřadu.



Výrobek je recyklovatelný, podléhá rozšířené odpovědnosti výrobce a je shromažďován odděleně.



Obal se skládá z ekologických materiálů, které lze v komunálních sběrných dvorech odevzdat k recyklaci.



Balení zlikvidujte ekologicky. Dbejte na označení na různých obalových materiálech a v případě potřeby je rozřídíte odděleně. Obalové materiály jsou označeny zkratkami (a) a číslicemi (b) s následujícím významem: 1–7: Plasty, 20–22: Papír a lepenka, 80–98: Kompozitní materiály

## Záruka společnosti Kompernass Handels GmbH

Vážená zákaznice, vážený zákazniku, na tento přístroj získáváte záruku v trvání 3 let od data zakoupení. V případě závad tohoto výrobku máte zákonná práva vůči prodejci výrobku. Tato zákonná práva nejsou omezena naší níže uvedenou zárukou.

### Záruční podmínky

Záruční doba začíná plynout dnem nákupu. Dobře uschovejte pokladní doklad. Tento doklad je potřebný jako důkaz o koupi.

Pokud se do tří let od data zakoupení tohoto výrobku vyskytne vada materiálu nebo výrobní závada, pak Vám podle našeho uvážení výrobek zdarma opravíme, vyměníme nebo uhradíme kupní cenu. Předpokladem této záruky je, že bude během tříleté lhůty předložen vadný přístroj a doklad o koupi (pokladní doklad) a stručně se popíše, v čem závada spočívá a kdy se vyskytla.

Vztahují-li se na závadu naše záruka, obdržíte zpět buď opravený nebo nový produkt. Opravou nebo výměnou výrobku nezačne plynout nová záruční doba.

### Záruční doba a zákonné nároky vyplývající ze závad

Záručním plněním se záruční doba neprodlužuje. To platí i pro vyměněné a opravené součásti. Poškození nebo vady vyskytující se případně již při nákupu se musí oznámit ihned po vybalení. Po uplynutí záruční doby podléhají veškeré opravy zpoplatnění.

### Rozsah záruky

Přístroj byl vyroben pečlivě podle přísných směrnic kvality a před expedicí byl svědomitě vyzkoušen. Záruka se vztahuje na materiálové nebo výrobní vady. Tato záruka se nevztahuje na součásti výrobku, které jsou vystaveny běžnému opotřebení, a proto je lze považovat za spotřební díly, nebo na poškození křehkých součástí, jako jsou např. spínače, akumulátory nebo díly, které jsou vyrobeny ze skla.

Tato záruka zaniká, pokud je výrobek poškozen, nebyl řádně používán nebo udržován. Pro zajištění správného používání výrobku se musí přesně dodržovat všechny pokyny uvedené v návodu k obsluze. Účelům použití a úkonům, které se v návodu k obsluze nedoporučují nebo se před nimi varuje, je třeba se bezpodmínečně vyhnout.

Výrobek je určen pouze pro soukromé účely a ne pro komerční použití. Při nesprávném a neodborném používání, při použití násilí a při zásazích, které nebyly provedeny našimi autorizovanými servisními provozovny, záruční nároky zanikají.

## Vyřízení v případě záruky

Pro zajištění rychlého Vaší žádosti postupujte podle následujících pokynů:

- Pro všechny dotazy mějte připraven pokladní lístek a číslo výrobku (IAN) 390044\_2201 jako doklad o koupi.
- Číslo výrobku naleznete na typovém štítku na výrobku, rytině na výrobku, na titulní straně návodu k obsluze (vlevo dole) nebo na nálepce na zadní nebo spodní straně výrobku.
- Pokud by se měly vyskytovat funkční vady nebo jiné závady, kontaktujte nejprve níže uvedené servisní oddělení **telefonicky** nebo **e-mailem**.
- Výrobek, zaevidovaný jako vadný výrobek pak můžete při přiložení dokladu o nákupu (pokladní lístek) a při uvedení, v čem spočívá vada a kdy k ní došlo, poslat výrobek pro Vás bez poštovního nákladu, kterou Vám oznámí servis.



Na webových stránkách [www.lidl-service.com](http://www.lidl-service.com) si můžete stáhnout tyto a mnoho dalších příruček, videí o výrobku a instalační software.

Pomocí kódu QR se dostanete přímo na stránku servisu Lidl ([www.lidl-service.com](http://www.lidl-service.com)) a můžete pomocí zadání čísla výrobku (IAN) 390044\_2201 otevřít svůj návod k obsluze.

## Servis



Servis Česko

Tel.: 800143873

E-Mail: [kompernass@lidl.cz](mailto:kompernass@lidl.cz)

IAN 390044\_2201

## Dovozce

Dbejte prosím na to, že následující adresa není adresou servisu. Kontaktujte nejprve uvedený servis.

KOMPERNASS HANDELS GMBH

BURGSTRASSE 21

44867 BOCHUM

NĚMECKO

[www.kompernass.com](http://www.kompernass.com)

## Recepty

V této kapitole uvádíme několik příkladů pro přípravu jídel. Tyto příklady jsou pouze doporučení.

Doba přípravy se může mírně lišit.

Recepty bez záruky. Všechny údaje o přísadách a o přípravě jsou pouze orientační. Doplňte tyto navrhované recepty o své vlastní zkušenosti.

V každém případě vám přejeme, ať se dílo podaří a ať vám chutná.

### UPOZORNĚNÍ

Dodržujte pokyny k přípravě uvedené na obalu potravin.

### Muffiny

Ingredience pro čtyři osoby:

- ◆ 1 šálek mouky
- ◆ 1 lžička prášku do pečiva
- ◆ 1 vejce
- ◆ 1 lžice rozpuštěného másla
- ◆ 1 šálek mléka
- ◆ 3 lžice cukru
- ◆ 1 špetka soli
- ◆ pro různé varianty navíc ořechy, rozmačkané banány nebo čokoládové vločky

Příprava:

- 1) V míse promíchejte postupně pomalu mouku, prášek do pečiva, vejce, mléko, sůl a cukr.
- 2) Rozpusťte máslo v rendlíku a zamíchejte je do těsta.
- 3) Podle chuti přimíchejte ořechy, čokoládové vločky nebo rozmačkané banány.
- 4) Hotové těsto dejte do typických formiček na muffiny a ty postavte na pečicí plech ①.
- 5) Muffiny pečte při 220 °C na vrchní a spodní ohřev zhruba 15 minut na dolní liště.

### Havajské toasty

Ingredience pro 4 toasty:

- ◆ 4 krajíce toastového chleba
- ◆ 1–2 lžice remulády (ochucené majonézy)
- ◆ 120 g vařené šunky
- ◆ 1/2 konzervy ananasu
- ◆ 4 plátky sýra na zapečení
- ◆ kari koření

Příprava:

- ◆ Krajíce toastového chleba předem opečte.
- ◆ Potom je potřete tenkou vrstvou remulády a pokladte vařenou šunkou.
- ◆ Na každý obložený toast dejte jedno kolečko ananasu. Toast ochuťte kari kořením.
- ◆ Potom dejte nahoru na ananas vždy jeden plátek sýra.
- ◆ Havajské toasty položte na mřížový rošt ⑬ a zapečte v grilovací a pečicí troubě na horní liště při cca 200 °C na vrchní ohřev zhruba 8 minut.

### Pečení hluboce zmražené pizzy

Příprava:

- ◆ Zasuňte mřížový rošt ⑬ do horní lišty grilovacího a pečicího prostoru.
- ◆ Položte hluboce mraženou pizzu bez obalu na mřížový rošt ⑬.
- ◆ Pečte pizzu při vrchním a spodním pečení cca 20 minut.
- ◆ Dodržujte prosím údaje o teplotě uvedené na obalu.

## Sřřřkané peřivo

Ingredience:

- ◆ 125 g másla
- ◆ 125 g cukru
- ◆ 1 balíček vanilkového cukru
- ◆ 1 špetka soli
- ◆ 1 vejce
- ◆ 1 bílek
- ◆ 250 g mouky (typ 405)
- ◆ 1 lžička prášku do pečiva
- ◆ strouhaná kůra z půlky citronu

Připrava:

- 1) Vyšlehejte máslo do pěny.
- 2) Přidejte cukr, vanilkový cukr, citronovou kůru a vejce.
- 3) Smíchejte mouku, prášek do pečiva a sůl a měchačkou je zamíchejte do těsta.
- 4) Nechte těsto cca 10 minut odpočívat.
- 5) Vytvořte z těsta požadované tvary, např. pomocí mlýnku na maso, vykrajovacích formiček nebo cukrářského sáčku na zdobení.
- 6) Sřřřkané peřivo položte na pečicí plech **11**, vyložený papírem na pečení.
- 7) Sřřřkané peřivo pečte dozlatova v předehřáté troubě při 180°C na vrchní a spodní ohřev zhruba 10–15 minut na horní liště.

### UPOZORNĚNÍ

Množství těsta stačí na několik pečicích plechů **11**.

## Housky

Ingredience:

- ◆ 300 g mouky (nebo celozrnné mouky)
- ◆ 2 vrchovaté lžičky prášku do pečiva
- ◆ 200 g lněných semínek
- ◆ 1 vejce
- ◆ 500 g tvarohu
- ◆ 1 lžička soli
- ◆ podle chuti kmín, cibule, slanina...

Připrava:

- 1) Všechno dobře prohněťte a z těsta tvarujte malé housky.
- 2) Housky položte na pečicí plech **11**, vyložený papírem na pečení.
- 3) Pečte při teplotě cca 200°C na vrchní ohřev zhruba 30 minut na horní liště.

### UPOZORNĚNÍ

Množství těsta stačí na několik pečicích plechů **11**.

## Bezé (pusinky)

Ingredience:

- ◆ 1 bílek
- ◆ sůl
- ◆ 45 g cukru

Příprava:

- 1) Vychlazený bílek dejte do mísy, ve které nejsou zbytky tuku. Nesmíte přimíchat žádný žloutek, protože jinak sníh z bílku nebude dostatečně pevný.
- 2) Šlehejte bílek na pomalý stupeň, aby se ve sněhu netvořily příliš velké bubliny.
- 3) Přidejte malou špetku soli.
- 4) Když sníh začne tuhnout, přidávejte postupně polovinu cukru.
- 5) Potom vyšlehejte dotuha na nejvyšší stupeň.
- 6) Přidejte zbývající cukr. Tím získá sněhová hmota potřebnou pevnost.
- 7) Sněhovou hmotou naplníte cukrářský sáček na zdobení s velkou hvězdicovitou špičkou a s mírným odstupem stříkejte na pečicí plech **11**, vyložený papírem na pečení, růžice, jazýčky nebo jiné tvary.
- 8) Troubu na grilování a pečení předehřejte na cca 100° C s cirkulací horkého vzduchu.
- 9) Pusinky pečte v horní kolejnici při cca 100° C s recirkulací horkého vzduchu cca 2 hodiny.

## Máslové krutony

Ingredience:

- ◆ 2 krajíce toastového chleba
- ◆ 1 lžíce másla

Příprava:

- 1) Nakrájejte toastový chléb na malé kostičky.
- 2) Rozpusťte máslo v rendlíku při mírné teplotě a přidejte k němu toastový chléb.
- 3) Vložte pečicí plech **11** papírem na pečení a rozložte na něj rovnoměrně kostičky toastového chleba.
- 4) Pečte kostičky toastového chleba při teplotě cca 170° C na vrchní ohřev na horní liště, až budou zlatavě nahnědlé (zhruba 15 - 20 minut).

### UPOZORNĚNÍ

Místo normálního másla můžete také použít bylinkové nebo česnekové máslo. Doba pečení se pak zkrátí zhruba o 5 minut.

**Bagety s mletým masem**

Ingredience:

- ◆ 2 bagety
- ◆ 250 g mletého masa (půl hovězího na půl vepřového)
- ◆ 2 rajčata
- ◆ 1 cibule (nakrájená na kostičky)
- ◆ 2 lžice rajského protlaku
- ◆ 40 g nastrouhaného parmezánu
- ◆ 4 plátky sýra
- ◆ sůl a pepř

Příprava:

- 1) Bagety podélně rozřízněte a vydlabte je.
- 2) Promíchejte mleté maso, rajský protlak, cibuli, parmezán, trochu soli a trochu pepře.
- 3) Vytvarujte mleté maso do 4 stejně velkých, pokud možno plochých karbanátků a položte je na půlky baget.
- 4) Nakrájejte rajčata na kolečka a položte je na bagety.
- 5) Rozdělte na bagety sýr.
- 6) Položte bagety na pečicí plech **1** a pečte je při teplotě cca 230 °C v předehřáté troubě na vrchní a spodní ohřev po dobu zhruba 20 minut na dolní liště.

**UPOZORNĚNÍ**

Mleté maso můžete ochutit také bazalkou, čili nebo jiným kořením.

**Květák (zapečený)**

Ingredience:

- ◆ 1/2 hlávky květáku (cca 250 g)
- ◆ 3 kolečka citronu
- ◆ 1 lžice másla
- ◆ 1 vrchovatá lžička mouky
- ◆ 1 lžice citronové šťávy
- ◆ 1 lžice mandlových lupínek
- ◆ 2 lžice (strouhaného) sýra vhodného na gratinování
- ◆ sůl, pepř, muškátový oříšek

Příprava:

- 1) Rozdělte květák na růžičky a operte je.
- 2) Povařte květák s kolečky citronu po dobu 8-10 minut ve slané vodě do poloměkka (al dente). Při slévání vody z květáku z ní zachyťte cca 150 ml.
- 3) Rozpusťte v rendlíku máslo a za stálého míchání pražte mouku po dobu cca 1 minuty.
- 4) Za stálého míchání přidejte vodu slitou z květáku a povařte jíšku cca 2 minuty. Je-li jíška příliš hustá, přidejte postupně trochu vody, až bude mít jíška viskózní konzistenci. Okořeňte citronovou šťávou, solí, pepřem a muškátovým oříškem.
- 5) Dejte květák do zapékací nádoby (o průměru cca 14 cm) a polijte ho rovnoměrně omáčkou.
- 6) Posypte ho sýrem a mandlovými lupínky.
- 7) Postavte zapékací nádobu na pečicí plech **1**.
- 8) Nákyp zapékejte při teplotě cca 200 °C v předehřáté troubě na vrchní a spodní ohřev po dobu zhruba 20 minut na dolní liště.



## Taštičky z listového těsta, plněné lososem

Ingredience:

- ◆ 1 bal. listového těsta (cca 8 plátků)
- ◆ 1 bal. uzeného lososa, plátky (cca 200 g)
- ◆ 1 citron
- ◆ 1 cibule
- ◆ 1 bal. tzv. „čerstvého“ sýra, např. Lučina (200 g)
- ◆ čerstvý kopr
- ◆ sůl a pepř
- ◆ 1 žloutek

Příprava:

- 1) Oddělte od sebe plátky listového těsta a nechte je případně rozmrazit.
- 2) Promíchejte sýr se solí, pepřem a šťávou z jednoho citronu.
- 3) Nakrájejte cibuli na drobné kostičky.
- 4) K sýrové hmotě přidejte polovinu lososa a cibuli a všechno nahrubo promíchejte tyčovým mixérem.
- 5) Nakrájejte zbytek lososa na jemné proužky.
- 6) Přidejte lososa a kopr k sýrové hmotě a všechno promíchejte.
- 7) Dejte po jedné lžici hmoty na každý plátek listového těsta a ten pak uzavřete do tvaru taštičky.
- 8) Vzniklé taštičky potřete žloutkem.
- 9) Položte taštičky z listového těsta na pečicí plech **11**. Ponechte dostatek místa mezi jednotlivými taštičkami, protože listové těsto nabude na objemu.
- 10) Taštičky z listového těsta pečte na dolní liště při teplotě cca 230 °C na vrchní a spodní ohřev zhruba 25-30 minut. Listové těsto by mělo být lehce nahnědlé.

### UPOZORNĚNÍ

Uvedené množství stačí na několik pečicích plechů **11**.

## Spis treści

<b>Wstęp</b> .....	<b>104</b>
<b>Użytkowanie zgodne z przeznaczeniem</b> .....	<b>104</b>
<b>Zakres dostawy</b> .....	<b>104</b>
<b>Opis urządzenia</b> .....	<b>104</b>
<b>Dane techniczne</b> .....	<b>104</b>
<b>Wskazówki bezpieczeństwa</b> .....	<b>105</b>
<b>Ustawianie urządzenia</b> .....	<b>108</b>
<b>Korzystanie z urządzenia</b> .....	<b>108</b>
Szklane drzwiczki .....	108
Wkładanie tacki na okruchy .....	108
Korzystanie z różni .....	109
Korzystanie z blachy do pieczenia/rusztu .....	110
<b>Przed pierwszym użyciem</b> .....	<b>110</b>
<b>Obsługa urządzenia</b> .....	<b>111</b>
Przełącznik wyboru funkcji .....	111
Regulator temperatury .....	111
Programator zegarowy .....	111
<b>Grillowanie i pieczenie</b> .....	<b>111</b>
<b>Grillowanie na rożnie</b> .....	<b>112</b>
<b>Czyszczenie i pielęgnacja</b> .....	<b>114</b>
<b>Przechowywanie</b> .....	<b>114</b>
<b>Usuwanie usterek</b> .....	<b>115</b>
<b>Utylizacja</b> .....	<b>116</b>
<b>Gwarancja Kompernaß Handels GmbH</b> .....	<b>116</b>
Serwis .....	117
Importer .....	117
<b>Przepisy</b> .....	<b>118</b>

## Wstęp

Serdecznie gratulujemy zakupu nowego urządzenia.

Wybrany produkt charakteryzuje się wysoką jakością. Instrukcja obsługi jest częścią składową produktu. Zawiera ona ważne informacje na temat bezpieczeństwa, użytkowania i utylizacji.

Przed rozpoczęciem użytkowania produktu należy zapoznać się ze wszystkimi wskazówkami dotyczącymi obsługi i bezpieczeństwa. Produkt należy użytkować wyłącznie zgodnie z zamieszczonym tu opisem oraz w podanym zakresie zastosowań. W przypadku przekazania urządzenia osobie trzeciej należy dołączyć do niego również całą dokumentację.

## Użytkowanie zgodne z przeznaczeniem

Automat do grillowania i pieczenia służy wyłącznie do podgrzewania, gotowania i grillowania potraw.

Urządzenie przeznaczone jest wyłącznie do stosowania w gospodarstwach domowych. Nie należy używać go w celach komercyjnych.

Każde inne użycie jest uważane za niezgodne z przeznaczeniem i może spowodować szkody materialne lub nawet uszkodzenia ciała.

## Zakres dostawy

- ◆ Piekarnik elektryczny
- ◆ 1 blacha do pieczenia
- ◆ 1 ruszt
- ◆ 2 pary szczypiec
- ◆ Rożen z 2 zaciskami
- ◆ 1 tacka na okruchy
- ◆ Instrukcja obsługi

### WSKAZÓWKA

Bezpośrednio po rozpakowaniu sprawdź, czy dostarczony produkt jest kompletny oraz nie ma żadnych uszkodzeń. W razie potrzeby zwróć się do serwisu.

## Opis urządzenia

Rysunek A:

- ❶ napęd
- ❷ regulator temperatury
- ❸ przełącznik wyboru funkcji
- ❹ programator zegarowy
- ❺ lampka kontrolna
- ❻ szklane drzwiczki
- ❼ włożona tacka na okruchy
- ❽ dolne grzałki
- ❾ uchwyt rożna

Rysunek B:

- ❿ szczypce (do blachy do pieczenia i rusztu)
- ⓫ blacha do pieczenia
- ⓬ szczypce (do rożna)
- ⓭ ruszt
- ⓮ ustalacz
- ⓯ zaciski do rożna
- ⓰ rożen

## Dane techniczne


Napięcie znamionowe: 220 - 240 V ~  
(prąd przemienny),  
50/60 Hz

Pobór mocy: 1500 W



Wszystkie części tego urządzenia mające kontakt z żywnością, są do tego odpowiednio dopuszczone.

**Wskazówki bezpieczeństwa****⚠ NIEBEZPIECZEŃSTWO PORAŻENIA PRĄDEM ELEKTRYCZNYM!**

- ▶ Nie wolno otwierać obudowy urządzenia ani go samodzielnie naprawiać. Stanowi to poważne zagrożenie i powoduje wygaśnięcie gwarancji. Naprawę uszkodzonego urządzenia należy zlecać wyłącznie serwisowi lub autoryzowanym specjalistom.
  - ▶ W przypadku uszkodzenia kabla zasilającego należy zlecić jego wymianę producentowi, w punkcie serwisowym lub osobie posiadającej odpowiednie kwalifikacje. Dzięki temu unikniesz poważnych zagrożeń.
  - ▶ Nie dopuścić do przedostania się cieczy do wnętrza obudowy urządzenia. Nie wolno wystawiać urządzenia na działanie wilgoci ani używać go na otwartej przestrzeni. Ponadto, na urządzeniu nie wolno umieszczać przedmiotów wypełnionych płynami, takich jak na przykład wazon. Powstaje w ten sposób zagrożenie wybuchu pożaru i porażenia prądem elektrycznym! Jeśli już ciecz dostanie się do wnętrza obudowy urządzenia, należy natychmiast wyciągnąć wtyk sieciowy urządzenia z gniazda sieciowego i oddać urządzenie do naprawy.
  - ▶ Nigdy nie chwytać ani nie dotykać urządzenia, kabla sieciowego ani wtyku wilgotnymi rękoma. Istnieje niebezpieczeństwo porażenia prądem elektrycznym.
-  Nigdy nie zanurzaj urządzenia w wodzie lub innych cieczach! Przedostanie się resztek cieczy na części przewodzące prąd podczas pracy urządzenia może spowodować groźące śmiercią porażenie prądem elektrycznym.

## **⚠ OSTRZEŻENIE – NIEBEZPIECZEŃSTWO OBRAŻEŃ!**

- ▶ To urządzenie może być używane przez dzieci poniżej 8 roku życia oraz przez osoby o zmniejszonych zdolnościach fizycznych, sensorycznych lub umysłowych lub też osoby nieposiadające odpowiedniego doświadczenia i/lub wiedzy, wyłącznie pod nadzorem lub po przeszkoleniu w zakresie bezpiecznego używania urządzenia oraz potencjalnych zagrożeń.
- ▶ Dzieciom nie wolno bawić się urządzeniem.
- ▶ Czyszczenia ani konserwacji nie mogą wykonywać dzieci, chyba że ukończyły one 8. rok życia i są pod nadzorem.
- ▶ Dzieci w wieku poniżej 8 lat należy trzymać z dala od urządzenia i kabla zasilającego.
- ▶ Kabel sieciowy należy ułożyć tak, aby nikt nie mógł po nim deptać, ani potknąć się o niego.
- ▶ Temperatura dostępnych powierzchni może być wyższa gdy sprzęt pracuje.
- ▶ Nigdy w czasie użytkowania nie wolno dotykać szklanych drzwiczek ani obudowy, ponieważ stają się one bardzo gorące. Do otwierania drzwiczek szklanych używaj rękawicy kuchennej itp., aby uniknąć poparzeń!
- ▶ Nigdy nie dotykaj grzałek ani okienka w czasie pracy urządzenia lub przed jego ostygnięciem. W czasie pracy nie wkładaj rąk do wnętrza komory automatu. Poczekać do ostygnięcia urządzenia. W przeciwnym razie można się poparzyć.
- ▶ Przed transportem i po korzystaniu z urządzenia odczekaj do jego całkowitego ostygnięcia.
- ▶ Podczas obsługi gorącego urządzenia zawsze używaj rękawic kuchennych lub ścierki!



Ostrożnie! Gorąca powierzchnia!

**UWAGA – SZKODY MATERIALNE!**

- ▶ Do sterowania pracą urządzenia nie używaj żadnych zewnętrznych programatorów zegarowych ani innego systemu zdalnego sterowania.
- ▶ W trakcie używania nigdy nie pozostawiaj urządzenia bez nadzoru.
- ▶ Upewnij się, że urządzenie, kabel sieciowy lub wtyk sieciowy nie stykają się z gorącymi źródłami, takimi jak gorące płyty grzejne lub nieosłonięty płomień.
- ▶ Urządzenia należy używać tylko z dostarczonym oryginalnym osprzętem.
- ▶ Nie zginaj ani nie przygniataj kabla sieciowego.
- ▶ Wyciągając kabel sieciowy z gniazda, pociągaj zawsze za wtyk, a nie za kabel.
- ▶ W czasie pracy, w bezpośrednim otoczeniu automatu do grillowania i pieczenia nie mogą znajdować się żadne łatwopalne materiały (np. ręczniki kuchenne, ścierki itp.).
- ▶ Nigdy nie susz nad lub w urządzeniu żadnych tkanin ani przedmiotów. Istnieje niebezpieczeństwo pożaru.

**WSKAZÓWKA**

- ▶ Przetłaczanie produktu pomiędzy 50 a 60 Hz nie wymaga żadnych działań ze strony użytkownika. Produkt przystosowuje się zarówno do częstotliwości 50 Hz, jak i 60 Hz.

## Ustawianie urządzenia

### **⚠ OSTRZEŻENIE!** **NIEBEZPIECZEŃSTWO POŻARU!**

- ▶ Nigdy nie ustawiaj urządzenia pod wiszącymi szafkami, ani obok firan, meblóścianek oraz innych łatwopalnych przedmiotów.
- ▶ Odległość urządzenia od wiszących szafek, sufitów, bocznych ścian itp. musi wynosić do góry co najmniej 10 cm i z boku odpowiednio po 5 cm. Dlatego nie wolno wstawiać urządzenia np. do szafek itp. W przeciwnym razie, nie ma zapewnionej odpowiedniej wentylacji urządzenia i może to być przyczyną pożaru lub uszkodzenia urządzenia.
- ▶ Urządzenie można ustawiać wyłącznie na podłożu odpornym na wysoką temperaturę. W przeciwnym razie istnieje niebezpieczeństwo pożaru i urządzenie może ulec uszkodzeniu. Płaszczyna pod dnem urządzenia może się odbarwić lub uszkodzić. Ponadto, w przypadku miękkiego podłoża mogą pozostać trwałe ślady w podkładzie.

### **⚠ NIEBEZPIECZEŃSTWO PORAŻENIA PRĄDEM ELEKTRYCZNYM!**

- ▶ Nie ustawiaj urządzenia w bezpośrednim sąsiedztwie wody, np. zlewów, wanien lub w wilgotnych piwnicach. W przeciwnym razie istnieje niebezpieczeństwo porażenia prądem elektrycznym.
- Urządzenie ustawiaj na stabilnym, równym i odpornym na temperaturę podłożu (np. na płytach roboczych ze stali nierdzewnej lub na płytach z kamienia naturalnego, jak granit). Zadbaj o dostateczną wentylację wokół urządzenia.
- Stawiaj urządzenie tylną stroną do ściany. Elementy dystansowe z tyłu muszą dotykać ściany. Upewnij się, że ściana jest z materiału odpornego na ciepło, np. z płytek, kamienia naturalnego lub granitu.
- Wszystkie elementy czyść zgodnie z opisem w rozdziale „Czyszczenie i pielęgnacja”.

## Korzystanie z urządzenia

### Szklane drzwiczki

#### **UWAGA! SZKODY MATERIALNE!**

- ▶ Nie opieraj się o szklane drzwiczki **6**. Nie stawiaj żadnych przedmiotów na szklanych drzwiczkach **6**. Takie postępowanie powoduje uszkodzenia zawiasów.
- Gdy przygotowywane są szczególnie tłuste potrawy, może dojść do wzmożonego dymienia. W takim przypadku nie zamykaj całkowicie szklanych drzwiczek **6**, pozostawiając je lekko uchylone. Szklane drzwiczki **6** pozwalają się zablokować w uchylonej pozycji: Gdy ostrożnie zamyka się szklane drzwiczki **6**, zablokują się one tuż przed zamknięciem w tym położeniu.
- Również podczas suszenia owoców szklane drzwiczki również **6** powinny pozostawać ustawione w zablokowanym położeniu, aby wilgoć mogła się wydostawać, a owoce lepiej się wysuszyły.

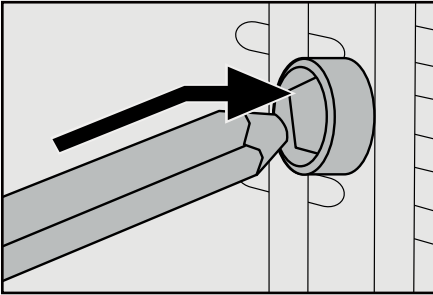
### Wkładanie tacki na okruchy

- Wsuń tackę na okruchy **7** pod dolne grzałki **8**, aby leżała płasko na dnie urządzenia. Zagiętą wyżej stronę można użyć jako uchwyt. Strona, która nie jest tak wysoko zagięta, musi zostać wsunięta przodem do urządzenia.

## Korzystanie z rożna

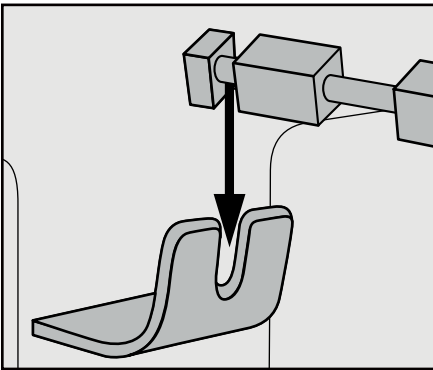
### ⚠ OSTRZEŻENIE! NIEBEZPIECZEŃSTWO OBRAŹEŃ!

- ▶ Korzystaj zawsze ze szczypic (12), aby włożyć lub wyjąć gorący rożen (16) z urządzenia.
- Obydwoma zaciskami rożna (15) można zamocować grillowany produkt na rożnie (16). Odkręć ustalacze (14) na zaciskach rożna (15), przesunij je tak, aby grillowany produkt został między nimi zamocowany i dokręć ponownie ustalacze (14).
- Wsuń najpierw koniec rożna (16) bez rowka w napęd (1) (rys. 1):



Rys. 1: Wsuń rożen (16) do napędu (1).

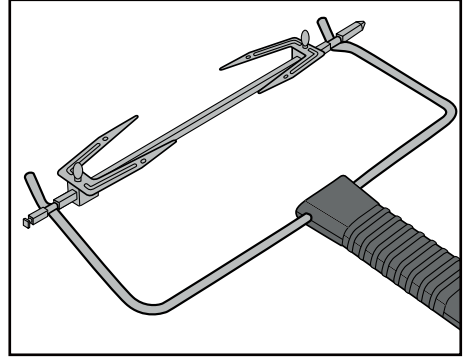
- Następnie umieść drugi koniec rożna (16) z głębokim rowkiem w uchwycie rożna (9) (rys. 2):



Rys. 2: Włożyć rożen (16) w uchwyt rożna (9)

## WSKAZÓWKA

- ▶ Wsuwaj zawsze blachę do pieczenia (11) w dolną szynę, gdy korzystasz z rożna (16). W ten sposób zbierane są wszystkie spływające z potrawy płyny.
- Aby wyjąć gorący rożen (16), zaczepek hak na końcu szczypic (12) za zagłębienia w rożnie (16) (rys. 3):



Rys. 3: Zaczepienie szczypic (12) przy rożnie (16)

- Podnieś najpierw lewą stronę rożna (16) z uchwytu rożna (9) i wyciągnij wtedy rożen (16) z napędu (1).



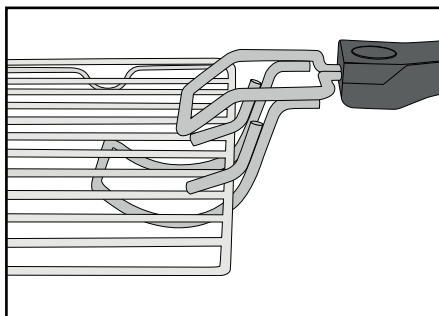
## Korzystanie z blachy do pieczenia/ rusztu

### ⚠ OSTRZEŻENIE! NIEBEZPIECZEŃSTWO OBRAŹEŃ!

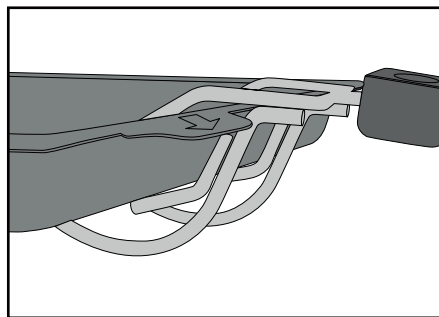
- ▶ Korzystaj zawsze ze szczypiec 10, aby włożyć lub wyjąć gorącą blachę do pieczenia 11/ gorący ruszt 13 z urządzenia.
- Wsuń blachę do pieczenia 11/ ruszt 13 w jedną z 3 szyn w komorze urządzenia.

### UWAGA! SZKODY MATERIALNE!

- ▶ Nigdy nie kładź blachy do pieczenia 11/ rusztu 13 bezpośrednio na grzałkach 8.
- Aby można było wyjąć gorącą blachę do pieczenia 11 lub gorący ruszt 13, szczypce 10 zaczepek w następujący sposób:




Rys. 4: Zaczepianie szczypiec 10 za ruszt 13



Rys. 5: Zaczepianie szczypiec 10 za blachę do pieczenia 11

## Przed pierwszym użyciem

- 1) Włóż wtyk sieciowy do gniazda zasilania.
- 2) Obróć regulator temperatury 2 do oporu w prawo, ustawiając najwyższą temperaturę.
- 3) Obróć przełącznik wyboru funkcji 3 na „Górne i dolne ogrzewanie” .
- 4) Otwórz szklane drzwiczki 6 i pozostaw je w czasie tej czynności otwarte.
- 5) Wyjmij ewentualnie znajdujące się w komorze do pieczenia akcesoria.
- 6) Ustaw programator zegarowy 4 na 20 minut.

### WSKAZÓWKA

- ▶ Pierwszemu nagrzewaniu urządzenia może towarzyszyć zapach spalenizny i dym wywołany wypalaniem się pozostałości środków zastosowanych podczas produkcji. Jest to zjawisko całkowicie normalne i nie stanowi jakiegokolwiek zagrożenia. Pamiętaj o zapewnieniu odpowiedniej wentylacji w pomieszczeniu, np. poprzez otwarcie okna.

Urządzenie wyłączy się automatycznie po upływie 20 minut.

Jeśli chcesz wcześniej przerwać proces pieczenia, obróć regulator temperatury 2 do oporu w lewo i ustaw programator zegarowy 4 na „OFF”.






- 7) Pozostaw urządzenie do ostygnięcia i wyczyść je zgodnie z opisem w rozdziale „Czyszczenie i pielęgnacja”.

Teraz urządzenie jest gotowe do pracy.

## Obsługa urządzenia

### Przełącznik wyboru funkcji

Za pomocą przełącznika wyboru funkcji **3** można włączyć urządzenie, jak również ustawiać 5 różnych funkcji:


Symbol	Znaczenie
	„Dolne grzanie” np. do pieczenia ciast
	„Górne grzanie” np. do opiekania
	„Górne i dolne grzanie” np. do pieczenia pizzy
	„Podgrzewanie górne/ termoobieg/rożen” np. do grillowania drobiu
	„Górne i dolne grzanie/ termoobieg” np. do pieczenia bułek
OFF	„OFF” urządzenie jest wyłączone

### Regulator temperatury

Za pomocą regulatora temperatury **2** można ustawić żądaną temperaturę.

### Programator zegarowy

Za pomocą programatora zegarowego **4** można włączyć urządzenie / ustawiać czas pieczenia:

- Ustaw programator zegarowy **4** na żądany czas pieczenia. Po zakończeniu ustawionego czasu pojawia się sygnał dźwiękowy, a urządzenie przestaje grzać. Jeśli wybrana jest funkcja „Podgrzewanie górne/termoobieg/rożen” , zatrzymuje się również obracanie rożna **16**.
- Jeśli chcesz obsługiwać urządzenie bez ograniczeń czasowych, obróć pokrętkę zegara sterującego **4** w lewo do pozycji „ON”.

### Grillowanie i pieczenie

- 1) Włóż do urządzenia tackę na okruchy **7**.
- 2) Wyjmij z urządzenia ruszt **18** oraz blachę do pieczenia **11**. Wylóż je ewentualnie papierem do pieczenia lub posmaruj blachę do pieczenia **11** tłuszczem odpowiednim do pieczenia.

#### WSKAZÓWKA

- ▶ W zależności od przyrządzanej potrawy piecyk musi zostać rozgrzany. Stosuj się do zaleceń zawartych w danym przepisie. Nagrzewanie wstępne jest wskazane w szczególności w przypadku:
  - bardzo krótkiego czasu pieczenia,
  - pieczenia w celu uzyskania chrupiącej skórki,
  - wrażliwych potraw, które wymagają stałej temperatury, jak na przykład suflety.
- ▶ Jeśli nie jest konieczne wstępne rozgrzewanie, pomiń krok 3).

- 3) Pozostaw urządzenie na ok. 10 minut (zależnie od ustawienia temperatury), aby się odpowiednio rozgrzało:
  - Wybierz żądaną temperaturę za pomocą regulatora temperatury **2**. Uważaj na to, aby użyć prawidłowej skali (patrz rozdział „Regulator temperatury”).
  - Następnie za pomocą przełącznika wyboru funkcji **3** wybierz żądaną funkcję.

## WSKAZÓWKA

- ▶ Wybierając funkcję termoobiegu można z reguły zrezygnować z rozgrzewania komory do grillowania i pieczenia.
    - Ustaw za pomocą programatora zegarowego **4** czas wstępnego rozgrzewania (ok. 10 minut).
    - Zamknij szklane drzwiczki **6**.
- 4) Gdy czas upłynie, połóż produkt przeznaczony do grillowania lub pieczenia na ruszt **18** lub na blachę do pieczenia **11** i wsuń w jedną z szyn. Uważaj przy tym na zachowanie dostatecznej odległości grillowanego lub pieczonego produktu od ścianek wewnętrznych oraz grzałek urządzenia.

## WSKAZÓWKA

- ▶ Przygotowując na ruszcie **18** mocno ociekający produkt, wsuń blachę do pieczenia **11** w dolną szynę. W ten sposób zebrany zostanie ociekający tłuszcz i łatwiejsze jest późniejsze czyszczenie urządzenia.
- 5) Zanim zaczniesz grillowanie lub pieczenie, zamknij szklane drzwiczki **6**.
- 6) Ewentualnie za pomocą zegara sterującego **4** ustaw żądany czas grillowania lub pieczenia. Maksymalny czas grillowania lub pieczenia ustawiany za pomocą programatora zegarowego **4** wynosi 120 minut. Alternatywnie, można również ustawić programator zegarowy **4** w pozycji „ON”, aby korzystać z urządzenia przez nieograniczony czas.

## WSKAZÓWKA

- ▶ Jeśli czas przyrządzania potrawy wynosi mniej niż 20 minut, ustaw programator zegarowy **4** najpierw na 40 minut i następnie z powrotem na żądany czas grillowania lub pieczenia.

Lampka kontrolna **5** wskazuje, czy urządzenie jest włączone. Jeśli korzystasz z urządzenia z zadanym czasem pieczenia, przełącznik zegara **4** sterującego przemieszcza się do położenia „OFF”.

Urządzenie wyłącza się automatycznie po ustalonym czasie, rozlega się sygnał dźwiękowy, a lampka kontrolna **5** gaśnie.

## WSKAZÓWKA

Jeśli chcesz wcześniej przerwać proces pieczenia, obróć regulator temperatury **2** do oporu w lewo i ustaw programator zegarowy **4** na „OFF”.


- 7) Jeśli korzystasz z urządzenia bez zadanego czasu pieczenia, ustaw programator zegarowy **4** na „OFF”, jeśli chcesz zakończyć proces podgrzewania.
- 8) Po zakończeniu procesu podgrzewania wyjmij ruszt **18** lub blachę do pieczenia **11** za pomocą szczypec **10**.
- 9) Ustaw przełącznik wyboru funkcji **3** na „OFF”.

## Grillowanie na rożnie

- 1) Włóż do urządzenia tackę na okrucy **7**.
- 2) Jeśli jest zamontowany, wyjmij rożen **16** z urządzenia.
- 3) Wsuń blachę do pieczenia **11** w dolną szynę.
- 4) Zamocuj produkt przeznaczony do grillowania za pomocą zacisków rożna **16**. Upewnij się, że grillowany produkt może się swobodnie obracać w komorze do pieczenia, bez dotykania piekarnika. Może się zdarzyć, że rożen **16** zmieni kierunek obrotów po natrafieniu przez grillowany produkt na przeszkodę. Oba zagłębienia znajdujące się na rożnie **16**, muszą pozostać swobodnie dostępne, gdyż w przeciwnym razie nie będzie możliwe chwycenie rożna **16** szczypcami **12**.
- 5) Zamocuj rożen **16** w komorze pieczenia (patrz rozdział „Korzystanie z rożna”).
- 6) Zamknij szklane drzwiczki **6**.

## WSKAZÓWKA

Jeśli chcesz wcześniej przerwać proces pieczenia, obróć regulator temperatury **2** do oporu w lewo i ustaw programator zegarowy **4** na „OFF”.

- 7) Ustaw regulatorem temperatury **2** żądaną temperaturę.
- 8) Ustaw przełącznik wyboru funkcji **3** na „Górne ogrzewanie/termoobieg/rozeń” .
- 9) W razie potrzeby ustaw na programatorze zegarowym **4** żądany czas grillowania. Alternatywnie, można również ustawić programator zegarowy **4** w pozycji „ON”, aby korzystać z urządzenia przez nieograniczony czas. Urządzenie rozpocznie grillowanie i rozeń **16** zacznie się obracać.

Lampka kontrolna **5** wskazuje, czy urządzenie jest włączone. Jeśli korzystasz z urządzenia z zadanym czasem pieczenia, przełącznik zegara **4** sterującego przemieszcza się do położenia „OFF”.

Urządzenie wyłącza się automatycznie po ustawionym czasie, rozlega się sygnał dźwiękowy, a lampka kontrolna **5** gaśnie.

## WSKAZÓWKA



Jeśli chcesz wcześniej przerwać proces pieczenia, obróć regulator temperatury **2** do oporu w lewo i ustaw programator zegarowy **4** na „OFF”.

- 10) Jeśli korzystasz z urządzenia bez zadanego czasu pieczenia, ustaw programator zegarowy **4** na „OFF”, jeśli chcesz zakończyć proces podgrzewania.
- 11) Po zakończeniu grillowania wyjmij rozeń **16** używając do tego szczypiec **12**.
- 12) Ustaw przełącznik wyboru funkcji **3** na „OFF”.

## PRZYKŁAD KURCZAK Z ROŻNA

### Składniki

- ◆ Kurczak z rożna (ok. 1,3 kg, wypatroszony)
- ◆ Przyprawy (sól, pieprz)
- ◆ Olej jadalny

- 1) Doprawić pieczonego kurczaka od wewnątrz i na zewnątrz solą i mieloną papryką. Posmaruj go od zewnątrz odpornym na działanie wysokiej temperatury olejem jadalnym.
- 2) Wsuń kurczaka do grillowania na rozeń **16** i zamocuj go zaciskami rożna **15**. Upewnij się przy tym, że wgłębienia na rożnie **16** nie są zakryte, aby rozeń **16** można było chwycić szczypcami **12**. W zależności od kształtu grillowanego kurczaka należy zamocować skrzydła i uda za pomocą ognioodpornego sznurka, by nie blokowały one obrotów kurczaka.
- 3) Wsuń blachę do pieczenia **11** w dolną szynę.
- 4) Nagrzewaj urządzenie przez ok. 10 minut z włączoną funkcją „Górne i dolne grzanie/termoobieg”  do 210° C.
- 5) Włóż kurczaka na rożnie za pomocą szczypiec **12** do urządzenia.
- 6) Ustaw przełącznik wyboru funkcji na „Górne ogrzewanie/termoobieg/rozeń”  i zamknij drzwiczki.
- 7) Ustaw programator zegarowy **4** na ok. 80 minut. Czas pieczenia może się różnić w zależności od wielkości i struktury grillowanego kurczaka.
- 8) Smaruj grillowanego kurczaka w międzyczasie niewielkimi ilościami oleju jadalnego. Dzięki temu kurczak będzie chrupiący.
- 9) Po upływie ustawionego czasu wyjmij ostrożnie rozeń z grillowanym kurczakiem, używając do tego szczypiec **12**. Poluzuj zaciski rożna **15** i zdejmij grillowanego kurczaka z rożna **16**.

## Czyszczenie i pielęgnacja

### ⚠ NIEBEZPIECZEŃSTWO PORAŻENIA PRĄDEM ELEKTRYCZNYM!

- ▶ Przed każdym czyszczeniem należy wyciągnąć wtyk z gniazda zasilania! Niebezpieczeństwo porażenia prądem elektrycznym!

⚠ W żadnym przypadku nie zanurzaj urządzenia w wodzie ani w innej cieczy!

### ⚠ OSTRZEŻENIE! NIEBEZPIECZEŃSTWO OBRAŹEŃ!

- ▶ Przed przystąpieniem do czyszczenia urządzenia zawsze odczekaj, aż ostygnie. W przeciwnym razie istnieje niebezpieczeństwo poparzenia!

- Wyczyść urządzenie i akcesoria najlepiej od razu po ich ostygnięciu. Wtedy łatwiej jest usunąć pozostałości produktów spożywczych.

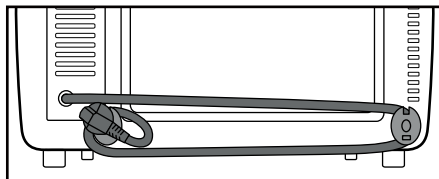
### UWAGA! SZKODY MATERIALNE!

- ▶ Nie używaj żrących ani szorujących środków czyszczących. Mogą one uszkodzić powierzchnię urządzenia!
- ▶ Nie zmywaj elementów urządzenia w zmywarce do naczyń!
- ▶ Komorę automatu do pieczenia i grillowania czyść środkiem do czyszczenia piekarnika, ponieważ pozostałości znajdujące się na grzałkach nie będą dawały się usunąć.

- Urządzenie należy czyścić zwilżoną szmatką. W razie potrzeby nałóż na szmatkę nieco łagodnego płynu do mycia naczyń, a następnie przetrzyj szmatką zwilżoną w czystej wodzie. Osusz dokładnie wszystkie części.
- Oczyszć komorę urządzenia oraz szklane drzwiczki **6** wilgotną szmatką. W razie potrzeby nałóż na szmatkę nieco łagodnego płynu do mycia naczyń, a następnie przetrzyj szmatką zwilżoną w czystej wodzie. Osusz dokładnie wszystkie części.
- Umyj szczytce **10/12**, rożen **16**, zaciski różna **15**, ustalacze **14**, blachę do pieczenia **11**, ruszt **13** oraz tackę na okruszki **7** w ciepłej wodzie. Po umyciu wysusz starannie wszystkie elementy.

## Przechowywanie

- Możesz owinąć kabel zasilający wokół elementów dystansowych z tyłu urządzenia i zamocować wtyk sieciowy na jednym z elementów dystansowych:



- Umyte urządzenie oraz akcesoria należy przechowywać w czystym, wolnym od pyłów i suchym miejscu.

**Usuwanie usterek**

Usterka	Przyczyna	Rozwiązanie
Urządzenie nie działa.	Wtyk sieciowy nie jest podłączony do sieci elektrycznej.	Włóż wtyk sieciowy do gniazda zasilania.
	Gniazdo sieciowe jest uszkodzone.	Spróbuj skorzystać z innego gniazda.
	Urządzenie jest uszkodzone.	Skontaktuj się z serwisem.
Lampka kontrolna ❸ świeci się, ale urządzenie nie grzeje.	Przełącznik wyboru funkcji ❸ ustawiony jest na OFF.	Ustaw przełącznik wyboru funkcji ❸ na żądaną funkcję.
Czas przyrządzania potraw zdaje się być bardzo długi.	Szkłane drzwiczki ❹ były bardzo często otwierane, aby sprawdzić postęp pieczenia.	Nie otwieraj szklanych drzwiczek ❹ częściej, niż jest to niezbędne.
	Ustawiona jest nieprawidłowa temperatura.	Sprawdź ustawienia temperatury.
W czasie korzystania z urządzenia wydobywa się z niego dym i zapach.	Na grzałkach znajdują się pozostałości środka do czyszczenia lub produktów spożywczych.	Wyjmij potrawy z urządzenia i uruchom proces pieczenia z otwartymi szklanymi drzwiczkami ❹, aż dym zniknie.

Jeżeli za pomocą powyższych wskazówek nie można usunąć usterek lub gdy występują inne rodzaje usterek, proszę zwrócić się do naszego serwisu.

## Utylizacja



Widoczny obok symbol przekreślonego pojemnika na kółkach na śmieci oznacza, że urządzenie to podlega postanowieniom dyrektywy 2012/19/EU. Dyrektywa ta stanowi, że zużytego urządzenia nie wolno wyrzucać wraz ze zwykłymi odpadami domowymi, lecz należy je oddać do wyspecjalizowanych punktów zbiórki odpadów, centrów recyklingu lub zakładów utylizacji odpadów.

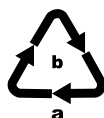
**Utylizacja jest dla użytkownika bezpłatna. Chroni środowisko i usuwa odpady w prawidłowy sposób.**



Informacji na temat możliwości utylizacji wyeksploatowanego produktu udziela urząd gminy lub miasta.



Produkt można poddać recyklingowi, podlega rozszerzonej odpowiedzialności producenta i jest zbierany w ramach systemu segregacji odpadów.



Opakowania należy utylizować w sposób przyjazny dla środowiska. Przestrzegać oznaczeń na różnych materiałach opakowaniowych i w razie potrzeby utylizuj je zgodnie z zasadami segregacji odpadów. Materiały opakowaniowe są oznaczone skrótami (a) i cyframi (b) w następujący sposób: 1–7: tworzywa sztuczne, 20–22: papier i tektura, 80–98: kompozyty.



Opakowanie urządzenia wykonane jest z materiałów przyjaznych dla środowiska naturalnego, które można oddać w lokalnych punktach zbiórki.

## Gwarancja

### Kompernaß Handels GmbH

Szanowny Kliencie,

To urządzenie objęte jest 3-letnią gwarancją, licząc od daty zakupu. W przypadku wad tego produktu, masz gwarantowane ustawowo prawa w stosunku sprzedawcy. Te ustawowe prawa nie są ograniczone przez nasze opisane poniżej warunki gwarancji.

### Warunki gwarancji

Okres gwarancji rozpoczyna się od daty zakupu. Należy zachować paragon. Jest on wymagany jako dowód zakupu.

Jeżeli w ciągu trzech lat od daty zakupu produktu ujawni się w nim wada materiałowa lub produkcyjna, produkt zostanie wedle naszego uznania nieodpłatnie naprawiony, wymieniony na nowy lub zostanie zwrócona jego cena. Warunkiem spełnienia tego świadczenia gwarancyjnego jest dostarczenie w trakcie tego trzyletniego okresu uszkodzonego urządzenia wraz z dowodem zakupu (paragonem) oraz krótkim opisem wady i daty jej wystąpienia.

Jeżeli wada jest objęta naszą gwarancją, otrzymasz z powrotem naprawiony lub nowy produkt. Zgodnie z art. 581 §1 polskiego kodeksu cywilnego wraz z wymianą produktu lub jego istotnej części rozpoczyna się nowy okres gwarancyjny.

### Okres gwarancji i ustawowe roszczenia gwarancyjne

Wykonanie usługi gwarancyjnej nie przedłuża okresu gwarancji. Dotyczy to również wymienionych i naprawionych części. Wszelkie szkody i wady wykryte w chwili zakupu należy zgłosić bezpośrednio po rozpakowaniu urządzenia. Po upływie okresu gwarancji wszelkie naprawy są wykonywane odpłatnie.

## Zakres gwarancji

Urządzenie zostało starannie wyprodukowane i poddane przed wysyłką skrupulatnej kontroli jakości.

Gwarancja obejmuje wady materiałowe lub produkcyjne. Niniejsza gwarancja nie obejmuje części produktu, podlegających normalnemu zużyciu, ani uszkodzeń części łatwo łamliwych, np. przełączników, akumulatorów, lub części wykonanych ze szkła.

Niniejsza gwarancja traci swoją ważność, jeśli produkt został uszkodzony, nie używano go prawidłowo lub nie serwisowano należycie. W celu zapewnienia prawidłowego stosowania produktu należy ściśle przestrzegać wszystkich instrukcji wymienionych w instrukcjach obsługi. Należy bezwzględnie unikać zastosowania oraz postępowania, których odradza się w instrukcji obsługi lub przed którymi się w niej ostrzega.

Produkt przeznaczony jest wyłącznie do użytku domowego, a nie do zastosowań komercyjnych. Niewłaściwe użytkowanie urządzenia, używanie go w sposób niezgodny z jego przeznaczeniem, użycie siły lub ingerencja w urządzenie, dokonywana poza naszymi autoryzowanymi punktami serwisowymi, powodują utratę gwarancji.

## Realizacja zobowiązań gwarancyjnych

W celu zapewnienia szybkiego załatwienia sprawy, postępuj zgodnie z poniższymi wskazówkami:

- W przypadku wszelkich pytań przygotuj paragon fiskalny oraz numer artykułu (IAN) 390044\_2201 jako dowód zakupu.
- Numer artykułu można znaleźć na tabliczce znamionowej na produkcie, wygrawerowany na urządzeniu, zapisany na stronie tytułowej instrukcji obsługi (w dolnym lewym rogu) lub na naklejce z tyłu bądź na spodzie urządzenia.
- W przypadku wystąpienia błędów działania lub innych wad, prosimy o kontakt z odpowiednim działem serwisu **telefonicznie** lub **przez e-mail**.

- Zarejestrowany jako wadliwy produkt możesz wtedy wraz z dołączonym dowodem zakupu (paragonem) oraz opisem i datą wystąpienia usterki wysłać nieodpłatnie na przekazany wcześniej adres serwisu.



Na stronie [www.lidl-service.com](http://www.lidl-service.com) możesz pobrać te i wiele innych instrukcji, filmów o produktach oraz oprogramowanie instalacyjne.

Za pomocą tego kodu QR możesz przejść bezpośrednio na stronę serwisu Lidl ([www.lidl-service.com](http://www.lidl-service.com)), gdzie możesz otworzyć instrukcję obsługi, wpisując numer artykułu (IAN) 390044\_2201.

## Serwis

**PL Serwis Polska**  
Tel.: 22 397 4996  
E-Mail: [kompernass@lidl.pl](mailto:kompernass@lidl.pl)

IAN 390044\_2201

## Importer

Pamiętaj, że poniższy adres nie jest adresem serwisu. Skontaktuj się najpierw z odpowiednim punktem serwisowym.

KOMPERNASS HANDELS GMBH  
BURGSTRASSE 21  
44867 BOCHUM  
NIEMCY  
[www.kompernass.com](http://www.kompernass.com)



## Przepisy

W niniejszym rozdziale przedstawiamy kilka przykładów przygotowywania potraw. Przykłady te są zaleceniami przyrządzenia potraw. Czas przygotowywania potraw może się różnić.

Przepisy bez gwarancji. Wszystkie składniki i dane o przygotowaniu są wartościami orientacyjnymi. Uzupełnij niniejsze przepisy własnymi dodatkami. Życzymy powodzenia i smacznego.

### WSKAZÓWKA

Przestrzegaj instrukcji przygotowania na opakowaniu danych produktów spożywczych.

### Muffiny

Składniki dla czterech osób:

- ◆ 1 filiżanka mąki
- ◆ 1 łyżeczka proszku do pieczenia
- ◆ 1 jajko
- ◆ 1 łyżki stołowe roztopionego masła
- ◆ 1 filiżanka mleka
- ◆ 3 łyżki stołowe cukru
- ◆ 1 szczypta soli
- ◆ dla różnych wariantów dodatkowo orzechy, posiekane banany lub płatki czekoladowe

Przygotowanie:

- 1) Wymieszać powoli w misce mąkę, proszek do pieczenia, jajka, mleko, sól i cukier, dodając kolejno produkty.
- 2) Roztopić masło w rondelku i wymieszać z ciastem.
- 3) W zależności od gustu wymieszać z orzechami, płatkami czekoladowymi lub przecierem bananowym.
- 4) Gotowe ciasto nałożyć w formy do muffinów i ustawić je na blasze do pieczenia **11**.
- 5) Piec muffiny przy 220° C z zastosowaniem podgrzewania górnego i dolnego przez około 15 minut na dolnej szynie.

### Tost hawajski

Składniki na 4 tosty:

- ◆ 4 kromki chleba tostowego
- ◆ 1-2 łyżki stołowe sosu remoulade
- ◆ 120 g gotowanej szynki
- ◆ 1/2 puszki ananasa
- ◆ 4 plastry sera do zapiekania
- ◆ Curry

Przygotowanie:

- ◆ Wstępnie opiecz tosty.
- ◆ Następnie posmarować cienką warstwą sosu remoulade i położyć na nich szynkę.
- ◆ Następnie położyć na tosty po plasterze ananasa. Doprawić przyprawą curry.
- ◆ Następnie na ananasa położyć odpowiednio po jednym plasterze sera.
- ◆ Tosty hawajskie położyć na ruszcie **13** i następnie opiecz w automacie do grillowania i pieczenia na górnej szynie w temperaturze ok. 200° C, włączając grzałki górne na ok. 8 minut.

### Pieczenie głęboko mrożonej pizzy

Przygotowanie:

- ◆ Wsuń ruszt **13** w górną szynę komory do grillowania i pieczenia.
- ◆ Połóż głęboko mrożoną pizzę bez opakowania na ruszcie **13**.
- ◆ Piecz pizzę przy włączonym podgrzewaniu górnym i dolnym przez około 20 minut.
- ◆ Przestrzegaj umieszczonych na opakowaniu produktu informacji dotyczących temperatury pieczenia.

**Kruche ciasteczka**

Składniki:

- ◆ 125 g masła
- ◆ 125 g cukru
- ◆ 1 opakowanie cukru wanilinowego
- ◆ 1 szczypta soli
- ◆ 1 jajko
- ◆ 1 białko z jajka
- ◆ 250 g mąki (typ 405)
- ◆ 1 łyżeczka proszku do pieczenia
- ◆ starta skórka z połowy cytryny

Przygotowanie:

- 1) Ubić masło na pianę.
- 2) Dodać cukier, cukier waniliowy, skórkę z cytryny i jajka.
- 3) Wymieszać mąkę, proszek do pieczenia i sól i wymieszać drewnianą łyżką pod ciasto.
- 4) Odstawić ciasto na około 10 minut.
- 5) Ułożyć ciasto do pożądanego kształtu, na przykład przy pomocy maszynki do mięsa, foremek lub wyciskanego worka do ciast.
- 6) Ułożyć kruche ciasteczka na blasze do pieczenia **11** wyłożonej papierem do pieczenia.
- 7) Piec ciasteczka we wstępnie rozgrzanym piekarniku w temp. 180° C i włączonym podgrzewaniu górnym i dolnym przez ok. 10–15 minut na górnej szynie, aż uzyska się złoty kolor.

**WSKAZÓWKA**Ilość ciasta wystarczy na kilka blach do pieczenia **11**.**Bułki**

Składniki:

- ◆ 300 g mąki (lub mąki razowej)
- ◆ dobre 2 łyżeczki proszku do pieczenia
- ◆ 200 g siemienia lnianego
- ◆ 1 jajko
- ◆ 500 g twarogu
- ◆ 1 łyżeczka soli
- ◆ zależnie od preferencji kminek, cebula, boczek  
...

Przygotowanie:

- 1) Wszystko dobrze zagnieść i uformować małe bułki.
- 2) Ułożyć bułki na blasze do pieczenia **11** wyłożonej papierem do pieczenia.
- 3) Piec w temperaturze ok. 200° C przy podgrzewaniu górnym przez ok. 30 minut na górnej szynie.

**WSKAZÓWKA**Ilość ciasta wystarczy na kilka blach do pieczenia **11**.

## Beza

Składniki:

- ◆ 1 białko z jajka
- ◆ Sól
- ◆ 45 g cukru

Przygotowanie:

- 1) Wlać schłodzone białko do odtłuszczonej miski. W białku nie może znajdować się żółtko, ponieważ wtedy nie uda się ubić piany.
- 2) Ubijać białko z małą prędkością, aby w pianie nie powstawały zbyt duże pęcherzyki powietrza.
- 3) Doprawić szczyptą soli.
- 4) Połowę cukru stopniowo dodawać do białek, gdy piana zacznie się robić sztywna.
- 5) Następnie ubić na sztywną pianę przy najwyższej prędkości.
- 6) Dodać resztę cukru. W ten sposób masa bezy uzyskuje właściwą sztywność.
- 7) Napełnić masą bezy worek do wyciskania ciasta i z użyciem dużej końcówki w kształcie gwiazdy z małej odległości wyciskać rozety, jęczyczki lub inne kształty na papier ułożony na blasze do pieczenia ①.
- 8) Automat do grillowania i pieczenia rozgrzej do około 100° C z zastosowaniem podgrzewania obiegu powietrza.
- 9) Bezy piecz na górnej szynie przy temperaturze około 100° C z włączonym obiegiem powietrza przez około 2 godziny.

## Grzanki maślane

Składniki:

- ◆ 2 kromki chleba tostowego
- ◆ 1 łyżka stołowa masła

Przygotowanie:

- 1) Pokroić pieczywo tostowe w drobną kostkę.
- 2) Rozpuścić masło na małym ogniu w rondelku i dodać pieczywo tostowe.
- 3) Wyłożyć blachę do pieczenia ① papierem do pieczenia i rozłożyć na nim równomiernie kostki pieczywa tostowego.
- 4) Piec kostki pieczywa tostowego przy około 170° C, z zastosowaniem podgrzewania górnego na górnej szynie na złoty kolor (ok. 15 - 20 minut).

### WSKAZÓWKA

Zamiast normalnego masła można użyć również masła czosnkowego lub ziołowego. Czas pieczenia skraca się wtedy o około 5 minut.

**Bagietki z mięsem mielonym**

Składniki:

- ◆ 2 bagietki
- ◆ 250 g mięsa mielonego (pół na pół)
- ◆ 2 pomidory
- ◆ 1 cebula (kostka)
- ◆ 2 łyżki stołowe przecieru pomidorowego
- ◆ 40 g tartego parmezanu
- ◆ 4 plastry sera
- ◆ Sól i pieprz

Przygotowanie:

- 1) Przekroić bagietki i wydrążyć je.
- 2) Wymieszać mielone mięso, przecier pomidorowy, cebulę, parmezan, sól i pieprz.
- 3) Ulepić z mięsa mielonego 4 równej wielkości, możliwie płaskie kotlety i położyć je na połówce bagietek.
- 4) Pokroić pomidory w plastry i rozłożyć je na bagietkach.
- 5) Rozłożyć ser na bagietkach.
- 6) Ułożyć bagietki na blasze do pieczenia **1** i piec je w temp. ok. 230° C w rozgrzanym piekarniku z zastosowaniem podgrzewania górnego i dolnego przez ok. 20 minut na dolnej szynie.

**WSKAZÓWKA**

Mięso mielone można przyprawić również bazylią, chili i innymi przyprawami.

**Kalafior (zapiekany)**

Składniki:

- ◆ 1/2 główki kalafiora (około 250 g)
- ◆ 3 plasterki cytryny
- ◆ 1 łyżka stołowa masła
- ◆ 1 czubata łyżeczka mąki
- ◆ 1 łyżka stołowa soku cytrynowego
- ◆ 1 łyżka stołowa obranych migdałów
- ◆ 2 łyżki stołowe sera gratin (starty)
- ◆ sól, pieprz, gałka muskatołowa

Przygotowanie:

- 1) Podzielić kalafior na różyczki i umyć je.
- 2) Gotować kalafior z plasterkami cytryny w osolonej wodzie przez 8-10 minut, aż kalafior będzie ugotowany al dente. Podczas odcedzania pozostawić około 150 ml wody po gotowaniu.
- 3) Rozpuścić w rondelku masło i zasmażać mąkę, stale mieszając przez około 1 minutę.
- 4) Ciągłe mieszając dolać wodę z gotowania kalafiora i gotować przez 2 minuty. Jeśli zasmażka z mąki będzie zbyt twarda, stopniowo dodawać do niej nieco wody, aż uzyska się kremową konsystencję. Doprawić sokiem z cytryny, solą, pieprzem i gałką muskatołową.
- 5) Nałożyć kalafior do naczynia żaroodpornego (ok. 14 cm średnicy) i polać go równomiernie sosem.
- 6) Posypać serem i migdałami.
- 7) Umieścić naczynie żaroodporne na blasze do pieczenia **1**.
- 8) Zapiec taki suflet przy temperaturze około 200° C w rozgrzanym piekarniku z zastosowaniem podgrzewania górnego i dolnego przez około 20 minut na dolnej szynie.

## Ciasto francuskie z nadzieniem z łososia

Składniki:

- ◆ 1 opakowanie ciasta francuskiego (około 8 sztuk)
- ◆ 1 opakowanie łosoś wędzony, w plastrach (ok. 200 g)
- ◆ 1 cytryna
- ◆ 1 cebula
- ◆ 1 opakowanie Biały ser (200 g)
- ◆ Świeży koperek
- ◆ Sól i pieprz
- ◆ 1 żółtko

Przygotowanie:

- 1) Rozdzielić ciasto francuskie i w razie potrzeby pozostawić je do odmrożenia.
- 2) Wymieszać biały ser z solą, pieprzem i sokiem z cytryny.
- 3) Pokroić cebulę w drobną kostkę.
- 4) Dodać pół łososia i cebulę do masy twarogowej i wymieszać wszystko z grubsza za pomocą blendera.
- 5) Pokroić resztę łososia w cienkie paski.
- 6) Dodać łososia i koperek do masy i wymieszać wszystko.
- 7) Nałożyć po jednej łyżce stołowej masy na kawałek ciasta francuskiego i następnie złożyć je razem.
- 8) Tak powstały pieróg posmarować żółtkiem.
- 9) Ułożyć pierogi z ciasta francuskiego na blasze do pieczenia **11**. Pozostawić dostateczną odległość między poszczególnymi pierogami, ponieważ ciasto się rozszerza.
- 10) Pierogi z ciasta francuskiego piec na dolnej szynie w temperaturze około 230° C z zastosowaniem podgrzewania górnego i dolnego przez około 25-30 minut. Ciasto powinno się lekko zbrązowić.

### WSKAZÓWKA

Ilość ciasta wystarczy na kilka blach do pieczenia **11**.

## Obsah

<b>Úvod</b> .....	<b>124</b>
<b>Používanie v súlade s určením</b> .....	<b>124</b>
<b>Rozsah dodávky</b> .....	<b>124</b>
<b>Popis elektrického spotrebiča</b> .....	<b>124</b>
<b>Technické údaje</b> .....	<b>124</b>
<b>Bezpečnostné upozornenia</b> .....	<b>125</b>
<b>Inštalácia</b> .....	<b>128</b>
<b>Používanie elektrického spotrebiča</b> .....	<b>128</b>
Sklenené dvierka .....	128
Vloženie plechu na omrvinky .....	128
Používanie otočného ražňa .....	129
Používanie plechu na pečenie/mriežkového roštu .....	130
<b>Pred prvým použitím</b> .....	<b>130</b>
<b>Obsluha elektrického spotrebiča</b> .....	<b>131</b>
Prepínač funkcií .....	131
Regulátor teploty .....	131
Časový spínač .....	131
<b>Grilovanie a pečenie</b> .....	<b>131</b>
<b>Grilovanie na otočnom ražni</b> .....	<b>132</b>
<b>Čistenie a ošetrovanie</b> .....	<b>134</b>
<b>Skladovanie</b> .....	<b>134</b>
<b>Odstraňovanie porúch</b> .....	<b>135</b>
<b>Zneškodnenie</b> .....	<b>136</b>
<b>Záruka spoločnosti Kompnass Handels GmbH</b> .....	<b>136</b>
Servis .....	137
Dovozca .....	137
<b>Recepty</b> .....	<b>138</b>

## Úvod

Srdečne vám gratulujeme ku kúpe vášho nového elektrického spotrebiča.

Touto kúpou ste sa rozhodli pre vysokokvalitný výrobok. Návod na obsluhu je súčasťou tohto výrobku. Obsahuje dôležité upozornenia týkajúce sa bezpečnosti, používania a zneškodnenia. Pred použitím výrobku sa oboznámte so všetkými pokynmi na obsluhu a bezpečnostnými upozorneniami. Výrobok používajte iba tak, ako je popísané a iba v uvedených oblastiach použitia. Pri postúpení výrobku tretej osobe odovzdajte s ním aj všetky podklady.

## Používanie v súlade s určením

Automat na pečenie a grilovanie slúži výlučne na zohrievanie, dusenie a grilovanie pokrmov.

Tento elektrický spotrebič je určený výlučne na používanie v súkromných domácnostiach. Nepoužívajte ho komerčne.

Akékoľvek iné používanie sa považuje za použitie v rozpore s určením a môže spôsobiť vecné škody alebo dokonca poškodenie zdravia.

## Rozsah dodávky

- ◆ Automat na grilovanie a pečenie
- ◆ 1 plech na pečenie
- ◆ 1 mriežkový rošt
- ◆ 2 kliešte
- ◆ Otočný ražeň s 2 svorkami
- ◆ 1 plech na omrvinky
- ◆ Návod na obsluhu

### UPOZORNENIE

Ihneď po vybalení skontrolujte, či je rozsah dodávky úplný a či nie je poškodený. V prípade potreby sa obráťte na servis.

## Popis elektrického spotrebiča

Obrázok A:

- 1 Pohon
- 2 Regulátor teploty
- 3 Prepínač funkcií
- 4 Časový spínač
- 5 Kontrolka
- 6 Sklenené dvierka
- 7 Vložený plech na omrvinky
- 8 Spodné vyhrievacie tyče
- 9 Uchytenie otočného ražňa

Obrázok B:

- 10 Kliešte (na plech na pečenie a mriežkový rošt)
- 11 Plech na pečenie
- 12 Kliešte (na otočný ražeň)
- 13 Mriežkový rošt
- 14 Aretačný prvok
- 15 Svorky otočného ražňa
- 16 Otočný ražeň

## Technické údaje

Menovité napätie: 220 – 240 V ~ (striedavý prúd),  
50/60 Hz


Príkon: 1500 W



Všetky časti tohto prístroja, ktoré prichádzajú do kontaktu s potravinami, sú bezpečné pre potraviny.

**Bezpečnostné upozornenia****⚠ NEBEZPEČENSTVO ÚRAZU ELEKTRICKÝM PRÚDOM!**

- ▶ Teleso elektrického spotrebiča nesmiete otvárať ani opravovať. V takom prípade je ohrozená bezpečnosť a zanikne záruka. Chybný elektrický spotrebič nechajte opraviť len predajcovi alebo autorizovanému odbornému personálu.
- ▶ Ak sa pripojovací sieťový kábel tohto prístroja poškodí, musí sa nechať vymeniť výrobcom alebo jeho zákazníckym servisom alebo podobne kvalifikovanou osobou, aby sa predišlo ohrozeniam.
- ▶ Zabráňte vniknutiu kvapaliny do telesa elektrického spotrebiča. Elektrický spotrebič nesmiete vystaviť vlhkosti ani ho používať v exteriéri. Takisto nesmiete umiestňovať na elektrický spotrebič predmety naplnené vodou ako napr. vázy. Hrozí nebezpečenstvo vzniku požiaru alebo zasiahnutia elektrickým prúdom! V prípade, že by sa do skrine predsa len dostala tekutina, vytriahnite zástrčku elektrického spotrebiča zo zásuvky a nechajte ho opraviť.
- ▶ Elektrický spotrebič, sieťový kábel a elektrickú zástrčku nikdy nechytajte mokrými rukami. Hrozí nebezpečenstvo zásahu elektrickým prúdom.

 Nikdy neponárajte elektrický spotrebič do vody ani do iných tekutín! Môže dôjsť k ohrozeniu života v dôsledku zásahu elektrickým prúdom, ak sa pri prevádzke dostanú zvyšky kvapaliny na časti, ktoré sú pod napätím.



## **⚠ VÝSTRAHA – NEBEZPEČENSTVO PORANENIA!**

- ▶ Tento elektrický spotrebič môžu používať deti od 8 rokov, ako aj osoby so zníženými fyzickými, sensorickými alebo mentálnymi schopnosťami, prípadne s nedostatočnými skúsenosťami alebo znalosťami, ak sú pod dohľadom alebo boli dostatočne poučené o bezpečnom používaní elektrického spotrebiča a pochopili z toho vyplývajúce riziká.
- ▶ Deti sa nesmú hrať s elektrickým spotrebičom.
- ▶ Čistenie a užívateľskú údržbu nesmú vykonávať deti, okrem prípadov, ak sú staršie ako 8 rokov a sú pod dozorom.
- ▶ Deti mladšie ako 8 rokov nesmú mať prístup k spotrebiču ani k prípojnému káblu.
- ▶ Sieťový kábel umiestnite tak, aby naň nikto nemohol stúpiť ani oň zakopnúť.
- ▶ Počas prevádzky sa nikdy nedotýkajte sklenených dvierok alebo telesa, lebo sú veľmi horúce. Na otváranie sklenených dvierok používajte chňapku alebo inú ochranu, aby ste sa nepopálili!
- ▶ Počas prevádzky alebo pred vychladnutím elektrického spotrebiča sa nikdy nedotýkajte ohrievacích tyčí alebo kontrolného okienka. Počas prevádzky nikdy nesiahajte do priestoru na tepelnú úpravu. Vyčkajte, kým elektrický spotrebič vychladne. V opačnom prípade by ste si mohli spôsobiť popáleniny.
- ▶ Po použití nechajte spotrebič najprv vychladnúť, až potom ho premiestňujte.
- ▶ Keď manipulujete s horúcim elektrickým spotrebičom, vždy používajte kuchynské rukavice alebo chňapky!



Pozor! Horúci povrch!

**POZOR – VECNÉ ŠKODY!**

- ▶ Na zapínanie a vypínanie spotrebiča nepoužívajte externý časový spínač, ani samostatný systém diaľkového ovládania.
- ▶ Počas prevádzky nenechávajte elektrický spotrebič nikdy bez dozoru.
- ▶ Zabezpečte, aby sa elektrický spotrebič, prípojný kábel alebo elektrická zástrčka nemohli dostať do kontaktu s tepelnými zdrojmi, ako sú napr. varné platne alebo otvorený oheň.
- ▶ Spotrebič používajte výhradne len s originálnym príslušenstvom, ktoré je súčasťou dodávky.
- ▶ Sieťový kábel neohýbajte ani nestláčajte.
- ▶ Sieťový kábel vyťahujte zo zásuvky za zástrčku, nikdy nie za samotný kábel.
- ▶ Počas prevádzky sa v bezprostrednej blízkosti automatu na pečenie a grilovanie nesmú nachádzať ľahko horľavé materiály (napr. utierka na riady, chňapka atď.).
- ▶ Nad alebo vo vnútri spotrebiča nikdy nesušte textilné výrobky alebo iné predmety. Hrozí nebezpečenstvo požiaru.

**UPOZORNENIE**

- ▶ Používateľ nemusí prepínať výrobok na 50 alebo 60 Hz. Výrobok sa prispôsobí ako na 50, tak aj na 60 Hz.

## Inštalácia

### **⚠ VÝSTRAHA! NEBEZPEČENSTVO POŽIARU!**

- ▶ Nikdy neumiestňujte elektrický spotrebič pod závesné skrinky alebo vedľa záclon, nábytkových stien, prípadne iných horľavých predmetov.
- ▶ Vzdialenosť prístroja k závesným skrinkám, stropom, bočným stenám alebo podobným prvkom musí byť smerom hore minimálne 10 cm a po stranách vždy 5 cm. Z tohto dôvodu nie je možné postaviť elektrický spotrebič do skrine a podobne. V opačnom prípade nie je možné dostatočné vetranie elektrického spotrebiča, čím by mohlo dôjsť k požiaru alebo jeho poškodeniu.
- ▶ Spotrebič postavte vždy na tepelne odolnú podložku. V opačnom prípade hrozí nebezpečenstvo požiaru a môže dôjsť k poškodeniu elektrického spotrebiča. Oblasť pod dnom elektrického spotrebiča sa môže sfarbiť a poškodiť. Navyše by pri mäkkom podklade mohli v ňom vzniknúť trvalé otlaky.

### **⚠ NEBEZPEČENSTVO ZÁSahu ELEKTRICKÝM PRÚDOM!**

- ▶ Neumiestňujte elektrický spotrebič do bezprostrednej blízkosti vody, napr. na drez, umývadlo alebo do vlhkých pivničných priestorov. V opačnom prípade hrozí nebezpečenstvo zásahu elektrickým prúdom.
- Prístroj postavte na pevnom a rovnom podklade, odolnom voči teplu (napr. platne z ušľachtilej ocele alebo dosky z prírodného kameňa ako žula). Okolo elektrického spotrebiča zabezpečte dostatočné vetranie.
- Posuňte prístroj zadnou stranou až ku stene. Rozpierky na zadnej strane sa musia dotýkať steny. Dbajte na to, aby stena bola zo žiaruvzdorného materiálu, ako sú napr. obkladačky, prírodný kameň alebo žula.
- Vyčistite všetky diely tak, ako je uvedené v kapitole „Čistenie a údržba“.

## Používanie elektrického spotrebiča

### Sklenené dvierka

#### **POZOR! VECNÉ ŠKODY!**

- ▶ Nikdy sa neopierajte o sklenené dvierka ⑥. Na sklenené dvierka ⑥ neukladajte žiadne predmety. To by malo za následok poškodenie závesov.
- Keď pripravujete jedlá s mimoriadne vysokým obsahom tuku, môže dôjsť ku zvýšenej tvorbe dymu. V takomto prípade sklenené dvierka ⑥ úplne nezatvorte, ale nechajte ich trochu pootvorené: Sklenené dvierka ⑥ sú vybavené západkovým zaistením, takže tieto ostanú na šírku medzery pootvorené: Ak sklenené dvierka ⑥ opatrne prievriete, západka zaskočí krátko pred zatvorením v tejto polohe.
- Tiež počas sušenia ovocia na vyrobenie sušeného ovocia, by sklenené dvierka ⑥ mali zostať v uzamknutej polohe, aby vlhkosť mohla unikáť a ovocie sa lepšie usuší.

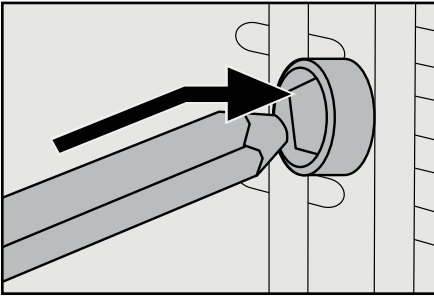
### Vloženie plechu na omrvinky

- Plech na omrvinky ⑦ zasuňte pod spodné vyhrievacie tyče ⑧ tak, aby plocho priliehal na dno elektrického spotrebiča. Vyššie ohnutú stranu môžete používať ako rukoväť. Strana, ktorá nie je ohnutá tak vysoko, sa musí vsunúť do elektrického spotrebiča vopred.

## Používanie otočného ražňa

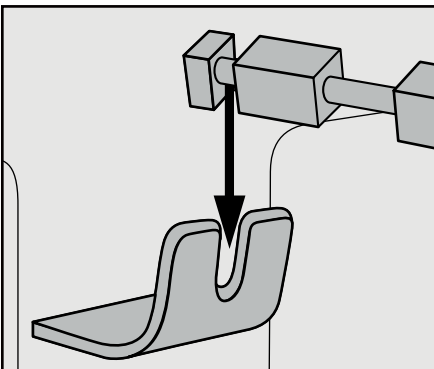
### ⚠ VÝSTRAHA! NEBEZPEČENSTVO PORANENIA!

- ▶ Vždy používajte kliešte **12**, aby ste vložili alebo vybrali horúci otočný ražeň **16** do / z elektrického spotrebiča.
- Obidvoma svorkami otočného ražňa **16** môžete grilovanú potravinu na otočnom ražni **16** fixovať. Uvoľnite aretačný prvok **14** na svorkách otočného ražňa **16**, posuňte ich tak, aby sa grilovaná potravina medzi ne pevne upla a aretačný prvok **14** opäť zaistíte.
- Najprv posuňte koniec otočného ražňa **16** bez drážky do pohonu **1** (obr. 1):



Obr. 1: Otočný ražeň **16** zasuniete do pohonu **1**.

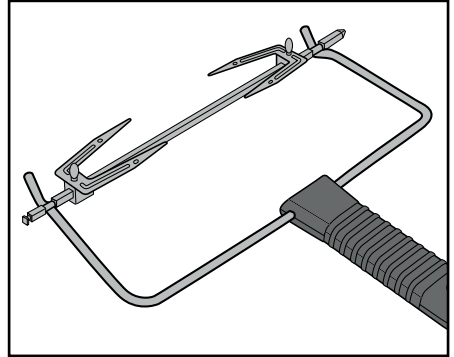
- Potom položte druhý koniec otočného ražňa **16** s hlbokou drážkou do uchytenia otočného ražňa **9** (obr. 2):



Obr. 2: Otočný ražeň **16** vložte do uchytenia otočného ražňa **9**

### UPOZORNENIE

- ▶ Keď používate otočný ražeň **16**, zasuníte do spodnej vodiacej drážky plech na pečenie **11**. Takto sa zachytáva kvapkajúca kvapalina.
- Pre odoberanie horúceho otočného ražňa **16** hákom na konci klieští **12** zachyťte priehlbiny na otočnom ražni **16** (obr. 3):



Obr. 3: Zakvačenie klieští **12** pri otočnom ražni **16**

- Najprv zodvihnite ľavú stranu otočného ražňa **16** z uchytenia otočného ražňa **9** a potom vytiahnite otočný ražeň **16** z pohonu **1**.

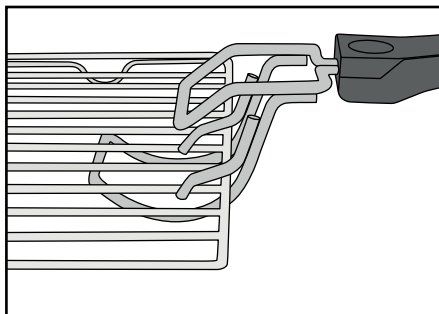
## Používanie plechu na pečenie/ mriežkového roštu

### ⚠ VÝSTRAHA! NEBEZPEČENSTVO PORANENIA!

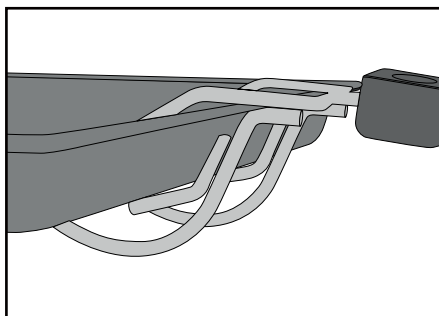
- ▶ Vždy používajte kliešte **10**, aby ste vložili alebo vybrali horúci plech na pečenie **11**/ horúci mriežkový rošt **13** do/z elektrického spotrebiča.
- Zasuňte plech na pečenie **11**/ rošt **13** do jednej z troch vodiacich drážok v priestore na tepelnú úpravu elektrického spotrebiča.

### POZOR! VECNÉ ŠKODY!

- ▶ Nikdy neukladajte plech na pečenie **11**/ mriežkový rošt **13** na vyhrievacie tyče **8**.
- Aby bolo možné odobranie plechu na pečenie **11** alebo mriežkového roštu **13**, zakvačte kliešte **10** nasledujúcim spôsobom:




Obr. 4: Zakvačenie klieští **10** pri mriežkovom rošte **13**



Obr. 5: Zakvačenie klieští **10** pri plechu na pečenie **11**

## Pred prvým použitím

- 1) Zasuňte zástrčku do elektrickej zásuvky.
- 2) Otočte regulátor teploty **2** až na doraz v smere pohybu hodinových ručičiek na najvyššiu teplotu.
- 3) Prepínač funkcií **3** otočte na „horný a spodný ohrev“ .
- 4) Otvorte sklenené dverka **6** a nechajte ich pri tomto procese otvorené.
- 5) Z priestoru na tepelnú úpravu vyberte, prípadne použité príslušenstvo.
- 6) Časový spínač **4** otočte na 20 minút.

### UPOZORNENIE

- ▶ Pri prvom zohrievaní prístroja môže dôjsť k vzniku mierneho zápachu a dymu, čo je spôsobené zvyškami podmienenými výrobou. Je to úplne normálne a nie je to nebezpečné. Zabezpečte dostatočné vetranie, napr. otvorte okno.

Elektrický spotrebič sa po 20 minútach automaticky vypne.

Keď chcete proces vyhrievania predčasne prerušiť, otočte regulátor teploty **2** až na doraz proti smeru otáčania hodinových ručičiek a časový spínač **4** nastavte do polohy „OFF“.






- 7) Nechajte elektrický spotrebič vychladnúť a vyčistite ho tak, ako je uvedené v kapitole „Čistenie a ošetrovanie“.

Elektrický spotrebič je teraz pripravený na prevádzku.

## Obsluha elektrického spotrebiča

### Prepínač funkcií

Prepínačom funkcií **3** môžete elektrický spotrebič zapnúť a tiež nastaviť 5 rôznych funkcií:

Symbol	Význam
	„Ohrievanie zdola“ napr. pri pečení koláča
	„Ohrievanie zhora“ napr. pri zapekaní
	„Ohrievanie zhora a zdola“ napr. pri pečení pizze
	„Ohrievanie zhora/cirkulujúci vzduch/otočný ražeň“ napr. pri grilovaní hydiny
	„Ohrievanie zhora a zdola/cirkulujúci vzduch“ napr. pri dopekaní pečiva
OFF	„OFF“ - elektrický spotrebič je vypnutý.


### Regulátor teploty

Na regulátore teploty **2** môžete nastaviť požadovanú teplotu.

### Časový spínač

Časovým spínačom **4** môžete elektrický spotrebič zapnúť / nastaviť čas tepelnej úpravy:

■ Nastavte časový spínač **4** na požadovaný čas tepelnej úpravy. Po uplynutí nastaveného času sa ozve signál a elektrický spotrebič ohrev zastaví.

Ak je zvolená funkcia „Ohrievanie zhora/cirkulujúci vzduch/otočný ražeň“ , zastaví sa aj otáčanie otočného ražňa **15**.

■ Ak chcete prevádzkovať elektrický spotrebič bez časového obmedzenia, otočte otočný spínač časovača **4** proti smeru hodinových ručičiek do polohy „ON“.

## Grilovanie a pečenie

- 1) Do elektrického spotrebiča vložte plech na omrvinky **7**.
- 2) Vyberte mriežkový rošt **15** a plech na pečenie **11** z elektrického spotrebiča. Vložte tieto prípadne papierom na pečenie, resp. vymastite plech na pečenie **11** tukom určeným pre pečenie.

### UPOZORNENIE

- Podľa druhu potraviny musíte rúru na pečenie vopred vyhriať. Postupujte podľa zadaní príslušného receptu. Predhrievanie má v každom prípade význam pri:
  - veľmi krátkych časoch pečenia,
  - chrumkavých kôrach,
  - citlivých pokrmoch, ktoré vyžadujú konštantnú teplotu, napr. suflé.
- Ak predhrievanie nie je potrebné, prekročte manipulačný krok 3).

- 3) Elektrický spotrebič nechajte približne 10 minút (podľa nastavenej teploty) vyhriať na požadovanú teplotu:
  - Požadovanú teplotu nastavte regulátorom teploty **2**.
  - Následne prepínačom funkcií **3** zvolte požadovanú funkciu.

## UPOZORNENIE

- ▶ Ak zvolíte funkciu s cirkulujúcim vzduchom, priestory na grilovanie a tepelnú úpravu spravidla predhrievať nemusíte.
    - Časovým spínačom **4** nastavte čas predhrievania (približne 10 minút).
    - Sklenené dvierka **6** zatvorte.
- 4) Po uplynutí nastaveného času položte grilovaný, príp. pečený pokrm na mriežkový rošt **15**, resp. plech na pečenie **11** a zasuňte ho do jednej z vodiacich drážok. Dbajte pritom na dostatočný odstup grilovaného, príp. pečeného pokrmu od vnútorných stien a vyhrievacích tyčí.

## UPOZORNENIE

- ▶ Ak pripravujete na mriežkovom rošte **15** nadmerne kvapkajúce potraviny, tak plech na pečenie **11** zasuňte do najspodnejšej vodiacej drážky. Takým spôsobom sa zachytí odkvapkávajúci tuk a elektrický spotrebič sa bude neskôr ľahšie čistiť.
- 5) Zatvorte sklenené dvierka **6** skôr, než spustíte grilovanie, príp. pečenie.
- 6) V prípade potreby časovým spínačom **4** nastavte požadovaný čas grilovania, príp. pečenia. Maximálny čas grilovania, príp. pečenia nastaviteľný časovačom **4** je 120 minút. Alternatívne môžete časovač **4** nastaviť tiež do polohy „ON“ na prevádzkovanie elektrického spotrebiča na neobmedzený čas.

## UPOZORNENIE

- ▶ Keď je čas tepelnej úpravy vášho grilovaného, príp. pečeného pokrmu kratšia ako 20 minút, nastavte časový spínač **4** najprv na 40 minút a potom späť na požadovaný čas grilovania, resp. pečenia.

Kontrolka **5** signalizuje, že elektrický spotrebič je zapnutý. Pokiaľ elektrický spotrebič používate s prednastaveným časom pečenia, prepne sa teraz spínač **4** časovača do polohy „OFF“.

Elektrický spotrebič sa príp. podľa nastaveného času automaticky vypne, zaznie zvukový signál a kontrolka **5** zhasne.

## UPOZORNENIE

Ak chcete ohrev predčasne prerušiť, otočte regulátor teploty **2** až na doraz proti smeru otáčania hodinových ručičiek a časový spínač **4** nastavte do polohy „OFF“.


- 7) V prípade, že elektrický spotrebič nepoužívate s prednastaveným časom pečenia, nastavte časovač **4** na „OFF“, ak chcete ukončiť vyhrievanie.
- 8) Po ukončení ohrevu mriežkový rošt **15**, príp. plech na pečenie **11** vyberte pomocou klieští **10**.
- 9) Prepínač funkcií **3** nastavte do polohy „OFF“.

## Grilovanie na otočnom ražni

- 1) Do elektrického spotrebiča vložte plech na omrvinky **7**.
- 2) Ak je vložený, otočný ražeň **16** vyberte z elektrického spotrebiča.
- 3) Plech na pečenie **11** zasuňte do najspodnejšej vodiacej drážky.
- 4) Grilovaný pokrm fixujte svorkami otočného ražňa **15**. Dbajte na to, aby sa grilovaný pokrm mohol voľne otáčať v priestore na tepelnú úpravu bez toho, aby do neho narážal. Môže sa stať, že otočný ražeň **16** zmení smer otáčania, keď grilovaný pokrm narazí na prekážku. Obidve priehlbiny, ktoré sa nachádzajú na otočnom ražni **16**, musia zostať voľne prístupné, inak nie je možné otočný ražeň **16** uchopiť kliešťami **12**.
- 5) Otočný ražeň **16** pripevnite v priestore na tepelnú úpravu (pozri kapitolu „Používanie otočného ražňa“).
- 6) Sklenené dvierka **6** zatvorte.

## UPOZORNENIE

Ak chcete ohrev predčasne prerušit', otočte regulátor teploty **2** až na doraz proti smeru otáčania hodinových ručičiek a časový spínač **4** nastavte do polohy „OFF“.

- 7) Regulátorom teploty **2** nastavte požadovanú teplotu.
- 8) Nastavte prepínač funkcií **3** na „ohrievanie zhora/cirkulujúci vzduch/otočný ražeň“ .
- 9) Ak si želáte, tak na časovači **4** nastavte požadovaný čas grilovania. Alternatívne môžete časovač **4** nastaviť tiež do polohy „ON“ na prevádzkovanie elektrického spotrebiča na neobmedzený čas.  
Elektrický spotrebič spustí grilovanie a otočný ražeň **15** sa otáča.

Kontrolka **5** signalizuje, že elektrický spotrebič je zapnutý. Pokiaľ elektrický spotrebič používate s prednastaveným časom pečenia, prepne sa teraz spínač časovača **4** do polohy „OFF“.

Elektrický spotrebič sa príp. podľa nastaveného času automaticky vypne, zaznie zvukový signál a kontrolka **5** zhasne.

## UPOZORNENIE



Ak chcete ohrev predčasne prerušit', otočte regulátor teploty **2** až na doraz proti smeru otáčania hodinových ručičiek a časový spínač **4** nastavte do polohy „OFF“.

- 10) V prípade, že elektrický spotrebič nepoužívate s prednastaveným časom pečenia, nastavte časovač **4** na „OFF“, ak chcete ukončiť vyhrievanie.
- 11) Po ukončení grilovania odoberte pomocou klieští **12** otočný ražeň **15**.
- 12) Prepínač funkcií **3** nastavte do polohy „OFF“.

## PRÍKLAD – GRILOVANÉ KURČA

### Prísady

- ◆ Kurča na grilovanie (cca 1,3 kg, bez vnútornosti)
- ◆ korenie (soľ, paprika)
- ◆ stolový olej

- 1) Okoreňte kurča zvnútra a zvonka soľou a mletou paprikou. Zvonka ho potrite tepelne odolným stolovým olejom.
- 2) Kurča na grilovanie nasuňte na grilovací ražeň **15** a fixujte ho svorkami otočného ražňa **15**. Dbajte pritom na to, aby priehlbiny na otočnom ražni **15** ostali voľné, aby ste kliešťami **12** mohli otočný ražeň **15** uchopiť. Podľa tvaru grilovaného kurčaťa musíte krídla a stehná fixovať tepelne odolným viazacím motúzom, aby tieto počas otáčania nenarážali.
- 3) Plech na pečenie **11** zasuňte do najspodnejšej vodiacej drážky.
- 4) Elektrický spotrebič predhrejte počas približne 10 minút funkciou „Ohrievanie zhora a zdola/cirkulujúci vzduch“  na približne 230 °C.
- 5) Kliešťami **12** umiestnite grilované kurča na otočnom ražni do elektrického spotrebiča.
- 6) Prepínač funkcií nastavte na „Ohrievanie zhora/cirkulujúci vzduch/otočný ražeň“  a dvere zatvorte.
- 7) Časový spínač **4** nastavte na približne 80 minút. Čas tepelnej úpravy môže byť v závislosti od veľkosti a akosti grilovaného kurčaťa rôzny.
- 8) Z času na čas potrite grilované kurča opakovane trochu stolového oleja. Takto bude chrumkavé.
- 9) Keď nastavený čas uplynul, odoberte opatrne kliešťami **12** grilovací ražeň s grilovaným kurčaťom. Uvoľnite svorky otočného ražňa **15** a grilované kurča siahnite z otočného ražňa **15**.



## Čistenie a ošetrovanie

### ⚠ NEBEZPEČENSTVO ZÁSAHU ELEKTRICKÝM PRÚDOM!

- ▶ Pred každým čistením vytriahnite zástrčku z elektrickej zásuvky! Hrozí nebezpečenstvo zásahu elektrickým prúdom!

⚠ Nikdy neponárajte elektrický spotrebič do vody ani do iných tekutín!

### ⚠ VÝSTRAHA! NEBEZPEČENSTVO PORANENIA!

- ▶ Pred čistením elektrického spotrebiča ho nechajte vždy najskôr vychladnúť. Inak hrozí nebezpečenstvo popálenia!

- Elektrický spotrebič a diely príslušenstva umyte najlepšie ihneď po vychladnutí. Vtedy sa dajú zvyšky potravín ľahšie odstrániť.

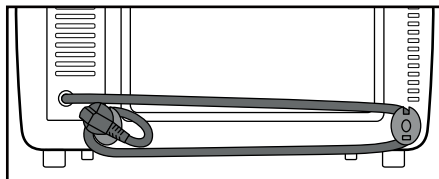
### POZOR! VECNÉ ŠKODY!

- ▶ Nepoužívajte žiadne abrazívne alebo agresívne čistiace prostriedky. Mohli by poškodiť povrch elektrického spotrebiča!
- ▶ Časti elektrického spotrebiča v žiadnom prípade neumývajte v umývačke riadu!
- ▶ Priestor na tepelnú úpravu nečistíte sprejom na rúry na pečenie, pretože sa jeho zvyšky nadajú odstrániť z ohrievacích tyčí.

- Spotrebič utierajte vlhkou handrou. Podľa potreby pridajte na handru trochu jemného čistiaceho prostriedku a následne poutierajte handrou navlhčenou v čistej vode. Všetko poriadne vytrite dosucha.
- Vlhkou handrou vyčistíte priestor na tepelnú úpravu a sklenené dverka ⑤. Podľa potreby pridajte na handru trochu jemného čistiaceho prostriedku a následne poutierajte handrou navlhčenou v čistej vode. Všetko poriadne vytrite dosucha.
- Vyčistíte kliešte ⑩/⑫, otočný ražeň ⑬, svorky otočného ražňa ⑭, aretačný prvok ⑮, plech na pečenie ⑯, mriežkový rošt ⑰ a plech na omrvinky ⑱ v teplej premývacej vode. Po vyčistení všetky diely dôkladne vysušte.

## Skladovanie

- Sieťový kábel môžete omotať okolo rozpierek na zadnej strane! Prístroj a zástrčku môžete upevniť na jednej z rozpierek:



- Elektrický spotrebič odložte na čistom, bezprašnom a suchom mieste.

## Odstraňovanie porúch

<b>Chyba</b>	<b>Príčina</b>	<b>Riešenie</b>
Elektrický spotrebič nefunguje.	Sieťová zástrčka nie je zapojená do elektrickej siete.	Zasuňte zástrčku do elektrickej zásuvky.
	Elektrická zásuvka je chybná.	Použite inú elektrickú zásuvku.
	Elektrický spotrebič je chybný.	Obráťte sa na servis.
Kontrolka ❸ svieti, ale elektrický spotrebič sa nezohrieva.	Prepínač funkcií ❸ je nastavený na OFF.	Prepínač funkcií ❸ otočte na požadovanú funkciu.
Čas tepelnej úpravy pokrmov sa sa zdá byť veľmi dlhý.	Sklenené dvierka ❹ boli veľmi často otvárané, z dôvodu kontroly procesu tepelnej úpravy.	Sklenené dvierka ❹ neotvárajte častejšie, ako to je bezpodmienečne nevyhnutné.
	Je nastavená nesprávna teplota.	Prekontrolujte nastavenia teploty.
V priebehu používania sa vytvára dym a zápach.	Na ohrievacích tyčiach sa nachádzajú zvyšky čistiaceho prostriedku alebo potravín.	Z elektrického spotrebiča vyberte jedlo a s procesom tepelnej úpravy pokračujte pri otvorených sklenených dvierkach ❹, až kým sa neprestane tvoriť dym.

Ak sa poruchy nedajú odstrániť spôsobom uvedeným hore v tabuľke alebo ak zistíte iné druhy porúch, obráťte sa, prosím, na náš servis.

## Zneškodnenie



Symbol preškrtnutej odpadovej nádoby na kolieskach upozorňuje, že tento prístroj podlieha smernici č. 2012/19/EU. Táto smernica stanovuje, že tento prístroj po uplynutí doby používania nesmiete zlikvidovať s normálnym domovým odpadom, ale musíte ho odovzdať v špeciálne zriadených zberných miestach, zberných dvoroch alebo v prevádzkach na likvidáciu odpadov.

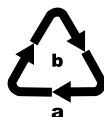
**Táto likvidácia je pre vás bezplatná. Chráňte životné prostredie a likvidujte odborne.**



Informácie o možnostiach likvidácie vysluženého výrobku získate od svojej obecnej alebo mestskej samosprávy.



Produkt je recyklovateľný, podlieha rozšírenej zodpovednosti výrobcu a zbiera sa oddelene.



Obal zlikvidujte ekologicky. Zohľadnite označenie na rozličných obalových materiáloch a tieto prípadne zvlášť vytriedte. Obalové materiály sú označené skratkami (a) a číslicami (b) s nasledujúcim významom: 1–7: Plasty, 20–22: Papier a lepenka, 80–98: Kompozitné materiály



Obal sa skladá z ekologických materiálov, ktoré môžete zneškodniť v miestnych recyklačných strediskách.

## Záruka spoločnosti Kompennass Handels GmbH

Vážená zákaznička, vážený zákazník, na tento prístroj máte záruku 3 roky od dátumu zakúpenia. V prípade nedostatkov tohto výrobku máte práva vyplývajúce zo zákona voči predajcovi tohto výrobku. Tieto Vaše práva vyplývajúce zo zákona nie sú obmedzené našou zárukou, uvedenou nižšie.

### Záručné podmienky

Záručná doba začína plynúť dátumom zakúpenia. Prosím, uschovajte si pokladničný blok. Tento bude potrebný ako dôkaz o zakúpení.

Ak v priebehu troch rokov od dátumu zakúpenia tohto výrobku dôjde k chybe materiálu alebo výrobnnej chybe, výrobok vám – podľa nášho uváženia – bezplatne opravíme, vymeníme alebo uhradíme kúpnu cenu. Podmienkou tohto záručného plnenia je, že počas trojročnej lehoty sa poškodený prístroj a doklad o zakúpení (pokladničný blok) predloží so stručným opisom, v čom spočíva nedostatok prístroja a kedy sa vyskytol.

Ak je chyba pokrytá našou zárukou, zašleme Vám späť opravený alebo nový výrobok. Opravu alebo výmenou výrobku nezačína plynúť žiadna nová záručná doba.

### Záručná doba a zákonné nároky na odstránenie chýb

Záručná doba sa záručným plnením nepredĺži. To platí aj pre vymenené a opravené diely. Poškodenia a chyby zistené prípadne už pri kúpe, sa musia hlásiť okamžite po vybalení. Po uplynutí záručnej doby podliehajú prípadné opravy poplatku.

### Rozsah záruky

Prístroj bol starostlivo vyrobený v súlade s prísnyimi smernicami kvality a pred dodaním bol svedomito preskúšaný.

Záručné plnenie sa vzťahuje na chyby materiálu alebo výrobné chyby. Táto záruka sa nevzťahuje na časti výrobku, ktoré sú vystavené bežnému opotrebovaniu a preto ich možno pokladať za rýchlo opotrebitelné diely, ani na poškodenia krehkých dielov, ako sú napríklad spínače, akumulátory alebo diely vyrobené zo skla.

Táto záruka zaniká v prípade poškodenia výrobku neodborným používaním alebo neodbornou údržbou. Na správne používanie výrobku sa musia presne dodržiavať všetky pokyny, uvedené v návode na obsluhu. Bezpodmienečne sa musí zabrániť použitiu alebo úkonom, ktoré sa v návode na obsluhu neodporúčajú alebo pred ktorými sa varuje.

Výrobok je určený len na súkromné použitie a nie na priemyselné používanie. Záruka zaniká pri nesprávnom a neodbornom zaobchádzaní, pri použití násilia a pri zásahoch, ktoré neboli vykonané našim autorizovaným servisom.

## Vybavenie v prípade záruky

Na zaručenie rýchleho vybavenia Vašej žiadosti postupujte podľa nasledujúcich pokynov:

- Na všetky otázky majte pripravený pokladničný doklad a číslo výrobku (IAN) 390044\_2201 ako doklad o nákupe.
- Číslo výrobku nájdete na typovom štítku na výrobku, na gravúre na výrobku, na titulnej stránke návodu na obsluhu (dole vľavo) alebo ako nálepku na zadnej alebo spodnej strane výrobku.
- Ak dôjde k funkčným poruchám alebo iným nedostatkom, kontaktujte najprv nižšie uvedené servisné oddelenie **telefonicky** alebo **e-mailom**.
- Výrobok, zaevidovaný ako poruchový, môžete potom spolu s dokladom o nákupe (pokladničný blok) a uvedením popisu chyby a dátumu, kedy k nej došlo, bezplatne odoslať na adresu servisného strediska, ktorá Vám bude oznámená.



Na webovej stránke [www.lidl-service.com](http://www.lidl-service.com) si môžete stiahnuť tieto a mnoho ďalších príručiek, videá o výrobkoch a inštaláčny softvér.

Pomocou tohto QR-kódu sa dostanete priamo na stránku servisu Lidl ([www.lidl-service.com](http://www.lidl-service.com)) a pomocou zadania čísla výrobku (IAN) 390044\_2201 otvoríte váš návod na obsluhu.

## Servis

**(SK) Servis Slovensko**

Tel. 0850 232001

E-Mail: [kompernass@lidl.sk](mailto:kompernass@lidl.sk)

IAN 390044\_2201

## Dovozca

Majte na pamäti, že nižšie uvedená adresa nie je adresou servisného strediska. Najprv kontaktujte uvedené servisné stredisko.

KOMPERNASS HANDELS GMBH

BURGSTRASSE 21

44867 BOCHUM

NEMECKO

[www.kompernass.com](http://www.kompernass.com)

## Recepty

V tejto kapitole Vám uvedieme niekoľko príkladov na prípravu jedál. Tieto príklady sú odporúčania. Doba prípravy jedla sa môže líšiť.

Recepty bez záruky. Všetky informácie o prísadách a príprave sú orientačné. Doplňte si tieto recepty o Vaše vlastné skúsenosti. Želáme Vám úspešné pečenie a dobrú chuť!

### UPOZORNENIE

Dodržiavajte tiež upozornenia k príprave jedál na obale potravín.

### Muffiny

Prísady pre štyri osoby:

- ◆ 1 šálka múky
- ◆ 1 čajová lyžička prášku do pečiva
- ◆ 1 vajce
- ◆ 1 polievková lyžica rozpusteného masla
- ◆ 1 šálka mlieka
- ◆ 3 PL cukru
- ◆ 1 štipka soli
- ◆ pre rôzne varianty dodatočne orechy, nakrájané banány alebo čokoládové vločky

Príprava:

- 1) V miske pomaly jedno po druhom zmiešajte múku, prášok do pečiva, vajce, mlieko, soľ a cukor.
- 2) Rozpustíte maslo v hrnci a zamiešajte do cesta.
- 3) Podľa chuti primiešajte orechy, čokoládové vločky alebo roztláčené banány.
- 4) Hotové cesto dajte do typických formičiek na muffiny a tieto postavte na plech na pečenie ①.
- 5) Muffiny pečte pri 220 °C s horným a dolným ohrevom približne 15 minút na spodnej lište.

### Toast Hawaii

Prísady pre 4 toasty:

- ◆ 4 plátov toastového chleba
- ◆ 1–2 polievkové lyžice remulády
- ◆ 120 g varenej šunky
- ◆ 1/2 plechovky ananásu
- ◆ 4 plátky syra na zapečenie
- ◆ kari korenie

Príprava:

- ◆ Plátky toastového chleba najprv opieť.
- ◆ Potom ich ľahko natrite remuládou a obložte varenou šunkou.
- ◆ Na takto obložený toast položte vždy jeden plátok ananásu. Okoreňte s kari korením.
- ◆ Potom na ananás položte vždy plátok syra.
- ◆ Toasty Hawaii položte na mriežkový rošt ② a zapečte v automate na grilovanie a pečenie na hornej lište pri ca. 200 °C, pri hornom ohreve ca. 8 minút.

### Pečenie hlboko zmrazenej pizzy

Príprava:

- ◆ Zasuňte mriežkový rošt ③ do hornej lišty priestoru na grilovanie a pečenie.
- ◆ Položte hlboko zmrazenú pizzu bez balenia na mriežkový rošt ③.
- ◆ Pečte pizzu na hornom a spodnom ohreve ca. 20 minút.
- ◆ Dodržiavajte tiež údaje, uvedené na obale s ohľadom na teplotu.

**Striekané pečivo**

Prísady:

- ◆ 125 g masla
- ◆ 125 g cukru
- ◆ 1 balíček vanilkového cukru
- ◆ 1 štipka soli
- ◆ 1 vajce
- ◆ 1 bielok
- ◆ 250 g múky (typ 405)
- ◆ 1 čajová lyžička prášku do pečiva
- ◆ nastrúhaná kôra z polovice citróna

Príprava:

- 1) Maslo vyšľahajte do peny.
- 2) Pridajte k tomu cukor, vanilkový cukor, citrónovú kôru a vajcia.
- 3) Zmiešajte múku, prášok do pečiva a soľ a za stáleho miešania drevenou vareškou všetko primiešajte do cesta.
- 4) Cesto nechajte odstáť ca. 10 minút.
- 5) Vytvarujte cesto do požadovaného tvaru, napr. za použitia mlynčeka na mäso, vykrajovacích formičiek alebo striekacieho vrecka.
- 6) Položte striekané pečivo na plech na pečenie **11**, ktorý je vyložený papierom na pečenie.
- 7) Striekané pečivo pečte dozlataista vo vopred vyhriatej rúre pri 180 °C hornom a spodnom ohreve, ca. 10–15 minút na hornej lište.

**UPOZORNENIE**

Množstvo cesta vystačí pre viacej plechov na pečenie **11**.

**Žemle**

Prísady:

- ◆ 300 g múky (alebo celozrnej múky)
- ◆ dobré 2 čajové lyžičky prášku do pečiva
- ◆ 200 g ľanových semienok
- ◆ 1 vajce
- ◆ 500 g tvarohu
- ◆ 1 čajová lyžička soli
- ◆ podľa chuti rasca, cibuľa, slanina ...

Príprava:

- 1) Všetko dobre premiešate a vytvarujete z toho malé žemle.
- 2) Položte žemle na plech na pečenie **11**, ktorý je vyložený papierom na pečenie.
- 3) Pri ca. 200 °C spodného ohrevu pečte približne 30 minút na hornej lište.

**UPOZORNENIE**

Množstvo cesta vystačí pre viacej plechov na pečenie **11**.

## Snehové pusinky

Prísady:

- ◆ 1 bielok
- ◆ soľ
- ◆ 45 g cukru

Príprava:

- 1) Dajte chladené bielko do misky bez tuku. Nesmie sa zmiešať so žĺtkom, pretože inak nie je sneh z bielka tuhý.
- 2) Bielok sa musí šľahať pri nízkej rýchlosti, aby sa v snehu z bielka nevytvorili žiadne veľké bubliny.
- 3) Osolte štipkou soli.
- 4) Postupne pridávajte polovicu cukru, ak sneh z bielku začne tuhnúť.
- 5) Potom ho vyšľahajte do tuha najvyššou rýchlosťou.
- 6) Pridajte zvyšný cukor. Tým získajú snehové pusinky potrebnú pevnosť.
- 7) Naplňte snehové pusinky do striekacieho vrecka s veľkou špičkou hviezdy a v malých odstupoch striekajte ružičky, jazýčky alebo iné tvary na plech na pečenie **11**, ktorý je vyložený papierom na pečenie.
- 8) Automat na grilovanie a pečenie predhrejte na ca. 100°C cirkulujúceho vzduchu.
- 9) Pusinky nechajte piecť na hornej koľajnici pri ca. 100°C cirkulujúceho vzduchu ca. 2 hodiny.

## Maslové krutóny

Prísady:

- ◆ 2 plátky toastového chleba
- ◆ 1 PL masla

Príprava:

- 1) Nakrájajte toastový chlieb na malé kocky.
- 2) Rozpustíte maslo v hrnci na miernom ohni a premiešajte toastový chlieb.
- 3) Vložte plech na pečenie **11** papierom na pečenie a rozložte naň rovnomerne kocky toastového chleba.
- 4) Pečte kocky toastového chleba pri ca. 170 °C, spodný ohrev, na hornej lište dozlatista (ca. 15 - 20 minút).

### UPOZORNENIE

Môžete tiež použiť bylinky alebo cesnakové maslo namiesto normálneho masla. Doba pečenia sa zníži o ca. 5 minút.

## Bagety s mletým mäsom

Prísady:

- ◆ 2 bagetové žemle
- ◆ 250 g mletého mäsa (miešané 1/2 bravčové a 1/2 hovädzie)
- ◆ 2 paradajky
- ◆ 1 cibuľa (nakrájaná na kocky)
- ◆ 2 PL rajčinového pretlaku
- ◆ 40 g strúhaného parmezánu
- ◆ 4 plátky syra
- ◆ soľ a čierne korenie

Príprava:

- 1) Rozrežte bagetu a vydláčajte z nej vnútro.
- 2) Zmiešajte mleté mäso, paradajkový pretlak, cibuľu, parmezán, soľ a korenie.
- 3) Vyformujte z mletého mäsa 4 rovnako veľké, čo najplochejšie karbonátky a položte tieto na polovice bagety.
- 4) Nakrájajte paradajku na plátky a rozložte ju po bagete.
- 5) Posypte bagetu syrom.
- 6) Položte bagetu na plech na pečenie **1** a pečte ju pri ca. 230 °C v predhriatej rúre pri hornom a spodnom ohreve ca. 20 minút na spodnej lište.

### UPOZORNENIE

Mleté mäso môžete tiež dochutiť bazalkou, chilli alebo iným korením.

## Karfiol (zapečený)

Prísady:

- ◆ 1/2 hlava karfiolu (ca. 250 g)
- ◆ 3 plátky citróna
- ◆ 1 PL masla
- ◆ 1 kopcovitá ČL múky
- ◆ 1 PL citrónovej šťavy
- ◆ 1 PL strúhaných mandlí
- ◆ 2 PL gratinového syra (strúhaného)
- ◆ soľ, čierne korenie, muškát

Príprava:

- 1) Rozdeľte karfiol na ružičky a umyte ich.
- 2) Varte karfiol s plátkami citróna vo vriacej osolenej vode po dobu 8-10 minút, aby bol karfiol polomäkky. Pri odlievaní odoberte ca. 150 ml vriacej vody.
- 3) Nechajte v hrnci rozpustiť maslo a za stáleho miešania asi 1 minútu zapražte múku.
- 4) Za stáleho miešania prilievajte vriacu vodu karfiolu a nechajte asi 2 minúty všetko variť. V prípade, že je zápražka príliš hustá, pridajte postupne trochu vody, dokiaľ nevznikne krémová konzistencia. Dochuťte citrónovou šťavou, soľou, korením a muškátovým orieškom.
- 5) Dajte karfiol do nákybovej formy (priemer ca. 14 cm) a zalejte rovnomerne omáčkou.
- 6) Posypte syrom a struhanými mandľami.
- 7) Na plech na pečenie **1** postavte nákybovú formu.
- 8) Zapečte náky pri ca. 200 °C v predhriatej rúre pri hornom a spodnom ohreve po dobu ca. 20 minút na spodnej lište.



## Tašky z lístkového cesta s náplňou z lososa

Prísady:

- ◆ 1 bal. plátkov lístkového cesta (ca. 8 kusov)
- ◆ 1 bal. údeného lososa, v plátkoch, (ca. 200 g)
- ◆ 1 citrón
- ◆ 1 cibuľa
- ◆ 1 bal. smotanového syra (200 g)
- ◆ čerstvý kôpor
- ◆ soľ a čierne korenie
- ◆ 1 žĺtok

Príprava:

- 1) Oddel'te lístkové cesto od seba a nechajte ho prípadne rozmraziť.
- 2) Zmiešajte smotanový syr so soľou, korením a citrónovou šťavou.
- 3) Nakrájajte cibuľu na jemné kocky.
- 4) Pridajte polovicu lososa a cibule ku zmesi smotanového syra a všetky rozmixujte ručným mixérom.
- 5) Nakrájajte zvyšný losos na tenké prúžky.
- 6) Losos a kôpor pridajte do zmesi a všetko premiešajte.
- 7) Dajte vždy jednu polievkovú lyžicu s touto zmesou na plátok lístkového cesta a zložte tento dohromady.
- 8) Potrite vytvorené tašky vaječným žĺtkom.
- 9) Na plech na pečenie **11** položte tašky z lístkového cesta. Nechajte dostatok priestoru medzi jednotlivými taškami, pretože lístkové cesto nakynie.
- 10) Tašky z lístkového cesta nechajte piecť na spodnej lište pri ca. 230°C pri hornom a spodnom ohreve ca. 25-30 minút. Lístkové cesto by malo ľahko zhnednúť.

### UPOZORNENIE

Uvedené množstvo vystačí pre viacej plechov na pečenie **11**.

# Índice

<b>Introducción</b> .....	<b>144</b>
<b>Uso previsto</b> .....	<b>144</b>
<b>Volumen de suministro.</b> .....	<b>144</b>
<b>Descripción del aparato</b> .....	<b>144</b>
<b>Características técnicas</b> .....	<b>144</b>
<b>Indicaciones de seguridad</b> .....	<b>145</b>
<b>Instalación</b> .....	<b>148</b>
<b>Uso del aparato</b> .....	<b>148</b>
Puerta de cristal .....	148
Inserción de la bandeja para migas .....	148
Uso del espetón .....	149
Uso de la bandeja de horno/parrilla .....	150
<b>Antes del primer uso</b> .....	<b>150</b>
<b>Manejo del aparato</b> .....	<b>151</b>
Selector de función .....	151
Regulador de temperatura .....	151
Temporizador .....	151
<b>Gratinado y horneado</b> .....	<b>151</b>
<b>Gratinado con espetón</b> .....	<b>152</b>
<b>Limpieza y mantenimiento</b> .....	<b>154</b>
<b>Almacenamiento</b> .....	<b>154</b>
<b>Eliminación de fallos</b> .....	<b>155</b>
<b>Desecho</b> .....	<b>156</b>
<b>Garantía de Kompnass Handels GmbH</b> .....	<b>156</b>
Asistencia técnica .....	157
Importador .....	157
<b>Recetas</b> .....	<b>158</b>

## Introducción

Felicidades por la compra de su aparato nuevo. Ha adquirido un producto de alta calidad. Las instrucciones de uso forman parte del producto y contienen indicaciones importantes acerca de la seguridad, el uso y el desecho de este aparato. Antes de usar el producto, familiarícese con todas las indicaciones de manejo y de seguridad. Utilice el producto únicamente como se describe y para los ámbitos de aplicación indicados. Entregue todos los documentos cuando transfiera el producto a terceros.

## Uso previsto

El horno con función de gratinado sirve exclusivamente para calentar, asar y gratinar alimentos.

Este aparato está previsto exclusivamente para su uso doméstico privado. No lo utilice con fines comerciales.

Cualquier otro uso se considera como no conforme al previsto y puede provocar daños materiales e incluso personales.

## Volumen de suministro

- ◆ Horno eléctrico con grill
- ◆ 1 bandeja de horno
- ◆ 1 parrilla
- ◆ 2 mangos
- ◆ Espetón giratorio con 2 pinchos de sujeción
- ◆ 1 bandeja para migas
- ◆ Instrucciones de uso

### INDICACIÓN

Compruebe que el volumen de suministro esté completo y que carezca de daños después de desembalarlo. En caso necesario, póngase en contacto con el servicio de asistencia técnica.

## Descripción del aparato

Figura A:

- 1 Accionamiento
- 2 Regulador de temperatura
- 3 Selector de función
- 4 Temporizador
- 5 Piloto de control
- 6 Puerta de cristal
- 7 Bandeja para migas integrada
- 8 Varillas calefactoras inferiores
- 9 Alojamiento del espetón

Figura B:

- 10 Mango (para la bandeja de horno y para la parrilla)
- 11 Bandeja de horno
- 12 Mango (para el espetón)
- 13 Parrilla
- 14 Elemento de fijación
- 15 Pinchos de sujeción
- 16 Espetón

## Características técnicas

Tensión nominal: 220 - 240 V ~  
(corriente alterna),  
50/60 Hz


Consumo de potencia: 1500 W



Todas las piezas de este aparato que entran en contacto con alimentos son aptas para su uso con alimentos.

## Indicaciones de seguridad

### ¡PELIGRO DE DESCARGA ELÉCTRICA!

- ▶ No se permite la apertura ni la reparación de la carcasa del aparato. De lo contrario, no podrá garantizarse la seguridad del aparato y se anulará el derecho a la garantía. Si el aparato está defectuoso, encomiende su reparación exclusivamente al personal especializado autorizado.
  - ▶ Si se estropea el cable de conexión de red de este aparato, encomiende su sustitución al fabricante, a su servicio de asistencia técnica o a una persona que posea una cualificación similar para evitar peligros.
  - ▶ No permita que ningún líquido penetre en la carcasa del aparato. El aparato no debe estar expuesto a la humedad ni utilizarse a la intemperie. Además, no deben colocarse objetos llenos de líquido, como, p. ej., jarrones, encima del aparato. ¡Existe peligro de incendio y de descarga eléctrica! Si por cualquier motivo penetrase líquido en la carcasa del aparato, retire inmediatamente la clavija de red de la base de enchufe y llévelo a reparar.
  - ▶ No toque el aparato, el cable ni la clavija de red con las manos húmedas. De lo contrario, existe peligro de descarga eléctrica.
-  No sumerja nunca el aparato en agua ni en otros líquidos. Posible peligro de muerte por descarga eléctrica si penetran restos de líquidos en piezas sometidas a tensión.

## ¡ADVERTENCIA – PELIGRO DE LESIONES!

- ▶ Este aparato puede ser utilizado por niños a partir de 8 años y por personas cuyas facultades físicas, sensoriales o mentales sean reducidas o carezcan de los conocimientos y de la experiencia necesaria siempre que sean vigilados o hayan sido instruidos correctamente sobre el uso seguro del aparato y hayan comprendido los peligros que entraña.
- ▶ Los niños no deben jugar con el aparato.
- ▶ Los niños no deben realizar las tareas de limpieza y mantenimiento del aparato a no ser que sean mayores de 8 años y estén bajo supervisión.
- ▶ Los niños menores de 8 años deben mantenerse alejados del aparato y del cable de conexión.
- ▶ Tienda el cable de red de modo que nadie pueda tropezar con él ni pisarlo.
- ▶ Nunca toque la puerta de cristal ni la carcasa mientras el aparato esté en uso, ya que podrían estar muy calientes. ¡Para prevenir quemaduras, use una manopla o algo similar para abrir la puerta de cristal !
- ▶ No toque nunca las varillas calefactoras ni la ventana durante el funcionamiento ni antes de que el aparato se haya enfriado. No introduzca la mano dentro del horno durante el funcionamiento. Espere a que el aparato se haya enfriado. De lo contrario, podría quemarse.
- ▶ Después de su uso, deje que el aparato se enfríe antes de transportarlo.
- ▶ Utilice siempre guantes o trapos de cocina para tocar el aparato.



¡Precaución! ¡Superficie caliente!

**ATENCIÓN – ¡DAÑOS MATERIALES!**

- ▶ No utilice ningún tipo de reloj programador externo ni sistema de control remoto para accionar el aparato.
- ▶ No deje nunca el aparato desatendido durante su funcionamiento.
- ▶ Asegúrese de que el aparato, el cable de red o la clavija de red no entren en contacto con fuentes de calor, como placas de cocina o llamas abiertas.
- ▶ Utilice el aparato exclusivamente con los accesorios originales suministrados.
- ▶ No doble ni aplaste el cable de red.
- ▶ Extraiga siempre el cable de red del enchufe tirando de la clavija y nunca directamente del propio cable.
- ▶ Durante el funcionamiento, no debe haber materiales fácilmente inflamables en las inmediaciones del horno con función de gratinado (p. ej., paños o guantes de cocina, etc.).
- ▶ No seque nunca tejidos ni objetos encima de, sobre o dentro del aparato. ¡Existe peligro de incendio!

**INDICACIÓN**

- ▶ El usuario no tiene que hacer nada para cambiar el ajuste del producto entre 50 y 60 Hz. El producto se adapta tanto a 50 Hz como a 60 Hz.

## Instalación

### ⚠ ¡ADVERTENCIA! ¡RIESGO DE INCENDIO!

- ▶ No coloque nunca el aparato bajo armarios suspendidos ni junto a cortinas, paredes de armarios ni cualquier otro objeto inflamable.
- ▶ La distancia entre el aparato y cualquier armario suspendido, el techo, las paredes laterales o elementos similares debe ser de un mínimo de 10 cm en la parte superior y de 5 cm en los laterales. Por ello, no debe instalarse el aparato en el interior de armarios o similares. De lo contrario, la ventilación del horno no sería suficiente, lo que podría causar un incendio o dañar el aparato.
- ▶ Instale exclusivamente el aparato sobre una base termorresistente. De lo contrario, existe peligro de incendio y el aparato podría dañarse. La zona bajo la base del aparato puede decolorarse y dañarse. Además, si se coloca el aparato sobre una superficie blanda, podrían producirse marcas permanentes en la base.

### ⚠ ¡PELIGRO DE DESCARGA ELÉCTRICA!

- ▶ No coloque el aparato en la proximidad de agua, como, p. ej., cerca de fregaderos, lavabos o en sótanos húmedos. De lo contrario, existe riesgo de descarga eléctrica.
- Coloque el aparato sobre una superficie fija, plana y termorresistente (p. ej., encimeras de acero inoxidable o de piedra natural, como el granito). Procure que haya una ventilación suficiente alrededor del aparato.
- Coloque el aparato con la parte posterior contra la pared. Las piezas distanciadoras de la parte posterior deben tocar la pared. Asegúrese de que la pared sea de material termorresistente, p. ej., azulejo, piedra natural o granito.
- Limpie todas las piezas tal y como se describe en el capítulo "Limpieza y mantenimiento".

## Uso del aparato

### Puerta de cristal

#### ¡ATENCIÓN! ¡PELIGRO DE DAÑOS MATERIALES!

- ▶ No se apoye en la puerta de cristal ⑥.  
No coloque ningún objeto sobre la puerta de cristal ⑥. De lo contrario, podrían producirse daños en las bisagras.
- Si prepara alimentos con un contenido especialmente elevado de grasa, es posible que se forme más humo. En tal caso, no cierre completamente la puerta de cristal ⑥, sino que deje abierta una rendija:  
La puerta de cristal ⑥ posee una posición de encastre que permite dejar abierta una rendija: Si cierra con cuidado la puerta de cristal ⑥, quedará encastrada en esta posición justo antes de cerrarse.
- Para secar fruta con el fin de hacer fruta deshidratada, la puerta de cristal ⑥ también debe mantenerse en la posición de encastre para que pueda liberarse la humedad y se seque mejor la fruta.

### Inserción de la bandeja para migas

- Inserte la bandeja para migas ⑦ bajo las varillas calefactoras inferiores ⑧ de forma que quede colocada de forma plana sobre la base del aparato. La parte más curvada hacia arriba puede utilizarla como agarre. La parte menos curvada hacia arriba debe introducirse primero en el aparato.

## Uso del espetón

### ⚠ ¡ADVERTENCIA! ¡PELIGRO DE LESIONES!

- ▶ Utilice siempre el mango **12** para introducir el espetón **16** caliente en el aparato o para extraerlo.
- Con los dos pinchos de sujeción **15**, puede fijarse el alimento al espetón **16**. Afloje el elemento de fijación **14** de los pinchos de sujeción **15**, desplácelos de forma que el alimento quede bien fijo y vuelva a apretar el elemento de fijación **14**.
- Introduzca primero el extremo del espetón **16** sin muesca en el accionamiento **1** (fig. 1):

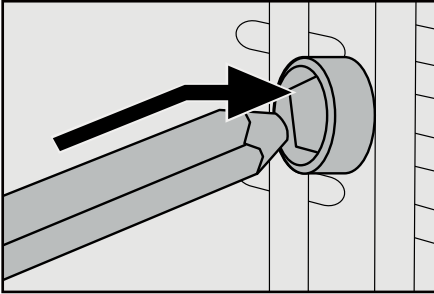


Fig. 1: Introducción del espetón **16** en el accionamiento **1**.

- Tras esto, inserte ahora el otro extremo del espetón **16** con la muesca profunda en el alojamiento del espetón **9** (fig. 2):

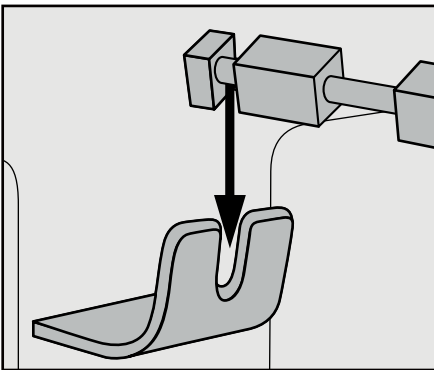


Fig. 2: Colocación del espetón **16** en el alojamiento del espetón **9**

## INDICACIÓN

- ▶ Coloque siempre la bandeja de horno **11** en el carril inferior cuando utilice el espetón **16**. Así podrán recogerse los líquidos que goteen.
- Para retirar el espetón **16** caliente, inserte los ganchos del extremo del mango **12** en los orificios del espetón **16** (fig. 3):

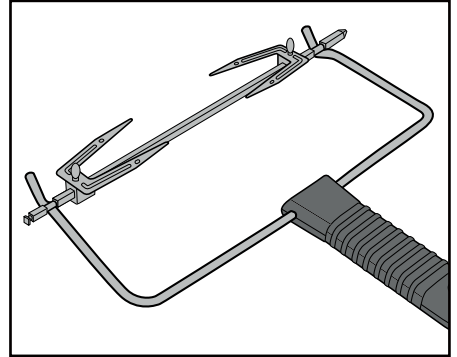


Fig. 3: Enganche del mango **12** en el espetón **16**

- Eleve primero el lado izquierdo del espetón **16** para extraerlo del alojamiento del espetón **9** y retire el espetón **16** del accionamiento **1**.



## Uso de la bandeja de horno/parrilla

### ⚠ ¡ADVERTENCIA! ¡PELIGRO DE LESIONES!

- Utilice siempre el mango **10** para insertar la bandeja de horno **11**/parrilla **13** caliente en el aparato o para extraerlas.

- Inserte la bandeja de horno **11**/parrilla **13** en uno de los 3 carriles del aparato.

### ¡ATENCIÓN! ¡PELIGRO DE DAÑOS MATERIALES!

- No coloque nunca la bandeja de horno **11**/parrilla **13** directamente sobre las varillas calefactoras **8**.

- Para poder extraer la bandeja de horno **11** o la parrilla **13** caliente, enganche el mango **10** de la siguiente manera:

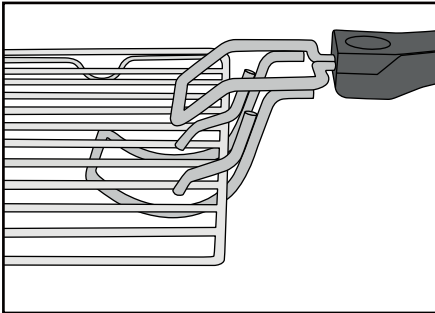


Fig. 4: Enganche del mango **10** en la parrilla **13**

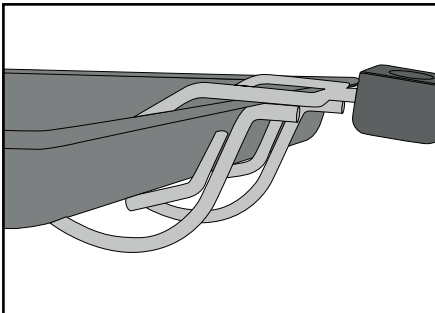



Fig. 5: Enganche del mango **10** en la bandeja de horno **11**

## Antes del primer uso

- 1) Inserte la clavija de red en una base de enchufe.
- 2) Gire el regulador de temperatura **2** hasta el tope en sentido horario para ajustar la máxima temperatura.
- 3) Gire el selector de función **3** para ajustar la posición de "Calor arriba y abajo" .
- 4) Abra la puerta de cristal **6** y déjela abierta para este proceso.
- 5) Retire cualquier accesorio que haya en el horno.
- 6) Gire el temporizador **4** y ajústelo en 20 minutos.

### INDICACIÓN

- Al calentar el aparato por primera vez, es posible que se genere un poco de humo y olor debido a los restos derivados de su fabricación. Esto es perfectamente normal e inofensivo. Procure que haya suficiente ventilación; por ejemplo, abra una ventana.

El aparato se desconecta automáticamente una vez transcurridos los 20 minutos.

Si desea interrumpir brevemente el proceso de calentamiento, gire el regulador de temperatura **2** hasta el tope en sentido antihorario y ajuste el temporizador **4** en la posición "OFF" (apagado).






- 7) Deje que el aparato se enfríe y límpielo de la manera descrita en el capítulo "Limpieza y mantenimiento".

El aparato estará ahora listo para funcionar.

## Manejo del aparato

### Selector de función

Con el selector de función **3**, puede encender el aparato y ajustar 5 funciones distintas:


Símbolo	Significado
	"Calor abajo" p. ej., para hornear tartas/ pasteles
	"Calor arriba" p. ej., para gratinados
	"Calor arriba y abajo" p. ej., para hornear pizzas
	"Calor arriba/ ventilador/espetón" p. ej., para hornear aves al espetón
	"Calor arriba y abajo/ ventilador" p. ej., para hornear panecillos
OFF	"OFF": el aparato está apa- gado

### Regulador de temperatura

Con el regulador de temperatura **2**, puede ajustar la temperatura deseada.

### Temporizador

Puede encenderse el aparato/ajustarse el tiempo de horneado deseado con el temporizador **4**:

- Ajuste el temporizador **4** en el tiempo deseado. Tras finalizar el tiempo ajustado, se emite un sonido y el aparato detiene el calentamiento. Si se selecciona la función "Calor arriba/ventilador/espetón" , también se detiene la rotación del espetón **16**.
- Si desea utilizar el aparato sin límite de tiempo, gire el regulador giratorio del temporizador **4** en sentido antihorario hasta la posición "ON".

### Gratinado y horneado

- 1) Introduzca la bandeja para migas **7** en el aparato.
- 2) Extraiga la parrilla **15** y la bandeja de horno **11** del aparato. En caso necesario, cúbralas con papel de horno o engrase la bandeja de horno **11**.

#### INDICACIÓN

- ▶ Es posible que deba precalentarse el horno según el plato que desee prepararse. Observe las instrucciones de la receta correspondiente. El precalentamiento es especialmente necesario para lo siguiente:
  - Tiempos de horneado muy cortos.
  - Cortezas crujientes.
  - Platos delicados que requieran una temperatura constante, como, por ejemplo, suflés.
- ▶ Si no es necesario el precalentamiento, vaya directamente al paso 3).

- 3) Deje que el aparato alcance la temperatura deseada durante aprox. 10 minutos (dependiendo del ajuste de temperatura):
  - Seleccione la temperatura deseada con el regulador de temperatura **2**.
  - A continuación, seleccione la función deseada con el selector de función **3**.

## INDICACIÓN

- ▶ Si selecciona la función con ventilador, por norma general, puede prescindirse del precalentamiento del horno.
  - Ajuste el tiempo de precalentamiento con el temporizador **4** (aprox. 10 minutos).
  - Cierre la puerta de cristal **6**.
- 4) Una vez transcurrido el tiempo, coloque los alimentos en la parrilla **13** o la bandeja **11** e insértela en uno de los carriles. Al hacerlo, procure mantener una distancia suficiente entre los alimentos y las paredes interiores y las varillas calefactoras del aparato.

## INDICACIÓN

- ▶ Si prepara un alimento que pueda gotear intensamente sobre la parrilla **13**, introduzca la bandeja de horno **11** en el carril inferior. De este modo, puede recogerse, p. ej., la grasa que gotee para después limpiar el aparato con mayor facilidad.
- 5) Cierre la puerta de cristal **6** antes de empezar a hornear los alimentos.
- 6) En caso necesario, ajuste el tiempo de horneado que desee por medio del temporizador **4**. El tiempo de horneado máximo que puede ajustarse con el temporizador **4** es de 120 minutos. Alternativamente, también puede ajustarse el temporizador **4** en la posición "ON" para utilizar el aparato durante un tiempo ilimitado.

## INDICACIÓN

- ▶ Si el tiempo de horneado de los alimentos es inferior a 20 minutos, ajuste primero el temporizador **4** en 40 minutos para después retroceder hasta el tiempo de horneado deseado.

El piloto de control **5** indica que el aparato está encendido. Si utiliza el aparato con un tiempo de horneado preajustado, el interruptor del temporizador **4** se mueve hacia la posición "OFF".

En tal caso, el aparato se apaga automáticamente una vez transcurrido el tiempo ajustado, se emite una señal acústica y el piloto de control **5** se apaga.

## INDICACIÓN


- Si desea interrumpir brevemente el proceso de calentamiento, gire el regulador de temperatura **2** hasta el tope en sentido antihorario y ajuste el temporizador **4** en la posición "OFF" (apagado).
- 7) Si no desea utilizar el aparato con un tiempo de horneado preajustado, ajuste el temporizador **4** en "OFF" cuando desee finalizar el horneado.
- 8) Una vez finalizado el proceso de calentamiento, retire la parrilla **13** y/o la bandeja de horno **11** con el mango **10**.
- 9) Ajuste el selector de función **3** en "OFF" (apagado).

## Gratinado con espetón

- 1) Introduzca la bandeja para migas **7** en el aparato.
- 2) Retire el espetón **16** del aparato si está en su interior.
- 3) Coloque la bandeja de horno **11** en el carril inferior.
- 4) Fije el alimento con los pinchos de sujeción **15** en el espetón. Asegúrese de que el alimento pueda girar libremente en el horno. Es posible que el espetón **16** cambie la dirección de giro si el alimento choca contra un obstáculo. Los dos orificios del espetón **16** deben permanecer accesibles; de lo contrario, no podrá engancharse el espetón **16** con el mango **12**.
- 5) Fije el espetón **16** en el horno (consulte el capítulo "Uso del espetón").
- 6) Cierre la puerta de cristal **6**.

## INDICACIÓN

Si desea interrumpir brevemente el proceso de calentamiento, gire el regulador de temperatura **2** hasta el tope en sentido antihorario y ajuste el temporizador **4** en la posición "OFF" (apagado).

- 7) Ajuste el regulador de temperatura **2** en la temperatura deseada.
- 8) Ajuste el selector de función 3 en "Calor arriba/ventilador/espetón" .
- 9) Si lo desea, ajuste el tiempo deseado con el temporizador **4**. Alternativamente, también puede ajustarse el temporizador **4** en la posición "ON" para utilizar el aparato durante un tiempo ilimitado.  
El aparato inicia el proceso de horneado y el espetón **16** comienza a girar.

El piloto de control **5** indica que el aparato está encendido. Si utiliza el aparato con un tiempo de horneado preajustado, el interruptor del temporizador **4** se mueve hacia la posición "OFF".

En tal caso, el aparato se apaga automáticamente una vez transcurrido el tiempo ajustado, se emite una señal acústica y el piloto de control **5** se apaga.



## INDICACIÓN

Si desea interrumpir brevemente el proceso de calentamiento, gire el regulador de temperatura **2** hasta el tope en sentido antihorario y ajuste el temporizador **4** en la posición "OFF" (apagado).

- 10) Si no desea utilizar el aparato con un tiempo de horneado preajustado, ajuste el temporizador **4** en "OFF" cuando desee finalizar el horneado.
- 11) Una vez finalizado el proceso de horneado, extraiga el espetón **16** con el mango **12**.
- 12) Ajuste el selector de función **3** en "OFF" (apagado).

## EJEMPLO – POLLO ASADO


### Ingredientes

- ◆ Pollo entero (aprox. 1,3 kg, limpio)
  - ◆ Condimentos (sal, pimentón)
  - ◆ Aceite de cocina
- 1) Condimente el pollo por dentro y por fuera con sal y pimentón. Unte el exterior del pollo con aceite de cocina.
  - 2) Introduzca el pollo en el espetón **16** y fíjelo con los pinchos de sujeción **15**. Procure que los orificios del espetón **16** queden accesibles para que pueda engancharse el mango **12** en el espetón **16**. Según la forma del pollo, es posible que deban fijarse las alitas y los muslos con una cuerda termorresistente para que no obstaculicen el giro del espetón.
  - 3) Coloque la bandeja de horno **11** en el carril inferior.
  - 4) Precaliente el horno durante aprox. 10 minutos con la función "Calor arriba y abajo/ventilador"  a 230 °C.
  - 5) Coloque el pollo ya insertado en el espetón en el aparato con ayuda del mango **12**.
  - 6) Ajuste el selector de función en "Calor arriba/ventilador/espetón"  y cierre la puerta.
  - 7) Ajuste el temporizador **4** en aprox. 80 minutos. El tiempo de horneado puede variar según el tamaño y la forma del pollo.
  - 8) Engrase el pollo de vez en cuando con un poco de aceite durante el horneado. Así la piel quedará crujiente.
  - 9) Una vez transcurrido el tiempo ajustado, extraiga cuidadosamente el espetón con el pollo con ayuda del mango **12**. Retire los pinchos de sujeción **15** y extraiga el pollo del espetón **16**.

## Limpieza y mantenimiento

### ⚠ ¡PELIGRO DE DESCARGA ELÉCTRICA!

- ▶ ¡Antes de limpiar el aparato, extraiga siempre la clavija de red de la base de enchufe!  
¡Existe riesgo de descarga eléctrica!

 No sumerja nunca el aparato en agua ni en otros líquidos.

### ⚠ ¡ADVERTENCIA! ¡PELIGRO DE LESIONES!

- ▶ Deje que el aparato se enfríe antes de limpiarlo. De lo contrario, existe peligro de quemaduras.

- Limpie el aparato y los accesorios en cuanto se hayan enfriado. Así, será más fácil retirar los restos de alimentos.

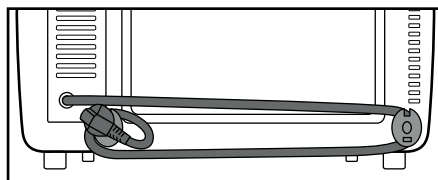
### ¡ATENCIÓN! ¡PELIGRO DE DAÑOS MATERIALES!

- ▶ No utilice productos de limpieza abrasivos ni agresivos. ¡Podrían dañar la superficie!
- ▶ ¡No lave las piezas del aparato en el lavavajillas!
- ▶ No limpie el interior del horno con un spray para hornos, ya que, de lo contrario, no podrán eliminarse los restos de las varillas calefactoras.

- Limpie el aparato con un paño húmedo. En caso necesario, añada un producto de limpieza suave en el paño y después frote el aparato con un paño humedecido con agua limpia. Seque todo bien.
- Limpie el interior del horno y la puerta de cristal **6** con un paño húmedo. En caso necesario, añada un producto de limpieza suave en el paño y después frote el aparato con un paño humedecido con agua limpia. Seque todo bien.
- Limpie los mangos **10/12**, el espetón **15**, los pinchos de sujeción **15**, el elemento de fijación **14**, la bandeja de horno **11**, la parrilla **13** y la bandeja para migas **7** con agua caliente y con un producto de limpieza. Seque todas las piezas adecuadamente después de la limpieza.

## Almacenamiento

- Puede enrollar el cable de red alrededor de las piezas distanciadoras de la parte posterior del aparato y fijar el enchufe en una de las piezas distanciadoras:



- Guarde el aparato limpio y sus accesorios en un lugar limpio, seco y sin polvo.

## Eliminación de fallos

Error	Causa	Solución
El aparato no funciona.	La clavija de red no está conectada a la red eléctrica.	Inserte la clavija de red en una base de enchufe.
	La base de enchufe está defectuosa.	Utilice una base de enchufe distinta.
	El aparato está defectuoso.	Póngase en contacto con el servicio de asistencia técnica.
El piloto de control <b>5</b> se ilumina, pero el aparato no se calienta.	El selector de función <b>3</b> está en la posición OFF (apagado).	Ajuste el selector de función <b>3</b> en la función deseada.
Parece que el horneado requiere demasiado tiempo.	Se ha abierto la puerta de cristal <b>6</b> con demasiada frecuencia para comprobar el progreso del horneado.	No abra la puerta de cristal <b>6</b> con más frecuencia de la necesaria.
	Se ha ajustado una temperatura inadecuada.	Compruebe el ajuste de la temperatura.
Durante el funcionamiento, se genera humo y se escuchan ruidos anómalos.	Hay restos de productos de limpieza o de alimentos en las varillas calefactoras.	Retire los alimentos del aparato y continúe con el proceso de horneado con la puerta de cristal <b>6</b> abierta hasta que desaparezca el humo.

Si no logra solucionar los fallos siguiendo las instrucciones de eliminación de fallos mencionadas o comprueba la existencia de otras anomalías, póngase en contacto con nuestro servicio de asistencia técnica.

## Desecho



El símbolo adyacente de un contenedor tachado sobre unas ruedas indica que este aparato está sujeto a la Directiva 2012/19/EU. Dicha Directiva estipula que el aparato no debe desecharse con la basura doméstica normal al finalizar su vida útil, sino en puntos de recogida, puntos limpios o a través de empresas de desechos previstas especialmente para ello.

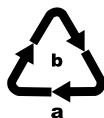
**Este tipo de desecho es gratuito. Cuide el medio ambiente y deseche el aparato de la manera adecuada.**



Puede informarse acerca de las posibilidades de desecho de los aparatos usados en su administración municipal o ayuntamiento.



Este producto es reciclable, está sujeto a una responsabilidad ampliada del fabricante y se recoge por separado.



Deseche el embalaje de forma respetuosa con el medio ambiente. Observe las indicaciones de los distintos materiales de embalaje y, si procede, recíclelos de la manera correspondiente. Los materiales de embalaje cuentan con abreviaciones (a) y cifras (b) que significan lo siguiente: 1-7: plásticos, 20-22: papel y cartón, 80-98: materiales compuestos



El embalaje consta de materiales ecológicos que pueden desecharse a través de los centros de reciclaje locales.

## Garantía de Kompennass Handels GmbH

Estimado cliente:

Este aparato cuenta con una garantía de 3 años a partir de la fecha de compra. Si se detectan defectos en el producto, puede ejercer sus derechos legales frente al vendedor. Estos derechos legales no se ven limitados por la garantía descrita a continuación.

### Condiciones de la garantía

El plazo de la garantía comienza con la fecha de compra. Guarde bien el comprobante de caja, ya que lo necesitará como justificante de compra.

Si dentro de un periodo de tres años a partir de la fecha de compra de este producto se detecta un defecto en su material o un error de fabricación, asumiremos la reparación o sustitución gratuita del producto o restituiremos el precio de compra a nuestra elección. La prestación de la garantía requiere la presentación del aparato defectuoso y del justificante de compra (comprobante de caja), así como una breve descripción por escrito del defecto detectado y de las circunstancias en las que se haya producido dicho defecto, dentro del plazo de tres años.

Si el defecto está cubierto por nuestra garantía, le devolveremos el producto reparado o le suministraremos uno nuevo. La reparación o sustitución del producto no supone el inicio de un nuevo periodo de garantía.

### Duración de la garantía y reclamaciones legales por vicios

La duración de la garantía no se prolonga por hacer uso de ella. Este principio también se aplica a las piezas sustituidas y reparadas. Si después de la compra del aparato, se detecta la existencia de daños o de defectos al desembalarlo, deben notificarse de inmediato. Cualquier reparación que se realice una vez finalizado el plazo de garantía estará sujeta a costes.

## Alcance de la garantía

El aparato se ha fabricado cuidadosamente según estándares elevados de calidad y se ha examinado en profundidad antes de su entrega.

La prestación de la garantía se aplica a defectos en los materiales o errores de fabricación. Esta garantía no cubre las piezas del producto normalmente sometidas al desgaste y que, en consecuencia, puedan considerarse piezas de desgaste ni los daños producidos en los componentes frágiles, p. ej., interruptores, baterías o piezas de vidrio.

Se anulará la garantía si el producto se daña o no se utiliza o mantiene correctamente. Para utilizar correctamente el producto, deben observarse todas las indicaciones especificadas en las instrucciones de uso. Debe evitarse cualquier uso y manejo que esté desaconsejado o frente al que se advierta en las instrucciones de uso.

El producto está previsto exclusivamente para su uso privado y no para su uso comercial. En caso de manipulación indebida e incorrecta, uso de la fuerza y apertura del aparato por personas ajenas a nuestros centros de asistencia técnica autorizados, la garantía perderá su validez.

## Proceso de reclamación conforme a la garantía

Para garantizar una tramitación rápida de su reclamación, le rogamos que observe las siguientes indicaciones:

- Mantenga siempre a mano el comprobante de caja y el número de artículo (IAN) 390044\_2201 como justificante de compra.
- Podrá ver el número de artículo en la placa de características del producto, grabado en el producto, en la portada de las instrucciones de uso (parte inferior izquierda) o en el adhesivo de la parte trasera o inferior del producto.
- Si se producen errores de funcionamiento u otros defectos, póngase primero en contacto con el departamento de asistencia técnica especificado a continuación **por teléfono** o **por correo electrónico**.

- Podrá enviar el producto calificado como defectuoso junto con el justificante de compra (comprobante de caja) y la descripción del defecto y de las circunstancias en las que se haya producido de forma gratuita a la dirección de correo proporcionada.



En [www.lidl-service.com](http://www.lidl-service.com), podrá descargar este manual de usuario y muchos otros más, así como videos sobre los productos y software de instalación.

Con este código QR, accederá directamente a la página del Servicio Lidl ([www.lidl-service.com](http://www.lidl-service.com)) y podrá abrir las instrucciones de uso mediante la introducción del número de artículo (IAN) 390044\_2201.

## Asistencia técnica

**ES Servicio España**

Tel.: 900 984 989

E-Mail: [kompennass@lidl.es](mailto:kompennass@lidl.es)

IAN 390044\_2201

## Importador

Tenga en cuenta que la dirección siguiente no es una dirección de asistencia técnica. Póngase primero en contacto con el centro de asistencia técnica especificado.

KOMPENASS HANDELS GMBH

BURGSTRASSE 21

44867 BOCHUM

ALEMANIA

[www.kompennass.com](http://www.kompennass.com)



## Recetas

En este capítulo, le proporcionaremos algunos ejemplos para la preparación de recetas. Estos ejemplos son meras recomendaciones. El tiempo de preparación puede variar.

Recetas sin garantía. Todas las indicaciones de ingredientes y de preparación son valores orientativos. Complete estas recetas recomendadas con su experiencia personal. ¡Le deseamos mucho éxito y buen provecho!

### INDICACIÓN

Siga las instrucciones de preparación del envase de los alimentos.

## Magdalenas

Ingredientes para cuatro personas:

- ◆ 1 taza de harina
- ◆ 1 cucharadita de levadura
- ◆ 1 huevo
- ◆ 1 cucharada de mantequilla fundida
- ◆ 1 taza de leche
- ◆ 3 cucharadas de azúcar
- ◆ 1 pizca de sal
- ◆ Para diferentes variantes, añada nueces, trozos de plátano o trocitos de chocolate

Preparación:

- 1) Mezcle lentamente la harina, la levadura, el huevo, la leche, la sal y el azúcar en un cuenco, añadiéndolos sucesivamente.
- 2) Funda la mantequilla en una cazuela y mézclela con la masa.
- 3) Añada nueces, trocitos de chocolate o trozos de plátano al gusto.
- 4) Vierta la masa preparada en los moldes habituales para las magdalenas y colóquelos sobre la bandeja de horno **11**.
- 5) Hornee las magdalenas a 220 °C con calor arriba y abajo durante aproximadamente 15 minutos en el carril inferior.

## Tostadas hawaianas

Ingredientes para 4 tostadas:

- ◆ 4 rebanadas de pan
- ◆ 1-2 cucharadas de salsa remoulade
- ◆ 120 g de jamón cocido
- ◆ 1/2 lata de piña
- ◆ 4 lonchas de queso para gratinar
- ◆ Curry

Preparación:

- ◆ Tueste las rodajas de pan.
- ◆ A continuación, úntelas de salsa remoulade y cúbralas con el jamón cocido.
- ◆ Coloque una rodaja de piña en cada tostada. Añada un poco de curry.
- ◆ A continuación, coloque una loncha de queso sobre la piña.
- ◆ Coloque las tostadas sobre la parrilla **13** y gratínelas en el carril superior del horno a aprox. 200 °C con el calor arriba durante unos 8 minutos.

## Horneado de pizza congelada

Preparación:

- ◆ Introduzca la parrilla **13** en el carril superior del horno.
- ◆ Coloque la pizza congelada sin su embalaje encima de la parrilla **13**.
- ◆ Hornee la pizza con calor arriba y abajo durante unos 20 minutos.
- ◆ Observe las indicaciones del envase acerca de la temperatura.

## Pastas de mantequilla

Ingredientes:

- ◆ 125 g de mantequilla
- ◆ 125 g de azúcar
- ◆ 1 sobre de azúcar de vainilla
- ◆ 1 pizca de sal
- ◆ 1 huevo
- ◆ 1 clara de huevo
- ◆ 250 g de harina (tipo 405)
- ◆ 1 cucharadita de levadura
- ◆ Ralladura de medio limón

Preparación:

- 1) Bata la mantequilla hasta que quede espumosa.
- 2) Añada el azúcar, el azúcar de vainilla, la ralladura de limón y los huevos.
- 3) Mezcle la harina, la levadura y la sal y añádalas a la masa sin dejar de remover.
- 4) Deje reposar la masa aprox. 10 minutos.
- 5) Moldee la masa con la forma deseada, p. ej., con ayuda de una churrera, de moldes o de una manga pastelera.
- 6) Coloque las pastas de mantequilla sobre la bandeja de horno **11** cubierta con papel de horno.
- 7) Hornee hasta dorar las pastas con el horno precalentado a 180 °C con calor arriba y abajo durante aproximadamente 10-15 minutos en el carril superior.

### INDICACIÓN

La cantidad de masa es suficiente para varias bandejas **11**.

## Panecillos

Ingredientes:

- ◆ 300 g de harina (o harina integral)
- ◆ 2 cucharaditas colmadas de levadura
- ◆ 200 g de linaza
- ◆ 1 huevo
- ◆ 500 g de queso de untar tipo quark
- ◆ 1 cucharadita de sal
- ◆ Pueden añadirse cominos, cebolla, trocitos de bacón al gusto

Preparación:

- 1) Mezcle bien todos los ingredientes y forme pequeños panecillos.
- 2) Coloque los panecillos sobre la bandeja de horno **11** cubierta con papel de horno.
- 3) Hornee los panecillos a aprox. 200 °C con el calor arriba durante unos 30 minutos en el carril superior.

### INDICACIÓN

La cantidad de masa es suficiente para varias bandejas **11**.

## Merengue

Ingredientes:

- ◆ 1 clara de huevo
- ◆ Sal
- ◆ 45 g de azúcar

Preparación:

- 1) Vierta las claras de huevo frías en un cuenco sin grasa. No puede añadirse nada de yema, ya que, de lo contrario, la clara no podría batirse a punto de nieve.
- 2) Bata las claras de huevo a velocidad lenta para que no se formen burbujas demasiado grandes en la espuma.
- 3) Añada un pellizco de sal.
- 4) Vaya añadiendo poco a poco la mitad del azúcar cuando la espuma empiece a espesarse.
- 5) A continuación, monte las claras a velocidad rápida.
- 6) Añada el resto del azúcar. De esta manera, la masa del merengue alcanzará el espesor necesario.
- 7) Introduzca el merengue en una manga pastelera con una boquilla de estrella grande y forme rosetas, lenguas u otras formas a poca distancia entre sí encima de la bandeja de horno **11** cubierta con papel de horno.
- 8) Caliente previamente el horno eléctrico con grill a aprox. 100 °C con ventilador.
- 9) Hornee el merengue en el carril superior a aprox. 100 °C con ventilador durante unas 2 horas.

## Picatostes de mantequilla

Ingredientes:

- ◆ 2 rebanadas de pan de molde
- ◆ 1 cucharada de mantequilla

Preparación:

- 1) Corte las rebanadas de pan de molde en pequeños dados.
- 2) Derrita la mantequilla en una sartén con calor suave y mézclela con el pan.
- 3) Coloque un papel de horno sobre la bandeja de horno **11** y distribuya los dados de pan de forma uniforme.
- 4) Hornee los dados de pan de molde a aproximadamente 170 °C con calor arriba en el carril superior hasta que estén dorados (aprox. 15-20 minutos).

### INDICACIÓN

Puede utilizar mantequilla de hierbas o de ajo en lugar de mantequilla normal. En tal caso, el tiempo de horneado se reduce aproximadamente 5 minutos.

### Baguettes de carne picada

Ingredientes:

- ◆ 2 panecillos con forma de baguette
- ◆ 250 g de carne picada (mitad y mitad)
- ◆ 2 tomates
- ◆ 1 cebolla en dados
- ◆ 2 cucharadas de concentrado de tomate
- ◆ 40 g de queso parmesano rallado
- ◆ 4 lonchas de queso
- ◆ Sal y pimienta

Preparación:

- 1) Corte las baguettes por la mitad y extraiga la miga.
- 2) Mezcle la carne picada, el concentrado de tomate, la cebolla, el parmesano y un poco de sal y pimienta.
- 3) Forme 4 hamburguesas del mismo tamaño lo más planas posible y colóquelas sobre las rebanadas de las baguettes.
- 4) Corte el tomate en rodajas y colóquelo sobre las rebanadas de las baguettes.
- 5) Distribuya el queso sobre las baguettes.
- 6) Coloque las baguettes sobre la bandeja de horno **1** y hornéelas a aproximadamente 230 °C en el horno precalentado con calor arriba y abajo durante aproximadamente 20 minutos en el carril inferior.

#### INDICACIÓN

También puede condimentar la carne picada con albahaca, chile u otras especias.

### Coliflor (gratinada)

Ingredientes:

- ◆ 1/2 coliflor (aprox. 250 g)
- ◆ 3 rodajas de limón
- ◆ 1 cucharada de mantequilla
- ◆ 1 cucharadita colmada de harina
- ◆ 1 cucharada de zumo de limón
- ◆ 1 cucharada de almendras en escamas
- ◆ 2 cucharadas de queso para gratinar (rallado)
- ◆ Sal, pimienta y nuez moscada

Preparación:

- 1) Separe la coliflor en cogollos y lávelos.
- 2) Hierva la coliflor con las rodajas de limón en agua salada durante 8-10 minutos de forma que la coliflor esté "al dente". Conserve aprox. 150 ml del agua de cocción durante el escurrido.
- 3) Derrita la mantequilla en una sartén y dore la harina removiendo constantemente durante aprox. 1 minuto.
- 4) Vierta el agua de cocción de la coliflor removiendo constantemente y deje cocer la mezcla durante aproximadamente 2 minutos. Si la mezcla de harina se endurece, añada un poco más de agua hasta que tenga una consistencia espesa. Condimente con el zumo de limón, la sal y la nuez moscada.
- 5) Coloque la coliflor en una fuente de horno (aprox. 14 cm de diámetro) y vierta la salsa de forma uniforme.
- 6) Espolvoree el queso y las láminas de almendra por encima.
- 7) Coloque la fuente de horno sobre la bandeja de horno **1**.
- 8) Gratine a aproximadamente 200 °C con el horno precalentado con calor arriba y abajo durante aprox. 20 minutos en el carril inferior.

## Empanadas rellenas de salmón

Ingredientes:

- ◆ 1 paquete de masa de hojaldre (aprox. 8 unidades)
- ◆ 1 paquete de salmón ahumado en filetes (aprox. 200 g)
- ◆ 1 limón
- ◆ 1 cebolla
- ◆ 1 envase de queso fresco (200 g)
- ◆ Eneldo fresco
- ◆ Sal y pimienta
- ◆ 1 yema de huevo

Preparación:

- 1) Coloque los trozos de hojaldre de forma separada y, en caso necesario, descongélelos.
- 2) Mezcle el queso fresco con la sal, la pimienta y el zumo de limón.
- 3) Corte la cebolla en pequeños dados.
- 4) Añada la mitad del salmón y la cebolla a la masa de queso fresco y mézclela con una batidora.
- 5) Corte el salmón restante en tiras finas.
- 6) Añada el salmón y el eneldo a la masa y mézclelo todo.
- 7) Añada una cucharada de masa sobre cada trozo de hojaldre y pliéguelos.
- 8) Unte las empanadas con yema de huevo.
- 9) Coloque las empanadas sobre la bandeja de horno **11**. Deje suficiente espacio entre cada empanada, ya que el hojaldre aumentará de tamaño.
- 10) Hornee las empanadas en el carril inferior a aproximadamente 230 °C arriba y abajo durante aproximadamente 25-30 minutos. Las empanadas deben estar ligeramente doradas.

### INDICACIÓN

Las cantidades indicadas sirven para varias bandejas de horno **11**.

## Indholdsfortegnelse

<b>Indledning</b> .....	<b>164</b>
<b>Anvendelsesområde</b> .....	<b>164</b>
<b>Pakkens indhold</b> .....	<b>164</b>
<b>Beskrivelse af produktet</b> .....	<b>164</b>
<b>Tekniske data</b> .....	<b>164</b>
<b>Sikkerhedsanvisninger</b> .....	<b>165</b>
<b>Opstilling</b> .....	<b>168</b>
<b>Brug af produktet</b> .....	<b>168</b>
Glaslåge .....	168
Indsætning af krummebakken .....	168
Brug af drejespyd .....	169
Brug af bageplade/rist .....	170
<b>Før produktet bruges første gang</b> .....	<b>170</b>
<b>Betjening af produktet</b> .....	<b>171</b>
Funktionskontakt .....	171
Termostat .....	171
Timer .....	171
<b>Grillning og bagning</b> .....	<b>171</b>
<b>Grillning med drejespyd</b> .....	<b>172</b>
<b>Rengøring og vedligeholdelse</b> .....	<b>174</b>
<b>Opbevaring</b> .....	<b>174</b>
<b>Afhjælpning af fejl</b> .....	<b>175</b>
<b>Bortskaffelse</b> .....	<b>176</b>
<b>Garanti for Kompernass Handels GmbH</b> .....	<b>176</b>
Service .....	177
Importør .....	177
<b>Opskrifter</b> .....	<b>178</b>

## Indledning

Tillykke med købet af dit nye produkt.

Du har valgt et produkt af høj kvalitet. Betjeningsvejledningen er en del af dette produkt. Den indeholder vigtige informationer om sikkerhed, anvendelse og bortskaffelse. Du bør sætte dig ind i alle produktets betjenings- og sikkerhedsanvisninger før brug. Brug kun produktet som beskrevet og kun til de angivne anvendelsesområder. Lad vejledningen følge med produktet, hvis du giver det videre til andre.

## Anvendelsesområde

Grill- og bageovnen anvendes udelukkende til opvarmning, bagning og grillning af mad.

Dette produkt er udelukkende beregnet til anvendelse i private husholdninger. Det må ikke bruges i erhvervsmæssig sammenhæng.

Al anden anvendelse betragtes som værende uden for anvendelsesområdet og kan føre til personskader.

## Pakkens indhold

- ◆ Miniovn
- ◆ 1 bageplade
- ◆ 1 rist
- ◆ 2 tænger
- ◆ Drejespyd med 2 klemmer
- ◆ 1 krummebakke
- ◆ Betjeningsvejledning

### BEMÆRK

Kontrollér umiddelbart efter udpakning, at alle dele er leveret med og ikke er beskadigede. Henvend dig i modsat fald til service.

## Beskrivelse af produktet

Figur A:

- ❶ Drev
- ❷ Termostat
- ❸ Funktionskontakt
- ❹ Timer
- ❺ Kontrollampe
- ❻ Glaslåge
- ❼ Indsat krummebakke
- ❽ Nederste varmeelementer
- ❾ Holder til drejespyd

Figur B:

- ❿ Tang (til bageplade og rist)
- ⓫ Bageplade
- ⓬ Tang (til drejespyd)
- ⓭ Rist
- ⓮ Fiksering
- ⓯ Klemmer til drejespyd
- ⓰ Drejespyd

## Tekniske data

Mærkespænding: 220 - 240 V ~ (vekselstrøm),  
50/60 Hz


Effektforbrug: 1500 W



Alle dele, som kommer i kontakt med fødevarer, er levdsmiddelægte.

## Sikkerhedsanvisninger

### **FARE – ELEKTRISK STØD!**

- ▶ Du må ikke åbne eller reparere produktets kabinet. Hvis du gør det, kan sikkerheden ikke garanteres, og garantien bortfalder. Lad forhandleren eller en autoriseret reparatør reparere produktet, hvis det er defekt.
  - ▶ Hvis dette produkts tilslutningsledning beskadiges, skal den udskiftes af producenten eller dennes kundeservice eller af en person med tilsvarende kvalifikationer, så farlige situationer undgås.
  - ▶ Lad ikke væske komme ind i produktets kabinet. Produktet må ikke udsættes for fugt og ikke bruges udendørs. Du må heller ikke stille genstande, der er fyldt med væske, som f.eks. vaser, på produktet. Der er brandfare og fare for elektrisk stød! Hvis der alligevel kommer væske ind i produktets kabinet, skal du straks trække stikket ud af stikkontakten og få repareret produktet.
  - ▶ Rør ikke ved produktet, strømledningen eller stikket med våde hænder. I modsat fald er der fare for at få elektrisk stød.
-  Læg aldrig produktet ned i vand eller andre væsker! Det kan være livsfarligt på grund af elektrisk stød, hvis der kommer væskerester på spændingsførende dele under brug.



## **⚠ ADVARSEL – FARE FOR KVÆSTELSER!**

- ▶ Dette produkt kan bruges af børn over 8 år samt af personer med reducerede fysiske, sensoriske eller mentale evner eller manglende erfaring og viden, hvis de er under opsyn eller er blevet oplært i brugen af produktet og de farer, som kan være forbundet med det.
- ▶ Børn må ikke lege med produktet.
- ▶ Rengøring og brugervedligeholdelse må ikke udføres af børn, medmindre de er ældre end 8 år og under opsyn.
- ▶ Børn under 8 år skal holdes på afstand af produktet og tilslutningsledningen.
- ▶ Læg ledningen på en sådan måde, at man ikke kan træde på den eller snuble over den.
- ▶ Rør aldrig ved glaslågen eller kabinettet under brug, da disse dele bliver meget varme. Brug en grydelap eller lignende, når du åbner lågen, så forbrændinger undgås!
- ▶ Rør aldrig ved varmelegemerne eller ovnruden under brugen, eller før produktet er afkølet. Ræk ikke ind i ovnrummet, mens ovnen er i gang. Vent indtil ovnen er afkølet. Gør du ikke det, kan du få forbrændinger.
- ▶ Lad produktet køle godt af efter brug, og før du transporterer det.
- ▶ Brug altid grillhandsker eller grydelapper, når du håndterer det varme produkt!



Forsigtig! Varm overflade!

**OBS – MATERIELLE SKADER!**

- ▶ Brug aldrig en ekstern timer eller et separat fjernbetjeningsystem til betjening af produktet.
- ▶ Lad aldrig produktet være i funktion uden opsyn.
- ▶ Sørg for at produktet, strømledningen og strømskiktet ikke kommer i kontakt med varmekilder eller åben ild.
- ▶ Produktet må kun bruges med det medfølgende originale tilbehør.
- ▶ Strømledningen må ikke knækkes eller klemmes.
- ▶ Træk altid ledningen ud af stikkontakten ved at tage fat i stikket; træk aldrig i selve ledningen.
- ▶ Under brug må der ikke være letantændelige materialer lige i nærheden af ovnen (f.eks. viskestykker, grydelapper etc.).
- ▶ Tør aldrig tekstiler eller genstande på, over eller i ovnen. Det kan medføre brand.

**BEMÆRK**

- ▶ Brugeren behøver ikke at foretage sig noget for at omstille produktet fra 50 til 60 Hz eller omvendt. Produktet tilpasser sig både til 50 og til 60 Hz.

## Opstilling

### ⚠ ADVARSEL! BRANDFARE!

- ▶ Stil aldrig ovnen under hængeskabe eller ved siden af gardiner, vægskabe eller andre antændelige genstande.
- ▶ Afstanden fra ovnen til hængeskabe, lofter, vægge eller lignende skal mindst være 10 cm over ovnen og mindst 5 cm på højre og venstre side af ovnen. Derfor må ovnen f.eks. ikke placeres i skabe eller lignende. I modsat fald er det ikke muligt at opnå tilstrækkelig udluftning omkring produktet, og ovnen kan forårsage en brand eller blive beskadiget.
- ▶ Stil kun produktet på et varmeresistent underlag. Ellers er der brandfare, og produktet kan beskadiges. Området under ovnbunden kan blive misfarvet og beskadiget. Desuden kan der komme permanente mærker i underlaget, hvis det er for blødt.

### ⚠ FARE - ELEKTRISK STØD!

- ▶ Stil ikke produktet i umiddelbar nærhed af vand, f.eks. ved køkkenvaske, opvaskebaljer eller i fugtige kælderrum. I modsat fald er der fare for elektrisk stød.
- Stil produktet på et fast, plant underlag, der kan tåle varme (f.eks. et arbejdsbord af rustfrit stål eller natursten som f.eks. granit). Sørg for tilstrækkelig udluftning rundt om produktet.
- Stil produktet med bagsiden op mod væggen. Afstandsholderen på bagsiden skal røre ved væggen. Sørg for at væggen består af varmebestandigt materiale, f.eks. keramiske fliser, natursten eller granit.
- Rengør alle dele som beskrevet i kapitlet "Rengøring og vedligeholdelse".

## Brug af produktet

### Glaslåge

#### OBS! MATERIELLE SKADER!

- ▶ Brug ikke glaslågen ❹ som støtte. Stil ikke genstande på glaslågen ❹.
- ▶ Det medfører, at hængslerne beskadiges.
- Hvis du tilbereder særligt fedtholdige madvarer, kan der udvikles røg. Luk ikke glaslågen ❹ helt i dette tilfælde, men lad den stå lidt på klem: Glaslågen ❹ har en låsestilling, så lågen bliver stående lidt på klem: Hvis du forsigtigt lukker glaslågen ❹, låser den i denne position, lige inden den lukker.
- Ved tørring af frugt skal glaslågen ❹ blive stående på klem, så fugten kan slippe ud, og frugten derved bedre kan tørre.

### Indsætning af krummebakken

- Sæt krummebakken ❺ ind under de nederste varmelegemer ❸, så den dækker ovnens bund. Siden, som er bøjet mest, kan anvendes som håndtag. Siden, som ikke er bøjet så meget, skal sættes ind i produktet forfra.

## Brug af drejespyd

### ⚠ ADVARSEL! FARE FOR KVÆSTELSER!

- ▶ Brug altid tangen **12**, når det varme drejespyd **16** skal sættes ind i produktet eller tages ud.
- Med drejespyddets **15** to klemmer kan du fastgøre grillmaden på drejespyddet **16**. Løsn fikseringerne **14** på drejespyddets klemmer **15**, og flyt disse, så grillmaden klemmes fast imellem dem, og skru derefter fikseringerne **14** fast igen.
- Sæt først enden af drejespyddet **16** uden not ind i drevet **1** (fig. 1):

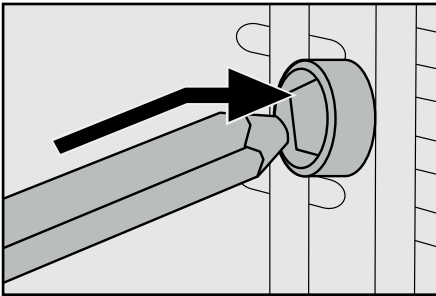


Fig. 1: Drejespyddet **16** sættes ind i drevet **1**.

- Sæt derefter den anden ende af drejespyddet **16** med den dybe not ind i drejespydholderen **9** (fig. 2):

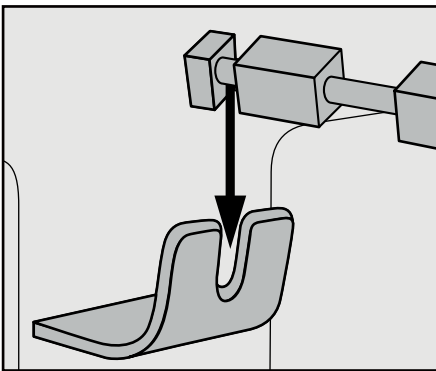


Fig. 2: Drejespyddet **16** sættes ind i drejespydholderen **9**

### BEMÆRK

- ▶ Sæt altid bagepladen **11** ind på den nederste rille, når drejespyddet **16** anvendes. Dermed opsamles neddrøppende væske.
- For at tage det varme drejespyd **16** ud skal du gribe med krogene for enden af tangen **12** ned i fordybningerne på drejespyddet **16** (fig. 3):

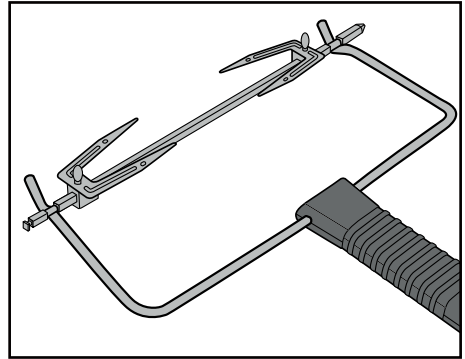


Fig. 3 Tangen **12** sættes på drejespyddet **16**

- Tag først den venstre side af drejespyddet **16** ud af drejespydholderen **9**, og tag derefter drejespyddet **16** ud af drevet **1**.

## Brug af bageplade/rist

### ⚠ ADVARSEL! FARE FOR KVÆSTELSER!

- ▶ Brug altid tangen 10 til at sætte den varme bageplade 11/den varme rist 13 ind i produktet eller for at tage dem ud.

- Sæt bagepladen 11/risten 13 ind på en af de 3 riller i ovnrummet.

### OBS! MATERIELLE SKADER!

- ▶ Læg aldrig bagepladen 11/risten 13 direkte på varmelegemerne 8.

- For at kunne tage den varme bageplade 11 eller risten 13 ud skal du sætte tangen 10 fast på følgende måde:

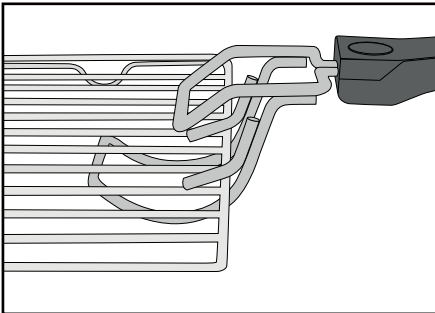


Fig. 4: Tangen 10 sættes fast på risten 13

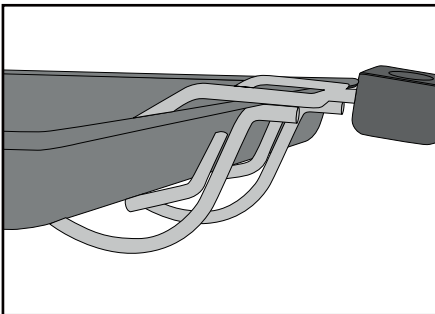



Fig. 5: Tangen 10 sættes fast på bagepladen 11

## Før produktet bruges første gang

- 1) Sæt strømstikket i en stikkontakt.
- 2) Drej termostaten 2 til den højeste temperatur i urets retning indtil stop.
- 3) Drej funktionskontakten 3 til "over- og under-varme" .
- 4) Åbn glaslågen 6, og lad den stå åben.
- 5) Fjern eventuelle tilbehør fra ovnrummet.
- 6) Stil timeren 4 på 20 minutter.

### BEMÆRK

- ▶ Når produktet opvarmes første gang, kan der udvikles en smule røg og lugt på grund af produktionsbetingede rester. Det er normalt og helt ufarligt. Sørg for tilstrækkelig udluftning, og åbn for eksempel et vindue.

Produktet slukkes automatisk efter 20 minutter. Hvis du vil afbryde opvarmningen før tid, skal du dreje termostaten 2 mod urets retning til stop og stille timeren 4 på "OFF".






- 7) Lad produktet køle af, og rengør det derefter som beskrevet i kapitlet "Rengøring og vedligeholdelse".

Nu er produktet klar til brug.

## Betjening af produktet

### Funktionskontakt

Med funktionskontakten **3** kan der tændes for produktet samt vælges 5 forskellige funktioner:


Symbol	Betydning
	"Undervarme" f.eks. til kagebagning
	"Overvarme" f.eks. til gratinering
	"Over- og undervarme" f.eks. til pizzabagning
	"Overvarme/varmluft/ drejespyd" f.eks. til grillning af fjerkræ
	"Over- og undervarme/ varmluft" f.eks. til opvarmning af boller/rundstykker
OFF	"OFF" Produktet er slukket

### Termostat

Med termostaten **2** kan du indstille den ønskede temperatur.

### Timer

Ved hjælp af timeren **4** kan produktet tændes / tilberedningstiden indstilles:

- Indstil timeren **4** til den ønskede tilberedningstid. Når den indstillede tid er gået, lyder der en signaltone, og ovnen slår varmen fra. Hvis funktionen "overvarme/varmluft/drejespyd"  er valgt, holder drejespyddet **15** også op med at dreje.
- Hvis du vil anvende produktet uden tidsbegrænsning, skal du dreje timerens **4** drejekontakt mod urets retning til position „ON“.

## Grillning og bagning

- 1) Sæt krummebakken **7** ind i ovnen.
- 2) Tag risten **13** og bagepladen **11** ud af ovnen. Læg eventuelt bagepapir på disse, eller smør bagepladen **11** med fedtstof, som er egnet til bagning.

### BEMÆRK

- Ovnen skal forvarmes afhængigt af maden, der skal tilberedes. Følg anvisningerne i den tilhørende opskrift. Forvarmning er under alle omstændigheder en god idé i forbindelse med:
  - Meget korte bagetider
  - Sprøde skorper
  - Vanskelige retter, der kræver en konstant temperatur, som f.eks. souffléer.
- Hvis der ikke kræves forvarmning, kan du springe trin 3) over.

- 3) Lad ovnen varme op til den ønskede temperatur i ca. 10 minutter (alt efter temperaturindstilling):
  - Vælg den ønskede temperatur med termostaten **2**.
  - Vælg derefter den ønskede funktion med funktionskontakten **3**.

## BEMÆRK

- ▶ Hvis du vælger funktionen med varmluft, er det som regel ikke nødvendigt at forvarme grill- og ovnrummet.
    - Indstil forvarmningstiden (ca. 10 minutter) med timeren ④.
    - Luk glaslågen ⑥.
- 4) Når tiden er gået, lægges madvarerne, som skal tilberedes, på risten ⑬ eller bagepladen ⑪, som derefter sættes ind på en af rillerne. Sørg for at fødevarerne har tilstrækkelig afstand til ovnens indvendige sider og varmelegemer.

## BEMÆRK

- ▶ Hvis du tilbereder grillmad, som drypper meget på risten ⑬, skal bagepladen ⑪ sættes ind på den nederste rille. Derved samles fedtet, der drypper ned, og produktet er lettere at rengøre.
- 5) Luk glaslågen ⑥, før du begynder af grille eller bage.
- 6) Indstil den ønskede grill- eller bagetid med timeren ④. Den maksimale grill- eller bagetid, der kan indstilles med timeren ④, er på 120 minutter. Som alternativ kan timeren ④ stilles på positionen "ON", hvorefter produktet kan anvendes i ubegrænset tid.

## BEMÆRK

- ▶ Hvis grillmaden eller bagværket kan tilberedes på mindre end 20 minutter, skal timeren ④ først stilles på 40 minutter og derefter tilbage til den ønskede grill- eller bagetid.

Kontrollampen ⑤ viser, at der er tændt for ovnen. Timeren ④ bevæger sig nu mod uret i retning mod "OFF". Hvis du anvender produktet med en forindstillet bagetid, flytter timerens kontakt sig nu til positionen "OFF".

Produktet slukkes automatisk, når den indstillede tid er gået, der lyder en signaltone, og kontrollampen ⑤ slukkes.

## BEMÆRK

Hvis du vil afbryde opvarmningen før tid, skal du dreje termostaten ② mod urets retning til stop og stille timeren ④ på "OFF".


- 7) Hvis produktet ikke anvendes med en forindstillet bagetid, stilles timeren ④ på "OFF", når du vil afslutte opvarmningen.
- 8) Stil funktionskontakten ③ på "OFF".

## Grillning med drejespyd

- 1) Sæt krummebakken ⑦ ind i ovnen.
- 2) Tag drejespyddet ⑮ ud af ovnen, hvis det er sat i.
- 3) Sæt bagepladen ⑪ ind på den nederste rille.
- 4) Fastgør grillmaden med drejespyddets klemmer ⑮. Sørg for at grillmaden kan dreje frit i ovnrummet uden at støde imod siderne. Drejespyddet ⑮ kan skifte omdrejningsretning, hvis grillmaden støder på modstand. Der skal være fri adgang til de to fordybninger på drejespyddet ⑮, da drejespyddet ⑮ ellers ikke kan holdes med tangen ⑫.
- 5) Fastgør drejespyddet ⑮ i ovnrummet (se kapitlet "Brug af drejespyd").
- 6) Luk glaslågen ⑥.

## BEMÆRK

Hvis du vil afbryde opvarmningen før tid, skal du dreje termostaten **2** mod urets retning til stop og stille timeren **4** på "OFF".

- 7) Indstil termostaten **2** på den ønskede temperatur.
- 8) Stil funktionskontakten **3** på „overvarme/varmluft/drejespyd“ .
- 9) Indstil den ønskede grilltid på timeren **4** ved behov. Som alternativ kan timeren **4** stilles på positionen „ON“, hvorefter produktet kan anvendes i ubegrænset tid. Produktet starter grillningen, og drejespyddet **16** drejer rundt.

Kontrollampen **5** viser, at der er tændt for ovnen. Timeren **4** bevæger sig nu mod uret i retning mod "OFF". Hvis du vil anvende produktet med en forindstillet bagetid, flytter timerens kontakt sig nu til positionen "OFF".

Produktet slukkes automatisk, når den indstillede tid er gået, der lyder en signaltone, og kontrollampen **5** slukkes.

## BEMÆRK

Hvis du vil afbryde opvarmningen før tid, skal du dreje termostaten **2** mod urets retning til stop og stille timeren **4** på "OFF".

- 10) Hvis produktet ikke anvendes med en forindstillet bagetid, stilles timeren **4** på "OFF", når du vil afslutte opvarmningen.
- 11) Tag drejespyddet **16** ud ved hjælp af tangen **12**, når grillningen er færdig.
- 12) Stil funktionskontakten **3** på "OFF".

## EKSEMPEL GRILLKYLLING

### Ingredienser

- ◆ Grillkylling (ca. 1,3 kg, rensset)
  - ◆ Krydderier (salt, stødt paprika)
  - ◆ Spiseolie
- 1) Krydr grillkyllingen indeni og udenpå med salt og stødt paprika. Pensl den udenpå med varmebestandig spiseolie.
  - 2) Sæt grillkyllingen på drejespyddet **16**, og fastgør den med drejespyddets klemmer **15**. Sørg for at der er adgang til fordybningerne på drejespyddet **16**, så drejespyddet **16** kan holdes med tangen **12**. Afhængigt af grillkyllingens form kan det være nødvendigt at fastgøre vingerne og lårene med en ildfast snor, så de ikke støder imod, når kyllingen drejer rundt.
  - 3) Sæt bagepladen **11** ind på den nederste rille.
  - 4) Varm produktet op i 10 minutter med funktionen "over- & undervarme/varmluft"  til 230°C.
  - 5) Sæt grillkyllingen ind i ovnen på drejespyddet ved hjælp af tangen **12**.
  - 6) Stil funktionskontakten på "overvarme/varmluft/drejespyd"  og luk lågen.
  - 7) Stil timeren **4** på ca. 80 minutter. Tilberedningstiden kan variere afhængigt af grillkyllingens størrelse og kvalitet.
  - 8) Pensl grillkyllingen med lidt spiseolie med jævne mellemrum. Så bliver den sprød.
  - 9) Når den indstillede tid er gået, kan du forsigtigt tage grillkyllingen af med tangen **12**. Løsn drejespyddets klemmer **15**, og tag grillkyllingen af drejespyddet **16**.



## Rengøring og vedligeholdelse

### ⚠ FARE - ELEKTRISK STØD!

- ▶ Tag altid stikket ud af stikkontakten før rengøring! Der er fare for elektrisk stød!

 Læg aldrig produktet ned i vand eller andre væsker!

### ⚠ ADVARSEL! FARE FOR KVÆSTELSER!

- ▶ Lad først produktet køle af, før du rengør det. Ellers er der fare for forbrændinger!

- Det er bedst at rengøre ovnen og tilbehøret lige efter afkøling, da det gør det nemmere at fjerne fødevareresterne.

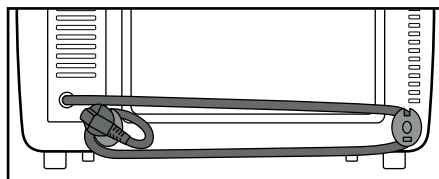
### OBS! MATERIELLE SKADER!

- ▶ Brug ikke skurepulver eller stærke rengøringsmidler. De kan beskadige overfladen!
- ▶ Rengør ikke produktets dele i opvaskemaskinen!
- ▶ Rengør ikke ovnrummet med ovnspray, da rester på varmelegemerne ikke kan fjernes.

- Tør produktet af med en fugtig klud. Ved behov kan der kommes lidt opvaskemiddel på kluden og tørres efter med en klud fugtet med rent vand. Tør det hele godt af.
- Rengør ovnrummet og glaslågen **6** med en fugtig klud. Ved behov kan der kommes lidt opvaskemiddel på kluden og tørres efter med en klud fugtet med rent vand. Tør det hele godt af.
- Rengør tængerne **10/12**, drejespyddet **16**, drejespyddets klemmer **15**, fikseringerne **14**, bagepladen **11**, risten **13** og krummebakken **7** i varmt opvaskevand. Tør alle dele godt af efter rengøringen.

## Opbevaring

- Du kan vikle ledningen om afstandsholderne på bagsiden af produktet og fastgøre stikket på en af afstandsholderne:



- Opbevar den rengjorte ovn og dens tilbehør på et rent, støvfrit og tørt sted.

## Afhjælpning af fejl

Fejl	Årsag	Løsning
Produktet fungerer ikke.	Stikket er ikke sluttet til strømnettet.	Sæt strømstikket i en stikkontakt.
	Stikkontakten er defekt.	Brug en anden stikkontakt.
	Produktet er defekt.	Henvend dig til Service.
Kontrollampen ❸ lyser, men produktet varmer ikke.	Funktionskontakten ❹ står på OFF.	Drej funktionskontakten ❹ til den ønskede funktion.
Madens tilberedningstid virker meget lang.	Glaslågen ❺ er blevet åbnet mange gange for at kontrollere tilberedningen.	Åbn kun glaslågen ❺, når det er strengt nødvendigt.
	Der er indstillet en forkert temperatur.	Kontrollér temperaturindstillingen.
Der udvikles røg og lugt under anvendelsen.	Der er rester af rengøringsmidler eller fødevarer på varmelegemerne.	Tag fødevarerne ud af ovnen og tilbered med åben glaslåge ❺, indtil røgudviklingen er ophørt.

Hvis fejlene ikke kan rettes med ovenstående fejlahjælpning, eller hvis du finder andre typer fejl, bedes du henvende dig til vores service.

## Bortskaffelse



Blakus redzamais simbols ar pārsvītrotu atkritumu tvertni uz rītenīšiem nozīmē, ka uz šo ierīci attiecas Direktīva 2012/19/EU. Šajā direktīvā ir norādīts, ka pēc ierīces derīguma termiņa beigām to nedrīkst izmest kopā ar parastajiem sadzīves atkritumiem, bet gan jānodod speciāli izveidotos savākšanas punktos, pārstrādes centros vai atkritumu likvidēšanas uzņēmumos.

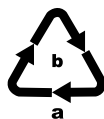
**Šī likvidēšana ir bezmaksas pakalpojums. Saudzējiet apkārtējo vidi un veiciet likvidēšanu atbilstoši noteikumiem.**



Du kan få oplysninger hos kommunen om bortskaffelse af udtjente produkter.



Produktet kan genbruges, er underlagt udvidet producentansvar og indsamles separat.



Bortskaf emballagen miljøvenligt. Vær opmærksom på mærkningen på de forskellige emballagematerialer, og aflever dem sorteret til bortskaffelse. Emballagematerialerne er mærket med forkortelserne (a) og tallene (b) med følgende betydning: 1-7: Plast, 20-22: Papir og pap, 80-98: Kompositmaterialer



Emballagen består af miljøvenlige materialer, som kan bortskaffes på de lokale genbrugspladser.

## Garanti for Kompernass Handels GmbH

Kære kunde

På dette produkt får du 3 års garanti fra købsdatoen. I tilfælde af mangler ved produktet har du en række juridiske rettigheder i forhold til sælgeren af produktet. Dine juridiske rettigheder forringes ikke af den nedenfor anførte garanti.

### Garantibetingelser

Garantiperioden begynder på købsdatoen. Opbevar venligst kvitteringen et sikkert sted. Den er nødvendig for at kunne dokumentere købet.

Hvis der inden for tre år fra dette produkts købsdato opstår en materiale- eller fabrikationsfejl, vil produktet – efter vores valg – blive repareret eller udskiftet, eller købsprisen vil blive refunderet gratis til dig. Denne garantiydelse forudsætter, at det defekte produkt afleveres, og købsbeviset (kvitteringen) forevises i løbet af fristen på tre år, og at der gives en kort skriftlig beskrivelse af, hvori manglen består, og hvornår den er opstået.

Hvis defekten er dækket af vores garanti, får du et repareret eller et nyt produkt retur. Reparation eller ombytning af produktet udløser ikke en ny garantiperiode.

### Garantiperiode og juridiske mangelkrav

Garantiperioden forlænges ikke, hvis der gøres brug af garantien. Det gælder også for udskiftede og reparerede dele. Skader og mangler, som eventuelt allerede fandtes ved køb, samt manglende dele, skal anmeldes straks efter udpakningen. Når garantiperioden er udløbet, er reparation af skader betalingspligtig.

### Garantiens omfang

Produktet er produceret omhyggeligt efter strenge kvalitetsretningslinjer og testet grundigt inden leveringen.

Garantien dækker materiale- og fabrikationsfejl. Denne garanti omfatter ikke produktdele, der er udsat for normal slitage og derfor kan betragtes som sliddele, eller skader på skrøbelige dele som f.eks. kontakter, genopladelige batterier eller dele af glas.

Denne garanti bortfalder, hvis produktet er blevet beskadiget, ikke er forskriftsmæssigt anvendt eller vedligeholdt. For at sikre forskriftsmæssig anvendelse af produktet skal alle anvisninger nævnt i betjeningsvejledningen nøje overholdes. Anvendelsesformål og handlinger, som frarådes eller der advares imod i betjeningsvejledningen, skal ubetinget undgås.

Produktet er kun beregnet til privat og ikke til kommercielt brug. Ved misbrug og uhensigtsmæssig brug, anvendelse af vold og ved indgreb, som ikke er foretaget af vores autoriserede serviceafdeling, bortfalder garantien.

## Afvikling af garantisager

For at sikre en hurtig behandling af din anmeldelse bør du følge nedenstående anvisninger:

- Ved alle forespørgsler bedes du have kvitteringen og artikelnummeret (IAN) 390044\_2201 klar som dokumentation for købet.
- Artikelnummeret kan du finde på typeskiltet på produktet, som indgraving på produktet, på betjeningsvejledningens forside (nederst til venstre) eller som klæbemærke på bag- eller undersiden af produktet.
- Hvis der opstår funktionsfejl eller øvrige mangler, bedes du først kontakte nedennævnte serviceafdeling **telefonisk** eller **via e-mail**.
- Et produkt, der er registreret som defekt, kan du derefter indsende portofrit til den oplyste serviceadresse med vedlægning af købsbevis (kvittering) og en beskrivelse af, hvori manglen består, og hvornår den er opstået.



På [www.lidl-service.com](http://www.lidl-service.com) kan du downloade denne og mange andre manualer, produktvideoer og installationssoftware.

Med denne QR-kode kommer du direkte til Lidl-servicesiden ([www.lidl-service.com](http://www.lidl-service.com)) og kan åbne den ønskede betjeningsvejledning ved indtastning af artikelnummeret (IAN) 390044\_2201.

## Service

**(DK) Service Danmark**

Tel.: 32 710005

E-Mail: [kompernass@lidl.dk](mailto:kompernass@lidl.dk)

IAN 390044\_2201

## Importør

Bemærk at den efterfølgende adresse ikke er en serviceadresse. Kontakt først det nævnte servicested.

KOMPERNASS HANDELS GMBH

BURGSTRASSE 21

44867 BOCHUM

TYSKLAND

[www.kompernass.com](http://www.kompernass.com)

## Opskrifter

I dette kapitel giver vi dig nogle eksempler på tilberedning af madreter. Disse eksempler er anbefalinger. Tilberedningstiden kan variere.

Opskrifter gives uden garanti. Alle oplysninger om ingredienser og tilberedning er vejledende. Supplér disse opskriftsforslag med dine egne erfaringer. Vi ønsker dig god fornøjelse og velbekomme.

### BEMÆRK

Følg anvisningerne for tilberedning på fødevarernes emballage.

### Muffins

Ingredienser til fire personer:

- ◆ 1 kop mel
- ◆ 1 tsk. bagepulver
- ◆ 1 æg
- ◆ 1 spsk. smeltet smør
- ◆ 1 kop mælk
- ◆ 3 spsk. sukker
- ◆ 1 knivspids salt
- ◆ Til forskellige varianter desuden nødder, mosede bananer eller chokoladeflager

Tilberedning:

- 1) Bland langsomt mel, bagepulver, æg, mælk, salt og sukker sammen i en skål.
- 2) Smelt smørret i en gryde, og rør det sammen med dejen.
- 3) Tilsæt nødder, chokoladeflager eller mosede bananer efter smag.
- 4) Hæld den færdige dej i muffin-forme, og stil dem på bagepladen ①.
- 5) Bag dine muffins ved 220 °C med over- og undervarme i cirka 15 minutter på nederste rille.

### Hawaii-toast

Ingredienser til 4 toasts:

- ◆ 4 skiver toastbrød
- ◆ 1-2 spsk. remoulade
- ◆ 120 g kogt skinke
- ◆ 1/2 dåse ananas
- ◆ 4 skiver ost til gratinering
- ◆ Karry

Tilberedning:

- ◆ Rist først toastskiverne.
- ◆ Smør derefter remoulade tyndt på og læg kogt skinke på.
- ◆ Læg en skive ananas på den smurte toast. Krydr med karry.
- ◆ Læg derefter en skive ost oven på ananassen.
- ◆ Læg hawaiitoastene på risten ⑬, og gratinér dem i ca. 8 minutter på den øverste rille i grill- og bageovnen ved ca. 200 °C overvarme.

### Bagning af dybfrosen pizza

Tilberedning:

- ◆ Sæt risten ⑬ ind i grill- og ovnrummets øverste rille.
- ◆ Læg den dybfrosne pizza uden emballage på risten ⑬.
- ◆ Bag pizzaen med over- og undervarme i ca. 20 minutter.
- ◆ Følg anvisningerne på emballagen mht. temperatur.

## Dej til sprøjtede kager

Ingredienser:

- ◆ 125 g smør
- ◆ 125 g sukker
- ◆ 1 brev vaniljesukker
- ◆ 1 knivspids salt
- ◆ 1 æg
- ◆ 1 æggehvite
- ◆ 250 g mel (type 405)
- ◆ 1 tsk. bagepulver
- ◆ Revet skal af en halv citron

Tilberedning:

- 1) Pisk smørret til det skummer.
- 2) Tilsæt sukker, vaniljesukker, citronskal og æg.
- 3) Bland mel, bagepulver og salt, og rør det i dejen med en røreske.
- 4) Lad dejen hvile i ca. 10 minutter.
- 5) Brug en kødhakkemaskine, udstiksforme eller en sprøjtepose, så kagerne får den ønskede form.
- 6) Afsæt småkagerne på bagepladen **11** beklædt med bagepapir.
- 7) Bag småkagerne gyldenbrune i den forvarmede bageovn ved 180 °C over- og undervarme i ca. 10-15 minutter på den øverste rille.

### BEMÆRK

Mængden af dej er nok til flere bageplader **11**.

## Rundstykker/boller

Ingredienser:

- ◆ 300 g mel (eller fuldkornsmel)
- ◆ Ca. 2 tsk. bagepulver
- ◆ 200 g hørfrø
- ◆ 1 æg
- ◆ 500 g kvark
- ◆ 1 tsk. salt
- ◆ Alt efter smag kommen, løg, bacon ...

Tilberedning:

- 1) Ælt alt godt igennem og lav små boller/rundstykker af dejen.
- 2) Læg bollerne/rundstykkerne på bagepladen **11** beklædt med bagepapir.
- 3) Bag dem ved ca. 200 °C overvarme i omkring 30 minutter på øverste rille.

### BEMÆRK

Mængden af dej er nok til flere bageplader **11**.

## Marengs

Ingredienser:

- ◆ 1 æggehvite
- ◆ Salt
- ◆ 45 g sukker

Tilberedning:

- 1) Kom den afkølede æggehvite i en fedtfri røreskål. Der må ikke blandes æggeblomme i, da æggeghviden så ikke kan blive stiv.
- 2) Pisk æggeghviden på langsomt trin, så der ikke dannes for store bobler i æggeghviden.
- 3) Krydr med en knivspids salt.
- 4) Kom halvdelen af sukkeret i lidt efter lidt, når æggeghviden er ved at blive stiv.
- 5) Pisk den derefter stiv på højeste trin.
- 6) Kom resten af sukkeret i. Derved får marengsmassen den nødvendige stivhed.
- 7) Fyld marengsmassen i en sprøjtepose med stor stjernetylle, og sprøjt rosetter, tunger eller andre former på bagepladen **1** beklædt med bagepapir.
- 8) Forvarm grill- og bageovnen til ca. 100° C varmluft.
- 9) Lad marengsen bage på den øverste rille ved ca. 100° C varmluft i ca. 2 timer.

## Smørcroutoner

Ingredienser:

- ◆ 2 skiver toastbrød
- ◆ 1 spsk. smør

Tilberedning:

- 1) Skær toastbrødet i små terninger.
- 2) Smelt smørret ved svag varme i en gryde, og tilsæt toastbrødet.
- 3) Læg bagepapir på bagepladen **1**, og fordel toastbrøds-terningerne ensartet på det.
- 4) Bag toastbrøds-terningerne ved ca. 170 °C overvarme på den øverste rille, til de er gyldenbrune (ca. 15 – 20 minutter).

### BEMÆRK

Du kan også bruge krydder- eller hvidløgssmør i stedet for almindeligt smør. Så er bagetiden ca. 5 minutter kortere.

**Miniflûtes med hakket kød**

Ingredienser:

- ◆ 2 miniflûtes
- ◆ 250 g hakket kød (kalv og flæsk)
- ◆ 2 tomater
- ◆ 1 løg (i terninger)
- ◆ 2 spsk. tomatpuré
- ◆ 40 g revet parmesan
- ◆ 4 skiver ost
- ◆ Salt og peber

Tilberedning:

- 1) Skær de to miniflûtes igennem, og udhul dem.
- 2) Bland det hakkede kød, tomatpuréen, løget, parmesanen og lidt salt og peber.
- 3) Form det hakkede kød i 4 lige store frikadeller, der er så flade som muligt, og læg dem på de halve flûtes.
- 4) Skær tomaten i skiver, og fordel den på de halve flûtes.
- 5) Fordel osten på de halve flûtes.
- 6) Læg flûtene på en bageplade **11**, og bag dem ved ca. 230 °C i den forvarmede ovn ved over- og undervarme i ca. 20 minutter på den nederste rille.

**BEMÆRK**

Du kan også krydre det hakkede kød med basilikum, chili eller andre krydderier.

**Blomkål (gratineret)**

Ingredienser:

- ◆ 1/2 blomkålshoved (ca. 250 g)
- ◆ 3 citronskiver
- ◆ 1 spsk. smør
- ◆ 1 tsk. mel med top
- ◆ 1 spsk. citronsaft
- ◆ 1 spsk. mandelflager
- ◆ 2 spsk. gratineringsost (revet)
- ◆ Salt, peber, muskat

Tilberedning:

- 1) Del blomkålen i buketter og vask dem.
- 2) Lad blomkålen simre i kogende vand med citronskiverne i 8-10 minutter, så blomkålen stadig har bid. Hæld ca. 150 ml af kogevandet i en skål, når du hælder det fra.
- 3) Smelt smørret i en gryde, og svits melet i ca. 1 minut, mens du hele tiden rører rundt.
- 4) Hæld blomkålens kogevand i, mens du rører rundt hele tiden, og lad det koge ca. 2 minutter. Hvis meljævningen bliver for fast, kan du tilsætte en smule vand lidt efter lidt, så den får en tyktflydende konsistens. Krydr med citronsaft, salt, peber og muskat.
- 5) Hæld blomkålen i en gratinform (ca. 14 cm diameter) og fordel saucen ensartet derover.
- 6) Strø osten og mandelflagerne over.
- 7) Stil gratinformen på bagepladen **11**.
- 8) Bag gratinen ved ca. 200 °C på nederste rille i den forvarmede bageovn ved over- og undervarme i ca. 20 minutter.



## Butterdej med laksefyld

Ingredienser:

- ◆ 1 pakke butterdejsblader (ca. 8 stk.)
- ◆ 1 pakke laks, røget, i skiver (ca. 200 g)
- ◆ 1 citron
- ◆ 1 løg
- ◆ 1 pakke flødeost (200 g)
- ◆ Frisk dild
- ◆ Salt og peber
- ◆ 1 æggeblomme

Tilberedning:

- 1) Skil butterdejspladerne ad, og lad dem eventuelt tøj op.
- 2) Bland flødeosten med salt, peber og saften fra en citron.
- 3) Skær løget i fine terninger.
- 4) Tilsæt halvdelen af laksen og løgene til flødeosten, og purér det hele groft med en stavblender.
- 5) Skær resten af laksen i fine strimler.
- 6) Tilsæt laksen og dilden til massen, og bland det hele.
- 7) Læg en skefuld af massen på en butterdejsplade, og klap den sammen.
- 8) Pensl butterdejen med en sammenpisket æggeblomme.
- 9) Læg butterdejspladerne på bagepladen **11**. Læg butterdejspladerne med god afstand til hinanden, da butterdejen hæver.
- 10) Bag butterdejspladerne på den nederste skinne ved ca. 230°C over- og undervarme i ca. 25-30 minutter. Butterdejen skal have en lysebrun farve.

### BEMÆRK

Den angivne mængde er nok til flere bageplader **11**.

## Indice

<b>Introduzione</b> .....	<b>184</b>
<b>Uso conforme</b> .....	<b>184</b>
<b>Volume della fornitura</b> .....	<b>184</b>
<b>Descrizione dell'apparecchio</b> .....	<b>184</b>
<b>Dati tecnici</b> .....	<b>184</b>
<b>Indicazioni relative alla sicurezza</b> .....	<b>185</b>
<b>Installazione</b> .....	<b>188</b>
<b>Utilizzo dell'apparecchio</b> .....	<b>188</b>
Sportello di vetro .....	188
Inserimento del vassoio raccoglibriciole .....	188
Utilizzo dello spiedo .....	189
Utilizzo della teglia da forno/griglia .....	190
<b>Prima del primo impiego</b> .....	<b>190</b>
<b>Utilizzo dell'apparecchio</b> .....	<b>191</b>
Commutatore di funzione .....	191
Regolatore della temperatura .....	191
Timer .....	191
<b>Cottura alla griglia e cottura al forno</b> .....	<b>191</b>
<b>Cottura alla griglia con spiedo</b> .....	<b>192</b>
<b>Pulizia e manutenzione</b> .....	<b>194</b>
<b>Conservazione</b> .....	<b>194</b>
<b>Eliminazione dei guasti</b> .....	<b>195</b>
<b>Smaltimento</b> .....	<b>196</b>
<b>Garanzia della Kompennass Handels GmbH</b> .....	<b>196</b>
Assistenza .....	197
Importatore .....	197
<b>Ricette</b> .....	<b>198</b>

## Introduzione

Congratulazioni per l'acquisto del Suo nuovo apparecchio.

È stato acquistato un prodotto di alta qualità. Il manuale di istruzioni è parte integrante del presente prodotto. Esso contiene importanti indicazioni per la sicurezza, l'uso e lo smaltimento. Prima di utilizzare il prodotto, familiarizzarsi con tutte le indicazioni relative ai comandi e alla sicurezza. Utilizzare l'apparecchio solo come descritto e per i campi d'impiego indicati. In caso di cessione del prodotto a terze persone, consegnare anche tutta la relativa documentazione.

## Uso conforme

Il forno elettrico con grill serve esclusivamente a scaldare, cuocere e grigliare pietanze.

Questo apparecchio è destinato esclusivamente all'uso in ambienti domestici. Non utilizzarlo per fini commerciali.

Qualsiasi altro impiego viene considerato non conforme e può dare luogo a danni a cose o a persone.

## Volume della fornitura

- ◆ Forno elettrico con grill
- ◆ 1 teglia forno
- ◆ 1 griglia
- ◆ 2 pinze
- ◆ Spiedo con 2 morsetti
- ◆ 1 vassoio raccoglibriciole
- ◆ Istruzioni per l'uso

### AVVERTENZA

Subito dopo aver disimballato il prodotto, controllare che sia completo e integro. Se necessario, rivolgersi al servizio clienti.

## Descrizione dell'apparecchio

Figura A:

- ❶ Azionamento
- ❷ Regolatore della temperatura
- ❸ Commutatore di funzione
- ❹ Timer
- ❺ Spia di controllo
- ❻ Sportello di vetro
- ❼ Vassoio raccoglibriciole inserito
- ❽ Elementi riscaldanti inferiori
- ❾ Vano di ricezione dello spiedo

Figura B:

- ❿ Pinza (per teglia da forno e griglia)
- ⓫ Teglia da forno
- ⓬ Pinza (per spiedo)
- ⓭ Griglia
- ⓮ Dispositivo di bloccaggio
- ⓯ Morsetti spiedo
- ⓰ Spiedo

## Dati tecnici


Tensione nominale: 220 - 240 V ~  
(corrente alternata),  
50/60 Hz

Potenza assorbita: 1500 W



Tutte le parti di questo apparecchio che vengono a contatto con alimenti sono adatti all'uso alimentare.

**Indicazioni relative alla sicurezza****⚠ PERICOLO DI SCOSSA ELETTRICA!**

- ▶ Non è consentito aprire l'alloggiamento dell'apparecchio o tentare di ripararlo. Aprendolo ci si espone a pericoli e la garanzia decade. Fare riparare l'apparecchio guasto solo dal rivenditore o da personale specializzato autorizzato.
  - ▶ In caso di danni al cavo di alimentazione dell'apparecchio, per evitare pericoli farlo sostituire dal produttore, dal servizio di assistenza clienti o da personale altrettanto qualificato.
  - ▶ Impedire la penetrazione di liquidi nell'involucro dell'apparecchio. Non esporre l'apparecchio all'umidità e non utilizzarlo all'aperto. Non collocare, inoltre, sull'apparecchio oggetti pieni di liquidi, come ad es. vasi. Sussiste pericolo di incendio e di scossa elettrica! In caso di infiltrazioni di liquidi nell'alloggiamento dell'apparecchio, staccare subito la spina dalla presa di rete e farlo riparare.
  - ▶ Non toccare mai l'apparecchio, il cavo di rete e la spina di rete con le mani umide. In caso contrario sussiste il pericolo di scossa elettrica.
-  Non immergere mai l'apparecchio in acqua o altri liquidi! Può sussistere pericolo di morte a causa di folgorazione in caso di contatto di liquidi con parti sotto tensione dell'apparecchio in funzione.

## **⚠ AVVERTENZA – PERICOLO DI LESIONI!**

- ▶ Questo apparecchio può essere utilizzato dai bambini di almeno 8 anni di età e da persone con capacità fisiche, sensoriali o mentali ridotte o insufficiente esperienza o conoscenza, solo se sorvegliati o istruiti sull'uso sicuro dell'apparecchio e qualora ne abbiano compreso i pericoli associati.
- ▶ I bambini non devono giocare con l'apparecchio.
- ▶ La pulizia e la manutenzione a cura dell'utente non devono essere eseguite da bambini, a meno che non abbiano almeno 8 anni di età e siano sorvegliati.
- ▶ Tenere lontani dall'apparecchio e dal cavo di allacciamento i bambini di età inferiore agli 8 anni.
- ▶ Collocare il cavo di rete in modo che non venga calpestato o costituisca intralcio.
- ▶ Non toccare mai lo sportello di vetro o l'alloggiamento durante l'uso, poiché tali superfici sono surriscaldate. Per aprire lo sportello di vetro usare una presina o simili per evitare scottature!
- ▶ Non toccare mai gli elementi riscaldanti o l'apertura d'ispezione nello sportello durante il funzionamento o prima che l'apparecchio si sia raffreddato. Durante il funzionamento non introdurre le mani nel vano di cottura. Attendere il completo raffreddamento dell'apparecchio. In caso contrario sussiste il rischio di ustioni.
- ▶ Prima di trasportare l'apparecchio, farlo raffreddare dopo l'uso.
- ▶ Quando si maneggia l'apparecchio bollente, utilizzare sempre guanti o da cucina o presine.



Attenzione! Superficie rovente!

**ATTENZIONE – DANNI MATERIALI!**

- ▶ Non utilizzare timer esterni o un sistema di telecomando separato per azionare l'apparecchio.
- ▶ Non lasciare mai l'apparecchio incustodito durante l'uso.
- ▶ Assicurarsi che l'apparecchio, il cavo di rete o la spina non vengano mai a contatto con sorgenti di calore come piastre di cottura o fiamme libere.
- ▶ Usare l'apparecchio solo con gli accessori originali forniti in dotazione.
- ▶ Non piegare né schiacciare il cavo di alimentazione.
- ▶ Per disinserire la spina dalla presa, tirare sempre dalla spina, mai dal cavo.
- ▶ Durante il funzionamento non devono trovarsi materiali facilmente infiammabili nelle immediate vicinanze del forno elettrico con grill (ad es. canovaccio da cucina, presine, ecc.).
- ▶ Non asciugare mai tessuti né oggetti sopra o dentro l'apparecchio. Sussiste pericolo di incendio.

**NOTA**

- ▶ Non è necessaria alcuna azione da parte dell'utente per commutare il prodotto tra 50 e 60 Hz. Il prodotto si adegua sia a 50 Hz che a 60 Hz.

## Installazione

### **⚠ ATTENZIONE! PERICOLO D'INCENDIO!**

- ▶ Non collocare mai l'apparecchio sotto pensili o accanto a tendine, pareti di armadi o altri oggetti infiammabili.
- ▶ La distanza dell'apparecchio da pensili, soffitto, pareti laterali o simili deve essere verso l'alto di almeno 10 cm e lateralmente di 5 cm per lato. Per questa ragione l'apparecchio non può essere collocato in armadi o similari. In caso contrario non è possibile ventilare adeguatamente l'apparecchio e quest'ultimo potrebbe provocare un incendio o subire danni.
- ▶ Collocare l'apparecchio solo su un supporto resistente al calore. Altrimenti sussiste pericolo di incendio e l'apparecchio potrebbe subire danni. La zona sotto il fondo dell'apparecchio potrebbe cambiare colore o danneggiarsi. In presenza di una base morbida possono rimanere impronte durature nella base.

### **⚠ PERICOLO DI FOLGORAZIONE!**

- ▶ Non collocare l'apparecchio nelle immediate vicinanze di acqua, ad es. di lavelli, vaschette o in cantine umide. In caso contrario sussiste pericolo di scossa elettrica.
- Collocare l'apparecchio su una superficie stabile, piana e termoresistente (per es. piani di lavoro in acciaio inox o piani di lavoro in pietra naturale come granito). Provvedere affinché l'apparecchio sia sufficientemente ventilato lungo tutto il suo perimetro.
- Far scorrere l'apparecchio con il retro fino alla parete. I distanziatori sul retro devono toccare la parete. Assicurarsi che la parete sia in materiale termoresistente, ad esempio uno specchio di piastrelle, pietra naturale o granito.
- Pulire tutti i componenti dell'apparecchio, così come descritto al capitolo "Pulizia e manutenzione".

## Utilizzo dell'apparecchio

### Sportello di vetro

#### **ATTENZIONE! PERICOLO DI DANNI MATERIALI!**

- ▶ Non appoggiarsi sullo sportello di vetro **6**. Non appoggiare oggetti sullo sportello di vetro **6**. Ciò provoca danni alle cerniere.
- In caso di cottura di alimenti grassi, si può sviluppare un quantitativo di fumo piuttosto cospicuo. In tal caso, non chiudere completamente lo sportello di vetro **6**, bensì lasciarlo leggermente aperto:  
Lo sportello di vetro **6** è dotato di una posizione di arresto, può quindi rimanere leggermente aperto: se si chiude lo sportello di vetro **6** con cautela, questo scatta automaticamente in questa posizione poco prima della chiusura.
- Anche nell'asciugatura della frutta per la produzione di frutta secca si consiglia di lasciare lo sportello di vetro **6** nella posizione di arresto affinché l'umidità possa fuoriuscire e la frutta si asciughi meglio.

### Inserimento del vassoio raccoglibriciole

- Infilare il vassoio raccoglibriciole **7** sotto gli elementi riscaldanti inferiori **8** in modo tale che poggi piatto sul fondo dell'apparecchio. Il lato con curvatura maggiore può essere utilizzato come impugnatura. Il lato con curvatura minore deve essere spinto nell'apparecchio per primo.

## Utilizzo dello spiedo

### ⚠ ATTENZIONE! PERICOLO DI LESIONI!

- ▶ Per inserire lo spiedo bollente **16** nell'apparecchio o per estrarlo da esso, utilizzare sempre la pinza **12**.
- Con i due morsetti dello spiedo **15** si può fissare la pietanza allo spiedo **16**.  
Sbloccare i dispositivi di bloccaggio **14** dei morsetti dello spiedo **15**, spostate questi ultimi in modo tale che gli alimenti rimangano bloccati in mezzo e riavvitare i dispositivi di bloccaggio **14**.
- Infilare nell'azionamento **1** prima l'estremità dello spiedo **16** **senza** scanalatura (fig. 1):

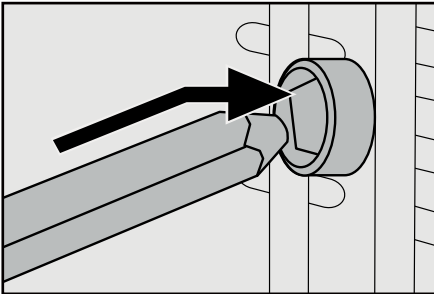


Fig. 1: Infilare lo spiedo **16** nell'azionamento **1**.

- Inserire poi l'altra estremità dello spiedo **16**, quella con la scanalatura profonda, nel vano di ricezione dello spiedo **9** (fig. 2):

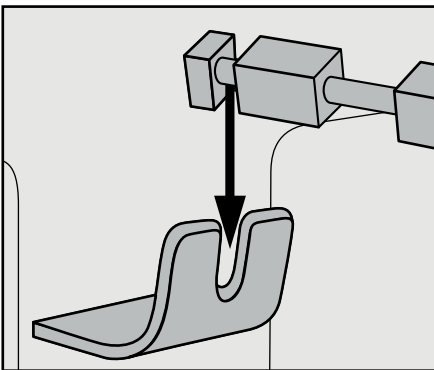


Fig. 2: Inserire lo spiedo **16** nel vano di ricezione dello spiedo **9**

### AVVERTENZA

- ▶ Quando si utilizza lo spiedo **16**, infilare sempre la teglia da forno **11** nella guida inferiore. In tal modo il sugo che cola viene raccolto.
- Per prelevare lo spiedo bollente **16**, introdurre il gancio presente sull'estremità della pinza **12** negli avvallamenti dello spiedo **16** (fig. 3):

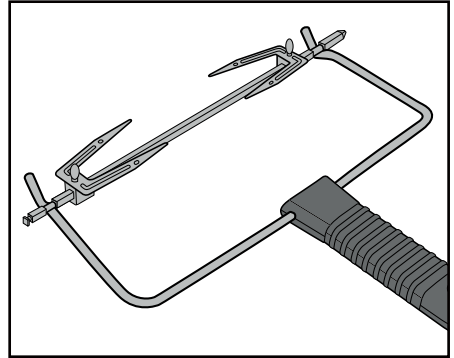


Fig. 3: Aggancio della pinza **12** allo spiedo **16**

- Estrarre dapprima il lato sinistro dello spiedo **16** dal suo vano di ricezione **9** sollevandolo, poi tirare fuori lo spiedo **16** dall'azionamento **1**.



## Utilizzo della teglia da forno/griglia

### ⚠ ATTENZIONE! PERICOLO DI LESIONI!

- ▶ Per inserire nell'apparecchio o estrarre da esso la teglia da forno bollente ①/la griglia bollente ⑬, utilizzare sempre la pinza ⑩.
- Infilare la teglia da forno ①/la griglia ⑬ in una delle 3 guide presenti nel vano interno dell'apparecchio.

### ATTENZIONE! PERICOLO DI DANNI MATERIALI!

- ▶ Non appoggiare mai la teglia da forno ①/la griglia ⑬ direttamente sugli elementi riscaldanti ③.
- Per poter prelevare la teglia da forno bollente ① o la griglia bollente ⑬ agganciare la pinza ⑩ come descritto qui di seguito:

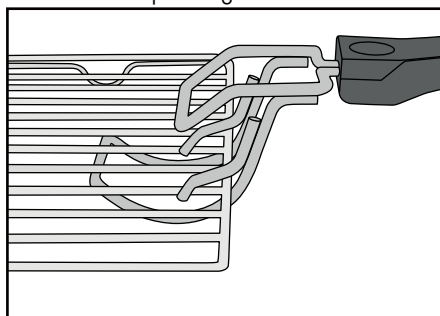


Fig. 4: Aggancio della pinza ⑩ alla griglia ⑬

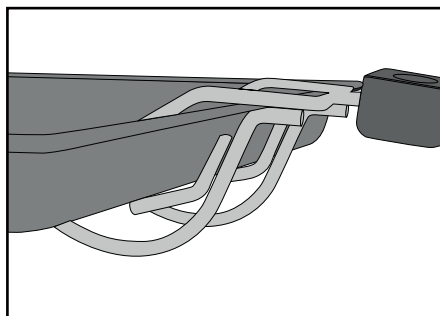



Fig. 5: Aggancio della pinza ⑩ alla teglia da forno ①

## Prima del primo impiego

- 1) Inserire la spina in una presa di corrente.
- 2) Ruotare il regolatore della temperatura ② in senso orario fino al fermo per raggiungere la temperatura massima.
- 3) Posizionare il commutatore di funzione ③ su "Calore superiore e inferiore" .
- 4) Aprire lo sportello di vetro ⑥ e lasciarlo aperto per questa operazione.
- 5) Prelevare dal vano interno dell'apparecchio accessori che sono stati eventualmente introdotti.
- 6) Ruotare il timer ④ portandolo su 20 minuti.

### AVVERTENZA

- ▶ Nel corso del primo riscaldamento dell'apparecchio, può verificarsi una leggera formazione di odore e di fumo, dovuta ai resti di lavorazione. Si tratta di un evento normale e completamente innocuo. Provvedere a un'aerazione sufficiente, aprendo ad esempio una finestra.

L'apparecchio si spegne automaticamente dopo 20 minuti.

Se si desidera interrompere precocemente il processo di riscaldamento, ruotare il regolatore della temperatura ② in senso antiorario fino al fermo e portare il timer ④ su "OFF".




- 7) Fare raffreddare l'apparecchio e pulirlo come descritto al capitolo "Pulizia e manutenzione".

L'apparecchio è pronto per l'uso.

## Utilizzo dell'apparecchio

### Commutatore di funzione

Sul commutatore di funzione **3** si può sia accendere l'apparecchio sia impostare 5 diverse funzioni.

Simbolo	Significato
	"Calore inferiore" per es. per cuocere dolci
	"Calore superiore" per es. per dorare
	"Calore superiore e inferiore" per es. per cuocere la pizza
	"Calore superiore/ ventilazione/spiedo" per es. per cuocere pollame alla griglia
	"Calore superiore e inferiore/ ventilazione" per es. per cuocere panini
OFF	"OFF": l'apparecchio è spento


### Regolatore della temperatura

Con il regolatore di temperatura **2** si può impostare la temperatura desiderata.

### Timer

Con l'ausilio del timer **4** si può accendere l'apparecchio / impostare il tempo di cottura:

■ Impostare il timer **4** sul tempo di cottura desiderato. Alla scadenza del tempo impostato viene emesso un segnale acustico e l'apparecchio cessa di riscaldare.

Qualora fosse selezionata la funzione "Calore superiore/ventilazione/spiedo"  si ferma anche la rotazione dello spiedo **16**.

■ Se si desidera utilizzare l'apparecchio senza limiti di tempo, ruotare il selettore del timer **4** in senso antiorario in posizione "ON".

### Cottura alla griglia e cottura al forno

- 1) Introdurre il vassoio raccoglibriciole **7** nell'apparecchio.
- 2) Estrarre la griglia **13** e la teglia forno **11** dall'apparecchio. Coprire all'occorrenza la griglia con carta forno o rispettivamente imbrattare la teglia da forno **11** con grasso adatto alla cottura al forno.

#### AVVERTENZA

► A seconda della ricetta potrebbe essere necessario preriscaldare il forno. Attenersi a quanto prescritto nella relativa ricetta. Il preriscaldamento è sicuramente opportuno nei seguenti casi:

- tempi di cottura molto brevi,
- croste croccanti,
- piatti sensibili che richiedono una temperatura costante, come per esempio soufflé.

► Se il preriscaldamento non è necessario, saltare l'operazione 3).

- 3) Far riscaldare l'apparecchio per circa 10 minuti (in funzione della temperatura impostata) fino al raggiungimento della temperatura desiderata:
  - Selezionare la temperatura desiderata con il regolatore di temperatura **2**.
  - Infine selezionare con il commutatore di funzione **3** la funzione desiderata.

## AVVERTENZA

- ▶ In caso venisse selezionata la funzione con ventilazione, di solito non è necessario preriscaldare il forno elettrico con grill.
  - Con il timer **4** impostare la durata del preriscaldamento (circa 10 minuti).
  - Chiudere lo sportello di vetro **6**.
- 4) Una volta trascorso il tempo impostato, posizionare la pietanza da grigliare o cuocere sulla griglia **13** o sulla teglia **11** e infilarla in una delle guide. Prestare attenzione che vi sia una distanza sufficiente degli alimenti da cuocere al forno o grigliare dalle pareti interne e dagli elementi riscaldanti dall'apparecchio.

## AVVERTENZA

- ▶ Se si preparano alimenti gocciolanti sulla griglia **13**, inserire la teglia forno **11** nella guida più in basso. In tal modo, ad esempio, il grasso che gocciola verrà raccolto e in seguito sarà più facile pulire l'apparecchio.
- 5) Prima di avviare la cottura al forno/al grill, chiudere lo sportello di vetro **6**.
- 6) Impostare all'occorrenza con il timer **4** il tempo di cottura alla griglia/al forno desiderato. Il tempo massimo cottura alla griglia/al forno impostabile con il timer **4** è di 120 minuti. In alternativa è anche possibile portare il timer **4** in posizione "ON", per utilizzare l'apparecchio senza limiti di tempo.

## AVVERTENZA

- ▶ Se il tempo di cottura della pietanza alla griglia o al forno è inferiore a 20 minuti, impostare dapprima il timer **4** su 40 minuti e poi tornare indietro al tempo di cottura al forno/alla griglia desiderato.

La spia di controllo **5** indica che l'apparecchio è acceso. Se si utilizza l'apparecchio con un tempo di cottura al forno preimpostato, l'interruttore del timer **4** si sposta in posizione "OFF".

Alla scadenza del tempo impostato, l'apparecchio si spegne automaticamente, viene emesso un segnale acustico e la spia di controllo **5** si spegne.

## AVVERTENZA

Se si desidera interrompere precocemente il processo di riscaldamento, ruotare il regolatore della temperatura **2** in senso antiorario fino al fermo e portare il timer **4** su "OFF".


- 7) Se non si desidera utilizzare l'apparecchio con un tempo di cottura al forno preimpostato, impostare il timer **4** su "OFF" in caso si intendesse terminare il procedimento di riscaldamento.
- 8) Dopo il processo di riscaldamento prelevare la griglia **13** o rispettivamente la teglia da forno **11** con l'ausilio della pinza **10**.
- 9) Posizionare il commutatore di funzione **3** su "OFF".

## Cottura alla griglia con spiedo

- 1) Introdurre il vassoio raccoglibriciole **7** nell'apparecchio.
- 2) Se lo spiedo **15** si trova dentro l'apparecchio, rimuoverlo.
- 3) Infilare la teglia da forno **11** nella guida più in basso.
- 4) Fissare la pietanza con i morsetti dello spiedo **15**. Badare che la pietanza si possa girare nel vano di cottura senza scontrarsi con le sue pareti. Potrebbe capitare che lo spiedo **15** cambi il senso di rotazione se la pietanza si scontra con una resistenza. I due avvallamenti che si trovano sullo spiedo **15** devono rimanere liberamente accessibili, altrimenti non è più possibile afferrare lo spiedo **15** con la pinza **12**.
- 5) Fissare lo spiedo **15** nel vano di cottura (vedi capitolo "Utilizzo dello spiedo").
- 6) Chiudere lo sportello di vetro **6**.

## AVVERTENZA

Se si desidera interrompere precocemente il processo di riscaldamento, ruotare il regolatore della temperatura **2** in senso antiorario fino al fermo e portare il timer **4** su "OFF".

- 7) Impostare la temperatura con il regolatore della temperatura **2**.
- 8) Posizionare il commutatore di funzione **3** su "Calore superiore/ventilazione/spiedo" .
- 9) Impostare il tempo di grigliatura, se lo si desidera, con la manopola **4**. In alternativa è anche possibile portare il timer **4** in posizione „ON“, per utilizzare l'apparecchio senza limiti di tempo.  
L'apparecchio avvia la cottura alla griglia e lo spiedo **15** ruota.

La spia di controllo **5** indica che l'apparecchio è acceso. Se si utilizza l'apparecchio con un tempo preimpostato di cottura al forno, l'interruttore del timer **4** si sposta in posizione "OFF".

Alla scadenza del tempo impostato, l'apparecchio si spegne automaticamente, viene emesso un segnale acustico e la spia di controllo **5** si spegne.

## AVVERTENZA



Se si desidera interrompere precocemente il processo di riscaldamento, ruotare il regolatore della temperatura **2** in senso antiorario fino al fermo e portare il timer **4** su "OFF".

- 10) Se non si desidera utilizzare l'apparecchio con un tempo di cottura al forno preimpostato, impostare il timer **4** su "OFF" in caso si intendesse terminare il procedimento di riscaldamento.
- 11) Dopo la cottura alla griglia prelevare lo spiedo **15** con l'ausilio della pinza **12**.
- 12) Posizionare il commutatore di funzione **3** su "OFF".

## ESEMPIO GALLETTO ALLA GRIGLIA

### Ingredienti


- ◆ Galletto (ca. 1,3 kg, sventrato)
- ◆ Spezie (sale, peperoncino)
- ◆ Olio da cucina

- 1) Speziare il galletto all'interno e all'esterno con sale e peperoncino in polvere. Spennellare l'interno e l'esterno del galletto con olio da cucina resistente ad alte temperature.
- 2) Infilare il galletto sullo spiedo **15** e fissarlo con i morsetti dello spiedo **15**. Nel far questo badare che gli avvallamenti dello spiedo **15** rimangano liberi, in modo tale che si possa afferrare lo spiedo **15** con la pinza **12**.  
A seconda della forma del galletto, potrebbe essere necessario fissare le ali e le cosce con un filo pirofilo affinché esse durante la rotazione non si scontrino con i lati del vano di cottura.
- 3) Infilare la teglia da forno **11** nella guida più in basso.
- 4) Preriscaldare l'apparecchio per circa 10 minuti con la funzione "Calore superiore e inferiore/ventilazione"  a circa 230°C.
- 5) Introdurre il grilletto allo spiedo nell'apparecchio con l'ausilio della pinza **12**.
- 6) Portare il commutatore di funzione su "Calore superiore/ventilazione/spiedo"  e chiudere lo sportello.
- 7) Impostare il timer **4** su circa 80 minuti. Il tempo di cottura può variare a seconda delle dimensioni e della costituzione del galletto.
- 8) Di tanto in tanto spennellare il galletto con un po' di olio da cucina. Così diventa ben croccante.
- 9) Alla scadenza del tempo impostato prelevare con cautela lo spiedo con il galletto con l'ausilio della pinza **12**. Sbloccare i morsetti dello spiedo **15** e sfilare il galletto dallo spiedo **15**.

## Pulizia e manutenzione

### ⚠ PERICOLO DI FOLGORAZIONE!

- ▶ Prima della pulizia staccare sempre la spina dalla presa di rete! Sussiste il pericolo di scossa elettrica!

 Non immergere mai l'apparecchio in acqua o altri liquidi!

### ⚠ ATTENZIONE! PERICOLO DI LESIONI!

- ▶ Fare sempre raffreddare l'apparecchio prima di pulirlo. In caso contrario, si corre il rischio di ustioni!
- Si consiglia di pulire l'apparecchio e gli accessori appena si sono raffreddati. In tal modo è possibile rimuovere facilmente i residui di alimenti.

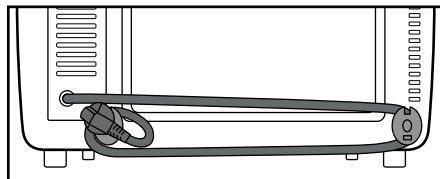
### ATTENZIONE! PERICOLO DI DANNI MATERIALI!

- ▶ Non utilizzare detersivi abrasivi o aggressivi. Potrebbero danneggiare la superficie!
- ▶ Non pulire i componenti dell'apparecchio nella lavastoviglie!
- ▶ Non pulire il vano di cottura con uno spray per forno, in quanto altrimenti non è più possibile rimuovere i resti di pietanza rimasti sugli elementi riscaldanti.

- Pulire l'apparecchio con un panno umido. In caso di necessità, applicare sul panno qualche goccia di detersivo delicato e risciacquare poi la superficie con un panno inumidito di acqua pulita. Asciugare tutto accuratamente.
- Pulire il vano di cottura e lo sportello di vetro **6** con un panno umido. In caso di necessità, applicare sul panno qualche goccia di detersivo delicato e risciacquare poi la superficie con un panno inumidito di acqua pulita. Asciugare tutto accuratamente.
- Pulire le pinze **10/12**, lo spiedo **15**, i morsetti dello spiedo **15**, i dispositivi di bloccaggio **14**, la teglia da forno **11**, la griglia **13** e il vassoio raccoglibriciole **7** in acqua calda. Dopo la pulizia, asciugare accuratamente tutti i componenti.

## Conservazione

- Si può avvolgere il cavo di rete attorno al distanziatore che si trova sul retro dell'apparecchio e fissare la spina su uno dei distanziatori:



- Riporre l'apparecchio pulito e i suoi accessori in un luogo pulito, privo di polvere e asciutto.

## Eliminazione dei guasti

Guasto	Causa	Soluzione
L'apparecchio non funziona.	La spina di rete non è collegata alla rete di corrente.	Inserire la spina in una presa di corrente.
	La presa di corrente è guasta.	Utilizzare un'altra presa di corrente.
	L'apparecchio è guasto.	Rivolgersi al servizio clienti.
La spia di controllo <b>5</b> è accesa ma l'apparecchio non si riscalda.	Il commutatore di funzione <b>3</b> si trova su OFF.	Posizionare il commutatore di funzione <b>3</b> sulla funzione desiderata.
Il tempo di cottura delle pietanze sembra essere molto lungo.	Lo sportello di vetro <b>6</b> è stato aperto diverse volte per controllare il progredire della cottura.	Non aprire lo sportello di vetro <b>6</b> più del necessario.
	È stata impostata una temperatura sbagliata.	Controllare l'impostazione della temperatura.
Durante l'utilizzo fuoriescono fumo e odore.	Sugli elementi riscaldanti si trovano resti di detergente o di alimenti.	Rimuovere gli alimenti dall'apparecchio e proseguire la cottura a sportello di vetro aperto <b>6</b> fino a quando il fumo non è scomparso.

Qualora i guasti non potessero venire risolti con i rimedi indicati sopra o si riscontrassero altri tipi di guasti, rivolgersi all'assistenza.

## Smaltimento



Il simbolo del bidone dei rifiuti barrato, raffigurato lateralmente, indica che l'apparecchio è soggetto alla Direttiva 2012/19/EU. Tale direttiva prescrive che, al termine della sua vita utile, l'apparecchio non venga smaltito assieme ai normali rifiuti domestici, bensì conferito in appositi centri di raccolta, centri di riciclaggio o aziende di smaltimento.

**Lo smaltimento è gratuito per l'utente. Rispettare l'ambiente e smaltire l'apparecchio in modo conforme alle direttive pertinenti.**



Per lo smaltimento del prodotto una volta che ha terminato la sua funzione, informarsi presso l'amministrazione comunale.



Il prodotto è riciclabile, soggetto ad una responsabilità estesa del produttore e va differenziato.



Smaltire l'imballaggio conformemente alle norme di tutela ambientale.

Tenere conto dei codici presenti sui vari materiali di imballaggio ed eventualmente separare i materiali effettuando una raccolta differenziata. I materiali di imballaggio presentano codici costituiti da abbreviazioni (a) e numeri (b) con il seguente significato:

- 1-7: materie plastiche,
- 20-22: carta e cartone,
- 80-98: materiali compositi



L'imballaggio è costituito da materiali ecocompatibili che possono venire smaltiti tramite gli appositi centri di raccolta e riciclaggio.

## Garanzia della Kompernass Handels GmbH

Egregio Cliente,

Questo apparecchio ha una garanzia di 3 anni dalla data di acquisto. Qualora questo prodotto presentasse vizi, Le spettano diritti legali nei confronti del venditore del prodotto. La garanzia qui di seguito descritta non costituisce alcun limite a tali diritti legali.

### Condizioni di garanzia

Il periodo di garanzia decorre dalla data di acquisto. Si prega di conservare bene lo scontrino di cassa. Quest'ultimo è necessario come prova d'acquisto.

Qualora entro tre anni a partire dalla data d'acquisto del prodotto si presentasse un difetto del materiale o di fabbricazione, provvederemo a nostra discrezione a riparare o a sostituire gratuitamente il prodotto oppure a rimborsare il prezzo d'acquisto. Questa prestazione di garanzia ha come presupposto che l'apparecchio guasto e la prova d'acquisto (scontrino di cassa) vengano presentati entro il termine di tre anni e che si descriva per iscritto in cosa consiste il difetto e quando si è evidenziato.

Se il vizio rientra nell'ambito della nostra garanzia, il Suo prodotto verrà riparato o sostituito da uno nuovo. Con la riparazione o la sostituzione del prodotto non decorre un nuovo periodo di garanzia.

### Periodo di garanzia e diritti legali di rivendicazione di vizi

Il periodo di garanzia non viene prolungato da interventi in garanzia. Ciò vale anche per le parti sostituite e riparate. Danni e vizi eventualmente già presenti al momento dell'acquisto devono venire segnalati immediatamente dopo che l'apparecchio è stato disimballato. Le riparazioni eseguite dopo la scadenza del periodo di garanzia sono a pagamento.

### Ambito della garanzia

L'apparecchio è stato prodotto con cura secondo severe direttive qualitative e debitamente collaudato prima della consegna.

La prestazione in garanzia vale per difetti del materiale o di fabbricazione. Questa garanzia non si estende a componenti del prodotto esposti a normale logorio, che possono pertanto essere considerati come componenti soggetti a usura o a danni che si verificano su componenti delicati, come ad es. interruttori, batterie o parti realizzate in vetro.

Questa garanzia decade se il prodotto è stato danneggiato oppure utilizzato o sottoposto a interventi di manutenzione in modo non conforme. Per un utilizzo adeguato del prodotto si devono rigorosamente rispettare tutte le istruzioni espresse nel manuale di istruzioni per l'uso. Si devono assolutamente evitare modalità di utilizzo e azioni che il manuale di istruzioni per l'uso sconsiglia o da cui esso mette in guardia.

Il prodotto è destinato esclusivamente all'uso domestico e non a quello commerciale. La garanzia decade in caso di impiego improprio o manomissione, uso della forza e interventi non eseguiti dalla nostra filiale di assistenza autorizzata.

## Trattamento dei casi di garanzia

Per garantire una rapida evasione della Sua richiesta, La preghiamo di seguire le seguenti istruzioni:

- Tenga a portata di mano per qualsiasi richiesta lo scontrino di cassa e il codice dell'articolo (IAN) 390044\_2201 come prova di acquisto.
- Il codice dell'articolo è riportato sulla targhetta identificativa o su un'incisione presenti sul prodotto, sul frontespizio del manuale di istruzioni (in basso a sinistra) o su un adesivo applicato alla parte posteriore o inferiore del prodotto.
- Qualora si presentassero malfunzionamenti o altri tipi di vizi, contatti innanzitutto il reparto assistenza clienti qui di seguito indicato **telefonticamente** o via **e-mail**.
- Una volta che il prodotto è stato registrato come difettoso, lo può poi spedire a nostro carico, provvedendo ad allegare la prova di acquisto (scontrino di cassa), una descrizione del vizio e l'indicazione della data in cui si è presentato, all'indirizzo del servizio di assistenza clienti che Le è stato comunicato.



Sul sito [www.lidl-service.com](http://www.lidl-service.com) è possibile scaricare questo e molti altri manuali di istruzioni, filmati sui prodotti e software d'installazione.

Con questo codice QR si giunge direttamente al sito dell'assistenza clienti Lidl ([www.lidl-service.com](http://www.lidl-service.com)) e con la digitazione del codice articolo (IAN) 390044\_2201 si può aprire il manuale di istruzioni di proprio interesse.

## Assistenza

**IT Assistenza Italia**  
Tel.: 800781188  
E-Mail: [kompernass@lidl.it](mailto:kompernass@lidl.it)

IAN 390044\_2201

## Importatore

Badi che il seguente indirizzo non è quello del servizio di assistenza clienti. Contatti innanzitutto il servizio di assistenza clienti indicato.

KOMPERNASS HANDELS GMBH  
BURGSTRASSE 21  
44867 BOCHUM  
GERMANIA  
[www.kompernass.com](http://www.kompernass.com)



## Ricette

In questo capitolo forniremo alcuni esempi per la preparazione di pietanze. Questi esempi rappresentano solo dei consigli. La durata di preparazione può variare.

Ricette senza garanzia di riuscita. Tutti i dati relativi a ingredienti e preparazione sono puramente indicativi. Integrare questi suggerimenti di ricette con i propri valori derivanti dall'esperienza. Vi auguriamo comunque una buona riuscita e buon appetito.

### AVVERTENZA

Prestare attenzione alle avvertenze per la preparazione riportate sulla confezione degli alimenti.

## Muffin

Ingredienti per quattro persone:

- ◆ 1 tazza di farina
- ◆ 1 cucchiaino di polvere lievitante
- ◆ 1 uovo
- ◆ 1 cucchiaino di burro sciolto
- ◆ 1 tazza di latte
- ◆ 3 cucchiaini di zucchero
- ◆ 1 pizzico di sale
- ◆ in alternativa si possono utilizzare anche noci, banane a pezzetti o fiocchi di cioccolato

Preparazione:

- 1) Mescolare lentamente in una ciotola farina, lievito in polvere, uovo, latte, sale e zucchero.
- 2) Sciogliere il burro in un pentolino e incorporarlo all'impasto.
- 3) A seconda del gusto personale, incorporare noci, fiocchi di cioccolato o banane schiacciate.
- 4) Versare l'impasto pronto nelle apposite formine per muffin e collocarle sulla teglia da forno ①.
- 5) Cuocere i muffin a 220°C con calore superiore e inferiore per circa 15 minuti sulla guida inferiore.

## Toast Hawaii

Ingredienti per 4 toast:

- ◆ 4 fette di pan carré
- ◆ 1-2 cucchiaini di salsa Remoulade
- ◆ 120 g di prosciutto cotto
- ◆ 1/2 scatola di ananas
- ◆ 4 fette di formaggio per la gratinatura
- ◆ Curry

Preparazione:

- ◆ Pretostare le fette di pan carré.
- ◆ Spalmare quindi con salsa Remoulade e farcire con il prosciutto cotto.
- ◆ Mettere una fetta d'ananas su ciascun toast imbottito. Insaporire con curry.
- ◆ Quindi mettere una fetta di formaggio sull'ananas.
- ◆ Mettere i toast Hawaii sulla griglia ⑬ e lasciare gratinare nel forno elettrico con grill sulla guida superiore a circa 200°C, con la funzione calore superiore per circa 8 minuti.

## Cottura al forno della pizza surgelata

Preparazione:

- ◆ Infilare la griglia ⑬ nella guida superiore del vano di cottura/grill.
- ◆ Collocare la pizza surgelata sulla griglia ⑬ dopo averla estratta dalla confezione.
- ◆ Infornare la pizza dopo aver impostato la funzione calore superiore e inferiore per circa 20 minuti.
- ◆ Attenersi alle indicazioni sulla confezione per quanto riguarda la temperatura.

**Pasticcini**

Ingredienti:

- ◆ 125 g di burro
- ◆ 125 g di zucchero
- ◆ 1 pacchetto di zucchero vanigliato
- ◆ 1 pizzico di sale
- ◆ 1 uovo
- ◆ 1 albumi
- ◆ 250 g di farina (tipo 405)
- ◆ 1 cucchiaino di polvere lievitante
- ◆ buccia grattugiata di mezzo limone

Preparazione:

- 1) Sbattere il burro.
- 2) Aggiungere lo zucchero, lo zucchero vanigliato, la buccia di limone e le uova.
- 3) Mescolare la farina, la polvere lievitante e il sale e incorporarli all'impasto con un cucchiaino di legno.
- 4) Lasciare riposare l'impasto per circa 10 minuti.
- 5) Dare all'impasto la forma richiesta, ad es. con l'aiuto di un tritacarne, di formine o di una sacca a poche.
- 6) Collocare i biscottini sulla teglia **11** rivestita di carta forno.
- 7) Cuocere i pasticcini inserendoli nella guida superiore nel forno preriscaldato a 180°C con calore superiore e inferiore, per circa 10--15 minuti, fino a quando non assumono un colore dorato.

**AVVERTENZA**

La quantità di impasto è sufficiente per diverse teglie **11**.

**Panini**

Ingredienti:

- ◆ 300 g di farina (oppure farina di grano intero)
- ◆ 2 cucchiaini abbondanti di lievito in polvere
- ◆ 200 g di semi di lino
- ◆ 1 uovo
- ◆ 500 g di ricotta
- ◆ 1 cucchiaino di sale
- ◆ a seconda dei gusti usare cumino, cipolle, speck ...

Preparazione:

- 1) Impastare bene gli ingredienti e formare dei panini.
- 2) Collocare i panini sulla teglia da forno **11** rivestita di carta forno.
- 3) Cuocere a circa 200° C con la funzione calore superiore per circa 30 minuti sulla guida superiore.

**AVVERTENZA**

La quantità di impasto è sufficiente per diverse teglie **11**.

## Meringhe

Ingredienti:

- ◆ 1 albumi
- ◆ Sale
- ◆ 45 g di zucchero

Preparazione:

- 1) Versare l'albume freddo in una ciotola senza grassi. Non lasciare tracce di tuorlo, altrimenti l'uovo montato a neve non acquisisce la giusta consistenza.
- 2) Montare l'albume a ridotta velocità per evitare la formazione di bolle troppo grandi nell'albume montato a neve.
- 3) Insaporire con un pizzico di sale.
- 4) Incorporare gradualmente metà zucchero quando l'albume montato a neve comincia ad acquisire consistenza.
- 5) Montare quindi a maggiore velocità.
- 6) Aggiungere lo zucchero rimanente. In tal modo la massa delle meringhe acquisisce la consistenza necessaria.
- 7) Riempire con la meringa una sacca a poche con un beccuccio grande a stella e spruzzare a breve distanza rosette, lingue o altre forme sulla teglia **1** rivestita di carta da forno.
- 8) Preriscaldare il forno elettrico con grill a ca. 100° C selezionando la funzione cottura ventilata.
- 9) Far cuocere la meringa sulla guida superiore a ca. 100° C con funzione cottura ventilata per ca. 2 ore.

## Crostini al burro

Ingredienti:

- ◆ 2 fette di pane per toast
- ◆ 1 cucchiaino di burro

Preparazione:

- 1) Tagliare a dadini il pane per toast.
- 2) Sciogliere il burro a calore moderato in un tegame e mescolarvi i dadini di pane.
- 3) Preparare la teglia da forno **1** con carta da forno e distribuirvi su i dadini di pane uniformemente.
- 4) Cuocere i dadini di pane a circa 170° C con la funzione calore superiore sulla guida superiore, fino a quando non diventano di colore bruno-dorato (circa 15 - 20 minuti).

### AVVERTENZA

Invece del semplice burro è possibile anche utilizzare burro aromatizzato alle erbe o all'aglio. Il tempo di cottura si ridurrà in tal caso di circa 5 minuti.

**Baguette alla carne trita**

Ingredienti:

- ◆ 2 panini tipo baguette
- ◆ 250 g di carne tritata (mista)
- ◆ 2 pomodori
- ◆ 1 cipolla (tagliata a dadi)
- ◆ 2 cucchiari di concentrato di pomodoro
- ◆ 40 g di parmigiano grattugiato
- ◆ 4 fette di formaggio
- ◆ Sale e pepe

Preparazione:

- 1) Affettare le baguette e svuotarle.
- 2) Mescolare la carne tritata, il concentrato di pomodoro, le cipolle, il parmigiano, un po' di sale e un po' di pepe.
- 3) Modellare la carne trita formando 4 polpette piatte di grandezza uniforme e collocarle sulle baguette a metà.
- 4) Tagliare i pomodori a fette e collocarli sulle baguette.
- 5) Distribuire il formaggio sulle baguette.
- 6) Collocare le baguette sulla teglia da forno **11** e cuocerle a circa 230° C in forno preriscaldato con la funzione calore superiore e inferiore per circa 20 minuti nella guida inferiore.

**AVVERTENZA**

Alla carne trita si può anche aggiungere basilico, chili o altre spezie.

**Cavolfiore (gratinato)**

Ingredienti:

- ◆ 1/2 cavolfiore (circa 250 g)
- ◆ 3 fette di limone
- ◆ 1 cucchiaino di burro
- ◆ 1 cucchiaino raso di farina
- ◆ 1 cucchiaino di succo di limone
- ◆ 1 cucchiaino di mandorle tagliate a bastoncino
- ◆ 2 cucchiari di formaggio per gratin (grattugiato)
- ◆ sale, pepe, noce moscata

Preparazione:

- 1) Tagliare il cavolfiore a mazzetti e lavarlo.
- 2) Cuocere il cavolfiore con le fette di limone in acqua bollente per 8-10 minuti, il cavolfiore deve essere al dente. Conservare circa 150 ml di acqua di cottura.
- 3) Fare sciogliere il burro in un tegame e cuocervi la farina per un minuto, mescolando costantemente.
- 4) Mescolando costantemente, versare l'acqua di cottura del cavolfiore e fare cuocere per circa 2 minuti. Se l'impasto con la farina diviene troppo solido, aggiungere ancora acqua, fino a ottenere una consistenza densa. Condire con succo di limone, sale, pepe e noce moscata.
- 5) Collocare il cavolfiore in uno stampo per sformati (circa 14 cm di diametro) e versarvi sopra la salsa in modo uniforme.
- 6) Cospargere con il formaggio e le mandorle.
- 7) Collocare lo stampo per sformati sulla teglia da forno **11**.
- 8) Gratinare a circa 200° C in forno preriscaldato con la funzione calore superiore e inferiore, inserendo la teglia nella guida inferiore del forno, per circa 20 minuti.

## Tasche di pasta sfoglia con ripieno di salmone

Ingredienti:

- ◆ 1 confezione di pasta sfoglia (circa 8 pezzi)
- ◆ 1 confezione di di salmone, affumicato a fette (circa 200 g)
- ◆ 1 limone
- ◆ 1 cipolla
- ◆ 1 confezione di formaggio fresco (200 g)
- ◆ Aneto fresco
- ◆ Sale e pepe
- ◆ 1 tuorlo

Preparazione:

- 1) Separare i fogli di pasta sfoglia e se necessario farli scongelare.
- 2) Mescolare il formaggio fresco con sale, pepe e succo di limone.
- 3) Affettare le cipolle e tagliarle a dadini.
- 4) Aggiungere la metà del salmone e delle cipolle al formaggio fresco e ridurre tutto in purea grossolana con un mixer ad asta.
- 5) Tagliare il resto del salmone a striscioline.
- 6) Aggiungere il salmone e l'aneto all'impasto e mescolare il tutto.
- 7) Mettere un cucchiaino di impasto su ogni foglio di pasta sfoglia e chiudere il foglio.
- 8) Pennellare la tasca così ottenuta con il tuorlo d'uovo.
- 9) Collocare le tasche di pasta sfoglia sulla teglia da forno **11**. Lasciare spazio sufficiente fra le singole tasche, poiché la pasta sfoglia si espande durante la cottura.
- 10) Far cuocere le tasche di pasta sfoglia sulla guida inferiore a circa 230° C con la funzione calore superiore e inferiore per circa 25-30 minuti. La pasta sfoglia deve colorarsi leggermente.

### AVVERTENZA

La quantità di impasto è sufficiente per diverse teglie **11**.

## Tartalomjegyzék

<b>Bevezető</b> .....	<b>204</b>
<b>Rendeltetésszerű használat</b> .....	<b>204</b>
<b>A csomag tartalma</b> .....	<b>204</b>
<b>A készülék leírása</b> .....	<b>204</b>
<b>Műszaki adatok</b> .....	<b>204</b>
<b>Biztonsági utasítások</b> .....	<b>205</b>
<b>A készülék felállítása</b> .....	<b>208</b>
<b>A készülék használata</b> .....	<b>208</b>
Üvegajtó .....	208
Morzsatalca behelyezése .....	208
Nyárs használata .....	209
Sütőlemez/sütőrács használata .....	210
<b>Az első használat előtt</b> .....	<b>210</b>
<b>A készülék kezelése</b> .....	<b>211</b>
Funkciókapcsoló .....	211
Hőmérséklet-szabályozó .....	211
Időzítő .....	211
<b>Grillezés és sütés</b> .....	<b>211</b>
<b>Grillezés nyárssal</b> .....	<b>212</b>
<b>Tisztítás és ápolás</b> .....	<b>214</b>
<b>Tárolás</b> .....	<b>214</b>
<b>Hibaelhárítás</b> .....	<b>215</b>
<b>Ártalmatlanítás</b> .....	<b>216</b>
<b>A Kompernass Handels GmbH garanciája</b> .....	<b>216</b>
Szerviz .....	217
Gyártja .....	217
<b>Receptek</b> .....	<b>218</b>

## Bevezető

Gratulálunk új készüléke megvásárlásához.

Vásárlásával kiváló minőségű termék mellett döntött. A használati útmutató a termék része. Fontos tudnivalókat tartalmaz a biztonságra, használatra és ártalmatlanításra vonatkozóan. A termék használata előtt ismerkedjen meg valamennyi használati és biztonsági utasítással. A terméket csak a leírtak szerint és a megadott célokra használja. A termék harmadik személynek történő továbbadása esetén adja át a készülékhez tartozó valamennyi leírást is.

## Rendeltetészerű használat

A grillező- és sütőautomata kizárólag ételek melegítésére, sütésére és grillezésére szolgál.

Ez a készülék kizárólag magáncélú használatra készült. Ne használja kereskedelmi célokra.

Minden egyéb felhasználás rendeltetésellenesnek minősül és anyagi károkat vagy személyi sérülést okozhat.

## A csomag tartalma

- ◆ grillsütő
- ◆ 1 sütőlemez
- ◆ 1 sütőrács
- ◆ 2 fogó
- ◆ nyárs 2 kapoccsal
- ◆ 1 morzsatálca
- ◆ használati útmutató

### TUDNIVALÓ

Közvetlenül kicsomagolás után ellenőrizze a csomag tartalmának teljességét és épségét. Szükség esetén forduljon a szervizhez.

## A készülék leírása

„A” ábra:

- 1 hajtás
- 2 hőmérséklet-szabályozó
- 3 funkciókapcsoló
- 4 időzítő
- 5 működésjelző lámpa
- 6 üvegajtó
- 7 behelyezett morzsatálca
- 8 alsó fűtőszálak
- 9 nyárstartó

„B” ábra:

- 10 fogó (sütőlemezhez vagy sütőrácsához)
- 11 sütőlemez
- 12 fogó (nyársához)
- 13 sütőrács
- 14 rögzítő
- 15 nyárskapcsok
- 16 nyárs

## Műszaki adatok


Névleges feszültség: 220 - 240 V ~ (váltóáram),  
50/60 Hz

Teljesítményfelvétel: 1500 W



A készülék élelmiszerekkel érintkező részei élelmiszer-biztosak.

**Biztonsági utasítások****⚠ VESZÉLY – ÁRAMÜTÉS!**

- ▶ Tilos felnyitni vagy javítani a készülék készülékházát. Ez nem biztonságos és a garancia is érvényét veszti. A meghibásodott készüléket csak a kereskedővel vagy felhatalmazott szakemberrel javíttassa meg.
  - ▶ A veszélyek megelőzése érdekében a sérült csatlakozóvezetékét a gyártónak, a gyártó vevőszolgálatának vagy hasonló szakképzett személynek kell kicserélnie.
  - ▶ Ügyeljen arra, hogy ne kerüljön folyadék a készülékházba. Védje a készüléket a nedvességtől és ne használja a szabadban. Ezen kívül nem szabad folyadékkal töltött tárgyakat, mint pl. vázát a készülék-re állítani. Tűzveszély és elektromos áramütés veszélye áll fenn! Ha mégis folyadék kerül a készülékházba, azonnal húzza ki a készülék hálózati csatlakozódugóját a hálózati csatlakozóaljzatból és javíttassa meg a készüléket.
  - ▶ Soha ne fogja meg nedves kézzel a készüléket, a hálózati kábelt és a csatlakozódugót. Ellenkező esetben áramütés veszélye áll fenn.
-  Soha ne merítse a készüléket vízbe vagy más folyadékba! Ilyen esetben áramütés miatt életveszély alakul ki, ha működés közben folyadék kerül a feszültség alatt álló részekre.



## **⚠ FIGYELMEZTETÉS – SÉRÜLÉSVESZÉLY!**

- ▶ A készüléket 8 éves kor feletti gyermekek és csökkent fizikai, érzékszervi vagy mentális képességű vagy tapasztalattal és/vagy tudással nem rendelkező személyek csak felügyelet mellett használhatják, vagy ha felvilágosították őket a készülék biztonságos használatáról és megértették az ebből eredő veszélyeket.
- ▶ Gyermekek nem játszhatnak a készülékkel.
- ▶ Tisztítást és a felhasználói karbantartást 8 évesnél fiatalabb vagy felügyelet nélküli gyermekek nem végezhetnek.
- ▶ Ne engedjen 8 évesnél fiatalabb gyerekeket a készülék és a csatlakozóvezeték közelébe.
- ▶ Úgy helyezze el a hálózati kábelt, hogy senki ne tudjon rálépni vagy megbotlani benne.
- ▶ Használat közben ne érjen hozzá az üvegajtóhoz vagy a készülék házhoz, mert ezek felforrósodnak. Az üvegajtó kinyitásához használjon edényfogót vagy hasonlót az égési sérülések elkerülése érdekében!
- ▶ Soha ne érjen a fűtőszálakhoz vagy a kémlelő ablakhoz a készülék működése közben vagy a készülék lehűlése előtt. Ne nyúljon működés közben a sütőtérbe. Várjon, amíg a készülék lehűl. Ellenkező esetben megégetheti magát.
- ▶ Használat után hagyja lehűlni a készüléket, mielőtt azt szállítja.
- ▶ A forró készüléket edényfogó kesztyűvel vagy edényfogó ruhával fogja meg!



Vigyázat! Forró felület!

**FIGYELEM – ANYAGI KÁR!**

- ▶ Ne használjon külső időkapcsolót vagy külön távműködtető rendszert a készülék üzemeltetéséhez.
- ▶ Soha se hagyja a készüléket felügyelet nélkül üzemeltetés közben.
- ▶ Ügyeljen arra, hogy a készülék, a hálózati csatlakozókábel vagy a csatlakozódugó nem érjen forró felülethez, pl. főzőlaphoz vagy nyílt lánghoz.
- ▶ A készüléket kizárólag a mellékelt eredeti tartozékokkal üzemeltesse.
- ▶ Ne törje meg és ne szorítsa be a hálózati kábelt.
- ▶ A hálózati kábelt mindig a csatlakozódugónál és soha ne a kábelnél fogva húzza ki a csatlakozóaljzataból.
- ▶ Működés közben nem lehetnek gyúlékony anyagok (pl. edénytörlő, edényfogó ruha stb.) a grillező- és sütőautomata közvetlen közelében.
- ▶ Soha ne szárítson textíliákat vagy egyéb tárgyakat a készüléken, a készülék fölött vagy a készülékben. Tűzveszély áll fenn.

**TUDNIVALÓ**

- ▶ A felhasználó részéről nincs szükség beavatkozásra a termék 50 és 60 Hz közötti átállításához. A termék 50 és 60 Hz-en egyaránt működik.

## A készülék felállítása

### ⚠ FIGYELMEZTETÉS! TÜZVESZÉLY!

- ▶ Soha ne állítsa a készüléket fali szekrény alá vagy függöny, szekrény, illetve más gyúlékony tárgyak mellé.
- ▶ A készülék és a faliszekrények, mennyezet, oldalfal, stb. között felfelé legalább 10 cm, oldalirányban pedig 5 cm távolságnak kell lennie. Ezért nem szabad a készüléket pl. szekrénybe vagy hasonló helyekre állítani. Ellenkező esetben nem biztosított a készülék megfelelő szellőzése és tüzet okozhat vagy megrongálódhat.
- ▶ Csak hőálló felületre helyezze a készüléket. Ellenkező esetben tüzveszély áll fenn és kár keletkezhet a készülékben. A készülék alja alatti terület elszíneződhet és megsérülhet. Ezen kívül puha felület esetén maradó nyomok keletkezhetnek a felületen.

### ⚠ VESZÉLY – ÁRAMÜTÉS!

- ▶ Ne állítsa a készüléket víz közvetlen közelébe, pl. mosogató, mosdókagyló mellé, vagy nedves pinchelyiségekbe. Ellenkező esetben áramütés veszélye áll fenn.
- Állítsa a készüléket egy stabil, sima és hőálló felületre állítsa (pl. rozsdamentes acél munkalapra vagy természetes kőből pl. gránitból készült munkalapra). Gondoskodjon megfelelő szellőzésről a készülék körül.
- Tolja a készüléket hátoldalával egészen a falig. A hátoldalon lévő távtartóknak a falhoz kell érniük. Ügyeljen arra, hogy a fal hőálló anyagból, például csempéből, természetes kőből vagy gránitból legyen.
- Tisztítsa meg minden alkatrészt a „Tisztítás és ápolás” fejezetben leírtak szerint.

## A készülék használata

### Üvegajtó

#### FIGYELEM! ANYAGI KÁR!

- ▶ Ne támaszkodjon az üvegajtóra **6**. Ne tegyen tárgyakat az üvegajtóra **6**. Ezáltal megsérülhetnek a csuklópántok.
- Fokozott füstképződést okozhat, ha különösen magas zsírtartalmú ételeket készít. Ebben az esetben ne csukja be teljesen az üvegajtót **6**, hanem hagyja nyitva résnyire: az üvegajtónak **6** van egy bekattanó állása, így az résnyire nyitva van: ha az üvegajtót **6** óvatosan becsukja, akkor röviddel a becsukás előtt ebben az állásban marad.
- Aszalt gyümölcs készítése céljából gyümölcs aszalása esetén is a bekattanó állásban kell maradnia az üvegajtónak **6**, hogy a nedveség el tudjon távozni és a gyümölcs jobban aszalódjon.

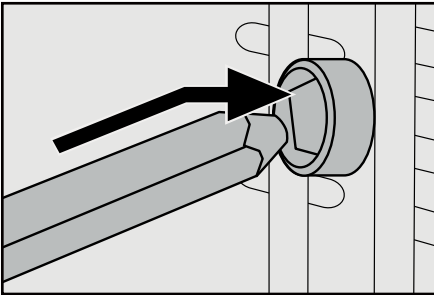
### Morzsatálca behelyezése

- Tolja be a morzsatálcát **7** az alsó fűtőszálat **8** alá oly módon, hogy simán feküdjön a készülék alján. A magasabb ívű oldalt markolatként használható. A kevésbé magas ívű oldalt kell előre tolni a készülékbe.

## Nyárs használata

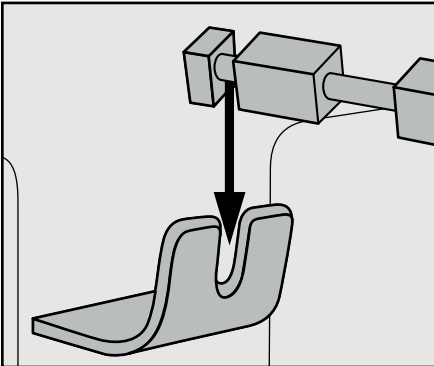
### ⚠ FIGYELMEZTETÉS! SÉRÜLÉSVESZÉLY!

- ▶ Mindig használja a fogót **12** a forró nyárs **16** készülékbe helyezéséhez és kivételéhez.
- A két nyárskapoccsal **15** rögzítheti a grillezni kívánt élelmiszert a nyárson **16**. Csavarja ki a nyárskapocsokon **15** lévő rögzítőket **14**, tolja el ezeket oly módon, hogy a grillezni kívánt élelmiszert megfelelően befogják, majd csavarja vissza a rögzítőket **14**.
- Először a nyárs **16** horony nélküli végét tolja be a hajtásba **1** (1. ábra):



1. ábra: Nyárs **16** betolása a hajtásba **1**.

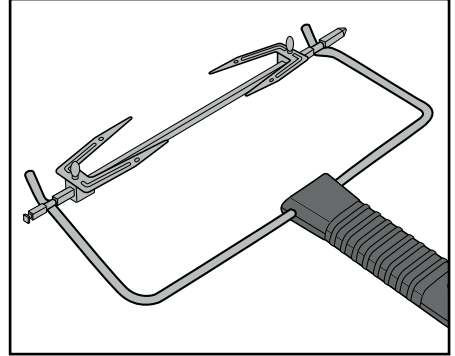
- Ezután helyezze be a nyárs **16** mély horonnyal ellátott másik végét a nyárstartóba **9** (2. ábra):



2. ábra: Nyárs **16** behelyezése a nyárstartóba **9**

## TUDNIVALÓ

- ▶ Nyárs **16** használata esetén a sütőlemezt **11** mindig az alsó sínre kell helyezni. Ily módon összegyűjtésre kerül a lecsepegő folyadék.
- A forró nyárs **16** kivételéhez helyezze a fogó **12** végén lévő kampót a nyársra **16** lévő mélyedésekbe (3. ábra):



3. ábra: A fogó **12** beakasztása a nyársba **16**

- Először a nyárs **16** bal oldalát emelje ki a nyárstartóból **9**, majd húzza ki a nyársat **16** a hajtásból **1**.

## Sütőlemez/sütőrács használata

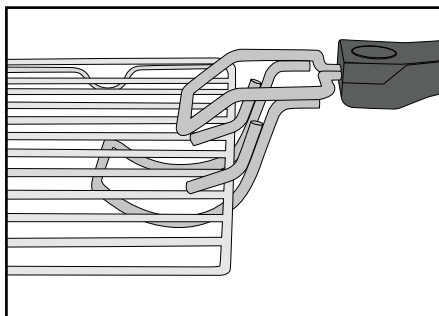
### ⚠ FIGYELMEZTETÉS! SÉRÜLÉSVESZÉLY!

- ▶ A forró sütőlemez **11**/forró sütőrács **13** készülékbe történő behelyezéséhez vagy kivételéhez használja mindig a fogót **10**.

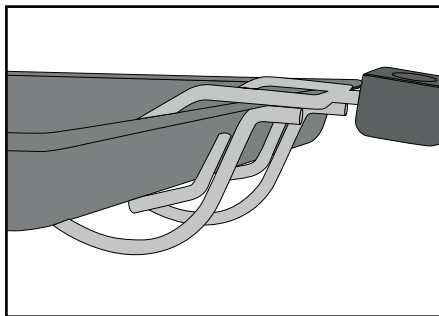
- Tolja be a sütőlemez **11**/sütőrácsot **13** a készülék sütőterében lévő 3 sín egyikére.

### FIGYELEM! ANYAGI KÁR!

- ▶ Soha ne tolja a sütőlemez **11**/sütőrácsot **13** közvetlenül a fűtőszálakra **8**.
- A forró sütőlemez **11** vagy a sütőrács **13** kivételéhez akassza be a fogót **10** az alábbiak szerint:




4. ábra: A fogó **10** beakasztása a sütőrácsba **13**



5. ábra: A fogó **10** beakasztása a sütőlemezbe **11**

## Az első használat előtt

- 1) Csatlakoztassa a hálózati csatlakozódugót egy hálózati csatlakozóaljzatba.
- 2) Forgassa a hőmérséklet-szabályozót **2** az óramutató járásával megegyező irányba ütközésig a legmagasabb hőmérsékletre.
- 3) Forgassa a funkciókapcsolót **3** „felső és alsó sütésre” .
- 4) Nyissa ki az üvegajtót **6** és a művelet közben hagyja nyitva.
- 5) Vegye ki a sütőtérből az esetlegesen behelyezett tartozékokat.
- 6) Állítsa be az időzítőt **4** 20 percre.

### TUDNIVALÓ

- ▶ A készülék első felfűtése során előfordulhat, hogy a gyártásból visszamaradt anyagok miatt enyhe füst és szag képződik. Ez teljesen normális és veszélytelen. Gondoskodjon megfelelő szellőzésről, például nyisson ki egy ablakot.






A készülék 20 perc múlva magától kikapcsol. A sütési folyamat idő előtti megszakításához forgassa el a hőmérséklet-szabályozót **2** az óramutató járásával ellentétes irányba ütközésig és állítsa az időzítőt **4** „OFF” állásba.

- 7) Hagyja lehűlni a készüléket és tisztítsa meg a „Tisztítás és ápolás” fejezetben leírtak szerint. A készülék ezzel üzemkész.

## A készülék kezelése

### Funkciókapcsoló

A funkciókapcsoló **3** segítségével bekapcsolhatja a készüléket és 5 különféle funkciót állíthat be:


Szimbólum	Jelentés
	„alsó sütés” pl. sütemény sütéséhez
	„felső sütés” pl. gratináláshoz
	„felső és alsó sütés” pl. pizza sütéséhez
	„felső sütés/légkeverés/nyárs” pl. szárnyas grillezéséhez
	„felső és alsó sütés/ légkeverés” pl. zsemle átsütéséhez
OFF	„OFF” a készülék ki van kapcsolva

### Hőmérséklet-szabályozó

A hőmérséklet-szabályzóval **2** a kívánt hőmérsékletet állítható be.

### Időzítő

Az időzítő **4** segítségével lehet a készüléket bekapcsolni / a sütési időt beállítani:

- Állítsa az időzítőt **4** a kívánt sütési időre. A beállított idő elteltével egy hangjelzés hallható és a készülék leállítja a fűtést. A „felső sütés/légkeverés/nyárs”  funkció kiválasztása esetén a nyárs **16** forgása is leáll.
- Ha a készüléket időkorlát nélkül szeretné használni, akkor forgassa az időzítő **4** forgókapcsolóját az óramutató járásával ellentétes irányba „ON” állásba.

### Grillezés és sütés

- 1) Helyezze be a morzsatálcát **7** a készülékbe.
- 2) Vegye ki a sütőrácsot **13** és a sütőlemezt **11** a készülékből. Szükség esetén bélelje ki sütőpapírral a sütőlemezt **11**, illetve kenje be sütéshez alkalmas zsiradékkal.

### TUDNIVALÓ

- ▶ Ételtől függően a sütő előmelegítést igényel. Tartsa magát az adott receptben foglaltakhoz. Az előmelegítés az alábbi esetekben mindenképpen hasznos:
  - nagyon rövid sütési idő,
  - ropogós kéreg,
  - állandó hőmérsékletet igénylő, érzékeny ételek, például szuflék.
- ▶ Ha nem szükséges előmelegítés, akkor hagyja ki a 3. lépést.

- 3) Fűtse fel a készüléket kb. 10 percig (hőmérséklet-beállításától függően) a kívánt hőmérsékletre:
  - Válassza ki a kívánt hőmérsékletet a hőmérséklet-szabályzóval **2**.
  - Ezt követően válassza ki a kívánt funkciót a funkciókapcsolóval **3**.

## TUDNIVALÓ

- ▶ Légkeverés használata esetén általában elhagyható a sütő- és grillezőtér előmelegítése.
    - Állítsa be az előmelegítési időt (kb. 10 perc) az időzítővel **4**.
    - Cszukja be az üvegajtót **6**.
- 4) Az idő lejártát követően helyezze a grillezni, illetve sütni kívánt ételkészítményt a sütőrácsra **13**, illetve a sütőlapra **11**, majd tolja be a sínek egyikére. Ügyeljen arra, hogy a grillezni, ill. sütni kívánt ételkészítmény megfelelő távolságra legyen a készülék belső falaitól és a fűtőszá-laktól.

## TUDNIVALÓ

- ▶ Ha erősen csöpögő grillezni kívánt ételkészítményt készít a sütőrácsra **13**, tolja a sütőlemez **11** a legalsó sínre. Így pl. felfogható a lecsöpögő zsiradék és a készülék a későbbiekben könnyebben tisztítható.
- 5) A grillezés/sütés megkezdése előtt csukja be az üvegajtót **6**.
- 6) Adott esetben állítsa be az időzítővel **4** a kívánt grillezési, illetve sütési időt. Az időzítővel **4** beállítható maximális grillezési, illetve sütési idő 120 perc. Alternatív megoldásként a készülék időkorlát nélküli használatához az időzítőt **4** „ON” állásba forgathatja.

## TUDNIVALÓ

- ▶ Amennyiben a grillezni, ill. sütni kívánt ételkészítmény sütési ideje 20 percnél kevesebb, akkor az időzítőt **4** először állítsa 40 percre, majd állítsa vissza a kívánt grillezési, ill. sütési időre.

A működésjelző lámpa **5** jelzi, hogy a készülék be van kapcsolva. Ha a készüléket előre beállított sütési idővel használja, akkor az időzítő **4** kapcsolója az „OFF” állás felé mozog.

Adott esetben a beállított idő elteltével a készülék automatikusan kikapcsol, egy hangjelzés hallható és a működésjelző lámpa **5** kialszik.

## TUDNIVALÓ

A sütési folyamat idő előtti megszakításához forgassa el a hőmérséklet-szabályozót **2** az óramutató járásával ellentétes irányba ütközésig és állítsa az időzítőt **4** „OFF” állásba.


- 7) Ha a készüléket nem előre beállított sütési idővel használja, akkor állítsa az időzítőt **4** „OFF” állásba, ha szeretné befejezni a fűtési folyamatot.
- 8) A sütést követően vegye ki a sütőrácsot, **13**, illetve a sütőlemez **11** a fogó **10** segítségével.
- 9) Állítsa a funkciókapcsolót **3** „OFF” állásba.

## Grillezés nyárssal

- 1) Helyezze be a morzsátalcát **7** a készülékbe.
- 2) Ha esetleg be van helyezve, vegye ki a nyársat **15** a készülékből.
- 3) Csúsztassa a sütőlemez **11** a legalsó sínre.
- 4) Rögzítse a grillezni kívánt ételkészítményt a nyárskapcsok **15** segítségével. Ügyeljen arra, hogy a grillezni kívánt ételkészítmény szabadon tudjon forogni a sütőtérben anélkül, hogy hozzáérne a sütőtér-falához. Előfordulhat, hogy a nyárs **15** forgásiránya megváltozik, ha a grillezni kívánt ételkészítmény ellenállásba ütközik. A nyárs **15** lévő két mélyedésnek szabadon kell maradnia, ellenkező esetben a nyársat **15** nem lehet megfogni a fogóval **12**.
- 5) Rögzítse a nyársat **15** a sütőtérben (lásd a „Nyárs használata” fejezetet).
- 6) Cszukja be az üvegajtót **6**.

## TUDNIVALÓ

A sütési folyamat idő előtti megszakításához forgassa el a hőmérséklet-szabályozót **2** az óramutató járásával ellentétes irányba ütközésig és állítsa az időzítőt **4** „OFF” állásba.

- 7) Állítsa be a hőmérséklet-szabályozón **2** a kívánt hőmérsékletet.
- 8) Állítsa a funkciókapcsolót **3** „felső sütés/légkeverés/nyárs”  állásba.
- 9) Ha szükséges, állítsa be a kívánt grillezési időt az időzítőn **4**. Alternatív megoldásként a készülék időkorlát nélküli használatához az időzítőt **4** „ON” állásba forgathatja. A készülék elindítja a grillezési folyamatot és a nyárs **15** forog.

A működésjelző lámpa **5** jelzi, hogy a készülék be van kapcsolva. Ha a készüléket előre beállított sütési idővel használja, akkor az időzítő **4** kapcsolója az „OFF” állás felé mozog.

Adott esetben a beállított idő elteltével a készülék automatikusan kikapcsol, egy hangjelzés hallható és a működésjelző lámpa **5** kialszik.

## TUDNIVALÓ



A sütési folyamat idő előtti megszakításához forgassa el a hőmérséklet-szabályozót **2** az óramutató járásával ellentétes irányba ütközésig és állítsa az időzítőt **4** „OFF” állásba.

- 10) Ha a készüléket nem előre beállított sütési idővel használja, akkor állítsa az időzítőt **4** „OFF” állásba, ha szeretné befejezni a fűtési folyamatot.
- 11) A grillezést követően távolítsa el a nyársat **15** a fogó **12** segítségével.
- 12) Állítsa a funkciókapcsolót **3** „OFF” állásba.

## GRILLCSIRKE - PÉLDA

### Hozzávalók

- ◆ Grillcsirke (kb. 1,3 kg, megtisztítva)
- ◆ fűszerek (só, paprika)
- ◆ étolaj


- 1) Fűszerezze be a grillcsirkét belülről és kívülről sóval és fűszerpaprikával. Kívülről kenje be hóálló étolajjal.
- 2) Tolja a grillcsirkét a nyársra **15**, majd rögzítse a nyárskapcsokkal **15**. Ügyeljen arra, hogy a nyárson **15** lévő mélyedések szabadon maradjanak, hogy a nyársakat **16** meg lehessen fogni a fogóval **12**. A grillcsirke formájától függően, szükség lehet a szárnyak és combok tűzálló kötöző cérnával történő rögzítésére, hogy forgás közben ne ütközzenek a készülékhez.
- 3) Csúsztassa a sütőlemezt **11** a legalsó sínre.
- 4) Melegítse elő a készüléket kb. 10 perccig a „felső és alsó sütés/légkeverés”  funkcióval kb. 230°C-ra.
- 5) Helyezze be a nyársra rakott grillcsirkét a készülékbe a fogó **12** segítségével.
- 6) Állítsa a funkciókapcsolót „felső sütés/légkeverés/nyárs”  állásba és csukja be az ajtót.
- 7) Állítsa be az időzítőt **4** kb. 80 percre. A sütési idő a grillcsirke méretétől és minőségétől függően eltérő lehet.
- 8) Időnként kenje be a grillcsirkét kevés étolajjal. Így ropogós lesz.
- 9) A beállított idő leteltét követően vegye ki óvatosan a grillező nyársat a grillcsirkével együtt a fogó **12** segítségével. Csavarja ki a nyárskapcsokat **15** és húzza le a grillcsirkét a nyársról **16**.



## Tisztítás és ápolás

### ⚠ VESZÉLY – ÁRAMÜTÉS!

- ▶ Minden tisztítás előtt húzza ki a hálózati csatlakozódugót a hálózati csatlakozóaljzatból! Áramütés veszélye áll fenn!










 Soha ne merítse a készüléket vízbe vagy más folyadékba!

### ⚠ FIGYELMEZTETÉS! SÉRÜLÉSVESZÉLY!

- ▶ Tisztítás előtt mindig hagyja lehűlni a készüléket. Ellenkező esetben égési sérülés veszélye áll fenn!
- A legjobb, ha a készüléket és a tartozékokat rögtön a lehűlés után megtisztítja. Így az élelmiszer-maradékok könnyebben eltávolíthatók.

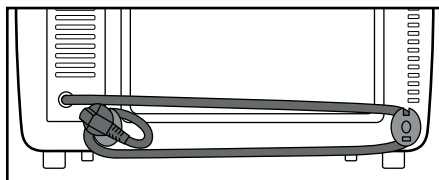
### FIGYELEM! ANYAGI KÁR!

- ▶ Ne használjon súroló vagy maró hatású tisztítószereket. Ezek kárt tehetnek a felületben!
- ▶ Ne tisztítsa a készüléket mosogatógépben!
- ▶ Ne tisztítsa a sütőteret sütőtisztító spray-vel, mivel a fűtőszálakra ragadt maradványokat nem lehet eltávolítani.

- Törölje át a készüléket egy nedves törölkendővel. Szükség esetén tegyen mosogatószerrel a törölkendőre, majd tiszta vízzel benedvesített kendővel törölje át a felületet. Töröljön mindent alaposan szárazra.
- A sütőteret és az üvegajtót  nedves törölkendővel tisztítsa meg. Szükség esetén tegyen mosogatószerrel a törölkendőre, majd tiszta vízzel benedvesített kendővel törölje át a felületet. Töröljön mindent alaposan szárazra.
- A fogót /, a nyársat , a nyárskapcsokat , a rögzítőket , a sütőlapot , a sütőrácsot  és a morzsátálcát  meleg mosogatószeres vízben tisztítsa. A tisztítás után minden részt alaposan töröljön szárazra.

## Tárolás

- A hálózati kábelt a készülék hátoldalán lévő távtartó köré tekerheti és a csatlakozódugót az egyik távtartón rögzítheti:



- Tárolja a megtisztított készüléket és a tartozékokat tiszta, pormentes és száraz helyen.

## Hibaelhárítás

Hiba	Ok	Megoldás
A készülék nem működik.	A hálózati csatlakozódugó nincs az áramhálózatra csatlakoztatva.	Csatlakoztassa a hálózati csatlakozódugót egy hálózati csatlakozóaljzatba.
	A hálózati csatlakozóaljzat meghibásodott.	Használjon másik hálózati csatlakozóaljzatot.
	A készülék meghibásodott.	Forduljon a szervizhez.
Világít a működésjelző lámpa ❸, de a készülék nem melegszik fel.	A funkciókapcsoló ❸ OFF állásban áll.	Tekerje a funkciókapcsolót ❸ a kívánt funkcióra.
Az ételek sütési ideje nagyon hosszúnak tűnik.	Nagyon sokszor kinyitották az üvegajtót ❹ a sütési folyamat ellenőrzése céljából.	Csak akkor nyissa ki az üvegajtót ❹, ha feltétlenül szükséges.
	Helytelen hőmérsékletet állított be.	Ellenőrizze a hőmérséklet-beállításokat.
Használat közben füst és szag keletkezik.	A fűtőszálakon tisztítószer vagy élelmiszer-maradványok vannak.	Vegye ki az ételeket és a füst teljes megszűnéséig nyitott üvegajtóval ❹ folytassa a sütést.

Ha a hibát nem lehet elhárítani a fenti hibaelhárító tippekkel, vagy ha ezektől eltérő hibákat észlel, akkor forduljon szervizünkhöz.

## Ártalmatlanítás



Az áthúzott kerekese szeméttároló itt látható szimbóluma azt jelzi, hogy ez a készülék a 2012/19/EU irányelv hatálya alá tartozik. Ez az irányelv azt mondja ki, hogy a készüléket életciklusa végén nem szabad a szokásos háztartási hulladékkal ártalmatlanítani, hanem külön létrehozott gyűjtőhelyen, újrahasznosító központokban vagy hulladékkezelő üzemben kell leadni.

**Ez az ártalmatlanítás az Ön számára díjtalan. Kímélje a környezetet és ártalmatlanítson szakszerűen.**



Az elhasznált termék ártalmatlanításának lehetőségeiről tájékozódjon települése önkormányzatánál vagy a városi önkormányzatnál.



A termék újrahasznosítható, kiterjesztett gyártói felelősség körébe tartozik és külön kell gyűjteni.



Ártalmatlanítsa a csomagolást környezetbarát módon. Vegye figyelembe a különböző csomagolóanyagokon lévő jelzéseket és adott esetben válassza külön azokat. A csomagolóanyagok rövidítésekkel (a) és számjegyekkel (b) vannak megjelölve, az alábbi jelentéssel: 1–7: műanyagok; 20–22: papír és karton, 80–98: kompozit anyagok.



A csomagolás környezetbarát anyagokból áll, melyet a helyi hulladékhasznosítónál adhat le ártalmatlanításra.

## A Kompennass Handels GmbH garanciája

Tisztelt Vásárlónk!

A készülékre a vásárlás napjától számított 3 év garanciát vállalunk. A termék meghibásodása esetén. Önt jogszabályban foglalt jogok illetik meg az eladóval szemben. Az alábbi garanciánk nem korlátozza vagy szünteti meg a jogszabályban biztosított jogokat.

### Garanciális feltételek

A garanciális időszak a vásárlás napján kezdődik. Gondosan őrizze meg a nyugtát. Ez a vásárlás igazolásához szükséges.

Ha a termékvásárlás napjától számított három éven belül anyag- vagy gyártási hibát észlel, akkor a terméket saját belátásunk szerint ingyen megjavítjuk, kicseréljük vagy visszafizetjük az árát. A garancia feltétele a hibás készülék és a vásárlást igazoló bizonylat (pénztári blokk) három éves garanciaidőn belüli bemutatása, valamint a hiba lényegének és megjelenése idejének rövidleírása.

Ha garanciánk fedezetet nyújt a hibára, akkor javított vagy egy új terméket kap vissza. A termék javítása vagy cseréje esetén a garancia nem kezdődik előlről.

### Garanciális idő és a jogszabályban foglalt szavatossági igények

A garancia ideje nem hosszabbodik meg a jótállással. Ez a cserélt és javított alkatrészekre is vonatkozik. Az esetlegesen már a vásárláskor is fennálló sérüléseket és hiányosságokat a kicsomagolás után azonnal jelezni kell. A garanciai lejárat után esedékes javítások díjkötelesek.

### A garancia köre

A készüléket szigorú minőségi előírások szerint gyártottuk és kiszállítás előtt lelkiismeretesen ellenőriztük.

A garancia anyag- vagy gyártási hibákra vonatkozik. A garancia nem terjed ki a termék normális elhasználódásnak kitett és ezért kopó alkatrészeknek tekinthető alkatrészeire vagy a törékeny alkatrészek – mint például kapcsolók, akkumulátorok vagy üvegből készült alkatrészek – sérüléseire.

A garancia megszűnik akkor, ha a termék megsérül, nem megfelelően használják vagy nem tartják karban. A termék megfelelő használata érdekében a használati útmutatóban foglalt összes utasítást pontosan be kell tartani. Feltétlenül kerülni kell minden olyan felhasználási és kezelési módot, amit a használati útmutató nem javasol, vagy amelynek elkerülésére kifejezetten figyelmeztet.

A termék csak magánhasználatra és nem ipari használatra készült. A garancia érvényét veszti visszaélő szerző vagy szakszerűtlen kezelés, erőszak alkalmazása vagy olyan beavatkozások esetén, amelyeket általunk nem engedélyezett szervizben végeztek el.

## A garancia érvényesítése

Ügyének gyors feldolgozása érdekében kövesse a következő utasításokat:

- Kérjük, hogy minden kapcsolatfelvételnél tartsa készenlétben a vásárlást igazoló pénztári blokkot és a cikkszámot (IAN) 390044\_2201.
- A cikkszám a termék adattábláján, a termékre gravírozva, a használati útmutató címlapján (balra lent) vagy a termék hátoldalán vagy alján lévő címkén található.
- Működési hiba vagy más hiba észlelése esetén vegye fel a kapcsolatot az alábbi szervizrészleggel **telefonon** vagy **e-mailben**.
- Küldje el díjmentesen a megadott szerviz címére a hibásnak talált terméket és a vásárlást igazoló bizonylatot (pénztári blokk), illetve röviden írja le azt is, hogy hol és mikor jelentkezett a hiba.



Más használati útmutatókhoz, termékbemutató videókhoz és a telepítési szoftverekhez hasonlóan ezt is letöltheti a [www.lidl-service.com](http://www.lidl-service.com) oldalról.

Ezzel a QR-kóddal közvetlenül a Lidl ügyfélszolgálati oldalra kerülnek ([www.lidl-service.com](http://www.lidl-service.com)) és a cikkszám megadásával (IAN) 390044\_2201 megnyithatja a használati útmutatót.

## Szerviz

**HU Szerviz Magyarország**

Tel.: 06800 21225

E-Mail: [kompnass@lidl.hu](mailto:kompnass@lidl.hu)

IAN 390044\_2201

## Gyártja

Ügyeljen arra, hogy az alábbi cím nem a szerviz címe. Először forduljon a megjelölt szervizhez.

KOMPERNASS HANDELS GMBH

BURGSTRASSE 21

44867 BOCHUM

NÉMETORSZÁG

[www.kompnass.com](http://www.kompnass.com)

## Receptek

Ebben a fejezetben néhány példát mutatunk be ételek készítésére vonatkozóan. Ezek a példák csak ajánlások. Az elkészítési idők változhatnak.

A receptek sikerét nem garantáljuk. A hozzávalókra és elkészítésre vonatkozó adatok csak hozzávetőleges értékek. Egésztse ki a receptajánlatokat személyes tapasztalataival. Sok szerencsét kívánunk a receptekhez és jó étvágyat.

### TUDNIVALÓ

Vegye figyelembe az élelmiszerek csomagolásán található elkészítési utasításokat.

### Muffin

Hozzávalók négy főre:

- ◆ 1 bögre liszt
- ◆ 1 teáskanál sütőpor
- ◆ 1 tojás
- ◆ 1 evőkanál olvasztott vaj
- ◆ 1 bögre tej
- ◆ 3 evőkanál cukor
- ◆ 1 csipet só
- ◆ ezen kívül a különböző változatokhoz dió/mogyoró, apróra vágott banán vagy csokoládépehely

Elkészítés:

- 1) Keverje össze egy tálban a lisztet, a sütőport, a tojást, a tejet, a sót és a cukrot lassan egymás után.
- 2) Olvassa fel a vajat egy edényben és keverje bele a tésztába.
- 3) Ízlés szerint keverjen bele diót/mogyorót, csokoládépehelyt vagy pépesített banánt.
- 4) Tegye a kész tésztát szokásos muffin formába és helyezze a sütőlemezre ①.
- 5) Süssse a muffinokat 220 °C-on felső és alsó sütéssel az alsó sínekre helyezve kb. 15 percig.

### Hawaii pirítós

Hozzávalók 4 pirítóshoz:

- ◆ 4 szelet pirítósz kenyér
- ◆ 1–2 evőkanál remoulade
- ◆ 120 g főtt sonka
- ◆ 1/2 konzervdoboz ananász
- ◆ 4 szelet sajt a gratináláshoz
- ◆ curry

Elkészítés:

- ◆ Pirítsa meg előre a pirítósz kenyér szeleteket.
- ◆ Ezt követően kenje meg a pirítósz kenyér szeleteket remoulade mártással és tegye rá a főtt sonkát.
- ◆ Tegyen egy-egy szelet ananászt a megkent, sonkás pirítósz kenyérszeletekre. Fűszerezze curryvel.
- ◆ Ezután tegyen egy-egy szelet sajtot az ananász tetejére.
- ◆ Helyezze a Hawaii pirítósz kenyérszeleteket a sütőrácsra ⑬ és süssse a grillező- és sütőautomata felső sínjeire helyezve, felső sütéssel 200 °C-on kb. 8 percig.

### Fagyasztott pizza sütése

Elkészítés:

- ◆ Csúsztassa a sütőrácsot ⑬ a grillező- és sütőtér felső sínjeire.
- ◆ Tegye a fagyasztott pizzát csomagolás nélkül a sütőrácsra ⑬.
- ◆ Süssse a pizzát felső és alsó sütéssel kb. 20 percig.
- ◆ Kérjük vegye figyelembe a csomagoláson feltüntetett hőmérsékletre vonatkozó adatokat.

**Omlós teasütemény**

Hozzávalók:

- ◆ 125 g vaj
- ◆ 125 g cukor
- ◆ 1 csomag vaníliás cukor
- ◆ 1 csipet só
- ◆ 1 tojás
- ◆ 1 tojásfehérje
- ◆ 250 g (405 típusú) liszt
- ◆ 1 teáskanál sütőpor
- ◆ fél citrom reszelt héja

Elkészítés:

- 1) Keverje habosra a vajat.
- 2) Adja hozzá a cukrot, a vaníliás cukrot, a citromhéjat és a tojást.
- 3) Keverje össze a lisztet, a sütőport és a sót és keverje egy keverő kanállal a tésztába.
- 4) Hagyja pihenni a tésztát kb. 10 percig.
- 5) Alakítsa a tésztát a kívánt formára, pl. húsdaráló, kiszúró forma vagy kinyomó zsák segítségével.
- 6) Helyezze az omlós teasüteményt a sütőpapírral bélelt sütőlemezre **11**.
- 7) Süssse az omlós teasüteményt előmelegített sütőben, kb. 180 °C-on, felső és alsó sütéssel, a felső sínen, kb. 10–15 percig, amíg aranybarna nem lesz.

**TUDNIVALÓ**

A tészta mennyisége több sütőlemezre **11** elegendő.

**Zsemle**

Hozzávalók:

- ◆ 300 g liszt (vagy teljes kiőrlésű liszt)
- ◆ bő 2 teáskanál sütőpor
- ◆ 200 g lenmag
- ◆ 1 tojás
- ◆ 500 g túró
- ◆ 1 teáskanál só
- ◆ ízlés szerint kömény, hagyma, szalonna...

Elkészítés:

- 1) Alaposan gyúrja össze a hozzávalókat és a tésztából formázzon kis zsemleket.
- 2) Helyezze a zsemleket a sütőpapírral bélelt sütőlemezre **11**.
- 3) Süssse a zsemleket felső sütéssel kb. 200 °C-on kb. 30 percig a felső sínen.

**TUDNIVALÓ**

A tészta mennyisége több sütőlemezre **11** elegendő.

## Habcsók

Hozzávalók:

- ◆ 1 tojásfehérje
- ◆ só
- ◆ 45 g cukor

Elkészítés:

- 1) Tegye a lehűtött tojásfehérjét egy zsírmentes keverőtálba. Nem keveredhet hozzá tojássárgája, ellenkező esetben a tojáshab nem lesz kemény.
- 2) A tojásfehérjét alacsony fokozaton kell felverni, hogy ne képződjenek túl nagy buborékok a tojáshabban.
- 3) Fűszerezze egy csipet sóval.
- 4) Lassanként adagolja hozzá a cukor felét, ha a tojáshab elkezd keményedni.
- 5) Ezt követően verje fel a tojásfehérjét a legmagasabb fokozaton.
- 6) Adja hozzá a maradék cukrot. Így érhető el a habcsók-massza szükséges szilárdsága.
- 7) Töltse a habcsók-masszát egy nagy csillag-nyílású habzsákba és nyomjon ki rózsákat, nyelveket vagy más formákat egymástól kis távolságra a sütőpapírral bélelt sütőlemezre **11**.
- 8) Melegítse elő a grillező- és sütőautomatát kb. 100 °C-ra légkeveréses fokozaton.
- 9) Süssse a habcsókot a felső sínen kb. 100 °C-on légkeveréses fokozaton mintegy 2 órán át.

## Vajas pirított kenyérkockák

Hozzávalók:

- ◆ 2 szelet pirítós kenyér
- ◆ 1 ek. vaj

Elkészítés:

- 1) Vágja fel apró kockákra a pirítós kenyeret.
- 2) Olvassza fel a vajat egy edényben alacsony hőmérsékleten és keverje bele a pirítós kenyeret.
- 3) Bélelje ki a sütőlemez **11** sütőpapírral és ossza el rajta egyenletesen a kenyérkockákat.
- 4) Addig süssse a kenyér kockákat kb. 170 °C-on, felső sütéssel a felső sínen, amíg aranybarnák nem lesznek (kb. 15–20 perc).

### TUDNIVALÓ

A sima vaj helyett fűszernövényes vagy fokhagymás vajat is használhat. Ebben az esetben a sütési idő kb. 5 perccel csökken.

**Darált húsos baguette**

Hozzávalók:

- ◆ 2 baguette-zsemle
- ◆ 250 g darált hús (fele-fele)
- ◆ 2 paradicsom
- ◆ 1 vöröshagyma (kockára vágva)
- ◆ 2 ek. paradicsomsűrítmény
- ◆ 40 g reszelt parmezán sajt
- ◆ 4 szelet sajt
- ◆ só és bors

Elkészítés:

- 1) Vágja fel a baguette-et és vágja ki a belsejét.
- 2) Keverje össze a darált húst, a paradicsomsűrítményt, a hagymát, a parmezán sajtot, kevés sót és borsot.
- 3) Formázzon a húsmasszából 4 egyforma nagyságú, lehetőleg lapos húspogácsát és helyezze azokat a félbevágott baguette-ekre.
- 4) Vágja szeletekre a paradicsomot és ossza szét a baguette-eken.
- 5) Ossa szét a sajtot a baguette-eken.
- 6) Helyezze a baguette-eket a sütőlemezre **11** és süsse kb. 20 percig, kb. 230 °C-ra előmelegített sütőben, az alsó sínen, felső és alsó sütéssel.

**TUDNIVALÓ**

A darált húst bazsalikkal, chilivel vagy egyéb fűszerekkel is fűszerezheti.

**Karfiol (gratinált)**

Hozzávalók:

- ◆ 1/2 fej karfiol (kb. 250 g)
- ◆ 3 citromszelet
- ◆ 1 ek. vaj
- ◆ 1 púpos tk. liszt
- ◆ 1 ek. citromlé
- ◆ 1 ek. forgácsolt mandula
- ◆ 2 ek. sütni való sajt (reszelve)
- ◆ só, bors, szerecsendió

Elkészítés:

- 1) Szedje rózsáira és mossa meg a karfiolt.
- 2) A citromszeletekkel együtt főzze puhára a karfiolt forrásban lévő sós vízben 8-10 percig. A kiöntésnél hagyjon meg kb. 150 ml főzővizet.
- 3) Olvassa fel a vajat egy edényben és pirítsa a lisztet folyamatos keverés mellett kb. 1 percig.
- 4) Folyamatos keverés közben adja hozzá a karfiol főzővizét és főzze kb. 2 percig. Ha a rántás túl sűrű, fokozatosan adjon hozzá kevés vizet, amíg krémes állagú nem lesz. Fűszerezze citromlével, sóval, borszal és szerecsendióval.
- 5) Tegye a karfiolt egy (kb. 14 cm átmérőjű) sütőedénybe és öntse rá a mártást egyenletesen eloszlatva.
- 6) Szórja rá a sajtot és a mandulát.
- 7) Helyezze a sütőedényt a sütőlemezre **11**.
- 8) Süsse a felfűjtat kb. 200 °C-on előmelegített sütőben, felső és alsó sütéssel kb. 20 percig az alsó sínen.



## Lazaccal töltött levelestészta-batyu

Hozzávalók:

- ◆ 1 csomag levelestészta-lap (kb. 8 darab)
- ◆ 1 csomag füstölt lazacszelet (kb. 200 g)
- ◆ 1 citrom
- ◆ 1 vöröshagyma
- ◆ 1 csomag krémsajt (200 g)
- ◆ friss kapor
- ◆ só és bors
- ◆ 1 tojássárgája

Elkészítés:

- 1) Szedje szét a levelestészta-lapokat és adott esetben hagyja kiolvadni.
- 2) Keverje össze a krémsajtot sóval, borssal és egy citrom levével.
- 3) Darabolja apró kockákra a hagymát.
- 4) Adja a lazac felét és a hagymát a krémsajt-masszához és az egészet pürésítse durva állagúra egy botmixer segítségével.
- 5) A maradék lazacot darabolja vékony csíkokra.
- 6) Adja a lazacot és a kaprot a masszához és az egészet keverje össze.
- 7) Tegyen egy-egy evőkanál masszát a leveles tészta lapokra és hajtsa össze azokat.
- 8) A kész batyut kenje meg tojássárgájával.
- 9) Helyezze a levelestészta-batyukat a sütőlemezre **11**. Hagyjon elegendő távolságot a batyuk között, mert a leveles tészta megkel.
- 10) Süssse a leveles tészta batyukat az alsó sínen kb. 230 °C-on felső és alsó sütéssel kb. 25–30 percig. A leveles tésztának enyhén barnának kell lennie.

### TUDNIVALÓ

A megadott mennyiség több sütőlemezre **11** elegendő.

## Kazalo

<b>Uvod</b> .....	<b>224</b>
<b>Predvidena uporaba</b> .....	<b>224</b>
<b>Vsebina kompleta</b> .....	<b>224</b>
<b>Opis naprave</b> .....	<b>224</b>
<b>Tehnični podatki</b> .....	<b>224</b>
<b>Varnostna navodila</b> .....	<b>225</b>
<b>Postavitev</b> .....	<b>228</b>
<b>Uporaba naprave</b> .....	<b>228</b>
Steklena vrata .....	228
Vstavljanje pladnja za drobtine .....	228
Uporaba vrtljivega nabodala .....	229
Uporaba pekača/rešetke .....	230
<b>Pred prvo uporabo</b> .....	<b>230</b>
<b>Upravljanje naprave</b> .....	<b>231</b>
Funkcijsko stikalo .....	231
Gumb za temperaturo .....	231
Časovnik .....	231
<b>Peka na žaru in v pečici</b> .....	<b>231</b>
<b>Peka na žaru z vrtljivim nabodalom</b> .....	<b>232</b>
<b>Čiščenje in vzdrževanje</b> .....	<b>234</b>
<b>Shranjevanje</b> .....	<b>234</b>
<b>Odpravljanje napak</b> .....	<b>235</b>
<b>Odstranjevanje med odpadke</b> .....	<b>236</b>
<b>Proizvajalec</b> .....	<b>236</b>
<b>Pooblaščen serviser</b> .....	<b>236</b>
<b>Garancijski list</b> .....	<b>236</b>
<b>Recepti</b> .....	<b>237</b>

## Uvod

Iskrene čestitke ob nakupu nove naprave.

Odločili ste se za kakovosten izdelek. Navodila za uporabo so sestavni del izdelka. Vsebujejo pomembna navodila za varnost, uporabo in odstranjevanje med odpadke. Preden začnete izdelek uporabljati, se seznanite z vsemi navodili za uporabo in varnost. Izdelek uporabljajte le tako, kot je opisano, in samo za navedena področja uporabe. Ob predaji izdelka tretji osebi zraven priložite vso dokumentacijo.

## Predvidena uporaba

Pečica z žarom je namenjena izključno za segrevanje, pripravo in peko jedi na žaru.

Naprava je predvidena izključno za uporabo v zasebnih gospodinjstvih. Ne uporabljajte je v poslovne namene.

Vsaka drugačna uporaba velja za nepredvideno in lahko povzroči materialno škodo ali celo telesne poškodbe.

## Vsebina kompleta

- ◆ pečica s funkcijo žara
- ◆ 1 pekač
- ◆ 1 rešetka
- ◆ 2 prijemali
- ◆ vrtljivo nabodalo z 2 sponkama
- ◆ 1 pladenj za drobtine
- ◆ navodila za uporabo

### OPOMBA

Takoj ko izdelek in vse sestavne dele vzamete iz embalaže, preverite, ali komplet vsebuje vse dele in ali ti niso poškodovani. Po potrebi se obrnite na servisno službo.

## Opis naprave

Slika A:

- ❶ pogon
- ❷ gumb za temperaturo
- ❸ funkcijsko stikalo
- ❹ časovnik
- ❺ kontrolna lučka
- ❻ steklena vrata
- ❼ vstavljeni pladenj za drobtine
- ❽ spodnji grelni palici
- ❾ sprejemni nastavek za vrtljivo nabodalo

Slika B:

- ❿ prijemalo (za pekač in rešetko)
- ⓫ pekač
- ⓬ prijemalo (za vrtljivo nabodalo)
- ⓭ rešetka
- ⓮ zapora
- ⓯ sponki vrtljivega nabodala
- ⓰ vrtljivo nabodalo

## Tehnični podatki

Nazivna napetost: 220 – 240 V~ (izmenični tok), 50/60 Hz


Vhodna moč: 1500 W



Vsi deli te naprave, ki pridejo v stik z živili, so primerni za živila.

**Varnostna navodila****⚠ NEVARNOST – ELEKTRIČNI UDAR!**

- ▶ Ohišja naprave ne smete odpirati ali popravljati. V tem primeru varnost ni zagotovljena in jamstvo preneha veljati. Okvarjeno napravo dajte v popravilo samo trgovcu ali pooblaščenim strokovnim osebam.
- ▶ Če je električni priključni kabel pri tej napravi poškodovan, ga mora zamenjati proizvajalec, njegova servisna služba ali podobno usposobljena oseba, da ne pride do nevarnosti.
- ▶ Ne dovolite, da bi v ohišje naprave zašle tekočine. Naprave ne smete izpostavljati vlagi in je uporabljati na prostem. Poleg tega na napravo ne postavljajte nobenih predmetov, napolnjenih s tekočino, npr. vaz. Obstaja nevarnost požara in električnega udara! Če v ohišje naprave vseeno prodre tekočina, električni vtič naprave takoj potegnite iz vtičnice in dajte napravo v popravilo.
- ▶ Naprave, električnega kabla in vtiča se nikoli ne dotikajte z mokrimi rokami. V nasprotnem primeru lahko pride do udara električnega toka.

 Naprave nikoli ne potopite v vodo ali druge tekočine! Če pridejo med delovanjem ostanki tekočine v stik z deli pod napetostjo, lahko pride do smrtne nevarnosti zaradi električnega udara.

## **⚠ OPOZORILO – NEVARNOST TELESNIH POŠKODB!**

- ▶ Otroci od 8. leta starosti naprej in osebe z zmanjšanimi fizičnimi, znanstvenimi ali duševnimi sposobnostmi ali s pomanjkljivimi izkušnjami in znanjem smejo to napravo uporabljati le, če jih pri tem nekdo nadzoruje ali jih je poučil o varni uporabi naprave in so razumeli nevarnosti, ki izhajajo iz uporabe naprave.
- ▶ Otroci se z napravo ne smejo igrati.
- ▶ Otroci ne smejo naprave čistiti ali je vzdrževati kot uporabniki, razen če so starejši od 8 let in dela izvajajo pod nadzorom.
- ▶ Otrokom, ki so mlajši od 8 let, približevanje napravi in priključni napeljavi ni dovoljeno.
- ▶ Električni kabel položite tako, da nihče ne more stopiti nanj ali se spotakniti čezenj.
- ▶ Med uporabo se nikoli ne dotikajte steklenih vrat ali ohišja, saj se zelo segrejeta. Da preprečite opekline, uporabljajte za odpiranje steklenih vrat krpo za prijemanje loncev ipd.!
- ▶ Ko naprava deluje ali preden se je ohladila, se nikoli ne dotikajte grelnih palic ali okna. Med delovanjem pečice ne segajte vanjo. Počakajte, da se naprava ohladi. Drugače bi se lahko opekli.
- ▶ Po uporabi napravo pustite, da se ohladi, preden jo prestavite drugam.
- ▶ Pri delu z vročo napravo vedno uporabljajte rokavice ali krpe za prijemanje loncev!



Previdno! Vroča površina!

**POZOR – MATERIALNA ŠKODA!**

- ▶ Naprave ne uporabljajte z zunanjo stikalno uro ali ločenim daljinskim sistemom.
- ▶ Naprave med delovanjem nikoli ne pustite brez nadzora.
- ▶ Preprečite, da bi naprava, električni kabel ali električni vtič prišel v stik z viri vročine, kot so kuhalne plošče ali odprti plamen.
- ▶ Napravo uporabljajte samo s priloženo originalno opremo.
- ▶ Električnega kabla ne prepogibajte in ga ne stiskajte.
- ▶ Električni kabel iz električne vtičnice zmeraj povlecite za vtič, ne vlecite pa za sam kabel.
- ▶ Med delovanjem v neposredni bližini pečice z žarom ne sme biti hitro vnetljivih materialov (npr. kuhinjske krpe, krpe za prijemanje loncev itd.).
- ▶ Na, nad ali v napravi nikoli ne sušite tekstilnih izdelkov ali predmetov. Obstaja nevarnost požara.

**OPOMBA**

- ▶ Uporabniku izdelka ni treba preklapljati med 50 in 60 Hz. Izdelek se sam prilagodi na 50 ali 60 Hz.

## Postavitev

### ⚠ OPOZORILO! NEVARNOST POŽARA!

- ▶ Naprave nikoli ne postavljajte pod viseče omarice ali poleg zaves, sten omar ali drugih vnetljivih predmetov.
- ▶ Razdalja naprave do visečih omaric, stropov, stranskih sten ali podobnega mora navzgor znašati najmanj 10 cm, ob strani pa po 5 cm. Zato naprave ne smete postavljati v omare ipd. V nasprotnem primeru ni mogoče zadostno prezračevanje naprave in lahko pride do požara ali okvare pečice.
- ▶ Napravo postavite samo na podlago, odporno proti vročini. Drugače obstaja nevarnost požara in se naprava lahko poškoduje. Površina pod dnom naprave se lahko obarva in poškoduje. Poleg tega bi na mehki podlagi lahko ostale trajne sledi.

### ⚠ NEVARNOST – ELEKTRIČNI UDAR!

- ▶ Naprave ne postavljajte v neposredno bližino vode, npr. ob pomivalna korita, kadi za pranje ali v vlažne kletne prostore. V nasprotnem primeru lahko pride do električnega udara.
- Napravo postavite na trdno, ravno in proti vročini odporno podlago (npr. na delovne površine iz nerjavnega jekla ali na plošče iz naravnega kamna, na primer granita). Poskrbite za zadosten pretok zraka okrog naprave.
- Napravo s hrbtno stranjo postavite ob steno. Odmični nastavki na hrbtni strani se morajo dotikati stene. Pazite na to, da je stena iz toplotno odpornega materiala, npr. iz keramičnih ploščic, naravnega kamna ali granita.
- Očistite vse dele naprave, kot je opisano v poglavju »Čiščenje in vzdrževanje«.

## Uporaba naprave

### Steklena vrata

#### POZOR! MATERIALNA ŠKODA!

- ▶ Ne naslanjajte se na steklena vrata ⑥.  
Na steklena vrata ⑥ ne odlagajte nobenih predmetov. To bi poškodovalo tečajne vrat.
- Če so živila, ki jih pripravljate, zelo mastna, se lahko pojavi močnejši dim. V tem primeru steklenih vrat ⑥ ne zaprite do konca, temveč jih pustite malce odprta: steklena vrata ⑥ imajo položaj, v katerem se zaskočijo, tako da ostanejo odprta za velikost špranje. Če steklena vrata ⑥ previdno zapirate, se malce pred zaprtjem zaskočijo v tem položaju.
- Tudi pri sušenju sadežev za izdelavo suhega sadja morajo steklena vrata ⑥ ostati v položaju, v katerem so se zaskočila, da vlaga lahko uhaja in se sadje bolje posuši.

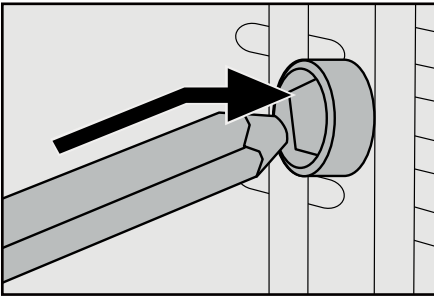
### Vstavljanje pladnja za drobtine

- Pladenj za drobtine ⑦ potisnite pod spodnji grelni palici ⑧, tako da se po vsej površini prilega dnu naprave. Bolj navzgor upognjeno stran lahko uporabljate kot ročaj. Stran, ki ni tako zelo upognjena navzgor, je treba kot prvo potisniti v napravo.

## Uporaba vrtljivega nabodala

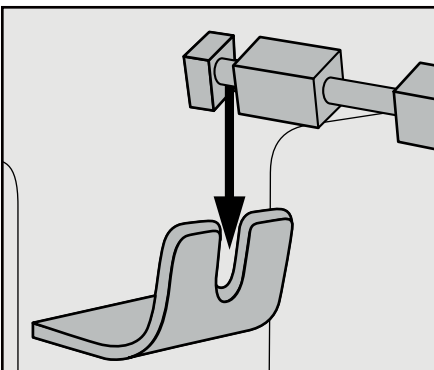
### ⚠ OPOZORILO! NEVARNOST TELESNIH POŠKODB!

- ▶ Vedno uporabljajte prijemalo **12** za vstavljanje vročega vrtljivega nabodala **16** v napravo in za jemanje iz naprave.
- Z obema sponkama vrtljivega nabodala **16** lahko živilo za peko na žaru pritrdite na vrtljivem nabodalu **16**. Sprostite zapori **14** na sponkah vrtljivega nabodala **16**, premaknite ju tako, da je živilo za peko na žaru trdno vpeto med sponkama, in zapori **14** znova trdno privijte.
- Najprej potisnite konec vrtljivega nabodala **16** brez utora v pogon **1** (slika 1):



Sl. 1: Potisnite vrtljivo nabodalo **16** v pogon **1**

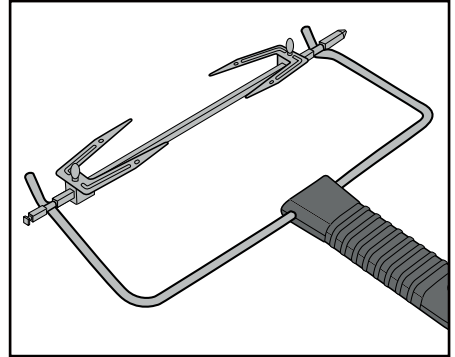
- Potem vstavite drugi konec vrtljivega nabodala **16** z globokim utorom v sprejemni nastavek za vrtljivo nabodalo **9** (slika 2):



Sl. 2: Vstavite vrtljivo nabodalo **16** v sprejemni nastavek za vrtljivo nabodalo **9**

### OPOMBA

- ▶ Vedno vstavite pekač **11** v spodnje vodilo, kadar uporabljate vrtljivo nabodalo **16**. Pekač prestreže tekočino, ki se cedi iz jedi.
- Za odstranjevanje vročega vrtljivega nabodala **16** kavlija na koncu prijemala **12** vstavite v vdolbini na vrtljivem nabodalu **16** (slika 3):



Sl. 3: Vstavev prijemala **12** pri vrtljivem nabodalu **16**

- Najprej dvignite levo stran vrtljivega nabodala **16** iz sprejemnega nastavka za vrtljivo nabodalo **9**, potem pa vrtljivo nabodalo **16** povlecite iz pogona **1**.



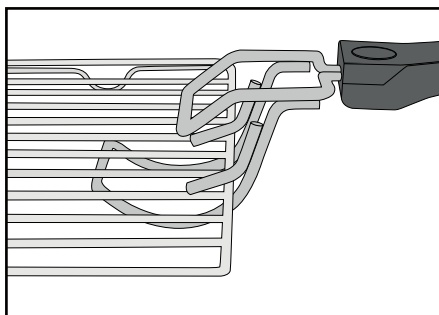
## Uporaba pekača/rešetke

### ⚠ OPOZORILO! NEVARNOST TELESNIH POŠKODB!

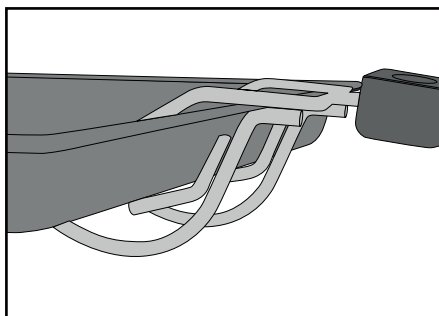
- ▶ Vedno uporabljajte prijemalo **10**, kadar v napravo vstavljate ali iz nje jemljete vroči pekač **11**/vročo rešetko **13**.
- Potisnite pekač **11**/rešetko **13** v eno od 3 vodil v pečici naprave.

### POZOR! MATERIALNA ŠKODA!

- ▶ Pekača **11**/rešetke **13** nikoli ne odlagajte neposredno na grelni palici **8**.
- Da lahko odstranite vroč pekač **11** ali rešetko **13**, vstavite prijemalo **10** takole:




Sl. 4: Vstavljanje prijemala **10** pri rešetki **13**



Sl. 5: Vstavljanje prijemala **10** pri pekaču **11**

## Pred prvo uporabo

- 1) Električni vtič vtaknite v električno vtičnico.
- 2) Gumb za temperaturo **2** zavrtite do konca v smeri urnega kazalca na najvišjo temperaturo.
- 3) Funkcijsko stikalo **3** obrnite na »zgornje in spodnje grejče« .
- 4) Odprite steklena vrata **6** in jih za ta postopek pustite odprta.
- 5) Odstranite morebiti vstavljen pribor iz pečice.
- 6) Časovnik **4** nastavite na 20 minut.

### OPOMBA

- ▶ Pri prvem segrevanju naprave lahko zaradi ostankov od proizvodnje nastaneta rahel dim in vonj. To je popolnoma običajno in ni nevarno. Poskrbite za zadostno prezračevanje, tako da na primer odprete okno.

Naprava se po 20 minutah samodejno izklopi. Če želite postopek segrevanja predčasno prekiniti, obrnite gumb za temperaturo **2** do konca v nasprotni smeri urnega kazalca in časovnik **4** nastavite na »OFF«.

- 7) Počakajte, da se naprava ohladi, in jo očistite, kot je opisano v poglavju »Čiščenje in vzdrževanje«.

Naprava je zdaj pripravljena za uporabo.

## Upravljanje naprave

### Funkcijsko stikalo

S funkcijskim stikalom **3** lahko vklopite napravo in nastavite 5 različnih funkcij:


Simbol	Pomen
	»spodnje gretje« npr. za peko kolačev
	»zgornje gretje« npr. za gratiniranje
	»zgornje in spodnje gretje« npr. za peko pice
	»zgornje gretje/kroženje zraka/vrtljivo nabodalo« npr. za peko perutnine na žaru
	»zgornje in spodnje gretje/ kroženje zraka« npr. za dokončno peko žemljic
OFF	»OFF« naprava je izklopljena

### Gumb za temperaturo

Z gumbom za temperaturo **2** lahko nastavite zeleno temperaturo.

### Časovnik

S pomočjo časovnika **4** lahko vklopite napravo/ nastavite čas priprave jedi:

- Časovnik **4** prestavite na zeleni čas priprave jedi. Po koncu nastavljenega časa se oglasi zvočni signal in naprava se preneha segrevati. Če je izbrana funkcija »zgornje gretje/kroženje zraka/vrtljivo nabodalo« , se zaustavi tudi obračanje vrtljivega nabodala **15**.
- Kadar želite napravo uporabljati brez časovnih omejitev, obrnite vrtljivo stikalo časovnika **4** v nasprotni smeri urnega kazalca v položaj »ON«.

### Peka na žaru in v pečici

- 1) Pladenj za drobtine **7** položite v napravo.
- 2) Rešetko **15** in pekač **11** vzemite iz naprave. Po potrebi ju obložite s papirjem za peko oz. pekač **11** premažite z maščobo, primerno za peko.

#### OPOMBA

- ▶ Odvisno od jedi je pečico morda treba predhodno segreti. Upoštevajte navodila v svojem receptu. Predhodno segrevanje je vsekakor smiselno pri:
  - zelo kratkem času peke,
  - hrustljavi skorji,
  - občutljivih jedeh, za katere je potrebna stalna temperatura, na primer sufle.
- ▶ Če predhodno segrevanje ni potrebno, preskočite 3. korak.

- 3) Počakajte pribl. 10 minut (odvisno od nastavljenе temperature), da se naprava segreje na zeleno temperaturo:
  - Z gumbom za temperaturo **2** izberite zeleno temperaturo.
  - Potem s funkcijskim stikalom **3** izberite zeleno funkcijo.

## OPOMBA

- ▶ Če izberete funkcijo kroženja zraka, lahko praviloma pečete brez predhodnega segrevanja pečice.
  - S časovnikom **4** nastavite čas predhodnega segrevanja (pribl. 10 minut).
  - Zaprite steklena vrata **6**.
- 4) Ko čas poteče, položite jed za pripravo na žaru oz. peko na rešetko **13** oz. v pekač **11** in rešetko ali pekač potisnite v eno od vodil v pečici. Pri tem pazite, da je jed za pripravo na žaru oz. peko dovolj oddaljena od notranjih sten in grelnih palic naprave.

## OPOMBA

- ▶ Če na rešetki **13** pripravljate močno kapljavačo živilo za peko na žaru, v najnižje vodilo potisnite pekač **11**. Tako se npr. prestreže maščoba, ki kaplja z živila, in lahko napravo pozneje lažje očistite.
- 5) Pred začetkom peke ali priprave jedi na žaru zaprite steklena vrata **6**.
- 6) Po potrebi s časovnikom **4** nastavite želeni čas priprave jedi na žaru oz. peke. Najdaljši možen čas, ki ga lahko s časovnikom **4** nastavite za pripravo jedi na žaru oz. peko, je 120 minut. Časovnik **4** pa lahko prestavite tudi na »ON« in napravo uporabljate neomejeno dolgo.

## OPOMBA

- ▶ Če znaša čas priprave vaše jedi na žaru oz. peke manj kot 20 minut, časovnik **4** najprej prestavite na 40 minut in potem nazaj na želeni čas priprave jedi na žaru oz. peke.

Kontrolna lučka **5** prikazuje, da je naprava vklopljena. Pri uporabi naprave z vnaprej nastavljenim časom peke se stikalo časovnika **4** zdaj pomika proti položaju »OFF«.

Naprava se po potrebi po poteku nastavljenega časa samodejno izklopi, oglasi se zvočni signal in kontrolna lučka **5** ugasne.

## OPOMBA


- ▶ Če želite postopek segrevanja predčasno prekiniti, obrnite gumb za temperaturo **2** do konca v nasprotni smeri urnega kazalca in časovnik **4** nastavite na »OFF«.
- 7) Če naprave ne uporabljate z vnaprej nastavljenim časom peke, prestavite časovnik **4** na »OFF«, ko želite postopek segrevanja zaključiti.
- 8) Po postopku segrevanja rešetko **13** oz. pekač **11** s pomočjo prijemala **10** vzemite ven.
- 9) Funkcijsko stikalo **3** prestavite na »OFF«.

## Peka na žaru z vrtljivim nabodalom

- 1) Pladenj za drobtine **7** položite v napravo.
- 2) Če je vstavljen, vzemite vrtljivo nabodalo **16** iz naprave.
- 3) Pekač **11** potisnite v najnižje vodilo.
- 4) Živilo za peko na žaru pritrdite s sponkami vrtljivega nabodala **15**. Pazite na to, da se živilo za peko na žaru lahko prosto vrti v pečici, ne da bi ga pri tem kaj oviralo. Zgodi se lahko, da vrtljivo nabodalo **16** spremeni smer vrtenja, če živilo za peko na žaru zadene ob oviro. Obe vdolbini na vrtljivem nabodalu **16** morata biti prosto dostopni, drugače vrtljivega nabodala **16** ni mogoče prijeti s prijemalom **12**.
- 5) Vrtljivo nabodalo **16** pritrdite v pečici (glejte poglavje »Uporaba vrtljivega nabodala«).
- 6) Zaprite steklena vrata **6**.

## OPOMBA

Če želite postopek segrevanja predčasno prekiniti, obrnite gumb za temperaturo **2** do konca v nasprotni smeri urnega kazalca in časovnik **4** nastavite na »OFF«.

- 7) Z gumbom za temperaturo **2** nastavite želeno temperaturo.
- 8) Funkcijsko stikalo **3** prestavite na »zgornje gretje/kroženje zraka/vrtljivo nabodalo« .
- 9) Po želji na časovniku **4** nastavite zeleni čas priprave jedi na žaru. Časovnik **4** pa lahko prestavite tudi na »ON« in napravo uporabljate neomejeno dolgo.  
Naprava zažene postopek priprave jedi na žaru in vrtljivo nabodalo **1b** se vrti.

Kontrolna lučka **5** prikazuje, da je naprava vklopljena. Pri uporabi naprave z vnaprej nastavljenim časom peke se stikalo časovnika **4** zdaj pomika proti položaju »OFF«.

Naprava se po potrebi po poteku nastavljenega časa samodejno izklopi, oglasi se zvočni signal in kontrolna lučka **5** ugasne.

## OPOMBA



Če želite postopek segrevanja predčasno prekiniti, obrnite gumb za temperaturo **2** do konca v nasprotni smeri urnega kazalca in časovnik **4** nastavite na »OFF«.

- 10) Če naprave ne uporabljate z vnaprej nastavljenim časom peke, prestavite časovnik **4** na »OFF«, ko želite postopek segrevanja zaključiti.
- 11) Po koncu peke na žaru vrtljivo nabodalo **1b** s pomočjo prijemala **12** vzemite ven.
- 12) Funkcijsko stikalo **3** prestavite na »OFF«.

## PRIMER PIŠČANCA NA ŽARU

### Sestavine


- ◆ piščanec za peko na žaru (pribl. 1,3 kg, brez drobovine)
- ◆ začimbe (sol, paprika)
- ◆ jedilno olje

- 1) Začinite notranje in zunanje dele piščanca za peko na žaru s soljo ter mleto papriko. Na zunanji strani ga premažite z jedilnim oljem, odpornim proti vročini.
- 2) Piščanca za peko na žaru potisnite na vrtljivo nabodalo **1b** in ga pritrdite s sponkama vrtljivega nabodala **1b**. Pri tem pazite na to, da vdolbine na vrtljivem nabodalu **1b** ostanejo proste, da lahko vrtljivo nabodalo **1b** primete s prijemalom **12**. Odvisno od oblike piščanca je mogoče treba njegova krila in bedra pritrditi z ognjevarno vrvico, da med obračanjem ne udarjajo okrog sebe.
- 3) Pekač **11** potisnite v najnižje vodilo.
- 4) Predhodno segrevajte napravo na 230 °C pribl. 10 minut s funkcijo »zgornje in spodnje gretje« .
- 5) Piščanca za peko na žaru na vrtljivem nabodalu s pomočjo prijemala **12** namestite v napravo.
- 6) Funkcijsko stikalo nastavite na »zgornje gretje/kroženje zraka/vrtljivo nabodalo«  in zaprite vrata.
- 7) Časovnik **4** nastavite na pribl. 80 minut. Čas priprave jedi se lahko razlikuje glede na velikost in lastnost piščanca za peko na žaru.
- 8) Piščanca za peko na žaru med pripravo večkrat premažite z malce jedilnega olja. Tako bo bolj hrustljav.
- 9) Ko nastavljeni čas poteče, nabodalo s piščancem previdno vzemite ven s prijemalom **12**. Sprostite sponki vrtljivega nabodala **1b** in piščanca povlecite z vrtljivega nabodala **1b**.

## Čiščenje in vzdrževanje

### ⚠ NEVARNOST – ELEKTRIČNI UDAR!

- ▶ Pred vsakim čiščenjem električni vtič izvlecite iz električne vtičnice! Obstaja nevarnost električnega udara!

 Naprave nikoli ne potopite v vodo ali druge tekočine!

### ⚠ OPOZORILO! NEVARNOST TELESNIH POŠKODB!

- ▶ Pred čiščenjem vedno počakajte, da se naprava ohladi. V nasprotnem primeru obstaja nevarnost opeklin!

- Najbolje je, da napravo in dele pribora očistite, takoj ko se ohladijo. Tako boste lažje odstranili ostanke živil.

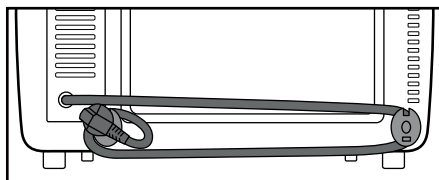
### POZOR! MATERIALNA ŠKODA!

- ▶ Ne uporabljajte grobih ali agresivnih čistilnih sredstev. Ta bi lahko poškodovala površino!
- ▶ Delov naprave ne čistite v pomivalnem stroju!
- ▶ Notranjosti pečice ne čistite s pršilom za čiščenje pečic, saj ostankov pršila na grelnih palicah ne bo več mogoče odstraniti.

- Napravo obrišite z vlažno krpo. Po potrebi na krpo nanesite blago pomivalno sredstvo in površine naknadno obrišite s krpo, navlaženo s čisto vodo. Vse dele skrbno osušite.
- Notranjost pečice in steklena vrata **6** očistite z vlažno krpo. Po potrebi na krpo nanesite blago pomivalno sredstvo in površine naknadno obrišite s krpo, navlaženo s čisto vodo. Vse dele skrbno osušite.
- Prijemali **10/12**, vrtljivo nabadalo **15**, sponki vrtljivega nabadala **15**, zapori **14**, pekač **11**, rešetko **13** in pladenj za drobtine **7** očistite v topli vodi za pomivanje. Po čiščenju vse dele dobro osušite.

## Shranjevanje

- Električni kabel lahko ovijete okrog odmičnih nastavkov na hrbtni strani naprave in vtič pritrdite na enega od nastavkov:



- Očiščeno napravo in njen pribor hranite na čistem ter suhem mestu brez prahu.

## Odpravljanje napak

Napaka	Vzrok	Rešitev
Naprava ne deluje.	Električni vtič ni povezan z električnim omrežjem.	Električni vtič vtaknite v električno vtičnico.
	Električna vtičnica je pokvarjena.	Uporabite drugo električno vtičnico.
	Naprava je pokvarjena.	Obrnite se na servisno službo.
Kontrolna lučka <b>5</b> sveti, naprava pa se ne segreva.	Funkcijsko stikalo <b>3</b> je na OFF.	Funkcijsko stikalo <b>3</b> obrnite na želeno funkcijo.
Čas priprave jedi se zdi zelo dolg.	Steklena vrata <b>6</b> so bila zelo pogosto odprta zaradi preverjanja napredovanja priprave jedi.	Steklenih vrat <b>6</b> ne odpirajte pogosteje, kot je nujno potrebno.
	Nastavljena je napačna temperatura.	Preverite temperaturne nastavitve.
Med uporabo se pojavljata dim in neprijeten vonj.	Na grelnih palicah so ostanki čistilnih sredstev ali živil.	Jedi vzemite iz naprave in nadaljujte postopek priprave pri odprtih steklenih vratih <b>6</b> , dokler dim ne preneha nastajati.

Če motenj ni mogoče odpraviti z navedenimi ukrepi ali če ugotovite druge vrste motenj, se obrnite na naš servis.

## Odstranjevanje med odpadke



Ta simbol prečrtanega smetnjaka na kolesih pomeni, da za to napravo velja Direktiva 2012/19/EU. Ta direktiva predpisuje, da naprave po koncu uporabe ni dovoljeno zavreči med običajne gospodinjske odpadke, ampak jo morate oddati na posebnih zbirališčih ali deponijah za odpadke ali pri podjetjih za odstranjevanje odpadkov.

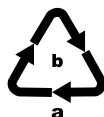
**To odstranjevanje med odpadke je za vas brezplačno. Varujte svoje okolje in odpadke ustrezno odstranite.**



O možnostih za odstranitev odsluženega izdelka vprašajte pri svoji občinski ali mestni upravi.



Izdelek je mogoče reciklirati, je podvržen razširjeni odgovornosti proizvajalca in se zbira ločeno.



Embalažo odložite med odpadke na okoljsko primeren način. Upoštevajte oznake na različnih embalažnih materialih in jih po potrebi ločite. Embalažni materiali so označeni s kraticami (a) in števkami (b) z naslednjim pomenom: 1–7: umetne snovi, 20–22: papir in karton, 80–98: sestavljeni materiali.



Embalaža je iz okolju prijaznih materialov, ki jih lahko oddate na krajevnih zbirališčih odpadkov za recikliranje.

## Proizvajalec

KOMPERNASS HANDELS GMBH  
BURGSTRASSE 21  
44867 BOCHUM  
NEMČIJA  
www.kompernass.com

## Pooblaščen serviser

**SI Servis Slovenija**  
Tel.: 080 080 917  
E-Mail: kompernass@lidl.si

IAN 390044\_2201

## Garancijski list

1. S tem garancijskim listom Kompernass Handels GmbH jamčimo, da bo izdelek v garancijskem roku ob normalni in pravilni uporabi brezhibno deloval in se zavezujemo, da bomo ob izpolnjenih spodaj navedenih pogojih odpravili morebitne pomanjkljivosti in okvare zaradi napak v materialu ali izdelavi oziroma po svoji presoji izdelek zamenjali ali vrnili kupnino.
2. Garancija je veljavna na ozemlju Republike Slovenije.
3. Garancijski rok za proizvod je 3 leta od datuma izročitve blaga. Datum izročitve blaga je razviden iz računa.
4. Kupec je dolžan okvaro javiti pooblaščenemu servisu oziroma se informirati o nadaljnjih postopkih na zgoraj navedeni telefonski številki. Svetujemo vam, da pred tem natančno preberete navodila o sestavi in uporabi izdelka.
5. Kupec je dolžan pooblaščenemu servisu predložiti garancijski list in račun, kot potrdilo in dokazilo o nakupu ter dnevu izročitve blaga.

6. V primeru, da proizvod popravlja nepooblaščen servis ali oseba, kupec ne more uveljavljati zahtevkov iz te garancije.
7. Vzroki za okvaro oziroma nedelovanje izdelka morajo biti lastnosti stvari same in ne vzroki, ki so zunaj proizvajalčeve oziroma prodajalčeve sfere. Kupec ne more uveljavljati zahtevkov iz te garancije, če se ni držal priloženih navodil za sestavo in uporabo izdelka ali če je izdelek kakorkoli spremenjen ali nepravilno vzdrževan.
8. Jamčimo servis in rezervne dele še 3 leta po preteku garancijskega roka.
9. Obrabni deli oz. potrošni material so izvzeti iz garancije.
10. Vsi potrebni podatki za uveljavljanje garancije se nahajajo na dveh ločenih dokumentih (garancijski list, račun).
11. Ta garancija proizvajalca ne izključuje pravic potrošnika, ki izhajajo iz odgovornosti prodajalca za napake na blagu.

**Prodajalec:**

Lidl Slovenija d.o.o. k.d., Pod lipami 1,  
SI-1218 Komenda

**Recepti**

V tem poglavju vam nudimo nekaj primerov priprave jedi. Primeri so le priporočila. Čas priprave se lahko razlikuje od navedenega.

Vsi recepti so brez zagotovila za uspeh. Vsi podatki o sestavinah in pripravi so približni. Predloge receptov dopolnite s svojimi izkušnjami. Vsekakor vam želimo veliko uspeha in dober tek.

**OPOMBA**

Upoštevajte navodila za pripravo, navedena na embalaži živil.

**Mafini**

Sestavine za štiri osebe:

- ◆ 1 skodelica moke
- ◆ 1 žlička pecilnega praška
- ◆ 1 jajce
- ◆ 1 žlica stopljenega masla
- ◆ 1 skodelica mleka
- ◆ 3 žlice sladkorja
- ◆ 1 ščepec soli
- ◆ za različne izvedbe še oreški, koščki banane ali čokoladni kosmiči

Priprava:

- 1) V skledi počasi in drugo za drugim zmešajte moko, pecilni prašek, jajce, mleko, sol ter sladkor.
- 2) V primerni posodi raztopite maslo in ga umešajte v testo.
- 3) Po želji primešajte oreške, čokoladne kosmiče ali pretlačene banane.
- 4) Izdelano testo dajte v ustrezne modelčke za mafine, te pa položite na pekač **1**.
- 5) Mafine pecite pri 220 °C z zgornjim in spodnjim gretnjem na spodnjem vodilu približno 15 minut.



## Havajski opečenc

Sestavine za 4 opečence:

- ◆ 4 rezine opečenca
- ◆ 1–2 žlici remulade
- ◆ 120 g kuhane šunke
- ◆ 1/2 konzerve ananasa
- ◆ 4 rezine sira za gratiniranje
- ◆ kari

Priprava:

- ◆ Najprej popecite rezine opečenca.
- ◆ Nato jih na tanko namažite z remulado in obložite s kuhano šunko.
- ◆ Na vsak obložen opečenc položite po eno rezino ananasa. Začinite s karijem.
- ◆ Potem na vsak kos ananasa položite rezino sira.
- ◆ Kose havajskega opečenca položite na rešetko **13** in jih v pečici z žarom pecite pri pribl. 200 °C z zgornjim gretjem na zgornjem vodilu pribl. 8 minut.

## Peka zamrznjene pice

Priprava:

- ◆ Rešetko **13** potisnite v zgornje vodilo v prostoru za pripravo jedi.
- ◆ Zamrznjeno pico brez embalaže položite na rešetko **13**.
- ◆ Pico pecite z zgornjim in spodnjim gretjem pribl. 20 minut.
- ◆ Upoštevajte podatke o temperaturi, navedene na embalaži.

## Brizgani keksi

Sestavine:

- ◆ 125 g masla
- ◆ 125 g sladkorja
- ◆ 1 zavitek vaniljevega sladkorja
- ◆ 1 ščepec soli
- ◆ 1 jajce
- ◆ 1 beljak
- ◆ 250 g moke (tip 405)
- ◆ 1 žlička pecilnega praška
- ◆ nastrgana lupina polovice limone

Priprava:

- 1) Penasto umešajte maslo.
- 2) Dodajte sladkor, vaniljev sladkor, limonino lupino in jajce.
- 3) Moko zmešajte s pecilnim praškom in soljo ter jo s kuhalnico umešajte v testo.
- 4) Testo pustite mirovati pribl. 10 minut.
- 5) Testo oblikujte v zeleno obliko, npr. s pomočjo strojčka za mletje mesa, modelčkov za izrezovanje ali vrečke za brizganje testa.
- 6) Brizgane kekse položite na pekač **11**, obložen s papirjem za peko.
- 7) Brizgane kekse pecite v predhodno segreti pečici pri pribl. 180 °C z zgornjim in spodnjim gretjem na zgornjem vodilu pribl. 10–15 minut, dokler niso zlatorumeni.

### OPOMBA

Količina testa zadostuje za več pekačev **11**.

## Žemljice

Sestavine:

- ◆ 300 g moke (ali polnozrnatke moke)
- ◆ 2 čajni žlički pecilnega praška
- ◆ 200 g lanenih semen
- ◆ 1 jajce
- ◆ 500 g skute
- ◆ 1 čajna žlička soli
- ◆ po želji kumina, čebula, slanina ...

Priprava:

- 1) Vse skupaj dobro premesite in oblikujte majhne žemljice.
- 2) Žemljice položite na pekač **11**, obložen s papirjem za peko.
- 3) Pecite jih pri pribl. 200 °C z zgornjim gretjem na zgornjem vodilu približno 30 minut.

### OPOMBA

Količina testa zadostuje za več pekačev **11**.

## Beljakovi poljubčki

Sestavine:

- ◆ 1 beljak
- ◆ sol
- ◆ 45 g sladkorja

Priprava:

- 1) Ohlajen beljak dajte v posodo za mešanje brez maščobe. V beljaku ne sme biti nič rumenjaka, sicer se sneg iz beljaka ne bo strdil.
- 2) Beljak stepajte z majhno hitrostjo, da v snegu ne nastanejo preveliki mehurčki.
- 3) Začinite ga z majhnim ščepcem soli.
- 4) Ko se sneg začne strjevati, postopoma dodajte polovico sladkorja.
- 5) Potem ga na največji stopnji zmešajte tako, da postane trden.
- 6) Dodajte preostali sladkor. Tako bo masa za poljubčke postala dovolj trdna.
- 7) Maso dajte v vrečko za brizganje z velikim zvezdastim nastavkom in na majhni razdalji na pekaču **11**, obloženem s papirjem za peko, z brizganjem oblikujte rozete, jezičke ali druge oblike.
- 8) Pečico z žarom segrejte na pribl. 100 °C s kroženjem zraka.
- 9) Poljubčke pecite pri pribl. 100 °C s kroženjem zraka na zgornjem vodilu pribl. 2 uri.

## Maslene kruhove kockice

Sestavine:

- ◆ 2 rezini opečenca
- ◆ 1 žlica masla

Priprava:

- 1) Opečenc narežite na majhne kocke.
- 2) V loncu na majhni vročini raztopite maslo in vmešajte koščke opečenca.
- 3) Papir za peko položite na pekač **11** in kocke opečenca enakomerno razporedite po papirju.
- 4) Kocke opečenca pecite pri pribl. 170 °C z zgornjim gretjem na zgornjem vodilu, tako da se zlaturumeno zapečejo (pribl. 15–20 minut).

### OPOMBA

Namesto običajnega masla lahko uporabite tudi takšnega z zelišči ali česnom. Čas peke se potem skrajša za pribl. 5 minut.

## Francoske štruce z mletim mesom

Sestavine:

- ◆ 2 francoski štruci
- ◆ 250 g mletega mesa (mešanega)
- ◆ 2 paradižnika
- ◆ 1 čebula (narezana na kocke)
- ◆ 2 žlici paradižnikove mezge
- ◆ 40 g nastrganega parmezana
- ◆ 4 rezine sira
- ◆ sol in poper

Priprava:

- 1) Francoski štruci prerežite in odstranite sredico.
- 2) Zmešajte mleto meso, paradižnikovo mezgo, čebulo, parmezan, malce soli in malce popra.
- 3) Iz mletega mesa oblikujte 4 enako velike, po možnosti ploske polpete in jih položite na polovice francoskih štruc.
- 4) Paradižnik narežite na rezine in te porazdelite po polovicah štruc.
- 5) Potem po štrucih porazdelite še sir.
- 6) Francoske štruce položite na pekač **11** in jih pecite pri pribl. 230 °C v predhodno segreti pečici z zgornjim in spodnjim gretjem na spodnjem vodilu pribl. 20 minut.

### OPOMBA

Maso iz mletega mesa lahko začinite tudi z bazi-liko, čilijem ali drugimi začimbami.

**Cvetača (gratinirana)**

Sestavine:

- ◆ 1/2 glave cvetače (pribl. 250 g)
- ◆ 3 rezine limone
- ◆ 1 žlica masla
- ◆ 1 zvrhana žlica moke
- ◆ 1 žlica limoninega soka
- ◆ 1 žlica nasekanih mandljev
- ◆ 2 žlici sira za gratiniranje (nastrganega)
- ◆ sol, poper, muškadni orešek

Priprava:

- 1) Razdelite cvetačo na posamezne cvetove in jih operite.
- 2) Cvetačo kuhajte z rezinami limone v vreli slani vodi 8–10 minut, tako da je cvetača ravno dovolj mehka za ugriz. Pri odlivanju vode od kuhanja dajte pribl. 150 ml na stran.
- 3) V loncu stopite maslo in dodajte moko ter ob nenehnem mešanju v pribl. 1 minuti naredite prežganko.
- 4) Ob nenehnem mešanju dolivajte vodo od cvetače in vse skupaj pustite, da se kuha pribl. 2 minuti. Če je prežganka pregosta, ji postopoma dolivajte vodo, tako da dobi mehko konsistenco. Začinite jo z limoninim sokom, soljo, poprom in muškatinim oreščkom.
- 5) Cvetačo dajte v posodo za pripravo narastka (pribl. 14 cm premera) in jo enakomerno prelijte z omako.
- 6) Potem čez vse skupaj potresite sir in mandljeve koščke.
- 7) Posodo za narastek postavite na pekač **11**.
- 8) Narastek pecite pri pribl. 200 °C v predhodno segreti pečici z zgornjim in spodnjim gretjem na spodnjem vodilu pribl. 20 minut.

**Žepki iz listnatega testa z lososovim nadevom**

Sestavine:

- ◆ 1 zavitek listnatega testa (pribl. 8 kosov)
- ◆ 1 zavitek dimljenega lososa v rezinah (pribl. 200 g)
- ◆ 1 limona
- ◆ 1 čebula
- ◆ 1 zavitek svežega sira (200 g)
- ◆ sveži koper
- ◆ sol in poper
- ◆ 1 rumenjaki

Priprava:

- 1) Kose listnatega testa ločite med seboj in jih po potrebi pustite, da se odtalijo.
- 2) Sveži sir zmešajte s soljo, poprom in sokom ene limone.
- 3) Čebulo narežite na fine kocke.
- 4) Svežemu siru dodajte polovico lososa in čebulo ter vse skupaj na grobo stlačite s paličnim mešalnikom.
- 5) Preostali losos narežite na tanke trakove.
- 6) Losos in koper dodajte k siru ter vse skupaj premešajte.
- 7) Na vsak list testa dajte po eno žlico sirove mase in testo prepognite.
- 8) Tako nastale žepke premažite z rumenjaki.
- 9) Žepke iz listnatega testa položite na pekač **11**. Med posameznimi žepki pustite dovolj prostora, saj bo listnato testo vzhajalo.
- 10) Žepke iz listnatega testa pecite pri pribl. 230 °C z zgornjim in spodnjim gretjem na spodnjem vodilu pribl. 25–30 minut. Listnato testo se mora rahlo rjavo obarvati.

**OPOMBA**Navedena količina zadostuje za več pekačev **11**.





**KOMPERNASS HANDELS GMBH**

BURGSTRASSE 21

44867 BOCHUM

GERMANY

[www.kompernass.com](http://www.kompernass.com)

Last Information Update · Stand der Informationen · Version des informations

Stand van de informatie · Stav informací · Stan informacj · Stav informácií

Estado de las informaciones · Tilstand af information · Versione delle informazioni

Információk állása · Stanje informacij: 01 / 2022 · Ident.-No.: SGBR1500D4-012022-1

---

IAN 390044\_2201