



PDF ONLINE
parkside-diy.com



HOSE REEL WITH GROUND SPIKE / ERD-SCHLAUCHAUFRÖLLER / ENROULEUR DE TUYAU SUR PIQUET

(GB) (IE) (NI) (MT)

HOSE REEL WITH GROUND SPIKE

Assembly, operating and safety instructions
Translation of the original instructions

(DE) (AT) (BE) (CH)

ERD-SCHLAUCHAUFRÖLLER

Montage-, Bedienungs- und Sicherheitshinweise
Originalbetriebsanleitung

(FR) (BE) (CH)

ENROULEUR DE TUYAU SUR PIQUET

Instructions de montage, d'utilisation et consignes de sécurité
Traduction de la notice originale

(NL) (BE)

TUINSLANG HASPEL MET GRONDSPIES

Montage-, bedienings- en veiligheidsinstructies
Vertaling van de oorspronkelijke gebruiksaanwijzing

(IT) (CH) (MT)

AVVOLGITUBO A TERRA

Istruzioni di montaggio, d'uso e di sicurezza
Traduzione delle istruzioni originali

(ES)

TAMBOR PORTAMANGUERA DE SUELO

Instrucciones de montaje, utilización y advertencias de seguridad
Traducción del manual original

(PT)

ENROLADOR DE MANGUEIRA PARA SOLO

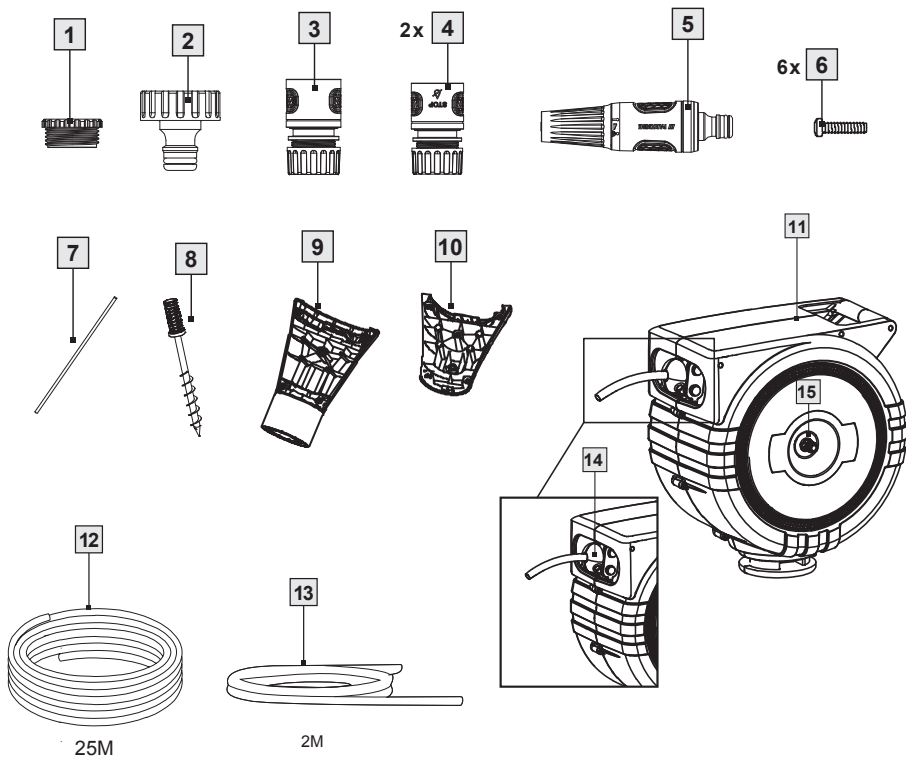
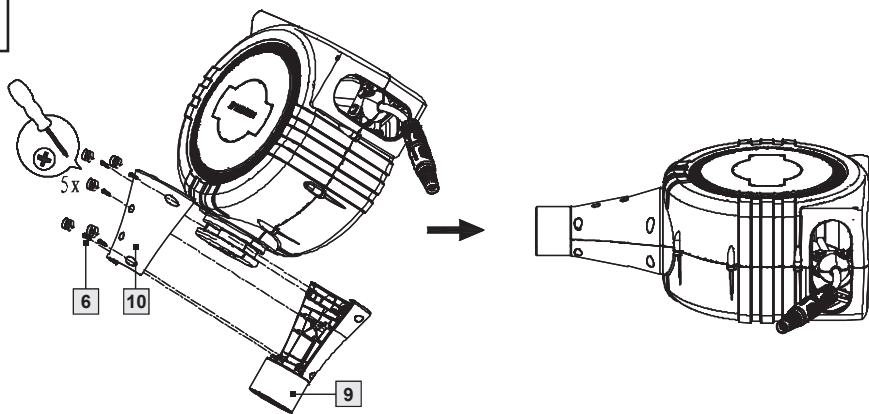
Instruções de montagem, funcionamento e segurança
Tradução do manual original

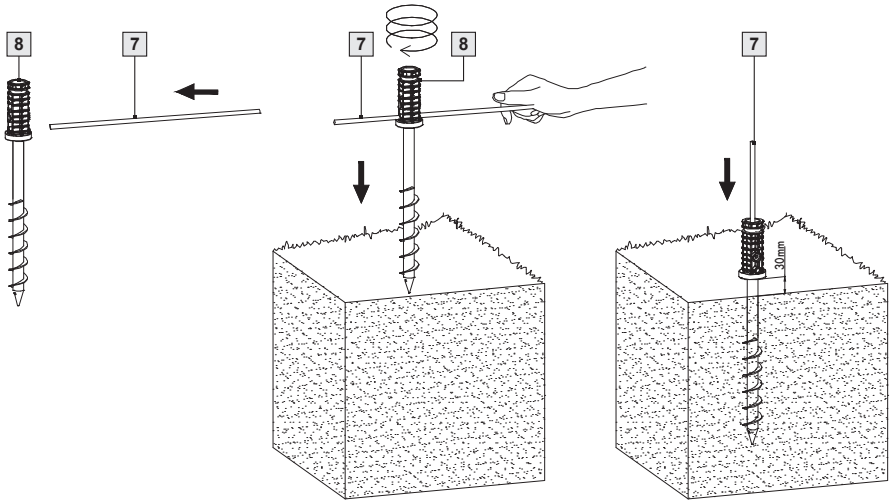
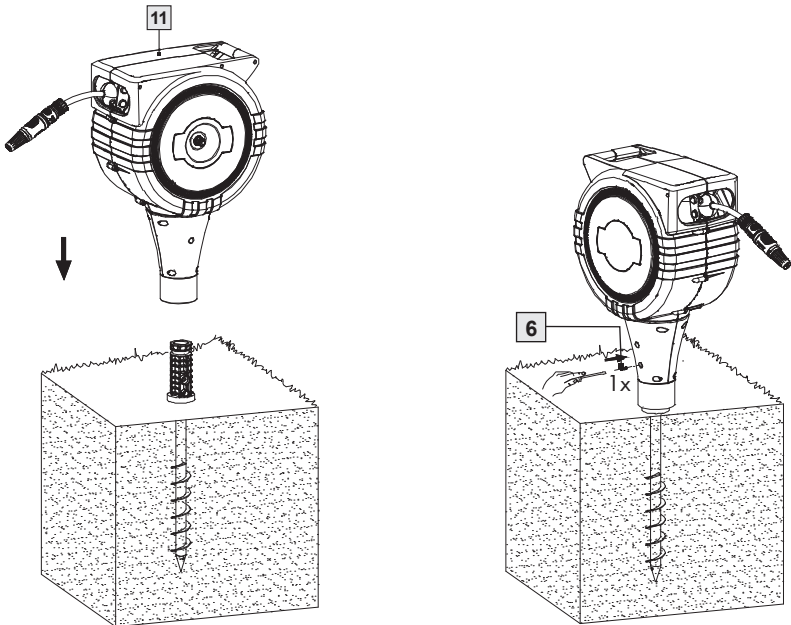
CE

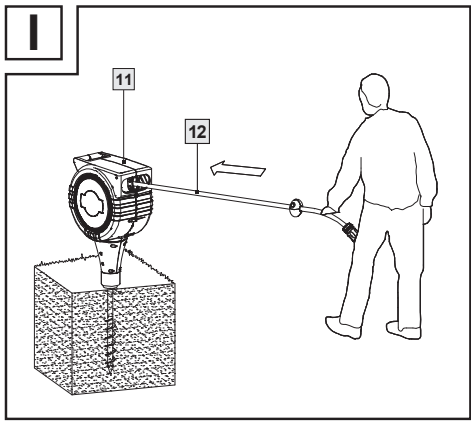
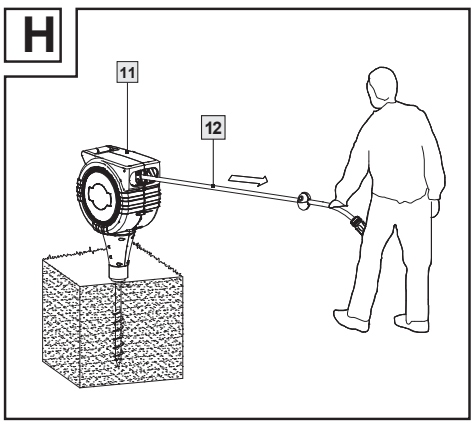
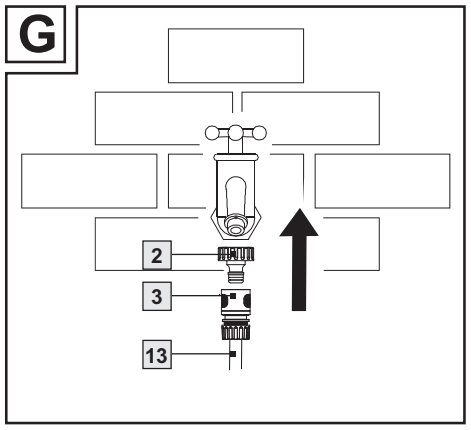
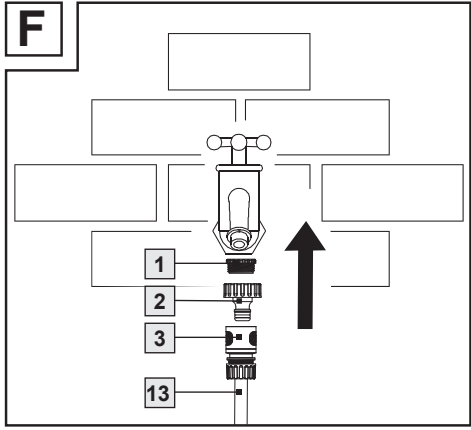
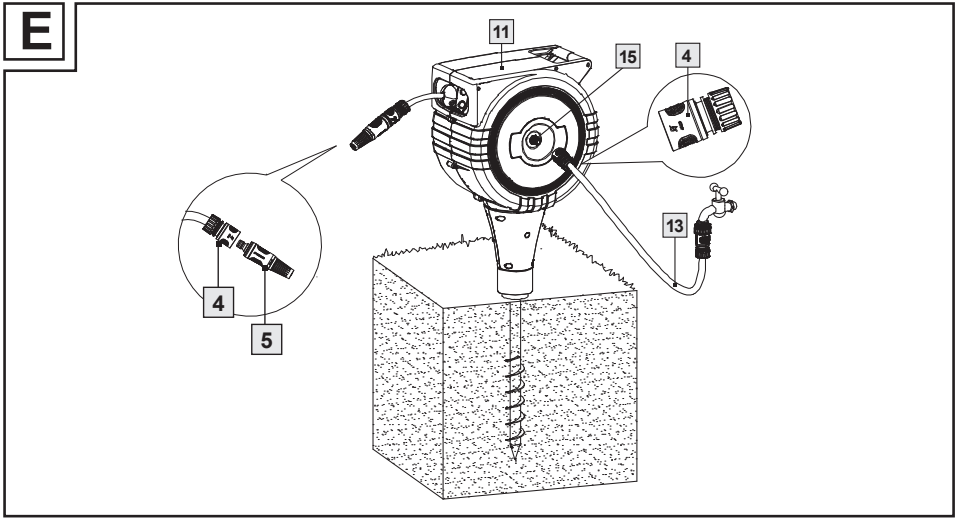
IAN 507546_2507

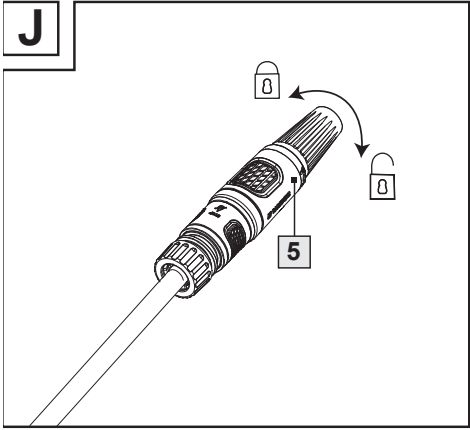
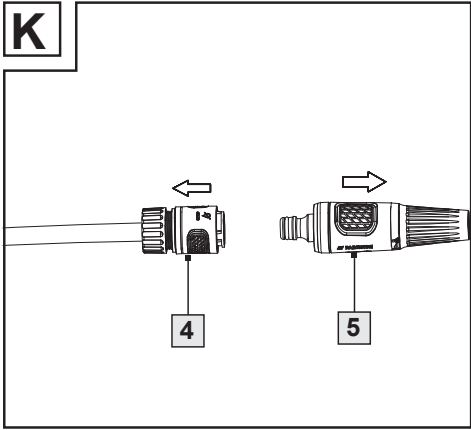
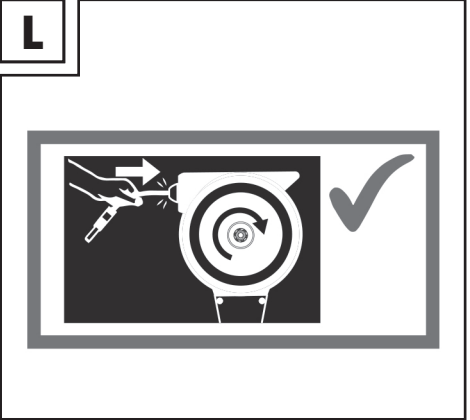
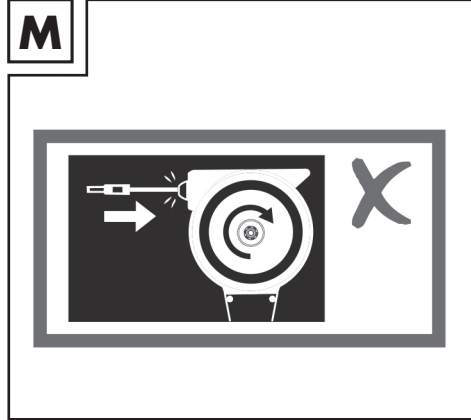
(AT) (BE)

GB/IE/NI/MT	Assembly, operating and safety instructions	Page	7
DE/AT/BE/CH	Montage-, Bedienungs- und Sicherheitshinweise	Seite	20
FR/BE/CH	Instructions de montage, d'utilisation et consignes de sécurité	Page	35
NL/BE	Montage-, bedienings- en veiligheidsinstructies	Pagina	51
IT/CH/MT	Istruzioni di montaggio, d'uso e di sicurezza	Pagina	65
ES	Instrucciones de montaje, utilización y advertencias de seguridad	Página	80
PT	Instruções de montagem, funcionamento e segurança	Página	95

A**B**

C**D**



J**K****L****M**

Introduction	Page	8
Proper use	Page	8
Description of parts and features	Page	9
Technical data	Page	9
Included items	Page	9
Safety notices	Page	10
General safety advice	Page	10
Before use	Page	12
Bringing into use	Page	13
Choosing the mounting site	Page	13
Organising the mounting materials	Page	13
Assembly	Page	13
Dismantling	Page	14
Operation	Page	14
Unrolling the hose	Page	14
Rolling the hose up	Page	14
Connecting other water consumers	Page	15
Cleaning and care	Page	15
Winter storage	Page	16
Maintenance	Page	16
Disposal	Page	16
Warranty	Page	17
EU Declaration of Conformity	Page	19

List of pictogram used

■	Safety Information
□	Instruction for use

HOSE REEL WITH GROUND SPIKE

● **Introduction**

We congratulate you on the purchase of your new product. You have chosen a high quality product. Familiarise yourself with the product before using it for the first time. In addition, please carefully refer to the operating instructions and the safety advice below. Only use the product as instructed and only for the indicated field of application. Keep these instructions in a safe place. If you pass the product on to anyone else, please ensure that you also pass on all the documentation with it.

● **Proper use**

The product is exclusively designed as a hose reel in a sealed hose reel with automatic rolling. As well as the spray nozzle, other water consumers can be connected to the irrigation hose, such as sprinklers, watering systems and high-pressure cleaners. The product is exclusively intended for private use and not suitable for the commercial sector. Only use the product in the manner described in these operating instructions. Any other use is not in accordance with the intended purpose and may result in personal injury or damage to properties. The product is not a toy.

● Description of parts and features

- 1 Reducer, 33 mm to 26.5 mm (G1" to G¾")
- 2 Tap connector, 33 mm (G1")
- 3 Hose connector, ½" (13 mm)
- 4 Hose connector with water stop, ½" (13 mm)
- 5 Adjustable spray nozzle
- 6 Screw
- 7 Mounting rod for ground spike
- 8 Ground spike
- 9 Plastic base
- 10 Plastic base (cover)
- 11 Hose reel
- 12 Irrigation hose, 25 m (pre-assembled)
- 13 Connection hose, 2 m (pre-assembled)
- 14 Endstopper
- 15 Connection for supply hose

● Technical data

Hose reel:

Max. Working pressure: 6 bar

Dimensions of the hose reel (includes spike): 363 x 228 x 1002 mm (L x W x H)

Weight: 9.90 kg (empty)
12.15 kg (with water in the hose)

Swivel range: horizontal 360°

Material: plastic, weatherproof

Hoses:

Irrigation hose length: 25 m

Length of supply hose: 2 m

Diameter: ½" (13 mm)

Hose material: PVC fabric hose

Tap connection thread: 33 mm and 26.5 mm thread (G1", G¾")

● Included items

- 1 Metal ground spike
- 1 Reel with hoses
- 1 Reducer, 33 mm to 26.5 mm (G1" to G¾")
- 1 Tap connector, 33 mm (G1")
- 1 Hose connector
- 2 Hose connector with water stop
- 1 Adjustable spray nozzle
- 6 Screws
- 1 Mounting rod (for ground spike)



Safety notices

● General safety advice


KEEP ALL THE SAFETY ADVICE AND INSTRUCTIONS IN A SAFE PLACE FOR FUTURE REFERENCE!



WARNING! **DANGER TO LIFE**

AND RISK OF ACCIDENTS FOR INFANTS AND CHILDREN!

- Do not allow children to play with the product or to carry out cleaning or user maintenance unsupervised.
- Do not allow children to play with the packaging film or parts of the packaging, otherwise they may become entangled in it whilst playing or swallow parts and suffocate.
- Never leave the product unattended whilst in use.
- Keep children away from the work area during assembly. This product has screws and other small parts. These could lead to suffocation if they are swallowed or inhaled.

- Children or persons who lack the knowledge or experience to use the device or whose physical, sensory or intellectual capacities are limited must never be allowed to use the device without supervision or instruction by a person responsible for their safety. Children must never be allowed to play with the device.
- Make sure that only people who are at least 16 years old, have full physical and mental capacity, and have read and understood the operating instructions use the product. All other people may only use the product under supervision by suitable people.
-  **RISK OF ELECTRIC SHOCK!** Make sure that you do not damage any power lines during installation. Incorrect installation or use may result in an electric shock.
- Never aim the water jet at electrical equipment.
- Never aim the water jet at people or animals.

⚠ WARNING: Before use, water that has been heated to a high temperature or has been stagnant for a long time, which may be in the supply line, must not be directed at persons, animals or plants.

⚠ CAUTION RISK OF INJURY!

Incorrect installation or use may result in injuries.

- Make sure that all parts are undamaged and correctly assembled.
- Regularly check the water pressure to prevent water leaking under high pressure and causing injury. Do not aim the water jet at people or animals.
- Never drink the water that you transport with the product. The product is not suitable for potable water. The product is intended for carrying water from installations in fixed locations. You cannot use it to transport other liquids.
- Only lay the unravelled hose flat on the ground. Avoid loops which stand up. Loops are trip hazards and can cause accidents.
- Do not let the hose spring back by itself. Carefully feed it back into the casing.

- Do not let go of the hose if the automatic stop function is not engaged.
- **DANGER OF SLIPPING!** If the floor is wet, you might slip on the floor and injure yourself. Make sure that the floor near the hose reel is kept as dry as possible.
- Turn the tap off when the product is not in use.
- **RISK OF DAMAGE!** Improper handling of the product may result in damage.
- Make sure that you do not damage any cables, power lines and water pipes during installation. Check the installation area with a circuit tracer before drilling.
- To avoid frost damage, dismount the hose reel from the wall and store it in a dry place.
- Do not take the hose around corners or edges and do not move it along pointed or sharp edged objects. The resulting damage may lead to leakages.
- Do not put the hose in areas where vehicles are known to drive. Driving over the hose may cause it to split.
- Do not open the housing of the product. The springs are preloaded, they can spring back.

- Never remove any screws from parts of the housing.
- Ensure that the hose does not rewind itself. Doing so may result in damage.
- Never block the hose end with your fingers or other objects during use.
- Installation must be performed by a professional.
- Discontinue using the product if the plastic parts are cracked or deformed. Always replace damaged parts with original spare parts.

Explanation of the symbols used:



Not for use with corrosive substances!



Do not spray on electrical devices, electrical cables or wires.



Do not spray on people!



Do not spray on animals!



Spray on plants only!



Do not use the product for drinks!



Keep away from naked flames and heat sources. Seal containers securely. Store in a fireproof way! Do not use easily flammable fluids!



Protect from frost and store away from frost.



Wear suitable protective coating, glove or mask.



Before using for the first time, please read the instruction carefully.



CE mark indicates conformity with relevant EU directives applicable for this product.

● Before use

- Check that the delivery is complete and that the product and all its parts are in perfect condition immediately after unpacking.
- **RISK OF DAMAGE!** If you open the packaging carelessly with a sharp knife or other sharp objects, the product can become damaged. Take great care when opening the packaging.
- Remove the product from the packaging.
- Check that the delivery contents are complete (see fig. A).

- Check to see if the product or the individual parts are visibly damaged. If this is the case, do not use the product.

● **Bringing into use**

- **RISK OF DAMAGE!** Improper handling of the product may result in damage.
- Make sure that you do not damage any power cables, wires or pipes during assembly.
- Find a mounting site with a circuit tracer before drilling.

● **Choosing the mounting site**

- ⚠ **Caution!** The ground for the spike should not be too soft or too hard.
- Choose a stable mounting site that can bear the load and ensure there is no stone in the soil.
- Pay attention to the weight of the hose reel, including water in the hose (see chapter "Technical data").
- Choose a mounting site from which the entire pivot range of the hose reel **11** can be used from 360°.

- Measure the distance to the tap and make sure that the connecting hose **13** hangs freely when it is connected (see Fig. E).

● **Organising the mounting materials**

For screwing into the ground, insert the mounting rod **7** through ground spike **8**. Turn the mounting rod **7** in clockwise to ensure the metal part is screwed into the soil vertically. Please keep 30 mm distance between the plastic part of ground spike **8** and the ground (see Fig. C). The mounting rod **7** can be stored in ground spike **8**.

● **Assembly**

- Assembling the plastic base **9** and plastic base cover **10** by 5 screws **6**, ensure the hose reel **11** is connected with the plastic base **9** and plastic base cover **10** (see Fig. B).
- Hold the hose reel **11** by hand, insert the hose reel **11** on the top of the ground spike **8** and fix the last screw **6**

Note: please pay attention to the position of the last screw (see Fig D).

- Check the water connection type available.
- For a tap with a 33 mm thread (G1”), use the tap connector **2** and screw it onto the tap.
- For a water tap with a 26.5 mm thread (G¾”), first screw the reducer **1** into the tap connector **2** and then screw the tap connector **2** onto the tap (see Fig. F).
- Connect the connection hose **13** to the hose connector **3**. Then connect the hose connector **3** to the tap connector **2** (see Fig. G). Make sure that it clicks into place.
- Connect the other end of the connection hose **13** to the hose connector with water stop **4**. Then connect the hose connector with water stop **4** to the connection for supply hose **15**. Make sure that it clicks into place (see Fig. E).
- Connect the spray nozzle **5** to the hose connector with water stop **4**. Make sure that it clicks into place. Make sure that the spray nozzle **5** is closed (see Fig. J).

The product is ready for use.

● Dismantling

Carry out the assembly process in reverse (see chapter ”Assembly”).

● Operation

● Unrolling the hose

- Pull the irrigation hose **12** out of the hose reel **11** until it reaches the desired length (see Fig. H).
- Lower the tension. The irrigation hose **12** will briefly move back until it is held by the retraction block.
- Turn on the tap. Make sure that the spray nozzle **5** is closed.
- Open the spray nozzle **5** by turning it into clockwise direction (see Fig. J).
- The irrigation hose **12** may only be pulled out up to the red marking.

● Rolling the hose up

- **RISK OF INJURY AND DAMAGE!** If the irrigation hose is not guided, the spring tension of the automated raveling system can cause it to spin around and lead to injury and property damage.

- Always guide the irrigation hose by hand. Ensure that no other people are nearby when re-ravelling. Never let the hose go off during rolling up (see Fig. M).
- Never reach inside of the housing.
- Close the spray nozzle **5** by turning it into counter-clockwise direction (see Fig. J).
- Turn off the tap.
- Open the spray nozzle **5** to release the water pressure. To do this, turn it clockwise. Close the spray nozzle **5** again by turning it into counter-clockwise direction.
- Hold the irrigation hose **12** and pull it briefly to activate the return block. Guide the irrigation hose **12** with your hand while it automatically rolls back up to the endstopper **14** in the hose reel **11** (see Fig. L).

● **Connecting other water consumers**

- Make sure the tap and the spray nozzle **5** are close.
- Remove the spray nozzle **5** from the hose connector with water stop **4** (see Fig. K).
- The water stop integrated in the hose connector prevents water flowing out.

- Now connect another water consumer to the hose connector with water stop **4**. Make sure that it clicks into place.

● **Cleaning and care**

Clean the hose reel:

- **RISK OF DAMAGE!** Improper cleaning or handling may result in damage to the product.
- Do not use any aggressive cleaning agents, or sharp or metallic cleaning objects such as knives, hard spatulas and the like. These can damage the surfaces.

▲ After each use:

- Turn off the spray nozzle **5** and water tap after each use.
- Roll the irrigation hose **12** up to the endstopper **14** to relieve the tension on the return spring (see chapter, “Rolling the hose up”).

Cleaning if necessary:

- Clean all parts with a damp cloth.

Monthly and after every winter:

- Check the hose for tears, brittleness and other signs of wear.

Storage:

- All parts must be completely dry before storing.
- Always store the product in a dry place.
- Protect the product from direct sunlight.
- Store the product out of the reach of children, safely locked away and at a storage temperature between 5 °C and 20 °C (room temperature).

● Winter storage

Protect the hose reel from frost. Frozen residual water in the hose will expand and may cause damage.

- Disconnect the connecting hose **13** from the tap.
- Disconnect the irrigation hose **12** from the spray nozzle **5** or other water consumers.
- Empty the connecting hose **13** and irrigation hose **12** completely by pointing the hose opening downward.
- Leave all parts to dry thoroughly.
- Remove the lower screw **6** and take the hose reel **11** off the ground spike **8**.
- Store the hose reel **11** away from frost.

● Maintenance

⚠ WARNING! All repairs shall only be carried out by the manufacturer, its service agent or similarly qualified persons. Hazards can arise due to improper maintenance.

● Disposal

The packaging is made entirely of recyclable materials, which you may dispose of at local recycling facilities.

Contact your local refuse disposal authority for more details of how to dispose of your worn-out product.



The product incl. accessories, manual and packaging materials are recyclable and are subject to extended producer responsibility.

Dispose them separately, following the illustrated Info-tri (sorting information), for better waste treatment.

The Triman logo is valid in France only.

● **Warranty**

The product has been manufactured to strict quality guidelines and meticulously examined before delivery. In the event of material or manufacturing defects you have legal rights against the retailer of this product. Your legal rights are not limited in any way by our warranty detailed below.

The warranty for this product is 3 years from the date of purchase. The warranty period begins on the date of purchase. Keep the original sales receipt in a safe location as this document is required as proof of purchase.

Any damage or defects already present at the time of purchase must be reported without delay after unpacking the product.

Should the product show any fault in materials or manufacture within 3 years from the date of purchase, we will repair or replace it – at our choice – free of charge to you. The warranty period is not extended as a result of a claim being granted. This also applies to replaced and repaired parts.

This warranty becomes void if the product has been damaged, or used or maintained improperly.

The warranty covers material or manufacturing defects. This warranty does not cover product parts subject to normal wear and tear, thus considered consumables (e.g. batteries, rechargeable batteries, tubes, cartridges), nor damage to fragile parts, e.g. switches or glass parts.

Warranty claim procedure

So that your request can be processed quickly, please observe the following instructions:

For all inquiries, please have the receipt and item number (e.g., IAN 507546_2507) ready as proof of purchase.

The article number can be taken from the identification label on the product, engraving on the product, the front cover of your manual (at the bottom left), or the sticker on the back or bottom of the product.

If malfunctions or other defects arise, first contact the service department indicated below by phone or email.

You can then send a product recorded as defective to the communicated service address postage-free, making sure to enclose proof of purchase (receipt) and information on the details of the defect and when it occurred.

You can download and view this and numerous other manuals at parkside-diy.com. This QR code takes you directly to parkside-diy.com. Choose your country and use the search screen to search for the operating instructions. Entering the item number (IAN) 507546_2507 takes you to the operating instructions for your item.

Service

(GB) Service Great Britain

Tel.: 08000518970

Contact form on
parkside-diy.com

IAN 507546_2507

(IE) Service Ireland

Tel.: 1800851251

Contact form on
parkside-diy.com

IAN 507546_2507

(NI) Service Northern Ireland

Tel.: 08081013435

Contact form on
parkside-diy.com

IAN 507546_2507

(MT) Service Malta

Tel.: 80065168

Contact form on
parkside-diy.com

IAN 507546_2507

● EU Declaration of Conformity

EU DECLARATION OF CONFORMITY (No IAN 507546_2507)

IAN: 507546_2507
Product identification: PANKSIDE Earth hose reel 25m (1 / 2")
Model Number: HG11114

The object of the declaration described above is in conformity with the relevant Union harmonisation legislation:

Directive 2006/42/EC

References to the relevant harmonised standards used or references to the other technical specifications in relation to which conformity is declared:

N° / Parts
Directive 2006/42/EC
Annex I of 2006/42/EC

Keeper of the technical documentation: OWIM GmbH & Co. KG

Signed for and on behalf of:

OWIM GmbH & Co. KG, Stiftsbergstraße 1, 74167 Neckarsulm, Germany

This declaration of conformity is issued under the sole responsibility of the manufacturer.

Transition of the original declaration of conformity

Neckarsulm	14.10.2025		
Place	Date	ppa. Jens Buchheim Authorized Signatory	ppa. Dr. Thorsten Maier Authorized Signatory

Einleitung	Seite	21
Bestimmungsgemäßer Gebrauch	Seite	21
Teilebeschreibung	Seite	22
Technische Daten	Seite	22
Lieferumfang	Seite	23
Sicherheitshinweise	Seite	23
Allgemeine Sicherheitshinweise	Seite	23
Vor der Inbetriebnahme	Seite	26
Inbetriebnahme	Seite	26
Montageort wählen	Seite	27
Montagematerial auswählen	Seite	27
Montage	Seite	27
Demontage	Seite	28
Bedienung	Seite	28
Schlauch ausrollen	Seite	28
Schlauch einrollen	Seite	29
Andere Wasserverbraucher anschließen	Seite	30
Reinigung und Pflege	Seite	30
Überwinterung	Seite	31
Wartung	Seite	31
Entsorgung	Seite	31
Garantie	Seite	32
EU-Konformitätserklärung	Seite	34

Liste der verwendeten Piktogramme

■	Sicherheitshinweise
□	Gebrauchsanleitung

ERD- SCHLAUCHAUFROLLER

● **Einleitung**

Wir beglückwünschen Sie zum Kauf Ihres neuen Produkts. Sie haben sich damit für ein hochwertiges Produkt entschieden. Machen Sie sich vor der ersten Inbetriebnahme mit dem Produkt vertraut. Lesen Sie hierzu aufmerksam die nachfolgende Bedienungsanleitung und die Sicherheitshinweise. Benutzen Sie das Produkt nur wie beschrieben und für die angegebenen Einsatzbereiche. Bewahren Sie diese Anleitung an einem sicheren Ort auf. Händigen Sie alle Unterlagen bei Weitergabe des Produktes an Dritte mit aus.

● **Bestimmungsgemäßer Gebrauch**

Das Produkt ist ausschließlich für die Verwendung als Schlauchaufroller in einer geschlossenen Schlauchbox mit automatischer Aufrollung konzipiert. An den Bewässerungsschlauch können neben der Sprühdüse weitere Wasserverbraucher wie Sprinkler, Bewässerungsanlagen und Hochdruckreiniger angeschlossen werden. Das Produkt ist ausschließlich für den privaten Gebrauch bestimmt und nicht für den gewerblichen Bereich geeignet. Verwenden Sie das Produkt nur so, wie es in dieser Bedienungsanleitung beschrieben ist. Jede andere Verwendung ist nicht bestimmungsgemäß und kann zu Personen- oder Sachschäden führen. Das Produkt ist kein Spielzeug.

● Teilebeschreibung

- 1 Reduzierstück, 33 mm auf 26,5 mm (G1" auf G³/₄")
- 2 Hahnstück, 33 mm (G1")
- 3 Schlauchstück, ½" (13 mm)
- 4 Schlauchstück mit Wasserstopp, ½" (13 mm)
- 5 einstellbare Gartenspritze
- 6 Schraube
- 7 Befestigungsstange für Erdspieß
- 8 Erdspieß
- 9 Kunststoffsockel
- 10 Kunststoffsockel (Abdeckung)
- 11 Schlauchbox
- 12 Bewässerungsschlauch, 25 m (vorgewickelt)
- 13 Zuleitungsschlauch, 2 m (vorgewickelt)
- 14 Endanschlag
- 15 Anschluss für Zuleitungsschlauch

● Technische Daten

Schlauchbox:

Max.

Arbeitsdruck: 6 bar

Abmessungen des Schlauchaufrollers (einschließlich

Erdspieß): 363 x 228 x 1002 mm (L x B x H)

Gewicht: 9,90 kg (leer)
12,15 kg (mit Wasser im Schlauch)

Schwenkbereich: horizontal 360°

Material: Kunststoff, witterungsbeständig

Schläuche:

Länge
Bewässerungsschlauch: 25 m

Länge
Zuleitungsschlauch: 2 m

Durchmesser: ½" (13 mm)

Schlauchmaterial: PVC-Gewebeschlauch

Hahnanschlussgewinde: 33 mm und 26,5 mm Gewinde (G1", G³/₄")

● Lieferumfang


- 1 Erdspeiß aus Metall
- 1 Schlauchbox mit Schläuchen
- 1 Reduzierstück, 33 mm auf 26,5 mm (G1“ auf G $\frac{3}{4}$ “)
- 1 Hahnstück, 33 mm (G1“)
- 1 Schlauchstück
- 2 Schlauchstück mit Wasserstopp
- 1 einstellbare Gartenspritze
- 6 Schrauben
- 1 Montagestab (für Erdspeiß)



Sicherheitshinweise

● Allgemeine Sicherheitshinweise

BEWAHREN SIE ALLE SICHERHEITSHINWEISE UND ANWEISUNGEN FÜR DIE ZUKUNFT AUF!

-  **! WARNUNG!**
LEBENS- UND UNFALL- GEFAHR FÜR KLEINKINDER UND KINDER! Kinder dürfen nicht mit dem Produkt spielen und die Reinigung / Benutzerwartung darf nicht von Kindern ohne Beaufsichtigung durchgeführt werden.

- Lassen Sie Kinder nicht mit der Verpackungsfolie oder Teilen der Verpackung spielen, andernfalls können sie sich beim Spielen darin verfangen oder Teile verschlucken und ersticken.
- Lassen Sie das Produkt während des Gebrauchs nicht unbeaufsichtigt.
- Halten Sie Kinder während der Montage fern. Zu diesem Produkt gehören Schrauben und andere Kleinteile. Diese können zur Erstickung führen, wenn sie verschluckt oder eingeatmet werden.
- Kinder oder Personen, denen es an Wissen oder Erfahrung im Umgang mit dem Produkt mangelt, oder die in ihren körperlichen, sensorischen oder geistigen Fähigkeiten eingeschränkt sind, dürfen das Produkt nicht ohne Aufsicht oder Anleitung durch eine für ihre Sicherheit verantwortliche Person benutzen. Kinder müssen beaufsichtigt werden, damit sie nicht mit dem Produkt spielen.

- Stellen Sie sicher, dass nur Personen, die mindestens 16 Jahre alt sind, die volle körperliche und geistige Leistungsfähigkeit besitzen und die Bedienungsanleitung gelesen und verstanden haben, das Produkt benutzen. Alle anderen Personen dürfen das Produkt nur unter Aufsicht geeigneter Personen benutzen.



STROMSCHLAGE- FAHR! Stellen Sie

- sicher, dass Sie bei der Montage keine Stromleitung beschädigen. Eine falsche Installation oder Verwendung kann zu einem Stromschlag führen.
- Richten Sie den Wasserstrahl niemals auf elektrische Einrichtungen.
- Richten Sie den Wasserstrahl niemals auf Personen oder Tiere.
- ⚠ **WARNUNG:** Vor Gebrauch darf Wasser, das auf eine hohe Temperatur erhitzt wurde oder lange Zeit gestanden hat und sich möglicherweise in der Versorgungsleitung befindet, nicht auf Personen, Tiere oder Pflanzen gerichtet werden.

⚠ **VORSICHT VERLETZUNGSGEFAHR!**

- Eine falsche Installation oder Verwendung kann zu Verletzungen führen.
- Stellen Sie sicher, dass alle Teile unbeschädigt und sachgerecht montiert sind.
- Kontrollieren Sie den Wasserdruck ordnungsgemäß, um zu verhindern, dass Wasser mit hohem Druck entweicht und zu Verletzungen führt. Richten Sie den Wasserstrahl nicht auf Personen oder Tiere.
- Trinken Sie niemals das Wasser, das Sie mit dem Produkt transportieren. Das Produkt ist nicht für Trinkwasser geeignet. Das Produkt ist zum Befördern von Wasser aus ortsfesten Installationen vorgesehen. Andere Flüssigkeiten dürfen damit nicht befördert werden.
- Verlegen Sie den ausgerollten Schlauch nur flach auf dem Boden. Vermeiden Sie hochstehende Schlaufen. Schlaufen sind Stolperfallen und können zu Unfällen führen.
- Lassen Sie den Schlauch nicht von allein zurückschnellen. Führen Sie ihn vorsichtig in das Gehäuse zurück.

- Lassen Sie den Schlauch nicht los, wenn die automatische Stoppfunktion nicht eingerastet ist.
- **RUTSCHGEFAHR!** Wenn der Boden nass ist, können Sie auf dem Boden ausrutschen und sich verletzen. Stellen Sie sicher, dass der Boden in der Nähe des Produkts möglichst trocken gehalten wird.
- Drehen Sie den Wasserhahn zu, wenn das Produkt nicht in Gebrauch ist.
- **BESCHÄDIGUNGSGEFAHR!** Unsachgemäßer Umgang mit dem Produkt kann zu Beschädigungen führen.
- Stellen Sie sicher, dass Sie bei der Montage keine Kabel, Leitungen und Wasserrohre beschädigen. Suchen Sie den Montageort vor dem Bohren mit einem Leitungssucher ab.
- Um Frostschäden zu vermeiden, demontieren Sie das Produkt im Winter von der Wand und lagern Sie es trocken.
- Führen Sie den Schlauch nicht um Ecken oder Kanten und nicht an spitzen oder scharfkantigen Gegenständen entlang. Die entstehenden Beschädigungen können zu Undichtigkeit führen.
- Verlegen Sie den Schlauch nicht in Bereichen, die von Fahrzeugen befahren werden. Das Überfahren kann den Schlauch zum Platzen bringen.
- Öffnen Sie nicht das Gehäuse des Produkts. Die Federn sind vorgespannt, diese können zurückschnellen.
- Entfernen Sie keine Schrauben aus Teilen des Gehäuses.
- Achten Sie darauf, dass sich der Schlauch nicht selbst zurückwickelt. Dieses kann zu Beschädigungen führen.
- Verschließen Sie die Schlauchöffnung während des Gebrauchs nicht mit Ihren Fingern oder mit Gegenständen.
- Lassen Sie die Montage nur durch fachkundige Personen durchführen.
- Verwenden Sie das Produkt nicht mehr, wenn die Kunststoffbauteile Risse oder Sprünge haben oder sich verformt haben. Ersetzen Sie beschädigte Bauteile nur durch passende Originalersatzteile.

Erklärung der Symbole:



Keine ätzenden Stoffe verwenden!



Sprühen Sie nicht auf elektrische Geräte, elektrische Kabel und Leitungen.



Sprühen Sie nicht auf Personen!



Sprühen Sie nicht auf Tiere!



Sprühen Sie nur auf Pflanzen!



Benutzen Sie das Produkt nicht zum Trinken!



Von offenen Flammen und Wärmequellen fernhalten. Gefäße dicht schließen; brandsicher aufbewahren! Keine leicht entzündlichen Flüssigkeiten verwenden!



Vor Frost schützen und frostfrei lagern.



Tragen Sie einen geeigneten Schutzanzug, Handschuhe oder eine Maske.



Lesen Sie vor dem ersten Gebrauch sorgfältig die Anleitung.



Das Produkt entspricht allen geltenden produktspezifischen EU-Richtlinien.

● Vor der Inbetriebnahme

- Kontrollieren Sie unmittelbar nach dem Auspacken den Lieferumfang auf Vollständigkeit sowie den einwandfreien Zustand des Produkts und aller Teile.
- **BESCHÄDIGUNGSGEFAHR!** Wenn Sie die Verpackung unachtsam mit einem scharfen Messer oder anderen scharfen Gegenständen öffnen, kann das Produkt beschädigt werden. Seien Sie beim Öffnen der Verpackung sehr vorsichtig.
- Nehmen Sie das Produkt aus der Verpackung.
- Prüfen Sie, ob die Lieferung vollständig ist (siehe Abb. A).
- Kontrollieren Sie, ob das Produkt oder die Einzelteile Schäden aufweisen. Ist dies der Fall, benutzen Sie das Produkt nicht.

● Inbetriebnahme

- **BESCHÄDIGUNGSGEFAHR!** Unsachgemäßer Umgang mit dem Produkt kann zu Beschädigungen führen.

- Stellen Sie sicher, dass Sie bei der Montage keine Kabel, Leitungen und Wasserrohre beschädigen.
- Suchen Sie den Montageort vor dem Bohren mit einem Leitungssucher ab.

● Montageort wählen

- ⚠ **Vorsicht!** Der Boden für den Erdspieß sollte weder zu weich noch zu hart sein.
- Wählen Sie einen stabilen, tragfähigen Montageort und stellen Sie sicher, dass sich keine Steine im Boden befinden.
- Beachten Sie das Gewicht des Produkts inkl. Wasser im Schlauch (siehe Kapitel „Technische Daten“).
- Wählen Sie einen Montageort, an dem der gesamte Schwenkbereich der Schlauchbox **11** von 360° genutzt werden kann.
- Bemessen Sie den Abstand zum Wasserhahn so, dass der Zuleitungsschlauch **13** frei durchhängend angeschlossen werden kann (siehe Abb. E).

● Montagematerial auswählen

Zum Einschrauben in den Boden führen Sie die Befestigungsstange für Erdspieß **7** durch den Erdspieß **8**. Drehen Sie die Befestigungsstange für Erdspieß **7** im Uhrzeigersinn, um sicherzustellen, dass das Metallteil senkrecht in den Boden geschraubt wird. Bitte halten Sie 30 mm Abstand zwischen dem Kunststoffteil des Erdspieß **8** und dem Boden (siehe Abb. C). Der Befestigungsstange für Erdspieß **7** kann im Erdspieß **8** aufbewahrt werden.

● Montage

- Montieren Sie den Kunststoffsockel **9** und die Kunststoffsockel (Abdeckung) **10** mit 5 Schrauben **6** und stellen Sie sicher, dass der Schlauchbox **11** mit dem Kunststoffsockel **9** und der Kunststoffsockel (Abdeckung) **10** verbunden ist (siehe Abb. B).

- Halten Sie die Schlauchbox **11** mit der Hand, setzen Sie die Schlauchbox **11** oben auf den Erdspeiß **8** und befestigen Sie die letzte Schraube **6**.
Hinweis: Achten Sie bitte auf die Position der letzten Schraube (siehe Abb. D).
- Prüfen Sie die verfügbare Wasseranschlussart.
- Verwenden Sie bei einem Wasserhahn mit 33 mm Gewinde (G1“) das Hahnstück **2** und schrauben es auf den Wasserhahn.
- Drehen Sie bei einem Wasserhahn mit 26,5 mm Gewinde (G $\frac{3}{4}$ “) zuerst das Reduzierstück **1** in das Hahnstück **2** ein und schrauben dann das Hahnstück **2** auf den Wasserhahn (siehe Abb. F).
- Verbinden Sie den Zuleitungsschlauch **13** mit dem Schlauchstück **3**. Schließen Sie anschließend das Schlauchstück **3** an das Hahnstück **2** an (siehe Abb. G). Achten Sie darauf, dass dieses hörbar einrastet.

- Verbinden Sie das andere Ende des Zuleitungsschlauchs **13** mit dem Schlauchstück mit Wasserstopp **4**. Schließen Sie dann das Schlauchstück mit Wasserstopp **4** an den Anschluss für Zuleitungsschlauch **15** an. Achten Sie darauf, dass es einrastet (siehe Abb. E).
- Schließen Sie die Gartenspritze **5** an das Schlauchstück mit Wasserstopp **4** an. Achten Sie darauf, dass dieses hörbar einrastet. Achten Sie darauf, dass die Gartenspritze **5** geschlossen ist (siehe Abb. J).

Das Produkt ist betriebsbereit.

● Demontage

Gehen Sie zur Demontage jeweils in umgekehrter Reihenfolge zur Montage vor (siehe Kapitel „Montage“).

● Bedienung

● Schlauch ausrollen

- Ziehen Sie den Bewässerungsschlauch **12** auf die gewünschte Länge aus der Schlauchbox **11** heraus (siehe Abb. H).

- Lassen Sie den Zug nach. Der Bewässerungsschlauch **12** fährt kurz zurück, bis er von der Rückhol Sperre gehalten wird.
- Öffnen Sie den Wasserhahn. Stellen Sie sicher, dass die Gartenspritze **5** geschlossen ist.
- Öffnen Sie die Gartenspritze **5**, indem Sie diese im Uhrzeigersinn drehen (siehe Abb. J).
- Der Bewässerungsschlauch **12** darf nur bis zur roten Markierung herausgezogen werden.

● Schlauch einrollen

■ VERLETZUNGS- UND BESCHÄDIGUNGSGEFAHR!

Ein ungeführter Bewässerungsschlauch kann durch die Federkraft der Aufrollautomatik herumgeschleudert werden und Verletzungen und Sachbeschädigungen verursachen.

- Führen Sie den Bewässerungsschlauch grundsätzlich immer mit der Hand. Achten Sie darauf, dass sich beim Einrollen keine weiteren Personen in der Nähe befinden. Lassen Sie den Schlauch beim Aufrollen niemals abrollen (siehe Abb. M).
- Greifen Sie niemals in das Innere des Gehäuses.
- Schließen Sie die Gartenspritze **5**, indem Sie sie gegen den Uhrzeigersinn drehen (siehe Abb. J).
- Schließen Sie den Wasserhahn.
- Öffnen Sie die Gartenspritze **5**, um den Wasserdruck abzulassen. Drehen Sie diese dazu im Uhrzeigersinn. Schließen Sie die Gartenspritze **5** wieder, indem Sie sie gegen den Uhrzeigersinn drehen.
- Halten Sie den Bewässerungsschlauch **12** fest und ziehen Sie kurz daran, um die Rücklauf Sperre zu lösen. Führen Sie den Bewässerungsschlauch **12** mit der Hand, während er automatisch bis zum Endanschlag **14** in die Schlauchbox **11** einrollt (siehe Abb. L).

● **Andere Wasserverbraucher anschließen**

- Stellen Sie sicher, dass der Wasserhahn und die Gartenspritze **5** geschlossen sind.
- Entfernen Sie die Gartenspritze **5** vom Schlauchstück mit Wasserstopp **4** (siehe Abb. K).
- Der im Schlauchstück integrierte Wasserstopp verhindert das Nachfließen von Wasser.
- Schließen Sie nun einen anderen Wasserverbraucher an das Schlauchstück mit Wasserstopp **4** an. Achten Sie darauf, dass dieses hörbar einrastet.

● **Reinigung und Pflege**

Schlauchbox reinigen:

- **BESCHÄDIGUNGSGEFAHR!** Unsachgemäße Reinigung oder Handhabung kann zu Schäden am Produkt führen.
- Verwenden Sie keine aggressiven Reinigungsmittel sowie keine scharfen oder metallischen Reinigungsgegenstände wie Messer, harte Spachtel und dergleichen. Diese können die Oberflächen beschädigen.

⚠ Nach jeder Verwendung:

- Schließen Sie nach jedem Gebrauch Gartenspritze **5** und den Wasserhahn.
- Rollen Sie nach jeder Benutzung den Bewässerungsschlauch **12** bis zum Endanschlag **14** ein, um die Rückholfeder zu entlasten (siehe Kapitel „Schlauch einrollen“).

Reinigung bei Bedarf:

- Reinigen Sie alle Teile mit einem feuchten Tuch.

Monatlich und nach jedem Winter:

- Überprüfen Sie regelmäßig die Schläuche auf Risse, Sprödigkeit und andere Verschleißerscheinungen.

Lagerung:

- Alle Teile müssen vor der Lagerung vollkommen trocken sein.
- Lagern Sie die das Produkt immer trocken.
- Schützen Sie das Produkt vor direkter Sonneneinstrahlung.
- Lagern Sie das Produkt für Kinder unzugänglich, sicher verschlossen und bei einer Lagertemperatur zwischen 5 °C und 20 °C (Raumtemperatur).

● Überwinterung

Schützen Sie das Produkt vor Frost. Das gefrierende Restwasser im Schlauch dehnt sich aus und kann zu Schäden führen.

- Trennen Sie den Zuleitungsschlauch **13** vom Wasserhahn.
- Trennen Sie den Bewässerungsschlauch **12** von der Gartenspritze **5** oder anderen Wasserverbrauchern.
- Entleeren Sie den Zuleitungsschlauch **13** und den Bewässerungsschlauch **12** vollständig, indem Sie die Schlauchöffnung nach unten halten.
- Lassen Sie alle Teile vollständig trocknen.
- Entfernen Sie die untere Schraube **6** und nehmen Sie die Schlauchbox **11** vom Erdspieß **8** ab.
- Lagern Sie die Schlauchbox **11** frostfrei.

● Wartung

⚠️ WARNING! Alle Reparaturen dürfen nur vom Hersteller, seinem Servicepartner oder ähnlich qualifizierten Personen durchgeführt werden. Durch unsachgemäße Wartung können Gefahren entstehen.

● Entsorgung

Die Verpackung besteht aus umweltfreundlichen Materialien, die Sie über die örtlichen Recyclingstellen entsorgen können.

Möglichkeiten zur Entsorgung des ausgedienten Produkts erfahren Sie bei Ihrer Gemeinde- oder Stadtverwaltung.



Das Produkt inkl. Zubehör, die Anleitung und die Verpackungsmaterialien sind recyclebar und unterliegen einer erweiterten Herstellerverantwortung. Entsorgen Sie diese getrennt, den abgebildeten Info-tri (Sortierinformation) folgend, für eine bessere Abfallbehandlung.

Das Triman-Logo gilt nur für Frankreich.

● Garantie

Das Produkt wurde nach strengen Qualitätsrichtlinien hergestellt und vor der Auslieferung sorgfältig geprüft. Im Falle von Material- oder Herstellungsfehlern haben Sie gegenüber dem Verkäufer des Produkts gesetzliche Rechte. Ihre gesetzlichen Rechte werden in keiner Weise durch unsere unten aufgeführte Garantie eingeschränkt.

Die Garantie für dieses Produkt beträgt 3 Jahre ab Kaufdatum. Die Garantiezeit beginnt mit dem Kaufdatum. Bewahren Sie den Originalkaufbeleg an einem sicheren Ort auf, da dieses Dokument als Nachweis des Kaufs erforderlich ist.

Alle Schäden oder Mängel, die bereits zum Zeitpunkt des Kaufs vorhanden sind, müssen unverzüglich nach dem Auspacken des Produkts gemeldet werden.

Sollte das Produkt innerhalb von 3 Jahren ab Kaufdatum einen Material- oder Herstellungsfehler aufweisen, werden wir es – nach unserer Wahl – kostenlos für Sie reparieren oder ersetzen. Die Garantiezeit verlängert sich durch einen stattgegebenen Gewährleistungsanspruch nicht. Dies gilt auch für ersetzte und reparierte Teile.

Diese Garantie erlischt, wenn das Produkt beschädigt oder unsachgemäß verwendet oder gewartet wurde.

Die Garantie deckt Material- und Herstellungsfehler ab. Diese Garantie erstreckt sich weder auf Produktteile, die normalem Verschleiß unterliegen, und somit als Verschleißteile gelten (z. B. Batterien, Akkus, Schläuche, Farbpatronen), noch auf Schäden an zerbrechlichen Teilen, z. B. Schalter oder Teile aus Glas.

Abwicklung im Garantiefall

Um eine schnelle Bearbeitung Ihres Anliegens zu gewährleisten, folgen Sie bitte den folgenden Hinweisen:

Bitte halten Sie für alle Anfragen den Kassenbon und die Artikelnummer (z. B. IAN 507546_2507) als Nachweis für den Kauf bereit.

Die Artikelnummer entnehmen Sie bitte dem Typenschild am Produkt, einer Gravur am Produkt, dem Titelblatt Ihrer Anleitung (unten links) oder dem Aufkleber auf der Rück- oder Unterseite des Produktes.

Sollten Funktionsfehler oder sonstige Mängel auftreten kontaktieren Sie zunächst die nachfolgend benannte Serviceabteilung telefonisch oder per EMail.

Ein als defekt erfasstes Produkt können Sie dann unter Beifügung des Kaufbelegs (Kassenbon) und der Angabe, worin der Mangel besteht und wann er aufgetreten ist, für Sie portofrei an die Ihnen mitgeteilte Service Anschrift übersenden.

Auf parkside-diy.com können Sie diese und viele weitere Handbücher einsehen und herunterladen. Mit diesem QR-Code gelangen Sie direkt auf parkside-diy.com. Wählen Sie Ihr Land aus, und suchen Sie über die Suchmaske nach den Bedienungsanleitungen. Mittels Eingabe der Artikelnummer (IAN) 507546_2507 gelangen Sie zur Bedienungsanleitung für Ihren Artikel.

Service

DE Service Deutschland

Tel.: 08008855300
Kontaktformular auf
parkside-diy.com
IAN 507546_2507

AT Service Österreich

Tel.: 0800447750
Kontaktformular auf
parkside-diy.com
IAN 507546_2507

BE Service Belgien

Tél.: 080012614
Kontaktformular auf
parkside-diy.com
IAN 507546_2507

CH Service Schweiz

Tel.: 0800563601
Kontaktformular auf
parkside-diy.com
IAN 507546_2507

● EU-Konformitätserklärung

EU-KONFORMITÄTserKLÄRUNG [Nr. MAN 587546_2507]

MAN: 587546_2507
Produkt-Identifikation: PANKSIDE Schlauchaufroller Erle 25m [1/2"]
Modellnummer: HG11114

Der oben beschriebene Gegenstand der Erklärung erfüllt die einschlägigen Harmonisierungsvorschriften der Union:

Richtlinie 2006/42/EG

Angabe der einschlägigen harmonisierten Normen oder der anderen technischen Spezifikationen, für die die Konformität erklärt wird:

Nr. / Teile
Richtlinie 2006/42/EG
Anhang I der of 2006/42/EC

Person, die die technische Dokumentation aufbewahrt: OMVM GmbH & Co. KG

Unterzeichnet für und im Namen von:

OMVM GmbH & Co. KG, Stülzbergstraße 1, 74167 Meckarsulm, Deutschland

Diese Konformitätserklärung wird unter der alleinigen Verantwortung des Herstellers gestellt.

Original-Konformitätserklärung

Meckarsulm

Ort

14.10.2025

Datum

ppa. J. Buchheim *ppa. T. Maier*
Herr J. Buchheim Hrn. Dr. Thorsten Maier

Prokurist

Prokurist

Introduction	Page	36
Utilisation conforme aux prescriptions	Page	36
Description des pièces	Page	37
Données techniques	Page	37
Contenu de l'emballage	Page	38
Consignes de sécurité	Page	38
Consignes générales de sécurité	Page	38
Avant la mise en service	Page	41
Mise en service	Page	41
Choix de l'emplacement de montage	Page	42
Choix des matériaux de montage	Page	42
Montage	Page	42
Démontage	Page	43
Fonctionnement	Page	43
Dérouler le tuyau	Page	43
Enrouler le tuyau	Page	43
Raccorder d'autres dispositifs d'arrosage	Page	44
Nettoyage et entretien	Page	44
Stockage hivernal	Page	45
Entretien	Page	45
Mise au rebut	Page	46
Garantie	Page	46
Déclaration UE de conformité	Page	50

Liste des pictogrammes utilisés

■	Consignes de sécurité
□	Mode d'emploi

ENROULEUR DE TUYAU SUR PIQUET

● Introduction

Nous vous félicitons pour l'achat de votre nouveau produit. Vous avez opté pour un produit de grande qualité. Avant la première mise en service, vous devez vous familiariser avec toutes les fonctions du produit. Veuillez lire attentivement le mode d'emploi ci-dessous et les consignes de sécurité. N'utilisez le produit que pour l'usage décrit et les domaines d'application cités. Conserver ces instructions dans un lieu sûr. Si vous donnez le produit à des tiers, remettez-leur également la totalité des documents.

● Utilisation conforme aux prescriptions

Le produit est exclusivement conçu pour être utilisé comme dévidoir mural pour tuyau d'arrosage et comprend un enrouleur automatique intégré dans le boîtier du tuyau fermé. Outre le tuyau d'arrosage, il est possible de raccorder d'autres dispositifs d'arrosage tels que des arroseurs, des systèmes d'arrosage et des nettoyeurs haute pression. Le produit est exclusivement destiné à un usage domestique et ne convient pas à des fins commerciales. Utilisez le produit uniquement comme décrit dans ce mode d'emploi. Chaque autre utilisation s'apparente à une utilisation non conforme aux prescriptions et peut engendrer des dommages aux biens ou aux personnes. Ce produit n'est pas un jouet.

● Description des pièces

- 1 Réducteur, 33 mm vers 26,5 mm (G1" vers G $\frac{3}{4}$ ")
- 2 Raccord de robinet, 33 mm (G1")
- 3 Raccord de tuyau, $\frac{1}{2}$ " (13 mm)
- 4 Raccord de tuyau avec arrêt d'eau, $\frac{1}{2}$ " (13 mm)
- 5 Buse d'arrosage réglable
- 6 Vis
- 7 Tige de fixation pour piquet
- 8 Piquet
- 9 Socle en plastique
- 10 Socle en plastique (couverture)
- 11 Boîtier du tuyau
- 12 Tuyau d'arrosage, 25 m (pré-roulé)
- 13 Tuyau d'alimentation, 2 m (pré-roulé)
- 14 Butée de fin de course
- 15 Raccordement pour tuyau d'alimentation

● Données techniques

Boîtier du tuyau :

Pression

d'utilisation

max. : 6 bars

Dimensions de

l'enrouleur de

tuyau (y compris

le piquet de terre) : 363 x 228 x

1002 mm

(L x l x H)

Poids : 9,90 kg (vide)
12,15 kg
(avec de l'eau
dans le tuyau)

Angle

d'orientation : horizontal à 360°

Matière : plastique, résistant aux intempéries

Tuyaux :

Longueur du
tuyau

d'arrosage : 25 m

Longueur
du tuyau

d'alimentation : 2 m

Diamètre : $\frac{1}{2}$ " (13 mm)

Matière du
tuyau :

Tuyau tissé en
PVC

Filetage du
raccord de

robinet :

Filetage
33 mm et
26,5 mm
(G1", G $\frac{3}{4}$ ")

● Contenu de l'emballage

- 1 Piquet en métal
- 1 Boîtier du tuyau avec tuyaux
- 1 Réducteur, 33 mm vers 26,5 mm (G1" vers G $\frac{3}{4}$ ")
- 1 Raccord de robinet, 33 mm (G1")
- 1 Raccord de tuyau
- 2 Raccords de tuyau avec arrêt d'eau
- 1 Buse d'arrosage réglable
- 6 Vis
- 1 Barre de montage (pour piquet)

Consignes de sécurité

● Consignes générales de sécurité

CONSERVEZ TOUTES LES CONSIGNES DE SÉCURITÉ ET INSTRUCTIONS POUR VOUS Y REPORTER ULTÉRIEUREMENT !



AVERTISSEMENT !

RISQUE MORTEL ET D'ACCIDENT POUR LES NOURRISSONS ET LES ENFANTS !

Les enfants ne doivent pas jouer avec le produit et le nettoyage / l'entretien réalisable par l'utilisateur ne doivent pas

être effectués par des enfants sans surveillance.

- Ne laissez pas les enfants jouer avec le film d'emballage ou des pièces de l'emballage, car ils risquent en jouant d'avaler des pièces, de se retrouver coincer dans l'emballage et de s'étouffer.
- Il est interdit de laisser le produit sans surveillance lors de son utilisation.
- Maintenez les enfants hors de portée durant le montage. Ce produit comprend des vis et d'autres petites pièces. Ceux-ci peuvent entraîner une asphyxie si elles sont avalées ou inhalées.
- Les enfants ou personnes qui n'ont pas les connaissances ou l'expérience nécessaire à la manipulation du produit ou dont les capacités physiques, sensorielles ou mentales sont limitées ne doivent jamais utiliser le produit sans la surveillance ou les instructions d'une personne responsable de leur sécurité. Les enfants doivent être surveillés afin qu'ils ne jouent pas avec le produit.

- Veillez à ce que seulement des personnes âgées d'au moins 16 ans, disposant de toutes leurs capacités physiques et mentales et ayant lu et compris le mode d'emploi, utilisent le produit. Toutes les autres personnes ne doivent utiliser le produit que sous la surveillance de personnes responsables.



RISQUE D'ÉLECTROCUTION !

- Lors du montage, assurez-vous de ne pas endommager de câble électrique. Une mauvaise installation ou une utilisation incorrecte peuvent entraîner un risque d'électrocution.
 - Ne dirigez pas le jet d'eau vers des appareils électriques.
 - Ne dirigez jamais le jet d'eau vers des personnes ou des animaux.
- ⚠ AVERTISSEMENT :** Avant toute utilisation, l'eau qui est restée longtemps dans le tuyau, qui a chauffé à une température élevée ou qui reste stagnante dans le circuit ne doit pas être dirigée vers des personnes, des animaux ou des plantes.

⚠ PRUDENCE ! RISQUE DE BLESSURES ! Une mauvaise installation ou une utilisation incorrecte peuvent entraîner des blessures.

- Vérifiez que toutes les pièces sont en parfait état et correctement montées.
- Contrôlez impérativement la pression de l'eau afin d'éviter que de l'eau à haute pression ne s'échappe et ne provoque des blessures. Ne dirigez pas le jet d'eau vers des personnes ou des animaux.
- Ne buvez jamais l'eau que vous utilisez et déplacez avec le produit. Le produit ne convient pas à l'eau potable. Le produit est conçu pour déplacer de l'eau à partir d'installations fixes. Les autres liquides ne doivent pas être utilisés et déplacés avec ce produit.
- Posez le tuyau déroulé uniquement à plat sur le sol. Éviter les boucles placées en hauteur. Les boucles sont des pièges qui peuvent faire trébucher et provoquer des accidents.
- Ne laissez pas le tuyau revenir tout seul vers l'arrière. Réintroduisez-le délicatement dans son boîtier.

- Si la fonction d'arrêt automatique n'est pas enclenchée, ne lâchez pas le tuyau.
- **RISQUE DE GLISSADE !**
Si le sol est mouillé, vous risquez de glisser sur le sol et de vous blesser. Veillez à ce que le sol à proximité du produit soit maintenu aussi sec que possible.
- Fermez le robinet d'eau lorsque le produit n'est pas utilisé.
- **RISQUE DE DÉGÂTS !**
L'utilisation inadéquate du produit peut provoquer des dégâts.
- Lors du montage, assurez-vous de ne pas endommager de câbles, de conduites et de tuyaux d'eau. Avant de percer, repérez le lieu de montage à l'aide d'un détecteur de conduites.
- Pour éviter les dégâts dus au gel, démontez le produit du mur en hiver et stockez-le au sec.
- Ne faites pas passer le tuyau sur des coins ou des rebords et ne le placez pas le long d'objets pointus ou d'arêtes vives. Les dommages qui en résultent peuvent entraîner des fuites.
- Ne posez pas le tuyau dans des zones où des véhicules circulent. Le fait de rouler sur le tuyau peut provoquer son éclatement.
- N'ouvrez pas le boîtier du produit. Les ressorts sont tendus et peuvent rebondir.
- Ne retirez pas les vis des pièces du boîtier.
- Veillez à ce que le tuyau ne s'enroule pas tout seul. Cela peut causer des dommages.
- Pendant l'utilisation, ne bouchez pas l'orifice du tuyau avec vos doigts ou avec des objets.
- Confiez exclusivement le montage à des personnes qualifiées.
- N'utilisez plus le produit si les composants en plastique sont fissurés, fendus ou déformés. Ne remplacez les composants endommagés que par des pièces de rechange d'origine compatibles.

Explication des pictogrammes :



Ne pas utiliser de substances corrosives !



Ne pas pulvériser sur des appareils électriques, câbles électriques et conduites.



Ne pas asperger des personnes !



Ne pas asperger des animaux !



Asperger seulement des plantes !



Ne pas utiliser le produit pour boire !



Tenir hors de la portée des flammes et sources de chaleur. Fermer hermétiquement les récipients ; conserver à l'abri des incendies ! Ne pas utiliser de liquides facilement inflammables !



Protéger du gel et ranger hors gel.



Porter une combinaison, des gants ou un masque de protection appropriés.



Lire les instructions du mode d'emploi avant la première utilisation.



Le sigle CE confirme la conformité aux directives de l'UE applicables au produit.

● Avant la mise en service

- Contrôlez immédiatement l'exhaustivité de l'emballage après son ouverture ainsi que le produit et toutes les pièces pour vous assurer qu'ils sont en parfait état.

■ **RISQUE DE DÉGÂTS !**

- Si vous ouvrez sans faire attention l'emballage avec un cutteur pointu ou d'autres objets tranchants, le produit peut être endommagé. Soyez très prudent lors de l'ouverture de l'emballage.
- Sortez le produit de l'emballage.
- Vérifiez si l'emballage est exhaustif (voir ill. A).
- Contrôlez si le produit et toutes les autres pièces présentent des dommages. Si c'est le cas, n'utilisez pas le produit.

● Mise en service

■ **RISQUE DE DÉGÂTS !**

- L'utilisation inadéquate du produit peut provoquer des dégâts.
- Lors du montage, assurez-vous de ne pas endommager de câbles, de conduites et de tuyaux d'eau.
- Avant de percer, repérez le lieu de montage à l'aide d'un détecteur de conduites.

● Choix de l'emplacement de montage

- ⚠ **Prudence !** Le sol pour le piquet ne doit être ni trop mou ni trop dur.
- Choisissez un emplacement de montage stable et qui supportera le poids tout en vous assurant qu'il n'y a pas de pierres dans le sol.
 - Tenez compte du poids du produit, y compris de l'eau dans le tuyau (voir chapitre « Données techniques »).
 - Choisissez un emplacement de montage qui permette d'utiliser pleinement l'angle d'orientation à 360° du boîtier du tuyau [11].
 - Mesurez l'écart jusqu'au robinet d'eau de manière à ce que le tuyau d'alimentation [13] puisse être raccordé facilement sans obstacles (voir ill. E).

● Choix des matériaux de montage

Pour visser dans le sol, faites passer la tige de fixation pour piquet [7] dans le piquet [8]. Pour vous assurer que la pièce en métal est vissée verticalement dans le sol, tournez la tige de fixation pour piquet [7] dans le sens des aiguilles d'une montre. Veuillez

maintenir un écart de 30 mm entre la pièce en plastique du piquet [8] et le sol (voir ill. C). La tige de fixation pour piquet [7] peut être rangée dans le piquet [8].

● Montage

- Montez les deux socle en plastique [9] et socle en plastique (couvercle) [10] avec 5 vis [6] et assurez-vous que le boîtier du tuyau [11] est raccordé aux deux socle en plastique [9] et socle en plastique (couvercle) [10] (voir ill. B).
- Tenez le boîtier du tuyau [11] d'une main, placez le boîtier du tuyau [11] au-dessus du piquet [8] et fixez avec la dernière vis [6].
Remarque : Veillez au bon positionnement de la dernière vis (voir ill. D).
- Vérifiez le type de raccordement d'eau qui est disponible chez vous.
- Pour un robinet d'eau avec un filetage de 33 mm (G1"), utilisez le raccord de robinet [2] et vissez-le sur le robinet d'eau.

- Pour un robinet d'eau avec un filetage de 26,5 mm (G^{3/4"}), vissez d'abord le réducteur **1** sur le raccord de robinet **2**, puis vissez le raccord de robinet **2** sur le robinet d'eau (voir ill. F).
- Raccordez le tuyau d'alimentation **13** au raccord de tuyau **3**. Ensuite, raccordez le raccord de tuyau **3** au raccord de robinet **2** (voir ill. G). Veillez à ce que celui-ci s'enclenche de manière audible.
- Raccordez l'autre extrémité du tuyau d'alimentation **13** au raccord de tuyau avec arrêt d'eau **4**. Reliez ensuite le raccord de tuyau avec arrêt d'eau **4** au raccordement pour tuyau d'alimentation **15**. Veillez à ce qu'il s'enclenche (voir ill. E).
- Raccordez la buse d'arrosage **5** au raccord de tuyau avec arrêt d'eau **4**. Veillez à ce que celui-ci s'enclenche de manière audible. Veillez à ce que la buse d'arrosage **5** soit fermée (voir ill. J).

Le produit est prêt à l'emploi.

● Démontage

Pour le démontage, procédez à chaque fois dans l'ordre inverse du montage (voir chapitre « Montage »).

● Fonctionnement

● Dérouler le tuyau

- Tirez le tuyau d'arrosage **12** hors du boîtier du tuyau **11** à la longueur souhaitée (voir ill. H).
- Relâchez la traction. Le tuyau d'arrosage **12** recule brièvement jusqu'à ce qu'il soit retenu par le dispositif anti-recul.
- Ouvrez le robinet d'eau. Assurez-vous que la buse d'arrosage **5** est fermée.
- Ouvrez la buse d'arrosage **5** en la tournant dans le sens des aiguilles d'une montre (voir ill. J).
- Le tuyau d'arrosage **12** doit être sorti uniquement jusqu'au repère rouge.

● Enrouler le tuyau

■ RISQUE DE BLESSURES ET DE DÉGÂTS MATÉRIELS !

Un tuyau d'arrosage non guidé peut être projeté par la force du ressort de l'enrouleur automatique et provoquer des blessures et des dégâts matériels.

- En principe, guidez toujours le tuyau d'arrosage à la main. Lors de l'enroulement, veillez à ce qu'il n'y ait pas d'autres personnes à proximité. Veillez à ne jamais laisser le tuyau se dérouler pendant son enroulement (voir ill. M).
- Ne mettez jamais la main à l'intérieur du boîtier.
- Fermez la buse d'arrosage **5** en la tournant dans le sens inverse des aiguilles d'une montre (voir ill. J).
- Fermez le robinet d'eau.
- Ouvrez la buse d'arrosage **5** afin de relâcher la pression de l'eau. Tournez-la dans le sens des aiguilles d'une montre. Refermez la buse d'arrosage **5** en la tournant dans le sens inverse des aiguilles d'une montre.
- Tenez fermement le tuyau d'arrosage **12** et tirez brièvement dessus pour débloquer l'antiretour. Guidez le tuyau d'arrosage **12** à la main pendant qu'il s'enroule automatiquement dans le boîtier du tuyau **11** jusqu'à la butée de fin de course **14** (voir ill. L).

● Raccorder d'autres dispositifs d'arrosage

- Assurez-vous que le robinet d'eau et la buse d'arrosage **5** sont fermés.
- Enlevez la buse d'arrosage **5** du raccord de tuyau avec arrêt d'eau **4** (voir ill. K).
- L'arrêt d'eau intégré au raccord de tuyau empêche l'eau de s'écouler.
- Raccordez maintenant un autre dispositif d'arrosage au raccord de tuyau avec arrêt d'eau **4**. Veillez à ce que celui-ci s'enclenche de manière audible.

● Nettoyage et entretien

Nettoyer le boîtier du tuyau :

■ **RISQUE DE DÉGÂTS !**

Un nettoyage ou une manipulation inappropriés peuvent endommager le produit.

- N'utilisez pas de produits de nettoyage agressifs, d'ustensiles de nettoyage tranchants ou métalliques tels que couteau, spatule dure ou objet similaire. Ils pourraient endommager la surface.

⚠ **Après chaque utilisation :**

- Après l'emploi, fermez la buse d'arrosage **5** et le robinet d'eau.

- Après chaque utilisation, enrroulez le tuyau d'arrosage [12] jusqu'à la butée de fin de course [14] afin de soulager le ressort de relâchement (voir chapitre « Enrouler le tuyau »).

Nettoyage en cas de besoin :

- Nettoyez toutes les pièces avec un chiffon humide.

Tous les mois et après chaque hiver :

- Vérifiez régulièrement que les tuyaux ne présentent pas de fissures et d'autres signes d'usure et qu'ils ne sont pas friables.

Rangement :

- Toutes les pièces doivent être parfaitement sèches avant d'être rangées.
- Rangez toujours le produit lorsqu'il est bien sec.
- Protégez le produit du rayonnement solaire direct.
- Rangez le produit hors de la portée des enfants, bien fermé, à une température de stockage comprise entre 5 °C et 20 °C (température ambiante).

● **Stockage hivernal**

Protéger le produit contre le gel. L'eau résiduelle qui gèle dans le tuyau se dilate et peut provoquer des dégâts.

- Débranchez le tuyau d'alimentation [13] du robinet d'eau.
- Débranchez le tuyau d'arrosage [12] de la buse d'arrosage [5] ou de tout autre dispositif d'arrosage.
- Videz complètement le tuyau d'alimentation [13] et le tuyau d'arrosage [12] en tenant l'orifice du tuyau vers le bas.
- Laissez les pièces complètement sécher.
- Enlevez la vis [6] située au-dessous et enlevez le boîtier du tuyau [11] du piquet [8].
- Rangez le boîtier du tuyau [11] à l'abri du gel.

● **Entretien**

⚠ AVERTISSEMENT !

Toutes les réparations ne peuvent être effectuées que par le fabricant, son partenaire de service après-vente ou toute autre personne ayant les mêmes qualifications. Un entretien inapproprié peut entraîner des risques.

● Mise au rebut

L'emballage se compose de matières recyclables pouvant être mises au rebut dans les déchetteries locales.

Votre mairie ou votre municipalité vous renseigneront sur les possibilités de mise au rebut des produits usagés.



Le produit ainsi que les accessoires et les matériaux d'emballage sont recyclables et relèvent de la responsabilité élargie du producteur.

Éliminez-les séparément, en suivant l'Info-tri illustrée, dans l'intérêt d'un meilleur traitement des déchets.

Le logo Triman n'est valable qu'en France.

● Garantie

Article L217-16 du Code de la consommation

Lorsque l'acheteur demande au vendeur, pendant le cours de la garantie commerciale qui lui a été consentie lors de l'acquisition ou de la réparation d'un bien meuble, une remise en état couverte par la garantie, toute période d'immobilisation d'au moins sept jours vient s'ajouter à la durée de la garantie qui restait à courir. Cette période court à compter de la demande d'intervention de l'acheteur ou de la mise à disposition pour réparation du bien en cause, si cette mise à disposition est postérieure à la demande d'intervention.

Indépendamment de la garantie commerciale souscrite, le vendeur reste tenu des défauts de conformité du bien et des vices rédhibitoires dans les conditions prévues aux articles L217-4 à L217-13 du Code de la consommation et aux articles 1641 à 1648 et 2232 du Code Civil.

Article L217-4 du Code de la consommation

Le vendeur livre un bien conforme au contrat et répond des défauts de conformité existant lors de la délivrance.

Il répond également des défauts de conformité résultant de l'emballage, des instructions de montage ou de l'installation lorsque celle-ci a été mise à sa charge par le contrat ou a été réalisée sous sa responsabilité.

Article L217-5 du Code de la consommation

Le bien est conforme au contrat :

- 1° S'il est propre à l'usage habituellement attendu d'un bien semblable et, le cas échéant :
 - s'il correspond à la description donnée par le vendeur et posséder les qualités que celui-ci a présentées à l'acheteur sous forme d'échantillon ou de modèle ;

- s'il présente les qualités qu'un acheteur peut légitimement attendre eu égard aux déclarations publiques faites par le vendeur, par le producteur ou par son représentant, notamment dans la publicité ou l'étiquetage ;
- 2° Ou s'il présente les caractéristiques définies d'un commun accord par les parties ou être propre à tout usage spécial recherché par l'acheteur, porté à la connaissance du vendeur et que ce dernier a accepté.

Article L217-12 du Code de la consommation

L'action résultant du défaut de conformité se prescrit par deux ans à compter de la délivrance du bien.

Article 1641 du Code civil

Le vendeur est tenu de la garantie à raison des défauts cachés de la chose vendue qui la rendent impropre à l'usage auquel on la destine, ou qui diminuent tellement cet usage que l'acheteur ne l'aurait pas acquise, ou n'en aurait donné qu'un moindre prix, s'il les avait connus.

Article 1648 1er alinéa du Code civil

L'action résultant des vices rédhibitoires doit être intentée par l'acquéreur dans un délai de deux ans à compter de la découverte du vice.

Les pièces détachées indispensables à l'utilisation du produit sont disponibles pendant la durée de la garantie du produit.

Le produit a été fabriqué selon des critères de qualité stricts, et contrôlé consciencieusement avant sa livraison. En cas de défaut de matériau ou de fabrication, vous avez des droits légaux vis-à-vis du vendeur du produit. Vos droits légaux ne sont en aucun cas limités par notre garantie mentionnée ci-dessous.

La garantie de ce produit est de 3 ans à partir de la date d'achat. La période de garantie commence à la date d'achat. Conservez l'original de la preuve d'achat dans un endroit sûr car ce document est nécessaire pour prouver l'achat.

Tout dommage ou défaut déjà présent au moment de l'achat doit être signalé immédiatement après le déballage du produit.

Si le produit présente un défaut de matériau ou de fabrication dans les 3 ans qui suivent la date d'achat, nous le réparerons ou le remplacerons - à votre choix - gratuitement pour vous. La période de garantie n'est pas prolongée par une demande de garantie acceptée. Cette mesure s'applique également pour les pièces remplacées et réparées.

Cette garantie est annulée si le produit a été endommagé ou utilisé ou entretenu de manière incorrecte.

La garantie couvre les défauts de matériels et de fabrication. Cette garantie ne couvre pas les pièces du produit soumises à une usure normale, et qui sont donc considérées comme des pièces d'usure (par exemple les piles, les piles rechargeables, tuyaux, les cartouches d'encre), ni les dommages aux pièces fragiles, par exemple les interrupteurs ou les pièces en verre.

Faire valoir sa garantie

Afin de garantir la rapidité de traitement de votre demande, veuillez tenir compte des indications suivantes :

Pour toute demande, veuillez conserver le ticket de caisse et le numéro de référence de l'article (par ex. IAN 507546_2507) au titre de preuves d'achat.

Le numéro de référence de l'article est indiqué sur la plaque signalétique du produit, sur une gravure présente sur celui-ci, sur la page de couverture de votre manuel (en bas à gauche) ou sur l'autocollant placé sur la face arrière ou inférieure du produit.

En cas de dysfonctionnement de l'appareil ou de tout autre défaut, contactez en premier lieu le service après-vente par téléphone ou par e-mail aux coordonnées indiquées ci-dessous.

Tout produit considéré comme défectueux peut alors être envoyé sans frais de port supplémentaires au service clientèle indiqué, accompagné de la preuve d'achat (ticket de caisse) et d'une description écrite du défaut mentionnant également sa date d'apparition.

Le site parkside-diy.com vous permet de visualiser et de télécharger ce mode d'emploi ainsi que de nombreux autres manuels. Ce code QR vous permet d'accéder directement au site parkside-diy.com. Sélectionnez votre pays et cherchez les modes d'emploi dans le champ de recherche. Le numéro de référence de l'article (IAN) 507546_2507 vous permet d'accéder au mode d'emploi se rapportant à votre article.

Service après-vente

(FR) Service après-vente France

Tél.: 0800907612

Formulaire de contact sur
parkside-diy.com

IAN 507546_2507

(BE) Service après-vente Belgique

Tél.: 080012614

Formulaire de contact sur
parkside-diy.com

IAN 507546_2507

(CH) Service après-vente Suisse

Tél.: 0800563601

Formulaire de contact sur
parkside-diy.com

IAN 507546_2507

● Déclaration UE de conformité

DÉCLARATION UE DE CONFORMITÉ (n° IAN 507546_2507)

IAN : 507546_2507
Identification du produit : PARLSEDE Eurocleur de temps mural 25cm (1/2")
Numéro de modèle : HG11114

L'objet de la déclaration décrit ci-dessus est conforme à la législation d'harmonisation de l'Union applicable:

Directive 2006/42/CE

Références des normes harmonisées ou références aux autres spécifications techniques par rapport auxquels la conformité est déclarée :

N° / Pièces
Directive 2006/42/CE
Annex I of 2006/42/EC

Détenteur de la documentation technique : OWIM GmbH & Co.KG

Signé par et au nom de:

OWIM GmbH & Co. KG, Stillsbergstraße 1, 74157 Neckarsulm, Allemagne

Cette déclaration de conformité est déclarée sous la seule responsabilité du fabricant.

Traduction de la déclaration de conformité d'origine

Neckarsulm
Lieu

14.10.2025
Date

ppa. Bernd Rupp
ppa. Bernd Rupp
Fondé de pouvoir

ppa. Dr. Christian Maier
ppa. Dr. Christian Maier
Fondé de pouvoir

Inleiding	Pagina 52
Beoogd gebruik	Pagina 52
Onderdelenbeschrijving	Pagina 53
Technische gegevens	Pagina 53
Leveringsomvang	Pagina 53
Veiligheidstips	Pagina 54
Algemene veiligheidstips	Pagina 54
Voor ingebruikname	Pagina 57
Ingebruikname	Pagina 57
Montagelocatie selecteren	Pagina 57
Montagemateriaal selecteren	Pagina 58
Montage	Pagina 58
Demontage	Pagina 59
Bediening	Pagina 59
Slang uitrollen	Pagina 59
Slang naar binnen rollen	Pagina 59
Andere waterverbruikers aansluiten	Pagina 59
Schoonmaken en onderhoud	Pagina 60
Overwinteren	Pagina 60
Onderhoud	Pagina 61
Afvoer	Pagina 61
Garantie	Pagina 61
EU-conformiteitsverklaring	Pagina 64

Overzicht gebruikte pictogrammen

■	Veiligheidstips
□	Gebruiksaanwijzing

GROND-SLANGHASPEL

● **Inleiding**

Hartelijk gefeliciteerd met de aankoop van uw nieuwe product. U hebt voor een hoogwaardig product gekozen. Maak u voor de eerste ingebruikname vertrouwd met het product. Lees hiervoor aandachtig de volgende gebruiksaanwijzing en de veiligheidsvoorschriften. Gebruik het product alleen zoals beschreven en voor de aangegeven toepassingsgebieden. Bewaar deze gebruiksaanwijzing op een veilige plek. Geef, wanneer u het product doorgeeft aan derden, ook alle documenten mee.

● **Beoogd gebruik**

Het product is uitsluitend ontworpen voor het gebruik als slanghaspel in een gesloten slangkast met automatisch oprollen. Aan de irrigatieslang kunnen naast de sproeimond andere waterverbruikers worden aangesloten zoals een sprinkler, sproei-installaties en een hogedrukreiniger. Het product is uitsluitend bestemd voor persoonlijk en niet voor commercieel gebruik. Gebruik het product uitsluitend zoals is beschreven in deze gebruiksaanwijzing. Elk ander gebruik geldt als niet beoogd en kan leiden tot schade aan voorwerpen en tot verwonding van personen. Dit product is geen speelgoed.

● Onderdelenbeschrijving

- 1 Reduceerstuk, 33 mm naar 26,5 mm (G1" naar G $\frac{3}{4}$ ")
- 2 Kraanstuk, 33 mm (G1")
- 3 Slangstuk, $\frac{1}{2}$ " (13 mm)
- 4 Slangstuk met waterstop, $\frac{1}{2}$ " (13 mm)
- 5 Instelbare tuinsproeier
- 6 Schroef
- 7 Montagestang voor grondpen
- 8 Grondpen
- 9 Kunststof voet
- 10 Kunststof voet (afdekking)
- 11 Slangkast
- 12 Irrigatieslang, 25 m (reeds opgerold)
- 13 Toevoerslang, 2 m (reeds opgerold)
- 14 Eindanslag
- 15 Aansluiting voor toevoerslang

● Technische gegevens

Slangkast:

Max.

werkdruk: 6 bar

Afmetingen

van de

slanghaspel

(inclusief

grondpin): 363 x 228 x
1002 mm
(L x B x H)

Gewicht: 9,90 kg (leeg)
12,15 kg (met water in de slang)

Draaibereik: horizontaal
360°

Materiaal: plastic,
weerbestendig

Slangen:

Lengte
irrigatieslang: 25 m

Lengte
toevoer-
slang: 2 m

Diameter: $\frac{1}{2}$ " (13 mm)

Slang-
materiaal: slang van
PVC-weefsel

Schroefdraad
kraanaansluiting: 33 mm en
26,5 mm
schroefdraad
(G1", G $\frac{3}{4}$ ")

● Leveringsomvang

- 1 Metalen grondpen
- 1 Slangkast met slangen
- 1 Reduceerstuk, 33 mm naar 26,5 mm (G1" naar G $\frac{3}{4}$ ")
- 1 Kraanstuk, 33 mm (G1")
- 1 Slangstuk
- 2 Slangstuk met waterstop
- 1 Instelbare tuinsproeier
- 6 Schroeven
- 1 Montagestang (voor grondpen)



Veiligheidstips

● Algemene veiligheidstips

BEWAAR ALLE
VEILIGHEIDSTIPS EN
AANWIJZINGEN VOOR
TOEKOMSTIG GEBRUIK!



⚠ WAARSCHUWING!

LEVENSGEVAAR EN GEVAAR VOOR ONGEVALLLEN VOOR (KLEINE) KINDEREN!

Kinderen mogen niet met het product spelen en het schoonmaken/gebruikersonderhoud mag niet zonder toezicht door kinderen worden uitgevoerd.

- Laat kinderen niet spelen met de verpakingsfolie of delen van de verpakking, anders kunnen ze vast komen te zitten spelen of delen inslikken en stikken.
- Laat het product nooit zonder toezicht als het gebruikt wordt.
- Houd kinderen uit de buurt tijdens het monteren. Bij dit product zijn tal van schroeven en andere kleine onderdelen meegeleverd. Deze kunnen leiden tot verstikking bij inslikken of inademen.
- Kinderen of personen met een gebrek aan kennis van of ervaring in de omgang met het product of van wie de lichamelijke, sensorische of geestelijk vermogens beperkt zijn, mogen het product niet gebruiken als ze niet onder toezicht staan of gebruik maken van aanwijzingen van een voor hun veiligheid verantwoordelijk persoon. Kinderen moeten onder toezicht staan om er zeker van te zijn dat ze niet met het product spelen.
- Zorg ervoor dat alleen personen die ten minste 16 jaar oud zijn, die volledige lichamelijke en geestelijke vermogens hebben en de gebruiksaanwijzing hebben gelezen en begrepen, het product gebruiken. Alle andere personen mogen het product uitsluitend onder toezicht van geschikte personen gebruiken.



GEVAAR VOOR ELEKTRISCHE

SCHOKKEN! Zorg ervoor dat u geen stroomkabels beschadigt tijdens de montage. Onjuiste montage of onjuist gebruik kan leiden tot elektrische schokken.

- Richt de waterstraal nooit op elektrische apparaten.
- Richt de waterstraal nooit op personen of dieren.

⚠ WAARSCHUWING: Vóór gebruik mag water dat tot een hoge temperatuur is verhit of lange tijd heeft gestaan en zich in de toevoerleiding kan bevinden, niet op mensen, dieren of planten worden gericht.

⚠ VOORZICHTIG! VERWONDINGSGEVAAR!

Onjuiste montage of onjuist gebruik kan letsel veroorzaken.

- Zorg ervoor dat alle onderdelen intact zijn en deskundig zijn geïnstalleerd.
- Controleer de waterdruk op de juiste manier om te voorkomen dat water onder hoge druk ontsnapt en letsel veroorzaakt. Richt de waterstraal niet op personen of dieren.

- Drink nooit het water dat u met het product vervoert. Het product is niet geschikt voor drinkwater. Het product is bedoeld voor het transporteren van water uit vaste installaties. Andere vloeistoffen mogen daarmee niet worden getransporteerd.
- Leg de opgerolde slang alleen plat op de vloer. Vermijd omhoog staande lussen. Lussen vormen een struikelgevaar en kunnen tot ongevallen leiden.
- Laat de slang niet vanzelf terugveren. Breng hem voorzichtig terug in de behuizing.
- Laat de slang niet los als de automatische stopfunctie niet is ingeschakeld.
- **RISICO VOOR UITGLIJDEN!** Als de grond nat is, kunt u uitglijden en uzelf verwonden. Zorg ervoor dat de grond in de buurt van het product zo droog mogelijk wordt gehouden.
- Draai de waterkraan dicht als het product niet wordt gebruikt.
- **GEVAAR VOOR BESCHADIGING!** Onjuist gebruik van het product kan leiden tot beschadiging.

- Zorg ervoor dat u geen stroomkabels, leidingen en waterbuizen beschadigt tijdens de montage. Gebruik een kabelzoeker om de montagepositie te bepalen voordat u gaat boren.
- Om vorstschade te voorkomen, verwijdert u het product in de winter van de muur en bewaart u het droog.
- Leid de slang niet rond hoeken of randen, of langs scherpe of scherpe voorwerpen. De ontstane schade kan leiden tot lekkage.
- Leid de slang niet door gebieden die door voertuigen worden aangedreven. Overrijden kan ertoe leiden dat de slang barst.
- Open de behuizing van het product nooit. De veren zijn voorgespannen, ze kunnen terugveren.
- Verwijder geen schroeven uit enig onderdeel van de behuizing.
- Zorg ervoor dat de slang zichzelf niet opwikkelt. Dit kan leiden tot beschadiging.
- Sluit de slangopening niet met uw vingers of voorwerpen tijdens gebruik.
- Laat de montage uitsluitend door vaklieden uitvoeren.

- Gebruik het product niet meer, als de plastic componenten gescheurd, gebarsten of vervormd zijn. Vervang beschadigde onderdelen alleen door geschikte originele reserveonderdelen.

Verklaring van de symbolen:



Gebruik geen bijtende stoffen!



Spuit niet op elektrische apparatuur, elektrische kabels of draden.



Spuit niet op mensen!



Spuit niet op dieren!



Spuit alleen op planten!



Gebruik het product niet om te drinken!



Blijf uit de buurt van open vuur en warmtebronnen. Sluit vaten goed; bewaar ze op een brandveilige manier! Gebruik geen ontvlambare vloeistoffen!



Beschermen tegen vorst en vorstvrij bewaren.



Draag geschikte beschermende kleding, handschoenen of een masker.



Lees voor het eerste gebruik de gebruiksaanwijzing zorgvuldig.

CE Het CE-teken bevestigt dat het product voldoet aan de betreffende EU-richtlijnen.

● Voor ingebruikname

- Controleer direct na het uitpakken of de levering volledig is en of het product en alle onderdelen intact zijn afgeleverd.
- **GEVAAR VOOR BESCHADIGING!** Als u de verpakking onvoorzichtig opent met een scherp mes of een ander scherp voorwerp, dan kan het product worden beschadigd. Wees zeer voorzichtig bij het openen van de verpakking.
- Haal het product uit de verpakking.
- Controleer of de leverantie volledig is (zie afb. A).
- Controleer of het product of de afzonderlijke onderdelen beschadigingen vertonen. Gebruik het product niet als dat het geval is.

● Ingebruikname

- **GEVAAR VOOR BESCHADIGING!** Onjuist gebruik van het product kan leiden tot beschadiging.
- Zorg ervoor dat u geen stroomkabels, leidingen en waterbuizen beschadigt tijdens de montage.
- Gebruik een kabelzoeker om de montagepositie te bepalen voordat u gaat boren.

● Montagelocatie selecteren

- ▲ **Voorzichtig!** De grond voor de grondpen mag niet te zacht of te hard zijn.
- Kies een stabiele, lastdragende montageplaats en zorg ervoor dat er geen stenen in de grond zitten.
- Let op het gewicht van het product, inclusief water in de slang (zie hoofdstuk “Technische gegevens”).
- Selecteer een montageplaats waar het volledige draaibereik van de slangkast **11** van 360° kan worden gebruikt.
- Meet de afstand tot de kraan zodat de toevoerslang **13** vrij hangend kan worden aangesloten (zie afb. E).

● Montagemateriaal selecteren

Om de grondspies in de grond te schroeven, leidt u de montagegestang voor de grondpen **7** door de grondspies **8**.

Draai de montagegestang voor de grondpen **7** rechtstom om ervoor te zorgen dat het metalen deel verticaal in de grond wordt geschroefd. Houd een afstand van 30 mm aan tussen het kunststof gedeelte van de grondpen **8** en de grond (zie afb. C).

De montagegestang voor de grondpen **7** kan worden opgeslagen in de grondpen **8**.

● Montage

- Monteer de kunststof voet **9** en de kunststof voet (afdekking) **10** met 5 schroeven **6** en zorg ervoor dat de slangkast **11** is aangesloten op de kunststof voet **9** en de kunststof voet (afdekking) **10** (zie afb. B).
- Houd de slangkast **11** met uw hand vast, plaats de slangkast **11** boven op de grondpen **8** en draai de laatste schroef **6** vast.

Tip: Let op de positie van de laatste schroef (zie afb. D).

- Controleer het beschikbare type wateraansluiting.

- Gebruik voor een waterkraan met een schroefdraad van 33 mm (G1") het kraanstuk **2** en schroef dit op de waterkraan.
- Bij een waterkraan met een schroefdraad van 26,5 mm (G $\frac{3}{4}$ ") draait u eerst het reduceerstuk **1** in het kraanstuk **2** en draait u vervolgens het kraanstuk **2** op de waterkraan (zie afb. F).
- Sluit de toevoerslang **13** aan op het slangstuk **3**. Sluit vervolgens het slangstuk **3** aan op het kraanstuk **2** (zie afb. G). Let op dat deze hoorbaar inklikt.
- Verbind het andere einde van de toevoerslang **13** met het slangstuk met waterstop **4**. Sluit vervolgens het slangstuk met waterstop **4** aan op de aansluiting voor de toevoerslang **15**. Zorg ervoor dat deze vastklikt (zie afb. E).
- Sluit de tuinsproeier **5** aan op het slangstuk met waterstop **4**. Let op dat deze hoorbaar inklikt. Let op dat de tuinsproeier **5** gesloten is (zie afb. J).

Het product is klaar voor gebruik.

● Demontage

Ga voor demontage in de omgekeerde volgorde van de montage te werk (zie hoofdstuk “Montage”).

● **Bediening**

● Slang uitrollen

- Trek de irrigatieslang [12] tot de gewenste lengte uit de slangkast [11] (zie afb. H).
- Stop met trekken. De irrigatieslang [12] wordt kort ingetrokken totdat deze door de terugkeerblokkering wordt vastgehouden.
- Open de waterkraan. Zorg ervoor dat de tuinsproeier [5] gesloten is.
- Open de tuinsproeier [5] door deze met de wijzers van de klok mee te draaien (zie afb. J).
- De irrigatieslang [12] mag alleen worden uitgetrokken tot aan de rode markering.

● Slang naar binnen rollen

- **GEVAAR VOOR LETSEL EN BESCHADIGINGEN!** Een niet-geleide irrigatieslang kan rondslingeren door de veerkracht van het oprolmechanisme, wat letsel en schade aan eigendommen kan veroorzaken.

- Leid de irrigatieslang altijd met de hand. Let op dat zich bij het inrollen geen andere personen, met name kleine kinderen, in de directe nabijheid bevinden. Laat de slang nooit afrollen tijdens het oprollen (zie afb. M).
- Grijp nooit in de behuizing.
- Sluit de tuinsproeier [5] door deze tegen de wijzers van de klok in te draaien (zie afb. J).
- Sluit de waterkraan.
- Open de tuinsproeier [5] om de waterdruk af te laten. Draai deze daartoe met de wijzers van de klok mee. Sluit de tuinsproeier [5] weer door deze tegen de wijzers van de klok in te draaien.
- Houd de irrigatieslang [12] vast en trek er kort aan om de terugkeerblokkering te ontgrendelen. Leid de irrigatieslang [12] met de hand terwijl deze automatisch tot aan de eindaanslag [14] in de slangkast [11] rolt (zie afb. I).

● **Andere waterverbruikers aansluiten**

- Zorg ervoor dat de waterkraan en de tuinsproeier [5] gesloten zijn.

- Verwijder de tuinsproeier **5** van het slangstuk met waterstop **4** (zie afb. K).
- De waterstop die in het slangstuk is geïntegreerd voorkomt het uitstromen van water.
- Sluit nu een andere waterverbruiker aan op het slangstuk met waterstop **4**. Let op dat deze hoorbaar inklikt.

● Schoonmaken en onderhoud

Slangkast reinigen:

- **GEVAAR VOOR BESCHADIGING!** Onjuist reinigen of hanteren kan leiden tot schade aan het product.
- Gebruik geen agressieve reinigingsmiddelen, scherpe of metalen voorwerpen voor het reinigen, zoals messen, harde spatels en dergelijke. Deze kunnen de oppervlakken beschadigen.

⚠ **Na elk gebruik:**

- Sluit na elk gebruik de tuinsproeier **5** en de waterkraan.

- Rol na elk gebruik de irrigatieslang **12** tot de eindaanslag **14** op om de terugtrekveer te ontlasten (zie hoofdstuk “Slang naar binnen rollen”).

Indien nodig reinigen:

- Maak alle onderdelen schoon met een vochtige doek.

Maandelijks en na elke winter:

- Controleer de slangen regelmatig op scheuren, brosheid en andere slijtage.

Opbergen:

- Alle onderdelen moeten volledig droog zijn voordat ze worden opgeborgen.
- Berg het product altijd droog op.
- Bescherm het product tegen direct zonlicht.
- Berg het product op een voor kinderen ontoegankelijke plaats op, veilig afgesloten en bij een opslagtemperatuur tussen 5 °C en 20 °C (kamertemperatuur).

● **Overwinteren**

Bescherm het product tegen vorst. In de slang achtergebleven bevroren water zet uit en kan schade veroorzaken.

- Koppel de toevoerslang **13** los van de waterkraan.

- Koppel de irrigatieslang **12** los van de tuinsproeier **5** of andere waterverbruikers.
- Tap de toevoerslang **13** en de irrigatieslang **12** volledig af door de slangopening omlaag te houden.
- Laat alle delen volledig opdrogen.
- Verwijder de onderste schroef **6** en neem de slangkast **11** van de grondspies **8**.
- Berg de slangkast **11** vorstvrij op.

● Onderhoud

⚠ WAARSCHUWING!

Alle reparaties mogen alleen worden uitgevoerd door de fabrikant, diens servicepartner of personen met vergelijkbare kwalificaties. Onjuist onderhoud kan gevaren veroorzaken.

● Afvoer

De verpakking bestaat uit milieuvriendelijke grondstoffen die u via de plaatselijke recyclingcontainers kunt afvoeren.

Informatie over de mogelijkheden om het uitgediende product na gebruik te verwijderen, verstrekt uw gemeentelijke overheid.



Het product, waaronder het toebehoren, en de verpakkingsmaterialen kunnen worden gerecycled en zijn onderhevig aan een uitgebreide verantwoordelijkheid van de fabrikant.

Gooi ze apart weg, overeenkomstig de aangegeven Info-tri (informatie over afvalscheiding), voor een beter afvalbeheer.

Het Triman-logo geldt alleen voor Frankrijk.

● Garantie

Het product werd volgens strenge kwaliteitsrichtlijnen gemaakt en voor de uitlevering zorgvuldig gecontroleerd. In geval van materiaal- of fabricagefouten hebt u tegenover de verkoper van het product wettelijke rechten. Uw wettelijke rechten worden op geen enkele manier door onze hieronder vermelde garantie beperkt.

De garantie voor dit product bedraagt 3 jaar vanaf aankoopdatum. De garantieperiode gaat in op de datum van aankoop. Bewaar het originele bewijs van aankoop op een veilige plek aangezien dit document nodig is als bewijs.

Alle beschadigingen of gebreken die reeds op het moment van aankoop aanwezig zijn, moeten meteen na het uitpakken van het product worden gemeld.

Mocht het product binnen 3 jaar na aankoopdatum een materiaal- of fabricagefout vertonen, zullen wij het – naar onze keuze – gratis voor u repareren of vervangen. De garantieperiode wordt door een plaatsgevonden garantieverlening niet verlengd. Dit geldt ook voor vervangen en gerepareerde onderdelen.

Deze garantie vervalt als het product werd beschadigd of onjuist is gebruikt of onderhouden.

De garantie dekt materiaal- en fabricagefouten af. Deze garantie dekt geen productonderdelen die aan normale slijtage onderhevig zijn en daarom als verbruiksartikelen worden beschouwd (bv. batterijen, oplaadbare batterijen, slangen, inktpatronen), noch dekt zij schade aan breekbare onderdelen, bv. schakelaars of onderdelen die van glas zijn gemaakt.

Afwikkeling in geval van garantie

Volg de volgende aanwijzingen op voor een snelle behandeling van uw probleem:

Houd bij alle vragen alstublieft de kassabon en het artikelnummer (bijv. IAN 507546_2507) als bewijs van aankoop bij de hand.

Het artikelnummer kunt u vinden op het typeplaatje van het product, een gravure op het product, het titelblad van uw gebruiksaanwijzing (linksonder) of de sticker op de achter- of onderkant van het product.

Neem bij problemen of overige gebreken met het product eerst contact op met de hieronder vermelde service-afdeling, telefonisch of per e-mail.

Een als defect aangemerkt product kunt u dan samen met het aankoopbewijs (kassabon) en een uitleg over het probleem of gebrek en wanneer het zich heeft voorgedaan gratis naar het aan u meegedeelde service-adres opsturen.

Op parkside-diy.com kunt u deze en vele andere handleidingen inzien en downloaden. Met deze QR-code komt u direct op parkside-diy.com. Selecteer daar uw land en zoek via de zoekfunctie naar de gebruiksaanwijzingen. Door het invoeren van het artikelnummer (IAN) 507546_2507 komt u bij de gebruiksaanwijzingen voor uw artikel.

Service

NL Service Nederland

Tel.: 08000229556

Contactformulier op
parkside-diy.com

IAN 507546_2507

BE Service België

Tel.: 080012614

Contactformulier op
parkside-diy.com

IAN 507546_2507

● EU-conformiteitsverklaring

EU-CONFORMITEITSVERKLARING (nr. IAN 507546_2507)

IAN: 507546_2507
Productidentificatie: PARKSIDE Grandhaspel 25m (1/2")
Modelnummer: HG11114

Het hierboven beschreven voorwerp is in overeenstemming de desbetreffende harmonisatiewetgeving van de Unie:

Richtlijn 2006/42/EG

Vermelding van de toegepaste relevante geharmoniseerde normen of van de overige technische specificaties waarop de conformiteitsverklaring betrekking heeft:

Nr. / Onderdelen
Richtlijn 2006/42/EG
Annex I of 2006/42/EC

Houder van de technische documentatie: OWIM GmbH & Co.KG

Onderzocht voor en namens:

OWIM GmbH & Co. KG, Stiftsbergstraße 1, 74167 Meckarsulm, Duitsland

Deze verklaring van overeenstemming wordt onder de aansluitende verantwoordelijkheid van de fabrikant verstrekt.

Vertaling van de originele verklaring van overeenstemming:

Meckarsulm

Plaats

14.10.2025

Datum

ppa. Jens Buchheim

Procuratiehouder

ppa. Dr. Christian Maier

Procuratiehouder

Introduzione	Pagina	66
Uso previsto	Pagina	66
Descrizione dei componenti	Pagina	67
Dati tecnici	Pagina	67
Contenuto della confezione	Pagina	68
Istruzioni di sicurezza	Pagina	68
Istruzioni di sicurezza generali	Pagina	68
Prima della messa in funzione	Pagina	71
Messa in funzione	Pagina	71
Scelta del luogo di montaggio	Pagina	72
Scelta del materiale di montaggio	Pagina	72
Montaggio	Pagina	72
Smontaggio	Pagina	73
Funzionamento	Pagina	73
Srotolare il tubo	Pagina	73
Arrotolare il tubo	Pagina	74
Collegare altri dispositivi per l'erogazione di acqua	Pagina	74
Pulizia e manutenzione	Pagina	75
Conservazione durante l'inverno	Pagina	75
Manutenzione	Pagina	76
Smaltimento	Pagina	76
Garanzia	Pagina	76
Dichiarazione di conformità UE	Pagina	79

Elenco delle icone utilizzate

■	Istruzioni di sicurezza
□	Istruzioni per l'uso

AVVOLGITUBO A TERRA

● **Introduzione**

Congratulazioni per l'acquisto del vostro nuovo prodotto. Con esso avete optato per un prodotto di qualità. Familiarizzare con il prodotto prima di metterlo in funzione per la prima volta. A tale scopo, leggere attentamente le seguenti istruzioni d'uso e le avvertenze di sicurezza. Utilizzare il prodotto solo come descritto e per i campi di applicazione indicati. Conservare queste istruzioni in un luogo sicuro. Consegnare tutta la documentazione in caso di cessione del prodotto a terzi.

● **Uso previsto**

Il prodotto è concepito esclusivamente per l'uso come avvolgitubo chiuso con meccanismo d'avvolgimento automatico. Oltre all'ugello di spruzzatura, al tubo di irrigazione possono essere collegati altri dispositivi per l'erogazione di acqua, come irrigatori, impianti di irrigazione e idropulitrici. Il prodotto è destinato esclusivamente a uso privato e non commerciale. Utilizzare il prodotto solo come descritto in queste manuale. Qualsiasi altro uso non è previsto e può causare danni a cose o persone. Questo prodotto non è un giocattolo.

● Descrizione dei componenti

- 1 Riduttore, da 33 mm a 26,5 mm (da G1" a G $\frac{3}{4}$ ")
- 2 Presa per rubinetto, 33 mm (G1")
- 3 Raccordo rapido, $\frac{1}{2}$ " (13 mm)
- 4 Raccordo rapido con guarnizione di tenuta dell'acqua, $\frac{1}{2}$ " (13 mm)
- 5 Spruzzatore da giardino regolabile
- 6 Vite
- 7 Asta di fissaggio per picchetto
- 8 Picchetto
- 9 Base in plastica
- 10 Base in plastica (coperchio)
- 11 Avvolgitubo
- 12 Tubo di irrigazione, 25 m (pre-avvolto)
- 13 Tubo di alimentazione, 2 m (pre-avvolto)
- 14 Fine corsa
- 15 Raccordo per tubo di alimentazione

● Dati tecnici

Avvolgitubo:

Pressione di esercizio max: 6 bar

Dimensioni avvolgitubo (compreso il picchetto a terra):

363 x 228 x 1002 mm
(L x P x A)

Peso:

9,90 kg (vuoto)
12,15 kg (con acqua nel tubo)

Angolo di rotazione:

360°
orizzontalmente

Materiale:

plastica, resistente agli agenti atmosferici

Tubi:

Lunghezza tubo di irrigazione:

25 m

Lunghezza tubo di alimentazione:

2 m

Diametro:

$\frac{1}{2}$ " (13 mm)

Materiale

tubo:

tubo in tessuto PVC

Filettatura presa per rubinetto:

filettatura 33 mm e 26,5 mm (G1", G $\frac{3}{4}$ ")

● **Contenuto della confezione**

- 1 Picchetto in metallo
- 1 Avvolgitubo con tubi
- 1 Riduttore, da 33 mm a 26,5 mm (da G1" a G $\frac{3}{4}$ ")
- 1 Presa per rubinetto, 33 mm (G1")
- 1 Raccordo rapido
- 2 Raccordo rapido con guarnizione di tenuta dell'acqua
- 1 Spruzzatore da giardino regolabile
- 6 Viti
- 1 Asta di fissaggio (per picchetto)



Istruzioni di sicurezza


● **Istruzioni di sicurezza generali**

CONSERVARE TUTTE LE ISTRUZIONI DI SICUREZZA E DISPOSIZIONI PER EVENTUALI NECESSITÀ FUTURE!

-  **AVVERTENZA!**
PERICOLO PER L'INCOLUMITÀ DEI BAMBINI! I bambini non devono giocare con il prodotto e la pulizia/la manutenzione sul lato utente non devono

essere eseguite da bambini senza supervisione.

- Non lasciare che i bambini giochino con la pellicola di imballaggio o con parti dell'imballaggio: sussiste il rischio che rimangano impigliati durante il gioco o che ingeriscano le parti con conseguente soffocamento.
- Non lasciare il prodotto incustodito durante l'uso.
- Tenere i bambini lontani durante il montaggio. Questo prodotto comprende viti e altre piccole parti, che possono causare soffocamento se ingerite o inalate.
- Il prodotto può essere usato da bambini o persone con ridotte capacità fisiche, sensoriali o intellettive, oppure prive di esperienza e/o di conoscenza del prodotto, solo sotto supervisione o a seguito di istruzioni da parte di una persona responsabile della loro sicurezza. I bambini devono essere sorvegliati per assicurarsi che non giochino con il prodotto.

- Assicurarsi che l'utilizzo del prodotto sia limitato a persone che abbiano almeno 16 anni, che siano in piena forma fisica e mentale e che abbiano letto e compreso le istruzioni. Tutte le altre persone possono utilizzare il prodotto solo sotto adeguata supervisione.
-  **PERICOLO DI SCOSSE ELETTRICHE!**
Assicurarsi di non danneggiare alcuna linea elettrica durante il montaggio. L'installazione o l'uso non corretti possono causare scosse elettriche.
- Non dirigere mai il getto d'acqua sulle apparecchiature elettriche.
- Non dirigere mai il getto d'acqua su persone o animali.
- ⚠ **AVVERTENZA:** prima dell'uso, non direzionare l'acqua riscaldata ad alta temperatura o stagnante da lungo tempo nella linea di alimentazione verso persone, animali o piante.
- ⚠ **CAUTELA! PERICOLO DI LESIONI!** L'installazione o l'uso non corretti possono causare lesioni.
- Assicurarsi che tutti i componenti siano intatti e siano montati correttamente.
- Controllare la pressione dell'acqua per evitare che l'acqua, soggetta ad alta pressione, fuoriesca e causi lesioni. Non dirigere il getto d'acqua su persone o animali.
- Non bere mai l'acqua trasportata con il prodotto. Il prodotto non è adatto per il trasporto di acqua potabile. Il prodotto è destinato al pompaggio di acqua da installazioni fisse. Non utilizzarlo per il trasporto di altri liquidi.
- Posare a terra solo il tubo srotolato. Evitare passanti con azione verticale. I passanti possono far inciampare causando incidenti.
- Non lasciare che il tubo si richiuda da solo. Accompagnarlo con cura all'interno dell'alloggiamento.
- Non rilasciare il tubo se la funzione di arresto automatico non è attivata.

- **PERICOLO DI SCIVOLAMENTO!** Se il pavimento è bagnato, è possibile scivolare sullo stesso con conseguenti lesioni. Assicurarsi che il terreno vicino al prodotto sia mantenuto il più asciutto possibile.
- Chiudere il rubinetto dell'acqua quando il prodotto non è in uso.
- **PERICOLO DI DANNI!** Un uso improprio del prodotto può causare danni.
- Assicurarsi di non danneggiare cavi, tubi e condutture dell'acqua durante il montaggio. Individuare la posizione di montaggio con un rilevatore di cavi prima di perforare.
- Per evitare danni da gelo, smontare il prodotto dalla parete durante la stagione invernale e riporlo in un luogo asciutto.
- Non instradare il tubo attorno ad angoli o spigoli e non farlo muovere lungo oggetti appuntiti o con spigoli vivi. Il danno risultante può causare perdite.
- Non instradare il tubo nelle aree di passaggio dei veicoli. Il transito sul tubo potrebbe causarne lo scoppio.
- Non aprire l'alloggiamento del prodotto. Le molle sono precaricate, possono tornare indietro.
- Non rimuovere le viti su alcuna parte dell'alloggiamento.
- Assicurarsi che il tubo non si riarrotoli da solo. Ciò può causare danni.
- Non bloccare l'apertura del tubo con le dita o con oggetti durante l'uso.
- Fare eseguire il montaggio solamente a personale esperto.
- Interrompere l'uso del prodotto se i componenti in plastica sono incrinati, deformati o presentano crepe. Sostituire i componenti danneggiati solo con ricambi originali idonei.

Spiegazione dei simboli:



Non utilizzare sostanze corrosive!



Non spruzzare su apparecchiature elettriche, cavi elettrici e fili.



Non spruzzare sulle persone!



Non spruzzare sugli animali!



Spruzzare solo sulle piante!



Non utilizzare il prodotto per bere!



Tenere lontano da fiamme libere e fonti di calore. Sigillare i contenitori in sicurezza. Conservare in un ambiente assolutamente ignifugo! Non utilizzare liquidi altamente infiammabili!



Proteggere dal gelo e conservare al riparo dal gelo.



Indossare tuta protettiva, guanti o maschera adeguati.



Leggere attentamente il manuale prima del primo utilizzo.



Il marchio CE conferma la conformità alle direttive UE applicabili al prodotto.

● Prima della messa in funzione

■ Controllare il contenuto della confezione subito dopo il disimballaggio perché il prodotto e tutti i componenti siano completi e in perfette condizioni.

■ **PERICOLO DI DANNI!**

L'apertura incauta della confezione con un coltello affilato o altri oggetti appuntiti può provocare danni al prodotto. Fare molta attenzione durante l'apertura della confezione.

□ Estrarre il prodotto dalla confezione.

□ Verificare che la fornitura sia completa (vedere Fig. A).

■ Verificare la presenza di eventuali danni sul prodotto o sulle singole parti. Se presenti, non utilizzare il prodotto.

● Messa in funzione

■ **PERICOLO DI DANNI!** Un uso improprio del prodotto può causare danni.

■ Assicurarsi di non danneggiare cavi, tubi e condutture dell'acqua durante il montaggio.

- Individuare la posizione di montaggio con un rilevatore di cavi prima di perforare.

● Scelta del luogo di montaggio

- ▲ **Cautela!** Il terreno in cui inserire il picchetto non deve essere né troppo morbido né troppo duro.
- Scegliere un luogo stabile e resistente e assicurarsi che non vi siano pietre nel terreno.
- Prendere nota del peso del prodotto comprensivo dell'acqua nel tubo (vedere il capitolo "Dati tecnici").
- Scegliere un luogo di montaggio in cui sia possibile sfruttare l'intero angolo di rotazione dell'avvolgitubo **11** di 360°.
- Misurare la distanza dal rubinetto dell'acqua, affinché il tubo di alimentazione **13** possa essere collegato in modo da piegarsi liberamente (vedere fig. E).

● Scelta del materiale di montaggio

Per innestare nel terreno, inserire l'asta di fissaggio per picchetto **7** attraverso il picchetto **8**. Ruotare l'asta di fissaggio per picchetto **7** in senso orario per garantire che la parte metallica si innesti verticalmente nel terreno. Mantenere una distanza di 30 mm tra la parte in plastica del picchetto **8** e il terreno (vedere fig. C). L'asta di fissaggio per picchetto **7** può essere riposta nel picchetto **8**.

● Montaggio

- Montare la base in plastica **9** e la base in plastica (coperchio) **10** con 5 viti **6** e assicurarsi che l'avvolgitubo **11** sia collegato alla base in plastica **9** e alla base in plastica (coperchio) **10** (vedere fig. B).
- Tenere l'avvolgitubo **11** con la mano, posizionare l'avvolgitubo **11** sopra il picchetto **8** e fissare l'ultima vite **6**.

Indicazione: Prestare attenzione alla posizione dell'ultima vite (vedere fig. D).

- Verificare il tipo di collegamento idrico disponibile.
- Per un rubinetto dell'acqua con filettatura da 33 mm (G1"), utilizzare la presa per rubinetto [2] e avvitare la al rubinetto.
- Per un rubinetto dell'acqua con filettatura da 26,5 mm (G^{3/4}"), avvitare prima il riduttore [1] nella presa per rubinetto [2], quindi avvitare la presa per rubinetto [2] sul rubinetto dell'acqua (vedere fig. F).
- Collegare il tubo di alimentazione [13] al raccordo rapido [3]. Quindi collegare il raccordo rapido [3] alla presa per rubinetto [2] (vedere fig. G). Assicurarsi che scatti udibilmente in posizione.
- Collegare l'altra estremità del tubo di alimentazione [13] al raccordo rapido con guarnizione di tenuta dell'acqua [4]. Collegare poi il raccordo rapido con guarnizione di tenuta dell'acqua [4] al raccordo per tubo di alimentazione [15]. Assicurarsi che si innesti (vedere fig. E).

- Collegare lo spruzzatore da giardino [5] al raccordo rapido con guarnizione di tenuta dell'acqua [4]. Assicurarsi che scatti udibilmente in posizione. Assicurarsi che lo spruzzatore da giardino [5] sia chiuso (vedere fig. J).

Il prodotto è pronto per l'uso.

● Smontaggio

Per lo smontaggio, ripetere la procedura di montaggio in ordine inverso (vedere il capitolo "Montaggio").

● Funzionamento

● Srotolare il tubo

- Estrarre il tubo di irrigazione [12] dall'avvolgitubo [11] portandolo alla lunghezza desiderata (vedi Fig. H).
- Allentare la tensione. Il tubo di irrigazione [12] si ritrae brevemente finché non viene trattenuto dal blocco di ritorno.
- Aprire il rubinetto dell'acqua. Assicurarsi che lo spruzzatore da giardino [5] sia chiuso.
- Aprire lo spruzzatore da giardino [5] ruotandolo in senso orario (vedi Fig. J).

- Il tubo di irrigazione **12** può essere estratto solo fino al segno rosso.

● Arrotolare il tubo

■ **PERICOLO DI LESIONI E DANNI!**

Un tubo di irrigazione non guidato può venire smosso dalla forza della molla del meccanismo d'avvolgimento automatico e causare danni a cose e persone.

- Guidare sempre manualmente il tubo di irrigazione. Assicurarsi che non ci siano altre persone nelle vicinanze durante l'arrotolamento. Durante l'arrotolamento non lasciare mai srotolare il tubo flessibile (vedere fig. M).
- Non raggiungere mai l'interno dell'alloggiamento.
- Chiudere lo spruzzatore da giardino **5** ruotandolo in senso antiorario (vedi Fig. J).
- Chiudere il rubinetto dell'acqua.
- Aprire lo spruzzatore da giardino **5** per rilasciare la pressione dell'acqua. A tal fine, ruotarlo in senso orario. Richiudere lo spruzzatore da giardino **5** ruotandolo in senso antiorario.

- Afferrare il tubo di irrigazione **12** e tirarlo rapidamente per attivare il blocco di ritorno. Guidare manualmente il tubo di irrigazione **12** agevolando l'arrotolamento automatico nell'avvolgitubo **11** fino a fine corsa **14** (vedi Fig. I).

● Collegare altri dispositivi per l'erogazione di acqua

- Assicurarsi che il rubinetto dell'acqua e lo spruzzatore da giardino **5** siano chiusi.
- Rimuovere lo spruzzatore da giardino **5** dal raccordo rapido con guarnizione di tenuta dell'acqua **4** (vedi Fig. K).
- La guarnizione di tenuta dell'acqua integrata nel raccordo rapido impedisce all'acqua di fuoriuscire.
- Collegare ora un altro dispositivo per l'erogazione di acqua al raccordo rapido con guarnizione di tenuta dell'acqua **4**. Assicurarsi che scatti udibilmente in posizione.

● **Pulizia e manutenzione**

Pulizia dell'avvolgitubo:

- **PERICOLO DI DANNI!** Una pulizia o una manipolazione improprie possono danneggiare il prodotto.
- Non utilizzare detergenti aggressivi o oggetti per la pulizia taglienti o metallici come coltelli, spatole dure e simili. Possono danneggiare le superfici.

⚠ Dopo ogni utilizzo:

- Dopo ogni utilizzo, chiudere lo spruzzatore da giardino **5** e il rubinetto dell'acqua.
- Dopo ogni utilizzo, arrotolare il tubo di irrigazione **12** fino a fine corsa **14** per rilasciare la tensione sul blocco di ritorno (vedere il capitolo "Arrotolare il tubo").

Pulizia secondo necessità:

- Pulire tutte le parti con un panno umido.

Mensilmente e dopo ogni inverno:

- Ispezionare periodicamente i tubi per individuare eventuali crepe, fragilità e altri segni di usura.

Conservazione:

- Tutte le parti devono essere completamente asciutte prima di essere riposte.
- Riporre il prodotto sempre asciutto.
- Proteggere il prodotto dalla luce solare diretta.
- Conservare il prodotto fuori dalla portata dei bambini, ben chiuso e a una temperatura di conservazione compresa tra 5 °C e 20 °C (temperatura ambiente).

● **Conservazione durante l'inverno**

Proteggere il prodotto dal gelo. L'acqua rimanente, congelandosi all'interno del tubo, si espande e può causare danni.

- Scollegare il tubo di alimentazione **13** dal rubinetto dell'acqua.
- Scollegare il tubo di irrigazione **12** dallo spruzzatore da giardino **5** o da altri dispositivi per l'erogazione di acqua.
- Svuotare completamente il tubo di alimentazione **13** e il tubo di irrigazione **12** tenendo la loro apertura rivolta verso il basso.

- Lasciare asciugare completamente tutte le parti.
- Rimuovere la vite inferiore 6 e rimuovere l'avvolgitubo 11 dal picchetto 8.
- Conservare l'avvolgitubo 11 al riparo dal gelo.

● Manutenzione

⚠️ AVVERTENZA! Tutte le riparazioni possono essere eseguite solo dal produttore, dal suo addetto all'assistenza o da persone similmente qualificate. Una manutenzione impropria può causare pericoli.

● Smaltimento

L'imballaggio è composto da materiali ecologici che possono essere smaltiti presso i siti di raccolta locali per il riciclo.

E' possibile informarsi circa le possibilità di smaltimento del prodotto usato presso l'amministrazione comunale o cittadina.



Il prodotto , i suoi accessori e i materiali di imballaggio sono riciclabili e soggetti alla responsabilità estesa del produttore.

Per un migliore trattamento dei rifiuti, smaltirli separatamente seguendo i diversi simboli della raccolta differenziata.

Il logo Triman è valido solamente per la Francia.

● Garanzia

Il prodotto è stato fabbricato accuratamente secondo severe direttive di qualità ed è stato controllato meticolosamente prima della consegna. In caso di difetti di materiale o fabbricazione l'acquirente può far valere diritti legali nei confronti del venditore. La nostra garanzia sotto riportata non costituisce alcun limite ai diritti legali dell'acquirente.

Questo prodotto è garantito per 3 anni con decorrenza dalla data di acquisto. La garanzia decorre dalla data d'acquisto. Conservare lo scontrino originale in un posto sicuro perché questo documento viene richiesto come prova dell'avvenuto acquisto.

Tutti i danni o difetti presenti già al momento dell'acquisto devono essere comunicati subito dopo l'apertura della confezione.

Se entro 3 anni dalla data di acquisto di questo prodotto si rileva un difetto di materiale o di fabbricazione, noi procederemo, a nostra discrezione, alla riparazione o sostituzione gratuite del prodotto o al rimborso del prezzo di acquisto. Un eventuale intervento in garanzia non prolunga né rinnova il periodo di garanzia stesso. Ciò vale anche per le parti sostituite e riparate.

Questa garanzia decade in caso di danneggiamento oppure uso o manutenzione impropri del prodotto.

La prestazione in garanzia vale per difetti del materiale o di fabbricazione. Questa garanzia non si estende a componenti del prodotto esposti a normale logorio, che possono pertanto essere considerati come componenti soggetti a usura (esempio capacità della batteria, calcificazione, lampade, pneumatici, filtri, spazzole...). La garanzia non si estende altresì a danni che si verificano su componenti delicati (esempio interruttori, batterie, parti realizzate in vetro, schermi, accessori vari) nonché danni derivanti dal trasporto o altri incidenti.

Gestione dei casi in garanzia

Per permetterci di risolvere rapidamente il vostro problema, procedete nel seguente modo:

per tutte le richieste conservare lo scontrino e il codice articolo (ad es. IAN 507546_2507) a prova dell'avvenuto acquisto.

Il codice articolo si trova nell'etichetta del prodotto, come incisione sul prodotto, nella pagina del titolo di queste istruzioni (in basso a sinistra) oppure nell'adesivo apposto sul retro o sul lato inferiore del prodotto.

In caso di errori di funzionamento o altri difetti contattare innanzitutto il seguente servizio di assistenza telefonicamente o per e-mail.

Potete inviare gratuitamente all'indirizzo dell'assistenza che vi è stato fornito un eventuale prodotto difettoso, allegando la ricevuta d'acquisto (scontrino), la descrizione del tipo di difetto e l'indicazione di quando si è verificato.

Su parksidediy.com potete visionare e scaricare questo e molti altri manuali. Con questo codice QR accedete direttamente a parksidediy.com. Scegliete il vostro paese e cercate le istruzioni per l'uso attraverso la maschera di ricerca. Inserendo il codice articolo (IAN) 507546_2507 accedete alle istruzioni per l'uso relative al vostro articolo.

Assistenza

IT Assistenza Italia

Tel.: 800172663

Modulo di contatto sul sito parksidediy.com

IAN 507546_2507

CH Assistenza Svizzera

Tel.: 0800563601

Modulo di contatto sul sito parksidediy.com

IAN 507546_2507

MT Assistenza Malta

Tel.: 80065168

Modulo di contatto sul sito parksidediy.com

IAN 507546_2507

● Dichiarazione di conformità UE

DICHIARAZIONE DI CONFORMITÀ UE (N. IAN 507546_2507)

IAN: 507546_2507
Identificazione del prodotto: PARKSIDE Avvolgitubo terra 25m (1/2")
Numero di modello: HG11114

L'oggetto della dichiarazione di cui sopra è conforme alla pertinente normativa di armonizzazione dell'Unione:

Direttiva 2006/42/CE

Riferimento alle pertinenti norme armonizzate o riferimenti alle altre specifiche tecniche in relazione alle quali è dichiarata la conformità:

N° / Parti

Direttiva 2006/42/CE

Annex I of 2006/42/EC

Depositario della documentazione tecnica: OWIM GmbH & Co.KG

Firmato a nome e per conto di:

OWIM GmbH & Co. KG, Stiftsbergstraße 1, 74167 Neckarsulm, Germania

La presente dichiarazione di conformità è rilasciata sotto la sola responsabilità del produttore.

Traduzione della dichiarazione di conformità originale

Neckarsulm

Luogo

14.10.2025

Data

ppa. Jens Buchheim

Firmatario autorizzato

ppa. Dr. Thorsten Maier

Firmatario autorizzato

Introducción	Página 81
Uso conforme a lo previsto	Página 81
Descripción de las piezas	Página 82
Datos técnicos	Página 82
Volumen de suministro	Página 83
Indicaciones de seguridad	Página 83
Indicaciones generales de seguridad	Página 83
Antes de la puesta en funcionamiento	Página 86
Puesta en marcha	Página 86
Seleccionar el lugar de montaje	Página 87
Seleccionar el material de montaje	Página 87
Montaje	Página 87
Desmontaje	Página 88
Funcionamiento	Página 88
Desenrollar la manguera	Página 88
Enrollar la manguera	Página 89
Conectar otros dispensadores de agua	Página 89
Limpieza y cuidado	Página 90
Almacenamiento invernal	Página 90
Mantenimiento	Página 91
Eliminación	Página 91
Garantía	Página 91
Declaración UE de conformidad	Página 94

Lista de pictogramas utilizados

■	Indicaciones de seguridad
□	Instrucciones de uso

TAMBOR PORTAMANGUERA DE SUELO

● **Introducción**

Enhorabuena por la adquisición de su nuevo producto. Ha elegido un producto de alta calidad. Familiarícese con el producto antes de la primera puesta en funcionamiento. Lea detenidamente el siguiente manual de instrucciones y las indicaciones de seguridad. Utilice el producto únicamente como se describe a continuación y para las aplicaciones indicadas. Guarde estas instrucciones en un lugar seguro. En caso de transferir el producto a terceros, entregue también todos los documentos correspondientes.

● **Uso conforme a lo previsto**

El producto está diseñado exclusivamente para su uso como portamanguera en una caja de manguera cerrada con enrollamiento automático. Además de la boquilla rociadora, en la manguera de riego se pueden conectar otros dispensadores de agua como aspersores, sistemas de riego y limpiadora de alta presión. El producto ha sido concebido exclusivamente para el uso privado y no es adecuado para un uso comercial. Utilice el producto sólo como se describe en este manual de instrucciones. Cualquier otro uso será contrario al uso previsto y puede provocar lesiones corporales o daños materiales. El producto no es un juguete.

● Descripción de las piezas

- 1 Reductor, 33 mm a 26,5 mm (G1" a G³/₄"")
- 2 Adaptador de grifo, 33 mm (G1")
- 3 Adaptador de manguera, 1/2" (13 mm)
- 4 Adaptador de manguera con elemento de cierre, 1/2" (13 mm)
- 5 Rociadora de jardín ajustable
- 6 Tornillo
- 7 Varilla de fijación para piqueta
- 8 Piqueta
- 9 Base de plástico
- 10 Base de plástico (con cubierta)
- 11 Caja de manguera
- 12 Manguera de riego, 25 m (preenrollada)
- 13 Manguera de alimentación, 2 m (preenrollada)
- 14 Tope final
- 15 Conexión para la manguera de alimentación

● Datos técnicos

Caja de manguera:

Máx. presión

de servicio: 6 bar

Dimensiones de la caja de manguera (incluida la espiga de tierra):

363 x 228 x 1002 mm
(L x An. x Al.)

Peso:

9,90 kg (vacía)
12,15 kg (con agua en la manguera)

Rango de giro: 360° en horizontal

Material:

plástico, resistente a la intemperie

Mangueras:

Longitud de la manguera

de riego: 25 m

Longitud de la manguera de

alimentación: 2 m

Diámetro: 1/2" (13 mm)

Material del

tubo flexible: Tubo flexible entretrejado de PVC

Rosca de conexión

del grifo: rosca de 33 mm y 26,5 mm (G1", G³/₄"")

● Volumen de suministro

- 1 Piqueta de metal
- 1 Caja de manguera con mangueras
- 1 Reductor, 33 mm a 26,5 mm (G1" a G $\frac{3}{4}$ ")
- 1 Adaptador de grifo, 33 mm (G1")
- 1 Adaptador de manguera
- 2 Adaptadores de manguera con elemento de cierre
- 1 Rociadora de jardín ajustable
- 6 Tornillos
- 1 Barra de montaje (para la piqueta)



Indicaciones de seguridad

● Indicaciones generales de seguridad

¡CONSERVE TODAS LAS INSTRUCCIONES E INDICACIONES DE SEGURIDAD PARA UN FUTURO USO!



¡ADVERTENCIA!

¡PELIGRO DE MUERTE Y ACCIDENTE PARA BEBÉS Y NIÑOS!

Los niños no deben jugar con el producto ni deben realizar, sin vigilancia, los trabajos de limpieza y mantenimiento que le corresponde realizar al usuario adulto.

- No permita que los niños jueguen con las láminas o los componentes del embalaje; si lo hacen, pueden quedar atrapados en estos materiales e ingerir piezas del embalaje y asfixiarse.
- No deje el producto sin vigilancia durante su uso.
- Mantenga alejados a los niños durante el montaje. Los tornillos y otras piezas pequeñas forman parte del producto. Esos tornillos y piezas pueden provocar asfixia en caso de ingestión e inhalación.
- Este producto no debe ser utilizado por niños o personas con falta de conocimiento o experiencia sobre el manejo del producto o por personas con capacidades físicas, mentales o sensoriales reducidas, a menos que haya una persona responsable de su seguridad que los supervise o les enseñe a usar el producto con seguridad. Es necesario vigilar a los niños para evitar que jueguen con el producto.

- Asegúrese de que únicamente utilicen el producto personas de 16 años de edad, como mínimo, con plenas capacidades físicas y mentales y que hayan leído y comprendido este manual de instrucciones. Todas las demás personas pueden usar el producto exclusivamente bajo la supervisión de una persona competente.



■ **¡PELIGRO DE DESCARGA**

ELÉCTRICA! Asegúrese de no dañar ningún cable de corriente durante el montaje. Una instalación o un uso incorrectos pueden provocar una descarga eléctrica.

- Nunca dirija el chorro de agua hacia dispositivos eléctricos.
- Tampoco dirija el chorro de agua a personas o animales.

⚠ ADVERTENCIA: Antes de su uso no podrá dirigirse hacia las personas, los animales ni las plantas el agua que se haya calentado a una temperatura elevada o que haya estado ahí durante mucho tiempo y que posiblemente se encuentre en el conducto de alimentación.

⚠ ¡CUIDADO! ¡PELIGRO DE LESIONES! Una instalación o un uso incorrectos pueden provocar lesiones.

- Asegúrese de que ninguna pieza esté dañada y de que todas estén montadas adecuadamente.
- Controle correctamente la presión del agua para evitar que el agua a alta presión se escape y provoque lesiones. No dirija el chorro de agua a personas o animales.
- Nunca beba el agua que circule por el producto. El producto no es apto para usarlo con agua potable. El producto está destinado a transportar agua desde instalaciones fijas. No debe utilizarse para transportar otros líquidos.
- Coloque la manguera desenrollada únicamente en una posición plana sobre el suelo. Evite que la manguera quede con nudos que sobresalgan del suelo. Los nudos son un peligro de tropiezo y pueden provocar accidentes.
- No permita que la manguera se retraiga a toda velocidad por sí sola. Guíela con cuidado hacia el interior de la carcasa de la caja.

- No suelte la manguera si la función de parada automática no está activada.
- **¡PELIGRO DE RESBALONES!** Si el suelo está húmedo, usted puede resbalarse y lesionarse. Asegúrese de que el suelo cerca del producto se mantenga tan seco como sea posible.
- Cierre bien el grifo cuando no vaya a utilizar el producto.
- **¡PELIGRO DE DAÑOS!** Un uso incorrecto del producto puede causar daños.
- Asegúrese de no dañar ningún cable de corriente, tuberías o conductos de agua durante el montaje. Utilizando un detector de cables y tuberías, explore el lugar de montaje antes de realizar cualquier perforación.
- Para evitar daños por heladas, desmonte el producto de la pared en invierno y guárdelo en un lugar seco.
- No pase la manguera por esquinas ni bordes ni sobre objetos afilados o cortantes. Los daños resultantes pueden provocar fugas en la manguera.
- No extienda la manguera por lugares por donde circulen vehículos. El paso de cualquier vehículo sobre la manguera puede reventarla.
- Nunca abra la carcasa del producto. Los muelles están bajo tensión y pueden causar un efecto látigo.
- No quite ningún tornillo de las piezas de la carcasa.
- Preste atención para evitar que la manguera se enrolle por sí sola. Esto puede provocar daños en el producto.
- No desgaste la abertura de la manguera con sus dedos u otros objetos durante el uso.
- Encargue la instalación únicamente a personas calificadas.
- No utilice el producto si sus componentes de plástico presentan fisuras, roturas o deformaciones. Sustituya los componentes dañados solo con piezas de repuesto originales adecuadas.

Explicación de los símbolos:



¡No utilizar sustancias corrosivas!



No rocíe el agua de la manguera sobre conexiones, cables o aparatos eléctricos.



¡No rocíe el agua de la manguera sobre personas!



¡No rocíe el agua sobre animales!



¡Rocíe el agua únicamente sobre plantas!



¡No use el producto para beber agua!



Mantenerlo lejos de llamas abiertas y fuentes de calor. Cerrar herméticamente los recipientes; ¡conservarlos en un lugar seguro contra incendios! ¡No utilizar líquidos fácilmente inflamables!



Proteger de heladas y guardarlo en un lugar a salvo de heladas.



Lleve puesto un traje de protección adecuado, guantes o una mascarilla.



Lea detenidamente las instrucciones antes del primer uso.



El marcado CE ratifica la conformidad con las directivas de la UE aplicables al producto.

● Antes de la puesta en funcionamiento

- Compruebe inmediatamente después del desembalaje la integridad del volumen de suministro, así como el perfecto estado del producto y de todas las piezas.
- **¡PELIGRO DE DAÑOS!** El producto puede resultar dañado, si abre el embalaje descuidadamente con un cuchillo afilado u otros objetos afilados. Actúe con mucho cuidado al abrir el embalaje.
- Extraiga el producto del embalaje.
- Compruebe que ha recibido todas las piezas con la entrega (véase la fig. A).
- Verifique si el producto o las piezas individuales presentan algún daño. En ese caso, no utilice el producto.

● Puesta en marcha

- **¡PELIGRO DE DAÑOS!** Un uso incorrecto del producto puede causar daños.
- Asegúrese de no dañar ningún cable de corriente, tuberías o conductos de agua durante el montaje.

- Utilizando un detector de cables y tuberías, explore el lugar de montaje antes de realizar cualquier perforación.

● Seleccionar el lugar de montaje

- ▲ **¡Cuidado!** El suelo donde va a insertar la piqueta no debería ser ni demasiado blando ni demasiado duro.
- Seleccione un lugar estable y firme para el montaje, y compruebe que no hay piedras en el suelo.
- Compruebe el peso del producto, incluida el agua presente en la manguera (véase el capítulo “Datos técnicos”).
- Elija un lugar de montaje en el cual se pueda utilizar todo el rango de giro de la caja de manguera [11] de 360°.
- Mida la distancia al grifo, de modo que la manguera de alimentación [13] pueda conectarse y quedar colgada con holgura (véase la fig. E).

● Seleccionar el material de montaje

Para atornillar la piqueta en el suelo, pase la varilla de fijación para piqueta [7] a través de la piqueta [8]. Gire la varilla de fijación para piqueta [7] en

el sentido de las agujas del reloj para asegurarse de que su parte metálica se atornille verticalmente hundiéndose en el suelo. Mantenga una distancia de 30 mm entre la parte de plástico de la piqueta [8] y el suelo (véase la fig. C).

La varilla de fijación para piqueta [7] puede conservarse en la propia piqueta [8].

● Montaje

- Monte la base de plástico [9] y la base de plástico con su cubierta [10] con 5 tornillos [6] y compruebe que la caja de manguera [11] con la base de plástico [9] y la base de plástico con su cubierta [10] están unidas (véase la fig. B).
- Sujete la caja de manguera [11] con la mano, coloque la caja de manguera [11] sobre la piqueta [8] y fije el último tornillo [6].

Nota: Preste atención a la posición del último tornillo (véase la fig. D).

- Compruebe el tipo de conexión de agua disponible.
- En un grifo que tenga una rosca de 33 mm (G1”), utilice el adaptador de grifo [2] y enrósquelo en el grifo.

- En un grifo que tenga una rosca de 26,5 mm (G^{3/4}"), gire primero el reductor **1** en el adaptador de grifo **2** y enrosque seguidamente el adaptador de grifo **2** al grifo (véase la fig. F).
- Conecte la manguera de alimentación **13** al adaptador de manguera **3**. Seguidamente conecte el adaptador de manguera **3** al adaptador de grifo **2** (véase la fig. G). Asegúrese de que encaje de forma audible en su sitio.
- Conecte el otro extremo de la manguera de alimentación **13** al adaptador de manguera con elemento de cierre **4**. Conecte después el adaptador de manguera con elemento de cierre **4** a la conexión para la manguera de alimentación **15**. Compruebe que todo encaja en su sitio (véase la fig. E).
- Conecte la rociadora de jardín **5** al adaptador de manguera con elemento de cierre **4**. Asegúrese de que encaje de forma audible en su sitio. Compruebe que la rociadora de jardín **5** está cerrada (véase la fig. J).

El producto está listo para su uso.

● **Desmontaje**

En caso de desmontaje, proceda a realizar los mismos pasos en orden inverso (véase el capítulo "Montaje").

● **Funcionamiento**

● **Desenrollar la manguera**

- Extraiga de la caja de manguera **11** la longitud deseada de la manguera de riego **12** (véase la fig. H).
- Afloje la tensión. La manguera de riego **12** se retrae brevemente hasta que la detiene el mecanismo de bloqueo de retorno.
- Abra el grifo. Asegúrese de que la rociadora de jardín **5** esté cerrada.
- Abra la rociadora de jardín **5** haciéndola girar en el sentido de las agujas del reloj (véase la fig. J).
- La manguera de riego **12** solo debe extraerse hasta la marca roja.

● Enrollar la manguera

■ ¡PELIGRO DE LESIONES Y DAÑOS!

Si no se le guía con la mano, la manguera de riego puede salir despedida incontroladamente por la fuerza elástica del mecanismo de enrollamiento automático y causar lesiones y daños materiales.

- Guíe siempre la manguera de riego con la mano. Al proceder a enrollarla, compruebe que ninguna otra persona se encuentre cerca. No deje nunca que el tubo flexible se desenrolle cuando se esté enrollando (véase la fig. M).
- Nunca introduzca sus manos en el interior de la carcasa.
- Cierre la rociadora de jardín **5** haciéndola girar en sentido contrario a las agujas del reloj (véase la fig. J).
- Cierre el grifo.
- Abra la rociadora de jardín **5** para aliviar la presión del agua. Para ello gire la rociadora en el sentido de las agujas del reloj. Vuelva a cerrar la rociadora de jardín **5** haciéndola girar en sentido contrario a las agujas del reloj.

- Sujete firmemente la manguera de riego **12** y tire de ella brevemente para soltar el mecanismo antirretorno. Sujete la manguera de riego **12** con la mano mientras esta se enrolla automáticamente hasta el tope final **14** en la caja de manguera **11** (véase la fig. I).

● Conectar otros dispensadores de agua

- Compruebe que el grifo y la rociadora de jardín **5** están cerrados.
- Quite la rociadora de jardín **5** del adaptador de manguera con elemento de cierre **4** (véase la fig. K).
- El elemento de cierre integrado en el adaptador de manguera impide que el agua siga saliendo.
- Conecte ahora otro dispensador de agua al adaptador de manguera con elemento de cierre **4**. Asegúrese de que encaje de forma audible en su sitio.

● Limpieza y cuidado

Limpiar la caja de manguera:

■ **¡PELIGRO DE DAÑOS!**

La limpieza o el manejo inadecuados pueden provocar daños en el producto.

- No utilice agentes limpiadores agresivos con cerdas metálicas o de nailon, ni utensilios de limpieza afilados o metálicos como cuchillos, espátulas duras y objetos similares. Esos agentes y objetos pueden dañar las superficies del aparato.

⚠ Después de cada uso:

- Después de cada uso, cierre la rociadora de jardín [5] y el grifo.
- Tras cada uso, enrolle la manguera de riego [12] hasta el tope final [14] para aliviar la tensión del muelle de retorno (véase el capítulo “Enrollar la manguera”).

Limpieza en caso necesario:

- Limpie todas las piezas con un paño húmedo.

Mensualmente y al final de cada invierno:

- Revise regularmente las mangueras para detectar fisuras, asperezas y otros signos de desgaste.

Almacenamiento:

- Todas las piezas deben estar totalmente secas antes de guardarlas.
- Mantenga el producto siempre seco.
- Proteja el producto de la luz solar directa.
- Guarde el producto en un lugar inaccesible para los niños, cerrado con seguridad y a una temperatura de entre 5 °C y 20 °C (temperatura ambiente).

● **Almacenamiento invernal**

Proteja este producto contra heladas. El agua residual congelada en la manguera se expande y puede provocar daños.

- Desconecte la manguera de alimentación [13] del grifo.
- Separe la manguera de riego [12] de la rociadora de jardín [5] o de otros dispensadores de agua.
- Vacíe completamente la manguera de alimentación [13] y la manguera de riego [12] manteniendo la abertura de la manguera orientada hacia abajo.
- Deje secar por completo todas las piezas.

- Retire el tornillo inferior **6** y saque la caja de manguera **11** de la piqueta **8**.
- Conserve la caja de manguera **11** en un lugar libre de heladas.

● Mantenimiento

⚠ ¡ADVERTENCIA! Todas las reparaciones deben ser realizadas únicamente por el fabricante, su socio de servicio técnico o alguna otra persona con una cualificación similar. Un mantenimiento inadecuado puede dar lugar a peligros.

● Eliminación

El embalaje está compuesto por materiales no contaminantes que pueden ser desechados en el centro de reciclaje local.

Para obtener información sobre las posibilidades de desecho del producto al final de su vida útil, acuda a la administración de su comunidad o ciudad.



El producto, incluidos los accesorios, y el material de embalaje son reciclables y están sujetos a la responsabilidad extendida del fabricante.

Deséchelos por separado siguiendo la información ilustrada de recogida selectiva para un mejor tratamiento de los residuos.

El logotipo Triman se aplica solo para Francia.

● Garantía

El producto ha sido fabricado según normas de calidad exigentes y ha sido probado minuciosamente antes de la entrega. En caso de fallos de material o de fabricación, dispone de derechos legales frente al vendedor del producto. Nuestra garantía mencionada a continuación no restringe sus derechos legales de ningún modo.

La garantía para este producto es de 3 años a partir de la fecha de compra. La garantía empieza el día de la fecha de compra. Conserve el justificante de compra original en un lugar seguro, ya que este documento es necesario para demostrar la compra.

Todos los daños o defectos ya presente en el momento de la compra deben informarse inmediatamente tras desembalar el producto.

Si el producto presenta defectos de material o fabricación en los 3 años a partir de la fecha de compra, lo repararemos o sustituiremos, según nuestra elección, gratuitamente para usted. El período de garantía no se extiende por una reclamación de garantía aprobada. Esto también es aplicable a las piezas sustituidas y reparadas.

La garantía pierde su validez si el producto se daña o se utiliza o mantiene de forma inadecuada.

La garantía cubre defectos de material y fabricación. Esta garantía no cubre las piezas del producto sujetas a un uso y desgaste normal y, por lo tanto, consideradas piezas de desgaste (por ej. pilas, baterías, mangueras, cartuchos de tinta) ni los daños a las piezas frágiles, por ej. interruptores o piezas de cristal.

Tramitación de la garantía

Para garantizar un procesamiento rápido de su consulta, por favor, siga las indicaciones siguientes:

Para cualquier consulta, tenga a mano el recibo y el número de artículo (p. ej. IAN 507546_2507) como justificante de compra.

Encontrará el número de artículo en la placa de características del producto, un gravado en el producto, la portada de las instrucciones (abajo a la izquierda) o el adhesivo en la parte posterior o inferior del producto.

Si se producen fallos de funcionamiento o cualquier otro defecto, contacte primero por teléfono o correo electrónico con el departamento de servicio mencionado a continuación.

Entonces podrá enviar gratuitamente para usted un producto registrado como defectuoso a la dirección de servicio que se le proporcione adjuntando la factura de compra (recibo) e indicando cuál es el defecto y cuándo tuvo lugar.

En parksidediy.com puede visualizar y descargar este y muchos otros manuales. Con este código QR accede directamente a parksidediy.com. Seleccione su país y busque los manuales de instrucciones a través de la máscara de búsqueda. Introduciendo el número de artículo (IAN) 507546_2507 accede al manual de instrucciones de su artículo.

Asistencia

Asistencia en España

Tel.: 900994940

Formulario de contacto en parksidediy.com

IAN 507546_2507

● Declaración UE de conformidad

DECLARACIÓN UE DE CONFORMIDAD (n° IAN 50754E_2507)

IAN: 50754E_2507
Identificación del producto: PAKESIDE Enrollador de manguera de tierra 25 m (1/2")
Número de modelo: HG11114

El objeto de la declaración descrita anteriormente es conforme con la legislación de armonización pertinente de la Unión:

Directiva 2006/42/CE

Referencias a las normas armonizadas o referencias a las otras especificaciones técnicas respecto a las cuales se declara la conformidad:

N° / Partes
Directive 2006/42/CE
Annex II of 2006/42/EC



Responsable de la documentación técnica: OWIM GmbH & Co.KG

Firmado en nombre de:

OWIM GmbH & Co. KG, Stillsbergstraße 1, 74167 Meckarsulm, Alemania

Esta declaración de conformidad se emite bajo la responsabilidad exclusiva del fabricante.

Traducción de la declaración de conformidad original

Meckarsulm	14.10.2025		
Lugar	Fecha	ppa. Jens Buchheim	ppa. Dr. Theodor Maier
		Procurador	Procurador

Introdução	Página	96
Utilização prevista.....	Página	96
Descrição das peças.....	Página	97
Dados técnicos.....	Página	97
Conteúdo da embalagem.....	Página	98
Indicações de segurança	Página	98
Indicações de segurança gerais.....	Página	98
Antes da colocação em funcionamento	Página	101
Colocação em funcionamento	Página	101
Selecionar o local de instalação.....	Página	102
Selecionar o material de montagem.....	Página	102
Montagem	Página	102
Desmontagem.....	Página	103
Utilização	Página	103
Desenrolar a mangueira.....	Página	103
Enrolar a mangueira.....	Página	103
Ligar outros consumidores de água.....	Página	104
Limpeza e manutenção	Página	104
Armazenamento de inverno.....	Página	105
Manutenção	Página	105
Eliminação	Página	105
Garantia	Página	106
Declaração de conformidade CE	Página	108

Lista dos pictogramas utilizados

■	Indicações de segurança
□	Manual de instruções

ENROLADOR DE MANGUEIRA PARA SOLO

● **Introdução**

Damos-lhe os parabéns pela aquisição do seu novo produto. Acabou de adquirir um produto de grande qualidade. Familiarize-se com o aparelho antes da primeira colocação em funcionamento. Para tal, leia atentamente este manual de instruções e as indicações de segurança. Utilize o produto apenas como descrito e para as áreas de aplicação indicadas. Armazene este manual em um lugar seguro. Se entregar este produto a terceiros, entregue também todos os documentos.

● **Utilização prevista**

O produto foi concebido exclusivamente para utilização como enrolador de mangueira numa caixa de mangueira fechada com enrolamento automático. Além do bico de pulverização, podem ligar-se à mangueira de irrigação outros consumidores de água, tais como aspersores, sistemas de irrigação e máquinas de limpeza a alta pressão. O produto destina-se exclusivamente a uso privado, não sendo adequado para fins comerciais. Utilize apenas o produto de acordo com as descrições do presente manual de instruções. Qualquer outra utilização não está de acordo com a utilização prevista e pode provocar ferimentos pessoais ou danos materiais. O produto não é um brinquedo.

● Descrição das peças

- 1 Redutor, 33 mm para 26,5 mm (G1" para G¾")
- 2 Peça da torneira, 33 mm (G1")
- 3 Peça da mangueira, ½" (13 mm)
- 4 Peça da mangueira com paragem de água, ½" (13 mm)
- 5 Pulverizador de jardim regulável
- 6 Parafuso
- 7 Barra de fixação para a estaca
- 8 Estaca
- 9 Base de plástico
- 10 Base de plástico (cobertura)
- 11 Caixa de mangueira
- 12 Mangueira de irrigação, 25 m (pré-enrolada)
- 13 Mangueira de alimentação, 2 m (pré-enrolada)
- 14 Batente final
- 15 Ligação para mangueira de alimentação

● Dados técnicos

Caixa de mangueira:

Max.

pressão de

funcionamento: 6 bar

Dimensões do enrolador de mangueira (incluindo estaca):

363 x 228 x 1002 mm
(C x L x A)

Peso:
(vazio)

9,90 kg

12,15 kg
(com água na mangueira)

Alcance de rotação:

horizontal
360°

Material:

plástico,
resistente às
intempéries

Mangueiras:

Comprimento da mangueira de irrigação:

25 m

Comprimento da mangueira de alimentação:

2 m

Diâmetro:

½" (13 mm)

Material da mangueira:

mangueira em tecido PVC

Rosca da ligação

da torneira:

rosca de 33 mm e 26,5 mm (G1", G¾")

● Conteúdo da embalagem


- 1 Estaca de metal
- 1 Caixa de mangueira com mangueiras
- 1 Redutor, 33 mm para 26,5 mm (G1" para G $\frac{3}{4}$ ")
- 1 Peça da torneira, 33 mm (G1")
- 1 Peça da mangueira
- 2 Peças da mangueira com paragem de água
- 1 Pulverizador de jardim regulável
- 6 Parafusos
- 1 Vareta de montagem (para estaca)



Indicações de segurança

● Indicações de segurança gerais

GUARDAR TODAS AS INDICAÇÕES DE SEGURANÇA E INDICAÇÕES PARA O FUTURO!

-  **AVISO!**
PERIGO DE MORTE E DE ACIDENTE PARA BEBÉS E CRIANÇAS! As crianças não devem brincar com o produto e a limpeza/ manutenção realizada pelo utilizador não deve ser efetuada por crianças sem supervisão.

- Não permitir que crianças brinquem com a película da embalagem ou partes da embalagem, caso contrário podem ficar presas ao brincar ou engolir partes e sufocar.
- Não abandone o produto durante o funcionamento.
- Mantenha as crianças afastadas durante a montagem. Este produto contém parafusos e outras peças pequenas. Estes podem provocar asfixia, se forem ingeridos ou inalados.
- Crianças ou pessoas sem conhecimentos ou experiência sobre a utilização do produto, ou com capacidades físicas, sensoriais ou mentais reduzidas, não devem utilizar o produto sem supervisão ou instrução de uma pessoa responsável pela sua segurança. As crianças devem ser supervisionadas, para garantir que não brincam com o produto.

- Certifique-se de que o produto apenas é utilizado por pessoas com, pelo menos, 16 anos de idade, com plena capacidade física e mental e que tenham lido e compreendido o manual de instruções. Todas as outras pessoas apenas podem utilizar o produto sob a supervisão de pessoas adequadas.



PERIGO DE CHOQUE ELÉTRICO!

- Certifique-se de que não danifica nenhum cabo elétrico durante a instalação. Uma instalação ou utilização incorreta pode provocar choques elétricos.
- Não direcione o jato de água para aparelhos elétricos.
- Nunca direcione o jato de vapor para pessoas ou animais.

AVISO: Antes da utilização, a água que se encontre na linha de abastecimento que tenha aquecido até uma temperatura elevada ou tenha estado estagnada durante um longo período de tempo, não deve ser direcionada a pessoas, animais ou plantas.

⚠ CUIDADO RISCO DE FERIMENTOS! Uma instalação ou utilização indevida pode causar ferimentos.

- Certifique-se de que nenhuma peça está danificada e estão corretamente montadas.
- Controle corretamente a pressão da água para evitar que a água a alta pressão escape e provoque ferimentos. Nunca aponte o jato de vapor contra pessoas ou animais.
- Nunca beba a água transportada com o produto. O produto não é adequado para água potável. O produto destina-se a transportar água de instalações fixas. Não utilizar para transportar outros líquidos.
- Coloque a mangueira desenrolada apenas plana no chão. Evite laços que fiquem acima do chão. Os laços constituem um perigo de tropeçar e podem provocar acidentes.
- Não deixe que a mangueira se enrole por si própria. Guie a mangueira cuidadosamente de volta para a caixa.

- Não solte a mangueira flexível, se a função de paragem automática não estiver ativada.
- **PERIGO DE ESCORREGAR!** Se o chão estiver molhado, pode escorregar e ferir-se. Certifique-se de que o chão perto do produto se mantém o mais seco possível.
- Desligue a torneira quando o produto não estiver a ser utilizado.
- **PERIGO DE DANOS!** Uma utilização indevida do produto pode causar danos.
- Certifique-se de que não danifica quaisquer cabos, linhas ou canos de água durante a instalação. Antes de perfurar, procure o local de instalação com um localizador de canos.
- Para evitar danos causados pelo gelo, desmonte o produto da parede durante inverno e guarde-o num local seco.
- Não passe a mangueira por cantos ou arestas nem ao longo de objetos pontiagudos ou com arestas afiadas. Os danos daí resultantes podem causar fugas.
- Não coloque a mangueira em zonas onde sejam pisadas por veículos. Passar por cima da mangueira pode provocar o seu rebentamento.
- Nunca abra a caixa do produto. As molas estão pré-tensionadas e podem sair disparadas para trás.
- Não retire os parafusos das partes da caixa.
- Certifique-se de que a mangueira não se enrola sozinha. Isso pode provocar danos.
- Durante a utilização, não feche a abertura da mangueira com os dedos ou com objetos.
- Peça a pessoas qualificadas para fazer a instalação.
- Não utilize o produto se os componentes de plástico estiverem rachados ou deformados. Substitua os componentes danificados apenas por peças sobresselentes originais adequadas.

Explicação dos símbolos:



Não utilize substâncias corrosivas!



Não pulverize sobre aparelhos elétricos, cabos e linhas elétricas.



Não pulverize sobre pessoas!



Não pulverize sobre animais!



Pulverize apenas sobre plantas!



Não utilize o produto para beber!



Mantenha afastado de chamas abertas e fontes de calor. Feche bem os recipientes; guarde num local seguro contra incêndios! Não utilize líquidos altamente inflamáveis!



Proteja do gelo e armazenar num local sem gelo.



Use um fato de proteção, luvas ou máscara adequados.



Antes da primeira utilização leia o manual de instruções.



O produto cumpre todas as diretivas da UE respeitantes a produtos aplicáveis.

● Antes da colocação em funcionamento

- Ao desembalar, verifique a integridade do conteúdo da embalagem e a existência de eventuais danos do produto e de todas as peças.
- **PERIGO DE DANOS!** Se abrir a embalagem de forma descuidada com uma faca afiada ou outros objetos afiados, pode danificar o produto. Tenha muito cuidado ao abrir a embalagem.
- Retire o produto da embalagem.
- Verifique se a entrega está completa (ver Imag. A).
- Verifique se o produto ou as partes individuais apresentam danos. Nesse caso, não utilize o produto.

● Colocação em funcionamento

- **PERIGO DE DANOS!** Uma utilização indevida do produto pode causar danos.
- Certifique-se de que não danifica quaisquer cabos, linhas ou canos de água durante a instalação.
- Antes de perfurar, procure o local de instalação com um localizador de canos.

● Selecionar o local de instalação

⚠ **Cuidado!** O chão para a colocação da estaca não deve ser demasiado mole nem demasiado duro.

- Escolha um local de montagem estável e com capacidade de carga suficiente e certifique-se de que não há pedras no chão.
- Observe o peso do produto, incluindo a água na mangueira (ver capítulo “Dados técnicos”).
- Selecione um local de instalação onde possa utilizar toda a rotação de 360° da caixa de mangueira **11**.
- Meça a distância até à torneira, para que seja possível ligar a mangueira de alimentação **13** com folga (ver Imag. E).

● Selecionar o material de montagem

Para aparafusar ao chão, introduza a barra de fixação para a estaca **7** na estaca **8**. Rode a barra de fixação para a estaca **7** no sentido dos ponteiros do relógio para se assegurar de que a parte de metal fica aparafusado ao chão na vertical. Mantenha uma distância de 30 mm entre a

parte de plástico da estaca **8** e o chão (ver Imag. C).

A barra de fixação para a estaca **7** pode ser mantida no interior da estaca **8**.

● Montagem

- Monte a base de plástico **9** e a base de plástico (cobertura) **10** com 5 parafusos **6** e certifique-se de que a caixa de mangueira **11** está unida à base de plástico **9** e à base de plástico (cobertura) **10** (ver Imag. B).
- Segure a caixa de mangueira **11** com a mão, coloque a caixa de mangueira **11** por cima da estaca **8** e fixe o último parafuso **6**.
Nota: Preste atenção à posição do último parafuso (ver Imag. D).
- Verifique o tipo de ligação de água disponível.
- Para uma torneira com rosca de 33 mm (G1”), utilize a peça da torneira **2** e enrosque-a na torneira.
- Para uma torneira com rosca de 26,5 mm (G $\frac{3}{4}$ ”), enrosque primeiro o redutor **1** na peça da torneira **2** e depois enrosque a peça da torneira **2** na torneira (ver Imag. F).

- Ligue a mangueira de alimentação [13] à peça da mangueira [3]. De seguida, ligue a peça da mangueira [3] à peça da torneira [2] (ver Imag. G). Certifique-se de que encaixa audivelmente.
- Ligue a outra extremidade da mangueira de alimentação [13] à peça da mangueira com paragem de água [4]. De seguida, ligue a peça da mangueira com paragem de água [4] à ligação da mangueira de alimentação [15]. Verifique se está encaixada em posição (ver Imag. E).
- Ligue o pulverizador de jardim [5] à peça da mangueira com paragem de água [4]. Certifique-se de que encaixa audivelmente. Certifique-se de que o pulverizador de jardim [5] está fechado (ver Imag. J).

O produto está pronto para ser utilizado.

● **Desmontagem**

Para a montagem, proceda na ordem inversa da montagem (ver capítulo “Montagem”).

● **Utilização**

● **Desenrolar a mangueira**

- Puxe a mangueira de irrigação [12] para fora da caixa de mangueira [11] até ao comprimento desejado (ver Imag. H).
- Desenrole lentamente. A mangueira de irrigação [12] retrai-se brevemente até ser retida pelo bloqueio de retorno.
- Abra a torneira. Certifique-se de que o pulverizador de jardim [5] está fechado.
- Abra o pulverizador de jardim [5], ao girar no sentido dos ponteiros do relógio (ver Imag. J).
- A mangueira de irrigação [12] apenas pode ser puxada para fora até à marca vermelha.

● **Enrolar a mangueira**

- **PERIGO DE FERIMENTOS E DE DANOS!** Uma mangueira de irrigação não guiada pode ser projetada pela força da mola do enrolador automático e causar ferimentos e danos materiais.

- Guie sempre a mangueira de irrigação à mão. Ao enrolar, certifique-se de que nenhuma outra pessoa se encontra nas proximidades imediatas. Nunca largue a mangueira ao enrolar (ver Imag. M).
- Nunca insira a mão no interior da caixa.
- Feche o pulverizador de jardim [5], girando-o no sentido contrário ao dos ponteiros do relógio (ver Imag. J).
- Feche a torneira.
- Abra o pulverizador de jardim [5] para libertar a pressão da água. Gire no sentido dos ponteiros do relógio. Volte a fechar o pulverizador de jardim [5], ao girá-lo no sentido contrário ao dos ponteiros do relógio.
- Segure firmemente a mangueira de irrigação [12] e puxe-a brevemente para soltar o bloqueio de retorno. Guie a mangueira de irrigação [12] com a mão, enquanto esta se enrola automaticamente na caixa da mangueira [11] até ao batente final [14] (ver Imag. L).
- Retire o pulverizador de jardim [5] da peça da mangueira com paragem de água [4] (ver Imag. K).
- A paragem de água integrada na peça da mangueira impede a entrada de água.
- Ligue agora outro consumidor de água à peça da mangueira com paragem de água [4]. Certifique-se de que encaixa audivelmente.

● Limpeza e manutenção

Limpar a caixa de mangueira:

- **PERIGO DE DANOS!** Uma limpeza ou manuseamento inadequados podem causar danos no produto.
- Não utilize produtos de limpeza agressivos ou objetos de limpeza afiados ou metálicos, como facas, espátulas duras e semelhantes. Estes objetos podem danificar as superfícies.

△ **Após cada utilização:**

- Feche o pulverizador de jardim [5] e a torneira após cada utilização.
- Após cada utilização, enrole a mangueira de irrigação [12] até ao batente final [14], para aliviar a mola de retorno (ver capítulo “Enrolar a mangueira”).

● **Ligar outros consumidores de água**

- Certifique-se de que a torneira e o pulverizador de jardim [5] estão fechados.

Se necessário, limpar:

- Limpe todas as partes com um pano húmido.

Mensalmente e após cada inverno:

- Verifique regularmente as mangueiras quanto a fissuras, fragilidade e outros sinais de desgaste.

Armazenamento:

- Todas as partes devem estar completamente secas antes de serem armazenadas.
- Armazene o produto sempre seco.
- Proteja o produto contra luz solar direta.
- Armazene o produto fora do alcance das crianças, bem fechado e a uma temperatura de armazenamento entre 5 °C e 20 °C (temperatura ambiente).

● Armazenamento de inverno

Proteja o produto do gelo. A água residual congelada na mangueira expande-se e pode causar danos.

- Desligue o mangueira de alimentação **13** da torneira.
- Desligue a mangueira de irrigação **12** do pulverizador de jardim **5** ou de outros consumidores de água.

- Esvazie completamente a mangueira de alimentação **13** e a mangueira de irrigação **12**, ao segurar a abertura da mangueira para baixo.
- Deixe secar bem todas as peças.
- Remova o parafuso **6** inferior e retire a caixa de mangueira **11** da estaca **8**.
- Armazene a caixa de mangueira **11** num local sem gelo.

● Manutenção

⚠ AVISO! Todas as reparações apenas podem ser efetuadas pelo fabricante, pelo seu parceiro de serviço ou por pessoas com qualificações semelhantes. Uma manutenção incorreta pode provocar situações de perigo.

● Eliminação

A embalagem é feita de materiais não poluentes que podem ser eliminados nos contentores de reciclagem locais.

As possibilidades de reciclagem dos artigos utilizados poderão ser averiguadas no seu Município ou Câmara Municipal.



O produto, incluindo os acessórios e materiais de embalagem, são recicláveis e estão sujeitos a uma responsabilidade alargada do fabricante.

Elimine-os separadamente, seguindo as informações-tri (informações de triagem) ilustradas, para um melhor tratamento dos resíduos.

O logotipo Triman somente vale para a França.

● Garantia

O produto foi fabricado de acordo com diretrizes de qualidade rigorosas e cuidadosamente testado antes da entrega. Em caso de defeitos materiais ou de fabrico, tem direitos legais contra o vendedor do produto. Os seus direitos legais não são limitados de forma alguma pela nossa garantia abaixo apresentada.

A garantia para este produto é de 3 anos a partir da data de compra. O período de garantia começa na data da compra. Guarde o recibo de compra original num local seguro, pois este documento é exigido como prova de compra.

Quaisquer danos ou defeitos já presentes no momento da compra devem ser comunicados imediatamente após a desembalagem do produto.

No caso de o produto apresentar um defeito de material ou de fabrico dentro de 3 anos a partir da data de compra, repará-lo-emos ou substituí-lo-emos gratuitamente, à nossa critério. O período de garantia não pode ser prolongado por uma reclamação de garantia concedida. Isto também se aplica às peças substituídas e reparadas.

Esta garantia é nula se o produto tiver sido danificado ou utilizado ou mantido de forma inadequada.

A garantia cobre defeitos de material e de fabrico. Esta garantia não cobre peças do produto sujeitas a desgaste normal e, portanto, consideradas peças consumíveis (por ex., baterias, baterias recarregáveis, mangueiras, cartuchos de tinta), nem cobre danos em peças frágeis, por ex., interruptores ou peças feitas em vidro.

Com a troca do aparelho, de acordo com DL 67/2003, o tempo de garantia se inicia novamente.

Procedimento no caso de ativação da garantia

Para garantir que o seu pedido é processado rapidamente, siga as instruções abaixo:

Por favor, prepare para todas os pedidos o recibo de compra e o número de artigo (p. ex. IAN 507546_2507) como prova da compra.

Consulte a placa de identificação no produto, uma gravação no produto, a página de título das suas instruções (em baixo à esquerda) ou o autocolante no verso ou na parte inferior do produto para obter o número do artigo.

Se ocorrerem falhas de funcionamento ou outros defeitos, contacte primeiro o serviço de assistência técnica abaixo indicado, por telefone ou por e-mail.

O produto considerado defeituoso pode então ser enviado gratuitamente para o endereço de serviço que lhe foi fornecido, juntando a prova de compra (recibo) e indicando o tipo de defeito e a data em que ocorreu.

Pode ver e descarregar estes e muitos outros manuais em parkside-diy.com. Este código QR irá levá-lo diretamente para parkside-diy.com. Selecione o seu país e utilize a máscara de pesquisa para procurar o manual de instruções. Introduzindo o número do artigo (IAN) 507546_2507, irá aceder ao manual de instruções do seu artigo.

Assistência Técnica

PT Serviço Portugal

Tel.: 800849131

Formulário de contacto em parkside-diy.com

IAN 507546_2507

● Declaração de conformidade CE

DECLARAÇÃO UE DE CONFORMIDADE [N.º IAN 507546 2507]

IAN: 507546_2507
Identificação do produto: PAMESIDE Enrolador de mangueira para terra 25m (1/2")
Número do Modelo: HG11114

O objeto da declaração acima descrito está em conformidade com a legislação de harmonização da União aplicável:

Diretiva 2006/42/CE

Referências às normas harmonizadas aplicáveis ou às outras especificações técnicas em relação às quais é declarada a conformidade:

N.º / Peças
Diretiva 2006/42/CE
Anexo II of 2006/42/EC

Detentor da documentação técnica: OWIM GmbH & Co.KG

Assinado por e em nome de:

OWIM GmbH & Co. KG, Stülzbergstraße 1, 743167 Meckarsulm, Alemanha

Esta declaração de conformidade é emitida sob a exclusiva responsabilidade do fabricante.

Tradução da original declaração de conformidade

Meckarsulm

Lugar

14.10.2025

Data

ppa. Jens Ruchheim *ppa. Dr. Thorsten Maier*

Prokurent

Prokurent

OWIM GmbH & Co. KG
Stiftsbergstraße 1
74167 Neckarsulm
GERMANY

Model No.: HG11114
Version: 01/2026

IAN 507546_2507

