

WASHING MACHINE SHELVING UNIT

(GB) (IE) (NI)

WASHING MACHINE SHELVING UNIT

Assembly and safety advice

(DK)

REOL TIL RUNDT OM VASKEMASKINEN

Montage- og sikkerhedsanvisninger

(FR) (BE)

ÉTAGÈRE POUR MACHINE À LAVER

Instructions de montage et consignes de sécurité

(NL) (BE)

WASMACHINE-BOVENBOUWREK

Montage- en veiligheidsinstructies

(DE) (AT) (CH)

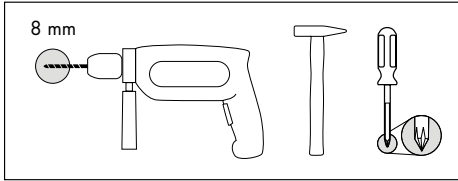
WASCHMASCHINEN-ÜBERBAUREGAL

Montage- und Sicherheitshinweise

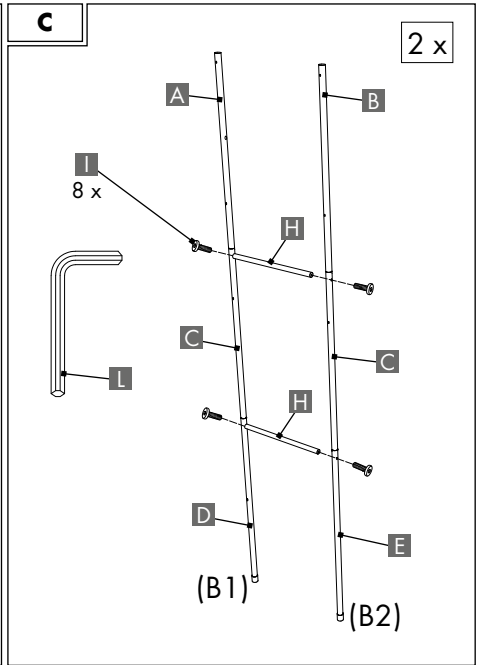
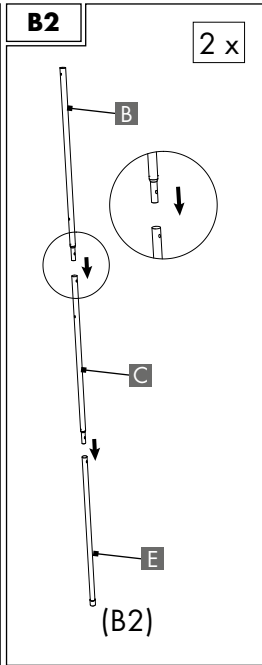
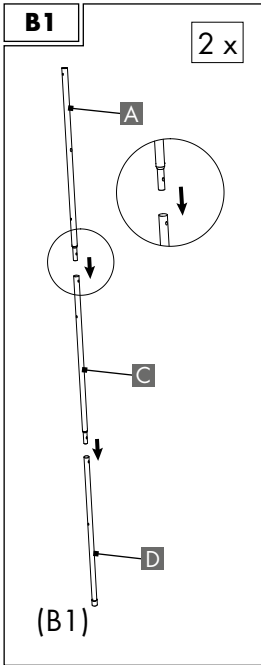
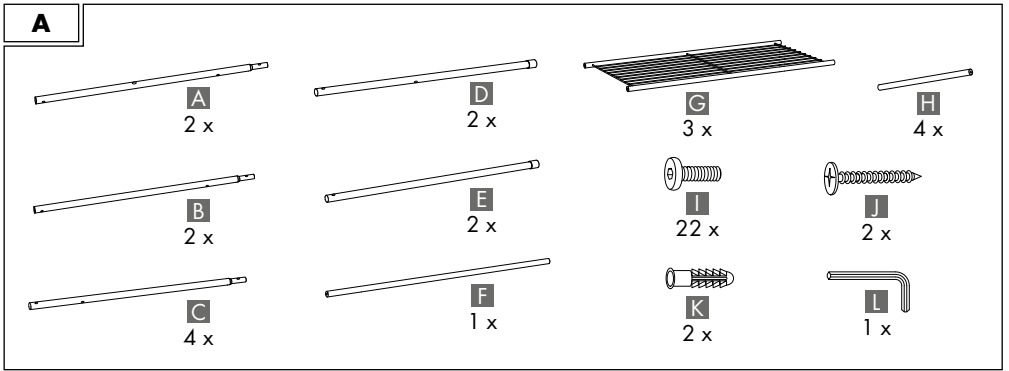


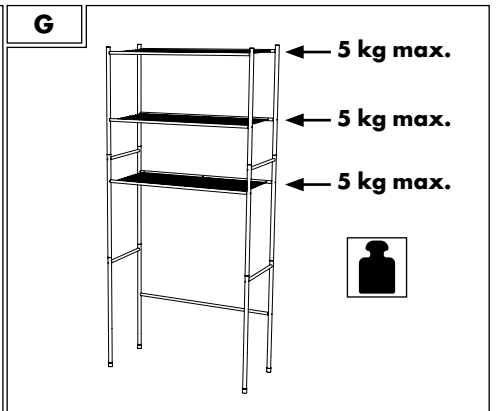
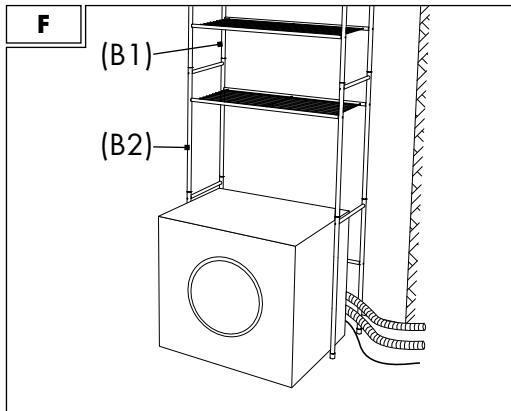
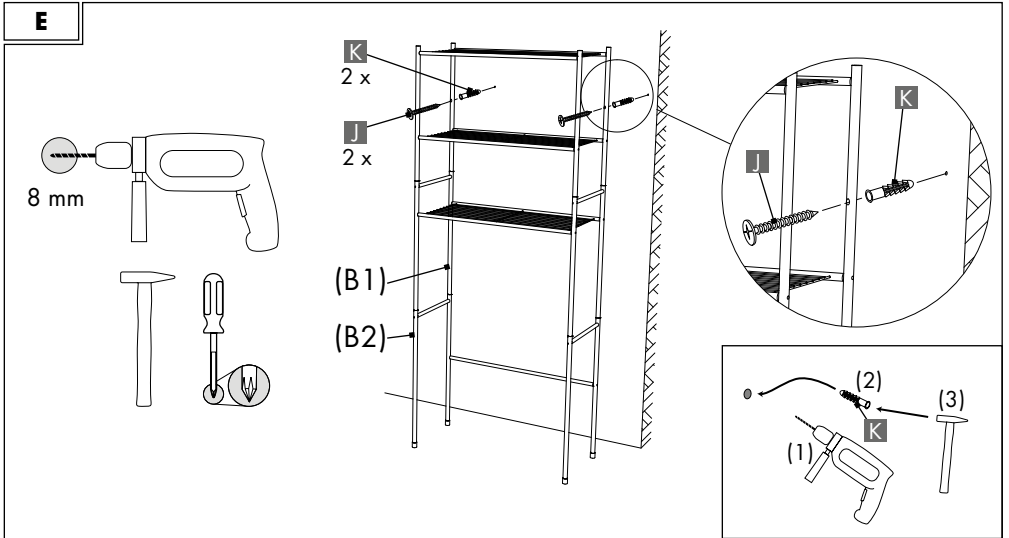
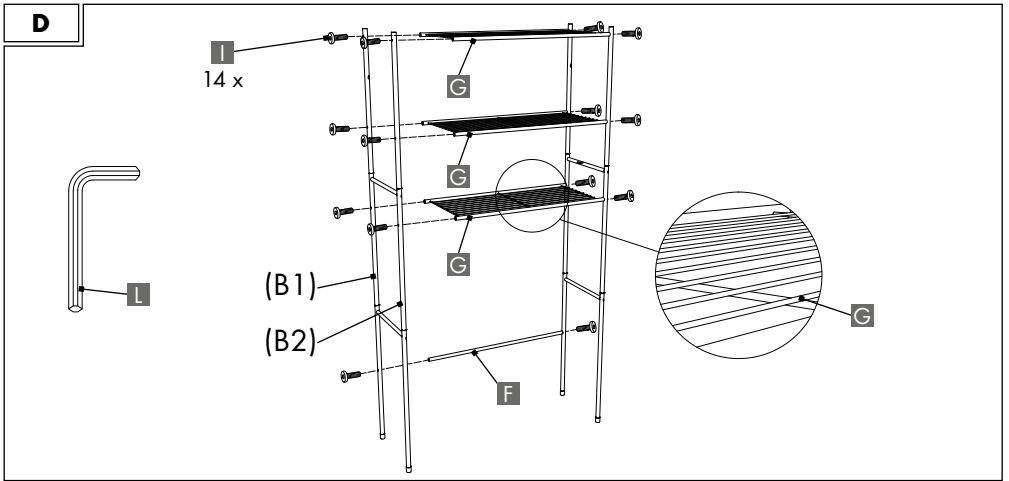
IAN 459479_2401

(DK) (BE) (NL)



GB/IE/NL	Washing machine shelving unit Assembly and safety advice	5
DK	Reol til rundt om vaskemaskinen Montage- og sikkerhedsanvisninger	8
FR/BE	Étagère pour machine à laver Instructions de montage et consignes de sécurité	12
NL/BE	Wasmachine-bovenbouwrek Montage- en veiligheidsinstructies	16
DE/AT/CH	Waschmaschinen-Überbauregal Montage- und Sicherheitshinweise	20





WASHING MACHINE SHELVEING UNIT

Assembly and safety advice

1. Introduction	5
2. Safety	5
3. Scope of delivery (Fig. A)	5
4. Technical specifications	6
5. Safety information	6
6. Structure	6
7. Fixing the product to the wall	6
8. Cleaning and care instructions	7
9. Disposal	7
10. Warranty	7
11. Distributor	8
12. Service address	8

1. Introduction

Congratulations!

With your purchase you have opted for a high-quality product. Familiarise yourself with the product before using it for the first time. Please read the following assembly and safety advice carefully. They contain important information for safety, use and disposal. Familiarise yourself with all of the assembly and safety advice before using the product. Only use the product as described and for the specific areas of application. Keep these assembly and safety advice in a safe place. Provide all of the documentation when passing the product on to third parties.

In the following, the Washing machine shelving unit is referred to as the product.

Explanation of symbols

The following symbols and signal words are used in these assembly and safety advice, on the product or on the packaging.

⚠ WARNING!

This signal symbol/word indicates a hazard with a high level of risk which, if not avoided, may result in death or serious injury.

⚠ CAUTION!

This signal symbol/word indicates a hazard with a low level of risk which, if not avoided, may result in minor or moderate injury.

NOTE!

This signal word warns of possible property damage or provides you with useful additional information regarding the use.



This symbol indicates additional information.



This symbol indicates an identification number for products.



This symbol indicates that the product has feet that are gentle to the floor.



This symbol indicates that assembly material and instructions are included.



This symbol indicates the maximum load weight.



These symbols inform you about the disposal of the packaging and the product.



This symbol indicates the importer.

2. Safety Intended use

The product is not intended for commercial use. Different use or a modification to the product are not deemed as intended use and may lead to risks, such as injuries and damage. The distributor assumes no liability for damage that results from improper use.



The product is exclusively suitable for interior use.

3. Scope of delivery (Fig. A)

- 2 x Head rod **A**
- 2 x Head rod **B**
- 4 x Middle bar **C**
- 2 x Foot bar **D**
- 2 x Foot bar **E**
- 1 x Cross brace **F**
- 3 x Shelves **G**
- 4 x Side strut **H**
- 22 x Allen screw **I**
- 2 x Cross screw **J**
- 2 x Wall plugs **K**
- 1 x Allen key **L**
- 1 x assembly and safety advice (without fig.)

4. Technical specifications

Type: Washing machine shelving unit

IAN: 459479_2401

Tradix Item No.: 459479-24-A, -B

Model white: 459479-24-A

OR

Model grey: 459479-24-B

Dimensions: approx. 66 x 162 x 30 cm (W x H x D)

Material: Metal powder coated

Production date: 05/2024

Warranty: 3 years

5. Safety information

⚠ WARNING!

Risk of injury and suffocation!



If children play with the product or the packaging, they may injure themselves or suffocate!

- Do not let children play with the product or the packaging.
- Supervise children who are close to the product.
- Keep the product and the packaging out of the reach of children.

⚠ WARNING!

Fatal danger!



Do not drill without checking the intended positions for electrical, gas or water lines first! There is a risk of fatal injuries!

- Damage to electrical, gas or water lines can cause dangerous situations! Use appropriate detectors to determine whether hidden lines are situated in the work area.

⚠ WARNING!

Risk of injury!

Secure the product against falling over! There is a risk of injury from jamming!

- It is absolutely necessary to fix the product to a wall using the supplied cross-head screws **J** and dowels **K**. The product could, for example, otherwise fall over and injure children.
- Place the product on a level surface.

⚠ WARNING!

Danger of injury!

A defective product must not be used!

There is a risk of injury!

- Do not use the product in the case of malfunctions, damage or defects.
- Significant danger can occur for the user in the case of improper repairs.

6. Structure

1. Remove all packaging materials.
2. Check whether all parts are available and undamaged.
If this is not the case, notify the specified service address.
3. Place the individual parts as shown in **Fig. A**.
4. Mount the product as shown in the **Fig. B1** to **Fig. D**.

NOTE!

- Only tighten the Allen screws **L** after all parts have been assembled.
- Do **L** not overtighten the Allen screws!

7. Fixing the product to the wall

⚠ WARNING!

Risk of injury!

Check the suitability of the wall in advance to ensure that it is suitable for mounting the product. There is a risk of injury!

- The supplied cross-head screws **J** and dowels **K** are not suitable for every wall material, e.g. plasterboard. In this case, you should obtain the appropriate screws and plugs from a specialist store.

NOTE!

The product is intended for use as a superstructure of a washing machine. Before fixing the product to the wall behind the washing machine, proceed as follows:

1. Turn off the washing machine.
2. Disconnect the washing machine from the power supply.
3. Close the water supply to the washing machine.
4. Pull the washing machine forward away from the wall.
5. Place the product against the wall at the middle of the washing machine.

NOTE!

Make sure that the washing machine hoses and pow-

er cord are free between the front bar (B2) and rear bar (B1), see **Fig. F**.

NOTE!

If you are in any doubt about how to use the washing machine, consult a qualified person for help!

NOTE!

To attach the shelf to a wall, you need a drilling machine with a 8 mm drill, a Phillips screwdriver and a hammer.

6. Fix the product as shown in **Fig. E**.
7. Slide the washing machine back between the product fixed to the wall.

NOTE!

Make sure that the hoses and the power cable of the washing machine are not pinched!

8. Open the water inlet.
9. Reconnect the washing machine to the mains supply.

You can now switch the washing machine on again.

⚠ CAUTION!

Risk of injury!

The shelves may not be overloaded. There is a risk of injury!

- Only load the shelves **G** up to the maximum weight specifications, see **Fig. G**.

8. Cleaning and care instructions

NOTE!

Danger of material damage!

- only clean with a damp cloth
- only use a mild detergent
- do not use any strong detergents and/or chemicals
- do not use sharp-edged tools such as spatulas or similar, they can damage the surface

9. Disposal

Disposal of the packaging

The packaging and instructions are made of environmentally friendly materials that you can dispose of at local recycling points.



Disposal of the product

The product may not be disposed of with normal household waste. For information on disposal options for the product, please contact your local council/municipality or your Lidl shop.

10. Warranty

Dear customer, the warranty on this product is 3 years from the purchase date. In the event of defects in this product, you are entitled to exercise your statutory rights against the seller of the product. These statutory rights are not limited by our warranty described in the following.

Warranty conditions

The warranty begins on the date of purchase. Please keep the original receipt. This document is required as verification of the purchase.

If a material or manufacturing defect arises within three years from the purchase date of this product, the product will be repaired or replaced, as per our choice, at no charge to you. This warranty service requires the submission of the purchase receipt and the defective product within the three-year period and a short written description of the defect and when it arose. If the defect is covered by our warranty, the repaired or a new product will be returned to you. The warranty period does not restart with the repair or replacement of the product.

Guarantee period and statutory claims for defects

The guarantee period will not be extended by the warranty. This also applies to replaced and repaired parts. Damage and defects which may possibly already exist upon purchase must be reported immediately after unpacking. After the guarantee period has expired, required repairs shall be subject to a charge.

Scope of guarantee

The device has been carefully produced under strict quality guidelines and conscientiously inspected prior to delivery. The guarantee service applies to material or manufacturing faults. This guarantee does not extend to product parts, which are exposed to normal wear and tear and can therefore be regarded as wearing parts or to damage to fragile parts, e.g. switches or which are made of glass. This guarantee shall lapse, if the product is damaged, not used properly or maintained properly. For proper use of the product, all of the instructions in the operating instructions must be precisely complied with. Purposes and actions, which are dissuaded from or warned about in the operating instructions must be avoided.

The product is only intended for private and not commercial use. In the case of abusive and improper handling, use of force and with interventions, which are not performed by our authorised service branch, the guarantee shall lapse.

Processing in the case of a guarantee claim

To ensure quick processing of your concern, please follow the instructions below:

- Please have the till receipt and article number available (IAN) 459479_2401 as proof of the purchase.
- You can find the article number on the rating plate on the product, as an engraving on the product, the title place of your instructions or the sticker on the back or underside of the product.
- If malfunctions or other defects occur, first contact the service department below by telephone or e-mail.
- You can then send a product that has been recorded as being defective, including the proof of purchase (till receipt) and stating what the defect is and when it occurred, postage-free to the service address provided to you.

On www.lidl-service.com, you can download these and many other manuals, product videos and installation software.



With this QR code, you can directly reach the Lidl Service website (www.lidl-service.com) and can open your operating instructions by entering the article number (IAN 459479_2401).

11. Distributor



TRADIX GmbH & Co. KG
Schwanheimer Str. 132
DE-64625 Bensheim/GERMANY

Imported for GB market by:

Lidl Great Britain Ltd, Lidl House, 14 Kingston Road, Surbiton, KT5 9NU

12. Service address

TRADIX SERVICE-CENTER
c/o Teknihall Elektronik GmbH
Alfred-Nobel-Str. 1
DE-63128 Dietzenbach/GERMANY

Hotline: 00800 / 30012001 (free of charge, mobile networks may vary)

E-Mail: tradix-gb@teknihall.com

E-Mail: tradix-ie@teknihall.com

E-Mail: tradix-ni@teknihall.com

05/2024

Tradix item no.: 459479-24-A, -B

IAN 459479_2401

(DK)

REOL TIL RUNDT OM VASKEMASKINEN

Montage- og sikkerhedsanvisninger

1. Indledning	8
2. Sikkerhed	9
3. Leveringsomfang (Fig. A)	9
4. Tekniske data	9
5. Sikkerhedsanvisninger	9
6. Montering	10
7. Fiksering af produktet på en væg	10
8. Rengørings- & plejeanvisninger	10
9. Bortskaffelse	10
10. Garanti	11
11. Forhandler	11
12. Serviceadresse	11

1. Indledning

Hjerteligt tillykke!

Med dette køb har du besluttet dig for et kvalitetsprodukt. Forud for den første ibrugtagning skal man blive fortrolig med produktet. Læs derfor den efterfølgende betjeningsvejledning opmærksomt igennem. Brug kun produktet sådan som det er beskrevet og til de specificerede anvendelsesområder. Bliv fortrolig med alle betjenings- og sikkerhedsanvisninger, inden du tager produktet i brug. Opbevar denne vejledning godt. Hvis produktet gives videre til tredjepart, så giv også alle bilag med.

Nedenstående betegnes Reol til rundt om vaskemaskinen som produkt.

Symbolforklaring

Følgende symboler og signalord anvendes i denne monteringsvejledning, på produktet eller på emballagen.

⚠ ADVARSEL!

Dette signalsymbol/-ord betegner en fare med en høj risiko, der, hvis den ikke undgås, kann medføre livsfare eller alvorlige kvæstelser.

⚠ FORSIGTIG!

Dette symbol betegner en fare med en lav risiko, der, hvis den ikke undgås, kann medføre lettere eller mellemstore kvæstelser.

BEMÆRK!

Dette symbol advarer mod mulige materielle skader eller giver dig nyttige yderligere oplysninger om brugen.



Dette symbol henviser til yderligere informationer.

459479

Dette symbol betegner et identifikationsnummer for produkterne.



Dette symbol angiver, at produktet har fødder, der er skånsomme mod gulvet.



Dette symbol angiver, at der medfølger monteringsmateriale og instruktioner.



Dette symbol angiver den maksimale belastningsvægt.



Disse symboler informerer om, hvordan emballage og produkt skal bortskaffes.



Dette symbol angiver importøren.

2. Sikkerhed Tilsigtet brug

Produktet er ikke beregnet til erhvervsbrug. Enhver anden brug af eller ændringer på produktet gælder som ikke-formålsmæssig og kan medføre risici for person- og materielle skader. Distributøren hæfter ikke for skader, som opstår som følge af ikke-formålsmæssig brug.



Produktet er udelukkende beregnet til indendørs brug.

3. Leveringsomfang (Fig. A)

- 2 x topstang **A**
- 2 x topstang **B**
- 4 x midterstang **C**
- 2 x bundstang **D**
- 2 x bundstang **E**
- 1 x tværstiver **F**
- 3 x hylder **G**
- 4 x sidestøtte **H**
- 22 x umbraco-skruer **I**
- 2 x krydsskrue **J**
- 2 x plugs **K**
- 1 x umbraco **L**

1 x montage- og sikkerhedsanvisninger (uden fig.)

4. Tekniske data

Type: Reol til rundt om vaskemaskinen
 IAN: 459479_2401
 Tradix-nr: 459479-24-A, -B
 Model hvid: 459479-24-A
 ELLER
 Model grå: 459479-24-B
 Mål: ca. 66 x 162 x 30 cm (B x H x D)
 Materiale: Metal pulve
 Produktionsdato: 05/2024
 Garanti: 3 år

5. Sikkerhedsanvisninger

⚠ ADVARSEL!

Fare for skade og kvælning!

Hvis børn leger med produktet eller emballagen, kan de skade eller kvæle på det!

- Lad ikke børn lege produktet eller emballagen!
- Hold øje med børn, hvis de er i nærheden af produktet.
- Produktet og emballagen skal opbevares utilgængeligt for børn.

⚠ ADVARSEL!

Livsfare!



Bor ingen huller før de har kontrolleret de tiltænkte steder for el-, gas- eller vandledninger! Der er livsfare!

- Beskadigelse af el-, gas- eller vandledninger kan medføre farlige situationer! Benyt egnede detektorer for at finde ud af, om der findes skjulte ledninger i arbejdsområdet.

⚠ ADVARSEL!

Sørg for at produktet ikke kan falde ned! Der er fare for personskader ved at komme i klemme!

- Det er absolut nødvendigt, at fiksure produktet på en væg med de medleverede krydsskrue **J** og plugs **K**. Ellers kan produktet vælte og herved kan børn komme til skade.
- Stil produktet på en jævn overflade.

⚠ ADVARSEL!

Fare for personskader!

Et defekt produkt må ikke benyttes! Der er fare for personskader!

- Brug ikke produktet i tilfælde af funktionsfejl, beskadigelse eller defekter.
- Ved uheldsmæssige reparationer kan der opstå alvorlige farer for brugeren.

6. Montering

1. Fjern al emballage.
2. Kontrollér om alle dele er komplette og ubeskadiget.
Er dette ikke tilfældet, kontakt venligst den angivne serviceadresse.
3. Placer alle delene foran dig som vist på **Fig. A**.
4. Monter produktet som vist på **Fig. B1** til **Fig. D**.

BEMÆRK!

- Spænd først umbraco-skruerne **I** når alle delene er monteret.
- Overspænd ikke umbraco-skruerne **II**!

7. Fiksering af produktet på en væg

⚠ ADVARSEL!

Fare for personskader! Kontroller forinden om væggen, for at være sikker på at væggen er egnet til fiksering af produktet. Der er fare for personskader!

- De medleverede kryds-skruer **J** og plugs **K** er ikke egnet til alle typer vægmateriale, f.eks. gipsplader. I dette tilfælde bør du anskaffe dig tilsvarende skruer og plugs i en specialbutik.

BEMÆRK!

Produktet er beregnet som topskab for en vaskemaskine. Inden du fikserer produktet bag en vaskemaskine, bør du gøre følgende:

1. Sluk vaskemaskinen.
2. Frakobl vaskemaskinen fra strømnettet.
3. Frakobl vaskemaskinens vandtilslutning.
4. Træk vaskemaskinen fremad, væk fra væggen.
5. Placer produktet midt på væggen bag vaskemaskinen.

BEMÆRK!

Sørg for, at slangerne og strømledningen for vaskemaskinen ligger frit mellem den forreste stang (B2) og den bageste stang (B1), se **Fig. F**.

BEMÆRK!

Hvis du er i tvivl mht. håndtering af vaskemaskinen, kontakt en fagperson!

BEMÆRK!

For at kunne fikserer produktet på en væg får du brug for skrue-maskine med et 8 mm bor, en skrue-trækker med krydskærv og en hammer.

6. Fikser produktet som vist på **Fig. E**.
7. Skub vaskemaskinen tilbage mellem det på væggen fikserede produkt.

BEMÆRK!

Sørg for, at slangerne og strømledningen for vaskemaskinen ikke kommer i klemme!

8. Åbn vandtilslutningen.
9. Tilslut vaskemaskinen til strømmen igen.
Nu kan du tænde for vaskemaskinen igen.

⚠ FORSIGTIG!

Fare for personskader! Hylderne må ikke overbelastes. Der er fare for personskader!

- Belast kun hylderne **G** til de maksimale vægtangivelser, se Fig. G.

8. Rengørings- & plejeanvisninger

BEMÆRK!

Fare for materielle skader!

- rengør kun med en fugtig klud
- brug kun et mildt rengøringsmiddel
- brug ikke skrappe rengøringsmidler eller kemikalier
- brug ingen skarpe kanter, f.eks en spatel eller lignende, de kann beskadige overfladen

9. Bortskaffelse

Bortskaffelse af emballagen



Emballagen og brugsvejledningen består af miljøvenlige materialer, som du kann bortskaffe på din lokale genbrugsstation.

Bortskaffelse af produktet

Produktet må ikke bortskaffes med almindeligt husholdningsaffald. Hvis du ønsker at informeres om, hvordan du bortskaffer produktet, bedes du kontakte din kommune/byadministration eller din Lidl-afdeling.

10. Garanti

Kære kunde, man får dette produkt med 3 års garanti fra købsdatoen. I tilfælde af mangler ved dette produkt har kunden juridiske rettigheder overfor sælgeren af produktet. Disse lovbestemte rettigheder begrænses ikke af den garanti, vi fremstiller i det følgende.

Garantibetingelser

Garantiperioden starter med købsdatoen. Vær venlig at opbevare den originale kassekvittering godt. Det er et bilag, der er nødvendigt som købsbevis. Opræder der inden for tre år fra købsdatoen for dette produkt en materiale- eller produktionsfejl, vil produktet af os - efter vort eget valg - blive repareret eller udskiftet gratis. Denne garantiydelse forudsætter, at der inden for den treårige periode forevises dels det defekte produkt og købsbeviset (kassekvitteringen) og det kort beskrives skriftligt, hvori manglen består og hvornår denne er dukket op. Hvis fejlen er dækket af vores garanti, vil vi returnere det reparerede produkt eller et helt nyt produkt. Der starter ikke en ny garantiperiode med en reparation eller en udskiftning af produktet.

Garantitid og lovmæssige erstatningskrav

Garantitiden forlænges ikke pga. erstatningen. Dette gælder også for udskiftede og reparerede dele. Eventuelle skader og mangler, der allerede findes ved køb, skal meldes straks efter udpakning. Reparationer, der skal foretages efter garantitiden, er betalingspligtige.

Garantiens omfang

Apparatet er omhyggeligt produceret i overensstemmelse med strenge kvalitetsstandarder og er kontrolleret grundigt inden levering. Garantiydelsen gælder for materiale- og fabrikationsfejl. Denne garanti omfatter ikke produktdele, der er udsat for normal slitage og derfor kan betragtes som sliddele eller for skader på dele, der pga materialet, der er produceret af, nemt kan gå i stykker f.eks. Kontakter eller dele af glas.

Garantien bortfalder, hvis produktet er beskadiget eller ikke korrekt brugt eller vedligeholdt. For en korrekt brug af produktet skal alle vejledninger, der er opført i denne betjeningsvejledning, overholdes nøje. Anvendelsesområder og handlinger, som frarådes i denne betjeningsvejledning, eller som der advares imod, skal altid undgås.

Produktet er kun beregnet til privat brug, ikke til erhvervsbrug. Ved misbrug eller usagkyndig behandling, voldsom behandling eller indgreb, der ikke er foretaget af vores serviceafdeling på stedet, bortfal-

der garantien.

Fremgangsmåde ved garanti

For at sikre en hurtig bearbejdning af din reklamation, bedes du følge den nedenstående anvisninger.

- Hold venligst kassekvitteringen og artikelnummeret (IAN 459479_2401) klar som dokumentation for købet.
- Artikelnummeret fremgår af typeskiltet på produktet, en gravering på produktet, forsiden på din vejledning eller skiltet på produktets bag- eller underside.
- Hvis der opstår funktionsfejl eller andre mangler, bedes du kontakte den serviceafdeling, der er angivet nedenstående - enten via telefon eller e-mail.
- Produkter, der er registreret som defekt, kan derefter portofrit sendes til den meddelte serviceadresse. Angiv her den pågældende fejl, og hvornår den er opstået.

På www.lidl-service.com kan du downloade den og mange andre håndbøger produktvideoer og installationssoftware.



Med denne QR-kode skifter du direkte til Lidl-service-siden (www.lidl-service.com) og kan åbne din betjeningsvejledning efter ud har angivet artikenummeret (IAN 459479_2401).

11. Forhandler

TRADIX GmbH & Co. KG
Schwanheimer Str. 132
DE-64625 Bensheim/GERMANY

12. Serviceadresse

TRADIX SERVICE-CENTER
c/o Teknihall Elektronik GmbH
Alfred-Nobel-Str. 1
DE-63128 Dietzenbach/GERMANY

Hotline: 00800 / 30012001 (gratis, mobilnet kan variere)

E-Mail: tradix-dk@teknihall.com

05/2024

Tradix-nr: 459479-24-A, -B

IAN 459479_2401



ÉTAGÈRE POUR MACHINE À LAVER

Instructions de montage et consignes de sécurité

1. Introduction	12
2. Sécurité	12
3. Étendue de la livraison (Fig. A).....	12
4. Caractéristiques techniques.....	13
5. Consignes de sécurité.....	13
6. Montage	13
7. Fixation du produit au mur	13
8. Consignes de nettoyage et d'entretien.....	14
9. Élimination.....	14
10. Garantie.....	14
11. Distributeur.....	15
12. Adresse du service	15

1. Introduction

Félicitations !

Vous avez acheté un produit de haute qualité. Avant la première utilisation, il convient de se familiariser avec le produit. Pour cela, lire attentivement la notice de montage ci-dessous. Avant d'utiliser le produit, se familiariser avec toutes les consignes d'utilisation et de sécurité. Utiliser uniquement le produit comme décrit et pour les domaines d'utilisation indiqués. Conserver cette notice de montage pour référence future. En cas de transmission du produit à des tiers, leur remettre également tous les documents correspondants.

La Étagère pour machine à laver est désignée ci-après par produit.

Légende

Les symboles et mots de signalisation suivants sont utilisés dans les instructions de montage, sur le produit ou sur l'emballage.

▲ AVERTISSEMENT !

Ce mot-clé désigne un danger à risque élevé pouvant entraîner de graves blessures ou même la mort s'il n'est pas évité.

▲ PRUDENCE !

Ce mot-clé désigne un danger à risque faible pouvant entraîner des blessures modérées à mineures s'il n'est pas évité.

REMARQUE !

Ce symbole indique un risque de dommages matériels ou vous fournit des informations supplémentaires utiles concernant l'utilisation.



Ce symbole donne des informations supplémentaires importantes.



Ce symbole désigne un numéro d'identification pour les produits.



Ce symbole indique que le produit dispose de pieds qui protègent le sol.



Ce symbole indique que du matériel de montage et des instructions sont inclus.



Ce symbole indique le poids de charge maximal.



Ces symboles vous informent à propos de l'élimination de l'emballage et du produit.



Ce symbole indique l'importateur.

2. Sécurité

Utilisation conforme

L'article n'est pas destiné à une utilisation industrielle. Toute utilisation ou modification de l'article est considérée comme non conforme et peut entraîner des risques tels que des blessures et des détériorations. Le responsable de la mise sur le marché décline toute responsabilité pour les dommages qui résulteraient d'une utilisation non conforme.



Le produit est exclusivement destiné à une utilisation en intérieur.

3. Étendue de la livraison (Fig. A)

- 2 x barre de tête **A**
- 2 x barre de tête **B**
- 4 x barre médiane **C**
- 2 x barre de pied **D**
- 2 x barre de pied **E**
- 1 x barre transversale **F**
- 3 x tablette d'étagère **G**
- 4 x barre latérale **H**
- 22 x vis à six pans creux **I**
- 2 x vis cruciforme **J**
- 2 x chevilles **K**

- 1 x clé Allen **L**
- 1 x instructions de montage et consignes de sécurité (sans Fig.)

4. Caractéristiques techniques

Type : Étagère pour machine à laver
IAN : 459479_2401

N° Tradix : 459479-24-A, -B

Modèle blanc : 459479-24-A
OU

modèle gris : 459479-24-B

Cotes : env. 66 x 162 x 30 cm (l x h x p)

Matériau : métal thermolaqué

Date de production : 05/2024

Garantie : 3 ans

5. Consignes de sécurité

⚠ AVERTISSEMENT !

Risque de blessure et d'étouffement !



Les enfants peuvent se blesser ou bien s'étouffer s'ils jouent avec le produit ou son emballage !

- Ne pas laisser jouer les enfants avec le produit ou l'emballage.
- Surveiller les enfants se trouvant à proximité du produit.
- Conserver le produit et l'emballage hors de portée des enfants.

⚠ AVERTISSEMENT !

Danger de mort !



N'effectuer aucun percement avant de vérifier l'absence de câbles électriques, de conduites de gaz ou d'eau aux emplacements prévus ! Il y a danger de mort !

- En effet, des dommages sur des câbles électriques et sur des conduites de gaz ou d'eau peuvent donner lieu à des situations dangereuses ! Utiliser des détecteurs appropriés pour déceler la présence éventuelle de conduites cachées dans la zone de travail.

⚠ AVERTISSEMENT !

Risque de blessures !

Sécuriser le produit pour qu'il ne se renverse pas ! Il y a risque de blessures par coincement !

- Il est absolument nécessaire de fixer le produit à

- un mur en utilisant les vis cruciformes **J** et les chevilles **K** fournis. Le produit risquerait sinon de se renverser et de blesser des enfants par exemple.
- Placer le produit sur un support plan.

⚠ AVERTISSEMENT !

Risque de blessures !

Un produit défectueux ne doit pas être utilisé ! Il y a risque de blessures !

- Ne pas utiliser le produit en cas de dysfonctionnement, de dommage ou de défauts.
- Toute réparation non correctement effectuée risque de provoquer de graves blessures pour l'utilisateur.

6. Montage

1. Retirer tous les matériaux d'emballage.
2. Vérifier que toutes les pièces sont au complet et non endommagées.
Si ce n'est pas le cas, contacter l'adresse de service indiquée.
3. Positionner les pièces détachées comme indiqué à la **Fig. A**.
4. Monter le produit comme décrit aux **Fig. B1** à **Fig. D**.

REMARQUE !

- Serrer les vis à six pans creux **I** à fond une fois que toutes les pièces sont montées.
- Ne pas visser les vis à six pans creux **I** au-delà du couple de serrage !

7. Fixation du produit au mur

⚠ AVERTISSEMENT !

Risque de blessures !

Avant de se mettre au travail, vérifier l'aptitude du mur à la fixation du produit. Il y a risque de blessures !

- Les vis cruciformes **J** et chevilles livrées ne sont pas adaptées à tous types de murs, par ex. plaquoplatre. Dans pareil cas, se procurer les vis et les chevilles appropriées dans le commerce spécialisé.

REMARQUE !

Le produit est conçu en tant que superstructure d'une machine à laver. Avant de fixer le produit au mur derrière la machine à laver, procéder comme suit :

1. Arrêter la machine à laver.
2. Débrancher la machine à laver du réseau élec-

trique.

3. Fermer la conduite d'alimentation en eau de la machine à laver.
4. Tirer la machine à laver vers l'avant pour qu'elle soit éloignée du mur.
5. Positionner le produit sur le mur, au centre, derrière la machine à laver.

REMARQUE !

S'assurer que les flexibles et que le câble électrique de la machine à laver sont positionnés librement entre la barre avant (B2) et la barre arrière (B1) soient libres, voir **Fig. F**.

REMARQUE !

En cas de doutes en ce qui concerne la manipulation de la machine à laver, faire appel à un spécialiste !

REMARQUE !

Pour fixer le produit sur un mur, il faut utiliser une perceuse avec un foret de 8 mm, un tournevis cruciforme et un marteau.

6. Fixer le produit comme indiqué à la **Fig. E**.
7. Repousser la machine à laver entre le produit fixé au mur.

REMARQUE !

Veiller à ce que les flexibles et à ce que le câble électrique de la machine à laver ne sont pas coincés !

8. Ouvrir l'alimentation en eau.
9. Rebrancher la machine à laver sur le réseau électrique.

La machine à laver peut dès à présent être redémarrée.

⚠ PRUDENCE !

Risque de blessures !

Les étagères ne doivent pas être surchargées. Il y a risque de blessures !

- Ne charger les tablettes de l'étagère **G** qu'avec la charge maximale admissible indiquée, voir **Fig. G**.

8. Consignes de nettoyage et d'entretien

REMARQUE !

Danger de dégât matériel !

- Nettoyer exclusivement avec un chiffon humide
- Utiliser uniquement un nettoyant un détergent doux
- Ne pas utiliser de produits nettoyants ou de produits chimiques agressifs
- Ne pas utiliser d'outils tranchants tels que des spatules ou similaires, ils peuvent endommager la surface

9. Élimination

Élimination de l'emballage



L'emballage et le mode d'emploi sont composés de matériaux respectueux de l'environnement que vous pouvez éliminer dans les centres de recyclage locaux.

Élimination du produit

Le produit ne doit pas être éliminé avec les déchets ménagers. Pour connaître les possibilités d'élimination du produit, veuillez vous renseigner auprès de votre administration communale/municipale ou de votre filiale Lidl.

10. Garantie

Chère cliente, Cher client, vous recevez trois ans de garantie sur ce produit à compter de la date d'achat. Des droits légaux vous reviennent contre le vendeur en cas de vices de ce produit. Ces droits légaux ne sont pas limités par notre garantie présentée ci-après.

Conditions de garantie

La période de garantie commence à partir de la date d'achat. Veuillez bien conserver le ticket de caisse original. Ce document est requis comme justificatif d'achat.

En cas d'apparition d'un vice de matériel ou de fabrication dans les trois ans suivant la date d'achat de ce produit, nous nous chargeons, selon notre choix, de réparer ou de remplacer le produit et ce, gratuitement pour vous. La prestation de garantie présuppose la présentation du produit défectueux et du justificatif d'achat (ticket de caisse) et la description succincte écrite du vice et de la date de son apparition. Si un défaut est couvert par notre garantie, vous recevez le produit réparé ou un nouveau produit.

La réparation ou le remplacement du produit n'entraîne pas le début d'une nouvelle période de ga-

rantie.

Durée de garantie et droits de garantie légaux

La durée de garantie n'est pas prolongée par une action en garantie. Ceci s'applique également aux pièces remplacées et réparées. Les dommages et défauts existant éventuellement déjà au moment de l'achat doivent être signalés immédiatement après le déballage. Les réparations effectuées après la fin de la durée de garantie sont facturées.

Étendue de la garantie

L'appareil a été soigneusement fabriqué selon des directives de qualité strictes et scrupuleusement testé avant la livraison. La garantie s'applique aux défauts de matériel ou de fabrication. Cette garantie ne couvre pas les pièces du produit soumises à l'usure normale et peuvent donc être considérées comme des pièces d'usure ni les dommages causés aux pièces fragiles telles que les interrupteurs ou le verre. Cette garantie est annulée si le produit a été endommagé, mal utilisé ou entretenu. Pour une utilisation correcte du produit, toutes les consignes spécifiées dans ce mode d'emploi doivent être strictement respectées. Toute utilisation ou action que le mode d'emploi déconseille ou contre laquelle il met en garde doit être évitée.

Le produit est destiné uniquement à un usage privé et non-commercial. La garantie expire en cas d'utilisation incorrecte et abusive, d'usage de la force et en cas d'interventions non effectuées par notre service après-vente agréé.

Traitement en cas de réclamation au titre de la garantie

Afin d'assurer un traitement rapide de votre demande, veuillez suivre les instructions ci-dessous :

- Pour toutes vos demandes, veuillez conserver à disposition le ticket de caisse et le numéro d'article (IAN 459479_2401) comme preuve d'achat.
- Le numéro d'article se trouve sur la plaque signalétique du produit, gravée sur le produit, sur la page d'ouverture de votre mode d'emploi ou sur l'autocollant au dos ou en bas du produit.
- En cas de dysfonctionnement ou d'autres défauts, veuillez contacter le service après-vente indiqué ci-dessous par téléphone ou par e-mail.
- Vous pouvez retourner gratuitement un produit ayant été enregistré comme défectueux à l'adresse du service après-vente communiqué, en joignant le justificatif d'achat (ticket de caisse) et une indication de la nature du défaut et du mo-

ment où il s'est produit.

Sur www.lidl-service.com, vous pouvez télécharger le présent mode d'emploi ainsi que de nombreux autres manuels, vidéos de produits et logiciels d'installation.



Ce code QR vous amène directement à la page du service après-vente Lidl (www.lidl-service.com) et votre mode d'emploi peut être ouvert en entrant le numéro d'article (IAN 459479_2401).

11. Distributeur

TRADIX GmbH & Co. KG
Schwanheimer Str. 132
DE-64625 Bensheim/GERMANY

12. Adresse du service

TRADIX SERVICE-CENTER
c/o teknihall Benelux bvba
Brusselstraat 33
BE-2321 MEER/BELGIQUE

Hotline: 00800 / 30012001
(gratuit, différent pour la téléphonie mobile / gratis, mobiele telefoon afwijkend)
E-Mail: tradix-fr@teknihall.com
E-Mail: tradix-be@teknihall.com

05/2024
Num. D'art. Tradix: 459479-24-A, -B

IAN 459479_2401

WASMACHINE-BOVENBOUWREK

Montage- en veiligheidsinstructies

1. Inleiding	16
2. Veiligheid	16
3. Leveringsomvang (afb. A).....	16
4. Technische gegevens	17
5. Veiligheidsinstructies.....	17
6. Montage	17
7. Product aan de wand bevestigen	17
8. Reinigings- & verzorgingsinstructies.....	18
9. Afvalverwerking	18
10. Garantie.....	18
11. Distributeur	19
12. Serviceadressen	19

1. Inleiding

Van harte gefeliciteerd!

Met uw aankoop hebt u voor een hoogwaardig product gekozen. Maak uzelf vertrouwd met het product voordat u het voor de eerste keer gebruikt. Om dit te doen, leest u de volgende montagehandleiding aandachtig door. Voordat u het product in gebruik neemt, dient u zich vertrouwd te maken met alle bedienings- en veiligheidsinstructies. Gebruik het product alleen zoals beschreven en voor de gespecificeerde toepassingsgebieden. Berg deze montagehandleiding goed op. Overhandig alle documenten als u het product aan derden doorgeeft.

Hierna wordt het Wasmachine-bovenbouwrek product genoemd.

Tekentoelichting

De volgende symbolen en signaalwoorden worden in deze montagehandleiding op de product of op de verpakking gebruikt.

WAARSCHUWING!

Dit signaalsymbool/-woord betekent een gevaar met een hoog risico dat, indien niet voorkomen, de dood of ernstig letsel tot gevolg kan hebben.

VOORZICHTIG!

Dit signaalsymbool/-woord betekent een gevaar met een laag risico dat, indien niet voorkomen, licht of matig letsel tot gevolg kan hebben.

LET OP!

Dit signaalwoord waarschuwt voor mogelijke materiele schade of geeft u nuttige aanvullende informatie over het gebruik.



Dit symbool geeft verdere informatie aan.



Dit symbool betekent een identificatienummer voor producten.



Dit symbool geeft aan dat het product voeten heeft die zacht zijn voor de vloer.



Dit symbool geeft aan dat er montage materiaal en instructies worden meegeleverd.



Dit symbool biedt informatie over het maximaal belastbare gewicht.



Deze symbolen informeren u over het afvoeren van verpakkingen en producten.



Dit symbool geeft de importeur aan.

2. Veiligheid

Gebruik voor het beoogde doel

Het product is niet bestemd voor commercieel gebruik. Elk ander gebruik of elke andere wijziging van het product wordt beschouwd als niet voor het beoogde doel en kan leiden tot risico's zoals letsel en schade. Voor schade die het gevolg is van gebruik dat niet voor het beoogde doel is, is de distributeur niet aansprakelijk.



Het product is uitsluitend bestemd voor gebruik binnenshuis.

3. Leveringsomvang (afb. A)

- 2 x kopstang **A**
- 2 x kopstang **B**
- 4 x middenstang **C**
- 2 x voetstang **D**
- 2 x voetstang **E**
- 1 x dwarssteun **F**
- 3 x plank **G**
- 4 x zijsteun **H**
- 22 x inbusschroef **I**
- 2 x kruiskopschroef **J**

- 2 x plug **K**
- 1 x inbussleutel **L**
- 1 x montage- en veiligheidsinstructies (zonder afb.)

4. Technische gegevens

Type: Wasmachine-bovenbouwrek

IAN: 459479_2401

Tradix-nr.: 459479-24-A, -B

Wit model: 459479-24-A

OF

Grijs model: 459479-24-B

Afmetingen: ca. 66 x 162 x 30 cm (B x H x D)

Materiaal: Gepoedercoat metaal

Productiedatum: 05/2024

Garantie: 3 jaar

5. Veiligheidsinstructies

⚠ WAARSCHUWING!

Gevaar voor verwonding en verstikking!



Als kinderen met het product of de verpakking spelen, kunnen ze zich verwonden of stikken!

- Laat geen kinderen met het product of verpakking spelen.
- Houd toezicht op kinderen in de buurt van het product.
- Berg zowel het product als de verpakking buiten het bereik van kinderen op.

⚠ WAARSCHUWING!

Levensgevaar!



Niet boren zonder eerst de voorzienne plaatsen op elektriciteits-, gas- of waterleidingen te controleren! Er bestaat levensgevaar!

- Schade aan elektriciteits-, gas- of waterleidingen kan gevaarlijke situaties veroorzaken! Gebruik geschikte detectoren om te bepalen of er verborgen leidingen in het werkgebied aanwezig zijn.

⚠ WAARSCHUWING!

Letselgevaar!

Beveilig het product tegen omvallen! Er bestaat letselgevaar door elektrische schokken!

- Het is absoluut noodzakelijk om het product met de meegeleverde kruiskopschroeven **J** en pluggen **K** aan de wand te bevestigen. Het product

kan omvallen en bijv. kinderen verwonden.

- Leg het product op een geschikte ondergrond.

⚠ WAARSCHUWING!

Letselgevaar!

Er mag geen defect product worden gebruikt! Er bestaat letselgevaar!

- Gebruik het product niet in geval van functionele storingen, schade of defecten.
- Ondeskundige reparaties kunnen aanzienlijk gevaar voor gebruikers met zich meebrengen.

6. Montage

1. Verwijder al het verpakkingsmateriaal.
2. Controleer of alle onderdelen aanwezig en onbeschadigd zijn.
Als dit niet het geval is, neem dan contact op met het opgegeven serviceadres.
3. Plaats de afzonderlijke onderdelen zoals in **afb. A** afgebeeld.
4. Monteer het product zoals in **afb. B1** tot **afb. D** weergegeven.

LET OP!

- Draai de inbusschroeven **I** pas vast aan nadat alle onderdelen zijn gemonteerd.
- Draai de inbusschroeven **I** niet te strak aan!

7. Product aan de wand bevestigen

⚠ WAARSCHUWING!

Letselgevaar!

Controleer eerst of de wand geschikt is voor de bevestiging van het product. Er bestaat letselgevaar!

- De meegeleverde kruiskopschroeven **J** en pluggen **K** zijn niet voor elk wandmateriaal geschikt, zoals gipskartonplaten. Zorg dat u in dit geval de juiste schroeven en pluggen bij een gespecialiseerde markt kunt bestellen.

LET OP!

Het product is bedoeld als bovenbouw van een wasmachine. Voordat u het product aan de wand achter de wasmachine bevestigt, gaat u als volgt te werk:

1. Zet de wasmachine uit.
2. Ontkoppel de wasmachine van het stroomnet.
3. Sluit de watertoevoer op de wasmachine aan.
4. Trek de wasmachine aan de voorkant van de

wand af.

- Zet het product in het midden tegen de muur achter de wasmachine.

LET OP!

Let erop dat de slangen en de stroomkabel van de wasmachine vrij liggen tussen de voorste stang (B2) en de achterste stang (B1), zie **afb. F**.

LET OP!

Als u twijfelt over het gebruik van de wasmachine, raadpleeg dan een specialist!

LET OP!

Om het product aan de wand te bevestigen, heeft u een boormachine met 8 mm boorgaten, een kruiskopschroevendraaier en een hamer nodig.

- Bevestig het product zoals in **afb. E** weergegeven.
- Schuif de wasmachine terug tussen het product dat aan de wand is bevestigd.

LET OP!

Let erop dat de slangen en de stroomkabel van de wasmachine niet bekneld raken!

- Open de watertoevoer.
- Sluit de wasmachine weer op het stroomnet aan. Nu kunt u de wasmachine weer aanzetten.

⚠️ VOORZICHTIG!

Letselgevaar!

De planken mogen niet overbelast worden. Er bestaat letselgevaar!

- Belast de planken  slechts tot het maximale gewicht zoals in **afb. G** weergegeven.

8. Reinigings- & verzorgingsinstructies

LET OP!

Gevaar voor materiële schade!

- alleen met een vochtige doek schoonmaken
- gebruik alleen een mild schoonmaakmiddel
- geen agressieve schoonmaakmiddelen of chemicaliën gebruiken
- gebruik geen scherpe voorwerpen, zoals spatels en dergelijke, omdat hierdoor het oppervlak kan worden beschadigd.

9. Afvalverwerking

Verpakking weggooien



De verpakking en de gebruiksaanwijzing zijn gemaakt van milieuvriendelijke materialen die u kunt weggooien bij uw lokale recyclingfaciliteiten.

Product afvoeren

Het product mag niet worden weggegooid in het gewone huishoudelijke afval. Neem voor informatie over de verwijderingsmogelijkheden van het product contact op met uw gemeente of uw Lidl-filiaal.

10. Garantie

Beste klant, u ontvangt op dit product een garantie van 3 jaar vanaf de datum van aankoop. In geval van defecten in dit product, kunt u uw wettelijke rechten ten opzichte van de verkoper van het product uitoefenen. Deze wettelijke rechten worden door onze onderstaande garantie niet beperkt.

Garantievoorwaarden

De garantieperiode begint vanaf de datum van aankoop. Bewaar zorgvuldig het originele kassaticket. Dit document is nodig als bewijs van aankoop.

Als er binnen drie jaar na de aankoopdatum van dit product defecten in het materiaal of in de fabricage optreden, want wordt het product door ons - naar eigen oordeel - gratis gerepareerd of vervangen. Deze garantie geldt op voorwaarde dat binnen de termijn van drie jaar het defecte product en het aankoopbewijs (kassaticket) getoond wordt en schriftelijk kort beschreven wordt wat het defect is en wanneer het opgetreden is.

Wanneer het defect door onze garantie gedekt is, ontvangt u het gerepareerde of een nieuw product terug. Na het repareren of vervangen van het product begint geen nieuwe garantietermijn.

Garantieperiode en wettelijke claims voor gebreken

De garantieperiode wordt niet verlengd door de garantie. Dit geldt ook voor vervangen en gerepareerde onderdelen. Eventuele beschadigingen en gebreken die op het moment van aankoop reeds aanwezig zijn, moeten onmiddellijk na het uitpakken worden gemeld. Voor reparaties na afloop van de garantieperiode worden kosten in rekening gebracht.

Omvang van de garantie

Het apparaat is zorgvuldig geproduceerd volgens strenge kwaliteitsrichtlijnen en voor uitlevering zorgvuldig getest. De garantie is van toepassing op ma-

teriaal- of fabricagefouten. Deze garantie is niet van toepassing op productonderdelen die onderhevig zijn aan normale slijtage en daarom kunnen worden beschouwd als slijtageonderdelen of voor schade aan kwetsbare onderdelen zoals schakelaars of onderdelen die van glas zijn gemaakt.

Deze garantie is ongeldig als het product is beschadigd, op ondeskundige wijze is gebruikt of onderhouden. Voor deskundig gebruik van het product moeten alle instructies in deze gebruiksaanwijzing strikt worden opgevolgd. Elk gebruik of elke handeling die in deze gebruiksaanwijzing wordt afgeraden of waarvoor wordt gewaarschuwd, moet worden voorkomen.

Het product is uitsluitend bestemd voor privé- en niet voor commercieel gebruik. De garantie vervalt in geval van ongepaste en ondeskundige behandeling, gebruik van geweld en ingrepen die niet door onze geautoriseerde servicemedewerkers werden uitgevoerd.

Verwerking in geval van een garantieclaim

Om een snelle verwerking van uw aanvraag te garanderen, dient u de onderstaande instructies te volgen:

- Houd de kassabon en het artikelnummer (IAN) 459479_2401 bij de hand als aankoopbewijs voor alle aanvragen.
- Het artikelnummer vindt u op het typeplaatje op het product, op een gravure op het product, op de titelpagina van uw gebruiksaanwijzing of op de sticker op de achterkant of onderkant van het product.
- Als er zich functionele fouten of andere defecten voordoen, neem dan eerst telefonisch of per e-mail contact op met de hieronder genoemde serviceafdeling.
- U kunt dan een product dat als defect is geregistreerd, franco opsturen naar het aan u verstrekte serviceadres, met bijvoeging van de ontvangst van de aankoop (kassabon) en een indicatie van waaruit het defect bestaat en wanneer het zich heeft voorgedaan.

Op www.lidl-service.com kunt u deze en vele andere handleidingen, productvideo's en installatiesoftware downloaden.

459479_2401 in te voeren.

11. Distributeur

TRADIX GmbH & Co. KG
Schwanheimer Str. 132
DE-64625 Bensheim/GERMANY

12. Serviceadressen

TRADIX SERVICE-CENTER
c/o tehnikhall Benelux bvba
Brusselstraat 33
BE-2321 MEER/BELGIUM

Hotline: 00800 / 30012001 (gratis, mobiele telefoon afwijkend)

E-Mail: tradix-nl@teknihall.com

E-Mail: tradix-be@teknihall.com

05/2024

Tradix art.-nr.: 459479-24-A, -B

IAN 459479_2401



Deze QR-code brengt u direct naar de Lidl-servicepagina (www.lidl-service.com) en u kunt uw gebruiksaanwijzing openen door het artikelnummer (IAN)

WASCHMASCHINEN- ÜBERBAUREGAL

Montage- und Sicherheitshinweise

1. Einleitung.....	20
2. Sicherheit.....	20
3. Lieferumfang (Abb. A)	20
4. Technische Daten	21
5. Sicherheitshinweise	21
6. Aufbau.....	21
7. Produkt an der Wand fixieren.....	21
8. Reinigungs- & Pflegehinweise.....	22
9. Entsorgung	22
10. Garantie.....	22
11. Inverkehrbringer.....	23
12. Serviceadresse	23

1. Einleitung

Herzlichen Glückwunsch!

Mit Ihrem Kauf haben Sie sich für ein hochwertiges Produkt entschieden. Machen Sie sich vor der ersten Inbetriebnahme mit dem Produkt vertraut. Lesen Sie hierzu aufmerksam die nachfolgenden Montage- und Sicherheitshinweise. Machen Sie sich vor der Benutzung des Produkts mit allen Montage- und Sicherheitshinweisen vertraut. Benutzen Sie das Produkt nur wie beschrieben und für die angegebenen Einsatzbereiche. Bewahren Sie diese Montage- und Sicherheitshinweise für späteres Nachschlagen gut auf. Händigen Sie alle Unterlagen bei Weitergabe des Produkts an Dritte ebenfalls mit aus.

Im Folgenden wird das Waschmaschinen-Überbauregal Produkt genannt.

Zeichenerklärung

Die folgenden Symbole und Signalwörter werden in diesen Montage- und Sicherheitshinweisen, auf dem Produkt oder auf der Verpackung verwendet.

⚠️ WARNUNG!

Dieses Signalsymbol/-wort bezeichnet eine Gefährdung mit einem hohen Risikograd, die, wenn sie nicht vermieden wird, den Tod oder eine schwere Verletzung zur Folge haben kann.

⚠️ VORSICHT!

Dieses Signalsymbol/-wort bezeichnet eine Gefährdung mit einem niedrigen Risikograd, die, wenn sie

nicht vermieden wird, eine geringfügige oder mäßige Verletzung zur Folge haben kann.

HINWEIS!

Dieses Signalwort warnt vor möglichen Sachschäden oder bietet Ihnen nützliche Zusatzinformationen zur Verwendung.



Dieses Symbol weist auf weiterführende Informationen hin.



Dieses Symbol bezeichnet eine Identifikationsnummer für Produkte.



Dieses Symbol weist darauf hin, dass das Produkt über bodenschonende FüÙe verfügt.



Dieses Symbol weist darauf hin, dass Montage-material und eine Anleitung enthalten sind.



Dieses Symbol gibt Auskunft über das maximale Belastungsgewicht.



Diese Symbole informieren Sie über die Entsorgung von Verpackung und Produkt.



Dieses Symbol weist auf den Importeur hin.

2. Sicherheit

BestimmungsgemäÙer Gebrauch

Das Produkt ist nicht für den gewerblichen Einsatz bestimmt. Andere Verwendung oder Veränderung am Produkt gelten als nicht bestimmungsgemäÙ und können zu Risiken wie Verletzungen und Beschädigungen führen. Für Schäden, die aus der nicht bestimmungsgemäÙen Verwendung resultieren, übernimmt der Inverkehrbringer keine Haftung.



Das Produkt ist ausschließlich für den Gebrauch im Innenbereich geeignet.

3. Lieferumfang (Abb. A)

- 2x Kopfstange **A**
- 2x Kopfstange **B**
- 4x Mittelstange **C**
- 2x Fußstange **D**
- 2x Fußstange **E**
- 1x Querstrebe **F**

- 3x Regalboden **G**
- 4x Seitenstrebe **H**
- 22x Innensechskant-Schraube **I**
- 2x Kreuz-Schraube **J**
- 2x Dübel **K**
- 1x Innensechskant **L**
- 1x Montage- und Sicherheitshinweise (ohne Abb.)

4. Technische Daten

Typ: Waschmaschinen-Überbauregal

IAN: 459479_2401

Tradix Art.-Nr.: 459479-24-A, -B

Modell weiß: 459479-24-A

ODER

Modell grau: 459479-24-B

Maße: ca. 66 x 162 x 30 cm (B x H x T)

Material: Metall pulverbeschichtet

Produktionsdatum: 05/2024

Garantie: 3 Jahre

5. Sicherheitshinweise

⚠️ WARNUNG!

Verletzungs- und Erstickungsgefahr!



Wenn Kinder mit dem Produkt oder der Verpackung spielen, können sie sich daran verletzen oder ersticken!

- Lassen Sie Kinder nicht mit dem Produkt oder der Verpackung spielen.
- Beaufsichtigen Sie Kinder in der Nähe des Produkts.
- Bewahren Sie das Produkt und die Verpackung außerhalb der Reichweite von Kindern auf.

⚠️ WARNUNG!

Lebensgefahr!



Bohren Sie nicht, ohne vorher die angedachten Stellen auf Strom-, Gas- oder Wasserleitungen zu prüfen! Es besteht Lebensgefahr!

- Die Beschädigung von Strom-, Gas- oder Wasserleitungen kann zu gefährlichen Situationen führen! Benutzen Sie geeignete Detektoren, um festzustellen, ob im Arbeitsbereich verborgene Leitungen liegen.

⚠️ WARNUNG!

Verletzungsgefahr!

Sichern Sie das Produkt gegen Umfallen!

Es besteht Verletzungsgefahr durch Einklemmen!

- Es ist zwingend notwendig, das Produkt mit den mitgelieferten Kreuz-Schrauben **J** und Dübeln **K** an einer Wand zu fixieren. Das Produkt könnte sonst umfallen und dabei z. B. Kinder verletzen.
- Stellen Sie das Produkt auf einen ebenen Untergrund.

⚠️ WARNUNG!

Verletzungsgefahr!

Ein defektes Produkt darf nicht benutzt werden! Es besteht Verletzungsgefahr!

- Benutzen Sie das Produkt nicht bei Funktionsstörungen, Beschädigungen oder Defekten.
- Durch unsachgemäße Reparaturen können erhebliche Gefahren für den Benutzer entstehen.

6. Aufbau

1. Entfernen Sie sämtliches Verpackungsmaterial.
2. Überprüfen Sie, ob alle Teile vorhanden und unbeschädigt sind.
Falls dies nicht der Fall ist, melden Sie sich bei der angegebenen Serviceadresse.
3. Legen Sie die Einzelteile wie in **Abb. A** bebildert aus.
4. Montieren Sie das Produkt wie in den **Abb. B1** bis **Abb. D** gezeigt.

HINWEIS!

- Ziehen Sie die Innensechskant-Schrauben **I** erst fest an, nachdem alle Teile montiert sind.
- Überdrehen Sie die Innensechskant-Schrauben **I** nicht!

7. Produkt an der Wand fixieren

⚠️ WARNUNG!

Verletzungsgefahr!

Prüfen Sie vorab die Eignung der Wand, um sicherzustellen, dass diese zur Befestigung des Produkts geeignet ist. Es besteht Verletzungsgefahr!

- Die mitgelieferten Kreuz-Schrauben **J** und Dübel **K** sind nicht für jedes Wandmaterial, z. B. Gipskarton, geeignet. Besorgen Sie sich in diesem Fall im Fachmarkt entsprechende Schrauben und Dübel.

HINWEIS!

Das Produkt ist als Überbau einer Waschmaschine

gedacht. Bevor Sie das Produkt hinter der Waschmaschine an der Wand fixieren, gehen Sie wie folgt vor:

1. Schalten Sie die Waschmaschine aus.
2. Trennen Sie die Waschmaschine vom Stromnetz.
3. Schließen Sie den Wasserzulauf zur Waschmaschine.
4. Ziehen Sie die Waschmaschine nach vorne von der Wand weg.
5. Stellen Sie das Produkt an die Wand mittig hinter die Waschmaschine.

HINWEIS!

Achten Sie darauf, dass die Schläuche und die Stromleitung der Waschmaschine frei zwischen der vorderen Stange (B2) und der hinteren Stange (B1) liegen, siehe **Abb. F**.

HINWEIS!

Wenn Sie Zweifel mit der Handhabung der Waschmaschine haben, ziehen Sie eine Fachkraft zu Hilfe!

HINWEIS!

Zum Fixieren des Produkts an einer Wand benötigen Sie eine Bohrmaschine mit 8 mm Bohrer, einen Kreuzschlitzschrauber und einen Hammer.

6. Fixieren Sie das Produkt wie in **Abb. E** gezeigt.
7. Schieben Sie die Waschmaschine zwischen das an der Wand fixierte Produkt zurück.

HINWEIS!

Achten Sie darauf, dass die Schläuche und die Stromleitung der Waschmaschine nicht eingeklemmt werden!


8. Öffnen Sie den Wasserzulauf.
9. Schließen Sie die Waschmaschine wieder an das Stromnetz an.

Sie können die Waschmaschine jetzt wieder anschalten.

VORSICHT!

Verletzungsgefahr!

Die Regalböden dürfen nicht überlastet werden. Es besteht Verletzungsgefahr!

- Belasten Sie die Regalböden  nur bis zu den maximalen Gewichtsangaben, siehe **Abb. G**.

8. Reinigungs- & Pflegehinweise

HINWEIS!

Gefahr von Sachschäden!

- nur mit einem feuchten Lappen reinigen
- benutzen Sie nur ein mildes Reinigungsmittel
- keine scharfen Reinigungsmittel bzw. Chemikalien verwenden
- keine scharfkantigen Produkte, wie z. B. Spachteln oder Ähnliches verwenden, sie können die Oberfläche beschädigen

9. Entsorgung

Verpackung entsorgen

Die Verpackung und die Anleitung bestehen aus umweltfreundlichen Materialien, die Sie über die örtlichen Recyclingstellen entsorgen können.



Produkt entsorgen

Das Produkt darf nicht über den normalen Hausmüll entsorgt werden. Über Entsorgungsmöglichkeiten des Produkts informieren Sie sich bitte bei Ihrer Gemeinde-/Stadtverwaltung oder in Ihrer Lidl-Filiale.

10. Garantie

Sehr geehrte Kundin, sehr geehrter Kunde, Sie erhalten auf dieses Produkt 3 Jahre Garantie ab Kaufdatum. Im Falle von Mängeln dieses Produkts stehen Ihnen gegen den Verkäufer des Produkts gesetzliche Rechte zu. Diese gesetzlichen Rechte werden durch unsere im Folgenden dargestellte Garantie nicht eingeschränkt.

Garantiebedingungen

Die Garantiefrist beginnt mit dem Kaufdatum. Bitte bewahren Sie den Original-Kassenbon gut auf. Diese Unterlage wird als Nachweis für den Kauf benötigt. Tritt innerhalb von drei Jahren ab dem Kaufdatum dieses Produkts ein Material- oder Fabrikationsfehler auf, wird das Produkt von uns – nach unserer Wahl – für Sie kostenlos repariert oder ersetzt. Diese Garantieleistung setzt voraus, dass innerhalb der Drei-Jahres-Frist das defekte Produkt und der Kaufbeleg (Kassenbon) vorgelegt und schriftlich kurz beschrieben wird, worin der Mangel besteht und wann er aufgetreten ist.

Wenn der Defekt von unserer Garantie gedeckt ist, erhalten Sie das reparierte oder ein neues Produkt zurück. Mit Reparatur oder Austausch des Produkts beginnt kein neuer Garantiezeitraum.

Garantiezeit und gesetzliche Mängelansprüche

Die Garantiezeit wird durch die Gewährleistung nicht verlängert. Dies gilt auch für ersetzte und reparierte Teile. Eventuell schon beim Kauf vorhandene Schäden und Mängel müssen sofort nach dem Auspacken gemeldet werden. Nach Ablauf der Garantiezeit anfallende Reparaturen sind kostenpflichtig.

Garantieumfang

Das Produkt wurde nach strengen Qualitätsrichtlinien sorgfältig produziert und vor Anlieferung gewissenhaft geprüft. Die Garantieleistung gilt für Material- oder Fabrikationsfehler. Diese Garantie erstreckt sich nicht auf Produktteile, die normaler Abnutzung ausgesetzt sind und daher als Verschleißteile angesehen werden können oder für Beschädigungen an zerbrechlichen Teilen, z. B. Schalter oder die aus Glas gefertigt sind.

Diese Garantie verfällt, wenn das Produkt beschädigt, nicht sachgemäß benutzt oder gewartet wurde. Für eine sachgemäße Benutzung des Produkts sind alle in der Anleitung aufgeführten Anweisungen genau einzuhalten. Verwendungszwecke und Handlungen, von denen in der Anleitung abgeraten oder vor denen gewarnt wird, sind unbedingt zu vermeiden. Das Produkt ist lediglich für den privaten und nicht für den gewerblichen Gebrauch bestimmt. Bei missbräuchlicher und unsachgemäßer Behandlung, Gewaltanwendung und bei Eingriffen, die nicht von unserer autorisierten Service-Niederlassung vorgenommen wurden, erlischt die Garantie.

Abwicklung im Garantiefall

Um eine schnelle Bearbeitung Ihres Anliegens zu gewährleisten, folgen Sie bitte den folgenden Hinweisen:

- Bitte halten Sie für alle Anfragen den Kassenbon und die Artikelnummer (IAN) 459479_2401 als Nachweis für den Kauf bereit.
- Die Artikelnummer entnehmen Sie bitte dem Typenschild am Produkt, einer Gravur am Produkt, dem Titelblatt Ihrer Anleitung oder dem Aufkleber auf der Rück- oder Unterseite des Produkts.
- Sollten Funktionsfehler oder sonstige Mängel auftreten, kontaktieren Sie zunächst die nachfolgend benannte Serviceabteilung telefonisch oder per E-Mail.
- Ein als defekt erfasstes Produkt können Sie dann unter Beifügung des Kaufbelegs (Kassenbon) und der Angabe, worin der Mangel besteht und wann er aufgetreten ist, für Sie portofrei an die Ihnen mitgeteilte Serviceadresse übersenden.

Auf www.lidl-service.com können Sie dieses und viele weitere Handbücher, Produktvideos und Installationssoftware herunterladen.



Mit diesem QR-Code gelangen Sie direkt auf die Lidl-Service-Seite (www.lidl-service.com) und können mittels der Eingabe der Artikelnummer (IAN) 459479_2401 Ihre Anleitung öffnen.

11. Inverkehrbringer

TRADIX GmbH & Co. KG
Schwanheimer Str. 132
DE-64625 Bensheim/GERMANY

12. Serviceadresse

TRADIX SERVICE-CENTER
c/o Teknihall Elektronik GmbH
Alfred-Nobel-Str. 1
DE-63128 Dietzenbach/GERMANY

Hotline: 00800 / 30012001 (kostenfrei, Mobilfunk abweichend)

E-Mail: tradix-de@teknihall.com

E-Mail: tradix-at@teknihall.com

E-Mail: tradix-ch@teknihall.com

05/2024

Tradix Art.-Nr.: 459479-24-A, -B

IAN 459479_2401



TRADIX GmbH & Co. KG

Schwanheimer Str. 132
DE-64625 Bensheim
GERMANY

Imported for GB market by:

Lidl Great Britain Ltd, Lidl House, 14 Kingston Road, Surbiton, KT5 9NU

Serviceadresse:

TRADIX SERVICE-CENTER
Hotline: 00800 30012001

Last update · Oplysningernes status · Version des informations · Stand van de informatie · Stand der
Informationen:

05/2024

Tradix Art.-Nr.: 459479-24-A, -B

IAN 459479_2401

6