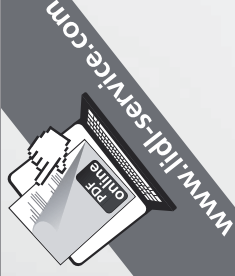


SILVERCREST®



NUTRITION MIXER SNM 700 A1 KAT

HOYER Handel GmbH
Taskoprustraße 3
DE-22761 Hamburg
DEUTSCHLAND

Status of information · Informationernes stand
Stand van de informatie · Stand der Informationen:
10/2018 ID: SNM 700 A1 KAT_18_V1.3

(GB) **(IE)** **(NI)**

NUTRITION MIXER
Operating instructions

(NL)

NUTRITION-MIXER
Gebruiksaanwijzing

(DK)

NUTRITION MIXER
Bedjeningsvejledning

(DE) **(AT)** **(CH)**

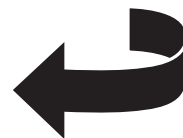
NUTRITION MIXER
Bedienungsanleitung

IAN 300279

(GB) **(IE)** **(NI)** **(DK)** **(NL)**

IAN 300279

(GB) **(IE)** **(NI)**
(DK) **(NL)** **(DE)**



English 2

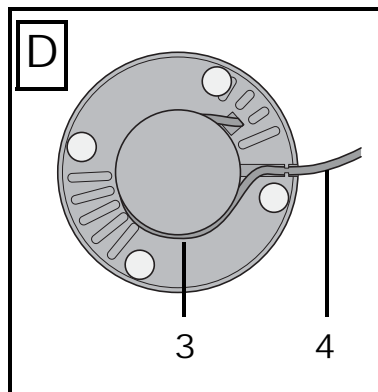
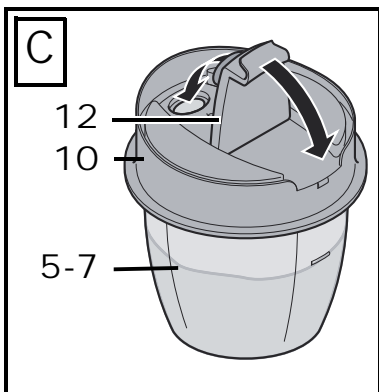
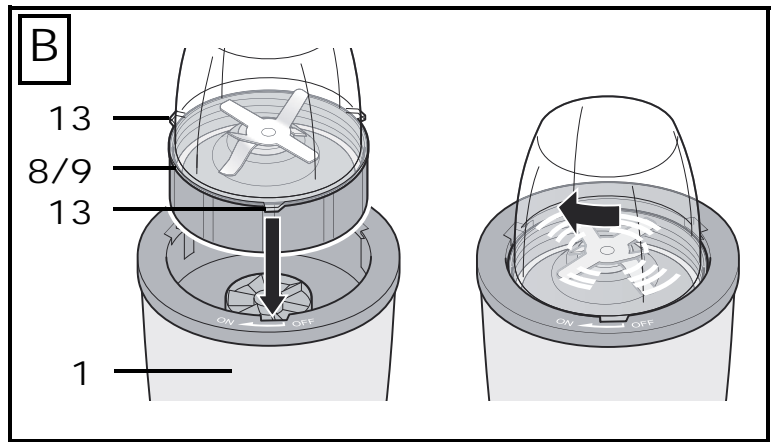
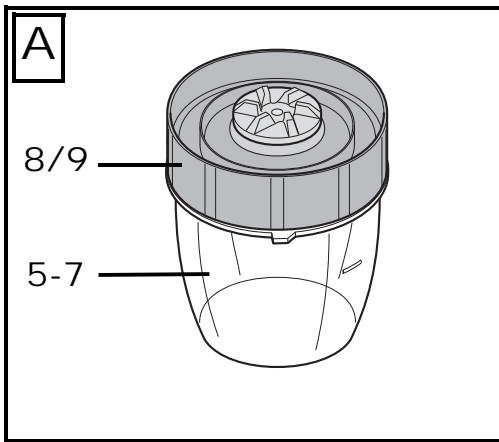
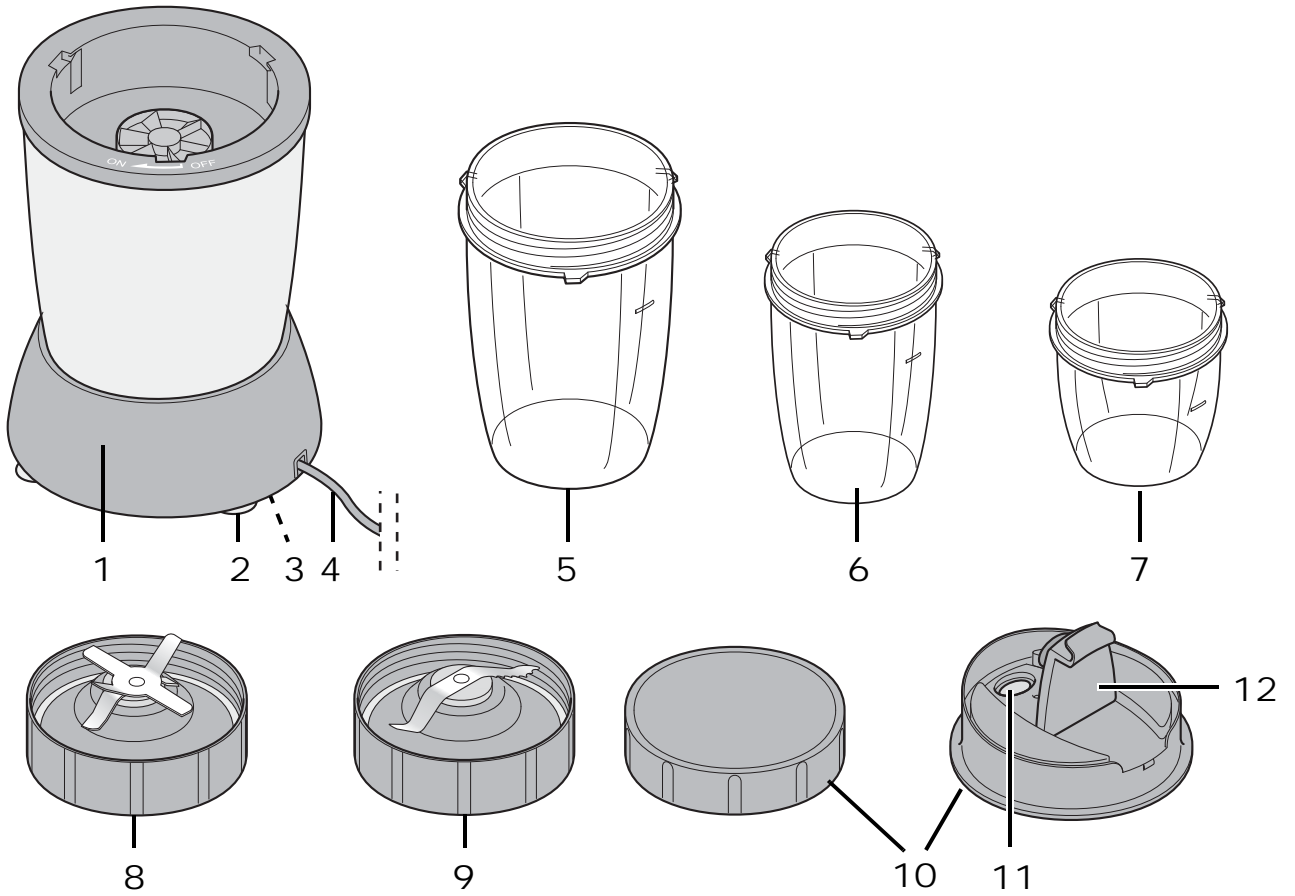
Dansk 14

Nederlands 24

Deutsch 36



Overview / Oversigt / Overzicht / Übersicht



Contents

1. Overview	2
2. Intended purpose	3
3. Safety instructions	3
4. Items supplied	6
5. How to use	6
6. Operation	6
6.1 Uses	7
6.2 Preparing food	7
6.3 Mixing/Chopping	7
6.4 Chopping ice cubes	8
6.5 Drink immediately	8
6.6 Storage	8
6.7 Overheating protection	8
7. Cleaning	8
8. Storage	9
9. Disposal	9
10. Troubleshooting	10
11. Technical specifications	10
12. Warranty of the HOYER Handel GmbH	11

1. Overview

- 1 Base unit
- 2 Suction feet
- 3 Cable spool
- 4 Power cable with mains plug
- 5 Blender jug (large, min. 150 ml - max. 800 ml)
- 6 Blender jug (medium, min. 150 ml - max. 500 ml)
- 7 Blender jug (small, min. 150 ml - max. 200 ml)
- 8 Blade attachment with a cross blade
- 9 Blade attachment with a flat blade
- 10 To Go lid (2x) and keep-fresh lid (1x)
- 11 Opening for drinking
- 12 Drinking closure
- 13 Nose (3x at each blender jug)

not shown:

- 14 Recipe book

Thank you for your trust!

Congratulations on your new nutrition mixer.

For a safe handling of the device and in order to get to know the entire scope of features:

- Thoroughly read these user instructions prior to initial use.
- Above all, observe the safety instructions!
- The device should only be used as described in these user instructions.
- Keep these user instructions for reference.
- If you pass the device on to someone else, please include this copy of the user instructions. The user instructions are a part of the product.

We hope you enjoy your new nutrition mixer!

Symbol on your device



The food-safe material of devices with this symbol will not change the taste or smell of food.



The symbol identifies parts that can be cleaned in the dishwasher.

2. Intended purpose

The nutrition mixer is ...

... for mixing whole-fruit beverages (smoothies) and chopping ice cubes.

For this purpose, use the blade attachment with the cross blade 8.

... for chopping solid foods (e.g. nuts).

For this purpose, use the blade attachment with the flat blade 9.

The device is designed for private, domestic use. The device must only be used indoors. This device must not be used for commercial purposes.

Foreseeable misuse

WARNING! Risk of material damage!

- ⊙ Thick or firm peels, (e.g. of citrus fruits, pineapple), stems and pips of stone fruits (e.g. cherries, peaches, apricots) must be removed before blending.
 - ⊙ The device must not be used to chop especially hard food such as e.g. bones or nutmegs.
-

3. Safety instructions

Warnings

If necessary, the following warnings will be used in these user instructions:




DANGER! High risk: failure to observe this warning may result in injury to life and limb.

WARNING! Moderate risk: failure to observe this warning may result in injury or serious material damage.

CAUTION: low risk: failure to observe this warning may result in minor injury or material damage.

NOTE: circumstances and specifics that must be observed when handling the device.

Instructions for safe operation

- ⦿ This device must not be used by children.
- ⦿ Children must not play with the device.
- ⦿ The device and the power cable must be kept away from children.
- ⦿ This device can be used by people with restricted physical, sensory or intellectual abilities or people without adequate experience and/or understanding if they are supervised or instructed on how to use this device safely and if they are aware of the resulting hazards.
- ⦿ If the mains power cable of this device should become damaged, it must be replaced by the manufacturer, the manufacturer's customer service department or a similarly qualified specialist, in order to avoid any hazards.
- ⦿ This device is not intended to be operated using an external timer clock or a separate remote control system.
- ⦿ Disconnect the mains plug from the wall socket...
 - ... when it is not supervised,
 - ... before you assemble or disassemble the device, and
 - ... before you clean the device.
- ⦿ Clean the blade attachments, the blender jugs and the lids with warm water and a bit of detergent or in the dish washer.
- ⦿ The blades of the blade attachment are sharp. Please be very careful when handling them.
- ⦿ Misuse of the device may result in injuries.
- ⦿  The blades of the blade attachment are sharp. Please be very careful when handling them. When washing manually, the water should be sufficiently clear that you can see the blades easily.



DANGER for children

- ⊙ Children must not play with packing material. Do not allow children to play with plastic bags. There is a risk of suffocation.
- ⊙ Please ensure that children are not able to pull the device down from the work surface with the power cable.
- ⊙ Keep the device out of the reach of children.



DANGER to and from pets and livestock

- ⊙ Electrical devices can represent a hazard to pets and livestock. In addition, animals can also cause damage to the device. For this reason you should keep animals away from electrical devices at all times.



DANGER! Risk of electric shock due to moisture

- ⊙ The device must never be operated in the vicinity of a bathtub, a shower, a filled hand basin or similar.
- ⊙ The motor unit, the power cable and the mains plug must not be immersed in water or other liquids.
- ⊙ Protect the motor unit, the power cable and the mains plug from dampness and dripping or splashing water.
- ⊙ If liquid gets into the motor unit, remove the mains plug immediately. Have the device checked before reusing.
- ⊙ Never touch the device with wet hands.
- ⊙ If the device falls into water, disconnect the mains plug immediately. Only then is it safe to retrieve the device.



DANGER! Risk of electric shock

- ⊙ Only plug the mains plug into the wall socket after the device has been completely assembled.
- ⊙ Only connect the mains plug to a properly installed and easily accessible wall socket whose voltage corresponds to

the specifications on the rating plate. The wall socket must continue to be easily accessible after the device is plugged in.

- ⊙ Ensure that the power cable cannot be damaged by sharp edges or hot points. Do not wrap the power cable around the device.
- ⊙ The device is not fully disconnected from the power supply, even after it is switched off. In order to fully disconnect it, pull out the mains plug.
- ⊙ When using the device, ensure that the power cable cannot be trapped or crushed.
- ⊙ When removing the mains plug from the wall socket, always pull the plug and never the cable.
- ⊙ Disconnect the mains plug from the wall socket...
 - ... if there is a fault,
 - ... if you do not use the nutrition mixer,
 - ... during thunderstorms.
- ⊙ Do not use the device if there is visible damage to the device or the power cable.
- ⊙ To avoid any risk, do not make modifications to the device.



DANGER! Risk of injury from cutting

- ⊙ The blades of the blade attachment carry on rotating after the device has been switched off. Wait until the blades have come to a standstill before you remove the blender jug.
- ⊙ Under no circumstances should the device be operated without the blender jug.

WARNING! Risk of material damage

- ⊙ Do not use the blade attachment with a flat blade for liquids!
- ⊙ Thick or firm peels, (e.g. of citrus fruits, pineapple), stems and pips of stone fruits (e.g. cherries, peaches, apricots) must be removed before blending.

- ⊙ Do not put any ingredients with a temperature in excess of 85 °C into the blender jug.
- ⊙ In order to prevent damage to the device, interrupt the blending process immediately if the blades of the blade attachment rotate with difficulty or not at all. Pull out the mains plug and investigate whether there is an obstruction in the blender jug or whether the contents are too viscous. Also check whether the device is assembled correctly.
- ⊙ Do not operate the device with empty blender jugs, as this causes the motor to overheat and may result in it being damaged.
- ⊙ Only operate the device when a blade attachment is screwed onto the blender jug.
- ⊙ The device is designed for a maximum operating time of 60 seconds without interruption. After this, the device must remain switched off until it has cooled down to room temperature.
- ⊙ Only use the original accessories.
- ⊙ The device (base unit, power cable with mains plug) is not dishwasher-safe.
- ⊙ Do not use any astringent or abrasive cleaning agents.
- ⊙ The device is fitted with non-slip plastic suction feet. As furniture is coated with a wide array of varnishes and synthetics, and is also treated with different care products, it cannot be fully ruled out that some of these materials contain ingredients that could attack and soften the non-slip plastic suction feet. If necessary, place a non-slip mat under the device.

4. *Items supplied*

- 1 base unit 1
- 1 Blender jug large 5
(min. 150 ml - max. 800 ml)
- 1 Blender jug medium 6
(min. 150 ml - max. 500 ml)

- 1 Blender jug small 7
(min. 150 ml - max. 200 ml)
- 1 blade attachment 8 (cross blade)
- 1 blade attachment 9 (flat blade)
- 2 To-Go lid, 1 keep-fresh lid 10
- 1 recipe book 14
- 1 copy of the user instructions

Unpacking

1. Remove all parts from the packaging.
2. Check that all parts are present and intact.

5. *How to use*

- Remove all packing material.
- Check to ensure that all parts are present and undamaged.
- Clean the device prior to its first use! (see "Cleaning" on page 8)
- Unwind the desired length of cable from the cable spool 3 on the underside of the device.
- Place the device on a dry, level, non-slip surface.

6. *Operation*



DANGER! Risk of electric shock!

- ⊙ Only plug the mains plug 4 into a wall socket, if the nutrition mixer is fully assembled.



DANGER! Risk of injury from cutting!

- ⊙ Under no circumstances should the device be operated without the blender jug 5-7.
- ⊙ The blades of the blade attachments 8/9 are sharp. Please be very careful when handling them.
- ⊙ The blades of the blade attachment 8/9 carry on rotating after the device has been switched off. Wait until the blades have come to a standstill before you turn over the blender jug 5-7 and screw off the blade attachment.

WARNING! Risk of material damage!

- ⊙ In order to prevent damage to the device, interrupt the blending process immediately if the blades of the blade attachments 8/9 rotate with difficulty or not at all. In this case, pull out the mains plug 4 and check whether there is an obstruction in the blender jug 5-7.

6.1 Uses

Blade attachment with a cross blade 8

Use the blade attachment with the cross blade 8 for mixing whole-fruit beverages (smoothies) and chopping ice cubes.

Blade attachment with a flat blade 9

WARNING! Risk of material damage!

- ⊙ Do not use the blade attachment with a flat blade 9 for liquids!

Use the blade attachment with a flat blade 9 for chopping solid food (e. g. nuts).

NOTE: with an operating time of approx. 10 seconds, use no more than 200 g when chopping nuts.

6.2 Preparing food

WARNING! Risk of material damage!

- ⊙ Thick or firm peels, (e.g. of citrus fruits, pineapple), stems and pips of stone fruits (e.g. cherries, peaches, apricots) must be removed before blending.

- Rinse or wash the fruits.
- Cut the fruit into rough pieces (approx. 3-4 cm edge length).

- For smoothies: use a sufficient amount of liquid (mineral water, juice, milk, yoghurt). We recommend a mixing ratio of 1:1.

6.3 Mixing/Chopping

CAUTION:

- ⊙ Mind the marking MAX for the maximum filling quantity.
- ⊙ Depending on the hardness and consistency of the ingredients in the blender jug 5-7, do not fill it to the maximum; otherwise the blade attachment 8/9 could become clogged.
- ⊙ Due to their exceptional hardness nutmegs may not be chopped.

NOTE: if the smoothie is too thick, add a little mineral water, fruit juice, milk or yoghurt to suit your taste.

-
1. Place the fruit pieces and any other ingredients into the blender jug 5-7 as desired. Mind the marking MAX for the maximum filling quantity.
 2. Figure A: screw the required blade attachment 8/9 onto the blender jug 5-7. Ensure that the blade attachment is tightly screwed to the blender jug.
 3. Figure B: turn the blender jug 5-7 around and place it on the base unit 1. The small noses 13 on the edge of the blender jug fit into the recesses at the head of the base unit 1.
 4. Connect the mains plug 4 with the wall socket.
 5. A slight clockwise turn of the blender jug 5-7 switches the device on. Let the device run for no more than 60 seconds.
 6. A slight anticlockwise turn of the blender jug 5-7 switches the device off. Wait until the blade 8/9 has come to a standstill.

7. Remove the blender jug 5-7 from the base unit 1 and turn it around.
8. Unscrew the blade attachment 8/9 and ensure that the liquid drips into the blender jug 5-7.
9. Before using it again and if necessary, rinse the blade attachment 8/9 briefly under running water.
10. Disconnect the mains plug 4 from the wall socket.
11. Clean the device as soon as possible after use.

6.4 Chopping ice cubes

For chopping ice cubes the device should be switched on and off in a pulsating manner.

- Switch the device on and off 4x for up to 10 seconds each time.

6.5 Drink immediately

- Figure C: in order to drink the fresh smoothie directly from the blender jug 5-7, screw a To-Go lid or the keep-fresh lid 10 on the filled blender jug 5-7. If need open the drinking closure 12 and drink from the opening for drinking 11. After you have closed the drinking closure 12 the opening for drinking 11 and blender jug 5-7 are tightly closed. You can also enjoy your smoothie "to go" when you are out and about.

6.6 Storage

- Figure C: smoothies are intended to be consumed as soon as possible. Then, it is best to put the smoothie in the refrigerator. Use the keep-fresh lid 10 for this purpose.

6.7 Overheating protection

The device has an overheating protection system. If the device has been in operation for too long thus causing the device to become too hot, it automatically switches off.

- In this case, pull out the mains plug and allow the device to cool.
- You may then put the device back into operation.

7. Cleaning

Clean the device prior to its first use!



DANGER! Risk of electric shock!

- ⊙ Pull out the mains plug 4 from the wall socket before cleaning the Nutrition Mixer.
- ⊙ The base unit 1 and the power cable with the mains plug 4 must not be immersed in water or other liquids.



DANGER! Risk of injury from cutting!

- ⊙ When washing manually, the water should be sufficiently clear for you to see the blade attachment 8/9 easily.

WARNING! Risk of material damage!

- ⊙ Do not use any astringent or abrasive cleaning agents.

After every use

- Clean the device and all individual parts used after each use and remove all food residues.
- Prior to cleaning, all parts must be separated from one another (e.g. remove To-Go lid or keep-fresh lid 10 from blender jug 5-7).

Base unit

Wipe off the base unit 1 and the power cable 4, using a lightly moistened cloth. Dry with a dry cloth.

Manual cleaning

1. The accessories (blade attachments 8/9, blender jugs 5-7, and To-Go lids or keep-fresh lids 10) can be cleaned with warm water and a little detergent.
2. Afterwards, rinse all parts with clean water.
3. Allow all parts to dry completely before you put them away or use the device again.

Dishwasher

The following parts can be cleaned in the dishwasher:

- the blade attachments 8/9
- the blender jugs 5-7
- the To-Go lids and keep-fresh lids 10

8. Storage



DANGER for children!

- ⦿ Keep the device out of the reach of children.



DANGER!

- ⦿ In order to avoid accidents, the mains plug 4 must never be connected to a wall socket while in storage.
-

- Figure D: wind the power cable 4 around the cable spool 3 at the underside of the device.
- Select a location where neither high temperatures nor moisture can affect the device.

9. Disposal

This product is subject to the provisions of European Directive 2012/19/EC. The symbol showing a wheelie bin crossed through indicates that the product requires separate refuse collection in the European Union. This applies to the product and all accessories marked with this symbol. Products identified with this symbol may not be discarded with normal household waste, but must be taken to a collection point for recycling electric and electronic appliances. Recycling helps to reduce the consumption of raw materials and protect the environment.



Packaging

When disposing of the packaging, make sure you comply with the environmental regulations applicable in your country.

10. Troubleshooting

If your device fails to function as required, please try this checklist first. Perhaps there is only a minor problem, and you can solve it yourself.



DANGER! Risk of electric shock!

- ⊙ Do not attempt to repair the device yourself under any circumstances.

Fault	Possible causes / Action
No function	<ul style="list-style-type: none"> • Has the device been connected to the power supply? • Check the connection. • Has the blender jug 5-7 been engaged properly? • Has the overheating protection switched off the device? (see "Overheating protection" on page 8)
Blade of the blade attachment 8/9 not turning or turning with difficulty	<ul style="list-style-type: none"> • Switch off immediately, pull out mains plug 4 and check: Is there any obstacle in the blender jug 5-7?
Liquids are running out	<ul style="list-style-type: none"> • Is the quantity of ingredients filled into the blender jug too large?

11. Technical specifications

Model:	SNM 700 A1 KAT
Mains voltage:	220 – 240 V ~ 50/60 Hz
Protection class:	I
Power rating:	700 W
Max. continuous operation (KB):	1 minute
Filling volume:	150 ml - 800 ml

Technical Symbols

	Certified Safety. Devices must comply with the generally acknowledged rules of technology and the German Product Safety Act (Produktsicherheitsgesetz - ProdSG).
	With the CE marking, HOYER Handel GmbH declares the conformity with EU guidelines.
	This symbol reminds you to dispose of the packaging in an environmentally friendly manner.
	Recyclable materials: cardboard (except corrugated cardboard)

Subject to technical modifications.

12. Warranty of the HOYER Handel GmbH

Dear Customer,
your device is provided with a 3 year warranty starting with the purchase date. In the event of product defects, you are entitled to statutory rights against the vendor. These statutory rights are not restricted by our warranty presented in the following.

Warranty conditions

The warranty period starts with the purchase date. Please keep the original purchase receipt in a safe place. This document is required to verify the purchase.

If within three years from the purchase date of this product a material or factory defect occurs, the product will be repaired or replaced by us – at our discretion – free of charge to you. This warranty implies that within the period of three years the defective device and the purchase receipt are presented, including a brief written description of the defect and the time it occurred.

If the defect is covered by our warranty, the repaired or a new product will be returned to you. No new warranty period starts with a repair or replacement of the product.

Warranty period and statutory claims for defects

The warranty period is not extended when the warranty has been claimed. This also applies to replaced and repaired parts. Any damages and defects already existing at the time of purchase must be reported immediately upon unpacking. Repairs arising after the expiration of the warranty period are subject to a charge.

Warranty coverage

The device was produced carefully according to strict quality guidelines and tested diligently prior to delivery.

The warranty applies to material or factory defects.

Excluded from the warranty are wear parts subject to normal wear and damages to fragile parts, e.g. switches, batteries, lamps or other parts manufactured from glass.

This warranty expires if the product is damaged, not used as intended or not serviced. For the proper operation of the product, all instructions listed in the operating instructions must be observed carefully. Any form of use and handling that is advised against in the operating instructions or warned against must always be avoided.

The product is only intended for private and not for commercial use. In the case of incorrect and improper treatment, use of force and interventions not performed by our authorised Service Centre, the warranty shall cease.

Handling in case of a warranty claim

In order to ensure prompt processing of your matter, please observe the following notes:

- Please keep the article number IAN: 300279 and the purchase receipt as a purchase verification for all inquiries.
- The article number can be found on the rating plate, an engraving, the title page of your instructions (in the bottom left), or as a label on the rear or underside of the device.
- If faulty operation or other defects occur, first contact the Service Centre listed in the following by telephone or email.
- Then, you are able to send a product reported as defective free of charge to the service address specified to you, including the purchase receipt and the information on the defect and when it occurred.



Please visit www.lidl-service.com to download this and many other manuals, product videos and software.



Service Centre



Service Great Britain

Tel.: 0871 5000 720 (€ 0.10/Min.)

E-Mail: hoyer@lidl.co.uk



Service Ireland

Tel.: 1890 930 034

(0,08 EUR/Min., (peak))

(0,06 EUR/Min., (off peak))

E-Mail: hoyer@lidl.ie



Service Malta

Tel.: 80062230

E-Mail: hoyer@lidl.com.mt



Service Cyprus

Tel.: 8009 4409

E-Mail: hoyer@lidl.com.cy

IAN: 300279



Supplier

Please note that the following address is no service address. First contact the aforementioned Service Centre.

HOYER Handel GmbH

Tasköprüstraße 3

DE-22761 Hamburg

GERMANY

Indhold

1. Oversigt	14
2. Brug i overensstemmelse med formålet	15
3. Sikkerhedsanvisninger	16
4. Leveringsomfang	18
5. Ibrugtagning	18
6. Betjening	18
6.1 Anvendelsesområder	19
6.2 Forberedelse af fødevarer	19
6.3 Blending/Hakning	19
6.4 Knusning af isterninger	20
6.5 Drik straks	20
6.6 Opbevaring	20
6.7 Overophedningsbeskyttelse	20
7. Rengøring.....	20
8. Opbevaring	21
9. Bortskaffelse	21
10. Problemløsning.....	21
11. Tekniske data	22
12. HOYER Handel GmbHs garanti	22

1. Oversigt

- 1 Basisenhed
- 2 Sugefødder
- 3 Kabelopvikling
- 4 Tilslutningsledning med netstik
- 5 Bæger (stort, min. 150 ml - maks. 800 ml)
- 6 Bæger (medium, min. 150 ml - maks. 500 ml)
- 7 Bæger (lille, min. 150 ml - maks. 200 ml)
- 8 Knivindsats med krydsblad
- 9 Knivindsats med fladt blad
- 10 „to go“-låg (2x) og opbevaringslåg (1x)
- 11 Drikkeåbning
- 12 Drikkelåg
- 13 Næse (3x på hvert bæger)

Ikke afbildet:

- 14 Recepthæfte

Mange tak for din tillid!

Vi ønsker dig tillykke med din nye Nutrition mixer.

For at opnå en sikker omgang med apparatet og for at lære ydelsesomfanget at kende:

- Læs denne betjeningsvejledning grundigt igennem, før apparatet tages i brug første gang.
- Følg frem for alt sikkerhedsanvisningerne!
- Apparatet må kun betjenes som beskrevet i denne betjeningsvejledning.
- Opbevar denne betjeningsvejledning.
- Hvis apparatet gives videre til anden bruger, bedes denne betjeningsvejledning vedlægges. Betjeningsvejledningen er del af produktet.

Vi ønsker dig god fornøjelse med din nye Nutrition mixer!

2. Brug i overensstemmelse med formålet

Denne Nutrition mixer er ...

- ... til blending af hel-frugtdrikke (smoothies) og til knusning af små mængder is. Anvend hertil knivindsatsen med krydsblad 8.
- ... til hakning af faste fødevarer (f.eks. nødder). Anvend hertil knivindsatsen med fladt blad 9.

Apparatet er konstrueret til den private husholdning. Apparatet må kun benyttes inden dørs.

Dette apparat må ikke anvendes til erhvervs-mæssige formål.

Forudseeligt misbrug

ADVARSEL mod materielle skader!

- ⊙ Tykke og faste skaller (f.eks. fra citrusfrugter, ananas), stilke og kerner fra stenfrugter (f.eks. kirsebær, ferskner, abrikoser) skal fjernes, inden der blendes.
 - ⊙ Apparatet må ikke benyttes til hakning af særligt hårde fødevarer som f.eks. knogler eller muskatnødder.
-

Symbol på apparatet



Dette symbol angiver, at således mærkede materialer ikke ændrer fødevarers smag eller lugt.



Symbolet kendetegner dele, som kan rengøres i opvaskemaskinen.

3. Sikkerhedsanvisninger

Advarselshenvisninger

Hvor det er påkrævet, anvendes følgende advarselshenvisninger i denne betjeningsvejledning:



FARE! Høj risiko: manglende overholdelse af advarslen kan forårsage skader på liv og lemmer.

ADVARSEL! Moderat risiko: manglende overholdelse af advarslen kan forårsage kvæstelser eller alvorlige materielle skader.
FORSIGTIG! lav risiko: manglende overholdelse af advarslen kan forårsage mindre kvæstelser eller alvorlige materielle skader.
ANVISNING! forhold og særlige detaljer, som skal overholdes ved brug af apparatet.

Anvisninger om sikker brug

- ⊙ Dette apparat må ikke anvendes af børn.
- ⊙ Børn må ikke lege med apparatet.
- ⊙ Hold børn væk fra apparatet og tilslutningsledningen.
- ⊙ Dette apparat kan bruges af personer med nedsatte fysiske, sensoriske eller mentale evner eller med manglende erfaring og/eller manglende viden, hvis disse er under opsyn eller er blevet undervist i sikker brug af apparatet og har forstået de deraf resulterende farer.
- ⊙ Hvis nettilslutningsledningen på dette apparat bliver beskadiget, skal den udskiftes af producenten eller hans kundeservice eller af en lignende kvalificeret person for at undgå risici.
- ⊙ Dette apparat er ikke beregnet til at blive brugt sammen med en ekstern timer eller en separat fjernbetjening.
- ⊙ Træk netstikket ud af stikkontakten, ...
 - ... ved manglende opsyn,
 - ... inden du samler eller skiller apparatet ad og
 - ... før du rengør apparatet.
- ⊙ Rengør knivindsatserne, bægrene og lågene med varmt vand og lidt opvaskemiddel eller i opvaskemaskinen.
- ⊙ Knivindsatsens blade er skarpe. Udvis forsigtighed ved omgang med disse.
- ⊙ Misbrug af apparatet kan forårsage kvæstelser.
- ⊙  Knivindsatsens blade er skarpe. Udvis forsigtighed ved omgang med disse. Ved opvask i hånden bør vandet være så klart, at du kan se knivbladene tydeligt.



FARE for børn

- ⊙ Emballage er ikke legetøj. Børn må ikke lege med plastikposerne. Der er fare for at blive kvalt.
- ⊙ Sørg for, at børn ikke kan trække apparatet ned fra arbejdsfladen i tilslutningsledningen.
- ⊙ Opbevar apparatet utilgængeligt for børn.



FARE for og på grund af kæle- og husdyr

- ⊙ Elektriske apparater kan udgøre en fare for kæle- og husdyr. Desuden kan dyr også forårsage skader på apparatet. Hold derfor principielt dyr væk fra elektriske apparater.



FARE for elektrisk stød pga. fugtighed

- ⊙ Apparatet må aldrig bruges i nærheden af et badekar, en bruser, en fyldt vaskekumme o. l.
- ⊙ Motorenheden, tilslutningsledningen og netstikket må ikke dyppes i vand eller andre væsker.
- ⊙ Beskyt motorenheden, tilslutningsledningen og netstikket mod fugtighed, dryp- og stænkvand.
- ⊙ Hvis der skulle være trængt væske ind i motorenheden, skal netstikket omgående trækkes ud. Få apparatet kontrolleret, før det tages i brug igen.
- ⊙ Brug ikke apparatet med våde hænder.
- ⊙ Skulle apparatet være faldet i vandet, skal netstikket straks trækkes ud. Tag først derefter apparatet op.



FARE for elektrisk stød

- ⊙ Stik først netstikket i en stikkontakt, når apparatet er komplet samlet.
- ⊙ Sæt kun netstikket i en korrekt installeret, let tilgængelig stikkontakt, hvis spænding svarer til den på typeskiltet. Stik-

kontakten skal også være let tilgængelig efter tilslutningen.

- ⊙ Vær opmærksom på, at tilslutningsledningen ikke kan blive beskadiget af skarpe kanter eller varme steder. Vikl ikke tilslutningsledningen omkring apparatet.
- ⊙ Apparatet er stadig ikke helt afbrudt fra nettet, efter at det er blevet slukket. For at gøre dette, skal du trække netstikket ud.
- ⊙ Vær ved brugen af apparatet opmærksom på, at tilslutningsledningen ikke kommer i klemme.
- ⊙ Træk altid i stikket, aldrig i ledningen, når du trækker netstikket ud af stikkontakten.
- ⊙ Træk netstikket ud af stikkontakten, ...
... hvis der opstår en fejl,
... når du ikke bruger Nutrition blenderen,
... ved tordenvejr.
- ⊙ Undlad at bruge apparatet, hvis der er synlige skader på apparatet eller tilslutningsledningen.
- ⊙ For at undgå risici, må du ikke foretage nogen ændringer på apparatet.



FARE for at skære sig med kvæstelser til følge

- ⊙ Knivindsatsens blade drejer lidt videre efter slukning. Vent til de står stille, inden du tager et bæger af.
- ⊙ Apparatet må under ingen omstændigheder bruges uden bæger.

ADVARSEL mod materielle skader

- ⊙ Knivindsatsen med fladt blad må ikke anvendes til væsker!
- ⊙ Tykke og faste skaller (f.eks. fra citrusfrugter, ananas), stilke og kerner fra stenfrugter (f.eks. kirsebær, ferskner, abrikoser) skal fjernes, inden der blendes.
- ⊙ Fyld ikke ingredienser i bægeret, som er varmere end 85 °C.

- ⊙ For at undgå at beskadige apparatet, skal du straks afbryde blendningen, hvis knivindsatsens blade ikke drejer eller går trægt. Træk netstikket ud og kontrollér, om der befinder sig en forhindring i bægeret, eller om indholdet er for sejt. Kontrollér også, om apparatet er sat korrekt sammen.
- ⊙ Lad ikke apparatet køre med et tomt bæger, da motoren herved kan blive overophedet og beskadiget.
- ⊙ Anvend kun apparatet, når der er skruet en knivindsats på bægeret.
- ⊙ Apparatet er konstrueret til en køretid på max. 60 sekunder uden afbrydelse. Derefter skal apparatet forblive slukket, indtil det er kølet af til rumtemperatur.
- ⊙ Anvend kun det originale tilbehør.
- ⊙ Apparatet (basisenhed, tilslutningsledning med netstik) er ikke egnet til opvaske-maskine.
- ⊙ Anvend ikke skrappe eller skurende rengøringsmidler.
- ⊙ Apparatet er udstyret med skridsikre plastiksugefødder. Da møbler har mange forskellige lak- og kunststofoverflader og bliver behandlet med mange forskellige plejemidler, kan det ikke helt udelukkes, at nogle af disse stoffer indeholder ingredienser, som angriber og opbløder plastiksugefødderne. Læg i givet fald et skridsikkert underlag under apparatet.

4. Leveringsomfang

- 1 Basisenhed 1
- 1 bæger stort 5
(min. 150 ml - maks. 800 ml)
- 1 bæger medium 6
(min. 150 ml - maks. 500 ml)
- 1 bæger lille 7
(min. 150 ml - maks. 200 ml)
- 1 Knivindsats 8 (krydsblad)
- 1 Knivindsats 9 (fladt blad)
- 2 „to go“-låg, 1 opbevaringslåg 10
- 1 Recepthæfte 14
- 1 Betjeningsvejledning

Udpakning

1. Tag alle dele ud af emballagen.
2. Kontrollér, om alle delene forefindes og derefter, om delene er ubeskadiget.

5. Ibrugtagning

- Fjern emballagen fuldstændigt.
- Kontrollér, om alle dele er til stede og ubeskadigede.
- Rengør apparatet inden første brug! (se "Rengøring" på side 20)
- Vikl den ønskede kabellængde af kabelopviklingen 3 på undersiden af apparatet.
- Stil apparatet på et tørt, jævnt og skridsikkert underlag.

6. Betjening



FARE for elektrisk stød!

- ⊙ Stik først netstikket 4 i en stikkontakt, når Nutrition blenderen er komplet samlet.



FARE for at skære sig med kvæstelser til følge!

- ⊙ Apparatet må under ingen omstændigheder bruges uden bæger 5 - 7.
- ⊙ Knivindsatsens 8/9 blade er skarpe. Udvis forsigtighed ved omgang med disse.
- ⊙ Knivindsatsens 8/9 blade drejer lidt videre efter slukning. Vent til de står stille, inden du vender et bæger 5 - 7 om og skruer knivindsatsen af.

ADVARSEL mod materielle skader!

- ⊙ For at undgå at beskadige apparatet, skal du straks afbryde blendningen, hvis knivindsatsens 8/9 blade ikke drejer eller går trægt. Træk i tilfælde heraf netstikket 4 ud og kontrollér, om der befinder sig en forhindring i bægeret 5 - 7, eller om indholdet er for sejt.

6.1 Anvendelsesområder

Knivindsats med krydsblad 8

Knivindsatsen med krydsbladet 8 anvender du til blanding af hel-frugtdrikke (smoothies) og til knusning af isterninger.

Knivindsats med fladt blad 9

ADVARSEL mod materielle skader!

- ⊙ Knivindsatsen med fladt blad 9 må ikke anvendes til væsker!
-

Knivindsatsen med fladt blad 9 anvender du til hakning af faste fødevarer (f.eks. nødder).

ANVISNING: til hakning af nødder anvender du en mængde på maks. 200 g ved en driftstid på ca. 10 sekunder.

6.2 Forberedelse af fødevarer

ADVARSEL mod materielle skader!

- ⊙ Tykke og faste skaller (f.eks. fra citrusfrugter, ananas), stilke og kerner fra stenfrugter (f.eks. kirsebær, ferskner, abrikoser) skal fjernes, inden der blendes.
-

- Vask eller tør frugterne af.
- Skær frugterne i grove stykker (ca. 3-4 cm kantlængde).
- Til smoothies: anvend tilstrækkelig væske (mineralvand, frugtsaft, mælk, yoghurt). Vi anbefaler et blandingsforhold på 1:1.

6.3 Blanding/Hakning

FORSIGTIG:

- ⊙ Bemærk markering MAX for den maksimale påfyldningsmængde.

- ⊙ Fyld alt efter ingrediensernes hårdhed og konsistens ikke bægeret 5 - 7 helt op til maksimum, da knivindsatsen 8/9 ellers kan blokere.
- ⊙ Muskatnødder må ikke hakkes på grund af deres særlige hårdhed.

ANVISNING: er smoothien for tyktflydende, kan du efter behov fylde lidt mineralvand, frugtsaft, mælk eller jogurt i.

1. Fyld frugtstykker og evt. andre ingredienser i det ønskede bæger 5 - 7. Bemærk markering MAX for den maksimale påfyldningsmængde.
2. Fig. A: skru den ønskede knivindsats 8/9 på bægeret 5 - 7. Sørg for, at knivindsatsen er skruet godt fast på bægeret.
3. Fig. B: vend bægeret 5 - 7 om og sæt det på basisenheden 1. De små næser 13 på bægerets kant griber ind i udsparingerne på basisenhedens 1 hoved.
4. Stik netstikket 4 i stikkontakten.
5. En lille drejning af bægeret 5 - 7 med uret tænder apparatet. Lad apparatet køre i maksimalt 60 sekunder.
6. En lille drejning af bægeret 5 - 7 mod uret slukker apparatet. Vent, indtil knivene 8/9 står stille.
7. Fjern bægeret 5 - 7 fra basisenheden 1 og vend det om.
8. Skru knivindsatsen 8/9 af og vær der ved opmærksom på, at væsken drypper i bægeret 5 - 7.
9. Inden den næste brug skyller du om nødvendigt knivindsatsen 8/9 kort af under rindende vand.
10. Træk netstikket 4 ud af stikkontakten.
11. Rengør apparatet så hurtigt som muligt efter brug.

6.4 Knusning af isterninger

For at knuse isterninger bør du tænde og slikke apparatet pulserende.

- Tænd og sluk apparatet op til 4 x i ca. 10 sekunder.

6.5 Drik straks

- Fig. C: for at drikke den friske smoothie direkte fra bægeret 5 - 7 skal du skrue et „to go“- eller opbevaringslåg 10 på det fyldte bæger 5 - 7. Åbn drikkelåget 12, og drik af drikkeåbningen 11. Når drikkelåget 12 er sat på, er drikkeåbningen 11 og bægeret 5 - 7 lukket tæt til. Du kan dermed nyde din smoothie: „to go“.

6.6 Opbevaring

- Fig. C: smoothies skal helst drikkes ret hurtigt. Det bedste er så at stille smoothien i køleskabet. Dertil skal du bruge opbevaringslåget 10.

6.7 Overophedningsbeskyttelse

Apparatet har en overophedningsbeskyttelse. Hvis apparatet bruges for længe og temperaturen bliver for høj, slukker det automatisk.

- Træk i dette tilfælde netstikket ud og lad apparatet køle af.
- Derefter kan du tage apparatet i brug igen.

7. Rengøring

Rengør apparatet inden første brug!



FARE for elektrisk stød!

- ⊙ Træk netstikket 4 ud af stikkontakten, inden du rengør Nutrition blenderen.

- ⊙ Basisenheden 1 og tilslutningsledningen med netstik 4 må ikke dyppes i vand eller andre væsker.



FARE for at skære sig med kvæstelser til følge!

- ⊙ Ved opvask med hånden skal vandet være så klart, at du kan se knivindsatsen 8/9 klart i vandet.

ADVARSEL mod materielle skader!

- ⊙ Anvend ikke skrappe eller skurende rengøringsmidler.

Efter hver brug

- Rengør apparatet og alle anvendte enkeltdele efter enhver brug og fjern derefter alle madrester.
- Før rengøring skal alle dele skilles ad (fjern f.eks. „to go“- eller opbevaringslåg 10 af bægeret 5 - 7).

Basisenhed

Tør basisenheden 1 og tilslutningsledningen 4 af med en let vædet klud. Tør efter med en tør klud.

Manuel rengøring

1. Tilbehørsdele (knivindsatser 8/9, bæger 5 - 7 og „to go“- eller opbevaringslåg 10) kan rengøres med varmt vand og en smule opvaskemiddel.
2. Skyl derefter delene af med rent vand.
3. Sørg for, at alle dele er fuldstændig tørre, før du rydder dem til side, eller du bruger apparatet på ny.

Opvaskemaskine

Følgende dele kan også rengøres i opvaskemaskinen:

- knivindsatser 8/9
- bægerne 5 - 7
- „to go“- og opbevaringslåg 10

8. Opbevaring



FARE for børn!

- ⦿ Opbevar apparatet utilgængeligt for børn.



FARE!

- ⦿ For at undgå ulykker må netstikket 4 under opbevaringen ikke være forbundet med en stikkontakt.

- Fig. D: vikl tilslutningsledningen 4 op på kabelopviklingen 3 på undersiden af apparatet.
- Vælg et sted, hvor hverken kraftig varme eller fugtighed kan påvirke apparatet.

9. Bortskaffelse

Dette produkt er underlagt det europæiske direktiv 2012/19/EU. Symbolet med den overstregede skraldespand på hjul betyder, at produktet inden for den Europæiske Union skal tilføres en separat affaldsindsamling. Det gælder produktet og alt tilbehør, som er markeret med symbolet. Mærkede produkter må ikke bortskaffes med det normale husholdningsaffald, men skal afleveres til et modtagelsessted for genbrug af elektriske og elektroniske apparater. Genbrug er med til at reducere forbruget af råstoffer og aflaste miljøet.



Emballage

Når du vil bortskaffe emballagen, skal du være opmærksom på de tilsvarende miljøbestemmelser i landet.

10. Problemløsning

Hvis dit apparat ikke fungerer som ønsket, skal du først gå den følgende tjekliste igennem. Måske er der kun tale om et mindre problem, som du selv kan løse.



FARE for elektrisk stød!

- ⦿ Forsøg under ingen omstændigheder selv at reparere apparatet.

Fejl	Mulige årsager / foranstaltninger
Virker ikke	<ul style="list-style-type: none">• Er strømforsyningen sikret?• Kontrollér tilslutningen.• Er bægernet 5 - 7 sat rigtigt på?• Har overophedningsbeskyttelsen slukket apparatet? (se "Overophedningsbeskyttelse" på side 20)
Knivindsatsens 8/9 blade drejer sig ikke eller kun meget trægt	<ul style="list-style-type: none">• Sluk omgående, træk netstikket 4 ud og kontrollér: hindring i bægeret 5 - 7?
Der løber væske ud	<ul style="list-style-type: none">• Er der fyldt en for stor mængde ingredienser i bægeret?

11. Tekniske data

Model:	SNM 700 A1 KAT
Netspænding:	220-240 V ~ 50/60 Hz
Beskyttelsesklasse:	I
Effekt:	700 W
Maks. Kontinuerlig drift (KB):	1 minut
Påfyldningsmængde:	150 ml - 800 ml

Tekniske symboler

	Afprøvet sikkerhed. Apparater skal opfylde de almindelige anerkendte tekniske regler og være i overensstemmelse med produkt-sikkerhedsloven (ProdSG) [Tyskland].
	Med CE-mærkning erklærer HOYER Handel GmbH EU-konformiteten.
	Dette symbol minder om, at bortskaffe emballagen miljøvenligt.
	Genbrugelige materialer: pap (undtaget bølgepap)

Ret til tekniske ændringer forbeholdes.

12. HOYER Handel GmbHs garanti

Kære kunde.

Du har 3 års garanti fra købsdatoen på dette apparat. I tilfælde af mangler på dette produkt gælder de lovpligtige rettigheder for dig i forhold til sælgeren af produktet. Disse lovpligtige rettigheder bliver ikke begrænset af vores i efterfølgende nævnte stillede garanti.

Garantibetingelser

Garantifristen starter på købsdatoen. Den originale kvittering bedes opbevaret godt. Dette bilag er nødvendigt for dokumentering af købet.

Hvis der inden for 3 år fra købsdatoen skulle opstå en materiale- eller fabrikationsfejl på dette produkt, vil produktet – ud fra vores vurdering – blive repareret eller udskiftet af os uden udgifter for dig. Denne garantiydelse forudsætter, at det defekte apparat og købsbilaget (kvitteringen) foreligger inden for den 3-årige tidsfrist, og at det skriftligt bliver kortfattet beskrevet, hvori fejlen består, og hvornår denne er opstået.

Hvis defekten er dækket af vores garanti, modtager du det reparerede produkt retur eller et helt nyt produkt. I forbindelse med reparation eller udskiftning af produktet starter der ikke en ny garantiperiode.

Garantiperiode og lovpligtige krav ved fejl

Garantiperioden bliver ikke forlænget som følge af garantiydelsen. Dette gælder også for udskiftede og reparerede dele. Eventuelle skader og mangler, der allerede forefindes ved købet, skal omgående meddeles efter udpakningen. Reparationer, der indtræffer efter garantiperiodens udløb, er for kundens regning.

Garantidækning

Apparatet er blevet omhyggeligt fremstillet efter strenge kvalitetsretningslinjer og kontrollet samvittighedsfuldt inden leveringen. Garantien gælder for materiale- eller fabriktionsfejl.

Denne garanti omfatter ikke sliddele, der er udsat for normalt slid og for skader på skrøbelige dele, f.eks. kontakter, batterier, lyskilder eller dele, der er fremstillet af glas.

Denne garanti dækker ikke, hvis det beskadigede produkt ikke er blevet anvendt til formålet eller ikke er blevet passet. For at anvende produktet korrekt, skal alle de anførte anvisninger i betjeningsvejledningen nøje overholdes. Anvendelsesformål og handlinger, der frarådes i betjeningsvejledningen, eller som der advares imod, skal ubetinget undgås. Produktet er udelukkende bestemt til privat brug og ikke til erhvervsmæssigt brug. Ved misligholdelse og uhensigtsmæssig behandling, brug af vold og ved indgreb, som ikke er blevet udført af vores autoriserede servicecenter, ophører garantien.

Afvikling af en garantisag

For at sikre en hurtig behandling af dit anliggende, bedes du gå frem efter følgende anvisninger:

- Hav i forbindelse med alle forespørgsler artikelnummeret IAN: 300279 og kvitteringen som dokumentering for købet parat.
- Varenummeret finder du på typeskiltet, som en gravering, på forsiden af din vejledning (forneden til venstre) eller som etiket apparatets bag- eller underside.
- Hvis der skulle forekomme funktionsfejl eller specielle mangler, skal du først kontakte efterfølgende nævnte servicecenter telefonisk eller pr. e-mail.
- Et defekt produkt, der er dækket af garantien, kan du derefter portofrit fremsende til den oplyste service-adresse,


med vedhæftning af købsbilaget (kvitteringen) og angivelse af, hvori fejlen består, samt hvornår denne er opstået.



På www.lidl-service.com kan du downloade denne og mange flere håndbøger, produktvideoer og software.



Service-center

 Service Danmark
Tel.: 32 710005
E-Mail: hoyer@lidl.dk

IAN: 300279



Leverandør

Bemærk venligst, at den følgende adresse ikke er en service-adresse. Kontakt først det ovennævnte service-center.

HOYER Handel GmbH
Tasköprüstraße 3
DE-22761 Hamburg
TYSKLAND

Inhoud

1. Overzicht	24
2. Correct gebruik	25
3. Veiligheidsinstructies	26
4. Levering	28
5. Ingebruikname	28
6. Bedienen	29
6.1 Toepassingen	29
6.2 Levensmiddelen voorbereiden.....	29
6.3 Mixen / fijnmaken	29
6.4 Ijsklontjes fijnmaken	30
6.5 Direct drinken.....	30
6.6 Opbergen.....	30
6.7 Beveiliging tegen oververhitting	30
7. Reinigen	31
8. Opbergen	31
9. Weggooien	32
10. Problemen oplossen	32
11. Technische gegevens	33
12. Garantie van HOYER Handel GmbH	33

1. Overzicht

- 1 Basiseenheid
- 2 Zuignappen
- 3 Snoeropwikkeling
- 4 Aansluitsnoer met stekker
- 5 Beker (groot, min. 150 ml - max. 800 ml)
- 6 Beker (gemiddeld, min. 150 ml - max. 500 ml)
- 7 Beker (klein, min. 150 ml - max. 200 ml)
- 8 Mesopzetstuk met kruismes
- 9 Mesopzetstuk met plat mes
- 10 "to go"-deksel (2x) en vershouddeksel (1x)
- 11 Drinkopening
- 12 Drinksluiting
- 13 Nokje (3 stuks bij elke beker)

Zonder afbeelding:

- 14 Receptenboekje

Hartelijk dank voor uw vertrouwen!

Hartelijk gefeliciteerd met uw nieuwe Nutrition-mixer.

Om het apparaat veilig te gebruiken en om alle functies van het apparaat te leren kennen:

- Dient u deze handleiding vóór de eerste ingebruikname grondig door te lezen.
- Neemt u steeds de veiligheidsinstructies in acht!
- Het apparaat mag alleen worden bediend zoals in deze handleiding wordt beschreven.
- Bewaar deze handleiding goed.
- Wanneer u het apparaat ooit aan iemand doorgeeft, dient u deze handleiding bij te voegen. De handleiding maakt deel uit van het product.

Wij wensen u veel plezier met uw nieuwe Nutrition-mixer!

Symbool op het apparaat



Dit symbool geeft aan, dat materialen die ermee zijn gemarkeerd, noch de smaak noch de geur van levensmiddelen veranderen.



Het symbool markeert onderdelen die in de vaatwasmachine kunnen worden gereinigd.

2. Correct gebruik

De Nutrition-mixer is ...

... bestemd voor het mixen van dranken met hele vruchten (smoothies) en het fijnmaken van ijsklontjes. Gebruik hiervoor het mesopzetstuk met het kruismes 8.

... bestemd voor het fijnmaken van harde levensmiddelen (bijv. noten). Gebruik hiervoor het mesopzetstuk met het platte mes 9.

Het apparaat is ontworpen voor particuliere huishoudens. Het apparaat mag uitsluitend binnenshuis worden gebruikt.

Dit apparaat mag niet voor commerciële doeleinden worden gebruikt.

Voorzienbaar misbruik

WAARSCHUWING voor materiële schade!

- ⊙ Dikke of stevige schillen (bijv. van citrusvruchten, ananas), stelen en pitten van steenvruchten (bijv. kersen, perziken, abrikozen) moeten vóór het mixen worden verwijderd.
 - ⊙ Het apparaat mag niet worden gebruikt om heel harde levensmiddelen zoals bijv. botten of nootmuskaatnoet te maken.
-

3. Veiligheidsinstructies

Waarschuwingen

Indien nodig vindt u de volgende waarschuwingen in deze handleiding:



GEVAAR! Hoog risico: het niet in acht nemen van de waarschuwing kan tot letsel leiden.


WAARSCHUWING! Matig risico: het niet in acht nemen van de waarschuwing kan verwondingen of ernstige materiële schade veroorzaken.

LET OP: gering risico: het niet in acht nemen van de waarschuwing kan lichte verwondingen of materiële schade veroorzaken.

AANWIJZING: toedrachten en bijzonderheden waarop tijdens het gebruik van het apparaat moet worden gelet.

Instructies voor een veilig gebruik

- ⊙ Dit apparaat mag niet door kinderen worden gebruikt.
- ⊙ Kinderen mogen niet met het apparaat spelen.
- ⊙ Het apparaat en het aansluitsnoer moeten uit de buurt van kinderen worden gehouden.
- ⊙ Dit apparaat kan worden gebruikt door personen met verminderde fysieke, sensorische of mentale capaciteiten of een gebrek aan ervaring en/of kennis, wanneer zij onder toezicht staan of met betrekking tot het veilige gebruik van het apparaat instructies hebben gekregen en de daaruit voortvloeiende risico's hebben begrepen.
- ⊙ Wanneer het netaansluitsnoer van dit apparaat beschadigd is, moet dit door de fabrikant of diens klantenservice of een gelijkwaardig gekwalificeerde persoon worden vervangen, om gevaar te voorkomen.
- ⊙ Dit apparaat is niet bedoeld om te gebruiken met een externe tijdschakelklok of een afzonderlijk op afstand bestuurbaar systeem.
- ⊙ Trek de stekker uit het stopcontact, ...
 - ... wanneer er geen toezicht is,
 - ... voordat u het apparaat in elkaar zet of uit elkaar neemt en
 - ... voordat u het apparaat reinigt.
- ⊙ Reinig de mesopzetstukken, de bekertjes en de deksels met warm water en wat afwasmiddel of in de vaatwasser.
- ⊙ De messen van het mesopzetstuk zijn scherp. Ga er voorzichtig mee om.
- ⊙ Bij misbruik van het apparaat kunnen er letsels ontstaan.

- ⊙  De messen van het mesopzetstuk zijn scherp. Ga er voorzichtig mee om. Bij het spoelen met de hand moet het water zo helder zijn, dat u de messen goed kunt zien.



GEVAAR voor kinderen

- ⊙ Verpakkingsmateriaal is geen speelgoed. Kinderen mogen niet met de plastic zakken spelen. Er bestaat verstikkingsgevaar.
- ⊙ Let erop, dat kinderen het apparaat niet aan het aansluitsnoer van het werkvlak kunnen trekken.
- ⊙ Bewaar het apparaat buiten bereik van kinderen.



GEVAAR voor en door huis- en gebruiksdieren

- ⊙ Er kunnen gevaren voor huis- en gebruiksdieren van elektrische apparaten uitgaan. Verder kunnen dieren ook schade aan het apparaat veroorzaken. Houd dieren daarom altijd uit de buurt van elektrische apparaten.



GEVAAR van een elektrische schok door vocht

- ⊙ Het apparaat mag nooit worden gebruikt in de buurt van een badkuip, een douche, een gevulde wasbak o.i.d.
- ⊙ De motoreenheid, het aansluitsnoer en de stekker mogen niet in water of andere vloeistoffen worden gedompeld.
- ⊙ Bescherm de motoreenheid, het aansluitsnoer en de stekker tegen vocht, drui- of spatwater.
- ⊙ Wanneer er vloeistof in de motoreenheid terechtkomt, moet de stekker direct uit het stopcontact worden getrokken. Voor een volgende ingebruikname het apparaat laten controleren.
- ⊙ Bedien het apparaat niet met vochtige handen.

- ⊙ Wanneer het apparaat in het water is gevallen, moet de stekker direct uit het stopcontact worden getrokken. Pas daarna mag het apparaat uit het water worden gehaald.



GEVAAR door een elektrische schok

- ⊙ Steek de stekker pas in een stopcontact, wanneer het apparaat volledig gemonteerd is.
- ⊙ Sluit de stekker alleen aan op een op de juiste wijze geïnstalleerd, gemakkelijk toegankelijk stopcontact, waarvan de spanning overeenkomt met de gegevens op het typeplaatje. Het stopcontact moet ook na het aansluiten gemakkelijk toegankelijk blijven.
- ⊙ Let erop dat het aansluitsnoer niet door scherpe randen of hete plaatsen kan worden beschadigd. Wikkel het aansluitsnoer niet rond het apparaat.
- ⊙ De stroomtoevoer naar het apparaat is ook na het uitschakelen niet volledig onderbroken. Hiervoor moet u de stekker uit het stopcontact trekken.
- ⊙ Let er bij gebruik van het apparaat op, dat het aansluitsnoer niet vastgeklemd wordt of bekneld raakt.
- ⊙ Trek de stekker altijd aan de stekker uit het stopcontact en nooit aan het snoer.
- ⊙ Trek de stekker uit het stopcontact, ...
... wanneer er zich een storing voordoet,
... wanneer u de Nutrition-mixer niet gebruikt,
... bij onweer.
- ⊙ Gebruik het apparaat niet als het apparaat zelf of het aansluitsnoer zichtbaar beschadigd is.

- ⊙ Breng geen veranderingen aan het apparaat aan, dit om gevaar te voorkomen.



GEVAAR van verwondingen door snijden

- ⊙ De messen van het mesopzetstuk draaien na het uitschakelen nog door. Wacht totdat ze stilstaan, voordat u de beker eraf neemt.
- ⊙ Het apparaat mag onder geen beding zonder beker worden gebruikt.

WAARSCHUWING voor materiële schade

- ⊙ Het mesopzetstuk met plat mes mag niet voor vloeistoffen worden gebruikt!
- ⊙ Dikke of stevige schillen (bijv. van citrusvruchten, ananas), stelen en pitten van steenvruchten (bijv. kersen, perziken, abrikozen) moeten vóór het mixen worden verwijderd.
- ⊙ Vul de beker niet met ingrediënten die heter zijn dan 85 °C.
- ⊙ Om schade aan het apparaat te vermijden, dient u het mixen direct te onderbreken wanneer de messen van het mesopzetstuk niet of maar moeilijk ronddraaien. Trek de stekker uit het stopcontact en controleer of zich een obstakel in de beker bevindt of dat het voedsel te taai is. Controleer ook of het apparaat correct in elkaar is gezet.
- ⊙ Gebruik het apparaat niet met een lege beker, omdat de motor hierdoor oververhit en beschadigd kan raken.
- ⊙ Gebruik het apparaat alleen wanneer op de beker een mesopzetstuk is vastgedraaid.
- ⊙ Het apparaat is ontworpen voor een gebruiksduur van maximaal 60 seconden zonder onderbreking. Daarna moet het apparaat uitgeschakeld blijven, totdat het is afgekoeld tot kamertemperatuur.
- ⊙ Gebruik uitsluitend de originele accessoires.

- ⊙ Het apparaat (basiseenheid, aansluit-snoer met stekker) is niet vaatwasmachinebestendig.
- ⊙ Gebruik geen scherpe of schurende schoonmaakmiddelen.
- ⊙ Het apparaat is voorzien van kunststof antislip zuignappen. Omdat meubels zijn gecoat met een grote verscheidenheid van lakken en kunststoffen en worden behandeld met verschillende onderhoudsmiddelen, kan niet volledig worden uitgesloten dat sommige van deze stoffen bestanddelen bevatten, die de kunststof zuignappen aantasten en zacht maken. Leg indien nodig een antislipmatje onder het apparaat.

4. Levering

- 1 basiseenheid 1
- 1 grote beker 5
(min. 150 ml - max. 800 ml)
- 1 middelgrote beker 6
(min. 150 ml - max. 500 ml)
- 1 kleine beker 7
(min. 150 ml - max. 200 ml)
- 1 mesopzetstuk 8 (kruismes)
- 1 mesopzetstuk 9 (plat mes)
- 3 "to go"-deksel, 1 vershouddeksel 10
- 1 receptenboekje 14
- 1 handleiding

Uitpakken

1. Haal alle onderdelen uit de verpakking.
2. Controleer of alle onderdelen volledig zijn en of ze onbeschadigd zijn.

5. Ingebruikname

- Verwijder al het verpakkingsmateriaal.
- Controleer of alle onderdelen aanwezig en onbeschadigd zijn.
- Maak het apparaat schoon alvorens het voor de eerste keer te gebruiken! (zie "Reinigen" op pagina 31)

- Wikkel de gewenste snoerlengte van de snoeropwikkeling 3 aan de onderzijde van het apparaat af.
- Plaats het apparaat op een droge, vlakke, slipvrije ondergrond.

6. Bedienen



GEVAAR door een elektrische schok!

- ⊙ Steek de stekker 4 pas in een stopcontact wanneer de Nutrition-mixer volledig is gemonteerd.



GEVAAR van verwondingen door snijden!

- ⊙ Het apparaat mag onder geen beding zonder beker 5 - 7 worden gebruikt.
- ⊙ De messen van de mesopzetstukken 8/9 zijn scherp. Ga er voorzichtig mee om.
- ⊙ De messen van het mesopzetstuk 8/9 draaien na het uitschakelen nog door. Wacht totdat de messen stilstaan voordat u een beker 5 - 7 omdraait en het mesopzetstuk losdraait.

WAARSCHUWING voor materiële schade!

- ⊙ Om schade aan het apparaat te voorkomen, onderbreekt u het mixen direct wanneer de messen van de mesopzetstukken 8/9 niet of heel stroef draaien. Trek in dat geval de stekker 4 uit het stopcontact en controleer of zich een obstakel in de beker 5 - 7 bevindt.

6.1 Toepassingen

Mesopzetstuk met kruismes 8

Het mesopzetstuk met het kruismes 8 gebruikt u voor het mixen van dranken met hele vruchten (smoothies) en het fijnmaken van ijsklontjes.

Mesopzetstuk met plat mes 9

WAARSCHUWING voor materiële schade!

- ⊙ Het mesopzetstuk met plat mes 9 mag niet voor vloeistoffen worden gebruikt!

Het mesopzetstuk met het platte mes 9 gebruikt u voor het fijnmaken van harde levensmiddelen (bijv. noten).

AANWIJZING: gebruik bij het fijnmaken van noten een hoeveelheid van max. 200 g bij een gebruiksduur van ca. 10 seconden.

6.2 Levensmiddelen voorbereiden

WAARSCHUWING voor materiële schade!

- ⊙ Dikke of stevige schillen (bijv. van citrusvruchten, ananas), stelen en pitten van steenvruchten (bijv. kersen, perziken, abrikozen) moeten vóór het mixen worden verwijderd.

- Was de vruchten of veeg ze schoon.
- Snijd de vruchten in grove stukken (met een randlengte van ca. 3-4 cm).
- Voor smoothies: gebruik voldoende vloeistof (bronwater, vruchtensap, melk, yoghurt). Wij adviseren een mengverhouding van 1:1.

6.3 Mixen / fijnmaken

LET OP:

- ⊙ Let op de markering MAX voor de maximale vulhoeveelheid.
- ⊙ Vul de beker 5 - 7 al naargelang de hardheid en consistentie van de ingrediënten niet tot het maximum, omdat het

mesopzetstuk 8/9 anders kan blokkeren.

- ⊙ Nootmuskaat mag vanwege zijn bijzondere hardheid niet worden fijngemaakt.

AANWIJZING: wanneer de smoothie te dik is, kunt u naar behoefte wat bronwater, vruchtensap, melk of yoghurt toevoegen.

1. Vul de beker 5 - 7 van uw keuze met stukken fruit en evt. andere ingrediënten. Let daarbij op de markering MAX voor de maximale vulhoeveelheid.
2. Afbeelding A: draai het gewenste mesopzetstuk 8/9 op de beker 5 - 7. Let erop dat het mesopzetstuk goed op de beker is vastgedraaid.
3. Afbeelding B: draai de beker 5 - 7 om en plaats deze op de basiseenheid 1. De kleine nokjes 13 aan de bekerrand vallen in de uitsparingen bovenop de basiseenheid 1.
4. Steek de stekker 4 in het stopcontact.
5. Door de beker 5 - 7 iets met de wijzers van de klok mee te draaien wordt het apparaat ingeschakeld. Laat het apparaat maximaal 60 seconden draaien.
6. Door de beker 5 - 7 iets tegen de wijzers van de klok in te draaien wordt het apparaat uitgeschakeld. Wacht tot het mes 8/9 tot stilstand is gekomen.
7. Haal de beker 5 - 7 van de basiseenheid 1 af en draai deze om.
8. Draai het mesopzetstuk 8/9 eraf en let er daarbij op dat de vloeistof in de beker 5 - 7 loopt.
9. Alvorens het mesopzetstuk 8/9 opnieuw te gebruiken, spoelt u het indien nodig even onder stromend water af.
10. Trek de stekker 4 uit het stopcontact.
11. Maak het apparaat indien mogelijk direct na gebruik schoon.

6.4 Ijsklontjes fijnmaken

Om ijsklontjes fijn te maken, moet u het apparaat pulserend in- en uitschakelen.

- Schakel het apparaat max. 4 x gedurende ca. 10 seconden in en uit.

6.5 Direct drinken

- Afbeelding C: om de verse smoothie direct uit de beker 5 - 7 te drinken, schroeft u een "to go"- of vershoudeksel 10 op de gevulde beker 5 - 7. Open de drinksluiting 12 en drink uit de drinkopening 11. Na het sluiten van de drinksluiting 12 zijn de drinkopening 11 en de beker 5 - 7 stevig gesloten. Zo kunt u de smoothie ook onderweg opdrinken: "to go".

6.6 Opbergen

- Afbeelding C: het is de bedoeling dat smoothies snel worden geconsumeerd. Daarna kunt u de smoothie het best in de koelkast zetten. Gebruik daarvoor het vershoudeksel 10.

6.7 Beveiliging tegen oververhitting

Het apparaat beschikt over een beveiliging tegen oververhitting. Zodra het apparaat te lang wordt gebruikt en de temperatuur daarvoor te hoog wordt, wordt het automatisch uitgeschakeld.

- Trek in dit geval de stekker uit het stopcontact en laat het apparaat afkoelen.
- Daarna kunt u het apparaat weer in gebruik nemen.

7. Reinigen

Maak het apparaat schoon alvorens het voor de eerste keer te gebruiken!



GEVAAR door een elektrische schok!

- ⊙ Trek de stekker 4 uit het stopcontact voordat u de Nutrition-mixer reinigt.
- ⊙ De basiseenheid 1 en het aansluitsnoer met stekker 4 mogen niet in water of andere vloeistoffen worden gedompeld.



GEVAAR van verwondingen door snijden!

- ⊙ Bij het spoelen met de hand moet het water zo helder zijn, dat u het mesopzetstuk 8/9 goed kunt zien.

WAARSCHUWING voor materiële schade!

- ⊙ Gebruik geen scherpe of schurende schoonmaakmiddelen.

Na elk gebruik

- Maak het apparaat en alle gebruikte onderdelen na elk gebruik schoon en verwijder daarbij alle achtergebleven etensresten.
- Haal alle onderdelen uit elkaar voordat u deze schoonmaakt (verwijder bijv. het "to go"- of het vershoudeksel 10 van de beker 5 - 7).

Basiseenheid

Veeg de basiseenheid 1 en het aansluitsnoer 4 af met een licht vochtige doek. Wrijf het met een droge doek na.

Reiniging met de hand

1. De accessoires (mesopzetstukken 8/9, beker 5 - 7 en het "to go"- of vershoudeksel 10) kunt u met warm water en een beetje afwasmiddel schoonmaken.
2. Spoel alle onderdelen vervolgens af met schoon water.

3. Laat alle onderdelen helemaal drogen, voordat u ze opbergt of u het apparaat opnieuw gebruikt.

Vaatwasser

De volgende onderdelen kunnen ook in de vaatwasser worden gereinigd:

- de mesopzetstukken 8/9
- de bekers 5 - 7
- het "to go"- en vershoudeksel 10

8. Opbergen



GEVAAR voor kinderen!

- ⊙ Bewaar het apparaat buiten bereik van kinderen.



GEVAAR!

- ⊙ Om ongelukken te voorkomen, mag de stekker 4 tijdens het opbergen niet met een stopcontact verbonden zijn.

- Afbeelding D: wikkel het aansluitsnoer 4 rond de snoeropwikkeling 3 aan de onderkant van het apparaat.
- Kies een plaats waar noch grote hitte noch vocht invloed hebben op het apparaat.

9. Weggoien

Dit product valt onder de Europese richtlijn 2012/19/EU.

Het symbool van de doorgestreepte afvalton op wieltjes betekent dat het product in

de Europese Unie gescheiden moet worden weggegooid. Dat geldt voor het product en alle met dit symbool aangeduide accessoires. Aldus aangeduide producten mogen niet met het normale huisvuil worden weggegooid, maar moeten bij een innamepunt voor recycling van elektrische en elektronische apparaten worden afgegeven. Recycling help het verbruik van grondstoffen te reduceren en het milieu te ontlasten.



Verpakking

Als u de verpakking wilt weggoien, houdt u dan aan de betreffende milieuvorschriften in uw land.

10. Problemen oplossen

Wanneer uw apparaat een keer niet functioneert zoals gewenst, doorloopt u eerst deze checklist. Misschien is het een klein probleem dat u zelf kunt oplossen.



GEVAAR door een elektrische schok!

- ⦿ Probeer in geen geval het apparaat zelf te repareren.

Storing	Mogelijke oorzaken / maatregelen
Geen functie	<ul style="list-style-type: none">• Is de stroomvoorziening gewaarborgd?• Controleer de aansluiting.• Is de beker 5 - 7 goed geplaatst?• Heeft de beveiliging tegen oververhitting het apparaat uitgeschakeld? (zie "Beveiliging tegen oververhitting" op pagina 30)
Mes van het mesopzetsstuk 8/9 draait niet of heel stroef rond	<ul style="list-style-type: none">• Direct uitschakelen, stekker 4 uit het stopcontact trekken en controleren: obstakel in de beker 5 - 7?
Er lekt vloeistof uit	<ul style="list-style-type: none">• Is de beker met te veel ingrediënten gevuld?

11. Technische gegevens

Model:	SNM 700 A1 KAT
Netspanning:	220-240 V ~ 50/60 Hz
Beschermingsklasse:	I
Vermogen:	700 W
Max. continuwerking (KB):	1 minuut
Vulhoeveelheid:	150 ml - 800 ml

Technische symbolen

	Geteste veiligheid. Apparaten moeten aan de algemeen erkende regels van de techniek voldoen en zijn conform de Wet betreffende productveiligheid (ProdSG).
	Met het CE-keurmerk verklaart HOYER Handel GmbH de EU-conformiteit.
	Dit symbool herinnert u eraan om de verpakking op een milieuvriendelijke manier weg te gooien.
	Herbruikbare materialen: karton (behalve golfkarton)

Technische wijzigingen voorbehouden.

12. Garantie van HOYER Handel GmbH

Geachte klant,
U heeft op dit apparaat 3 jaar garantie vanaf de koopdatum. Wanneer dit product onvolkomenheden vertoont, heeft u wettelijke rechten ten opzichte van de verkoper van het product. Deze wettelijke rechten worden niet beperkt door onze hiernavolgend beschreven garantie.

Garantievoorwaarden

De garantietermijn begint op de koopdatum. Bewaar de originele kassabon goed. Deze bon is nodig als bewijs dat u het apparaat heeft gekocht.

Wanneer zich binnen drie jaar na de koopdatum van dit product een materiaal- of fabricagefout voordoet, wordt het product door ons – naar onze keus – gratis voor u gerepareerd of vervangen. Deze garantie stelt als voorwaarde, dat het defecte apparaat en het koopbewijs (kassabon) binnen de termijn van drie jaar wordt overlegd en dat er kort schriftelijk wordt beschreven, waaruit de onvolkomenheid bestaat en wanneer deze zich heeft voorgedaan.

Wanneer het defect door onze garantie wordt gedekt, ontvangt u het gerepareerde product terug of u krijgt een nieuw exemplaar. Met reparatie of vervanging van het product begint geen nieuwe garantieperiode.

Garantieperiode en wettelijke garantieaanspraken wegens gebreken

De garantieperiode wordt door de vrijwaring niet verlengd. Dat geldt ook voor vervangen en gerepareerde onderdelen. Schades en onvolkomenheden die eventueel al bij de koop aanwezig waren, moeten direct na het uitpakken worden gemeld. Aan reparaties die zich voordoen na het verstrijken van de garantieperiode zijn kosten verbonden.

Omvang van de garantie

Het apparaat werd zorgvuldig geproduceerd volgens strenge kwaliteitsrichtlijnen en nauwgezet gecontroleerd vóór levering.

De garantie geldt voor materiaal- of fabricagefouten.

Van de garantie uitgesloten zijn slijtonderdelen die onderhevig zijn aan normale slijtage en beschadigingen van breekbare onderdelen, bijv. schakelaars, accu's, lichtbronnen of andere onderdelen die van glas zijn gemaakt.

Deze garantie vervalt, wanneer het product werd beschadigd of ondeskundig werd gebruikt of onderhouden. Voor een juist gebruik van het product moeten alle instructies die in de handleiding staan vermeld, nauwkeurig worden nageleefd. Gebruiksdoeleinden en handelingen die in de handleiding worden afgeraden of waarvoor wordt gewaarschuwd, moeten beslist worden vermeden. Het product is uitsluitend bedoeld voor particulier gebruik en niet voor commercieel gebruik. Bij een oneigenlijke of ondeskundige behandeling, bij gebruikmaking van geweld en bij ingrepen die niet werden uitgevoerd door ons erkende servicecenter, vervalt de garantie.

Afhandeling in geval van garantie

Om een snelle behandeling van uw verzoek te waarborgen, dient u de volgende aanwijzingen te volgen:

- Houd voor alle aanvragen het artikelnummer IAN: 300279 en de kassabon als bewijs voor de koop bij de hand.
- Het artikelnummer vindt u op het typeplaatje, ingegraveerd, op de titelpagina van uw handleiding (linksonder) of als sticker op de achter- of onderkant van het apparaat.

- Wanneer zich functiestoringen of andere onvolkomenheden voordoen, neemt u eerst telefonisch of per e-mail contact op met het hierna genoemde servicecenter.
- Een product dat geregistreerd staat als defect, kunt u dan met bijvoeging van de aankoopnota (kassabon) en de vermelding waaruit de onvolkomenheid bestaat en wanneer deze zich heeft voorgedaan, franco naar het serviceadres sturen dat u is meegedeeld.



Op www.lidl-service.com kunt u deze en nog veel meer handleidingen, productvideo's en software downloaden.



Servicecenters



Service Nederland

Tel.: 0900 0400223 (0,10 EUR/Min.)

E-Mail: hoyer@lidl.nl



Service België

Tel.: 070 270 171 (0,15 EUR/Min.)

E-Mail: hoyer@lidl.be

IAN: 300279



Leverancier

Let erop, dat het onderstaande adres geen serviceadres is. Neem eerst contact op met het bovengenoemde servicecenter.

HOYER Handel GmbH

Tasköprüstraße 3

DE-22761 Hamburg

DUITSLAND

Inhalt

1. Übersicht	36
2. Bestimmungsgemäßer Gebrauch	37
3. Sicherheitshinweise	38
4. Lieferumfang	40
5. Inbetriebnahme	40
6. Bedienen	41
6.1 Einsatzbereiche	41
6.2 Lebensmittel vorbereiten	41
6.3 Mixen/Zerkleinern	42
6.4 Eiswürfel zerkleinern	42
6.5 Sofort trinken	42
6.6 Aufbewahren	42
6.7 Überhitzungsschutz	42
7. Reinigen	43
8. Aufbewahren	43
9. Entsorgen	44
10. Problemlösung	44
11. Technische Daten	45
12. Technische Symbole	45
13. Garantie der HOYER Handel GmbH	45

1. Übersicht

- 1 Basiseinheit
- 2 Saugfüße
- 3 Kabelaufwicklung
- 4 Anschlussleitung mit Netzstecker
- 5 Becher (groß, min. 150 ml - max. 800 ml)
- 6 Becher (mittel, min. 150 ml - max. 500 ml)
- 7 Becher (klein, min. 150 ml - max. 200 ml)
- 8 Messeraufsatz mit Kreuzklinge
- 9 Messeraufsatz mit Flachklinge
- 10 „to go“-Deckel (2x) und Frischhaltedeckel (1x)
- 11 Trinköffnung
- 12 Trinkverschluss
- 13 Nase (3x an jedem Becher)

ohne Abbildung:

- 14 Rezeptheft

Herzlichen Dank für Ihr Vertrauen!

Wir gratulieren Ihnen zu Ihrem neuen Nutrition Mixer.

Für einen sicheren Umgang mit dem Gerät und um den ganzen Leistungsumfang kennenzulernen:

- Lesen Sie vor der ersten Inbetriebnahme diese Bedienungsanleitung gründlich durch.
- Befolgen Sie vor allen Dingen die Sicherheitshinweise!
- Das Gerät darf nur so bedient werden, wie in dieser Bedienungsanleitung beschrieben.
- Bewahren Sie diese Bedienungsanleitung auf.
- Falls Sie das Gerät einmal weitergeben, legen Sie bitte diese Bedienungsanleitung dazu. Die Bedienungsanleitung ist Bestandteil des Produktes.

Wir wünschen Ihnen viel Freude mit Ihrem neuen Nutrition Mixer!

Symbol am Gerät



Das Symbol gibt an, dass so ausgezeichnete Materialien, Lebensmittel weder im Geschmack noch im Geruch verändern.



Das Symbol kennzeichnet Teile, die in der Spülmaschine gereinigt werden können.

2. Bestimmungsgemäßer Gebrauch

Der Nutrition Mixer ist ...

... zum Mixen von Ganzfruchtgetränken (Smoothies) und dem Zerkleinern von Eiswürfeln vorgesehen. Verwenden Sie hierfür den Messeraufsatz mit der Kreuzklinge 8.

... zum Zerkleinern von festen Lebensmitteln (z. B. Nüssen) vorgesehen. Verwenden Sie hierfür den Messeraufsatz mit der Flachklinge 9.

Das Gerät ist für den privaten Haushalt konzipiert. Das Gerät darf nur in Innenräumen benutzt werden.

Dieses Gerät darf nicht für gewerbliche Zwecke eingesetzt werden.

Vorhersehbarer Missbrauch

WARNUNG vor Sachschäden!

- ⊙ Dicke oder feste Schalen (z. B. von Zitrusfrüchten, Ananas), Stiele und Kerne von Steinfrüchten (z. B. Kirschen, Pfirsiche, Aprikosen) müssen vor dem Mixen entfernt werden.
 - ⊙ Das Gerät darf nicht benutzt werden, um besonders harte Lebensmittel wie z. B. Knochen oder Muskatnüsse zu zerkleinern.
-

3. Sicherheitshinweise

Warnhinweise

Falls erforderlich, werden folgende Warnhinweise in dieser Bedienungsanleitung verwendet:



GEFAHR! Hohes Risiko: Missachtung der Warnung kann Schaden für Leib und Leben verursachen.


WARNUNG! Mittleres Risiko: Missachtung der Warnung kann Verletzungen oder schwere Sachschäden verursachen.

VORSICHT: Geringes Risiko: Missachtung der Warnung kann leichte Verletzungen oder Sachschäden verursachen.

HINWEIS: Sachverhalte und Besonderheiten, die im Umgang mit dem Gerät beachtet werden sollten.

Anweisungen für den sicheren Betrieb

- ⊙ Dieses Gerät darf nicht durch Kinder benutzt werden.
- ⊙ Kinder dürfen nicht mit dem Gerät spielen.
- ⊙ Das Gerät und seine Anschlussleitung sind von Kindern fernzuhalten.
- ⊙ Dieses Gerät kann von Personen mit reduzierten physischen, sensorischen oder mentalen Fähigkeiten oder Mangel an Erfahrung und/oder Wissen benutzt werden, wenn sie beaufsichtigt oder bezüglich des sicheren Gebrauchs des Gerätes unterwiesen wurden und die daraus resultierenden Gefahren verstanden haben.
- ⊙ Wenn die Netzanschlussleitung dieses Gerätes beschädigt wird, muss sie durch den Hersteller oder seinen Kundendienst oder eine ähnlich qualifizierte Person ersetzt werden, um Gefährdungen zu vermeiden.
- ⊙ Dieses Gerät ist nicht dafür bestimmt, mit einer externen Zeitschaltuhr oder einem separaten Fernwirksystem betrieben zu werden.
- ⊙ Ziehen Sie den Netzstecker aus der Steckdose, ...
 - ... bei nicht vorhandener Aufsicht,
 - ... bevor Sie das Gerät zusammenbauen oder auseinandernehmen und
 - ... bevor Sie das Gerät reinigen.
- ⊙ Reinigen Sie die Messeraufsätze, die Becher und die Deckel mit warmem Wasser und etwas Spülmittel oder in der Geschirrspülmaschine.
- ⊙ Die Klingen des Messeraufsatzes sind scharf. Gehen Sie vorsichtig mit ihnen um.

- ⊙ Bei einem Missbrauch des Gerätes kann es zu Verletzungen kommen.
- ⊙  Die Klingen des Messeraufsatzes sind scharf. Gehen Sie vorsichtig mit ihnen um. Beim Spülen von Hand soll das Wasser so klar sein, dass Sie die Klingen gut sehen können.



GEFAHR für Kinder

- ⊙ Verpackungsmaterial ist kein Kinderspielzeug. Kinder dürfen nicht mit den Kunststoffbeuteln spielen. Es besteht Erstickungsgefahr.
- ⊙ Achten Sie darauf, dass Kinder das Gerät nicht an der Anschlussleitung von der Arbeitsfläche ziehen können.
- ⊙ Bewahren Sie das Gerät außerhalb der Reichweite von Kindern auf.



GEFAHR für und durch Haus- und Nutztiere

- ⊙ Von Elektrogeräten können Gefahren für Haus- und Nutztiere ausgehen. Des Weiteren können Tiere auch einen Schaden am Gerät verursachen. Halten Sie deshalb Tiere grundsätzlich von Elektrogeräten fern.



GEFAHR von Stromschlag durch Feuchtigkeit

- ⊙ Das Gerät darf niemals in der Nähe einer Badewanne, einer Dusche, eines gefüllten Waschbeckens o. Ä. betrieben werden.
- ⊙ Die Motoreinheit, die Anschlussleitung und der Netzstecker dürfen nicht in Wasser oder andere Flüssigkeiten getaucht werden.
- ⊙ Schützen Sie die Motoreinheit, die Anschlussleitung und den Netzstecker vor Feuchtigkeit, Tropf- und Spritzwasser.
- ⊙ Sollte Flüssigkeit in die Motoreinheit gelangen, sofort den Netzstecker ziehen. Vor einer erneuten Inbetriebnahme das Gerät prüfen lassen.
- ⊙ Bedienen Sie das Gerät nicht mit feuchten Händen.

- ⊙ Sollte das Gerät ins Wasser gefallen sein, sofort den Netzstecker ziehen. Erst danach das Gerät herausnehmen.



GEFAHR durch Stromschlag

- ⊙ Stecken Sie den Netzstecker erst dann in eine Steckdose, wenn das Gerät komplett zusammengebaut ist.
- ⊙ Schließen Sie den Netzstecker nur an eine ordnungsgemäß installierte, leicht zugängliche Steckdose an, deren Spannung der Angabe auf dem Typenschild entspricht. Die Steckdose muss auch nach dem Anschließen weiterhin leicht zugänglich sein.
- ⊙ Achten Sie darauf, dass die Anschlussleitung nicht durch scharfe Kanten oder heiße Stellen beschädigt werden kann. Wickeln Sie die Anschlussleitung nicht um das Gerät.
- ⊙ Das Gerät ist auch nach Ausschalten nicht vollständig vom Netz getrennt. Um dies zu tun, ziehen Sie den Netzstecker.
- ⊙ Achten Sie beim Gebrauch des Gerätes darauf, dass die Anschlussleitung nicht eingeklemmt oder gequetscht wird.
- ⊙ Um den Netzstecker aus der Steckdose zu ziehen, immer am Stecker, nie am Kabel ziehen.
- ⊙ Ziehen Sie den Netzstecker aus der Steckdose, ...
 - ... wenn eine Störung auftritt,
 - ... wenn Sie den Nutrition Mixer nicht benutzen,
 - ... bei Gewitter.
- ⊙ Benutzen Sie das Gerät nicht, wenn es sichtbare Beschädigungen am Gerät oder der Anschlussleitung aufweist.

- ⊙ Um Gefährdungen zu vermeiden, nehmen Sie keine Veränderungen am Gerät vor.



GEFAHR von Verletzungen durch Schneiden

- ⊙ Die Klingen des Messeraufsatzes drehen nach dem Ausschalten nach. Warten Sie den Stillstand ab, bevor Sie einen Becher abnehmen.
- ⊙ Das Gerät darf unter keinen Umständen ohne Becher betrieben werden.

WARNUNG vor Sachschäden

- ⊙ Der Messeraufsatz mit Flachklinge darf nicht für Flüssigkeiten verwendet werden!
- ⊙ Dicke oder feste Schalen (z. B. von Zitrusfrüchten, Ananas), Stiele und Kerne von Steinfrüchten (z. B. Kirschen, Pfirsiche, Aprikosen) müssen vor dem Mixen entfernt werden.
- ⊙ Füllen Sie keine Zutaten in den Becher, die heißer sind als 85 °C.
- ⊙ Um einen Geräteschaden zu vermeiden, unterbrechen Sie den Mixvorgang sofort, wenn die Klingen des Messeraufsatzes nicht oder nur schwer drehen. Ziehen Sie den Netzstecker und überprüfen Sie, ob sich ein Hindernis im Becher befindet oder ob die Speise zu zäh ist. Überprüfen Sie auch, ob das Gerät richtig zusammengesetzt ist.
- ⊙ Betreiben Sie das Gerät nicht mit leeren Bechern, da hierdurch der Motor heiß laufen und beschädigt werden kann.
- ⊙ Betreiben Sie das Gerät nur, wenn auf dem Becher ein Messeraufsatz verschraubt ist.
- ⊙ Das Gerät ist für eine Betriebsdauer von maximal 60 Sekunden ohne Unterbrechung ausgelegt. Danach muss das Gerät ausgeschaltet bleiben, bis es auf Raumtemperatur abgekühlt ist.
- ⊙ Verwenden Sie nur das Originalzubehör.
- ⊙ Das Gerät (Basiseinheit, Anschlussleitung mit Netzstecker) ist nicht spülmaschinengeeignet.

- ⊙ Verwenden Sie keine scharfen oder scheuernden Reinigungsmittel.
- ⊙ Das Gerät ist mit rutschfesten Kunststoff-Saugfüßen ausgestattet. Da Möbel mit einer Vielfalt von Lacken und Kunststoffen beschichtet sind und mit unterschiedlichen Pflegemitteln behandelt werden, kann nicht völlig ausgeschlossen werden, dass manche dieser Stoffe Bestandteile enthalten, welche die Kunststoffsaugfüße angreifen und aufweichen. Legen Sie ggf. eine rutschfeste Unterlage unter das Gerät.

4. Lieferumfang

- 1 Basiseinheit 1
- 1 Becher groß 5 (min. 150 ml - max. 800 ml)
- 1 Becher mittel 6 (min. 150 ml - max. 500 ml)
- 1 Becher klein 7 (min. 150 ml - max. 200 ml)
- 1 Messeraufsatz 8 (Kreuzklinge)
- 1 Messeraufsatz 9 (Flachklinge)
- 2 „to go“-Deckel, 1 Frischhaltedeckel 10
- 1 Rezeptheft 14
- 1 Bedienungsanleitung

Auspacken

1. Entnehmen Sie alle Teile aus der Verpackung.
2. Prüfen Sie die Teile auf Vollständigkeit und darauf, ob alle Teile unversehrt sind.

5. Inbetriebnahme

- Entfernen Sie sämtliches Verpackungsmaterial.
- Überprüfen Sie, ob alle Teile vorhanden und unbeschädigt sind.
- Reinigen Sie das Gerät vor der ersten Benutzung! (siehe "Reinigen" auf Seite 43)
- Wickeln Sie die gewünschte Kabellänge von der Kabelaufwicklung 3 auf der Unterseite des Gerätes ab.

- Stellen Sie das Gerät auf eine trockene, ebene, rutschfeste Unterlage.

6. Bedienen



GEFAHR durch Stromschlag!

- ⊙ Stecken Sie den Netzstecker 4 erst dann in eine Steckdose, wenn der Nutrition Mixer komplett montiert ist.



GEFAHR von Verletzungen durch Schneiden!

- ⊙ Das Gerät darf unter keinen Umständen ohne Becher 5 - 7 betrieben werden.
- ⊙ Die Klingen der Messeraufsätze 8/9 sind scharf. Gehen Sie vorsichtig mit ihnen um.
- ⊙ Die Klingen des Messeraufsatzes 8/9 drehen nach dem Ausschalten nach. Warten Sie den Stillstand ab, bevor Sie einen Becher 5 - 7 umdrehen und den Messeraufsatz abschrauben.

WARNUNG vor Sachschäden!

- ⊙ Um einen Geräteschaden zu vermeiden, unterbrechen Sie den Mixvorgang sofort, wenn die Klingen der Messeraufsätze 8/9 nicht oder nur schwer drehen. Ziehen Sie in diesem Fall den Netzstecker 4 und überprüfen Sie, ob sich ein Hindernis im Becher 5 - 7 befindet.
-

6.1 Einsatzbereiche

Messeraufsatz mit Kreuzklinge 8

Den Messeraufsatz mit der Kreuzklinge 8 verwenden Sie zum Mixen von Ganzfruchtgetränken (Smoothies) und dem Zerkleinern von Eiswürfeln.

Messeraufsatz mit Flachklinge 9

WARNUNG vor Sachschäden!

- ⊙ Der Messeraufsatz mit Flachklinge 9 darf nicht für Flüssigkeiten verwendet werden!
-

Den Messeraufsatz mit der Flachklinge 9 verwenden Sie zum Zerkleinern von festen Lebensmitteln (z. B. Nüssen).

HINWEIS: Verwenden Sie beim Zerkleinern von Nüssen eine Menge von max. 200 g bei einer Betriebsdauer von ca. 10 Sekunden.

6.2 Lebensmittel vorbereiten

WARNUNG vor Sachschäden!

- ⊙ Dicke oder feste Schalen (z. B. von Zitrusfrüchten, Ananas), Stiele und Kerne von Steinfrüchten (z. B. Kirschen, Pfirsiche, Aprikosen) müssen vor dem Mixen entfernt werden.
-

- Waschen oder putzen Sie die Früchte.
- Zerteilen Sie die Früchte in grobe Stücke (ca. 3 - 4 cm Kantenlänge).
- Für Smoothies: Verwenden Sie ausreichend Flüssigkeit (Mineralwasser, Fruchtsaft, Milch, Joghurt). Wir empfehlen ein Mischungsverhältnis von 1:1.

6.3 Mixen/Zerkleinern

VORSICHT:

- ⊙ Beachten Sie die Markierung MAX für die maximale Einfüllmenge.
- ⊙ Füllen Sie je nach Härte und Konsistenz der Zutaten den Becher 5 - 7 nicht bis an das Maximum, da ansonsten der Messeraufsatz 8/9 blockieren kann.
- ⊙ Muskatnüsse dürfen wegen ihrer besonderen Härte nicht zerkleinert werden.

HINWEIS: Ist der Smoothie zu dickflüssig, füllen Sie nach Bedarf etwas Mineralwasser, Fruchtsaft, Milch oder Joghurt hinein.

1. Füllen Sie die Fruchtstücke und ggf. weitere Zutaten in den Becher 5 - 7 Ihrer Wahl. Beachten Sie dabei die Markierung MAX für die maximale Einfüllmenge.
2. Bild A: Schrauben Sie den gewünschten Messeraufsatz 8/9 auf den Becher 5 - 7. Achten Sie darauf, dass der Messeraufsatz fest mit dem Becher verschraubt ist.
3. Bild B: Drehen Sie den Becher 5 - 7 um und setzen ihn auf die Basiseinheit 1. Die kleinen Nasen 13 am Becherrand greifen in die Aussparungen am Kopf der Basiseinheit 1.
4. Stecken Sie den Netzstecker 4 in die Steckdose.
5. Eine kleine Drehung des Bechers 5 - 7 im Uhrzeigersinn schaltet das Gerät ein. Lassen Sie das Gerät maximal 60 Sekunden laufen.
6. Eine kleine Drehung des Bechers 5 - 7 gegen den Uhrzeigersinn schaltet das Gerät aus.
Warten Sie, bis die Messer 8/9 zum Stillstand gekommen sind.
7. Nehmen Sie den Becher 5 - 7 von der Basiseinheit 1 und drehen ihn um.

8. Schrauben Sie den Messeraufsatz 8/9 ab und achten dabei darauf, dass die Flüssigkeit in den Becher 5 - 7 tropft.
9. Vor dem nächsten Einsatz spülen Sie ggf. den Messeraufsatz 8/9 kurz unter fließendem Wasser ab.
10. Ziehen Sie den Netzstecker 4 aus der Steckdose.
11. Reinigen Sie das Gerät möglichst sofort nach Gebrauch.

6.4 Eiswürfel zerkleinern

Um Eiswürfel zu zerkleinern sollten Sie das Gerät pulsierend Ein- und Ausschalten.

- Schalten Sie das Gerät bis zu 4 x für ca. 10 Sekunden ein und aus.

6.5 Sofort trinken

- Bild C: Um den frischen Smoothie direkt aus dem Becher 5 - 7 zu trinken, schrauben Sie einen „to go“- oder den Frischhaltedeckel 10 auf den gefüllten Becher 5 - 7. Öffnen Sie ggf. den Trinkverschluss 12 und trinken Sie aus der Trinköffnung 11. Nach dem Schließen des Trinkverschlusses 12 sind Trinköffnung 11 und Becher 5 - 7 dicht verschlossen. So können Sie den Smoothie auch unterwegs verzehren: „to go“.

6.6 Aufbewahren

- Bild C: Smoothies sind zum baldigen Verzehr gedacht. Am besten stellen Sie den Smoothie in den Kühlschrank. Verwenden Sie dazu den Frischhaltedeckel 10.

6.7 Überhitzungsschutz

Das Gerät besitzt einen Überhitzungsschutz. Sobald sich das Gerät zu lange in Betrieb befindet und dadurch die Temperatur zu hoch wird, schaltet es sich automatisch ab.

- Ziehen Sie in diesem Falle den Netzstecker und lassen Sie das Gerät abkühlen.
- Danach können Sie das Gerät wieder in Betrieb nehmen.

7. Reinigen

Reinigen Sie das Gerät vor der ersten Benutzung!



GEFAHR durch Stromschlag!

- ⊙ Ziehen Sie den Netzstecker 4 aus der Steckdose, bevor Sie den Nutrition Mixer reinigen.
- ⊙ Die Basiseinheit 1 und die Anschlussleitung mit Netzstecker 4 dürfen nicht in Wasser oder andere Flüssigkeiten getaucht werden.



GEFAHR von Verletzungen durch Schneiden!

- ⊙ Beim Spülen von Hand soll das Wasser so klar sein, dass Sie den Messeraufsatz 8/9 gut sehen können.

WARNUNG vor Sachschäden!

- ⊙ Verwenden Sie keine scharfen oder scheuernden Reinigungsmittel.

Nach jedem Gebrauch

- Reinigen Sie das Gerät und alle verwendeten Einzelteile nach jedem Gebrauch und entfernen Sie dabei alle Speisereste.
- Vor der Reinigung müssen alle Teile getrennt werden (z. B. „to go“- oder Frischhaltedeckel 10 vom Becher 5 - 7 entfernen).

Basiseinheit

Wischen Sie die Basiseinheit 1 und die Anschlussleitung 4 mit einem leicht angefeuchteten Tuch ab. Wischen Sie mit einem trockenen Tuch nach.

Reinigung per Hand

1. Die Zubehöerteile (Messeraufsätze 8/9, Becher 5 - 7 und die „to go“- oder Frischhaltedeckel 10) können mit warmem Wasser und etwas Spülmittel gereinigt werden.
2. Spülen Sie alle Teile anschließend mit klarem Wasser ab.
3. Lassen Sie alle Teile vollständig trocknen, bevor Sie sie wegräumen oder Sie das Gerät erneut benutzen.

Geschirrspülmaschine

Folgende Teile können auch in der Geschirrspülmaschine gereinigt werden:

- die Messeraufsätze 8/9
- die Becher 5 - 7
- die „to go“- und Frischhaltedeckel 10

8. Aufbewahren



GEFAHR für Kinder!

- ⊙ Bewahren Sie das Gerät außerhalb der Reichweite von Kindern auf.



GEFAHR!

- ⊙ Um Unfälle zu vermeiden, darf der Netzstecker 4 während der Lagerung nicht mit einer Steckdose verbunden sein.

- Bild D: Wickeln Sie die Anschlussleitung 4 um die Kabelaufwicklung 3 auf der Unterseite des Gerätes.
- Wählen Sie einen Platz, wo weder starke Hitze noch Feuchtigkeit auf das Gerät einwirken können.

9. Entsorgen

Dieses Produkt unterliegt der europäischen Richtlinie 2012/19/EU. Das Symbol der durchgestrichenen Abfalltonne auf Rädern bedeutet, dass das Produkt in der Europäischen Union einer getrennten Müllsammmlung zugeführt werden muss. Dies gilt für das Produkt und alle mit diesem Symbol gekennzeichneten Zubehörteile. Gekennzeichnete Produkte dürfen nicht über den normalen Hausmüll entsorgt werden, sondern müssen an einer Annahmestelle für das Recycling von elektrischen und elektronischen Geräten abgegeben werden. Recycling hilft, den Verbrauch von Rohstoffen zu reduzieren und die Umwelt zu entlasten. Informationen zur Entsorgung und der Lage des nächsten Recyclinghofes erhalten Sie z. B. bei Ihrer Stadtreinigung oder in den Gelben Seiten.



Verpackung

Wenn Sie die Verpackung entsorgen möchten, achten Sie auf die entsprechenden Umweltvorschriften in Ihrem Land.

10. Problemlösung

Sollte Ihr Gerät einmal nicht wie gewünscht funktionieren, gehen Sie bitte erst diese Checkliste durch. Vielleicht ist es nur ein kleines Problem, das Sie selbst beheben können.



GEFAHR durch Stromschlag!
 ⚠ Versuchen Sie auf keinen Fall, das Gerät selbstständig zu reparieren.

Fehler	Mögliche Ursachen / Maßnahmen
Keine Funktion	<ul style="list-style-type: none"> Ist die Stromversorgung sichergestellt? Überprüfen Sie den Anschluss. Ist der Becher 5 - 7 richtig eingesetzt? Hat der Überhitzungsschutz das Gerät ausgeschaltet? (siehe "Überhitzungsschutz" auf Seite 42)
Klinge des Messeraufsatzes 8/9 dreht sich nicht oder nur sehr schwer	<ul style="list-style-type: none"> Sofort ausschalten, Netzstecker 4 ziehen und überprüfen: Hindernis im Becher 5 - 7?
Flüssigkeit läuft aus	<ul style="list-style-type: none"> Ist die eingefüllte Menge an Zutaten zu groß?

11. Technische Daten

Modell:	SNM 700 A1 KAT
Netzspannung:	220 – 240 V ~ 50/60 Hz
Schutzklasse:	I
Leistung:	700 W
Max. Dauerbetrieb (KB):	1 Minute
Füllmenge:	150 ml - 800 ml

1. Technische Symbole

	Geprüfte Sicherheit. Geräte müssen den allgemein anerkannten Regeln der Technik genügen und gehen mit dem Produktsicherheitsgesetz (ProdSG) konform.
	Mit der CE-Kennzeichnung erklärt die HOYER Handel GmbH die EU-Konformität.
	Dieses Symbol erinnert daran, die Verpackung umweltfreundlich zu entsorgen.
	Wiederverwertbare Materialien: Pappe (außer Wellpappe)

Technische Änderungen vorbehalten.

2. Garantie der HOYER Handel GmbH

Sehr geehrte Kundin, sehr geehrter Kunde, Sie erhalten auf dieses Gerät 3 Jahre Garantie ab Kaufdatum. Im Falle von Mängeln dieses Produkts stehen Ihnen gegen den Verkäufer des Produkts gesetzliche Rechte zu. Diese gesetzlichen Rechte werden durch unsere im Folgenden dargestellte Garantie nicht eingeschränkt.

Garantiebedingungen

Die Garantiefrist beginnt mit dem Kaufdatum. Bitte bewahren Sie den Original Kassensbon gut auf. Diese Unterlage wird als Nachweis für den Kauf benötigt. Tritt innerhalb von drei Jahren ab dem Kaufdatum dieses Produkts ein Material- oder Fabrikationsfehler auf, wird das Produkt von uns – nach unserer Wahl – für Sie kostenlos repariert oder ersetzt. Diese Garantieleistung setzt voraus, dass innerhalb der Dreijahresfrist das defekte Gerät und der Kaufbeleg (Kassensbon) vorgelegt und schriftlich kurz beschrieben wird, worin der Mangel besteht und wann er aufgetreten ist. Wenn der Defekt von unserer Garantie gedeckt ist, erhalten Sie das reparierte oder ein neues Produkt zurück. Mit Reparatur oder Austausch des Produkts beginnt kein neuer Garantiezeitraum.

Garantiezeit und gesetzliche Mängelansprüche

Die Garantiezeit wird durch die Gewährleistung nicht verlängert. Dies gilt auch für ersetzte und reparierte Teile. Eventuell schon beim Kauf vorhandene Schäden und Mängel müssen sofort nach dem Auspacken gemeldet werden. Nach Ablauf der Garantiezeit anfallende Reparaturen sind kostenpflichtig.

Garantieumfang

Das Gerät wurde nach strengen Qualitätsrichtlinien sorgfältig produziert und vor Auslieferung gewissenhaft geprüft.

Die Garantieleistung gilt für Material- oder Fabrikationsfehler.

Von der Garantie ausgeschlossen sind Verschleißteile, die normaler Abnutzung ausgesetzt sind und Beschädigungen an zerbrechlichen Teilen, z. B. Schalter, Akkus, Leuchtmittel oder andere Teile, die aus Glas gefertigt sind.

Diese Garantie verfällt, wenn das Produkt beschädigt, nicht sachgemäß benutzt oder gewartet wurde. Für eine sachgemäße Benutzung des Produkts sind alle in der Bedienungsanleitung aufgeführten Anweisungen genau einzuhalten. Verwendungszwecke und Handlungen, von denen in der Bedienungsanleitung abgeraten oder vor denen gewarnt wird, sind unbedingt zu vermeiden. Das Produkt ist lediglich für den privaten und nicht für den gewerblichen Gebrauch bestimmt. Bei missbräuchlicher und unsachgemäßer Behandlung, Gewaltanwendung und bei Eingriffen, die nicht von unserem autorisierten Service-Center vorgenommen wurden, erlischt die Garantie.

Abwicklung im Garantiefall

Um eine schnelle Bearbeitung Ihres Anliegen zu gewährleisten, folgen Sie bitte den folgenden Hinweisen:

- Bitte halten Sie für alle Anfragen die Artikelnummer IAN: 300279 und den Kassenbon als Nachweis für den Kauf bereit.
- Die Artikelnummer finden Sie auf dem Typenschild, einer Gravur, auf dem Titelblatt Ihrer Anleitung (unten links) oder als Aufkleber auf der Rück- oder Unterseite des Gerätes.
- Sollten Funktionsfehler oder sonstige Mängel auftreten, kontaktieren Sie zunächst das nachfolgend benannte Service-Center telefonisch oder per E-Mail.

- Ein als defekt erfasstes Produkt können Sie dann unter Beifügung des Kaufbelegs (Kassenbon) und der Angabe, worin der Mangel besteht und wann er aufgetreten ist, für Sie portofrei an die Ihnen mitgeteilte Service Anschrift übersenden.



Auf www.lidl-service.com können Sie diese und viele weitere Handbücher, Produktvideos und Software herunterladen.



Service-Center

DE Service Deutschland
Tel.: 0800 5435 111
(kostenfrei)
E-Mail: hoyer@lidl.de

AT Service Österreich
Tel.: 0820 201 222
(0,15 EUR/Min.)
E-Mail: hoyer@lidl.at

CH Service Schweiz
Tel.: 0842 665566
(0,08 CHF/Min.,
Mobilfunk max. 0,40 CHF/Min.)
E-Mail: hoyer@lidl.ch

IAN: 300279



Lieferant

Bitte beachten Sie, dass die folgende Anschrift keine Serviceanschrift ist. Kontaktieren Sie zunächst das genannte Service-Center.

HOYER Handel GmbH
Tasköprüstraße 3
DE-22761 Hamburg
DEUTSCHLAND