



PDF ONLINE
parkside-diy.com

SOLARDUSCHE SOLAR-POWERED SHOWER DOUCHE SOLAIRE

(GB) (IE) (NI) (MT)

SOLAR-POWERED SHOWER

Operating instructions

(FR) (CH) (BE)

DOUCHE SOLAIRE

Notice d'utilisation

(PL)

PRYSZNIC SOLARNY

Instrukcja obsługi

(SK)

SOLÁRNA SPRCHA

Návod na obsluhu

(DK)

SOLARBRUSER

Betjeningsvejledning

(HU)

KERTI ZUHANY

Kezelési útmutató

(DE) (AT) (CH) (BE)

SOLARDUSCHE

Bedienungsanleitung

(NL) (BE)

BUITENDOUCHE SOLAR

Bedieningshandleiding

(CZ)

SOLÁRNÍ SPRCHA

Návod k obsluze

(ES)

DUCHA SOLAR

Instrucciones de manejo

(IT) (CH) (MT)

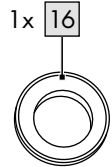
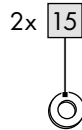
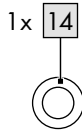
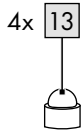
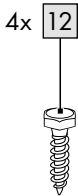
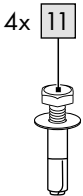
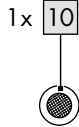
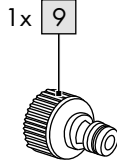
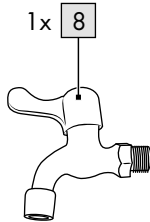
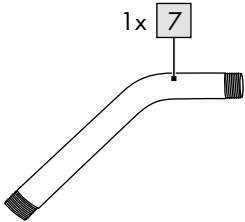
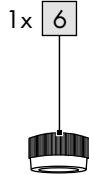
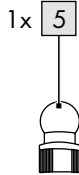
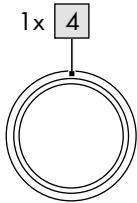
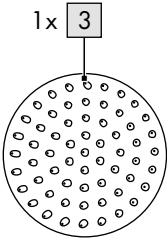
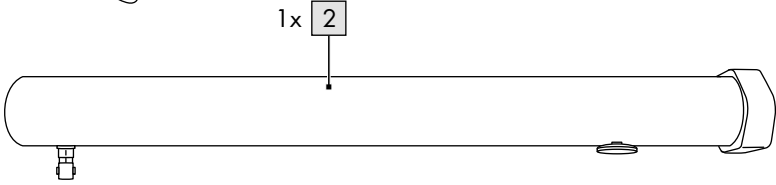
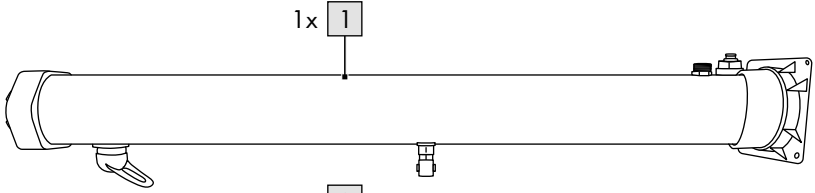
DOCCIA A ENERGIA SOLARE

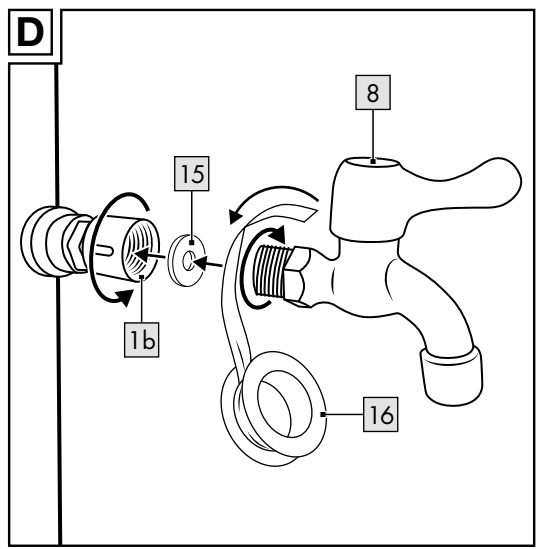
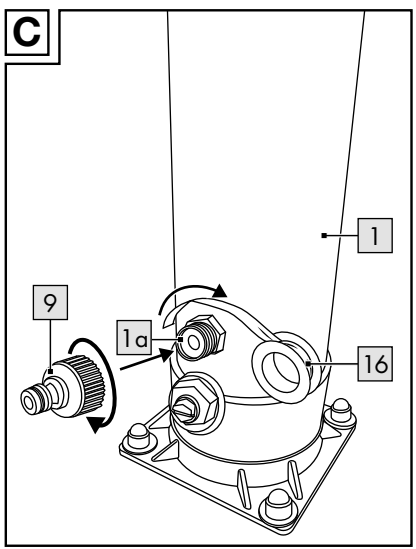
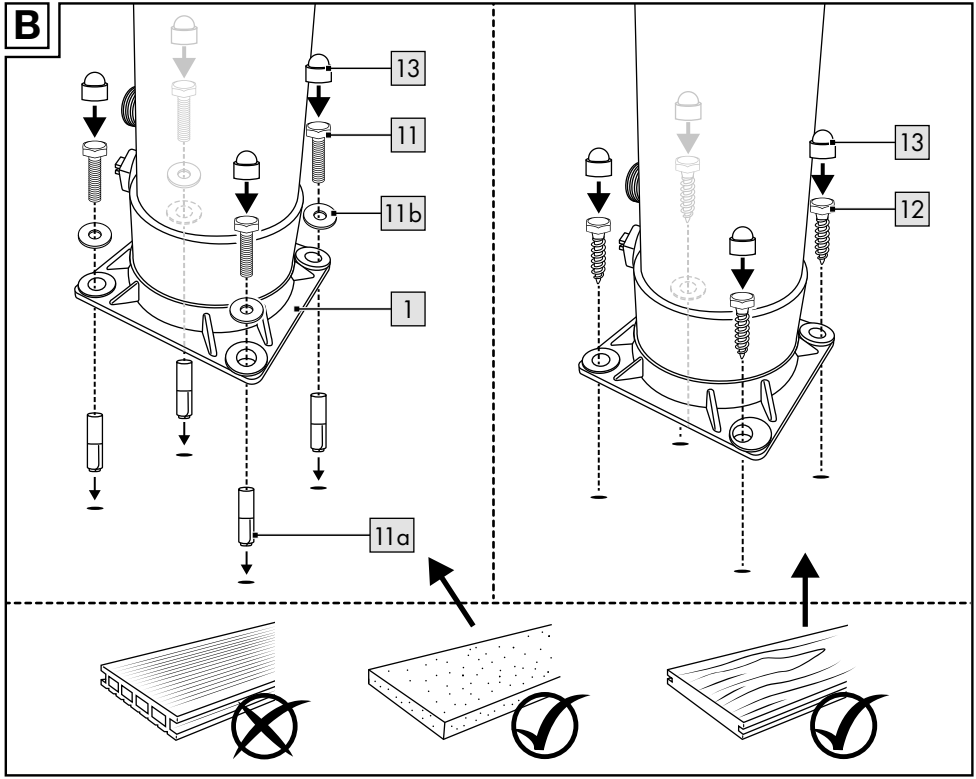
Istruzioni operative

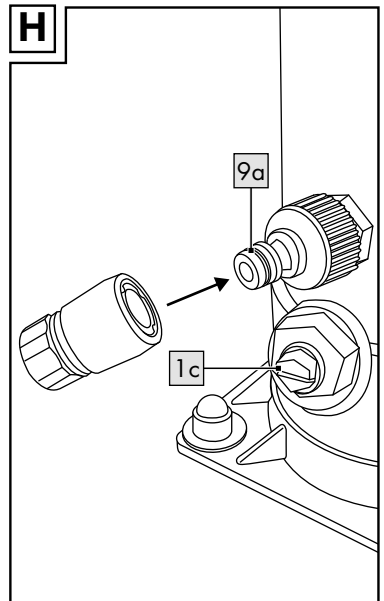
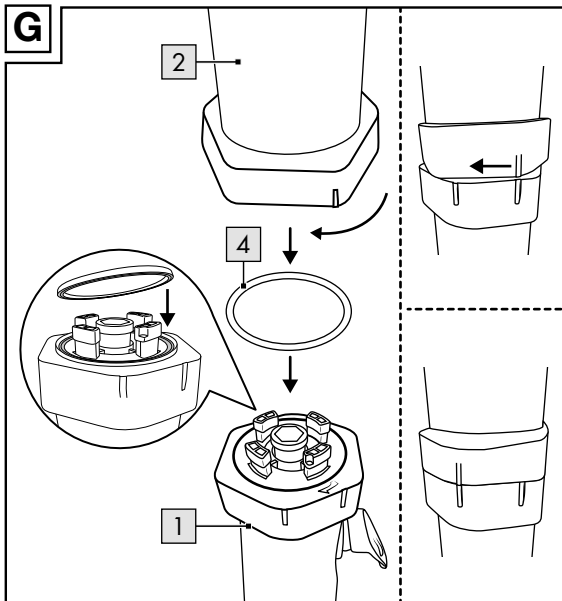
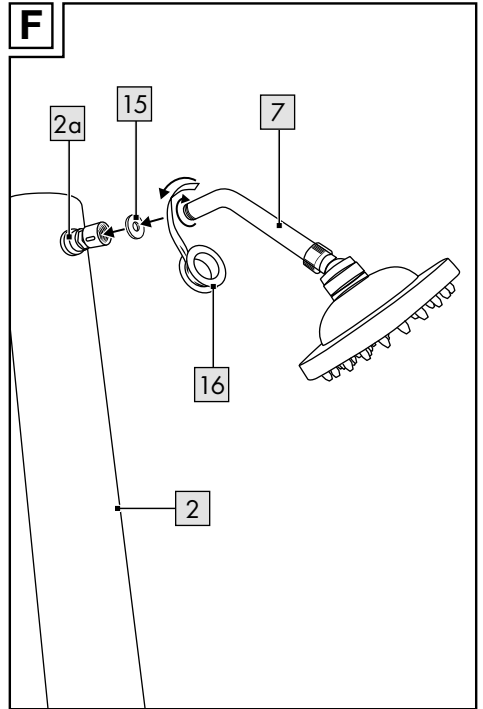
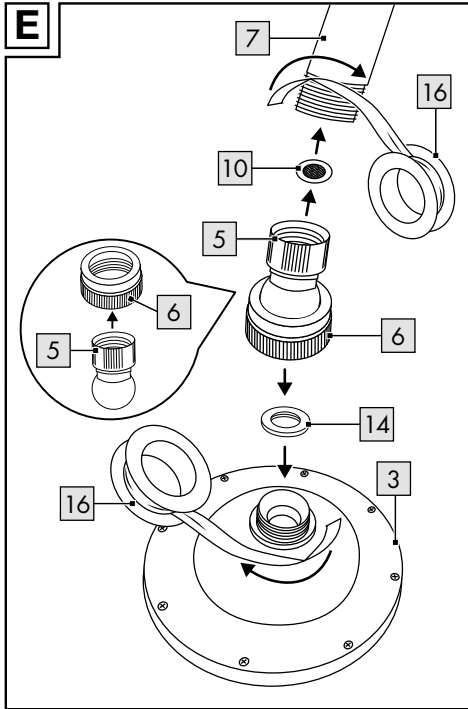
IAN 508094_2507

(GB) (IE) (NI) (DE) (AT) (CH) (FR) (BE)
(NL) (PL) (CZ) (SK) (ES) (DK) (IT) (HU)

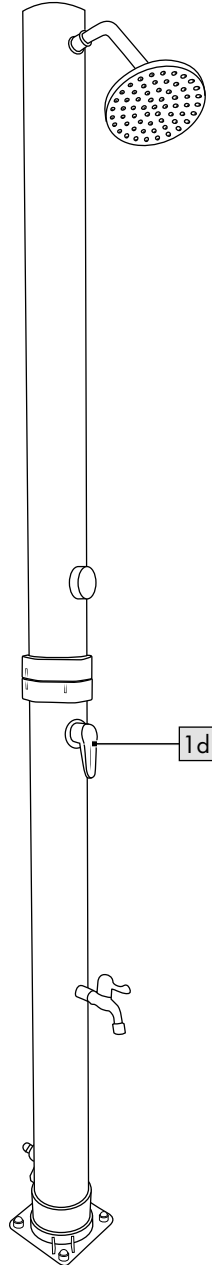
A







I



GB IE NI MT

Scope of delivery.....	10
Technical data	10
Symbols used.....	10
Intended use.....	11
Safety instructions.....	11
Danger to life!	11
Risk of injury!	11
Assembly.....	11
Setting up the solar shower	11
Assembly on stone/ concrete floor.....	11
Assembly on wooden floor....	12
Solar shower assembly.....	12
Use	12
Disassembly	13
Storage, cleaning.....	13
Disposal.....	13
Notes on the guarantee and service handling	14

FR CH BE

Contenu de la livraison.....	24
Données techniques.....	24
Symboles utilisés.....	24
Utilisation conforme	25
Consignes de sécurité.....	25
Danger de mort !	25
Risque de blessure !	25
Montage	26
Monter la douche solaire	26
Montage sur sols en pierre/ béton.....	26
Montage sur sols en bois....	26
Assembler la douche solaire.....	26
Utilisation.....	27
Démontage.....	27
Stockage, nettoyage	28
Mise au rebut.....	28
Indications concernant la garantie et le service après-vente	28

DE AT CH BE

Lieferumfang	17
Technische Daten	17
Verwendete Symbole	17
Bestimmungsgemäße Verwendung	18
Sicherheitshinweise.....	18
Lebensgefahr!	18
Verletzungsgefahr!	18
Aufbau	19
Solardusche aufstellen	19
Montage auf Stein-/ Betonboden	19
Montage auf Holzboden	19
Solardusche Zusammensetzen.....	19
Verwendung	20
Abbau	20
Lagerung, Reinigung	21
Hinweise zur Entsorgung.....	21
Hinweise zur Garantie und Serviceabwicklung	21

NL BE

In het leveringspakket inbegrepen	33
Technische gegevens.....	33
Gebruikte symbolen.....	33
Voorgeschreven gebruik.....	34
Veiligheidsinstructies.....	34
Levensgevaar!	34
Gevaar voor blessures!	34
Montage	35
Zonnedouche opstellen	35
Montage op stenen/ betonnen vloer	35
Montage op houten vloer....	35
Zonnedouche monteren.....	35
Gebruik.....	36
Demontage.....	36
Opslag, reiniging	37
Afvalverwerking	37
Opmerkingen over garantie en serviceafhandeling	37

(PL)		(CZ)	
Zakres dostawy	40	Rozsah dodávky	48
Dane techniczne	40	Technická data	48
Zastosowane symbole	41	Použité symboly	48
Zastosowanie zgodne z przeznaczeniem	41	Použití v souladu s určením	49
Wskazówki bezpieczeństwa.....	41	Bezpečnostní pokyny	49
Niebezpieczeństwo dla życia! ...	41	Ohrožení života!	49
Niebezpieczeństwo zranienia! ...	41	Nebezpečí úrazu!	49
Montaż	42	Sestavení	50
Postawienie prysznicza solarnego	42	Postavení solární sprchy	50
Montaż na podłodze kamiennej/betonowej.....	42	Instalace na kamennou/ betonovou podlahu.....	50
Montaż na podłodze drewnianej.....	43	Instalace na dřevěnou podlahu.....	50
Montaż prysznicza solarnego ...	43	Sestavení solární sprchy	50
Użytkowanie	43	Používání	50
Demontaż	44	Složení	51
Przechowywanie, czyszczenie ...	44	Uskladnění, čištění	52
Uwagi odnośnie recyklingu	45	Pokyny k likvidaci	52
Wskazówki dotyczące gwarancji i obsługi serwisowej....	45	Pokyny k záruce a průběhu služby	52
(SK)		(ES)	
Obsah balenia	55	Contenido de suministro	62
Technické údaje	55	Datos técnicos.....	62
Použité symboly	55	Símbolos empleados.....	62
Používanie podľa určenia	56	Uso conforme al fin previsto	63
Bezpečnostné pokyny	56	Indicaciones de seguridad	63
Nebezpečenstvo života!	56	¡Peligro de muerte!	63
Nebezpečenstvo poranenia! ...	56	¡Peligro de lesiones!.....	63
Montáž	57	Montaje.....	64
Postavenie solárnej sprchy ..	57	Colocación de la ducha solar ...	64
Montáž na kamennú/ betónovú podlahu.....	57	Montaje sobre suelo de piedra u hormigón.....	64
Montáž na drevenú podlahu	57	Montaje sobre suelo de madera.....	64
Zloženie solárnej sprchy	57	Montaje de la ducha solar ...	65
Používanie	58	Uso	65
Demontáž	58	Desmontaje	65
Skladovanie, čistenie.....	59	Almacenamiento, limpieza	66
Pokyny k likvidácii	59	Indicaciones para la eliminación... 66	
Pokyny k záruke a priebehu servisu	59	Indicaciones relativas a la garantía y la gestión de servicios	66

(DK)		(IT) (CH) (MT)	
Leveringsomfang	69	Contenuto della confezione.....	75
Tekniske data.....	69	Dati tecnici.....	75
Anvendte symboler.....	69	Simboli utilizzati.....	75
Tilsligtet brug.....	70	Utilizzo conforme.....	76
Sikkerhedsoplysninger	70	Indicazioni di sicurezza.....	76
Livsfare!	70	Pericolo di morte!	76
Fare for skader!.....	70	Pericolo di ferirsi!	76
Montering	70	Montaggio	77
Opstilling af solbruseren	70	Fissare la doccia solare	77
Montering på sten-/		Montaggio su fondo in	
betongulv	70	pietra/cemento.....	77
Montering på trægulv.....	71	Montaggio su fondo in	
Solbruseren sættes sammen... 71		legno	77
Anvendelse	71	Assemblare la doccia	
Nedtagning.....	72	solare	77
Opbevaring, rengøring.....	72	Utilizzo.....	78
Henvisninger vedr.		Smontaggio	78
bortskaffelse.....	72	Conservazione, pulizia	79
Oplysninger om garanti og		Smaltimento	79
servicehåndtering	73	Avvertenze sulla garanzia e	
		sulla gestione dei servizi di	
		assistenza.....	80
(HU)			
A csomag tartalma	83		
Műszaki adatok	83		
Alkalmazott szimbólumok	83		
Rendeltetésszerű használat.....	84		
Biztonsági utasítások	84		
Életveszély!	84		
Sérülésveszély!	84		
Szerelés	85		
A napelemes zuhany			
felállítása	85		
Felszerelés kő-/betonpadlóra ... 85			
Felszerelés fapadlóra	85		
A napelemes zuhany			
összeállítása.....	85		
Használat.....	86		
Szétszerelés	86		
Tárolás, tisztítás.....	87		
Tudnivalók a hulladékkezelésről ... 87			
A garanciával és a szerviz			
lebonyolításával kapcsolatos			
útmutató	87		

Congratulations!

You have chosen to purchase a high-quality product. Familiarise yourself with the product before using it for the first time.



Read the following instructions for use carefully.

Use the product only as described and only for the given areas of application. Store these instructions for use carefully. When passing the product on to third parties, please also hand over all accompanying documents.

Scope of delivery (fig. A)

- 1 x main body (1, 2)
- 1 x shower head (3)
- 1 x sealing ring, large (4)
- 1 x ball joint (5)
- 1 x connection thread (6)
- 1 x connection tube (7)
- 1 x foot shower (8)
- 1 x connection adapter for garden hose (9)
- 1 x filter (10)
- 4 x screw incl. expansion anchor and washer (11)
- 4 x screw for wooden floor (12)
- 4 x cover cap (13)
- 1 x sealing ring, medium (14)
- 2 x sealing ring, small (15)
- 1 x teflon tape (16)
- 1 x instructions for use

Technical data

Capacity, water tank:
approx. 18L

Dimensions:
shower:

approx. 11 x 226cm (Ø x H)
base:

approx. 15.5 x 15.5 x 8cm
(L x W x H)

shower head: Ø 15cm

Parkside Click System: Fits
standard hose systems of
13-15 mm (½"-5/8")

Max. water temperature:
60°C

Maximum operating
pressure: 4bar



Date of manufacture
(month/year): 12/2025

Symbols used



This symbol indicates
that the product is
UV-resistant.



This symbol indicates
that the product is
weatherproof.



Caution, hot water



Assembly without
using tools

Intended use

This product has been developed as a camping shower for private use. It is not suitable for storing drinking water.



Not suitable for drinking water!

Safety instructions

Important: Read these instructions for use and the safety instructions carefully and be sure to keep them handy!

Danger to life!

- Never leave children unsupervised with the packaging material. Risk of suffocation.
- Danger to life! To prevent electrical hazards assemble the product away from electrical equipment.

Risk of injury!

- Caution: If the ground is wet, you may slip and injure yourself.
- Not suitable for drinking water.
- Only fill with water and no other fluids.
- The water can get very hot. Check the water temperature before use to prevent scalding and fill up with cold water if necessary!

- The product gets very warm in the sun. You risk burning yourself when you touch the hot surfaces.
- Make sure that no sand or other small extraneous particles get into the openings in the shower head.
- Protect the product from frost. If water inside the product freezes and the device bursts, you risk material damage and personal injury.
- The product is not a child's toy for playing with or climbing on!
- Check the product for damage and wear before each use. The product may be used only when in good working order and condition!
- Before use, do not direct any strongly heated or long-settled water, which may be in the supply line, onto people, animals or plants.

Assembly

Setting up the solar shower

Assembly on stone/ concrete floor

1. Stand the main body (1) on a stone or concrete floor. Align the main body so that you have enough room in which to shower.

2. Make sure that the connection to the garden hose (9a) can still be reached.
3. Mark the positioning of the drill holes on the ground. Use a suitable masonry drill (12mm, not included in delivery) to drill the four holes in the ground.

Note: Assemble the product at a location where it stands exposed to lots of sunlight.

Note: If there is no stone or concrete floor at the desired location, use a flagstone (40 x 40 x 5cm).

4. Remove the expansion anchors (11a) from the screws (11) and insert the anchors into the drill holes.
5. Stand the main body (1) with the base on the anchors, place the shims (11b) over the holes, and screw it tight (fig. B). Then put the cover caps (13) on the screws.

Assembly on wooden floor

1. Stand the main body (1) on a suitable wooden floor. Align the main body so that you have enough room in which to shower.

Note: The wooden floor must consist of solid wood and may not contain any cavities (fig. B).

2. Make sure that the connection to the garden hose (8) can still be reached.
3. Screw the main body down tightly with the wood screws (12). Then put the cover caps (13) on the screws.

Solar shower assembly

Assemble the product as shown in figs. C–H.

Note: Wrap the Teflon tape (16) around the outer threads of the connections. You can change the angle of inclination of the connections by wrapping them with Teflon tape multiple times.

Use

1. Connect the connection of the garden hose to the connection adapter (9a) (fig. H).
2. Fill the tank of the solar shower using a connected garden hose. Set in addition the single-lever mixer tap (1d) on the solar shower at maximum temperature (red area) and open it fully.
3. Close the single-lever mixer tap as soon as water comes out of the shower head. The solar shower is then filled completely with water.

4. Inspect the product for possible leaks.

Note: Before first putting into operation you must allow the sun enough time to heat up the water in the solar shower.

Note: The heating-up time depends on the initial water temperature, outside temperature, and sunlight strength.

Warning: Make sure that the solar shower cannot fall over. A solar shower full of water weighs an awful lot.

5. Check the water temperature carefully to prevent scalding before each use. The temperature can be adjusted with the aid of the single-lever mixer tap (1d).

6. Open the water tap of the garden hose before operating each time to get suitable water pressure.

Disassembly

Disassemble the solar shower before the first frost. To do so, proceed as follows:

1. Close the tap of the connected garden hose.
2. Take the garden hose off the connection adapter. Then open the single-lever mixer tap

3. Drain the water from the solar shower. To do this, open the drain plug (1c) with the aid of a suitable screwdriver (not included in delivery) (fig. H).

4. Disassemble the product in reverse order as shown in figs. C–H.

5. Remove the cover caps (13) from the screws (10/11). Loosen the screws on the base of the solar shower and cover up the drill holes so that they do not become soiled.

Storage, cleaning

Before storage drain off all the water and let the product dry out completely. When not in use, always store the product clean and dry at room temperature.

Rinse the product with water or with mild soapy water.

IMPORTANT! Never clean the product with harsh cleaning agents.

Disposal



Dispose of the product and packaging materials in accordance with current local regulations. Store the packaging materials (foil bags, for example) out of the reach of children.

For further information about disposal of the product no longer needed, contact your local council. Dispose of the product and the packaging in an environmentally friendly manner.



The Recycling Code distinguishes different materials to be returned for recycling. The Code consists of the recycling symbol for the recycling process and a number that identifies the material.

Notes on the guarantee and service handling

The product was produced with great care and under continuous quality control. DELTA-SPORT HANDEL-SKONTOR GmbH gives private end customers a three-year guarantee on this product from the date of purchase (guarantee period) in accordance with the following provisions. The guarantee is only valid for material and manufacturing defects.

The guarantee does not cover parts that are subject to normal wear and tear and that are thus considered wear parts (e.g. batteries) and it does not cover fragile parts such as switches or parts that are made of glass. Claims under this guarantee are excluded if the product has been used incorrectly, improperly, or contrary to the intended purpose, or if the provisions in the instructions for use were not observed, unless the end customer proves that a material or manufacturing defect exists that was not caused by one of the aforementioned circumstances.

Claims under the guarantee can only be made within the guarantee period by presenting the original sales receipt. Please therefore keep the original sales receipt. The guarantee period is not extended by any repairs carried out under the guarantee, under statutory guarantees, or as a gesture of goodwill. This also applies to replaced and repaired parts.

If you wish to make a claim please first contact the service hotline mentioned below or contact us by e-mail. If there is a guarantee case, then the product will be repaired or replaced free of charge to you or the purchase price will be refunded, depending on our choice. There are no further rights from the guarantee.

Your legal rights, in particular guarantee claims against the respective seller, are not limited by this guarantee.

Guarantee handling

To ensure rapid processing of your case please follow the following instructions:

- For all inquiries keep the sales receipt and product number (e.g. IAN 123456_7890) handy as proof of purchase.
- You will find the product number on the product label, on an engraving on the product, on the title page of your instructions (bottom left), or on the sticker on the back or bottom of the product.

- Should any functional problem or other defects occur, first contact the service department named below by telephone or use our contact form, which you will find at parkside-diy.com under service categories.
- Once the product is determined to be defective, you can then attach the proof of purchase (sales receipt) and state the nature of the defect and when it occurred and send it, postage free for you, to the address of the service department of which you have been notified.



- At parkside-diy.com you can find and download these and many other manuals. With this QR code you can directly access parkside-diy.com. Select your country and use the search template to look for the operating instructions. By entering the product number (e.g. IAN 123456_7890) you access the operating instructions for your product.

IAN: 508094_2507

Ⓜ Customer Service United
Kingdom
Telephone: 08000518970

Ⓜ Customer service Malta
Telephone: 80065168

Ⓜ Customer Service Ireland
Telephone: 1800851251

Ⓜ Customer service Northern
Ireland
Telephone: 08081013435

Contact form at parkside-diy.com

Location: Germany

Herzlichen Glückwunsch!
Mit Ihrem Kauf haben Sie
sich für einen hochwertigen
Artikel entschieden. Machen
Sie sich vor der ersten Ver-
wendung mit dem Artikel
vertraut.



Lesen Sie hierzu auf- merksam die nachfol- gende Gebrauchs- anweisung.

Benutzen Sie den Artikel nur
wie beschrieben und für die
angegebenen Einsatzbereiche.
Bewahren Sie diese Ge-
brauchsanweisung gut auf.
Händigen Sie alle Unterlagen
bei Weitergabe des Artikels
an Dritte ebenfalls mit aus.

Lieferumfang (Abb. A)

- 1 x Korpus (1, 2)
- 1 x Duschkopf (3)
- 1 x Dichtungsring, groß (4)
- 1 x Kugelgelenk (5)
- 1 x Anschlussgewinde (6)
- 1 x Verbindungsrohr (7)
- 1 x Fußdusche (8)
- 1 x Anschlussadapter für
Gartenschlauch (9)
- 1 x Sieb (10)
- 4 x Schraube inkl.
Spreizdübel und
Unterlegscheibe (11)
- 4 x Schraube für
Holzboden (12)

- 4 x Abdeckkappe (13)
- 1 x Dichtungsring, mittel (14)
- 2 x Dichtungsring, klein (15)
- 1 x Teflonband (16)
- 1 x Gebrauchsanweisung

Technische Daten

Füllmenge Wassertank: ca. 18 l

Maße:

Dusche:

ca. 11 x 226 cm (Ø x H)

Standfuß:

ca. 15,5 x 15,5 x 8 cm

(L x B x H)

Duschkopf: Ø 15 cm

Parkside Click System: Pas-
send für gängige Schlauch-
Systeme mit 13-15 mm (½"-5/8")

Max. Wassertemperatur: 60 °C

Maximaler Betriebsdruck: 4 bar



Herstellungsdatum

(Monat/Jahr): 12/2025

Verwendete Symbole



Dieses Symbol weist dar-
auf hin, dass das Produkt
UV-beständig ist.



Dieses Symbol weist dar-
auf hin, dass das Produkt
wetterbeständig ist.



Vorsicht heißes Wasser



Werkzeugloser Aufbau

Bestimmungsgemäße Verwendung

Dieser Artikel wurde als Campingdusche für den privaten Gebrauch entwickelt. Er ist nicht für die Aufbewahrung von Trinkwasser geeignet.



Nicht für Trinkwasser geeignet!

Sicherheitshinweise **Wichtig: Lesen Sie diese Gebrauchsanweisung und die Sicherheitshinweise sorgfältig und bewahren Sie sie unbedingt auf!**

⚠ Lebensgefahr!

- Lassen Sie Kinder niemals unbeaufsichtigt mit dem Verpackungsmaterial. Es besteht Erstickungsgefahr.
- Lebensgefahr! Zur Vermeidung von elektrischen Gefährdungen den Artikel außerhalb der Reichweite von elektrischen Einrichtungen montieren.

⚠ Verletzungsgefahr!

- Vorsicht! Wenn der Boden nass ist, können Sie auf dem Boden ausrutschen und sich verletzen.
- Nicht für Trinkwasser geeignet.
- Nur Wasser einfüllen, keine anderen Flüssigkeiten.

- Das Wasser kann sehr heiß werden. Vor Verwendung die Wassertemperatur prüfen, um Verbrennungen zu vermeiden und eventuell kaltes Wasser nachzufüllen!
- Der Artikel wird in der Sonne sehr warm. Es besteht Verbrennungsgefahr bei Berührung der heißen Flächen.
- Achten Sie darauf, dass weder Sand, Staub noch andere kleine Fremdkörper in die Öffnungen des Brausekopfs gelangen.
- Den Artikel vor Frost schützen. Wenn Wasser im Inneren des Geräts gefriert und das Gerät platzt, besteht Gefahr von Sachbeschädigung und Verletzungsgefahr.
- Der Artikel ist kein Kinderspielzeug oder Klettergerüst.
- Prüfen Sie den Artikel vor jedem Gebrauch auf Beschädigungen oder Abnutzungen. Der Artikel darf nur in einwandfreiem Zustand verwendet werden!
- Leiten Sie vor der Verwendung, kein stark erhitztes oder lange abgestandenes Wasser, welches sich gegebenenfalls in der Zuleitung befindet, auf Personen, Tiere oder Pflanzen.

Aufbau

Solardusche aufstellen

Montage auf Stein-/

Betonboden

1. Stellen Sie den Korpus (1) auf Stein- oder Betonboden. Richten Sie den Korpus so aus, dass genügend Platz zum Duschen vorhanden ist.
2. Achten Sie darauf, dass der Anschluss des Gartenschlauches (9a) erreichbar bleibt.
3. Markieren Sie die Platzierung der Bohrlöcher auf dem Untergrund. Bohren Sie mit einem geeigneten Steinbohrer (12-mm, nicht im Lieferumfang enthalten) die vier Löcher in den Untergrund.

Hinweis: Montieren Sie den Artikel an einem Standplatz mit viel Sonneneinstrahlung.

Hinweis: Verwenden Sie eine Gehwegplatte (40 x 40 x 5 cm), falls am gewünschten Standort kein Stein- oder Betonboden vorhanden ist.

4. Lösen Sie die Spreizdübel (11a) von den Schrauben (11) und stecken Sie die Spreizdübel in die Bohrlöcher.

5. Stellen Sie den Korpus (1) mit dem Standfuß auf die Dübel, legen Sie die Unterscheiben (11b) auf die Löcher und schrauben Sie ihn fest (Abb. B). Stecken Sie anschließend die Abdeckkappen (13) auf die Schrauben.

Montage auf Holzboden

1. Stellen Sie den Korpus (1) auf einen geeigneten Holzboden. Richten Sie den Korpus so aus, dass genügend Platz zum Duschen vorhanden ist.

Hinweis: Der Holzboden muss aus Vollholz bestehen und darf keine Hohlräume enthalten (Abb. B).

2. Achten Sie darauf, dass der Anschluss des Gartenschlauches (8) erreichbar bleibt.
3. Schrauben Sie den Korpus mit den Holzschrauben (12) fest. Stecken Sie anschließend die Abdeckkappen (13) auf die Schrauben.

Solardusche

Zusammensetzen

Bauen Sie den Artikel wie in Abb. C–H gezeigt auf.

Hinweis: Umwickeln Sie die Außengewinde der Anschlüsse mit dem Teflonband (16).

Sie können den Neigungswinkel der Anschlüsse ändern, indem Sie diese mit dem Teflonband mehrfach umwickeln.

Verwendung

1. Stecken Sie den Gartenschlauchanschluss auf den Anschlussadapter (9a) (Abb. H).
2. Befüllen Sie den Tank der Solardusche über einen angeschlossenen Gartenschlauch. Stellen Sie zusätzlich den Einhebelmischergriff (1d) an der Solardusche auf maximale Temperatur (roter Bereich) und öffnen Sie ihn vollständig.
3. Schließen Sie den Einhebelmischergriff, sobald Wasser aus dem Duschkopf austritt. Die Solardusche ist dann komplett mit Wasser gefüllt.
4. Prüfen Sie den Artikel auf mögliche undichte Stellen.

Hinweis: Vor der ersten Inbetriebnahme müssen Sie der Sonne genügend Zeit geben, das Wasser in der Solardusche aufzuheizen.

Hinweis: Die Aufheizdauer ist von der anfänglichen Wassertemperatur, Außentemperatur und Sonneneinstrahlung abhängig.

Achtung: Stellen Sie sicher, dass die Solardusche nicht umkippen kann. Eine mit Wasser gefüllte Solardusche hat ein enormes Gewicht.

5. Prüfen Sie vor jeder Benutzung vorsichtig die Wassertemperatur, um Verbrühungen zu vermeiden. Die Temperatur lässt sich mithilfe des Einhebelmischergriffes (1d) einstellen.
6. Drehen Sie den Wasserhahn des Gartenschlauchs vor jeder Inbetriebnahme auf, um einen geeigneten Wasserdruck zu erhalten.

Abbau

Bauen Sie die Solardusche vor dem ersten Frost ab. Gehen Sie dazu wie folgt vor:

1. Drehen Sie den Wasserhahn des angeschlossenen Gartenschlauchs zu.
2. Ziehen Sie den Gartenschlauch vom Anschlussadapter. Öffnen Sie anschließend den Einhebelmischergriff.
3. Lassen Sie das Wasser aus der Solardusche ab. Öffnen Sie hierzu mithilfe eines geeigneten Schraubendrehers (nicht im Lieferumfang enthalten) die Ablassschraube (1c) (Abb. H).

4. Bauen Sie den Artikel in umgekehrter Reihenfolge wie in Abb. C–H gezeigt ab.
5. Entfernen Sie die Abdeckkappen (13) von den Schrauben (10/11). Lösen Sie die Schrauben am Fuß der Solardusche und decken Sie die Bohrlöcher ab, damit diese nicht verschmutzt werden.

Lagerung, Reinigung

Lassen Sie vor Lagerung das Wasser komplett ab und den Artikel vollständig trocknen. Lagern Sie den Artikel bei Nichtbenutzung immer trocken und sauber bei Raumtemperatur.

Spülen Sie den Artikel mit Wasser oder mit mildem Seifenwasser aus.

WICHTIG! Nie mit scharfen Reinigungsmitteln reinigen.

Hinweise zur Entsorgung



Entsorgen Sie den Artikel und die Verpackungsmaterialien entsprechend den aktuellen örtlichen Vorschriften. Bewahren Sie Verpackungsmaterialien (wie z. B. Folienbeutel) für Kinder unerreikbaar auf.

Weitere Informationen zur Entsorgung des ausgedienten Artikels erhalten Sie bei Ihrer Gemeinde- oder Stadtverwaltung. Entsorgen Sie den Artikel und die Verpackung umweltschonend.



Der Recycling-Code dient der Kennzeichnung verschiedener Materialien zur Rückführung in den Wiederverwertungskreislauf (Recycling). Der Code besteht aus einem Recyclingsymbol für den Verwertungskreislauf und einer Nummer, die das Material kennzeichnet.

Hinweise zur Garantie und Serviceabwicklung

Der Artikel wurde mit großer Sorgfalt und unter ständiger Kontrolle produziert. DELTA-SPORT HANDELSKONTOR GmbH räumt privaten Endkunden auf diesen Artikel drei Jahre Garantie ab Kaufdatum (Garantiefrist) nach Maßgabe der folgenden Bestimmungen ein. Die Garantie gilt nur für Material- und Verarbeitungsfehler.

Die Garantie erstreckt sich nicht auf Teile, die der normalen Abnutzung unterliegen und deshalb als Verschleißteile anzusehen sind (z. B. Batterien) sowie nicht auf zerbrechliche Teile, z. B. Schalter oder Teile, die aus Glas gefertigt sind. Ansprüche aus dieser Garantie sind ausgeschlossen, wenn der Artikel unsachgemäß oder missbräuchlich oder nicht im Rahmen der vorgesehenen Bestimmung oder des vorgesehenen Nutzungsumfangs verwendet wurde oder Vorgaben in der Anleitung/Anweisung nicht beachtet wurden, es sei denn, der Endkunde weist nach, dass ein Material- oder Verarbeitungsfehler vorliegt, der nicht auf einem der vorgenannten Umstände beruht. Ansprüche aus der Garantie können nur innerhalb der Garantiefrist unter Vorlage des Originalkassenbelegs geltend gemacht werden. Bitte bewahren Sie deshalb den Originalkassenbeleg auf. Die Garantiefrist wird durch etwaige Reparaturen aufgrund der Garantie, gesetzlicher Gewährleistung oder Kulanz nicht verlängert.

Dies gilt auch für ersetzte und reparierte Teile. Bitte wenden Sie sich bei Beanstandungen zunächst an die untenstehende Service-Hotline oder setzen Sie sich per E-Mail mit uns in Verbindung. Liegt ein Garantiefall vor, wird der Artikel von uns – nach unserer Wahl – für Sie kostenlos repariert, ersetzt oder der Kaufpreis erstattet.

Weitere Rechte aus der Garantie bestehen nicht. Ihre gesetzlichen Rechte, insbesondere Gewährleistungsansprüche gegenüber dem jeweiligen Verkäufer, werden durch diese Garantie nicht eingeschränkt.

Abwicklung im Garantiefall

Um eine schnelle Bearbeitung Ihres Anliegens zu gewährleisten, folgen Sie bitte den folgenden Hinweisen:

- Bitte halten Sie für alle Anfragen den Kassenbon und die Artikelnummer (z. B. IAN 123456_7890) als Nachweis für den Kauf bereit.

- Die Artikelnummer entnehmen Sie bitte dem Typenschild am Artikel, einer Gravur am Artikel, dem Titelblatt Ihrer Anleitung (unten links) oder dem Aufkleber auf der Rück- oder Unterseite des Artikels.
- Sollten Funktionsfehler oder sonstige Mängel auftreten, kontaktieren Sie zunächst die nachfolgend benannte Serviceabteilung telefonisch oder nutzen Sie unser Kontaktformular, das Sie auf parkside-diy.com in der Kategorie Service finden.
- Einen als defekt erfassten Artikel können Sie dann unter Beifügung des Kaufbelegs (Kassenbon) und der Angabe, worin der Mangel besteht und wann er aufgetreten ist, für Sie portofrei an die Ihnen mitgeteilte Serviceanschrift übersenden.



Auf parkside-diy.com können Sie diese und viele weitere Handbücher einsehen und herunter-

terladen. Mit diesem QR-Code gelangen Sie direkt auf parkside-diy.com. Wählen Sie Ihr Land aus, und suchen Sie über die Suchmaske nach den Anleitungen. Mittels Eingabe der Artikelnummer (z. B. IAN 123456_7890) gelangen Sie zur Anleitung für Ihren Artikel.

IAN: 508094_2507

- Ⓝ DE Kundenservice Deutschland
Telefon: 08008855300
- Ⓝ AT Kundenservice Österreich
Telefon: 0800447750
- Ⓝ CH Kundenservice Schweiz
Telefon: 0800563601
- Ⓝ BE Service Belgien
Tel.: 080012614

Kontaktformular auf parkside-diy.com
Sitz: Deutschland

Félicitations !

Vous venez d'acquérir un article de grande qualité. Avant la première utilisation, familiarisez-vous avec l'article.



Pour cela, veuillez lire attentivement la notice d'utilisation suivante.

Utilisez l'article uniquement comme indiqué et pour les domaines d'utilisation mentionnés. Conservez bien cette notice d'utilisation. Si vous cédez l'article à un tiers, veuillez à lui remettre l'ensemble de la documentation.

Contenu de la livraison (fig. A)

- 1 colonne (1, 2)
- 1 pommeau de douche (3)
- 1 anneau d'étanchéité, grand (4)
- 1 joint à rotule (5)
- 1 filetage de raccordement (6)
- 1 tuyau de raccordement (7)
- 1 robinet pour les pieds (8)
- 1 adaptateur de raccordement pour le tuyau d'arrosage (9)
- 1 tamis (10)
- 4 vis munie de cheville à expansion et rondelle (11)
- 4 vis pour les sols en bois (12)
- 4 capuchon (13)

- 1 anneau d'étanchéité, moyen (14)
- 2 anneau d'étanchéité, petit (15)
- 1 bande téflon (16)
- 1 notice d'utilisation

Données techniques

Volume du réservoir : env. 18 l

Dimensions :

douche :

env. 11 x 226 cm (Ø x H)

ped :

env. 15,5 x 15,5 x 8 cm

(L x l x H)

douche de tête : Ø 15 cm

Parkside Click System :

Convient aux systèmes

de tuyaux courants de

13-15 mm (1/2"-5/8")

Température maximale de l'eau : 60 °C

Pression de service maximale : 4 bar



Date de fabrication

(mois/année) : 12/2025

Symboles utilisés



Ce symbole indique que le produit est résistant aux UV.



Ce symbole indique que le produit est résistant aux intempéries.



Attention eau chaude



Montage sans outil

Utilisation conforme

Cet article, destiné à un usage privé, a été conçu comme douche de camping. Il ne convient pas au stockage d'eau potable.



Ne convient pas pour l'eau potable !

Consignes de sécurité Important : Lisez attentivement cette notice d'utilisation et les consignes de sécurité et conservez-les impérativement !

⚠ Danger de mort !

- Ne laissez jamais des enfants manipuler le matériau d'emballage sans surveillance. Danger d'étouffement.
- Danger de mort ! Pour éviter les risques électriques, montez l'article hors de portée des installations électriques.

⚠ Risque de blessure !

- Prudence ! Si le sol est mouillé, vous risquez de glisser sur le sol et de vous blesser.
- Ne convient pas pour l'eau potable.
- À ne remplir qu'avec de l'eau, pas avec d'autres liquides.
- L'eau peut devenir très chaude. Avant utilisation, vérifier la température de l'eau pour éviter les brûlures et rajouter éventuellement de l'eau froide !
- L'article devient très chaud au soleil. Risque de brûlure en cas de contact avec les surfaces chaudes.
- Évitez que du sable, de la poussière ou d'autres petits corps étrangers ne pénètrent dans les ouvertures du pommeau de douche.
- Protégez l'article du gel. Si de l'eau gèle à l'intérieur de l'appareil et que celui-ci éclate, risque de dommages matériels et de blessures.
- L'article n'est pas une structure d'escalade ni un jeu pour enfants !
- Avant chaque utilisation, vérifiez que l'article ne montre aucun signe de dégradation ou d'usure. L'article ne doit être utilisé qu'en parfait état !

- Avant l'utilisation, ne dirigez pas l'eau fortement chauffée ou longtemps stagnante qui se trouve éventuellement dans la conduite d'alimentation vers des personnes, des animaux ou des plantes.

Montage

Monter la douche solaire

Montage sur sols en pierre/béton

1. Posez la colonne (1) sur un sol en pierre ou en béton. Orientez la colonne de telle manière que suffisamment de place soit disponible pour la douche.
2. Veillez à ce que le raccord du tuyau d'arrosage (9a) reste accessible.
3. Marquez l'emplacement des trous à percer sur le sol. Percez les quatre trous dans le sol à l'aide d'une mèche à pierre appropriée (12 mm, non fournie).

Remarque : Installez l'article à un endroit bien exposé au soleil.

Remarque : Utilisez une dalle de trottoir (40 x 40 x 5 cm) s'il n'y a pas de sol en pierre ou en béton à l'emplacement souhaité.

4. Desserrez les chevilles à expansion (11a) des vis (11) et insérez les chevilles à expansion dans les trous percés.
5. Placez la colonne (1) avec le pied sur les chevilles, placez les rondelles (11b) sur les trous et vissez (fig. B). Mettez ensuite les capuchons (13) sur les vis.

Montage sur sols en bois

1. Posez la colonne (1) sur un sol en bois approprié. Orientez la colonne de telle manière que suffisamment de place soit disponible pour la douche.

Remarque : Le sol doit être en bois massif et ne doit présenter aucune cavité (fig. B).

2. Veillez à ce que le raccord pour le tuyau d'arrosage (8) reste accessible.
3. Vissez la colonne avec les vis à bois (12). Mettez ensuite les capuchons (13) sur les vis.

Assembler la douche solaire

Montez l'article en suivant les indications des fig. C à H.

Remarque : Entourez les filetages extérieurs des raccords avec la bande téflon (16).

Vous pouvez modifier l'angle d'inclinaison des raccords en les entourant plusieurs fois avec le ruban téflon.

Utilisation

1. Enfichez le raccord du tuyau d'arrosage sur l'adaptateur de raccordement (9a) (fig. H).
2. Remplissez le réservoir de la douche solaire à l'aide d'un tuyau d'arrosage raccordé. Réglez également la poignée du mitigeur (1d) de la douche solaire sur la température maximale (zone rouge) et ouvrez-la complètement.
3. Fermez la poignée du mitigeur dès que de l'eau s'écoule du pommeau de douche. La douche solaire est alors complètement remplie avec de l'eau.
4. Vérifiez que l'article ne présente aucune fuite.

Remarque : Avant la première utilisation, vous devez laisser au soleil suffisamment de temps pour chauffer l'eau de la douche solaire.

Remarque : Le temps pour que l'eau chauffe dépend de la température initiale de l'eau, de la température extérieure et de l'ensoleillement.

Attention : Assurez-vous que la douche solaire ne puisse pas basculer. Une douche solaire remplie avec de l'eau a un poids considérable.

5. Vérifiez prudemment la température de l'eau avant chaque utilisation afin d'éviter les brûlures. La température peut être réglée au moyen de la poignée du mitigeur (1d).
6. Ouvrez et réglez le robinet du tuyau d'arrosage avant chaque utilisation afin d'obtenir une pression de l'eau appropriée.

Démontage

Démontez la douche solaire avant la première gelée. Pour cela, procédez comme suit :


1. Fermez le robinet du tuyau d'arrosage raccordé.
2. Retirez le tuyau d'arrosage de l'adaptateur de raccordement. Ouvrez ensuite la poignée du mitigeur.
3. Videz l'eau de la douche solaire. Pour ce faire, ouvrez la vis de vidange (1c) à l'aide d'un tournevis approprié (non fourni) (fig. H).
4. Démontez l'article en suivant l'ordre inverse indiqué sur les fig. C à H.


5. Retirez les capuchons (13) des vis (10/11). Dévissez les vis du pied de la douche solaire et couvrez les trous percés pour qu'ils ne se salissent pas.

Stockage, nettoyage

Avant le stockage, laissez toute l'eau s'écouler et faites complètement sécher l'article. Lorsque vous n'utilisez pas l'article, rangez-le toujours dans un endroit sec et propre à une température ambiante. Rincez l'article à l'eau ou avec de l'eau savonneuse douce. **IMPORTANT !** Ne jamais laver avec des produits de nettoyage agressifs.

Mise au rebut

*  Ce produit est recyclable. Il est soumis à la responsabilité élargie du fabricant et est collecté séparément.

 Éliminez le produit et les matériaux d'emballage conformément aux réglementations locales actuelles en vigueur. Conservez les matériaux d'emballage (comme les sachets en plastique) hors de portée des enfants.

Vous obtiendrez plus d'informations relatives à l'élimination du produit usagé auprès de votre commune ou de votre municipalité. Éliminez le produit et l'emballage dans le respect de l'environnement.



Le code de recyclage est utilisé pour identifier les différents matériaux à retourner dans le cycle de recyclage. Ce code se compose du symbole de recyclage, représentant le cycle de recyclage ainsi que d'un numéro identifiant le matériau.

Indications concernant la garantie et le service après-vente

L'article a été produit avec grand soin et sous un contrôle constant. DELTA-SPORT HANDELSKONTOR GmbH accorde au client final privé une garantie de trois ans sur cet article à compter de la date d'achat (période de garantie) conformément aux dispositions suivantes. La garantie ne vaut que pour les défauts de matériaux et de fabrication.

La garantie ne couvre pas les pièces soumises à une usure normale, lesquelles doivent donc être considérées comme des pièces d'usure (comme p. ex., les piles), de même qu'elle ne couvre pas les pièces fragiles, telles que les interrupteurs ou les pièces fabriquées en verre.

Les réclamations au titre de cette garantie sont exclues si l'article a été utilisé de manière abusive ou inappropriée, hors du cadre de son usage ou du champ d'application prévu ou si les instructions de la notice d'utilisation n'ont pas été respectées, à moins que le client final ne prouve que l'article présentait un défaut de matériau ou de fabrication n'étant pas dû à l'une des conditions mentionnées ci-dessus.

Les réclamations au titre de la garantie ne peuvent être adressées pendant la période de garantie qu'en présentant le ticket de caisse original. Veuillez pour cela conserver le ticket de caisse original. Ceci s'applique également aux pièces remplacées et réparées.

Si vous avez des plaintes à formuler, veuillez d'abord contacter le service d'assistance téléphonique ci-dessous ou nous contacter par courrier électronique. Si le cas est couvert par la garantie, nous nous engageons - à notre appréciation - à réparer ou à remplacer l'article gratuitement pour vous ou à vous rembourser le prix d'achat. Aucun autre droit ne découle de la garantie. Vos droits légaux, en particulier les droits de garantie contre le vendeur concerné, ne sont pas limités par cette garantie.

***Article L217-16 du Code de la consommation**

Lorsque l'acheteur demande au vendeur, pendant le cours de la garantie commerciale qui lui a été consentie lors de l'acquisition ou de la réparation d'un bien meuble, une remise en état couverte par la garantie, toute période d'immobilisation d'au moins sept jours vient s'ajouter à la durée de la garantie qui restait à courir.

Cette période court à compter de la demande d'intervention de l'acheteur ou de la mise à disposition pour réparation du bien en cause, si cette mise à disposition est postérieure à la demande d'intervention. Indépendamment de la garantie commerciale souscrite, le vendeur reste tenu des défauts de conformité du bien et des vices rédhibitoires dans les conditions prévues aux articles L217-4 à L217-13 du Code de la consommation et aux articles 1641 à 1648 et 2232 du Code Civil.

Article L217-4 du Code de la consommation

Le vendeur livre un bien conforme au contrat et répond des défauts de conformité existant lors de la délivrance.

Il répond également des défauts de conformité résultant de l'emballage, des instructions de montage ou de l'installation lorsque celle-ci a été mise à sa charge par le contrat ou a été réalisée sous sa responsabilité.

Article L217-5 du Code de la consommation

Le bien est conforme au contrat :

1° S'il est propre à l'usage habituellement attendu d'un bien semblable et, le cas échéant :

- s'il correspond à la description donnée par le vendeur et possède les qualités que celui-ci a présentées à l'acheteur sous forme d'échantillon ou de modèle ;
- s'il présente les qualités qu'un acheteur peut légitimement attendre eu égard aux déclarations publiques faites par le vendeur, par le producteur ou par son représentant, notamment dans la publicité ou l'étiquetage ;

2° Ou s'il présente les caractéristiques définies d'un commun accord par les parties ou être propre à tout usage spécial recherché par l'acheteur, porté à la connaissance du vendeur et que ce dernier a accepté.

Article L217-12 du Code de la consommation

L'action résultant du défaut de conformité se prescrit par deux ans à compter de la délivrance du bien.

Article 1641 du Code civil

Le vendeur est tenu de la garantie à raison des défauts cachés de la chose vendue qui la rendent impropre à l'usage auquel on la destine, ou qui diminuent tellement cet usage que l'acheteur ne l'aurait pas acquise, ou n'en aurait donné qu'un moindre prix, s'il les avait connus.

Article 1648 1er alinéa du Code civil

L'action résultant des vices rédhibitoires doit être intentée par l'acquéreur dans un délai de deux ans à compter de la découverte du vice.

Les pièces détachées indispensables à l'utilisation du produit sont disponibles pendant la durée de la garantie du produit.

Traitement de la garantie

Afin que nous puissions vous garantir un traitement rapide de votre demande, veuillez suivre les instructions suivantes :

- Pour toute demande, veuillez avoir le ticket de caisse et le numéro d'article (p. ex. IAN 123456_7890) à portée de main en tant que justificatif d'achat.
- Vous trouverez le numéro d'article sur la fiche signalétique de l'article, sur une inscription gravée sur l'article, sur la page de titre de votre notice explicative (en bas à gauche) ou sur l'autocollant au dos ou en dessous de l'article.
- En cas d'erreurs de fonctionnement ou d'autres défauts, contactez d'abord le service après-vente indiqué ci-dessous par téléphone ou utilisez notre formulaire de contact que vous trouverez sur le site parksidediy.com dans la catégorie Service.

- Vous pourrez ensuite envoyer votre article jugé défectueux à l'adresse de service qui vous a été communiquée, sans frais de port, en y joignant le justificatif d'achat (ticket de caisse) et en indiquant en quoi consiste le défaut et quand il est survenu.



Sur parkside-diy.com, vous pouvez consulter et télécharger la présente notice

ainsi que de nombreuses autres. Ce code QR vous permet d'accéder directement à parkside-diy.com. Sélectionnez votre pays et utilisez le champ de recherche pour trouver des notices d'utilisation. En saisissant le numéro d'article (p. ex. IAN 123456_7890), vous accédez à la notice d'utilisation de votre article.

IAN : 508094_2507

- Ⓡ Service après-vente France
Téléphone : 0800907612
- Ⓢ Service après-vente Suisse
Téléphone : 0800563601
- Ⓡ Service après-vente Belgique
Téléphone : 080012614

Formulaire de contact sur
parkside-diy.com
Siège : Allemagne

*n'est valable que pour la France

Gefeliciteerd!

Met uw aankoop hebt u voor een hoogwaardig artikel gekozen. Zorg ervoor dat u voor het eerste gebruik met het artikel vertrouwd raakt.



Lees hiervoor de volgende gebruiksaanwijzing zorgvuldig door.

Gebruik het artikel alleen zoals omschreven en voor het aangegeven doel. Bewaar deze gebruiksaanwijzing goed. Geef alle documenten mee als u het artikel aan iemand anders geeft.

In het leveringspakket inbegrepen (afb. A)

- 1 x corpus (1, 2)
- 1 x douchekop (3)
- 1 x afdichtring, groot (4)
- 1 x kogelscharnier (5)
- 1 x aansluitschroefdraad (6)
- 1 x verbindingsbuis (7)
- 1 x voetdouche (8)
- 1 x aansluitadapter voor tuinslang (9)
- 1 x zeef (10)
- 4 x schroef incl. spreidplug en onderlegplaatje (11)
- 4 x schroef voor houten vloer (12)
- 4 x afdekkap (13)
- 1 x afdichtring, medium (14)
- 2 x afdichtring, klein (15)

- 1 x teflontape (16)
- 1 x gebruiksaanwijzing

Technische gegevens

Vulhoeveelheid watertank:
ca. 18 l

Afmetingen:

douche:
ca. 11 x 226 cm (Ø x h)
voetstuk:

ca. 15,5 x 15,5 x 8 cm
(l x b x h)

douchekop: Ø 15 cm

Parkside Click System:

Passend voor courante
slangsystemen met
13-15 mm (½"-5/8")

Max. watertemperatuur: 60 °C

Maximale bedrijfsdruk: 4 bar



Productiedatum

(maand/jaar): 12/2025

Gebruikte symbolen



Dit symbool wijst erop dat het product UV-bestendig is.



Dit symbool wijst erop dat het product weerbestendig is.



Opgepast: heet water



Montage zonder gereedschap

Voorgeschreven gebruik

Dit artikel werd ontwikkeld als campingdouche voor privé-gebruik. Het is niet geschikt om drinkwater te bewaren.



Niet geschikt voor drinkwater!

Veiligheidsinstructies

Belangrijk: Lees deze gebruiksaanwijzing en de veiligheidsinstructies zorgvuldig en berg deze in ieder geval op!

⚠ Levensgevaar!

- Laat kinderen nooit zonder toezicht met het verpakkingsmateriaal. Er bestaat verstikkingsgevaar.
- Levensgevaar! Monteer het artikel buiten het bereik van elektriciteitsvoorzieningen om gevaren van elektriciteit te vermijden.

⚠ Gevaar voor blessures!

- Opgepast! Als de vloer nat is, kunt u op de vloer uitglijden en een blessure oplopen.
- Niet geschikt voor drinkwater.
- Alleen water ingieten, geen andere vloeistoffen.
- Het water kan zeer heet worden. Vóór het gebruik de watertemperatuur controleren om brandwonden te vermijden en om eventueel koud water bij te vullen!

- Het artikel wordt zeer warm in de zon. Bij aanraking van de hete oppervlakken bestaat er gevaar voor brandwonden.
- Let erop dat er geen zand, stof of andere kleine vreemde voorwerpen in de openingen van de sproei-erkerop geraken.
- Bescherm het artikel tegen vorst. Als water binnenin het toestel bevriest en het toestel barst, bestaat er gevaar voor materiële schade en gevaar voor blessures.
- Het artikel is noch speelgoed voor kinderen noch een klimrek.
- Controleer het artikel telkens vóór gebruik op beschadigingen of slijtageverschijnselen. Het artikel mag uitsluitend in een perfecte staat gebruikt worden!
- Voer vóór gebruik geen sterk verhit of lang bedorven water, dat zich mogelijk in de toevoerleiding bevindt, naar personen, dieren of planten.

Montage

Zonnedouche opstellen

Montage op stenen/ betonnen vloer

1. Zet het corpus (1) op een stenen of betonnen vloer. Lijn het corpus zodanig uit, dat er voldoende plaats is om te douchen.
2. Let erop dat de aansluiting van de tuinslang (9a) bereikbaar blijft.
3. Markeer de plaatsing van de boorgaten op de ondergrond. Boor met een geschikte steenboor (12-mm, niet in het leveringspakket inbegrepen) de vier gaten in de ondergrond.

Opmerking: Monteer het artikel op een opstellingsplaats met veel zonlicht.

Opmerking: Gebruik een stoeptegel (40 x 40 x 5 cm), indien er op de gewenste opstellingsplaats geen stenen of betonnen vloer is.

4. Los de spreidpluggen (11a) van de schroeven (11) en steek de spreidpluggen in de boorgaten.

5. Zet het corpus (1) met het voetstuk op de pluggen, leg de onderlegplaatjes (11b) op de gaten en schroef het corpus vast (afb. B). Steek vervolgens de afdekkappen (13) op de schroeven.

Montage op houten vloer

1. Plaats het corpus (1) op een geschikte houten vloer. Lijn het corpus zodanig uit, dat er voldoende plaats is om te douchen.

Opmerking: De houten vloer moet van volhout zijn en mag geen holtes bevatten (afb. B).

2. Let erop dat de aansluiting van de tuinslang (8) bereikbaar blijft.
3. Schroef het corpus met de houtschroeven (12) vast. Steek vervolgens de afdek-dopjes (13) op de schroeven.

Zonnedouche monteren

Monteer het artikel zoals in afb. C–H getoond.

Opmerking: Omwikkel de buitenste schroefdraden van de aansluitingen met de teflontape (16). U kunt de hellingshoek van de aansluitingen wijzigen doordat u deze met de teflontape meermaals omwikkelt.

Gebruik

1. Steek de tuinslangaansluiting op de aansluitadapter (9a) (afb. H).
2. Vul de tank van de zonnedouche door middel van een aangesloten tuinslang. Zet aanvullend de greep (1d) van de eengreepsmengkraan aan de zonnedouche op maximale temperatuur (rood gebied) en open deze volledig.
3. Sluit de greep van de eengreepsmengkraan zodra er water uit de douchekop vrijkomt. De zonnedouche is dan compleet met water gevuld.
4. Controleer het artikel op mogelijke lekkages.

Opmerking: Vóór de eerste ingebruikname moet u de zon voldoende tijd geven om het water in de zonnedouche op te warmen.

Opmerking: De opwarmduur is afhankelijk van de aanvankelijke watertemperatuur, de buitentemperatuur en het zonlicht.

Waarschuwing: Vergewis u ervan dat de zonnedouche niet kan omkantelen. Een met water gevulde zonnedouche heeft een enorm gewicht.

5. Controleer telkens vóór gebruik voorzichtig de watertemperatuur om brandwonden te vermijden. De temperatuur kan met behulp van de greep (1d) van de eengreepsmengkraan ingesteld worden.
6. Draai de waterkraan van de tuinslang telkens vóór gebruik open om tot een geschikte waterdruk te komen.

Demontage

Demonteer de zonnedouche vóór de eerste vorst. Ga daarvoor als volgt te werk:

1. Draai de waterkraan van de aangesloten tuinslang dicht.
2. Trek de tuinslang van de aansluitadapter. Open vervolgens de greep van de eengreepsmengkraan.
3. Laat het water uit de zonnedouche wegvloeien. Open hiervoor met behulp van een geschikte (niet in het leveringspakket inbegrepen) schroevendraaier de aftapschroef (1c) (afb. H).
4. Demonteer het artikel in omgekeerde volgorde zoals in afb. C–H getoond.

5. Verwijder de afdekkappen (13) van de schroeven (10/11). Draai de schroeven aan het voetstuk van de zonnedouche los en dek de boorgaten af, opdat deze niet vervuild worden.

Opslag, reiniging

Laat vóór opslag het water compleet wegvloeien en het artikel volledig drogen. Bewaar het artikel wanneer u dit niet gebruikt altijd droog en schoon op kamertemperatuur. Spoel het artikel met water of met mild zeepwater uit. **BELANGRIJK!** Reinig nooit met agressieve reinigingsmiddelen.

Afvalverwerking



Voer het artikel en de verpakkingsmaterialen af in overeenstemming met de actuele lokale voorschriften. Berg verpakkingsmaterialen (zoals bv. foliezakjes) op buiten het bereik van kinderen. Bijkomende informatie over de afvoer van het onbruikbaar geworden artikel krijgt u bij uw gemeente- of stadsbestuur. Voer het artikel en de verpakking milieuvriendelijk af.



De recyclingcode dient om verschillende materialen voor recyclingdoeleinden te kenmerken. De code bestaat uit een recyclingssymbool voor de recyclingcyclus en een nummer dat het materiaal kenmerkt.

Opmerkingen over garantie en serviceafhandeling

Het artikel werd met de grootste zorgvuldigheid en onder permanent toezicht geproduceerd. De firma DELTA-SPORT HANDELSKONTOR GmbH verleent particuliere eindklanten op dit artikel drie jaar garantie, te rekenen vanaf de datum van aankoop (garantietermijn) en dit op grond van de volgende bepalingen. De garantie geldt alleen voor materiaal- en verwerkingsfouten. De garantie is niet van toepassing op onderdelen die aan een normale slijtage onderhevig zijn en daarom als slijtageonderdelen te beschouwen zijn (bv. batterijen) en evenmin op breekbare onderdelen zoals schakelaars of onderdelen die van glas gemaakt zijn.

Uit de garantie voortvloeiende claims zijn uitgesloten als het artikel onvakkundig, verkeerd of niet in het kader van de voorziene bepaling of in het kader van het voorziene gebruiksdoeleinde gebruikt werd of indien richtlijnen in de gebruiksaanwijzing niet in acht genomen werden, tenzij de eindklant aantoont dat er sprake is van een materiaal- of verwerkingsfout die niet op één van de hoger vermelde omstandigheden gebaseerd is.

Uit de garantie voortvloeiende claims kunnen alleen tijdens de garantieperiode op vertoon van de originele kassabon ingediend worden.

Gelieve daarom de originele kassabon te bewaren. De garantieperiode wordt door eventuele reparaties op grond van de garantie, wettelijke waarborg of coulance niet verlengd. Dit geldt ook voor vervangen en gerepareerde onderdelen.

Gelieve u bij klachten in eerste instantie tot de hieronder vermelde servicehotline te richten of met ons per e-mail contact op te nemen.

Is er sprake van een garantiegeval, dan wordt het artikel door ons – naar onze keuze – voor u gratis gerepareerd, wordt het vervangen of wordt de aankoopsom terugbetaald. Verdere rechten op grond van de garantie bestaan niet.

Uw wettelijke rechten, in het bijzonder rechten op garantie tegenover de betreffende verkoper, worden door deze garantie niet beperkt.

Afwikkeling in een garantiegeval

Gelieve, om een snelle behandeling van uw verzoek te garanderen, aan de volgende aanwijzingen gevolg te geven:

- Gelieve voor alle aanvragen de kassabon en het artikelnummer (bv. IAN 123456_7890) als bewijs van de aankoop klaar te houden.
- Gelieve het artikelnummer op het typeplaatje aan het artikel, aan een gravure aan het artikel, op de voorpagina van uw handleiding (onderaan links) of op het etiket aan de achter- of onderzijde van het artikel terug te vinden.

- Als er zich functionele fouten of andere gebreken voordoen, contacteert u in eerste instantie de hierna vernoemde serviceafdeling telefonisch of maakt u gebruik van ons contactformulier dat u op parkside-diy.com in de categorie “Service” vindt.
- Een als defect geregistreerd artikel kunt u dan mits toevoeging van het bewijs van aankoop (kassabon) en met de vermelding, waaruit het gebrek bestaat en wanneer het zich voorgedaan heeft, voor u portovrij aan het u meegeedeelde serviceadres zenden.




Op parkside-diy.com kunt u dit en nog veel andere handboeken inkijken en downloaden.

Met deze QR-code geraakt u direct op parkside-diy.com. Selecteer uw land en zoek via het zoekvenster naar de bedieningshandleidingen.

Door het artikelnummer (bv. IAN 123456_7890) in te voeren, geraakt u tot de bedieningshandleiding voor uw artikel.

IAN: 508094_2507

 Klantenservice België
Telefoon: 080012614

 Klantenservice Nederland
Telefoon: 08000229556

Contactformulier op
parkside-diy.com
Maatschappelijke zetel: Duitsland

Gratulujemy!

Decydując się na ten produkt, otrzymują Państwo towar wysokiej jakości. Należy zapoznać się z produktem przed jego pierwszym użyciem.



Należy uważnie przeczytać następującą instrukcję użytkownika.

Produkt ten należy użytkować wyłącznie w opisany sposób oraz zgodnie ze wskazanym przeznaczeniem. Niniejszą instrukcję użytkownika należy przechowywać w bezpiecznym miejscu. Przekazując produkt innej osobie, należy upewnić się, że otrzyma ona także całą dokumentację dotyczącą produktu.

Zakres dostawy (rys. A)

- 1 x korpus (1, 2)
- 1 x słuchawka prysznicowa (3)
- 1 x pierścień uszczelniający, duży (4)
- 1 x przegub kulowy (5)
- 1 x gwint przyłączeniowy (6)
- 1 x rura łącząca (7)
- 1 x prysznic do stóp (8)
- 1 x adapter przyłącza do węża ogrodowego (9)
- 1 x sitko (10)

- 4 x śruba z kołkiem rozporowym i podkładką (11)
- 4 x śruba do podłogi drewnianej (12)
- 4 x zaślepka (13)
- 1 x pierścień uszczelniający, średni (14)
- 2 x pierścień uszczelniający, mały (15)
- 1 x taśma teflonowa (16)
- 1 x instrukcja użytkownika

Dane techniczne

Pojemność zbiornika na wodę: ok. 18 l

Wymiary:

prysznic:

ok. 11 x 226 cm (Ø x wys.)

podstawy:

ok. 15,5 x 15,5 x 8 cm

(dł. x szer. x wys.)

słuchawka prysznicowa:

Ø 15 cm

System Parkside Click:

pasuje do powszechnie stosowanych systemów węży 13-15 mm (½"-5/8")

Maksymalna temperatura

wody: 60 °C

Maksymalne ciśnienie

robocze: 4 bary



Data produkcji

(miesiąc/rok): 12/2025

Zastosowane symbole



Niniejszy symbol wskazuje na to, że artykuł jest odporny na promieniowanie UV.



Niniejszy symbol wskazuje na to, że artykuł jest odporny na warunki atmosferyczne.



Uwaga, gorąca woda



Beznarzędziowy montaż

Zastosowanie zgodne z przeznaczeniem

Niniejszy artykuł został zaprojektowany jako prysznic kempingowy do użytku prywatnego. Nie jest przeznaczony do przechowywania wody pitnej.



Nie nadaje się jako zbiornik na wodę pitną!

Wskazówki

bezpieczeństwa

Ważne: Należy uważnie przeczytać niniejszą instrukcję użytkowania oraz wskazówki bezpieczeństwa i koniecznie zachować je na później!

⚠ Niebezpieczeństwo dla życia!

- Nigdy nie pozostawiać dzieci z materiałem opakowaniowym bez nadzoru. Istnieje niebezpieczeństwo uduszenia.
- Niebezpieczeństwo dla życia! Aby uniknąć zagrożeń elektrycznych, należy montować artykuł poza zasięgiem urządzeń elektrycznych.

⚠ Niebezpieczeństwo zranienia!

- Ostrożnie! Jeśli podłoga jest mokra, można się poślizgnąć i zranić.
- Nie nadaje się jako zbiornik na wodę pitną.
- Napełniać tylko wodą, żadnymi innymi płynami.
- Woda może się bardzo nagrzać. Żeby uniknąć oparzeń, należy przed użyciem sprawdzić temperaturę wody i w razie potrzeby dolać zimnej wody!
- Artykuł bardzo się nagrzewa w słońcu. Istnieje niebezpieczeństwo poparzenia przy dotknięciu gorących powierzchni.

- Upewnić się, że do otworów słuchawki prysznicowej nie dostaje się piasek, kurz ani inne małe ciała obce.
- Chronić artykuł przed mrozem. Jeśli woda we wnętrzu urządzenia zamarznie i ono pęknie, istnieje niebezpieczeństwo powstania szkód materialnych oraz niebezpieczeństwo zranienia.
- Artykuł nie jest zabawką dla dzieci ani przyrządem do wspinania się.
- Przed każdym użyciem sprawdzić, czy artykuł nie posiada uszkodzeń bądź śladów zużycia. Z artykułu wolno korzystać tylko wtedy, gdy znajduje się w nienagannym stanie!
- Przed przystąpieniem do użytkowania nie kierować silnie podgrzanej lub zastanej wody, która ewentualnie mogła znajdować się w przewodzie doprowadzającym przez dłuższy czas, na osoby, zwierzęta lub rośliny.

Montaż

Postawienie prysznica solarnego

Montaż na podłodze kamiennej/betonowej

1. Postawić korpus (1) na kamiennej lub betonowej podłodze. Ustawić korpus w ten sposób, żeby było wystarczająco dużo miejsca na branie prysznica.
2. Zwrócić uwagę na to, żeby przyłączyce węża ogrodowego (9a) było dostępne.
3. Zaznaczyć na podłożu miejsca, gdzie mają zostać wywiercone otwory. Przy użyciu odpowiedniego wiertła do kamienia (12-mm, nie wchodzi w zakres dostawy) wywiercić w podłożu cztery otwory.

Wskazówka: Zamontować artykuł w dobrze nasłonecznionym miejscu.

- Wskazówka:** Użyć płyty chodnikowej (40 x 40 x 5 cm), jeśli w wybranej lokalizacji nie ma kamiennej lub betonowej podłogi.
4. Zdjąć kołki rozporowe (11a) ze śrub (11) i włożyć kołki do wywierconych otworów.

5. Postawić korpus (1) z podstawą na kołki, położyć podkładki (11b) na otwory i przykręcić korpus (rys. B). Nałożyć następnie zaślepki (13) na śruby.

Montaż na podłodze drewnianej

1. Postawić korpus (1) na odpowiedniej podłodze drewnianej. Ustawić korpus w taki sposób, aby zapewnić wystarczającą ilość miejsca do wzięcia prysznica.

Wskazówka: Podłoga drewniana musi być wykonana z litego drewna i nie może zawierać żadnych pustych przestrzeni (rys. B).

2. Należy zwracać uwagę na to, aby przyłączy węża ogrodowego (8) pozostało osiągalne.
3. Przykręcić korpus za pomocą śrub do drewna (12). Następnie założyć zaślepki (13) na śruby.

Montaż prysznica solarnego

Artykuł należy zmontować w sposób przedstawiony na rys. C-H.

Wskazówka: Owinąć gwinty zewnętrzne przyłączy taśmą teflonową (16). Można zmienić kąt nachylenia przyłączy owijając je kilkakrotnie taśmą teflonową.

Użytkowanie

1. Nałożyć przyłączy węża ogrodowego na adapter przyłączy (9a) (rys. H).
2. Napełnić zbiornik prysznica solarnego za pomocą podłączonego węża ogrodowego. Dodatkowo ustawić dźwignię jednouchwytowej baterii (1d) na prysznicu solarnym na maksymalną temperaturę (czerwony obszar) i całkowicie ją otworzyć.
3. Jak tylko ze słuchawki prysznicowej zacznie lecieć woda, zamknąć dźwignię jednouchwytowej baterii. Prysznic solarny jest wtedy całkowicie napełniony wodą.
4. Sprawdzić artykuł pod kątem nieszczelnych miejsc.

Wskazówka: Przed pierwszym użyciem należy dać słońcu wystarczająco dużo czasu na nagrzanie wody w prysznicu solarnym.

Wskazówka: Czas nagrzewania zależy od początkowej temperatury wody, temperatury zewnętrznej oraz nasłonecznienia.

Ostrzeżenie: Upewnić się, że prysznic solarny nie może się przewrócić. Napełniony wodą prysznic ma ogromną wagę.

5. Aby uniknąć poparzeń, przed każdym użyciem sprawdzić ostrożnie temperaturę wody. Temperaturę można ustawić za pomocą dźwigni jednouchwytowej baterii (1d).
6. Przed każdym użyciem odkręcić kurek węża ogrodowego, aby uzyskać właściwe ciśnienie wody.

Demontaż

Zdemontować prysznic solarny przed pierwszymi przymrozkami. W tym celu należy wykonać poniższe kroki:

1. Zamknąć kurek podłączonego węża ogrodowego.
2. Odłączyć wąż ogrodowy od adaptera przyłącza. Następnie otworzyć dźwignię jednouchwytowej baterii.

3. Wypuścić wodę z prysznica solarnego. W tym celu odkręcić za pomocą odpowiedniego śrubokrętu (nie wchodzi w zakres dostawy) korek spustowy (1c) (rys. H).
4. Artykuł zdemontować w odwrotnej kolejności niż ta przedstawiona na rys. C-H.
5. Ściągnąć zaślepki (13) ze śrub (10/11). Odkręcić śruby u podstawy prysznica solarnego i przykryć wywiercone otwory, aby się nie zabrudziły.

Przechowywanie, czyszczenie

Przed przechowywaniem wypuścić całą wodę i pozostawić artykuł do całkowitego wyschnięcia. Podczas nieużywania należy zawsze przechowywać produkt w suchym i czystym miejscu w temperaturze pokojowej. Przepłukać artykuł wodą lub wodą z łagodnym mydłem. **WAŻNE!** Nie czyścić przy użyciu ostrych środków czyszczących.

Uwagi odnośnie recyklingu



Artykuł i materiały opakowaniowe należy usunąć zgodnie z aktualnie obowiązującymi miejscowymi przepisami. Materiały opakowaniowe (np. worki foliowe) należy przechowywać w miejscu niedostępnym dla dzieci. Szczegółowe informacje na temat sposobów usuwania zużytego artykułu można uzyskać u władz gminnych i miejskich. Artykuł oraz opakowanie należy usunąć w sposób przyjazny dla środowiska.



Kod recyklingu służy do oznaczenia różnych materiałów nadających się do ponownego przetworzenia (recyklingu).

Kod taki składa się z symbolu recyklingu odzwierciedlającego obieg materiałów do ponownego przetworzenia, a także z numeru, który jest oznaczeniem materiału.

Wskazówki dotyczące gwarancji i obsługi serwisowej

Artykuł został wyprodukowany z najwyższą starannością i pod stałą kontrolą. DELTA-SPORT HANDELSKONTOR GmbH przyznaje klientowi końcowemu na niniejszy artykuł trzy lata gwarancji od daty zakupu (okres gwarancyjny) z zastrzeżeniem poniższych postanowień. Gwarancja dotyczy wyłącznie wad materiałowych i wad wykonania. Gwarancja nie obejmuje części, które podlegają normalnemu zużyciu i z tego względu należy je traktować jako części zużywalne (np. baterie) i nie obejmuje części kruchych takich jak przełączniki ani części wykonanych ze szkła.

Wyklucza się roszczenia z tytułu niniejszej gwarancji w przypadku użycia artykułu w sposób niewłaściwy lub sprzeczny z jego przeznaczeniem lub w sposób wykraczający poza przewidziane przeznaczenie lub poza przewidziany zakres użytkowania lub jeśli wytyczne zawarte w instrukcji obsługi nie były przestrzegane, chyba że klient końcowy udowodni istnienie wady materiałowej lub wady wykonania, która nie wynika z podanych wyżej przyczyn. Roszczenia z tytułu gwarancji można zgłaszać wyłącznie w okresie gwarancyjnym za okazaniem oryginalnego dowodu zakupu. Prosimy zatem zachować oryginalny dowód zakupu!

W przypadku jakichkolwiek reklamacji prosimy skontaktować się z nami najpierw za pośrednictwem podanej poniżej infolinii serwisowej lub drogą e-mailową. W przypadku objętym gwarancją artykuł zostanie – według naszego uznania – bezpłatnie naprawiony, wymieniony lub nastąpi zwrot ceny zakupu. Z gwarancji nie wynikają żadne inne prawa.

Niniejsza gwarancja nie ogranicza Państwa ustawowych praw, w szczególności roszczeń gwarancyjnych wobec danego sprzedawcy.

W przypadku wymiany części lub całego artykułu okres gwarancji przedłuża się o trzy lata zgodnie z art. 581 § 1 kodeksu cywilnego. Po upływie czasu gwarancji powstałe naprawy są płatne.

Postępowanie w przypadku roszczeń gwarancyjnych

Aby zapewnić szybkie rozpatrzenie Państwa sprawy, proszę postępować zgodnie z następującymi wskazówkami:

- W przypadku wszystkich zapytań prosimy o przygotowanie paragonu i numeru artykułu (np. IAN 123456_7890) jako dowodu zakupu.
- Numer artykułu można znaleźć na tabliczce znamionowej artykułu, na grawerze na artykule, na stronie tytułowej instrukcji (w lewym dolnym rogu) lub na naklejce z tyłu lub na spodzie artykułu.

- W przypadku nieprawidłowości w funkcjonowaniu lub innych wad należy najpierw skontaktować się telefonicznie z wymienionym poniżej działem serwisu lub skorzystać z naszego formularza kontaktowego, który można znaleźć na stronie parkside-diy.com w kategorii Serwis.
- Artykuł uznany za wadliwy można następnie wysłać bezpłatnie na podany adres serwisowy, załączając dowód zakupu (paragon) oraz określając, na czym polega wada i kiedy wystąpiła.



Na stronie parkside-diy.com można przeglądać i pobrać tę oraz wiele innych instrukcji. Dzięki

temu kodowi QR trafią Państwo bezpośrednio na stronę parkside-diy.com. Proszę wybrać kraj docelowy i za pomocą formularza wyszukiwania szukać instrukcji obsługi. Podając numer artykułu (np.

IAN 123456_7890) zostaną Państwo przekierowani do instrukcji obsługi danego artykułu.


IAN: 508094_2507

Ⓟ Dział obsługi klienta Polska
Telefon: 008004912069

Formularz kontaktowy na stronie parkside-diy.com

Siedziba: Niemcy

Srdečně blahopřejeme!
Svým nákupem jste se rozhodli pro kvalitní výrobek. Před prvním použitím se prosím seznamte s tímto výrobkem.

 **Pozorně si přečtete následující návod k použití.**

Používejte tento výrobek pouze tak, jak je popsáno, a pro uvedené účely. Uchovejte si tento návod k použití pro budoucí použití. Pokud výrobek předáte třetí osobě, předejte jí i veškerou dokumentaci.

Rozsah dodávky (obr. A)

- 1 x korpus (1, 2)
- 1 x sprchová hlavice (3)
- 1 x těsnicí kroužek, velký (4)
- 1 x kulový kloub (5)
- 1 x závit přípoje (6)
- 1 x spojovací trubice (7)
- 1 x sprcha na nohy (8)
- 1 x adaptér přípoje pro zahradní hadici (9)
- 1 x sítko (10)
- 4 x šroub vč. rozpěrné hmoždinky a podložky (11)
- 4 x šroub pro dřevěnou podlahu (12)
- 4 x krycí čepička (13)
- 1 x těsnicí kroužek, střední (14)
- 2 x těsnicí kroužek, malý (15)
- 1 x teflonová páska (16)
- 1 x návod k použití

Technická data

Kapacita nádrže na vodu:
cca 18 l
Rozměry:
sprchy:
cca 11 x 226 cm (Ø x V)
patky stojanu:
cca 15,5 x 15,5 x 8 cm
(D x Š x V)
sprchové hlavice: Ø 15 cm
Systém Parkside Click:
Vhodné pro běžné hadicové systémy o průměru 13-15 mm (½"-5/8")
Max. teplota vody: 60 °C
Maximální provozní tlak: 4 bar

 Datum výroby
(měsíc/rok): 12/2025

Použité symboly



Tento symbol upozorňuje na to, že výrobek je odolný vůči UV záření.



Tento symbol upozorňuje na to, že výrobek je odolný vůči povětrnostním vlivům.



Výstraha: horká voda



Sestavení bez použití náradí

Použití v souladu s určením

Výrobek byl vyvinut jako kempingová sprcha pro privátní použití. Není vhodný pro uchovávání pitné vody.



Není vhodné pro pitnou vodu!

Bezpečnostní pokyny

Důležité: Přečtěte si tento návod k použití a bezpečnostní pokyny pečlivě a bezpodmínečně jej uschovejte!

⚠️ Ohrožení života!

- Nikdy nenechávejte děti bez dohledu s obalovým materiálem. Existuje nebezpečí udušení.
- Ohrožení života! Abyste předešli ohrožení elektrickým proudem, instalujte výrobek mimo dosah elektrických zařízení.

⚠️ Nebezpečí úrazu!

- Opatrně! Pokud je podlaha mokrá, můžete na podlaze uklouznout a zranit se.
- Není vhodné pro pitnou vodu.
- Plňte pouze vodou, žádnými jinými tekutinami.

- Voda může být velmi horká. Před použitím zkontrolujte teplotu vody k vyloučení opaření a eventuálně doplňte studenou vodu!
- Výrobek se na slunci velmi zahřívá. Při dotyku s horkými povrchy hrozí nebezpečí popálení.
- Dávejte pozor, aby se do otvorů sprchové hlavice nedostal písek, prach nebo jiné malé cizí předměty.
- Výrobek chraňte před mrazem. Pokud voda uvnitř zařízení zamrzne a výrobek praskne, hrozí poškození věci a úrazu osob.
- Výrobek není šplhadlo ani hračka!
- Kontrolujte výrobek před každým použitím, zda není poškozen nebo opotřeben. Výrobek smí být používán pouze v bezvadném stavu!
- Před použitím nevypouštějte na osoby, zvířata ani rostliny vodu, která byla silně zahřátá nebo dlouho odstátá a mohla by se případně nacházet v přírodním vedení.

Sestavení

Postavení solární sprchy

Instalace na kamennou/ betonovou podlahu

1. Postavte korpus (1) na kamennou nebo betonovou podlahu. Nasměrujte korpus tak, aby byl dostatek místa pro sprchování.
2. Ujistěte se, že přípojka zahradní hadice (9a) zůstane přístupná.
3. Označte umístění otvorů pro vrtání na podkladu. Pomocí vhodného vrtáku do zdiva (12 mm, není součástí dodávky) vyvrtejte čtyři otvory do podkladu.

Upozornění: Výrobek montujte na místo s dostatkem slunečního světla.

Upozornění: Použijte dlažební desku (40 x 40 x 5 cm), pokud požadované místo nemá kamennou nebo betonovou podlahu.

4. Uvolněte rozpěrné hmoždinky (11a) ze šroubů (11) a vložte je do vyvrtaných otvorů.
5. Nasadte korpus (1) patkou stojanu na hmoždinky, na otvory položte podložky (11b) a korpus pevně přišroubujte (obr. B). Potom nastrčte na šrouby krycí čepičky (13).

Instalace na dřevěnou podlahu

1. Postavte korpus (1) na vhodnou dřevěnou podlahu. Nasměrujte korpus tak, aby byl dostatek místa pro sprchování.

Upozornění: Dřevěná podlaha musí být vyrobena z masivního dřeva a nesmí obsahovat žádné dutiny (obr. B).

2. Ujistěte se, že přípojka zahradní hadice (8) zůstane přístupná.
3. Přišroubujte korpus pomocí šroubů (12) do dřeva. Potom nastrčte na šrouby krycí čepičky (13).

Sestavení solární sprchy

Výrobek sestavujte tak, jak ukazují obr. C– H.

Upozornění: Omotejte vnější závity přípojů teflonovou páskou (16). Úhel sklonu konektorů můžete změnit tak, že je několikrát obalíte teflonovou páskou.

Používání

1. Nasuňte přípoj zahradní hadice na adaptér přípoje (9a) (obr. H).

2. Naplňte nádrž solární sprchy pomocí připojené zahradní hadice. Navíc nastavte rukojeť jednopákové baterie (1d) na solární sprše na maximální teplotu (červená oblast) a zcela ji otevřete.
3. ukojeť jednopákové baterie zavřete, jakmile ze sprchové hlavičky začne vytékat voda. Solární sprcha je pak zcela naplněna vodou.
4. Kontrolujte, zda se na výrobku nevyskytují netěsná místa.

Upozornění: Před prvním použitím solární sprchy musíte slunci dopřát dostatek času na ohřátí vody ve sprše.

Upozornění: Doba ohřevu závisí na počáteční teplotě vody, venkovní teplotě a slunečním záření.

Upozornění: Zajistěte, aby se solární sprcha nemohla překloupat. Solární sprcha naplněná vodou má enormní váhu.

5. Před každým použitím pečlivě zkontrolujte teplotu vody, aby nedošlo k opaření. Teplotu lze regulovat pomocí rukojeti jednopákové baterie (1d).

6. Před každým použitím otevřete kohoutek zahradní hadice, abyste dosáhli správného tlaku vody.

Složení

Solární sprchu demontujte před prvním mrazem. K tomu postupujte takto:

1. Zavřete kohoutek na připojené zahradní hadici.
2. Odpojte zahradní hadici od adaptéru přípoje. Návazně otevřete rukojeť jednopákové baterie.
3. Vypusťte vodu ze solární sprchy. K tomu otevřete vypouštěcí zátku (1c) (obr. H) pomocí vhodného šroubováku (není součástí dodávky).
4. Výrobek demontujte v opačném sledu pořadí, než ukazují obr. C– H.
5. Odstraňte krycí čepičky (13) ze šroubů (10/11). Povolte šrouby na patce solární sprchy a zakryjte vyvrtané otvory, aby se neznečistily.

Uskladnění, čištění

Před uskladněním vodu kompletně vypustíte a výrobek úplně osušíte. Pokud výrobek nepoužíváte, skladujte jej vždy suchý a čistý při pokojové teplotě.

Opláchněte výrobek vodou nebo jemným mýdlovým roztokem.

DŮLEŽITÉ! K čištění nikdy nepoužívejte agresivní čisticí prostředky.

Pokyny k likvidaci



Výrobek a obalové materiály likvidujte podle aktuálních místních předpisů.

Uchovávejte obalové materiály (jako např. fóliové sáčky) nedostupné pro děti.

O možnostech likvidace vysloužilého výrobku se informujte u Vaší obecní nebo městské správy. Výrobek a obaly likvidujte ekologicky.



Recyklační kód slouží ke značení různých materiálů pro proces opětovného zhodnocení (recyklace).

Kód sestává ze symbolu recyklace, který má odrážet proces zhodnocení, a čísla, které označuje materiál.

Pokyny k záruce a průběhu služby

Výrobek byl vyroben s velkou péčí a za stálé kontroly. DELTA-SPORT HANDEL-SKONTOR GmbH poskytuje koncovým privátním zákazníkům na tento výrobek tři roky záruky od data nákupu (záruční lhůta) podle následující ustanovení. Záruka se týká pouze vad materiálu a závad ve zpracování. Záruka se nevztahuje na díly, které podléhají běžnému opotřebení, a proto je třeba je považovat za opotřebitelné díly (např. baterie), ani na křehké díly, jako jsou vypínače nebo díly ze skla.

Nároky z této záruky jsou vyloučeny, pokud výrobek byl používán neodborně nebo nedovoleným způsobem nebo nikoli v rámci stanoveného účelu určení nebo předpokládaného rozsahu používání nebo nebyla dodržena zadání v návodu k obsluze, ledaže by koncový zákazník prokázal, že existuje vada materiálu nebo došlo k chybě ve zpracování, které nevyplynou z některé výše uvedených okolností.

Nároky ze záruky lze uplatnit pouze v rámci záruční lhůty po předložení originálního pokladního dokladu. Proto si prosím uschovejte originál pokladního dokladu. Doba záruky se neprodlužuje případnými opravami na základě záruky, zákonné záruky nebo kulance. Totéž platí také pro vyměněné a opravené díly. Při reklamacích se prosím obraťte na níže uvedenou horkou linku servisu nebo se s námi spojte e-mailem. Pokud se vyskytne případ reklamace, výrobek Vám – dle naší volby – bezplatně opravíme, vyměníme nebo Vám vrátíme kupní cenu. Další práva ze záruky nevznikají. Vaše zákonná práva, zejména nároky na zajištění záruky vůči konkrétnímu prodejci, nejsou touto zárukou omezena.

Zpracování v případě záruční reklamace

Abyste zajistili rychlé zpracování vašeho požadavku, postupujte podle následujících pokynů:

- Pro všechny dotazy mějte k dispozici pokladní doklad a číslo výrobku (např. IAN 123456_7890) jako doklad o nákupu.

- Číslo výrobku naleznete na typovém štítku výrobku, rytině na výrobku, na titulním listu Vašeho návodu (vlevo dole) nebo na nálepce na zadní nebo spodní straně výrobku.
- Pokud se vyskytnou funkční chyby nebo jiné závady, kontaktujte prosím nejprve telefonicky níže uvedené servisní oddělení nebo použijte náš kontaktní formulář, který najdete na parksidediy.com v kategorii Servis.
- Výrobek, který byl zjištěn jako vadný, pak můžete bezplatně zaslat na vám poskytnutou servisní adresu s přiložením nákupního dokladu (pokladního dokladu) a podrobností o tom, o jakou vadu se jedná a kdy k ní došlo.



Tyto a mnoho dalších příruček si můžete prohlédnout a stáhnout na parksidediy.com.

Tento QR kód vás zavede přímo na parksidediy.com.

Vyberte svou zemi a pomocí vyhledávacího formuláře vyhledejte návod k obsluze. Zadáním čísla výrobku (např. IAN 123456_7890) se dostanete k návodu k obsluze vašeho výrobku.

IAN: 508094_2507

🇨🇿 Zákaznický servis Česko

Telefon: 800023611

Kontaktní formulář na
parkside-diy.com

Sídlo: Německo

Blahoželáme!

Svojím nákupom ste sa rozhodli pre kvalitný výrobok. Pred prvým použitím sa s výrobkom dôkladne oboznámte.



Pozorne si prečítajte tento návod na používanie.

Výrobok používajte len uvedeným spôsobom a na uvedený účel. Tento návod na používanie si dobre uschovajte. Pri odovzdávaní výrobku tretej osobe odovzdajte s výrobkom aj všetky podklady.

Obsah balenia (obr. A)

- 1 x teleso (1, 2)
- 1 x sprchovacia hlavica (3)
- 1 x tesniaci krúžok, veľký (4)
- 1 x guľový kĺb (5)
- 1 x prípojková závitnica (6)
- 1 x spojovacia trubka (7)
- 1 x sprcha na nohy (8)
- 1 x adaptér prípojky pre záhradnú hadicu (9)
- 1 x sitko (10)
- 4 x skrutka vrátane rozpieracej hmoždinky a podložky (11)
- 4 x skrutka na drevenú podlahu (12)
- 4 x snímateľný kryt (13)
- 1 x tesniaci krúžok, stredný (14)
- 2 x tesniaci krúžok, malý (15)
- 1 x teflónový pás (16)
- 1 x návod na používanie

Technické údaje

Plniace množstvo nádrží na vodu: cca 18 l

Rozmery:

sprchy:

cca 11 x 226 cm (Ø x V)

podstavec:

cca 15,5 x 15,5 x 8 cm

(D x Š x V)

sprchovej hlavice: Ø 15 cm

Systém Parkside Click:

Vhodný pre bežné hadicové systémy s 13-15 mm (½"-5/8")

Max. teplota vody: 60 °C

Maximálny prevádzkový tlak: 4 bar



Dátum výroby
(mesiac/rok): 12/2025

Použitie symboly



Tento symbol poukazuje na to, že výrobok je odolný voči UV-žiareniu.



Tento symbol poukazuje na to, že výrobok je odolný voči poveternostným vplyvom.



Pozor horúca voda



Montáž bez pomoci nástrojov

Používanie podľa určenia

Tento výrobok je určený ako kempingová sprcha pre súkromné používanie. Nie je vhodný na úschovu pitnej vody.



Nevhodný pre pitnú vodu!

Bezpečnostné pokyny

Dôležité: Tento návod na používanie a bezpečnostné pokyny si pozorne prečítajte a bezpodmienečne ho uschovajte!

⚠ Nebezpečenstvo života!

- Nikdy nenechávajte deti bez dohľadu s obalovým materiálom. Hrozí nebezpečenstvo udusenía.
- Nebezpečenstvo života! Aby ste zabránili elektrickým ohrozeniam, montujte výrobok mimo dosahu elektrických zariadení.

⚠ Nebezpečenstvo poranenia!

- Pozor! Keď je dlážka mokrá, môžete sa na nej pošmyknúť a poraniť sa.
- Nevhodný pre pitnú vodu.
- Plniť len vodou, žiadnymi inými tekutinami.

- Voda môže byť veľmi horúca. Pred použitím skontrolujte teplotu vody, aby ste zabránili popáleninám a v prípade potreby doplňte studenú vodu!
- Výrobok sa na slnku veľmi zohreje. Pri dotyku s horúcimi plochami hrozí nebezpečenstvo popálenia.
- Dávajte pozor na to, aby sa do otvorov sprchovacej hlavice nedostal piesok, prach alebo iné drobné cudzie telesá.
- Výrobok chráňte pred mrazom. Ak vo vnútri prístroja zamrzne voda a prístroj praskne, hrozí nebezpečenstvo vecného poškodenia a nebezpečenstvo poranenia.
- Výrobok nie je hračka pre deti alebo preliezačka.
- Pred každým používaním skontrolujte, či výrobok nie je poškodený alebo opotrebovaný. Výrobok sa smie používať len v bezchybnom stave!
- Pred použitím nenasmerujte silno zohriatu alebo dlho odstátnu vodu, ktorá sa môže nachádzať v prírodnom potrubí, na osoby, zvieratá ani rastliny.

Montáž

Postavenie solárnej sprchy

Montáž na kamennú/

betónovú podlahu

1. Teleso (1) postavte na kamennú alebo betónovú dlážku. Teleso umiestnite tak, aby bol k dispozícii dostatok miesta na sprchovanie.
2. Dávajte pozor na to, aby prípojka na záhradnú hadicu (9a) zostala prístupná.
3. Označte si umiestnenie vrtných otvorov na podklade. Do podkladu vyvrtajte pomocou vhodného vrtáka kameňa (12-mm, nie je súčasťou balenia) štyri diery.

Upozornenie: Výrobok namontujte na stanovišti, na ktorom je veľa slnečného žiarenia.

Upozornenie: Pokiaľ na vybranom stanovišti nie je kamenná alebo betónová dlážka, použite chodníkovú dlaždicu (40 x 40 x 5 cm).

4. Uvoľnite rozpieracie hmoždinky (11a) zo skrutiek (11) a rozpieracie hmoždinky zasunúte do vrtných otvorov.

5. Teleso (1) postavte s podstavcom na hmoždinky, položte podložky (11b) na diery a podstavec pevne zaskrutkujte. Nakoniec nasuňte snímateľné kryty (13) na skrutky.

Montáž na drevenú

podlahu

1. Teleso (1) postavte na vhodnú drevenú podlahu. Teleso umiestnite tak, aby bol k dispozícii dostatok miesta na sprchovanie.

Poznámka: Drevená podlaha musí byť z masívneho dreva a nesmú v nej byť dutiny (obr. B).

2. Dbajte na to, aby prípojka záhradnej hadice (8) zostala na dosah.
3. Teleso pevne priskrutkujte skrutkami na drevo (12). Následne nasuňte odnímateľné kryty (13) na skrutky.

Zloženie solárnej sprchy

Výrobok zložte podľa obr. C–H.

Upozornenie: Vonkajšie závitové prípojky oviňte teflónovým pásom (16). Uhol sklonu prípojok môžete meniť tak, že tieto viackrát omotáte teflónovou páskou.

Používanie

1. Prípojku záhradnej hadice zasunúte na adaptér prípojky (9a) (obr. H).
2. Pomocou pripojenej záhradnej hadice naplníte nádrž solárnej sprchy. Nastavte jednopákovú miešaciu batériu (1d) na solárnej sprche na maximálnu teplotu (červené pásmo) a celkom ju otvorte.
3. Keď začne vytekať voda zo sprchovacej hlavice, jednopákovú miešaciu batériu zatvorte. Vtedy je solárna sprcha úplne naplnená vodou.
4. Skontrolujte výrobok, či nemá netesné miesta.

Upozornenie: Pred prvým uvedením do prevádzky musíte dať slnku dostatok času na to, aby nahrialo vodu v solárnej sprche.

Upozornenie: Doba zohriatia závisí od počiatocnej teploty vody, vonkajšej teploty a slnečného žiarenia.

Upozornenie: Zabezpečte, aby sa solárna sprcha nemohla prevrátiť. Vodou naplnená solárna sprcha má enormnú hmotnosť.

5. Pred každým používaním opatrne skontrolujte teplotu vody, aby ste zabránili obareninám. Teplota sa dá nastaviť pomocou jednopákovkej miešacej batérie (1d).
6. Aby ste dosiahli vhodný tlak vody, otvorte vodovodný kohútik záhradnej hadice pred každým uvedením do prevádzky.

Demontáž

solárnu sprchu demontujte pred prvým mrazom. Postupujte pritom nasledovne:

1. Vodovodný kohútik pripojenej záhradnej hadice zatvorte.
2. Záhradnú hadicu stiahnite z adaptéra prípojky. Nakoniec otvorte jednopákovú miešaciu batériu.
3. Vypustíte vodu zo solárnej sprchy. K tomu pomocou vhodného skrutkovača (nie je súčasťou balenia) otvorte vypúšťaciu skrutku (1c) (obr. H).
4. Výrobok demontujte v opačnom poradí podľa obr. C–H.
5. Odstráňte snímateľné kryty (13) zo skrutiek (10/11). Uvoľníte skrutky na päte solárnej sprchy a vrtné otvory zakryte, aby sa neznečistili.

Skladovanie, čistenie

Vodu pred skladovaním celkom vypustíte a výrobok úplne vysušíte. Pri nepoužívaní skladujte výrobok vždy suchý a čistý pri izbovej teplote.

Výrobok vypláchnite vodou alebo jemnou mydlovou vodou.

DÔLEŽITÉ! Výrobok nikdy nečistite ostrými čistiacimi prostriedkami.

Pokyny k likvidácii



Výrobok a obalový materiál zlikvidujte podľa aktuálnych miestnych predpisov. Obalový materiál (ako napr. fóliové vrecká) uschovajte mimo dosahu detí. Ďalšie informácie o možnostiach likvidácie zastaraného výrobku dostanete na svojej obecnej alebo mestskej správe. Výrobok a obal zlikvidujte ekologicky.



Recyklačný kód slúži na označenie rôznych materiálov za účelom vrátenia do kolobehu opätovného používania (recyklácia). Kód pozostáva z recyklačného symbolu pre zobrazenie kolobehu opätovného používania a čísla, ktoré označuje materiál.

Pokyny k záruke a priebehu servisu

Výrobok bol vyrobený veľmi starostlivo a pod stálou kontrolou. Na tento výrobok poskytuje DELTA-SPORT HANDELSKONTOR GmbH súkromným koncovým užívateľom trojročnú záruku odo dňa kúpy (záručná lehota) po splnení nasledovných podmienok. Záruka platí len na chyby materiálu a spracovania. Záruka sa nevzťahuje na diely, ktoré podliehajú bežnému opotrebovaniu a preto sa považujú za diely podliehajúce opotrebovaniu (napr. batérie) alebo krehké diely, ako sú spínače alebo diely vyrobené zo skla.

Nároky z tejto záruky zanikajú, keď sa výrobok používal neodborne alebo nesprávne, mimo určenia na používanie alebo určeného rozsahu používania alebo neboli dodržané pokyny návodu na obsluhu, s výnimkou, že koncový užívateľ preukáže, že ide o chybu materiálu alebo spracovania, ktorá nebola spôsobená niektorou z hore uvedených okolností.

Záruku je možné uplatniť len počas záručnej lehoty po predložení originálu pokladničného dokladu.

Originál pokladničného dokladu preto prosím uschovajte. Záručná doba sa kvôli prípadným záručným opravám, zákonnej záruke alebo ako obchodné gesto nepredlžuje. Platí to aj pre vymenené a opravené diely. Pri reklamáciách sa prosím najskôr obráťte na dole uvedenú Service-Hotline alebo sa s nami spojte prostredníctvom e-mailu. Ak sa jedná o záručný prípad, výrobok – podľa našej voľby – bezplatne opravíme, vymeníme alebo vrátime kúpnu cenu. Ďalšie práva zo záruky nevyplývajú. Vaše zákonné práva, hlavne nároky na záručné plnenie voči príslušnému predajcovi, nie sú touto zárukou obmedzené.

Priebeh v prípade záruky

Pre rýchle spracovanie Vašej žiadosti, postupujte prosím podľa nasledovných pokynov:

- Pre všetky otázky majte prosím pripravený pokladničný lístok a číslo výrobku (napr. IAN 123456_7890) ako doklad o kúpe.
- Číslo výrobku nájdete prosím na typovom štítku na výrobku, na gravírovaní na výrobku, na titulnej strane návodu (dole vľavo) alebo na etikete na zadnej alebo spodnej strane výrobku.

- Ak by vznikli funkčné poruchy alebo iné nedostatky, skontaktujte najskôr telefonicky servisné oddelenie, ktoré je v ďalšom uvedené, alebo využite náš kontaktný formulár, ktorý nájdete na stránke parkside-diy.com v kategórii Servis.
- Výrobok zistený ako poškodený potom môžete poslať bez poplatkov na adresu servisu, ktorá Vám bola oznámená. Priložte doklad o kúpe (pokladničný lístok) a informáciu, o aký nedostatok ide.



Na stránke parkside-diy.com si môžete pozrieť a uložiť túto príručku ako aj mnohé

ďalšie. Pomocou tohto QR-kódu sa dostanete priamo na parkside-diy.com. Vyberte si svoju krajinu a cez vyhľadávaciu masku vyhľadajte návody na obsluhu. Zadaním čísla výrobku (napr. IAN 123456_7890) sa dostanete k návodu na obsluhu pre svoj výrobok.

IAN: 508094_2507

ⓈK Zákaznícky servis Slovensko

Telefón: 0800003409

Kontaktný formulár na parksi-
de-diy.com

Sídlo: Nemecko

¡Enhorabuena!

Con su compra se ha decidido por un artículo de gran calidad. Familiarícese con el artículo antes de usarlo por primera vez.



Para ello, lea detenidamente las siguientes instrucciones de uso.

Use el artículo solo de la forma descrita y para los campos de aplicación indicados. Conserve estas instrucciones de uso a buen recaudo. Entregue todos los documentos en caso de traspasar el artículo a terceros.

Contenido de suministro (fig. A)

- 1 cuerpo (1, 2)
- 1 cabezal de ducha (3)
- 1 anillo de obturación, grande (4)
- 1 articulación esférica (5)
- 1 rosca de empalme (6)
- 1 tubo de conexión (7)
- 1 grifo para pies (8)
- 1 adaptador de conexión para manguera de riego (9)
- 1 filtro (10)
- 4 tornillo incl. taco de expansión y arandela (11)
- 4 tornillo para suelo de madera (12)
- 4 caperuza (13)

- 1 anillo de obturación, mediano (14)
- 2 anillo de obturación, pequeño (15)
- 1 cinta de teflón (16)
- 1 instrucciones de uso

Datos técnicos

Capacidad del depósito de agua: aprox. 18 l

Dimensiones:

ducha:

aprox. 11 x 226 cm (Ø x A)

pie: aprox. 15,5 x 15,5 x 8 cm (L x F x A)

cabezal de ducha: Ø 15 cm

Sistema de clic Parkside:

apto para sistemas de mangueras convencionales de 13-15 mm (1/2" - 5/8")

Temperatura máx. del agua: 60 °C

Presión de servicio máxima: 4 bar



Fecha de fabricación (mes/año): 12/2025

Símbolos empleados



Este símbolo indica que este producto es resistente a los rayos ultravioleta.



Este símbolo indica que este producto es resistente a la intemperie.



Cuidado, agua caliente



Montaje sin
herramientas

Uso conforme al fin previsto

Este artículo ha sido diseñado como ducha para camping y es de uso privado. No es apto para almacenar agua potable.



¡No apto para agua
potable!

Indicaciones de seguridad

Importante: ¡Lea estas instrucciones de uso y las indicaciones de seguridad atentamente y guárdelas bien!

¡Peligro de muerte!

- No deje a los niños en ningún momento sin vigilancia con el material de embalaje. Existe peligro de asfixia.
- ¡Peligro de muerte! Monte el artículo fuera del alcance de instalaciones eléctricas para evitar los peligros derivados de la electricidad.

¡Peligro de lesiones!

- ¡Cuidado! Si el suelo está mojado, podría resbalarse y lastimarse.
- No apto para agua potable.
- Llenar sólo con agua, no introducir otros líquidos.
- El agua puede ponerse muy caliente. ¡Comprobar la temperatura del agua antes de su uso para prevenir lesiones y añadir agua fría si es necesario!
- El artículo se calienta mucho en el sol. Existe peligro de quemaduras si se tocan las superficies calientes.
- Tenga cuidado e que en las aberturas de la alcachofa de ducha no se introduzcan arena, polvo ni objetos extraños de pequeño tamaño.
- Proteja el artículo de las heladas. Si el agua del interior del aparato se congelara y este reventara, existe peligro de daños materiales y lesiones.
- El artículo no es un juguete infantil ni una estructura para trepar.

- Compruebe si el artículo presenta daños o signos de desgaste antes de cada uso. ¡El artículo debe utilizarse únicamente si se encuentra en perfectas condiciones!
- Antes del uso, no dirija hacia personas, animales o plantas el agua calentada a altas temperaturas o estancada de forma prolongada que se pudiera encontrar en la manguera.

Montaje

Colocación de la ducha solar

Montaje sobre suelo de piedra u hormigón

1. Coloque el cuerpo (1) sobre un suelo de piedra u hormigón. Ponga el cuerpo de forma que haya suficiente espacio para ducharse.
2. Tenga cuidado de que la conexión de la manguera de riego (9a) permanezca accesible.
3. Marque la colocación de los taladros en la base. Taladre los cuatro orificios en la base empleando una broca para piedra adecuada (12 mm, no incluida en el contenido de suministro).

Nota: monte el artículo en un lugar con mucha radiación solar.

Nota: emplee una losa (40 x 40 x 5 cm), si el suelo del lugar elegido no es de piedra u hormigón.

4. Suelte los tacos de expansión (11a) de los tornillos (11) e introduzca los tacos de expansión en los taladros.
5. Ponga el cuerpo (1) con el pie sobre los tacos, coloque las arandelas (11b) en los orificios y atornille firmemente (fig. B). A continuación, introduzca las caperuzas (13) sobre los tornillos.

Montaje sobre suelo de madera

1. Coloque el cuerpo (1) sobre un suelo de madera adecuado. Ponga el cuerpo de forma que haya suficiente espacio para ducharse.

Nota: el suelo de madera debe ser de madera maciza y no debe presentar cavidades (fig. B).

2. Tenga cuidado de que la conexión de la manguera de riego (8) permanezca accesible.

3. Atornille el cuerpo con los tornillos para madera (12). A continuación, introduzca las caperuzas (13) sobre los tornillos.

Montaje de la ducha solar

Monte el artículo como se muestra en las fig. C–H.

Nota: envuelva la rosca exterior de las conexiones con la cinta de teflón (16). El ángulo de inclinación de las conexiones puede modificarse envolviéndolo varias veces con la cinta de teflón.

Uso

1. Introduzca la conexión de la manguera de riego en el adaptador de conexión (9a) (fig. H).
2. Llene el depósito de la ducha solar empleando la manguera de riego conectada. Ajuste también el grifo monomando (1d) de la ducha solar a la temperatura máxima (zona roja) y ábralo completamente.
3. Cierre el grifo monomando en cuanto empiece a salir agua del cabezal de la ducha. La ducha solar se ha llenado por completo de agua.
4. Compruebe si el artículo presenta fugas.

Nota: antes de la primera puesta en servicio, deberá dar al sol tiempo suficiente para calentar el agua de la ducha solar.

Nota: el tiempo de calentamiento depende de la temperatura inicial del agua, la temperatura exterior y la radiación solar.

Advertencia: asegúrese de que la ducha solar no pueda caerse. Una ducha solar llena de agua pesa mucho.

5. Compruebe antes de cada uso con cuidado la temperatura del agua para evitar escaldarse. La temperatura puede regularse empleando el grifo monomando (1d).
6. Abra el grifo de la manguera de riego girándolo antes de cada puesta en servicio para obtener una presión de agua adecuada.

Desmontaje

Desmante la ducha solar antes de las primeras heladas. Para ello, proceda como sigue:

1. Cierre el grifo de la manguera de riego conectada.
2. Extraiga la manguera de riego del adaptador de conexión. Abra el grifo monomando a continuación.

3. Deje salir agua de la ducha solar. Para ello, abra el tapón de drenaje (1c) empleando un destornillador adecuado (no incluido en el contenido de suministro) (fig. H).
4. Desmonte el artículo en el orden inverso al que se muestra en las fig. C–H.
5. Retire las caperuzas (13) de los tornillos (10/11). Afloje los tornillos del pie de la ducha solar y cubra los taladros para que no entre suciedad.

Almacenamiento, limpieza

Vacíe el agua por completo y deje secar el artículo completamente antes de guardarlo. Si no va a utilizarlo, almacene siempre el artículo seco y limpio a temperatura ambiente. Enjuague el artículo con agua o agua jabonosa suave. ¡IMPORTANTE! No lo limpie con productos de limpieza agresivos.

Indicaciones para la eliminación



Elimine el artículo y los materiales de embalaje conforme a la correspondiente normativa local vigente.

Guarde el material de embalaje (como, p. ej., las bolsas de plástico) fuera del alcance de los niños.

En su administración local o municipal podrá obtener más información sobre la eliminación del artículo usado. Elimine el artículo y el embalaje de forma respetuosa con el medio ambiente.



El código de reciclaje se emplea para señalar los diferentes materiales para su retorno al ciclo de reciclaje. El código se compone de un símbolo de reciclaje para el ciclo de aprovechamiento y un número que señala el material.

Indicaciones relativas a la garantía y la gestión de servicios

El artículo ha sido fabricado con gran esmero y sometido a controles constantes. Para el mismo, DELTA-SPORT HANDELSKONTOR GmbH ofrece a los clientes finales particulares una garantía de tres años a contar desde la fecha de compra (periodo de garantía) con arreglo a las condiciones que se exponen a continuación.

La garantía tiene validez únicamente para fallos del material y fabricación. La garantía no cubre las piezas sometidas a un desgaste normal y se consideren por ello piezas de desgaste (p. ej., pilas) así como tampoco a piezas frágiles como interruptores o piezas fabricadas en vidrio o cristal.

Se excluyen derechos derivados de esta garantía, si se ha realizado un uso incorrecto o abusivo del artículo o que no se encuentre dentro del marco del uso o ámbito de uso previstos o si no se ha observado lo recogido en el manual de instrucciones, a no ser que el cliente final demuestre que existen fallos del material o fabricación no derivados de una de las circunstancias expuestas anteriormente.

Las demandas derivadas de la garantía sólo podrán presentarse dentro del periodo de garantía exhibiendo el comprobante de compra original. Le rogamos, por ello, que conserve el comprobante de compra original.

El periodo de garantía no se verá prolongado por ningún tipo de reparación realizada con motivo de la garantía, la garantía legal o como gesto de buena voluntad.

Esto se aplica también a las piezas sustituidas o reparadas.

Por favor, dirija sus quejas primero a la línea telefónica del servicio de atención al cliente que se indica a continuación o póngase en contacto con nosotros por correo electrónico. Si el caso está cubierto por la garantía, a nuestra elección, repararemos o cambiaremos gratuitamente el artículo o le restituiremos el precio de compra del mismo. De la garantía no se derivan otros derechos. Esta garantía no limitará sus derechos legales, especialmente los derechos de garantía frente al vendedor correspondiente.

Tramitación en caso de garantía

Para garantizar una rápida tramitación de su petición, le rogamos que siga las indicaciones siguientes:

- Durante todas las consultas tenga preparados el ticket de compra y el número del artículo (p. ej., IAN 123456_7890) como prueba de la compra.
- Encontrará el número del artículo en la placa de características del artículo, un grabado en el artículo, la portada de las instrucciones (parte inferior izquierda) o en la pegatina de la parte trasera o inferior del artículo.
- Si aparecieran fallos de funcionamiento u otras deficiencias, póngase en contacto primero con el departamento de servicio mencionado a continuación por teléfono o utilice nuestro formulario de contacto, podrá encontrarlo en la categoría Servicio de parkside-diy.com.

- A continuación podrá enviar un artículo reconocido como defectuoso, adjuntado el comprobante de compra (ticket de compra) e indicando el tipo de defecto y cuándo apareció, exento de franqueo a la dirección de servicio comunicada.



En parkside-diy.com podrá consultar y descargarse este y muchos otros manuales de instruccio-

nes. Con este código QR accederá directamente a parkside-diy.com. Seleccione su país y busque las instrucciones de manejo empleando el buscador. Indicando el número de artículo (p. ej., IAN 123456_7890) accederá a las instrucciones de manejo de su artículo.

IAN: 508094_2507

☎ Servicio de atención al cliente en España

Teléfono: 900994940

Formulario de contacto en parkside-diy.com

Sede: Alemania

Hjertelig tillykke!

Du har valgt at købe et kvalitetsprodukt. Lær produktet at kende, inden du bruger det første gang.



Det gør du ved at læse nedenstående brugervejledning omhyggeligt.

Brug kun produktet som beskrevet og til de angivne anvendelsesområder. Opbevar denne brugervejledning et sikkert sted. Udlever også alle dokumenter, hvis produktet videregives til en tredjepart.

Leveringsomfang (afb. A)

- 1 x beholder (1, 2)
- 1 x brusehoved (3)
- 1 x pakningsring, stor (4)
- 1 x kugleled (5)
- 1 x tilslutningsgevind (6)
- 1 x forbindelsesrør (7)
- 1 x fodbruser (8)
- 1 x tilslutningsadapter til haveslange (9)
- 1 x si (10)
- 4 x skrue inkl. ekspansionsdyvel og spændeskive (11)
- 4 x skrue til trægulv (12)
- 4 x afdækningshætte (13)
- 1 x pakningsring, mellem (14)
- 2 x pakningsring, lille (15)
- 1 x teflonbånd (16)
- 1 x brugervejledning

Tekniske data

Påfyldningsmængde,
vandtank: ca. 18 l

Mål:

bruser: ca. 11 x 226 cm (Ø x H)
ståfod:

ca. 15,5 x 15,5 x 8 cm
(L x B x H)

brusehoved: Ø 15 cm

Parkside Click System: Pas-
sende til almindelige slangesys-
temer med 13-15 mm (1/2"-5/8")

Maks. vandtemperatur: 60 °C

Maksimalt driftstryk: 4 bar



Fremstillingsdato

(måned/år): 12/2025

Anvendte symboler



Dette symbol henviser til, at produktet er UV-modstandsdygtigt.



Dette symbol henviser til, at produktet er vejrbestandigt.



Forsigtig, varmt vand



Opsætning uden værktøj

Tilsigtet brug

Denne artikel er udviklet som campingbruser til privat brug. Den er ikke egnet til opbevaring af drikkevand.



Ikke egnet til drikkevand!

Sikkerhedsoplysninger

Vigtigt: Læs denne brugervejledning og sikkerhedsoplysningerne omhyggeligt og sørg for at gemme dem!

⚠ Livsfare!

- Lad aldrig børn være uden opsyn med emballagematerialet. Der er kvælningssfare.
- Livsfare! For at undgå elektriske farer skal artiklen monteres uden for rækkevidde af elektrisk udstyr.

⚠ Fare for skader!

- Forsigtig! Hvis gulvet er vådt, kan man glide på det og komme til skade.
- Ikke egnet til drikkevand.
- Fyldes kun med vand, ingen andre væsker.
- Vandet kan blive meget varmt. Kontrollér vandtemperaturen før brug, og fyld eventuelt efter med koldt vand for at undgå forbrændinger!

- Artiklen bliver meget varm i solen. Der er fare for forbrændinger, hvis man berører varme overflader.
- Sørg for, at der ikke kommer sand, støv eller andre, små fremmedlegemer ind i brusehovedets åbninger.
- Artiklen skal beskyttes mod frost. Hvis vand fryser inde i artiklen, og den brister, er der risiko for materiel skade og personskade.
- Artiklen er ikke børnelegetøj eller klatrestativ.
- Kontrollér artiklen for skader eller slitage før hver brug. Artiklen må kun bruges i fejlfri tilstand!
- Før brug må stærkt opvarmet vand eller vand, som har stået længe, og som måtte befinde sig i tilførslen, ikke rettes mod mennesker, dyr eller planter.

Montering

Opstilling af solbruseren

Montering på sten-/betongulv

1. Stil beholderen (1) på sten- eller betongulv. Tilpas beholderen sådan ind, at der er plads nok til at bruge sig.

2. Sørg for, at tilslutningen til haveslangen (9a) bliver ved med at være tilgængelig.
3. Markér placeringen af borehullerne på underlaget. Brug et egnet stenbor (12 mm, ikke indeholdt i leveringsomfanget) til at bore de fire huller i underlaget.

Bemærk: Montér artiklen på et opstillingssted med masser af sollys.

Bemærk: Brug en fortovsflise (40 x 40 x 5 cm), hvis der ikke er sten- eller betongulv på det ønskede opstillingssted.

4. Løsn ekspansionsdyvlerne (11a) fra skruerne (11), og indsæt ekspansionsdyvlerne i borehullerne.
5. Stil beholderen (1) med ståfoden på dyvlerne, læg spændeskiverne (11b) på hullerne og skru den fast (af. B). Sæt derefter afdækningshætterne (13) på skruerne.

Montering på trægulv

1. Opstil beholderen (1) på et egnet trægulv. Tilpas beholderen sådan, at der er plads nok til at bruse sig.

Bemærk: Trægulvet skal være lavet af massivt træ og må ikke indeholde hulrum (afb. B).

2. Sørg for, at tilslutningen til haveslangen (8) bliver ved med at være tilgængelig.
3. Skru beholderen fast med træskruerne (12). Sæt derefter afdækningshætterne (13) på skruerne.

Solbruseren sættes sammen

Sæt artiklen sammen som vist i afb. C-H.

Bemærk: Vikl teflonbånd (16) om ydergevindene på tilslutningerne. Tilslutningernes hældningsvinkel kan ændres ved at vikle teflonbånd om disse flere gange.

Anvendelse

1. Sæt haveslangens tilslutning i tilslutningsadapteren (1c) (afb. H).
2. Fyld solbruserens tank med en tilsluttet haveslange. Derudover indstilles blande håndtaget med enkeltgreb (1e) på solbruseren til maksimal temperatur (rødt område) og åbnes helt.
3. Luk blande håndtaget med enkeltgreb, så snart der kommer vand ud af brusehovedet. Så er solbruseren helt fyldt med vand.
4. Kontrollér artiklen for eventuelt utætte steder.

Bemærk: Før første ibrugtagning skal solen have tid nok til at varme vandet op i solbruseren.

Bemærk: Opvarmningstiden afhænger af vandtemperaturen i starten, udetemperaturen og solstrålingen.

Advarsel: Sørg for, at solbruseren ikke kan vælte. En solbruser fyldt med vand vejer enormt meget.

5. Kontrollér forsigtigt vandtemperaturen før hver brug for at undgå skoldning. Temperaturen kan indstilles ved hjælp af blandedhåndtaget med enkeltgreb (1e).

6. Drej op for hanen på haveslangen før hver ibrugtagning for at opnå et passende vandtryk.

Nedtagning

Tag solbruseren ned før den første frost. Gå da frem som følger:

1. Luk for hanen på den tilsluttede haveslange.
2. Træk haveslangen af tilslutningsadapteren. Åbn derefter blandedhåndtaget med enkeltgreb.

3. Tøm vandet af solbruseren. For at gøre dette skal der åbnes for afløbsskruen (1d) (afb. H) ved hjælp af en passende skruetrækker (ikke indeholdt i leveringsomfanget).

4. Demontér artiklen i omvendt rækkefølge som vist i afb. C-H.

5. Fjern afdækningshætterne (13) fra skruerne (11). Løsn skruerne ved foden af solbruseren og dæk hullerne, så de ikke bliver snavsede.

Opbevaring, rengøring

Tøm før opbevaring vandet helt af og lad artiklen tørre helt. Opbevar altid artiklen tør og ren ved stuetemperatur, når den ikke er i brug. Skyl artiklen med vand eller mildt sæbevand.

VIGTIGT! Må aldrig rengøres med skræppe rengøringsmidler.

Henvisninger vedr. bortskaffelse



Bortskaf artiklen og emballagematerialerne i henhold til aktuelle, lokale forskrifter. Opbevar emballagematerialer (som f.eks. folieposer) utilgængeligt for børn.

Yderligere informationer om bortskaffelse af den udtjente artikel kan indhentes hos kommunen. Bortskaf artiklen og emballagen på en miljøvenlig måde.



Genbrugskoden tjener til identifikation af forskellige materialer med hensyn til tilbageførsel til genanvendelses kredsløbet (recycling). Koden består af et genbrugssymbol, som afspejler genanvendelses kredsløbet, og et tal, der identificerer materialet.

Oplysninger om garanti og servicehåndtering

Varen er fremstillet med største omhu og under løbende kontrol. DELTA-SPORT HANDELSKONTOR GmbH yder private slutkunder tre års garanti på varen fra købsdato (Garantifrist) i henhold til følgende bestemmelser. Garantien gælder kun for materiale- og fremstillingsfejl. Garantien dækker ikke dele, der udsættes for normal slitage og derfor må betragtes som sliddele (f.eks. batterier) eller skrøbelige dele såsom afbrydere eller dele, der er fremstillet af glas. Garantien kan ikke gøres gældende, hvis varen er blevet an-

vendt ukorrekt eller uagtsomt eller til andre formål end det tilsigtede eller i det tilsigtede omfang. Garantien bortfalder ligeledes ved manglende overholdelse af anvisningerne i betjeningsvejledningen. Kunden skal kunne påvise, at der er tale om materiale- eller fremstillingsfejl og ikke fejl som følge af ovenstående omstændigheder. Garantien kan kun gøres gældende i garantiperioden mod fremvisning af original kvittering. Gem derfor den originale kvittering. Garantiperioden forlænges ikke i tilfælde af reparation i henhold til garantien, den lovpligtige garanti eller pr. kulance. Dette gælder også for udskiftede og reparerede dele. I tilfælde af klager er det muligt at kontakte nedenstående servicelinje eller kontakte os pr. e-mail. Ved garantisager vil vi efter eget skøn reparere varen uden beregning, ombytte varen eller refundere købsprisen. Der er ingen yderligere rettigheder under garantien. Dine lovmæssige rettigheder, herunder navnlig garantikrav over for sælger, indskrænkes ikke som følge af denne garanti.

Afvikling i tilfælde af garantikrav

For at sikre en hurtig bearbejdning af Deres anliggende, følg venligst følgende anvisninger:

- Hav venligst kassebon og artikelnummer (f.eks. IAN 123456_7890) klar som købsbevis ved alle forespørgsler.
- Artikelnummeret kan findes på typeskiltet på artiklen, en gravering på artiklen, titelbladet i vejledningen (nederst til venstre) eller klistermærket på artiklens bagside eller underside.
- Skulle der opstår funktionsfejl eller andre mangler, kontakt i første omgang nedenfor nævnte serviceafdeling telefonisk eller brug vores kontaktformular, som kan findes på parkside-diy.com i kategorien Service.
- En artikel, der er registreret som defekt, kan sendes portofrit til den meddelte serviceadresse med vedlagt købsbevis (kassebonen) og med oplysning om, hvad manglen består i, og hvornår den opstod.



På parkside-diy.com kan denne og mange andre håndbøger ses og downloades. Med

denne QR-kode når man direkte til parkside-diy.com. Vælg land, og søg med søgeformularen efter betjeningsvejledningerne. Ved at indtaste artikelnummeret (f.eks. IAN 123456_7890) når man til betjeningsvejledningen til din artikel.

IAN: 508094_2507

Ⓝ Kundeservice, Danmark

Telefon: 80254583

Kontaktformular på
parkside-diy.com

Sæde: Tyskland

Congratulazioni!
Avete acquistato un articolo di alta qualità. Consigliamo di familiarizzare con l'articolo prima di cominciare ad utilizzarlo.



Leggere attentamente le seguenti istruzioni d'uso.

Utilizzare l'articolo solo nel modo descritto e per gli ambiti di applicazione indicati. Conservare accuratamente queste istruzioni d'uso. In caso di trasferimento dell'articolo a terzi, consegnare tutti i documenti insieme all'articolo.

Contenuto della confezione (imm. A)

- 1 x corpo (1, 2)
- 1 x soffione della doccia (3)
- 1 x guarnizione ad anello, grande (4)
- 1 x snodo a sfera (5)
- 1 x filettatura di raccordo (6)
- 1 x tubo di collegamento (7)
- 1 x doccia per i piedi (8)
- 1 x raccordo di collegamento per tubo di irrigazione da giardino (9)
- 1 x filtro (10)
- 4 x vite incl. tassello a espansione e rondella (11)
- 4 x vite per fondo in legno (12)
- 4 x calotta di copertura (13)

- 1 x guarnizione ad anello, media (14)
- 2 x guarnizione ad anello, piccola (15)
- 1 x nastro al teflon (16)
- 1 x istruzioni d'uso

Dati tecnici

Capacità serbatoio dell'acqua: circa 18 l

Dimensioni:

doccia:

circa 11 x 226 cm (Ø x A)

base:

circa 15,5 x 15,5 x 8 cm
(L x L x A)

soffione: Ø 15 cm

Sistema a click Parkside:
adatto ai comuni sistemi di tubi da irrigazione da 13-15 mm (1/2" - 5/8")

Temperatura max. dell'acqua: 60 °C

Pressione massima di impiego: 4 bar



Data di produzione
(mese/anno): 12/2025

Simboli utilizzati



Questo simbolo indica che il prodotto è resistente ai raggi UV.



Questo simbolo indica che il prodotto è resistente agli agenti atmosferici.



Prudenza: acqua calda



Assemblaggio senza
attrezzi

Utilizzo conforme

Questo articolo è stato sviluppato in qualità di doccia da campeggio per l'utilizzo privato. L'articolo non è adatto a conservare acqua potabile.



Non adatto all'acqua potabile!

Indicazioni di sicurezza

Importante: Leggere attentamente queste istruzioni d'uso e le avvertenze di sicurezza che sono assolutamente da conservare!

⚠ Pericolo di morte!

- Non lasciare mai i bambini incustoditi con il materiale di imballaggio. Rischio di soffocamento.
- Pericolo di morte! Per evitare rischi elettrici, montare l'articolo fuori dalla portata di dispositivi elettrici.

⚠ Pericolo di ferirsi!

- Prudenza! Quando il fondo è bagnato si può scivolare e ferirsi.

- Non adatto all'acqua potabile.
- Riempire solo con acqua e con nessun altro liquido.
- L'acqua può riscaldarsi molto. Verificare la temperatura dell'acqua prima dell'utilizzo al fine di evitare di bruciarsi, ed eventualmente aggiungere dell'acqua fredda!
- L'articolo si riscalda molto al sole. Sussiste il pericolo di subire bruciate se si toccano le superfici molto calde.
- Assicurarsi che la sabbia o gli altri piccoli corpi estranei non entrino nelle aperture del soffione della doccia.
- Proteggere l'articolo dal gelo. Se dell'acqua dovesse congelare all'interno del dispositivo ed esso dovesse scoppiare, sussiste il pericolo di subire danni materiali e lesioni personali.
- L'articolo non è un giocattolo per bambini né un'attrezzatura per arrampicarsi.
- Prima di ogni utilizzo verificare che l'articolo non presenti danni o segni di usura. L'articolo può essere utilizzato solo se in perfetto stato!

- Prima dell'uso, non dirigere su persone, animali o piante acqua particolarmente surriscaldata o stagnante da tempo che potrebbe trovarsi all'interno del tubo.

Montaggio

Fissare la doccia solare

Montaggio su fondo in pietra/cemento

1. Collocare il corpo (1) su un fondo in pietra o in cemento. Orientare il corpo in modo che sia disponibile spazio sufficiente per fare la doccia.
2. Assicurarsi che il raccordo del tubo per irrigazione da giardino (9a) rimanga raggiungibile.
3. Segnare sul fondo i punti in cui praticare i fori. Utilizzare un'adeguata punta da trapano per pietre (12 mm, non compresa nella confezione) per praticare i quattro fori sul fondo.

Indicazione: Montare l'articolo in un luogo con molta radiazione solare.

Indicazione: utilizzare una piastra per vialetti (40 x 40 x 5 cm) se sul luogo di installazione desiderato non dovesse essere presente un fondo in pietra o in cemento.

4. Staccare i tasselli ad espansione (11a) dalle viti (11) e inserire i tasselli nei fori praticati.
5. Collocare il corpo (1) con la base sui tasselli, mettere le rondelle (11b) sui fori e avvitare il corpo (imm. B). Mettere quindi le calotte di copertura (13) sulle viti.

Montaggio su fondo in legno

1. Collocare il corpo (1) su un fondo in legno adeguato. Orientare il corpo in modo che sia disponibile spazio sufficiente per fare la doccia.

Indicazione: il fondo in legno deve essere di legno massiccio e non deve avere cavità (imm. B).

2. Assicurarsi che il raccordo del tubo di irrigazione da giardino (8) rimanga raggiungibile.
3. Avvitare il corpo con le viti per legno (12). Mettere quindi le calotte di copertura (13) sulle viti.

Assemblare la doccia solare

Montare l'articolo come indicato nelle imm. C-H.

Indicazione: avvolgere le filettature esterne dei raccordi con il nastro al teflon (16).

È possibile modificare l'angolo di inclinazione dei collegamenti avvolgendoli più volte con nastro in Teflon.

Utilizzo

1. Inserire il raccordo del tubo di irrigazione per giardino nell'adattatore del raccordo (9a) (imm. H).
2. Riempire il serbatoio della doccia solare tramite un tubo di irrigazione per giardino collegato. Regolare inoltre il miscelatore a leva unica (1d) della doccia solare alla temperatura massima (zona rossa) e aprirlo completamente.
3. Chiudere il miscelatore a leva unica non appena dell'acqua esce dal soffione della doccia. La doccia solare è ora completamente piena d'acqua.
4. Verificare se l'articolo presenti dei possibili punti non ermetici.

Indicazione: prima di mettere in funzione l'articolo per la prima volta, è necessario concedere tempo sufficiente al sole, in modo che l'acqua si riscaldi nella doccia solare.

Indicazione: la durata di riscaldamento dipende dalla temperatura iniziale dell'acqua, dalla temperatura esterna e dalla radiazione solare.

Avvertenza: assicurarsi che la doccia solare non possa ribaltarsi. Una doccia solare piena d'acqua ha un peso enorme.

5. Prima di ciascun utilizzo verificare con cautela la temperatura dell'acqua al fine di evitare bruciate. È possibile regolare la temperatura con l'ausilio del miscelatore a leva unica (1d).
6. Prima di ciascuna messa in funzione, aprire il rubinetto del tubo di irrigazione per giardino per avere un'adeguata pressione dell'acqua.

Smontaggio

Smontare la doccia solare prima che arrivino le prime gelate. Procedere come segue:

1. Chiudere il rubinetto del tubo di irrigazione per giardino collegato.
2. Staccare il tubo di irrigazione per giardino dal raccordo di collegamento. Aprire quindi il miscelatore a leva unica.

3. Fare fuoriuscire l'acqua dalla doccia solare. Con l'ausilio di un adeguato cacciavite (non compreso nella confezione), allentare la vite di deflusso (1c) (imm. H).
4. Smontare l'articolo procedendo nella successione inversa rispetto a quanto indicato nelle imm. C-H.
5. Staccare le calotte di copertura (13) dalle viti (10/11). Allentare le viti alla base della doccia solare, toglierle e coprire i fori in modo che non possano sporcarsi.

Conservazione, pulizia

Prima di mettere via l'articolo, fare fuoriuscire completamente l'acqua e fare asciugare completamente l'articolo. In caso di mancato utilizzo, conservare l'articolo sempre asciutto e pulito a temperatura ambiente. Risciacquare l'articolo con dell'acqua oppure con acqua e sapone non aggressivo. **IMPORTANTE!** Non utilizzare mai detergenti aggressivi.

Smaltimento



Smaltire l'articolo e i materiali della confezione nel rispetto delle attuali normative locali. Conservare i materiali della confezione (come ad es. i sacchetti) in modo che non siano raggiungibili per i bambini.

Presso la propria amministrazione comunale o cittadina è possibile ottenere ulteriori informazioni sullo smaltimento dell'articolo alla fine del suo periodo di impiego. Smaltire l'articolo e la confezione nel rispetto dell'ambiente.



Il codice di riciclaggio serve per indicare i diversi materiali per il loro ritorno al ciclo di riutilizzo (recycling). Il codice è composto da un simbolo di riciclaggio per il ciclo di riutilizzo e da un numero che contraddistingue il materiale.

Avvertenze sulla garanzia e sulla gestione dei servizi di assistenza

L'articolo è stato prodotto con la massima cura e sotto un continuo controllo.

DELTA-SPORT HANDELS-KONTOR GmbH concede ai client finali privati, su questo articolo, tre anni di garanzia dalla data di acquisto (termine di garanzia) sulla base delle seguenti disposizioni.

*La garanzia vale solo per i vizi di materiale e di lavorazione. La garanzia non si estende alle parti soggette ad un normale degradamento e che siano quindi da considerarsi come pezzi soggetti a usura (p. es. le batterie) né ai pezzi fragili come ad es. interruttori oppure pezzi in vetro.

**La garanzia vale per difetti del materiale o di fabbricazione. Questa garanzia non si estende a componenti del prodotto esposti a normale logorio, che possono pertanto essere considerati come componenti soggetti a usura (esempio capacità della batteria, calcificazione, lampade, pneumatici, filtri, spazzole...).

La garanzia non si estende altresì a danni che si verificano su componenti delicati (esempio interruttori, batterie, parti realizzate in vetro, schermi, accessori vari) nonché a danni derivanti dal trasporto o altri incidenti.

Dalla presente garanzia sono escluse le richieste legate a casi di utilizzo non conforme oppure di abuso dell'articolo, oppure di utilizzo avvenuto non nell'ambito delle condizioni previste oppure del campo di impiego previsto, oppure in caso di non osservanza delle direttive riportate nelle istruzioni d'uso, a meno che il cliente non dimostri che sussista un vizio di materiale o di lavorazione che non sia riconducibile ad una delle circostanze riportate sopra. Le richieste di garanzia possono essere avanzate solo entro il relativo termine, su presentazione dello scontrino originale di acquisto. Si prega quindi di conservare lo scontrino originale. Il termine di garanzia non sarà prolungato a seguito di eventuali riparazioni effettuate sulla base della garanzia, della garanzia obbligatoria prevista per legge oppure di accondiscendenza.

Ciò vale anche per le parti sostituite oppure riparate. In caso di contestazione rivolgersi dapprima alla hotline di assistenza sotto indicata oppure mettersi in contatto con noi via e-mail. Laddove sussista un caso coperto dalla garanzia, l'articolo sarà – a nostra discrezione – da noi riparato gratuitamente, sostituito oppure sarà rimborsato il prezzo di acquisto. Non sussistono ulteriori diritti derivanti dalla garanzia. I vostri diritti giuridici, in particolare i diritti di garanzia obbligatoria prevista dalla legge nei confronti del relativo venditore, non sono limitati dalla presente garanzia.

Evasione delle richieste di garanzia

Affinché la vostra richiesta di garanzia sia evasa rapidamente, attenersi alle seguenti indicazioni:

- Conservare lo scontrino e il codice articolo (ad es. IAN 123456_7890) per dimostrare l'acquisto e indicarli a ogni richiesta.

- Il codice articolo si trova sulla targhetta di tipo dell'articolo, è incisa sull'articolo, indicata sulla pagina iniziale delle istruzioni (in basso a sinistra) o sull'adesivo posto sul retro o nella parte inferiore dell'articolo.
- In caso di anomalie di funzionamento o altri difetti, contattare innanzitutto il reparto di assistenza indicato di seguito al telefono oppure compilando il modulo di contatto su parksidediy.com nella sezione Assistenza.
- Allegando la prova di acquisto (scontrino) e descrivendo il difetto e il modo in cui si è presentato, potrete spedire gratuitamente l'articolo all'indirizzo dell'assistenza che vi verrà indicato.



Su parksidediy.com potete visualizzare e scaricare questi e molti altri manuali.

Con questo codice QR si raggiunge direttamente il sito parksidediy.com.

Scegliere il Paese e cercare le operative la finestra di ricerca. Immettendo il codice articolo (ad es. IAN 123456_7890) si arriva alle operative specifiche dell'articolo.

IAN: 508094_2507

Ⓢ Assistenza clienti Svizzera

Telefono: 0800563601

Ⓢ Assistenza clienti Italia

Telefono: 800172663

Ⓢ Assistenza clienti Malta

Telefono: 80065168

Modulo di contatto su

parkside-diy.com

Sede: Germania

*si applica solo alla Svizzera/Malta

**si applica solo all'Italia

Szívből gratulálunk!
Vásárlásával kiváló minőségű
terméket választott. Haszná-
latba vétele előtt ismerkedjen
meg a termékkel.

 **Figyelmesen olvassa
el az alábbi használati
útmutatót.**

A terméket kizárólag az itt
ismertetett módon, a rendelte-
tésének megfelelően használja.
Gondosan őrizze meg a hasz-
nálati útmutatót. A termék to-
vábbadásakor adja át az összes
kapcsolódó dokumentumot is.

A csomag tartalma (A ábra)

- 1 x oszloptest (1, 2)
- 1 x zuhanyfej (3)
- 1 x nagy méretű tömítőgyűrű (4)
- 1 x gömbcsukló (5)
- 1 x menetes csatlakozó (6)
- 1 x összekötő cső (7)
- 1 x lábzuhany (8)
- 1 x szita (9)
- 1 x csatlakozóadapter kerti
tömlőhöz (9)
- 4 x csavar feszítőtiplivel (10)
- 4 x csavar feszítőtiplivel és
alátéttel (11)
- 4 x csavar fapadlóhoz (12)
- 1 x közepes méretű
tömítőgyűrű (13)
- 2 x kis méretű tömítőgyűrű (14)
- 1 x teflonszalag (15)
- 1 x használati útmutató

Műszaki adatok

A víztartály űrtartalma: kb. 18 l

Méretek:

zuhanyzó kb. 11 x 226 cm
(Ø x ma)

lábazat:

kb. 15,5 x 15,5 x 8 cm

(h x sz x ma)

zuhanyfej: Ø 15 cm

Parkside Click System:
kompatibilis az általános,
13–15 mm-es (½”–5/8”)
tömlőrendszerekkel

Maximális vízhőmérséklet:
60 °C

Maximális üzemi nyomás:
4 bar



Gyártás dátuma
(hónap/év): 12/2025

Alkalmazott szimbólumok



Ez a szimbólum azt
jelzi, hogy a termék
UV-álló.



Ez a szimbólum azt
jelzi, hogy a termék
időjárásálló.



Vigyázat, forró víz!



Szerszám nélküli
összeszerelés

Rendeltetésszerű használat

Ez a termék kempingzuhanyként történő, személyes használatra készült. A termék nem alkalmas ivóvíz tárolására.



Nem alkalmas
ivóvízhez!

Biztonsági utasítások

Fontos: alaposan olvassa el a használati útmutatót és a biztonsági utasításokat, és mindenképpen őrizze meg őket!

Életveszély!

- A gyermekeket soha ne hagyja felügyelet nélkül a csomagolóanyaggal! Fulladásveszély áll fenn.
- Életveszély! Az elektromos veszélyek elkerülése érdekében a terméket az elektromos berendezések hatótávolságán kívül szerelje fel.

Sérülésveszély!

- Vigyázat! Ha nedves a padló, elcsúszhat rajta és megsérülhet.
- Nem alkalmas ivóvízhez.

- Csak vizet töltsön bele, más folyadékot ne!
- A víz nagyon felmelegedhet. Használat előtt ellenőrizze a víz hőmérsékletét, nehogy leforrassa magát, és adott esetben utólag töltsön hideg vizet a tartályba!
- A termék a napon nagyon felforrósodik. A forró felületek megérintése égési sérülést okozhat.
- Ne engedje, hogy homok, por vagy más apró idegen tárgyak kerüljenek a zuhanyfej nyílásaiba.
- Védje a terméket a fagytól. Ha a készülék belsejében lévő víz megfagy és szétveti a készüléket, vagyoni kár keletkezhet és sérülés veszélye áll fenn.
- A termék nem gyerekjáték, illetve nem mászóka.
- Használat előtt mindig ellenőrizze, hogy nem látható-e sérülés vagy kopás jelei a terméken. A terméket csak kifogástalan állapotban szabad használni!
- Használat előtt ne engedje, hogy az esetlegesen a vezetékben található, erősen felmelegedett vagy régóta állott víz emberekre, állatokra vagy növényekre kerüljön.

Szerelés

A napelemes zuhany

felállítása

Felszerelés kő-/

betonpadlóra

1. Állítsa fel az oszloptestet (1) kő- vagy betonpadlóra. Az oszloptestet úgy helyezze el, hogy elegendő hely maradjon a zuhanyzáshoz.
2. Ügyeljen arra, hogy a kerti tömlő csatlakozója (9a) hozzáférhető maradjon.
3. Jelölje meg a fúrólukak helyét a talajon. Fúrja be a négy lyukat a talajba egy megfelelő kőműves fúrószárral (12 mm, nem tartozék).

Megjegyzés: olyan helyre szerelje a terméket, ahol nagy a benapozottság.

Megjegyzés: ha a kívánt felállítási helyen nem áll rendelkezésre kő- vagy betonpadló, használjon járólapot (40 x 40 x 5 cm).

4. Csavarja le a feszítőtipliket (11a) a csavarokról (11), és helyezze be a feszítőtipliket a fúrólukakba.

5. Helyezze fel a lábazattal ellátott oszloptestet (1) a tiplikre, helyezze a csavaralátéteket (11b) a lyukakra, és húzza meg a csavarokat (B ábra). Végezetül helyezze föl a fedősapkákat (13) a csavarokra.

Felszerelés fapadlóra

1. Állítsa fel az oszloptestet (1) megfelelő kő- vagy betonpadlóra. Az oszloptestet úgy helyezze el, hogy elegendő hely maradjon a zuhanyzáshoz.

Megjegyzés: a fapadlónak tömör fából kell készülnie, és nem tartalmazhat üregeket (B ábra).

2. Ügyeljen arra, hogy a kerti tömlő csatlakozója (8) hozzáférhető maradjon.
3. Csavarozza a helyére az oszloptestet a facsavarokkal (12). Végezetül helyezze föl a fedősapkákat (13) a csavarokra.

A napelemes zuhany

összeállítása

Szerelje össze a terméket a C–H ábrán látható módon.

Megjegyzés: tekerjen teflonszalagot (16) a csatlakozások külső menetére. A csatlakozások lejtését teflonszalaggal való többszöri körbetekéréssel tudja megváltoztatni.

Tárolás, tisztítás

A tárolás előtt teljesen engedje ki a vizet, és hagyja, hogy a termék tökéletesen megszáradjon. A terméket mindig száraz, tiszta és szobahőmérsékletű helyen tárolja, ha azt nem használja. Öblítse ki a terméket vízzel vagy enyhe szappanos vízzel. **FONTOS!** Ne használjon éles tisztítószeret a tisztításhoz.

Tudnivalók a hulladékkezelésről



A terméket és a csomagolóanyagokat a hatályos helyi előírásoknak megfelelően semmisítse meg. A csomagolóanyagokat (például fóliatasakokat) tartsa távol a gyermekektől. Az elhasználandó termék ártalmatlanításával kapcsolatos további információkat a települési vagy városi önkormányzattól tudhatja meg. A terméket és a csomagolást környezetkímélő módon kell ártalmatlanítani.



Az újrahasznosítási kód az újrafelhasználási ciklusba való visszavezetésre (újrahasznosítás) szánt különböző anyagok azonosítására szolgál. A kód az újrahasznosítási ciklus újrahasznosítási szimbólumából és az anyagot azonosító számból áll.

A garanciával és a szerviz lebonyolításával kapcsolatos útmutató

A termék nagy gondossággal és állandó ellenőrzés mellett készült. A DELTA-SPORT HANDELSKONTOR GmbH privát végső felhasználóknak a vásárlás dátumától számított három év (garancia időtartama) garanciát ad erre a termékre a következő rendelkezések szerint. A garancia csak anyaghibára és feldolgozási hibára érvényes. A garancia nem terjed ki a szokásos elhasználódásnak kitett, ezért kopó alkatrésznek tekintendő alkatrészekre (pl. elemek), valamint a törékeny alkatrészekre sem, például a kapcsolókra vagy az üvegből készült alkatrészekre.

Kizárásra kerül a garanciaigény, ha a terméket szakszerűtlenül vagy helytelenül, nem rendeltetésszerűen vagy nem az előírányzott felhasználási körben használták, vagy figyelmen kívül hagyták a kezelési útmutató előírásait, kivéve, ha a végső felhasználó bizonyítja, hogy olyan anyag- vagy feldolgozási hiba áll fenn, amely nem a fent említett körülmények valamelyikéből ered.

A garanciaigény csak a garancia időtartamán belül, az eredeti pénztári bizonylat bemutatásával érvényesíthető. Ezért kérjük, őrizze meg az eredeti pénztári bizonylatot. A garancia, a törvényes garancia vagy a méltányosság alapján végzett esetleges javítások a garancia időtartamát nem hosszabbítják meg. Ez vonatkozik a kicserélt és javított alkatrészekre is. Kérjük, hogy reklamáció esetén először az alábbi szervizvonalat hívja, vagy e-mailen keressen minket. Garanciális esetekben a terméket saját döntésünk alapján ingyenesen megjavítjuk, kicseréljük vagy megtérítjük a vételárat.

A garanciából további jogok nem következnek.

A jelen garancia nem korlátozza az Ön törvényes jogait, különösen a mindenkori értékesítővel szembeni garanciaigényét.

Teendők garanciaigény esetén

Kérelme gyors feldolgozása érdekében, kérjük, kövesse az alábbi utasításokat:

- Kérjük, hogy minden ügyintézésnél legyen kéznél a vásárlást igazoló bizonylat és a cikkszám (pl. IAN 123456_7890).
- A cikkszám a terméken lévő típusabláról, a cikken lévő gravírozásról, az útmutató címlapjáról (balra lent) vagy a termék hátulján vagy alján lévő matricáról olvasható le.
- Működési hibák vagy egyéb meghibásodások esetén, kérjük, először vegye fel a kapcsolatot a következőkben megnevezett szervizzel telefonon, vagy használja kapcsolatfelvételi űrlapunkat, amelyet a parkside-diy.com oldalon a Szerviz kategóriában talál.

- Ha egy termék hibásnak bizonyul, akkor azt, a vásárlást igazoló bizonylattal (blokk), valamint a hiba leírásával és a hibafellépés időpontjának megadásával együtt, ingyenesen elküldheti a megadott szervizcímre.



A parkside-diy.com oldalon ezen a kézikönyvön kívül még sok más kézikönyvet megtekin-

het és letölthet. Ez a QR-kód közvetlenül a parkside-diy.com oldalra irányítja Önt. Válassza ki az országot, és a keresőfelület segítségével keresse meg a kezelési útmutatókat. Írja be a termék számát (pl. IAN 123456_7890), hogy hozzáférhessen terméke kezelési útmutatójához.

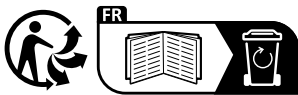
IAN: 508094_2507

HU Magyarországi ügyfélszolgálat
Telefonszám: 0680021647

Kapcsolatfelvételi űrlap a
parkside-diy.com oldalon
Székhely: Németország



Adresses sur quefairedemesdechets.fr



DELTA-SPORT HANDELSKONTOR GMBH

Wragekamp 6 • 22397 Hamburg
GERMANY



12/2025

Delta-Sport-Nr.: SD-17248

09.04.2025 / AM 11:04

IAN 508094_2507

8 