



www.lidl-service.com



CORDLESS DRILL PABS 20-LI B2

(GB)

CORDLESS DRILL

Translation of the original instructions

(FR) (BE)

PERCEUSE-VISSEUSE SANS FIL

Traduction des instructions d'origine

(DE) (AT) (CH)

AKKU-BOHRSCHRAUBER

Originalbetriebsanleitung

(DK)

BATTERIDRETVET BORE-/ SKRUEMASKINE

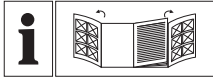
Oversættelse af den originale driftsvejledning

(NL) (BE)

ACCUBOORSCHROEFMACHINE

Vertaling van de originele gebruiksaanwijzing

IAN 274864



GB

Before reading, unfold both pages containing illustrations and familiarise yourself with all functions of the device.

DK

Før du læser, vend begge siderne med billeder frem og bliv bekendt med alle apparatets funktioner.

FR BE

Avant de lire le mode d'emploi, ouvrez les deux pages contenant les illustrations et familiarisez-vous ensuite avec toutes les fonctions de l'appareil.

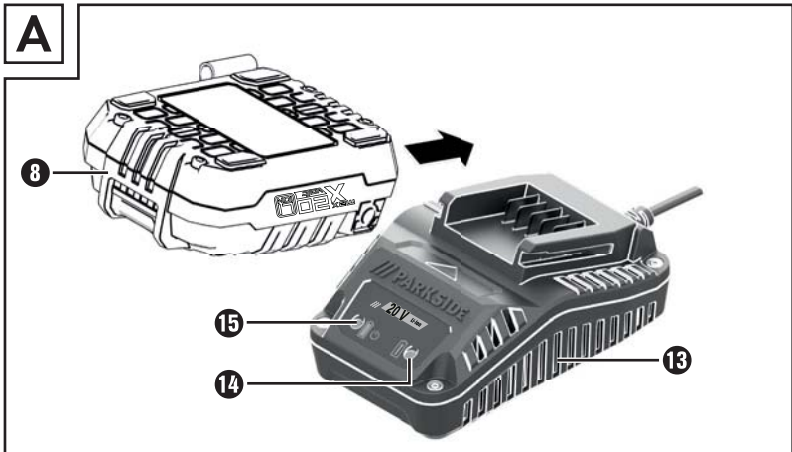
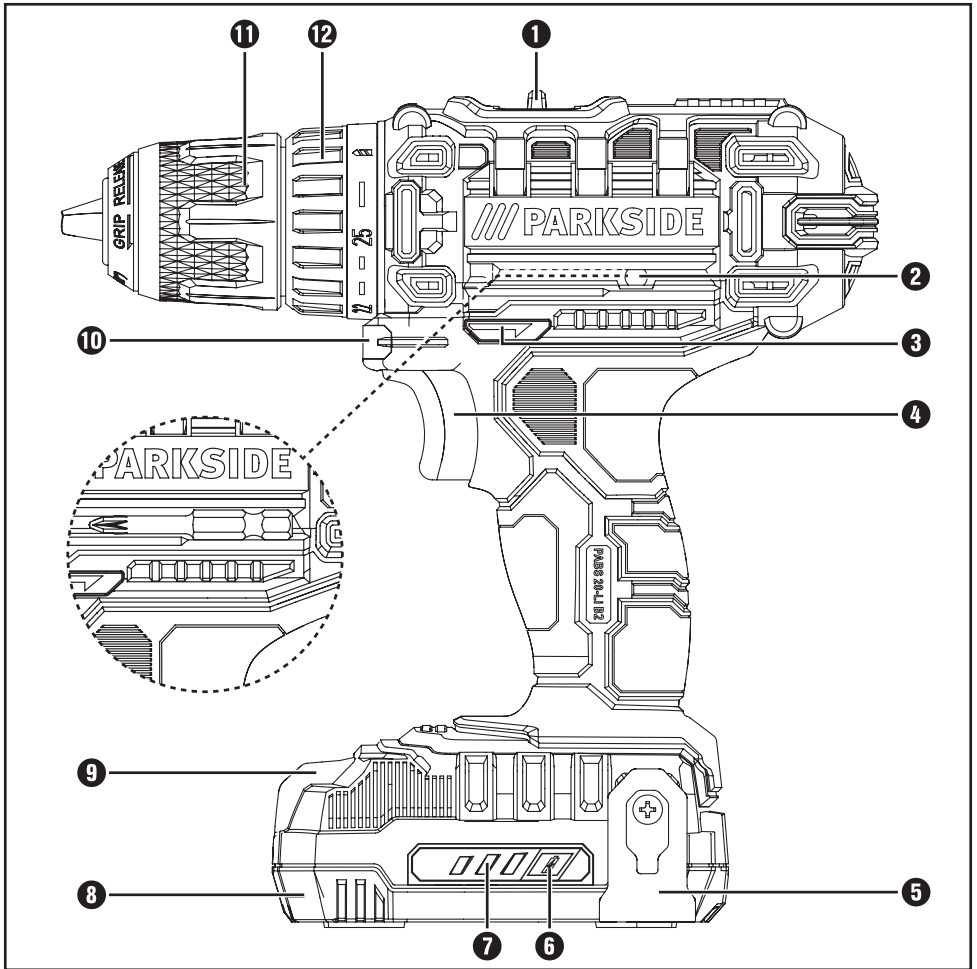
NL BE

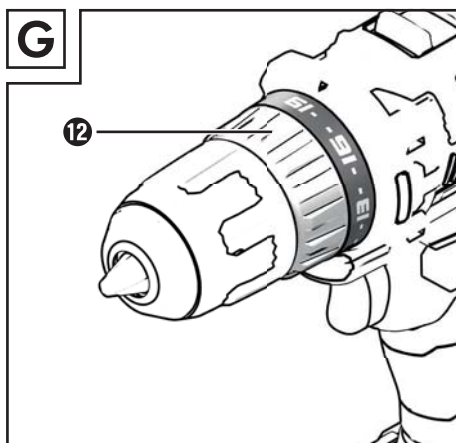
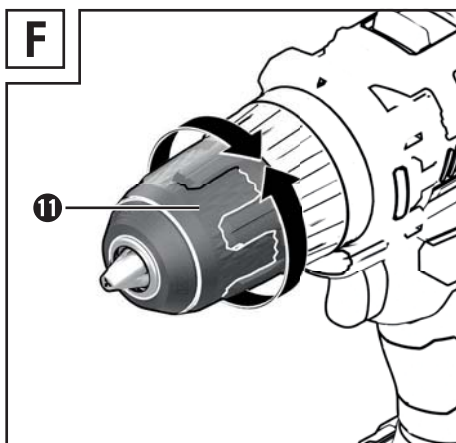
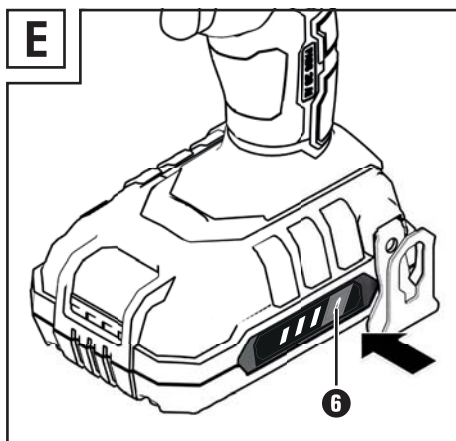
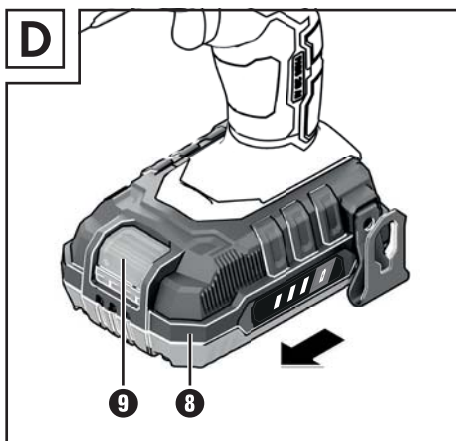
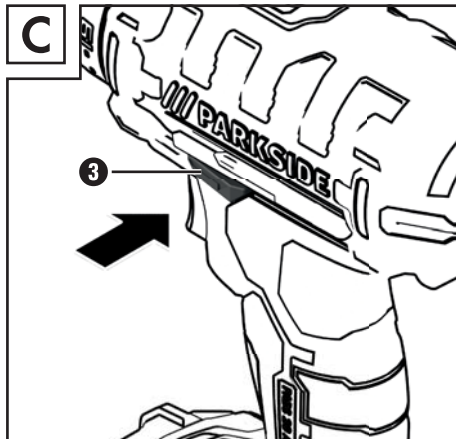
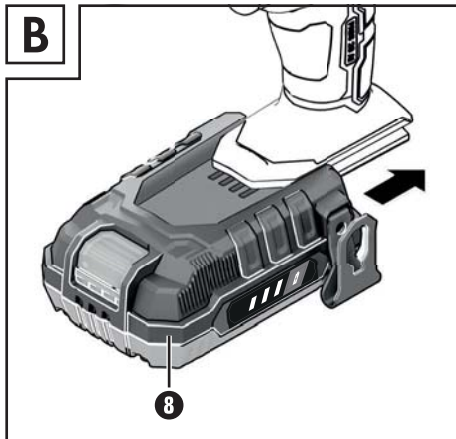
Vouw vóór het lezen de beide pagina's met de afbeeldingen open en maak u vertrouwd met alle functies van het apparaat.

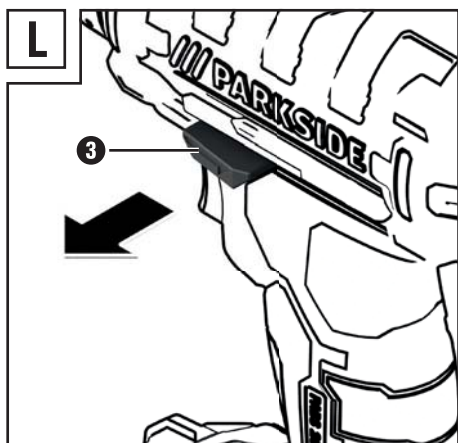
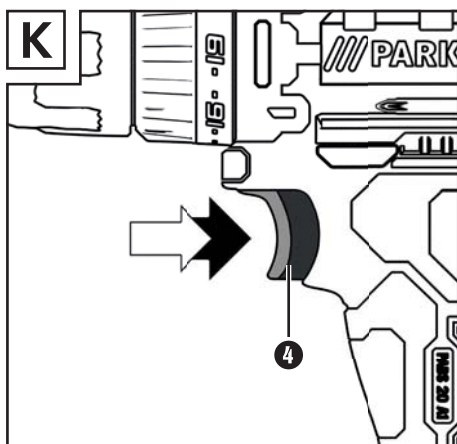
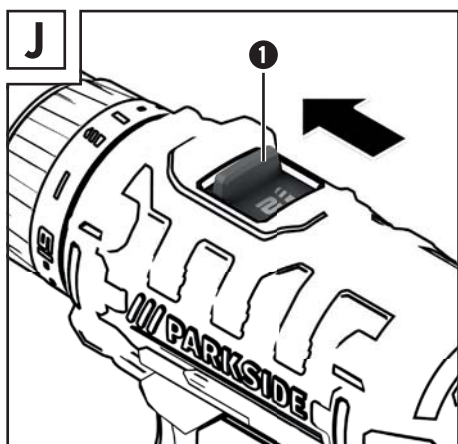
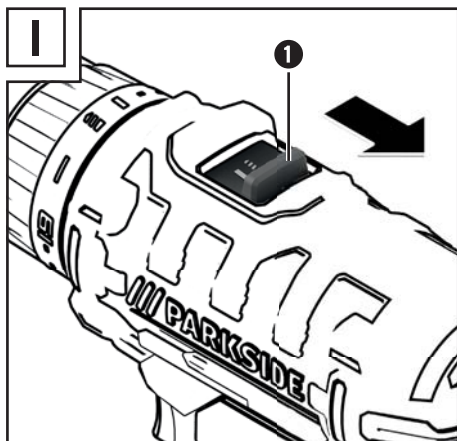
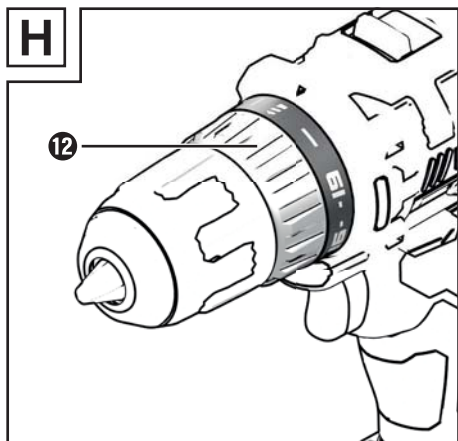
DE AT CH

Klappen Sie vor dem Lesen die beiden Seiten mit den Abbildungen aus und machen Sie sich anschließend mit allen Funktionen des Gerätes vertraut.

| | | | |
|----------|--|--------|----|
| GB | Translation of the original instructions | Page | 1 |
| DK | Oversættelse af den originale driftsvejledning | Side | 11 |
| FR/BE | Traduction des instructions d'origine | Page | 23 |
| NL/BE | Vertaling van de originele gebruiksaanwijzing | Pagina | 35 |
| DE/AT/CH | Originalbetriebsanleitung | Seite | 47 |







Contents

| | |
|--|-----------|
| Introduction | 2 |
| Intended use | 2 |
| Features | 2 |
| Package contents | 2 |
| Technical details | 2 |
| General Power Tool Safety Warnings | 3 |
| 1. Work area safety | 3 |
| 2. Electrical safety | 3 |
| 3. Personal safety | 4 |
| 4. Power tool use and care | 4 |
| 5. Use and handling of the cordless electrical power tool | 5 |
| 6. Service | 5 |
| Safety guidelines for cordless screw drivers | 5 |
| Safety guidelines for battery chargers | 5 |
| Before use | 6 |
| Charging the battery pack (see fig. A) | 6 |
| Attaching/disconnecting the battery pack to/from the appliance | 6 |
| Checking the battery charge level | 6 |
| Changing tools | 6 |
| Torque selection ring/drill setting | 6 |
| 2 speed gearbox | 6 |
| Operation | 7 |
| Switching on and off | 7 |
| Adjusting the rotational speed | 7 |
| Changing the direction of rotation | 7 |
| Tips and tricks | 7 |
| Maintenance and cleaning | 8 |
| Kompernass Handels GmbH warranty | 8 |
| Service | 9 |
| Importer | 9 |
| Disposal | 10 |
| Translation of the original Conformity Declaration | 10 |

CORDLESS DRILL PABS 20-LI B2

Introduction

Congratulations on the purchase of your new appliance. You have selected a high-quality product. The operating instructions are part of this product. They contain important information about safety, usage and disposal. Before using the product, please familiarise yourself with all operating and safety instructions. Use the product only as described and for the range of applications specified. Please also pass these operating instructions on to any future owner.

Intended use

This appliance is designed for screwing and drilling into wood, plastic and metal. Use this product only as described and for the areas of applications specified. Any other usage of or modification to the appliance is deemed to be improper and carries a significant risk of accidents. The manufacturer accepts no responsibility for damage(s) attributable to misuse. This appliance is not intended for commercial use.

Features

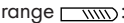
- ➊ Gear selector
- ➋ Bit holder (magnetic)
- ➌ Rotational direction switch/lock
- ➍ ON/OFF switch/speed control
- ➎ Belt clip
- ➏ Battery charge level button
- ➐ Battery display LED
- ➑ Battery pack
- ➒ Release button for battery pack
- ➓ LED work light
- ➔ Chuck
- ➕ Torque selection ring
- ➖ High-speed charger
- ➗ Red charge control LED
- ➘ Green charge control LED

Package contents

- 1 cordless drill PABS 20-Li B2
- 1 high-speed battery charger PABS 20-Li B2-2
- 1 battery pack PABS 20-Li B2-1
- 1 bit PH2 50 mm
- 1 carrying case
- 1 set of operating instructions

Technical details

Cordless drill: PABS 20-Li B2

| | |
|--|---|
| Rated voltage: | 20 V \equiv (DC) |
| Rated idle speed: | 1st gear: n_0 0–400 rpm 2nd gear: n_0 0–1400 rpm |
| Chuck clamping range  : | max. \varnothing 13 mm |
| Max. drill diameter: | Steel: 13 mm Wood: 30 mm |

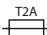
Battery: PABS 20-Li B2-1

| | |
|----------------|--------------------|
| Type: | LITHIUM ION |
| Cells | 5 |
| Rated voltage: | 20 V \equiv (DC) |
| Capacity: | 2.0 Ah |
| Energy value: | 40 Wh |


High-speed battery charger: PABS 20-Li B2-2

INPUT:

| | |
|----------------|-------------------------------|
| Rated voltage: | 230–240 V \sim , 50 Hz (AC) |
|----------------|-------------------------------|

| | |
|--------------------------|---|
| Rated power consumption: | 65 W |
| Fuse (internal): | 2 A  |

OUTPUT:

| | |
|-------------------|---|
| Rated voltage: | 21,5 V \equiv (DC) |
| Rated current: | 2.3 A |
| Charging time: | approx. 60 min. |
| Protection class: | II/  (double insulation) |

Noise emission value:

Noise measurement value determined in accordance with EN 60745. The A-rated noise level of the power tool is typically as follows:

Sound pressure level: $L_{pA} = 68.5 \text{ dB(A)}$

Uncertainty K: $K_{pA} = 3 \text{ dB}$

Sound power level: $L_{WA} = 79.5 \text{ dB(A)}$

Uncertainty K: $K_{WA} = 3 \text{ dB}$

Vibration emission value:

Total vibration values (vector total of three directions) determined in accordance with EN 60745:

Screwing: Vibration emission value
 $a_h : 0.601 \text{ m/s}^2$
 Uncertainty K = 1.5 m/s^2

Drilling in metal: Vibration emission value
 $a_{h,D} : 1.070 \text{ m/s}^2$
 Uncertainty K = 1.5 m/s^2

NOTE

- ▶ The vibration level specified in these instructions has been measured in accordance with the standardised measuring procedure specified and can be used to make equipment comparisons. The specified vibration emission value can also be used to make an initial exposure estimate.

⚠ WARNING!

- ▶ The vibration level varies in accordance with the use of the power tool and may be higher than the value specified in these instructions in some cases. Regular use of the electric tool in such a way may cause the user to underestimate the vibration. Try to keep the vibration loads as low as possible. Measures to reduce the vibration load are, e.g. wearing gloves and limiting the working time. Wherein all states of operation must be included (e.g. times when the power tool is switched off and times where the power tool is switched on but running without load).



General Power Tool Safety Warnings

⚠ WARNING!

- ▶ Read all safety warnings and all instructions. Failure to follow the warnings and instructions may result in electric shock, fire and/or serious injury.

Save all warnings and instructions for future reference.

The term "power tool" in the warnings refers to your mains-operated (corded) power tool or battery-operated (cordless) power tool.

1. Work area safety

- Keep work area clean and well lit.**
Cluttered or dark areas invite accidents.
- Do not operate power tools in explosive atmospheres, such as in the presence of flammable liquids, gases or dust.** Power tools create sparks which may ignite the dust or fumes.
- Keep children and bystanders away while operating a power tool.** Distractions can cause you to lose control.

2. Electrical safety

- Power tool plugs must match the outlet. Never modify the plug in any way.**
Do not use any adapter plugs with earthed (grounded) power tools. Unmodified plugs and matching outlets will reduce risk of electric shock.
- Avoid body contact with earthed or grounded surfaces, such as pipes, radiators, ranges and refrigerators.** There is an increased risk of electric shock if your body is earthed or grounded.
- Do not expose power tools to rain or wet conditions.** Water entering a power tool will increase the risk of electric shock.
- Do not abuse the cord. Never use the cord for carrying, pulling or unplugging the power tool. Keep cord away from heat, oil, sharp edges or moving parts.** Damaged or entangled cords increase the risk of electric shock.

- e) When operating a power tool outdoors, use an extension cord suitable for outdoor use. Use of a cord suitable for outdoor use reduces the risk of electric shock.
- f) If operating a power tool in a damp location is unavoidable, use a residual current device (RCD) protected supply. Use of an RCD reduces the risk of electric shock.

3. Personal safety

- a) Stay alert, watch what you are doing and use common sense when operating a power tool. Do not use a power tool while you are tired or under the influence of drugs, alcohol or medication. A moment of inattention while operating power tools may result in serious personal injury.
- b) Use personal protective equipment. Always wear eye protection. Protective equipment such as dust mask, non-skid safety shoes, hard hat, or hearing protection used for appropriate conditions will reduce personal injuries.
- c) Prevent unintentional starting. Ensure the switch is in the off-position before connecting to power source and/or battery pack, picking up or carrying the tool. Carrying power tools with your finger on the switch or energising power tools that have the switch on invites accidents.
- d) Remove any adjusting key or wrench before turning the power tool on. A wrench or a key left attached to a rotating part of the power tool may result in personal injury.
- e) Do not overreach. Keep proper footing and balance at all times. This enables better control of the power tool in unexpected situations.
- f) Dress properly. Do not wear loose clothing or jewellery. Keep your hair, clothing and gloves away from moving parts. Loose clothes, jewellery or long hair can be caught in moving parts.
- g) If devices are provided for the connection of dust extraction and collection facilities, ensure these are connected and properly used. Use of dust collection can reduce dust-related hazards.

4. Power tool use and care

- a) Do not force the power tool. Use the correct power tool for your application. The correct power tool will do the job better and safer at the rate for which it was designed.
- b) Do not use the power tool if the switch does not turn it on and off. Any power tool that cannot be controlled with the switch is dangerous and must be repaired.
- c) Disconnect the plug from the power source and/or the battery pack from the power tool before making any adjustments, changing accessories or storing power tools. Such preventive safety measures reduce the risk of starting the power tool accidentally.
- d) Store idle power tools out of the reach of children and do not allow persons unfamiliar with the power tool or these instructions to operate the power tool. Power tools are dangerous in the hands of untrained users.
- e) Maintain power tools. Check for misalignment or binding of moving parts, breakage of parts and any other condition that may affect the power tool's operation. If damaged, have the power tool repaired before use. Many accidents are caused by poorly maintained power tools.
- f) Keep cutting tools sharp and clean. Properly maintained cutting tools with sharp cutting edges are less likely to bind and are easier to control.
- g) Use the power tool, accessories and tool bits, etc. in accordance with these instructions, taking into account the working conditions and the work to be performed. Use of the power tool for operations different from those intended could result in a hazardous situation.

5. Use and handling of the cordless electrical power tool

- a) Charge a rechargeable battery unit using only the charger recommended by the manufacturer. Chargers are often designed for a particular type of rechargeable battery unit. There is the danger of fire if other types of rechargeable battery units are used.
- b) Only the rechargeable battery units supplied are to be used with an electrical power tool. The use of other rechargeable battery units may lead to the danger of injury or fire.
- c) When they are not being used, store rechargeable battery units away from paperclips, coins, keys, nails, screws or other small metal objects that could cause the contacts to be bridged. Short-circuiting the contacts of a rechargeable battery unit may result in heat damage or fire.
- d) Fluids may leak out of rechargeable battery units if they are misused. If this happens, avoid contact with the fluid. If contact occurs, flush the affected area with water. Seek additional medical help if any of the fluid gets into your eyes. Escaping battery fluid may cause skin irritation or burns.



CAUTION! RISK OF EXPLOSION!
Never charge non-rechargeable batteries!



Protect the rechargeable battery from heat, for example from continuous exposure to sunlight, fire, water and moisture. There is a risk of explosion.



6. Service

- a) Have your power tool serviced by a qualified repair person using only identical replacement parts. This will ensure that the safety of the power tool is maintained.

Safety guidelines for cordless screw drivers

WARNING!

- Hold the power tool by the insulated gripping surfaces when performing an operation where the screw or attached tool could come into contact with hidden wiring. Contact between the screw or attached tool and a live wire may cause exposed metal parts of the power tool to become live and give the operator an electric shock.

Safety guidelines for battery chargers

- This appliance may be used by children aged 8 years and above and by persons with limited physical, sensory or mental capabilities or lack of experience and knowledge, provided that they are under supervision or have been told how to use the appliance safely and are aware of the potential risks. Children must not play with the appliance. Cleaning and user maintenance tasks may not be carried out by children unless they are supervised.



The charger is suitable for indoor use only.

WARNING!

- To avoid potential risks, damaged mains cables should be replaced by the manufacturer or the manufacturer's customer service department or a similarly qualified person.

Before use

Charging the battery pack (see fig. A)

⚠ CAUTION!

- ▶ Always pull out the plug before you remove the battery pack **8** from or connect the battery pack to the charger.
- Never charge the battery pack **8** when the ambient temperature is below 10°C or above 40°C.
- ◆ Connect the battery pack **8** to the rapid battery charger **15** (see Fig. A).
- ◆ Insert the power plug into the socket. The control LED **14** lights up red to indicate that the appliance is charging.
- ◆ The green control LED **15** indicates that the charging process is complete and the battery pack **8** is ready.
- ◆ Insert the battery pack **8** back into the appliance (see Fig. B).

Attaching/disconnecting the battery pack to/from the appliance

Inserting the battery pack:

- ◆ Push the rotation direction switch **3** into the middle position (lock) (see Fig. C). Allow the battery pack **8** to click into the handle (see Fig. B).

Removing the battery pack:

- ◆ Press the release button **9** and remove the battery pack **8** (see Fig. D).

Checking the battery charge level

- ◆ Press the battery charge level button **6** to check the charge level of the battery (see Fig. E). The status/remaining charge will be shown on the battery display LED **7** as follows:
- ◆ GREEN/RED/ORANGE = maximum charge/performance
RED/ORANGE = medium charge/performance
RED = low charge – charge the battery

Changing tools

Your cordless drill has a fully automatic spindle lock **SPINDLE LOCK**.

When the motor is stopped, the power train locks so that the chuck **11** can be opened by turning it **C**. After you have attached the desired tool and tightened it by turning the chuck **C**, you can continue working (see Fig. F). The spindle lock is automatically released when the motor starts (ON/OFF switch **4** pressed).

Torque selection ring/drill setting

You can set the torque using the torque selection ring **12** (see Fig. G).

- ◆ Select a low level for small screws or soft materials.
- ◆ Select a high level for large screws, hard materials or removing screws.
- ◆ Select the drill setting for drilling work by adjusting the torque selection ring **12** to the position **2** (see Fig. H).

2 speed gearbox

⚠ CAUTION!

- ▶ Only operate the gear selection switch **1** when the appliance is at a standstill. Otherwise the appliance can be damaged.

In first gear (gear selector switch **1** in position: 1) (see Fig. I)

you can reach a speed of approx. 400 rpm and a high torque. This setting is suitable for all screwing jobs.

In second gear (gear selector switch **1** in position: 2) (see Fig. J)

you can reach a speed of approx. 1400 rpm for carrying out drilling work.

Operation

Switching on and off

Switching on:

- ◆ To start the appliance, press the ON/OFF switch ④ and keep it pressed in (see Fig. K).
The LED work light ⑩ lights up when the ON/OFF switch ④ is depressed lightly or fully. This allows for illumination of the work area in low lighting.

Switching off:

- ◆ Release the appliance's ON/OFF switch ④ to switch off the appliance.

Adjusting the rotational speed

The ON/OFF switch ④ has a variable speed control. Pressing the ON/OFF switch ④ lightly yields a low speed. Increasing pressure increases the speed (see Fig. K).

NOTE

- ▶ The integrated motor brake ensures rapid stoppage.

Changing the direction of rotation

- ◆ Change the direction of rotation by pressing the rotational direction switch ③ towards the left or right (see Fig. L).

Tips and tricks



Tip! This symbol indicates proper behaviour!

- ◆ Before operation, check whether the screw or drill bit is correctly positioned, i.e. centred in the drill chuck.
- ◆ Screw bits are labelled according to their dimensions and their shape. If you are uncertain, always check whether the bit fits tightly in the screw head without any free play.

Torque:

- ◆ Smaller screws/bits can be damaged if you set the torque or rotational speed too high.

Hard screw joints (in metal):

- ◆ Particularly high torques occur, for example, in metal screw joints made using drive sockets. Select a low rotational speed.

Soft screw joints (e.g. in soft wood):

- ◆ Again, use a low rotational speed, to avoid e.g. damaging the surface of the wood upon contact with the screw head. Use a countersink.

When drilling in wood, metal and other materials, observe the following:

- ◆ Use a high speed for drill bits with small diameter and a low speed for drill bits with large diameter.
- ◆ Select a low speed for hard materials and a high speed for soft materials.
- ◆ Secure or fasten the workpiece in a clamp or vice (if possible).
- ◆ Mark the spot where you want to drill using a centre punch or nail. Select a low rotational speed when starting.
- ◆ Pull the rotating drill bit from the hole repeatedly to remove dust and chips and clear the hole.

Drilling in metal:

- ◆ Use a metal drill (HSS). For optimum results, cool the drill bit with cutting oil. Metal drill bits can also be used to drill into plastics. Start with a 3 mm diameter drill bit and then increase the size until the desired hole diameter is achieved.

Drilling in wood:

- ◆ Use a wood drill with a lathe centre; for deep holes, use an auger bit; for large-diameter holes, use a Forstner bit. Small screws can be screwed directly into soft wood.

Maintenance and cleaning



WARNING! RISK OF INJURY! Always switch the appliance off and remove the battery before carrying out any work on the appliance.

The cordless drill is maintenance-free.

- The appliance must always be kept clean, dry and free from oil or grease.
- Never allow liquids to get into the appliance.
- Use a soft, dry cloth to clean the housing. Never use petrol, solvents or cleansers which can damage plastic.
- If a lithium-ion battery is to be stored for an extended period, the charge level should be checked regularly. The optimum charge level is between 50% and 80%. The optimum storage environment is cool and dry.

NOTE

- ▶ Replacement parts not listed (such as batteries, switches) can be ordered via our service hotline.

Kompernass Handels GmbH warranty

Dear Customer,

This appliance has a 3-year warranty valid from the date of purchase. If this product has any faults, you, the buyer, have certain statutory rights. Your statutory rights are not restricted in any way by the warranty described below.

Warranty conditions

The validity period of the warranty starts from the date of purchase. Please keep your original receipt in a safe place. This document will be required as proof of purchase.

If any material or production fault occurs within three years of the date of purchase of the product, we will either repair or replace the product for you at our discretion. This warranty service is dependent on you presenting the defective appliance and the proof of purchase (receipt) and a short written description of the fault and its time of occurrence.

If the defect is covered by the warranty, your product will either be repaired or replaced by us. The repair or replacement of a product does not signify the beginning of a new warranty period.

Warranty period and statutory claims for defects

The warranty period is not prolonged by repairs effected under the warranty. This also applies to replaced and repaired components. Any damage and defects present at the time of purchase must be reported immediately after unpacking. Repairs carried out after expiry of the warranty period shall be subject to a fee.

Scope of the warranty

This appliance has been manufactured in accordance with strict quality guidelines and inspected meticulously prior to delivery.

The warranty covers material faults or production faults. The warranty does not extend to product parts subject to normal wear and tear or fragile parts such as switches, batteries, baking moulds or parts made of glass.

The warranty does not apply if the product has been damaged, improperly used or improperly maintained. The directions in the operating instructions for the product regarding proper use of the product are to be strictly followed. Uses and actions that are discouraged in the operating instructions or which are warned against must be avoided.

This product is intended solely for private use and not for commercial purposes. The warranty shall be deemed void in cases of misuse or improper handling, use of force and modifications/repairs which have not been carried out by one of our authorised Service centres.

Warranty claim procedure

To ensure quick processing of your case, please observe the following instructions:

- Please have the till receipt and the item number (e.g. IAN 12345) available as proof of purchase.
- You will find the item number on the type plate, an engraving on the front page of the instructions (bottom left), or as a sticker on the rear or bottom of the appliance.
- If functional or other defects occur, please contact the service department listed either by **telephone** or by **e-mail**.
- You can return a defective product to us free of charge to the service address that will be provided to you. Ensure that you enclose the proof of purchase (till receipt) and information about what the defect is and when it occurred.



You can download these instructions along with many other manuals, product videos and software on www.lidl-service.com.

Service

WARNING!

- ▶ Have the power tool repaired by the Service centre or a qualified electrician and only using genuine replacement parts. This will ensure that the safety of the appliance is maintained.
- ▶ Always ensure that the power plug or the mains cable is replaced only by the manufacturer of the appliance or by an approved customer service provider. This will ensure that the safety of the appliance is maintained.

Service Great Britain

Tel.: 0871 5000 720 (£ 0.10/Min.)

E-Mail: kompennass@lidl.co.uk

IAN 274864

Importer

Please note that the following address is not the service address. Please use the service address provided in the operating instructions.

KOMPENASS HANDELS GMBH

BURGSTRASSE 21

44867 BOCHUM

GERMANY

www.kompennass.com

Disposal



The packaging is made from environmentally friendly material and can be disposed of at your local recycling plant.



Do not dispose of power tools in your normal household waste!

European Directive 2012/19/EU requires that worn-out power tools be collected separately and recycled in an environmentally compatible manner.



Do not dispose of batteries in your normal domestic waste!

Defective or worn-out rechargeable batteries must be recycled according to Directive 2006/66/EC. Take the battery pack and/or appliance to a nearby collection facility.

Please consult your local authorities regarding suitable disposal of worn out power tools/battery packs.

Translation of the original Conformity Declaration

We, KOMPERNASS HANDELS GMBH, documents officer: Mr. Semi Uguzlu, BURGSTR. 21, 44867 BOCHUM, GERMANY, hereby declare that this product complies with the following standards, normative documents and EC directives:

**Machinery Directive
(2006/42/EC)**

**EC Low Voltage Directive
(2014/35/EU)**

**EMC (Electromagnetic Compatibility)
(2014/30/EU)**

**RoHS Directive
(2011/65/EU)**

Applied harmonised standards:

EN 60745-1:2009/A11:2010

EN 60745-2-1:2010

EN 60745-2-2:2010

EN 60335-1:2012/A11:2014

EN 60335-2-29:2004/A2:2010

EN 62233:2008

EN 55014-1:2006/A2:2011

EN 55014-2:1997/A2:2008

EN 61000-3-2:2014

EN 61000-3-3:2013

Type/appliance designation:

Cordless drill PABS 20-Li B2

Year of manufacture: 04-2016

Serial number: IAN 274864

Bochum, 05/02/2016

A handwritten signature in black ink, appearing to read 'Semi Uguzlu'.

Semi Uguzlu

- Quality Manager -

Subject to technical changes due to product development.

Indholdsfortegnelse

| | |
|---|-----------|
| Indledning | 12 |
| Anvendelsesområde | 12 |
| Udstyr | 12 |
| Pakkens indhold | 12 |
| Tekniske data | 12 |
| Generelle sikkerhedsanvisninger til elværktøjer | 13 |
| 1. Sikkerhed på arbejdspladsen | 13 |
| 2. Elektrisk sikkerhed | 14 |
| 3. Personsikkerhed | 14 |
| 4. Anvendelse og behandling af elværktøjet | 15 |
| 5. Anvendelse og behandling af det genopladelige værktøj | 15 |
| 6. Service | 15 |
| Sikkerhedsanvisninger for skruemaskiner | 16 |
| Sikkerhedsanvisninger for opladere | 16 |
| Før første brug | 16 |
| Opladning af batteripakke (se fig. A) | 16 |
| Indsætning / udtagning af batteripakke | 16 |
| Kontrol af det genopladelige batteris tilstand | 16 |
| Skift af værktøj | 17 |
| Forvalg af drejningsmoment/borettrin | 17 |
| 2-trins gear | 17 |
| Første brug | 17 |
| Tænd / sluk | 17 |
| Indstilling af omdrejningstal | 17 |
| Omskiftning af omdrejningsretning | 17 |
| Tips og tricks | 18 |
| Vedligeholdelse og rengøring | 18 |
| Garanti for Kompernass Handels GmbH | 19 |
| Service | 20 |
| Importør | 20 |
| Bortskaffelse | 20 |
| Oversættelse af den originale overensstemmelseserklæring | 21 |

BATTERIDREJET BORE-/ SKRUEMASKINE PABS 20-LI B2

Indledning

Tillykke med købet af dit nye produkt. Du har valgt et produkt af høj kvalitet. Betjeningsvejledningen er en del af dette produkt. Den indeholder vigtige informationer om sikkerhed, anvendelse og bortskaffelse. Du bør sætte dig ind i alle produktets betjenings- og sikkerhedsanvisninger før brug. Brug kun produktet som beskrevet og kun til de angivne anvendelsesområder. Lad vejledningen følge med produktet, hvis du giver det videre til andre.

Anvendelsesområde

Dette produkt er beregnet til at bore og skrue i træ, plast og metal. Brug kun produktet som beskrevet og kun til de angivne anvendelsesområder. Enhver anden anvendelse eller ændring af produktet anses for at være uden for anvendelsesområdet og indebærer betydelige farer for uheld. Producenten påtager sig intet ansvar for skader, der opstår som følge af anvendelse uden for anvendelsesområdet. Produktet er ikke beregnet til erhvervsmæssig brug.

Udstyr

- 1 Gearvælgerknap
- 2 Bit-holder (magnetisk)
- 3 Rotationsretningsomskifter / spærring
- 4 TÆND-/SLUK-knap / hastighedsregulator
- 5 Bælteholder
- 6 Batterikontrolknap
- 7 Genopladeligt batteri-display-LED
- 8 Batteripakke
- 9 Knap til frigørelse af batteripakke
- 10 LED-arbejdslys
- 11 Borepatron
- 12 Forvalg af drejningsmoment
- 13 Hurtigoplader
- 14 Rød LED til kontrol af opladning
- 15 Grøn ladekontrol-LED

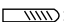
Pakkens indhold

- 1 batteridrevet bore-/skruemaskine PABS 20-Li B2
- 1 hurtigoplader PABS 20-Li B2-2
- 1 batteripakke PABS 20-Li B2-1
- 1 bit PH2 50 mm
- 1 kuffert
- 1 betjeningsvejledning

Tekniske data

Batteridrevet bore-/skruemaskine: PABS 20-Li B2

| | |
|-------------------------------|---|
| Mærkespænding: | 20 V \equiv (jævnstrøm) |
| Nominal tomgangshastighed: | 1. gear: n_0 0 - 400 min^{-1} 2. gear: n_0 0 - 1400 min^{-1} |

| | |
|---|---------------------------|
| Borepatronens spændeområde  : | maks. \varnothing 13 mm |
| Maks. borediameter: | Stål: 13 mm Træ: 30 mm |

Genopladeligt batteri: PABS 20-Li B2-1

| | |
|----------------|---------------------------|
| Type: | LITHIUM-ION |
| Celler | 5 |
| Mærkespænding: | 20 V \equiv (jævnstrøm) |
| Kapacitet: | 2,0 Ah |
| Energiindhold: | 40 Wh |

Hurtigoplader til genopladelige batterier: PABS 20-Li B2-2

| | |
|-------------------------|--|
| INDGANG / input: | |
| Mærkespænding: | 230 - 240 V \sim , 50 Hz (Vekselspænding) |
| Nominelt effektforbrug: | 65 W |
| Sikring (indeni): | 2 A $\frac{T2A}{\square}$ |
| UDGANG / output: | |
| Mærkespænding: | 21,5 V \equiv (jævnstrøm) |
| Mærkestrøm: | 2,3 A |
| Opladningstid: | ca. 60 min |
| Beskyttelsesklasse: | II / \square (dobbeltisolering) |

Støjemissionsværdi:

Måleværdi for støj beregnet iht. EN ISO 60745.
Det A-vægtede støjniveau for elværktøjet er typisk som følger:

Lydtrykniveau: $L_{PA} = 68,5 \text{ dB (A)}$

Usikkerhed K: $K_{PA} = 3 \text{ dB (A)}$

Lydeffektniveau: $L_{WA} = 79,5 \text{ dB (A)}$

Usikkerhed K: $K_{WA} = 3 \text{ dB (A)}$

Vibrationsemissionsværdi:

Samlede vibrationsværdier (vektorsum i tre retninger) beregnet iht. EN 60745:

Skrubning: Vibrationsemissionsværdi
 $a_h: 0,601 \text{ m/s}^2$
Usikkerhed K = 1,5 m/s²

Boring i metal: Vibrationsemissionsværdi
 $a_{h,D}: 1,070 \text{ m/s}^2$
Usikkerhed K = 1,5 m/s²

BEMÆRK

- Vibrationsniveauet, som er angivet i disse anvisninger, er målt med en standard-målemetode og kan anvendes til sammenligning af elværktøjer. Den angivne vibrationsemissionsværdi kan også anvendes til en indledende vurdering af faren ved vibrationsniveauet.

⚠ ADVARSEL!

- Vibrationsniveauet ændrer sig afhængigt af elværktøjets anvendelse og kan i mange tilfælde ligge over den værdi, som er angivet i disse anvisninger. Vibrationsbelastningen kan undervurderes, hvis elværktøjet jævnligt anvendes på denne måde. Prøv at holde belastningen forårsaget af vibrationer så lav som muligt. Vibrationsbelastningen kan f.eks. reduceres ved brug af handsker under anvendelse af værktøjet samt ved nedsættelse af den tid, hvor værktøjet bruges. Her skal der tages hensyn til hele drifts cyklussen (f.eks. perioder, hvor elværktøjet er slukket, og perioder, hvor det er tændt, men kører uden belastning).



Generelle sikkerhedsanvisninger til elværktøjer



⚠ ADVARSEL!

- Læs alle sikkerhedsanvisninger og -instruktioner. Hvis de angivne sikkerhedsanvisninger og -instruktioner ikke overholdes, kan det medføre elektrisk stød, brand og/eller alvorlige kvæstelser.

Opbevar sikkerhedsanvisningerne og -instruktionerne til senere brug.

Begrebet "elværktøj", der anvendes i sikkerhedsanvisningerne, henviser både til elværktøj, der anvendes med ledning til lysnettet, og batteridrevet elværktøj (uden strømledning).

1. Sikkerhed på arbejdspladsen

- Hold arbejdspladsen ren og godt oplyst. Rod og dårligt oplyste arbejdspladser kan medføre uheld.
- Arbejd aldrig med elværktøj i eksplosionsfarlige omgivelser, hvor der befinder sig brændbare væsker, gasser eller støv. Elværktøj danner gnister, som kan antænde støvet eller dampene.
- Hold børn og andre personer på afstand, når elværktøjet bruges. Hvis du bliver distraheret, kan du miste kontrollen over produktet.

2. Elektrisk sikkerhed

- a) Elværktøjets tilslutningsstik skal passe til stikkontakten. Stikket må ikke ændres på nogen måde. Der må ikke bruges adapterstik sammen med beskyttelsesjordet elværktøj. Uændrede stik og de rigtige stikkontakter reducerer risikoen for elektrisk stød.
- b) Undgå kropskontakt med jordforbundne overflader som f.eks. rør, radiatorer, komfurer og køleskabe. Der er øget risiko for elektrisk stød, hvis din krop har jordforbindelse.
- c) Hold elværktøjet væk fra regn og fugt. Hvis der trænger vand ind i elværktøjet, øges risikoen for elektrisk stød.
- d) Brug ikke ledningen til noget, den ikke er beregnet til, f.eks. til at bære eller hænge værktøjet op i eller til at trække stikket ud af stikkontakten. Hold ledningen på afstand af varme, olie, skarpe kanter eller produktets bevægelige dele. Beskadede eller sammenfildede ledninger øger risikoen for elektrisk stød.
- e) Hvis du anvender elværktøj udendørs, skal der bruges en forlængerledning, som er godkendt til brug udendørs. Når du anvender en forlængerledning, der er beregnet til udendørs brug, reduceres risikoen for elektrisk stød.
- f) Hvis det ikke er muligt at undgå at bruge elværktøjet i fugtige omgivelser, skal der installeres en fejlstrømsafbryder. Installation af en fejlstrømsafbryder reducerer risikoen for elektrisk stød.

3. Personssikkerhed

- a) Vær altid opmærksom og bevidst om, hvad du laver, og arbejd fornuftigt med elværktøjet. Brug ikke elværktøjet, hvis du er ukoncentreret eller påvirket af narkotika, alkohol eller medicin. Selv et øjeblik uopmærksomhed ved brug af elværktøjet kan medføre alvorlige kvæstelser.
- b) Brug personligt beskyttelsesudstyr, og bær altid beskyttelsesbriller. Når du bruger personligt beskyttelsesudstyr som f.eks. støvmaske, skridsikre sikkerhedssko, beskytteshandsker, sikkerhedshjelm og høreværn afhængigt af elværktøjets type og anvendelse, reduceres risikoen for kvæstelser.
- c) Undgå utilsigtet igangsætning. Kontrollér at elværktøjet er slukket, før du forbinder det med elforsyningen og/eller tilslutter batteriet, tager elværktøjet op eller bærer det. Hvis du bærer elværktøjet rundt med fingeren på kontakten, eller hvis elværktøjet slutes til strømforsyningen, mens det allerede er tændt, kan der opstå uheld.
- d) Fjern indstillingsværktøj eller skruenøgler, før du tænder elværktøjet. Hvis der sidder et værktøj eller en skruenøgle på en roterende del af elværktøjet, kan det medføre personskader.
- e) Undgå unormale kroppsstillinger. Sørg for, at du står sikkert, og hold altid balancen. Derved kan du bedre kontrollere elværktøjet i uventede situationer.
- f) Bær velegnet påklædning. Bær ikke løstsiddende tøj eller smykker. Hold hår, tøj og handsker på afstand af dele, der bevæger sig. Løst tøj, smykker eller hår kan gribe fat i dele, der bevæger sig.
- g) Hvis der monteres opsagnings- og opsamlingsanordninger, skal disse tilsluttes og anvendes korrekt. Anvendelse af denne type anordninger nedsætter støvriskoen.

4. Anvendelse og behandling af elværktøjet

- Overbelast ikke elværktøjet. Brug et elværktøj, der er egnet til arbejdet. Du arbejder bedre og mere sikkert i det angivne effektområde, hvis du bruger det rigtige elværktøj.
- Brug ikke elværktøj med defekt kontakt. Elværktøj, som ikke længere kan tændes og slukkes, er farligt og skal repareres.
- Træk stikket ud af stikkontakten, og/eller fjern det genopladelige batteri, før du foretager indstillinger på elværktøjet eller tilbehørsdelene eller lægger elværktøjet fra dig. Disse forholdsregler forhindrer, at elværktøjet starter ved en fejl.
- Opbevar elværktøj uden for børns rækkevidde, når værktøjet ikke anvendes. Personer, som ikke kender produktet, eller som ikke har læst disse anvisninger, må ikke bruge produktet. Elværktøj er farligt, hvis det anvendes af uerfarne personer.
- Vedligehold elværktøjet omhyggeligt. Kontrollér, om bevægelige dele fungerer, som de skal og ikke sætter sig fast, om dele er defekte eller så beskadigede, at elværktøjets funktion er påvirket. Få beskadigede dele repareret, inden du bruger produktet. Mange uheld skyldes dårligt vedligeholdt elværktøj.
- Hold skærende værktøjer skarpe og rene. Omhyggeligt vedligeholdt værktøj med skarpe skær sætter sig ikke så ofte fast og er lettere at styre.
- Brug elværktøj, tilhører, udskiftelige dele osv. iht. disse anvisninger. Tag hensyn til arbejdsbetingelserne og det arbejde, der skal udføres. Anvendelse af elværktøj til andet end de tiltænkte anvendelsesområder kan føre til farlige situationer.

5. Anvendelse og behandling af det genopladelige værktøj

- Oplad kun batterierne i opladere, som producenten har anbefalet. Hvis der bruges andre genopladelige batterier til opladeren, end dem opladeren er beregnet til, er der fare for brand.
- Brug kun genopladelige batterier, der er beregnet til elværktøj. Anvendelse af andre genopladelige batterier kan medføre personskader og brandfare.
- Når det genopladelige batteri ikke benyttes, skal det holdes borte fra kontorclips, mønter, nøgler, søm, skruer eller andre små metalgenstande, som kan forårsage en kortslutning mellem kontakterne. En kortslutning mellem det genopladelige batteris kontakter kan medføre forbrændinger og brand.
- Ved forkert anvendelse kan der trænge væske ud af det genopladelige batteri. Undgå kontakt med denne væske. Skyl efter med vand, hvis du alligevel kommer i kontakt med væsken. Hvis væsken kommer i øjnene, skal du søge læge. Batterivæske, der løber ud, kan medføre hudirritationer eller forbrændinger.



FORSIGTIG! EKSPLOSIONSFARE!

Oplad aldrig batterier, der ikke er beregnet til det.



Beskyt det genopladelige batteri mod varme på grund af f.eks. vedvarende solstråler, ild, vand og fugt.



Fare for eksplosion.



6. Service

- Lad kun en kvalificeret reparatør reparere dit elværktøj og kun med originale reservedele. Derved garanteres det, at elværktøjets sikkerhed bevares.

Sikkerhedsanvisninger for skrue-maskiner

ADVARSEL!

- Hold fast i elværktøjet på de isolerede gribeplader, når du arbejder på steder, hvor skruen eller indsatsværktøjet kan ramme skjulte elledninger. Kontakten mellem skruen eller indsatsværktøjet og en spændingsførende ledning kan også sætte produktdele i metal under spænding og medføre elektrisk stød.

Sikkerhedsanvisninger for opladere

- Dette produkt kan bruges af børn fra 8 år og derover og af personer med nedsatte fysiske, motoriske eller mentale evner eller manglende erfaring og/eller viden, hvis de er under opsyn eller undervises i sikker brug af produktet og de farer, der kan være forbundet med det. Børn må ikke lege med produktet. Rengøring og brugervedligeholdelse må ikke udføres af børn uden opsyn.



Opladeren er kun beregnet til indendørs brug.

ADVARSEL!

- Hvis dette produkts tilslutningsledning beskadiges, skal den udskiftes af producenten eller dennes kundeservice eller af en person med tilsvarende kvalifikationer, så farlige situationer undgås.

Før første brug

Opladning af batteripakke (se fig. A)

FORSIGTIG!

- ▶ Træk altid strømstikket ud, før du tager batteripakken **8** ud af opladeren eller sætter den ind.
- Oplad aldrig batteripakken **8**, hvis den omgivende temperatur er under 10 °C eller over 40 °C.
- ◆ Sæt batteripakken **8** ind i hurtigopladeren **13** (se fig. A).
- ◆ Sæt strømstikket i stikkontakten. Kontrol-LED **14** lyser rødt og indikerer opladningsprocessen.
- ◆ Den grønne kontrol-LED **15** viser, at opladningen er afsluttet, og at batteripakken **8** kan anvendes.
- ◆ Sæt den genopladelige batteripakke **8** ind i produktet (se fig. B).

Indsætning / udtagning af batteripakke

Indsæt den genopladelige batteripakke:

- ◆ Stil rotationsretningsomskipperen **3** på midterstillingen (spærring) (se fig. C). Tryk batteripakken **8** ind i håndtaget, til den klikker på plads (se fig. B).

Udtagning af batteripakke:


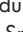
- ◆ Tryk på knappen til frigørelse **9**, og tag batteripakken **8** ud (se fig. D).

Kontrol af det genopladelige batteris tilstand

- ◆ For kontrol af batteriets tilstand trykkes på batterikontrolknappen **6** (se fig. E). Tilstanden eller resteffekten vises på følgende måde i display-LED til det genopladelige batteri **7**:
 - ◆ GRØN / RØD / ORANGE = maksimal opladning / effekt
 - ◆ RØD / ORANGE = middel opladning / effekt
 - ◆ RØD = svag opladning - oplad det genopladelige batteri


Skift af værktøj

Den batteridrevne skruemaskine har en fuldautomatisk spindellås **LOCK**.

Når motoren er standset, låses drivlinjen, så borepatronen **1** kan åbnes ved at dreje . Når du har sat det ønskede værktøj ind og spændt det fast ved at dreje borepatronen , kan du fortsætte arbejdet med det samme (se fig. F). Spindellåsen løsnes automatisk, når motoren startes (betjening af TÆND-/SLUK-knappen **4**).

Forvalg af drejningsmoment/boretrin

Drejerkraften kan indstilles med drejningsmomentforvalget **12** (se fig. G).

- ◆ Vælg et lavt trin til små skruer og bløde materialer.
- ◆ Vælg et højt trin til store skruer og hårde materialer samt ved udskruning af skruer.
- ◆ Vælg boretrin til borearbejdet ved at sætte forvalg af drejningsmoment **12** på position  (se fig. H).

2-trins gear

FORSIGTIG!

- ▶ Aktivér kun gearvælgerknappen **1**, når produktet står stille. Ellers kan produktet beskadiges.

I første gear (gearvælgerknapp **1** på position: 1) (se fig. I)

opnår du et omdrejningstal på ca. 400 min⁻¹ og et højt drejningsmoment. Denne indstilling er velegnet til alt skruearbejde.

I andet gear (gearvælgerknapp **1** på position: 2) (se fig. J)

opnår du et omdrejningstal på ca. 1400 min⁻¹ til udførelse af borearbejde.

Første brug

Tænd / sluk

Sådan tænder du:

- ◆ Tryk på TÆND-/SLUK-knappen **4** for at tænde produktet og hold den indtrykket (se fig. K). LED-arbejdslyset **10** lyser, når der trykkes lidt eller helt på TÆND-/SLUK-knappen **4**. Den gør det muligt at oplyse arbejdsområdet ved uhensigtsmæssige lysforhold.

Sådan slukker du:

- ◆ Slip TÆND-/SLUK-knappen **4** for at slukke for produktet.

Indstilling af omdrejningstal

TÆND-/SLUK-kontakten **4** har en variabel hastighedsregulering. Et let tryk på TÆND-/SLUK-kontakten **4** giver et lavt omdrejningstal. Med tiltagende tryk forhøjes omdrejningstallet (se fig. K).

BEMÆRK

- ▶ Den integrerede motorbremse giver hurtig stilstand.

Omskiftning af omdrejningsretning

- ◆ Skift omdrejningsretning ved at trykke rotationsretningsomskifteren **3** helt til højre eller helt til venstre (se fig. L).

Tips og tricks



Tip! Sådan gør du det rigtigt.

- ◆ Kontrollér før arbejdet begyndes, om skruen eller boret er anbragt korrekt, dvs. om den/det er centreret i borepatronen.
- ◆ Skruebits er mærket med deres mål og form. Hvis du er usikker, skal du altid først prøve, om bitten sidder fast i skruehovedet uden slør.

Drejningsmoment:

- ◆ Især mindre skruer og bits kan beskadiges, hvis du indstiller drejningsmomentet og/eller omdrejningstallet på maskinen for højt.

Hård skruring (i metal):

- ◆ Der opstår ekstra høje drejningsmomenter f.eks. ved metalsammenskruringer ved brug af top-nøgletoppe. Vælg et lavt omdrejningstal.

Blød skruring (f.eks. i blødt træ):

- ◆ Skru også her med et lavt omdrejningstal for f.eks. at undgå at beskadige træoverfladen ved kontakt med skruehovedet af metal. Brug en forsænker.

Sørg altid for følgende, når du borer i træ, metal og andre materialer:

- ◆ Brug et højt omdrejningstal ved bor med små diametre og et lavt omdrejningstal ved bor med store diametre.
- ◆ Vælg et lavt omdrejningstal ved hårde materialer og et højt omdrejningstal ved bløde materialer.
- ◆ Emnet bør så vist muligt fikseres eller fastgøres (hvis muligt) i en opspændingsanordning.
- ◆ Markér stedet, hvor der skal bores, med en kørner eller et søm. Vælg et lavt omdrejningstal til at starte boringen med.
- ◆ Træk det roterende bor ud af borehullet flere gange for at fjerne spåner eller borerester og udlufte hullet.

Boring i metal:

- ◆ Brug metalbor (HSS). Du opnår de bedste resultater ved at afkøle boret med skæreolie. Du kan også bruge metalbor til boring i kunststof. Bor først med et \varnothing 3 mm bor, og forhøj til den ønskede borediameter.

Boring i træ:

- ◆ Brug et træbor med centeringsspids, brug et "spiralbor" til dybe huller og et Forstner-bor til store diametre. Du kan også skrue små skruer direkte i blødt træ uden at bore for.

Vedligeholdelse og rengøring



ADVARSEL! FARE FOR PERSONSKADER! Sluk altid produktet før arbejdet, og tag det genopladelige batteri ud.

Den batteridrevne slagbore-/skruemaskine er vedligeholdelsesfri.

- Produktet skal altid være rent, tørt og fri for olie eller smørefedt.
- Der må ikke komme væske ind i produktet.
- Brug en tør klud til rengøring af huset. Brug aldrig benzin, opløsningsmidler eller rensmidler, som angriber plast.
- Hvis det genopladelige lithium-ion-batteri skal opbevares i længere tid, skal dets opladningstilstand kontrolleres regelmæssigt. Den optimale opladningstilstand er mellem 50 % og 80 %. Det optimale opbevaringsklima er køligt og tørt.

BEMÆRK

- Reservedele, som ikke er angivet (som f.eks. batterier, kontakter), kan bestilles hos vores service-hotline.

Garanti for Kompernass Handels GmbH

Kære kunde

På dette produkt får du 3 års garanti fra købsdatoen. I tilfælde af mangler ved produktet har du en række juridiske rettigheder i forhold til sælgeren af produktet. Dine juridiske rettigheder forringes ikke af den nedenfor anførte garanti.

Garantibetingelser

Garantiperioden begynder på købsdatoen. Opbevar venligst din originale kvittering et sikkert sted. Dette dokument er nødvendigt for at kunne dokumentere købet.

Hvis der inden for tre år fra købsdatoen for dette produkt opstår en materiale- eller fabrikationsfejl, vil produktet – efter vores valg – blive repareret eller ombyttet gratis for dig. Denne garantiydelse forudsætter, at det defekte produkt og købsbeviset (kvittering) afleveres inden for tre-årsfristen, og der gives en kort skriftlig beskrivelse af, hvori manglen består, og hvornår den er opstået.

Hvis defekten er dækket af vores garanti, får du et repareret eller et nyt produkt retur. Reparation eller ombytning af produktet udløser ikke en ny garantiperiode.

Garantiperiode og juridiske mangelkrav

Garantiperioden forlænges ikke, hvis der gøres brug af garantien. Det gælder også for udskiftede og reparerede dele. Skader og mangler, som eventuelt allerede fandtes ved køb, samt manglende dele, skal anmeldes straks efter udpakningen. Når garantiperioden er udløbet, er reparation af skader betalingspligtig.

Garantiens omfang

Produktet er produceret omhyggeligt efter strenge kvalitetsretningslinjer og testet grundigt inden leveringen.

Garantien dækker materiale- og fabrikationsfejl. Denne garanti omfatter ikke produktdele, der er udsat for normal slitage, og derfor kan betragtes som sliddele, eller for skader på skrøbelige dele, som f.eks. kontakter, batterier, bageforme eller dele som er lavet af glas.

Denne garanti bortfalder, hvis produktet er blevet beskadiget, ikke er forskriftsmæssigt anvendt eller vedligeholdt. For at sikre forskriftsmæssig anvendelse af produktet skal alle anvisninger nævnt i betjeningsvejledningen nøje overholdes. Anvendelsesformål og handlinger, som frarådes eller der advares imod i betjeningsvejledningen, skal ubetinget undgås.

Produktet er kun beregnet til privat og ikke til kommercielt brug. Ved misbrug og uhensigtsmæssig brug, anvendelse af vold og ved indgreb, som ikke er foretaget af vores autoriserede serviceafdeling, bortfalder garantien.

Afvikling af garantisager

For at sikre en hurtig behandling af din anmeldelse bør du følge nedenstående anvisninger:

- Ved alle forespørgsler bedes du have kvitteringen og artikelnummeret (f.eks. IAN 12345) klar som dokumentation for købet.
- Artikelnummeret kan du finde på typeskiltet, som indgravering, på vejledningens forside (nederst til venstre) eller som et klæbemærke på bag- eller undersiden.
- Hvis der opstår funktionsfejl eller øvrige mangler, bedes du først kontakte nedennævnte serviceafdeling **telefonisk** eller **via e-mail**.
- Et produkt, der er registreret som defekt, kan du derefter indsende portofrit til den oplyste serviceadresse med vedlæggelse af købsbevis (kvittering) og en beskrivelse af, hvori manglen består, og hvornår den er opstået.



På www.lidl-service.com kan du downloade denne og mange andre håndbøger, produktvideoer og software.

Service

ADVARSEL!

- ▶ Få produktet repareret hos et serviceværksted eller af en elektriker og kun med originale reservedele. Derved garanteres det, at produktets sikkerhed bevares.
- ▶ Lad altid produktets producent eller dennes kundeservice udskifte stikket eller ledningen. Derved garanteres det, at produktets sikkerhed bevares.

DK Service Danmark
Tel.: 32 710005
E-Mail: kompernass@lidl.dk

IAN 274864

Importør

Bemærk at den efterfølgende adresse ikke er en serviceadresse. Kontakt først det nævnte servicested.

KOMPERNASS HANDELS GMBH
BURGSTRASSE 21
44867 BOCHUM
GERMANY
www.kompernass.com

Bortskaffelse



Emballagen består af miljøvenlige materialer, som kan bortskaffes på de lokale genbrugspladser.



Bortskaf ikke elværktøj sammen med husholdningsaffaldet!

I henhold til det europæiske direktiv 2012/19/EU skal kasseret elværktøj indsamles særskilt og afleveres til miljøvenligt genbrug.



Smid ikke genopladelige batterier ud sammen med husholdningsaffald!

Defekte eller kasserede batterier/genopladelige batterier skal genanvendes i henhold til direktiv 2006/66/EC. Aflever batteripakken og/eller produktet på de lokale genbrugspladser. Du kan få oplysninger om bortskaffelsesmuligheder for brugt elværktøj hos kommunens tekniske forvaltning.

Oversættelse af den originale overensstemmelseserklæring

Vi, KOMPERNASS HANDELS GMBH, dokumentansvarlig: Semi Uguzlu, BURGSTR. 21, D-44867 BOCHUM, TYSKLAND, erklærer hermed, at dette produkt stemmer overens med følgende standarder, standardiseringsdokumenter og EU-direktiver:

**Maskindirektivet
(2006 / 42 / EC)**

**EU-lavspændingsdirektivet
(2014 / 35 / EU)**

**Elektromagnetisk kompatibilitet
(2014 / 30 / EU)**

**RoHS-direktivet
(2011 / 65 / EU)**

Anvendte harmoniserede standarder:

EN 60745-1:2009/A11:2010
EN 60745-2-1:2010
EN 60745-2-2:2010
EN 60335-1:2012/A11:2014
EN 60335-2-29:2004/A2:2010
EN 62233:2008
EN 55014-1:2006/A2:2011
EN 55014-2:1997/A2:2008
EN 61000-3-2:2014
EN 61000-3-3:2013

Type/enhedsbetegnelse:

Batteridrevet bore-/skruemaskine PABS 20-Li B2

Produktionsår: 04-2016

Serienummer: IAN 274864

Bochum, 05.02.2016



Semi Uguzlu

- Kvalitetschef -

Vi forbeholder os ret til tekniske ændringer med henblik på videreudvikling.

Table des matières

| | |
|---|-----------|
| Introduction | 24 |
| Utilisation conforme à l'usage prévu | 24 |
| Équipement | 24 |
| Matériel livré | 24 |
| Caractéristiques techniques | 24 |
| Avertissements de sécurité généraux pour l'outil | 25 |
| 1. Sécurité de la zone de travail | 25 |
| 2. Sécurité électrique | 26 |
| 3. Sécurité des personnes | 26 |
| 4. Utilisation et entretien de l'outil | 27 |
| 5. Utilisation et manipulation d'un outil à accu. | 27 |
| 6. Service | 27 |
| Consignes de sécurité relatives aux perceuses-visseuses | 28 |
| Consignes de sécurité relatives aux chargeurs | 28 |
| Avant la mise en service | 28 |
| Recharger le pack d'accus (voir fig. A) | 28 |
| Mettre le pack d'accus dans l'appareil / l'en retirer | 28 |
| Contrôler l'état de l'accu. | 28 |
| Changer les outils. | 29 |
| Sélection du couple / position de perçage | 29 |
| Transmission à 2 vitesses | 29 |
| Mise en service | 29 |
| Mise en marche / mise hors service | 29 |
| Réglage de la vitesse de rotation | 29 |
| Commuter le sens de rotation | 29 |
| Conseils et astuces | 30 |
| Entretien et nettoyage | 30 |
| Garantie de Kompennass Handels GmbH | 31 |
| Service | 32 |
| Importateur | 32 |
| Mise au rebut | 33 |
| Traduction de la déclaration de conformité originale | 33 |

PERCEUSE-VISSEUSE SANS FIL PABS 20-LI B2

Introduction

Félicitations pour l'achat de votre nouvel appareil. Vous venez ainsi d'opter pour un produit de grande qualité. Le mode d'emploi fait partie de ce produit. Il contient des remarques importantes concernant la sécurité, l'usage et la mise au rebut. Avant d'utiliser le produit, veuillez vous familiariser avec toutes les consignes d'utilisation et de sécurité. N'utilisez le produit que conformément aux consignes et pour les domaines d'utilisation prévus. Si vous cédez le produit à un tiers, remettez-lui également tous les documents.

Utilisation conforme à l'usage prévu

Cet appareil est conçu pour percer et visser dans le bois, les matières plastiques et le métal. N'utilisez l'appareil que conformément aux consignes et pour les domaines d'utilisation prévus. Toute utilisation autre ou modification de l'appareil est considérée comme non conforme et s'accompagne de risques d'accident non négligeables. Le fabricant n'assume aucune responsabilité pour les dommages résultant d'une utilisation non conforme à l'usage prévu. L'outil n'est pas conçu pour un usage commercial.

Équipement

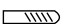
- ❶ Sélecteur de vitesse
- ❷ Support de bit (magnétique)
- ❸ Sélecteur du sens de rotation / blocage
- ❹ Interrupteur MARCHE / ARRÊT / réglage de la vitesse
- ❺ Fixation de ceinture
- ❻ Touche d'état accu
- ❼ Témoin LED accu
- ❽ Pack d'accus
- ❾ Touche déverrouillage du pack d'accus
- ❿ Lampe de travail LED
- ⓫ Mandrin porte-foret
- ⓬ Sélection du couple
- ⓭ Chargeur rapide
- ⓮ LED rouge de contrôle de charge
- ⓯ LED verte de contrôle de charge

Matériel livré

- 1 perceuse-visseuse sans fil PABS 20-Li B2
- 1 chargeur rapide PABS 20-Li B2-2
- 1 pack d'accus PABS 20-Li B2-1
- 1 bit PH2 50 mm
- 1 mallette de transport
- 1 mode d'emploi

Caractéristiques techniques

Perceuse-visseuse sans fil : PABS 20-Li B2

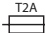
- Tension assignée : 20 V \equiv (courant continu)
- Régime à vide assigné : 1ère vitesse : n_0 0 - 400 min⁻¹
2e vitesse : n_0 0 - 1400 min⁻¹
- Plage de serrage du mandrin  : max. Ø 13 mm
- Diamètre de perçage : acier : 13 mm
Bois : 30 mm

Accu : PABS 20-Li B2-1


- Type : LITHIUM-IONS
- Cellules : 5
- Tension de mesure : 20 V \equiv (courant continu)
- Capacité : 2,0 Ah
- Teneur en énergie : 40 Wh

Chargeur rapide sans fil : PABS 20-Li B2-2

ENTRÉE / Input :

- Tension assignée : 230 - 240 V \sim , 50 Hz (tension alternative)
- Puissance absorbée assignée : 65 W
- Fusible (interne) : 2 A 

SORTIE / Output :

- Tension assignée : 21,5 V \equiv (courant continu)
- Courant assigné : 2,3 A
- Temps de charge : env. 60 min.
- Classe de protection : II/ (Double isolation)

Valeurs d'émissions sonores :

Valeur de mesure du bruit déterminée conformément à la norme EN 60745. Le niveau de bruit A pondéré typique de l'outil électrique est de :

Niveau de pression

acoustique : $L_{pA} = 68,5$ dB (A)

Incertitude K : $K_{pA} = 3$ dB

Niveau de puissance

acoustique : $L_{WA} = 79,5$ dB (A)

Incertitude K : $K_{WA} = 3$ dB

Valeur d'émission des vibrations :

Valeurs totales de vibration (somme vectorielle triaxiale) déterminées conformément à EN 60745 :

Vis : valeur d'émission des vibrations
 $a_h : 0,601$ m/s²
 Incertitude K = 1,5 m/s²

Perçage dans le métal : valeur d'émission des vibrations
 $a_{h,D} : 1,070$ m/s²
 Incertitude K = 1,5 m/s²

REMARQUE

- Le niveau de vibrations indiqué dans ces instructions a été mesuré conformément aux méthodes de mesure décrites et peut être utilisé pour la comparaison d'appareils. La valeur d'émission des vibrations déclarée peut également être utilisée pour une évaluation préliminaire de l'exposition.

AVERTISSEMENT !

- Le niveau des vibrations varie en fonction de l'usage de l'outil électrique et peut, dans certains cas, excéder la valeur indiquée dans ces instructions. La sollicitation vibratoire pourrait être sous-estimée si l'outil électrique est utilisé régulièrement de cette manière. Essayez de garder la sollicitation par vibrations aussi faible que possible. Des mesures d'exemple de réduction de la sollicitation des vibrations sont le port de gants lors de l'utilisation de l'outil et la limitation du temps de travail. Pour cela, toutes les parts du cycle de travail doivent être prises en compte (par exemple les durées pendant lesquelles l'outil est éteint et celles pendant lesquels il est allumé mais fonctionne sans charge).



Avertissements de sécurité généraux pour l'outil

AVERTISSEMENT !

- Lire tous les avertissements de sécurité et toutes les instructions. Ne pas suivre les avertissements et instructions peut donner lieu à un choc électrique, un incendie et/ou une blessure sérieuse.

Conservé tous les avertissements et toutes les instructions pour pouvoir s'y reporter ultérieurement.

Le terme "outil" dans les avertissements fait référence à votre outil électrique alimenté par le secteur (avec cordon d'alimentation) ou à votre outil fonctionnant sur batterie (sans cordon d'alimentation).

1. Sécurité de la zone de travail

- Conservé la zone de travail propre et bien éclairée. Les zones en désordre ou sombres sont propices aux accidents.
- Ne pas faire fonctionner les outils électriques en atmosphère explosive, par exemple en présence de liquides inflammables, de gaz ou de poussières. Les outils électriques produisent des étincelles qui peuvent enflammer les poussières ou les fumées.

- c) Maintenir les enfants et les personnes présentes à l'écart pendant l'utilisation de l'outil. Les distractions peuvent vous faire perdre le contrôle de l'outil.

2. Sécurité électrique

- a) Il faut que les fiches de l'outil électrique soient adaptées au socle. Ne jamais modifier la fiche de quelque façon que ce soit.

Ne pas utiliser d'adaptateurs avec des outils à branchement de terre. Des fiches non modifiées et des socles adaptés réduiront le risque de choc électrique.

- b) Éviter tout contact du corps avec des surfaces reliées à la terre telles que les tuyaux, les radiateurs, les cuisinières et les réfrigérateurs. Il existe un risque accru de choc électrique si votre corps est relié à la terre.

- c) Ne pas exposer les outils à la pluie ou à des conditions humides. La pénétration d'eau à l'intérieur d'un outil augmentera le risque de choc électrique.

- d) Ne pas maltraiter le cordon. Ne jamais utiliser le cordon pour porter, tirer ou débrancher l'outil. Maintenir le cordon à l'écart de la chaleur, du lubrifiant, des arêtes ou des parties en mouvement. Des cordons endommagés ou emmêlés augmentent le risque de choc électrique.

- e) Lorsqu'on utilise un outil à l'extérieur, utiliser un prolongateur adapté à l'utilisation extérieure. L'utilisation d'un cordon adapté à l'utilisation extérieure réduit le risque de choc électrique.

- f) Si l'usage d'un outil dans un emplacement humide est inévitable, utiliser une alimentation protégée par un dispositif à courant différentiel résiduel (RCD). L'usage d'un RCD réduit le risque de choc électrique.

3. Sécurité des personnes

- a) Rester vigilant, regarder ce que vous êtes en train de faire et faire preuve de bon sens dans votre utilisation de l'outil. Ne pas utiliser un outil lorsque vous êtes fatigué ou sous l'emprise de drogues, d'alcool ou de médicaments. Un moment d'inattention en cours d'utilisation d'un outil peut entraîner des blessures graves des personnes.

- b) Utiliser un équipement de sécurité. Toujours porter une protection pour les yeux. Les équipements de sécurité tels que les masques contre les poussières, les chaussures de sécurité antidérapantes, les casques ou les protections acoustiques utilisés pour les conditions appropriées réduiront les blessures de personnes.

- c) Éviter tout démarrage intempestif. S'assurer que l'interrupteur est en position arrêté avant de brancher l'outil au secteur et/ou au bloc de batteries, de le ramasser ou de le porter. Porter les outils en ayant le doigt sur l'interrupteur ou brancher des outils dont l'interrupteur est en position marche est source d'accidents.

- d) Retirer toute clé de réglage avant de mettre l'outil en marche. Une clé laissée fixée sur une partie tournante de l'outil peut donner lieu à des blessures de personnes.

- e) Ne pas se précipiter. Garder une position et un équilibre adaptés à tout moment. Cela permet un meilleur contrôle de l'outil dans des situations inattendues.

- f) S'habiller de manière adaptée. Ne pas porter de vêtements amples ou de bijoux. Garder les cheveux, les vêtements et les gants à distance des parties en mouvement. Des vêtements amples, des bijoux ou les cheveux longs peuvent être pris dans des parties en mouvement.

- g) Si des dispositifs sont fournis pour le raccordement d'équipements pour l'extraction et la récupération des poussières, s'assurer qu'ils sont connectés et correctement utilisés. Utiliser des collecteurs de poussière peut réduire les risques dus aux poussières.

4. Utilisation et entretien de l'outil

- a) Ne pas forcer l'outil. Utiliser l'outil adapté à votre application. L'outil adapté réalisera mieux le travail et de manière plus sûre au régime pour lequel il a été construit.
- b) Ne pas utiliser l'outil si l'interrupteur ne permet pas de passer de l'état de marche à arrêt et vice versa. Tout outil qui ne peut pas être commandé par l'interrupteur est dangereux et il faut le réparer.
- c) Débrancher la fiche de la source d'alimentation en courant et/ou le bloc de batteries de l'outil avant tout réglage, changement d'accessoires ou avant de ranger l'outil. De telles mesures de sécurité préventives réduisent le risque de démarrage accidentel de l'outil.
- d) Conserver les outils à l'arrêt hors de la portée des enfants et ne pas permettre à des personnes ne connaissant pas l'outil ou les présentes instructions de le faire fonctionner. Les outils sont dangereux entre les mains d'utilisateurs novices.
- e) Observer la maintenance de l'outil. Vérifier qu'il n'y a pas de mauvais alignement ou de blocage des parties mobiles, des pièces cassées ou toute autre condition pouvant affecter le fonctionnement de l'outil. En cas de dommages, faire réparer l'outil avant de l'utiliser. De nombreux accidents sont dus à des outils mal entretenus.
- f) Garder affûtés et propres les outils permettant de couper. Des outils destinés à couper correctement entretenus avec des pièces coupantes tranchantes sont moins susceptibles de bloquer et sont plus faciles à contrôler.
- g) Utiliser l'outil, les accessoires et les lames etc., conformément à ces instructions, En tenant compte des conditions de travail et du travail à réaliser. L'utilisation de l'outil pour des opérations différentes de celles prévues pourrait donner lieu à des situations dangereuses.

5. Utilisation et manipulation d'un outil à accu

- a) Uniquement recharger les accus dans les chargeurs recommandés par le fabricant. Un chargeur compatible pour certains types d'accus, peut provoquer un incendie s'il est utilisé avec d'autres accus.
- b) N'utiliser les outils qu'avec des blocs de batteries spécifiquement désignés. L'utilisation de tout autre bloc de batteries peut créer un risque de blessure et de feu.
- c) Tenir les accus inutilisés à l'abri des agrafes, pièces de monnaie, clés, clous, vis et autres objets en métal susceptibles de court-circuiter les contacts. Un court-circuit entre les contacts des accus peut provoquer des brûlures ou un incendie.
- d) L'accu peut couler en cas d'usage incorrect. Éviter tout contact avec ce liquide. Laver à l'eau en cas de contact involontaire. En cas de contact du liquide avec les yeux, il faut en plus consulter un médecin. Le liquide qui s'écoule des accus peut causer des irritations de la peau ou des brûlures.



ATTENTION ! RISQUE D'EXPLOSION
! Ne rechargez jamais des piles non rechargeables.



Protégez l'accu de la chaleur, par ex. aussi du rayonnement solaire continu, du feu, de l'eau et de l'humidité. Il y a risque d'explosion.



6. Service

- a) Faire entretenir l'outil par un réparateur qualifié utilisant uniquement des pièces de rechange identiques. Cela assurera que la sécurité de l'outil est maintenue.

Consignes de sécurité relatives aux perceuses-visseuses

⚠ AVERTISSEMENT !

- Tenir l'outil par les surfaces de préhension isolées, lors de la réalisation d'une opération au cours de laquelle la vis ou l'outil à insérer peut entrer en contact avec un câblage non apparent ou son propre cordon d'alimentation. Le contact de la vis ou de l'outil à insérer avec une ligne "sous tension" peut également mettre "sous tension" les parties métalliques exposées de l'outil électrique et provoquer un choc électrique sur l'opérateur.

Consignes de sécurité relatives aux chargeurs

- Cet appareil peut être utilisé par des enfants à partir de 8 ans et par des personnes ayant des capacités physiques, sensorielles ou mentales réduites ou disposant de peu d'expérience et/ou de connaissances, à condition qu'ils soient surveillés ou qu'ils aient été initiés à l'utilisation sécurisée de l'appareil et qu'ils aient compris les dangers en résultant. Les enfants ne doivent pas jouer avec l'outil. Le nettoyage et la maintenance utilisateur ne doivent pas être réalisés par des enfants s'ils ne sont pas surveillés.



Le chargeur convient uniquement à une exploitation en intérieur.

⚠ AVERTISSEMENT !

- Si le cordon d'alimentation de l'appareil est endommagé, il doit être remplacé par le fabricant, son service après-vente ou une personne de qualification similaire afin d'éviter tout risque.

Avant la mise en service

Recharger le pack d'accu (voir fig. A)

⚠ ATTENTION !

- ▶ Débranchez toujours la fiche secteur avant de retirer le pack d'accu **8** du chargeur ou de le mettre en place.
- Ne chargez jamais le pack d'accu **8** lorsque la température ambiante est inférieure à 10°C ou supérieure à 40°C.
- ◆ Placez le pack d'accu **8** dans le chargeur rapide **15** (voir fig. A).
- ◆ Insérez la fiche secteur dans la prise secteur. La LED de contrôle **14** s'allume en rouge et signale que l'opération de charge est terminée.
- ◆ La LED verte de contrôle **15** vous signale que l'opération de charge est terminée et que le pack d'accu **8** est prêt à être utilisé.
- ◆ Introduisez le pack d'accu **8** dans l'appareil (voir fig. B).

Mettre le pack d'accu dans l'appareil / l'en retirer

Mettre en place le pack d'accu :

- ◆ Placez le sélecteur du sens de rotation **3** en position centrale (verrouillage) (voir fig. C). Faites s'enclencher le pack d'accu **8** dans la poignée (voir fig. B).

Retirer le pack d'accu :



- ◆ Appuyez sur la touche pour déverrouiller **9** puis retirez le pack d'accu **8** (voir fig. D).

Contrôler l'état de l'accu

- ◆ Pour vérifier l'état de l'accu, appuyez sur la touche d'état de l'accu **6** (voir fig. E). L'état et la puissance restante s'affichent comme suit par la LED d'affichage de l'accu **7** :
- ◆ VERT / ROUGE / ORANGE = charge / puissance maximale
- ◆ ROUGE / ORANGE = charge / puissance moyenne
- ◆ ROUGE = charge faible - charger l'accu


Changer les outils

Votre perceuse-visseuse est équipée d'un blocage de la broche entièrement automatique **LOCK** SPINDLE.

Lorsque le moteur est immobile, la transmission est verrouillée pour vous permettre d'ouvrir le ① mandrin porte-foret  en tournant. Une fois que vous avez inséré l'outil désiré et avez resserré en tournant le mandrin porte-foret , vous pouvez immédiatement poursuivre votre travail (voir fig. F). Le blocage de la broche se libère automatiquement au démarrage du moteur (actionnement de l'interrupteur MARCHE / ARRÊT ④).

Sélection du couple / position de perçage

Vous pouvez régler le couple de torsion par la sélection du couple ⑫ (voir fig. G).

- ◆ Choisissez un niveau plus bas pour les petites vis, ou pour les matériaux mous.
- ◆ Choisissez un niveau plus élevé pour les grandes vis, les matériaux durs ou pour dévisser des vis.
- ◆ Pour les travaux de perçage, sélectionnez la puissance de perçage en réglant la sélection du couple ⑫ sur la position  (voir fig. H).

Transmission à 2 vitesses

ATTENTION !

- ▶ Actionnez uniquement le sélecteur de vitesse ① lorsque l'appareil est à l'arrêt. Sinon l'appareil risque d'être endommagé.

En première vitesse (sélecteur de vitesse ① en position : 1) (voir fig. I)

Vous atteignez une vitesse de rotation d'env. 400 min⁻¹ et un couple élevé. Ce réglage est adapté à tous les travaux de vissage.

En seconde vitesse (sélecteur de vitesse ① en position : 2) (voir fig. J)

Vous atteignez une vitesse de rotation d'env. 1400 min⁻¹ pour réaliser des travaux de perçage.

Mise en service

Mise en marche / mise hors service

Allumer :

- ◆ Pour la mise en service de l'appareil, appuyez sur l'interrupteur MARCHE/ARRÊT ④ et maintenez-le enfoncé (voir fig. K).

La lampe de travail LED ⑩ s'allume lorsque l'interrupteur MARCHE / ARRÊT ④ est légèrement ou entièrement enfoncé. Elle permet ainsi d'éclairer la zone de travail si la luminosité n'est pas suffisante.

Éteindre :

- ◆ Pour éteindre l'appareil, relâchez l'interrupteur MARCHE/ARRÊT ④.

Réglage de la vitesse de rotation

L'interrupteur MARCHE/ARRÊT ④ dispose d'une régulation variable de la vitesse. Une légère pression sur l'interrupteur MARCHE/ARRÊT ④ entraîne une vitesse de rotation plus basse. La vitesse de rotation augmente avec la pression (voir fig. K).

REMARQUE

- ▶ Le frein moteur intégré veille à une immobilisation rapide.

Commuter le sens de rotation

- ◆ Commutez le sens de rotation en tournant le sélecteur du sens de rotation ③ vers la droite ou vers la gauche (voir fig. L).

Conseils et astuces



Conseil ! Voici le bon comportement recommandé :

- ◆ Avant le fonctionnement, contrôlez si la vis ou l'embout de perçage est correctement positionné, c'est-à-dire s'il est centré dans le mandrin porte-foret.
- ◆ Les bits de vissage sont désignés par leurs dimensions et leur forme. Si vous n'êtes pas sûr, commencez toujours par vérifier si le bit est positionné sans jeu dans la tête de vis.

Couple :

- ◆ Les petites vis / bits peuvent être endommagés si vous réglez un couple trop élevé ou une vitesse de rotation trop haute.

Vissage à couple élevé (dans le métal) :

- ◆ Des couples particulièrement élevés se produisent par ex. avec les raccords métalliques nécessitant l'emploi de douilles. Choisissez une vitesse de rotation basse.

Vissage à couple réduit (par ex. dans du bois tendre) :

- ◆ Vissez ici aussi avec une vitesse de rotation basse pour par ex. ne pas endommager la surface en bois lors du contact avec la tête de vis en métal. Utilisez un foret aléseur.

Lors du perçage dans le bois, le métal et d'autres matériaux, il est impératif de respecter ce qui suit :

- ◆ Pour un petit diamètre de foret, utilisez une vitesse de rotation élevée et pour un diamètre de foret plus important, une vitesse de rotation plus basse.
- ◆ Pour les matériaux durs, choisissez une vitesse de rotation basse, pour les matériaux mous, une vitesse de rotation élevée.
- ◆ Sécurisez ou fixez (si possible) la pièce dans un dispositif de serrage.

- ◆ Marquez l'endroit qui doit être percé avec un pointeau ou un clou. Choisissez une vitesse de rotation plus basse pour le pré-perçage.
- ◆ Retirez plusieurs fois le foret en rotation du trou de perçage pour éliminer les copeaux ou la poussière de forage et pour l'aérer.

Perçage dans le métal :

- ◆ Utilisez des forets à métaux (HSS). Pour obtenir d'excellents résultats, nous vous recommandons de refroidir le foret à l'huile de coupe. Vous pouvez également utiliser des forets à métaux pour percer le plastique. Percez d'abord avec un foret d'un Ø de 3 mm, et rapprochez-vous ensuite du diamètre de perçage souhaité.

Perçage dans le bois :

- ◆ Utilisez un foret à bois avec pointe de centrage, pour les perçages profonds, utilisez une mèche à pointe, pour les grands diamètres de perçage, un foret Forstner. Vous pouvez visser directement les petites vis dans le bois mou sans pré-perçage.

Entretien et nettoyage



AVERTISSEMENT ! RISQUE DE BLESSURE ! Avant de travailler sur l'appareil, éteignez-le et retirez l'accu.

La perceuse-visseuse sans fil ne nécessite aucun entretien.

- L'appareil doit toujours être propre, sec et exempt d'huile ou de graisse.
- Aucun liquide ne doit pénétrer à l'intérieur de l'appareil.
- Pour le nettoyage du boîtier, utilisez un chiffon sec. N'utilisez jamais d'essence, de solvant ou de nettoyant qui attaquent le plastique.

- Si un accu lithium-ions doit rester stocké pendant une période prolongée, il faut contrôler régulièrement son état de charge. L'état de charge optimal se situe entre 50% et 80%. Le climat de stockage idéal est frais et sec.

REMARQUE

- ▶ Vous pouvez commander des pièces détachées non listées (comme les accus, interrupteurs par ex.) auprès de notre hotline du service après-vente.

Garantie de Kompernass Handels GmbH

Chère cliente, cher client,

Cet appareil est garanti 3 ans à partir de la date d'achat. Si ce produit venait à présenter des vices, vous disposez de droits légaux face au vendeur de ce produit. Vos droits légaux ne sont pas restreints par notre garantie présentée ci-dessous.

Conditions de garantie

La période de garantie débute à la date de l'achat. Veuillez bien conserver le ticket de caisse d'origine. Ce document servira de preuve d'achat.

Si dans un délai de trois ans suivant la date d'achat de ce produit, un vice de matériel ou de fabrication venait à apparaître, le produit sera réparé ou remplacé gratuitement par nos soins, selon notre choix. Cette prestation de garantie nécessite dans un délai de trois ans la présentation de l'appareil défectueux et du justificatif d'achat (ticket de caisse) ainsi que la description brève du vice et du moment de son apparition.

Si le vice est couvert par notre garantie, vous recevrez le produit réparé ou un nouveau produit en retour. Aucune nouvelle période de garantie ne débute avec la réparation ou l'échange du produit.

Période de garantie et réclamation légale pour vices cachés

L'exercice de la garantie ne prolonge pas la période de garantie. Cette disposition s'applique également aux pièces remplacées ou réparées. Les dommages et vices éventuellement déjà présents à l'achat doivent être signalés immédiatement

après le déballage. Toute réparation survenant après la période sous garantie fera l'objet d'une facturation.

Étendue de la garantie

L'appareil a été fabriqué avec soin conformément à des directives de qualité strictes et consciencieusement contrôlé avant sa livraison.

La prestation de garantie est valable pour des vices de matériel et de fabrication. Cette garantie ne s'étend pas aux pièces du produit qui sont exposées à une usure normale et peuvent de ce fait être considérées comme pièces d'usure, ni aux détériorations de pièces fragiles, par ex. connecteur, accu, moules ou pièces en verre.

Cette garantie devient caduque si le produit est détérioré, utilisé ou entretenu de manière non conforme. Toutes les instructions listées dans le manuel d'utilisation doivent être exactement respectées pour une utilisation conforme du produit. Des buts d'utilisation et actions qui sont déconseillés dans le manuel d'utilisation, ou dont vous êtes avertis doivent également être évités.

Le produit est uniquement destiné à un usage privé et ne convient pas à un usage professionnel.

La garantie est annulée en cas d'entretien incorrect et inapproprié, d'usage de la force et en cas d'intervention non réalisée par notre centre de service après-vente agréé.

Procédure en cas de garantie

Afin de garantir un traitement rapide de votre demande, veuillez suivre les indications suivantes :

- Veuillez avoir à portée de main pour toutes questions le ticket de caisse et la référence article (par ex. IAN 12345) en tant que justificatif de votre achat.
- Vous trouverez la référence sur la plaque signalétique, une gravure, sur la page de garde de votre manuel d'utilisation (en bas à gauche) ou sous forme d'autocollant au dos ou sur le dessous.
- Si des erreurs de fonctionnement ou d'autres vices venaient à apparaître, veuillez d'abord contacter le département service clientèle cité ci-dessous par **téléphone** ou **par e-mail**.
- Vous pouvez ensuite retourner un produit enregistré comme étant défectueux en joignant le ticket de caisse et en indiquant en quoi consiste le vice et quand il est survenu, sans devoir l'affranchir à l'adresse de service après-vente communiquée.



Sur www.lidl-service.com, vous pouvez télécharger ce manuel ainsi que beaucoup d'autres, des vidéos produit et logiciels.

Service

AVERTISSEMENT !

- ▶ **Faites réparer vos appareils par le service après-vente ou un électricien et uniquement avec des pièces détachées d'origine.** Cela assure le maintien de la sécurité de l'appareil.
- ▶ **Confiez toujours le remplacement de la fiche ou du câble secteur au fabricant de l'appareil ou à son service après-vente.** Cela assure le maintien de la sécurité de l'appareil.

Service France

Tel.: 0800 919270

E-Mail: kompennass@lidl.fr

IAN 274864

Service Belgique

Tel.: 070 270 171 (0,15 EUR/Min.)

E-Mail: kompennass@lidl.be

IAN 274864

Importateur

Veuillez tenir compte du fait que l'adresse suivante n'est pas une adresse de service après-vente. Veuillez d'abord contacter le service mentionné.

KOMPENASS HANDELS GMBH

BURGSTRASSE 21

44867 BOCHUM

GERMANY

www.kompennass.com

Mise au rebut



L'emballage est constitué de matériaux écologiques que vous pouvez recycler par le biais des postes de recyclage locaux.



Le produit recyclable doit être trié ou rapporté dans un point de collecte pour être recyclé.



Ne jetez pas les outils électriques dans les ordures ménagères !

Conformément à la directive européenne 2012/19/EU, les outils électriques usagés doivent faire l'objet d'un tri et d'un recyclage respectueux de l'environnement.



Ne jetez pas les accus dans les ordures ménagères !

Les accus défectueux ou usagés doivent être recyclés conformément à la Directive 2006/66/EC.

Déposez le pack d'accus et / ou l'appareil auprès des points de collecte existants.

Informez-vous auprès des services administratifs communaux ou municipaux quant aux possibilités de mise au rebut des outils électriques / packs d'accus.

Traduction de la déclaration de conformité originale

Nous soussignés, KOMPERNASS HANDELS GMBH, responsables du document : M. Semi Uguzlu, BURGSTR. 21, 44867 BOCHUM, ALLEMAGNE, déclarons par la présente que ce produit est en conformité avec les normes, documents normatifs et directives CE suivants :

**Directive Machines
(2006 / 42 / EC)**

**Directive européenne sur les basses tensions
(2014 / 35 / EU)**

**Compatibilité électromagnétique
(2014 / 30 / EU)**

**Directive RoHS
(2011 / 65 / EU)**

Normes harmonisées appliquées :

EN 60745-1:2009/A11:2010

EN 60745-2-1:2010

EN 60745-2-2:2010

EN 60335-1:2012/A11:2014

EN 60335-2-29:2004/A2:2010

EN 62233:2008

EN 55014-1:2006/A2:2011

EN 55014-2:1997/A2:2008

EN 61000-3-2:2014

EN 61000-3-3:2013

Type / désignation de l'appareil :

Perceuse-visseuse sans fil PABS 20-Li B2

Année de construction : 4-2016

Numéro de série : IAN 274864

Bochum, le 05/02/2016

Semi Uguzlu

- Responsable qualité -

Sous réserve de modifications techniques à des fins de perfectionnement.

Inhoud

| | |
|--|-----------|
| Inleiding | 36 |
| Gebruk in overeenstemming met bestemming | 36 |
| Uitrusting | 36 |
| Inhoud van het pakket | 36 |
| Technische gegevens | 36 |
| Algemene veiligheidsvoorschriften voor elektrische gereedschappen | 37 |
| 1. Veiligheid op de werkplek | 37 |
| 2. Elektrische veiligheid | 38 |
| 3. Veiligheid van personen | 38 |
| 4. Gebruik en behandeling van het elektrische gereedschap | 39 |
| 5. Gebruik en behandeling van het accugereedschap | 39 |
| 6. Service | 39 |
| Veiligheidsvoorschriften voor schroefboormachines | 40 |
| Veiligheidsvoorschriften voor opladers | 40 |
| Vóór de ingebruikname | 40 |
| Accupack opladen | 40 |
| Accupack in het apparaat plaatsen/uit het apparaat nemen | 40 |
| Status van de accu controleren | 40 |
| Gereedschappen verwisselen | 41 |
| Draaimomentvoorkeuze/boorstand | 41 |
| Aandrijving met 2 versnellingen | 41 |
| Ingebruikname | 41 |
| In-/uitschakelen | 41 |
| Toerental instellen | 41 |
| Draairichting wijzigen | 41 |
| Tips en trucs | 42 |
| Onderhoud en reiniging | 42 |
| Garantie van Kompernaß Handels GmbH | 43 |
| Service | 44 |
| Importeur | 44 |
| Afvoeren | 45 |
| Vertaling van de oorspronkelijke conformiteitsverklaring | 45 |

ACCUBOORSCHROEFMACHINE PABS 20-LI B2

Inleiding

Hartelijk gefeliciteerd met de aankoop van uw nieuwe apparaat. U hebt hiermee gekozen voor een hoogwaardig product. De gebruiksaanwijzing maakt deel uit van dit product. Deze bevat belangrijke aanwijzingen voor veiligheid, gebruik en afvoer. Lees alle bedienings- en veiligheidsaanwijzingen voordat u het product in gebruik neemt. Gebruik het product uitsluitend op de voorgeschreven wijze en voor de aangegeven doeleinden. Geef alle documenten mee als u het product doorgeeft aan een derde.

Gebruik in overeenstemming met bestemming

Dit apparaat is bedoeld voor het boren en schroeven in hout, kunststof en metaal. Gebruik het apparaat uitsluitend op de voorgeschreven wijze en voor de aangegeven doeleinden. Elk ander gebruik of elke wijziging van het apparaat geldt als niet in overeenstemming met de bestemming en brengt ernstig gevaar voor ongelukken met zich mee. De fabrikant aanvaardt geen enkele aansprakelijkheid voor schade die voortvloeit uit gebruik in strijd met de bestemming. Niet bestemd voor bedrijfsmatig gebruik.

Uitrusting

- 1 Snelheidsschakelaar
- 2 Bithouder (magnetisch)
- 3 Draairichtingschakelaar/vergrendeling
- 4 Aan-/uitknop / toerentalregeling
- 5 Riemhouder
- 6 Toets Accutoestand
- 7 Accu-display-LED
- 8 Accupack
- 9 Knop voor ontgrendeling van het accupack
- 10 LED-werklampje
- 11 Boorhouder
- 12 Draaimomentvoorkeuze
- 13 Snellader
- 14 Rode controle-LED voor opladen
- 15 Groene controle-LED voor opladen

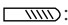
Inhoud van het pakket

- 1 accuboorschroefmachine PABS 20-Li B2
- 1 accu-snellader PABS 20-Li B2-2
- 1 accupack PABS 20-Li B2-1
- 1 bit PH2 50 mm
- 1 koffer
- 1 gebruiksaanwijzing

Technische gegevens

Accuboorschroefmachine: PABS 20-Li B2

| | |
|--------------------------------|---|
| Nominale spanning: | 20 V \equiv (gelijkstroom) |
| Nominaal toerental (onbelast): | 1e stand: n_0 0 - 400 min^{-1} 2e stand: n_0 0 - 1400 min^{-1} |

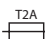
| | |
|---|-----------------------------|
| Spanbereik boorhouder  | max. \varnothing 13 mm |
| Max. boordiameter: | Staal: 13 mm Hout: 30 mm |

Accu: PABS 20-Li B2-1


| | |
|--------------------|------------------------------|
| Type: | LITHIUM-ION |
| Cellen | 5 |
| Nominale spanning: | 20 V \equiv (gelijkstroom) |
| Capaciteit: | 2,0 Ah |
| Energiewaarde: | 40 Wh |

Accu-snellader: PABS 20-Li B2-2

INGANG / Input:

| | |
|--------------------|---|
| Nominale spanning: | 230 - 240 V \sim , 50 Hz (wisselspanning) |
| Nominaal vermogen: | 65 W |
| Zekering (intern): | 2 A  |

UITGANG / Output:

| | |
|---------------------|---|
| Nominale spanning: | 21,5 V \equiv (gelijkstroom) |
| Nominale stroom: | 2,3 A |
| Oplaadduur: | ca. 60 min |
| Beschermingsklasse: | II/  (dubbel geïsoleerd) |

Geluidsemisiewaarde:

Gemeten waarde voor geluid vastgesteld conform EN 60745. Het A-gewogen geluidsniveau van het elektrische gereedschap bedraagt typisch:

Geluidsdrumniveau: $L_{PA} = 68,5 \text{ dB (A)}$

Onzekerheid K: $K_{PA} = 3 \text{ dB (A)}$

Geluidsvermogensniveau: $L_{WA} = 79,5 \text{ dB (A)}$

Onzekerheid K: $K_{WA} = 3 \text{ dB (A)}$

Trillingsemisiewaarde:

Totale trillingswaarde (vectorsom van drie richtingen) bepaald conform EN 60745:

Schroeven: Trillingsemisiewaarde
 $a_h : 0,601 \text{ m/s}^2$
 Onzekerheid K = 1,5 m/s²

Boren in metaal: Trillingsemisiewaarde
 $a_{h,D} : 1,070 \text{ m/s}^2$
 Onzekerheid K = 1,5 m/s²

OPMERKING

- Het in deze gebruiksaanwijzing vermelde trillingsniveau is gemeten conform een genormeerde meetprocedure en kan worden gebruikt voor apparaatvergelijking. De vermelde trillingsemisiewaarde kan ook gebruikt worden voor een voorlopige beoordeling van de blootstelling.

⚠ WAARSCHUWING!

- Het trillingsniveau verandert afhankelijk van het gebruik van het elektrische gereedschap en kan in bepaalde gevallen hoger zijn dan de in deze gebruiksaanwijzing aangegeven waarde. De trillingsbelasting kan worden onderschat wanneer het elektrische gereedschap regelmatig op een dergelijke manier wordt gebruikt. Probeer de belasting door trillingen zo klein mogelijk te houden. U kunt bijvoorbeeld handschoenen dragen tijdens het gebruik van het gereedschap en slechts beperkte tijd met het gereedschap werken om de trillingsbelasting te reduceren. Daarbij dient u rekening te houden met alle aspecten van de bedrijfscyclus (bijvoorbeeld perioden waarin het gereedschap is uitgeschakeld en perioden waarin het gereedschap weliswaar is ingeschakeld, maar niet wordt belast).



Algemene veiligheidsvoorschriften voor elektrische gereedschappen

⚠ WAARSCHUWING!

- Lees alle veiligheidsinstructies en aanwijzingen. Het niet naleven van de veiligheidsvoorschriften en aanwijzingen kan elektrische schokken, brand en/of ernstig letsel veroorzaken.

Bewaar alle veiligheidsvoorschriften en aanwijzingen voor toekomstig gebruik.

De in de veiligheidsinstructies gebruikte term “elektrisch gereedschap” heeft betrekking op elektrische gereedschappen die op netvoeding werken (met snoer) en op elektrische gereedschappen die op accu's werken (zonder snoer).

1. Veiligheid op de werkplek

- Houd uw werkomgeving schoon en goed verlicht. Wanorde en een niet verlichte werkomgeving kunnen leiden tot ongelukken.
- Werk met het elektrische gereedschap niet in explosiegevaarlijke omgevingen waarin zich brandbare vloeistoffen, gassen of stoffen bevinden. Elektrisch gereedschap geeft vonken af die stof of dampen kunnen doen ontvlammen.

- c) Houd kinderen en andere personen uit de buurt tijdens het gebruik van het elektrische gereedschap. Als u afgeleid raakt, zou u de controle over het apparaat kunnen verliezen.

2. Elektrische veiligheid

- a) De stekker van het elektrische gereedschap moet in het stopcontact passen. De stekker mag op geen enkele wijze worden veranderd. Gebruik geen verloopstekker in combinatie met geaarde elektrische gereedschappen. Onveranderde stekkers en passende stopcontacten verminderen het risico op elektrische schokken.
- b) Voorkom lichamen contact met geaarde oppervlakken, zoals buizen, verwarmingen, fornuizen en koelkasten. Er bestaat een verhoogd risico op elektrische schokken als uw lichaam geaard is.
- c) Houd elektrisch gereedschap uit de buurt van regen of vocht. Als er water in een elektrisch apparaat binnendringt, bestaat er een verhoogde kans op een elektrische schok.
- d) Gebruik het snoer niet voor een ander doel, bijvoorbeeld om het elektrische gereedschap te dragen, op te hangen of om de stekker uit het stopcontact te trekken. Houd het snoer uit de buurt van hitte, olie, scherpe randen of bewegende onderdelen. Beschadigde of verwarde snoeren verhogen de kans op een elektrische schok.
- e) Gebruik bij het werken met elektrisch gereedschap buitenshuis alleen verlengsnoeren die zijn goedgekeurd voor gebruik buitenshuis. Het gebruik van een verlengsnoer dat geschikt is voor gebruik buitenshuis, vermindert het risico op een elektrische schok.
- f) Gebruik een aardlekschakelaar als het gebruik van het elektrische gereedschap in een vochtige omgeving onvermijdelijk is. Het gebruik van een aardlekschakelaar vermindert het risico op een elektrische schok.

3. Veiligheid van personen

- a) Wees altijd alert, let op wat u doet en gebruik uw gezond verstand bij het gebruik van elektrisch gereedschap. Gebruik geen elektrisch gereedschap als u moe bent of onder invloed bent van drugs, alcohol of medicijnen. Een moment van onoplettendheid kan bij het gebruik van het elektrische gereedschap al tot ernstig letsel leiden.
- b) Draag persoonlijke beschermingsmiddelen en altijd een veiligheidsbril. Het dragen van persoonlijke beschermingsmiddelen zoals een stofmasker, antislip-veiligheidsschoenen, veiligheidshelm of gehoorbescherming, al naar gelang het type en het gebruik van het elektrische gereedschap, vermindert het risico op letsel.
- c) Voorkom onbedoelde inschakeling. Zorg ervoor dat het elektrische gereedschap is uitgeschakeld voordat u het aansluit op de netvoeding en/of de accu, het optilt of draagt. Als u bij het dragen van het elektrische gereedschap uw vinger op de aan-/uitknop houdt of het apparaat al ingeschakeld op de netvoeding aansluit, kan dit tot ongelukken leiden.
- d) Verwijder het afstelgereedschap of de sleutel voordat u het elektrische gereedschap aanzet. Gereedschap of een sleutel die zich in een draaiend onderdeel van het apparaat bevindt, kan letsel tot gevolg hebben.
- e) Voorkom een abnormale lichaamshouding. Zorg dat u stevig staat en bewaar altijd uw evenwicht. Daardoor kunt u het elektrische gereedschap in onverwachte situaties beter controleren.
- f) Draag geschikte kleding. Draag geen wijde kleding of sieraden. Houd haar, kleding en handschoenen ver van bewegende onderdelen. Los zittende kleding, sieraden of haren kunnen door bewegende onderdelen gegrepen worden.
- g) Als stofafzuigings- en opvangvoorzieningen kunnen worden bevestigd, zorg er dan voor dat deze zijn aangesloten en correct worden gebruikt. Het gebruik van een stofafzuiging kan risico's door stof beperken.

4. Gebruik en behandeling van het elektrische gereedschap

- a) Voorkom overbelasting van het apparaat. Gebruik voor uw werkzaamheden het daarvoor bedoelde elektrische gereedschap. Met een passend elektrisch apparaat werkt u beter en veiliger in het aangegeven vermogensbereik.
- b) Gebruik geen elektrisch gereedschap waarvan de aan-/uitknop defect is. Elektrisch gereedschap dat niet meer aan- of uitgezet kan worden, is gevaarlijk en moet gerepareerd worden.
- c) Haal de stekker uit het stopcontact of verwijder de accu, voordat u instellingen aan het apparaat verricht, accessoires verwisselt of het apparaat weglegt. Deze voorzorgsmaatregel voorkomt dat het elektrische gereedschap onbedoeld kan worden gestart.
- d) Berg elektrisch gereedschap buiten het bereik van kinderen op als het niet in gebruik is. Zorg ervoor dat het apparaat niet wordt gebruikt door personen die hiermee niet vertrouwd zijn of die deze instructies niet hebben gelezen. Elektrisch gereedschap is gevaarlijk als het door onervaren personen worden gebruikt.
- e) Onderhoud elektrisch gereedschap zorgvuldig. Controleer of bewegende onderdelen naar behoren werken en niet klemmen, en of er geen onderdelen gebroken of zodanig beschadigd zijn dat daardoor de werking van het elektrische gereedschap nadelig wordt beïnvloed. Laat beschadigde onderdelen vóór de ingebruikname van het apparaat repareren. Veel ongelukken zijn het gevolg van slecht onderhoud van elektrisch gereedschap.
- f) Houd zagen scherp en schoon. Met zorg onderhouden zagen met scherpe zaagvlakken lopen minder vaak vast en zijn gemakkelijker te sturen.
- g) Gebruik elektrisch gereedschap, toebehoren, hulpstukken en dergelijke in overeenstemming met deze instructies. Houd daarbij rekening met de werkomstandigheden en de te verrichten werkzaamheden. Het gebruik van elektrisch gereedschap voor andere doeleinden dan de beoogde toepassingen kan tot gevaarlijke situaties leiden.

5. Gebruik en behandeling van het accugereedschap

- a) Laad de accu uitsluitend op met een oplader die door de fabrikant wordt aanbevolen. Er bestaat brandgevaar als een oplader die voor een bepaald type accu's bestemd is, voor andere accu's wordt gebruikt.
- b) Gebruik alleen de daarvoor bestemde accu's in de elektrische apparaten. Het gebruik van andere accu's kan tot verwondingen en brandgevaar leiden.
- c) Houd een niet-gebruikte accu uit de buurt van nietjes, munten, sleutels, spijkers, schroeven of andere kleine metalen voorwerpen die een overbrugging van de contacten kunnen veroorzaken. Kortsluiting tussen de accucontacten kan verbrandingen of brand tot gevolg hebben.
- d) Bij onjuist gebruik kan er vloeistof uit de accu lekken. Vermijd contact met accuvloeistof. Spoel bij onbedoeld contact met accuvloeistof de vloeistof weg met water. Raadpleeg bovendien een arts als er accuvloeistof in de ogen komt. Lekkende accuvloeistof kan leiden tot huidirritatie en brandwonden.



VOORZICHTIG! EXPLOSIEGEVAAR!

Laad niet-oplaadbare accu's nooit op.



Bescherm de accu tegen hitte, bijv. ook tegen continu zonlicht, vuur, water en vocht. Er bestaat explosiegevaar.



6. Service

- a) Laat uw elektrisch gereedschap alleen door gekwalificeerde vakmensen en uitsluitend met originele vervangingsonderdelen repareren. Op die manier blijft de veiligheid van het elektrische gereedschap gewaarborgd.

Veiligheidsvoorschriften voor schroefboormachines

WAARSCHUWING!

- Pak het gereedschap alleen vast aan de geïsoleerde greepvlakken wanneer u werkzaamheden uitvoert waarbij de schroef of het gebruikte gereedschap met verborgen elektriciteitsleidingen in aanraking kan komen. Bij contact tussen een schroef of het gebruikte gereedschap en een leiding waar spanning op staat, kunnen ook metalen onderdelen van het apparaat onder spanning komen te staan, met een elektrische schok tot gevolg.

Veiligheidsvoorschriften voor opladers

- Dit apparaat mag worden gebruikt door kinderen vanaf 8 jaar en door personen met beperkte fysieke, zintuiglijke of geestelijke vermogens of gebrek aan ervaring of kennis, mits ze onder toezicht staan of over het veilige gebruik van het apparaat zijn geïnstrueerd en de daaruit resulterende gevaren hebben begrepen. Kinderen mogen niet met het apparaat spelen. Kinderen mogen zonder toezicht geen reiniging en gebruikersonderhoud uitvoeren.



De oplader is alleen geschikt voor gebruik binnenshuis.

WAARSCHUWING!

- Wanneer het netsnoer van dit apparaat beschadigd raakt, moet het worden vervangen door de fabrikant of de klantendienst van de fabrikant of een persoon met vergelijkbare kwalificaties, om risico's te vermijden.

Vóór de ingebruikname

Accupack opladen

VOORZICHTIG!

- ▶ Trek altijd de stekker uit het stopcontact voordat u het accupack **8** uit de oplader haalt resp. in de oplader plaatst.
- Laad het accupack **8** nooit op als de omgevingstemperatuur lager is dan 10 °C of hoger dan 40 °C.
- ◆ Plaats het accupack **8** op de snellader **13** (zie afb. A).
- ◆ Steek de stekker in het stopcontact. De controle-LED **14** brandt rood en geeft aan dat het accupack wordt opgeladen.
- ◆ De groene controle-LED **15** geeft aan dat het opladen is voltooid en dat het accupack **8** klaar is voor gebruik.
- ◆ Schuif het accupack **8** in het apparaat (zie afb. B).

Accupack in het apparaat plaatsen/ uit het apparaat nemen

Accupack plaatsen:

- ◆ Schuif de draairichtingschakelaar **3** naar de middelste stand (vergrendeling) (zie afb. C). Klik het accupack **8** vast in de handgreep (zie afb. B).

Accupack uit het apparaat halen:



- ◆ Druk op de ontgrendelingsknop **9** en neem het accupack **8** uit het apparaat (zie afb. D).

Status van de accu controleren

- ◆ Druk voor controle van de accustatus op de toets Accutoestand **6** (zie afb. E). De toestand resp. de resterende capaciteit wordt op de accu-display-LED **7** als volgt aangegeven:
- ◆ GROEN / ROOD / ORANJE = maximale lading / capaciteit
- ◆ ROOD / ORANJE = middelhoge lading / capaciteit
- ◆ ROOD = zwakke lading - accu opladen


Gereedschappen verwisselen

Uw accu-schroefboormachine heeft een volautomatische asvergrendeling .

Bij een stilstaande motor wordt de aandrijfas vergrendeld, zodat de boorhouder **11** door draaien  kan worden geopend. Nadat u het gewenste gereedschap hebt ingezet en door het draaien van de boorhouder  hebt vastgezet, kunt u onmiddellijk weer verder werken (zie afb. F). De asvergrendeling komt automatisch los bij het starten van de motor (drukken op de aan-/uitknop **4**).

Draaimomentvoorkeuze/boorstand

Met de draaimomentvoorkeuze **12** kunt u de draaikracht instellen (zie afb. G).

- ◆ Kies een lagere stand voor kleine schroeven resp. zachte materialen.
- ◆ Kies een hogere stand voor grote schroeven, harde materialen, resp. bij het uitdraaien van schroeven.
- ◆ Kies voor boorwerkzaamheden de boorstand door de draaimomentvoorkeuze **12** op de stand  te zetten (zie afb. H).

Aandrijving met 2 versnellingen

VOORZICHTIG!

- Bedien de keuzeschakelaar voor de versnelling **1** alleen bij stilstand van het apparaat. Anders kan het apparaat beschadigd raken.

In de eerste versnelling (keuzeschakelaar **1** op stand: 1) (zie afb. I)

bereikt u een toerental van circa 400 min⁻¹ en een hoog draaimoment. Deze instelling is geschikt voor alle schroefwerkzaamheden.

In de tweede versnelling (keuzeschakelaar **1** op stand: 2) (zie afb. J)

bereikt u een toerental van circa 1400 min⁻¹ voor het uitvoeren van boorwerkzaamheden.

Ingebruikname

In-/uitschakelen

Inschakelen:

- ◆ Druk voor inschakeling van het apparaat op de aan-/uitknop **4** en houd deze ingedrukt (zie afb. K). Het LED-werklampje **10** brandt bij een licht of volledig ingedrukte aan-/uitknop **4**. Zo kunt u het werkvlak verlichten bij ongunstige lichtomstandigheden.

Uitschakelen:

- ◆ Laat de aan-/uitknop **4** los om het apparaat uit te schakelen.

Toerental instellen

De aan-/uitknop **4** heeft een variabele toerentalregeling. Licht drukken op de aan-/uitknop **4** resulteert in een laag toerental. Met toenemende druk wordt het toerental hoger (zie afb. K).

OPMERKING

- De geïntegreerde motorrem zorgt ervoor dat het apparaat snel stilstaat.

Draairichting wijzigen

- ◆ Wijzig de draairichting door de draairichtingschakelaar **3** naar rechts resp. naar links te drukken (zie afb. L).

Tips en trucs



Tip! Zo handelt u correct.

- ◆ Controleer vóór gebruik of de schroefbit of boor correct is aangebracht, dat wil zeggen of deze gecentreerd in de boorhouder is bevestigd.
- ◆ Maat en type zijn op de schroefbits aangegeven. Als u twijfelt, probeert u eerst of de bit zonder speling in de schroefkop past.

Draaimoment:

- ◆ Kleinere schroeven en bits kunnen beschadigd raken als u een te hoog draaimoment resp. een te hoog toerental instelt.

Harde schroefverbinding (in metaal):

- ◆ Bijzonder hoge draaimomenten ontstaan bijvoorbeeld bij metalen schroefverbindingen met gebruik van dopsleutelhulpstukken. Kies een laag toerental.

Zachte schroefverbinding (bijv. in zacht hout):

- ◆ Schroef ook hier met een laag toerental, om bijv. het oppervlak van het hout bij het contact met de metalen schroefkop niet te beschadigen. Gebruik een verzinkboor.

Neem bij het boren in hout, metaal en andere materialen beslist de onderstaande punten in acht:

- ◆ Gebruik bij een boor met een kleine diameter een hoog toerental en bij een boor met een grote diameter een laag toerental.
- ◆ Kies bij harde materialen een laag toerental en bij zachte materialen een hoog toerental.
- ◆ Zet het werkstuk indien mogelijk vast in een spansysteem.
- ◆ Markeer de plaats waar moet worden geboord met een drevel of een spijker. Kies voor het aanboren een laag toerental.
- ◆ Trek de draaiende boor regelmatig uit het boorgat om spanen of zaagsel te verwijderen en de boor te koelen.

Boren in metaal:

- ◆ Gebruik metaalboren (HSS). Voor het beste resultaat moet de boor met snijolie worden gekoeld. Metaalboren kunnen ook worden gebruikt voor het boren in kunststof. Boor eerst voor met een boor van \varnothing 3 mm en ga daarna door tot de gewenste boordiameter is bereikt.

Boren in hout:

- ◆ Gebruik een houtboor met centerpunt. Voor diepe boringen gebruikt u een spiraalboor en voor boorgaten met een grote diameter een Forstner-boor. Kleine schroeven in zacht hout kunnen ook zonder voorboren worden ingeschroefd.

Onderhoud en reiniging



WAARSCHUWING! LETSELGEVAAR!

Schakel het apparaat voorafgaand aan alle werkzaamheden aan het apparaat uit en haal de accu eruit.

De accu-schroefboormachine is onderhoudsvrij.

- Het apparaat moet altijd schoon, droog en vrij van olie of smeervet zijn.
- Er mogen geen vloeistoffen in het apparaat terechtkomen.
- Gebruik voor het schoonmaken van de behuizing een droge doek. Gebruik nooit benzine, oplosmiddelen of schoonmaakmiddelen die kunststof aantasten.
- Als een lithium-ionaccu langere tijd moet worden opgeslagen, moet de laadtoestand periodiek worden gecontroleerd. De optimale laadtoestand ligt tussen 50% en 80%. Het optimale opslagklimaat is koel en droog.

OPMERKING

- ▶ Niet vermelde reserveonderdelen (zoals accu, schakelaars) kunt u bestellen via onze service-hotline.

Garantie van Kompernaß Handels GmbH

Geachte klant,

U hebt op dit apparaat 3 jaar garantie vanaf de aankoopdatum. In geval van gebreken in dit product hebt u wettelijke rechten tegenover de verkoper van het product. Deze wettelijke rechten worden door onze hierna beschreven garantie niet beperkt.

Garantievoorwaarden

De garantieperiode geldt vanaf de datum van aankoop. Bewaar de originele kassabon. U hebt de bon nodig als bewijs van aankoop.

Als er binnen drie jaar vanaf de aankoopdatum van dit product een materiaal- of fabricagefout optreedt, wordt het product door ons – naar onze keuze – voor u kosteloos gerepareerd of vervangen. Voorwaarde voor deze garantie is dat binnen de termijn van drie jaar het defecte apparaat en het aankoopbewijs (kassabon) worden overlegd en dat kort wordt omschreven waaruit het gebrek bestaat en wanneer het is opgetreden.

Wanneer het defect door onze garantie wordt gedekt, krijgt u het gerepareerde product of een nieuw product retour. Met de reparatie of vervanging van het product begint er geen nieuwe garantieperiode.

Garantieperiode en wettelijke aanspraken bij gebreken

De garantieperiode wordt door deze waarborg niet verlengd. Dat geldt ook voor vervangen en gerepareerde onderdelen. Eventueel al bij aankoop aanwezige schade en gebreken moeten meteen na het uitpakken worden gemeld. Voor reparaties na afloop van de garantieperiode worden kosten in rekening gebracht.

Garantieomvang

Het apparaat is op basis van strenge kwaliteitsnormen met de grootst mogelijke zorg vervaardigd en voorafgaand aan de levering nauwkeurig gecontroleerd.

De garantie geldt voor materiaal- of fabricagefouten. Deze garantie geldt niet voor productonderdelen die blootstaan aan normale slijtage en derhalve als aan slijtage onderhevige onderdelen kunnen worden aangemerkt, of voor beschadigingen aan breekbare onderdelen, bijv. schakelaars, accu's, bakvormen of onderdelen die van glas zijn gemaakt.

Deze garantie vervalt wanneer het product is beschadigd, ondeskundig is gebruikt of is gerepareerd. Voor deskundig gebruik van het product moeten alle in de gebruiksaanwijzing beschreven aanwijzingen precies worden opgevolgd. Gebruiksdoeleinden en handelingen die in de gebruiksaanwijzing worden afgeraden of waarvoor wordt gewaarschuwd, moeten beslist worden vermeden.

Het product is uitsluitend bestemd voor privégebruik en niet voor bedrijfsmatige doeleinden. Bij verkeerd gebruik en ondeskundige behandeling, bij gebruik van geweld en bij reparaties die niet door ons erkend servicefiliaal zijn uitgevoerd, vervalt de garantie.

Afhandeling bij een garantiekwestie

Voor een snelle afhandeling van uw aanvraag neemt u de volgende aanwijzingen in acht:

- Houd voor alle aanvragen de kassabon en het artikelnummer (bijv. IAN 12345) als aankoopbewijs bij de hand.
- Het artikelnummer vindt u op het typeplaatje, in het product gegraveerd, op de titelpagina van de gebruiksaanwijzing (linksonder) of als sticker op de achter- of onderkant van het product.
- Als er fouten in de werking of andere gebreken optreden, neemt u eerst contact op met de hierna genoemde serviceafdeling, **telefonisch** of **via e-mail**.
- Een als defect geregistreerd product kunt u dan zonder portokosten naar het aan u doorgegeven serviceadres sturen. Voeg het aankoopbewijs (kassabon) bij en vermeld waaruit het gebrek bestaat en wanneer het is opgetreden.



Op www.lidl-service.com kunt u deze en vele andere handboeken, productvideo's en software downloaden.

Service

WAARSCHUWING!

- ▶ Laat uw apparaten door het servicepunt of een elektricien repareren, en uitsluitend met originele vervangingsonderdelen. Op die manier blijft de veiligheid van het apparaat gewaarborgd.
- ▶ Laat de stekker of het snoer altijd vervangen door de fabrikant van het apparaat of diens klantenservice. Op die manier blijft de veiligheid van het apparaat gewaarborgd.

Service Nederland

Tel.: 0900 0400223 (0,10 EUR/Min.)

E-Mail: kompennass@lidl.nl

Service België

Tel.: 070 270 171 (0,15 EUR/Min.)

E-Mail: kompennass@lidl.be

IAN 274864

Importeur

Let op: het volgende adres is geen serviceadres. Neem eerst contact op met het opgegeven serviceadres.

KOMPENASS HANDELS GMBH

BURGSTRASSE 21

44867 BOCHUM

GERMANY

www.kompennass.com

Afvoeren



De verpakking bestaat uit milieuvriendelijke materialen, die u via de plaatselijke recyclepunten kunt afvoeren.



Deponeer elektrisch gereedschap niet bij het huisvuil!

Conform de Europese richtlijn 2012/19/EU moet afgedankt elektrisch gereedschap gescheiden worden ingezameld en op een milieuvriendelijke wijze worden gerecycled.



Deponeer accu's niet bij het huisvuil!

Li-ion

Defecte of afgedankte accu's moeten conform Richtlijn 2006/66/EC worden gerecycled. Lever het accupack en/of het apparaat in bij de hiervoor bestemde inzamelpunten.

Over afvoermogelijkheden voor afgedankt elektrisch gereedschap/een afgedankt accupack kunt u informatie opvragen bij uw gemeentereiniging.

Vertaling van de oorspronkelijke conformiteitsverklaring

Wij, KOMPERNASS HANDELS GMBH, documentverantwoordelijke persoon: de heer Semi Uguzlu, BURGSTR. 21, 44867 BOCHUM, DUITSLAND, verklaren hierbij dat dit product voldoet aan de volgende normen, normatieve documenten en EU-richtlijnen:

**Machinerichtlijn
(2006/42/EC)**

**EG-laagspanningsrichtlijn
(2014/35/EU)**

**Elektromagnetische compatibiliteit
(2014/30/EU)**

**RoHS-richtlijn
(2011/65/EU)**

Toegepaste geharmoniseerde normen:

- EN 60745-1:2009/A11:2010
- EN 60745-2-1:2010
- EN 60745-2-2:2010
- EN 60335-1:2012/A11:2014
- EN 60335-2-29:2004/A2:2010
- EN 62233:2008
- EN 55014-1:2006/A2:2011
- EN 55014-2:1997/A2:2008
- EN 61000-3-2:2014
- EN 61000-3-3:2013

Type / apparaatbeschrijving:

Accuboorschroefmachine PABS 20-Li B2

Productiejaar: 04-2016

Serienummer: IAN 274864

Bochum, 05-02-2016

Semi Uguzlu
- Kwaliteitsmanager -

Technische wijzigingen vanwege verdere ontwikkeling voorbehouden.

Inhaltsverzeichnis

| | |
|--|-----------|
| Einleitung | 48 |
| Bestimmungsgemäßer Gebrauch | 48 |
| Ausstattung | 48 |
| Lieferumfang | 48 |
| Technische Daten | 48 |
| Allgemeine Sicherheitshinweise für Elektrowerkzeuge | 49 |
| 1. Arbeitsplatz-Sicherheit | 49 |
| 2. Elektrische Sicherheit | 50 |
| 3. Sicherheit von Personen | 50 |
| 4. Verwendung und Behandlung des Elektrowerkzeugs | 51 |
| 5. Verwendung und Behandlung des Akkuwerkzeugs | 51 |
| 6. Service | 51 |
| Sicherheitshinweise für Bohrschrauber | 52 |
| Sicherheitshinweise für Ladegeräte | 52 |
| Vor der Inbetriebnahme | 52 |
| Akku-Pack laden (siehe Abb. A) | 52 |
| Akku-Pack ins Gerät einsetzen / entnehmen | 52 |
| Akkuzustand prüfen | 52 |
| Werkzeuge wechseln | 53 |
| Drehmomentvorwahl / Bohrstufe | 53 |
| 2-Gang Getriebe | 53 |
| Inbetriebnahme | 53 |
| Ein-/ ausschalten | 53 |
| Drehzahl einstellen | 53 |
| Drehrichtung umschalten | 53 |
| Tipps und Tricks | 54 |
| Wartung und Reinigung | 54 |
| Garantie der Kompernaß Handels GmbH | 55 |
| Service | 56 |
| Importeur | 56 |
| Entsorgung | 56 |
| Original-Konformitätserklärung | 57 |

AKKU-BOHRSCHRAUBER

PABS 20-LI B2

Einleitung

Wir beglückwünschen Sie zum Kauf Ihres neuen Gerätes. Sie haben sich damit für ein hochwertiges Produkt entschieden. Die Bedienungsanleitung ist Teil dieses Produkts. Sie enthält wichtige Hinweise für Sicherheit, Gebrauch und Entsorgung. Machen Sie sich vor der Benutzung des Produkts mit allen Bedien- und Sicherheitshinweisen vertraut. Benutzen Sie das Produkt nur wie beschrieben und für die angegebenen Einsatzbereiche. Händigen Sie alle Unterlagen bei Weitergabe des Produkts an Dritte mit aus.

Bestimmungsgemäßer Gebrauch

Dieses Gerät ist zum Bohren und Schrauben in Holz, Kunststoff und Metall bestimmt. Benutzen Sie das Gerät nur wie beschrieben und für die angegebenen Einsatzbereiche. Jede andere Verwendung oder Veränderung des Gerätes gilt als nicht bestimmungsgemäß und birgt erhebliche Unfallgefahren. Für aus bestimmungswidriger Verwendung entstandene Schäden übernimmt der Hersteller keine Haftung. Nicht für den gewerblichen Einsatz bestimmt.

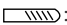
Ausstattung

- ❶ Gangwahlschalter
- ❷ Bit-Halterung (Magnetisch)
- ❸ Drehrichtungsumschalter / Sperre
- ❹ EIN- / AUS-Schalter / Drehzahlregulierung
- ❺ Gürtelhalterung
- ❻ Taste-Akkuzustand
- ❼ Akku-Display-LED
- ❽ Akku-Pack
- ❾ Taste zur Entriegelung des Akku-Packs
- ❿ LED-Arbeitsleuchte
- ⓫ Bohrfutter
- ⓬ Drehmomentvorwahl
- ⓭ Schnell-Ladegerät
- ⓮ Rote Ladekontroll-LED
- ⓯ Grüne Ladekontroll-LED

Lieferumfang

- 1 Akku-Bohrschrauber PABS 20-Li B2
- 1 Akku-Schnellladegerät PABS 20-Li B2-2
- 1 Akku-Pack PABS 20-Li B2-1
- 1 Bit PH2 50 mm
- 1 Tragekoffer
- 1 Bedienungsanleitung

Technische Daten

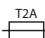
| | |
|---|---|
| Akku-Bohrschrauber: | PABS 20-Li B2 |
| Bemessungsspannung: | 20 V \equiv (Gleichstrom) |
| Bemessungs- | |
| Leerlaufdrehzahl: | 1. Gang: n_0 0 - 400 min^{-1} 2. Gang: n_0 0 - 1400 min^{-1} |
| Bohrfutterspann- | |
| bereich  : | max. \varnothing 13 mm |
| Max. Bohrdurchmesser: | Stahl: 13 mm Holz: 30 mm |

Akku: PABS 20-Li B2-1


| | |
|---------------------|-----------------------------|
| Typ: | LITHIUM-IONEN |
| Zellen | 5 |
| Bemessungsspannung: | 20 V \equiv (Gleichstrom) |
| Kapazität: | 2,0 Ah |
| Energiegehalt: | 40 Wh |

Akku-Schnellladegerät: PABS 20-Li B2-2

EINGANG / Input:

| | |
|---------------------|---|
| Bemessungsspannung: | 230 - 240 V \sim , 50 Hz (Wechselspannung) |
| Bemessungsaufnahme: | 65 W |
| Sicherung (innen): | 2 A  |

AUSGANG / Output:

| | |
|---------------------|--|
| Bemessungsspannung: | 21,5 V \equiv (Gleichstrom) |
| Bemessungsstrom: | 2,3 A |
| Ladedauer: | ca. 60 min |
| Schutzklasse: | II/  (Doppelisolierung) |

Geräuschemissionswert:

Messwert für Geräusch ermittelt entsprechend EN 60745. Der A-bewertete Geräuschpegel des Elektrowerkzeugs beträgt typischerweise:

Schalldruckpegel: $L_{PA} = 68,5 \text{ dB (A)}$

Unsicherheit K: $K_{PA} = 3 \text{ dB}$

Schallleistungspegel: $L_{WA} = 79,5 \text{ dB (A)}$

Unsicherheit K: $K_{WA} = 3 \text{ dB}$

Schwingungsemissionswert:

Schwingungsgesamtwerte (Vektorsumme dreier Richtungen) ermittelt entsprechend EN 60745:

Schrauben: Schwingungsemissionswert
 $a_h : 0,601 \text{ m/s}^2$
 Unsicherheit K = $1,5 \text{ m/s}^2$

Bohren in Metall: Schwingungsemissionswert
 $a_{h,D} : 1,070 \text{ m/s}^2$
 Unsicherheit K = $1,5 \text{ m/s}^2$

HINWEIS

- Der in diesen Anweisungen angegebene Schwingungspegel ist entsprechend einem genormten Messverfahren gemessen worden und kann für den Gerätevergleich verwendet werden. Der angegebene Schwingungsemissionswert kann auch zu einer einleitenden Einschätzung der Aussetzung verwendet werden.

! WARNUNG!

- Der Schwingungspegel wird sich entsprechend dem Einsatz des Elektrowerkzeugs verändern und kann in manchen Fällen über dem in diesen Anweisungen angegebenen Wert liegen. Die Schwingungsbelastung könnte unterschätzt werden, wenn das Elektrowerkzeug regelmäßig in solcher Weise verwendet wird. Versuchen Sie, die Belastung durch Vibrationen so gering wie möglich zu halten. Beispielhafte Maßnahmen zur Verringerung der Vibrationsbelastung sind das Tragen von Handschuhen beim Gebrauch des Werkzeugs und die Begrenzung der Arbeitszeit. Dabei sind alle Anteile des Betriebszyklus zu berücksichtigen (beispielsweise Zeiten, in denen das Elektrowerkzeug abgeschaltet ist, und solche, in denen es zwar eingeschaltet ist, aber ohne Belastung läuft).



Allgemeine Sicherheitshinweise für Elektrowerkzeuge

! WARNUNG!

- Lesen Sie alle Sicherheitshinweise und Anweisungen. Versäumnisse bei der Einhaltung der Sicherheitshinweise und Anweisungen können elektrischen Schlag, Brand und/oder schwere Verletzungen verursachen.

Bewahren Sie alle Sicherheitshinweise und Anweisungen für die Zukunft auf.

Der in den Sicherheitshinweisen verwendete Begriff „Elektrowerkzeug“ bezieht sich auf netzbetriebene Elektrowerkzeuge (mit Netzkabel) und auf akkubetriebene Elektrowerkzeuge (ohne Netzkabel).

1. Arbeitsplatz-Sicherheit

- Halten Sie Ihren Arbeitsbereich sauber und gut beleuchtet. Unordnung und unbeleuchtete Arbeitsbereiche können zu Unfällen führen.
- Arbeiten Sie mit dem Elektrowerkzeug nicht in explosionsgefährdeter Umgebung, in der sich brennbare Flüssigkeiten, Gase oder Stäube befinden. Elektrowerkzeuge erzeugen Funken, die den Staub oder die Dämpfe entzünden können.

- c) Halten Sie Kinder und andere Personen während der Benutzung des Elektrowerkzeugs fern. Bei Ablenkung können Sie die Kontrolle über das Gerät verlieren.

2. Elektrische Sicherheit

- a) Der Anschlussstecker des Elektrowerkzeuges muss in die Steckdose passen. Der Stecker darf in keiner Weise verändert werden. Verwenden Sie keine Adapterstecker gemeinsam mit schutzgeerdeten Elektrowerkzeugen. Unveränderte Stecker und passende Steckdosen verringern das Risiko eines elektrischen Schlages.
- b) Vermeiden Sie Körperkontakt mit geerdeten Oberflächen, wie von Rohren, Heizungen, Herden und Kühlschränken. Es besteht ein erhöhtes Risiko durch elektrischen Schlag, wenn Ihr Körper geerdet ist.
- c) Halten Sie Elektrowerkzeuge von Regen oder Nässe fern. Das Eindringen von Wasser in ein Elektrogerät erhöht das Risiko eines elektrischen Schlages.
- d) Zweckentfremden Sie das Kabel nicht, um das Elektrowerkzeug zu tragen, aufzuhängen oder um den Stecker aus der Steckdose zu ziehen. Halten Sie das Kabel fern von Hitze, Öl, scharfen Kanten oder sich bewegenden Geräteteilen. Beschädigte oder verwickelte Kabel erhöhen das Risiko eines elektrischen Schlages.
- e) Wenn Sie mit einem Elektrowerkzeug im Freien arbeiten, verwenden Sie nur Verlängerungskabel, die auch für den Außenbereich zugelassen sind. Die Anwendung eines für den Außenbereich geeigneten Verlängerungskabels verringert das Risiko eines elektrischen Schlages.
- f) Wenn der Betrieb des Elektrowerkzeuges in feuchter Umgebung nicht vermeidbar ist, verwenden Sie einen Fehlerstromschutzschalter. Der Einsatz eines Fehlerstromschutzschalters vermindert das Risiko eines elektrischen Schlages.

3. Sicherheit von Personen

- a) Seien Sie stets aufmerksam, achten Sie darauf, was Sie tun und gehen Sie mit Vernunft an die Arbeit mit einem Elektrowerkzeug. Benutzen Sie kein Elektrowerkzeug, wenn Sie müde sind oder unter dem Einfluss von Drogen, Alkohol oder Medikamenten stehen. Ein Moment der Unachtsamkeit beim Gebrauch des Elektrowerkzeuges kann zu ernsthaften Verletzungen führen.
- b) Tragen Sie persönliche Schutzausrüstung und immer eine Schutzbrille. Das Tragen persönlicher Schutzausrüstung wie Staubmaske, rutschfeste Sicherheitsschuhe, Schutzhelm oder Gehörschutz, je nach Art und Einsatz des Elektrowerkzeuges, verringert das Risiko von Verletzungen.
- c) Vermeiden Sie eine unbeabsichtigte Inbetriebnahme. Vergewissern Sie sich, dass das Elektrowerkzeug ausgeschaltet ist, bevor Sie es an die Stromversorgung und / oder den Akku anschließen, es aufnehmen oder tragen. Wenn Sie beim Tragen des Elektrowerkzeuges den Finger am Schalter haben oder das Gerät bereits eingeschaltet an die Stromversorgung anschließen, kann dies zu Unfällen führen.
- d) Entfernen Sie Einstellwerkzeuge oder Schraubenschlüssel, bevor Sie das Elektrowerkzeug einschalten. Ein Werkzeug oder Schlüssel, der sich in einem drehenden Geräteteil befindet, kann zu Verletzungen führen.
- e) Vermeiden Sie eine abnormale Körperhaltung. Sorgen Sie für einen sicheren Stand und halten Sie jederzeit das Gleichgewicht. Dadurch können Sie das Elektrowerkzeug in unerwarteten Situationen besser kontrollieren.
- f) Tragen Sie geeignete Kleidung. Tragen Sie keine weite Kleidung oder Schmuck. Halten Sie Haare, Kleidung und Handschuhe fern von sich bewegenden Teilen. Lockere Kleidung, Schmuck oder lange Haare können von sich bewegenden Teilen erfasst werden.
- g) Wenn Staubabsaug- und -auffangeinrichtungen montiert werden können, vergewissern Sie sich, dass diese angeschlossen sind und richtig verwendet werden. Die Verwendung einer Staubabsaugung kann Gefährdungen durch Staub verringern.

4. Verwendung und Behandlung des Elektrowerkzeugs

- a) Überlasten Sie das Gerät nicht. Verwenden Sie für Ihre Arbeit das dafür bestimmte Elektrowerkzeug. Mit dem passenden Elektrowerkzeug arbeiten Sie besser und sicherer im angegebenen Leistungsbereich.
- b) Benutzen Sie kein Elektrowerkzeug, dessen Schalter defekt ist. Ein Elektrowerkzeug, das sich nicht mehr ein- oder ausschalten lässt, ist gefährlich und muss repariert werden.
- c) Ziehen Sie den Stecker aus der Steckdose und / oder entfernen Sie den Akku, bevor Sie Geräteeinstellungen vornehmen, Zubehörteile wechseln oder das Gerät weglegen. Diese Vorsichtsmaßnahme verhindert den unbeabsichtigten Start des Elektrowerkzeuges.
- d) Bewahren Sie unbenutzte Elektrowerkzeuge außerhalb der Reichweite von Kindern auf. Lassen Sie Personen das Gerät nicht benutzen, die mit diesem nicht vertraut sind oder diese Anweisungen nicht gelesen haben. Elektrowerkzeuge sind gefährlich, wenn sie von unerfahrenen Personen benutzt werden.
- e) Pflegen Sie Elektrowerkzeuge mit Sorgfalt. Kontrollieren Sie, ob bewegliche Teile einwandfrei funktionieren und nicht klemmen, ob Teile gebrochen oder so beschädigt sind, dass die Funktion des Elektrowerkzeuges beeinträchtigt ist. Lassen Sie beschädigte Teile vor dem Einsatz des Gerätes reparieren. Viele Unfälle haben ihre Ursache in schlecht gewarteten Elektrowerkzeugen.
- f) Halten Sie Schneidwerkzeuge scharf und sauber. Sorgfältig gepflegte Schneidwerkzeuge mit scharfen Schneidkanten verklemmen sich weniger und sind leichter zu führen.
- g) Verwenden Sie Elektrowerkzeug, Zubehör, Einsatzwerkzeuge usw. entsprechend diesen Anweisungen. Berücksichtigen Sie dabei die Arbeitsbedingungen und die auszuführende Tätigkeit. Der Gebrauch von Elektrowerkzeugen für andere als die vorgesehenen Anwendungen kann zu gefährlichen Situationen führen.

5. Verwendung und Behandlung des Akkuwerkzeugs

- a) Laden Sie die Akkus nur in Ladegeräten auf, die vom Hersteller empfohlen werden. Für ein Ladegerät, das für eine bestimmte Art von Akku geeignet ist, besteht Brandgefahr, wenn es mit anderen Akkus verwendet wird.
- b) Verwenden Sie nur die dafür vorgesehenen Akkus in den Elektrowerkzeugen. Der Gebrauch von anderen Akkus kann zu Verletzungen und Brandgefahr führen.
- c) Halten Sie den nicht benutzten Akku fern von Büroklammern, Münzen, Schlüsseln, Nägeln, Schrauben oder anderen kleinen Metallgegenständen, die eine Überbrückung der Kontakte verursachen könnten. Ein Kurzschluss zwischen den Akkukontakten kann Verbrennungen oder Feuer zur Folge haben.
- d) Bei falscher Anwendung kann Flüssigkeit aus dem Akku austreten. Vermeiden Sie den Kontakt damit. Bei zufälligem Kontakt mit Wasser abspülen. Wenn die Flüssigkeit in die Augen kommt, nehmen Sie zusätzlich ärztliche Hilfe in Anspruch. Austretende Akkufflüssigkeit kann zu Hautreizungen oder Verbrennungen führen.



VORSICHT! EXPLOSIONSGEFAHR!
Laden Sie nicht aufladbare Batterien niemals auf.



Schützen Sie den Akku vor Hitze, z. B. auch vor dauernder Sonneneinstrahlung, Feuer, Wasser und Feuchtigkeit. Es Besteht Explosionsgefahr.



6. Service

- a) Lassen Sie Ihr Elektrowerkzeug nur von qualifiziertem Fachpersonal und nur mit Original-Ersatzteilen reparieren. Damit wird sichergestellt, dass die Sicherheit des Elektrowerkzeuges erhalten bleibt.

Sicherheitshinweise für Bohrschrauber

WARNUNG!

- Halten Sie das Gerät an den isolierten Griffflächen, wenn Sie Arbeiten ausführen, bei denen die Schraube oder das Einsatzwerkzeug verborgene Stromleitungen treffen kann. Der Kontakt der Schraube oder des Einsatzwerkzeugs mit einer spannungsführenden Leitung kann auch metallene Geräteteile unter Spannung setzen und zu einem elektrischen Schlag führen.

Sicherheitshinweise für Ladegeräte

- Dieses Gerät kann von Kindern ab 8 Jahren und darüber sowie von Personen mit verringerten physischen, sensorischen oder mentalen Fähigkeiten oder Mangel an Erfahrung und Wissen benutzt werden, wenn sie beaufsichtigt oder bezüglich des sicheren Gebrauchs des Gerätes unterwiesen wurden und die daraus resultierenden Gefahren verstehen. Kinder dürfen nicht mit dem Gerät spielen. Reinigung und Benutzer-Wartung dürfen nicht von Kindern ohne Beaufsichtigung durchgeführt werden.



Das Ladegerät ist nur für den Betrieb im Innenbereich geeignet.

WARNUNG!

- Wenn die Netzanschlussleitung dieses Gerätes beschädigt wird, muss sie durch den Hersteller oder seinen Kundendienst oder eine ähnlich qualifizierte Person ersetzt werden, um Gefährdungen zu vermeiden.

Vor der Inbetriebnahme Akku-Pack laden (siehe Abb. A)

VORSICHT!

- ▶ Ziehen Sie immer den Netzstecker, bevor Sie den Akku-Pack **8** aus dem Ladegerät nehmen bzw. einsetzen.
- Laden Sie den Akku-Pack **8** nie, wenn die Umgebungstemperatur unterhalb 10 °C oder oberhalb 40 °C liegt.
- ◆ Stecken Sie den Akku-Pack **8** in das Schnell-Ladegerät **15** (siehe Abb. A).
- ◆ Stecken Sie den Netzstecker in die Steckdose. Die Kontroll-LED **14** leuchtet rot und zeigt den Ladevorgang an.
- ◆ Die grüne Kontroll-LED **15** signalisiert Ihnen, dass der Ladevorgang abgeschlossen und der Akku-Pack **8** einsatzbereit ist.
- ◆ Schieben Sie den Akku-Pack **8** in das Gerät ein (siehe Abb. B).

Akku-Pack ins Gerät einsetzen / entnehmen

Akku-Pack einsetzen:

- ◆ Bringen Sie den Drehrichtungsumschalter **3** in Mittelstellung (Sperr) (siehe Abb. C). Lassen Sie den Akku-Pack **8** in den Griff einrasten (siehe Abb. B).

Akku-Pack entnehmen:



- ◆ Drücken Sie die Taste zur Entriegelung **9** und entnehmen Sie den Akku-Pack **8** (siehe Abb. D).

Akkuzustand prüfen

- ◆ Drücken Sie zum Prüfen des Akkuzustands die Taste-Akkuzustand **6** (siehe Abb. E). Der Zustand bzw. die Restleistung wird in der Akku-Display-LED **7** wie folgt angezeigt:
- ◆ GRÜN / ROT / ORANGE = maximale Ladung / Leistung
ROT / ORANGE = mittlere Ladung / Leistung
ROT = schwache Ladung - Akku aufladen


Werkzeuge wechseln

Ihr Akku-Bohrschrauber hat eine vollautomatische Spindelarretierung .

Beim Stillstand des Motors wird der Antriebsstrang verriegelt, so dass Sie das Bohrfutter **1** durch Drehen  öffnen können. Nachdem Sie das gewünschte Werkzeug eingesetzt und durch Drehen des Bohrfutters  festgespannt haben, können Sie sofort weiter arbeiten (siehe Abb. F). Die Spindelarretierung löst sich automatisch mit Starten des Motors (Betätigung des EIN- / AUS-Schalters **4**).

Drehmomentvorwahl / Bohrstufe

Sie können über die Drehmomentvorwahl **12** die Drehkraft einstellen (siehe Abb. G).

- ◆ Wählen Sie eine niedrige Stufe für kleine Schrauben, bzw. weiche Werkstoffe.
- ◆ Wählen Sie eine hohe Stufe für große Schrauben, harte Werkstoffe, bzw. beim Herausdrehen von Schrauben.
- ◆ Wählen Sie für Bohrarbeiten die Bohrstufe, indem Sie die Drehmomentvorwahl **12** in die  Position einstellen (siehe Abb. H).

2-Gang Getriebe

VORSICHT!

- ▶ Betätigen Sie den Gangwahlschalter **1** nur bei Stillstand des Gerätes. Ansonsten droht Beschädigung des Gerätes.

Im ersten Gang (Gangwahlschalter **1** in Position: 1) (siehe Abb. I)

erreichen Sie eine Drehzahl von ca. 400 min⁻¹ und ein hohes Drehmoment. Diese Einstellung eignet sich für alle Schraubarbeiten.

Im zweiten Gang (Gangwahlschalter **1** in Position: 2) (siehe Abb. J)

erreichen Sie eine Drehzahl von ca. 1400 min⁻¹ zur Durchführung von Bohrarbeiten.

Inbetriebnahme

Ein- / ausschalten

Einschalten:

- ◆ Drücken Sie zur Inbetriebnahme des Gerätes den EIN- / AUS-Schalter **4** und halten Sie ihn gedrückt (siehe Abb. K). Die LED-Arbeitsleuchte **10** leuchtet bei leicht oder vollständig gedrücktem EIN- / AUS-Schalter **4**. Sie ermöglicht so das Ausleuchten des Arbeitsbereiches bei ungünstigen Lichtverhältnissen.

Ausschalten:

- ◆ Lassen Sie zum Ausschalten des Gerätes den EIN- / AUS-Schalter **4** los.

Drehzahl einstellen

Der EIN- / AUS-Schalter **4** verfügt über eine variable Geschwindigkeitsregelung. Leichter Druck auf den EIN- / AUS-Schalter **4** bewirkt eine niedrige Drehzahl. Mit zunehmendem Druck erhöht sich die Drehzahl (siehe Abb. K).

HINWEIS

- ▶ Die integrierte Motorbremse sorgt für einen schnellen Stillstand.

Drehrichtung umschalten

- ◆ Wechseln Sie die Drehrichtung, indem Sie den Drehrichtungsumschalter **3** nach rechts bzw. links durchdrücken (siehe Abb. L).

Tipps und Tricks



! Tipp! So verhalten Sie sich richtig.

- ◆ Überprüfen Sie vor dem Betrieb, ob der Schraub- bzw. Bohreinsatz korrekt angebracht ist, d.h. zentriert im Bohrfutter sitzt.
- ◆ Schraub-Bits sind mit ihren Maßen und der Form gekennzeichnet. Falls Sie sich unsicher sind probieren Sie immer zuerst aus, ob das Bit ohne Spiel im Schraubenkopf sitzt.

Drehmoment:

- ◆ Kleinere Schrauben / Bits können beschädigt werden, wenn Sie ein zu hohes Drehmoment bzw. eine zu hohe Drehzahl einstellen.

Harter Schraubfall (in Metall):

- ◆ Besonders hohe Drehmomente entstehen z.B. bei Metallverschraubungen unter Verwendung von Steckschlüsseinsätzen. Wählen Sie eine niedrige Drehzahl.

Weicher Schraubfall (z.B. in Weichholz):

- ◆ Schrauben Sie auch hier mit geringer Drehzahl, um z.B. die Holzoberfläche beim Kontakt mit dem Schraubenkopf aus Metall nicht zu beschädigen. Verwenden Sie einen Senker.

Beim Bohren in Holz, Metall und anderen Materialien unbedingt berücksichtigen:

- ◆ Benutzen Sie bei kleinem Bohrer-Durchmesser eine hohe Drehzahl und bei großem Bohrer-Durchmesser eine niedrige Drehzahl.
- ◆ Wählen Sie bei harten Materialien eine niedrige Drehzahl, bei weichem Material eine hohe Drehzahl.
- ◆ Sichern oder befestigen Sie (wenn möglich) das Werkstück in einer Spannvorrichtung.
- ◆ Markieren Sie die Stelle, an der gebohrt werden soll mit einem Körner oder einem Nagel. Wählen Sie zum Anbohren eine niedrige Drehzahl.
- ◆ Ziehen Sie den drehenden Bohrer mehrmals aus dem Bohrloch, um Späne oder Bohrmehl zu entfernen und es zu lüften.

Bohren in Metall:

- ◆ Verwenden Sie Metallbohrer (HSS). Für beste Ergebnisse sollten Sie den Bohrer mit Schneidöl kühlen. Metallbohrer können Sie auch zum Bohren in Kunststoff verwenden. Bohren Sie zunächst mit einem Ø 3 mm Bohrer vor und nähern Sie sich dem gewünschten Bohrdurchmesser.

Bohren in Holz:

- ◆ Verwenden Sie einen Holzbohrer mit Zentrispitze, für tiefe Bohrungen verwenden Sie einen „Schlangenbohrer“, für große Bohr-Durchmesser einen Forstner-Bohrer. Kleine Schrauben in weichem Holz können Sie auch ohne Vorbohren direkt eindrehen.

Wartung und Reinigung



WARNUNG! VERLETZUNGSGEFAHR!
Schalten Sie vor allen Arbeiten am Gerät das Gerät aus und entnehmen Sie den Akku.

Der Akku-Bohrschrauber ist wartungsfrei.

- Das Gerät muss stets sauber, trocken und frei von Öl oder Schmierfetten sein.
- Es dürfen keine Flüssigkeiten in das Innere der Geräte gelangen.
- Verwenden Sie zum Reinigen des Gehäuses ein trockenes Tuch. Verwenden Sie niemals Benzin, Lösungsmittel oder Reiniger, die Kunststoff angreifen.
- Soll ein Lithium-Ionen-Akku längere Zeit gelagert werden, muss regelmäßig der Ladezustand kontrolliert werden. Der optimale Ladezustand liegt zwischen 50 % und 80 %. Das optimale Lagerungsklima ist kühl und trocken.

HINWEIS

- ▶ Nicht aufgeführte Ersatzteile (wie z. B. Akku, Schalter) können Sie über unsere Service - Hotline bestellen.

Garantie der Kompernaß Handels GmbH

Sehr geehrte Kundin, sehr geehrter Kunde,

Sie erhalten auf dieses Gerät 3 Jahre Garantie ab Kaufdatum. Im Falle von Mängeln dieses Produkts stehen Ihnen gegen den Verkäufer des Produkts gesetzliche Rechte zu. Diese gesetzlichen Rechte werden durch unsere im Folgenden dargestellte Garantie nicht eingeschränkt.

Garantiebedingungen

Die Garantiefrist beginnt mit dem Kaufdatum. Bitte bewahren Sie den Original Kassenbon gut auf. Diese Unterlage wird als Nachweis für den Kauf benötigt.

Tritt innerhalb von drei Jahren ab dem Kaufdatum dieses Produkts ein Material- oder Fabrikationsfehler auf, wird das Produkt von uns – nach unserer Wahl – für Sie kostenlos repariert oder ersetzt.

Diese Garantieleistung setzt voraus, dass innerhalb der Drei-Jahres-Frist das defekte Gerät und der Kaufbeleg (Kassenbon) vorgelegt und schriftlich kurz beschrieben wird, worin der Mangel besteht und wann er aufgetreten ist.

Wenn der Defekt von unserer Garantie gedeckt ist, erhalten Sie das reparierte oder ein neues Produkt zurück. Mit Reparatur oder Austausch des Produkts beginnt kein neuer Garantiezeitraum.

Garantiezeit und gesetzliche Mängelansprüche

Die Garantiezeit wird durch die Gewährleistung nicht verlängert. Dies gilt auch für ersetzte und reparierte Teile. Eventuell schon beim Kauf vorhandene Schäden und Mängel müssen sofort nach dem Auspacken gemeldet werden. Nach Ablauf der Garantiezeit anfallende Reparaturen sind kostenpflichtig.

Garantieumfang

Das Gerät wurde nach strengen Qualitätsrichtlinien sorgfältig produziert und vor Auslieferung gewissenhaft geprüft.

Die Garantieleistung gilt für Material- oder Fabrikationsfehler. Diese Garantie erstreckt sich nicht auf Produktteile, die normaler Abnutzung ausgesetzt sind und daher als Verschleißteile angesehen werden können oder für Beschädigungen an zerbrechlichen Teilen, z. B. Schalter, Akkus, Backformen oder Teile die aus Glas gefertigt sind.

Diese Garantie verfällt, wenn das Produkt beschädigt, nicht sachgemäß benutzt oder gewartet wurde. Für eine sachgemäße Benutzung des Produkts sind alle in der Bedienungsanleitung aufgeführten Anweisungen genau einzuhalten. Verwendungszwecke und Handlungen, von denen in der Bedienungsanleitung abgeraten oder vor denen gewarnt wird, sind unbedingt zu vermeiden.

Das Produkt ist nur für den privaten und nicht für den gewerblichen Gebrauch bestimmt. Bei missbräuchlicher und unsachgemäßer Behandlung, Gewaltanwendung und bei Eingriffen, die nicht von unserer autorisierten Service-Niederlassung vorgenommen wurden, erlischt die Garantie.

Abwicklung im Garantiefall

Um eine schnelle Bearbeitung ihres Anliegens zu gewährleisten, folgen Sie bitte den folgenden Hinweisen:

- Bitte halten Sie für alle Anfragen den Kassenbon und die Artikelnummer (z. B. IAN 12345) als Nachweis für den Kauf bereit.
- Die Artikelnummer entnehmen Sie bitte dem Typenschild, einer Gravur, auf dem Titelblatt ihrer Anleitung (unten links) oder als Aufkleber auf der Rück- oder Unterseite.
- Sollten Funktionsfehler oder sonstige Mängel auftreten kontaktieren Sie zunächst die nachfolgend benannte Serviceabteilung **telefonisch** oder per **E-Mail**.
- Ein als defekt erfasstes Produkt können Sie dann unter Beifügung des Kaufbelegs (Kassenbon) und der Angabe, worin der Mangel besteht und wann er aufgetreten ist, für Sie portofrei an die Ihnen mitgeteilte Service Anschrift übersenden.



Auf www.lidl-service.com können Sie diese und viele weitere Handbücher, Produktvideos und Software herunterladen.

Service

⚠️ WARNUNG!

- ▶ Lassen Sie Ihre Geräte von der Servicestelle oder einer Elektrofachkraft und nur mit Original-Ersatzteilen reparieren. Damit wird sichergestellt, dass die Sicherheit des Gerätes erhalten bleibt.
- ▶ Lassen Sie den Austausch des Steckers oder der Netzleitung immer vom Hersteller des Gerätes oder seinem Kundendienst ausführen. Damit wird sichergestellt, dass die Sicherheit des Gerätes erhalten bleibt.

DE Service Deutschland

Tel.: 0800 5435 111 (Kostenfrei aus dem dt. Festnetz/Mobilfunknetz)
E-Mail: kompernass@lidl.de

IAN 274864

AT Service Österreich

Tel.: 0820 201 222 (0,15 EUR/Min.)
E-Mail: kompernass@lidl.at

IAN 274864

CH Service Schweiz

Tel.: 0842 665566 (0,08 CHF/Min., Mobilfunk max. 0,40 CHF/Min.)
E-Mail: kompernass@lidl.ch

IAN 274864

Importeur

Bitte beachten Sie, dass die folgende Anschrift keine Serviceanschrift ist. Kontaktieren Sie zunächst die benannte Servicestelle.

KOMPERNASS HANDELS GMBH

BURGSTRASSE 21

44867 BOCHUM

GERMANY

www.kompernass.com

Entsorgung



Die Verpackung besteht aus umweltfreundlichen Materialien, die Sie über die örtlichen Recyclingstellen entsorgen können.



Werfen Sie Elektrowerkzeuge nicht in den Hausmüll!

Gemäß Europäischer Richtlinie 2012/19/EU müssen verbrauchte Elektrowerkzeuge getrennt gesammelt und einer umweltgerechten Wiederverwertung zugeführt werden.



Werfen Sie Akkus nicht in den Hausmüll!

Defekte oder verbrauchte Akkus müssen gemäß Richtlinie 2006/66/EC recycelt werden. Geben Sie Akku-Pack und/oder das Gerät über die angebotenen Sammeleinrichtungen zurück. Über Entsorgungsmöglichkeiten für ausgediente Elektrowerkzeuge / Akku-Pack informieren Sie sich bitte bei Ihrer Gemeinde- oder Stadtverwaltung.

Original- Konformitätserklärung

Wir, KOMPERNASS HANDELS GMBH, Dokumentenverantwortlicher: Herr Semi Uguzlu, BURGSTR. 21, 44867 BOCHUM, DEUTSCHLAND, erklären hiermit, dass dieses Produkt mit den folgenden Normen, normativen Dokumenten und EG-Richtlinien übereinstimmt:

**Maschinenrichtlinie
(2006 / 42 / EC)**

**EG-Niederspannungsrichtlinie
(2014 / 35 / EU)**

**Elektromagnetische Verträglichkeit
(2014 / 30 / EU)**

**RoHS Richtlinie
(2011 / 65 / EU)**

Angewandte harmonisierte Normen:

EN 60745-1:2009/A11:2010

EN 60745-2-1:2010

EN 60745-2-2:2010

EN 60335-1:2012/A11:2014

EN 60335-2-29:2004/A2:2010

EN 62233:2008

EN 55014-1:2006/A2:2011

EN 55014-2:1997/A2:2008

EN 61000-3-2:2014

EN 61000-3-3:2013

Typ / Gerätebezeichnung:

Akku-Bohrschrauber PABS 20-Li B2

Herstellungsjahr: 04-2016

Seriennummer: IAN 274864

Bochum, 05.02.2016



Semi Uguzlu

- Qualitätsmanager -

Technische Änderungen im Sinne der Weiterentwicklung sind vorbehalten.

KOMPERNASS HANDELS GMBH

BURGSTRASSE 21

44867 BOCHUM

DEUTSCHLAND / GERMANY

www.kompernass.com

Last Information Update · Tilstand af information · Version des informations

Stand van de informatie · Stand der Informationen: te:

02 / 2016 · Ident.-No.: PABS20-LiB2-022016-1

IAN 274864