



POP-UP BEACH SHELTER

GB IE NI

POP-UP BEACH SHELTER

Operation and Safety Notes

FR BE

TENTE DE PLAGE POP-UP

Instructions d'utilisation et consignes de sécurité

DE AT CH

POP-UP-STRANDMUSCHEL

Bedienungs- und Sicherheitshinweise

DK

POP-UP-STRANDELT

Brugs- og sikkerhedsanvisninger

NL BE

POP-UP STRANDELTJEF

Bedienings- en veiligheidsinstructies

IAN 297513

GB IE NI DK BE NL

Condensation can form in all synthetic products; you should therefore air the tent as frequently as possible in order to counteract this.

- For cleaning the product and removing any stains you should only use a cleaning agent that is specifically intended for cleaning polyester products.
- Remove any dirt from the product with a soft sponge and clean water.
- Please allow all parts to dry thoroughly before you repack the product. This will prevent the formation of mould, bad odours and discolouration.
- If the zipper sticks when being opened or closed, spray it with silicone spray.

Disposal

The packaging is made entirely of recyclable materials, which you may dispose at local recycling facilities.

Contact your local refuse disposal authority for more details of how to dispose of your worn-out product.

Warranty

The product has been manufactured to strict quality guidelines and meticulously examined before delivery. In the event of product defects you have legal rights against the retailer of this product. Your legal rights are not limited in any way by our warranty detailed below.

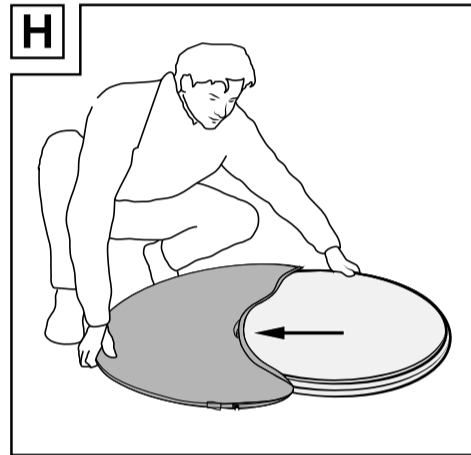
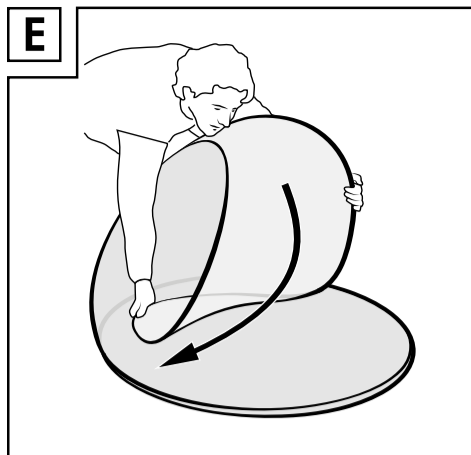
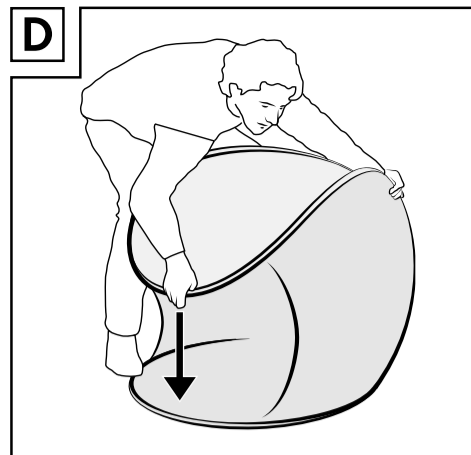
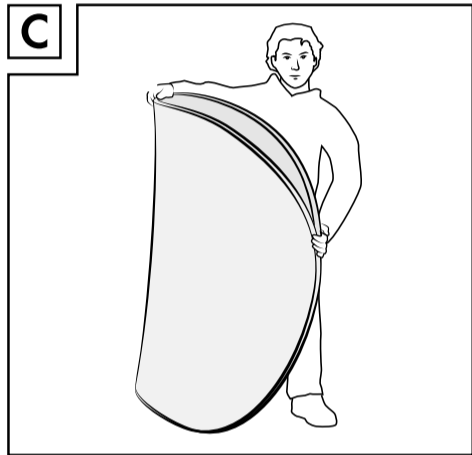
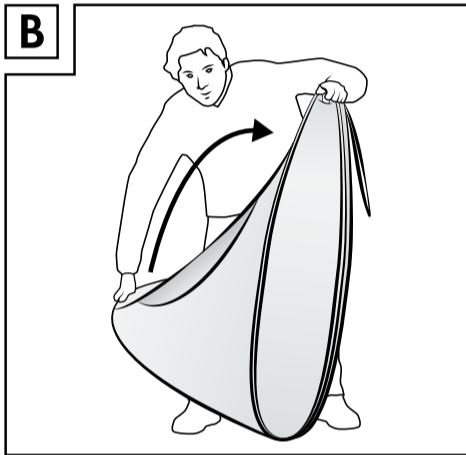
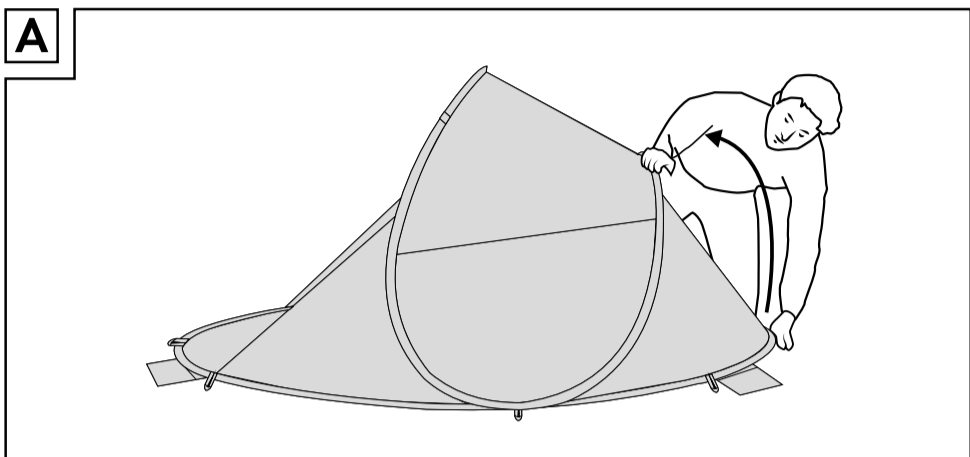
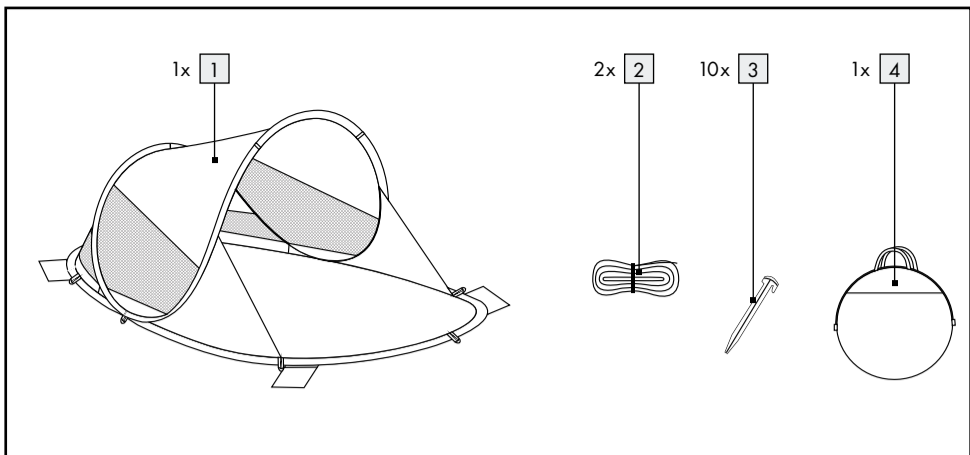
The warranty for this product is 3 years from the date of purchase. Should this product show any fault in materials or manufacture within 3 years from the date of purchase, we will repair or replace it – at our choice – free of charge to you.

The warranty period begins on the date of purchase. Please keep the original sales receipt in a safe location. This document is required as your proof of

purchase. This warranty becomes void if the product has been damaged, or used or maintained improperly.

The warranty applies to defects in material or manufacture. This warranty does not cover product parts subject to normal wear, thus possibly considered consumables (e.g. batteries) or for damage to fragile parts, e.g. switches, rechargeable batteries or glass parts.

The warranty applies to defects in material or manufacture. This warranty does not cover product parts subject to normal wear, thus possibly considered consumables (e.g. batteries) or for damage to fragile parts, e.g. switches, rechargeable batteries or glass parts.



Montage

- Sørg for at produktet kun monteres / afmonteres af fagkyndige personer.

Opstilling af produkt

OBS: vær venligst opmærksom på at stængerne er spændte og altid udvider sig i produktets naturlige form. Sørg for at at spændekraften ikke forårsager nogle kvæstelser. Smid produktet fra Dem op i luften.

Sammenfoldning af produkt

- Se venligst informationsvideoen, idet De anvender QR-koden med et egnet apparat.
- Grib stoppens midtpunkter foroven med en hånd og træk midtpunkterne hos stroppen fornedet til. Start ved produktets bagerste ende, så luften foran kan sive fuldstændigt ud gennem indgangen (se afbildning A-B).
- Hold produktet på højkant og hold derved alle 4 stropper i en hånd (se afbildning C).
- Tryk spidsen hos buen foroven i retning mod gulvet og drej denne i retning mod midten. Tryk de nye stropper med en hånd nedad mens den anden hånd stadig holder de 4 stropper sammen (se afbildning D-E).
- Nye stropper dannes mens De fortsat trykker nedad. Slip grebet hos den hånd der holder de 4 stropper sammen og skub alle buer ind i hinanden (se afbildning F-G).
- De kan nu opbevare produktet i bæretasken (4) (se afbildning H).

Rengøring

- FORSIGTIG!** Vask produktet aldrig i en vaskemaskine.
- FORSIGTIG!** Brug aldrig benzin, opløsningsmidler eller andre rengøringsmidler. Ellers resulterer det i beskadigelse af produktet.

I alle syntetiske produkter kan der opstå kondensdannelse; luft altså ud så hyppigt så muligt for at formindske effekten.

- Anvend til rengøring og til pletterne kun et rengøringsmiddel, som er specielt egnet til produktet.
- Fjern snovs fra produktet med en blød svamp og klart vand.
- Lad alle dele tørre, inden De pakker produktet ind igen. Dette forebygges skimmel, lugt og misfarvninger.
- Sprøjt lynlåsene ind med silikonespray, når disse hager fast ved åbning eller lukning.

Bortskaffelse

Emballagen består af miljøvenlige materialer og kan smides ud på de lokale genbrugsstationer.

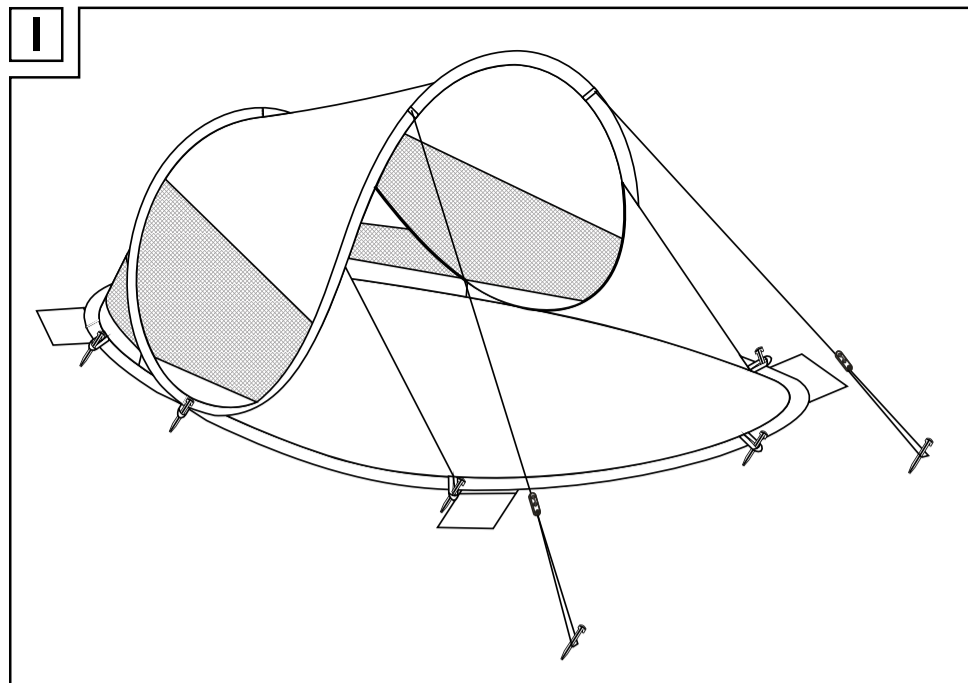
Mulighederne for bortskaffelse af det udjente produkt kan du informere dig om ved din kommunes eller din bys forvaltning.

Garanti

Produktet blev produceret omhyggeligt efter de strengeste kvalitetskrav og kontrolleret grundigt inden levering. Hvis der forekommer mangler ved dette produkt, så har de juridiske rettigheder over for sælgeren af dette produkt. Disse juridiske rettigheder indskrænkes ikke af vores garanti, der beskrives i det følgende.

De får 3 års garanti fra købsdatoen på dette produkt. Garantifristen begynder med købsdatoen. Opbevar den originale kassebon på et sikkert sted. Denne kassebon behøves som dokumentation for købet.

Hvis der inden for 3 år fra købsdatoen af for dette produkt opstår en materiale- eller fabrikationsfejl, bliver produktet repareret eller erstattet – efter vores valg – af os uden omkostninger for dem. Garantien bortfalder, hvis produktet bliver beskadiget eller ikke anvendes eller vedligeholdes korrekt. Garantien gælder for materiale- eller fabrikationsfejl.



Pop-Up Beach Shelter

Introduction

We congratulate you on the purchase of your new product. You have chosen a high quality product. Familiarise yourself with the product before using it for the first time. In addition, please carefully refer to the operating instructions and the safety advice below. Only use the product as instructed and only for the indicated field of application. Keep these instructions in a safe place. If you pass the product on to anyone else, please ensure that you also pass on all the documentation with it.

Proper Use

This product is intended for use as protection against the wind and sun. The material of the beach shelter is not watertight over a prolonged period. It should not therefore be used in the rain. The product is not intended for commercial use.

Description of parts and features

- Popup beach shelter
- Guy line
- Peg
- Carrying bag

Safety advice

KEEP INSTRUCTIONS IN A SAFE PLACE. SUBMIT ALL DOCUMENTS TO A THIRD PARTY IF DISTRIBUTING THE PRODUCT.

- CAUTION! RISK OF INJURY!** Ensure that all parts are undamaged and have been assembled appropriately. Risk of injury exists if assembled incorrectly. Damaged parts can effect safety and function.
- CAUTION!** Do not leave children unattended. The product is not a climbing frame or toy. Make sure that nobody climbs or leans on the product, particularly children. The product could become imbalanced and tip up. This

GB/IE/NL

may result in injury and/or damage.

- CAUTION! RISK OF INJURY!** Never under any circumstances assemble the product in a strong wind.
- Select a piece of land that is as flat and firm as possible to erect your beach shelter.
- Sandy surfaces reduce the stability of the beach shelter. Please ensure that the surface provides a firm hold for the pegs.
- Never knock the pegs into the ground with force! If necessary, the guy lines should only be extended with the help of a loop and the peg positioned in a different location.
- The intactness of all connection points and the guy lines should be checked regularly, as should the firmness of the pegs in the ground.
- If the beach shelter is erected in the wrong order, this may cause damage to the beach shelter. All liability is excluded in such cases.
- It is not recommended to take away any sewn label.
- Please familiarise yourself with the local fire protection regulations.

- WARNING!** Do not use as a camping tent!
- WARNING!** Do not have an open fire inside or in the proximity of the beach shelter!
- WARNING!** The beach shelter may not be completely shut while there are people inside!

Take note of the effects of the weather and climate

- Please ensure that the beach shelter is not too taut when it is erected, as otherwise it will not be able to adapt to changing weather conditions and may be damaged.
- Zips are wearing parts and do not fall under the guarantee conditions.
- Do not use any insect spray in or on the beach shelter.
- Small leaks on the seams can be repaired with a seam spray and impregnation spray can be used for the beach shelter skin.

Assembly

- Please ensure that the product is only assembled / disassembled by a competent person.

Erecting the product

ATTENTION: Please note that the poles are under tension and snap into the natural shape of the product. Taking care that the release of tension does not cause any injury. Throw the product away from you into the air.

Folding the product

- Please see a video using our QR code that demonstrates how to fold away and packing the product.
- Grab all the loops together in one of your hands. Start at the rear end in order to allow the air escape completely through the front entrance (see fig. A–B).
- Keep the four loops gathered in one hand and put the product into an upwards position (see fig. C).
- Press the tip of the upper loop towards the ground and move it towards the middle. Keep pressing downwards the new loops with one hand while the other hand keeps holding the other four loops together (see fig. D–E).
- Loose the grip of the hand that holds the 4 loops and fold all loops into each other (see fig. F–G).
- You can now store the product in its carrying bag (4) (see fig. H).

Cleaning

- CAUTION!** Never wash the product in a washing machine.
- CAUTION!** Never use petrol, solvent or other cleaning agents. Otherwise there is a danger of damage to the product.

Tente de plage Pop-up

Introduction

Nous vous félicitons pour l'achat de votre nouveau produit. Vous avez opté pour un produit de grande qualité. Avant la première mise en service, vous devez vous familiariser avec toutes les fonctions du produit. Veuillez lire attentivement le mode d'emploi ci-dessous et les consignes de sécurité. N'utilisez le produit que pour l'usage décrit et les domaines d'application cités. Conservez ces instructions. Si vous donnez le produit à des tiers, remettez-leur également la totalité des documents.

Utilisation conventionnelle

Ce produit est conçu en tant que protection contre le vent et le soleil. Le matériau de la tente pare-soleil n'est pas étanche à long terme. Il convient donc de ne pas l'utiliser sous la pluie. Le produit n'est pas destiné à l'utilisation professionnelle.

Description des pièces

- Tente abri de plage instantanée
- Hauban
- Piquet
- Housse de transport

Consignes de sécurité

VEUILLEZ SOIGNEUSEMENT CONSERVER CETTE NOTICE. REMETTEZ TOUS LES DOCUMENTS LORS DE LA CESSION DU PRODUIT À UNE TIERCIE PERSONNE.

- PRUDENCE ! RISQUE DE BLESSURES !** Vérifier que toutes les pièces sont en parfait état et correctement montées. Risque de blessures en cas de montage incorrect. Les pièces endommagées peuvent affecter la sécurité et le fonctionnement.

- ATTENTION !** Ne laissez pas des enfants sans surveillance ! Le produit n'est pas un appareil d'escalade ou un jouet ! Veuillez vous assurer que personne, et surtout des enfants, n'escaladent ou ne s'appuient sur le produit. Le produit pourrait être déséquilibré et tomber. Ceci risque d'engendrer des blessures et / ou des dommages matériels.
- PRUDENCE ! RISQUE DE BLESSURES !** Ne jamais monter et démonter le produit par vent fort.
- Sélectionner un site avec une surface solide et plane.
- Les surfaces de sable réduisent la stabilité. Choisir un sol assurant une fixation correcte des piquets.
- Ne jamais frapper avec force pour enfoncer les piquets dans le sol ! Au besoin, rallonger les haubans et changer la position du piquet.
- Contrôler régulièrement le parfait état de tous les raccords et vérifiez la tension des cordes et la fixation des piquets.
- Ne pas monter la tente dans un ordre incorrect sous peine de l'endommager. Toute responsabilité est exclue.
- Ne pas enlever les étiquettes cousues signalétiques ou indicatrices.
- Veuillez en outre vous familiariser avec les réglementations antifeu sur place.

- ATTENTION!** Ne pas utiliser comme tente de camping !
- ATTENTION!** Ne pas utiliser de flammes nues à l'intérieur de la tente de plage, ou à proximité !
- ATTENTION!** La tente de plage ne doit être complètement fermée si des personnes se trouvent à l'intérieur !

Tenir compte de la météo et des intempéries

- Ne pas tendre excessivement la tente pare-soleil, autrement, elle ne peut pas s'adapter aux changements de météo et peut être endommagée.
- Les fermetures éclair sont des pièces d'usure et sont exclues de la garantie.
- Ne pas pulvériser un produit contre les insectes dans ou sur la tente pare-soleil.

GB/IE/NL

DK

DK

DK

FR/BE

