

**12V BATTERY, 2.5Ah / 12-V-AKKU, 2,5 Ah /  
BATTERIE 12 V, 2,5 Ah PAKP 12 C1****(GB) (IE)****12V BATTERY, 2.5Ah**

Translation of the original instructions

**(FR) (BE)****BATTERIE 12 V 2,5 Ah**

Traduction des instructions d'origine

**(CZ)****12V AKUMULÁTOR,  
2,5 Ah**

Překlad originálního provozního návodu

**(SK)****12 V BATÉRIA, 2,5 Ah**

Preklad originálneho návodu na obsluhu

**(DK)****12 V BATTERI, 2,5 Ah**

Oversættelse af den originale driftsvejledning

**(HU)****12 V AKKU, 2,5 Ah**

Az originál használati utasítás fordítása

**(DE) (AT) (CH)****12-V-AKKU, 2,5 Ah**

Originalbetriebsanleitung

**(NL) (BE)****12 V-ACCU, 2,5 Ah**

Vertaling van de originele gebruiksaanwijzing

**(PL)****AKUMULATOR 12 V,  
2,5 Ah**

Tłumaczenie oryginalnej instrukcji obsługi

**(ES)****BATERÍA DE 12 V, 2,5 Ah**

Traducción del manual de instrucciones original

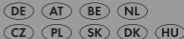
**(IT)****BATTERIA DA 12 V, 2,5 Ah**

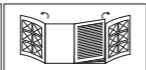
Traduzione delle istruzioni d'uso originali

**(SI)****12 V POLNILNA  
BATERIJA, 2,5 Ah**

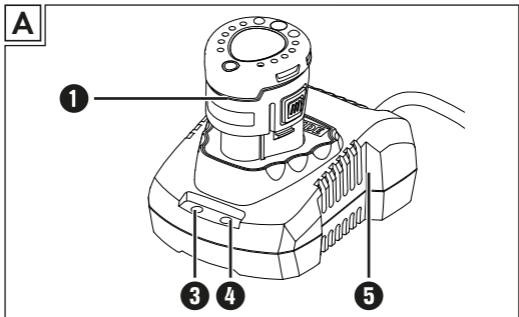
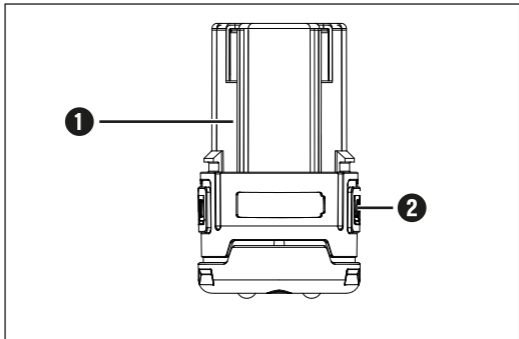
Prevod originalnega navodila za uporabo

IAN 391276\_2201





GB/IE	Translation of the original instructions	Page	1
DE/AT/CH	Originalbetriebsanleitung	Seite	27
FR/BE	Traduction des instructions d'origine	Page	55
NL/BE	Vertaling van de originele gebruiksaanwijzing	Pagina	89
CZ	Překlad originálního provozního návodu	Strana	115
PL	Tłumaczenie oryginalnej instrukcji obsługi	Strona	141
SK	Preklad originálneho návodu na obsluhu	Strana	167
ES	Traducción del manual de instrucciones original	Página	193
DK	Oversættelse af den originale driftsvejledning	Side	221
IT	Traduzione delle istruzioni d'uso originali	Pagina	247
HU	Az originál használati utasítás fordítása	Oldal	275
SI	Prevod originalnega navodila za uporabo	Stran	301

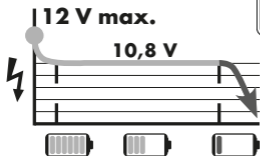


All Parkside tools and the chargers PLGK 12 A1/A2/B2/PDSLK 12 A1 of the X12V Team series are compatible with the PAK 12 A1/A2/A3/A3/B1/C1/D1 battery pack.

Alle Parkside Geräte und die Ladegeräte PLGK 12 A1/A2/B2/PDSLK 12 A1 der X12V Team Serie sind mit dem Akku-Pack PAK 12 A1/A2/A3/A3/B1/C1/D1 kompatibel.

Tous les outils Parkside et les chargeurs PLGK 12 A1/A2/A3/B2/PDSLK 12 A1 de la série X12V Team sont compatibles avec la batterie PAK 12 A1/A2/A3/B1/C1/D1.

Charging times Ladezeiten Temps de charge	2 Ah Battery pack Batterie Batterie PAK 12 A1	2 Ah Battery pack Batterie Batterie PAK 12 A1
Charging currents Ladeströme Courants de charge		
<b>max. 2,4 A</b> · PLGK 12 A1/A2/A3 Charger · Ladegerät · Chargeur	<b>60 min</b> 2,4 A	<b>60 min</b> 2,4 A
<b>max. 4,5 A</b> · PLGK 12 B2 Charger · Ladegerät · Chargeur	<b>60 min</b> 2,4 A	<b>45 min</b> 3,5 A
<b>max. 4,5 A</b> · PDSLK 12 A1 Charger · Ladegerät · Chargeur	<b>60 min</b> 2,4 A	<b>45 min</b> 3,5 A



**CELL  
BALANCING**  
LONGER BATTERY LIFE.  
INCREASED LIFESPAN.

Ah	2,5 Ah	4 Ah	5 Ah
Battery pack Batterie Batterie PAK 12 A2/A3	Battery pack Batterie Batterie PAK 12 C1	Battery pack Batterie Batterie PAK 12 B1	Battery pack Batterie Batterie PAK 12 D1
min <hr/> A	80 min <hr/> 2,4 A	120 min <hr/> 2,4 A	150 min <hr/> 2,4 A
min <hr/> A	55 min <hr/> 3,8 A	60 min <hr/> 4,5 A	80 min <hr/> 4,5 A
min <hr/> A	55 min <hr/> 3,8 A	60 min <hr/> 4,5 A	80 min <hr/> 4,5 A

# Contents

**Introduction . . . . . 3**

Intended use . . . . . 3

Features . . . . . 4

Package contents . . . . . 4

Technical specifications . . . . . 4

**General Power Tool Safety Warnings .. 6**

Extended safety guidelines. . . . . 9

**Charging the battery pack (see fig. A) . 10****Maintenance and storage . . . . . 11****Kompernass Handels GmbH warranty 12****Service . . . . . 17****Importer . . . . . 18****Disposal . . . . . 19**

---

**Original declaration of conformity . . . .22**

**Ordering a replacement battery . . . . .25**

Telephone ordering . . . . . 26

## Introduction

Congratulations on the purchase of your new appliance. You have chosen a high-quality product. The operating instructions are part of this product. They contain important information about safety, usage and disposal. Before using the product, please familiarise yourself with all of the operating and safety instructions. Use the product only as described and for the range of applications specified. Please also pass these operating instructions on to any future owner.

## Intended use

This rechargeable battery is suitable for:



This rechargeable battery is not intended for commercial use. Any other usage of or modification to the appliance is deemed to be improper and carries a significant risk of accidents. The manufacturer accepts no responsibility for damage attributable to misuse.



## Features

- 1 Battery pack
- 2 Release buttons
- 3 Red charge control LED
- 4 Green charge control LED
- 5 High-speed charger (not supplied)

## Package contents

- 1 12V Battery, 2.5Ah.
- 1 set of operating instructions

## Technical specifications

### PAPK 12 C1

Type	LITHIUM ION
Rated voltage	12 V $\text{---}$ (DC)
Capacity	2500 mAh
Cells	3

Use only X12V Team Series high-speed battery chargers to charge the battery pack:



(not supplied).

## High-speed battery charger PLGK 12 A1

### INPUT

Rated current 220-240 V ~,  
50-60 Hz (AC)

Rated power consumption 50 W

Fuse (internal) 2 A 

### OUTPUT

Rated voltage 12 V  (DC)

Rated current 2400 mA

Charging time approx. 80 min

Protection class II/ (double insulation)

**⚠ ATTENTION!**

- ▶ This charger can only charge the following batteries: PAKP 12 A1/PAPK 12 A2/PAPK 12 A3/PAPK 12 B1/PAPK 12 C1/PAPK 12 D1.
- ▶ A current list of battery compatibility can be found at [www.lidl.de/akku](http://www.lidl.de/akku).

**General Power Tool  
Safety Warnings****⚠ WARNING!**

- **Read all safety warnings and all instructions.** Failure to follow the warnings and instructions may result in electric shock, fire and/or serious injury. **Save all warnings and instructions for future reference.**

- 
- a) **Charge a rechargeable battery unit using only the charger recommended by the manufacturer.** Chargers are often designed for a particular type of rechargeable battery unit. There is the danger of fire if other types of rechargeable battery units are used.
- b) **Only the rechargeable battery units supplied are to be used with an electrical power tool.** The use of other rechargeable battery units may lead to the danger of injury or fire.
- c) **When they are not being used, store rechargeable battery units away from paperclips, coins, keys, nails, screws or other small metal objects that could cause the contacts to be bridged.** Short-circuiting the contacts of a rechargeable battery unit may result in heat damage or fire.

- d) Fluids may leak out of rechargeable battery units if they are misused. If this happens, avoid contact with the fluid. If contact occurs, flush the affected area with water. Seek additional medical help if any of the fluid gets into your eyes. Escaping battery fluid may cause skin irritation or burns.



**CAUTION! RISK OF EXPLOSION!**  
**Never charge non-rechargeable batteries!**



**Protect the rechargeable battery from heat, for example from continuous exposure to sunlight, fire, water and moisture. There is a risk of explosion.**

---

## **Extended safety guidelines**

- **Do not use a damaged or modified battery.**  
Damaged or modified batteries may behave unexpectedly and cause fires, explosions or pose a risk of injury.
- **Do not expose a battery to fire or excessively high temperatures.** Fire or temperatures in excess of 130°C (265°F) can cause an explosion.
- **Follow all instructions regarding charging and never charge the battery or the cordless tool outside the temperature range given in the operating instructions.**  
Incorrect charging or charging outside of the permissible temperature range can destroy the battery and increase the risk of fire.

## Charging the battery pack (see fig. A)

### CAUTION!

- ▶ Always unplug the appliance before you remove the battery pack from or connect the battery pack to the charger.

### NOTE

- ▶ Never charge the battery pack if the ambient temperature is below 10°C or above 40°C. If a lithium-ion battery is to be stored for an extended period, the charge level should be checked regularly. The optimum charge level is between 50% and 80%. The storage climate should be cool and dry and the ambient temperature should be between 0°C and 50°C.
- ◆ Insert the battery pack **1** into the high-speed charger **5**.

- ◆ Insert the power plug into the socket. The charge control LED **3** lights up red.
- ◆ The green charge control LED **4** indicates that charging is complete and the battery pack is ready for use.
- ◆ Push the battery pack **1** into the appliance.
- ◆ You should always switch the high-speed charger **5** off for at least 15 minutes between successive charging processes. Also disconnect the power plug from the mains power socket.

## **Maintenance and storage**

- If you do not intend to use the battery for an extended period, remove it from the appliance and store it in a clean, dry place out of direct sunlight.
- If a lithium-ion battery is to be stored for an extended period, the charge level should be checked regularly. The optimum charge level is between 50% and 80%. The optimum storage environment is cool and dry.



- **Never try to repair damaged batteries.**  
Maintenance of batteries should only be carried out by the manufacturer or an approved customer service centre.
- Clean the charger and the battery with a dry cloth or a brush. Do not use water or metallic objects.

## **Kompernass Handels GmbH**

### **warranty**

Dear Customer,

This appliance has a 3-year warranty valid from the date of purchase. If this product has any faults, you, the buyer, have certain statutory rights. Your statutory rights are not restricted in any way by the warranty described below.

#### **Warranty conditions**

The warranty period starts on the date of purchase. Please keep your receipt in a safe place. This will be required as proof of purchase.

---

If any material or manufacturing fault occurs within three years of the date of purchase of the product, we will either repair or replace the product for you or refund the purchase price (at our discretion). This warranty service requires that you present the defective appliance and the proof of purchase (receipt) within the three-year warranty period, along with a brief written description of the fault and of when it occurred.

If the defect is covered by the warranty, your product will either be repaired or replaced by us. The repair or replacement of a product does not signify the beginning of a new warranty period.

X 12 V and X 20 V Team Series battery packs come with a 3-year warranty valid from the date of purchase.

### **Warranty period and statutory claims for defects**

The warranty period is not prolonged by repairs effected under the warranty. This also applies to replaced and repaired components. Any damage

---

and defects present at the time of purchase must be reported immediately after unpacking. Repairs carried out after expiry of the warranty period shall be subject to a fee.

### **Scope of the warranty**

This appliance has been manufactured in accordance with strict quality guidelines and inspected meticulously prior to delivery.

The warranty covers material faults or production faults. The warranty does not extend to product parts subject to normal wear and tear or to fragile parts which could be considered as consumable parts such as switches or parts made of glass.

The warranty does not apply if the product has been damaged, improperly used or improperly maintained. The directions in the operating instructions for the product regarding proper use of the product are to be strictly followed. Uses and actions that are discouraged in the operating instructions or which are warned against must be avoided.

---

This product is intended solely for private use and not for commercial purposes. The warranty shall be deemed void in cases of misuse or improper handling, use of force and modifications / repairs which have not been carried out by one of our authorised Service centres.

### **The warranty period does not apply to**

- Normal reduction of the battery capacity over time
- Commercial use of the product
- Damage to or alteration of the product by the customer
- Non-compliance with safety and maintenance instructions, operating errors
- Damage caused by natural hazards

## Warranty claim procedure

To ensure quick processing of your case, please observe the following instructions:

- Please have the till receipt and the item number (IAN) 391276\_2201 available as proof of purchase.
- You will find the item number on the type plate on the product, an engraving on the product, on the front page of the operating instructions (below left) or on the sticker on the rear or bottom of the product.
- If functional or other defects occur, please contact the service department listed either by **telephone** or by **e-mail**.
- You can return a defective product to us free of charge to the service address that will be provided to you. Ensure that you enclose the proof of purchase (till receipt) and information about what the defect is and when it occurred.



You can download these instructions along with many other manuals, product videos and installation software at [www.lidl-service.com](http://www.lidl-service.com).

This QR code will take you directly to the Lidl service page ([www.lidl-service.com](http://www.lidl-service.com)) where you can open your operating instructions by entering the item number (IAN) 391276\_2201.

## Service

### **GB** Service Great Britain

Tel.: 0800 404 7657

E-Mail: [kompernass@lidl.co.uk](mailto:kompernass@lidl.co.uk)

### **IE** Service Ireland

Tel.: 1800 101010

E-Mail: [kompernass@lidl.ie](mailto:kompernass@lidl.ie)

IAN 391276\_2201

## **Importer**

Please note that the following address is not the service address. Please use the service address provided in the operating instructions.

KOMPERNASS HANDELS GMBH

BURGSTRASSE 21

44867 BOCHUM

GERMANY

[www.kompernass.com](http://www.kompernass.com)

## Disposal



**Do not dispose of power tools  
in your normal domestic waste!**

The adjacent symbol of a crossed-out dustbin means that this appliance is subject to Directive 2012/19/EU. This directive states that this appliance may not be disposed of in the normal household waste at the end of its useful life, but must be taken to specially set-up collection locations, recycling depots or disposal companies.

**The disposal is free of charge for the user.  
Protect the environment and dispose of this  
appliance properly.**



Your local community or municipal authorities can provide information on how to dispose of the worn-out product.



**Li-ion**

## **Do not dispose of batteries in your normal household waste!**

Defective or worn-out rechargeable batteries must be recycled according to Directive 2006/66/EC. Batteries/rechargeable batteries must be treated as hazardous waste and must therefore be disposed of in an environmentally sound manner by appropriate bodies (dealers, specialist dealers, public municipal bodies, commercial disposal companies). Batteries/rechargeable batteries may contain toxic heavy metals.

For this reason, do not dispose of batteries/rechargeable batteries in domestic waste. Take them to a specialist collection point. Only return batteries that are fully discharged.



The packaging is made from environmentally friendly material and can be disposed of at your local recycling plant.



Dispose of the packaging in an environmentally friendly manner. Note the labelling on the packaging and separate the packaging material components for disposal if necessary. The packaging material is labelled with abbreviations (a) and numbers (b) with the following meanings: 1-7: plastics, 20-22: paper and cardboard, 80-98: composites.



The product and its packaging are recyclable. They are subject to an extended manufacturer responsibility and will be collected separately.

---

## **Original declaration of conformity**

We, KOMPERNASS HANDELS GMBH,  
document officer: Mr Semi Uguzlu, BURGSTR. 21,  
44867 BOCHUM, GERMANY, hereby declare that  
this product complies with the following standards,  
normative documents and EC directives:

**RoHS Directive**  
(2011/65/EU)\*  
(2015/863/EU)

\* The manufacturer bears the sole responsibility for compliance with this conformity declaration. The subject of the declaration described above meets the requirements of Directive 2011/65/EU of the European Parliament and Council of 8 June 2011 on the restriction of the use of certain hazardous substances in electrical and electronic equipment.

---

**Applied harmonised standards**

EN 55014-1:2017/A11:2020

EN 55014-2:1997/A2:2008

EN IEC 55014-1:2021

EN IEC 55014-2:2021

EN 61000-3-2:2014

EN 61000-3-3:2013

EN 61000-3-3:2013/A1:2019

EN IEC 61000-3-2:2019/A1:2021

IEC 62133-2:2017

IEC 62133-2:2017/AMD1:2021

EN IEC 63000:2018

EN 62841-1:2015 Annex K

**Type/appliance designation:**

12V Battery, 2.5Ah. PAPK 12 C1

**Year of manufacture: 06-2022**

**Serial number: IAN 391276\_2201**

Bochum, 22/04/2022



Semi Uguzlu

- Quality Manager -

We reserve the right to make technical changes  
in the context of further product development.

## Ordering a replacement battery



If you want to order a replacement battery for your appliance, you can do so easily via the Internet on [www.kompernass.com](http://www.kompernass.com) or by telephone.

Due to limited stocks, this item may sell out in a relatively short time.

### **NOTE**

- ▶ Online ordering of replacement parts might not be possible in some countries. If this is the case, please contact the Service hotline.

## Telephone ordering

**GB** Service Great Britain Tel.: 0800 404 7657

**IE** Service Ireland Tel.: 1800 101010

To ensure fast processing of your order, have the article number of your appliance to hand (IAN 391276\_2201) in case of questions. The article number can be found on the type plate or the title page of these instructions.

# Inhaltsverzeichnis

**Einleitung . . . . . 29**

Bestimmungsgemäßer Gebrauch . . . . . 29

Ausstattung . . . . . 30

Lieferumfang . . . . . 30

Technische Daten . . . . . 31

**Allgemeine Sicherheitshinweise . . . . . 33**

Erweiterte Sicherheitshinweise . . . . . 35

**Akku-Pack laden (siehe Abb. A) . . . . . 36****Wartung und Lagerung . . . . . 38****Garantie der  
Kompernaß Handels GmbH . . . . . 39****Service . . . . . 44****Importeur . . . . . 45**



---

**Entsorgung . . . . .46****Original-Konformitätserklärung . . . . .50****Ersatz Akku Bestellung. . . . .53**

Telefonische Bestellung. . . . . 54

## Einleitung

Wir beglückwünschen Sie zum Kauf Ihres neuen Produkts. Sie haben sich damit für ein hochwertiges Produkt entschieden. Die Bedienungsanleitung ist Teil dieses Produkts. Sie enthält wichtige Hinweise für Sicherheit, Gebrauch und Entsorgung. Machen Sie sich vor der Benutzung des Produkts mit allen Bedien- und Sicherheitshinweisen vertraut. Benutzen Sie das Produkt nur wie beschrieben und für die angegebenen Einsatzbereiche. Händigen Sie alle Unterlagen bei Weitergabe des Produkts an Dritte mit aus.

## Bestimmungsgemäßer Gebrauch

Dieser Akku ist passend zu:



Dieser Akku ist nicht für den gewerblichen Einsatz bestimmt. Jede andere Verwendung oder Veränderung des Gerätes gilt als nicht bestimmungsgemäß

und birgt erhebliche Unfallgefahren. Für aus bestimmungswidriger Verwendung entstandene Schäden übernimmt der Hersteller keine Haftung.

## **Ausstattung**

- ➊ Akku-Pack
- ➋ Entriegelungstasten
- ➌ Rote Ladekontroll-LED
- ➍ Grüne Ladekontroll-LED
- ➎ Schnell-Ladegerät (nicht im Lieferumfang)

## **Lieferumfang**

- 1 12-V-Akku, 2,5 Ah
- 1 Betriebsanleitung

## Technische Daten

### PAPK 12 C1

Typ	LITHIUM-IONEN
Bemessungsspannung	12 V $\text{---}$ (Gleichstrom)
Kapazität	2500 mAh
Zellen	3

**Verwenden Sie zum Laden des Akku-Packs nur Akku-Schnellladegeräte der X12V Team Serie:**



(nicht im  
Lieferumfang).

### Akku-Schnellladegerät PLGK 12 A1

#### EINGANG/Input

Bemessungsstrom	220-240 V $\sim$ , 50-60 Hz (Wechselstrom)
Bemessungsaufnahme	50 W
Sicherung (innen)	2 A $\text{---}$ <sup>T2A</sup>

**AUSGANG/Output**

Bemessungsspannung	12 V $\text{---}$ (Gleichstrom)
Bemessungsstrom	2400 mA
Ladedauer	ca. 80 min
Schutzklasse	II/ $\square$ (Doppelisolierung)

** ACHTUNG!**

- ▶ Dieses Ladegerät kann nur die folgenden Akkus laden: PAK 12 A1/PAK 12 A2/PAK 12 A3/PAK 12 B1/PAK 12 C1/PAK 12 D1.
- ▶ Eine aktuelle Liste der Akkukompatibilität finden Sie unter [www.lidl.de/akku](http://www.lidl.de/akku).



## Allgemeine Sicherheitshinweise

### **WARNUNG!**

- **Lesen Sie alle Sicherheitshinweise und Anweisungen.** Versäumnisse bei der Einhaltung der Sicherheitshinweise und Anweisungen können elektrischen Schlag, Brand und/oder schwere Verletzungen verursachen. **Bewahren Sie alle Sicherheitshinweise und Anweisungen für die Zukunft auf.**
- a) **Laden Sie die Akkus nur in Ladegeräten auf, die vom Hersteller empfohlen werden.** Für ein Ladegerät, das für eine bestimmte Art von Akkus geeignet ist, besteht Brandgefahr, wenn es mit anderen Akkus verwendet wird.
- b) **Verwenden Sie nur die dafür vorgesehenen Akkus in den Elektrowerkzeugen.** Der Gebrauch von anderen Akkus kann zu Verletzungen und Brandgefahr führen.

- c) Halten Sie den nicht benutzten Akku fern von Büroklammern, Münzen, Schlüsseln, Nägeln, Schrauben oder anderen kleinen Metallgegenständen, die eine Überbrückung der Kontakte verursachen könnten. Ein Kurzschluss zwischen den Akkukontakten kann Verbrennungen oder Feuer zur Folge haben.
- d) Bei falscher Anwendung kann Flüssigkeit aus dem Akku austreten. Vermeiden Sie den Kontakt damit. Bei zufälligem Kontakt mit Wasser abspülen. Wenn die Flüssigkeit in die Augen kommt, nehmen Sie zusätzlich ärztliche Hilfe in Anspruch. Austretende Akkuflüssigkeit kann zu Hautreizungen oder Verbrennungen führen.

**VORSICHT! EXPLOSIONSGEFAHR!**

**Laden Sie nicht aufladbare Batterien niemals auf.**



**Schützen Sie den Akku vor Hitze, z. B. auch vor dauernder Sonneneinstrahlung, Feuer, Wasser und Feuchtigkeit. Es besteht Explosionsgefahr.**

## **Erweiterte Sicherheitshinweise**

- **Benutzen Sie keinen beschädigten oder veränderten Akku.** Beschädigte oder veränderte Akkus können sich unvorhersehbar verhalten und zu Feuer, Explosion oder Verletzungsgefahr führen.
- **Setzen Sie einen Akku keinem Feuer oder zu hohen Temperaturen aus.** Feuer oder Temperaturen über 130 °C (265 °F) können eine Explosion hervorrufen.



- Befolgen Sie alle Anweisungen zum Laden und laden Sie den Akku oder das Akkuwerkzeug niemals außerhalb des in der Betriebsanleitung angegebenen Temperaturbereichs.  
Falsches Laden oder Laden außerhalb des zugelassenen Temperaturbereichs kann den Akku zerstören und die Brandgefahr erhöhen.

## **Akku-Pack laden (siehe Abb. A)**

### **VORSICHT!**

- ▶ Ziehen Sie immer den Netzstecker, bevor Sie den Akku-Pack aus dem Ladegerät nehmen bzw. einsetzen.

**HINWEIS**

- ▶ Laden Sie den Akku-Pack nie, wenn die Umgebungstemperatur unterhalb 10 °C oder oberhalb 40 °C liegt. Soll ein Lithium-Ionen-Akku längere Zeit gelagert werden, muss regelmäßig der Ladezustand kontrolliert werden. Der optimale Ladezustand liegt zwischen 50 und 80%. Das Lagerungsklima soll kühl und trocken sein in einer Umgebungstemperatur zwischen 0 und 50 °C.
- ◆ Stecken Sie den Akku-Pack **1** in das Schnell-Ladegerät **5**.
- ◆ Stecken Sie den Netzstecker in die Steckdose. Die Ladekontroll-LED **3** leuchtet rot.
- ◆ Die grüne Ladekontroll-LED **4** signalisiert Ihnen, dass der Ladevorgang abgeschlossen und der Akku-Pack einsatzbereit ist.
- ◆ Schieben Sie den Akku-Pack **1** in das Gerät ein.

- ◆ Schalten Sie das Schnell-Ladegerät **5** zwischen aufeinanderfolgenden Ladevorgängen für mindestens 15 Minuten ab. Ziehen Sie dazu den Netzstecker.

## Wartung und Lagerung

- Sollten Sie den Akku längere Zeit nicht benutzen, entnehmen Sie ihn aus dem Gerät und lagern Sie ihn an einem sauberen, trockenen Ort ohne direkte Sonneneinstrahlung.
- Soll ein Lithium-Ionen-Akku längere Zeit gelagert werden, muss regelmäßig der Ladezustand kontrolliert werden. Der optimale Ladezustand liegt zwischen 50 und 80%. Das optimale Lagerungsklima ist kühl und trocken.
- **Warten Sie niemals beschädigte Akkus.** Sämtliche Wartung von Akkus sollte nur durch den Hersteller oder bevollmächtigte Kundendienststellen erfolgen.

- Reinigen Sie das Ladegerät und den Akku mit einem trockenen Tuch oder mit einem Pinsel. Verwenden Sie kein Wasser oder metallische Gegenstände.

## **Garantie der Kompernaß Handels GmbH**

Sehr geehrte Kundin, sehr geehrter Kunde,  
Sie erhalten auf dieses Gerät 3 Jahre Garantie ab Kaufdatum. Im Falle von Mängeln dieses Produkts stehen Ihnen gegen den Verkäufer des Produkts gesetzliche Rechte zu. Diese gesetzlichen Rechte werden durch unsere im Folgenden dargestellte Garantie nicht eingeschränkt.

### **Garantiebedingungen**

Die Garantiefrist beginnt mit dem Kaufdatum. Bitte bewahren Sie den Kassenbon gut auf. Dieser wird als Nachweis für den Kauf benötigt.

Tritt innerhalb von drei Jahren ab dem Kaufdatum dieses Produkts ein Material- oder Fabrikationsfehler

auf, wird das Produkt von uns – nach unserer Wahl – für Sie kostenlos repariert, ersetzt oder der Kaufpreis erstattet. Diese Garantieleistung setzt voraus, dass innerhalb der Dreijahresfrist das defekte Gerät und der Kaufbeleg (Kassenbon) vorgelegt und schriftlich kurz beschrieben wird, worin der Mangel besteht und wann er aufgetreten ist.

Wenn der Defekt von unserer Garantie gedeckt ist, erhalten Sie das reparierte oder ein neues Produkt zurück. Mit Reparatur oder Austausch des Produkts beginnt kein neuer Garantiezeitraum.

Sie erhalten auf die Akku-Packs der X12V und X20V Team Serie 3 Jahre Garantie ab Kaufdatum.

### **Garantiezeit und gesetzliche Mängelansprüche**

Die Garantiezeit wird durch die Gewährleistung nicht verlängert. Dies gilt auch für ersetzte und reparierte Teile. Eventuell schon beim Kauf vorhandene Schäden und Mängel müssen sofort nach dem Auspacken gemeldet werden. Nach Ablauf der Garantiezeit anfallende Reparaturen sind kostenpflichtig.

## **Garantieumfang**

Das Gerät wurde nach strengen Qualitätsrichtlinien sorgfältig produziert und vor Auslieferung gewissenhaft geprüft.

Die Garantieleistung gilt für Material- oder Fabrikationsfehler. Diese Garantie erstreckt sich nicht auf Produktteile, die normaler Abnutzung ausgesetzt sind und daher als Verschleißteile angesehen werden können oder für Beschädigungen an zerbrechlichen Teilen, z. B. Schalter oder Teile, die aus Glas gefertigt sind.

Diese Garantie verfällt, wenn das Produkt beschädigt, nicht sachgemäß benutzt oder gewartet wurde. Für eine sachgemäße Benutzung des Produkts sind alle in der Bedienungsanleitung aufgeführten Anweisungen genau einzuhalten. Verwendungszwecke und Handlungen, von denen in der Bedienungsanleitung abgeraten oder vor denen gewarnt wird, sind unbedingt zu vermeiden.

Das Produkt ist nur für den privaten und nicht für den gewerblichen Gebrauch bestimmt. Bei missbräuchlicher und unsachgemäßer Behandlung, Gewaltanwendung und bei Eingriffen, die nicht von unserer autorisierten Serviceniederlassung vorgenommen wurden, erlischt die Garantie.

### **Garantiezeit gilt nicht bei**

- normaler Abnutzung der Akkukapazität
- gewerblichen Gebrauch des Produktes
- Beschädigung oder Veränderung des Produktes durch den Kunden
- Missachtung der Sicherheits- und Wartungsvorschriften, Bedienungsfehler
- Schäden durch Elementarereignisse

## Abwicklung im Garantiefall

Um eine schnelle Bearbeitung Ihres Anliegen zu gewährleisten, folgen Sie bitte den folgenden Hinweisen:

- Bitte halten Sie für alle Anfragen den Kassenbon und die Artikelnummer (IAN) 391276\_2201 als Nachweis für den Kauf bereit.
- Die Artikelnummer entnehmen Sie bitte dem Typenschild am Produkt, einer Gravur am Produkt, dem Titelblatt der Bedienungsanleitung (unten links) oder dem Aufkleber auf der Rück- oder Unterseite des Produktes.
- Sollten Funktionsfehler oder sonstige Mängel auftreten, kontaktieren Sie zunächst die nachfolgend benannte Serviceabteilung **telefonisch** oder per **E-Mail**.
- Ein als defekt erfasstes Produkt können Sie dann unter Beifügung des Kaufbelegs (Kassenbon) und der Angabe, worin der Mangel besteht und wann er aufgetreten ist, für Sie portofrei an die Ihnen mitgeteilte Serviceanschrift übersenden.





Auf [www.lidl-service.com](http://www.lidl-service.com) können Sie diese und viele weitere Handbücher, Produktvideos und Installationssoftware herunterladen.

Mit diesem QR-Code gelangen Sie direkt auf die Lidl-Service-Seite ([www.lidl-service.com](http://www.lidl-service.com)) und können mittels der Eingabe der Artikelnummer (IAN) 391276\_2201 Ihre Bedienungsanleitung öffnen.

## Service

### **DE** Service Deutschland

Tel.: 0800 5435 111 (kostenfrei  
aus dem dt. Festnetz/Mobilfunknetz)  
E-Mail: [kompernass@lidl.de](mailto:kompernass@lidl.de)

### **AT** Service Österreich

Tel.: 0820 201 222  
E-Mail: [kompernass@lidl.at](mailto:kompernass@lidl.at)

**CH Service Schweiz**

Tel.: 0800 56 44 33

E-Mail: [kompernass@lidl.ch](mailto:kompernass@lidl.ch)

IAN 391276\_2201

**Importeur**

Bitte beachten Sie, dass die folgende Anschrift keine Serviceanschrift ist. Kontaktieren Sie zunächst die benannte Servicestelle.

KOMPERNASS HANDELS GMBH

BURGSTRASSE 21

44867 BOCHUM

DEUTSCHLAND

[www.kompernass.com](http://www.kompernass.com)

## Entsorgung



**Werfen Sie Elektrowerkzeuge nicht in den Hausmüll!**

Das nebenstehende Symbol einer durchgestrichenen Mülltonne auf Rädern zeigt an, dass dieses Gerät der Richtlinie 2012/19/EU unterliegt. Diese Richtlinie besagt, dass Sie dieses Gerät am Ende seiner Nutzungszeit nicht mit dem normalen Haushaltsmüll entsorgen dürfen, sondern in speziell eingerichteten Sammelstellen, Wertstoffhöfen oder Entsorgungsbetrieben abgeben müssen.

**Diese Entsorgung ist für Sie kostenfrei. Schonen Sie die Umwelt und entsorgen Sie fachgerecht.**

## Für den deutschen Markt gilt

Beim Kauf eines Neugerätes haben Sie das Recht, das entsprechende Altgerät an Ihren Händler zurückzugeben. Händler von Elektro- und Elektronikgeräten mit einer Verkaufsfläche von mindestens 400 qm sowie Lebensmittelhändler mit einer Verkaufsfläche von mindestens 800 qm, die regelmäßig Elektro- und Elektronikgeräte verkaufen, sind außerdem verpflichtet, Altgeräte unentgeltlich zurückzunehmen, auch ohne dass ein Neugerät gekauft wird, wenn die Altgeräte in keiner Abmessung größer sind als 25 cm. LIDL bietet Ihnen Rücknahmemöglichkeiten direkt in den Filialen und Märkten an. Informieren Sie sich auch bei Ihrem Händler über die Rücknahmemöglichkeiten vor Ort.



Weitere Möglichkeiten zur Entsorgung des ausgedienten Produkts erfahren Sie bei Ihrer Gemeinde- oder Stadtverwaltung.

**Li-ion**

## Werfen Sie Akkus nicht in den Hausmüll!

Defekte oder verbrauchte Akkus müssen gemäß Richtlinie 2006/66/EG recycelt werden. Batterien/Akkus sind als Sondermüll zu behandeln und müssen daher durch entsprechende Stellen (Händler, Fachhändler, öffentliche kommunale Stellen, gewerbliche Entsorgungsunternehmen) umweltgerecht entsorgt werden. Batterien/Akkus können giftige Schwermetalle enthalten.

Werfen Sie Batterien/Akkus daher nicht in den Hausmüll, sondern führen Sie diese einer separaten Sammlung zu. Geben Sie Batterien/Akkus nur im entladenen Zustand zurück.



Die Verpackung besteht aus umweltfreundlichen Materialien, die Sie über die örtlichen Recyclingstellen entsorgen können.



Entsorgen Sie die Verpackung umweltgerecht. Beachten Sie die Kennzeichnung auf den verschiedenen Verpackungsmaterialien und trennen Sie diese gegebenenfalls gesondert. Die Verpackungsmaterialien sind gekennzeichnet mit Abkürzungen (a) und Ziffern (b) mit folgender Bedeutung: 1-7: Kunststoffe, 20-22: Papier und Pappe, 80-98: Verbundstoffe.



Das Produkt und die Verpackung sind recycelbar, unterliegen einer erweiterten Herstellerverantwortung und werden getrennt gesammelt.

## Original-Konformitätserklärung

Wir, KOMPERNASS HANDELS GMBH, Dokumentenverantwortlicher: Herr Semi Uguzlu, BURGSTR. 21, 44867 BOCHUM, DEUTSCHLAND, erklären hiermit, dass dieses Produkt mit den folgenden Normen, normativen Dokumenten und EG-Richtlinien übereinstimmt:

### RoHS-Richtlinie

(2011/65/EU)\*

(2015/863/EU)

\* Die alleinige Verantwortung für die Ausstellung dieser Konformitätserklärung trägt der Hersteller. Der oben beschriebene Gegenstand der Erklärung erfüllt die Vorschriften der Richtlinie 2011/65/EU des Europäischen Parlaments und des Rates vom 8. Juni 2011 zur Beschränkung der Verwendung bestimmter gefährlicher Stoffe in Elektro- und Elektronikgeräten.

---

**Angewandte harmonisierte Normen**

EN 55014-1:2017/A11:2020

EN 55014-2:1997/A2:2008

EN IEC 55014-1:2021

EN IEC 55014-2:2021

EN 61000-3-2:2014

EN 61000-3-3:2013

EN 61000-3-3:2013/A1:2019

EN IEC 61000-3-2:2019/A1:2021

IEC 62133-2:2017

IEC 62133-2:2017/AMD1:2021

EN IEC 63000:2018

EN 62841-1:2015 Anhang K



**Typ/Gerätebezeichnung**

12-V-Akku, 2,5 Ah PAPK 12 C1

**Herstellungsjahr: 06-2022**

**Seriennummer: IAN 391276\_2201**

Bochum, 22.04.2022



Semi Uguzlu

- Qualitätsmanager -

Technische Änderungen im Sinne der Weiterentwicklung sind vorbehalten.

## Ersatz Akku Bestellung



Wenn Sie einen Ersatz-Akku für Ihr Gerät bestellen möchten, so können Sie dies entweder bequem im Internet unter [www.kompernass.com](http://www.kompernass.com) oder telefonisch abwickeln.

Dieser Artikel kann aufgrund begrenzter Vorratsmenge nach kurzer Zeit ausverkauft sein.

### **HINWEIS**

- ▶ Die Bestellung von Ersatzteilen kann in einigen Ländern nicht online vorgenommen werden. Kontaktieren Sie in diesem Fall bitte die Service-Hotline.

## Telefonische Bestellung

**DE Service Deutschland**

Tel.: 0800 5435 111 (Kostenfrei  
aus dem dt. Festnetz/Mobilfunknetz)

**AT Service Österreich**

Tel.: 0820 201 222

**CH Service Schweiz**

Tel.: 0800 56 44 33

Um eine schnelle Bearbeitung Ihrer Bestellung zu gewährleisten, halten Sie bitte für alle Anfragen die Artikelnummer (IAN 391276\_2201) des Gerätes bereit. Die Artikelnummer entnehmen Sie bitte dem Typenschild oder dem Titelblatt dieser Anleitung.

# Table des matières

**Introduction . . . . . 57**

Utilisation conforme à l'usage prévu . . . . . 57

Équipement . . . . . 58

Matériel livré . . . . . 58

Caractéristiques techniques . . . . . 59

**Avertissements de sécurité généraux  
pour l'outil . . . . . 61**

Consignes de sécurité avancées . . . . . 63

**Recharger le bloc-batterie (voir fig. A) . 64****Entretien et stockage . . . . . 66****Garantie pour Kompernass Handels GmbH  
pour la Belgique . . . . . 67****Garantie pour Kompernass Handels GmbH  
pour la France . . . . . 72**

---

<b>Service après-vente . . . . .</b>	<b>80</b>
<b>Importateur . . . . .</b>	<b>81</b>
<b>Mise au rebut . . . . .</b>	<b>81</b>
<b>Déclaration de conformité d'origine . . .</b>	<b>84</b>
<b>Commande de batterie de rechange . .</b>	<b>87</b>
Commande téléphonique . . . . .	88

## Introduction

Nous vous félicitons pour l'achat de votre nouveau produit. Vous venez ainsi d'opter pour un produit de grande qualité. Le mode d'emploi fait partie de ce produit. Il contient des remarques importantes concernant la sécurité, l'usage et le recyclage. Avant d'utiliser le produit, veuillez vous familiariser avec toutes les consignes d'utilisation et de sécurité. N'utilisez le produit que conformément aux descriptions et pour les domaines d'utilisation indiqués. Si vous cédez le produit à un tiers, remettez-lui également tous les documents.

## Utilisation conforme à l'usage prévu

Cette batterie convient à la :



La batterie n'est pas conçue pour un usage commercial. Toute utilisation autre ou modification de l'appareil est considérée comme non conforme et s'accom-

pagne de risques d'accident non négligeables. Le fabricant n'assume aucune responsabilité pour les dommages résultant d'une utilisation non conforme à l'usage prévu.

## Équipement

- 1 Bloc-batterie
- 2 Touches de déverrouillage
- 3 LED de contrôle de charge rouge
- 4 LED de contrôle de charge verte
- 5 Chargeur rapide (non inclus dans la livraison)

## Matériel livré

1 batterie 12 V, 2,5 Ah.

1 mode d'emploi

## Caractéristiques techniques

### PAPK 12 C1

Type	LITHIUM-IONS
Tension nominale	12 V $\overline{\text{---}}$ (courant continu)
Capacité	2500 mAh
Cellules	3

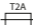
**Pour charger le bloc-batterie, utilisez uniquement le chargeur rapide de la série X12V Team :**



(non inclus dans la livraison).

### chargeur rapide pour batterie PLGK 12 A1

#### ENTRÉE/Input

Courant nominal	220-240 V $\sim$ , 50-60 Hz (courant alternatif)
Puissance nominale absorbée	50 W
Fusible (interne)	2 A 



**SORTIE/Output**

Tension nominale 12 V  $\text{---}$  (courant continu)

Courant nominal 2400 mA

Temps de charge env. 80 min

Classe de protection II /  (double isolation)

** ATTENTION !**

- ▶ Ce chargeur peut recharger uniquement les batteries suivantes : PAK 12 A1/PAK 12 A2/PAK 12 A3/PAK 12 B1/PAK 12 C1/PAK 12 D1.
- ▶ Une liste à jour de la compatibilité des batteries est disponible sur [www.lidl.de/akku](http://www.lidl.de/akku).



## **Avertissements de sécurité généraux pour l'outil**

### **⚠ AVERTISSEMENT !**

■ Lire tous les avertissements de sécurité et toutes les instructions. Ne pas suivre les avertissements et instructions peut donner lieu à un choc électrique, un incendie et/ou une blessure sérieuse. Conserver tous les avertissements et toutes les instructions pour pouvoir s'y reporter ultérieurement.

- a) Uniquement recharger les accus dans les chargeurs recommandés par le fabricant. Un chargeur compatible pour certains types d'accus peut provoquer un incendie s'il est utilisé avec d'autres accus.
- b) N'utiliser que les accus spécifiquement désignés à cette fin dans les outils électriques. L'utilisation d'autres accus peut créer un risque de blessure et d'incendie.

- c) Tenir les accus inutilisés à l'abri des agrafes, pièces de monnaie, clés, clous, vis et autres objets en métal susceptibles de court-circuiter les contacts. Un court-circuit entre les contacts des accus peut provoquer des brûlures ou un incendie.
- d) L'accu peut couler en cas d'usage incorrect. Éviter tout contact avec ce liquide. Laver à l'eau en cas de contact involontaire. En cas de contact du liquide avec les yeux, il faut en plus consulter un médecin. Le liquide qui s'écoule des accus peut causer des irritations de la peau ou des brûlures.



**ATTENTION ! RISQUE D'EXPLOSION !**  
Ne rechargez jamais des piles non rechargeables.



**Protégez l'accu de la chaleur, par ex. aussi du rayonnement solaire continu, du feu, de l'eau et de l'humidité.**

Il y a risque d'explosion.

## Consignes de sécurité avancées

- **N'utilisez pas d'accu endommagé ou modifié.**  
Les accus endommagés ou modifiés peuvent se comporter de manière imprévisible et entraîner un incendie, une explosion ou un risque de blessures.
- **N'exposez jamais un accu au feu ou à des températures trop élevées.** Le feu ou des températures supérieures à 130 °C (265 °F) peuvent entraîner une explosion.
- **Suivez toutes les instructions relatives au chargement et ne chargez jamais l'accu ou l'outil à accu en dehors de la plage de température indiquée dans ce mode d'emploi.**  
Un chargement incorrect ou un chargement en dehors de la plage de température autorisée peut détruire l'appareil et augmenter le risque d'incendie.

## Recharger le bloc-batterie (voir fig. A)

### PRUDENCE !

- ▶ Débranchez toujours la fiche secteur du chargeur avant d'en retirer le bloc-batterie ou de le mettre en place.

### REMARQUE

- ▶ Ne chargez jamais le pack d'accus lorsque la température environnante est inférieure à 10 °C ou supérieure à 40 °C. Si un accu lithium-ions doit rester stocké pendant une période prolongée, il faut contrôler régulièrement son état de charge. L'état de charge optimal se situe entre 50 % et 80 %. Le climat de stockage doit être frais et sec dans une température ambiante située entre 0 °C et 50 °C.
- ◆ Placez le bloc-batterie **1** dans le chargeur rapide **5**.

- ◆ Insérez la fiche secteur dans la prise de courant. La LED de contrôle de charge **3** s'allume en rouge.
- ◆ La LED de contrôle de charge **4** verte vous signale que l'opération de chargement est terminée et que le bloc-batterie est prêt à être utilisé.
- ◆ Introduisez le bloc-batterie **1** dans l'appareil.
- ◆ Entre deux opérations de recharge, le chargeur rapide **5** doit rester éteint pendant au minimum 15 minutes. Débranchez pour cela la fiche secteur.

## Entretien et stockage

- Si vous n'utilisez pas la batterie pendant une période prolongée, retirez-la et entreposez-la dans un endroit propre et sec à l'abri de l'exposition directe au soleil.

- Si une batterie lithium-ions doit rester stockée pendant une période prolongée, il faut contrôler régulièrement son état de charge. L'état de charge optimal se situe entre 50 % et 80 %. Le climat de stockage idéal est frais et sec.
- **N'entretenez jamais de batteries endommagées.** L'entretien des batteries ne doit être effectué que par le constructeur ou des points de service après-vente agréés.
- Nettoyez le chargeur et la batterie avec un chiffon sec ou une brosse. N'utilisez pas d'eau ou d'objets métalliques.

## **Garantie pour Kompernass Handels GmbH pour la Belgique**

Chère cliente, cher client,

Cet appareil est garanti 3 ans à partir de la date d'achat. Si ce produit venait à présenter des vices, vous disposez de droits légaux face au vendeur de ce produit. Vos droits légaux ne sont pas restreints par notre garantie présentée ci-dessous.

### **Conditions de garantie**

La période de garantie débute à la date d'achat. Veuillez bien conserver le ticket de caisse. Celui-ci servira de preuve d'achat.

Si dans un délai de trois ans suivant la date d'achat de ce produit, un vice de matériel ou de fabrication venait à apparaître, le produit sera réparé, remplacé gratuitement par nos soins ou le prix d'achat remboursé, selon notre choix. Cette prestation sous ga-



rantie nécessite, dans le délai de trois ans, la présentation de l'appareil défectueux et du justificatif d'achat (ticket de caisse) ainsi que la description brève du vice et du moment de son apparition.

Si le vice est couvert par notre garantie, vous recevrez le produit réparé ou un nouveau produit en retour. Aucune nouvelle période de garantie ne débute avec la réparation ou l'échange du produit.

Les blocs-batteries de la série X 12 V et X 20 V Team sont garantis 3 ans à compter de la date d'achat.

### **Période de garantie et réclamation légale pour vices cachés**

L'exercice de la garantie ne prolonge pas la période de garantie. Cette disposition s'applique également aux pièces remplacées ou réparées. Les dommages et vices éventuellement déjà présents à l'achat doivent être signalés immédiatement après le déballage. Toute réparation survenant après la période sous garantie fera l'objet d'une facturation.

## Étendue de la garantie

L'appareil a été fabriqué avec soin conformément à des directives de qualité strictes et consciencieusement contrôlé avant sa livraison.

La prestation de la garantie s'applique aux vices de matériel et de fabrication. Cette garantie ne s'étend pas aux pièces du produit qui sont exposées à une usure normale et peuvent de ce fait être considérées comme pièces d'usure, ni aux détériorations de pièces fragiles, par ex. interrupteurs ou pièces en verre.

Cette garantie devient caduque si le produit est détérioré, utilisé ou entretenu de manière non conforme. Toutes les instructions listées dans le manuel d'utilisation doivent être exactement respectées pour une utilisation conforme du produit. Des buts d'utilisation et actions qui sont déconseillés dans le manuel d'utilisation, ou dont vous êtes avertis doivent également être évités.

Le produit est uniquement destiné à un usage privé et ne convient pas à un usage professionnel. La garantie est annulée en cas d'entretien incorrect et inap-

propriété, d'usage de la force et en cas d'intervention non réalisée par notre centre de service après-vente agréé.

### **La période de garantie ne s'applique pas dans les cas suivants**

- usure normale de la capacité de l'accu
- utilisation commerciale du produit
- détérioration ou modification du produit par le client
- non-respect des consignes de sécurité et de maintenance, erreur d'utilisation
- dommages causés par des événements élémentaires

### **Procédure en cas de garantie**

Afin de garantir un traitement rapide de votre demande, veuillez suivre les indications suivantes :

- Veuillez avoir à portée de main pour toutes questions le ticket de caisse et la référence article (IAN) 391276\_2201 en tant que justificatif de votre achat.

- Vous trouverez la référence sur la plaque signalétique sur le produit, une gravure sur le produit, sur la page de garde du mode d'emploi (en bas à gauche) ou sur l'autocollant au dos ou sur le dessous du produit.
- Si des erreurs de fonctionnement ou d'autres vices venaient à apparaître, veuillez d'abord contacter le département service clientèle cité ci-dessous par **téléphone** ou par **e-mail**.
- Vous pouvez ensuite retourner un produit enregistré comme étant défectueux en joignant le ticket de caisse et en indiquant en quoi consiste le vice et quand il est survenu, sans devoir l'affranchir à l'adresse de service après-vente communiquée.



Sur [www.lidl-service.com](http://www.lidl-service.com), vous pourrez télécharger ce mode d'emploi et de nombreux autres manuels, vidéos produit et logiciels d'installation.

Grâce à ce code QR, vous arriverez directement sur le site Lidl service après-vente ([www.lidl-service.com](http://www.lidl-service.com)) et vous pourrez ouvrir votre mode d'emploi en saisissant votre référence (IAN) 391276\_2201.

## **Garantie pour Kompernass Handels GmbH pour la France**

Chère cliente, cher client,

Cet appareil est garanti 3 ans à partir de la date d'achat. Si ce produit venait à présenter des vices, vous disposez de droits légaux face au vendeur de ce produit. Vos droits légaux ne sont pas restreints par notre garantie présentée ci-dessous.

### **Conditions de garantie**

La période de garantie débute à la date d'achat. Veuillez bien conserver le ticket de caisse. Celui-ci servira de preuve d'achat.

Si dans un délai de trois ans suivant la date d'achat de ce produit, un vice de matériel ou de fabrication venait à apparaître, le produit sera réparé, remplacé gratuitement par nos soins ou le prix d'achat remboursé, selon notre choix. Cette prestation sous garantie nécessite, dans le délai de trois ans, la présentation de l'appareil défectueux et du justificatif d'achat (ticket de caisse) ainsi que la description brève du vice et du moment de son apparition.

Si le vice est couvert par notre garantie, vous recevrez le produit réparé ou un nouveau produit en retour. Aucune nouvelle période de garantie ne débute avec la réparation ou l'échange du produit.

Les blocs-batteries de la série X 12 V et X 20 V Team sont garantis 3 ans à compter de la date d'achat.

### **Période de garantie et réclamation légale pour vices cachés**

L'exercice de la garantie ne prolonge pas la période de garantie. Cette disposition s'applique également aux pièces remplacées ou réparées. Les dommages

et vices éventuellement déjà présents à l'achat doivent être signalés immédiatement après le déballage. Toute réparation survenant après la période sous garantie fera l'objet d'une facturation.

### **Étendue de la garantie**

L'appareil a été fabriqué avec soin conformément à des directives de qualité strictes et consciencieusement contrôlé avant sa livraison.

La prestation de la garantie s'applique aux vices de matériel et de fabrication. Cette garantie ne s'étend pas aux pièces du produit qui sont exposées à une usure normale et peuvent de ce fait être considérées comme pièces d'usure, ni aux détériorations de pièces fragiles, par ex. interrupteurs ou pièces en verre.

Cette garantie devient caduque si le produit est détérioré, utilisé ou entretenu de manière non conforme. Toutes les instructions listées dans le manuel d'utilisation doivent être exactement respectées pour une utilisation conforme du produit. Des buts d'utilisation et actions qui sont déconseillés dans le manuel d'utilisation, ou

dont vous êtes avertis doivent également être évités. Le produit est uniquement destiné à un usage privé et ne convient pas à un usage professionnel. La garantie est annulée en cas d'entretien incorrect et inapproprié, d'usage de la force et en cas d'intervention non réalisée par notre centre de service après-vente agréé.

### **Article L217-16 du Code de la consommation**

Lorsque l'acheteur demande au vendeur, pendant le cours de la garantie commerciale qui lui a été consentie lors de l'acquisition ou de la réparation d'un bien meuble, une remise en état couverte par la garantie, toute période d'immobilisation d'au moins sept jours vient s'ajouter à la durée de la garantie qui restait à courir. Cette période court à compter de la demande d'intervention de l'acheteur ou de la mise à disposition pour réparation du bien en cause, si cette mise à disposition est postérieure à la demande d'intervention. Indépendamment de la garantie commerciale souscrite, le vendeur reste tenu des défauts de conformité



du bien et des vices rédhibitoires dans les conditions prévues aux articles L217-4 à L217-13 du Code de la consommation et aux articles 1641 à 1648 et 2232 du Code Civil.

### **Article L217-4 du Code de la consommation**

Le vendeur livre un bien conforme au contrat et répond des défauts de conformité existant lors de la délivrance. Il répond également des défauts de conformité résultant de l'emballage, des instructions de montage ou de l'installation lorsque celle-ci a été mise à sa charge par le contrat ou a été réalisée sous sa responsabilité.

### **Article L217-5 du Code de la consommation**

Le bien est conforme au contrat :

- 1° S'il est propre à l'usage habituellement attendu d'un bien semblable et, le cas échéant :
  - s'il correspond à la description donnée par le vendeur et possède les qualités que celui-ci a présentées à l'acheteur sous forme d'échantillon ou de modèle ;

- s'il présente les qualités qu'un acheteur peut légitimement attendre eu égard aux déclarations publiques faites par le vendeur, par le producteur ou par son représentant, notamment dans la publicité ou l'étiquetage ;
- 2° Ou s'il présente les caractéristiques définies d'un commun accord par les parties ou être propre à tout usage spécial recherché par l'acheteur, porté à la connaissance du vendeur et que ce dernier a accepté.

### **Article L217-12 du Code de la consommation**

L'action résultant du défaut de conformité se prescrit par deux ans à compter de la délivrance du bien.

### **Article 1641 du Code civil**

Le vendeur est tenu de la garantie à raison des défauts cachés de la chose vendue qui la rendent impropre à l'usage auquel on la destine, ou qui diminuent tellement cet usage que l'acheteur ne l'aurait pas acquise, ou n'en aurait donné qu'un moindre prix, s'il les avait connus.

## Article 1648 1er alinéa du Code civil

L'action résultant des vices rédhibitoires doit être intentée par l'acquéreur dans un délai de deux ans à compter de la découverte du vice.

Les pièces détachées indispensables à l'utilisation du produit sont disponibles pendant la durée de la garantie du produit.

## La période de garantie ne s'applique pas dans les cas suivants

- usure normale de la capacité de l'accu
- utilisation commerciale du produit
- détérioration ou modification du produit par le client
- non-respect des consignes de sécurité et de maintenance, erreur d'utilisation
- dommages causés par des événements élémentaires

## Procédure en cas de garantie

Afin de garantir un traitement rapide de votre demande, veuillez suivre les indications suivantes :

- Veuillez avoir à portée de main pour toutes questions le ticket de caisse et la référence article (IAN) 391276\_2201 en tant que justificatif de votre achat.
- Vous trouverez la référence sur la plaque signalétique sur le produit, une gravure sur le produit, sur la page de garde du mode d'emploi (en bas à gauche) ou sur l'autocollant au dos ou sur le dessous du produit.
- Si des erreurs de fonctionnement ou d'autres vices venaient à apparaître, veuillez d'abord contacter le département service clientèle cité ci-dessous par **téléphone** ou par **e-mail**.
- Vous pouvez ensuite retourner un produit enregistré comme étant défectueux en joignant le ticket de caisse et en indiquant en quoi consiste le vice et quand il est survenu, sans devoir l'affranchir à l'adresse de service après-vente communiquée.



Sur [www.lidl-service.com](http://www.lidl-service.com), vous pourrez télécharger ce mode d'emploi et de nombreux autres manuels, vidéos produit et logiciels d'installation.

Grâce à ce code QR, vous arriverez directement sur le site Lidl service après-vente ([www.lidl-service.com](http://www.lidl-service.com)) et vous pourrez ouvrir votre mode d'emploi en saisissant votre référence (IAN) 391276\_2201.

## Service après-vente

### FR Service France

Tel.: 0800 919270

E-Mail: [kompernass@lidl.fr](mailto:kompernass@lidl.fr)

### BE Service Belgique

Tel.: 0800 12089

E-Mail: [kompernass@lidl.be](mailto:kompernass@lidl.be)

IAN 391276\_2201

## Importateur

Veuillez tenir compte du fait que l'adresse suivante n'est pas une adresse de service après-vente.

Veuillez d'abord contacter le service mentionné.

KOMPERNASS HANDELS GMBH

BURGSTRASSE 21

44867 BOCHUM

ALLEMAGNE

[www.kompernass.com](http://www.kompernass.com)

## Mise au rebut



**Ne jetez pas les outils électriques dans les ordures ménagères !**

Le symbole ci-contre, d'une poubelle barée sur roues, indique que cet appareil doit respecter la directive 2012/19/EU. Cette directive stipule que vous ne devez pas éliminer cet appareil en fin de vie avec les ordures ménagères, mais le rapporter aux points de collecte, aux centres de re-

cyclage ou aux entreprises de gestion des déchets spécialement équipés à cet effet.

**Ce recyclage est gratuit. Respectez l'environnement et recyclez en bonne et due forme.**



Renseignez-vous auprès de votre commune ou des services administratifs de votre ville pour connaître les possibilités de recyclage du produit usagé.



**Li-ion**

**Ne jetez pas les accus dans les ordures ménagères !**

Directive 2006/66/CE. Déposez le pack d'accus et/ou l'appareil auprès des points de collecte existants. Les piles/batteries doivent être traitées comme des déchets spéciaux devant être obligatoirement recyclés dans le respect de l'environnement par les entités correspondantes (commerçants, revendeurs spécialisés, services municipaux, entreprises de recyclage professionnel). Les piles/batteries peuvent contenir des métaux lourds toxiques.

Par conséquent, ne jetez pas les piles/batteries dans les ordures ménagères, rappez-les au contraire à un point de collecte séparé. Ne rappez les piles/batteries qu'à l'état déchargé.



L'emballage est constitué de matériaux écologiques que vous pouvez recycler par le biais des services de recyclage locaux.



Éliminez l'emballage d'une manière respectueuse de l'environnement.

Observez le marquage sur les différents matériaux d'emballage et triez-les

séparément si nécessaire. Les matériaux d'emballage sont repérés par des abréviations (a) et des numéros (b) qui ont la signification suivante :  
1-7 : Plastiques, 20-22 : Papier et carton,  
80-98 : Matériaux composites.





Le produit et l'emballage sont recyclables, soumis à une responsabilité élargie du fabricant, et sont collectés séparément.

## **Déclaration de conformité d'origine**

Nous soussignés, KOMPERNASS HANDELS GMBH, responsable du document : Monsieur Semi Uguzlu, BURGSTR. 21, 44867 BOCHUM, ALLEMAGNE, déclarons par la présente que ce produit est en conformité avec les normes, documents normatifs et directives CE suivants :

---

**Directive RoHS (2011/65/EU)\*, (2015/863/EU)**

\* La seule responsabilité pour l'établissement de cette déclaration de conformité incombe au fabricant. L'objet de la déclaration décrit ci-dessus répond aux prescriptions de la directive 2011/65/EU du Parlement européen et du Conseil en date du 8 juin 2011 visant la restriction de l'utilisation de certaines substances dangereuses dans les appareils électriques et électroniques.

**Normes harmonisées appliquées**

EN 55014-1:2017/A11:2020

EN 55014-2:1997/A2:2008

EN IEC 55014-1:2021

EN IEC 55014-2:2021

EN 61000-3-2:2014

EN 61000-3-3:2013

EN 61000-3-3:2013/A1:2019

EN IEC 61000-3-2:2019/A1:2021

IEC 62133-2:2017

IEC 62133-2:2017/AMD1:2021

EN IEC 63000:2018

EN 62841-1:2015 Annex K

**Type/désignation de l'appareil**

Batterie Batterie 12 V, 2,5 Ah PAPK 12 C1

**Année de construction : 06-2022**

**Numéro de série : IAN 391276\_2201**

Bochum, le 22/04/2022



Semi Uguzlu

- Responsable qualité -

Sous réserve de modifications techniques à des fins de perfectionnement.

## Commande de batterie de recharge



Si vous souhaitez commander une batterie de recharge pour votre appareil, vous pouvez le faire très aisément soit sur le site [www.kompernass.com](http://www.kompernass.com) soit par téléphone.

En raison d'un stock limité, il est possible que cet article soit épuisé très rapidement.

### REMARQUE

- Dans certains pays, la commande de pièces détachées ne peut pas être réalisée en ligne. Dans ce cas, veuillez contacter la hotline du service après-vente.

## Commande téléphonique

**FR** Service France Tel.: 0800 919270

**BE** Service Belgique Tel.: 0800 12089

Pour que votre commande soit traitée plus rapidement, veuillez à tenir prêt le numéro de référence de l'appareil (IAN 391276\_2201) pour répondre à toute demande de renseignements. Vous trouverez le numéro de référence sur la plaque signalétique ou sur la page de garde de ce mode d'emploi.

# Inhoud

**Inleiding . . . . . 91**

Gebruik in overeenstemming met bestemming . . 91

Onderdelen . . . . . 92

Inhoud van het pakket . . . . . 92

Technische gegevens . . . . . 93

**Algemene veiligheidsvoorschriften . . . 95**

Uitgebreide veiligheidsvoorschriften. . . . . 97

**Accupack opladen (zie afb. A). . . . . 98****Onderhoud en opslag . . . . . 99****Garantie van  
Kompernaß Handels GmbH. . . . . 100****Service . . . . . 106****Importeur . . . . . 106**

---

**Afvoeren . . . . . 107****Originele conformiteitsverklaring. . . 110****Bestelling van een vervangende accu 113**

Telefonische bestelling . . . . . 114

## Inleiding

Hartelijk gefeliciteerd met de aankoop van uw nieuwe product. U hebt hiermee gekozen voor een hoogwaardig product. De gebruiksaanwijzing maakt deel uit van dit product. Deze bevat belangrijke aanwijzingen voor veiligheid, gebruik en afvoer. Lees alle bedienings- en veiligheidsvoorschriften voordat u het product in gebruik neemt. Gebruik het product uitsluitend op de voorgeschreven wijze en voor de aangegeven doeleinden. Geef alle documenten mee als u het product overdraagt aan een derde.

## Gebruik in overeenstemming met bestemming

Deze accu is geschikt voor:



Deze accu is niet bestemd voor bedrijfsmatig gebruik. Elk ander gebruik of elke wijziging van het apparaat geldt als niet in overeenstemming met de



bestemming en brengt ernstig gevaar voor ongelukken met zich mee. De fabrikant aanvaardt geen enkele aansprakelijkheid voor schade die voortvloeit uit gebruik in strijd met de bestemming.

## Onderdelen

- 1 Accupack
- 2 Ontgrendelknoppen
- 3 Rode controle-LED voor opladen
- 4 Groene controle-LED voor opladen
- 5 Snellader (niet meegeleverd)

## Inhoud van het pakket

- 1 12 V-accu, 2,5 Ah
- 1 gebruiksaanwijzing

## Technische gegevens

### PAPK 12 C1

Type	LITHIUM-ION
Nominale spanning	12 V $\text{---}$ (gelijkstroom)
Capaciteit	2500 mAh
Cellen	3


**Gebruik voor het opladen van het accupack alleen accu-snelladers uit de X12V Team-serie:**



(niet meegeleverd).

### Accu-snellader PLGK 12 A1

#### INGANG/Input

Nominale stroom	220-240 V $\sim$ , 50-60 Hz (wisselstroom)
Nominaal vermogen	50 W
Zekering (intern)	2 A 

**UITGANG/Output**

Nominale spanning	12 V $\text{---}$ (gelijkstroom)
Nominale stroom	2400 mA
Oplaadduur	ca. 80 min
Beschermingsklasse	II/ $\square$ (dubbel geïsoleerd)

** LET OP!**

- ▶ Met deze oplader kunnen alleen de volgende accu's worden opgeladen: P APK 12 A1/P APK 12 A2/P APK 12 A3/P APK 12 B1/P APK 12 C1/P APK 12 D1.
- ▶ Een actuele lijst met compatibele accu's is te vinden op [www.lidl.de/akku](http://www.lidl.de/akku).



## Algemene veiligheidsvoorschriften

### **⚠ WAARSCHUWING!**

- **Lees alle veiligheidsvoorschriften en aanwijzingen.** Het niet naleven van de veiligheidsvoorschriften en aanwijzingen kan elektrische schokken, brand en/of ernstig letsel veroorzaken. **Bewaar alle veiligheidsvoorschriften en -aanwijzingen voor toekomstig gebruik.**
- a) **Laad de accu uitsluitend op met een oplader die door de fabrikant wordt aanbevolen.** Er bestaat brandgevaar als een oplader die voor een bepaald type accu's bestemd is, voor andere accu's wordt gebruikt.
- b) **Gebruik alleen de daarvoor bestemde accu's in de elektrische apparaten.** Het gebruik van andere accu's kan tot verwondingen en brandgevaar leiden.

- c) Houd een niet-gebruikte accu uit de buurt van nietjes, munten, sleutels, spijkers, schroeven en andere kleine metalen voorwerpen die een overbrugging van de contacten kunnen veroorzaken. Kortsluiting tussen de accucontacten kan verbrandingen of brand tot gevolg hebben.
- d) Bij onjuist gebruik kan er vloeistof uit de accu lekken. Vermijd contact met accuvloeistof. Spoel bij onbedoeld contact met accuvloeistof de vloeistof weg met water. Raadpleeg bovendien een arts als er accuvloeistof in de ogen komt. Lekkende accuvloeistof kan leiden tot huidirritatie en brandwonden.



**VOORZICHTIG! EXPLOSIEGEVAAR!**  
Laad niet-oplaadbare accu's nooit op.



**Bescherm de accu tegen hitte, bijv. ook tegen continu zonlicht, vuur, water en vocht.** Er bestaat explosiegevaar.

## **Uitgebreide veiligheidsvoorschriften**

- **Gebruik geen beschadigde of gemodificeerde accu.** Beschadigde of gemodificeerde accu's kunnen zich onvoorspelbaar gedragen en brand, explosies of letselgevaar tot gevolg hebben.
- **Stel een accu niet bloot aan vuur of hoge temperaturen.** Vuur of temperaturen boven 130 °C (265 °F) kunnen een explosie veroorzaken.
- **Volg alle aanwijzingen voor het opladen op en laad de accu of het accugereedschap nooit op buiten het in de gebruiksaanwijzing aangegeven temperatuurbereik.**  
Bij verkeerd opladen of opladen buiten het toegestane temperatuurbereik kan de accu stuk gaan en kan het brandgevaar toenemen.

## Accupack opladen (zie afb. A)

### **VOORZICHTIG!**

- ▶ Trek altijd de stekker uit het stopcontact, voordat u het accupack uit de oplader haalt of in de oplader plaatst.

### **OPMERKING**

- ▶ Laad het accupack nooit op als de omgevingstemperatuur lager is dan 10 °C of hoger is dan 40 °C. Als een lithium-ion-accu langere tijd moet worden opgeslagen, moet de laadtoestand periodiek worden gecontroleerd. De optimale laadtoestand ligt tussen 50% en 80%. De accu moet worden opgeslagen in een koele, droge omgeving met een temperatuur tussen 0 °C en 50 °C.
- ◆ Plaats het accupack **1** in de snellader **5**.
- ◆ Steek de stekker in het stopcontact. De controle-LED voor opladen **3** brandt rood.

- ◆ De groene controle-LED voor opladen **4** geeft aan dat het opladen is voltooid en dat het accupack klaar is voor gebruik.
- ◆ Schuif het accupack **1** in het apparaat.
- ◆ Schakel de snellader **5** tussen twee opeenvolgende laadprocessen minstens 15 minuten uit. Haal daartoe de stekker uit het stopcontact.

## Onderhoud en opslag

- Als u de accu langere tijd niet gebruikt, haal dan de accu uit het apparaat en berg de accu op een schone, droge plek op waar geen rechtstreeks zonlicht binnenkomt.
- Als een lithium-ion-accu langere tijd moet worden opgeslagen, moet de laadtoestand periodiek worden gecontroleerd. De optimale laadtoestand ligt tussen 50% en 80%. Het optimale opslagklimaat is koel en droog.



- Pleeg nooit onderhoud aan beschadigde accu's. Onderhoudswerkzaamheden aan accu's mogen uitsluitend worden uitgevoerd door de fabrikant of een bevoegde klantenservice.
- Reinig de oplader en de batterij met een droge doek of een borstel. Gebruik geen water of metalen voorwerpen.

## **Garantie van Kompernaß Handels GmbH**

Geachte klant,

U hebt op dit apparaat 3 jaar garantie vanaf de aankoopdatum. In geval van gebreken in dit product hebt u wettelijke rechten tegenover de verkoper van het product. Deze wettelijke rechten worden door onze hierna beschreven garantie niet beperkt.

## **Garantievoorwaarden**

De garantieperiode geldt vanaf de datum van aankoop. Bewaar de kassabon zorgvuldig. U hebt hem nodig als bewijs van aankoop.

Als er binnen drie jaar vanaf de aankoopdatum van dit product een materiaal- of fabricagefout optreedt, wordt - naar onze keuze - het product door ons kosteloos gerepareerd of vervangen of wordt de koopprijs terugbetaald. Voorwaarde voor deze garantie is dat het defecte apparaat en het aankoopbewijs (kassabon) binnen de termijn van drie jaar worden overlegd en dat kort wordt omschreven waaruit het gebrek bestaat en wanneer het is opgetreden.

Wanneer het defect door onze garantie wordt gedekt, krijgt u het gerepareerde product of een nieuw product retour. Met de reparatie of vervanging van het product begint er geen nieuwe garantieperiode.

U hebt op de accupacks van de X 12 V Team-serie en de X 20 V Team-serie 3 jaar garantie vanaf de aankoopdatum.

## **Garantieperiode en wettelijke aanspraken bij gebreken**

De garantieperiode wordt door deze waarborg niet verlengd. Dat geldt ook voor vervangen en gerepareerde onderdelen. Eventueel al bij aankoop aanwezige schade en gebreken moeten meteen na het uitpakken worden gemeld. Voor reparaties na afloop van de garantieperiode worden kosten in rekening gebracht.

## **Garantieomvang**

Het apparaat is op basis van strenge kwaliteitsnormen met de grootst mogelijke zorg vervaardigd en vóór afgaan aan de levering nauwkeurig gecontroleerd.

De garantie geldt voor materiaal- of fabricagefouten. Deze garantie geldt niet voor productonderdelen die onderhevig zijn aan normale slijtage en die daarom als slijtonderdelen worden beschouwd, of voor schade aan breekbare onderdelen zoals schakelaars of onderdelen die van glas zijn gemaakt.

Deze garantie vervalt wanneer het product is beschadigd, ondeskundig is gebruikt of is gerepareerd. Voor deskundig gebruik van het product moeten alle in de gebruiksaanwijzing beschreven aanwijzingen precies worden opgevolgd. Gebruiksdoeleinden en handelingen die in de gebruiksaanwijzing worden afgeraden of waarvoor wordt gewaarschuwd, moeten beslist worden vermeden.

Het product is uitsluitend bestemd voor privégebruik en niet voor bedrijfsmatige doeleinden. Bij verkeerd gebruik en ondeskundige behandeling, bij gebruik van geweld en bij reparaties die niet door ons erkend servicefiliaal zijn uitgevoerd, vervalt de garantie.

### **Garantieperiode geldt niet bij**

- normale afname van de accucapaciteit
- commercieel/bedrijfsmatig gebruik van het product
- beschadiging of modificatie van het product door de klant

- niet-naleving van de veiligheids- en onderhoudsvoorschriften, bedieningsfouten
- schade door natuurrampen

### **Afhandeling bij een garantiekwestie**

Voor een snelle afhandeling van uw aanvraag neemt u de volgende aanwijzingen in acht:

- Houd voor alle aanvragen de kassabon en het artikelnummer (IAN) 391276\_2201 als aankoopbewijs bij de hand.
- Het artikelnummer vindt u op het typeplaatje van het product, op het product gegraveerd, op de titelpagina van de gebruiksaanwijzing (linksonder) of op de sticker op de achter- of onderkant van het product.
- Als er fouten in de werking of andere gebreken optreden, neemt u eerst contact op met de hierna genoemde serviceafdeling, **telefonisch** of **via e-mail**.

- Een als defect geregistreerd product kunt u dan zonder portokosten naar het aan u doorgegeven serviceadres sturen. Voeg het aankoopbewijs (kassabon) bij en vermeld waaruit het gebrek bestaat en wanneer het is opgetreden.



Op [www.lidl-service.com](http://www.lidl-service.com) kunt u deze en vele andere handleidingen, productvideo's en installatiesoftware downloaden.

Met deze QR-code gaat u direct naar de website van Lidl Service ([www.lidl-service.com](http://www.lidl-service.com)) en kunt u met het invoeren van het artikelnummer (IAN) 391276\_2201 de gebruiksaanwijzing openen.

## Service

**NL Service Nederland**

Tel.: 0800 0249630

E-Mail: [kompernass@lidl.nl](mailto:kompernass@lidl.nl)**BE Service België**

Tel.: 0800 12089

E-Mail: [kompernass@lidl.be](mailto:kompernass@lidl.be)

IAN 391276_2201
-----------------

## Importeur

Let op: het volgende adres is geen serviceadres.  
Neem eerst contact op met het opgegeven service-  
adres.

KOMPERNASS HANDELS GMBH

BURGSTRASSE 21

44867 BOCHUM

DUITSLAND

[www.kompernass.com](http://www.kompernass.com)

## Afvoeren



**Deponer elektrisch gereedschap niet bij het huisvuil!**

Het pictogram hiernaast met een doorgekruiste vuilnisbak geeft aan dat dit apparaat is onderworpen aan de Richtlijn 2012/19/EU. Deze richtlijn stelt dat u dit apparaat aan het einde van zijn levensduur niet met het normale huisvuil mag afvoeren, maar moet inleveren bij speciaal daartoe bestemde inzamelpunten, milieuparken of afvalverwerkingsbedrijven.

**Afvoeren is voor u kosteloos. Spaar het milieu en voer producten op een voor het milieu verantwoorde manier af.**



Informatie over mogelijkheden voor het afvoeren van het afgedankte product krijgt u bij uw gemeentereiniging.



**Li-ion**

## Deponeer accu's niet bij het huisvuil!

Defecte of afgedankte accu's moeten conform Richtlijn 2006/66/EC worden gerecycled. Batterijen/accu's moeten als gevaarlijk afval worden behandeld en moeten daarom worden ingeleverd bij een bevoegde organisatie (winkel, vakhandel, openbaar afvalpunt, commercieel afvalverwerkingsbedrijf). Batterijen/accu's kunnen giftige zware metalen bevatten.

Deponeer batterijen/accu's daarom niet bij het huisvuil, maar lever ze gescheiden in. Lever batterijen/accu's uitsluitend in ontladen toestand in.



De verpakking bestaat uit milieuvriendelijke materialen, die u via de plaatselijke recyclepunten kunt afvoeren.



Voer de verpakking af conform de milieuvorschriften. Let op de aanduiding op de verschillende verpakkingsmaterialen en voer ze zo nodig gescheiden af. De verpakkingsmaterialen zijn voorzien van afkortingen (a) en cijfers (b) met de volgende betekenis: 1-7: kunststoffen, 20-22: papier en karton, 80-98: composietmaterialen.



Het product en de verpakking zijn recycleerbaar, vallen onder de uitgebreide producentenverantwoordelijkheid en worden gescheiden ingezameld.

## **Originele conformiteitsverklaring**

Wij, KOMPERNASS HANDELS GMBH, documentverantwoordelijke: de heer Semi Uguzlu, BURGSTR. 21, 44867 BOCHUM, DUITSLAND, verklaren hierbij dat dit product voldoet aan de volgende normen, normatieve documenten en EU-richtlijnen:

### **RoHS-richtlijn**

(2011/65/EU)\*

(2015/863/EU)

\* De volledige verantwoordelijkheid voor het verstrekken van deze conformiteitsverklaring ligt bij de fabrikant. Het hierboven beschreven object van de verklaring voldoet aan de voorschriften van de Richtlijn 2011/65/EU van het Europees Parlement en de Raad van 8 juni 2011 aangaande de beperking van het gebruik van bepaalde gevaarlijke stoffen in elektrische en elektronische apparaten.

---

**Toegepaste geharmoniseerde normen**

EN 55014-1:2017/A11:2020

EN 55014-2:1997/A2:2008

EN IEC 55014-1:2021

EN IEC 55014-2:2021

EN 61000-3-2:2014

EN 61000-3-3:2013

EN 61000-3-3:2013/A1:2019

EN IEC 61000-3-2:2019/A1:2021

IEC 62133-2:2017

IEC 62133-2:2017/AMD1:2021

EN IEC 63000:2018

EN 62841-1:2015 Annex K

**Type/apparaatbeschrijving**

12 V-accu, 2,5 Ah PAK 12 C1

**Productiejaar: 06-2022**

**Serienummer: IAN 391276\_2201**

Bochum, 22-04-2022



Semi Uguzlu

- Kwaliteitsmanager -

Technische wijzigingen vanwege verdere  
ontwikkeling voorbehouden.

## Bestelling van een vervangende accu



Wanneer u voor uw apparaat een vervangende accu wilt bestellen, kunt u dit eenvoudig online via [www.kompernass.com](http://www.kompernass.com) of telefonisch afhandelen.

Dit artikel kan vanwege de beperkte voorraad na korte tijd uitverkocht zijn.

### OPMERKING

- In sommige landen is het online bestellen van vervangingsonderdelen niet mogelijk. Neem in dat geval contact op met de servicehelpdesk.

## Telefonische bestelling

**NL** Service Nederland Tel.: 0800 0249630

**BE** Service België Tel.: 0800 12089

Voor een snelle verwerking van uw bestelling dient u voor alle aanvragen het artikelnummer (IAN 391276\_2201) van het apparaat bij de hand te hebben. Het artikelnummer vindt u op het typeplaatje van het apparaat of op de titelpagina van deze gebruiksaanwijzing.

# Obsah

**Úvod .....117**

Použití v souladu s určením. .... 117

Vybavení ..... 118

Rozsah dodávky. .... 118

Technické údaje ..... 118

**Všeobecné bezpečnostní pokyny ...120**

Rozšířené bezpečnostní pokyny ..... 122

**Nabíjení akumulátoru (viz obr. A) ...123****Údržba a skladování .....125****Záruka společnosti****Kompernass Handels GmbH .....126****Servis .....131****Dovozce .....131**



---

**Likvidace . . . . . 132****Originální prohlášení o shodě . . . . . 135****Objednání náhradního akumulátoru . 138**

Telefonická objednávka . . . . . 139

## Úvod

Blahopřejeme vám k zakoupení vašeho nového výrobku. Rozhodli jste se tím pro vysoce kvalitní výrobek. Návod k obsluze je součástí tohoto výrobku. Obsahuje důležité informace o bezpečnosti, použití a likvidaci. Před použitím výrobku se seznamte se všemi provozními a bezpečnostními pokyny. Výrobek používejte pouze předepsaným způsobem a pro uvedené oblasti použití. Při předávání výrobku třetím osobám předejte spolu s ním i tyto podklady.

## Použití v souladu s určením

Tento akumulátor je vhodný pro:



Tento akumulátor není určen pro komerční účely. Jakékoli jiné použití nebo úprava přístroje jsou považovány za použití v rozporu s určením a představují značné riziko úrazu. Za škody, které vzniknou při použití v rozporu s určením, nepřebírá výrobce odpovědnost.

## Vybavení

- 1 akumulátor
- 2 odjišťovací tlačítka
- 3 červená LED kontrolka nabíjení
- 4 zelená LED kontrolka nabíjení
- 5 rychlonabíječka (není součástí dodávky)

## Rozsah dodávky

1 12V akumulátor, 2,5 Ah

1 návod k obsluze

## Technické údaje

### PAPK 12 C1

Typ	LITHIUM-IONTOVÝ
Domezovací napětí	12 V $\text{---}$ (stejnoseměrný proud)
Kapacita	2500 mAh
Články	3

Pro nabíjení akumulátoru používejte pouze rychlonabíječky akumulátorů řady X12V Team:




(není součástí  
dodávky).

## Rychlonabíječka akumulátorů PLGK 12 A1

### VSTUP/Input

Domezovací proud 220–240 V ~, 50–60 Hz  
(střídavý proud)

Domezovací příkon 50 W

Pojistka (vnitřní) 2 A 

### VÝSTUP/Output

Domezovací napětí 12 V  (stejnoseměrný proud)

Domezovací proud 2400 mA

Doba nabíjení cca 80 min

Třída ochrany II /  (dvojitá izolace)

**⚠ POZOR!**

- ▶ Tato nabíječka může nabíjet pouze následující baterie: PAKP 12 A1/PAPK 12 A2/PAPK 12 A3/PAPK 12 B1/PAPK 12 C1/PAPK 12 D1.
- ▶ Aktuální seznam kompatibility akumulátorů naleznete na adrese [www.lidl.de/akku](http://www.lidl.de/akku).



## **Všeobecné bezpečnostní pokyny**

**⚠ VÝSTRAHA!**

- Přečtěte si veškerá bezpečnostní upozornění a pokyny. Nedbalost při dodržování bezpečnostních upozornění a pokynů může vést k úrazu elektrickým proudem, k požáru a/nebo těžkým zraněním. **Veškerá bezpečnostní upozornění a pokyny uschovejte pro budoucí použití.**

- a) Akumulátory nabíjejte jen v nabíječkách doporučených výrobcem. U nabíječky, která je určena pro určitý typ akumulátorů, hrozí nebezpečí vzniku požáru, je-li používána s jinými akumulátory.
- b) V elektrických nářadích používejte jen akumulátory pro ně určené. Používání jiných akumulátorů může způsobit zranění a požár.
- c) Nepoužívaný akumulátor udržujte v dostatečné vzdálenosti od kancelářských sponek, mincí, klíčů, hřebíků, šroubů a jiných drobných kovových předmětů, které mohou způsobit přemostění kontaktů. Zkrat mezi kontakty akumulátoru může způsobit popáleniny nebo požár.
- d) Při nesprávném použití může z akumulátoru vytéct kapalina. Zabraňte kontaktu s kapalinou akumulátoru. Při náhodném kontaktu opláchněte zasažené místo vodou. Pokud kapalina vnikne do očí, vyhledejte lékařskou pomoc. Kapalina unikající z akumulátoru může způsobit podráždění kůže nebo popáleniny.

**POZOR! NEBEZPEČÍ VÝBUCHU!**

Nikdy nenabíjejte baterie, které nejsou určeny k nabíjení.



**Chraňte akumulátor**

**před horkem, např. také před dlouhodobým slunečním zářením, ohněm, vodou a vlhkostí. Hrozí nebezpečí výbuchu.**

## **Rozšířené bezpečnostní pokyny**

- **Nepoužívejte poškozený nebo modifikovaný akumulátor.** Poškozené nebo modifikované akumulátory se mohou zachovat nepředvídatelně a vést k požáru, výbuchu nebo nebezpečí zranění.
- **Akumulátor nevystavujte ohni nebo příliš vysokým teplotám.** Oheň nebo teploty nad 130 °C (265 °F) mohou způsobit výbuch.

- Dodržujte všechny pokyny k nabíjení a akumulátor nebo akumulátorový nástroj nikdy nenabíjejte mimo teplotní rozsah, uvedený v návodu k obsluze.

Nesprávné nabíjení nebo nabíjení mimo přípustný rozsah teplot může vést ke zničení akumulátoru a zvýšit nebezpečí požáru.

## **Nabíjení akumulátoru (viz obr. A)**

### **POZOR!**

- Než akumulátor vyjmete z nabíječky, resp. jej do ní vložíte, vytáhněte vždy zástrčku ze sítě.



## UPOZORNĚNÍ

- ▶ Akumulátor nikdy nenabíjejte, je-li okolní teplota nižší než 10 °C nebo vyšší než 40 °C. Pokud je nutné lithium-iontový akumulátor skladovat po delší dobu, musí se pravidelně kontrolovat stav jeho nabití. Optimální stav nabití je mezi 50 % a 80 %. Skladujte v chladu a suchu, při okolní teplotě mezi 0 °C a 50 °C.
- ◆ Zastrčte akumulátor **1** do rychlonabíječky **5**.
- ◆ Zastrčte síťovou zástrčku do zásuvky. LED kontrolka nabíjení **3** svítí červeně.
- ◆ Zelená LED kontrolka nabíjení **4** signalizuje, že je nabíjení ukončené a akumulátor je připravený k použití.
- ◆ Zasuňte akumulátor **1** do přístroje.
- ◆ Rychlonabíječku **5** mezi po sobě následujícími nabíjeními vypněte na dobu minimálně 15 minut. Vytáhněte síťovou zástrčku ze zásuvky.

## Údržba a skladování

- Pokud akumulátor nebudete používat delší dobu, vyjměte jej z přístroje a uložte jej na čisté, suché místo bez přímého slunečního záření.
- Pokud je nutné lithium-iontový akumulátor skladovat po delší dobu, musí se pravidelně kontrolovat stav jeho nabití. Optimální stav nabití je mezi 50 % a 80 %. Optimální skladovací klima je chladné a suché.
- **Nikdy neprovádějte údržbu u poškozených akumulátorů.**  
Veškerou údržbu akumulátorů by měl provádět jen výrobce nebo autorizovaný zákaznický servis.
- Nabíječku a baterii čistěte suchým hadříkem nebo kartáčem. Nepoužívejte vodu ani kovové předměty.

## **Záruka společnosti Kompernass Handels GmbH**

Vážená zákaznice, vážený zákazníku,  
na tento přístroj získáváte záruku v trvání 3 let od data zakoupení. V případě závad tohoto výrobku máte zákonná práva vůči prodejci výrobku. Tato zákonná práva nejsou omezena naší níže uvedenou zárukou.

### **Záruční podmínky**

Záruční doba začíná plynout dnem nákupu. Dobře uschovejte pokladní doklad. Tento doklad je potřebný jako důkaz o koupi.

Pokud se do tří let od data zakoupení tohoto výrobku vyskytne vada materiálu nebo výrobní závada, pak Vám podle našeho uvážení výrobek zdarma opravíme, vyměníme nebo uhradíme kupní cenu. Předpokladem této záruky je, že bude během tříleté lhůty předložen vadný přístroj a doklad o koupi (pokladní

doklad) a stručně se popíše, v čem závada spočívá a kdy se vyskytla.

Vztahuje-li se na závadu naše záruka, obdržíte zpět buď opravený nebo nový produkt. Opravou nebo výměnou výrobku nezačne plynout nová záruční doba.

Na akumulátor řady X 12 V a X 20 V Team 3 získáváte záruku v trvání 3 let od data zakoupení.

### **Záruční doba a zákonné nároky vyplývající ze závad**

Záručním plněním se záruční doba neprodlužuje. To platí i pro vyměněné a opravené součásti. Poškození nebo vady vyskytující se případně již při nákupu se musí oznámit ihned po vybalení. Po uplynutí záruční doby podléhají veškeré opravy zpoplatnění.

### **Rozsah záruky**

Přístroj byl vyroben pečlivě podle přísných směrnic kvality a před expedicí byl svědomitě vyzkoušen.

Záruka se vztahuje na materiálové nebo výrobní vady. Tato záruka se nevztahuje na součásti výrobku,

kteře jsou vystaveny běžnému opotřebení, a proto je lze považovat za spotřební díly, nebo na poškození křehkých součástí, jako jsou např. spínače nebo díly, které jsou vyrobeny ze skla.

Tato záruka zaniká, pokud je výrobek poškozen, nebyl řádně používán nebo udržován. Pro zajištění správného používání výrobku se musí přesně dodržovat všechny pokyny uvedené v návodu k obsluze.

Účelům použití a úkonům, které se v návodu k obsluze nedoporučují nebo se před nimi varuje, je třeba se bezpodmínečně vyhnout.

Výrobek je určen pouze pro soukromé účely a ne pro komerční použití. Při nesprávném a neodborném používání, při použití násilí a při zásazích, které nebyly provedeny našimi autorizovanými servisními provozovny, záruční nároky zanikají.

### **Záruční lhůta neplatí v těchto případech**

- normální opotřebení kapacity akumulátoru
- komerční použití výrobku

- poškození nebo změna výrobku zákazníkem
- nedodržení bezpečnostních předpisů a předpisů údržby, chyby obsluhy
- škody vlivem přírodních živlů

### **Vyřízení v případě záruky**

Pro zajištění rychlého Vaší žádosti postupujte podle následujících pokynů:

- Pro všechny dotazy mějte připraven pokladní lístek a číslo výrobku (IAN) 391276\_2201 jako doklad o koupi.
- Číslo výrobku naleznete na typovém štítku na výrobku, rytině na výrobku, na titulní straně návodu k obsluze (vlevo dole) nebo na nálepce na zadní nebo spodní straně výrobku.
- Pokud by se měly vyskytovat funkční vady nebo jiné závady, kontaktujte nejprve níže uvedené servisní oddělení **telefonicky** nebo **e-mailem**.

- Výrobek, zaevidovaný jako vadný výrobek pak můžete při přiložení dokladu o nákupu (pokladní lístek) a při uvedení, v čem spočívá vada a kdy k ní došlo, poslat výrobek pro Vás bez poštovného na adresu, kterou Vám oznámí servis.



Na webových stránkách [www.lidl-service.com](http://www.lidl-service.com) si můžete stáhnout tyto a mnoho dalších příruček, videí o výrobku a instalační software.

Pomocí kódu QR se dostanete přímo na stránku servisu Lidl ([www.lidl-service.com](http://www.lidl-service.com)) a můžete pomocí zadání čísla výrobku (IAN) 391276\_2201 otevřít svůj návod k obsluze.

## Servis

**CZ** Servis Česko

Tel.: 800143873

E-Mail: [kompernass@lidl.cz](mailto:kompernass@lidl.cz)

IAN 391276\_2201

## Dovozce

Dbejte prosím na to, že následující adresa není adresou servisu. Kontaktujte nejprve uvedený servis.

KOMPERNASS HANDELS GMBH

BURGSTRASSE 21

44867 BOCHUM

NĚMECKO

[www.kompernass.com](http://www.kompernass.com)



## Likvidace



### **Nevyhazujte elektrické nářadí do domovního odpadu!**

Symbol přeškrtnuté pojízdné popelnice uvedený vedle označuje, že tento přístroj podléhá směrnici č. 2012/19/EU. Tato směrnice uvádí, že tento přístroj se na konci své životnosti nesmí likvidovat s běžným domovním odpadem, ale musí se odevzdat v určených sběrných místech či dvorech nebo podnicích oprávněných k nakládání s odpady.

**Tato likvidace je pro Vás zdarma. Chraňte životní prostředí a zajistěte odbornou likvidaci přístroje.**



Informace o možnostech likvidace vysloužilého výrobku vám podá obecní nebo městská správa.

**Li-ion**

## **Akumulátory nevyhazujte do domovního odpadu!**

Vadné nebo spotřebované akumulátory se musí recyklovat podle směrnice č. 2006/66/EC. S bateriemi/akumulátory je nutné zacházet jako s nebezpečným odpadem, a proto musí být ekologicky zlikvidovány odpovídajícími subjekty (prodejci, specializovaní prodejci, orgány veřejné správy, komerční firmy zabývající se likvidací odpadu). Baterie/akumulátory mohou obsahovat toxické těžké kovy.

Nevyhazujte proto baterie/akumulátory do domovního odpadu, nýbrž je dopravte na sběrné místo tříděného odpadu. Baterie/akumulátory odevzdávejte pouze zcela vybité.



Obal je z ekologických materiálů. Lze ho zlikvidovat v místních recyklačních kontejnerech.



Balení zlikvidujte ekologicky.

Dbejte na označení na různých obalových materiálech a v případě potřeby tyto obaly rozřídíte. Obalové materiály jsou označeny zkratkami (a) a číslicemi (b) s následujícím významem: 1-7: plasty, 20-22: papír a lepenka, 80-98: kompozitní materiály.

**FR**

Výrobek a obal jsou recyklovatelné, podléhají rozšířené odpovědnosti výrobce a shromažďují se odděleně.

## **Originální prohlášení o shodě**

My, společnost KOMPENASS HANDELS GMBH, osoba odpovědná za dokumentaci: pan Semi Uguzlu, BURGSTR. 21, 44867 BOCHUM, NĚMECKO, tímto prohlašujeme, že tento výrobek je ve shodě s následujícími normami, normativními dokumenty a směrnici ES:

### **Směrnice o omezení používání nebezpečných látek (RoHS) (2011/65/EU)\*, (2015/863/EU)**

\* Výhradní odpovědnost za vystavení tohoto prohlášení o shodě nese výrobce. Výše popsany předmět prohlášení je v souladu s předpisy směrnice č. 2011/65/EU Evropského parlamentu a Rady z 8. června 2011, o omezení používání určitých nebezpečných látek v elektrických a elektronických zařízeních.

**Použité harmonizované normy**

EN 55014-1:2017/A11:2020

EN 55014-2:1997/A2:2008

EN IEC 55014-1:2021

EN IEC 55014-2:2021

EN 61000-3-2:2014

EN 61000-3-3:2013

EN 61000-3-3:2013/A1:2019

EN IEC 61000-3-2:2019/A1:2021

IEC 62133-2:2017

IEC 62133-2:2017/AMD1:2021

EN IEC 63000:2018

EN 62841-1:2015 Annex K

**Typ/označení přístroje**

12V akumulátor, 2,5 Ah PAK 12 C1

**Rok výroby: 06-2022****Sériové číslo: IAN 391276\_2201**

Bochum, 22.04.2022



Semi Uguzlu

- manažer kvality -

Technické změny ve smyslu dalšího vývoje jsou  
vyhrazeny.

## Objednání náhradního akumulátoru



Chcete-li si k přístroji objednat náhradní akumulátor, můžete to pohodlně vyřídit přes internet na webových stránkách [www.kompernass.com](http://www.kompernass.com) nebo telefonicky.

Tento výrobek může být vzhledem k omezenému množství na skladě v krátkém čase vyprodán.

### **UPOZORNĚNÍ**

- Objednávání náhradních dílů nelze v některých zemích provést on-line. V takovém případě kontaktujte servisní poradenskou linku.

---

## Telefonická objednávka

**(CZ) Servis Česko** Tel.: 800143873

Aby bylo zaručeno rychlé zpracování vaší objednávky, připravte si prosím pro všechny dotazy číslo výrobku (IAN 391276\_2201) přístroje. Číslo výrobku naleznete na typovém štítku nebo na titulním listu tohoto návodu.





# Spis treści

**Wstęp. . . . . 143**

Użytkowanie zgodne z przeznaczeniem. . . . . 143

Wyposażenie. . . . . 144

Zakres dostawy . . . . . 144

Dane techniczne. . . . . 145

**Ogólne wskazówki bezpieczeństwa . 147**

Zaawansowane wskazówki bezpieczeństwa. . . 149

**Ładowanie akumulatora  
(patrz rys. A) . . . . . 150****Konserwacja i przechowywanie. . . . . 152****Gwarancja  
Kompernaß Handels GmbH. . . . . 153****Serwis . . . . . 158****Importer . . . . . 158**

---

**Utylizacja . . . . .159**

**Tłumaczenie oryginalnej  
deklaracji zgodności . . . . .162**

**Zamawianie dodatkowego  
akumulatora . . . . .165**

Zamawianie telefoniczne . . . . . 166

## Wstęp

Gratulujemy zakupu nowego produktu. Wybrany produkt charakteryzuje się wysoką jakością. Instrukcja obsługi stanowi część niniejszego produktu. Zawiera ona ważne informacje na temat bezpieczeństwa, użytkowania i utylizacji. Przed rozpoczęciem użytkowania produktu zapoznaj się ze wszystkimi wskazówkami dotyczącymi obsługi i bezpieczeństwa. Produkt należy użytkować wyłącznie zgodnie z zamieszczonym tu opisem oraz w podanym zakresie zastosowań. W przypadku przekazania urządzenia osobie trzeciej należy dołączyć do niego również całą dokumentację.

## Użytkowanie zgodne z przeznaczeniem

Ten akumulator pasuje do:



Ten akumulator nie nadaje się do zastosowań komercyjnych. Jakikolwiek inne użycie lub modyfikacje

urządzenia traktowane są jako niezgodne z przeznaczeniem i narażają na poważne niebezpieczeństwo wypadku.

Producent nie ponosi żadnej odpowiedzialności za szkody powstałe w wyniku użycia urządzenia w sposób niezgodny z jego przeznaczeniem.

## **Wyposażenie**

- ➊ Akumulator
- ➋ Przyciski zwolnienia blokady
- ➌ Czerwona dioda kontrolna ładowania
- ➍ Zielona dioda kontrolna ładowania
- ➎ Szybka ładowarka (brak w zestawie)

## **Zakres dostawy**

1 akumulator 12 V, 2,5 Ah

1 instrukcja obsługi

## Dane techniczne

### PAPK 12 C1

Typ	LITOWO-JONOWY
Napięcie znamionowe	12 V $\text{---}$ (prąd stały)
Pojemność	2500 mAh
Ogniwa	3


**Do ładowania akumulatora używaj tylko poniższych szybkich ładowarek z serii X12V Team:**



(brak w zestawie).

### Szybka ładowarka do akumulatora PLGK 12 A1

#### WEJŚCIE/Input

Prąd znamionowy	220-240 V $\sim$ , 50-60 Hz (prąd przemienny)
Znamionowy pobór mocy	50 W
Bezpiecznik (wewnętrzny)	2 A 

**WYJŚCIE/Output**

Napięcie znamionowe	12 V $\overline{=}$ (prąd stały)
Prąd znamionowy	2400 mA
Czas ładowania	ok. 80 min
Klasa ochronności	II/□ (podwójna izolacja)

**⚠ UWAGA!**

- ▶ W tej ładowarce można ładować tylko poniższe baterie: PAK 12 A1/PAK 12 A2/PAK 12 A3/PAK 12 B1/PAK 12 C1/PAK 12 D1.
- ▶ Aktualna lista zgodności akumulatorów znajduje się pod adresem [www.lidl.de/akku](http://www.lidl.de/akku).



## Ogólne wskazówki bezpieczeństwa

### OSTRZEŻENIE!

■ Przeczytaj wszystkie wskazówki bezpieczeństwa oraz instrukcje. Nieprzestrzeganie poniższych wskazówek bezpieczeństwa oraz instrukcji może być przyczyną porażenia prądem elektrycznym, pożaru i/lub ciężkich obrażeń ciała. **Wszystkie wskazówki bezpieczeństwa oraz instrukcje należy zachować do późniejszego wykorzystania.**

- a) Akumulatory ładuj wyłącznie za pomocą ładowarek zalecanych przez producenta. Używanie ładowarki do ładowania akumulatorów innych niż te, do których jest ona przewidziana, stwarza zagrożenie pożarowe.
- b) Stosuj zawsze akumulatory przewidziane dla określonego elektronarzędzia. Używanie innych akumulatorów może doprowadzić do obrażeń i niebezpieczeństwa pożaru.



- c) Nieużywany akumulator przechowuj z dala od spinaczy biurowych, monet, kluczy, gwoździ, śrub lub innych drobnych metalowych przedmiotów, które mogłyby powodować zwarcie styków. Zwarcie między stykami akumulatora może spowodować oparzenia lub pożar.
- d) Przy nieprawidłowym użytkowaniu z akumulatora może wydostać się ciecz. Należy unikać kontaktu z tą cieczą. W razie przypadkowego kontaktu zmyj wodą. W przypadku przedostania się cieczy do oczu skorzystaj dodatkowo z pomocy lekarza. Wydostająca się z akumulatora ciecz może powodować podrażnienia skóry lub poparzenia.



**PRZESTROGA! NIEBEZPIECZEŃSTWO WYBUCHU!** Nigdy nie ładuj baterii jednorazowych.



## Chronić akumulator

przed wysoką temperaturą, np. przed ciągłym działaniem promieni słonecznych, ognia, wody i wilgoci. Niebezpieczeństwo wybuchu.

## Zaawansowane wskazówki ezpieczeństwa

- Nie wolno używać uszkodzonego lub zmodyfikowanego akumulatora. Uszkodzone lub zmodyfikowane akumulatory mogą zachowywać się nieprzewidywalnie i doprowadzić do pożaru, eksplozji lub obrażeń.
- Nie wystawiaj akumulatora na działanie ognia lub wysokiej temperatury. Ogień lub temperatury powyżej 130°C (265°F) mogą spowodować wybuch.

- Przestrzegaj wszystkich instrukcji dotyczących ładowania i nie ładuj akumulatora lub narzędzia akumulatorowego poza wskazanym w instrukcji obsługi zakresem temperatur. Niewłaściwe ładowanie lub ładowanie poza dopuszczonym zakresem temperatur może spowodować zniszczenie akumulatora oraz zwiększyć zagrożenie pożarowe.

## **Ładowanie akumulatora (patrz rys. A)**

### **⚠ OSTROŻNIE!**

- ▶ Przed wyjęciem lub włożeniem akumulatora do ładowarki należy zawsze wyciągnąć wtyk z gniazda.

## WSKAZÓWKA

- ▶ Nigdy nie ładować akumulatora, jeśli temperatura otoczenia jest niższa niż  $10^{\circ}\text{C}$  lub wyższa niż  $40^{\circ}\text{C}$ . W przypadku dłuższego przechowywania akumulatora litowo-jonowego należy regularnie kontrolować jego poziom naładowania. Optymalny stan naładowania wynosi pomiędzy 50% a 80%. Warunki przechowywania to suche i chłodne miejsce, w temperaturze otoczenia między  $0^{\circ}\text{C}$  a  $50^{\circ}\text{C}$ .
- ◆ Włóż akumulator **1** do szybkiej ładowarki **5**.
- ◆ Włóż wtyk do gniazda zasilania. Dioda kontrolna ładowania **3** świeci się w kolorze czerwonym.
- ◆ Zielona dioda kontrolna ładowania **4** sygnalizuje zakończenie ładowania i gotowość akumulatora do pracy.
- ◆ Wsuń akumulator **1** do urządzenia.

- ◆ Między kolejnymi ładowaniami wyłącz zawsze szybką ładowarkę **5** na co najmniej 15 minut. W tym celu wyciągnij wtyk z gniazda.

## **Konserwacja i przechowywanie**

- Jeżeli akumulator nie będzie używany przez dłuższy czas, wyjmij go z urządzenia i przechowuj w czystym, suchym miejscu, bez bezpośredniego nasłonecznienia.
- W przypadku dłuższego przechowywania akumulatora litowo-jonowego należy regularnie kontrolować jego poziom naładowania. Optymalny stan naładowania wynosi pomiędzy 50% a 80%. Optymalne warunki przechowywania to chłodne i suche miejsce.
- **Nigdy nie wolno naprawiać uszkodzonych akumulatorów.** Każda konserwacja akumulatorów powinna być przeprowadzana wyłącznie przez producenta lub autoryzowany punkt serwisowy.

- Wyczyść ładowarkę i akumulator suchą szmatką lub szczotką. Nie używaj wody ani metalowych przedmiotów.

## **Gwarancja**

### **Kompernaß Handels GmbH**

Szanowny Kliencie,

To urządzenie objęte jest 3-letnią gwarancją, licząc od daty zakupu. W przypadku wad tego produktu, masz gwarantowane ustawowo prawa w stosunku sprzedawcy. Te ustawowe prawa nie są ograniczone przez nasze opisane poniżej warunki gwarancji.

#### **Warunki gwarancji**

Okres gwarancji rozpoczyna się od daty zakupu. Należy zachować paragon. Jest on wymagany jako dowód zakupu.

Jeżeli w ciągu trzech lat od daty zakupu produktu ujawni się w nim wada materiałowa lub produkcyjna, produkt zostanie wedle naszego uznania nieodpłatnie naprawiony, wymieniony na nowy lub zosta-

nie zwrócona jego cena. Warunkiem spełnienia tego świadczenia gwarancyjnego jest dostarczenie w trakcie tego trzyletniego okresu uszkodzonego urządzenia wraz z dowodem zakupu (paragonem) oraz krótkim opisem wady i daty jej wystąpienia.

Jeżeli wada jest objęta naszą gwarancją, otrzymasz z powrotem naprawiony lub nowy produkt. Zgodnie z art. 581 §1 polskiego kodeksu cywilnego wraz z wymianą produktu lub jego istotnej części rozpoczyna się nowy okres gwarancyjny.

Akumulatory z serii X 12 V oraz X 20 V Team objęte są 3-letnią gwarancją, licząc od daty zakupu.

### **Okres gwarancji i ustawowe roszczenia gwarancyjne**

Wykonanie usługi gwarancyjnej nie przedłuża okresu gwarancji. Dotyczy to również wymienionych i naprawionych części. Wszelkie szkody i wady wykryte w chwili zakupu należy zgłosić bezpośrednio po rozpakowaniu urządzenia. Po upływie okresu gwarancji wszelkie naprawy są wykonywane odpłatnie.

## Zakres gwarancji

Urządzenie zostało starannie wyprodukowane i podane przed wysyłką skrupulatnej kontroli jakości.

Gwarancja obejmuje wady materiałowe lub produkcyjne. Niniejsza gwarancja nie obejmuje części produktu, podlegających normalnemu zużyciu, ani uszkodzeń części łatwo łamliwych, np. przetłączników, lub części wykonanych ze szkła.

Niniejsza gwarancja traci swoją ważność, jeśli produkt został uszkodzony, nie używano go prawidłowo lub nie serwisowano należycie. W celu zapewnienia prawidłowego stosowania produktu należy ściśle przestrzegać wszystkich instrukcji wymienionych w instrukcjach obsługi. Należy bezwzględnie unikać zastosowania oraz postępowania, których odradza się w instrukcji obsługi lub przed którymi się w niej ostrzega.

Produkt przeznaczony jest wyłącznie do użytku domowego, a nie do zastosowań komercyjnych. Niewłaściwe użytkowanie urządzenia, używanie go w sposób niezgodny z jego przeznaczeniem, użycie siły lub inge-



rencja w urządzenie, dokonywana poza naszymi autoryzowanymi punktami serwisowymi, powodując utratę gwarancji.

### **Okres gwarancji nie ma zastosowania w następujących przypadkach**

- normalne zużycie pojemności baterii
- komercyjne wykorzystanie produktu
- uszkodzenie lub modyfikacja produktu przez klienta
- nieprzestrzeganie przepisów bezpieczeństwa i konserwacji, błędy w obsłudze
- szkody spowodowane zjawiskami naturalnymi

### **Realizacja zobowiązań gwarancyjnych**

W celu zapewnienia szybkiego załatwienia sprawy, postępuj zgodnie z poniższymi wskazówkami:

- W przypadku wszelkich pytań przygotuj paragon fiskalny oraz numer artykułu (IAN) 391276\_2201 jako dowód zakupu.

- Numer artykułu można znaleźć na tabliczce znamionowej na produkcie, wygrawerowany na urządzeniu, zapisany na stronie tytułowej instrukcji obsługi (w dolnym lewym rogu) lub na naklejce z tyłu bądź na spodzie urządzenia.
- W przypadku wystąpienia błędów działania lub innych wad, prosimy o kontakt z odpowiednim działem serwisu **telefonicznie** lub **przez e-mail**.
- Zarejestrowany jako wadliwy produkt możesz wtedy wraz z dołączonym dowodem zakupu (paragonem) oraz opisem i datą wystąpienia usterki wysłać nieodpłatnie na przekazany wcześniej adres serwisu.



Na stronie [www.lidl-service.com](http://www.lidl-service.com) możesz pobrać te i wiele innych instrukcji, filmów o produktach oraz oprogramowanie instalacyjne.

Za pomocą tego kodu QR możesz przejść bezpośrednio na stronę serwisu Lidl ([www.lidl-service.com](http://www.lidl-service.com)), gdzie możesz otworzyć instrukcję obsługi, wpisując numer artykułu (IAN) 391276\_2201.

## Serwis

**PL Serwis Polska**

Tel.: 22 397 4996

E-Mail: [kompernass@lidl.pl](mailto:kompernass@lidl.pl)

IAN 391276\_2201

## Importer

Pamiętaj, że poniższy adres nie jest adresem serwisu. Skontaktuj się najpierw z odpowiednim punktem serwisowym.

KOMPERNASS HANDELS GMBH  
BURGSTRASSE 21 · 44867 BOCHUM  
NIEMCY · [www.kompernass.com](http://www.kompernass.com)

## Utylizacja



**Urządzeń elektrycznych  
nie wolno wyrzucać razem  
z odpadami domowymi!**

Widoczny obok symbol przekreślonego pojemnika na kółkach na śmieci oznacza, że urządzenie to podlega postanowieniom dyrektywy 2012/19/EU. Dyrektywa ta stanowi, że zużytego urządzenia nie wolno wyrzucać wraz ze zwykłymi odpadami domowymi, lecz należy je oddać do wyspecjalizowanych punktów zbiórki odpadów, centrów recyklingu lub zakładów utylizacji odpadów.

**Utylizacja jest dla użytkownika bezpłatna.  
Chroń środowisko i usuwaj odpady w prawidłowy sposób.**



Informacje na temat możliwości utylizacji wysłużonego urządzenia można uzyskać w urzędzie gminy lub miasta.

**Li-ion**

## **Akumulatorów nie wolno wyrzucać razem z odpadami domowymi!**

Uszkodzone lub zużyte akumulatory należy poddać procesowi recyklingu zgodnie z dyrektywą 2006/66/EC. Baterie/akumulatory należy traktować jako odpady specjalne i w związku z tym należy je utylizować w sposób przyjazny dla środowiska przez odpowiednie podmioty (sprzedawców, wyspecjalizowanych sprzedawców, publiczne podmioty komunalne, komercyjne firmy zajmujące się utylizacją odpadów). Baterie/akumulatory mogą zawierać toksyczne metale ciężkie.

Dlatego nie wolno wyrzucać baterii/akumulatorów do odpadów domowych, lecz oddawać je do oddzielnych punktów zbiórki odpadów. Baterie/akumulatory należy oddawać tylko w stanie rozładowanym.



Opakowanie urządzenia wykonane jest z materiałów przyjaznych dla środowiska naturalnego, które można oddać w lokalnych punktach zbiórki.



Opakowania należy utylizować w sposób przyjazny dla środowiska. Przestrzegać oznaczeń na różnych materiałach opakowaniowych i w razie potrzeby utylizuj je zgodnie z zasadami segregacji odpadów. Materiały opakowaniowe są oznaczone skrótami (a) i cyframi (b) w następujący sposób: 1-7: tworzywa sztuczne, 20-22: papier i tektura, 80-98: kompozyty.

**FR**

Produkt i opakowanie nadają się do recyklingu, podlegają rozszerzonej odpowiedzialności producenta i są zbierane selektywnie.

## **Tłumaczenie oryginalnej deklaracji zgodności**

Firma KOMPERNASS HANDELS GMBH, osoba odpowiedzialna za sporządzenie dokumentacji: Semi Uguzlu, BURGSTR. 21, 44867 BOCHUM, NIEMCY, oświadcza niniejszym, że produkt ten jest zgodny z następującymi normami, dokumentami normatywnymi oraz dyrektywami WE:

**Dyrektywa w sprawie ograniczenia stosowania niektórych niebezpiecznych substancji w sprzęcie elektrycznym i elektronicznym (RoHS) (2011/65/EU)\*, (2015/863/EU)**

\* Wyłączną odpowiedzialność za wystawienie niniejszej deklaracji zgodności ponosi producent. Opisany powyżej przedmiot oświadczenia spełnia wymagania przepisów dyrektywy 2011/65/EU Parlamentu Europejskiego i Rady z 8 czerwca 2011 r. w sprawie ograniczenia stosowania określonych substancji niebezpiecznych w urządzeniach elektrycznych i elektronicznych.

---

**Zastosowane normy zharmonizowane**

EN 55014-1:2017/A11:2020

EN 55014-2:1997/A2:2008

EN IEC 55014-1:2021

EN IEC 55014-2:2021

EN 61000-3-2:2014

EN 61000-3-3:2013

EN 61000-3-3:2013/A1:2019

EN IEC 61000-3-2:2019/A1:2021

IEC 62133-2:2017

IEC 62133-2:2017/AMD1:2021

EN IEC 63000:2018

EN 62841-1:2015 Annex K



**Typ/oznaczenie urządzenia**

Akumulator 12 V, 2,5 Ah P APK 12 C1

**Rok produkcji: 06-2022****Numer seryjny: IAN 391276\_2201**

Bochum, dnia 22.04.2022 r.



Semi Uguzlu

- dyrektor ds. jakości -

Zastrzegamy sobie prawo do wprowadzania zmian technicznych w ramach procesu udoskonalania urządzenia.

## Zamawianie dodatkowego akumulatora



Jeśli użytkownik chce zamówić dodatkowy akumulator do urządzenia, może to zrobić wygodnie przez Internet na stronie [www.kompernass.com](http://www.kompernass.com) lub telefonicznie. Artykuł ten może być po krótkim czasie niedostępny ze względu na niewielkie ilości zapasów magazynowych.

### **WSKAZÓWKA**

- ▶ W niektórych krajach nie jest możliwe zamawianie części zamiennych online. W takim przypadku należy skontaktować z infolinią serwisową.

---

## Zamawianie telefoniczne

**PL** Serwis Polska Tel.: 22 397 4996

Aby zapewnić szybką realizację zamówienia, prosimy przygotować sobie numer katalogowy przypisany do urządzenia (IAN 391276\_2201). Numer katalogowy znajduje się na tabliczce znamionowej lub na stronie tytułowej niniejszej instrukcji.

# Obsah

**Úvod .....169**

Určené použitie ..... 169

Vybavenie ..... 170

Rozsah dodávky..... 170

Technické údaje ..... 171

**Všeobecné bezpečnostné predpisy ..173**

Rozšírené bezpečnostné pokyny ..... 175

**Nabitie boxu s akumulátorom  
(pozri obr. A).....176****Údržba a skladovanie .....178****Záruka spoločnosti  
Kompernass Handels GmbH .....179****Servis.....184****Dovozca.....184**

---

**Likvidácia . . . . .185****Originálne vyhlásenie o zhode . . . . .188****Objednávka náhrady akumulátora . .191**

Telefonická objednávka . . . . . 192

## Úvod

Srdečne vám gratulujeme ku kúpe vášho nového výrobku. Touto kúpou ste sa rozhodli pre výrobok vysokej kvality. Návod na obsluhu je súčasťou tohto výrobku. Obsahuje dôležité upozornenia týkajúce sa bezpečnosti, používania a likvidácie. Pred použitím výrobku sa oboznámte so všetkými pokynmi na obsluhu a bezpečnostnými pokynmi. Výrobok používajte iba podľa opisu a v uvedených oblastiach použitia. Pri postúpení výrobku tretej osobe odovzdajte spolu s ním aj všetky podklady.

## Určené použitie

Tento akumulátor sa hodí na:



Tento akumulátor nie je určený na komerčné použitie. Akýkoľvek iný spôsob používania alebo zmeny prístroja sa považujú za používanie v rozpore s urče-

ním a má za následok vážne nebezpečenstvá úrazu. Za škody vzniknuté v dôsledku používania v rozpore s určením výrobcu nepreberá žiadnu zodpovednosť.

## Vybavenie

- 1 Box s akumulátorom
- 2 Uvoľňovacie tlačidlá
- 3 Červená LED kontrolka nabíjania
- 4 Zelená LED kontrolka nabíjania
- 5 Rýchlonabíjačka (nie je súčasťou dodávky)

## Rozsah dodávky

1 12 V batéria, 2,5 Ah

1 návod na obsluhu

## Technické údaje

### PAPK 12 C1

Typ	LÍTIUM-IÓNOVÝ
Dimenzačné napätie	12 V $\text{---}$ (jednosmerný prúd)
Kapacita	2500 mAh
Články	3

**Na nabíjanie boxu s akumulátorom používajte iba rýchlonabíjačky akumulátora série X12V:**



(nie je súčasťou  
dodávky).

### Rýchlonabíjačka akumulátora PLGK 12 A1

#### VSTUP/Input

Dimenzačný prúd	220–240 V $\sim$ , 50–60 Hz (striedavý prúd)
Dimenzovaný príkon	50 W
Poistka (vnútorná)	2 A $\text{---}$ <sup>T2A</sup>



**VÝSTUP/Output**

Dimenzačné napätie 12 V  $\text{---}$  (jednosmerný prúd)

Dimenzačný prúd 2400 mA

Doba nabíjania cca 80 min

Trieda ochrany II/ (dvojitá izolácia)

** POZOR!**

- ▶ Táto nabíjačka môže nabíjať iba nasledovné batérie: P APK 12 A1/P APK 12 A2/  
P APK 12 A3/P APK 12 B1/P APK 12 C1/  
P APK 12 D1.
- ▶ Aktuálny zoznam kompatibility akumulátorov nájdete na stránke [www.lidl.de/akku](http://www.lidl.de/akku).



## Všeobecné bezpečnostné predpisy

### VÝSTRAHA!

■ Prečítajte si všetky bezpečnostné pokyny a upozornenia. Zanedbania pri dodržiavaní bezpečnostných pokynov a upozornení môžu mať za následok zásah elektrickým prúdom, požiar a/alebo ťažké poranenia. Pre prípad budúceho použitia uschovajte všetky bezpečnostné pokyny a upozornenia.

- a) Akumulátory nabíjajte len v nabíjačkách, ktoré odporúča výrobca. Pri nabíjačkách, ktoré sú určené pre určitý typ akumulátorov, hrozí nebezpečenstvo požiaru, ak sa použijú s inými akumulátormi.
- b) V elektrických náradiach používajte len akumulátory, určené na tento účel. Používanie iných akumulátorov môže viesť k úrazom a nebezpečenstvu požiaru.

- c) Nepoužívaný akumulátor nepribližujte ku kancelárskym sponkám, minciam, kľúčom, klincom, skrutkám a iným malým kovovým predmetom, ktoré by mohli spôsobiť premostenie kontaktov. Skrat medzi kontaktmi akumulátora môže spôsobiť popáleniny alebo požiar.
- d) Pri nesprávnom používaní môže z akumulátora vytekať kvapalina. Zabráňte kontaktu s touto kvapalinou. Po náhodnom kontakte miesto opláchnite vodou. Ak sa kvapalina dostane do očí, vyhľadajte dodatočne lekársku pomoc. Unikajúca kvapalina môže spôsobiť podráždenia pokožky a popáleniny.

**POZOR! NEBEZPEČENSTVO VÝBUCHU!**

Nikdy nenabíjajte akumulátory, ktoré nie sú nabíjateľné.



**Chránite akumulátor pred sálavým teplom, napr. aj pred dlhšie trvajúcim slnečným žiarením, ohňom, vodou a vlhkosťou. Hrozí nebezpečenstvo výbuchu.**

## **Rozšírené bezpečnostné pokyny**

- **Nepoužívajte poškodený alebo upravený akumulátor.** Poškodené alebo upravené akumulátory sa môžu správať nepredvídateľne a spôsobiť požiar, výbuch alebo nebezpečenstvo zranenia.
- **Akumulátor nevystavujte ohňu ani príliš vysokým teplotám.** Oheň alebo teploty vyššie ako 130 °C (265 °F) môžu spôsobiť výbuch.

- **Dozržiavajte všetky pokyny na nabíjanie a akumulátor alebo akumulátorové náradie nenabíjajte nikdy mimo rozsahu teplôt uvedeného v návode na obsluhu.**  
Nesprávne nabíjanie alebo nabíjanie mimo prípustného rozsahu teplôt môže akumulátor zničiť a zvýšiť nebezpečenstvo požiaru.

## **Nabitie boxu s akumulátorom (pozri obr. A)**

### **POZOR!**

- Pred vyberaním boxu s akumulátorom z nabíjačky alebo jeho vkladáním do nabíjačky vždy vytiahnite sieťovú zástrčku.

**UPOZORNENIE**

- ▶ Nikdy nenabíjajte box s akumulátorom pri teplote okolia nižšej ako 10 °C alebo vyššej ako 40 °C. Pri dlhšom skladovaní lítium-iónového akumulátora musíte zaistiť pravidelné kontroly jeho stavu nabitia. Optimálny stav nabitia je v rozsahu 50 % až 80 %. Klíma pri skladovaní má byť chladná a suchá s teplotou okolia v rozpätí od 0 °C do 50 °C.
- ◆ Vložte box s akumulátormi **1** do rýchlonabíjačky **5**.
- ◆ Zastrčte sieťovú zástrčku do zásuvky. LED kontrolka **3** svieti červeno.
- ◆ Zelená LED kontrolka nabíjania **4** vám signalizuje, že nabíjanie je ukončené a box s akumulátorom je pripravený na použitie.
- ◆ Zasuňte box s akumulátorom **1** do prístroja.

- ◆ Vypnite rýchlonabíjačku **5** medzi dvomi po sebe nasledujúcimi nabíjaniami minimálne na 15 minút. Pritom vytiahnite sieťovú zástrčku.

## Údržba a skladovanie

- Ak nebudete akumulátor dlhšiu dobu používať, vyberte ho z prístroja a uskladnite ho na čistom a suchom mieste bez priamych slnečných lúčov.
- Pri dlhšom skladovaní lítium-iónového akumulátora musíte zaistiť pravidelné kontroly jeho stavu nabitia. Optimálny stav nabitia je v rozsahu 50 % až 80 %. Na uskladnenie je najvhodnejšie chladné a suché prostredie.
- **Nikdy nevykonávajte údržbu na poškodených akumulátoroch.** Akúkoľvek údržbu na akumulátoroch by mal vykonávať iba výrobca alebo splnomocnené zákaznícke servisy.
- Nabíjačku a batériu čistite suchou handričkou alebo kefou. Nepoužívajte vodu ani kovové predmety.

## **Záruka spoločnosti Kompernass Handels GmbH**

Vážená zákazníčka, vážený zákazník,  
na tento prístroj máte záruku 3 roky od dátumu zakúpenia. V prípade nedostatkov tohto výrobku máte práva vyplývajúce zo zákona voči predajcovi tohto výrobku. Tieto Vaše práva vyplývajúce zo zákona nie sú obmedzené našou zárukou, uvedenou nižšie.

### **Záručné podmienky**

Záručná doba začína plynúť dátumom zakúpenia. Prosím, uschovajte si pokladničný blok. Tento bude potrebný ako dôkaz o zakúpení.

Ak v priebehu troch rokov od dátumu zakúpenia tohto výrobku dôjde k chybe materiálu alebo výrobnjej chybe, výrobok vám – podľa nášho uváženia – bezplatne opravíme, vymeníme alebo uhradíme kúpnu cenu. Podmienkou tohto záručného plnenia je, že počas trojročnej lehoty sa poškodený prístroj a doklad o zakúpení (pokladničný blok) predloží so struč-



ným opisom, v čom spočíva nedostatok prístroja a kedy sa vyskytol.

Ak je chyba pokrytá našou zárukou, zašleme Vám späť opravený alebo nový výrobok. Opravou alebo výmenou výrobku nezačína plynúť žiadna nová záručná doba.

Na box s akumulátorom série X 12 V a X 20 V Team máte záruku 3 roky od dátumu zakúpenia.

### **Záručná doba a zákonné nároky na odstránenie chýb**

Záručná doba sa záručným plnením nepredĺži. To platí aj pre vymenené a opravené diely. Poškodenia a chyby zistené prípadne už pri kúpe, sa musia hlásiť okamžite po vybalení. Po uplynutí záručnej doby podliehajú prípadné opravy poplatku.

### **Rozsah záruky**

Prístroj bol starostlivo vyrobený v súlade s prísnyimi smernicami kvality a pred dodaním bol svedomito preskúšaný.

Záručné plnenie sa vzťahuje na chyby materiálu alebo výrobné chyby. Táto záruka sa nevzťahuje na časti výrobku, ktoré sú vystavené bežnému opotrebovaniu a preto ich možno pokladať za rýchlo opotrebitel'né diely, ani na poškodenia krehkých dielov, ako sú napríklad spínače alebo diely vyrobené zo skla.

Táto záruka zaniká v prípade poškodenia výrobku neodborným používaním alebo neodbornou údržbou. Na správne používanie výrobku sa musia presne dodržiavať všetky pokyny, uvedené v návode na obsluhu. Bezpodmienečne sa musí zabrániť použitiu alebo úkonom, ktoré sa v návode na obsluhu neodporúčajú alebo pred ktorými sa varuje.

Výrobok je určený len na súkromné použitie a nie na priemyselné používanie. Záruka zaniká pri nesprávnom a neodbornom zaobchádzaní, pri použití násilia a pri zásahoch, ktoré neboli vykonané naším autorizovaným servisom.

## Záručná doba neplatí pri

- normálnom opotrebovaní kapacity akumulátora
- komerčnom používaní výrobku
- poškodení alebo zmene výrobku zákazníkom
- nerešpektovaní predpisov týkajúcich sa bezpečnosti a údržby, chybách obsluhy
- škodách v dôsledku elementárnych udalostí

## Vybavenie v prípade záruky

Na zaručenie rýchleho vybavenia Vašej žiadosti postupujte podľa nasledujúcich pokynov:

- Na všetky otázky majte pripravený pokladničný doklad a číslo výrobku (IAN) 391276\_2201 ako doklad o nákupe.
- Číslo výrobku nájdete na typovom štítku na výrobku, na gravúre na výrobku, na titulnej stránke návodu na obsluhu (dole vľavo) alebo ako nálepku na zadnej alebo spodnej strane výrobku.

- Ak dôjde k funkčným poruchám alebo iným nedostatkom, kontaktujte najprv nižšie uvedené servisné oddelenie **telefonicky** alebo **e-mailom**.
- Výrobok, zaevidovaný ako poruchový, môžete potom spolu s dokladom o nákupe (pokladničný blok) a uvedením popisu chyby a dátumu, kedy k nej došlo, bezplatne odoslať na adresu servisného strediska, ktorá Vám bude oznámená.



Na webovej stránke [www.lidl-service.com](http://www.lidl-service.com) si môžete stiahnuť tieto a mnoho ďalších príručiek, videá o výrobkoch a inštalačný softvér.

Pomocou tohto QR-kódu sa dostanete priamo na stránku servisu Lidl ([www.lidl-service.com](http://www.lidl-service.com)) a pomocou zadania čísla výrobku (IAN) 391276\_2201 otvoríte váš návod na obsluhu.

## Servis

**SK Servis Slovensko**

Tel. 0850 232001

E-Mail: [kompernass@lidl.sk](mailto:kompernass@lidl.sk)

IAN 391276\_2201

## Dovozca

Majte na pamäti, že nižšie uvedená adresa nie je adresou servisného strediska. Najprv kontaktujte uvedené servisné stredisko.

KOMPERNASS HANDELS GMBH

BURGSTRASSE 21

44867 BOCHUM

NEMECKO

[www.kompernass.com](http://www.kompernass.com)

## Likvidácia



### **Elektrické náradie neodhadzujte do komunálneho odpadu!**

Symbol preškrtnutej odpadovej nádoby na kolieskach upozorňuje, že tento prístroj podlieha smernici č. 2012/19/EU. Táto smernica stanovuje, že tento prístroj po uplynutí doby používania nesmiete zlikvidovať s normálnym domovým odpadom, ale musíte ho odovzdať v špeciálne zriadených zberných miestach, zberných dvoroch alebo v prevádzkach na likvidáciu odpadov.

**Táto likvidácia je pre vás bezplatná. Chráňte životné prostredie a likvidujte odborne.**



Informácie o možnostiach likvidácie výrobku, ktorý doslúžil, získate od svojej obecnej alebo mestskej samosprávy.

**Li-ion**

## **Akumulátory neodhadzujte do komunálneho odpadu!**

Chybné alebo použité batérie sa musia recyklovať podľa smernice č.

2006/66/EC. S batériami/akumulátormi sa musí zaobchádzať ako so špeciálnym odpadom, a preto sa musia ekologicky zlikvidovať na zodpovedajúcich miestach (predajca, špecializovaný predajca, verejné miesta na zber odpadu, komerčné podniky zaoberajúce sa likvidáciou odpadu). Batérie/akumulátory môžu obsahovať jedovaté ťažké kovy.

Batérie/akumulátory preto neodhadzujte do domového odpadu, ale odovzdajte ich na samostatný zber. Batérie/akumulátory odovzdajte len vo vybitom stave.



Balenie sa skladá výlučne z materiálov, ktoré neškodia životnému prostrediu. Môžete ho vyhodiť do nádob určených na zber a recykláciu odpadov.



Obal zlikvidujte ekologicky. Dbajte na označenie na rôznych obalových materiáloch a triedte ich osobitne. Obalové materiály sú označené skratkami (a) a číslicami (b) s nasledujúcim významom: 1–7: plasty, 20–22: papier a lepenka, 80–98: kompozitné materiály.

**FR**

Produkt a obal sú recyklovateľné, podliehajú rozšírenej zodpovednosti výrobcu a zbierajú sa oddelene.



## **Originálne vyhlásenie o zhode**

My, spoločnosť KOMPENASS HANDELS GMBH, osoba zodpovedná za dokumentáciu: pán Semi Uguzlu, BURGSTR. 21, 44867 BOCHUM, DEUTSCHLAND/NEMECKO vyhlasujeme, že tento výrobok je v súlade s nasledujúcimi normami, normatívnymi dokumentmi a smernicami ES:

### **Smernica o RoHS**

(2011/65/EU)\*

(2015/863/EU)

\* Výhradnú zodpovednosť za vydanie tohto vyhlásenia o zhode nesie výrobca. Vyššie opísaný predmet vyhlásenia je v súlade s predpismi smernice 2011/65/EU Európskeho parlamentu a Rady z 8. júna 2011 o obmedzení používania určitých nebezpečných látok v elektrických a elektronických zariadeniach.

**Aplikované harmonizované normy**

EN 55014-1:2017/A11:2020

EN 55014-2:1997/A2:2008

EN IEC 55014-1:2021

EN IEC 55014-2:2021

EN 61000-3-2:2014

EN 61000-3-3:2013

EN 61000-3-3:2013/A1:2019

EN IEC 61000-3-2:2019/A1:2021

IEC 62133-2:2017

IEC 62133-2:2017/AMD1:2021

EN IEC 63000:2018

EN 62841-1:2015 Annex K

**Typ/označenie prístroja**

12 V batéria, 2,5 Ah PAK 12 C1

**Rok výroby: 06-2022**

**Sériové číslo: IAN 391276\_2201**

Bochum, 22.04.2022



Semi Uguzlu

- Manažér kvality -

Technické zmeny v zmysle ďalšieho vývoja sú vyhradené.

## Objednávka náhrady akumulátora



Náhradný akumulátor pre váš prístroj si môžete objednať buď pohodlne na internete na adrese [www.kompernass.com](http://www.kompernass.com) alebo telefonicky.

Tento výrobok sa z dôvodu obmedzených skladových zásob môže v krátkom čase vypredať.

### **UPOZORNENIE**

- ▶ V niektorých krajinách nie je online objednávanie náhradných dielov dostupné. V takom prípade zavolajte, prosím, na servisnú poradenskú linku.

---

## Telefonická objednávka

**SK** Servis Slovensko Tel. 0850 232001

Na zaistenie rýchleho spracovania vašej objednávky si pripravte, prosím, pre všetky otázky číslo tovaru (IAN 391276\_2201), pridelené prístroju. Číslo tovaru nájdete na typovom štítku alebo na titulnej strane tohto návodu.

# Índice

**Introducción . . . . .195**

Uso previsto . . . . . 195

Equipamiento . . . . . 196

Volumen de suministro . . . . . 196

Características técnicas . . . . . 197

**Indicaciones generales de seguridad .199**

Indicaciones adicionales de seguridad . . . . . 201

**Carga de la batería  
(consulte la fig. A) . . . . .202****Mantenimiento y almacenamiento . . .204****Garantía de  
Kompernass Handels GmbH . . . . .205****Asistencia técnica . . . . .211****Importador . . . . .212**

---

**Desecho . . . . .213****Declaración de conformidad original .216****Pedido de una batería de repuesto . .219**

Pedido por teléfono . . . . . 220

## Introducción

Felicidades por la compra de su producto nuevo. Ha adquirido un producto de alta calidad. Las instrucciones de uso forman parte del producto y contienen indicaciones importantes acerca de su seguridad, uso y desecho. Antes de usar el producto, familiarícese con todas las indicaciones de manejo y de seguridad. Utilice el producto únicamente como se describe y para los ámbitos de aplicación indicados. Entregue todos los documentos cuando transfiera el producto a terceros.

## Uso previsto

Esta batería es compatible con los siguientes aparatos:



Esta batería no está prevista para su uso comercial o industrial. La utilización del aparato para otros fines o su modificación se consideran contrarias al uso



previsto y aumentan considerablemente el riesgo de accidentes. El fabricante no se responsabiliza por los daños derivados de una utilización contraria al uso previsto.

## **Equipamiento**

- 1 Batería
- 2 Botones de desencastre
- 3 Led rojo de control de carga
- 4 Led verde de control de carga
- 5 Cargador rápido  
(no se incluye en el volumen de suministro)

## **Volumen de suministro**

- 1 batería de 12 V, 2,5 Ah
- 1 manual de instrucciones de uso

## Características técnicas

### PAPK 12 C1

Tipo	IONES DE LITIO
Tensión asignada	12 V $\text{---}$ (corriente continua)
Capacidad	2500 mAh
Células	3

**Para cargar la batería, solo deben utilizarse los cargadores rápidos de la serie X12V Team:**



(no se incluyen en el volumen de suministro).

### Cargador rápido PLGK 12 A1

#### ENTRADA/input

Corriente asignada	220-240 V $\sim$ , 50-60 Hz (corriente alterna)
Consumo asignado de potencia	50 W
Fusible (interior)	2 A $\text{---}$ <sup>T2A</sup>

**SALIDA/output**

Tensión asignada 12 V  $\overline{\text{---}}$  (corriente continua)

Corriente asignada 2400 mA

Duración de la carga aprox. 80 min

Clase de aislamiento II/□ (aislamiento doble)

**⚠ ¡ATENCIÓN!**

- ▶ Este cargador solo puede cargar las siguientes baterías: P APK 12 A1/P APK 12 A2/P APK 12 A3/P APK 12 B1/P APK 12 C1/P APK 12 D1.
- ▶ Encontrará la lista actual de baterías compatibles en [www.lidl.de/Akku](http://www.lidl.de/Akku).



## Indicaciones generales de seguridad

### ¡ADVERTENCIA!

- Lea todas las indicaciones de seguridad y las instrucciones. El incumplimiento de las indicaciones de seguridad y de las instrucciones especificadas puede provocar descargas eléctricas, incendios o lesiones graves. **Conserve todas las indicaciones de seguridad y las instrucciones para el futuro.**
- a) **Cargue la batería exclusivamente en los cargadores recomendados por el fabricante.** El uso de un cargador con una batería que no le corresponde entraña peligro de incendios.
- b) **Utilice exclusivamente las baterías indicadas para las herramientas eléctricas.** El uso de otras baterías puede provocar lesiones y peligro de incendios.

- c) Mantenga la batería que no utilice alejada de grapas, monedas, llaves, clavos, tornillos u otros pequeños objetos de metal que puedan provocar un puentado de los contactos. Un cortocircuito entre los contactos de la batería puede provocar quemaduras o incendios.
- d) Un uso incorrecto puede provocar una fuga de líquidos de la batería. Evite el contacto con dicho líquido. En caso de contacto accidental, lave la zona afectada con agua. Si el líquido entra en contacto con los ojos, busque también asistencia médica. El líquido derramado de la batería puede causar irritaciones cutáneas o quemaduras.



**¡CUIDADO! ¡PELIGRO DE EXPLOSIÓN!**  
**No recargue nunca las baterías/pilas no recargables.**



**Proteja la batería contra el calor, p. ej., también contra la radiación solar duradera, el fuego, el agua y la humedad.**

Existe peligro de explosión.

## **Indicaciones adicionales de seguridad**

- **No utilice ninguna batería dañada o modificada.** Las baterías dañadas o modificadas pueden funcionar de forma imprevista y provocar incendios, explosiones o peligro de lesiones.
- **No exponga la batería al fuego ni a altas temperaturas.** El fuego o las temperaturas superiores a 130 °C (265 °F) pueden provocar explosiones.

- Observe todas las instrucciones de carga y no cargue nunca la batería ni la herramienta inalámbrica fuera del rango de temperatura especificado en las instrucciones de uso. Una carga incorrecta o fuera del rango de temperatura permitido puede destruir la batería y aumentar el peligro de incendios.

## **Carga de la batería (consulte la fig. A)**

### **⚠ ¡CUIDADO!**

- ▶ Desconecte el enchufe de la red eléctrica antes de extraer la batería del cargador o introducirla en él.

## **INDICACIÓN**

- ▶ Nunca cargue la batería con una temperatura ambiente inferior a 10 °C o superior a 40 °C. Si pretende almacenar la batería de iones de litio durante un periodo prolongado de tiempo, debe comprobar regularmente el nivel de carga. El nivel de carga óptimo está entre el 50 % y el 80 %. El aparato debe almacenarse en un lugar fresco y seco con una temperatura ambiente de entre 0 °C y 50 °C.
- ◆ Conecte la batería **1** en el cargador rápido **5**.
- ◆ Conecte el enchufe en la toma eléctrica. El led de control de carga **3** se ilumina en rojo.
- ◆ El led verde de control de carga **4** señala que el proceso de carga ha finalizado y que la batería está lista para su uso.
- ◆ Coloque la batería **1** en el aparato.



- ◆ Entre cada carga consecutiva, apague el cargador rápido **5** durante al menos 15 minutos. Para ello, desconecte el enchufe de la red eléctrica.

## **Mantenimiento y almacenamiento**

- Si no pretende utilizar la batería durante un periodo de tiempo prolongado, extráigala del aparato y guárdela en un lugar limpio y seco protegido de la radiación solar directa.
- Si pretende almacenar la batería de iones de litio durante un periodo prolongado de tiempo, debe comprobar regularmente el nivel de carga. El nivel de carga óptimo está entre el 50 % y el 80 %. Debe almacenarse el producto en un lugar fresco y seco.

- **No realice ninguna tarea de mantenimiento en las baterías defectuosas.**  
Solo el fabricante o el servicio autorizado de asistencia técnica pueden realizar las tareas de mantenimiento en las baterías.
- Limpie el cargador y la batería con un paño seco o un cepillo. No utilice agua ni objetos metálicos.

## **Garantía de Kompernass Handels GmbH**

Estimado cliente:

Este aparato cuenta con una garantía de 3 años a partir de la fecha de compra. Si se detectan defectos en el producto, puede ejercer sus derechos legales frente al vendedor. Estos derechos legales no se ven limitados por la garantía descrita a continuación.

## Condiciones de la garantía

El plazo de la garantía comienza con la fecha de compra. Guarde bien el comprobante de caja, ya que lo necesitará como justificante de compra.

Si dentro de un periodo de tres años a partir de la fecha de compra de este producto se detecta un defecto en su material o un error de fabricación, asumiremos la reparación o sustitución gratuita del producto o restituiremos el precio de compra a nuestra elección. La prestación de la garantía requiere la presentación del aparato defectuoso y del justificante de compra (comprobante de caja), así como una breve descripción por escrito del defecto detectado y de las circunstancias en las que se haya producido dicho defecto, dentro del plazo de tres años.

Si el defecto está cubierto por nuestra garantía, le devolveremos el producto reparado o le suministraremos uno nuevo. La reparación o sustitución del producto no supone el inicio de un nuevo periodo de garantía.

---

Las baterías de la serie X 12 V y X 20 V Team cuentan con una garantía de 3 años a partir de la fecha de compra.

### **Duración de la garantía y reclamaciones legales por vicios**

La duración de la garantía no se prolonga por hacer uso de ella. Este principio también se aplica a las piezas sustituidas y reparadas. Si después de la compra del aparato, se detecta la existencia de daños o de defectos al desembalarlo, deben notificarse de inmediato. Cualquier reparación que se realice una vez finalizado el plazo de garantía estará sujeta a costes.

### **Alcance de la garantía**

El aparato se ha fabricado cuidadosamente según estándares elevados de calidad y se ha examinado en profundidad antes de su entrega.

La prestación de la garantía se aplica a defectos en los materiales o errores de fabricación. Esta garantía no cubre las piezas del producto normalmente sometidas al desgaste y que, en consecuencia, puedan considerarse piezas de desgaste ni los daños producidos en los componentes frágiles, p. ej., interruptores o piezas de vidrio.

Se anulará la garantía si el producto se daña o no se utiliza o mantiene correctamente. Para utilizar correctamente el producto, deben observarse todas las indicaciones especificadas en las instrucciones de uso. Debe evitarse cualquier uso y manejo que esté desaconsejado o frente al que se advierta en las instrucciones de uso.

El producto está previsto exclusivamente para su uso privado y no para su uso comercial. En caso de manipulación indebida e incorrecta, uso de la fuerza y apertura del aparato por personas ajenas a nuestros centros de asistencia técnica autorizados, la garantía perderá su validez.

---

## **La garantía no cubre los siguientes casos**

- Desgaste normal de la capacidad de la batería.
- Uso comercial o industrial del producto.
- Daño o alteración del producto por parte del cliente.
- Incumplimiento de las instrucciones de seguridad y mantenimiento y errores en el manejo.
- Daños provocados por fuerza mayor.

## **Proceso de reclamación conforme a la garantía**

Para garantizar una tramitación rápida de su reclamación, le rogamos que observe las siguientes indicaciones:

- Mantenga siempre a mano el comprobante de caja y el número de artículo (IAN) 391276\_2201 como justificante de compra.

- Podrá ver el número de artículo en la placa de características del producto, grabado en el producto, en la portada de las instrucciones de uso (parte inferior izquierda) o en el adhesivo de la parte trasera o inferior del producto.
- Si se producen errores de funcionamiento u otros defectos, póngase primero en contacto con el departamento de asistencia técnica especificado a continuación **por teléfono** o **por correo electrónico**.
- Podrá enviar el producto calificado como defectuoso junto con el justificante de compra (comprobante de caja) y la descripción del defecto y de las circunstancias en las que se haya producido de forma gratuita a la dirección de correo proporcionada.



En [www.lidl-service.com](http://www.lidl-service.com), podrá descargar este manual de usuario y muchos otros más, así como vídeos sobre los productos y software de instalación.

Con este código QR, accederá directamente a la página del Servicio Lidl ([www.lidl-service.com](http://www.lidl-service.com)) y podrá abrir las instrucciones de uso mediante la introducción del número de artículo (IAN) 391276\_2201.

## Asistencia técnica

**ES** Servicio España

Tel.: 900 984 989

E-Mail: [kompernass@lidl.es](mailto:kompernass@lidl.es)

IAN 391276\_2201



## **Importador**

Tenga en cuenta que la dirección siguiente no es una dirección de asistencia técnica. Póngase primero en contacto con el centro de asistencia técnica especificado.

KOMPERNASS HANDELS GMBH

BURGSTRASSE 21

44867 BOCHUM

ALEMANIA

[www.kompernass.com](http://www.kompernass.com)

## Desecho



**No deseche las herramientas eléctricas con la basura doméstica.**

El símbolo adyacente de un contenedor tachado sobre unas ruedas indica que este aparato está sujeto a la Directiva 2012/19/EU. Dicha Directiva estipula que el aparato no debe desecharse con la basura doméstica normal al finalizar su vida útil, sino en puntos de recogida, puntos limpios o a través de empresas de desechos previstas especialmente para ello.

**Este tipo de desecho es gratuito. Cuide el medio ambiente y deseche el aparato de la manera adecuada.**



Puede informarse acerca de las posibilidades de desecho de los aparatos usados en su administración municipal o ayuntamiento.

**Li-ion**

## ¡No deseche la batería con la basura doméstica!

Las baterías defectuosas o agotadas deben reciclarse según la Directiva 2006/66/EC. Las pilas/baterías son residuos especiales que deben desecharse de forma ecológica a través de las entidades correspondientes (comercios, distribuidores especializados, instalaciones públicas municipales o empresas de desechos industriales). Las pilas/baterías pueden contener metales pesados tóxicos.

Por lo tanto, las pilas/baterías no deben desecharse con la basura doméstica, sino reciclarse por separado. Devuelva las pilas o baterías exclusivamente en estado descargado.



El embalaje consta de materiales ecológicos que pueden desecharse a través de los centros de reciclaje locales.



Deseche el embalaje de forma respetuosa con el medio ambiente. Observe las indicaciones de los distintos materiales de embalaje y, si procede, recíclelos de la manera correspondiente. Los materiales de embalaje cuentan con abreviaciones (a) y cifras (b) que significan lo siguiente: 1-7: plásticos; 20-22: papel y cartón; 80-98: materiales compuestos.



El producto y el embalaje son reciclables, se someten a una responsabilidad ampliada del fabricante y se desechan por separado.

## **Declaración de conformidad original**

En virtud del presente documento, nosotros, KOMPERNASS HANDELS GMBH, responsable de los documentos: Semi Uguzlu, BURGSTR. 21, 44867 BOCHUM (ALEMANIA), declaramos que este producto cumple con lo dispuesto por las siguientes normas, documentos normativos y directivas CE:

**Directiva sobre las restricciones a la utilización de determinadas sustancias peligrosas en aparatos eléctricos y electrónicos (2011/65/EU)\*, (2015/863/EU)**

\* La responsabilidad exclusiva de la expedición de esta declaración de conformidad recaerá sobre el fabricante. El objeto descrito de la declaración cumple con las disposiciones de la Directiva 2011/65/EU del Parlamento Europeo y del Consejo del 8 de junio de 2011 sobre las restricciones a la utilización de determinadas sustancias peligrosas en aparatos eléctricos y electrónicos.

---

**Normas armonizadas aplicadas**

EN 55014-1:2017/A11:2020

EN 55014-2:1997/A2:2008

EN IEC 55014-1:2021

EN IEC 55014-2:2021

EN 61000-3-2:2014

EN 61000-3-3:2013

EN 61000-3-3:2013/A1:2019

EN IEC 61000-3-2:2019/A1:2021

IEC 62133-2:2017

IEC 62133-2:2017/AMD1:2021

EN IEC 63000:2018

EN 62841-1:2015 Annex K

**Tipo/denominación del aparato**

Batería de 12 V, 2,5 Ah PAK 12 C1

**Año de fabricación: 06-2022**

**Número de serie: IAN 391276\_2201**

Bochum, 22/04/2022



Semi Uguzlu

- Responsable de calidad -

Reservado el derecho a realizar modificaciones técnicas en relación con el desarrollo tecnológico.

## Pedido de una batería de repuesto



Si desea solicitar una batería de repuesto para su aparato, puede hacerlo cómodamente por Internet en [www.kompernass.com](http://www.kompernass.com) o por teléfono.

No obstante, es posible que este artículo se agote rápidamente debido a las existencias limitadas.

### **INDICACIÓN**

- Es posible que, en algunos países, no pueda realizarse el pedido de recambios por Internet. En tal caso, póngase en contacto con la línea de asistencia técnica.



## **Pedido por teléfono**

**ES** **Servicio España** Tel.: 900 984 989

Para garantizar la rápida tramitación de su pedido, tenga a mano el número de artículo (IAN 391276\_2201) del aparato para todas sus consultas. Podrá consultar el número de artículo en la placa de características o en la portada de estas instrucciones de uso.

# Indholdsfortegnelse

**Indledning . . . . .223**

Formålsbestemt anvendelse . . . . . 223

Udstyr . . . . . 224

Pakkens indhold . . . . . 224

Tekniske data . . . . . 225

**Generelle sikkerhedsanvisninger . . . .227**

Supplerende sikkerhedsanvisninger . . . . . 229

**Opladning af batteripakken  
(se fig. A) . . . . .230****Vedligeholdelse og opbevaring . . . .231****Garanti for  
Kompernass Handels GmbH . . . . .232****Service . . . . .237****Importør . . . . .238**

---

**Bortskaffelse . . . . .239**

**Original  
overensstemmelseserklæring . . . . .242**

**Bestilling af reservebatteri . . . . .245**

Telefonisk bestilling . . . . . 246

## Indledning

Tillykke med købet af dit nye produkt. Du har valgt et produkt af høj kvalitet. Betjeningsvejledningen er en del af dette produkt. Den indeholder vigtige informationer om sikkerhed, anvendelse og bortskaffelse. Du bør sætte dig ind i alle produktets betjenings- og sikkerhedsanvisninger før brug. Brug kun produktet som beskrevet og kun til de angivne anvendelsesområder. Hvis du giver produktet videre til andre, skal alle tilhørende dokumenter følge med.

## Formålsbestemt anvendelse

Dette genopladelige batteri passer til:



Dette genopladelige batteri er ikke beregnet til erhvervmæssig brug. Enhver anden anvendelse eller ændring af produktet anses for at være uden for den formålsbestemte anvendelse og indebærer betydelige

farer for uheld. Producenten påtager sig intet ansvar for skader, der opstår som følge af ikke-formålsbestemt anvendelse.

## Udstyr

- 1 Batteripakke
- 2 Oplåsningsknapper
- 3 Rød ladekontrol-LED
- 4 Grøn ladekontrol-LED
- 5 Hurtigoplader (medfølger ikke ved køb)

## Pakkens indhold

- 1 12 V batteri, 2,5 Ah
- 1 betjeningsvejledning

## Tekniske data

### PAPK 12 C1

Type	LITHIUM-ION
Mærkespænding	12 V $\overline{\text{---}}$ (jævnstrøm)
Kapacitet	2500 mAh
Celler	3

**Brug kun hurtigopladere af X12V Team-serien til opladning af den genopladelige batteripakke:**



(medfølger ikke ved køb).

### Hurtigoplader til genopladelige batterier

#### PLGK 12 A1

#### INDGANG/Input

Mærkestrøm	220-240 V $\sim$ , 50-60 Hz (vekselstrøm)
Mærkeeffektforbrug	50 W
Sikring (intern)	2 A $\overline{\text{T2A}}$

**UDGANG/output**

Mærkespænding	12 V $\overline{\text{---}}$ (jævnstrøm)
Mærkestrøm	2400 mA
Opladningstid	ca. 80 min
Beskyttelsesklasse	II/□ (dobbeltisolering)

**⚠ OBS!**

- ▶ Denne oplader kan kun oplade følgende batterier: PAK 12 A1/PAPK 12 A2/PAPK 12 A3/PAPK 12 B1/PAPK 12 C1/PAPK 12 D1.
- ▶ Du kan finde en opdateret liste over batteriernes kompatibilitet på [www.lidl.de/Akku](http://www.lidl.de/Akku).



## Generelle sikkerhedsanvisninger

### **ADVARSEL!**

- Læs alle sikkerhedsanvisninger og instruktioner. Hvis de angivne sikkerhedsanvisninger og -instruktioner ikke overholdes, kan det medføre elektrisk stød, brand og/eller alvorlige kvæstelser. **Gem alle sikkerhedsanvisninger og instruktioner med henblik på fremtidig brug.**
- a) Oplad kun batterierne i opladere, som producenten har anbefalet. Ved brug af andre batterier til opladeren end dem, opladeren er beregnet til, er der fare for brand.
- b) Brug kun batterier, der er beregnet til elværktøj. Anvendelse af andre batterier kan medføre personskader og brandfare.



- c) Når batteriet ikke benyttes, skal det holdes borte fra kontorclips, mønter, nøgler, søm, skruer eller andre små metalgenstande, som kan forårsage kortslutning mellem kontakterne. Kortslutning mellem batteriets kontakter kan medføre forbrændinger og brand.
- d) Ved forkert anvendelse kan der løbe væske ud af batteriet. Undgå kontakt med denne væske. Skyl efter med vand ved tilfældig kontakt. Hvis væsken kommer i øjnene, skal du søge læge. Batterivæske, der løber ud, kan medføre hudirritationer eller forbrændinger.

**FORSIGTIG! EKSPLOSIONSFARE!**

Oplad aldrig batterier, der ikke er beregnet til det.



**Beskyt batteriet mod varme på grund af f.eks. vedvarende solstråler, ild, vand og fugt.** Der er fare for eksplosion.

## Supplerende sikkerhedsanvisninger

- **Brug aldrig et beskadiget eller modificeret batteri.** Beskadigede eller modificerede genopladelige batterier kan føre til uforudsigelig funktion samt til brand, eksplosioner eller risiko for personskader.
- **Udsæt ikke genopladelige batterier for ild eller høje temperaturer.** Ild eller temperaturer over 130 °C (265 °F) kan forårsage eksplosion.
- **Følg og overhold alle anvisninger for opladning, og oplad aldrig batteriet eller batteridrevet værktøj uden for temperaturintervallet, som er angivet i betjeningsvejledningen.**  
Forkert opladning eller opladning uden for det tilladte temperaturområde kan ødelægge batteriet og øge brandfaren.

## Opladning af batteripakken (se fig. A)

### **FORSIGTIG!**

- ▶ Træk altid strømstikket ud, før du tager batteripakken ud af opladeren eller sætter den i.

### **BEMÆRK**

- ▶ Oplad aldrig batteripakken, hvis den omgivende temperatur er under 10 °C eller over 40 °C. Hvis litium-ion-batteriet skal opbevares i længere tid, skal dets opladningstilstand kontrolleres regelmæssigt. Den optimale opladningstilstand er på mellem 50% og 80%. Opbevaringsforholdene skal være kølige og tørre med en omgivende temperatur på mellem 0 °C og 50 °C.
- ◆ Sæt den genopladelige batteripakke **1** ind i hurtigopladeren **5**.

- ◆ Sæt stikket i stikkontakten. Ladekontrol-LED'en **3** lyser rødt.
- ◆ Den grønne ladekontrol-LED **4** viser, at opladningen er afsluttet, og at batteripakken er klar til brug.
- ◆ Sæt batteripakken **1** ind i produktet.
- ◆ Sluk hurtigopladeren **5** i mindst 15 minutter mellem opladninger, der foretages lige efter hinanden. Træk hertil stikket ud.

## Vedligeholdelse og opbevaring

- Hvis batteriet ikke skal bruges i længere tid, skal det tages ud, og produktet skal opbevares på et rent, tørt sted uden direkte sollys.
- Hvis litium-ion-batteriet skal opbevares i længere tid, skal dets opladningstilstand kontrolleres regelmæssigt. Den optimale opladningstilstand er på mellem 50% og 80%. Det optimale opbevaringsklima er køligt og tørt.

- **Vedligehold aldrig beskadigede batterier.**  
Vedligeholdelse af batterier må kun udføres af producenten eller et autoriseret serviceværksted.
- Rengør opladeren og batteriet med en tør klud eller en børste. Brug ikke vand eller metalgenstande.

## **Garanti for Kompernass Handels GmbH**

Kære kunde

På dette produkt får du 3 års garanti fra købsdatoen. I tilfælde af mangler ved produktet har du en række juridiske rettigheder i forhold til sælgeren af produktet. Dine juridiske rettigheder forringes ikke af den nedenfor anførte garanti.

### **Garantibetingelser**

Garantiperioden begynder på købsdatoen. Opbevar venligst kvitteringen et sikkert sted. Den er nødvendig for at kunne dokumentere købet.

Hvis der inden for tre år fra dette produkts købsdato opstår en materiale- eller fabrikationsfejl, vil produktet – efter vores valg – blive repareret eller udskiftet, eller købsprisen vil blive refunderet gratis til dig. Denne garantiydelse forudsætter, at det defekte produkt afleveres, og købsbeviset (kvitteringen) forevises i løbet af fristen på tre år, og at der gives en kort skriftlig beskrivelse af, hvori manglen består, og hvornår den er opstået.

Hvis defekten er dækket af vores garanti, får du et repareret eller et nyt produkt retur. Reparation eller ombytning af produktet udløser ikke en ny garantiperiode.

På batteripakker i X 12 V og X 20 V Team-serien får du 3 års garanti fra købsdatoen.

### **Garantiperiode og juridiske mangelkrav**

Garantiperioden forlænges ikke, hvis der gøres brug af garantien. Det gælder også for udskiftede og reparerede dele. Skader og mangler, som eventuelt

allerede fandtes ved køb, samt manglende dele, skal anmeldes straks efter udpakningen. Når garantiperioden er udløbet, er reparation af skader betalingspligtig.

### **Garantiens omfang**

Produktet er produceret omhyggeligt efter strenge kvalitetsretningslinjer og testet grundigt inden leveringen.

Garantien dækker materiale- og fabrikationsfejl. Denne garanti omfatter ikke produktdele, der er udsat for normal slitage og derfor kan betragtes som sliddele, eller skader på skrøbelige dele som f.eks. kontakter eller dele af glas.

Denne garanti bortfalder, hvis produktet er blevet beskadiget, ikke er forskriftsmæssigt anvendt eller vedligeholdt. For at sikre forskriftsmæssig anvendelse af produktet skal alle anvisninger nævnt i betjeningsvejledningen nøje overholdes. Anvendelsesformål

og handlinger, som frarådes eller der advares imod i betjeningsvejledningen, skal ubetinget undgås.

Produktet er kun beregnet til privat og ikke til kommercielt brug. Ved misbrug og uhensigtsmæssig brug, anvendelse af vold og ved indgreb, som ikke er foretaget af vores autoriserede serviceafdeling, bortfalder garantien.

### **Garantiperioden gælder ikke ved**

- Normalt forbrug af batteriets kapacitet
- Erhvervsmæssig anvendelse af produktet
- Beskadigelser eller ændringer på produktet udført af kunden
- Manglende overholdelse af sikkerheds- og vedligeholdelsesforskrifter, betjeningsfejl
- Skader som følge af naturkatastrofer



## Afvikling af garantisager

For at sikre en hurtig behandling af din anmeldelse bør du følge nedenstående anvisninger:

- Ved alle forespørgsler bedes du have kvitteringen og artikelnummeret (IAN) 391276\_2201 klar som dokumentation for købet.
- Artikelnummeret kan du finde på typeskiltet på produktet, som indgravering på produktet, på betjeningsvejledningens forside (nederst til venstre) eller som klæbemærke på bag- eller undersiden af produktet.
- Hvis der opstår funktionsfejl eller øvrige mangler, bedes du først kontakte nedennævnte serviceafdeling **telefonisk** eller **via e-mail**.
- Et produkt, der er registreret som defekt, kan du derefter indsende portofrit til den oplyste serviceadresse med vedlæggelse af købsbevis (kvittering) og en beskrivelse af, hvori manglen består, og hvornår den er opstået.



På [www.lidl-service.com](http://www.lidl-service.com) kan du downloade denne og mange andre manualer, produktvideoer og installationssoftware.

Med denne QR-kode kommer du direkte til Lidl-servicesiden ([www.lidl-service.com](http://www.lidl-service.com)) og kan åbne den ønskede betjeningsvejledning ved indtastning af artikelnummeret (IAN) 391276\_2201.

## Service

**DK** Service Danmark

Tel.: 32 710005

E-Mail: [kompernass@lidl.dk](mailto:kompernass@lidl.dk)

IAN 391276\_2201

## **Importør**

Bemærk at den efterfølgende adresse ikke er en serviceadresse. Kontakt først det nævnte servicested.

KOMPERNASS HANDELS GMBH

BURGSTRASSE 21

44867 BOCHUM

TYSKLAND

[www.kompernass.com](http://www.kompernass.com)

## Bortskaffelse



**Smid ikke elværktøj ud sammen med husholdningsaffaldet!**

Det viste symbol med den overstregede affaldscontainer på hjul viser, at dette produkt er underlagt direktivet 2012/19/EU. Dette direktiv angiver, at produktet ikke må bortskaffes sammen med det normale husholdningsaffald, når dets brugstid er omme, men skal afleveres på specielle indsamlingssteder, genbrugspladser eller affaldsvirksomheder.

**Denne bortskaffelse er gratis for dig. Skån miljøet, og bortskaf produktet korrekt.**



Du kan få oplysninger hos kommunen om bortskaffelse af udtjente produkter.

**Li-ion**

## **Smid ikke batterier ud sammen med husholdningsaffald!**

Defekte eller kasserede batterier skal genanvendes i henhold til direktiv 2006/66/EC. Batterier/genopladelige batterier skal behandles som specialaffald og skal derfor bortskaffes miljøvenligt på de relevante steder (forhandlere, specialforretninger, offentlige myndigheder, kommercielle affaldsvirksomheder). Batterier/genopladelige batterier kan indeholde giftige tungmetaller.

Bortskaf derfor ikke batterier/genopladelige batterier sammen med husholdningsaffaldet, men aflever dem til separat indsamling. Aflever kun batterier/genopladede batterier, når de er afladet.



Emballagen består af miljøvenlige materialer, som kan bortskaffes på de lokale genbrugspladser.



Bortskaf emballagen miljøvenligt.  
Vær opmærksom på mærkningen på de forskellige emballeringsmaterialer, og aflevér dem sorteret til bortskaffelse.

Emballagematerialerne er mærket med forkortelserne (a) og tallene (b) med følgende betydning:

1-7: Plast, 20-22: Papir og pap,  
80-98: Kompositmaterialer.



Produktet og emballagen kan genbruges, er underlagt et udvidet producentansvar og indsamles sorteret.

## **Original overensstemmelseserklæring**

Vi, KOMPERNASS HANDELS GMBH, dokumentansvarlig: Semi Uguzlu, BURGSTR. 21, 44867 BOCHUM, TYSKLAND, erklærer hermed, at dette produkt stemmer overens med følgende standarder, standardiseringsdokumenter og EU-direktiver:

### **RoHS-direktivet**

(2011/65/EU)\*

(2015/863/EU)

\* Ansvar for udstedelsen af denne overensstemmelseserklæring er udelukkende producentens. Den ovenfor beskrevne genstand i erklæringen opfylder forskrifterne i Europa-Parlamentets og Rådets direktiv 2011/65/EU af 8. juni 2011 om begrænsning af anvendelsen af visse farlige stoffer i elektrisk og elektronisk udstyr.

---

**Anvendte harmoniserede standarder**

EN 55014-1:2017/A11:2020

EN 55014-2:1997/A2:2008

EN IEC 55014-1:2021

EN IEC 55014-2:2021

EN 61000-3-2:2014

EN 61000-3-3:2013

EN 61000-3-3:2013/A1:2019

EN IEC 61000-3-2:2019/A1:2021

IEC 62133-2:2017

IEC 62133-2:2017/AMD1:2021

EN IEC 63000:2018

EN 62841-1:2015 Annex K



**Type/produktbetegnelse**

12 V batteri, 2,5 Ah PAPK 12 C1

**Produktionsår: 06-2022**

**Serienummer: IAN 391276\_2201**

Bochum, 22.04.2022



Semi Uguzlu

- Kvalitetschef -

Vi forbeholder os ret til tekniske ændringer med henblik på videreudvikling.

## Bestilling af reservebatteri



Hvis du vil bestille et reservebatteri til produktet, kan du gøre det på internettet på [www.kompernass.com](http://www.kompernass.com) eller pr. telefon.

Denne vare kan være udsolgt i løbet af kort tid på grund af den begrænsede lagerbeholdning.

### **BEMÆRK**

- ▶ I nogle lande kan bestilling af reservedele ikke foretages online. Kontakt i så fald vores service-hotline.

## Telefonisk bestilling

**DK** Service Danmark Tel.: 32 710005

For at sikre hurtig behandling af din bestilling bedes du have produktets artikelnummer (IAN 391276\_2201) inden for rækkevidde ved forespørgsler. Varenummeret kan findes på typeskiltet eller på titelbladet i denne vejledning.

# Indice

**Introduzione . . . . .249**

Usò conforme. . . . . 249

Dotazione. . . . . 250

Volume della fornitura . . . . . 250

Dati tecnici . . . . . 251

**Avvertenze generali di sicurezza . . . .253**

Indicazioni di sicurezza ampliate. . . . . 255

**Caricamento del pacco batteria  
(vedi fig. A) . . . . .256****Manutenzione e conservazione . . . .258****Garanzia della  
Kompernass Handels GmbH . . . . .259****Assistenza . . . . .265****Importatore. . . . .265**

---

**Smaltimento . . . . .266**

**Dichiarazione di conformità originale 269**

**Ordine di una batteria di ricambio . . .272**

Ordinazione telefonica . . . . . 273

## Introduzione

Congratulazioni per l'acquisto del nuovo prodotto. È stato scelto un prodotto di alta qualità. Il manuale di istruzioni è parte integrante del presente prodotto. Esso contiene importanti indicazioni per la sicurezza, l'uso e lo smaltimento. Prima di utilizzare il prodotto, acquisire dimestichezza con tutte le indicazioni relative ai comandi e alla sicurezza. Utilizzare il prodotto solo come descritto e per i campi d'impiego indicati. In caso di cessione del prodotto a terzi, consegnare anche tutta la relativa documentazione.

## Uso conforme

Questa batteria è adatta per:



Questa batteria non è destinata all'uso commerciale. Qualunque altro impiego e qualunque modifica dell'apparecchio sono da considerarsi non conformi

alla destinazione e comportano un sensibile rischio di infortuni. Il produttore declina ogni responsabilità per i danni derivanti da uso non conforme.

## **Dotazione**

- ➊ Pacco batteria
- ➋ Tasti di sblocco
- ➌ LED di controllo carica rosso
- ➍ LED di controllo carica verde
- ➎ Caricabatteria rapido (non incluso nella fornitura)

## **Volume della fornitura**

- 1 batteria da 12 V, 2,5 Ah
- 1 manuale di istruzioni per l'uso

## Dati tecnici

### PAPK 12 C1

Tipo	IONI DI LITIO
Tensione nominale	12 V $\overline{=}$ (corrente continua)
Capacità	2500 mAh
Celle	3

**Per la carica del pacco batteria, utilizzare solo caricabatterie rapidi della serie Team X12V:**




(non incluso  
nella fornitura).

### Caricabatteria rapido PLGK 12 A1

#### INGRESSO/Input

Corrente nominale 220-240 V  $\sim$ , 50-60 Hz  
(corrente alternata)

Potenza assorbita  
nominale 50 W

Fusibile (interno) 2 A 



**USCITA/Output**

Tensione nominale 12 V  $\overline{=}$  (corrente continua)

Corrente nominale 2400 mA

Durata del caricamento circa 80 min

Classe di protezione II/ $\square$  (isolamento doppio)

** ATTENZIONE!**

- ▶ Il presente caricabatteria è indicato solamente per la ricarica delle seguenti batterie:  
PAPK 12 A1/PAPK 12 A2/PAPK 12 A3/  
PAPK 12 B1/PAPK 12 C1/PAPK 12 D1.
- ▶ Su [www.lidl.de/akku](http://www.lidl.de/akku) è disponibile un elenco aggiornato di tutte le batterie compatibili.



## **Avvertenze generali di sicurezza**

### **⚠ AVVERTENZA!**

- **Leggere tutte le indicazioni relative alla sicurezza e le istruzioni.** L'errata applicazione delle indicazioni relative alla sicurezza e delle istruzioni può causare scosse elettriche, incendi e/o gravi lesioni. **Conservare le indicazioni relative alla sicurezza e le istruzioni per un uso futuro.**
- a) **Caricare le batterie solo con i caricabatterie consigliati dal produttore.** Se un caricabatterie adatto a un determinato tipo di batteria viene utilizzato con batterie diverse, sussiste pericolo di incendio.
- b) **Utilizzare solo le batterie appositamente previste per gli elettroutensili.** L'uso di batterie diverse può dare luogo a lesioni e al pericolo di incendio.

- c) Tenere la batteria non utilizzata lontano da graffette, monete, chiavi, chiodi, viti o altra minuteria in metallo, poiché tali oggetti potrebbero provocare un cortocircuito fra i contatti. Un cortocircuito fra i contatti della batteria può dare luogo a ustioni o incendio.
- d) In caso di utilizzo errato, potrebbe fuoriuscire del liquido dalla batteria. Evitare il contatto con questo liquido. In caso di contatto accidentale, sciacquare con acqua. Se il liquido entra a contatto con gli occhi, consultare un medico. Il liquido che fuoriesce dalla batteria potrebbe provocare irritazioni cutanee o ustioni.



**CAUTELA! PERICOLO DI ESPLOSIONE!**  
**Non caricare mai batterie non ricaricabili.**



**Proteggere la batteria dal calore, per es. anche da irradiazione solare permanente, fuoco, acqua e umidità. Sussiste il pericolo di esplosione.**

## **Indicazioni di sicurezza ampliate**

- **Non utilizzare una batteria danneggiata o modificata.** Batterie danneggiate o modificate possono comportarsi in modo imprevisto e provocare incendio, esplosione o pericolo di lesioni.
- **Non esporre la batteria al fuoco o ad alte temperature.** Il fuoco o le temperature superiori a 130 °C (265 °F) possono provocare un'esplosione.

- Seguire tutte le indicazioni per la carica e non caricare mai la batteria o l'utensile a batteria al di fuori dell'intervallo di temperature indicato nel presente manuale di esercizio. Il caricamento errato o eseguito al di fuori dell'intervallo di temperatura ammesso può distruggere la batteria e aumentare il pericolo d'incendio.

## **Caricamento del pacco batteria (vedi fig. A)**

### **ATTENZIONE!**

- ▶ Staccare sempre la spina dalla presa di rete prima di rimuovere o inserire il pacco batteria nell'apparecchio.

**NOTA**

- ▶ Non caricare il pacco batteria se la temperatura ambiente è al di sotto di 10 °C o al di sopra di 40 °C. Se si intende conservare la batteria agli ioni di litio per un periodo prolungato, occorre controllarne periodicamente la carica. La carica ottimale è compresa tra il 50% e l'80%. L'ambiente di stoccaggio deve essere fresco e asciutto e avere una temperatura ambiente compresa fra 0 °C e 50 °C.
- ◆ Inserire il pacco batteria **1** nel caricabatteria rapido **5**.
- ◆ Inserire la spina nella presa. Il LED di controllo carica rosso **3** si accende.
- ◆ Il LED di controllo carica verde **4** segnala che il procedimento di carica è concluso e che il pacco batteria è pronto per l'uso.
- ◆ Introdurre il pacco batteria **1** nell'apparecchio.

- ◆ Tra un processo di carica e l'altro, spegnere il caricabatteria rapido **5** per almeno 15 minuti, scollegando la spina dalla presa di corrente.

## **Manutenzione e conservazione**

- Qualora non si utilizzasse la batteria per un periodo di tempo prolungato, rimuoverla dall'apparecchio e conservarla in un luogo fresco, asciutto e non esposto all'irradiazione solare diretta.
- Se si intende conservare la batteria agli ioni di litio per un periodo prolungato, occorre controllarne periodicamente la carica. La carica ottimale è compresa tra il 50% e l'80%. L'ambiente ottimale per la conservazione deve essere fresco e asciutto.
- **Non sottoporre mai a manutenzione batterie danneggiate.** La manutenzione delle batterie deve essere eseguita solo dal produttore o dal centro assistenza ai clienti autorizzato.

- Pulire il caricatore e la batteria con un panno o una spazzola asciutta. Non usare acqua o oggetti metallici.

## **Garanzia della Kompernass Handels GmbH**

Egregio Cliente,

Questo apparecchio ha una garanzia di 3 anni dalla data di acquisto. Qualora questo prodotto presentasse vizi, Le spettano diritti legali nei confronti del venditore del prodotto. La garanzia qui di seguito descritta non costituisce alcun limite a tali diritti legali.

### **Condizioni di garanzia**

Il periodo di garanzia decorre dalla data di acquisto.

Si prega di conservare bene lo scontrino di cassa.

Quest'ultimo è necessario come prova d'acquisto.

Qualora entro tre anni a partire dalla data d'acquisto del prodotto si presentasse un difetto del materiale o di fabbricazione, provvederemo a nostra discrezione



a riparare o a sostituire gratuitamente il prodotto oppure a rimborsare il prezzo d'acquisto. Questa prestazione di garanzia ha come presupposto che l'apparecchio guasto e la prova d'acquisto (scontrino di cassa) vengano presentati entro il termine di tre anni e che si descriva per iscritto in cosa consiste il difetto e quando si è evidenziato.

Se il vizio rientra nell'ambito della nostra garanzia, il Suo prodotto verrà riparato o sostituito da uno nuovo. Con la riparazione o la sostituzione del prodotto non decorre un nuovo periodo di garanzia.

I pacchi batteria della serie X 12 V e X 20 V Team hanno una garanzia di 3 anni dalla data di acquisto.

### **Periodo di garanzia e diritti legali di rivendicazione di vizi**

Il periodo di garanzia non viene prolungato da interventi in garanzia. Ciò vale anche per le parti sostituite e riparate. Danni e vizi eventualmente già presenti al momento dell'acquisto devono venire segnalati immediatamente dopo che l'apparecchio è stato disim-

ballato. Le riparazioni eseguite dopo la scadenza del periodo di garanzia sono a pagamento.

### **Ambito della garanzia**

L'apparecchio è stato prodotto con cura secondo severe direttive qualitative e debitamente collaudato prima della consegna.

La prestazione in garanzia vale per difetti del materiale o di fabbricazione. Questa garanzia non si estende a componenti del prodotto esposti a normale logorio, che possono pertanto essere considerati come componenti soggetti a usura (esempio capacità della batteria, calcificazione, lampade, pneumatici, filtri, spazzole...). La garanzia non si estende altresì a danni che si verificano su componenti delicati (esempio interruttori, parti realizzate in vetro, schermi, accessori vari) nonché danni derivanti dal trasporto o altri incidenti.

Questa garanzia decade se il prodotto è stato danneggiato oppure utilizzato o sottoposto a interventi di manutenzione in modo non conforme. Per un utilizzo

adeguato del prodotto si devono rigorosamente rispettare tutte le istruzioni esposte nel manuale di istruzioni per l'uso. Si devono assolutamente evitare modalità di utilizzo e azioni che il manuale di istruzioni per l'uso sconsiglia o da cui esso mette in guardia.

Il prodotto è destinato esclusivamente all'uso domestico e non a quello commerciale. La garanzia decade in caso di impiego improprio o manomissione, uso della forza e interventi non eseguiti dalla nostra filiale di assistenza autorizzata.

### **Il periodo di garanzia non si applica nei seguenti casi**

- normale usura della capacità della batteria
- uso commerciale del prodotto
- danneggiamento o modifica del prodotto da parte del cliente
- mancata osservanza delle prescrizioni di sicurezza e manutenzione, errori di utilizzo
- danni derivanti da eventi naturali

## Trattamento dei casi di garanzia

Per garantire una rapida evasione della Sua richiesta, La preghiamo di seguire le seguenti istruzioni:

- Tenga a portata di mano per qualsiasi richiesta lo scontrino di cassa e il codice dell'articolo (IAN) 391276\_2201 come prova di acquisto.
- Il codice dell'articolo è riportato sulla targhetta identificativa o su un'incisione presenti sul prodotto, sul frontespizio del manuale di istruzioni (in basso a sinistra) o su un adesivo applicato alla parte posteriore o inferiore del prodotto.
- Qualora si presentassero malfunzionamenti o altri tipi di vizi, contatti innanzitutto il reparto assistenza clienti qui di seguito indicato **telefonticamente** o via **e-mail**.

- Una volta che il prodotto è stato registrato come difettoso, lo può poi spedire a nostro carico, provvedendo ad allegare la prova di acquisto (scontrino di cassa), una descrizione del vizio e l'indicazione della data in cui si è presentato, all'indirizzo del servizio di assistenza clienti che Le è stato comunicato.



Sul sito [www.lidl-service.com](http://www.lidl-service.com) è possibile scaricare questo e molti altri manuali di istruzioni, filmati sui prodotti e software d'installazione.

Con questo codice QR si giunge direttamente al sito dell'assistenza clienti Lidl ([www.lidl-service.com](http://www.lidl-service.com)) e con la digitazione del codice articolo (IAN) 391276\_2201 si può aprire il manuale di istruzioni di proprio interesse.

## Assistenza

**IT Assistenza Italia**

Tel.: 800781188

E-Mail: [kompernass@lidl.it](mailto:kompernass@lidl.it)

IAN 391276\_2201

## Importatore

Badi che il seguente indirizzo non è quello del servizio di assistenza clienti. Contatti innanzitutto il servizio di assistenza clienti indicato.

KOMPERNASS HANDELS GMBH

BURGSTRASSE 21

44867 BOCHUM

GERMANIA

[www.kompernass.com](http://www.kompernass.com)

## Smaltimento



**Non smaltire gli elettrodomestici assieme ai normali rifiuti domestici!**

Il simbolo del bidone dei rifiuti barrato, raffigurato lateralmente, indica che l'apparecchio è soggetto alla Direttiva 2012/19/EU. Tale direttiva prescrive che, al termine della sua vita utile, l'apparecchio non venga smaltito assieme ai normali rifiuti domestici, bensì conferito in appositi centri di raccolta, centri di riciclaggio o aziende di smaltimento.

**Lo smaltimento è gratuito per l'utente. Rispettare l'ambiente e smaltire l'apparecchio in modo conforme alle direttive pertinenti.**



Per lo smaltimento del prodotto una volta che ha terminato la sua funzione, informarsi presso l'amministrazione comunale.

**Li-ion**

## **Non smaltire le batterie assieme ai normali rifiuti domestici!**

Le batterie difettose o esauste devono essere riciclate in base alla direttiva 2006/66/EC. Le pile/batterie vanno trattate come rifiuti speciali e devono essere smaltite nel rispetto dell'ambiente attraverso i punti di raccolta competenti (rivenditori, negozi specializzati, enti pubblici comunali, aziende di smaltimento professionali). Le pile/batterie possono contenere metalli pesanti tossici.

Pertanto non smaltire le pile/batterie assieme ai normali rifiuti domestici, bensì conferirle ad una raccolta differenziata. Restituire le pile/batterie solo se scariche.



L'imballaggio è costituito da materiali ecocompatibili che possono essere smaltiti tramite gli appositi centri di raccolta e riciclaggio.





Smaltire l'imballaggio conformemente alle norme di tutela ambientale. Tenere conto dei codici presenti sui vari materiali di imballaggio ed eventualmente separare i materiali effettuando una raccolta differenziata.

I materiali di imballaggio presentano codici costituiti da abbreviazioni (a) e numeri (b) con il seguente significato: 1-7: materie plastiche, 20-22: carta e cartone, 80-98: materiali compositi.



Il prodotto e l'imballaggio sono riciclabili, sono soggetti ad una responsabilità estesa del produttore e vengono raccolti in maniera differenziata.

## **Dichiarazione di conformità originale**

La Società KOMPERNASS HANDELS GMBH, responsabile della documentazione: Signor Semi Uguzlu, BURGSTR. 21, 44867 BOCHUM, GERMANIA, dichiara con la presente che questo prodotto è conforme alle seguenti norme, documenti normativi e Direttive CE:

**Direttiva RoHS (2011/65/EU)\*, (2015/863/EU)**

\* Il produttore è il responsabile esclusivo del rilascio di questa dichiarazione di conformità. L'oggetto della dichiarazione sopra descritto soddisfa le prescrizioni della Direttiva 2011/65/EU del Parlamento Europeo e del Consiglio Europeo dell'8 giugno 2011 sulla restrizione dell'uso di determinate sostanze pericolose nelle apparecchiature elettriche ed elettroniche.

**Norme armonizzate utilizzate**

EN 55014-1:2017/A11:2020

EN 55014-2:1997/A2:2008

EN IEC 55014-1:2021

EN IEC 55014-2:2021

EN 61000-3-2:2014

EN 61000-3-3:2013

EN 61000-3-3:2013/A1:2019

EN IEC 61000-3-2:2019/A1:2021

IEC 62133-2:2017

IEC 62133-2:2017/AMD1:2021

EN IEC 63000:2018

EN 62841-1:2015 Annex K

**Tipo/denominazione dell'apparecchio**

Batteria da 12 V, 2,5 Ah PAK 12 C1

**Anno di produzione: 06-2022**

**Numero di serie: IAN 391276\_2201**

Bochum, 22/04/2022



Semi Uguzlu

- Responsabile qualità -

Con riserva di modifiche tecniche volte al miglioramento del prodotto.

## Ordine di una batteria di ricambio



Se si desidera ordinare una batteria di ricambio per il proprio apparecchio, lo si può fare comodamente via Internet sul sito [www.kompernass.com](http://www.kompernass.com) o telefonicamente.

Dato che le scorte sono limitate, questo articolo potrebbe esaurirsi entro breve tempo.

### **NOTA**

- In alcuni Paesi non è possibile ordinare online i pezzi di ricambio. In questo caso, contattare la linea diretta di assistenza.

---

## **Ordinazione telefonica**

**IT Assistenza Italia** Tel.: 800781188

Per garantire un'evasione rapida dell'ordine, tenere a portata di mano il codice dell'articolo (IAN 391276\_2201) dell'apparecchio. Il codice dell'articolo è indicato sulla targhetta modello nonché sulla pagina di copertina del presente manuale.



# Tartalomjegyzék

**Bevezető . . . . .277**

Rendeltetésszerű használat . . . . . 277

Felszereltség . . . . . 278

A csomag tartalma . . . . . 278

Műszaki adatok . . . . . 279

**Általános biztonsági utasítások . . . . .281**

További biztonsági utasítások . . . . . 283

**Az akkumulátor-telep töltése  
(lásd A ábra) . . . . .284****Karbantartás és tárolás . . . . .286****A Kompernass Handels GmbH  
garanciája . . . . .287****Szerviz . . . . .292****Gyártja . . . . .292**



---

**Ártalmatlanítás . . . . .293****Eredeti megfelelőségi nyilatkozat . . .296****Pótakkumulátor rendelése . . . . .299**

Telefonos rendelés . . . . . 300

## Bevezető

Gratulálunk új terméke megvásárlásához. Vásárlásával kiváló minőségű termék mellett döntött. A használati útmutató a termék része. Fontos tudnivalókat tartalmaz a biztonságra, a használatra és az ártalmatlanításra vonatkozóan. A termék használata előtt ismerkedjen meg valamennyi használati és biztonsági utasítással. A terméket csak a leírtak szerint és a megadott célokra használja. A termék harmadik személynek történő továbbadása esetén adja át a készülékhez tartozó valamennyi leírást is.

## Rendeltetészerű használat

Ez az akkumulátor alkalmas:



Ez az akkumulátor nem alkalmas ipari használatra. A készülék minden más használata vagy módosítása nem rendeltetészerűnek minősül és jelentős baleset-

veszélyt okozhat. A nem rendeltetésszerű használatból eredő károkért a gyártó nem vállal felelősséget.

## Felszereltség

- 1 akkumulátor-telep
- 2 kireteszelő gombok
- 3 piros töltésjelző LED
- 4 zöld töltésjelző LED
- 5 gyorsöltő (a csomag nem tartalmazza)

## A csomag tartalma

- 1 12 V akku, 2,5 Ah
- 1 használati útmutató

## Műszaki adatok

### PAPK 12 C1

Típus	LÍTIUM-ION
Névleges feszültség	12 V $\text{---}$ (egyenáram)
Kapacitás	2500 mAh
Cellaszám	3

**Az akkumulátor-telep töltéséhez csak az X12V Team termékcsalád gyorstöltőit használja:**



(a csomag nem tartalmazza).

### Akkumulátor-gyorstöltő PLGK 12 A1

#### BEMENET/Input

Névleges áramerősség	220-240 V $\sim$ , 50-60 Hz (váltóáram)
Névleges teljesítményfelvétel	50 W
Biztosíték (belső)	2 A $\text{---}^{\text{T2A}}$

**KIMENET/Output**

Névleges feszültség	12 V $\text{---}$ (egyenáram)
Névleges áramerősség	2400 mA
Töltési idő	kb. 80 perc
Védelmi osztály	II/ $\square$ (dupla szigetelés)

** FIGYELEM!**

- ▶ Ez a töltő csak az alábbi akkumulátorokkal használható: PAK 12 A1/PAPK 12 A2/PAPK 12 A3/PAPK 12 B1/PAPK 12 C1/PAPK 12 D1.
- ▶ A kompatibilis akkumulátorok aktuális listája a [www.lidl.de/akku](http://www.lidl.de/akku) oldalon található.



## Általános biztonsági utasítások

### **⚠ FIGYELMEZTETÉS!**

■ Olvassa el az összes biztonsági előírást és utasítást. A biztonsági előírások és utasítások figyelmen kívül hagyása áramütést, tüzet és/vagy súlyos sérüléseket okozhat. **Őrizze meg az összes biztonsági előírást és utasítást későbbi használatra.**

- a) Az akkumulátort csak a gyártó által ajánlott töltővel töltsse. Olyan töltő esetén, amely egy bizonyos típusú akkumulátor töltésére alkalmas, tűzveszély áll fenn, ha másfajta akkumulátorral használják.
- b) Csak az elektromos kéziszerszámba való akkumulátort használja. Más akkumulátorok használata sérülést okozhat és tűzveszélyes.

- c) A nem használt akkumulátort tartsa megfelelő távolságban gémkapcsoktól, érméktől, kulcsoktól, szögektől, csavaroktól vagy más apró fémtárgyaktól, amelyek rövidzárlatot okozhatnak. Az akkumulátor érintkezői közötti rövidzárlat égési sérülést vagy tüzet okozhat.
- d) Helytelen alkalmazás esetén folyadék szivároghat ki az akkumulátorból. Ne érjen hozzá. Ha véletlenül mégis hozzáér, öblítse le vízzel. Ha a folyadék szembe kerül, forduljon orvoshoz. A kiszivárgó akkumulátor-folyadék bőrirritációt vagy égési sérülést okozhat.

**VIGYÁZAT! ROBBANÁSVESZÉLY!**

Soha ne töltsön fel nem tölthető elemeket.



**Védje az akkumulátort**

**hősegtől, például tartós napsütéstől, tűztől, víztől és nedvességtől. Robbanásveszély fenyeget.**

## **További biztonsági utasítások**

- **Ne használjon sérült vagy módosított akkumulátort.** A sérült vagy módosított akkumulátorok kiszámíthatatlanul viselkedhetnek és tüzet, robbanást vagy sérülést okozhatnak.
- **Ne tegye ki az akkumulátort tűznek vagy magas hőmérsékletnek.** Tűz vagy 130 °C (265 °F) feletti hőmérséklet robbanást okozhat.
- **Kövesse a töltésre vonatkozó utasításokat és soha ne töltse az akkumulátort és az akkumulátoros kéziszerszámot a használati útmutatóban megadott hőmérséklet-tartományon kívül.**  
A helytelen töltés és a megengedett hőmérséklet-tartományon kívüli töltés tönkre teheti az akkumulátort és növeli a tűzveszélyt.



## Az akkumulátor-telep töltése (lásd A ábra)

### **VIGYÁZAT!**

- ▶ Mindig húzza ki a hálózati csatlakozódugót, mielőtt az akkumulátor-telepet kiveszi a töltőből, illetve behelyezi.

### **TUDNIVALÓ**

- ▶ Soha ne töltse az akkumulátor-telepet akkor, ha a környezeti hőmérséklet  $10\text{ °C}$  alatt vagy  $40\text{ °C}$  felett van. A lítium-ion akkumulátor hosszabb tárolása esetén rendszeresen ellenőrizni kell az akkumulátor töltöttségét. Az optimális töltöttségi állapot  $50\%$  és  $80\%$  között van. Hűvös, száraz helyen,  $0\text{ °C}$  és  $50\text{ °C}$  közötti környezeti hőmérsékleten kell tárolni.

- ◆ Helyezze be az akkumulátor-telepet **1** a gyors-töltőbe **5**.
- ◆ Csatlakoztassa a hálózati csatlakozódugót a csatlakozóaljzatba. A töltésjelző LED **3** pirosan világít.
- ◆ A zöld töltésjelző LED **4** jelzi, hogy a töltési folyamat lezárult és az akkumulátor-telep üzemkész.
- ◆ Helyezze be az akkumulátor-telepet **1** a készülékbe.
- ◆ Az egymást követő töltési műveletek között legalább 15 percre kapcsolja ki a gyors-töltőt **5**. Ehhez húzza ki a hálózati csatlakozódugót.

## Karbantartás és tárolás

- Ha hosszabb ideig nem használja az akkumulátort, akkor vegye ki a készülékből és tárolja tiszta, száraz helyen, ahol nem éri közvetlen napsugárzás.
- A lítium-ion akkumulátor hosszabb tárolása esetén rendszeresen ellenőrizni kell az akkumulátor töltöttségét. Az optimális töltöttségi állapot 50% és 80% között van. Az optimális tárolási környezet hűvös és száraz.
- **Soha ne végezzen karbantartást sérült akkumulátorokon.**  
Az akkumulátorok karbantartását csak a gyártó vagy hivatalos vevőszolgálatok végezhetik.
- Tisztítsa meg a töltőt és az akkumulátort száraz ruhával vagy kefével. Ne használjon vizet vagy fémtárgyakat.

## **A Kompernass Handels GmbH garanciája**

Tisztelt Vásárlónk!

A készülékre a vásárlás napjától számított 3 év garanciát vállalunk. A termék meghibásodása esetén. Önt jogszabályban foglalt jogok illetik meg az eladóval szemben. Az alábbi garanciánk nem korlátozza vagy szünteti meg a jogszabályban biztosított jogokat.

### **Garanciális feltételek**

A garanciális időszak a vásárlás napján kezdődik. Gondosan őrizze meg a nyugtát. Ez a vásárlás igazolásához szükséges.

Ha a termékvásárlás napjától számított három éven belül anyag- vagy gyártási hibát észlel, akkor a terméket saját belátásunk szerint ingyen megjavítjuk, kicseréljük vagy visszafizetjük az árát. A garancia feltétele a hibás készülék és a vásárlást igazoló bi-

zonylat (pénztári blokk) három éves garanciaidőn belüli bemutatása, valamint a hiba lényegének és megjelenése idejének rövideírása.

Ha garanciánk fedezetet nyújt a hibára, akkor javított vagy egy új terméket kap vissza. A termék javítása vagy cseréje esetén a garancia nem kezdődik előlről.

Az X 12 V és X 20 V Team termékcsalád akkumulátor-telepeire a vásárlás napjától számított 3 év garanciát vállalunk.

### **Garanciális idő és a jogszabályban foglalt szavatossági igények**

A garancia ideje nem hosszabbodik meg a jótállással. Ez a cserélt és javított alkatrészekre is vonatkozik. Az esetlegesen már a vásárláskor is fennálló sérüléseket és hiányosságokat a kicsomagolás után azonnal jelezni kell. A garanciai lejártá után esedékes javítások díjkötelesek.

## **A garancia köre**

A készüléket szigorú minőségi előírások szerint gyártottuk és kiszállítás előtt lelkiismeretesen ellenőriztük.

A garancia anyag- vagy gyártási hibákra vonatkozik. A garancia nem terjed ki a termék normális elhasználódásnak kitett és ezért kopó alkatrészeknek tekinthető alkatrészeire vagy a törékeny alkatrészek – mint például kapcsolók vagy üvegből készült alkatrészek – sérüléseire.

A garancia megszűnik akkor, ha a termék megsérül, nem megfelelően használják vagy nem tartják karban. A termék megfelelő használata érdekében a használati útmutatóban foglalt összes utasítást pontosan be kell tartani. Feltétlenül kerülni kell minden olyan felhasználási és kezelési módot, amit a használati útmutató nem javasol, vagy amelynek elkerülésére kifejezetten figyelmeztet.

A termék csak magánhasználatra és nem ipari használatra készült. A garancia érvényét veszti visszaélésszerű vagy szakszerűtlen kezelés, erőszak alkal-

mazása vagy olyan beavatkozások esetén, amelyeket általunk nem engedélyezett szervizben végeztek el.

### **A garanciális idő nem érvényes**

- az akkumulátor-kapacitás normális elhasználódása esetén
- a termék ipari használata esetén
- ha az ügyfél megrongálja vagy megváltoztatja a terméket
- ha nem tartja be a biztonsági vagy karbantartási előírásokat, kezelési hiba esetén
- természeti események által okozott sérülések esetén

### **A garancia érvényesítése**

Ügyének gyors feldolgozása érdekében kövesse a következő utasításokat:

- Kérjük, hogy minden kapcsolatfelvételnél tartsa készenlétben a vásárlást igazoló pénztári blokkot és a cikkszámot (IAN) 391276\_2201.

- A cikkszám a termék adattábláján, a termékre gravírozva, a használati útmutató címlapján (balra lent) vagy a termék hátoldalán vagy alján lévő címkén található.
- Működési hiba vagy más hiba észlelése esetén vegye fel a kapcsolatot az alábbi szervizrészleggel **telefonon** vagy **e-mailben**.
- Küldje el díjmentesen a megadott szerviz címére a hibásnak talált terméket és a vásárlást igazoló bizonylatot (pénztári blokk), illetve röviden írja le azt is, hogy hol és mikor jelentkezett a hiba.



Más használati útmutatókhoz, termék-bemutató videókhoz és a telepítési szoftverekhez hasonlóan ezt is letöltheti a [www.lidl-service.com](http://www.lidl-service.com) oldalról.

Ezzel a QR-kóddal közvetlenül a Lidl ügyfélszolgálati oldalra kerülnek ([www.lidl-service.com](http://www.lidl-service.com)) és a cikkszám megadásával (IAN) 391276\_2201 megnyithatja a használati útmutatót.



## Szerviz

**HU Szerviz Magyarország**

Tel.: 06800 21225

E-Mail: [kompernass@lidl.hu](mailto:kompernass@lidl.hu)

IAN 391276\_2201

## Gyártja

Ügyeljen arra, hogy az alábbi cím nem a szerviz címe. Először forduljon a megjelölt szervizhez.

KOMPERNASS HANDELS GMBH

BURGSTRASSE 21

44867 BOCHUM

NÉMETORSZÁG

[www.kompernass.com](http://www.kompernass.com)

## Ártalmatlanítás



**Ne dobjon elektromos kéziszerszámot a háztartási hulladékba!**

Az áthúzott kerekes szeméttároló itt látható szimbóluma azt jelzi, hogy ez a készülék a 2012/19/EU irányelv hatálya alá tartozik. Ez az irányelv azt mondja ki, hogy a készüléket életciklusa végén nem szabad a szokásos háztartási hulladékkal ártalmatlanítani, hanem külön létrehozott gyűjtőhelyen, újrahasznosító központokban vagy hulladékkezelő üzemben kell leadni. **Ez az ártalmatlanítás az Ön számára díjtalan. Kímélje a környezetet és ártalmatlanítson szakszerűen.**



Az elhasználódott termék ártalmatlanításának lehetőségeiről tájékozódjon települése vagy városa önkormányzatánál.

**Li-ion**

## **Ne dobjon akkumulátort a háztartási hulladékba!**

A hibás vagy elhasználódott akkumulátorokat a 2006/66/EC irányelv szerint újra kell hasznosítani. Az akkumulátorokat/elemeket veszélyes hulladékként kell kezelni és ezért megfelelő helyeken (kereskedők, szakkereskedők, önkormányzati létesítmények, ipari hulladékkezelő vállalatok) környezetbarát módon kell ártalmatlanítani. Az elemek/akkumulátorok mérgező nehézfémeket tartalmazhatnak.

Ezért ne dobja az elemeket/akkumulátorokat a háztartási hulladékba, hanem vigye el külön gyűjtőhelyre. Az elemeket/akkumulátorokat csak lemerült állapotban adja le.



A csomagolás környezetbarát anyagokból készült, amit a helyi hulladékhasznosítónál adhat le ártalmatlanításra.



Ártalmatlanítsa a csomagolást környezetbarát módon. Vegye figyelembe a különböző csomagolóanyagokon lévő jelzéseket és adott esetben válassza külön azokat. A csomagolóanyagok rövidítésekkel (a) és számjegyekkel (b) vannak megjelölve, az alábbi jelentéssel: 1-7: műanyag, 20-22: papír és karton, 80-98: kompozit anyagok.

**FR**

A termék és a csomagolás újrahasznosítható, a gyártó kiterjesztett felelőssége alá tartozik, és szelektív hulladékgyűjtéssel gyűjtik.

## Eredeti megfelelőségi nyilatkozat

Mi, a KOMPERNASS HANDELS GMBH, dokumentációért felelős személy: Semi Uguzlu, BURGSTR. 21, 44867 BOCHUM, NÉMETORSZÁG, ezennel kijelentjük, hogy ez a termék megfelel az alábbi szabványoknak, normatív dokumentumoknak és EK-irányelveknek:

**RoHS irányelv** (2011/65/EU)\*, (2015/863/EU)

\* A megfelelőségi nyilatkozat kiállításáért kizárólag a gyártó felel. A nyilatkozat fenti tárgya megfelel az Európa Parlament és Tanács 2011. június 8-i, egyes veszélyes anyagok elektromos és elektronikus berendezésekben való alkalmazásának korlátozásáról szóló 2011/65/EU irányelvnek.

### Alkalmazott harmonizált szabványok

EN 55014-1:2017/A11:2020

EN 55014-2:1997/A2:2008

EN IEC 55014-1:2021

EN IEC 55014-2:2021

EN 61000-3-2:2014

EN 61000-3-3:2013

EN 61000-3-3:2013/A1:2019

EN IEC 61000-3-2:2019/A1:2021

IEC 62133-2:2017

IEC 62133-2:2017/AMD1:2021

EN IEC 63000:2018

EN 62841-1:2015 Annex K

### **Típus/Készülék megnevezése**

12 V akku, 2,5 Ah PAK 12 C1

**Gyártási év: 2022-06**

**Sorozatszám: IAN 391276\_2201**

Bochum, 2022.04.22.



Semi Uguzlu

- minőségbiztosítási vezető -

A továbbfejlesztés érdekében fenntartjuk a műszaki változtatások jogát.

## Pótakkumulátor rendelése



Készülékéhez kényelmesen rendelhet pótakkumulátort a [www.kompernass.com](http://www.kompernass.com) internetoldalon vagy telefonon.

A korlátozott raktárkészlet miatt ez a termék adott esetben rövid időn belül elfogyhat.

### **TUDNIVALÓ**

- ▶ A pótalkatrészek rendelése egyes országokban nem lehetséges interneten keresztül. Ebben az esetben forduljon szerviz-ügyfélszolgálatunkhoz.



## Telefonos rendelés

**(HU) Szerviz Magyarország** Tel.: 06800 21225

A rendelés gyors feldolgozása érdekében megkeresése során tartsa készenlétben készüléke cikkszámát (IAN 391276\_2201). A cikkszám a típusábrán vagy a jelen használati útmutató címlapján található.

# Kazalo

**Uvod .....303**

Predvidena uporaba. .... 303

Oprema ..... 304

Vsebina kompleta. .... 304

Tehnični podatki. .... 305

**Splošno varnostna navodila .....307**

Dodatna varnostna navodila ..... 309

**Polnjenje akumulatorja  
(glejte sliko A) .....310****Vzdrževanje in shranjevanje .....312****Proizvajalec .....313****Pooblaščen serviser. ....313****Garancijski list .....314**

---

**Odstranjevanje med odpadke . . . . .317**

**Izvirna izjava o skladnosti. . . . .320**

**Naročilo nadomestnih  
akumulatorjev . . . . .323**

Telefonsko naročilo. . . . . 324

## Uvod

Čestitamo vam ob nakupu novega izdelka. Odločili ste se za kakovosten izdelek. Navodila za uporabo so sestavni del tega izdelka. Vsebujejo pomembna navodila za varnost, uporabo in odlaganje izdelka med odpadke. Preden začnete izdelek uporabljati, se seznanite z vsemi navodili za uporabo in varnost. Izdelek uporabljajte le tako, kot je opisano, in samo za navedena področja uporabe. Ob predaji izdelka tretji osebi zraven priložite vso dokumentacijo.

## Predvidena uporaba

Akumulator se uporablja za:



Akumulator ni predviden za poslovno uporabo. Vsaka druga vrsta uporabe ali sprememba naprave velja za nepredvideno in povzroči bistveno nevarnost ne-

zgod. Proizvajalec ne prevzema nobene odgovornosti za škodo, nastalo zaradi nepredvidene uporabe.

## **Oprema**

- 1 akumulator
- 2 tipki za sprostitvev
- 3 rdeča lučka LED za polnjenje
- 4 zelena lučka LED za polnjenje
- 5 hitri polnilnik (ni v obsegu dobave)

## **Vsebina kompleta**

- 1 12 V polnilna baterija, 2,5 Ah.
- 1 navodila za uporabo

## Tehnični podatki

### PAPK 12 C1

Tip	LITIJ-IONSKI
Nazivna napetost	12 V $\text{---}$ (enosmerni tok)
Kapaciteta	2500 mAh
Celice	3


**Za polnjenje akumulatorja uporabljajte samo hitri polnilnik serije X12V Team:**



(ni v obsegu dobave).

### Hitri polnilnik akumulatorjev PLGK 12 A1

#### VHOD/Input

Nazivni tok	220-240 V $\sim$ , 50-60 Hz (izmenični tok)
Nazivna vhodna moč	50 W
Varovalka (notranja)	2 A 

**IZHOD/Output**

Nazivna napetost	12 V $\overline{\text{---}}$ (enosmerni tok)
Nazivni tok	2400 mA
Trajanje polnjenja	pribl. 80 min
Razred zaščite	II/□ (dvojna izolacija)

**⚠ POZOR!**

- ▶ Ta polnilnik lahko polni samo naslednje baterije: PAK 12 A1/PAPK 12 A2/PAPK 12 A3/PAPK 12 B1/PAPK 12 C1/PAPK 12 D1.
- ▶ Veljaven seznam združljivih akumulatorjev najdete na [www.lidl.de/akku](http://www.lidl.de/akku).



## Splošno varnostna navodila

### **⚠ OPOZORILO!**

- **Preberite vsa varnostna navodila in navodila za uporabo.** Nedoslednost pri upoštevanju varnostnih navodil in navodil za uporabo lahko povzroči električni udar, požar in/ali hude telesne poškodbe. **Vsa varnostna navodila in navodila za uporabo shranite za prihodnjo uporabo.**
- a) **Akumulatorje vstavite samo v polnilnike, ki jih priporoča proizvajalec.** Če polnilnik, ki je namenjen za določeno vrsto akumulatorjev, uporabljate z drugimi vrstami akumulatorjev, obstaja nevarnost požara.
- b) **V električnih orodjih zato uporabljajte samo zanje predvidene akumulatorje.** Uporaba drugih akumulatorjev lahko privede do poškodb in nevarnosti požara.



- c) Akumulator, ki ga ne uporabljate, hranite stran od pisarniških sponk, kovancev, ključev, žeblicev, vijakov ali drugih manjših kovinskih predmetov, ki bi lahko povzročili premostitev kontaktov. Kratki stik med kontakti akumulatorja lahko povzroči opekline ali ogenj.
- d) Ob napačni uporabi lahko iz akumulatorja izteče tekočina. Preprečite stik s to tekočino. Ob nenamernem stiku mesto sperite z vodo. Če pride tekočina v stik z očmi, poiščite zdravniško pomoč. Iztekajoča akumulatorska tekočina lahko draži kožo ali povzroči opekline.

**POZOR! NEVARNOST EKSPLOZIJE!**

Nikoli ne polnite baterij, ki niso namenjene za polnjenje.



### **Akumulator zaščitite**

**pred vročino, na primer tudi pred dolgotrajno neposredno sončno svetlobo, ognjem, vodo in vlago.** Obstaja nevarnost eksplozije.

## **Dodatna varnostna navodila**

- **Ne uporabljajte poškodovanih ali spremenjenih akumulatorjev.** Poškodovani ali spremenjeni akumulatorji se lahko obnašajo nepredvidljivo in povzročijo ogenj, eksplozijo ali nevarnost telesnih poškodb.
- **Akumulatorjev ne izpostavljajte ognju ali previsokim temperaturam.** Ogenj ali temperature nad 130 °C (265 °F) lahko povzročijo eksplozijo.

- Upoštevajte vsa navodila za polnjenje in akumulatorja ali akumulatorskega orodja nikoli ne polnite zunaj temperaturnega območja, navedenega v navodilih za uporabo.

Napačno polnjenje ali polnjenje zunaj dovoljenega temperaturnega območja lahko uniči akumulator in poveča nevarnost požara.

## **Polnjenje akumulatorja (glejte sliko A)**

### **POZOR!**

- Preden akumulator vzamete iz polnilnika oz. ga vstavite vanj, zmeraj potegnite električni vtič iz vtičnice.

## OPOMBA

- ▶ Akumulatorja nikoli ne polnite, če je temperatura okolice pod 10 °C ali nad 40 °C. Če litij-ionski akumulator hranite dlje časa, morate redno preverjati njegovo napolnjenost. Najprimernejša napolnjenost je med 50 in 80 %. Akumulator naj bo shranjen na hladnem in suhem mestu pri temperaturi okolja od 0 °C do 50 °C.
- ◆ Vtaknite akumulator **1** v hitri polnilnik **5**.
- ◆ Priključite električni vtič v vtičnico. Lučka LED za polnjenje **3** sveti rdeče.
- ◆ Zelena lučka LED za polnjenje **4** sporoča, da je postopek polnjenja zaključen in je akumulator pripravljen za uporabo.
- ◆ Vstavite akumulator **1** v napravo.
- ◆ Hitri polnilnik **5** med dvema zaporednima postopkoma polnjenja izklopite za najmanj 15 minut. V ta namen električni vtič potegnite iz vtičnice.

## Vzdrževanje in shranjevanje

- Če akumulatorja dlje časa ne uporabljate, ga odstranite iz naprave in hranite na čistem, suhem mestu brez neposredne sončne svetlobe.
- Če litij-ionski akumulator hranite dlje časa, morate redno preverjati njegovo napolnjenost. Najprimernejša napolnjenost je med 50 in 80 %. Akumulatorje je najbolje hraniti na hladnem in suhem.
- **Poškodovanih akumulatorjev nikoli ne vzdržujte.** Vsakršno vzdrževanje akumulatorjev naj izvajajo izključno proizvajalec ali pooblaščen servisna služba.
- Polnilnik in baterijo očistite s suho krpo ali krtačo. Ne uporabljajte vode ali kovinskih predmetov.

## **Proizvajalec**

KOMPERNASS HANDELS GMBH

BURGSTRASSE 21

44867 BOCHUM

NEMČIJA

[www.kompernass.com](http://www.kompernass.com)

## **Pooblaščeni serviser**

**SI Servis Slovenija**

Tel.: 080 080 917

E-Mail: [kompernass@lidl.si](mailto:kompernass@lidl.si)

IAN 391276\_2201

## Garancijski list

1. S tem garancijskim listom Kompernass Handels GmbH jamčimo, da bo izdelek v garancijskem roku ob normalni in pravilni uporabi brezhibno deloval in se zavezujemo, da bomo ob izpolnitih spodaj navedenih pogojih odpravili morebitne pomanjkljivosti in okvare zaradi napak v materialu ali izdelavi oziroma po svoji presoji izdelek zamenjali ali vrnil kupnino.
2. Garancija je veljavna na ozemlju Republike Slovenije.
3. Garancijski rok za proizvod je 3 leta od datuma izročitve blaga. Datum izročitve blaga je razviden iz računa.
4. Kupec je dolžan okvaro javiti pooblaščenemu servisu oziroma se informirati o nadaljnjih postopkih na zgoraj navedeni telefonski številki. Svetujemo vam, da pred tem natančno preberete navodila o sestavi in uporabi izdelka.

5. Kupec je dolžan pooblaščenemu servisu predložiti garancijski list in račun, kot potrdilo in dokazilo o nakupu ter dnevu izročitve blaga.
6. V primeru, da proizvod popravlja nepooblaščen servis ali oseba, kupec ne more uveljavljati zahtevkov iz te garancije.
7. Vzroki za okvaro oziroma nedelovanje izdelka morajo biti lastnosti stvari same in ne vzroki, ki so zunaj proizvajalčeve oziroma prodajalčeve sfere. Kupec ne more uveljavljati zahtevkov iz te garancije, če se ni držal priloženih navodil za sestavo in uporabo izdelka ali če je izdelek kakorkoli spremenjen ali nepravilno vzdrževan.
8. Jamčimo servis in rezervne dele še 3 leta po preteku garancijskega roka.
9. Obrabni deli oz. potrošni material so izvzeti iz garancije.
10. Vsi potrebni podatki za uveljavljanje garancije se nahajajo na dveh ločenih dokumentih (garancijski list, račun).



11. Ta garancija proizvajalca ne izključuje pravic potrošnika, ki izhajajo iz odgovornosti prodajalca za napake na blagu.

### **Garancijska doba ne velja pri**

- normalnem zmanjšanju kapacitete akumulatorja,
- poslovni rabi izdelka,
- poškodbi ali spremembi izdelka s strani stranke,
- neupoštevanju predpisov o varnosti in vzdrževanju, napačne uporabe,
- poškodbah zaradi naravnih nesreč.

Za akumulatorje serij X 12 V in X 20 V Team serije dobite tri leta garancije od datuma nakupa.

### **Prodajalec:**

Lidl Slovenija d.o.o. k.d., Pod lipami 1,  
SI-1218 Komenda

## Odstranjevanje med odpadke



**Električnih orodij ne zavržite med gospodinjske odpadke!**

Ta simbol prečrtanega smetnjaka na kolesih pomeni, da za to napravo velja Direktiva 2012/19/EU. Ta direktiva predpisuje, da naprave po koncu uporabe ni dovoljeno zavreči med običajne gospodinjske odpadke, ampak jo morate oddati na posebnih zbirališčih ali deponijah za odpadke ali pri podjetjih za odstranjevanje odpadkov.

**To odstranjevanje med odpadke je za vas brezplačno. Varujte svoje okolje in odpadke ustrezno odstranjajte.**



○ možnostih za odstranitev odsluženega izdelka vprašajte pri svoji občinski ali mestni upravi.

**Li-ion**

## **Akumulatorjev ne odvrzite med gospodinjske odpadke!**

Okvarjene ali izpraznjene akumulatorje je treba v skladu z Direktivo 2006/66/EC reciklirati. Baterije/akumulatorje je treba obravnavati kot posebne odpadke in jih je treba oddati na ustreznih mestih (v trgovini ali specializirani trgovini ali pri javnih komunalnih službah ali podjetjih za odstranjevanje odpadkov) za okoljsko ustrezno odstranitev. Baterije/akumulatorji lahko vsebujejo strupene težke kovine.

Zato baterij/akumulatorjev ne zavržite med gospodinjske odpadke, ampak jih oddajte na ustreznem zbirališču. Baterije/akumulatorje oddajajte samo izpraznjene.



Embalaža je iz okolju prijaznih materialov. Odvržete jo lahko v lokalne smetnjake za reciklažne materiale.



Embalažo odložite med odpadke na okoljsko primeren način. Upoštevajte oznake na različnih embalažnih materialih in jih po potrebi ločite med seboj.

Embalažni materiali so označeni s kraticami (a) in številkami (b) z naslednjim pomenom: 1–7: umetne snovi, 20–22: papir in karton, 80–98: kompozitni materiali.



Izdelek in embalažo je mogoče reciklirati, sta podvržena razširjeni odgovornosti proizvajalca in se zbirata ločeno.

## Izvirna izjava o skladnosti

Mi, podjetje KOMPERNASS HANDELS GMBH in odgovorna oseba za dokumentacijo: gospod Semi Uguzlu, BURGSTR. 21, 44867 BOCHUM, NEMČIJA, izjavljamo, da je ta izdelek skladen z naslednjimi standardi, normativnimi dokumenti in direktivami ES:

### Direktiva o omejevanju uporabe nevarnih snovi

(2011/65/EU)\*

(2015/863/EU)

\* Za izdajo te izjave o skladnosti je odgovoren izključno proizvajalec. Zgoraj opisani predmet izjave izpolnjuje predpise Direktive 2011/65/EU Evropskega parlamenta in Sveta z dne 8. junija 2011 o omejevanju uporabe nekaterih nevarnih snovi v električni in elektronski opremi.

---

**Uporabljeni harmonizirani standardi**

EN 55014-1:2017/A11:2020

EN 55014-2:1997/A2:2008

EN IEC 55014-1:2021

EN IEC 55014-2:2021

EN 61000-3-2:2014

EN 61000-3-3:2013

EN 61000-3-3:2013/A1:2019

EN IEC 61000-3-2:2019/A1:2021

IEC 62133-2:2017

IEC 62133-2:2017/AMD1:2021

EN IEC 63000:2018

EN 62841-1:2015 Annex K

**Tip/oznaka naprave**

12 V polnilna baterija, 2,5 Ah

**Leto izdelave: 6-2022**

**Serijska številka: IAN 391276\_2201**

Bochum, 22. 4. 2022



Semi Uguzlu

- vodja kakovosti -

Pridržujemo si pravico do tehničnih sprememb  
zaradi razvoja.

## Naročilo nadomestnih akumulatorjev



Če želite naročiti nadomestni akumulator za svojo napravo, lahko to udobno izvedete na internetu na naslovu [www.kompernass.com](http://www.kompernass.com) ali po telefonu.

Ta izdelek bo zaradi omejene zaloge morda v kratkem času razprodan.

### **OPOMBA**

- ▶ V nekaterih državah spletno naročanje nadomestnih delov ni mogoče. V tem primeru pokličite servisno številko.



## Telefonsko naročilo

**SI** Servis Slovenija Tel.: 080 080 917

Za zagotavljanje hitre obdelave naročila imejte pripravljeno številko artikla (IAN 391276\_2201) za svojo napravo. Številko artikla najdete na tipski tablici ali na naslovnici teh navodil.



## KOMPERNASS HANDELS GMBH

BURGSTRASSE 21

44867 BOCHUM

GERMANY

[www.kompernass.com](http://www.kompernass.com)

Last Information Update · Stand der Informationen · Version des informations · Stand van de informatie · Stav informací · Stan informáci  
Stav informácií · Estado de las informaciones · Tilstand af information  
Versione delle informazioni · Információk állása · Stanje informacij:

04 / 2022 · Ident.-No.: PPK12C1-042022-1

IAN 391276\_2201