

SILVERCREST®



POPCORN MAKER / POPCORN-MAKER APPAREIL À POP-CORN SPCM 1200 C1

(GB) (IE)

POPCORN MAKER

Operating instructions

(FR) (BE)

APPAREIL À POP-CORN

Mode d'emploi

(CZ)

POPCORNOVAČ

Návod k obsluze

(SK)

PRÍSTROJ NA PRÍPRAVU PUKANCOV

Návod na obsluhu

(DK)

POPCORN-MAKER

Bedjeningsvejledning

(DE) (AT) (CH)

POPCORN-MAKER

Bedienungsanleitung

(NL) (BE)

POPCORNMAKER

Gebruiksaanwijzing

(PL)

URZĄDZENIE DO

PRZYGOTOWYWANIA POPCORN

Instrukcja obsługi

(ES)

PALOMITERO

Instrucciones de uso

IAN 373188_2104

(DE) (BE) (NL)
(CZ) (PL) (SK)



GB IE

Before reading, unfold the page containing the illustrations and familiarise yourself with all functions of the device.

DE AT CH

Klappen Sie vor dem Lesen die Seite mit den Abbildungen aus und machen Sie sich anschließend mit allen Funktionen des Gerätes vertraut.

FR BE

Avant de lire le mode d'emploi, ouvrez la page contenant les illustrations et familiarisez-vous ensuite avec toutes les fonctions de l'appareil.

NL BE

Vouw vóór het lezen de pagina met de afbeeldingen open en maak u vertrouwd met alle functies van het apparaat.

CZ

Před čtením si otevřete stranu s obrázky a potom se seznamte se všemi funkcemi přístroje.

PL

Przed przeczytaniem proszę rozłożyć stronę z ilustracjami, a następnie proszę zapoznać się z wszystkimi funkcjami urządzenia.

SK

Pred čítaním si odklopte stranu s obrázkami a potom sa oboznámte so všetkými funkciami prístroja.

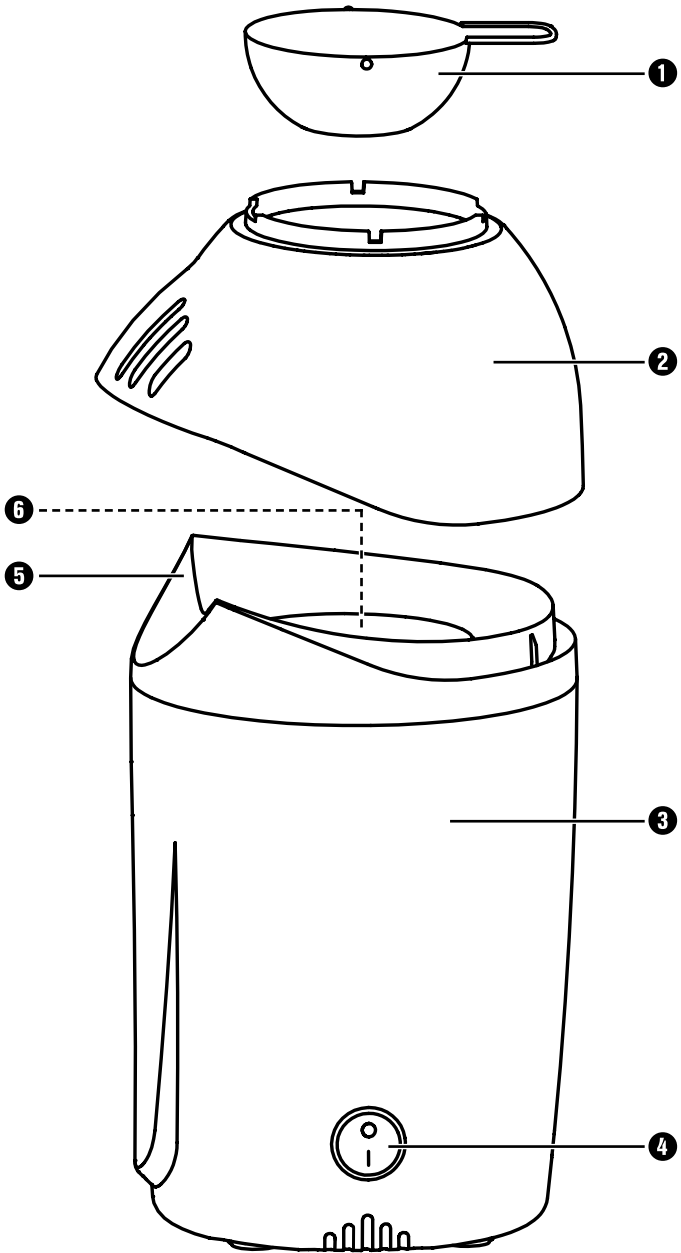
ES

Antes de empezar a leer abra la página que contiene las imágenes y, en seguida, familiarícese con todas las funciones del dispositivo.

DK

Før du læser, vend siden med billeder frem og bliv bekendt med alle apparatets funktioner.

GB/IE	Operating instructions	Page	1
DE/AT/CH	Bedienungsanleitung	Seite	15
FR/BE	Mode d'emploi	Page	29
NL/BE	Gebruiksaanwijzing	Pagina	47
CZ	Návod k obsluze	Strana	61
PL	Instrukcja obsługi	Strona	73
SK	Návod na obsluhu	Strana	87
ES	Instrucciones de uso	Página	99
DK	Betjeningsvejledning	Side	113



Contents

Introduction	2
Proper use	2
Package contents	3
Unpacking	3
Appliance description	3
Safety instructions	4
Setting up	7
Use	8
Making popcorn	8
Sweetening/salting popcorn	9
Overheating protection	9
Cleaning	10
Storage	11
Troubleshooting	11
Disposal	12
Disposal of the appliance	12
Disposal of packaging	12
Appendix	12
Technical data	12
Kompernass Handels GmbH warranty	13
Service	14
Importer	14

Introduction

Congratulations on the purchase of your new appliance!

You have chosen a modern, high-quality product. These operating instructions are part of the product. They contain important information about safety, usage and disposal. Before using the product, please familiarise yourself with all operating and safety instructions. This appliance may only be used as described and for the purposes indicated. Please pass all product documentation on to any future owner.

Proper use

This appliance is intended exclusively for the production of popcorn with dry popcorn corn in private households. Not for commercial use.

Use the appliance only in dry indoor areas: do not use it outdoors.

WARNING

Danger if not used as intended!

The appliance can be hazardous if used for any other purpose and/or in any other manner than the one intended.

- ▶ Use the appliance only for its intended purpose.
- ▶ Observe the procedures described in these operating instructions.

Package contents

The appliance is supplied with the following components as standard:

- Popcorn maker
- Lid
- Measuring spoon
- Operating instructions

Unpacking

- ◆ Remove all parts of the appliance and the operating instructions from the box.
- ◆ Remove all packaging materials and any stickers from the appliance.

NOTE


- ▶ Check the package for completeness and signs of visible damage.
- ▶ If the delivery is incomplete or damage has occurred as a result of defective packaging or during transport, contact the service hotline (see section **Service**).

Appliance description

- ❶ Measuring spoon
- ❷ Lid
- ❸ Motor unit
- ❹ On/Off switch
- ❺ Ejection opening
- ❻ Popcorn chamber

Safety instructions

WARNING! RISK OF ELECTRIC SHOCK!

- ▶ Before using the appliance, check whether the mains voltage corresponds to the voltage given on the type/rating plate.
- ▶ Route the power cable in such a way that it cannot become trapped or damaged in any other way.
- ▶ Use the appliance only in dry indoor areas, not outdoors.
-  Never immerse the appliance, the mains cable or the plug in water or any other liquid! This could lead to a potentially fatal electric shock!
- ▶ Always disconnect the plug from the mains power socket after use, before cleaning or before moving the appliance.
- ▶ Do not operate the appliance if it has been dropped or is damaged in any way. Have the appliance checked and/or repaired by qualified technicians if necessary.
- ▶ To avoid potential risks, damaged mains cables should be replaced by the manufacturer, their customer service department or a similarly qualified person.
- ▶ Never open the appliance housing. This can lead to risks and also invalidates the warranty.
- ▶ Do not expose the appliance to rain, and never use it in a humid or wet environment.
- ▶ Ensure that the connecting cable never becomes wet or moist during operation.

⚠ WARNING! RISK OF INJURY!

- ▶ Never use the appliance for purposes other than those described in these instructions. There is a risk of injury if the appliance is misused.
- ▶ This appliance may be used by children aged 8 years or above and by persons with reduced physical, sensory or mental capabilities or lack of experience and/or knowledge if they are supervised, or have been instructed in the safe use of the appliance and have understood the potential risks.
- ▶ Cleaning and user maintenance must not be carried out by children, unless they are aged 8 or over and supervised.
- ▶ Children younger than 8 years of age must be kept away from the appliance and the power cable.
- ▶ Do not allow children to play with the appliance.
- ▶ Provide a stable location for the appliance.
- ▶ Route the mains cable in such a way that no one can tread on it or trip over it.
- ▶ Install the appliance as close as possible to an electrical power socket. Ensure that the power plug is quickly reachable in case of danger, and also that there is no danger of tripping over the cable.
- ▶ Hot steam is released during the cooking process, especially when the lid is opened. Keep a safe distance away from the steam.

**Caution! Hot surface!**

- ▶ Parts of the appliance get hot during use. Risk of burns!

⚠ WARNING! RISK OF INJURY!

- ▶ Allow the appliance to cool down before cleaning it or changing the accessories.
- ▶ The freshly cooked popcorn is hot! Always place a sufficiently large bowl under the ejection opening and allow the popcorn to cool sufficiently before eating.
- ▶ Never leave the appliance unattended while it is being used.
- ▶ Do not use the appliance near hot surfaces or flammable materials.
- ▶ Never set up the appliance close to or underneath flammable objects, especially not under curtains or suspended cupboards.

CAUTION! PROPERTY DAMAGE!

- ▶ Do not use an external timer switch or a separate remote control system to operate the appliance.
- ▶ Do not insert anything into the ventilation slits in the appliance housing and do not cover them.
- ▶ Do not allow any liquids to get into the ventilation slits in the appliance housing.
- ▶ Never leave the appliance unattended while it is being used.
- ▶ Allow the appliance to cool for 15 – 20 minutes after every use before using it again.
- ▶ Do not put any ingredients such as sugar, salt, oil, butter, etc. into the popcorn chamber, as these can damage the appliance. Add such ingredients to the finished popcorn after preparation and outside of the appliance.
- ▶ Never operate the appliance without corn grains in the popcorn chamber.

CAUTION! PROPERTY DAMAGE!


- ▶ Use only the accessories recommended by the manufacturer.
- ▶ Do not use aggressive, chemical or abrasive cleaning agents! They could irreparably damage the surface.

NOTE

- ▶ No user action is required to switch the product between 50 and 60 Hz. The product adapts automatically to either 50 or 60 Hz.

Setting up

WARNING! RISK OF INJURY!

- ▶ Never set up the appliance close to or underneath flammable objects, especially not under curtains or suspended cupboards.
- ◆ Clean the appliance before first use as described in the section **Cleaning**.
- ◆ Set up the appliance on a level, heat-resistant and non-slip surface.
- ◆ Make sure the On/Off switch  is set to "O". Plug in the appliance.

The appliance is now ready for use.

Use

Making popcorn

⚠ WARNING! RISK OF INJURY!

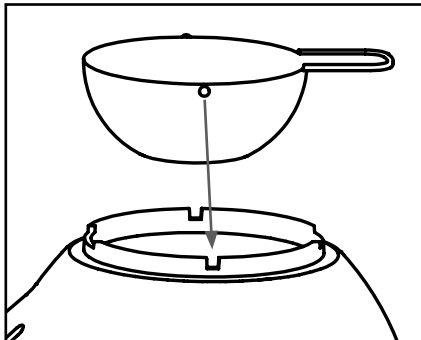
- ▶ Parts of the instrument, especially the lid **2** and the measuring spoon **1**, become very hot during operation. **Risk of burns!**

CAUTION! PROPERTY DAMAGE!

- ▶ Do not put any ingredients, such as sugar, salt, oil, butter, etc., into the popcorn chamber **6**, as these can damage the appliance. Add such ingredients to the finished popcorn after preparation and outside of the appliance.
- ▶ Never operate the appliance without corn grains in the popcorn chamber **6**.
- ▶ Allow the appliance to cool for 15–20 minutes after every use before using it again.

NOTE

- ▶ Not all corn is suitable for popcorn production. Only use popcorn corn supplied for this purpose.
- ◆ If necessary, remove the lid **2** together with the measuring spoon **1** from the appliance.
- ◆ Add a maximum of 60 g (= 1 measuring spoon **1** filled to the brim) of corn grains into the popcorn chamber **6**.
- ◆ Put the lid **2** on. Make sure that the curvature on the lid **2** lies over the notch on the rim of the appliance.
- ◆ Place the measuring spoon **1** into the upper opening in the lid **2**. The two tabs on the measuring spoon **1** must lie in the narrow notches in the lid **2**:



NOTE

- ▶ To melt butter with the appliance, follow the instructions in the section **Sweetening/salting popcorn**.
- ◆ Place a heat-resistant bowl under the ejection opening **5**. Make sure that the bowl is sufficiently high and wide to collect all of the finished popcorn.
- ◆ Set the On/Off switch **4** to "I". The appliance starts producing popcorn. After a short time, the finished popcorn is blown out of the appliance through the ejection opening **5**.
- ◆ Once all the corn has been processed, set the On/Off switch **4** to "O".
- ◆ Allow the appliance to cool for 15 - 20 minutes before using it again or cleaning.

Sweetening/salting popcorn

CAUTION! PROPERTY DAMAGE!

- ▶ Do not put any ingredients such as sugar, salt, oil, butter, etc. into the popcorn chamber **6**, as these can damage the appliance. Add such ingredients to the finished popcorn after preparation and outside of the appliance.
- ▶ Make sure that no butter runs into popcorn chamber **6** at any time!

You can use the appliance to melt butter and then add it to the finished popcorn. This works best with **room-temperature** butter. The butter ensures that the sugar or salt adheres to the popcorn.

- ◆ Add a maximum of 20 g room temperature butter to measuring spoon **1** before switching on the appliance. The butter melts during the popcorn production.

NOTE

- ▶ If the butter has not melted completely, remove the measuring spoon **1** from the lid **2** and stir the butter carefully.
- ◆ Pour the melted butter over the finished popcorn in the bowl and mix.
- ◆ Add salt or sugar to taste and mix the popcorn again.

Overheating protection

The appliance is fitted with an overheating protector! If the appliance overheats, it switches off automatically. As soon as it has cooled down sufficiently, it switches itself on again automatically.

To prevent the appliance from restarting unintentionally, switch the appliance off if it overheats. Allow the appliance to cool for 15 - 20 minutes before using it again.

Cleaning

WARNING! RISK OF ELECTRIC SHOCK

- ▶ Always remove the plug from the mains power socket before cleaning the appliance.



Never immerse the appliance, the mains cable or the plug in water or any other liquid! This could lead to a potentially fatal electric shock!

WARNING! RISK OF INJURY!

- ▶ Allow the appliance to cool fully before cleaning it.

CAUTION! PROPERTY DAMAGE!

- ▶ Do not use aggressive, chemical or abrasive cleaning agents! They could irreparably damage the surface.
- ◆ Wipe out the popcorn chamber with a dry cloth. If necessary, slightly moisten the cloth.
- ◆ Clean the motor unit **3** with a moist cloth. If necessary, apply a mild washing-up liquid to the cloth. Afterwards, wipe off with a cloth moistened only with water to ensure that no detergent remains on the appliance.
- ◆ Clean the lid **2** and the measuring spoon **1** in warm water with a mild detergent. Rinse off all parts afterwards with plenty of fresh water.

NOTE



The lid **2** and the measuring spoon **1** are both dishwasher-safe. Place the parts in the upper basket only and ensure that none of the parts can get stuck. Otherwise, they could become deformed!

- ◆ Dry all parts thoroughly before reusing or storing them.

Storage

- ◆ Clean the appliance as described in the section **Cleaning**.
- ◆ Store the cooled-down appliance in a clean, dust-free and dry location.

Troubleshooting

Problem	Possible cause	Possible solution
The appliance is not working.	The appliance is not connected to a mains power socket.	Connect the appliance to a mains power socket.
	The appliance is damaged.	Contact the Customer Service department.
The appliance switches off during operation.	The overheat protection has been activated.	Turn the appliance off and allow it to cool for 15 – 20 minutes.

If the malfunction cannot be corrected using one of the suggestions above, or if you have found some other kind of malfunction, please contact our Customer Service department.

Disposal

Disposal of the appliance



Never dispose of the appliance in your normal domestic waste. This product is subject to the provisions of European Directive 2012/19/EU.

Dispose of the appliance via an approved disposal company or your municipal waste facility. Please comply with all applicable regulations. Please contact your waste disposal facility if you are in any doubt.



Your local community or municipal authorities can provide information on how to dispose of the worn-out product.



The product is recyclable, subject to extended producer responsibility and is collected separately.

Disposal of packaging



Returning the packaging to the material cycle conserves raw materials and reduces the amount of waste that is generated. Dispose of packaging materials that are no longer needed in accordance with applicable local regulations.



Dispose of the packaging in an environmentally friendly manner.

Note the labelling on the packaging and separate the packaging material components for disposal if necessary. The packaging material is labelled with abbreviations (a) and numbers (b) with the following meanings:

1-7: Plastics,
20-22: Paper and cardboard,
80-98: Composites.

Appendix

Technical data

Power supply	220 - 240 V ~ (alternating current), 50/60 Hz
Rated power	1200 W
	All of the parts of this appliance that come into contact with food are food-safe.

Kompernass Handels GmbH warranty

Dear Customer,

This appliance has a 3-year warranty valid from the date of purchase. If this product has any faults, you, the buyer, have certain statutory rights. Your statutory rights are not restricted in any way by the warranty described below.

Warranty conditions

The warranty period starts on the date of purchase. Please keep your receipt in a safe place. This will be required as proof of purchase.

If any material or manufacturing fault occurs within three years of the date of purchase of the product, we will either repair or replace the product for you or refund the purchase price (at our discretion). This warranty service requires that you present the defective appliance and the proof of purchase (receipt) within the three-year warranty period, along with a brief written description of the fault and of when it occurred.

If the defect is covered by the warranty, your product will either be repaired or replaced by us. The repair or replacement of a product does not signify the beginning of a new warranty period.

Warranty period and statutory claims for defects

The warranty period is not prolonged by repairs effected under the warranty. This also applies to replaced and repaired components. Any damage and defects present at the time of purchase must be reported immediately after unpacking. Repairs carried out after expiry of the warranty period shall be subject to a fee.

Scope of the warranty

This appliance has been manufactured in accordance with strict quality guidelines and inspected meticulously prior to delivery.

The warranty covers material faults or production faults. The warranty does not extend to product parts subject to normal wear and tear or to fragile parts which could be considered as consumable parts such as switches, batteries or parts made of glass.

The warranty does not apply if the product has been damaged, improperly used or improperly maintained. The directions in the operating instructions for the product regarding proper use of the product are to be strictly followed. Uses and actions that are discouraged in the operating instructions or which are warned against must be avoided.

This product is intended solely for private use and not for commercial purposes. The warranty shall be deemed void in cases of misuse or improper handling, use of force and modifications / repairs which have not been carried out by one of our authorised Service centres.

Warranty claim procedure

To ensure quick processing of your case, please observe the following instructions:

- Please have the till receipt and the item number (IAN) 373188_2104 available as proof of purchase.
- You will find the item number on the type plate on the product, an engraving on the product, on the front page of the operating instructions (below left) or on the sticker on the rear or bottom of the product.
- If functional or other defects occur, please contact the service department listed either by **telephone** or by **e-mail**.
- You can return a defective product to us free of charge to the service address that will be provided to you. Ensure that you enclose the proof of purchase (till receipt) and information about what the defect is and when it occurred.



You can download these instructions along with many other manuals, product videos and installation software at www.lidl-service.com.

This QR code will take you directly to the Lidl service page (www.lidl-service.com) where you can open your operating instructions by entering the item number (IAN) 373188_2104 .

Service

GB Service Great Britain

Tel.: 0800 404 7657

E-Mail: kompernass@lidl.co.uk

IE Service Ireland

Tel.: 1890 930 034

(0,08 EUR / Min., (peak))

(0,06 EUR / Min., (off peak))

E-Mail: kompernass@lidl.ie

IAN 373188_2104

Importer

Please note that the following address is not the service address. Please use the service address provided in the operating instructions.

KOMPERNASS HANDELS GMBH

BURGSTRASSE 21

44867 BOCHUM

GERMANY

www.kompernass.com

Inhaltsverzeichnis

Einleitung	16
Bestimmungsgemäße Verwendung	16
Lieferumfang	17
Auspacken	17
Gerätebeschreibung	17
Sicherheitshinweise	18
Inbetriebnahme	21
Bedienen	22
Popcorn herstellen	22
Popcorn süßen/salzen	23
Überhitzungsschutz	24
Reinigen	24
Aufbewahren	25
Fehlerbehebung	25
Entsorgen	26
Gerät entsorgen	26
Verpackung entsorgen	26
Anhang	26
Technische Daten	26
Garantie der Kompernaß Handels GmbH	27
Service	28
Importeur	28

Einleitung

Herzlichen Glückwunsch zum Kauf Ihres neuen Gerätes!

Sie haben sich damit für ein modernes und hochwertiges Produkt entschieden. Die Bedienungsanleitung ist Bestandteil dieses Produktes. Sie enthält wichtige Hinweise für Sicherheit, Gebrauch und Entsorgung. Machen Sie sich vor der Benutzung des Produkts mit allen Bedien- und Sicherheitshinweisen vertraut. Benutzen Sie dieses Produkt nur wie beschrieben und für die angegebenen Einsatzbereiche. Händigen Sie bei Weitergabe des Produkts an Dritte alle Unterlagen mit aus.

Bestimmungsgemäße Verwendung

Dieses Gerät ist ausschließlich zur Herstellung von Popcorn mit trockenem Popcornmais in privaten Haushalten vorgesehen. Benutzen Sie das Gerät nicht gewerblich.

Betreiben Sie das Gerät nur in trockenen Innenräumen, verwenden Sie es niemals im Freien.

WARNUNG

Gefahr durch nicht bestimmungsgemäße Verwendung!

Von dem Gerät können bei nicht bestimmungsgemäßer Verwendung und/oder andersartiger Nutzung Gefahren ausgehen.

- ▶ Das Gerät ausschließlich bestimmungsgemäß verwenden.
- ▶ Die in dieser Bedienungsanleitung beschriebenen Vorgehensweisen einhalten.

Lieferumfang

Das Gerät wird standardmäßig mit folgenden Komponenten geliefert:

- Popcorn-Maker
- Deckel
- Messlöffel
- Bedienungsanleitung

Auspacken

- ◆ Entnehmen Sie alle Teile des Gerätes und die Bedienungsanleitung aus dem Karton.
- ◆ Entfernen Sie sämtliches Verpackungsmaterial und eventuelle Aufkleber vom Gerät.

HINWEIS


- ▶ Prüfen Sie die Lieferung auf Vollständigkeit und auf sichtbare Schäden.
- ▶ Bei einer unvollständigen Lieferung oder Schäden infolge mangelhafter Verpackung oder durch Transport wenden Sie sich an die Service-Hotline (siehe Kapitel **Service**).

Gerätebeschreibung

- ❶ Messlöffel
- ❷ Deckel
- ❸ Motorblock
- ❹ Ein-/Ausschalter
- ❺ Auswurföffnung
- ❻ Popcornkammer

Sicherheitshinweise

WARNUNG! STROMSCHLAGGEFAHR!

- ▶ Prüfen Sie vor der Inbetriebnahme des Gerätes, ob die Netzspannung mit der auf dem Typen-/Leistungsschild angegebenen Netzspannung übereinstimmt.
- ▶ Führen Sie das Netzkabel so, dass es nicht eingeklemmt oder anderweitig beschädigt werden kann.
- ▶ Verwenden Sie das Gerät nur in trockenen Räumen, nicht im Freien.
-  Tauchen Sie das Gerät, das Netzkabel oder den Netzstecker niemals in Wasser oder andere Flüssigkeiten! Andernfalls besteht Lebensgefahr durch elektrischen Schlag!
- ▶ Ziehen Sie nach Gebrauch, zur Reinigung oder zum Bewegen des Gerätes immer den Netzstecker aus der Steckdose.
- ▶ Falls das Gerät heruntergefallen oder beschädigt ist, dürfen Sie es nicht mehr in Betrieb nehmen. Lassen Sie das Gerät von qualifiziertem Fachpersonal überprüfen und gegebenenfalls reparieren.
- ▶ Wenn die Netzanschlussleitung dieses Gerätes beschädigt wird, muss sie durch den Hersteller oder seinen Kundendienst oder eine ähnlich qualifizierte Person ersetzt werden, um Gefährdungen zu vermeiden
- ▶ Öffnen Sie niemals das Gerätegehäuse. In diesem Falle ist die Sicherheit nicht gegeben und die Gewährleistung erlischt.
- ▶ Setzen Sie das Gerät keinem Regen aus und benutzen Sie es auch niemals in feuchter oder nasser Umgebung.
- ▶ Achten Sie darauf, dass die Anschlussleitung während des Betriebs niemals nass oder feucht wird.

⚠️ WARNUNG! VERLETZUNGSGEFAHR!

- ▶ Missbrauchen Sie das Gerät nicht für andere Zwecke, als in dieser Anleitung beschrieben. Bei Missbrauch des Gerätes besteht Verletzungsgefahr.
- ▶ Dieses Gerät kann von Kindern ab 8 Jahren und darüber sowie von Personen mit reduzierten physischen, sensorischen oder mentalen Fähigkeiten oder Mangel an Erfahrung und/oder Wissen benutzt werden, wenn sie beaufsichtigt oder bezüglich des sicheren Gebrauchs des Gerätes unterwiesen wurden und die daraus resultierenden Gefahren verstanden haben.
- ▶ Die Reinigung und Benutzer-Wartung darf nicht von Kindern durchgeführt werden, es sei denn, sie sind älter als 8 Jahre und beaufsichtigt.
- ▶ Kinder jünger als 8 Jahre sind vom Gerät und der Anschlussleitung fernzuhalten.
- ▶ Kinder dürfen nicht mit dem Gerät spielen.
- ▶ Sorgen Sie für einen sicheren Stand des Gerätes.
- ▶ Verlegen Sie das Netzkabel so, dass niemand darauf treten oder darüber stolpern kann.
- ▶ Stellen Sie das Gerät möglichst in der Nähe einer Steckdose auf. Sorgen Sie dafür, dass der Netzstecker bei Gefahr schnell erreichbar ist und die Netzleitung nicht zur Stolperfalle werden kann.
- ▶ Während des Garvorgangs wird heißer Dampf freigesetzt, insbesondere, wenn Sie den Deckel öffnen. Halten Sie einen sicheren Abstand zum Dampf.

**Achtung! Heiße Oberfläche!**

- ▶ Teile des Gerätes werden während des Betriebs heiß. Verbrennungsgefahr!

⚠️ WARNUNG! VERLETZUNGSGEFAHR!

- ▶ Lassen Sie das Gerät abkühlen, bevor Sie es reinigen oder Zubehör wechseln.
- ▶ Das frische Popcorn ist heiß! Stellen Sie immer eine ausreichend große Schale unter die Auswurföffnung und lassen Sie das Popcorn vor dem Verzehr ausreichend abkühlen.
- ▶ Lassen Sie das Gerät während des Betriebs niemals unbeaufsichtigt.
- ▶ Benutzen Sie das Gerät nicht in der Nähe von heißen Oberflächen oder brennbaren Materialien.
- ▶ Stellen Sie das Gerät niemals in der Nähe von oder unter brennbaren Gegenständen ab, insbesondere nicht unter Gardinen oder Hängeschränke.

ACHTUNG! SACHSCHADEN!

- ▶ Benutzen Sie keine externe Zeitschaltuhr oder ein separates Fernwirksystem, um das Gerät zu betreiben.
- ▶ Stecken Sie nichts in die Lüftungsschlitze im Gehäuse des Gerätes und decken Sie diese nicht ab.
- ▶ Lassen Sie keine Flüssigkeit in die Lüftungsschlitze im Gehäuse des Gerätes gelangen.
- ▶ Lassen Sie das Gerät während des Betriebs niemals unbeaufsichtigt.
- ▶ Lassen Sie das Gerät nach jedem Durchgang 15–20 Minuten abkühlen, bevor Sie es wieder in Betrieb nehmen.
- ▶ Geben Sie keine Zutaten wie Zucker, Salz, Öl, Butter o. Ä. in die Popcornkammer, diese können das Gerät beschädigen. Geben Sie solche Zusätze erst nach der Zubereitung und außerhalb des Gerätes über das fertige Popcorn.

ACHTUNG! SACHSCHADEN!


- ▶ Betreiben Sie das Gerät nie ohne Maiskörner in der Popcornkammer.
- ▶ Verwenden Sie nur vom Hersteller empfohlenes Zubehör.
- ▶ Benutzen Sie keine aggressiven, chemischen oder scheuernden Reinigungsmittel! Diese können die Oberfläche irreparabel angreifen.

HINWEIS

- ▶ Es ist keine Aktion seitens der Benutzer erforderlich, um das Produkt zwischen 50 und 60 Hz umzustellen. Das Produkt passt sich sowohl für 50 als auch für 60 Hz an.

Inbetriebnahme

WARNUNG! VERLETZUNGSGEFAHR!

- ▶ Stellen Sie das Gerät niemals in der Nähe von oder unter brennbaren Gegenständen ab, insbesondere nicht unter Gardinen oder Hängeschränke.
- ◆ Reinigen Sie das Gerät vor dem ersten Gebrauch wie im Kapitel **Reinigen** beschrieben.
- ◆ Stellen Sie das Gerät auf eine ebene, hitzebeständige und rutschfeste Oberfläche.
- ◆ Vergewissern Sie sich, dass der Ein-/Ausschalter  auf „O“ steht. Stecken Sie dann den Netzstecker in eine Netzsteckdose.

Das Gerät ist betriebsbereit.

Bedienen

Popcorn herstellen

⚠️ WARNUNG! VERLETZUNGSGEFAHR!

- ▶ Teile des Gerätes, insbesondere der Deckel **2** sowie der eingesetzte Messlöffel **1**, werden während des Betriebs sehr heiß. **Verbrennungsgefahr!**

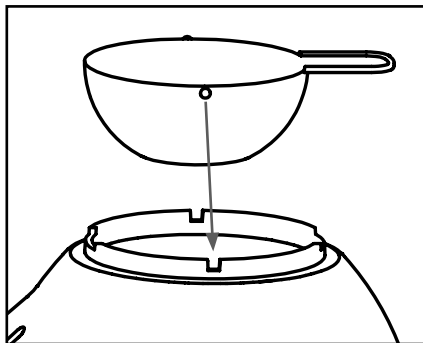
ACHTUNG! SACHSCHADEN!

- ▶ Geben Sie keine Zutaten wie Zucker, Salz, Öl, Butter o. Ä. in die Popcornkammer **6**, diese können das Gerät beschädigen. Geben Sie solche Zusätze erst nach der Zubereitung und außerhalb des Gerätes über das fertige Popcorn.
- ▶ Betreiben Sie das Gerät nie ohne Maiskörner in der Popcornkammer **6**.
- ▶ Lassen Sie das Gerät nach jedem Durchgang 15 - 20 Minuten abkühlen, bevor Sie es wieder in Betrieb nehmen.

HINWEIS

- ▶ Nicht jeder Mais ist für die Popcorn-Herstellung geeignet. Verwenden Sie nur den dafür vorgesehenen Popcorn-Mais.

- ◆ Nehmen Sie ggf. den Deckel **2** samt Messlöffel **1** vom Gerät.
- ◆ Füllen Sie maximal 60 g (= 1 bis zum Rand gefüllter Messlöffel **1**) Maiskörner in die Popcornkammer **6**.
- ◆ Setzen Sie den Deckel **2** auf. Achten Sie dabei darauf, dass die Wölbung am Deckel **2** über der Einkerbung am Geräterand sitzt.
- ◆ Setzen Sie den Messlöffel **1** in die obere Öffnung des Deckels **2** ein. Die beiden Nasen am Messlöffel **1** müssen in den schmalen Einkerbungen im Deckel **2** liegen:



HINWEIS

- ▶ Um Butter mit dem Gerät zu schmelzen, beachten Sie die Anweisungen im Kapitel **Popcorn süßen/salzen**.
- ◆ Stellen Sie eine hitzebeständige Schüssel unter die Auswurföffnung **5**. Achten Sie darauf, dass die Schüssel ausreichend hoch und breit ist, damit das fertige Popcorn komplett aufgefangen wird.
- ◆ Stellen Sie den Ein-/Ausschalter **4** auf „I“. Das Gerät beginnt mit der Popcorn-Herstellung. Nach kurzer Zeit wird das fertige Popcorn durch die Auswurföffnung **5** aus dem Gerät geblasen.
- ◆ Sobald alle Maiskörner verarbeitet sind, stellen Sie den Ein-/Ausschalter **4** auf „O“.
- ◆ Lassen Sie das Gerät 15 – 20 Minuten abkühlen, bevor Sie es wieder in Betrieb nehmen oder reinigen.

Popcorn süßen/salzen

ACHTUNG! SACHSCHADEN!

- ▶ Geben Sie keine Zutaten wie Zucker, Salz, Öl, Butter o. Ä. in die Popcornkammer **6**, diese können das Gerät beschädigen. Geben Sie solche Zusätze erst nach der Zubereitung und außerhalb des Gerätes über das fertige Popcorn.
- ▶ Achten Sie darauf, dass zu keiner Zeit Butter in die Popcornkammer **6** läuft!

Sie können mit dem Gerät Butter schmelzen, um diese anschließend über das fertige Popcorn zu geben. Am besten klappt dies mit **zimmerwarmer** Butter. Die Butter sorgt dafür, dass der Zucker bzw. das Salz am Popcorn haften bleibt.

- ◆ Geben Sie maximal 20 g zimmerwarmer Butter in den Messlöffel **1**, bevor Sie das Gerät einschalten. Die Butter schmilzt während der Popcorn-Herstellung.

HINWEIS

- ▶ Sollte die Butter nicht vollständig geschmolzen sein, nehmen Sie den Messlöffel **1** vom Deckel **2** ab und rühren Sie die Butter darin vorsichtig um.
- ◆ Gießen Sie die geschmolzene Butter über das fertige Popcorn in der Schüssel und mischen Sie es durch.
- ◆ Geben Sie nach Belieben Salz oder Zucker hinzu und mischen Sie das Popcorn noch einmal durch.


Überhitzungsschutz

Das Gerät ist mit einem Überhitzungsschutz ausgestattet. Wenn das Gerät zu heiß wird, schaltet es sich automatisch ab. Sobald es ausreichend abgekühlt ist, schaltet es sich selbstständig wieder ein.

Um ein ungewolltes Wiedereinschalten des Gerätes zu verhindern, schalten Sie das Gerät im Falle einer Überhitzung aus. Lassen Sie das Gerät 15 – 20 Minuten abkühlen, bevor Sie es wieder in Betrieb nehmen.

Reinigen

WARNUNG! STROMSCHLAGGEFAHR!

- ▶ Bevor Sie das Gerät reinigen, ziehen Sie immer den Netzstecker aus der Netzsteckdose.
-  Tauchen Sie das Gerät, das Netzkabel oder den Netzstecker niemals in Wasser oder andere Flüssigkeiten! Andernfalls besteht Lebensgefahr durch elektrischen Schlag!

WARNUNG! VERLETZUNGSGEFAHR!

- ▶ Lassen Sie das Gerät vor der Reinigung vollständig abkühlen.

ACHTUNG! SACHSCHADEN!

- ▶ Benutzen Sie keine aggressiven, chemischen oder scheuernden Reinigungsmittel! Diese können die Oberfläche irreparabel angreifen.
- ◆ Wischen Sie die Popcorn-Kammer mit einem trockenen Tuch aus. Feuchten Sie das Tuch bei Bedarf leicht an.
- ◆ Reinigen Sie den Motorblock **3** mit einem feuchten Tuch. Geben Sie bei Bedarf ein mildes Spülmittel auf das Tuch. Wischen Sie danach mit einem nur mit Wasser befeuchteten Tuch nach, um eventuelle Spülmittelreste zu entfernen.
- ◆ Reinigen Sie den Deckel **2** und den Messlöffel **1** in warmem Wasser mit einem milden Spülmittel. Spülen Sie die Teile zum Schluss mit klarem Wasser ab.

HINWEIS



Der Deckel **2** und der Messlöffel **1** sind zur Reinigung in der Spülmaschine geeignet. Legen Sie die Teile möglichst in den oberen Korb der Spülmaschine und achten Sie darauf, dass sie nicht eingeklemmt werden. Ansonsten können sich diese verformen!

- ◆ Trocknen Sie alle Teile gut ab, bevor Sie sie erneut verwenden oder verstauen.

Aufbewahren

- ◆ Reinigen Sie das Gerät wie im Kapitel **Reinigen** beschrieben.
- ◆ Bewahren Sie das Gerät an einem sauberen, staubfreien und trockenen Ort auf.

Fehlerbehebung

Problem	Mögliche Ursache	Mögliche Lösung
Das Gerät funktioniert nicht.	Das Gerät ist nicht mit einer Netzsteckdose verbunden.	Schließen Sie das Gerät an eine Netzsteckdose an.
	Das Gerät ist beschädigt.	Wenden Sie sich an den Service.
Das Gerät geht während des Betriebs aus.	Der Überhitzungsschutz wurde aktiviert.	Schalten Sie das Gerät aus und lassen Sie es 15 - 20 Minuten abkühlen.

Sollten sich die Störungen nicht mit obenstehenden Fehlerbehebungen beheben lassen oder wenn Sie andere Arten von Störungen feststellen, wenden Sie sich bitte an unseren Service.

Entsorgen

Gerät entsorgen



Werfen Sie das Gerät keinesfalls in den normalen Hausmüll. Dieses Produkt unterliegt der europäischen Richtlinie 2012/19/EU.

Entsorgen Sie das Gerät über einen zugelassenen Entsorgungsbetrieb oder über Ihre kommunale Entsorgungseinrichtung. Beachten Sie die aktuell geltenden Vorschriften. Setzen Sie sich im Zweifelsfall mit Ihrer Entsorgungseinrichtung in Verbindung.



Möglichkeiten zur Entsorgung des ausgedienten Produkts erfahren Sie bei Ihrer Gemeinde- oder Stadtverwaltung.



Das Produkt ist recycelbar, unterliegt einer erweiterten Herstellerverantwortung und wird getrennt gesammelt.

Verpackung entsorgen



Die Rückführung der Verpackung in den Materialkreislauf spart Rohstoffe und verringert das Abfallaufkommen. Entsorgen Sie nicht mehr benötigte Verpackungsmaterialien gemäß den örtlich geltenden Vorschriften.




Entsorgen Sie die Verpackung umweltgerecht.

Beachten Sie die Kennzeichnung auf den verschiedenen Verpackungsmaterialien und trennen Sie diese gegebenenfalls gesondert. Die Verpackungsmaterialien sind gekennzeichnet mit Abkürzungen (a) und Ziffern (b) mit folgender Bedeutung:
1-7: Kunststoffe,
20-22: Papier und Pappe,
80-98: Verbundstoffe.

Anhang

Technische Daten

Netzspannung	220 - 240 V ~ (Wechselstrom), 50/60 Hz
Nennleistung	1200 W
	Alle Teile dieses Gerätes, die mit Lebensmitteln in Berührung kommen, sind lebensmittelecht.

Garantie der Kompernaß Handels GmbH

Sehr geehrte Kundin, sehr geehrter Kunde,

Sie erhalten auf dieses Gerät 3 Jahre Garantie ab Kaufdatum. Im Falle von Mängeln dieses Produkts stehen Ihnen gegen den Verkäufer des Produkts gesetzliche Rechte zu. Diese gesetzlichen Rechte werden durch unsere im Folgenden dargestellte Garantie nicht eingeschränkt.

Garantiebedingungen

Die Garantiefrist beginnt mit dem Kaufdatum. Bitte bewahren Sie den Kassenbon gut auf. Dieser wird als Nachweis für den Kauf benötigt.

Tritt innerhalb von drei Jahren ab dem Kaufdatum dieses Produkts ein Material- oder Fabrikationsfehler auf, wird das Produkt von uns – nach unserer Wahl – für Sie kostenlos repariert, ersetzt oder der Kaufpreis erstattet. Diese Garantieleistung setzt voraus, dass innerhalb der Dreijahresfrist das defekte Gerät und der Kaufbeleg (Kassenbon) vorgelegt und schriftlich kurz beschrieben wird, worin der Mangel besteht und wann er aufgetreten ist.

Wenn der Defekt von unserer Garantie gedeckt ist, erhalten Sie das reparierte oder ein neues Produkt zurück. Mit Reparatur oder Austausch des Produkts beginnt kein neuer Garantiezeitraum.

Garantiezeit und gesetzliche Mängelansprüche

Die Garantiezeit wird durch die Gewährleistung nicht verlängert. Dies gilt auch für ersetzte und reparierte Teile. Eventuell schon beim Kauf vorhandene Schäden und Mängel müssen sofort nach dem Auspacken gemeldet werden. Nach Ablauf der Garantiezeit anfallende Reparaturen sind kostenpflichtig.

Garantieumfang

Das Gerät wurde nach strengen Qualitätsrichtlinien sorgfältig produziert und vor Auslieferung gewissenhaft geprüft.

Die Garantieleistung gilt für Material- oder Fabrikationsfehler. Diese Garantie erstreckt sich nicht auf Produktteile, die normaler Abnutzung ausgesetzt sind und daher als Verschleißteile angesehen werden können oder für Beschädigungen an zerbrechlichen Teilen, z. B. Schalter, Akkus oder Teile, die aus Glas gefertigt sind.

Diese Garantie verfällt, wenn das Produkt beschädigt, nicht sachgemäß benutzt oder gewartet wurde. Für eine sachgemäße Benutzung des Produkts sind alle in der Bedienungsanleitung aufgeführten Anweisungen genau einzuhalten. Verwendungszwecke und Handlungen, von denen in der Bedienungsanleitung abgeraten oder vor denen gewarnt wird, sind unbedingt zu vermeiden.

Das Produkt ist nur für den privaten und nicht für den gewerblichen Gebrauch bestimmt. Bei missbräuchlicher und unsachgemäßer Behandlung, Gewaltanwendung und bei Eingriffen, die nicht von unserer autorisierten Serviceniederlassung vorgenommen wurden, erlischt die Garantie.

Abwicklung im Garantiefall

Um eine schnelle Bearbeitung Ihres Anliegens zu gewährleisten, folgen Sie bitte den folgenden Hinweisen:

- Bitte halten Sie für alle Anfragen den Kassenbon und die Artikelnummer (IAN) 373188_2104 als Nachweis für den Kauf bereit.
- Die Artikelnummer entnehmen Sie bitte dem Typenschild am Produkt, einer Gravur am Produkt, dem Titelblatt der Bedienungsanleitung (unten links) oder dem Aufkleber auf der Rück- oder Unterseite des Produktes.
- Sollten Funktionsfehler oder sonstige Mängel auftreten, kontaktieren Sie zunächst die nachfolgend benannte Serviceabteilung **telefonisch** oder per **E-Mail**.
- Ein als defekt erfasstes Produkt können Sie dann unter Beifügung des Kaufbelegs (Kassenbon) und der Angabe, worin der Mangel besteht und wann er aufgetreten ist, für Sie portofrei an die Ihnen mitgeteilte Serviceanschrift übersenden.



Auf www.lidl-service.com können Sie diese und viele weitere Handbücher, Produktvideos und Installationssoftware herunterladen.

Mit diesem QR-Code gelangen Sie direkt auf die Lidl-Service-Seite (www.lidl-service.com) und können durch die Eingabe der Artikelnummer (IAN) 373188_2104 Ihre Bedienungsanleitung öffnen.

Service

DE Service Deutschland

Tel.: 0800 5435 111 (kostenfrei aus dem dt. Festnetz / Mobilfunknetz)

E-Mail: kompernass@lidl.de

AT Service Österreich

Tel.: 0820 201 222 (0,15 EUR / Min.)

E-Mail: kompernass@lidl.at

CH Service Schweiz

Tel.: 0842 665566 (0,08 CHF / Min., Mobilfunk max. 0,40 CHF / Min.)

E-Mail: kompernass@lidl.ch

IAN 373188_2104

Importeur

Bitte beachten Sie, dass die folgende Anschrift keine Serviceanschrift ist. Kontaktieren Sie zunächst die benannte Servicestelle.

KOMPERNASS HANDELS GMBH

BURGSTRASSE 21

44867 BOCHUM

DEUTSCHLAND

www.kompernass.com

Table des matières

Introduction	30
Usage conforme	30
Matériel livré	31
Déballage	31
Description de l'appareil	31
Consignes de sécurité	32
Mise en service	35
Utilisation	36
Préparation de popcorn	36
Saler/sucrer le popcorn	37
Protection anti-surchauffe	38
Nettoyage	38
Rangement	39
Dépannage	39
Recyclage	40
Recyclage de l'appareil	40
Recyclage de l'emballage	40
Annexe	40
Caractéristiques techniques	40
Garantie pour Kompernass Handels GmbH pour la Belgique	41
Garantie pour Kompernass Handels GmbH pour la France	43
Service après-vente	46
Importateur	46

Introduction

Toutes nos félicitations pour l'achat de votre nouvel appareil !

Vous venez ainsi d'opter pour un produit moderne et de grande qualité. Le mode d'emploi fait partie intégrante de ce produit. Il contient des remarques importantes concernant la sécurité, l'usage et le recyclage. Avant d'utiliser le produit, veuillez vous familiariser avec toutes les consignes d'utilisation et de sécurité. N'utilisez ce produit que conformément aux descriptions et pour les domaines d'utilisation prévus. Si vous cédez le produit à un tiers, remettez-lui également tous les documents.

Usage conforme

Cet appareil est uniquement destiné à la préparation de popcorn dans un cadre domestique à partir de maïs à popcorn sec. N'utilisez pas l'appareil pour des applications commerciales.

Utilisez l'appareil exclusivement dans des locaux secs, ne l'utilisez jamais en extérieur.

AVERTISSEMENT

Danger résultant d'un usage non conforme !

L'appareil peut présenter des dangers en cas d'utilisation non conforme et/ou d'usage différent.

- ▶ Utiliser l'appareil exclusivement de manière conforme à sa destination.
- ▶ Respectez les procédures décrites dans ce mode d'emploi.

Matériel livré

L'appareil est livré équipé de série avec les composants suivants :

- Appareil à pop-corn
- Couvercle
- Cuillère doseuse
- Mode d'emploi

Déballage

- ◆ Sortez du carton toutes les pièces de l'appareil et le mode d'emploi.
- ◆ Retirez tous les matériaux d'emballage et les éventuels autocollants de l'appareil.

REMARQUE

- ▶ Vérifiez si la livraison est au complet et ne présente aucun dégât apparent.
- ▶ En cas de livraison incomplète ou de dommages résultant d'un emballage défectueux ou du transport, veuillez vous adresser à la hotline du service après-vente (voir le chapitre **Service après-vente**).

Description de l'appareil

- ❶ Cuillère doseuse
- ❷ Couvercle
- ❸ Bloc-moteur
- ❹ Interrupteur marche/arrêt
- ❺ Orifice de sortie
- ❻ Compartiment à popcorn

Consignes de sécurité

AVERTISSEMENT ! RISQUE D'ÉLECTROCUTION !

- ▶ Avant la mise en service de l'appareil, vérifiez si la tension réseau correspond à celle indiquée sur la plaque signalétique.
- ▶ Posez le cordon d'alimentation de façon à ce qu'il ne puisse pas être coincé ou endommagé de quelque manière que ce soit.
- ▶ Utilisez l'appareil exclusivement dans des locaux secs, pas en extérieur.



N'immergez jamais l'appareil, le cordon d'alimentation ou la fiche secteur dans de l'eau ni dans d'autres liquides ! Dans le cas contraire, un danger de mort par électrocution est possible !

- ▶ Après utilisation, pour le nettoyage ou pour déplacer l'appareil, veuillez toujours retirer la fiche de la prise secteur.
- ▶ Si l'appareil est tombé ou est endommagé, ne le remettez pas en service. Faites vérifier et, le cas échéant, réparer l'appareil par des techniciens spécialisés et qualifiés.
- ▶ Si le cordon d'alimentation de l'appareil est endommagé, il doit être remplacé par le fabricant, son service après-vente ou une personne de qualification similaire afin d'éviter tout risque
- ▶ N'ouvrez jamais le corps de l'appareil. Dans ce cas, la sécurité n'est plus assurée et vous perdez le bénéfice de la garantie.
- ▶ N'exposez pas l'appareil à la pluie et ne l'utilisez jamais dans un environnement humide ou mouillé.
- ▶ Assurez-vous que le cordon d'alimentation ne soit jamais mouillé ou humide pendant le fonctionnement de l'appareil.

⚠ AVERTISSEMENT ! RISQUE DE BLESSURES !

- ▶ N'utilisez pas l'appareil à d'autres fins que celles décrites dans cette notice. En cas d'usage abusif, il existe un risque de blessures.
- ▶ Cet appareil ne doit pas être utilisé par des enfants de moins de 8 ans ni par des personnes ayant des capacités physiques, mentales et sensorielles réduites ou qui n'ont pas l'expérience et les connaissances nécessaires, à moins qu'elles ne soient sous la surveillance d'une personne responsable de leur sécurité ou qu'elles aient reçu de cette personne des directives concernant l'utilisation de l'appareil et qu'elles comprennent les dangers pouvant en résulter.
- ▶ Le nettoyage et la maintenance utilisateur ne doivent pas être effectués par des enfants à moins qu'ils aient plus de 8 ans et soient sous surveillance.
- ▶ Maintenir l'appareil et son cordon d'alimentation hors de portée des enfants de moins de 8 ans.
- ▶ Les enfants ne doivent pas jouer avec l'appareil.
- ▶ Veillez à ce que l'appareil soit posé bien d'aplomb.
- ▶ Disposez le cordon d'alimentation de telle manière que personne ne puisse marcher ou trébucher dessus.
- ▶ Dans la mesure du possible, placez l'appareil à proximité immédiate d'une prise secteur. Veillez à ce que la fiche secteur soit rapidement accessible en cas de danger et à ce que le cordon d'alimentation ne fasse pas trébucher quelqu'un.
- ▶ Le processus de cuisson dégage de la vapeur brûlante, en particulier lorsque vous ouvrez le couvercle. Respectez toujours une distance de sécurité avec la vapeur.

⚠ AVERTISSEMENT ! RISQUE DE BLESSURES !



Attention ! Surface brûlante !

- ▶ Les pièces de l'appareil deviennent brûlantes en cours d'utilisation. Risque de brûlure !
- ▶ Laissez l'appareil refroidir complètement avant de le nettoyer ou de changer les accessoires.
- ▶ Le popcorn frais est brûlant ! Placez toujours un récipient suffisamment grand en dessous de l'orifice de sortie et laissez suffisamment refroidir le popcorn avant de le consommer.
- ▶ Ne laissez jamais l'appareil sans surveillance durant son fonctionnement.
- ▶ N'utilisez pas l'appareil à proximité de surfaces brûlantes ou de matériaux inflammables.
- ▶ Ne placez jamais l'appareil à proximité ou sous des objets inflammables, tout particulièrement pas sous des rideaux ou des placards suspendus.

ATTENTION ! DÉGÂTS MATÉRIELS !

- ▶ N'utilisez pas de minuterie externe ni de dispositif de commande à distance séparé pour utiliser l'appareil.
- ▶ N'insérez rien dans les fentes de ventilation placées dans le corps de l'appareil et ne les couvrez pas.
- ▶ Ne laissez pas couler de liquide dans les fentes de ventilation placées dans le corps de l'appareil.
- ▶ Ne laissez jamais l'appareil sans surveillance durant son fonctionnement.
- ▶ Laissez l'appareil refroidir 15 - 20 minutes après chaque utilisation avant de le remettre en marche.

ATTENTION ! DÉGÂTS MATÉRIELS !

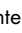
- ▶ Ne mettez pas d'ingrédients comme du sucre, du sel, de l'huile, du beurre ou autre dans le compartiment à popcorn, ils risquent d'abîmer l'appareil. N'ajoutez ces ingrédients au popcorn prêt qu'après la préparation, une fois le popcorn retiré de l'appareil.
- ▶ N'utilisez jamais l'appareil sans grains de maïs dans le compartiment à popcorn.
- ▶ Utilisez exclusivement les accessoires recommandés par le fabricant.
- ▶ N'utilisez pas de produits nettoyants agressifs, chimiques ou abrasifs ! Ceux-ci peuvent attaquer les surfaces de manière irréversible.

REMARQUE

- ▶ Aucune action de la part de l'utilisateur n'est nécessaire pour passer le produit de 50 à 60 Hz. Le produit est à la fois adapté à 50 et à 60 Hz.

Mise en service

AVERTISSEMENT ! RISQUE DE BLESSURES !

- ▶ Ne placez jamais l'appareil à proximité ou sous des objets inflammables, tout particulièrement pas sous des rideaux ou des placards suspendus.
 - ◆ Nettoyez l'appareil avant de l'utiliser pour la première fois comme indiqué au chapitre **Nettoyage**.
 - ◆ Placez l'appareil sur un support plan, résistant à la chaleur et antidérapant.
 - ◆ Assurez-vous que l'interrupteur marche/arrêt  se trouve sur « O ». Branchez ensuite la fiche secteur dans une prise secteur.
- L'appareil est prêt à être utilisé.

Utilisation

Préparation de popcorn

⚠ AVERTISSEMENT ! RISQUE DE BLESSURES !

- ▶ Les pièces de l'appareil, en particulier le couvercle **2**, ainsi que la cuillère doseuse **1** utilisés deviennent brûlants en cours d'utilisation.

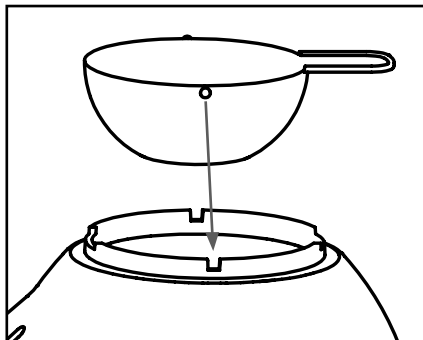
Risque de brûlure !

ATTENTION ! DÉGÂTS MATÉRIELS !

- ▶ Ne mettez pas d'ingrédients comme du sucre, du sel, de l'huile, du beurre ou autre dans le compartiment à popcorn **6**, ils risquent d'abîmer l'appareil. N'ajoutez ces ingrédients au popcorn prêt qu'après la préparation, une fois le popcorn retiré de l'appareil.
- ▶ N'utilisez jamais l'appareil sans grains de maïs dans le compartiment à popcorn **6**.
- ▶ Laissez l'appareil refroidir 15 - 20 minutes après chaque utilisation avant de le remettre en marche.

REMARQUE

- ▶ Les variétés de maïs ne conviennent pas toutes à la préparation du popcorn. Utilisez uniquement du maïs prévu pour le popcorn.
- ◆ Retirez le couvercle **2** avec la cuillère doseuse **1** de l'appareil.
- ◆ Versez au maximum 60 g (= 1 cuillère doseuse **1** remplie à ras bord) de grains de maïs dans le compartiment à popcorn **6**.
- ◆ Placez le couvercle **2** dessus. Veillez à ce que la courbure sur le couvercle **2** se trouve au-dessus de l'encoche sur le bord de l'appareil.
- ◆ Placez la cuillère doseuse **1** dans l'ouverture supérieure du couvercle **2**. Les deux nez sur la cuillère doseuse **1** doivent reposer dans les deux fines encoches dans le couvercle **2**:



REMARQUE

- ▶ Pour faire fondre le beurre avec l'appareil, observez les instructions au chapitre **Saler/sucrer le popcorn**.
- ◆ Placez un récipient résistant à la chaleur en-dessous de l'orifice de sortie **5**. Veillez à ce que le récipient soit suffisamment haut et large pour que le popcorn préparé soit complètement récupéré.
- ◆ Placez l'interrupteur marche/arrêt **4** sur "I". L'appareil commence à préparer le popcorn. Peu de temps après, le popcorn prêt sort de l'appareil par l'orifice de sortie **5**.
- ◆ Une fois tous les gains de maïs transformés, placez l'interrupteur marche/arrêt **4** sur «O».
- ◆ Laissez l'appareil refroidir 15 - 20 minutes avant de le remettre en marche ou de le nettoyer.

Saler/sucrer le popcorn

ATTENTION ! DÉGÂTS MATÉRIELS !

- ▶ Ne mettez pas d'ingrédients comme du sucre, du sel, de l'huile, du beurre ou autre dans le compartiment à popcorn **6**, ils risquent d'abîmer l'appareil. N'ajoutez ces ingrédients au popcorn prêt qu'après la préparation, une fois le popcorn retiré de l'appareil.
- ▶ Veillez à ce que le beurre ne coule jamais dans le compartiment à popcorn **6** !

Vous pouvez faire fondre du beurre avec l'appareil pour le verser ensuite sur le popcorn préparé. Vous obtiendrez les meilleurs résultats avec du beurre à température ambiante.

Le beurre veille à ce que le sucre ou le sel adhère au popcorn.

- ◆ Mettez au maximum 20 g de beurre à température ambiante dans la cuillère doseuse **1**, avant d'allumer l'appareil. Le beurre fond pendant la préparation du popcorn.

REMARQUE

- ▶ Si le beurre n'est pas entièrement fondu, retirez la cuillère doseuse **1** du couvercle **2** et mélangez le beurre avec précaution.
- ◆ Versez le beurre fondu sur le popcorn prêt dans le récipient et mélangez bien.
- ◆ Ajoutez sel ou sucre en fonction des goûts et mélangez à nouveau bien le popcorn.

Protection anti-surchauffe


L'appareil est doté d'une protection anti-surchauffe. Si l'appareil chauffe trop, il s'éteint automatiquement. Dès que l'appareil a suffisamment refroidi, il s'allume à nouveau automatiquement.

Pour éviter toute remise en marche involontaire de l'appareil, éteignez-le en cas de surchauffe. Laissez l'appareil refroidir 15 - 20 minutes avant de le remettre en marche.

Nettoyage

AVERTISSEMENT ! RISQUE D'ÉLECTROCUTION !

▶ Avant de nettoyer l'appareil, débranchez toujours la fiche secteur de la prise secteur.

 N'immergez jamais l'appareil, le cordon d'alimentation ou la fiche secteur dans de l'eau ni dans d'autres liquides ! Dans le cas contraire, un danger de mort par électrocution est possible !

AVERTISSEMENT ! RISQUE DE BLESSURES !

▶ Laissez entièrement refroidir l'appareil avant de le nettoyer.

ATTENTION ! DÉGÂTS MATÉRIELS !

▶ N'utilisez pas de produits nettoyants agressifs, chimiques ou abrasifs ! Ceux-ci peuvent attaquer les surfaces de manière irréversible.

- ◆ Nettoyez le compartiment à popcorn à l'aide d'un chiffon sec. Humidifiez légèrement le chiffon si nécessaire.
- ◆ Nettoyez le bloc-moteur **3** à l'aide d'un chiffon humide. Si nécessaire, versez un peu de liquide vaisselle doux sur un chiffon. Essuyez ensuite avec un chiffon uniquement humidifié d'eau pour éliminer d'éventuels restes de liquide vaisselle.
- ◆ Nettoyez le couvercle **2** et la cuillère doseuse **1** à l'eau chaude avec un peu de liquide vaisselle doux. À la fin, rincez les pièces à l'eau claire.

REMARQUE



Le couvercle **2** et la cuillère doseuse **1** peuvent être lavés au lave-vaisselle. Placez les pièces de préférence dans le panier supérieur du lave-vaisselle et veillez à ne pas les coincer. Risque de déformation dans le cas contraire !

- ◆ Veillez à bien sécher toutes les pièces avant de les réutiliser ou de les ranger.

Rangement

- ◆ Nettoyez l'appareil comme indiqué au chapitre **Nettoyage**.
- ◆ Conservez l'appareil dans un endroit sec, propre et exempt de poussières.

Dépannage

Problème	Cause possible	Solution possible
L'appareil ne fonctionne pas.	L'appareil n'est pas branché sur une prise secteur.	Branchez l'appareil sur une prise secteur.
	L'appareil est endommagé.	Adressez-vous au Service après-vente.
L'appareil s'éteint en cours d'utilisation.	La protection anti-surchauffe a été activée.	Éteignez l'appareil et laissez-le refroidir pendant 15 - 20 minutes.

Si vous ne parvenez pas à remédier aux pannes à l'aide des indications données ci-dessus ou si vous constatez d'autres types de pannes, veuillez vous adresser à notre Service après-vente.

Recyclage

Recyclage de l'appareil



L'appareil ne doit jamais être jeté avec les ordures ménagères normales. Cet appareil est soumis aux impératifs de la directive européenne 2012/19/EU.

Remettez l'appareil destiné au recyclage à une entreprise spécialisée ou au centre de recyclage de votre commune. Respectez la réglementation en vigueur. En cas de doutes, contactez votre organisation de recyclage.



Renseignez-vous auprès de votre commune pour connaître les possibilités de mise au rebut de votre appareil usagé.



Le produit recyclable doit être trié ou rapporté dans un point de collecte pour être recycle.

Recyclage de l'emballage



Le retour de l'emballage dans les filières de recyclage permet d'économiser les matières premières et réduit la formation de déchets. Remettre les matériaux d'emballage qui ne sont plus utilisés dans les points de collecte prévus par la réglementation.




Éliminez l'emballage d'une manière respectueuse de l'environnement. Observez le marquage sur les différents matériaux d'emballage et triez-les séparément si nécessaire. Les matériaux d'emballage sont repérés par des abréviations (a) et des numéros (b) qui ont la signification suivante:

1 - 7 : Plastiques,

20 - 22 : Papier et carton, 80 - 98 : Matériaux composites.

Annexe

Caractéristiques techniques

Tension secteur	220 - 240 V ~ (courant alternatif), 50/60 Hz
Puissance nominale	1200 W
	Tous les éléments de cet appareil, entrant en contact avec les aliments sont approuvés pour le contact alimentaire.

Garantie pour Kompernass Handels GmbH pour la Belgique

Chère cliente, cher client,

Cet appareil est garanti 3 ans à partir de la date d'achat. Si ce produit venait à présenter des vices, vous disposez de droits légaux face au vendeur de ce produit. Vos droits légaux ne sont pas restreints par notre garantie présentée ci-dessous.

Conditions de garantie

La période de garantie débute à la date d'achat. Veuillez bien conserver le ticket de caisse. Celui-ci servira de preuve d'achat.

Si dans un délai de trois ans suivant la date d'achat de ce produit, un vice de matériel ou de fabrication venait à apparaître, le produit sera réparé, remplacé gratuitement par nos soins ou le prix d'achat remboursé, selon notre choix. Cette prestation sous garantie nécessite, dans le délai de trois ans, la présentation de l'appareil défectueux et du justificatif d'achat (ticket de caisse) ainsi que la description brève du vice et du moment de son apparition.

Si le vice est couvert par notre garantie, vous recevrez le produit réparé ou un nouveau produit en retour. Aucune nouvelle période de garantie ne débute avec la réparation ou l'échange du produit.

Période de garantie et réclamation légale pour vices cachés

L'exercice de la garantie ne prolonge pas la période de garantie. Cette disposition s'applique également aux pièces remplacées ou réparées. Les dommages et vices éventuellement déjà présents à l'achat doivent être signalés immédiatement après le débailage. Toute réparation survenant après la période sous garantie fera l'objet d'une facturation.

Étendue de la garantie

L'appareil a été fabriqué avec soin conformément à des directives de qualité strictes et consciencieusement contrôlé avant sa livraison.

La prestation de la garantie s'applique aux vices de matériel et de fabrication. Cette garantie ne s'étend pas aux pièces du produit qui sont exposées à une usure normale et peuvent de ce fait être considérées comme pièces d'usure, ni aux détériorations de pièces fragiles, par ex. interrupteurs, batteries ou pièces en verre.

Cette garantie devient caduque si le produit est détérioré, utilisé ou entretenu de manière non conforme. Toutes les instructions listées dans le manuel d'utilisation doivent être exactement respectées pour une utilisation conforme du produit. Des buts d'utilisation et actions qui sont déconseillés dans le manuel d'utilisation, ou dont vous êtes avertis doivent également être évités.

Le produit est uniquement destiné à un usage privé et ne convient pas à un usage professionnel. La garantie est annulée en cas d'entretien incorrect et inapproprié, d'usage de la force et en cas d'intervention non réalisée par notre centre de service après-vente agréé.

Procédure en cas de garantie

Afin de garantir un traitement rapide de votre demande, veuillez suivre les indications suivantes :

- Veuillez avoir à portée de main pour toutes questions le ticket de caisse et la référence article (IAN) 373188_2104 en tant que justificatif de votre achat.
- Vous trouverez la référence sur la plaque signalétique sur le produit, une gravure sur le produit, sur la page de garde du mode d'emploi (en bas à gauche) ou sur l'autocollant au dos ou sur le dessous du produit.
- Si des erreurs de fonctionnement ou d'autres vices venaient à apparaître, veuillez d'abord contacter le département service clientèle cité ci-dessous par **téléphone** ou par **e-mail**.
- Vous pouvez ensuite retourner un produit enregistré comme étant défectueux en joignant le ticket de caisse et en indiquant en quoi consiste le vice et quand il est survenu, sans devoir l'affranchir à l'adresse de service après-vente communiquée.



Sur www.lidl-service.com, vous pourrez télécharger ce mode d'emploi et de nombreux autres manuels, vidéos produit et logiciels d'installation.

Grâce à ce code QR, vous arriverez directement sur le site Lidl service après-vente (www.lidl-service.com) et vous pourrez ouvrir votre mode d'emploi en saisissant votre référence (IAN) 373188_2104.

Garantie pour Kompernass Handels GmbH pour la France

Chère cliente, cher client,

Cet appareil est garanti 3 ans à partir de la date d'achat. Si ce produit venait à présenter des vices, vous disposez de droits légaux face au vendeur de ce produit. Vos droits légaux ne sont pas restreints par notre garantie présentée ci-dessous.

Conditions de garantie

La période de garantie débute à la date d'achat. Veuillez bien conserver le ticket de caisse. Celui-ci servira de preuve d'achat.

Si dans un délai de trois ans suivant la date d'achat de ce produit, un vice de matériel ou de fabrication venait à apparaître, le produit sera réparé, remplacé gratuitement par nos soins ou le prix d'achat remboursé, selon notre choix. Cette prestation sous garantie nécessite, dans le délai de trois ans, la présentation de l'appareil défectueux et du justificatif d'achat (ticket de caisse) ainsi que la description brève du vice et du moment de son apparition.

Si le vice est couvert par notre garantie, vous recevrez le produit réparé ou un nouveau produit en retour. Aucune nouvelle période de garantie ne débute avec la réparation ou l'échange du produit.

Période de garantie et réclamation légale pour vices cachés

L'exercice de la garantie ne prolonge pas la période de garantie. Cette disposition s'applique également aux pièces remplacées ou réparées. Les dommages et vices éventuellement déjà présents à l'achat doivent être signalés immédiatement après le déballage. Toute réparation survenant après la période sous garantie fera l'objet d'une facturation.

Étendue de la garantie

L'appareil a été fabriqué avec soin conformément à des directives de qualité strictes et consciencieusement contrôlé avant sa livraison.

La prestation de la garantie s'applique aux vices de matériel et de fabrication. Cette garantie ne s'étend pas aux pièces du produit qui sont exposées à une usure normale et peuvent de ce fait être considérées comme pièces d'usure, ni aux détériorations de pièces fragiles, par ex. interrupteurs, batteries ou pièces en verre.

Cette garantie devient caduque si le produit est détérioré, utilisé ou entretenu de manière non conforme. Toutes les instructions listées dans le manuel d'utilisation doivent être exactement respectées pour une utilisation conforme du produit. Des buts d'utilisation et actions qui sont déconseillés dans le manuel d'utilisation, ou dont vous êtes avertis doivent également être évités.

Le produit est uniquement destiné à un usage privé et ne convient pas à un usage professionnel. La garantie est annulée en cas d'entretien incorrect et inapproprié, d'usage de la force et en cas d'intervention non réalisée par notre centre de service après-vente agréé.

Article L217-16 du Code de la consommation

Lorsque l'acheteur demande au vendeur, pendant le cours de la garantie commerciale qui lui a été consentie lors de l'acquisition ou de la réparation d'un bien meuble, une remise en état couverte par la garantie, toute période d'immobilisation d'au moins sept jours vient s'ajouter à la durée de la garantie qui restait à courir. Cette période court à compter de la demande d'intervention de l'acheteur ou de la mise à disposition pour réparation du bien en cause, si cette mise à disposition est postérieure à la demande d'intervention.

Indépendamment de la garantie commerciale souscrite, le vendeur reste tenu des défauts de conformité du bien et des vices rédhibitoires dans les conditions prévues aux articles L217-4 à L217-13 du Code de la consommation et aux articles 1641 à 1648 et 2232 du Code Civil.

Article L217-4 du Code de la consommation

Le vendeur livre un bien conforme au contrat et répond des défauts de conformité existant lors de la délivrance. Il répond également des défauts de conformité résultant de l'emballage, des instructions de montage ou de l'installation lorsque celle-ci a été mise à sa charge par le contrat ou a été réalisée sous sa responsabilité.

Article L217-5 du Code de la consommation

Le bien est conforme au contrat :

- 1° S'il est propre à l'usage habituellement attendu d'un bien semblable et, le cas échéant :
 - s'il correspond à la description donnée par le vendeur et posséder les qualités que celui-ci a présentées à l'acheteur sous forme d'échantillon ou de modèle ;
 - s'il présente les qualités qu'un acheteur peut légitimement attendre eu égard aux déclarations publiques faites par le vendeur, par le producteur ou par son représentant, notamment dans la publicité ou l'étiquetage ;
- 2° Ou s'il présente les caractéristiques définies d'un commun accord par les parties ou être propre à tout usage spécial recherché par l'acheteur, porté à la connaissance du vendeur et que ce dernier a accepté.

Article L217-12 du Code de la consommation

L'action résultant du défaut de conformité se prescrit par deux ans à compter de la délivrance du bien.

Article 1641 du Code civil

Le vendeur est tenu de la garantie à raison des défauts cachés de la chose vendue qui la rendent impropre à l'usage auquel on la destine, ou qui diminuent tellement cet usage que l'acheteur ne l'aurait pas acquise, ou n'en aurait donné qu'un moindre prix, s'il les avait connus.

Article 1648 1er alinéa du Code civil

L'action résultant des vices rédhibitoires doit être intentée par l'acquéreur dans un délai de deux ans à compter de la découverte du vice.

Les pièces détachées indispensables à l'utilisation du produit sont disponibles pendant la durée de la garantie du produit.

Procédure en cas de garantie

Afin de garantir un traitement rapide de votre demande, veuillez suivre les indications suivantes :

- Veuillez avoir à portée de main pour toutes questions le ticket de caisse et la référence article (IAN) 373188_2104 en tant que justificatif de votre achat.
- Vous trouverez la référence sur la plaque signalétique sur le produit, une gravure sur le produit, sur la page de garde du mode d'emploi (en bas à gauche) ou sur l'autocollant au dos ou sur le dessous du produit.
- Si des erreurs de fonctionnement ou d'autres vices venaient à apparaître, veuillez d'abord contacter le département service clientèle cité ci-dessous par **téléphone** ou par **e-mail**.
- Vous pouvez ensuite retourner un produit enregistré comme étant défectueux en joignant le ticket de caisse et en indiquant en quoi consiste le vice et quand il est survenu, sans devoir l'affranchir à l'adresse de service après-vente communiquée.



Sur www.lidl-service.com, vous pourrez télécharger ce mode d'emploi et de nombreux autres manuels, vidéos produit et logiciels d'installation.

Grâce à ce code QR, vous arriverez directement sur le site Lidl service après-vente (www.lidl-service.com) et vous pourrez ouvrir votre mode d'emploi en saisissant votre référence (IAN) 373188_2104.

Service après-vente

FR **Service France**
Tel.: 0800 919270
E-Mail: kompernass@lidl.fr

BE **Service Belgique**
Tel.: 070 270 171 (0,15 EUR/Min.)
E-Mail: kompernass@lidl.be

IAN 373188_2104

Importateur

Veillez tenir compte du fait que l'adresse suivante n'est pas une adresse de service après-vente. Veuillez d'abord contacter le service mentionné.

KOMPERNASS HANDELS GMBH
BURGSTRASSE 21
44867 BOCHUM
ALLEMAGNE
www.kompernass.com

Inhoud

Inleiding	48
Gebruik in overeenstemming met de bestemming	48
Inhoud van het pakket	49
Uitpakken	49
Apparaatbeschrijving	49
Veiligheidsvoorschriften	50
Ingebruikname	53
Bedienen	54
Popcorn maken	54
Popcorn zoet/zout maken	55
Oververhittingsbeveiliging	55
Reinigen	56
Opbergen	56
Problemen oplossen	57
Afvoeren	57
Product afvoeren	57
Verpakking afvoeren	57
Bijlage	58
Technische gegevens	58
Garantie van Kompernaß Handels GmbH	58
Service	60
Importeur	60

Inleiding

Gefeliciteerd met de aankoop van uw nieuwe apparaat!

U hebt hiermee gekozen voor een modern en hoogwaardig product. De gebruiksaanwijzing maakt deel uit van dit product. Ze bevat belangrijke aanwijzingen voor veiligheid, gebruik en afvoer. Lees alle bedienings- en veiligheidsaanwijzingen voordat u het product in gebruik neemt. Gebruik het product uitsluitend op de voorgeschreven wijze en voor de aangegeven doeleinden. Geef alle documenten mee als u het product doorgeeft aan een derde.

Gebruik in overeenstemming met de bestemming

Dit apparaat is uitsluitend bedoeld voor huishoudelijk gebruik voor het bereiden van popcorn met droge popcornmais. Gebruik het apparaat niet voor commerciële doeleinden.

Gebruik het apparaat alleen in droge binnenruimtes, niet in de openlucht.

WAARSCHUWING

Gevaar door gebruik dat niet in overeenstemming is met de bestemming!

Gebruik dat niet in overeenstemming met de bestemming is en/of andersoortig gebruik kan gevaarlijk zijn.

- ▶ Gebruik het apparaat uitsluitend waarvoor het bedoeld is.
- ▶ Volg de in deze gebruiksaanwijzing beschreven procedures.

Inhoud van het pakket

Het apparaat wordt standaard met de volgende onderdelen geleverd:

- Popcornmaker
- Deksel
- Maatlepel
- Gebruiksaanwijzing

Uitpakken

- ◆ Haal alle onderdelen van het apparaat en de gebruiksaanwijzing uit de doos.
- ◆ Verwijder alle verpakkingsmaterialen en eventuele stickers van het apparaat.

OPMERKING


- ▶ Controleer of het pakket compleet is en of er geen sprake is van zichtbare schade.
- ▶ Neem contact op met de service-hotline (zie het hoofdstuk **Service**) als het pakket niet compleet is, of als er sprake is van schade door gebrekkige verpakking of transport.

Apparaatbeschrijving

- ❶ Maatlepel
- ❷ Deksel
- ❸ Motorblok
- ❹ Aan-/uitknop
- ❺ Uitwerp-opening
- ❻ Popcorncompartiment

Veiligheidsvoorschriften

GEVAAR VOOR EEN ELEKTRISCHE SCHOK!

- ▶ Controleer voordat u het apparaat in gebruik neemt of de netspanning overeenkomt met de op het type-/gegevensplaatje aangegeven netspanning.
- ▶ Leg het snoer zodanig dat het niet bekneld raakt of anderszins beschadigd kan raken.
- ▶ Gebruik het apparaat alleen in droge ruimtes, niet in de openlucht.
-  Dompel het apparaat, het snoer of de stekker nooit onder in water of andere vloeistoffen! Anders bestaat er levensgevaar door een elektrische schok!
- ▶ Trek na gebruik en voor het reinigen of verplaatsen van het apparaat altijd de stekker uit het stopcontact.
- ▶ Als het apparaat gevallen of beschadigd is, mag u het niet meer gebruiken. Laat het apparaat door deskundig personeel nakijken en eventueel repareren.
- ▶ Wanneer het netsnoer van dit apparaat beschadigd raakt, moet het worden vervangen door de fabrikant of de klantendienst van de fabrikant of een persoon met vergelijkbare kwalificaties, om risico's te voorkomen.
- ▶ Open nooit de behuizing. In dat geval is de veiligheid niet gegarandeerd en vervalt de garantie.
- ▶ Stel het apparaat nooit bloot aan regen en gebruik het ook nooit in een vochtige of natte omgeving.
- ▶ Zorg ervoor dat het netsnoer tijdens gebruik van het apparaat niet nat of vochtig wordt.

⚠ WAARSCHUWING! LETSELGEVAAR!

- ▶ Gebruik het apparaat nooit voor andere doeleinden dan in deze gebruiksaanwijzing beschreven. Bij verkeerd gebruik van het apparaat bestaat er kans op letsel.
- ▶ Dit apparaat mag worden gebruikt door kinderen vanaf 8 jaar en door personen met beperkte fysieke, zintuiglijke of geestelijke vermogens of gebrek aan ervaring en/of kennis, mits ze onder toezicht staan of over het veilige gebruik van het apparaat zijn geïnstrueerd en de daaruit resulterende gevaren hebben begrepen.
- ▶ Reiniging en onderhoud mogen niet door kinderen worden uitgevoerd, tenzij ze ouder dan 8 jaar zijn en onder toezicht staan.
- ▶ Houd het apparaat en het snoer buiten bereik van kinderen jonger dan 8 jaar.
- ▶ Kinderen mogen niet met het apparaat spelen.
- ▶ Zorg ervoor dat het apparaat op een veilige manier opgesteld staat.
- ▶ Leg het netsnoer zodanig, dat niemand erop kan stappen of erover kan struikelen.
- ▶ Plaats het apparaat bij voorkeur dicht bij een stopcontact. Zorg ervoor dat de stekker bij gevaar goed bereikbaar is en dat u niet kunt struikelen over het snoer.
- ▶ Tijdens het bereidingsproces komt er hete stoom vrij, met name als u het deksel opent. Neem een veilige afstand tot de stoom in acht.

⚠ WAARSCHUWING! LETSELGEVAAR!



Let op! Heet oppervlak!

- ▶ Sommige delen van het apparaat worden tijdens de werking van het apparaat erg heet. Verbrandingsgevaar!
- ▶ Laat het apparaat afkoelen voordat u het schoonmaakt of accessoires verwisselt.
- ▶ De verse popcorn is heet! Zet altijd een voldoende grote kom onder de uitwerp-opening en laat de popcorn voldoende afkoelen voordat u hem consumeert.
- ▶ Laat het apparaat nooit achter zonder toezicht terwijl het in werking is.
- ▶ Gebruik het apparaat niet in de buurt van hete oppervlakken of brandbare materialen.
- ▶ Plaats het apparaat nooit in de buurt van of onder brandbare voorwerpen, vooral niet onder gordijnen of hangkasten.

LET OP! MATERIËLE SCHADE!

- ▶ Gebruik geen externe timer of aparte afstandsbediening om het apparaat te bedienen.
- ▶ Steek niets in de ventilatiesleuven van de behuizing van het apparaat en dek ze niet af.
- ▶ Laat geen vloeistof binnendringen in de ventilatiesleuven van de behuizing van het apparaat.
- ▶ Laat het apparaat nooit achter zonder toezicht terwijl het in werking is.
- ▶ Laat het apparaat na elke cyclus 15 - 20 minuten afkoelen alvorens u het opnieuw gebruikt.

LET OP! MATERIËLE SCHADE!

- ▶ Voeg in het popcorncompartiment geen ingrediënten toe zoals suiker, zout, olie, boter enz., want deze kunnen het apparaat beschadigen. Voeg deze ingrediënten pas na het bereidingsproces en buiten het apparaat toe aan de bereide popcorn.
- ▶ Gebruik het apparaat nooit zonder mais in het popcorncompartiment.
- ▶ Gebruik uitsluitend door de fabrikant aanbevolen accessoires.
- ▶ Gebruik geen agressieve, chemische of schurende schoonmaakmiddelen! Deze kunnen het oppervlak onherstelbaar aantasten.

OPMERKING

- ▶ Om het product tussen 50 en 60 Hz te schakelen, is geen tussenkomst van de gebruiker vereist. Het product past zich zowel voor 50 als voor 60 Hz aan.

Ingebruikname

WAARSCHUWING! LETSELGEVAAR!

- ▶ Plaats het apparaat nooit in de buurt van of onder brandbare voorwerpen, vooral niet onder gordijnen of hangkasten.
- ◆ Reinig het apparaat zoals beschreven in het hoofdstuk **Reinigen** voordat u het voor de eerste keer gebruikt.
- ◆ Plaats het apparaat op een egale, hittebestendige en slipvaste ondergrond.
- ◆ Controleer of de aan-/uitknop **4** op "O" staat. Steek dan de stekker in een stopcontact.
Het apparaat is klaar voor gebruik.

Bedienen

Popcorn maken

⚠ WAARSCHUWING! LETSELGEVAAR!

- ▶ Sommige delen van het apparaat, vooral het deksel ② en de gebruikte maatlepel ①, worden erg heet terwijl het apparaat in werking is.

Verbrandingsgevaar!

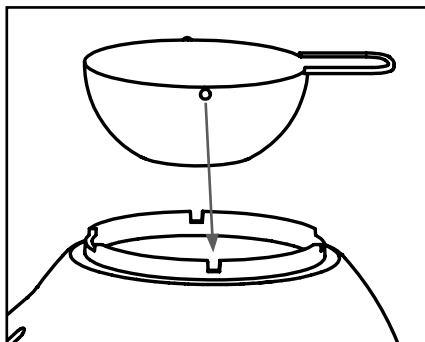
LET OP! MATERIËLE SCHADE!

- ▶ Doe geen ingrediënten zoals suiker, zout, olie, boter enz. in het popcorncompartiment ⑥, want deze kunnen het apparaat beschadigen. Voeg deze ingrediënten pas na het bereidingsproces en buiten het apparaat toe aan de bereide popcorn.
- ▶ Gebruik het apparaat nooit zonder mais in het popcorncompartiment ⑥.
- ▶ Laat het apparaat na elke cyclus 15 - 20 minuten afkoelen alvorens u het opnieuw gebruikt.

OPMERKING

- ▶ Niet alle mais is geschikt voor het bereiden van popcorn. Gebruik alleen mais die bedoeld is voor het maken van popcorn.

- ◆ Neem indien nodig het deksel ② samen met de maatlepel ① van het apparaat.
- ◆ Doe maximaal 60 g (= één tot de rand gevulde maatlepel ①) maiskorrels in het popcorncompartiment ⑥.
- ◆ Zet het deksel ② erop. Zorg er daarbij voor dat de werving op het deksel ② over de uitsparing in de rand van het apparaat valt.
- ◆ Zet de maatlepel ① in de bovenste opening van het deksel ②. De beide palletjes op de maatlepel ① moeten in de smalle uitsparingen in het deksel ② liggen:



OPMERKING

- ▶ Om boter met het apparaat te smelten, raadpleegt u de instructies in hoofdstuk **Popcorn zoet/zout maken**.
- ◆ Plaats een hittebestendige kom onder de uitwerp-opening ❸. Neem een kom die hoog en breed genoeg is om de bereide popcorn volledig op te kunnen vangen.
- ◆ Zet de aan-/uitknop ❹ op "I". Het apparaat begint met de bereiding van de popcorn. Na korte tijd wordt de bereide popcorn door de uitwerp-opening ❺ uit het apparaat geblazen.
- ◆ Wanneer alle maïskorrels verwerkt zijn, zet u de aan-/uitknop ❹ op "O".
- ◆ Laat het apparaat 15 – 20 minuten afkoelen alvorens u het opnieuw gebruikt of voordat u het reinigt.

Popcorn zoet/zout maken

U kunt met het apparaat boter smelten om deze vervolgens over de bereide popcorn te gieten. Dit lukt het beste met boter **op kamertemperatuur**. De boter zorgt ervoor dat de suiker of het zout aan de popcorn blijft kleven.

- ◆ Doe maximaal 20 g boter op kamertemperatuur in de maatlepel ❶ voordat u het apparaat inschakelt. De boter smelt tijdens de bereiding van de popcorn.

OPMERKING

- ▶ Als de boter niet volledig gesmolten is, neem de maatlepel ❶ dan van het deksel ❷ af en roer de boter daarin voorzichtig om.
- ◆ Giet de gesmolten boter over de bereide popcorn in de kom en meng deze erdoor.
- ◆ Voeg naar wens zout of suiker toe en meng de popcorn opnieuw grondig.

Oververhittingsbeveiliging

Het apparaat is voorzien van een oververhittingsbeveiliging. Wanneer het apparaat te heet wordt, wordt het automatisch uitgeschakeld. Zodra het apparaat voldoende is afgekoeld, gaat het automatisch weer aan.

Om ongewenste herinschakeling van het apparaat te voorkomen, schakelt u het apparaat na oververhitting uit. Laat het apparaat 15 – 20 minuten koelen voordat u het opnieuw gebruikt.

Reinigen

GEVAAR VOOR EEN ELEKTRISCHE SCHOK!

- ▶ Haal altijd de stekker uit het stopcontact voordat u het apparaat reinigt.



Dompel het apparaat, het netsnoer of de stekker nooit onder in water of andere vloeistoffen! Anders bestaat er levensgevaar door een elektrische schok!

WAARSCHUWING! LETSELGEVAAR!

- ▶ Laat het apparaat volledig afkoelen voordat u het reinigt.

LET OP! MATERIËLE SCHADE!

- ▶ Gebruik geen agressieve, chemische of schurende schoonmaakmiddelen! Deze kunnen het oppervlak onherstelbaar aantasten.
- ◆ Veeg het popcorncompartiment schoon met een droge doek. Maak zo nodig de doek een beetje vochtig.
- ◆ Reinig het motorblok **3** met een vochtige doek. Doe zo nodig wat mild afwasmiddel op de doek. Veeg vervolgens na met een doek die is bevochtigd met schoon water, om eventuele afwasmiddelresten te verwijderen.
- ◆ Reinig het deksel **2** en de maatlepel **1** in warm water met wat mild afwasmiddel. Spoel tot slot de onderdelen af met schoon water.

OPMERKING



Het deksel **2** en de maatlepel **1** zijn geschikt voor reiniging in de vaatwasser. Leg de onderdelen uitsluitend in het bovenste gedeelte van de vaatwasser en zorg ervoor dat ze niet ingeklemd raken. Anders kunnen de onderdelen vervormd raken!

- ◆ Droog alle onderdelen goed af voordat u ze opnieuw gebruikt of opbergt.

Opbergen

- ◆ Reinig het apparaat zoals beschreven in het hoofdstuk **Reinigen**.
- ◆ Berg het apparaat op een schone, stofvrije en droge plaats op.

Problemen oplossen

Probleem	Mogelijke oorzaak	Mogelijke oplossing
Het apparaat werkt niet.	Het apparaat is niet verbonden met een stopcontact.	Sluit het apparaat aan op een stopcontact.
	Het apparaat is beschadigd.	Neem contact op met de klantenservice.
Het apparaat valt tijdens gebruik stil.	De oververhittingsbeveiliging is geactiveerd.	Schakel het apparaat uit en laat het 15 - 20 minuten afkoelen.

Neem contact op met de klantenservice als de storingen met de bovenstaande instructies niet kunnen worden verholpen of als u andere storingen constateert.

Afvoeren

Product afvoeren



Deponeer het apparaat in geen geval bij het normale huisvuil. Dit product is onderworpen aan de Europese richtlijn 2012/19/EU. Voer het toestel af via een erkend afvalverwerkingsbedrijf of via uw gemeentereiniging. Neem de bestaande voorschriften in acht. Neem in geval van twijfel contact op met de gemeentelijke reinigingsdienst.



Mogelijkheden voor het afvoeren van het afgedankte product vindt u bij uw gemeente.



Het product is recyclebaar; er is een uitgebreide producentenverantwoordelijkheid op van toepassing en het afval wordt gescheiden ingezameld.

Verpakking afvoeren



Het terugvoeren van de verpakking in de materiaalkringloop helpt grondstoffen besparen en reduceert de afvalberg. Voer verpakkingsmateriaal dat u niet meer nodig hebt af conform de plaatselijk geldende voorschriften.




Voer de verpakking af conform de milieuvoorschriften.

Let op de aanduiding op de verschillende verpakkingsmaterialen en voer ze zo nodig gescheiden af. De verpakkingsmaterialen zijn voorzien van afkortingen (a) en cijfers (b) met de volgende betekenis:

1-7: kunststoffen, 20-22: papier en karton,
80-98: composietmaterialen

Bijlage

Technische gegevens

Netspanning	220 - 240 V ~ (wisselstroom), 50/60 Hz
Nominaal vermogen	1200 W
	Alle delen van dit apparaat die in aanraking komen met voedingsmiddelen zijn voedingsmiddelveilig.

Garantie van Kompernaß Handels GmbH

Geachte klant,

U hebt op dit apparaat 3 jaar garantie vanaf de aankoopdatum. In geval van gebreken in dit product hebt u wettelijke rechten tegenover de verkoper van het product. Deze wettelijke rechten worden door onze hierna beschreven garantie niet beperkt.

Garantievoorwaarden

De garantieperiode geldt vanaf de datum van aankoop. Bewaar de kassabon zorgvuldig. U hebt hem nodig als bewijs van aankoop.

Als er binnen drie jaar vanaf de aankoopdatum van dit product een materiaal- of fabricagefout optreedt, wordt - naar onze keuze - het product door ons kosteloos gerepareerd of vervangen of wordt de koopprijs terugbetaald. Voorwaarde voor deze garantie is dat het defecte apparaat en het aankoopbewijs (kassabon) binnen de termijn van drie jaar worden overlegd en dat kort wordt omschreven waaruit het gebrek bestaat en wanneer het is opgetreden.

Wanneer het defect door onze garantie wordt gedekt, krijgt u het gerepareerde product of een nieuw product retour. Met de reparatie of vervanging van het product begint er geen nieuwe garantieperiode.

Garantieperiode en wettelijke aanspraken bij gebreken

De garantieperiode wordt door deze waarborg niet verlengd. Dat geldt ook voor vervangen en gerepareerde onderdelen. Eventueel al bij aankoop aanwezige schade en gebreken moeten meteen na het uitpakken worden gemeld. Voor reparaties na afloop van de garantieperiode worden kosten in rekening gebracht.

Garantieomvang

Het apparaat is op basis van strenge kwaliteitsnormen met de grootst mogelijke zorg vervaardigd en voorafgaand aan de levering nauwkeurig gecontroleerd.

De garantie geldt voor materiaal- of fabricagefouten. Deze garantie geldt niet voor productonderdelen die onderhevig zijn aan normale slijtage en die daarom als slijtonderdelen worden beschouwd, of voor schade aan breekbare onderdelen zoals schakelaars, accu's of onderdelen die van glas zijn gemaakt.

Deze garantie vervalt wanneer het product is beschadigd, ondeskundig is gebruikt of is gerepareerd. Voor deskundig gebruik van het product moeten alle in de gebruiksaanwijzing beschreven aanwijzingen precies worden opgevolgd. Gebruiksdoeleinden en handelingen die in de gebruiksaanwijzing worden afgeraden of waarvoor wordt gewaarschuwd, moeten beslist worden vermeden.

Het product is uitsluitend bestemd voor privégebruik en niet voor bedrijfsmatige doeleinden. Bij verkeerd gebruik en ondeskundige behandeling, bij gebruik van geweld en bij reparaties die niet door ons erkend servicefiliaal zijn uitgevoerd, vervalt de garantie.

Afhandeling bij een garantiekwestie

Voor een snelle afhandeling van uw aanvraag neemt u de volgende aanwijzingen in acht:

- Houd voor alle aanvragen de kassabon en het artikelnummer (IAN) 373188_2104 als aankoopbewijs bij de hand.
- Het artikelnummer vindt u op het typeplaatje van het product, op het product gegraveerd, op de titelpagina van de gebruiksaanwijzing (linksonder) of op de sticker op de achter- of onderkant van het product.
- Als er fouten in de werking of andere gebreken optreden, neemt u eerst contact op met de hierna genoemde serviceafdeling, **telefonisch of via e-mail**.
- Een als defect geregistreerd product kunt u dan zonder portokosten naar het aan u doorgegeven serviceadres sturen. Voeg het aankoopbewijs (kassabon) bij en vermeld waaruit het gebrek bestaat en wanneer het is opgetreden.



Op www.lidl-service.com kunt u deze en vele andere handleidingen, product-video's en installatiesoftware downloaden.

Met deze QR-code gaat u direct naar de website van Lidl Service (www.lidl-service.com) en kunt u met het invoeren van het artikelnummer (IAN) 373188_2104 de gebruiksaanwijzing openen.

Service

NL **Service Nederland**
Tel.: 0900 0400223 (0,10 EUR/Min.)
E-Mail: kompernass@lidl.nl

BE **Service België**
Tel.: 070 270 171 (0,15 EUR/Min.)
E-Mail: kompernass@lidl.be

IAN 373188_2104

Importeur

Let op: het volgende adres is geen serviceadres. Neem eerst contact op met het opgegeven serviceadres.

KOMPERNASS HANDELS GMBH
BURGSTRASSE 21
44867 BOCHUM
DUITSLAND
www.kompernass.com

Obsah

Úvod	62
Použití v souladu s určením	62
Rozsah dodávky	63
Vybalení	63
Popis přístroje	63
Bezpečnostní pokyny	64
Uvedení do provozu	67
Obsluha	67
Výroba popcornu	67
Oslazení/osolení popcornu	68
Ochrana proti přehřátí	69
Čištění	69
Uložení	70
Odstranění závad	70
Likvidace	70
Likvidace přístroje	70
Likvidace obalu	70
Příloha	71
Technické údaje	71
Záruka společnosti Kompernass Handels GmbH	71
Servis	72
Dovozce	72

Úvod

Blahopřejeme Vám k zakoupení Vašeho nového přístroje!

Svým nákupem jste se rozhodli pro moderní a kvalitní výrobek. Návod k obsluze je součástí tohoto výrobku. Obsahuje důležité informace o bezpečnosti, použití a likvidaci. Před použitím výrobku se seznamte se všemi provozními a bezpečnostními pokyny. Tento výrobek používejte pouze předepsaným způsobem a pro uvedené oblasti použití. Při předávání výrobku třetím osobám předejte spolu s ním i tyto podklady.

Použití v souladu s určením

Tento přístroj je určen výhradně k výrobě popcornu ze suché popcorn kukuřice v domácnostech. Nepoužívejte přístroj pro komerční účely.

Přístroj provozujte jen v suchých vnitřních prostorách, nikdy jej nepoužívejte venku.

VÝSTRAHA

Nebezpečí při použití v rozporu s určením!

Při použití v rozporu s určením a/nebo použitím jiného druhu může být přístroj zdrojem různých nebezpečí.

- ▶ Přístroj používejte výlučně v souladu s určením.
- ▶ Dodržujte postupy popsané v tomto návodu k obsluze.

Rozsah dodávky

Přístroj se standardně dodává s následujícími složkami:

- popcornovač
- víko
- měrná lžička
- návod k obsluze

Vybalení

- ◆ Vyjměte všechny části přístroje a návod k obsluze z krabice.
- ◆ Odstraňte z přístroje všechen obalový materiál a případné nálepky.

UPOZORNĚNÍ

- ▶ Zkontrolujte úplnost dodávky a zda není viditelně poškozená.
- ▶ V případě neúplné dodávky nebo poškození vzniklého v důsledku vadného obalu nebo během přepravy kontaktujte servisní poradenskou linku (viz kapitola **Servis**).


Popis přístroje

- 1 měrná lžička
- 2 víko
- 3 motorový blok
- 4 zapínač/vypínač
- 5 vyhazovací otvor
- 6 komora na popcorn

Bezpečnostní pokyny

NEBEZPEČÍ ÚRAZU ELEKTRICKÝM PROUDEM

- ▶ Před uvedením přístroje do provozu zkontrolujte, zda síťové napětí odpovídá síťovému napětí uvedenému na typovém/výkonovém štítku.
- ▶ Veďte síťový kabel tak, aby nedošlo k jeho přiskřípnutí či jinému poškození.
- ▶ Přístroj používejte jen v suchých prostorách, ne venku.

 Přístroj, síťový kabel ani síťovou zástrčku nikdy neponořujte do vody či jiných tekutin! V opačném případě hrozí ohrožení života v důsledku úrazu elektrickým proudem!

- ▶ Po použití a před čištěním nebo přemístěním přístroje vždy vytáhněte síťovou zástrčku ze zásuvky.
- ▶ Pokud přístroj spadne nebo je poškozený, není dovoleno jej již uvádět do provozu. Přístroj nechte přezkoušet a případně opravit kvalifikovaným odborným personálem.
- ▶ Pokud se napájecí kabel tohoto přístroje poškodí, musí jej vyměnit výrobce, jeho zákaznický servis nebo obdobně kvalifikovaná osoba, aby se tak zabránilo nebezpečím.
- ▶ Kryt přístroje nikdy neotevírejte. V takovém případě není zaručena bezpečnost a zaniká záruka.
- ▶ Nevystavujte přístroj dešti a ani jej nikdy nepoužívejte ve vlhkém nebo mokřém prostředí.
- ▶ Dbejte na to, aby nebyl připojovací kabel během provozu nikdy vlhký nebo mokrý.

⚠ VÝSTRAHA! NEBEZPEČÍ PORANĚNÍ!

- ▶ Nepoužívejte přístroj nikdy pro jiné účely, než je popsáno v tomto návodu. Při nesprávném použití přístroje hrozí nebezpečí zranění.
- ▶ Děti starší než 8 let a osoby s omezenými fyzickými, smyslovými nebo duševními schopnostmi nebo nedostatkem zkušeností a/nebo znalostí mohou tento přístroj používat pouze tehdy, pokud jsou pod dohledem nebo pokud byly poučeny o bezpečném používání přístroje a pokud porozuměly nebezpečí, které z používání přístroje vyplývá.
- ▶ Čištění a uživatelskou údržbu nesmí provádět děti, ledaže jsou starší než 8 let a jsou pod dohledem.
- ▶ Děti mladší než 8 let nesmí mít přístup k přístroji a přívodnímu kabelu.
- ▶ Děti si nesmí s přístrojem hrát.
- ▶ Zajistěte stabilní polohu přístroje.
- ▶ Pokládejte síťový kabel tak, aby na něj nemohl nikdo stoupnout nebo o něj zakopnout.
- ▶ Přístroj umístěte pokud možno do blízkosti zásuvky. Zajistěte, aby síťová zástrčka byla v případě nebezpečí rychle dosažitelná a aby nebylo možné zakopnout o síťový kabel.
- ▶ Během přípravy se zejména při otevření víka uvolňuje horká pára. Udržujte od páry bezpečnou vzdálenost.

**Pozor! Horký povrch!**

- ▶ Části přístroje jsou během provozu horké. Nebezpečí popálení!
- ▶ Před čištěním nebo výměnou příslušenství nechte přístroj vychladnout.

⚠ VÝSTRAHA! NEBEZPEČÍ PORANĚNÍ!

- ▶ Čerstvý popcorn je horký! Vždy umístěte dostatečně velkou misku pod vyhazovací otvor a nechte popcorn před konzumací dostatečně vychladnout.
- ▶ Nenechávejte přístroj během provozu nikdy bez dozoru.
- ▶ Nepoužívejte přístroj v blízkosti horkých povrchů nebo hořlavých materiálů.
- ▶ Přístroj nikdy nestavte do blízkosti hořlavých předmětů ani pod ně, zejména ne pod záclony nebo závěsné skříňky.

POZOR! HMOTNÉ ŠKODY!

- ▶ K provozu přístroje nepoužívejte externí spínací hodiny ani samostatné dálkové ovládání.
- ▶ Nestrkejte nic do větracích otvorů v krytu přístroje a nezakrývejte je.
- ▶ Zabraňte vniknutí kapaliny do větracích otvorů v krytu přístroje.
- ▶ Nenechávejte přístroj během provozu nikdy bez dozoru.
- ▶ Po každém použití nechte přístroj vychladnout 15 - 20 minut, než jej opět uvedete do provozu.
- ▶ Nepřidávejte přísady jako jsou cukr, sůl, olej, máslo apod. do komory na popcorn, tyto mohou přístroj poškodit. Přidejte tyto přísady pouze po přípravě a mimo přístroje na hotový popcorn.
- ▶ Nikdy nepoužívejte přístroj bez kukuřičných zrn v komoře na popcorn.
- ▶ Používejte jen příslušenství doporučené výrobcem.
- ▶ Nepoužívejte žádné agresivní, chemické nebo abrazivní čisticí prostředky! Tyto mohou nenávratně poškodit povrch.

UPOZORNĚNÍ

- ▶ K přepnutí výrobku mezi frekvencí 50 a 60 Hz není nutný žádný zásah uživatele. Výrobek se upraví pro 50 i 60 Hz.

Uvedení do provozu

⚠ VÝSTRAHA! NEBEZPEČÍ ZRANĚNÍ!

- ▶ Přístroj nikdy nestavte do blízkosti hořlavých předmětů ani pod ně, zejména ne pod záclony nebo závěsné skříňky.
- ◆ Přístroj před prvním použitím vyčistěte tak, jak je popsáno v kapitole **Čištění**.
- ◆ Přístroj postavte na rovný, žáruvzdorný a neklouzávý povrch.
- ◆ Ujistěte se, zda je zapínač/vypínač ④ v poloze „O“.
Zastrčte síťovou zástrčku do síťové zásuvky.
Přístroj je připraven k provozu.

Obsluha

Výroba popcornu

⚠ VÝSTRAHA! NEBEZPEČÍ ZRANĚNÍ!

- ▶ Části přístroje, zejména víko ② a vsazená měrná lžička ①, jsou během provozu velmi horké. **Nebezpečí popálení!**

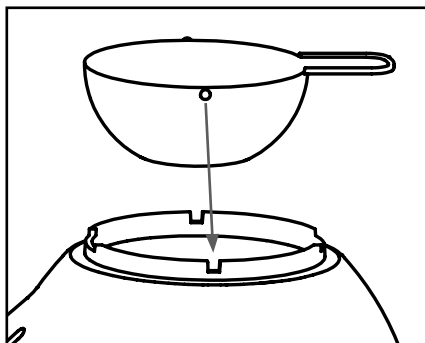
POZOR! HMOTNÉ ŠKODY!

- ▶ Nepřidávejte přísady jako jsou cukr, sůl, olej, máslo apod. do komory na popcorn ⑤, tyto mohou přístroj poškodit. Přidejte tyto přísady pouze po přípravě a mimo přístroje na hotový popcorn.
- ▶ Nikdy nepoužívejte přístroj bez kukuřičných zrn v komoře na popcorn ⑤.
- ▶ Po každém použití nechte přístroj vychladnout 15–20 minut, než jej opět uvedete do provozu.

UPOZORNĚNÍ

- ▶ Ne každá kukuřice je vhodná pro výrobu popcornu. Používejte pouze určenou kukuřici na popcorn.
- ◆ Podle potřeby sejměte víko ② včetně měrné lžičky ① z přístroje.
- ◆ Dejte maximálně 60 g (= 1 až po okraj naplněnou měrnou lžičku ①) kukuřičných zrn do komory na popcorn ⑤.
- ◆ Víko ② opět nasadte. Dbejte při tom na to, aby klenutí na víko ② dosedalo nad výřezem na okraji přístroje.

- ◆ Vložte měrnou lžičku ❶ do horního otvoru víka ❷. Oba výčnělky na měrné lžičce ❶ musí doléhat do úzkých výřezů ve víku ❷:



UPOZORNĚNÍ

► K rozpuštění másla s přístrojem postupujte podle pokynů uvedených v kapitole **Oslazení/osolení popcornu**.

- ◆ Postavte pod vyhazovací otvor ❺ žáruvzdornou mísu. Dbejte na to, aby mísa byla dostatečně vysoká a široká, aby byl vyrobený popcorn zcela zachycen.
- ◆ Nastavte zapínač/vypínač ❹ do polohy „I“. Přístroj zahájí výrobu popcornu. Po krátké době je hotový popcorn vyfukován z přístroje přes vyhazovací otvor ❺.
- ◆ Jakmile jsou zpracována veškerá kukuřiční zrna, nastavte zapínač/vypínač ❹ do polohy „O“.
- ◆ Nechte přístroj 15 – 20 minut vychladnout, než jej opět uvedete do provozu nebo vyčistíte.

Oslazení/osolení popcornu

POZOR! HMOTNÉ ŠKODY!

- Nepřidávejte přísady jako jsou cukr, sůl, olej, máslo apod. do komory na popcorn ❻, tyto mohou přístroj poškodit. Přidejte tyto přísady pouze po přípravě a mimo přístroje na hotový popcorn.
- Dbejte na to, aby do komory na popcorn ❻ nikdy nesteklo máslo!

Přístroj můžete použít k rozpuštění másla a následně jej nalít na hotový popcorn. Nejlépe se to podaří s **máslem** o pokojové teplotě.

Máslo zajišťuje, že cukr nebo sůl se udrží na popcornu.

- ◆ Před zapnutím přístroje dejte maximálně 20 g másla o pokojové teplotě na měrnou lžičku ❶. Máslo se při výrobě popcornu rozpustí.

UPOZORNĚNÍ

- ▶ Není-li máslo zcela rozpuštěné, sejměte měrnou lžičku **1** z víka **2** a opatrně s ní zamíchejte máslo.
- ◆ Nalijte rozpuštěné máslo na hotový popcorn v míse a promíchejte.
- ◆ Podle chuti přidejte sůl nebo cukr a znovu popcorn promíchejte.


Ochrana proti přehřátí

Přístroj je vybaven ochranou proti přehřátí. Je-li přístroj příliš horký, automaticky se vypne. Jakmile je dostatečně ochlazen, automaticky se opět zapne.

K zabránění náhodnému opětovnému spuštění přístroje vypněte přístroj v případě přehřátí. Nechte přístroj 15–20 minut vychladnout, než jej opět uvedete do provozu.

Čištění

VÝSTRAHA! NEBEZPEČÍ ÚRAZU ELEKTRICKÝM PROUDEM

- ▶ Před čištěním přístroje vždy vytáhněte síťovou zástrčku ze zásuvky.
 Přístroj, síťový kabel ani síťovou zástrčku nikdy neponořujte do vody či jiných tekutin! V opačném případě hrozí ohrožení života v důsledku úrazu elektrickým proudem!

VÝSTRAHA! NEBEZPEČÍ ZRANĚNÍ!

- ▶ Před čištěním nechte přístroj zcela vychladnout.

POZOR! HMOTNÉ ŠKODY!

- ▶ Nepoužívejte žádné agresivní, chemické nebo abrazivní čisticí prostředky! Ty mohou nenávratně poškodit povrch.
- ◆ Otřete komoru na popcorn suchým hadrem. V případě potřeby lehce navlhčete hadřík.
- ◆ Motorový blok **3** otřete vlhkým hadrem. V případě potřeby dejte na hadřík jemný mycí prostředek. Otřete jej poté hadrem namočeným pouze vodou, abyste odstranili případné zbytky mycího prostředku.
- ◆ Víko **2** a měrnou lžičku **1** umyjte v teplé vodě s jemným mycím prostředkem. Nakonec díly opláchněte čistou vodou.

UPOZORNĚNÍ



Víko **2** a měrná lžička **1** jsou vhodné také pro mytí v myčce nádobí. Položte díly dle možnosti do horní přihrádky myčky a dbejte na to, aby se nezaklínily. Jinak by se mohly zdeformovat!

- ◆ Všechny díly dobře osušte, než je opět použijete nebo uložíte.

Uložení

- ◆ Přístroj vyčistěte tak, jak je popsáno v kapitole **Čištění**.
- ◆ Přístroj uložte na čistém, bezprašném a suchém místě.

Odstranění závad

Problém	Možná příčina	Možné řešení
Přístroj nefunguje.	Zástrčka přístroje není zastrčená do sířové zásuvky.	Zapojte přístroj do zásuvky toma eléctrica.
	Přístroj je poškozený.	Obraťte se na servis.
Přístroj se během provozu vypne.	Byla aktivována ochrana proti přehřátí.	Přístroj vypněte a nechte jej 15 – 20 minut vychladnout.

Pokud nemůžete odstranit poruchy výše popsaným způsobem odstranění poruch nebo pokud zjistíte jakoukoli jinou zá vadu, obraťte se na náš servis.

Likvidace

Likvidace přístroje



Přístroj v žádném případě nevhazujte do běžného domovního odpadu. Tento výrobek podléhá evropské směrnici č. 2012/19/EU.

Přístroj předejte k likvidaci odborné firmě či jej odevzdejte v místním recyklačním zařízení. Dodržujte aktuálně platné předpisy. V případě pochybností kontaktujte příslušnou firmu, která se zabývá likvidací odpadu.



Informace o možnostech likvidace vysloužilého výrobku Vám podá správa Vašeho obecního nebo městského úřadu.



Výrobek je recyklovatelný, podléhá rozšířené odpovědnosti výrobce a je shromažďován odděleně.

Likvidace obalu



Navrácení obalu do oběhu zpracování materiálu šetří suroviny a snižuje produkci odpadů. Více nepotřebný obalový materiál zlikvidujte dle místně platných předpisů.




Balení zlikvidujte ekologicky.

Dbejte na označení na různých obalových materiálech a v případě potřeby je rozříděte odděleně. Obalové materiály jsou označeny zkratkami (a) a číslicemi (b) s následujícím významem: 1–7: Plasty, 20–22: Papír a lepenka, 80–98: Kompozitní materiály.

Příloha

Technické údaje

Síťové napětí	220 – 240 V ~ (střídavý proud), 50/60 Hz
Jmenovitý výkon	1200 W
	Všechny části tohoto přístroje, přicházející do styku s potravinami, jsou bezpečné pro potraviny.

Záruka společnosti Kompennass Handels GmbH

Vážená zákaznice, vážený zákazníku,

na tento přístroj získáváte záruku v trvání 3 let od data zakoupení. V případě závad tohoto výrobku máte zákonná práva vůči prodejci výrobku. Tato zákonná práva nejsou omezena naší níže uvedenou zárukou.

Záruční podmínky

Záruční doba začíná plynout dnem nákupu. Dobře uschovejte pokladní doklad. Tento doklad je potřebný jako důkaz o koupi.

Pokud se do tří let od data zakoupení tohoto výrobku vyskytne vada materiálu nebo výrobní závada, pak Vám podle našeho uvážení výrobek zdarma opravíme, vyměníme nebo uhradíme kupní cenu. Předpokladem této záruky je, že bude během tříleté lhůty předložen vadný přístroj a doklad o koupi (pokladní doklad) a stručně se popíše, v čem závada spočívá a kdy se vyskytla.

Vztahuje-li se na závadu naše záruka, obdržíte zpět buď opravený nebo nový produkt. Opravou nebo výměnou výrobku nezačne plynout nová záruční doba.

Záruční doba a zákonné nároky vyplývající ze závad

Záručním plněním se záruční doba neprodlužuje. To platí i pro vyměněné a opravené součásti. Poškození nebo vady vyskytující se případně již při nákupu se musí oznámit ihned po vybalení. Po uplynutí záruční doby podléhají veškeré opravy zaplacení.

Rozsah záruky

Přístroj byl vyroben pečlivě podle přísných směrnic kvality a před expedicí byl svědomitě vyzkoušen.

Záruka se vztahuje na materiálové nebo výrobní vady. Tato záruka se nevztahuje na součásti výrobku, které jsou vystaveny běžnému opotřebení, a proto je lze považovat za spotřební díly, nebo na poškození křehkých součástí, jako jsou např. spínače, akumulátory nebo díly, které jsou vyrobeny ze skla.

Tato záruka zaniká, pokud je výrobek poškozen, nebyl řádně používán nebo udržován. Pro zajištění správného používání výrobku se musí přesně dodržovat všechny pokyny uvedené v návodu k obsluze. Účelům použití a úkonům, které se v návodu k obsluze nedoporučují nebo se před nimi varuje, je třeba se bezpodmínečně vyhnout.

Výrobek je určen pouze pro soukromé účely a ne pro komerční použití. Při nesprávném a neodborném používání, při použití násilí a při zásazích, které nebyly provedeny našimi autorizovanými servisními provozovny, záruční nároky zanikají.

Vyřízení v případě záruky

Pro zajištění rychlého Vaší žádosti postupujte podle následujících pokynů:

- Pro všechny dotazy mějte připraven pokladní lístek a číslo výrobku (IAN) 373188_2104 jako doklad o koupi.
- Číslo výrobku naleznete na typovém štítku na výrobku, rytině na výrobku, na titulní straně návodu k obsluze (vlevo dole) nebo na nálepce na zadní nebo spodní straně výrobku.
- Pokud by se měly vyskytovat funkční vady nebo jiné závady, kontaktujte nejprve níže uvedené servisní oddělení **telefonicky** nebo **e-mailem**.
- Výrobek, zaevidovaný jako vadný výrobek pak můžete při přiložení dokladu o nákupu (pokladní lístek) a při uvedení, v čem spočívá vada a kdy k ní došlo, poslat výrobek pro Vás bez poštovního na adresu, kterou Vám oznámí servis.



Na webových stránkách www.lidl-service.com si můžete stáhnout tyto a mnoho dalších příruček, videí o výrobku a instalační software.

Pomocí kódu QR se dostanete přímo na stránku servisu Lidl (www.lidl-service.com) a můžete pomocí zadání čísla výrobku (IAN) 373188_2104 otevřít svůj návod k obsluze.

Servis



Servis Česko

Tel.: 800143873

E-Mail: kompernass@lidl.cz

IAN 373188_2104

Dovozce

Dbejte prosím na to, že následující adresa není adresou servisu. Kontaktujte nejprve uvedený servis.

KOMPERNASS HANDELS GMBH

BURGSTRASSE 21

44867 BOCHUM

NĚMECKO

www.kompernass.com

Spis treści

Wstęp	74
Zastosowanie zgodne z przeznaczeniem	74
Zakres dostawy	75
Rozpakowanie	75
Opis urządzenia	75
Wskazówki bezpieczeństwa	76
Uruchomienie	79
Obsługa	80
Wytwarzanie popcornu	80
Słodzenie/solenie popcornu	81
Ochrona przed przegrzaniem	82
Czyszczenie	82
Przechowywanie	83
Usuwanie usterek	83
Utylizacja	84
Utylizacja urządzenia	84
Utylizacja opakowania	84
Załącznik	84
Dane techniczne	84
Gwarancja Kompernaß Handels GmbH	85
Serwis	86
Importer	86

Wstęp

Gratulujemy zakupu nowego urządzenia!

Jest to nowoczesny i wartościowy produkt. Instrukcja obsługi jest częścią składową produktu. Zawiera ona ważne informacje na temat bezpieczeństwa, użytkowania i utylizacji. Przed rozpoczęciem użytkowania produktu należy zapoznać się ze wszystkimi wskazówkami dotyczącymi obsługi i bezpieczeństwa. Produkt należy użytkować wyłącznie zgodnie z zamieszczonym tu opisem oraz w podanym zakresie zastosowań. W przypadku przekazania urządzenia osobie trzeciej należy dołączyć do niego również całą dokumentację.

Zastosowanie zgodne z przeznaczeniem

To urządzenie jest przeznaczone wyłącznie do produkcji popcornu z wykorzystaniem suchej kukurydzy do popcornu, w prywatnych gospodarstwach domowych. Nie używaj urządzenia do celów komercyjnych.

Urządzenia wolno używać wyłącznie w suchych pomieszczeniach. Nie wolno go używać na otwartej przestrzeni.

OSTRZEŻENIE

Niebezpieczeństwo związane z użytkowaniem niezgodnym z przeznaczeniem!

Użytkowanie urządzenia niezgodnie z jego przeznaczeniem i/lub inne jego wykorzystanie może wiązać się z różnymi zagrożeniami.

- ▶ Urządzenie należy użytkować wyłącznie w sposób zgodny z jego przeznaczeniem.
- ▶ Należy przestrzegać zasad postępowania opisanych w niniejszej instrukcji obsługi.

Zakres dostawy

Urządzenie dostarczane jest standardowo z następującymi elementami:

- Urządzenie do przygotowywania popcornu
- Pokrywka
- łyżka z miarką
- Instrukcja obsługi

Rozpakowanie

- ◆ Wyjmij z kartonu wszystkie elementy urządzenia oraz instrukcję obsługi.
- ◆ Usuń z urządzenia całe opakowanie i ewentualnie naklejki.

WSKAZÓWKA

- ▶ Urządzenie należy sprawdzić pod kątem kompletności elementów i widocznych uszkodzeń.
- ▶ W przypadku niekompletnej dostawy bądź stwierdzenia uszkodzeń wskutek wadliwego opakowania lub transportu skontaktuj się z infolinią serwisową (patrz rozdział **Serwis**).

Opis urządzenia

- ❶ łyżka z miarką
- ❷ Pokrywka
- ❸ Blok silnika
- ❹ Włącznik/wyłącznik
- ❺ Otwór wyrzutowy
- ❻ Komora na popcorn

Wskazówki bezpieczeństwa

OSTRZEŻENIE! NIEBEZPIECZEŃSTWO PORAŻENIA PRĄDEM ELEKTRYCZNYM!

- ▶ Przed uruchomieniem urządzenia sprawdź, czy napięcie sieci jest zgodne z napięciem sieci wskazanym na tabliczce znamionowej.
- ▶ Kabel zasilający układaj w taki sposób, aby nie został on zakleszczony ani uszkodzony w inny sposób.
- ▶ Urządzenia wolno używać wyłącznie w suchych pomieszczeniach. Nie wolno go używać na otwartej przestrzeni.



W żadnym przypadku nie zanurzaj urządzenia, kabla zasilającego ani wtyku sieciowego w wodzie ani w żadnej innej cieczy! Śmiertelne niebezpieczeństwo na skutek porażenia prądem elektrycznym!

- ▶ Po zakończeniu używania i przed przystąpieniem do czyszczenia lub przemieszczenia urządzenia zawsze wyciągaj wtyk sieciowy z gniazda zasilania.
- ▶ Nie włączaj urządzenia, jeśli spadło z wysokości lub zostało uszkodzone. Zleć sprawdzenie i ewentualną naprawę urządzenia wykwalifikowanemu specjalście.
- ▶ W przypadku uszkodzenia kabla zasilającego należy zlecić jego wymianę producentowi, w punkcie serwisowym lub osobie posiadającej odpowiednie kwalifikacje. Dzięki temu unikniemy poważnych zagrożeń.
- ▶ Nigdy nie otwieraj obudowy urządzenia. Stanowi to poważne zagrożenie i powoduje wygaśnięcie gwarancji.
- ▶ Urządzenia nie wolno narażać na oddziaływanie deszczu ani używać go w wilgotnym lub mokrym środowisku.
- ▶ Uważaj na to, aby kabel zasilający w czasie pracy nigdy nie został zamoczony ani zawilgocony.

⚠ OSTRZEŻENIE! NIEBEZPIECZEŃSTWO OBRAŻEŃ!

- ▶ Nie używaj urządzenia do innych celów, niż opisane w tej instrukcji. Nieprawidłowe użycie urządzenia powoduje niebezpieczeństwo powstania obrażeń.
- ▶ Urządzenie mogą używać dzieci od 8 roku życia oraz osoby o obniżonej sprawności fizycznej, sensorycznej lub umysłowej, bądź też osoby nieposiadające odpowiedniego doświadczenia i/lub wiedzy, wyłącznie pod nadzorem lub po przeszkoleniu w zakresie bezpiecznego użytkowania urządzenia oraz potencjalnych zagrożeń.
- ▶ Czyszczenia ani konserwacji nie mogą wykonywać dzieci, chyba że ukończyły one 8. rok życia i są pod nadzorem.
- ▶ Dzieci w wieku poniżej 8 lat należy trzymać z dala od urządzenia i kabla zasilającego.
- ▶ Dzieciom nie wolno bawić się urządzeniem.
- ▶ Ustaw urządzenie na stabilnym podłożu.
- ▶ Kabel sieciowy należy ułożyć tak, aby nikt nie mógł po nim deptać ani potknąć się o niego.
- ▶ Postaw urządzenie jak najbliżej gniazda sieciowego. Pamiętaj, by wtyk był łatwo dostępny w celu wyjęcia go z gniazda w przypadku zagrożenia, a także, by kabel sieciowy nie był przyczyną potknięcia.
- ▶ Podczas smażenia z urządzenia wydobywa się gorąca para, w szczególności podczas otwierania pokrywy. Zachowaj bezpieczny odstęp od wydobywającej się pary.

**Uwaga! Gorąca powierzchnia!**

- ▶ Elementy urządzenia nagrzewają się podczas pracy. Niebezpieczeństwo poparzenia!

⚠ OSTRZEŻENIE! NIEBEZPIECZEŃSTWO OBRAŻEŃ!

- ▶ Przed przystąpieniem do czyszczenia urządzenia lub zmiany akcesoriów odczekaj do jego całkowitego ostygnięcia.
- ▶ Świeży popcorn jest gorący! Zawsze umieszczaj wystarczająco dużą miskę pod otworem wyrzutowym i pozostaw popcorn do ostygnięcia przed jedzeniem.
- ▶ Nigdy nie pozostawiaj działającego urządzenia bez nadzoru.
- ▶ Nie używaj urządzenia w pobliżu gorących powierzchni ani materiałów łatwopalnych.
- ▶ Dlatego nigdy nie stawiaj urządzenia w pobliżu lub pod łatwopalnymi przedmiotami, a w szczególności pod firanami lub wiszącymi szafkami.

UWAGA! SZKODY MATERIALNE!

- ▶ Do sterowania pracą urządzenia nie używaj żadnych zewnętrznych programatorów zegarowych ani innego systemu zdalnego sterowania.
- ▶ Nie wkładaj niczego do otworów wentylacyjnych w pokrywie urządzenia, ani ich nie zakrywaj.
- ▶ Nie pozwól na przedostanie się żadnej cieczy do otworów wentylacyjnych w pokrywie urządzenia.
- ▶ Nigdy nie pozostawiaj działającego urządzenia bez nadzoru.
- ▶ Przed ponownym uruchomieniem urządzenia należy pozostawić je do ostygnięcia na 15-20 minut po każdym cyklu.
- ▶ Do komory na popcorn nie należy wkładać żadnych składników, takich jak cukier, sól, olej, masło itp., ponieważ mogą one uszkodzić urządzenie. Dodawaj takie dodatki na gorący popcorn dopiero po przygotowaniu i poza urządzeniem.
- ▶ Nigdy nie uruchamiaj urządzenia bez uprzedniego umieszczenia w komorze na popcorn kukurydzy.

UWAGA! SZKODY MATERIALNE!


- ▶ Stosuj wyłącznie akcesoria zalecane przez producenta urządzenia.
- ▶ Do czyszczenia nie stosuj żadnych żrących lub agresywnych środków chemicznych, ani środków do szorowania! Mogłyby one bezpowrotnie uszkodzić powierzchnię.

WSKAZÓWKA

- ▶ Przełączanie produktu pomiędzy 50 a 60 Hz nie wymaga żadnych działań ze strony użytkownika. Produkt przystosowuje się zarówno do częstotliwości 50 Hz, jak i 60 Hz.

Uruchomienie

OSTRZEŻENIE! NIEBEZPIECZEŃSTWO OBRAŻEŃ!

- ▶ Dlatego nigdy nie stawiaj urządzenia w pobliżu lub pod łatwopalnymi przedmiotami, a w szczególności pod firanami lub wiszącymi szafkami.
- ◆ Przed pierwszym użyciem oczyść urządzenie, zgodnie z opisem w rozdziale **Czyszczenie**.
- ◆ Postaw urządzenie na płaskiej, odpornej na wysoką temperaturę i antypoślizgowej powierzchni.
- ◆ Upewnij się, że włącznik/wyłącznik  jest ustawiony na „O”.
Włóż wtyk sieciowy do gniazda zasilania.
Urządzenie jest gotowe do pracy.

Obsługa

Wytwarzanie popcornu

⚠ OSTRZEŻENIE! NIEBEZPIECZEŃSTWO OBRAŻEŃ!

- ▶ Elementy urządzenia, w szczególności pokrywka ②, jak również włożona łyżka z miarką ①, nagrzewają się bardzo podczas pracy.

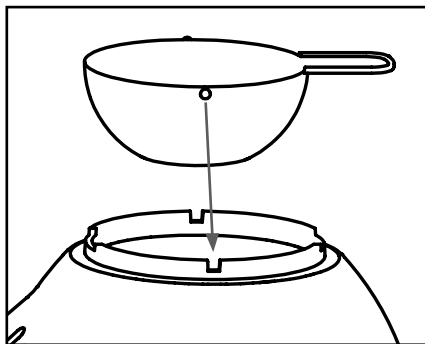
Niebezpieczeństwo poparzenia!

UWAGA! SZKODY MATERIALNE!

- ▶ Do komory na popcorn ⑥ nie należy wkładać żadnych składników, takich jak cukier, sól, olej, masło itp., ponieważ mogą one uszkodzić urządzenie. Dodawaj takie dodatki na gorący popcorn dopiero po przygotowaniu i poza urządzeniem.
- ▶ Nigdy nie uruchamiaj urządzenia bez uprzedniego umieszczenia w komorze na popcorn ⑥ kukurydzy.
- ▶ Przed ponownym uruchomieniem urządzenia należy pozostawić je do ostygnięcia na 15 - 20 minut po każdym cyklu.

WSKAZÓWKA

- ▶ Nie każda kukurydza nadaje się do wytwarzania popcornu. Używaj tylkok przeznaczonej do tego specjalnej kukurydzy na popcorn.
- ◆ W razie potrzeby zdejmij z urządzenia pokrywkę ② wraz z łyżką z miarką ①.
- ◆ Napelnij maksymalnie 60 g (= 1 do krawędzi napelniona łyżka z miarką ①) ziaren kukurydzy do komory na popcorn ⑥.
- ◆ Załóż pokrywę ②. Upewnij się, że wybrzuszenie na pokrywce ② znajduje się nad wycięciem na krawędzi urządzenia.
- ◆ Włóż łyżkę z miarką ① do górnego otworu pokrywki ②. Oba noski na łyżce z miarką ① muszą znajdować się w wąskich wycięciach w pokrywce ②:



WSKAZÓWKA

- ▶ Aby stopić masło w urządzeniu, należy postępować zgodnie z instrukcjami w rozdziale **Słodzenie/solenie popcornu**.
- ◆ Umieścić miskę żaroodporną pod otworem wyrzutowym **5**. Upewnij się, że miska jest wystarczająco wysoka i szeroka, aby całkowicie zebrać gotowy popcorn.
- ◆ Przetwórz włącznik/wyłącznik **4** w położenie „I”. Urządzenie zaczyna proces wytwarzania popcornu. Po krótkim czasie gotowy popcorn jest wydmuchiwany przez otwór wyrzutowy **5** z urządzenia.
- ◆ Po przetworzeniu wszystkich ziaren kukurydzy należy ustawić włącznik/wyłącznik **4** w położeniu „O”.
- ◆ Przed ponownym uruchomieniem urządzenia lub jego czyszczeniem należy pozostawić je do ostygnięcia na 15 – 20 minut.

Słodzenie/solenie popcornu

UWAGA! SZKODY MATERIALNE!

- ▶ Do komory na popcorn **6** nie należy wkładać żadnych składników, takich jak cukier, sól, olej, masło itp., ponieważ mogą one uszkodzić urządzenie. Dodawaj takie dodatki na gorący popcorn dopiero po przygotowaniu i poza urządzeniem.
- ▶ Upewnij się, że w żadnym momencie masło nie przedostanie się do komory popcorn **6**!

Za pomocą urządzenia można stopić masło, a następnie dodać je do gotowego popcornu. Najlepiej sprawdza się to w przypadku masła w **temperaturze pokojowej**.

Masło zapewnia to, że cukier lub sól przylega do popcornu.

- ◆ Przed włączeniem urządzenia do łyżki z miarką **1** dodaj maksymalnie 20 g masła w temperaturze pokojowej. Masło topi się podczas wytwarzania popcornu.

WSKAZÓWKA

- ▶ Jeśli masło nie rozpuściło się całkowicie, wyjmij łyżkę z miarką **1** z pokrywką **2** i ostrożnie wymieszaj znajdujące się w niej masło.
- ◆ Polej roztopionym masłem gotowy popcorn w misce i wymieszaj.
- ◆ Wedle uznania dodaj sól lub cukier i ponownie wymieszaj popcorn.

Ochrona przed przegrzaniem


Urządzenie jest wyposażone w zabezpieczenie przed przegrzaniem. Jeśli urządzenie nagrzeje się nadmiernie, wyłączy się automatycznie. Gdy tylko dostatecznie ostygnie, włączy się ponownie automatycznie.

Aby zapobiec niezamierzonemu ponownemu włączeniu urządzenia, w przypadku przegrzania należy je wyłączyć. Przed ponownym uruchomieniem urządzenia należy pozostawić je do ostygnięcia na 15 - 20 minut.

Czyszczenie

NIEBEZPIECZEŃSTWO PORAŻENIA PRĄDEM ELEKTRYCZNYM!

▶ Przed czyszczeniem urządzenia najpierw wyjmij wtyk z gniazda sieciowego.

 W żadnym przypadku nie zanurzaj urządzenia, kabla zasilającego ani wtyku sieciowego w wodzie ani w żadnej innej cieczy! Grozi to śmiertelnym wypadkiem na skutek porażenia prądem elektrycznym!

OSTRZEŻENIE! NIEBEZPIECZEŃSTWO OBRAŹEŃ!

▶ Przed czyszczeniem należy odczekać na schłodzenie się urządzenia.

UWAGA! SZKODY MATERIALNE!

▶ Do czyszczenia nie stosuj żadnych żrących lub agresywnych środków chemicznych, ani środków do szorowania! Mogłyby one bezpowrotnie uszkodzić powierzchnię.

- ◆ Wytrzyj komorę na popcorn suchą szmatką. W razie potrzeby należy lekko zwilżyć szmatkę.
- ◆ Blok silnika **3** wyczyść wilgotną szmatką. W razie potrzeby można na szmatkę dodać niewielką ilość delikatnego płynu do mycia naczyń. Zmyj następnie powierzchnię szmatką zwilżoną czystą wodą, aby usunąć ewentualne pozostałości płynu do mycia naczyń.
- ◆ Pokrywkę **2** oraz łyżkę z miarką **1** umyj w ciepłej wodzie z dodatkiem łagodnego płynu do mycia naczyń. Następnie wypłucz wszystkie elementy w czystej wodzie.

WSKAZÓWKA



Pokrywka **2** i łyżka z miarką **1** są przystosowane do zmywania w zmywarce do naczyń. Części wkładaj możliwie tylko do górnego kosza zmywarki i dopilnuj, by żadna z części się nie zaklinowała. W przeciwnym razie mogą się odkształcić!

- ◆ Wysusz starannie wszystkie elementy, zanim będziesz z nich korzystać lub je schowasz do przechowywania.

Przechowywanie

- ◆ Oczyszczyć dokładnie urządzenie w sposób opisany w rozdziale **Czyszczenie**.
- ◆ Urządzenie należy przechowywać w czystym, wolnym od pyłów i suchym miejscu.

Usuwanie usterek

Problem	Możliwa przyczyna	Możliwe rozwiązanie
Urządzenie nie działa.	Urządzenie nie zostało podłączone do gniazda zasilania.	Podłącz urządzenie do gniazda zasilania.
	Urządzenie jest uszkodzone.	Skontaktuj się z serwisem.
Urządzenie wyłącza się podczas pracy.	Zabezpieczenie przed przegrzaniem zostało aktywowane.	Wyłącz urządzenie i pozostaw je do ostygnięcia na 15 – 20 minut.

Jeżeli za pomocą powyższych wskazówek nie można usunąć usterek lub gdy występują inne rodzaje usterek, należy zwrócić się do naszego serwisu.

Utylizacja

Utylizacja urządzenia



W żadnym przypadku nie należy wyrzucać urządzenia jako normalnych śmieci domowych. W odniesieniu do produktu ma zastosowanie dyrektywa europejska 2012/19/EU.

Urządzenie należy poddać utylizacji w akredytowanym zakładzie utylizacji lub w komunalnym zakładzie utylizacji odpadów. Przestrzegaj aktualnie obowiązujących przepisów. W razie pytań i wątpliwości odnośnie zasad utylizacji skontaktować z najbliższy zakładem utylizacji.



Informacji na temat możliwości utylizacji wyeksploatowanego produktu udziela urząd gminy lub miasta

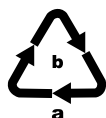


Produkt można poddać recyklingowi, podlega rozszerzonej odpowiedzialności producenta i jest zbierany w ramach systemu segregacji odpadów.

Utylizacja opakowania



Oddanie opakowania do punktu zbiórki surowców wtórnych pozwoli zaoszczędzić surowce naturalne i zmniejszyć ilość odpadów. Zbędne materiały opakowaniowe utylizować zgodnie z lokalnymi przepisami.




Opakowania należy utylizować w sposób przyjazny dla środowiska. Przestrzegać oznaczeń na różnych materiałach opakowaniowych i w razie potrzeby utylizuj je zgodnie z zasadami segregacji odpadów. Materiały opakowaniowe są oznaczone skrótami (a) i cyframi (b) w następujący sposób:

1-7: tworzywa sztuczne,
20-22: papier i tektura,
80-98: kompozyty.

Załącznik

Dane techniczne

Napięcie zasilania	220 - 240 V ~ (prąd przemienny), 50/60 Hz
Moc znamionowa	1200 W
	Wszystkie części tego urządzenia mające kontakt z żywnością, są do tego odpowiednio przystosowane.

Gwarancja Kompernaß Handels GmbH

Szanowny Kliencie,

To urządzenie objęte jest 3-letnią gwarancją, licząc od daty zakupu. W przypadku wad tego produktu, masz gwarantowane ustawowo prawa w stosunku sprzedawcy. Te ustawowe prawa nie są ograniczone przez nasze opisane poniżej warunki gwarancji.

Warunki gwarancji

Okres gwarancji rozpoczyna się od daty zakupu. Należy zachować paragon. Jest on wymagany jako dowód zakupu.

Jeżeli w ciągu trzech lat od daty zakupu produktu ujawni się w nim wada materiałowa lub produkcyjna, produkt zostanie wedle naszego uznania nieodpłatnie naprawiony, wymieniony na nowy lub zostanie zwrócona jego cena. Warunkiem spełnienia tego świadczenia gwarancyjnego jest dostarczenie w trakcie tego trzyletniego okresu uszkodzonego urządzenia wraz z dowodem zakupu (paragonem) oraz krótkim opisem wady i daty jej wystąpienia.

Jeżeli wada jest objęta naszą gwarancją, otrzymasz z powrotem naprawiony lub nowy produkt.

Okres gwarancji i ustawowe roszczenia gwarancyjne

Wykonanie usługi gwarancyjnej nie przedłuża okresu gwarancji. Dotyczy to również wymienionych i naprawionych części. Wszelkie szkody i wady wykryte w chwili zakupu należy zgłosić bezpośrednio po rozpakowaniu urządzenia. Po upływie okresu gwarancji wszelkie naprawy są wykonywane odpłatnie.

Zakres gwarancji

Urządzenie zostało starannie wyprodukowane i poddane przed wysyłką skrupulatnej kontroli jakości.

Gwarancja obejmuje wady materiałowe lub produkcyjne. Niniejsza gwarancja nie obejmuje części produktu, podlegających normalnemu zużyciu, ani uszkodzeń części łatwo tlamliwych, np. przetłaczników, akumulatorów, lub części wykonanych ze szkła.

Niniejsza gwarancja traci swoją ważność, jeśli produkt został uszkodzony, nie używano go prawidłowo lub nie serwisowano należycie. W celu zapewnienia prawidłowego stosowania produktu należy ściśle przestrzegać wszystkich instrukcji wymienionych w instrukcjach obsługi. Należy bezwzględnie unikać zastosowania oraz postępowania, których odradza się w instrukcji obsługi lub przed którymi się w niej ostrzega.

Produkt przeznaczony jest wyłącznie do użytku domowego, a nie do zastosowań komercyjnych. Niewłaściwe użytkowanie urządzenia, używanie go w sposób niezgodny z jego przeznaczeniem, użycie siły lub ingerencja w urządzenie, dokonywana poza naszymi autoryzowanymi punktami serwisowymi, powodują utratę gwarancji.

Realizacja zobowiązań gwarancyjnych

W celu zapewnienia szybkiego załatwienia sprawy, postępuj zgodnie z poniższymi wskazówkami:

- W przypadku wszelkich pytań przygotuj paragon fiskalny oraz numer artykułu (IAN) 373188_2104 jako dowód zakupu.
- Numer artykułu można znaleźć na tabliczce znamionowej na produkcie, wygrawerowany na urządzeniu, zapisany na stronie tytułowej instrukcji obsługi (w dolnym lewym rogu) lub na naklejce z tyłu bądź na spodzie urządzenia.
- W przypadku wystąpienia błędów działania lub innych wad, prosimy o kontakt z odpowiednim działem serwisu **telefonicznie** lub **przez e-mail**.
- Zarejestrowany jako wadliwy produkt możesz wtedy wraz z dołączonym dowodem zakupu (paragonem) oraz opisem i datą wystąpienia usterki wystać nieodpłatnie na przekazany wcześniej adres serwisu.



Na stronie www.lidl-service.com możesz pobrać te i wiele innych instrukcji, filmów o produktach oraz oprogramowanie instalacyjne.

Za pomocą tego kodu QR możesz przejść bezpośrednio na stronę serwisu Lidl (www.lidl-service.com), gdzie możesz otworzyć instrukcję obsługi, wpisując numer artykułu (IAN) 373188_2104

Serwis

PL Serwis Polska

Tel.: 22 397 4996

E-Mail: kompernass@lidl.pl

IAN 373188_2104

Importer

Pamiętaj, że poniższy adres nie jest adresem serwisu.

Skontaktuj się najpierw z odpowiednim punktem serwisowym.

KOMPERNASS HANDELS GMBH

BURGSTRASSE 21

44867 BOCHUM

NIEMCY

www.kompernass.com

Obsah

Úvod	88
Používanie v súlade s účelom	88
Rozsah dodávky	89
Vybalenie	89
Opis prístroja	89
Bezpečnostné pokyny	90
Uvedenie do prevádzky	93
Obsluha	93
Výroba popkornu	93
Osladenie/posolenie popkornu	94
Ochrana proti prehriatiu	95
Čistenie	95
Uskladnenie	96
Odstraňovanie porúch	96
Likvidácia	96
Likvidácia prístroja	96
Likvidácia obalu	96
Príloha	97
Technické údaje	97
Záruka spoločnosti Kompernass Handels GmbH	97
Servis	98
Dovozca	98

Úvod

Srdečne vám blahoželáme ku kúpe vášho nového prístroja!

Rozhodli ste sa tým pre moderný a vysoko kvalitný výrobok. Návod na obsluhu je súčasťou tohto výrobku. Obsahuje dôležité upozornenia týkajúce sa bezpečnosti, používania a likvidácie. Pred používaním výrobku sa oboznámte so všetkými pokynmi na obsluhu a bezpečnostnými pokynmi. Výrobok používajte iba tak, ako je tu opísané a iba v uvedených oblastiach použitia. Pri postúpení výrobku tretej osobe odovzdajte spolu s ním aj všetky dokumenty.

Používanie v súlade s účelom

Tento prístroj je plánovaný výlučne na výrobu popkornu so suchou popkornovou kukuricou v súkromných domácnostiach. Prístroj nepoužívajte na komerčné účely.

Prístroj prevádzkujte len v suchých vnútorných priestoroch, nepoužívajte ho vonku.

VÝSTRAHA

Nebezpečenstvo pri používaní v rozpore s určeným účelom!

Pri nesprávnom používaní a/alebo použití prístroja v rozpore s určeným účelom môže prístroj predstavovať zdroj nebezpečenstva.

- ▶ Tento prístroj používajte výlučne podľa určeného účelu.
- ▶ Dodržiavajte postupy uvedené v tomto návode na obsluhu.

Rozsah dodávky

Prístroj sa štandardne dodáva s nasledovnými komponentmi:

- Prístroj na prípravu pukancov
- Veko
- Odmerná lyžica
- Návod na obsluhu

Vybalenie

- ◆ Vyberte všetky diely prístroja a návod na obsluhu z kartónového obalu.
- ◆ Odstráňte z prístroja všetky obalové materiály a prípadné nálepky.

UPOZORNENIE

- ▶ Skontrolujte kompletnosť dodávky a viditeľné poškodenia.
- ▶ V prípade nekompletnej dodávky alebo poškodení, spôsobených nedostatočným balením alebo dopravou, sa obráťte na servisnú poradenskú linku (pozri kapitolu **Servis**).

Opis prístroja

- ❶ Odmerná lyžica
- ❷ Veko
- ❸ Blok motora
- ❹ Spínač ZAP/VYP
- ❺ Vyhadzovací otvor
- ❻ Komorana popkorn

Bezpečnostné pokyny

VÝSTRAHA! NEBEZPEČENSTVO ZÁSAHU ELEKTRICKÝM PRÚDOM

- ▶ Pred uvedením prístroja do prevádzky skontrolujte, či sa sieťové napätie sa zhoduje so sieťovým napätím uvedeným na typovom/výkonovom štítku.
- ▶ Ved'te sieťový kábel tak, aby sa nikde nemohol zakliesniť ani inak poškodiť.
- ▶ Prístroj používajte len v suchých a uzavretých priestoroch, nie vonku.



Nikdy neponárajte prístroj, sieťový kábel a sieťovú zástrčku do vody ani do iných tekutín! V opačnom prípade hrozí nebezpečenstvo ohrozenia života v dôsledku zásahu elektrickým prúdom!

- ▶ Po použití, na čistenie alebo na pohyb prístroja vždy vytiahnite sieťovú zástrčku z elektrickej zásuvky.
- ▶ Ak prístroj spadne alebo je poškodený, nesmiete ho viac používať. Nechajte prístroj skontrolovať a podľa potreby opraviť kvalifikovaným personálom.
- ▶ Ak sa prípojný sieťový kábel tohto prístroja poškodí, musí sa nechať vymeniť výrobcom alebo jeho zákazníckym servisom alebo obdobne kvalifikovanou osobou, aby sa zabránilo ohrozeniam.
- ▶ Nikdy neotvárajte teleso prístroja. V takomto prípade je ohrozená bezpečnosť a zanikne záruka.
- ▶ Prístroj nevystavujte dažďu a nikdy ho nepoužívajte vo vlhkom alebo mokrom prostredí.
- ▶ Dbajte na to, aby pripojovacie vedenie počas prevádzky nikdy nebolo mokré ani vlhké.

⚠ VÝSTRAHA! NEBEZPEČENSTVO PORANENIA!

- ▶ Nepoužívajte prístroj na iné účely, než na účely opísané v tomto návode. Pri nesprávnom používaní prístroja hrozí riziko poranenia.
- ▶ Tento prístroj môžu používať deti staršie ako 8 rokov a osoby so zníženými fyzickými, zmyslovými alebo mentálnymi schopnosťami alebo nedostatkom skúseností a vedomostí, ak sú pod dohľadom, alebo ak boli poučené o bezpečnom používaní prístroja a pochopili z toho vyplývajúce nebezpečenstvá.
- ▶ Čistenie a používateľskú údržbu nesmú vykonávať deti, iba vtedy áno, ak sú staršie ako 8 rokov a sú pod dozorom.
- ▶ Deti mladšie ako 8 rokov nesmú mať prístup k prístroju a pripojovaciemu vedeniu.
- ▶ Deti sa s prístrojom nesmú hrať.
- ▶ Postarajte sa o bezpečné umiestnenie prístroja.
- ▶ Sieťový kábel položte tak, aby na neho nikto nemohol stúpiť ani o neho zakopnúť.
- ▶ Podľa možnosti postavte prístroj do blízkosti zásuvky. Zabezpečte, aby sieťová zástrčka bola v prípade nebezpečenstva ľahko a rýchlo dostupná a aby sieťový kábel nepredstavoval riziko potknutia.
- ▶ V priebehu pečenia sa uvoľňuje horúca para, najmä vtedy, keď otvoríte veko prístroja. Udržujte bezpečný odstup od pary.

**Pozor! Horúci povrch!**

- ▶ Časti prístroja sú počas prevádzky horúce. Nebezpečenstvo popálenia!
- ▶ Pred čistením alebo výmenou príslušenstva nechajte prístroj vychladnúť.

⚠ VÝSTRAHA! NEBEZPEČENSTVO PORANENIA!

- ▶ Čerstvý popkorn je horúci! Pod vyhadzovací otvor vždy postavte dostatočne veľkú misku a pred konzumáciou nechajte popkorn dostatočne vychladnúť.
- ▶ Počas prevádzky nikdy nenechávajte prístroj bez dozoru.
- ▶ Nepoužívajte prístroj v blízkosti horúcich povrchov alebo horľavých materiálov.
- ▶ Nikdy neumiestňujte prístroj na miesta, ktoré sú v blízkosti horľavých predmetov alebo pod nimi, predovšetkým nie pod záclony alebo závesné skrinky.

POZOR! VECNÉ ŠKODY!

- ▶ Na prevádzkovanie prístroja nepoužívajte externý časový spínač ani samostatný diaľkový systém ovládania.
- ▶ Nedávajte prístroj do vetracej štrbiny v telese prístroja a nezakrývajte ho.
- ▶ Nedovoľte, aby sa do vetracej štrbiny v telese dostala tekutina.
- ▶ Počas prevádzky nikdy nenechávajte prístroj bez dozoru.
- ▶ Skôr, než uvediete prístroj do prevádzky, nechajte ho po každom procese 15 - 20 minút vychladnúť.
- ▶ Do komory na popkorn nepridávajte žiadne prísady ako cukor, soľ, olej, maslo a i., tieto môžu prístroj poškodiť. Takéto prísady dajte až po príprave a mimo prístroja na hotový popkorn.
- ▶ Prístroj nikdy neprevádzkujte bez zrn kukurice v komore na popkorn.
- ▶ Používajte len výrobcom odporúčané príslušenstvo.
- ▶ Nepoužívajte žiadne agresívne, chemické alebo abrazívne čistiace prostriedky! Mohli by neopraviteľne poškodiť povrch prístroja.

UPOZORNENIE

- Používateľ nemusí prepínať výrobok na 50 alebo 60 Hz. Výrobok sa prispôsobí ako na 50, tak aj na 60 Hz.

Uvedenie do prevádzky

VÝSTRAHA! NEBEZPEČENSTVO PORANENIA!

- Nikdy neumiestňujte prístroj na miesta, ktoré sú v blízkosti horľavých predmetov alebo pod nimi, predovšetkým nie pod záclony alebo závesné skrinky.
- ◆ Pred prvým použitím vyčistite prístroj tak, ako je opísané v kapitole **Čistenie**.
- ◆ Prístroj postavte na rovný, teplovzdorný a protišmykový povrch.
- ◆ Uistite sa, že spínač ZAP/VYP **4** sa nachádza na „O“. Potom zastrčte sieťovú zástrčku do sieťovej zásuvky. Prístroj je pripravený na prevádzku.

Obsluha

Výroba popkornu

VÝSTRAHA! NEBEZPEČENSTVO PORANENIA!

- Časti prístroja, zvlášť veko **2**, ako aj použitá odmerná lyžica **1** sú počas prevádzky veľmi horúce. **Nebezpečenstvo popálenia!**

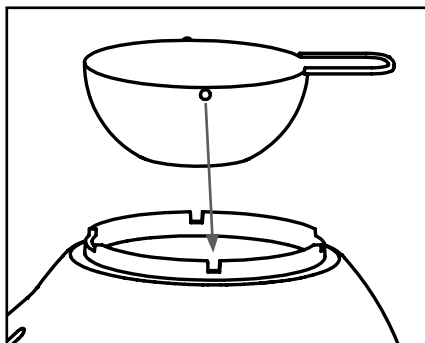
POZOR! VECNÉ ŠKODY!

- Do komory na popkorn **6** nepridávajte žiadne prísady ako cukor, soľ, olej, maslo a i., tieto môžu prístroj poškodiť. Takéto prísady dajte až po príprave a mimo prístroja na hotový popkorn.
- Prístroj nikdy neprevádzkujte bez zŕn kukurice v komore na popkorn **6**.
- Skôr, než uvediete prístroj do prevádzky, nechajte ho po každom procese 15 - 20 minút vychladnúť.

UPOZORNENIE

- Nie každá kukurica je vhodná na výrobu popkornu. Používajte iba na to určenú popkornovú kukuricu.
- ◆ Príp. odoberte veko **2** i s odmernou lyžicou **1** z prístroja.
- ◆ Naplňte maximálne 60 g (= 1 až po okraj naplnenej odmernej lyžice **1**) zŕn kukurice do komory na popkorn **6**.
- ◆ Nasadte veko **2**. Pritom dbajte o to, aby vyklenutá časť na veku **2** sedela nad zárezom na okraji prístroja.

- ♦ Vložte odmernú lyžicu ❶ do horného otvoru veka ❷. Obidva výstupky na odmernej lyžici ❶ musia ležať v úzkych zárezoch vo veku ❷:



UPOZORNENIE

- ▶ Na roztopenie masla pomocou prístroja zohľadnite pokyny v kapitole **Osladenie/posolenie popcornu**.

- ♦ Pod vyhadzovací otvor ❺ postavte teplovzdornú misku. Dávajte pozor na to, aby bola miska dostatočne vysoká a široká, aby sa hotový popcorn úplne zachytil.
- ♦ Spínač ZAP/VYP ❹ nastavte na „I“. Prístroj začne s výrobou popcornu. Po krátkom čase sa cez vyhadzovací otvor ❺ z prístroja fúka hotový popcorn.
- ♦ Hneď ako sú všetky zrná kukurice spracované, nastavte spínač ZAP/VYP ❹ na „O“.
- ♦ Nechajte prístroj 15 – 20 minút vychladnúť, skôr ako ho znova uvediete do prevádzky alebo vyčistíte.

Osladenie/posolenie popcornu

POZOR! VECNÉ ŠKODY!

- ▶ Do komory na popcorn ❻ nepridávajte žiadne prísady ako cukor, soľ, olej, maslo a i., tieto môžu prístroj poškodiť. Takéto prísady dajte až po príprave a mimo prístroja na hotový popcorn.
- ▶ Dávajte pozor na to, aby sa nikdy nedostalo maslo do komory na popcorn ❻!

Pomocou prístroja môžete maslo roztopiť a následne ho dať na hotový popcorn. Najlepšie to ide s maslom s **izbovou teplotou**. Maslo sa stará o to, aby cukor, resp. soľ zostali prichytené na popkorne.

- ♦ Do odmernej lyžice ❶ dajte maximálne 20 g masla izbovej teploty, skôr ako zapnete prístroj. Maslo sa počas výroby popcornu roztopí.

UPOZORNENIE

- ▶ Ak by maslo nemalo byť úplne roztavené, zoberte odmernú lyžicu ❶ z veka ❷ a maslo v ňom opatrne premiešajte.
- ◆ Roztopené maslo prelejte cez hotový popkorn do misky a premiešajte ho.
- ◆ Pridajte k tomu podľa ľubovôle soľ alebo cukor a popkorn ešte raz premiešajte.

Ochrana proti prehriatiu

Prístroj je vybavený ochranou proti prehriatiu. Ak bude prístroj príliš horúci, automaticky sa vypne. Len čo je dostatočne vychladnutý, automaticky sa znova zapne.

Aby sa zabránilo nechcenému opätovnému zapnutiu prístroja, prístroj v prípade prehriatia vypnite. Nechajte prístroj 15 – 20 minút vychladnúť, skôr ako ho znova uvediete do prevádzky.

Čistenie

⚠ NEBEZPEČENSTVO ZÁSAHU ELEKTRICKÝM PRÚDOM!

- ▶ Skôr než začnete prístroj čistiť, vytiahnite sieťovú zástrčku zo sieťovej zásuvky.



Nikdy neponárajte prístroj, sieťový kábel a sieťovú zástrčku do vody ani do iných tekutín! V opačnom prípade hrozí nebezpečenstvo ohrozenia života v dôsledku zásahu elektrickým prúdom!

⚠ VÝSTRAHA! NEBEZPEČENSTVO PORANENIA!

- ▶ Pred čistením nechajte prístroj úplne vychladnúť.

POZOR! VECNÉ ŠKODY!

- ▶ Nepoužívajte žiadne agresívne, chemické alebo abrazívne čistiace prostriedky! Mohli by neopraviteľne poškodiť povrch prístroja.
- ◆ Komoru na popkorn utrite suchou utierkou. Utierku podľa potreby navlhčite.
- ◆ Blok motora ❸ utrite vlhkou utierkou. Podľa potreby dajte na utierku jemný prostriedok na umývanie. Otrite potom vlhkou utierkou, namočenou iba v čistej vode, aby ste odstránili prípadné zvyšky prostriedku na umývanie.
- ◆ Umyte veko ❷ a odmernú lyžicu ❶ v teplej vode s trochou jemného prostriedku na umývanie. Na záver opláchnite diely čistou vodou.

UPOZORNENIE



Veko ❷ a odmerná lyžica ❶ môžu byť umývané v umývačke riadu. Diely vložte podľa možnosti do horného košíka umývačky riadu a dbajte na to, aby sa nezasekli. V opačnom prípade sa môžu zdeformovať!

- ◆ Všetky diely dobre vysušte predtým, ako ich znova použijete alebo uložíte.

Uskladnenie

- ◆ Prístroj vyčistíte tak, ako je opísané v kapitole Čistenie.
- ◆ Prístroj uchovajte na čistom, bezprašnom a suchom mieste.

Odstraňovanie porúch

Problém	Možná príčina	Možné riešenie
Prístroj nefunguje.	Prístroj nie je zapojený do sieťovej zásuvky.	Zapojte prístroj do sieťovej zásuvky.
	Prístroj je poškodený.	Obráťte sa na servis.
Prístroj počas prevádzky vypne.	Aktivovala sa ochrana proti prehriatiu.	Vypnite prístroj a nechajte ho vychladnúť 15 – 20 minút.

Ak sa poruchy nedajú odstrániť spôsobom uvedeným vyššie v tabuľke alebo ak zistíte iné druhy porúch, obráťte sa, prosím, na náš servis.

Likvidácia

Likvidácia prístroja



Prístroj v žiadnom prípade nevyhadzujte do bežného domového odpadu. Tento výrobok podlieha európskej smernici 2012/19/EU. Zlikvidujte prístroj v príslušnom zariadení (firme) na likvidáciu odpadu. Dodržte pritom aktuálne platné predpisy. V prípade pochybností sa obráťte na zariadenia na likvidáciu odpadu.



Informácie o možnostiach likvidácie vysluženého výrobku získate od svojej obecnej alebo mestskej samosprávy.



Produkt je recyklovateľný, podlieha rozšírenej zodpovednosti výrobcu a zbiera sa oddelene.

Likvidácia obalu



Vrátenie obalových materiálov späť do obehu šetrí surovinami a znižuje náklady na odpad. Nepotrebné obalové materiály zlikvidujte podľa miestne platných predpisov.




Obal zlikvidujte ekologicky.

Zohľadnite označenie na rozličných obalových materiáloch a tieto prípadne zvlášť vytriedte. Obalové materiály sú označené skratkami (a) a číslicami (b) s nasledujúcim významom: 1–7: Plasty, 20–22: Papier a lepenka, 80–98: Kompozitné materiály.

Príloha

Technické údaje

Sieťové napätie	220 - 240 V ~ (striedavý prúd), 50/60 Hz
Menovitý výkon	1200 W
	Všetky časti tohto prístroja, ktoré prichádzajú do kontaktu s potravinami, sú bezpečné pre potraviny.

Záruka spoločnosti Kompernass Handels GmbH

Vážená zákazníčka, vážený zákazník,
na tento prístroj máte záruku 3 roky od dátumu zakúpenia. V prípade nedostatkov tohto výrobku máte práva vyplývajúce zo zákona voči predajcovi tohto výrobku. Tieto Vaše práva vyplývajúce zo zákona nie sú obmedzené našou zárukou, uvedenou nižšie.

Záručné podmienky

Záručná doba začína plynúť dátumom zakúpenia. Prosím, uschovajte si pokladničný blok. Tento bude potrebný ako dôkaz o zakúpení.

Ak v priebehu troch rokov od dátumu zakúpenia tohto výrobku dôjde k chybe materiálu alebo výrobné chybe, výrobok vám – podľa nášho uváženia – bezplatne opravíme, vymeníme alebo uhradíme kúpnu cenu. Podmienkou tohto záručného plnenia je, že počas trojročnej lehoty sa poškodený prístroj a doklad o zakúpení (pokladničný blok) predloží so stručným opisom, v čom spočíva nedostatok prístroja a kedy sa vyskytol.

Ak je chyba pokrytá našou zárukou, zašleme Vám späť opravený alebo nový výrobok. Opravou alebo výmenou výrobku nezačína plynúť žiadna nová záručná doba.

Záručná doba a zákonné nároky na odstránenie chýb

Záručná doba sa záručným plnením nepredlží. To platí aj pre vymenené a opravené diely. Poškodenia a chyby zistené prípadne už pri kúpe, sa musia hlásiť okamžite po vybalení. Po uplynutí záručnej doby podliehajú prípadné opravy poplatku.

Rozsah záruky

Prístroj bol starostlivo vyrobený v súlade s prísnyimi smernicami kvality a pred dodaním bol svedomito preskúšaný.

Záručné plnenie sa vzťahuje na chyby materiálu alebo výrobné chyby. Táto záruka sa nevzťahuje na časti výrobku, ktoré sú vystavené bežnému opotrebovaniu a preto ich možno pokladať za rýchlo opotrebitelné diely, ani na poškodenia krehkých dielov, ako sú napríklad spínače, akumulátory alebo diely vyrobené zo skla. Táto záruka zaniká v prípade poškodenia výrobku neodborným používaním alebo neodbornou údržbou. Na správne používanie výrobku sa musia presne dodržiavať všetky pokyny, uvedené v návode na obsluhu. Bezpodmienečne sa musí zabrániť použitiu alebo úkonom, ktoré sa v návode na obsluhu neodporúčajú alebo pred ktorými sa varuje.

Výrobok je určený len na súkromné použitie a nie na priemyselné používanie. Záruka zaniká pri nesprávnom a neodbornom zaobchádzaní, pri použití násilia a pri zásahoch, ktoré neboli vykonané našim autorizovaným servisom.

Vybavenie v prípade záruky

Na zaručenie rýchleho vybavenia Vašej žiadosti postupujte podľa nasledujúcich pokynov:

- Na všetky otázky majte pripravený pokladničný doklad a číslo výrobku (IAN) 373188_2104 ako doklad o nákupe.
- Číslo výrobku nájdete na typovom štítku na výrobku, na gravúre na výrobku, na titulnej stránke návodu na obsluhu (dole vľavo) alebo ako nálepku na zadnej alebo spodnej strane výrobku.
- Ak dôjde k funkčným poruchám alebo iným nedostatkom, kontaktujte najprv nižšie uvedené servisné oddelenie **telefonicky** alebo **e-mailom**.
- Výrobok, zaevidovaný ako poruchový, môžete potom spolu s dokladom o nákupe (pokladničný blok) a uvedením popisu chyby a dátumu, kedy k nej došlo, bezplatne odoslať na adresu servisného strediska, ktorá Vám bude oznámená.



Na webovej stránke www.lidl-service.com si môžete stiahnuť tieto a mnoho ďalších príručiek, videá o výrobkoch a inštalačný softvér.

Pomocou tohto QR-kódu sa dostanete priamo na stránku servisu Lidl (www.lidl-service.com) a pomocou zadania čísla výrobku (IAN) 373188_2104 otvoríte váš návod na obsluhu.

Servis

SK Servis Slovensko
Tel. 0850 232001
E-Mail: kompernass@lidl.sk

IAN 373188_2104

Dovozca

Majte na pamäti, že nižšie uvedená adresa nie je adresou servisného strediska. Najprv kontaktujte uvedené servisné stredisko.

KOMPERNASS HANDELS GMBH
BURGSTRASSE 21
44867 BOCHUM
NEMECKO
www.kompernass.com

Índice

Introducción	100
Uso previsto	100
Volumen de suministro	101
Desembalaje	101
Descripción del aparato	101
Indicaciones de seguridad	102
Puesta en funcionamiento	105
Manejo	106
Preparación de las palomitas	106
Palomitas dulces/saladas	107
Protección contra el sobrecalentamiento	108
Limpieza	108
Almacenamiento	109
Solución de fallos	109
Desecho	110
Desecho del aparato	110
Desecho del embalaje	110
Anexo	110
Características técnicas	110
Garantía de Kompernass Handels GmbH	111
Asistencia técnica	112
Importador	112

Introducción

¡Felicidades por la compra de su aparato nuevo!

Ha adquirido un producto moderno y de alta calidad. Las instrucciones de uso forman parte del producto y contienen indicaciones importantes acerca de la seguridad, del uso y del desecho de este aparato. Antes de usar el producto, familiarícese con todas las indicaciones de manejo y de seguridad. Utilice el producto de la manera descrita y para los ámbitos de aplicación indicados. Entregue todos los documentos cuando transfiera el producto a terceros.

Uso previsto

Este aparato está previsto exclusivamente para la preparación de palomitas con granos secos de maíz en un entorno doméstico privado. No lo utilice con fines comerciales o industriales.

Utilice el aparato exclusivamente en estancias interiores secas y nunca a la intemperie.

ADVERTENCIA

¡Peligro por una utilización contraria al uso previsto!

Este aparato puede ser una fuente de peligros si se utiliza de forma contraria al uso previsto o para una finalidad diferente.

- ▶ Utilice el aparato exclusivamente para su uso previsto.
- ▶ Deben observarse los procedimientos descritos en estas instrucciones de uso.

Volumen de suministro

El aparato se suministra de serie con los siguientes componentes:

- Palomitero
- Tapa
- Cuchara dosificadora
- Instrucciones de uso

Desembalaje

- ◆ Extraiga todas las piezas del aparato y las instrucciones de uso de la caja.
- ◆ Retire todo el material de embalaje y cualquier adhesivo del aparato.

INDICACIÓN

- ▶ Compruebe la integridad del suministro y si hay daños visibles.
- ▶ Si el suministro está incompleto o se observan daños debido a un embalaje deficiente o al transporte, póngase en contacto con la línea directa de asistencia (consulte el capítulo **Asistencia técnica**).


Descripción del aparato

- 1 Cuchara dosificadora
- 2 Tapa
- 3 Bloque motor
- 4 Interruptor de encendido/apagado
- 5 Orificio de salida
- 6 Compartimento para las palomitas

Indicaciones de seguridad

¡PELIGRO DE DESCARGA ELÉCTRICA!

- ▶ Antes de poner en funcionamiento el aparato, compruebe si la tensión de la red coincide con la especificada en la placa de características.
- ▶ Tienda el cable de modo que no pueda aplastarse ni dañarse de ninguna otra forma.
- ▶ Utilice el aparato exclusivamente en estancias secas y nunca a la intemperie.

 ¡No sumerja nunca el aparato, el cable de red ni el enchufe en agua ni en otros líquidos! De lo contrario, existe peligro de muerte por descarga eléctrica.

- ▶ Desconecte siempre el enchufe de la toma eléctrica después de utilizar el aparato y antes de limpiarlo o moverlo.
- ▶ Si el aparato se cae o está dañado, no debe seguir utilizándose. Encomiende la revisión del aparato y su reparación al personal especializado cualificado.
- ▶ Si se estropea el cable de conexión de red de este aparato, encomiende su sustitución al fabricante, a su servicio de atención al cliente o a una persona que posea una cualificación similar para evitar peligros.
- ▶ No abra nunca la carcasa del aparato. De lo contrario, no podrá garantizarse la seguridad del aparato y se anulará el derecho a la garantía.
- ▶ No exponga el aparato a la lluvia ni lo utilice en lugares mojados o húmedos.
- ▶ Procure que el cable de conexión nunca se moje ni se humedezca durante el funcionamiento.

⚠ ¡ADVERTENCIA! ¡PELIGRO DE LESIONES!

- ▶ No utilice nunca el aparato para fines distintos a los aquí descritos. El uso incorrecto del aparato puede provocar lesiones.
- ▶ Este aparato puede ser utilizado por niños a partir de 8 años y por personas cuyas facultades físicas, sensoriales o mentales sean reducidas o carezcan de los conocimientos y de la experiencia necesaria siempre que sean vigiladas o hayan sido instruidas correctamente sobre el uso seguro del aparato y hayan comprendido los peligros que entraña.
- ▶ Los niños no deben realizar las tareas de limpieza y mantenimiento del aparato a no ser que sean mayores de 8 años y estén bajo supervisión.
- ▶ El aparato y el cable de conexión deben mantenerse fuera del alcance de los niños menores de 8 años.
- ▶ Los niños no deben jugar con el aparato.
- ▶ Asegúrese de que el aparato esté colocado de forma segura.
- ▶ Tienda el cable de red de modo que nadie pueda tropezar con él ni pisarlo.
- ▶ Coloque el aparato lo más cerca posible de una toma eléctrica. Procure que el enchufe esté fácilmente accesible para su desconexión rápida si se produce una situación de peligro y tienda el cable de forma que nadie pueda tropezar con él.
- ▶ Durante la preparación de las palomitas, se libera vapor caliente, especialmente al levantar la tapa. Mantenga una distancia de seguridad frente al vapor.

⚠ ¡ADVERTENCIA! ¡PELIGRO DE LESIONES!



¡Atención! ¡Superficie caliente!

- ▶ Las piezas del aparato se calientan durante el funcionamiento. ¡Peligro de quemaduras!
- ▶ Deje que el aparato se enfríe antes de limpiarlo o de cambiar los accesorios.
- ▶ ¡Las palomitas recién hechas están muy calientes! Coloque siempre un recipiente que sea lo suficientemente grande bajo el orificio de salida y deje que las palomitas se enfríen lo suficiente antes de consumirlas.
- ▶ No deje nunca el aparato desatendido durante su funcionamiento.
- ▶ No utilice el aparato en la proximidad de superficies calientes o de materiales inflamables.
- ▶ No coloque nunca el aparato cerca o debajo de objetos inflamables; en especial, bajo cortinas o armarios suspendidos.

¡ATENCIÓN! ¡DAÑOS MATERIALES!

- ▶ No utilice ningún tipo de reloj programador externo ni sistema de control remoto para accionar el aparato.
- ▶ No introduzca ningún objeto en las ranuras de ventilación de la carcasa del aparato ni las cubra.
- ▶ No deje que penetre ningún líquido en las ranuras de ventilación de la carcasa.
- ▶ No deje nunca el aparato desatendido durante su funcionamiento.
- ▶ Después de cada uso, deje que el aparato se enfríe durante 15 - 20 minutos antes de volver a ponerlo en funcionamiento.

¡ATENCIÓN! ¡DAÑOS MATERIALES!


- ▶ No añada ningún ingrediente como azúcar, sal, aceite, mantequilla o condimentos similares en el compartimento para las palomitas, ya que el aparato podría dañarse. Use estos condimentos una vez que las palomitas estén ya preparadas y fuera del aparato.
- ▶ No active nunca el aparato sin granos de maíz en el compartimento para las palomitas.
- ▶ Utilice exclusivamente los accesorios recomendados por el fabricante.
- ▶ No use productos de limpieza agresivos, químicos ni abrasivos, ya que podrían dañar la superficie de forma irreparable.

INDICACIÓN

- ▶ El usuario no tiene que hacer nada para cambiar el ajuste del producto entre 50 y 60 Hz. El producto se adapta tanto a 50 Hz como a 60 Hz.

Puesta en funcionamiento

¡ADVERTENCIA! ¡PELIGRO DE LESIONES!

- ▶ No coloque nunca el aparato cerca o debajo de objetos inflamables; en especial, bajo cortinas o armarios suspendidos.
- ◆ Antes del primer uso, limpie el aparato tal y como se describe en el capítulo **Limpieza**.
- ◆ Coloque el aparato sobre una superficie plana, termorresistente y antideslizante.
- ◆ Asegúrese de que el interruptor de encendido/apagado  esté ajustado en la posición "O".
A continuación, conecte el enchufe en una toma eléctrica.
Tras esto, el aparato estará listo para el funcionamiento.

Manejo

Preparación de las palomitas

⚠ ¡ADVERTENCIA! ¡PELIGRO DE LESIONES!

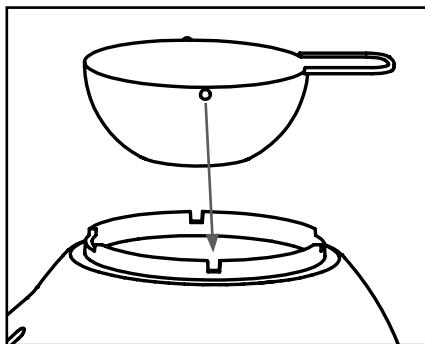
- ▶ Algunas piezas del aparato, especialmente la tapa **2** y la cuchara dosificadora **1** insertada en ella, se calientan mucho durante el funcionamiento. **¡Peligro de quemaduras!**

¡ATENCIÓN! ¡DAÑOS MATERIALES!

- ▶ No añada ningún ingrediente como azúcar, sal, aceite, mantequilla o condimentos similares en el compartimento para las palomitas **6**, ya que el aparato podría dañarse. Use estos condimentos una vez que las palomitas estén ya preparadas y fuera del aparato.
- ▶ No active nunca el aparato sin granos de maíz en el compartimento para las palomitas **6**.
- ▶ Después de cada uso, deje que el aparato se enfríe durante 15 - 20 minutos antes de volver a ponerlo en funcionamiento.

INDICACIÓN

- ▶ No todos los granos de maíz son aptos para la preparación de palomitas. Utilice exclusivamente los granos de maíz previstos para ello.
- ◆ Si procede, retire la tapa **2** con la cuchara dosificadora **1** del aparato.
- ◆ Añada un máximo de 60 g de granos de maíz (= 1 cuchara dosificadora **1** colmada) en el compartimento para las palomitas **6**.
- ◆ Coloque la tapa **2**. Para ello, asegúrese de que la parte abombada de la tapa **2** quede sobre la muesca del borde del aparato.
- ◆ Coloque la cuchara dosificadora **1** en el orificio superior de la tapa **2**. Las dos pestañas de la cuchara dosificadora **1** deben encajar en las pequeñas ranuras de la tapa **2**:



INDICACIÓN

- ▶ Para fundir mantequilla con el aparato, siga las instrucciones del capítulo **Palomitas dulces/saladas**.
- ◆ Coloque un recipiente resistente al calor bajo el orificio de salida ❸. Asegúrese de que el recipiente sea lo suficientemente alto y ancho como para poder recoger todas las palomitas preparadas.
- ◆ Ajuste el interruptor de encendido/apagado ❹ en la posición "I". Tras esto, el aparato comienza a preparar las palomitas. Poco después, las palomitas ya preparadas saldrán del aparato por el orificio de salida ❸.
- ◆ Cuando ya se hayan hecho todos los granos de maíz, ajuste el interruptor de encendido/apagado ❹ en "O".
- ◆ Tras esto, deje que el aparato se enfríe durante 15 - 20 minutos antes de volver a ponerlo en funcionamiento o limpiarlo.

Palomitas dulces/saladas

¡ATENCIÓN! ¡DAÑOS MATERIALES!

- ▶ No añada ningún ingrediente como azúcar, sal, aceite, mantequilla o condimentos similares en el compartimento para las palomitas ❺, ya que el aparato podría dañarse. Use estos condimentos una vez que las palomitas estén ya preparadas y fuera del aparato.
- ▶ ¡Asegúrese de que nunca caiga mantequilla en el compartimento para las palomitas ❺!

Puede derretirse la mantequilla con el aparato para después añadirla sobre las palomitas de maíz ya preparadas. Para ello, lo mejor es utilizar mantequilla a **temperatura ambiente**.

La mantequilla permite que el azúcar y la sal se adhieran bien a las palomitas.

- ◆ Añada un máximo de 20 g de mantequilla a temperatura ambiente en la cuchara dosificadora ❶ antes de encender el aparato. La mantequilla se derretirá durante la preparación de las palomitas.

INDICACIÓN

- ▶ Si la mantequilla no se ha derretido completamente, retire la cuchara dosificadora ❶ de la tapa ❷ y remueva cuidadosamente la mantequilla de su interior.
- ◆ Vierta la mantequilla derretida sobre las palomitas ya preparadas en el recipiente y mézclelo todo bien.
- ◆ Condimente a su gusto con sal o azúcar y mézclelo todo otra vez.

Protección contra el sobrecalentamiento

El aparato está equipado con una protección contra el sobrecalentamiento, por lo que, si se calienta en exceso, se apaga automáticamente. Una vez se haya enfriado lo suficiente, el aparato volverá a encenderse automáticamente.

Para evitar la reconexión accidental del aparato, apáguelo si se produce un sobrecalentamiento. Tras esto, deje que el aparato se enfríe durante 15 - 20 minutos antes de volver a ponerlo en funcionamiento.

Limpieza

¡ADVERTENCIA! ¡PELIGRO DE DESCARGA ELÉCTRICA!

► Antes de limpiar el aparato, desconecte siempre el enchufe de la toma eléctrica.



¡No sumerja nunca el aparato, el cable de red ni el enchufe en agua ni en otros líquidos! De lo contrario, existe peligro de muerte por descarga eléctrica.

¡ADVERTENCIA! ¡PELIGRO DE LESIONES!

► Deje que el aparato se enfríe completamente antes de limpiarlo.

¡ATENCIÓN! ¡DAÑOS MATERIALES!

► No use productos de limpieza agresivos, químicos ni abrasivos, ya que podrían dañar la superficie de forma irreparable.

- ◆ Frote el compartimento para las palomitas con un paño seco. En caso necesario, humedezca ligeramente el paño.
- ◆ Limpie el bloque motor **3** con un paño húmedo. En caso necesario, añada al paño un poco de jabón lavavajillas suave. A continuación, vuelva a frotar con un paño humedecido exclusivamente con agua para eliminar cualquier resto de jabón lavavajillas.
- ◆ Limpie la tapa **2** y la cuchara dosificadora **1** en agua caliente con un poco de jabón lavavajillas. Para finalizar, enjuague las piezas con agua limpia.

INDICACIÓN



La tapa **2** y la cuchara dosificadora **1** son aptas para su limpieza en el lavavajillas. En la medida de lo posible, coloque estas piezas en la parte superior del lavavajillas y asegúrese de que ninguna quede aprisionada. De lo contrario, podrían deformarse.

- ◆ Seque bien todas las piezas antes de volver a utilizar el aparato o de guardarlo.

Almacenamiento

- ◆ Limpie el aparato tal y como se describe en el capítulo **Limpieza**.
- ◆ Guarde el aparato en un lugar limpio, seco y sin polvo.

Solución de fallos

Problema	Posible causa	Posible solución
El aparato no funciona.	El aparato no está conectado a una toma eléctrica.	Conecte el aparato en una toma eléctrica.
	El aparato está dañado.	Póngase en contacto con el servicio de asistencia técnica.
El aparato se apaga durante el funcionamiento.	Se ha activado la protección contra el sobrecalentamiento.	Desconecte el aparato y deje que se enfríe durante 15 - 20 minutos.

Si no logra solucionar los fallos con las soluciones mencionadas o comprueba la existencia de otras anomalías, póngase en contacto con nuestro servicio de asistencia técnica.

Desecho

Desecho del aparato



No deseche nunca el aparato con la basura doméstica.

Este aparato está sujeto a la Directiva europea 2012/19/EU.

Deseche el aparato en un centro de residuos autorizado o a través de las instalaciones municipales de desecho de residuos. Observe las normas vigentes. En caso de duda, póngase en contacto con las instalaciones municipales de desecho de residuos.



Puede informarse acerca de las posibilidades de desecho de los aparatos usados en su administración municipal o ayuntamiento.



Este producto es reciclable, está sujeto a una responsabilidad ampliada del fabricante y se recoge por separado.

Desecho del embalaje



El embalaje protege el aparato durante el transporte. El material de embalaje se ha seleccionado teniendo en cuenta criterios ecológicos y de desecho, por lo que es reciclable.



Deseche el embalaje de forma respetuosa con el medio ambiente.

Observe las indicaciones de los distintos materiales de embalaje y, si procede, recíclelos de la manera correspondiente. Los materiales de embalaje cuentan con abreviaciones (a) y cifras (b) que significan lo siguiente:


1-7: plásticos,

20-22: papel y cartón,

80-98: materiales compuestos.

Anexo

Características técnicas

Tensión de red	220 - 240 V ~ (corriente alterna), 50/60 Hz
Potencia nominal	1200 W
	Todas las piezas de este aparato que entran en contacto con alimentos son aptas para su uso con alimentos.

Garantía de Kompernass Handels GmbH

Estimado cliente:

Este aparato cuenta con una garantía de 3 años a partir de la fecha de compra. Si se detectan defectos en el producto, puede ejercer sus derechos legales frente al vendedor. Estos derechos legales no se ven limitados por la garantía descrita a continuación.

Condiciones de la garantía

El plazo de la garantía comienza con la fecha de compra. Guarde bien el comprobante de caja, ya que lo necesitará como justificante de compra.

Si dentro de un periodo de tres años a partir de la fecha de compra de este producto se detecta un defecto en su material o un error de fabricación, asumiremos la reparación o sustitución gratuita del producto o restituiremos el precio de compra a nuestra elección. La prestación de la garantía requiere la presentación del aparato defectuoso y del justificante de compra (comprobante de caja), así como una breve descripción por escrito del defecto detectado y de las circunstancias en las que se haya producido dicho defecto, dentro del plazo de tres años.

Si el defecto está cubierto por nuestra garantía, le devolveremos el producto reparado o le suministraremos uno nuevo. La reparación o sustitución del producto no supone el inicio de un nuevo periodo de garantía.

Duración de la garantía y reclamaciones legales por vicios

La duración de la garantía no se prolonga por hacer uso de ella. Este principio también se aplica a las piezas sustituidas y reparadas. Si después de la compra del aparato, se detecta la existencia de daños o de defectos al desmontarlo, deben notificarse de inmediato. Cualquier reparación que se realice una vez finalizado el plazo de garantía estará sujeta a costes.

Alcance de la garantía

El aparato se ha fabricado cuidadosamente según estándares elevados de calidad y se ha examinado en profundidad antes de su entrega.

La prestación de la garantía se aplica a defectos en los materiales o errores de fabricación. Esta garantía no cubre las piezas del producto normalmente sometidas al desgaste y que, en consecuencia, puedan considerarse piezas de desgaste ni los daños producidos en los componentes frágiles, p. ej., interruptores, baterías o piezas de vidrio.

Se anulará la garantía si el producto se daña o no se utiliza o mantiene correctamente. Para utilizar correctamente el producto, deben observarse todas las indicaciones especificadas en las instrucciones de uso. Debe evitarse cualquier uso y manejo que esté desaconsejado o frente al que se advierte en las instrucciones de uso.

El producto está previsto exclusivamente para su uso privado y no para su uso comercial. En caso de manipulación indebida e incorrecta, uso de la fuerza y apertura del aparato por personas ajenas a nuestros centros de asistencia técnica autorizados, la garantía perderá su validez.

Proceso de reclamación conforme a la garantía

Para garantizar una tramitación rápida de su reclamación, le rogamos que observe las siguientes indicaciones:

- Mantenga siempre a mano el comprobante de caja y el número de artículo (IAN) 373188_2104 como justificante de compra.
- Podrá ver el número de artículo en la placa de características del producto, grabado en el producto, en la portada de las instrucciones de uso (parte inferior izquierda) o en el adhesivo de la parte trasera o inferior del producto.
- Si se producen errores de funcionamiento u otros defectos, póngase primero en contacto con el departamento de asistencia técnica especificado a continuación **por teléfono o por correo electrónico**.
- Podrá enviar el producto calificado como defectuoso junto con el justificante de compra (comprobante de caja) y la descripción del defecto y de las circunstancias en las que se haya producido de forma gratuita a la dirección de correo proporcionada.



En www.lidl-service.com, podrá descargar este manual de usuario y muchos otros más, así como vídeos sobre los productos y software de instalación.

Con este código QR, accederá directamente a la página del Servicio Lidl (www.lidl-service.com) y podrá abrir las instrucciones de uso mediante la introducción del número de artículo (IAN) 373188_2104.

Asistencia técnica

ES Servicio España

Tel.: 902 59 99 22

(0,08 EUR/Min. + 0,11 EUR/llamada (tarifa normal))

(0,05 EUR/Min. + 0,11 EUR/llamada (tarifa reducida))

E-Mail: kompernass@lidl.es

IAN 373188_2104

Importador

Tenga en cuenta que la dirección siguiente no es una dirección de asistencia técnica. Póngase primero en contacto con el centro de asistencia técnica especificado.

KOMPERNASS HANDELS GMBH

BURGSTRASSE 21

44867 BOCHUM

ALEMANIA

www.kompernass.com

Indholdsfortegnelse

Indledning	114
Forskriftsmæssig anvendelse	114
Pakkens indhold	115
Udpakning	115
Beskrivelse af produktet	115
Sikkerhedsanvisninger	116
Ibrugtagning	119
Betjening	119
Tilberedning af popcorn	119
Tilsætning af sukker/salt til popcornene	121
Overophedningssikring	121
Rengøring	122
Opbevaring	123
Afhjælpning af fejl	123
Bortskaffelse	124
Bortskaffelse af produktet	124
Bortskaffelse af emballage	124
Tillæg	124
Tekniske data	124
Garanti for Kompernass Handels GmbH	125
Service	126
Importør	126

Indledning

Til lykke med købet af dit nye produkt!

Du har valgt et moderne produkt af høj kvalitet. Betjeningsvejledningen er en del af dette produkt. Den indeholder vigtige informationer om sikkerhed, anvendelse og bortskaffelse. Du bør sætte dig ind i alle produktets betjenings- og sikkerhedsanvisninger før brug. Brug kun produktet som beskrevet og kun til de angivne anvendelsesområder. Lad alle dokumenter til produktet følge med, hvis du giver produktet videre til andre.

Forskriftsmæssig anvendelse

Dette produkt er udelukkende beregnet til tilberedning af popcorn af tørrede popcornmajs i private husholdninger. Brug ikke produktet til erhvervmæssige formål.

Brug kun produktet indendørs under tørre forhold, og brug det aldrig udendørs.

ADVARSEL

Fare ved ikke-forskriftsmæssig anvendelse!

Der kan være farer forbundet med produktet, hvis det anvendes ikke-forskriftsmæssigt.

- ▶ Brug kun produktet til de formål, det er beregnet til.
- ▶ Følg fremgangsmåderne, som er beskrevet i denne betjeningsvejledning.

Pakkens indhold

Produktet leveres som standard med følgende dele:

- Popcorn-maker
- Låg
- Måleske
- Betjeningsvejledning

Udpakning

- ◆ Tag alle delene samt betjeningsvejledningen ud af kassen.
- ◆ Fjern alle emballagematerialer og eventuelle mærker på produktet.

BEMÆRK


- ▶ Kontrollér, at pakkens indhold er komplet og ikke har synlige skader.
- ▶ Ved ufuldstændig levering eller skader på grund af mangelfuld emballering eller på grund af transporten, bedes du henvende dig til vores service-hotline (se kapitlet **Service**).

Beskrivelse af produktet

- ❶ Måleske
- ❷ Låg
- ❸ Motordel
- ❹ Tænd-/sluk-knap
- ❺ Udkaståbning
- ❻ Popcornkammer

Sikkerhedsanvisninger

ADVARSEL! FARE FOR ELEKTRISKSTØD!

- ▶ Kontrollér at netspændingen stemmer overens med den netspænding, som er angivet på type-/mærkepladen, inden produktet tages i brug.
- ▶ Læg ledningen, så den ikke kommer i klemme eller beskadiges på anden måde.
- ▶ Brug kun produktet i tørre rum, og ikke udendørs.
-  Læg aldrig produktet, strømledningen eller strømskikket ned i vand eller andre væsker! Ellers er der livsfare på grund af elektrisk stød!
- ▶ Træk stikket ud af stikkontakten efter brug, når produktet skal rengøres eller flyttes.
- ▶ Hvis produktet tabes på gulvet eller er beskadiget, må du ikke bruge det længere. Få produktet efterset og repareret af en autoriseret reparatør.
- ▶ Hvis dette produkts tilslutningsledning beskadiges, skal den udskiftes af producenten eller dennes kundeservice eller af en person med tilsvarende kvalifikationer, så farlige situationer undgås
- ▶ Åbn aldrig produktets kabinet. Hvis du gør det, kan sikkerheden ikke garanteres, og garantien bortfalder.
- ▶ Udsæt ikke produktet for regn, og brug det ikke i fugtige eller våde omgivelser.
- ▶ Sørg for at tilslutningsledningen aldrig bliver våd eller fugtig under brug.

ADVARSEL! FARE FOR PERSONSKADER!

- ▶ Produktet må ikke bruges til andre formål end dem, der er beskrevet i denne vejledning. Ved misbrug af produktet er der risiko for personskader.

⚠ ADVARSEL! FARE FOR PERSONSKADER!

- ▶ Dette produkt kan bruges af børn fra 8 år og derover og af personer med nedsatte fysiske, psykiske, motoriske eller mentale evner eller manglende erfaring og/eller viden, hvis de er under opsyn eller instrueres i sikker brug af produktet og de farer, der kan være forbundet med det.
- ▶ Rengøring og brugervedligeholdelse må ikke udføres af børn, medmindre de er ældre end 8 år og under opsyn.
- ▶ Børn under 8 år skal holdes på afstand af produktet og tilslutningsledningen.
- ▶ Børn må ikke lege med produktet.
- ▶ Sørg for at produktet står sikkert.
- ▶ Læg ledningen, så man ikke kan træde på den eller snuble over den.
- ▶ Stil så vidt muligt produktet i nærheden af en stikkontakt. Sørg for, at det er let at komme til stikket i farlige situationer, og at man ikke kan snuble over ledningen.
- ▶ Under tilberedningen frigøres der varme dampe og især, hvis låget åbnes. Hold sikker afstand til dampen.

**OBS! Varm overflade!**

- ▶ Dele af produktet bliver varme under brugen. Fare for forbrændinger!
- ▶ Lad produktet køle af, før du rengør det eller udskifter tilbehøret.
- ▶ De nylavede popcorn er meget varme! Stil altid en tilstrækkelig stor skål under udkaståbningen, og lad popcornene køle tilstrækkeligt af, før de spises.
- ▶ Lad aldrig produktet være uden opsyn under anvendelsen.
- ▶ Brug ikke produktet i nærheden af varme overflader eller brændbare materialer.

⚠ ADVARSEL! FARE FOR PERSONSKADER!

- ▶ Stil aldrig produktet i nærheden af eller under brændbare genstande, især ikke under gardiner eller overskabe.

OBS! MATERIELLE SKADER!

- ▶ Brug aldrig et eksternt timerur eller et separat fjernbetjenings-system til betjening af produktet.
- ▶ Stik aldrig noget ind i kabinettets ventilationsåbninger, og dæk dem ikke til.
- ▶ Lad ikke væsker komme ind i kabinettets ventilationsåbninger.
- ▶ Lad aldrig produktet være uden opsyn under anvendelsen.
- ▶ Lad produktet køle af i 15-20 minutter efter hver tilberedning, før det tages i brug igen.
- ▶ Tilsæt ikke ingredienser som sukker, salt, olie, smør ol. i popcornkammeret, eftersom det kan beskadige produktet. Disse ingredienser må først tilsættes efter tilberedningen, hvor de fordeles over de færdige popcorn.
- ▶ Anvend aldrig produktet uden majs-korn i popcornkammeret.
- ▶ Anvend kun tilbehør anbefalet af producenten.
- ▶ Brug ikke stærke, kemiske eller slibende rengøringsmidler! De kan angribe overfladen og give permanente skader.

BEMÆRK

- ▶ Brugeren behøver ikke at foretage sig noget for at omstille produktet fra 50 til 60 Hz eller omvendt. Produktet tilpasser sig både til 50 og til 60 Hz.

Ibrugtagning

⚠ ADVARSEL! FARE FOR PERSONSKADER!

► Stil aldrig produktet i nærheden af eller under brændbare genstande, især ikke under gardiner eller overskabe.

- ◆ Rengør produktet før første ibrugtagning som beskrevet i kapitlet **Rengøring**.
- ◆ Stil produktet på en plan, varmebestandig og skridsikker overflade.
- ◆ Kontrollér at tænd-/sluk-knappen **4** står på "O". Sæt stikket i en kontakt.

Produktet er klar til brug.

Betjening

Tilberedning af popcorn

⚠ ADVARSEL! FARE FOR PERSONSKADER!

► Dele af produktet, især låget **2** samt den indsatte måleske **1**, bliver meget varme under brugen. **Fare for forbrændinger!**

OBS! MATERIELLE SKADER!

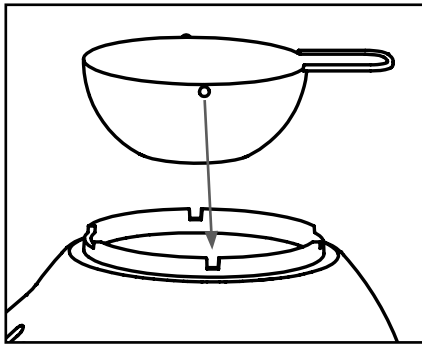
- Tilsæt ikke ingredienser som sukker, salt, olie, smør ol. i popcornkammeret **6**, eftersom det kan beskadige produktet. Disse ingredienser må først tilsættes efter tilberedningen, hvor de fordeles over de færdige popcorn.
- Anvend aldrig produktet uden majs-korn i popcornkammeret **6**.
- Lad produktet køle af i 15-20 minutter efter hver tilberedning, før det tages i brug igen.

BEMÆRK

► Ikke alle majs-korn er velegnede til fremstilling af popcorn. Brug kun specielle popcorn-majs, som er beregnet til formålet.

- ◆ Tag evt. låget **2** og måleskeen **1** af produktet.
- ◆ Fyld maksimalt 60 g (= 1 måleske **1** fyldt til randen) majs-korn i popcornkammeret **6**.
- ◆ Sæt låget **2** på. Sørg for at hvælvingen på låget **2** sidder over indskæringen på produktets rand.

- ◆ Sæt måleskeen ① ind i den øverste åbning på låget ②. De to næser på måleskeen ① skal ligge i de smalle indsnit i låget ②:



BEMÆRK

- ▶ Hvis du vil smelte smør med produktet, skal du følge anvisningerne i kapitlet **Tilsætning af sukker/salt til popcornene.**

- ◆ Stil en varmebestandig skål under udkaståbningen ⑤. Sørg for at skålen er tilstrækkelig høj og bred til at kunne rumme alle de færdige popcorn.
- ◆ Stil tænd-/sluk-knappen ④ på "I". Produktet begynder nu at tilberede popcornene. Efter kort tid bliver der blæst færdige popcorn ud af udkaståbningen ⑤.
- ◆ Så snart alle majs-kornene er blevet tilberedt, sættes tænd-/sluk-knappen ④ på "O".
- ◆ Lad produktet køle af i 15-20 minutter, før det bruges igen eller rengøres.

Tilsætning af sukker/salt til popcornene

OBS! MATERIELLE SKADER!

- ▶ Tilsæt ikke ingredienser som sukker, salt, olie, smør ol. i popcornkammeret **⑥**, eftersom det kan beskadige produktet. Disse ingredienser må først tilsættes efter tilberedningen, hvor de fordeles over de færdige popcorn.
- ▶ Sørg for at der på intet tidspunkt løber smør ind i popcornkammeret **⑥**!

Du kan smelte smør ved hjælp af produktet for efterfølgende at hælde det ud over de færdige popcorn. Dette fungerer bedst, hvis smørret har **stuetemperatur**. Smørret sørger for, at sukkeret eller saltet hænger ved popcornene.

Læg maksimalt 20 g tempereret smør i måleskeen **①**, før der tændes for produktet. Smørret smelter, mens popcornene tilberedes.

BEMÆRK

- ▶ Hvis smørret ikke er fuldstændig smeltet, kan du tage måleskeen **①** ud af låget **②** og røre forsigtigt rundt i det.
- ◆ Hæld det smeltede smør over de færdige popcorn i skålen og bland dem godt igennem.
- ◆ Tilsæt salt eller sukker efter behag og bland endnu en gang popcornene godt igennem.


Overophedningssikring

Produktet er udstyret med en overophedningssikring. Hvis produktet bliver for varmt, kobles det automatisk fra. Så snart det er tilstrækkeligt nedkølet, tændes det automatisk igen.

For at forhindre en utilsigtet genindkobling af produktet, bør der slukkes for produktet i tilfælde af overophedning. Lad produktet køle af i 15-20 minutter, før det igen tages i brug.

Rengøring

ADVARSEL! FARE FOR ELEKTRISK STØD!

- ▶ Før produktet rengøres, skal stikket tages ud af stikkontakten.
-  Læg aldrig produktet, strømledningen eller strømstikket ned i vand eller andre væsker! Ellers er der livsfare på grund af elektrisk stød!

ADVARSEL! FARE FOR PERSONSKADER!

- ▶ Lad produktet køle fuldstændigt af, før det rengøres.

OBS! MATERIELLE SKADER!

- ▶ Brug ikke stærke, kemiske eller slibende rengøringsmidler! De kan angribe overfladen og give permanente skader.
- ◆ Aftør popcornkammeret med en tør klud. Ved behov kan kluden fugtes let.
- ◆ Rengør motordelen **3** med en fugtig klud. Ved behov kan du anvende et mildt opvaskemiddel på kluden. Tør af med en klud, der kun er fugtet med rent vand, så eventuelle rester af opvaskemiddel fjernes.
- ◆ Rengør låget **2** og måleskeen **1** i varmt vand med et mildt opvaskemiddel. Skyl til sidst delene med rent vand.

BEMÆRK



Låget **2** og måleskeen **1** er velegnede til rengøring i opvaskemaskine. Læg så vidt muligt delene i den øverste kurv i opvaskemaskinen, og sørg for, at de ikke kommer i klemme. Ellers kan de blive deformet!

- ◆ Lad alle dele tørre godt, før du bruger dem igen eller stiller dem væk.

Opbevaring

- ◆ Rengør produktet som beskrevet i kapitlet **Rengøring**.
- ◆ Opbevar produktet på et rent, støvfrit og tørt sted.

Afhjælpning af fejl

Problem	Mulig årsag	Mulig løsning
Produktet fungerer ikke.	Produktet er ikke sluttet til en stikkontakt.	Slut produktet til en stikkontakt.
	Produktet er beskadiget.	Kontakt serviceafdelingen.
Produktet slukker under brugen.	Overophedningssikringen er udløst.	Sluk for produktet og lad det afkøle i 15-20 minutter.

Hvis fejlene ikke kan rettes med ovenstående fejlafhjælpning, eller hvis du finder andre typer fejl, bedes du henvende dig til vores serviceafdeling.

Bortskaffelse

Bortskaffelse af produktet



Bortskaf ikke produktet sammen med det almindelige husholdningsaffald. Dette produkt er underlagt det europæiske direktiv 2012/19/EU.

Bortskaf produktet via en godkendt bortskaffelsesvirksomhed eller den kommunale genbrugsstation. Følg de aktuelt gældende regler. Henvend dig i tvivlstilfælde til den lokale genbrugsplads.



Du kan få oplysninger hos kommunen om bortskaffelse af udtjente produkter.

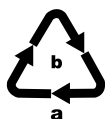


Produktet kan genbruges, er underlagt udvidet producentansvar og indsamles separat.

Bortskaffelse af emballage



Afl levering af emballagen til genbrug sparer råstoffer og reducerer affaldsmængden. Bortskaf emballeringsmaterialer, du ikke skal bruge mere, efter de lokalt gældende forskrifter.



Bortskaf emballagen miljøvenligt.

Vær opmærksom på mærkningen på de forskellige emballeringsmaterialer, og aflever dem sorteret til bortskaffelse. Emballagematerialerne er mærket med forkortelserne (a) og tallene (b) med følgende betydning:


1-7: Plast,

20-22: Papir og pap,

80-98: Kompositmaterialer.

Tillæg

Tekniske data

Netspænding	220 - 240 V ~ (vekselstrøm), 50/60 Hz
Nominal effekt	1200 W
	Alle dele, som kommer i kontakt med fødevarer, er levnedsmiddelægte.

Garanti for Kompernass Handels GmbH

Kære kunde

På dette produkt får du 3 års garanti fra købsdatoen. I tilfælde af mangler ved produktet har du en række juridiske rettigheder i forhold til sælgeren af produktet. Dine juridiske rettigheder forringes ikke af den nedenfor anførte garanti.

Garantibetingelser

Garantiperioden begynder på købsdatoen. Opbevar venligst kvitteringen et sikkert sted. Den er nødvendig for at kunne dokumentere købet.

Hvis der inden for tre år fra dette produkts købsdato opstår en materiale- eller fabriktionsfejl, vil produktet – efter vores valg – blive repareret eller udskiftet, eller købsprisen vil blive refunderet gratis til dig. Denne garantiydelse forudsætter, at det defekte produkt afleveres, og købsbeviset (kvitteringen) forevises i løbet af fristen på tre år, og at der gives en kort skriftlig beskrivelse af, hvori manglen består, og hvornår den er opstået.

Hvis defekten er dækket af vores garanti, får du et repareret eller et nyt produkt retur. Reparation eller ombytning af produktet udløser ikke en ny garantiperiode.

Garantiperiode og juridiske mangelkrav

Garantiperioden forlænges ikke, hvis der gøres brug af garantien. Det gælder også for udskiftede og reparerede dele. Skader og mangler, som eventuelt allerede fandtes ved køb, samt manglende dele, skal anmeldes straks efter udpakningen. Når garantiperioden er udløbet, er reparation af skader betalingspligtig.

Garantiens omfang

Produktet er produceret omhyggeligt efter strenge kvalitetsretningslinjer og testet grundigt inden leveringen.

Garantien dækker materiale- og fabriktionsfejl. Denne garanti omfatter ikke produktdele, der er udsat for normal slitage og derfor kan betragtes som sliddele, eller skader på skrøbelige dele som f.eks. kontakter, genopladelige batterier eller dele af glas.

Denne garanti bortfalder, hvis produktet er blevet beskadiget, ikke er forskriftsmæssigt anvendt eller vedligeholdt. For at sikre forskriftsmæssig anvendelse af produktet skal alle anvisninger nævnt i betjeningsvejledningen nøje overholdes. Anvendelsesformål og handlinger, som frarådes eller der advares imod i betjeningsvejledningen, skal ubetinget undgås.

Produktet er kun beregnet til privat og ikke til kommercielt brug. Ved misbrug og uhensigtsmæssig brug, anvendelse af vold og ved indgreb, som ikke er foretaget af vores autoriserede serviceafdeling, bortfalder garantien.

Afvikling af garantiasager

For at sikre en hurtig behandling af din anmeldelse bør du følge nedenstående anvisninger:

- Ved alle forespørgsler bedes du have kvitteringen og artikelnummeret (IAN) 373188_2104 klar som dokumentation for købet.
- Artikelnummeret kan du finde på typeskiltet på produktet, som indgravering på produktet, på betjeningsvejledningens forside (nederst til venstre) eller som klæbemærke på bag- eller undersiden af produktet.
- Hvis der opstår funktionsfejl eller øvrige mangler, bedes du først kontakte nedennævnte serviceafdeling **telefonisk** eller **via e-mail**.
- Et produkt, der er registreret som defekt, kan du derefter indsende portofrit til den oplyste serviceadresse med vedlæggelse af købsbevis (kvittering) og en beskrivelse af, hvori manglen består, og hvornår den er opstået.



På www.lidl-service.com kan du downloade denne og mange andre manualer, produktvideoer og installationssoftware.

Med denne QR-kode kommer du direkte til Lidl-servicesiden (www.lidl-service.com) og kan åbne den ønskede betjeningsvejledning ved indtastning af artikelnummeret (IAN) 373188_2104.

Service



Service Danmark

Tel.: 32 710005

E-Mail: kompernass@lidl.dk

IAN 373188_2104

Importør

Bemærk at den efterfølgende adresse ikke er en serviceadresse. Kontakt først det nævnte servicested.

KOMPERNASS HANDELS GMBH

BURGSTRASSE 21

44867 BOCHUM

TYSKLAND

www.kompernass.com



KOMPERNASS HANDELS GMBH

BURGSTRASSE 21

44867 BOCHUM

GERMANY

www.kompernass.com

Last Information Update · Stand der Informationen · Version des informations

Stand van de informatie · Stav informací · Stan informacjí · Stav informácií

Estado de las informaciones · Tilstand af information:

06 / 2021 · Ident.-No.: SPCM1200C1-052021-1

IAN 373188_2104