



KOMPRESSOR PKO 24 B2 COMPRESSOR PKO 24 B2 COMPRESSEUR PKO 24 B2

(GB) (IE)

COMPRESSOR

Operating and Safety Instructions
Translation of Original Operating Manual

(FR) (BE)

COMPRESSEUR

Consignes d'utilisation et de sécurité
Traduction des instructions d'origine

(CZ)

KOMPRESOR

Pokyny pro obsluhu a bezpečnostní pokyny
Příklad originálního provozního návodu

(SK)

KOMPRESOR

Pokyny pre obsluhu a bezpečnostné pokyny
Příklad originálneho návodu na obsluhu

(DK)

KOMPRESSOR

Drifts- og sikkerhedsinstruktioner
Oversættelse af den originale driftsvejledning

(HU)

KOMPRESSZOR

Kezelési és biztonsági útmutató
Az eredeti használati útmutató fordítása

(DE) (AT) (CH)

KOMPRESSOR

Bedienungs- und Sicherheitshinweise
Originalbetriebsanleitung

(NL) (BE)

COMPRESSOR

Bedienings- en veiligheidsinstructies
Vertaling van de originele handleiding

(PL)

COMPRESSOR

Wskazówki dotyczące obsługi i bezpieczeństwa
Tłumaczenie oryginalnej instrukcji obsługi

(ES)

COMPRESSOR

Instrucciones de utilización y de seguridad
Traducción del manual de instrucciones original

(IT) (MT)

COMPRESSORE

Indicazioni per l'uso e per la sicurezza
Traduzione delle istruzioni d'uso originali

(SI)

KOMPRESOR

Navodila za upravljanje in varnostna opozorila
Prevod originalnega navodila za uporabo



GB IE

Before reading, unfold the page containing the illustrations and familiarise yourself with all functions of the device.

DE AT CH

Klappen Sie vor dem Lesen die Seite mit den Abbildungen aus und machen Sie sich anschließend mit allen Funktionen des Gerätes vertraut.

FR BE

Avant de lire le mode d'emploi, ouvrez la page contenant les illustrations et familiarisez-vous ensuite avec toutes les fonctions de l'appareil.

NL BE

Vouw vóór het lezen de pagina met de afbeeldingen open en maak u vertrouwd met alle functies van het apparaat.

CZ

Před čtením si otevřete stranu s obrázky a potom se seznamte se všemi funkcemi přístroje.

PL

Przed przeczytaniem proszę rozłożyć stronę z ilustracjami, a następnie proszę zapoznać się z wszystkimi funkcjami urządzenia.

SK

Pred čítaním si odklopte stranu s obrázkami a potom sa oboznámte so všetkými funkciami prístroja.

ES

Antes de empezar a leer abra la página que contiene las imágenes y, en seguida, familiarícese con todas las funciones del dispositivo.

DK

Før du læser, vend siden med billeder frem og bliv bekendt med alle apparatets funktioner.

IT MT

Prima di leggere aprire la pagina con le immagini e prendere confidenza con le diverse funzioni dell'apparecchio.

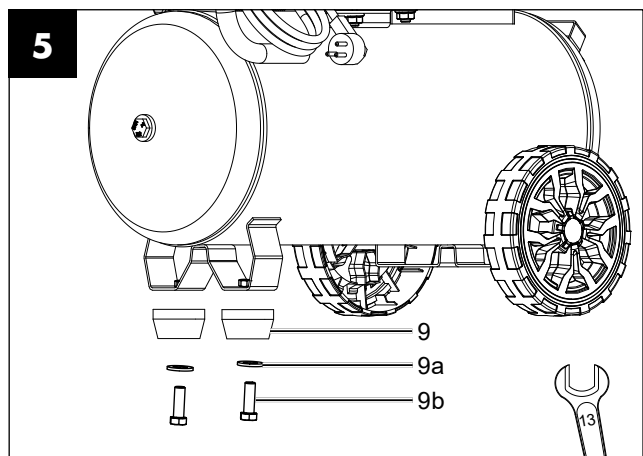
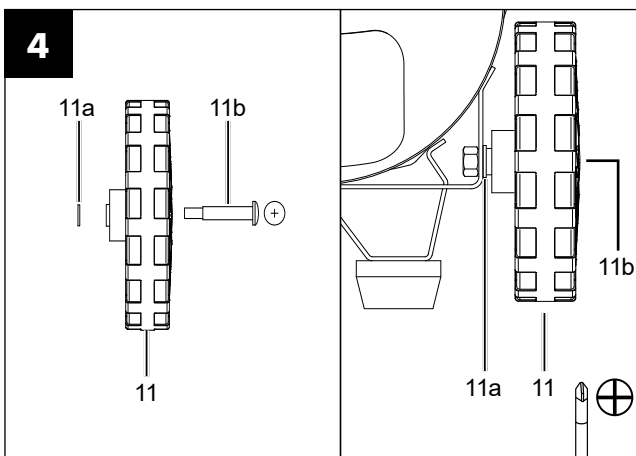
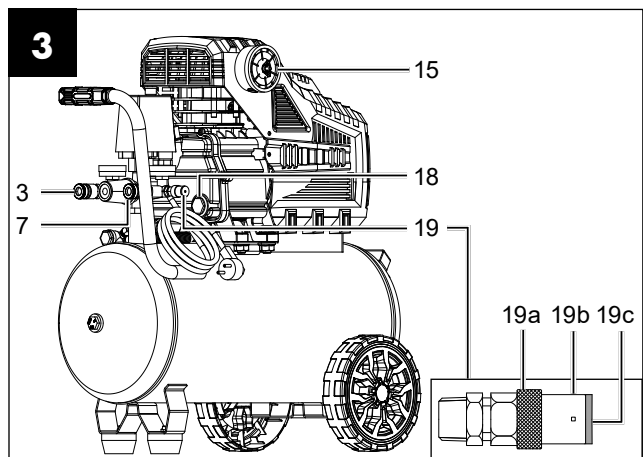
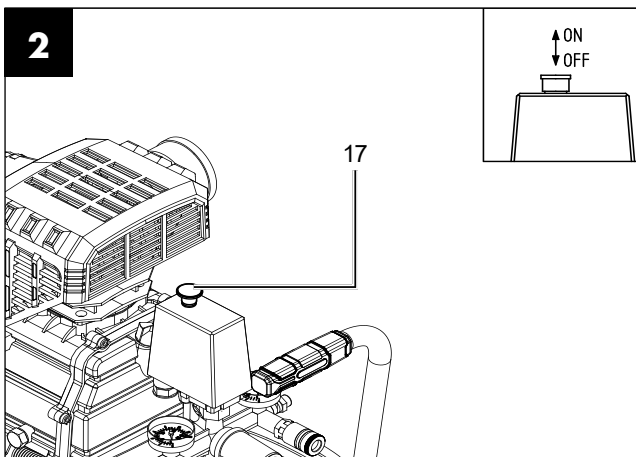
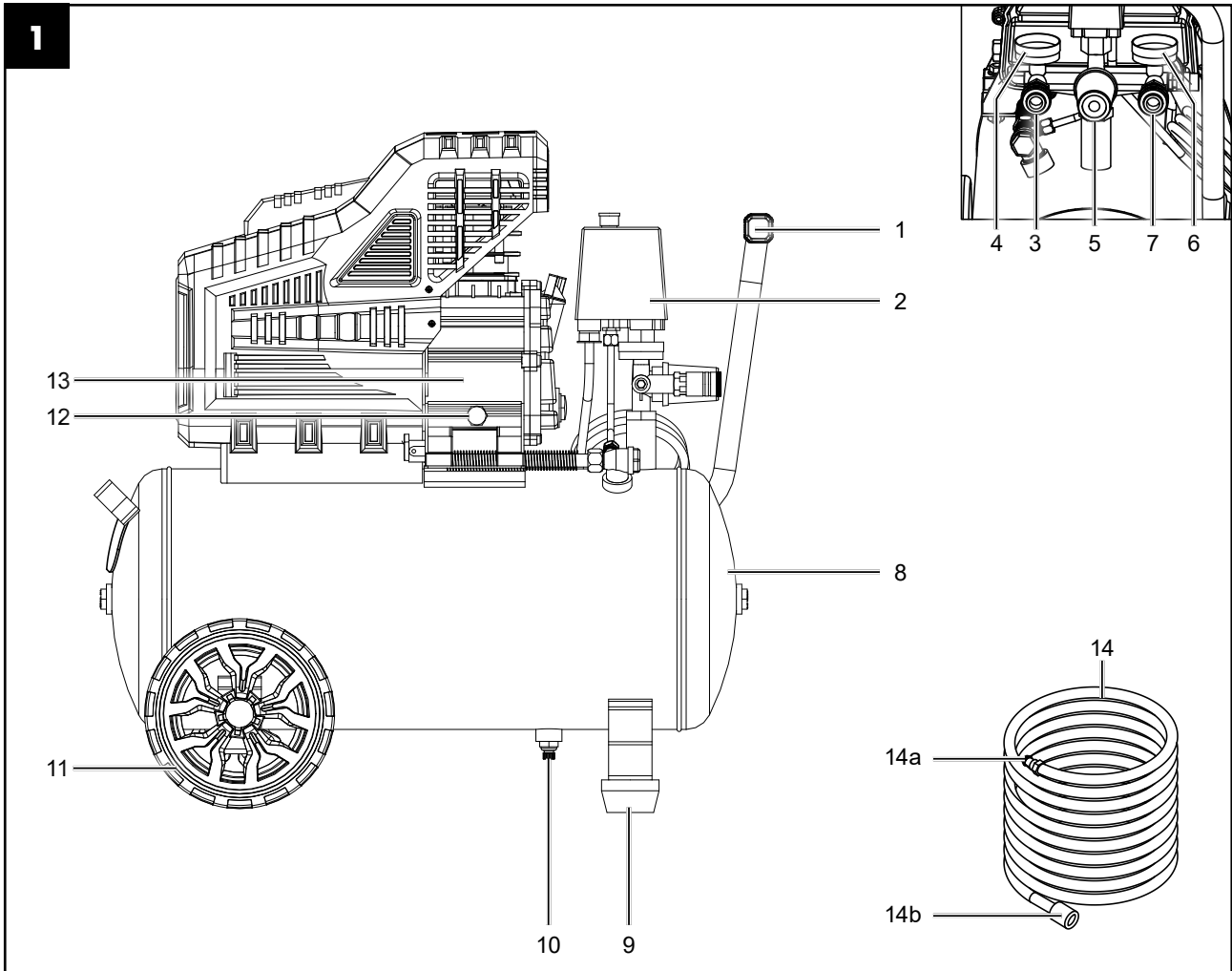
HU

Olvasás előtt kattintson az ábrát tartalmazó oldalra és végezetül ismerje meg a készülék mindegyik funkcióját.

SI

Pred branjem odprite stran s slikami in se nato seznanite z vsemi funkcijami naprave.

GB / IE	Operating and Safety Instructions	Page	01
DE / AT / CH	Bedienungs- und Sicherheitshinweise	Seite	11
FR / BE	Consignes d'utilisation et de sécurité	Page	21
NL / BE	Bedienings- en veiligheidsinstructies	Pagina	32
CZ	Pokyny pro obsluhu a bezpečnostní pokyny	Strana	41
PL	Wskazówki dotyczące obsługi i bezpieczeństwa	Strona	52
SK	Pokyny pre obsluhu a bezpečnostné pokyny	Strana	63
ES	Instrucciones de utilización y de seguridad	Página	73
DK	Drifts- og sikkerhedsinstruktioner	Side	84
IT / MT	Indicazioni per l'uso e per la sicurezza	Pagina	94
HU	Kezelési és biztonsági útmutató	Oldal	104
SI	Navodila za upravljanje in varnostna opozorila	Stran	116



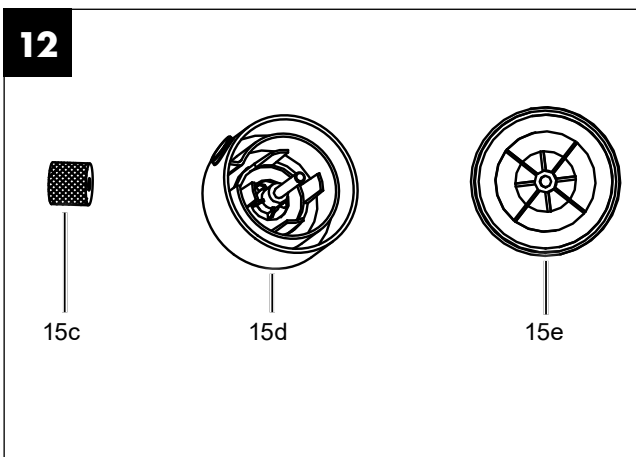
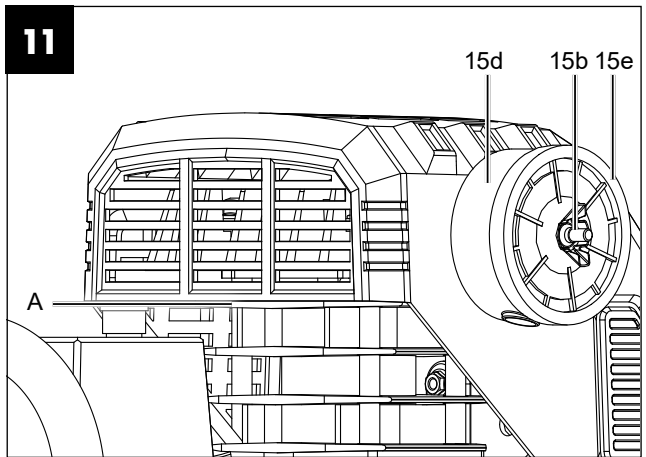
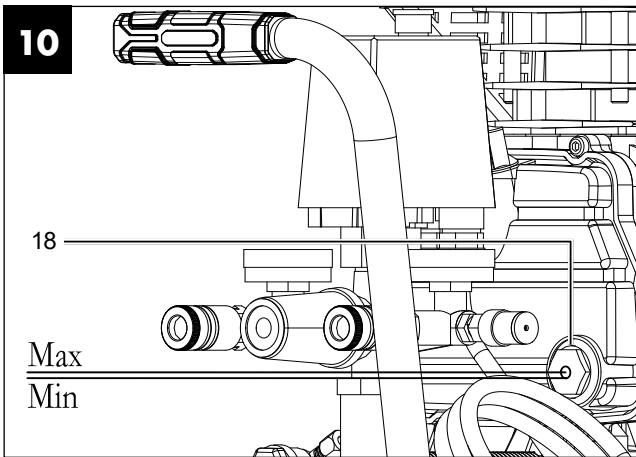
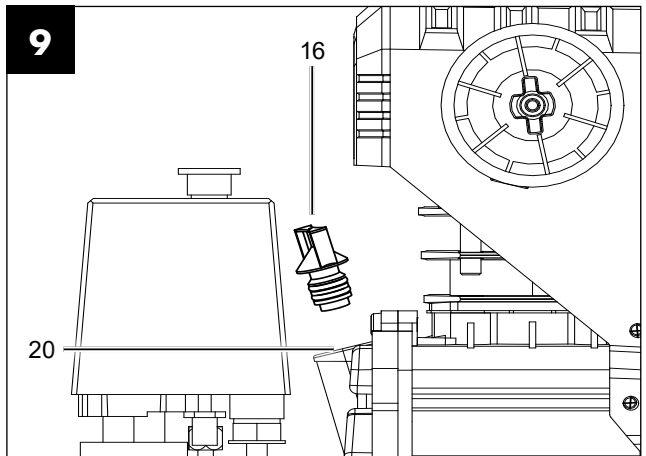
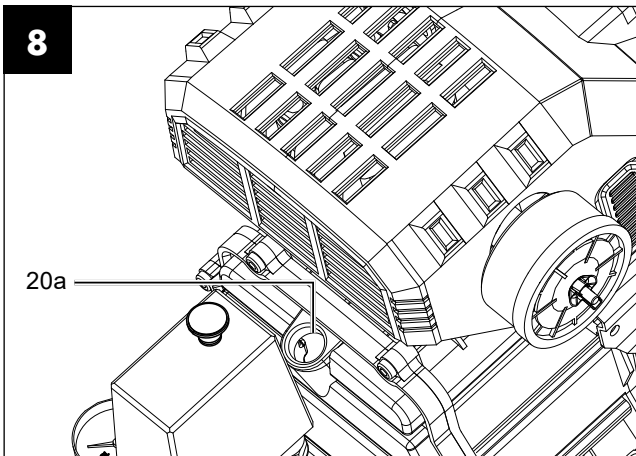
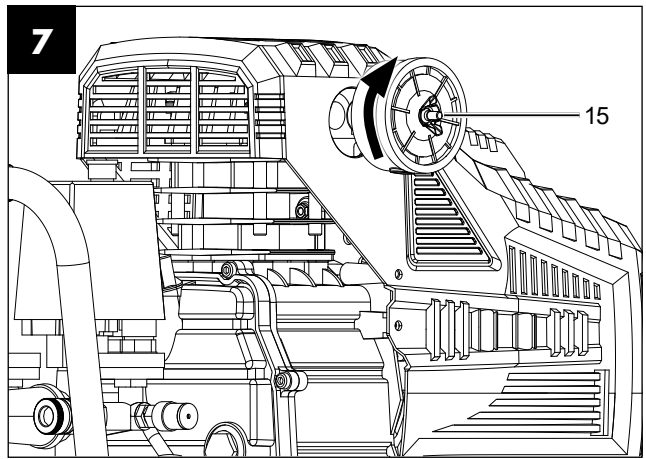
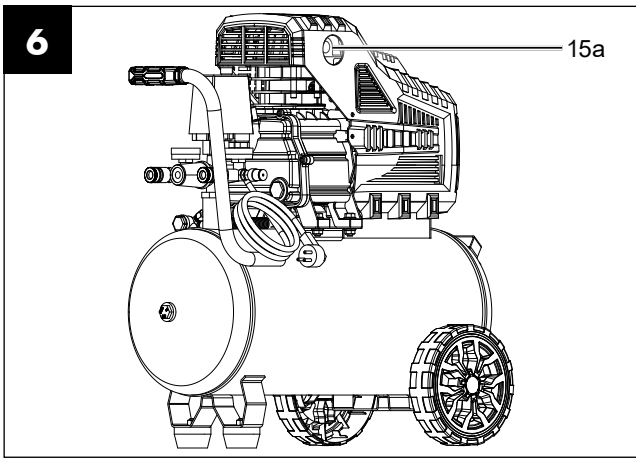


Table of contents:

Page:

1.	Explanation of the symbols on the device	2
2.	Introduction.....	3
3.	Device description (fig. 1-12).....	3
4.	Scope of delivery	3
5.	Proper use.....	3
6.	Safety information	4
7.	Technical data	5
8.	Before commissioning	6
9.	Attachment and operation.....	6
10.	Electrical connection	7
11.	Cleaning, maintenance and storage	7
12.	Transport.....	8
13.	Disposal and recycling	8
14.	Troubleshooting.....	9
15.	Warranty certificate	10
16.	Declaration of conformity	127

1. Explanation of the symbols on the device



GB IE

Read the operating and safety instructions before start-up and follow them!



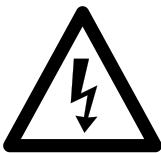
GB IE

Wear hearing protection. Excessive noise can result in a loss of hearing.



GB IE

Warning against hot parts! (A fig. 11)



GB IE

Warning against electrical voltage



GB IE

Warning! The equipment may start automatically without warning.



GB IE

Attention! Prior to initial commissioning, check the oil level and replace the oil sealing plug!



GB IE

Observe warnings and safety instructions!



GB IE

Sound power level specified in dB



GB IE

Do not expose the device to rain!

2. Introduction

Manufacturer:

Schepach GmbH
Günzburger Straße 69
D-89335 Ichenhausen

Dear customer,

We hope your new tool brings you much enjoyment and success.

Note:

In accordance with the applicable product liability laws, the manufacturer of this device assumes no liability for damage to the device or caused by the device arising from:

- Improper handling,
- Non-compliance with the operating manual,
- Repairs carried out by third parties, unauthorised specialists.
- Installing and replacing non-original spare parts,
- Application other than specified,
- Failures of the electrical system in the event of the electrical regulations and VDE provisions 0100, DIN 57113 / VDE 0113 not being observed.

Please consider:

Read through the complete text in the operating manual before installing and commissioning the device.

This operating manual should help you familiarise yourself with your power tool and teach you how to use it for its intended purpose.

The operating manual includes important instructions for the safe, proper and economic operation of the machine, for avoiding danger, for minimising repair costs and downtimes and for increasing the reliability and extending the service life of the machine.

In addition to the safety instructions in this operating manual, you must also observe the regulations applicable to the operation of the machine in your country.

Keep the operating manual package with the power tool at all times and store it in a plastic cover to protect it from dirt and moisture. They must be read and carefully observed by all operating personnel before starting the work. The power tool may only be used by personnel who have been trained to use it and who have been instructed with respect to the associated hazards. The required minimum age must be observed.

In addition to the safety instructions in this operating manual and the separate regulations of your country, the generally recognised technical rules relating to the operation of such machines must also be observed.

We accept no liability for accidents or damage that occur due to a failure to observe this manual and the safety instructions.

3. Device description (fig. 1-12)

1. Transport handle
2. Pressure switch
3. Quick coupling (regulated compressed air)
4. Pressure gauge (set pressure can be read off)
5. Pressure regulator
6. Pressure gauge (vessel pressure can be read off)
7. Quick coupling (unregulated compressed air)
8. Pressure vessel
9. Supporting foot
- 9a. Washer
- 9b. Screw
10. Drain screw for condensate
11. Wheel
- 11a. Washer
- 11b. Fillister head screw
12. Oil drain screw
13. Compressor pump
14. Compressed air hose
- 14a. Plug nipple
- 14b. Quick coupling
15. Air filter
- 15a. Transport lid
- 15b. Wing screw
- 15c. Filter element
- 15d. Filter housing
- 15e. Filter cover
16. Oil sealing plug
17. On/off switch
18. Oil-level window
19. Safety valve
- 19a. Exhaust nut
- 19b. Connection lock
- 19c. Cap of exhaust nut
20. Oil filling opening
- 20a. Transport lid

4. Scope of delivery

- 1x air filter
- 2x supporting foot
- 2x wheel
- 1x assembly material
- 1x oil sealing plug
- 1x oil bottle
- 1x compressed air hose
- 1x operating manual

5. Proper use

The compressor is designed to generate compressed air for compressed-air driven tools which can be driven with an air volume of up to approx. 180 l/min (e. g. tire inflator, blow-out pistol and paint spray gun). Due to the limited air output it is not possible to use the compressor to drive tools with very high air consumption (for example orbital sanders, die grinders and hammer screwdrivers).

The machine may only be used in the intended manner. Any use beyond this is improper. The user/operator, not the manufacturer, is responsible for damages or injuries of any type resulting from this.

Please observe that our equipment was not designed with the intention of use for commercial or industrial purposes. We assume no guarantee if the equipment is used in commercial or industrial applications, or for equivalent work.

6. Safety information

⚠ Attention!

The following basic safety measures must be observed when using power tools for protection against electric shock, and the risk of injury and fire. Read all these notices before using the power tool and store the safety instructions well for later reference.

Safe work

1. Keep the work area orderly
 - Disorder in the work area can lead to accidents.
2. Take environmental influences into account
 - Do not expose power tools to rain.
 - Do not use power tools in a damp or wet environment. There is a risk of electric shock!
 - Make sure that the work area is well-illuminated.
 - Do not use power tools where there is a risk of fire or explosion.
3. Protect yourself from electric shock
 - Avoid physical contact with earthed parts (e. g. pipes, radiators, electric ranges, cooling units).
4. Keep away from children!
 - Do not allow other persons to touch the equipment or cable, keep them away from your work area.
5. Securely store unused power tools
 - Unused power tools should be stored in a dry, elevated or closed location out of the reach of children.
6. Do not overload your power tool
 - They work better and more safely in the specified output range.
7. Wear suitable clothing
 - Do not wear wide clothing or jewellery, which can become entangled in moving parts.
 - Rubber gloves and anti-slip footwear are recommended when working outdoors.
 - Tie long hair back in a hair net.
8. Do not use the cable for purposes for which it is not intended
 - Do not use the cable to pull the plug out of the outlet. Protect the cable from heat, oil and sharp edges.
9. Take care of your tools
 - Keep your compressor clean in order to work well and safely.
 - Follow the maintenance instructions.
 - Check the connection cable of the power tool regularly and have it replaced by a recognised specialist when damaged.
 - Check extension cables regularly and replace them when damaged.
10. Pull the connector out of the socket
 - When the power tool is not in use or prior to maintenance and when replacing tools such as saw blades, bits, milling heads.
11. Avoid inadvertent starting
 - Make sure that the switch is switched off when plugging the plug into an outlet.
12. Use extension cables for outdoors
 - Only use approved and appropriately identified extension cables for use outdoors.
 - Only use cable reels in the unrolled state.
13. Always remain attentive
 - Pay attention to what you are doing. Remain sensible when working. Do not use the power tool when you are distracted.
14. Check the power tool for potential damage
 - Protective devices or other parts with minor damage must be carefully inspected to ensure that they function correctly and as intended prior to continued use of the power tool.
 - Check whether the moving parts function faultlessly and do not jam or whether parts are damaged. All parts must be correctly mounted and all conditions must be fulfilled to ensure fault-free operation of the power tool.
 - Damaged protective devices and parts must be properly repaired or replaced by a recognised workshop, insofar as nothing different is specified in the operating manual.
 - Damaged switches must be replaced at a customer service workshop.
 - Do not use any faulty or damaged connection cables.
 - Do not use any power tool on which the switch cannot be switched on and off.
15. Have your power tool repaired by a qualified electrician
 - This power tool conforms to the applicable safety regulations. Repairs may only be performed by an electrician using original spare parts. Otherwise accidents can occur.
16. Attention!
 - For your own safety, only use accessories and additional equipment that are indicated in the operating manual or have been recommended or indicated by the manufacturer. Use of other tools or accessories that those recommended in the operating manual or in the catalogue could represent a personal danger to you.
17. Noise
 - Wear hearing protection when using the compressor.
18. Replacing the connection line
 - If the connection line is damaged, it must be replaced by the manufacturer or an electrician to avoid danger. There is a risk of electric shock.
19. Inflating tyres
 - Directly after inflating tyres, check the pressure with a suitable pressure gauge, for example at your filling station.
20. Street-legal compressors in construction site operation
 - Ensure that all hoses and fixtures are suitable for the maximum permissible working pressure of the compressor.
21. Set-up location
 - Only set up the compressor on a flat surface.

22. In case of pressures above 7 bar, it is recommended to equip supply hoses with a safety cable (e. g. a wire rope).
23. Avoid over-stressing the piping system by using flexible hose connections to prevent kinking.
24. Ensure that oil cooling devices are kept clean and protective devices remain in operational condition.
25. Risk of burns from hot oil
 - Wear suitable protective gloves.
 - Never work with the compressor near naked flames.
 - Be careful not to spill oil.
26. Motor start-up is prohibited at low temperatures below 0 °C.

Additional safety instructions

Safety instructions for working with compressed air and blasting guns

- The compressor pump and lines can become very hot during operation. Touching these parts will burn you.
- The air which is sucked in by the compressor must be kept free of impurities that could cause fires or explosions in the compressor pump.
- When releasing the hose coupling, hold the hose coupling piece with your hand. This way, you can protect yourself against injury from the rebounding hose.
- Wear safety goggles when working with the blow-out pistol. Foreign bodies or blown off parts can easily cause injuries.
- Do not blow at people with the blow-out pistol and do not clean clothes while being worn. Danger of injury!

Safety information for paint spraying

- Do not process any paints or solvents with a flash point below 55° C. Risk of explosion!
- Do not heat up paints or solvents. Risk of explosion!
- If hazardous liquids are processed, wear protective filter units (face guards). Also, adhere to the safety information provided by the manufacturers of such liquids.
- The details and designations of the Ordinance on Hazardous Substances, which are displayed on the outer packaging of the processed material, must be observed. Additional protective measures are to be undertaken if necessary, particularly the wearing of suitable clothing and masks.
- Do not smoke during the spraying process and/or in the work area. Risk of explosion! Paint vapours are easily combustible.
- Never set up or operate the equipment in the vicinity of a fire place, open lights or sparking machines.
- Do not store or eat food and drink in the work area. Paint vapours are harmful to your health.
- The work area must exceed 30 m³ and sufficient ventilation must be ensured during spraying and drying.
- Do not spray against the wind. Always adhere to the regulations of the local police authority when spraying combustible or hazardous materials.
- Do not process media such as white spirit, butyl alcohol and methylene chloride with the PVC pressure hose. These media will destroy the pressure hose.
- When used in conjunction with spray accessories (e. g. a paint spray gun): Keep distance to the device while filling the spray equipment and do not spray towards the compressor.

Operation of pressure vessels

- Anyone who operates a pressure vessel must keep this in good working order, operate and monitor it correctly, perform the necessary maintenance and servicing works immediately and implement safety measures as required according to the circumstances.
- The regulatory authority can instruct necessary monitoring measures in individual cases.
- A pressure vessel must not be operated if it exhibits a defect that poses a danger to personnel or third parties.
- Check the pressure vessel for rust and damage each time before use. The compressor shall not be operated if the pressure vessel is damaged or rusty. If you discover damage, please contact the customer service workshop.

Keep these safety instructions in a safe place.

Residual risks

Comply with the stipulated maintenance and safety instructions in the operating instructions.

Remain attentive at all times when working, and keep third parties at a safe distance from your work area.

Even when the device is being used properly, there will always be certain residual hazards that cannot be completely ruled out. The following potential hazards can arise due to the type and design of the device:

- Unintentional starting up of the product.
- Damage to hearing if the stipulated hearing protection is not worn.
- Dirt particles, dust etc. can get irritate the eyes or face despite wearing safety goggles.
- Inhaling swirled up particles.

Warning!

This power tool generates an electromagnetic field during operation. This field can impair active or passive medical implants under certain conditions. In order to prevent the risk of serious or deadly injuries, we recommend that persons with medical implants consult with their physician and the manufacturer of the medical implant prior to operating the power tool.

7. Technical data

Mains connection.....	230 V~ 50 Hz
Motor power	1800 W
Operating mode.....	S1
Compressor speed	2850 min ⁻¹
Pressure vessel capacity	approx. 24 l
Maximum operating pressure.....	approx. 10 bar
Theoretical intake capacity.....	approx. 260 l/min
Sound pressure level L _{PA}	72.9 dB(A)
Sound power level L _{WA}	92.9 dB(A)
Uncertainty K _{PA/WA}	2.59 dB
Protection category	IPX2
Device weight	approx. 26.8 kg
Oil (SAE 15W 40).....	approx. 0.25 l
Maximum altitude (above mean sea level)	1000 m

The noise emission values have been determined in accordance with EN ISO 3744:1995.

Wear hearing protection.

Excessive noise can result in a loss of hearing.

8. Before commissioning

- Open the packaging and carefully remove the device.
- Remove the packaging material, packaging and transport safety devices (if applicable).
- Check that the delivery is complete.
- Check the device and accessory parts for transport damage.
- If possible, keep the packaging until the expiry of the warranty period.

DANGER

The device and the packaging are not children's toys! Do not let children play with plastic bags, films or small parts! There is a danger of choking or suffocating!

Before connecting the machine, make certain that the data on the type plate matches with the mains power data.

- Prior to initial commissioning, remove the transport lid (20a) and fill the compressor pump housing with oil as described in item 9.4.
- Check the device for transport damage. Report any damage immediately to the transport company which was used to deliver the compressor.
- Install the compressor near the point of consumption.
- Avoid long air lines and supply lines (extension cables).
- Make sure that the intake air is dry and free of dust.
- Do not install the compressor in a damp or wet room.
- The compressor may only be used in suitable rooms (with good ventilation and an ambient temperature from +5°C to 40°C). There must be no dust, acids, vapours, explosive gases or inflammable gases in the room.
- The compressor is designed to be used in dry rooms. It is prohibited to use the compressor in areas where work is conducted with sprayed water.
- The oil level in the compressor pump housing must be checked before using the machine.

9. Attachment and operation

⚠ Attention!

Always make sure the device is fully assembled before commissioning!

You require the following for assembly:

1x open-ended spanner 13 mm

1x Phillips screwdriver

(not included in the scope of delivery)

9.1 Fitting the wheels (fig. 4)

- Fit the supplied wheels (11) as shown.

9.2 Fitting the supporting feet (fig. 5)

- Fit the supplied supporting feet (9) as shown.

9.3 Fitting the air filter (fig. 6, 7)

- Remove the transport lid (15a) and screw the air filter (15) to the equipment.

9.4 Filling the oil (fig. 8, 9)

- Remove the transport lid (20a) of the oil filling opening (20).
- Fill the included compressor oil into the compressor pump housing and insert the supplied oil sealing plug (16) into the oil filling opening (20).

9.5 Mains connection

- The compressor is equipped with a mains cable with protective contact plug. This can be connected to any 220 – 240 V~ 50 Hz protective contact socket, with fuse protection of at least 16 A.
- Before you use the machine, make sure that the mains voltage is the same as the operating voltage and the machine power on the rating plate.
- Long supply cables, extensions, cable reels, etc. cause a drop in voltage and can impede motor start-up.
- At low temperatures below +5°C, sluggishness may make starting difficult or impossible.

9.6 On/off switch (fig. 2)

- Pull the on/off switch (17) upwards to switch on the compressor. To switch off the compressor, press the on/off switch (17) down.

9.7 Setting the pressure (fig. 1, 3)

- Use the pressure regulator (5) to set the pressure on the pressure gauge (4).
- The pressure set can be drawn from the quick coupling (3).
- The vessel pressure can be read off at the pressure gauge (6).
- The vessel pressure is drawn from the quick coupling (7).

9.8 Setting the pressure switch (fig. 1)

- The pressure switch (2) is set at the factory.
Cut-in pressure approx. 8 bar
Cut-out pressure approx. 10 bar

9.9 Fitting the compressed air hose (fig. 1, 3)

- Connect the plug nipple (14a) of the compressed air hose (14) to one of the quick couplings (3, 7). Then attach the compressed air tool to the quick coupling (14b) of the compressed air hose (14).

9.10 Thermal protector

The thermal protector is built into the device.

If the thermal protector has tripped, proceed as follows:

- Pull out the mains plug.
- Wait about two to three minutes.
- Plug the device in again.
- If the device does not start, repeat the process.
- If the device does not start again, switch the device off and on again using the on/off switch (17).
- If you have carried out all of the steps above and the device still does not work, contact our service team.

10. Electrical connection

The electrical motor installed is connected and ready for operation. The connection complies with the applicable VDE and DIN provisions. The customer's mains connection as well as the extension cable used must also comply with these regulations.

10.1 Important notes

In the event of overloading, the motor will switch itself off. After a cool-down period (time varies) the motor can be switched back on again.

10.2 Damaged electrical connection cable

The insulation on electrical connection cables is often damaged. This may have the following causes:

- Pressure points, where connection cables are passed through windows or doors.
- Kinks where the connection cable has been improperly fastened or routed.
- Places where the connection cables have been cut due to being driven over.
- Insulation damage due to being ripped out of the wall outlet.
- Cracks due to the insulation ageing.

Such damaged electrical connection cables must not be used and are life-threatening due to the insulation damage.

Check the electrical connection cables for damage regularly. Ensure that the connection cables are disconnected from electrical power when checking for damage.

Electrical connection cables must comply with the applicable VDE and DIN provisions. Only use connection cables of the same designation.

The printing of the type designation on the connection cable is mandatory.

10.3 AC motor

- The mains voltage must be 220 - 240 V~ 50 Hz.
- Extension cables up to 25 m long must have a cross-section of 1.5 square millimetres.

Connections and repair work on the electrical equipment may only be carried out by electricians.

Please provide the following information in the event of any enquiries:

- Type of current for the motor
- Data of machine type plate
- Data of motor type plate

11. Cleaning, maintenance and storage

⚠ Attention!

Pull out the mains plug before carrying out any cleaning and maintenance work! Risk of injury from electric shock!

⚠ Attention!

Wait until the equipment has cooled down completely! Danger of burning!

⚠ Attention!

Always depressurise the equipment before carrying out any cleaning and maintenance work! Danger of injury!

11.1 Cleaning

- Keep the device as free of dust and dirt as possible. Rub the device clean with a clean cloth or blow it off with compressed air at low pressure.
- We recommend that you clean the device directly after every use.
- Clean the device at regular intervals using a damp cloth and a little soft soap. Do not use aggressive cleaning agents or solvents; they could attack the plastic parts of the device. Make sure that no water can penetrate the device interior.
- The hose and injection tools must be disconnected from the compressor before cleaning. The compressor must not be cleaned with water, solvents or similar. gereinigt werden.

11.2 Maintaining the pressure vessel (fig. 1)

⚠ Attention!

To ensure a long service life for the pressure vessel (8), drain off the condensate after each use by opening the drain screw (10). Release the vessel pressure first (see 11.8.1). Open the drain screw (10) by turning it counterclockwise (when looking at the screw from the bottom of the compressor) so that the condensate can be completely drained out of the pressure vessel (8).

Then close the drain screw (10) again (turn it clockwise). Check the pressure vessel (8) for rust and damage each time before use.

Do not use the compressor with a damaged or rusty pressure vessel (8). If you discover damage, please contact the customer service workshop.

⚠ Attention!

The condensate from the pressure vessel (8) will contain residual oil. Dispose of the condensate in an environmentally friendly manner at a suitable collection point.

11.3 Safety valve (fig. 3)

The safety valve (19) has been set for the highest permitted pressure of the pressure vessel (8). It is not permitted to adjust the safety valve (19) or remove the connection lock (19b) between the exhaust nut (19a) and its cap (19c). Actuate the safety valve (19) every 30 operating hours but at least three times a year to ensure that it works when required. Turn the perforated exhaust nut (19a) counterclockwise to open it and use your hands to pull the valve rod outwards over the perforated exhaust nut (19a) to open the outlet of the safety valve (19). Now, the valve audibly releases air. Then, tighten the exhaust nut (19a) clockwise again.

11.4 Checking the oil level at regular intervals (fig. 10)

Place the compressor on a level and straight surface.

The oil level must be between the MAX and MIN marks on the oil-level window (18).

Oil change: recommended oil: SAE 15W 40 or equivalent. The original oil filling must be changed after 100 operating hours; afterwards the oil must be drained and replaced with new oil after every 500 operating hours.

11.5 Changing the oil (fig. 1, 9, 10)

Switch the motor off and unplug the mains plug from the power outlet. Remove the oil sealing plug (16). After releasing any air pressure you can unscrew the oil drain screw (12) from the compressor pump (13).

To prevent the oil from running out in an uncontrolled manner, hold a small metal chute under the opening and collect the oil in a vessel. If the oil does not drain out completely, we recommend tilting the compressor slightly. When the oil has drained out, re-fit the oil drain screw (12).

Dispose of the old oil at a drop-off point for old oil.

To fill in the correct quantity of oil, make sure that the compressor stands on an even surface. Fill new oil through the oil filling opening (20) until it comes up to the maximum level. This is marked with a red dot on the oil-level window (18) (fig. 10).

Do not exceed the maximum filling quantity. Overfilling the equipment may result in damage. Reinsert the oil sealing plug (16) into the oil filling opening (20).

11.6 Cleaning the air filter (fig. 3, 11, 12)

The air filter (15) prevents dust and dirt being sucked in. It is essential to clean this air filter (15) after at least every 300 hours in service. A blocked air filter significantly reduces the compressor power.

Remove the air filter (15) by opening the wing screw (15b). Then pull off the filter cover (15e). Now you can remove the filter element (15c) and the filter housing (15d). Carefully tap out the filter element (15c), the filter cover (15e) and the filter housing (15d). These components must then be blown out with compressed air (approx. 3 bar) and reassembled in reverse order.

11.7 Service information

With this product, it is necessary to note that the following parts are subject to natural or usage-related wear, or that the following parts are required as consumables.

Wearing parts*: Air filter

* may not be included in the scope of supply!

11.8 Storage

⚠ Attention!

Pull out the mains plug and ventilate the equipment and all connected pneumatic tools. Store the compressor in such a way that it cannot be used by unauthorised persons.

⚠ Attention!

Store the compressor only in a dry location which is not accessible to unauthorised persons. Always store upright, never tilted! Oil may leak out!

11.8.1 Releasing excess pressure

Release the excess pressure by switching off the compressor and using the compressed air which is still left in the pressure vessel (8), e. g. with a compressed air tool running in idle mode or with a blow-out pistol.

12. Transport

Use the transport handle (1) to transport the device, and drive the compressor with it.

When lifting the compressor, note its weight (see Technical data).

Ensure that the load is well secured when transporting the compressor in a motor vehicle.

13. Disposal and recycling

The device is supplied in packaging to avoid transport damages. This packaging is raw material and can thus be used again or can be reintegrated into the raw material cycle.

The device and its accessories are made of different materials, such as metals and plastics. Take defective components to special waste disposal sites. Check with your specialist dealer or municipal administration!



The packaging is wholly composed of environmentally-friendly materials that can be disposed of at a local recycling centre.

Contact your local refuse disposal authority for more details of how to dispose of your worn-out electrical devices.

Old devices must not be disposed of with household waste!



This symbol indicates that this product must not be disposed of together with domestic waste in compliance with the Directive (2012/19/EU) pertaining to waste electrical and electronic equipment (WEEE). This product must be handed over at the intended collection point. This can be done, for example, by returning it when purchasing a similar product or delivering it to an authorised collection point for the recycling of old electrical and electronic devices. Improper handling of waste equipment may have negative consequences for the environment and human health due to potentially hazardous substances that are often contained in electrical and electronic equipment. By properly disposing of this product, you are also contributing to the effective use of natural resources. You can obtain information on collection points for waste equipment from your municipal administration, public waste disposal authority, an authorised body for the disposal of waste electrical and electronic equipment or your waste disposal company.

14. Troubleshooting

Fault	Possible cause	Remedy
The compressor does not start.	Mains voltage is not available.	Check the cable, mains plug, fuse and socket.
	Mains voltage is too low.	Make sure that the extension cable is not too long. Use an extension cable with large enough wires.
	Outside temperature is too low.	Never operate with an outside temperature of below +5 °C.
	Motor is overheated.	Allow the motor to cool down. If necessary, remedy the cause of the overheating.
The compressor starts but there is no pressure.	The safety valve (19) leaks.	Contact your local service centre. Only allow qualified personnel to carry out repairs.
	The seals are damaged.	Check the seals and have any damaged seals replaced by a service centre.
	The drain screw for condensate (10) leaks.	Tighten the screw by hand. Check the seal on the screw and replace if necessary.
The compressor starts, pressure is shown on the pressure gauge, but the tools do not start.	The hose connections have a leak.	Check the compressed air hose and tools and replace if necessary.
	A quick coupling has a leak.	Contact your local service centre. Only allow qualified personnel to carry out repairs.
	Insufficient pressure set on the pressure regulator (5).	Increase the set pressure with the pressure regulator.

15. Warranty certificate

Dear Customer,

All of our products undergo strict quality checks to ensure that they reach you in perfect condition. In the unlikely event that your device develops a fault, please contact our service department at the address shown on this guarantee card. Of course, if you would prefer to call us then we are also happy to offer our assistance under the service number printed below. Please note the following terms under which guarantee claims can be made:

- These guarantee terms cover additional guarantee rights and do not affect your statutory warranty rights. We do not charge you for this guarantee.
- Our guarantee only covers problems caused by material or manufacturing defects, and it is restricted to the rectification of these defects or replacement of the device. Please note that our devices have not been designed for use in commercial, trade or industrial applications. Consequently, the guarantee is invalidated if the equipment is used in commercial, trade or industrial applications or for other equivalent activities. The following are also excluded from our guarantee: compensation for transport damage, damage caused by failure to comply with the installation/assembly instructions or damage caused by unprofessional installation, failure to comply with the operating instructions (e.g. connection to the wrong mains voltage or current type), misuse or inappropriate use (such as overloading of the device or use of non-approved tools or accessories), failure to comply with the maintenance and safety regulations, ingress of foreign bodies into the device (e.g. sand, stones or dust), effects of force or external influences (e.g. damage caused by the device being dropped) and normal wear resulting from proper operation of the device.

The guarantee is rendered null and void if any attempt is made to tamper with the device.

- The guarantee is valid for a period of 3 years starting from the purchase date of the device. Guarantee claims should be submitted before the end of the guarantee period within two weeks of the defect being noticed. No guarantee claims will be accepted after the end of the guarantee period. The original guarantee period remains applicable to the device even if repairs are carried out or parts are replaced. In such cases, the work performed or parts fitted will not result in an extension of the guarantee period, and no new guarantee will become active for the work performed or parts fitted. This also applies when an on-site service is used.
- In order to assert your guarantee claim, please contact the service partner shown below. If the complaint is within the guarantee period, we will provide you with a return slip, with which you can return your defective device free of charge to us. It would help us if you could describe the nature of the problem in as much detail as possible. If the defect is covered by our guarantee then your device will either be repaired immediately and returned to you, or we will send you a new device.

Of course, we are also happy offer a chargeable repair service for any defects which are not covered by the scope of this guarantee or for units which are no longer covered. To take advantage of this service, please send the device to our service address.

Service-Hotline (GB):

00800 4003 4003
(0,00 EUR/Min.)

Service-Hotline (IE):

00800 4003 4003
(0,00 EUR/Min.)

Service-Email (GB):

service.GB@schepbach.com

Service-Email (IE):

service.IE@schepbach.com

Service Address (GB):

Forest Park & Garden
Coed Court, Taffsmead Road
Treforest, Ind. Estate, Pontypridd CF375SW

Service Address (IE):

LetMeRepair
1 Langlands Court / Kelvin South Business Park
East Kilbride G75 0YB



At www.lidl-service.com you can download this and many more manuals, product videos plus installation software.

The QR code takes you directly to the Lidl service page (www.lidl-service.com) and you can open your operating manual by entering the article number (IAN) 383215_2010.

Inhalt:	Seite:
1. Erklärung der Symbole auf dem Gerät.....	12
2. Einleitung	13
3. Gerätebeschreibung (Abb. 1-12).....	13
4. Lieferumfang	13
5. Bestimmungsgemäße Verwendung.....	13
6. Sicherheitshinweise	14
7. Technische Daten	16
8. Vor Inbetriebnahme	16
9. Aufbau und Bedienung.....	16
10. Elektrischer Anschluss.....	17
11. Reinigung, Wartung und Lagerung.....	17
12. Transport.....	18
13. Entsorgung und Wiederverwertung.....	19
14. Störungsabhilfe	19
15. Garantiekunde	20
16. Konformitätserklärung.....	127

1. Erklärung der Symbole auf dem Gerät



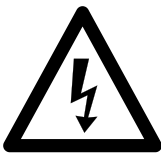
(DE) (AT) (CH) Vor Inbetriebnahme Bedienungsanleitung und Sicherheitshinweise lesen und beachten!



(DE) (AT) (CH) Tragen Sie einen Gehörschutz. Die Einwirkung von Lärm kann Gehörverlust bewirken.



(DE) (AT) (CH) Warnung vor heißen Teilen! (A Abb. 11)



(DE) (AT) (CH) Warnung vor elektrischer Spannung



(DE) (AT) (CH) Warnung! Die Einheit startet automatisch und darf ohne Warnung anlaufen.



(DE) (AT) (CH) Achtung! Vor Erstinbetriebnahme Ölstand überprüfen und Ölverschlusstopfen austauschen!



(DE) (AT) (CH) Warn- und Sicherheitshinweise beachten!



(DE) (AT) (CH) Angabe des Schalleistungspegels in dB



(DE) (AT) (CH) Setzen Sie das Gerät nicht dem Regen aus!

2. Einleitung

Hersteller:

Scheppach GmbH
Günzburger Straße 69
D-89335 Ichenhausen

Verehrter Kunde,

wir wünschen Ihnen viel Freude und Erfolg beim Arbeiten mit Ihrem neuen Gerät.

Hinweis:

Der Hersteller dieses Gerätes haftet nach dem geltenden Produkthaftungsgesetz nicht für Schäden, die an diesem Gerät oder durch dieses Gerät entstehen bei:

- unsachgemäßer Behandlung,
- Nichtbeachtung der Bedienungsanleitung,
- Reparaturen durch Dritte, nicht autorisierte Fachkräfte,
- Einbau und Austausch von nicht originalen Ersatzteilen,
- nicht bestimmungsgemäßer Verwendung,
- Ausfällen der elektrischen Anlage bei Nichtbeachtung der elektrischen Vorschriften und VDE-Bestimmungen 0100, DIN 57113 / VDE 0113.

Beachten Sie:

Lesen Sie vor der Montage und vor Inbetriebnahme den gesamten Text der Bedienungsanleitung durch.

Diese Bedienungsanleitung soll es Ihnen erleichtern, Ihr Elektrowerkzeug kennenzulernen und dessen bestimmungsgemäße Einsatzmöglichkeiten zu nutzen.

Die Bedienungsanleitung enthält wichtige Hinweise, wie Sie mit dem Elektrowerkzeug sicher, fachgerecht und wirtschaftlich arbeiten und wie Sie Gefahren vermeiden, Reparaturkosten sparen, Ausfallzeiten verringern und die Zuverlässigkeit und Lebensdauer des Elektrowerkzeugs erhöhen.

Zusätzlich zu den Sicherheitsbestimmungen dieser Bedienungsanleitung müssen Sie unbedingt die für den Betrieb des Elektrowerkzeugs geltenden Vorschriften Ihres Landes beachten.

Bewahren Sie die Bedienungsanleitung, in einer Plastikhülle geschützt vor Schmutz und Feuchtigkeit, bei dem Elektrowerkzeug auf. Sie muss von jeder Bedienungsperson vor Aufnahme der Arbeit gelesen und sorgfältig beachtet werden. An dem Elektrowerkzeug dürfen nur Personen arbeiten, die im Gebrauch des Elektrowerkzeugs unterwiesen und über die damit verbundenen Gefahren unterrichtet sind. Das geforderte Mindestalter ist einzuhalten.

Neben den in dieser Bedienungsanleitung enthaltenen Sicherheitshinweisen und den besonderen Vorschriften Ihres Landes sind die für den Betrieb von baugleichen Maschinen allgemein anerkannten technischen Regeln zu beachten.

Wir übernehmen keine Haftung für Unfälle oder Schäden, die durch Nichtbeachten dieser Anleitung und den Sicherheitshinweisen entstehen.

3. Gerätebeschreibung (Abb. 1-12)

1. Transportgriff
2. Druckschalter
3. Schnellkupplung (geregelter Druckluft)
4. Manometer (eingestellter Druck kann abgelesen werden)
5. Druckregler
6. Manometer (Kesseldruck kann abgelesen werden)
7. Schnellkupplung (ungeregelter Druckluft)
8. Druckbehälter
9. Standfuß
- 9a. Beilagscheibe
- 9b. Schraube
10. Ablassschraube für Kondenswasser
11. Rad
- 11a. Beilagscheibe
- 11b. Linsenkopfschraube
12. Ölablassschraube
13. Verdichterpumpe
14. Druckluftschlauch
- 14a. Stecknippel
- 14b. Schnellkupplung
15. Luftfilter
- 15a. Transportdeckel
- 15b. Flügelschraube
- 15c. Filtereinsatz
- 15d. Filtergehäuse
- 15e. Filterdeckel
16. Ölverschlussstopfen
17. Ein-/Ausschalter
18. Ölschauglas
19. Sicherheitsventil
- 19a. Ablassmutter
- 19b. Verbindungssicherung
- 19c. Kappe der Ablassmutter
20. Öleinfüllöffnung
- 20a. Transportdeckel

4. Lieferumfang

- 1x Luftfilter
- 2x Standfuß
- 2x Rad
- 1x Montagematerial
- 1x Ölverschlussstopfen
- 1x Ölflasche
- 1x Druckluftschlauch
- 1x Bedienungsanleitung

5. Bestimmungsgemäße Verwendung

Der Kompressor dient zum Erzeugen von Druckluft für druckluftbetriebene Werkzeuge, welche mit einer Luftmenge bis ca. 180 l/min. betrieben werden können (z. B. Reifenfüller, Ausblaspistole und Lackierpistole). Aufgrund der begrenzten Luftfördermenge ist es nicht möglich, Werkzeuge zu betreiben, welche einen sehr hohen Luftverbrauch aufweisen (z. B. Schwingschleifer, Stabschleifer und Schlagschrauber).

Die Maschine darf nur nach ihrer Bestimmung verwendet werden. Jede weitere darüber hinausgehende Verwendung ist nicht bestimmungsgemäß. Für daraus hervorgerufene Schäden oder Verletzungen aller Art haftet der Benutzer/Bediener und nicht der Hersteller.

Bitte beachten Sie, dass unsere Geräte bestimmungsgemäß nicht für den gewerblichen, handwerklichen oder industriellen Einsatz konstruiert wurden. Wir übernehmen keine Gewährleistung, wenn das Gerät in Gewerbe-, Handwerks- oder Industriebetrieben sowie bei gleichzusetzenden Tätigkeiten eingesetzt wird.

6. Sicherheitshinweise

⚠ Achtung!

Beim Gebrauch von Elektrowerkzeugen sind zum Schutz gegen elektrischen Schlag, Verletzungs- und Brandgefahr folgende grundsätzliche Sicherheitsmaßnahmen zu beachten. Lesen Sie alle diese Hinweise, bevor Sie dieses Elektrowerkzeug benutzen, und bewahren Sie die Sicherheitshinweise gut auf.

Sicheres Arbeiten

- Halten Sie Ihren Arbeitsbereich in Ordnung
 - Unordnung im Arbeitsbereich kann Unfälle zur Folge haben.
- Berücksichtigen Sie Umgebungseinflüsse
 - Setzen Sie Elektrowerkzeuge nicht dem Regen aus.
 - Benutzen Sie Elektrowerkzeuge nicht in feuchter oder nasser Umgebung. Gefahr durch Stromschlag!
 - Sorgen Sie für gute Beleuchtung des Arbeitsbereichs.
 - Benutzen Sie Elektrowerkzeuge nicht, wo Brand- oder Explosionsgefahr besteht.
- Schützen Sie sich vor elektrischem Schlag
 - Vermeiden Sie Körperberührung mit geerdeten Teilen (z. B. Rohren, Radiatoren, Elektroherden, Kühlgeräten).
- Halten Sie Kinder fern!
 - Lassen Sie andere Personen nicht das Werkzeug und das Kabel berühren, halten Sie sie von Ihrem Arbeitsbereich fern.
- Bewahren Sie unbenutzte Elektrowerkzeuge sicher auf
 - Unbenutzte Elektrowerkzeuge sollten an einem trockenen, hochgelegenen oder abgeschlossenen Ort, außerhalb der Reichweite von Kindern, abgelegt werden.
- Überlasten Sie Ihr Elektrowerkzeug nicht
 - Sie arbeiten besser und sicherer im angegebenen Leistungsbereich.
- Tragen Sie geeignete Kleidung
 - Tragen Sie keine weite Kleidung oder Schmuck, sie könnten von beweglichen Teilen erfasst werden.
 - Bei Arbeiten im Freien sind Gummihandschuhe und rutschfestes Schuhwerk empfehlenswert.
 - Tragen Sie bei langen Haaren ein Haarnetz.
- Verwenden Sie das Kabel nicht für Zwecke, für die es nicht bestimmt ist
 - Benutzen Sie das Kabel nicht, um den Stecker aus der Steckdose zu ziehen. Schützen Sie das Kabel vor Hitze, Öl und scharfen Kanten.
- Pflegen Sie Ihre Werkzeuge mit Sorgfalt
 - Halten Sie Ihren Kompressor sauber, um gut und sicher zu arbeiten.

- Befolgen Sie die Wartungsvorschriften.
 - Kontrollieren Sie regelmäßig die Anschlussleitung des Elektrowerkzeugs und lassen Sie diese bei Beschädigung von einem anerkannten Fachmann erneuern.
 - Kontrollieren Sie Verlängerungsleitungen regelmäßig und ersetzen Sie diese, wenn sie beschädigt sind.
- Ziehen Sie den Stecker aus der Steckdose
 - Bei Nichtgebrauch des Elektrowerkzeugs, vor der Wartung und beim Wechsel von Werkzeugen wie z. B. Sägeblatt, Bohrer, Fräser.
 - Vermeiden Sie unbeabsichtigten Anlauf
 - Vergewissern Sie sich, dass der Schalter beim Einstecken des Steckers in die Steckdose ausgeschaltet ist.
 - Benutzen Sie Verlängerungskabel für den Außenbereich
 - Verwenden Sie im Freien nur dafür zugelassene und entsprechend gekennzeichnete Verlängerungskabel.
 - Verwenden Sie die Kabeltrommel nur im abgerollten Zustand.
 - Seien Sie stets aufmerksam
 - Achten Sie darauf, was Sie tun. Gehen Sie mit Vernunft an die Arbeit. Benutzen Sie das Elektrowerkzeug nicht, wenn Sie unkonzentriert sind.
 - Überprüfen Sie das Elektrowerkzeug auf eventuelle Beschädigungen
 - Vor weiterem Gebrauch des Elektrowerkzeugs müssen Schutzvorrichtungen oder leicht beschädigte Teile sorgfältig auf ihre einwandfreie und bestimmungsgemäße Funktion untersucht werden.
 - Überprüfen Sie, ob die beweglichen Teile einwandfrei funktionieren und nicht klemmen oder ob Teile beschädigt sind. Sämtliche Teile müssen richtig montiert sein und alle Bedingungen erfüllen, um den einwandfreien Betrieb des Elektrowerkzeugs zu gewährleisten.
 - Beschädigte Schutzvorrichtungen und Teile müssen bestimmungsgemäß durch eine anerkannte Fachwerkstatt repariert oder ausgewechselt werden, soweit nichts anderes in der Bedienungsanleitung angegeben ist.
 - Beschädigte Schalter müssen bei einer Kundendienstwerkstatt ersetzt werden.
 - Benutzen Sie keine fehlerhaften oder beschädigten Anschlussleitungen.
 - Benutzen Sie keine Elektrowerkzeuge, bei denen sich der Schalter nicht ein- und ausschalten lässt.
 - Lassen Sie Ihr Elektrowerkzeug durch eine Elektrofachkraft reparieren
 - Dieses Elektrowerkzeug entspricht den einschlägigen Sicherheitsbestimmungen. Reparaturen dürfen nur von einer Elektrofachkraft ausgeführt werden, indem Originalersatzteile verwendet werden; anderenfalls können Unfälle für den Benutzer entstehen.
 - Achtung!
 - Zu Ihrer eigenen Sicherheit, benutzen Sie nur Zubehör und Zusatzgeräte, die in der Bedienungsanleitung angegeben oder vom Hersteller empfohlen oder angegeben werden. Der Gebrauch anderer als der in der Bedienungsanleitung oder im Katalog empfohlenen Einsatzwerkzeuge oder Zubehöre kann eine persönliche Verletzungsgefahr für Sie bedeuten.
 - Geräusch
 - Bei Verwendung des Kompressors Gehörschutz tragen.

18. Austausch der Anschlussleitung
 - Wenn die Anschlussleitung beschädigt wird, muss sie vom Hersteller oder einer Elektrofachkraft ersetzt werden, um Gefährdungen zu vermeiden. Gefahr durch Stromschläge.
19. Befüllung von Reifen
 - Kontrollieren Sie den Reifendruck unmittelbar nach der Befüllung durch ein geeignetes Manometer, z. B. an einer Tankstelle.
20. Straßenfahrbare Kompressoren im Baustellenbetrieb
 - Achten Sie darauf, dass alle Schläuche und Armaturen für den höchst zulässigen Arbeitsdruck des Kompressors geeignet sind.
21. Aufstellort
 - Stellen Sie den Kompressor nur auf einer ebenen Fläche auf.
22. Es ist empfohlen, dass Zuführschläuche bei Drücken über 7 bar mit einem Sicherheitskabel, z. B. einem Drahtseil ausgestattet werden sollten.
23. Vermeiden Sie starke Belastungen auf das Leitungssystem, indem Sie flexible Schlauchanschlüsse verwenden, um Knickstellen zu vermeiden.
24. Stellen Sie sicher, dass die Ölkühleinrichtungen sauber gehalten werden und die Schutzeinrichtungen im betriebsfähigen Zustand bleiben.
25. Verbrennungsgefahr am heißen Öl
 - Tragen Sie geeignete Schutzhandschuhe.
 - Arbeiten Sie mit dem Kompressor nie in der Nähe offener Flammen.
 - Achten Sie darauf, kein Öl zu verschütten.
26. Bei niedrigen Temperaturen unter 0°C ist der Motoranlauf verboten.

Zusätzliche Sicherheitshinweise

Sicherheitshinweise zum Arbeiten mit Druckluft und Ausblaspistolen

- Verdichterpumpe und Leitungen erreichen im Betrieb hohe Temperaturen. Berührungen führen zu Verbrennungen.
- Die vom Kompressor angesaugte Luft ist frei von Beimengungen zu halten, die in der Verdichterpumpe zu Bränden oder Explosionen führen können.
- Halten Sie beim Lösen der Schlauchkupplung das Kupplungsstück des Schlauches mit der Hand fest. So vermeiden Sie Verletzungen durch den zurückschnellenden Schlauch.
- Bei Arbeiten mit der Ausblaspistole Schutzbrille tragen. Durch Fremdkörper und weggeblasene Teile können leicht Verletzungen verursacht werden.
- Mit der Ausblaspistole keine Personen anblasen oder Kleidung am Körper reinigen. Verletzungsgefahr!

Sicherheitshinweise beim Farbspritzen

- Keine Lacke oder Lösungsmittel mit einem Flammpunkt von weniger als 55° C verarbeiten. Explosionsgefahr!
- Lacke und Lösungsmittel nicht erwärmen. Explosionsgefahr!
- Werden gesundheitsschädliche Flüssigkeiten verarbeitet, sind zum Schutz Filtergeräte (Gesichtsmasken) erforderlich. Beachten Sie auch die von den Herstellern solcher Stoffe gemachten Angaben über Schutzmaßnahmen.

- Die auf den Umverpackungen der verarbeiteten Materialien aufgetragenen Angaben und Kennzeichnungen der Gefahrstoffverordnung sind zu beachten. Gegebenenfalls sind zusätzliche Schutzmaßnahmen zu treffen, insbesondere geeignete Kleidung und Masken zu tragen.
- Während des Spritzvorgangs sowie im Arbeitsraum darf nicht geraucht werden. Explosionsgefahr! Auch Farbdämpfe sind leicht brennbar.
- Feuerstellen, offenes Licht oder funkenschlagende Maschinen dürfen nicht vorhanden sein bzw. betrieben werden.
- Speisen und Getränke nicht im Arbeitsraum aufbewahren oder verzehren. Farbdämpfe sind gesundheitsschädlich.
- Der Arbeitsraum muss größer als 30 m³ sein und es muss ausreichender Luftwechsel beim Spritzen und Trocknen gewährleistet sein.
- Nicht gegen den Wind spritzen. Grundsätzlich beim Verspritzen von brennbaren bzw. gefährlichen Spritzgütern die Bestimmungen der örtlichen Polizeibehörde beachten.
- Verarbeiten Sie in Verbindung mit dem PVC-Druckschlauch keine Medien wie Testbenzin, Butylalkohol und Methylenchlorid. Diese Medien zerstören den Druckschlauch.
- Bei Anwendung in Verbindung mit Spritzzubehör (z. B. einer Farbspritzpistole): Halten Sie beim Befüllen der Spritzgeräte Abstand zum Gerät und spritzen Sie nicht in Richtung des Kompressors.

Betrieb von Druckbehältern

- Wer einen Druckbehälter betreibt, hat diesen in einem ordnungsgemäßen Zustand zu erhalten, ordnungsgemäß zu betreiben, zu überwachen, notwendige Instandhaltungs- und Instandsetzungsarbeiten unverzüglich vorzunehmen und die den Umständen nach erforderlichen Sicherheitsmaßnahmen zu treffen.
- Die Aufsichtsbehörde kann im Einzelfall erforderliche Überwachungsmaßnahmen anordnen.
- Ein Druckbehälter darf nicht betrieben werden, wenn er Mängel aufweist, durch die Beschäftigte oder Dritte gefährdet werden.
- Kontrollieren Sie den Druckbehälter vor jedem Betrieb auf Rost und Beschädigungen. Der Kompressor darf nicht mit einem beschädigten oder rostigen Druckbehälter betrieben werden. Stellen Sie Beschädigungen fest, so wenden Sie sich bitte an die Kundendienstwerkstatt.

Bewahren Sie die Sicherheitshinweise gut auf.

Restrisiko

Halten Sie die vorgegebenen Wartungs- und Sicherheitshinweise der Bedienungsanleitung ein. Seien Sie stets aufmerksam bei der Arbeit und halten Sie dritte Personen in einem sicheren Abstand von Ihrem Arbeitsplatz fern.

Auch bei sachgemäßer Verwendung des Gerätes bleibt immer ein gewisses Restrisiko, das nicht ausgeschlossen werden kann. Aus der Art und Konstruktion des Gerätes können die folgenden potentiellen Gefährdungen abgeleitet werden:

- Unbeabsichtigte Inbetriebsetzung des Produktes.
- Schädigung des Gehöres, wenn kein vorgeschriebener Gehörschutz getragen wird.

- Schmutzpartikel, Staub etc. können trotz des Tragens der Schutzbrille in Ihr Auge oder Gesicht gelangen.
- Einatmen von aufgewirbelten Partikeln.

Warnung!

Dieses Elektrowerkzeug erzeugt während des Betriebs ein elektromagnetisches Feld. Dieses Feld kann unter bestimmten Umständen aktive oder passive medizinische Implantate beeinträchtigen. Um die Gefahr von ernsthaften oder tödlichen Verletzungen zu verringern, empfehlen wir Personen mit medizinischen Implantaten ihren Arzt und den Hersteller vom medizinischen Implantat zu konsultieren, bevor das Elektrowerkzeug bedient wird.

7. Technische Daten

Netzanschluss	230 V~ 50 Hz
Motorleistung	1800 W
Betriebsart.....	S1
Kompressor-Drehzahl	2850 min ⁻¹
Druckbehältervolumen	ca. 24 l
Maximaler Betriebsdruck.....	ca. 10 bar
Theoretische Ansaugleistung	ca. 260 l/min
Schalldruckpegel L _{PA}	72,9 dB(A)
Schalleistungspegel L _{WA}	92,9 dB(A)
Unsicherheit K _{PA/WA}	2,59 dB
Schutzart.....	IPX2
Gerätgewicht.....	ca. 26,8 kg
Öl (SAE 15W 40).....	ca. 0,25 l
Maximale Aufstellhöhe (üNN).....	1000 m

Die Geräuschemissionswerte wurden entsprechend EN ISO 3744:1995 ermittelt.

Tragen Sie einen Gehörschutz.

Die Einwirkung von Lärm kann Gehörverlust bewirken.

8. Vor Inbetriebnahme

- Öffnen Sie die Verpackung und nehmen Sie das Gerät vorsichtig heraus.
- Entfernen Sie das Verpackungsmaterial sowie Verpackungs- und Transportsicherungen (falls vorhanden).
- Überprüfen Sie, ob der Lieferumfang vollständig ist.
- Kontrollieren Sie das Gerät und die Zubehörteile auf Transportschäden.
- Bewahren Sie die Verpackung nach Möglichkeit bis zum Ablauf der Garantiezeit auf.

GEFAHR

Gerät und Verpackungsmaterialien sind kein Kinderspielzeug! Kinder dürfen nicht mit Kunststoffbeuteln, Folien und Kleinteilen spielen! Es besteht Verschluckungs- und Erstickungsgefahr!

Überzeugen Sie sich vor dem Anschließen, dass die Daten auf dem Typenschild mit den Netzdaten übereinstimmen.

- Entfernen Sie vor Erstinbetriebnahme den Transportdeckel (20a) und füllen Sie das Verdichterpumpengehäuse mit Öl, wie unter Punkt 9.4 beschrieben.

- Überprüfen Sie das Gerät auf Transportschäden. Etwaige Schäden sofort dem Transportunternehmen melden, mit dem der Kompressor angeliefert wurde.
- Die Aufstellung des Kompressors muss in der Nähe des Verbrauchers erfolgen.
- Lange Luftleitungen und lange Zuleitungen (Verlängerungskabel) sind zu vermeiden.
- Auf trockene und staubfreie Ansaugluft achten.
- Den Kompressor nicht in feuchten oder nassen Räumen aufstellen.
- Der Kompressor darf nur in geeigneten Räumen (gut belüftet, Umgebungstemperatur +5°C bis 40°C) betrieben werden. Im Raum dürfen sich keine Stäube, keine Säuren, Dämpfe, explosive oder entflammbare Gase befinden.
- Der Kompressor ist geeignet für den Einsatz in trockenen Räumen. In Bereichen, in denen mit Spritzwasser gearbeitet wird, ist der Einsatz nicht zulässig.
- Vor Inbetriebnahme muss der Ölstand im Verdichterpumpengehäuse kontrolliert werden.

9. Aufbau und Bedienung

⚠ Achtung!

Vor der Inbetriebnahme das Gerät unbedingt komplett montieren!

Zur Montage benötigen Sie:

- 1x Gabelschlüssel 13 mm
- 1x Kreuzschlitzschraubendreher (nicht im Lieferumfang enthalten)

9.1 Montage der Räder (Abb. 4)

- Montieren Sie die beiliegenden Räder (11) wie dargestellt.

9.2 Montage der Standfüße (Abb. 5)

- Montieren Sie die beiliegenden Standfüße (9) wie dargestellt.

9.3 Montage des Luftfilters (Abb. 6, 7)

- Entfernen Sie den Transportdeckel (15a) und schrauben Sie den Luftfilter (15) am Gerät fest.

9.4 Einfüllen des Öls (Abb. 8, 9)

- Entfernen Sie den Transportdeckel (20a) der Öleinfüllöffnung (20).
- Füllen Sie das mitgelieferte Kompressorenöl in das Verdichterpumpengehäuse und setzen Sie den beiliegenden Ölverschlußstopfen (16) in die Öleinfüllöffnung (20) ein.

9.5 Netzanschluss

- Der Kompressor ist mit einer Netzleitung mit Schutzkontaktstecker ausgerüstet. Dieser kann an jeder Schutzkontaktsteckdose 220 - 240 V~ 50 Hz, welche mit 16 A abgesichert ist, angeschlossen werden.
- Achten Sie vor Inbetriebnahme darauf, dass die Netzspannung mit der Betriebsspannung und mit der Maschinenleistung auf dem Typenschild übereinstimmt.
- Lange Zuleitungen, sowie Verlängerungen, Kabeltrommeln usw. verursachen Spannungsabfall und können den Motoranlauf verhindern.
- Bei niedrigen Temperaturen unter +5°C ist der Motoranlauf durch Schwergängigkeit gefährdet.

9.6 Ein-/Ausschalter (Abb. 2)

- Zum Einschalten des Kompressors wird der Ein-/Ausschalter (17) nach oben gezogen. Zum Abschalten wird der Ein-/Ausschalter (17) nach unten gedrückt.

9.7 Druckeinstellung (Abb. 1, 3)

- Mit dem Druckregler (5) wird der Druck am Manometer (4) eingestellt.
- Der eingestellte Druck kann an der Schnellkupplung (3) entnommen werden.
- Am Manometer (6) wird der Kesseldruck abgelesen.
- Der Kesseldruck wird an der Schnellkupplung (7) entnommen.

9.8 Druckschaltereinstellung (Abb. 1)

- Der Druckschalter (2) ist werkseitig eingestellt.
Einschaltdruck ca. 8 bar
Ausschaltdruck ca. 10 bar

9.9 Montage des Druckluftschlauchs (Abb. 1, 3)

- Schließen Sie den Stecknippel (14a) des Druckluftschlauchs (14) an eine der Schnellkupplungen (3, 7) an.
- Schließen Sie danach das Druckluftwerkzeug an der Schnellkupplung (14b) des Druckluftschlauches (14) an.

9.10 Thermoschutzschalter

Der Thermoschutzschalter ist im Gerät verbaut.

Löst der Thermoschutzschalter aus, gehen Sie wie folgt vor:

- Ziehen Sie den Netzstecker.
- Warten Sie circa zwei bis drei Minuten.
- Stecken Sie das Gerät wieder ein.
- Startet das Gerät nicht, wiederholen Sie den Vorgang.
- Startet das Gerät erneut nicht, schalten Sie das Gerät am Ein-/Ausschalter (17) aus und wieder an.
- Wenn Sie alle oben genannten Schritte durchgeführt haben und das Gerät trotzdem nicht funktioniert, kontaktieren Sie unseren Service.

10. Elektrischer Anschluss

Der installierte Elektromotor ist betriebsfertig angeschlossen. Der Anschluss entspricht den einschlägigen VDE- und DIN-Bestimmungen. Der kundenseitige Netzanschluss sowie die verwendete Verlängerungsleitung müssen diesen Vorschriften entsprechen.

10.1 Wichtige Hinweise

Bei Überlastung des Motors schaltet dieser selbständig ab. Nach einer Abkühlzeit (zeitlich unterschiedlich) lässt sich der Motor wieder einschalten.

10.2 Schadhafte elektrische Anschlussleitung

An elektrischen Anschlussleitungen entstehen oft Isolationsschäden.

Ursachen hierfür können sein:

- Druckstellen, wenn Anschlussleitungen durch Fenster oder Türspalten geführt werden.
- Knickstellen durch unsachgemäße Befestigung oder Führung der Anschlussleitung.
- Schnittstellen durch Überfahren der Anschlussleitung.

- Isolationsschäden durch Herausreißen aus der Wandsteckdose.
 - Risse durch Alterung der Isolation.
- Solch schadhafte elektrische Anschlussleitungen dürfen nicht verwendet werden und sind aufgrund der Isolationsschäden lebensgefährlich.

Elektrische Anschlussleitungen regelmäßig auf Schäden überprüfen. Achten Sie darauf, dass beim Überprüfen die Anschlussleitung nicht am Stromnetz hängt.

Elektrische Anschlussleitungen müssen den einschlägigen VDE- und DIN-Bestimmungen entsprechen. Verwenden Sie nur Anschlussleitungen mit gleicher Kennzeichnung. Ein Aufdruck der Typenbezeichnung auf dem Anschlusskabel ist Vorschrift.

10.3 Wechselstrommotor

- Die Netzspannung muss 220 - 240 V~ 50 Hz betragen.
- Verlängerungsleitungen bis 25 m Länge müssen einen Querschnitt von 1,5 Quadratmillimeter aufweisen.

Anschlüsse und Reparaturen der elektrischen Ausrüstung dürfen nur von einer Elektro-Fachkraft durchgeführt werden.

Bei Rückfragen bitte folgende Daten angeben:

- Stromart des Motors
- Daten des Maschinen-Typenschildes
- Daten des Motor-Typenschildes

11. Reinigung, Wartung und Lagerung

⚠ Achtung!

Ziehen Sie vor allen Reinigungs- und Wartungsarbeiten den Netzstecker! Verletzungsgefahr durch Stromstöße!

⚠ Achtung!

Warten Sie, bis das Gerät vollständig abgekühlt ist! Verbrennungsgefahr!

⚠ Achtung!

Vor allen Reinigungs- und Wartungsarbeiten ist das Gerät drucklos zu machen! Verletzungsgefahr!

11.1 Reinigung

- Halten Sie das Gerät so staub- und schmutzfrei wie möglich. Reiben Sie das Gerät mit einem sauberen Tuch ab oder blasen Sie es mit Druckluft bei niedrigem Druck aus.
- Wir empfehlen, dass Sie das Gerät direkt nach jeder Benutzung reinigen.
- Reinigen Sie das Gerät regelmäßig mit einem feuchten Tuch und etwas Schmierseife. Verwenden Sie keine aggressiven Reinigungs- oder Lösungsmittel; diese könnten die Kunststoffteile des Gerätes angreifen. Achten Sie darauf, dass kein Wasser in das Geräteinnere gelangen kann.
- Schlauch und Spritzwerkzeuge müssen vor Reinigung vom Kompressor getrennt werden. Der Kompressor darf nicht mit Wasser, Lösungsmitteln oder Ähnlichem gereinigt werden.

11.2 Wartung des Druckbehälters (Abb. 1)

Achtung!

Für dauerhafte Haltbarkeit des Druckbehälters (8) ist nach jedem Betrieb das Kondenswasser durch Öffnen der Ablassschraube (10) abzulassen.

Lassen Sie zuvor den Kesseldruck ab (siehe 11.8.1). Die Ablassschraube (10) wird durch Drehen gegen den Uhrzeigersinn geöffnet (Blickrichtung von der Kompressorunterseite auf die Schraube), damit das Kondenswasser vollständig aus dem Druckbehälter (8) ablaufen kann.

Verschließen Sie danach die Ablassschraube (10) wieder (Drehen im Uhrzeigersinn). Kontrollieren Sie den Druckbehälter (8) vor jedem Betrieb auf Rost und Beschädigungen.

Der Kompressor darf nicht mit einem beschädigten oder rostigen Druckbehälter (8) betrieben werden. Stellen Sie Beschädigungen fest, so wenden Sie sich bitte an die Kundendienstwerkstatt.

⚠ Achtung!

Das Kondenswasser aus dem Druckbehälter (8) enthält Ölrückstände. Entsorgen Sie das Kondenswasser umweltgerecht bei einer entsprechenden Sammelstelle.

11.3 Sicherheitsventil (Abb. 3)

Das Sicherheitsventil (19) ist auf den höchstzulässigen Druck des Druckbehälters (8) eingestellt. Es ist nicht zulässig, das Sicherheitsventil (19) zu verstellen oder die Verbindungssicherung (19b) zwischen der Ablassmutter (19a) und deren Kappe (19c) zu entfernen. Damit das Sicherheitsventil (19) im Bedarfsfall richtig funktioniert, muss dieses alle 30 Betriebsstunden, mindestens jedoch dreimal jährlich betätigt werden. Drehen Sie die perforierte Ablassmutter (19a) zum Öffnen gegen den Uhrzeigersinn und ziehen dann die Ventilstange über die perforierte Ablassmutter (19a) von Hand nach außen, um den Auslass des Sicherheitsventils (19) zu öffnen. Das Ventil lässt nun hörbar Luft ab. Anschließend drehen Sie die Ablassmutter (19a) wieder im Uhrzeigersinn fest.

11.4 Ölstand regelmäßig kontrollieren (Abb. 10)

Kompressor auf eine ebene, gerade Fläche stellen.

Der Ölstand muss sich zwischen MAX und MIN des Ölschauglases (18) befinden.

Ölwechsel: Empfohlenes Öl: SAE 15W 40 oder gleichwertiges. Die Erstfüllung muss nach 100 Betriebsstunden gewechselt werden; danach ist alle 500 Betriebsstunden das Öl abzulassen und neues nachzufüllen.

11.5 Ölwechsel (Abb. 1, 9, 10)

Schalten Sie den Motor ab und ziehen Sie den Netzstecker aus der Steckdose. Entfernen Sie den Ölverschlussstopfen (16). Nachdem Sie den eventuell vorhandenen Luftdruck abgelassen haben, können Sie die Ölablassschraube (12) an der Verdichterpumpe (13) herausdrehen.

Damit das Öl nicht unkontrolliert herausläuft, halten Sie eine kleine Blechrinne darunter und fangen Sie das Öl in einem Behälter auf. Falls das Öl nicht vollständig herausläuft, empfehlen wir den Kompressor ein wenig zu neigen. Ist das Öl herausgelaufen, setzen Sie die Ölablassschraube (12) wieder ein.

Das Altöl entsorgen Sie bei einer entsprechenden Annahmestelle für Altöl.

Um die richtige Ölmenge einzufüllen, achten Sie darauf, dass der Kompressor auf einer geraden Fläche steht. Füllen Sie das neue Öl in die Öleinfüllöffnung (20), bis der Ölstand die maximale Füllmenge erreicht. Diese ist durch einen roten Punkt auf dem Ölschauglas (18) gekennzeichnet (Abb. 10).

Überschreiten Sie nicht die maximale Füllmenge. Eine Überfüllung kann einen Geräteschaden zur Folge haben. Setzen Sie den Ölverschlussstopfen (16) wieder in die Öleinfüllöffnung (20).

11.6 Reinigen des Luftfilters (Abb. 3, 11, 12)

Der Luftfilter (15) verhindert das Einsaugen von Staub und Schmutz. Es ist notwendig, diesen Luftfilter (15) mindestens alle 300 Betriebsstunden zu reinigen. Ein verstopfter Luftfilter vermindert die Leistung des Kompressors erheblich.

Entfernen Sie den Luftfilter (15), indem Sie die Flügelschraube (15b) öffnen. Ziehen Sie danach den Filterdeckel (15e) ab. Sie können nun den Filtereinsatz (15c) und das Filtergehäuse (15d) herausnehmen. Klopfen Sie den Filtereinsatz (15c), den Filterdeckel (15e) und das Filtergehäuse (15d) vorsichtig aus. Diese Bauteile müssen danach mit Druckluft (ca. 3 bar) ausgeblasen und in umgekehrter Reihenfolge wieder montiert werden.

11.7 Service-Informationen

Es ist zu beachten, dass bei diesem Produkt folgende Teile einem gebrauchsgemäßen oder natürlichen Verschleiß unterliegen bzw. folgende Teile als Verbrauchsmaterialien benötigt werden.

Verschleißteile*: Luftfilter

* nicht zwingend im Lieferumfang enthalten!

11.8 Lagerung

⚠ Achtung!

Ziehen Sie den Netzstecker, entlüften Sie das Gerät und alle angeschlossenen Druckluftwerkzeuge. Stellen Sie den Kompressor so ab, dass dieser nicht von Unbefugten in Betrieb genommen werden kann.

⚠ Achtung!

Den Kompressor nur in trockener und für Unbefugte unzugänglicher Umgebung aufbewahren. Nicht kippen, nur stehend aufbewahren! Öl kann auslaufen!

11.8.1 Ablassen des Überdrucks

Lassen Sie den Überdruck im Kompressor ab, indem Sie den Kompressor ausschalten und die noch im Druckbehälter (8) vorhandene Druckluft verbrauchen, z. B. mit einem Druckluftwerkzeug im Leerlauf oder mit einer Ausblaspistole.

12. Transport

Verwenden Sie zum Transport den Transportgriff (1) und fahren Sie damit den Kompressor.

Beachten Sie beim Anheben des Kompressors dessen Gewicht (siehe Technische Daten).

Sorgen Sie beim Transport des Kompressors in Kraftfahrzeugen für eine gute Ladungssicherung.

13. Entsorgung und Wiederverwertung

Das Gerät befindet sich in einer Verpackung, um Transportschäden zu verhindern. Diese Verpackung ist Rohstoff und ist somit wieder verwendbar oder kann dem Rohstoffkreislauf zurückgeführt werden.

Das Gerät und dessen Zubehör bestehen aus verschiedenen Materialien, wie z. B. Metall und Kunststoffe. Führen Sie defekte Bauteile der Sondermüllentsorgung zu. Fragen Sie im Fachgeschäft oder in der Gemeindeverwaltung nach!



Die Verpackung besteht aus umweltfreundlichen Materialien, die Sie über die örtlichen Recyclingstellen entsorgen können.

Möglichkeiten zur Entsorgung des ausgedienten Gerätes erfahren Sie bei Ihrer Gemeinde- oder Stadtverwaltung.

Altgeräte dürfen nicht in den Hausmüll!



Dieses Symbol weist darauf hin, dass dieses Produkt gemäß Richtlinie über Elektro- und Elektronik-Altgeräte (2012/19/EU) und nationalen Gesetzen nicht über den Hausmüll entsorgt werden darf. Dieses Produkt muss bei einer dafür vorgesehenen Sammelstelle abgegeben werden. Dies kann z. B. durch Rückgabe beim Kauf eines ähnlichen Produkts oder durch Abgabe bei einer autorisierten Sammelstelle für die Wiederaufbereitung von Elektro- und Elektronik-Altgeräten geschehen. Der unsachgemäße Umgang mit Altgeräten kann aufgrund potentiell gefährlicher Stoffe, die häufig in Elektro und Elektronik-Altgeräten enthalten sind, negative Auswirkungen auf die Umwelt und die menschliche Gesundheit haben. Durch die sachgemäße Entsorgung dieses Produkts tragen Sie außerdem zu einer effektiven Nutzung natürlicher Ressourcen bei. Informationen zu Sammelstellen für Altgeräte erhalten Sie bei Ihrer Stadtverwaltung, dem öffentlich-rechtlichen Entsorgungsträger, einer autorisierten Stelle für die Entsorgung von Elektro- und Elektronik-Altgeräten oder Ihrer Müllabfuhr.

14. Störungsabhilfe

Störung	Mögliche Ursache	Abhilfe
Kompressor läuft nicht.	Netzspannung nicht vorhanden.	Kabel, Netzstecker, Sicherung und Steckdose überprüfen.
	Netzspannung zu niedrig.	Zu lange Verlängerungskabel vermeiden. Verlängerungskabel mit ausreichendem Aderquerschnitt verwenden.
	Außentemperatur zu niedrig.	Nicht unter +5 °C Außentemperatur betreiben.
	Motor überhitzt.	Motor abkühlen lassen, ggf. Ursache der Überhitzung beseitigen.
Kompressor läuft, jedoch kein Druck.	Sicherheitsventil (19) undicht.	Kontaktieren Sie Ihr lokales Service-Center. Reparaturen nur von geschultem Personal durchführen lassen.
	Dichtungen kaputt.	Dichtungen überprüfen, kaputte Dichtungen bei einer Fachwerkstatt ersetzen lassen.
	Ablassschraube für Kondenswasser (10) undicht.	Schraube per Hand nachziehen. Dichtung auf der Schraube überprüfen, ggf. ersetzen.
Kompressor läuft, Druck wird am Manometer angezeigt, jedoch Werkzeuge laufen nicht.	Schlauchverbindungen undicht.	Druckluftschlauch und Werkzeuge überprüfen, ggf. austauschen.
	Schnellkupplung undicht.	Kontaktieren Sie Ihr lokales Service-Center. Reparaturen nur von geschultem Personal durchführen lassen.
	Zu wenig Druck am Druckregler (5) eingestellt.	Druckregler weiter aufdrehen.

15. Garantiekunde

Sehr geehrte Kundin, sehr geehrter Kunde,

unsere Produkte unterliegen einer strengen Qualitätskontrolle. Sollte dieses Gerät dennoch einmal nicht einwandfrei funktionieren, bedauern wir dies sehr und bitten Sie, sich an unseren Servicedienst unter der auf dieser Garantiekarte angegebenen Adresse zu wenden. Gern stehen wir Ihnen auch telefonisch über die unten angegebene Servicrufnummer zur Verfügung. Für die Geltendmachung von Garantieansprüchen gilt Folgendes:

- Diese Garantiebedingungen regeln zusätzliche Garantieleistungen. Ihre gesetzlichen Gewährleistungsansprüche werden von dieser Garantie nicht berührt. Unsere Garantieleistung ist für Sie kostenlos.
- Die Garantieleistung erstreckt sich ausschließlich auf Mängel, die auf Material- oder Herstellungsfehler zurückzuführen sind und ist auf die Behebung dieser Mängel bzw. den Austausch des Gerätes beschränkt. Bitte beachten Sie, dass unsere Geräte bestimmungsgemäß nicht für den gewerblichen, handwerklichen oder industriellen Einsatz konstruiert wurden. Ein Garantievertrag kommt daher nicht zustande, wenn das Gerät in Gewerbe-, Handwerks- oder Industriebetrieben sowie bei gleichzusetzenden Tätigkeiten eingesetzt wird. Von unserer Garantie sind ferner Ersatzleistungen für Transportschäden, Schäden durch Nichtbeachtung der Montageanleitung oder aufgrund nicht fachgerechter Installation, Nichtbeachtung der Gebrauchsanleitung (wie durch z. B. Anschluss an eine falsche Netzspannung oder Stromart), missbräuchliche oder unsachgemäße Anwendungen (wie z. B. Überlastung des Gerätes oder Verwendung von nicht zugelassenen Einsatzwerkzeugen oder Zubehör), Nichtbeachtung der Wartungs- und Sicherheitsbestimmungen, Eindringen von Fremdkörpern in das Gerät (wie z. B. Sand, Steine oder Staub), Gewaltanwendung oder Fremdeinwirkungen (wie z. B. Schäden durch Herunterfallen) sowie durch verwendungsgemäßen, üblichen Verschleiß ausgeschlossen.

Der Garantieanspruch erlischt, wenn an dem Gerät bereits Eingriffe vorgenommen wurden.

- Die Garantiezeit beträgt 3 Jahre und beginnt mit dem Kaufdatum des Gerätes. Garantieansprüche sind vor Ablauf der Garantiezeit innerhalb von zwei Wochen, nachdem Sie den Defekt erkannt haben, geltend zu machen. Die Geltendmachung von Garantieansprüchen nach Ablauf der Garantiezeit ist ausgeschlossen. Die Reparatur oder der Austausch des Gerätes führt weder zu einer Verlängerung der Garantiezeit noch wird eine neue Garantiezeit durch diese Leistung für das Gerät oder für etwaige eingebaute Ersatzteile in Gang gesetzt. Dies gilt auch bei Einsatz eines Vor-Ort-Services.
- Für die Geltendmachung Ihres Garantieanspruches wenden Sie sich bitte an die unten angegebene Service-Adresse. Sofern die Reklamation innerhalb der Garantiezeit liegt, werden wir Ihnen einen Retourenschein zur Verfügung stellen, mit dem Sie Ihr defektes Gerät kostenfrei an uns zurücksenden können. Beschreiben Sie uns bitte den Reklamationsgrund möglichst genau. Ist der Defekt des Gerätes von unserer Garantieleistung erfasst, erhalten Sie umgehend ein repariertes oder neues Gerät zurück.

Selbstverständlich beheben wir gegen Erstattung der Kosten auch gerne Defekte am Gerät, die vom Garantiumfang nicht oder nicht mehr erfasst sind. Dazu senden Sie das Gerät bitte an unsere Serviceadresse.

Service-Hotline (DE):

00800 4003 4003
(0,00 EUR/Min.)

Service-Hotline (AT):

00800 4003 4003
(0,00 EUR/Min.)

Service-Hotline (CH):

00800 4003 4003
(0,00 EUR/Min.)

Service-E-Mail (DE):

service.DE@schepfach.com

Service-E-Mail (AT):

service.AT@schepfach.com

Service-E-Mail (CH):

service.CH@schepfach.com

Service-Adresse (DE):

Schepfach GmbH
Günzburger Str. 69
DE - 89335 Ichenhausen

Service-Adresse (AT):

Gausch Hubert
Bairisch Kölldorf 267
AT - 8344 Bad Gleichenberg

Service-Adresse (CH):

Klaus-Häberling AG
Industriestraße 6
CH - 8610 Uster



Auf www.lidl-service.com können Sie diese und viele weitere Handbücher, Produktvideos und Installationssoftware herunterladen.

Mit dem QR-Code gelangen Sie direkt auf die Lidl-Service-Seite (www.lidl-service.com) und können mittels der Eingabe der Artikelnummer (IAN) 383215_2010 ihre Bedienungsanleitung öffnen.

Table des matières:	Page:
1. Explication des symboles sur l'appareil.....	22
2. Introduction.....	23
3. Description de l'appareil (fig. 1-12).....	23
4. Fournitures.....	23
5. Utilisation conforme.....	23
6. Consignes de sécurité.....	24
7. Caractéristiques techniques.....	26
8. Avant la mise en service.....	26
9. Structure et commande.....	26
10. Raccordement électrique.....	27
11. Nettoyage, maintenance et stockage.....	27
12. Transport.....	29
13. Élimination et recyclage.....	29
14. Dépannage.....	30
15. Certificat de garantie.....	31
16. Déclaration de conformité.....	127

1. Explication des symboles sur l'appareil



FR BE

Lire la notice d'utilisation et observer les consignes de sécurité avant de procéder à la mise en service !



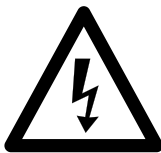
FR BE

Portez une protection auditive. Les nuisances sonores peuvent entraîner une perte d'audition.



FR BE

Avertissement relatif aux pièces brûlantes ! (A fig. 11)



FR BE

Avertissement contre la tension électrique



FR BE

Avertissement ! L'unité est commandée automatiquement et peut démarrer sans avertissement.



FR BE

Attention ! Avant la première mise en service, vérifiez le niveau d'huile et remplacez le bouchon d'huile !



FR BE

Respecter les consignes d'avertissement et de sécurité !



FR BE

Indication du niveau de puissance sonore en dB



FR BE

N'exposez pas l'appareil à la pluie !

2. Introduction

Fabricant :

Scheppach GmbH
Günzburger Straße 69
D-89335 Ichenhausen

Cher client,

Nous espérons que votre nouvelle machine vous apportera satisfaction et de bons résultats.

Remarque :

Conformément à la loi en vigueur sur la responsabilité du fait des produits, le fabricant de cet appareil n'est pas responsable des dommages survenus ou générés sur l'appareil en cas de :

- Manipulation incorrecte,
- Non-respect de la notice d'utilisation,
- Réparations effectuées par des tiers ou des spécialistes non autorisés,
- Montage et remplacement des pièces de rechange non originales,
- Utilisation non conforme,
- Défaillances de l'installation électrique en cas d'observation des prescriptions électriques et des dispositions de la VDE 0100 et de la norme DIN 57113/VDE 0113.

Nous vous recommandons :

Lisez l'ensemble du texte de la notice d'utilisation avant le montage et la mise en service.

Cette notice d'utilisation a pour objectif de vous familiariser avec votre outil électrique et d'en exploiter les possibilités d'emploi conforme.

La notice d'utilisation contient des remarques importantes sur la manière de travailler en toute sécurité, réglementairement et économiquement avec l'outil électrique, et sur la façon d'éviter les dangers, d'économiser sur les coûts de réparation, de réduire les périodes d'arrêt et d'augmenter la fiabilité et la durée de vie de l'outil.

Outre les dispositions de sécurité figurant dans cette notice d'utilisation, vous devez absolument observer les prescriptions concernant le fonctionnement de l'outil électrique en vigueur dans votre pays.

Conserver la notice d'utilisation dans une pochette en plastique à l'abri de la poussière et de l'humidité près de l'outil électrique. Chaque opérateur doit l'avoir lue avant le début des travaux et doit la respecter minutieusement. Seules des personnes formées à l'utilisation de l'outil électrique et informées des dangers afférents sont autorisées à travailler avec. Respecter la limite d'âge minimum requis.

Outre les consignes de sécurité reprises dans la présente notice d'utilisation et les prescriptions particulières en vigueur dans votre pays, respecter également les règles techniques générales concernant l'utilisation des machines similaires.

Nous déclinons toute responsabilité concernant les accidents ou dommages qui surviendraient en raison d'un non-respect de cette notice et des consignes de sécurité.

3. Description de l'appareil (fig. 1-12)

1. Poignée de transport
2. Pressostat
3. Couplage rapide (air comprimé réglé)
4. Manomètre (la pression réglée peut y est consultée)
5. Régulateur de pression
6. Manomètre (permettant de lire la pression de la chaudière)
7. Couplage rapide (air comprimé non réglé)
8. Réservoir sous pression
9. Béquille
- 9a. Rondelle plate
- 9b. Vis
10. Vis d'évacuation pour l'eau de condensation
11. Roue
- 11a. Rondelle plate
- 11b. Vis à tête bombée
12. Vis d'évacuation de l'huile
13. Pompe du compresseur
14. Flexible d'air comprimé
- 14a. Raccord enfichable
- 14b. Couplage rapide
15. Filtre à air
- 15a. Couvercle de transport
- 15b. Vis papillon
- 15c. Cartouche filtrante
- 15d. Boîtier de filtre
- 15e. Couvercle du filtre
16. Bouchon de terminaison de l'huile
17. Interrupteur Marche/Arrêt
18. Verre-regard de l'huile
19. Soupape de sécurité
- 19a. Écrou de vidange
- 19b. Fixation de connexion
- 19c. Capuchon de l'écrou de vidange
20. Ouverture de remplissage d'huile
- 20a. Couvercle de transport

4. Fournitures

- 1x Filtre à air
- 2x Pied d'appui
- 2x Roue
- 1x Matériel de montage
- 1x Bouchon de terminaison de l'huile
- 1x Bouteille d'huile
- 1x Flexible d'air comprimé
- 1x Notice d'utilisation

5. Utilisation conforme

Le compresseur sert à générer de l'air comprimé pour les outils à air comprimé nécessitant un volume d'air pouvant atteindre env. 180 l/min. (par exemple, gonfleur de pneus, pistolet de soufflage et pistolet à peinture). Du fait du débit d'air limité, il est impossible d'utiliser des outils consommant beaucoup d'air (par exemple, ponceuse orbitale, meuleuse droite et visseuse à percussions).

La machine doit être utilisée selon les dispositions correspondantes. Toute autre utilisation est considérée comme étant non conforme. Le fabricant décline toute responsabilité quant aux dommages ou blessures qui en résulteraient. Dans ce cas, l'utilisateur/opérateur est le seul responsable.

Remarque : conformément aux dispositions, nos appareils n'ont pas été conçus pour une utilisation commerciale, artisanale ou industrielle. Nous déclinons toute responsabilité si l'appareil est utilisé dans des exploitations commerciales, artisanales ou industrielles, ou dans le cadre d'activités comparables.

6. Consignes de sécurité

⚠ Attention !

Lors de l'utilisation d'outils électriques, respecter les mesures de sécurité élémentaires suivantes assurant une protection contre les chocs électriques, les blessures et les incendies. Lire toutes ces consignes avant d'utiliser cet outil électrique et conserver les consignes de sécurité en lieu sûr.

Travail en toute sécurité

- Maintenir l'ordre dans la zone de travail
 - Le désordre régnant dans la zone de travail peut entraîner des accidents.
- Prendre en compte les facteurs environnementaux
 - Ne pas exposer les outils électriques à la pluie.
 - Ne pas utiliser les outils électriques dans un environnement humide ou mouillé. Risque d'électrocution !
 - Veiller à ce que la zone de travail soit bien éclairée.
 - Ne pas utiliser les outils électriques dans les lieux soumis à des risques d'incendie ou d'explosion.
- Assurer une protection contre les chocs électriques
 - Éviter tout contact du corps avec les pièces mises à la terre (par exemple, tuyaux, radiateurs, fours électriques, appareils de réfrigération).
- Maintenir le matériel à distance des enfants !
 - Ne laisser personne toucher l'outil et le câble, les maintenir à distance de la zone de travail.
- Conserver les outils électriques non utilisés en sécurité
 - Les outils électriques qui ne sont pas utilisés doivent être rangés à un endroit sec, en hauteur ou verrouillé, hors de portée des enfants.
- Ne pas surcharger l'outil électrique
 - Ils fonctionnent en effet de manière plus satisfaisante et plus sûre dans leur plage de puissance.
- Porter des vêtements adaptés
 - Ne pas porter de vêtements amples ou de bijoux qui risqueraient d'être entraînés par les pièces mobiles.
 - En cas de travail en extérieur, il est recommandé de porter des gants en caoutchouc et des chaussures antidérapantes.
 - Recouvrir les cheveux longs d'un filet.
- Ne pas utiliser le câble à des fins pour lesquelles il n'a pas été prévu.
 - Ne pas tirer sur le câble pour débrancher le connecteur de la prise de courant. Protéger le câble de la chaleur, de l'huile et des bords coupants.
- Prendre soin de ses outils
 - Faire en sorte que le compresseur soit propre pour travailler correctement et en toute sécurité.

- Suivre les prescriptions de maintenance.
 - Contrôler régulièrement le câble de raccordement de l'outil électrique et le faire remplacer par un spécialiste agréé en cas de dommage.
 - Contrôler régulièrement les rallonges et les remplacer en cas de dommage.
- Tirer sur le connecteur pour le débrancher de la prise
 - En cas de non-utilisation de l'outil électrique, avant une opération de maintenance et lors du remplacement des outils, par exemple, lame de scie, foret, fraise.
 - Éviter une mise en marche involontaire
 - S'assurer lors du branchement de la fiche dans la prise que l'interrupteur est éteint.
 - Utiliser la rallonge pour l'extérieur
 - En extérieur, utiliser uniquement des câbles de rallonge autorisées et indiquées comme étant conformes à cet emploi.
 - N'utiliser les tambours de câbles que lorsqu'ils sont déroulés.
 - Rester attentif en permanence
 - Faire attention à ce que l'on fait. Procéder de manière raisonnable. Ne pas utiliser l'outil électrique lorsque l'on n'est pas concentré.
 - Vérifier si l'outil électrique présente des dommages
 - Avant de poursuivre l'utilisation de l'outil électrique, il convient de vérifier soigneusement que les dispositifs de protection et les pièces faciles à endommager fonctionnent parfaitement et conformément aux dispositions.
 - Vérifier que les pièces mobiles fonctionnent parfaitement, ne sont pas coincées et ne sont pas endommagées. Toutes les pièces doivent être montées correctement et toutes les conditions doivent être remplies pour garantir un fonctionnement impeccable de l'outil électrique.
 - Sauf indication contraire dans la notice d'utilisation, les dispositifs de protection et pièces endommagés doivent être réparés ou remplacés conformément aux dispositions par un atelier spécialisé et agréé.
 - Les commutateurs endommagés doivent être remplacés par un atelier de service clients.
 - N'utiliser aucun câble de raccordement défaillant ou endommagé.
 - Ne pas utiliser d'outils électriques pour lesquels les fiches ne se branchent et ne se débranchent pas.
 - Faire réparer l'outil électrique par un électricien spécialisé
 - Cet outil électrique est conforme aux dispositions de sécurité en vigueur. Les réparations ne doivent être menées à bien que par un électricien spécialisé qui utilisera des pièces de rechange d'origine. Sinon, l'utilisateur risque l'accident.
 - Attention !
 - Par souci de sécurité, n'utiliser que les accessoires et appareils supplémentaires indiqués dans la notice d'utilisation ou recommandés ou indiqués par le fabricant. Toute utilisation d'outils ou d'accessoires autres que ceux recommandés dans la notice d'utilisation ou dans le catalogue peut présenter un risque de blessures.
 - Bruit
 - Porter une protection auditive lors de l'utilisation du compresseur.

18. Remplacement du câble de raccordement
 - Si le câble de raccordement est endommagé, il doit être remplacé par le fabricant ou un électricien spécialisé afin d'éviter les dangers. Risque d'électrocutions.
19. Remplissage des pneus
 - Contrôler la pression de gonflage des pneus immédiatement après remplissage au moyen d'un manomètre adapté, par exemple, dans une station-service.
20. Compresseurs mobiles en mode chantier
 - Veiller à ce que tous les flexibles et robinetteries conviennent à la pression de service maximale admissible du compresseur.
21. Lieu d'installation
 - Placer le compresseur uniquement sur une surface plane.
22. En présence de pressions supérieures à 7 bar, il est recommandé de doter les flexibles d'alimentation d'un câble de sécurité, par exemple, un câble métallique.
23. Évitez de déposer des charges lourdes sur la tuyauterie en recourant à des raccords de flexibles pour éviter les points de pliure.
24. Assurez-vous que les dispositifs de refroidissement d'huile et les dispositifs de protection sont maintenus dans un état propre.
25. Risque de brûlures avec l'huile chaude
 - Porter des gants de protection adaptés.
 - N'utilisez jamais le compresseur près de flammes nues.
 - Veillez à ne pas répandre de l'huile.
26. En cas de températures inférieures à 0°C, le démarrage du moteur est interdit.

Consignes de sécurité supplémentaires

Consignes de sécurité à respecter lors de l'utilisation d'air comprimé et de pistolets de soufflage

- La pompe du compresseur et les câbles atteignent des températures élevées en cours de fonctionnement. Tout contact peut entraîner des brûlures.
- L'air aspiré par le compresseur doit demeurer exempt d'impuretés susceptibles d'entraîner des incendies ou des explosions dans la pompe du compresseur.
- Lors du desserrage du couplage de flexible, tenir le raccord du flexible fermement avec sa main. Cela permet d'éviter les blessures causées par le retour du flexible.
- Lors de travaux sur le pistolet de soufflage, porter des lunettes de protection. Les corps étrangers et projections de pièces peuvent aisément causer des blessures.
- Ne pas utiliser le pistolet de soufflage sur des personnes ou pour nettoyer des vêtements sur une personne. Risque de blessures !

Consignes de sécurité lors de la peinture au pistolet

- N'utilisez pas de vernis ni de détergeant ayant un point d'inflammation inférieur à 55° C. Risque d'explosion !
- Ne pas chauffer les peintures et solvants. Risque d'explosion !
- En cas de traitement de liquides nocifs pour la santé, des dispositifs de filtrage (masques faciaux) sont indispensables pour la protection. Respecter également les indications fournies par les fabricants de ces types de substances concernant les mesures de protection.

- Les indications et marquages prescrits par l'ordonnance sur les substances dangereuses apposés sur les emballages extérieurs des matériaux traités doivent être respectés. Au besoin, des mesures de protection supplémentaires devront être prises, en particulier en ce qui concerne le port de vêtements et de masques adaptés.
- Il est interdit de fumer pendant la pulvérisation ou dans la zone de travail. Risque d'explosion ! Les vapeurs de peinture sont elles aussi facilement inflammables.
- Aucun foyer, flamme nue ou machine générant des étincelles ne doit être présent ou utilisé.
- Ne pas stocker ni consommer d'aliments et de boissons dans la zone de travail. Les vapeurs de peinture sont nocives pour la santé.
- La zone de travail doit être d'une superficie supérieure à 30 m³ et un renouvellement d'air suffisant doit être garanti pendant la pulvérisation et le séchage.
- Ne pas pulvériser contre le vent. Par principe, respecter toujours les ordres donnés par les services de police locaux lors de la pulvérisation de produits de pulvérisation inflammables ou dangereux.
- Ne pas traiter de fluides, tels que du white spirit, de l'alcool butylique et du chlorure de méthylène avec un flexible de refoulement en PVC. Ces fluides détruiraient le flexible de refoulement.
- Lorsqu'il est utilisé avec des accessoires de pulvérisation (par exemple un pistolet à peinture): Lors du remplissage de l'équipement de pulvérisation, tenez-vous à distance de l'équipement et ne pulvérisez pas en direction du compresseur.

Fonctionnement des réservoirs sous pression

- Toute personne qui exploite un réservoir sous pression, doit le maintenir en parfait état, l'utiliser correctement, le surveiller, effectuer immédiatement les travaux d'entretien et de réparation nécessaires et prendre les mesures de sécurité nécessaires selon les circonstances.
- L'autorité de surveillance peut ordonner, au cas par cas, des mesures de surveillance nécessaires.
- Un réservoir sous pression ne doit pas être utilisé s'il présente des défauts pouvant mettre en danger les employés ou des tiers.
- Avant chaque utilisation, vérifiez que le réservoir sous pression est exempt de traces de rouille et de dommages. Le compresseur ne doit pas fonctionner avec un réservoir sous pression endommagé ou rouillé. Vous devez connaître les dommages présents. Pour ce faire, veuillez vous adresser à l'atelier du service après-ventes.

Conserver les consignes de sécurité en bon état.

Risque résiduel

Respecter les consignes de sécurité et de maintenance prédéfinies dans la notice d'utilisation.

Se montrer toujours vigilant pendant le travail et tenir les tiers à une distance de sécurité du lieu de travail.

Même si l'appareil est utilisé de manière conforme, il demeure toujours un certain risque résiduel impossible à exclure. Les dangers potentiels suivants sont liés au type et à la construction de l'appareil :

- Mise en service inopinée du produit.
- Lésions auditives si la protection auditive prescrite n'est pas portée.
- Des particules de saleté, de la poussière, etc. peuvent atteindre les yeux ou le visage même en portant des lunettes de protection.
- Inhalation de particules tourbillonnantes.

Avertissement !

Pendant son fonctionnement, cet outil électrique génère un champ électromagnétique. Ce champ peut dans certaines circonstances nuire aux implants médicaux actifs ou passifs. Pour réduire les risques de blessures graves voire mortelles, nous recommandons aux personnes porteuses d'implants médicaux de consulter leur médecin, ainsi que le fabricant de leur implant avant d'utiliser l'outil électrique.

7. Caractéristiques techniques

Prise secteur.....	230 V~ 50 Hz
Puissance du moteur	1800 W
Mode de fonctionnement	S1
Régime du compresseur.....	2850 min ⁻¹
Volume du réservoir sous pression.....	env. 24 l
Pression de service maximale.....	env. 10 bar
Puissance d'aspiration théorique.....	env. 260 l/min
Niveau de pression sonore L _{PA}	72.9 dB(A)
Niveau de puissance sonore L _{WA}	92.9 dB(A)
Incertitude K _{PA/WA}	2,59 dB
Classe de protection	IPX2
Poids de l'appareil	env. 26,8 kg
Huile (SAE 15W 40)	env. 0,25 l
Hauteur de réglage maximale (d'altitude)	1000 m

Les valeurs d'émission de bruit ont été calculées conformément à la norme EN ISO 3744:1995.

Portez une protection auditive.

Les nuisances sonores peuvent entraîner une perte d'audition.

8. Avant la mise en service

- Ouvrez l'emballage et sortez-en délicatement l'appareil.
- Retirez le matériau d'emballage, ainsi que les protections d'emballage et de transport (s'il y a lieu).
- Vérifiez que les fournitures sont complètes.
- Vérifiez que l'appareil et les accessoires n'ont pas été endommagés lors du transport.
- Conservez si possible l'emballage jusqu'à la fin de la période de garantie.

DANGER

L'appareil et les matériaux d'emballage ne sont pas des jouets ! Les enfants ne doivent pas jouer avec les sacs en plastique, films d'emballage et pièces de petite taille ! Il existe un risque d'ingestion et d'étouffement !

Avant de raccorder la machine, vérifiez que les indications figurant sur la plaque signalétique correspondent aux données du secteur.

- Avant la mise en service initiale, retirez le couvercle de transport (20a) et remplissez le carter de pompe de compresseur, comme l'indique le point 9.4.
- Vérifier que l'appareil ne présente aucun dommage causé pendant le transport. Signaler immédiatement tout dommage au transporteur qui a livré le compresseur.
- Le montage du compresseur doit être effectué à proximité du consommateur.
- Éviter les longues conduites d'air et d'alimentation (câbles de rallonge).
- Veiller à ce que l'air d'admission soit sec et exempt de poussière.
- Ne pas installer le compresseur dans des pièces humides ou mouillées.
- Le compresseur ne doit être utilisé que dans des lieux adaptés (bien ventilés, présentant une température ambiante comprise entre +5°C et 40°C). La pièce doit être exempte de poussières, acides, vapeurs, gaz explosifs ou inflammables.
- Le compresseur convient à une utilisation au sec. Il est interdit de l'utiliser dans des zones soumises à une pulvérisation d'eau.
- Avant la mise en service, contrôlez le niveau d'huile dans la pompe du compresseur.

9. Structure et commande

⚠ Attention !

Avant la mise en service, montez impérativement l'appareil en entier !

Pour le montage, vous avez besoin :

- 1x clé plate 13 mm
- 1x tournevis cruciforme (non fourni)

9.1 Montage des roues (fig. 4)

- Montez les roues fournies (11) en suivant les illustrations.

9.2 Montage des pieds d'appui (fig. 5)

- Montez les pieds d'appui (9) fournis comme représenté.

9.3 Montage du filtre à air (fig. 6, 7)

- Ôtez le couvercle de transport (15a) et vissez le filtre à air (15) sur l'appareil.

9.4 Remplissage d'huile (fig. 8, 9)

- Retirez le couvercle de transport (20a) de l'ouverture de remplissage d'huile (20).
- Remplissez le carter de pompe de compresseur avec l'huile de compresseur fournie et insérez le bouchon de fermeture (16) dans l'ouverture de remplissage d'huile (20).

9.5 Raccord réseau

- Le compresseur est doté d'un câble secteur avec fiche de contact de sécurité. Celle-ci peut être raccordée à n'importe quelle prise de contact de sécurité 220 - 240 V~ 50 Hz protégée par un fusible 16 A.
- Avant la mise en service, veillez à ce que la tension secteur corresponde à la tension de service et à la puissance de la machine figurant sur la plaque signalétique.

- Les longs câbles, ainsi que les rallonges, les tambours de câbles, etc. provoquent une chute de tension et peuvent empêcher le démarrage du moteur.
- En cas de températures inférieures à +5 °C, le démarrage du moteur peut être difficile.

9.6 Interrupteur Marche/Arrêt (fig. 2)

- Pour mettre le compresseur en marche, tirer l'interrupteur On/Off (17) vers le haut. Pour l'arrêter, pousser l'interrupteur On/Off (17) vers le bas.

9.7 Réglage de la pression (fig. 1, 3)

- Le régulateur de pression (5) permet de régler la pression sur le manomètre (4).
- La pression réglée apparaît au niveau du raccord rapide (3).
- La pression de la chaudière est relevée sur le manomètre (6).
- La pression de la chaudière apparaît au niveau du raccord rapide (7).

9.8 Réglage du manocontakt (fig. 1)

- Le manocontakt (2) est réglé à l'usine.
Pression d'activation d'env. 8 bar
Pression de désactivation d'env. 10 bar

9.9 Montage du flexible d'air comprimé (fig. 1, 3)

- Connectez le raccord mâle (14a) du flexible d'air comprimé (14) à l'un des couplages rapides (3, 7).
- Raccordez ensuite l'outil à air comprimé au couplage rapide (14b) du flexible haute pression (14).

9.10 Interrupteur de protection thermique

L'interrupteur de protection thermique est intégré à l'appareil. Si l'interrupteur de protection thermique se déclenche, procédez comme suit:

- Retirez la fiche d'alimentation.
- Attendez environ deux à trois minutes.
- Rebranchez l'appareil.
- Si l'appareil ne démarre pas, répétez le processus.
- Si l'appareil ne redémarre pas, éteignez et rallumez l'appareil à l'aide de l'interrupteur marche / arrêt (17).
- Si vous avez effectué toutes les opérations ci-dessus et que l'appareil ne fonctionne toujours pas, contactez notre équipe de service.

10. Raccordement électrique

Le moteur électrique installé est prêt à fonctionner une fois raccordé. Le raccordement correspond aux dispositions de la VDE et DIN en vigueur. Le branchement au secteur effectué par le client, ainsi que la rallonge électrique utilisée doivent correspondre à ces prescriptions.

10.1 Consignes spécifiques

En cas de surcharge du moteur, ce dernier s'arrête de lui-même. Après un temps de refroidissement (d'une durée variable), le moteur peut être remis en marche.

10.2 Câble de raccordement électrique endommagé

Des détériorations de l'isolation sont souvent présentes sur les lignes de raccordement électriques.

Les causes peuvent en être :

- Des points de pression, si les lignes de raccordement passent par des fenêtres ou interstices de portes.
- Des pliures dues à une fixation ou à un cheminement incorrect des lignes de raccordement.
- Des points d'intersection si les lignes de raccordement se croisent.
- Des détériorations de l'isolation dues à un arrachement hors de la prise murale.
- Des fissures dues au vieillissement de l'isolation.

Des câbles de raccordement électriques endommagés de la sorte ne doivent pas être utilisés et sont, en raison de leur isolation défectueuse, mortellement dangereux.

Vérifiez régulièrement que les lignes de raccordement électriques ne sont pas endommagées. Assurez-vous que la ligne de raccordement ne soit pas raccordée au réseau lors de la vérification.

Les lignes de raccordement électriques doivent correspondre aux dispositions VDE et DIN en vigueur. N'utilisez que les câbles de raccordement dotés du même signe.

L'indication de la désignation du type sur la ligne de raccordement est obligatoire.

10.3 Moteur à courant alternatif

- La tension secteur doit être de 220 - 240 V~ 50 Hz.
- Les rallonges d'une longueur max. de 25 m doivent présenter une section de 1,5 mm².

Les raccordements et réparations sur l'équipement électrique ne doivent être effectués que par un électricien spécialisé.

Pour toute question, veuillez indiquer les données suivantes :

- Type de courant du moteur
- Données figurant sur la plaque signalétique de la machine
- Données figurant sur la plaque signalétique du moteur

11. Nettoyage, maintenance et stockage

⚠ Attention !

Tirez sur la fiche secteur avant toute intervention de nettoyage et de maintenance ! Risque de blessures par chocs électriques !

⚠ Attention !

Attendez que l'appareil ait complètement refroidi ! Risque de brûlures !

⚠ Attention !

Dépressurisez l'appareil avant toute intervention de nettoyage et de maintenance ! Risque de blessures !

11.1 Nettoyage

- Gardez l'appareil au maximum exempt de poussière et de saleté. Frotter l'appareil avec un chiffon propre ou souffler dessus avec de l'air comprimé à faible pression.
- Nous vous recommandons de nettoyer l'appareil après chaque utilisation.

- Nettoyez régulièrement l'appareil avec un chiffon humide et un peu de savon noir. N'utilisez pas de produits de nettoyage ou de solvants agressifs qui risqueraient d'attaquer les pièces en plastique de l'appareil. Veillez à ce que l'eau ne puisse pas pénétrer à l'intérieur de l'appareil.
- Avant nettoyage, le flexible et les outils de pulvérisation doivent être déconnectés du compresseur. Le compresseur ne doit pas être nettoyé à l'eau, aux solvants, etc.

11.2 Maintenance du réservoir sous pression (fig. 1)

Attention !

Pour garantir la durabilité du réservoir sous pression (8), après chaque utilisation, l'eau de condensation doit être vidangée en ouvrant la vis de purge (10).

Tout d'abord, laissez baisser la pression de la chaudière (voir 11.8.1). La vis de purge (10) s'ouvre par une rotation dans le sens inverse des aiguilles d'une montre (vue depuis le dessous du compresseur sur la vis). Ainsi, l'eau de condensation peut s'écouler totalement du réservoir sous pression (8).

Resserrez ensuite la vis de purge (10) (rotation horaire). Avant chaque utilisation, vérifiez que le réservoir sous pression (8) est exempt de traces de rouille et de dommages.

Le compresseur ne doit pas fonctionner avec un réservoir sous pression (8) endommagé ou rouillé. Vous devez connaître les dommages présents. Pour ce faire, veuillez vous adresser à l'atelier du service après-ventes.

⚠ Attention !

L'eau de condensation du récipient sous pression (8) contient des résidus d'huile. Éliminez l'eau condensée de manière conforme dans un point de collecte spécialisé.

11.3 Soupape de sécurité (fig. 3)

La soupape de sécurité (19) est réglée sur la pression maximale admissible du réservoir sous pression (8). Il est interdit de modifier le réglage de la soupape de sécurité (19) ou de retirer la fixation de connexion (19b) qui relie l'écrou de vidange (19a) à son capuchon (19c). Pour avoir la garantie que la soupape de sécurité (19) fonctionnera correctement en cas de besoin, elle doit être actionnée au moins toutes les 30 heures de fonctionnement et au moins 3 fois par an. Faire tourner l'écrou de vidange (19a) dans le sens inverse des aiguilles d'une montre pour l'ouvrir, puis tirer avec la main la tige de vanne vers l'extérieur sur l'écrou de vidange perforé (19a) pour ouvrir l'évacuation de la soupape de sécurité (19). Vous pouvez à présent entendre que la soupape laisse l'air s'échapper. Resserrez ensuite l'écrou de vidange (19a) en le faisant tourner dans le sens des aiguilles d'une montre.

11.4 Contrôle régulier du niveau d'huile (fig. 10)

Placez le compresseur sur une surface plane, droite.

Le niveau d'huile doit se situer entre les références MAX et MIN du regard d'huile (18).

Vidange d'huile : Huile recommandée : SAE 15W 40 ou équivalent

Le premier remplissage doit être effectué au bout de 100 heures de service, la vidange d'huile a ensuite lieu toutes les 500 heures de service.

11.5 Vidange d'huile (fig. 1, 9, 10)

Coupez le moteur et retirez la fiche de la prise. Retirez le bouchon de terminaison de l'huile (16). Une fois que vous avez éventuellement laissé la pression d'air s'évacuer, vous pouvez dévisser la vis de purge d'huile (12) sur la pompe de compression (13).

Pour garder le contrôle sur la vidange d'huile, placez une rigole en tôle en dessous et récupérez l'huile dans un récipient. Si l'huile ne s'évacue pas complètement, nous recommandons d'incliner légèrement le compresseur. Une fois que l'huile s'est évacuée, remettez la vis de vidange d'huile (12).

L'huile usagée doit être confiée à un point de collecte spécialisé.

Pour verser la bonne quantité d'huile, assurez-vous que le compresseur se trouve sur une surface plane. Versez la nouvelle huile dans l'orifice de remplissage d'huile (20) jusqu'à ce que le niveau d'huile atteigne la quantité de remplissage maximale. Celle-ci est symbolisée par un point rouge sur le verre-regard de l'huile (18) (fig. 10).

Veillez à ne pas dépasser la quantité de remplissage maximale. Un réservoir trop rempli peut causer des dommages à l'appareil. Remettez le bouchon de terminaison de l'huile (16) dans l'orifice de remplissage d'huile (20).

11.6 Nettoyage du filtre à air (fig. 3, 11, 12)

Le filtre d'aspiration (15) empêche d'aspirer de la poussière et des impuretés. Il est nécessaire de nettoyer ce filtre à air (15) au minimum toutes les 300 heures de fonctionnement. Un filtre à air obstrué réduit considérablement la puissance du compresseur.

Retirez le filtre d'aspiration (15) en ouvrant la vis à oreilles (15b). Retirez ensuite le couvercle du filtre (15e). Vous pouvez à présent retirer le filtre à air (15c) et le boîtier de filtre (15d). Tapoter avec précaution sur la cartouche filtrante (15c), le couvercle de filtre (15e) et le boîtier de filtre (15d). Ces composants doivent ensuite être soufflés avec de l'air comprimé (env. 3 bar) et remontés dans l'ordre inverse.

11.7 Informations de service

Notez que, pour ce produit, les composants suivants sont soumis à une usure naturelle ou due à l'utilisation et que les composants suivants sont nécessaires en tant que consommables.

Pièces d'usure* : filtre à air

* ne sont pas des composants obligatoires de la livraison !

11.8 Stockage

⚠ Attention !

Débranchez la fiche secteur, purgez l'appareil et tous les outils à air comprimé raccordés. Arrêtez le compresseur de manière à ce que celui-ci ne puisse pas être mis en service par une personne non autorisée.

⚠ Attention !

Ne conservez le compresseur que dans un environnement sec et inaccessible aux personnes non autorisées. Ne basculer : conservez uniquement debout ! De l'huile peut s'échapper !

11.8.1 Évacuation du surplus de pression

Évacuez la surpression du compresseur en l'arrêtant et en consommant l'air comprimé resté dans le réservoir sous pression (8), par exemple, avec un outil à air comprimé en marche à vide ou avec un pistolet de soufflage.

12. Transport

Pour le transport, utilisez la poignée de transport (1) et déplacez ainsi le compresseur.

Lors du levage du compresseur, tenez compte de son poids (voir les caractéristiques techniques).

Lors du transport du compresseur dans des automobiles, veillez à une bonne fixation du chargement.

13. Élimination et recyclage

L'appareil est livré sous emballage afin d'être protégé des dommages liés au transport. Cet emballage est une matière première. En tant que telle, il est réutilisable ou peut rejoindre le cycle de revalorisation des matières premières.

L'appareil et ses accessoires sont fabriqués en différents matériaux, par exemple, métal et matières plastiques. Éliminez les éléments défectueux en les plaçant dans les déchets spéciaux. En cas de questions, adressez-vous à une entreprise spécialisée ou à la municipalité !



L'emballage est composé de matériaux écologiques que vous pouvez déposer auprès d'un centre de recyclage local.

Pour connaître les possibilités d'élimination de l'appareil usé, adressez-vous aux autorités communales ou municipales.

Les appareils usés ne doivent pas être jetés avec les ordures ménagères !



Ce symbole signifie que le produit ne peut pas être jeté avec les ordures ménagères, conformément à la « Directive sur les déchets d'équipements électriques et électroniques (2012/19/UE) » et aux lois nationales. Ce produit doit être déposé dans un point de collecte prévu à cet effet. Cela peut être effectué en rendant l'appareil lors de l'achat d'un produit similaire ou en le déposant auprès d'un point de collecte habilité à recycler les appareils électriques et électroniques usés. Une manipulation incorrecte des appareils usés peut avoir des effets négatifs sur l'environnement et la santé en raison des matières dangereuses souvent contenues dans les appareils électriques et électroniques usés. Une mise au rebut correcte du produit vous permet en outre de participer à une utilisation efficace des ressources naturelles. Les informations relatives aux points de collecte pour appareils usés sont disponibles auprès de la mairie, des services de collecte locaux, de tout point habilité à éliminer les appareils électriques et électroniques usés ainsi qu'auprès de votre service de collecte des déchets.

14. Dépannage

Panne	Cause possible	Remède
Le compresseur ne fonctionne pas.	Tension secteur non disponible.	Contrôler les câbles, la fiche secteur, le fusible et la prise de courant.
	Tension secteur trop faible.	Éviter les câbles de rallonge trop longs. Utiliser un câble de rallonge présentant des fils d'une coupe transversale suffisante.
	Température extérieure trop faible.	Ne pas utiliser par une température extérieure inférieure à +5 °C.
	Le moteur surchauffe.	Laisser le moteur refroidir. Au besoin, éliminer la cause de la surchauffe.
Le compresseur fonctionne, mais sans pression.	La soupape de sécurité (19) n'est pas étanche.	Contacter le centre d'assistance local. Faire effectuer les réparations seulement par du personnel formé.
	Les joints sont endommagés.	Contrôler les joints, faire remplacer les joints endommagés par un atelier spécialisé.
	La vis de purge de l'eau de condensation (10) n'est pas étanche.	Resserrer la vis à la main. Contrôler l'étanchéité de la vis, remplacer la vis si nécessaire.
Le compresseur fonctionne, une pression est indiquée sur le manomètre, mais les outils ne fonctionnent pas.	Les raccords de flexible ne sont pas étanches.	Contrôler le flexible d'air comprimé et les outils, et les remplacer si nécessaire.
	Le couplage rapide n'est pas étanche.	Contacter le centre d'assistance local. Faire effectuer les réparations seulement par du personnel formé.
	La pression est insuffisante sur le régulateur de pression (5).	Ouvrir davantage le régulateur de pression.

15. Certificat de garantie

Chère Cliente, Cher Client,

Nos produits sont soumis à un contrôle de qualité très strict. Si cet appareil devait toutefois ne pas fonctionner impeccablement, nous en serions désolés. Dans un tel cas, nous vous prions de bien vouloir prendre contact avec notre service après-vente à l'adresse indiquée sur le bulletin de garantie ou vous adresser au marché de la construction le plus proche. Pour faire valoir une demande de garantie, ce qui suit est valable :

1. Les conditions de garantie règlent les prestations de garantie supplémentaires. Vos droits de garantie légaux ne sont en rien altérés par la garantie présente. Notre prestation de garantie est gratuite.
2. La prestation de garantie s'applique exclusivement aux défauts occasionnés par des vices de fabrication ou de matériau et est limitée à l'élimination de ces défauts ou encore au remplacement de l'appareil. Veillez au fait que nos appareils, conformément à leur affectation, n'ont pas été construits pour être utilisés dans un environnement professionnel, industriel ou artisanal. Un contrat de garantie ne peut avoir lieu dès lors que l'appareil est utilisé à des activités dans des entreprises professionnelles, artisanales ou industrielles ou toute autre activité du même genre. Sont également exclus de notre garantie : les prestations de substitution de dommages dus aux transports, les dommages occasionnés par le non-respect des instructions de montage ou en raison d'une installation non conforme, du non-respect du mode d'emploi (comme par exemple le raccordement à une mauvaise tension réseau ou à un mauvais type de courant), les applications abusives ou non conformes (comme par exemple une surcharge de l'appareil ou encore l'emploi d'accessoires non homologués), le non-respect des prescriptions de maintenance et de sécurité, l'infiltration de corps étrangers dans l'appareil (comme par exemple du sable, des pierres ou de la poussière), l'emploi de la force ou l'influence extérieure (comme par exemple les dommages dus à une chute), ainsi que l'usure normale conforme à l'utilisation. Ceci est particulièrement valable pour les accumulateurs pour lesquels nous offrons toutefois une période de garantie de 12 mois.

Le droit à la garantie disparaît dès lors que des interventions ont lieu sur l'appareil.

3. Le délai de garantie s'élève à 3 ans et commence à la date de l'achat de l'appareil. Les demandes de garanties doivent être présentées avant écoulement du délai de garantie, dans les deux semaines suivant le moment auquel le défaut a été reconnu. Toute reconnaissance de demande de garantie après écoulement du délai de garantie est exclue. La réparation ou l'échange de l'appareil n'entraîne nullement une prolongation de la durée de garantie. Elle ne fait pas non plus commencer un nouveau délai de garantie, en raison de cette prestation, pour l'appareil ou pour toute autre pièce de rechange intégrée. Ceci est également valable lorsqu'un service après-vente sur place a été consulté.
4. Pour faire valoir votre droit à la garantie, contactez le service après-vente à l'adresse indiquée ci-dessous. Si vous formulez votre réclamation pendant la période de validité de la garantie, nous vous ferons parvenir un bon de retour qui vous permettra de nous retourner sans frais l'appareil défectueux. Décrivez la raison de la réclamation le plus précisément possible. Si le défaut de l'appareil est compris dans notre prestation de garantie, nous vous retournerons sans délai un appareil réparé ou encore un nouveau.

Hotline du service (FR):

00800 4003 4003
(0,00 €/Min.)

Service-hotline (BE):

00800 4003 4003
(0,00 €/Min.)

Email du service (FR):

service.FR@scheppach.com

E-mailadres (BE):

service.BE@scheppach.com

Adresse du service (FR):

Scheppach France Strassburg
2, Impasse Jean Millot
FR - 6700 Strasbourg

Serviceadres (BE):

Service Center Bruyninckx
Guldendelle 30
BE - 1930 Zventem (Nossegem)



À l'adresse www.lidl-service.com, vous pouvez télécharger ce manuel et bien d'autres, les vidéos de produit et les logiciels d'installation.

Le QR-Code vous permet d'accéder directement à la page de service Lidl (www.lidl-service.com) et d'ouvrir votre notice d'utilisation à l'aide du numéro d'article (IAN) 383215_2010.

1.	Verklaring van de symbolen op het apparaat	33
2.	Inleiding	34
3.	Beschrijving van het apparaat (afb. 1-12).....	34
4.	Meegelieferd	34
5.	Beoogd gebruik	34
6.	Veiligheidsvoorschriften	35
7.	Technische gegevens	37
8.	Voor de ingebruikname	37
9.	Montage en bediening	37
10.	Elektrische aansluiting	38
11.	Reiniging, onderhoud en opslag.....	38
12.	Transport.....	39
13.	Afvalverwerking en hergebruik	40
14.	Verhelpen van storingen	40
15.	Garantiebewijs.....	41
16.	Conformiteitsverklaring	127

1. Verklaring van de symbolen op het apparaat



(NL) (BE)

Lees voorafgaand aan de inbedrijfstelling de gebruikshandleiding en de veiligheidsvoorschriften!



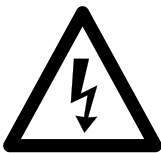
(NL) (BE)

Draag gehoorbescherming. Het effect van lawaai kan gehoorverlies zijn.



(NL) (BE)

Waarschuwing voor hete delen! (A afb. 11)



(NL) (BE)

Waarschuwing voor elektrische spanning



(NL) (BE)

Waarschuwing! De eenheid wordt automatisch aangestuurd en mag zonder waarschuwing starten.



(NL) (BE)

Let op! Voor eerste ingebruikname oliepeil controleren en olieafsluitplug vervangen!



(NL) (BE)

Waarschuwingen en veiligheidsvoorschriften in acht nemen!



(NL) (BE)

Weergave van het geluidsvermogensniveau in dB



(NL) (BE)

Stel het apparaat niet bloot aan regen!

2. Inleiding

Fabrikant:

Scheppach GmbH
Günzburger Straße 69
D-89335 Ichenhausen

Geachte klant,

Wij wensen u veel plezier en succes bij het werken met uw nieuwe apparaat.

Aanwijzing:

De fabrikant van dit apparaat is volgens de van kracht zijnde wet inzake productaansprakelijkheid niet aansprakelijk voor schade die aan dit apparaat of door dit apparaat ontstaan bij:

- ondeskundige behandeling,
- Het niet in acht nemen van de gebruikshandleiding,
- reparaties door derden, niet geautoriseerde vakmensen,
- inbouw en vervanging van niet-originele reserveonderdelen,
- niet doelmatig gebruik,
- Uitvallen van de elektrische installatie bij het niet in acht nemen van de elektrische voorschriften en VDE-voorschriften 0100, DIN 57113 / VDE 0113

Let op:

Lees voor de montage en voor de inbedrijfstelling de complete tekst van de gebruikshandleiding door.

De gebruikshandleiding is bedoeld om het gemakkelijker te maken, uw elektrisch gereedschap te leren kennen en de beoogde toepassingsmogelijkheden van het apparaat te benutten.

De gebruikshandleiding bevat belangrijke aanwijzingen, hoe u met het elektrisch gereedschap veilig, vakkundig en economisch werkt en hoe u gevaren vermindert, reparatiekosten uitspaart, uitvaltijden vermindert en de betrouwbaarheid en levensduur van elektrisch apparaat verhoogt.

Aanvullend op de veiligheidsbepalingen van deze gebruikshandleiding moet u absoluut de voor de werking van het elektrische apparaat geldende voorschriften van uw land in acht nemen.

Bewaar de gebruikshandleiding bij het elektrisch gereedschap in een plastic hoes, beschermd tegen vuil en vocht. De gebruikshandleiding moet door elke bediener van de machine voor aanvang van de werkzaamheden worden gelezen en zorgvuldig worden nageleefd. Aan het elektrisch gereedschap mogen alleen personen werken, die voor het gebruik van het elektrisch gereedschap geïnstrueerd en over de daarmee verbonden gevaren geïnformeerd zijn. De vereiste minimumleeftijd moet in acht worden genomen.

Naast de in deze gebruikshandleiding opgenomen veiligheidsvoorschriften en de bijzondere voorschriften van uw land moet u de algemeen erkende technische voorschriften in acht nemen voor de werking van machines van hetzelfde type.

Wij kunnen niet aansprakelijk worden gesteld voor ongevallen of schade, veroorzaakt door niet-naleving van deze handleiding of de veiligheidsvoorschriften.

3. Beschrijving van het apparaat (afb. 1-12)

1. Transportgreep
2. Drukschakelaar
3. Snelkoppeling (geregelde perslucht)
4. Manometer (ingestelde druk kan afgelezen worden)
5. Drukregelaar
6. Manometer (keteldruk kan afgelezen worden)
7. Snelkoppeling (ongeregelde perslucht)
8. Drukvat
9. Standaard
- 9a. Volgving
- 9b. Bout
10. Aftapplug voor condenswater
11. Wiel
- 11a. Volgving
- 11b. Lenskopbout
12. Olieaftapplug
13. Compressiepomp
14. Persluchtslang
- 14a. Steeknippel
- 14b. Snelkoppeling
15. Luchtfilter
- 15a. Transportdeksel
- 15b. Vleugelschroef
- 15c. Filterelement
- 15d. Filterhuis
- 15e. Filterdeksel
16. Olieafsluitplug
17. Aan/uit-schakelaar
18. Olietijkglas
19. Veiligheidsklep
- 19a. Aftapmoer
- 19b. Verbindingsbeveiliging
- 19c. Dop van de aftapmoer
20. Olievulopening
- 20a. Transportdeksel

4. Meegeleverd

- 1x Luchtfilter
- 2x Standvoet
- 2x Wiel
- 1x Montagemateriaal
- 1x Oliesluitdop
- 1x Oliereservoir
- 1x Persluchtslang
- 1x Gebruikshandleiding

5. Beoogd gebruik

De compressor wordt gebruikt voor het genereren van perslucht voor persluchtgereedschap dat kan worden bediend met een luchtvolume tot ca. 180 l/min. (bijv. bandenpomp, luchtpistool en verfspuitpistool). Door de beperkte luchtstroom is het niet mogelijk om gereedschappen met een zeer hoog luchtverbruik te bedienen (bijv. vlakschuurmachine, rechte slijper en slagschroevendraaier).

De machine mag uitsluitend voor het voorgeschreven doel worden gebruikt. Elk ander of verdergaand gebruik is niet volgens de voorschriften. De gebruiker/bediener en niet de fabrikant is aansprakelijk voor ontstane schade of elke vorm van letsel.

Let erop dat onze apparaten volgens het beoogd gebruik niet voor bedrijfsmatige, ambachtelijke of industriële toepassingen zijn ontworpen. Wij aanvaarden geen aansprakelijkheid wanneer het apparaat in bedrijfsmatige, ambachtelijke of industriële ondernemingen of bij soortgelijke werkzaamheden wordt ingezet.

6. Veiligheidsvoorschriften

⚠ Let op!

Bij gebruik van elektrische apparaten dient u de volgende fundamentele veiligheidsmaatregelen te nemen ter bescherming tegen elektrische schokken, letsel en brandgevaar. Lees alle voorschriften alvorens deze machine te gebruiken en bewaar de veiligheidsvoorschriften.

Veilig werken

1. Houd uw werkomgeving schoon en netjes
 - Een rommelige werkomgeving kan ongevallen met zich meebrengen.
2. Houd rekening met omgevingsinvloeden
 - Stel het elektrische gereedschap niet bloot aan regen.
 - Gebruik de elektrische apparatuur niet in een vochtige of natte omgeving. Risico op een elektrische schok!
 - Zorg voor goede verlichting op de werkplek.
 - Gebruik het elektrische gereedschap niet op plaatsen waar sprake is van brand- of explosiegevaar.
3. Bescherm uzelf tegen een elektrische schok
 - Let op dat uw lichaam geen contact maakt met geaarde onderdelen (bijv. buizen, radiatoren, elektrische haarden, koelapparatuur).
4. Zorg dat kinderen uit de buurt blijven!
 - Laat andere personen het gereedschap en de kabel niet aanraken, houd ze uit de buurt van uw werkplek.
5. Berg het ongebruikte elektrische gereedschap goed op
 - Elektrisch gereedschap dat niet wordt gebruikt, moet op een droge, hooggelegen, afgesloten plaats, buiten het bereik van kinderen, worden bewaard.
6. Zorg dat het elektrisch apparaat niet overbelast raakt
 - U kunt beter en veiliger werken binnen het aangegeven vermogensbereik.
7. Draag geschikte kleding
 - Draag geen wijde kleding of sieraden, deze kunnen door bewegende delen worden vastgegrepen.
 - Bij het werken in open lucht draagt u best rubber handschoenen en slipvast schoeisel.
 - Draag bij lang haar een haarnetje.
8. Gebruik de kabel niet voor toepassingen, waarvoor deze niet is bedoeld
 - Gebruik de kabel niet om de stekker uit het stopcontact te trekken. Bescherm de kabel tegen hitte, olie en scherpe kanten.
9. Onderhoud zorgvuldig uw gereedschap
 - Houd uw compressor schoon om beter en veiliger te werken.
 - Neem de onderhoudsvoorschriften in acht.

- Controleer regelmatig het netsnoer van het elektrisch gereedschap en laat deze bij beschadiging door een erkende specialist vervangen.
 - Controleer regelmatig de verlengsnoeren en vervang deze als ze zijn beschadigd.
10. Neem de stekker uit het stopcontact
 - Als u het elektrisch gereedschap niet gebruikt, voordat u onderhoud uitvoert of gereedschappen wisselt, zoals zaagbladen, boren en frezen.
 11. Voorkom onbedoelde inschakeling
 - Controleer of de schakelaar is uitgeschakeld wanneer u de stekker in het stopcontact steekt.
 12. Gebruik een verlengsnoer voor gebruik buitenshuis
 - Gebruik buitenshuis uitsluitend verlengsnoeren die hiervoor zijn goedgekeurd en die als zodanig zijn gelabeld.
 - Gebruik de snoeren alleen als de trommel is afgerold.
 13. Blijf steeds alert
 - Ga voorzichtig te werk. Gebruik uw gezond verstand tijdens de werkzaamheden. Gebruik de machine niet wanneer u niet geconcentreerd bent.
 14. Controleer het elektrisch gereedschap op eventuele beschadigingen
 - Voor verder gebruik van het elektrisch gereedschap moeten veiligheidsvoorzieningen of licht beschadigde onderdelen zorgvuldig op probleemloze en beoogde werking worden gecontroleerd.
 - Controleer of de bewegende delen probleemloos functioneren en niet vastklemmen of onderdelen beschadigd zijn. Alle onderdelen moeten juist zijn gemonteerd en aan alle voorwaarden voldoen om het probleemloos gebruik van het elektrisch gereedschap te kunnen waarborgen.
 - Beschadigde veiligheidsvoorzieningen en onderdelen moeten conform de voorschriften door een erkende dealer worden gerepareerd en vervangen, voor zover niets anders in de gebruiksaanwijzing is aangegeven.
 - Beschadigde schakelaars moeten direct bij een erkende klantenservicewerkplaats worden vervangen.
 - Gebruik geen defecte of beschadigde aansluitkabels.
 - Gebruik geen elektrisch gereedschap waarbij de schakelaar niet kan worden in- of uitgeschakeld.
 15. Laat de machine repareren door een erkend elektricien
 - Dit elektrisch apparaat voldoet aan de van toepassing zijnde geldende voorschriften. Reparaties mogen uitsluitend door een elektricien worden uitgevoerd. Daarbij moeten de originele reserveonderdelen worden gebruikt, anders kunnen ongevallen voor de gebruiker ontstaan.
 16. Let op!
 - Gebruik voor uw eigen veiligheid alleen toebehoren en hulpapparaten, die in de gebruikshandleiding zijn aangegeven of door de gereedschapsfabrikant worden aanbevolen of aangegeven. Bij gebruik anders dan in de gebruikshandleiding of in de catalogus aanbevolen gebruiksgereedschappen of toebehoren kan er persoonlijk letsel ontstaan.
 17. Geluid
 - Tijdens het gebruik van de compressor dient u gehoorbescherming te dragen.

18. Vervangen van netsnoer
 - Als het snoer wordt beschadigd, moet deze door de fabrikant of een elektricien worden vervangen om gevaar te voorkomen. Risico op een elektrische schok!
19. Vullen van banden
 - Controleer de bandenspanning direct na het vullen met behulp van een geschikte manometer, bijvoorbeeld bij een tankstation.
20. Mobiele wegcompressoren in de bouw
 - Let op dat alle slangen en armaturen geschikt zijn voor de hoogst toelaatbare werkdruk van de compressor.
21. Opstellingslocatie
 - Plaats de compressor op een vlak oppervlak.
22. Het is aan te bevelen, om toevoerslangen bij een druk boven 7 bar van een veiligheidskabel te voorzien, bijv. een staalkabel.
23. Vermijd zware belasting van het leidingsysteem door flexibele slangaansluitingen te gebruiken en knikken te vermijden.
24. Zorg ervoor dat de oliekoelapparaten schoon blijven en dat de beschermingsmiddelen in goede staat blijven.
25. Gevaar voor verbranding door hete olie
 - Draag geschikte veiligheidshandschoenen.
 - Werk nooit met de compressor in de buurt van open vuur.
 - Pas op dat u geen olie morst.
26. Het is verboden de motor bij lage temperaturen onder 0°C te starten.

Aanvullende veiligheidsvoorschriften

Veiligheidsvoorschriften voor werkzaamheden met perslucht en luchtpistolen

- Compressorpompe en leidingen bereiken tijdens bedrijf hoge temperaturen. Contact leidt tot brandwonden.
- De door de compressor aangezogen lucht moet vrijgehouden worden van toevoegingen die brand of explosies in de compressorpompe kunnen veroorzaken.
- Houd bij het losmaken van de slangkoppeling het koppelstuk van de slang met de hand vast. Zo voorkomt u letsel door de terugspringende slang.
- Draag een veiligheidsbril wanneer u met het luchtpistool werkt. Door vreemde deeltjes en weggeblazen onderdelen kunnen verwondingen ontstaan.
- Met het luchtpistool niet richting personen blazen of kleding op het lichaam wordt gedragen, reinigen. Gevaar voor letsel!

Veiligheidsvoorschriften voor het spuiten van verf

- Geen lakken of oplosmiddelen met een vlammpunt van minder dan 55°C verwerken. Explosiegevaar!
- Lak en oplosmiddelen niet verwarmen. Explosiegevaar!
- Als er vloeistoffen worden verwerkt die schadelijk zijn voor de gezondheid, zijn er filterapparaten (gelaatsmaskers) nodig ter bescherming. Neem ook de specificaties in acht die door de fabrikanten van dergelijke stoffen wordt verstrekt met betrekking tot voorzorgsmaatregelen.
- De specificaties en aanduidingen van de verordening inzake gevaarlijke stoffen die op de omverpakking van de verwerkte materialen zijn aangebracht, moeten in acht worden genomen.

Indien nodig moeten aanvullende voorzorgsmaatregelen worden getroffen, met name wat betreft het dragen van geschikte kleding en maskers.

- Tijdens het spuiten alsook in de werkruimte mag niet worden gerookt. Explosiegevaar! Ook verfdampen zijn licht ontvlambaar.
- Vuur, open verlichting of vonkende machines mogen niet aanwezig zijn resp. bediend worden.
- Bewaar of consumeer geen voedsel en dranken in de werkruimte. Verfdampen zijn schadelijk voor de gezondheid.
- De werkruimte moet groter zijn dan 30 m³ en er moet worden gezorgd voor voldoende luchtverversing tijdens het spuiten en drogen.
- Spuit niet tegen de wind in. Neem altijd de voorschriften van de plaatselijke politie in acht bij het spuiten van brandbare of gevaarlijke spuitmateriaal.
- Verwerk geen media zoals testbenzine, butylalcohol en methyleenchloride in combinatie met de PVC-drukslang. Deze media vernietigen de drukslang.
- Bij gebruik in combinatie met spuittoebehoren (bijv. een verfspuitpistool): Houdbij het vullen van de spuitapparatuur afstand tot het apparaat en spuit niet in de richting van de compressor.

Gebruik van drukvaten

- Iedereen die een drukvat bedient, moet het conform de voorschriften in goede staat houden, goed bedienen, controleren, noodzakelijke onderhouds- en instandhoudingswerkzaamheden onverwijld uitvoeren en de door de omstandigheden vereiste veiligheidsmaatregelen treffen.
- De toezichthoudende autoriteit kan in individuele gevallen nodige controlemaatregelen vereisen.
- Een drukvat mag niet worden gebruikt als het defecten vertoont die werknemers of derden in gevaar brengen.
- Controleer vóór elk gebruik het drukvat op roestvorming en beschadigingen. De compressor mag niet gebruikt worden als het drukvat beschadigd of roestig is. Neem contact op met de klantendienst-werkplaats als u beschadigingen constateert.

Bewaar de veiligheidsvoorschriften zorgvuldig.

Restrisico's

Volg de in de gebruikshandleiding voorgeschreven onderhouds- en veiligheidsvoorschriften op.

Let altijd goed op tijdens het werk en zorg dat derden op een veilige afstand van uw werkplek blijven.

Ook bij een juiste wijze van gebruik van het apparaat blijven er altijd bepaalde restrisico's bestaan, die niet kunnen worden uitgesloten. Uit het soort en de constructie van het apparaat kunnen de volgende potentiële gevaren worden afgeleid:

- Onopzettelijk inschakelen van het product.
- Beschadiging van het gehoor, als de voorgeschreven gehoorbescherming niet wordt gedragen.
- Vuildeeltjes, stof enz. kunnen ondanks het dragen van de veiligheidsbril in uw ogen of gezicht terechtkomen.
- Inademen van opstuivende vuildeeltjes.

Waarschuwing!

Dit elektrisch apparaat genereert een elektromagnetisch veld als het is ingeschakeld. Dit veld kan onder bepaalde omstandigheden interfereren met actieve of passieve medische implantaten. Om het risico op ernstig of dodelijk letsel te beperken, raden we personen met medische implantaten aan om hun arts en de fabrikant van het medische implantaat te raadplegen voordat de machine wordt gebruikt.

7. Technische gegevens

Netaansluiting	230 V~ 50 Hz
Motorvermogen	1800 W
Bedrijfsmodus	S1
Toerental compressor	2850 min ⁻¹
Inhoud drukvat.....	ca. 24 l
Maximale werkdruk	ca. 10 bar
Theoretisch aanzuigvermogen	ca. 260 l/min
Geluidsdrukniveau L _{PA}	72,9 dB(A)
Geluidsvermogensniveau L _{WA}	92,9 dB(A)
Onzekerheid K PA WA	2,59 dB
Beschermingsgraad	IPX2
Apparaatgewicht	ca. 26,8 kg
Olie (SAE 15W 40).....	ca. 0,25 l
Maximale plaatsingshoogte (boven NAP).....	1000 m

De geluidsemissiewaarden zijn overeenkomstig EN ISO 3744:1995 bepaald.

Draag gehoorbescherming.

Het effect van lawaai kan gehoorverlies zijn.

8. Voor de ingebruikname

- Open de verpakking en haal het apparaat er voorzichtig uit.
- Verwijder het verpakkingsmateriaal evenals de verpakkings- en transportbeveiligingen (indien voorhanden).
- Controleer of de inhoud van de levering volledig is.
- Controleer het apparaat en de hulpstukken op transportschade.
- Bewaar de verpakking indien mogelijk tot na het verstrijken van de garantietijd.

GEVAAR

Het apparaat en de verpakkingsmaterialen zijn geen kinderspeelgoed! Kinderen mogen niet met plastic zakken, folies en kleine onderdelen spelen! Er bestaat gevaar voor inslikken en verstikkingsgevaar!

Controleer vóór het aansluiten of de specificaties op het typeplaatje overeenkomen met de gegevens van het stroomnet.

- Verwijder voor ingebruikname het transportdeksel (20a) en vul het compressorpomphuis met olie, zoals beschreven bij punt 9.4.
- Controleer het apparaat op transportschade. Meld eventuele schade direct bij het transportbedrijf dat de compressor heeft bezorgd.
- De opstelling van de compressor moet nabij de gebruiker plaatsvinden.

- Lange luchtleidingen en lange snoeren (verlengsnoeren) moeten worden voorkomen.
- Let er op dat de aanzuiglucht droog en stofvrij is.
- De compressor niet in vochtige of natte ruimtes plaatsen.
- De compressor mag slechts in gepaste ruimtes (goed geventileerd, omgevingstemperatuur +5°C tot 40°C) worden gebruikt. In de ruimte mag geen sprake zijn van stof, zuren, dampen, explosieve of brandbare gassen.
- De compressor is geschikt voor gebruik in droge ruimtes. In het bereik waar met spatwater wordt gewerkt, is gebruik niet toegestaan.
- Vóór inbedrijfstelling dient het oliepeil in de compressorpomp te worden gecontroleerd.

9. Montage en bediening

⚠ Let op!

Het apparaat moet voor de ingebruikname volledig zijn gemonteerd!

Voor de montage heb je nodig:

- 1x steeksleutel 13 mm
- 1x kruiskopschroevendraaier
- (niet bij de levering inbegrepen)

9.1 Montage van de wielen (afb. 4)

- Monteer de bijbehorende wielen (11) zoals weergegeven.

9.2 Montage van de standvoeten (afb. 5)

- Monteer de bijbehorende standvoeten (9) zoals weergegeven.

9.3 Montage van de luchtfilter (afb. 6, 7)

- Verwijder het transportdeksel (15a) en draai de luchtfilter (15) op het toestel vast.

9.4 Bijvullen van olie (afb. 8, 9)

- Verwijder het transportdeksel (20a) van de olievlopening (20).
- Vul het compressorpomphuis met de meegeleverde compressorolie en plaats de meegeleverde afsluitplug (16) in de olievlopening.

9.5 Aansluiting op het net

- De compressor is voorzien van een netsnoer met een geaarde stekker. Deze kan op elke geaarde stopcontact 220- 240 V~ 50 Hz, welke met 16 A is afgezekerd, worden aangesloten.
- Let bij de ingebruikname er op dat de netspanning overeenkomt met de bedrijfsspanning en met het machinevermogen overeenkomstig de gegevens op het typeplaatje van de machine.
- Lange toevoerleidingen, alsook verlengstukken, kabelhaspels enz. veroorzaken spanningsverlies en kunnen het starten van de motor verhinderen.
- Bij lage temperaturen onder +5°C wordt het starten van de motor door zwaar lopen in gevaar gebracht.

9.6 Aan/uit-schakelaar (afb. 2)

- Om de compressor in te schakelen trekt u de AAN/UIT-schakelaar (17) omhoog. Voor het uitschakelen wordt de AAN/UIT-schakelaar omlaag gedrukt.

9.7 Drukinstelling (afb. 1 + 3)

- Met de drukregelaar (5) wordt de druk op de manometer (4) ingesteld.
- De afgestelde druk kan op de snelkoppeling (3) worden ontnomen.
- Op de manometer (6) kunt u de keteldruk aflezen.
- De keteldruk wordt aan de snelkoppeling (7) ontnomen.

9.8 Afstelling van de drukschakelaar (afb. 1)

- De drukschakelaar (2) is in de fabriek ingesteld.
Inschakeldruk ca. 8 bar
Uitschakeldruk ca. 10 bar

9.9 Montage van de persluchtslang (afb. 1, 3)

- Sluit de nippel (14a) van uw persluchtslang (14) aan op een van de snelkoppelingen (3, 7).
- Sluit vervolgens het persluchtgereedschap aan op de snelkoppeling (14b) van de persluchtslang (14).

9.10 Thermische veiligheidsschakelaar

De thermische veiligheidsschakelaar is in het apparaat ingebouwd.

Ga als volgt te werk als de thermische stroomonderbreker wordt geactiveerd:

- Trek het netsnoer uit het stopcontact.
- Wacht ongeveer twee tot drie minuten.
- Sluit het apparaat weer aan.
- Herhaal het proces als het apparaat niet start.
- Als het apparaat niet opnieuw start, schakel het apparaat dan met de aan / uit-schakelaar (17) uit en aan.
- Als u al het bovenstaande heeft uitgevoerd en het apparaat werkt nog steeds niet, neem dan contact op met de klantenservice.

10. Elektrische aansluiting

De geïnstalleerde elektromotor is bedrijfsklaar aangesloten. De aansluiting voldoet aan de relevante VDE- en DIN-voorschriften. De netaansluiting van de klant en het gebruikte verlengsnoer moeten eveneens aan deze voorschriften voldoen.

10.1 Algemene instructies

Bij overbelasting van de motor schakelt deze zelfstandig uit. Na een afkoeltijd (deze tijd is verschillend) kan de motor weer worden ingeschakeld.

10.2 Defect elektrisch netsnoer

Bij elektrische aansluitkabels treedt vaak schade aan de isolatie op.

Mogelijke oorzaken zijn:

- Versleten plekken, als aansluitkabels door venster- of deuropeningen worden geleid.
- Knikken door een onvakkundige bevestiging of geleiding van de aansluitkabel.
- Snijplekken omdat over de aansluitkabel is gereden.

- Beschadigde isolatie omdat de stekker uit het stopcontact is getrokken.
- Scheuren door veroudering van de isolatie.

Dergelijke defecte elektrische aansluitkabels mogen niet worden gebruikt en zijn levensgevaarlijk als de isolatie is beschadigd.

Controleer de elektrische aansluitkabels regelmatig op schade. Let erop dat bij het controleren de aansluitkabel niet op het elektriciteitsnet is aangesloten.

Elektrische aansluitkabels moeten aan de relevante VDE- en DIN-voorschriften voldoen. Gebruik uitsluitend snoeren met dezelfde aanduiding.

Op de aansluitkabel moet de typeaanduiding vermeld staan.

10.3 Wisselstroommotor

- De netspanning moet 220 - 240 V/50 Hz bedragen.
- Verlengsnoeren moeten tot een lengte van 25 m een doorsnede hebben van 1,5 vierkante millimeter.

Aansluitingen en reparaties van de elektrische uitrusting mogen uitsluitend door een elektromonteur worden uitgevoerd.

Vermeld in geval van vragen de volgende gegevens:

- Stroomtype van de motor
- Gegevens van het typeplaatje van de machine
- Gegevens van het typeplaatje van de motor

11. Reiniging, onderhoud en opslag

⚠ Let op!

Trek bij reinigings- en montagewerkzaamheden altijd de stekker uit het stopcontact! Gevaar voor verwonding door stroomstoten!

⚠ Let op!

Wacht tot het apparaat volledig is afgekoeld! Gevaar voor brandwonden!

⚠ Let op!

Voorafgaand aan alle reinigings- en onderhoudswerkzaamheden moet het apparaat drukloos worden gemaakt! Gevaar voor letsel!

11.1 Reiniging

- Houd het apparaat zoveel mogelijk vrij van stof en vuil. Wrijf het apparaat met een schone doek schoon of blaas het met perslucht bij een lage druk uit.
- Wij adviseren om het apparaat direct na elk gebruik te reinigen.
- Reinig het apparaat regelmatig met een vochtige doek en wat zachte zeep. Gebruik geen agressieve reinigings- of oplosmiddelen. Hierdoor kunnen de kunststofonderdelen van het apparaat worden aangetast. Let op dat er geen water in het apparaat terecht komt.
- Slang en spuitgereedschap moeten voor reiniging van de compressor worden losgekoppeld. De compressor mag niet met water, oplosmiddelen of soortgelijke worden gereinigd.

11.2 Onderhoud van het drukvat (afb. 1)

Let op!

Om het drukvat (8) in goede staat te houden, moet u na elk gebruik het condenswater aftappen door de aftapplug (10) te openen.

Maak hiertoe eerst de ketel drukloos (zie 11.8.1). De aftapschroef (10) wordt geopend door hem linksom te draaien (vanaf de onderzijde van de compressor gezien), zodat het condenswater volledig uit het drukvat (8) kan wegstromen.

Draai vervolgens de aftapschroef (10) weer vast (rechtsom). Controleer (8) vóór elk gebruik het drukvat op roestvorming en beschadigingen.

De compressor mag niet gebruikt worden als het drukvat (8) beschadigd of roestig is. Neem contact op met de klantendienst-werkplaats als u beschadigingen constateert.

⚠ Let op!

Het condenswater uit het drukvat (8) bevat olieresten. Ontdoet u zich van het condenswater op een milieuvriendelijke manier en deponeer het op een overeenkomstige inzamelplaats.

11.3 Veiligheidsklep (afb. 3)

De veiligheidsklep (19) is ingesteld op de maximaal toegestane druk van het drukvat (8). Het is verboden om de veiligheidsklep (19) te verstellen of de verbindingzekerings (19b) tussen de aftapmoer (19a) en de dop (19c) te verwijderen. De veiligheidsklep (19) moet om de 30 bedrijfsuren, maar tenminste 3 keer per jaar worden bediend, zodat deze correct functioneert als dit nodig mocht zijn. Om de geperforeerde aftapmoer (19a) te openen, draai hem linksom en trek de klepstang met de hand naar buiten over de geperforeerde aftapmoer (19a) om de uitlaat van de veiligheidsklep (19) te openen. De klep laat nu hoorbaar lucht uit. Draai vervolgens de aftapmoer (19a) weer rechtsom vast.

11.4 Oliepeil regelmatig controleren (afb. 10)

Compressor op een vlakke, horizontale ondergrond plaatsen. Het oliepeil in het olietijkglas (18) moet tussen MAX en MIN staan.

Olieverversing: Aanbevolen olie: SAE 15W 40 of gelijkwaardig. De eerste vulling moet na 100 bedrijfsuren worden ververst; daarna moet u na elke 500 bedrijfsuren de olie aftappen en nieuwe olie bijvullen.

11.5 Olie verversen (afb. 1, 9, 10)

Schakel de motor uit en trek de stekker uit het stopcontact. Verwijder de olie afdichtplug (16). Nadat u de eventueel voorhanden zijnde luchtdruk hebt afgelaten kan u de olieafsluitplug (12) op de compressiepomp (13) uitdraaien.

Houd er een metalen afvoergootje onder en laat de olie in een opvangbak stromen, zodat de olie niet ongecontroleerd wegloopt. Als de olie niet helemaal uitstroomt, raden we aan om de compressor een beetje schuin te houden. Plaats de olieaftapplug (12) terug wanneer de olie is afgetapt.

Lever de afgewerkte olie in bij een inzamelpunt voor afgewerkte olie.

Zorg ervoor dat de compressor op een horizontale ondergrond staat, zodat de juiste oliehoeveelheid wordt bijgevuld. Voeg verse olie toe via de olievlopening (20) totdat het oliepeil de maximale vulhoeveelheid bereikt. Deze wordt aangegeven door een rode punt op het olietijkglas (18) (afb. 10).

Overschrijd niet de maximale vulhoeveelheid. Overvulling kan schade aan het apparaat tot gevolg hebben. Plaats de olieafsluitplug (16) terug in de olievlopening (20).

11.6 Schoonmaken van de aanzuigfilter (afb. 3, 11, 12)

Het luchtfilter (15) voorkomt dat stof en vuil naar binnen worden gezogen. Deze filter (15) dient minstens om de 300 bedrijfsuren schoon te worden gemaakt. De capaciteit van de compressor neemt namelijk aanzienlijk af als het luchtfilter verstopt is.

Verwijder de filter (15) door de vleugelschroef (15b) open te draaien. Trek daarna het filterdeksel (15e) eraf. U kunt nu de luchtfilter (15c) en het filterhuis (15d) uitnemen. Klop de luchtfilter (15c), het filterdeksel (15e) en het filterhuis (15d) voorzichtig uit. Deze componenten moeten daarna met perslucht (ca. 3 bar) worden uitgeblazen en in omgekeerde volgorde worden teruggeplaatst.

11.7 Service-informatie

Let op dat bij dit product de volgende delen onderhevig zijn aan gebruiksmatige of natuurlijke slijtage, resp. de volgende delen als verbruiksmateriaal wordt gebruikt.

Slijtageonderdelen*: Luchtfilter

* niet persé in de leveringsomvang opgenomen!

11.8 Opbergen

⚠ Let op!

Haal de stekker uit het stopcontact, ontfluchten het apparaat en alle aangesloten persluchtgereedschap. Stel de compressor dusdanig af dat deze niet door onbevoegden in gebruik kan worden genomen.

⚠ Let op!

De compressor alleen bewaren in een droge omgeving die niet toegankelijk is voor onbevoegden. Niet kantelen, uitsluitend rechtop bewaren! Olie kan uitlopen!

11.8.1 Aflaten van de overdruk

Laat de overdruk in de compressor ontsnappen door de compressor uit te schakelen en de nog aanwezige perslucht in het drukvat (8) te gebruiken, bijv. met een persluchtgereedschap op stationair toerental of met een luchtpistool.

12. Transport

Gebruik voor het transport de transportgreep (1) en verplaats hiermee de compressor.

Let bij het tillen van de compressor op het gewicht, zie technische gegevens. Zorg bij het transport van de compressor in aangedreven voertuigen voor een goede laadbeveiliging.

13. Afvalverwerking en hergebruik

Het apparaat zit in een verpakking om transportschade te voorkomen. Deze verpakking is een grondstof en kan dus opnieuw gebruikt worden of kan terugkeren in de kringloop van grondstoffen.

Het apparaat en de accessoires ervan bestaan uit verschillende soorten materiaal, zoals metaal en kunststoffen. Verwijder defecte componenten als speciaal afval. Informeer hiernaar bij uw speciaalzaak of bij de gemeente!



De verpakking is gemaakt van milieuvriendelijke materialen die u bij lokale recyclingcentra kunt inleveren. Informatie over het afvoeren van versleten apparatuur kunt u opvragen bij uw gemeente.

Oude apparatuur mag niet bij het huisafval worden gegooid!



Dit symbool geeft aan dat dit product conform de richtlijn inzake verbruikte elektrische en elektronische apparatuur (2012/19/EU) en nationale wettelijke bepalingen niet bij het huishoudelijk vuil mag worden gegooid. Dit product moet bij een hiervoor bestemde verzamelpunt worden afgegeven. Dit kan bijv. door teruggave bij de aanschaf van een soortgelijk product of door inlevering bij een erkend verzamelpunt voor het recyclen van verbruikte elektrische en elektronische apparatuur. Het onjuist handelen van oude apparatuur kan door mogelijke gevaarlijke stoffen, die veelal in verbruikte elektrische en elektronische apparatuur zijn verwerkt, negatieve effecten op het milieu en de gezondheid van de mens hebben. Door een juiste afvoer van dit product levert u bovendien een bijdrage aan een effectief gebruik van natuurlijke resources. Informatie inzake inzamelpunten voor verbruikte apparatuur kunt u opvragen bij de gemeente, de publieke afvalwerker, een erkend afvalverwerkingsstation voor het afvoeren van verbruikte elektrische en elektronische apparatuur of uw afvalverwerkingsstation.

14. Verhelpen van storingen

Storing	Mogelijke oorzaak	Oplossing
Compressor draait niet.	Netspanning niet aanwezig.	Kabel, stekker; zekering en stopcontact controleren.
	Netspanning te laag.	Te lang verlengsnoer vermijden. Verlengsnoer met voldoende aderdoorsnede gebruiken.
	Buitentemperatuur te laag.	Werk niet onder +5 °C buitentemperatuur.
	Motor oververhit.	Motor laten afkoelen, evt. de oorzaak van de oververhitting wegnemen.
Compressor loopt, maar geen druk.	Veiligheidsklep (19) lek.	Neem contact op met uw lokaal servicecentrum. Reparaties uitsluitend laten uitvoeren door geschoold personeel.
	Afdichtingen defect.	Afdichtingen controleren, een defecte afdichting bij een gespecialiseerde werkplaats laten vervangen.
	Aflaatplug voor condenswater (10) lek.	Schroef met de hand aanhalen. Afdichting op de schroef controleren, evt. vervangen.
De compressor loopt, de druk wordt aangegeven op de manometer, maar het gereedschap loopt niet.	Slangverbindingen lek.	Perslucht slang en gereedschap controleren, evt. vervangen.
	Snelkoppeling lek.	Neem contact op met uw lokaal servicecentrum. Reparaties uitsluitend laten uitvoeren door geschoold personeel.
	Druk op de drukregelaar (5) te laag afgesteld.	Drukregelaar weer opendraaien.

15. Garantiebewijs

Geachte klant,

onze producten zijn aan een strenge kwaliteitscontrole onderhevig. Mocht dit apparaat echter ooit niet naar behoren functioneren, spijt het ons ten zeerste en vragen u zich tot onze servicedienst onder het adres vermeld op dit garantiebewijs te wenden. Wij staan ook graag telefonisch tot uw dienst via het hieronder vermelde servicetelefoonnummer. Voor vorderingen in verband met garantie geldt het volgende:

- Deze garantievoorwaarden regelen bijkomende garantieprestaties. Uw wettelijke garantieclaims blijven onaangetast door deze garantie. Onze garantieprestatie is voor uw gratis.
- De garantieprestatie heeft uitsluitend betrekking op gebreken die te wijten zijn aan materiaal- of fabricagefouten en is beperkt tot het verhelpen van deze gebreken of het vervangen van het apparaat. Wij wijzen erop dat onze apparaten overeenkomstig hun bestemming niet geconstrueerd zijn voor commercieel, ambachtelijk of industrieel gebruik. Een garantieovereenkomst komt daarom niet tot stand als het apparaat in ambachtelijke of industriële bedrijven alsmede bij gelijk te stellen activiteiten wordt gebruikt. Uitgesloten van onze garantie zijn verder schadeloosstellingen voor transportschade, schade door nietnaleving van de montage-instructies of op grond van ondeskundige installatie, niet-naleving van de handleiding (zoals door b.v. aansluiting op een verkeerde netspanning of stroomsoort), oneigenlijke of onoordeelkundige toepassingen (zoals b.v. overbelasting van het apparaat of gebruik van niet toegestane inzetgereedschappen of toebehoren), niet-naleving van de onderhouds- en veiligheidsbepalingen, binnendringen van vreemde voorwerpen in het apparaat (zoals b.v. zand, stenen of stof), gebruikmaking van geweld of invloeden van buitenaf (zoals b.v. schade door neervallen) alsmede door normale slijtage die zich bij het doelmatig gebruik van het apparaat voordoet.

Er kan geen aanspraak op garantie worden gemaakt als op het apparaat reeds ingrepen werden uitgevoerd.

- De garantieperiode bedraagt 3 jaar en gaat in op de datum van aankoop van het apparaat. Garantieclaims dienen voor het verloop van de garantieperiode binnen de twee weken na het vaststellen van het defect geldend te worden gemaakt. Het geldend maken van garantieclaims na verloop van de garantieperiode is uitgesloten. De herstelling of vervanging van het apparaat leidt noch tot een verlenging van de garantieperiode noch wordt door deze prestatie een nieuwe garantieperiode voor het apparaat of voor eventueel ingebouwde wisselstukken op gang gebracht. Dit geldt ook bij het ter plaatse uitvoeren van een serviceactiviteit.
- Om een garantieclaim geldend te maken neem contact op met het hieronder vermelde serviceadres. Als de klacht binnen de garantieperiode valt, ontvangt u van ons een retourbon waarmee u uw defecte apparaat gratis naar ons kunt retourneren. Wij verzoeken u de reden van de klacht zo nauwkeurig mogelijk te beschrijven. Valt het defect van het apparaat binnen onze garantieprestatie bezorgen wij u per omgaande een hersteld of nieuw apparaat terug.

Uiteraard staan wij ook tot u dienst om mits betaling van de kosten defecten van het apparaat te verhelpen die buiten de garantieomvang vallen. Te dien einde stuurt u het apparaat aan ons serviceadres op.

Service-hotline / Hotline du service (NL):

00800 4003 4003

(0,00 €/Min.)

Service-hotline (BE):

00800 4003 4003

(0,00 €/Min.)

E-mailadres / Email du service (NL):

service.NL@scheppach.com

E-mailadres (BE):

service.BE@scheppach.com

Serviceadres / Adresse du service (NL):

EURO Elektrowerkzeug- und Maschinen Service

Bürgerbuschweg 20

DE - 51381 Leverkusen

Serviceadres (BE):

Service Center Bruyninckx

Guldendelle 30

BE - 1930 Zventem (Nossegem)



Op www.lidl-service.com kunt u deze en talloze andere handleidingen, productvideo's en installatiesoftware downloaden.

Met de QR-code komt u direct op de Lidl-Service-pagina (www.lidl-service.com) en kunt u met het invoeren van het artikelnummer (IAN) 383215_2010 uw gebruikshandleiding openen.

1.	Vysvětlení symbolů na přístroji	43
2.	Úvod	44
3.	Popis zařízení (obr. 1-12).....	44
4.	Rozsah dodávky.....	44
5.	Použití v souladu s určením.....	44
6.	Bezpečnostní pokyny	45
7.	Technické údaje	47
8.	Před uvedením do provozu	47
9.	Montáž a obsluha.....	47
10.	Elektrické připojení.....	48
11.	Čištění, údržba a skladování.....	48
12.	Přeprava	49
13.	Likvidace a recyklace.....	49
14.	Odstraňování poruch.....	50
15.	Záruční list	51
16.	Prohlášení o shodě.....	127

1. Vysvětlení symbolů na přístroji



CZ

Před uvedením do provozu si přečtěte a dodržujte návod k obsluze a bezpečnostní pokyny!



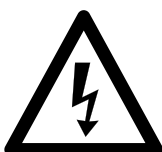
CZ

Používejte ochranu sluchu. Působení hluku může vést ke ztrátě sluchu.



CZ

Varování před horkými díly! (A obr. 11)



CZ

Varování před elektrickým napětím



CZ

Varování! Jednotka se spouští automaticky a smí se rozběhnout bez varování.



CZ

Pozor! Před prvním uvedením do provozu zkontrolujte množství oleje a vyměňte olejovou zátku!



CZ

Dodržujte výstražné a bezpečnostní pokyny!



CZ

Údaje o hladině akustického výkonu v dB



CZ

Přístroj nikdy nevystavujte dešti!

2. Úvod

Výrobce:

Scheppach GmbH
Günzburger Straße 69
D-89335 Ichenhausen

Vážení zákazníku,

přejeme vám mnoho radosti a úspěchu při práci s novým přístrojem.

Upozornění:

Výrobce tohoto zařízení neručí podle platného zákona o odpovědnosti za vady výrobku za škody, které vzniknou na tomto zařízení nebo jeho prostřednictvím v případě:

- neodborné manipulace,
- Nedodržování návodu k obsluze,
- oprav prostřednictvím třetích osob, neautorizovaných odborníků,
- montáže a výměny neoriginálních náhradních dílů,
- použití, které není v souladu s určením,
- výpadků elektrického zařízení v případě nedodržení elektrických předpisů a ustanovení VDE 0100, DIN 57113 / VDE 0113.

Mějte na paměti:

Před montáží a zprovozněním si přečtěte celý text návodu k obsluze.

Tento návod k obsluze vám má usnadnit seznámení s elektrickým nástrojem a jeho používání v souladu s určením.

Návod k obsluze obsahuje důležité pokyny, jak s elektrickým nástrojem pracovat bezpečně, odborně a ekonomicky, abyste se vyhnuli rizikům, ušetřili náklady za opravy, omezili dobu nečinnosti a zvýšili spolehlivost a životnost elektrického nástroje.

Kromě bezpečnostních ustanovení tohoto návodu k obsluze musíte bezpodmínečně dodržovat předpisy své země, které platí pro provoz elektrického nástroje.

Uchovávejte návod k obsluze u elektrického nástroje v plastovém obalu, který jej bude chránit před znečištěním a vlhkostí.

Před započatím práce si jej musí každý pracovník obsluhy přečíst a pečlivě jej dodržovat. S elektrickým nástrojem smějí pracovat jen osoby, které jsou poučeny o jeho použití a informovány o nebezpečí, která jsou s ním spojena. Dodržujte minimální požadovaný věk obsluhy.

Kromě bezpečnostních pokynů, které jsou obsaženy v tomto návodu k obsluze, a zvláštních předpisů vaší země, je při provozu konstrukčně stejných strojů zapotřebí dodržovat všeobecně uznávaná technická pravidla.

Nepřebíráme žádnou záruku za nehody nebo škody způsobené nedodržením tohoto návodu a bezpečnostních pokynů.

3. Popis zařízení (obr. 1-12)

1. Přepavní úchyt
2. Tlakový spínač
3. Rychlospojka (regulovaný stlačený vzduch)
4. Manometr (nastavený tlak lze odečíst)
5. Regulátor tlaku
6. Manometr (tlak kotle lze odečíst)
7. Rychlospojka (neregulovaný stlačený vzduch)
8. Tlaková nádoba
9. Podpěrná noha
- 9a. Příložka
- 9b. Šroub
10. Výpustný šroub pro kondenzační vodu
11. Kolo
- 11a. Příložka
- 11b. Šroub s čokovitou hlavou
12. Vypouštěcí šroub oleje
13. Čerpadlo kompresoru
14. Hadice stlačeného vzduchu
- 14a. Nástrčná spojka
- 14b. Rychlospojka
15. Vzduchový filtr
- 15a. Přepavní kryt
- 15b. Křídlový šroub
- 15c. Filtrační vložka
- 15d. Filtrační skříň
- 15e. Kryt filtru
16. Zátka oleje
17. Spínač / vypínač
18. Olejovaznak
19. Pojistný ventil
- 19a. Vypouštěcí matice
- 19b. Zajištění spoje
- 19c. Krytka vypouštěcí matice
20. Plnicí otvor oleje
- 20a. Přepavní kryt

4. Rozsah dodávky

- 1 x vzduchový filtr
- 2x podpěrná noha
- 2 x kolo
- 1 x montážní materiál
- 1x olejová zátka
- 1x nádoba s olejem
- 1 x hadice stlačeného vzduchu
- 1x návod k obsluze

5. Použití v souladu s určením

Kompresor slouží k vytvoření stlačeného vzduchu pro pneumaticky poháněné nástroje, které lze ovládat pomocí množství vzduchu do cca 180 l/min. (např. zařízení na huštění pneumatik, vyfukovací pistole a lakovací pistole). V důsledku omezeného množství dodávaného vzduchu není možné pohánět nástroje, které mají velmi vysokou spotřebu vzduchu (např. oscilační brusky, tyčové brusky a nárazové šroubováky).

Stroj se smí používat pouze v souladu s jeho určením. Jakékoli jiné použití je v rozporu s určením. Za škody nebo zranění všeho druhu, které vzniknou na základě použití v rozporu s určením, zodpovídá uživatel/obsluhující osoba a ne výrobce.

Respektujte prosím, že náš přístroj v souladu s určením není konstruován pro komerční, řemeslné a průmyslové použití. Nepřebíráme zodpovědnost v případě, když se přístroj použije v komerčních, řemeslných nebo průmyslových provozech, a při srovnatelných činnostech.

6. Bezpečnostní pokyny

⚠ **Pozor!**

Při používání elektrického nářadí se na ochranu proti zraněním způsobeným elektrickým proudem a proti požáru musí dodržovat následující základní bezpečnostní předpisy. Před použitím tohoto elektrického nářadí si přečtěte všechna tato upozornění a bezpečnostní pokyny dobře uložte.

Bezpečná práce

1. Udržujte svoji pracovní oblast v pořádku
 - Nepořádek v pracovní oblasti může mít za následek nehody.
2. Zohledněte okolní vlivy
 - Nevystavujte elektrické nástroje dešti.
 - Nepoužívejte elektrické nástroje ve vlhkém nebo mokřem prostředí. Nebezpečí zásahu elektrickým proudem!
 - Zajistěte dobré osvětlení pracovní oblasti.
 - Elektrický nástroj nepoužívejte, hrozí-li nebezpečí požáru nebo výbuchu.
3. Chraňte se před zasažením elektrickým proudem
 - Zabraňte kontaktu těla s uzemněnými díly (např. trubkami, radiátory, elektrickými plotnami, chladicími zařízeními).
4. Držte mimo dosah dětí!
 - Nenechte další osoby, aby se dotýkaly nástroje a kabelu, nepouštějte je do vaší pracovní oblasti.
5. Nepoužívané elektrické nástroje bezpečně uložte
 - Nepoužívané elektrické nástroje by měly být uloženy na suchém, vysoko položeném nebo uzamčeném místě, mimo dosah dětí.
6. Nepřetěžujte elektrický nástroj
 - V uvedeném rozsahu výkonu budete pracovat lépe a bezpečněji.
7. Noste vhodný oděv
 - Nenoste volný oděv nebo šperky, mohly by být zachyceny pohyblivými díly.
 - Při práci venku se doporučují gumové rukavice a neklouzává obuv.
 - V případě dlouhých vlasů noste vlasovou síťku.
8. Nepoužívejte kabel k účelům, pro které není určen
 - Nepoužívejte kabel k vytažení zástrčky ze zásuvky. Chraňte kabel před horkem, olejem a ostrými hranami.
9. Pečujte svědomitě o své nástroje
 - Udržujte svůj kompresor v čistotě, abyste mohli pracovat dobře a bezpečně.
 - Dodržujte předpisy pro údržbu.
 - Kontrolujte pravidelně připojovací vedení elektrického nástroje a nechte je při poškození vyměnit uznávaným odborníkem.

- Kontrolujte pravidelně prodlužovací vedení a v případě poškození je vyměňte.
10. Vytáhněte vidlici z elektrické zásuvky
 - Pokud elektrický nástroj nepoužíváte, před údržbou a při výměně nástrojů, např. pilového listu, vrtáků, fréz.
 11. Vyhnete se neúmyslnému spuštění
 - Ujistěte se, že je spínač při zasunutí vidlice do elektrické zásuvky vypnutý.
 12. Venku používejte prodlužovací kabel
 - Venku používejte pouze k tomu schválené a odpovídajícím způsobem označené prodlužovací kabely.
 - Naviják prodlužovacích kabelů používejte pouze s odvinutým kabelem.
 13. Buďte vždy pozorní
 - Dávejte pozor na to, co děláte. Pracujte s rozumem. Elektrický nástroj nepoužívejte, jestliže se nesoustředíte.
 14. Zkontrolujte elektrický nástroj, zda není případně poškozený
 - Před dalším používáním elektrického nástroje se musí ochranná zařízení nebo lehce poškozené díly pečlivě prohlédnout, zda fungují bezvadně a v souladu s určením.
 - Zkontrolujte, zda pohyblivé díly bezvadně fungují a nejsou vzpříčené, a zda nejsou díly poškozené. Veškeré díly musí být správně namontované a splňovat všechny podmínky pro zaručení bezvadného provozu elektrického nástroje.
 - Poškozená ochranná zařízení a díly musí v souladu s určením opravit nebo vyměnit uznávaná odborná dílna, není-li v návodu k obsluze uvedeno jinak.
 - Poškozené spínače musí být nahrazeny v dílně zákaznického servisu.
 - Nepoužívejte žádné vadné nebo poškozené přívodní kabely.
 - Nepoužívejte elektrické nástroje, u nichž nelze zapnout a vypnout spínač.
 15. Svůj elektrický nástroj nechte opravovat odbornými elektrikáři
 - Toto elektrické nářadí odpovídá příslušným bezpečnostním předpisům. Opravy smí provádět pouze kvalifikovaný elektrikář s používáním originálních náhradních dílů; jinak může dojít k úrazům uživatele.
 16. Pozor!
 - Pro svou vlastní bezpečnost používejte pouze příslušenství a přídatné přístroje, které jsou uvedeny v návodu k obsluze nebo které doporučuje nebo uvádí výrobce. Použití jiného nářadí nebo příslušenství než je doporučeno v návodu k obsluze nebo v katalogu pro vás může znamenat nebezpečí zranění.
 17. Hluk
 - Při použití kompresoru používejte ochranu sluchu.
 18. Výměna přívodního vedení
 - Je-li poškozeno přívodní vedení, musí být nahrazeno výrobcem nebo odborným elektrikářem, aby se předešlo možným nebezpečím. Nebezpečí zásahů elektrickým proudem.
 19. Plnění pneumatik
 - Zkontrolujte tlak v pneumatikách bezprostředně po jejich naplnění vhodným manometrem, např. na čerpací stanici.

20. Pojízdné kompresory v provozu stavenišť
 - Dbejte na to, aby byly všechny hadice a armatury vhodné pro nejvyšší přípustný pracovní tlak kompresoru.
21. Místo instalace
 - Kompresor postavte pouze na rovnou plochu.
22. Doporučujeme, aby přívodní hadice byly při tlaku vyšším než 7 bar vybaveny bezpečnostním kabelem, např. ocelovým lanem.
23. Vyvarujte se silného zatížení systému vedení, přičemž používejte flexibilní hadicové přípojky, abyste zabránili jejich zlomení.
24. Zajistěte, aby byla zařízení na chlazení oleje udržována v čistotě a ochranná zařízení zůstávala v provozuschopném stavu.
25. Nebezpečí popálení o horký olej
 - Noste vhodné ochranné rukavice.
 - Nikdy nepracuje s kompresorem v blízkosti otevřených plamenů.
 - Dbejte na to, abyste olej nerozlili.
26. Při nízkých teplotách pod 0 °C je rozběh motoru zakázán.

Doplňující bezpečnostní pokyny

Bezpečnostní pokyny k práci se stlačeným vzduchem a vyfukovacími pistolemi

- Čerpadlo kompresoru a vedení dosahují v provozu vysokých teplot. Doteky vedou k popáleninám.
- Kompresorem nasávaný vzduch je třeba udržovat bez příměsí, které mohou v čerpadle kompresoru způsobit požár nebo výbuch.
- Při uvolňování hadicové spojky přidržte rukou spojovací díl hadice. Zabráníte tak poranění způsobené vymrštěnou hadicí.
- Při práci s vyfukovací pistolí vždy noste ochranné brýle. Cizími tělesy a odfouknutými částicemi mohou být způsobena lehká zranění.
- Nefoukejte vyfukovací pistolí na osoby nebo oděv na těle. Nebezpečí zranění!

Bezpečnostní pokyny při nástřiku barvou

- Nepracujte s laky nebo rozpouštědly o bodu vznícení nižší než 55 °C. Nebezpečí výbuchu!
- Laky a rozpouštědla nezažehávejte. Nebezpečí výbuchu!
- Pokud se zpracovávají zdraví škodlivé kapaliny, jsou zapotřebí ochranné filtrační přístroje (obličejové masky). Respektujte také údaje výrobců takových látek ohledně ochranných opatření.
- Řiďte se údaji a označeními nařízení o nebezpečných látkách uvedenými na obalech zpracovávaných materiálů. Případně je třeba učinit doplňková ochranná opatření, především používat vhodný oděv a masky.
- Během stříkacího procesu a v pracovním prostoru je zakázáno kouřit. Nebezpečí výbuchu! I výpary barev jsou lehce vznětlivé.
- V prostoru se nesmí vyskytovat žádné topeniště, otevřené světlo nebo stroje generující jiskry, resp. se nesmí provozovat.
- V pracovním prostoru neukládejte ani nekonzumujte jídla ani nápoje. Výpary barev jsou zdraví škodlivé.
- Pracovní prostor musí být větší než 30 m³ a musí mít zajištěnou dostatečnou výměnu vzduchu při nástřiku a schnutí.

- Nestříkejte proti větru. Při nástřiku hořlavých, resp. nebezpečných nástřikových materiálů zásadně dodržujte nařízení místního policejního úřadu.
- Ve spojení s tlakovou hadicí z PVC nepracujte s médii jako lakový benzín, butylalkohol a metylenchlorid. Tato média ničí tlakovou hadici.
- Při použití ve spojení se stříkacím příslušenstvím (např. lakovací stříkací pistolí): Udržujte při plnění stříkacích zařízení odstup od přístroje a nestříkejte ve směru kompresoru.

Provoz tlakových nádob

- Každý, kdo provozuje tlakovou nádobu, ji musí udržovat v řádném stavu, řádně ji provozovat, sledovat, neprodleně provádět nutné údržbářské a opravárenské práce a podle okolností přijmout nezbytná bezpečnostní opatření.
- Orgán dozoru může v jednotlivých případech nařídit nezbytná dozorová opatření.
- Tlaková nádoba, která vykazuje závady, které by ohrožovaly zaměstnance nebo třetí osoby, nesmí být provozována.
- Před každým uvedením do provozu tlakovou nádobu zkontrolujte, zda se na ní nevyskytuje koroze a poškození. Kompresor nesmí být provozován s poškozenou nebo zkorodovanou tlakovou nádobou. Pokud zjistíte poškození, obraťte se prosím na dílnu zákaznického servisu.

Bezpečnostní pokyny dobře uchovejte.

Zbýlé riziko

Dodržujte pokyny k údržbě a bezpečnostní pokyny uvedené v návodu k použití.

Při práci buďte vždy pozorní a třetí osoby udržujte v bezpečné vzdálenosti od svého pracoviště.

I při správném použití přístroje existuje určité zbylé riziko, které nelze vyloučit. Z typu a konstrukce přístroje mohou vyplývat následující potenciální nebezpečí:

- Neúmyslné uvedení přístroje do provozu.
- Poškození sluchu, pokud není používána předepsaná ochrana sluchu.
- Částice nečistot, prach atd. se mohou i při používání ochranných brýlí dostat do očí nebo obličeje.
- Vdechnutí rozvířených částic.

Varování!

Tento elektrický nástroj vytváří během provozu elektromagnetické pole. Toto pole může za určitých podmínek ovlivňovat aktivní nebo pasivní zdravotní implantáty. Pro snížení rizika vážných nebo smrtelných úrazů doporučujeme osobám se zdravotními implantáty, aby se před obsluhou tohoto elektrického nástroje obrátily na svého lékaře nebo na výrobce zdravotního implantátu.

7. Technické údaje

Síťová přípojka	230 V~ 50 Hz
Výkon motoru.....	1800 W
Druh provozního režimu.....	S1
Otáčky kompresoru.....	2850 min ⁻¹
Objem tlakové nádoby	cca 24 l
Maximální provozní tlak	cca 10 bar
Teoretický sací výkon	cca 260 l/min
Hladina akustického tlaku L _{PA}	72,9 dB(A)
Hladina akustického výkonu L _{WA}	92,9 dB(A)
Kolisavost K _{PA/WA}	2,59 dB
Stupeň krytí.....	IPX2
Hmotnost přístroje	cca 26,8 kg
Olaj (SAE 15W 40).....	cca 0,25 l
Maximální instalační výška (m n.m.).....	1000 m

Hodnoty hlukových emisí byly stanoveny podle EN ISO 3744:1995.

Používejte ochranu sluchu.

Působení hluku může vést ke ztrátě sluchu.

8. Před uvedením do provozu

- Otevřete balení a opatrně vyjměte přístroj.
- Odstraňte balicí materiál a obalové a přepravní pojistky (pokud je jimi výrobek opatřen).
- Zkontrolujte, zda je rozsah dodávky úplný.
- Zkontrolujte přístroj a díly příslušenství, zda se při přepravě nepoškodily.
- Uchovejte obal dle možností až do uplynutí záruční doby.

RIZIKO

Zařízení a obalové materiály nejsou hračka! S plastovými sáčky, fóliemi a drobným díly si nesmějí hrát děti! Hrozí nebezpečí spolknutí těchto věcí a udušení!

Před připojením se přesvědčte, že jsou údaje na typovém štítku shodné s údaji sítě.

- Před prvním uvedením do provozu sejměte přepravní víko (20a) a naplňte těleso kompresorového čerpadla olejem, jak je popsáno v bodě 9.4.
- Zkontrolujte, zda se přístroj při přepravě nepoškodil. Případné škody ihned nahláste přepravní společnosti, která vám kompresor dodala.
- Kompresor musí být nainstalován v blízkosti spotřebiče.
- Je třeba zabránit dlouhým vzduchovým a přívodním vedením (prodlužovacím kabelům).
- Dbejte na to, aby byl nasávaný vzduch suchý a bezprašný.
- Kompresor neinstalujte ve vlhkých nebo mokřích prostorech.
- Kompresor se smí provozovat pouze ve vhodných prostorech (dobře větraných, s teplotou prostředí +5 °C až 40 °C). V prostoru nesmí být prach, kyseliny, výpary a výbušné nebo hořlavé plyny.
- Kompresor je vhodný k použití v suchých prostorech. V oblastech, v nichž se pracuje se stříkající vodou, není jeho použití přípustné.
- Před uvedením do provozu se musí zkontrolovat množství oleje v tělese kompresorového čerpadla.

9. Montáž a obsluha

⚠ Pozor!

Před uvedením do provozu přístroj bezpodmínečně kompletně smontujte!

K montáži potřebujete:

- 1 x vidlicový klíč 13 mm
- 1 x šroubovák s křížovou hlavou (není v rozsahu dodávky)

9.1 Montáž kol (obr. 4)

- Namontujte přiložená kola (11) způsobem, znázorněným na obrázku.

9.2 Montáž podpěrných noh (obr. 5)

- Namontujte přiložené podpěrné nohy (9), jak je znázorněno.

9.3 Montáž vzduchového filtru (obr. 6, 7)

- Odstraňte přepravní kryt (15a) a přišroubujte vzduchový filtr (15) k přístroji.

9.4 Naplnění oleje (obr. 8, 9)

- Sejměte přepravní víko (20a) plnicího otvoru oleje (20).
- Naplňte dodaný kompresorový olej do tělesa kompresorového čerpadla a nasad'te přiloženou olejovou zátku (16) do plnicího otvoru oleje (20).

9.5 Síťová přípojka

- Kompresor je vybaven síťovým vedením se zástrčkou s ochranným kontaktem. Ten lze zapojit do každé zásuvky s ochranným kontaktem 220 - 240 V~ 50 Hz, která je zajištěna pojistkou 16 A.
- Před uvedením do provozu dbejte na to, aby síťové napětí souhlasilo s provozním napětím a s výkonem stroje na typovém štítku.
- Dlouhá přívodní vedení a také prodlužovačky, kabelové bubny atd., způsobují pokles napětí a mohou bránit rozběhu motoru.
- Při nízkých teplotách pod +5 °C je rozběh motoru ohrožený těžkým chodem.

9.6 Za-/vypínač (obr. 2)

- K zapnutí kompresoru se za-/vypínač (17) vytáhne nahoru. K vypnutí se za-/vypínač (17) zamáčkne dolů.

9.7 Nastavení tlaku (obr. 1, 3)

- Regulátorem tlaku (5) se nastaví tlak na manometru (4).
- Nastavený tlak lze zjistit na rychlospojce (3).
- Na manometru (6) odečtete tlak kotle.
- Tlak kotle se zjistí na rychlospojce (7).

9.8 Nastavení tlakového spínače (obr. 1)

- Tlakový spínač (2) je nastaven v výrobě.
Spínací tlak cca 8 bar
Vypínací tlak cca 10 bar

9.9 Montáž pneumatické hadice (obr. 1, 3)

- Připojte nástrčnou spojku (14a) pneumatické hadice (14) k jedné z rychlospojek (3, 7).

11.3 Pojistný ventil (obr. 3)

Pojistný ventil (19) je nastaven na maximální přípustný tlak tlakové nádoby (8). Není přípustné pojistný ventil (19) seřizovat nebo odstranit spojovací pojistku (19b) mezi vypouštěcí maticí (19a) a její krytkou (19c). Aby pojistný ventil (19) v případě potřeby správně fungoval, musí se aktivovat každých 30 provozních hodin, minimálně však třikrát ročně. Pro otevření otáčejte perforovanou vypouštěcí maticí (19a) proti směru hodinových ručiček a poté vytáhněte tyčku ventilu přes perforovanou vypouštěcí maticí (19a) směrem ven, abyste otevřeli výpust pojistného ventilu (19). Ventil nyní slyšitelně vypouští vzduch. Následně vypouštěcí maticí (19a) zase utáhněte otáčením po směru hodinových ručiček.

11.4 Pravidelně kontrolujte množství oleje (obr. 10)

Postavte kompresor na rovnou hladkou plochu.

Množství oleje se musí nacházet mezi MAX a MIN na olejovzorku (18).

Výměna oleje: Doporučený olej: SAE 15W 40 nebo ekvivalentní. První náplň musí být vyměněna po 100 provozních hodinách; poté je třeba po každých 500 provozních hodinách olej vypustit a doplnit nový.

11.5 Výměna oleje (obr. 1, 9, 10)

Vypněte motor a odpojte sířovou zástrčku ze zásuvky. Odstraňte olejovou zátku (16). Po případném vypuštění stávajícího tlaku vzduchu můžete výpustný šroub oleje (12) z čerpadla kompresoru (13) vyšroubovat.

Aby olej nevytéká nekontrolovaně, držte pod výpustí malý plechový žlábek a zachyčujte olej do nádoby. Pokud olej nevyteče úplně, doporučujeme kompresor mírně naklonit. Když olej vytekl, výpustný šroub oleje (12) opět nasadte.

Použitý olej zlikvidujte odevzdáním na příslušné sběrné místo.

Pro doplnění správného množství oleje dbejte na to, aby kompresor stál na rovné ploše. Naplňte nový olej plnicím otvorem oleje (20), až množství oleje dosáhne hranice maximálního množství náplně. Ta je vyznačena červeným bodem na olejovzorku (18) (obrázek 10).

Nepřekračujte maximální množství náplně. Přeplnění může způsobit poškození přístroje. Vsaďte opět olejovou zátku (16) do plnicího otvoru oleje (20).

11.6 Čištění vzduchového filtru (obr. 3, 11, 12)

Vzduchový filtr (15) zamezuje nasátí prachu a nečistot. Je nutné čistit tento vzduchový filtr (15) minimálně po každých 300 provozních hodinách. Zanesený vzduchový filtr značně snižuje výkon kompresoru.

Odstraňte vzduchový filtr (15) tím, že otevřete křídlový šroub (15b). Stáhněte poté víko filtru (15e). Nyní můžete vyjmout filtrační vložku (15c) a filtrační skříň (15d). Vyklepejte opatrně filtrační vložku (15c), víko filtru (15e) a filtrační skříň (15d). Tyto díly se poté musí vyfouknout stlačeným vzduchem (cca 3 bar) a opět namontovat v opačném pořadí.

11.7 Servisní informace

Je nutno dbát na to, že v případě tohoto výrobku následující díly podléhají opotřebení, které je dáno používáním nebo se tak děje přirozeně, příp. že na následující díly je pohlíženo jako na spotřební materiál.

Opotřebitelné díly*: Vzduchový filtr

* není nutně zahrnuto v obsahu dodávky!

11.8 Skladování

⚠ Pozor!

Vytáhněte sířovou zástrčku, odvědušněte přístroj a všechny připojené pneumatické nástroje. Umístěte kompresor tak, aby nemohl být uveden do provozu neoprávněnými osobami.

⚠ Pozor!

Kompresor skladujte pouze v suchém prostředí chráněném před přístupem nepovolaných osob. Nepřevracejte, skladujte pouze nastojato! Olej může vytéct!

11.8.1 Vypuštění přetlaku

Přetlak z kompresoru vypustíte tím, že jej vypnete a spotřebujete stlačený vzduch, který ještě zbývá v tlakové nádobě (8), například pneumatickým nástrojem ve volnoběhu nebo vyfukovací pistolí.

12. Přeprava

Použijte přepravní úchyt (1) pro přepravu kompresoru.

Při zvedání kompresoru vezměte v úvahu jeho hmotnost (viz Technická data).

Při přepravě kompresoru vozidlem se postarejte o dobré zajištění nákladu.

13. Likvidace a recyklace

Přístroj je v obalu, aby se zabránilo škodám způsobeným přepravou. Tento obal je surovina a lze ho tudíž recyklovat nebo vrátit do oběhu surovin.

Přístroj a jeho příslušenství se skládají z různých materiálů, jako např. kovu a plastů. Vadné konstrukční součásti zlikvidujte jako speciální odpad. Zeptejte se ve specializovaném obchodě nebo na správě obce!



Obal se skládá z ekologických materiálů, které lze recyklovat v místních sběrných místech.

O možnostech likvidace vysloužilého přístroje vám podá informace správa vaší obce nebo vašeho města.

Odpadní zařízení nesmějí být likvidována spolu s domácím odpadem!



Tento symbol upozorňuje, že tento výrobek nesmí být podle směrnice o odpadních elektrických a elektronických zařízeních (2012/19/EU) a vnitrostátních zákonů likvidován spolu s domácím odpadem. Tento výrobek musí být odevzdán na sběrné místě určeném k tomuto účelu. To lze provést například vrácením při nákupu podobného výrobku nebo odevzdáním v autorizovaném sběrném místě pro recyklaci starých elektrických a elektronických zařízení. Nesprávné zacházení s odpadními zařízeními může mít vzhledem k potenciálně nebezpečným látkám, které jsou v odpadních elektrických a elektronických zařízeních často obsaženy, negativní dopad na životní prostředí a lidské zdraví. Správnou likvidací tohoto výrobku přispíváte také k efektivnímu využívání přírodních zdrojů. Informace o sběrných střediscích pro odpadní zařízení můžete získat u svého magistrátu, veřejnoprávní instituce pro nakládání s odpady, autorizovaného orgánu pro likvidaci odpadních elektrických a elektronických zařízení nebo služby svozu odpadu.

14. Odstraňování poruch

Porucha	Možná příčina	Řešení
Kompresor neběží.	Není k dispozici síťové napětí.	Zkontrolujte kabel, síťovou zástrčku, pojistku a zásuvku.
	Síťové napětí příliš nízké.	Zabraňte příliš dlouhému prodlužovacímu kabelu. Použijte prodlužovací kabel s dostatečným průřezem vodičů.
	Venkovní teplota příliš nízká.	Neprovozujte při venkovní teplotě nižší než +5 °C.
	Motor se přehřívá.	Nechte motor vychladnout, popř. odstraňte příčinu přehřátí.
Kompresor běží, ale tlak není k dispozici.	Pojistný ventil (19) netěsní.	Kontaktujte své místní servisní centrum. Opravy svěžte pouze vyškolenému personálu.
	Zničená těsnění.	Zkontrolujte těsnění, ta poničená nechte vyměnit ve specializované dílně.
	Výpustný šroub pro kondenzační vodu (10) netěsní.	Šroub dotáhněte rukou. Zkontrolujte těsnění na šroubu, popř. vyměňte.
Kompresor běží, tlak se zobrazuje na manometru, ale nástroje nefungují.	Hadicové spoje netěsní.	Zkontrolujte pneumatickou hadici a nástroje, popř. vyměňte.
	Rychlospojka netěsní.	Kontaktujte své místní servisní centrum. Opravy svěžte pouze vyškolenému personálu.
	Na tlakovém regulátoru (5) je nastaven příliš nízký tlak.	Otočte tlakový regulátor dále.

15. Záruční list

Vážena zakaznice, vážený zakazníku,

naše výrobky podléhají přísné kontrole kvality. Pokud i přesto tento přístroj bezvadně nefunguje, velice toho litujeme a prosíme Vás, abyste se obrátili na náš zákaznický servis, jehož adresa je uvedena na tomto záručním listu. Rádi Vám budeme k dispozici také telefonicky na níže uvedeném servisním čísle. Pro uplatňování nároků na záruku platí následující:

- Tyto záruční podmínky upravují dodatečný záruční servis. Vašich zákonných nároků na záruku se tato záruka netýká. Náš záruční servis je pro Vás bezplatný.
- Záruční servis se vztahuje výhradně na nedostatky, které lze odvodit z vad materiálu nebo výrobních vad a je také omezen pouze na odstranění těchto nedostatků, resp. výměnu přístroje. Dbejte prosím na to, že naše přístroje nebyly podle svého účelu určeny konstruovány pro živnostenské, řemeslnické nebo průmyslové použití. Záruční smlouva tak není realizována, pokud byl přístroj používán v živnostenských, řemeslných nebo průmyslových podnicích a při srovnatelných činnostech. Z naší záruky je dále vyloučeno poskytnutí náhrady za dopravní škody, škody způsobené nedodržováním montážního návodu nebo z důvodů neodborné instalace, nedodržování návodu k použití (jako např. připojení na chybné síťové napětí nebo druh proudu), nedovoleného nebo neodborného používání (jako např. přetížení přístroje nebo použití neschválených vložných nástrojů nebo příslušenství), nedodržování pokynů pro údržbu a bezpečnostních pokynů, vniknutí cizích těles do přístroje (jako např. písek, kameny nebo prach), použití násilí nebo poškození v důsledku cizích vlivů (jako např. škody způsobené pádem), jakož také běžného opotřebení způsobeného používáním.

Nárok na záruku zaniká, pokud bylo do přístroje již zasahováno

- Záruční doba činí 3 roky a začíná datem koupě přístroje. Nároky na záruku před vypršením záruční doby je třeba uplatňovat během dvou týdnů od zjištění defektu. Uplatňování nároků na záruku po vypršení záruční doby je vyloučeno. Oprava nebo výměna přístroje nevede k prodloužení záruční doby, ani k zahájení nové záruční doby za provedený výkon pro přístroj nebo pro případné zamontované náhradní díly. Toto platí také v případě servisu v místě Vašeho bydliště.
- Pro uplatnění nároku ze záruky se prosím obraťte na adresu servisu uvedenou dole. Pokud se reklamáce uplatňuje v záruční době, dáme Vám k dispozici formulář pro vrácení, pomocí kterého nám můžete vadný přístroj zdarma zaslat zpět. Popište nám prosím pokud možno přesně důvod reklamáce. Je-li defekt přístroje v našem záručním servisu obsažen, obdržíte obratem opravený nebo nový přístroj.

Samozřejmě rádi za úhradu nákladů odstraníme defekty na přístroji, které nespadají nebo již nespadají do rozsahu záruky. K tomu nám přístroj prosím zašlete na naši servisní adresu.

Servisní horká linka (CZ):

00800 4003 4003

(0,00 €/Min.)

Adresa elektronické pošty (CZ):

service.CZ@schepach.com

Adresa servisního střediska (CZ):

GARLAND distributor s.r.o.

Hradecká 1136

CZ - 50601 Jicín



Na stránkách www.lidl-service.com si můžete stáhnout tyto a mnoho dalších manuálů, produktových videí a instalačních softwarů.

Pomocí kódu QR můžete přímo na stránce servisních služeb Lidl (www.lidl-service.com) otevřít svůj návod k obsluze zadáním čísla výrobku (IAN) 383215_2010.

1.	Objaśnienie symboli na urządzeniu	53
2.	Wprowadzenie	54
3.	Opis urządzenia (rys. 1-12).....	54
4.	Zakres dostawy	54
5.	Użytkowanie zgodne z przeznaczeniem.....	54
6.	Wskazówki dotyczące bezpieczeństwa	55
7.	Dane techniczne.....	57
8.	Przed uruchomieniem.....	57
9.	Montaż i obsługa.....	57
10.	Przyłącze elektryczne	58
11.	Czyszczenie, konserwacja i przechowywanie	58
12.	Transport.....	60
13.	Utylizacja i ponowne wykorzystanie.....	60
14.	Pomoc dotycząca usterek.....	61
15.	Gwarancja	62
16.	Deklaracja zgodności.....	127

1. Objasnienie symboli na urzadzeniu



PL

Przed uruchomieniem nalezy przeczytac niniejsza instrukcje obslugi i przestrzegac wskazówek dotyczacych bezpieczenstwa!



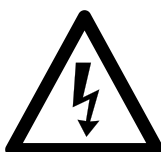
PL

Nosic nauszniaki ochronne. Hałas moze powodowac utrate sluchu.



PL

Ostrzezenie przed goracymi czesciami! (A rys. 11)



PL

Ostrzezenie przed napiecieniem elektrycznym



PL

Ostrzezenie! Jednostka uruchamia sie automatycznie i moze sie uruchomic bez ostrzezenia.



PL

Uwaga! Przed pierwszym uruchomieniem sprawdzic poziom oleju i wymienic wlew oleju!



PL

Przestrzegac wskazówek ostrzegawczych i dotyczacych bezpieczenstwa!



PL

Wskazanie poziomu mocy akustycznej w dB



PL

Nie wystawiac urzadzenia na dzialanie deszczu!

2. Wprowadzenie

Producent:

Scheppach GmbH
Günzburger Straße 69
D-89335 Ichenhausen

Szanowny Kliencie,

życzymy dużo satysfakcji i powodzenia podczas pracy z nowym urządzeniem.

Wskazówka:

Zgodnie z obowiązującą ustawą o odpowiedzialności cywilnej za produkt, producent nie odpowiada za szkody powstałe przy tym urządzeniu lub przez to urządzenie w przypadku:

- nieprawidłowej obsługi,
- nieprzestrzeganie instrukcji obsługi,
- napraw wykonywanych przez osoby trzecie, specjalistów nieautoryzowanych,
- montażu i wymiany nieoryginalnych części zamiennych,
- użytkowania niezgodnego z przeznaczeniem,
- Awarie instalacji elektrycznej w przypadku nieprzestrzegania przepisów elektrycznych oraz postanowień VDE 0100, DIN 57113 / VDE 0113.

Przestrzegać:

Przed przystąpieniem do montażu i uruchomienia przeczytać cały tekst instrukcji obsługi.

Instrukcja obsługi ma na celu ułatwienie zapoznania się z narzędziem elektrycznym i wykorzystania możliwości użytkownika go zgodnie z przeznaczeniem.

Instrukcja obsługi zawiera ważne wskazówki dotyczące bezpiecznej, fachowej i ekonomicznej pracy z niniejszym narzędziem elektrycznym oraz sposobu unikania zagrożeń, oszczędności kosztów napraw, redukcji czasów przestoju i zwiększenia niezawodności i żywotności urządzenia.

Dodatkowo oprócz zasad bezpieczeństwa zawartych w niniejszej instrukcji obsługi należy przestrzegać przepisów danego kraju obowiązujących dla eksploatacji narzędzia elektrycznego.

Instrukcję obsługi przechowywać przy narzędziu elektrycznym, w torebce plastikowej chroniącej przed zanieczyszczeniem i wilgocią. Każda osoba obsługująca musi przeczytać ją przed przystąpieniem do pracy i dokładnie jej przestrzegać. Przy narzędziu elektrycznym mogą pracować wyłącznie osoby, które zostały przeszkolone w zakresie użytkowania urządzenia i poinstruowane o związanych z tym zagrożeniach. Przestrzegać ustawowego wieku minimalnego.

Oprócz wskazówek dotyczących bezpieczeństwa zawartych w niniejszej instrukcji obsługi i specjalnych przepisów danego kraju należy przestrzegać ogólnie uznanych zasad technicznych dotyczących eksploatacji maszyn o tej samej budowie.

Nie ponosimy odpowiedzialności za wypadki ani szkody powstałe wskutek nieprzestrzegania niniejszej instrukcji oraz wskazówek dotyczących bezpieczeństwa.

3. Opis urządzenia (rys. 1-12)

1. Uchwyt transportowy
2. Przełącznik ciśnienia
3. Szybkozłaczce (regulowane sprężone powietrze)
4. Manometr (można odczytać ustawione ciśnienie)
5. Regulator ciśnienia
6. Manometr (można odczytać ustawione ciśnienie w kotle)
7. Szybkozłaczce (niewyregulowane sprężone powietrze)
8. zbiornik ciśnieniowy
9. Nóżka
- 9a. Podkładka
- 9b. Śruba
10. Korek spustowy dla skroplonej wody
11. Koło
- 11a. Podkładka
- 11b. śruba z łbem soczewkowym
12. Śruba spustowa oleju
13. Pompa sprężarki
14. Wąż sprężonego powietrza
- 14a. Złaczka wtykowa
- 14b. Szybkozłaczce
15. Filtr powietrza
- 15a. Pokrywa transportowa
- 15b. Śruba skrzydełkowa
- 15c. Wkład filtra
- 15d. obudowa filtra
- 15e. Pokrywa filtra
16. Korek wlewu oleju
17. Włacznik/wyłacznik
18. Wziernik oleju
19. zawór bezpieczeństwa
- 19a. Nakrętka spustowa
- 19b. Połączenie bezpieczeństwa
- 19c. Nasadka nakrętki spustowej
20. otwór wlewu oleju
- 20a. Pokrywa transportowa

4. Zakres dostawy

- 1x filtr powietrza
- 2x stojak
- 2x koło
- 1x materiał montażowy
- 1x korek wlewu oleju
- 1x butelka oleju
- 1x wąż sprężonego powietrza
- 1x instrukcja obsługi

5. Użytkowanie zgodne z przeznaczeniem

Sprężarka służy do wytwarzania sprężonego powietrza dla narzędzi napędzanych sprężonym powietrzem, które mogą być eksploatowane z objętością powietrza do ok. 180 l/min (np. napelniacz opon, pistolet wydmuchowy i pistolet natryskowy). Ze względu na ograniczony przepływ powietrza praca z narzędziami o bardzo dużym zużyciu powietrza nie jest możliwa (np. szlifierki oscylacyjne, szlifierki prętowe i wkładki udarowe).

Maszynę wolno użytkować wyłącznie zgodnie z jej przeznaczeniem. Każde użycie wykraczające poza to jest niezgodne z przeznaczeniem. Za wynikające z tego szkody i obrażenia wszelkiego rodzaju odpowiada użytkownik/operator, a nie producent.

Należy pamiętać, że zgodnie z przeznaczeniem nasze urządzenia nie zostały skonstruowane do użytku komercyjnego, rzemieślniczego lub przemysłowego. Nie ponosimy odpowiedzialności w przypadku, gdy urządzenie jest stosowane w zakładach komercyjnych, rzemieślniczych i przemysłowych oraz do podobnych działalności.

6. Wskazówki dotyczące bezpieczeństwa

⚠ Uwaga!

Podczas używania narzędzi elektrycznych należy przestrzegać zasadniczych środków bezpieczeństwa w celu ochrony przed porażeniem prądem, zagrożeniem obrażeniami i pożarem. Przed przystąpieniem do używania niniejszego narzędzia elektrycznego należy przeczytać wszystkie wskazówki dotyczące bezpieczeństwa i odpowiednio przechowywać je w bezpiecznym miejscu.

Bezpieczna praca

1. Utrzymywać porządek w obszarze roboczym
 - Nieporządek w obszarze roboczym może być przyczyną wypadków.
2. Uwzględnić oddziaływania otoczenia
 - Nie wystawiać narzędzi elektrycznych na działanie deszczu.
 - Nie używać narzędzi elektrycznych w wilgotnym lub mokrym otoczeniu. Niebezpieczeństwo porażenia prądem elektrycznym!
 - Zadbaj o dobre oświetlenie obszaru roboczego.
 - Nie używać narzędzi elektrycznych w miejscach, gdzie występuje zagrożenie pożarem lub wybuchem.
3. Należy chronić się przed porażeniem prądem elektrycznym
 - Unikać kontaktu ciała z uziemionymi częściami (np. rurami, radiatorami, piecami elektrycznymi, urządzeniami chłodniczymi).
4. Nie pozwalaj dzieciom zbliżać się do miejsca pracy!
 - Nie pozwalaj innym osobom dotykać narzędzia i kabla, nie pozwalaj im na zbliżanie się do obszaru roboczego.
5. Przechowywać nieużywane narzędzia elektryczne w bezpiecznym miejscu
 - Nieużywane narzędzia elektryczne należy odkładać w suchym, wysoko położonym lub zamkniętym miejscu, poza zasięgiem dzieci.
6. Nie przeciążaj narzędzia elektrycznego
 - Podany zakres mocy umożliwia lepszą i bezpieczniejszą pracę.
7. Nosić odpowiednią odzież
 - Podczas pracy nie nosić luźnej odzieży ani biżuterii, mogłoby dojść do ich pochwycenia przez ruchome części.
 - Podczas prac na wolnym powietrzu zaleca się używanie rękawic gumowych i obuwia antypoślizgowego.
 - W przypadku długich włosów nosić siatkę na włosy.

8. Nie używać kabla do celów, do których nie jest przeznaczony
 - Nie ciągnąć za przewód w celu wyjęcia wtyczki z gniazda. Chronić kabel przed wysoką temperaturą, olejem i ostrymi krawędziami.
9. Dbać starannie o narzędzia
 - Sprężarkę utrzymywać w stanie czystym, aby zapewnić prawidłową i bezpieczną eksploatację.
 - Stosować się do wskazówek dotyczących konserwacji.
 - Regularnie kontrolować przewód przyłączeniowy narzędzia elektrycznego i w przypadku uszkodzenia zlecić uznanemu specjaliście jego wymianę.
 - Regularnie kontrolować i w razie uszkodzenia wymienić przewody przedłużające.
10. Wtyczkę należy wyjąć z gniazodka
 - W przypadku nieużywania narzędzia elektrycznego, przed przystąpieniem do konserwacji i przy wymianie narzędzi, jak np. brzeszczot piły, wiertła, frezy.
11. Unikać niezamierzonego uruchomienia
 - Upewnić się, że podczas wkładania wtyczki do gniazda przełącznik jest wyłączony.
12. Użyć przedłużacza w przypadku zastosowania na zewnątrz
 - Na zewnątrz używać wyłącznie dopuszczonych do tego i odpowiednio oznaczonych kabli przedłużających.
 - Bębny kablowe stosować wyłącznie w stanie rozwiniętym.
13. Stale zachowywać ostrożność
 - Skupiać się na wykonywanych czynnościach. Pracować z rozsądkiem. Nie używać narzędzia elektrycznego w stanie dekoncentracji.
14. Sprawdzić narzędzie elektryczne pod kątem ewentualnych uszkodzeń
 - Przed dalszym użyciem narzędzia elektrycznego należy starannie zbadać urządzenia ochronne i lekko uszkodzone części pod kątem prawidłowego i zgodnego z przeznaczeniem działania.
 - Skontrolować, czy ruchome części działają bez zarzutu i nie zacinają się oraz czy części nie są uszkodzone. Wszystkie części muszą być prawidłowo zamontowane, a wszystkie warunki spełnione, aby zagwarantować prawidłową pracę narzędzia elektrycznego.
 - Uszkodzone urządzenia ochronne i części należy zgodnie z ich przeznaczeniem oddać do naprawy lub wymiany do warsztatu specjalistycznego, o ile nie podano inaczej w instrukcji obsługi.
 - Uszkodzone przełączniki należy wymienić w warsztacie serwisowym.
 - Nie stosować wadliwych lub uszkodzonych przewodów przyłączeniowych.
 - Nie używać elektronarzędzi, przy których nie da się włączyć i wyłączyć przełącznika.
15. Naprawę narzędzia elektrycznego należy zlecać wykwalifikowanemu elektrykowi
 - Niniejsze narzędzie elektryczne odpowiada odnośnym przepisom bezpieczeństwa. Naprawy mogą wykonywać wyłącznie wykwalifikowani elektrycy, stosując oryginalne części zamienne; inaczej istnieje ryzyko wypadku dla użytkownika.

16. Uwaga!

- Dla własnego bezpieczeństwa używać tylko akcesoriów i przyrządów dodatkowych podanych w instrukcji obsługi lub zalecanych lub podanych przez producenta. Użycie innych narzędzi roboczych lub innych akcesoriów niż zalecane w instrukcji obsługi lub katalogu stwarza ryzyko obrażeń dla użytkownika.

17. Hałas

- Podczas używania sprężarki należy stosować nauszники ochronne.

18. Wymiana przewodu przyłączeniowego

- Jeżeli przewód przyłączeniowy ulegnie uszkodzeniu, należy zlecić jego wymianę producentowi lub wykwalifikowanemu elektrykowi, aby uniknąć zagrożeń. Niebezpieczeństwo porażenia prądem elektrycznym.

19. Pompowanie opon

- Ciśnienie w oponach należy sprawdzać bezpośrednio po napompowaniu za pomocą odpowiedniego manometru, np. na stacji benzynowej.

20. Sprężarki drogowe podczas pracy na placu budowy

- Zwrócić uwagę, czy wszystkie węże i zawory są odpowiednie dla maksymalnego dopuszczalnego ciśnienia roboczego sprężarki.

21. Miejsce ustawienia

- Ustawiać sprężarkę tylko na płaskiej powierzchni.

22. Zaleca się, by węże doprowadzające w przypadku wartości ciśnienia powyżej 7 bar były wyposażone w kabel bezpieczeństwa, np. linkę stalową.

23. Unikać silnych obciążeń systemu przewodów stosując elastyczne przyłącza węży, by uniknąć miejsc zgięcia.

24. Należy upewnić się, że urządzenia chłodzące olej są w stanie nadającym się do używania.

25. Ryzyko poparzenia gorącym olejem

- Nosić odpowiednie rękawice ochronne.
- Nigdy nie pracować z kompresorem w pobliżu otwartych płomieni.
- Uważać, żeby nie rozlać oleju.

26. Przy niskich temperaturach poniżej 0°C rozruch silnika jest zabroniony.

Dodatkowe wskazówki dotyczące bezpieczeństwa

Wskazówki dotyczące bezpieczeństwa przy pracy ze sprężonym powietrzem i pistoletami pneumatycznymi

- Pompa sprężarkowa i przewody osiągają podczas pracy wysokie temperatury. Dotknięcie ich spowoduje poparzenia.
- Powietrze zasysane przez sprężarkę musi być wolne od domieszek, które mogłyby spowodować pożar lub eksplozję w pompie sprężarkowej.
- Podczas luzowania złączki węża należy mocno trzymać ją dłońmi. W ten sposób można uniknąć obrażeń spowodowanych odbiciem węża.
- Podczas pracy z pistoletem wydmuchowym należy nosić okulary ochronne. Ciała obce i nadmuchiwane części mogą łatwo spowodować obrażenia.
- Nie należy używać pistoletu wydmuchowego do wydmuchiwania ludzi lub czyszczenia odzieży na ciele. Niebezpieczeństwo odniesienia obrażeń!

Wskazówki dotyczące bezpieczeństwa w zakresie odpryskiwania farby

- Nie należy używać lakierów lub rozpuszczalników o temperaturze zapłonu poniżej 55°C. Niebezpieczeństwo wybuchu!
- Nie należy podgrzewać lakierów i rozpuszczalników. Niebezpieczeństwo wybuchu!
- W przypadku przetwarzania cieczy szkodliwych dla zdrowia są niezbędne do ochrony urządzenia filtrujące (maski na twarz). Należy również przestrzegać informacji podanych przez producentów takich substancji dotyczących środków ochronnych.
- Należy przestrzegać informacji i oznaczeń rozporządzenia o substancjach niebezpiecznych umieszczonych na zewnętrznych opakowaniach przetwarzanych materiałów. W razie potrzeby należy podjąć dodatkowe środki ochronne, w szczególności należy nosić odpowiednią odzież i maski.
- Palenie tytoniu podczas opryskiwania oraz w obszarze roboczym nie jest dozwolone. Niebezpieczeństwo wybuchu! Opary farb są również bardzo łatwopalne.
- Paleniska, otwarte światło lub iskrzące maszyny nie mogą być dostępne lub obsługiwane.
- W miejscu pracy nie wolno przechowywać i spożywać żywności i napojów. Opary farb są szkodliwe dla zdrowia.
- Przestrzeń robocza musi być większa niż 30 m³ i musi być zapewniona wystarczająca wymiana powietrza podczas natryskiwania i suszenia.
- Nie rozpryskiwać pod wiatr. Podczas opryskiwania łatwopalnych lub niebezpiecznych materiałów natryskowych należy zawsze przestrzegać przepisów lokalnego urzędu policji.
- Nie przetwarzać mediów takich jak benzyna lakowa, alkohol butylowy i chlorek metylenu przy użyciu węża ciśnieniowego PVC. Te media niszczą wąż ciśnieniowy.
- W przypadku stosowania z osprzętem do rozpryskiwania (np. pistoletem wtryskowym farby): podczas napełniania urządzeń natryskowych należy zachować odstęp do urządzenia i nie przyskać w kierunku sprężarki.

Eksploatacja zbiorników ciśnieniowych

- Każda osoba, która używa zbiornika ciśnieniowego, jest zobowiązana do jego utrzymywania w prawidłowym stanie, do jego prawidłowego używania i monitorowania, do niezwłocznego dokonywania niezbędnych prac związanych z utrzymaniem i naprawą oraz do podejmowania niezbędnych środków bezpieczeństwa odpowiednio do warunków.
- Organ nadzorujący może w danym przypadku nakazać niezbędne środki nadzorujące.
- Zbiornik ciśnieniowy nie może być używany, jeżeli wykazuje wady, które stanowią zagrożenie dla pracowników lub osób trzecich.
- Przed każdym używaniem należy sprawdzić zbiornik ciśnieniowy pod kątem rdzy i uszkodzeń. Kompresora nie wolno używać z uszkodzonym lub zardzewiałym zbiornikiem ciśnieniowym. W razie stwierdzenia uszkodzeń, proszę zwrócić się do warsztatu serwisowego.

Niniejsze wskazówki dotyczące bezpieczeństwa przechowywać w bezpiecznym miejscu.

Ryzyko resztkowe

Przestrzegać zalecanych wskazówek konserwacji i bezpieczeństwa, zawartych w instrukcji obsługi.

Zachować ostrożność podczas pracy i nakazać osobom trzecim zachowanie bezpiecznej odległości od stanowiska pracy.

Nawet w przypadku prawidłowego użytkowania urządzenia pozostaje zawsze pewne ryzyko resztkowe, którego nie można wykluczyć. Ze względu na rodzaj i konstrukcję urządzenia można wyróżnić poniższe potencjalne zagrożenia:

- Niezamierzone uruchomienie produktu.
- Uszkodzenie słuchu, jeżeli nie jest zakładana zalecana ochrona słuchu.
- Cząsteczki zanieczyszczeń, pył, itp. mogą przedostać się do oczu lub twarzy mimo zakładania okularów ochronnych.
- Wdychanie wznoszących się cząsteczek.

Ostrzeżenie!

Niniejsze narzędzie elektryczne wytwarza podczas pracy pole elektromagnetyczne. Pole to może w pewnych okolicznościach wpływać negatywnie na aktywne lub pasywne implanty medyczne. W celu zmniejszenia ryzyka poważnych lub śmiertelnych obrażeń, osobom z implantami medycznymi przed użyciem narzędzia elektrycznego zalecamy konsultację z lekarzem i producentem.

7. Dane techniczne

Przyłącze sieciowe	230 V~ 50 Hz
Moc silnika	1800 W
Tryb pracy.....	S1
Prędkość obrotowa sprężarki	2850 min ⁻¹
Pojemność zbiornika ciśnieniowego.....	ok. 24 l
Maksymalne ciśnienie robocze.....	ok. 10 barów
Teoretyczna wydajność ssania.....	ok. 260 l/min
Poziom ciśnienia akustycznego L _{PA}	72,9 dB(A)
Poziom mocy akustycznej L _{WA}	92,9 dB(A)
Niepewność K _{PA/WA}	2,59 dB
Stopień ochrony	IPX2
Ciężar urządzenia	ok. 26,8 kg
Olej (SAE 15W 40).....	ok. 0,25 l
Maksymalna wysokość ustawienia (n.p.m.).....	1000 m

Wartości emisji hałasu zostały ustalone zgodnie z EN ISO 3744:1995.

Nosić nauszники ochronne.

Hałas może powodować utratę słuchu.

8. Przed uruchomieniem

- Otworzyć opakowanie i wyjąć ostrożnie urządzenie.
- Usunąć materiał opakowaniowy oraz zabezpieczenia opakowania transportowe (jeśli występują).
- Sprawdzić, czy zakres dostawy jest kompletny.
- Sprawdzić urządzenie i elementy wyposażenia pod kątem uszkodzeń w trakcie transportu.
- W miarę możliwości zachować opakowanie do zakończenia okresu gwarancyjnego.

NIEBEZPIECZEŃSTWO

Urządzenie i materiały opakowaniowe nie mogą służyć jako zabawka dla dzieci! Dzieciom nie wolno bawić się workami z tworzywa sztucznego, foliami i drobnymi elementami! Istnieje niebezpieczeństwo połamania i uduszenia!

Przed podłączeniem do sieci upewnić się, że dane na tabliczce znamionowej są zgodne z parametrami sieci.

- Przed pierwszym uruchomieniem zdjąć pokrywę transportową (20a) i napełnić obudowę pompy sprężarki olejem zgodnie z opisem w punkcie 9.4.
- Sprawdzić urządzenie pod kątem uszkodzeń transportowych. Wszelkie szkody zgłosić niezwłocznie firmie przewoźnej, która dostarczyła sprężarkę.
- Sprężarka musi być zainstalowana w pobliżu odbiornika.
- Należy unikać długich przewodów powietrza i długich przewodów doprowadzających (przedłużacze).
- Upewnić się, że powietrze zasysane jest suche i bezpyłowe.
- Nie używać sprężarki w wilgotnych lub mokrych pomieszczeniach.
- Sprężarkę można używać tylko w odpowiednich pomieszczeniach (dobrze wentylowane, temperatura otoczenia od +5°C do 40°C). Pomieszczenie nie może zawierać żadnych pyłów, kwasów, oparów, gazów wybuchowych lub palnych.
- Sprężarka nadaje się do stosowania w suchych pomieszczeniach. Stosowanie w miejscach, w których pracuje się z wodą rozpryskową, jest niedozwolone.
- Przed uruchomieniem należy sprawdzić poziom oleju w obudowie pompy sprężarki.

9. Montaż i obsługa

⚠ Uwaga!

Przed uruchomieniem urządzenie koniecznie całkowicie zmontować!

Elementy niezbędne do montażu:

1x klucz widlasty 13 mm

1x śrubokręt do wkrętów z rowkiem krzyżowym

(nie wchodzi w zakres dostawy)

9.1 Montaż kół (rys. 4)

- Zamontować dołączone koła (11) w sposób przedstawiony na rysunku.

9.2 Montaż stojaków (rys. 5)

- Zamontować dołączone stojaki (9) w sposób przedstawiony na rysunku.

9.3 Montaż filtra powietrza (rys. 6, 7)

- Usunąć pokrywę transportową (15a) i na urządzeniu przykręcić filtr powietrza (15).

9.4 Napełnianie olejem (rys. 8, 9)

- Usunąć pokrywę transportową (20a) otworu wlewu oleju (20).
- Napełnić dostarczony olej do kompresorów do obudowy pompy sprężarki i włożyć załączoną zaślepkę olejową (16) w otwór wlewu oleju (20).

9.5 Przyłącze sieciowe

- Sprężarka jest wyposażona w kabel sieciowy z wtyczką z zestykiem ochronnym. Można go podłączyć do każdego gniazda wtykowego 220 - 240 V~ 50 Hz, zabezpieczonego 16 A.
- Przed uruchomieniem należy upewnić się, że napięcie sieciowe odpowiada napięciu robocznemu i mocy maszyny podanej na tabliczce znamionowej.
- Długie przewody zasilające, jak również przedłużacze, bębny kablowe itp. powodują spadki napięcia i mogą uniemożliwić uruchomienie silnika.
- Przy niskich temperaturach poniżej +5°C rozruch silnika jest zagrożony przez ciężką pracę.

9.6 Włącznik/wyłącznik (rys. 2)

- W celu włączenia sprężarki należy włącznik/wyłącznik (17) pociągnąć w górę. W celu wyłączenia należy włącznik/wyłącznik (17) wcisnąć w dół.

9.7 Ustawienia ciśnienia (rys. 1, 3)

- Ciśnienie na manometrze (4) jest ustawiane regulatorem ciśnienia (5).
- Ustawione ciśnienie można odczytać na szybkozłęczu (3).
- Na manometrze (6) można odczytać ciśnienie w kotle.
- Ciśnienie w kotle jest pobierane na szybkozłęczu (7).

9.8 Ustawienie przełącznika ciśnienia (rys. 1)

- Przełącznik ciśnienia (2) jest ustawiony fabrycznie.
Ciśnienie włączenia ok. 8 barów
Ciśnienie wyłączenia ok. 10 barów

9.9 Montaż węży sprężonego powietrza (rys. 1, 3)

- Podłączyć złącze wtykowe (14a) węży sprężonego powietrza (14) do jednego z szybkozłęczu (3, 7).
- Następnie podłączyć narzędzie pneumatyczne do szybkozłęczu (14b) węży sprężonego powietrza (14).

9.10 Przełącznik termiczny

Przełącznik termiczny jest zamontowany na urządzeniu.

W razie aktywacji przełącznika termicznego należy postępować w następujący sposób:

- Wyciągnąć wtyczkę sieciową.
- Odczekać około dwóch do trzech minut.
- Ponownie włożyć urządzenie.
- Jeżeli urządzenie nie uruchamia się, powtórzyć proces.
- Jeżeli urządzenie nie uruchamia się, wyłączyć urządzenie włącznikiem/wyłącznikiem (17) i ponownie włączyć.
- Jeżeli wykonano wszystkie powyższe kroki, a urządzenie nadal nie działa, należy skontaktować się z naszym działem serwisu.

10. Przyłącze elektryczne

Zainstalowany silnik elektryczny jest gotowy do eksploatacji. Przyłącze odpowiada właściwym przepisom VDE (Związek Elektryków Niemieckich) oraz normom DIN. Przyłącze sieciowe udostępniane przez klienta oraz przedłużacz muszą być zgodne z powyższymi przepisami.

10.1 Ważne wskazówki

W przypadku przecięcia silnika wyłącza się on samoczynnie. Po czasie chłodzenia (zróżnicowany), silnik można ponownie uruchomić.

10.2 Uszkodzony elektryczny przewód przyłączeniowy

Na przewodach elektrycznych powstają często uszkodzenia izolacji.

Przyczyną może być:

- Ściskanie, w przypadku gdy przewody są prowadzone przez okna lub szczeliny w drzwiach.
- Zagięcia, w przypadku nieprawidłowego zamocowania lub prowadzenia przewodów.
- Przecięcia, w przypadku najężdżania na przewody.
- Uszkodzenia izolacji, w przypadku wrywania z gniazdka naściennego.
- Pęknięcia, spowodowane starzeniem się izolacji.

Uszkodzonych przewodów elektrycznych nie wolno używać - ze względu na uszkodzenie izolacji zagrażającą życiu.

Przewody elektryczne należy regularnie kontrolować pod kątem uszkodzeń. Pamiętać, by podczas sprawdzania przewodu nie był on podłączony do sieci elektrycznej.

Przewody elektryczne muszą odpowiadać właściwym przepisom VDE (Związek Elektryków Niemieckich) oraz normom DIN. Stosować wyłącznie przewody elektryczne tym samym oznaczeniem.

Przestrzegać informacji znajdującej się na oznaczeniu typu umieszczonym na przewodzie.

10.3 Silnik prądu przemiennego

- Napięcie sieciowe musi wynosić 220-240 V~ 50 Hz.
- Przedłużacze o długości 25 m muszą posiadać przekrój wynoszący 1,5 milimetra kwadratowego.

Podłączanie oraz naprawy wyposażenia elektrycznego mogą być przeprowadzane przez wykwalifikowanego elektryka.

W przypadku pytań proszę o podanie następujących danych:

- Rodzaj prądu silnika
- Dane z tabliczki identyfikacyjnej maszyny
- Dane z tabliczki identyfikacyjnej silnika

11. Czyszczenie, konserwacja i przechowywanie

⚠ Uwaga!

Przed wszelkimi pracami związanymi z czyszczeniem i konserwacją odłączyć wtyczkę od zasilania! Niebezpieczeństwo odniesienia obrażeń w wyniku uderzeń prądu!

⚠ Uwaga!

Odczekać, aż urządzenie całkowicie ostygnie! Ryzyko poparzenia!

⚠ Uwaga!

Przed podjęciem jakichkolwiek prac związanych z czyszczeniem i konserwacją należy odłączyć urządzenie od ciśnienia! Niebezpieczeństwo odniesienia obrażeń!

11.1 Czyszczenie

- Dokładać starań, aby urządzenie nie było pokryte pyłem ani zabrudzone. Urządzenie czyścić czystą ściereczką lub przedmuchiwać sprężonym powietrzem pod niskim ciśnieniem.
- Zalecamy czyszczenie urządzenia bezpośrednio po każdym użyciu.
- Urządzenie powinno się regularnie czyścić wilgotną szmatką i niewielką ilością mydła szarego. Nie stosować żadnych żrących środków czyszczących lub rozpuszczalników, mogą one powodować uszkodzenie elementów urządzenia wykonanych z tworzywa sztucznego. Zwracać uwagę, aby do wnętrza urządzenia nie dostała się woda.
- Przed czyszczeniem należy odłączyć wąż i narzędzia natryskowe od sprężarki. Sprężarka nie może być czyszczona wodą, rozpuszczalnikami lub podobnymi środkami.

11.2 Konserwacja zbiornika ciśnieniowego (rys. 1)

Uwaga!

W celu zapewnienia trwałej przydatności zbiornika ciśnieniowego (8) należy po każdej pracy odprowadzić wodę kondensacyjną poprzez otwarcie korka spustowego (10).

Najpierw należy spuścić ciśnienie w kotle (patrz 11.8.1). Korek spustowy (10) jest otwierany przez obracanie go w kierunku przeciwnym do ruchu wskazówek zegara (patrząc na śrubę od dołu sprężarki), tak aby woda kondensacyjna mogła całkowicie spłynąć ze zbiornika ciśnieniowego (8).

Następnie ponownie zamknąć korek spustowy (10) (obróć w kierunku zgodnym z ruchem wskazówek zegara). Przed każdym zastosowaniem należy sprawdzić zbiornik (8) ciśnieniowy pod kątem rdzy i uszkodzeń.

Sprężarki nie wolno używać z uszkodzonym lub zardzewiałym zbiornikiem ciśnieniowym (8). W razie stwierdzenia uszkodzeń, proszę zwrócić się do warsztatu serwisowego.

⚠ Uwaga!

Woda kondensacyjna ze zbiornika ciśnieniowego (8) zawiera pozostałości oleju. Zutylizować wodę kondensacyjną w sposób przyjazny dla środowiska w odpowiednim punkcie zbiórki.

11.3 Zawór bezpieczeństwa (rys. 3)

Zawór bezpieczeństwa (19) jest ustawiony na maksymalne dopuszczalne ciśnienie zbiornika ciśnieniowego (8). Przesłanianie zaworu bezpieczeństwa (19) lub usunięcie połączenia bezpieczeństwa (19b) między nakrętką spustową (19a) a jej nasadką (19c) jest niedozwolone. Aby zawór bezpieczeństwa (19) w razie potrzeby działał prawidłowo, należy go uruchamiać co 30 roboczogodzin, a przynajmniej trzy razy w roku. Aby otworzyć wylot zaworu bezpieczeństwa (19), należy odkręcić perforowaną nakrętkę spustową (19a) w kierunku przeciwnym do ruchu wskazówek zegara, a następnie wyciągnąć ręcznie trzpień zaworu przez perforowaną nakrętkę spustową (19a). Zawór wypuszcza słyszalnie powietrze. Następnie ponownie dokręcić nakrętkę spustową (19a) w kierunku zgodnym z ruchem wskazówek zegara.

11.4 Regularna kontrola poziomu oleju (rys. 10)

Sprężarkę ustawić na równej, płaskiej powierzchni.

Poziom oleju musi zawierać się w zakresie pomiędzy oznaczeniem MAX i MIN na wzierniku oleju (18).

Wymiana oleju: Zalecany olej: SAE 15W 40 lub podobny. Pierwsze napełnienie oleju należy wymienić po 100 roboczogodzinach, następnie wykonywać wymianę oleju po 500 roboczogodzinach; w tym celu spuścić olej i napełnić nowym olejem.

11.5 Wymiana oleju (rys. 1, 9, 10)

Wyłączyć silnik i wyjąć wtyczkę sieciową z gniazdka. Wyjąć korek wlewu oleju (16). Po spuszczeniu ewentualnie dostępnego ciśnienia powietrza można wykręcić korek wlewu oleju (12) na pompie sprężarki (13).

Aby zapobiec niekontrolowanemu wypływowi oleju, należy podłożyć pod spód matę metalową rynienkę i zbierać olej do pojemnika. Jeżeli olej nie wypłynie całkowicie, zalecamy lekkie przechylenie sprężarki. Jeżeli olej wypłynął, należy ponownie zamocować śrubę spustową oleju (12).

Zużyty olej zutyliзовать w odpowiednim punkcie zbiórki zużytego oleju.

Aby wlać odpowiednią ilość oleju, należy upewnić się, że sprężarka stoi na równej powierzchni. Wlać nowy olej do otworu wlewu oleju (20), aż poziom oleju osiągnie maksymalną ilość napełnienia. Jest to sygnalizowane czerwonym punktem na wzierniku oleju (18) (rys. 10).

Nie przekraczać maksymalnego poziomu napełnienia. Nadmierne napełnienie może spowodować uszkodzenie urządzenia. Ponownie umieścić korek wlewu oleju (16) w otworze wlewu oleju (20).

11.6 Czyszczenie filtra powietrza (rys. 3, 11, 12)

Filtr powietrza (15) zapobiega zasysaniu pyłu i zabrudzeń. Czyszczenie filtra powietrza (15) jest konieczne przynajmniej co 300 roboczogodzin. Zatkany filtr powietrza znacznie zmniejsza wydajność kompresora.

Zdjąć filtr powietrza (15), otwierając śrubę skrzydełkową (15b). Następnie odkręcić pokrywę filtra (15e). Można też wyjąć wkład filtra (15c) i obudowę filtra (15d). Ostrożnie oklepać wkład filtra (15c), pokrywę filtra (15e) oraz obudowę filtra (15d). Następnie elementy przedmuchać sprężonym powietrzem (ok. 3 bary) i ponownie zamontować w odwrotnej kolejności.

11.7 Informacje serwisowe

Należy pamiętać, że w przypadku tego produktu poniższe części podlegają naturalnemu zużyciu lub zużyciu uwarunkowanemu użytkowaniem, bądź są potrzebne jako materiały zużywalne.

Części zużywalne*: Filtr powietrza

* opcjonalnie w zakresie dostawy!

11.8 Przechowywanie

⚠ Uwaga!

Wyjąć wtyczkę sieciową, odpoietrzyć urządzenie i wszystkie podłączone narzędzia pneumatyczne. Wyłączyć sprężarkę tak, aby nie mogła zostać uruchomiona przez niepowołane osoby.

⚠ Uwaga!

Sprężarkę należy przechowywać wyłącznie w suchym otoczeniu niedostępnym dla niepowołanych osób. Nie przechylać się, przechowywać tylko w pozycji pionowej! Olej może wyciekać!

11.8.1 Spuszczanie nadciśnienia

Spuścić nadciśnienie w sprężarce poprzez wyłączenie sprężarki i wykorzystanie sprężonego powietrza, które jest jeszcze dostępne w zbiorniku ciśnieniowym (8), np. przy pomocy narzędzia pneumatycznego na biegu jałowym lub pistoletu wydmuchowego.

12. Transport

Uchwyt transportowy (1) służy do transportu i napędzania kompresora.

Podczas podnoszenia kompresora należy zwrócić uwagę na jego ciężar (patrz Dane techniczne).

Podczas transportu kompresora w pojazdach mechanicznych należy upewnić się, że ładunek jest odpowiednio zabezpieczony.

13. Utylizacja i ponowne wykorzystanie

Urządzenie znajduje się w opakowaniu chroniącym przed uszkodzeniami transportowymi. Opakowanie jest materiałem surowcowym, który nadaje się do ponownego wykorzystania i można wprowadzić go do obiegu surowców.

Urządzenie i jego wyposażenie są wykonane z różnych materiałów, np. metalu i tworzyw sztucznych. Uszkodzone elementy dostarczyć do punktu zbiorczego odpadów specjalnych. Zasięgnąć informacji w specjalistycznym punkcie sprzedaży lub w zarządzie gminy!



Opakowanie jest wykonane z materiałów przyjaznych dla środowiska, które można utylizować w miejscowych punktach zajmujących się recyklingiem.

Informacji o możliwościach utylizacji starych urządzeń można zasięgnąć w urzędzie miasta lub gminy.

Zużytego sprzętu nie wolno wyrzucać wraz z odpadami domowymi!



Symbol ten oznacza, że zgodnie z dyrektywą w sprawie zużytego sprzętu elektrycznego i elektronicznego (2012/19/UE) oraz przepisami krajowymi niniejszego produktu nie wolno utylizować wraz z odpadami domowymi. Produkt ten należy przekazać do przeznaczonego do tego celu punktu zbiórki. Można to zrobić np. poprzez zwrot przy zakupie podobnego produktu lub przekazanie do autoryzowanego punktu zbiórki zajmującego się recyklingiem zużytego sprzętu elektrycznego i elektronicznego. Nieprawidłowe obchodzenie się z użytym sprzętem może mieć negatywny wpływ na środowisko i zdrowie ludzkie ze względu na potencjalnie niebezpieczne materiały, które często znajdują się w użytym sprzęcie elektrycznym i elektronicznym. Poprzez prawidłową utylizację tego produktu przyczyniają się Państwo także do efektywnego wykorzystania zasobów naturalnych. Informacje dotyczące punktów zbiórki zużytego sprzętu można otrzymać w urzędzie miasta, od podmiotu publiczno-prawnego zajmującego się utylizacją, autoryzowanej jednostki odpowiedzialnej za utylizację zużytego sprzętu elektrycznego i elektronicznego lub w firmie obsługującej wywóz śmieci w Państwa miejscu zamieszkania.

14. Pomoc dotycząca usterek

Usterka	Możliwa przyczyna	Środek zaradczy
Sprężarka nie pracuje.	Napięcie sieciowe nie jest dostępne.	Sprawdzić kabel, wtyczkę sieciową, bezpiecznik i gniazdko.
	Napięcie sieciowe zbyt niskie.	Unikać zbyt długich przedłużaczy. Należy użyć przedłużacza o odpowiednim przekroju żyły.
	Temperatura zewnętrzna za niska.	Nie pracować poniżej +5 °C temperatury zewnętrznej.
	Silnik przegrzany.	Pozostawić silnik do ochłodzenia, w razie potrzeby usunąć przyczynę przegrzania.
Sprężarka działa, lecz brak ciśnienia.	Nieszczelny zawór bezpieczeństwa (19).	Skontaktować się z lokalnym centrum serwisowym. Naprawy zlecać wyłącznie przeszkolonemu personelowi.
	Zepsute uszczelki.	Sprawdzić uszczelki, wymienić uszkodzone uszczelki w wyspecjalizowanym warsztacie.
	Nieszczelny korek spustowy wody kondensacyjnej (10).	Dokręcić śrubę ręcznie. Sprawdzić uszczelnienie na śrubie, w razie potrzeby wymienić.
Sprężarka pracuje, ciśnienie jest wskazywane na manometrze, ale narzędzia nie pracują.	Nieszczelne połączenia węzowe.	Sprawdzić wąż sprężonego powietrza i narzędzia, w razie potrzeby wymienić.
	Nieszczelne szybkozłącze.	Skontaktować się z lokalnym centrum serwisowym. Naprawy zlecać wyłącznie przeszkolonemu personelowi.
	Ustawiono zbyt niskie ciśnienie na regulatorze ciśnienia (5).	Ponownie przykręcić regulator ciśnienia.

15. Gwarancja

Droży Klienci,

Wszystkie nasze produkty przechodzą przez rygorystyczną kontrolę jakości, aby zapewnić, że dotrą do Państwa w idealnym stanie. W mało prawdopodobnej sytuacji wystąpienia usterki w Państwa urządzeniu, proszę skontaktować się z naszym działem serwisu pod adresem podanym w niniejszej karcie gwarancyjnej. Oczywiście, jeśli wolelibyście Państwo do nas zadzwonić, jesteśmy również gotowi zaoferować pomoc pod numerem telefonu serwisu wydrukowanym poniżej. Proszę zwrócić uwagę na następujące warunki gwarancyjne, jakich należy przestrzegać w celu zgłaszania roszczeń gwarancyjnych:

- Te warunki gwarancji dotyczą dodatkowych uprawnień gwarancyjnych i w żadnym stopniu nie ograniczają Państwa praw ustawowych. Niniejsza gwarancja jest oferowana bezpłatnie.
- Nasza gwarancja obejmuje jedynie problemy wynikające z wad materiałowych lub wad wykonania i ogranicza się do usunięcia tych wad lub wymiany urządzenia. Proszę zwrócić uwagę, że nasze urządzenia nie są przeznaczone do użytkowania w zastosowaniach komercyjnych, handlowych lub przemysłowych. W związku z powyższym, gwarancja traci ważność, jeśli urządzenie zostanie wykorzystane w zastosowaniach komercyjnych, handlowych lub przemysłowych lub w innych równoważnych zastosowaniach. Gwarancja nie obejmuje również następujących kwestii: odszkodowanie za uszkodzenia w transporcie, uszkodzenia spowodowane nieprzestrzeganiem instrukcji instalacji/montażu lub uszkodzenia spowodowane niefachową instalacją, nieprzestrzeganiem instrukcji obsługi (np. podłączenie do błędnego napięcia lub natężenia sieciowego), błędnym lub nieodpowiednim użytkowaniem (np. przeciążenie urządzenia lub użycie niezatwierdzonych narzędzi lub akcesoriów), nieprzestrzeganiem przepisów konserwacji lub bezpieczeństwa, przedostaniem się ciał obcych do urządzenia (np. piasek, kamienie lub pył), rezultaty użycia siły lub zewnętrznych czynników (np. uszkodzenie spowodowane upuszczeniem urządzenia) i normalne zużycie wynikające z poprawnego użytkowania urządzenia.

Każda próba ingerencji w urządzenie lub jego modyfikacji skutkuje unieważnieniem gwarancji.

- Gwarancja obowiązuje przez 3 lata od dnia zakupu urządzenia. Roszczenia gwarancyjne należy składać przed upływem okresu gwarancji w okresie dwóch tygodni od zauważenia wady. Roszczenia gwarancyjne składane po upływie okresu gwarancji nie będą przyjmowane. Wraz z wymianą urządzenia lub jego części składowych rozpoczyna się ponownie okres gwarancyjny zgodnie z art. 581§1 Kodeksu Cywilnego. Dotyczy to również korzystania z serwisu na miejscu.
- W celu zgłoszenia roszczenia gwarancyjnego należy skorzystać z podanego poniżej adresu serwisu. Jeżeli reklamacja zostanie złożona w okresie objętym gwarancją, udostępniemy Państwu formularz zwrotu, który umożliwi bezpłatne odesłanie uszkodzonego urządzenia. Bardzo pomoże nam jak najbardziej szczegółowe opisanie przez Państwa charakteru problemu. Jeśli wada jest objęta gwarancją, urządzenie zostanie albo niezwłocznie naprawione i przekazane Państwu albo prześlemy Państwu nowe urządzenie.

Oczywiście z przyjemnością oferujemy także usługę odpłatnej naprawy wad, które nie są objęte zakresem niniejszej gwarancji, a także usługi pogwarancyjnej naprawy urządzeń. Aby skorzystać z takich usług, proszę przelać urządzenie na adres naszego serwisu.

Infolinia serwisu (PL):

00800 4003 4003
(0,00 €/Min.)

Adres e-mail (PL):

service.PL@schepbach.com

Adres serwisu (PL):

Arconet Sp. Z o.o
ul.Grobelnego 4
PL - 05-300 Minsk Mazowiecki



Na stronie www.lidl-service.com można pobrać ten oraz wiele innych podręczników, filmów produktowych oraz programów instalacyjnych.

Za pomocą kodu QR przechodzi się bezpośrednio do strony serwisu Lidl (www.lidl-service.com), a po wpisaniu numeru artykułu (IAN) 383215_2010 można pobrać instrukcję obsługi.

1.	Vysvetlenie symbolov na prístroji	64
2.	Úvod	65
3.	Popis prístroja (obr. 1 - 12)	65
4.	Rozsah dodávky.....	65
5.	Použitie v súlade s určením.....	65
6.	Bezpečnostné upozornenia.....	66
7.	Technické údaje	68
8.	Pred uvedením do prevádzky	68
9.	Zloženie a obsluha	68
10.	Elektrická prípojka.....	69
11.	Čistenie, údržba a skladovanie.....	69
12.	Preprava	70
13.	Likvidácia a opätovné zhodnotenie.....	70
14.	Odstraňovanie porúch.....	71
15.	Záručný list	72
16.	Vyhlásenie o zhode	127

1. Vysvetlenie symbolov na prístroji



SK

Pred uvedením do prevádzky si prečítajte návod na obsluhu a bezpečnostné upozornenia a dodržiavajte ich!



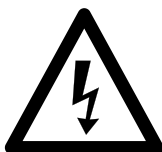
SK

Noste ochranu sluchu. Vplyv hluku môže spôsobiť stratu sluchu.



SK

Varovanie pred horúcimi dielmi! (A obr. 11)



SK

Varovanie pred elektrickým napätím



SK

Varovanie! Jednotka sa spúšťa automaticky a nesmie sa spustiť bez varovania.



SK

Pozor! Pred prvým uvedením do prevádzky skontrolujte hladinu oleja a vymeňte uzavieraciu zátku oleja!



SK

Dodržiavajte výstražné a bezpečnostné upozornenia!



SK

Údaj o hladine akustického výkonu v dB



SK

Nevystavujte prístroj dažďu!

2. Úvod

Výrobca:

Scheppach GmbH
Günzburger Straße 69
D-89335 Ichenhausen

Vážení zákazníci,

želáme Vám veľa zábavy a úspechov pri práci s Vaším novým prístrojom.

Upozornenie:

Výrobca tohto prístroja neručí podľa platného zákona o ručení za výrobok za škody, ktoré vzniknú na tomto prístroji alebo budú spôsobené týmto prístrojom pri:

- neodbornej manipulácii,
- Nedodržiavanie návodu na obsluhu
- opravách tretími osobami, neautorizovanými odborníkmi,
- montáži a výmene neoriginálnych náhradných dielov,
- použití v rozpore s určením,
- Výpadky elektrického zariadenia pri nedodržiavaní elektrických predpisov a ustanovení VDE 0100, DIN 57113 / VDE 0113.

Dodržiavajte:

Pred montážou a uvedením do prevádzky si prečítajte celý text návodu na obsluhu.

Tento návod na obsluhu vám má uľahčiť, aby ste sa oboznámili s elektrickým náradím a používali ho v súlade s určenými možnosťami použitia.

Návod na obsluhu obsahuje dôležité pokyny, ako s elektrickým náradím bezpečne, odborne a hospodárne pracovať a ako zabráňte nebezpečenstvám, ušetríte náklady na opravy, znížite časy prestojov a zvýšite spoľahlivosť a životnosť elektrického náradia.

Okrem bezpečnostných ustanovení tohto návodu na obsluhu musíte bezpodmienečne dodržiavať predpisy svojej krajiny platné pre prevádzku elektrického náradia.

Návod na obsluhu uschovajte pri elektrickom náradí a v plastovom obale, aby bol chránený pred špinou a vlhkosťou. Všetci obsluhujúci pracovníci si ho musia pred začiatkom práce prečítať a starostlivo ho dodržiavať. Na elektrickom náradí môžu pracovať len osoby, ktoré boli poučené o používaní elektrického náradia a boli informované o nebezpečenstvách, ktoré sú s tým spojené. Treba dodržiavať požadovaný minimálny vek.

Okrem bezpečnostných upozornení obsiahnutých v tomto návode na obsluhu a osobitných predpisov vašej krajiny treba rešpektovať všeobecne uznávané technické pravidlá pre prevádzku konštrukčne rovnakých strojov.

Nepreberáme zodpovednosť za žiadne nehody ani škody, ku ktorým dôjde v dôsledku nedodržania tohto návodu a bezpečnostných upozornení.

3. Popis prístroja (obr. 1 – 12)

1. Prepravná rukoväť
2. Tlakový spínač
3. Rýchlospojka (regulovaný stlačený vzduch)
4. Manometer (možnosť odčítania nastaveného tlaku)
5. Regulátor tlaku
6. Manometer (možnosť odčítania tlaku v kotle)
7. Rýchlospojka (neregulovaný stlačený vzduch)
8. Tlaková nádoba
9. Oporná noha
- 9a. Podložka
- 9b. Skrutka
10. Výpustná skrutka pre kondenzovanú vodu
11. Koleso
- 11a. Podložka
- 11b. Skrutka so šošovkovitou hlavou
12. Vypúšťacia skrutka oleja
13. Kompresorové čerpadlo
14. Pneumatická hadica
- 14a. Zástrčná vsuvka
- 14b. Rýchlospojka
15. Vzduchový filter
- 15a. Prepravný kryt
- 15b. Krídlová skrutka
- 15c. Filtračná vložka
- 15d. Teleso filtra
- 15e. Kryt filtra
16. Uzavieracia zátka oleja
17. Vypínač zap/vyp
18. Priezor oleja
19. Poistný ventil
- 19a. Vypúšťacia matica
- 19b. Poistka spojenia
- 19c. Uzáver vypúšťacej matice
20. Otvor na plnenie oleja
- 20a. Prepravný kryt

4. Rozsah dodávky

- 1x vzduchový filter
- 2x oporná noha
- 2x koleso
- 1x montážny materiál
- 1x uzavieracia zátka oleja
- 1x fľaša na olej
- 1x pneumatická hadica
- 1 x návod na obsluhu

5. Použitie v súlade s určením

Kompresor slúži na vytvorenie stlačeného vzduchu pre nástroje poháňané stlačeným vzduchom, ktoré je možno prevádzkovať s množstvom vzduchu po cca 180 l/min (napr. pištoľ na plnenie pneumatík, vyfukovacia pištoľ a pištoľ na striekanie laku). Z dôvodu obmedzeného množstva dopravovaného vzduchu nie je možné prevádzkovať nástroje, ktoré vykazujú veľmi vysokú spotrebu vzduchu (napr. vibračná brúska, tyčová brúska a nárazový uťahovač).

Stroj sa môže používať iba v súlade so svojím určením. Každé iné použitie presahujúce určenie je považované za používanie v rozpore s určením. Za škody z neho vzniknuté alebo poranenia akéhokoľvek druhu ručí používateľ/obsluha a nie výrobca.

Dbajte, prosím, na to, že naše prístroje neboli v súlade s určením skonštruované na komerčné, remeselné ani priemyselné použitie. Ak sa prístroj používa v komerčných, remeselných alebo priemyselných podnikoch, ako aj na podobné činnosti, nepreberáme žiadnu záruku.

6. Bezpečnostné upozornenia

⚠ **Pozor!**

Pri používaní elektrických prístrojov je nutné na ochranu pred zásahom elektrickým prúdom, pred nebezpečenstvom poranenia a nebezpečenstvom požiaru dodržiavať nasledujúce základné bezpečnostné upozornenia. Predtým ako použijete tento elektrický prístroj, prečítajte si všetky bezpečnostné upozornenia a dobre ich uschovajte.

Bezpečná práca

1. Vaše pracovné okolie udržiavajte čisté.
 - Následkom neporiadku v pracovnej oblasti môžu byť nehody.
2. Zohľadnite vplyvy okolia.
 - Elektrické prístroje nevystavujte dažďu.
 - Elektrické prístroje nepoužívajte vo vlhkom ani mokrom prostredí. Nebezpečenstvo v dôsledku zásahu elektrickým prúdom!
 - Postarajte sa o dobré osvetlenie pracovnej oblasti.
 - Elektrické prístroje nepoužívajte na miestach, kde hrozí nebezpečenstvo vzniku požiaru alebo výbuchu.
3. Chráňte sa pred zásahom elektrickým prúdom.
 - Zabráňte kontaktu tela s uzemnenými dielmi (napr. rúrami, radiátormi, elektrickými sporákmi, chladiacimi zariadeniami).
4. Zabráňte prístupu deťom!
 - Nedovoľte iným osobám dotýkať sa nástroja a kábla, zabráňte im v prístupe do vašej pracovnej oblasti.
5. Nepoužívané elektrické prístroje bezpečne uschovajte
 - Nepoužívané elektrické prístroje sa musia skladovať na suchom, vysoko položenom alebo uzatvorenom priestore, mimo dosahu deťom.
6. Váš elektrický prístroj neprefažujte.
 - Pracujte lepšie a bezpečnejšie v uvedenom rozsahu výkonu.
7. Noste vhodný odev
 - Nenoste voľné oblečenie ani šperky, mohli by byť zachytené pohyblivými časťami.
 - Pri prácach vonku odporúčame nosiť gumené rukavice a protišmykovú obuv.
 - Pri dlhých vlasoch noste sieťku na vlasy.
8. Kábel používajte iba na taký účel, na aký je určený
 - Kábel nepoužívajte na vyťahovanie zástrčky zo zásuvky. Kábel chráňte pred horúčavou, olejom a ostrými hranami.
9. O vaše prístroje sa dôkladne starajte
 - Udržiavajte váš kompresor čistý, aby pracoval dobre a bezpečne.
 - Dodržiavajte predpisy týkajúce sa údržby.

- Pravidelne kontrolujte pripojovacie vedenie elektrického prístroja a pri poškodení ho nechajte vymeniť odborníkom.
 - Predlžovacie vedenia pravidelne kontrolujte a v prípade poškodenia ich vymeňte.
10. Zástrčku vytiahnite zo zásuvky.
 - Pri nepoužívaní elektrického prístroja, pred údržbou a pri výmene nástrojov, napr. pílového kotúča, vrtáka, frézy.
 11. Zabráňte neúmyselnému nábehu.
 - Uistite sa, že je spínač pri zasunutí zástrčky do zásuvky vypnutý.
 12. Pre vonkajšiu oblasť používajte predlžovací kábel.
 - Na voľnom priestranstve používajte iba povolené a príslušne označené predlžovacie káble.
 - Používajte káblový bubon iba v rozvinutom stave.
 13. Buďte neustále opatrní
 - Dávajte pozor na to, čo robíte. Pri práci sa riadte zdravým úsudkom. Elektrický prístroj nepoužívajte, ak sa neústredíte.
 14. Elektrický prístroj skontrolujte ohľadne prípadných poškodení
 - Pred ďalším používaním elektrického prístroja sa musia ochranné zariadenia alebo ľahko poškodené diely dôkladne prekontrolovať na ich bezchybnú funkciu v súlade s určením.
 - Skontrolujte, či pohyblivé diely fungujú bezchybne a nezasekávajú sa, alebo či nie sú poškodené diely. Všetky diely musia byť správne namontované a spĺňať všetky podmienky pre zaručenie bezchybnej prevádzky elektrického prístroja.
 - Poškodené ochranné zariadenia a diely sa musia v súlade s predpismi nechať opraviť alebo vymeniť v autorizovanej dielni, pokiaľ nie je v návode na obsluhu uvedené inak.
 - Poškodené spínače sa musia nechať vymeniť v dielni zákazníckeho servisu.
 - Nepoužívajte chybné ani poškodené prípojné vedenia.
 - Nepoužívajte žiadne elektrické prístroje, pri ktorých nie je možné spínač zapnúť a vypnúť.
 15. Elektrický prístroj nechajte opraviť vyučeným elektrikárom.
 - Tento elektrický prístroj zodpovedá príslušným bezpečnostným ustanoveniam. Opravy smie vykonávať iba elektrikár tak, že používa originálne náhradné diely, v opačnom prípade môže dôjsť k nehodám.
 16. Pozor!
 - V záujme vašej vlastnej bezpečnosti používajte iba príslušenstvo a prídavné zariadenia, ktoré sú uvedené v návode na obsluhu alebo sú odporúčané či uvedené výrobcom. Použitie iných vložených nástrojov alebo príslušenstva než tých, ktoré odporúča návod na obsluhu alebo katalóg, môže pre vás znamenať nebezpečenstvo fyzického zranenia.
 17. Hluk
 - Pri používaní kompresora noste ochranu sluchu.
 18. Výmena prípojného vedenia
 - Ak je prípojné vedenie poškodené, musí ho výrobca alebo kvalifikovaná osoba v oblasti elektrieky vymeniť, aby sa zabránilo ohrozeniam. Nebezpečenstvo v dôsledku zásahov elektrickým prúdom.

19. Naplnenie pneumatík
 - Bezprostredne po naplnení skontrolujte tlak pneumatík vhodným manometrom, napr. na čerpacej stanici.
20. Po komunikáciách prepravovateľné kompresory v stave-
niskovej prevádzke
 - Dbajte na to, aby všetky hadice a armatúry boli vhodné pre najvyšší prípustný prevádzkový tlak kompresora.
21. Inštalácia
 - Kompresor umiestnite iba na rovnú plochu.
22. Odporúča sa, aby sa privádzacie hadice pri tlakoch nad
7 barov vybavili bezpečnostným káblom, napr. drôteným
lanom.
23. Zabráňte silným zaťaženiám na systém vedení tým, že po-
užijete flexibilné hadicové prípojky, aby ste zabránili zalo-
meným miestam.
24. Zabezpečte, aby boli zariadenia na chladenie oleja udr-
žiavané v čistote a ochranné zariadenia pripravené na
prevádzku.
25. Nebezpečenstvo popálenia na horúcom oleji
 - Noste vhodné ochranné rukavice.
 - S kompresorom nikdy nepracujte v blízkosti otvorených
plameňov.
 - Dávajte pozor, aby ste nerozliali žiadny olej.
26. Pri nízkych teplotách pod 0 °C je rozbeh motora zaká-
zaný.

Dodatočné bezpečnostné upozornenia

Bezpečnostné upozornenia pre prácu so stlače- ným vzduchom a vyfukovacími pištoľami

- Kompresorové čerpadlo a vedenia dosahujú počas prevádzky vysoké teploty. Dotýkanie sa môže viesť k popáleninám.
- Vzduch nasávaný z kompresora je potrebné udržiavať bez prímies, ktoré by v kompresorovom čerpadle mohli viesť k požiarom alebo výbuchom.
- Pri uvoľňovaní hadicovej spojky držte spojku hadice pevne rukou. Tak zabránite poraneniam spôsobeným vymrštením hadice.
- Pri prácach s vyfukovacou pištoľou noste ochranné okuliare. Cudzie telesá a vyfúknuté diely môžu ľahko spôsobiť poranenia.
- Nefúkajte vyfukovacou pištoľou na osoby alebo na oblečenie na tele. Nebezpečenstvo poranenia!

Bezpečnostné upozornenia pri striekaní farby

- Nespracúvajte laky alebo rozpúšťadlá s bodom vzplanutia nižším ako 55 °C. Nebezpečenstvo výbuchu!
- Laky a rozpúšťadlá nezahrievajte. Nebezpečenstvo výbuchu!
- Ak sa spracovávajú zdraviu škodlivé kvapaliny, vyžadujú sa na ochranu filtračné prístroje (masky na tvár). Dodržiavajte tiež informácie o ochranných opatreniach poskytnutých výrobcami takýchto látok.
- Dbajte na údaje uvedené na obaloch spracúvaných materiálov a označenia nariadenia o nebezpečných látkach. V prípade potreby sa musia urobiť dodatočné ochranné opatrenia, predovšetkým sa musí nosiť vhodné oblečenie a masky.
- Počas procesu striekania, ako aj v pracovnom priestore sa nesmie fajčiť. Nebezpečenstvo výbuchu! Ľahko horľavé sú aj výpary z farieb.

- Ohniská, otvorený plameň alebo stroje tvoriace iskry nesmú byť prítomné, resp. prevádzkované.
- Jedlá a nápoje neuchovávajte ani nekonzumujte v pracovnom priestore. Výpary z farieb sú zdraviu škodlivé.
- Pracovný priestor musí byť väčší ako 30 m³ a pri striekaní a sušení musí byť zaistená dostatočná výmena vzduchu.
- Nikdy nestriekajte proti vetru. Pri postrekovaní horľavých, resp. nebezpečných postrekovacích materiálov rešpektujte ustanovenia miestneho policajného orgánu.
- Pomocou PVC tlakovzdušnej hadice nespracúvajte médiá, ako lakový benzín, butylalkohol a dichlórmetán. Tieto médiá poškodzujú tlakovzdušnú hadicu.
- Pri používaní spolu s príslušenstvom na striekanie (napr. pištoľ na striekanie farby): Pri plnení striekacieho prístroja dodržiavajte od prístroja dostatočnú vzdialenosť a nestriekajte v smere kompresora.

Prevádzka tlakových nádob

- Používateľ tlakovej nádoby musí udržiavať tlakovú nádobu v riadnom stave, správne ju používať, riadne kontrolovať, bezodkladne vykonávať potrebné údržbárske práce a opravy a podľa potreby prijať potrebné bezpečnostné opatrenia.
- Dozorný úrad môže v jednotlivých prípadoch nariadiť potrebné kontrolné opatrenia.
- Tlaková nádoba sa nesmie prevádzkovať, ak vykazuje nedostatky, ktoré môžu viesť k ohrozeniu zamestnancov alebo tretích osôb.
- Pred každou prevádzkou skontrolujte, či tlaková nádoba nejaví známky hrdze a poškodení. Kompresor sa nesmie prevádzkovať s poškodenou alebo zhrdzavenou tlakovou nádobou. V prípade zistenia poškodení sa obráťte na záručnícky servis.

Bezpečnostné upozornenia si dobre uschovajte.

Zvyškové riziko

Dodržte určené údržbové a bezpečnostné upozornenia návodu na obsluhu.

Pri práci buďte vždy pozorní a tretie osoby udržiavajte v bezpečnej vzdialenosti od vášho pracoviska.

Určité zvyškové riziko, ktoré nie je možné vylúčiť, pretrváva vždy aj pri odbornom používaní prístroja. Z druhu a konštrukcie prístroja je možné odvodiť nasledujúce potenciálne ohrozenia:

- Neúmyselné uvedenie výrobku do prevádzky.
- Poškodenie sluchu, ak sa nenosí predpísaná ochrana sluchu.
- Častice nečistôt, prach atď. sa do vašich očí alebo tváre môžu dostať aj napriek noseniu ochranných okuliarov.
- Vdychovanie rozvírených častíc.

Varovanie!

Tento elektrický prístroj vytvára počas prevádzky elektromagnetické pole. Toto pole môže za určitých okolností ovplyvniť aktívne alebo pasívne implantáty. Na zníženie nebezpečenstva závažných alebo smrteľných poranení odporúčame osobám s implantátmi prekonzultovať situáciu so svojím lekárom a výrobcou implantátu ešte predtým, ako začnú obsluhovať elektrický prístroj.

7. Technické údaje

Sieťová prípojka	230 V~ 50 Hz
Výkon motora	1800 W
Prevádzkový režim	S1
Otáčky kompresora.....	2850 min ⁻¹
Objem tlakovej nádoby	cca 24 l
Maximálny prevádzkový tlak	cca 10 bar
Teoretický sací výkon	cca 260 l/min
Hladina akustického tlaku L _{PA}	72,9 dB (A)
Hladina akustického výkonu L _{WA}	92,9 dB (A)
Neistota K _{PA/WA}	2,59 dB
Druh krytia	IPX2
Hmotnosť prístroja.....	cca 26,8 kg
Olaj (SAE 15W 40).....	cca 0,25 l
Maximálna výška inštalácie (m.n.m.).....	1000 m

Hodnoty emisie hluku zariadenia boli určené podľa EN ISO 3744:1995.

Noste ochranu sluchu.

Vplyv hluku môže spôsobiť stratu sluchu.

8. Pred uvedením do prevádzky

- Otvorte obal a opatrne vyberte prístroj.
- Odstráňte baliaci materiál, ako aj obalové a prepravné poistky (ak sú použité).
- Skontrolujte, či je rozsah dodávky kompletný.
- Prístroj a diely príslušenstva skontrolujte ohľadom poškodení spôsobených prepravou.
- Obal podľa možnosti uschovajte až do uplynutia záručnej doby.

NEBEZPEČENSTVO

Prístroj a obalové materiály nie sú hračkami pre deti! Deti sa nesmú hrať s plastovými vreckami, fóliami a malými dielmi! Existuje nebezpečenstvo prehltnutia a zadusenia!

Pred pripojením sa presvedčte, či sa údaje na typovom štítku zhodujú s parametrami elektrickej siete.

- Pred prvým uvedením do prevádzky odmontujte prepravné veko (20a) a naplňte skriňu kompresorového čerpadla olejom tak, ako je popísané v bode 9.4.
- Prístroj skontrolujte ohľadom poškodení spôsobených prepravou. Okamžite oznámte akékoľvek škody dopravnej spoločnosti, ktorá dodala kompresor.
- Kompresor musí byť nainštalovaný v blízkosti spotrebiteľa.
- Nepoužívajte dlhé vzduchové vedenia a dlhé privody (predĺžovacie káble).
- Dbajte aj na suchý nasávací vzduch bez prachu.
- Neinštalujte kompresor vo vlhkých a mokrych priestoroch.
- Kompresor je možné prevádzkovať len vo vhodných priestoroch (dobře vetraných, okolitá teplota +5 °C až 40 °C). V priestore sa nesmú vyskytovať prachy, kyseliny, výpary, výbušné a horľavé plyny.
- Kompresor je vhodný na použitie v suchých priestoroch. Použitie nie je povolené v oblastiach, kde sa pracuje s rozprašovanou vodou.

- Pred uvedením do prevádzky sa musí skontrolovať hladina oleja v telese kompresorového čerpadla.

9. Zloženie a obsluha

⚠ Pozor!

Prístroj pred uvedením do prevádzky bezpodmienečne kompletne zmontujte!

Na montáž potrebujete:

1x vidlicový kľúč 13 mm

1x krížový skrutkovač

(nie je v rozsahu dodávky)

9.1 Montáž kolies (obr. 4)

- Namontujte priložené kolesá (11) tak, ako je na obrázku.

9.2 Montáž oporných nôh (obr. 5)

- Namontujte priložené oporné nohy (9) tak, ako je na obrázku.

9.3 Montáž vzduchového filtra (obr. 6, 7)

- Odstráňte prepravný kryt (15a) a pripevnite vzduchový filter (15) na prístroj.

9.4 Plnenie olejom (obr. 8, 9)

- Odstráňte prepravné veko (20a) na otvore na plnenie oleja (20).
- Naplňte skriňu kompresorového čerpadla dodaným kompresorovým olejom a nasadte priloženú uzavieraciu zátku oleja (16) do otvoru na plnenie oleja (20).

9.5 Sieťová prípojka

- Kompresor je vybavený sieťovým vedením s ochrannou vidlicou. Tento je možné pripojiť na každú zásuvku s ochranným kontaktom 220 - 240 V~ 50 Hz, ktorá je poistená 16 A poistkou.
- Pred uvedením do prevádzky dbajte na to, aby sa sieťové napätie zhodovalo s prevádzkovým napätím a výkonom stroja na typovom štítku.
- Dlhé privody, ako aj predĺženia, káblové bubny atď. spôsobujú pokles napätia a môžu zabrániť rozbehu motora.
- Pri nízkych teplotách pod +5 °C je rozbeh motora ohrozený ťažkým chodom.

9.6 Zapínač/vypínač (obr. 2)

- Pre zapnutie kompresora sa zapínač/vypínač (17) potiahne nahor. Na vypnutie sa zapínač/vypínač (17) zatlačí nadol.

9.7 Nastavenie tlaku (obr. 1, 3)

- Pomocou regulátora tlaku (5) sa na manometri (4) nastavuje tlak.
- Nastavený tlak sa dá odčítať na rýchlospojke (3).
- Na manometri (6) sa odčíta tlak v kotle.
- Tlak v kotle sa dá odčítať na rýchlospojke (7).

9.8 Nastavenie tlakového spínača (obr. 1)

- Tlakový spínač (2) je nastavený z výroby.
Spínací tlak cca 8 bar
Vypínací tlak cca 10 bar

9.9 Montáž hadice na stlačený vzduch (obr. 1, 3)

- Pripojte nasúvaciu vsuvku (14a) hadice na stlačený vzduch (14) na niektorú z rýchlospojok (3, 7).
- Potom pripojte pneumatiký nástroj na rýchlospojku (14b) hadice na stlačený vzduch (14).

9.10 Tepelný ochranný spínač

Tepelný ochranný spínač je zabudovaný do prístroja.

Ak sa tepelný ochranný spínač spustí, postupujte nasledovne:

- Vytiahnite sieťovú zástrčku.
- Počkajte cca 2 až 3 minúty.
- Opäť pripojte prístroj.
- Ak sa prístroj nespustí, zopakujte proces.
- Ak sa prístroj opäť nespustí, vypnite a opäť zapnite prístroj cez zapínač/vypínač (17).
- Ak ste vykonali všetky vyššie uvedené kroky a prístroj napriek tomu nefunguje, kontaktujte náš servis.

10. Elektrická prípojka

Nainštalovaný elektromotor je pripojený a pripravený na prevádzku. Pripojenie zodpovedá príslušným ustanoveniam VDE a DIN. Sieťová prípojka na strane zákazníka, ako aj predĺžovacie vedenie musia zodpovedať týmto predpisom.

10.1 Dôležité upozornenia

Pri preťažení motora sa tento samočinne vypne. Po vychladení (časovo odlišné) je možné motor znovu zapnúť.

10.2 Poškodené elektrické prípojné vedenie

Na elektrických prípojných vedeniach často vznikajú škody na izolácii.

Príčinami môžu byť:

- Stlačené miesta, keď sa prípojné vedenia vedú cez okno alebo medzeru medzi dverami.
- Zalomené miesta v dôsledku neodborného upevnenia alebo vedenia prípojného vedenia.
- Rozrezané miesta vzniknuté pri prejazde cez prípojné vedenie.
- Škody na izolácii pri vytrhnutí zo zásuvky v stene.
- Trhliny pri zostarnutí izolácie.

Takéto poškodené elektrické prípojné vedenia sa nesmú používať a z dôvodu poškodenia izolácie sú životnebezpečné.

Elektrické prípojné vedenia pravidelne kontrolujte ohľadom poškodení. Dávajte pozor na to, aby pri kontrole prípojného vedenia nebolo vedenie pripojené k elektrickej sieti.

Elektrické prípojné vedenia musia zodpovedať príslušným ustanoveniam VDE a DIN. Používajte iba prípojné vedenia s rovnakým označením.

Vytlačenie označenia typu na prípojnom kábli je predpis.

10.3 Motor na striedavý prúd

- Sieťové napätie musí byť 220 – 240 V~ 50 Hz.
- Predĺžovacie vedenia do dĺžky 25 m musia vykazovať prierez 1,5 mm².

Prípojky a opravy elektrickej výbavy smie vykonávať iba vyučený elektrikár.

V prípade otázok uveďte, prosím, nasledujúce údaje:

- druh prúdu motora,
- Údaje z typového štítku stroja
- údaje z typového štítku motora.

11. Čistenie, údržba a skladovanie

⚠ Pozor!

Pred všetkými čistiacimi a montážnymi prácami vyťahnite sieťovú zástrčku! Nebezpečenstvo úrazu elektrickým prúdom!

⚠ Pozor!

Počkajte, kým prístroj úplne nevychladne! Nebezpečenstvo popálenia!

⚠ Pozor!

Pred všetkými čistiacimi a údržbovými prácami musí byť prístroj bez tlaku! Nebezpečenstvo poranenia!

11.1 Čistenie

- Udržiavajte prístroj podľa možností bez prachu a nečistôt. Zariadenie vydrhnite čistou handričkou alebo vyfúkajte stlačeným vzduchom pri nízkom tlaku.
- Prístroj odporúčame čistiť bezprostredne po každom použití.
- Stroj pravidelne čistite vlhkou handričkou a malým množstvom mazľavého mydla. Nepoužívajte agresívne čistiace prostriedky ani rozpúšťadlá, mohli by poškodiť plastové diely zariadenia. Dbajte na to, aby sa do vnútra stroja nedostala žiadna voda.
- Hadica a striekacie nástroje sa pred čistením musia odpojiť od kompresora. Kompresor sa nesmie čistiť vodou, rozpúšťadlami alebo pod.

11.2 Údržba tlakovej nádoby (obr. 1)

⚠ Pozor!

Na zaručenie dlhšej životnosti tlakovej nádoby (8) je potrebné po každej prevádzke otvoriť vypúšťaciu skrutku (10) a vypustiť kondenzovanú vodu.

Znížte najskôr tlak v kotle (pozri 11.8.1). Vypúšťacia skrutka (10) sa otvorí otočením proti smeru pohybu hodinových ručičiek (smer pohľadu na skrutku zo spodnej strany kompresora), aby bolo možné úplne vypustiť kondenzovanú vodu z tlakovej nádoby (8).

Potom vypúšťaciu skrutku (10) opäť zatvorte (otočte v smere pohybu hodinových ručičiek). Pred každou prevádzkou skontrolujte, či tlaková nádoba (8) nejaví známky hrdze a poškodení.

Kompresor sa nesmie prevádzkovať s poškodenou alebo zhrdzavenou tlakovou nádobou (8). V prípade zistenia poškodení sa obráťte na zákaznícky servis.

⚠ Pozor!

Kondenzovaná voda z tlakovej nádoby (8) obsahuje zvyšky oleja. Kondenzovanú vodu zlikvidujte ekologicky v príslušnom zbernom mieste.

11.3 Poistný ventil (obr. 3)

Poistný ventil (19) je nastavený na najvyšší prípustný tlak tlakovej nádoby (8). Poistný ventil (19) nie je prípustné prestavovať alebo odstraňovať poistku spojenia (19b) medzi vypúšťacou maticou (19a) a jej uzáverom (19c). Poistný ventil (19) sa musí aktivovať každých 30 prevádzkových hodín min. 3-krát ročne, aby v prípade potreby fungoval. Otvorte perforovanú vypúšťaciu maticu (19a) v protismere hodinových ručičiek a následne potiahnite ventilovú tyčku cez perforovanú vypúšťaciu maticu (19a) ručne smerom von, aby ste otvorili výpusť poistného ventilu (19). Cez ventil teraz počutelné uniká vzduch. Následne utiahnite vypúšťaciu maticu (19a) otočením v smere hodinových ručičiek.

11.4 Pravidelne kontrolujte hladinu oleja (obr. 10)

Kompresor postavte na rovnú plochu.

Hladina oleja sa musí nachádzať medzi MAX a MIN priezoru oleja (18).

Výmena oleja: Odporúčaný olej: SAE 15W 40 alebo s podobnými hodnotami. Prvotná náplň sa musí vymeniť po 100 prevádzkových hodinách; potom vyprázdňujte olej každých 500 prevádzkových hodín a opäť naplňte.

11.5 Výmena oleja (obr. 1, 9, 10)

Vypnite motor a vyťahnite sieťovú zástrčku zo zásuvky. Odstráňte uzavieraciu zátku oleja (16). Po vypustení prípadného tlaku vzduchu môžete vyskrutkovať vypúšťaciu skrutku oleja (12) na kompresorovom čerpadle (13).

Aby olej nevytekal nekontrolovane, použite malý plechový žliabok a zachytávajte olej priamo do nádoby. Ak olej nevytečie úplne, odporúčame vám mierne nakloniť kompresor. Ak olej vytekol, opäť namontujte vypúšťaciu skrutku oleja (12).

Starý olej zlikvidujte v príslušnej zberni starého oleja.

Pre naplnenie správneho množstva oleja dbajte na to, aby bol kompresor na rovnom povrchu. Naplňte olej do otvoru na plnenie oleja (20), kým hladina oleja nedosiahne maximálne množstvo plnenia. To je označené červeným bodom na priezore oleja (18) (obr. 10).

Neprekračujte maximálne plniace množstvo. Preplnenie môže mať za následok poškodenie prístroja. Opäť umiestnite uzavieraciu zátku oleja (16) do otvoru na plnenie oleja (20).

11.6 Čistenie vzduchového filtra (obr. 3, 11, 12)

Vzduchový filter (15) zabraňuje nasatiu prachu a nečistôt. Je potrebné vyčistiť tento vzduchový filter (15) aspoň každých 300 prevádzkových hodín. Upchatý vzduchový filter výrazne znižuje výkon kompresora.

Odstráňte vzduchový filter (15) otvorením krídlovej skrutky (15b). Vyťahnite následne kryt filtra (15e). Teraz môžete vyskrutkovať filtračnú vložku (15c) a teleso filtra (15d). Opatrne vyklepte filtračnú vložku (15c), kryt filtra (15e) a teleso filtra (15d). Tieto konštrukčné diely sa potom musia vyfúkať stlačeným vzduchom (cca 3 bar) a opäť namontovať v opačnom poradí.

11.7 Servisné informácie

Je potrebné dbať na to, že pri tomto produkte podliehajú nasledujúce diely použitiu primeranému alebo prirodzenému opotrebovaniu, resp. nasledujúce diely sú potrebné ako spotrebné materiály.

Diely podliehajúce opotrebovaniu*: Vzduchový filter

* nie je nutné obsiahnuté v rozsahu dodávky!

11.8 Skladovanie

⚠ Pozor!

Vyťahnite sieťovú zástrčku, odvzdušnite prístroj a všetky pripojené pneumatické nástroje. Odstavte kompresor tak, aby ho nemohli uviesť do prevádzky neoprávnené osoby.

⚠ Pozor!

Skladujte kompresor len v suchom prostredí neprístupnom pre nepovolanych. Nesklápaajte, skladujte len v stoj! Olej môže vytekať!

11.8.1 Uvoľnenie pretlaku

Uvoľnite pretlak v kompresore vypnutím kompresora a uvoľnite stlačený vzduch v tlakovej nádobe (8), napr. pomocou pneumatického nástroja v chode naprázdno alebo vyfukovacou pištoľou.

12. Preprava

Na prepravu používajte prepravnú rukoväť (1) a pomocou nej presúvajte kompresor.

Pri dvíhaní kompresora zohľadnite jeho hmotnosť (pozri Technické údaje).

Pri preprave kompresora v motorových vozidlách sa postarajte o dobré zabezpečenie nákladu.

13. Likvidácia a opätovné zhodnotenie

Prístroj sa nachádza v obale, aby sa zabránilo prípadným škodám pri preprave. Tento obal je surovina, je teda opätovne použiteľný alebo možno vykonať jeho recykláciu.

Prístroj a jeho príslušenstvo pozostávajú z rôznych materiálov, ako napr. kov a plasty. Poškodené konštrukčné diely odovzdajte na likvidáciu nebezpečného odpadu. Informácie si zistíte v špecializovanom obchode alebo od správy obce!



Obal je z ekologického materiálu, ktorý môžete zlikvidovať v miestnych recyklačných centrách.

O možnostiach likvidácie opotrebovaného prístroja sa informujte na vašej samospráve alebo štátnej správe.

Staré zariadenia nevyhadzujte do domového odpadu!



Tento symbol upozorňuje na to, že tento výrobok sa musí zlikvidovať podľa smernice o odpade z elektrických a elektronických zariadení (2012/19/EÚ) a nesmie sa zlikvidovať s domovým odpadom. Tento výrobok sa musí odovzdať na to určenému zbernému stredisku. K tomu môže dôjsť napríklad vrátením pri nákupe podobného výrobku alebo odovzdaním autorizovanému zbernému stredisku na recykláciu odpadu zo starých elektrických a elektronických zariadení. Neodborné zaobchádzanie so starými zariadeniami môže mať v dôsledku potenciálne nebezpečných látok, ktoré obsahuje odpad z elektrických a elektronických zariadení, negatívny vplyv na životné prostredie a zdravie osôb. Odbornou likvidáciou tohto výrobku navyše prispievate k efektívnemu využívaniu prírodných zdrojov. Informácie o zberných strediskách pre staré zariadenia získate od vašej miestnej správy, verejnoprávnej inštitúcie zaoberajúcej sa likvidáciou odpadu, autorizovaného úradu pre likvidáciu odpadu z elektrických a elektronických zariadení alebo od vášho odvozu odpadkov.

14. Odstraňovanie porúch

Porucha	Možná príčina	Náprava
Kompresor nebeží.	Sieťové napätie nie je prítomné.	Skontrolujte kábel, sieťovú zástrčku, poistku a zásuvku.
	Sieťové napätie je príliš nízke.	Zabráňte príliš dlhým predlžovacím káblom. Použite predlžovací kábel s dostatočným prierezom jadra.
	Vonkajšia teplota je príliš nízka.	Neprevádzkujte pri vonkajšej teplote nižšej ako +5 °C.
	Motor sa prehrieva.	Nechajte vychladnúť motor, v príp. potreby odstráňte príčinu prehriatia.
Kompresor beží, ale nie je prítomný žiaden tlak.	Poistný ventil (19) je netesný.	Kontaktujte vaše miestne servisné centrum. Opravy nechajte vykonať len vyškolený personál.
	Tesnenia sú poškodené.	Skontrolujte tesnenia, poškodené tesnenia nechajte vymeniť v odbornej dielni.
	Vypúšťacia skrutka pre kondenzovanú vodu (10) je netesná.	Dotiahnite skrutku ručne. Skontrolujte tesnenie na skrutke, v príp. potreby vymeňte.
Kompresor beží, tlak sa zobrazí na manometri, ale nástroje nebežia.	Spoje hadíc sú netesné.	Skontrolujte, v príp. potreby vymeňte hadicu na stlačený vzduch.
	Rýchlospojka je netesná.	Kontaktujte vaše miestne servisné centrum. Opravy nechajte vykonať len vyškolený personál.
	Na regulátore tlaku (5) je nastavený príliš nízky tlak.	Ďalej otáčajte tlakový regulátor.

15. Záručný list

Vážená zákazníčka, vážený zákazník,

naše výrobky podliehajú prísnej kontrole kvality. V prípade, že nebude prístroj napriek tomu bezchybne fungovať, je nám to veľmi ľúto a prosíme Vás, aby ste sa obrátili na našu servisnú službu na adrese uvedenej na tomto záručnom liste. Radi Vám budeme k dispozícii taktiež telefonicky na uvedenom servisnom telefónnom čísle. Pri uplatňovaní nárokov na záručné plnenie platia nasledujúce podmienky:

- Tieto záručné podmienky upravujú dodatočné záručné plnenie. Vaše zákonné nároky na záruku nie sú touto zárukou dotknuté. Naše záručné plnenie je pre Vás zadarmo.
- Záručné plnenie sa vzťahuje výlučne len na nedostatky, ktoré sú spôsobené chybami materiálu alebo výrobnými chybami, a je obmedzené na odstránenie týchto nedostatkov resp. výmenu prístroja. Prosím, dbajte na to, že naše prístroje neboli svojím určením konštruované na profesionálne, remeselnícke ani priemyselné použitie. Táto záručná zmluva sa preto neuzatvára, ak sa prístroj bude používať v profesionálnych, remeselníckych alebo priemyselných prevádzkach ako aj na činnosti rovnocenné s takýmto použitím. Z našej záruky sú okrem toho vylúčené náhradné plnenie za škody pri transporte, škody spôsobené nedodržaním návodu na montáž alebo na základe neodbornej inštalácie, nedodržaním návodu na použitie (ako napr. pripojením na nesprávne sieťové napätie alebo druh prúdu), zneužívaním alebo nesprávnym používaním (ako napr. preťaženie prístroja alebo použitie neprípustných pracovných nástrojov alebo príslušenstva), nedodržaním pokynov pre údržbu a bezpečnostných pokynov, vniknutím cudzích telies do prístroja (ako napr. piesok, kamene alebo prach), použitím násilia alebo cudzieho pôsobenia (napr. škody spôsobené pádom), a taktiež je vylúčené bežné opotrebenie primerané použitiu.

Nárok na záruku zaniká, ak už boli na prístroji svojvoľne uskutočnené zásahy.

- Doba záruky je 3 roky a začína sa dátumom nákupu prístroja. Nároky na záruku sa musia uplatniť pred koncom uplynutia záručnej doby do dvoch týždňov od zistenia nedostatku. Uplatnenie nárokov na záruku po uplynutí záručnej doby je vylúčené. Oprava alebo výmena prístroja nevedie k predĺženiu záručnej doby ani nedochádza na základe tohto plnenia ku vzniku novej záručnej doby pre prístroj ani pre akékoľvek inštalované náhradné diely. To platí taktiež pri nasadení miestneho servisu.
- Pre uplatnenie Vášho nároku na záruku sa, prosím, obráťte na nižšie uvedenú adresu servisu. Pokiaľ reklamácia prebieha počas záručnej doby, dáme Vám k dispozícii formulár o vrátení tovaru, s ktorým nám môže svoj chybný prístroj bezplatne poslať späť. Prosím, popíšte nám čo najpresnejšie dôvod reklamácie. Ak spadá defekt prístroja pod naše záručné plnenie, dostanete obratom naspäť opravený alebo nový prístroj.

Samozrejme Vám radi opravíme závady na prístroji na vaše náklady, ak tieto závady nespádajú alebo už nespádajú do rozsahu záruky. Prosím, pošlite nám v takom prípade prístroj na našu servisnú adresu.

Priama linka servisu (SK):

00800 4003 4003
(0,00 €/Min.)

E-mailová adresa (SK):

service.SK@scheppach.com

Adresa servisu (SK):

GARLAND distributor, s.r.o.
Hradecká 1136
CZ - 50601 Jicín



Na stránke www.lidl-service.com si môžete stiahnuť tieto a veľa ďalších príručiek, videí o výrobkoch a inštaláčne softvéry.

Pomocou kódu QR môžete priamo otvoriť stránku služieb spoločnosti Lidl (www.lidl-service.com) a otvoriť si návod na obsluhu zadáním čísla výrobku (IAN) 383215_2010.

1.	Declaración de los símbolos en el aparato	74
2.	Introducción.....	75
3.	Descripción del aparato (fig. 1-12).....	75
4.	Volumen de suministro	75
5.	Uso previsto.....	75
6.	Indicaciones de seguridad	76
7.	Datos técnicos	78
8.	Antes de la puesta en marcha	78
9.	Estructura y manejo.....	78
10.	Conexión eléctrica	79
11.	Limpieza, mantenimiento y almacenamiento	79
12.	Transporte.....	81
13.	Eliminación y reciclaje	81
14.	Solución de averías.....	82
15.	Certificado de garantía	83
16.	Declaración de conformidad	127

1. Declaración de los símbolos en el aparato



ES

¡Antes de la puesta en marcha, leer y seguir el manual de instrucciones así como las indicaciones de seguridad!



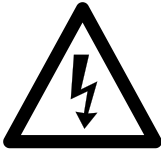
ES

Utilice protección auditiva. El efecto del ruido puede causar pérdida auditiva.



ES

¡Advertencia por piezas calientes! (A fig. 11)



ES

Advertencia de peligro por tensión eléctrica



ES

¡Advertencia! La unidad se inicia automáticamente y se puede poner en marcha sin necesidad de aviso.



ES

¡Atención! ¡Antes de la primera puesta en marcha comprobar el nivel de aceite y cambiar el tapón de cierre de aceite!



ES

¡Seguir las advertencias y las instrucciones de seguridad!



ES

Nivel de potencia acústica indicado en dB



ES

¡No exponga el aparato a la lluvia!

2. Introducción

Fabricante:

Scheppach GmbH
Günzburger Straße 69
D-89335 Ichenhausen (Alemania)

Estimado cliente:

Le deseamos éxito y disfrute al trabajar con su nuevo aparato.

Nota:

El fabricante de este aparato, de acuerdo con la legislación alemana de responsabilidad sobre productos, no se hace responsable de los daños originados en este aparato o causados por éste en los siguientes casos:

- manejo incorrecto,
- inobservancia del manual de instrucciones,
- reparaciones efectuadas por personal técnico no autorizado ajeno a nuestra empresa,
- montaje y sustitución de piezas de repuesto no originales,
- empleo no conforme al previsto,
- fallos de la instalación eléctrica en caso de incumplimiento de las normas eléctricas y disposiciones VDE 0100, DIN 57113 / VDE 0113.

Observe lo siguiente:

Lea antes del montaje y de la puesta en marcha el texto completo del presente manual de instrucciones.

El presente manual de instrucciones tiene como fin facilitarle los conocimientos necesarios sobre su herramienta eléctrica y que pueda aprovechar sus posibilidades de uso conforme a las previstas.

El manual de instrucciones incluye importantes indicaciones sobre cómo debe trabajar con la herramienta eléctrica de forma segura, competente y rentable y cómo puede evitar peligros, ahorrar costes por reparaciones, reducir los tiempos de inactividad y aumentar la fiabilidad y la vida útil de la herramienta eléctrica.

Además de las normas de seguridad incluidas en este manual de instrucciones, se deberán observar estrictamente las prescripciones vigentes en su país para el funcionamiento de la herramienta eléctrica.

Conserve el manual de instrucciones en una funda de plástico protegido del polvo y de la humedad con la herramienta eléctrica. Este deberá ser leído y observado estrictamente por cada persona empleada antes de comenzar a trabajar por primera vez. En la herramienta eléctrica solo deben trabajar personas instruidas en su manejo y familiarizadas con los peligros que esta conlleva. Debe respetarse la edad laboral mínima.

Además de las indicaciones de seguridad incluidas en el presente manual de instrucciones y las prescripciones especiales vigentes en su país, deberán observarse las normas técnicas generalmente reconocidas para el funcionamiento de máquinas de estructura similar.

Declinamos cualquier responsabilidad de posibles accidentes o daños que puedan producirse por no obedecer las presentes instrucciones y advertencias de seguridad.

3. Descripción del aparato (fig. 1-12)

1. Mango de transporte
2. Interruptor de presión
3. Acoplamiento rápido (aire comprimido regulado)
4. Manómetro (para leer la presión ajustada)
5. Regulador de presión
6. Manómetro (para leer la presión de la caldera)
7. Acoplamiento rápido (aire comprimido no regulado)
8. Recipiente de presión
9. Pata de apoyo
- 9a. Arandela
- 9b. Tornillo
10. Tornillo de purga para agua de condensación
11. Rueda
- 11a. Arandela
- 11b. Tornillo alomado
12. Tornillo de purga de aceite
13. Bomba del compresor
14. Manguera de aire comprimido
- 14a. Racor
- 14b. Acoplamiento rápido
15. Filtro de aire
- 15a. Tapa de transporte
- 15b. Tornillo de mariposa
- 15c. Inserto del filtro
- 15d. Carcasa del filtro
- 15e. Tapa del filtro
16. Tapón de cierre de aceite
17. Interruptor de encendido/apagado
18. Mirilla de aceite
19. Válvula de seguridad
- 19a. Tuerca de drenaje
- 19b. Bloqueo de la conexión
- 19c. Tapa de la tuerca de drenaje
20. Abertura de llenado de aceite
- 20a. Tapa de transporte

4. Volumen de suministro

- 1x filtro de aire
- 2x pata de apoyo
- 2x rueda
- 1x material de montaje
- 1x tapón de cierre de aceite
- 1x recipiente de aceite
- 1x manguera de aire comprimido
- 1x manual de instrucciones

5. Uso previsto

El compresor sirve para generar aire comprimido para herramientas accionadas por aire comprimido que se pueden operar con un volumen de aire de hasta aprox. 180 l/min (p. ej., inflador de neumáticos, pistola de soplado y pistola de barnizado). Debido al caudal de aire limitado no es posible operar herramientas que presenten un consumo de aire extremadamente alto (p. ej. lijadora orbital, lijadora recta y atornillador de percusión).

La máquina únicamente debe utilizarse para el fin previsto. Se considerará inapropiado cualquier uso que vaya más allá. Los daños o lesiones de cualquier tipo producidos a consecuencia de lo anterior serán responsabilidad del usuario/operario, no del fabricante.

Recuerde que nuestros aparatos no están diseñados para usos comerciales, artesanales ni industriales. No concedemos ningún tipo de garantía si se utiliza el equipo en empresas comerciales, artesanales o industriales, ni en actividades de características similares.

6. Indicaciones de seguridad

⚠ ¡Atención!

Durante el uso de herramientas eléctricas deben tenerse en cuenta las siguientes medidas elementales de seguridad para la protección contra descargas eléctricas, el peligro de incendio y el riesgo de sufrir lesiones. Lea todas las indicaciones antes de usar esta herramienta eléctrica y conserve las indicaciones de seguridad.

Trabajo seguro

1. Mantenga su zona de trabajo en orden.
 - El desorden puede provocar accidentes en la zona de trabajo.
2. Tenga en cuenta las influencias que afectan al entorno
 - No exponga herramientas eléctricas a la lluvia.
 - No utilice herramientas eléctricas en ambientes húmedos ni mojados. ¡Peligro por descarga eléctrica!
 - Procure una buena iluminación de la zona de trabajo.
 - No utilice herramientas eléctricas en lugares donde haya riesgo de incendio o explosión.
3. Protéjase contra descargas eléctricas
 - Evite el contacto del cuerpo con piezas unidas a tierra (p. ej. tubos, radiadores, cocinas eléctricas, refrigeradores).
4. ¡Mantenga alejados a los niños!
 - No permita que otras personas toquen las herramientas o el cable, manténgalas alejadas de su zona de trabajo.
5. Guarde las herramientas eléctricas sin usar en un lugar seguro
 - Herramientas eléctricas sin usar deben almacenarse en un lugar seco, elevado o cerrado, fuera del alcance de los niños.
6. No sobrecargue su herramienta eléctrica
 - Trabajará mejor y con mayor seguridad en el rango especificado de potencia.
7. Lleve unas prendas de trabajo adecuadas
 - No vista ropa ancha o joyería; podrían quedarse atrapadas entre piezas móviles.
 - Al trabajar al aire libre se recomienda el uso de guantes de goma y calzado antideslizante.
 - En caso de tener el cabello largo, utilice una red para el pelo.
8. No utilice el cable para propósitos para los que no está previsto
 - No utilice el cable para retirar la toma del enchufe. Proteja el cable contra el calor, el aceite y los cantos afilados.

9. Cuide su herramienta con esmero
 - Mantenga su compresor limpia para trabajar de forma correcta y segura.
 - Respete las normas de mantenimiento.
 - Controle con regularidad la línea de conexión de la herramienta eléctrica y renuévela en caso de avería por un profesional reconocido.
 - Controle regularmente las líneas de extensión y sustitúyalas cuando estén dañadas.
10. Retire la clavija de la toma de enchufe
 - Cuando no se utiliza la herramienta eléctrica, antes del mantenimiento y durante el intercambio de herramientas como p. ej. hoja de sierra, taladro, fresadora.
11. Evite una puesta en servicio sin vigilancia
 - Asegúrese de que el interruptor se encuentre desconectado al conectar la clavija en la toma de enchufe.
12. Utilice cables alargadores en el exterior
 - Utilice al aire libre solo cables alargadores autorizados y caracterizados para ello.
 - Utilice el tambor de arrollamiento de cable solo en estado desenrollado.
13. No baje la guardia
 - Preste atención a lo que hace. Trabaje de manera sensata. No emplee la herramienta eléctrica si no está totalmente concentrado.
14. Compruebe posibles daños en la herramienta eléctrica
 - Antes de continuar usando la herramienta eléctrica, se debe comprobar cuidadosamente la funcionalidad óptima y especificada de los dispositivos de seguridad o de las piezas ligeramente dañadas.
 - Compruebe que las piezas móviles funcionan sin problemas, que no se atascan y que no hay piezas dañadas. Todas las piezas deben montarse correctamente y cumplir todos los requisitos para garantizar el funcionamiento impecable de la herramienta eléctrica.
 - Dispositivos de protección y piezas dañados deben repararse o sustituirse correctamente en un taller especializado reconocido mientras no se indique otra cosa en las instrucciones de servicio.
 - Los interruptores dañados deben sustituirse en un taller de servicio al cliente.
 - No utilice líneas de conexión defectuosa o dañada.
 - No utilice herramientas eléctricas en las que no se pueda conectar o desconectar el interruptor.
15. Encárguele la reparación de su herramienta eléctrica a un experto electricista
 - Esta herramienta eléctrica cumple las normas de seguridad vigentes. Las reparaciones deben estar a cargo de un experto electricista que use piezas de recambio originales; de lo contrario pueden producirse accidentes para el usuario.
16. ¡Atención!
 - Por su propia seguridad, utilice únicamente los accesorios y aparatos adicionales indicados en el manual de instrucciones o recomendados por el fabricante. El uso de otras herramientas intercambiables o accesorios no recomendados en el manual de instrucciones o en el catálogo puede provocar riesgo de daños personales.
17. Ruido
 - Lleve protección auditiva cuando se esté empleando el compresor.

18. Sustitución de la línea de conexión
 - Cualquier daño en la línea de conexión debe ser reparado por un electricista, evitando así cualquier peligro. Peligro por descargas eléctricas.
19. Inflado de neumáticos
 - Compruebe la presión de los neumáticos justo después de inflarlos con ayuda de un manómetro calibrado, p. ej., en una gasolinera.
20. Compresores móviles para obras
 - Asegurarse de que todas las mangueras y válvulas sean adecuadas para que el compresor pueda disfrutar de la mayor presión de trabajo admisible.
21. Lugar de instalación
 - Coloque el compresor únicamente sobre una superficie plana.
22. Se recomienda que las mangueras de suministro con presiones superiores a 7 bar estén equipadas con un cable de seguridad, como por p. ej. un cable de acero.
23. Evite colocar grandes pesos sobre los sistemas de conductos, utilizando conexiones de manguera flexibles para evitar puntos de dobleces.
24. Asegúrese de que se mantengan limpios los refrigeradores de aceite y que los dispositivos de seguridad permanezcan intactos.
25. Riesgo de quemaduras por aceite caliente
 - Lleve guantes de protección adecuados.
 - Nunca trabaje con el compresor cerca de llamas abiertas.
 - Tenga cuidado de no derramar aceite.
26. El arranque del motor está prohibido a bajas temperaturas inferiores a 0°C.

Indicaciones de seguridad adicionales

Instrucciones de seguridad para trabajar con aire comprimido y pistolas de soplado

- La bomba del compresor y los cables alcanzan altas temperaturas durante el funcionamiento. No tocarlos, puesto que de lo contrario se pueden sufrir quemaduras.
- Mantener el aire aspirado por el compresor libre de impurezas puesto que éstas podrían provocar incendios o explosiones en la bomba.
- Para soltar el acoplamiento de la manguera sujete bien con la mano la pieza de acoplamiento de la manguera. Así se evitarán lesiones puesto que la manguera retrocede de forma brusca.
- Lleve gafas de protección para trabajar con la pistola de soplado. Es probable sufrir lesiones si hay objetos extraños y salen piezas despedidas.
- No dirija la pistola de soplado hacia personas ni limpie ropa puesta. ¡Peligro de lesiones!

Instrucciones de seguridad en la pulverización

- No procese pinturas ni disolventes con un punto de inflamación inferior a los 55° C. Peligro de explosión
- No caliente pinturas ni disolventes. Peligro de explosión
- Si se procesan líquidos nocivos para la salud, será preciso utilizar filtros (mascarillas) a modo de protección. Tenga en cuenta también los datos sobre medidas de protección de los fabricantes de dichos productos.

- Es preciso observar los datos indicados en los envoltorios de los materiales procesados y las identificaciones del reglamento sobre materiales nocivos. En caso necesario, es preciso aplicar medidas de protección adicionales, especialmente en lo que respecta a llevar ropa y mascarillas adecuadas.
- En la sala de trabajo y durante el pulverizado no se puede fumar. Peligro de explosión Incluso los vapores de las pinturas son fácilmente inflamables.
- No debe haber fogones, lumbre directa o máquinas que emitan chispas en las inmediaciones.
- No guarde ni ingiera comida ni bebida en la sala de trabajo. Los vapores de las pinturas son nocivos para la salud.
- La sala de trabajo deberá tener más de 30 m³ y se debe garantizar una buena ventilación al pulverizar y secar.
- No pulverice contra el viento. Al pulverizar productos inflamables o peligrosos, es preciso observar las disposiciones de la autoridad policial local.
- No procese junto con la manguera de presión de PVC medios como gasolina de comprobación, butanol ni cloruro de metileno. Dichos medios destruyen la manguera de presión.
- Cuando se utiliza junto con accesorios de pulverización (por ejemplo, una pistola pulverizadora de pintura): Durante el llenado de los dispositivos de pulverización, manténgase alejado del aparato y nunca pulverice hacia el compresor.

Funcionamiento de recipientes de presión

- El recipiente de presión se deberá recibir en perfecto estado, operar de manera correcta, supervisar, realizar de manera inmediata los trabajos necesarios de mantenimiento y conservación. Asimismo, será preciso tomar las medidas de seguridad adecuadas que se adapten a las circunstancias.
- La autoridad de supervisión podrá ordenar en casos aislados medidas de vigilancia necesarias.
- No ponga en funcionamiento un recipiente de presión cuando presente defectos que puedan dañar a uno mismo o a terceros.
- Antes de cada funcionamiento, compruebe que el recipiente de presión no esté dañado ni oxidado. El compresor no debe utilizarse con un recipiente de presión dañado u oxidado. Si detecta algún daño, deberá ponerse en contacto con el taller del servicio técnico.

Conserve bien las presentes indicaciones de seguridad.

Riesgos residuales

Cumpla con las instrucciones de mantenimiento y seguridad del manual de instrucciones.

Esté siempre atento durante el trabajo y mantenga a terceras personas a una distancia segura de su lugar de trabajo.

Incluso cuando se utiliza correctamente el aparato, siempre existen riesgos residuales que no se pueden descartar. Debido a la clase y construcción del aparato, se pueden derivar los siguientes peligros potenciales:

- Puesta en funcionamiento accidental del producto.
- Lesiones auditivas, cuando se utiliza sin la protección auditiva obligatoria.

- A pesar de llevar gafas de protección, las partículas de suciedad, polvo, etc., pueden entrar en contacto con sus ojos o su cara.
- Inhalación de partículas en suspensión.

¡Advertencia!

Esta herramienta eléctrica produce un campo electromagnético mientras funciona. Este campo puede perjudicar bajo circunstancias concretas implantes médicos activos o pasivos. Con el fin de reducir el peligro de lesiones graves o mortales, recomendamos a las personas con implantes médicos que consulten tanto a su médico como al fabricante del implante médico antes de manejar la herramienta eléctrica.

7. Datos técnicos

Conexión de red	230 V~ 50 Hz
Potencia del motor	1800 W
Modo de servicio	S1
Velocidad del compresor	2850 rpm
Volumen del recipiente de presión	aprox. 24 l
Presión de servicio máxima	aprox. 10 bar
Potencia de aspiración teórica	aprox. 260 l/min
Nivel de presión acústica L_{pA}	72,9 dB(A)
Nivel de potencia acústica L_{WA}	92,9 dB(A)
Incertidumbre $K_{pA}/_{WA}$	2,59 dB
Tipo de protección	IPX2
Peso del aparato	aprox. 26,8 kg
Aceite (SAE 15W 40)	aprox. 0,25 l
Altitud máxima de emplazamiento (s.n.m.)	1000 m

Los valores de emisión de ruidos se han determinado conforme a EN ISO 3744:1995.

Utilice protección auditiva.

El efecto del ruido puede causar pérdida auditiva.

8. Antes de la puesta en marcha

- Abra el embalaje y extraiga el aparato cuidadosamente.
- Retire el material de embalaje y los seguros de embalaje y transporte (si los hay).
- Compruebe la integridad del volumen de suministro.
- Compruebe que no haya daños de transporte en el aparato y en los componentes de los accesorios.
- Conserve el embalaje por si fuera preciso hasta la extinción del período de garantía.

PELIGRO

¡El aparato y los materiales de embalaje no son aptos como juguetes para niños! ¡Los niños no deben jugar con bolsas de plástico, láminas o piezas pequeñas! ¡Existe peligro de atragantamiento y asfixia!

Antes de efectuar la conexión, cerciórese de que los datos en la placa de características coinciden con los datos de la red.

- Retire la tapa de transporte (20a) antes de la primera puesta en marcha y rellene la carcasa de la bomba del compresor con aceite, como se describe en el punto 9.4.

- Compruebe que el aparato no haya sufrido daños durante el transporte. Notifique de inmediato cualquier daño detectado a la empresa de transporte encargada de entregar el compresor.
- El compresor se deberá instalar en las inmediaciones del consumidor.
- Se deberá evitar el uso de conductos de aire y cables de conexión largos (cables alargadores).
- Asegúrese de que el aire de aspiración sea seco y esté libre de polvo.
- No coloque el compresor en salas húmedas.
- El compresor solo podrá ser operado en recintos apropiados (con ventilación óptima, temperatura ambiente +5° a 40°C). En la sala no debe haber polvo, ácido, vapor ni gas explosivo o inflamable.
- El compresor es apto para su uso en recintos secos. No se permite su uso en áreas de trabajo donde se produzcan salpicaduras.
- Antes de la puesta en marcha es preciso comprobar el nivel de aceite en la bomba del compresor.

9. Estructura y manejo

⚠ ¡Atención!

¡Antes de la puesta en marcha, es imprescindible montar por completo el aparato!

Para el montaje se necesitan:

1x llave de boca de 13 mm

1x destornillador para tornillos de cabeza ranurada en cruz (no se incluyen en el volumen de suministro)

9.1 Montaje de las ruedas (fig. 4)

- Monte las ruedas (11) adjuntas según se muestra.

9.2 Montaje de las patas de apoyo (fig. 5)

- Monte las patas de apoyo (9) adjunta según se muestra.

9.3 Montaje del filtro de aire (figs. 6, 7)

- Quite la tapa de transporte (15a) y atornille el filtro de aire (15) al aparato.

9.4 Llenado del aceite (figs. 8, 9)

- Retire la tapa de transporte (20a) de la abertura de llenado de aceite (20).
- Añada el aceite del compresor provisto en la carcasa de la bomba del compresor y coloque el tapón de cierre de aceite (16) adjunto en la abertura de llenado de aceite (20).

9.5 Conexión de red

- El compresor está dotado de un cable de red con un enchufe con puesta a tierra. Éste se puede conectar a cualquier toma de puesta a tierra de 220 - 240 V~ 50 Hz que esté protegida con 16 A.
- Cerciórese antes de la puesta en marcha de que la tensión de red coincida con la tensión de servicio y con la potencia de la máquina en la placa de características.
- El cableado de gran longitud como, p. ej., los cables alargadores, los tambores de arrollamiento de cable, etc., causan cortes de corriente y pueden dificultar la marcha de la máquina.

- Las bajas temperaturas, inferiores a +5°C, pueden dificultar la marcha del motor.

9.6 Interruptor de encendido/apagado (fig. 2)

- Para conectar el compresor, tire del interruptor de encendido/apagado (17) hacia arriba. Para desconectarlo, apriete el interruptor de encendido/apagado (17) hacia abajo.

9.7 Ajuste de presión (figs. 1, 3)

- La presión se puede regular en el manómetro (4) con el regulador de presión (5).
- La presión regulada se puede obtener del acoplamiento rápido (3).
- En el manómetro (6) se lee la presión de la caldera.
- La presión de la caldera se obtiene del acoplamiento rápido (7).

9.8 Ajuste del controlador de presión (fig. 1)

- El interruptor de presión (2) viene ajustado de fábrica.
Presión de conexión aprox. 8 bar
Presión de desconexión aprox. 10 bar

9.9 Montaje de la manguera de aire comprimido (figs. 1, 3)

- Conecte el racor (14a) de la manguera de aire comprimido (14) a uno de los acoplamientos rápidos (3, 7).
- A continuación, conecte la herramienta de aire comprimido al acoplamiento rápido (14b) de la manguera de aire comprimido (14).

9.10 Disyuntor térmico

El disyuntor térmico está integrado en el aparato.

Si el disyuntor térmico salta, proceda del modo siguiente:

- Desenchufe la clavija de la red.
- Espere de dos a tres minutos.
- Vuelva a enchufar el aparato.
- Si el aparato no se inicia, repita el proceso.
- Si el aparato no se inicia de nuevo, apague el aparato y vuelva a encenderlo con el interruptor de encendido/apagado (17).
- Si ha realizado todos los pasos anteriores y el aparato todavía no funciona, póngase en contacto con nuestro equipo de servicio.

10. Conexión eléctrica

El motor eléctrico instalado está conectado listo para utilizarse. La conexión cumple las disposiciones VDE y DIN pertinentes. La conexión a la red por parte del cliente, así como el cable alargador utilizado deben cumplir estas normas.

10.1 Indicaciones importantes

En caso de sobrecarga del motor, este se desconecta automáticamente. Tras un tiempo de refrigeración (los tiempos varían), puede conectarse de nuevo el motor.

10.2 Línea de conexión eléctrica deficiente

En las líneas de conexión eléctrica surgen a menudo daños de aislamiento.

Las causas para ello pueden ser:

- Zonas aprisionadas al conducir las líneas de conexión a través de ventanas o puertas entreabiertas.
- Dobleces ocasionados por la fijación o el guiado incorrectos de la línea de conexión.
- Zonas de corte al sobrepasar la línea de conexión.
- Daños de aislamiento por tirar de la línea de conexión del enchufe de la pared.
- grietas causadas por el envejecimiento del aislamiento.

Tales líneas de conexión eléctrica defectuosas no deben utilizarse, pues suponen un riesgo para la vida debido a los daños de aislamiento.

Supervisar con regularidad las líneas de conexión eléctrica en busca de posibles daños. Durante la comprobación, preste atención a que la línea de conexión no cuelgue de la red eléctrica.

Las líneas de conexión eléctrica deben cumplir las pertinentes disposiciones VDE y DIN. Utilice solo líneas de conexión con la misma certificación.

La impresión de la denominación del tipo en el cable de conexión es obligatoria.

10.3 Motor de corriente alterna

- La tensión de red debe ser de 220 - 240 V~ 50 Hz.
- Los cables alargadores de hasta 25 m de longitud deben poseer una sección de 1,5 milímetros cuadrados.

Las conexiones y reparaciones del equipamiento eléctrico debe realizarlas solo un experto electricista.

En caso de posibles dudas, indique los siguientes datos:

- Tipo de corriente del motor
- Datos de la placa de características de la máquina
- Datos de la placa de características del motor

11. Limpieza, mantenimiento y almacenamiento

⚠ ¡Atención!

¡Desenchufe el aparato de la red antes de efectuar cualquier trabajo de limpieza o mantenimiento! ¡Peligro de lesiones por golpes de corriente!

⚠ ¡Atención!

¡Espere a que el aparato se haya enfriado por completo! ¡Peligro de quemaduras!

⚠ ¡Atención!

¡Purgue la presión del aparato antes de efectuar los trabajos de mantenimiento y limpieza! ¡Peligro de lesiones!

11.1 Limpieza

- En lo posible, mantenga el aparato libre de polvo y suciedad. Limpie el aparato con un paño limpio o sople aire comprimido a baja presión.
- Recomendamos limpiar el aparato directamente después del uso.

- Limpie regularmente el aparato con un paño húmedo y algo de jabón blando. No utilice ningún producto de limpieza ni disolventes agresivos; estos podrían deteriorar las piezas de plástico del aparato. Ponga cuidado para que no entre agua en el interior del aparato.
- Antes de realizar la limpieza, desconecte del compresor la manguera y las herramientas de pulverizado. No limpie el compresor con agua, disolventes o similares.

11.2 Mantenimiento del recipiente de presión (fig. 1) ¡Atención!

Para conseguir una prolongada vida útil del recipiente de presión (8), después de cada funcionamiento debe evacuarse el agua de condensación abriendo el tornillo de purga (10).

En primer lugar, purgue la presión de la caldera (véase 11.8.1). Abra el tornillo de purga (10) girándolo en el sentido contrario a las agujas del reloj (perspectiva desde la parte inferior del compresor hacia el tornillo) para que pueda salir todo el agua de condensación del recipiente de presión (8).

A continuación, vuelva a cerrar el tornillo de purga (10) (giro en el sentido de las agujas del reloj). Compruebe antes de cada funcionamiento de que el recipiente de presión (8) no esté dañado ni oxidado.

El compresor no debe utilizarse con un recipiente de presión (8) dañado u oxidado. Si detecta algún daño, deberá ponerse en contacto con el taller del servicio técnico.

⚠ ¡Atención!

El agua de condensación del recipiente de presión (8) contiene residuos de aceite. Deseche el agua de condensación de forma ecológica en un punto de recogida pertinente.

11.3 Válvula de seguridad (fig. 3)

La válvula de seguridad (19) está ajustada a la presión máxima permitida del recipiente de presión (8). No está permitido regular la válvula de seguridad (19) o quitar el bloqueo de la conexión (19b) entre la tuerca de drenaje (19a) y su tapa (19c). Para que la válvula de seguridad (19) funcione correctamente cuando se necesite, esta deberá revisarse cada 30 horas de servicio o, en todo caso, al menos tres veces al año. Gire la tuerca de drenaje perforada (19a) en el sentido contrario a las agujas del reloj para abrirla, y luego manualmente, tire del vástago de la válvula hacia afuera sobre la tuerca de drenaje perforada (19a) para abrir la salida de la válvula de seguridad (19). La válvula ahora deja salir el aire de forma audible. Luego vuelva a apretar la tuerca de drenaje (19a) en el sentido de las agujas del reloj.

11.4 Comprobación regular del nivel de aceite (fig. 10)

Coloque el compresor sobre una superficie plana y recta.

El nivel de aceite debe estar entre el MAX y MIN de la mirilla de aceite (18).

Cambio de aceite: Aceite recomendado: SAE 15W 40 o equivalente. El primer cambio se debe hacer después de 100 horas de servicio. Después, cámbielo cada 500 horas de servicio.

11.5 Cambio de aceite (figs. 1, 9, 10)

Apague el motor y desenchufe la clavija de red de la toma de enchufe. Quite el el tapón de cierre de aceite (16). Después de haber purgado la posible presión existente de aire, puede desenroscar el tornillo de purga de aceite (12) de la bomba del compresor (13).

Para que el aceite no se derrame de manera incontrolada, sujete un canalón pequeño debajo y recoja el aceite en un recipiente. En caso de que el aceite no salga por completo, le recomendamos que incline un poco el compresor. Cuando el aceite ya haya salido, vuelva a colocar el tornillo de purga de aceite (12).

Elimine el aceite usado en un punto de recogida adecuado de aceite usado.

Para llenar la cantidad correcta de aceite, tenga en cuenta que el compresor está situado sobre una superficie recta. Introduzca el nuevo aceite en la abertura de llenado de aceite (20) hasta que el nivel de aceite haya alcanzado la capacidad máxima. Dicha capacidad está señalizada con un punto rojo en la mirilla de aceite (18) (fig. 10).

No supere la capacidad máxima. Llenar en exceso puede provocar daños en el aparato. Vuelva a colocar el tapón de cierre de aceite (16) en la abertura de llenado de aceite (20).

11.6 Limpieza del filtro de aire (figs. 3, 11, 12)

El filtro de aire (15) impide aspirar polvo y suciedad. Es necesario limpiar dicho filtro de aire (15) como mínimo cada 300 horas de servicio. Un filtro de aire atascado reduce considerablemente la potencia del compresor.

Quite el filtro de aire (15) abriendo el tornillo de mariposa (15b). A continuación, quite la tapa del filtro (15e). Ahora ya puede retirar el inserto del filtro (15c) y la carcasa del filtro (15d). Sacuda con cuidado el inserto del filtro (15c), la tapa del filtro (15e) y la carcasa del filtro (15d). Después sople estos componentes con aire comprimido (aprox. 3 bar) y vuelva a montarlos siguiendo el orden contrario.

11.7 Información sobre el servicio técnico

Hay que tener en cuenta que los siguientes componentes de este producto están sometidos a desgaste natural o por el uso o que se requieren los siguientes materiales de consumo.

Piezas de desgaste*: filtro de aire

* ¡No se incluyen obligatoriamente en el volumen de suministro!

11.8 Almacenamiento

⚠ ¡Atención!

Desenchufe el aparato y purgue de aire el aparato y todas las herramientas de aire comprimido conectadas. Coloque el compresor de manera que no se pueda conectar de forma inesperada.

⚠ ¡Atención!

Conservar el compresor únicamente en un entorno seco e inaccesible a personas no autorizadas. ¡No volcar! ¡Conservar únicamente en vertical! ¡El aceite se puede derramar!

11.8.1 Eliminación de la sobrepresión

Elimine la sobrepresión del compresor desconectándolo y consumiendo el aire comprimido que todavía se encuentra en el recipiente de presión, p. ej. con una herramienta de aire comprimido en marcha en vacío o con una pistola de soplado.

12. Transporte

Para el transporte, utilice el mango de transporte (1) y mueva el compresor.

Al levantar el compresor, tenga en cuenta su peso (véase Datos técnicos).

Al transportar el compresor en un vehículo de motor, cuide de que la carga esté bien asegurada.

13. Eliminación y reciclaje

El aparato se encuentra en un envase para evitar daños de transporte. Este envase es materia prima, por lo que se puede reutilizar o devolver al circuito de materias primas.

El aparato y sus accesorios se componen de diferentes materiales como, p. ej. metal y plástico. Elimine los componentes defectuosos en un punto de eliminación de residuos peligrosos. ¡Pregunte en alguna tienda especializada o en la administración municipal!



El embalaje está compuesto de materiales ecológicos que pueden ser eliminados en los puntos de reciclaje locales.

En su ayuntamiento o administración municipal podrá obtener información sobre las distintas opciones de eliminación de un aparato fuera de uso.

¡No arroje los aparatos usados a la basura doméstica!



Este símbolo indica que el producto, según la directiva sobre residuos de aparatos eléctricos y electrónicos (2012/19/UE) y las leyes nacionales, no puede eliminarse junto con la basura doméstica. En su lugar, este producto deberá ser conducido a un punto de recogida adecuado. Esto puede efectuarse, p. ej., devolviendo el aparato al comprar uno nuevo de características similares o entregándolo en un punto de recogida autorizado para el reciclaje de aparatos eléctricos y electrónicos viejos. La manipulación inadecuada de aparatos eléctricos y electrónicos usados puede tener efectos negativos en el medio ambiente y en la salud humana, debido a las sustancias potencialmente peligrosas que estos frecuentemente contienen. Al eliminar correctamente este producto, Ud. contribuye además a un aprovechamiento eficaz de los recursos naturales. Para más información acerca de los puntos de recogida de residuos de aparatos usados, póngase en contacto con su ayuntamiento, el organismo público de recogida de residuos, cualquier centro autorizado para la eliminación de residuos de aparatos eléctricos y electrónicos o la oficina del servicio de recogida de basuras.

14. Solución de averías

Avería	Causa posible	Solución
El compresor no funciona.	No dispone de tensión de red.	Compruebe el cable, el enchufe, el fusible y la toma de corriente.
	Tensión de red demasiado baja	Evite cables alargadores excesivamente largos. Utilice cables alargadores con sección de cable suficiente.
	Temperatura exterior demasiado baja	No ponga en funcionamiento cuando la temperatura exterior sea inferior a +5°C.
	El motor se ha sobrecalentado.	Deje enfriar el motor y, en caso necesario, solucione la causa del sobrecalentamiento.
El compresor está en marcha pero no hay presión.	Válvula de seguridad (19) presenta fugas	Póngase en contacto con su centro de servicio local. Las reparaciones solo deben ser realizadas por personas dotadas de formación especializada.
	Las juntas están rotas	Compruebe las juntas, cambie las juntas en mal estado en un taller especializado.
	Tornillo de purga para agua de condensación presenta fugas	Reapriete el tornillo a mano. Compruebe la junta en el tornillo, en caso necesario cámbiela.
El compresor está en marcha, el manómetro indica la presión pero las herramientas no funcionan.	Las conexiones de manguera presentan fugas	Compruebe la manguera de aire comprimido y las herramientas, en caso necesario cámbielas.
	Acoplamiento rápido presenta fugas	Póngase en contacto con su centro de servicio local. Las reparaciones solo deben ser realizadas por personas dotadas de formación especializada.
	Insuficiente presión ajustada en el regulador de presión	Sigue abriendo el regulador de presión.

15. Certificado de garantía

Estimado cliente,

Nuestros productos están sometidos a un estricto control de calidad. No obstante, lamentaríamos que este aparato dejara de funcionar correctamente, en tal caso, le rogamos que se dirija a nuestro servicio de atención al cliente en la dirección indicada en la parte inferior de la presente tarjeta de garantía. Con mucho gusto le atenderemos también telefónicamente en el número de servicio indicado a continuación. Para hacer válido el derecho de garantía, proceda de la siguiente forma:

- Estas condiciones de garantía regulan prestaciones de la garantía adicionales. Sus derechos legales a prestación de garantía no se ven afectados por la presente garantía. Nuestra prestación de garantía es gratuita para usted. La prestación de garantía se extiende exclusivamente a defectos ocasionados por fallos de material o de producción y está limitada a la reparación de los mismos o al cambio del aparato. Tenga en consideración que nuestro aparato no está indicado para un uso comercial, en taller o industrial. Por lo tanto, no procederá un contrato de garantía cuando se utilice el aparato en zonas industriales, comerciales o talleres, así como actividades similares. De nuestra garantía se excluye cualquier otro tipo de prestación adicional por daños ocasionados por el transporte, daños ocasionados por la no observancia de las instrucciones de montaje o por una instalación no profesional, no observancia de las instrucciones de uso (como, p. ej., conexión a una tensión de red o corriente no indicada), aplicaciones impropias o indebidas (como, p. ej., sobrecarga del aparato o uso de herramientas o accesorios no homologados), no observancia de las disposiciones de mantenimiento y seguridad, introducción de cuerpos extraños en el aparato (como, p. ej., arena, piedras o polvo), uso violento o influencias externa (como, p. ej., daños por caídas), así como por el desgaste habitual por el uso.

El derecho a garantía pierde su validez cuando ya se hayan realizado intervenciones en el aparato.

- El periodo de garantía es de 3 años y comienza en la fecha de la compra del aparato. El derecho de garantía debe hacerse válido, antes de finalizado el plazo de garantía, dentro de un periodo de dos semanas una vez detectado el defecto. El derecho de garantía vence una vez transcurrido el plazo de garantía. La reparación o cambio del aparato no conllevará ni una prolongación del plazo de garantía ni un nuevo plazo de garantía ni para el aparato ni para las piezas de repuesto montadas. Esto también se aplica en el caso de un servicio in situ.
- Para reclamar sus derechos de garantía, póngase en contacto con la dirección de servicio que aparece a continuación. Si la reclamación se encuentra dentro del período de garantía, pondremos a su disposición un impreso de devolución con el que podrá devolvernos su aparato defectuoso sin cargo alguno. Describa con la mayor precisión posible el motivo de la reclamación. Si nuestra prestación de garantía incluye el defecto aparecido en el aparato, recibirá de inmediato un aparato reparado o nuevo de vuelta.

Naturalmente, también solucionaremos los defectos del aparato que no se encuentren comprendidos o ya no se encuentren comprendidos en la garantía, en este caso contra reembolso de los costes. Para ello, envíe el aparato a nuestra dirección de servicio técnico.

Cliente Servicio (ES):

00800 4003 4003
(0,00 EUR/Min.)

Correo electrónico de servicio (ES):

service.ES@scheppach.com

Dirección del servicio (ES):

ISTEGA S.L.
Ctra. De Cambre al Temple, 106 - A Barcala
ES - 15660 Cambre (A Coruña)



En www.lidl-service.com puede descargar estos y muchos otros manuales, videotutoriales de productos y software de instalación.

El código QR le direcciona directamente a la página de servicio de Lidl (www.lidl-service.com) y puede abrir el manual de instrucciones introduciendo el número de artículo (IAN) 383215_2010.

1.	Forklaring til symbolerne på maskinen	85
2.	Indledning.....	86
3.	Produktbeskrivelse (fig. 1-12).....	86
4.	Leveringsomfang	86
5.	Tilsluttet brug	86
6.	Sikkerhedsforskrifter	87
7.	Tekniske data.....	89
8.	Før ibrugtagning.....	89
9.	Opbygning og betjening.....	89
10.	El-tilslutning	90
11.	Rengøring, vedligeholdelse og opbevaring.....	90
12.	Transport.....	91
13.	Bortskaffelse og genbrug.....	91
14.	Afhjælpning af fejl.....	92
15.	Garantibevis	93
16.	Overensstemmelseserklæring.....	127

1. Forklaring til symbolerne på maskinen



DK

Læs og overhold brugsanvisningen og sikkerhedsforskrifterne før ibrugtagning!



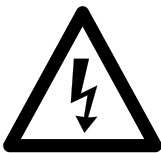
DK

Brug høreværn. Støjpåvirkning kan føre til høretab.



DK

Advarsel mod varme dele! (A fig. 11)



DK

Advarsel mod elektrisk spænding



DK

Advarsel! Enheden starter automatisk og kan gå i gang uden varsel.



DK

Pas på! Inden første ibrugtagning skal olieniveauet kontrolleres og olieproppen udskiftes!



DK

lagttag advarsels- og sikkerhedsforskrifter!



DK

Angivelse af lydeffektniveau i dB



DK

Undlad at udsætte apparatet for regn!

2. Indledning

Producent:

Scheppach GmbH
Günzburger Straße 69
D-89335 Ichenhausen

Kære kunde,

Vi ønsker dig rigtig god fornøjelse og held og lykke med arbejdet med dit nye apparat.

Bemærk:

Iht. den gældende lov om produktansvar hæfter producenten af denne maskine ikke for skader, der opstår på eller i forbindelse med denne maskine i forbindelse med:

- forkert behandling
- Tilsidesættelse af brugsanvisningen,
- reparationer gennemført af tredjemand og/eller af ikke autoriserede fagfolk
- indbygning og udskiftning af ikke originale reservedele
- brug i strid med formålet
- Svigt af det elektriske anlæg som følge af tilsidesættelse af de elektriske forskrifter og VDE-bestemmelserne 0100, DIN 57113 / VDE 0113.

Vær opmærksom på følgende:

Læs hele brugsanvisningens tekst igennem før montering og før ibrugtagning.

Formålet med denne brugsanvisning er at gøre det lettere for dig at lære dit elværktøj at kende og bruge det som tilsigtet.

Brugsanvisningen indeholder vigtige oplysninger om, hvordan man bruger elværktøjet sikkert, professionelt og økonomisk, og hvordan man undgår farer, sparer reparationsomkostninger, reducerer driftsstop og øger elværktøjets driftssikkerhed og levetid.

Udover sikkerhedsbestemmelserne i denne brugsanvisning skal de forskrifter vedr. brug af elværktøjet, der måtte gælde i det enkelte land (brugslandet), overholdes til punkt og prikke.

Opbevar brugsanvisningen i nærheden elværktøjet; pak den ind i en plastikpose, så den er beskyttet mod snavs og fugt. Den skal læses og overholdes nøje af alle betjeningspersoner, før arbejdet startes. Arbejde på elværktøjet på kun udføres af personer, der er instrueret i brug af samme, og som er informeret om de dermed forbundne farer. Den lovmæssige mindstealder skal overholdes.

Ud over sikkerhedsanvisningerne i denne brugsanvisning og de særlige forskrifter, der gælder i brugslandet, skal de almindeligt anerkendte, tekniske regler, der gælder i forbindelse med brug af træbearbejdningsmaskiner, overholdes.

Vi fraskriver os ethvert ansvar for uheld eller skader, der måtte opstå som følge af manglende overholdelse af denne vejledning og sikkerhedsinstrukserne.

3. Produktbeskrivelse (fig. 1-12)

1. Transportgreb
2. Pressostat
3. Lynkobling (reguleret trykluft)
4. Manometer (indstillet tryk kan aflæses)
5. Trykregulator
6. Manometer (kedeltryk kan aflæses)
7. Lynkobling (ureguleret trykluft)
8. Trykbeholder
9. Fod
- 9a. Spændeskive
- 9b. Skrue
10. Aftapningsskrue for kondensvand
11. Hjul
- 11a. Spændeskive
- 11b. Linsehovedskrue
12. Olieaftapningsskrue
13. Kompressorpumpe
14. Trykluftslange
- 14a. Indstiksnippel
- 14b. Lynkobling
15. Luffilter
- 15a. Transportdæksel
- 15b. Vingeskrue
- 15c. Filterindsats
- 15d. Filterhus
- 15e. Filterdæksel
16. Olielukkeprop
17. Tænd/Sluk-kontakt
18. Olieskueglas
19. Sikkerhedsventil
- 19a. Aftapningsmøtrik
- 19b. Forbindelsessikring
- 19c. Hætte til aftapningsmøtrik
20. Oliepåfyldningsåbning
- 20a. Transportdæksel

4. Leveringsomfang

- 1x luffilter
- 2x fod
- 2x hjul
- 1x monteringsmateriale
- 1x olielukkeprop
- 1x olieflaske
- 1x trykluftslange
- 1x brugsanvisning

5. Tilsigtet brug

Kompressoren bruges til at generere trykluft til trykluftdrevne værktøjer, som kan benyttes med en luftmængde på op til ca. 180 l/min. (f.eks. dækluffpumpe, udblæsningspistol og sprøjtepistol). På grund af den begrænsede lufttransportmængde er det ikke muligt at benytte værktøjer, der bruger meget luft (f.eks. oscillerende slibemaskiner, stavslibere og slagskruemaskiner).

Maskinen må kun bruges til det tilsigtede formål. Enhver anden form for brug falder uden for den korrekte anvendelse. Brugeren, ikke producenten, bærer ansvaret for materielle skader eller personskader af enhver art, der måtte opstå som følge heraf.

Vær opmærksom på, at vores apparater ikke er konstrueret til erhvervsmæssig, håndværksmæssig eller industriel brug. Vi fraskriver os ansvaret, hvis apparatet bruges i erhvervs-, håndværks- eller industrivirksomheder samt til lignende arbejde.

6. Sikkerhedsforskrifter

⚠ Pas på!

Når der benyttes elværktøj, skal følgende principielle sikkerhedsforanstaltninger overholdes for at beskytte mod elektrisk stød, kvæstelses- og brandfare. Læs alle disse anvisninger, før du bruger dette elværktøj, og opbevar sikkerhedsanvisningerne et godt og sikkert sted.

Sikkert arbejde

1. Hold dit arbejdsområde i orden
 - Uorden på arbejdsområdet kan føre til uheld.
2. Tag højde for påvirkninger udefra
 - Udsæt ikke elværktøj for regn.
 - Brug ikke elværktøj i fugtige eller våde omgivelser. Fare pga. elektrisk stød!
 - Sørg for god belysning af arbejdsområdet.
 - Brug ikke elværktøj, hvor der er fare for brand eller eksplosion.
3. Beskyt dig mod elektrisk stød
 - Sørg for, at kroppen ikke kommer i berøring med jordforbundede dele (f.eks. rør, radiatorer, elektriske komfurer, køleskabe).
4. Børn skal holdes på afstand!
 - Undlad at lade andre personer røre ved værktøjet og kablet; sørg for at holde dem på afstand af arbejdsområdet.
5. Opbevar elværktøj, der ikke er i brug, et sikkert sted
 - Ubrugt elværktøj bør opbevares et tørt sted, der skal være aflåst, eller der befinder sig højt oppe; dette sted skal være uden for børns rækkevidde.
6. Overbelast ikke dit elværktøj
 - De arbejde bedre og mere sikkert i det angivene ydelsesområde.
7. Brug egnet tøj
 - Brug ikke vidt tøj eller smykker, de kan blive trukket ind af bevægelige dele.
 - Til arbejde ude i det fri anbefales det at bruge gummihandsker og skridsikket fodværk.
 - Beskyt langt hår under et hårnet.
8. Brug ikke kablet til formål, det ikke er beregnet til
 - Brug ikke kablet til at trække stikket ud af stikdåsen med. Beskyt kablet mod varme, olie og skarpe kanter.
9. Plej dine værktøjer omhyggeligt
 - Hold kompressoren ren, så arbejdet med den bliver godt og sikkert
 - Følg vedligeholdelsesforskrifterne.
 - Kontrollér elværktøjets tilslutningsledning med regelmæssige mellemrum, og få den udskiftet af en anerkendt fagmand, hvis den skulle blive beskadiget.

- Kontroller forlængerledningerne med regelmæssige mellemrum og erstat disse, hvis de er beskadiget.
10. Træk stikket ud af stikkontakten
 - Når elværktøjet ikke er i brug, før vedligeholdelse, og når værktøjer som f.eks. savblad, bor, fræsere skiftes.
 11. Undgå utilsigtet start
 - Kontroller, at kontakten er slukket, når stikket sættes i stikdåsen.
 12. Brug forlængerledninger til områder udendørs
 - Brug til arbejde ude i det fri kun forlængerledninger, der er godkendt og mærket hertil.
 - Brug kun kabeltromlen i afullet tilstand.
 13. Vær altid opmærksom
 - Vær opmærksom på, hvad du laver. Udfør arbejdet med fornuft. Brug ikke elværktøjet, hvis du er ukoncentreret.
 14. Kontroller elværktøjet for eventuelle beskadigelser
 - Før videre brug af elværktøjet skal beskyttelseskærme eller let beskadigede dele undersøges nøje for at sikre, at de fungerer korrekt og iht. formålet.
 - Kontroller, om de bevægelige dele fungerer fejlfrit og ikke sidder i klemme, eller om dele er beskadiget. Alle dele skal være monteret rigtigt og opfylde alle betingelser for at sikre en korrekt drift af elværktøjet.
 - Beskadigede beskyttelseskærme og dele skal repareres eller udskiftes på et anerkendt specialværksted, medmindre andet er angivet i betjeningsvejledningen.
 - Beskadigede kontakter skal erstattes på et kundeserviceværksted.
 - Brug ikke defekte eller beskadigede tilslutningsledninger.
 - Brug ikke elværktøj, hvis kontakt ikke kan tændes og slukkes.
 15. Få elværktøjet repareret af en autoriseret elektriker
 - Dette elværktøj er i overensstemmelse med de gældende sikkerhedsbestemmelser. Reparationer må kun udføres af en uddannet elektriker, og der skal bruges originale reservedele; ellers kan der opstå uheld for brugeren.
 16. Pas på!
 - Af hensyn til egen sikkerhed må der kun benyttes tilbehør og ekstraudstyr, som er angivet i betjeningsvejledningen eller anbefalet eller angivet af producenten. Brug af værktøjer eller tilbehør, som ikke er anbefalet i betjeningsvejledningen eller i kataloget, kan medføre fare for personskade for operatøren.
 17. Støj
 - Under brug af kompressoren skal der benyttes høreværn.
 18. Udskiftning af tilslutningsledningen
 - Hvis tilslutningsledningen bliver beskadiget, skal den udskiftes af producenten eller en autoriseret elektriker for at forebygge risici. Fare pga. elektrisk stød.
 19. Fyldning af dæk
 - Kontrollér dæktrykket umiddelbart efter fyldningen ved hjælp af et egnet manometer, f.eks. på en tankstation.
 20. Kompressorer til brug på vej anvendt i byggepladsdrift
 - Kontrollér, at alle slanger og armaturer er egnet til brug med kompressorens højst tilladte arbejdstryk.
 21. Opstillingssted
 - Kompressoren må kun opstilles på en plan overflade.
 22. Det anbefales at udstyre tilføringslanger med et sikkerhedskabel f.eks. et stålkabel ved tryk over 7 bar.

23. Undgå, at ledningssystemet udsættes for kraftige belastninger; dette gøres ved at bruge fleksible slangetilslutninger for at undgå knæksteder.
24. Sørg for, at olieleanordningerne holdes rene, og at beskyttelsesudstyret holdes i funktionel stand.
25. Fare for forbrænding pga. meget varm olie
 - Brug egnede beskyttelseshandsker.
 - Kompressoren må aldrig benyttes i nærheden af åben ild.
 - Pas på ikke at spilde olie.
26. Ved lave temperaturer under 0°C er motorstart forbudt.

Yderligere sikkerhedsforskrifter

Sikkerhedsanvisninger vedr. arbejde med trykluft og trykluftpistoler

- Kompressorpumpe og ledninger bliver meget varme under drift. Berøring vil medføre forbrænding.
- Den luft, der indsuges af kompressoren, skal holdes fri for urenheder, som ville kunne medføre brand eller eksplosion i kompressorumpen.
- Når man løsner slangekoblingen, skal man holde fast i slanges koblingsstykke med hånden. På denne måde kan man undgå personskader pga. den tilbagespringende slange.
- Under arbejde med trykluftpistoler skal der benyttes beskyttelsesbriller. Fremmedlegemer og udblæste dele kan let forårsage personskader.
- Trykluftpistolen må ikke benyttes til at blæse direkte mod personer eller til at rengøre tøj på kroppen. Fare for tilskadekomst!

Sikkerhedsanvisninger vedr. sprøjtning med maling

- Der må ikke forarbejdes lak eller opløsningsmidler med et flammepunkt under 55°C. Eksplosionsfare!
- Lak og opløsningsmidler må ikke opvarmes. Eksplosionsfare!
- Hvis der forarbejdes sundhedsskadelige væsker, skal der benyttes filtreringsudstyr (ansigtsmasker) som beskyttelse. Se også oplysninger om beskyttelsesforanstaltninger fra producenterne af sådanne stoffer.
- De oplysninger og mærkninger iht. den tyske forordning om farlige stoffer, der er angivet på emballagen af det materiale, der skal forarbejdes, skal iagttages. Der skal evt. træffes yderligere foranstaltninger, navnlig skal der benyttes egnet tøj og masker.
- Under sprøjteprocessen og i arbejdsrummet må der ikke ryges. Eksplosionsfare! Også malingsdampe er let brændbare.
- Der må ikke forefindes eller benyttes brandkilder, åben ild eller gnistfrembringende maskiner.
- Mad og drikkevarer må hverken opbevares eller fortæres i arbejdsrummet. Malingsdampe er sundhedsskadelige.
- Arbejdsrummet skal være større end 30 m³, og der skal sikres tilstrækkelig luftudskiftning under sprøjtning og tørring.
- Undgå at sprøjte mod vindretningen. Ved sprøjtning af brændbart eller farligt sprøjtemateriale skal man principielt følge bestemmelserne fra det lokale politi.
- I forbindelse med PVC-tryksslagen må der ikke forarbejdes medier såsom mineralsk terpentin, butylalkohol og methylenchlorid. Disse medier ødelægger tryksslagen.

- Ved anvendelse i forbindelse med sprøjteudstyr (f.eks. en sprøjtepistol): Når sprøjteudstyret fyldes, skal der holdes afstand til apparatet, ligesom der må ikke sprøjtes i retning mod kompressoren.

Drift af trykbeholdere

- Når man arbejder med en trykbeholder, skal denne holdes i ordentlig stand, betjenes korrekt, overvåges, og alle nødvendige vedligeholdelses- og reparationsarbejder skal udføres uden undtagelse, ligesom der skal træffes de nødvendige sikkerhedsforanstaltninger i forhold til de givne omstændigheder.
- De tilsynshavende myndigheder kan i enkelt tilfælde påbyde de nødvendige overvågningsforanstaltninger.
- En trykbeholder må ikke benyttes, hvis den opviser tegn på fejl og mangler, som kan bevirke, at bruger eller tredjepart udsættes for fare.
- Inden hver brug skal trykbeholderen kontrolleres for rust og beskadigelser. Kompressoren må ikke benyttes med en beskadiget eller rusten trykbeholder. Hvis der konstateres beskadigelser, bedes man venligst kontakte kundeservice-værkstedet.

Opbevar sikkerhedsforskrifterne et sikkert sted.

Restrisiko

Overhold de fastlagte vedligeholdelses- og sikkerhedsforskrifter i betjeningsvejledningen.

Vær altid opmærksom under arbejdet og hold fremmede i en sikker afstand til arbejdspladsen.

Der vil altid være en restrisiko, der ikke kan udelukkes helt, også selv om produktet bruges korrekt. Følgende, potentielle farer kan afledes på basis af produktets type og konstruktion:

- Utilsigtet ibrugtagning af produktet.
- Høreskader, hvis der ikke bruges foreskrevet høreværn.
- Snavspartikler, støv osv. kan komme i øjnene eller ansigtet, også selv om der bruges beskyttelsesbriller.
- Indånding af ophvirvlede partikler.

Advarsel!

Dette elværktøj fremstiller et elektromagnetisk felt under driften. Dette felt kan under bestemte omstændigheder forringe aktive eller passive medicinske implantater. For at forringe faren for alvorlige kvæstelser eller kvæstelser med døden til følge anbefales det personer med medicinske implantater at gå til læge og kontakte producenten af det medicinske implantat, før elværktøjet betjenes.

7. Tekniske data

Nettilslutning.....	230 V~ 50 Hz
Motoreffekt	1800 W
Driftsfunktion	S1
Kompressorhastighed.....	2850 min ⁻¹
Trykbeholdervolumen.....	ca. 24 liter
Maks. driftstryk	ca. 10 bar
Teoretisk indsugningseffekt	ca. 260 liter/min
Lydtryksniveau L _{PA}	72,9 dB(A)
Lydeffektniveau L _{WA}	92,9 dB(A)
Usikkerhed K _{PA/WA}	2,59 dB
Beskyttelsesgrad.....	IPX2
Apparatvægt	ca. 26,8 kg
Olie (SAE 15W 40).....	ca. 0,25 liter
Maks. opstillingshøjde (m.o.h.)	1000 m

Støjemissionsværdierne er bestemt i overensstemmelse med EN ISO 3744:1995.

Brug høreværn.

Støjpåvirkning kan føre til høretab.

8. Før ibrugtagning

- Åbn emballagen, og tag forsigtigt maskinen ud.
- Fjern emballagematerialet samt emballage- og transportsikringer (hvis sådanne findes).
- Kontrollér, om leveringsomfanget er fuldstændigt.
- Kontrollér maskinen og tilbehørsdelene for transportskader.
- Opbevar så vidt muligt emballagen frem til udløbet af garantiperioden.

FARE

Apparatet og emballeringsmaterialet er ikke legetøj! Børn må ikke lege med plastposer, folie og smådele! Fare for slugning og kvælning!

Kontrollér inden tilslutningen, at dataene på typeskiltet stemmer overens med netdataene.

- Fjern transportdækslet (20a) inden første ibrugtagning, og fyld kompressorpumpehuset med olie som beskrevet under pkt. 9.4.
- Kontrollér maskinen for transportskader. Meld straks evt. skader til den transportvirksomhed, som kompressoren blev leveret med.
- Kompressoren skal opstilles i nærheden af forbrugeren.
- Lange luftledninger og lange forsyningsledninger (forlængerkabler) skal undgås.
- Indsugningsluften skal være tør og støvfri.
- Brug ikke kompressoren i fugtige eller våde rum.
- Kompressoren må kun bruges i egnede rum (godt ventileret, omgivelsestemperatur +5 °C til 40 °C). I rummet må der ikke forefindes støv, syre, dampe, eksplosive eller brændbare gasser.
- Kompressoren er egnet til brug i tørre rum. Den må ikke benyttes i områder, hvor der arbejdes med stænk vand.
- Inden ibrugtagning skal man kontrollere olieniveauet i kompressorpumpehuset.

9. Opbygning og betjening

⚠ Pas på!

Sørg under alle omstændigheder for, at maskinen er monteret fuldstændigt, før den tages i brug!

Til montage skal du bruge:

- 1x gaffelnøgle 13 mm
 - 1x stjerneskruetrækker
- (ikke indeholdt i leveringsomfanget)

9.1 Montering af hjul (fig. 4)

- Monter de medfølgende hjul (11) som vist.

9.2 Montering af fødder (fig. 5)

- Monter de medfølgende fødder (9) som vist.

9.3 Montering af luftfilter (fig. 6, 7)

- Fjern transportdækslet (15a), og skru luftfilteret (15) fast på apparatet.

9.4 Påfyldning af olie (fig. 8, 9)

- Fjern transportdækslet (20a) fra oliepåfyldningsåbningen (20).
- Fyld den medfølgende kompressorolie i kompressorpumpehuset, og indsæt den medfølgende olieprop (16) i oliepåfyldningsåbningen (20).

9.5 Nettilslutning

- Kompressoren har en netledning med sikkerhedsstik. Dette kan tilsluttes til en hvilken som helst sikkerhedsstikkontakt 220 - 240 V~ 50 Hz, som er sikret med 16 A.
- Sørg inden ibrugtagning for, at netspændingen stemmer overens med driftsspændingen og med maskinydelsen på typeskiltet.
- Lange forsynings- og forlængerledninger, kabeltromler osv. forårsager spændingsfald og kan bevirke, at motoren ikke vil starte.
- Ved lave temperaturer under +5 °C kan motorstart være besværliggjort pga. træghed.

9.6 Tænd/Sluk-kontakt (fig. 2)

- Kompressoren tændes ved at trække Tænd/Sluk-kontakten (17) op. Den slukkes ved at trykke Tænd/Sluk-kontakten (17) ned.

9.7 Trykindstilling (fig. 1, 3)

- Med trykregulatoren (5) indstiller man trykket på manometret (4).
- Det indstillede tryk kan aflæses på lynkoblingen (3).
- På manometeret (6) kan man aflæse kedeltrykket.
- Kedeltrykket kan aflæses på lynkoblingen (7).

9.8 Indstilling af pressostat (fig. 1)

- Pressostaten (2) er indstillet på fabrikken.
Tændingstryk ca. 8 bar
Slukningstryk ca. 10 bar

9.9 Montering af trykluftslange (fig. 1, 3)

- Tilslut trykluftslangens (14) påsætningsnippel (14a) til en af lynkoblingerne (3, 7).
- Tilslut derefter trykluftværktøjet til trykluftslangens (14) lynkobling (14b).

9.10 Termobeskyttelsesafbryder

Termobeskyttelsesafbryderen er indbygget i apparatet.

Man løsner termobeskyttelsesafbryderes som følger:

- Træk netstikket ud.
- Vent i ca. to til tre minutter.
- Indsæt apparatstikket igen.
- Skulle apparatet ikke starte, gentages processen.
- Hvis apparatet stadig ikke starter, skal man slukke og tænde det på Tænd/Sluk-kontakten (17).
- Hvis man har udført alle ovenstående trin, og apparatet stadig ikke fungerer, bedes man kontakte vores serviceafdeling.

10. El-tilslutning

Den installerede elmotor er tilsluttet, så den er driftsklar. Tilslutningen opfylder de relevante VDE- og DIN-bestemmelser. Nettilslutningen hos kunden samt den anvendte forlængerledning skal opfylde disse forskrifter.

10.1 Vigtige anvisninger

Hvis motoren overbelastes, slår den fra af sig selv. Efter en afkølingsfase (varierer tidsmæssigt), kan motoren tændes igen.

10.2 Beskadiget elektrisk tilslutningsledning

Der opstår ofte isoleringsskader på elektriske tilslutningsledninger.

Årsagerne hertil kan være:

- Tryksteder, når tilslutningsledninger trækkes gennem vinduer eller døråbninger.
- Knæksteder, når tilslutningsledning fastgøres eller trækkes forkert.
- Skæresteder, når tilslutningsledningen køres over.
- Isolationsskader, når stikket trækkes ud af stikkontakten på væggen.
- Revner pga. ældning af isoleringen.

Sådanne beskadigede elektriske tilslutningsledninger må ikke anvendes og er livsfarlige pga. isoleringsskaderne.

Elektriske tilslutningsledninger skal kontrolleres for skader med jævne mellemrum. Sørg for, at tilslutningsledningen ikke hænger i lysnettet, når den kontrolleres.

Elektriske tilslutningsledninger skal opfylde de relevante VDE- og DIN-bestemmelser. Der må kun anvendes tilslutningsledninger med samme mærkning.

Påtryk af typebetegnelsen på tilslutningskablet er et krav.

10.3 Vekselstrømsmotor

- Netspændingen skal være 220 - 240 V~ 50 Hz.
- Forlængerledninger op til en længde på 25 m skal have et tværsnit på 1,5 kvadratmillimeter.

Tilslutning og reparation af elektrisk udstyr må kun forestås af autoriserede elektrikere.

Ved forespørgsler bedes følgende data opgives:

- Motorens strømtype
- Dataene på maskinens typeskilt
- Dataene på motorens typeskilt

11. Rengøring, vedligeholdelse og opbevaring

⚠ Pas på!

Træk elstikket ud, før rengørings- og vedligeholdelsesarbejde gennemføres! Fare for tilskadekomst som følge af strømstød!

⚠ Pas på!

Vent til maskinen er kølet helt af! Fare for forbrænding!

⚠ Pas på!

Inden enhver form for rengørings- og vedligeholdelsesarbejde skal apparatet gøres trykløst! Fare for tilskadekomst!

11.1 Rengøring

- Hold maskinen fri for støv og snavs. Tør maskinen af med en ren klud, eller blæs den over med trykluft ved lavt tryk.
- Det anbefales, at maskinen altid rengøres umiddelbart efter brug.
- Rengør maskinen med en fugtig klud og en smule brun sæbe med jævne mellemrum. Undlad brug af aggressive rengørings- eller opløsningsmidler; disse kan angribe apparatets plastdele. Sørg for, at vand ikke kan trænge ind i maskinen.
- Slange og sprøjteværktøjer skal kobles fra kompressoren, inden de rengøres. Kompressoren må ikke rengøres med vand, opløsningsmidler el.lign.

11.2 Vedligeholdelse af trykbeholderen (fig. 1)

Pas på!

Af hensyn til trykbeholderens (8) levetid skal man aftømme kondensvandet efter hver brug ved at åbne aftapningsskruen (10). Forinden skal man aflaste kedeltrykket (se 11.8.1). Aftapningsskruen (10) åbnes ved at dreje den imod urets retning (set fra undersiden af kompressoren i retning mod skruen), så alt kondensvandet kan løbe fra trykbeholderen (8).

Luk derefter aftapningsskruen (10) igen (ved at dreje den i urets retning). Inden hver brug skal trykbeholderen (8) kontrolleres for rust og skader.

Kompressoren må ikke benyttes med en beskadiget eller rusten trykbeholder (8). Hvis der konstateres beskadigelser, bedes man venligst kontakte kundeservice-værkstedet.

⚠ Pas på!

Kondensvandet fra trykbeholderen (8) indeholder olierester. Kondensvandet skal bortskaffes i henhold til gældende miljøregler.

11.3 Sikkerhedsventil (fig. 3)

Sikkerhedsventilen (19) er indstillet til det højst tilladte tryk for trykbeholderen (8). Det er ikke tilladt at justere sikkerhedsventilen (19) eller fjerne forbindelsessikringen (19b) mellem aftapningsmatrikken (19a) og dennes hætte (19c). For at sikkerhedsventilen (19) skal fungere korrekt, når det kræves, skal den aktiveres mindst hver 30. driftstime; dog mindst tre gange om året.

Man åbner den perforerede aftapningsmøtrik (19a) ved at dreje den imod uret og derefter med hånden trække ventilspindlen udad hen over den perforerede aftapningsmøtrik (19a) for at åbne sikkerhedsventilens (19) udløb. Ventilen lukker nu hørbart luft ud. Derefter spænder man atter aftapningsmøtrikken (19a) fast ved at dreje den i urets retning.

11.4 Kontrollér olieniveauet med jævne mellemrum (fig. 10)

Stil kompressoren på en jævn, lige overflade.

Olieniveauet skal befinde sig mellem MAX og MIN på olieskueglasset (18).

Olieskift: Anbefalet olie: SAE 15W 40 eller ækvivalent. Der skal skiftes olie første gang efter 100 driftstimer; dernæst skal der skiftes olie for hver 500 driftstimer.

11.5 Olieskift (Fig. 1, 9, 10)

Sluk motoren, og træk lysnetstikket ud af stikkontakten. Fjern olielukkeproppen (16). Når man evt. har aftappet et lufttryk, kan man skrue olieaftapningsskruen (12) på kompressorumpen (13) af.

For at forhindre, at olien løber ud ukontrolleret, skal man holde en lille metalrende nedenunder og opsamle olien i en beholder. Hvis ikke al olien løber ud, anbefaler vi, at man hælder kompressoren en smule. Når al olien er løbet ud, indsætter man atter olieaftapningsskruen (12).

Den brugte olie skal bortskaffes i henhold til gældende miljøregler.

For at kunne påfylde den korrekte mængde olie skal man sørge for, at kompressoren står på en plan overflade. Fyld den friske olie i oliepåfyldningsåbningen (20), indtil olieniveauet når den maksimale påfyldningsmængde. Denne er afmærket med en rød prik på olieskueglasset (18) (fig. 10).

Denne maks. påfyldningsmængde må ikke overskrides. Overfyldning kan medføre skader på apparatet. Sæt olielukkeproppen (16) ind i oliepåfyldningsåbningen (20) igen.

11.6 Rensning af luftfilter (fig. 3, 11, 12)

Luftfilteret (15) forhindrer ind sugning af støv og smuds. Det er nødvendigt at rense dette luftfilter (15) som minimum for hver 300 driftstimer. Et tilstoppet luftfilter reducerer kompressorens ydelse betragteligt.

Fjern luftfilteret (15) ved at åbne vingeskruen (15b). Tag derefter filterdækslet (15e) af. Man kan nu tage filterindsatsen (15c) og filterhuset (15d) ud. Bank filterindsatsen (15c), filterdækslet (15e) og filterhuset (15d) forsigtigt ud. Disse komponenter skal derefter udblæses med trykluft (ca. 3 bar) og monteres igen i omvendt rækkefølge.

11.7 Serviceinformationer

Vær opmærksom på, at følgende dele på dette produkt slides som følge af brug eller naturligt slid, og at der er brug for følgende dele som forbrugsmaterialer.

Sliddele*: Luftfilter

* følger ikke nødvendigvis med leverancen!

11.8 Opbevaring

⚠ Pas på!

Træk netstikket ud, ventiler apparatet og alle tilsluttede trykluftværktøjer. Sluk for kompressoren på en sådan måde, at den ikke kan tages i drift af uvedkommende.

⚠ Pas på!

Kompressoren må kun opbevares tørt og utilgængeligt for uvedkommende. Må ikke kippes, må kun opbevares stående! Der kan løbe olie ud!

11.8.1 Aflastning af overtryk

Aflast overtrykket i kompressoren ved at slukke den og opbruge den trykluft, der stadig findes i trykbeholderen (8), f.eks. med et trykluftværktøj i tomgang eller med en udblæsningspistol.

12. Transport

Til transport skal man anvende transportgrebet (1) og køre kompressoren med dette.

Når kompressoren løftes, skal man være opmærksom på dens vægt (se tekniske data).

Ved transport af kompressoren i køretøjer skal man se til, at lasten er sikret forsvarligt.

13. Bortskaffelse og genbrug

Enheden er emballeret for at forhindre transportskader. Denne emballage er råmateriale og kan dermed genanvendes eller kan returneres til råmateriale-kredsløbet.

Apparatet og dets tilbehør er fremstillet af forskellige materialer som f.eks. metal og plast. Defekte komponenter skal bortskaffes som specialaffald. Spørg i specialbutikken eller i hos kommunen!



Emballagen består af miljøvenlige materialer, der kan bortskaffes på lokale genbrugsstationer. Informationer om muligheder for bortskaffelse af gamle apparater fås ved henvendelse til kommunen.

Gamle apparater må ikke smides ud sammen med det almindelige husholdningsaffald!



Dette symbol gør opmærksom på, at dette produkt ikke må smides ud sammen med det almindelige husholdningsaffald iht. WEEE-direktiv (2012/19/EU) og nationale love. Dette produkt skal afleveres til udvalgte samlesteder. Dette kan gøres f.eks. ved at returnere det i forbindelse med køb af et lignende produkt eller ved at aflevere det på et autoriseret indsamlingssted for genbrug af elskrot. Forkert håndtering af gamle apparater kan have negative følger for miljøet og menneskers sundhed, fordi disse evt. er fremstillet af farlige stoffer, der ofte findes i gamle elektriske og elektroniske apparater. Den korrekte bortskaffelse af produktet bidrager desuden til en effektiv udnyttelse af naturlige ressourcer. Informationer om samlesteder for gamle apparater fås ved henvendelse til kommunen, de offentlige organer til bortskaffelse af affald, et autoriseret sted til bortskaffelse af gamle elektriske og elektroniske apparater eller renovationen.

14. Afhjælpning af fejl

Fejl	Mulig årsag	Afhjælpning
Kompressor vil ikke starte.	Ingen netspænding.	Kontrollér kabel, netstik, sikring og stikkontakt.
	Netspænding for lav.	Undgå for lange forlænger kabler. Benyt forlænger kabler med tilstrækkeligt ledningstværsnit.
	Udetemperatur for lav.	Undgå brug ved en udetemperatur på under +5 °C.
	Motor overophedet.	Lad motoren køle af; afhjælp evt. årsagen til overophedningen.
Kompressor kører, men uden tryk.	Sikkerhedsventil (19) utæt.	Kontakt det lokale servicecenter. Reparation må kun udføres af uddannet personale.
	Tætninger defekte.	Kontrollér tætninger; få defekte tætninger udskiftet på et professionelt værksted.
	Aftapningsskrue for kondensvand (10) utæt.	Efterspænd skruen med hånden. Kontrollér tætning på skruen, udskift ved behov.
Kompressor kører, der vises tryk på manometer, men værktøjer kører ikke.	Slangeforbindelser utætte.	Kontrollér tryklufslange og værktøjer, udskift ved behov.
	Lynkobling utæt.	Kontakt det lokale servicecenter. Reparation må kun udføres af uddannet personale.
	For lavt tryk indstillet på trykregulatoren (5).	Indstil højere tryk på trykregulatoren.

15. Garantibevis

Kære kunde,

Alle vores produkter gennemgår strenge kvalitetskontrol for at sikre, at de når dig i perfekt stand. I det usandsynlige tilfælde, at enheden udvikler en fejl, bedes du kontakte vores serviceafdeling på den adresse, der vises på dette garantibevis. Selvfølgelig, hvis du foretrækker at ringe til os så er vi også glade for at tilbyde vores bistand under servicenummer trykt nedenfor. Bemærk følgende betingelser, som garantikrav kan gøres:

- Disse garanti vilkår omfatte yderligere garanti rettigheder og påvirker ikke dine lovbestemte rettigheder for garanti. Vi vil ikke debitere dig for denne garanti.
- Vores garanti dækker kun problemer forårsaget af materiale- eller produktionsfejl, og det er begrænset til afhjælpning af disse mangler eller udskiftning af enheden. Bemærk, at vores enheder ikke er designet til brug i kommercielle, handel eller industrielle applikationer. Derfor er garantien ugyldig, hvis udstyret bruges i kommerciel, handel eller industrielle applikationer eller for andre tilsvarende aktiviteter. Følgende er også udelukket fra vores garanti: kompensation for transportskader, skader forårsaget af manglende overholdelse af installations- / monteringsvejledning eller skader forårsaget af uprofessionel installation, manglende overholdelse brugsanvisningen (f.eks tilslutning til den forkerte netspænding eller strøm type), misbrug eller uhensigtsmæssig brug (såsom overbelastning af apparatet eller brug af ikke-godkendte værktøj eller tilbehør), manglende overholdelse af vedligeholdelses- og sikkerhedsforskrifter, indtrængen af fremmedlegemer i apparatet (f.eks sand, sten eller støv) , virkninger af vold eller ydre påvirkninger (f.eks skader forårsaget af enheden bliver droppet) og normal slitage som følge af korrekt funktion af apparatet.

Garantien erklæres ugyldig, hvis der gøres forsøg på at manipulere med enheden.

- Garantien er gyldig i en periode på 3 år fra købsdatoen af enheden. Garantikrav skal indsendes inden udløbet af perioden garanti senest to uger efter defekten blive bemærket. Ingen garantikrav vil blive accepteret efter udløbet af garantiperioden. Den oprindelige garantiperiode fortsat anvendelse til enheden, selvom reparationer udføres eller dele udskiftes. I sådanne tilfælde, det udførte arbejde eller dele monteret vil ikke resultere i en forlængelse af garantiperioden, og ingen ny garanti bliver aktiv for det udførte eller dele monteret arbejde. Dette gælder også, når der anvendes en tjeneste på stedet.
- For at du kan gøre dit garantikrav gældende, bedes du kontakte nedenstående serviceadresse. Hvis reklamationen ligger inden for garantiperioden, vil vi fremsende dig en returmærkat, med hvilken du gratis kan returnere dit defekte apparat til os. Det ville hjælpe os, hvis du kunne beskrive karakteren af problemet så detaljeret som muligt. Hvis fejlen er dækket af vores garanti så din enhed vil enten blive repareret med det samme og returneret til dig, eller vi vil sende dig en ny enhed.

Selvfølgelig er vi også glade tilbyde en afgiftsudløsende reparationservice for eventuelle mangler, der ikke er omfattet af anvendelsesområdet for denne garanti eller til enheder, som ikke længere er dækket. At drage fordel af denne service, skal du sende enheden til vores service-adresse.

Tjeneste-Hotline (DK):

00800 4003 4003
(0,00 €/Min.)

Tjeneste-mail (DK):

service.DK@schepach.com

Tjeneste Adresse (DK):

Sotek
Charlottevej 30 E
DK - 4270 Hong



På www.lidl-service.com kan du downloade disse og mange flere manualer, produktvideoer og installationssoftware.

Med QR-koden kan du få direkte adgang til Lidl-service-siden (www.lidl-service.com) og åbne din betjeningsvejledning ved at indtaste artikelnummeret (IAN) 383215_2010.

Indice:	Pagina:
1. Spiegazione dei simboli sull'apparecchio	95
2. Introduzione	96
3. Descrizione dell'apparecchio (Fig. 1-12).....	96
4. Contenuto della fornitura.....	96
5. Impiego conforme alla destinazione d'uso.....	96
6. Indicazioni di sicurezza.....	97
7. Dati tecnici.....	99
8. Prima della messa in funzione.....	99
9. Montaggio e utilizzo	99
10. Allacciamento elettrico	100
11. Pulizia, manutenzione e magazzinaggio	100
12. Trasporto.....	101
13. Smaltimento e riciclaggio	102
14. Risoluzione dei guasti	102
15. Certificato di garanzia.....	103
16. Dichiarazione di conformità	127

1. Spiegazione dei simboli sull'apparecchio



IT MT

Prima della messa in funzione leggere attentamente e attenersi alle istruzioni per l'uso e alle avvertenze sulla sicurezza!



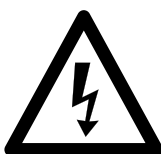
IT MT

Indossare degli otoprotettori. L'esposizione al rumore può provocare la perdita dell'udito.



IT MT

Avviso di componenti incandescenti! (A Fig. 11)



IT MT

Avviso di tensione elettrica



IT MT

Avviso! L'unità parte automaticamente e può avviarsi senza alcun avviso.



IT MT

Attenzione! Prima della messa in funzione iniziale, verificare il livello dell'olio e sostituire il tappo di chiusura dell'olio!



IT MT

Osservare le indicazioni di avvertenza e di sicurezza!



IT MT

Specificazione del livello di potenza acustica in dB



IT MT

Non esporre l'apparecchio alla pioggia!

2. Introduzione

Produttore:

Scheppach GmbH
Günzburger Straße 69
89335 Ichenhausen, Germania

Egregio cliente,

le auguriamo un piacevole utilizzo del suo nuovo apparecchio.

Avvertenza:

Sulla base della legge attualmente in vigore sulla responsabilità per prodotti difettosi, il produttore del presente apparecchio non risponde dei danni all'apparecchio in questione o derivanti da esso in caso di:

- manipolazione impropria,
- mancato rispetto delle istruzioni per l'uso,
- riparazioni da parte di terzi, personale tecnico non autorizzato,
- montaggio e sostituzione di pezzi di ricambio non originali,
- utilizzo non conforme,
- Guasti all'impianto elettrico dovuti alla mancata osservanza delle norme elettriche e delle disposizioni VDE 0100, DIN 57113 / VDE 0113.

Da osservare:

Prima del montaggio e della messa in funzione, leggere tutto il testo delle istruzioni per l'uso.

Le presenti istruzioni per l'uso sono intese a facilitare la conoscenza dell'attrezzo elettrico e a sfruttare le sue possibilità di impiego conformi.

Le istruzioni per l'uso contengono avvertenze importanti su come utilizzare l'utensile elettrico in modo sicuro, corretto ed economico e su come evitare i pericoli, risparmiare sui costi di riparazione, ridurre i tempi di inattività ed aumentare l'affidabilità e la durata dell'utensile elettrico.

Oltre alle disposizioni di sicurezza contenute nelle qui presenti istruzioni per l'uso, è necessario altresì osservare le norme in vigore nel proprio Paese per l'utilizzo dell'utensile elettrico.

Conservare le istruzioni per l'uso vicino all'utensile elettrico, protette da sporcizia e umidità in una copertina di plastica. Esse devono essere attentamente lette e scrupolosamente osservate da tutti gli operatori prima di iniziare il lavoro. Sull'utensile elettrico possono lavorare soltanto persone che sono state istruite sul suo uso e sui pericoli ad esso collegati. L'età minima richiesta per gli operatori deve essere assolutamente rispettata. Oltre alle indicazioni di sicurezza contenute nelle presenti istruzioni per l'uso e alle disposizioni speciali in vigore nel proprio Paese, devono essere rispettate le regole tecniche generalmente riconosciute per l'utilizzo di macchine simili.

Si declina ogni responsabilità in caso di incidenti o danni dovuti al mancato rispetto delle presenti istruzioni per l'uso e delle indicazioni di sicurezza.

3. Descrizione dell'apparecchio (Fig. 1-12)

1. Maniglia di trasporto
2. Pressostato
3. Giunto rapido (aria compressa regolata)
4. Manometro (la pressione impiegata può essere letta)
5. Regolatore di pressione
6. Manometro (è possibile leggere la pressione della caldaia)
7. Giunto rapido (aria compressa non regolata)
8. Serbatoio a pressione
9. Piede di appoggio
- 9a. Rondella di rasamento
- 9b. Vite
10. Valvola di scarico per l'acqua di condensa
11. Ruota
- 11a. Rondella di rasamento
- 11b. Vite a testa bombata
12. Tappo di scarico dell'olio
13. Pompa del compressore
14. Flessibile dell'aria compressa
- 14a. Nipplo a innesto
- 14b. Giunto rapido
15. Filtro dell'aria
- 15a. Coperchio di trasporto
- 15b. Vite ad alette
- 15c. Inserto filtrante
- 15d. Scatola del filtro
- 15e. Coperchio del filtro
16. Tappo di chiusura dell'olio
17. Interruttore ON/OFF
18. Indicatore di livello olio
19. Valvola di sicurezza
- 19a. Dado di scarico
- 19b. Sicura di connessione
- 19c. Calotta del dado di scarico
20. Orificio di rabbocco dell'olio
- 20a. Coperchio di trasporto

4. Contenuto della fornitura

- 1x filtro dell'aria
- 2x piede di supporto
- 2x ruota
- 1x materiale di montaggio
- 1x tappo di chiusura dell'olio
- 1x bottiglia di olio
- 1x flessibile dell'aria compressa
- 1 manuale di istruzioni per l'uso

5. Impiego conforme alla destinazione d'uso

Il compressore viene utilizzato per generare aria compressa per attrezzi ad aria compressa che possono essere azionati con un volume di aria fino a circa 180 l/min (per esempio sistema di gonfiaggio degli pneumatici, pistola di soffiaggio e pistola di verniciatura). A causa della portata di aria ridotta non è possibile utilizzare attrezzi che hanno un fabbisogno di

aria molto elevato (per esempio levigatrici orbitali, smerigliatrici diritte e avvitatori a impulsi).

Utilizzare la macchina solo in modo conforme all'uso previsto. Un uso diverso o che oltrepassi quello previsto è da considerarsi non conforme. L'utente/l'operatore, e non il fabbricante, è unico responsabile dei danni o delle lesioni provocati da un uso non conforme.

Si prega di osservare che i nostri apparecchi non sono destinati a un uso commerciale, artigianale o industriale. Non ci si assume alcuna responsabilità se l'apparecchio è impiegato nel quadro di un'attività commerciale, artigianale, industriale o simili.

6. Indicazioni di sicurezza

⚠ Attenzione!

Quando si utilizzano elettrotensili adottare le seguenti misure di sicurezza basilari per la protezione contro le scosse elettriche, le lesioni o il pericolo di incendio. Leggere tutte le avvertenze prima di utilizzare il presente elettrotensile e conservare con cura le avvertenze di sicurezza.

Lavorare in sicurezza

1. Mantenere in ordine la zona di lavoro
 - Disordine nell'area di lavoro può causare infortuni.
2. Tenere in considerazione gli influssi ambientali
 - Non esporre gli attrezzi elettrici alla pioggia.
 - Non utilizzare gli attrezzi elettrici in ambiente umido o bagnato. Pericolo di scarica elettrica!
 - Provvedere a una buona illuminazione della zona di lavoro.
 - Non utilizzare gli elettrotensili in luoghi esposti a rischio di incendio o esplosione.
3. Proteggersi da scosse elettriche
 - Evitare il contatto del corpo con componenti messi a terra (per esempio tubi, radiatori, piastre elettriche, refrigeratori).
4. Tenere i bambini lontani!
 - Non lasciare che altre persone tocchino l'attrezzo o il cavo, tenerle lontane dalla propria zona di lavoro.
5. Conservare gli attrezzi elettrici non utilizzati in modo sicuro
 - Gli attrezzi elettrici inutilizzati devono essere depositati in un luogo asciutto, alto o comunque chiuso, fuori dalla portata di bambini.
6. Non sovraccaricare l'attrezzo elettrico
 - Funzionano meglio e in modo più sicuro nel campo di potenza indicato.
7. Indossare abbigliamento adeguato
 - Non indossare abbigliamento largo o gioielli perché potrebbero essere catturati da componenti in movimento.
 - Durante il lavoro all'aperto si raccomandano guanti in gomma e calzature antiscivolo.
 - In caso di capelli lunghi, indossare una retina per raccogliere i capelli.
8. Non utilizzare il cavo per scopi a cui non è destinato
 - Non estrarre la spina dalla presa tirando il cavo. Proteggere il cavo da calore, olio e spigoli appuntiti.
9. Prendersi cura degli attrezzi elettrici con diligenza
 - Mantenetevi pulito il proprio compressore per lavorare bene e in sicurezza.

- Attenersi alle istruzioni di manutenzione.
 - Controllare regolarmente la linea di allacciamento dell'attrezzo elettrico e farlo sostituire da un esperto in caso di danneggiamento.
 - Verificare regolarmente i cordoni di prolunga e sostituirli qualora fossero danneggiati.
10. Estrarre la spina dalla presa
 - In caso di inutilizzo dell'attrezzo elettrico, prima della manutenzione e durante la sostituzione di attrezzi, per esempio lama, trapano, fresa.
 11. Evitare l'avviamento inavvertito
 - Accertarsi che l'interruttore sia spento quando si inserisce la spina nella presa.
 12. Utilizzare il cavo di prolunga per la zona esterna
 - All'aperto utilizzare solo cavi di prolunga consentiti e opportunamente contrassegnati a tale scopo.
 - Utilizzare il tamburo avvolgicavo solo in stato srotolato.
 13. Stare sempre all'erta
 - Fare attenzione a cosa si sta facendo. Attenersi alle regole di buon senso durante il lavoro. Non utilizzare l'elettrotensile in caso di mancata concentrazione.
 14. Verificare che l'attrezzo elettrico non sia danneggiato
 - Prima di utilizzare l'attrezzo elettrico, controllare scrupolosamente che i dispositivi di protezione o le parti leggermente danneggiate funzionino correttamente.
 - Controllare che le parti mobili funzionino correttamente e non si blocchino, e che non siano danneggiate. Tutti i componenti devono essere montati correttamente e tutte le condizioni devono essere soddisfatte al fine di garantire un esercizio perfetto dell'elettrotensile.
 - Dispositivi di protezione e componenti danneggiati devono essere riparati o sostituiti in modo conforme da un'officina specializzata riconosciuta, salvo diversamente indicato nelle istruzioni per l'uso.
 - Gli interruttori danneggiati devono essere sostituiti presso un'officina di assistenza.
 - Non utilizzare cavi di collegamento difettosi o danneggiati.
 - Non utilizzare attrezzi elettrici il cui interruttore non può essere acceso o spento.
 15. Far riparare l'elettrotensile da un tecnico elettricista qualificato
 - Il presente utensile elettrico è conforme alle disposizioni di sicurezza pertinenti. Le riparazioni devono essere effettuate solo da un esperto elettricista utilizzando pezzi di ricambio originali, altrimenti si rischiano infortuni dell'utilizzatore.
 16. Attenzione!
 - Per la propria sicurezza personale, utilizzare solo gli accessori e i dispositivi supplementari riportati nelle istruzioni per l'uso o consigliati / indicati dal produttore. L'utilizzo di elettrotensili e accessori diversi da quelli consigliati nelle istruzioni per l'uso o nel catalogo può implicare un pericolo di lesioni personali.
 17. Rumore
 - Durante l'utilizzo del compressore, indossare otoprotettori.
 18. Sostituzione del cavo di collegamento
 - Se il cavo di collegamento è danneggiato, deve essere sostituito dal produttore o da un elettricista specializzato, al fine di evitare potenziali pericoli. Pericolo di scariche elettriche.

19. Gonfiaggio degli pneumatici
 - Controllare la pressione di gonfiaggio degli pneumatici subito dopo il gonfiaggio, utilizzando un manometro adatto, per esempio presso una stazione di rifornimento.
20. Compressori mobili su strada per il funzionamento in cantieri
 - Assicurarsi che tutti i flessibili e il valvolame siano adatti alla pressione operativa massima ammessa del compressore.
21. Luogo di installazione
 - Posizionare il compressore solo su una superficie piana.
22. Si consiglia di dotare i flessibili di alimentazione di un cavo di sicurezza, per esempio una fune metallica, in caso di pressione superiori a 7 bar.
23. Evitare carichi pesanti sul sistema di tubazioni impiegando raccordi portagomme per evitare la formazione di punti di piegatura.
24. Assicurarsi che i dispositivi di raffreddamento dell'olio siano mantenuti puliti e i dispositivi di protezione rimangano funzionanti.
25. Pericolo di ustione da olio caldo
 - Indossare guanti protettivi adeguati.
 - Non lavorare mai con il compressore in prossimità di fiamme libere.
 - Fare attenzione a non rovesciare dell'olio.
26. Alle basse temperature al di sotto di 0°C, è vietato avviare il motore.

Ulteriori indicazioni di sicurezza

Indicazioni di sicurezza per lavorare con aria compressa e pistole di soffiaggio

- La pompa del compressore e le linee del compressore raggiungono temperature elevate durante l'esercizio. Il contatto comporta ustioni.
- L'aria aspirata dal compressore deve essere mantenuta priva di additivi che rischiano di provocare incendi o esplosioni nella pompa del compressore.
- Quando si allenta il raccordo del flessibile, tenere saldamente con la mano il pezzo di raccordo del flessibile. In questo modo si evitano eventuali lesioni causate dal rimbalzo del flessibile.
- Indossare occhiali protettivi quando si lavora con la pistola di soffiaggio. Corpi estranei e componenti soffiati via possono facilmente causare lesioni.
- Non puntare il soffio della pistola di soffiaggio su persone né utilizzarla per pulire indumenti mentre vengono indossati sul corpo. Pericolo di lesioni!

Indicazioni di sicurezza per la verniciatura a spruzzo

- Non utilizzare vernici o solventi con punto di infiammabilità inferiore a 55° C. Pericolo di esplosione!
- Non riscaldare vernici e solventi. Pericolo di esplosione!
- Se vengono trattati liquidi nocivi per la salute, sono necessari apparecchi filtranti (maschere facciali) per la protezione. Osservare anche le informazioni fornite dai fabbricanti di tali sostanze per quanto riguarda le misure di protezione.
- Occorre osservare le informazioni e le marcature relative all'ordinanza sulle sostanze pericolose GefStoffV applicate sugli imballaggi esterni dei materiali lavorati. È necessario adottare eventualmente ulteriori misure di protezione, in particolare indossare indumenti e maschere adeguate.

- Non è consentito fumare durante il processo di spruzzatura o nell'area di lavoro. Pericolo di esplosione! Anche i fumi delle vernici sono altamente infiammabili.
- Non è consentita la presenza o l'uso di focolari, fiamme libere o macchine che emettono scintille.
- Non conservare o consumare cibi e bevande nell'area di lavoro. I fumi delle vernici sono nocivi per la salute.
- L'area di lavoro deve essere superiore a 30 m³ e occorre garantire un sufficiente ricambio dell'aria durante la spruzzatura e l'asciugatura.
- Non spruzzare controvento. Osservare tassativamente le disposizioni dell'autorità di polizia locale quando si spruzzano materiali infiammabili o pericolosi.
- Non trattare in collegamento con il flessibile a pressione in PVC fluidi quali acqueragia, butanolo e diclorometano. Questi fluidi distruggono il flessibile a pressione.
- In caso di utilizzo insieme ad accessori di spruzzatura (ad es. un pistola da verniciatura): durante il riempimento dei dispositivi a spruzzo, mantenere la distanza dall'apparecchio e non spruzzare in direzione del compressore.

Funzionamento di serbatoi a pressione

- Chiunque utilizzi un serbatoio a pressione è tenuto a mantenerlo in condizioni adeguate, a farlo funzionare correttamente, a monitorarlo, a eseguire senza indugio gli interventi di manutenzione e riparazione necessari e ad adottare le misure di sicurezza richieste dalle circostanze.
- L'autorità di controllo può disporre le misure di monitoraggio richieste dal singolo caso.
- Non è consentito far funzionare un serbatoio a pressione se presenta difetti che potrebbero mettere in pericolo gli addetti o terzi.
- Controllare il serbatoio a pressione prima di ogni messa in funzione per verificare che non sia arrugginito o danneggiato. Il compressore non deve essere messo in funzione se il serbatoio a pressione è arrugginito o danneggiato. In caso di danni, prego rivolgersi a un punto di assistenza.

Conservare con cura le indicazioni di sicurezza.

Rischio residuo

Rispettare le indicazioni di manutenzione e sicurezza definite all'interno delle istruzioni per l'uso.

Fare sempre attenzione durante il lavoro e mantenere le altre persone presenti a un distanza di sicurezza rispetto alla propria postazione di lavoro.

Anche se lo strumento viene utilizzato in modo corretto sussiste sempre comunque un certo rischio residuo che non può essere escluso. In base al tipo e alla struttura dello strumento, possono derivare i seguenti potenziali pericoli:

- Messa in funzione involontaria del prodotto.
- Danni all'udito se non si indossano otoprotettori adeguati.
- Particelle di sporco, polvere etc. possono arrivare negli occhi o sul viso nonostante si indossino occhiali di protezione.
- Possibile inalazione di particelle sollevate nell'aria.

Avviso!

Questo attrezzo elettrico genera un campo magnetico durante l'esercizio. Tale campo può danneggiare impianti medici attivi o passivi in particolari condizioni. Per ridurre il rischio di lesioni serie o mortali, si raccomanda alle persone con impianti medici di consultare il proprio medico e il fabbricante dell'impianto medico prima di utilizzare l'attrezzo elettrico.

7. Dati tecnici

Allacciamento alla rete	230 V~ 50 Hz
Potenza del motore	1800 W
Modalità operativa	S1
Regime del compressore	2850 min ⁻¹
Volume del serbatoio a pressione	circa 24 l
Pressione di esercizio massima	circa 10 bar
Potenza di aspirazione teorica	circa 260 l/min
Livello di pressione acustica L _{PA}	72,9 dB(A)
Livello di potenza acustica L _{WA}	92,9 dB(A)
Incertezza K _{PA/WA}	2,59 dB
Tipo di protezione	IPX2
Peso dell'apparecchio	circa 26,8 kg
Olio (SAE 15W 40)	circa 0,25 l
Altezza di montaggio massima (sopra il livello del mare)	1000 m

I valori delle emissioni sonore sono stati determinati secondo EN ISO 3744:1995.

Indossare degli otoprotettori.

L'esposizione al rumore può provocare la perdita dell'udito.

8. Prima della messa in funzione

- Aprire l'imballaggio ed estrarre con cautela l'apparecchio.
- Rimuovere il materiale d'imballaggio nonché le staffe di sicurezza per il trasporto e l'imballaggio (se presenti).
- Controllare se il contenuto della fornitura è completo.
- Controllare l'apparecchio e gli accessori per rilevare l'eventuale presenza di danni dovuti al trasporto.
- Ove possibile, conservare l'imballaggio fino alla scadenza della garanzia.

PERICOLO

L'apparecchio e il materiale di imballaggio non sono giocattoli per bambini! I bambini non devono giocare con i sacchetti di plastica, pellicole e piccole parti! Sussiste il pericolo di ingerimento e soffocamento!

Prima del collegamento assicurarsi che i dati sulla piastrina indicatrice corrispondano ai dati della rete.

- Prima della messa in funzione iniziale, rimuovere il coperchio per il trasporto (20a) e riempire d'olio l'alloggiamento della pompa del compressore, come descritto al punto 9.4.
- Controllare l'apparecchio per rilevare l'eventuale presenza di danni da trasporto. Segnalare immediatamente eventuali danni al corriere che ha consegnato il compressore.
- Il compressore deve essere collocato nelle vicinanze dell'utenza.

- Occorre evitare linee dell'aria lunghe e linee di alimentazione lunghe (cavi di prolunga).
- Accertarsi che l'aria di aspirazione sia secca e priva di polvere.
- Non collocare il compressore in locali umidi o bagnati.
- Il compressore può funzionare solo in locali idonei (ben ventilati, temperatura ambiente da +5°C a 40°C). Non è consentita all'interno dell'area la presenza di polveri, acidi, vapori, gas esplosivi o infiammabili.
- Il compressore è adatto per l'uso in locali asciutti. Non è ammissibile l'uso in zone in cui si impiegano spruzzi di acqua.
- Prima della messa in funzione occorre controllare il livello dell'olio nell'alloggiamento della pompa del compressore.

9. Montaggio e utilizzo

⚠ Attenzione!

Prima della messa in funzione è obbligatorio montare completamente l'apparecchio!

Per il montaggio è necessario disporre di:

- 1x chiave fissa 13 mm
 - 1x cacciavite a lama cruciforme
- (non inclusa nel contenuto della fornitura)

9.1 Montaggio delle ruote (Fig. 4)

- Montare le ruote (11) in dotazione come rappresentato.

9.2 Montaggio dei piedi di supporto (Fig. 5)

- Montare i piedi di supporto (9) in dotazione come rappresentato.

9.3 Montaggio del filtro dell'aria (Fig. 6, 7)

- Rimuovere il coperchio di trasporto (15a) e avvitare il filtro dell'aria (15) all'apparecchio.

9.4 Riempimento di olio (Fig. 8, 9)

- Rimuovere il coperchio per il trasporto (20a) dell'orifizio di rabbocco dell'olio (20).
- Riempire l'alloggiamento della pompa del compressore con l'olio per compressori in dotazione e inserire il tappo di chiusura dell'olio (16) accluso nell'apertura di riempimento dell'olio (20).

9.5 Allacciamento alla rete

- Il compressore è dotato di un cavo di rete con un contatto di terra. Questo può essere collegato a qualsiasi presa collegata a terra 220 - 240 V~ 50 Hz protetta a 16 A.
- Prima della messa in funzione, accertarsi che la tensione di rete corrisponda alla tensione di esercizio e alla potenza della macchina riportata sulla piastrina indicatrice.
- Cavi lunghi, prolunghe, tamburi per cavi ecc. causano cadute di tensione e possono ostacolare l'avvio del motore.
- Alle basse temperature al di sotto di +5 °C, l'avvio del motore risulta difficile.

9.6 Interruttore ON/OFF (Fig. 2)

- Per accendere il compressore, si tira l'interruttore ON/OFF (17) verso l'alto. Per spegnere, si tira l'interruttore ON/OFF (17) verso il basso.

9.7 Impostazione della pressione (Fig. 1, 3)

- Con il regolatore di pressione (5) si imposta la pressione sul manometro (4).
- La pressione impostata può essere rilevata sul giunto rapido (3).
- La pressione della caldaia viene letta dal manometro (6).
- La pressione caldaia viene rilevata sul giunto rapido (7).

9.8 Impostazione del pressostato (Fig. 1)

- Il pressostato (2) viene impostato in fabbrica.
Pressione di accensione circa 8 bar
Pressione di spegnimento circa 10 bar

9.9 Montaggio del flessibile dell'aria compressa (Fig. 1, 3)

- Collegare il nipplo a innesto (14a) del flessibile dell'aria compressa (14) a uno dei giunti rapidi (3, 7).
- In seguito, collegare l'attrezzo pneumatico al giunto rapido (14b) del flessibile dell'aria compressa (14).

9.10 Interruttore magnetotermico di protezione

L'interruttore magnetotermico di protezione è integrato nell'apparecchio.

Se l'interruttore magnetotermico di protezione si attiva, procedere nel seguente modo:

- Estrarre la spina elettrica.
- Attendere da due a tre minuti circa.
- Reinserire l'apparecchio.
- Se l'apparecchio non si avvia, ripetere l'operazione.
- Se l'apparecchio continua a non avviarsi, spegnere l'apparecchio con l'interruttore ON/OFF (17) per poi riaccenderlo.
- Se sono stati eseguiti tutti i passi sopra citati e l'apparecchio continua comunque a non funzionare, contattare il nostro servizio di assistenza.

10. Allacciamento elettrico

Il motore elettrico installato è collegato e pronto per l'esercizio. L'allacciamento è conforme alle disposizioni VDE e DIN pertinenti. L'allacciamento alla rete del cliente e il cavo di prolunga utilizzato devono essere conformi a tali norme.

10.1 Avvertenze importanti

In caso di sovraccarico il motore si disinserisce automaticamente. Dopo un tempo di raffreddamento (di durata diversa) è possibile inserire nuovamente il motore.

10.2 Linea di allacciamento elettrica difettosa

Sui cavi di alimentazione elettrica si verificano spesso danni all'isolamento.

Le cause possono essere le seguenti:

- Schiacciature, laddove i cavi di alimentazione vengono fatti passare attraverso finestre o interstizi di porte.
- Piegature a causa del fissaggio o della conduzione dei cavi stessi eseguiti in modo non appropriato.
- Tagli causati dal transito sui cavi di alimentazione.
- Danni all'isolamento causati dalle operazioni di distacco dalla presa a parete.
- Cricche a causa dell'invecchiamento dell'isolamento.

Tali cavi di alimentazione elettrici difettosi non possono essere utilizzati e rappresentano un pericolo mortale a causa dei danni all'isolamento.

Controllare regolarmente che i cavi di alimentazione elettrica non siano danneggiati. Assicurarsi che, durante tale controllo, il cavo di alimentazione non sia collegato alla rete elettrica.

I cavi di alimentazione elettrica devono essere conformi alle disposizioni VDE e DIN pertinenti. Impiegare solo linee di allacciamento con il medesimo contrassegno.

La stampa della denominazione del modello sul cavo di alimentazione è obbligatoria.

10.3 Motore a corrente alternata

- La tensione di rete deve essere di 220 - 240 V~ 50 Hz.
- I cavi di prolunga fino a 25 m di lunghezza devono avere una sezione di 1,5 millimetri quadrati.

Gli allacciamenti e le riparazioni all'impianto elettrico possono essere eseguiti soltanto da un elettricista qualificato.

In caso di domande indicare i seguenti dati:

- Tipo di corrente del motore
- Dati della piastrina indicatrice della macchina
- Dati della piastrina indicatrice del motore

11. Pulizia, manutenzione e magazzinaggio

⚠ **Attenzione!**

Staccare la spina di alimentazione prima di tutti gli interventi di pulizia e di manutenzione! Pericolo di lesioni a causa di scosse elettriche!

⚠ **Attenzione!**

Attendere fino a quando l'apparecchio non si sia raffreddato completamente! Pericolo di ustione!

⚠ **Attenzione!**

Prima di qualsiasi lavoro di pulizia e manutenzione, l'apparecchio deve essere depressurizzato! Pericolo di lesioni!

11.1 Pulizia

- Mantenere l'apparecchio più pulito possibile dalla polvere e dallo sporco. Pulire l'apparecchio strofinando con un panno pulito o soffiando con aria compressa a bassa pressione.
- Si raccomanda di pulire l'apparecchio subito dopo ogni utilizzo.
- Pulire regolarmente l'apparecchio con un panno umido e del sapone molle. Non impiegare detersivi o solventi aggressivi, i quali potrebbero corrodere le parti in plastica dell'apparecchio. Assicurarsi che non possa penetrare acqua all'interno dell'apparecchio.
- Il tubo flessibile e gli utensili da stampaggio devono essere scollegati prima della pulizia del compressore. Il compressore non deve essere pulito con acqua, solventi o simili.

11.2 Manutenzione del serbatoio a pressione

(Fig. 1)

Attenzione!

Per garantire la durabilità a lungo termine del serbatoio a pressione (8), l'acqua di condensa deve essere scaricata dopo ogni operazione mediante l'apertura del tappo di scarico (10). Per prima cosa scaricare la pressione della caldaia (vedi 11.8.1). Il tappo di scarico (10) si apre ruotandolo in senso antiorario (guardando dal fondo del compressore verso la vite) in modo tale da far defluire completamente l'acqua di condensa dal serbatoio a pressione (8).

Richiudere poi il tappo di scarico (10) (ruotare in senso orario). Controllare il serbatoio a pressione (8) prima di ogni messa in funzione per verificare che non sia arrugginito o danneggiato. Il compressore non deve essere messo in funzione se il serbatoio a pressione (8) è arrugginito o danneggiato. In caso di danni, prego rivolgersi a un punto di assistenza.

⚠ Attenzione!

L'acqua di condensa nel serbatoio a pressione (8) contiene resti di olio. Smaltire l'acqua di condensa rispettando l'ambiente presso un apposito punto di raccolta.

11.3 Valvola di sicurezza (Fig. 3)

La valvola di sicurezza (19) è impostata sulla massima pressione ammessa del serbatoio a pressione (8). Non è possibile regolare la valvola di sicurezza (19) oppure rimuovere la sicura di connessione (19b) tra il dado di scarico (19a) e la relativa calotta (19c). Affinché la valvola di sicurezza (19) funzioni in maniera corretta in caso di necessità, questa deve essere azionata ogni 30 ore di servizio, in ogni caso almeno tre volte all'anno. Ruotare il dado di scarico (19a) perforato in senso antiorario per aprirlo, quindi tirare manualmente lo stelo della valvola verso l'esterno sopra il dado di scarico (19a) perforato per aprire lo sfogo della valvola di sicurezza (19). La valvola a questo punto scarica l'aria in maniera percettibile. Serrare poi nuovamente il dado di scarico (19a) in senso orario.

11.4 Controllo regolare del livello dell'olio (Fig. 10)

Posizionare il compressore su una superficie piana e dritta. Il livello dell'olio deve trovarsi tra le indicazioni MAX e MIN del vetro di ispezione dell'olio (18).
Cambio dell'olio: Olio raccomandato: SAE 15W 40 o equivalente. L'olio rabboccato inizialmente va cambiato dopo 100 ore di servizio; in seguito occorre scaricare l'olio ogni 500 ore di servizio e rabboccare con olio nuovo.

11.5 Cambio dell'olio (Fig. 1, 9, 10)

Spegnere il motore e scollegare la spina di rete dalla presa. Rimuovere il tappo di chiusura dell'olio (16). Dopo aver scaricato l'eventuale pressione dell'aria presente, è possibile svitare la vite di scarico dell'olio (12) sulla pompa del compressore (13).

Per evitare la fuoriuscita incontrollata dell'olio, tenere sotto una piccola canaletta in lamiera e raccogliere l'olio in un contenitore. Se l'olio non fuoriesce completamente, consigliamo di inclinare un po' il compressore. Quando l'olio è stato scaricato, riapplicare la vite di scarico dell'olio (12).

Smaltire l'olio usato consegnandolo ad un apposito centro di raccolta di olii esausti.

Per versare la quantità di olio esatta, accertarsi che il compressore si trovi su una superficie dritta. Versare l'olio nuovo nell'orifizio di rabbocco dell'olio (20) fino a quando il livello dell'olio non raggiunge la quantità di riempimento massima. Tale quantità è contrassegnata da un punto rosso sul vetro di ispezione dell'olio (18) (Fig. 10).

Non superare la quantità di riempimento massima. L'eccessivo riempimento può danneggiare l'apparecchio. Riposizionare il tappo di chiusura dell'olio (16) nell'orifizio di rabbocco dell'olio (20).

11.6 Pulizia del filtro dell'aria (Fig. 3, 11, 12)

Il filtro dell'aria (15) impedisce l'aspirazione di polvere e sporco. È necessario pulire questo filtro dell'aria (15) almeno ogni 300 ore di servizio. Un filtro dell'aria ostruito riduce notevolmente le prestazioni del compressore.

Rimuovere il filtro dell'aria (15) aprendo la vite ad alette (15b). Togliere poi il coperchio del filtro (15e). A questo punto, è possibile rimuovere l'inserito filtrante (15c) e la scatola del filtro (15d). Battere sull'inserito filtrante (15c), il coperchio del filtro (15e) e la scatola del filtro (15d) facendo attenzione. Questi componenti devono, in seguito, essere puliti soffiando al loro interno dell'aria compressa (ca. 3 bar) e rimontati seguendo il procedimento inverso.

11.7 Informazioni sulle riparazioni

Occorre notare che in questo prodotto i seguenti componenti sono soggetti a naturale usura o usura legata all'uso e sono richiesti i seguenti pezzi come materiali di consumo.

Pezzi soggetti a usura*: Filtro dell'aria

* non necessariamente compreso nell'ambito della fornitura!

11.8 Stoccaggio

⚠ Attenzione!

Scollegare la spina elettrica, sfiatare l'apparecchio e tutti gli attrezzi pneumatici collegati. Spegnere il compressore, in modo che esso non entri in funzione senza motivo.

⚠ Attenzione!

Conservare il compressore solo in un ambiente asciutto e inaccessibile a persone non autorizzate. Non rovesciare, conservare solo in verticale! L'olio può fuoriuscire!

11.8.1 Scarico della sovrappressione

Scaricare la sovrappressione nel compressore spegnendo il compressore e adoperando l'aria compressa ancora presente nel serbatoio a pressione (8), per esempio con un attrezzo pneumatico in marcia al minimo o con una pistola di soffiaggio.

12. Trasporto

Impiegare l'impugnatura di trasporto (1) per il trasporto e servirsene per spostare il compressore.

Fare attenzione a sollevare il compressore per via del suo peso (vedere Dati Tecnici).

In caso di trasporto del compressore in autoveicoli, assicurarsi che il carico sia bloccato correttamente.

13. Smaltimento e riciclaggio

Il presente dispositivo è imballato in modo da evitare danni di trasporto. L'imballaggio è realizzato con una materia prima e può quindi essere riutilizzato o riciclato.

L'apparecchio e i relativi accessori sono composti da diversi materiali, per esempio metallo e plastica. Portare i componenti difettosi presso un centro di smaltimento per rifiuti speciali. Chiedere informazioni ad un negozio specializzato o presso l'amministrazione comunale!



L'imballaggio è stato prodotto con materiali ecosostenibili che possono essere smaltiti tramite i centri di riciclaggio locali.

La vostra amministrazione comunale o altri servizi cittadini vi possono fornire informazioni sulle opzioni di smaltimento dell'apparecchio fuori servizio.

Non smaltire i dispositivi usati insieme ai rifiuti domestici!



Questo simbolo indica che il prodotto non deve essere smaltito con i rifiuti domestici come da direttiva per gli strumenti elettrici ed elettronici usati (2012/19/UE) e in base alle leggi nazionali. Questo prodotto deve essere consegnato presso un apposito centro di raccolta. Questo può essere eseguito per es. restituendo il prodotto vecchio all'atto dell'acquisto di un prodotto simile o consegnandolo presso un centro di raccolta autorizzato al riciclaggio di strumenti elettrici ed elettronici usati. La manipolazione impropria di rifiuti di apparecchiature può ripercuotersi negativamente sull'ambiente e sulla salute umana a causa di sostanze potenzialmente pericolose spesso contenute nei rifiuti di apparecchiature. Uno smaltimento corretto del prodotto contribuisce inoltre a sfruttare in modo efficiente le risorse. Le informazioni sui centri di raccolta per dispositivi usati sono reperibili presso la propria amministrazione comunale, l'azienda municipalizzata per la nettezza urbana, un centro autorizzato allo smaltimento di strumenti elettrici ed elettronici usati o presso il servizio di nettezza urbana.

14. Risoluzione dei guasti

Guasto	Possibile causa	Rimedio
Il compressore non funziona.	Tensione di rete non presente.	Verificare cavo, spina elettrica, fusibile e presa di corrente.
	Tensione di rete insufficiente.	Evitare cavi di prolunga troppo lunghi. Utilizzare un cavo di prolunga di sezione sufficiente.
	Temperatura esterna insufficiente.	Non operare al di sotto di una temperatura esterna di +5 °C.
	Il motore si surriscalda.	Lasciar raffreddare il motore, eliminare eventualmente la causa del surriscaldamento.
Il compressore funziona, ma non vi è pressione.	Valvola di sicurezza (19) non a tenuta.	Contattate il proprio centro di assistenza locale. Far eseguire le riparazioni solo a personale formato.
	Guarnizioni rotte.	Controllare le guarnizioni, far sostituire le guarnizioni rotte in un'officina specializzata.
	Tappo di scarico per l'acqua di condensa (10) non a tenuta.	Serrare la vite manualmente. Verificare la tenuta della vite, eventualmente sostituirla.
Il compressore funziona, la pressione viene indicata sul manometro, ma gli attrezzi non funzionano.	Raccordi dei flessibili non a tenuta.	Verificare il flessibile dell'aria compressa e gli attrezzi, eventualmente sostituirli.
	Giunto rapido non a tenuta.	Contattate il proprio centro di assistenza locale. Far eseguire le riparazioni solo a personale formato.
	Troppa poca pressione impostata sul regolatore di pressione (5).	Aprire ulteriormente il regolatore di pressione.

15. Certificato di garanzia

Gentili clienti,

I nostri prodotti sono soggetti ad un rigido controllo di qualità. Se l'apparecchio non dovesse tuttavia funzionare correttamente, ci scusiamo e vi preghiamo di rivolgervi al nostro servizio di assistenza clienti all'indirizzo indicato in questa scheda di garanzia. Siamo a vostra disposizione anche telefonicamente al numero del servizio assistenza sotto indicato. Per la rivendicazione dei diritti di garanzia vale quanto segue:

- Queste condizioni di garanzia regolano ulteriori prestazioni di garanzia. La presente garanzia non tocca i vostri diritti al ricorso di garanzia previsti dalla legge. Le nostre prestazioni di garanzia sono per voi gratuite.
- La prestazione di garanzia riguarda esclusivamente le anomalie riconducibili a difetti del materiale o di produzione ed è limitata all'eliminazione di queste anomalie o alla sostituzione dell'apparecchio. Tenete presente che i nostri apparecchi non sono stati costruiti per l'impiego professionale, artigianale o industriale. Un contratto di garanzia non viene concluso quando l'apparecchio viene usato in imprese commerciali, artigianali o industriali, o con attività equivalenti. Dalla nostra garanzia sono escluse inoltre le prestazioni di risarcimento per danni dovuti al trasporto o danni causati dalla mancata osservanza delle istruzioni per il montaggio o per installazione non corretta, dalla mancata osservanza delle istruzioni per l'uso (come per es. collegamento a tensione di rete o tipo di corrente non corretto), dall'uso improprio o illecito (come per es. sovraccarico dell'apparecchio o utilizzo di utensili o accessori non consentiti), dalla mancata osservanza delle norme di sicurezza e di manutenzione, dalla penetrazione di corpi estranei nell'apparecchio (come per es. sabbia, pietre o polvere), dall'impiego della forza o dall'influsso esterno (come per es. danni dovuti a caduta) e dall'usura normale e dovuta all'impiego.

Il diritti di garanzia decadono quando sono già effettuati interventi sull'apparecchio.

- Il periodo di garanzia è 3 anni e inizia alla data d'acquisto dell'apparecchio. I diritti di garanzia devono essere fatti valere prima della scadenza del periodo di garanzia, entro due settimane dopo avere accertato il difetto. È esclusa la rivendicazione di diritti di garanzia dopo la scadenza del relativo periodo. La riparazione o la sostituzione dell'apparecchio non comporta una proroga del periodo di garanzia e con questa prestazione per l'apparecchio o per pezzi di ricambio eventualmente installati non inizia un nuovo periodo di garanzia. Questo vale anche nel caso si ricorra ad un servizio sul posto.
- Per la rivendicazione dei vostri diritti di garanzia, vi preghiamo di rivolgervi all'indirizzo di assistenza sotto indicato. Se il reclamo perviene entro il periodo di garanzia, sarà messa a vostra disposizione una bolla di reso con la quale potrete restituire gratuitamente l'apparecchio difettoso. Indicate il motivo di reclamo nel modo più dettagliato possibile. Se il difetto dell'apparecchio rientra nella nostra prestazione di garanzia, ricevete l'apparecchio riparato o un apparecchio nuovo a stretto giro di posta.

Naturalmente effettuiamo a pagamento anche riparazioni sull'apparecchio che non rientrano o non rientrano più nella garanzia. A tale scopo inviate l'apparecchio all'indirizzo del servizio assistenza.

Numero servizio assistenza (IT):

00800 4003 4003
(0,00 EUR/Min.)

Indirizzo e-mail (IT):

service.IT@scheppach.com

Indirizzo servizio assistenza (IT):

Riku Service SAS
Via Stazione 18
IT - 39040 Termeno



Su www.lidl-service.com è possibile scaricare questo e molti altri manuali, video di prodotti e software di installazione.

Con il codice QR si accede direttamente alla pagina di assistenza di Lidl (www.lidl-service.com) ed è possibile consultare le istruzioni per l'uso desiderate inserendo il numero di articolo (IAN) 383215_2010.

1.	A készüléken található szimbólumok magyarázata	105
2.	Bevezetés.....	106
3.	A készülék leírása (1-12. ábra)	106
4.	Szállított elemek	106
5.	Rendeltetésszerű használat	106
6.	Biztonsági utasítások.....	107
7.	Műszaki adatok	109
8.	Üzembe helyezés előtt	109
9.	Felépítés és kezelés.....	109
10.	Elektromos csatlakoztatás.....	110
11.	Tisztítás, karbantartás és tárolás	110
12.	Szállítás.....	111
13.	Ártalmatlanítás és újrahasznosítás.....	111
14.	Hibaelhárítás	112
15.	Jótállási tájékoztató.....	113
16.	Megfelelőségi nyilatkozat	127

1. A készüléken található szimbólumok magyarázata



(HU)

Üzembe helyezés előtt olvassa el és vegye figyelembe a kezelési útmutatót és a biztonsági utasításokat!



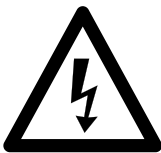
(HU)

Viseljen hallásvédőt. A zaj következtében hallásvesztésre kerülhet sor.



(HU)

Figyelmeztetés forró alkatrészekre! (A, 11. ábra)



(HU)

Figyelmeztetés elektromos feszültségre



(HU)

Figyelmeztetés! Az egység működése automatikus, és figyelmeztetés nélkül elindulhat.



(HU)

Figyelem! Az első üzembe helyezés előtt ellenőrizze az olajsintet, és cserélje ki az olaj záródugóját!



(HU)

Tartsa be a figyelmeztető és biztonsági utasításokat!



(HU)

Hangteljesítményszint értéke dB-ben



(HU)

A készüléket ne érje eső!

2. Bevezetés

Gyártó:

Scheppach GmbH
Günzburger Straße 69
D-89335 Ichenhausen

Kedves Ügyfelünk!

Sok örömet és sikert kívánunk új készüléke használatához.

Megjegyzés:

E gép gyártója a hatályos termékfelelősségi törvény szerint nem felelős a gépen esett vagy a gép által okozott károkért a következő esetekben:

- szakszerűtlen kezelés,
- A kezelési útmutató be nem tartása,
- harmadik fél által végzett illetéktelen javítás,
- nem eredeti pótalkatrészek beépítése és cseréje,
- nem rendeltetésszerű használat,
- A villamos berendezés működésképtelensége a villamos előírások és a VDE 0100, valamint a DIN 57113 / VDE 0113 előírásainak be nem tartása esetén.

Vegye figyelembe a következőket:

A szerelés és üzembe helyezés előtt olvassa el a kezelési útmutató teljes szövegét.

Kezelési útmutatónkból megismerheti elektromos szerszámát, és elsajátíthatja a rendeltetésszerű használatához szükséges ismereteket.

A kezelési útmutató fontos információkat tartalmaz arról, hogyan dolgozhat az elektromos szerszámmal biztonságosan, szakszerűen és gazdaságosan, hogyan kerülheti el a veszélyeket, csökkentheti a javítási költségeket és az időkieséseket, és növelheti a gép megbízhatóságát és élettartamát.

A jelen kezelési útmutató biztonsági rendelkezésein túl feltétlenül tartsa be az országában az elektromos szerszám üzemeltetésével kapcsolatosan érvényes előírásokat is.

A szennyeződés és nedvesség ellen műanyag tokba csomagolt kezelési útmutatót az elektromos szerszám közelében tárolja. Munkába állás előtt minden kezelő olvassa el, és gondosan tartsa be előírásait. Az elektromos szerszámon csak olyan személyek dolgozhatnak, akiket betanítottak az elektromos szerszám használatára, és megismertettek az előforduló veszélyforrásokkal. Tartsa be a kezelők minimális életkorára vonatkozó rendelkezést.

A jelen kezelési útmutató biztonsági rendelkezésein és országában a készülék üzemeltetésére vonatkozó előírásokon túl feltétlenül tartsa be az azonos kialakítású gépek üzemeltetésére vonatkozó általánosan elismert műszaki szabályokat is.

Nem vállalunk felelősséget az olyan balesetekért vagy károkért, amelyek azért keletkeznek, mert nem vették figyelembe a jelen útmutatót és a biztonsági utasításokat.

3. A készülék leírása (1-12. ábra)

1. Szállítási fogantyú
2. Nyomáskapcsoló
3. Gyorscsatlakozó (szabályozott sűrített levegő)
4. Manométer (leolvasható a beállított nyomás)
5. Nyomásszabályozó
6. Manométer (leolvasható a kazán nyomása)
7. Gyorscsatlakozó (nem szabályozott sűrített levegő)
8. Nyomástartó edény
9. Állító láb
- 9a. Hézagoló alátét
- 9b. Csavar
10. Kondenzvíz leeresztő csavarja
11. Kerék
- 11a. Hézagoló alátét
- 11b. Lencsefejű csavar
12. Olajleeresztő csavar
13. Kompresszoros szivattyú
14. Sűrített levegő tömlője
- 14a. Dugaszcsomók
- 14b. Gyorscsatlakozó
15. Légszűrő
- 15a. Szállítási fedél
- 15b. Szárnyas csavar
- 15c. Szűrőbetét
- 15d. Szűrőház
- 15e. Szűrőfedél
16. Olajzáródugó
17. Be-/kikapcsoló
18. Olajszint-ellenőrző ablak
19. Biztonsági szelep
- 19a. Leeresztő anya
- 19b. Csatlakozás rögzítése
- 19c. A leeresztő anya sapkája
20. Olajbetöltő nyílás
- 20a. Szállítási fedél

4. Szállított elemek

- 1 db légszűrő
- 2 db állító láb
- 2 db kerék
- 1 db szerelőanyag
- 1 db olajzáródugó
- 1 db olajos flakon
- 1 db sűrített levegő-tömlő
- 1 x Kezelési útmutató

5. Rendeltetésszerű használat

A kompresszor sűrített levegő előállítására szolgál olyan sűrített levegős szerszámokhoz, amelyek maximum kb. 180 l/perc levegőmennyiséggel működtethetők (például abroncsöltő, kifúvópisztoly vagy festékpisztoly). A szállított levegő korlátozott mennyisége miatt nagyon nagy levegőfogyasztású szerszámok (pl. rezgőcsiszolók, rúdcsiszolók és ütőműves csavarbehajtók) üzemeltetése nem lehetséges.

A gépet csak rendeltetészerűen szabad használni. Minden ettől eltérő használat nem rendeltetészerűnek minősül. Az ebből fakadó minden kárért és sérülésért nem a gyártó, hanem a felhasználó/kezelő viseli a felelősséget.

Kérjük, vegye figyelembe, hogy készülékeinket rendeltetésük szerint nem kisipari, kéziipari vagy ipari használatra tervezték. A készülékre semmilyen garanciát nem vállalunk, ha kisipari, kéziipari vagy ipari, valamint ezekkel egyenértékű tevékenységekhez használja.

6. Biztonsági utasítások

⚠ Figyelem!

Elektromos szerszámok használatakor az elektromos áramütés, a sérülés- és tűzveszély ellen tartsa be a következő alapvető biztonsági intézkedéseket. Használat előtt olvassa el az elektromos szerszám összes útmutatóját és tartsa be a biztonsági utasításokat.

Biztonságos munkavégzés

1. Tartsa rendben a munkaterületet
 - A munkaterületi rendtelenség balesetveszélyes.
2. Vegye figyelembe a környezeti hatásokat
 - Az elektromos szerszámot ne érje eső.
 - Az elektromos szerszámot ne használja nedves vagy vizes környezetben. Áramütés veszélye!
 - Gondoskodjon a jó megvilágításról a munkaterületen.
 - Ne használja olyan helyen az elektromos szerszámot, ahol tűz- vagy robbanásveszély áll fenn.
3. Védekezzen az áramütéssel szemben
 - Teste ne érintkezzen a földelt alkatrészekkel (például csövekkel, fűtőtestekkel, tűzhelyekkel, hűtőszekrényekkel).
4. Tartsa távol a gyermekeket!
 - Ne engedje, hogy mások megérintsék a szerszámot és kábelét, tartsa őket távol a munkaterülettől.
5. A nem használt villamos kézi szerszámokat biztonságosan kell tárolni
 - A használaton kívüli elektromos szerszámokat száraz, magasan fekvő vagy elzárt helyen kell tárolni, ahol nem férnek hozzá gyermekek.
6. Ne terhelje túl a villamos kézi szerszámot
 - A megadott teljesítménytartományban jobban és biztonságosabban dolgozhat.
7. Megfelelő ruházatot viseljen
 - Ne viseljen bő ruházatot vagy ékszert, mert azok beakadhatnak a mozgó alkatrészekbe.
 - Ha a szabadban dolgozik, akkor ajánlatos gumikesztyűt és csúszásmentes lábbelit viselni.
 - Ha hosszú a haja, viseljen hajhálót.
8. Ne használja a kábelt olyan célokra, amelyek nem minősülnek rendeltetészerűnek
 - Ne a kábelnél fogva húzza ki a csatlakozódugót az aljzatból. Óvja a kábelt a hőtől, olajtól és éles peremektől.
9. Gondosan ápolja a szerszámot
 - A megfelelő és biztonságos munkavégzés érdekében tartsa tisztán a kompresszort.
 - Tartsa be a karbantartásra vonatkozó előírásokat.

- Rendszeresen ellenőrizze az elektromos szerszám csatlakozókábelét, és sérülés esetén elismert szakemberrel cseréltesse ki.
 - Rendszeresen ellenőrizze a hosszabbító kábeleket, és cserélje ki azokat, ha megsérülnek.
10. A hálózati dugót húzza ki a dugaszoló aljzatból
 - Ha nem használja az elektromos szerszámot, karbantartás előtt, valamint a szerszámok, pl. fűrészlap, fűrő, marófej cseréjekor.
 11. Kerülje a véletlen bekapcsolást
 - Győződjön meg arról, hogy a csatlakozódugó aljzatba történő bedugásakor ki van kapcsolva a kapcsoló.
 12. Kültéren használjon hosszabbítót
 - A szabadban csak engedélyezett és megfelelő jelöléssel ellátott hosszabbítókábel használjon.
 - Kábeldob használata esetén mindig tekerje le teljesen a kábelt.
 13. Legyen mindig óvatos
 - Figyeljen arra, amit csinál. Dolgozzon ésszel. Ne használja a villamos kézi szerszámot, ha nem koncentrálna.
 14. Ellenőrizze az elektromos szerszámot, hogy nem sérült-e
 - Az elektromos szerszám további használata előtt gondosan ellenőrizze a védőberendezések vagy a könnyebben sérült részek kifogástalan és rendeltetészerű működését.
 - Ellenőrizze, hogy a mozgó részek kifogástalanul működnek, nem szorulnak és nem sérültek-e. Az elektromos szerszám kifogástalan üzemeltetéséhez minden alkatrészt helyesen kell felszerelni és minden feltételt be kell tartani.
 - A sérült védőberendezéseket és alkatrészeket rendeltetészerűen, márkaszervizzel javíttassa meg vagy cseréltesse ki, amennyiben a kezelési utasítás nem rendelkezik másként.
 - A sérült kapcsolókat vevőszolgálati szervizünkkel cseréltesse ki.
 - Ne használjon hibás vagy sérült csatlakozóvezetékét.
 - Ne használjon olyan elektromos szerszámot, amelynek a kapcsolója nem működik.
 15. Az elektromos szerszámot villamossági szakemberrel javíttassa meg
 - Ez az elektromos szerszám megfelel a vonatkozó biztonsági előírásoknak. Javításokat csak villamossági szakember végezhet, eredeti pótalkatrészekkel; ellenkező esetben a gép használója balesetet szenvedhet.
 16. Figyelem!
 - A saját biztonsága érdekében csak a használati útmutatóban megadott vagy a gyártó által ajánlott vagy megadott tartozékokat és kiegészítő készülékeket használja. A kezelési utasításban vagy a katalógusban javasoltaktól eltérő betétek vagy tartozékok használata személyi sérülések veszélyével fenyegethet.
 17. Zaj
 - A kompresszor használatakor hallásvédő viselendő.
 18. A csatlakozóvezeték cseréje
 - Ha megsérül a csatlakozóvezeték, akkor a veszélyek elkerüléséhez a gyártó vagy villanszerelő cserélje ki azt. Áramütés veszélye.

19. Abroncs felfújása
 - Felfújás után azonnal ellenőrizze az abroncsnyomást egy megfelelő mérőkészülékkel, például egy benzinkúton.
20. Közúti közlekedésre alkalmas kompresszorok építkezésen
 - Ügyeljen rá, hogy minden tömlő és szerelvény megfeleljen a kompresszor megengedett legnagyobb üzemi nyomásának.
21. Felállítás helye
 - Állítsa a kompresszort vízszintes felületre.
22. 7 bar feletti nyomás esetén a bevezetőtömlőket érdemes biztonsági kábellel, pl. egy drótkötéllel felszerelni.
23. Úgy kerülje el a vezetérendszer nagy terheléseit, hogy rugalmas tömlőcsatlakozókat használ, és kerülje a törési helyeket.
24. Győződjön meg arról, hogy az olajhűtő berendezések tisztán vannak tartva, és a védőberendezések üzemképes állapotban maradnak.
25. Égési sérülések veszélye a forró olaj miatt
 - Viseljen megfelelő védőkesztyűt.
 - A kompresszoron soha ne dolgozzon nyílt láng közelében.
 - Ügyeljen rá, hogy ne folyjon ki az olaj.
26. 0 °C alatti alacsony hőmérsékletek esetén tilos elindítani a motort.

További biztonsági utasítások

A sűrített levegővel és a kifúvópisztollyal való munkavégzésre vonatkozó biztonsági utasítások

- A kompresszorszivattyú és a vezetékek üzem közben erősen felmelegsznek. Megérintésük égési sérülést okoz.
- A kompresszor által beszívott levegőbe nem kerülhet semmilyen adalékanyag, mert ez a kompresszorszivattyúnál tüzet vagy robbanást okozhat.
- A tömlőcsatlakozó meglazításakor tartsa kézzel szorosan a tömlő csatlakozódarabját. Így elkerülheti a visszacsapódó tömlő miatti sérüléseket.
- A kifúvópisztollyal való munkavégzéskor viseljen védőszemüveget. Az idegen testek és kifúvott tárgyak könnyebb sérüléseket okozhatnak.
- A kifúvópisztollyal ne fújjon le személyeket, és ne használja a ruházat a testen való megtisztítására. Sérülésveszély!

A festékszórásra vonatkozó biztonsági utasítások

- Ne használjon 55 °C alatti lobbaspontú lakkot vagy oldószert. Robbanásveszély!
- Ne melegítse fel a lakkot vagy az oldószert. Robbanásveszély!
- Egészségkárosító folyadékokkal való munkavégzéskor védelem céljából szűrő felszerelés (arcmaszk) használata szükséges. Vegye figyelembe az ilyen anyagok gyártói által megadott, védelmi intézkedésekre vonatkozó információkat is.
- A felhasználandó anyagok külső csomagolásain elhelyezett, veszélyes anyagokra vonatkozó rendelet szerinti adatokat és jelöléseket figyelembe kell venni. Szükség esetén kiegészítő óvintézkedéseket kell fogantatosítani, így elsősorban megfelelő ruházatot és maszkot kell viselni.

- A szórási folyamat közben, és a munkaterületen általánosságban tilos a dohányzás. Robbanásveszély! A festékgőz is könnyen éghető.
- Kerülni kell a tűzfészeket, nyílt láng és szikraképződéssel járó gépek használatát, és ezek közelségét.
- Tilos a munkatérben ételt vagy italt tárolni vagy fogyasztani. A festékgőz károsítja az egészséget.
- A munkatér legyen nagyobb, mint 30 m³, továbbá szórásakor, valamint száradáskor biztosítani kell a megfelelő levegőcserét.
- Soha ne végezzen szórást széllel szemben. Éghető, ill. veszélyes szóróanyagok szórásakor alapvetően be kell tartani a helyi rendőrség rendelkezéseit.
- PVC nyomótömlő esetén nem szabad olyan anyagokkal dolgozni, mint például lakkbenzin, butil-alkohol vagy metilén-klorid. Ezek az anyagok károsítják a nyomótömlőt.
- Szóró tartozékokkal (pl. festékszóró pisztollyal) való használat esetén: A szóró készüléket feltöltés közben tartsa azt távol a kompresszortól, és ne permetezzen a kompresszor irányába.

Nyomástartály működtetése

- Nyomástartály működtetése esetén a tartályt megfelelő állapotban kell tartani, előírás szerint kell üzemeltetni és felügyelni, a karbantartási és javítási munkákat haladéktalanul el kell végezni, és a körülményektől függő szükséges biztonsági intézkedéseket meg kell hozni.
- A felügyeleti szerv rendkívüli esetben szükséges felügyeleti intézkedéseket is megkövetelhet.
- Nem szabad nyomástartályt üzemeltetni, ha olyan hiányosság mutatkozik, amely az alkalmazottakat vagy más személyeket veszélyeztet.
- Minden egyes üzemeltetés előtt ellenőrizze, hogy nem rozsdás vagy sérült-e a nyomástartály. A kompresszort nem szabad sérült vagy rozsdás nyomástartállyal üzemeltetni. Ha sérüléseket észlelt, forduljon vevőszolgálati szervizünkhöz.

A biztonsági utasításokat tárolja megfelelően.

Maradék kockázat

Tartsa be a kezelési útmutató előírt karbantartási és biztonsági utasításait.

Munka közben mindig legyen figyelmes, és külső személyeket tartson biztonságos távolságra a munkavégzési helytől.

A készülék szakszerű használata esetén is mindig marad egy bizonyos maradék kockázat, ami nem zárható ki. A készülék típusából és szerkezetéből adódóan az alábbi lehetséges veszélyek származhatnak:

- A termék akaratlan üzembe helyezése.
- Halláskárosodás, ha nem viseli az előírt hallásvédőt.
- Szennyeződés részecskék, por stb. kerülhet a szemébe vagy az arcára a védőszemüveg viselése esetén is.
- Felkavart részecskék belégzése.

Figyelmeztetés!

Ez az elektromos szerszám üzem közben elektromágneses mezőt hoz létre. Ez a mező bizonyos körülmények között negatív hatással lehet az aktív vagy passzív orvosi implantátumokra. A komoly és súlyos sérülések kockázatának elkerülése érdekében javasoljuk, hogy az orvosi implantátummal rendelkező személyek az elektromos szerszám használata előtt keressék fel orvosukat és implantátumuk gyártóját.

7. Műszaki adatok

Hálózati csatlakozás.....	230 V~ 50 Hz
Motorteljesítmény.....	1800 W
Üzem mód.....	S1
Kompresszor-fordulatszám.....	2850 min ⁻¹
Nyomótartály-térfogat.....	kb. 24 l
Maximális üzemi nyomás.....	kb. 10 bar
Elméleti szívóteljesítmény.....	kb. 260 l/perc
L _{PA} hangnyomásszint.....	72,9 dB(A)
L _{WA} hangteljesítményszint.....	92,9 dB(A)
Bizonytalanság, K _{PA/WA}	2,59 dB
Védelmi fokozat.....	IPX2
A berendezés súlya.....	kb. 26,8 kg
olaj (SAE 15W 40).....	kb. 0,25 l
Maximális felállítási magasság (tengerszint felett).....	1000 m

A zajkibocsátási értékek megállapítása az EN ISO 3744:1995 szabvány alapján történt.

Viseljen hallásvédőt.

A zaj következtében hallásvesztésre kerülhet sor.

8. Üzembe helyezés előtt

- Nyissa ki a csomagolást, és óvatosan vegye ki a készüléket.
- Távolítsa el a csomagolóanyagot, valamint a csomagolási és szállítási biztosítékokat (ha vannak).
- Ellenőrizze, hogy hiánytalan-e a szállítmány.
- Ellenőrizze a készülék és a tartozékok szállításból eredő sérüléseit.
- Lehetőség szerint a jótállási idő leteltéig őrizze meg a csomagolást.

VESZÉLY

**A készülék és a csomagolóanyag nem játékszer!
Ne engedje, hogy a gyermekek a műanyag zacskókkal, fóliákkal és apró részekkel játszanak!
Lenyelés és fulladás veszélye áll fenn!**

A csatlakoztatás előtt győződjön meg arról, hogy a típus táblán szereplő adatok egyeznek a hálózati adatokkal.

- Az első üzembe helyezés előtt távolítsa el a szállítási fedelet (20a), és a 9.4 pontban leírtak szerint töltsen fel olajjal a kompresszor szivattyúházát.
- Ellenőrizze, hogy nincsenek-e szállítási sérülések a készüléken. Az esetleges sérüléseket azonnal jelentse a kompresszort kiszállító szállítványozónak.
- A kompresszor telepítése a fogyasztó közelében történjen.
- Kerülje a hosszú légvezetékek és hosszú tápvezetékek (hosszabbító kábel) használatát.

- Ügyeljen arra, hogy a beszívott levegő száraz és pormentes legyen.
- Ne helyezze el nyirkos vagy nedves helyiségben a kompresszort.
- A kompresszort csak megfelelő helyiségben (jól szellőző, +5°C és 40°C közötti környezeti hőmérséklet) szabad működtetni. A helyiségnek portól, savaktól, gőzöktől, robbanásveszélyes és gyúlékony gázoktól mentesnek kell lennie.
- A kompresszort száraz helyiségben történő használatra tervezték. Olyan területeken, ahol a munkavégzés porlasztott vízzel történik, használata nem megengedett.
- Üzembe helyezés előtt ellenőrizze az olajszintet a kompresszoros szivattyú házban.

9. Felépítés és kezelés

▲ Figyelem!

Az üzembe helyezés előtt feltétlenül szerelje össze teljesen a készüléket!

A szereléshez a következőkre van szükség:

1 db villáskulcs, 13 mm

1 db csillagcsavarhúzó

(nem szerepel a szállított elemek között)

9.1 A kerekek felszerelése (4. ábra)

- Szerelje fel a mellékelt kerekeket (11) az ábrán látható módon.

9.2 Az állító lábak felszerelése (5. ábra)

- Szerelje fel a mellékelt állító lábakat (9) az ábrán látható módon.

9.3 A légszűrő felszerelése (6., 7. ábra)

- Távolítsa el a szállítási fedelet (15a), és csavarozza fel erősen a készülékre a légszűrőt (15).

9.4 Olaj betöltése (8., 9. ábra)

- Távolítsa el az olajbetöltő nyílás (20a) szállítási fedelét (20).
- Töltsen be a szállítmány részét képező kompresszorolajat a kompresszor szivattyúházába, és helyezze be a mellékelt olajzáró dugót (16) az olajbetöltő nyílásba (20).

9.5 Hálózati csatlakozás

- A kompresszor védőérintkezős csatlakozós hálózati kábellel rendelkezik. Ez minden 220–240 V~ 50 Hz, 16 A biztosítékkal és védőföldeléssel ellátott aljzathoz csatlakoztatható.
- Az üzembe helyezés előtt ügyeljen arra, hogy a hálózati feszültség egyezzen a típus táblán szereplő üzemi feszültség-gel és gépteljesítménnyel.
- A hosszú tápvezetékek, hosszabbítók, kábeldobok stb. feszültségesést okoznak, és megakadályozhatják a motor indítását.
- +5°C alatti alacsony hőmérsékletek esetén szintén számolni kell a motor nehézkes indításával.

9.6 Be-/kikapcsoló (2. ábra)

- A kompresszor bekapcsolásához húzza felfelé a be-/kikapcsolót (17). Kikapcsoláshoz nyomja lefelé a be-/kikapcsolót (17).

9.7 A nyomás beállítása (1., 3. ábra)

- A nyomásszabályozóval (5) beállíthatja a nyomást a manométeren (4).
- A beállított nyomás a gyorscsatlakozónál (3) vételezhető.
- A manométeren (6) leolvasható a tartálynyomás.
- A tartálynyomás a gyorscsatlakozónál (7) vételezhető.

9.8 A nyomáskapcsoló beállítása (1. ábra)

- A nyomáskapcsoló (2) gyárilag beállított.
Bekapcsolási nyomás kb. 8 bar
Kikapcsolási nyomás kb. 10 bar

9.9 A sűrítettlevegő-tömlő felszerelése (1., 3. ábra)

- Csatlakoztassa a sűrítettlevegő-tömlő (14) dugaszcsönkját (14a) az egyik gyorscsatlakozóra (3, 7).
- Ezután csatlakoztassa a sűrítettlevegő-tömlő (14) gyorscsatlakozójára (14b) a sűrített levegős szerszámot.

9.10 Termikus védőkapcsoló

A termikus védőkapcsoló be van szerelve a készülékbe.

Ha kioldott a termikus védőkapcsoló, akkor az alábbiak szerint járjon el:

- Húzza ki a hálózati dugót.
- Várjon kb. 2 vagy három perccel.
- Dugja be újra a készüléket.
- Ha a készülék nem indul el, ismétlje meg a folyamatot.
- Ha a készülék ismételtelen nem indul el, kapcsolja ki a készüléket a be-/kikapcsolóval (17).
- Ha elvégezte az összes fent megadott lépést, és a készülék továbbra sem működik, vegye fel a kapcsolatot Szerviz részlegünkkel!

10. Elektromos csatlakoztatás

A telepített villanymotor üzemkész állapotban van csatlakoztatva. A csatlakoztatás megfelel a vonatkozó VDE és DIN előírásoknak. Az ügyfél által biztosított hálózati csatlakozásnak, valamint az alkalmazott hosszabbító vezetéknek meg kell felelnie ezen előírásoknak.

10.1 Fontos utasítások

A motor túlterhelés esetén magától lekapcsol. A (változó időtartamú) lehülés után a motor ismét bekapcsolható.

10.2 Sérült elektromos csatlakozóvezeték

Az elektromos csatlakozóvezetéseken gyakran sérült a szigetelés.

Ennek okai a következők:

- Megnyomódások, ha a csatlakozóvezetéseket ablak- vagy ajtónyílásokon vezeteli át.
- Megtörések, amikor szakszerűtlenül vezetik vagy rögzítik a csatlakozóvezetéseket.
- Elnyíródások, amikor áthajtanak a csatlakozóvezetéseken.
- A szigetelés sérülései, amikor a vezetékét kirántják a konnektorból.
- Repedések a szigetelés elöregedése miatt.

Az ilyen sérült elektromos csatlakozóvezetékek nem használhatók, és a szigetelés sérülései miatt életveszélyesek.

Rendszeresen ellenőrizze az elektromos csatlakozóvezetékek sérüléseit. Ügyeljen arra, hogy a csatlakozóvezeték az ellenőrzéskor ne legyen az áramhálózatra csatlakoztatva.

Az elektromos csatlakozóvezetékeknek meg kell felelniük a vonatkozó VDE- és DIN-előírásoknak. Csak azonos jelölésű csatlakozó vezetéseket használjon.

A csatlakozókábelen kötelező a nyomtatott típusmegnevezés megléte.

10.3 Váltóáramú motor

- A hálózati feszültség értéke 220-240 V~ 50 Hz legyen.
- A legfeljebb 25 m hosszú hosszabbító vezeték legalább 1,5 négyzetmilliméter keresztmetszettel kell rendelkezzenek.

A csatlakoztatásokat és az elektromos szerelvényen végzett javításokat csak villanszerelő hajthatja végre.

Információ kérése esetén a következő adatokat adja meg:

- A motor áramneme
- A gép típusablájának adatai
- A motor típusablájának adatai

11. Tisztítás, karbantartás és tárolás

⚠ Figyelem!

Minden tisztítási és karbantartási munkát előtt húzza ki a hálózati csatlakozódugót! Áramlökések miatti sérülésveszély!

⚠ Figyelem!

Várja meg, amíg a készülék teljesen lehűl! Égési sérülések veszélye!

⚠ Figyelem!

Minden tisztítási és karbantartási munka előtt nyomásmentesíteni kell a készüléket! Sérülésveszély!

11.1 Tisztítás

- Tartsa a lehető legnagyobb mértékben por- és szennyeződésmentesen a készüléket. A készüléket törölje le tiszta ronggyal, vagy fúvassa ki alacsony nyomású sűrített levegővel.
- Azt javasoljuk, hogy a készüléket minden használat után tisztítsa meg.
- Rendszeresen tisztítsa meg a készüléket egy nedves ruhával és egy kis kenőszappannal. Ne használjon agresszív tisztító- vagy oldószereket, mivel ezek kikezdehetik a készülék műanyag alkatrészeit. Ügyeljen arra, hogy ne juthasson víz a készülék belsejébe.
- A tömlőt és a szórószerszámokat a tisztítás előtt távolítsa el a kompresszorról. A kompresszort nem szabad vízzel, oldószerekkel és hasonlókkal tisztítani.

11.2 A nyomástartó edény karbantartása (1. ábra) Figyelem!

A nyomástartó edény (8) hosszú eltarthatósága érdekében minden egyes üzemeltetés után eresse le a kondenzvizet a leeresztő csavar (10) kioldásával.

Először eresse le a tartálynyomást (lásd 11.8.1). A leeresztő csavar (10) az óramutató járásával ellentétes irányba forgatva (a csavart a kompresszor aljától nézve) oldható ki, hogy a kondenzvíz teljesen kifolyhasson a nyomástartó edényből (8).

Ezután zárja vissza a leeresztő csavart (10) (az óramutató járásának irányába forgatva). Minden egyes üzemeltetés előtt ellenőrizze, hogy nem rozsdás vagy sérült-e a nyomástartó edény (8).

A kompresszort nem szabad sérült vagy rozsdás nyomástartó edénnyel (8) üzemeltetni. Ha sérüléseket észlelt, forduljon vévőszolgálati szervizünkhöz.

⚠ **Figyelem!**

A nyomástartó edényből (8) származó kondenzvíz olajmaradványokat tartalmaz. Környezetbarát módon, egy megfelelő hulladékgyűjtő helyen ártalmatlanítsa a kondenzvizet.

11.3 Biztonsági szelep (3. ábra)

A biztonsági szelep (19) a nyomástartó edény (8) legnagyobb megengedett nyomására van beállítva. A biztonsági szelep (19) átállítása, vagy a leeresztő anya (19a) és a sapkája (19c) közötti csatlakozás rögzítésének (19b) eltávolítása nem engedélyezett. 30 üzemóránként, alkalmanként legalább 3-szor működtesse a biztonsági szelepet (19), hogy szükség esetén megfelelően működjön. Kioldáshoz forgassa az óramutató járásával ellentétes irányba a perforált leeresztő anyát (19a), majd a perforált leeresztő anyán (19a) keresztül, kézzel húzza kifelé a szelepszárat, hogy ezzel kinyissa a biztonsági szelep (19) kimenetét. A szelep ekkor hallhatóan kiengedi a levegőt. Ezután az óramutató járásának irányába forgatva húzza meg újra a leeresztő anyát (19a).

11.4 Rendszeresen ellenőrizze az olajsínt (10. ábra)

Állítsa a kompresszort sík, egyenes felületre.

Az olajsíntnek az olajsínt-ellenőrző ablak (18) MAX és MIN jelzései közé kell esnie.

Olajcsere: Ajánlott olaj: SAE 15W 40 vagy azzal egyenértékű. Az első feltöltést 100 üzemóra elteltével le kell cserélni; ezt követően 500 üzemóránként le kell engedni az olajat, és újat kell betölteni.

11.5 Olajcsere (1., 9., 10. ábra)

Kapcsolja le a motort, és húzza ki a hálózati csatlakozódugót az aljzatból. Távolítsa el az olajzáródugót (16). Miután az esetlegesen rendelkezésre álló levegőnyomást leeresztette, kicsavarozhatja az olajzáródugót (12) a kompresszoros szivattyún (13).

Hogy az olaj ne folyjon ki ellenőrizetlenül, helyezzen alá egy kisméretű bádgedényt, és fogja fel az olajat egy tartályban. Ha az olaj nem folyik ki teljesen, javasoljuk, hogy egy kicsit döntse meg a kompresszort. Ha az olaj kifutott, helyezze be újra az olajleeresztő csavart (12).

A fáradt olajat adja le ártalmatlanításra a megfelelő fáradt olaj átvevőhelyen!

A megfelelő olajmennyiség betöltéséhez ügyeljen rá, hogy a kompresszor sík felületen álljon. Töltsön be új olajat az olajbetöltő nyílásba (20), míg az olajsínt el nem éri a maximális töltési mennyiséget. Ezt piros pont jelöli az olajsínt-ellenőrző ablakon (18) (10. ábra).

Ne lépje túl a feltöltési mennyiséget. A túltöltés az eszköz megromlását eredményezheti. Helyezze vissza az olajzáródugót (16) az olajbetöltő nyílásra (20).

11.6 A légszűrő tisztítása (3., 11., 12. ábra)

A légszűrő (15) megakadályozza a por és szennyeződés beszívását. A légszűrőt (15) legalább 300 üzemóránként meg kell tisztítani. Az eltömődött légszűrő jelentősen rontja a kompresszor teljesítményét.

A szárnyas csavar (15b) kioldásával vegye ki a légszűrőt (15). Húzza le a szűrőfedelelet (15e). Most ki tudja venni a szűrőbetétet (15c) és a szűrőházat (15d). Óvatosan ütögesse ki a szűrőbetétet (15c), a szűrőfedelelet (15e) és a szűrőházat (15d). Ezeket az alkatrészeket ezután sűrített levegővel (kb. 3 bar) fújja ki, és fordított sorrendben szerelje vissza őket.

11.7 Szervizinformációk

Vegye figyelembe, hogy ennél a terméknél a következő alkatrészek használati vagy természetes kopásnak kitett elemek, illetve a következő alkatrészekre használati anyagokként van szükség.

Kopásnak kitett alkatrészek*: Légszűrő

* nem szerepel kötelezően a szállított elemek között!

11.8 Tárolás

⚠ **Figyelem!**

Húzza ki a hálózati csatlakozót, légtelenítse a készüléket és az összes csatlakoztatott sűrített levegős szerszámot. Úgy helyezze el a kompresszort, hogy illetéktelen személyek ne tudják üzembe helyezni.

⚠ **Figyelem!**

A kompresszort kizárólag száraz és jogosulatlan személyek számára nem hozzáférhető környezetben tárolja. Ne elbillentett helyzetben, hanem állva tárolja! Az olaj kifuthat!

11.8.1 A túlnyomás leeresztése

A túlnyomás leengedéséhez kapcsolja ki a kompresszort, és használja fel a nyomástartó edényben (8) még meglévő sűrített levegőt például egy sűrített levegős szerszám üresen járatásával vagy kifúvópisztoly működtetésével.

12. Szállítás

A gép szállításához a szállítási fogantyút (1) használja, és ezzel mozgassa a kompresszort.

A kompresszor felemelésekor ügyeljen annak súlyára (lásd a Műszaki adatokat).

A kompresszor gépjárművel végzett szállításánál gondoskodjon a rakomány megfelelő biztosításáról.

13. Ártalmatlanítás és újrahasznosítás

A készülék olyan csomagolásban található, amely megakadályozza a szállítás közbeni sérüléseket. Ez a csomagolás nyersanyag, így újra felhasználható vagy a nyersanyag-körforgásba visszaforgatható.

A készülék és annak tartozékai különböző anyagokból állnak, pl. fémből és műanyagokból. A hibás alkotóelemeket juttassa el az újrahasznosító helyekre. Érdeklődjön a szakkereskedésben vagy a helyi önkormányzatnál!



A csomagolás környezetbarát anyagokból készült, amelyeket a helyi szelektív hulladékgyűjtő pontokon ártalmatlaníthat.

Az elhasználódott készülék ártalmatlanítási lehetőségeiről a helyi önkormányzatnál tájékozódhat.

Ne dobja a használt berendezéseket a háztartási hulladékba!



Ez a szimbólum arra hívja fel a figyelmet, hogy a terméket az elektromos és elektronikus berendezések hulladékairól szóló irányelv (2012/19/EU) és a nemzeti törvények értelmében nem szabad a háztartási hulladékba dobni. Ezt a terméket egy erre alkalmas gyűjtőhelyen kell leadni. Ez történhet például egy hasonló termék vásárlásakor történő leadással vagy egy elektromos és elektronikus berendezések hulladékait újrahasznosító hivatalos gyűjtőhelyen történő leadással. A használt berendezések szakszerűtlen kezelése a használt elektromos és elektronikai berendezésekben gyakran megtalálható potenciálisan veszélyes anyagok miatt negatív hatással lehet a környezetre és az emberek egészségére. Ezen termék szakszerű ártalmatlanításával ráadásul a természeti erőforrások hatékony használatához is hozzájárul. A használt berendezések gyűjtőhelyeivel kapcsolatban a városvezetésnél, a helyi közterület-fenntartónál, az elektromos és elektronikus berendezések hivatalos gyűjtőhelyén vagy a hulladékszállító vállalatnál érdeklődhet.

14. Hibaelhárítás

Üzemzavar	Lehetséges ok	Megoldás
Nem jár a kompresszor.	Nem áll rendelkezésre hálózati feszültség.	Ellenőrizze a kábelt, hálózati csatlakozót, biztosítékot és csatlakozóaljzatot.
	Túl alacsony a hálózati feszültség.	Kerülje a túl hosszú hosszabbító kábelek használatát. Megfelelő huzalkeresztmetszetű hosszabbító kábelt használjon.
	Túl alacsony a külső hőmérséklet.	Ne használja a készüléket +5 °C külső hőmérséklet alatt.
	A motor túlmelegedett.	Hagyja lehűlni a motort, adott esetben szüntesse meg a túlmelegedés okát.
A kompresszor jár, de nincs nyomás.	Tömítetlen a (19) biztonsági szelep.	Lépjen kapcsolatba a helyi szerviz központtal. A javításokat kizárólag képzett szakemberrel végeztesse el.
	A tömítések tönkrementek.	Ellenőrizze a tömítéseket, a tönkrement tömítéseket cseréltesse ki szakműhellyel.
	A kondenzvíz (10) leeresztő csavarja tömítetlen.	Húzza meg kézzel a csavart. Ellenőrizze a csavar tömítését, szükség esetén cserélje ki.
A kompresszor jár, a manométer nyomást jelez, de a szerszámok nem működnek.	A tömlőcsatlakozások tömítetlenek.	Ellenőrizze, és szükség esetén cserélje ki a sűrített levegős tömlőt és a szerszámokat.
	A gyorscsatlakozó tömítetlen.	Lépjen kapcsolatba a helyi szerviz központtal. A javításokat kizárólag képzett szakemberrel végeztesse el.
	Túl alacsony nyomás van beállítva a nyomásszabályozón (5).	Állítson be magasabb értéket a nyomásszabályozón.

A termék megnevezése: Kompresszor	Gyártási szám: 383215_2010
A termék típusa: PKO24B2	
A gyártó cégneve, címe, e-mail címe: Scheppach GmbH Günzburger Straße 69 DE-89335 Ichenhausen E-mail cím: (HU): service.HU@scheppach.com	Szerviz neve, címe, telefonszáma: ATISGEP Kft Szentesi út 100 HU - 5903 Orosháza Szerviz forródrót: 00800 4003 4003 (0,00 Ft./perc)
Az importáló/ forgalmazó neve és címe: Lidl Magyarország Kereskedelmi Bt., H-1037 Budapest, Rádl árok 6.	

- A jótállási idő a Magyarország területén, Lidl Magyarország Kereskedelmi Bt. üzletében történt vásárlás napjától számított 1 év, amely jogvesztő. A jótállási idő a fogyasztó részére történő átadással, vagy ha az üzembe helyezést a forgalmazó, vagy annak megbízottja végzi, az üzembe helyezés napjával kezdődik.
- A jótállási igény a jótállási jeggyel és/vagy a vásárlást igazoló blokkal érvényesíthető. A jótállási jegy szabálytalan kiállítása, vagy átadásának elmaradása nem érinti a jótállási kötelezettség-vállalás érvényességét. Kérjük, hogy a vásárlás tényének és időpontjának bizonyítására őrizze meg a pénztári fizetésnél kapott jótállási jegyet és a vásárlást igazoló blokkot.
- A vásárlástól számított három munkanapon belül érvényesített csereigény esetén a forgalmazó köteles a terméket kicserélni, feltéve ha a hiba a rendeltetészerű használatot akadályozza. A jótállási jogokat a termék tulajdonosaként a fogyasztó érvényesítheti az áruházakban, valamint a jótállási tájékoztatóban feltüntetett szervizekben. (A magyar Polgári Törvénykönyv alapján fogyasztónak minősül a szakmája, önálló foglalkozása vagy üzleti tevékenysége körén kívül eljáró természetes személy.)
A jótállás ideje alatt a fogyasztó hibás teljesítés esetén kérheti a termék kijavítását, kicserélését, vagy ha a termék nem javítható vagy cserélhető, vagy az a forgalmazónak aránytalan többletköltséggel járna, illetve a fogyasztó kijavításhoz, kicseréléshez fűződő érdeke alapos ok miatt megszűnt, árleszállítást kérhet, vagy elállhat a szerződéstől és visszakérheti a vételárat. A kijavítás során a termékbe csak új alkatrész kerülhet beépítésre.
- A fogyasztó a hiba felfedezése után a lehető legrövidebb időn belül köteles a hibát bejelenteni és a terméket a jótállási jogok érvényesítése céljából átadni. A hiba felfedezésétől számított két hónapon belül bejelentett jótállási igényt időben közölni kell tekinteni. A közlés elmaradásából eredő kárért a fogyasztó felelős. A jótállási igény érvényesíthetőségének határideje a termék, vagy fődarabjának kicserélése esetén a csere napján újraindul.
- A rögzített bekötésű, illetve a 10 kg-nál súlyosabb, vagy tömegközlekedési eszközön nem szállítható terméket az üzemeltetés helyén kell megjavítani. Abban az esetben, ha a javítás a helyszínen nem végezhető el, a termék ki- és visszaszereléséről, valamint szállításáról a forgalmazónak kell gondoskodnia.
- A jótállás nem áll fenn, ha a hiba a nem rendeltetészerű használatból, átalakításból, helytelen tárolásból, vagy a használati utasítástól eltérő kezelésből, vagy bármely a vásárlást követő behatásból fakad, vagy elemi kár okozta, és azt a forgalmazó, vagy a szerviz bizonyítja. A jótállás nem vonatkozik a mozgó kopó alkatrészek (világítótestek, gumibroncsok stb.) rendeltetészerű felhasználódására. A szerviz és a forgalmazó a kijavítás során nem felel a terméken a fogyasztó vagy harmadik személyek által tárolt adatokért vagy beállításokért.
- Fogyasztói jogvita esetén a fogyasztó a megyei (fővárosi) kereskedelmi és iparkamarák mellett működő békéltető testület eljárását is kezdeményezheti.
A jótállás a fogyasztó törvényből eredő szavatossági jogait és azok érvényesíthetőségét nem érinti..



A www.lidl-service.com weboldalon lehetősége van ennek és még sok más ismertetőnek, termékvideónak és installációs szoftvernek a letöltésére.

A QR-kóddal közvetlenül a Lidl szervizoldalára jut (www.lidl-service.com), ahol a 383215_2010 cikkszám (IAN) megadásával megnyithatja a termék kezelési útmutatóját.

Kijavítást ellenőrző szelvény:

A jótállási igény bejelentésének időpontja:	A hiba oka:
Javításra átvétel időpontja:	A hiba javításának módja:
A fogyasztó részére történő visszaadás időpontja:	
A szerviz bélyegzője, kelt és aláírás:	

Kicserélést ellenőrző szelvény:

A jótállási igény bejelentésének időpontja:	
Kicserelés időpontja:	
A cserélő bolt bélyegzője, kelt és aláírás:	

1.	Razlaga simbolov na napravi	117
2.	Uvod	118
3.	Opis naprave (sl. 1 – 12)	118
4.	Obseg dostave.....	118
5.	Namenska uporaba.....	118
6.	Varnostni napotki	119
7.	Tehnični podatki	120
8.	Pred zagonom.....	121
9.	Zgradba in upravljanje.....	121
10.	Električni priključek.....	121
11.	Čiščenje vzdrževanje in skladiščenje.....	122
12.	Prevoz	123
13.	Odlaganje med odpadke in reciklaža	123
14.	Pomoč pri motnjah	124
15.	Garancijski list	125
16.	Izjava o skladnosti	127

1. Razlaga simbolov na napravi



SI

Pred zagonom preberite navodila za uporabo in varnostne napotke ter jih upoštevajte!



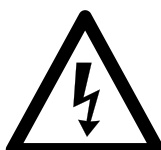
SI

Nosite zaščito za sluh. Zaradi vpliva hrupa lahko oglušite.



SI

Opozorilo pred vročimi deli! (A slika 11)



SI

Opozorilo pred električno napetostjo



SI

Opozorilo! Enota se zažene samodejno in se lahko zažene brez opozorila.



SI

Pozor! Pred prvim zagonom preverite nivo olja in zamenjajte zaporni čep za olje!



SI

Upoštevajte opozorilne in varnostne napotke!



SI

Nivo zračne moči v dB



SI

Naprave ne izpostavljajte dežju!

2. Uvod

Proizvajalec:

Schepach GmbH
Günzburger Straße 69
D-89335 Ichenhausen

Spoštovani kupec,

želimo vam veliko veselja in uspeha pri delu z vašo novo napravo.

Napotek:

Proizvajalec te naprave skladno z veljavnim zakonom o odgovornosti za izdelke ne jamči za poškodbe na tej napravi ali poškodbe s to napravo, do katerih pride pri:

- nepravilnem ravnanju,
- Neupoštevanje navodil za uporabo,
- popravilih, ki jih izvedejo tretji, nepooblaščen strokovnjaki,
- vgraditvi neoriginalnih nadomestnih delov in zamenjava z njimi,
- uporaba, ki ni v skladu z namenom uporabe,
- Izpadi električne naprave zaradi neupoštevanja električnih predpisov in določil VDE 0100, DIN 57113/VDE 0113.

Upoštevajte naslednje:

Pred montažo in zagonom preberite celotno besedilo navodil za uporabo.

Ta navodila za uporabo vam pomagajo spoznati električno orodje in izkoristiti njegove možnosti uporabe, ki so v skladu z določili.

Navodila za uporabo vsebujejo pomembne napotke o varnem, strokovnem in ekonomičnem delu z električnim orodjem, o izogibanju nevarnostim, prihranku stroškov za popravila, zmanjšanju časov izpada in povečanju zanesljivosti ter življenjske dobe električnega orodja.

Poleg varnostnih določil v teh navodilih za uporabo morate nujno upoštevati predpise svoje države, ki veljajo za uporabo električnega orodja.

Navodila za uporabo shranite poleg električnega orodja, ovita v plastični ovitek, tako da bodo zaščitena pred umazanijo in vlago. Pred sprejemom dela mora vsaka upravljalna oseba prebrati in skrbno upoštevati omenjena navodila. Na električnem orodju lahko delajo samo osebe, ki so poučene o uporabi orodja in o nevarnostih, ki so povezane s tem. Upoštevajte zahtevano najnižjo starost.

Poleg varnostnih napotkov iz teh navodil in posebnih predpisov vaše države morate pri uporabi identičnih strojev upoštevati tudi splošno veljavna tehnična pravila.

Ne prevzemamo nikakršne odgovornosti za nezgode in poškodbe, nastale zaradi neupoštevanja teh navodil in varnostnih napotkov.

3. Opis naprave (sl. 1–12)

1. Transportni ročaj
2. Tlačno stikalo
3. Hitra spojka (reguliran stisnjeni zrak)
4. Manometer (nastavljen tlak je mogoče odčitati)
5. Regulator tlaka
6. Manometer (tlak kotla je mogoče odčitati)
7. Hitra spojka (nereguliran stisnjen zrak)
8. Tlačna posoda
9. Oporna noga
- 9a. Podložka
- 9b. Vijak
10. Izpustni vijak za kondenzat
11. Kolo
- 11a. Podložka
- 11b. Vijak z lečasto glavo
12. Izpustni čep za olje
13. Črpalka kompresorja
14. Cev za stisnjen zrak
- 14a. Vtični priključek
- 14b. Hitra spojka
15. Zračni filter
- 15a. Transportni pokrov
- 15b. Krilati vijak
- 15c. Filtrski vložek
- 15d. Ohišje filtra
- 15e. Pokrov filtra
16. Zaporni čepi za olje
17. Stikalo za vklop/izklop
18. Kontrolno okence za olje
19. Varnostni ventil
- 19a. Izpustna matica
- 19b. Spojno varovalo
- 19c. Pokrovček izpustne matice
20. Odprtina za polnjenje olja
- 20a. Transportni pokrov

4. Obseg dostave

- 1 × zračni filter
- 2x oporna noga
- 2× kolo
- 1x montažni material
- 1 x zaporni čep za olje
- 1× plastenka za olje
- 1 × cev za stisnjen zrak
- 1x navodila za uporabo

5. Namenska uporaba

Kompresor je namenjen ustvarjanju stisnjenega zraka za orodja, ki jih poganja stisnjen zrak in lahko delujejo s količino zraka do približno 180 l/min (npr. polnilniki za pnevmatike, pištola za izpihovanje in pištola za lakiranje). Zaradi omejene količine pretočnega zraka ni mogoče uporabljati orodij, ki imajo zelo veliko porabo zraka (npr. vibracijski brusilnik, palični brusilnik in pnevmatski izvijač).

Stroj se sme uporabljati samo v skladu s predvidenim namenom. Vsaka druga uporaba, ki presega to, ni v skladu z namenom. Za škodo ali telesne poškodbe vseh vrst, ki izhajajo iz tega, je odgovoren uporabnik/upravljalavec in ne proizvajalec.

Prosimo, upoštevajte, da naše naprave namensko niso konstruirane za gospodarsko, obrtno ali industrijsko uporabo. Ne prevzemamo nobene odgovornosti, če napravo uporabljate v gospodarskih, obrtnih ali industrijskih obratih ter enakih dejavnostih.

6. Varnostni napotki

⚠ **Pozor!**

Pri uporabi električnih orodij je treba zaradi zaščite pred električnim udarom, nevarnostjo poškodb in požara upoštevati sledeče temeljne varnostne ukrepe. Pred uporabo električnega orodja preberite vse varnostne napotke in jih varno shranite.

Varno delo

1. Delovni prostor vzdržujte v urejenem stanju
 - Nered v delovnem prostoru lahko povzroči nezgode.
2. Upoštevajte vplive okolice
 - Električnih orodij ne izpostavljajte dežju.
 - Električnih orodij ne uporabljajte na vlažnem ali mokrem. Nevarnost zaradi električnega udara!
 - Poskrbite za dobro osvetlitev delovnega območja.
 - Električnih orodij ne uporabljajte, če obstaja nevarnost požara ali eksplozije.
3. Zaščitite se pred električnim udarom
 - Izogibajte se stiku z ozemljenimi deli (npr. cevmi, radiatorji, električnimi štedilniki, hladilniki).
4. Otrokom ne pustite blizu!
 - Drugim osebam ne pustite, da bi se dotikale orodja in kabla, ne pustite jim blizu svojemu delovnemu območju.
5. Orodja, ki niso v uporabi, varno shranite
 - Električna orodja, ki niso v uporabi, shranite na suhem, visoko ležečem ali zaprtem mestu, izven dosega otrok.
6. Ne preobremenjujte električnega orodja
 - V navedenem območju moči lahko delate bolje in varneje.
7. Nosite primerna oblačila
 - Ne nosite širokih oblačil ali nakita, ker vas lahko zgrabijo premikajoči se deli.
 - Pri delih na prostem je priporočeno nositi gumijaste rokavice in nederseča obuvala.
 - Če imate dolge lase, nosite mrežico za lase.
8. Kabla ne uporabljajte v namene, za katere ni predviden
 - Kabla ne uporabljajte za to, da bi izvlekli vtič iz vtičnice. Kabel zaščitite pred vročino, oljem in ostrimi robovi.
9. Svoja orodja negujte s skrbnostjo
 - Kompresor mora biti čist, da lahko delate dobro in varno.
 - Upoštevajte predpise za vzdrževanje.
 - Redno preverjajte priključni vod električnega orodja in ga ob poškodovanosti predajte strokovnjaku, da ga zamenja.
 - Redno preverjajte podaljševalne vode in jih zamenjajte, če so poškodovani.
10. Izvlecite vtič iz vtičnice
 - Ob neuporabi električnega orodja, pred vzdrževanjem in pri menjavi orodij, kot npr. žagin list, vrtnik, rezkalnik.

11. Izogibajte se nenamernemu zagonu
 - Pred vklopom vtiča v vtičnico se prepričajte, da je stikalo izklopljeno.
12. Kabelski podaljšek uporabljajte na prostem.
 - Na prostem uporabljajte samo dovoljene in ustrezno označene kabelske podaljške.
 - Kabelski boben uporabljajte samo, ko je odvit.
13. Vedno bodite pozorni
 - Pazite, kaj delate. Dela se lotevajte razumno. Električnega orodja ne uporabljajte, če niste koncentrirani.
14. Preverite električno orodje glede morebitnih poškodb
 - Pred nadaljnjo uporabo električnega orodja morate pregledati zaščitne priprave ali rahlo poškodovane dele, če brezhibno in ustrezno delujejo.
 - Prepričajte se, da premični deli brezhibno delujejo, se ne zatikajo in niso poškodovani. Vsi deli morajo biti pravilno nameščeni in izpolnjevati morajo vse pogoje, da je zagotovljeno brezhibno delovanje električnega orodja.
 - Poškodovane zaščitne priprave in dele mora priznana strokovna delavnica ustrezno popraviti ali zamenjati, če v navodilih za uporabo ni podano nič drugega.
 - Poškodovana stikala mora zamenjati servisna delavnica.
 - Ne uporabljajte pomanjkljivih ali poškodovanih priključnih vodov.
 - Ne uporabljajte električnih orodij, pri katerih ni mogoče vklopiti in izklopiti stikala.
15. Vaše električno orodje naj popravlja strokovnjak za elektriko
 - To električno orodje ustreza zadevnim varnostnim določilom. Popravila lahko izvaja samo električar, s tem, da uporablja originalne nadomestne dele, sicer lahko nastane nevarnost za uporabnika.
16. Pozor!
 - Zaradi lastne varnosti uporabljajte samo pribor in dodatne naprave, ki so navedene v navodilih za uporabo ali jih priporoča ali navaja proizvajalec. Uporaba vložnih orodij ali priborov, ki niso priporočeni v navodilih za uporabo ali v katalogu, lahko predstavlja osebno nevarnost poškodbe za vas.
17. Hrup
 - Pri uporabi kompresorja nosite zaščito sluha.
18. Zamenjava priključnega voda
 - Če se priključni vod poškoduje, ga morata proizvajalec ali strokovnjak za elektriko zamenjati, da se prepreči nevarnost. Nevarnost zaradi električnih udarov.
19. Polnjenje pnevmatik
 - Neposredno po polnjenju s primernim manometrom preverite tlak v pnevmatikah, npr. na bencinski črpalki.
20. Prevozni kompresorji za delovanje na gradbiščih
 - Pazite, da so vse gibke cevi in armature primerne za najvišji dovoljen delovni tlak kompresorja.
21. Mesto postavitve
 - Kompresor postavite samo na ravno površino.
22. Priporočljivo je, da dovodne gibke cevi pri tlakih nad 7 bar opremite z varnostnim kablom, npr. z žično vrvjo.
23. Izogibajte se močnim obremenitvam sistema vodov, tako da uporabite fleksibilne cevne priključke, da ne nastanejo mesta pregibanja.
24. Poskrbite, da so priprave za hlajenje olja vedno čiste, zaščitne naprave pa vedno v ustreznem stanju.

25. Nevarnost opeklin zaradi vročega olja
- Nosite primerne zaščitne rokavice.
 - Kompresorja nikoli ne uporabljajte v bližini odprtega plamenenja.
 - Pazite, da se olje ne razlije.
26. Pri nizkih temperaturah pod 0 °C zagon motorja ni dovoljen.

Dodatni varnostni napotki

Varnostni napotki za delo s stisnjenim zrakom in pištolami za izpihovanje

- Črpalka kompresorja in vodi med delovanjem dosežejo visoke temperature. Dotiki vodijo do opeklin.
- V zraku, ki ga vsesa kompresor, ne sme biti primesi, ki v črpalki kompresorja lahko privedejo do požarov ali eksplozij.
- Pri odklapanju cevne spojke z roko držite spojni kos gibke cevi. Tako se izognete telesnim poškodbam zaradi gibke cevi, ki jo vrže nazaj.
- Pri delu s pištolo za izpihovanje nosite zaščitna očala. Tujki in deli, ki jih odpihne v stran, zlahka povzročijo telesne poškodbe.
- S pištolo za izpihovanje ne pihajte v ljudi ali oblačila na telesu. Nevarnost poškodb!

Varnostni napotki pri brizganju barv

- Ne delajte z laki ali topili z vnetiščem pod 55 °C. Nevarnost eksplozije!
- Lakov ali topil ne segrevajte. Nevarnost eksplozije!
- Če delate z zdravju škodljivimi tekočinami, za zaščito potrebujete filtrirne naprave (maske za obraz). Upoštevajte tudi podatke in zaščitne ukrepe, ki jih navajajo proizvajalci takšnih snovi.
- Upoštevati je treba podatke in oznake uredbe o nevarnih snoveh na dodatnih ovojinah obdelanih materialov. Po potrebi je treba sprejeti dodatne zaščitne ukrepe, zlasti nošenje primernih oblačil in mask.
- Med brizganjem ter v delovnem prostoru ni dovoljeno kaditi. Nevarnost eksplozije! Tudi plini barv so lahko vnetljivi.
- Kurišča, odprta luč ali stroji, ki ustvarjajo iskre, ne smejo biti prisotni oz. jih ni dovoljeno uporabljati.
- Jedi in napitkov ne hranite ali uživajte v delovnem prostoru. Plini barv so zdravju škodljivi.
- Delovni prostor mora biti večji od 30 m³ in zagotovljen mora biti zadosten pretok zraka pri brizganju in sušenju.
- Ne brizgajte proti vetru. Pri brizganju gorljivih oz. nevarnih snovi za brizganje dosledno upoštevajte določila lokalnega policijskega oddelka.
- V povezavi s tlačno gibko cevjo iz PVC ne delajte z mediji, kot so beli špirit, butilni alkohol in metilen klorid. Ti mediji uničijo tlačno gibko cev.
- Pri uporabi v kombinaciji z dodatno opremo za brizganje (npr. brizgalna pištola za barvo): med polnjenjem držite brizgalno napravo stran od naprave in ne brizgajte v smeri kompresorja.

Delo s tlačnimi posodami

- Kdor dela s tlačno posodo, jo mora vzdrževati v ustreznem stanju, ustrezno delati z njo, nadzorovati, nemudoma izvesti potrebna vzdrževalna dela in popravila in v skladu z razmerami sprejeti potrebne varnostne ukrepe.

- Nadzorni organ lahko v posamičnem primeru odredi potrebne nadzorne ukrepe.
- Tlačne posode ni dovoljeno uporabljati, če ima napake, zaradi katerih so ogroženi zaposleni ali tretje osebe.
- Pred vsako uporabo preverite tlačno posodo, če je rjasta in poškodovana. Kompresorja ni dovoljeno uporabljati s poškodovano ali rjasto tlačno posodo. Če opazite poškodbe, se obrnite na servisno delavnico za stranke.

Varnostne napotke skrbno shranite.

Preostalo tveganje

Upoštevajte določene vzdrževalne in varnostne napotke v navodilih za uporabo.

Pri delu bodite vedno pazljivi in poskrbite, da so druge osebe na varni razdalji od vašega delovnega mesta.

Tudi pri pravilni uporabi naprave obstaja vedno določeno preostalo tveganje, ki ga ni mogoče izključiti. Na podlagi vrste in konstrukcije naprave je mogoče določiti naslednje možne nevarnosti:

- nenameren zagon izdelka,
- poškodbe sluha, če uporabnik ne nosi predpisane zaščite za sluh,
- delci umazanije, prah ipd. lahko kljub nošenju zaščitnih očal pridejo v vaše oči ali se sprimejo vašega obraza,
- vdihavanje delcev, ki se dvigajo.

Opozorilo!

To električno orodje med delovanjem ustvarja elektromagnetno polje. To polje lahko v določenih okoliščinah vpliva na aktivne ali pasivne medicinske vsadke. Zaradi zmanjšanja nevarnosti resnih ali smrtnih poškodb, osebam z medicinskimi vsadki priporočamo, da se pred uporabo električnega orodja posvetujejo s svojim zdravnikom ali proizvajalcem medicinskega vsadka.

7. Tehnični podatki

Omrežni priključek	230 V~ 50 Hz
Motorna moč.....	1800 W
Način delovanja.....	S1
Število vrtljajev kompresorja.....	2850 min ⁻¹
Prostornina tlačne posode	pribl. 24 l
Največji obratovalni tlak.....	pribl. 10 barov
Teoretična sesalna moč.....	pribl. 260 l/min
Raven hrupa L _{PA}	72,9 dB(A)
Nivo moči zvoka L _{WA}	92,9 dB(A)
Negotovost K _{PA/WA}	2,59 dB
Stopnja zaščite	IPX2
Teža naprave.....	približno 26,8 kg
Olje (SAE 15W 40).....	pribl. 0,25 l
Maksimalna višina postavitve (n.v.)	1000 m

Vrednosti emisij hrupa so bile ugotovljene v skladu z EN ISO 3744 1995.

Nosite zaščito za sluh.

Zaradi vpliva hrupa lahko oglušite.

8. Pred zagonom

- Odprite embalažo in napravo previdno vzemite ven.
- Odstranite embalažni material ter embalažna in transportna varovala (če obstajajo).
- Preverite, ali je obseg dostave celovit.
- Preverite, če so se naprava in deli pribora poškodovali med transportom.
- Po možnosti embalažo shranite do preteka garancijskega časa.

NEVARNOST

Naprava in embalažni material nista otroški igrači! Otroci se ne smejo igrati s plastičnimi vrečkami, folijami in majhnimi deli! Obstaja nevarnost, da jih pogoltnejo in se z njimi zadušijo!

Pred priključitvijo se prepričajte, da se podatki na tipski ploščici ujemajo s podatki o električnem omrežju.

- Pred prvim zagonom odstranite transportni pokrov (20a) in ohišje črpalke kompresorja napolnite z oljem, kot je opisano v točki 9.4.
- Preverite napravo, če je utrpela poškodbe pri transportu. Morebitne poškodbe takoj sporočite transportnemu podjetju, ki je dostavilo kompresor.
- Kompresor je treba postaviti v bližini porabnika.
- Izogibati se je treba dolgim vodom za zrak in kratkim dovozom (podaljševalni kabel).
- Pazite, da je vsesani zrak suh in brez prahu.
- Kompresorja ne postavljajte v vlažnem ali mokrem prostoru.
- Kompresor je dovoljeno uporabljati samo v primernih prostorih (dobro prezračevani, temperatura okolice od +5 °C do 40 °C). V prostoru ne sme biti prahu, kislin, hlapov, eksplozivnih ali vnetljivih plinov.
- Kompresor je primeren za uporabo v suhih prostorih. V območjih, kjer se dela z brizgajočo vodo, uporaba ni dovoljena.
- Pred zagonom morate preveriti raven olja v ohišju črpalke kompresorja.

9. Zgradba in upravljanje

⚠ Pozor!

Pred zagonom obvezno v celoti montirajte napravo!

Za montažo potrebujete:

- 1 × viličasti ključ 13 mm
- 1 × izvijač s križno glavo
- (ni vključen v obseg dostave)

9.1 Namestitev koles (slika 4)

- Namestite priložena kolesa (11), kot je prikazano.

9.2 Namestitev oporne noge (slika 5)

- Namestite priloženo oporno nogo (9), kot je prikazano.

9.3 Montaža zračnega filtra (sliki 6 in 7)

- Odstranite transportni pokrov (15a) in trdno privijte zračni filter (15) v napravo.

9.4 Dolivanje olja (sliki 8 in 9)

- Odstranite transportni pokrov (20a) z odprtine za polnjenje olja (20).
- Priloženo olje za kompresor nalijte v ohišje črpalke kompresorja in vstavite priložen zaporni čep za olje (16) v odprtino za polnjenje olja (20).

9.5 Omrežni priključek

- Kompresor je opremljen z električnim vodom z varnostnim vtičem. Tega je mogoče priključiti na vsako varnostno vtičnico 220–240 ~ 50 Hz, ki je zaščitena z varovalko 16 A.
- Pred zagonom pazite, da se omrežna napetost ujema z delovno napetostjo in močjo stroja, ki sta navedeni na tipski ploščici.
- Dolgi dovodi ter podaljški, kabelski bobni itd. povzročijo upad napetosti in lahko preprečijo zagon motorja.
- Pri nizkih temperaturah pod +5 °C je zagon motorja ogrožen zaradi težke gibljivosti.

9.6 Stikalo za vklop/izklop (slika 2)

- Za vklop kompresorja stikalo za vklop/izklop (17) povlecite navzgor. Za izklop stikalo za vklop/izklop (17) potisnite navzdol.

9.7 Opis naprave (sliki 1 in 3)

- Z regulatorjem tlaka (5) nastavite tlak na manometru (4).
- Nastavljen tlak lahko sprostite na hitri spojki (3).
- Na manometru (6) odčitajte tlak kotla.
- Tlak v kotlu lahko odvajate na hitri spojki (7).

9.8 Nastavitev tlačnega stikala (slika 1)

- Tlačno stikalo (2) je tovarniško nastavljeno.
Vklonni tlak pribl. 8 barov
Izklopni tlak pribl. 10 barov

9.9 Montaža gibke cevi za stisnjen zrak (sliki 1 in 3)

- Vtični priključek (14a) gibke cevi za stisnjen zrak (14) priključite na eno od hitrih spojk (3, 7).
- Nato priključite orodje za stisnjeni zrak na hitro spojko (14b) gibke cevi za stisnjen zrak (14).

9.10 Zaščitno termično stikalo

Zaščitno termično stikalo je vgrajeno v napravo.

Če se zaščitno termično stikalo sproži, storite naslednje:

- Izvlecite omrežni vtič.
- Počakajte pribl. tri minute.
- Znova priključite napravo.
- Če se naprava ne zažene, ponovite postopek.
- Če se naprava še vedno ne zažene, napravo znova izklopite in vklopite s stikalom za vklop/izklop (17).
- Če ste izvedli vse zgornje korake in naprava kljub temu ne deluje, se obrnite na našo servisno službo.

10. Električni priključek

Nameščeni elektromotor je priključen, tako da je pripravljen za uporabo. Priključek ustreza zadevnim standardom VDE in DIN. Omrežni priključek in uporabljen podaljšek na strani kupca morata ustrezati predpisom.

10.1 Pomembni napotki

Pri preobremenitvi motorja se ta samodejno izklopi. Po določenem času hlajenja (različni časi) lahko motor znova vklopite.

10.2 Poškodovan električni priključni vod

Na električnih priključnih vodih pogosto nastanejo poškodbe izolacije.

Vzroki za to so lahko:

- Otiščanci, če priključne vode speljete skozi okna ali reže vrat.
- Pregibi zaradi nepravilne pritrditve ali vodenja priključnih vodov.
- Rezi zaradi vožnje preko priključnih vodov.
- Poškodbe izolacije zaradi iztrganja iz stenske vtičnice.
- Pretrgana mesta zaradi staranja izolacije.

Takih poškodovanih električnih priključnih vodov ne smete uporabljati, ker so zaradi poškodb izolacije smrtno nevarni.

Redno preverjajte, če so električni priključni vodi poškodovani. Pri tem pazite, da priključni vod pri preverjanju ne bo visel na električnemu omrežju.

Električni priključni vodi morajo ustrezati zadevnim določilom VDE in DIN. Uporabljajte samo priključne vode z enako oznako. Po predpisih mora biti oznaka tipa priključnega voda natisnjena na njem.

10.3 Motor na izmenični tok

- Omrežna napetost mora znašati 220–240 V~ 50 Hz.
- Podaljševalni vodi do 2,5 m morajo imeti prečni prerez 1,5 kvadratnega milimetra.

Priključevanje in popravila električne opreme lahko izvajajo samo električarji.

V primeru povpraševanja morate navesti spodnje podatke:

- Vrsta toka, ki napaja motor
- Podatki tipske ploščice stroja
- Podatki na tipski ploščici motorja

11. Čiščenje vzdrževanje in skladiščenje

⚠ Pozor!

Pred vsemi čiščenji in vzdrževalnimi deli izvlecite omrežni vtič! Nevarnost telesnih poškodb zaradi udarov toka!

⚠ Pozor!

Počakajte, da se naprava popolnoma ohladi! Nevarnost opeklin!

⚠ Pozor!

Pred vsemi čiščenji in vzdrževalnimi deli sprostite tlak iz naprave! Nevarnost poškodb!

11.1 Čiščenje

- Na napravi mora biti čim manj prahu in umazanije. Zdrgnite napravo s čisto krpo ali jo izpihajte s stisnjenim zrakom pod nizkim tlakom.
- Priporočamo, da napravo očistite neposredno po vsaki uporabi.

- Napravo redno čistite z vlažno krpo in malo mazavega mila. Ne uporabljajte agresivnih čistil ali topil, ker lahko poškodujejo plastične dele naprave. Pazite, da v notranjost naprave ne vdre voda.
- Pred čiščenjem kompresorja je treba odklopiti gibko cev in orodja za brizganje. Kompresorja ni dovoljeno čistiti z vodo, topili ali podobnimi sredstvi.

11.2 Vzdrževanje tlačne posode (slika 1)

Pozor!

Za uporabnost tlačne posode (8) morate po vsaki uporabi izpustiti kondenzat, tako da odprete izpustni vijak (10).

Pred tem sprostite tlak kotla (glejte 11.8.1). Izpustni vijak (10) odprete tako, da ga obračate v levo (smer gledanja od spodnje strani kompresorja proti vijaku), da lahko kondenzat v ceLOTI izteče iz tlačne posode (8).

Zatem ponovno privijte izpustni vijak (10) (obračanje v desno). Pred vsako uporabo preverite tlačno posodo (8), če je rjasta in poškodovana.

Kompresorja ni dovoljeno uporabljati s poškodovano ali rjasto tlačno posodo (8). Če opazite poškodbe, se obrnite na servisno delavnico za stranke.

⚠ Pozor!

Kondenzat iz tlačne posode (8) vsebuje ostanke olja. Kondenzat odstranite na okolju prijazen način na ustreznem zbirnem mestu.

11.3 Varnostni ventil (slika 3)

Varnostni ventil (19) je nastavljen na najvišji dovoljen tlak tlačne posode (8). Varnostnega ventila (19) ni dovoljeno premikati ali odstraniti vezne varovalke (19b) med izpustno matico (19a) in njenim pokrovom (19c). Da varnostni ventil (19) pravilno deluje, ko je potrebno, ga je treba aktivirati na vsakih 30 obratovnih ur oziroma najmanj trikrat letno. Za odpiranje obrnite perforirano izpustno matico (19a) v nasprotni smeri urnega kazalca in nato drog ventila ročno povlecite čez perforirano izpustno matico (19a) navzven, da odprete izpust varnostnega ventila (19). Ventil nato slišno izpusti zrak. Na koncu znova zategnite izpustno matico (19a) v smeri urnega kazalca.

11.4 Redno preverjajte raven olja (slika 10)

Postavite kompresor na ravno površino.

Raven olja mora biti med oznakama MAX in MIN v kontrolnem okencu za olje (18).

Menjava olja: Priporočeno olje: SAE 15W 40 ali enakovredno olje. Prvo polnjenje je treba zamenjati po prvih 100 obratovnih urah. Nato je treba vsakih 500 obratovnih ur izpustiti olje in napolniti novo.

11.5 Menjava olja (slike 1, 9, 10)

Izklopite motor in izvlecite omrežni vtič iz vtičnice. Odstranite zaporni čep za olje (16). Ko ste izpustili morebiten zračni tlak, lahko odvijete izpustni vijak za olje (12) na črpalki kompresorja (13).

Da olje ne bo nenadzorovano iztekalo, postavite manjšo kovinsko posodo in olje prestrezite vanjo. Če olje ne izteče v celoti, priporočamo, da kompresor nekoliko nagnete. Ko olje izteče, znova vstavite izpustni vijak za olje (12).

Staro olje zavržite na primernem zbirnem mestu za izrabljeno olje.

Za dolivanje ustrezne količine olja pazite, da bo kompresor stal na ravni površini. Napolnite novo olje v odprtino za polnjenje olja (20), dokler raven olja ne doseže največje količine. Ta je označena z rdečo točko na kontrolnem okencu za olje (18) (slika 10).

Ne prekoračite največje količine polnjenja. Prekomerno polnjenje lahko poškoduje napravo. Zaporni čep za olje (16) znova vstavite v odprtino za polnjenje olja (20).

11.6 Čiščenje zračnega filtra (slike 3, 11, 12)

Zračni filter (15) preprečuje vsesavanje prahu in nečistoč. Ta zračni filter (15) je treba očistiti vsakih 300 obratovnih ur. Zamašen zračni filter močno zmanjša učinkovitost kompresorja.

Odstranite zračni filter (15), tako da odvijete krilati vijak (15b). Nato snemite pokrov filtra (15e). Zdaj lahko odstranite filterški vložek (15c) in ohišje filtra (15d). Previdno iztepite filterški vložek (15c), pokrov filtra (15e) in ohišje filtra (15d). Te sestavne dele morate nato spihati s stisnjanim zrakom (prib. 3 bare) in jih namestiti v obratnem vrstnem redu.

11.7 Informacije o servisu

Upoštevajte, da so pri tem izdelku sledeči deli podvrženi obrabi, ki izhajajo iz uporabe, ali naravni obrabi oz. so sledeči deli potrebni kot potrošni material.

Potrošni material*: Zračni filter

* Ni nujno v obsegu dostave!

11.8 Skladiščenje

⚠ Pozor!

Izvlomite omrežni vtič, prezračite napravo in vsa priključena pnevmatska orodja. Kompresor odložite tako, da ga nepooblaščen osebe ne morejo uporabljati.

⚠ Pozor!

Kompresor shranite samo v suhem okolju, ki ni dostopno nepooblaščenim osebam. Ne vračate ga, shranite ga samo v stoječem položaju! Olje lahko izteče!

11.8.1 Sproščanje nadtlaka

Nadtlak sprostite iz kompresorja tako, da izklopite kompresor in porabite stisnjen zrak, ki je še v tlačni posodi (8), npr. z orodjem za stisnjeni zrak v prostem teku ali s pištolo za izpihovanje.

12. Prevoz

Pri prevozu uporabljajte transportni ročaj (1) in z njim premikajte kompresor.

Pri dviganju kompresorja upoštevajte njegovo težo (glejte Tehnični podatki).

Pri prevozu kompresorja v motornih vozilih poskrbite, da bo tovar dobro zavarovan.

13. Odlaganje med odpadke in reciklaža

Naprava je zaradi preprečitve poškodb med transportom v embalaži. Ta embalaža je iz surovine in je zato ponovno uporabna ali jo lahko vrnete v surovinski cikel.

Naprava in njen pribor so iz različnih materialov, kot npr. iz kovine in umetnih snovi. Okvarjene sestavne dele zavržite med posebne odpadke. Povprašajte v specializirani trgovini ali v občinski upravi!



Embalaža je narejena iz materialov, prijaznih do okolja, ki jih lahko odvržete v lokalnih obratih za recikliranje.

Več informacij o odlaganju iztrošene naprave med odpadke izveste pri lokalni skupnosti ali občinski upravi.

Odpadne opreme ne odvržite med gospodinjске odpadke!



Ta simbol označuje, da je tega izdelek v skladu z Direktivo o odpadni električni in elektronski opremi (2012/19/EU) in v skladu z nacionalno zakonodajo ni dovoljeno odvreči med gospodinjске odpadke. Ta izdelek je treba dostaviti na ustrezno zbirno mesto. Lahko ga npr. vrnete ob nakupu podobnega izdelka ali pa ga predate na zbirnem mestu, ki je pristojno za reciklažo odpadne električne in elektronske opreme. Neustrezno ravnanje starimi napravami lahko zaradi potencialno nevarnih snovi, ki so pogosto vsebovane v odpadni električni in elektronski opremi, predstavlja nevarnost za okolje in človeško zdravje. Če ta izdelek pravilno zavržete, prispevate tudi k učinkoviti rabi naravnih virov. Informacije o zbirnih mestih odpadne opreme dobite pri mestni upravi, lokalnem organu, ki je pristojen za ravnanje z odpadki, pri pooblaščenem zbirnem centru za odstranjevanje odpadne električne in elektronske opreme ali pri svojem komunalnem podjetju.

14. Pomoč pri motnjah

Motnja	Mogoč vzrok	Ukrep
Kompresor se ne zažene.	Ni omrežne napetosti.	Preverite kabel, omrežni vtič, varovalko in vtičnico.
	Omrežna napetost je prenizka.	Izogibajte se predolgim podaljševalnim kablom. Uporabite podaljševalni kabel z zadostnim presekom žil.
	Zunanja temperatura je prenizka.	Ne uporabljajte pri zunanji temperaturi, nižji od +5 °C.
	Motor je pregret.	Počakajte, da se motor ohladi, in po potrebi odpravite vzrok pregretja.
Kompresor deluje, vendar ni tlaka.	Varnostni ventil (19) ne tesni.	Obrnite se na lokalni servis. Popravila smejo izvajati le izšolane osebe.
	Tesnila so zanič.	Preverite tesnila, strokovna delavnica naj zamenja zanič tesnila.
	Izpustni vijak za kondenzat (10) ne tesni.	Z roko zategnite vijak. Preverite tesnilo na vijaku in ga po potrebi zamenjajte.
Kompresor deluje, na manometru je prikazan tlak, vendar orodja ne delujejo.	Spojgi gibke cevi so netesni.	Preverite gibko cev za stisnjen zrak in orodja ter jih po potrebi zamenjajte.
	Hitra spojka je netesna.	Obrnite se na lokalni servis. Popravila smejo izvajati le izšolane osebe.
	Na regulatorju tlaka (5) je nastavljen prenizek tlak.	Bolj odprite regulator tlaka.

15. Garancijski list

Proizvajalec:

Scheppach GmbH
Günzburger Straße 69
DE-89335 Ichenhausen

Pooblaščen serviser (SI):

Top Nova d.o.o.
Brodisce 22
SI - 1236 Trzin

Telefonska št. servisa (SI):

00800 4003 4003
(0,00 €/Min.)

E-poštni naslov (SI):

service.SI@scheppach.com

Garancijski list

1. S tem garancijskim listom Scheppach GmbH jamčimo, da bo izdelek v garancijskem roku ob normalni in pravilni uporabi brezhibno deloval in se zavezujemo, da bomo ob izpolnjenih spodaj navedenih pogojih odpravili morebitne pomanjkljivosti in okvare zaradi napak v materialu ali izdelavi oziroma po svoji presoji izdelek zamenjali ali vrnili kupnino.
2. Garancija je veljavna na ozemlju Republike Slovenije.
3. Garancijski rok za proizvod je 3 od datuma izročitve blaga. Datum izročitve blaga je razviden iz računa.
4. Kupec je dolžan okvaro javiti pooblaščenemu servisu oziroma se informirati o nadaljnjih postopkih na zgoraj navedeni telefonski številki. Svetujemo vam, da pred tem natančno preberete navodila o sestavi in uporabi izdelka.
5. Kupec je dolžan pooblaščenemu servisu predložiti garancijski list in račun, kot potrdilo in dokazilo o nakupu ter dnevu izročitve blaga.
6. V primeru, da proizvod popravlja nepooblaščen servis ali oseba, kupec ne more uveljavljati zahtevkov iz te garancije.
7. Vzroki za okvaro oziroma nedelovanje izdelka morajo biti lastnosti stvari same in ne vzroki, ki so zunaj proizvajalčeve oziroma prodajalčeve sfere. Kupec ne more uveljavljati zahtevkov iz te garancije, če se ni držal priloženih navodil za sestavo in uporabo izdelka ali če je izdelek kakorkoli spremenjen ali nepravilno vzdrževan.
8. Jamčimo servis in rezervne dele še 3 leta po preteku garancijskega roka.
9. Obrabni deli oz. potrošni material so izvzeti iz garancije.
10. Vsi potrebni podatki za uveljavljanje garancije se nahajajo na dveh ločenih dokumentih (garancijski list, račun).
11. Ta garancija proizvajalca ne izključuje pravic potrošnika, ki izhajajo iz odgovornosti prodajalca za napake na blagu.

Prodajalec:

Lidl Slovenija d.o.o. k.d., Pod lipami 1, SI-1218 Komenda



S spletne strani www.lidl-service.com si lahko prenesete ostale priročnike, videoposnetke o izdelkih in namestitveno programsko opremo.

S kodo QR neposredno odprete Lidlovo storitveno spletno stran (www.lidl-service.com), kjer lahko z vnosom številke izdelka (IAN) 383215_2010 odprete ustrezna navodila za uporabo.

EG-Konformitätserklärung
Originalkonformitätserklärung
EG Declaration of Conformity
Translation of the original EG declaration of conformity
Déclaration de conformité EG
Traduction de la déclaration de conformité EG originale



Scheppach GmbH, Günzburger Str. 69, D-89335 Ichenhausen

DE	erklärt folgende Konformität gemäß EU-Richtlinie und Normen für den Artikel	PL	deklaruje, że produkt jest zgodny z następującymi dyrektywami UE i normami
GB	hereby declares the following conformity under the EU Directive and standards for the following article	LT	pareiškia, taip atitiktis pagal ES direktyvos ir standartai šį straipsnį
FR	déclare la conformité suivante selon la directive UE et les normes pour l'article	HU	az EU-irányelv és a vonatkozó szabványok szerinti következő megfeleléségi nyilatkozatot teszi a termékre
IT	dichiara la seguente conformità secondo le direttive e le normative UE per l'articolo	SI	izjavlja sledenco skladnost z EU-direktivo in normami za artikel
ES	declara la conformidad siguiente según la directiva la UE y las normas para el artículo	CZ	prohlašuje následující shodu podle smernice EU a norem pro výrobek
PT	declara o seguinte conformidade com a Directiva da UE e as normas para o seguinte artigo	SK	prehlasuje nasledujúcu zhodu podľa smernice EU a noriem pre výrobok
DK	erklærer hermed, at følgende produkt er i overensstemmelse med nedenstående EUDirektiver og standarder	HR	ovime izjavljuje da postoji skladnost prema EU-smjernica i normama za sljedece artikle
NL	verklaart hierbij dat het volgende artikel voldoet aan de daarop betrekking hebbende EG-richtlijnen en normen	RS	potvrđuje sledeću usklađenost prema smernicama EZ i normama za artikal
FI	vakuuttaa täten, että seuraava tuote täyttää ala esitettyt EU-direktiivit ja standardit	RO	declară următoarea conformitate corespunzător directivelor și normelor UE pentru articolul
SE	försäkrar härmed följande överensstämmelse enligt EU-direktiv och standarder för följande artikeln	BG	декларира съответното съответствие съгласно Дирек-тива на ЕС и норми за артикул

Marke / Brand / Marque:

Parkside

Article name:

COMPRESSOR - PKO 24 B2

Art.-Bezeichnung:

KOMPRESSOR - PKO 24 B2

Nom d'article:

COMPRESSEUR - PKO 24 B2

Art.-Nr. / Art. no. / Numéro d'article: **3906149974-3906149980; 39061499915-39061499916**

Ident.-Nr. / Ident. no. / N° d'ident.: **01001 - 80776**

X	2014/29/EU		2004/22/EC		89/686/EC_96/58/EC	X	2000/14/EC_2005/88/EC
	2014/35/EU	X	2014/68/EU		90/396/EC		Annex V
X	2014/30/EU	X	2011/65/EU*			X	Annex VI Noise: measured $L_{WA} = 92.9$ dB(A); guaranteed $L_{WA} = 97$ dB(A) P = KW; L/Ø = cm Notified Body: TÜV SÜD Industrie Service GmbH Westendstrasse 199; 80686 München Notified Body No.: 0036
X	2006/42/EC						2010/26/EC
							Emission. No:

Standard references:

EN 1012-1:2010; EN 60204-1:2018; EN 61000-6-1:2007; EN 61000-6-3:2007/A1:2011; EN 50581:2012; EN 286-1:1998/A1:2002

Die alleinige Verantwortung für die Ausstellung dieser Konformitätserklärung trägt der Hersteller.

This declaration of conformity is issued under the sole responsibility of the manufacturer.

Le fabricant assume seul la responsabilité d'établir la présente déclaration de conformité.

* Der oben beschriebene Gegenstand der Erklärung erfüllt die Vorschriften der Richtlinie 2011/65/EU des Europäischen Parlaments und des Rates vom 8. Juni 2011 zur Beschränkung der Verwendung bestimmter gefährlicher Stoffe in Elektro- und Elektronikgeräten.

* The object of the declaration described above fulfils the regulations of the directive 2011/65/EU of the European Parliament and Council from 8th June 2011, on the restriction of the use of certain hazardous substances in electrical and electronic equipment.

* L'appareil décrit ci-dessus dans la déclaration est conforme aux réglementations de la directive 2011/65/EU du Parlement Européen et du Conseil du 8 juin 2011 visant à limiter l'utilisation de substances dangereuses dans la fabrication des appareils électriques et électroniques.

Ichenhausen, den 30.12.2021

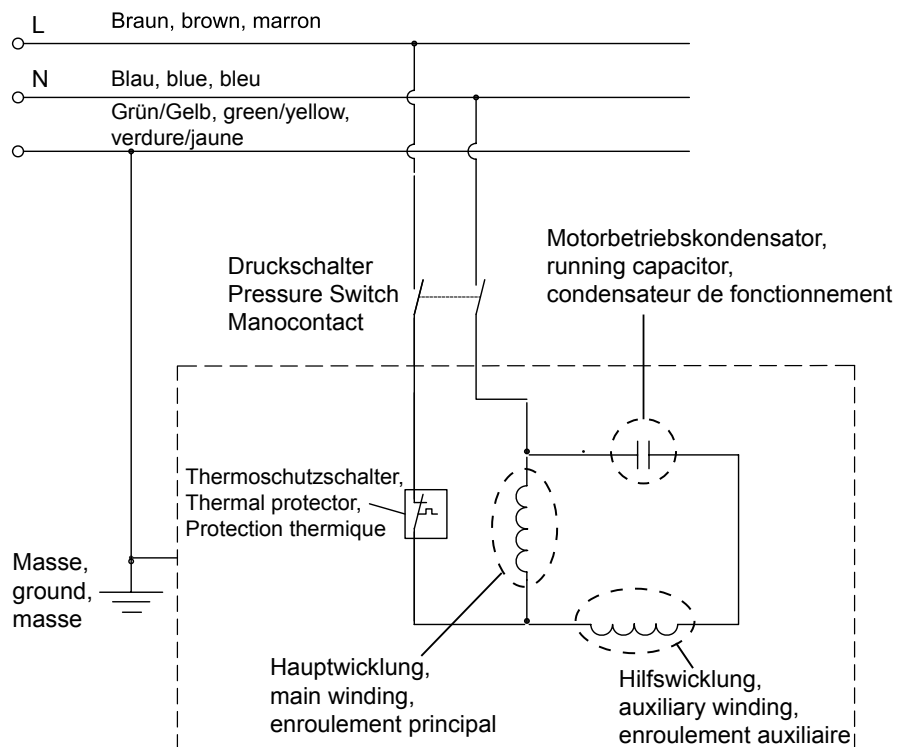
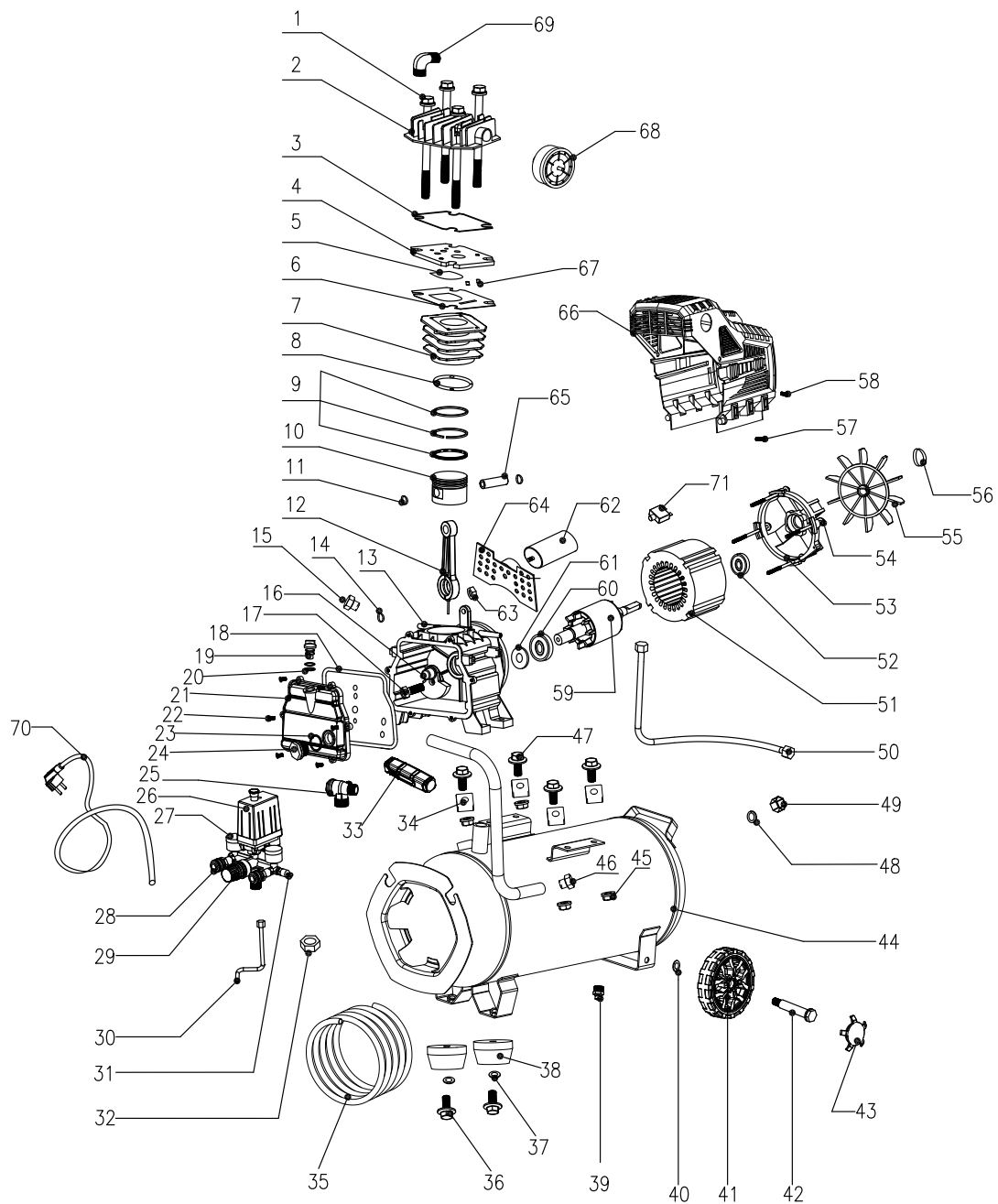
Unterschrift / Andreas Pecher / Head of Project Management

First CE: 2020

Subject to change without notice

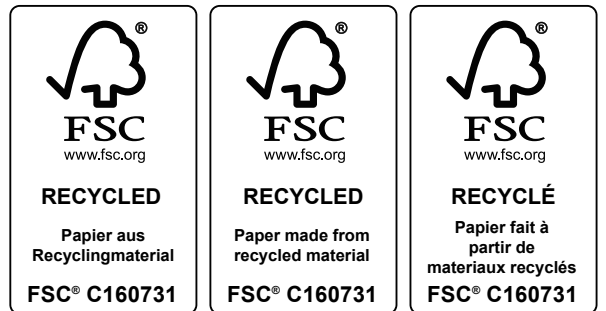
Documents registrar: Thomas Schuster
 Günzburger Str. 69, D-89335 Ichenhausen







SCHEPPACH GMBH
Günzburger Str. 69
D-89335 Ichenhausen



Last Information Update · Stand der Informationen · Version des informations · Stand van de informatie · Stav informací · Stan informacij · Stav informácií · Estado de las informaciones · Tilstand af information ·
Versione delle informazioni · Információk állása · Stanje informacij
Update: 12 / 2021 · Ident.-No.: 383215_2010_39061499915

IAN 383215_2010